

FACILITY FORM 402

**N65-30844**  
 (ACCESSION NUMBER)

227  
 (PAGES)

CR64329  
 (NASA CR OR TMX OR AD NUMBER)

(THRU) \_\_\_\_\_

(CODE) 30

(CATEGORY) \_\_\_\_\_

**REPUBLIC**  
 AVIATION CORPORATION

GPO PRICE \$ \_\_\_\_\_

CSFTI PRICE(S) \$ \_\_\_\_\_

Hard copy (HC) 6.00

Microfiche (MF) 1.25

ff 653 July 65

RAC Report 406-5  
E-FR-57-48  
4 June 1965

Final Summary Report

The Determination of the Natural  
Modes of Vibration of the Saturn  
SA-5 and SA-8 Vehicles

RAC Report 406-5

Contract No. NAS 8-2646

Engineering Division  
REPUBLIC AVIATION CORPORATION  
Farmingdale, L.I., N.Y.

## FOREWORD

This final report was prepared by S. Telles and C. J. Meissner under Contract NAS-8 - 2646 between Republic Aviation Corporation, Farmingdale, New York and the Marshall Space Flight Center, NASA, Huntsville, Alabama. The contract covers the time period 9 December 1962 through 30 June 1965.

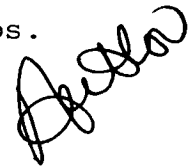
The authors gratefully acknowledge the assistance of S. Rabinowitz, N. Levine, and R. Levy.

ABSTRACT

3084A

This report contains the results of a vibration analysis performed upon the Saturn SA-5 and SA-8 vehicles.

Twenty-seven independent modes were obtained for the SA-5 and twenty-six independent modes were obtained for the SA-8. The majority of the eigenvalues lie between .10 and 4.0. This corresponds to frequencies up to 10 cps.





## TABLE OF CONTENTS

|           |   | <u>Page</u> |
|-----------|---|-------------|
| Section I | Introduction . . . . .                          | 1           |
| II        | Description of the Mathematical Model . . . . . | 2           |
| III       | Program Inputs . . . . .                        | 4           |
|           | A. The Flexibility Matrix . . . . .             | 4           |
|           | B. Formation of the Dynamic Matrix. . . . .     | 19          |
|           | C. Scaling the Dynamic Matrix . . . . .         | 21          |
|           | D. Selection of the Starting Vector . . . . .   | 23          |
| IV        | Convergence Criteria . . . . .                  | 24          |
|           | A. Convergence of the Eigenvalues . . . . .     | 24          |
|           | B. Convergence of the Eigenvectors. . . . .     | 28          |
| V         | Discussion of Results . . . . .                 | 30          |
| VI        | Conclusions . . . . .                           | 33          |
| VII       | References . . . . .                            | 77          |
|           | Appendix A                                      |             |
|           | Listing of Eigenvectors . . . . .               | A-1         |
|           | Appendix B                                      |             |
|           | Generalized Masses . . . . .                    | B-1         |

## FIGURES

| <u>Figure</u> | <u>Title</u>  | <u>Page</u> |
|---------------|---|-------------|
| 1             | Basic Dimensions of SA-5 and SA-8 . . . . .                                       | 64          |
| 2             | Idealized Structural Components of SA-5 . . . . .                                 | 65          |
| 3             | Component 4 - Schematic View of the<br>Spider Beam Network Idealization . . . . . | 66          |
| 4             | Component 13 - Upper End, 105" D. Lox<br>Tank Idealization . . . . .              | 66          |
| 5             | Outer Thrust Structure . . . . .  | 67          |
| 6             | Component 17 - Inner Tail Barrel and<br>Thrust Structure Idealization . . . . .   | 68          |
| 7             | Component 18 - Engine Idealization . . . . .                                      | 68          |
| 8             | Upper Stage Idealization of SA-8 . . . . .  | 69          |
| 9             | Component 1 - Locations of Degrees of<br>Freedom . . . . .                        | 70          |
| 10            | SA-8 - Component 19 - Locations of<br>Degrees of Freedom . . . . .                | 71          |
| 11            | Component 2 - Portion of S-IV . . . . .   | 72          |
| 12            | Component 3 - S-IV Skirt<br>Component 4 - Spider Beam Network . . . . .           | 72          |
| 13            | Components 5 thru 12 - Peripheral Tanks . . . . .                                 | 73          |
| 14            | Component 13 - Center Lox Tank-Upper Portion.                                     | 74          |

FIGURES (Cont'd.)

| <u>Figure</u> | <u>Title</u>                                   | <u>Page</u> |
|---------------|--|-------------|
| 15            | Component 14 - Center Lox Tank-Lower Portion . | 74          |
| 16            | Component 15 - Engine Degrees of Freedom . . . | 75          |
| 17            | Component 17 - Thrust Structure. . . . .       | 76          |

TABLES

| <u>Table</u> | <u>Title</u>                                | <u>Page</u> |
|--------------|---|-------------|
| 1a           | SA-5 Rigid Body Motions & Weights . . . . . | 34          |
| 1b           | SA-8 Rigid Body Motions & Weights . . . . . | 42          |
| 2a           | SA-5 Eigenvalues - Run #1 . . . . .         | 43          |
| 2b           | SA-5 Eigenvalues - Run #2 . . . . .         | 44          |
| 2c           | SA-5 Eigenvalues - Run #3 . . . . .         | 45          |
| 3            | SA-5 Modes . . . . .                        | 46          |
| 4a           | SA-8 Eigenvalues - Run #1 . . . . .         | 54          |
| 4b           | SA-8 Eigenvalues - Run #2 . . . . .         | 55          |
| 4c           | SA-8 Eigenvalues - Run #3 . . . . .         | 56          |
| 5            | SA-8 Modes . . . . .                        | 57          |

## I. INTRODUCTION

The natural vibration modes of the SA-5 and SA-8 Saturn vehicles were obtained using the Lanczos method of minimized iterations developed in reference 1. These vehicles were used as sample problems to determine whether the program developed from reference 1 is capable of handling large systems with closely spaced eigenvalues. The mathematical models for the two systems used 337 actual degrees of freedom for the SA-5 and 348 actual degrees of freedom for the SA-8.

Using three orthogonal starting vectors for each of the vehicles it was possible to obtain seventy eigenvalues for the SA-5 and fifty-one eigenvalues for the SA-8 that converged to within the criteria established. After an examination of the associated eigenvectors it was found that there are apparently twenty-seven independent modes for each vehicle. Of these some have doubtful convergence so that the true number of independent modes may be somewhat less. The majority of the eigenvalues are concentrated between 0.10 and 4.0.

## II. DESCRIPTION OF THE MATHEMATICAL MODEL

The Saturn I vehicle dynamic characteristics are simulated by a lumped mass system where each mass point can be assigned up to six degrees of freedom. For most of the mass points only the two lateral degrees of freedom were considered. Figures 9 thru 17 show the location of each mass point and the number of degrees of freedom assigned to each mass point.

It was required to obtain the modes of the Saturn I vehicle below 10 cps. From the results of vibration surveys performed at MSFC it was felt that there would be upwards of twenty modes in this frequency range including the second bending modes of the outer tanks. Therefore, to adequately describe the Saturn I vehicle, requires the use of a large number of degrees of freedom.

For both the SA-5 and SA-8 the centerline tanks and payload were initially described by 51 mass points with two degrees of freedom per mass point in the lateral (x and y) directions plus six vertical (z) degrees of freedom. In addition the mass point associated with the thrust structure and fins (element 51) has three rotational (x', y' and z')

degrees of freedom. The inertia about the z-axis of the rest of the centerline mass was concentrated at element 176. For the SA-8 the masses of elements 1 thru 17 and 148 thru 164 and element 295 were modified to account for the difference between the SA-5 and SA-8 payloads. Also, eleven new mass stations (elements 369 thru 379) were added to the SA-8 to describe the Pegasus satellite carried by the SA-8. Several mass stations (see section III-A-1) were deleted when it was determined the masses associated with these stations were negligible in comparison with the masses of the adjacent stations.

The outer tanks were described by eleven mass points per tank with two degrees of freedom per mass point. For ease of calculating the flexibility matrix the reference axis for the outer tanks were chosen as the radial and tangential directions. The difference between the two reference systems is accounted for in the formation of the dynamic matrix as explained in Section III-B. Each engine was treated as a single mass point with six degrees of freedom per mass.

In the original analysis 22 slosh degrees of freedom were included but due to the difficulty in solving the higher

order polynomials, the structural modes could not be obtained to a sufficient degree of accuracy. Therefore, the only slosh modes retained are those associated with the  $O_2$  of the S-IV stage. The elimination of the slosh degrees of freedom was accomplished by the method indicated in section III-A-1. The slosh mass was distributed as rigid masses to adjacent stations. Due to the formulation used in programming the free-freeing matrix it was necessary to include a unit mass for each of the slosh degrees of freedom in the mass matrix.

Eliminating the degrees of freedom mentioned above causes the dynamic matrix to have rows and columns of zeros. Therefore, as indicated in section III-A-1, the SA-5 had 337 actual degrees of freedom and the SA-8 had 348. The weights associated with these degrees of freedom are shown in table 1.

### III. PROGRAM INPUTS

#### A. The Flexibility Matrix

The flexibility matrices of the Saturn vehicles SA-5 and SA-8 were calculated using the flexibility method of coupling redundant component structures given in reference 1. Vertical and lateral displacements and certain rotations were calculated for a finite number of mass points. The



corresponding degrees of freedom are identified in schematic diagrams.

Originally slosh degrees of freedom were included in the flexibility matrix. However, all except the S-IV slosh degrees of freedom were removed later, because their frequencies were much lower than the fundamental frequencies of the structure. The actual degrees of freedom numbered 337 for the SA-5 vehicle, and 348 for the SA-8 vehicle.

This section of the final report will consist of a description of the idealization of the Saturn Vehicles, suitable illustrations for the idealizations and the location of the degrees of freedom. The configuration of SA-5 and SA-8 are shown in figure 1.

The calculations were performed using the computer program of reference 2.

1. Removed Degrees of Freedom

Slosh degrees of freedom and certain others were removed by entering zero columns in the  $[A_{hj}]$  force influence matrices which correspond to these degrees of

freedom. Therefore zero rows and columns appear in the final  $[\delta_{ij}]$  matrix where they correspond to the removed slosh degrees of freedom. These are numbers 24, 41, 43, 66, 78, 90, 102, 114, 126, 138, 171, 188, 201, 213, 225, 237, 249, 261, 273, 285.

Degrees of freedom 24 and 171 were not properly removed from the SA-5  $[\delta_{ij}]$  matrix. However, the masses assigned to these degrees of freedom were very small and therefore the effect on the dynamic analysis should be negligible.

Several others were removed because no mass was assigned to them. These are 29, 30, 33, 34, 35, 36, 177, 180, 181, 182 and 183.

The order of the SA-5 matrix is 368, and 379 for the SA-8 matrix. However, the effective order due to the removal of degrees of freedom is  $368-31 = 337$  for SA-5 and  $379-31 = 348$  for SA-8.

## 2. Structure of the SA-5

Five main subregions of the structure may be considered.

- (1.) Region above the spider network.
- (2.) Spider network and center tank transition.
- (3.) Center and outer tanks.
- (4.) Thrust structure.
- (5.) Engines.

3. Region 1 - Components 1, 2 and 3

The upper stages in region 1 are supported by the skirt legs of the S-IV stage skirt. These legs make contact with the spider beam network at station 960.

The flexibility of the upper stages was calculated using the moment of inertia diagrams furnished by MSFC. They were assumed to act like a beam. The section properties of the S-IV skirt were obtained from applicable drawings furnished by MSFC. The contribution of the skirt legs to the flexibility was based upon the assumption that the interface between the spider network and skirt legs remained plane and that the points of contact (assumed ball joints) remained on a circular centerline. Bending and shear rigidities were accounted for in the skirt. The axial rigidities of the legs also contributed to the bending rigidity of the skirt. Thus region 1 was idealized into the

cantilever beam representations shown in figure 2. Degrees of freedom are located as shown in figures 9, 11 and 12.

The slosh mass and mass center degrees of freedom of the oxygen in S-IV occur below station 1177.55, which is the juncture of skirt and S-IV. However, the lox tank is essentially a membrane, supported very closely to station 1177.55. Therefore, it was assumed that these degrees of freedom were located by rigid arms which are clamped to station 1177.55, and extend downward to the location of the lox degrees of freedom. This is shown schematically in figure 12, which also locates the degrees of freedom.

4. Region 2 - Components 4 and 13

a) Component 4

The spider beam network and the upper center lox tank skirt interconnect the upper stage with the tanks (Reference figure 2). The spider beam network consists of rigidly joined beams schematically shown in figure 3. Their stiffness matrices were calculated based upon the bending, shear, axial and torsional rigidities, accounting for the six degrees of freedom at each beam end. The stiffness

matrices were assembled and the result inverted using Republic Aviation Corporation computer program 64H616. The result was the flexibility matrix of the beam network.

b) Component 13 - Upper Center Lox Tank Transition

The upper end of the 105" diameter lox tank is a cylindrical shell with longerons and a heavy end ring frame. The longerons distribute the longitudinal loads received from the spider beam network and the ring frame distributes the transverse loads from the same source into the skin. The junction of this skirt and the main portion of the 105" D. lox tank was assumed to be a plane which remains plane and circular. The skin was represented as an octagonal network of 24 plates capable of carrying direct and shear stresses. This plate idealization first appeared in reference 3. The longerons were represented by 24 rod elements carrying direct stresses. The ring was represented by eight circular beam elements. Element dimensions were obtained from applicable drawings furnished by NASA-MSFC. The idealization is shown schematically in figure 4. The stiffness matrices of these elements were then assembled, and the resulting matrix inverted using the Republic Aviation Corporation

computer program 61H616.

A comparison was made of flexibilities obtained in this manner for a typical shell with those obtained using a beam type of idealization, i.e., shear and bending rigidities of the cross-sections of the shell, assuming plane sections remaining plane. The results were in good agreement. The octagonal shell idealization, however, has the additional virtue of allowing the differential longitudinal and transverse deformations of the spider support points, thus accounting for the flexible interaction with the spider beam network. Locations of the mass degrees of freedom are shown in figure 14.

5. Region 3 - Components 5 through 12 and 14

The outer tanks (components 5 through 12) and the center lox tank (component 14) were idealized as beams. Section properties were furnished by NASA-MSFC. The support points of the outer tanks were assumed to be pin joints on the spider beam lower face and the pads on the thrust structure outriggers. The nature of the connection idealization allowed free longitudinal movement for the upper connections of the fuel tanks to the spider beam network. The end rings

on the upper and lower ends of the peripheral tanks restrain the deformations in the direction of the peripheral tank diameter drawn between the two support points at each end. Therefore a rod with a flexibility equivalent to the ring diametral flexibility was assumed to connect each pair of support points. This idealization of the tank closing rings is shown in figure 5, which gives the outer thrust structure idealization. At the upper end, this stiffness is included in the axial stiffness of the cross-beams of the spider network. The center lox tank is idealized as a beam clamped to the upper tank skirt at station 887 and the inner thrust structure skirt at station 277.68. Figures 13 and 15 give the degree of freedom locations.

#### 6. Region 4 - Components 16, 17 and 18

The thrust structure was represented by gross rigid body degrees of freedom which are located as shown in figure 17. However, the calculation of the flexibilities of the engines necessitated a detailed calculation of the thrust structure flexibility matrices, so that interaction between the tanks, thrust structure and engine support points could be accurately represented. The thrust structure, because

of its complexity, was represented by three component structures, which are inter-connected in the final solution. Component 16 comprised the thrust support and fin support outriggers (figure 5a). Component 17 comprised the lower center lox tank skirt and the tail barrel (figure 6). Component 18 consisted of the shroud support rings which support the shroud skin surrounding the outriggers, the shroud skin, the lower tank closing ring idealization, and the inner engine support beams (figure 5b).

The flexibility of the thrust structure degrees of freedom (nos. 50, 51, 197, 198, 317, 318, 319, 320, reference figure 17), was calculated by placing a load distribution on its varying components which was statically equivalent to unit loads corresponding to those degrees of freedom, weighted by the approximate mass distribution of these components.

a) Component 16 - The Outriggers

The outriggers are fixed at their inner ends to the upper and lower thrust rings of the tail barrel and to the tail barrel skin for shear in the longitudinal direction. The upper flange is restrained from lateral



movement by the diametral stiffness of the lower rings of the peripheral tanks, and the shroud upper and lower support rings. These rings connect adjacent pairs of upper flanges and lower flanges of the outriggers and support the shroud skin. The shroud skin restrains the differential longitudinal and transverse movement of the outriggers.

The outriggers were assumed to be box beams subjected to planar and transverse loads at the connection with the inner engine support beam, the outer engine gimbal, the outer engine actuator support beam, (applicable for the thrust support outriggers), the peripheral tank support points and the shroud skin and shroud skin support ring connections. The in-plane flexibilities were essentially culled from information furnished by reference 4. The transverse flexibilities were calculated using the computer program of reference 5. Appropriate section properties were obtained from reference 4 and applicable drawings furnished by MSFC.

b) Component 17 - Tail Barrel and Inner Engine Thrust Columns

The tail barrel is clamped to the center

lox tank at station 277.68. The method of idealization of the tail barrel structure was basically the same as that used for the upper skirt of the center lox tank. It comprised 32 plates, 2 frames, 8 longerons and 4 longitudinal beams (which are the thrust columns), as illustrated in figure 6. The section at which the tail barrel connects to the center lox tank is assumed to remain plane and circular. The force interchange between outer tanks and the center tank can thus lag into the center tank smoothly through the tail barrel longerons. The outriggers transmit couple forces and moments to the thrust rings in accordance with their rigid connections to them. The tail barrel skin and the thrust columns are subjected to the vertical shear in the outriggers. Vertical loads on the thrust column comprise the vertical shear forces in the fin support outriggers and the thrust of the inner engines. The vertical shear in the thrust support outriggers is sheared into the tail barrel wall. Transverse forces at the gimbals are reacted by forces on the thrust rings and a moment on the lower thrust ring. The engine (dynamic) torques are transmitted by the thrust pads of the thrust columns to the lower thrust ring.

c) Component 18 - Shroud Skin, Shroud Support Rings, Lower Tank Closing Rings and Inner Engine Support Beams

The elements of component 18, shown in figure 5a, shows the shroud skin shear panels, shroud closing ring elements, and an equivalent rod idealization of the lower tank closing rings, all of which are redundant members. The inner engine support beams are statically determinate.

The shroud rings are assumed to be rods pinned to the upper and lower outrigger flanges. The shroud skins are shear panels, subjecting the shroud support rings and the outriggers to uniform shear flow.

The inner engine support beams are cantilevered from the lower fin support outrigger flange beams. They receive loads from the inner engine turnbuckles that locate the inner engines. The inner ends of the beams are actually interconnected by a ring frame. However, the ability of this ring to support the inner beam ends was estimated to be negligibly small, and therefore the inner ends are assumed to be free to deflect.

7. Region 5 - Component 15 - Engines

The bending and torsional rigidities of the engines between the gimbal point and the section at which actuators and turnbuckles are attached to the engines were represented by a beam with torsional rigidity as shown in figure 7. The engine degrees of freedom are shown located in figure 16. The deflection characteristics of the outer engines and engine tripods were essentially deduced from test data furnished by MSFC. The inner engines were assumed to have the same rigidities (i.e., EI, GJ, AE), as the outer engines. The tripods, in the case of the outer engines were represented by equivalent beams. The actuators and locating turnbuckles were represented by rods, with rigidities reflecting data furnished by MSFC.

The outer engines were oriented at an outward slant, or gimbal angle of  $6^{\circ}$ . The inner engine centerlines were assumed to be at an angle of  $0^{\circ}$ , instead of the true  $3^{\circ}$ , because the effects on the force distributions were deemed negligible. However, the locations of the engine mass centers were located in accordance with MSFC furnished data. The true orientations of the actuators and turnbuckles were used. Thus the force influence matrices of the analysis

are essentially in accordance with the true geometry.

The attachment of the engines to the gimbals was represented by a pinned connection, which, however, was capable of transmitting torque from the engine into the gimbal pad. The ends of the actuators were assumed to be pinned joints.

#### THE SA-8 VEHICLE

The SA-8 Vehicle is different from the SA-5 above station 1491. Beginning at station 1491 is the service module, containing the "Pegasus" Micrometeoroid Satellite, (M.M.C.), topped by the "APOLLO" Command Module. The launch escape system, (LES), is supported by the command module at station 1851.7 (cold dimension).

With the exception of the MMC and the escape tower, the structures were represented as beams, whose flexibilities were calculated from geometric and section data furnished by MSFC. The escape tower was represented by its flexibility matrix which was calculated from deflection test data furnished by MSFC. A schematic diagram of the idealization is shown in figure 8. The structure, exclusive of the MMC,

was incorporated in Component 1 and the degree of freedom locations are shown in figure 9. It thus required a change in the flexibility matrix of component 1 of the SA-5 vehicle, and the force influence matrices  $[\alpha_{mh}]$  and  $[a_{hj}]_c$ , where  $C = 1, 2, 3, 4, 13$  are the designations of the affected components.

The MMC is suspended by truss-work at its lower end, near the bottom of the service module at station 1583. The upper end is supported by six radial spokes, assumed pretensioned, at station 1761. Degrees of freedom are located as shown in figure 10. The main truss work which forms the structural backbone of MMC was idealized as an equivalent beam. Rigidities of the main truss and the supporting structure were derived from data taken from reference 6. The principal axes of the structure in the horizontal plane were oriented  $12^{\circ}45''$  with respect to the X-Y axis system as required, and as shown in figure 10. The MMC was therefore represented as component 19 of SA-8, a beam supported laterally by springs with rigidity equivalent to the spoke support at the top and the thruss support at the bottom. The truss support at the bottom was idealized as a vertical spring and

a rotational spring. It was assumed that the base spring support has no cross-coupling. According to this idealization of the MMC, suitable changes were affected in  $[a_{hj}]_c$  where  $C = 1, 2, 3, 4, 13$ . New matrices  $[\alpha_{mh}]_{19}$ ,  $[\delta_{Lm}]_{19}$ ,  $[a_{hj}]_{19}$ ,  $[b_{ht}]_{19}$ , and  $[b_{ht}]_{19}$  were calculated as required. By adding to and/or changing the input data used for SA-5, in accordance with the above discussion, new input was obtained for computer program 64D017. The computations then yielded the required  $[\delta_{ij}]$  of the SA-8 vehicle.

#### B. Formation of the Dynamic Matrix

To obtain the natural frequencies and modes of the Saturn I vehicle in flight it is necessary to solve an eigenvalue problem involving the free-free dynamic matrix of the Saturn I vehicle. The form of the dynamic matrix is as follows:

$$\frac{1}{\omega^2} \{\delta\} = \left[ \begin{array}{cc} [I] - [B][G]^{-1} & [B]^T \\ [C] & [M] \end{array} \right] \{\delta\} \quad (1)$$

where

- $[I]$  = Identity matrix (n x n)
- $[B]$  = Matrix of rigid body modes (n x 6)
- $[G]$  =  $[B]^T [M] [B]$  (6 x 6)
- $[C]$  = Flexibility matrix
- $[M]$  = Mass matrix

The mass matrices for the Saturn I SA-5 and SA-8 vehicles were obtained from data supplied by MSFC. The flexibility matrices for the two vehicles were calculated as shown in section III-A from stiffness data supplied by MSFC.

The B matrix is formed by allowing the reference point for the flexibility coefficients to have a unit displacement along each of the coordinate axes and a unit rotation about each of the coordinate axes. The motion of each mass point on the vehicle, due to the particular displacement or rotation, is then determined from the geometry of the vehicle. This can be illustrated by assuming a unit displacement along the x-axis.

For the mass points along the vehicle centerline, those that have an x degree of freedom will have a displacement of one unit. The y, z, and rotational degrees of freedom will have zero displacement and rotation due to the x motion.

The reference axes for the outer tanks are oriented in the radial and tangential directions rather than along the



x and y axes. Therefore, a displacement along the x axis causes motion in both the radial and tangential directions. The amount of motion is dependent upon the geometry of the particular tank under consideration.

The engines have the same coordinate system as the vehicle centerline. Therefore, the procedure for obtaining the engine motions are the same as for the centerline mass points.

For the rotations it is assumed that all motions are small so that the sine of the angle is the same as the angle in radians.

The rigid body motions used for the SA-5 and SA-8 are shown in table 1.

### C. Scaling the Dynamic Matrix

The Lanczos method of minimized iterations required that the  $b_n$  and  $b_n^*$  vectors generated be orthogonal to each other, (i.e.,  $b_i \cdot b_j^* = 0$ ). Since a computer has a finite storage capacity it is not possible to have a flat zero dot product. In the program if  $b_i \cdot b_j^* < 10^{-15}$  it is considered to be zero. NOTE: The nomenclature used in this report is

the same as was used in reference 1.

If the size of the elements of the dynamic matrix are sufficiently small it is possible for the  $b_n$  and  $b_n^*$  vectors to become very small. The orthogonality criteria can then be met even though the vectors are not orthogonal. To prevent this from occurring the dynamic matrix is scaled so that the size of the elements of the  $b_n$  and  $b_n^*$  vectors are sufficiently large to give a meaningful dot product. However, if the elements of the dynamic matrix are too large it is possible to exceed the range of the computer in the other direction.

From the form of the  $b_n$  vectors it is possible to show how the size of the vectors is dependent upon the dynamic matrix.

This is shown as follows:

$$b_1 = (A - \alpha_0) b_0$$

$$\begin{aligned} b_2 &= (A - \alpha_1) b_1 - \alpha_0 b_0 \\ &= (A^2 - \alpha_1 A - \alpha_0 A + \alpha_1 \alpha_0) b_0 - \beta_0 b_0 \end{aligned}$$

$$\begin{aligned} b_3 &= (A - \alpha_2) b_2 - \beta_1 b_1 \\ &= (A^3 - \alpha_0 A^2 - \alpha_1 A^2 + \alpha_1 \alpha_0 A + \alpha_0 \alpha_2 A + \alpha_1 \alpha_2 A \\ &\quad + \alpha_1 \alpha_2 \alpha_0) b_0 - \beta_1 (A - \alpha_0) b_0 \end{aligned}$$

$$b_n = (A^n - \alpha_0 A^{n-1} + \dots) b_0$$

It can be seen that as  $n$  becomes sufficiently large the size of the  $b_n$  vectors is dependent upon the matrix raised to the  $n^{\text{th}}$  power and the initial starting vector  $b_0$ .

From the above it can be seen that if the dynamic matrix is scaled so that the product  $A^n b_0$  is approximately of unit length the  $b_n$  vectors can be kept to a reasonable size. The same holds true of the  $b_n^*$  vectors. It has been found from experience that if the dynamic matrix is scaled so that the largest element is approximately unity the size of the  $b_n$  and  $b_n^*$  vectors can be maintained for upwards of thirty iterations. For the Saturn problem it was possible to obtain as many as 25 roots from this number of iterations for a given initial vector.

#### D. Selection of the Starting Vector

The starting vector can be considered as a forcing function applied to the Saturn I vehicle. Using this analogy it was first thought that by selecting a vector that would excite a majority of the vehicle modes the machine time could

be kept to a minimum. However, due to the large number of eigen-values present within a narrow range, the convergence of the eigen-values was very slow. In addition, the number of iterations required to separate out the many eigen-values contained within the frequency band made it all but impossible to keep the  $b_n$  and  $b_n^*$  vectors sufficiently large to be meaningful. Also, due to the closeness of the roots, two roots can show up as complex conjugates because the polynomial can not be defined properly in a particular region.

In order to overcome this difficulty it was decided to excite the vehicle with a set of starting vectors which would favor the modes in each of three directions separately. The starting vectors chosen were a unit displacement at the center of gravity of the thrust structure in the x and y directions (mass points 51 and 198 respectively) and a unit rotation at the same point (mass point 320). These vectors were chosen as being the most likely to excite the central tank modes as well as the modes associated with the outer tanks.

#### IV. CONVERGENCE CRITERIA

##### A. Convergence of the Eigen-values

The Lanczos method of minimized iterations develops the characteristic polynomial of a given dynamic matrix in a step by step manner. As the number of iterations increase the polynomial more closely approximates the actual characteristic equation until after  $n$  iterations, where  $n \times n$  is the order of the dynamic matrix, the characteristic equation is exact.

For large systems such as the Saturn I the time necessary to develop the exact characteristic equation is prohibitive. In addition, due to the finite capacity of the computer, it becomes exceedingly difficult to maintain the accuracy required for systems the size of the Saturn I. Fortunately for most practical problems it is necessary to obtain only a limited number of eigen-values. These can be obtained from the approximate polynomials with sufficient accuracy for practical applications.

In the present problem it was felt an accuracy of  $10^{-3}$  on the convergence of the eigen-values would be sufficient. To determine whether or not a root has converged the polynomial associated with each iteration is solved and the roots are compared with the roots of the

previous iteration. Then if

$$\left| \frac{XN}{XNMI} - 1 \right| < .001$$

where

XN = root of the n<sup>th</sup> iteration

XNMI = root of the (n-1) iteration

the root is said to have converged.

For a problem where the number of roots desired are known the program will perform the convergence check internally. For the Saturn I the calculation was performed externally since there was no way of knowing in advance how many eigen-values are required.

One of the difficulties encountered in obtaining the eigen-values is the solution of the higher order polynomials. The method presently being used in the program is a triple precision sub-routine based upon Muller's method. This procedure has successfully solved polynomials of up to the 40th degree. It has the disadvantage of using a great deal of machine time for the higher order polynomials. To overcome this disadvantage a Newton-Raphson procedure was in-

corporated where the solution of the  $n-1$  polynomial was used as a first approximation of the  $n^{\text{th}}$  polynomial. This procedure became numerically unstable at  $n = 20$  and was discarded.

The roots obtained for the Saturn I, SA-5 and SA-8 using the convergence criteria described above are shown in tables 2 and 4 for each of three different initial vectors. The tables indicate the iteration (N) at which the convergence criteria are satisfied, the eigenvalue (XN), the degree of convergence, and the frequency associated with the eigenvalue.

For a simple system where the roots are fairly well separated when a root appears each succeeding iteration causes the root to converge more closely to its final value. A system such as the Saturn I has many eigenvalues closely spaced. It is possible for a root to appear and converge, so that the criteria for convergence is satisfied, then be displaced as other roots appear. The original root may then reappear and converge to a slightly different value at a higher iteration.

Since the Saturn I has a great many roots closely spaced, it is difficult to determine which roots are truly independent. This can only be evaluated by an examination of the associated eigenvectors. Section V contains a discussion of this evaluation.

### B. Convergence of the Eigenvectors

From reference 1 it can be seen the eigenvectors are formed by means of a finite series as follows,

$$U_i = \frac{b_0}{\sigma_0} + p_1(\mu_i) \frac{b_1}{\sigma_1} + p_2(\mu_i) \frac{b_2}{\sigma_2} + \dots + p_{m-1}(\mu_i) \frac{b_{m-1}}{\sigma_{m-1}}$$

where,

$U_i$  =  $i^{\text{th}}$  eigenvector

$b_m$  = orthogonal vectors generated in Lanczos procedure

$p_r(\mu_i)$  =  $r^{\text{th}}$  polynomial evaluated for the  $i^{\text{th}}$  root.

$$\sigma_k = b_k \cdot b_k^*$$

From the form of the eigenvectors it can be seen that when the root converges the polynomial is satisfied and the succeeding terms of the series are theoretically zero. However, with a finite capacity computer the root is never exact. For a practical computer the root can be considered as,



$$(\mathcal{M}_i + \Delta \mathcal{M}_i)$$

this is then substituted into a polynomial,

$$X^m + A_{m-1}X^{m-1} + \dots + A_0 = 0$$

so that the first term has the form,

$$(\mathcal{M}_i + \Delta \mathcal{M}_i)^m = \mathcal{M}_i^m + \mathcal{M}_i^{m-1} \Delta \mathcal{M}_i + \dots$$

From the above it can be seen that, as the order of the polynomial increases, if the root is greater than unity, a small error in the root can cause the series to diverge. The method used to overcome this difficulty is to truncate the series at the point where the root first converges. The errors introduced by the higher order polynomials are thus minimized.

The program has been written so that the root and the iteration at which the root converges can be specified as input. The means of determining the root convergence and the iteration number is described in section V.

## V. DISCUSSION OF RESULTS

The results of all the runs for both the SA-5 and SA-8 have been summarized in tables 2 thru 5. Tables 2 and 4 show the number of eigenvalues that have converged in each run, the iteration number at which convergence occurred, the eigenvalue, the degree of convergence, and the frequency in cycles per second. The frequency is calculated from the following expression,

$$f_n = \frac{1}{2\pi} \sqrt{\frac{(SF)_1 g (SF)_2}{XN}}$$

where

$f_n$  = natural frequency

$(SF)_1$  = Scale factor used in obtaining the flexibility matrix ( $10^{12}$ )

$(SF)_2$  = Scale factor used to scale dynamic matrix ( $10^{-12}$ )

$XN$  = eigenvalue

$g$  = gravity constant (386.4)

Tables 3 and 5 show the mode number, the eigenvalue, the frequency in cycles per second, the run number in which the eigenvalue appears and a brief description of the mode. It should be noted that the description includes only the major motion in the mode.

An examination of the SA-5 results (tables 2 and 3) shows that while there were a total of 70 eigenvalues that converged in all three runs to the established tolerance of .001, only 27 can be considered as independent. In those cases where a greater tolerance was accepted it was usually found that the mode had not fully converged. In many instances an eigenvalue would converge at an early iteration then disappear and reconverge at a later iteration to a somewhat different value. In one instance, table 2c numbers 13 and 14, the eigenvalues are considerably different between the early converged value and the later converged value.

For a given run it is possible to obtain the generalized masses associated with each mode. Using the criteria that

$$\left| \frac{M_{ii} M_{jj} - M_{ij}^2}{M_{ii} M_{jj}} - 1 \right| < .001$$

where

$M_{ii}, M_{jj}$  = Diagonal elements of generalized mass matrix

$M_{ij}$  = Associated off diagonal elements

it is possible to determine within a given run which eigenvectors are truly independent. However, this program has

not been developed to check eigenvectors from different runs. The checking of eigenvectors from different runs was accomplished by visual inspection of the modes. See Appendix B.

It should be noted that when a strong mode exists, such as the slosh modes, it will usually converge early. Also, when a mode is favored by a particular starting vector it will usually only show up in the run associated with that vector. This can best be shown by modes 18 and 19 (table 3) which are the first bending modes of the center line elements in the X and Y directions respectively. These modes are only excited by the starting vectors associated with the X and Y directions (runs 1 and 2). Further proof can be found by examining the modes which are basically torsion (table 3, modes 17, 20, 25, 26 and 27), these occur only in run #3 which has a torsional starting vector.

The modes of the SA-8 exhibit the same characteristics as that of the SA-5. Mode 4, table 5 was inadvertently called an independent mode. The eigenvalues of the SA-8 seemed to converge later than those of the SA-5 so that only 51 converged eigenvalues were obtained for the three runs.

One more mode was obtained for the SA-5 than for the SA-8 but the modes seem similar in nature. The mode that is non-converged between modes 6 and 7 (table 5) may be the missing mode.

An attempt was made to take SA-5 run #3 and obtain more eigenvalues but the method became numerically unstable so that the roots became complex conjugates. It would seem that the limitation to the method, for the size system used for the Saturn, is the inability to maintain stability past approximately 27 iterations. It should be noted that the majority of the eigenvalues lie between .1 and 4.0.

## VI. CONCLUSIONS

1. By judicious choice of starting vectors it is possible to separate eigenvalues close to each other.
2. The method becomes unstable after about 27 iterations.
3. An examination of the generalized mass matrix will determine the independence of the eigenvectors.

PREPARED \_\_\_\_\_  
 CHECKED \_\_\_\_\_  
 REVISED \_\_\_\_\_



TABLE 10.  
 SAFE RIGID BODY MOTIONS & WEIGHTS

PAGE 34  
 REPORT NO. \_\_\_\_\_  
 MODEL \_\_\_\_\_

| 1 | 2                 | 3      | 4 | 5          | 6   | 7          | 8 | 9          | 10 | 11 | 12                | 13      | 14 | 15         | 16  | 17         | 18 | 19         | 20 | 21 |
|---|-------------------|--------|---|------------|-----|------------|---|------------|----|----|-------------------|---------|----|------------|-----|------------|----|------------|----|----|
|   | DEGREE OF FREEDOM | WEIGHT | Z | $\theta_z$ | X   | $\theta_x$ | Y | $\theta_y$ |    |    | DEGREE OF FREEDOM | WEIGHT  | Z  | $\theta_z$ | X   | $\theta_x$ | Y  | $\theta_y$ |    |    |
|   | 1                 | 370    | 0 | 0          | 1.0 | 0          | 0 | 1056.0     |    |    | 26                | 26270   | 0  | 0          | 1.0 | 0          | 0  | 364.125    |    |    |
|   | 2                 | 91.0   |   |            |     |            |   | 1040.625   |    |    | 27                | 32580   |    |            | 1.0 |            |    | 333.375    |    |    |
|   | 3                 | 207.0  |   |            |     |            |   | 1009.875   |    |    | 28                | 62110   |    |            | 1.0 |            |    | 302.625    |    |    |
|   | 4                 | 345.0  |   |            |     |            |   | 979.125    |    |    | 29                | 1.0     |    |            | 0   |            |    | 0          |    |    |
|   | 5                 | 393.0  |   |            |     |            |   | 948.375    |    |    | 30                | 1.0     |    |            | 0   |            |    | 0          |    |    |
|   | 6                 | 202.0  |   |            |     |            |   | 917.625    |    |    | 31                | 24016.0 |    |            | 1.0 |            |    | 250.5      |    |    |
|   | 7                 | 217.0  |   |            |     |            |   | 886.875    |    |    | 32                | 71176.0 |    |            | 1.0 |            |    | 228.25     |    |    |
|   | 8                 | 5615.0 |   |            |     |            |   | 856.125    |    |    | 33                | 1.0     |    |            | 0   |            |    | 0          |    |    |
|   | 9                 | 9580.0 |   |            |     |            |   | 825.375    |    |    | 34                | 1.0     |    |            |     |            |    |            |    |    |
|   | 10                | 356.0  |   |            |     |            |   | 794.625    |    |    | 35                | 1.0     |    |            |     |            |    |            |    |    |
|   | 11                | 425.0  |   |            |     |            |   | 763.875    |    |    | 36                | 1.0     |    |            | 0   |            |    | 0          |    |    |
|   | 12                | 393.0  |   |            |     |            |   | 733.125    |    |    | 37                | 5742.0  |    |            | 1.0 |            |    | 22.0       |    |    |
|   | 13                | 440.0  |   |            |     |            |   | 702.375    |    |    | 38                | 15069.0 |    |            |     |            |    | 62.0       |    |    |
|   | 14                | 390.0  |   |            |     |            |   | 671.625    |    |    | 39                | 1420.0  |    |            |     |            |    | -25.8      |    |    |
|   | 15                | 626.0  |   |            |     |            |   | 640.875    |    |    | 40                | 14359.0 |    |            | 1.0 |            |    | -55.7      |    |    |
|   | 16                | 2117.0 |   |            |     |            |   | 610.125    |    |    | 41                | 1.0     |    |            | 0   |            |    | 0          |    |    |
|   | 17                | 2413.0 |   |            |     |            |   | 579.375    |    |    | 42                | 10346.0 |    |            | 1.0 |            |    | -82.0      |    |    |
|   | 18                | 1152.0 |   |            |     |            |   | 548.625    |    |    | 43                | 16684.0 |    |            |     |            |    | -115.5     |    |    |
|   | 19                | 589.0  |   |            |     |            |   | 517.875    |    |    | 44                | 21123.0 |    |            |     |            |    | -175.3     |    |    |
|   | 20                | 1403.0 |   |            |     |            |   | 487.125    |    |    | 45                | 23639.0 |    |            |     |            |    | -235.1     |    |    |
|   | 21                | 3076.0 |   |            |     |            |   | 456.375    |    |    | 46                | 27924.0 |    |            |     |            |    | -308.04    |    |    |
|   | 22                | 3218.0 |   |            |     |            |   | 425.625    |    |    | 47                | 30830.0 |    |            |     |            |    | -394.12    |    |    |
|   | 23                | 2262.0 |   |            | 1.0 |            |   | 394.875    |    |    | 48                | 30598.0 |    |            |     |            |    | -480.2     |    |    |
|   | 24                | 1.0    |   |            | 0   |            |   | 0          |    |    | 49                | 29853.0 |    |            |     |            |    | -566.28    |    |    |
|   | 25                | 1910.0 | 0 | 0          | 1.0 | 0          | 0 | 412.7      |    |    | 50                | 23610.0 | 0  | 0          | 1.0 | 0          | 0  | -652.36    |    |    |

PREPARED \_\_\_\_\_  
 CHECKED \_\_\_\_\_  
 REVISED \_\_\_\_\_



TABLE 1.0.0.0.0.0

SAFE RIGID POLYMERIZATION & WAXES

PAGE 25

REPORT NO. \_\_\_\_\_

MODEL \_\_\_\_\_

| 1  | 2                 | 3       | 4 | 5          | 6      | 7       | 8      | 9          | 10 | 11 | 12                | 13     | 14 | 15         | 16     | 17         | 18     | 19         | 20 | 21 |
|----|-------------------|---------|---|------------|--------|---------|--------|------------|----|----|-------------------|--------|----|------------|--------|------------|--------|------------|----|----|
|    | DEGREE OF FREEDOM | WEIGHT  | Z | $\theta_z$ | Y      | $A_x$   | Y      | $\theta_y$ |    |    | DEGREE OF FREEDOM | WEIGHT | Z  | $\theta_z$ | X      | $\theta_x$ | Y      | $\theta_y$ |    |    |
| 51 |                   | 34682.0 | 0 | 0          | 1.0    | 0       | 0      | -771.4     |    |    | 76                | 983.0  | 0  | 0          | -92388 | 5.606      | -38268 | -13.535    |    |    |
| 52 |                   | 983.0   |   |            | .92388 | -5.606  | .38268 | 13.535     |    |    | 77                | 2737.0 |    |            | -92388 | -22.980    | -38268 | 55.479     |    |    |
| 53 |                   | 2737.0  |   |            | .92388 | 22.980  | .38268 | -55.479    |    |    | 78                | 1.0    |    |            | 0      | 0          | 0      | 0          |    |    |
| 54 |                   | 1.0     |   |            | 0      | 0       | 0      | 0          |    |    | 79                | 4434.0 |    |            | -92388 | -24.109    | -38268 | 56.204     |    |    |
| 55 |                   | 4434.0  |   |            | .92388 | 24.109  | .38268 | -56.204    |    |    | 80                | 6892.0 |    |            |        | -51.566    |        | 124.493    |    |    |
| 56 |                   | 6892.0  |   |            |        | 51.566  |        | -124.493   |    |    | 81                | 8717.0 |    |            |        | -80.152    |        | 193.507    |    |    |
| 57 |                   | 8717.0  |   |            |        | 80.152  |        | -193.507   |    |    | 82                | 8424.0 |    |            |        | -109.121   |        | 263.444    |    |    |
| 58 |                   | 8424.0  |   |            |        | 109.121 |        | -263.444   |    |    | 83                | 8820.0 |    |            |        | -137.325   |        | 331.534    |    |    |
| 57 |                   | 8820.0  |   |            |        | 137.325 |        | -331.534   |    |    | 84                | 8357.0 |    |            |        | -165.911   |        | 400.548    |    |    |
| 60 |                   | 8357.0  |   |            |        | 165.911 |        | -400.548   |    |    | 85                | 8898.0 |    |            |        | -194.497   |        | 469.562    |    |    |
| 61 |                   | 8898.0  |   |            |        | 194.497 |        | -469.562   |    |    | 86                | 7872.0 |    |            |        | -223.083   |        | 538.576    |    |    |
| 62 |                   | 7872.0  |   |            |        | 223.083 |        | -538.576   |    |    | 87                | 2548.0 |    |            | -92388 | -251.670   | -38268 | 607.590    |    |    |
| 63 |                   | 2548.0  |   |            | .92388 | 251.670 | .38268 | -607.590   |    |    | 88                | 1032.2 |    |            | .38268 | 13.535     | -92388 | 5.606      |    |    |
| 64 |                   | 1032.2  |   |            | -38268 | -13.535 | .92388 | -5.606     |    |    | 89                | 2873.8 |    |            | .38268 | -55.479    | -92388 | -22.980    |    |    |
| 65 |                   | 2873.8  |   |            | -38268 | 55.479  | .92388 | 22.980     |    |    | 90                | 1.0    |    |            | 0      | 0          | 0      | 0          |    |    |
| 66 |                   | 1.0     |   |            | 0      | 0       | 0      | 0          |    |    | 91                | 4655.7 |    |            | .38268 | -58.204    | -92388 | -24.109    |    |    |
| 67 |                   | 4655.7  |   |            | -38268 | 58.204  | .92388 | -24.109    |    |    | 92                | 7237.6 |    |            |        | -124.493   |        | 193.507    |    |    |
| 68 |                   | 7237.6  |   |            |        | 124.493 |        | 51.566     |    |    | 93                | 9152.8 |    |            |        | -193.507   |        | 263.444    |    |    |
| 69 |                   | 9152.8  |   |            |        | 193.507 |        | -51.566    |    |    | 94                | 8845.2 |    |            |        | -263.444   |        | 331.534    |    |    |
| 70 |                   | 8845.2  |   |            |        | 263.444 |        | -331.534   |    |    | 95                | 9261.0 |    |            |        | -400.548   |        | 469.562    |    |    |
| 71 |                   | 9261.0  |   |            |        | 331.534 |        | -469.562   |    |    | 96                | 8774.8 |    |            |        | -538.576   |        | 538.576    |    |    |
| 72 |                   | 8774.8  |   |            |        | 400.548 |        | -538.576   |    |    | 97                | 9342.9 |    |            |        | -538.576   |        | 607.590    |    |    |
| 73 |                   | 9342.9  |   |            |        | 469.562 |        | -607.590   |    |    | 98                | 8265.6 |    |            |        | -607.590   |        | 607.590    |    |    |
| 74 |                   | 8265.6  |   |            |        | 538.576 |        | -607.590   |    |    | 99                | 2675.4 |    |            | .38268 | -607.590   | -92388 | -22.980    |    |    |
| 75 |                   | 2675.4  |   |            | -38268 | 607.590 | .92388 | -22.980    |    |    | 100               | 2062.0 |    |            | .92388 | 5.606      | -38268 | 13.535     |    |    |

PREPARED \_\_\_\_\_  
 CHECKED \_\_\_\_\_  
 REVISED \_\_\_\_\_



TABLE 1a. (CONT.)

SA-5 RIGID BODY MOTIONS & WEIGHTS

PAGE 36  
 REPORT NO. \_\_\_\_\_  
 MODEL \_\_\_\_\_

| 1 | 2                 | 3       | 4 | 5          | 6          | 7          | 8       | 9          | 10 | 11 | 12                | 13      | 14 | 15         | 16      | 17         | 18      | 19         | 20      | 21 |  |
|---|-------------------|---------|---|------------|------------|------------|---------|------------|----|----|-------------------|---------|----|------------|---------|------------|---------|------------|---------|----|--|
|   | DEGREE OF FREEDOM | WEIGHT  | Z | $\theta_z$ | $\ddot{X}$ | $\theta_x$ | Y       | $\theta_y$ |    |    | DEGREE OF FREEDOM | WEIGHT  | Z  | $\theta_z$ | X       | $\theta_x$ | Y       | $\theta_y$ |         |    |  |
|   | 101               | 5820.0  | 0 | 0          | .92388     | -22.980    | -.38268 | -55.479    |    |    | 126               | 1.0     | 0  | 0          | 0       | 0          | 0       | 0          | 0       |    |  |
|   | 102               | 1.0     |   |            | 0          | 0          | 0       | 0          |    |    | 127               | 6202.0  |    |            | -.92388 | 24.109     | .38268  | 58.204     |         |    |  |
|   | 103               | 6202.0  |   |            | .92388     | -24.109    | -.38268 | -58.204    |    |    | 128               | 9977.0  |    |            |         | 51.566     |         |            | 124.493 |    |  |
|   | 104               | 9977.0  |   |            |            | -51.566    |         | -124.493   |    |    | 129               | 11652.0 |    |            |         | 80.152     |         |            | 193.507 |    |  |
|   | 105               | 11652.0 |   |            |            | -80.152    |         | -193.507   |    |    | 130               | 11868.0 |    |            |         | 109.121    |         |            | 263.444 |    |  |
|   | 106               | 11868.0 |   |            |            | -109.121   |         | -263.444   |    |    | 131               | 11726.0 |    |            |         | 137.325    |         |            | 331.534 |    |  |
|   | 107               | 11726.0 |   |            |            | -137.325   |         | -331.534   |    |    | 132               | 12484.0 |    |            |         | 165.911    |         |            | 400.548 |    |  |
|   | 108               | 12484.0 |   |            |            | -165.911   |         | -400.548   |    |    | 133               | 11424.0 |    |            |         | 194.497    |         |            | 469.562 |    |  |
|   | 109               | 11424.0 |   |            |            | -194.497   |         | -469.562   |    |    | 134               | 11422.0 |    |            |         | 223.083    |         |            | 538.576 |    |  |
|   | 110               | 11422.0 |   |            |            | -223.083   |         | -538.576   |    |    | 135               | 4299.0  |    |            | -.92388 | 251.670    | .38268  | 607.590    |         |    |  |
|   | 111               | 4299.0  |   |            | .92388     | -251.670   | -.38268 | -607.590   |    |    | 136               | 2165.1  |    |            | -.38268 | 13.535     | -.92388 | -5.606     |         |    |  |
|   | 112               | 2165.1  |   |            | .38268     | -13.535    | .92388  | 5.606      |    |    | 137               | 6111.0  |    |            | -.38268 | -55.479    | -.92388 | 22.980     |         |    |  |
|   | 113               | 6111.0  |   |            | .38268     | 55.479     | .92388  | -22.980    |    |    | 138               | 1.0     |    |            | 0       | 0          | 0       | 0          | 0       |    |  |
|   | 114               | 1.0     |   |            | 0          | 0          | 0       | 0          |    |    | 139               | 6512.1  |    |            | -.38268 | -58.204    | -.92388 | 24.109     |         |    |  |
|   | 115               | 6512.1  |   |            | .38268     | 58.204     | .92388  | -24.109    |    |    | 140               | 10475.8 |    |            |         | 124.493    |         |            | 51.566  |    |  |
|   | 116               | 10475.8 |   |            |            | 124.493    |         | -51.566    |    |    | 141               | 12234.6 |    |            |         | 193.507    |         |            | 80.152  |    |  |
|   | 117               | 12234.6 |   |            |            | 193.507    |         | -80.152    |    |    | 142               | 12461.4 |    |            |         | 263.444    |         |            | 109.121 |    |  |
|   | 118               | 12461.4 |   |            |            | 263.444    |         | -109.121   |    |    | 143               | 12312.3 |    |            |         | 331.534    |         |            | 137.325 |    |  |
|   | 119               | 12312.3 |   |            |            | 331.534    |         | -137.325   |    |    | 144               | 13108.2 |    |            |         | 400.548    |         |            | 165.911 |    |  |
|   | 120               | 13108.2 |   |            |            | 400.548    |         | -165.911   |    |    | 145               | 11995.2 |    |            |         | 469.562    |         |            | 194.497 |    |  |
|   | 121               | 11995.2 |   |            |            | 469.562    |         | -194.497   |    |    | 146               | 12224.0 |    |            |         | 538.576    |         |            | 223.083 |    |  |
|   | 122               | 12224.0 |   |            |            | 538.576    |         | -223.083   |    |    | 147               | 4514.0  |    |            | -.38268 | 607.590    | .92388  | 251.670    |         |    |  |
|   | 123               | 4514.0  |   |            | .38268     | 607.590    | .92388  | -251.670   |    |    | 148               | 37.0    |    |            | 0       | 1056.0     | 1.0     | 0          | 0       |    |  |
|   | 124               | 2062.0  |   |            | -.92388    | -5.606     | .38268  | -13.535    |    |    | 149               | 91.0    |    |            | 0       | -1040.625  | 1.0     | 0          | 0       |    |  |
|   | 125               | 5820.0  | 0 | 0          | -.92388    | 22.980     | .38268  | 55.479     |    |    | 150               | 207.0   | 0  | 0          | 0       | -1009.875  | 1.0     | 0          | 0       |    |  |



PREPARED \_\_\_\_\_  
 CHECKED \_\_\_\_\_  
 REVISED \_\_\_\_\_



TABLE 10. (CONT.)  
 SA-5 RIGID BODY MOTIONS & WEIGHTS

| 1 | 2                 | 3      | 4 | 5          | 6 | 7          | 8   | 9          | 10 | 11 | 12                | 13        | 14 | 15         | 16     | 17         | 18     | 19         | 20 | 21 |  |
|---|-------------------|--------|---|------------|---|------------|-----|------------|----|----|-------------------|-----------|----|------------|--------|------------|--------|------------|----|----|--|
|   | DEGREE OF FREEDOM | WEIGHT | Z | $\theta_z$ | X | $\theta_x$ | Y   | $\theta_y$ |    |    | DEGREE OF FREEDOM | WEIGHT    | Z  | $\theta_z$ | X      | $\theta_x$ | Y      | $\theta_y$ |    |    |  |
|   | 151               | 345.0  | 0 | 0          | 0 | -379.125   | 1.0 | 0          |    |    | 176               | 1499148.0 | 0  | 1.0        | 0      | 0          | 0      | 0          |    |    |  |
|   | 152               | 333.0  |   |            |   | -948.375   |     |            |    |    | 177               | 1.0       |    | 0          |        | 0          | 0      |            |    |    |  |
|   | 153               | 222.0  |   |            |   | -917.625   |     |            |    |    | 178               | 26417.6   |    |            |        | -250.5     | 1.0    |            |    |    |  |
|   | 154               | 217.0  |   |            |   | -886.975   |     |            |    |    | 179               | 71176.0   |    |            |        | -228.25    | 1.0    |            |    |    |  |
|   | 155               | 5615.0 |   |            |   | -856.125   |     |            |    |    | 180               | 1.0       |    |            |        | 0          | 0      |            |    |    |  |
|   | 156               | 7580.0 |   |            |   | -825.375   |     |            |    |    | 181               | 1.0       |    |            |        |            |        |            |    |    |  |
|   | 157               | 356.0  |   |            |   | -794.625   |     |            |    |    | 182               | 1.0       |    |            |        |            |        |            |    |    |  |
|   | 158               | 425.0  |   |            |   | -763.875   |     |            |    |    | 183               | 1.0       |    |            |        | 0          | 0      |            |    |    |  |
|   | 159               | 392.0  |   |            |   | -733.125   |     |            |    |    | 184               | 5742.0    |    |            |        | -22.0      | 1.0    |            |    |    |  |
|   | 160               | 445.0  |   |            |   | -702.375   |     |            |    |    | 185               | 15069.0   |    |            |        | -62.0      |        |            |    |    |  |
|   | 161               | 390.0  |   |            |   | -671.625   |     |            |    |    | 186               | 1420.0    |    |            |        | 25.8       |        |            |    |    |  |
|   | 162               | 626.0  |   |            |   | -640.875   |     |            |    |    | 187               | 14359.0   |    |            |        | 55.7       | 1.0    |            |    |    |  |
|   | 163               | 2117.0 |   |            |   | -610.125   |     |            |    |    | 188               | 1.0       |    |            |        | 0          | 0      |            |    |    |  |
|   | 164               | 2413.0 |   |            |   | -579.375   |     |            |    |    | 189               | 10346.0   |    |            |        | 82.0       | 1.0    |            |    |    |  |
|   | 165               | 1522.0 |   |            |   | -548.625   |     |            |    |    | 190               | 16684.0   |    |            |        | 115.5      |        |            |    |    |  |
|   | 166               | 589.0  |   |            |   | -517.875   |     |            |    |    | 191               | 21123.0   |    |            |        | 175.3      |        |            |    |    |  |
|   | 167               | 1403.0 |   |            |   | -487.125   |     |            |    |    | 192               | 23639.0   |    |            |        | 235.1      |        |            |    |    |  |
|   | 168               | 3076.0 |   |            |   | -456.375   |     |            |    |    | 193               | 27924.0   |    |            |        | 308.04     |        |            |    |    |  |
|   | 169               | 3218.0 |   |            |   | -425.625   |     |            |    |    | 194               | 30830.0   |    |            |        | 394.12     |        |            |    |    |  |
|   | 170               | 2262.0 |   |            |   | -394.875   | 1.0 |            |    |    | 195               | 30598.0   |    |            |        | 480.2      |        |            |    |    |  |
|   | 171               | 1.0    |   |            |   | 0          | 0   |            |    |    | 196               | 29853.0   |    |            |        | 566.28     |        |            |    |    |  |
|   | 172               | 1910.0 |   |            |   | -412.7     | 1.0 |            |    |    | 197               | 23610.0   |    |            |        | 652.36     |        |            |    |    |  |
|   | 173               | 2627.0 |   |            |   | -364.125   |     |            |    |    | 198               | 34682.0   |    |            |        | 771.4      | 1.0    |            |    |    |  |
|   | 174               | 3258.0 |   |            |   | -333.375   |     |            |    |    | 199               | 983.0     |    |            |        | -13.535    | .92388 |            |    |    |  |
|   | 175               | 6211.0 | 0 | 0          | 0 | -302.625   | 1.0 | 0          |    |    | 200               | 2797.0    | 0  | 101.2      | -38268 | 55.479     | .92388 | -5.606     |    |    |  |
|   |                   |        |   |            |   |            |     |            |    |    |                   |           |    | 101.2      | -38268 | 55.479     | .92388 | 22.980     |    |    |  |



SA-5 RIGID BODY MOTIONS & WEIGHTS

| 1 | 2                 | 3      | 4 | 5          | 6       | 7          | 8       | 9          | 10 | 11 | 12                | 13     | 14 | 15         | 16     | 17         | 18      | 19         | 20       | 21 |
|---|-------------------|--------|---|------------|---------|------------|---------|------------|----|----|-------------------|--------|----|------------|--------|------------|---------|------------|----------|----|
|   | DEGREE OF FREEDOM | WEIGHT | Z | $\theta_z$ | X       | $\theta_x$ | Y       | $\theta_y$ |    |    | DEGREE OF FREEDOM | WEIGHT | Z  | $\theta_z$ | X      | $\theta_x$ | Y       | $\theta_y$ |          |    |
|   | 201               | 1.0    | 0 | 0          | 0       | 0          | 0       | 0          |    |    | 226               | 4434.0 | 0  | 101.2      | .38268 | -58.204    | -.92388 | -24.109    |          |    |
|   | 202               | 4434.0 |   | 101.2      | -.38268 | 58.204     | .92388  | 24.109     |    |    | 227               | 6893.0 |    |            |        | -124.493   |         |            |          |    |
|   | 203               | 6893.0 |   |            |         | 124.493    |         | 51.566     |    |    | 228               | 8717.0 |    |            |        | -193.507   |         |            |          |    |
|   | 204               | 8717.0 |   |            |         | 193.507    |         | 80.152     |    |    | 229               | 8424.0 |    |            |        | -263.444   |         |            |          |    |
|   | 205               | 8424.0 |   |            |         | 263.444    |         | 109.121    |    |    | 230               | 8820.0 |    |            |        | -331.534   |         |            |          |    |
|   | 206               | 8820.0 |   |            |         | 331.534    |         | 137.325    |    |    | 231               | 8357.0 |    |            |        | -400.548   |         |            |          |    |
|   | 207               | 8357.0 |   |            |         | 400.548    |         | 165.911    |    |    | 232               | 8898.0 |    |            |        | -469.562   |         |            |          |    |
|   | 208               | 8898.0 |   |            |         | 469.562    |         | 194.497    |    |    | 233               | 7872.0 |    |            |        | -538.576   |         |            |          |    |
|   | 209               | 7872.0 |   |            |         | 538.576    |         | 223.283    |    |    | 234               | 2549.0 |    |            | .38268 | -607.590   | -.92388 | -237.670   |          |    |
|   | 210               | 2549.0 |   |            | -.38268 | 607.590    | .92388  | 237.670    |    |    | 235               | 1032.2 |    |            | .92388 | -5.606     | .38268  | 13.535     |          |    |
|   | 211               | 1032.2 |   |            | -.92388 | 5.606      | -.38268 | -13.535    |    |    | 236               | 2873.8 |    | 101.2      | .92388 | 33.980     | .38268  | -55.479    |          |    |
|   | 212               | 2873.8 |   | 101.2      | -.92388 | -22.980    | -.38268 | 55.479     |    |    | 237               | 1.0    |    | 0          | 0      | 0          | 0       | 0          |          |    |
|   | 213               | 1.0    |   | 0          | 0       | 0          | 0       | 0          |    |    | 238               | 4655.7 |    | 101.2      | .92388 | 24.109     | .38268  | -58.204    |          |    |
|   | 214               | 4655.7 |   | 101.2      | -.92388 | -24.109    | -.38268 | 58.204     |    |    | 239               | 7237.6 |    |            |        | -51.566    |         |            |          |    |
|   | 215               | 7237.6 |   |            |         | 24.109     |         | 124.493    |    |    | 240               | 9152.8 |    |            |        | 80.152     |         |            |          |    |
|   | 216               | 9152.8 |   |            |         | 124.493    |         | 193.507    |    |    | 241               | 8845.2 |    |            |        | -80.152    |         |            |          |    |
|   | 217               | 8845.2 |   |            |         | 193.507    |         | 263.444    |    |    | 242               | 8845.2 |    |            |        | -109.121   |         |            |          |    |
|   | 218               | 8845.2 |   |            |         | 263.444    |         | 331.534    |    |    | 243               | 9261.0 |    |            |        | -137.325   |         |            |          |    |
|   | 219               | 9261.0 |   |            |         | 331.534    |         | 400.548    |    |    | 244               | 9342.9 |    |            |        | -165.911   |         |            |          |    |
|   | 220               | 9342.9 |   |            |         | 400.548    |         | 469.562    |    |    | 245               | 8265.6 |    |            |        | -194.497   |         |            |          |    |
|   | 221               | 8265.6 |   |            |         | 469.562    |         | 538.576    |    |    | 246               | 2625.4 |    |            |        | -223.283   |         |            |          |    |
|   | 222               | 2625.4 |   |            | -.92388 | -251.670   | -.38268 | 607.590    |    |    | 247               | 2063.0 |    |            |        | -251.670   | -.38268 | .92388     | -607.590 |    |
|   | 223               | 2063.0 |   |            | .38268  | 13.535     | -.92388 | -5.606     |    |    | 248               | 5820.0 |    | 101.2      | .38268 | 55.479     | .92388  | -22.980    |          |    |
|   | 224               | 5820.0 |   | 101.2      | -.38268 | -55.479    | -.92388 | 22.980     |    |    | 249               | 1.0    |    | 0          | 0      | 0          | 0       | 0          |          |    |
|   | 225               | 1.0    |   | 0          | 0       | 0          | 0       | 0          |    |    | 250               | 6209.0 |    | 101.2      | .38268 | 58.204     | .92388  | -24.109    |          |    |



TABLE 1a. (CONT.)

SA-5 RIGID BODY MOTIONS & WEIGHTS



PREPARED  
CHECKED  
REVISED

| 1 | 2                 | 3          | 4   | 5          | 6   | 7          | 8   | 9          | 10 | 11 | 12                | 13        | 14  | 15         | 16   | 17         | 18   | 19         | 20 | 21 |
|---|-------------------|------------|-----|------------|-----|------------|-----|------------|----|----|-------------------|-----------|-----|------------|------|------------|------|------------|----|----|
|   | DEGREE OF FREEDOM | WEIGHT     | Z   | $\theta_z$ | X   | $\theta_x$ | Y   | $\theta_y$ |    |    | DEGREE OF FREEDOM | WEIGHT    | Z   | $\theta_z$ | X    | $\theta_x$ | Y    | $\theta_y$ |    |    |
|   | 301               | 3624.0     | 1.0 | 0          | 0   | 38.7       | 0   | -93.5      |    |    | 326               | 1663851.0 | 0   | 0          | 0    | 0          | 0    | 1.0        |    |    |
|   | 302               | 65543.0    |     |            |     | 38.7       |     | -93.5      |    |    | 327               | 2137.5    | 1.0 | 0          | 0    | 72.6       | 0    | 64.2       |    |    |
|   | 303               | 3624.0     |     |            |     | 93.5       |     | 38.7       |    |    | 328               | 2137.5    | 0   | -64.2      | 0    | 818.2      | 1.0  | 0          |    |    |
|   | 304               | 65543.0    |     |            |     | 93.5       |     | 38.7       |    |    | 329               | 2137.5    |     | 72.6       | -1.0 | 0          | 0    | 818.2      |    |    |
|   | 305               | 3624.0     |     |            |     | -38.7      |     | 93.5       |    |    | 330               | 933681.0  |     | 1.0        | 0    | 0          | 0    | 0          |    |    |
|   | 306               | 65543.0    |     |            |     | -38.7      |     | 93.5       |    |    | 331               | 1949485.0 |     | 0          |      | 0          | 0    | 1.0        |    |    |
|   | 307               | 3624.0     |     |            |     | -93.5      |     | -38.7      |    |    | 332               | 1663851.0 | 0   | 0          |      | -1.0       | 0    | 0          |    |    |
|   | 308               | 65543.0    |     |            |     | -93.5      |     | -38.7      |    |    | 333               | 2137.5    | 1.0 | 0          | 0    | -64.2      | 0    | 72.6       |    |    |
|   | 309               | 4083.0     |     |            |     | -38.7      |     | -93.5      |    |    | 334               | 2137.5    | 0   | -64.2      | -1.0 | 0          | 0    | 818.2      |    |    |
|   | 310               | 95556.0    |     |            |     | -38.7      |     | -93.5      |    |    | 335               | 2137.5    |     | 72.6       | 0    | -818.2     | -1.0 | 0          |    |    |
|   | 311               | 4083.0     |     |            |     | 93.5       |     | -38.7      |    |    | 336               | 933681.0  |     | 1.0        |      | 0          | 0    | 0          |    |    |
|   | 312               | 95556.0    |     |            |     | 93.5       |     | -38.7      |    |    | 337               | 1949485.0 |     | 0          |      | -1.0       | 0    | 0          |    |    |
|   | 313               | 4083.0     |     |            |     | 38.7       |     | 93.5       |    |    | 338               | 1663851.0 | 0   | 0          |      | 0          | 0    | -1.0       |    |    |
|   | 314               | 95556.0    |     |            |     | 38.7       |     | 93.5       |    |    | 339               | 2137.5    | 1.0 | 0          |      | -72.6      | 0    | -64.2      |    |    |
|   | 315               | 4083.0     |     |            |     | -93.5      |     | 38.7       |    |    | 340               | 2137.5    | 0   | -64.2      | 0    | -818.2     | -1.0 | 0          |    |    |
|   | 316               | 95556.0    |     |            |     | -93.5      |     | 38.7       |    |    | 341               | 2137.5    |     | 72.6       | 1.0  | 0          | 0    | -818.2     |    |    |
|   | 317               | 34682.0    | 1.0 |            |     | 0          |     | 0          |    |    | 342               | 933681.0  |     | 1.0        | 0    | 0          | 0    | 0          |    |    |
|   | 318               | 31679800.0 | 0   |            |     | 1.0        |     | 0          |    |    | 343               | 1949485.0 |     | 0          | 0    | 0          | 0    | -1.0       |    |    |
|   | 319               | 31679800.0 | 0   | 0          |     | 0          |     | 1.0        |    |    | 344               | 1663851.0 |     | 0          | 0    | 1.0        | 0    | 0          |    |    |
|   | 320               | 77688400.0 | 0   | 1.0        |     | 0          |     | 0          |    |    | 345               | 1632.0    |     | 2.2        | 1.0  | 0          | 0    | -812.5     |    |    |
|   | 321               | 2137.5     | 1.0 | 0          | 0   | 64.2       |     | -72.6      |    |    | 346               | 1632.0    | 0   | 41.7       | 0    | 812.5      | 1.0  | 0          |    |    |
|   | 322               | 2137.5     | 0   | -64.2      | 1.0 | 0          | 0   | -818.2     |    |    | 347               | 1632.0    | 1.0 | 0          |      | -2.2       | 0    | -41.7      |    |    |
|   | 323               | 2137.5     |     | 72.6       | 0   | 818.2      | 1.0 | 0          |    |    | 348               | 1334911.0 | 0   | 0          |      | 1.0        | 0    | 0          |    |    |
|   | 324               | 933681.0   |     | 1.0        | 0   | 0          | 0   | 0          |    |    | 349               | 901222.0  | 0   | 0          | 0    | 0          | 0    | 1.0        |    |    |
|   | 325               | 1949485.0  | 0   | 0          | 0   | 1.0        | 0   | 0          |    |    | 350               | 60640.0   | 0   | 1.0        | 0    | 0          | 0    | 0          |    |    |



TABLE 1b.  
SA-8 RIGID BODY MOTIONS & WEIGHTS



PREPARED \_\_\_\_\_  
CHECKED \_\_\_\_\_  
REVISED \_\_\_\_\_

| 1 | 2                 | 3      | 4 | 5          | 6   | 7          | 8   | 9          | 10 | 11 | 12                | 13      | 14  | 15         | 16     | 17         | 18     | 19         | 20     | 21 |  |
|---|-------------------|--------|---|------------|-----|------------|-----|------------|----|----|-------------------|---------|-----|------------|--------|------------|--------|------------|--------|----|--|
|   | DEGREE OF FREEDOM | WEIGHT | Z | $\theta_z$ | X   | $\theta_x$ | Y   | $\theta_y$ |    |    | DEGREE OF FREEDOM | WEIGHT  | Z   | $\theta_z$ | X      | $\theta_x$ | Y      | $\theta_y$ |        |    |  |
|   | 1                 | 313.2  | 0 | 0          | 1.0 | 0          | 0   | 1341.7     |    |    | 155               | 220.5   | 0   | 0          | 0      | -1014.7    | 1.0    | 0          |        |    |  |
|   | 2                 | 558.2  |   |            |     |            |     | 1276.7     |    |    | 156               | 450.2   |     |            |        |            | -981.7 |            |        |    |  |
|   | 3                 | 391.5  |   |            |     |            |     | 1220.7     |    |    | 157               | 839.6   |     |            |        |            | -964.7 |            |        |    |  |
|   | 4                 | 452.1  |   |            |     |            |     | 1160.7     |    |    | 158               | 954.4   |     |            |        |            | -930.0 |            |        |    |  |
|   | 5                 | 234.1  |   |            |     |            |     | 1106.7     |    |    | 159               | 3333.7  |     |            |        |            | -596.7 |            |        |    |  |
|   | 6                 | 419.9  |   |            |     |            |     | 1084.7     |    |    | 160               | 1577.7  |     |            |        |            | -856.0 |            |        |    |  |
|   | 7                 | 153.0  |   |            |     |            |     | 1049.7     |    |    | 161               | 1641.5  |     |            |        |            | -785.0 |            |        |    |  |
|   | 8                 | 220.5  |   |            |     |            |     | 1014.7     |    |    | 162               | 1788.5  |     |            |        |            | -722.0 |            |        |    |  |
|   | 9                 | 450.2  |   |            |     |            |     | 981.7      |    |    | 163               | 1394.9  |     |            |        |            | -650.0 |            |        |    |  |
|   | 10                | 839.6  |   |            |     |            |     | 964.7      |    |    | 164               | 562.1   | 0   | 0          | 0      | -598.7     | 1.0    | 0          |        |    |  |
|   | 11                | 954.4  |   |            |     |            |     | 730.0      |    |    |                   |         |     |            |        |            |        |            |        |    |  |
|   | 12                | 3333.7 |   |            |     |            |     | 896.7      |    |    | 295               | 15285.7 | 1.0 | 0          | 0      | 0          | 0      | 0          |        |    |  |
|   | 13                | 1572.7 |   |            |     |            |     | 854.0      |    |    |                   |         |     |            |        |            |        |            |        |    |  |
|   | 14                | 1641.5 |   |            |     |            |     | 785.0      |    |    | 369               | 382.8   | 0   | 0          | .97534 | -192.9     | .22070 | .852.4     |        |    |  |
|   | 15                | 1788.8 |   |            |     |            |     | 723.0      |    |    | 370               | 698.6   |     |            |        | -181.9     |        |            | 804.0  |    |  |
|   | 16                | 1394.9 |   |            |     |            |     | 550.0      |    |    | 371               | 659.1   |     |            |        | -173.1     |        |            | 765.0  |    |  |
|   | 17                | 562.1  | 0 | 0          | 1.0 | 0          | 0   | 598.7      |    |    | 372               | 740.0   |     |            |        | -164.3     |        |            | 725.0  |    |  |
|   | 148               | 313.2  | 0 | 0          | 0   | -1341.7    | 1.0 | 0          |    |    | 373               | 683.0   |     |            | .97534 | -153.7     | .22070 | 679.1      |        |    |  |
|   | 149               | 558.2  |   |            |     | -1276.7    |     |            |    |    | 374               | 382.8   |     |            | -22070 | -852.4     | .97534 | -192.9     |        |    |  |
|   | 150               | 391.5  |   |            |     | -1220.7    |     |            |    |    | 375               | 698.6   |     |            |        | -804.0     |        |            | -181.9 |    |  |
|   | 151               | 452.1  |   |            |     | -1160.7    |     |            |    |    | 376               | 659.1   |     |            |        | -765.0     |        |            | -173.1 |    |  |
|   | 152               | 234.1  |   |            |     | -1106.7    |     |            |    |    | 377               | 740.0   |     |            |        | -725.0     |        |            | -164.3 |    |  |
|   | 153               | 419.9  |   |            |     | -1084.7    |     |            |    |    | 378               | 683.0   | 0   |            | .22070 | -679.1     | .97534 | -153.7     |        |    |  |
|   | 154               | 153.0  | 0 | 0          | 0   | -1049.7    | 1.0 | 0          |    |    | 379               | 3163.5  | 1.0 | 0          | 0      | 0          | 0      | 0          |        |    |  |

TABLE 2a

## SA-5 EIGENVALUES

Run #1 - Element #51

| <u>Mode No.</u> | <u>N</u> | <u>XN</u> | <u>Convergence</u> | <u>f<sub>n</sub></u> |
|-----------------|----------|-----------|--------------------|----------------------|
| 1               | 11       | 30.86438  | 0                  | .56492               |
| 2               | 6        | 28.09667  | 0                  | .59209               |
| 3               | 25       | 3.591662  | .000014            | 1.656026             |
| 4               | 19       | 3.487810  | .000088            | 1.680499             |
| 5               | 23       | 3.335514  | .000022            | 1.718437             |
| 6               | 16       | 3.334737  | .000089            | 1.718635             |
| 7               | 25       | 3.270767  | .000014            | 1.735360             |
| 8               | 6        | 3.173972  | .000252            | 1.761638             |
| 9               | 16       | 3.142010  | .000012            | 1.770561             |
| 10              | 26       | 3.127286  | .001112            | 1.774723             |
| 11              | 24       | 3.027156  | .000987            | 1.803836             |
| 12              | 24       | 2.417463  | .000039            | 2.018529             |
| 13              | 17       | 2.392992  | .000720            | 2.028824             |
| 14              | 24       | 2.382129  | .000019            | 2.033443             |
| 15              | 26       | 1.830392  | .000004            | 2.319759             |
| 16              | 18       | 1.828028  | .000123            | 2.321256             |
| 17              | 26       | 1.791688  | .000070            | 2.344678             |
| 18              | 24       | 1.049099  | .000051            | 3.064123             |
| 19              | 19       | .5868233  | .000332            | 4.096965             |
| 20              | 26       | .5840905  | .000562            | 4.106493             |
| 21              | 26       | .3590616  | .000126            | 5.237585             |
| 22              | 19       | .3567154  | .000846            | 5.254736             |

TABLE 2b

## SA-5 EIGENVALUES

Run #2 - Element #198

| <u>Mode No.</u> | <u>N</u> | <u>XN</u> | <u>Convergence</u> | <u>f</u><br><u>n</u> |
|-----------------|----------|-----------|--------------------|----------------------|
| 1               | 7        | 30.86438  | 0                  | .56492               |
| 2               | 11       | 28.09667  | 0                  | .59209               |
| 3               | 20       | 3.486362  | 0                  | 1.680848             |
| 4               | 15       | 3.486115  | 0                  | 1.680906             |
| 5               | 15       | 3.276448  | .000001            | 1.733856             |
| 6               | 24       | 3.272423  | .000009            | 1.734923             |
| 7               | 15       | 3.166736  | .000008            | 1.763634             |
| 8               | 24       | 3.144373  | 0                  | 1.769838             |
| 9               | 20       | 3.133650  | .000165            | 1.772921             |
| 10              | 24       | 3.018287  | .000039            | 1.806484             |
| 11              | 24       | 2.417426  | .000001            | 2.018542             |
| 12              | 15       | 2.409637  | 0                  | 2.021802             |
| 13              | 24       | 2.381943  | .000003            | 2.033524             |
| 14              | 24       | 1.829816  | .000011            | 2.320120             |
| 15              | 24       | 1.791427  | .000001            | 2.344848             |
| 16              | 24       | 1.046448  | .000006            | 3.068001             |
| 17              | 15       | .7824508  | .000206            | 3.548000             |
| 18              | 21       | .6314452  | .000126            | 3.949528             |
| 19              | 24       | .6306326  | .000808            | 3.952095             |
| 20              | 24       | .3895338  | .000067            | 5.028567             |
| 21              | 21       | .3894731  | .000217            | 5.028954             |
| 22              | 18       | .3876284  | .000325            | 5.040876             |
| 23              | 15       | .2410509  | .000167            | 6.392358             |



TABLE 2c

## SA-5 EIGENVALUES

Run #3 - Element #320

| <u>Mode No.</u> | <u>N</u> | <u>XN</u> | <u>Convergence</u> | <u>f<sub>n</sub></u> |
|-----------------|----------|-----------|--------------------|----------------------|
| 1               | 10       | 30.86438  | 0                  | .56492               |
| 2               | 10       | 28.09667  | 0                  | .59209               |
| 3               | 26       | 3.591900  | .000006            | 1.655975             |
| 4               | 26       | 3.485068  | .000032            | 1.681159             |
| 5               | 16       | 3.469382  | .000099            | 1.684957             |
| 6               | 14       | 3.457256  | .000034            | 1.687907             |
| 7               | 26       | 3.440089  | .000430            | 1.692115             |
| 8               | 26       | 3.326033  | .000020            | 1.720884             |
| 9               | 14       | 3.171768  | .000030            | 1.762235             |
| 10              | 26       | 3.143391  | .000044            | 1.770172             |
| 11              | 26       | 3.009716  | .000230            | 1.809054             |
| 12              | 24       | 2.385318  | .0000239           | 2.032083             |
| 13              | 24       | 1.885757  | .0000016           | 2.285449             |
| 14              | 14       | 1.707959  | .000761            | 2.401462             |
| 15              | 21       | 1.642528  | 0                  | 2.448827             |
| 16              | 14       | 1.640168  | .000040            | 2.450588             |
| 17              | 14       | 1.088641  | .000001            | 3.007963             |
| 18              | 26       | .9732374  | .000066            | 3.181301             |
| 19              | 26       | .6351186  | .002749            | 3.938100             |
| 20              | 14       | .3035814  | .000231            | 5.696107             |
| 21              | 26       | .3017368  | .000014            | 5.713447             |
| 22              | 16       | .2987183  | .000223            | 5.742256             |
| 23              | 14       | .1495421  | .001497            | 8.115887             |
| 24              | 16       | .1373159  | .000938            | 8.469305             |
| 25              | 16       | .04352938 | .000884            | 15.042511            |

TABLE 3  
SA-5 MODES

| <u>Mode No.</u> | <u>Eigenvalue (XN)</u> | <u>Frequency (cps)</u> | <u>Run No.</u> | <u>Description of Mode</u>  |
|-----------------|------------------------|------------------------|----------------|---|
| 1               | 30.86438               | .56492                 | 1              | Slosh of S-IV O <sub>2</sub> in Y direction.  |
| 1               | 30.86438               | .56492                 | 2              | Same as Run #1  |
| 1               | 30.86438               | .56492                 | 3              | Same as Run #1  |
| 2               | 28.09667               | .59209                 | 1              | Slosh of S-IV O <sub>2</sub> in X direction.  |
| 2               | 28.09667               | .59209                 | 2              | Same as Run #1  |
| 2               | 28.09667               | .59209                 | 3              | Same as Run #1  |
| 3               | 3.591900               | 1.655975               | 3              | Tanks 6 and 8 moving in positive radial direction.  |
| 3               | 3.591662               | 1.656026               | 1              | Same as Run 3. Convergence is better.   |
| 4               | 3.487810               | 1.680499               | 1              | Tank 6 moving in positive radial direction. Tank 8 moving in negative radial direction. Center line elements are basically the 1st bending mode in the Y direction. |
| 4               | 3.486362               | 1.680848               | 2              | Same as Run #1. Convergence is better.  |
| 4               | 3.486115               | 1.680906               | 2              | Same as Run #1.   |

TABLE 3 (Cont'd.)

| <u>Mode No.</u> | <u>Eigenvalue (XN)</u> | <u>Frequency (cps)</u> | <u>Run No.</u> | <u>Description of Mode</u>  |
|-----------------|------------------------|------------------------|----------------|---|
| 4               | 3.485068               | 1.681159               | 3              | Same as Run #1.   |
| 4               | 3.469382               | 1.684957               | 3              | Same as Run #1.   |
| 4               | 3.457256               | 1.687907               | 3              | Basically the same as Run #1. Probably not too well converged.  |
| 5               | 3.440089               | 1.692115               | 3              | Tanks 5 and 7 moving in negative radial direction.  |
| 6               | 3.335514               | 1.718437               | 1              | Tank 5 moving in negative radial direction. Tank 7 moving in positive radial direction.   |
| 6               | 3.334737               | 1.718635               | 1              | Same as Run #1 above.   |
| 6               | 3.326033               | 1.720884               | 3              | Same as Run #1.   |
| 7               | 3.276448               | 1.733856               | 2              | Tank 10 moving in negative radial direction. Tank 12 moving in positive radial direction. Center line elements in 1st bending in Y direction. |
| 7               | 3.272423               | 1.734923               | 2              | Same as Run #2 above.   |
| 7               | 3.270767               | 1.735360               | 1              | Same as Run #2.   |
| 8               | 3.173972               | 1.761638               | 1              | Seems to be 1st bending of center line elements in X direction. Convergence is poor.  |

TABLE 3 (Cont'd.)

| <u>Mode No.</u> | <u>Eigenvalue (XN)</u> | <u>Frequency (cps)</u> | <u>Run No.</u> | <u>Description of Mode</u>   |
|-----------------|------------------------|------------------------|----------------|--|
| 8               | 3.171768               | 1.762235               | 3              | Tank 9 moving in negative radial direction. Tank 11 moving in positive radial direction. 1st bending of center line elements in X direction excited. |
| 8               | 3.166736               | 1.763634               | 2              | Same as Run 3. Convergence poor.   |
| 8               | 3.144373               | 1.769838               | 2              | Same as Run 3. Convergence better.   |
| 8               | 3.143391               | 1.770172               | 3              | Same as Run 3 above. Convergence better.   |
| 8               | 3.142010               | 1.770561               | 1              | Same as Run 3. Convergence better.   |
| 8               | 3.133650               | 1.772921               | 2              | Same as Run 3. Convergence poor.   |
| 9               | 3.127286               | 1.774723               | 1              | Tanks 10 and 12 moving in positive radial direction.   |
| 10              | 3.027156               | 1.803836               | 1              | Tanks 9 and 11 moving in negative radial direction.  |
| 10              | 3.018287               | 1.806484               | 2              | Same as Run #1.  |
| 10              | 3.009716               | 1.809054               | 3              | Same as Run #1.  |

TABLE 3 (Cont'd.)

| <u>Mode No.</u> | <u>Eigenvalue (XN)</u> | <u>Frequency (cps)</u> | <u>Run No.</u> | <u>Description of Mode</u>   |
|-----------------|------------------------|------------------------|----------------|--|
| 11              | 2.417463               | 2.018529               | 1              | Tanks 6 and 10 moving in positive radial direction. Tanks 8 and 12 moving in negative radial direction. Tanks 5 and 9 moving in negative tangential direction. Tanks 7 and 11 moving in positive tangential direction.                     |
| 11              | 2.417426               | 2.018542               | 2              | Same as Run #1.  |
| 11              | 2.409637               | 2.021802               | 2              | Same as Run #1.  |
| 12              | 2.392992               | 2.028824               | 1              | Tanks 6 and 11 moving in negative radial direction. Tanks 8 and 9 moving in positive radial direction. Tanks 5 and 10 moving in positive tangential direction. Tanks 7 and 12 moving in negative radial direction. Not too well converged. |
| 12              | 2.385318               | 2.032083               | 3              | Same as Run #1. Not too well converged.  |
| 12              | 2.382129               | 2.033443               | 1              | Same as Run #1 above. Convergence better.  |
| 12              | 2.381943               | 2.033524               | 2              | Same as Run #1. Convergence better.  |

TABLE 3 (Cont'd.)

| <u>Mode No.</u> | <u>Eigenvalue (XN)</u> | <u>Frequency (cps)</u> | <u>Run No.</u> | <u>Description of Mode</u>   |
|-----------------|------------------------|------------------------|----------------|--|
| 13              | 1.885757               | 2.285449               | 3              | Tanks 5 and 7 moving in negative tangential direction. Tanks 6 and 8 moving in positive tangential direction.            |
| 14              | 1.830392               | 2.319759               | 1              | Tank 6 moving in negative tangential direction. Tank 8 moving in positive tangential direction.                          |
| 14              | 1.829816               | 2.320120               | 2              | Same as Run #1.  |
| 14              | 1.828028               | 2.321256               | 1              | Same as Run #1 above.  |
| 15              | 1.791688               | 2.344678               | 1              | Tank 5 moving in negative tangential direction. Tank 7 moving in positive tangential direction.                          |
| 15              | 1.791427               | 2.344848               | 2              | Same as Run #1.  |
| 13              | 1.707959               | 2.401463               | 3              | Same as Run #3 above. Converged early then reconverged.  |
| 16              | 1.642528               | 2.448827               | 3              | Tanks 5,6,7 and 8 moving in negative tangential direction. Tanks 9,10,11 and 12 moving in positive tangential direction. |
| 16              | 1.640168               | 2.450588               | 3              | Same as Run #3 above.  |

TABLE 3 (Cont'd.)

| <u>Mode No.</u> | <u>Eigenvalue (XN)</u> | <u>Frequency (cps)</u> | <u>Run No.</u> | <u>Description of Mode</u>   |
|-----------------|------------------------|------------------------|----------------|--|
| 17              | 1.088641               | 3.007963               | 3              | Upper end of outer tanks moving in negative tangential direction. Lower end of outer tanks moving in positive tangential direction. Engines moving in counter clockwise direction. |
| 18              | 1.049099               | 3.064123               | 1              | 1st bending of center line elements in X direction. Slight curl at engine end.   |
| 19              | 1.046448               | 3.068001               | 2              | 1st bending of center line elements in Y direction. Slight curl at engine end.   |
| 20              | .9732374               | 3.181301               | 3              | Tanks 9 and 11 moving in negative tangential direction. Tanks 10 and 12 moving in positive tangential direction.   |
| -               | .7824508               | 3.548000               | 2              | Mode too poorly converged for definition.  |
| 21              | .6351186               | 3.938100               | 3              | Tanks 9 and 10 moving in negative tangential direction. Tanks 11 and 12 moving in positive tangential direction.   |
| 21              | .6314452               | 3.949528               | 2              | Same as Run #3.  |
| 21              | .6306326               | 3.952095               | 2              | Same as Run #3.  |

TABLE 3 (Cont'd.)

| <u>Mode No.</u> | <u>Eigenvalue (XN)</u> | <u>Frequency (cps)</u> | <u>Run No.</u> | <u>Description of Mode</u>   |
|-----------------|------------------------|------------------------|----------------|--|
| 22              | .5868233               | 4.096965               | 1              | Rotation of center line elements in X direction. Vertical motion of outer tanks. 2nd bending of outer tanks. (Predominately tanks 10 and 12 in tangential direction).                                      |
| 22              | .5840905               | 4.106493               | 1              | Same as Run #1 above.  |
| 23              | .3894338               | 5.028567               | 2              | 2nd bending of tanks 6, 8, 10 and 12 in radial direction. 2nd bending of tanks 5, 7, 9 and 11 in tangential direction. Rotation of center line elements in Y direction and vertical motion of outer tanks. |
| 23              | .3894731               | 5.028954               | 2              | Same as Run #2 above.  |
| 23              | .3876284               | 5.040876               | 2              | Same as Run #2 above.  |
| 24              | .3590616               | 5.237585               | 1              | Same as Mode 23 except rotation of center line elements in X direction.  |
| 24              | .3567154               | 5.254736               | 1              | Same as Run #1 above.  |
| 25              | .3035814               | 5.696107               | 3              | 2nd bending of outer tanks in tangential direction.  |
| 25              | .3017368               | 5.713447               | 3              | Same as Run #3 above.  |
| 25              | .2987183               | 5.742256               | 3              | Same as Run #3 above.  |



TABLE 3 (Cont'd.)

| <u>Mode No.</u> | <u>Eigenvalue (XN)</u> | <u>Frequency (cps)</u> | <u>Run No.</u> | <u>Description of Mode</u>   |
|-----------------|------------------------|------------------------|----------------|--|
| 23              | .2410509               | 6.392358               | 2              | Same as Run #2 above. Not fully converged as yet.  |
| 26              | .1495421               | 8.115887               | 3              | Clockwise torsion of engines 1 thru 8 reacted by 2nd bending of outer tanks.                         |
| 26              | .1373159               | 8.469305               | 3              | Same as Run #3 above.  |
| 27              | .04352938              | 15.042511              | 3              | Engine 1,2,3 and 4 moving in counter clockwise torsional mode reacted by outer tanks in 2nd bending. |

TABLE 4a

## SA-8 EIGENVALUES

Run #1 - Element #51

| <u>Mode No.</u> | <u>N</u> | <u>XN</u> | <u>Convergence</u> | <u>f<sub>n</sub></u> |
|-----------------|----------|-----------|--------------------|----------------------|
| 1               | 10       | 30.81019  | 0                  | .565415              |
| 2               | 7        | 28.22816  | 0                  | .590709              |
| 3               | 18       | 3.457658  | .000020            | 1.687810             |
| 4               | 12       | 3.354867  | .000017            | 1.713472             |
| 5               | 18       | 3.350731  | .000003            | 1.714530             |
| 6               | 6        | 3.256019  | .000113            | 1.739287             |
| 7               | 12       | 3.039455  | .000207            | 1.800182             |
| 8               | 14       | 3.025524  | .000019            | 1.804322             |
| 9               | 18       | 1.345992  | .000050            | 2.705165             |
| 10              | 19       | 1.014589  | .000104            | 3.115799             |
| 11              | 20       | .3237804  | .000267            | 5.515561             |
| 12              | 22       | .01465022 | .000515            | 25.929603            |

TABLE 4b

## SA-8 EIGENVALUES

Run #2 - Element #198

| <u>Mode No.</u> | <u>N</u> | <u>XN</u> | <u>Convergence</u> | <u>f<sub>n</sub></u> |
|-----------------|----------|-----------|--------------------|----------------------|
| 1               | 6        | 30.81018  | 0                  | .565415              |
| 2               | 11       | 28.22817  | 0                  | .590709              |
| 3               | 18       | 3.484805  | .000019            | 1.681222             |
| 4               | 24       | 3.378488  | .000006            | 1.707471             |
| 5               | 24       | 3.265856  | .000033            | 1.736664             |
| 6               | 24       | 3.204805  | .000083            | 1.753128             |
| 7               | 24       | 3.018510  | .000726            | 1.806418             |
| 8               | 25       | 2.422205  | .000102            | 2.016549             |
| 9               | 17       | 2.415563  | .000228            | 2.019323             |
| 10              | 25       | 2.388029  | .000141            | 2.030929             |
| 11              | 25       | 1.914805  | .001158            | 2.268046             |
| 12              | 18       | 1.872444  | .000288            | 2.293564             |
| 13              | 17       | 1.871905  | .000354            | 2.293888             |
| 14              | 25       | 1.869207  | .000118            | 2.296121             |
| 15              | 23       | 1.315205  | .000010            | 2.736637             |
| 16              | 25       | 1.315168  | .000061            | 2.736678             |
| 17              | 24       | .6339651  | .000112            | 3.941671             |
| 18              | 23       | .4126714  | .000354            | 4.885547             |

TABLE 4c

## SA-8 EIGENVALUES

Run #3 - Element #320

| <u>Mode No.</u> | <u>N</u> | <u>XN</u> | <u>Convergence</u> | <u>f<sub>n</sub></u> |
|-----------------|----------|-----------|--------------------|----------------------|
| 1               | 10       | 30.81018  | 0                  | .565415              |
| 2               | 10       | 28.22817  | 0                  | .590709              |
| 3               | 26       | 3.591644  | .000051            | 1.656030             |
| 4               | 22       | 3.586875  | .000928            | 1.657129             |
| 5               | 21       | 3.486045  | .000207            | 1.680923             |
| 6               | 21       | 3.372253  | .000335            | 1.709050             |
| 7               | 21       | 3.202595  | .000277            | 1.753732             |
| 8               | 22       | 3.011883  | .000360            | 1.808405             |
| 9               | 28       | 2.441054  | .005865            | 2.008752             |
| 10              | 21       | 2.391108  | .000387            | 2.029621             |
| 11              | 28       | 1.926711  | .008475            | 2.361031             |
| 12              | 21       | 1.885512  | .000054            | 2.285600             |
| 13              | 18       | 1.642535  | .000016            | 2.448819             |
| 14              | 28       | 1.328688  | .000383            | 2.722719             |
| 15              | 19       | 1.088913  | .000010            | 3.007590             |
| 16              | 24       | .9730964  | .000121            | 3.181546             |
| 17              | 26       | .6317079  | .000248            | 3.948715             |
| 18              | 21       | .3017320  | .000024            | 5.713542             |
| 19              | 26       | .1722093  | .000885            | 7.56285              |
| 20              | 28       | .1704550  | .003380            | 7.601572             |
| 21              | 28       | .1385571  | .003355            | 8.431323             |

TABLE 5

## SA-8 MODES

| <u>Mode No.</u> | <u>Eigenvalue (XN)</u> | <u>Frequency (cps)</u> | <u>Run No.</u> | <u>Description of Mode</u>   |
|-----------------|------------------------|------------------------|----------------|--|
| 1               | 30.81019               | .565415                | 1              | Slosh mode of S-IV O <sub>2</sub> in Y direction.  |
| 1               | 30.81019               | .565415                | 2              | Same as Run #1.  |
| 1               | 30.81019               | .565415                | 3              | Same as Run #1.  |
| 2               | 28.22816               | .590709                | 1              | Slosh mode of S-IV O <sub>2</sub> in X direction.  |
| 2               | 28.22816               | .590709                | 2              | Same as Run #1.  |
| 2               | 28.22816               | .590709                | 3              | Same as Run #1.  |
| 3               | 3.591644               | 1.656030               | 3              | Tanks 6 and 8 moving in positive radial direction.   |
| 4               | 3.586875               | 1.657129               | 3              | 1st bending of center line elements. 2nd bending of outer tanks in tangential direction. Engines 1,2,3 and 4 in clockwise torsion. Probably not converged. |
| 5               | 3.486045               | 1.680923               | 3              | Tank 6 moving in positive radial direction. Tank 8 moving in negative radial direction.  |
| 5               | 3.484805               | 1.681222               | 2              | Same as Run #3.  |
| 5               | 3.457658               | 1.687810               | 1              | Same as Run #3.  |

TABLE 5 (Cont'd.)

| <u>Mode No.</u> | <u>Eigenvalue (XN)</u> | <u>Frequency (cps)</u> | <u>Run No.</u> | <u>Description of Mode</u>  |
|-----------------|------------------------|------------------------|----------------|---|
| 6               | 3.378488               | 1.707471               | 2              | Tank 5 moving in negative radial direction. Tank 7 moving in positive radial direction.   |
| 6               | 3.372253               | 1.709050               | 3              | Same as Run #2.   |
| 6               | 3.354867               | 1.713472               | 1              | Same as Run #2.   |
| 6               | 3.350731               | 1.714530               | 1              | Same as Run #2.   |
| -               | 3.265856               | 1.736664               | 2              | Non-converged.  |
| -               | 3.256019               | 1.739287               | 1              | Converged very early. Seems to be 1st bending mode in X-direction. Reconverges later on.  |
| 7               | 3.204805               | 1.753128               | 2              | Tank 9 moving in negative radial direction. Tank 11 moving in positive radial direction.  |
| 7               | 3.202595               | 1.753732               | 3              | Same as Run #2.   |
| 8               | 3.039455               | 1.800182               | 1              | Tank 5 moving in positive radial direction. Tank 7 moving in negative radial direction. Tank 10 moving in positive tangential direction. Tank 12 moving in negative tangential direction. |
| 8               | 3.025524               | 1.804322               | 1              | Same as Run #1 above.   |

TABLE 5 (Cont'd.)

| <u>Mode No.</u> | <u>Eigenvalue (XN)</u> | <u>Frequency (cps)</u> | <u>Run No.</u> | <u>Description of Mode</u>   |
|-----------------|------------------------|------------------------|----------------|--|
| 9               | 3.018510               | 1.806418               | 2              | Tanks 9 and 11 moving in positive radial direction.  |
| 9               | 3.011883               | 1.808405               | 3              | Same as Run #2.  |
| 10              | 2.441054               | 2.008752               | 3              | Tank 10 moving in positive radial direction.<br>Tank 12 moving in negative radial direction.                     |
| 10              | 2.422205               | 2.016549               | 2              | Same as Run #3. Convergence is poor.   |
| 10              | 2.415563               | 2.019323               | 2              | Same as Run #3.  |
| 11              | 2.391108               | 2.029621               | 3              | Tank 9 moving in positive radial direction.<br>Tank 11 moving in negative radial direction.                      |
| 11              | 2.388029               | 2.030929               | 2              | Same as Run #3. Better convergence.  |
| 12              | 1.926711               | 2.261031               | 3              | Tank 6 moving in negative tangential direction.<br>Tank 8 moving in positive tangential direction.               |
| 12              | 1.914805               | 2.268046               | 2              | Same as Run #3.  |
| 13              | 1.885512               | 2.285600               | 3              | Tanks 5 and 7 moving in negative tangential direction.<br>Tanks 6 and 8 moving in positive tangential direction. |

TABLE 5 (Cont'd.)

| <u>Mode No.</u> | <u>Eigenvalue (XN)</u> | <u>Frequency (cps)</u> | <u>Run No.</u> | <u>Description of Mode</u>  |
|-----------------|------------------------|------------------------|----------------|---|
| 14              | 1.872444               | 2.293564               | 2              | Rotation of center line elements about X axis (Y-motion). Tanks 5,6, 10 and 11 moving in negative vertical direction. Tanks 7,8,9 and 12 moving in positive vertical direction. Tank 5 moving in positive tangential direction. Tank 7 moving in negative tangential direction. |
| 14              | 1.871905               | 2.293888               | 2              | Same as Run #2 above.   |
| 14              | 1.868267               | 2.296121               | 2              | Same as Run #2 above.   |
| 15              | 1.642535               | 2.448819               | 3              | Tanks 5,6,7 and 8 moving in positive tangential direction. Tanks 9,10,11 and 12 moving in negative tangential direction.  |
| 16              | 1.345992               | 2.705165               | 1              | 1st bending of center line elements in X-direction. Slight curl at engine end.  |
| -               | 1.328688               | 2.722719               | 3              | Not well converged. Combination of 1st bending in X and Y direction.  |



TABLE 5 (Cont'd.)

| <u>Mode No.</u> | <u>Eigenvalue (XN)</u> | <u>Frequency (cps)</u> | <u>Run No.</u> | <u>Description of Mode</u>   |
|-----------------|------------------------|------------------------|----------------|--|
| 17              | 1.315168               | 2.736678               | 2              | 1st bending of center line elements in Y-direction. Slight curl at engine end.   |
| 18              | 1.088913               | 3.007590               | 3              | Torsional mode of outer tanks with upper elements moving in negative tangential direction and lower elements in positive tangential direction.                 |
| 19              | 1.014589               | 3.115799               | 1              | Tank 10 moving in negative tangential direction. Tank 12 moving in positive tangential direction. Rotation of center line elements about Y axis (X-direction). |
| 20              | .9730964               | 3.181546               | 3              | Tanks 9 and 11 moving in negative tangential direction. Tanks 10 and 12 moving in positive tangential direction.   |
| 21              | .6339651               | 3.941671               | 2              | Tanks 9 and 10 moving in positive tangential direction. Tanks 11 and 12 moving in negative tangential direction.   |
| 21              | .6317079               | 3.948715               | 3              | Same as Run #2.  |

TABLE 5 (Cont'd.)

| <u>Mode No.</u> | <u>Eigenvalue (XN)</u> | <u>Frequency (cps)</u> | <u>Run No.</u> | <u>Description of Mode</u>  |
|-----------------|------------------------|------------------------|----------------|---|
| 22              | .4126714               | 4.885547               | 2              | Tanks 6 and 10 moving in negative vertical direction. Tanks 8 and 12 moving in positive vertical direction. Center line elements including the engines moving in Y direction.   |
| 23              | .3237804               | 5.515561               | 1              | 2nd bending of all tanks in the radial direction with tanks 5,7,9 and 11 predominate. 2nd bending of tanks 5,6,7 and 8 in tangential direction. Tanks 9,10,11 and 12 in tangential direction show 2nd bending tendency. |
| 24              | .3017320               | 5.713542               | 3              | 2nd bending of all tanks in the tangential direction. Engines 1,2,3 and 4 in torsional mode.  |
| 25              | .1722093               | 7.56285                | 3              | Engines 1 thru 8 in torsional mode balanced by outer tanks in torsion. Tanks 5 thru 7 indicate some 2nd bending.  |
| 25              | .1704550               | 7.601572               | 3              | Same as Run #3 above.   |

TABLE 5 (Cont'd.)

| <u>Mode No.</u> | <u>Eigenvalue (XN)</u> | <u>Frequency (cps)</u> | <u>Run No.</u> | <u>Description of Mode</u>   |
|-----------------|------------------------|------------------------|----------------|--|
| 26              | .1385571               | 8.431323               | 3              | Engines 1 thru 8 in torsion. Tanks 5,6,7 and 8 in torsion and 2nd bending. Tanks 9, 10,11 and 12 in 2nd bending. |
| 27              | .01465022              | 25.929603              | 1              | 2nd bending of center line elements.   |

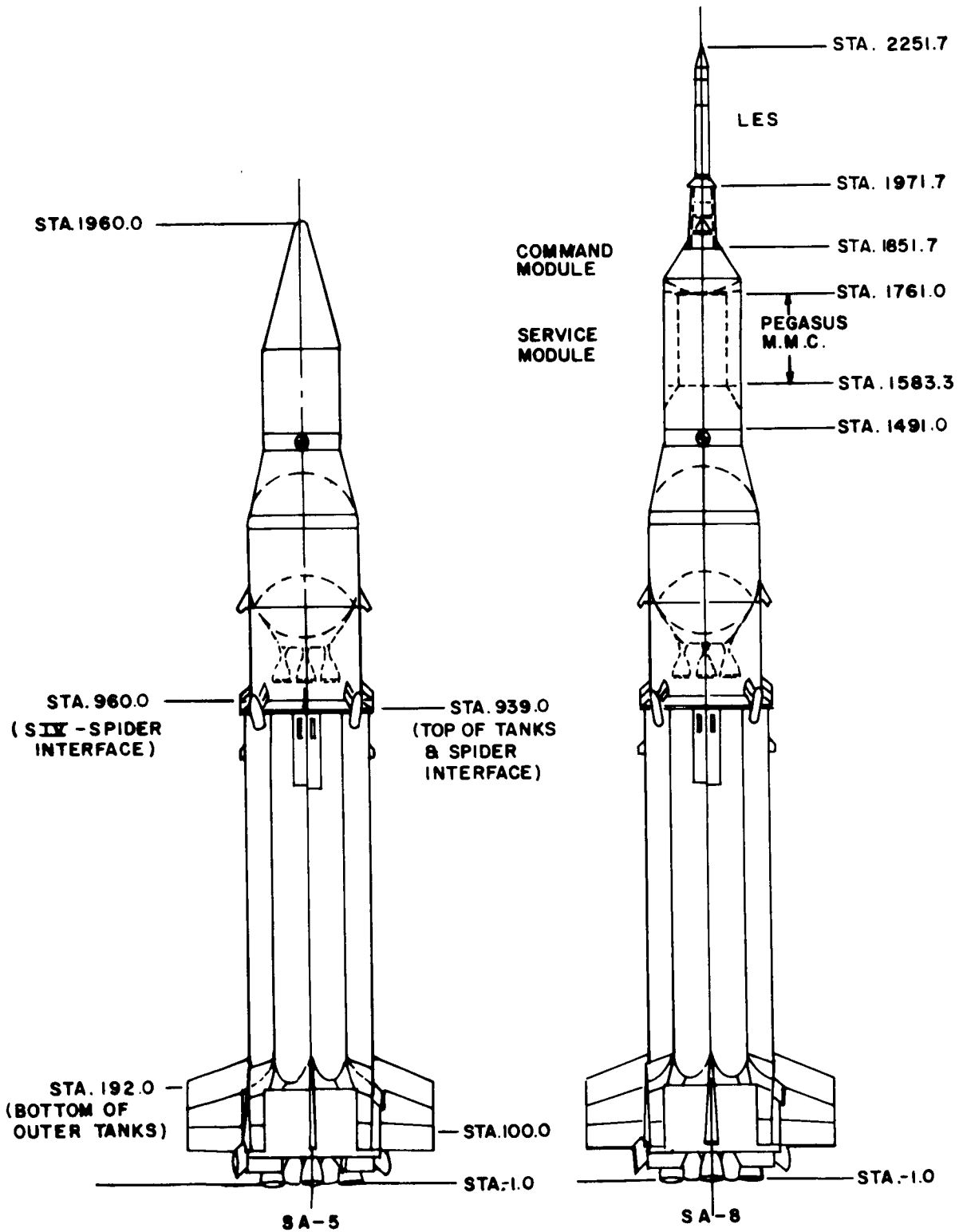


Figure 1 - Basic Dimensions of SA-5 and SA-8

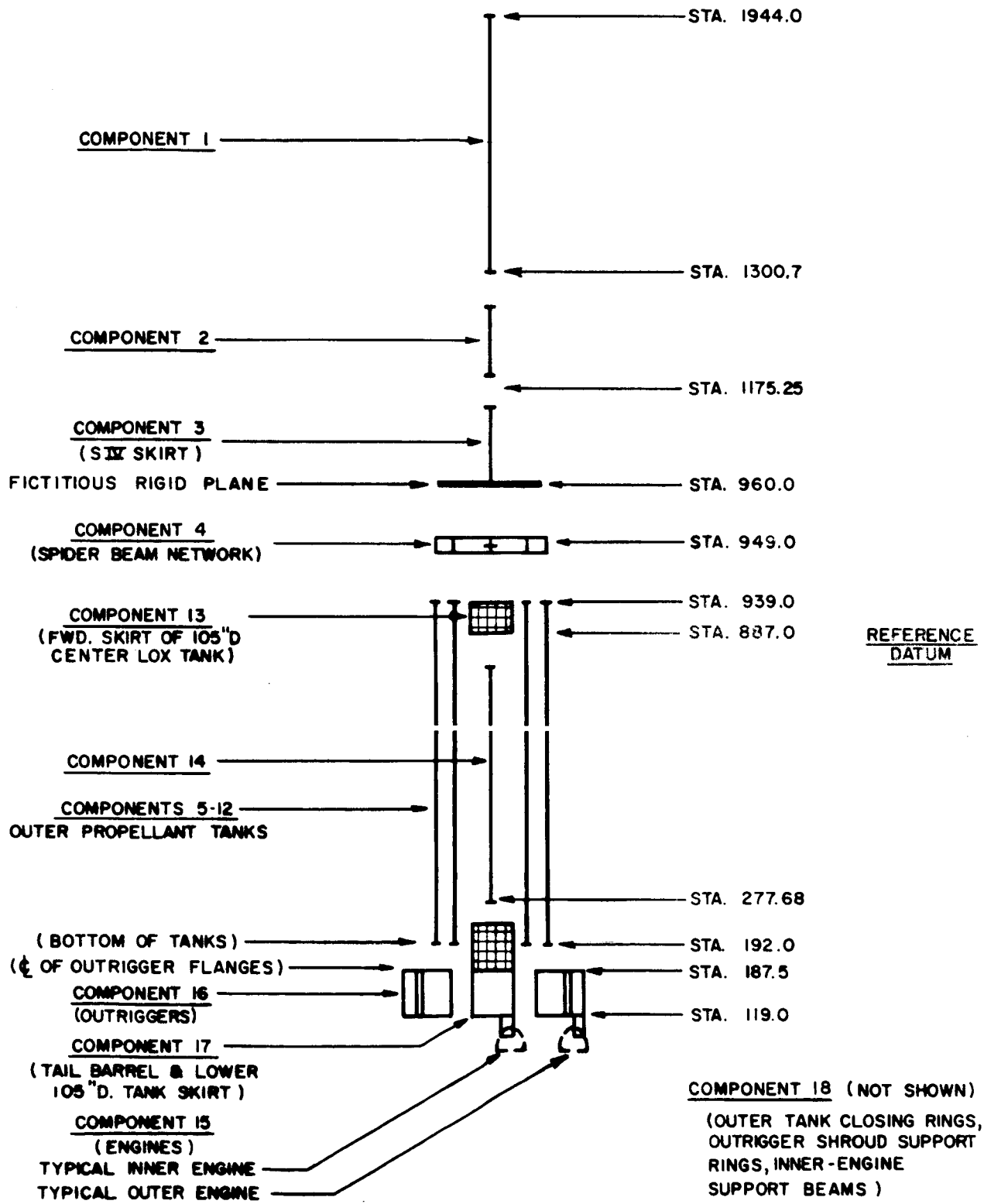


Figure 2 - Idealized Structural Components of SA-5

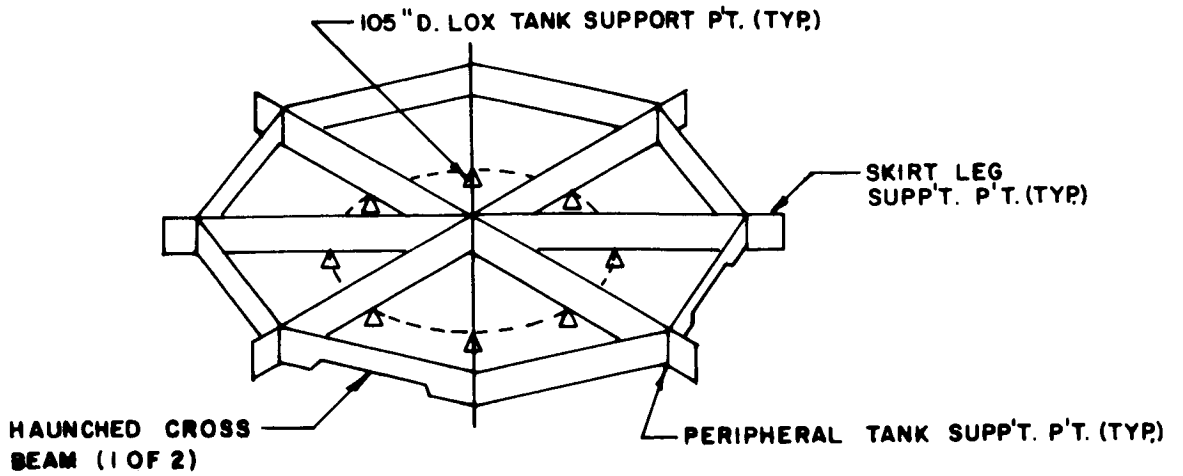


Figure 3 - Component 4 - Schematic View of the Spider Beam Network Idealization.

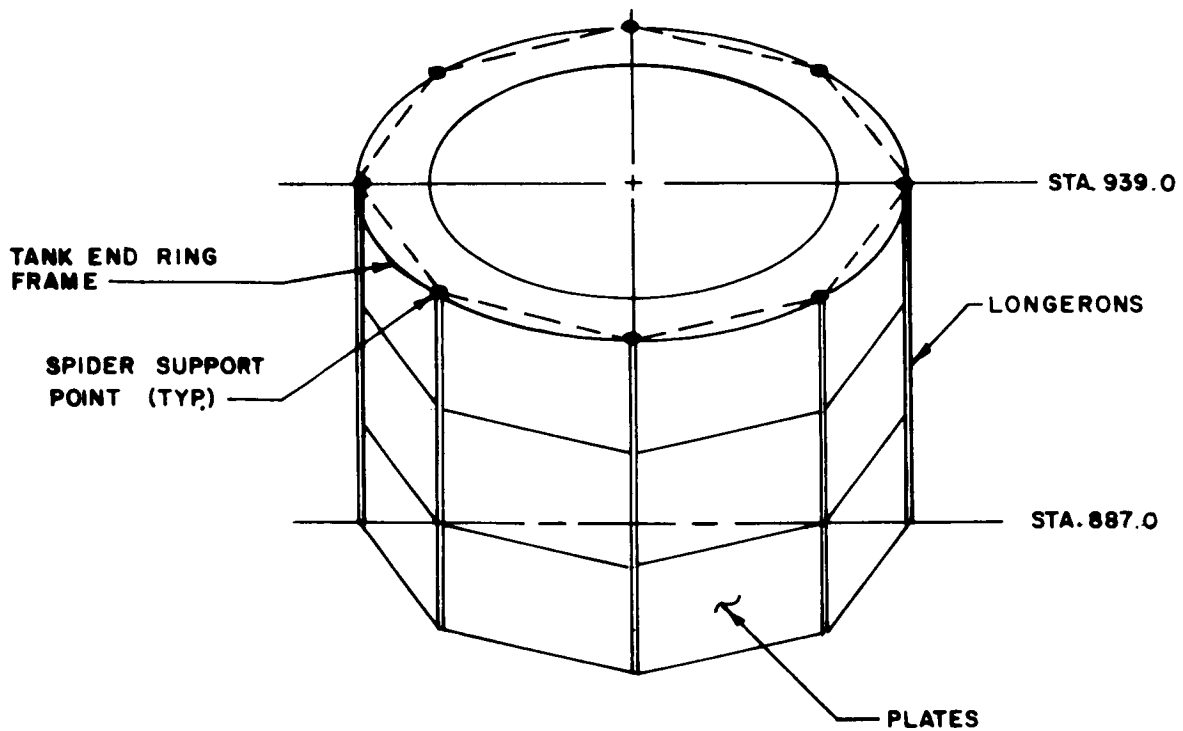
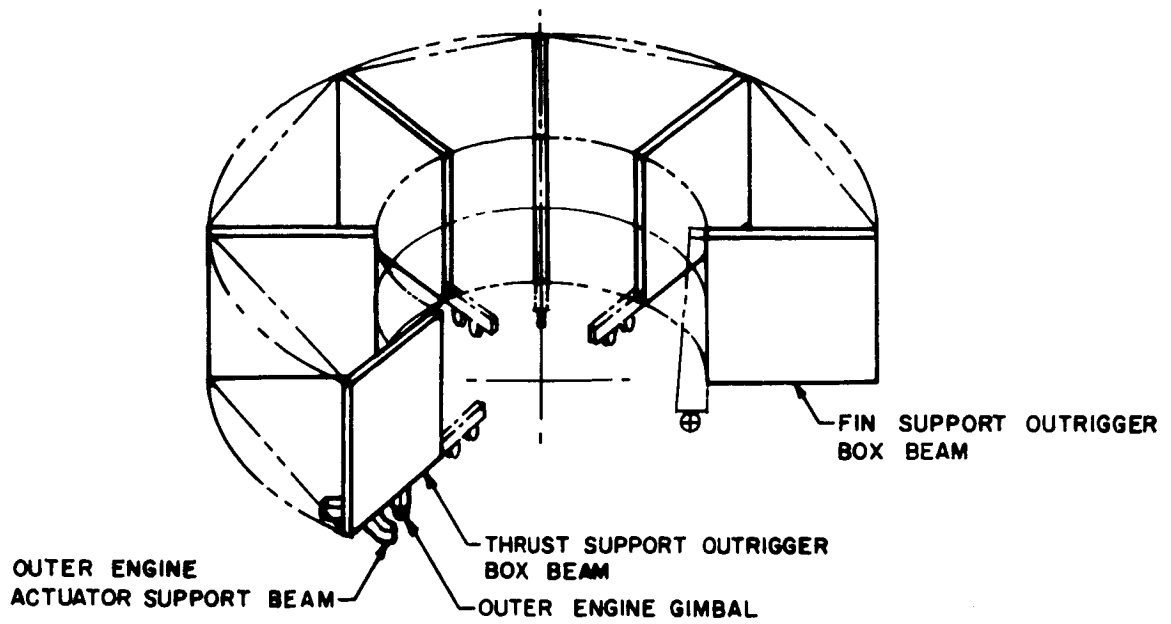
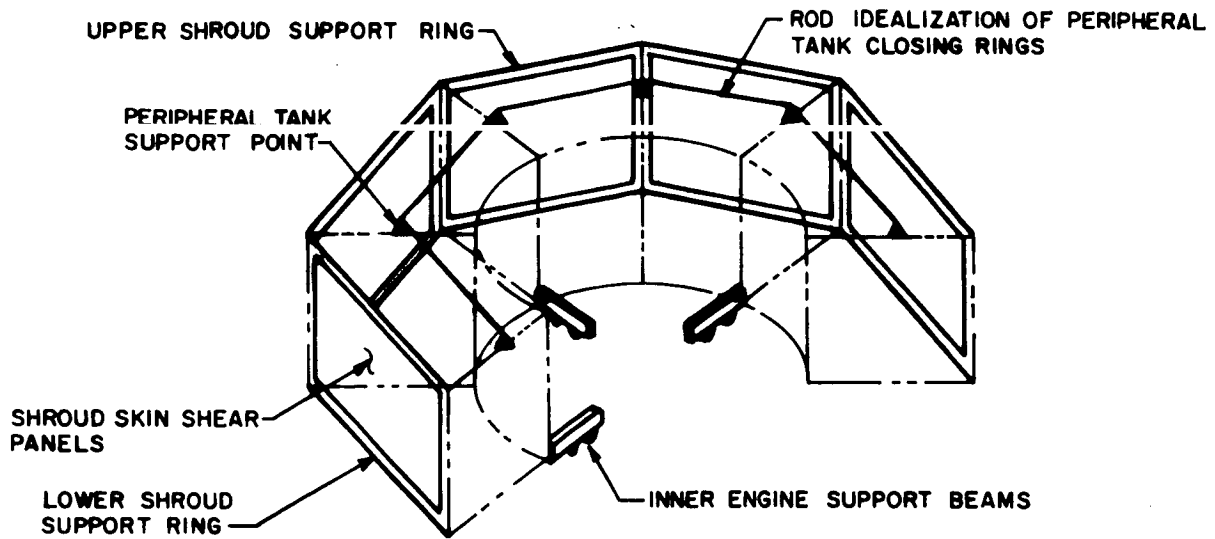


Figure 4 - Component 13 - Upper End, 105" D. Lox Tank Idealization



a. Component 16 - Outriggers



b. Component 18 - Shroud, Closing Rings and Inner Engine Support Beams

Figure 5 - Outer Thrust Structure

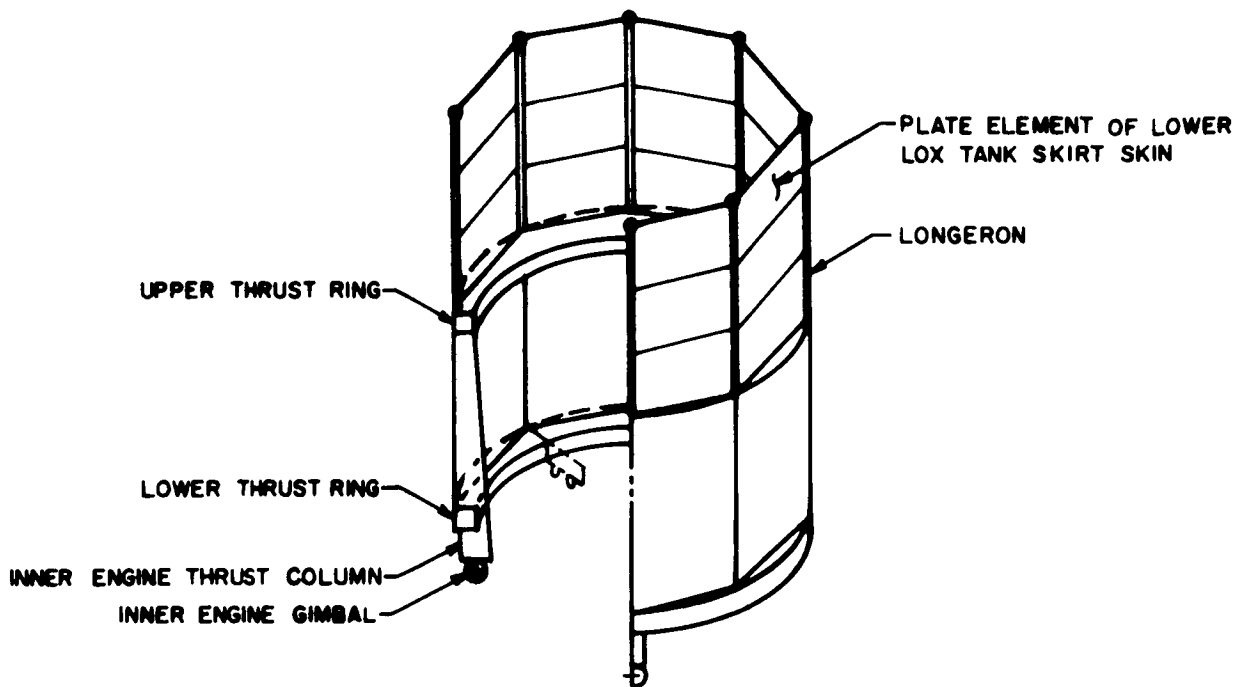


Figure 6 - Component 17 - Inner Tail Barrel and Thrust Structure Idealization

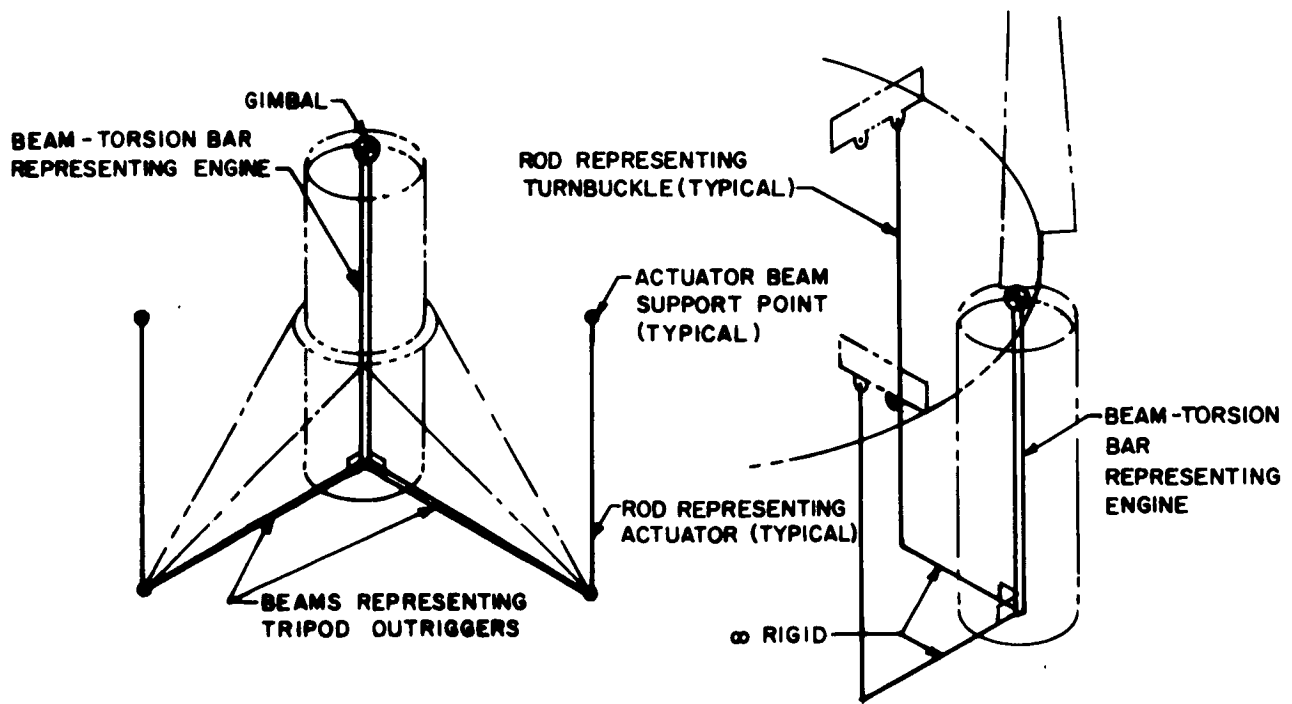


Figure 7 - Component 18 - Engine Idealization



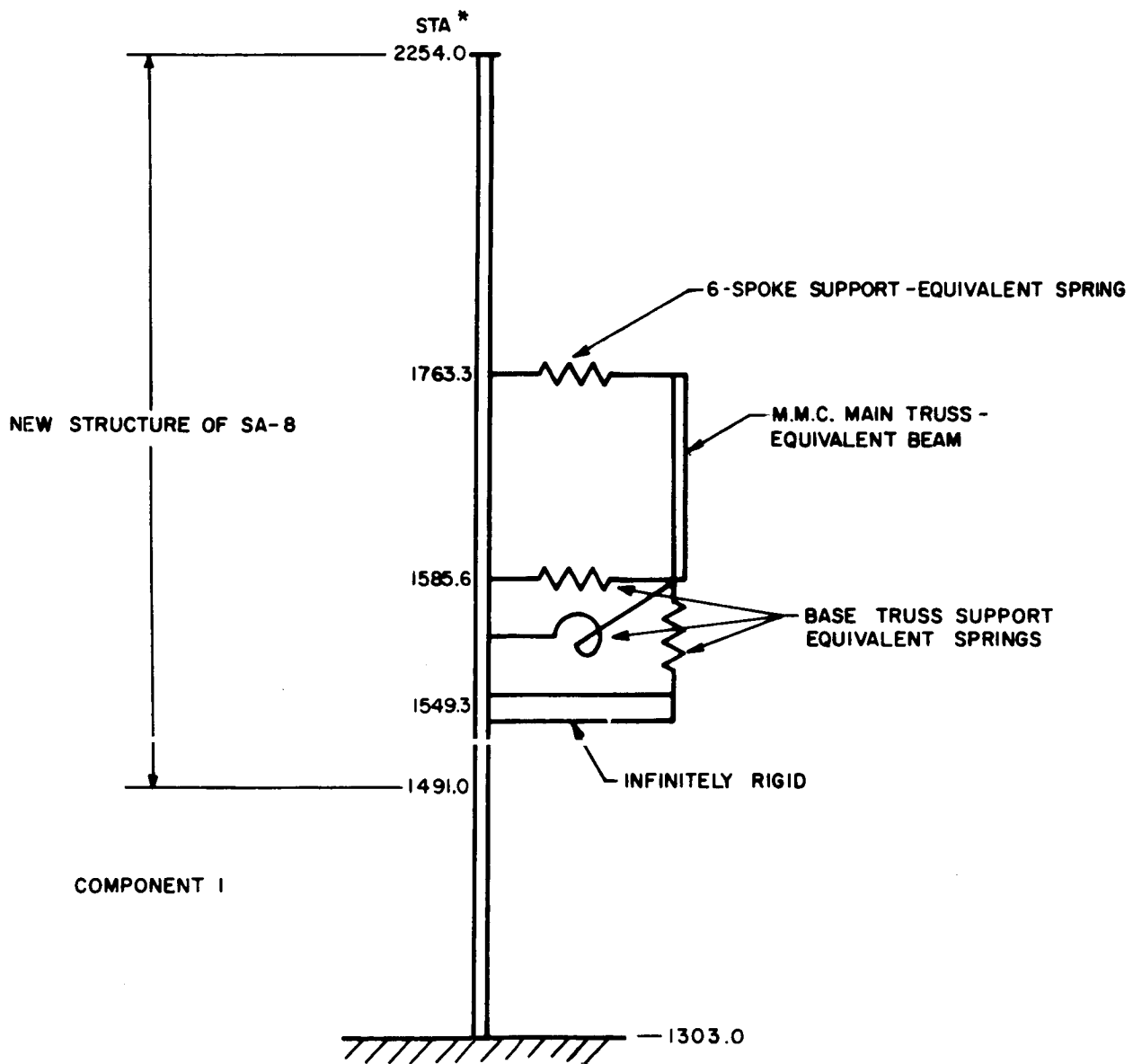
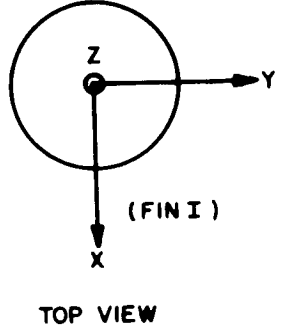


Figure 8 - Upper Stage Idealization of SA-8

| STA*           |                |
|----------------|----------------|
| SA-5 LOCATIONS | SA-8 LOCATIONS |
| 1946.30        | 2231           |
| 1930.93        | 2166           |
| 1900.18        | 2110           |
| 1869.43        | 2050           |
| 1838.68        | 1996           |
| 1807.93        | 1974           |
| 1777.18        | 1938           |
| 1746.43        | 1904           |
| 1715.68        | 1871           |
| 1684.93        | 1854           |
| 1654.18        | 1819.3         |
| 1623.43        | 1786           |
| 1592.68        | 1745.3         |
| 1561.93        | 1674.3         |
| 1531.18        | 1611.3         |
| 1500.43        | 1539.3         |
| 1469.68        | 1488           |
| 1438.93        | 1438.93        |
| 1408.18        | 1408.18        |
| 1377.43        | 1377.43        |
| 1346.68        | 1346.68        |
| 1315.93        | 1315.93        |
| 1303           | 1303           |

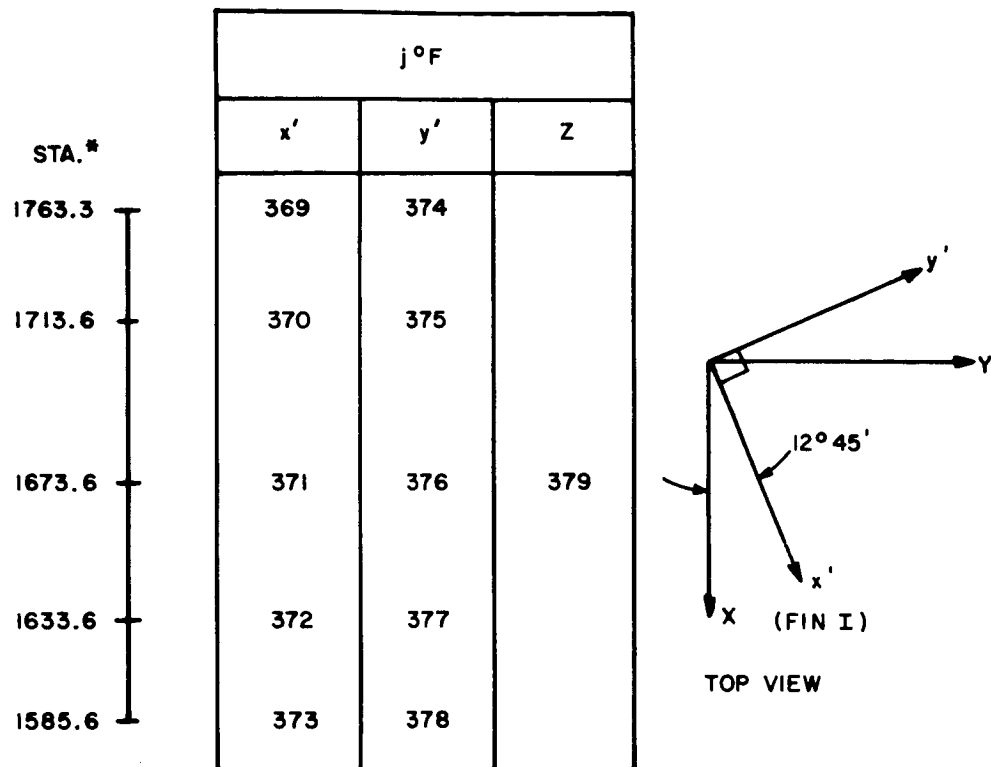


| j°F |     |       |
|-----|-----|-------|
| X   | Y   | Z     |
| 1   | 148 |       |
| 2   | 149 |       |
| 3   | 150 |       |
| 4   | 151 |       |
| 5   | 152 |       |
| 6   | 153 |       |
| 7   | 154 |       |
| 8   | 155 |       |
| 9   | 156 |       |
| 10  | 157 |       |
| 11  | 158 | 295** |
| 12  | 159 |       |
| 13  | 160 |       |
| 14  | 161 |       |
| 15  | 162 |       |
| 16  | 163 |       |
| 17  | 164 | 296** |
| 18  | 165 |       |
| 19  | 166 |       |
| 20  | 167 |       |
| 21  | 168 |       |
| 22  | 169 |       |



\* SUBTRACT 2.3 IN. FOR  $t=0$ , FULLY FUELED CONDITION  
 \*\* FOR SA-5, °F 295 IS AT STA. 1717.7  
 °F 296 IS AT STA. 1478.3

Figure 9 - Component 1 - Locations of Degrees of Freedom



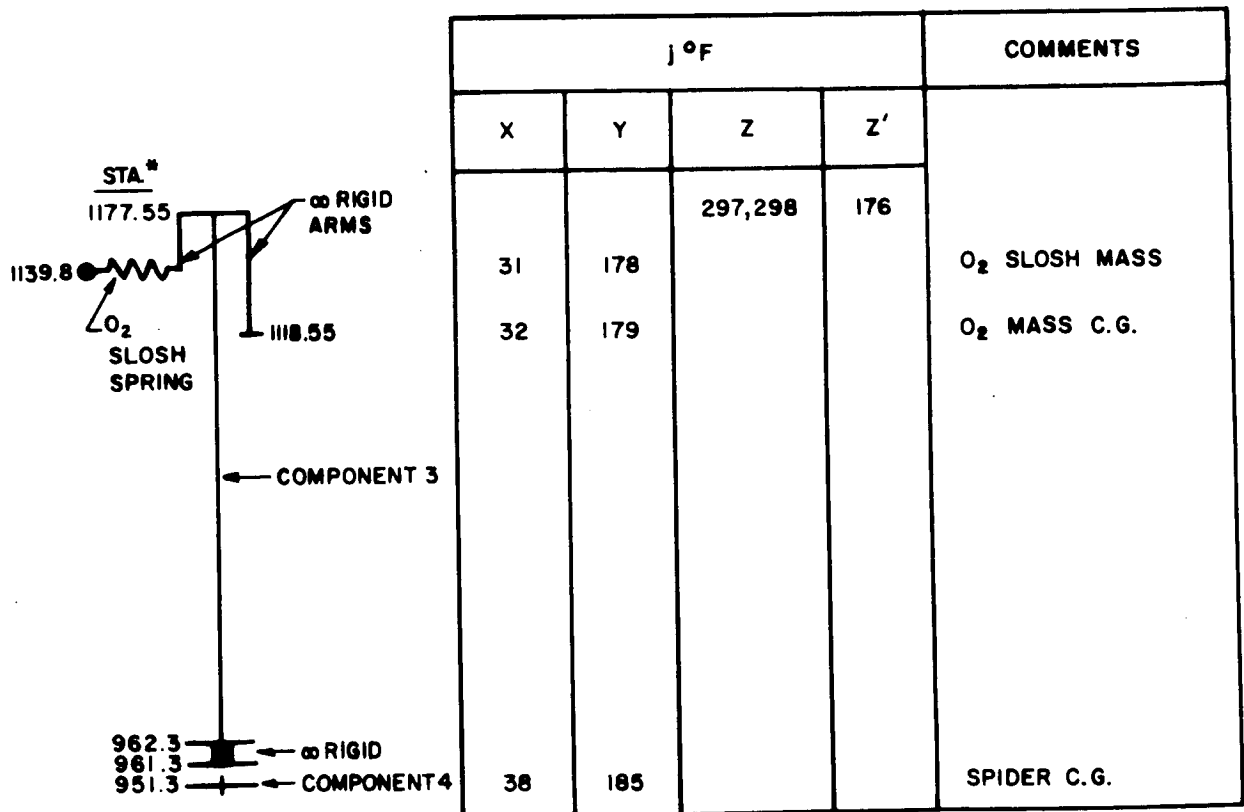
\* SUBTRACT 2.3 IN. FOR t=0, FULLY FUELED CONDITION

Figure 10 - SA-8 - Component 19 - Locations of Degrees of Freedom

| STA.*    | j°F |     |
|----------|-----|-----|
|          | X   | Y   |
| 1303     | 25  | 172 |
| 1285.175 | 23  | 170 |
| 1254.425 | 26  | 173 |
| 1223.675 | 27  | 174 |
| 1192.925 | 28  | 175 |
| 1177.55  |     |     |

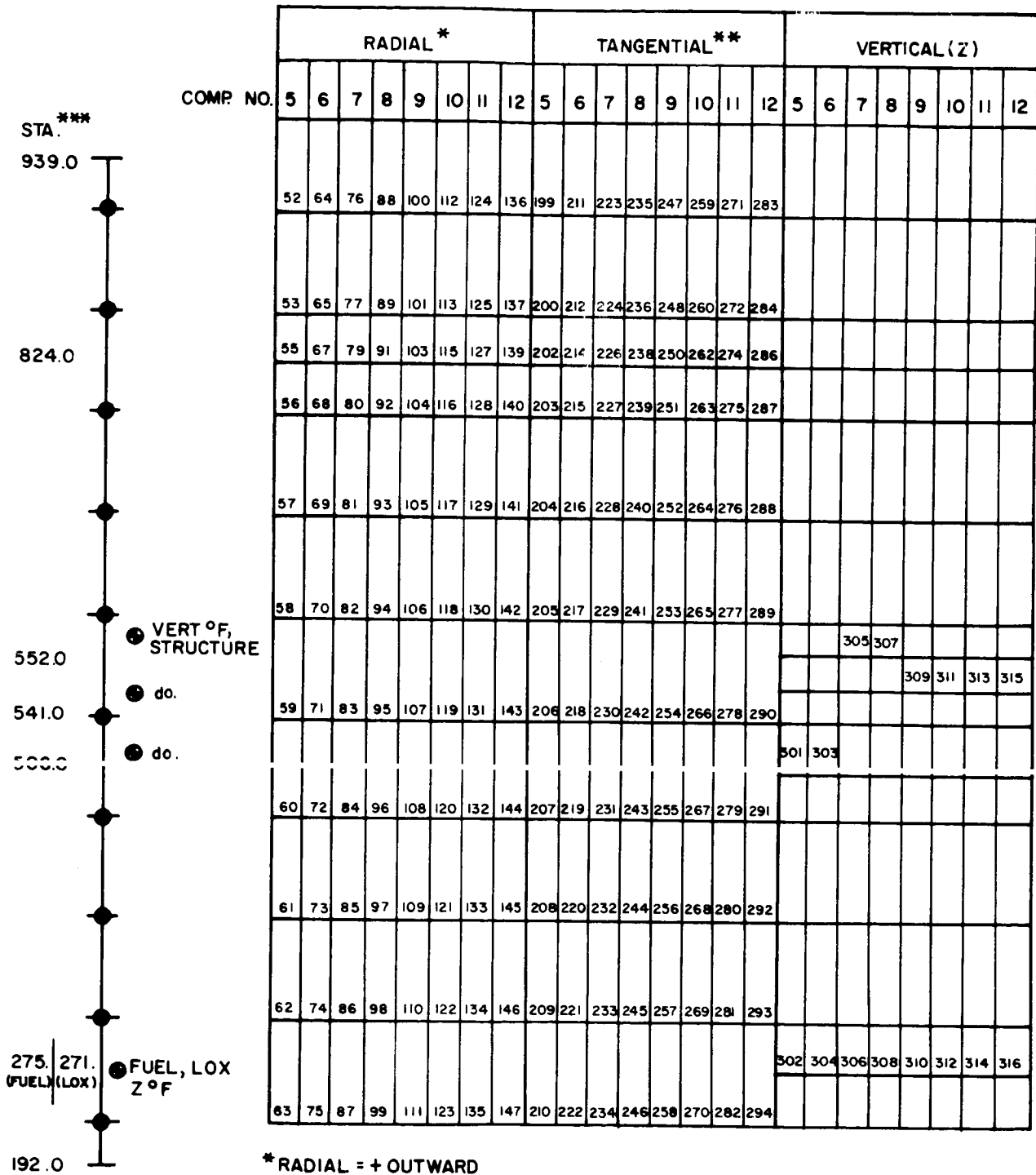
\* SUBTRACT 2.3 IN. FOR t=0, FULLY FUELED CONDITION

Figure 11 - Component 2 - Portion of S-IV



\* SUBTRACT 2.3 IN. FOR t=0, FULLY FUELED CONDITION

Figure 12 - Component 3 - S-IV Skirt  
Component 4 - Spider Beam Network



\* RADIAL = + OUTWARD  
 \*\* TANGENTIAL = + COUNTER CLOCKWISE WHEN VIEWED FROM ABOVE  
 \*\*\* COLD CONDITION AT t = 0, FULLY FUELED

Figure 13 - Components 5 thru 12 - Peripheral Tanks

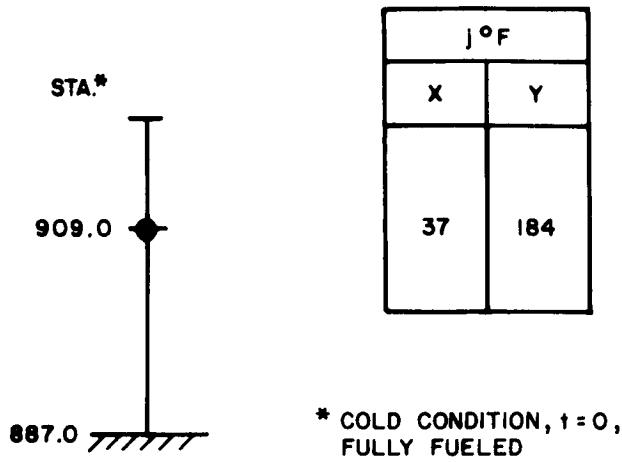


Figure 14 - Component 13 - Center Lox Tank-Upper Portion

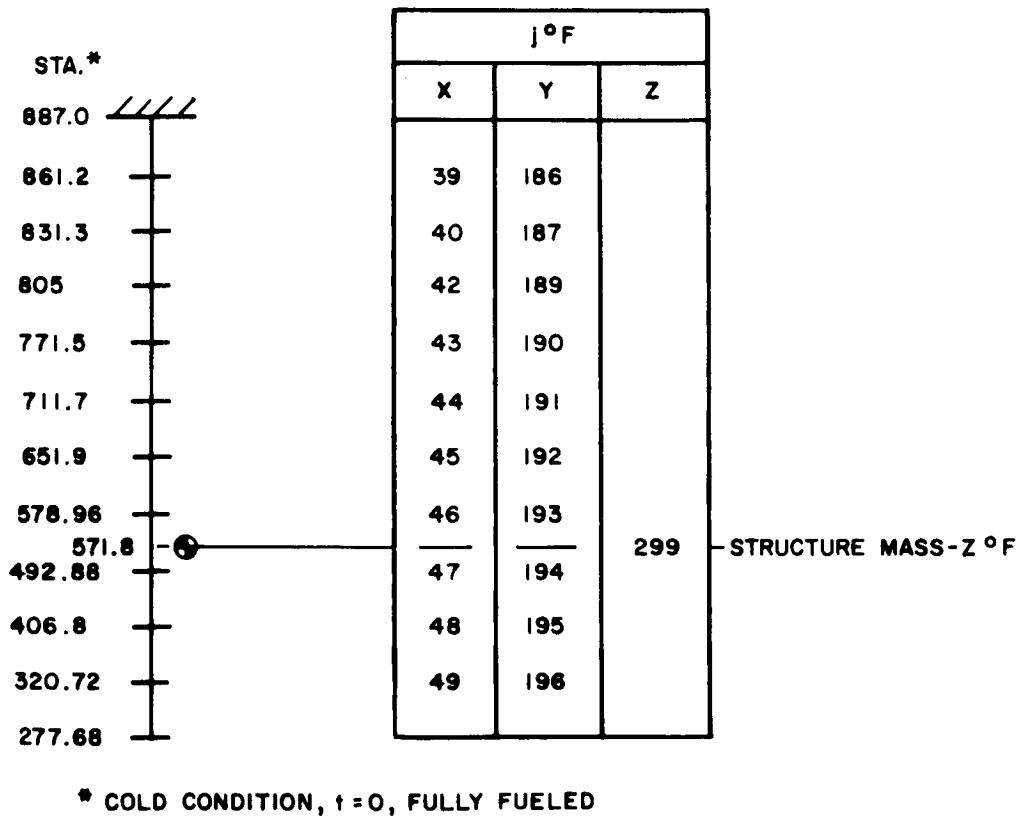
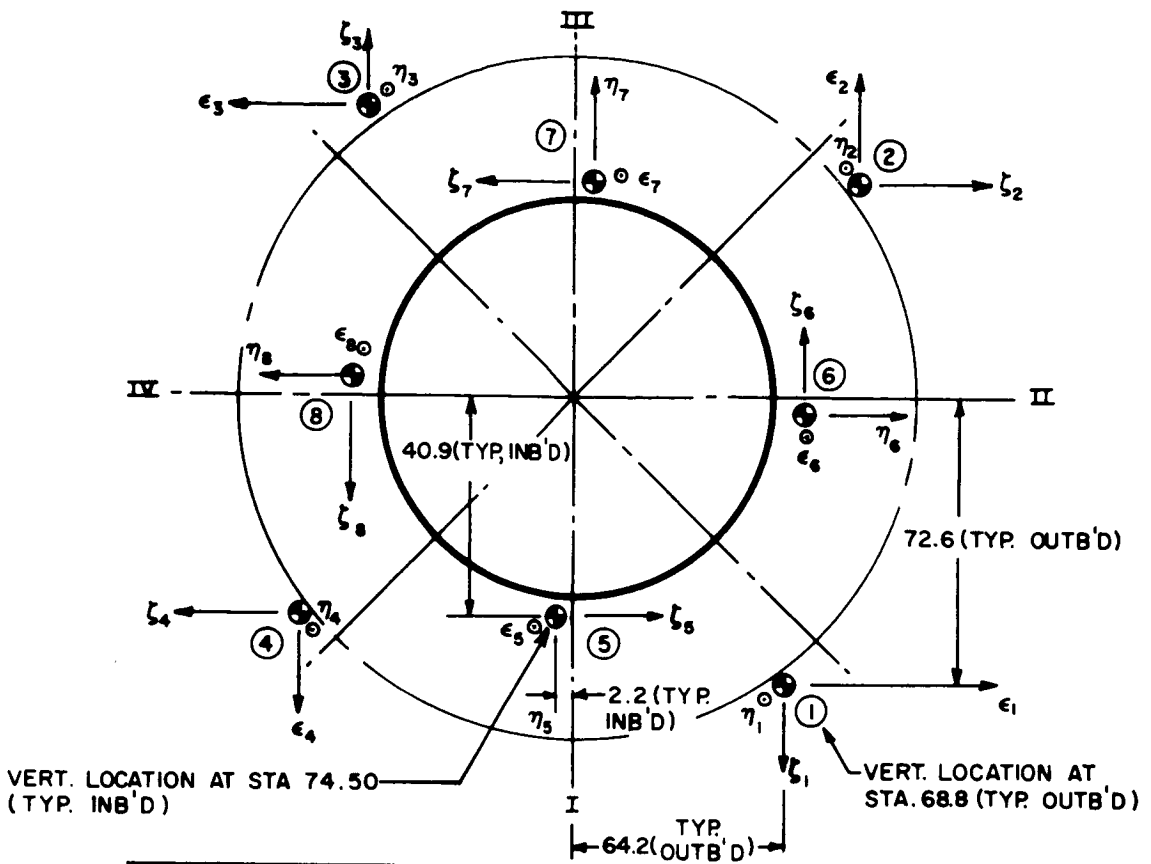


Figure 15 - Component 14 - Center Lox Tank-Lower Portion



| j DEGREES OF FREEDOM |           |            |               |            |             |                |
|----------------------|-----------|------------|---------------|------------|-------------|----------------|
| i - ENGINE NUMBER    | $\eta(i)$ | $\zeta(i)$ | $\epsilon(i)$ | $\eta'(i)$ | $\zeta'(i)$ | $\epsilon'(i)$ |
| 1                    | 321       | 322        | 323           | 324        | 325         | 326            |
| 2                    | 327       | 328        | 329           | 330        | 331         | 332            |
| 3                    | 333       | 334        | 335           | 336        | 337         | 338            |
| 4                    | 339       | 340        | 341           | 342        | 343         | 344            |
| 5                    | 345       | 346        | 347           | 348        | 349         | 350            |
| 6                    | 351       | 352        | 353           | 354        | 355         | 356            |
| 7                    | 357       | 358        | 359           | 360        | 361         | 362            |
| 8                    | 363       | 364        | 365           | 366        | 367         | 368            |

\* PRIMED DIRECTIONS DENOTE ROTATIONAL °F

Figure 16 - Component 15 - Engine Degrees of Freedom

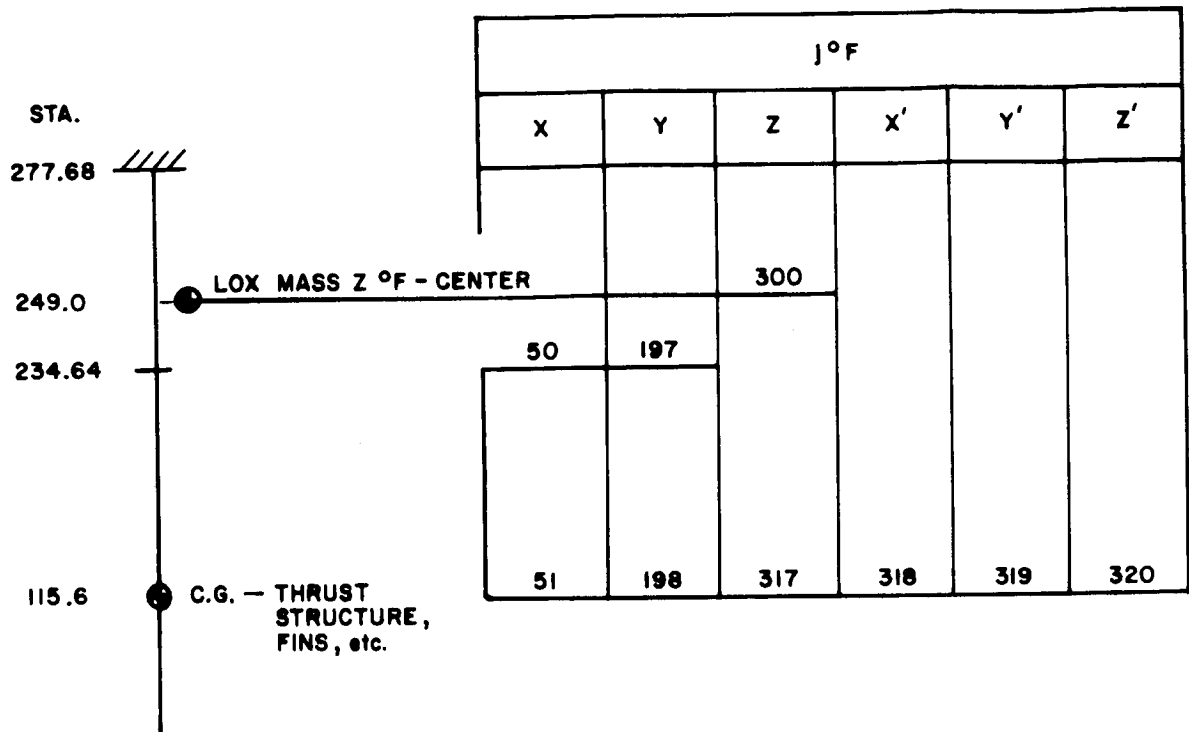


Figure 17 - Component 17 - Thrust Structure



## VII. REFERENCES

1. Meissner, C.J., Levy, R.S., Telles, S. and Berman, J.,  
"The Determination of the Natural Modes of Vibration for  
Large Systems," Republic Aviation Corporation Report No.  
RAC 406-4, March 8, 1963, Farmingdale, N. Y.
2. Meissner, C., Digital Program 64D017, "High Order Flexi-  
bility Matrices of Complex Redundant Structures," Republic  
Aviation Corporation Report No. RAC 1381, May 14, 1963,  
Farmingdale, N.Y.
3. Turner, M.J., Clough, R.W., Martin, H.C., Topp, L.J.,  
"Stiffness and Deflection Analysis of Complex Structures,"  
Journal of the Aeronautical Sciences, Vol. 23, September  
1956, pp. 805-823.
4. NASA Report SA-5-03, "Thrust Structure Deflection  
Analysis," Volume II, September 11, 1962.
5. Republic Aviation Corporation Report RAC 1403, "Digital  
Program 64A092 - Wing Analysis for Internal Forces, De-  
formations and the Flexibility Matrix Using the Stiff-  
ness Method," by C. Meissner, September 1, 1964.

## REFERENCES

6. Fairchild-Stratos Report MMC-DR-4, "MMC Detail Structural Analysis - Part II: Center Sections and Miscellaneous Components," by G. Vasley, November 14, 1963.

|               |               |               |               |               |               |                |
|---------------|---------------|---------------|---------------|---------------|---------------|----------------|
| 0.4106488E-01 | 0.3974395E-01 | 0.3710640E-01 | 0.3449261E-01 | 0.3190613E-01 | 0.2934625E-01 | 0.2682532E-01  |
| 0.2431912E-01 | 0.2184840E-01 | 0.1940255E-01 | 0.1702251E-01 | 0.1471640E-01 | 0.1242478E-01 | 0.1019554E-01  |
| 0.8008005E-02 | 0.588174E-02  | 0.3829331E-02 | 0.1897507E-02 | 0.2208619E-03 | 0.1187427E-02 | 0.2388805E-02  |
| 0.5423446E-02 | 0.4363690E-02 | 0.2506566E-01 | 0.3825138E-02 | 0.5263604E-02 | 0.6110529E-02 | 0.6913097E-02  |
| 0.            | 0.            | 0.2173348E-03 | 0.8061290E-02 | 0.            | 0.            | 0.             |
| 0.            | 0.1055787E-01 | 0.2034712E-02 | 0.1337270E-01 | 0.1199574E-01 | 0.            | 0.1042874E-01  |
| 0.8124987E-02 | 0.3780797E-02 | 0.1616208E-04 | 0.3218988E-02 | 0.4913648E-02 | 0.5041743E-02 | 0.4650231E-02  |
| 0.5270777E-02 | 0.1929495E-05 | 0.1676888E-01 | 0.9881596E-02 | 0.            | 0.9787741E-02 | 0.6247012E-02  |
| 0.4795242E-02 | 0.4081729E-02 | 0.3331980E-02 | 0.1937313E-02 | 0.5117897E-03 | 0.4699610E-02 | 0.1088170E-01  |
| 0.4445935E-01 | 0.3789598E-01 | 0.            | 0.3754348E-01 | 0.3012769E-01 | 0.2184318E-01 | 0.1358733E-01  |
| 0.5934400E-02 | 0.1224059E-02 | 0.6356461E-02 | 0.1321947E-01 | 0.778098E-01  | 0.1677892E-01 | 0.9925330E-02  |
| 0.            | 0.9879313E-02 | 0.1092411E-01 | 0.4440136E-01 | 0.4227498E-02 | 0.3469396E-02 | 0.2042810E-02  |
| 0.4496451E-03 | 0.4684526E-02 | 0.1302675E-01 | 0.5395872E-02 | 0.3761413E-01 | 0.            | 0.3727857E-01  |
| 0.2973917E-01 | 0.2135732E-01 | 0.1932735E-01 | 0.            | 0.1913488E-01 | 0.8026134E-02 | 0.1340848E-01  |
| 0.1779818E-01 | 0.1926429E-01 | 0.9923978E-02 | 0.7925502E-02 | 0.7698368E-02 | 0.1607705E-01 | 0.1062690E-01  |
| 0.4397158E-02 | 0.1239732E-02 | 0.3621951E-01 | 0.2989204E-01 | 0.2415871E-01 | 0.4981130E-02 | 0.4431567E-01  |
| 0.3644597E-01 | 0.            | 0.9923978E-02 | 0.1946705E-01 | 0.1926241E-01 | 0.1846412E-01 | 0.1260868E-01  |
| 0.6017282E-02 | 0.1415626E-02 | 0.1020296E-01 | 0.3958831E-02 | 0.1650054E-02 | 0.5908503E-02 | 0.             |
| 0.1891576E-01 | 0.1572548E-01 | 0.4430684E-01 | 0.3666094E-01 | 0.            | 0.3644053E-01 | 0.8189813E-02  |
| 0.7863620E-02 | 0.5037584E-02 | 0.1304406E-01 | 0.6389899E-02 | 0.1124741E-02 | 0.9742766E-02 | 0.3028007E-01  |
| 0.1509255E-00 | 0.1491171E-00 | 0.1455185E-00 | 0.1419106E-00 | 0.1383179E-00 | 0.1347126E-00 | 0.1940485E-01  |
| 0.1275298E-00 | 0.1239410E-00 | 0.1203661E-00 | 0.1167691E-00 | 0.1137017E-00 | 0.1096434E-00 | 0.1311166E-00  |
| 0.1025275E-00 | 0.9899878E-01 | 0.9547074E-01 | 0.9192635E-01 | 0.8846100E-01 | 0.8503684E-01 | 0.1060866E-00  |
| 0.7827874E-01 | 0.7493401E-01 | 0.7238298E-01 | 0.7686390E-01 | 0.7160598E-01 | 0.6828645E-01 | 0.8163972E-01  |
| 0.5050007E-06 | 0.            | 0.7491736E-00 | 0.5690856E-01 | 0.            | 0.            | 0.6496188E-01  |
| 0.            | 0.4876861E-01 | 0.5299393E-01 | 0.4399886E-01 | 0.4108624E-01 | 0.            | 0.3852115E-01  |
| 0.3524449E-01 | 0.2935575E-01 | 0.2340476E-01 | 0.1606322E-01 | 0.7297411E-02 | 0.1554698E-02 | 0.1046358E-01  |
| 0.1941440E-01 | 0.3192794E-01 | 0.4560271E-01 | 0.4065278E-01 | 0.9579419E-16 | 0.4037190E-01 | 0.3429211E-01  |
| 0.2695735E-01 | 0.1916776E-01 | 0.1167998E-01 | 0.4475801E-02 | 0.2318129E-02 | 0.8926998E-02 | 0.1611677E-01  |
| 0.1682886E-01 | 0.1149743E-01 | 0.6066892E-15 | 0.1146573E-01 | 0.9059763E-02 | 0.8187380E-02 | 0.7248255E-02  |
| 0.5254097E-02 | 0.1708432E-02 | 0.3213152E-02 | 0.8743677E-02 | 0.1274782E-01 | 0.4566545E-01 | 0.4074278E-01  |
| 0.3009381E-15 | 0.4046733E-01 | 0.3439982E-01 | 0.2705846E-01 | 0.1924890E-01 | 0.1173649E-01 | 0.4496784E-02  |
| 0.2333487E-02 | 0.8963265E-02 | 0.1616338E-01 | 0.1681122E-01 | 0.1142936E-01 | 0.1432586E-14 | 0.1139631E-01  |
| 0.8956925E-02 | 0.8084031E-02 | 0.7155578E-02 | 0.5193473E-02 | 0.1676794E-02 | 0.3209523E-02 | 0.8714669E-02  |
| 0.1270290E-01 | 0.4398024E-01 | 0.3641187E-01 | 0.1101425E-14 | 0.3619308E-01 | 0.3004254E-01 | 0.2460717E-01  |
| 0.1933420E-01 | 0.1366262E-01 | 0.6804349E-02 | 0.1282372E-02 | 0.1025553E-01 | 0.1920794E-01 | 0.1936009E-01  |
| 0.1827228E-01 | 0.2564633E-15 | 0.1808780E-01 | 0.1472864E-01 | 0.8865289E-02 | 0.2188379E-02 | 0.3368688E-02  |
| 0.6694002E-02 | 0.7459060E-02 | 0.6377808E-02 | 0.5521519E-02 | 0.4410320E-01 | 0.3618214E-01 | 0.2739228E-15  |
| 0.3592860E-01 | 0.2933254E-01 | 0.2357355E-01 | 0.1815485E-01 | 0.1251596E-01 | 0.5813385E-02 | 0.2032698E-02  |
| 0.1073723E-01 | 0.1942766E-01 | 0.1933184E-01 | 0.1850639E-01 | 0.1308925E-14 | 0.1834524E-01 | 0.1537692E-01  |
| 0.9828661E-02 | 0.3288623E-02 | 0.2301783E-02 | 0.5789238E-02 | 0.6798277E-02 | 0.5991762E-02 | 0.5396825E-02  |
| 0.4185651E-04 | 0.3985709E-04 | 0.3317441E-04 | 0.3317433E-04 | 0.1776890E-04 | 0.4612428E-05 | 0.1545969E-02  |
| 0.1847217E-02 | 0.1090258E-01 | 0.1077648E-01 | 0.3317433E-04 | 0.176890E-04  | 0.1106434E-01 | 0.1091349E-01  |
| 0.511697E-02  | 0.6606123E-02 | 0.9188217E-02 | 0.8854247E-02 | 0.5505178E-02 | 0.6594024E-02 | 0.9206856E-02  |
| 0.8865976E-02 | 0.5966793E-05 | 0.1061361E-03 | 0.5427339E-06 | 0.3043403E-06 | 0.7440484E-02 | 0.26271057E-02 |
| 0.3953166E-01 | 0.6165846E-04 | 0.8063154E-04 | 0.4104966E-05 | 0.9052506E-02 | 0.3324064E-01 | 0.1554515E-02  |
| 0.1532549E-04 | 0.1423189E-03 | 0.1743252E-03 | 0.7339184E-02 | 0.2593750E-02 | 0.3954827E-01 | 0.6075255E-04  |
| 0.8040875E-04 | 0.6226383E-05 | 0.9176748E-02 | 0.3323453E-02 | 0.1640513E-02 | 0.1578981E-04 | 0.1429095E-04  |
| 0.1761898E-03 | 0.3784776E-02 | 0.3459899E-01 | 0.2485439E-02 | 0.5646326E-04 | 0.1150137E-03 | 0.8286869E-03  |
| 0.3733761E-01 | 0.4332061E-03 | 0.4285984E-02 | 0.4128958E-04 | 0.1410366E-03 | 0.3246503E-03 | 0.3736722E-02  |
| 0.3464030E-01 | 0.2472871E-02 | 0.5806393E-04 | 0.1142185E-03 | 0.8095224E-04 | 0.3739160E-01 | 0.             |
| 0.4297201E-02 | 0.3966396E-04 | 0.1403692E-03 | 0.3244755E-03 | 0.            | 0.            | 0.4167562E-03  |

SA-5 RUN #1 MODE 2 XN = 28 09667

|                |                |                |                |                |                |                 |
|----------------|----------------|----------------|----------------|----------------|----------------|-----------------|
| 0.1489912E-00  | 0.1472115E-00  | 0.1436526E-00  | 0.1400943E-00  | 0.1365374E-00  | 0.1329827E-00  | 0.1294303E-00   |
| 0.1258796E-00  | 0.1223302E-00  | 0.1187846E-00  | 0.1152450E-00  | 0.1117130E-00  | 0.1081860E-00  | 0.1046640E-00   |
| 0.1011486E-00  | 0.9764058E-01  | 0.9414221E-01  | 0.9065840E-01  | 0.8721371E-01  | 0.8380881E-01  | 0.8043621E-01   |
| 0.7709139E-01  | 0.7376260E-01  | -0.1278422E-01 | 0.7569111E-01  | 0.7044321E-01  | 0.6713317E-01  | 0.6383270E-01   |
| -0.            | -0.            | -0.7620225E 00 | 0.5581512E-01  | -0.            | -0.            | -0.             |
| 0.4794770E-01  | 0.4513170E-01  | 0.5213170E-01  | 0.4312580E-01  | 0.4011891E-01  | -0.            | 0.3745597E-01   |
| 0.2784732E-01  | 0.2156797E-01  | 0.1382666E-01  | 0.1382666E-01  | 0.4634543E-02  | -0.4563254E-02 | -0.1373789E-01  |
| 0.3559576E-01  | 0.4410550E-01  | 0.4410550E-01  | 0.3794276E-01  | -0.            | 0.3768519E-01  | 0.3151150E-01   |
| 0.1750828E-01  | 0.1015395E-01  | -0.1015395E-01 | 0.2475523E-02  | 0.5362438E-02  | -0.1329676E-01 | -0.2127401E-01  |
| -0.1584206E-01 | 0.1056486E-02  | 0.2214396E-02  | 0.1573491E-01  | -0.1316649E-01 | -0.1034443E-01 | -0.7330074E-02  |
| -0.1584206E-01 | 0.1056486E-02  | 0.2214396E-02  | 0.5524539E-02  | 0.8851659E-02  | -0.4409818E-01 | -0.3793625E-01  |
| -0.3767815E-01 | 0.3150542E-01  | -0.3150542E-01 | -0.2473190E-01 | -0.1750399E-01 | -0.1015075E-01 | -0.2473669E-02  |
| 0.1329590E-01  | 0.2127098E-01  | 0.2127098E-01  | 0.1839548E-01  | 0.1583578E-01  | -0.            | 0.1572849E-01   |
| 0.1033931E-01  | 0.7325954E-02  | 0.7325954E-02  | 0.4257948E-02  | 0.1054525E-02  | -0.2214888E-02 | -0.5523374E-02  |
| 0.4412377E-01  | 0.3784743E-01  | 0.3784743E-01  | 0.             | 0.3758769E-01  | 0.3134398E-01  | 0.2455063E-01   |
| 0.1001549E-01  | 0.2366112E-02  | 0.2366112E-02  | -0.5447722E-02 | -0.1133609E-01 | -0.2131745E-01 | 0.1816527E-01   |
| 0.             | 0.1549378E-01  | 0.1549378E-01  | 0.1293798E-01  | -0.1014885E-01 | 0.7181744E-02  | 0.4162964E-02   |
| 0.2222554E-02  | -0.5493286E-02 | -0.5493286E-02 | -0.8782407E-02 | -0.4412887E-01 | -0.3784931E-01 | 0.              |
| 0.3134316F-01  | -0.2454798E-01 | -0.2454798E-01 | -0.1733474E-01 | -0.1001149E-01 | -0.2362788E-02 | 0.5450108E-02   |
| 0.131714E-01   | 0.1816142E-01  | 0.1816142E-01  | -0.1592608E-01 | 0.             | -0.1548569E-01 | 0.1292574E-01   |
| 0.7168414E-01  | -0.4150155E-02 | -0.4150155E-02 | -0.9945307E-03 | 0.2231390E-02  | 0.5499061E-02  | 0.8785080E-02   |
| -0.2529327E-03 | -0.2477865E-03 | -0.2477865E-03 | -0.2421608E-03 | -0.2372148E-03 | -0.2314580E-03 | -0.2260206E-03  |
| -0.2157632E-03 | -0.2110131E-03 | -0.2110131E-03 | -0.2049125E-03 | -0.1997652E-03 | -0.1947889E-03 | -0.1897128E-03  |
| -0.1795236E-03 | -0.1749606E-03 | -0.1749606E-03 | -0.1678091E-03 | -0.1629830E-03 | -0.1579788E-03 | -0.1526353E-03  |
| -0.1424821E-03 | 0.1019942E-04  | 0.1019942E-04  | -0.1450809E-03 | -0.1376795E-03 | -0.1328750E-03 | -0.127495E-03   |
| 0.             | 0.1453058E-02  | 0.1453058E-02  | -0.1137139E-03 | 0.             | 0.             | 0.              |
| -0.1009575E-03 | -0.1237897E-03 | -0.1237897E-03 | -0.8549589E-04 | -0.8091661E-04 | 0.             | -0.7675055E-04  |
| -0.6068822E-04 | -0.4935041E-04 | -0.4935041E-04 | -0.3467351E-04 | -0.1657605E-04 | 0.1836992E-05  | 0.2004107E-04   |
| 0.6138809E-04  | -0.1282833E-01 | -0.1282833E-01 | -0.1552104E-01 | 0.6893327E-20  | -0.1540716E-01 | -0.1267408E-01  |
| 0.6642104E-02  | -0.3563748E-02 | -0.3563748E-02 | -0.4097177E-03 | 0.2749991E-02  | 0.5880440E-02  | 0.8980794E-02   |
| -0.3729957E-01 | 0.2038434E-18  | 0.2038434E-18  | 0.9743947E-02  | -0.3049975E-01 | 0.2344156E-01  | -0.1603962E-01  |
| -0.1046349E-02 | -0.6564661E-02 | -0.6564661E-02 | 0.142038E-01   | 0.2157279E-01  | -0.1829984E-01 | 0.1553869E-01   |
| 0.1542525E-01  | 0.1269259E-01  | 0.1269259E-01  | 0.4389302E-01  | 0.3730507E-01  | 0.3577686E-02  | 0.4198212E-03   |
| -0.5885293E-02 | -0.8984193E-02 | -0.8984193E-02 | 0.1603607E-01  | 0.1038414E-02  | -0.7667350E-19 | 0.3703321E-01   |
| 0.2344073E-01  | 0.1798450E-01  | 0.1798450E-01  | 0.1508010E-01  | 0.1496541E-01  | -0.6573752E-02 | -0.14125938E-01 |
| 0.3252660E-02  | 0.3252660E-02  | 0.3252660E-02  | 0.2071170E 03  | -0.5892262E-02 | -0.8921771E-02 | 0.9248517E-02   |
| 0.4021427E-19  | 0.3640859E-01  | -0.3640859E-01 | -0.2967451E-01 | -0.2258009E-01 | -0.1526970E-01 | -0.4370679E-01  |
| -0.6817875E-02 | 0.1423837E-01  | 0.1423837E-01  | 0.2161697E-01  | -0.1797253E-01 | -0.1508833E-01 | -0.2663330E-19  |
| -0.1220990E-01 | -0.9295742E-02 | -0.9295742E-02 | -0.6291072E-02 | -0.3313108E-02 | -0.2628613E-03 | 0.2801724E-02   |
| 0.8905858E-02  | 0.4371560E-01  | 0.4371560E-01  | 0.3670261E-01  | -0.3601192E-19 | 0.3642761E-01  | 0.2970476E-01   |
| 0.1531486E-01  | 0.8073500E-02  | 0.8073500E-02  | 0.6581710E-03  | -0.6789719E-02 | -0.1422287E-01 | -0.2161420E-01  |
| 0.6347617E-06  | 0.5735502E-06  | 0.5735502E-06  | 0.5735503E-06  | -0.1591573E-06 | -0.1144008E-06 | -0.9918381E-02  |
| 0.4126135E-02  | 0.4125070E-02  | 0.4125070E-02  | 0.9925320E-02  | 0.9922221E-02  | -0.4133125E-02 | -0.4131827E-02  |
| -0.9909572E-02 | -0.4046490E-02 | -0.4046490E-02 | -0.4082746E-02 | 0.9820844E-02  | 0.9911352E-02  | 0.4043573E-02   |
| -0.9483879E-07 | 0.2002719E-06  | 0.2002719E-06  | 0.1065942E-03  | -0.2753849E-07 | -0.7720568E-02 | -0.4052498E-01  |
| -0.5421956E-06 | 0.1080804E-06  | 0.1080804E-06  | 0.1069223E-03  | 0.6845781E-02  | 0.3670412E-04  | 0.4057759E-01   |
| 0.1081678E-03  | -0.5549971E-06 | -0.5549971E-06 | 0.7724584E-02  | 0.6453034E-01  | -0.9817925E-04 | 0.4750280E-06   |
| -0.1070184E-03 | -0.6850840E-02 | -0.6850840E-02 | -0.3458530E-04 | -0.4058252E-01 | -0.9020419E-07 | -0.1081631E-03  |
| 0.3991233E-01  | 0.4360280E-04  | 0.4360280E-04  | -0.4439359E-02 | -0.3911020E-06 | 0.1072854E-03  | -0.1208282E-05  |
| 0.3994325E-01  | -0.2217319E-03 | -0.2217319E-03 | 0.1060355E-03  | -0.6363055E-06 | 0.4511092E-05  | 0.3991644E-01   |
| 0.4439315E-02  | 0.3254342E-06  | 0.3254342E-06  | -0.1072650E-03 | 0.1115427E-05  | -0.9343975E-04 | -0.3994530E-01  |
| -0.1059767E-03 | 0.6016585E-06  | 0.6016585E-06  | -0.4533771E-05 | -0.            | -0.            | -0.             |

SA-5 RUN #1 MODE 3 XN = 3 5 1662

|                |                |                |                |                |                |                 |
|----------------|----------------|----------------|----------------|----------------|----------------|-----------------|
| 0.1525112E-03  | 0.1937521E-03  | 0.2756925E-03  | 0.3570264E-03  | 0.4340230E-03  | 0.5036696E-03  | 0.5667304E-03   |
| 0.6238646E-03  | 0.6792316E-03  | 0.7267747E-03  | 0.7682694E-03  | 0.8024743E-03  | 0.8279069E-03  | 0.8521020E-03   |
| 0.8690153E-03  | 0.8809698E-03  | 0.8838906E-03  | 0.8794670E-03  | 0.8470812E-03  | 0.7926383E-03  | 0.7224959E-03   |
| 0.6406973E-03  | 0.5540597E-03  | -0.1747888E-02 | 0.6044960E-03  | 0.4641249E-03  | 0.3751204E-03  | 0.2873712E-03   |
| -0.            | -0.            | 0.3359561E-04  | 0.1771073E-03  | -0.            | -0.            | -0.             |
| 0.8447024E-03  | 0.8447024E-03  | -0.1000902E-02 | 0.1540097E-02  | 0.1045482E-02  | 0.1045482E-02  | 0.5484536E-03   |
| 0.4580722E-04  | 0.1937269E-03  | 0.1791455E-03  | 0.5960176E-03  | 0.3488960E-03  | 0.2896082E-03  | 0.5532007E-03   |
| 0.3227638E-03  | 0.3352576E-03  | 0.1501440E-02  | 0.5827023E-02  | -0.            | 0.5957839E-02  | 0.9436735E-02   |
| 0.1197780E-01  | 0.1332192E-01  | 0.1347612E-01  | 0.1248377E-01  | 0.1043851E-01  | 0.7347433E-02  | 0.3174645E-02   |
| 0.5008982E-01  | -0.            | -0.            | -0.1481290E-00 | 0.2243178E-00  | -0.2796696E-00 | -0.3057295E-00  |
| 0.3018008E-00  | 0.2701161E-00  | -0.2139609E-00 | 0.1376038E-00  | -0.4810793E-01 | 0.3274717E-02  | 0.7485802E-02   |
| -0.            | 0.7610888E-02  | 0.1099700E-01  | 0.1349007E-01  | 0.1459830E-01  | 0.1425106E-01  | 0.1260696E-01   |
| 0.9862545E-02  | 0.6391815E-02  | 0.2864205E-02  | 0.5306927E-01  | -0.1459334E-00 | -0.            | -0.1488603E-00  |
| 0.2250684E-00  | 0.2802908E-00  | -0.3060116E-00 | -0.3016145E-00 | 0.2694993E-00  | -0.2130578E-00 | -0.1367202E-00  |
| 0.4779827E-01  | 0.8588942E-03  | -0.4440774E-03 | 0.             | -0.4411531E-03 | 0.2910438E-03  | -0.4881990E-03  |
| 0.8593676E-03  | -0.1134522E-02 | -0.1136434E-02 | -0.8060457E-03 | -0.3597956E-03 | 0.2444905E-03  | -0.1072009E-03  |
| -0.1681612E-02 | 0.             | 0.1703972E-02  | -0.2256419E-02 | -0.2768932E-02 | -0.3087085E-02 | -0.3102676E-02  |
| 0.2775842E-02  | 0.2127143E-02  | -0.1290275E-02 | 0.8060457E-03  | 0.2059460E-03  | 0.4809731E-03  | 0.              |
| 0.4317799E-03  | 0.8527451E-03  | -0.8062091E-03 | -0.4935636E-03 | -0.1713459E-03 | -0.2205952E-04 | -0.1206472E-03  |
| 0.2733455E-03  | 0.6044580E-04  | -0.3675059E-03 | -0.1491814E-02 | 0.             | -0.1523845E-02 | -0.2373444E-02  |
| 0.2911449E-02  | 0.3101625E-02  | -0.3006533E-02 | -0.2686022E-02 | -0.2190486E-02 | -0.1491952E-02 | -0.5010403E-03  |
| 0.3604920E-03  | 0.3475537E-03  | -0.3215276E-03 | -0.2959194E-03 | -0.2705933E-03 | -0.2455882E-03 | -0.2209399E-03  |
| 0.1969816E-03  | 0.1726930E-03  | 0.1492320E-03  | -0.1267410E-03 | -0.1042108E-03 | 0.5246674E-04  | 0.6057118E-04   |
| 0.3922799E-04  | 0.1863460E-04  | 0.1647449E-05  | 0.2045069E-04  | 0.3742068E-04  | 0.81490439E-04 | 0.6575468E-04   |
| 0.7683999E-04  | 0.8780418E-04  | 0.3394267E-03  | 0.8125497E-04  | 0.9853920E-04  | 0.1085518E-03  | 0.1182602E-03   |
| -0.1187211E-04 | 0.             | -0.7371308E-05 | 0.1338401E-03  | 0.             | 0.             | 0.              |
| 0.             | 0.1538336E-03  | -0.1509821E-03 | -0.1525823E-03 | -0.1437769E-03 | -0.            | -0.1362433E-03  |
| 0.1261306E-03  | 0.1028895E-03  | -0.6943250E-04 | -0.1956436E-04 | -0.3390590E-04 | 0.6181318E-04  | 0.5958104E-04   |
| 0.2375681E-04  | 0.2924134E-04  | -0.1863377E-03 | 0.6636985E-03  | -0.2754436E-15 | 0.685162E-03   | 0.1323615E-02   |
| 0.1760473E-02  | 0.1948503E-02  | 0.1914750E-02  | 0.1680810E-02  | 0.1259661E-02  | 0.7626952E-03  | 0.3643417E-03   |
| 0.1537924E-03  | 0.34959568E-03 | -0.4054171E-15 | 0.3971354E-03  | 0.5067844E-03  | 0.5605690E-03  | 0.5995483E-03   |
| 0.6778869E-03  | 0.7289455E-03  | 0.5966336E-03  | 0.3301818E-03  | 0.1618503E-03  | -0.6398520E-03 | 0.3392850E-03   |
| 0.1814359E-15  | 0.3725880E-03  | 0.1204828E-02  | 0.1840059E-02  | 0.2168971E-02  | 0.2173554E-02  | 0.1918111E-02   |
| 0.1521954E-02  | 0.1058336E-02  | 0.5859395E-03  | -0.1363431E-02 | -0.5521165E-03 | 0.1058299E-14  | -0.5188513E-03  |
| 0.2560636E-03  | 0.9054755E-03  | 0.1293937E-02  | 0.1360564E-02  | 0.1203488E-02  | 0.1031686E-02  | 0.8741324E-03   |
| 0.6105311E-03  | 0.8072971E-03  | -0.5028868E-03 | 0.5904656E-15  | -0.4765954E-03 | 0.2759685E-04  | 0.6243945E-03   |
| 0.1237079E-02  | 0.1816659E-02  | 0.2280534E-02  | 0.2511353E-02  | 0.2339941E-02  | 0.1671772E-02  | -0.6463778E-03  |
| -0.1110207E-02 | -0.2112315E-15 | -0.1145086E-02 | -0.1807466E-02 | -0.2424496E-02 | -0.2922598E-02 | -0.3315519E-03  |
| 0.3537630E-02  | 0.3463368E-02  | -0.2865636E-02 | -0.160922E-02  | -0.5340416E-04 | 0.2387099E-04  | 0.1989230E-15   |
| 0.3705706E-04  | 0.2887184E-03  | 0.7372299E-03  | 0.1264442E-02  | 0.1700958E-02  | 0.1929879E-02  | 0.1909837E-02   |
| 0.1673081E-02  | 0.1274342E-02  | -0.2069783E-02 | -0.2184881E-02 | 0.8290069E-15  | -0.2201916E-02 | -0.2524328E-02  |
| -0.3026647E-02 | -0.3451029E-02 | -0.3532076E-02 | -0.3176079E-02 | -0.2441230E-02 | -0.1548317E-02 | -0.7328101E-02  |
| 0.2669851E-03  | -0.2662615E-03 | -0.2638670E-03 | -0.2638670E-03 | 0.1493796E-03  | 0.1458634E-04  | -0.4767505E-03  |
| -0.4460047E-03 | 0.5143434E-03  | 0.5025361E-03  | -0.3766891E-03 | -0.4197412E-03 | 0.5362182E-03  | 0.5519393E-03   |
| 0.1728688E-03  | 0.2706765E-03  | 0.3790912E-04  | 0.8211689E-04  | -0.1704478E-03 | -0.1359234E-03 | -0.1106703E-03  |
| 0.6794728E-04  | 0.8545986E-04  | -0.2659097E-06 | 0.2649646E-06  | 0.2955905E-05  | -0.6309898E-03 | 0.5158251E-03   |
| 0.3626071E-03  | 0.2362307E-05  | 0.9257353E-05  | 0.1029995E-04  | 0.3113982E-03  | -0.5035488E-03 | 0.1814887E-03   |
| -0.5265223E-05 | 0.9108840E-05  | -0.2282205E-04 | -0.4780588E-03 | -0.1182224E-02 | -0.7841671E-04 | 0.4203531E-06   |
| -0.2190909E-04 | 0.1094145E-04  | 0.7088997E-03  | 0.5589975E-03  | 0.1539888E-03  | 0.14716672E-04 | -0.31112179E-05 |
| 0.1126033E-04  | 0.1266058E-04  | 0.4733453E-03  | 0.63956035E-03 | 0.1346097E-04  | -0.2835872E-04 | 0.1496198E-04   |
| 0.3365080E-03  | -0.1971995E-02 | -0.1392536E-03 | -0.3090154E-04 | 0.1641599E-04  | -0.9800710E-05 | -0.1799875E-03  |
| 0.6574638E-03  | -0.9979642E-04 | 0.2042841E-04  | -0.1302084E-04 | -0.1434065E-04 | -0.4950656E-03 | 0.1274646E-02   |
| -0.3903571E-03 | -0.6538140E-05 | 0.2114226E-04  | -0.7543787E-07 | -0.            | -0.            | -0.             |

|               |                |               |                |               |               |
|---------------|----------------|---------------|----------------|---------------|---------------|
| 0.2612008E-01 | 0.2504978E-01  | 0.2434246E-01 | 0.2363878E-01  | 0.2292949E-01 | 0.2222451E-01 |
| 0.2151549E-01 | 0.2011346E-01  | 0.1942753E-01 | 0.1875611E-01  | 0.1807560E-01 | 0.1742218E-01 |
| 0.1677022E-01 | 0.1551700E-01  | 0.1493522E-01 | 0.1441122E-01  | 0.1395815E-01 | 0.1356392E-01 |
| 0.1321867E-01 | 0.1290323E-01  | 0.1308358E-01 | 0.1259668E-01  | 0.1231493E-01 | 0.1205269E-01 |
| 0.            | 0.             | 0.            | 0.             | 0.            | 0.            |
| 0.1364425E-02 | 0.1364425E-02  | 0.1499287E-02 | 0.1702009E-04  | 0.            | 0.            |
| 0.1575566E-02 | 0.1513138E-02  | 0.1513138E-02 | 0.5305525E-02  | 0.1142964E-01 | 0.1513241E-01 |
| 0.1405060E-01 | 0.1135891E-01  | 0.2142477E-01 | 0.             | 0.2178135E-01 | 0.3062340E-01 |
| 0.3935401E-01 | 0.3829909E-01  | 0.3422348E-01 | 0.2707441E-01  | 0.1597527E-01 | 0.6441084E-03 |
| 0.1275209E-00 | 0.             | 0.1232240E-00 | 0.1744410E-00  | 0.2036973E-00 | 0.2119310E-00 |
| 0.1670284E-00 | 0.1182154E-00  | 0.5676452E-01 | 0.1189447E-01  | 0.9849818E-02 | 0.1736175E-01 |
| 0.1767762E-01 | 0.2447743E-01  | 0.2974405E-01 | 0.3106869E-01  | 0.3011789E-01 | 0.            |
| 0.1209393E-01 | 0.9066501E-02  | 0.7891934E-01 | 0.1500039E-00  | 0.1022255E-00 | 0.1702594E-00 |
| 0.2621444E-00 | 0.2760784E-00  | 0.2760784E-00 | 0.2760784E-00  | 0.5907595E-00 | 0.2946102E-01 |
| 0.1278535E-01 | 0.2633106E-01  | 0.2633106E-01 | 0.2121705E-01  | 0.5907595E-00 | 0.1691316E-01 |
| 0.2155397E-01 | 0.3491204E-01  | 0.3491204E-01 | 0.3491204E-01  | 0.4825323E-01 | 0.2155397E-01 |
| 0.5525263E-01 | 0.1784994E-02  | 0.1784994E-02 | 0.3339879E-01  | 0.1022255E-00 | 0.            |
| 0.1327745E-01 | 0.5509464E-01  | 0.5509464E-01 | 0.3339879E-01  | 0.1022255E-00 | 0.            |
| 0.3227169E-01 | 0.2792257E-01  | 0.2792257E-01 | 0.2792257E-01  | 0.5907595E-00 | 0.            |
| 0.4142649E-01 | 0.2627574E-01  | 0.2627574E-01 | 0.2627574E-01  | 0.4825323E-01 | 0.            |
| 0.1171376E-01 | 0.4939344E-01  | 0.4939344E-01 | 0.4939344E-01  | 0.1022255E-00 | 0.            |
| 0.2262337E-01 | 0.6013311E-01  | 0.6013311E-01 | 0.6013311E-01  | 0.1022255E-00 | 0.            |
| 0.2792257E-01 | 0.5205994E-01  | 0.5205994E-01 | 0.5205994E-01  | 0.1022255E-00 | 0.            |
| 0.6055830E-01 | 0.6365004E-01  | 0.6365004E-01 | 0.6365004E-01  | 0.1022255E-00 | 0.            |
| 0.            | 0.6409436E-02  | 0.6409436E-02 | 0.3257323E-01  | 0.            | 0.            |
| 0.3288643E-01 | 0.3563893E-01  | 0.3563893E-01 | 0.2786247E-01  | 0.            | 0.            |
| 0.1782948E-01 | 0.1631106E-02  | 0.8236143E-02 | 0.1927619E-01  | 0.            | 0.            |
| 0.4431156E-01 | 0.2564263E-01  | 0.7106282E-02 | 0.2690432E-15  | 0.6476580E-02 | 0.3749375E-01 |
| 0.2255482E-01 | 0.3952996E-01  | 0.4486110E-01 | 0.4842199E-01  | 0.4977270E-01 | 0.9313171E-02 |
| 0.6495214E-02 | 0.3146271E-15  | 0.6672615E-02 | 0.5085212E-02  | 0.7414661E-01 | 0.4917419E-01 |
| 0.3084740E-02 | 0.8342820E-02  | 0.6459623E-02 | 0.4663475E-02  | 0.3591513E-01 | 0.6362487E-02 |
| 0.2219542E-15 | 0.6590364E-02  | 0.2266376E-01 | 0.3263085E-01  | 0.3976554E-01 | 0.4912388E-02 |
| 0.4868434E-01 | 0.5001211E-01  | 0.4937233E-01 | 0.6591156E-02  | 0.6018019E-15 | 0.6506368E-02 |
| 0.5052707E-02 | 0.8302942E-03  | 0.4767418E-02 | 0.9818226E-02  | 0.8108756E-02 | 0.6270507E-02 |
| 0.6472203E-02 | 0.2882117E-01  | 0.6173966E-15 | 0.2870215E-01  | 0.2635115E-01 | 0.2120849E-01 |
| 0.1305745E-01 | 0.7085264E-02  | 0.1681678E-01 | 0.2578052E-01  | 0.3420222E-01 | 0.1966440E-01 |
| 0.1676523E-01 | 0.1650670E-01  | 0.1176577E-01 | 0.7118744E-02  | 0.3526459E-02 | 0.1966440E-01 |
| 0.5520846E-02 | 0.2068737E-01  | 0.2625499E-01 | 0.22918018E-01 | 0.2814523E-01 | 0.7926818E-04 |
| 0.2801227E-01 | 0.1993827E-01  | 0.1160362E-01 | 0.1649491E-02  | 0.8696145E-02 | 0.2219111E-15 |
| 0.2692704E-01 | 0.2059400E-01  | 0.7956102E-01 | 0.8704308E-15  | 0.1770766E-01 | 0.1828915E-01 |
| 0.8706197E-02 | 0.1611281E-02  | 0.3920491E-02 | 0.1166816E-01  | 0.1975507E-01 | 0.1320162E-01 |
| 0.3428564E-04 | 0.3048590E-04  | 0.3048595E-04 | 0.1656471E-04  | 0.9744557E-05 | 0.2585892E-01 |
| 0.1678173E-02 | 0.7108563E-02  | 0.1338423E-02 | 0.1390801E-02  | 0.7414644E-02 | 0.1625783E-02 |
| 0.2099150E-02 | 0.2543740E-02  | 0.4399361E-02 | 0.2074455E-02  | 0.2535797E-02 | 0.7382246E-02 |
| 0.4382535E-02 | 0.6050805E-04  | 0.1057312E-04 | 0.8019157E-06  | 0.2499811E-02 | 0.2831069E-02 |
| 0.5631554E-01 | 0.2496554E-04  | 0.5227392E-04 | 0.5245119E-02  | 0.5447583E-01 | 0.1561769E-01 |
| 0.3154003E-04 | 0.9506175E-04  | 0.2210477E-02 | 0.1581151E-01  | 0.5639351E-01 | 0.1351630E-01 |
| 0.2648522E-04 | 0.55052520E-02 | 0.5446442E-01 | 0.1368129E-01  | 0.3325972E-04 | 0.7521351E-04 |
| 0.1016973E-04 | 0.5545992E-01  | 0.1859717E-02 | 0.5998870E-04  | 0.8724407E-04 | 0.4291790E-04 |
| 0.5358602E-01 | 0.1300768E-01  | 0.4957180E-05 | 0.4551210E-04  | 0.1826844E-03 | 0.9135698E-04 |
| 0.5564429E-01 | 0.1817100E-02  | 0.6623046E-04 | 0.9318595E-04  | 0.5355672E-01 | 0.1168321E-01 |
| 0.2271715E-02 | 0.1475012E-05  | 0.4015103E-04 | 0.1814055E-04  | 0.            | 0.1295408E-01 |

|                |                |                |                |                |                |                |
|----------------|----------------|----------------|----------------|----------------|----------------|----------------|
| 0.1112327E-00  | 0.1096221E-00  | 0.1064053E-00  | 0.1031964E-00  | 0.1000155E-00  | 0.9687920E-01  | 0.9378490E-01  |
| 0.9072519E-01  | 0.8768329E-01  | 0.8469367E-01  | 0.8176477E-01  | 0.7891107E-01  | 0.7611750E-01  | 0.7335961E-01  |
| 0.7066820E-01  | 0.6803880E-01  | 0.6549915E-01  | 0.6307375E-01  | 0.6097720E-01  | 0.5919212E-01  | 0.5765130E-01  |
| 0.5631104E-01  | 0.5507944E-01  | 0.5215693E-01  | 0.5078617E-01  | 0.5391274E-01  | 0.5279644E-01  | 0.5172833E-01  |
| 0.             | 0.             | -0.6139783E-02 | 0.4859626E-01  | 0.             | 0.             | 0.             |
| 0.             | -0.4270896E-01 | -0.3748221E-01 | -0.4165324E-01 | -0.3707393E-01 | 0.             | -0.3251465E-01 |
| 0.             | 0.1784028E-01  | 0.1044942E-01  | -0.1174380E-02 | 0.1198383E-01  | 0.             | 0.3721380E-01  |
| 0.4572555E-01  | 0.5351982E-01  | -0.7816156E-01 | -0.1467893E-00 | 0.             | -0.1487311E-00 | -0.2008664E-00 |
| -0.2337443E-00 | -0.2418450E-00 | -0.2264820E-00 | -0.1904066E-00 | -0.1368792E-00 | -0.6868939E-01 | 0.1036179E-01  |
| 0.6304966E-02  | 0.1930946E-01  | 0.             | 0.1966399E-01  | 0.2945208E-00  | 0.3548396E-01  | 0.3702926E-01  |
| 0.3469957E-01  | 0.2931565E-01  | 0.2162868E-01  | 0.1199358E-01  | 0.5192682E-03  | 0.7803855E-01  | 0.1463869E-00  |
| 0.             | 0.1483516E-00  | 0.2002579E-00  | 0.2329797E-00  | 0.2410299E-00  | 0.2257361E-00  | 0.1898419E-00  |
| 0.1365891E-00  | 0.6873774E-01  | -0.9948467E-02 | -0.6229859E-02 | -0.1881275E-01 | 0.             | -0.1916288E-01 |
| -0.2857629E-01 | -0.3430975E-01 | -0.3571146E-01 | -0.3340480E-01 | -0.2823562E-01 | -0.2091982E-01 | -0.1176880E-01 |
| -0.8375055E-03 | -0.1774535E-01 | 0.4451804E-02  | 0.             | 0.5205706E-02  | 0.2432781E-01  | 0.4108750E-01  |
| 0.5317424E-01  | 0.5941847E-01  | 0.6004370E-01  | 0.5603133E-01  | 0.4961336E-01  | 0.4361180E-01  | -0.2249635E-01 |
| -0.7562581E-02 | 0.             | -0.7019866E-02 | 0.6424417E-02  | 0.1892156E-01  | 0.2898492E-01  | 0.3566894E-01  |
| 0.3898299E-01  | 0.3913816E-01  | 0.3714597E-01  | 0.3454680E-01  | 0.1749699E-01  | -0.4735068E-02 | 0.             |
| -0.5489192E-02 | -0.2462814E-01 | -0.4135567E-01 | -0.5336260E-01 | 0.1749699E-01  | -0.6009328E-01 | -0.5605348E-01 |
| -0.4962605E-01 | -0.4361984E-01 | 0.2102195E-01  | 0.383326E-02   | -0.5952419E-01 | -0.322227E-02  | -0.1204263E-01 |
| -0.2587487E-01 | -0.3653886E-01 | -0.4311341E-01 | -0.4560037E-01 | -0.4434745E-01 | 0.4046391E-01  | -0.3567371E-01 |
| 0.4130372E-01  | 0.4079648E-01  | 0.3977605E-01  | 0.3876209E-01  | 0.3774835E-01  | 0.3673838E-01  | 0.3573399E-01  |
| 0.3473738E-01  | 0.3373661E-01  | 0.3274901E-01  | 0.317744E-01   | 0.3081731E-01  | 0.2986237E-01  | 0.2892675E-01  |
| 0.2799668E-01  | 0.2708392E-01  | 0.2618964E-01  | 0.2533451E-01  | 0.2454714E-01  | 0.2383852E-01  | 0.2320150E-01  |
| 0.2261752E-01  | 0.2206437E-01  | 0.3378279E-01  | 0.2238598E-01  | 0.2152596E-01  | 0.2101144E-01  | 0.2051858E-01  |
| -0.1874913E-04 | 0.             | -0.2143211E-02 | 0.1926170E-01  | 0.             | 0.             | 0.             |
| -0.            | -0.1563297E-01 | -0.1631850E-01 | -0.1425094E-01 | -0.1329426E-01 | -0.            | -0.1240310E-01 |
| -0.1118845E-01 | -0.8793387E-02 | -0.6149960E-02 | -0.2697111E-02 | -0.1542679E-02 | -0.5753591E-02 | 0.9693573E-02  |
| 0.1312288E-01  | 0.1672674E-01  | -0.2030348E-02 | -0.2150420E-02 | 0.1127526E-14  | -0.2139202E-02 | -0.2091800E-02 |
| 0.2100453E-02  | -0.2221451E-02 | -0.2403422E-02 | -0.2543222E-02 | -0.2611083E-02 | -0.2922293E-02 | -0.3712561E-02 |
| 0.298777E-01   | 0.1186165E-01  | 0.3613290E-14  | 0.1125767E-01  | -0.4186970E-02 | -0.1795606E-01 | -0.2902089E-01 |
| -0.3701930E-01 | -0.4226894E-01 | -0.4503521E-01 | -0.4672550E-01 | -0.4906193E-01 | 0.4743745E-03  | 0.2700102E-02  |
| 0.1533895E-14  | 0.2761884E-02  | 0.4461152E-02  | 0.5808384E-02  | 0.6671091E-02  | 0.6997623E-02  | 0.6776528E-02  |
| 0.6093432E-02  | 0.5435968E-02  | 0.5283272E-02  | -0.3178756E-01 | -0.1249635E-01 | -0.8897951E-14 | -0.1184757E-01 |
| 0.4728711E-02  | 0.1945984E-01  | 0.3119159E-01  | 0.3952970E-01  | 0.4480415E-01  | 0.4732997E-01  | 0.4859733E-01  |
| 0.504529E-01   | -0.2994398E-01 | -0.2810165E-01 | -0.5406916E-14 | -0.2787973E-01 | -0.2358398E-01 | -0.1660659E-01 |
| -0.7734388E-02 | 0.1529160E-02  | 0.1018449E-01  | 0.1759123E-01  | 0.293947E-01   | 0.2986385E-01  | 0.2693555E-01  |
| 0.2573738E-01  | 0.1486783E-14  | 0.2554741E-01  | 0.2185619E-01  | 0.1476676E-01  | 0.5100194E-02  | -0.5016572E-02 |
| -0.1409376E-01 | -0.2145270E-01 | -0.2788806E-01 | -0.3470214E-01 | 0.2803736E-01  | 0.2742452E-01  | -0.1450641E-14 |
| 0.2730192E-01  | 0.2491585E-01  | 0.1992534E-01  | 0.1253048E-01  | 0.4011083E-02  | 0.4647301E-02  | -0.1272551E-01 |
| -0.2026116E-01 | -0.2761697E-01 | -0.3027696E-01 | -0.3052517E-01 | -0.6855423E-14 | -0.3043924E-01 | -0.2875269E-01 |
| -0.2345883E-01 | -0.1467928E-01 | -0.4320505E-02 | 0.6056354E-02  | 0.1554738E-01  | 0.2460656E-01  | 0.3409034E-01  |
| -0.1820455E-03 | -0.1782443E-03 | -0.1658685E-03 | -0.1658686E-03 | 0.5909427E-04  | 0.4160686E-04  | 0.83333474E-02 |
| 0.8216632E-02  | -0.1938913E-03 | -0.1516320E-03 | -0.9395888E-02 | -0.9222800E-02 | 0.1305921E-02  | 0.1236596E-02  |
| 0.2717200E-02  | 0.4559363E-02  | 0.2601101E-02  | 0.4116233E-02  | -0.2700178E-02 | -0.4455483E-02 | -0.2647772E-02 |
| -0.4149376E-02 | 0.3083189E-04  | 0.2475946E-04  | -0.8219477E-04 | 0.6072287E-05  | 0.7781075E-02  | 0.5581805E-01  |
| 0.1741910E-01  | -0.1501587E-04 | -0.6589119E-04 | -0.6270456E-04 | -0.8563058E-03 | -0.2020988E-01 | -0.6046808E-01 |
| 0.5311248E-04  | -0.1089603E-04 | -0.1199382E-04 | -0.8926331E-02 | -0.5684343E-01 | 0.1690285E-01  | 0.2901489E-04  |
| 0.6062343E-04  | 0.8274642E-04  | 0.1661164E-02  | -0.2061246E-01 | 0.6162548E-01  | -0.4184624E-04 | 0.1121029E-03  |
| -0.2205744E-05 | 0.5625740E-01  | 0.1811364E-01  | 0.2053406E-02  | 0.4997450E-04  | -0.5934095E-04 | -0.9227627E-04 |
| 0.1699654E-01  | -0.5092888E-01 | 0.7374830E-03  | -0.3692754E-04 | -0.9226095E-05 | 0.6906494E-04  | -0.5643118E-01 |
| -0.1753199E-01 | -0.1906732E-02 | -0.3743208E-04 | 0.4997336E-04  | 0.1140033E-03  | -0.1651099E-01 | 0.51322959E-01 |
| -0.6398237E-03 | 0.2195828E-04  | 0.1412803E-04  | -0.6426033E-04 | 0.             | 0.             | 0.             |

|               |               |               |               |               |               |               |
|---------------|---------------|---------------|---------------|---------------|---------------|---------------|
| 0.1048511E-00 | 0.1035415E-00 | 0.1009240E-00 | 0.9831234E-01 | 0.9570897E-01 | 0.9311752E-01 | 0.9053850E-01 |
| 0.8796701E-01 | 0.8540612E-01 | 0.8286237E-01 | 0.8035242E-01 | 0.7788633E-01 | 0.7544094E-01 | 0.7302544E-01 |
| 0.7064473E-01 | 0.6830419E-01 | 0.6601304E-01 | 0.6380380E-01 | 0.6179814E-01 | 0.6000438E-01 | 0.5838267E-01 |
| 0.5690679E-01 | 0.5551602E-01 | 0.5412906E-01 | 0.5631622E-01 | 0.5417368E-01 | 0.5288274E-01 | 0.5164190E-01 |
| 0.            | 0.            | 0.6118707E-02 | 0.4862975E-01 | 0.            | 0.            | 0.            |
| 0.            | 0.3597243E-01 | 0.3865796E-01 | 0.3228424E-01 | 0.3000704E-01 | 0.            | 0.2783740E-01 |
| 0.2477689E-01 | 0.1837450E-01 | 0.1084041E-01 | 0.5930854E-03 | 0.1207949E-01 | 0.2427051E-01 | 0.3511252E-01 |
| 0.4368572E-01 | 0.5319545E-01 | 0.7949790E-01 | 0.1419125E-00 | 0.            | 0.1437134E-00 | 0.1915615E-00 |
| 0.2226755E-00 | 0.2312042E-00 | 0.2171955E-00 | 0.1824352E-00 | 0.1297986E-00 | 0.6280546E-01 | 0.1314612E-01 |
| 0.7085224E-03 | 0.1659308E-01 | 0.            | 0.1714067E-01 | 0.3124979E-01 | 0.4197736E-01 | 0.4783116E-01 |
| 0.4855432E-01 | 0.4451521E-01 | 0.3622004E-01 | 0.2441977E-01 | 0.1039349E-01 | 0.7940454E-01 | 0.1417449E-00 |
| 0.            | 0.1435384E-00 | 0.1913291E-00 | 0.2224017E-00 | 0.2309149E-00 | 0.2169155E-00 | 0.            |
| 0.            | 0.6268389E-01 | 0.1318608E-01 | 0.2094898E-02 | 0.1231693E-01 | 0.            | 0.1821891E-00 |
| 0.2457143E-01 | 0.3361708E-01 | 0.3867339E-01 | 0.3951178E-01 | 0.3642606E-01 | 0.2982280E-01 | 0.2032130E-01 |
| 0.8982647E-02 | 0.1547668E-01 | 0.5361076E-02 | 0.            | 0.6090606E-02 | 0.2428691E-01 | 0.4005211E-01 |
| 0.5146689E-01 | 0.5789792E-01 | 0.5950209E-01 | 0.5661771E-01 | 0.4991538E-01 | 0.4068983E-01 | 0.3391637E-01 |
| 0.2179329E-01 | 0.            | 0.2132130E-01 | 0.981886E-02  | 0.1404302E-02 | 0.1165886E-01 | 0.2030625E-01 |
| 0.2734755E-01 | 0.3265197E-01 | 0.3632281E-01 | 0.3883117E-01 | 0.1446669E-01 | 0.7664235E-02 | 0.            |
| 0.8433551E-02 | 0.2767618E-01 | 0.4422020E-01 | 0.5600815E-01 | 0.6237924E-01 | 0.6350380E-01 | 0.5976572E-01 |
| 0.5190960E-01 | 0.4134640E-01 | 0.3201056E-01 | 0.1705164E-01 | 0.3948883E-01 | 0.4070060E-01 | 0.2751838E-02 |
| 0.1026994E-01 | 0.2138226E-01 | 0.2994590E-01 | 0.3599266E-01 | 0.3036401E-01 | 0.6079413E-01 | 0.4035027E-01 |
| 0.6881837E-01 | 0.6792457E-01 | 0.6613525E-01 | 0.6435021E-01 | 0.6256946E-01 | 0.6079413E-01 | 0.5902869E-01 |
| 0.5727084E-01 | 0.5551507E-01 | 0.5377669E-01 | 0.5205560E-01 | 0.5036401E-01 | 0.4868681E-01 | 0.4703117E-01 |
| 0.4549489E-01 | 0.4378738E-01 | 0.4221295E-01 | 0.4069370E-01 | 0.3930805E-01 | 0.3806310E-01 | 0.3693480E-01 |
| 0.3590311E-01 | 0.3492731E-01 | 0.5298169E-01 | 0.3548979E-01 | 0.3398303E-01 | 0.3307378E-01 | 0.3219974E-01 |
| 0.1501885E-05 | 0.            | 0.3341750E-02 | 0.3000011E-01 | 0.            | 0.            | 0.            |
| 0.            | 0.2502958E-01 | 0.2637750E-01 | 0.2265397E-01 | 0.2109411E-01 | 0.            | 0.1964878E-01 |
| 0.1768870E-01 | 0.1383467E-01 | 0.9568506E-02 | 0.3987005E-02 | 0.2799329E-02 | 0.9380631E-02 | 0.1540185E-01 |
| 0.2051386E-01 | 0.2632022E-01 | 0.9511949E-02 | 0.9291503E-02 | 0.3412727E-15 | 0.9263064E-02 | 0.8745125E-02 |
| 0.7757400E-02 | 0.6288648E-02 | 0.4519760E-02 | 0.2569788E-02 | 0.6292733E-03 | 0.1105100E-02 | 0.2411070E-02 |
| 0.3566942E-01 | 0.1771718E-01 | 0.1818218E-14 | 0.1649534E-01 | 0.1588473E-01 | 0.1588473E-01 | 0.2894580E-01 |
| 0.3892241E-01 | 0.4607634E-01 | 0.5048548E-01 | 0.5255914E-01 | 0.5338124E-01 | 0.9338526E-02 | 0.9108908E-02 |
| 0.7180137E-15 | 0.9085218E-02 | 0.8566428E-02 | 0.7587065E-02 | 0.6136341E-02 | 0.4390517E-02 | 0.2474812E-02 |
| 0.5714927E-03 | 0.1125103E-02 | 0.2393606E-02 | 0.3566399E-01 | 0.1703381E-01 | 0.4413723E-14 | 0.1634786E-01 |
| 0.5544552E-03 | 0.1622893E-01 | 0.2933348E-01 | 0.3931399E-01 | 0.4643459E-01 | 0.5078230E-01 | 0.5277643E-01 |
| 0.5351411E-01 | 0.3815073E-01 | 0.3628711E-01 | 0.2642636E-14 | 0.3606661E-01 | 0.3185323E-01 | 0.2514489E-01 |
| 0.1629302E-01 | 0.6132889E-02 | 0.4829174E-02 | 0.1577476E-01 | 0.2598134E-01 | 0.3501625E-01 | 0.2483813E-01 |
| 0.2311831E-01 | 0.6596321E-15 | 0.2292551E-01 | 0.1926244E-01 | 0.1368932E-01 | 0.6642934E-02 | 0.1220730E-02 |
| 0.9513927E-02 | 0.1767088E-01 | 0.2519660E-01 | 0.3187518E-01 | 0.3832774E-01 | 0.3659207E-01 | 0.6460903E-15 |
| 0.3637516E-01 | 0.3224265E-01 | 0.2557289E-01 | 0.1671747E-01 | 0.6518913E-02 | 0.4505222E-02 | 0.1552888E-01 |
| 0.2581739E-01 | 0.3492519E-01 | 0.2523286E-01 | 0.2365043E-01 | 0.3241188E-14 | 0.2345944E-01 | 0.1987886E-01 |
| 0.1433081E-01 | 0.7248311E-02 | 0.7029012E-03 | 0.9118222E-02 | 0.1741686E-01 | 0.2508482E-01 | 0.3188522E-01 |
| 0.1161091E-03 | 0.1159110E-03 | 0.1152422E-03 | 0.1152422E-03 | 0.8241808E-04 | 0.2981451E-04 | 0.9089701E-02 |
| 0.9064775E-02 | 0.1552600E-02 | 0.1555022E-02 | 0.9113393E-02 | 0.9083899E-02 | 0.1484957E-02 | 0.1487843E-02 |
| 0.2522975E-02 | 0.3790502E-02 | 0.3670524E-02 | 0.5625722E-02 | 0.2573517E-02 | 0.3801236E-02 | 0.3670268E-02 |
| 0.5580701E-02 | 0.2002940E-04 | 0.4497000E-04 | 0.6860228E-04 | 0.3097586E-06 | 0.8518586E-02 | 0.5803126E-01 |
| 0.2871625E-01 | 0.7142606E-05 | 0.4795162E-04 | 0.8521162E-04 | 0.7152683E-03 | 0.2883369E-01 | 0.5699235E-01 |
| 0.6809833E-06 | 0.5537500E-04 | 0.4924837E-04 | 0.8510312E-02 | 0.5806495E-01 | 0.2866355E-01 | 0.6392697E-05 |
| 0.4675098E-04 | 0.8597370E-04 | 0.6812101E-03 | 0.2884978E-01 | 0.5704616E-01 | 0.1982813E-06 | 0.5495635E-04 |
| 0.4932511E-04 | 0.5649498E-01 | 0.2866180E-01 | 0.3593385E-02 | 0.4940294E-04 | 0.8855044E-04 | 0.1544581E-04 |
| 0.2687829E-01 | 0.5675766E-01 | 0.2016049E-02 | 0.9090402E-04 | 0.3080473E-04 | 0.3862325E-04 | 0.5653257E-01 |
| 0.2866006E-01 | 0.3547500E-02 | 0.4996241E-04 | 0.8857052E-04 | 0.1428664E-04 | 0.2682263E-01 | 0.5680768E-01 |
| 0.1964578E-02 | 0.9143365E-04 | 0.3037549E-04 | 0.3893005E-04 | 0.            | 0.            | 0.            |



|                |                |                |                |                |                |                |
|----------------|----------------|----------------|----------------|----------------|----------------|----------------|
| 0.2307766E-01  | 0.2244457E-01  | 0.2118417E-01  | 0.1933039E-01  | 0.1871003E-01  | 0.1754746E-01  | 0.16433558E-01 |
| 0.1536846E-01  | 0.1431657E-01  | 0.1332642E-01  | 0.1238671E-01  | 0.1151052E-01  | 0.1070214E-01  | 0.9907389E-02  |
| 0.9174120E-02  | 0.8484461E-02  | 0.7870522E-02  | 0.7326364E-02  | 0.7026200E-02  | 0.6929882E-02  | 0.6982223E-02  |
| 0.7148487E-02  | 0.7367601E-02  | 0.2979130E-02  | 0.7237911E-02  | 0.7621455E-02  | 0.7878819E-02  | 0.8138064E-02  |
| 0.             | 0.             | -0.9429700E-03 | 0.7913065E-02  | 0.             | 0.             | 0.             |
| 0.             | -0.1509790E-01 | -0.2279209E-02 | -0.1918062E-01 | -0.1504704E-01 | 0.             | -0.1087608E-01 |
| -0.6329646E-02 | -0.2530930E-02 | -0.2989735E-02 | -0.3646085E-02 | 0.1514652E-03  | 0.6360897E-02  | 0.9978335E-02  |
| 0.1042436E-01  | 0.8117041E-02  | -0.2212207E-01 | 0.6522485E-02  | 0.             | -0.5911391E-02 | 0.8530961E-02  |
| 0.2251321E-01  | 0.3370605E-01  | 0.             | 0.4303500E-01  | 0.4127729E-01  | 0.3705426E-01  | 0.3405153E-01  |
| -0.4926310E-01 | -0.1940143E-01 | 0.             | -0.1837177E-01 | 0.5703354E-01  | 0.3090974E-01  | 0.4882725E-01  |
| 0.6097633E-01  | 0.6767340E-01  | 0.6909363E-01  | 0.6539637E-01  | -0.2992440E-01 | 0.2251287E-01  | 0.8121588E-02  |
| 0.             | 0.7607641E-02  | -0.5873064E-02 | -0.1912141E-01 | 0.2010721E-01  | 0.             | 0.1907346E-01  |
| -0.3834028E-01 | -0.3500202E-01 | -0.3309347E-01 | 0.4938766E-01  | -0.6637115E-01 | 0.3378647E-01  | -0.6502716E-01 |
| -0.6672004E-02 | -0.2934981E-01 | -0.4714352E-01 | -0.5937560E-01 | 0.3053766E-01  | 0.8681707E-02  | 0.3652166E-01  |
| -0.5717339E-01 | 0.2644938E-01  | 0.3041708E-01  | 0.             | 0.3053766E-01  | 0.3378647E-01  | 0.8739519E-01  |
| 0.3693523E-01  | 0.3356184E-01  | 0.2580590E-01  | 0.1431463E-01  | -0.1694459E-00 | -0.1694459E-00 | -0.1543959E-00 |
| -0.1245382E-00 | -0.8271423E-01 | -0.1255695E-00 | -0.1531138E-00 | -0.1694459E-00 | -0.1694459E-00 | 0.             |
| -0.1247719E-00 | -0.2779521E-01 | -0.3033545E-01 | 0.2948704E-01  | -0.2592019E-01 | 0.8915786E-01  | -0.9169305E-02 |
| 0.2799521E-01  | 0.2927205E-01  | 0.3058357E-01  | 0.3016742E-01  | -0.2666200E-01 | 0.1947638E-01  | 0.9814416E-01  |
| 0.1898348E-02  | 0.1026024E-01  | 0.7443753E-01  | 0.8885100E-01  | 0.             | 0.8915786E-01  | 0.9814416E-01  |
| 0.1001320E-00  | 0.9340588E-01  | 0.7873354E-01  | 0.5671292E-01  | 0.2870094E-01  | -0.4419786E-02 | -0.4176967E-01 |
| 0.1893063E-00  | 0.1828562E-00  | 0.1779621E-00  | 0.1730777E-00  | 0.1682064E-00  | 0.1633599E-00  | 0.1585380E-00  |
| 0.1537316E-00  | 0.1489452E-00  | 0.1441961E-00  | 0.1394964E-00  | 0.1348778E-00  | 0.1303061E-00  | 0.1257811E-00  |
| 0.1213237E-00  | 0.1169353E-00  | 0.1126420E-00  | 0.1084915E-00  | 0.1047136E-00  | 0.1013177E-00  | 0.9823178E-01  |
| 0.9541042E-01  | 0.9274304E-01  | 0.1408076E-00  | 0.9427842E-01  | 0.9016661E-01  | 0.8767580E-01  | 0.8527966E-01  |
| 0.2932737E-04  | -0.            | -0.8835184E-02 | 0.7921343E-01  | -0.            | -0.            | -0.            |
| -0.            | 0.6701588E-01  | -0.7012391E-01 | -0.6089629E-01 | 0.5671949E-01  | -0.            | -0.5284877E-01 |
| -0.4760375E-01 | -0.3732935E-01 | -0.2603445E-01 | -0.1133771E-01 | 0.6529563E-02  | 0.2397875E-01  | 0.4009637E-01  |
| -0.5396629E-01 | 0.6953655E-01  | -0.5353190E-01 | -0.3381107E-01 | 0.1396418E-14  | -0.3768117E-01 | -0.2272798E-01 |
| -0.743982E-02  | 0.7035942E-02  | 0.1977597E-01  | 0.3086185E-01  | 0.4008671E-01  | 0.4691821E-01  | 0.5117855E-01  |
| 0.2604135E-01  | 0.1574427E-01  | 0.3238831E-14  | 0.1540754E-01  | 0.6650435E-02  | 0.1600594E-02  | -0.9059272E-02 |
| -0.1560191E-01 | -0.2096257E-01 | -0.2433656E-01 | -0.2653412E-01 | -0.2932123E-01 | 0.5479218E-01  | 0.3454773E-01  |
| 0.1465043E-14  | 0.3376758E-01  | 0.1480118E-01  | -0.3376423E-02 | -0.1920016E-01 | -0.3175964E-01 | -0.4136527E-01 |
| -0.4817593E-01 | -0.5217008E-01 | -0.5379814E-01 | -0.2236188E-01 | -0.1361810E-01 | -0.8046327E-14 | -0.1333609E-01 |
| -0.5919166E-02 | 0.1224560E-02  | 0.7955628E-02  | 0.1415020E-01  | 0.1948410E-01  | 0.2307269E-01  | 0.2560652E-01  |
| 0.2867687E-01  | -0.6224994E-01 | -0.5969703E-01 | -0.4936904E-14 | -0.5934066E-01 | 0.5258499E-01  | -0.4112544E-01 |
| -0.2594850E-01 | -0.9239943E-02 | 0.7732627E-02  | -0.2374406E-01 | 0.3848433E-01  | 0.5214539E-01  | -0.2083201E-01 |
| -0.1885074E-01 | 0.1496109E-14  | -0.1870818E-01 | -0.1597817E-01 | -0.1352199E-01 | -0.1083419E-01 | -0.6823258E-02 |
| -0.9832909E-03 | 0.5973136E-02  | 0.1193688E-01  | 0.1491739E-01  | 0.6646931E-01  | 0.6483855E-01  | -0.1441753E-14 |
| 0.6456110E-01  | 0.5927620E-01  | 0.4903962E-01  | 0.3427170E-01  | 0.1709977E-01  | -0.1063904E-02 | -0.1884203E-01 |
| -0.3574687E-01 | -0.5168178E-01 | 0.2497171E-01  | 0.2221642E-01  | -0.6492862E-14 | 0.2201935E-01  | 0.1819300E-01  |
| 0.1463419E-01  | 0.1107806E-01  | 0.6404078E-02  | 0.3425404E-04  | -0.7288590E-02 | -0.1336888E-01 | -0.1621729E-01 |
| -0.2809699E-03 | -0.2794797E-03 | -0.2746969E-03 | -0.2746970E-03 | 0.1735406E-03  | 0.6641479E-04  | 0.6346672E-02  |
| 0.6132984E-02  | 0.1131690E-01  | 0.1137874E-01  | -0.7067754E-02 | -0.6756585E-02 | -0.1055197E-01 | -0.1065222E-01 |
| -0.2869422E-02 | -0.3797566E-02 | 0.5799019E-02  | 0.9308440E-02  | 0.2512332E-02  | 0.3400035E-02  | -0.5555088E-02 |
| -0.8818769E-02 | 0.5530899E-04  | 0.1154856E-03  | -0.2204402E-04 | -0.5142331E-05 | 0.7773910E-02  | 0.6033157E-02  |
| 0.7412629E-01  | -0.272320E-04  | -0.1567367E-04 | 0.7513454E-05  | 0.1032179E-01  | 0.8075858E-01  | -0.1299427E-01 |
| 0.7225311E-04  | -0.7077662E-04 | -0.8897539E-04 | -0.7485313E-02 | -0.4589781E-02 | -0.7462470E-01 | 0.1740366E-04  |
| 0.2793282E-04  | -0.1793745E-05 | -0.9678770E-02 | -0.7997946E-01 | 0.1231630E-01  | -0.8309807E-04 | 0.6703276E-04  |
| 0.7704920E-04  | 0.8279622E-02  | 0.7528986E-01  | -0.1771739E-02 | 0.1666985E-03  | 0.1830638E-05  | -0.9268970E-04 |
| 0.7375676E-01  | 0.1190781E-02  | 0.4488679E-02  | 0.8321936E-04  | -0.1008591E-03 | 0.2963085E-04  | -0.8900855E-02 |
| -0.7583600E-01 | 0.1886303E-02  | -0.1673655E-03 | -0.3926754E-05 | 0.8483571E-04  | -0.7359096E-01 | -0.1418606E-02 |
| -0.4566985E-02 | -0.7832488E-04 | 0.1085285E-03  | -0.4397159E-04 | -0.            | -0.            | -0.            |

|                |                |                 |                |                 |                |                |
|----------------|----------------|-----------------|----------------|-----------------|----------------|----------------|
| 0.2122005E-00  | 0.2091512E-00  | 0.2030538E-00   | 0.1969629E-00  | 0.1908998E-00   | 0.1848457E-00  | 0.1788312E-00  |
| 0.1728401E-00  | 0.1668659E-00  | 0.1609390E-00   | 0.1550875E-00  | 0.1493336E-00   | 0.1436449E-00  | 0.1380166E-00  |
| 0.1324736E-00  | 0.1270232E-00  | 0.1216955E-00   | 0.1165501E-00  | 0.1119003E-00   | 0.1077518E-00  | 0.1040111E-00  |
| 0.1006196E-00  | 0.9742887E-01  | 0.922568E-00    | 0.8816753E-01  | 0.8435786E-01   | 0.8140341E-01  | 0.8856789E-01  |
| -0.            | -0.9648139E-01 | -0.9339227E-02  | -0.9167533E-01 | -0.             | -0.            | -0.            |
| -0.8607163E-01 | -0.7818805E-01 | -0.6773958E-01  | -0.5829186E-01 | -0.49186735E-01 | -0.            | -0.8952617E-01 |
| 0.4757797E-01  | 0.7293032E-01  | -0.7776341E-01  | -0.5158948E-01 | -0.2850875E-01  | -0.2791840E-02 | 0.2314238E-01  |
| -0.1664631E-01 | 0.3439500E-04  | 0.1428204E-01   | 0.2640724E-01  | 0.3653496E-01   | 0.4493973E-01  | 0.5218868E-01  |
| 0.3179419E-01  | 0.2258570E-01  | -0.             | 0.2224448E-01  | 0.1390386E-01   | 0.6009842E-02  | -0.9400245E-03 |
| 0.6804085E-02  | -0.1172470E-01 | 0.3523806E-01   | 0.1902765E-01  | -0.2178681E-01  | 0.777379E-01   | 0.5588797E-01  |
| -0.3676142E-01 | 0.5509502E-01  | -0.5225884E-01  | 0.1637017E-01  | -0.3405797E-03  | -0.1458715E-01 | -0.2205838E-01 |
| -0.1355566E-01 | -0.4509337E-01 | 0.1455556E-02   | -0.3179838E-01 | 0.2240094E-01   | -0.            | -0.2668543E-01 |
| 0.2189616E-01  | -0.543492E-02  | -0.782728E-01   | 0.1455556E-02  | -0.2240094E-01  | 0.1614156E-01  | 0.1928517E-01  |
| -0.1917142E-02 | 0.1264076E-01  | 0.2517522E-01   | 0.3578029E-01  | -0.5654518E-01  | -0.3730423E-01 | 0.1869490E-01  |
| 0.2381762E-01  | 0.             | -0.2348742E-01  | -0.1534137E-01 | -0.7487738E-02  | 0.5270409E-01  | -0.3270382E-01 |
| 0.1079100E-01  | 0.1510939E-01  | 0.1871203E-01   | 0.2185444E-04  | -0.7817059E-01  | -0.444845E-03  | 0.5620637E-02  |
| 0.5660510E-01  | 0.3749505E-01  | 0.1898686E-01   | 0.2266587E-02  | 0.4476373E-01   | 0.5738035E-01  | 0.             |
| -0.4458961E-01 | -0.5264045E-01 | 0.3252584E-01   | 0.2383534E-01  | -0.1227876E-01  | -0.2484244E-01 | 0.3551275E-01  |
| 0.7797539E-02  | 0.8276774E-03  | -0.5217499E-02  | -0.1041792E-01 | -0.1480948E-01  | 0.2351139E-01  | 0.1552545E-01  |
| 0.9534289E-04  | 0.8700658E-04  | 0.7056993E-04   | 0.5409526E-04  | 0.3779317E-04   | -0.1851903E-01 | -0.2178891E-01 |
| -0.1115596E-04 | -0.2744884E-04 | -0.4343619E-04  | -0.5971447E-04 | -0.7553144E-04  | 0.2128093E-04  | 0.4936408E-05  |
| 0.1227010E-03  | 0.1379618E-03  | -0.1531940E-03  | -0.1685723E-03 | -0.1828680E-03  | 0.9130003E-04  | -0.1069441E-03 |
| -0.2223130E-03 | -0.2347498E-03 | -0.4397200E-03  | -0.2276392E-03 | -0.2469841E-03  | -0.1965240E-03 | -0.2096553E-03 |
| -0.4052235E-03 | 0.             | 0.7762204E-03   | -0.2782376E-03 | 0.              | 0.2590491E-03  | -0.2711529E-03 |
| 0.             | -0.2563769E-04 | -0.2554805E-03  | 0.7804450E-04  | 0.7002746E-04   | 0.             | 0.6465592E-04  |
| 0.6023990E-04  | 0.5858827E-04  | 0.6255055E-04   | 0.6983287E-04  | 0.7404597E-04   | 0.6474638E-04  | 0.3545455E-04  |
| -0.2115764E-04 | -0.8731941E-04 | 0.3161104E-01   | 0.2349056E-01  | -0.4087672E-18  | 0.2318475E-01  | 0.1566448E-01  |
| 0.829484E-02   | 0.1494808E-02  | -0.4585454E-02  | -0.1000125E-01 | -0.1469742E-01  | -0.1864541E-01 | -0.2190639E-01 |
| 0.7681005E-01  | 0.5643147E-01  | -0.8685831E-18  | 0.5566908E-01  | 0.3688030E-01   | 0.1861039E-01  | 0.1937038E-02  |
| -0.127212E-01  | -0.2566657E-01 | -0.3664893E-01  | -0.4569865E-01 | -0.5304343E-01  | -0.3191297E-01 | -0.2372590E-01 |
| 0.2018011E-18  | -0.234715E-01  | -0.1583586E-01  | -0.8410192E-02 | -0.1563810E-02  | 0.4547577E-02  | 0.9998418E-02  |
| 0.1471850E-01  | 0.1868527E-01  | 0.2196396E-01   | -0.7705965E-01 | -0.5662525E-01  | -0.2172369E-17 | -0.5586099E-01 |
| -0.3702119E-01 | -0.1869970E-01 | -0.1980608E-02  | 0.1276934E-01  | 0.2569576E-01   | 0.3670232E-01  | 0.4576584E-01  |
| 0.5311421E-01  | -0.3590413E-01 | -0.3476932E-01  | 0.3259577E-18  | -0.3463715E-01  | -0.3208052E-01 | -0.2788975E-01 |
| -0.2210879E-01 | -0.1503915E-01 | -0.6937573E-02  | 0.1743981E-02  | 0.1050789E-01   | 0.1887334E-01  | 0.8602411E-01  |
| 0.8334293E-01  | 0.2285937E-18  | 0.8301197E-01   | 0.7668287E-01  | 0.6631159E-01   | 0.5211474E-01  | 0.3489589E-01  |
| 0.1533386E-01  | -0.5453867E-02 | -0.2624664E-01  | -0.4590666E-01 | 0.3623395E-01   | 0.3527414E-01  | -0.1690454E-18 |
| 0.3513749E-01  | 0.3254969E-01  | 0.2822434E-01   | 0.2228180E-01  | 0.1507476E-01   | 0.6888977E-02  | -0.1817905E-02 |
| -0.1055395E-01 | -0.1886060E-01 | -0.867219E-01   | -0.8402069E-01 | -0.2265121E-18  | -0.8367890E-01 | -0.7714353E-01 |
| -0.5622331E-01 | -0.5210223E-01 | -0.347292E-01   | -0.1507292E-01 | 0.5715040E-02   | 0.2645608E-01  | 0.4603639E-01  |
| -0.6115204E-04 | -0.6137115E-04 | -0.6209680E-04  | -0.6209680E-04 | 0.5216173E-04   | 0.1787064E-04  | 0.1752469E-01  |
| 0.1751593E-01  | -0.7200319E-02 | -0.17196690E-02 | -0.1747664E-01 | -0.17466470E-02 | 0.1717318E-02  | 0.7169772E-02  |
| 0.8509679E-02  | 0.1392462E-01  | 0.3496516E-02   | 0.5736746E-02  | -0.8540470E-02  | -0.1392461E-01 | -0.3500442E-02 |
| -0.5721872E-02 | 0.1012434E-04  | -0.1845662E-06  | -0.1887706E-03 | 0.3097059E-06   | 0.1577099E-01  | 0.8656724E-01  |
| 0.1305928E-03  | -0.1337951E-05 | 0.4152042E-05   | -0.1999955E-03 | -0.1004177E-01  | -0.1451361E-02 | -0.8470428E-01 |
| 0.1991273E-05  | -0.1536440E-03 | -0.1523626E-04  | -0.1571213E-01 | -0.8658605E-01  | -0.7601895E-04 | 0.1998212E-05  |
| -0.4045970E-05 | 0.1993352E-03  | 0.1002121E-01   | 0.1406924E-02  | -0.8473656E-01  | -0.1356356E-05 | 0.1533780E-03  |
| 0.1603699E-04  | 0.8199381E-01  | -0.3373473E-04  | 0.9143961E-02  | -0.8285266E-05  | -0.1944620E-03 | -0.1146422E-04 |
| -0.2414571E-02 | -0.8393405E-01 | -0.1255382E-03  | -0.2561885E-03 | 0.3872478E-04   | -0.2807196E-04 | -0.8198759E-01 |
| 0.5442016E-04  | -0.9120482E-02 | 0.7664099E-05   | 0.1948639E-03  | 0.1181145E-04   | 0.2406475E-02  | 0.8396830E-01  |
| 0.1532820E-03  | 0.2568460E-03  | -0.3903870E-04  | 0.2902278E-04  |                 |                |                |

SA-5 RUN #1 MODE 9 XN = 3.142110

|               |               |                |                |               |               |               |
|---------------|---------------|----------------|----------------|---------------|---------------|---------------|
| 0.1874378E-00 | 0.1849191E-00 | 0.1798837E-00  | 0.1748562E-00  | 0.1698440E-00 | 0.1648541E-00 | 0.1598877E-00 |
| 0.1549377E-00 | 0.1500045E-00 | 0.1451053E-00  | 0.1402676E-00  | 0.1355087E-00 | 0.1307940E-00 | 0.1261316E-00 |
| 0.1215345E-00 | 0.1170110E-00 | 0.1125814E-00  | 0.1082998E-00  | 0.1044012E-00 | 0.1008958E-00 | 0.9771069E-01 |
| 0.9479818E-01 | 0.9204367E-01 | 0.8951355E-01  | 0.8692922E-01  | 0.8433081E-01 | 0.8181237E-01 | 0.7933721E-01 |
| 0.            | 0.            | 0.9265252E-02  | 0.7828757E-01  | 0.6603242E-01 | 0.            | 0.            |
| 0.            | 0.7449418E-01 | 0.7687244E-01  | 0.6965986E-01  | 0.6603242E-01 | 0.6248423E-01 | 0.6248423E-01 |
| 0.5743139E-01 | 0.4690814E-01 | 0.3467455E-01  | 0.1808276E-01  | 0.2759623E-02 | 0.2354410E-01 | 0.4292797E-01 |
| 0.5981446E-01 | 0.7832223E-01 | 0.5476726E-01  | 0.2919613E-01  | 0.            | 0.2826339E-01 | 0.5163036E-02 |
| 0.1627774E-01 | 0.3416675E-01 | 0.4763205E-01  | 0.5679014E-01  | 0.6170066E-01 | 0.6286894E-01 | 0.6154488E-01 |
| 0.3155894E-01 | 0.1640404E-01 | 0.             | 0.1585430E-01  | 0.2223362E-02 | 0.1030468E-01 | 0.2057767E-01 |
| 0.2808547E-01 | 0.3291308E-01 | 0.3499366E-01  | 0.3793775E-01  | 0.3332010E-01 | 0.5464878E-01 | 0.2868756E-01 |
| 0.            | 0.2774235E-01 | 0.4330018E-02  | 0.3122491E-01  | 0.3533346E-01 | 0.4878635E-01 | 0.5781875E-01 |
| 0.6250509E-01 | 0.6336854E-01 | 0.6169167E-01  | 0.3122491E-01  | 0.1517357E-01 | 0.            | 0.1459625E-01 |
| 0.2485048E-03 | 0.1280288E-01 | 0.2332650E-01  | 0.3080428E-01  | 0.3534378E-01 | 0.3702849E-01 | 0.3620870E-01 |
| 0.3371603E-01 | 0.8581587E-01 | 0.1036527E-00  | 0.             | 0.1040742E-00 | 0.1159543E-00 | 0.1202516E-00 |
| 0.1143307E-00 | 0.9826541E-01 | 0.7262346E-01  | 0.3901683E-01  | 0.6968535E-03 | 0.4405076E-01 | 0.2373615E-01 |
| 0.3004153E-01 | 0.3019723E-01 | 0.3019723E-01  | 0.3459894E-01  | 0.3657765E-01 | 0.3528325E-01 | 0.3068483E-01 |
| 0.2297317E-01 | 0.1264792E-01 | 0.22967406E-03 | 0.1327625E-01  | 0.8633663E-01 | 0.1054419E-00 | 0.            |
| 0.1058981E-00 | 0.1188150E-00 | 0.1238982E-00  | 0.1183839E-00  | 0.1023153E-00 | 0.7627534E-01 | 0.4191249E-01 |
| 0.1156346E-02 | 0.4341623E-01 | 0.2446499E-01  | 0.3258388E-01  | 0.            | 0.3279709E-01 | 0.3866682E-01 |
| 0.4179601E-01 | 0.4108704E-01 | 0.3648775E-01  | 0.2820664E-01  | 0.1679730E-01 | 0.2956505E-02 | 0.1236140E-01 |
| 0.2367750E-01 | 0.2337281E-01 | 0.22774854E-01 | 0.22115069E-01 | 0.2150692E-01 | 0.2089581E-01 | 0.2028397E-01 |
| 0.1966775E-01 | 0.1905858E-01 | 0.1844748E-01  | 0.1785904E-01  | 0.1726998E-01 | 0.1668517E-01 | 0.1610737E-01 |
| 0.1556474E-01 | 0.1498002E-01 | 0.1443267E-01  | 0.1392486E-01  | 0.1344391E-01 | 0.1301665E-01 | 0.1263467E-01 |
| 0.1228459E-01 | 0.1195615E-01 | 0.197567E-01   | 0.1214945E-01  | 0.1163611E-01 | 0.1132758E-01 | 0.1104199E-01 |
| 0.4074233E-05 | 0.            | 0.1058074E-02  | 0.1029593E-01  | 0.            | 0.            | 0.            |
| 0.8245852E-02 | 0.1017692E-01 | 0.1029675E-01  | 0.9648120E-02  | 0.9212168E-02 | 0.            | 0.8805537E-02 |
| 0.5523588E-02 | 0.7106690E-02 | 0.577214E-02   | 0.3932026E-02  | 0.1534988E-02 | 0.9465105E-03 | 0.3344898E-02 |
| 0.4917822E-02 | 0.8010966E-02 | 0.3371618E-01  | 0.244543E-01   | 0.3410938E-16 | 0.2375657E-01 | 0.1446903E-01 |
| 0.5645242E-01 | 0.4173242E-02 | 0.1221476E-01  | 0.1904556E-01  | 0.2444298E-01 | 0.2840106E-01 | 0.3122170E-01 |
| 0.3257855E-01 | 0.3650495E-01 | 0.4033350E-15  | 0.3573010E-01  | 0.1688868E-01 | 0.1746338E-02 | 0.1859614E-01 |
| 0.1681201E-15 | 0.4352198E-01 | 0.5128433E-01  | 0.5625634E-01  | 0.5948641E-01 | 0.3401108E-01 | 0.2451062E-01 |
| 0.2426868E-01 | 0.2412611E-01 | 0.1488282E-01  | 0.5345490E-02  | 0.3766471E-02 | 0.1185700E-01 | 0.1877259E-01 |
| 0.1727657E-01 | 0.2832809E-01 | 0.3123938E-01  | 0.5669658E-01  | 0.3683078E-01 | 0.1018987E-14 | 0.3605812E-01 |
| 0.5949822E-01 | 0.1335157E-02 | 0.1819805E-01  | 0.3223259E-01  | 0.4325408E-01 | 0.5111357E-01 | 0.5618392E-01 |
| 0.9005423E-02 | 0.1923074E-01 | 0.1844168E-01  | 0.6496372E-15  | 0.1834554E-01 | 0.1649527E-01 | 0.1335935E-01 |
| 0.7056197E-01 | 0.3838802E-02 | 0.1799784E-02  | 0.7470340E-02  | 0.1283655E-01 | 0.1770431E-01 | 0.7305324E-01 |
| 0.1969721E-02 | 0.1420369E-15 | 0.7021621E-01  | 0.6365201E-01  | 0.5235171E-01 | 0.3668885E-01 | 0.1816436E-01 |
| 0.1941995E-01 | 0.2209837E-01 | 0.4090399E-01  | 0.5762190E-01  | 0.1986725E-01 | 0.1950355E-01 | 0.1465533E-15 |
| 0.1236173E-01 | 0.1784749E-01 | 0.1484975E-01  | 0.1048415E-01  | 0.5170197E-02 | 0.7139933E-03 | 0.6687583E-02 |
| 0.5320270E-01 | 0.1750097E-01 | 0.7394625E-01  | 0.7147811E-01  | 0.7466646E-15 | 0.7113293E-01 | 0.6455546E-01 |
| 0.4659871E-04 | 0.3744287E-01 | 0.1878506E-01  | 0.1505490E-02  | 0.2179609E-01 | 0.4075041E-01 | 0.5759390E-01 |
| 0.1266714E-01 | 0.4645331E-04 | 0.4600034E-04  | 0.4600034E-04  | 0.354222E-04  | 0.1308671E-04 | 0.1268547E-01 |
| 0.6735322E-02 | 0.7187388E-02 | 0.7176909E-02  | 0.1277051E-01  | 0.1274769E-02 | 0.7287813E-02 | 0.7274847E-02 |
| 0.2763801E-02 | 0.1082532E-01 | 0.1695443E-02  | 0.2774144E-02  | 0.6758289E-02 | 0.1082383E-01 | 0.1695141E-02 |
| 0.8698261E-02 | 0.6021335E-05 | 0.1821342E-04  | 0.1370351E-03  | 0.2305183E-06 | 0.1078086E-01 | 0.8672189E-01 |
| 0.4262447E-05 | 0.1547381E-05 | 0.1189295E-04  | 0.1453239E-03  | 0.8187850E-02 | 0.9831625E-02 | 0.8625509E-01 |
| 0.1154116E-04 | 0.1202498E-03 | 0.8341299E-05  | 0.1082151E-01  | 0.8677373E-01 | 0.8705419E-02 | 0.2213295E-05 |
| 0.9814534E-05 | 0.1464331E-03 | 0.8302952E-02  | 0.9825257E-02  | 0.8631032E-01 | 0.4050937E-05 | 0.1204164E-03 |
| 0.1115078E-01 | 0.837045E-01  | 0.8527159E-02  | 0.6439185E-02  | 0.2194583E-04 | 0.1341967E-03 | 0.1664024E-05 |
| 0.8555587E-02 | 0.8560840E-01 | 0.1213900E-02  | 0.1757646E-03  | 0.6118176E-04 | 0.7815271E-04 | 0.8377268E-01 |
| 0.1234050E-02 | 0.6430567E-02 | 0.2308870E-04  | 0.1343457E-03  | 0.2770331E-05 | 0.1118739E-01 | 0.8562685E-01 |
| 0.1748597E-03 | 0.1748597E-03 | 0.6068628E-04  | 0.7791814E-04  | 0.            | 0.            | 0.            |

|                 |                |                |                |                |                |                |
|-----------------|----------------|----------------|----------------|----------------|----------------|----------------|
| 0.6032335E-01   | 0.5686164E-01  | 0.4997768E-01  | 0.4312899E-01  | 0.3654091E-01  | 0.3039474E-01  | 0.2464399E-01  |
| 0.1925136E-01   | 0.1396188E-01  | 0.9150154E-02  | 0.4712174E-02  | 0.7255367E-03  | -0.2725364E-02 | -0.6091180E-02 |
| -0.9006491E-02  | -0.1160910E-01 | -0.1364813E-01 | -0.1521569E-01 | -0.1501522E-01 | -0.1339801E-01 | -0.1075941E-01 |
| -0.7351932E-02  | -0.3612218E-02 | 0.1492862E-00  | -0.5795801E-02 | 0.3504621E-03  | 0.4284678E-02  | 0.8171295E-02  |
| 0.              | 0.             | -0.7729264E-03 | 0.1051298E-01  | 0.             | 0.             | 0.             |
| 0.              | -0.7777919E-01 | 0.3253470E-01  | -0.1169210E-00 | -0.8510368E-01 | 0.             | -0.5314257E-01 |
| 0.1995959E-01   | 0.2631574E-03  | -0.1644672E-01 | -0.3564906E-01 | -0.1563869E-01 | 0.2701333E-01  | 0.4745795E-01  |
| 0.3960997E-01   | 0.6446872E-02  | 0.2106080E-01  | 0.1309404E-01  | 0.             | 0.1317138E-01  | 0.9262434E-02  |
| 0.1139982E-01   | 0.1237137E-01  | 0.7817774E-02  | -0.7529698E-03 | -0.1174379E-01 | -0.1468142E-01 | 0.1192551E-02  |
| 0.1216048E-01   | -0.1425829E-01 | 0.             | -0.1439436E-01 | -0.1451411E-01 | -0.1280018E-01 | -0.7097751E-02 |
| 0.1878617E-02   | 0.1069793E-01  | 0.1751818E-01  | 0.1798837E-02  | 0.3983832E-02  | -0.1984946E-01 | -0.1126005E-01 |
| 0.              | -0.1082919E-01 | -0.6545359E-02 | -0.8265817E-02 | -0.8964475E-02 | -0.4228048E-02 | 0.4323451E-02  |
| 0.1494015E-01   | 0.1697982E-01  | -0.1107507E-01 | 0.1293249E-01  | 0.1376883E-01  | 0.             | 0.1370232E-02  |
| 0.1294205E-01   | 0.1043432E-01  | 0.3818894E-02  | -0.5801608E-02 | -0.1509883E-01 | -0.2170346E-01 | -0.2096263E-01 |
| -0.4853154E-02  | 0.1183213E-01  | -0.1411709E-01 | 0.             | -0.1438148E-01 | -0.2505116E-01 | -0.1522398E-01 |
| 0.5977189E-02   | 0.2372303E-01  | 0.2886016E-01  | 0.1887853E-01  | 0.7088273E-02  | 0.1899212E-01  | 0.4776017E-01  |
| 0.1191155E-00   | -0.            | 0.1215901E-00  | 0.1836769E-00  | 0.2375271E-00  | 0.2705767E-00  | 0.2754466E-00  |
| 0.2503053E-00   | 0.1975909E-00  | 0.4282085E-01  | 0.5649346E-01  | -0.7529308E-02 | 0.2576306E-01  | 0.             |
| 0.2624575E-01   | 0.4282085E-01  | -0.1768243E-01 | 0.1469866E-00  | 0.6026569E-03  | -0.7744454E-02 | -0.3183327E-02 |
| 0.1753991E-02   | -0.1768243E-01 | 0.4401907E-01  | 0.1469866E-00  | 0.             | 0.1476804E-00  | -0.2258137E-00 |
| 0.2785308E-00   | 0.2997895E-00  | 0.2923925E-00  | 0.2599046E-00  | 0.2063259E-00  | 0.1317067E-00  | 0.3389063E-01  |
| 0.2741185E-01   | 0.2680682E-01  | 0.2559092E-01  | 0.2440595E-01  | 0.2322788E-01  | 0.2206478E-01  | 0.2091907E-01  |
| 0.1982244E-01   | 0.1869401E-01  | 0.1761306E-01  | 0.1658299E-01  | 0.1555006E-01  | 0.1451881E-01  | 0.1355473E-01  |
| 0.1256114E-01   | 0.1161701E-01  | 0.1069050E-01  | 0.9827687E-02  | 0.9052303E-02  | 0.8357705E-02  | 0.7776292E-02  |
| 0.7251742E-02   | 0.6754079E-02  | 0.4283937E-02  | 0.7055696E-02  | 0.6260049E-02  | 0.5807970E-02  | 0.5365367E-02  |
| -0.1332951E-03  | -0.            | -0.7037930E-03 | 0.4206065E-02  | 0.             | 0.             | 0.             |
| -0.             | -0.1077799E-02 | -0.6992933E-03 | 0.7962516E-03  | -0.4611363E-03 | -0.            | -0.1358783E-03 |
| 0.2753449E-03   | 0.7656875E-03  | 0.6766708E-03  | -0.4839935E-04 | -0.8490468E-03 | -0.5443958E-03 | -0.1126737E-02 |
| 0.4308694E-02   | 0.8492845E-02  | -0.4539741E-02 | -0.8487037E-02 | 0.1225166E-13  | -0.8419264E-02 | -0.9165363E-02 |
| -0.8568131E-02  | -0.7546538E-02 | -0.7124541E-02 | -0.6224854E-02 | -0.2511809E-02 | 0.1569359E-02  | 0.1321167E-02  |
| -0.1764429E-01  | -0.1827394E-01 | 0.2622450E-13  | -0.1793652E-01 | -0.1355508E-01 | -0.9156066E-02 | -0.8173959E-02 |
| -0.1323681E-01  | -0.2011470E-01 | -0.1934292E-01 | -0.1359982E-01 | -0.1505245E-01 | 0.1715163E-01  | 0.8689286E-02  |
| 0.1179966E-13   | 0.8254116E-02  | -0.1059482E-02 | -0.9198576E-02 | -0.1415227E-01 | -0.1486622E-01 | -0.1292952E-01 |
| -0.1172179E-01  | -0.1032428E-01 | -0.5793016E-02 | 0.2693218E-01  | 0.1270268E-01  | -0.6581559E-13 | 0.1188207E-01  |
| -0.4806730E-02  | -0.1856659E-01 | -0.2469190E-01 | -0.2062347E-01 | -0.1116722E-01 | -0.6541335E-02 | -0.5103435E-02 |
| 0.3799961E-02   | 0.1540999E-01  | 0.1008887E-01  | -0.3982735E-13 | 0.9828104E-02  | 0.4866426E-02  | 0.3406351E-02  |
| 0.3878191E-02   | 0.2620234E-02  | -0.1472058E-02 | -0.6763559E-02 | -0.7648904E-02 | 0.5884037E-03  | -0.1153492E-01 |
| -0.13054840E-02 | 0.1224447E-13  | -0.5769614E-03 | 0.8530524E-02  | 0.8614979E-02  | 0.4569989E-02  | 0.5318019E-02  |
| 0.1041807E-01   | 0.2385977E-01  | 0.2540880E-01  | 0.6461315E-02  | 0.2541759E-02  | 0.8782223E-02  | -0.1181962E-13 |
| 0.9094857E-02   | 0.1500261E-01  | 0.1498156E-01  | 0.1033153E-01  | 0.6639962E-01  | 0.6673745E-02  | 0.8979416E-02  |
| 0.712827E-02    | -0.4087018E-02 | 0.3059482E-01  | 0.2065076E-01  | -0.5268432E-13 | 0.2019608E-01  | 0.1180285E-01  |
| 0.1301755E-01   | 0.1807657E-01  | 0.1618124E-01  | 0.4199041E-02  | -0.328099E-01  | -0.2190916E-01 | -0.8775090E-02 |
| 0.1124778E-02   | 0.1112956E-02  | 0.1073413E-02  | 0.1073412E-02  | -0.5044338E-03 | -0.7423879E-04 | 0.6645764E-02  |
| 0.4852280E-02   | -0.2749358E-03 | 0.3958433E-03  | -0.7902651E-02 | -0.5314307E-03 | 0.1361050E-03  | -0.8507221E-03 |
| -0.8319900E-02  | -0.8378790E-02 | -0.3114072E-02 | -0.2775362E-02 | 0.9050265E-02  | 0.9199171E-02  | 0.2562589E-02  |
| 0.1379260E-02   | -0.1992187E-03 | 0.236003E-04   | -0.649168E-04  | -0.2692974E-04 | 0.8790823E-02  | -0.2014669E-01 |
| -0.7548065E-02  | -0.1086123E-03 | -0.9580857E-03 | -0.5977215E-05 | 0.1058362E-01  | 0.4029844E-01  | -0.3284431E-01 |
| 0.5746855E-03   | -0.3973186E-03 | 0.3203604E-02  | -0.8146004E-02 | 0.2351728E-01  | 0.3072396E-02  | -0.5686831E-04 |
| 0.9190044E-03   | 0.3570733E-06  | -0.8501861E-02 | -0.3683870E-01 | 0.2909909E-01  | -0.6291719E-03 | 0.4324083E-03  |
| -0.3520178E-03  | -0.1465762E-01 | 0.1243988E-01  | 0.2255425E-01  | 0.2540035E-03  | 0.4391744E-03  | -0.9120880E-03 |
| 0.1680131E-02   | 0.6632736E-01  | -0.7059262E-02 | -0.6520923E-02 | 0.1396105E-03  | -0.3166969E-03 | 0.1351966E-01  |
| -0.1295056E-01  | 0.2152463E-01  | -0.1872770E-03 | -0.4129079E-03 | 0.8371565E-03  | -0.2608914E-02 | -0.7003262E-01 |
| 0.7231947E-02   | -0.7055902E-03 | -0.1393686E-03 | 0.2705899E-03  |                |                |                |

|                |                |                |                |                |                |                |
|----------------|----------------|----------------|----------------|----------------|----------------|----------------|
| 0.1367136E-02  | 0.1184549E-02  | 0.8215242E-03  | 0.4604215E-03  | 0.1139942E-03  | -0.2088248E-03 | -0.5098082E-03 |
| -0.7912284E-03 | -0.1066997E-02 | -0.1317577E-02 | -0.1548545E-02 | -0.1757144E-02 | -0.1938174E-02 | -0.2114581E-02 |
| -0.2268941E-02 | -0.2407781E-02 | -0.2518337E-02 | -0.2606471E-02 | -0.2607935E-02 | -0.2541893E-02 | -0.2427519E-02 |
| -0.2277253E-02 | -0.2112201E-02 | 0.4578945E-02  | -0.2208546E-02 | -0.1937094E-02 | -0.1764196E-02 | -0.1594576E-02 |
| -0.            | -0.            | 0.1661173E-03  | -0.1572809E-02 | -0.            | -0.            | -0.            |
| -0.            | -0.3173657E-02 | 0.2325147E-02  | -0.5081360E-02 | -0.3525597E-02 | -0.            | -0.1925022E-02 |
| -0.1750513E-03 | 0.1194399E-02  | 0.6750060E-03  | -0.3595125E-03 | -0.1541175E-03 | 0.9043123E-03  | 0.1119809E-02  |
| 0.5122929E-03  | -0.1241264E-02 | 0.2256111E-02  | 0.1238511E-02  | -0.            | 0.1231989E-02  | 0.8760758E-03  |
| 0.1456803E-02  | 0.2422853E-02  | 0.2972747E-02  | 0.2636132E-02  | 0.1309609E-02  | -0.3666037E-03 | -0.1060771E-02 |
| 0.2660148E-02  | 0.3353116E-02  | -0.            | 0.3341335E-02  | 0.3449681E-02  | 0.2753740E-02  | 0.1461055E-02  |
| 0.3621992E-04  | -0.1221196E-02 | -0.2090781E-02 | -0.2707464E-02 | -0.3607820E-02 | -0.2239276E-02 | 0.8557631E-03  |
| -0.            | 0.9421541E-03  | 0.2972727E-02  | 0.3660077E-02  | 0.3369200E-02  | -0.2239276E-02 | 0.2739375E-02  |
| 0.3070704E-02  | 0.3323103E-02  | 0.2305128E-02  | -0.2857588E-02 | -0.1822482E-02 | -0.            | -0.1762766E-02 |
| -0.4499221E-03 | 0.1312185E-02  | 0.312449E-02   | 0.4531886E-02  | 0.5227986E-02  | 0.5081439E-02  | 0.4324401E-02  |
| 0.3634073E-02  | -0.4594112E-01 | -0.1332439E-00 | 0.             | -0.1360244E-00 | -0.2073576E-00 | -0.2612736E-00 |
| -0.2887465E-00 | -0.2880322E-00 | -0.2599261E-00 | -0.2071057E-00 | -0.1334189E-00 | -0.4548601E-01 | -0.1137196E-01 |
| -0.4094813E-01 | 0.             | -0.4189203E-01 | -0.6609705E-01 | -0.8447614E-01 | -0.9409930E-01 | -0.9446117E-01 |
| -0.8589716E-01 | -0.6928036E-01 | -0.4580125E-01 | -0.1751380E-01 | -0.4664539E-01 | 0.             | 0.             |
| -0.1360577E-00 | -0.2067243E-00 | -0.2604733E-00 | -0.2877605E-00 | -0.2861070E-00 | -0.2563725E-00 | -0.2020268E-00 |
| -0.1289354E-00 | -0.4578132E-01 | -0.2116108E-01 | -0.5314662E-01 | 0.             | -0.5415440E-01 | -0.8015014E-01 |
| -0.9973170E-01 | -0.1092458E-00 | -0.1077316E-00 | -0.9546029E-01 | -0.7375299E-01 | -0.4487190E-01 | -0.1219239E-01 |
| -0.1211459E-01 | -0.1194292E-01 | -0.1160142E-01 | -0.1125802E-01 | -0.1091694E-01 | -0.1057634E-01 | -0.1023781E-01 |
| -0.9898090E-02 | -0.9562277E-02 | -0.9227851E-02 | -0.8893381E-02 | -0.8567474E-02 | -0.8246472E-02 | -0.7925547E-02 |
| -0.7611811E-02 | -0.7303127E-02 | -0.7000985E-02 | -0.6706281E-02 | -0.6442363E-02 | -0.6207917E-02 | -0.5993508E-02 |
| -0.5800035E-02 | -0.5618129E-02 | -0.7671118E-02 | -0.5721332E-02 | -0.5444545E-02 | -0.5275685E-02 | -0.5113225E-02 |
| -0.3964187E-05 | 0.             | 0.5373652E-03  | -0.4691098E-02 | 0.             | 0.             | 0.             |
| 0.             | 0.3339112E-02  | 0.3694583E-02  | 0.2830561E-02  | 0.2542358E-02  | 0.             | 0.2275817E-02  |
| 0.1916108E-02  | 0.1213185E-02  | 0.4414363E-03  | -0.5495864E-02 | -0.1648604E-02 | -0.2587064E-02 | -0.3328929E-02 |
| -0.3838000E-02 | -0.4606625E-02 | 0.3466579E-02  | 0.4595823E-02  | 0.5260190E-02  | 0.4631751E-02  | 0.5515763E-02  |
| 0.5932454E-02  | 0.5724066E-02  | 0.4973271E-02  | 0.3826010E-02  | 0.2452349E-02  | 0.7990383E-03  | -0.1118914E-02 |
| -0.4918490E-02 | -0.6226238E-02 | 0.1311793E-14  | -0.6263041E-02 | -0.6705925E-02 | -0.6418582E-02 | -0.5473558E-02 |
| -0.4061735E-02 | -0.2306423E-03 | -0.2306423E-03 | 0.1366756E-02  | 0.1855174E-02  | 0.1227455E-02  | 0.1476196E-02  |
| 0.5766772E-15  | 0.1557322E-02  | 0.3742450E-02  | 0.5350620E-02  | 0.6807951E-02  | 0.7434414E-02  | 0.7419831E-02  |
| 0.6783509E-02  | 0.5836705E-02  | 0.4945693E-02  | 0.1755348E-02  | -0.4296697E-03 | -0.3234805E-14 | -0.5342385E-03 |
| -0.2839840E-02 | -0.4985787E-02 | -0.6608484E-02 | -0.7552532E-02 | -0.7891810E-02 | -0.7733303E-02 | -0.6653248E-02 |
| -0.4371947E-02 | 0.4344908E-02  | 0.4648158E-02  | -0.1963517E-14 | 0.4674108E-02  | 0.5220138E-02  | 0.5965013E-02  |
| 0.6470075E-02  | 0.6197284E-02  | 0.4808258E-02  | 0.2434903E-02  | -0.2689348E-03 | -0.2514012E-02 | -0.5105794E-03 |
| -0.1406311E-03 | 0.5987844E-15  | -0.1408819E-03 | -0.1647609E-03 | -0.1118950E-02 | -0.2621057E-02 | -0.3672424E-02 |
| -0.3596549E-02 | -0.2398494E-02 | -0.1009192E-02 | -0.5181895E-03 | -0.4483076E-02 | -0.3653096E-02 | -0.5667085E-15 |
| -0.3585152E-02 | -0.2319532E-02 | -0.1193101E-02 | -0.3649907E-03 | 0.4467758E-03  | 0.1541367E-02  | 0.2875670E-02  |
| 0.3993799E-02  | 0.4438996E-02  | -0.4132355E-03 | -0.1943284E-02 | -0.2604098E-14 | -0.2033337E-02 | -0.3717352E-02 |
| -0.4412120E-02 | -0.3922488E-02 | -0.3027464E-02 | -0.2408515E-02 | -0.202274E-02  | -0.1720164E-02 | -0.2363486E-03 |
| -0.6810233E-03 | -0.6776687E-03 | -0.6667042E-03 | -0.6667042E-03 | 0.3642315E-03  | 0.5915864E-04  | -0.6001595E-03 |
| -0.6786117E-03 | -0.3503772E-03 | -0.3188556E-03 | -0.1848795E-03 | -0.6531766E-04 | 0.1553380E-02  | 0.1500410E-02  |
| 0.1524516E-03  | 0.7260005E-03  | -0.9644233E-03 | -0.1217227E-02 | 0.5433146E-03  | 0.7020577E-03  | 0.8894931E-04  |
| 0.1455054E-03  | 0.1993141E-03  | -0.7853125E-05 | -0.4960199E-05 | 0.3350174E-05  | -0.1016258E-02 | -0.3380773E-02 |
| -0.5618517E-02 | -0.1002499E-04 | -0.7903844E-04 | -0.2587262E-04 | 0.3715233E-03  | -0.3366460E-02 | -0.1294172E-03 |
| 0.3479116E-04  | -0.1275503E-04 | 0.1959831E-04  | -0.8475923E-03 | 0.2477035E-02  | 0.5969127E-02  | 0.2057418E-04  |
| 0.6138128E-04  | 0.4264434E-05  | 0.1721327E-02  | 0.3110784E-02  | 0.2239382E-02  | -0.3175923E-04 | 0.6689925E-04  |
| -0.3867468E-04 | -0.1989186E-02 | -0.1427644E-02 | -0.1427644E-02 | 0.3464430E-04  | 0.2183962E-04  | -0.7381466E-04 |
| -0.4588358E-02 | 0.542589E-02   | -0.4319828E-03 | 0.2069724E-04  | 0.6149199E-05  | 0.702605E-04   | 0.1857858E-02  |
| 0.5883173E-02  | 0.1067008E-02  | 0.2438645E-04  | -0.2225850E-04 | 0.9004112E-04  | 0.4915141E-02  | -0.6271731E-02 |
| -0.8757336E-03 | -0.7657971E-04 | -0.9426564E-05 | -0.6578404E-04 | -0.            | -0.            | -0.            |

SA-5 RUN #1 MODE 12 XN = 2 417463

|                |                |                |                |                |                |                |
|----------------|----------------|----------------|----------------|----------------|----------------|----------------|
| 0.6633521E-01  | 0.6537892E-01  | 0.6346380E-01  | 0.6154786E-01  | 0.5964189E-01  | 0.5774389E-01  | 0.5586154E-01  |
| 0.5399161E-01  | 0.5212710E-01  | 0.5028033E-01  | 0.4846474E-01  | 0.4667985E-01  | 0.4492255E-01  | 0.4319262E-01  |
| 0.4148896E-01  | 0.3982204E-01  | 0.3820146E-01  | 0.3664657E-01  | 0.3527804E-01  | 0.3409066E-01  | 0.3305328E-01  |
| 0.3214563E-01  | 0.3130989E-01  | 0.6580591E-01  | 0.3178879E-01  | 0.3051543E-01  | 0.2976509E-01  | 0.2905769E-01  |
| 0.             | 0.             | -0.2431932E-02 | 0.2749558E-01  | 0.             | 0.             | 0.             |
| 0.             | -0.4150781E-01 | -0.4040189E-01 | -0.4214751E-01 | -0.4208301E-01 | 0.             | -0.4195812E-01 |
| -0.4169477E-01 | -0.4080425E-01 | -0.3908470E-01 | -0.3551507E-01 | -0.2908582E-01 | -0.2067607E-01 | -0.1116695E-01 |
| -0.9082226E-03 | 0.1237168E-01  | -0.4157171E-01 | 0.1077916E-02  | 0.             | 0.2489252E-02  | 0.3835624E-01  |
| 0.6723449E-01  | 0.8525181E-01  | 0.9170825E-01  | 0.8711528E-01  | 0.7255914E-01  | 0.4969341E-01  | 0.2152216E-01  |
| -0.3281599E-01 | -0.2966021E-02 | 0.             | -0.1973286E-02 | 0.2320024E-01  | 0.4356376E-01  | 0.5642190E-01  |
| 0.6131203E-01  | 0.5856730E-01  | 0.4893286E-01  | 0.3349828E-01  | 0.1425071E-01  | 0.4158197E-01  | -0.1125395E-02 |
| 0.             | -0.2535869E-02 | -0.3844886E-01 | -0.6735869E-01 | -0.8539508E-01 | -0.9184217E-01 | -0.8722494E-01 |
| -0.7263011E-01 | -0.4971148E-01 | -0.2148370E-01 | 0.3288025E-01  | 0.3006316E-02  | 0.             | 0.2023209E-02  |
| -0.2316263E-01 | -0.4354732E-01 | -0.5641828E-01 | -0.6132106E-01 | -0.5859537E-01 | -0.4897839E-01 | -0.3355456E-01 |
| -0.1431847E-01 | -0.5638458E-02 | 0.4172281E-02  | 0.             | 0.4499222E-02  | 0.1279510E-01  | 0.1956579E-01  |
| 0.2375584E-01  | 0.2504273E-01  | 0.2343495E-01  | 0.1921891E-01  | 0.4499222E-02  | 0.1279510E-01  | 0.1956579E-01  |
| 0.1814051E-01  | 0.             | 0.2028495E-01  | 0.7447639E-01  | 0.1187265E-02  | 0.510533E-02   | -0.4586649E-01 |
| 0.1461009E-00  | 0.1200649E-00  | 0.8045453E-01  | 0.3247905E-01  | 0.5786595E-02  | -0.4351192E-02 | 0.1554381E-00  |
| -0.4690762E-02 | -0.1325546E-01 | -0.2023989E-01 | -0.2455245E-01 | -0.2586531E-01 | -0.2418747E-01 | -0.1981648E-01 |
| -0.1331956E-01 | -0.5614820E-02 | 0.4593001E-01  | -0.1820390E-01 | 0.             | -0.2035197E-01 | -0.7465402E-01 |
| -0.1189843E-00 | -0.1466433E-00 | -0.1557645E-00 | -0.1464095E-00 | -0.1203245E-00 | -0.8063704E-01 | -0.3256875E-01 |
| 0.1187966E-00  | 0.1163939E-00  | 0.1132287E-00  | 0.1095230E-00  | 0.1058325E-00  | 0.1021543E-00  | 0.9849818E-01  |
| 0.9485897E-01  | 0.9122867E-01  | 0.8763804E-01  | 0.8407710E-01  | 0.8058845E-01  | 0.7713649E-01  | 0.7372844E-01  |
| 0.7036582E-01  | 0.6707049E-01  | 0.6384694E-01  | 0.6073487E-01  | 0.5793646E-01  | 0.5545041E-01  | 0.5321830E-01  |
| 0.5120518E-01  | 0.4931658E-01  | 0.1026433E-00  | 0.5040154E-01  | 0.4750105E-01  | 0.4576021E-01  | 0.4409079E-01  |
| -0.2426733E-05 | 0.             | -0.3242555E-02 | 0.4022140E-01  | 0.             | 0.             | 0.             |
| -0.7147995E-01 | -0.7035773E-01 | -0.6892005E-01 | -0.7138682E-01 | -0.7158802E-01 | -0.            | -0.7165411E-01 |
| -0.2631778E-02 | 0.1854465E-01  | -0.6697202E-01 | -0.6056023E-01 | -0.4949105E-01 | -0.3535507E-01 | -0.1950194E-01 |
| -0.7667926E-01 | -0.7194430E-01 | -0.5472421E-01 | -0.6694961E-01 | -0.3367238E-15 | -0.6719292E-01 | -0.7478186E-01 |
| 0.7591048E-01  | 0.9795027E-01  | -0.6139759E-01 | -0.4671374E-01 | -0.2993783E-01 | -0.1371127E-01 | -0.8789253E-03 |
| 0.9711999E-01  | 0.7465296E-01  | -0.1543358E-14 | 0.9845044E-01  | 0.1129494E-00  | 0.1182008E-00  | 0.1125196E-00  |
| -0.5588356E-15 | 0.6691894E-01  | 0.4842366E-01  | 0.2264618E-01  | 0.1835657E-02  | 0.5482445E-01  | 0.6667404E-01  |
| 0.2938524E-01  | 0.1336135E-01  | 0.7420261E-01  | 0.7589230E-01  | 0.7107370E-01  | 0.6053581E-01  | 0.4597054E-01  |
| -0.1119018E-00 | -0.1171175E-00 | 0.7187609E-03  | -0.7519707E-01 | -0.9704664E-01 | 0.3461982E-14  | -0.9754436E-01 |
| -0.1785054E-02 | -0.7991487E-01 | -0.1114834E-00 | -0.9620094E-01 | -0.7393150E-01 | -0.4795261E-01 | -0.2238940E-01 |
| -0.7620707E-01 | -0.6560672E-01 | -0.8218457E-01 | 0.1989193E-14  | -0.8223854E-01 | -0.8369171E-01 | -0.8217206E-01 |
| 0.1095967E-01  | -0.5330111E-15 | -0.5114292E-01 | -0.3424996E-01 | -0.1686223E-01 | -0.1055663E-02 | 0.1107265E-01  |
| 0.5625927E-02  | 0.3485431E-02  | 0.1095626E-01  | 0.1080246E-01  | 0.1025400E-01  | 0.9164050E-02  | 0.7578845E-02  |
| 0.8282267E-01  | 0.8439730E-01  | 0.1344904E-02  | -0.6048502E-03 | 0.8037974E-01  | 0.8275132E-01  | 0.5010542E-15  |
| 0.1719816E-01  | 0.1160038E-02  | 0.8299061E-01  | 0.7708397E-01  | 0.6644697E-01  | 0.5187522E-01  | 0.3480550E-01  |
| -0.1123355E-01 | -0.1028983E-01 | -0.1086905E-01 | -0.1125091E-01 | 0.2561242E-14  | -0.1125002E-01 | -0.1148952E-01 |
| 0.6289398E-04  | 0.6282463E-04  | -0.8686727E-02 | -0.6607873E-02 | -0.4252980E-02 | -0.1841860E-02 | 0.3718357E-03  |
| 0.1465654E-01  | 0.1033711E-01  | 0.6258922E-04  | 0.6258923E-04  | -0.4517781E-04 | -0.1631978E-04 | 0.1469174E-01  |
| 0.2204236E-02  | 0.3247359E-02  | 0.1031985E-01  | -0.1483519E-01 | -0.1479116E-01 | -0.1023077E-01 | -0.1021124E-01 |
| -0.1641088E-01 | -0.9830489E-05 | 0.9910420E-02  | 0.1647265E-01  | -0.2256062E-02 | -0.3326971E-02 | -0.9830994E-02 |
| 0.2670146E-01  | 0.1642179E-05  | 0.1610667E-03  | -0.1050141E-03 | -0.3196091E-06 | 0.1769285E-01  | 0.1800146E-01  |
| 0.3499431E-05  | -0.1298309E-03 | 0.1538591E-03  | -0.9614935E-04 | 0.5103046E-02  | 0.2770340E-01  | -0.1892128E-01 |
| -0.1530471E-03 | 0.9783749E-04  | -0.5072195E-02 | -0.2764323E-01 | -0.1799147E-01 | -0.2673165E-01 | -0.1960602E-05 |
| 0.1699320E-03  | -0.1708622E-01 | 0.2619644E-01  | -0.4151694E-02 | 0.1886036E-01  | -0.4493597E-05 | 0.1291020E-03  |
| 0.2537891E-01  | -0.1684075E-01 | 0.7510495E-02  | -0.1165586E-03 | 0.1959242E-03  | -0.1196426E-03 | 0.2236227E-04  |
| -0.2621316E-01 | -0.4179536E-02 | -0.1951059E-03 | 0.1193726E-03  | -0.1699281E-03 | -0.7874273E-05 | -0.1718922E-01 |
| -0.7529285E-02 | 0.1157157E-03  | 0.1699793E-03  | 0.6911659E-05  | -0.2277598E-04 | -0.2527023E-01 | 0.1680248E-01  |

|                |                |                |                 |                |                |                |
|----------------|----------------|----------------|-----------------|----------------|----------------|----------------|
| 0.1217725E-00  | 0.1199547E-00  | 0.1163199E-00  | 0.1126895E-00   | 0.1090709E-00  | 0.1054722E-00  | 0.1018938E-00  |
| 0.9833120E-01  | 0.9477926E-01  | 0.9125964E-01  | 0.8778787E-01   | 0.8437373E-01  | 0.8101515E-01  | 0.7768752E-01  |
| 0.7441575E-01  | 0.7120370E-01  | 0.6807106E-01  | 0.6505404E-01   | 0.6235721E-01  | 0.5998287E-01  | 0.5786923E-01  |
| 0.5598027E-01  | 0.5421991E-01  | 0.5154521E-00  | 0.5523135E-01   | 0.5253733E-01  | 0.5092722E-01  | 0.4939384E-01  |
| 0.             | 0.             | 0.4010735E-02  | 0.4581090E-01   | 0.             | 0.             | 0.             |
| 0.             | -0.7663147E-01 | -0.7401610E-01 | -0.74016837E-01 | -0.7816589E-01 | -0.7799913E-01 | -0.7799913E-01 |
| -0.7754348E-01 | -0.7591001E-01 | -0.7292010E-01 | -0.6700749E-01  | -0.5643081E-01 | -0.4213355E-01 | -0.2522875E-01 |
| -0.5894408E-02 | 0.1862747E-01  | -0.4230246E-01 | 0.2585784E-02   | 0.             | 0.4054906E-02  | 0.4149003E-01  |
| 0.7133076E-01  | 0.8962409E-01  | 0.9565577E-01  | 0.9002806E-01   | 0.7403388E-01  | 0.4963913E-01  | 0.2009010E-01  |
| 0.2384638E-01  | 0.1871548E-02  | 0.             | 0.1145632E-02   | -0.1725257E-01 | -0.3201028E-01 | -0.4116070E-01 |
| -0.4436271E-01 | -0.4187977E-01 | -0.3434317E-01 | -0.2269655E-01  | -0.8512873E-02 | 0.4225287E-01  | -0.2548838E-02 |
| 0.             | -0.4001981E-02 | -0.4136659E-01 | -0.7115320E-01  | -0.8941558E-01 | -0.8338326E-03 | -0.8338326E-03 |
| 0.7390825E-01  | -0.4958743E-01 | -0.2012660E-01 | -0.2366857E-01  | 0.4233998E-01  | 0.3472092E-01  | 0.2296470E-01  |
| 0.1767657E-01  | 0.3251158E-01  | 0.4168370E-01  | 0.4487315E-01   | 0.3257776E-01  | 0.8865721E-01  | 0.1339329E-00  |
| 0.8656605E-02  | -0.3640268E-01 | 0.3037205E-01  | -0.             | 0.8356709E-01  | 0.3110472E-01  | -0.1258236E-01 |
| 0.1614449E-00  | 0.1692075E-00  | 0.1572499E-00  | 0.1275158E-00   | 0.3121282E-01  | 0.3862090E-01  | 0.4111131E-01  |
| 0.4478914E-02  | 0.             | 0.5046241E-02  | 0.1943597E-01   | 0.3602219E-01  | -0.3162873E-01 | -0.            |
| 0.3868160E-01  | 0.3180284E-01  | 0.2139906E-01  | 0.8927598E-02   | -0.1720636E-00 | -0.1598207E-00 | -0.1295537E-00 |
| -0.3386485E-01 | -0.9066779E-01 | -0.1365004E-00 | -0.1643025E-00  | 0.3602219E-01  | -0.5600034E-02 | -0.2033229E-01 |
| -0.8487359E-01 | -0.3155852E-01 | 0.1244221E-01  | -0.5018624E-02  | -0.            | -0.2198452E-01 | -0.9123642E-02 |
| -0.3236116E-01 | -0.3990779E-01 | -0.4240171E-01 | -0.3984291E-01  | -0.8138591E-02 | -0.7882950E-02 | -0.7627741E-02 |
| -0.3045552E-02 | -0.8917660E-02 | -0.8656644E-02 | -0.8398707E-02  | -0.6379207E-02 | -0.6138402E-02 | -0.5903250E-02 |
| -0.7372232E-02 | -0.7117745E-02 | -0.6865064E-02 | -0.6621514E-02  | -0.4675748E-01 | -0.4676467E-02 | -0.4541759E-02 |
| -0.5673530E-02 | -0.5444280E-02 | -0.5223421E-02 | -0.5021106E-02  | -0.4835161E-02 | -0.4676467E-02 | -0.4541759E-02 |
| -0.4423884E-02 | -0.4316710E-02 | -0.1048100E-01 | -0.4380176E-02  | -0.4213550E-02 | -0.4117751E-02 | -0.4032010E-02 |
| -0.1483494E-05 | -0.            | 0.2297779E-03  | -0.3894148E-02  | -0.            | -0.            | -0.            |
| 0.             | 0.7580826E-02  | 0.7478981E-02  | 0.7934281E-02   | 0.8193645E-02  | -0.            | 0.8413327E-02  |
| 0.8665197E-02  | 0.8976218E-02  | 0.9026164E-02  | 0.8665602E-02   | 0.7632042E-02  | 0.6037393E-02  | 0.4107584E-02  |
| 0.1952182E-02  | -0.6898267E-03 | 0.4266647E-01  | 0.5628566E-01   | -0.5654175E-15 | 0.5659577E-01  | 0.6563047E-01  |
| 0.6910448E-01  | 0.6610109E-01  | 0.5747791E-01  | 0.4489540E-01   | 0.3020898E-01  | 0.1564778E-01  | 0.3748729E-02  |
| 0.7921868E-01  | 0.1041569E-00  | -0.2308376E-14 | 0.1047139E-00   | 0.1210103E-00  | 0.1268060E-00  | 0.1204832E-00  |
| 0.1039014E-00  | 0.8022232E-01  | 0.5293386E-01  | 0.2610243E-01   | 0.4304341E-02  | -0.4263674E-01 | -0.5651504E-01 |
| -0.8293295E-15 | -0.5684334E-01 | -0.6607831E-01 | -0.6969342E-01  | -0.6675748E-01 | -0.5813637E-01 | -0.4546950E-01 |
| -0.3064618E-01 | -0.1592988E-01 | -0.3880361E-02 | -0.7920078E-01  | -0.1044641E-00 | 0.5239360E-14  | -0.1050323E-00 |
| -0.1216002E-00 | -0.1275701E-00 | -0.1213283E-00 | -0.1047112E-00  | -0.8032312E-01 | -0.5345658E-01 | -0.2642907E-01 |
| -0.4455123E-02 | -0.2192883E-01 | -0.2288611E-01 | 0.2951740E-14   | -0.2291603E-01 | -0.2379375E-01 | -0.2376064E-01 |
| -0.2218678E-01 | -0.1911155E-01 | -0.1485311E-01 | -0.9927342E-02  | -0.4853401E-02 | -0.1873057E-03 | 0.7278384E-01  |
| 0.7564763E-01  | 0.8067899E-15  | 0.7577805E-01  | 0.7832970E-01   | 0.7798024E-01  | 0.7300844E-01  | 0.6335765E-01  |
| 0.5010415E-01  | 0.3471483E-01  | 0.1884802E-01  | 0.4199629E-02   | 0.2173832E-01  | 0.2261603E-01  | 0.7539862E-15  |
| 0.2265880E-01  | 0.2345995E-01  | 0.2332684E-01  | 0.2169295E-01   | 0.1858271E-01  | 0.1434054E-01  | 0.9475413E-02  |
| 0.4519537E-02  | -0.4388870E-05 | -0.7215001E-01 | -0.7468471E-01  | 0.3828683E-14  | -0.7480775E-01 | -0.7705661E-01 |
| -0.7648468E-01 | -0.7142307E-01 | -0.6183345E-01 | -0.4878566E-01  | -0.3372105E-01 | -0.1825600E-01 | -0.4011236E-02 |
| -0.2278544E-04 | 0.2285904E-04  | 0.2305654E-04  | 0.2305654E-04   | -0.1806998E-05 | -0.8246850E-05 | 0.1562613E-01  |
| 0.1560121E-01  | -0.8356124E-02 | -0.8341897E-02 | -0.1550079E-01  | -0.1546953E-01 | 0.8220869E-02  | 0.8203579E-02  |
| 0.9707056E-02  | 0.1602514E-01  | 0.2914016E-02  | 0.4804676E-02   | -0.9715785E-02 | -0.1602978E-01 | -0.2896569E-02 |
| -0.4804419E-02 | -0.3867950E-05 | -0.1937265E-04 | -0.1918931E-03  | -0.4016729E-06 | 0.1260777E-01  | -0.2861009E-01 |
| -0.2357082E-02 | -0.9783934E-05 | -0.4749529E-04 | -0.1908293E-03  | -0.1381671E-01 | -0.1886781E-02 | -0.2897919E-01 |
| 0.3170628E-05  | -0.1966725E-03 | 0.8120727E-05  | -0.1244721E-01  | -0.2853842E-01 | 0.2352165E-02  | 0.8724570E-05  |
| 0.4826105E-04  | 0.1881799E-03  | 0.1373497E-01  | 0.1879798E-02   | 0.2890606E-01  | -0.3833458E-05 | 0.1968071E-03  |
| -0.6386158E-05 | -0.2685791E-01 | -0.1401643E-02 | -0.8157489E-02  | -0.2516858E-04 | -0.1869606E-03 | 0.1608325E-04  |
| -0.1768743E-02 | -0.2770272E-01 | -0.5031960E-03 | -0.2180162E-03  | 0.2945644E-04  | -0.6316556E-04 | -0.2683877E-01 |
| 0.1368798E-02  | -0.8186363E-02 | 0.2390780E-04  | 0.1883612E-03   | -0.1790723E-04 | 0.1689671E-02  | -0.2768185E-01 |
| 0.4822118E-03  | 0.2198353E-03  | -0.2981694E-04 | 0.6322790E-04   | -0.            | -0.            | -0.            |



|                |                |                |                |                |                |                |
|----------------|----------------|----------------|----------------|----------------|----------------|----------------|
| 0.1038505E-00  | 0.1022637E-00  | 0.990209E-01   | 0.9592700E-01  | 0.9276990E-01  | 0.8962933E-01  | 0.8650338E-01  |
| 0.8338731E-01  | 0.8028196E-01  | 0.7720201E-01  | 0.7416181E-01  | 0.7117835E-01  | 0.6822788E-01  | 0.6530851E-01  |
| 0.6243772E-01  | 0.5961770E-01  | 0.5686352E-01  | 0.5421069E-01  | 0.5182701E-01  | 0.4972048E-01  | 0.4783648E-01  |
| 0.4614395E-01  | 0.4456268E-01  | 0.4360566E-01  | 0.4547172E-01  | 0.4304827E-01  | 0.4159619E-01  | 0.4021105E-01  |
| -0.            | -0.            | -0.3247361E-02 | 0.3703438E-01  | -0.            | -0.            | -0.            |
| -0.            | -0.6346546E-01 | -0.6237241E-01 | -0.6450622E-01 | -0.6499316E-01 | -0.            | -0.6528906E-01 |
| -0.6550164E-01 | -0.6488911E-01 | -0.6261561E-01 | -0.5745186E-01 | -0.4812180E-01 | -0.3577505E-01 | -0.2146403E-01 |
| -0.5729183E-02 | 0.1463660E-01  | -0.2657555E-01 | 0.1696111E-02  | -0.            | 0.2626535E-02  | 0.2627383E-01  |
| 0.4508416E-01  | 0.5655254E-01  | 0.6030610E-01  | 0.5767532E-01  | 0.4664676E-01  | 0.3103328E-01  | 0.1177403E-01  |
| 0.4306710E-01  | 0.3548127E-02  | -0.            | 0.2235407E-02  | -0.3103209E-01 | -0.5783847E-01 | -0.7460190E-01 |
| -0.8072600E-01 | -0.7666517E-01 | -0.6343668E-01 | -0.4251683E-01 | -0.1657317E-01 | 0.2652697E-01  | -0.1627221E-02 |
| -0.            | -0.2547490E-02 | -0.2610244E-01 | -0.4484338E-01 | -0.5627377E-01 | -0.6003303E-01 | -0.5652036E-01 |
| -0.4648394E-01 | -0.3096611E-01 | -0.1181674E-01 | -0.4304015E-01 | -0.3596753E-02 | -0.            | -0.2295895E-02 |
| 0.3091066E-01  | 0.576765E-01   | 0.7441190E-01  | 0.8054033E-01  | 0.7651417E-01  | 0.6334242E-01  | 0.4249289E-01  |
| 0.1663212E-01  | -0.3777305E-01 | 0.3188040E-01  | 0.             | 0.3418884E-01  | 0.9276295E-01  | 0.1399417E-02  |
| 0.1684408E-00  | 0.1763685E-00  | 0.1638988E-00  | 0.1330219E-00  | 0.8714870E-01  | 0.3192015E-01  | 0.9351997E-00  |
| -0.2943938E-02 | 0.             | -0.3356344E-02 | -0.1378190E-01 | -0.2230466E-01 | -0.2763276E-01 | -0.2940453E-01 |
| -0.2760867E-01 | -0.2259424E-01 | -0.1498265E-01 | -0.5802244E-02 | -0.3759727E-01 | -0.3222689E-01 | 0.             |
| -0.3454205E-01 | -0.9325457E-01 | -0.1405381E-00 | -0.1690901E-00 | -0.1770108E-00 | -0.1644741E-00 | -0.1334795E-00 |
| -0.8744754E-01 | -0.3203543E-01 | -0.9079102E-02 | 0.3720591E-02  | 0.             | 0.4148001E-02  | 0.1497930E-01  |
| 0.2381984E-01  | 0.2930334E-01  | 0.3106667E-01  | 0.2910609E-01  | 0.2378328E-01  | 0.1575091E-01  | 0.6079007E-02  |
| -0.7462011E-01 | -0.7339676E-01 | -0.7094632E-01 | -0.6850229E-01 | -0.6606359E-01 | -0.6363728E-01 | -0.6122319E-01 |
| -0.5881756E-01 | -0.5641844E-01 | -0.5404191E-01 | -0.5169257E-01 | -0.4938264E-01 | -0.4709414E-01 | -0.4483514E-01 |
| -0.4260721E-01 | -0.4041488E-01 | -0.3827076E-01 | -0.3620752E-01 | -0.3432914E-01 | -0.3264776E-01 | -0.3112859E-01 |
| -0.297466E-01  | -0.2843898E-01 | -0.5982654E-01 | -0.2919226E-01 | -0.2717663E-01 | -0.2596181E-01 | -0.2479647E-01 |
| 0.4241260E-05  | 0.             | 0.1764564E-02  | -0.2240178E-01 | 0.             | 0.             | 0.             |
| 0.4366413E-01  | 0.4278835E-01  | 0.4278835E-01  | 0.444918E-01   | 0.4482406E-01  | 0.             | 0.4504238E-01  |
| 0.4514966E-01  | 0.446412E-01   | 0.4297625E-01  | 0.3924537E-01  | 0.3254188E-01  | 0.2382442E-01  | 0.1398607E-01  |
| 0.3488610E-02  | -0.9539112E-02 | 0.7366134E-01  | 0.9264721E-01  | -0.5579013E-15 | 0.9305603E-01  | 0.1052877E-00  |
| 0.1092798E-00  | 0.1035986E-00  | 0.8934782E-01  | 0.6894399E-01  | 0.4534717E-01  | 0.2235150E-01  | 0.4124257E-02  |
| 0.5033563E-01  | 0.6750690E-01  | -0.2085692E-14 | 0.6790862E-01  | 0.7947999E-01  | 0.8435384E-01  | 0.8119515E-01  |
| 0.7088769E-01  | 0.5532116E-01  | 0.3688759E-01  | 0.1867278E-01  | 0.4107829E-02  | -0.7384635E-01 | -0.9288314E-01 |
| -0.7768670E-15 | -0.9331059E-01 | -0.1055676E-00 | -0.1095695E-00 | -0.1038825E-00 | -0.8960585E-01 | -0.6914385E-01 |
| -0.4547736E-01 | -0.2240901E-01 | -0.4118203E-02 | -0.5074558E-01 | -0.6811858E-01 | 0.4807797E-14  | -0.6852601E-01 |
| -0.8026427E-01 | -0.820162E-01  | -0.8204252E-01 | -0.7164975E-01 | -0.5594147E-01 | -0.3731847E-01 | -0.1891244E-01 |
| -0.4176259E-02 | 0.1589052E-01  | 0.1680023E-01  | 0.2742925E-14  | 0.1683841E-01  | 0.1751506E-01  | 0.1748158E-01  |
| 0.1645506E-01  | 0.1436599E-01  | 0.1142779E-01  | 0.7927097E-02  | 0.4273439E-02  | 0.8905845E-03  | 0.7544314E-01  |
| 0.7855287E-01  | -0.7595004E-15 | 0.7868733E-01  | 0.8144313E-01  | 0.8154006E-01  | 0.7720337E-01  | 0.6794123E-01  |
| 0.5441518E-01  | 0.3802298E-01  | 0.2087233E-01  | 0.5275102E-02  | -0.1647978E-01 | -0.1748884E-01 | 0.7135504E-15  |
| -0.1752098E-01 | -0.1832037E-01 | -0.1843641E-01 | -0.1747567E-01 | -0.1536176E-01 | -0.1230449E-01 | -0.8615267E-02 |
| -0.4711554E-02 | -0.1066278E-02 | -0.7510340E-01 | -0.7766553E-01 | -0.3560545E-14 | -0.779240E-01  | -0.8006453E-01 |
| -0.7979275E-01 | -0.7528486E-01 | -0.6607839E-01 | -0.5279233E-01 | -0.3678220E-01 | -0.200992E-01  | -0.4962179E-02 |
| -0.9969864E-05 | -0.1007489E-04 | -0.1041441E-04 | -0.1041441E-04 | 0.9752489E-05  | 0.2468896E-05  | 0.1000127E-01  |
| 0.9987062E-02  | -0.1425066E-01 | -0.1422495E-01 | -0.9823978E-02 | -0.9808984E-02 | 0.1408046E-01  | 0.1405093E-01  |
| 0.9465285E-02  | 0.1587238E-01  | -0.1187020E-02 | -0.242021E-02  | -0.9458529E-02 | -0.1585425E-01 | 0.1173257E-02  |
| 0.2385982E-02  | 0.1265204E-05  | -0.9801341E-04 | -0.1560875E-03 | 0.6593125E-07  | 0.5451615E-02  | 0.2310368E-01  |
| -0.1539260E-01 | 0.3139733E-05  | -0.1073082E-03 | -0.1725042E-03 | -0.1771080E-01 | -0.1514120E-01 | -0.2255369E-01 |
| -0.4026421E-05 | -0.1572226E-03 | 0.9568794E-04  | -0.5273073E-02 | -0.2307386E-01 | 0.1544696E-01  | -0.3350386E-05 |
| 0.1076613E-03  | 0.1694735E-03  | 0.1760435E-01  | 0.1507454E-01  | 0.2253884E-01  | 0.4422534E-05  | 0.1572891E-05  |
| -0.9322016E-04 | 0.2091997E-01  | -0.1412883E-01 | 0.7173126E-02  | -0.1211854E-03 | -0.1604991E-03 | -0.2981713E-05 |
| -0.1374353E-01 | -0.2220269E-01 | -0.4035645E-02 | -0.1820628E-03 | 0.1076614E-03  | -0.2279981E-04 | -0.2086228E-01 |
| 0.1413163E-01  | -0.7182420E-02 | 0.1195645E-03  | 0.1619395E-03  | 0.1903659E-05  | 0.1364058E-01  | 0.2222211E-01  |
| 0.4032182E-02  | 0.1840772E-03  | -0.1081654E-03 | 0.2411059E-04  | -0.            | -0.            | -0.            |





|                |                |                |                |                |                |                |
|----------------|----------------|----------------|----------------|----------------|----------------|----------------|
| 0.2203017E-00  | 0.2138329E-00  | 0.2009048E-00  | 0.1879850E-00  | 0.1750940E-00  | 0.1622502E-00  | 0.1494510E-00  |
| 0.1366891E-00  | 0.1239459E-00  | 0.1112712E-00  | 0.9868663E-01  | 0.8621793E-01  | 0.7383236E-01  | 0.6151122E-01  |
| 0.492932E-01   | 0.3717884E-01  | 0.2520787E-01  | 0.1343764E-01  | 0.2224426E-02  | -0.8438348E-02 | -0.1865904E-01 |
| -0.2850842E-01 | -0.3814844E-01 | -0.9267189E-01 | -0.3257444E-01 | -0.4766465E-01 | -0.5706863E-01 | -0.6636373E-01 |
| -0.            | -0.            | -0.5364307E-02 | -0.9015360E-01 | -0.            | -0.            | -0.            |
| -0.            | -0.3389111E-01 | -0.2294597E-01 | -0.3820956E-01 | -0.3801722E-01 | -0.            | -0.3727167E-01 |
| -0.3589943E-01 | -0.3326721E-01 | -0.3128712E-01 | -0.2982511E-01 | -0.2865149E-01 | -0.2759039E-01 | -0.2718975E-01 |
| -0.2683919E-01 | -0.3842119E-01 | -0.1441126E-01 | 0.8274959E-02  | -0.            | 0.8933287E-02  | -0.2638655E-01 |
| 0.3879509E-01  | 0.4431627E-01  | 0.4256693E-01  | 0.3383327E-01  | 0.1947969E-01  | 0.1772606E-02  | -0.1666210E-01 |
| -0.1315390E-01 | -0.1029183E-01 | -0.5870662E-02 | -0.7249114E-03 | -0.8949893E-02 | 0.1251070E-01  | -0.1394375E-01 |
| -0.            | -0.8893383E-02 | -0.2635500E-01 | -0.3875366E-01 | 0.4275984E-02  | 0.1443211E-01  | -0.8266448E-02 |
| -0.194462E-01  | -0.1765313E-02 | 0.1663793E-01  | -0.3920351E-02 | -0.4426498E-01 | -0.4251177E-01 | -0.3378635E-01 |
| 0.540824E-02   | 0.9496059E-02  | 0.1061997E-01  | 0.9869192E-02  | 0.2010007E-02  | -0.            | 0.2165885E-02  |
| -0.4762766E-02 | -0.1172628E-01 | 0.9991051E-02  | 0.             | 0.7348951E-02  | 0.3543840E-02  | -0.7572652E-03 |
| 0.496868E-01   | 0.5040149E-01  | 0.4336520E-01  | 0.2945794E-01  | 0.1065648E-01  | 0.2813155E-01  | 0.4188276E-01  |
| 0.4496774E-02  | 0.             | 0.4849677E-02  | 0.1420861E-01  | 0.1101086E-01  | 0.2540938E-01  | -0.7147841E-02 |
| 0.2172208E-01  | 0.1438414E-01  | 0.4706342E-02  | 0.1242825E-01  | 0.21424825E-01 | -0.7990165E-02 | 0.             |
| -0.8612006E-02 | -0.2506472E-01 | -0.3805923E-01 | -0.4548711E-01 | -0.4622520E-01 | -0.3961638E-01 | -0.2649808E-01 |
| -0.9138654E-02 | 0.9544594E-02  | 0.7503894E-02  | -0.3599287E-02 | 0.             | -0.3937208E-02 | -0.1288156E-01 |
| -0.1985305E-01 | -0.2367209E-01 | -0.2384272E-01 | -0.2016697E-01 | -0.1313590E-01 | -0.3886672E-02 | 0.6152851E-02  |
| 0.2542740E-01  | 0.2466303E-01  | 0.212399E-01   | 0.2159285E-01  | 0.2005652E-01  | 0.1853344E-01  | 0.1701165E-02  |
| 0.1548050E-01  | 0.1397126E-01  | 0.1245546E-01  | 0.1096392E-01  | 0.9474403E-02  | 0.7990302E-02  | 0.6516551E-02  |
| 0.5059352E-02  | 0.3600649E-02  | 0.2163134E-02  | 0.7679667E-03  | -0.5891460E-03 | -0.1884340E-02 | -0.3126333E-02 |
| -0.4331099E-02 | -0.5511906E-02 | -0.1242680E-01 | -0.4824515E-02 | -0.6683256E-02 | -0.7841432E-02 | -0.8977411E-02 |
| 0.5321247E-06  | 0.             | 0.7153172E-03  | -0.1190092E-01 | 0.             | 0.             | 0.             |
| 0.             | -0.3995907E-02 | -0.2987392E-02 | -0.4377571E-02 | -0.4424434E-02 | 0.             | -0.4420566E-02 |
| -0.4348300E-02 | -0.4046713E-02 | -0.3598173E-02 | -0.3002709E-02 | -0.2428003E-02 | -0.2170235E-02 | -0.2343301E-02 |
| -0.3080728E-02 | -0.4855741E-02 | -0.375810E-02  | -0.2367004E-01 | 0.2242332E-14  | -0.2425705E-01 | -0.3997536E-01 |
| -0.5101740E-01 | -0.5525360E-01 | -0.5225788E-01 | -0.4277095E-01 | -0.2874716E-01 | -0.1327274E-01 | 0.2406138E-03  |
| -0.1496112E-01 | -0.9118525E-01 | 0.8176003E-14  | -0.9345026E-01 | -0.1531230E-00 | -0.1941793E-00 | -0.2089525E-00 |
| -0.1967629E-00 | -0.1610105E-00 | -0.1088088E-00 | -0.5083783E-01 | 0.7644038E-03  | 0.4188336E-02  | 0.2504594E-01  |
| 0.3117887E-14  | 0.2567556E-01  | 0.4211281E-01  | 0.5362197E-01  | 0.5797871E-01  | 0.5477450E-01  | 0.4482111E-01  |
| 0.3016241E-01  | 0.1401409E-01  | -0.6808179E-04 | 0.1480977E-01  | 0.9081253E-01  | -0.1868438E-13 | 0.9307064E-01  |
| 0.1525658E-00  | 0.1934984E-00  | 0.2082321E-00  | 0.1960788E-00  | 0.1604285E-00  | 0.1083668E-00  | 0.5054809E-01  |
| -0.9277294E-03 | -0.1861360E-01 | -0.3027321E-01 | -0.1088006E-13 | -0.3078591E-01 | -0.4220716E-01 | -0.5119201E-01 |
| -0.5524799E-01 | -0.5399674E-01 | -0.4836271E-01 | -0.3960220E-01 | -0.2912075E-01 | -0.1865465E-01 | 0.3203589E-01  |
| 0.5179694E-01  | 0.3023495E-14  | 0.5261818E-01  | 0.7134547E-01  | 0.8526597E-01  | 0.9043611E-01  | 0.8695255E-01  |
| 0.770935E-01   | 0.6319163E-01  | 0.4708459E-01  | 0.3091130E-01  | 0.1846123E-01  | 0.2989190E-01  | -0.2859439E-14 |
| 0.3039210E-01  | 0.4162205E-01  | 0.5048557E-01  | 0.5445461E-01  | 0.5314868E-01  | 0.4752205E-01  | 0.3886980E-01  |
| 0.2859745E-01  | 0.1839917E-01  | -0.3215682E-01 | -0.5195416E-01 | -0.1413918E-13 | -0.5277856E-01 | -0.7157450E-01 |
| -0.8558962E-01 | -0.9080567E-01 | -0.8728638E-01 | -0.7734318E-01 | -0.6334251E-01 | -0.4717556E-01 | -0.3098113E-01 |
| 0.4955505E-04  | 0.5015506E-04  | 0.5160027E-04  | 0.5160022E-04  | -0.4317075E-04 | -0.1651174E-04 | -0.8278916E-02 |
| -0.8213035E-02 | 0.2751961E-02  | 0.2726947E-02  | 0.8348237E-02  | 0.8277304E-02  | -0.2831890E-02 | 0.2804947E-02  |
| -0.1901475E-01 | -0.1802105E-01 | -0.1069850E-01 | -0.1011860E-01 | 0.1908844E-01  | 0.1811798E-01  | 0.1064495E-01  |
| 0.1001293E-01  | -0.9782111E-05 | -0.1659811E-04 | 0.1304730E-03  | -0.3985421E-06 | -0.3059015E-02 | -0.4455131E-01 |
| -0.1953736E-02 | -0.7892021E-04 | -0.4528084E-04 | 0.1098944E-03  | 0.1685255E-01  | -0.9348464E-02 | 0.4859757E-01  |
| 0.3682223E-04  | 0.3513988E-03  | -0.5648914E-04 | 0.2965907E-02  | 0.4461482E-01  | 0.1818863E-02  | 0.7783569E-04  |
| 0.4313316E-04  | -0.1104907E-03 | 0.1689419E-01  | 0.949512E-02   | -0.4862335E-01 | -0.3727046E-04 | -0.3503264E-03 |
| 0.5769070E-04  | -0.4443960E-01 | -0.5397171E-02 | -0.5036606E-02 | -0.6041731E-04 | 0.2361878E-03  | -0.4619817E-04 |
| -0.1408489E-01 | 0.4255698E-01  | -0.3319380E-02 | 0.4453618E-04  | 0.1329182E-03  | -0.1166603E-03 | 0.4459046E-01  |
| 0.5358738E-02  | 0.5035520E-02  | 0.6047793E-04  | -0.2373206E-03 | 0.4601749E-04  | 0.1399635E-01  | -0.4260042E-01 |
| -0.3299519E-02 | -0.4520241E-04 | -0.1329177E-03 | -0.1152764E-03 | -0.            | -0.            | -0.            |

|                |                |                |                |                |                |
|----------------|----------------|----------------|----------------|----------------|----------------|
| 0.6992159E-01  | 0.6342913E-01  | 0.5911087E-01  | 0.5481147E-01  | 0.5054554E-01  | 0.4630872E-01  |
| 0.4209504E-01  | 0.3373367E-01  | 0.2961699E-01  | 0.2555995E-01  | 0.2154541E-01  | 0.1755636E-01  |
| 0.1361959E-01  | 0.5905708E-02  | 0.2169843E-02  | -0.1320848E-02 | -0.4576236E-02 | -0.7649639E-02 |
| -0.1057495E-01 | -0.2862535E-01 | -0.1177545E-01 | -0.1621605E-01 | -0.1897843E-01 | -0.2170802E-01 |
| -0.            | 0.1702253E-02  | 0.2889909E-01  | -0.            | -0.            | -0.            |
| -0.            | -0.3410553E-02 | -0.1204913E-01 | -0.1107845E-01 | -0.            | -0.9991764E-02 |
| -0.8810093E-02 | -0.7988944E-02 | -0.8289129E-02 | -0.6346224E-02 | -0.3833372E-02 | -0.3146822E-02 |
| -0.5034270E-02 | -0.1124324E-01 | 0.1708146E-02  | -0.            | 0.1644841E-02  | -0.1962734E-03 |
| -0.1559863E-02 | -0.3249956E-02 | 0.3585727E-02  | -0.3508337E-02 | 0.2652932E-02  | -0.2787125E-03 |
| -0.            | -0.            | -0.2869259E-02 | -0.1747422E-01 | -0.2823225E-01 | -0.3325218E-01 |
| -0.1576346E-01 | -0.2259480E-01 | -0.2706343E-02 | 0.1254986E-01  | -0.3955053E-02 | -0.1762266E-02 |
| -0.3262209E-01 | -0.2669940E-01 | 0.1441766E-02  | 0.2393168E-02  | 0.3113723E-02  | 0.3460368E-02  |
| -0.            | -0.1678369E-02 | 0.1574761E-01  | 0.2305913E-02  | -0.            | 0.2666457E-02  |
| 0.3398074E-02  | 0.2550732E-02  | -0.1574761E-01 | 0.2666398E-01  | 0.1630629E-01  | 0.2692150E-02  |
| 0.1746957E-01  | 0.2822948E-01  | 0.3257899E-01  | 0.3390352E-02  | 0.1303363E-01  | 0.2132548E-01  |
| -0.1248916E-01 | -0.8040459E-02 | 0.             | 0.6475057E-02  | -0.4546913E-02 | 0.1332612E-01  |
| -0.2647121E-01 | 0.2760157E-01  | 0.1679707E-01  | -0.2326363E-01 | -0.2830859E-01 | -0.2906998E-01 |
| -0.1342899E-02 | 0.             | -0.1393540E-01 | 0.7980291E-02  | -0.320147E-02  | 0.             |
| -0.2551721E-01 | -0.1822783E-01 | -0.4970575E-02 | -0.2793410E-01 | -0.2451040E-01 | -0.1692510E-01 |
| -0.3590582E-02 | -0.1334280E-01 | -0.1516548E-02 | 0.             | 0.1994629E-02  | 0.1416611E-01  |
| -0.6431471E-02 | 0.4797987E-02  | 0.1516548E-02  | 0.1818128E-01  | 0.7615160E-02  | -0.5265578E-02 |
| 0.2352418E-01  | 0.2856268E-01  | -0.2560095E-01 | -0.1692712E-00 | -0.1568229E-00 | -0.1444235E-00 |
| -0.2130557E-00 | -0.2067899E-00 | -0.1817530E-00 | -0.8316845E-01 | -0.7116811E-01 | -0.5924356E-01 |
| -0.1320554E-00 | -0.1197143E-00 | -0.9523872E-01 | -0.1330926E-02 | 0.8328928E-02  | 0.1814585E-01  |
| -0.4741223E-01 | -0.3569701E-01 | -0.1274719E-01 | 0.4592630E-01  | 0.5491958E-01  | 0.6379899E-01  |
| 0.2758790E-01  | 0.3681761E-01  | 0.3148400E-01  | 0.             | 0.             | 0.             |
| -0.6140343E-04 | 0.             | 0.8585973E-01  | 0.3317367E-01  | 0.             | 0.3462900E-01  |
| 0.             | 0.2731181E-01  | 0.3115922E-01  | 0.3317367E-01  | 0.             | 0.3462900E-01  |
| 0.3595646E-01  | 0.3669289E-01  | 0.3173216E-01  | 0.2580915E-01  | 0.2019821E-01  | 0.1688507E-01  |
| 0.1775968E-01  | 0.2894129E-01  | -0.1032057E-00 | 0.101704E-14   | -0.1055027E-00 | -0.1667770E-00 |
| -0.2066364E-00 | -0.2182365E-00 | -0.1666900E-00 | -0.1149645E-00 | -0.5732569E-01 | -0.4814816E-02 |
| -0.360124E-02  | 0.8628048E-02  | 0.3203799E-14  | 0.1890426E-01  | 0.2591651E-01  | 0.2885080E-01  |
| 0.2776080E-01  | 0.2343409E-01  | 0.1724360E-01  | 0.3938695E-02  | 0.1585901E-01  | 0.1006511E-00  |
| 0.1268549E-14  | 0.1031184E-00  | 0.1684465E-00  | 0.2253873E-00  | 0.2113751E-00  | 0.1744142E-00  |
| 0.1215506E-00  | 0.6220893E-01  | 0.7926621E-02  | -0.1703104E-02 | -0.7587897E-14 | -0.1753878E-02 |
| -0.2848178E-02 | -0.3538882E-02 | -0.3554886E-02 | -0.1764368E-02 | -0.7597978E-03 | 0.7194494E-04  |
| 0.1063298E-02  | 0.2327310E-01  | 0.3829961E-01  | 0.3885128E-01  | 0.5220104E-01  | 0.6255218E-01  |
| 0.6742766E-01  | 0.6587420E-01  | 0.585711E-01   | 0.4694707E-01  | 0.2115155E-01  | 0.1543304E-01  |
| 0.2948684E-01  | 0.1255416E-14  | 0.3004423E-01  | 0.4306057E-01  | 0.5859446E-01  | 0.5845552E-01  |
| 0.337966E-01   | 0.4434302E-01  | 0.3283715E-01  | 0.2093953E-01  | -0.4899996E-01 | -0.1203539E-14 |
| -0.4960269E-01 | -0.6393413E-01 | -0.7494381E-01 | -0.7967667E-01 | -0.6737646E-01 | -0.5272252E-01 |
| -0.3592167E-01 | -0.2042897E-01 | -0.2521245E-01 | -0.3952338E-01 | -0.4009732E-01 | -0.5346228E-01 |
| -0.6363777E-01 | -0.6817825E-01 | 0.6655745E-01  | -0.5943046E-01 | -0.4797342E-01 | -0.1968783E-01 |
| 0.9012075E-05  | 0.8436286E-05  | 0.6519081E-05  | 0.6519071E-05  | 0.2445931E-04  | 0.8658128E-03  |
| 0.7891711E-03  | 0.8921922E-02  | 0.8926727E-02  | -0.7421063E-03 | -0.6328306E-03 | -0.9110191E-02 |
| -0.1491461E-01 | -0.1460012E-01 | 0.1658374E-01  | 0.1597900E-01  | 0.1457290E-01  | -0.1625585E-01 |
| 0.1543358E-01  | 0.8072830E-05  | 0.1399287E-03  | 0.4862061E-04  | 0.1310766E-04  | -0.1808003E-01 |
| 0.4008384E-01  | 0.1992551E-04  | 0.2895000E-03  | -0.1473797E-04 | 0.6897829E-02  | 0.1168264E-01  |
| 0.6055160E-04  | 0.3513349E-04  | -0.6761163E-04 | -0.1623225E-01 | 0.1677138E-01  | 0.7849784E-05  |
| -0.2792900E-03 | 0.2113262E-04  | -0.3491834E-01 | -0.3491834E-01 | -0.1049151E-01 | -0.5243938E-04 |
| 0.8257223E-04  | -0.2215879E-01 | 0.345390E-01   | -0.4698615E-02 | 0.289221E-04   | -0.2271367E-04 |
| 0.3467012E-01  | 0.1730797E-01  | 0.2904768E-02  | 0.9990970E-04  | -0.1418829E-03 | 0.9713783E-04  |
| -0.3350434E-01 | 0.4927243E-02  | -0.4296790E-04 | -0.1781484E-03 | 0.4592655E-04  | -0.1627416E-01 |
| -0.2610020E-02 | -0.9648873E-04 | 0.1275227E-03  | -0.6171357E-04 | -0.            | -0.            |

|                |                |                |                |                |                |                |
|----------------|----------------|----------------|----------------|----------------|----------------|----------------|
| 0.3681184E-00  | 0.3573039E-00  | 0.3356933E-00  | 0.3141307E-00  | 0.2926565E-00  | 0.2713002E-00  | 0.2500812E-00  |
| 0.2289498E-00  | 0.2079059E-00  | 0.1870321E-00  | 0.1664469E-00  | 0.14621190E-00 | 0.1261899E-00  | 0.1064000E-00  |
| 0.8689368E-01  | 0.6772048E-01  | 0.4895747E-01  | 0.3083683E-01  | 0.1435798E-01  | -0.4579859E-03 | -0.1394364E-01 |
| -0.2630776E-01 | -0.3803432E-01 | -0.1312354E-00 | -0.3128062E-01 | -0.4940475E-01 | -0.6041969E-01 | -0.7108909E-01 |
| -0.            | -0.            | 0.3222577E-02  | -0.9711850E-01 | -0.            | -0.            | -0.            |
| -0.            | 0.5655299E-02  | 0.6977055E-02  | 0.6951174E-02  | 0.8017290E-02  | -0.            | 0.9197757E-02  |
| 0.1096855E-01  | 0.1458331E-01  | 0.1826319E-01  | 0.2209664E-01  | 0.2473809E-01  | 0.2445859E-01  | 0.2111349E-01  |
| 0.1428067E-01  | 0.2553494E-02  | 0.1780498E-02  | -0.1828951E-02 | -0.            | -0.1933804E-02 | -0.4595921E-02 |
| -0.6097401E-02 | -0.6126853E-03 | -0.4826257E-02 | -0.2409608E-02 | 0.8117984E-03  | 0.4589079E-02  | 0.8719363E-02  |
| -0.6973106E-03 | 0.7259347E-03  | -0.            | 0.7683872E-03  | 0.1799639E-02  | 0.2359587E-02  | 0.2334698E-02  |
| 0.1780413E-02  | 0.1993293E-03  | -0.4754168E-03 | -0.1938171E-02 | -0.3514341E-02 | -0.1613304E-02 | 0.1640087E-02  |
| -0.            | 0.1721263E-02  | 0.4122543E-02  | 0.5469948E-02  | 0.5491451E-02  | 0.4324228E-02  | 0.2163116E-02  |
| 0.7128039E-03  | -0.6088016E-02 | 0.7787024E-02  | 0.4067976E-03  | -0.6158057E-03 | -0.            | -0.6438235E-03 |
| -0.1380814E-02 | -0.1755114E-02 | -0.1695487E-02 | -0.1248737E-02 | -0.5150972E-03 | 0.4118879E-03  | 0.1461939E-02  |
| 0.2594480E-02  | 0.1027698E-02  | -0.1700647E-02 | 0.             | -0.1781586E-02 | -0.3882589E-02 | -0.5203093E-02 |
| -0.5413516E-02 | -0.4550322E-02 | -0.2677093E-02 | 0.3994279E-05  | 0.3306628E-02  | 0.7029115E-02  | 0.5093861E-03  |
| 0.8258311E-03  | 0.             | -0.8644309E-03 | -0.1888423E-02 | -0.2519504E-02 | -0.2613163E-02 | -0.2182527E-02 |
| -0.1273175E-02 | 0.1074700E-04  | 0.1572269E-02  | 0.3312975E-02  | -0.1304860E-02 | 0.1578632E-02  | 0.             |
| 0.1663849E-02  | 0.3902002E-02  | 0.5346117E-02  | 0.5647976E-02  | 0.4835128E-02  | 0.2967064E-02  | 0.2455839E-03  |
| -0.3135157E-02 | -0.6959132E-02 | -0.8354852E-03 | 0.5412337E-03  | 0.             | 0.5811996E-03  | 0.1646794E-02  |
| 0.2339509E-02  | 0.2488792E-02  | -0.2106513E-02 | 0.1234620E-02  | -0.2874494E-04 | -0.1581529E-02 | -0.3322707E-02 |
| 0.1252819E-01  | 0.1215599E-01  | 0.1141634E-01  | 0.1067631E-01  | 0.9941471E-02  | 0.9208479E-02  | 0.8481052E-02  |
| 0.7756753E-02  | 0.7037267E-02  | 0.6324702E-02  | 0.5614543E-02  | 0.4921149E-02  | 0.4235835E-02  | 0.3556728E-02  |
| 0.2886471E-02  | 0.2230682E-02  | 0.1587455E-02  | 0.9591384E-03  | 0.3932057E-03  | -0.1173269E-03 | -0.5851050E-03 |
| -0.1014034E-02 | -0.1421553E-02 | -0.5764133E-02 | -0.1188329E-02 | -0.1815354E-02 | -0.2198391E-02 | -0.2572384E-02 |
| -0.103273E-05  | 0.             | 0.1040825E-03  | -0.3415759E-02 | 0.             | 0.             | 0.             |
| 0.             | 0.9844334E-03  | 0.4105564E-03  | 0.1343903E-02  | 0.1366364E-02  | 0.             | 0.1394159E-02  |
| 0.1437798E-02  | 0.1523348E-02  | 0.1590257E-02  | 0.1611601E-02  | 0.1525022E-02  | 0.1318686E-02  | 0.1031007E-02  |
| 0.6783638E-03  | 0.2240593E-03  | 0.2291065E-02  | 0.9905460E-02  | 0.1076766E-17  | 0.1010113E-01  | 0.1553987E-01  |
| 0.1837408E-01  | 0.1803473E-01  | 0.1436943E-01  | 0.1006952E-01  | 0.4509527E-02  | -0.2730795E-03 | -0.2805449E-02 |
| 0.5938405E-02  | 0.2604510E-01  | -0.4016239E-15 | 0.2656011E-01  | 0.4082370E-01  | 0.4807578E-01  | 0.4682642E-01  |
| 0.3832639E-01  | 0.2502730E-01  | 0.1014509E-01  | -0.2395880E-02 | -0.8646657E-02 | -0.2869479E-02 | -0.1070255E-01 |
| -0.1352399E-15 | -0.1090036E-01 | -0.1645246E-01 | -0.1927272E-01 | -0.1878381E-01 | -0.1546512E-01 | -0.1025195E-01 |
| -0.4374965E-02 | 0.6635533E-03  | 0.3341544E-02  | -0.6400022E-02 | -0.2656524E-01 | 0.9111111E-15  | -0.2707952E-01 |
| -0.4134747E-01 | -0.4853210E-01 | -0.4714782E-01 | -0.3846238E-01 | -0.2495981E-01 | -0.9880301E-02 | 0.2823745E-02  |
| 0.9188264E-02  | 0.1312476E-02  | 0.7984194E-03  | 0.5290864E-15  | 0.1018593E-02  | 0.4223223E-02  | 0.9351338E-02  |
| 0.1463462E-01  | 0.1853834E-01  | 0.2007314E-01  | 0.1875862E-01  | 0.1464190E-01  | 0.8459679E-02  | -0.2317601E-02 |
| -0.1439520E-03 | -0.1250374E-15 | -0.5506706E-03 | -0.6050961E-02 | -0.1568677E-01 | -0.2602590E-01 | -0.3398090E-01 |
| -0.3749379E-01 | -0.3548892E-01 | -0.2790977E-01 | -0.1608994E-02 | 0.3925022E-04  | 0.2789125E-02  | 0.1134916E-15  |
| 0.2742054E-02  | 0.2856896E-02  | 0.1171932E-02  | -0.1609641E-02 | -0.4569247E-02 | -0.6923624E-02 | -0.8035128E-02 |
| -0.7460451E-02 | -0.5163270E-02 | 0.2070126E-03  | -0.3920339E-02 | 0.6571020E-15  | -0.3671548E-02 | -0.1191201E-02 |
| 0.5328344E-02  | 0.1349534E-01  | 0.2080545E-01  | 0.2537666E-01  | 0.2594747E-01  | 0.2195513E-01  | 0.1396967E-01  |
| -0.9588322E-04 | -0.9520820E-04 | -0.9298863E-04 | -0.9298863E-04 | 0.5444171E-04  | 0.2255985E-04  | -0.1085597E-01 |
| -0.1081388E-01 | 0.4696069E-02  | 0.4677616E-02  | 0.8956016E-02  | 0.8917471E-02  | -0.2750114E-02 | -0.2739289E-02 |
| -0.1031854E-01 | -0.7903170E-02 | -0.4784337E-02 | -0.3692314E-02 | 0.1033378E-01  | 0.7935033E-02  | 0.4739490E-02  |
| 0.3692356E-02  | 0.1495740E-04  | 0.3572586E-05  | 0.9891787E-04  | 0.3144548E-05  | -0.9899137E-02 | 0.1627240E-02  |
| -0.4865758E-03 | 0.7511626E-05  | -0.2039797E-04 | 0.1441636E-03  | 0.5523945E-02  | 0.2906936E-03  | 0.9820677E-03  |
| 0.4983779E-05  | 0.8186452E-04  | -0.7358010E-05 | 0.8208130E-02  | 0.6630179E-03  | 0.4926803E-03  | 0.2149503E-05  |
| 0.1562048E-04  | -0.1122802E-03 | -0.3759271E-02 | -0.1539801E-03 | -0.3129465E-05 | -0.5533193E-06 | -0.7547984E-04 |
| -0.2357120E-04 | -0.1876690E-02 | 0.2725927E-03  | -0.3762166E-04 | 0.1443416E-04  | 0.8982998E-04  | 0.1751237E-04  |
| 0.1568035E-02  | 0.1281550E-02  | -0.6030958E-04 | 0.6070051E-04  | 0.3969815E-05  | 0.6136845E-05  | 0.1139058E-02  |
| 0.1847484E-03  | 0.3817432E-02  | 0.1005995E-04  | -0.1012542E-03 | 0.3968176E-05  | -0.8235746E-03 | -0.1186826E-02 |
| 0.6636178E-04  | -0.8525609E-04 | 0.8007192E-05  | -0.1304037E-04 | -0.            | -0.            | -0.            |

|                |                |                |                |                 |                |                |
|----------------|----------------|----------------|----------------|-----------------|----------------|----------------|
| 0.3943076E-01  | 0.3839793E-01  | 0.3632484E-01  | 0.3425492E-01  | 0.3219320E-01   | 0.3015322E-01  | 0.2813577E-01  |
| 0.2613769E-01  | 0.2415005E-01  | 0.2220371E-01  | 0.2030955E-01  | 0.1849076E-01   | 0.1673639E-01  | 0.1501724E-01  |
| 0.1336858E-01  | 0.1172671E-01  | 0.1031535E-01  | 0.8969148E-02  | 0.8014139E-02   | 0.7442280E-02  | 0.7174192E-02  |
| 0.7170403E-02  | 0.7314295E-02  | 0.1087476E-00  | 0.7220894E-02  | 0.7552174E-02   | 0.7863837E-02  | 0.8265209E-02  |
| 0.             | 0.             | -0.2111090E-03 | 0.1080445E-01  | 0.              | 0.             | 0.             |
| 0.             | -0.1040585E-00 | -0.9863076E-01 | -0.1160977E-00 | -0.1271375E-00  | 0.             | -0.1384810E-00 |
| -0.1535506E-00 | -0.1762445E-00 | -0.1895710E-00 | -0.1872168E-00 | -0.1625579E-00  | -0.1245119E-00 | -0.8805418E-01 |
| -0.6698360E-01 | -0.8004730E-01 | -0.7120921E-01 | -0.4561827E-01 | 0.              | -0.4444970E-01 | -0.1839649E-01 |
| 0.5775381E-02  | 0.2298068E-01  | 0.3207050E-01  | 0.3216007E-01  | 0.2289760E-01   | 0.3151771E-01  | -0.2623210E-01 |
| 0.3071381E-01  | 0.1991050E-01  | 0.             | 0.1939909E-01  | 0.8210321E-02   | -0.2467727E-02 | -0.1037648E-01 |
| -0.1476088E-01 | -0.1502684E-01 | -0.1088961E-01 | -0.1890045E-01 | 0.1159603E-01   | 0.7169841E-01  | 0.4615252E-01  |
| -0.2328927E-01 | 0.4501454E-01  | 0.2573415E-01  | 0.5415293E-02  | 0.2281571E-01   | -0.3212132E-01 | -0.3240827E-01 |
| -0.9411144E-02 | 0.3620321E-02  | 0.9551101E-02  | -0.3169475E-01 | -0.2109380E-01  | 0.             | -0.2059868E-01 |
| -0.1110790E-01 | -0.7183333E-01 | -0.3972464E-01 | 0.1425971E-01  | 0.1486977E-01   | 0.1103191E-01  | 0.2201818E-02  |
| 0.1294100E-01  | 0.3808184E-01  | 0.3325938E-01  | -0.            | -0.3841998E-01  | -0.8216788E-02 | 0.1740705E-01  |
| -0.1748734E-01 | 0.             | -0.1700299E-01 | -0.5273296E-02 | 0.5006657E-02   | 0.3348707E-01  | 0.2939317E-01  |
| 0.1345844E-01  | 0.8583814E-02  | -0.2471591E-03 | -0.1261782E-01 | 0.7093715E-01   | 0.1178131E-01  | 0.1460023E-01  |
| 0.3794644E-01  | 0.8187864E-02  | -0.1694404E-01 | 0.1663190E-01  | -0.3704289E-01  | 0.3919303E-01  | -0.            |
| 0.3517097E-02  | 0.3369618E-01  | 0.2815587E-01  | 0.1255646E-01  | 0.              | 0.1616798E-01  | -0.1876813E-01 |
| -0.4879252E-02 | -0.1121785E-01 | -0.1376527E-01 | -0.1255646E-01 | -0.7767288E-02  | 0.1616798E-01  | 0.5005722E-02  |
| -0.5989775E-04 | -0.6786571E-04 | -0.146619E-03  | -0.1967171E-03 | -0.2965790E-03  | 0.7967013E-03  | 0.1282888E-01  |
| -0.4774196E-03 | -0.5335330E-03 | -0.6436700E-03 | -0.648851E-03  | -0.7193297E-03  | -0.3243733E-03 | -0.3768278E-03 |
| -0.8912840E-03 | -0.1010230E-02 | -0.1076679E-02 | -0.1014311E-02 | -0.7951890E-03  | -0.7951890E-03 | -0.8792269E-03 |
| -0.1165348E-02 | -0.1183256E-02 | -0.1058061E-01 | -0.1148099E-02 | -0.1082413E-02  | -0.1120827E-02 | -0.1135068E-02 |
| -0.            | -0.            | 0.5460904E-04  | -0.8630278E-03 | -0.1218168E-02  | -0.1262540E-02 | -0.1238087E-02 |
| 0.7200199E-02  | 0.1777768E-02  | 0.1007405E-01  | 0.1007405E-01  | 0.              | -0.            | -0.            |
| 0.1036781E-01  | 0.1029320E-01  | 0.9886402E-02  | 0.8950942E-02  | 0.1019695E-01   | -0.            | 0.1029267E-01  |
| 0.227586E-02   | 0.1862669E-02  | 0.1839554E-01  | -0.114774E-01  | 0.7346402E-02   | 0.5447584E-02  | 0.3640011E-02  |
| -0.4298630E-01 | -0.4038145E-01 | -0.2900340E-01 | -0.1358635E-01 | 0.9966440E-15   | -0.1189066E-01 | -0.3303737E-01 |
| 0.4546923E-01  | -0.1980849E-01 | 0.1205220E-13  | -0.214582E-01  | 0.1829248E-02   | 0.1377241E-01  | 0.1889735E-01  |
| -0.5781900E-01 | -0.2544942E-01 | 0.6241249E-02  | 0.3080842E-01  | -0.6711955E-01  | -0.8826266E-01 | -0.8213258E-01 |
| 0.4054763E-14  | 0.1205619E-01  | 0.3328465E-01  | 0.4323154E-01  | 0.4213143E-01   | -0.1905933E-01 | 0.1125987E-01  |
| -0.2024543E-02 | -0.1409715E-01 | -0.1932758E-01 | -0.4574753E-01 | 0.4057555E-01   | 0.2917621E-01  | 0.1357468E-01  |
| 0.6746404E-01  | 0.8871577E-01  | 0.8259856E-01  | -0.5810593E-01 | 0.1984409E-01   | -0.2527135E-13 | 0.2150536E-01  |
| -0.4261997E-01 | -0.2434633E-01 | -0.3606819E-02 | -0.1571713E-13 | 0.2552660E-01   | -0.6436781E-02 | -0.3120374E-01 |
| 0.8356151E-01  | 0.8943450E-01  | 0.7946906E-01  | 0.5713575E-01  | -0.2006220E-02  | 0.2982281E-01  | 0.6215414E-01  |
| 0.9354580E-02  | 0.3587906E-14  | 0.4978281E-02  | -0.7870364E-01 | 0.2788661E-01   | -0.8293882E-03 | 0.6380574E-01  |
| -0.2096906E-00 | -0.1509897E-00 | -0.7426309E-01 | 0.9280537E-03  | -0.1635742E-00  | -0.2201005E-00 | -0.2356877E-00 |
| 0.4009572E-02  | -0.2949555E-01 | -0.6399084E-01 | -0.8744991E-01 | 0.2695395E-01   | 0.5782118E-02  | -0.3618279E-14 |
| -0.3120617E-01 | -0.8427016E-03 | -0.6607561E-01 | -0.1086141E-01 | -0.9456572E-01  | -0.8486708E-01 | -0.6181794E-01 |
| 0.1658621E-00  | 0.2241130E-01  | -0.2406043E-00 | 0.1086141E-01  | -0.1854631E-13  | -0.6376304E-02 | 0.7893809E-01  |
| -0.6423822E-03 | -0.6377996E-03 | -0.6221932E-03 | -0.6221931E-03 | 0.1548760E-00   | 0.7664793E-01  | -0.2056991E-03 |
| -0.4259278E-01 | 0.1821065E-01  | 0.1810426E-01  | 0.4387889E-01  | 0.3625895E-03   | 0.1603385E-03  | -0.4283263E-01 |
| -0.1371555E-01 | -0.2466105E-01 | -0.5684202E-01 | 0.3761615E-01  | 0.4356205E-01   | -0.1894673E-01 | -0.1880456E-01 |
| 0.1026351E-01  | 0.1030979E-03  | 0.3730605E-05  | 0.3986928E-03  | 0.1371615E-01   | 0.2480427E-01  | 0.5498760E-02  |
| -0.8497590E-03 | 0.1177024E-03  | 0.1315176E-03  | 0.7512564E-03  | -0.2767205E-05  | 0.4070984E-01  | -0.8024870E-01 |
| -0.7670168E-04 | 0.5095990E-03  | 0.1132967E-03  | 0.4160793E-01  | 0.9686861E-02   | -0.3556647E-02 | 0.9424689E-01  |
| -0.1316437E-03 | -0.7652868E-03 | -0.1023264E-01 | 0.3804955E-02  | 0.5320491E-03   | 0.7231737E-04  | -0.1249273E-03 |
| -0.9966785E-04 | -0.1036558E-00 | -0.3428120E-02 | 0.1691334E-03  | -0.8096801E-01  | 0.2320491E-03  | -0.5136431E-03 |
| 0.1171795E-01  | 0.8982041E-01  | 0.3632075E-02  | -0.4506178E-03 | -0.59492180E-01 | 0.7231737E-04  | -0.1249273E-03 |
| 0.3045615E-02  | 0.4324145E-03  | 0.4762645E-04  | -0.1450241E-03 | -0.5890174E-04  | 0.1490596E-03  | -0.1251408E-03 |
| -0.3352800E-02 | 0.4618784E-03  | 0.2003767E-04  | -0.7330018E-03 | -0.2617057E-04  | 0.7323061E-03  | 0.1040057E-00  |
|                |                |                |                | 0.1108932E-03   | -0.1205384E-01 | -0.8995739E-01 |

|                 |                |                |                |                |                |                |
|-----------------|----------------|----------------|----------------|----------------|----------------|----------------|
| 0.3123031E-01   | 0.3075032E-01  | 0.2977123E-01  | 0.2876602E-01  | 0.2773750E-01  | 0.2666920E-01  | 0.2557481E-01  |
| 0.2447090E-01   | 0.2334045E-01  | 0.2219862E-01  | 0.2104767E-01  | 0.1987773E-01  | 0.1873227E-01  | 0.1759199E-01  |
| 0.1645121E-01   | 0.1532593E-01  | 0.1422566E-01  | 0.1314734E-01  | 0.1220663E-01  | 0.1140124E-01  | 0.1072905E-01  |
| 0.1019554E-01   | 0.9743138E-02  | 0.1044880E-00  | 0.9997893E-02  | 0.9350992E-02  | 0.9025605E-02  | 0.8783941E-02  |
| 0.              | 0.             | -0.1953848E-03 | 0.9575073E-02  | 0.             | 0.             | 0.             |
| 0.              | -0.1037612E-00 | -0.1017578E-00 | -0.1134192E-00 | -0.1247758E-00 | 0.             | -0.1360392E-00 |
| -0.1498326E-00  | -0.1680048E-00 | -0.1756404E-00 | -0.1735187E-00 | -0.1591528E-00 | -0.1337335E-00 | -0.1028638E-00 |
| -0.7405716E-01  | -0.7954253E-01 | -0.7511881E-01 | -0.4533454E-01 | 0.             | -0.4418968E-01 | -0.1686655E-01 |
| 0.7119862E-02   | 0.2413355E-01  | 0.3288347E-01  | 0.3180995E-01  | 0.2144250E-01  | 0.1982972E-02  | -0.2636230E-01 |
| 0.2423230E-01   | 0.1513216E-01  | 0.             | 0.1476146E-01  | 0.6048001E-02  | -0.2034543E-02 | -0.8318373E-02 |
| -0.1159815E-01  | -0.1127940E-01 | -0.1174908E-01 | 0.4787043E-03  | 0.1184348E-01  | 0.7547985E-01  | 0.4586850E-01  |
| 0.              | 0.4474603E-01  | 0.1749087E-01  | -0.6539578E-02 | -0.2373260E-01 | -0.3274056E-01 | -0.3198034E-01 |
| -0.21899674E-01 | -0.2623027E-02 | 0.2561844E-01  | -0.2510861E-01 | -0.1613250E-01 | 0.             | -0.1573860E-01 |
| -0.6949886E-02  | 0.1352858E-02  | 0.7984544E-02  | 0.1173675E-01  | 0.1187639E-01  | 0.8164035E-02  | 0.5385551E-03  |
| -0.1093639E-01  | -0.695407E-01  | -0.3462353E-01 | -0.            | -0.3342355E-01 | -0.3879452E-02 | 0.1896303E-01  |
| 0.3171899E-01   | 0.3469779E-01  | 0.2844288E-01  | 0.1467001E-01  | -0.6074596E-02 | -0.3395147E-01 | -0.3702135E-01 |
| -0.2077889E-01  | -0.            | -0.2019657E-01 | -0.5713302E-02 | 0.6258933E-02  | 0.1400168E-01  | 0.1735475E-01  |
| 0.1575595E-01   | 0.9810687E-02  | -0.1788597E-03 | -0.1387917E-01 | 0.6807776E-01  | 0.3361709E-01  | -0.            |
| 0.3246435E-01   | 0.3323243E-02  | -0.1910549E-01 | -0.3149397E-01 | -0.3417549E-01 | -0.2775925E-01 | -0.1397305E-01 |
| 0.6585259E-02   | 0.3411929E-01  | 0.3568624E-01  | 0.1978414E-01  | -0.            | 0.1923022E-01  | 0.5240513E-02  |
| -0.6472208E-02  | -0.1383382E-01 | -0.1684891E-01 | -0.1504967E-01 | -0.9038566E-02 | 0.7682092E-03  | 0.1413666E-01  |
| 0.1787535E-01   | 0.1736305E-01  | 0.1625738E-01  | 0.1519261E-01  | 0.1408447E-01  | 0.1303274E-01  | 0.1197153E-01  |
| 0.1089104E-01   | 0.9821265E-02  | 0.8745018E-02  | 0.7779705E-02  | 0.6776151E-02  | 0.5766474E-02  | 0.4801576E-02  |
| 0.3884209E-02   | 0.2917328E-02  | 0.2016699E-02  | 0.1299659E-02  | 0.5685982E-03  | -0.1330298E-04 | -0.4521716E-03 |
| -0.8235112E-03  | -0.1140487E-02 | 0.7113630E-03  | -0.9298182E-03 | -0.1458995E-02 | -0.1734206E-02 | -0.1921297E-02 |
| 0.7319369E-06   | -0.            | 0.3107259E-04  | -0.1599647E-02 | -0.            | -0.            | -0.            |
| -0.             | -0.9172011E-02 | -0.8965789E-02 | -0.1329492E-01 | -0.1679346E-01 | -0.            | -0.1983027E-01 |
| -0.2349928E-01  | -0.2894675E-01 | -0.322338E-01  | -0.3281119E-01 | -0.2887123E-01 | -0.2140956E-01 | -0.1305022E-01 |
| -0.5593768E-02  | -0.3769984E-02 | 0.1746557E-01  | -0.1984730E-02 | 0.1237643E-15  | -0.2534173E-02 | -0.174604E-01  |
| -0.2642372E-01  | -0.2762102E-01 | -0.2159142E-01 | -0.1088699E-02 | 0.1151279E-02  | 0.1122068E-01  | 0.1649585E-01  |
| 0.5327446E-01   | -0.9247534E-02 | 0.8815038E-14  | -0.1104372E-01 | -0.5847711E-01 | -0.8653678E-01 | -0.8902565E-01 |
| -0.6928956E-01  | -0.3486913E-01 | 0.2706402E-02  | 0.3174407E-01  | 0.4283876E-01  | -0.1763007E-01 | 0.3312505E-02  |
| 0.3567543E-14   | 0.3943151E-02  | 0.2001531E-01  | 0.2976898E-01  | 0.3126599E-01  | 0.2510827E-01  | 0.1384287E-01  |
| 0.9399505E-03   | -0.1002636E-01 | -0.1609645E-01 | -0.5449202E-01 | 0.9100902E-02  | -0.2219276E-13 | 0.1093665E-01  |
| 0.5926293E-01   | 0.8791594E-01  | 0.9069093E-01  | 0.7087025E-01  | 0.3620418E-01  | -0.1792550E-02 | -0.3126629E-01 |
| -0.4270856E-01  | -0.3242779E-01 | -0.3889670E-02 | -0.1410669E-13 | -0.1633664E-02 | 0.4295694E-01  | 0.8978419E-01  |
| 0.1232576E-00   | 0.1354935E-00  | 0.1236278E-00  | 0.9167690E-01  | 0.4848601E-01  | 0.6622092E-02  | 0.6472947E-01  |
| 0.1617589E-01   | 0.2978749E-14  | 0.1228474E-01  | -0.6257762E-01 | -0.1407363E-00 | -0.1969883E-00 | -0.2176712E-00 |
| -0.1984470E-00  | -0.1452778E-00 | -0.7236498E-01 | 0.9597058E-04  | 0.3335213E-01  | 0.3586899E-02  | -0.3051093E-14 |
| 0.1122483E-02   | -0.4589817E-01 | -0.9523875E-01 | -0.1306548E-00 | -0.1438073E-00 | -0.1318008E-00 | -0.9856890E-01 |
| -0.5316613E-01  | -0.8569172E-02 | 0.6792227E-01  | -0.1853871E-01 | -0.1622027E-13 | -0.1453313E-01 | -0.6228333E-01 |
| 0.1427491E-00   | 0.2009455E-00  | 0.2282626E-00  | 0.2040313E-00  | 0.1503048E-00  | 0.7595139E-01  | 0.1519833E-02  |
| -0.8991191E-03  | -0.8886455E-03 | -0.8540474E-03 | -0.8540474E-03 | 0.4352385E-03  | 0.1852474E-03  | -0.4514577E-01 |
| -0.4454678E-01  | 0.1179217E-01  | 0.1160832E-01  | 0.4688009E-01  | 0.4608841E-01  | -0.1295026E-01 | -0.1269564E-01 |
| -0.1149352E-01  | -0.2102294E-01 | -0.7221885E-02 | -0.1190395E-01 | 0.1154120E-01  | 0.2128841E-01  | 0.6943205E-02  |
| 0.1196091E-01   | 0.1304924E-03  | -0.3252454E-04 | 0.3573259E-03  | -0.1207567E-06 | -0.3852194E-01 | -0.7642769E-01 |
| -0.5040959E-03  | -0.1105393E-05 | 0.7956775E-04  | 0.7903095E-03  | 0.8839291E-03  | -0.1322909E-01 | 0.9439438E-01  |
| -0.9949079E-04  | 0.6077233E-03  | 0.1659257E-03  | 0.3966802E-01  | 0.7694199E-01  | 0.6232508E-03  | -0.1230363E-05 |
| -0.7990530E-04  | -0.8112756E-03 | -0.1828622E-02 | 0.1298701E-01  | -0.9475583E-01 | -0.1006214E-03 | -0.6129200E-03 |
| -0.1427655E-03  | -0.9823132E-01 | -0.6286444E-02 | 0.2483324E-04  | 0.3973120E-04  | 0.2314994E-03  | 0.1230545E-03  |
| 0.2882153E-02   | 0.7426182E-01  | 0.4845099E-02  | -0.5712776E-03 | 0.6893979E-05  | -0.3680652E-03 | 0.9886061E-01  |
| 0.6064668E-02   | 0.3082246E-03  | -0.5756521E-04 | -0.2256805E-03 | -0.1325838E-03 | -0.3318105E-02 | -0.7413313E-01 |
| -0.4474181E-02  | 0.5877218E-03  | -0.1708410E-04 | -0.3613229E-03 | -0.            | -0.            | -0.            |

SA-5 RUN #1 MODE 21 XN = 3590616

|                |                |                |                |                |                |                |
|----------------|----------------|----------------|----------------|----------------|----------------|----------------|
| 0.2634145E-00  | 0.2538547E-00  | 0.2347484E-00  | 0.2157167E-00  | 0.1968719E-00  | 0.1782975E-00  | 0.1600265E-00  |
| 0.1419739E-00  | 0.1240766E-00  | 0.1065546E-00  | 0.8956755E-01  | 0.7323907E-01  | 0.5737302E-01  | 0.4189756E-01  |
| 0.2697224E-01  | 0.1265737E-01  | -0.8686814E-03 | -0.1327320E-01 | -0.2261523E-01 | -0.2895517E-01 | -0.3291968E-01 |
| -0.3488045E-01 | -0.3573015E-01 | -0.4128877E-01 | -0.3531336E-01 | -0.3593730E-01 | -0.3557560E-01 | -0.3463275E-01 |
| -0.            | -0.            | 0.3794512E-03  | -0.3034314E-01 | -0.            | -0.            | -0.            |
| -0.            | 0.5138040E-01  | 0.6649063E-01  | 0.3768040E-01  | 0.3213499E-01  | 0.2519463E-01  | 0.2519463E-01  |
| 0.1273878E-01  | 0.1882498E-01  | -0.5590316E-01 | -0.9560403E-01 | -0.1189493E-00 | -0.7142687E-01 | -0.7142687E-01 |
| -0.3418378E-02 | 0.1067677E-00  | 0.5905166E-01  | 0.2421760E-01  | -0.            | 0.4140112E-01  | 0.2297276E-01  |
| 0.3669688E-02  | -0.1267152E-01 | -0.2256590E-01 | -0.4242463E-01 | -0.            | 0.1827002E-02  | 0.2020086E-01  |
| -0.2490767E-01 | -0.1917853E-01 | -0.            | -0.1888296E-01 | -0.1169660E-01 | -0.3295927E-02 | 0.4533089E-02  |
| 0.9892332E-02  | 0.1152162E-01  | 0.8891697E-02  | 0.2145019E-02  | -0.7912803E-02 | 0.5919564E-01  | -0.2432266E-01 |
| -0.            | -0.4153388E-01 | -0.2319109E-02 | -0.3871747E-02 | 0.1255252E-01  | 0.2256995E-01  | 0.2432277E-01  |
| 0.1734880E-01  | 0.2041101E-02  | -0.4416253E-02 | 0.2522038E-01  | 0.1957278E-01  | -0.            | 0.1923904E-01  |
| 0.1212678E-01  | 0.3665461E-02  | -0.2004432E-01 | -0.1000562E-01 | -0.1184350E-01 | -0.9317096E-02 | -0.2533250E-02 |
| 0.7691603E-02  | 0.5703999E-01  | 0.3690646E-01  | 0.             | 0.3607454E-01  | 0.1639312E-01  | -0.1974631E-02 |
| -0.1568049E-01 | 0.2247883E-01  | -0.2176673E-01 | -0.1370808E-01 | 0.9188956E-03  | 0.2089643E-01  | 0.2425893E-02  |
| 0.1645214E-01  | 0.             | 0.1608793E-01  | -0.8140647E-02 | 0.2406293E-03  | -0.3687760E-01 | -0.9507611E-02 |
| -0.9742093E-02 | -0.6603783E-02 | -0.3890764E-03 | 0.8310331E-02  | -0.5700212E-01 | 0.2175124E-01  | 0.             |
| -0.3601915E-01 | -0.1636952E-01 | 0.1998432E-02  | 0.1570870E-01  | 0.2249399E-01  | -0.1594931E-01 | 0.1364331E-01  |
| -0.9795101E-03 | -0.2091559E-01 | -0.2415462E-01 | -0.1631431E-01 | 0.             | 0.2318835E-03  | -0.7941706E-02 |
| -0.1740846E-03 | 0.6007762E-02  | 0.9454992E-02  | 0.9593845E-02  | 0.6427027E-02  | 0.1201974E-02  | -0.1080839E-02 |
| -0.1753359E-02 | -0.1671720E-02 | -0.1568489E-02 | -0.1434292E-02 | -0.1343710E-02 | -0.4627095E-03 | -0.3737439E-03 |
| -0.9896259E-03 | -0.8789217E-03 | -0.8032857E-03 | -0.6423534E-03 | -0.5461387E-03 | 0.2425893E-02  | 0.1822015E-03  |
| -0.2482793E-03 | -0.2031626E-03 | -0.1269846E-03 | 0.5068911E-04  | 0.9346641E-04  | 0.1326919E-03  | 0.2449749E-03  |
| -0.2016098E-03 | 0.2194566E-03  | -0.2733177E-03 | 0.2333204E-03  | 0.2131104E-03  | 0.2046773E-03  | 0.             |
| 0.1872798E-04  | 0.             | 0.3804902E-05  | 0.2298574E-03  | 0.             | 0.             | 0.             |
| 0.             | 0.3837761E-03  | 0.2606410E-03  | 0.5315502E-03  | 0.6052520E-03  | 0.             | 0.6706546E-03  |
| 0.7466800E-03  | 0.8289596E-03  | 0.8038826E-03  | 0.6307603E-03  | 0.3106894E-03  | 0.8863163E-06  | -0.1938460E-03 |
| -0.1882907E-03 | -0.2524878E-03 | -0.3192308E-01 | -0.3896414E-01 | -0.1773934E-14 | -0.3879776E-01 | -0.3821072E-01 |
| -0.2901711E-01 | -0.1331650E-01 | 0.3956697E-02  | 0.1784378E-01  | 0.2394100E-01  | 0.1853688E-01  | -0.4849235E-03 |
| 0.7837409E-01  | -0.9523313E-01 | -0.1306829E-13 | -0.9481412E-01 | -0.3258598E-01 | -0.6893656E-01 | -0.2934955E-01 |
| 0.1347767E-01  | 0.4717411E-01  | 0.6114028E-01  | 0.4680239E-01  | 0.1945712E-02  | 0.3227696E-01  | 0.3853913E-01  |
| -0.5559260E-14 | 0.3838096E-01  | 0.3720959E-01  | -0.2766763E-01 | 0.1193545E-01  | -0.5071407E-02 | -0.1855982E-01 |
| -0.2422661E-01 | -0.1846228E-01 | -0.2013663E-03 | 0.7881849E-01  | 0.9516396E-01  | 0.3280243E-13  | 0.9473393E-01  |
| 0.3215897E-01  | 0.6828271E-01  | 0.2871911E-01  | -0.1396438E-01 | -0.4738572E-01 | -0.6109970E-01 | -0.4656021E-01 |
| -0.1625189E-02 | 0.3189631E-01  | 0.3746778E-01  | 0.2094627E-13  | 0.3727569E-01  | 0.3642724E-01  | 0.2859026E-01  |
| 0.1475316E-01  | -0.1174549E-02 | -0.1459525E-01 | -0.2071668E-01 | -0.1559912E-01 | 0.1935828E-02  | -0.7607319E-01 |
| -0.9064157E-01 | -0.4902954E-14 | -0.9034688E-01 | -0.8940552E-01 | -0.7073012E-01 | -0.3668883E-01 | 0.3193924E-02  |
| 0.3697920E-01  | 0.5259752E-01  | 0.3996643E-01  | -0.3738775E-02 | -0.3159188E-01 | -0.3710988E-01 | 0.4985683E-14  |
| -0.3697018E-01 | -0.3604231E-01 | -0.2809100E-01 | -0.1427615E-01 | 0.1681889E-02  | 0.1518942E-01  | 0.2144243E-01  |
| 0.1631576E-01  | -0.1412026E-02 | 0.7719540E-01  | 0.9140337E-01  | 0.2493293E-13  | 0.9109173E-01  | 0.8959361E-01  |
| 0.7038998E-01  | 0.3600748E-01  | -0.4024523E-02 | -0.3779866E-01 | -0.5326019E-01 | -0.4031745E-01 | 0.3768148E-02  |
| 0.4320464E-04  | 0.4167110E-04  | 0.3659368E-04  | 0.3659383E-04  | 0.8741241E-05  | 0.4557509E-05  | 0.8333493E-01  |
| 0.8214166E-01  | -0.3488920E-01 | -0.3439467E-01 | -0.8383539E-01 | -0.8237035E-01 | 0.3518529E-01  | 0.3457703E-01  |
| 0.5599593E-01  | 0.7738631E-01  | 0.2299528E-01  | 0.3183105E-01  | -0.5598768E-01 | -0.7739867E-01 | -0.2301715E-01 |
| -0.3184559E-01 | -0.9334655E-06 | -0.2403806E-05 | -0.9368677E-03 | 0.2267250E-05  | 0.6544565E-01  | -0.1568161E-00 |
| -0.9362007E-02 | 0.7763576E-04  | -0.1017796E-03 | -0.1091401E-02 | -0.5896376E-01 | 0.8316173E-02  | -0.1724314E-00 |
| -0.6952533E-05 | -0.1443734E-02 | 0.1281635E-03  | -0.6563556E-01 | -0.1571901E-00 | 0.9735883E-02  | -0.7239263E-04 |
| 0.1031839E-03  | 0.1096522E-02  | 0.5908450E-01  | -0.8560492E-02 | 0.1728889E-00  | 0.1212472E-04  | 0.1446448E-02  |
| -0.1303639E-03 | 0.1539545E-00  | 0.6784058E-02  | 0.3541480E-01  | 0.1661075E-03  | -0.1134564E-02 | 0.2944585E-03  |
| -0.3049938E-02 | -0.1507648E-00 | 0.1013055E-02  | -0.5858679E-03 | 0.4528924E-04  | -0.1152699E-02 | -0.1539655E-00 |
| -0.6519209E-02 | -0.3539230E-01 | -0.1634261E-03 | 0.1132164E-02  | -0.2852719E-03 | 0.3138153E-02  | 0.1509524E-00  |
| -0.1009817E-02 | 0.5824043E-03  | -0.4428596E-04 | 0.1159400E-02  | -0.            | -0.            | -0.            |

SA-5 RUN #1 MODE 22 XN = 3567154

|                |                |                |                |                 |                |                |
|----------------|----------------|----------------|----------------|-----------------|----------------|----------------|
| 0.2616768E-00  | 0.2523463E-00  | 0.2336940E-00  | 0.2150853E-00  | 0.1966471E-00   | 0.1784711E-00  | 0.1605761E-00  |
| 0.1429059E-00  | 0.1253517E-00  | 0.1081757E-00  | 0.9148856E-01  | 0.7540742E-01   | 0.5981587E-01  | 0.4455750E-01  |
| 0.2983661E-01  | 0.1568119E-01  | 0.2295528E-02  | -0.1005812E-01 | -0.1944375E-01  | -0.2595368E-01 | -0.3017554E-01 |
| -0.3245472E-01 | -0.3366056E-01 | -0.2088956E-01 | -0.3303510E-01 | -0.3422244E-01  | -0.3423781E-01 | -0.3368219E-01 |
| 0.             | 0.             | 0.3949719E-03  | -0.3181589E-01 | 0.              | 0.             | 0.             |
| 0.             | 0.3691321E-01  | 0.6757796E-01  | 0.1937589E-01  | 0.1887549E-01   | 0.             | 0.1773329E-01  |
| 0.1332751E-01  | -0.6118961E-02 | -0.388779E-01  | -0.8483749E-01 | -0.1255088E-00  | -0.1316088E-00 | -0.9815522E-01 |
| -0.1295395E-01 | 0.1094511E-00  | 0.6400652E-01  | 0.5535427E-01  | 0.              | 0.5448296E-01  | 0.3699900E-01  |
| 0.1424202E-01  | -0.7618451E-02 | -0.2472998E-01 | -0.3436424E-01 | -0.3273375E-01  | -0.1520240E-01 | 0.1887915E-01  |
| -0.2901571E-01 | -0.2704375E-01 | 0.             | -0.2670017E-01 | -0.1963972E-01  | -0.8834686E-02 | 0.2745748E-02  |
| 0.1273515E-01  | 0.1885057E-01  | 0.1883382E-01  | 0.1044355E-01  | -0.6244431E-02  | -0.6433373E-01 | -0.3588854E-01 |
| 0.             | -0.5481269E-01 | -0.3743976E-01 | -0.1457789E-01 | 0.7483199E-02   | 0.2482305E-01  | 0.3461360E-01  |
| 0.3305482E-01  | 0.1550682E-01  | -0.186991E-01  | 0.2975832E-01  | 0.2816007E-01   | 0.             | 0.2776276E-01  |
| 0.2096103E-01  | 0.1011285E-01  | -0.1863401E-02 | -0.1221463E-01 | -0.1869759E-01  | -0.1893757E-01 | -0.1064965E-01 |
| 0.6077125E-02  | 0.5913585E-01  | 0.3979065E-01  | 0.             | 0.3875930E-01   | 0.1678431E-01  | -0.3389520E-02 |
| -0.1647665E-01 | -0.2222613E-01 | -0.2240697E-01 | -0.1682133E-01 | -0.2270249E-02  | 0.2315072E-01  | 0.2406750E-01  |
| 0.1817505E-01  | 0.             | 0.1775586E-01  | 0.9742745E-02  | 0.1301486E-02   | -0.5090280E-02 | -0.8945910E-02 |
| -0.1039342E-01 | -0.8844478E-02 | -0.270462E-02  | 0.8702659E-02  | -0.5905693E-01  | -0.3980416E-01 | 0.             |
| -0.3875998E-01 | -0.1704428E-01 | 0.2835903E-02  | 0.1574188E-01  | -0.2146267E-01  | 0.2172005E-01  | 0.1630176E-01  |
| 0.1949762E-02  | -0.2326011E-01 | -0.2379781E-01 | -0.1783554E-01 | 0.              | -0.1742250E-01 | -0.9504322E-02 |
| -0.1471853E-02 | 0.4678562E-02  | 0.8389078E-02  | 0.9786680E-02  | 0.8330541E-02   | 0.2346895E-02  | -0.8836489E-02 |
| 0.1798253E-02  | 0.1803384E-02  | 0.1740290E-02  | 0.1716009E-02  | 0.1643718E-02   | 0.1618946E-02  | 0.1573624E-02  |
| 0.1507820E-02  | 0.1444580E-02  | 0.1358806E-02  | 0.1369142E-02  | 0.1307537E-02   | 0.1226660E-02  | 0.1172752E-02  |
| 0.1140239E-02  | 0.1037527E-02  | 0.9666220E-03  | 0.1020280E-02  | 0.9415550E-03   | 0.8765475E-03  | 0.8517610E-03  |
| 0.8087490E-03  | 0.7703766E-03  | 0.3411240E-02  | 0.8222087E-03  | 0.7053905E-03   | 0.6561443E-03  | 0.6636157E-03  |
| -0.1882318E-04 | 0.             | -0.5267318E-04 | 0.6274788E-03  | 0.              | -0.            | -0.            |
| 0.             | -0.3616902E-02 | -0.1932566E-02 | -0.5352139E-02 | -0.6118351E-02  | -0.            | -0.6755751E-02 |
| -0.7476941E-02 | -0.8414032E-02 | -0.8833321E-02 | -0.8662967E-02 | -0.7594889E-02  | -0.            | -0.3714161E-02 |
| -0.1648046E-02 | -0.1091117E-02 | -0.2986156E-01 | -0.3062380E-01 | -0.1122977E-14  | -0.5797665E-02 | -0.2807169E-01 |
| -0.2269001E-01 | -0.1416012E-01 | -0.2459376E-02 | 0.1040754E-01  | 0.1942154E-01   | -0.3045207E-01 | -0.5421440E-03 |
| -0.7030730E-01 | -0.7486025E-01 | -0.1041936E-13 | -0.7451257E-01 | -0.7041307E-01  | 0.5788574E-01  | -0.3625061E-01 |
| -0.6060500E-02 | 0.2738932E-01  | 0.5094504E-01  | 0.4573291E-01  | 0.5905830E-03   | 0.3012563E-01  | 0.3039488E-01  |
| -0.4274305E-14 | 0.3023440E-01  | 0.2755693E-01  | 0.2208442E-01  | 0.1368366E-01   | 0.2291028E-02  | -0.1025487E-01 |
| -0.1900138E-01 | -0.1665526E-01 | 0.1145022E-02  | 0.7048126E-01  | 0.7474844E-01   | 0.2633418E-13  | 0.7439412E-01  |
| 0.7009180E-01  | 0.5745152E-01  | 0.3592208E-01  | 0.5943699E-02  | -0.2718284E-01  | -0.5047191E-01 | -0.4509591E-01 |
| 0.3515516E-04  | 0.2976406E-01  | 0.3542759E-01  | 0.1658215E-13  | 0.3526738E-01   | 0.3539995E-01  | 0.3116603E-01  |
| 0.2343928E-01  | 0.1314538E-01  | 0.1386000E-02  | -0.7953534E-02 | -0.8213006E-02  | 0.5853116E-02  | -0.7471961E-01 |
| -0.8363516E-01 | -0.3752769E-14 | -0.8293335E-01 | -0.7514998E-01 | -0.59593461E-01 | -0.3070746E-01 | -0.2899770E-02 |
| -0.2396892E-01 | 0.4121454E-01  | 0.3388561E-01  | -0.8570450E-02 | -0.3044971E-01  | -0.3653226E-01 | 0.3844513E-14  |
| -0.3640719E-01 | -0.3631283E-01 | 0.3126530E-01  | -0.2278454E-01 | -0.1203570E-01  | -0.1846959E-03 | 0.9070183E-02  |
| 0.9144117E-02  | -0.5124555E-02 | 0.7611026E-01  | 0.8483885E-01  | 0.1948624E-13   | 0.8409098E-01  | 0.7542075E-01  |
| 0.5491614E-01  | 0.2866342E-01  | 0.5012845E-03  | -0.2604513E-01 | -0.4255943E-01  | -0.3439730E-01 | 0.8733998E-02  |
| 0.1418649E-03  | 0.1427488E-03  | 0.1447076E-03  | 0.1447077E-03  | -0.9417247E-04  | -0.5174022E-04 | 0.8556573E-01  |
| 0.8464480E-01  | -0.3733675E-01 | -0.3692417E-01 | -0.8599153E-01 | -0.8484363E-01  | 0.3760687E-01  | 0.3709338E-01  |
| 0.5827866E-01  | 0.8227689E-01  | 0.2354139E-01  | 0.3334471E-01  | -0.8229566E-01  | -0.8295666E-01 | -0.2354713E-01 |
| -0.3334702E-01 | -0.2782077E-04 | -0.8859121E-05 | 0.1050014E-02  | 0.3717111E-05   | 0.7125925E-01  | 0.1599117E-00  |
| -0.2519082E-02 | -0.1815661E-03 | -0.2846396E-03 | -0.9843119E-03 | -0.6669943E-01  | 0.2231809E-02  | -0.1803977E-00 |
| 0.5902470E-04  | -0.1358613E-02 | 0.9001043E-04  | -0.7154907E-01 | -0.1605302E-00  | 0.3147801E-02  | 0.1901427E-03  |
| 0.2869960E-03  | 0.9890676E-03  | 0.6674999E-01  | -0.2754630E-02 | 0.1811253E-00   | -0.5124999E-04 | 0.1362167E-02  |
| -0.9087086E-04 | 0.1648585E-00  | 0.1089598E-01  | 0.3351380E-01  | 0.1920854E-03   | 0.8989355E-03  | 0.6848852E-03  |
| -0.7987882E-02 | -0.1707643E-00 | 0.1354774E-03  | -0.7383518E-03 | 0.1341047E-03   | -0.2121440E-02 | -0.1648503E-00 |
| -0.1047770E-01 | -0.3357002E-01 | -0.1898048E-03 | 0.8465449E-03  | -0.6692092E-03  | 0.8124065E-02  | 0.1710686E-00  |
| -0.2027000E-03 | 0.7347667E-03  | -0.1334365E-03 | 0.2130523E-02  | 0.              | 0.             | 0.             |



|               |               |               |               |               |               |               |
|---------------|---------------|---------------|---------------|---------------|---------------|---------------|
| 0.4707099E-02 | 0.4651715E-02 | 0.4541348E-02 | 0.4431596E-02 | 0.4321504E-02 | 0.4212062E-02 | 0.4102222E-02 |
| 0.3991947E-02 | 0.3881984E-02 | 0.3772201E-02 | 0.3662121E-02 | 0.3553162E-02 | 0.3443883E-02 | 0.3333898E-02 |
| 0.3224898E-02 | 0.3115759E-02 | 0.3006675E-02 | 0.2898110E-02 | 0.2789802E-02 | 0.2682758E-02 | 0.2576141E-02 |
| 0.2469734E-02 | 0.2363769E-02 | 0.2254535E-02 | 0.2145345E-02 | 0.2036243E-02 | 0.1927243E-02 | 0.2046969E-02 |
| -0.           | -0.           | -0.           | -0.           | -0.           | -0.           | -0.           |
| 0.1550182E-02 | 0.1550182E-02 | 0.1675449E-02 | 0.1408959E-02 | 0.1319431E-02 | 0.1239762E-02 | 0.1239762E-02 |
| 0.9473673E-03 | 0.9473673E-03 | 0.7510495E-03 | 0.5032939E-03 | 0.2019571E-03 | 0.1050993E-03 | 0.4135016E-03 |
| 0.1137751E-02 | 0.1137751E-02 | 0.1751892E-02 | 0.1514693E-02 | 0.1407428E-02 | 0.1304722E-02 | 0.1266748E-02 |
| 0.7291076E-02 | 0.7291076E-02 | 0.4488287E-02 | 0.1570358E-02 | 0.1407428E-02 | 0.1304722E-02 | 0.1266748E-02 |
| 0.4002434E-01 | 0.4002434E-01 | 0.4002434E-01 | 0.3976102E-01 | 0.3822405E-01 | 0.3720966E-01 | 0.1514602E-01 |
| 0.1504674E-02 | 0.1504674E-02 | 0.3882234E-02 | 0.1408959E-02 | 0.1319431E-02 | 0.1239762E-02 | 0.1239762E-02 |
| 0.4428662E-02 | 0.4428662E-02 | 0.1266512E-01 | 0.1189710E-01 | 0.105855E-01  | 0.105855E-01  | 0.105855E-01  |
| 0.2654075E-01 | 0.2654075E-01 | 0.1919375E-01 | 0.1665784E-02 | 0.1506555E-01 | 0.1407428E-02 | 0.1304722E-02 |
| 0.2032458E-01 | 0.2032458E-01 | 0.1750655E-01 | 0.1750655E-01 | 0.1750655E-01 | 0.1750655E-01 | 0.1750655E-01 |
| 0.5056554E-02 | 0.5056554E-02 | 0.3866313E-01 | 0.3866313E-01 | 0.3866313E-01 | 0.3866313E-01 | 0.3866313E-01 |
| 0.            | 0.            | 0.3765574E-02 | 0.3765574E-02 | 0.3765574E-02 | 0.3765574E-02 | 0.3765574E-02 |
| 0.3915319E-02 | 0.3915319E-02 | 0.1460191E-01 | 0.1460191E-01 | 0.1460191E-01 | 0.1460191E-01 | 0.1460191E-01 |
| 0.1740014E-01 | 0.1740014E-01 | 0.8852120E-02 | 0.8852120E-02 | 0.8852120E-02 | 0.8852120E-02 | 0.8852120E-02 |
| 0.5303970E-02 | 0.5303970E-02 | 0.1862598E-01 | 0.1862598E-01 | 0.1862598E-01 | 0.1862598E-01 | 0.1862598E-01 |
| 0.2574997E-01 | 0.2574997E-01 | 0.1487496E-00 | 0.1487496E-00 | 0.1487496E-00 | 0.1487496E-00 | 0.1487496E-00 |
| 0.1487496E-00 | 0.1487496E-00 | 0.1222027E-00 | 0.1222027E-00 | 0.1222027E-00 | 0.1222027E-00 | 0.1222027E-00 |
| 0.1257018E-00 | 0.1257018E-00 | 0.9441587E-01 | 0.9441587E-01 | 0.9441587E-01 | 0.9441587E-01 | 0.9441587E-01 |
| 0.1313230E-00 | 0.1313230E-00 | 0.7759836E-01 | 0.7759836E-01 | 0.7759836E-01 | 0.7759836E-01 | 0.7759836E-01 |
| 0.7759836E-01 | 0.7759836E-01 | 0.7431379E-01 | 0.7431379E-01 | 0.7431379E-01 | 0.7431379E-01 | 0.7431379E-01 |
| 0.1460597E-06 | 0.1460597E-06 | 0.            | 0.            | 0.            | 0.            | 0.            |
| 0.            | 0.            | 0.4958992E-01 | 0.4958992E-01 | 0.4958992E-01 | 0.4958992E-01 | 0.4958992E-01 |
| 0.3539510E-01 | 0.3539510E-01 | 0.2897237E-01 | 0.2897237E-01 | 0.2897237E-01 | 0.2897237E-01 | 0.2897237E-01 |
| 0.2134362E-01 | 0.2134362E-01 | 0.3386684E-01 | 0.3386684E-01 | 0.3386684E-01 | 0.3386684E-01 | 0.3386684E-01 |
| 0.2575527E-01 | 0.2575527E-01 | 0.1825325E-01 | 0.1825325E-01 | 0.1825325E-01 | 0.1825325E-01 | 0.1825325E-01 |
| 0.1747567E-01 | 0.1747567E-01 | 0.1503906E-01 | 0.1503906E-01 | 0.1503906E-01 | 0.1503906E-01 | 0.1503906E-01 |
| 0.432501E-02  | 0.432501E-02  | 0.1184080E-02 | 0.1184080E-02 | 0.1184080E-02 | 0.1184080E-02 | 0.1184080E-02 |
| 0.9085749E-20 | 0.9085749E-20 | 0.3938000E-01 | 0.3938000E-01 | 0.3938000E-01 | 0.3938000E-01 | 0.3938000E-01 |
| 0.4888950E-02 | 0.4888950E-02 | 0.1267348E-01 | 0.1267348E-01 | 0.1267348E-01 | 0.1267348E-01 | 0.1267348E-01 |
| 0.1246337E-01 | 0.1246337E-01 | 0.9781085E-02 | 0.9781085E-02 | 0.9781085E-02 | 0.9781085E-02 | 0.9781085E-02 |
| 0.7599014E-02 | 0.7599014E-02 | 0.4473238E-01 | 0.4473238E-01 | 0.4473238E-01 | 0.4473238E-01 | 0.4473238E-01 |
| 0.1702829E-01 | 0.1702829E-01 | 0.9875970E-02 | 0.9875970E-02 | 0.9875970E-02 | 0.9875970E-02 | 0.9875970E-02 |
| 0.1710250E-01 | 0.1710250E-01 | 0.1246115E-19 | 0.1246115E-19 | 0.1246115E-19 | 0.1246115E-19 | 0.1246115E-19 |
| 0.1077031E-02 | 0.1077031E-02 | 0.2280436E-02 | 0.2280436E-02 | 0.2280436E-02 | 0.2280436E-02 | 0.2280436E-02 |
| 0.3762463E-01 | 0.3762463E-01 | 0.3109378E-01 | 0.3109378E-01 | 0.3109378E-01 | 0.3109378E-01 | 0.3109378E-01 |
| 0.1234868E-01 | 0.1234868E-01 | 0.1969351E-01 | 0.1969351E-01 | 0.1969351E-01 | 0.1969351E-01 | 0.1969351E-01 |
| 0.1089852E-01 | 0.1089852E-01 | 0.7632362E-02 | 0.7632362E-02 | 0.7632362E-02 | 0.7632362E-02 | 0.7632362E-02 |
| 0.6637760E-05 | 0.6637760E-05 | 0.6456539E-05 | 0.6456539E-05 | 0.6456539E-05 | 0.6456539E-05 | 0.6456539E-05 |
| 0.3774297E-02 | 0.3774297E-02 | 0.1002802E-01 | 0.1002802E-01 | 0.1002802E-01 | 0.1002802E-01 | 0.1002802E-01 |
| 0.4352196E-02 | 0.4352196E-02 | 0.4398704E-02 | 0.4398704E-02 | 0.4398704E-02 | 0.4398704E-02 | 0.4398704E-02 |
| 0.9718150E-02 | 0.9718150E-02 | 0.9518843E-06 | 0.9518843E-06 | 0.9518843E-06 | 0.9518843E-06 | 0.9518843E-06 |
| 0.3869164E-01 | 0.3869164E-01 | 0.2209573E-06 | 0.2209573E-06 | 0.2209573E-06 | 0.2209573E-06 | 0.2209573E-06 |
| 0.3058580E-06 | 0.3058580E-06 | 0.3230463E-05 | 0.3230463E-05 | 0.3230463E-05 | 0.3230463E-05 | 0.3230463E-05 |
| 0.1063514E-03 | 0.1063514E-03 | 0.399392E-05  | 0.399392E-05  | 0.399392E-05  | 0.399392E-05  | 0.399392E-05  |
| 0.1072775E-03 | 0.1072775E-03 | 0.1298160E-02 | 0.1298160E-02 | 0.1298160E-02 | 0.1298160E-02 | 0.1298160E-02 |
| 0.3817161E-01 | 0.3817161E-01 | 0.1277189E-02 | 0.1277189E-02 | 0.1277189E-02 | 0.1277189E-02 | 0.1277189E-02 |
| 0.3806752E-01 | 0.3806752E-01 | 0.3763284E-03 | 0.3763284E-03 | 0.3763284E-03 | 0.3763284E-03 | 0.3763284E-03 |
| 0.434489E-02  | 0.434489E-02  | 0.3481965E-05 | 0.3481965E-05 | 0.3481965E-05 | 0.3481965E-05 | 0.3481965E-05 |

|                |                |                |                |                |                |                 |
|----------------|----------------|----------------|----------------|----------------|----------------|-----------------|
| 0.1484806E-00  | 0.1467051E-00  | 0.1431449E-00  | 0.1395705E-00  | 0.1360070E-00  | 0.1324307E-00  | 0.1288681E-00   |
| 0.1253191E-00  | 0.1217646E-00  | 0.1182116E-00  | 0.1146760E-00  | 0.1112555E-00  | 0.1075905E-00  | 0.1040818E-00   |
| 0.1005593E-00  | 0.9705272E-01  | 0.9356056E-01  | 0.9008010E-01  | 0.8665776E-01  | 0.8327010E-01  | 0.7992573E-01   |
| 0.7662322E-01  | 0.7333458E-01  | -0.1291521E-01 | 0.7523735E-01  | 0.7004964E-01  | 0.6678804E-01  | 0.6353871E-01   |
| -0.            | -0.            | -0.7625829E-00 | 0.5558361E-01  | -0.            | -0.            | -0.             |
| 0.4848278E-01  | 0.4848278E-01  | 0.5245430E-01  | 0.4392402E-01  | 0.4105470E-01  | -0.            | 0.3849850E-01   |
| 0.2914424E-01  | 0.2914424E-01  | 0.2292624E-01  | 0.1516675E-01  | 0.5842108E-02  | -0.            | -0.1302217E-01  |
| -0.3538090E-01 | -0.3538090E-01 | 0.4058993E-01  | 0.3614931E-01  | -0.            | 0.3590953E-01  | 0.3064324E-01   |
| 0.2414948E-01  | 0.1692318E-01  | 0.9372152E-02  | 0.1698627E-02  | -0.6002652E-02 | -0.1376953E-01 | -0.2165911E-01  |
| -0.2678016E-01 | -0.1870836E-01 | -0.            | -0.1850478E-01 | -0.1283323E-01 | -0.8860821E-02 | -0.5823823E-02  |
| -0.3550895E-02 | -0.8658512E-03 | 0.2064231E-02  | 0.5005476E-02  | 0.7735673E-02  | -0.4072221E-01 | -0.3618831E-01  |
| -0.            | -0.3595831E-01 | -0.3062628E-01 | -0.2410055E-01 | -0.1689649E-01 | -0.9348313E-02 | -0.1693301E-02  |
| 0.5987414E-02  | 0.1374883E-01  | 0.2162923E-01  | 0.2676491E-01  | 0.1866908E-01  | -0.            | 0.1851424E-01   |
| 0.1282162E-01  | 0.8838406E-02  | 0.5819522E-02  | 0.3554033E-02  | 0.8613302E-03  | -0.2068023E-02 | -0.4984920E-02  |
| -0.7702169E-02 | 0.4752553E-01  | 0.3866363E-01  | 0.             | 0.3835717E-01  | 0.3053805E-01  | 0.2300713E-01   |
| 0.1566266E-01  | 0.8694904E-02  | 0.1428005E-02  | -0.5973063E-02 | -0.1340591E-01 | -0.2076675E-01 | 0.9205849E-02   |
| 0.1188675E-01  | 0.             | 0.1188682E-01  | 0.1238328E-01  | 0.1081506E-01  | 0.7952808E-02  | 0.4187385E-02   |
| 0.5704684E-03  | -0.2886163E-02 | -0.6356253E-02 | -0.1002853E-01 | -0.4804688E-01 | 0.             | 0.              |
| -0.3863579E-01 | -0.3065331E-01 | -0.2305423E-01 | -0.1569069E-01 | -0.8748517E-02 | -0.1509230E-02 | 0.5886426E-02   |
| 0.1334246E-01  | 0.2074573E-01  | -0.9707372E-02 | -0.1213494E-01 | 0.             | -0.1211435E-01 | -0.12644531E-01 |
| -0.1082549E-01 | -0.7966531E-02 | -0.4230924E-02 | -0.6581038E-03 | 0.2795583E-02  | 0.6293519E-02  | 0.1000725E-01   |
| 0.9339340E-02  | 0.8984560E-02  | 0.8260720E-02  | 0.7548204E-02  | 0.6844708E-02  | 0.6113843E-02  | 0.5404751E-02   |
| 0.4734908E-02  | 0.4018665E-02  | 0.3359539E-02  | -0.2708455E-02 | -0.2091683E-02 | 0.1473015E-02  | 0.9183656E-03   |
| 0.3299624E-03  | -0.1804743E-03 | -0.6736997E-03 | -0.1103378E-02 | -0.1383952E-02 | -0.1510475E-02 | -0.1481878E-02  |
| -0.1347074E-02 | -0.1156937E-02 | 0.2634170E-01  | -0.1266479E-02 | -0.9430746E-03 | 0.             | 0.              |
| 0.122747E-05   | 0.             | 0.5287111E-04  | -0.6809272E-03 | 0.             | 0.             | 0.              |
| 0.             | -0.1082349E-02 | -0.1243845E-01 | -0.2831579E-02 | 0.1663300E-03  | 0.             | 0.              |
| 0.6393521E-02  | 0.6171955E-02  | 0.3135472E-02  | -0.1392735E-02 | 0.5191254E-02  | -0.6260643E-02 | 0.4442493E-02   |
| -0.3184667E-02 | -0.2081314E-05 | -0.2482251E-01 | -0.1717992E-01 | -0.4307525E-16 | -0.1697726E-01 | -0.5338445E-02  |
| -0.7187769E-02 | -0.3963153E-02 | -0.1789351E-02 | 0.3678438E-03  | 0.2402022E-02  | 0.4548179E-02  | 0.7379475E-02   |
| -0.4082921E-01 | -0.3643409E-01 | -0.4804663E-16 | -0.3620576E-01 | -0.3101712E-01 | -0.2456959E-01 | -0.1732982E-01  |
| -0.9623858E-02 | -0.1664620E-02 | 0.6402965E-02  | 0.1439770E-01  | 0.2199785E-01  | 0.2579540E-01  | 0.1767172E-01   |
| -0.3888134E-16 | 0.1745910E-01  | 0.1151837E-01  | 0.7164664E-02  | 0.3858875E-02  | 0.1685357E-02  | -0.4384117E-03  |
| -0.2425473E-02 | -0.4516864E-02 | -0.7311812E-02 | 0.4176099E-01  | 0.3689765E-01  | 0.3103826E-16  | 0.3665954E-01   |
| 0.3114547E-01  | 0.2452879E-01  | 0.1722527E-01  | 0.9517461E-02  | 0.1594431E-02  | -0.6424357E-02 | -0.1437323E-01  |
| -0.2193432E-01 | 0.1126116E-01  | 0.1302610E-01  | -0.3935404E-16 | 0.1307559E-01  | 0.1433645E-01  | 0.1417456E-01   |
| 0.1249175E-01  | 0.9102067E-02  | 0.4918432E-02  | 0.1728017E-03  | -0.4717654E-02 | -0.9193754E-02 | -0.4642235E-01  |
| -0.3755240E-01 | 0.4299419E-16  | -0.3721335E-01 | -0.2890012E-01 | -0.2077556E-01 | -0.1304067E-01 | -0.6066101E-02  |
| 0.8161316E-03  | 0.7556839E-02  | 0.1482319E-01  | 0.2118044E-01  | -0.1046107E-01 | -0.1251371E-01 | 0.1280708E-16   |
| -0.1257761E-01 | -0.1410533E-01 | -0.1418235E-01 | -0.1266057E-01 | -0.9344373E-02 | -0.5164064E-02 | -0.3639974E-03  |
| 0.4621237E-02  | 0.9201829E-02  | 0.4707259E-01  | 0.3708122E-01  | 0.4070507E-17  | 0.3674265E-01  | 0.2818378E-01   |
| 0.2023972E-01  | 0.1284696E-01  | 0.6167150E-02  | -0.5326327E-03 | -0.7221104E-02 | -0.1400446E-01 | -0.2100897E-01  |
| -0.1865262E-04 | -0.2299555E-04 | -0.3737186E-04 | -0.3737188E-04 | 0.1176442E-03  | 0.2234312E-04  | -0.9317113E-02  |
| -0.9311561E-02 | 0.5769348E-02  | 0.5773297E-02  | 0.9364021E-02  | 0.9357887E-02  | -0.5831682E-02 | -0.5835525E-02  |
| -0.1117065E-01 | -0.1087433E-01 | -0.5764603E-03 | -0.1839526E-02 | 0.1112898E-01  | 0.1086605E-01  | 0.5223541E-03   |
| 0.1825033E-02  | 0.6686416E-05  | 0.3790604E-05  | 0.1080603E-03  | 0.1869654E-06  | -0.7201678E-02 | -0.4105043E-01  |
| 0.1017636E-02  | 0.4802867E-05  | 0.3464432E-04  | 0.9283378E-04  | 0.6799460E-02  | 0.3712539E-03  | 0.3983485E-01   |
| 0.1274292E-04  | 0.1125658E-03  | 0.1516400E-05  | 0.7262361E-02  | 0.4106991E-01  | -0.9969865E-03 | -0.4725002E-05  |
| -0.3501571E-04 | -0.9400288E-04 | -0.6833852E-02 | -0.3845374E-03 | -0.3983692E-01 | -0.1247316E-04 | -0.1131169E-03  |
| -0.8373641E-06 | -0.3949127E-01 | 0.5859168E-03  | -0.4536839E-02 | 0.2964168E-04  | 0.9547480E-04  | 0.9364760E-04   |
| -0.7588809E-03 | 0.4034947E-01  | 0.8281027E-03  | 0.1208056E-03  | -0.2968170E-04 | 0.2805888E-04  | 0.3951252E-01   |
| -0.5822714E-03 | 0.4561052E-02  | -0.3028277E-04 | -0.9516601E-04 | -0.9420366E-04 | 0.7335816E-03  | -0.4033355E-01  |
| -0.8016872E-03 | -0.1200497E-03 | 0.2930369E-04  | -0.2791053E-04 | -0.            | -0.            | -0.             |

|                |                |                |                |                |                |                  |
|----------------|----------------|----------------|----------------|----------------|----------------|------------------|
| 0.2438363E-01  | 0.2409573E-01  | 0.2352172E-01  | 0.2295146E-01  | 0.2238170E-01  | 0.2181742E-01  | 0.2125431E-01    |
| 0.2369126E-01  | 0.2013193E-01  | 0.1957699E-01  | 0.1902806E-01  | 0.1849295E-01  | 0.1796109E-01  | 0.1743256E-01    |
| 0.1691545E-01  | 0.1640612E-01  | 0.1590743E-01  | 0.1542789E-01  | 0.1499184E-01  | 0.1460479E-01  | 0.1425508E-01    |
| 0.1393611E-01  | 0.1363638E-01  | 0.1338091E-01  | 0.1308910E-01  | 0.1334861E-01  | 0.1307005E-01  | 0.1280216E-01    |
| 0.             | 0.             | -0.1611129E-02 | 0.1217272E-01  | 0.             | 0.             | 0.               |
| 0.             | -0.7606344E-02 | -0.8216305E-02 | 0.6656150E-02  | -0.6023176E-02 | 0.             | -0.5418248E-02   |
| -0.4574546E-02 | -0.2865593E-02 | -0.9429230E-03 | 0.1569016E-02  | 0.4573617E-02  | 0.7400395E-02  | 0.9884563E-02    |
| 0.1185309E-01  | 0.1395278E-01  | 0.1328036E-01  | 0.2123215E-01  | 0.             | 0.2146537E-01  | 0.2759849E-01    |
| 0.3151120E-01  | 0.3234031E-01  | 0.3015816E-01  | 0.2516282E-01  | 0.1778160E-01  | 0.8490273E-02  | -0.0.1992811E-02 |
| 0.7706950E-01  | 0.1405433E-00  | 0.             | 0.1424022E-00  | 0.1915303E-00  | 0.2238661E-00  | 0.2331749E-00    |
| 0.2196339E-00  | 0.1849928E-00  | 0.1924190E-01  | 0.6493412E-01  | 0.1155290E-01  | -0.1240856E-01 | 0.1930506E-01    |
| 0.             | -0.1924190E-01 | -0.2432184E-01 | -0.2746901E-01 | -0.1155290E-01 | -0.2129579E-01 | -0.2129579E-01   |
| -0.1471819E-01 | -0.6514997E-02 | 0.2699662E-02  | -0.7758139E-01 | -0.2794169E-01 | -0.2583090E-01 | -0.1439211E-00   |
| -0.1938296E-00 | -0.2267343E-00 | 0.1784070E-02  | -0.2227397E-00 | -0.1420237E-00 | 0.             | -0.1344632E-00   |
| 0.1102947E-01  | 0.1660967E-01  | 0.4119363E-01  | 0.             | -0.1877768E-00 | -0.1344632E-00 | -0.6636936E-01   |
| 0.3252569E-01  | 0.3839246E-01  | 0.8183234E-02  | 0.4101688E-01  | 0.187768E-00   | -0.1187245E-01 | 0.2349804E-01    |
| 0.8862197E-02  | 0.             | 0.4836362E-01  | -0.8504132E-02 | 0.1187245E-01  | 0.3390320E-01  | 0.2349804E-01    |
| -0.4893256E-01 | -0.5020473E-01 | -0.2948915E-01 | -0.4446036E-01 | 0.3829051E-01  | -0.3569502E-01 | 0.2782965E-01    |
| 0.2990150E-02  | -0.9388405E-02 | -0.3341506E-01 | -0.2927888E-01 | -0.2356691E-01 | -0.3476566E-02 | -0.3476566E-02   |
| -0.3686598E-01 | -0.3341506E-01 | -0.2705748E-01 | -0.7564294E-02 | 0.1755576E-01  | -0.3834975E-01 | -0.4409941E-01   |
| 0.2564405E-01  | 0.3792234E-01  | 0.4627067E-01  | 0.5086444E-01  | -0.3520098E-01 | -0.6878626E-02 | -0.3877956E-01   |
| 0.1257485E-00  | 0.1242157E-00  | -0.1211421E-00 | -0.1180783E-00 | 0.5171543E-01  | -0.4931774E-01 | 0.4478269E-01    |
| -0.1059114E-00 | -0.1028758E-00 | -0.9989955E-01 | -0.9693368E-01 | -0.1150261E-00 | 0.1119607E-00  | 0.1089194E-00    |
| -0.8547239E-01 | -0.8272251E-01 | -0.8001623E-01 | -0.7740262E-01 | -0.9402689E-01 | -0.9113474E-01 | -0.8830489E-01   |
| -0.6926046E-01 | -0.6761958E-01 | -0.9388405E-01 | -0.6856666E-01 | -0.7503033E-01 | -0.7290308E-01 | -0.7099598E-01   |
| -0.1823392E-05 | -0.            | 0.7044728E-02  | -0.5910061E-01 | -0.6602904E-01 | -0.6451859E-01 | -0.6306147E-01   |
| -0.            | 0.4054137E-01  | 0.4294168E-01  | -0.5949199E-01 | -0.            | -0.            | -0.              |
| 0.2298030E-01  | 0.1517367E-01  | 0.6940585E-02  | -0.3635255E-02 | 0.3066290E-01  | -0.2811443E-01 | 0.2727198E-01    |
| -0.4671003E-01 | -0.5598953E-01 | 0.3237695E-01  | -0.1438186E-01 | -0.1626355E-01 | -0.1373348E-01 | -0.3850522E-01   |
| -0.1700830E-01 | -0.2934820E-01 | -0.3864279E-01 | -0.4529450E-01 | 0.1537549E-14  | 0.5131475E-01  | -0.2290247E-02   |
| -0.7390747E-02 | -0.4663791E-02 | -0.2159551E-14 | -0.4564654E-02 | -0.4936945E-01 | 0.1887279E-03  | -0.5205153E-01   |
| 0.4040942E-02  | 0.5471716E-02  | 0.6570919E-02  | 0.7199821E-02  | -0.2130944E-02 | 0.3269980E-01  | 0.2298828E-02    |
| -0.5741831E-14 | -0.1395064E-01 | 0.2108915E-02  | 0.1683038E-01  | 0.7545109E-02  | -0.1459223E-01 | -0.1459223E-01   |
| 0.4931425E-01  | 0.5130543E-01  | 0.5207865E-01  | 0.7052442E-02  | 0.2917688E-01  | 0.3849547E-01  | 0.4518963E-01    |
| 0.1937357E-02  | -0.3763604E-03 | -0.2476561E-02 | -0.4189119E-02 | 0.4430536E-02  | 0.25011660E-13 | 0.4331524E-02    |
| -0.7510805E-02 | 0.3499872E-01  | 0.3256398E-01  | 0.9099081E-15  | -0.6578652E-02 | -0.2770378E-01 | -0.7203278E-02   |
| 0.1183219E-01  | 0.1827657E-02  | -0.885485E-02  | -0.1936523E-01 | 0.3232870E-01  | 0.3742893E-01  | 0.2077767E-01    |
| 0.2587501E-01  | -0.2311381E-14 | 0.2070115E-01  | 0.1724826E-01  | -0.1216912E-01 | 0.5770338E-02  | 0.2271356E-02    |
| -0.8651603E-02 | -0.1582760E-01 | -0.2239819E-01 | -0.2817933E-01 | 0.3492970E-01  | -0.3225741E-01 | -0.1766054E-14   |
| -0.3201579E-01 | -0.2722655E-01 | -0.2021182E-01 | -0.1125137E-01 | -0.1284018E-02 | 0.9325461E-02  | 0.1973658E-01    |
| 0.2927850E-01  | 0.3756446E-01  | -0.2322672E-01 | -0.2114767E-01 | -0.1267176E-02 | -0.2097837E-01 | -0.1751641E-01   |
| -0.1246786E-01 | -0.6067736E-02 | 0.1014901E-02  | 0.8454218E-02  | 0.1569269E-01  | 0.2232376E-01  | 0.2816266E-01    |
| 0.1179675E-03  | 0.1179765E-03  | 0.1186517E-03  | 0.1186517E-03  | -0.9515236E-04 | 0.8246966E-02  | -0.1525811E-02   |
| -0.1525989E-02 | -0.8224356E-02 | -0.8219246E-02 | 0.1455259E-02  | 0.1455363E-02  | 0.3074963E-04  | 0.8240435E-02    |
| 0.2490984E-02  | 0.3502420E-02  | -0.3674621E-02 | -0.5124599E-02 | -0.2455363E-02 | -0.3518079E-02 | 0.3703923E-02    |
| 0.5107883E-02  | -0.1968745E-04 | -0.6937797E-04 | -0.1563009E-04 | 0.2106769E-06  | -0.1742149E-02 | 0.1468483E-01    |
| -0.5966046E-01 | 0.1533075E-05  | -0.5469771E-04 | -0.1991834E-04 | -0.7073980E-02 | 0.6055079E-01  | -0.1487752E-01   |
| -0.3198713E-04 | 0.1767330E-04  | 0.8923924E-04  | 0.1679627E-02  | -0.1474393E-01 | 0.5968575E-01  | -0.1115681E-05   |
| 0.5453186E-04  | 0.2051599E-04  | 0.7095737E-02  | 0.6052043E-01  | 0.1491803E-01  | 0.3607429E-05  | 0.1787091E-04    |
| -0.9033856E-04 | 0.1334324E-01  | -0.5952272E-01 | 0.6396788E-03  | -0.8326218E-04 | -0.2968358E-05 | -0.3891409E-04   |
| -0.5899331E-01 | -0.1490635E-01 | -0.3399428E-02 | -0.1641399E-04 | 0.7697212E-04  | -0.6845193E-05 | -0.1335193E-01   |
| 0.5955244E-01  | -0.6823011E-03 | 0.8409628E-04  | 0.2511635E-05  | 0.3955336E-04  | 0.5898457E-01  | 0.1491488E-01    |
| 0.3343034E-02  | 0.1574045E-04  | -0.7599458E-04 | 0.6956062E-05  | -0.            | -0.            | -0.              |

|                |                 |                |                |                |                |                |
|----------------|-----------------|----------------|----------------|----------------|----------------|----------------|
| 0.1986920E-01  | 0.1960621E-01   | 0.1905312E-01  | 0.1846031E-01  | 0.1789388E-01  | 0.1728855E-01  | 0.1671512E-01  |
| 0.1617503E-01  | 0.1561797E-01   | 0.1505704E-01  | 0.1453232E-01  | 0.1395267E-01  | 0.1340612E-01  | 0.1292171E-01  |
| 0.1238808E-01  | 0.1188370E-01   | 0.1140112E-01  | 0.1092409E-01  | 0.1053456E-01  | 0.1016813E-01  | 0.9862103E-02  |
| 0.9618240E-02  | 0.9388810E-02   | 0.1202030E-01  | 0.9515421E-02  | 0.9150758E-02  | 0.8960046E-02  | 0.8786367E-02  |
| -0.            | -0.             | -0.1242418E-02 | 0.8261419E-02  | -0.            | -0.            | -0.            |
| -0.3302975E-02 | -0.3808802E-02  | -0.3808802E-02 | -0.2499829E-02 | -0.1949194E-02 | -0.1436697E-02 | -0.1436697E-02 |
| 0.6462902E-03  | 0.6462902E-03   | 0.2171706E-02  | 0.4118600E-02  | 0.6350180E-02  | 0.8299022E-02  | 0.9832744E-02  |
| 0.1079080E-01  | 0.1155706E-01   | 0.1309756E-01  | 0.2754961E-01  | -0.            | 0.2787000E-01  | 0.3745494E-01  |
| 0.4242106E-01  | 0.4281571E-01   | 0.3907675E-01  | 0.3232704E-01  | 0.2287174E-01  | 0.1100605E-01  | -0.2648890E-02 |
| 0.6465976E-01  | 0.1423852E-00   | -0.            | 0.1444437E-00  | 0.2008499E-00  | 0.2353175E-00  | 0.2441923E-00  |
| 0.2285281E-00  | 0.1923395E-00   | 0.1380912E-00  | 0.6861609E-01  | -0.1109671E-00 | -0.1267342E-01 | -0.2574815E-01 |
| -0.            | -0.2604898E-01  | -0.3457753E-01 | -0.3881287E-01 | -0.3896364E-01 | -0.3527912E-01 | -0.2895700E-01 |
| -0.2023405E-01 | -0.9313008E-02  | 0.3221310E-02  | -0.6482253E-01 | -0.1430565E-00 | -0.            | -0.1449963E-00 |
| -0.2018224E-00 | -0.2365887E-00  | -0.2455505E-00 | -0.2298562E-00 | -0.1935614E-00 | -0.1390793E-00 | -0.6922173E-01 |
| 0.1089814E-01  | -0.9879783E-02  | -0.3851064E-02 | 0.             | -0.3504633E-02 | 0.3904150E-02  | 0.1240619E-01  |
| 0.2025238E-01  | 0.2660476E-01   | 0.3054878E-01  | 0.322774E-01   | 0.3230169E-01  | 0.3143526E-01  | 0.1457325E-01  |
| 0.4582716E-02  | 0.              | 0.3971731E-02  | 0.9557489E-02  | -0.2571537E-01 | -0.4028257E-01 | -0.5138674E-01 |
| -0.5674333E-01 | -0.5692692E-01  | -0.5332532E-01 | -0.4787665E-01 | 0.8709280E-02  | 0.2199233E-02  | 0.             |
| 0.1808169E-02  | -0.6143624E-02  | -0.1524267E-01 | -0.2348518E-01 | -0.2996728E-01 | -0.3368817E-01 | -0.3483609E-01 |
| -0.3397718E-01 | -0.3204332E-01  | -0.1481354E-01 | -0.3511030E-02 | 0.             | -0.2835752E-02 | 0.1160630E-01  |
| 0.2824511E-01  | 0.4295391E-01   | 0.5392610E-01  | 0.5890784E-01  | 0.5860234E-01  | 0.5440325E-01  | 0.4827434E-01  |
| -0.9667897E-01 | -0.9611507E-01  | -0.9502713E-01 | -0.9392704E-01 | -0.9281914E-01 | -0.9179580E-01 | -0.9075469E-01 |
| -0.8964791E-01 | -0.8865755E-01  | -0.8785949E-01 | -0.8653530E-01 | -0.8548781E-01 | -0.8448326E-01 | -0.8338483E-01 |
| -0.8241201E-01 | -0.8133590E-01  | -0.8030051E-01 | -0.7924831E-01 | -0.7818278E-01 | -0.7709872E-01 | -0.7593010E-01 |
| -0.7474282E-01 | -0.7355563E-01  | -0.7256685E-01 | -0.7423377E-01 | -0.7323858E-01 | -0.7113782E-01 | -0.6990015E-01 |
| -0.3036809E-05 | 0.              | 0.7575672E-02  | 0.6942006E-01  | 0.             | 0.             | 0.             |
| 0.             | 0.2076791E-01   | 0.2301010E-01  | 0.3203795E-01  | 0.3809087E-01  | 0.             | 0.             |
| 0.3994296E-01  | 0.3050097E-01   | 0.1537095E-01  | -0.3808152E-02 | 0.2208083E-01  | -0.3444041E-01 | -0.4055687E-01 |
| -0.4998907E-01 | -0.5841782E-01  | 0.2030206E-01  | 0.7500982E-02  | 0.4495627E-15  | 0.6844593E-02  | -0.4307644E-01 |
| -0.2297037E-01 | -0.3533247E-01  | -0.4416022E-01 | -0.4860710E-01 | 0.5030354E-01  | 0.6844593E-02  | -0.7689564E-02 |
| -0.6422428E-02 | -0.7855743E-02  | -0.8993956E-16 | -0.7791995E-02 | -0.7188962E-02 | -0.5105064E-01 | -0.5242056E-01 |
| 0.3408797E-03  | 0.2514285E-02   | 0.4506828E-02  | 0.6605953E-02  | 0.8789892E-02  | -0.4982450E-02 | -0.2377145E-01 |
| -0.7218397E-16 | -0.5531200E-02  | 0.8605276E-02  | 0.2390180E-01  | 0.3633742E-01  | -0.1817724E-01 | -0.6181874E-02 |
| 0.5105579E-01  | 0.5154453E-01   | 0.5266685E-01  | 0.8233112E-02  | 0.8509891E-02  | 0.4521004E-01  | 0.4957057E-01  |
| 0.7179800E-02  | 0.4784320E-02   | 0.2225844E-02  | 0.3907389E-03  | -0.2483044E-02 | 0.1071367E-14  | 0.8431984E-02  |
| -0.8735829E-02 | 0.2681233E-01   | 0.3133277E-01  | -0.7681075E-15 | 0.3123059E-01  | -0.4448031E-02 | -0.6556461E-02 |
| 0.1688119E-01  | 0.5723017E-02   | -0.5412992E-02 | -0.1637497E-01 | -0.2727425E-01 | 0.3099915E-01  | 0.2564851E-01  |
| 0.1679371E-01  | 0.2576507E-16   | 0.1668815E-01  | 0.1531518E-01  | 0.1335518E-01  | -0.3819376E-01 | 0.1566656E-01  |
| -0.7888592E-02 | -0.1448609E-01  | -0.2087211E-01 | -0.2709408E-01 | -0.2501840E-01 | 0.5669119E-02  | -0.1108849E-02 |
| -0.3018620E-01 | -0.3063045E-01  | -0.2581009E-01 | -0.1732967E-01 | -0.6246504E-02 | -0.3025211E-01 | -0.2327986E-15 |
| 0.2711271E-01  | 0.3821526E-01   | -0.1479397E-01 | -0.1853643E-01 | 0.1452666E-15  | 0.4941313E-02  | 0.1603488E-01  |
| -0.1270481E-01 | -0.6230249E-02  | 0.1058955E-02  | 0.8063023E-02  | 0.1468987E-01  | -0.1840510E-01 | -0.1730687E-01 |
| 0.1513878E-03  | 0.1409996E-03   | 0.1064046E-03  | 0.1065045E-03  | 0.1388432E-03  | 0.2102571E-01  | 0.2722413E-01  |
| -0.2378784E-02 | -0.8012877E-02  | -0.7904921E-02 | 0.2417345E-02  | 0.2362266E-02  | -0.3204105E-05 | -0.2426787E-02 |
| 0.4109858E-03  | 0.2306916E-02   | 0.1164996E-03  | -0.4647945E-02 | -0.4453121E-03 | 0.7944804E-02  | 0.7815016E-02  |
| 0.4544797E-02  | -0.1801059E-04  | -0.1029556E-03 | -0.5254612E-05 | -0.6742182E-07 | -0.2309058E-02 | -0.2324855E-03 |
| -0.6124249E-01 | 0.9583652E-05   | -0.2751071E-04 | -0.3205247E-04 | -0.6742182E-07 | -0.4398702E-02 | 0.1079504E-01  |
| 0.2738965E-04  | 0.6228508E-05   | 0.1163802E-03  | 0.4319871E-02  | -0.1074402E-01 | 0.6299904E-01  | -0.1329797E-01 |
| 0.2527197E-04  | 0.3125464E-04   | 0.8925092E-02  | 0.6303494E-01  | 0.1074402E-01  | 0.6117312E-01  | -0.1050190E-04 |
| -0.1166113E-03 | -0.1133144E-01  | -0.6249777E-01 | 0.2775448E-03  | 0.1326241E-01  | -0.2794206E-04 | -0.6426891E-05 |
| -0.6417043E-01 | -0.1141225E-01  | -0.2746444E-02 | 0.1449708E-04  | -0.6909776E-04 | -0.1581595E-04 | 0.8299903E-04  |
| 0.6250208E-01  | -0.22989173E-03 | 0.2767243E-04  | 0.1548593E-04  | 0.5184959E-04  | 0.2129215E-04  | -0.1126110E-01 |
| 0.2726733E-02  | -0.1523836E-04  | -0.5189030E-04 | -0.2224704E-04 | -0.8410271E-04 | 0.6412425E-01  | 0.1136627E-01  |

|                |                |                |                |                |                |                |
|----------------|----------------|----------------|----------------|----------------|----------------|----------------|
| 0.3738097E-01  | 0.3685033E-01  | 0.3574966E-01  | 0.3459064E-01  | 0.3347141E-01  | 0.329558CE-01  | 0.3116867E-01  |
| 0.3009155E-01  | 0.2898977E-01  | 0.2788455E-01  | 0.2683580E-01  | 0.2571013E-01  | 0.2463574E-01  | 0.2365568E-01  |
| 0.2260639E-01  | 0.2160421E-01  | 0.2063914E-01  | 0.1968989E-01  | 0.1889005E-01  | 0.1814503E-01  | 0.1750585E-01  |
| 0.1697290E-01  | 0.1646952E-01  | 0.1628839E-01  | 0.1617513E-01  | 0.1595825E-01  | 0.1552172E-01  | 0.1511507E-01  |
| -0.            | -0.            | -0.1944278E-02 | 0.1392128E-01  | -0.            | -0.            | -0.            |
| -0.            | -0.8867906E-02 | 0.9593194E-02  | -0.7629083E-02 | -0.6760050E-02 | -0.            | -0.5943464E-02 |
| -0.4815099E-02 | -0.2534252E-02 | 0.4783884E-04  | 0.345427E-02   | 0.7451943E-02  | 0.1111323E-01  | 0.1415167E-01  |
| 0.1627639E-01  | 0.1812174E-01  | 0.4267494E-01  | -0.3634168E-01 | -0.            | -0.3623563E-01 | -0.3203126E-01 |
| -0.2822344E-01 | -0.2290732E-01 | -0.1594819E-01 | -0.6275972E-02 | 0.5246688E-02  | 0.1770482E-01  | 0.3021776E-01  |
| -0.6135702E-01 | -0.1711469E-01 | -0.            | -0.1598386E-01 | 0.1553366E-01  | 0.3738744E-01  | 0.5159549E-01  |
| 0.5875923E-01  | 0.6257790E-01  | 0.6257790E-01  | 0.5752238E-01  | 0.4855948E-01  | 0.4257118E-01  | 0.3772957E-01  |
| -0.            | 0.3761676E-01  | 0.3456161E-01  | 0.315818E-01   | 0.2645610E-01  | 0.1948271E-01  | 0.9416751E-02  |
| -0.2799045E-02 | -0.1614042E-01 | -0.297174E-01  | 0.6132456E-01  | 0.1708970E-01  | -0.            | 0.1615755E-01  |
| -0.1536783E-01 | 0.3721470E-01  | -0.5132877E-01 | 0.6132456E-01  | -0.6234316E-01 | -0.6219778E-01 | -0.5735689E-01 |
| -0.4845850E-01 | 0.2336854E-01  | 0.1697295E-01  | 0.8765168E-02  | 0.1691109E-01  | 0.1373762E-01  | 0.1262122E-01  |
| 0.1193163E-01  | 0.1113971E-01  | 0.8765168E-02  | -0.3511285E-01 | 0.1249518E-02  | -0.2704686E-02 | -0.9710251E-01 |
| -0.1013158E-00 | 0.             | -0.1016337E-00 | -0.3511285E-01 | -0.1150306E-00 | -0.1138303E-00 | -0.1034920E-00 |
| -0.8067165E-01 | -0.4769946E-01 | -0.7837658E-02 | 0.5271895E-02  | 0.2847561E-01  | -0.2640598E-01 | 0.             |
| -0.2653180E-01 | -0.2709689E-01 | -0.296324E-01  | -0.1087019E-00 | -0.2919987E-01 | -0.2508869E-01 | -0.1825255E-01 |
| -0.9576451E-02 | -0.1671069E-02 | 0.9254694E-01  | -0.2999718E-01 | 0.             | 0.9400510E-01  | 0.9839579E-01  |
| 0.1024093E-00  | 0.9995684E-01  | 0.8965164E-01  | 0.6813121E-01  | 0.3775759E-01  | 0.18403345E-02 | -0.3725310E-01 |
| 0.2184448E-01  | 0.2146378E-00  | 0.206964E-00   | 0.1993322E-00  | 0.1917342E-00  | 0.1540229E-00  | 0.1783964E-00  |
| 0.1689234E-00  | 0.1612675E-00  | 0.1538437E-00  | 0.1464584E-00  | 0.1392347E-00  | 0.1320189E-00  | 0.1250688E-00  |
| 0.1180072E-00  | 0.1112801E-00  | 0.1046535E-00  | 0.9832433E-01  | 0.9273825E-01  | 0.8791718E-01  | 0.8384145E-01  |
| 0.8030576E-01  | 0.7706132E-01  | 0.7344633E-00  | 0.7893775E-01  | 0.7395736E-01  | 0.7116426E-01  | 0.6852833E-01  |
| -0.2372436E-00 | 0.             | 0.7452062E-02  | 0.5763738E-01  | 0.             | 0.             | 0.             |
| 0.             | -0.9059958E-01 | -0.9462395E-01 | -0.5915236E-01 | -0.4047049E-01 | 0.             | -0.2811444E-01 |
| -0.1763106E-01 | -0.1021353E-01 | -0.9806166E-02 | -0.8991461E-02 | -0.1036765E-02 | -0.1415555E-01 | 0.3152274E-01  |
| 0.1249149E-01  | 0.6147143E-01  | -0.6411431E-01 | -0.4719520E-01 | 0.1436478E-15  | -0.4139516E-01 | -0.2540440E-01 |
| 0.4619815E-03  | 0.1998179E-01  | 0.1188779E-01  | 0.2449502E-01  | 0.3506717E-01  | 0.4137604E-01  | 0.4390023E-01  |
| 0.3371314E-01  | 0.1347704E-01  | -0.3209032E-16 | 0.1286502E-01  | -0.2732854E-02 | -0.1510337E-01 | -0.2484023E-01 |
| -0.3163190E-01 | -0.3668885E-01 | -0.3937399E-01 | -0.3952752E-01 | -0.3803042E-01 | 0.6767847E-01  | 0.4424166E-01  |
| -0.2861062E-16 | 0.4368604E-01  | 0.2714794E-01  | 0.1413522E-01  | -0.1517025E-02 | -0.1015461E-01 | -0.2286360E-01 |
| -0.3390593E-01 | -0.4102699E-01 | -0.4263066E-01 | -0.3027595E-01 | -0.1169545E-01 | 0.3297430E-15  | -0.1113396E-01 |
| 0.3586364E-02  | 0.1570108E-01  | 0.2548193E-01  | 0.3233733E-01  | 0.3737018E-01  | 0.3991088E-01  | 0.3984868E-01  |
| 0.3816796E-01  | -0.7671799E-01 | -0.6355645E-01 | -0.2310800E-15 | -0.6299374E-01 | -0.4960954E-01 | -0.3627586E-01 |
| -0.2152535E-01 | 0.6645321E-02  | 0.1053232E-01  | 0.2758420E-01  | 0.4209402E-01  | 0.5261829E-01  | -0.2020371E-01 |
| -0.1570837E-01 | 0.6528293E-17  | -0.1558301E-01 | -0.1201990E-01 | -0.9417819E-02 | -0.6939538E-02 | -0.4760080E-02 |
| -0.1783721E-02 | 0.1255112E-02  | 0.3574349E-02  | 0.4656566E-02  | 0.7923106E-01  | 0.6465242E-01  | -0.9309499E-16 |
| 0.6402535E-01  | 0.4936988E-01  | 0.357916E-01   | 0.1985208E-01  | 0.4915375E-02  | -0.1204564E-01 | -0.2870559E-01 |
| -0.4272978E-01 | -0.5272737E-01 | 0.2231967E-01  | 0.1346819E-01  | 0.3407687E-16  | 0.1337929E-01  | 0.9198836E-02  |
| 0.7461492E-02  | 0.6125597E-02  | 0.4696753E-02  | 0.2045612E-02  | -0.9579509E-03 | -0.3358686E-02 | -0.4485345E-02 |
| -0.1945164E-03 | -0.2100333E-03 | -0.2617262E-03 | -0.2617263E-03 | 0.5240461E-03  | 0.1050095E-03  | 0.5940950E-02  |
| 0.6025370E-02  | 0.9946702E-02  | 0.1008473E-01  | -0.5818986E-02 | -0.5889205E-02 | -0.1001861E-01 | -0.1018473E-01 |
| -0.414403E-02  | -0.3175515E-02 | 0.1145610E-01  | 0.9829687E-02  | 0.3821196E-02  | 0.3195451E-02  | -0.1168730E-01 |
| -0.9886206E-02 | 0.4561297E-04  | 0.5569536E-04  | -0.1201933E-04 | -0.4153667E-06 | 0.3860205E-02  | 0.1821053E-01  |
| 0.6908673E-01  | 0.1047374E-04  | 0.1396359E-03  | -0.4377095E-04 | 0.5131820E-02  | -0.6797403E-01 | -0.2072857E-01 |
| 0.4820557E-04  | 0.2252378E-04  | -0.7449793E-04 | -0.3804361E-02 | -0.1800584E-01 | -0.6920620E-01 | -0.1255513E-04 |
| -0.1421957E-03 | 0.4233634E-04  | 0.5220528E-02  | -0.678286E-01  | -0.2059328E-01 | -0.4964350E-04 | -0.2388208E-04 |
| 0.7601115E-04  | 0.2167271E-01  | 0.6634251E-01  | 0.1161812E-02  | 0.1529708E-03  | -0.8048259E-04 | 0.2338474E-03  |
| 0.6119580E-01  | -0.1769982E-01 | 0.5979116E-02  | 0.1065498E-04  | -0.1386668E-03 | -0.2720119E-04 | -0.2154189E-01 |
| -0.6638998E-01 | -0.1013392E-02 | -0.1534817E-03 | 0.7965445E-04  | -0.2365458E-03 | -0.6122723E-01 | 0.1761773E-01  |
| -0.5825933E-02 | -0.1041694E-04 | 0.1370668E-03  | -0.2878401E-04 | -0.            | -0.            | -0.            |

|                |                |                 |                |                |                |                 |
|----------------|----------------|-----------------|----------------|----------------|----------------|-----------------|
| 0.4349478E-03  | 0.2716720E-03  | 0.3934140E-03   | 0.1189873E-02  | 0.1628200E-02  | 0.7776722E-02  | 0.3508305E-02   |
| 0.3764100E-02  | 0.4358835E-02  | 0.5110025E-02   | 0.5443399E-02  | 0.6852007E-02  | 0.7821153E-02  | 0.7922976E-02   |
| 0.8957921E-02  | 0.9687665E-02  | 0.1026621E-01   | 0.1107179E-01  | 0.1122451E-01  | 0.1175154E-01  | 0.1188990E-01   |
| 0.1149366E-01  | 0.1112314E-01  | -0.3352659E-02  | 0.1142318E-01  | 0.1102032E-01  | 0.1029179E-01  | 0.9402146E-02   |
| 0.             | 0.             | -0.9313934E-03  | 0.8365653E-02  | 0.             | 0.             | 0.              |
| 0.2981289E-02  | 0.3687373E-02  | -0.6643752E-02  | 0.6194166E-03  | 0.4194575E-03  | 0.             | 0.1507076E-02   |
| 0.8669164E-02  | 0.5416037E-02  | 0.7152876E-02   | 0.8236512E-02  | 0.8478065E-02  | 0.8241509E-02  | 0.8152853E-02   |
| 0.2023062E-01  | 0.2849670E-01  | 0.1377842E-01   | 0.2447377E-03  | 0.             | 0.1167486E-02  | 0.7115059E-02   |
| 0.4240200E-01  | -0.5782269E-02 | 0.              | 0.3451979E-01  | 0.3338209E-01  | 0.3225325E-01  | 0.3285308E-01   |
| 0.5448021E-01  | 0.5416058E-01  | 0.5155359E-01   | -0.4699692E-02 | 0.1061456E-02  | 0.2728881E-01  | 0.4318017E-01   |
| 0.             | 0.             | -0.2104391E-02  | 0.5085725E-01  | 0.5451427E-01  | -0.9236246E-02 | 0.2494654E-02   |
| -0.2999592E-01 | -0.2998931E-01 | -0.3153828E-01  | -0.1701343E-01 | -0.2387887E-01 | -0.2986121E-01 | -0.3066682E-01  |
| 0.4312234E-04  | -0.2508767E-01 | -0.4163205E-01  | -0.4501877E-01 | 0.6791555E-02  | 0.             | 0.3620948E-02   |
| -0.5507692E-01 | -0.1457755E-01 | 0.2113916E-01   | -0.5354638E-01 | -0.5324478E-01 | -0.5089958E-01 | -0.5116221E-01  |
| 0.2292597E-01  | 0.1722423E-01  | 0.1396683E-01   | -0.            | 0.2088038E-01  | 0.3049405E-01  | 0.2716726E-01   |
| -0.7800890E-01 | -0.            | -0.7887039E-01  | 0.8879362E-02  | 0.7089328E-03  | -0.1087581E-01 | 0.2125546E-01   |
| -0.7603313E-01 | -0.5006587E-01 | -0.1165201E-01  | -0.1141500E-00 | -0.1143430E-00 | -0.1081810E-00 | -0.9245705E-01  |
| -0.2189628E-01 | -0.3507527E-01 | -0.3193454E-01  | 0.3804614E-01  | 0.2119764E-01  | -0.2251348E-01 | -0.             |
| -0.3126922E-02 | 0.1015334E-00  | -0.1252606E-01  | -0.2777400E-01 | -0.2172704E-01 | -0.1812571E-01 | -0.12439361E-01 |
| 0.1180093E-00  | 0.1128867E-00  | 0.9695028E-01   | 0.8171444E-01  | -0.            | 0.8193810E-01  | 0.1159581E-00   |
| 0.1612266E-00  | 0.1584366E-00  | 0.1536557E-00   | 0.8019178E-01  | 0.5281732E-01  | 0.1299841E-01  | -0.3764890E-01  |
| 0.1306030E-00  | 0.1277889E-00  | 0.1231925E-00   | 0.1485637E-00  | 0.1433896E-00  | 0.1398540E-00  | 0.1359434E-00   |
| 0.1047424E-00  | 0.1003132E-00  | 0.9681777E-01   | 0.1191220E-00  | 0.1151382E-00  | 0.1120766E-00  | 0.1070757E-00   |
| 0.7444099E-01  | 0.6894561E-01  | -0.4526220E-00  | 0.9306632E-01  | 0.8929712E-01  | 0.8543404E-01  | 0.8004869E-01   |
| 0.2050730E-03  | -0.7441885E-02 | -0.7034950E-01  | 0.7190633E-01  | 0.6387791E-01  | 0.5723346E-01  | 0.5087448E-01   |
| -0.            | 0.1410221E-00  | 0.7227106E-01   | 0.7034950E-01  | -0.            | -0.            | -0.             |
| -0.1440580E-00 | -0.1081818E-00 | -0.4793289E-01  | 0.4982054E-02  | -0.8192349E-01 | -0.            | -0.1259109E-00  |
| 0.4504726E-01  | 0.5857693E-01  | 0.3868840E-02   | 0.1507441E-02  | 0.1723089E-01  | 0.1473574E-01  | 0.1850667E-01   |
| -0.3508947E-01 | -0.2554545E-01 | -0.8984309E-02  | -0.3758580E-01 | 0.4398160E-13  | -0.3732268E-01 | -0.4583324E-01  |
| 0.1251216E-02  | 0.8106477E-02  | -0.1073650E-12  | 0.2369304E-02  | 0.1298096E-01  | 0.2334853E-01  | 0.4094097E-01   |
| -0.4454576E-01 | -0.4639412E-01 | -0.4362769E-01  | 0.7227339E-02  | -0.3892970E-02 | -0.2231713E-01 | -0.3505613E-01  |
| -0.2829377E-12 | 0.1535485E-01  | 0.4220849E-02   | -0.3831691E-01 | -0.3598254E-01 | -0.1794346E-01 | 0.1691287E-01   |
| -0.6160826E-01 | -0.5431058E-01 | -0.5593268E-01  | -0.2609672E-01 | -0.4687855E-01 | -0.6398268E-01 | -0.6635720E-01  |
| -0.2726668E-01 | -0.2663980E-01 | -0.2474844E-01  | -0.6428026E-02 | -0.2217830E-01 | 0.9222907E-12  | -0.2223454E-01  |
| 0.2217645E-01  | 0.6267558E-02  | -0.3596874E-01  | -0.1654637E-01 | -0.7904984E-02 | 0.1681821E-02  | 0.1109622E-01   |
| -0.6131758E-02 | 0.1184957E-01  | 0.2029166E-01   | 0.8566461E-13  | -0.3514095E-01 | -0.3932597E-01 | -0.2173364E-01  |
| 0.2157233E-03  | -0.1100937E-12 | 0.7324595E-03   | 0.2680479E-01  | 0.3531236E-01  | 0.5211238E-01  | 0.1210991E-01   |
| 0.2420867E-01  | 0.1960621E-01  | 0.1470443E-01   | 0.3560310E-02  | 0.1377417E-01  | 0.2065707E-01  | 0.2580773E-01   |
| 0.6798904E-01  | 0.8591571E-01  | 0.7501811E-01   | 0.1389449E-01  | 0.7916488E-02  | 0.6819448E-01  | -0.7278906E-13  |
| -0.2179395E-01 | -0.5245553E-01 | 0.5534769E-02   | 0.5925903E-01  | 0.3612669E-01  | 0.1889268E-01  | 0.5406952E-03   |
| 0.2504904E-01  | 0.1213200E-01  | -0.2776631E-02  | 0.4944152E-01  | 0.1003185E-12  | 0.4816437E-01  | 0.4350245E-01   |
| 0.8305909E-04  | 0.1086221E-03  | 0.2071489E-03   | -0.1306857E-02 | -0.4835339E-02 | -0.9377427E-02 | -0.1763996E-01  |
| 0.5778510E-02  | 0.7119348E-02  | 0.6169081E-02   | -0.2071497E-03 | -0.1144260E-02 | -0.2523492E-04 | 0.6218632E-02   |
| 0.9946258E-02  | 0.9618028E-03  | -0.2846639E-01  | -0.7872510E-02 | -0.7301905E-02 | -0.5934657E-02 | -0.4787662E-02  |
| -0.2599919E-02 | 0.1803391E-04  | -0.3649154E-03  | 0.2978541E-02  | -0.9473793E-02 | -0.1313128E-02 | 0.2958627E-01   |
| 0.7336104E-01  | -0.1324800E-03 | -0.5293435E-04  | -0.3196793E-04 | 0.4348873E-04  | 0.2978002E-01  | 0.1822177E-01   |
| -0.2712314E-03 | -0.1719565E-03 | -0.1030912E-04  | 0.1672893E-04  | 0.2832142E-01  | 0.8039526E-01  | -0.9646644E-02  |
| 0.7836142E-04  | -0.4012595E-04 | -0.2330646E-01  | -0.264787E-01  | -0.1377894E-01 | -0.7897378E-01 | 0.4404535E-04   |
| -0.3729308E-04 | 0.1175789E-01  | 0.8074182E-01   | -0.7513366E-01 | 0.4271492E-02  | 0.1776140E-03  | 0.1933821E-03   |
| 0.8415449E-01  | -0.1560134E-01 | 0.2721757E-02   | 0.1136309E-02  | 0.4411712E-03  | -0.5749030E-04 | -0.3630077E-03  |
| -0.8381351E-01 | -0.2082876E-02 | -0.42018754E-03 | -0.8030355E-04 | 0.1538015E-03  | -0.1530050E-03 | -0.1515858E-01  |
| -0.3661682E-02 | 0.8664657E-04  | -0.1087061E-03  | 0.4793882E-04  | 0.2714252E-03  | -0.8586641E-01 | 0.12171518E-01  |

|               |               |               |               |               |               |
|---------------|---------------|---------------|---------------|---------------|---------------|
| 0.1437564E-00 | 0.1372335E-00 | 0.1326329E-00 | 0.1281739E-00 | 0.1235176E-00 | 0.1190343E-00 |
| 0.1147292E-00 | 0.1059380E-00 | 0.1017417E-00 | 0.9727888E-01 | 0.9300089E-01 | 0.8905982E-01 |
| 0.8487877E-01 | 0.7699796E-01 | 0.7319259E-01 | 0.6994227E-01 | 0.6691283E-01 | 0.6427958E-01 |
| 0.6204033E-01 | 0.8724497E-01 | 0.6111148E-01 | 0.5777069E-01 | 0.5589519E-01 | 0.5413169E-01 |
| 0.            | 0.6624456E-02 | 0.4916992E-01 | 0.            | 0.            | 0.            |
| 0.            | 0.4150216E-01 | 0.3506445E-01 | 0.3209613E-01 | 0.3209613E-01 | 0.2928621E-01 |
| 0.2536594E-01 | 0.8034864E-02 | 0.4356988E-02 | 0.1933436E-01 | 0.3327549E-01 | 0.4509129E-01 |
| 0.5366791E-01 | 0.6140177E-01 | 0.5862347E-01 | 0.            | 0.5871624E-01 | 0.5459125E-01 |
| 0.5472759E-01 | 0.5225269E-01 | 0.3100270E-01 | 0.1046775E-01 | 0.1330727E-01 | 0.3751490E-01 |
| 0.4946271E-01 | 0.1549589E-02 | 0.1851105E-02 | 0.2073173E-01 | 0.1624061E-01 | 0.3311747E-02 |
| 0.1272893E-01 | 0.2027170E-01 | 0.2355425E-01 | 0.2730474E-01 | 0.7013322E-01 | 0.5910673E-01 |
| 0.1203401E-01 | 0.5907487E-01 | 0.5732039E-01 | 0.5475725E-01 | 0.4818797E-01 | 0.3316822E-01 |
| 0.2078615E-01 | 0.1233049E-01 | 0.4938293E-01 | 0.1966813E-02 | 0.            | 0.1578086E-02 |
| 0.2745729E-01 | 0.1648851E-01 | 0.9938293E-01 | 0.2019661E-01 | 0.2225569E-01 | 0.2359921E-01 |
| 0.1651104E-00 | 0.3346601E-02 | 0.1280426E-01 | 0.1006471E-00 | 0.1420431E-00 | 0.1634127E-00 |
| 0.4827786E-01 | 0.1197948E-00 | 0.7962354E-01 | 0.2950642E-01 | 0.2783414E-01 | 0.9307635E-01 |
| 0.4879102E-01 | 0.4789655E-01 | 0.3144144E-01 | 0.3534779E-01 | 0.4456818E-01 | 0.5331228E-01 |
| 0.6216132E-01 | 0.9441469E-01 | 0.8598128E-02 | 0.1794763E-01 | 0.5065484E-01 | 0.            |
| 0.3066943E-01 | 0.7549402E-01 | 0.1198524E-01 | 0.7221547E-01 | 0.1117465E-01 | 0.2462005E-01 |
| 0.1624080E-00 | 0.1587549E-00 | 0.1753422E-01 | 0.            | 0.1906893E-01 | 0.2133037E-01 |
| 0.9240683E-01 | 0.7032595E-01 | 0.5962140E-01 | 0.1256730E-00 | 0.1142698E-00 | 0.1605556E-01 |
| 0.1860293E-01 | 0.8101501E-01 | 0.5962140E-01 | 0.4921761E-01 | 0.3869050E-01 | 0.1030873E-00 |
| 0.2977025E-01 | 0.9208155E-02 | 0.8912072E-02 | 0.1627351E-01 | 0.2219522E-01 | 0.2895633E-00 |
| 0.1059725E-04 | 0.3252029E-01 | 0.3090294E-01 | 0.3507539E-01 | 0.3681618E-01 | 0.2650041E-01 |
| 0.            | 0.2679018E-02 | 0.5675871E-01 | 0.            | 0.            | 0.            |
| 0.9192928E-01 | 0.1011306E-00 | 0.863584E-02  | 0.4236192E-01 | 0.            | 0.7262677E-01 |
| 0.1497197E-01 | 0.4864386E-01 | 0.3291650E-02 | 0.2745806E-01 | 0.3110795E-01 | 0.2234629E-01 |
| 0.3466245E-01 | 0.4160044E-01 | 0.2381748E-01 | 0.1342738E-14 | 0.2417552E-01 | 0.2439652E-01 |
| 0.5067199E-01 | 0.4328391E-01 | 0.3513356E-01 | 0.2492291E-01 | 0.2010286E-01 | 0.2430140E-01 |
| 0.6734269E-01 | 0.6892213E-15 | 0.4350597E-02 | 0.2663653E-01 | 0.4695555E-01 | 0.6050140E-01 |
| 0.6745609E-15 | 0.7151425E-01 | 0.6517532E-01 | 0.5592036E-01 | 0.5349666E-01 | 0.3132590E-01 |
| 0.2885481E-01 | 0.3035574E-01 | 0.4002855E-01 | 0.4671111E-01 | 0.4907925E-01 | 0.4033099E-01 |
| 0.2808318E-01 | 0.2537584E-01 | 0.402635E-01  | 0.6525506E-03 | 0.1158253E-14 | 0.3365615E-03 |
| 0.5641484E-01 | 0.6135298E-01 | 0.6861881E-01 | 0.7298351E-01 | 0.7233921E-01 | 0.6602653E-01 |
| 0.2077161E-01 | 0.2754592E-01 | 0.6693335E-15 | 0.2664912E-01 | 0.1669477E-03 | 0.1346291E-01 |
| 0.3418286E-01 | 0.2606812E-01 | 0.3020115E-01 | 0.2951304E-01 | 0.2153407E-01 | 0.2144187E-01 |
| 0.2987573E-02 | 0.3421724E-01 | 0.3887251E-01 | 0.3467655E-01 | 0.2491209E-01 | 0.1069722E-01 |
| 0.3121066E-01 | 0.3141385E-01 | 0.4756813E-01 | 0.7404487E-01 | 0.3231518E-01 | 0.3345709E-15 |
| 0.3116152E-01 | 0.1555642E-01 | 0.2492894E-01 | 0.2607495E-01 | 0.3007186E-01 | 0.3318443E-01 |
| 0.4168674E-01 | 0.1083842E-01 | 0.4286072E-01 | 0.1659247E-15 | 0.4276431E-01 | 0.4827693E-01 |
| 0.1211200E-04 | 0.2501594E-03 | 0.2501598E-03 | 0.1791033E-01 | 0.3229588E-01 | 0.5858501E-02 |
| 0.6092734E-02 | 0.3239477E-02 | 0.5623647E-02 | 0.5891198E-02 | 0.3468987E-02 | 0.2827697E-02 |
| 0.5837993E-02 | 0.2112684E-01 | 0.5311483E-02 | 0.531198E-02  | 0.1669947E-02 | 0.2184789E-01 |
| 0.5641192E-01 | 0.1778821E-03 | 0.5179636E-04 | 0.9200714E-06 | 0.4211169E-02 | 0.6054293E-01 |
| 0.5609613E-02 | 0.1472595E-03 | 0.1861583E-03 | 0.1501850E-01 | 0.1124642E-01 | 0.7182368E-01 |
| 0.1609176E-03 | 0.1478783E-03 | 0.4194262E-02 | 0.6005974E-01 | 0.5300976E-02 | 0.5023366E-04 |
| 0.1544186E-03 | 0.1467034E-01 | 0.1157595E-01 | 0.7156774E-01 | 0.1648542E-03 | 0.3913056E-00 |
| 0.144492E-03  | 0.6775982E-01 | 0.3411023E-02 | 0.8269929E-04 | 0.1833232E-03 | 0.6516825E-03 |
| 0.2732074E-01 | 0.304507E-02  | 0.1841767E-04 | 0.8677175E-04 | 0.9663973E-04 | 0.6733476E-01 |
| 0.1281031E-01 | 0.8417724E-04 | 0.1811544E-03 | 0.6585169E-03 | 0.2714927E-01 | 0.6115185E-01 |
| 0.2798896E-02 | 0.8338464E-04 | 0.1022382E-03 | 0.            | 0.            | 0.            |

|                |                |                |                |                |                |                |
|----------------|----------------|----------------|----------------|----------------|----------------|----------------|
| 0.1842497E-00  | 0.1817793E-00  | 0.1768374E-00  | 0.1718987E-00  | 0.1669775E-00  | 0.1620727E-00  | 0.1571935E-00  |
| 0.1523333E-00  | 0.1474876E-00  | 0.1426735E-00  | 0.1379230E-00  | 0.1332426E-00  | 0.1286076E-00  | 0.1240310E-00  |
| 0.1195116E-00  | 0.1150670E-00  | 0.1117155E-00  | 0.1065383E-00  | 0.1026817E-00  | 0.9923929E-01  | 0.9611455E-01  |
| 0.9326154E-01  | 0.9056384E-01  | 0.1428113E-00  | 0.9211633E-01  | 0.8755406E-01  | 0.8544188E-01  | 0.8302272E-01  |
| 0.             | 0.             | -0.9123874E-02 | 0.7714196E-01  | 0.             | 0.             | 0.             |
| -0.5640964E-01 | -0.7285617E-01 | -0.7557915E-01 | -0.6799413E-01 | -0.6455040E-01 | 0.             | -0.6119992E-01 |
| 0.5911584E-01  | -0.4628664E-01 | -0.3429481E-01 | -0.1782342E-01 | 0.2963338E-02  | 0.2362767E-01  | 0.4276163E-01  |
| 0.1476033E-01  | 0.322105E-01   | -0.5410865E-01 | -0.2930529E-01 | 0.             | -0.2840386E-01 | -0.6027500E-02 |
| 0.3103448E-01  | 0.1645184E-01  | 0.             | 0.5471302E-01  | 0.5984439E-01  | 0.6124377E-01  | 0.6003063E-01  |
| -0.2883128E-01 | -0.3385082E-01 | -0.3615219E-01 | 0.1589599E-01  | 0.2308395E-02  | -0.1047034E-01 | 0.2103059E-01  |
| 0.             | 0.2666058E-01  | 0.3429060E-02  | -0.3602012E-01 | -0.3422220E-01 | 0.1047034E-01  | 0.2760007E-01  |
| 0.6225107E-01  | -0.6274687E-01 | -0.6048214E-01 | -0.1798266E-01 | -0.3572963E-01 | 0.5347965E-01  | 0.5778613E-01  |
| -0.1158921E-02 | 0.1196999E-01  | 0.2270953E-01  | 0.3098631E-01  | -0.1581141E-01 | 0.             | -0.1522151E-01 |
| 0.3435629E-01  | -0.8424723E-01 | -0.1016925E-00 | 0.3049863E-01  | 0.3532840E-01  | 0.3728943E-01  | 0.3669852E-01  |
| -0.5176013E-01 | -0.9558141E-01 | -0.7030451E-01 | -0.3719838E-01 | -0.1020909E-00 | -0.1135146E-00 | -0.1174642E-00 |
| -0.669889E-01  | 0.             | 0.5238596E-01  | -0.6877468E-01 | -0.8012978E-01 | 0.4432547E-01  | -0.3120665E-01 |
| 0.1066562E-00  | 0.1205605E-00  | -0.2348223E-01 | 0.4049050E-02  | 0.8567427E-01  | 0.8379326E-01  | -0.7933006E-01 |
| 0.364733E-02   | -0.4223038E-01 | 0.1498879E-01  | 0.1213857E-00  | 0.1055152E-00  | 0.1061701E-00  | 0.             |
| -0.9706322E-02 | -0.1547006E-01 | -0.1954440E-01 | -0.2196270E-01 | -0.            | 0.7933966E-01  | 0.4450464E-01  |
| -0.2748751E-01 | -0.2711196E-01 | -0.2635574E-01 | -0.2560428E-01 | -0.2267439E-01 | 0.5406303E-02  | -0.2579758E-02 |
| -0.2262720E-01 | -0.2190162E-01 | -0.2116298E-01 | -0.2045116E-01 | -0.2484622E-01 | -0.2185208E-01 | -0.1999809E-01 |
| -0.176663E-01  | -0.1697820E-01 | -0.1631649E-01 | -0.1569396E-01 | -0.1974043E-01 | -0.2411272E-01 | -0.2337661E-01 |
| -0.1360894E-01 | -0.1316961E-01 | -0.1682505E-01 | -0.1342548E-01 | -0.1510256E-01 | -0.1904093E-01 | -0.1833575E-01 |
| 0.2563183E-04  | 0.             | 0.1186705E-02  | 0.1120330E-01  | -0.1274248E-01 | -0.1456831E-01 | -0.1407207E-01 |
| -0.            | 0.9316035E-02  | 0.9910381E-02  | 0.9640196E-02  | -0.            | -0.1231670E-01 | -0.1191627E-01 |
| 0.9082374E-02  | 0.7547722E-02  | 0.5654348E-02  | 0.3359631E-02  | 0.9745883E-02  | -0.            | 0.9589924E-02  |
| -0.6576896E-02 | -0.9201465E-02 | 0.3394387E-01  | 0.2125241E-01  | 0.7878277E-02  | -0.1664709E-02 | -0.4103508E-02 |
| -0.277892E-02  | -0.1279290E-01 | -0.2078676E-01 | -0.2670484E-01 | -0.358026E-14  | 0.2075629E-01  | 0.8785694E-02  |
| 0.5709436E-01  | 0.3581502E-01  | 0.5553866E-14  | 0.3501802E-01  | -0.3057191E-01 | -0.3265075E-01 | -0.3367713E-01 |
| -0.3336531E-01 | -0.4383323E-01 | -0.5121160E-01 | -0.5580515E-01 | 0.1542657E-01  | -0.3361108E-02 | -0.1990025E-01 |
| 0.1464587E-13  | -0.2486916E-01 | -0.1730543E-01 | -0.8900485E-02 | -0.5857467E-01 | -0.3231392E-01 | -0.2519591E-01 |
| 0.2163288E-01  | 0.2676911E-01  | 0.3071134E-01  | -0.5370306E-01 | -0.3667799E-03 | 0.7773196E-02  | 0.1522287E-01  |
| -0.1778639E-01 | -0.8379832E-03 | 0.1475176E-01  | -0.2812928E-01 | -0.3556689E-01 | -0.4814333E-13 | -0.3486578E-01 |
| 0.5754998E-01  | -0.1585543E-01 | -0.1421667E-01 | -0.4322288E-14 | 0.3922497E-01  | 0.4773465E-01  | 0.5365339E-01  |
| -0.4547811E-02 | -0.2965147E-03 | 0.4193466E-02  | 0.8594432E-02  | -0.1410030E-01 | -0.1167806E-01 | -0.8463317E-02 |
| 0.7215598E-01  | 0.5649092E-14  | 0.7181937E-01  | 0.6550391E-01  | 0.1265403E-01  | 0.1621446E-01  | 0.7438811E-01  |
| 0.27960451E-03 | -0.204925E-01  | -0.4061865E-01 | -0.5740259E-01 | 0.5448260E-01  | 0.3910170E-01  | 0.2065780E-01  |
| 0.2065775E-01  | 0.1910853E-01  | 0.1649403E-01  | 0.1259860E-01  | 0.2153212E-01  | 0.2073078E-01  | 0.3825372E-14  |
| -0.1062103E-01 | -0.1619202E-01 | -0.7040141E-01 | -0.6820525E-01 | 0.7659776E-02  | 0.1809302E-02  | -0.4461138E-02 |
| -0.5013597E-01 | -0.3495557E-01 | -0.1709955E-01 | 0.2377045E-02  | -0.5106226E-14 | -0.6785287E-01 | -0.6129269E-01 |
| -0.1088929E-03 | -0.1095695E-03 | -0.1120924E-03 | -0.1120924E-03 | 0.2201051E-01  | 0.4044029E-01  | 0.5678776E-01  |
| 0.1238813E-01  | -0.7110090E-02 | -0.7094158E-02 | -0.1260911E-01 | 0.8554479E-04  | 0.7732862E-05  | 0.1230441E-01  |
| 0.6414817E-02  | 0.1043387E-01  | 0.2090887E-02  | 0.2967166E-02  | -0.6699770E-02 | -0.7379692E-02 | 0.7360036E-02  |
| -0.2551858E-02 | 0.2455846E-04  | -0.2073766E-04 | -0.1336736E-03 | 0.5880883E-05  | -0.1086933E-01 | 0.8582476E-01  |
| -0.1040624E-01 | -0.2921402E-05 | 0.1980976E-05  | -0.1500548E-03 | -0.810407E-02  | -0.1088427E-01 | -0.8533130E-01 |
| -0.1990720E-05 | -0.1197844E-03 | 0.6416783E-05  | -0.1015261E-01 | 0.8527710E-01  | 0.9954622E-02  | -0.9467785E-05 |
| 0.1384534E-04  | 0.1460465E-03  | 0.8536866E-02  | 0.1152704E-01  | 0.8459602E-01  | -0.1002193E-04 | 0.11666659E-03 |
| -0.1239452E-04 | 0.8211646E-01  | -0.1047504E-01 | 0.6369971E-02  | -0.3136784E-04 | -0.1334776E-03 | -0.1373023E-04 |
| -0.1256365E-01 | -0.8432648E-01 | -0.1337695E-02 | -0.1634341E-03 | 0.6042653E-04  | -0.6597116E-04 | -0.8262023E-01 |
| 0.9752792E-02  | -0.6377230E-02 | 0.2367695E-04  | 0.1356058E-03  | 0.2977728E-05  | 0.1238923E-01  | 0.8420380E-01  |
| 0.1093695E-02  | 0.1773120E-03  | -0.5227713E-04 | 0.51666206E-04 |                |                |                |



|               |                |                |                |                |                |                |
|---------------|----------------|----------------|----------------|----------------|----------------|----------------|
| 0.1796032E-00 | 0.1771465E-00  | 0.1722932E-00  | 0.1675355E-00  | 0.1627454E-00  | 0.1580691E-00  | 0.1533636E-00  |
| 0.1486055E-00 | 0.1439136E-00  | 0.1392689E-00  | 0.1346319E-00  | 0.1302114E-00  | 0.125764E-00   | 0.1212789E-00  |
| 0.1169663E-00 | 0.1126854E-00  | 0.1084759E-00  | 0.1043497E-00  | 0.1006911E-00  | 0.9737461E-01  | 0.9431977E-01  |
| 0.9146161E-01 | 0.8876145E-01  | 0.860571E-01   | 0.832686E-01   | 0.80618629E-01 | 0.78362205E-01 | 0.76112891E-01 |
| 0.            | 0.             | -0.8864647E-02 | 0.7524337E-01  | 0.             | 0.             | 0.             |
| 0.            | -0.7402374E-01 | -0.7661087E-01 | -0.6933796E-01 | 0.             | 0.             | -0.6290252E-01 |
| 0.            | -0.4868644E-01 | -0.371847E-01  | -0.2123383E-01 | -0.8099724E-03 | 0.1981087E-01  | 0.3907819E-01  |
| 0.            | 0.7332073E-01  | 0.             | -0.2539333E-01 | 0.             | -0.2436087E-01 | 0.1145940E-02  |
| 0.            | 0.3988025E-01  | 0.5327142E-01  | 0.6128089E-01  | 0.             | 0.6330119E-01  | 0.5954614E-01  |
| 0.            | 0.2089601E-01  | 0.             | 0.2542299E-01  | 0.             | 0.4472587E-02  | 0.1318054E-01  |
| 0.            | 0.2516308E-01  | -0.2882466E-01 | -0.327836E-01  | 0.             | 0.4800971E-01  | 0.2377940E-01  |
| 0.            | 0.2278053E-01  | 0.1415575E-02  | -0.327836E-01  | -0.2980742E-01 | -0.6460281E-01 | 0.             |
| 0.            | -0.6469399E-01 | -0.6002973E-01 | -0.4255994E-01 | -0.4310306E-01 | 0.             | -0.1152168E-01 |
| 0.            | 0.2226065E-01  | 0.3259354E-01  | 0.3871098E-01  | -0.1191088E-01 | 0.             | 0.             |
| 0.            | 0.9855445E-01  | -0.1269546E-01 | -0.            | 0.4230277E-01  | 0.4238501E-01  | 0.3887841E-01  |
| 0.            | 0.1482130E-00  | -0.1178321E-00 | -0.7540343E-01 | -0.4230277E-01 | 0.             | 0.             |
| 0.            | 0.             | -0.4979075E-01 | -0.6915194E-01 | -0.175810E-00  | 0.1503706E-00  | 0.1643872E-00  |
| 0.            | 0.4665197E-01  | 0.7256449E-01  | 0.6246265E-01  | -0.2393584E-01 | 0.3264409E-01  | 0.1702222E-01  |
| 0.            | 0.7734613E-01  | 0.3255677E-02  | 0.6575165E-02  | -0.7908170E-01 | 0.7985168E-01  | -0.7623442E-01 |
| 0.            | 0.4838007E-01  | -0.1542600E-01 | 0.5285393E-02  | 0.             | 0.             | 0.             |
| 0.            | 0.1054531E-01  | -0.252282E-01  | -0.1756295E-01 | 0.             | 0.6270611E-02  | 0.3752527E-02  |
| 0.            | 0.2590826E-01  | -0.2013566E-01 | -0.2458395E-01 | -0.2311791E-01 | 0.1892642E-01  | 0.2580037E-02  |
| 0.            | 0.2081830E-01  | -0.2013566E-01 | -0.1941049E-01 | -0.1847841E-01 | 0.2732630E-01  | 0.1951442E-01  |
| 0.            | 0.1580186E-01  | -0.151809E-01  | -0.1450580E-01 | -0.1868810E-01 | 0.             | 0.             |
| 0.            | 0.1355073E-01  | -0.9879680E-01 | -0.1360217E-01 | -0.1399726E-01 | 0.7985168E-01  | 0.1353007E-01  |
| 0.            | 0.1829324E-05  | 0.1118115E-02  | -0.100712E-01  | -0.1362629E-01 | 0.             | 0.             |
| 0.            | 0.3842411E-01  | 0.306157E-01   | 0.1813433E-01  | 0.             | -0.            | -0.            |
| 0.            | 0.4267130E-02  | 0.9141959E-03  | 0.3912456E-02  | 0.             | 0.             | 0.             |
| 0.            | 0.8695673E-02  | 0.4106995E-01  | 0.2359931E-01  | 0.             | 0.             | 0.             |
| 0.            | 0.6534672E-02  | -0.1335604E-01 | -0.1979576E-01 | 0.             | 0.             | 0.             |
| 0.            | 0.3502887E-01  | -0.8442704E-14 | 0.3426597E-01  | 0.             | 0.             | 0.             |
| 0.            | 0.3979331E-01  | -0.4691261E-01 | -0.5169522E-01 | 0.             | 0.             | 0.             |
| 0.            | 0.2462952E-01  | 0.2968629E-01  | -0.5437242E-01 | 0.             | 0.             | 0.             |
| 0.            | 0.2821883E-01  | 0.1236364E-01  | 0.396964E-02   | 0.             | 0.             | 0.             |
| 0.            | 0.5639349E-03  | 0.1485123E-01  | 0.2804258E-01  | 0.             | 0.             | 0.             |
| 0.            | 0.1083033E-01  | -0.1655176E-01 | 0.6931064E-14  | 0.             | 0.             | 0.             |
| 0.            | 0.4014200E-03  | 0.5272339E-02  | 0.9376505E-02  | 0.             | 0.             | 0.             |
| 0.            | 0.8681722E-14  | 0.6820647E-01  | 0.5960974E-01  | 0.             | 0.             | 0.             |
| 0.            | 0.2290789E-01  | -0.3991636E-01 | -0.5436874E-01 | 0.             | 0.             | 0.             |
| 0.            | 0.171589E-01   | 0.1442022E-01  | 0.8881542E-02  | 0.             | 0.             | 0.             |
| 0.            | 0.1214193E-01  | 0.7730131E-01  | -0.6733540E-01 | 0.             | 0.             | 0.             |
| 0.            | 0.4826527E-01  | -0.3326165E-01 | 0.3648797E-02  | 0.             | 0.             | 0.             |
| 0.            | 0.3405941E-03  | 0.3309158E-03  | -0.2972459E-03 | 0.             | 0.             | 0.             |
| 0.            | 0.113354E-01   | -0.7221385E-02 | -0.1132135E-01 | 0.             | 0.             | 0.             |
| 0.            | 0.7897668E-02  | 0.1047862E-01  | -0.3387486E-02 | 0.             | 0.             | 0.             |
| 0.            | 0.1536671E-02  | 0.7886429E-04  | 0.1891955E-04  | 0.             | 0.             | 0.             |
| 0.            | 0.7257245E-02  | -0.7245534E-05 | -0.256525E-04  | 0.             | 0.             | 0.             |
| 0.            | 0.3092165E-04  | -0.1299866E-03 | 0.3017703E-04  | 0.             | 0.             | 0.             |
| 0.            | 0.279369E-04   | 0.1205586E-03  | 0.5744562E-02  | 0.             | 0.             | 0.             |
| 0.            | 0.3289451E-04  | 0.7784091E-01  | -0.6262083E-02 | 0.             | 0.             | 0.             |
| 0.            | 0.666941E-02   | -0.8039312E-02 | -0.1173133E-02 | 0.             | 0.             | 0.             |
| 0.            | 0.6343727E-02  | -0.6281409E-02 | -0.2738259E-04 | 0.             | 0.             | 0.             |
| 0.            | 0.1260695E-02  | 0.1876863E-03  | -0.9099474E-04 | 0.             | 0.             | 0.             |
| 0.            | 0.6211747E-04  | 0.6211747E-04  | 0.6211747E-04  | 0.             | 0.             | 0.             |
| 0.            | 0.6696691E-04  | 0.6696691E-04  | 0.6696691E-04  | 0.             | 0.             | 0.             |
| 0.            | 0.8161085E-02  | 0.8161085E-02  | 0.8161085E-02  | 0.             | 0.             | 0.             |
| 0.            | 0.8209521E-01  | 0.8209521E-01  | 0.8209521E-01  | 0.             | 0.             | 0.             |
| 0.            | 0.3145673E-04  | 0.3145673E-04  | 0.3145673E-04  | 0.             | 0.             | 0.             |
| 0.            | 0.1347041E-03  | 0.1347041E-03  | 0.1347041E-03  | 0.             | 0.             | 0.             |
| 0.            | 0.6316421E-04  | 0.6316421E-04  | 0.6316421E-04  | 0.             | 0.             | 0.             |
| 0.            | 0.7798547E-01  | 0.7798547E-01  | 0.7798547E-01  | 0.             | 0.             | 0.             |
| 0.            | 0.8041434E-01  | 0.8041434E-01  | 0.8041434E-01  | 0.             | 0.             | 0.             |

|               |               |               |               |               |               |               |
|---------------|---------------|---------------|---------------|---------------|---------------|---------------|
| 0.1537894E-01 | 0.1514323E-01 | 0.1463186E-01 | 0.1406016E-01 | 0.1352269E-01 | 0.1292315E-01 | 0.1236404E-01 |
| 0.1184988E-01 | 0.1130655E-01 | 0.1075292E-01 | 0.1024364E-01 | 0.9644957E-02 | 0.9090710E-02 | 0.8626999E-02 |
| 0.8072638E-02 | 0.7559946E-02 | 0.7070750E-02 | 0.6576139E-02 | 0.6180009E-02 | 0.5790102E-02 | 0.5467920E-02 |
| 0.5221876E-02 | 0.4989441E-02 | 0.4649281E-02 | 0.4315370E-02 | 0.4041837E-02 | 0.379293E-02  | 0.3540256E-02 |
| 0.            | 0.            | 0.5204558E-03 | 0.3869231E-02 | 0.            | 0.            | 0.            |
| 0.5050400E-02 | 0.4912478E-02 | 0.4725550E-02 | 0.4522578E-02 | 0.4385681E-03 | 0.424323E-03  | 0.4114323E-03 |
| 0.4146759E-02 | 0.3486401E-02 | 0.3486401E-02 | 0.2425278E-02 | 0.            | 0.            | 0.            |
| 0.3152607E-02 | 0.4019280E-02 | 0.5369426E-02 | 0.118379E-02  | 0.            | 0.            | 0.            |
| 0.7857592E-02 | 0.9645022E-02 | 0.1033418E-01 | 0.1020445E-01 | 0.9036436E-02 | 0.1284737E-02 | 0.5284313E-02 |
| 0.4549227E-02 | 0.1312336E-02 | 0.            | 0.1264036E-02 | 0.2007374E-02 | 0.6855232E-02 | 0.3848400E-02 |
| 0.7635233E-03 | 0.8331933E-03 | 0.            | 0.1899942E-02 | 0.6809798E-03 | 0.6713835E-02 | 0.4769596E-04 |
| 0.            | 0.5281577E-02 | 0.1099746E-02 | 0.5600674E-02 | 0.5079379E-02 | 0.4273414E-02 | 0.5272462E-02 |
| 0.1202029E-02 | 0.4012723E-03 | 0.5300322E-02 | 0.4603094E-02 | 0.4150085E-03 | 0.            | 0.282827E-02  |
| 0.1241366E-03 | 0.1829208E-02 | 0.1857279E-02 | 0.3819889E-02 | 0.3602717E-02 | 0.3308982E-02 | 0.1401084E-03 |
| 0.3838085E-02 | 0.5154089E-01 | 0.3068711E-02 | 0.            | 0.1495822E-00 | 0.2253399E-00 | 0.3366691E-02 |
| 0.3096358E-00 | 0.3071672E-00 | 0.1466948E-00 | 0.            | 0.1379946E-00 | 0.4543298E-01 | 0.2816042E-00 |
| 0.5236800E-02 | 0.            | 0.2754423E-00 | 0.2173640E-00 | 0.1269136E-01 | 0.1381493E-01 | 0.6073856E-02 |
| 0.1306388E-01 | 0.1115786E-01 | 0.7739675E-02 | 0.1069660E-01 | 0.1269136E-01 | 0.1331270E-00 | 0.1367688E-01 |
| 0.1360704E-00 | 0.2090264E-00 | 0.2658088E-00 | 0.3041927E-02 | 0.2953737E-00 | 0.2667827E-00 | 0.            |
| 0.1382381E-00 | 0.5158824E-00 | 0.1010677E-01 | 0.2953737E-00 | 0.            | 0.8169209E-02 | 0.2126241E-00 |
| 0.1358537E-01 | 0.1539135E-01 | 0.1581182E-01 | 0.7993779E-02 | 0.            | 0.7948069E-02 | 0.1018112E-01 |
| 0.5486542E-02 | 0.5322291E-02 | 0.5154889E-02 | 0.1402216E-01 | 0.1120492E-01 | 0.0794086E-02 | 0.4785548E-03 |
| 0.4244022E-02 | 0.4216296E-02 | 0.4930753E-02 | 0.4929202E-02 | 0.4655384E-02 | 0.4610000E-02 | 0.2119942E-01 |
| 0.3483247E-02 | 0.3298829E-02 | 0.3195506E-02 | 0.3892299E-02 | 0.3757397E-02 | 0.3704405E-02 | 0.6050835E-02 |
| 0.2068095E-02 | 0.1718276E-02 | 0.4775873E-01 | 0.3065061E-02 | 0.2916548E-02 | 0.2744315E-02 | 0.7091197E-02 |
| 0.1241923E-03 | 0.            | 0.2342241E-03 | 0.1901504E-02 | 0.1403220E-02 | 0.2421646E-02 | 0.2804024E-01 |
| 0.            | 0.1608055E-01 | 0.1002322E-01 | 0.2587976E-02 | 0.            | 0.9417385E-03 | 0.4720908E-02 |
| 0.1082540E-01 | 0.8105115E-02 | 0.3221094E-02 | 0.3607413E-02 | 0.4703203E-02 | 0.            | 0.5421241E-02 |
| 0.1340415E-02 | 0.1935467E-02 | 0.3820296E-02 | 0.5076793E-03 | 0.1022537E-02 | 0.6689440E-04 | 0.1139122E-01 |
| 0.2667026E-01 | 0.2901813E-01 | 0.2751782E-01 | 0.135785E-01  | 0.8417997E-14 | 0.1167048E-01 | 0.5838551E-02 |
| 0.1734912E-02 | 0.2760843E-03 | 0.2751782E-01 | 0.2374483E-01 | 0.1797305E-01 | 0.1110335E-01 | 0.3702931E-02 |
| 0.6051694E-02 | 0.4714700E-02 | 0.2058406E-13 | 0.1393734E-03 | 0.2406764E-02 | 0.4936388E-02 | 0.6050835E-02 |
| 0.5436478E-13 | 0.7542020E-02 | 0.2618929E-02 | 0.3572058E-03 | 0.1103798E-02 | 0.1782390E-03 | 0.7091197E-02 |
| 0.2263215E-01 | 0.1598447E-01 | 0.1660913E-01 | 0.2516412E-01 | 0.2971678E-01 | 0.3085937E-01 | 0.2804024E-01 |
| 0.4512254E-03 | 0.4421933E-02 | 0.1035744E-01 | 0.1177658E-01 | 0.4914202E-02 | 0.1780124E-12 | 0.4720908E-02 |
| 0.4037558E-02 | 0.1380791E-01 | 0.7135512E-02 | 0.8057064E-02 | 0.7885781E-02 | 0.6835851E-02 | 0.5421241E-02 |
| 0.1141286E-01 | 0.1066248E-01 | 0.1031512E-01 | 0.1635572E-13 | 0.1040129E-01 | 0.1022117E-01 | 0.1139122E-01 |
| 0.5568114E-02 | 0.2095201E-13 | 0.8196923E-02 | 0.5027359E-02 | 0.1926651E-02 | 0.1115849E-03 | 0.5838551E-02 |
| 0.9480338E-02 | 0.7472930E-02 | 0.5678574E-02 | 0.7139577E-02 | 0.9177936E-02 | 0.1036294E-01 | 0.1061694E-01 |
| 0.1093914E-01 | 0.1416137E-01 | 0.5115851E-02 | 0.3193165E-02 | 0.4329668E-02 | 0.1087490E-01 | 0.1402702E-13 |
| 0.3407862E-02 | 0.1253846E-02 | 0.1475935E-01 | 0.1438781E-01 | 0.1251848E-01 | 0.1932064E-01 | 0.7272754E-02 |
| 0.1358821E-01 | 0.1088197E-01 | 0.781211E-02  | 0.1673523E-01 | 0.1883748E-13 | 0.1660958E-01 | 0.1603848E-02 |
| 0.5079391E-03 | 0.5088818E-03 | 0.5132864E-03 | 0.4701862E-02 | 0.1374788E-02 | 0.2013833E-02 | 0.5442470E-02 |
| 0.5212412E-03 | 0.4755431E-03 | 0.3840656E-03 | 0.5541122E-04 | 0.4190407E-03 | 0.7894980E-04 | 0.5820245E-03 |
| 0.2196221E-04 | 0.1471948E-02 | 0.2205259E-02 | 0.7808062E-03 | 0.2267105E-05 | 0.2917879E-03 | 0.1892539E-03 |
| 0.1386541E-02 | 0.1557365E-03 | 0.2856987E-04 | 0.4183352E-05 | 0.2660690E-04 | 0.8651291E-03 | 0.3755367E-02 |
| 0.1882395E-02 | 0.3710730E-04 | 0.1887374E-04 | 0.1029545E-04 | 0.2556861E-02 | 0.4966821E-02 | 0.2680434E-02 |
| 0.4643645E-04 | 0.3871644E-04 | 0.3330520E-05 | 0.1163600E-03 | 0.5673690E-02 | 0.4637857E-02 | 0.2446575E-02 |
| 0.4003893E-04 | 0.2597635E-04 | 0.2163339E-02 | 0.1946402E-02 | 0.3705458E-02 | 0.5251898E-05 | 0.1599609E-04 |
| 0.1380684E-04 | 0.5131054E-02 | 0.1943399E-02 | 0.2104887E-03 | 0.6640735E-06 | 0.7088546E-05 | 0.6049589E-04 |
| 0.3783277E-02 | 0.4092375E-02 | 0.5718437E-03 | 0.4706686E-04 | 0.3186674E-04 | 0.3920545E-04 | 0.3244922E-02 |
| 0.5730118E-02 | 0.3308643E-03 | 0.6348867E-04 | 0.1307652E-04 | 0.3024675E-05 | 0.4742472E-02 | 0.4333470E-02 |
| 0.7032360E-03 | 0.3634154E-04 | 0.3234962E-05 | 0.2609853E-04 | 0.            | 0.            | 0.            |

|                |                |                |                |                 |                |                |
|----------------|----------------|----------------|----------------|-----------------|----------------|----------------|
| 0.6622243E-01  | 0.6527712E-01  | 0.6338193E-01  | 0.6148298E-01  | 0.5959441E-01   | 0.5770904E-01  | 0.5583942E-01  |
| 0.5398271E-01  | 0.5212959E-01  | 0.5029165E-01  | 0.4848519E-01  | 0.4670329E-01   | 0.4494867E-01  | 0.4322479E-01  |
| 0.4152159E-01  | 0.3985529E-01  | 0.3823385E-01  | 0.3667554E-01  | 0.3529990E-01   | 0.3409892E-01  | 0.3304697E-01  |
| 0.3212263E-01  | 0.3126996E-01  | 0.6512719E-01  | 0.3175836E-01  | 0.3045674E-01   | 0.2969053E-01  | 0.2896827E-01  |
| -0.            | -0.            | -0.2427880E-02 | 0.2739348E-01  | -0.             | -0.            | -0.            |
| -0.            | -0.4111224E-01 | -0.4043736E-01 | -0.4160730E-01 | -0.4167215E-01  | -0.            | -0.4167951E-01 |
| -0.            | 0.4077747E-01  | 0.3901515E-01  | 0.3537764E-01  | 0.2899967E-01   | 0.2072530E-01  | 0.1128130E-01  |
| -0.1011229E-02 | 0.1234135E-01  | -0.4173027E-01 | 0.1083650E-02  | -0.             | 0.2492175E-02  | 0.3839420E-01  |
| 0.6721257E-01  | 0.8516045E-01  | -0.            | 0.8699666E-01  | 0.7250180E-01   | 0.4968873E-01  | 0.2145872E-01  |
| 0.3320505E-01  | -0.3038336E-02 | 0.3038336E-02  | -0.2044765E-02 | 0.2321801E-01   | 0.4359063E-01  | 0.5648497E-01  |
| 0.6139445E-01  | 0.5867959E-01  | 0.5867959E-01  | 0.3356455E-01  | 0.1427418E-01   | 0.4175326E-01  | -0.1043792E-02 |
| -0.            | -0.2453717E-02 | 0.3634610E-01  | 0.6716011E-01  | 0.8511763E-01   | 0.9152794E-01  | 0.8695350E-01  |
| -0.7246417E-01 | -0.4965290E-01 | -0.2142916E-01 | 0.3327869E-01  | 0.3064137E-02   | -0.            | 0.2089280E-02  |
| -0.232158E-01  | -0.4360393E-01 | -0.4360393E-01 | 0.5650708E-01  | 0.5871492E-01   | -0.4907985E-01 | -0.3359840E-01 |
| -0.1430806E-01 | -0.5542509E-02 | 0.4047250E-02  | 0.4047250E-02  | 0.4372388E-02   | 0.1255427E-01  | 0.1924203E-01  |
| 0.2336905E-01  | 0.2465980E-01  | 0.2311760E-01  | 0.1902835E-01  | 0.1287409E-01   | 0.5447426E-02  | -0.4623973E-01 |
| 0.1823229E-01  | 0.             | 0.2038172E-01  | 0.7475691E-01  | 0.1190236E-00   | 0.1466190E-00  | 0.1556944E-00  |
| 0.1463610E-00  | 0.1203174E-00  | 0.8064124E-01  | 0.3250391E-01  | 0.5664923E-02   | 0.4194009E-02  | 0.             |
| -0.4532470E-02 | -0.1294833E-01 | -0.1983578E-01 | -0.2408077E-01 | 0.2540232E-01   | -0.2380112E-01 | -0.1957474E-01 |
| -0.1322065E-01 | -0.5557193E-02 | 0.4639138E-01  | -0.1794245E-01 | 0.              | -0.2098508E-01 | -0.7436536E-01 |
| -0.1185687E-00 | -0.1461439E-00 | -0.1552365E-00 | -0.1459677E-00 | -0.1200071E-00  | -0.8044953E-01 | -0.3244591E-01 |
| 0.1189788E-00  | 0.117191E-00   | 0.1134050E-00  | 0.1096879E-00  | 0.1059910E-00   | 0.1022996E-00  | 0.9863309E-01  |
| 0.9498707E-01  | 0.9134121E-01  | 0.8774230E-01  | 0.8417093E-01  | 0.8067220E-01   | 0.7720667E-01  | 0.7379317E-01  |
| 0.7041459E-01  | 0.6711242E-01  | 0.6387872E-01  | 0.6075824E-01  | 0.5795399E-01   | 0.5546496E-01  | 0.5323797E-01  |
| 0.5123259E-01  | 0.4943426E-01  | 0.4656944E-01  | 0.5043319E-01  | 0.4754390E-01   | 0.4501721E-01  | 0.4416133E-01  |
| -0.1123100E-04 | 0.             | -0.3242355E-02 | 0.4017688E-01  | 0.              | 0.             | 0.             |
| 0.             | -0.7121606E-01 | -0.6952500E-01 | -0.7161760E-01 | -0.7142286E-01  | 0.             | -0.7127851E-01 |
| -0.7099842E-01 | -0.6973155E-01 | -0.6681685E-01 | -0.6507591E-01 | -0.64952480E-01 | 0.             | -0.1942824E-01 |
| -0.2620205E-02 | 0.1855197E-01  | -0.5553256E-01 | -0.6661190E-01 | 0.2047378E-14   | -0.6882714E-01 | -0.7361713E-01 |
| -0.7498307E-01 | -0.6997029E-01 | -0.5943245E-01 | -0.4495868E-01 | -0.2856623E-01  | -0.1280759E-01 | -0.4342090E-03 |
| 0.7541179E-01  | 0.980989E-01   | 0.7437888E-14  | 0.9822306E-01  | 0.1136905E-00   | 0.1193950E-00  | 0.1193950E-00  |
| 0.9850067E-01  | 0.7596810E-01  | 0.4944716E-01  | 0.2328813E-01  | 0.2208319E-02   | 0.5463534E-01  | 0.6724932E-01  |
| -0.1895059E-13 | 0.6752919E-01  | 0.7559218E-01  | 0.7793047E-01  | 0.7342173E-01   | 0.6288682E-01  | 0.4802243E-01  |
| 0.3795096E-01  | 0.1436281E-01  | 0.1232762E-02  | -0.7588169E-01 | -0.9680395E-01  | 0.6023542E-13  | -0.9727203E-01 |
| -0.1307152E-02 | -0.1155242E-00 | -0.1095793E-00 | -0.9427271E-01 | -0.7219594E-01  | -0.4655803E-01 | -0.2143224E-01 |
| -0.7762986E-01 | -0.6693737E-01 | -0.5219806E-01 | 0.6003009E-14  | -0.8344708E-01  | -0.8495911E-01 | -0.8356526E-01 |
| 0.9736936E-02  | -0.6724479E-14 | 0.9725529E-02  | -0.3491484E-01 | -0.1711964E-01  | -0.1001343E-02 | 0.9911233E-02  |
| 0.4736466E-02  | 0.2871813E-02  | 0.1043003E-02  | 0.9450224E-02  | 0.8850155E-02   | 0.7849092E-02  | 0.6442652E-02  |
| 0.8161426E-01  | 0.8290934E-01  | 0.8139894E-01  | -0.5597231E-03 | 0.7958953E-01   | 0.8155273E-01  | -0.4557544E-14 |
| 0.1677404E-01  | 0.1200098E-02  | -0.1178935E-01 | -0.1231439E-01 | 0.6506845E-01   | 0.5074053E-01  | 0.4557544E-14  |
| -0.1210066E-01 | -0.1106055E-01 | -0.9315824E-02 | -0.7039344E-02 | -0.4416553E-02  | -0.1759307E-02 | 0.6127877E-03  |
| 0.6229337E-04  | 0.6205191E-04  | 0.6119690E-04  | 0.6119691E-04  | 0.5868660E-04   | -0.1230493E-01 | -0.1247097E-01 |
| 0.1462446E-01  | 0.1034825E-01  | 0.1033276E-01  | -0.1471966E-01 | -0.1468843E-01  | -0.1031380E-01 | 0.1465062E-01  |
| 0.2163647E-02  | 0.3227608E-02  | 0.1004986E-01  | 0.1647574E-01  | -0.2199945E-02  | -0.3277690E-02 | -0.9993595E-02 |
| -0.1644528E-01 | -0.8665816E-05 | 0.1582520E-03  | -0.1040233E-03 | 0.2495146E-05   | 0.1742757E-01  | 0.1791244E-01  |
| 0.2690274E-01  | 0.5730540E-05  | 0.1718494E-03  | -0.9546822E-04 | 0.4905871E-02   | 0.2736460E-01  | -0.1855975E-01 |
| 0.4880704E-01  | -0.1265380E-03 | -0.1718494E-03 | -0.1769645E-01 | -0.1819020E-01  | -0.2659390E-01 | -0.3958463E-06 |
| -0.1594978E-03 | 0.9851037E-04  | -0.5143222E-02 | -0.2762599E-01 | 0.1884363E-01   | 0.7744885E-07  | 0.1244544E-03  |
| 0.1734796E-03  | 0.1719222E-01  | 0.2624015E-01  | 0.4252669E-02  | 0.1930998E-03   | -0.1217022E-03 | 0.3274684E-04  |
| 0.2534044E-01  | -0.1701751E-01 | 0.7578787E-01  | -0.1157122E-03 | 0.1724137E-03   | -0.6948404E-05 | -0.1709959E-01 |
| -0.2605014E-01 | -0.4221431E-02 | -0.1940011E-03 | 0.1195102E-03  | -0.2718211E-04  | -0.2513906E-01 | 0.1719297E-01  |
| -0.7538380E-02 | 0.1181311E-03  | 0.1706675E-03  | 0.1250737E-04  | 0.              | 0.             | 0.             |

|                |                |                |                |                |                 |                 |
|----------------|----------------|----------------|----------------|----------------|-----------------|-----------------|
| 0.5085727E-02  | 0.5036576E-02  | 0.4922662E-02  | 0.4786250E-02  | 0.4664318E-02  | 0.4520163E-02   | 0.4393568E-02   |
| 0.4285270E-02  | 0.4167160E-02  | 0.4046215E-02  | 0.3944049E-02  | 0.3809555E-02  | 0.3692966E-02   | 0.3609596E-02   |
| 0.3497471E-02  | 0.3400190E-02  | 0.3315075E-02  | 0.3225757E-02  | 0.3179329E-02  | 0.3137431E-02   | 0.3122338E-02   |
| 0.3136262E-02  | 0.3154786E-02  | 0.6123416E-02  | 0.3140714E-02  | 0.3166657E-02  | 0.3202849E-02   | 0.3246505E-02   |
| -0.            | -0.            | -0.3363725E-03 | 0.3366838E-02  | -0.            | -0.             | -0.             |
| -0.            | -0.2176075E-02 | -0.2272459E-02 | -0.2061145E-02 | -0.1967075E-02 | -0.             | -0.1883338E-02  |
| -0.1770314E-02 | -0.1535575E-02 | -0.123224E-02  | -0.8078162E-03 | 0.4460045E-03  | 0.1803680E-04   | 0.1103789E-02   |
| 0.1733805E-02  | 0.2561083E-02  | 0.2394355E-01  | 0.6909287E-03  | -0.            | 0.1872027E-01   | 0.1163249E-01   |
| 0.3319229E-01  | 0.4203680E-01  | 0.4509557E-01  | 0.430987E-01   | 0.3620322E-01  | 0.2531381E-01   | 0.8422393E-01   |
| 0.952180E-01   | 0.5727270E-02  | -0.            | 0.4203983E-02  | 0.3534969E-01  | 0.6574194E-01   | 0.5890113E-03   |
| -0.            | 0.8614166E-01  | 0.7190669E-01  | 0.4907568E-01  | 0.2035317E-01  | 0.2372501E-01   | 0.4318955E-01   |
| -0.3634841E-01 | -0.1388038E-03 | -0.189416E-01  | -0.3333476E-01 | 0.5731933E-02  | -0.             | 0.4281863E-02   |
| -0.3530885E-01 | -0.2538761E-01 | -0.1163366E-01 | 0.8420589E-01  | 0.8615160E-01  | -0.7193811E-01  | -0.4909774E-01  |
| -0.2338574E-01 | -0.6573701E-01 | -0.113701E-01  | 0.113701E-01   | -0.1225520E-01 | -0.3525247E-01  | -0.5312775E-01  |
| -0.6358171E-01 | -0.6608310E-01 | 0.6115924E-01  | -0.4948016E-01 | 0.3222383E-01  | -0.1141188E-01  | -0.4938235E-01  |
| 0.1517131E-01  | 0.173071E-01   | 0.173071E-01   | 0.6991837E-01  | 0.112666E-00   | 0.1362545E-00   | 0.1436651E-00   |
| 0.1546973E-00  | 0.1107564E-00  | 0.7433045E-01  | 0.2987964E-01  | -0.1707126E-01 | 0.1164483E-01   | 0.              |
| 0.1226001E-01  | 0.3578947E-01  | 0.5377315E-01  | 0.6423929E-01  | 0.6666382E-01  | 0.6162543E-01   | 0.4982037E-01   |
| 0.3243635E-01  | -0.1149487E-01 | 0.4856397E-01  | -0.1532988E-01 | -0.            | -0.1736593E-01  | 0.6991234E-01   |
| -0.1112539E-00 | -0.1362828E-00 | 0.1437424E-00  | -0.1348263E-00 | 0.1108826E-00  | -0.7442056E-01  | 0.2992396E-01   |
| 0.155249E-00   | 0.1524643E-00  | 0.146964E-00   | 0.1414825E-00  | 0.1360235E-00  | 0.1305415E-00   | 0.1251045E-00   |
| 0.1197297E-00  | 0.1143051E-00  | 0.1059875E-00  | 0.1037093E-00  | 0.9854101E-01  | 0.9340532E-01   | 0.8839196E-01   |
| 0.8338180E-01  | 0.7853134E-01  | 0.7377325E-01  | 0.6920648E-01  | 0.6513188E-01  | 0.6155881E-01   | 0.5843290E-01   |
| 0.5565874E-01  | 0.5307951E-01  | 0.1345651E-00  | 0.5456631E-01  | 0.5060357E-01  | 0.4828802E-01   | 0.4608173E-01   |
| 0.1358494E-05  | 0.             | -0.3422976E-02 | 0.3963993E-01  | 0.             | 0.              | 0.              |
| -0.8941384E-01 | -0.8813053E-01 | -0.8813053E-01 | -0.8275374E-01 | -0.7851126E-01 | -0.             | -0.7594409E-01  |
| -0.7406071E-01 | -0.7316641E-01 | -0.7267415E-01 | -0.6926423E-01 | -0.5921651E-01 | -0.4328511E-01  | -0.2432041E-01  |
| -0.438371E-02  | 0.2038706E-01  | 0.764904E-01   | -0.107694E-14  | -0.1047034E-00 | -0.1047034E-00  | -0.1160794E-00  |
| -0.1196242E-00 | -0.1127020E-00 | -0.965574E-00  | -0.7321460E-01 | -0.4656306E-01 | -0.2127195E-01  | -0.1988735E-02  |
| 0.3999107E-01  | 0.4766408E-01  | 0.4982583E-15  | 0.4784932E-01  | 0.5301611E-01  | 0.5454831E-01   | 0.5125369E-01   |
| 0.4367370E-01  | 0.3276065E-01  | 0.202937E-01   | 0.8397526E-02  | -0.8188266E-03 | 0.8859017E-01   | 0.1052073E-00   |
| 0.4421482E-15  | 0.1256263E-00  | 0.1169315E-00  | 0.1205205E-00  | 0.1136520E-00  | 0.9747490E-01   | 0.7400135E-01   |
| 0.4715977E-01  | 0.2159997E-01  | 0.212419E-02   | -0.3848226E-01 | -0.4624792E-01 | -0.8764074E-15  | -0.4642887E-01  |
| -0.5154154E-01 | -0.5298036E-01 | -0.4963797E-01 | -0.4214129E-01 | -0.3146534E-01 | -0.1935038E-01  | -0.7847130E-02  |
| 0.115939E-02   | -0.7943494E-01 | -0.7863752E-01 | 0.5502456E-15  | -0.7863103E-01 | -0.7804339E-01  | -0.7582090E-01  |
| -0.6996898E-01 | -0.6031741E-01 | -0.4663101E-01 | -0.3061811E-01 | -0.1452755E-01 | -0.5679460E-03  | -0.3031263E-01  |
| -0.3052501E-01 | 0.5021418E-15  | -0.3035716E-01 | -0.3097766E-01 | -0.3080465E-01 | -0.2911954E-01  | -0.2575493E-01  |
| -0.261845E-01  | -0.1438692E-01 | -0.7995949E-02 | -0.2406318E-02 | 0.8048729E-01  | 0.7929603E-01   | 0.3146957E-15   |
| 0.7927284E-01  | 0.7829820E-01  | 0.7579507E-01  | 0.6981247E-01  | 0.6009052E-01  | 0.4642707E-01   | 0.3048029E-01   |
| 0.1447456E-01  | 0.5915698E-03  | 0.3061586E-01  | 0.2894432E-01  | -0.9040046E-16 | 0.2898804E-01   | 0.2880305E-01   |
| 0.2661497E-01  | 0.2718464E-01  | 0.2415795E-01  | 0.1936552E-01  | 0.1349091E-01  | 0.7479142E-02   | 0.2243951E-02   |
| 0.7308490E-04  | 0.6808325E-04  | 0.5143037E-04  | -0.7175647E-02 | 0.6760156E-04  | -0.3123611E-06  | 0.7078842E-02   |
| 0.7086537E-02  | 0.1563764E-01  | 0.1563387E-01  | -0.1514756E-01 | -0.7183496E-02 | -0.1558905E-01  | -0.1560889E-01  |
| -0.3704565E-02 | -0.5542395E-02 | 0.1051507E-01  | 0.1514756E-01  | 0.3635684E-02  | 0.5488037E-02   | -0.1051826E-01  |
| -0.1514444E-01 | -0.8210023E-05 | 0.1671745E-05  | -0.6839761E-05 | -0.9240736E-07 | 0.1098971E-01   | 0.2654088E-02   |
| 0.3333601E-01  | -0.484611E-05  | 0.1969527E-03  | -0.4320044E-05 | 0.1200594E-01  | -0.3033279E-01  | -0.43436975E-02 |
| 0.1607843E-04  | 0.1716010E-04  | -0.1781633E-05 | -0.1120899E-01 | 0.2619593E-02  | 0.3039509E-01   | -0.5147505E-05  |
| 0.1998682E-03  | 0.5612267E-05  | -0.127601E-01  | -0.3026837E-01 | 0.4289552E-02  | -0.1668183E-04  | 0.1580530E-04   |
| 0.1773890E-03  | 0.3755194E-02  | 0.2856843E-01  | -0.2621041E-04 | 0.2292872E-03  | -0.3093969E-04  | 0.8537226E-04   |
| 0.2654328E-01  | -0.2546039E-02 | 0.8593426E-02  | 0.1839813E-06  | -0.2055906E-05 | 0.1362011E-04   | -0.3757123E-02  |
| -0.2858663E-01 | 0.3414961E-04  | -0.2290715E-03 | 0.2987555E-04  | -0.8566183E-04 | -0.26444858E-01 | -0.2515388E-02  |
| -0.8582168E-02 | -0.1083022E-05 | 0.2048961E-03  | -0.145424E-04  | -0.145424E-04  | -0.145424E-04   | -0.145424E-04   |

|                 |                |                |                |                 |                |                |
|-----------------|----------------|----------------|----------------|-----------------|----------------|----------------|
| 0.1047252E-00   | 0.1031122E-00  | 0.99868430E-01 | 0.9665696E-01  | 0.9344199E-01   | 0.9023872E-01  | 0.8705562E-01  |
| 0.838824E-01    | 0.8072897E-01  | 0.7759559E-01  | 0.7450763E-01  | 0.7146854E-01   | 0.6846865E-01  | 0.6550862E-01  |
| 0.6259046E-01   | 0.5972751E-01  | 0.5693435E-01  | 0.5424303E-01  | 0.5183540E-01   | 0.4970875E-01  | 0.4781366E-01  |
| 0.4611927E-01   | 0.4453794E-01  | 0.4257050E-01  | 0.4054461E-01  | 0.3902226E-01   | 0.3751516E-01  | 0.3619686E-01  |
| -0.             | -0.            | -0.3251984E-02 | 0.3700230E-01  | -0.             | -0.            | -0.            |
| -0.6384088E-01  | -0.6235829E-01 | -0.6235829E-01 | -0.6235829E-01 | -0.6235829E-01  | -0.6235829E-01 | -0.6235829E-01 |
| -0.6500688E-01  | -0.6215471E-01 | -0.6215471E-01 | -0.6215471E-01 | -0.6215471E-01  | -0.6215471E-01 | -0.6215471E-01 |
| -0.5606365E-02  | 0.1464862E-01  | -0.265611E-01  | 0.1563191E-02  | -0.4821618E-01  | 0.2492049E-02  | 0.2623102E-01  |
| 0.4510839E-01   | 0.5668557E-01  | 0.6051577E-01  | 0.5700473E-01  | 0.4686498E-01   | 0.3117007E-01  | 0.1185910E-01  |
| 0.4225440E-01   | 0.3507231E-02  | -0.            | 0.2193102E-02  | 0.3088203E-01   | -0.5777289E-01 | -0.7460477E-01 |
| 0.8080331E-01   | 0.7672743E-01  | 0.634704E-01   | 0.4256052E-01  | 0.1671649E-01   | 0.2692607E-01  | 0.1359141E-02  |
| -0.             | -0.2277928E-02 | -0.258364E-01  | -0.4458984E-01 | -0.5610780E-01  | -0.5994112E-01 | -0.5649796E-01 |
| -0.4648079E-01  | -0.3095014E-01 | -0.1183431E-01 | -0.4220476E-01 | -0.3561696E-02  | -0.            | -0.2240375E-02 |
| 0.3075835E-01   | 0.5760243E-01  | 0.7441308E-01  | 0.8062010E-01  | 0.7657242E-01   | 0.6336539E-01  | 0.4252427E-01  |
| 0.1675491E-01   | -0.3737578E-01 | 0.3207319E-01  | 0.1642191E-00  | 0.3438770E-01   | 0.9297465E-01  | 0.1402765E-01  |
| 0.1688563E-00   | 0.1767928E-00  | 0.1642191E-00  | 0.1642191E-00  | 0.8723087E-01   | 0.3205025E-01  | 0.8398026E-02  |
| -0.3171192E-02  | 0.2271068E-01  | -0.3581178E-02 | 0.1331978E-00  | -0.2242556E-01  | -0.2779767E-01 | -0.2961201E-01 |
| -0.2776952E-01  | -0.9268040E-01 | -0.150833E-01  | -0.5905150E-02 | 0.3729428E-01   | -0.3193359E-01 | -0.            |
| -0.3424804E-01  | -0.3199326E-01 | -0.1398867E-00 | 0.1684157E-00  | -0.1763503E-00  | -0.1638171E-00 | -0.1328785E-00 |
| 0.2348765E-01   | 0.2896500E-01  | 0.30773E-01    | 0.2882030E-01  | -0.             | 0.4118496E-02  | 0.1466860E-01  |
| -0.7457683E-01  | -0.7335080E-01 | 0.7090236E-01  | 0.6845733E-01  | 0.1563211E-01   | 0.1563211E-01  | 0.6106362E-02  |
| -0.5878959E-01  | -0.5640911E-01 | -0.5403475E-01 | -0.5169183E-01 | -0.6360355E-01  | -0.6360355E-01 | -0.6119882E-01 |
| -0.4264313E-01  | -0.4045045E-01 | -0.383136E-01  | -0.3623358E-01 | -0.4711428E-01  | -0.4711428E-01 | -0.4485110E-01 |
| -0.2973033E-01  | -0.2839494E-01 | -0.5437948E-01 | -0.2916345E-01 | -0.3437410E-01  | -0.3268648E-01 | -0.3114332E-01 |
| -0.2379073E-04  | 0.             | 0.178091E-02   | -0.2218045E-01 | -0.2710384E-01  | -0.2584857E-01 | -0.2464230E-01 |
| 0.              | 0.4173171E-01  | 0.4150466E-01  | 0.439174E-01   | 0.              | 0.             | 0.             |
| 0.4611633E-01   | 0.4535025E-01  | 0.4317746E-01  | 0.3905882E-01  | 0.4511582E-01   | 0.2375171E-01  | 0.1403609E-01  |
| 0.3456899E-02   | -0.9574230E-02 | 0.720811E-01   | 0.9305721E-01  | 0.3230246E-01   | 0.9350588E-01  | 0.1069024E-00  |
| 0.116219E-00    | 0.1063200E-00  | 0.920305E-01   | 0.9136545E-01  | 0.5535087E-14   | 0.2363277E-01  | 0.4712830E-02  |
| 0.4976750E-01   | 0.6788063E-01  | -0.1220087E-13 | 0.6832400E-01  | 0.8084149E-01   | 0.8652572E-01  | 0.8381209E-01  |
| 0.7359911E-01   | 0.5777965E-01  | 0.3885406E-01  | 0.1999969E-01  | 0.4800900E-02   | -0.7395406E-01 | -0.9230021E-01 |
| -0.3259371E-13  | -0.9268239E-01 | -0.1040291E-00 | -0.1071694E-00 | -0.1010369E-00  | -0.8667602E-01 | -0.6655400E-01 |
| -0.4349558E-01  | -0.2112784E-01 | -0.3371422E-02 | -0.5170448E-01 | -0.6768322E-01  | 0.1080088E-12  | -0.6804959E-01 |
| -0.7875032E-01  | -0.8295855E-01 | -0.7942576E-01 | -0.6905145E-01 | -0.53664929E-01 | -0.3555718E-01 | -0.1775907E-01 |
| -0.3552149E-02  | 0.1385886E-01  | 0.1516391E-01  | 0.9642325E-14  | -0.1519680E-01  | 0.1596311E-01  | 0.1591943E-01  |
| 0.1502348E-01   | 0.7692523E-01  | 0.1055184E-01  | 0.7441330E-02  | 0.4150086E-02   | 0.1026177E-02  | 0.7377162E-01  |
| 0.5276255E-01   | 0.3693998E-01  | 0.2041151E-01  | 0.5307435E-02  | -0.1734279E-01  | 0.7509327E-01  | 0.6592097E-01  |
| -0.1907885E-01  | -0.2021915E-01 | -0.2040022E-01 | -0.1938579E-01 | 0.1702278E-01   | -0.1363641E-01 | -0.8656509E-14 |
| -0.5754335E-02  | -0.8334334E-03 | -0.7640894E-01 | -0.7957437E-01 | -0.1127320E-13  | -0.7969963E-01 | -0.8212973E-02 |
| -0.8175616E-01  | -0.7701834E-01 | -0.6748396E-01 | -0.5385264E-01 | -0.3747158E-01  | -0.2037084E-01 | -0.4736483E-02 |
| -0.1569220E-04  | -0.1595518E-04 | -0.1695013E-04 | -0.1695014E-04 | 0.2669773E-04   | 0.9246052E-05  | 0.9968233E-02  |
| 0.9953021E-02   | -0.1421430E-01 | -0.1417711E-01 | -0.9852689E-02 | -0.9812281E-02  | 0.1408534E-01  | 0.1404172E-01  |
| 0.9327609E-02   | 0.1582827E-01  | -0.8659941E-03 | -0.2356290E-02 | -0.9323247E-02  | -0.1580197E-01 | 0.8383066E-03  |
| 0.231477E-02    | 0.3788282E-05  | -0.1006381E-03 | -0.1562218E-03 | 0.4306959E-05   | 0.5071424E-02  | 0.2274029E-01  |
| -0.1532813E-01  | 0.7383708E-05  | -0.1111186E-03 | -0.1699642E-03 | -0.1803933E-01  | -0.1540816E-01 | -0.2251138E-01 |
| 0.4803821E-05   | -0.1590587E-03 | 0.9774576E-04  | -0.5263367E-02 | -0.2318737E-01  | 0.1589148E-01  | 0.1193313E-05  |
| 0.1089299E-03   | 0.170691E-03   | 0.1764465E-01  | 0.148888E-01   | 0.2303781E-01   | 0.4336595E-05  | 0.1570274E-03  |
| -0.92460857E-04 | 0.2099692E-01  | -0.1418959E-01 | 0.7135842E-02  | -0.1235099E-03  | -0.1607635E-03 | 0.9028521E-06  |
| -0.1388427E-01  | -0.2173299E-01 | -0.3994851E-02 | -0.1796485E-03 | 0.1040804E-03   | -0.1280209E-04 | -0.2073414E-01 |
| 0.1451298E-01   | -0.7055940E-02 | 0.1205988E-03  | 0.1587416E-03  | 0.7849650E-05   | 0.1399294E-01  | 0.2207205E-01  |
| 0.4074065E-02   | 0.1794371E-03  | -0.1072508E-03 | 0.2316846E-04  |                 |                |                |

|                |                |                |                |                |                |                |
|----------------|----------------|----------------|----------------|----------------|----------------|----------------|
| 0.2082490E-00  | 0.2021425E-00  | 6.1899205E-00  | 0.1776829E-00  | 0.1654887E-00  | 0.1533050E-00  | 0.1411815E-00  |
| 0.1291076E-00  | 0.1170445E-00  | 0.1050331E-00  | 0.9313107E-01  | 0.8129971E-01  | 0.6955379E-01  | 0.5791813E-01  |
| 0.4633856E-01  | 0.3487666E-01  | 0.2355579E-01  | 0.1243130E-01  | 0.1866862E-02  | -0.8175709E-02 | -0.1777120E-01 |
| -0.2698346E-01 | -0.3599149E-01 | -0.9182508E-01 | -0.3078722E-01 | -0.4489490E-01 | -0.5365819E-01 | -0.6230650E-01 |
| 0.             | 0.             | 0.4998617E-02  | -0.8408828E-01 | 0.             | 0.             | 0.             |
| -0.3413847E-01 | -0.2798722E-01 | -0.2231719E-01 | -0.3087033E-01 | -0.3221856E-01 | 0.             | -0.3321132E-01 |
| -0.3413847E-01 | -0.3470644E-01 | -0.3388382E-01 | -0.3141126E-01 | -0.2741110E-01 | -0.2378373E-01 | -0.2225773E-01 |
| -0.3891347E-01 | -0.3616300E-01 | -0.1785632E-01 | -0.6079120E-02 | 0.             | 0.6776523E-02  | 0.2547987E-01  |
| 0.4891585E-01  | 0.4528502E-01  | 0.4441939E-01  | 0.3682477E-01  | 0.2333390E-01  | 0.5075449E-02  | 0.1620644E-01  |
| -0.4271019E-02 | -0.2336263E-02 | 0.             | -0.2369217E-02 | -0.2408233E-02 | -0.2985089E-02 | -0.2851984E-02 |
| -0.2290078E-02 | -0.1094221E-02 | 0.2750754E-03  | 0.1574083E-02  | 0.2665984E-02  | 0.1780295E-01  | -0.5834746E-02 |
| 0.             | -0.6543883E-02 | -0.2504966E-01 | -0.3836879E-01 | 0.2665712E-01  | 0.2985089E-02  | -0.3632874E-01 |
| -0.2432051E-02 | -0.4834816E-02 | 0.1627044E-01  | 0.4351171E-02  | 0.2316553E-02  | 0.4385953E-01  | 0.2437094E-02  |
| -0.2643688E-02 | 0.2997237E-02  | 0.2910064E-02  | 0.2378947E-02  | 0.1172974E-02  | -0.2123158E-03 | -0.1512202E-02 |
| 0.495534E-01   | 0.4089404E-01  | 0.3472978E-01  | -0.            | 0.8831364E-02  | 0.2344277E-01  | 0.3500771E-01  |
| 0.2946020E-02  | -0.            | 0.3457344E-02  | 0.2339065E-01  | 0.8051380E-02  | -0.9606797E-02 | 0.1549848E-01  |
| 0.2846513E-01  | 0.2016039E-01  | 0.8233782E-02  | 0.1700539E-01  | 0.2665712E-01  | 0.3196166E-01  | 0.3245653E-01  |
| -0.8006230E-02 | 0.2197161E-01  | -0.3318094E-01 | -0.6024085E-02 | 0.8440076E-02  | -0.7416115E-02 | -0.            |
| -0.7998078E-02 | 0.8782048E-02  | 0.1535021E-01  | -0.3900500E-01 | -0.3909492E-01 | -0.3331480E-01 | -0.2256920E-01 |
| -0.2616488E-01 | -0.3135905E-01 | -0.3170162E-01 | -0.2749533E-02 | -0.            | -0.3228862E-02 | -0.1657639E-01 |
| 0.7211527E-01  | 0.7005933E-01  | 0.6590445E-01  | 0.6178141E-01  | 0.1910969E-01  | -0.7058894E-02 | 0.7281097E-02  |
| 0.4582860E-01  | 0.4112316E-01  | 0.3705415E-01  | 0.3299974E-01  | 0.5766144E-01  | 0.5349430E-01  | 0.4935706E-01  |
| 0.1703271E-01  | 0.1315570E-01  | 0.9295252E-02  | 0.5534495E-02  | 0.2898183E-01  | 0.2495041E-01  | 0.2102603E-01  |
| -0.7547555E-02 | -0.1047266E-01 | -0.4170865E-02 | -0.8770706E-02 | 0.1959897E-02  | -0.1407482E-02 | -0.4548965E-02 |
| -0.2394641E-03 | -0.            | 0.1453984E-02  | -0.2724623E-02 | -0.1337354E-01 | -0.1616812E-01 | -0.1892509E-01 |
| -0.            | -0.2036204E-01 | -0.1528099E-01 | -0.1613188E-01 | -0.            | -0.            | -0.            |
| -0.1105701E-01 | -0.1225818E-01 | -0.1371791E-01 | -0.1375219E-01 | -0.1308518E-01 | -0.            | -0.1160287E-01 |
| -0.6742309E-02 | -0.9855327E-02 | -0.1260274E-01 | 0.5429104E-02  | -0.1429080E-01 | -0.8369524E-02 | -0.6360670E-02 |
| 0.2913803E-01  | 0.3432024E-01  | 0.3473195E-01  | 0.3153051E-01  | 0.5933731E-02  | 0.1949040E-01  | 0.             |
| -0.2702249E-01 | -0.9729324E-01 | -0.1075035E-13 | -0.9924766E-01 | 0.1831888E-01  | 0.1145316E-01  | 0.             |
| -0.1766010E-00 | -0.1415112E-00 | -0.9354999E-01 | -0.4077706E-01 | -0.1519488E-00 | -0.1926080E-00 | 0.             |
| -0.2935612E-13 | 0.2278427E-01  | 0.4279745E-01  | 0.5749934E-01  | 0.7362023E-02  | 0.2197362E-01  | 0.             |
| 0.3855289E-01  | 0.2263637E-01  | 0.8519396E-02  | 0.9502399E-03  | 0.6359753E-01  | 0.5250259E-01  | 0.             |
| 0.1626713E-00  | 0.2092890E-00  | 0.2255978E-00  | 0.2127408E-00  | 0.9061467E-01  | 0.9921904E-13  | 0.9324195E-01  |
| -0.5847705E-02 | -0.4686371E-01 | -0.5986250E-01 | 0.8662516E-14  | 0.1759450E-00  | 0.1224528E-00  | 0.6187760E-01  |
| -0.8867337E-01 | -0.8484464E-01 | -0.7354222E-01 | -0.5685575E-01 | -0.6049273E-01 | -0.7400913E-01 | -0.8477975E-01 |
| 0.5248425E-01  | -0.1162981E-13 | 0.2272499E-01  | 0.3606058E-01  | -0.3783548E-01 | -0.2018241E-01 | 0.7062136E-02  |
| 0.5242324E-01  | 0.4599408E-01  | 0.3765317E-01  | 0.2957745E-01  | 0.4692481E-01  | 0.5359789E-01  | 0.5524088E-01  |
| 0.2021317E-01  | 0.3040755E-01  | 0.3963708E-01  | 0.4524270E-01  | 0.9884579E-02  | 0.1975437E-01  | -0.8080902E-14 |
| 0.3109935E-01  | 0.2448688E-01  | -0.4450391E-01 | -0.6366705E-01 | 0.4676880E-01  | 0.4407846E-01  | 0.3831960E-01  |
| -0.9255023E-01 | -0.9726944E-01 | -0.9348258E-01 | -0.8199036E-01 | 0.9680379E-14  | -0.6432897E-01 | -0.8060998E-01 |
| 0.2156715E-05  | 0.1371519E-05  | -0.1791402E-05 | -0.1791444E-05 | -0.6456489E-01 | -0.4438153E-01 | -0.2525827E-01 |
| -0.8741892E-01 | 0.1369461E-02  | 0.1406952E-02  | 0.8793070E-02  | 0.8933752E-04  | 0.6604784E-04  | -0.8782213E-02 |
| -0.1611138E-01 | -0.1498962E-01 | -0.1299279E-01 | -0.1385765E-01 | 0.1731232E-01  | -0.1386475E-02 | -0.1428408E-02 |
| -0.1184748E-01 | 0.2306089E-04  | -0.5158511E-04 | 0.1417849E-03  | 0.5407927E-04  | 0.1697457E-01  | 0.1173405E-01  |
| -0.7783330E-02 | 0.3490538E-04  | -0.7802472E-04 | 0.1116852E-03  | 0.1447276E-01  | -0.1729260E-01 | -0.4388202E-01 |
| 0.7601759E-04  | 0.3282333E-03  | -0.1059623E-04 | 0.4947754E-02  | 0.3764553E-01  | 0.1315952E-01  | 0.7309301E-04  |
| 0.1469761E-04  | -0.6362764E-04 | -0.1678809E-01 | 0.1156543E-01  | -0.4292342E-01 | 0.3923479E-04  | -0.3209355E-03 |
| -0.4717494E-04 | -0.3958472E-01 | -0.1051445E-02 | -0.2828751E-02 | -0.6000087E-04 | 0.1171793E-03  | -0.6612751E-05 |
| -0.1986243E-01 | 0.4353032E-01  | -0.2747368E-02 | 0.2088087E-04  | 0.1200508E-03  | 0.6788623E-04  | 0.4373611E-01  |
| 0.1453290E-01  | 0.3956485E-02  | 0.6281403E-04  | -0.1689460E-04 | 0.1433829E-03  | 0.2071034E-01  | -0.3953472E-01 |
| 0.3646220E-02  | -0.6615379E-04 | -0.1424214E-03 | 0.3607503E-04  | -0.            | -0.            | -0.            |

|               |               |               |               |               |               |               |
|---------------|---------------|---------------|---------------|---------------|---------------|---------------|
| 0.7019003E-01 | 0.6810493E-01 | 0.6393261E-01 | 0.5975680E-01 | 0.5559487E-01 | 0.5143782E-01 | 0.4730043E-01 |
| 0.4317893E-01 | 0.3906174E-01 | 0.3496248E-01 | 0.3089983E-01 | 0.2686357E-01 | 0.2285522E-01 | 0.1888320E-01 |
| 0.1493204E-01 | 0.1102065E-01 | 0.7157063E-02 | 0.3361438E-02 | 0.2439942E-03 | 0.1918582E-01 | 0.1493204E-01 |
| 0.1008649E-01 | 0.1315946E-01 | 0.3454454E-01 | 0.1138395E-01 | 0.1619615E-01 | 0.1918582E-01 | 0.1493204E-01 |
| 0.            | 0.            | 0.1723724E-02 | 0.2959443E-01 | 0.            | 0.            | 0.            |
| 0.            | 0.6991142E-02 | 0.5232587E-02 | 0.7769540E-02 | 0.8117519E-02 | 0.            | 0.8353000E-02 |
| 0.8536234E-02 | 0.8510124E-02 | 0.8070023E-02 | 0.715949E-02  | 0.5935876E-02 | 0.5084665E-02 | 0.5143836E-02 |
| 0.660988E-02  | 0.1144197E-01 | 0.2066951E-02 | 0.8278395E-03 | 0.            | 0.7663489E-03 | 0.5460353E-03 |
| 0.1738028E-02 | 0.2472729E-02 | 0.2812281E-02 | 0.2678988E-02 | 0.2181067E-02 | 0.1399274E-02 | 0.4590132E-03 |
| 0.1489997E-01 | 0.1849640E-02 | 0.            | 0.247733E-02  | 0.1668916E-01 | 0.2757719E-01 | 0.3284938E-03 |
| 0.3264505E-01 | 0.2704541E-01 | 0.7277919E-03 | 0.3389472E-02 | 0.1230132E-01 | 0.2063344E-02 | 0.7135082E-03 |
| 0.            | 0.6556527E-03 | 0.4668138E-03 | 0.1959066E-02 | 0.2693180E-02 | 0.3027072E-02 | 0.2861141E-02 |
| 0.2309770E-02 | 0.1464254E-02 | 0.3282977E-01 | 0.1487181E-01 | 0.1827844E-02 | 0.            | 0.2421593E-02 |
| 0.1666187E-01 | 0.2754433E-01 | 0.3924139E-02 | 0.3263996E-01 | 0.2704857E-01 | 0.1698418E-01 | 0.3420891E-02 |
| 0.1226213E-01 | 0.8140008E-02 | 0.2364374E-01 | 0.1632534E-01 | 0.4337593E-02 | 0.1462469E-01 | 0.2275592E-01 |
| 0.2709804E-01 | 0.2742652E-01 | 0.7387139E-02 | 0.4830513E-02 | 0.6239600E-02 | 0.5479496E-02 | 0.1136425E-01 |
| 0.            | 0.            | 0.1929777E-02 | 0.2655356E-01 | 0.2274224E-01 | 0.2800054E-01 | 0.2895620E-01 |
| 0.2534152E-01 | 0.1786147E-01 | 0.2225295E-01 | 0.1630176E-02 | 0.8035195E-02 | 0.3726414E-02 | 0.            |
| 0.438314E-02  | 0.1422816E-01 | 0.1135818E-01 | 0.1334895E-02 | 0.2691430E-01 | 0.2323011E-01 | 0.1607049E-01 |
| 0.6195106E-02 | 0.5280146E-02 | 0.2931336E-01 | 0.1814317E-01 | 0.1824688E-01 | 0.2100877E-02 | 0.1360958E-01 |
| 0.2303279E-01 | 0.2064572E-01 | 0.1933995E-00 | 0.1814317E-01 | 0.1689526E-00 | 0.7764780E-02 | 0.4479873E-02 |
| 0.2127251E-00 | 0.1194860E-00 | 0.1072279E-00 | 0.9504492E-01 | 0.8299593E-01 | 0.1565319E-00 | 0.1441545E-00 |
| 0.1317894E-00 | 0.4732550E-01 | 0.247197E-01  | 0.1272252E-01 | 0.1924160E-02 | 0.7102995E-01 | 0.5911218E-01 |
| 0.2761244E-01 | 0.3686319E-01 | 0.1058794E-00 | 0.3152102E-01 | 0.4598631E-01 | 0.8323677E-02 | 0.1815320E-01 |
| 0.1081346E-03 | 0.            | 0.4514545E-02 | 0.8555109E-01 | 0.            | 0.5501785E-01 | 0.6393261E-01 |
| 0.            | 0.2391990E-01 | 0.1920127E-01 | 0.2986263E-01 | 0.            | 0.            | 0.            |
| 0.3702965E-01 | 0.3734989E-01 | 0.3533314E-01 | 0.3119457E-01 | 0.            | 0.2009486E-01 | 0.3537780E-01 |
| 0.1763746E-01 | 0.2866002E-01 | 0.2388741E-01 | 0.1699000E-01 | 0.2538872E-01 | 0.2009486E-01 | 0.1701296E-01 |
| 0.1921130E-00 | 0.2025090E-00 | 0.1882971E-00 | 0.157262E-00  | 0.1081450E-14 | 0.9910094E-01 | 0.1554361E-00 |
| 0.5510418E-02 | 0.5474146E-02 | 0.2895874E-14 | 0.5833284E-02 | 0.1053282E-01 | 0.5146984E-01 | 0.2309381E-02 |
| 0.2479885E-01 | 0.2174849E-01 | 0.1660223E-01 | 0.1348114E-01 | 0.1490875E-01 | 0.2165491E-01 | 0.2490372E-01 |
| 0.6205942E-14 | 0.1081623E-00 | 0.1778178E-00 | 0.2243119E-00 | 0.4861907E-02 | 0.1603448E-01 | 0.1055105E-00 |
| 0.1303361E-00 | 0.672240E-01  | 0.1054485E-01 | 0.5463645E-02 | 0.2354980E-00 | 0.2250931E-00 | 0.1861327E-00 |
| 0.572244E-02  | 0.5350990E-02 | 0.4484101E-02 | 0.3354947E-02 | 0.5698888E-02 | 0.1636445E-13 | 0.5699626E-02 |
| 0.1644297E-02 | 0.1809433E-01 | 0.3378218E-01 | 0.2742155E-14 | 0.1985882E-02 | 0.5744785E-03 | 0.7045733E-03 |
| 0.6339984E-01 | 0.6248621E-01 | 0.5630270E-01 | 0.4597500E-01 | 0.3433015E-01 | 0.4788002E-01 | 0.5822893E-01 |
| 0.2628581E-01 | 0.1079716E-14 | 0.2679619E-01 | 0.3902491E-01 | 0.3357904E-01 | 0.2165940E-01 | 0.1274937E-01 |
| 0.4957906E-01 | 0.4115979E-01 | 0.3081055E-01 | 0.2081857E-01 | 0.4881852E-01 | 0.5416398E-01 | 0.5424978E-01 |
| 0.5259960E-01 | 0.6764156E-01 | 0.7869042E-01 | 0.8310190E-01 | 0.7978560E-01 | 0.5197560E-01 | 0.8199665E-15 |
| 0.3671961E-01 | 0.1979739E-01 | 0.2964626E-01 | 0.448631E-01  | 0.6971930E-01 | 0.4503650E-01 | 0.5827549E-01 |
| 0.0835301E-01 | 0.7273849E-01 | 0.7040871E-01 | 0.6197734E-01 | 0.4884327E-01 | 0.334321E-01  | 0.1874438E-01 |
| 0.3416053E-04 | 0.3425856E-04 | 0.3479938E-04 | 0.3479938E-04 | 0.6217554E-04 | 0.3859101E-04 | 0.4680977E-03 |
| 0.4737168E-03 | 0.9011570E-02 | 0.9003742E-02 | 0.3854170E-03 | 0.3932296E-03 | 0.9090567E-02 | 0.9079833E-02 |
| 0.1442498E-01 | 0.1375343E-01 | 0.1676536E-01 | 0.1552110E-01 | 0.1472820E-01 | 0.1426596E-01 | 0.1710877E-01 |
| 0.1603519E-01 | 0.1608885E-04 | 0.1344687E-03 | 0.5186212E-04 | 0.2418648E-04 | 0.1421793E-01 | 0.178354E-01  |
| 0.052682E-01  | 0.3467067E-04 | 0.3099776E-03 | 0.7501678E-05 | 0.6382424E-02 | 0.3111534E-01 | 0.1389403E-01 |
| 0.5115746E-04 | 0.6259921E-04 | 0.8099525E-04 | 0.1633382E-01 | 0.1511402E-01 | 0.3783141E-01 | 0.1421151E-04 |
| 0.3311332E-03 | 0.2649919E-04 | 0.776723E-02  | 0.3374947E-01 | 0.1053266E-01 | 0.1682362E-06 | 0.6609984E-04 |
| 0.9943300E-04 | 0.2080555E-01 | 0.3419023E-01 | 0.3659958E-02 | 0.2137668E-04 | 0.1484393E-03 | 0.3594984E-04 |
| 0.3411601E-01 | 0.1484931E-01 | 0.3294999E-02 | 0.6338463E-04 | 0.1498104E-03 | 0.1203348E-03 | 0.2236363E-01 |
| 0.3232705E-01 | 0.4138513E-02 | 0.2547956E-04 | 0.1679893E-03 | 0.2155239E-04 | 0.3344931E-01 | 0.1303201E-01 |
| 0.2864177E-02 | 0.7765156E-04 | 0.1366929E-03 | 0.7020343E-04 | 0.            | 0.            | 0.            |

|                |                |                |                |                |                |                |
|----------------|----------------|----------------|----------------|----------------|----------------|----------------|
| 0.3174306E-02  | 0.3071359E-02  | 0.2875543E-02  | 0.2693790E-02  | 0.2504871E-02  | 0.2330847E-02  | 0.2148616E-02  |
| 0.1956700E-02  | 0.1771688E-02  | 0.1591430E-02  | 0.1404554E-02  | 0.1242807E-02  | 0.1073711E-02  | 0.8884632E-03  |
| 0.7251742E-03  | 0.5585347E-03  | 0.3925417E-03  | 0.2372674E-03  | 0.8483280E-04  | 0.4251252E-04  | 0.1638109E-03  |
| -0.2834620E-03 | -0.3951064E-03 | -0.1932292E-02 | -0.3291824E-03 | -0.4967524E-03 | -0.6068517E-03 | -0.7155374E-03 |
| -0.            | -0.            | 0.3635445E-04  | -0.1039114E-02 | -0.            | -0.            | -0.            |
| 0.5351839E-03  | 0.5351839E-03  | 0.4866546E-03  | 0.6087757E-03  | 0.6450921E-03  | 0.8486481E-03  | 0.8226029E-03  |
| 0.8324952E-03  | 0.8324952E-03  | 0.9131817E-03  | 0.9667630E-03  | 0.9500052E-03  | 0.3745181E-03  | 0.6916049E-03  |
| 0.3306057E-03  | 0.3306057E-03  | 0.1119574E-02  | -0.3418285E-03 | -0.            | -0.            | -0.1407054E-02 |
| -0.2031166E-02 | -0.2149315E-02 | -0.            | -0.1051584E-02 | 0.5021858E-04  | 0.1389543E-02  | 0.2868163E-02  |
| 0.2093666E-02  | 0.1942672E-02  | 0.5799943E-03  | 0.3597223E-02  | 0.3319475E-02  | 0.4545867E-02  | 0.6653840E-02  |
| -0.3761963E-02 | -0.1743487E-02 | 0.1516915E-02  | 0.2234097E-02  | 0.6817404E-02  | -0.1310388E-02 | 0.3088193E-03  |
| -0.            | 0.3572040E-03  | -0.473451E-02  | -0.2203822E-02 | 0.2411499E-02  | 0.2047984E-02  | 0.1200552E-02  |
| -0.2319486E-04 | -0.1527294E-02 | 0.481896E-02   | 0.3639152E-02  | 0.9342780E-03  | -0.            | 0.9740646E-03  |
| 0.3114885E-02  | 0.4351062E-02  | 0.4473451E-02  | 0.1228937E-03  | 0.1924542E-02  | -0.4769079E-03 | -0.3378775E-02 |
| -0.6523193E-02 | -0.7393419E-03 | 0.4224990E-03  | 0.3315944E-02  | 0.4486794E-03  | 0.1246751E-02  | 0.1731186E-02  |
| 0.1833021E-02  | 0.1588613E-02  | 0.9996617E-03  | 0.6077001E-02  | -0.9598724E-03 | -0.2157250E-02 | 0.1608057E-02  |
| -0.1231089E-02 | 0.             | -0.1320335E-02 | 0.1228937E-03  | -0.4486794E-03 | -0.8072130E-03 | -0.3928077E-02 |
| -0.2287135E-02 | 0.6579400E-04  | -0.2933068E-02 | 0.1546072E-02  | -0.9598724E-03 | -0.5807949E-03 | 0.2407982E-03  |
| -0.8140259E-03 | -0.1372804E-02 | -0.1614516E-02 | -0.1946072E-02 | -0.9598724E-03 | 0.8824962E-03  | 0.3081437E-02  |
| 0.1201480E-02  | 0.2237110E-02  | -0.2247120E-02 | 0.7996818E-03  | -0.4486794E-03 | 0.2732560E-02  | 0.5991155E-02  |
| 0.4479216E-02  | 0.494234E-02   | 0.4194234E-02  | 0.2605734E-02  | 0.2222504E-03  | -0.2710466E-00 | 0.2498712E-00  |
| 0.3677012E-00  | 0.3569021E-00  | 0.3353333E-02  | 0.3138024E-00  | 0.2923517E-00  | 0.1261805E-00  | 0.1063902E-00  |
| 0.2287542E-00  | 0.207721E-00   | 0.1869567E-00  | 0.1663620E-00  | 0.1461576E-00  | 0.1261805E-00  | 0.1063902E-00  |
| 0.869471E-01   | 0.6777978E-01  | 0.4905237E-01  | 0.3095266E-01  | 0.1449922E-01  | -0.2895688E-03 | -0.1377665E-01 |
| -0.2614150E-01 | -0.3786264E-01 | -0.1333872E-00 | -0.3111839E-01 | -0.4921066E-01 | -0.6024051E-01 | -0.7090898E-01 |
| 0.3218244E-05  | 0.             | 0.2933194E-02  | -0.9679582E-01 | 0.             | 0.             | 0.             |
| 0.7615668E-02  | 0.7615668E-02  | 0.7678075E-02  | 0.9500447E-02  | 0.1072606E-01  | 0.             | 0.1214300E-01  |
| 0.1433017E-01  | 0.1433017E-01  | 0.2310355E-01  | 0.2692986E-01  | 0.2849121E-01  | 0.2649589E-01  | 0.2146024E-01  |
| 0.1332204E-01  | 0.7541004E-03  | -0.6164591E-02 | -0.2683496E-01 | 0.1983695E-14  | -0.2737047E-01 | -0.4196724E-01 |
| -0.4947418E-01 | -0.4846548E-01 | -0.4019805E-01 | -0.2707097E-01 | -0.1227118E-01 | 0.2288024E-03  | 0.6426688E-02  |
| 0.2708289E-02  | 0.1208955E-01  | -0.4791797E-14 | 0.1232003E-01  | 0.1888736E-01  | 0.2217278E-01  | 0.2156109E-01  |
| 0.1764256E-01  | 0.1153478E-01  | 0.4702711E-02  | -0.1050141E-02 | -0.3931412E-02 | 0.7201065E-02  | 0.2923377E-01  |
| -0.1260362E-13 | 0.2978919E-01  | 0.4526864E-01  | 0.5315313E-01  | 0.5196334E-01  | 0.4303826E-01  | 0.2893783E-01  |
| 0.1302466E-01  | -0.5233662E-03 | -0.7488211E-02 | -0.1833729E-02 | -0.1004915E-01 | 0.4125898E-13  | -0.1025593E-01 |
| -0.1606956E-01 | -0.1906644E-01 | -0.1865386E-01 | -0.1533592E-01 | -0.1010018E-01 | -0.4251663E-02 | 0.5929749E-03  |
| 0.2814774E-02  | 0.1410222E-02  | 0.2919351E-02  | 0.3733657E-14  | -0.2655187E-02 | -0.8334056E-04 | 0.6543149E-02  |
| 0.1464997E-01  | 0.2171195E-01  | 0.2591055E-01  | 0.2599702E-01  | 0.2134609E-01  | 0.1246627E-01  | 0.8603737E-03  |
| -0.8524920E-04 | -0.4865232E-14 | 0.6973379E-04  | 0.2170117E-02  | 0.5878893E-02  | 0.9823061E-02  | 0.1280862E-01  |
| 0.1405488E-01  | 0.1314525E-01  | 0.1002429E-01  | 0.5178264E-02  | -0.1887246E-02 | 0.1521464E-02  | -0.3265226E-14 |
| 0.1180911E-02  | -0.2877334E-02 | -0.1114406E-01 | -0.2056051E-01 | -0.2829169E-01 | -0.3237595E-01 | -0.3159547E-01 |
| -0.2550589E-01 | -0.1494007E-01 | 0.2130387E-03  | 0.1987912E-02  | 0.4410059E-14  | 0.1869912E-02  | 0.5358974E-03  |
| -0.2556936E-02 | -0.6237087E-02 | -0.9409288E-02 | -0.1130486E-01 | -0.1140065E-01 | -0.9446416E-02 | -0.5704282E-03 |
| -0.2057997E-03 | -0.2046094E-03 | -0.2005982E-03 | -0.2005982E-03 | 0.1226322E-03  | 0.5372791E-04  | -0.3637576E-02 |
| -0.3623908E-02 | -0.1008599E-01 | -0.1044687E-01 | 0.4374214E-02  | 0.4354259E-02  | 0.945075E-02   | 0.9401193E-02  |
| 0.4193241E-02  | 0.3292455E-02  | -0.1048416E-01 | -0.8036786E-02 | -0.4218108E-02 | 0.3248137E-02  | 0.1044642E-01  |
| 0.805578E-02   | 0.3364634E-04  | -0.1005475E-03 | 0.4064150E-06  | -0.7223089E-05 | -0.4680822E-02 | 0.7373605E-03  |
| -0.3313576E-02 | -0.8510386E-05 | -0.8342271E-04 | -0.9058195E-05 | -0.9137641E-02 | -0.2817287E-02 | -0.1413807E-02 |
| -0.4425907E-05 | -0.1348371E-04 | 0.1312683E-03  | 0.5223976E-02  | 0.4972448E-03  | 0.4632949E-02  | -0.7595824E-05 |
| 0.8186674E-04  | -0.2023232E-05 | 0.8466800E-02  | -0.3717121E-02 | 0.5935555E-04  | -0.9333677E-02 | 0.8510229E-04  |
| -0.1199514E-03 | -0.6927108E-03 | -0.3344632E-02 | -0.1017270E-03 | -0.8867130E-04 | 0.1088867E-04  | 0.7932E-05     |
| -0.3370419E-02 | -0.6014988E-03 | -0.3995635E-02 | 0.1215229E-04  | 0.9752395E-04  | 0.4651113E-05  | 0.1032E-05     |
| 0.2627683E-02  | 0.2219320E-03  | 0.7958169E-04  | -0.8879184E-05 | 0.417554E-06   | 0.3142585E-02  | 0.1294696E-05  |
| 0.4128887E-02  | -0.4051108E-05 | -0.1035314E-03 | -0.1658171E-04 | -0.            | -0.            | -0.            |



|               |               |               |               |               |               |                |
|---------------|---------------|---------------|---------------|---------------|---------------|----------------|
| 0.1417225E-02 | 0.1467631E-02 | 0.1409393E-02 | 0.1114328E-02 | 0.9646878E-03 | 0.5763274E-03 | 0.3623636E-03  |
| 0.3348097E-03 | 0.1974433E-03 | 0.2083572E-04 | 0.2047348E-04 | 0.3445727E-03 | 0.5379912E-03 | 0.4001149E-03  |
| 0.5851518E-03 | 0.6403433E-03 | 0.6198827E-03 | 0.6513586E-03 | 0.3832965E-03 | 0.1996867E-03 | 0.1569053E-03  |
| 0.7248361E-03 | 0.1288426E-02 | 0.8555597E-02 | 0.9302231E-03 | 0.1751534E-02 | 0.2436408E-02 | 0.3168800E-02  |
| 0.            | 0.            | 0.2762458E-03 | 0.4422232E-02 | 0.            | 0.            | 0.             |
| 0.            | 0.1976174E-02 | 0.2047565E-02 | 0.1658072E-02 | 0.1577024E-02 | 0.            | 0.1428696E-02  |
| 0.1159881E-02 | 0.5690427E-03 | 0.1107351E-04 | 0.4574089E-03 | 0.6440494E-03 | 0.4720714E-03 | 0.2555040E-04  |
| 0.6678929E-03 | 0.2122111E-02 | 0.3354281E-01 | 0.7387577E-02 | 0.            | 0.7195888E-02 | 0.5418163E-02  |
| 0.7974307E-02 | 0.6039107E-02 | 0.1847359E-02 | 0.8970631E-04 | 0.1952857E-03 | 0.5653519E-03 | 0.2508117E-02  |
| 0.8444443E-01 | 0.1952763E-01 | 0.            | 0.1874866E-01 | 0.1180095E-01 | 0.1701233E-01 | 0.1114430E-01  |
| 0.174839E-03  | 0.4493112E-02 | 0.5424664E-02 | 0.5101797E-02 | 0.8994352E-02 | 0.3193204E-01 | 0.6850366E-02  |
| 0.            | 0.6489953E-02 | 0.2563587E-02 | 0.7698089E-02 | 0.6157311E-02 | 0.1895584E-02 | 0.2131787E-02  |
| 0.6318587E-05 | 0.5422800E-03 | 0.537933E-02  | 0.8475051E-01 | 0.1939460E-01 | 0.            | 0.1938325E-01  |
| 0.1158860E-01 | 0.1710912E-01 | 0.8333153E-01 | 0.875051E-01  | 0.4328329E-02 | 0.4431246E-02 | 0.5000924E-02  |
| 0.8916129E-02 | 0.3630542E-01 | 0.1098531E-01 | 0.1951574E-02 | 0.1076014E-01 | 0.1260832E-02 | 0.3385796E-02  |
| 0.7313696E-03 | 0.4316312E-02 | 0.6292438E-02 | 0.6126812E-02 | 0.5313369E-02 | 0.5392978E-02 | 0.8830666E-01  |
| 0.2092544E-01 | 0.            | 0.1984276E-01 | 0.1414186E-01 | 0.2197967E-01 | 0.1653237E-01 | 0.3886230E-02  |
| 0.2328075E-02 | 0.3884788E-02 | 0.4830865E-02 | 0.8713996E-02 | 0.4119728E-01 | 0.1204402E-01 | 0.             |
| 0.1189611E-01 | 0.2483110E-02 | 0.537933E-02  | 0.2751574E-02 | 0.2930614E-02 | 0.5596748E-02 | 0.5890868E-02  |
| 0.5254192E-02 | 0.5342257E-02 | 0.8333153E-01 | 0.1935368E-01 | 0.            | 0.1856960E-01 | 0.1344309E-01  |
| 0.2190581E-01 | 0.1594635E-01 | 0.3898670E-02 | 0.1587368E-02 | 0.3022577E-02 | 0.4218066E-02 | 0.8454673E-02  |
| 0.2919750E-03 | 0.2836802E-00 | 0.2673694E-00 | 0.2509732E-00 | 0.2345967E-00 | 0.2188783E-00 | 0.2030903E-00  |
| 0.1868530E-00 | 0.1715179E-00 | 0.1565688E-00 | 0.1400772E-00 | 0.1246690E-00 | 0.1096691E-00 | 0.9407343E-01  |
| 0.7953845E-01 | 0.6436786E-01 | 0.4968529E-01 | 0.3516399E-01 | 0.2122037E-01 | 0.7838361E-02 | 0.5613491E-02  |
| 0.1875119E-01 | 0.3163129E-01 | 0.4349754E-00 | 0.2425357E-01 | 0.4422907E-01 | 0.5731877E-01 | 0.7018942E-01  |
| 0.2809963E-05 | 0.            | 0.2630878E-02 | 0.8669782E-01 | 0.            | 0.            | 0.             |
| 0.            | 0.1314262E-00 | 0.1342017E-00 | 0.4501057E-01 | 0.4634822E-02 | 0.            | 0.3275735E-01  |
| 0.4838177E-01 | 0.3238055E-01 | 0.1137326E-01 | 0.6335045E-01 | 0.9381535E-01 | 0.8746574E-01 | 0.6175667E-01  |
| 0.3241295E-01 | 0.3597690E-02 | 0.5567074E-01 | 0.1299362E-01 | 0.1640031E-14 | 0.1408837E-01 | 0.5231695E-01  |
| 0.6636943E-01 | 0.6661988E-01 | 0.5530958E-01 | 0.4337898E-01 | 0.2842845E-01 | 0.1089575E-01 | 0.3998756E-02  |
| 0.3118534E-01 | 0.2680588E-02 | 0.7787318E-15 | 0.2271096E-02 | 0.1298790E-01 | 0.1784859E-01 | 0.1764650E-01  |
| 0.1354510E-01 | 0.1006886E-01 | 0.5965321E-02 | 0.1005899E-02 | 0.2871765E-02 | 0.6769399E-01 | 0.1011000E-01  |
| 0.7129030E-15 | 0.1134201E-01 | 0.5505212E-01 | 0.7175712E-01 | 0.7236134E-01 | 0.596828E-01  | 0.4644723E-01  |
| 0.2982984E-01 | 0.1071395E-01 | 0.5308452E-02 | 0.1937141E-01 | 0.9495337E-03 | 0.1590115E-14 | 0.1224362E-02  |
| 0.1143002E-01 | 0.1430284E-01 | 0.1407614E-01 | 0.9843281E-01 | 0.8655626E-02 | 0.5760993E-02 | 0.1761337E-02  |
| 0.1381512E-02 | 0.6529410E-01 | 0.1369024E-01 | 0.1147345E-01 | 0.3998761E-02 | 0.2122442E-01 | 0.3564351E-01  |
| 0.3703636E-01 | 0.2719140E-01 | 0.1892375E-01 | 0.9455047E-02 | 0.1499378E-01 | 0.1539374E-01 | 0.2425970E-01  |
| 0.4182000E-02 | 0.7792267E-15 | 0.3755632E-02 | 0.1879230E-02 | 0.7678672E-01 | 0.3127621E-02 | 0.1123685E-01  |
| 0.7754269E-02 | 0.4536489E-02 | 0.1268957E-02 | 0.3378481E-01 | 0.2166861E-01 | 0.2166861E-01 | 0.4421909E-15  |
| 0.2045824E-01 | 0.1590661E-01 | 0.3189549E-01 | 0.378481E-01  | 0.1545779E-01 | 0.1545779E-01 | 0.1989544E-01  |
| 0.1098445E-02 | 0.5393826E-02 | 0.3218903E-01 | 0.3736899E-02 | 0.2081932E-15 | 0.4081508E-02 | 0.8155927E-02  |
| 0.2252711E-01 | 0.2905237E-03 | 0.1145435E-01 | 0.6304877E-02 | 0.2515847E-02 | 0.7070297E-03 | 0.3739586E-02  |
| 0.350323E-03  | 0.1868067E-01 | 0.9152123E-04 | 0.6262079E-02 | 0.1190675E-02 | 0.1222222E-03 | 0.5888630E-02  |
| 0.6106712E-02 | 0.1147601E-01 | 0.1195775E-01 | 0.6263775E-02 | 0.6508825E-02 | 0.1139010E-01 | 0.5115870E-02  |
| 0.1304020E-01 | 0.5376087E-02 | 0.3754076E-01 | 0.1766224E-01 | 0.1251916E-01 | 0.5115870E-02 | 0.3812964E-01  |
| 0.1786921E-01 | 0.1771803E-04 | 0.3023399E-04 | 0.1546644E-04 | 0.6027932E-05 | 0.2029660E-03 | 0.2042449E-02  |
| 0.9553477E-02 | 0.5938298E-04 | 0.2597405E-03 | 0.1565356E-03 | 0.3801787E-02 | 0.5849779E-02 | 0.9908892E-02  |
| 0.1681075E-03 | 0.5200177E-03 | 0.3640368E-04 | 0.1979453E-03 | 0.1382766E-02 | 0.8759257E-02 | 0.5017545E-04  |
| 0.2626584E-03 | 0.1551077E-03 | 0.4021872E-02 | 0.6431102E-02 | 0.1072722E-01 | 0.1589460E-03 | 0.5471764E-04  |
| 0.4395680E-04 | 0.8604734E-02 | 0.3152598E-02 | 0.7804130E-03 | 0.3538060E-03 | 0.1873924E-03 | 0.7926592E-03  |
| 0.1235110E-01 | 0.1221615E-02 | 0.1166401E-01 | 0.9447370E-04 | 0.2962750E-03 | 0.1621828E-03 | 0.8764065E-02  |
| 0.2630617E-02 | 0.7614530E-03 | 0.3504327E-03 | 0.1885075E-03 | 0.7822245E-03 | 0.1231868E-01 | 0.77429775E-03 |
| 0.1164737E-01 | 0.9514847E-04 | 0.2992368E-03 | 0.1549860E-03 | 0.            | 0.            | 0.             |

|                |                |                |                |                |                |                |
|----------------|----------------|----------------|----------------|----------------|----------------|----------------|
| 0.1033851E-01  | 0.9989481E-02  | 0.9320677E-02  | 0.8692839E-02  | C.8053091E-02  | 0.7460415E-02  | C.6856360E-02  |
| 0.6232378E-02  | 0.5631876E-02  | 0.5051039E-02  | 0.4462308E-02  | U.3949051E-02  | 0.3419367E-02  | 0.2854190E-02  |
| 0.2351401E-02  | 0.1846336E-02  | 0.1349335E-02  | 0.8902730E-03  | 0.4554400E-03  | 0.9921814E-04  | -0.2348737E-03 |
| -0.5637175E-03 | -0.8724728E-03 | -0.8380149E-02 | -0.6889560E-03 | -0.1158884E-02 | -0.1470966E-02 | -0.1785954E-02 |
| -0.            | -0.            | 0.580765E-04   | -0.2887051E-02 | -0.            | -0.            | -0.            |
| -0.            | 0.3750532E-02  | 0.2986809E-02  | 0.4435600E-02  | C.4700391E-02  | 0.49599321E-02 | 0.49599321E-02 |
| 0.5293200E-02  | 0.5795940E-02  | 0.6055984E-02  | 0.5984989E-02  | C.5423158E-02  | 0.45399670E-02 | 0.3608721E-02  |
| 0.2811873E-02  | 0.2912446E-02  | -0.6585348E-02 | -0.7872350E-02 | -0.            | -0.7893476E-02 | -0.5599662E-02 |
| -0.1747094E-02 | 0.1360843E-02  | 0.4215287E-02  | 0.5224633E-02  | 0.4987845E-02  | 0.3757074E-02  | C.2033631E-02  |
| -0.2147588E-01 | -0.2292122E-01 | -0.            | -0.2240752E-01 | -0.1483561E-01 | 0.2942037E-02  | 0.6451174E-02  |
| 0.1419555E-01  | 0.1632567E-01  | 0.1438005E-01  | 0.9110391E-02  | 0.1987065E-02  | 0.6653008E-02  | 0.7807180E-02  |
| -0.            | 0.7666470E-02  | 0.5635667E-02  | 0.1946514E-02  | -0.9881803E-03 | -0.3855556E-02 | -0.4970774E-02 |
| -0.            | -0.4006092E-02 | -0.2612324E-02 | 0.2114075E-01  | 0.2238792E-01  | -0.            | C.2176052E-01  |
| 0.4935366E-02  | 0.2447593E-02  | -0.6820344E-02 | -0.1436350E-01 | -0.1623416E-01 | 0.1404372E-01  | -0.8586394E-02 |
| 0.1428324E-01  | 0.9709648E-02  | 0.8069747E-02  | 0.             | 0.7796790E-02  | 0.3214269E-02  | -0.2482139E-02 |
| -0.1267561E-02 | 0.9709648E-02  | -0.7954753E-02 | -0.5286931E-02 | -0.1323522E-02 | 0.3174559E-02  | -0.1929565E-01 |
| -0.6333801E-02 | -0.8648665E-02 | -0.1885826E-01 | -0.1070812E-01 | 0.1278828E-02  | 0.1002597E-01  | 0.1625735E-01  |
| 0.1937405E-01  | 0.             | 0.4977580E-02  | -0.3137262E-02 | -0.1078012E-01 | -0.9639333E-02 | 0.             |
| 0.1616935E-01  | 0.1194887E-01  | 0.1848362E-02  | 0.6423152E-02  | 0.9271503E-02  | 0.8815377E-02  | 0.6110698E-02  |
| -0.9326185E-02 | -0.4536906E-02 | 0.1848362E-02  | 0.1915474E-01  | 0.             | 0.1861662E-01  | 0.1027277E-01  |
| 0.1708765E-02  | -0.2938906E-02 | -0.1994472E-01 | -0.1576443E-01 | -0.1161012E-01 | -0.4758916E-02 | 0.3222441E-02  |
| -0.1444449E-02 | 0.9878887E-02  | -0.1592213E-01 | 0.8336241E-01  | -0.7744321E-01 | 0.7167084E-01  | 0.6594650E-01  |
| 0.9832421E-01  | 0.9531370E-01  | 0.8933683E-01  | 0.4362697E-01  | 0.3835376E-01  | 0.3321091E-01  | 0.2809164E-01  |
| 0.6020982E-01  | 0.5462441E-01  | 0.4907629E-01  | 0.9288310E-02  | 0.5529780E-02  | 0.2386824E-02  | -0.3398397E-03 |
| 0.2319993E-01  | 0.1835215E-01  | -0.1370216E-01 | -0.3559662E-02 | -0.6703683E-02 | -0.8603712E-02 | -0.1039140E-01 |
| -0.2658810E-02 | -0.4749543E-02 | 0.3488032E-01  | 0.7282875E-02  | 0.             | 0.             | 0.             |
| 0.1823622E-04  | 0.             | 0.1391779E-03  | -0.7282875E-02 | C.             | 0.             | 0.             |
| 0.             | -0.4925633E-01 | -0.2919051E-01 | -0.1060100E-00 | -0.1382620E-00 | 0.             | -0.1619795E-00 |
| -0.1858331E-00 | -0.2125618E-00 | -0.7232165E-00 | -0.2196009E-00 | -0.1480654E-00 | -0.            | -0.9525973E-01 |
| -0.438126E-01  | -0.2798497E-01 | -0.7424555E-02 | 0.2720232E-01  | 0.9753271E-14  | 0.2832899E-01  | 0.5655968E-01  |
| 0.7304680E-01  | 0.7100717E-01  | 0.5625826E-01  | 0.3130701E-01  | C.5151927E-01  | -0.1239872E-01 | -0.1124111E-01 |
| -0.8605896E-04 | -0.1128590E-01 | -0.3234556E-13 | -0.1168869E-01 | -0.2131269E-01 | -0.2668786E-01 | -0.2507604E-01 |
| -0.1874652E-01 | -0.8836134E-02 | 0.9247022E-03  | 0.6600400E-02  | C.4308196E-02  | 0.6402436E-02  | -0.2747271E-01 |
| -0.8388700E-13 | -0.2872523E-01 | 0.5747480E-01  | -0.7501438E-01 | -0.7363211E-01 | 0.5867065E-01  | -0.3283331E-01 |
| -0.5490054E-02 | 0.1316348E-01  | 0.1260725E-01  | -0.2961743E-02 | 0.1012695E-01  | 0.2665874E-12  | 0.1051507E-01  |
| 0.2049077E-01  | 0.2567561E-01  | 0.2392439E-01  | 0.1789390E-01  | 0.8669193E-02  | -0.3110785E-03 | -0.5409737E-02 |
| -0.2839734E-02 | -0.1634341E-01 | 0.2025611E-01  | 0.2835275E-13  | 0.2395185E-01  | 0.9220585E-01  | 0.1674393E-00  |
| 0.2207609E-00  | 0.2400586E-00  | 0.2182766E-00  | 0.1641271E-00  | 0.9464435E-01  | 0.3285224E-01  | -0.9536418E-02 |
| 0.7877740E-02  | -0.3105477E-13 | 0.9566097E-02  | 0.4060483E-01  | 0.7441804E-01  | 0.9822891E-01  | 0.1066493E-00  |
| 0.9673443E-01  | 0.7233359E-01  | 0.4107346E-01  | 0.1322298E-01  | 0.1452376E-01  | -0.2159067E-01 | -0.2030892E-13 |
| -0.2536536E-01 | -0.9462559E-01 | -0.1720043E-00 | -0.2273677E-00 | -0.2253956E-00 | -0.2253956E-00 | -0.1695304E-00 |
| -0.9755592E-01 | -0.3319964E-01 | 0.8490935E-02  | 0.6096065E-02  | 0.2848800E-13  | 0.7902185E-02  | -0.3869237E-01 |
| -0.7186786E-01 | -0.9403858E-01 | -0.1006307E-00 | -0.8956969E-01 | -0.6531798E-01 | -0.3556058E-01 | -0.9994897E-02 |
| -0.1104387E-02 | -0.1085663E-02 | -0.1022074E-02 | -0.1022074E-02 | 0.3625918E-03  | 0.2509586E-03  | -0.1133968E-01 |
| -0.1130584E-01 | -0.3215587E-01 | -0.3205105E-01 | 0.1281536E-01  | 0.625918E-03   | 0.3119742E-01  | 0.3107168E-01  |
| 0.6671387E-02  | 0.702067E-02   | -0.1538964E-01 | -0.1393147E-01 | -0.6558123E-02 | 0.6870002E-02  | 0.1520359E-01  |
| 0.1410090E-01  | 0.1761830E-03  | -0.1336846E-03 | -0.8619769E-05 | 0.8224773E-05  | 0.7751043E-02  | 0.9760842E-02  |
| -0.2200932E-01 | 0.2475752E-04  | -0.3203276E-03 | -0.1221146E-03 | -0.2391234E-01 | -0.1408267E-01 | -0.3330883E-02 |
| -0.1756146E-04 | -0.5152753E-04 | 0.6536459E-03  | 0.6355858E-02  | -0.1035028E-01 | 0.2349850E-01  | -0.9468887E-05 |
| 0.3243152E-03  | 0.1037584E-03  | 0.2310995E-01  | 0.1280476E-01  | 0.4243528E-02  | 0.3690984E-04  | 0.4854447E-04  |
| -0.6313609E-03 | -0.2489964E-03 | -0.1757371E-01 | -0.259805E-02  | 0.7428670E-03  | -0.7156170E-04 | -0.9400465E-04 |
| -0.3628375E-01 | -0.4431176E-02 | 0.5645841E-02  | 0.2267356E-05  | 0.9274645E-04  | 0.7370761E-04  | 0.3054022E-02  |
| 0.1816690E-01  | 0.3029510E-02  | -0.7591127E-03 | 0.7696369E-04  | 0.1059184E-03  | 0.3588589E-01  | 0.5281871E-02  |
| -0.5189856E-02 | 0.1326633E-04  | -0.1019222E-03 | -0.4524383E-04 | -0.            | -0.            | -0.            |

|                |                 |                |                |                |                |
|----------------|-----------------|----------------|----------------|----------------|----------------|
| 0.2899399E-02  | 0.2932547E-02   | 0.2644501E-02  | 0.2496299E-02  | 0.2087339E-02  | 0.1844035E-02  |
| 0.1787113E-02  | 0.1369937E-02   | 0.1302506E-02  | 0.8385167E-03  | 0.5522210E-03  | 0.5953513E-03  |
| 0.2958350E-03  | 0.1145801E-04   | -0.1715824E-03 | -0.6826730E-04 | -0.7435414E-04 | 0.8858760E-04  |
| 0.4712039E-03  | 0.2199312E-01   | 0.5987967E-03  | 0.1137201E-02  | 0.1658553E-02  | 0.2241355E-02  |
| 0.             | -0.1047438E-03  | 0.2934225E-02  | 0.             | 0.             | 0.             |
| 0.             | -0.1033901E-01  | -0.1556446E-01 | -0.1662640E-01 | 0.             | -0.1771338E-01 |
| -0.1919221E-01 | -0.2164370E-01  | -0.2333009E-01 | -0.2094719E-01 | 0.1664615E-01  | -0.1209448E-01 |
| -0.8506142E-02 | -0.9837848E-02  | -0.1540278E-01 | 0.             | -0.1523668E-01 | -0.6156576E-02 |
| 0.1511929E-03  | 0.5480656E-02   | 0.1045092E-01  | 0.1045092E-01  | 0.4119104E-02  | -0.3200310E-02 |
| 0.5391986E-01  | 0.1496634E-01   | 0.1002181E-01  | -0.2385047E-01 | 0.3473566E-02  | 0.4073581E-02  |
| 0.1038327E-01  | 0.1478803E-01   | 0.5311061E-03  | -0.4993788E-02 | 0.2956290E-01  | 0.1511885E-02  |
| 0.             | 0.3279309E-02   | 0.5446065E-01  | 0.2383256E-01  | 0.             | -0.9473700E-02 |
| -0.7937195E-02 | 0.3248228E-02   | -0.9935138E-02 | -0.1464948E-01 | 0.             | 0.2428199E-01  |
| 0.1062766E-01  | 0.3841149E-02   | 0.             | 0.3344978E-02  | -0.1536266E-01 | -0.9918873E-02 |
| -0.449942E-03  | 0.3302842E-02   | -0.2608193E-02 | 0.1364874E-02  | -0.3684606E-03 | -0.5867791E-03 |
| -0.6656761E-03 | 0.1466741E-01   | -0.5329372E-02 | -0.2171012E-02 | -0.6254207E-03 | -0.6265265E-01 |
| -0.2538867E-01 | -0.1013539E-02  | -0.8177219E-02 | 0.4795534E-02  | 0.1247064E-01  | 0.1718983E-01  |
| 0.1904241E-01  | 0.1560618E-01   | -0.8177219E-02 | 0.1918995E-01  | -0.5142861E-02 | -0.            |
| -0.5307740E-02 | -0.8569428E-04  | 0.1425539E-02  | -0.2192129E-02 | 0.3524000E-02  | 0.4086483E-02  |
| 0.3333317E-02  | 0.1172149E-02   | 0.2552671E-01  | -0.            | 0.2510294E-01  | 0.7502620E-02  |
| -0.1266739E-02 | -0.9484217E-02  | -0.1610174E-01 | -0.1306945E-01 | -0.4429925E-02 | 0.8637839E-02  |
| 0.9304768E-01  | 0.9045542E-01   | 0.7961136E-01  | 0.7434380E-01  | 0.6852778E-01  | 0.6292202E-01  |
| 0.5789040E-01  | 0.5198074E-01   | 0.4162229E-01  | 0.3654577E-01  | 0.3121306E-01  | 0.265245E-01   |
| 0.2139742E-01  | 0.1699705E-01   | 0.8264339E-02  | 0.4861123E-02  | 0.2239444E-02  | 0.7944750E-03  |
| -0.6252515E-04 | -0.68663158E-03 | -0.2504750E-03 | -0.1328505E-02 | -0.1206744E-02 | -0.1049448E-02 |
| 0.1347351E-03  | -0.             | -0.8648842E-02 | -0.            | -0.            | -0.            |
| -0.            | -0.1334160E-00  | -0.8682239E-01 | -0.1177209E-00 | -0.            | -0.1198689E-00 |
| -0.1328113E-00 | -0.1701071E-00  | -0.2024495E-00 | -0.1897884E-00 | -0.1381630E-00 | -0.8312555E-01 |
| -0.4062993E-01 | -0.2661000E-01  | -0.2149235E-00 | -0.1068947E-13 | 0.1981402E-01  | 0.4100147E-01  |
| 0.4699835E-01  | 0.4168018E-01   | 0.2664656E-01  | 0.8463594E-02  | -0.1659529E-01 | 0.1313282E-01  |
| 0.2492393E-01  | -0.1593640E-01  | 0.1847031E-13  | -0.4285021E-01 | -0.5351074E-01 | -0.5557143E-01 |
| -0.4472023E-01 | -0.2773480E-01  | -0.9296393E-02 | 0.9290404E-02  | 0.3907861E-01  | -0.2770988E-01 |
| 0.4996552E-13  | -0.2887162E-01  | -0.6783740E-01 | 0.8364191E-01  | -0.6677204E-01 | -0.4229367E-01 |
| -0.1608763E-01 | 0.3048264E-02   | 0.8725651E-02  | 0.1065963E-01  | 0.1102441E-01  | 0.229367E-01   |
| 0.2205693E-01  | 0.2590370E-01   | 0.2265949E-01  | 0.9770646E-03  | -0.1694420E-12 | 0.1553854E-01  |
| -0.1283397E-01 | -0.3000838E-01  | 0.3097808E-01  | 0.3473505E-01  | -0.9986240E-02 | 0.1897787E-00  |
| 0.2435605E-00  | 0.2595523E-00   | 0.2358802E-00  | 0.1021728E-00  | 0.1133268E-00  | 0.2437486E-02  |
| 0.1793164E-01  | 0.2077167E-13   | 0.1881055E-01  | 0.5451347E-01  | 0.6611226E-01  | 0.6843398E-01  |
| 0.6165006E-01  | 0.4695387E-01   | 0.2827591E-01  | 0.5596075E-01  | -0.6950218E-02 | 0.1402818E-13  |
| -0.1067025E-01 | -0.8857538E-01  | -0.1632305E-00 | -0.2330203E-00 | -0.2129860E-00 | -0.1691515E-01 |
| -0.9180866E-01 | -0.2601351E-01  | -0.2003446E-01 | -0.1861558E-13 | -0.7563492E-02 | -0.2605157E-01 |
| -0.4112092E-01 | -0.5212380E-01  | -0.5581962E-01 | -0.3941628E-01 | -0.2391892E-01 | -0.9492184E-02 |
| -0.1216736E-02 | -0.1211331E-02  | -0.1197810E-02 | 0.9137536E-03  | 0.2201983E-03  | -0.1789314E-01 |
| -0.1762711E-01 | -0.2625672E-01  | 0.2575833E-01  | 0.1715890E-01  | 0.2744142E-01  | 0.2685622E-01  |
| -0.1684648E-03 | 0.2326878E-02   | 0.4628172E-03  | -0.1913229E-03 | -0.2312086E-02 | -0.1202118E-04 |
| 0.1259613E-01  | 0.1551165E-03   | -0.2468855E-03 | -0.1583205E-05 | -0.7002310E-02 | -0.5026812E-02 |
| -0.2697956E-01 | 0.5026781E-04   | -0.2308753E-03 | -0.2820014E-01 | -0.2025584E-01 | 0.8926669E-02  |
| 0.7042228E-04  | 0.1170786E-03   | 0.5660374E-03  | 0.4418464E-02  | 0.2772948E-01  | -0.5059337E-04 |
| 0.2563494E-03  | 0.1718637E-04   | 0.3096684E-01  | -0.8100168E-02 | -0.7458521E-04 | -0.9544762E-04 |
| -0.5915828E-03 | -0.1884724E-01  | -0.2611735E-01 | 0.331366E-02   | -0.628749E-04  | 0.6282749E-04  |
| -0.4394570E-01 | 0.9594253E-02   | 0.6031626E-02  | -0.4165361E-04 | 0.1419407E-03  | 0.1724713E-01  |
| 0.2638119E-01  | 0.3234889E-02   | -0.5634631E-03 | 0.2207229E-04  | 0.4333864E-01  | -0.9391128E-02 |
| -0.6120092E-02 | 0.4443936E-04   | 0.1634442E-04  | -0.1432376E-03 | -0.            | -0.            |

|                |                |                |                 |                |                |                |
|----------------|----------------|----------------|-----------------|----------------|----------------|----------------|
| 0.4230930E-02  | 0.3842022E-02  | 0.355328E-02   | 0.3401967E-02   | 0.3181281E-02  | 0.3108394E-02  | 0.2956614E-02  |
| 0.2711958E-02  | 0.2538354E-02  | 0.2400855E-02  | 0.2183787E-02   | 0.2190243E-02  | 0.2113029E-02  | 0.1863204E-02  |
| 0.1807068E-02  | 0.1693753E-02  | 0.1556414E-02  | 0.1472464E-02   | 0.1278349E-02  | 0.1178099E-02  | 0.1012806E-02  |
| 0.7494051E-03  | 0.4956783E-03  | 0.2919290E-03  | 0.6596891E-03   | 0.2983001E-03  | -0.2451977E-04 | -0.3802146E-03 |
| 0.             | 0.             | 0.3272437E-04  | -0.80223950E-03 | 0.             | 0.             | 0.             |
| 0.             | -0.5478091E-02 | -0.5325971E-02 | -0.5513166E-02  | -0.5643159E-02 | 0.             | 0.             |
| -0.5861986E-02 | -0.6047390E-02 | -0.6137149E-02 | -0.5984250E-02  | -0.5327321E-02 | -0.4290912E-02 | -0.5743313E-02 |
| -0.2690105E-02 | -0.3748508E-02 | 0.3929076E-01  | 0.2233138E-01   | 0.             | 0.2197305E-01  | -0.3301414E-02 |
| -0.208745E-04  | -0.8434947E-02 | -0.1252814E-01 | -0.1273632E-01  | -0.8058307E-02 | 0.1067656E-02  | 0.9898918E-02  |
| 0.1057676E-00  | 0.6085467E-01  | 0.             | 0.5963942E-01   | -0.2754921E-01 | 0.7933636E-03  | 0.1331559E-01  |
| -0.3332299E-01 | -0.3405054E-01 | -0.2146294E-01 | 0.3262457E-02   | 0.3615231E-01  | -0.3778680E-01 | -0.2158623E-01 |
| 0.             | -0.2113246E-01 | -0.9525211E-02 | 0.4927735E-04   | 0.8317281E-02  | 0.1196673E-01  | 0.1190135E-01  |
| 0.7129169E-02  | -0.1995706E-01 | -0.1403869E-01 | -0.1063134E-00  | -0.6085433E-01 | 0.             | 0.6012239E-01  |
| -0.2767511E-01 | -0.8169109E-03 | 0.2180634E-01  | 0.3312801E-01   | 0.3401652E-01  | -0.2160340E-01 | -0.3045247E-02 |
| -0.3569866E-01 | -0.4549003E-01 | -0.2389341E-01 | -0.             | -0.2340498E-01 | -0.8249430E-02 | 0.3389403E-02  |
| 0.1218142E-01  | 0.1580675E-01  | 0.1491229E-01  | 0.8501961E-02   | -0.2649833E-02 | -0.1684147E-01 | 0.1045503E-00  |
| 0.5707287E-01  | 0.             | 0.5580826E-01  | 0.2236979E-01   | -0.3850359E-02 | 0.2515524E-01  | -0.3522821E-01 |
| -0.3508578E-01 | -0.2191327E-01 | 0.2956846E-02  | 0.3546464E-01   | 0.3850359E-02  | 0.2545566E-01  | 0.             |
| 0.2502994E-01  | 0.8859127E-02  | -0.3170259E-02 | -0.1241974E-01  | 0.4902019E-01  | -0.1589344E-01 | -0.9586746E-02 |
| 0.1787802E-02  | 0.1647683E-01  | 0.1012474E-00  | -0.5601118E-01  | -0.1645425E-01 | -0.5491350E-01 | -0.2272808E-01 |
| 0.2973379E-02  | 0.2377941E-01  | 0.3336916E-01  | 0.3309574E-01   | -0.            | -0.4303249E-02 | -0.3588933E-01 |
| 0.2090856E-00  | 0.2015128E-00  | 0.1885410E-00  | 0.1715705E-00   | 0.2002881E-01  | 0.1423889E-00  | 0.1281802E-00  |
| 0.1138256E-00  | 0.1000836E-00  | 0.8629161E-01  | 0.7288245E-01   | 0.1567199E-00  | 0.4758145E-01  | 0.3508271E-01  |
| 0.2348492E-01  | 0.1188673E-01  | 0.9896224E-03  | -0.92127190E-02 | 0.6000219E-01  | -0.2320763E-01 | -0.2790629E-01 |
| -0.3127578E-01 | -0.3385721E-01 | -0.2547224E-00 | 0.3245352E-01   | -0.1718669E-01 | -0.3791349E-01 | -0.3944084E-01 |
| -0.6959379E-04 | 0.             | 0.3781809E-03  | -0.3095959E-01  | -0.            | -0.            | 0.             |
| 0.             | 0.1361185E-00  | 0.1318464E-00  | 0.7807335E-01   | 0.4094588E-01  | -0.            | 0.1539171E-01  |
| -0.8851723E-02 | -0.3652209E-01 | -0.5933184E-01 | -0.7626458E-01  | -0.9003322E-01 | -0.8102304E-01 | -0.4578242E-01 |
| 0.2014551E-01  | 0.1209999E-00  | 0.1000566E-00  | 0.8043088E-01   | 0.4043946E-14  | 0.7963000E-01  | 0.6077171E-01  |
| 0.3690599E-01  | 0.7956319E-02  | -0.1527046E-01 | -0.3024912E-01  | 0.3028196E-01  | -0.1163329E-01 | 0.2746693E-01  |
| -0.4408898E-01 | -0.3173522E-01 | 0.4958011E-14  | -0.3133928E-01  | -0.2089378E-01 | -0.9328314E-02 | 0.3737622E-02  |
| 0.1389414E-01  | 0.2001532E-01  | 0.1926844E-01  | 0.1015248E-01   | -0.7793202E-02 | -0.1098877E-00 | -0.7752294E-01 |
| 0.1068834E-13  | -0.1687349E-01 | -0.4991218E-01 | -0.2128751E-01  | 0.8292974E-02  | 0.3065394E-01  | 0.4322587E-01  |
| 0.3977042E-01  | 0.1720849E-01  | -0.2527628E-01 | 0.3398567E-01   | 0.3315279E-01  | -0.2238227E-13 | 0.3295158E-01  |
| 0.2946240E-01  | 0.2146555E-01  | 0.9455071E-02  | -0.1339024E-02  | -0.9384016E-02 | -0.1146294E-01 | -0.5520445E-02 |
| 0.9660379E-02  | 0.1011174E-00  | 0.8716107E-01  | -0.8482328E-14  | 0.8606256E-01  | 0.6326558E-01  | 0.3077451E-01  |
| -0.8890401E-02 | -0.4209833E-01 | -0.6269484E-01 | -0.6101540E-01  | -0.3258776E-01 | 0.2122503E-01  | 0.4200400E-01  |
| 0.3527419E-01  | 0.1498393E-14  | 0.3468081E-01  | 0.2262780E-01   | 0.6006489E-02  | -0.1286269E-01 | -0.2749493E-01 |
| -0.3501829E-01 | -0.3169358E-01 | -0.1640778E-01 | 0.9301487E-02   | 0.1133241E-00  | -0.9702159E-01 | 0.5825474E-15  |
| -0.9594436E-01 | -0.7292264E-01 | -0.4173446E-01 | -0.3479715E-02  | 0.2941323E-01  | 0.5126095E-01  | 0.5221496E-01  |
| 0.2727667E-01  | 0.2285732E-01  | -0.5461176E-01 | -0.4033578E-01  | -0.1802305E-14 | -0.3992388E-01 | -0.2783312E-01 |
| -0.1172635E-01 | 0.8146263E-02  | 0.2484108E-01  | 0.3432428E-01   | 0.3222307E-01  | 0.1740252E-01  | -0.8258959E-02 |
| 0.9385664E-03  | 0.9296635E-03  | 0.9039158E-03  | 0.9039162E-03   | -0.5905463E-03 | -0.1535319E-03 | 0.2863952E-01  |
| 0.2818596E-01  | 0.7380763E-01  | 0.7267317E-01  | -0.2811563E-01  | -0.2756575E-01 | 0.2717608E-01  | 0.7381619E-01  |
| -0.1613669E-01 | -0.2784381E-01 | 0.3453890E-01  | 0.6311224E-01   | 0.1643535E-01  | 0.2757589E-01  | -0.3429495E-01 |
| -0.6338216E-01 | -0.1161845E-03 | 0.9107455E-03  | 0.1881894E-04   | 0.2852228E-05  | 0.5335131E-01  | -0.9180749E-02 |
| 0.1827636E-00  | 0.1895159E-04  | 0.1221906E-02  | -0.1192809E-04  | 0.6623281E-01  | 0.1722311E-00  | -0.1334213E-02 |
| -0.222392E-04  | -0.4024051E-04 | -0.1052671E-02 | -0.5354490E-00  | 0.9316177E-02  | -0.1826675E-00 | 0.1560721E-04  |
| 0.1231329E-02  | 0.1174330E-05  | -0.6789557E-01 | -0.1725579E-00  | 0.1154147E-02  | -0.1567071E-00 | 0.2924266E-04  |
| 0.1021008E-02  | 0.2323522E-03  | 0.1710530E-00  | -0.8846014E-03  | 0.6144938E-03  | -0.5013448E-04 | 0.1020511E-02  |
| 0.1714331E-00  | 0.1040157E-01  | 0.3256918E-01  | 0.1013699E-03   | -0.9846245E-03 | 0.3133487E-03  | 0.5628572E-03  |
| -0.1710766E-00 | 0.7693698E-03  | -0.6275984E-03 | 0.4932911E-04   | -0.1025210E-02 | -0.1714461E-00 | -0.1022501E-01 |
| -0.3266682E-01 | -0.9403750E-04 | 0.9740892E-03  | -0.3352441E-03  | -0.            | -0.            | -0.            |

|               |               |               |               |               |                |                |
|---------------|---------------|---------------|---------------|---------------|----------------|----------------|
| 0.2130652E-02 | 0.2243933E-02 | 0.2263191E-02 | 0.1972696E-02 | 0.1849682E-02 | 0.1405009E-02  | 0.1157176E-02  |
| 0.1131219E-02 | 0.9518015E-03 | 0.7048784E-03 | 0.6528747E-03 | 0.1115870E-03 | 0.2231952E-03  | 0.1593730E-03  |
| 0.5200915E-03 | 0.7387907E-03 | 0.4841955E-03 | 0.1132115E-02 | 0.1073088E-02 | 0.1185128E-02  | 0.1120694E-02  |
| 0.8155557E-03 | 0.5270398E-03 | 0.1515577E-01 | 0.7330290E-03 | 0.3650749E-03 | 0.7828765E-04  | 0.5874559E-03  |
| 0.0           | 0.0           | 0.1914985E-04 | 0.1515575E-02 | 0.0           | 0.0            | 0.0            |
| 0.0           | 0.7177369E-02 | 0.5151851E-02 | 0.9534748E-02 | 0.9727748E-02 | 0.0            | 0.1042197E-01  |
| 0.0           | 0.1277843E-01 | 0.1350618E-01 | 0.1321839E-01 | 0.1145496E-01 | 0.8880320E-02  | 0.6511989E-02  |
| 0.5120695E-02 | 0.6716824E-02 | 0.1861946E-01 | 0.2101386E-01 | 0.0           | 0.2097141E-01  | 0.1362270E-01  |
| 0.1479755E-02 | 0.8286960E-02 | 0.1374105E-01 | 0.1319847E-01 | 0.7763356E-02 | 0.1159539E-01  | 0.1138026E-01  |
| 0.5645126E-01 | 0.6207872E-01 | 0.0           | 0.6971114E-01 | 0.3870549E-01 | 0.3942475E-02  | 0.2417333E-01  |
| 0.0           | 0.3906236E-01 | 0.2346565E-01 | 0.2626484E-02 | 0.3370311E-01 | 0.3942475E-02  | 0.2198506E-01  |
| 0.0           | 0.2066772E-01 | 0.1271239E-01 | 0.6539542E-03 | 0.8198011E-02 | 0.1338691E-01  | 0.1250042E-01  |
| 0.0           | 0.1772009E-02 | 0.1167387E-01 | 0.5517347E-01 | 0.6198932E-01 | 0.0            | 0.0            |
| 0.0           | 0.4089945E-02 | 0.2430735E-01 | 0.4563245E-01 | 0.3924368E-01 | 0.2354874E-01  | 0.2351572E-02  |
| 0.1508525E-01 | 0.2472708E-01 | 0.2371963E-01 | 0.0           | 0.2296778E-01 | 0.1748266E-01  | 0.3617244E-02  |
| 0.5439043E-01 | 0.2026317E-01 | 0.1725051E-01 | 0.8425287E-02 | 0.3962519E-02 | 0.2740755E-01  | 0.4148007E-01  |
| 0.0           | 0.3768785E-01 | 0.5328305E-01 | 0.3279886E-01 | 0.0           | 0.2504932E-01  | 0.0            |
| 0.2410908E-01 | 0.1389098E-01 | 0.5154169E-02 | 0.3344823E-01 | 0.6986895E-03 | 0.1789963E-01  | 0.0            |
| 0.3503159E-02 | 0.1731317E-01 | 0.228541E-02  | 0.1447839E-01 | 0.2309223E-01 | 0.5238632E-01  | 0.3100631E-01  |
| 0.1553312E-02 | 0.2727352E-01 | 0.5104427E-01 | 0.5579675E-01 | 0.2048322E-01 | 0.5849077E-02  | 0.3375274E-01  |
| 0.2297897E-00 | 0.2218504E-00 | 0.4071774E-01 | 0.3639261E-01 | 0.0           | 0.1574308E-00  | 0.1414713E-00  |
| 0.1262869E-00 | 0.1101506E-00 | 0.2056238E-00 | 0.1899107E-00 | 0.1737888E-00 | 0.0            | 0.0            |
| 0.2439228E-02 | 0.1192815E-01 | 0.9515137E-01 | 0.824140E-01  | 0.6591319E-01 | 0.5148868E-01  | 0.332855E-01   |
| 0.0           | 0.3146935E-01 | 0.3248751E-03 | 0.1168993E-01 | 0.2006498E-01 | 0.2608003E-01  | 0.2938367E-01  |
| 0.0           | 0.0           | 0.1193444E-00 | 0.3108604E-01 | 0.0           | 0.3073296E-01  | 0.0            |
| 0.0           | 0.0           | 0.416611E-03  | 0.3664993E-01 | 0.0           | 0.0            | 0.0            |
| 0.0           | 0.8835127E-02 | 0.4753173E-01 | 0.4348868E-01 | 0.6552393E-01 | 0.0            | 0.7057309E-01  |
| 0.6019017E-01 | 0.1182635E-01 | 0.4419165E-01 | 0.942824E-01  | 0.1049472E-00 | 0.83084254E-01 | 0.3458628E-01  |
| 0.2495126E-01 | 0.1343690E-00 | 0.776800E-01  | 0.8651700E-01 | 0.2820082E-13 | 0.8537546E-01  | 0.6887637E-01  |
| 0.3500442E-01 | 0.7363480E-03 | 0.3158899E-01 | 0.4629219E-01 | 0.4175270E-01 | 0.1616705E-01  | 0.2493619E-01  |
| 0.2341226E-01 | 0.3588759E-01 | 0.8598235E-13 | 0.3553669E-01 | 0.3396337E-01 | 0.2219572E-01  | 0.7430609E-02  |
| 0.6925663E-02 | 0.1561145E-01 | 0.1667867E-01 | 0.8636771E-02 | 0.7066418E-02 | 0.6692667E-01  | 0.8416962E-01  |
| 0.2240588E-12 | 0.8296842E-01 | 0.6947986E-01 | 0.3579044E-01 | 0.4678974E-03 | 0.3150286E-01  | 0.45833546E-01 |
| 0.4080613E-01 | 0.1513084E-01 | 0.2574729E-01 | 0.3406016E-01 | 0.678974E-02  | 0.7168813E-12  | 0.3822130E-01  |
| 0.3347180E-01 | 0.2161847E-01 | 0.7330622E-02 | 0.7076811E-02 | 0.1617241E-01 | 0.1765242E-01  | 0.9725003E-02  |
| 0.6257935E-02 | 0.8259534E-01 | 0.1041789E-00 | 0.7398690E-13 | 0.1028734E-00 | 0.9038385E-01  | 0.5128295E-01  |
| 0.5451649E-02 | 0.4073675E-01 | 0.6502456E-01 | 0.6358836E-01 | 0.3431289E-01 | 0.1666435E-01  | 0.4088691E-01  |
| 0.4421316E-01 | 0.8390844E-13 | 0.4334555E-01 | 0.3104199E-01 | 0.7783534E-02 | 0.1699015E-01  | 0.3705222E-01  |
| 0.4520734E-01 | 0.3959451E-01 | 0.2066123E-01 | 0.6985138E-02 | 0.7256615E-01 | 0.9950808E-01  | 0.520329E-13   |
| 0.9834914E-01 | 0.8906209E-01 | 0.5095695E-01 | 0.5154251E-01 | 0.4174643E-01 | 0.6583786E-01  | 0.6381896E-01  |
| 0.3402885E-01 | 0.1714273E-01 | 0.3497767E-01 | 0.470349E-01  | 0.7663287E-13 | 0.5033096E-01  | 0.3625611E-01  |
| 0.6288075E-02 | 0.1934667E-01 | 0.3971874E-01 | 0.1128425E-02 | 0.4055048E-01 | 0.2085866E-01  | 0.7254317E-02  |
| 0.1331199E-02 | 0.1285266E-02 | 0.1128425E-02 | 0.8415965E-01 | 0.2339974E-03 | 0.2461724E-03  | 0.3095674E-01  |
| 0.3673691E-01 | 0.8477386E-01 | 0.8415965E-01 | 0.6290826E-01 | 0.3085728E-01 | 0.8543664E-01  | 0.8466553E-01  |
| 0.2601998E-01 | 0.3320321E-01 | 0.6290826E-01 | 0.8184170E-02 | 0.2573468E-01 | 0.3290121E-01  | 0.6326165E-01  |
| 0.7438591E-01 | 0.2105965E-03 | 0.1464206E-02 | 0.3045676E-04 | 0.3178200E-05 | 0.4378183E-01  | 0.1529454E-01  |
| 0.1919220E-03 | 0.7005813E-04 | 0.1233361E-02 | 0.3645689E-04 | 0.0           | 0.1793909E-00  | 0.1866142E-02  |
| 0.1456333E-02 | 0.3252892E-04 | 0.6196883E-01 | 0.4395215E-01 | 0.1547980E-01 | 0.1919462E-00  | 0.7699943E-04  |
| 0.1215994E-02 | 0.3208963E-02 | 0.1734473E-00 | 0.1793623E-00 | 0.1689082E-02 | 0.1907239E-03  | 0.9253062E-04  |
| 0.1732170E-00 | 0.1513712E-01 | 0.3652493E-01 | 0.1734473E-00 | 0.4192522E-02 | 0.5196335E-05  | 0.1346962E-02  |
| 0.0           | 0.1170473E-02 | 0.4238193E-03 | 0.1179705E-04 | 0.1258423E-02 | 0.4005386E-03  | 0.3078817E-02  |
| 0.3704836E-01 | 0.1488876E-03 | 0.1260296E-02 | 0.0           | 0.1358253E-02 | 0.1733879E-00  | 0.15223160E-01 |

|                |                |                |                |                |                |                |
|----------------|----------------|----------------|----------------|----------------|----------------|----------------|
| 0.2015448E-02  | 0.2012699E-02  | 0.1910872E-02  | 0.1661359E-02  | 0.1487874E-02  | 0.1156158E-02  | 0.5120349E-03  |
| 0.7698362E-03  | 0.5521367E-03  | 0.2989504E-03  | 0.1380623E-03  | -0.2566642E-03 | -0.5561353E-03 | -0.6634378E-03 |
| -0.9736423E-03 | -0.1214329E-02 | -0.1419253E-02 | -0.1667249E-02 | -0.1757965E-02 | -0.1912275E-02 | -0.1966192E-02 |
| -0.1888838E-02 | -0.1807999E-02 | -0.2750913E-02 | -0.1874139E-02 | -0.1780571E-02 | -0.1610239E-02 | -0.1397587E-02 |
| 0.             | 0.             | 0.7558628E-04  | -0.1385115E-02 | 0.             | 0.             | 0.             |
| 0.             | 0.5769987E-02  | 0.5743827E-02  | 0.5794750E-02  | 0.5980034E-02  | 0.             | 0.6148657E-02  |
| 0.6390662E-02  | 0.6909912E-02  | 0.7443981E-02  | 0.7840283E-02  | 0.7581086E-02  | 0.6455189E-02  | 0.4940598E-02  |
| 0.3379159E-02  | 0.3638306E-02  | -0.3279661E-01 | -0.2467647E-01 | 0.             | -0.2450202E-01 | -0.1782079E-01 |
| -0.8683892E-02 | 0.3431573E-02  | 0.1366827E-01  | 0.1907408E-01  | 0.1660683E-01  | 0.5867086E-02  | -0.1087708E-01 |
| -0.9075780E-01 | -0.6680050E-01 | 0.             | -0.6605704E-01 | -0.4659546E-01 | -0.2129265E-01 | 0.1091566E-01  |
| 0.3756182E-01  | 0.5331435E-01  | 0.4354044E-01  | 0.1443612E-01  | -0.2987639E-01 | 0.3102089E-01  | 0.2359411E-01  |
| 0.             | 0.2031435E-01  | 0.1705166E-01  | 0.8227530E-02  | 0.3747738E-02  | -0.1345362E-01 | 0.1845436E-01  |
| -0.1574656E-01 | -0.4873996E-02 | 0.1175451E-01  | 0.9120385E-01  | 0.6633439E-01  | 0.             | 0.6604925E-01  |
| 0.4611175E-01  | 0.2074414E-01  | -0.1101533E-01 | -0.3723816E-01 | -0.5054356E-01 | -0.4317682E-01 | -0.1429555E-01 |
| 0.2943975E-01  | 0.3844987E-01  | 0.2375251E-01  | 0.             | 0.2343693E-01  | 0.1293306E-01  | 0.2695947E-02  |
| -0.8337160E-02 | -0.1668244E-01 | -0.2001134E-01 | -0.1538360E-01 | 0.2814865E-02  | 0.1513359E-01  | -0.8843298E-01 |
| -0.6127014E-01 | -0.            | -0.6044354E-01 | -0.4001607E-01 | -0.1681381E-01 | 0.1237477E-01  | 0.3721506E-01  |
| 0.5019208E-01  | 0.4271355E-01  | 0.1382430E-01  | -0.2986537E-01 | -0.4231164E-01 | -0.2613089E-01 | -0.            |
| -0.2589846E-01 | -0.1466292E-01 | -0.4010384E-02 | 0.7947735E-02  | 0.1743287E-01  | 0.2178981E-01  | 0.1760535E-01  |
| 0.4618834E-02  | -0.1446280E-01 | 0.8477946E-01  | 0.5877011E-01  | -0.            | 0.5810178E-01  | 0.3820668E-01  |
| 0.1527423E-01  | -0.1300359E-01 | -0.3647986E-01 | -0.4838051E-01 | 0.6034456E-01  | -0.1185444E-01 | 0.3059653E-01  |
| -0.2341018E-00 | -0.2254732E-00 | -0.2084717E-00 | -0.1913724E-00 | -0.1744738E-00 | -0.1581717E-00 | -0.1420342E-00 |
| -0.1257474E-00 | -0.1101615E-00 | -0.9453725E-01 | -0.7937264E-01 | -0.6484316E-01 | -0.5385041E-01 | -0.3678676E-01 |
| -0.2376508E-01 | -0.1077749E-01 | 0.1369728E-02  | 0.1260534E-01  | 0.2137436E-01  | 0.2770388E-01  | 0.3243210E-01  |
| 0.3557865E-01  | 0.3778859E-01  | 0.2228647E-00  | 0.3661738E-01  | 0.3940071E-01  | 0.4088410E-01  | 0.4183139E-01  |
| 0.4383345E-04  | -0.            | -0.4752021E-03 | 0.3290120E-01  | -0.            | -0.            | -0.            |
| -0.            | 0.1230691E-00  | 0.1046511E-00  | -0.8347348E-01 | 0.5525628E-01  | -0.            | 0.3617994E-01  |
| -0.1775380E-01 | 0.7449562E-02  | 0.3418921E-01  | 0.7198147E-01  | -0.1078990E-00 | 0.1114294E-00  | 0.7560504E-01  |
| -0.6374666E-02 | -0.121711E-00  | -0.6718393E-01 | -0.3138027E-01 | -0.9125984E-14 | -0.3087836E-01 | -0.1212236E-01 |
| -0.4983724E-02 | -0.3084340E-02 | -0.4997551E-02 | -0.4606768E-02 | 0.3637888E-02  | -0.8642490E-02 | -0.3388206E-01 |
| 0.2666324E-01  | 0.1171264E-01  | 0.8366934E-14  | 0.1159703E-02  | 0.4915382E-02  | 0.3488506E-02  | 0.3561833E-02  |
| 0.4173473E-02  | 0.2911637E-02  | 0.9605397E-03  | 0.1765741E-02  | 0.1197223E-01  | 0.7310955E-01  | 0.3096252E-01  |
| 0.2436624E-13  | 0.3054220E-01  | 0.9852094E-02  | 0.3650081E-02  | 0.3716015E-02  | 0.7229431E-02  | 0.7503874E-02  |
| 0.6316359E-02  | 0.1053678E-01  | 0.3475397E-01  | 0.2151210E-01  | -0.1268257E-01 | -0.9201786E-13 | 0.1254736E-01  |
| -0.7759878E-02 | -0.5281522E-02 | -0.3347195E-02 | -0.2394236E-02 | -0.4307403E-03 | 0.1393057E-02  | -0.1088306E-03 |
| -0.1119598E-01 | -0.8088700E-01 | -0.7223752E-01 | -0.2408111E-14 | -0.7160439E-01 | -0.5770384E-01 | -0.3700377E-01 |
| -0.8585134E-02 | 0.1844020E-01  | 0.3885413E-01  | 0.4291096E-01  | 0.2266731E-01  | -0.2656326E-01 | -0.3601591E-01 |
| -0.3063656E-01 | 0.1166141E-13  | -0.3015833E-01 | -0.2045196E-01 | 0.7244269E-02  | 0.8081556E-02  | 0.2061234E-01  |
| 0.2782852E-01  | 0.2615793E-01  | 0.1345895E-01  | -0.1081536E-01 | 0.8480168E-01  | 0.7136894E-01  | 0.8207760E-14  |
| 0.7060628E-01  | 0.5360190E-01  | 0.3238357E-01  | 0.5558568E-02  | -0.1911099E-01 | -0.3756437E-01 | -0.4060845E-01 |
| -0.2039552E-01 | 0.2801872E-01  | 0.4149144E-01  | 0.2959664E-01  | -0.1011808E-13 | 0.2939533E-01  | 0.2155635E-01  |
| 0.1015218E-01  | -0.6369154E-02 | -0.2223468E-01 | 0.3255173E-01  | 0.3203256E-01  | -0.1608856E-01 | 0.906039E-02   |
| -0.2323206E-02 | -0.2272148E-02 | -0.2111421E-02 | -0.2111422E-02 | 0.7173755E-03  | 0.3329871E-03  | -0.3081662E-01 |
| -0.3031380E-01 | -0.7941179E-01 | -0.7815802E-01 | 0.3052334E-01  | 0.2991514E-01  | 0.8149453E-01  | 0.7995577E-01  |
| 0.1882532E-01  | 0.2992946E-01  | -0.4154114E-01 | -0.6846229E-01 | -0.1899910E-01 | -0.2937361E-01 | 0.4119826E-01  |
| 0.6893415E-01  | 0.2921733E-03  | -0.9451119E-03 | -0.1682111E-04 | 0.4858657E-05  | -0.5590569E-01 | 0.8708490E-02  |
| -0.1915746E-00 | -0.3622515E-04 | -0.1301382E-02 | 0.9672369E-04  | -0.6843844E-01 | -0.1815172E-00 | 0.4592212E-02  |
| -0.2422228E-04 | 0.3339709E-04  | 0.9532475E-03  | 0.5507736E-01  | -0.9921773E-02 | 0.1927200E-00  | 0.4888820E-04  |
| 0.1310324E-02  | -0.6703166E-04 | 0.6957699E-01  | 0.1809524E-00  | -0.3014157E-02 | 0.3471941E-04  | -0.1868930E-04 |
| -0.9634951E-03 | -0.7794348E-02 | -0.1900611E-01 | -0.2163798E-03 | -0.9130500E-03 | 0.2449036E-01  | -0.2105160E-02 |
| -0.1721932E-00 | -0.1366537E-01 | -0.3605524E-01 | -0.1673818E-03 | 0.9817306E-03  | -0.4956508E-03 | 0.7831914E-02  |
| 0.1908717E-00  | 0.9950878E-03  | 0.9239835E-03  | -0.2589123E-03 | 0.2148907E-02  | 0.1728930E-00  | 0.1425554E-01  |
| 0.3676964E-01  | 0.1495023E-03  | -0.9808662E-03 | 0.5287590E-03  | -0.            | -0.            | -0.            |

|                |                |                |                 |                |                |                |
|----------------|----------------|----------------|-----------------|----------------|----------------|----------------|
| 0.2607078E-02  | 0.2571783E-02  | 0.2283106E-02  | 0.1668873E-02   | 0.1257444E-02  | 0.5200719E-03  | 0.2652502E-04  |
| -0.2076656E-03 | -0.5919161E-03 | -0.1026275E-02 | -0.1212325E-02  | -0.1897782E-02 | -0.2342162E-02 | -0.2327140E-02 |
| -0.2753147E-02 | -0.2995917E-02 | -0.3128571E-02 | -0.3326119E-02  | -0.3091008E-02 | -0.2954303E-02 | -0.2565946E-02 |
| -0.1875659E-02 | -0.1185998E-02 | -0.6801657E-02 | -0.1628739E-02  | -0.6320479E-03 | 0.2293985E-03  | 0.1157955E-02  |
| -0.            | -0.            | -0.1021408E-03 | 0.2579237E-02   | -0.            | -0.            | -0.            |
| -0.            | 0.3942359E-02  | 0.4297291E-02  | 0.3300575E-02   | 0.3065641E-02  | -0.            | 0.2731604E-02  |
| -0.2169692E-02 | 0.9668770E-03  | 0.1883524E-03  | 0.1212512E-02   | 0.1721511E-02  | 0.1571699E-02  | 0.1063553E-02  |
| -0.3953106E-03 | 0.3400192E-03  | -0.7119120E-01 | -0.2486523E-01  | -0.            | -0.2429521E-01 | 0.1113155E-02  |
| 0.1016373E-01  | 0.1060760E-01  | 0.4585777E-02  | 0.1917494E-02   | -0.1400881E-02 | -0.4568344E-02 | -0.1036863E-01 |
| -0.1785418E-00 | -0.6237425E-01 | -0.            | -0.6351020E-01  | 0.2460608E-02  | 0.2407303E-01  | 0.2412597E-01  |
| -0.8338392E-02 | -0.2640922E-03 | -0.            | -0.1222825E-01  | -0.2521881E-01 | 0.6816417E-01  | 0.2373384E-01  |
| -0.            | 0.2294591E-01  | -0.1159411E-02 | -0.9584324E-02  | -0.1047903E-01 | -0.4388079E-02 | -0.1030523E-02 |
| 0.1152304E-02  | 0.4397546E-02  | 0.1016672E-01  | 0.1785703E-00   | 0.6195320E-01  | -0.            | 0.6115035E-01  |
| -0.2343786E-02 | -0.2425924E-01 | -0.2460662E-01 | -0.81817194E-02 | 0.1139781E-03  | 0.5076208E-02  | 0.1233153E-01  |
| 0.2546293E-01  | 0.7551082E-01  | 0.2878407E-01  | 0.              | 0.2809459E-02  | 0.1834914E-02  | -0.8479872E-02 |
| -0.6809527E-01 | 0.3268370E-02  | -0.6579424E-01 | 0.2977785E-02   | 0.5927428E-02  | 0.1102158E-01  | -0.1869284E-00 |
| 0.2860047E-02  | 0.4263632E-02  | -0.1249632E-01 | 0.2029151E-02   | 0.2835496E-01  | 0.3036647E-01  | 0.1365844E-01  |
| -0.3197939E-01 | -0.1797515E-02 | 0.1013102E-01  | 0.1154594E-01   | 0.4569595E-02  | -0.6446622E-04 | -0.3124977E-02 |
| -0.8180614E-02 | -0.1108683E-01 | 0.1766723E-03  | 0.6387737E-01   | 0.             | 0.6203125E-01  | -0.1922450E-02 |
| -0.2695950E-01 | -0.289762E-01  | -0.1291722E-01 | -0.3175360E-02  | 0.3613950E-02  | 0.1199869E-01  | 0.2593173E-01  |
| 0.1296005E-01  | 0.1152624E-01  | 0.8303525E-02  | 0.5272697E-02   | 0.2347687E-02  | -0.1313741E-02 | -0.4646803E-02 |
| -0.7219813E-02 | -0.1089470E-01 | -0.1353864E-01 | -0.1622651E-01  | -0.1853865E-01 | -0.2108701E-01 | -0.2247404E-01 |
| -0.2486673E-01 | -0.2586580E-01 | -0.2688235E-01 | -0.2714167E-01  | -0.2564525E-01 | -0.223123E-01  | -0.1685578E-01 |
| -0.1008145E-01 | -0.2671798E-02 | 0.6010730E-00  | -0.6920016E-02  | 0.4944448E-02  | 0.1371332E-01  | 0.2276529E-01  |
| 0.1888890E-04  | 0.             | -0.4754495E-03 | 0.1899795E-01   | 0.             | 0.             | 0.             |
| -0.            | -0.2221993E-00 | -0.2594411E-00 | -0.3799975E-01  | 0.6629632E-01  | 0.             | 0.1321782E-00  |
| 0.1812660E-00  | 0.1879380E-00  | 0.1327968E-00  | 0.4481570E-01   | -0.3400885E-01 | -0.6656859E-01 | -0.6687402E-01 |
| -0.3073174E-01 | -0.2099841E-01 | -0.1425406E-00 | -0.4810796E-01  | -0.8059989E-15 | -0.4649634E-01 | 0.8044252E-02  |
| 0.3189390E-01  | 0.4052553E-01  | 0.3228119E-01  | 0.2488087E-01   | 0.1217993E-02  | -0.6476663E-02 | -0.2388715E-01 |
| 0.6904984E-01  | 0.2578175E-01  | -0.6678711E-15 | 0.2502383E-01   | 0.1162289E-04  | -0.1064916E-01 | -0.1437049E-01 |
| -0.1086270E-01 | -0.7748308E-02 | -0.2587668E-02 | 0.4859367E-02   | 0.4391091E-01  | 0.1629605E-00  | 0.5710177E-01  |
| -0.3625293E-15 | 0.5530019E-01  | -0.6329643E-02 | -0.3404211E-01  | -0.491091E-01  | -0.3524790E-01 | -0.2686916E-01 |
| -0.1306854E-01 | 0.6742236E-02  | 0.2497018E-01  | -0.4862213E-02  | -0.1653132E-01 | -0.5399291E-16 | -0.1598537E-01 |
| 0.1702738E-02  | 0.8875110E-02  | 0.1162472E-01  | 0.8433573E-02   | 0.6246655E-02  | 0.2109607E-02  | -0.4466284E-02 |
| -0.1012215E-01 | -0.1486401E-00 | -0.6763576E-01 | -0.1674176E-15  | -0.6563849E-01 | -0.8158707E-02 | 0.2207428E-01  |
| 0.3329301E-01  | 0.2366097E-01  | 0.1494405E-01  | 0.5080943E-02   | -0.6998757E-02 | 0.2024980E-01  | -0.5714783E-01 |
| -0.2544781E-01 | 0.5924290E-15  | -0.2471789E-01 | -0.2759283E-02  | 0.8202189E-02  | 0.7912098E-01  | 0.1413747E-15  |
| 0.4273124E-02  | 0.8592549E-03  | -0.3405988E-02 | -0.8482778E-02  | 0.1660557E-00  | 0.1187457E-01  | 0.7561393E-02  |
| 0.7687542E-01  | 0.1449735E-01  | -0.1953477E-01 | -0.3289171E-01  | -0.2401215E-01 | -0.1536030E-01 | -0.5131942E-02 |
| 0.7544101E-02  | 0.2136290E-01  | 0.7160566E-01  | 0.1525194E-01   | -0.1368139E-16 | 0.1458857E-01  | 0.1256415E-01  |
| -0.1997367E-01 | -0.1728570E-01 | -0.7863074E-02 | -0.1592470E-02  | 0.2781346E-02  | 0.6585045E-02  | 0.1074047E-01  |
| -0.177406E-04  | -0.1656918E-03 | -0.4772788E-03 | -0.4772788E-03  | 0.2307455E-02  | 0.3779163E-03  | 0.1111454E-01  |
| 0.1132275E-01  | 0.2593787E-01  | 0.2635594E-01  | -0.1098578E-01  | -0.1215038E-01 | 0.2641012E-01  | -0.2690552E-01 |
| -0.2480100E-01 | -0.1306125E-01 | 0.6539375E-01  | 0.3447816E-01   | 0.2173020E-05  | -0.2330054E-02 | -0.1075986E-01 |
| -0.3476766E-01 | 0.8246789E-04  | -0.7848533E-04 | -0.6089193E-05  | -0.8017488E-02 | -0.1878671E-01 | -0.1345928E-01 |
| -0.6652631E-02 | 0.8659686E-04  | 0.5086477E-04  | -0.2550587E-03  | 0.1108587E-01  | 0.6708189E-02  | -0.8788635E-04 |
| 0.2587662E-03  | 0.9119280E-04  | 0.3434677E-04  | 0.2888165E-02   | 0.1334887E-01  | -0.2583557E-03 | -0.1009413E-03 |
| -0.5178219E-03 | 0.2428524E-03  | 0.7897497E-04  | 0.1880014E-01   | 0.2562038E-03  | -0.2558143E-03 | 0.1594744E-02  |
| -0.3486948E-04 | 0.9573637E-02  | -0.1515626E-01 | 0.1246553E-02   | -0.4018692E-03 | -0.3624322E-03 | -0.9483927E-02 |
| -0.3642739E-01 | 0.7334349E-02  | 0.1301133E-01  | 0.1990983E-03   | -0.4018692E-03 | 0.3624322E-03  | -0.9483927E-02 |
| 0.1521164E-01  | -0.8840340E-03 | -0.2590079E-03 | 0.2582176E-03   | -0.1602744E-02 | 0.3619051E-01  | -0.7268567E-02 |
| -0.1262779E-01 | -0.1930840E-03 | 0.3996871E-03  | -0.3671417E-03  | -0.            | -0.            | -0.            |

|               |               |               |               |                |               |               |
|---------------|---------------|---------------|---------------|----------------|---------------|---------------|
| 0.1355612E-02 | 0.1287725E-02 | 0.1252095E-02 | 0.1167195E-02 | 0.1181314E-02  | 0.1146229E-02 | 0.1111164E-02 |
| 0.137647E-02  | 0.1041121E-02 | 0.1006445E-02 | 0.9720385E-03 | 0.9384171E-03  | 0.9049539E-03 | 0.8715661E-03 |
| 0.8388471E-03 | 0.8065190E-03 | 0.7747345E-03 | 0.7439472E-03 | 0.7154221E-03  | 0.6895314E-03 | 0.6655755E-03 |
| 0.643242E-03  | 0.6219472E-03 | 0.6227673E-03 | 0.6342438E-03 | 0.6013335E-03  | 0.5811439E-03 | 0.5615447E-03 |
| 0.            | 0.            | 0.8927677E-04 | 0.5257515E-03 | 0.             | 0.            | 0.            |
| 0.            | 0.5325478E-03 | 0.5218075E-03 | 0.555634E-03  | 0.5622728E-03  | 0.            | 0.5659195E-03 |
| 0.5399802E-03 | 0.5399802E-03 | 0.4906686E-03 | 0.4907045E-03 | 0.42641951E-03 | 0.4114229E-03 | 0.4216168E-04 |
| 0.1857420E-03 | 0.3480710E-03 | 0.1885198E-01 | 0.1655458E-01 | 0.1645857E-01  | 0.1415507E-01 | 0.1415507E-01 |
| 0.1157925E-01 | 0.8753732E-02 | 0.580346E-02  | 0.2622197E-02 | 0.4175619E-02  | 0.4175619E-02 | 0.7715751E-02 |
| 0.4593492E-01 | 0.3969458E-01 | 0.            | 0.304357E-01  | 0.3139993E-01  | 0.2404845E-01 | 0.1656431E-01 |
| 0.9263197E-02 | 0.1888855E-02 | 0.5443581E-02 | 0.1272465E-01 | 0.1956287E-01  | 0.1879208E-01 | 0.1617807E-01 |
| 0.            | 0.1670407E-01 | 0.1357374E-01 | 0.128557E-01  | 0.1796293E-02  | 0.5027183E-02 | 0.1935402E-02 |
| 0.1251074E-02 | 0.4511344E-02 | 0.7816988E-02 | 0.4593535E-01 | 0.3872345E-01  | 0.            | 0.3843551E-01 |
| 0.3144875E-01 | 0.2410599E-01 | 0.1662548E-01 | 0.9520233E-02 | 0.1934982E-02  | 0.5414068E-02 | 0.1271488E-01 |
| 0.1997834E-01 | 0.1952331E-01 | 0.1671203E-01 | 0.            | 0.1659768E-01  | 0.1383815E-01 | 0.1088425E-01 |
| 0.7821308E-04 | 0.4714330E-02 | 0.1523385E-02 | 0.171417E-02  | 0.4980565E-02  | 0.8260699E-02 | 0.4584693E-01 |
| 0.3919425E-01 | 0.            | 0.3892445E-01 | 0.3241444E-01 | 0.2546922E-01  | 0.1823554E-01 | 0.1100918E-01 |
| 0.5533128E-02 | 0.4061778E-02 | 0.1173769E-01 | 0.1945527E-01 | 0.16950508E-01 | 0.1695443E-01 | 0.            |
| 0.1684221E-01 | 0.1421444E-01 | 0.1135415E-01 | 0.8510987E-02 | 0.5206881E-02  | 0.1943595E-02 | 0.1414452E-02 |
| 0.4839363E-04 | 0.8390255E-02 | 0.4581899E-01 | 0.3916637E-01 | 0.3889681E-01  | 0.3889681E-01 | 0.2338468E-01 |
| 0.2543379E-01 | 0.1819080E-01 | 0.1095167E-01 | 0.3460275E-02 | 0.4150511E-02  | 0.1184207E-01 | 0.1957511E-01 |
| 0.1484579E-03 | 0.1467117E-03 | 0.1432195E-03 | 0.1597235E-03 | 0.1362333E-03  | 0.1327503E-03 | 0.1292642E-00 |
| 0.1257789E-03 | 0.1229958E-03 | 0.1188187E-03 | 0.1153335E-03 | 0.1118703E-03  | 0.1084056E-03 | 0.1049444E-00 |
| 0.1714897E-03 | 0.9804966E-03 | 0.9459935E-03 | 0.911743E-03  | 0.8777592E-03  | 0.8441405E-03 | 0.8107889E-00 |
| 0.776724E-01  | 0.7446928E-01 | 0.7443243E-01 | 0.705792E-01  | 0.7117946E-01  | 0.6789701E-01 | 0.6462284E-01 |
| 0.            | 0.            | 0.7584649E-01 | 0.5069958E-01 | 0.             | 0.            | 0.            |
| 0.            | 0.5035086E-01 | 0.5446484E-01 | 0.4545143E-01 | 0.4237573E-01  | 0.            | 0.3966744E-01 |
| 0.3621058E-01 | 0.3301937E-01 | 0.276248E-01  | 0.1697499E-01 | 0.6918806E-02  | 0.2303653E-02 | 0.1155886E-01 |
| 0.238258E-01  | 0.3362650E-01 | 0.465413E-01  | 0.425181E-01  | 0.5849707E-01  | 0.4392769E-01 | 0.3373262E-01 |
| 0.2677802E-01 | 0.1932141E-01 | 0.1174974E-01 | 0.3678965E-02 | 0.4951039E-02  | 0.1194411E-01 | 0.1971636E-01 |
| 0.1869821E-01 | 0.1640841E-01 | 0.3934181E-01 | 0.1631333E-01 | 0.1402582E-01  | 0.1149027E-01 | 0.8705217E-02 |
| 0.5763044E-01 | 0.242777E-02  | 0.8587034E-03 | 0.434379E-02  | 0.7769491E-02  | 0.4570046E-01 | 0.3835179E-01 |
| 0.6239940E-18 | 0.3806281E-01 | 0.3102156E-01 | 0.237213E-01  | 0.1635248E-01  | 0.9186032E-02 | 0.1899241E-02 |
| 0.5399797E-02 | 0.1276345E-01 | 0.1997774E-01 | 0.1934871E-01 | 0.1496068E-01  | 0.5995225E-01 | 0.1482871E-01 |
| 0.1161153E-01 | 0.8347737E-02 | 0.5184152E-02 | 0.2281324E-02 | 0.4713608E-03  | 0.3068315E-02 | 0.597526E-02  |
| 0.8193069E-02 | 0.4563138E-01 | 0.3849669E-01 | 0.1751091E-01 | 0.3821433E-01  | 0.3134738E-01 | 0.2414960E-01 |
| 0.168355E-01  | 0.9598935E-02 | 0.2281335E-02 | 0.5042798E-02 | 0.1237438E-01  | 0.1972279E-01 | 0.1955830E-01 |
| 0.1665493E-01 | 0.1663862E-02 | 0.1655977E-01 | 0.1373536E-01 | 0.1075481E-01  | 0.7653587E-02 | 0.454990E-02  |
| 0.1363864E-02 | 0.1858925E-02 | 0.5098664E-02 | 0.8344619E-02 | 0.4541989E-01  | 0.3833589E-01 | 0.232101E-19  |
| 0.380585E-01  | 0.3129157E-01 | 0.2421735E-01 | 0.1697623E-01 | 0.69824355E-02 | 0.2509904E-02 | 0.4877594E-02 |
| 0.122668E-01  | 0.196759E-01  | 0.1939572E-01 | 0.1635079E-01 | 0.9175732E-02  | 0.1623363E-01 | 0.1337829E-01 |
| 0.136763E-01  | 0.7268725E-02 | 0.4198487E-02 | 0.1749283E-02 | 0.2123176E-02  | 0.5284105E-02 | 0.8407369E-02 |
| 0.590525E-05  | 0.5911226E-05 | 0.5930374E-05 | 0.5930372E-05 | 0.5750593E-05  | 0.3324724E-05 | 0.4021068E-02 |
| 0.402789E-02  | 0.1007099E-01 | 0.1006938E-01 | 0.4061944E-02 | 0.4960612E-02  | 0.1903231E-01 | 0.1003048E-01 |
| 0.4194453E-02 | 0.4318642E-02 | 0.9922944E-02 | 0.115148E-01  | 0.4067471E-02  | 0.4115569E-02 | 0.980848E-02  |
| 0.9849572E-02 | 0.1455990E-05 | 0.1073854E-05 | 0.117347E-05  | 0.5067013E-09  | 0.6867875E-02 | 0.2256362E-03 |
| 0.384232E-01  | 0.1910891E-05 | 0.106147E-05  | 0.1274593E-06 | 0.7889091E-02  | 0.3889031E-01 | 0.1529763E-04 |
| 0.2193511E-05 | 0.4585817E-05 | 0.108667E-05  | 0.6716039E-02 | 0.6393716E-05  | 0.3897161E-01 | 0.2023542E-05 |
| 0.1105746E-05 | 0.2097997E-05 | 0.7924431E-05 | 0.3951122E-01 | 0.7848392E-03  | 0.2632551E-05 | 0.6788783E-05 |
| 0.106583E-05  | 0.4812496E-03 | 0.3795887E-04 | 0.2913685E-03 | 0.106377E-03   | 0.1631179E-05 | 0.3482161E-05 |
| 0.381152E-01  | 0.3154873E-03 | 0.4489625E-04 | 0.325567E-05  | 0.1088068E-05  | 0.3456094E-05 | 0.2853420E-03 |
| 0.381859E-01  | 0.2869407E-03 | 0.1078239E-03 | 0.3446452E-06 | 0.8123694E-05  | 0.3798871E-01 | 0.5305615E-03 |
| 0.4466932E-02 | 0.5772857E-06 | 0.1074437E-03 | 0.542333E-05  | 0.             | 0.            | 0.            |



|               |                |               |                |                |                |               |
|---------------|----------------|---------------|----------------|----------------|----------------|---------------|
| 0.1581176E-00 | 0.1562127E-00  | 0.1524036E-00 | 0.1485959E-00  | 0.1447905E-00  | 0.1409883E-00  | 0.1371899E-00 |
| 0.1335939E-00 | 0.1296003E-00  | 0.1258123E-00 | 0.1220337E-00  | 0.1182676E-00  | 0.1145084E-00  | 0.1107573E-00 |
| 0.107063E-00  | 0.1032872E-00  | 0.9957261E-01 | 0.9588122E-01  | 0.9225703E-01  | 0.8868074E-01  | 0.8516152E-01 |
| 0.8168533E-01 | 0.7823406E-01  | 0.745259E-01  | 0.7092329E-01  | 0.6747972E-01  | 0.6417350E-01  | 0.6096772E-01 |
| 0.            | 0.             | 0.7415259E-01 | 0.5972311E-01  | 0.             | 0.             | 0.            |
| 0.4156174E-01 | 0.4562347E-01  | 0.4673245E-01 | 0.4673245E-01  | 0.3374226E-01  | 0.             | 0.3114061E-01 |
| 0.2787286E-01 | 0.2217939E-01  | 0.1665695E-01 | 0.1013567E-01  | 0.2552327E-02  | 0.4913826E-02  | 0.1240133E-01 |
| 0.1998592E-01 | 0.3077764E-01  | 0.4017662E-01 | 0.369813E-01   | 0.             | 0.3889238E-01  | 0.3698259E-01 |
| 0.3376895E-01 | 0.2893911E-01  | 0.2270867E-01 | 0.149723E-01   | 0.5770833E-02  | 0.4463335E-02  | 0.1541301E-01 |
| 0.2044269E-01 | 0.2452523E-01  | 0.            | 0.2662423E-01  | 0.2740690E-01  | 0.2850654E-01  | 0.236657E-01  |
| 0.2407789E-01 | 0.1868895E-01  | 0.1150498E-01 | 0.2654239E-02  | 0.6730344E-02  | 0.3876098E-01  | 0.3485256E-01 |
| 0.            | 0.3468118E-01  | 0.306077E-01  | 0.2383751E-01  | 0.2030943E-01  | 0.1422364E-01  | 0.7364370E-02 |
| 0.1257442E-03 | 0.8150541E-02  | 0.1662704E-01 | 0.234578E-01   | 0.2421883E-01  | 0.             | 0.2427995E-01 |
| 0.2687782E-01 | 0.2785722E-01  | 0.2668149E-01 | 0.2344190E-01  | 0.1817470E-01  | 0.1116940E-01  | 0.2741606E-02 |
| 0.6594720E-02 | 0.3838443E-01  | 0.319917E-01  | 0.             | 0.3173951E-01  | 0.2560155E-01  | 0.1919815E-01 |
| 0.1266142E-01 | 0.6262194E-02  | 0.2990827E-03 | 0.6924353E-02  | 0.1360166E-01  | 0.2030936E-01  | 0.1493971E-01 |
| 0.1296774E-01 | 0.1289079E-01  | 0.1999795E-01 | 0.1999785E-02  | 0.9512054E-02  | 0.6947330E-02  | 0.4875284E-02 |
| 0.2669629E-02 | 0.2084635E-02  | 0.2084635E-02 | 0.46601463E-02 | 0.3761037E-01  | 0.2944589E-01  | 0.            |
| 0.2913920E-01 | 0.2157753E-01  | 0.1413704E-01 | 0.714904E-02   | 0.92477558E-03 | 0.4856205E-02  | 0.1017317E-01 |
| 0.1512951E-01 | 0.1987143E-01  | 0.1479807E-01 | 0.126149E-01   | 0.             | 0.1273494E-01  | 0.1080572E-01 |
| 0.872752E-02  | 0.6559145E-02  | 0.4328234E-02 | 0.1939353E-02  | 0.5750991E-03  | 0.3201710E-02  | 0.5902985E-02 |
| 0.4767809E-02 | 0.4721359E-02  | 0.4628658E-02 | 0.4356318E-02  | 0.4444704E-02  | 0.4351992E-02  | 0.4260343E-02 |
| 0.4170190E-02 | 0.4078846E-02  | 0.3989736E-02 | 0.3902222E-02  | 0.3813238E-02  | 0.3726837E-02  | 0.3642427E-02 |
| 0.3557585E-02 | 0.3476052E-02  | 0.3397368E-02 | 0.3317079E-02  | 0.3247738E-02  | 0.3186235E-02  | 0.3131681E-02 |
| 0.3082929E-02 | 0.3037183E-02  | 0.3895131E-02 | 0.3863281E-02  | 0.2993317E-02  | 0.29552078E-02 | 0.2911987E-02 |
| 0.2827084E-04 | 0.2827084E-04  | 0.3056144E-02 | 0.2805894E-02  | 0.             | 0.             | 0.            |
| 0.1027678E-02 | 0.1255597E-02  | 0.657851E-03  | 0.657851E-03   | 0.4994578E-03  | 0.             | 0.3200649E-03 |
| 0.8597206E-04 | 0.397687E-03   | 0.7590946E-03 | 0.1237125E-02  | 0.1726148E-02  | 0.2116332E-02  | 0.2415171E-02 |
| 0.2612773E-02 | 0.2856449E-02  | 0.116424E-01  | 0.1951329E-02  | 0.1039879E-16  | 0.1671884E-02  | 0.5803366E-02 |
| 0.1102307E-01 | 0.1367303E-01  | 0.1424546E-01 | 0.1371212E-01  | 0.1274892E-01  | 0.1192264E-01  | 0.1169954E-01 |
| 0.3917789E-01 | 0.3862975E-01  | 0.6465099E-17 | 0.3858154E-01  | 0.3751651E-01  | 0.3529683E-01  | 0.3126043E-01 |
| 0.2524007E-01 | 0.168851E-01   | 0.6651597E-02 | 0.4540844E-02  | 0.1531415E-01  | 0.2090922E-01  | 0.2320342E-01 |
| 0.9759121E-17 | 0.2320672E-01  | 0.238721E-01  | 0.2244928E-01  | 0.1888509E-01  | 0.1390826E-01  | 0.8127621E-02 |
| 0.217302E-02  | 0.3576893E-02  | 0.886811E-02  | 0.3554380E-01  | 0.22288438E-01 | 0.8341707E-17  | 0.2242962E-01 |
| 0.1135556E-01 | 0.9132491E-03  | 0.7238860E-02 | 0.1273584E-01  | 0.1595785E-01  | 0.1738951E-01  | 0.1819827E-01 |
| 0.1997951E-01 | 0.1573650E-01  | 0.126764E-01  | 0.2554354E-17  | 0.1254948E-01  | 0.9536217E-02  | 0.6498463E-02 |
| 0.3705744E-02 | 0.1383481E-02  | 0.5400902E-03 | 0.2169352E-02  | 0.3812817E-02  | 0.5785322E-02  | 0.3660269E-01 |
| 0.2927449E-01 | 0.1765467E-19  | 0.2899168E-01 | 0.2209298E-01  | 0.1523492E-01  | 0.8677922E-02  | 0.2647452E-01 |
| 0.326172E-02  | 0.9931721E-02  | 0.1465783E-01 | 0.213554E-01   | 0.1328429E-01  | 0.1086714E-01  | 0.4675269E-18 |
| 0.1080225E-01 | 0.8955536E-02  | 0.7316818E-02 | 0.5714863E-02  | 0.4016975E-02  | 0.1974570E-02  | 0.3749556E-03 |
| 0.2853725E-02 | 0.5232750E-02  | 0.3949129E-01 | 0.3260695E-01  | 0.1690913E-18  | 0.3234662E-01  | 0.2591444E-01 |
| 0.1932599E-01 | 0.123252E-01   | 0.6431319E-02 | 0.151294E-03   | 0.16158926E-02 | 0.1264633E-01  | 0.1950976E-01 |
| 0.4205313E-05 | 0.4274491E-05  | 0.4497733E-05 | 0.4497733E-05  | 0.1573427E-04  | 0.1941697E-04  | 0.8315920E-02 |
| 0.8318147E-02 | 0.3637323E-02  | 0.3637323E-02 | 0.8762568E-02  | 0.8762568E-02  | 0.43020251E-02 | 0.4049673E-02 |
| 0.3513163E-02 | 0.7762470E-02  | 0.42940E-02   | 0.4553273E-02  | 0.9880855E-02  | 0.9991087E-02  | 0.2947607E-02 |
| 0.2352065E-02 | 0.5989616E-02  | 0.220764E-03  | 0.6218201E-04  | 0.2196689E-07  | 0.7321575E-02  | 0.3710861E-01 |
| 0.5607936E-02 | 0.2837113E-04  | 0.2401199E-04 | 0.164645E-03   | 0.6894162E-02  | 0.9729807E-03  | 0.3907221E-01 |
| 0.2553850E-04 | 0.1534645E-05  | 0.5634645E-05 | 0.5736647E-05  | 0.3281863E-01  | 0.3291480E-03  | 0.2940535E-04 |
| 0.257450E-04  | 0.8253988E-04  | 0.5513862E-01 | 0.4926585E-02  | 0.3094559E-01  | 0.2497779E-04  | 0.2282859E-04 |
| 0.1414292E-02 | 0.39346161E-01 | 0.4196476E-02 | 0.3738849E-02  | 0.9022514E-05  | 0.8416721E-04  | 0.6455818E-04 |
| 0.1932965E-02 | 0.3561799E-01  | 0.233831E-03  | 0.741634E-04   | 0.7325274E-05  | 0.4658578E-04  | 0.3561022E-01 |
| 0.175553E-02  | 0.3916577E-02  | 0.5471567E-03 | 0.9862742E-04  | 0.6139595E-04  | 0.3768264E-02  | 0.3335660E-01 |
| 0.4165563E-04 | 0.1027709E-03  | 0.7163565E-03 | 0.494212E-04   | 0.             | 0.             | 0.            |

|                |                |                |                |                |                 |                |
|----------------|----------------|----------------|----------------|----------------|-----------------|----------------|
| 0.2587516E-01  | 0.2563274E-01  | 0.2514769E-01  | 0.2466342E-01  | 0.2418020E-01  | 0.2370126E-01   | 0.2322550E-01  |
| 0.2275268E-01  | 0.2228177E-01  | 0.2181664E-01  | 0.213601E-01   | 0.2091546E-01  | 0.2047943E-01   | 0.2004959E-01  |
| 0.1963099E-01  | 0.1922292E-01  | 0.1882997E-01  | 0.1845822E-01  | 0.1811476E-01  | 0.1789766E-01   | 0.1769713E-01  |
| 0.1753901E-01  | 0.1740599E-01  | 0.1729542E-01  | 0.1714811E-01  | 0.1728680E-01  | 0.1718216E-01   | 0.1709213E-01  |
| 0.             | 0.             | 0.1906624E-02  | 0.1692511E-01  | 0.             | 0.              | 0.             |
| 0.             | -0.1069297E-01 | -0.1142789E-01 | -0.973698E-02  | -0.9930759E-02 | 0.              | -0.8995384E-02 |
| -0.7511955E-02 | -0.5714747E-02 | -0.3658671E-02 | -0.897456E-03  | 0.2552447E-02  | 0.6009111E-02   | 0.9306422E-02  |
| 0.129388E-01   | 0.1605367E-01  | 0.2858114E-01  | 0.452777E-01   | 0.             | -0.4574401E-01  | 0.5831354E-01  |
| -0.6604640E-01 | -0.6735283E-01 | -0.6230914E-01 | -0.514733E-01  | -0.3568152E-01 | -0.1592880E-01  | 0.6294681E-02  |
| 0.3787680E-01  | 0.1425067E-00  | 0.             | 0.1457548E-00  | 0.2300938E-00  | 0.2922980E-00   | 0.3230950E-00  |
| 0.3216165E-00  | 0.2902866E-00  | 0.2326008E-00  | 0.1531917E-00  | 0.5981349E-01  | 0.1388135E-01   | 0.3312176E-02  |
| 0.             | 0.2943173E-02  | 0.6338999E-02  | 0.1451297E-01  | -0.2079746E-01 | -0.2480288E-01  | -0.2672959E-01 |
| -0.2662486E-01 | -0.2473329E-01 | -0.2162474E-01 | 0.5288311E-01  | 0.1285131E-00  | 0.              | 0.1307131E-00  |
| 0.1882806E-00  | 0.2290564E-00  | 0.2464524E-00  | 0.2492711E-00  | 0.2122390E-00  | 0.1651387E-00   | 0.1024421E-00  |
| 0.2978427E-01  | 0.8282114E-03  | 0.5273421E-02  | 0.             | 0.5422699E-02  | 0.9192791E-02   | 0.1231742E-01  |
| 0.1436979E-01  | 0.1524013E-01  | 0.1491819E-01  | 0.1349137E-01  | 0.1113167E-01  | 0.8172410E-02   | -0.2706961E-01 |
| -0.2876435E-04 | 0.             | -0.2877214E-01 | 0.2928050E-01  | -0.2815522E-01 | -0.2497544E-01  | -0.1984193E-01 |
| -0.1288472E-01 | -0.4485710E-02 | 0.4931823E-02  | 0.1488793E-01  | 0.3628195E-04  | -0.3208482E-02  | 0.             |
| -0.3317057E-02 | -0.6596915E-02 | -0.8444198E-02 | -0.1508889E-01 | -0.1050822E-01 | -0.1095765E-01  | -0.1029295E-01 |
| -0.9043207E-02 | -0.7423178E-02 | 0.2635684E-01  | 0.263789E-01   | 0.             | 0.2632955E-01   | 0.2544166E-01  |
| 0.2321560E-01  | 0.1941490E-01  | 0.1425364E-01  | 0.7821855E-02  | 0.4582512E-03  | 0.07545101E-02  | -0.1588512E-01 |
| 0.4647654E-01  | 0.4600412E-01  | 0.4505825E-01  | 0.4411495E-01  | 0.4317242E-01  | 0.4223838E-01   | 0.4130810E-01  |
| 0.4037781E-01  | 0.3945548E-01  | 0.3853814E-01  | 0.3763521E-01  | 0.3674935E-01  | 0.3587499E-01   | 0.3500942E-01  |
| 0.3416451E-01  | 0.3333032E-01  | 0.3252107E-01  | 0.3175117E-01  | 0.3160378E-01  | 0.3047093E-01   | 0.2995283E-01  |
| 0.2949891E-01  | 0.2908347E-01  | 0.489297E-01   | 0.293229E-01   | 0.2869058E-01  | 0.2831772E-01   | 0.2797182E-01  |
| -0.            | -0.            | -0.2640507E-02 | 0.2712584E-01  | -0.            | -0.             | -0.            |
| -0.            | -0.2240009E-01 | -0.2337219E-01 | 0.27085134E-01 | -0.1982544E-01 | -0.             | -0.1887552E-01 |
| -0.1757969E-01 | -0.1498056E-01 | -0.1199735E-01 | -0.7086634E-02 | -0.2626838E-02 | 0.2875517E-02   | 0.8300461E-02  |
| 0.134116E-01   | 0.1979293E-01  | -0.178366E-01  | -0.1714861E-01 | 0.4693011E-15  | -0.1708743E-01  | -0.1585383E-01 |
| 0.1394586E-01  | -0.1143149E-01 | -0.8020669E-02 | 0.3232732E-02  | 0.2142211E-02  | 0.5518122E-02   | 0.5778185E-02  |
| 0.1849084E-01  | 0.1880217E-01  | 0.519053E-15   | 0.1875888E-01  | 0.1802942E-01  | 0.1556247E-01   | 0.1110737E-01  |
| 0.5939590E-02  | 0.2642811E-04  | 0.5144040E-02  | -0.1145239E-01 | -0.1910069E-01 | 0.1619318E-01   | 0.1635043E-01  |
| 0.3376078E-15  | 0.1631426E-01  | 0.1566538E-01  | 0.1371630E-01  | 0.1035114E-01  | 0.6397542E-02   | 0.2852602E-02  |
| -0.2720887E-03 | -0.4659073E-02 | -0.1057604E-01 | -0.1992043E-01 | -0.1918915E-01 | 0.4260029E-15   | -0.1910826E-01 |
| -0.1748198E-01 | -0.1473146E-01 | -0.1097724E-01 | -0.6071531E-02 | 0.4149069E-03  | 0.7623937E-02   | 0.1281732E-01  |
| 0.1462895E-01  | -0.2615731E-01 | -0.2409715E-01 | 0.2570984E-16  | -0.2356030E-01 | -0.2103996E-01  | -0.1739156E-01 |
| -0.1323345E-01 | -0.8406265E-02 | -0.2321238E-02 | 0.4619299E-02  | 0.1052042E-01  | 0.1432102E-01   | 0.8372089E-03  |
| 0.8593590E-03  | 0.1030195E-14  | 0.8536496E-03  | 0.7582625E-03  | 0.1855309E-03  | -0.9716108E-03  | -0.2241358E-02 |
| -0.2852487E-02 | -0.2828225E-02 | -0.3836542E-02 | -0.6907138E-02 | 0.2362239E-01  | 0.2234261E-01   | 0.5686749E-15  |
| 0.2220739E-01  | 0.1957198E-01  | 0.1512349E-01  | 0.9021618E-02  | 0.2283985E-02  | -0.3945144E-02  | -0.9204678E-02 |
| -0.1463253E-01 | -0.2083156E-01 | -0.1686689E-02 | -0.8018038E-04 | -0.1317086E-15 | 0.3011515E-04   | 0.2197520E-02  |
| 0.4278889E-02  | 0.5709358E-02  | 0.6642494E-02  | 0.7719387E-02  | 0.8877445E-02  | 0.8561914E-02   | 0.6003475E-02  |
| 0.1295888E-03  | 0.1297403E-03  | 0.1302392E-03  | 0.1502392E-03  | 0.3569889E-04  | 0.7300248E-05   | 0.5790335E-02  |
| 0.5081565E-02  | 0.2976367E-02  | 0.2973066E-04  | -0.4140339E-02 | -0.4130874E-02 | -0.4083075E-02  | -0.4072058E-02 |
| 0.7443601E-03  | 0.8386943E-03  | 0.3803072E-02  | 0.5312028E-02  | -0.7608983E-03 | -0.9333881E-03  | -0.3753031E-02 |
| -0.5318461E-02 | -0.6262844E-04 | 0.5034965E-04  | -0.3025736E-04 | -0.2353907E-06 | -0.6172339E-02  | 0.1705422E-01  |
| 0.2409217E-01  | -0.5746932E-04 | 0.6074749E-04  | -0.8092195E-04 | 0.1687883E-02  | 0.2148256E-01   | -0.1647307E-01 |
| -0.6133752E-04 | -0.3818988E-04 | -0.7291047E-04 | -0.4223735E-02 | -0.1867569E-01 | -0.2106168E-01  | -0.6056474E-04 |
| -0.4731727E-04 | -0.2254048E-04 | -0.195566E-01  | -0.2385131E-01 | 0.1946129E-01  | -0.6337207E-04  | 0.3114346E-04  |
| 0.2789156E-04  | 0.1721973E-01  | 0.2102496E-01  | 0.9199675E-03  | 0.3685290E-04  | -0.1947104E-04  | 0.2976610E-04  |
| 0.2243197E-01  | -0.172032E-01  | 0.2580816E-02  | -0.1456643E-04 | -0.7588311E-04 | 0.5652590E-05   | -0.1810493E-01 |
| -0.2354732E-01 | -0.1656362E-02 | -0.7736280E-04 | 0.5841824E-04  | -0.4638878E-07 | -0.21444145E-01 | 0.1720553E-01  |
| -0.2124657E-02 | 0.4906549E-04  | 0.3251684E-04  | 0.25228605E-04 | 0.25228605E-04 | 0.              | 0.             |

SA-5 RUN #3 MODE 4 XN = 3 485068

|               |               |               |                |               |               |
|---------------|---------------|---------------|----------------|---------------|---------------|
| 0.164795E-01  | 0.1587017E-01 | 0.1386795E-01 | 0.1514749E-01  | 0.1466813E-01 | 0.1427172E-01 |
| 0.1387801E-01 | 0.1396394E-01 | 0.1471238E-01 | 0.1233411E-01  | 0.1196216E-01 | 0.1159506E-01 |
| 0.1123399E-01 | 0.105319E-01  | 0.119738E-01  | 0.999742E-02   | 0.9638278E-02 | 0.9495235E-02 |
| 0.919731E-02  | 0.1212494E-01 | 0.914473E-02  | 0.881742E-02   | 0.8641045E-02 | 0.8472449E-02 |
| 0.777314E-01  | 0.1119850E-01 | 0.853368E-02  | 0.8119850E-01  | 0.792297E-02  | 0.7683572E-02 |
| 0.4229010E-02 | 0.467328E-02  | 0.292297E-02  | 0.3967195E-02  | 0.3787971E-02 | 0.369158E-01  |
| 0.9356791E-03 | 0.3532561E-03 | 0.218349E-02  | 0.3368945E-01  | 0.3151483E-01 | 0.2731077E-02 |
| 0.9959794E-02 | 0.2151736E-01 | 0.3268945E-01 | 0.4354916E-01  | 0.2151431E-01 | 0.2228794E-01 |
| 0.5534135E-01 | 0.5174081E-01 | 0.4354916E-01 | 0.1394976E-01  | 0.1483795E-01 | 0.1861795E-01 |
| 0.1377637E-01 | 0.1748684E-01 | 0.5377364E-01 | 0.577145E-01   | 0.1553621E-01 | 0.1196993E-01 |
| 0.1868143E-01 | 0.2062491E-01 | 0.218349E-02  | 0.136970E-01   | 0.1661133E-01 | 0.1385758E-01 |
| 0.8563283E-03 | 0.832475E-03  | 0.832475E-03  | 0.1732596E-02  | 0.1224671E-01 | 0.5797796E-01 |
| 0.2134195E-01 | 0.2211089E-01 | 0.2211089E-01 | 0.2849578E-02  | 0.8486739E-02 | 0.1876191E-01 |
| 0.1602499E-02 | 0.3306143E-02 | 0.474217E-01  | 0.3425957E-01  | 0.3113438E-01 | 0.2413976E-01 |
| 0.3248755E-01 | 0.3547717E-01 | 0.474217E-01  | 0.1385282E-01  | 0.2645171E-01 | 0.3616813E-01 |
| 0.4675021E-01 | 0.164988E-01  | 0.3295945E-01 | 0.1667729E-01  | 0.4243943E-02 | 0.3477537E-01 |
| 0.7289864E-02 | 0.479474E-01  | 0.474217E-01  | 0.2849578E-02  | 0.3404795E-01 | 0.2895661E-02 |
| 0.3993247E-01 | 0.328759E-01  | 0.1466749E-01 | 0.3394674E-01  | 0.1378834E-01 | 0.4800446E-01 |
| 0.3136038E-01 | 0.408924E-01  | 0.471191E-01  | 0.5000729E-01  | 0.4998046E-01 | 0.199711E-01  |
| 0.1372577E-01 | 0.133783E-01  | 0.133149E-01  | 0.1268620E-01  | 0.1234341E-01 | 0.1199711E-01 |
| 0.1131476E-01 | 0.197793E-01  | 0.16456E-01   | 0.137247E-01   | 0.9988761E-01 | 0.5658134E-01 |
| 0.9038066E-01 | 0.873240E-01  | 0.692893E-01  | 0.8167451E-01  | 0.7925738E-01 | 0.7707196E-01 |
| 0.7318346E-01 | 0.154773E-01  | 0.742722E-01  | 0.7135269E-01  | 0.6959832E-01 | 0.6790227E-01 |
| 0.4408983E-01 | 0.7548846E-02 | 0.635689E-01  | 0.3593715E-01  | 0.3394395E-01 | 0.3176291E-01 |
| 0.2723044E-01 | 0.470269E-01  | 0.3986186E-01 | 0.3593715E-01  | 0.2898626E-01 | 0.4035538E-01 |
| 0.4955638E-01 | 0.936534E-01  | 0.297911E-02  | 0.161340E-01   | 0.2898626E-01 | 0.3764457E-03 |
| 0.5985998E-01 | 0.344267E-01  | 0.169711E-01  | 0.2772854E-16  | 0.1631904E-01 | 0.5196270E-01 |
| 0.2938028E-01 | 0.388930E-01  | 0.497933E-01  | 0.44928715E-01 | 0.1586698E-02 | 0.5196270E-01 |
| 0.7401213E-02 | 0.164522E-01  | 0.721533E-02  | 0.2745349E-02  | 0.3631957E-01 | 0.4369166E-02 |
| 0.924924E-01  | 0.119068E-01  | 0.1293668E-01 | 0.1023482E-01  | 0.3768944E-01 | 0.1736333E-01 |
| 0.166785E-01  | 0.1666454E-01 | 0.155630E-01  | 0.2807998E-01  | 0.2976774E-15 | 0.4534454E-01 |
| 0.5326656E-01 | 0.5161922E-01 | 0.135481E-01  | 0.645589E-02   | 0.4296640E-01 | 0.2597405E-01 |
| 0.175453E-02  | 0.489654E-01  | 0.812363E-02  | 0.9836655E-02  | 0.2041457E-01 | 0.6306189E-02 |
| 0.3974319E-01 | 0.381793E-01  | 0.143163E-16  | 0.3754075E-01  | 0.1739868E-01 | 0.112374E-01  |
| 0.3274795E-02 | 0.8884375E-01 | 0.21155E-01   | 0.312723E-01   | 0.3358655E-01 | 0.2597405E-01 |
| 0.1146440E-15 | 0.192630E-01  | 0.166314E-01  | 0.1274321E-01  | 0.4296640E-01 | 0.2041457E-01 |
| 0.1434611E-01 | 0.203159E-01  | 0.279214E-01  | 0.4121151E-01  | 0.381983E-01  | 0.1603880E-02 |
| 0.3221821E-01 | 0.2416838E-01 | 0.144499E-01  | 0.3528539E-02  | 0.2041457E-01 | 0.1775043E-15 |
| 0.3996102E-01 | 0.226212E-01  | 0.205876E-01  | 0.2853509E-15  | 0.2122254E-01 | 0.2151938E-01 |
| 0.3777156E-02 | 0.309775E-03  | 0.796941E-02  | 0.1509738E-01  | 0.2319861E-01 | 0.1641141E-01 |
| 0.1418732E-02 | 0.142707E-03  | 0.142777E-03  | 0.5216878E-04  | 0.2122254E-01 | 0.2474181E-01 |
| 0.4735569E-02 | 0.872107E-02  | 0.287838E-02  | 0.2264957E-02  | 0.1399874E-04 | 0.2368225E-02 |
| 0.3326835E-02 | 0.3835816E-01 | 0.578737E-02  | 0.228336E-02   | 0.8703992E-02 | 0.869450E-02  |
| 0.3061777E-04 | 0.7819355E-04 | 0.144499E-04  | 0.1980451E-06  | 0.3379653E-02 | 0.3882677E-02 |
| 0.5259779E-04 | 0.8315939E-04 | 0.423678E-04  | 0.717476E-02   | 0.222711E-02  | 0.9634113E-02 |
| 0.3715249E-04 | 0.684330E-04  | 0.314336E-04  | 0.195575E-01   | 0.6555669E-01 | 0.1733873E-01 |
| 0.1183861E-04 | 0.81801E-04   | 0.242935E-04  | 0.110983E-01   | 0.5248070E-04 | 0.5650053E-04 |
| 0.1251354E-03 | 0.644810E-01  | 0.242843E-03  | 0.952831E-04   | 0.4376955E-05 | 0.8748079E-04 |
| 0.631574E-04  | 0.384457E-01  | 0.93753E-05   | 0.6126981E-04  | 0.183629E-04  | 0.1878846E-04 |
| 0.9388335E-04 | 0.949333E-04  | 0.643362E-05  | 0.5995751E-04  | 0.6319777E-01 | 0.9980316E-02 |
| 0.3557433E-02 | 0.79975E-02   | 0.28771E-04   | 0.28771E-04    | 0.6319777E-01 | 0.1067895E-01 |

|                |                |                |                 |                 |                |                |
|----------------|----------------|----------------|-----------------|-----------------|----------------|----------------|
| 0.5162265E-01  | 0.5097134E-01  | 0.4966775E-01  | 0.4836266E-01   | 0.4706135E-01   | 0.4576768E-01  | 0.4448006E-01  |
| 0.4319885E-01  | 0.4192156E-01  | 0.4065534E-01  | 0.3940411E-01   | 0.3817343E-01   | 0.3696203E-01  | 0.3575987E-01  |
| 0.3457813E-01  | 0.3341654E-01  | 0.3228311E-01  | 0.3118587E-01   | 0.3020165E-01   | 0.2932693E-01  | 0.2854161E-01  |
| 0.2783302E-01  | 0.2716807E-01  | 0.2671161E-01  | 0.26275504E-01  | 0.2653089E-01   | 0.2591771E-01  | 0.2533025E-01  |
| -0.            | -0.            | -0.2983792E-01 | 0.2395337E-01   | -0.             | -0.            | -0.            |
| -0.            | -0.1918147E-01 | -0.2001961E-01 | -0.1774156E-01  | -0.1672962E-01  | -0.            | -0.1575087E-01 |
| -0.1435966E-01 | -0.1143997E-01 | 0.7997998E-02  | 0.3276449E-02   | 0.2655194E-02   | 0.8668921E-02  | 0.1425649E-01  |
| 0.1911738E-01  | 0.2467207E-01  | 0.1792725E-01  | 0.4484944E-01   | -0.             | -0.4566192E-01 | -0.6704678E-01 |
| -0.8228562E-01 | -0.8900634E-01 | -0.8698952E-01 | -0.7703144E-01  | -0.6610373E-01  | -0.3750109E-01 | -0.1129281E-01 |
| 0.772487E-01   | 0.1403929E-01  | 0.1422235E-01  | 0.1422235E-01   | 0.1908204E-01   | 0.2226487E-01  | 0.2317351E-01  |
| 0.2182888E-01  | 0.1840384E-01  | 0.1319011E-01  | 0.6533415E-01   | -0.1033164E-01  | 0.4836350E-03  | -0.5770236E-02 |
| -0.            | -0.5963475E-02 | -0.1111394E-01 | -0.1538469E-01  | -0.1734859E-01  | -0.1778844E-01 | -0.1655979E-01 |
| -0.1384337E-01 | -0.9973718E-02 | 0.5205771E-02  | -0.7528030E-01  | -0.1349694E-01  | -0.            | -0.1366929E-01 |
| -0.1825355E-01 | -0.2123976E-01 | -0.2295038E-01 | -0.22071914E-01 | -0.1741407E-01  | -0.1260914E-01 | -0.6033467E-01 |
| 0.1206471E-01  | 0.1969206E-01  | 0.1712454E-02  | 0.              | 0.8100544E-02   | 0.3135011E-01  | 0.5127334E-01  |
| 0.6536857E-01  | 0.7278361E-01  | 0.7359289E-01  | 0.6829788E-01   | 0.5795336E-01   | 0.4443839E-01  | 0.2303285E-01  |
| 0.1213263E-01  | 0.             | 0.1170914E-01  | 0.1648695E-02   | -0.8003208E-02  | -0.1642899E-01 | -0.2307117E-01 |
| -0.2804769E-01 | -0.3127210E-01 | -0.3291454E-01 | -0.3347440E-01  | -0.2028592E-01  | -0.5995792E-02 | 0.             |
| -0.6895338E-02 | -0.2968249E-01 | -0.4927153E-01 | -0.6332146E-01  | -0.73087233E-01 | -0.7210356E-01 | -0.6738729E-01 |
| -0.5767247E-01 | -0.4474223E-01 | -0.2291674E-01 | -0.1238764E-01  | 0.              | -0.1198255E-01 | -0.2212191E-02 |
| 0.7206645E-02  | 0.1549089E-01  | 0.2218124E-01  | 0.2727687E-01   | 0.3073120E-01   | 0.3271107E-01  | 0.3370729E-01  |
| -0.1145516E-01 | -0.1126371E-01 | -0.1098173E-01 | -0.1069985E-01  | -0.1041928E-01  | -0.1013860E-01 | -0.9859728E-01 |
| -0.9583506E-01 | -0.9306222E-01 | -0.9053565E-01 | -0.8761147E-01  | -0.8495022E-01  | -0.8230849E-01 | -0.7971403E-01 |
| -0.771205E-01  | -0.7460988E-01 | -0.7213528E-01 | -0.6972272E-01  | -0.6755396E-01  | -0.6560493E-01 | -0.6384392E-01 |
| -0.6224161E-01 | -0.6072443E-01 | -0.6848868E-01 | -0.6159466E-01  | -0.5925806E-01  | -0.5785767E-01 | -0.5649518E-01 |
| -0.809250E-04  | 0.             | 0.6320385E-02  | -0.5504122E-01  | 0.              | 0.             | 0.             |
| 0.3578579E-01  | 0.3578579E-01  | 0.383398E-01   | 0.312757E-01    | 0.2832187E-01   | 0.2832187E-01  | 0.2560724E-01  |
| 0.2196950E-01  | 0.1496750E-01  | 1.7424945E-02  | -0.2181068E-02  | -0.1352509E-01  | -0.2420086E-01 | -0.370236E-01  |
| -0.4146089E-01 | -0.5011058E-01 | 0.4353381E-01  | 0.2690272E-01   | 0.6414884E-15   | 0.2610851E-01  | 0.5353748E-02  |
| -0.879116E-02  | -0.2168388E-01 | 0.2825824E-01  | -0.3088362E-01  | -0.3471135E-01  | -0.4476884E-01 | -0.5755274E-01 |
| 0.1155263E-01  | 0.8347315E-02  | 0.3616224E-15  | 0.8036354E-02   | 0.3582396E-02   | -0.3582396E-02 | -0.6350832E-02 |
| -0.4239162E-02 | 0.8054150E-03  | 0.3416258E-02  | -0.1727871E-02  | -0.1094480E-01  | -0.2517282E-01 | -0.9863106E-02 |
| 0.5389302E-15  | -0.946460E-02  | 0.2128701E-02  | 0.1259418E-01   | 0.2395787E-01   | 0.3680568E-01  | 0.4910436E-01  |
| 0.5588159E-01  | 0.5171659E-01  | 0.4264785E-01  | 0.2754298E-02   | -0.2779706E-02  | 0.3794617E-15  | -0.3140535E-02 |
| -0.113415E-01  | -0.1634355E-01 | 0.1793048E-01  | -0.1338499E-01  | -0.5069626E-02  | 0.1214814E-02  | -0.3771361E-03 |
| -0.6728753E-02 | 0.3558940E-01  | 0.3218758E-01  | -0.1240593E-15  | 0.3168957E-01   | 0.2326844E-01  | 0.1260993E-01  |
| 0.3862486E-02  | -0.7308812E-03 | -0.3083258E-02 | -0.7812514E-02  | -0.1926418E-01  | -0.3476679E-01 | 0.4086668E-01  |
| 0.3707868E-01  | 0.4363066E-16  | 0.3655366E-01  | 0.2734690E-01   | 0.1546384E-01   | 0.5306691E-02  | -0.6314793E-03 |
| -0.3995593E-02 | -0.9403206E-02 | -0.2141152E-01 | -0.3763149E-01  | -0.1808877E-01  | -0.1787123E-01 | 0.2891300E-16  |
| -0.1796431E-01 | -0.1881747E-01 | -0.1803068E-01 | -0.1224637E-01  | -0.8383098E-03  | 0.1355759E-01  | 0.2595956E-01  |
| 0.2837883E-01  | 0.2572806E-01  | -0.2385265E-01 | -0.2414511E-01  | 0.6251641E-17   | -0.2427624E-01 | -0.2592948E-01 |
| -0.2586185E-01 | -0.2025325E-01 | -0.8108472E-02 | 0.817461E-02    | 0.2205222E-01   | 0.2823128E-01  | 0.2820285E-01  |
| 0.165026E-03   | 0.1050626E-03  | 0.1002438E-03  | 0.1002438E-03   | -0.1914267E-03  | -0.1763595E-03 | 0.1006400E-02  |
| 0.1005562E-02  | -0.8305319E-02 | 0.837891E-02   | -0.150065E-02   | -0.1495048E-02  | 0.8858576E-02  | 0.8829333E-02  |
| 0.3883044E-02  | 0.5866707E-02  | -0.2913178E-02 | -0.4298992E-02  | -0.3267567E-02  | -0.4879531E-02 | 0.2288311E-02  |
| 0.3277518E-02  | -0.7383084E-04 | -0.6563045E-04 | -0.419747E-04   | 0.1866467E-06   | 0.3890524E-02  | 0.3827653E-01  |
| -0.714065E-01  | -0.1997248E-03 | -0.3002495E-03 | -0.4085311E-03  | -0.3574335E-02  | -0.4298155E-01 | -0.4377514E-01 |
| -0.2359908E-03 | -0.2695075E-03 | -0.2856746E-03 | 0.286563E-02    | -0.1575997E-01  | 0.3602096E-01  | -0.2042265E-03 |
| -0.1979351E-03 | -0.3058036E-03 | 0.1208624E-01  | 0.6600411E-01   | 0.1024599E-01   | -0.1996483E-03 | -0.1905157E-03 |
| -0.4463262E-03 | -0.2678764E-01 | -0.5796626E-01 | 0.187753E-02    | -0.599002E-04   | -0.7438869E-04 | 0.2785416E-03  |
| -0.5215364E-01 | -0.3133057E-01 | -0.3052429E-02 | -0.458198E-04   | 0.3271015E-04   | 0.2818808E-03  | -0.2376284E-01 |
| 0.4910551E-01  | -0.1875264E-02 | 0.1043367E-03  | -0.1322728E-04  | 0.3467399E-03   | 0.5433825E-01  | 0.2251435E-01  |
| 0.3116851E-02  | 0.5531393E-04  | -0.1103265E-03 | 0.3119213E-03   | 0.              | 0.             | 0.             |

|               |               |               |               |                |                |                |
|---------------|---------------|---------------|---------------|----------------|----------------|----------------|
| 0.3621293E-01 | 0.3582353E-01 | 0.2574415E-01 | 0.3426430E-01 | 0.3348779E-01  | 0.3271293E-01  | 0.3194248E-01  |
| 0.3117276E-01 | 0.3041087E-01 | 0.2965124E-01 | 0.2891132E-01 | 0.2816210E-01  | 0.2743149E-01  | 0.2670948E-01  |
| 0.2595857E-01 | 0.2529572E-01 | 0.2467891E-01 | 0.2394473E-01 | 0.2334279E-01  | 0.2280318E-01  | 0.2230896E-01  |
| 0.2130087E-01 | 0.2143744E-01 | 0.2057308E-01 | 0.2026810E-01 | 0.2122832E-01  | 0.2063469E-01  | 0.2025573E-01  |
| 0.            | 0.            | 0.770757E-02  | 0.8945224E-02 | 0.5091358E-02  | 0.             | 0.             |
| 0.209388E-02  | 0.1123689E-02 | 0.4548224E-02 | 0.8022729E-02 | 0.1362305E-01  | 0.1776330E-01  | 0.2104113E-01  |
| 0.2317657E-01 | 0.2507217E-01 | 0.2152315E-01 | 0.7152911E-01 | 0.             | 0.7376646E-01  | 0.1130984E-00  |
| 0.1421267E-00 | 0.1556814E-00 | 0.1342856E-00 | 0.1361745E-00 | 0.1467062E-00  | 0.06640574E-01 | 0.1936118E-01  |
| 0.697626E-01  | 0.1342856E-00 | 0.132536E-00  | 0.6646948E-01 | 0.1861410E-00  | 0.02193486E-00 | 0.2297178E-00  |
| 0.2173444E-00 | 0.1392770E-01 | 0.2358238E-00 | 0.335388E-01  | 0.0832738E-00  | 0.1486675E-02  | 0.1355519E-00  |
| 0.            | 0.1132687E-01 | 0.3178988E-00 | 0.5661739E-01 | 0.3313255E-01  | 0.0303430E-01  | 0.2875069E-01  |
| 0.2132365E-01 | 0.2136730E-01 | 0.2234571E-01 | 0.2115955E-01 | 0.1781948E-00  | 0.             | 0.1315718E-00  |
| 0.1910009E-00 | 0.4590618E-01 | 0.2396555E-01 | 0.4916610E-01 | 0.2962234E-02  | 0.6352912E-01  | 0.6352912E-01  |
| 0.162787E-01  | 0.1693721E-01 | 0.1661759E-01 | 0.1661759E-01 | 0.4637269E-01  | 0.1703068E-01  | 0.2963337E-01  |
| 0.3945448E-01 | 0.2261787E-01 | 0.2638994E-01 | 0.5413503E-02 | 0.1470470E-02  | 0.4193288E-01  | 0.2475011E-01  |
| 0.1791782E-01 | 0.2747390E-01 | 0.4278235E-01 | 0.2948937E-01 | 0.1146249E-01  | 0.5802186E-02  | 0.1225232E-01  |
| 0.8555314E-02 | 0.4354452E-01 | 0.2782352E-01 | 0.5412211E-01 | 0.0895339E-02  | 0.8953392E-02  | 0.             |
| 0.2403616E-02 | 0.4669382E-02 | 0.1101502E-01 | 0.1731333E-01 | 0.0837795E-01  | 0.627791E-01   | 0.5917177E-01  |
| 0.3225969E-01 | 0.1019428E-01 | 0.5946274E-01 | 0.1653975E-01 | 0.2138890E-01  | 0.2528440E-01  | 0.2987037E-02  |
| 0.8717127E-01 | 0.8473060E-01 | 0.8233070E-01 | 0.9698545E-01 | 0.9452231E-01  | 0.9225711E-01  | 0.8959923E-01  |
| 0.4771359E-01 | 0.8850249E-01 | 0.8233070E-01 | 0.7993745E-01 | 0.7759664E-01  | 0.7527343E-01  | 0.7299731E-01  |
| 0.5775591E-01 | 0.5633081E-01 | 0.7976435E-01 | 0.6421317E-01 | 0.6220792E-01  | 0.6059885E-01  | 0.5905747E-01  |
| 0.2278076E-04 | 0.            | 0.5921688E-01 | 0.5791395E-01 | 0.5550516E-01  | 0.5382747E-01  | 0.5264257E-01  |
| 0.            | 0.3179258E-01 | 0.349745E-01  | 0.4960192E-01 | 0.             | 0.             | 0.             |
| 0.186976E-01  | 0.1205174E-01 | 0.4952823E-01 | 0.2756875E-01 | 0.2474624E-01  | 0.             | 0.2215559E-01  |
| 0.3951409E-01 | 0.4707363E-01 | 0.4952823E-01 | 0.4813445E-02 | 0.14448078E-01 | 0.2414778E-01  | 0.3267321E-01  |
| 0.3006063E-04 | 0.4647623E-01 | 0.5176388E-01 | 0.2691785E-01 | 0.1838809E-02  | 0.1835809E-02  | 0.1811119E-01  |
| 0.397761E-02  | 0.4626881E-02 | 0.1633198E-01 | 0.5288918E-01 | 0.5184447E-01  | 0.5197523E-01  | 0.5312917E-01  |
| 0.751098E-02  | 0.4663852E-02 | 0.1633198E-01 | 0.4779778E-02 | 0.6732759E-02  | 0.8423382E-02  | 0.8626141E-02  |
| 0.165818E-01  | 0.1120193E-01 | 0.4125167E-01 | 0.3465411E-01 | 0.8519839E-01  | 0.2490494E-01  | 0.1165432E-01  |
| 0.4730558E-01 | 0.4792181E-01 | 0.4598664E-01 | 0.1159329E-01 | 0.2274212E-01  | 0.3312773E-01  | 0.4200597E-01  |
| 0.2404047E-01 | 0.2745434E-01 | 0.2846804E-01 | 0.2022577E-01 | 0.1940774E-01  | 0.1287813E-01  | 0.1956431E-01  |
| 0.5705915E-04 | 0.2931964E-01 | 0.2639238E-01 | 0.3816547E-01 | 0.2604925E-01  | 0.2185739E-01  | 0.1400734E-01  |
| 0.3957848E-02 | 0.3116088E-02 | 0.8746137E-01 | 0.1495332E-01 | 0.1985696E-01  | 0.1985696E-01  | 0.1168820E-01  |
| 0.232665E-01  | 0.2458311E-01 | 0.203515E-01  | 0.1456897E-01 | 0.7433176E-02  | 0.2974611E-01  | 0.2279396E-01  |
| 0.1183551E-01 | 0.1924792E-01 | 0.2673778E-01 | 0.3603130E-01 | 0.7433176E-02  | 0.7433176E-02  | 0.6171101E-02  |
| 0.2438619E-04 | 0.2351427E-01 | 0.2096588E-01 | 0.1540598E-01 | 0.2493642E-01  | 0.2441347E-01  | 0.1025048E-01  |
| 0.2712610E-01 | 0.2463744E-01 | 0.178533E-01  | 0.1563772E-01 | 0.6881466E-02  | 0.3488200E-02  | 0.1322630E-01  |
| 0.609763E-02  | 0.627511E-02  | 0.998631E-01  | 0.1997063E-01 | 0.2970133E-01  | 0.1947789E-01  | 0.1215557E-01  |
| 0.2658015E-04 | 0.5185630E-02 | 0.4948933E-04 | 0.4948933E-04 | 0.2822162E-01  | 0.3286869E-01  | 0.2492619E-01  |
| 0.267525E-03  | 0.7312477E-02 | 0.7336948E-02 | 0.1369480E-02 | 0.7248114E-04  | 0.6062233E-04  | 0.2671580E-03  |
| 0.1609193E-02 | 0.2160460E-02 | 0.2477648E-02 | 0.3546949E-02 | 0.1332412E-02  | 0.6247346E-02  | 0.6235802E-02  |
| 0.4789778E-04 | 0.1711972E-04 | 0.573655E-04  | 0.1336643E-04 | 0.2374556E-02  | 0.3367794E-02  | 0.3239311E-02  |
| 0.5724695E-01 | 0.7014809E-04 | 0.1358447E-03 | 0.1041413E-03 | 0.2063758E-06  | 0.1347692E-02  | 0.3112799E-01  |
| 0.7478677E-04 | 0.1262098E-03 | 0.344389E-04  | 0.3443187E-03 | 0.5112438E-02  | 0.4633270E-01  | 0.3405158E-01  |
| 0.2668395E-04 | 0.1156440E-03 | 0.5744939E-02 | 0.5564955E-01 | 0.202341E-01   | 0.4298126E-01  | 0.37378097E-04 |
| 0.1865676E-03 | 0.2459175E-01 | 0.5214267E-01 | 0.5214267E-01 | 0.1766528E-01  | 0.7219499E-04  | 0.1132132E-03  |
| 0.4901844E-01 | 0.2778042E-01 | 0.2651364E-01 | 0.3630374E-05 | 0.8364278E-04  | 0.4596205E-05  | 0.4917573E-04  |
| 0.4076192E-01 | 0.7051693E-03 | 0.6332454E-04 | 0.373324E-05  | 0.3572261E-04  | 0.8342533E-04  | 0.2451095E-01  |
| 0.2923359E-01 | 0.3854364E-04 | 0.8941639E-04 | 0.1120544E-03 | 0.1157721E-03  | 0.5385663E-01  | 0.2430138E-01  |

SA-5 RUN #3 MODE 7 XN = 3 440089

|               |               |               |               |               |               |               |
|---------------|---------------|---------------|---------------|---------------|---------------|---------------|
| 0.4724501E-01 | 0.4675189E-01 | 0.4576501E-01 | 0.4477540E-01 | 0.4378774E-01 | 0.4281320E-01 | 0.4184396E-01 |
| 0.4088444E-01 | 0.3992529E-01 | 0.3898364E-01 | 0.3805676E-01 | 0.3715569E-01 | 0.3628352E-01 | 0.3541397E-01 |
| 0.3457599E-01 | 0.3375739E-01 | 0.3297512E-01 | 0.3223211E-01 | 0.3162779E-01 | 0.3115526E-01 | 0.3078799E-01 |
| 0.3051114E-01 | 0.3028667E-01 | 0.4837094E-01 | 0.3041333E-01 | 0.3009696E-01 | 0.2993192E-01 | 0.2979631E-01 |
| 0.1777963E-01 | 0.1777963E-01 | 0.1919468E-01 | 0.2957771E-01 | 0.1483281E-01 | 0.1372995E-01 | 0.1372995E-01 |
| 0.122160E-01  | 0.122160E-01  | 0.122160E-01  | 0.122160E-01  | 0.122160E-01  | 0.122160E-01  | 0.122160E-01  |
| 0.225560E-01  | 0.2912984E-01 | 0.607767E-01  | 0.1938765E-01 | 0.1663324E-01 | 0.1663324E-01 | 0.1663324E-01 |
| 0.2756967E-01 | 0.2919817E-01 | 0.2758235E-01 | 0.2415362E-01 | 0.1805737E-01 | 0.170586E-01  | 0.170586E-01  |
| 0.3346194E-01 | 0.2265310E-01 | 0.2265310E-01 | 0.2265310E-01 | 0.2265310E-01 | 0.2265310E-01 | 0.2265310E-01 |
| 0.1336301E-01 | 0.1905867E-01 | 0.1905867E-01 | 0.1905867E-01 | 0.1905867E-01 | 0.1905867E-01 | 0.1905867E-01 |
| 0.1361751E-01 | 0.1022741E-01 | 0.1022741E-01 | 0.1022741E-01 | 0.1022741E-01 | 0.1022741E-01 | 0.1022741E-01 |
| 0.2771541E-01 | 0.5369242E-01 | 0.5369242E-01 | 0.5369242E-01 | 0.5369242E-01 | 0.5369242E-01 | 0.5369242E-01 |
| 0.2932767E-01 | 0.1664910E-01 | 0.1664910E-01 | 0.1664910E-01 | 0.1664910E-01 | 0.1664910E-01 | 0.1664910E-01 |
| 0.1743641E-01 | 0.3302676E-02 | 0.3302676E-02 | 0.3302676E-02 | 0.3302676E-02 | 0.3302676E-02 | 0.3302676E-02 |
| 0.1743641E-01 | 0.1840114E-01 | 0.1796985E-01 | 0.1617831E-01 | 0.1308836E-01 | 0.9091809E-02 | 0.5421943E-01 |
| 0.5380240E-01 | 0.537028E-01  | 0.537028E-01  | 0.537028E-01  | 0.537028E-01  | 0.537028E-01  | 0.537028E-01  |
| 0.1444712E-01 | 0.1565327E-02 | 0.1906326E-01 | 0.3752642E-01 | 0.4301380E-02 | 0.9090544E-02 | 0.1480376E-01 |
| 0.9235107E-02 | 0.1311510E-01 | 0.1605997E-01 | 0.172797E-01  | 0.1688930E-01 | 0.1688930E-01 | 0.1688930E-01 |
| 0.1208721E-01 | 0.9026107E-02 | 0.5080634E-01 | 0.4585632E-01 | 0.4585632E-01 | 0.4585632E-01 | 0.4585632E-01 |
| 0.3150196E-01 | 0.2148511E-01 | 0.102686E-01  | 0.2063697E-02 | 0.1488252E-01 | 0.279325E-01  | 0.4109630E-01 |
| 0.1199718E-01 | 0.1010664E-01 | 0.931843E-01  | 0.973171E-01  | 0.954924E-01  | 0.9359355E-01 | 0.9174870E-01 |
| 0.8989820E-01 | 0.8876770E-01 | 0.823933E-01  | 0.845458E-01  | 0.8270923E-01 | 0.8097359E-01 | 0.7926049E-01 |
| 0.7759931E-01 | 0.7594021E-01 | 0.7434321E-01 | 0.728395E-01  | 0.7151364E-01 | 0.7037152E-01 | 0.6939618E-01 |
| 0.6855021E-01 | 0.6778758E-01 | 0.1108130E-01 | 0.6823181E-01 | 0.6706674E-01 | 0.6638980E-01 | 0.6578465E-01 |
| 0.3391157E-05 | 0.4721169E-01 | 0.4981725E-01 | 0.6488557E-02 | 0.4090575E-01 | 0.3862312E-01 | 0.3862312E-01 |
| 0.3551371E-01 | 0.2931189E-01 | 0.227366E-01  | 0.1276269E-01 | 0.6745411E-03 | 0.1171743E-01 | 0.2377679E-01 |
| 0.3496303E-01 | 0.489920E-01  | 0.428262E-01  | 0.368925E-01  | 0.7518790E-15 | 0.3328452E-01 | 0.2574225E-01 |
| 0.1925481E-01 | 0.1521769E-01 | 0.103671E-01  | 0.1318347E-02 | 0.1773923E-01 | 0.2345790E-01 | 0.1098346E-01 |
| 0.3103151E-01 | 0.3456922E-01 | 0.1456516E-14 | 0.346925E-01  | 0.3602770E-01 | 0.3260714E-01 | 0.2224945E-01 |
| 0.8934651E-02 | 0.3003000E-03 | 0.5038724E-02 | 0.1871487E-01 | 0.4763840E-01 | 0.3109605E-01 | 0.3107711E-01 |
| 0.1179108E-14 | 0.3098639E-01 | 0.2914101E-01 | 0.2323915E-01 | 0.1220656E-01 | 0.4644445E-03 | 0.5436145E-02 |
| 0.6051256E-02 | 0.1545631E-01 | 0.399722E-01  | 0.4166324E-01 | 0.3848798E-01 | 0.2035322E-14 | 0.3825912E-01 |
| 0.338938E-01  | 0.2766985E-01 | 0.229344E-01  | 0.1576388E-01 | 0.1189171E-02 | 0.1917645E-01 | 0.2935433E-01 |
| 0.2052001E-01 | 0.5648595E-01 | 0.4801091E-01 | 0.1228444E-15 | 0.4755182E-01 | 0.3716599E-01 | 0.2725452E-01 |
| 0.1955271E-01 | 0.1165035E-01 | 0.168841E-02  | 0.2011282E-01 | 0.3187483E-01 | 0.2961459E-01 | 0.7780205E-02 |
| 0.5957341E-02 | 0.1219119E-14 | 0.4962269E-02 | 0.2603901E-02 | 0.2777037E-02 | 0.6594193E-02 | 0.1110705E-01 |
| 0.1058655E-01 | 0.445390E-02  | 0.4052686E-02 | 0.1729710E-01 | 0.4453094E-01 | 0.4447371E-01 | 0.1309423E-14 |
| 0.4430566E-01 | 0.4143588E-01 | 0.3298502E-01 | 0.1832979E-01 | 0.1621895E-02 | 0.1085079E-01 | 0.1790083E-01 |
| 0.2991918E-01 | 0.5351609E-01 | 0.374369E-02  | 0.1685971E-02 | 0.2218851E-15 | 0.1980015E-02 | 0.7980042E-02 |
| 0.1164022E-01 | 0.1091951E-01 | 0.823265E-02  | 0.9171021E-02 | 0.1444878E-01 | 0.1319497E-01 | 0.1766014E-02 |
| 0.4485041E-03 | 0.4456337E-03 | 0.4361667E-03 | 0.4361307E-03 | 0.6060534E-03 | 0.2016436E-03 | 0.9726630E-02 |
| 0.9707193E-02 | 0.7177726E-02 | 0.7783885E-02 | 0.8965781E-02 | 0.8936612E-02 | 0.8875162E-02 | 0.8826907E-02 |
| 0.9987754E-03 | 0.1149488E-02 | 0.842711E-02  | 0.1164674E-02 | 0.125437E-02  | 0.1477152E-02 | 0.8323697E-02 |
| 0.1139817E-01 | 0.8033969E-04 | 0.1117145E-02 | 0.5808942E-04 | 0.1756222E-06 | 0.1456220E-01 | 0.2847336E-01 |
| 0.5820283E-01 | 0.3685481E-03 | 0.296582E-04  | 0.260332E-02  | 0.7408312E-02 | 0.5105107E-01 | 0.3017988E-01 |
| 0.3729716E-03 | 0.2347977E-03 | 0.2958426E-03 | 0.6555748E-02 | 0.3669329E-01 | 0.5196124E-01 | 0.3757786E-03 |
| 0.2651329E-03 | 0.1507178E-03 | 0.1637368E-01 | 0.592075E-01  | 0.3572924E-01 | 0.3776927E-03 | 0.9270663E-04 |
| 0.6710612E-04 | 0.3224070E-01 | 0.5017467E-01 | 0.153847E-02  | 0.9946819E-04 | 0.6308812E-04 | 0.1938185E-03 |
| 0.5461381E-01 | 0.3521258E-01 | 0.462923E-02  | 0.4424959E-04 | 0.1377284E-03 | 0.1286514E-03 | 0.3257165E-01 |
| 0.5891315E-01 | 0.3289977E-02 | 0.1493680E-03 | 0.8968837E-04 | 0.8978270E-04 | 0.5331161E-01 | 0.2842275E-01 |
| 0.3627606E-02 | 0.6950651E-04 | 0.102565E-03  | 0.174639E-03  | 0.174639E-03  | 0.5331161E-01 | 0.2842275E-01 |

|               |                |               |               |               |                |               |
|---------------|----------------|---------------|---------------|---------------|----------------|---------------|
| 0.9569249E-01 | 0.9445362E-01  | 0.9197765E-01 | 0.8925773E-01 | 0.8704536E-01 | 0.8459187E-01  | 0.8214907E-01 |
| 0.7971146E-01 | 0.7728398E-01  | 0.7486915E-01 | 0.7245908E-01 | 0.7013716E-01 | 0.6780343E-01  | 0.6549984E-01 |
| 0.6322248E-01 | 0.6098086E-01  | 0.5878039E-01 | 0.5667292E-01 | 0.5469218E-01 | 0.5291942E-01  | 0.5129192E-01 |
| 0.4979910E-01 | 0.4836170E-01  | 0.4711878E-01 | 0.4611878E-01 | 0.4537348E-01 | 0.4563210E-01  | 0.4433449E-01 |
| 0.            | 0.             | 0.4524119E-01 | 0.441344E-01  | 0.431344E-01  | 0.             | 0.            |
| 0.            | 0.3262566E-01  | 0.3443906E-01 | 0.2913360E-01 | 0.2736124E-01 | 0.             | 0.            |
| 0.2238907E-01 | 0.1632263E-01  | 0.0935943E-01 | 0.0857673E-01 | 0.0811589E-01 | 0.2182947E-01  | 0.            |
| 0.3868234E-01 | 0.4632232E-01  | 0.5676266E-01 | 0.1444344E-01 | 0.2373298E-01 | 0.6328237E-01  | 0.            |
| 0.2487444E-01 | 0.2638906E-01  | 0.2753323E-01 | 0.2487651E-01 | 0.2213331E-01 | 0.2272024E-01  | 0.            |
| 0.2598951E-01 | 0.2550886E-01  | 0.            | 0.2944388E-01 | 0.2411794E-01 | 0.2112953E-01  | 0.            |
| 0.192984E-01  | 0.4043922E-01  | 0.3642584E-01 | 0.1187873E-01 | 0.2045783E-01 | 0.6328237E-01  | 0.            |
| 0.            | 0.1338848E-01  | 0.1874771E-01 | 0.3945143E-01 | 0.2598662E-01 | 0.             | 0.            |
| 0.1452412E-01 | 0.7931383E-01  | 0.1689134E-01 | 0.1113901E-01 | 0.4213331E-01 | 0.3504212E-01  | 0.            |
| 0.2417099E-01 | 0.2134703E-01  | 0.6109192E-01 | 0.            | 0.5366612E-01 | 0.1311591E-01  | 0.            |
| 0.2447068E-01 | 0.2692825E-01  | 0.5531939E-01 | 0.3535493E-01 | 0.5192753E-01 | 0.4628421E-01  | 0.            |
| 0.4266747E-01 | 0.5115715E-01  | 0.3556679E-01 | 0.4095614E-01 | 0.6982142E-01 | 0.7803577E-01  | 0.            |
| 0.5480067E-01 | 0.             | 0.3556679E-01 | 0.4095614E-01 | 0.6982142E-01 | 0.5500139E-01  | 0.            |
| 0.7227415E-01 | 0.5923376E-01  | 0.4095614E-01 | 0.3112444E-01 | 0.5311116E-01 | 0.5730794E-01  | 0.            |
| 0.4737252E-01 | 0.1413455E-01  | 0.3112444E-01 | 0.1951148E-01 | 0.            | 0.3376944E-01  | 0.            |
| 0.5311757E-01 | 0.4661344E-01  | 0.1082475E-01 | 0.3299055E-01 | 0.            | 0.3853583E-01  | 0.            |
| 0.6395553E-01 | 0.7349234E-01  | 0.7478877E-01 | 0.6788775E-01 | 0.            | 0.2254109E-01  | 0.            |
| 0.2427468E-01 | 0.2477961E-01  | 0.2309171E-01 | 0.233644E-01  | 0.            | 0.2291704E-01  | 0.            |
| 0.2177839E-01 | 0.2140774E-01  | 0.2129815E-01 | 0.2265032E-01 | 0.            | 0.2037578E-01  | 0.            |
| 0.1927485E-01 | 0.1893739E-01  | 0.1861879E-01 | 0.1952459E-01 | 0.            | 0.1861879E-01  | 0.            |
| 0.1752261E-01 | 0.1743679E-01  | 0.3026691E-01 | 0.1753318E-01 | 0.            | 0.1786126E-01  | 0.            |
| 0.1167694E-01 | 0.             | 0.1575674E-01 | 0.1095691E-01 | 0.            | 0.1723687E-01  | 0.            |
| 0.            | 0.1324033E-01  | 0.1371044E-01 | 0.1247422E-01 | 0.            | 0.             | 0.            |
| 0.1752665E-01 | 0.9353958E-02  | 0.7109838E-02 | 0.5475962E-02 | 0.            | 0.1193703E-01  | 0.            |
| 0.7482257E-02 | 0.1164806E-01  | 0.24823E-01   | 0.1041822E-01 | 0.            | 0.2346673E-02  | 0.            |
| 0.2555543E-01 | 0.2293027E-02  | 0.5637174E-01 | 0.1469138E-01 | 0.            | 0.4945482E-16  | 0.            |
| 0.1893297E-01 | 0.2459850E-03  | 0.3996998E-15 | 0.3977721E-03 | 0.            | 0.1983632E-01  | 0.            |
| 0.4183028E-01 | 0.4453046E-01  | 0.4635254E-01 | 0.4281865E-01 | 0.            | 0.1657288E-01  | 0.            |
| 0.336755E-15  | 0.1546988E-01  | 0.1841327E-01 | 0.4786317E-02 | 0.            | 0.3283448E-01  | 0.            |
| 0.1565269E-01 | 0.1968089E-01  | 0.2892778E-01 | 0.1214081E-01 | 0.            | 0.1050086E-02  | 0.            |
| 0.1548910E-01 | 0.2781600E-01  | 0.3793004E-01 | 0.4432603E-01 | 0.            | 0.4516612E-01  | 0.            |
| 0.4268081E-01 | 0.1123324E-02  | 0.7531211E-02 | 0.3616492E-16 | 0.            | 0.7945203E-03  | 0.            |
| 0.1506317E-03 | 0.288313E-02   | 0.403109E-02  | 0.339219E-02  | 0.            | 0.4784123E-02  | 0.            |
| 0.3518168E-01 | 0.3057597E-15  | 0.3491817E-01 | 0.2949339E-01 | 0.            | 0.1691128E-01  | 0.            |
| 0.2431801E-02 | 0.1875033E-01  | 0.2929952E-01 | 0.3584862E-01 | 0.            | 0.1467911E-01  | 0.            |
| 0.218642E-02  | 0.4603010E-03  | 0.4959371E-03 | 0.3529988E-03 | 0.            | 0.2090334E-02  | 0.            |
| 0.654499E-02  | 0.2919190E-02  | 0.34378E-01   | 0.341173E-01  | 0.            | 0.1748830E-02  | 0.            |
| 0.2528968E-01 | 0.1951023E-01  | 0.3813049E-02 | 0.7103610E-02 | 0.            | 0.3397250E-01  | 0.            |
| 0.3311057E-01 | 0.3285611E-01  | 0.2954235E-04 | 0.2954235E-04 | 0.            | 0.2698004E-01  | 0.            |
| 0.467273E-02  | 0.5238309E-02  | 0.5282759E-02 | 0.4686428E-02 | 0.            | 0.6175495E-04  | 0.            |
| 0.3191238E-02 | 0.3301179E-02  | 0.113364E-02  | 0.1335551E-02 | 0.            | 0.5500196E-02  | 0.            |
| 0.1270248E-02 | 0.5820437E-03  | 0.3326835E-04 | 0.5446847E-04 | 0.            | 0.4846588E-02  | 0.            |
| 0.1443742E-01 | 0.1363751E-03  | 0.2363741E-04 | 0.5751451E-04 | 0.            | 0.2343584E-02  | 0.            |
| 0.136255E-03  | 0.3204726E-04  | 0.9497405E-04 | 0.4956738E-02 | 0.            | 0.12481859E-01 | 0.            |
| 0.9247857E-04 | 0.11418821E-05 | 0.325133E-04  | 0.1533085E-01 | 0.            | 0.1248254E-01  | 0.            |
| 0.5774941E-04 | 0.4818393E-05  | 0.1177338E-04 | 0.3707792E-02 | 0.            | 0.1350018E-03  | 0.            |
| 0.1459239E-01 | 0.480949E-01   | 0.134739E-01  | 0.7697378E-04 | 0.            | 0.4820405E-04  | 0.            |
| 0.1469111E-01 | 0.2509750E-02  | 0.4683167E-04 | 0.491771E-04  | 0.            | 0.8941114E-04  | 0.            |
| 0.1879217E-02 | 0.7872401E-04  | 0.5078683E-04 | 0.2261594E-04 | 0.            | 0.1439688E-01  | 0.            |

|               |               |               |               |               |               |               |
|---------------|---------------|---------------|---------------|---------------|---------------|---------------|
| 0.1963300E-01 | 0.1936502E-01 | 0.183528E-01  | 0.183546E-01  | 0.177930E-01  | 0.1725437E-01 | 0.1673197E-01 |
| 0.1621122E-01 | 0.1569235E-01 | 0.1517697E-01 | 0.1466926E-01 | 0.1416793E-01 | 0.1367209E-01 | 0.1318210E-01 |
| 0.1269889E-01 | 0.1222366E-01 | 0.115833E-01  | 0.110933E-01  | 0.1050744E-01 | 0.1003384E-01 | 0.0950148E-01 |
| 0.9898251E-01 | 0.9611925E-01 | 0.9530043E-01 | 0.977670E-01  | 0.9335286E-01 | 0.9068858E-01 | 0.8812442E-01 |
| 0.            | 0.            | 0.9673222E-02 | 0.818974E-01  | 0.            | 0.            | 0.            |
| 0.            | 0.7878052E-01 | 0.815307E-01  | 0.7578143E-01 | 0.7022261E-01 | 0.            | 0.6676303E-01 |
| 0.6181594E-01 | 0.5133912E-01 | 0.3865928E-01 | 0.2162838E-01 | 0.3213158E-01 | 0.2237035E-01 | 0.4300378E-01 |
| 0.6091084E-01 | 0.8095672E-01 | 0.6937345E-01 | 0.6485826E-01 | 0.6456277E-01 | 0.6456277E-01 | 0.5811635E-01 |
| 0.4850192E-01 | 0.3575271E-01 | 0.206264E-01  | 0.3548127E-02 | 0.3355592E-01 | 0.3355592E-01 | 0.5257132E-01 |
| 0.3216485E-01 | 0.1154707E-01 | 0.            | 0.18236E-01   | 0.7320112E-02 | 0.2332323E-01 | 0.3553102E-01 |
| 0.4336025E-01 | 0.4702755E-01 | 0.4659295E-01 | 0.4276450E-01 | 0.3648922E-01 | 0.6687467E-01 | 0.5724419E-01 |
| 0.            | 0.5678551E-01 | 0.6624949E-01 | 0.3367449E-01 | 0.1956697E-01 | 0.4690481E-02 | 0.1062274E-01 |
| 0.2578866E-01 | 0.4045127E-01 | 0.545751E-01  | 0.3266279E-01 | 0.125392E-01  | 0.            | 0.1203115E-01 |
| 0.5545509E-02 | 0.2111438E-01 | 0.3310405E-01 | 0.4091843E-01 | 0.4474201E-01 | 0.4473157E-01 | 0.4135108E-01 |
| 0.3568410E-01 | 0.8265831E-01 | 0.8485957E-01 | 0.            | 0.8477479E-01 | 0.837320E-01  | 0.7804477E-01 |
| 0.6672679E-01 | 0.5921760E-01 | 0.2889744E-01 | 0.3889553E-02 | 0.2368271E-01 | 0.5259867E-01 | 0.1667326E-01 |
| 0.9476791E-02 | 0.            | 0.9198044E-02 | 0.253778E-02  | 0.392077E-02  | 0.9560349E-02 | 0.1409444E-01 |
| 0.1748046E-01 | 0.1967318E-01 | 0.207853E-01  | 0.2115829E-01 | 0.8689878E-01 | 0.9755815E-01 | 0.            |
| 0.9773437E-01 | 0.1035888E-01 | 0.1031099E-01 | 0.9443259E-01 | 0.6689878E-01 | 0.5356848E-01 | 0.2326838E-01 |
| 0.1155993E-01 | 0.4895272E-01 | 0.203019E-01  | 0.2083878E-01 | 0.7775430E-01 | 0.2076914E-01 | 0.2020609E-01 |
| 0.1844365E-01 | 0.1523981E-01 | 0.1069634E-01 | 0.4951495E-02 | 0.1716506E-02 | 0.9008689E-02 | 0.1662556E-01 |
| 0.2828359E-01 | 0.2788068E-01 | 0.2780476E-01 | 0.2625560E-01 | 0.2543920E-01 | 0.2464037E-01 | 0.2383985E-01 |
| 0.2303170E-01 | 0.2223651E-01 | 0.2143558E-01 | 0.2066121E-01 | 0.1988123E-01 | 0.1912055E-01 | 0.1835783E-01 |
| 0.1762074E-01 | 0.1687313E-01 | 0.1615045E-01 | 0.1547206E-01 | 0.1492973E-01 | 0.1425177E-01 | 0.1372571E-01 |
| 0.1323861E-01 | 0.1277829E-01 | 0.1211724E-01 | 0.1334758E-01 | 0.1233000E-01 | 0.1189239E-01 | 0.1148256E-01 |
| 0.1249769E-04 | 0.            | 0.1075836E-02 | 0.1042038E-01 | 0.            | 0.            | 0.            |
| 0.1192392E-01 | 0.1192392E-01 | 0.126179E-01  | 0.1131246E-01 | 0.1082151E-01 | 0.1035819E-01 | 0.1035819E-01 |
| 0.9717513E-02 | 0.8411345E-02 | 0.699797E-02  | 0.4630614E-02 | 0.2198498E-02 | 0.4815325E-03 | 0.3055354E-02 |
| 0.5396525E-02 | 0.8141738E-02 | 0.3739251E-01 | 0.3226210E-01 | 0.1488936E-15 | 0.3203754E-01 | 0.2659757E-01 |
| 0.1951192E-01 | 0.1032414E-01 | 0.4622555E-03 | 0.1157327E-01 | 0.2075962E-01 | 0.2608955E-01 | 0.2851240E-01 |
| 0.5692850E-01 | 0.3547116E-01 | 0.8566217E-16 | 0.347349E-01  | 0.1539875E-01 | 0.3218851E-02 | 0.2045168E-01 |
| 0.3571200E-01 | 0.4830169E-01 | 0.5658426E-01 | 0.5953423E-01 | 0.5945764E-01 | 0.3754093E-01 | 0.2428391E-01 |
| 0.1344116E-15 | 0.2374910E-01 | 0.113222E-01  | 0.10621E-02   | 0.1063333E-01 | 0.1722698E-01 | 0.2167631E-01 |
| 0.2548029E-01 | 0.3007615E-01 | 0.3462595E-01 | 0.6463646E-01 | 0.4912328E-01 | 0.1008628E-15 | 0.4842273E-01 |
| 0.3224472E-01 | 0.1492314E-01 | 0.159167E-02  | 0.1602374E-01 | 0.2864650E-01 | 0.4026857E-01 | 0.5166507E-01 |
| 0.6152938E-01 | 0.2102572E-01 | 0.1886597E-01 | 0.306622E-16  | 0.1862098E-01 | 0.1420805E-01 | 0.8496855E-02 |
| 0.3705393E-02 | 0.1333033E-02 | 0.4881429E-02 | 0.8785971E-02 | 0.1415395E-01 | 0.2026635E-01 | 0.7590747E-01 |
| 0.7356283E-01 | 0.2220836E-17 | 0.7327395E-01 | 0.6754571E-01 | 0.5711942E-01 | 0.4132887E-01 | 0.2117201E-01 |
| 0.1551485E-02 | 0.2371086E-01 | 0.4245489E-01 | 0.5748930E-01 | 0.1814476E-01 | 0.1843295E-01 | 0.8091853E-17 |
| 0.1845502E-01 | 0.1861619E-01 | 0.1751905E-01 | 0.1398528E-01 | 0.7885317E-02 | 0.1530078E-03 | 0.7271258E-02 |
| 0.1261769E-01 | 0.1621418E-01 | 0.8101875E-01 | 0.7843520E-01 | 0.2726540E-17 | 0.7803430E-01 | 0.7061848E-01 |
| 0.5833044E-01 | 0.4239240E-01 | 0.244563E-01  | 0.4942836E-02 | 0.1596275E-01 | 0.3793164E-01 | 0.5902390E-01 |
| 0.2888663E-04 | 0.2833026E-04 | 0.2648558E-04 | 0.2648337E-04 | 0.4556160E-04 | 0.4023130E-04 | 0.1330328E-01 |
| 0.1328444E-01 | 0.7569603E-02 | 0.7555785E-01 | 0.1416652E-01 | 0.1413978E-01 | 0.8429856E-02 | 0.8416294E-02 |
| 0.7815050E-02 | 0.1251877E-01 | 0.1627792E-02 | 0.248944E-02  | 0.7105525E-02 | 0.113451E-01  | 0.2325497E-02 |
| 0.3641862E-02 | 0.1474788E-04 | 0.2061573E-04 | 0.1485638E-03 | 0.4441767E-06 | 0.9698905E-02 | 0.8599407E-01 |
| 0.3417794E-02 | 0.6242121E-04 | 0.6312154E-04 | 0.5591651E-04 | 0.9475448E-02 | 0.1379571E-01 | 0.823232E-01  |
| 0.6156488E-04 | 0.3636284E-04 | 0.105280E-03  | 0.156247E-01  | 0.9439781E-01 | 0.1484512E-01 | 0.5559825E-04 |
| 0.8619929E-04 | 0.2755755E-03 | 0.9106106E-02 | 0.618952E-02  | 0.9617324E-01 | 0.5747524E-04 | 0.2306470E-03 |
| 0.8003533E-04 | 0.8661284E-01 | 0.725779E-02  | 0.7034328E-02 | 0.1822443E-04 | 0.1442071E-03 | 0.7202759E-04 |
| 0.1196492E-01 | 0.874074E-01  | 0.1282105E-02 | 0.262799E-02  | 0.7826526E-04 | 0.1415598E-03 | 0.8683278E-01 |
| 0.146401E-01  | 0.7040396E-02 | 0.3259946E-04 | 0.15657E-05   | 0.5709754E-04 | 0.159297E-01  | 0.5023077E-01 |
| 0.1137968E-02 | 0.1725287E-03 | 0.3988735E-04 | 0.1860943E-04 | 0.            | 0.            | 0.            |



|               |                |               |               |               |
|---------------|----------------|---------------|---------------|---------------|
| 0.1645015E-01 | 0.1721572E-00  | 0.1672395E-00 | 0.1623435E-00 | 0.1574702E-00 |
| 0.1526045E-01 | 0.1582222E-00  | 0.1335800E-00 | 0.1269359E-00 | 0.1243665E-00 |
| 0.1198619E-00 | 0.1119411E-00  | 0.1030986E-00 | 0.9968560E-01 | 0.9639261E-01 |
| 0.937750E-01  | 0.924427E-01   | 0.8853914E-01 | 0.8616288E-01 | 0.8368079E-01 |
| 0.            | 0.7792335E-01  | 0.            | 0.            | 0.            |
| 0.7317493E-01 | 0.683537E-01   | 0.6486288E-01 | 0.            | 0.6151491E-01 |
| 0.4662604E-01 | 0.4619735E-01  | 0.2608983E-02 | 0.2334972E-01 | 0.4261562E-01 |
| 0.7757173E-01 | 0.2591932E-01  | 0.            | 0.2495598E-01 | 0.1291331E-02 |
| 0.3927422E-01 | 0.3975747E-01  | 0.6360901E-01 | 0.6333442E-01 | 0.6233443E-01 |
| 0.1670226E-01 | 0.1669890E-01  | 0.1097319E-02 | 0.1267021E-01 | 0.2393171E-01 |
| 0.3730249E-01 | 0.3917473E-01  | 0.3682452E-01 | 0.3258952E-01 | 0.2890245E-01 |
| 0.2585940E-01 | 0.1897130E-01  | 0.365762E-01  | 0.4967294E-01 | 0.5828119E-01 |
| 0.625519E-01  | 0.3533975E-01  | 0.1637553E-01 | 0.            | 0.1576012E-01 |
| 0.1342810E-01 | 0.2477449E-01  | 0.3804948E-01 | 0.4011922E-01 | 0.3947169E-01 |
| 0.8736639E-01 | 0.1975915E-01  | 0.1908049E-00 | 0.1216228E-00 | 0.1275883E-00 |
| 0.1061852E-01 | 0.7957309E-01  | 0.2365029E-02 | 0.4335292E-01 | 0.174792E-01  |
| 0.            | 0.1711871E-01  | 0.1507276E-01 | 0.1244367E-01 | 0.8747533E-02 |
| 0.1267637E-02 | 0.7112595E-02  | 0.868258E-01  | 0.1064466E-00 | 0.            |
| 0.1201578E-01 | 0.1254924E-01  | 0.7760392E-01 | 0.7760392E-01 | 0.4270872E-01 |
| 0.4381802E-01 | 0.2133426E-01  | 0.1039619E-00 | 0.3003962E-01 | 0.3630782E-01 |
| 0.3993025E-01 | 0.361791E-01   | 0.            | 0.5385365E-02 | 0.8852093E-02 |
| 0.3684782E-01 | 0.357414E-01   | 0.1822714E-01 | 0.3244668E-01 | 0.3135781E-01 |
| 0.2918277E-01 | 0.2810087E-01  | 0.3353729E-01 | 0.2495061E-01 | 0.2391821E-01 |
| 0.2189752E-01 | 0.249133E-01   | 0.2599299E-01 | 0.163007E-01  | 0.1756997E-01 |
| 0.1624604E-01 | 0.1624355E-01  | 0.1561599E-01 | 0.1500335E-01 | 0.1441934E-01 |
| 0.            | 0.1496526E-02  | 0.            | 0.            | 0.            |
| 0.1301714E-01 | 0.1334658E-01  | 0.1122437E-01 | 0.            | 0.1051005E-01 |
| 0.7617132E-02 | 0.5484614E-02  | 0.6836639E-03 | 0.3931470E-02 | 0.6861345E-02 |
| 0.1185891E-01 | 0.3463236E-01  | 0.7312553E-02 | 0.2246746E-01 | 0.1145580E-01 |
| 0.9560441E-02 | 0.181564E-01   | 0.2905980E-01 | 0.3239699E-01 | 0.3549984E-01 |
| 0.3786813E-01 | 0.2671411E-01  | 0.2066272E-01 | 0.3950078E-02 | 0.1182890E-01 |
| 0.3697166E-01 | 0.454635E-01   | 0.5744362E-01 | 0.3536687E-01 | 0.2296899E-01 |
| 0.2249527E-01 | 0.1942338E-01  | 0.9946133E-02 | 0.1802752E-01 | 0.2482440E-01 |
| 0.3329250E-01 | 0.3424404E-01  | 0.3886319E-01 | 0.1246410E-01 | 0.3817546E-01 |
| 0.4731309E-02 | 0.107165E-01   | 0.355638E-01  | 0.4563397E-01 | 0.5222028E-01 |
| 0.1621492E-01 | 0.1485564E-01  | 0.1475155E-01 | 0.1260844E-01 | 0.5730473E-02 |
| 0.2486396E-02 | 0.1910221E-02  | 0.1076375E-01 | 0.1378245E-01 | 0.7275356E-01 |
| 0.1002541E-01 | 0.6984684E-01  | 0.5172071E-01 | 0.3592809E-01 | 0.1731558E-01 |
| 0.2254531E-01 | 0.4141279E-01  | 0.1616329E-01 | 0.1577540E-01 | 0.5750348E-01 |
| 0.1435661E-01 | 0.1179689E-01  | 0.3618877E-02 | 0.9600489E-03 | 0.5319521E-02 |
| 0.146519E-01  | 0.744859E-01   | 0.1311238E-01 | 0.7117899E-01 | 0.6408536E-01 |
| 0.3692015E-01 | 0.1861681E-01  | 0.2242163E-01 | 0.4156661E-01 | 0.5770869E-01 |
| 0.2624041E-04 | 0.2561055E-04  | 0.4229746E-04 | 0.2179802E-04 | 0.1251948E-01 |
| 0.7495237E-02 | 0.7393345E-02  | 0.1262456E-01 | 0.7499369E-01 | 0.748801E-02  |
| 0.1093309E-01 | 0.1946838E-02  | 0.6835620E-02 | 0.1088098E-01 | 0.1988700E-02 |
| 0.2046308E-06 | 0.1363039E-03  | 0.4712595E-06 | 0.1101979E-01 | 0.8579176E-01 |
| 0.1604715E-04 | 0.1820464E-04  | 0.836252E-02  | 0.1387375E-01 | 0.8552911E-01 |
| 0.1379591E-03 | 0.2477424E-03  | 0.8625668E-01 | 0.126663E-01  | 0.2308254E-04 |
| 0.1416409E-03 | 0.8934285E-03  | 0.856249E-01  | 0.2211972E-04 | 0.1144198E-03 |
| 0.8268647E-01 | 0.1264295E-01  | 0.6538179E-01 | 0.1366059E-03 | 0.1294565E-03 |
| 0.1472554E-01 | 0.1212823E-03  | 0.1735473E-03 | 0.4862291E-04 | 0.8274247E-01 |
| 0.6490838E-03 | 0.2515581E-03  | 0.1312271E-03 | 0.1744362E-04 | 0.8455599E-01 |
| 0.1708912E-03 | 0.55666130E-04 | 0.650603E-04  | 0.            | 0.            |

|                |                |                |                |                 |                |                |
|----------------|----------------|----------------|----------------|-----------------|----------------|----------------|
| 0.4654272E-01  | 0.4572056E-01  | 0.4407932E-01  | 0.4244729E-01  | 0.4081986E-01   | 0.3919085E-01  | 0.3756658E-01  |
| 0.3593793E-01  | 0.3431870E-01  | 0.3265972E-01  | 0.3109148E-01  | 0.2949688E-01   | 0.2789209E-01  | 0.2630937E-01  |
| 0.2472717E-01  | 0.2316024E-01  | 0.2159985E-01  | 0.2007275E-01  | 0.1858478E-01   | 0.1715358E-01  | 0.1576252E-01  |
| 0.1441458E-01  | 0.1308343E-01  | 0.1188095E-01  | 0.1085128E-01  | 0.1176274E-01   | 0.1046222E-01  | 0.9176008E-02  |
| 0.             | 0.             | -0.1265288E-01 | 0.5902290E-02  | 0.              | 0.             | 0.             |
| 0.             | -0.1436560E-01 | -0.1447322E-01 | -0.1346452E-01 | -0.1278117E-01  | 0.             | -0.1207266E-01 |
| -0.1106422E-01 | -0.8631863E-02 | -0.570932E-02  | -0.1921033E-02 | 0.2633714E-02   | 0.6628303E-02  | 0.5629732E-02  |
| 0.1120496E-01  | 0.1113562E-01  | 0.2135008E-01  | 0.3303994E-01  | 0.              | -0.3059166E-01 | 0.3798384E-01  |
| 0.4053795E-01  | 0.3995137E-01  | 0.3565218E-01  | 0.2786150E-01  | 0.172947E-01    | -0.4548383E-02 | 0.9385570E-02  |
| -0.7072604E-02 | -0.1162966E-02 | 0.             | -0.1145971E-02 | -0.1249358E-02  | -0.8838126E-03 | 0.1445655E-03  |
| 0.1486472E-02  | 0.3319554E-02  | 0.5352048E-02  | 0.7407327E-02  | 0.9369448E-02   | 0.1719260E-01  | 0.1766494E-01  |
| 0.             | 0.1700102E-01  | 0.1617050E-01  | 0.1429333E-01  | 0.1142349E-01   | 0.7577908E-01  | 0.2979908E-02  |
| -0.2302519E-02 | -0.8110752E-02 | -0.1418619E-01 | 0.9378579E-03  | 0.1051109E-03   | 0.             | 0.6078610E-04  |
| -0.9330048E-03 | -0.2165367E-02 | -0.3508574E-02 | 0.4995501E-02  | -0.6375574E-02  | -0.7789394E-02 | -0.9205485E-02 |
| -0.176506E-01  | 0.3565136E-01  | 0.1236297E-01  | 0.             | 0.1264341E-00   | 0.1985352E-00  | 0.2536678E-00  |
| 0.2823225E-02  | 0.2828263E-00  | 0.2556001E-00  | 0.2039954E-00  | 0.1328678E-00   | 0.4993684E-01  | 0.2217541E-01  |
| -0.4004121E-01 | -0.            | -0.4055501E-01 | -0.5436105E-01 | -0.6351795E-01  | -0.6601787E-01 | -0.6192136E-01 |
| -0.5138736E-01 | -0.3539917E-01 | -0.1499584E-01 | 0.8202622E-02  | 0.5082025E-01   | 0.1256698E-00  | -0.            |
| 0.1280138E-00  | 0.1886734E-00  | 0.2339712E-00  | 0.2560063E-00  | 0.2528534E-00   | 0.2256074E-00  | 0.1770808E-00  |
| 0.1116843E-00  | 0.3604993E-01  | 0.2520514E-01  | 0.4982678E-01  | -0.             | 0.5057348E-01  | 0.7016103E-01  |
| 0.8409124E-01  | 0.8947733E-01  | 0.8557397E-01  | 0.7268585E-01  | 0.5185341E-01   | 0.2586808E-01  | 0.5699080E-02  |
| 0.0619165E-01  | 0.6478721E-01  | 0.6207177E-01  | 0.5921670E-01  | 0.5645140E-01   | 0.5367039E-01  | 0.5091226E-01  |
| 0.4817453E-01  | 0.4543196E-01  | 0.4272405E-01  | 0.3999673E-01  | 0.3732995E-01   | 0.3468514E-01  | 0.3205863E-01  |
| 0.2943070E-01  | 0.2688227E-01  | 0.2434714E-01  | 0.2182177E-01  | 0.1949365E-01   | 0.1730839E-01  | 0.1523131E-01  |
| 0.1326331E-01  | 0.1134974E-01  | 0.1899047E-02  | 0.1244431E-01  | 0.9475695E-02   | 0.7635555E-02  | 0.5804228E-02  |
| 0.2605384E-05  | -0.            | -0.1387946E-02 | 0.1136400E-02  | -0.             | -0.            | -0.            |
| 0.1528263E-02  | 0.5098829E-02  | -0.6267312E-02 | -0.3415183E-02 | -0.1847200E-02  | -0.            | -0.3980963E-03 |
| 0.1759280E-01  | 0.1391020E-01  | 0.8635824E-02  | 0.1256425E-01  | 0.1619584E-01   | 0.1834012E-01  | 0.1890321E-01  |
| 0.2632829E-01  | 0.3275845E-01  | 0.3590018E-01  | 0.3978423E-02  | 0.1578705E-01   | -0.1243683E-15 | 0.2692311E-01  |
| 0.9671505E-02  | -0.1849305E-01 | -0.1304348E-14 | -0.1939844E-01 | 0.1568928E-01   | 0.1209544E-01  | 0.2783051E-01  |
| -0.5828766E-01 | -0.5499120E-01 | -0.5314352E-01 | -0.3874758E-01 | -0.6458381E-01  | -0.5813528E-01 | -0.6212532E-01 |
| -0.1025332E-14 | -0.2245181E-01 | -0.3764707E-01 | -0.4643423E-01 | -0.4621179E-01  | -0.4133392E-01 | -0.2186378E-01 |
| -0.4357172E-01 | -0.2935842E-01 | -0.1177269E-03 | 0.5917093E-02  | 0.3185006E-01   | -0.2336875E-14 | -0.3956148E-01 |
| 0.5286481E-01  | 0.6880240E-01  | 0.8002272E-01  | 0.8288476E-01  | 0.7177316E-01   | 0.4947967E-01  | 0.3261906E-01  |
| 0.4101749E-01  | -0.6858158E-02 | -0.1379847E-01 | 0.6005895E-16  | -0.1393682E-01  | -0.1855226E-01 | 0.3519923E-01  |
| -0.1058376E-01 | -0.7948670E-03 | 0.4616883E-02  | 0.4501352E-02  | 0.1059943E-01   | 0.3025726E-01  | -0.1790192E-01 |
| 0.1553658E-01  | -0.1062581E-14 | 0.1540419E-01  | 0.1238840E-01  | 0.1151906E-01   | 0.1394941E-01  | 0.1846765E-01  |
| 0.1273359E-01  | 0.2352115E-02  | -0.1855375E-02 | 0.9126535E-02  | 0.1930292E-01   | 0.1643421E-01  | -0.1504949E-14 |
| 0.1620817E-01  | 0.1168507E-01  | 0.8508848E-02  | 0.8117392E-02  | 0.7619426E-02   | 0.1055470E-02  | -0.1125997E-01 |
| -0.1632097E-01 | -0.5905186E-02 | -0.5223306E-02 | -0.1113436E-01 | -0.2529442E-15  | -0.1139976E-01 | -0.1709321E-01 |
| -0.1930559E-01 | -0.1586884E-01 | -0.8701018E-03 | -0.7310331E-02 | -0.9784276E-02  | -0.5285410E-02 | 0.1406905E-01  |
| 0.446357E-03   | 0.4463858E-03  | 0.4355412E-03  | 0.4355412E-03  | -0.6176580E-03  | -0.1832828E-03 | -0.562004E-03  |
| -0.5477187E-03 | -0.1823248E-02 | -0.1838676E-02 | 0.4483217E-03  | 0.4303854E-03   | 0.2283538E-02  | 0.2240734E-02  |
| -0.1195836E-02 | -0.1142974E-02 | -0.3746509E-02 | -0.3909333E-02 | -0.3851448E-03  | -0.2467043E-03 | 0.4748646E-02  |
| 0.5362444E-02  | 0.1043417E-03  | -0.3576980E-04 | 0.9372337E-05  | -0.64678608E-06 | -0.5805676E-02 | 0.1656517E-01  |
| 0.9062000E-02  | 0.4076429E-03  | 0.1318546E-03  | 0.2064525E-03  | -0.3099051E-02  | -0.1682853E-01 | 0.1326122E-01  |
| 0.4188295E-03  | 0.2064864E-03  | 0.2317087E-03  | -0.6701622E-03 | -0.6812981E-02  | -0.1575321E-01 | 0.4198950E-03  |
| 0.2381177E-03  | 0.2056609E-03  | -0.5622524E-04 | 0.7031478E-02  | 0.5658636E-02   | 0.4174283E-03  | 0.9384419E-04  |
| 0.1944243E-03  | 0.1151581E-01  | 0.1623038E-01  | 0.1614782E-02  | -0.5015029E-04  | -0.3990413E-05 | -0.710213E-03  |
| 0.1911648E-01  | -0.6120271E-02 | -0.1116359E-02 | 0.1366775E-04  | 0.7366572E-04   | -0.1850791E-03 | -0.1204345E-01 |
| -0.8845654E-02 | 0.5838689E-03  | 0.1204656E-04  | -0.570219E-06  | -0.1415794E-03  | -0.1071348E-01 | 0.1579648E-01  |
| 0.2159944E-02  | 0.4545256E-04  | -0.5428742E-04 | -0.1612388E-03 | -0.1612388E-03  | -0.1612388E-03 | -0.1612388E-03 |

|               |               |               |               |               |               |                |
|---------------|---------------|---------------|---------------|---------------|---------------|----------------|
| 0.1266461E-01 | 0.1226965E-01 | 0.118798E-01  | 0.1149761E-01 | 0.1112254E-01 | 0.1071635E-01 | 0.1033261E-01  |
| 0.9952244E-01 | 0.9569445E-01 | 0.9191167E-01 | 0.8819316E-01 | 0.8452227E-01 | 0.8095601E-01 | 0.7732868E-01  |
| 0.7381632E-01 | 0.7035484E-01 | 0.6698223E-01 | 0.6373179E-01 | 0.6061622E-01 | 0.5732925E-01 | 0.5393531E-01  |
| 0.5386041E-01 | 0.5193199E-01 | 0.4989414E-01 | 0.4789919E-01 | 0.4597875E-01 | 0.4430123E-01 | 0.42669386E-01 |
| 0.            | 0.            | 0.3802879E-01 | 0.4268991E-01 | 0.            | 0.            | 0.             |
| 0.            | 0.            | 0.7265814E-01 | 0.7261925E-01 | 0.            | 0.            | 0.             |
| 0.7624987E-01 | 0.7530496E-01 | 0.7256158E-01 | 0.6966639E-01 | 0.662567E-01  | 0.6286413E-01 | 0.5952218E-01  |
| 0.5922269E-01 | 0.5750865E-01 | 0.5594135E-01 | 0.5434581E-01 | 0.            | 0.            | 0.             |
| 0.561777E-01  | 0.5429156E-01 | 0.5289352E-01 | 0.5147265E-01 | 0.499423E-01  | 0.4842881E-01 | 0.469165E-01   |
| 0.2908415E-01 | 0.2799321E-01 | 0.2695699E-01 | 0.2605699E-01 | 0.252531E-01  | 0.244161E-01  | 0.2368229E-01  |
| 0.            | 0.            | 0.339935E-01  | 0.3273454E-01 | 0.3182935E-01 | 0.311616E-01  | 0.3053552E-01  |
| 0.            | 0.            | 0.429167E-01  | 0.429167E-01  | 0.429167E-01  | 0.429167E-01  | 0.429167E-01   |
| 0.5589266E-01 | 0.5461751E-01 | 0.5319595E-01 | 0.5189446E-01 | 0.5073254E-01 | 0.4969491E-01 | 0.487843E-01   |
| 0.2106561E-01 | 0.3920221E-01 | 0.5052243E-01 | 0.3319479E-01 | 0.3182348E-01 | 0.31115E-01   | 0.2853133E-01  |
| 0.189981E-01  | 0.3749921E-01 | 0.3169908E-01 | 0.1626322E-01 | 0.8644459E-01 | 0.3179175E-01 | 0.1389209E-01  |
| 0.1673869E-01 | 0.1759519E-01 | 0.1626322E-01 | 0.3576415E-01 | 0.1969491E-01 | 0.2420159E-01 | 0.266442E-01   |
| 0.226197E-01  | 0.            | 0.3576415E-01 | 0.1328415E-01 | 0.3745836E-01 | 0.3163949E-01 | 0.2567882E-01  |
| 0.2412824E-01 | 0.1983127E-01 | 0.138535E-01  | 0.1328415E-01 | 0.175265E-01  | 0.1626389E-01 | 0.             |
| 0.3392595E-01 | 0.923769E-01  | 0.7286173E-01 | 0.3248437E-01 | 0.            | 0.360761E-01  | 0.1319924E-01  |
| 0.865354E-01  | 0.3192990E-01 | 0.2576415E-01 | 0.2411947E-01 | 0.198557E-01  | 0.1329037E-01 | 0.1251043E-01  |
| 0.197656E-01  | 0.242692E-01  | 0.275816E-01  | 0.262751E-01  | 0.2529514E-01 | 0.2431939E-01 | 0.234814E-01   |
| 0.267352E-01  | 0.282435E-01  | 0.275816E-01  | 0.195156E-01  | 0.1958607E-01 | 0.1766477E-01 | 0.1675641E-01  |
| 0.2238117E-01 | 0.2141554E-01 | 0.204599E-01  | 0.1411319E-01 | 0.1252428E-01 | 0.1184448E-01 | 0.1122891E-01  |
| 0.1585699E-01 | 0.1497674E-01 | 0.1411319E-01 | 0.114237E-01  | 0.9621248E-01 | 0.9126265E-01 | 0.8650588E-01  |
| 0.116674E-01  | 0.113386E-01  | 0.101619E-01  | 0.174237E-01  | 0.            | 0.            | 0.             |
| 0.512432E-01  | 0.            | 0.591856E-01  | 0.777162E-01  | 0.            | 0.            | 0.             |
| 0.            | 0.1656927E-01 | 0.162856E-01  | 0.1592057E-01 | 0.171100E-01  | 0.            | 0.1724906E-01  |
| 0.173648E-01  | 0.172971E-01  | 0.167795E-01  | 0.1524692E-01 | 0.1362011E-01 | 0.9763615E-01 | 0.6041582E-01  |
| 0.21217E-01   | 0.302197E-01  | 0.498603E-01  | 0.6447391E-01 | 0.832294E-01  | 0.6485377E-01 | 0.7439683E-01  |
| 0.7781421E-01 | 0.7397899E-01 | 0.642109E-01  | 0.544135E-01  | 0.3443171E-01 | 0.1712223E-01 | 0.1308723E-01  |
| 0.723640E-01  | 0.9529783E-01 | 0.166335E-01  | 0.9582544E-01 | 0.1110998E-01 | 0.1169734E-01 | 0.116519E-01   |
| 0.9681291E-01 | 0.756766E-01  | 0.506627E-01  | 0.2497956E-01 | 0.2263792E-01 | 0.5144309E-01 | 0.6545713E-01  |
| 0.422184E-01  | 0.6578149E-01 | 0.749742E-01  | 0.723851E-01  | 0.749285E-01  | 0.6493313E-01 | 0.649425E-01   |
| 0.3195213E-01 | 0.1625116E-01 | 0.585483E-01  | 0.738946E-01  | 0.9612136E-01 | 0.3128385E-01 | 0.5663083E-01  |
| 0.113868E-01  | 0.1171933E-01 | 0.112397E-01  | 0.977354E-01  | 0.753202E-01  | 0.4888784E-01 | 0.2441998E-01  |
| 0.6366947E-01 | 0.1372349E-01 | 0.133317E-01  | 0.537626E-01  | 0.1339219E-01 | 0.1283729E-01 | 0.1232298E-01  |
| 0.773094E-01  | 0.108722E-01  | 0.795501E-01  | 0.4628547E-01 | 0.2546136E-01 | 0.191593E-01  | 0.7411563E-01  |
| 0.5315509E-01 | 0.3743590E-01 | 0.778500E-01  | 0.818452E-01  | 0.8120289E-01 | 0.7636899E-01 | 0.6657501E-01  |
| 0.259866E-01  | 0.131859E-01  | 0.1294991E-01 | 0.3034938E-01 | 0.1184275E-01 | 0.1255894E-01 | 0.2169188E-01  |
| 0.216645E-01  | 0.1966476E-01 | 0.753202E-01  | 0.775857E-01  | 0.9447202E-01 | 0.7291411E-01 | 0.5188458E-01  |
| 0.7922465E-01 | 0.7501726E-01 | 0.661947E-01  | 0.523126E-01  | 0.3553750E-01 | 0.7769303E-01 | 0.7960339E-01  |
| 0.1392457E-01 | 0.1476544E-01 | 0.1451363E-01 | 0.1451362E-01 | 0.632632E-01  | 0.2003128E-01 | 0.6663191E-01  |
| 0.1421661E-01 | 0.983833E-01  | 0.981593E-01  | 0.1416391E-01 | 0.7854257E-01 | 0.3517725E-01 | 0.1424411E-01  |
| 0.945468E-01  | 0.1587309E-01 | 0.197097E-01  | 0.372291E-01  | 0.941724E-01  | 0.9775438E-01 | 0.9753537E-01  |
| 0.3114580E-01 | 0.1400520E-01 | 0.3816618E-01 | 0.186666E-01  | 0.2654566E-01 | 0.1129240E-01 | 0.1981989E-01  |
| 0.3191591E-01 | 0.5590613E-01 | 0.2342525E-01 | 0.421917E-01  | 0.2846253E-01 | 0.6469736E-01 | 0.2443316E-01  |
| 0.3983008E-01 | 0.1582918E-01 | 0.1942242E-01 | 0.130228E-01  | 0.28625E-01   | 0.846871E-01  | 0.6131446E-01  |
| 0.833553E-01  | 0.1473081E-01 | 0.149595E-01  | 0.3778411E-01 | 0.2976319E-01 | 0.5701778E-01 | 0.2197657E-01  |
| 0.8161448E-01 | 0.2501902E-01 | 0.563748E-01  | 0.7982528E-01 | 0.473228E-01  | 0.1914661E-01 | 0.5859565E-01  |
| 0.477922E-01  | 0.2679957E-01 | 0.1381305E-01 | 0.2134792E-01 | 0.4479318E-01 | 0.1359592E-01 | 0.2491315E-01  |
| 0.3992457E-01 | 0.8187942E-01 | 0.444358E-01  | 0.169545E-01  | 0.405675E-01  | 0.4728257E-01 | 0.2501830E-01  |
| 0.1168046E-01 | 0.2077194E-01 | 0.4660015E-01 | 0.329535E-01  | 0.            | 0.            | 0.             |

|                |                |                |                 |                |                |                |
|----------------|----------------|----------------|-----------------|----------------|----------------|----------------|
| 0.5318373E-02  | 0.5160798E-02  | 0.4844877E-02  | 0.4529147E-02   | 0.4214147E-02  | 0.3910394E-02  | 0.3587630E-02  |
| 0.3275813E-02  | 0.2964996E-02  | 0.2655343E-02  | 0.2348392E-02   | 0.2043906E-02  | 0.1741767E-02  | 0.1441418E-02  |
| 0.1143770E-02  | 0.8486942E-03  | 0.5738095E-03  | 0.2714375E-03   | -0.1703145E-06 | -0.2575691E-03 | -0.5032989E-03 |
| -0.7395807E-03 | -0.9704276E-03 | -0.1198704E-03 | -0.2393512E-02  | -0.1198105E-02 | -0.1422773E-02 | -0.1644636E-02 |
| -0.7000266E-03 | -0.8623673E-03 | -0.8441838E-03 | -0.7852576E-03  | -0.6970444E-03 | -0.6150324E-03 | -0.5819937E-03 |
| -0.4377174E-03 | -0.4377174E-03 | -0.4377174E-03 | -0.2831626E-03  | -0.7957364E-03 | -0.3059314E-03 | -0.8873739E-03 |
| 0.1508125E-02  | 0.1475027E-02  | 0.1475027E-02  | 0.7857111E-04   | 0.2463845E-03  | 0.2173341E-03  | -0.4541362E-03 |
| 0.3561899E-03  | 0.2395245E-03  | 0.2395245E-03  | 0.6470922E-04   | -0.9207191E-04 | 0.4253384E-03  | -0.2780772E-03 |
| -0.2995348E-03 | -0.8649876E-03 | -0.8649876E-03 | -0.1274424E-02  | -0.1460911E-02 | -0.1422628E-02 | -0.1173659E-02 |
| -0.1709325E-03 | -0.4878835E-03 | -0.4878835E-03 | -0.1240536E-03  | -0.6036415E-04 | -0.6602849E-04 | -0.6602849E-04 |
| -0.3255577E-03 | -0.3837709E-03 | -0.3837709E-03 | -0.3837709E-03  | -0.3254315E-03 | -0.2227714E-03 | -0.8063845E-04 |
| -0.1476409E-02 | -0.5339506E-02 | -0.5339506E-02 | -0.3943834E-02  | -0.5453928E-02 | -0.8457239E-02 | -0.1046213E-01 |
| -0.1101130E-01 | -0.1002265E-01 | -0.7594264E-02 | -0.9039258E-02  | 0.1147859E-01  | 0.5730947E-02  | 0.6422985E-03  |
| 0.5245657E-02  | 0.5384104E-02  | 0.5384104E-02  | 0.9039258E-02   | 0.1147859E-01  | 0.1227576E-01  | 0.1130299E-01  |
| 0.8651387E-02  | 0.5883836E-02  | 0.5883836E-02  | 0.6374495E-02   | -0.1090375E-02 | -0.5645282E-02 | 0.4800643E-02  |
| -0.5781773E-02 | -0.1178757E-01 | -0.1178757E-01 | -0.1235376E-01  | -0.1155333E-01 | -0.8886814E-02 | -0.7113487E-02 |
| 0.3633146E-03  | 0.1530634E-02  | 0.1530634E-02  | 0.4682231E-02   | 0.4682231E-02  | 0.4732592E-02  | 0.7113487E-02  |
| 0.8632305E-02  | 0.7957436E-02  | 0.7957436E-02  | 0.5693959E-02   | 0.2467144E-02  | -0.1515418E-02 | -0.5926387E-02 |
| 0.3869266E-02  | 0.3757553E-02  | 0.3757553E-02  | 0.3392575E-02   | 0.3089467E-02  | 0.2862824E-02  | 0.2640679E-02  |
| 0.2415717E-02  | 0.2197442E-02  | 0.1976595E-02  | 0.1738492E-02   | 0.1541517E-02  | 0.1325519E-02  | 0.1107907E-02  |
| 0.8981146E-03  | 0.6862131E-03  | 0.4771238E-03  | 0.2124895E-03   | 0.7526195E-04  | -0.1125915E-03 | -0.2932735E-03 |
| -0.4681533E-03 | -0.6395274E-03 | -0.1594789E-02 | -0.5461686E-03  | -0.8091967E-03 | -0.9770465E-03 | -0.1142460E-02 |
| -0.1439194E-03 | 0.6822328E-03  | 0.8559200E-04  | 0.8559200E-04   | 0.8559200E-04  | 0.8559200E-04  | 0.8559200E-04  |
| 0.8748442E-03  | -0.8890322E-03 | -0.497031E-03  | -0.7933237E-03  | -0.8269480E-03 | 0.0            | 0.8517058E-03  |
| -0.4664538E-03 | -1.6202630E-03 | -0.479192E-03  | -0.1125722E-03  | -0.6898936E-03 | -0.5708833E-03 | -0.4855607E-03 |
| -0.1943508E-03 | -0.2007603E-03 | -0.1891026E-03 | -0.1217388E-03  | -0.3743186E-03 | -0.1143508E-03 | -0.1634805E-03 |
| 0.3363013E-01  | 0.1168430E-03  | -0.1016574E-13 | 0.1192279E-03   | -0.1072259E-03 | -0.6042782E-01 | -0.2132138E-01 |
| 0.2193679E-03  | 0.1816166E-03  | 0.1297131E-03  | 0.7343337E-01   | 0.2487178E-01  | 0.2237796E-03  | 0.2353572E-03  |
| -0.1251581E-15 | -0.1158668E-03 | -0.1661316E-03 | -0.1974553E-03  | -0.2044082E-03 | -0.4730369E-01 | -0.1139943E-00 |
| 0.1916437E-03  | 0.2349315E-03  | 0.2472092E-03  | 0.3490368E-01   | 0.1220652E-03  | 0.1885240E-03  | 0.1545475E-00  |
| 0.2476018E-01  | -0.1299699E-01 | -0.1440109E-01 | 0.2304208E-03   | 0.1966240E-03  | 0.1287648E-15  | 0.1245824E-00  |
| -0.1760282E-01 | -0.1654873E-01 | -0.1407178E-01 | -0.1178458E-01  | -0.1448035E-01 | -0.1609113E-01 | 0.7630253E-01  |
| -0.9339765E-02 | -0.6514154E-02 | -0.1178458E-01 | -0.1238947E-01  | -0.6539542E-02 | -0.2975844E-01 | -0.1733235E-01 |
| -0.1193491E-01 | -0.1137814E-01 | -0.1172599E-01 | -0.1215905E-02  | -0.1081357E-01 | -0.1253278E-01 | -0.1142472E-01 |
| -0.3485236E-02 | -0.1059341E-02 | -0.1243399E-01 | -0.1136587E-01  | -0.1066854E-01 | -0.8821166E-01 | 0.1396350E-15  |
| -0.1547768E-01 | -0.1546630E-01 | -0.1491804E-01 | -0.1195722E-01  | 0.7585682E-17  | 0.1346156E-01  | -0.1464148E-01 |
| -0.3264948E-05 | -0.3211528E-05 | -0.3059327E-05 | -0.3059327E-05  | -0.8661432E-02 | -0.5228324E-02 | -0.2333081E-02 |
| -0.1125971E-03 | -0.1304969E-03 | -0.1296805E-03 | 0.3364581E-03   | 0.3557555E-04  | 0.3566491E-04  | -0.1129229E-03 |
| -0.867417E-02  | -0.1395078E-01 | 0.783248E-02   | 0.1339492E-01   | -0.8020316E-03 | -0.1051725E-03 | -0.1046337E-03 |
| 0.1412454E-01  | 0.1391783E-04  | 0.2129635E-03  | 0.3394592E-05   | 0.4003850E-05  | 0.1026814E-01  | 0.8872404E-02  |
| 0.9253787E-02  | 0.1393214E-04  | 0.2337212E-03  | -0.40458338E-04 | -0.1231481E-01 | -0.2814211E-02 | 0.5788477E-03  |
| 0.3504133E-04  | -0.2359806E-03 | -0.4011124E-04 | 0.1166307E-01   | 0.2562435E-02  | 0.1069716E-01  | -0.7727749E-02 |
| 0.2424891E-04  | -0.4581192E-04 | -0.1316775E-01 | -0.1292371E-02  | 0.25616508E-01 | 0.3508155E-04  | 0.1541403E-04  |
| 0.4102367E-03  | -0.1130284E-01 | -0.1662505E-02 | -0.5728624E-03  | -0.1736674E-03 | 0.9290785E-04  | -0.1091386E-03 |
| 0.1082288E-01  | 0.1563352E-02  | 0.9894224E-03  | 0.1594148E-03   | -0.1091951E-03 | 0.1196559E-03  | -0.9385701E-02 |
| -0.2422761E-03 | -0.4646942E-03 | -0.1705951E-03 | 0.8841251E-04   | -0.1037101E-03 | 0.1268549E-01  | -0.5141922E-03 |
| 0.1206252E-02  | 0.1584515E-03  | -0.1191599E-03 | 0.1337671E-03   | 0.1337671E-03  | 0.1337671E-03  | 0.1337671E-03  |

SA-5 RUN #3 MODE 14 XN = 1.707959

|               |                |               |               |                |               |               |
|---------------|----------------|---------------|---------------|----------------|---------------|---------------|
| 0.3282341E-01 | 0.3242101E-01  | 0.3161724E-01 | 0.3091172E-01 | 0.3003615E-01  | 0.2923992E-01 | 0.2841636E-01 |
| 0.2762881E-01 | 0.2684074E-01  | 0.2606431E-01 | 0.2529548E-01 | 0.2454404E-01  | 0.2381248E-01 | 0.2307836E-01 |
| 0.2236662E-01 | 0.2166552E-01  | 0.2098795E-01 | 0.2033235E-01 | 0.1976458E-01  | 0.1927976E-01 | 0.1885945E-01 |
| 0.1849255E-01 | 0.1816495E-01  | 0.1657677E-01 | 0.1655435E-01 | 0.1785834E-01  | 0.1756455E-01 | 0.1729079E-01 |
| 0.2199452E-01 | 0.2145781E-01  | 0.2262646E-01 | 0.2262646E-01 | 0.2287753E-01  | 0.2287753E-01 | 0.2305262E-01 |
| 0.2299851E-01 | 0.2218181E-01  | 0.2218181E-01 | 0.2025796E-01 | 0.1673294E-01  | 0.1298635E-01 | 0.0761046E-02 |
| 0.9661748E-03 | 0.6549533E-02  | 0.7490393E-02 | 0.4462781E-01 | 0.1178648E-01  | 0.1241582E-01 | 0.2829446E-02 |
| 0.52958E-01   | 0.4734172E-01  | 0.4857414E-01 | 0.4462781E-01 | 0.3561513E-01  | 0.2281498E-01 | 0.7444859E-02 |
| 0.3925621E-02 | 0.3925621E-02  | 0.3925621E-02 | 0.3683849E-02 | 0.2162583E-02  | 0.6955978E-02 | 0.1007925E-01 |
| 0.1134394E-01 | 0.1092755E-01  | 0.9037529E-02 | 0.5652033E-02 | 0.1912339E-02  | 0.8512482E-02 | 0.857387E-02  |
| 0.8582522E-02 | 0.2236821E-01  | 0.2236821E-01 | 0.3329741E-01 | 0.3965743E-01  | 0.4139510E-01 | 0.3874132E-01 |
| 0.2219294E-01 | 0.1013601E-01  | 0.1013601E-01 | 0.1465115E-01 | 0.4021986E-02  | 0.0           | 0.3801963E-02 |
| 0.6659252E-02 | 0.1903274E-01  | 0.1903274E-01 | 0.1191553E-01 | 0.1221322E-01  | 0.1194020E-01 | 0.8745031E-02 |
| 0.1089156E-01 | 0.1288594E-01  | 0.1288594E-01 | 0.426843E-01  | 0.1284545E-01  | 0.3290365E-01 | 0.4713677E-01 |
| 0.5749498E-01 | 0.5732479E-01  | 0.5188718E-01 | 0.426843E-01  | 0.2374338E-01  | 0.421467E-02  | 0.3087262E-02 |
| 0.6397999E-02 | 0.6397999E-02  | 0.6502235E-02 | 0.925350E-02  | 0.1762538E-02  | 0.1988241E-01 | 0.9696643E-02 |
| 0.7251904E-02 | 0.5918932E-02  | 0.5918932E-02 | 0.5389880E-02 | 0.1516024E-01  | 0.3230365E-02 | 0.0           |
| 0.2818689E-02 | 0.7612907E-02  | 0.1667415E-01 | 0.2324205E-01 | 0.2685312E-01  | 0.2745078E-01 | 0.2514839E-01 |
| 0.233799E-01  | 0.1387407E-01  | 0.1324589E-02 | 0.1978351E-02 | 0.2685312E-01  | 0.272762E-02  | 0.4654025E-02 |
| 0.644495E-02  | 0.7744431E-02  | 0.6384583E-02 | 0.4524766E-02 | 0.167678E-02   | 0.2129639E-02 | 0.6359274E-02 |
| 0.1584243E-01 | 0.1358754E-01  | 0.1359763E-01 | 0.1258614E-01 | 0.1209877E-01  | 0.1159321E-01 | 0.110977E-01  |
| 0.161674E-01  | 0.1012285E-01  | 0.9649357E-02 | 0.9157624E-02 | 0.8688411E-02  | 0.8221927E-02 | 0.7767031E-02 |
| 0.729711E-02  | 0.682090E-02   | 0.642236E-02  | 0.597998E-02  | 0.5581524E-02  | 0.522287E-02  | 0.488239E-02  |
| 0.4582074E-02 | 0.4286621E-02  | 0.4286621E-02 | 0.4452635E-02 | 0.4452635E-02  | 0.3727640E-02 | 0.3447023E-02 |
| 0.1487523E-03 | 0.3067971E-03  | 0.3067971E-03 | 0.2787743E-02 | 0.0            | 0.0           | 0.0           |
| 0.777668E-02  | 0.7878620E-02  | 0.6365939E-02 | 0.7561777E-02 | 0.7516634E-02  | 0.5916581E-02 | 0.7643299E-02 |
| 0.1473781E-04 | 0.1789587E-02  | 0.7716421E-02 | 0.788273E-02  | 0.5745657E-02  | 0.3916581E-02 | 0.1923308E-02 |
| 0.182784E-01  | 0.1805400E-01  | 0.7346213E-01 | 0.1259471E-00 | 0.8084586E-01  | 0.1271489E-00 | 0.1628754E-00 |
| 0.5730304E-02 | 0.47426693E-01 | 0.176651E-01  | 0.1531293E-00 | 0.1133851E-00  | 0.5846197E-01 | 0.4916822E-02 |
| 0.1865241E-01 | 0.1473056E-01  | 0.4673915E-01 | 0.7088552E-01 | 0.1426288E-00  | 0.1894924E-00 | 0.2031633E-01 |
| 0.7245161E-15 | 0.9161541E-01  | 0.1049145E-01 | 0.6213835E-01 | 0.3682877E-01  | 0.4245823E-01 | 0.9048385E-01 |
| 0.999866E-01  | 0.5307110E-01  | 0.6063578E-02 | 0.149579E-00  | 0.1518919E-00  | 0.1476810E-00 | 0.1314989E-00 |
| 0.2193924E-00 | 0.279220E-00   | 0.2832815E-00 | 0.2568518E-00 | 0.2023225E-00  | 0.137117E-00  | 0.1405545E-00 |
| 0.3923153E-01 | 0.2621205E-01  | 0.2794357E-01 | 0.1948556E-01 | 0.2922523E-01  | 0.8148441E-02 | 0.8733835E-01 |
| 0.1261911E-01 | 0.1087965E-01  | 0.3195117E-01 | 0.2451558E-02 | 0.1325233E-02  | 0.1146148E-01 | 0.5237753E-02 |
| 0.5678218E-01 | 0.1095281E-01  | 0.5667424E-01 | 0.5607591E-01 | 0.5368193E-01  | 0.5276055E-01 | 0.5429619E-01 |
| 0.5492467E-01 | 0.4742594E-01  | 0.265504E-01  | 0.1470293E-02 | 0.3058455E-01  | 0.2515297E-01 | 0.5434893E-01 |
| 0.2447808E-01 | 0.1285660E-01  | 0.602515E-04  | 0.6991659E-02 | 0.5462107E-02  | 0.1452946E-02 | 0.4445813E-01 |
| 0.8191963E-03 | 0.1036489E-01  | 0.896792E-02  | 0.150931E-01  | 0.1275850E-01  | 0.1039504E-01 | 0.5902142E-02 |
| 0.8517699E-02 | 0.1137308E-01  | 0.191413E-01  | 0.2775068E-01 | 0.2952030E-01  | 0.187948E-01  | 0.9492646E-02 |
| 0.1140113E-03 | 0.1109386E-03  | 0.1007286E-03 | 0.1072861E-03 | 0.2425344E-03  | 0.2391539E-02 | 0.1335036E-02 |
| 0.7708275E-02 | 0.6053984E-02  | 0.6052167E-02 | 0.155318E-02  | 0.1559170E-02  | 0.327711E-02  | 0.7732566E-02 |
| 0.1794436E-01 | 0.1784637E-01  | 0.685674E-02  | 0.1145076E-01 | 0.4659487E-02  | 0.7720799E-02 | 0.892488E-02  |
| 0.142462E-01  | 0.1269478E-02  | 0.9646563E-03 | 0.5843867E-04 | 0.2182039E-04  | 0.3532334E-02 | 0.212568E-01  |
| 0.454218E-01  | 0.3642803E-03  | 0.6823343E-03 | 0.6577831E-03 | 0.1098716E-01  | 0.2056508E-01 | 0.3628171E-01 |
| 0.3179198E-03 | 0.3012819E-03  | 0.5433591E-03 | 0.3625741E-02 | 0.1205611E-01  | 0.4008589E-01 | 0.3667395E-03 |
| 0.6624667E-03 | 0.5203981E-03  | 0.2059547E-04 | 0.2572142E-01 | 0.1666621E-01  | 0.3066013E-03 | 0.1697729E-03 |
| 0.5562918E-03 | 0.2146615E-01  | 0.1083968E-01 | 0.3006443E-02 | 0.125931E-03   | 0.1848595E-03 | 0.4533228E-03 |
| 0.1285312E-01 | 0.1852736E-01  | 0.149168E-02  | 0.1473937E-02 | 0.4033129E-04  | 0.2762699E-02 | 0.3741395E-02 |
| 0.640679E-02  | 0.2134745E-02  | 0.1712539E-02 | 0.620134E-04  | 0.44511414E-03 | 0.0786935E-02 | 0.3847453E-05 |
| 0.5759254E-03 | 0.1141955E-04  | 0.1678105E-04 | 0.2912938E-04 | 0.0            | 0.0           | 0.0           |

|                |                |                 |                |                |                |                |
|----------------|----------------|-----------------|----------------|----------------|----------------|----------------|
| 0.7731439E-03  | 0.7500103E-03  | 0.7034525E-03   | 0.65670556E-03 | 0.6081491E-03  | 0.5615699E-03  | 0.5145388E-03  |
| 0.4682142E-03  | 0.4210844E-03  | 0.3753394E-03   | 0.3287125E-03  | 0.2828441E-03  | 0.2395700E-03  | 0.1936258E-03  |
| 0.1501226E-03  | 0.1059103E-03  | 0.6313140E-04   | 0.1936959E-04  | -0.2034107E-04 | -0.5753638E-04 | -0.9315670E-04 |
| -0.1272624E-03 | -0.1605621E-03 | -0.5560213E-03  | -0.1412830E-03 | -0.1922476E-03 | -0.2247350E-03 | -0.2569898E-03 |
| -0.            | -0.            | 0.1778864E-04   | -0.3315812E-03 | -0.            | -0.            | -0.            |
| -0.            | 0.1101754E-03  | 0.1066764E-03   | 0.1129364E-03  | 0.1137323E-03  | -0.            | 0.1142193E-03  |
| 0.1143182E-03  | 0.1122610E-03  | 0.1064629E-03   | 0.9388717E-04  | 0.717594E-04   | 0.4360801E-04  | 0.1263886E-04  |
| 0.1917650E-04  | 0.5865587E-04  | 0.59846219E-05  | 0.2353258E-03  | -0.            | 0.2451337E-03  | 0.4367754E-03  |
| 0.566532E-03   | 0.6144664E-03  | 0.5752507E-03   | 0.4584045E-03  | 0.2769122E-03  | 0.4390197E-04  | -0.2194812E-04 |
| -0.6056063E-03 | -0.4345079E-03 | -0.             | -0.4296182E-03 | -0.2600973E-03 | -0.9059819E-04 | 0.5816698E-04  |
| 0.1892349E-03  | 0.2858122E-03  | 0.3459678E-03   | 0.3714511E-03  | 0.3707879E-03  | 0.1706492E-03  | 0.1812935E-03  |
| -0.            | 0.1841852E-03  | 0.1795050E-03   | 0.1663134E-03  | 0.1218808E-03  | 0.6442618E-04  | -0.2990803E-05 |
| -0.7831320E-04 | 0.1554741E-03  | 0.2326425E-03   | 0.5359942E-03  | 0.1320901E-03  | -0.            | 0.1177940E-03  |
| -0.2173276E-03 | -0.477038E-03  | -0.6228207E-03  | -0.6522235E-03 | -0.5628405E-03 | -0.3720163E-03 | -0.1014607E-03 |
| 0.2206305E-03  | 0.1252591E-03  | -0.5021552E-03  | 0.             | -0.5295831E-03 | -0.1019759E-02 | -0.1374366E-02 |
| -0.1506067E-02 | -0.1408400E-02 | -0.1088345E-02  | -0.5785605E-03 | 0.7418974E-04  | 0.8991137E-03  | 0.3766759E-03  |
| 0.4154493E-03  | 0.4382455E-03  | 0.4082455E-03   | 0.1080664E-02  | 0.1545173E-02  | 0.1752473E-02  | 0.1680672E-02  |
| 0.1337967E-02  | 0.7637811E-03  | 0.1277246E-04   | -0.8589091E-03 | -0.2506532E-03 | -0.6136857E-03 | 0.             |
| -0.6222157E-03 | -0.8924108E-03 | -0.1046394E-02  | -0.1044463E-02 | -0.8777237E-03 | -0.5622259E-03 | -0.1249263E-03 |
| 0.3986868E-03  | 0.9710946E-03  | 0.5615241E-03   | 0.7090837E-03  | 0.             | 0.7130787E-03  | 0.7964821E-03  |
| 0.7882519E-03  | 0.6754328E-03  | 0.4533426E-03   | 0.1466092E-03  | -0.2212267E-03 | -0.6275439E-03 | -0.1048170E-02 |
| 0.1913709E-02  | 0.1867068E-02  | 0.1769824E-02   | 0.1674566E-02  | 0.1576432E-02  | 0.1483622E-02  | 0.1389349E-02  |
| 0.1291990E-02  | 0.1198338E-02  | 0.1101533E-02   | 0.1011711E-02  | 0.919172E-03   | 0.8273610E-03  | 0.7351101E-03  |
| 0.6490526E-03  | 0.5567457E-03  | 0.4694014E-03   | 0.3916927E-03  | 0.3118335E-03  | 0.2392561E-03  | 0.1723439E-03  |
| 0.1084109E-03  | 0.4758038E-04  | -0.1132114E-02  | 0.8413813E-04  | -0.1265798E-04 | -0.7284935E-04 | -0.1273887E-03 |
| 0.1334473E-02  | 0.             | 0.1224710E-04   | -0.2844390E-03 | 0.             | 0.             | 0.             |
| 0.             | 0.5169376E-04  | -0.6742097E-03  | 0.3354554E-03  | 0.2531708E-03  | 0.             | 0.1860299E-03  |
| 0.1289759E-03  | -0.2347195E-05 | -0.7982268E-04  | -0.1337860E-03 | -0.1502984E-03 | -0.1299588E-03 | -0.9087316E-04 |
| -0.4178212E-04 | 0.8289560E-06  | 0.5365757E-01   | -0.4072986E-01 | 0.6657468E-16  | -0.4367534E-01 | -0.1199073E-00 |
| -0.1761918E-03 | -0.2043661E-03 | -0.2048105E-03  | -0.1817942E-00 | -0.1417291E-03 | -0.9355144E-01 | -0.4894845E-01 |
| 0.6502486E-01  | 0.6982205E-02  | 0.5237918E-16   | -0.928912E-12  | -0.6947366E-01 | -0.1156890E-00 | -0.1474913E-00 |
| -0.1467415E-01 | -0.1340866E-01 | -0.1079449E-01  | -0.74556.6E-01 | -0.4247091E-01 | 0.5426015E-01  | -0.4091503E-01 |
| 0.7836403E-16  | -0.4388571E-01 | -0.1270984E-01  | -0.1775911E-00 | -0.2060188E-01 | -0.2364794E-00 | -0.1832637E-00 |
| -0.1428401E-00 | -0.9421625E-01 | -0.4917400E-01  | 0.6545771E-01  | 0.7278278E-02  | 0.6926311E-16  | -0.9615612E-02 |
| -0.6952565E-01 | -0.1155440E-05 | -0.1412152E-01  | -0.1463791E-00 | -0.1337482E-03 | -0.1076733E-00 | -0.7439983E-01 |
| -0.4246127E-01 | 0.1036329E-03  | 0.1093726E-01   | 0.1253619E-16  | 0.1056913E-01  | 0.1159134E-00  | -0.1177772E-00 |
| 0.1115618E-00  | 0.9628072E-01  | 0.7297351E-01   | 0.4423662E-01  | 0.1388410E-01  | -0.1403448E-01 | 0.1046177E-00  |
| 0.1120050E-00  | -0.4088817E-16 | 0.1124411E-01   | 0.1209364E-00  | 0.1250354E-01  | 0.1203240E-00  | 0.1054557E-00  |
| 0.8140253E-01  | 0.5091734E-01  | 0.1817888E-01   | -0.1225482E-01 | 0.1049886E-01  | 0.1110118E-00  | 0.1636925E-16  |
| 0.1113444E-00  | 0.1178283E-00  | 0.1196629E-01   | 0.1136666E-00  | 0.9821173E-01  | 0.7458019E-01  | 0.4540702E-01  |
| 0.1458340E-01  | -0.1375878E-01 | 0.1052335E-01   | 0.1127587E-00  | 0.4917017E-17  | 0.1132022E-00  | 0.1218398E-00  |
| 0.1260472E-00  | 0.1213701E-00  | 0.1064374E-00   | 0.8223128E-01  | 0.5152250E-01  | 0.1852229E-01  | 0.147147E-01   |
| -0.1892373E-04 | -0.1888318E-04 | -0.1874748E-04  | -0.1874747E-04 | -0.2872031E-03 | -0.3656568E-03 | 0.6206159E-03  |
| -0.6188817E-03 | -0.5138047E-03 | -0.51122694E-03 | 0.6553971E-03  | 0.6531994E-03  | -0.6049954E-03 | -0.6029007E-03 |
| -0.1188964E-02 | -0.1925066E-02 | -0.114687E-02   | 0.192951E-02   | -0.120411E-02  | -0.1920938E-02 | 0.1284488E-02  |
| 0.20951578E-02 | -0.1368805E-03 | 0.1727636E-06   | 0.3068465E-06  | -0.3061366E-03 | 0.127534E-01   | 0.1753148E-01  |
| -0.1800078E-01 | -0.3099860E-03 | 0.1067546E-03   | -0.12494.3E-03 | 0.8537721E-02  | 0.1674946E-01  | -0.2090907E-01 |
| -0.3151866E-03 | 0.3534857E-04  | -0.9544974E-04  | 0.1290791E-01  | 0.1765395E-01  | -0.1797020E-01 | -0.3098087E-03 |
| 0.1083544E-03  | -0.1264472E-03 | 0.835154E-02    | 0.1673135E-01  | -0.2168739E-01 | -0.3149433E-03 | 0.3454205E-04  |
| -0.9362457E-04 | -0.8195082E-02 | -0.1182434E-01  | -0.2815772E-02 | -0.2560878E-04 | 0.1158675E-03  | -0.3628269E-03 |
| -0.5405412E-02 | -0.1143096E-01 | -0.2561576E-02  | 0.8795058E-04  | 0.7972370E-04  | -0.3221459E-03 | -0.8100917E-02 |
| -0.1183727E-01 | -0.2818405E-02 | 0.2506220E-04   | 0.1164715E-03  | -0.3629968E-03 | -0.5411288E-02 | -0.1157504E-01 |
| -0.4582417E-02 | 0.8777382E-04  | 0.7972715E-04   | -0.3212365E-03 | -0.            | -0.            | -0.            |

|                |                |               |                |               |                |
|----------------|----------------|---------------|----------------|---------------|----------------|
| 0.1462922E-01  | 0.1442215E-01  | 0.1786330E-01 | 0.1344140E-01  | 0.1315555E-01 | 0.1277126E-01  |
| 0.1243924E-01  | 0.1178024E-01  | 0.1145730E-01 | 0.1114125E-01  | 0.1082269E-01 | 0.1052505E-01  |
| 0.1222599E-01  | 0.96431649E-02 | 0.9374570E-02 | 0.9127845E-02  | 0.8937766E-02 | 0.8766026E-02  |
| 0.8619129E-02  | 0.7228918E-02  | 0.6962540E-02 | 0.6763335E-02  | 0.6476255E-02 | 0.61490010E-02 |
| 0.             | 0.6382727E-02  | 0.7397540E-02 | 0.             | 0.            | 0.             |
| 0.             | 0.9992309E-02  | 0.1128918E-01 | 0.1072192E-01  | 0.            | 0.1081586E-01  |
| 0.1068655E-01  | 0.1082067E-01  | 0.1044745E-01 | 0.7895272E-02  | 0.5714017E-02 | 0.3219482E-02  |
| 0.5145458E-03  | 0.2968949E-02  | 0.5035105E-02 | 0.             | 0.5976633E-02 | 0.1387021E-01  |
| 0.1908198E-01  | 0.2224479E-01  | 0.2369131E-01 | 0.1671970E-01  | 0.1071984E-01 | 0.3517803E-02  |
| 0.3552501E-02  | 0.2238492E-02  | 0.2122451E-02 | 0.0719521E-03  | 0.3071973E-02 | 0.4632093E-02  |
| 0.3531353E-02  | 0.             | 0.2977474E-02 | 0.1095524E-02  | 0.3694653E-02 | 0.4078431E-02  |
| 0.             | 0.4326637E-02  | 0.1583705E-02 | 0.11881993E-01 | 0.1825736E-01 | 0.1951773E-02  |
| 0.11597291E-01 | 0.1033451E-01  | 0.4597614E-02 | 0.2064324E-02  | 0.            | 0.4201977E-02  |
| 0.90005916E-03 | 0.3341025E-02  | 0.5030411E-02 | 0.6067555E-02  | 0.5449033E-02 | 0.2194794E-01  |
| 0.2539756E-02  | 0.2647886E-02  | 0.5528236E-02 | 0.5881691E-02  | 0.1486138E-01 | 0.9903114E-03  |
| 0.2596242E-01  | 0.2408843E-01  | 0.2408843E-01 | 0.1082297E-01  | 0.1668698E-02 | 0.5156327E-02  |
| 0.2891350E-02  | 0.2950545E-02  | 0.4425915E-02 | 0.5414627E-02  | 0.5677101E-02 | 0.             |
| 0.3940355E-02  | 0.1374694E-02  | 0.2667289E-02 | 0.7156542E-02  | 0.1743599E-02 | 0.1160047E-01  |
| 0.1354704E-02  | 0.3195171E-02  | 0.144955E-01  | 0.1214105E-01  | 0.1252667E-01 | 0.2179957E-02  |
| 0.9529184E-02  | 0.6698261E-02  | 0.1130989E-02 | 0.1854438E-03  | 0.1539480E-02 | 0.3470037E-02  |
| 0.2825216E-02  | 0.2965228E-02  | 0.1377234E-02 | 0.6712895E-02  | 0.6419389E-02 | 0.6129487E-02  |
| 0.7737485E-02  | 0.7589667E-02  | 0.7292891E-02 | 0.4712158E-02  | 0.4437452E-02 | 0.4167837E-02  |
| 0.584357E-02   | 0.5555166E-02  | 0.4987653E-02 | 0.2888725E-02  | 0.267720E-02  | 0.2482718E-02  |
| 0.5495719E-02  | 0.3635259E-02  | 0.3118987E-02 | 0.1961738E-02  | 0.1800052E-02 | 0.             |
| 0.2022778E-02  | 0.3073622E-02  | 0.2228664E-02 | 0.             | 0.            | 0.             |
| 0.1218943E-02  | 0.1435004E-02  | 0.1240835E-02 | 0.             | 0.            | 0.             |
| 0.             | 0.3126418E-02  | 0.352799E-02  | 0.3231451E-02  | 0.            | 0.2359989E-02  |
| 0.3503746E-02  | 0.3672963E-02  | 0.365295E-02  | 0.2841816E-02  | 0.1952454E-02 | 0.9603194E-03  |
| 0.1923784E-04  | 0.9165147E-03  | 0.2071453E-01 | 0.2913793E-03  | 0.9307999E-01 | 0.1741382E-00  |
| 0.2357233E-02  | 0.2617847E-02  | 0.2596131E-02 | 0.1782929E-03  | 0.118051E-00  | 0.4638656E-01  |
| 0.5644826E-02  | 0.1673167E-01  | 0.1657632E-02 | 0.1662095E-01  | 0.4272692E-01 | 0.6155370E-01  |
| 0.7321207E-01  | 0.7646227E-01  | 0.6876389E-01 | 0.2552936E-01  | 0.3555057E-01 | 0.7083932E-01  |
| 0.2731637E-03  | 0.7399862E-01  | 0.1576359E-01 | 0.2474824E-03  | 0.2479011E-00 | 0.2219671E-00  |
| 0.1751523E-01  | 0.1089746E-01  | 0.471639E-01  | 0.4515414E-01  | 0.2207635E-01 | 0.4415139E-01  |
| 0.1783549E-02  | 0.5439319E-02  | 0.2524322E-01 | 0.5144693E-01  | 0.5234149E-01 | 0.4773385E-01  |
| 0.2394717E-02  | 0.8695645E-01  | 0.9556602E-02 | 0.9627026E-02  | 0.1900089E-00 | 0.1182055E-00  |
| 0.1163115E-00  | 0.1006931E-00  | 0.7402425E-01 | 0.1521086E-01  | 0.7002696E-02 | 0.7455347E-01  |
| 0.8134917E-01  | 0.2417906E-01  | 0.8082264E-03 | 0.9430263E-01  | 0.8998671E-01 | 0.7449738E-01  |
| 0.5666092E-01  | 0.2488657E-01  | 0.3939471E-02 | 0.8608323E-01  | 0.9486325E-01 | 0.1749309E-01  |
| 0.9555044E-04  | 0.1081340E-01  | 0.1173444E-01 | 0.9919870E-01  | 0.7264548E-01 | 0.4190945E-01  |
| 0.1443562E-01  | 0.7541594E-02  | 0.9611669E-01 | 0.4352369E-01  | 0.1029694E-00 | 0.1116830E-00  |
| 0.1162027E-01  | 0.1101799E-01  | 0.917767E-01  | 0.3382674E-01  | 0.8281010E-02 | 0.192728E-01   |
| 0.772275E-04   | 0.7553639E-04  | 0.6994152E-04 | 0.1541312E-03  | 0.2332266E-03 | 0.3279400E-02  |
| 0.3268394E-02  | 0.2614676E-02  | 0.935732E-03  | 0.9108999E-03  | 0.8010295E-04 | 0.8241234E-04  |
| 0.5404742E-02  | 0.8814715E-02  | 0.3518334E-03 | 0.2597575E-02  | 0.4205526E-02 | 0.455150E-02   |
| 0.7276248E-02  | 0.6757245E-02  | 0.4742557E-03 | 0.2817453E-03  | 0.8955217E-02 | 0.6862594E-03  |
| 0.5345641E-02  | 0.1118862E-03  | 0.4289632E-03 | 0.4064936E-02  | 0.5355051E-02 | 0.3831787E-04  |
| 0.1395459E-03  | 0.1822021E-03  | 0.1234042E-01 | 0.9409586E-02  | 0.2717967E-02 | 0.1107567E-03  |
| 0.4199177E-03  | 0.1599946E-03  | 0.2737763E-02 | 0.8981008E-02  | 0.1399483E-03 | 0.1678374E-03  |
| 0.1893908E-03  | 0.1686297E-03  | 0.5586157E-03 | 0.1755345E-04  | 0.1894789E-03 | 0.5673773E-03  |
| 0.1565197E-03  | 0.2274535E-02  | 0.187445E-02  | 0.7292990E-04  | 0.4714258E-03 | 0.8877084E-02  |
| 0.3132442E-02  | 0.1669416E-02  | 0.3832603E-04 | 0.1085738E-03  | 0.2251645E-02 | 0.1052010E-01  |
| 0.2328878E-02  | 0.6882373E-02  | 0.8477511E-04 | 0.4772173E-03  | 0.            | 0.             |

|                |                |                 |                |                |                |                |
|----------------|----------------|-----------------|----------------|----------------|----------------|----------------|
| 0.1019702E-02  | 0.9651808E-02  | 0.8574006E-03   | 0.7545677E-03  | 0.6555444E-03  | 0.5509844E-03  | 0.4504482E-03  |
| 0.3469748E-03  | 0.2489104E-03  | 0.1456887E-03   | 0.5715876E-04  | -0.4501379E-04 | -0.1510839E-03 | -0.2413549E-03 |
| -0.3454555E-03 | -0.4321256E-03 | -0.5267988E-03  | -0.6194773E-03 | -0.6947977E-03 | -0.7729015E-03 | -0.8450612E-03 |
| 0.9125422E-03  | 0.9767590E-03  | 0.2101406E-02   | 0.9398349E-03  | -0.1045555E-02 | -0.1106258E-02 | -0.1164851E-02 |
| 0.6855707E-04  | 0.6855707E-04  | 0.6855707E-04   | -0.1311674E-02 | 0.             | 0.             | 0.             |
| 0.6875935E-03  | 0.7168266E-03  | 0.7303062E-03   | 0.7303062E-03  | 0.7514515E-03  | 0.4657678E-03  | 0.7689100E-03  |
| 0.8067940E-03  | 0.8039666E-03  | 0.8039666E-03   | 0.7529395E-03  | 0.6386225E-03  | 0.5271841E-03  | 0.2490017E-03  |
| -0.3775068E-03 | -0.1387142E-03 | -0.1387142E-03  | -0.4474815E-03 | 0.             | -0.1947446E-02 | -0.1947446E-02 |
| -0.1676829E-02 | -0.1713077E-02 | -0.1713077E-02  | -0.1563348E-02 | -0.1270514E-02 | -0.8328186E-03 | -0.3050775E-03 |
| -0.4156224E-03 | 0.             | 0.              | -0.3947699E-03 | -0.1521911E-03 | 0.7347164E-04  | 0.2586275E-03  |
| 0.4040965E-03  | 0.3844832E-03  | 0.3844832E-03   | 0.3092268E-03  | 0.1998863E-03  | -0.2233656E-04 | 0.4819679E-03  |
| 0.4820085E-03  | 0.9030638E-03  | 0.9030638E-03   | 0.1213572E-02  | 0.1353937E-02  | 0.1416138E-02  | 0.1305692E-02  |
| 0.7469851E-03  | 0.3566068E-03  | 0.3566068E-03   | 0.5863573E-03  | 0.3052798E-03  | 0.             | 0.2999967E-03  |
| -0.1947673E-03 | -0.3551184E-03 | -0.3551184E-03  | -0.4563878E-03 | -0.4917113E-03 | -0.4606692E-03 | -0.2637456E-03 |
| 0.4491253E-03  | -0.2506305E-03 | -0.2506305E-03  | 0.             | -0.2784711E-03 | -0.8687283E-03 | -0.1335579E-02 |
| -0.1679773E-02 | -0.1526067E-02 | -0.1526067E-02  | -0.1197266E-02 | -0.7086608E-03 | -0.1458164E-03 | -0.1848549E-03 |
| 0.4904087E-04  | 0.6657194E-04  | 0.6657194E-04   | 0.2526852E-03  | 0.4275799E-03  | 0.4925302E-03  | 0.4849221E-03  |
| 0.3943007E-03  | 0.2344482E-03  | 0.2344482E-03   | -0.2276252E-03 | -0.5107551E-03 | -0.1811868E-03 | 0.             |
| -0.1766035E-03 | 0.1246435E-03  | 0.1246435E-03   | 0.6376462E-03  | 0.7563957E-03  | 0.8287064E-03  | 0.8176674E-03  |
| 0.7262337E-03  | 0.5776919E-03  | 0.5776919E-03   | 0.2252272E-03  | 0.2208811E-03  | 0.2114718E-03  | 0.1509690E-03  |
| 0.9313361E-04  | 0.1874076E-04  | 0.1874076E-04   | -0.1696384E-03 | -0.2642676E-03 | -0.3463909E-03 | -0.4258871E-03 |
| 0.1120683E-03  | 0.1086242E-03  | 0.1086242E-03   | 0.1211048E-03  | 0.1427315E-03  | 0.1381888E-03  | 0.1427677E-03  |
| 0.1629218E-03  | 0.1671974E-03  | 0.1671974E-03   | 0.1905887E-03  | 0.1952343E-03  | 0.2078817E-03  | 0.2261542E-03  |
| 0.2197015E-03  | 0.2495898E-03  | 0.2495898E-03   | 0.2385830E-03  | 0.2552277E-03  | 0.2660818E-03  | 0.2716047E-03  |
| 0.2833362E-03  | 0.2914277E-03  | 0.2914277E-03   | 0.2795979E-03  | 0.3032411E-03  | 0.3211543E-03  | 0.3176331E-03  |
| -0.1867743E-02 | -0.            | -0.2368202E-04  | -0.4582365E-03 | -0.            | -0.            | -0.            |
| 0.1390422E-03  | 0.1390422E-03  | 0.414816291E-03 | 0.4148174E-03  | 0.33333430E-03 | -0.            | 0.2680967E-03  |
| 0.5843518E-04  | 0.5843518E-04  | -0.4369777E-04  | -0.4369780E-04 | -0.1629280E-03 | -0.1362474E-03 | -0.6437770E-04 |
| 0.1961613E-03  | 0.1961613E-03  | -0.1373331E-03  | -0.1373331E-03 | 0.2926943E-16  | -0.1526395E-00 | -0.1536387E-00 |
| -0.1364304E-00 | -0.1016618E-00 | -0.45471825E-01 | -0.2610342E-02 | 0.4750729E-01  | 0.8794817E-01  | 0.1119726E-00  |
| -0.1347441E-00 | -0.1461876E-00 | 0.1912549E-16   | -0.1458687E-03 | -0.1435153E-00 | -0.1237775E-00 | -0.8786854E-01 |
| -0.413432E-01  | 0.8967098E-02  | 0.5608534E-01   | 0.9295344E-01  | 0.1137023E-00  | -0.1359454E-00 | -0.1514914E-00 |
| 0.1228088E-16  | -0.1513169E-00 | -0.1523965E-0   | -0.1523965E-0  | -0.1077509E-00 | -0.5405066E-01 | -0.2181748E-02 |
| 0.4775609E-01  | 0.8792174E-01  | 0.1117465E-01   | -0.1338060E-00 | -0.1446239E-00 | -0.6439425E-17 | -0.1442856E-00 |
| -0.1414656E-00 | -0.1214557E-00 | -0.8552886E-01  | -0.3918986E-01 | 0.1066209E-01  | 0.5724596E-01  | 0.9353036E-01  |
| 0.1137623E-00  | -0.1235295E-00 | -0.1129555E-00  | 0.8184518E-18  | -0.1116785E-00 | -0.8733672E-01 | -0.5096313E-01 |
| -0.8176858E-02 | 0.3462841E-01  | 0.7175411E-01   | 0.9902216E-01  | 0.1138288E-00  | 0.1164017E-00  | -0.1243711E-00 |
| -0.1143454E-00 | -0.1924395E-17 | -0.1130828E-0   | -0.8946670E-01 | -0.5363422E-01 | -0.1101975E-01 | 0.3202501E-01  |
| 0.6967211E-01  | 0.9760822E-01  | 0.1130679E-0    | 0.1162076E-0   | -0.1229558E-00 | -0.1123841E-00 | 0.3047132E-18  |
| -0.111792E-00  | -0.8671845E-01 | -0.5034744E-01  | -0.7627769E-02 | -0.3508785E-01 | 0.7208828E-01  | 0.9923205E-01  |
| 0.1139386E-00  | 0.1163654E-00  | -0.1227169E-00  | -0.1124672E-00 | 0.8033965E-18  | -0.1112020E-00 | -0.8733353E-01 |
| -0.5133602E-04 | -0.8723009E-02 | 0.3412724E-01   | 0.7139861E-01  | 0.9861354E-01  | 0.1136654E-00  | 0.1161934E-00  |
| 0.2451280E-04  | 0.2451280E-04  | 0.24922629E-04  | 0.24922629E-04 | -0.738242E-04  | -0.1039271E-03 | -0.2526791E-03 |
| -0.2512984E-03 | 0.3179576E-03  | 0.3179656E-03   | 0.2948999E-03  | 0.2048924E-04  | -0.8629380E-04 | -0.8524474E-04 |
| -0.5083677E-03 | -0.7771320E-03 | 0.3368306E-03   | 0.3555551E-03  | -0.9975250E-04 | -0.2366469E-03 | 0.490396E-03   |
| 0.6435233E-03  | 0.1655172E-04  | 0.1122986E-01   | 0.3152646E-03  | 0.1245428E-02  | -0.1789740E-05 | 0.8640895E-01  |
| 0.1311945E-00  | 0.1315645E-02  | 0.2055216E-03   | 0.1418691E-03  | -0.3255775E-03 | -0.8573893E-01 | 0.1077311E-00  |
| 0.1313589E-02  | 0.1882887E-02  | 0.1382574E-03   | 0.3599486E-03  | -0.8535930E-01 | 0.1006845E-00  | 0.1315744E-00  |
| 0.2034656E-03  | 0.1348937E-03  | -0.9193815E-03  | -0.8623528E-01 | 0.9645634E-01  | 0.1313369E-02  | 0.1813268E-03  |
| 0.1410849E-03  | 0.2154028E-03  | 0.5555721E-01   | -0.1274382E-12 | -0.1648418E-04 | 0.6957547E-04  | 0.1395777E-02  |
| 0.1921362E-02  | 0.5591153E-01  | 0.5764585E-03   | -0.253777E-05  | 0.5750982E-04  | 0.1404696E-02  | 0.1193473E-02  |
| 0.5597156E-01  | -0.9625603E-03 | -0.1850882E-04  | 0.6603491E-04  | 0.1395161E-02  | 0.1421396E-02  | 0.5488673E-01  |
| -0.1069149E-02 | -0.7582727E-05 | 0.5997678E-04   | 0.1403535E-02  | 0.             | 0.             | 0.             |





|               |               |               |                |               |                |               |
|---------------|---------------|---------------|----------------|---------------|----------------|---------------|
| 0.1205636E-01 | 0.1184397E-01 | 0.1145191E-01 | 0.112611E-01   | 0.1077877E-01 | 0.1046376E-01  | 0.1012033E-01 |
| 0.9724642E-02 | 0.9370201E-02 | 0.9005075E-02 | 0.8626193E-02  | 0.8325781E-02 | 0.7952355E-02  | 0.7558531E-02 |
| 0.7206105E-02 | 0.6849007E-02 | 0.6467575E-02 | 0.6135657E-02  | 0.5747809E-02 | 0.5405390E-02  | 0.5059452E-02 |
| 0.4696521E-02 | 0.4351540E-02 | 0.4058431E-02 | 0.3755270E-02  | 0.3402108E-02 | 0.3067514E-02  | 0.2733573E-02 |
| 0.1756713E-01 | 0.167861E-01  | 0.1667174E-01 | 0.1667174E-01  | 0.1667174E-01 | 0.1667174E-01  | 0.1667174E-01 |
| 0.1967249E-01 | 0.1883476E-01 | 0.183380E-01  | 0.176380E-01   | 0.166380E-01  | 0.1533E-02     | 0.1396763E-02 |
| 0.1093846E-01 | 0.265688E-02  | 0.265688E-02  | 0.2718819E-02  | 0.2718819E-02 | 0.2718819E-02  | 0.2718819E-02 |
| 0.2550287E-02 | 0.1807028E-02 | 0.1767369E-02 | 0.1401387E-02  | 0.1333463E-01 | 0.1692339E-02  | 0.1965802E-02 |
| 0.338155E-01  | 0.2295839E-01 | 0.2169099E-01 | 0.2169099E-01  | 0.2169099E-01 | 0.4739606E-02  | 0.1712123E-02 |
| 0.9177596E-02 | 0.8265372E-02 | 0.8265372E-02 | 0.49956948E-02 | 0.2240732E-03 | 0.2401853E-02  | 0.1151022E-02 |
| 0.1081933E-02 | 0.146484E-04  | 0.146484E-04  | 0.823394E-03   | 0.9719659E-03 | 0.4795318E-03  | 0.2881732E-03 |
| 0.968005E-03  | 0.1341988E-02 | 0.2965251E-01 | 0.2965251E-01  | 0.2117167E-01 | 0.7647699E-02  | 0.2085761E-01 |
| 0.1257677E-01 | 0.4259880E-02 | 0.2147895E-02 | 0.7123768E-02  | 0.8924594E-02 | 0.4664940E-02  | 0.3325692E-02 |
| 0.3156385E-02 | 0.2117050E-01 | 0.1266468E-01 | 0.662658E-02   | 0.1236428E-01 | 0.2027553E-02  | 0.2027553E-02 |
| 0.6312460E-02 | 0.7941317E-02 | 0.682658E-02  | 0.3646244E-02  | 0.5810192E-03 | 0.5106975E-02  | 0.1961938E-01 |
| 0.1106751E-01 | 0.1071518E-01 | 0.1071518E-01 | 0.3181536E-02  | 0.2943390E-02 | 0.6086575E-02  | 0.8277122E-02 |
| 0.7485445E-02 | 0.600453E-04  | 0.6319138E-02 | 0.6319138E-02  | 0.2456184E-01 | 0.1750408E-01  | 0.8827384E-02 |
| 0.1719979E-01 | 0.2084946E-02 | 0.4226534E-02 | 0.4226534E-02  | 0.9227530E-02 | 0.1078255E-01  | 0.8827384E-02 |
| 0.3385152E-02 | 0.4493216E-02 | 0.2058257E-01 | 0.1461872E-01  | 0.1453769E-01 | 0.1453769E-01  | 0.8216966E-02 |
| 0.1314889E-02 | 0.4291740E-02 | 0.865584E-02  | 0.9776766E-02  | 0.7740806E-02 | 0.3317598E-02  | 0.2226725E-02 |
| 0.1448567E-00 | 0.143071E-00  | 0.131296E-02  | 0.122722E-00   | 0.1132729E-00 | 0.1042993E-00  | 0.9541308E-01 |
| 0.866616E-01  | 0.7781042E-01 | 0.691938E-01  | 0.6774839E-01  | 0.5246572E-01 | 0.4422549E-01  | 0.3628950E-01 |
| 0.583776E-01  | 0.296858E-01  | 0.1921706E-01 | 0.6251366E-02  | 0.1005981E-03 | 0.5104917E-02  | 0.9433204E-02 |
| 0.1314236E-01 | 0.1650765E-01 | 0.876132E-02  | 0.145333E-01   | 0.1973991E-01 | 0.2266150E-01  | 0.2537088E-01 |
| 0.1928268E-04 | 0.6551991E-01 | 0.1199179E-02 | 0.2963395E-01  | 0.8247395E-01 | 0.7692940E-01  | 0.4160019E-01 |
| 0.1565145E-00 | 0.1859643E-00 | 0.3794212E-01 | 0.1059920E-00  | 0.1200372E-00 | 0.179401E-00   | 0.1365724E-00 |
| 0.392377E-01  | 0.2550389E-01 | 0.2497418E-01 | 0.3421132E-01  | 0.3004822E-14 | 0.1360171E-00  | 0.8522905E-01 |
| 0.877002E-01  | 0.7329356E-01 | 0.4574928E-01 | 0.2945255E-01  | 0.282527E-01  | 0.3709305E-02  | 0.5755014E-01 |
| 0.3045554E-01 | 0.3991718E-01 | 0.483021E-14  | 0.3994066E-01  | 0.4309467E-01 | 0.4449705E-01  | 0.4915993E-01 |
| 0.4886357E-01 | 0.2584391E-01 | 0.1334125E-01 | 0.1704947E-01  | 0.4218645E-01 | 0.4610157E-02  | 0.3570296E-01 |
| 0.3996627E-14 | 0.3651029E-01 | 0.5831276E-01 | 0.736553E-01   | 0.8247395E-01 | 0.7692940E-01  | 0.4160019E-01 |
| 0.1101258E-01 | 0.2384493E-01 | 0.3381324E-01 | 0.534583E-02   | 0.2289233E-01 | 0.6479831E-14  | 0.2371966E-01 |
| 0.4535393E-01 | 0.5369725E-01 | 0.416850E-01  | 0.2264673E-01  | 0.1928789E-01 | 0.3240778E-01  | 0.1830029E-01 |
| 0.4352816E-01 | 0.2977642E-01 | 0.2172380E-01 | 0.3867737E-15  | 0.2535225E-01 | 0.9875629E-01  | 0.1647161E-00 |
| 0.1967842E-02 | 0.1954421E-00 | 0.1755581E-02 | 0.1458846E-00  | 0.9529242E-01 | 0.9604164E-02  | 0.3714093E-01 |
| 0.6401482E-04 | 0.4317451E-14 | 0.2724484E-02 | 0.5519026E-01  | 0.1021082E-00 | 0.1242075E-00  | 0.1230172E-00 |
| 0.1141448E-00 | 0.1034549E-00 | 0.6381731E-01 | 0.1714733E-01  | 0.6252039E-02 | 0.2985339E-01  | 0.4357472E-14 |
| 0.3247188E-01 | 0.8913083E-01 | 0.140288E-00  | 0.1940574E-00  | 0.2208572E-00 | 0.179401E-00   | 0.1315966E-00 |
| 0.7224432E-01 | 0.6134336E-01 | 0.482233E-02  | 0.135773E-01   | 0.7307810E-13 | 0.1509989E-01  | 0.4178135E-01 |
| 0.7838493E-01 | 0.1160566E-00 | 0.1389427E-02 | 0.145653E-00   | 0.752489E-01  | 0.3999772E-01  | 0.4739027E-01 |
| 0.124159E-02  | 0.123085E-02  | 0.116352E-02  | 0.116352E-02   | 0.1737742E-02 | 0.7251520E-03  | 0.2915583E-02 |
| 0.2022874E-02 | 0.3303039E-01 | 0.3273698E-01 | 0.3162528E-02  | 0.3184013E-02 | 0.43056851E-01 | 0.3041170E-01 |
| 0.8094709E-02 | 0.1065247E-01 | 0.9383647E-02 | 0.1729135E-01  | 0.8763583E-02 | 0.1171984E-01  | 0.9473505E-02 |
| 0.1089966E-01 | 0.1119454E-03 | 0.1568758E-03 | 0.8027154E-04  | 0.7767596E-05 | 0.2286571E-01  | 0.4531482E-02 |
| 0.1099365E-01 | 0.1177264E-02 | 0.7453705E-02 | 0.892312E-03   | 0.1566889E-01 | 0.2819541E-01  | 0.5819157E-02 |
| 0.1196199E-02 | 0.6325941E-03 | 0.4782497E-04 | 0.1086675E-02  | 0.3337075E-01 | 0.43357096E-01 | 0.1234523E-03 |
| 0.2765244E-03 | 0.3851535E-03 | 0.3539658E-01 | 0.2794731E-02  | 0.2538711E-01 | 0.1218368E-02  | 0.3943784E-03 |
| 0.1147946E-02 | 0.1076895E-01 | 0.3151576E-01 | 0.2945704E-02  | 0.5946906E-03 | 0.132931E-03   | 0.4543814E-03 |
| 0.3657762E-01 | 0.2611393E-01 | 0.2717007E-02 | 0.432452E-04   | 0.3877319E-04 | 0.5174305E-03  | 0.9533547E-02 |
| 0.5634497E-02 | 0.1392337E-02 | 0.6949316E-03 | 0.1451344E-03  | 0.4822735E-03 | 0.396690E-01   | 0.3350122E-02 |
| 0.682831E-02  | 0.2675943E-04 | 0.7299495E-04 | 0.3578633E-03  | 0.4822735E-03 | 0.396690E-01   | 0.3350122E-02 |

|               |               |               |               |                |                |               |
|---------------|---------------|---------------|---------------|----------------|----------------|---------------|
| 0.8615297E-02 | 0.8457715E-02 | 0.8140664E-02 | 0.7813257E-02 | 0.7481658E-02  | 0.7164038E-02  | 0.6844857E-02 |
| 0.8536744E-02 | 0.8220107E-02 | 0.7919357E-02 | 0.7592434E-02 | 0.7315214E-02  | 0.6945950E-02  | 0.6753877E-02 |
| 0.4486951E-02 | 0.4215355E-02 | 0.3963829E-02 | 0.3723877E-02 | 0.3495603E-02  | 0.3331319E-02  | 0.3186222E-02 |
| 0.5765240E-02 | 0.5295429E-02 | 0.4717600E-02 | 0.4318541E-02 | 0.42863824E-02 | 0.2766196E-02  | 0.2673347E-02 |
| 0.3048274E-02 | 0.2900949E-02 | 0.2746904E-02 | 0.2573777E-02 | 0.2364351E-02  | 0.2160931E-02  | 0.1965233E-02 |
| 0.4395748E-02 | 0.4043359E-02 | 0.4043359E-02 | 0.3731909E-02 | 0.3065898E-02  | 0.3284378E-02  | 0.3127110E-02 |
| 0.1447318E-02 | 0.9419161E-04 | 0.9419161E-04 | 0.9364959E-02 | 0.7754636E-02  | 0.5195082E-02  | 0.1937916E-02 |
| 0.9527884E-02 | 0.9995761E-02 | 0.9995761E-02 | 0.9364959E-02 | 0.7754636E-02  | 0.5195082E-02  | 0.1937916E-02 |
| 0.1839476E-02 | 0.1996793E-02 | 0.1996793E-02 | 0.2832179E-02 | 0.1866735E-02  | 0.6975088E-03  | 0.5189837E-03 |
| 0.3833525E-02 | 0.639755E-02  | 0.639755E-02  | 0.1793737E-02 | 0.1342736E-02  | 0.4483198E-03  | 0.3771334E-02 |
| 0.3764716E-02 | 0.1595755E-02 | 0.1595755E-02 | 0.8993364E-02 | 0.8862234E-02  | 0.8488077E-02  | 0.7422312E-02 |
| 0.4451444E-03 | 0.1454165E-02 | 0.1454165E-02 | 0.2535815E-02 | 0.2591457E-02  | 0.2377257E-02  | 0.1675317E-02 |
| 0.1174966E-02 | 0.2124617E-02 | 0.2124617E-02 | 0.5114442E-02 | 0.32237144E-02 | 0.4902856E-02  | 0.6864032E-02 |
| 0.7704935E-02 | 0.6704533E-02 | 0.6704533E-02 | 0.5114442E-02 | 0.32237144E-02 | 0.4902856E-02  | 0.1521624E-02 |
| 0.1986616E-02 | 0.1344144E-02 | 0.1344144E-02 | 0.3149938E-03 | 0.1844039E-02  | 0.4278925E-03  | 0.4494294E-02 |
| 0.9240538E-03 | 0.2177525E-02 | 0.2177525E-02 | 0.5790855E-03 | 0.3567499E-03  | 0.4683183E-02  | 0.1651719E-03 |
| 0.1843033E-02 | 0.1023204E-02 | 0.1023204E-02 | 0.6970331E-03 | 0.4219810E-02  | 0.6499808E-03  | 0.7632803E-03 |
| 0.7253744E-03 | 0.1157295E-02 | 0.1157295E-02 | 0.1172438E-02 | 0.1089725E-02  | 0.9207378E-03  | 0.7632803E-03 |
| 0.2855724E-02 | 0.2742970E-02 | 0.2742970E-02 | 0.2675777E-02 | 0.2597714E-02  | 0.2363495E-02  | 0.2240103E-02 |
| 0.2727607E-02 | 0.1945953E-02 | 0.1945953E-02 | 0.1930737E-02 | 0.1704668E-02  | 0.1613627E-02  | 0.1539368E-02 |
| 0.1355840E-02 | 0.1275830E-02 | 0.1275830E-02 | 0.1223259E-02 | 0.1073128E-02  | 0.1027150E-02  | 0.9779397E-03 |
| 0.9258951E-03 | 0.4656349E-02 | 0.4656349E-02 | 0.9257735E-03 | 0.9118393E-03  | 0.9099235E-03  | 0.8643322E-03 |
| 0.7781754E-04 | 0.7781754E-04 | 0.7781754E-04 | 0.9359919E-03 | 0.4303334E-02  | 0.3750079E-03  | 0.4562319E-02 |
| 0.2356351E-02 | 0.2536727E-02 | 0.2536727E-02 | 0.4558858E-02 | 0.8933933E-04  | 0.3750079E-03  | 0.3750079E-03 |
| 0.2961136E-02 | 0.2091053E-02 | 0.2091053E-02 | 0.1443742E-02 | 0.8933933E-04  | 0.8426444E-02  | 0.565711E-01  |
| 0.8370080E-03 | 0.1113668E-02 | 0.1113668E-02 | 0.4914336E-02 | 0.2971780E-04  | 0.8426444E-02  | 0.565711E-01  |
| 0.1103365E-02 | 0.2899870E-02 | 0.2899870E-02 | 0.7064741E-01 | 0.1401356E-02  | 0.1399039E-00  | 0.8427886E-01 |
| 0.9954602E-02 | 0.1698408E-04 | 0.1698408E-04 | 0.1364263E-01 | 0.1053728E-02  | 0.1597695E-00  | 0.1285186E-00 |
| 0.5310414E-01 | 0.1277163E-03 | 0.1277163E-03 | 0.1534627E-00 | 0.8253548E-00  | 0.1959547E-00  | 0.1230094E-01 |
| 0.1581732E-01 | 0.1947442E-02 | 0.1947442E-02 | 0.1452333E-03 | 0.1179573E-02  | 0.3519253E-01  | 0.6628141E-01 |
| 0.1392995E-02 | 0.8515424E-03 | 0.8515424E-03 | 0.1924495E-02 | 0.1680685E-01  | 0.1995221E-04  | 0.2062174E-01 |
| 0.1629473E-00 | 0.1412585E-00 | 0.1412585E-00 | 0.6057874E-01 | 0.4375078E-01  | 0.1214753E-00  | 0.1304596E-00 |
| 0.1595341E-00 | 0.1081493E-02 | 0.1081493E-02 | 0.6023068E-01 | 0.1027584E-02  | 0.5542393E-02  | 0.9968734E-01 |
| 0.1641867E-00 | 0.1069418E-01 | 0.1069418E-01 | 0.2807133E-01 | 0.2944732E-01  | 0.5147135E-01  | 0.1610570E-01 |
| 0.3832226E-06 | 0.1019859E-01 | 0.1019859E-01 | 0.1901906E-02 | 0.1088014E-00  | 0.1771227E-00  | 0.1779594E-00 |
| 0.3623149E-01 | 0.2523813E-01 | 0.2523813E-01 | 0.5054415E-01 | 0.1567707E-00  | 0.1349688E-00  | 0.1717316E-01 |
| 0.1875327E-01 | 0.1034744E-01 | 0.1034744E-01 | 0.1679246E-00 | 0.1670048E-00  | 0.1189741E-00  | 0.2930061E-01 |
| 0.5156636E-01 | 0.1545326E-01 | 0.1545326E-01 | 0.9968505E-01 | 0.3849096E-00  | 0.69403444E-01 | 0.8459671E-02 |
| 0.1876128E-01 | 0.1874921E-01 | 0.1874921E-01 | 0.2662929E-01 | 0.4147656E-01  | 0.2274371E-01  | 0.5020632E-01 |
| 0.7390660E-03 | 0.6674356E-03 | 0.6674356E-03 | 0.6743563E-03 | 0.1103213E-03  | 0.1442780E-04  | 0.2454882E-03 |
| 0.9548563E-05 | 0.5021172E-04 | 0.5021172E-04 | 0.1891922E-02 | 0.1885987E-02  | 0.1633546E-02  | 0.1585616E-02 |
| 0.1771112E-02 | 0.7190267E-01 | 0.7190267E-01 | 0.1152225E-02 | 0.5744817E-04  | 0.11881225E-03 | 0.6767176E-03 |
| 0.1275714E-03 | 0.512982E-03  | 0.512982E-03  | 0.1174116E-04 | 0.1371142E-02  | 0.2409445E-02  | 0.2492892E-01 |
| 0.6727791E-03 | 0.1124919E-02 | 0.1124919E-02 | 0.1799435E-02 | 0.1275577E-02  | 0.2749383E-01  | 0.1015992E-01 |
| 0.6741860E-05 | 0.1094981E-02 | 0.1094981E-02 | 0.3204316E-02 | 0.2921736E-01  | 0.1115345E-01  | 0.6724196E-03 |
| 0.1109423E-02 | 0.1119251E-01 | 0.1119251E-01 | 0.2925111E-01 | 0.1434263E-01  | 0.6750895E-03  | 0.105748E-02  |
| 0.1108849E-02 | 0.4386701E-01 | 0.4386701E-01 | 0.7389159E-02 | 0.6109381E-04  | 0.5217819E-03  | 0.2754859E-02 |
| 0.2735435E-03 | 0.6228675E-02 | 0.6228675E-02 | 0.1217261E-03 | 0.4737435E-03  | 0.3716265E-02  | 0.2337657E-01 |
| 0.6075969E-02 | 0.543777E-02  | 0.543777E-02  | 0.4982136E-05 | 0.3766237E-02  | 0.2537807E-01  | 0.4652149E-01 |
| 0.9792395E-04 | 0.4886631E-03 | 0.4886631E-03 | 0.3721431E-02 | 0.3766237E-02  | 0.2537807E-01  | 0.4652149E-01 |

|               |               |               |                |                |               |                |
|---------------|---------------|---------------|----------------|----------------|---------------|----------------|
| 0.2345542E-02 | 0.2271116E-02 | 0.2123232E-02 | 0.1977625E-02  | 0.1834435E-02  | 0.1691050E-02 | 0.1551124E-02  |
| 0.1414294E-02 | 0.1274908E-02 | 0.1138776E-02 | 0.1009282E-02  | 0.8850623E-03  | 0.7598479E-03 | 0.6433322E-03  |
| 0.5274703E-03 | 0.4187536E-03 | 0.3150685E-03 | 0.2240934E-03  | 0.1551319E-03  | 0.1114509E-03 | 0.8777478E-04  |
| 0.8265556E-04 | 0.8727504E-04 | 0.3275951E-04 | 0.8559381E-04  | 0.9471257E-04  | 0.1108185E-03 | 0.1325084E-03  |
| 0.            | 0.            | 0.1329805E-04 | 0.1778266E-03  | 0.             | 0.            | 0.             |
| 0.            | 0.1007871E-03 | 0.1819091E-03 | 0.9199940E-05  | 0.3538480E-04  | 0.            | 0.7973585E-04  |
| 0.1411603E-03 | 0.2529062E-03 | 0.3453692E-03 | 0.4035311E-03  | 0.3682288E-03  | 0.2134782E-03 | 0.4040377E-04  |
| 0.3852249E-03 | 0.9561229E-03 | 0.5950767E-03 | 0.5473018E-03  | 0.4919693E-03  | 0.4919693E-03 | 0.3284795E-03  |
| 0.9203396E-04 | 0.1291316E-03 | 0.3277937E-01 | 0.4758139E-03  | 0.2842934E-03  | 0.2842934E-03 | 0.7178339E-04  |
| 0.2236233E-02 | 0.2016673E-02 | 0.            | 0.1995939E-02  | 0.1517078E-02  | 0.7739109E-03 | 0.1081015E-04  |
| 0.7012995E-03 | 0.1033386E-02 | 0.5645502E-03 | 0.5123635E-03  | 0.1889977E-03  | 0.9196277E-03 | 0.4555291E-03  |
| 0.            | 0.4447738E-03 | 0.3388955E-04 | 0.2845414E-03  | 0.4546958E-03  | 0.4353467E-03 | 0.2446815E-03  |
| 0.1192607E-03 | 0.3547154E-03 | 0.1022773E-02 | 0.1934553E-02  | 0.2247870E-02  | 0.            | 0.2233081E-02  |
| 0.2107726E-02 | 0.1478401E-02 | 0.4941985E-04 | 0.5615039E-03  | 0.1363457E-02  | 0.1692455E-02 | 0.1450428E-02  |
| 0.7479636E-03 | 0.6216135E-03 | 0.1716487E-03 | 0.             | 0.1767172E-03  | 0.2837996E-03 | 0.3279081E-03  |
| 0.2975525E-03 | 0.2259460E-03 | 0.5056411E-04 | 0.1597351E-03  | 0.4273916E-03  | 0.7304532E-03 | 0.2225966E-02  |
| 0.2000311E-02 | 0.1987425E-02 | 0.1987425E-02 | 0.1539715E-02  | 0.8532983E-03  | 0.6539749E-04 | 0.7110457E-03  |
| 0.1216571E-02 | 0.1347979E-02 | 0.1036811E-02 | 0.3758078E-03  | 0.5545021E-03  | 0.3402737E-03 | 0.             |
| 0.3346339E-03 | 0.1344682E-03 | 0.4394916E-04 | 0.1984362E-03  | 0.2476076E-03  | 0.2559188E-03 | 0.2280498E-03  |
| 0.2026872E-03 | 0.1957070E-03 | 0.1484855E-02 | 0.1134213E-02  | 0.             | 0.1115245E-02 | 0.6608248E-03  |
| 0.1124952E-03 | 0.3747084E-03 | 0.6717929E-03 | 0.6601735E-03  | 0.3258254E-03  | 0.2230109E-03 | 0.8652098E-03  |
| 0.1616153E-04 | 0.1561344E-02 | 0.1445835E-02 | 0.1340966E-02  | 0.1217231E-02  | 0.1111302E-02 | 0.1002359E-02  |
| 0.8891577E-03 | 0.7827719E-03 | 0.6712495E-03 | 0.5749626E-03  | 0.4723024E-03  | 0.3726678E-03 | 0.2737752E-03  |
| 0.1865399E-03 | 0.8938753E-04 | 0.193503E-03  | 0.6567622E-04  | 0.1318588E-03  | 0.1796401E-03 | 0.2122877E-03  |
| 0.2566324E-03 | 0.2523869E-03 | 0.5378427E-02 | 0.2442847E-03  | 0.2668747E-03  | 0.2790355E-03 | 0.2809044E-03  |
| 0.1064261E-03 | 0.            | 0.2836695E-04 | 0.2202846E-03  | 0.             | 0.            | 0.             |
| 0.            | 0.1873679E-02 | 0.2110758E-02 | 0.3264576E-02  | 0.2659262E-02  | 0.            | 0.215646E-02   |
| 0.1622447E-02 | 0.6461291E-03 | 0.1883265E-04 | 0.5883152E-03  | 0.1450848E-02  | 0.1497396E-02 | 0.1249568E-02  |
| 0.7850817E-03 | 0.5587673E-03 | 0.7694866E-01 | 0.2941363E-01  | 0.3755277E-15  | 0.3200061E-01 | 0.1038380E-00  |
| 0.1314785E-00 | 0.1080412E-00 | 0.4757667E-01 | 0.82641476E-01 | 0.9054444E-01  | 0.1268671E-00 | 0.1263786E-00  |
| 0.7321595E-01 | 0.3345018E-01 | 0.1635565E-15 | 0.3599181E-01  | 0.10676995E-00 | 0.1317511E-00 | 0.1045236E-00  |
| 0.4222930E-01 | 0.3602244E-01 | 0.9978658E-01 | 0.1306171E-00  | 0.1283635E-00  | 0.7628624E-01 | 0.2895565E-01  |
| 0.5482115E-17 | 0.3149785E-01 | 0.1025022E-01 | 0.1297344E-00  | 0.1064642E-00  | 0.4649811E-01 | 0.2683861E-01  |
| 0.9036671E-01 | 0.1263506E-00 | 0.1259206E-01 | 0.7620012E-01  | 0.3244098E-01  | 0.2251444E-15 | 0.3499322E-01  |
| 0.1075931E-00 | 0.1339474E-00 | 0.1074271E-00 | 0.4316341E-01  | 0.3369348E-01  | 0.9850908E-01 | 0.1329494E-00  |
| 0.1292373E-02 | 0.1233551E-00 | 0.7387734E-01 | 0.3192789E-16  | 0.6949662E-01  | 0.1387398E-01 | 0.1030396E-00  |
| 0.1642279E-00 | 0.178789E-00  | 0.1448105E-00 | 0.7499948E-01  | 0.8340025E-02  | 0.7789167E-00 | 0.1223175E-00  |
| 0.7404233E-01 | 0.4379836E-15 | 0.6974275E-01 | 0.6110178E-01  | 0.9724986E-01  | 0.1559008E-00 | 0.1687810E-00  |
| 0.1345628E-00 | 0.6606836E-01 | 0.1417309E-01 | 0.7977113E-01  | 0.1197399E-00  | 0.7159263E-01 | 0.1516499E-15  |
| 0.6675160E-01 | 0.1527137E-01 | 0.1027782E-01 | 0.1626784E-00  | 0.1764189E-00  | 0.1424554E-00 | 0.73329274E-01 |
| 0.8942797E-02 | 0.7740289E-01 | 0.1222527E-00 | 0.7446158E-01  | 0.3735009E-16  | 0.7014953E-01 | 0.1036732E-01  |
| 0.9638676E-01 | 0.1551491E-00 | 0.1681715E-01 | 0.1345928E-00  | 0.6578724E-01  | 0.1448872E-01 | 0.8034439E-01  |
| 0.382320E-03  | 0.7742608E-03 | 0.3486791E-03 | 0.3486791E-03  | 0.2349560E-03  | 0.3777899E-03 | 0.1500387E-02  |
| 0.1479197E-02 | 0.7658816E-03 | 0.7585422E-03 | 0.3620847E-03  | 0.352158E-03   | 0.1050984E-02 | 0.1041074E-02  |
| 0.3511481E-03 | 0.4930988E-03 | 0.8081136E-02 | 0.169950E-02   | 0.5661702E-03  | 0.1095612E-02 | 0.3152336E-03  |
| 0.4281622E-03 | 0.1650323E-03 | 0.1284354E-03 | 0.4984465E-05  | 0.1501285E-02  | 0.2057128E-01 | 0.1034712E-00  |
| 0.1370229E-00 | 0.1783033E-02 | 0.6520476E-03 | 0.5816316E-03  | 0.2389383E-01  | 0.1348165E-00 | 0.1334092E-00  |
| 0.1782479E-02 | 0.6017704E-03 | 0.6182694E-03 | 0.212445E-01   | 0.1758475E-00  | 0.1359725E-00 | 0.1782488E-02  |
| 0.6462452E-03 | 0.5929585E-03 | 0.2361547E-01 | 0.156735E-00   | 0.1361779E-00  | 0.1782543E-02 | 0.6187499E-03  |
| 0.6275584E-03 | 0.2036638E-01 | 0.7571955E-01 | 0.6324632E-02  | 0.2105310E-03  | 0.2962921E-03 | 0.2650026E-02  |
| 0.2041458E-01 | 0.7453809E-01 | 0.6171129E-02 | 0.1571140E-03  | 0.3158636E-03  | 0.2673711E-02 | 0.1785527E-01  |
| 0.7466734E-01 | 0.5909158E-02 | 0.1994816E-15 | 0.285456E-03   | 0.2642368E-02  | 0.1913388E-01 | 0.7697843E-01  |
| 0.6272521E-02 | 0.1519893E-03 | 0.3158825E-03 | 0.2669535E-02  | 0.             | 0.            | 0.             |

|              |               |               |              |              |              |              |
|--------------|---------------|---------------|--------------|--------------|--------------|--------------|
| 0.160342E-02 | 0.165340E-02  | 0.164121E-02  | 0.164239E-02 | 0.165179E-02 | 0.164342E-02 | 0.164063E-02 |
| 0.162350E-02 | 0.162330E-02  | 0.160239E-02  | 0.159642E-02 | 0.158676E-02 | 0.153784E-02 | 0.152906E-02 |
| 0.149111E-02 | 0.146679E-02  | 0.142461E-02  | 0.145813E-02 | 0.145813E-02 | 0.128145E-02 | 0.129515E-02 |
| 0.113140E-02 | 0.105226E-02  | 0.098531E-02  | 0.082642E-02 | 0.095632E-02 | 0.087701E-02 | 0.080303E-02 |
| 0.           | 0.            | 0.            | 0.           | 0.           | 0.           | 0.           |
| 0.           | 0.            | 0.            | 0.           | 0.           | 0.           | 0.           |
| 0.143940E-02 | 0.136991E-02  | 0.129369E-02  | 0.113553E-02 | 0.128098E-02 | 0.834229E-03 | 0.612113E-03 |
| 0.359654E-03 | 0.648217E-04  | 0.151564E-04  | 0.154355E-04 | 0.154355E-04 | 0.135696E-02 | 0.696793E-03 |
| 0.459110E-03 | 0.261827E-03  | 0.179979E-02  | 0.179979E-02 | 0.179979E-02 | 0.382950E-03 | 0.108607E-02 |
| 0.161330E-04 | 0.776714E-02  | 0.624822E-03  | 0.624822E-03 | 0.624822E-03 | 0.143481E-02 | 0.102982E-02 |
| 0.918984E-03 | 0.137748E-02  | 0.972176E-03  | 0.972176E-03 | 0.972176E-03 | 0.219148E-02 | 0.145618E-02 |
| 0.           | 0.            | 0.            | 0.           | 0.           | 0.           | 0.           |
| 0.112396E-02 | 0.304059E-03  | 0.158857E-02  | 0.424516E-03 | 0.424516E-03 | 0.135058E-02 | 0.164223E-02 |
| 0.193459E-04 | 0.181725E-02  | 0.424516E-03  | 0.424516E-03 | 0.424516E-03 | 0.766127E-04 | 0.538057E-03 |
| 0.963379E-04 | 0.103225E-02  | 0.479480E-02  | 0.479480E-02 | 0.479480E-02 | 0.178496E-02 | 0.302129E-02 |
| 0.412475E-02 | 0.463335E-02  | 0.154629E-02  | 0.154629E-02 | 0.154629E-02 | 0.150182E-02 | 0.215273E-02 |
| 0.150752E-02 | 0.            | 0.152052E-02  | 0.428267E-02 | 0.428267E-02 | 0.130755E-02 | 0.158264E-02 |
| 0.197444E-02 | 0.196248E-02  | 0.152052E-02  | 0.428267E-02 | 0.428267E-02 | 0.332293E-02 | 0.           |
| 0.139379E-02 | 0.335636E-02  | 0.161474E-02  | 0.139114E-02 | 0.139114E-02 | 0.709483E-03 | 0.208538E-03 |
| 0.917484E-03 | 0.756382E-04  | 0.149123E-02  | 0.185642E-02 | 0.185642E-02 | 0.757149E-03 | 0.236380E-03 |
| 0.133995E-03 | 0.149123E-02  | 0.828460E-04  | 0.632762E-04 | 0.632762E-04 | 0.528075E-04 | 0.887098E-04 |
| 0.123742E-04 | 0.828460E-04  | 0.934741E-04  | 0.161126E-03 | 0.161126E-03 | 0.160857E-03 | 0.145959E-03 |
| 0.819107E-04 | 0.114351E-03  | 0.934741E-04  | 0.213474E-03 | 0.213474E-03 | 0.128752E-03 | 0.975587E-04 |
| 0.193571E-03 | 0.135827E-03  | 0.123226E-03  | 0.213474E-03 | 0.213474E-03 | 0.164566E-03 | 0.186518E-03 |
| 0.419811E-04 | 0.134490E-04  | 0.185301E-04  | 0.493944E-04 | 0.493944E-04 | 0.           | 0.           |
| 0.841876E-02 | 0.286074E-02  | 0.159278E-02  | 0.457724E-02 | 0.457724E-02 | 0.365115E-02 | 0.365115E-02 |
| 0.           | 0.            | 0.184460E-02  | 0.641724E-03 | 0.596443E-03 | 0.157554E-02 | 0.116834E-02 |
| 0.335900E-03 | 0.302748E-03  | 0.641724E-03  | 0.641724E-03 | 0.641724E-03 | 0.847607E-01 | 0.847607E-01 |
| 0.269637E-03 | 0.133592E-03  | 0.557538E-04  | 0.495436E-04 | 0.495436E-04 | 0.658115E-01 | 0.658115E-01 |
| 0.148273E-03 | 0.179116E-02  | 0.223063E-04  | 0.139563E-04 | 0.139563E-04 | 0.123071E-00 | 0.123071E-00 |
| 0.124612E-03 | 0.487637E-01  | 0.125040E-04  | 0.119136E-03 | 0.119136E-03 | 0.523112E-01 | 0.523112E-01 |
| 0.526488E-01 | 0.401454E-02  | 0.911964E-03  | 0.146675E-03 | 0.146675E-03 | 0.798328E-02 | 0.798328E-02 |
| 0.353409E-04 | 0.1279164E-03 | 0.1279164E-03 | 0.138279E-03 | 0.138279E-03 | 0.260824E-04 | 0.260824E-04 |
| 0.128395E-03 | 0.129152E-02  | 0.128395E-03  | 0.664695E-02 | 0.664695E-02 | 0.126723E-00 | 0.126723E-00 |
| 0.725737E-01 | 0.170924E-03  | 0.114463E-03  | 0.723301E-01 | 0.723301E-01 | 0.574048E-04 | 0.574048E-04 |
| 0.093797E-01 | 0.183921E-03  | 0.116062E-03  | 0.261308E-01 | 0.261308E-01 | 0.396290E-01 | 0.396290E-01 |
| 0.187825E-03 | 0.236919E-01  | 0.115497E-01  | 0.626041E-02 | 0.626041E-02 | 0.175838E-00 | 0.175838E-00 |
| 0.116326E-03 | 0.152321E-01  | 0.378855E-01  | 0.444372E-01 | 0.444372E-01 | 0.119815E-00 | 0.119815E-00 |
| 0.102355E-00 | 0.280894E-02  | 0.118883E-03  | 0.168160E-00 | 0.168160E-00 | 0.220221E-05 | 0.220221E-05 |
| 0.134663E-00 | 0.401510E-01  | 0.172139E-01  | 0.185448E-00 | 0.185448E-00 | 0.112731E-00 | 0.112731E-00 |
| 0.288766E-01 | 0.173670E-03  | 0.168466E-01  | 0.145477E-03 | 0.145477E-03 | 0.898676E-01 | 0.898676E-01 |
| 0.153531E-03 | 0.810503E-03  | 0.735056E-03  | 0.105526E-03 | 0.105526E-03 | 0.396734E-03 | 0.396734E-03 |
| 0.833018E-03 | 0.103566E-02  | 0.109541E-02  | 0.127658E-02 | 0.127658E-02 | 0.134015E-02 | 0.134015E-02 |
| 0.980904E-03 | 0.427332E-04  | 0.407912E-03  | 0.629620E-03 | 0.629620E-03 | 0.444337E-03 | 0.444337E-03 |
| 0.316712E-04 | 0.272579E-03  | 0.168205E-03  | 0.274306E-05 | 0.274306E-05 | 0.511945E-02 | 0.511945E-02 |
| 0.439194E-03 | 0.378106E-03  | 0.116885E-02  | 0.162912E-02 | 0.162912E-02 | 0.202914E-01 | 0.202914E-01 |
| 0.263821E-02 | 0.114920E-02  | 0.158894E-02  | 0.159159E-02 | 0.159159E-02 | 0.388042E-03 | 0.388042E-03 |
| 0.389601E-03 | 0.162853E-02  | 0.331544E-02  | 0.571591E-02 | 0.571591E-02 | 0.379261E-03 | 0.379261E-03 |
| 0.116358E-03 | 0.278734E-01  | 0.429687E-01  | 0.611764E-02 | 0.611764E-02 | 0.115137E-02 | 0.115137E-02 |
| 0.158761E-02 | 0.143380E-01  | 0.597966E-01  | 0.592108E-04 | 0.592108E-04 | 0.548063E-03 | 0.548063E-03 |
| 0.257379E-04 | 0.629616E-02  | 0.677396E-02  | 0.559556E-03 | 0.559556E-03 | 0.453612E-02 | 0.453612E-02 |
| 0.441449E-01 | 1.648027E-02  | 1.561744E-02  | 0.454524E-02 | 0.454524E-02 | 0.265777E-01 | 0.265777E-01 |
| 0.039764E-02 | 0.            | 0.            | 0.           | 0.           | 0.           | 0.           |

|                |                |                |                |                |                |                |
|----------------|----------------|----------------|----------------|----------------|----------------|----------------|
| 0.4682945E-02  | 0.4680705E-02  | 0.4456562E-02  | 0.4288234E-02  | 0.4110571E-02  | 0.3952880E-02  | 0.3788541E-02  |
| 0.3638687E-02  | 0.3472920E-02  | 0.3329264E-02  | 0.3167210E-02  | 0.3010736E-02  | 0.2897420E-02  | 0.2738307E-02  |
| 0.2613515E-02  | 0.2472269E-02  | 0.2351487E-02  | 0.2231931E-02  | 0.2098200E-02  | 0.2008613E-02  | 0.1923828E-02  |
| 0.1846180E-02  | 0.1770241E-02  | 0.1596051E-03  | 0.1455819E-02  | 0.1715376E-02  | 0.1639741E-02  | 0.1562673E-02  |
| -0.            | -0.            | -0.1196051E-03 | -0.1055819E-02 | -0.            | -0.            | -0.            |
| -0.1824309E-02 | -0.1824309E-02 | -0.1824309E-02 | -0.1824309E-02 | -0.2197908E-02 | -0.            | -0.2298228E-02 |
| -0.2399459E-02 | -0.2492312E-02 | -0.2465926E-02 | -0.2285999E-02 | -0.1904859E-02 | -0.1390578E-02 | -0.8078283E-03 |
| -0.1896706E-03 | 0.6265845E-03  | 0.6966047E-04  | 0.1998738E-02  | -0.            | 0.211435E-02   | 0.3870028E-02  |
| 0.5288650E-02  | 0.6049401E-02  | 0.6342818E-02  | 0.5810317E-02  | 0.4611709E-02  | 0.2748313E-02  | 0.3965533E-03  |
| 0.1146391E-02  | 0.1368993E-02  | -0.            | 0.1318767E-02  | 0.1188282E-02  | 0.6988311E-03  | -0.1297043E-03 |
| -0.6276666E-03 | -0.1082258E-02 | -0.1280498E-02 | -0.1183020E-02 | -0.8617750E-03 | 0.8132128E-04  | -0.2102641E-02 |
| -0.            | -0.2110688E-02 | -0.3808191E-02 | -0.4912943E-02 | -0.5489694E-02 | -0.5252839E-02 | -0.4668731E-02 |
| -0.3777452E-02 | -0.2701931E-02 | -0.1592441E-02 | -0.1663585E-02 | -0.8521341E-03 | -0.            | -0.8388501E-03 |
| -0.3469462E-03 | 0.3427329E-03  | 0.8522206E-03  | 0.1350650E-02  | 0.1433318E-02  | 0.1206717E-02  | 0.6804997E-03  |
| -0.9765982E-03 | -0.7931129E-03 | 0.1256103E-02  | 0.             | 0.1333581E-02  | 0.2965714E-02  | 0.4116968E-02  |
| 0.4527803E-02  | 0.4541238E-02  | 0.3976890E-02  | 0.3236001E-02  | 0.2524039E-02  | 0.1989625E-02  | -0.6373144E-06 |
| 0.3015466E-03  | 0.             | 0.2632589E-03  | 0.2761999E-03  | -0.1181907E-03 | -0.6936109E-03 | -0.1026178E-02 |
| -0.1266978E-02 | -0.1141588E-02 | -0.5987817E-03 | 0.2949953E-03  | 0.1309387E-02  | 0.2068334E-03  | 0.             |
| -0.1928460E-03 | -0.7874606E-03 | -0.1629464E-02 | -0.2464217E-02 | -0.2815318E-02 | -0.2896130E-02 | -0.2409144E-02 |
| -0.1242876E-02 | 0.4891365E-03  | -0.1922705E-04 | -0.1583124E-03 | 0.             | -0.7721555E-04 | -0.3664556E-04 |
| 0.1906942E-03  | 0.2806176E-03  | 0.5219254E-03  | 0.5616210E-03  | 0.6060042E-03  | 0.6782657E-03  | 0.8445013E-03  |
| -0.1540181E-02 | -0.1289577E-02 | -0.1260003E-02 | -0.1194576E-02 | -0.1186007E-02 | -0.1099858E-02 | -0.1047135E-02 |
| -0.1744248E-02 | -0.9938454E-03 | -0.1034957E-02 | -0.9579979E-03 | -0.8865281E-03 | -0.8682282E-03 | -0.8627094E-03 |
| -0.7802167E-03 | -0.8198450E-03 | -0.8028152E-03 | -0.6578467E-03 | -0.6587782E-03 | -0.6413498E-03 | -0.6026047E-03 |
| -0.5864805E-03 | -0.5599860E-03 | -0.9260729E-03 | -0.5496475E-03 | -0.5478543E-03 | -0.5516522E-03 | -0.4810629E-03 |
| 0.9849705E-03  | 0.             | 0.4706458E-04  | -0.4171753E-03 | 0.             | 0.             | 0.             |
| 0.2757940E-04  | 0.3525073E-03  | 0.3525073E-03  | -0.571727E-03  | -0.9595193E-03 | 0.             | 0.1255697E-02  |
| -0.1548720E-02 | -0.1789403E-02 | -0.1691206E-02 | -0.1280084E-02 | -0.6728664E-03 | -0.197777E-03  | 0.3816021E-04  |
| -0.310226E-04  | -0.2802319E-03 | -0.2980523E-01 | -0.6917583E-01 | 0.2860701E-14  | -0.6959133E-01 | -0.8497635E-01 |
| -0.6106698E-01 | 0.3527787E-02  | 0.8329460E-01  | 0.1731271E-00  | 0.1251597E-00  | 0.3624246E-01  | -0.6552166E-01 |
| -0.3242009E-01 | -0.7730322E-01 | 0.1641388E-14  | -0.7792194E-01 | -0.9783515E-01 | -0.7683515E-01 | -0.1216255E-01 |
| 0.7068931E-01  | 0.1297520E-00  | 0.1231404E-00  | 0.3735627E-01  | -0.6421280E-01 | -0.3285883E-01 | -0.7334997E-01 |
| 0.2525792E-14  | -0.7377306E-01 | -0.8984451E-01 | -0.6610192E-01 | -0.1051166E-02 | 0.7948232E-01  | 0.1343399E-00  |
| -0.1234746E-00 | 0.3558880E-01  | -0.6544392E-01 | -0.3980499E-01 | -0.8196355E-01 | 0.1810173E-14  | -0.8764297E-01 |
| -0.1037848E-00 | -0.8370782E-01 | -0.1935317E-01 | 0.6401152E-01  | 0.1242857E-00  | 0.1192827E-00  | 0.3530713E-01  |
| -0.6473185E-01 | -0.6387964E-02 | -0.1343659E-02 | -0.5514568E-15 | -0.1677820E-02 | -0.2124418E-02 | 0.9500653E-03  |
| 0.1874381E-01  | 0.4968968E-01  | 0.7424012E-01  | 0.6519715E-01  | 0.1054909E-01  | -0.5313983E-01 | -0.5785117E-02 |
| -0.3794599E-02 | -0.4293747E-16 | -0.4338071E-02 | -0.5935156E-02 | -0.1213203E-01 | 0.2921785E-02  | 0.3467660E-01  |
| 0.6323995E-01  | 0.5948037E-01  | 0.9398299E-02  | -0.5295453E-01 | -0.6355505E-02 | -0.2160419E-02 | 0.1587815E-15  |
| -0.2478514E-02 | -0.3796968E-02 | -0.1326881E-02 | 0.1644904E-01  | 0.4762371E-01  | 0.7270977E-01  | 0.6421902E-01  |
| 0.1049696E-01  | -0.5321724E-01 | -0.9224920E-02 | -0.8244365E-02 | 0.3916396E-16  | -0.880592E-02  | -0.1540819E-01 |
| -0.181128E-01  | -0.3080173E-02 | 0.2926491E-01  | 0.5887945E-01  | 0.564532E-01   | 0.7784831E-02  | -0.5331621E-01 |
| 0.1113445E-03  | 0.9713261E-04  | 0.5027522E-04  | 0.5027522E-04  | 0.8501219E-04  | 0.3793130E-03  | -0.7073624E-03 |
| -0.6975942E-03 | -0.4844998E-03 | -0.5237411E-03 | -0.1533099E-02 | -0.1514227E-02 | 0.5072282E-03  | 0.4644038E-03  |
| -0.9476649E-04 | 0.6277404E-04  | -0.5775897E-03 | -0.6655992E-03 | -0.1076681E-02 | -0.1076681E-02 | -0.4516911E-03 |
| -0.6644853E-03 | -0.1910078E-03 | -0.1866534E-05 | -0.6476457E-05 | -0.9350120E-03 | 0.3462242E-01  | 0.2079652E-00  |
| -0.3332018E-00 | -0.2190811E-02 | -0.4317706E-02 | -0.2190811E-02 | 0.3426482E-01  | 0.2086018E-00  | 0.3329143E-00  |
| -0.2190623E-02 | -0.4311571E-02 | -0.2707979E-02 | 0.3378345E-01  | 0.2059249E-00  | -0.332924E-00  | -0.2190803E-02 |
| -0.4309842E-02 | -0.2689729E-02 | 0.3549752E-01  | 0.2079468E-00  | -0.3309317E-00 | -0.2190222E-02 | -0.4295677E-02 |
| -0.2715322E-02 | -0.1906631E-02 | -0.1072730E-00 | 0.8452355E-03  | 0.2587936E-03  | -0.1745363E-03 | -0.2057129E-02 |
| -0.2981634E-02 | -0.1079871E-00 | 0.4892629E-03  | 0.2395984E-03  | -0.1567724E-03 | -0.2083276E-02 | -0.3615887E-02 |
| -0.1165070E-00 | 0.3198377E-03  | 0.2579790E-03  | -0.1613664E-03 | -0.2048949E-02 | -0.2166915E-02 | -0.1060455E-00 |
| 0.6112855E-03  | 0.2537305E-03  | -0.1622962E-03 | -0.2576555E-02 | -0.            | -0.            | -0.            |

SA-5 RUN #3 MODE 24 XN = 1373159

|               |               |               |                |                |                |
|---------------|---------------|---------------|----------------|----------------|----------------|
| 0.1161359E-02 | 0.1145175E-02 | 0.1106174E-02 | 0.1107336E-02  | 0.1085990E-02  | 0.1073510E-02  |
| 0.1452211E-02 | 0.1035811E-02 | 0.9781467E-03 | 0.9781467E-03  | 0.9153345E-03  | 0.9153345E-03  |
| 0.8403497E-03 | 0.7967476E-03 | 0.7472451E-03 | 0.7472451E-03  | 0.7030341E-03  | 0.6991640E-03  |
| 0.6190034E-03 | 0.5835317E-03 | 0.5377722E-03 | 0.5263769E-03  | 0.4962305E-03  | 0.4711983E-03  |
| 0.            | 0.            | 0.            | 0.             | 0.             | 0.             |
| 0.            | 0.            | 0.            | 0.             | 0.             | 0.             |
| 0.7347599E-03 | 0.7793728E-03 | 0.6818585E-03 | 0.6818585E-03  | 0.6450337E-03  | 0.6450337E-03  |
| 0.979244E-04  | 0.7771472E-04 | 0.7444712E-04 | 0.7444712E-04  | 0.5293340E-03  | 0.5293340E-03  |
| 0.3521311E-03 | 0.2231375E-03 | 0.1789244E-03 | 0.83338614E-04 | 0.5842313E-03  | 0.51316463E-02 |
| 0.9921061E-04 | 0.8090471E-03 | 0.7119474E-03 | 0.61103132E-02 | 0.1179579E-02  | 0.6556592E-03  |
| 0.5157930E-03 | 0.2674856E-03 | 0.8921313E-04 | 0.1617480E-03  | 0.8409723E-03  | 0.6372842E-03  |
| 0.            | 0.5609698E-03 | 0.2975248E-03 | 0.63275256E-03 | 0.6993949E-03  | 0.             |
| 0.4194455E-03 | 0.2286543E-03 | 0.1216632E-04 | 0.6942940E-03  | 0.1389652E-04  | 0.1133055E-03  |
| 0.9823356E-03 | 0.8922985E-03 | 0.794310E-03  | 0.8189525E-03  | 0.7796885E-03  | 0.7271955E-04  |
| 0.143034E-03  | 0.4422145E-03 | 0.1671075E-03 | 0.1756029E-03  | 0.1434955E-02  | 0.4131039E-03  |
| 0.21412E-02   | 0.2433528E-02 | 0.2544488E-03 | 0.6410951E-03  | 0.4167552E-03  | 0.7857163E-03  |
| 0.6963168E-03 | 0.1083560E-02 | 0.6535584E-03 | 0.22019053E-03 | 0.6646808E-03  | 0.             |
| 0.1103099E-02 | 0.1395723E-02 | 0.6613804E-03 | 0.1624027E-03  | 0.1460171E-02  | 0.             |
| 0.723759E-03  | 0.142406E-02  | 0.1927532E-02 | 0.1858977E-02  | 0.2100483E-03  | 0.1132313E-02  |
| 0.112406E-02  | 0.1499686E-02 | 0.4046325E-03 | 0.2534974E-03  | 0.24850133E-03 | 0.1251807E-03  |
| 0.4331532E-03 | 0.5672649E-03 | 0.8066635E-03 | 0.7272925E-03  | 0.4850133E-03  | 0.4684411E-03  |
| 0.2933955E-03 | 0.3585167E-03 | 0.3348124E-03 | 0.3522671E-03  | 0.3457316E-03  | 0.3487173E-03  |
| 0.2933955E-03 | 0.2946675E-03 | 0.2239481E-03 | 0.2776341E-03  | 0.2088769E-03  | 0.1374299E-03  |
| 0.1956399E-03 | 0.9293912E-04 | 0.5595078E-04 | 0.19611291E-03 | 0.7583287E-04  | 0.6685631E-04  |
| 0.328734E-04  | 0.1145909E-04 | 0.1872485E-04 | 0.25602228E-04 | 0.8163282E-04  | 0.5125463E-04  |
| 0.997777E-03  | 0.            | 0.8742270E-03 | 0.136277E-03   | 0.             | 0.             |
| 0.5261252E-03 | 0.5261252E-03 | 0.121665E-03  | 0.998532E-03   | 0.1232499E-02  | 0.1393116E-02  |
| 0.1434360E-02 | 0.1434360E-02 | 0.1090465E-02 | 0.4483120E-03  | 0.4901324E-03  | 0.5776692E-03  |
| 0.4581297E-04 | 0.4581297E-04 | 0.1721603E-03 | 0.6444259E-03  | 0.6937779E-01  | 0.9112549E-01  |
| 0.1771972E-01 | 0.1771972E-01 | 0.6554327E-01 | 0.1293310E-01  | 0.4198709E-01  | 0.6693444E-01  |
| 0.6269310E-01 | 0.6269310E-01 | 0.2284394E-14 | 0.6357054E-01  | 0.7682733E-01  | 0.783722E-01   |
| 0.1314430E-01 | 0.1314430E-01 | 0.1312423E-01 | 0.4434941E-01  | 0.6339946E-01  | 0.6339946E-01  |
| 0.6430401E-01 | 0.6430401E-01 | 0.8973319E-01 | 0.7386731E-01  | 0.1656890E-01  | 0.1304821E-00  |
| 0.4034236E-01 | 0.4034236E-01 | 0.6692394E-01 | 0.146958E-01   | 0.2260281E-14  | 0.677827E-01   |
| 0.7405233E-01 | 0.7405233E-01 | 0.1561763E-01 | 0.6731771E-01  | 0.1319482E-00  | 0.4474376E-01  |
| 0.9950222E-02 | 0.9950222E-02 | 0.8770223E-02 | 0.6698803E-05  | 0.5184780E-02  | 0.1543000E-01  |
| 0.2847947E-01 | 0.2847947E-01 | 0.6296113E-01 | 0.646583E-01   | 0.5316814E-01  | 0.8863869E-02  |
| 0.3723379E-16 | 0.3723379E-16 | 0.634776E-03  | 0.755742E-02   | 0.7999649E-02  | 0.2733838E-01  |
| 0.6990142E-01 | 0.6990142E-01 | 0.2015436E-01 | 0.497444E-01   | 0.7531407E-02  | 0.1952146E-15  |
| 0.6573491E-02 | 0.6573491E-02 | 0.1670138E-01 | 0.5572131E-02  | 0.6303702E-01  | 0.6487454E-01  |
| 0.5314024E-01 | 0.5314024E-01 | 0.1049451E-01 | 0.8575732E-02  | 0.7566989E-02  | 0.663727E-02   |
| 0.7020833E-02 | 0.7020833E-02 | 0.2835958E-02 | 0.661237E-01   | 0.2799668E-01  | 0.4957700E-01  |
| 0.1817193E-03 | 0.1817193E-03 | 0.1284413E-03 | 0.1284413E-03  | 0.1489132E-03  | 0.6382877E-04  |
| 0.1008983E-02 | 0.1008983E-02 | 0.1061058E-02 | 0.1498024E-03  | 0.1079754E-02  | 0.1130857E-02  |
| 0.8910759E-03 | 0.8910759E-03 | 0.4076054E-03 | 0.479362E-03   | 0.7409741E-03  | 0.1994351E-03  |
| 0.2791264E-03 | 0.2791264E-03 | 0.8467139E-07 | 0.117332E-05   | 0.9726248E-03  | 0.214202E-00   |
| 0.2372729E-02 | 0.2372729E-02 | 0.4413861E-01 | 0.387168E-02   | 0.3368703E-01  | 0.336710E-00   |
| 0.3368995E-01 | 0.3368995E-01 | 0.4417853E-02 | 0.3989071E-01  | 0.3367127E-00  | 0.2371951E-02  |
| 0.2369474E-02 | 0.2369474E-02 | 0.3065937E-04 | 0.2101543E-00  | 0.2368671E-02  | 0.4419249E-02  |
| 0.441117E-02  | 0.441117E-02  | 0.3661484E-01 | 0.4710379E-03  | 0.2212571E-03  | 0.1398273E-02  |
| 0.36548E-02   | 0.36548E-02   | 0.1679438E-01 | 0.2710795E-03  | 0.2212571E-03  | 0.449847E-03   |
| 0.1428574E-03 | 0.1428574E-03 | 0.7544791E-03 | 0.262795E-03   | 0.1392364E-02  | 0.449847E-03   |
| 0.1493355E-01 | 0.1493355E-01 | 0.2584113E-03 | 0.2344313E-03  | 0.1096376E-03  | 0.150866E-00   |
| 0.894033E-03  | 0.2773383E-03 | 0.2341584E-01 | 0.1386495E-02  | 0.             | 0.             |

|               |               |               |               |                |               |               |
|---------------|---------------|---------------|---------------|----------------|---------------|---------------|
| 0.1984963E-02 | 0.1044535E-02 | 0.9691476E-03 | 0.5187595E-03 | 0.8845010E-03  | 0.8216963E-03 | 0.7735126E-03 |
| 0.7068232E-03 | 0.6658858E-03 | 0.5950801E-03 | 0.5585917E-03 | 0.5204921E-03  | 0.4213990E-03 | 0.3979010E-03 |
| 0.3274149E-03 | 0.2889336E-03 | 0.2290551E-03 | 0.2256934E-03 | 0.1848237E-03  | 0.1572163E-03 | 0.1482516E-03 |
| 0.1518532E-03 | 0.1652787E-03 | 0.1217179E-03 | 0.1556934E-03 | 0.1530179E-03  | 0.1793973E-03 | 0.2146628E-03 |
| 0.            | 0.            | 0.            | 0.            | 0.             | 0.            | 0.            |
| 0.4388666E-03 | 0.6221212E-03 | 0.4359616E-03 | 0.2386236E-03 | 0.4313815E-03  | 0.4259291E-03 | 0.4259291E-03 |
| 0.3975593E-03 | 0.3724353E-03 | 0.3338744E-03 | 0.3338744E-03 | 0.2752429E-03  | 0.2028523E-03 | 0.1219166E-03 |
| 0.5878908E-04 | 0.4207795E-03 | 0.2944455E-03 | 0.2944455E-03 | 0.1394791E-03  | 0.3571313E-03 | 0.2919327E-03 |
| 0.3008406E-04 | 0.2724846E-03 | 0.1176156E-03 | 0.1176156E-03 | 0.5878267E-03  | 0.5878267E-03 | 0.1237897E-02 |
| 0.2320733E-04 | 0.6259765E-04 | 0.1657039E-04 | 0.1657039E-04 | 0.5631698E-03  | 0.7521687E-03 | 0.2881046E-03 |
| 0.1931724E-03 | 0.1661370E-03 | 0.5973264E-04 | 0.7630316E-04 | 0.1971231E-03  | 0.343858E-03  | 0.2554951E-03 |
| 0.9209355E-04 | 0.4206626E-03 | 0.1172491E-02 | 0.1700830E-03 | 0.5482273E-04  | 0.4363840E-03 | 0.3752537E-03 |
| 0.3991904E-03 | 0.4399609E-03 | 0.6366255E-03 | 0.7208576E-03 | 0.2182792E-04  | 0.            | 0.5198394E-04 |
| 0.1915468E-03 | 0.1082605E-03 | 0.1897154E-03 | 0.2458621E-03 | 0.1381653E-03  | 0.1660336E-04 | 0.1660336E-04 |
| 0.1420745E-02 | 0.1357184E-02 | 0.1358289E-02 | 0.9265233E-03 | 0.1715183E-03  | 0.3957043E-04 | 0.8312723E-03 |
| 0.1680970E-04 | 0.5243794E-03 | 0.2660436E-04 | 0.2907896E-03 | 0.2464135E-04  | 0.4688742E-03 | 0.5748962E-03 |
| 0.5243794E-03 | 0.4700792E-03 | 0.1137977E-03 | 0.5275392E-03 | 0.1450544E-03  | 0.3470815E-03 | 0.3368487E-03 |
| 0.4977302E-03 | 0.7355245E-03 | 0.9754334E-03 | 0.7053444E-03 | 0.1531492E-03  | 0.4494741E-03 | 0.            |
| 0.1208929E-02 | 0.1914603E-02 | 0.2059368E-03 | 0.6576880E-04 | 0.91022434E-03 | 0.7898779E-03 | 0.8354901E-03 |
| 0.2341659E-03 | 0.5078360E-04 | 0.3834833E-03 | 0.3502731E-03 | 0.3773599E-03  | 0.1077769E-03 | 0.1816493E-03 |
| 0.4126181E-03 | 0.4384082E-03 | 0.3861658E-03 | 0.3866932E-03 | 0.3024632E-03  | 0.4530558E-03 | 0.650591E-03  |
| 0.2349630E-03 | 0.2213057E-03 | 0.1310795E-03 | 0.1599348E-03 | 0.1163113E-03  | 0.3385976E-03 | 0.3254234E-03 |
| 0.3067308E-04 | 0.1074562E-03 | 0.1563885E-03 | 0.127625E-04  | 0.7036222E-04  | 0.614718E-04  | 0.1535787E-04 |
| 0.8512165E-04 | 0.7393139E-04 | 0.4228636E-04 | 0.4228636E-04 | 0.8145954E-04  | 0.9173177E-04 | 0.7504266E-04 |
| 0.3188417E-03 | 0.            | 0.4286337E-02 | 0.3371312E-04 | 0.             | 0.1131175E-03 | 0.3129911E-04 |
| 0.            | 0.1105893E-02 | 0.1029326E-02 | 0.1513978E-02 | 0.9372923E-03  | 0.            | 0.            |
| 0.6496609E-05 | 0.5620789E-03 | 0.7467644E-03 | 0.6493220E-03 | 0.3225662E-03  | 0.3508001E-04 | 0.1263904E-03 |
| 0.123139E-03  | 0.327063E-01  | 0.6148982E-01 | 0.4937548E-01 | 0.2651157E-14  | 0.4883238E-01 | 0.3366082E-01 |
| 0.5693808E-02 | 0.327063E-01  | 0.6155017E-01 | 0.5039768E-01 | 0.2748355E-01  | 0.1666357E-01 | 0.2867961E-01 |
| 0.6089623E-01 | 0.4994227E-01 | 0.1546453E-14 | 0.4948644E-01 | 0.3536998E-01  | 0.7888291E-02 | 0.3149785E-01 |
| 0.6266556E-01 | 0.5456846E-01 | 0.2115561E-01 | 0.1608057E-01 | 0.2839471E-01  | 0.6075427E-01 | 0.4862236E-01 |
| 0.2355915E-14 | 0.4805894E-01 | 0.3289556E-01 | 0.4922455E-02 | 0.3353644E-01  | 0.6232586E-01 | 0.5098103E-01 |
| 0.2714511E-01 | 0.1665294E-01 | 0.2868530E-01 | 0.6105760E-01 | 0.4856149E-01  | 0.1680970E-14 | 0.4850414E-01 |
| 0.358226E-01  | 0.6252232E-02 | 0.3287391E-01 | 0.6371933E-01 | 0.5527868E-01  | 0.2978844E-01 | 0.1806251E-00 |
| 0.2638914E-01 | 0.6090008E-01 | 0.3382521E-01 | 0.5146037E-15 | 0.3263340E-01  | 0.2323734E-02 | 0.2540524E-01 |
| 0.4736079E-01 | 0.5613279E-01 | 0.3442675E-01 | 0.3545721E-01 | 0.1486846E-01  | 0.2516772E-01 | 0.6147990E-01 |
| 0.3471654E-01 | 0.3372079E-16 | 0.3348393E-01 | 0.4366765E-02 | 0.2213536E-01  | 0.4438655E-01 | 0.5521954E-01 |
| 0.3679034E-01 | 0.3037773E-01 | 0.1431784E-01 | 0.2485026E-01 | 0.5996785E-01  | 0.3358452E-01 | 0.1467063E-15 |
| 0.3231858E-01 | 0.2605130E-02 | 0.2744668E-01 | 0.4683369E-01 | 0.5570423E-01  | 0.3425928E-01 | 0.3552897E-01 |
| 0.1487135E-00 | 0.2517541E-01 | 0.5960925E-01 | 0.3354748E-01 | 0.3224449E-01  | 0.3224449E-01 | 0.3670187E-02 |
| 0.2258845E-01 | 0.4484962E-01 | 0.5567187E-01 | 0.3722632E-01 | 0.3002718E-01  | 0.1429606E-00 | 0.2484565E-00 |
| 0.3886492E-04 | 0.4798824E-04 | 0.7808595E-04 | 0.7808610E-04 | 0.3208851E-03  | 0.6715988E-03 | 0.5388477E-04 |
| 0.4245277E-04 | 0.1074878E-02 | 0.1113465E-02 | 0.9410790E-04 | 0.1019232E-02  | 0.1019232E-02 | 0.1057614E-02 |
| 0.7157744E-03 | 0.1047401E-02 | 0.2246857E-03 | 0.1437153E-03 | 0.6986115E-03  | 0.1303319E-02 | 0.4104475E-04 |
| 0.2994738E-04 | 0.6510267E-04 | 0.7349787E-05 | 0.6165432E-06 | 0.23446475E-02 | 0.2593419E-01 | 0.6982724E-01 |
| 0.1296042E-00 | 0.2904165E-02 | 0.2357227E-02 | 0.3470521E-03 | 0.2375233E-01  | 0.6946972E-01 | 0.1302955E-00 |
| 0.2906195E-02 | 0.2372680E-02 | 0.3239124E-03 | 0.2593341E-01 | 0.7003388E-01  | 0.1299694E-00 | 0.2904791E-02 |
| 0.2356272E-02 | 0.3493205E-03 | 0.2355929E-01 | 0.6927785E-01 | 0.1305236E-00  | 0.2906759E-02 | 0.2373432E-02 |
| 0.3234181E-03 | 0.1087976E-01 | 0.5717937E-04 | 0.9107937E-04 | 0.6853931E-03  | 0.5375121E-04 | 0.1822265E-02 |
| 0.1041383E-01 | 0.5703424E-01 | 0.1933587E-05 | 0.6543113E-03 | 0.3900246E-04  | 0.1820305E-02 | 0.1768077E-01 |
| 0.5737671E-01 | 0.1674862E-04 | 0.6862752E-05 | 0.5154742E-04 | 0.1815487E-02  | 0.1367994E-01 | 0.5717992E-01 |
| 0.1857689E-04 | 0.6558477E-03 | 0.3865937E-04 | 0.1818311E-02 | 0.             | 0.            | 0.            |



|                |                |                |                |                |                |                |
|----------------|----------------|----------------|----------------|----------------|----------------|----------------|
| 0.2819219E-02  | 0.2589172E-02  | 0.2361534E-02  | 0.2101865E-02  | 0.1832002E-02  | 0.1712981E-02  | 0.1480094E-02  |
| 0.1239533E-02  | 0.9816344E-03  | 0.8231271E-03  | 0.6002299E-03  | 0.3897432E-03  | 0.1394731E-03  | -0.2810909E-03 |
| -0.6123839E-03 | -0.9456889E-03 | -0.1145360E-02 | -0.1146615E-02 | -0.1127675E-02 | -0.1032856E-02 | -0.8786993E-03 |
| -0.6722861E-03 | -0.5315683E-03 | -0.4744539E-04 | -0.4278399E-03 | -0.2749082E-03 | -0.1998590E-05 | -0.2869680E-03 |
| 0.             | 0.             | -0.5842375E-02 | -0.6519901E-02 | 0.5452470E-03  | 0.             | 0.             |
| 0.             | 0.             | 0.2495528E-02  | 0.6998506E-03  | -0.1758545E-02 | 0.             | 0.1933062E-02  |
| 0.2843450E-02  | -0.1804604E-05 | 0.137813E-01   | 0.1369563E-01  | -0.3759641E-02 | -0.4099664E-02 | -0.3315155E-02 |
| -0.1873668E-02 | 0.7518460E-02  | 0.4279819E-02  | 0.1129294E-02  | 0.             | 0.1363517E-01  | 0.1258529E-01  |
| 0.1037387E-01  | 0.3782481E-01  | 0.             | 0.3754932E-01  | 0.3079178E-01  | 0.2399651E-01  | 0.8294589E-02  |
| 0.4520398E-01  | 0.3328295E-02  | -0.3875851E-02 | -0.1114884E-01 | -0.1841005E-01 | -0.1355640E-01 | 0.1710895E-01  |
| 0.1037726E-01  | -0.1361938E-01 | -0.1258998E-01 | -0.1037906E-01 | -0.7521378E-02 | -0.4278207E-02 | -0.1369376E-01 |
| 0.1955611E-02  | 0.45062974E-02 | 0.8291324E-02  | -0.4525129E-01 | -0.3784137E-01 | 0.             | -0.1125300E-02 |
| -0.3078578E-01 | -0.2398056E-01 | -0.1710636E-01 | -0.1038174E-01 | -0.3338275E-02 | 0.3865294E-02  | -0.3757034E-01 |
| 0.1841325E-01  | -0.2264633E-01 | -0.1678841E-02 | 0.             | -0.1716988E-01 | -0.1306255E-01 | 0.1114243E-01  |
| -0.6845715E-02 | -0.4393108E-02 | 0.3601814E-01  | 0.3048824E-01  | 0.4148628E-02  | 0.7020791E-02  | 0.4141465E-01  |
| 0.3625879E-01  | -0.4288842E-02 | -0.1159287E-01 | -0.1896178E-01 | 0.2255202E-01  | 0.1723050E-01  | 0.1017471E-01  |
| 0.2964322E-02  | 0.1306560E-01  | 0.9753100E-02  | 0.6869573E-02  | 0.4410856E-02  | -0.            | -0.            |
| 0.1713742E-01  | -0.7021158E-02 | -0.4152004E-01 | -0.3629295E-01 | -0.            | -0.3605105E-01 | -0.1205738E-02 |
| -0.4149942E-02 | -0.1719993E-01 | -0.1015273E-01 | -0.2955019E-02 | 0.4291354E-02  | 0.1728281E-01  | -0.3046861E-01 |
| -0.2408629E-01 | 0.1735547E-00  | 0.1659181E-00  | 0.1523720E-00  | 0.1461432E-00  | 0.1159082E-01  | 0.1896138E-01  |
| 0.1358555E-00  | 0.1318539E-00  | 0.1299345E-00  | 0.1261754E-00  | 0.1225748E-00  | 0.1436222E-00  | 0.1394619E-00  |
| 0.1038569E-00  | 0.9619213E-01  | 0.5032017E-01  | 0.8548739E-01  | 0.8223672E-01  | 0.1182002E-00  | 0.1105817E-00  |
| 0.7289155E-01  | 0.6974522E-01  | -0.            | 0.7159194E-01  | 0.6670408E-01  | 0.7912661E-01  | 0.7595981E-01  |
| 0.2063419E-06  | -0.            | -0.6965719E 00 | 0.5312446E-01  | -0.            | 0.6361999E-01  | 0.6055003E-01  |
| -0.            | 0.4756408E-01  | 0.5133854E-01  | 0.4296143E-01  | 0.4003229E-01  | -0.            | -0.            |
| 0.3416183E-01  | 0.2826154E-01  | 0.2232186E-01  | 0.1502352E-02  | 0.6346350E-02  | -0.2376113E-02 | 0.3745319E-01  |
| -0.1984188E-01 | -0.3189662E-01 | 0.4466284E-01  | -0.3692381E-01 | 0.2460352E-12  | 0.3663916E-01  | -0.111309E-01  |
| -0.2447695E-01 | 0.1547537E-01  | 0.8816968E-02  | 0.2046461E-02  | -0.4721448E-02 | -0.1152315E-01 | 0.2954588E-01  |
| 0.1247625E-01  | 0.1472622E-01  | 0.1102088E-11  | -0.1466657E-01 | -0.1376909E-01 | -0.1167236E-01 | -0.8749285E-01 |
| -0.5315247E-02 | -0.1691850E-02 | 0.2001736E-02  | 0.5367940E-02  | 0.8620092E-02  | -0.4467843E-01 | -0.891291E-02  |
| 0.4068322E-12  | -0.3664598E-01 | -0.2954992E-01 | -0.2248490E-01 | -0.1548174E-01 | -0.8815990E-02 | -0.3693365E-02 |
| 0.4719636E-02  | 0.1152579E-01  | 0.1849299E-01  | 0.1444833E-01  | 0.1470688E-01  | -0.8815990E-02 | -0.2048225E-02 |
| 0.1375825E-01  | 0.1166328E-01  | 0.8785629E-02  | 0.5308273E-02  | 0.1687860E-02  | 0.5366216E-11  | 0.1464768E-01  |
| -0.8621689E-02 | 0.4174976E-01  | 0.3620335E-01  | 0.4952886E-12  | 0.3597158E-01  | -0.2005521E-02 | 0.5570331E-02  |
| 0.1773735E-01  | 0.1078854E-01  | 0.3493002E-02  | -0.3977191E-02 | -0.1148912E-01 | 0.3048844E-01  | 0.2437718E-02  |
| 0.1579605E-01  | 0.1108622E-12  | 0.1558752E-01  | 0.1052707E-01  | 0.6099123E-02  | -0.1886953E-01 | 0.2136321E-01  |
| -0.2191553E-02 | -0.3987699E-02 | -0.5707802E-02 | -0.7701909E-02 | -0.4143827E-01 | 0.2483659E-02  | -0.6057961E-04 |
| -0.3571993E-01 | -0.3039112E-01 | -0.2442603E-01 | -0.1788079E-01 | -0.1095887E-01 | -0.3644511E-02 | -0.1344489E-13 |
| 0.1142920E-01  | 0.1884699E-01  | -0.2168750E-01 | -0.1603651E-01 | -0.3556699E-12 | -0.1581863E-01 | -0.3871028E-02 |
| -0.6033171E-02 | -0.2338596E-02 | 0.2229242E-03  | 0.2330202E-02  | 0.4083457E-02  | 0.5760605E-02  | -0.1060200E-01 |
| 0.1402462E-05  | -0.4345163E-06 | -0.2173767E-05 | -0.2173769E-05 | 0.2064933E-04  | 0.3137124E-05  | 0.7720576E-02  |
| -0.3044137E-02 | -0.9809564E-02 | -0.9809989E-02 | 0.3060022E-02  | 0.3054767E-02  | 0.9793597E-02  | -0.3049013E-02 |
| 0.5808218E-02  | 0.5158605E-02  | -0.8512036E-02 | -0.8903088E-02 | -0.5813974E-02 | 0.9793597E-02  | 0.9793883E-02  |
| 0.8898653E-02  | 0.4656205E-06  | -0.1012255E-03 | -0.2471543E-05 | 0.6176905E-08  | -0.5160389E-02 | 0.8500740E-02  |
| -0.3708153E-01 | 0.6774721E-05  | -0.1000318E-03 | 0.1693089E-05  | -0.7783764E-02 | -0.6539031E-02 | 0.3540368E-03  |
| -0.3101365E-05 | -0.1878793E-04 | 0.1104817E-03  | 0.6550641E-02  | -0.3488003E-03 | -0.3642304E-01 | -0.6168323E-03 |
| 0.1000685E-03  | -0.1842835E-05 | 0.7769788E-02  | 0.3642083E-01  | 0.6158308E-03  | 0.3708689E-01  | -0.6803163E-05 |
| -0.1102338E-03 | -0.4023679E-03 | -0.3585697E-01 | 0.8471690E-03  | -0.9455944E-04 | 0.3159591E-05  | -0.1878629E-04 |
| -0.3624991E-01 | -0.4412369E-03 | -0.4190725E-02 | -0.2005705E-04 | 0.1091819E-03  | -0.1615323E-04 | 0.1074618E-04  |
| 0.3585774E-01  | -0.8440367E-03 | 0.9440135E-04  | 0.1621239E-04  | -0.1075244E-04 | -0.5126743E-04 | 0.4110175E-03  |
| 0.4193047E-02  | 0.2019413E-04  | -0.1092154E-03 | 0.5135869E-04  | 0.2677440E-01  | 0.3624116E-01  | 0.4418821E-03  |
| 0.2325096E-01  | 0.2165504E-01  | 0.1171156E-00  | 0.1120913E-03  | 0.1079535E-00  | 0.2545716E-01  | 0.2434137E-01  |
| 0.3261165E-05  |                |                |                |                | 0.1037919E-00  | 0.9878716E-01  |

|                |                 |                |                |                |                |
|----------------|-----------------|----------------|----------------|----------------|----------------|
| 0.1668330E-00  | 0.1597602E-00   | 0.1461167E-00  | 0.1400767E-00  | 0.1375682E-00  | 0.1334596E-00  |
| 0.1247137E-00  | 0.1250732E-00   | 0.1205394E-00  | 0.1170452E-00  | 0.1127492E-00  | 0.1054665E-00  |
| 0.9887353E-01  | 0.9144239E-01   | 0.9105663E-01  | 0.7796209E-01  | 0.7496312E-01  | 0.7187231E-01  |
| 0.6686515E-01  | 0.5847693E-01   | 0.6761138E-01  | 0.5289084E-01  | 0.5971231E-01  | 0.5694161E-01  |
| -0.            | -0.             | -0.            | -0.            | -0.            | -0.            |
| 0.4503569E-01  | 0.4893347E-01   | 0.4977155E-01  | 0.3732164E-01  | 0.3473165E-01  | 0.3473165E-01  |
| 0.2566560E-01  | 0.1942755E-01   | 0.4028334E-01  | 0.4929419E-02  | -0.            | 0.1118720E-01  |
| -0.3070956E-01 | 0.4104395E-01   | 0.1302727E-01  | -0.            | 0.3523057E-01  | 0.2968945E-01  |
| 0.1723492E-01  | 0.1071465E-01   | 0.3546165E-01  | -0.3165134E-02 | -0.1033346E-01 | -0.1757860E-01 |
| -0.1590809E-01 | -0.             | 0.3467815E-02  | -0.1330255E-01 | -0.1058324E-01 | -0.7693660E-02 |
| -0.1596623E-02 | 0.1450005E-02   | 0.1580399E-01  | 0.7886022E-02  | -0.4103948E-01 | -0.3545586E-01 |
| -0.3522555E-01 | 0.2968370E-01   | 0.2365136E-01  | -0.1722954E-01 | -0.1071039E-01 | -0.3865182E-02 |
| 0.1033169E-01  | 0.1757434E-01   | 0.1843032E-01  | 0.1590533E-01  | -0.            | 0.1580124E-01  |
| 0.1357703E-01  | 0.7687284E-02   | 0.4759619E-02  | 0.1692376E-02  | -0.1452068E-02 | -0.4651725E-02 |
| 0.4204984E-01  | 0.3629057E-01   | 0.             | 0.3605457E-01  | 0.3036332E-01  | 0.2420169E-01  |
| 0.1101217E-01  | 0.4015806E-02   | 0.1388496E-02  | -0.1054317E-01 | -0.1798050E-01 | 0.1599811E-01  |
| 0.1184509E-02  | 0.1375994E-01   | 0.1158604E-01  | 0.9251953E-02  | 0.6766926E-02  | 0.             |
| -0.3035763E-01 | -0.2997666E-02  | -0.6844054E-02 | -0.4204393E-01 | -0.3628467E-01 | 0.             |
| 0.1790031E-01  | -0.2419632E-01  | -0.1765300E-01 | -0.1100782E-01 | -0.4012487E-02 | 0.3190650E-02  |
| -0.4255945E-02 | -0.1598226E-01  | 0.1381042E-01  | 0.             | -0.1372098E-01 | -0.1157113E-01 |
| -0.3726174E-02 | -0.4228734E-02  | 0.1559687E-02  | 0.1191063E-02  | 0.4001949E-02  | 0.6846131E-02  |
| -0.2863766E-02 | -0.3573019E-02  | -0.4182673E-02 | -0.4012932E-02 | 0.3944855E-02  | -0.3831418E-02 |
| -0.2022341E-02 | -0.2496182E-02  | -0.2364812E-02 | -0.3373175E-02 | -0.3254314E-02 | -0.3047368E-02 |
| 0.3170642E-05  | 0.1931864E-01   | -0.1984733E-02 | -0.1854405E-02 | -0.1770824E-02 | -0.2107085E-02 |
| 0.             | -0.1442919E-02  | -0.1197115E-02 | 0.             | 0.             | -0.1686506E-02 |
| -0.9553633E-03 | -0.6275637E-03  | -0.4244729E-03 | -0.1116811E-02 | 0.             | 0.             |
| 0.5452439E-03  | -0.1801694E-01  | -0.1561399E-01 | -0.1925866E-03 | 0.6049744E-04  | 0.3034474E-03  |
| -0.1002792E-01 | -0.7065253E-02  | -0.1074716E-02 | 0.9945422E-19  | -0.1550426E-01 | -0.1286233E-01 |
| -0.4579176E-01 | -0.3487404E-01  | 0.9619854E-19  | 0.1976294E-02  | 0.5019047E-02  | 0.8016213E-02  |
| -0.9327745E-02 | -0.2523838E-02  | 0.4327985E-02  | -0.2879858E-01 | -0.2251628E-01 | -0.1592169E-01 |
| 0.1046199E-18  | 0.1552410E-01   | 0.1298217E-01  | 0.1787329E-01  | 0.1832067E-01  | 0.1563362E-01  |
| -0.1473357E-02 | -0.5017403E-02  | 0.8019209E-02  | 0.7082363E-02  | 0.4127122E-02  | 0.1085469E-02  |
| 0.2880226E-01  | 0.2251650E-01   | 0.1591909E-01  | 0.3488106E-01  | 0.1949480E-19  | 0.3463886E-01  |
| -0.1788049E-01 | 0.1575599E-01   | 0.1323657E-01  | 0.1313736E-01  | -0.4336099E-02 | -0.1115824E-01 |
| 0.5634483E-02  | 0.3124411E-02   | 0.5728507E-03  | -0.4507871E-02 | 0.1072432E-01  | 0.9204709E-02  |
| -0.3491982E-01 | -0.7819802E-19  | -0.3465166E-01 | -0.4507871E-02 | -0.7023536E-02 | -0.4148771E-01 |
| -0.1712119E-02 | 0.5020229E-02   | 0.1172643E-01  | -0.2177873E-01 | -0.1504263E-01 | -0.3440345E-02 |
| -0.1319170E-01 | -0.1080034E-01  | -0.8294892E-02 | -0.1578003E-01 | -0.1328976E-01 | -0.1289513E-18 |
| 0.4467448E-02  | 0.7004049E-02   | 0.4133430E-01  | -0.3216203E-02 | 0.5527691E-03  | 0.1912566E-02  |
| 0.2185590E-01  | 0.1512029E-01   | 0.8512729E-02  | -0.4976344E-02 | 0.3472215E-01  | 0.2843690E-01  |
| 0.3366778E-05  | 0.3374725E-05   | 0.332276E-05   | -0.2713760E-05 | -0.1170126E-01 | -0.1838116E-01 |
| -0.8872257E-02 | 0.3976563E-02   | 0.3976021E-02  | 0.8882479E-02  | -0.3986739E-02 | -0.8873476E-02 |
| -0.9067096E-02 | -0.9103928E-02  | -0.3456827E-02 | 0.9070784E-02  | 0.9105325E-02  | -0.3454893E-02 |
| 0.3465464E-02  | -0.5524168E-06  | 0.2868150E-05  | -0.2589960E-02 | -0.6755084E-02 | 0.3502901E-01  |
| 0.1031442E-02  | -0.33628913E-06 | 0.2765276E-05  | 0.6358043E-02  | 0.9707817E-03  | 0.3509020E-01  |
| 0.8144633E-07  | 0.9765694E-04   | -0.3044302E-05 | 0.6760809E-02  | -0.1033375E-02 | 0.2943521E-06  |
| -0.2863284E-05 | -0.9650606E-04  | -0.6366471E-02 | -0.9701187E-03 | -0.1115077E-06 | -0.3765540E-04 |
| 0.3184519E-05  | 0.34503215E-01  | 0.9747126E-03  | -0.3973771E-02 | 0.9613238E-04  | -0.7917420E-06 |
| 0.9776651E-03  | 0.3450630E-01   | -0.9568166E-04 | 0.9363133E-04  | 0.2484780E-05  | 0.3458739E-01  |
| -0.9776645E-04 | 0.3372520E-02   | -0.2317738E-05 | -0.4609564E-04 | -0.9327064E-03 | -0.3450800E-01 |
| 0.9441393E-04  | -0.9354002E-04  | 0.2474359E-05  | -0.2422516E-05 | 0.1061616E-00  | 0.1021453E-00  |
| 0.9809729E-01  | 0.9322960E-01   | -0.2893957E-01 | -0.2730590E-01 | -0.2628449E-01 | -0.2396196E-01 |
| 0.3358716E-05  |                 |                |                |                |                |

SA-8 RUN #1 MODE 3 XN = 3 457658

|                |                |                |                |                |                |                |
|----------------|----------------|----------------|----------------|----------------|----------------|----------------|
| 0.3687225E-01  | 0.3294913E-01  | 0.2985037E-01  | 0.2673761E-01  | 0.2432463E-01  | 0.2345329E-01  | 0.2228043E-01  |
| 0.2142705E-01  | 0.2085811E-01  | 0.2077918E-01  | 0.2002606E-01  | 0.1930479E-01  | 0.1839839E-01  | 0.1672032E-01  |
| 0.1495299E-01  | 0.1262992E-01  | 0.1071989E-01  | 0.7850000E-02  | 0.5507489E-02  | 0.2920585E-02  | 0.6480474E-04  |
| -0.3399517E-02 | -0.6326274E-02 | -0.            | -0.4263431E-02 | -0.9997257E-02 | -0.1377665E-01 | -0.1766314E-01 |
| -0.            | -0.            | 0.1887741E-02  | -0.2359151E-01 | -0.            | -0.            | -0.            |
| -0.            | 0.3984155E-01  | 0.4632566E-01  | 0.1096246E-01  | -0.5106836E-02 | -0.            | -0.1470175E-01 |
| -0.2075689E-01 | -0.1716167E-01 | -0.2734878E-02 | 0.1700132E-01  | 0.3181502E-01  | 0.3262544E-01  | 0.2332584E-01  |
| 0.7584868E-02  | -0.1007868E-01 | 0.6387188E-02  | -0.2957181E-01 | -0.            | 0.3040057E-01  | -0.5423417E-01 |
| -0.6654025E-01 | -0.6881407E-01 | -0.6227419E-01 | -0.5166871E-01 | -0.3746944E-01 | 0.1980702E-01  | 0.8125238E-03  |
| -0.7367957E-01 | -0.1145030E-00 | -0.1007568E-00 | -0.1157592E-00 | 0.1487546E-00  | -0.1715785E-00 | -0.1782425E-00 |
| -0.1684750E-00 | -0.1418305E-00 | -0.1418305E-00 | -0.4831484E-01 | 0.1095962E-01  | -0.7284499E-02 | 0.2774132E-01  |
| -0.            | 0.2844131E-01  | 0.5152713E-01  | 0.6322770E-01  | 0.6517304E-01  | 0.5861564E-01  | 0.4832522E-01  |
| 0.3474123E-01  | 0.1795307E-01  | 0.1594778E-02  | 0.7149598E-01  | 0.1071933E-00  | -0.            | 0.4160493E-01  |
| 0.1372017E-00  | 0.1571279E-00  | -0.1625917E-00 | 0.1531448E-00  | 0.1282426E-00  | 0.9012011E-01  | 0.4160493E-01  |
| -0.1313504E-01 | 0.5450287E-01  | 0.4938157E-01  | 0.             | 0.4945121E-01  | 0.4894005E-01  | 0.5139033E-01  |
| 0.5236302E-01  | 0.5141845E-01  | 0.4341237E-01  | 0.2938750E-01  | 0.1102365E-01  | -0.9273879E-02 | -0.9808156E-02 |
| 0.6207327E-02  | 0.             | 0.6937648E-02  | 0.2331353E-01  | 0.4003342E-01  | 0.5368840E-01  | 0.6291783E-01  |
| 0.6591529E-01  | 0.6298623E-01  | 0.5527023E-01  | 0.4478231E-01  | -0.5361174E-01 | -0.4801138E-01 | 0.             |
| -0.4809071E-01 | -0.4712431E-01 | -0.4917599E-01 | -0.5014983E-01 | -0.4887134E-01 | -0.4103517E-01 | -0.2744988E-01 |
| -0.9753332E-02 | 0.9727299E-02  | 0.9769586E-02  | -0.7882300E-02 | 0.             | -0.8656195E-02 | -0.2634494E-01 |
| -0.4383329E-01 | -0.5785447E-01 | -0.6698113E-01 | -0.6947627E-01 | -0.6576257E-01 | -0.5702349E-01 | -0.4540744E-01 |
| 0.1974912E-00  | 0.1826834E-00  | 0.1702533E-00  | 0.1572667E-00  | 0.1461738E-00  | 0.1419220E-00  | 0.1344440E-00  |
| 0.1279985E-00  | 0.1221009E-00  | 0.1191019E-00  | 0.1144194E-00  | 0.1101291E-00  | 0.1050395E-00  | 0.9631312E-01  |
| 0.8874715E-01  | 0.8049485E-01  | 0.7096202E-01  | 0.6970164E-01  | 0.6682437E-01  | 0.6435932E-01  | 0.6201693E-01  |
| 0.5989670E-01  | 0.5779082E-01  | 0.             | 0.5891775E-01  | 0.5587758E-01  | 0.5403662E-01  | 0.5220844E-01  |
| -0.1888027E-05 | 0.             | 0.5782634E-02  | 0.4752262E-01  | 0.             | 0.             | 0.             |
| -0.3668457E-01 | -0.3774066E-01 | -0.3774066E-01 | -0.3273246E-01 | -0.2965849E-01 | 0.             | -0.2682885E-01 |
| -0.2303268E-01 | -0.1573264E-01 | -0.7914646E-02 | 0.1929113E-02  | 0.1334319E-01  | 0.2382271E-01  | 0.3287980E-01  |
| 0.392653E-01   | 0.4748862E-01  | -0.3388710E-01 | -0.5789052E-02 | 0.2465233E-10  | -0.4971314E-02 | 0.1700090E-01  |
| 0.3338078E-01  | 0.4366340E-01  | 0.4769877E-01  | 0.4797055E-01  | 0.4548243E-01  | 0.4224467E-01  | 0.4140187E-01  |
| -0.7476874E-02 | 0.1558594E-01  | 0.1106998E-09  | 0.1595168E-01  | 0.2903794E-01  | 0.3249326E-01  | 0.2832296E-01  |
| 0.174998E-01   | 0.5668271E-02  | -0.6235407E-02 | -0.1477422E-01 | -0.1534840E-01 | 0.3418090E-01  | 0.5889764E-02  |
| 0.4086978E-10  | 0.5037686E-02  | -0.1708071E-01 | -0.3356317E-01 | -0.4392330E-01 | -0.4806722E-01 | -0.4833473E-01 |
| -0.4582314E-01 | -0.4254993E-01 | -0.4162712E-01 | 0.7894051E-01  | -0.1529648E-01 | 0.5391898E-09  | -0.1566891E-01 |
| -0.2888640E-01 | -0.3240944E-01 | -0.2831812E-01 | -0.1777101E-01 | -0.5738678E-02 | 0.6152722E-02  | 0.1467537E-01  |
| 0.1524076E-01  | -0.2684545E-01 | -0.3743005E-01 | 0.4961060E-10  | -0.3768498E-01 | -0.4546890E-01 | -0.4828042E-01 |
| -0.4456090E-01 | -0.3423074E-01 | -0.1935766E-01 | -0.1865942E-02 | 0.1559449E-01  | 0.3005946E-01  | -0.3380967E-01 |
| 0.4348465E-02  | 0.1106996E-10  | -0.2999355E-02 | 0.2702484E-01  | 0.5194855E-01  | 0.6725196E-01  | 0.7007260E-01  |
| 0.6433659E-01  | 0.5219725E-01  | 0.3806898E-01  | 0.2768403E-01  | 0.2413358E-01  | 0.3437151E-01  | -0.1347261E-11 |
| 0.3470304E-01  | 0.4278283E-01  | 0.4587809E-01  | 0.4234636E-01  | 0.3206506E-01  | 0.1729553E-01  | 0.6375965E-04  |
| -0.1688291E-01 | -0.3068522E-01 | 0.3698439E-01  | 0.7534164E-02  | -0.3568918E-10 | 0.6153492E-02  | -0.2418453E-01 |
| -0.4937470E-01 | -0.6478349E-01 | -0.6765355E-01 | -0.6208534E-01 | -0.5034894E-01 | -0.3688195E-01 | -0.2728044E-01 |
| -0.4671955E-04 | -0.3300744E-04 | -0.2006330E-04 | -0.2006329E-04 | -0.1289781E-03 | -0.1802539E-04 | -0.3445151E-02 |
| -0.3441807E-02 | 0.878770E-02   | 0.877818E-02   | 0.3879258E-02  | 0.3867833E-02  | -0.9158143E-02 | -0.9141385E-02 |
| -0.1833816E-01 | -0.1320465E-01 | -0.4390507E-02 | -0.2891275E-03 | 0.1835300E-01  | 0.1320124E-01  | 0.4484786E-02  |
| 0.3538850E-03  | 0.2966383E-05  | 0.5733213E-04  | 0.3207177E-04  | -0.8737947E-06 | 0.3791650E-02  | -0.1449781E-01 |
| 0.5375801E-01  | -0.5510034E-04 | 0.2670139E-04  | -0.4841090E-04 | 0.1115579E-01  | 0.4947859E-01  | 0.1729240E-01  |
| 0.2697266E-04  | 0.1699266E-03  | -0.1577714E-03 | -0.3392497E-02 | 0.1470842E-01  | -0.5378416E-01 | 0.5267503E-04  |
| -0.2523092E-04 | 0.4095147E-04  | -0.1148124E-01 | -0.4949502E-01 | -0.1753151E-01 | -0.2823317E-04 | -0.1720049E-03 |
| 0.1633981E-03  | -0.6581467E-02 | 0.4844341E-01  | -0.5774176E-02 | 0.9527808E-05  | 0.1311497E-03  | -0.9993547E-04 |
| 0.5029933E-01  | 0.1594500E-01  | 0.2203858E-02  | 0.2187536E-03  | -0.1220683E-03 | 0.4467608E-03  | 0.6713847E-02  |
| -0.4857320E-01 | 0.5764889E-02  | -0.1498634E-04 | -0.1291292E-03 | 0.9401855E-04  | -0.5045589E-01 | -0.1596746E-01 |
| -0.227346E-02  | -0.2129733E-03 | 0.1201192E-03  | -0.4454435E-03 | 0.4191840E-01  | 0.3855662E-01  | 0.3621658E-01  |
| 0.3360717E-01  | 0.3241856E-01  | 0.1005167E-00  | 0.9755896E-01  | 0.9368663E-01  | 0.8817862E-01  | 0.8068700E-01  |
| -0.6158910E-04 |                |                |                |                |                |                |

SA-8 RUN #1 MODE 4 XN 3 354867

|                 |                |                |                |                |                |                |
|-----------------|----------------|----------------|----------------|----------------|----------------|----------------|
| 0.2358934E-00   | 0.2160644E-00  | 0.1957463E-00  | 0.1817403E-00  | 0.1667510E-00  | 0.1609605E-00  | 0.1505236E-00  |
| 0.1414953E-00   | 0.1331572E-00  | 0.1287734E-00  | 0.1279533E-00  | 0.1176010E-00  | 0.1116714E-00  | 0.1015116E-00  |
| 0.9314885E-01   | 0.8436652E-01  | 0.7858136E-01  | 0.7492184E-01  | 0.7327746E-01  | 0.7246933E-01  | 0.7244522E-01  |
| 0.7304973E-01   | 0.7329548E-01  | 0.9027357E-02  | 0.7213264E-01  | 0.7448241E-01  | 0.7586523E-01  | 0.7744068E-01  |
| 0.              | 0.             | -0.9504690E-01 | 0.7760175E-01  | 0.             | 0.             | 0.             |
| -0.8731674E-01  | -0.1002798E-01 | -0.1537766E-01 | -0.5476870E-01 | -0.3589257E-01 | -0.3589257E-01 | -0.2371077E-01 |
| -0.3623545E-01  | 0.6410461E-01  | -0.9085749E-01 | -0.2291723E-01 | -0.2288595E-01 | -0.9933349E-02 | 0.1122864E-01  |
| -0.1153423E-00  | -0.1139794E-00 | -0.1040543E-00 | -0.9227018E-01 | 0.             | -0.9465478E-01 | -0.1086470E-00 |
| 0.4259761E-01   | 0.3980539E-01  | 0.3411471E-01  | 0.3995096E-01  | 0.4371266E-01  | 0.1345192E-01  | 0.2817130E-01  |
| 0.              | 0.9960635E-01  | 0.1327334E-01  | 0.6510738E-02  | 0.4371266E-01  | 0.4665175E-01  | 0.4633306E-01  |
| 0.5118479E-01   | 0.1327334E-01  | -0.4372331E-01 | 0.1149299E-00  | -0.1016042E-01 | 0.9101289E-01  | 0.9912731E-01  |
| -0.4146641E-01  | -0.5622944E-01 | -0.5622944E-01 | -0.8012434E-01 | 0.3139548E-01  | 0.8216895E-01  | 0.8216895E-01  |
| 0.1074359E-01   | -0.6444365E-01 | -0.6444365E-01 | 0.2833088E-01  | -0.3858593E-01 | 0.1036314E-00  | -0.3872817E-01 |
| -0.7280750E-01  | 0.             | 0.             | 0.4812037E-01  | -0.3139548E-01 | 0.             | -0.5096662E-02 |
| -0.3570938E-01  | 0.             | 0.             | 0.3575236E-01  | -0.2459041E-02 | 0.3211976E-01  | -0.7709229E-01 |
| -0.2319074E-01  | 0.1256618E-01  | 0.7679246E-01  | 0.7574846E-01  | 0.3581491E-01  | -0.3427607E-01 | -0.3721233E-01 |
| 0.7889148E-01   | 0.7679246E-01  | 0.3233287E-01  | 0.3561935E-01  | 0.8437007E-01  | 0.7887795E-01  | -0.3062415E-01 |
| -0.3377214E-01  | 0.3212045E-01  | 0.2847980E-01  | 0.2121849E-01  | 0.6305585E-01  | 0.4684109E-01  | 0.             |
| 0.7298477E-03   | 0.9221249E-03  | 0.8271107E-03  | 0.8805438E-03  | 0.1098600E-01  | 0.3426107E-01  | 0.2412128E-01  |
| 0.1027657E-02   | 0.1342671E-02  | 0.1059534E-02  | 0.1102276E-02  | 0.9568774E-03  | -0.1342523E-02 | 0.3380828E-01  |
| 0.1342224E-02   | 0.1394344E-02  | 0.1453846E-02  | 0.1505939E-02  | 0.1110382E-02  | 0.9467822E-03  | -0.1457954E-01 |
| 0.1647241E-02   | 0.1695566E-02  | 0.             | 0.1686607E-02  | 0.1567729E-02  | 0.1151704E-02  | 0.1003127E-02  |
| 0.1801652E-05   | 0.             | -0.1722282E-03 | 0.2020455E-02  | 0.1702407E-02  | 0.1719682E-02  | 0.1220766E-02  |
| -0.             | 0.8770210E-03  | -0.7741381E-03 | 0.1627348E-02  | 0.             | 0.             | 0.1594151E-02  |
| 0.1501339E-02   | 0.1450230E-02  | 0.1415924E-02  | 0.1395609E-02  | 0.1578129E-02  | 0.             | 0.1785096E-02  |
| 0.1546584E-02   | 0.1430361E-02  | 0.2183054E-01  | 0.2574775E-02  | 0.1360989E-02  | 0.1359989E-02  | 0.1410856E-02  |
| -0.2121739E-01  | -0.2574985E-01 | -0.2576218E-01 | -0.2359136E-01 | -0.2022279E-01 | 0.2079766E-02  | -0.1198649E-01 |
| 0.5501615E-01   | 0.9437637E-02  | 0.9737241E-10  | 0.8253135E-02  | -0.2510168E-01 | -0.1739857E-01 | -0.1756559E-01 |
| -0.6025950E-01  | -0.567959E-01  | -0.5030627E-01 | -0.4519471E-01 | -0.4636820E-01 | -0.4733264E-01 | -0.5988708E-01 |
| 0.3594604E-10   | -0.2408507E-02 | 0.1163737E-01  | 0.2094620E-01  | -0.2538910E-01 | -0.2217566E-01 | -0.2937662E-02 |
| 0.2006740E-01   | 0.1732974E-01  | 0.1752244E-01  | 0.5527009E-01  | 0.9588725E-02  | 0.2410674E-01  | 0.2337028E-01  |
| 0.2505893E-01   | 0.4732602E-01  | 0.5892897E-01  | 0.6029837E-01  | 0.5686134E-01  | 0.2549884E-01  | 0.5988708E-01  |
| 0.4639467E-01   | -0.261179E-01  | -0.1336513E-01 | -0.4373320E-10 | -0.1280374E-01 | -0.4741710E-09 | -0.8399307E-02 |
| 0.2225243E-01   | 0.2677897E-01  | 0.2798253E-01  | 0.2656028E-01  | 0.2410674E-01  | 0.5055606E-01  | 0.4523781E-01  |
| -0.6693392E-01  | -0.6261263E-01 | -0.5572391E-01 | -0.1790806E-02 | -0.3192812E-01 | 0.7423859E-03  | 0.1310465E-01  |
| 0.1549331E-01   | 0.7025300E-03  | -0.1301058E-01 | -0.2321566E-01 | -0.2825392E-01 | 0.2288466E-01  | 0.6348328E-01  |
| -0.2481772E-01  | -0.2319280E-01 | -0.6664923E-01 | -0.6548454E-01 | -0.2051065E-01 | -0.5409813E-01 | -0.6463661E-01 |
| 0.3211730E-01   | 0.5523183E-01  | 0.6619741E-01  | 0.6848107E-01  | 0.3145153E-10  | 0.2950809E-01  | -0.2777889E-01 |
| -0.1616244E-03  | -0.1735960E-03 | -0.1849210E-03 | -0.1849210E-03 | 0.6384496E-01  | 0.5650871E-01  | 0.5208277E-01  |
| 0.1417304E-01   | -0.5710829E-02 | -0.5710651E-02 | -0.1398293E-01 | 0.2644583E-03  | 0.6717972E-04  | 0.1419647E-01  |
| 0.2041908E-01   | 0.1704066E-01  | 0.8572525E-02  | 0.7170609E-02  | -0.1395217E-01 | 0.5521536E-02  | 0.5509958E-02  |
| -0.7161632E-02  | 0.3147741E-04  | 0.2253846E-05  | -0.1081321E-03 | 0.3145153E-10  | -0.1704486E-01 | -0.8659392E-02 |
| -0.9368323E-03  | 0.5298300E-04  | 0.2333528E-04  | -0.4472562E-02 | 0.9321519E-06  | 0.5743523E-02  | 0.7371948E-01  |
| -0.2384053E-04  | -0.2231094E-03 | 0.7945112E-04  | -0.5498507E-02 | 0.7363409E-02  | 0.3155769E-02  | -0.7517017E-01 |
| -0.2302589E-04  | 0.4180264E-04  | 0.9157236E-02  | -0.3194322E-02 | -0.7363409E-02 | 0.1018948E-02  | -0.5312312E-04 |
| -0.7539410E-04  | 0.6502649E-01  | 0.3976521E-02  | 0.9618842E-03  | 0.5284567E-04  | 0.2455178E-04  | 0.2224764E-03  |
| 0.1715743E-03   | -0.7347523E-01 | 0.5744874E-03  | -0.3115344E-03 | 0.7415246E-03  | -0.2738956E-03 | 0.1244510E-03  |
| -0.3983825E-02  | -0.9530470E-02 | -0.5584677E-04 | 0.2251430E-03  | -0.1250006E-03 | -0.4596867E-03 | -0.6493265E-01 |
| -0.4813524E-03  | 0.3143885E-03  | -0.7554118E-04 | 0.4613513E-03  | 0.1118878E-07  | -0.2545253E-03 | 0.7350269E-01  |
| 0.9654122E-01   | 0.8849357E-01  | -0.2412583E-01 | -0.7397876E-01 | -0.2302642E-01 | 0.1063932E-09  | 0.1014100E-00  |
| -0.14141512E-03 |                |                |                |                |                | -0.1859768E-01 |

|                |                |                |                |                 |                |                |
|----------------|----------------|----------------|----------------|-----------------|----------------|----------------|
| 0.2149261E-00  | 0.1993887E-00  | 0.1861503E-00  | 0.1723191E-00  | 0.1603593E-00   | 0.1557021E-00  | 0.1473416E-00  |
| 0.1400981E-00  | 0.1331589E-00  | 0.1295296E-00  | 0.1245005E-00  | 0.1199020E-00   | 0.1146041E-00  | 0.1056177E-00  |
| 0.9817442E-01  | 0.9030104E-01  | 0.8510276E-01  | 0.8180169E-01  | 0.8019490E-01   | 0.7939368E-01  | 0.7922407E-01  |
| 0.7959984E-01  | 0.7959454E-01  | 0.7959454E-01  | 0.7917503E-01  | 0.8047969E-01   | 0.8153689E-01  | 0.8276353E-01  |
| 0.             | 0.             | -0.9459309E-02 | 0.8217324E-01  | 0.              | 0.             | 0.             |
| 0.             | -0.8565970E-01 | -0.9256860E-01 | -0.5481701E-01 | -0.3686216E-01  | -0.2511106E-01 | -0.2511106E-01 |
| 0.             | -0.1039608E-01 | -0.1358389E-01 | -0.1815423E-01 | -0.1555274E-01  | -0.1832419E-01 | -0.1832419E-01 |
| 0.4101281E-01  | 0.6649793E-01  | -0.9367500E-01 | -0.1072514E-00 | 0.              | -0.1077813E-00 | -0.1262215E-00 |
| 0.1295944E-00  | -0.1286414E-00 | -0.1173899E-00 | -0.9331519E-01 | -0.5871331E-01  | -0.1634351E-01 | -0.3013678E-01 |
| 0.2776019E-01  | 0.2483302E-01  | 0.             | 0.2479362E-01  | 0.2364192E-01   | 0.2320604E-01  | 0.2172736E-01  |
| 0.1909105E-01  | 0.1394661E-01  | 0.1199337E-00  | -0.1456371E-02 | -0.1023886E-01  | 0.9368946E-01  | 0.1068349E-00  |
| 0.             | 0.1074491E-00  | 0.3048041E-01  | 0.1286878E-00  | 0.1276435E-00   | 0.2368946E-01  | 0.1068349E-00  |
| 0.5795872E-01  | 0.1578832E-01  | -0.2299399E-01 | -0.2821330E-01 | -0.2499694E-01  | 0.1164054E-00  | 0.9241309E-01  |
| -0.2357015E-01 | -0.2299399E-01 | -0.7727534E-01 | -0.1890700E-01 | -0.137796E-01   | 0.             | -0.2498209E-01 |
| 0.1046915E-01  | -0.8200254E-01 | -0.4566252E-01 | -0.2292592E-01 | -0.4196711E-02  | 0.6691472E-02  | 0.1649337E-02  |
| -0.7065036E-01 | -0.6203505E-01 | -0.3468920E-01 | -0.3170651E-01 | -0.2932887E-01  | -0.7576991E-01 | -0.749998E-01  |
| -0.3476110E-01 | -0.2627488E-02 | 0.9096468E-02  | 0.2139358E-01  | -0.2922887E-01  | 0.3323033E-01  | -0.3939450E-01 |
| -0.1284388E-01 | 0.7642543E-01  | 0.7607126E-01  | 0.7191446E-01  | 0.8120943E-01   | 0.4678075E-01  | -0.2074207E-01 |
| -0.7734535E-01 | 0.3301879E-01  | 0.3798957E-01  | 0.3351847E-01  | 0.6330597E-01   | 0.3344908E-01  | 0.             |
| -0.3635613E-02 | 0.2447150E-01  | 0.1949446E-01  | 0.1168647E-01  | 0.1695587E-02   | -0.9714814E-02 | -0.2161376E-01 |
| 0.2809797E-01  | 0.2389959E-01  | 0.2238650E-01  | 0.2083244E-01  | 0.1953504E-01   | 0.1899644E-01  | 0.1812583E-01  |
| 0.2565564E-01  | 0.1662825E-01  | 0.1625163E-01  | 0.1572323E-01  | 0.1518992E-01   | 0.1458777E-01  | 0.1355347E-01  |
| 0.1734854E-01  | 0.1172469E-01  | 0.1058362E-01  | 0.1046770E-01  | 0.1016406E-01   | 0.9805902E-02  | 0.9575422E-02  |
| 0.1271863E-01  | 0.9125641E-02  | -0.9125641E-02 | 0.9271908E-02  | 0.8895938E-02   | 0.8676322E-02  | 0.8507441E-02  |
| 0.9357469E-02  | 0.             | -0.9125641E-02 | 0.8135134E-02  | 0.              | 0.             | 0.             |
| 0.1163520E-05  | -0.3960367E-02 | -0.5707762E-02 | -0.2723731E-02 | -0.2378991E-02  | -0.2053028E-02 | -0.2053028E-02 |
| -0.1604020E-02 | -0.7127370E-03 | 0.2646967E-03  | 0.1508729E-02  | 0.2959501E-02   | 0.4310163E-02  | 0.5529192E-02  |
| 0.6577602E-02  | 0.7867171E-02  | 0.1828386E-01  | 0.1994152E-02  | 0.1963628E-10   | 0.1590389E-02  | -0.1008984E-01 |
| -0.1756214E-01 | -0.2112395E-01 | -0.2094487E-01 | 0.1906614E-01  | -0.1624036E-01  | -0.1384780E-01 | -0.1386933E-01 |
| 0.5625246E-01  | 0.1213822E-01  | -0.8796501E-10 | 0.1097102E-01  | -0.2170314E-01  | -0.4428355E-01 | -0.5720637E-01 |
| -0.6073809E-01 | 0.1941943E-02  | -0.5546316E-01 | -0.5132509E-01 | -0.5198520E-01  | -0.1859911E-01 | -0.2375183E-02 |
| -0.3247212E-10 | 0.1368423E-01  | 0.9678664E-02  | 0.1709713E-01  | 0.2064765E-01   | 0.2054938E-01  | 0.1871516E-01  |
| 0.1596870E-01  | 0.4427716E-01  | 0.1379194E-01  | -0.5643917E-01 | -0.1224729E-01  | -0.428265E-09  | -0.1107615E-01 |
| 0.2167698E-01  | 0.3082205E-01  | 0.5723266E-01  | 0.6075428E-01  | 0.5968149E-01   | 0.5548247E-01  | 0.51333781E-01 |
| 0.1347972E-01  | 0.1944282E-01  | -0.1964602E-01 | -0.3953787E-10 | -0.1915273E-01  | -0.7182668E-02 | 0.4183611E-02  |
| 0.3541264E-01  | 0.8846687E-11  | 0.2318496E-01  | 0.2500038E-01  | -0.2588722E-01  | 0.2743452E-01  | 0.6194227E-01  |
| -0.5469242E-01 | -0.5407044E-01 | -0.3412650E-01 | 0.5808922E-02  | 0.1998418E-01   | -0.3967299E-01 | -0.5022165E-01 |
| 0.2131806E-01  | 0.7869864E-02  | -0.5127579E-01 | -0.5043611E-01 | 0.3351405E-01   | 0.2194476E-01  | 0.1073437E-11  |
| -0.2726514E-01 | -0.2801750E-01 | -0.5067937E-02 | -0.1556580E-01 | -0.22208759E-01 | -0.2580575E-01 | -0.2712037E-01 |
| 0.2123844E-01  | 0.4202905E-01  | 0.6472445E-01  | -0.3741163E-01 | 0.2838723E-10   | 0.3602984E-01  | -0.6145449E-02 |
| -0.1564641E-03 | 0.1674380E-03  | 0.530541E-01   | -0.1778348E-03 | 0.5623128E-01   | 0.5265031E-01  | 0.5098141E-01  |
| 0.1439198E-01  | -0.4822282E-02 | -0.4822282E-02 | -0.1778348E-03 | 0.2492440E-03   | 0.6320022E-04  | 0.1439748E-01  |
| 0.1846762E-01  | 0.1546011E-01  | 0.8181943E-02  | -0.1399758E-01 | -0.1398977E-01  | 0.4451328E-02  | 0.4451401E-02  |
| -0.7202195E-02 | 0.2970837E-04  | 0.1006705E-04  | 0.7722609E-02  | 0.1856425E-01   | -0.1547297E-01 | -0.8269256E-02 |
| 0.5929204E-02  | 0.4797995E-04  | 0.3030453E-04  | -0.1042863E-03 | -0.9938095E-07  | 0.6744182E-02  | 0.7557919E-01  |
| -0.2017230E-04 | -0.2037434E-03 | 0.5711419E-04  | 0.6268038E-04  | -0.7487608E-02  | 0.9512360E-02  | -0.7668547E-01 |
| -0.289307E-04  | 0.5656035E-04  | 0.7162902E-02  | -0.6326768E-02 | -0.7541433E-01  | -0.5826875E-02 | 0.4890514E-04  |
| -0.5030814E-04 | 0.6790544E-01  | 0.1013995E-01  | -0.9575738E-02 | 0.7656757E-01   | 0.2068019E-04  | 0.2027624E-03  |
| 0.6275970E-02  | -0.7494725E-01 | 0.7786609E-03  | 0.8918179E-02  | 0.5294411E-04   | -0.2097076E-03 | 0.1063807E-03  |
| -0.1019862E-01 | -0.8835571E-02 | -0.5840016E-04 | -0.2747235E-03 | 0.5962588E-04   | -0.3924415E-03 | -0.6775481E-01 |
| -0.6926646E-03 | 0.2801101E-03  | -0.6197062E-04 | 0.2120338E-03  | -0.1090284E-03  | -0.6432637E-02 | 0.7498227E-01  |
| 0.1035130E-03  | 0.9612733E-01  | -0.1131757E-01 | 0.4017679E-03  | 0.1174602E-00   | 0.1124601E-00  | 0.1079267E-00  |
| -0.1454308E-03 | -0.1172011E-01 | -0.1172011E-01 | -0.1172011E-01 | -0.1141866E-01  | -0.1049038E-01 | -0.9032997E-02 |

|                |                |                |                |                |                |                |
|----------------|----------------|----------------|----------------|----------------|----------------|----------------|
| 0.2878103E-00  | 0.2653252E-00  | 0.2453258E-00  | 0.2264845E-00  | 0.2094566E-00  | 0.2028342E-00  | 0.1913572E-00  |
| 0.1813295E-00  | 0.1720725E-00  | 0.1673449E-00  | 0.1599187E-00  | 0.1530408E-00  | 0.1449841E-00  | 0.1311262E-00  |
| 0.1192000E-00  | 0.1060332E-00  | 0.9690062E-01  | 0.8464587E-01  | 0.8408244E-01  | 0.7999422E-01  | 0.7627754E-01  |
| 0.7287474E-01  | 0.6964598E-01  | -0.6102594E-02 | 0.5368983E-01  | 0.6652453E-01  | 0.6350007E-01  | 0.6057564E-01  |
| -0.7888276E-01 | -0.7824179E-01 | -0.7524179E-01 | -0.8154316E-01 | -0.8745356E-01 | -0.8313137E-01 | -0.8313137E-01 |
| -0.8270009E-01 | -0.8255740E-01 | -0.8255740E-01 | -0.8255740E-01 | -0.8255740E-01 | -0.8255740E-01 | -0.8255740E-01 |
| 0.4174447E-01  | 0.5472717E-01  | 0.4771791E-01  | 0.9116431E-02  | 0.5077313E-01  | 0.4504938E-01  | 0.361P720E-01  |
| 0.3781484E-01  | 0.9543874E-02  | 0.2211664E-01  | 0.9116431E-02  | 0.1563196E-02  | 0.1067407E-01  | 0.1729977E-01  |
| 0.2199589E-01  | 0.2287949E-01  | 0.9452777E-03  | 0.2256505E-01  | 0.1520283E-01  | 0.5460821E-01  | 0.2527802E-01  |
| 0.2134004E-01  | 0.4453960E-01  | 0.3638709E-01  | 0.2181317E-01  | 0.3842615E-01  | 0.4832826E-01  | 0.5244795E-01  |
| -0.5124630E-01 | 0.1166086E-01  | 0.1836495E-01  | 0.9116431E-02  | 0.9030467E-02  | 0.2290095E-01  | 0.8598158E-02  |
| 0.2355589E-02  | 0.5552010E-01  | 0.2847338E-01  | 0.4928326E-01  | 0.2753017E-01  | 0.3892591E-02  | 0.1988587E-01  |
| 0.1547343E-01  | 0.4333258E-01  | 0.1121275E-01  | 0.1863614E-01  | 0.7929460E-02  | 0.1470617E-01  | 0.1697671E-01  |
| 0.3285959E-01  | 0.2081619E-01  | 0.1621488E-01  | 0.1521544E-01  | 0.5561038E-01  | 0.2884152E-01  | 0.1910382E-01  |
| 0.2134004E-01  | 0.4494232E-02  | 0.3608755E-01  | 0.3202114E-01  | 0.4250415E-01  | 0.4754587E-01  | 0.4754587E-01  |
| 0.2790844E-01  | 0.3608755E-01  | 0.1812459E-01  | 0.2020828E-01  | 0.2012684E-01  | 0.1819900E-01  | 0.1724C12E-02  |
| 0.4321556E-01  | 0.1371954E-01  | 0.1245104E-02  | 0.1108463E-02  | 0.9915139E-03  | 0.9426910E-03  | 0.1506361E-01  |
| 0.7039974E-02  | 0.1376513E-02  | 0.6904404E-03  | 0.6316243E-03  | 0.5739587E-03  | 0.5067917E-03  | 0.8644702E-03  |
| 0.1528403E-02  | 0.7248346E-03  | 0.1770973E-03  | 0.2278090E-04  | 0.1976320E-04  | 0.6722251E-04  | 0.3904646E-03  |
| 0.7926993E-03  | 0.1447936E-03  | 0.1950896E-03  | 0.1610318E-03  | 0.2251594E-03  | 0.2648484E-03  | 0.1061163E-03  |
| 0.2426256E-03  | 0.2529251E-03  | 0.8532139E-03  | 0.3853618E-03  | 0.1928056E-03  | 0.4526735E-04  | 0.3010131E-03  |
| 0.1447936E-03  | 0.2779302E-03  | 0.4271680E-03  | 0.1972129E-03  | 0.8141779E-05  | 0.4526735E-04  | 0.0            |
| 0.1743281E-03  | 0.1430626E-03  | 0.1027268E-03  | 0.4913468E-04  | 0.0814779E-05  | 0.4526735E-04  | 0.0            |
| 0.1758932E-04  | 0.5209188E-04  | 0.2436426E-01  | 0.1733033E-01  | 0.1577034E-19  | 0.1707965E-01  | 0.5209188E-04  |
| 0.4985370E-02  | 0.9622559E-04  | 0.3873358E-02  | 0.6947993E-02  | 0.9248028E-01  | 0.1097726E-01  | 0.1097726E-01  |
| 0.5934367E-01  | 0.4088646E-01  | 0.1988594E-19  | 0.4022934E-01  | 0.2384907E-01  | 0.8927708E-02  | 0.3340702E-02  |
| 0.1298664E-01  | 0.1998498E-01  | 0.2481866E-01  | 0.2803846E-01  | 0.3072429E-01  | 0.2455307E-02  | 0.1742949E-01  |
| 0.117596E-19   | 0.1717458E-01  | 0.1081339E-01  | 0.4947265E-02  | 0.2251603E-04  | 0.3956015E-02  | 0.7036408E-02  |
| 0.9324951E-02  | 0.1193575E-01  | 0.1235492E-01  | 0.5952757E-01  | 0.4101714E-01  | 0.9521758E-19  | 0.4036017E-01  |
| 0.3970100E-02  | 0.8970100E-02  | 0.333517E-02   | 0.1296644E-01  | 0.2002329E-01  | 0.2486659E-01  | 0.2808714E-01  |
| 0.2924967E-01  | 0.2924967E-01  | 0.2955252E-01  | 0.2433385E-19  | 0.2950366E-01  | 0.2873260E-01  | 0.2661537E-01  |
| 0.2302334E-01  | 0.1802158E-01  | 0.1190229E-01  | 0.5014427E-02  | 0.2223572E-02  | 0.941116E-02   | 0.6913637E-01  |
| 0.6948048E-01  | 0.1524083E-02  | 0.6933192E-01  | 0.6688717E-01  | 0.6118948E-01  | 0.5212645E-01  | 0.3986615E-01  |
| 0.2545014E-01  | 0.946062E-02   | 0.7033709E-02  | 0.2334192E-01  | 0.2915490E-01  | 0.2929343E-01  | 0.6178426E-02  |
| 0.2422374E-01  | 0.2908668E-01  | 0.2537116E-01  | 0.216942E-01   | 0.1659371E-01  | 0.1057658E-01  | 0.3962863E-02  |
| 0.2889682E-02  | 0.6665179E-02  | 0.6937544E-01  | 0.6941539E-01  | 0.1401022E-20  | 0.6924404E-01  | 0.6635146E-01  |
| 0.6020479E-01  | 0.5082673E-01  | 0.9974307E-05  | 0.2413079E-01  | 0.8380866E-02  | 0.780524E-02   | 0.2365868E-01  |
| 0.776032E-05   | 0.8905877E-05  | 0.5577987E-02  | 0.1329009E-01  | 0.2028716E-04  | 0.4890051E-05  | 0.1348368E-01  |
| 0.134592E-01   | 0.5577987E-02  | 0.1925742E-02  | 0.4000714E-02  | 0.4874343E-02  | 0.5380355E-02  | 0.5380355E-02  |
| 0.4859077E-02  | 0.981708E-02   | 0.1021348E-06  | 0.1473659E-03  | 0.1668913E-06  | 0.9875527E-07  | 0.1925517E-02  |
| 0.3999237E-02  | 0.1568073E-05  | 0.6332299E-05  | 0.1503446E-03  | 0.7675570E-02  | 0.1342354E-02  | 0.5389466E-01  |
| 0.1223095E-06  | 0.3763021E-05  | 0.6589252E-05  | 0.1267236E-02  | 0.5584942E-01  | 0.1715007E-03  | 0.3765589E-05  |
| 0.5836236E-05  | 0.1471335E-03  | 0.7493331E-02  | 0.1267236E-02  | 0.5396186E-01  | 0.5178769E-06  | 0.1147086E-01  |
| 0.9445384E-05  | 0.5048383E-01  | 0.1615701E-03  | 0.8189592E-02  | 0.6089456E-05  | 0.1669384E-03  | 0.1573543E-06  |
| 0.2863227E-01  | 0.5376004E-01  | 0.2270169E-03  | 0.2561890E-03  | 0.5183800E-04  | 0.7937983E-04  | 0.5040766E-01  |
| 0.1664229E-03  | 0.8186777E-02  | 0.3465609E-05  | 0.1682295E-03  | 0.8694497E-06  | 0.2790811E-02  | 0.5379448E-01  |
| 0.2375771E-03  | 0.2557605E-03  | 0.5317949E-04  | 0.8113373E-04  | 0.1450355E-00  | 0.1362284E-00  | 0.1288565E-00  |
| 0.1211054E-00  | 0.1118535E-00  | 0.3226836E-01  | 0.3603941E-01  | 0.2934141E-01  | 0.2748202E-01  | 0.2505109E-01  |
| 0.6567221E-05  |                |                |                |                |                |                |

|               |               |               |               |               |
|---------------|---------------|---------------|---------------|---------------|
| 0.2148927E-00 | 0.1787972E-00 | 0.1688896E-00 | 0.1650196E-00 | 0.1588989E-00 |
| 0.1535192E-00 | 0.1904318E-00 | 0.1365676E-00 | 0.1307452E-00 | 0.1204971E-00 |
| 0.111114E-00  | 0.1436392E-00 | 0.7676669E-01 | 0.7039310E-01 | 0.6360637E-01 |
| 0.5645037E-01 | 0.9200667E-01 | 0.4237459E-01 | 0.3474744E-01 | 0.2701257E-01 |
| 0.            | 0.            | 0.            | 0.            | 0.            |
| 0.1258155E-01 | 0.2764785E-02 | 0.4759514E-01 | 0.            | 0.5934569E-01 |
| 0.6484642E-01 | 0.1905341E-01 | 0.4632339E-01 | 0.5784927E-01 | 0.5398401E-01 |
| 0.3966084E-01 | 0.5266827E-01 | 0.632339F-01  | 0.3872249E-01 | 0.5967901E-01 |
| 0.8305437E-01 | 0.2382837E-01 | 0.            | 0.6662706E-01 | 0.3789528E-01 |
| 0.1494909E-02 | 0.1004924E-00 | 0.9074760E-01 | 0.4375420E-01 | 0.5233476E-01 |
| 0.5659566E-01 | 0.141594E-01  | 0.1886337E-01 | 0.2194925E-01 | 0.3835648E-01 |
| 0.            | 0.5423457E-01 | 0.116024E-00  | 0.110223E-00  | 0.1070875E-00 |
| 0.9149341E-01 | 0.3946451E-01 | 0.1946098E-01 | 0.            | 0.1998642E-01 |
| 0.3133723E-01 | 0.6701648E-01 | 0.5397220E-01 | 0.4595477E-01 | 0.3348907E-01 |
| 0.1856186E-01 | 0.4326024E-01 | 0.1861565E-02 | 0.2232516E-02 | 0.1047762E-01 |
| 0.2120697E-01 | 0.1073928E-01 | 0.3461778E-01 | 0.2963810E-01 | 0.7373841E-02 |
| 0.5630799E-02 | 0.3245291E-01 | 0.1273690E-01 | 0.1795886E-01 | 0.2251689E-01 |
| 0.2371285E-01 | 0.            | 0.9171280E-02 | 0.9098696E-05 | 0.            |
| 0.2120347E-03 | 0.2180028E-01 | 0.3021846E-01 | 0.3588476E-01 | 0.3648179E-01 |
| 0.3351483E-01 | 0.3904254E-03 | 0.            | 0.3556589E-02 | 0.5205834E-02 |
| 0.9659490E-02 | 0.2926847E-01 | 0.1926464E-01 | 0.1595428E-01 | 0.1184797E-01 |
| 0.5357938E-03 | 0.1461464E-01 | 0.8369528F-03 | 0.8095563E-03 | 0.8940591E-03 |
| 0.9229715E-03 | 0.6366578E-03 | 0.7266055E-03 | 0.1073880E-02 | 0.1164131E-02 |
| 0.1350535E-02 | 0.9349917E-03 | 0.1019217E-03 | 0.1073880E-02 | 0.1670707E-02 |
| 0.1747704E-02 | 0.1411329E-02 | 0.1655364E-02 | 0.1565804E-02 | 0.1924545E-02 |
| 0.1028317E-04 | 0.1799638E-02 | 0.1812911E-02 | 0.1826217E-02 | 0.            |
| 0.1487590E-02 | 0.1485405E-03 | 0.            | 0.            | 0.            |
| 0.1193245E-02 | 0.1224387E-02 | 0.1740563E-02 | 0.1624912E-02 | 0.            |
| 0.3628775E-01 | 0.1086689E-02 | 0.7649529E-03 | 0.7342810E-03 | 0.8566553E-03 |
| 0.1495393E-01 | 0.7984197E-02 | 0.3291478E-10 | 0.2497955E-01 | 0.3437435E-01 |
| 0.4337202E-01 | 0.3178302E-01 | 0.1478971E-02 | 0.1015005E-01 | 0.1238643E-01 |
| 0.5446112E-10 | 0.5203270E-01 | 0.7604258E-01 | 0.7604258E-01 | 0.6542151E-01 |
| 0.1570955E-02 | 0.1821232E-01 | 0.8033415E-02 | 0.8033415E-02 | 0.2477195E-01 |
| 0.7295195E-01 | 0.2507847E-01 | 0.2720729E-01 | 0.2184276E-01 | 0.1007103E-01 |
| 0.5894646E-01 | 0.1023802E-01 | 0.3172631E-01 | 0.7183982E-09 | 0.5268888E-01 |
| 0.6177395E-01 | 0.7624995E-01 | 0.5214048E-01 | 0.2393440E-01 | 0.2393440E-01 |
| 0.1064345E-00 | 0.7159912E-02 | 0.1830253E-01 | 0.6220535E-02 | 0.5468029E-01 |
| 0.2362485E-01 | 0.5419098E-01 | 0.2588060E-01 | 0.4265306E-01 | 0.5468029E-01 |
| 0.1347909E-01 | 0.6740954E-01 | 0.1358839E-01 | 0.1543600E-02 | 0.1739842E-01 |
| 0.1383413E-00 | 0.4282988E-01 | 0.3657052E-02 | 0.1466660E-00 | 0.1346029E-00 |
| 0.1095732E-03 | 0.5846655E-03 | 0.5900436E-01 | 0.2275607E-01 | 0.1799248E-11 |
| 0.8779069E-03 | 0.1504667E-00 | 0.4759879E-10 | 0.4749142E-01 | 0.3101213E-01 |
| 0.2216741E-01 | 0.1271281E-03 | 0.7032526E-01 | 0.6182014E-01 | 0.1060861E-00 |
| 0.4694658E-02 | 0.2629565E-03 | 0.3022921E-03 | 0.2822084E-01 | 0.5371102E-02 |
| 0.2858322E-02 | 0.1078951E-01 | 0.1446796E-03 | 0.6592848E-04 | 0.8885304E-03 |
| 0.4166128E-04 | 0.2602749E-04 | 0.3535210E-03 | 0.2870198E-03 | 0.2920492E-03 |
| 0.2074586E-04 | 0.7619314E-04 | 0.4667530E-02 | 0.2224385E-01 | 0.9469763E-02 |
| 0.1307796E-03 | 0.4048124E-05 | 0.3594991E-04 | 0.5271140E-06 | 0.9280819E-02 |
| 0.3011962E-02 | 0.2229182E-04 | 0.1677120E-03 | 0.5029774E-02 | 0.4821634E-02 |
| 0.4738927E-02 | 0.1708839E-03 | 0.9790502E-02 | 0.2186733E-01 | 0.2926279E-02 |
| 0.1352920E-02 | 0.1751881E-03 | 0.4858994E-02 | 0.1819886E-01 | 0.4181391E-04 |
| 0.1909667E-00 | 0.3053994E-01 | 0.5113541E-02 | 0.8510494E-04 | 0.1695787E-03 |
| 0.8920202E-04 | 0.1980032E-01 | 0.2293607E-03 | 0.5550227E-04 | 0.1971874E-03 |
|               | 0.5023982E-02 | 0.1438418E-02 | 0.6177267E-03 | 0.3080806E-01 |
|               | 0.2359659E-03 | 0.9214519E-04 | 0.2011719E-03 | 0.1980774E-01 |
|               | 0.1038800E-00 | 0.5870131E-04 | 0.1296801E-00 | 0.1156239E-00 |
|               |               | 0.3046991E-01 | 0.2642181E-01 | 0.2493513E-01 |

|                 |                |                |                |                 |                |                |
|-----------------|----------------|----------------|----------------|-----------------|----------------|----------------|
| 0.2704173E-00   | 0.2467669E-00  | 0.2271196E-00  | 0.2067973E-00  | 0.1897399E-00   | 0.1832880E-00  | 0.1724335E-00  |
| 0.1632611E-00   | 0.1551283E-00  | 0.1512769E-00  | 0.1445673E-00  | 0.1383595E-00   | 0.1310454E-00  | 0.1189262E-00  |
| 0.1069597E-00   | 0.9395276E-01  | 0.8453086E-01  | 0.7413223E-01  | 0.6792052E-01   | 0.6137306E-01  | 0.5456795E-01  |
| 0.4752120E-01   | 0.4114244E-01  | 0.0            | 0.4531857E-01  | 0.3383997E-01   | 0.2646626E-01  | 0.1901913E-01  |
| 0.0             | 0.0            | -0.2186073E-02 | 0.6165169E-02  | 0.0             | 0.0            | 0.0            |
| 0.1071283E-01   | 0.1071283E-01  | 0.1705766E-01  | -0.2737370E-01 | -0.4836902E-01  | 0.0            | -0.6010830E-01 |
| -0.5538632E-01  | -0.5538632E-01 | -0.2916073E-01 | 0.6288125E-02  | 0.3661997E-01   | 0.4804110E-01  | 0.4564656E-01  |
| 0.3417949E-01   | 0.2130507E-01  | 0.2108018E-01  | 0.3749971E-01  | 0.0             | 0.3844911E-01  | 0.5949909E-01  |
| 0.8279334E-01   | 0.9994654E-01  | 0.1088376E-00  | 0.1044457E-00  | 0.8850451E-01   | 0.6381554E-01  | 0.3454800E-01  |
| -0.5150876E-02  | -0.1217449E-01 | 0.0            | -0.1256597E-01 | -0.2178043E-01  | -0.3214654E-01 | -0.4008168E-01 |
| -0.4474079E-01  | -0.4392259E-01 | -0.3833013E-01 | -0.2912000E-01 | -0.1800555E-01  | -0.2141584E-01 | -0.3792501E-01 |
| 0.0             | -0.3903063E-01 | -0.6013959E-01 | -0.8354664E-01 | -0.1007833E-00  | -0.1096860E-00 | -0.1051909E-00 |
| -0.8904791E-01  | -0.6406976E-01 | -0.3442107E-01 | 0.5661221E-02  | 0.1241975E-01   | 0.0            | 0.1285528E-01  |
| 0.2181991E-01   | 0.3209950E-01  | 0.4017046E-01  | 0.4487695E-01  | 0.4407012E-01   | 0.3841648E-01  | 0.2907722E-01  |
| 0.1776806E-01   | 0.9015000E-02  | 0.1059113E-02  | -0.0           | 0.1285306E-02   | 0.2612132E-02  | 0.1157605E-01  |
| 0.2264588E-01   | 0.3374916E-01  | 0.3879269E-01  | 0.3825841E-01  | 0.3377634E-01   | 0.2778027E-01  | 0.8359210E-02  |
| 0.635558E-02    | 0.0            | 0.6525539E-02  | 0.8153575E-02  | 0.1278552E-01   | 0.1753046E-01  | 0.2150695E-01  |
| 0.2208463E-01   | 0.1955874E-01  | 0.1479396E-01  | 0.9045611E-02  | -0.7384631E-02  | 0.9469007E-03  | -0.0           |
| 0.6973907E-03   | -0.2222055E-03 | -0.8808481E-02 | -0.1962595E-01 | -0.3070307E-01  | -0.3597284E-01 | -0.3598031E-01 |
| -0.3230196E-01  | -0.2728149E-01 | -0.6379941E-02 | -0.3872849E-02 | -0.4020950E-02  | -0.4020950E-02 | -0.5200629E-02 |
| -0.9141656E-02  | -0.1354420E-01 | -0.1747493E-01 | -0.1835672E-01 | -0.0            | -0.1283973E-01 | -0.8378620E-02 |
| -0.7725928E-02  | -0.7488287E-02 | -0.7225424E-02 | -0.6991406E-02 | -0.6704861E-02  | -0.6704861E-02 | -0.6605016E-02 |
| -0.6471362E-02  | -0.6330589E-02 | -0.6257747E-02 | -0.6193343E-02 | -0.6065741E-02  | -0.5964568E-02 | -0.5785247E-02 |
| -0.5729905E-02  | -0.5533107E-02 | -0.5326666E-02 | -0.5234348E-02 | -0.5342413E-02  | -0.5180325E-02 | -0.5204972E-02 |
| -0.5210383E-02  | -0.5189544E-02 | -0.0           | -0.5236152E-02 | -0.5141037E-02  | -0.5095307E-02 | -0.5130149E-02 |
| -0.8811582E-05  | -0.0           | 0.4926407E-03  | -0.5255313E-02 | -0.0            | -0.0           | -0.0           |
| 0.1073084E-02   | 0.1073084E-02  | 0.3121255E-02  | 0.1019893E-04  | -0.5179520E-04  | -0.0           | -0.1191329E-03 |
| -0.24239105E-03 | -0.4623117E-03 | -0.7538616E-03 | -0.1154745E-02 | -0.1663678E-02  | -0.2202623E-02 | -0.2792535E-02 |
| -0.3682949E-02  | -0.4421083E-02 | 0.8845833E-02  | 0.2334332E-01  | 0.3220775E-10   | 0.2353963E-01  | 0.3129246E-01  |
| 0.3233772E-01   | 0.2787306E-01  | 0.1875098E-01  | 0.8238230E-02  | -0.2205978E-02  | -0.1025636E-01 | -0.1288198E-01 |
| 0.1383787E-01   | 0.4851678E-01  | 0.1434486E-09  | 0.4901907E-01  | 0.6785527E-01   | 0.7127067E-01  | 0.6230080E-01  |
| 0.4307194E-01   | 0.2108645E-01  | -0.7011234E-03 | -0.1725756E-01 | -0.8934194E-02  | -0.8934194E-02 | -0.2340060E-01 |
| 0.5328741E-10   | -0.2364484E-01 | -0.3137181E-01 | -0.3235214E-01 | -0.2783451E-01  | -0.1875969E-02 | -0.8183579E-02 |
| 0.2294947E-02   | 0.1034257E-01  | 0.1299151E-01  | -0.1384734E-01 | -0.4861540E-01  | 0.7029119E-09  | -0.4912269E-01 |
| -0.6804898E-01  | -0.7144602E-01 | -0.6247399E-01 | -0.4316737E-01 | -0.2115006E-01  | 0.7105270E-03  | -0.1731610E-01 |
| 0.2197895E-01   | -0.4924634E-02 | -0.2107124E-01 | 0.6484283E-10  | -0.2161350E-01  | -0.3608300E-01 | -0.4617613E-01 |
| -0.4967908E-01  | -0.4563403E-01 | -0.3650323E-01 | -0.2399373E-01 | -0.1086812E-01  | -0.5482421E-03 | 0.1699809E-01  |
| 0.5638170E-01   | 0.1450164E-10  | 0.5792988E-01  | 0.9377313E-01  | 0.1182202E-00   | 0.1258444E-00  | 0.1140696E-00  |
| 0.8936760E-01   | 0.5599454E-01  | 0.2116885E-01  | -0.6610895E-02 | 0.1715184E-02   | 0.1893915E-01  | -0.1760626E-11 |
| 0.1969339E-01   | 0.3658743E-01  | 0.4901699E-01  | 0.5412460E-01  | 0.5060350E-01   | 0.4109875E-01  | 0.2754357E-01  |
| 0.1311303E-01   | 0.1511899E-02  | -0.1417903E-01 | -0.5471396E-01 | -0.4657451E-10  | -0.5639725E-01 | -0.9441160E-01 |
| 0.1209593E-00   | -0.1298965E-00 | -0.1184943E-00 | -0.9336766E-01 | -0.5902757E-01  | -0.2300617E-01 | 0.5947512E-02  |
| 0.8289548E-04   | 0.1013749E-03  | 0.1188657E-03  | 0.1188657E-03  | -0.2820321E-03  | -0.5819902E-04 | -0.9736754E-03 |
| -0.9926490E-03  | -0.1257513E-03 | -0.1163577E-03 | 0.4217976E-03  | 0.4410078E-03   | 0.6978804E-03  | 0.6868495E-03  |
| -0.2018162E-01  | -0.9117093E-02 | -0.8712969E-02 | -0.4275632E-02 | 0.2026445E-01   | 0.9125989E-02  | 0.8854659E-02  |
| 0.4303621E-02   | -0.2185493E-04 | -0.7101583E-05 | -0.4174668E-04 | 0.4999123E-06   | 0.8309146E-02  | 0.1970372E-01  |
| -0.3343581E-03  | -0.7242699E-04 | -0.2618364E-04 | -0.1461200E-03 | -0.30975301E-02 | -0.7562564E-02 | -0.1634615E-01 |
| 0.3743074E-04   | 0.1500234E-03  | -0.1211471E-03 | -0.8828970E-02 | 0.1992733E-01   | 0.2556516E-03  | 0.7455578E-04  |
| 0.2454430E-04   | 0.1540061E-03  | -0.2560447E-02 | 0.7613077E-02  | 0.1654797E-01   | -0.3763380E-04 | -0.1486752E-03 |
| 0.1114605E-04   | 0.2763744E-01  | -0.7239244E-02 | -0.4254675E-02 | -0.8090097E-04  | 0.1159981E-03  | -0.1748859E-03 |
| -0.5192937E-02  | -0.1815897E-01 | -0.1290650E-02 | 0.1857413E-03  | -0.5086872E-04  | 0.5655156E-03  | -0.2790583E-01 |
| 0.7322086E-02   | 0.4179314E-02  | 0.8808595E-04  | -0.1186671E-03 | 0.1791214E-03   | 0.5440535E-02  | 0.1816323E-01  |
| 0.1217832E-02   | -0.1925555E-03 | 0.5411797E-04  | -0.5683052E-03 | 0.1295297E-03   | 0.1200284E-00  | 0.1127341E-00  |
| 0.1049479E-00   | 0.9820430E-01  | -0.3552045E-01 | -0.3259304E-01 | -0.3074285E-01  | -0.2939141E-01 | -0.2805509E-01 |
| 0.6375938E-04   | -0.0           | -0.0           | -0.0           | -0.0            | -0.0           | -0.0           |



SA-8 RUN #1 MODE 9 XN = 1 345992

|                |                |                |                |                |                |                |
|----------------|----------------|----------------|----------------|----------------|----------------|----------------|
| 0.4615449E-00  | 0.4008480E-00  | 0.3501574E-00  | 0.2979016E-00  | 0.25541588E-00 | 0.2375632E-00  | 0.2084993E-00  |
| 0.1841386E-00  | 0.1624501E-00  | 0.1516905E-00  | 0.1366104E-00  | 0.1230121E-00  | 0.1075308E-00  | 0.8111134E-01  |
| 0.5854522E-01  | 0.3399879E-01  | 0.1700779E-01  | 0.1645810E-02  | -0.6709660E-02 | -0.1415675E-01 | -0.2089655E-01 |
| -0.2706208E-01 | -0.3285731E-01 | 0.             | -0.2948833E-01 | -0.3854264E-01 | -0.4405796E-01 | -0.4941336E-01 |
| 0.             | 0.             | 0.2615019E-02  | -0.6142519E-01 | 0.             | 0.             | 0.             |
| 0.             | 0.2866168E-01  | 0.2779292E-01  | 0.2444597E-01  | 0.2202894E-01  | 0.             | 0.2119236E-01  |
| 0.2177036F-01  | 0.2618582E-01  | 0.3226754E-01  | 0.3820893E-01  | 0.4006557E-01  | 0.3575163E-01  | 0.2745258E-01  |
| 0.1669156E-01  | 0.4934322E-02  | 0.1754425E-01  | 0.5151640E-02  | 0.             | 0.4823127E-02  | -0.4047315E-02 |
| -0.9713791E-02 | -0.1227813E-01 | -0.1195014E-01 | -0.9743782E-02 | -0.5835630E-02 | -0.3938935E-03 | 0.6194164E-02  |
| -0.6888701E-02 | -0.2135834E-02 | 0.             | -0.2006603E-02 | 0.1320411E-02  | 0.3388179E-02  | 0.4294088E-02  |
| 0.4105373E-02  | 0.3258515E-02  | 0.1810290E-02  | 0.1890577E-03  | -0.2606615E-02 | -0.1749564E-01 | -0.5253842E-02 |
| 0.             | -0.4973013E-02 | 0.3792029E-02  | 0.9382025E-02  | 0.1193296E-01  | 0.1165934E-01  | 0.9576134E-02  |
| 0.5841704E-02  | 0.6079168E-03  | 0.5745173E-02  | 0.6837618E-02  | 0.2271287E-02  | 0.             | 0.2161133E-02  |
| -0.1043882E-02 | -0.3011915E-02 | -0.3852084E-02 | -0.3707992E-02 | -0.2983123E-02 | -0.1726078E-02 | 0.3254189E-04  |
| 0.2177797E-02  | 0.1679914E-01  | 0.3969940E-02  | 0.             | 0.3628630E-02  | -0.5797856E-02 | -0.1217557E-01 |
| -0.1530648F-01 | -0.1526900E-01 | -0.1259895E-01 | -0.8685011E-02 | -0.2631884E-02 | -0.4652613E-02 | 0.7512103E-02  |
| 0.1964147E-02  | 0.3502236E-02  | 0.1823472E-02  | 0.2255569E-02  | -0.4979233E-02 | -0.6325428E-02 | -0.6305754E-02 |
| -0.5332629E-02 | 0.5944692E-02  | -0.9313686E-03 | 0.2156910E-02  | -0.1672106E-01 | -0.3864802E-02 | 0.             |
| -0.3529957E-02 | 0.5487996E-02  | 0.1238156E-01  | 0.1556677E-01  | 0.1555939E-01  | 0.1328020E-01  | 0.8932891E-02  |
| 0.2800195E-02  | 0.4587996E-02  | -0.7418547E-02 | -0.1912096E-02 | 0.             | 0.1771498E-02  | 0.2283461E-02  |
| 0.5072214E-02  | 0.6458467E-02  | 0.6470960E-02  | 0.5511751E-02  | -0.3655037E-02 | 0.1035241E-02  | -0.2127587E-02 |
| 0.2205102E-01  | 0.1916420E-01  | 0.1676390E-01  | 0.1428003E-01  | 0.1218693E-01  | 0.1140669E-01  | 0.1001016E-01  |
| 0.8846932E-02  | 0.7812331E-02  | 0.7296875E-02  | 0.6560453E-02  | 0.5899754E-02  | 0.5128478E-02  | 0.3812346E-02  |
| 0.2669934E-02  | 0.1453657E-02  | 0.2170584E-05  | -0.1458076E-03 | -0.5647323E-03 | -0.8969138E-03 | -0.1230365E-02 |
| -0.1527027E-02 | -0.1803666E-02 | 0.             | -0.1654601E-02 | -0.2059865E-02 | -0.2307562E-02 | -0.2563489E-02 |
| 0.4591964E-06  | 0.             | 0.1304880E-03  | -0.3146533E-02 | 0.             | 0.             | 0.             |
| -0.            | 0.6107122E-03  | 0.6647182E-03  | 0.6169743E-03  | 0.6182150E-03  | -0.            | 0.6221831E-03  |
| 0.6306519E-03  | 0.6520128E-03  | 0.6744342E-03  | 0.6921913E-03  | 0.6849367E-03  | 0.6323774E-03  | 0.5289202E-03  |
| 0.3533108E-03  | 0.1592568E-04  | -0.2124143E-02 | 0.1036917E-01  | 0.5449570E-11  | 0.1068568E-01  | 0.19611315E-01 |
| 0.2465858E-01  | 0.2526774E-01  | 0.2193813E-01  | 0.1600791E-01  | 0.8809353E-02  | 0.2096400E-02  | -0.2143622E-02 |
| -0.6331390E-02 | 0.2442069E-01  | 0.2445541E-10  | 0.2520596E-01  | 0.4720622E-01  | 0.5964011E-01  | 0.6112660E-01  |
| 0.5293984E-01  | 0.3836445E-01  | 0.2069376E-01  | 0.4276298E-02  | 0.5997117E-02  | 0.2105020E-02  | -0.1056816E-01 |
| 0.9028518E-11  | -0.1089787E-01 | -0.1995364E-01 | -0.2596971E-01 | -0.2568753E-01 | -0.2232448E-01 | -0.1630004E-01 |
| -0.8984846E-02 | -0.2162763E-02 | 0.2163761E-02  | 0.6462735E-02  | -0.2438716E-01 | 0.1191062E-09  | -0.2517435E-01 |
| -0.4721882E-01 | -0.5967230E-01 | -0.6117564E-01 | -0.5298216E-01 | -0.3840307E-01 | -0.2071091E-01 | -0.4267607E-02 |
| 0.6040450E-02  | 0.8588467E-02  | 0.6624817E-02  | 0.1097057E-10  | 0.6678705E-02  | 0.6665157E-02  | 0.7920100E-02  |
| 0.9711571E-02  | 0.1139665E-01  | 0.1217798E-02  | 0.1166864E-01  | 0.9610255E-02  | 0.6013565E-02  | -0.1903409E-01 |
| -0.1348021E-01 | 0.2449798E-11  | -0.1347672E-01 | -0.1164683E-01 | -0.1270406E-01 | -0.1548536E-01 | -0.1889839E-01 |
| -0.2112781E-01 | -0.2123762E-01 | -0.1835348E-01 | -0.1213082E-01 | -0.8227424E-02 | -0.5090610E-02 | -0.2978529E-12 |
| -0.5032127E-02 | -0.3160996E-02 | -0.2554896E-02 | -0.3046966E-02 | -0.4312584E-02 | -0.5603877E-02 | -0.6420161E-02 |
| -0.6208676E-02 | -0.4586882E-02 | 0.1882440E-01  | 0.1219394E-01  | -0.7886553E-11 | 0.1209546E-01  | 0.8525584E-02  |
| 0.7798768E-02  | 0.9330879E-02  | 0.1231619E-01  | 0.1500507E-01  | 0.1635044E-01  | 0.1521208E-01  | 0.1086804E-01  |
| -0.3069285E-04 | 0.2713802E-04  | -0.2376549E-04 | -0.2376549E-04 | -0.2107514E-04 | 0.1053057E-05  | -0.7021106E-02 |
| -0.7003241E-02 | 0.7791050E-02  | 0.2783910E-02  | 0.6081593E-02  | 0.6064307E-02  | -0.1826962E-02 | -0.1823162E-02 |
| -0.7018797E-02 | -0.4848250E-02 | -0.3254132E-02 | -0.2324505E-02 | 0.7037167E-02  | 0.6858487E-02  | 0.3259119E-02  |
| 0.2334585E-02  | 0.3465678E-05  | -0.3270459E-05 | 0.5175994E-04  | 0.3229013E-06  | -0.5750268E-02 | 0.1208616E-02  |
| -0.1027208E-03 | -0.7736683E-05 | -0.2090449E-04 | 0.6057061E-04  | 0.2440397E-02  | 0.3260421E-03  | -0.2063202E-02 |
| 0.4028904E-05  | 0.4288867E-04  | 0.1542940E-04  | 0.4922287E-02  | 0.2429149E-04  | -0.8075347E-04 | 0.1001753E-04  |
| 0.1845320E-04  | -0.4518418E-04 | -0.1562795E-02 | -0.1028696E-03 | 0.2353002E-02  | -0.4935710E-05 | -0.4008440E-04 |
| -0.2028907E-06 | 0.4059394E-02  | -0.4034474E-03 | -0.3851350E-02 | -0.1867964E-05 | 0.7520280E-04  | -0.6943522E-05 |
| 0.2065799E-02  | -0.1682672E-02 | 0.1118473E-03  | 0.1177135E-03  | -0.3148296E-04 | 0.1000273E-04  | -0.4446142E-02 |
| 0.5198668E-03  | 0.3863609E-02  | 0.1024448E-04  | 0.8071195E-04  | 0.1452867E-04  | 0.1000273E-04  | -0.6446142E-02 |
| -0.1209642E-03 | -0.1296692E-03 | 0.3733632E-04  | -0.1062120E-03 | 0.1127914E-00  | -0.9529262E-01 | 0.1625493E-02  |
| 0.6633472E-01  | 0.4915443E-01  | -0.1992705E-01 | -0.1719522E-01 | -0.1476427E-01 | -0.1210119E-01 | -0.8822550E-02 |

|                |                |                |                |                |                |
|----------------|----------------|----------------|----------------|----------------|----------------|
| 0.3950816E-00  | 0.2864400E-00  | 0.2355831E-00  | 0.1931760E-00  | 0.1772033E-00  | 0.1483787E-00  |
| 0.1244958E-00  | 0.9250514E-01  | 0.7977976E-01  | 0.6860138E-01  | 0.5637567E-01  | 0.3586832E-01  |
| 0.1916768E-01  | -0.9451996E-02 | -0.1783617E-01 | -0.2124570E-01 | -0.2291473E-01 | -0.2324406E-01 |
| -0.2245256E-01 | 0.             | -0.2220036E-01 | -0.1955594E-01 | -0.1745275E-01 | -0.1502641E-01 |
| 0.             | 0.7946350E-03  | -0.1050308E-01 | 0.             | 0.             | 0.             |
| -0.6594341E-01 | -0.9926036E-01 | -0.7690108E-01 | -0.6794351E-01 | 0.             | -0.6439355E-01 |
| -0.5049824E-01 | -0.1104524E-00 | -0.1413504E-00 | -0.1562505E-00 | -0.1400219E-00 | -0.1021900E-00 |
| 0.1375180E-01  | -0.6655773E-01 | -0.3035274E-01 | 0.             | -0.2932746E-01 | -0.2590217E-02 |
| 0.2779422E-01  | 0.2004286E-01  | 0.1872780E-01  | 0.1503533E-02  | 0.3223518E-02  | -0.5441013E-02 |
| -0.7145356E-02 | -0.5461191E-02 | 0.1217548E-01  | 0.9958435E-02  | -0.5479465E-02 | 0.7895805E-02  |
| 0.             | 0.2980067E-01  | -0.3107882E-03 | 0.3423631E-02  | 0.6694137E-01  | 0.3072649E-01  |
| -0.1003142E-01 | 0.3587834E-02  | -0.1335278E-01 | -0.1967547E-01 | -0.1843248E-01 | -0.1488805E-01 |
| -0.1619223E-02 | 0.5063624E-02  | -0.2850931E-01 | -0.1322621E-01 | 0.             | -0.1281935E-01 |
| -0.2711563E-02 | 0.7412207E-02  | 0.6690956E-02  | 0.5126320E-02  | 0.3140796E-02  | 0.5740182E-03  |
| 0.3494887E-01  | -0.2712449E-01 | 0.             | -0.2592331E-01 | 0.5398823E-02  | 0.2614978E-01  |
| -0.1198222E-01 | 0.2721531E-01  | 0.1792893E-01  | 0.6180735E-02  | -0.7686133E-02 | -0.2829331E-01 |
| 0.9074618E-02  | -0.1146634E-01 | 0.1026832E-02  | 0.8963141E-02  | 0.1219279E-01  | 0.1142555E-01  |
| 0.2545595E-01  | 0.1966766E-02  | -0.2665683E-02 | 0.6689859E-01  | 0.2659467E-01  | -0.            |
| -0.6055423E-02 | -0.2578923E-01 | -0.3441929E-01 | -0.3298291E-01 | -0.2682879E-01 | -0.1768563E-01 |
| -0.8857951E-02 | 0.2697170E-01  | 0.117110E-01   | -0.            | -0.1075085E-01 | -0.1129195E-02 |
| 0.1697814E-01  | -0.118799E-01  | -0.8963112E-02 | -0.5852115E-02 | -0.1989415E-02 | 0.2670900E-02  |
| 0.6530218E-02  | 0.1282277E-01  | 0.1088012E-01  | 0.9282433E-02  | 0.8609450E-02  | 0.7559443E-02  |
| 0.1741950E-02  | 0.5355251E-02  | 0.4806846E-02  | 0.4225369E-02  | 0.3611571E-02  | 0.2550150E-02  |
| -0.1724305E-02 | -0.3633158E-03 | -0.5613835E-03 | -0.8526214E-03 | -0.1280120E-02 | -0.1498937E-02 |
| 0.1322133E-04  | -0.            | -0.1794967E-02 | -0.2229360E-02 | -0.2489834E-02 | -0.2664120E-02 |
| -0.            | 0.1484807E-03  | -0.2925890E-02 | -0.            | -0.            | -0.            |
| 0.5528069E-02  | 0.4173066E-02  | 0.5796866E-02  | 0.5707139E-02  | -0.            | 0.5631532E-02  |
| 0.1276428E-02  | 0.5288729E-02  | 0.4943659E-02  | 0.3531681E-02  | 0.2629257E-02  | 0.1831929E-02  |
| -0.2778587E-01 | 0.9657182E-03  | 0.2125721E-01  | -0.4253300E-10 | -0.2879837E-02 | -0.1937966E-01 |
| 0.5032608E-01  | -0.2752814E-01 | -0.2013242E-01 | 0.2207720E-02  | 0.1003270E-01  | 0.9016022E-02  |
| -0.4658062E-01 | -0.4241687E-02 | -0.1908448E-09 | -0.4370760E-01 | -0.6315796E-01 | -0.6283005E-01 |
| -0.7047173E-10 | -0.2263751E-01 | 0.2639154E-02  | 0.1859112E-01  | -0.2123419E-01 | 0.2428992E-02  |
| -0.2377587E-02 | 0.3053448E-02  | 0.1959086E-01  | 0.2763617E-01  | 0.2021414E-01  | 0.9187557E-02  |
| 0.4391935E-01  | -0.1028131E-01 | -0.534795E-02  | 0.4298144E-02  | -0.9296784E-09 | 0.5656689E-02  |
| -0.1895772E-01 | 0.6337068E-01  | 0.6302341E-01  | 0.2259315E-01  | -0.2831272E-02 | -0.2054878E-01 |
| 0.5416784E-01  | -0.2292572E-01 | -0.3396142E-02 | -0.2342511E-02 | 0.2097576E-01  | 0.4190536E-01  |
| 0.7962783E-02  | 0.5533232E-01  | 0.4688793E-01  | 0.1504562E-01  | 0.3043143E-02  | 0.5858226E-01  |
| -0.1270716E-00 | -0.1911692E-10 | 0.4963755E-02  | -0.1122134E-00 | -0.1453007E-00 | -0.1489466E-00 |
| 0.3210943E-02  | -0.8708936E-01 | -0.4213269E-01 | 0.2573767E-01  | 0.4562507E-02  | 0.2324857E-11  |
| -0.2101651E-01 | -0.2399523E-01 | -0.4927689E-01 | -0.6745870E-01 | -0.5837574E-01 | 0.4096573E-01  |
| 0.1196612E-00  | -0.5685089E-02 | -0.7698241E-01 | 0.6155684E-10  | -0.5203148E-02 | 0.6005997E-01  |
| -0.2114166E-03 | 0.1556403E-00  | 0.1603186E-00  | 0.9525624E-01  | 0.4716495E-01  | 0.1046121E-01  |
| 0.7102202E-02  | -0.2265910E-03 | -0.2414424E-03 | 0.3360646E-03  | 0.9729814E-04  | 0.7215359E-02  |
| 0.2223932E-01  | -0.3550309E-02 | 0.3504133E-02  | -0.5550308E-02 | 0.2023248E-02  | 0.1972038E-02  |
| -0.6968280E-02 | 0.1820447E-01  | 0.8631654E-02  | -0.2229079E-01 | -0.1818164E-01 | -0.8799072E-02 |
| -0.4498662E-02 | 0.4473679E-04  | -0.1834586E-05 | -0.1802996E-05 | -0.1996895E-02 | 0.1155884E-01  |
| -0.4537719E-04 | 0.6040151E-04  | 0.1622233E-05  | -0.1679838E-01 | 0.8716272E-03  | -0.1176499E-01 |
| -0.1967063E-05 | -0.2220706E-03 | 0.1726941E-03  | -0.1080609E-01 | 0.4597011E-02  | -0.6687456E-04 |
| -0.1469490E-03 | -0.2163123E-03 | 0.1543184E-01  | 0.1103942E-01  | 0.4473649E-04  | 0.2176444E-03  |
| 0.5889661E-03  | 0.7807201E-02  | 0.3506877E-02  | 0.6490237E-04  | -0.2653064E-03 | 0.2299846E-03  |
| -0.3794019E-02 | -0.1152183E-01 | 0.1666528E-02  | -0.1393995E-03 | -0.7445977E-02 | 0.8480847E-02  |
| -0.1515605E-02 | -0.1469140E-01 | -0.8445209E-04 | -0.2442705E-03 | -0.1239968E-02 | 0.1148996E-01  |
| 0.2788234E-01  | 0.7208772E-03  | -0.1487130E-03 | 0.6125552E-01  | 0.4924890E-01  | 0.3874297E-01  |
| -0.1899614E-03 | 0.1338861E-01  | -0.9843918E-02 | -0.4488788E-02 | -0.5373986E-02 | -0.1609868E-02 |

|                |                |                |                 |                |                |
|----------------|----------------|----------------|-----------------|----------------|----------------|
| 0.1496005E-00  | 0.8516110E-01  | 0.5743540E-01  | 0.3641075E-01   | 0.2925592E-01  | 0.1743639E-01  |
| 0.9491885E-02  | 0.3391892E-02  | 0.5852289E-02  | 0.2820748E-02   | 0.3460314E-02  | 0.4672968E-02  |
| 0.5735305E-02  | 0.6948924E-02  | 0.5307500E-02  | 0.4582211E-02   | 0.3407409E-02  | 0.1810279E-02  |
| -0.1016410E-03 | -0.8761554E-03 | 0.3480518E-03  | -0.3004004E-02  | -0.5289399E-02 | -0.7654898E-02 |
| -0.            | -0.            | -0.1146629E-01 | -0.             | -0.            | -0.            |
| 0.9425487E-01  | 0.1861136E-00  | -0.5852757E-03 | 0.4894240E-01   | -0.            | -0.9134878E-01 |
| -0.2078676E-00 | -0.2327118E-00 | -0.2104722E-03 | -0.1382334E-00  | -0.            | 0.1666500E-01  |
| 0.9416982E-01  | 0.1512260E-00  | 0.9480239E-01  | -0.             | 0.9228780E-01  | 0.3447228E-01  |
| -0.4118560E-01 | -0.4370650E-01 | -0.3191008E-01 | -0.09575728E-02 | 0.1983077E-01  | 0.5314851E-01  |
| 0.3893438E-01  | 0.3480178E-02  | -0.3795799E-01 | -0.1447516E-01  | 0.5053488E-01  | 0.1589524E-01  |
| -0.9259043E-01 | -0.3464916E-01 | -0.8323722E-02 | -0.2184086E-01  | -0.1519704E-00 | -0.9539878E-01 |
| -0.1979642E-01 | -0.5310128E-01 | 0.1395335E-01  | 0.4134616E-01   | 0.4389185E-01  | 0.3202233E-01  |
| 0.5039972E-02  | 0.1627731E-01  | 0.6325786E-01  | 0.3989064E-01   | -0.            | 0.3880070E-01  |
| 0.1530601E-00  | 0.9644911E-01  | -0.1735522E-01 | -0.1262430E-02  | -0.            | 0.8206432E-02  |
| -0.5353802E-01 | -0.4044171E-01 | 0.             | 0.9372233E-01   | 0.3398505E-01  | -0.1831013E-01 |
| 0.             | 0.3980564E-01  | -0.1535024E-01 | 0.1685419E-01   | 0.5232632E-01  | 0.6438733E-01  |
| 0.5909303E-02  | 0.7226105E-02  | 0.1485969E-01  | -0.7096446E-02  | -0.2002557E-01 | -0.2162590E-01 |
| -0.323140E-01  | 0.2115370E-01  | 0.2170950E-01  | -0.1518475E-00  | -0.9521803E-01 | 0.             |
| -0.5237574E-01 | -0.6294609E-01 | 0.4909861E-01  | 0.5302898E-01   | 0.4000422E-01  | 0.1508631E-01  |
| 0.1968625E-01  | 0.2115370E-01  | -0.3954436E-01 | 0.              | -0.3840270E-01 | -0.1390415E-01 |
| 0.9860768E-03  | 0.5594140E-03  | 0.1579346E-01  | 0.5704254E-02   | -0.7319940E-02 | -0.2175141E-01 |
| 0.5710352E-03  | -0.6030720E-03 | 0.1624167E-03  | -0.7573659E-04  | -0.2137854E-03 | -0.3571965E-03 |
| -0.4010203E-03 | -0.3637626E-03 | -0.5902418E-03 | -0.6033896E-03  | -0.5875368E-03 | -0.5452600E-03 |
| -0.1292335E-03 | -0.            | -0.3156837E-03 | -0.2455209E-03  | -0.3189823E-03 | -0.2411927E-03 |
| 0.             | -0.5506265E-05 | -0.1156754E-03 | -0.1267955E-03  | -0.1117626E-03 | -0.3312038E-04 |
| 0.             | 0.2454356E-03  | 0.1252689E-03  | 0.              | 0.             | 0.             |
| -0.1482765E-02 | -0.1482765E-02 | -0.2147193E-03 | -0.5732838E-03  | -0.            | -0.8579702E-03 |
| -0.4304411E-04 | -0.4304411E-04 | -0.1407403E-02 | -0.1049074E-02  | -0.6381219E-03 | -0.2817346E-03 |
| 0.5476620E-02  | 0.5476620E-02  | -0.4766975E-01 | 0.8524417E-10   | -0.4677175E-01 | -0.2791848E-01 |
| -0.1140815E-00 | -0.1140815E-00 | 0.1002073E-01  | 0.1341661E-01   | -0.1204300E-01 | -0.2386459E-01 |
| 0.2818734E-01  | 0.2818734E-01  | -0.1118263E-00 | -0.6456049E-01  | -0.1775688E-01 | 0.1745273E-01  |
| 0.4708557E-01  | 0.4708557E-01  | -0.2672538E-01 | -0.5690877E-01  | 0.6410005E-01  | 0.4800797E-01  |
| 0.1207692E-01  | 0.1207692E-01  | 0.8643752E-02  | 0.5877524E-02   | -0.1176927E-01 | -0.1024133E-01 |
| 0.1765576E-01  | 0.1765576E-01  | 0.1543383E-00  | 0.1142369E-00   | 0.1872020E-08  | 0.1119773E-00  |
| 0.6539305E-01  | 0.6539305E-01  | -0.3173270E-01 | -0.2821774E-01  | -0.6726884E-02 | 0.2679924E-01  |
| 0.3810934E-10  | 0.3810934E-10  | 0.1714806E-09  | 0.5571173E-01   | 0.4330131E-01  | 0.2945311E-01  |
| -0.1790767E-01 | -0.1790767E-01 | 0.1078053E-01  | 0.1672605E-01   | 0.2391418E-01  | -0.1591425E-00 |
| -0.5120797E-01 | -0.5120797E-01 | -0.1045446E-03 | -0.6726858E-01  | -0.3475304E-01 | -0.1701616E-01 |
| -0.2353145E-01 | -0.2353145E-01 | -0.5510138E-01 | -0.7008049E-01  | -0.6406658E-01 | -0.4657947E-11 |
| 0.3655301E-01  | 0.3655301E-01  | -0.1982050E-01 | -0.1093670E-01  | -0.7453542E-02 | -0.9589621E-02 |
| 0.4915468E-03  | 0.4915468E-03  | 0.1460883E-00  | 0.1236866E-09   | 0.1443692E-00  | 0.1118833E-00  |
| -0.1841628E-02 | -0.1841628E-02 | 0.9918713E-02  | 0.1684555E-01   | 0.3434475E-01  | 0.5496666E-01  |
| 0.7264354E-03  | 0.7264354E-03  | 0.4963927E-03  | -0.4029416E-03  | -0.1796865E-03 | 0.3036025E-02  |
| -0.9711670E-04 | -0.9711670E-04 | -0.3076750E-02 | 0.3311703E-03   | 0.1831364E-02  | 0.1976041E-02  |
| 0.3657273E-04  | 0.3657273E-04  | -0.6449608E-02 | 0.1566890E-03   | 0.6956908E-03  | 0.6471685E-02  |
| -0.2431925E-03 | -0.2431925E-03 | -0.1599637E-05 | 0.3344097E-06   | 0.1843912E-01  | 0.1244123E-00  |
| 0.3976040E-03  | 0.3976040E-03  | -0.3982339E-03 | -0.1296046E-01  | -0.5775597E-02 | -0.1117153E-00 |
| 0.1121961E-00  | 0.1121961E-00  | -0.8446778E-04 | 0.1171979E-00   | -0.6198059E-03 | -0.3561099E-04 |
| -0.1056612E-00 | -0.1056612E-00 | 0.5609250E-02  | 0.1249281E-01   | 0.5988937E-05  | 0.2433083E-03  |
| -0.1276385E-01 | -0.1276385E-01 | 0.1249281E-01  | 0.3789003E-04   | -0.4119373E-03 | -0.1142102E-03 |
| -0.1276385E-01 | -0.1276385E-01 | -0.2296498E-03 | -0.1021058E-03  | 0.6226746E-03  | -0.1122608E-00 |
| 0.2297155E-03  | 0.2297155E-03  | 0.4118730E-03  | 0.1150653E-03   | -0.3036446E-02 | 0.1057320E-00  |
| 0.5417648E-02  | 0.5417648E-02  | -0.6211387E-03 | 0.2782457E-02   | 0.2180516E-02  | 0.2310371E-02  |
| 0.4568349E-03  | 0.4568349E-03  | 0.1339056E-02  | 0.1736333E-02   | 0.4947157E-03  | -0.1769864E-02 |

SA-8 RUN #1 MODE 12 XN = 01465022

|                |                |                |                |                 |                |                 |
|----------------|----------------|----------------|----------------|-----------------|----------------|-----------------|
| 0.3916274E-02  | 0.2016975E-02  | 0.9170536E-04  | -0.1063036E-02 | -0.2492324E-02  | -0.3107891E-02 | -0.3150288E-02  |
| -0.3827909E-02 | -0.4081560E-02 | -0.4284790E-02 | -0.7007865E-02 | -0.9844209E-02  | -0.1378442E-01 | -0.2031967E-01  |
| -0.2527388E-01 | -0.3078586E-01 | -0.3366871E-01 | -0.2665586E-01 | -0.2483357E-01  | -0.2087156E-01 | -0.1524239E-01  |
| 0.8013245E-02  | -0.7117863E-02 | 0.             | -0.1193031E-01 | 0.1881918E-02   | 0.1141777E-01  | 0.2148667E-01   |
| 0.             | 0.             | 0.3216936E-04  | -0.1764148E-03 | 0.              | 0.             | 0.              |
| 0.2645435E-00  | 0.3260831E-00  | -0.3266167E-00 | -0.5727191E-01 | 0.1018004E-00   | 0.             | 0.1979975E-00   |
| -0.3022213E-01 | 0.2633368E-00  | 0.1855999E-00  | 0.8344008E-01  | 0.1181207E-01   | -0.8639325E-02 | -0.1181079E-01  |
| 0.1566873E-01  | 0.1468334E-01  | -0.2205866E-00 | -0.6925099E-01 | 0.              | -0.6769683E-01 | 0.1413808E-02   |
| 0.8889567E-01  | 0.2729937E-01  | 0.             | -0.4159229E-03 | 0.7626705E-03   | -0.6055120E-02 | -0.2618553E-01  |
| 0.2395511E-03  | 0.1091637E-03  | -0.1362943E-02 | 0.2252850E-02  | -0.7223969E-03  | -0.5830212E-02 | -0.5696584E-02  |
| 0.8152098E-03  | 0.6138961E-02  | -0.1736294E-02 | -0.1580011E-01 | 0.1086858E-01   | 0.2214770E-00  | 0.6910493E-01   |
| 0.7499972E-03  | 0.6398969E-02  | 0.2629736E-01  | -0.9140877E-01 | -0.1477568E-01  | -0.1478453E-03 | 0.3625553E-03   |
| -0.1089952E-01 | -0.2322129E-00 | -0.7409502E-01 | -0.2675655E-03 | -0.2837179E-01  | 0.             | -0.2790551E-01  |
| 0.1964447E-01  | 0.2555212E-02  | -0.3303987E-03 | -0.4762147E-03 | -0.7877653E-04  | 0.7168589E-03  | -0.22217638E-02 |
| -0.3120687E-01 | 0.             | -0.3073088E-01 | 0.1521440E-02  | -0.7596583E-02  | 0.2370307E-02  | 0.2097443E-01   |
| -0.2053009E-03 | -0.1956579E-04 | -0.2860119E-02 | -0.1093927E-01 | 0.8712940E-02   | -0.2708494E-01 | -0.9940047E-01  |
| 0.7045149E-01  | -0.2505811E-02 | -0.2037257E-01 | -0.1911683E-01 | 0.2257892E-00   | 0.7167399E-01  | 0.              |
| 0.7516870E-02  | 0.2708535E-01  | 0.9205962E-01  | -0.2854325E-01 | -0.2286536E-02  | 0.2887843E-03  | 0.3675355E-03   |
| -0.8275204E-02 | -0.7471555E-02 | -0.5852068E-03 | 0.1370957E-03  | 0.              | 0.2814573E-01  | -0.1169610E-02  |
| -0.203473E-03  | -0.1073677E-04 | -0.1267992E-03 | -0.6356936E-04 | -0.1956039E-04  | 0.2764480E-02  | 0.1093178E-01   |
| 0.2995808E-03  | 0.2422749E-03  | 0.2206561E-03  | 0.3197705E-03  | 0.2539964E-03   | 0.3956650E-04  | 0.2995679E-03   |
| 0.3802421E-03  | 0.1080043E-03  | 0.1581288E-03  | 0.2872231E-04  | 0.2220040E-03   | 0.6940792E-04  | 0.1765832E-04   |
| -0.8421364E-04 | -0.9516487E-04 | 0.             | 0.1068015E-03  | -0.22951297E-03 | -0.4297043E-03 | -0.1991228E-03  |
| -0.1805620E-05 | 0.             | 0.1532344E-05  | 0.3746064E-04  | 0.              | -0.            | -0.             |
| 0.             | 0.2102678E-02  | -0.1787017E-02 | 0.3004502E-02  | 0.2196543E-02   | -0.            | 0.1557796E-02   |
| 0.8781423E-03  | 0.8005521E-04  | -0.2558893E-03 | -0.2922212E-03 | -0.1595148E-03  | -0.7285396E-04 | -0.2720481E-04  |
| 0.9350806E-04  | 0.4540073E-03  | 0.7309630E-01  | 0.2249690E-01  | -0.8038191E-10  | 0.2222386E-01  | 0.4102417E-03   |
| -0.2532966E-02 | -0.1735498E-02 | 0.2857900E-02  | 0.4440862E-03  | -0.2908516E-02  | -0.1662515E-02 | 0.7739692E-03   |
| 0.1772855E-00  | 0.5256273E-01  | -0.3565270E-09 | 0.5195497E-01  | -0.1070961E-02  | -0.7475212E-02 | -0.4324963E-02  |
| 0.7260505E-02  | 0.1547150E-02  | -0.6576638E-02 | -0.3844886E-02 | 0.1889827E-01   | -0.7383842E-01 | -0.2282468E-01  |
| -0.1315411E-09 | -0.2234032E-01 | -0.3175393E-03 | 0.2562128E-02  | 0.1649285E-02   | -0.2592185E-02 | -0.47999522E-03 |
| 0.2799075E-02  | 0.1642457E-02  | -0.7732528E-02 | -0.1779752E-00 | -0.5228308E-01  | -0.1733892E-08 | -0.5220898E-01  |
| 0.1157166E-02  | 0.7503922E-02  | 0.4424641E-02  | -0.7314134E-02 | -0.1519692E-02  | 0.6542251E-02  | 0.3836159E-02   |
| -0.1889749E-01 | -0.6863789E-01 | -0.2510489E-01 | -0.1620744E-09 | -0.2497901E-01  | -0.3494176E-02 | 0.1491113E-02   |
| 0.1054712E-02  | -0.4268225E-02 | -0.2923479E-02 | 0.3346058E-03  | -0.2434283E-03  | -0.9222724E-02 | 0.1758699E-00   |
| 0.6843838E-01  | -0.3666889E-10 | 0.6700244E-01  | 0.1026929E-01  | -0.3936566E-02  | -0.3764168E-02 | 0.9822415E-02   |
| 0.6721365E-02  | -0.8970987E-03 | 0.2562403E-03  | 0.2195908E-01  | 0.8777352E-01   | 0.4012618E-01  | 0.4397957E-11   |
| 0.3921938E-01  | 0.9516532E-02  | -0.8608957E-03 | -0.2424755E-02 | 0.3279923E-02   | 0.2815007E-02  | 0.2614838E-03   |
| 0.8654242E-03  | 0.9547558E-02  | -0.1952228E-00 | -0.8253906E-01 | 0.1155058E-09   | -0.8062170E-01 | -0.1586784E-01  |
| 0.3658019E-02  | 0.5126824E-02  | -0.8879354E-02 | -0.6661228E-02 | 0.3853023E-03   | -0.7903839E-03 | -0.2223106E-01  |
| -0.1655685E-03 | -0.7597255E-03 | -0.3501053E-03 | -0.3501060E-03 | 0.1283233E-02   | 0.1718381E-03  | 0.3762050E-02   |
| 0.5267121E-02  | -0.1435365E-02 | -0.2056324E-01 | -0.3658396E-02 | -0.5449615E-02  | 0.1421933E-02  | 0.2160347E-02   |
| 0.6902551E-01  | 0.1486199E-01  | 0.2800933E-01  | 0.5833284E-02  | -0.6955235E-01  | -0.1495226E-01 | -0.2865242E-01  |
| -0.5951436E-02 | 0.3939734E-04  | 0.2497540E-05  | 0.5101467E-03  | 0.2892917E-08   | -0.3539155E-01 | -0.6033152E-01  |
| -0.1482243E-01 | 0.4023193E-03  | 0.1919674E-03  | 0.2246837E-03  | 0.3358407E-01   | 0.1399727E-01  | 0.4852391E-01   |
| -0.1103934E-03 | -0.2611644E-03 | 0.2340437E-03  | 0.3527239E-01  | 0.6040991E-01   | 0.1480188E-01  | -0.4028105E-03  |
| -0.1931472E-03 | -0.2215095E-03 | -0.3340482E-01 | -0.1387696E-01 | -0.4852486E-01  | 0.1095708E-03  | 0.2601152E-03   |
| -0.237492E-03  | -0.8129173E-01 | 0.6168630E-02  | 0.2544897E-02  | 0.2080968E-03   | -0.2643712E-03 | 0.1977209E-03   |
| -0.6606103E-02 | 0.6734793E-01  | -0.7932338E-03 | 0.2629912E-03  | 0.1674366E-03   | -0.1020470E-02 | 0.8122767E-01   |
| -0.6206095E-02 | -0.2395756E-02 | -0.2075228E-03 | 0.2651357E-03  | -0.1988539E-03  | 0.6614767E-02  | -0.6734049E-01  |
| 0.9415140E-03  | -0.2637151E-03 | -0.1657712E-03 | 0.1020276E-02  | -0.1103281E-01  | -0.1124199E-01 | -0.1274088E-01  |
| -0.9601448E-02 | -0.2403093E-01 | 0.2876287E-02  | 0.1437087E-02  | 0.1653616E-02   | 0.3200390E-02  | 0.6048439E-02   |
| -0.1010707E-03 | 0.             | 0.             | 0.             | 0.              | 0.             | 0.              |

|                |                |                |                |                |                |                 |
|----------------|----------------|----------------|----------------|----------------|----------------|-----------------|
| 0.7657638E-03  | 0.6434333E-03  | 0.5427358E-03  | 0.4365375E-03  | 0.3506776E-03  | 0.3189344E-03  | 0.2558251E-03   |
| 0.2056186E-03  | 0.1625639E-03  | 0.1400277E-03  | 0.1107596E-03  | 0.8543273E-04  | 0.5742711E-04  | 0.1103260E-04   |
| -0.2858794E-04 | -0.6641111E-04 | -0.9175095E-04 | -0.1128447E-03 | -0.1208772E-03 | -0.1271320E-03 | -0.1280241E-03  |
| -0.1277086E-03 | -0.1201887E-03 | -0.1246084E-02 | -0.9785521E-04 | -0.1187696E-03 | -0.1124576E-03 | -0.1051135E-03  |
| -0.8622370E-04 | -0.1024427E-03 | -0.1066056E-03 | -0.9241318E-04 | -0.9453178E-04 | -0.9453178E-04 | -0.9671150E-04  |
| 0.9944685E-04  | 0.3841977E-04  | 0.7603401E-04  | -0.9004418E-04 | -0.6618111E-04 | -0.3330693E-04 | 0.2854469E-05   |
| 0.1270605E-01  | 0.1032319E-01  | 0.1037552E-01  | 0.1571751E-01  | 0.8347457E-03  | 0.1566058E-01  | 0.1448222E-01   |
| 0.3990270E-01  | 0.377552E-01   | 0.3716378E-01  | 0.4556353E-02  | 0.3452811E-01  | 0.3002650E-01  | 0.2413582E-01   |
| 0.1740045E-01  | 0.9710620E-02  | 0.147176E-01   | -0.7637823E-02 | -0.1649073E-01 | -0.1649073E-01 | 0.1570585E-01   |
| -0.8586203E-03 | -0.2938585E-02 | -0.3003117E-01 | -0.1269775E-01 | -0.1033144E-01 | -0.7571635E-02 | -0.4376500E-02  |
| -0.3452235E-01 | 0.1703172E-01  | 0.1675976E-01  | -0.3989172E-01 | -0.3775769E-01 | -0.3760154E-01 | 0.3760154E-01   |
| 0.1137107E-01  | 0.1137107E-01  | 0.8620267E-02  | -0.1739795E-01 | -0.9710914E-02 | -0.1331534E-02 | 0.7644274E-02   |
| 0.3865558E-01  | 0.1207336E-01  | 0.1624472E-01  | 0.1376491E-01  | -0.1616395E-01 | -0.1519990E-01 | 0.1362540E-01   |
| 0.1624472E-01  | 0.2496723E-02  | 0.6851057E-02  | -0.4010930E-01 | 0.2529473E-02  | 0.6859364E-02  | 0.4016899E-01   |
| 0.3199159E-01  | 0.1763386E-00  | 0.1688295E-00  | -0.1987679E-01 | 0.3213464E-01  | 0.2661452E-01  | 0.1997346E-01   |
| 0.1386691E-00  | 0.1386691E-00  | 0.1348833E-00  | 0.1623743E-00  | 0.1677805E-01  | 0.1629317E-01  | 0.1997346E-01   |
| 0.1061031E-00  | 0.9823904E-01  | 0.9193805E-01  | 0.1290428E-00  | 0.8404510E-01  | 0.8087319E-01  | 0.7774028E-01   |
| 0.7465315E-01  | 0.7161124E-01  | 0.6860354E-00  | 0.7339056E-01  | 0.6855053E-01  | 0.6551341E-01  | 0.6248515E-01   |
| 0.2076098E-06  | 0.3911024E-01  | 0.4472241E-01  | 0.5520385E-01  | 0.2903936E-01  | 0.2903936E-01  | 0.2558122E-01   |
| 0.2197135E-01  | 0.1302952E-01  | 0.5529980E-02  | 0.3283483E-01  | -0.9329517E-02 | -0.1435876E-01 | -0.1843042E-01  |
| -0.2226152E-01 | -0.3144052E-01 | 0.3994341E-01  | -0.2289316E-02 | 0.3671564E-19  | 0.3732121E-01  | 0.3384440E-01   |
| 0.2876905E-01  | 0.2213210E-01  | 0.1457106E-01  | 0.3748075E-01  | -0.7501509E-02 | -0.1088100E-01 | -0.1831534E-01  |
| -0.1632674E-01 | -0.1542376E-01 | 0.6737763E-19  | -0.6172822E-02 | 0.1400375E-01  | -0.1194466E-01 | -0.92006590E-02 |
| -0.6060439E-02 | -0.2555881E-02 | 0.10660284E-02 | -0.4537028E-02 | 0.7590064E-02  | -0.3970454E-01 | -0.3744135E-01  |
| 0.1048232E-19  | 0.1087086E-01  | -0.3395113E-01 | -0.2896571E-01 | -0.2236143E-01 | -0.1478042E-01 | -0.6329245E-02  |
| 0.2416320E-02  | 0.1157500E-01  | 0.1836214E-01  | 0.1646277E-01  | 0.1532777E-01  | -0.2141851E-19 | 0.1525826E-01   |
| 0.1372977E-01  | 0.3789026E-01  | 0.8812468E-02  | 0.5700779E-02  | 0.2277159E-02  | -0.1232819E-02 | 0.4600962E-02   |
| -0.7562816E-02 | 0.8094573E-02  | 0.3218589E-01  | 0.347326E-23   | 0.3197599E-01  | 0.2671289E-01  | 0.2097663E-01   |
| 0.1465139E-01  | 0.2435183E-18  | 0.1334329E-01  | -0.5875497E-02 | -0.1258124E-01 | -0.1863865E-01 | 0.1583599E-01   |
| 0.3732008E-03  | -0.2531196E-02 | -0.5295235E-02 | -0.1111624E-01 | 0.688661E-02   | 0.6026712E-02  | 0.3276053E-02   |
| 0.3170270E-01  | -0.2646302E-01 | -0.2075603E-01 | -0.1447257E-01 | -0.3759675E-01 | -0.3191058E-01 | -0.1010305E-17  |
| 0.12662259E-01 | 0.1870598E-01  | -0.1572802E-01 | -0.1356927E-01 | -0.7946463E-02 | -0.1009965E-02 | 0.5973576E-02   |
| -0.8776374E-02 | -0.5991786E-02 | -0.3138526E-02 | -0.1737586E-03 | 0.2741003E-02  | -0.1348166E-01 | -0.1128488E-01  |
| 0.3022775E-04  | 0.2820097E-04  | 0.2628382E-04  | 0.2628382E-04  | 0.2165396E-05  | 0.5467452E-02  | 0.7890234E-02   |
| 0.3287482E-02  | 0.7977577E-02  | -0.7978573E-02 | 0.3292552E-02  | 0.3292552E-02  | -0.4147470E-05 | -0.3287412E-02  |
| 0.3557585E-02  | 0.3398711E-02  | -0.8478333E-02 | -0.8118241E-02 | -0.3351638E-02 | 0.7954073E-02  | 0.7955535E-02   |
| 0.8102844E-02  | -0.4176866E-05 | -0.8130618E-04 | -0.2568471E-06 | 0.3020968E-06  | -0.3398782E-02 | 0.8465437E-02   |
| -0.3293922E-01 | 0.1758890E-05  | -0.8419419E-04 | -0.3257776E-05 | -0.5862203E-02 | -0.5206091E-02 | 0.3190315E-03   |
| 0.2703672E-05  | 0.1442222E-05  | 0.8906772E-04  | 0.5220609E-02  | -0.3594722E-03 | 0.3298739E-01  | -0.1214862E-05  |
| 0.8424465E-04  | 0.2853020E-05  | 0.5863812E-02  | 0.3254005E-01  | 0.2515236E-03  | -0.2093290E-05 | -0.1224627E-05  |
| -0.8900873E-04 | 0.4734626E-03  | -0.3238588E-01 | 0.2088473E-03  | -0.554324E-04  | -0.115465E-04  | 0.2754436E-04   |
| -0.3344943E-01 | -0.6730275E-05 | -0.2746411E-02 | 0.5558607E-03  | 0.7231289E-05  | 0.5615232E-05  | -0.4719388E-03  |
| 0.3241079E-01  | -0.2217502E-03 | 0.4549703E-04  | 0.1140931E-04  | -0.2703082E-04 | 0.3342952E-01  | 0.2254409E-04   |
| 0.2733306E-02  | -0.3351476E-06 | -0.7215943E-04 | -0.5012340E-05 | 0.2718499E-01  | 0.2597119E-01  | 0.2498237E-01   |
| 0.2399164E-01  | 0.22276785E-01 | 0.1198006E-06  | 0.1149925E-06  | 0.1107752E-00  | 0.1062641E-00  | 0.1007728E-00   |

|               |               |               |               |               |               |               |
|---------------|---------------|---------------|---------------|---------------|---------------|---------------|
| 0.1373827E-00 | 0.1299651E-00 | 0.1236434E-00 | 0.1170365E-00 | 0.1112407E-00 | 0.1089411E-00 | 0.1051744E-00 |
| 0.1017546E-00 | 0.9852715E-01 | 0.9691115E-01 | 0.9400207E-01 | 0.9124803E-01 | 0.8794149E-01 | 0.8218743E-01 |
| 0.7713799E-01 | 0.7133807E-01 | 0.6722154E-01 | 0.6324629E-01 | 0.6079235E-01 | 0.5837203E-01 | 0.5590863E-01 |
| 0.5346209E-01 | 0.508991E-01  | 0.484859E-01  | 0.4634795E-01 | 0.4484652E-01 | 0.4343916E-01 | 0.419316E-01  |
| 0.3183670E-01 | 0.3183670E-01 | 0.3438080E-01 | 0.3741303E-01 | 0.4272558E-01 | 0.4843232E-01 | 0.5566464E-01 |
| 0.1998764E-01 | 0.1621709E-01 | 0.1621709E-01 | 0.2906214E-01 | 0.5728530E-02 | 0.1419356E-03 | 0.6124635E-03 |
| 0.2090980E-01 | 0.3573586E-01 | 0.3335370E-01 | 0.2335370E-01 | 0.2693539E-02 | 0.2321681E-01 | 0.1650154E-01 |
| 0.1095216E-01 | 0.8593095E-02 | 0.4292388E-02 | 0.4292388E-02 | 0.1200245E-02 | 0.7006987E-02 | 0.1232469E-01 |
| 0.1381831E-01 | 0.6357371E-02 | 0.1373688E-01 | 0.1373688E-01 | 0.1740408E-01 | 0.1135384E-01 | 0.3197384E-02 |
| 0.7052950E-02 | 0.1572953E-02 | 0.4750605E-02 | 0.4750605E-02 | 0.4174803E-02 | 0.3514217E-01 | 0.2311056E-01 |
| 0.2290837E-01 | 0.1638847E-01 | 0.1327704E-01 | 0.1327704E-01 | 0.1073366E-01 | 0.8433006E-02 | 0.4169238E-02 |
| 0.6940571E-02 | 0.1216504E-01 | 0.4352874E-02 | 0.4352874E-02 | 0.1369704E-01 | 0.1333393E-01 | 0.1333393E-01 |
| 0.1127625E-01 | 0.3117597E-02 | 0.4510892E-02 | 0.4510892E-02 | 0.6935398E-02 | 0.6136220E-02 | 0.4566464E-02 |
| 0.2138382E-01 | 0.2301445E-01 | 0.1036843E-01 | 0.1036843E-01 | 0.2274534E-01 | 0.1913039E-01 | 0.1167581E-01 |
| 0.3745800E-02 | 0.8180163E-02 | 0.1884822E-03 | 0.1884822E-03 | 0.1131841E-01 | 0.1211929E-01 | 0.2968580E-01 |
| 0.7097395E-02 | 0.7097395E-02 | 0.1219606E-02 | 0.1219606E-02 | 0.5021250E-03 | 0.5153988E-02 | 0.9878775E-02 |
| 0.4536401E-02 | 0.1572953E-02 | 0.7013945E-02 | 0.7013945E-02 | 0.2049357E-01 | 0.2440968E-01 | 0.2440968E-01 |
| 0.2195004E-01 | 0.1508288E-01 | 0.7027846E-02 | 0.7027846E-02 | 0.673912E-03  | 0.5695697E-02 | 0.8549421E-02 |
| 0.1173830E-01 | 0.2837585E-01 | 0.8185514E-02 | 0.8185514E-02 | 0.6213192E-02 | 0.8149860E-02 | 0.1241481E-02 |
| 0.8196597E-02 | 0.1265057E-01 | 0.1138799E-01 | 0.1138799E-01 | 0.6213192E-02 | 0.5143673E-03 | 0.6667290E-02 |
| 0.2793171E-00 | 0.2341449E-01 | 0.1884822E-03 | 0.1884822E-03 | 0.1508912E-00 | 0.1370937E-00 | 0.1124400E-00 |
| 0.7608638E-01 | 0.6810651E-01 | 0.5974571E-01 | 0.5974571E-01 | 0.5200905E-01 | 0.4417088E-01 | 0.3074158E-01 |
| 0.8394395E-02 | 0.5867055E-02 | 0.7193466E-02 | 0.7193466E-02 | 0.1058637E-01 | 0.1345724E-01 | 0.1581883E-01 |
| 0.1884090E-01 | 0.1029424E-02 | 0.1776519E-01 | 0.1776519E-01 | 0.2061379E-01 | 0.2249909E-01 | 0.2427411E-01 |
| 0.2653192E-01 | 0.289071E-01  | 0.1235203E-01 | 0.1235203E-01 | 0.3490175E-01 | 0.2009687E-01 | 0.1690922E-01 |
| 0.5875450E-01 | 0.4819406E-01 | 0.3411178E-01 | 0.3411178E-01 | 0.2403860E-01 | 0.2009687E-01 | 0.1690922E-01 |
| 0.1067235E-05 | 0.2704166E-03 | 0.5758466E-02 | 0.5758466E-02 | 0.2859982E-15 | 0.5562780E-02 | 0.4477505E-02 |
| 0.8596876E-03 | 0.4292206E-02 | 0.1200992E-01 | 0.1200992E-01 | 0.1827523E-01 | 0.1737648E-01 | 0.6029597E-02 |
| 0.3132531E-01 | 0.3979463E-16 | 0.3114085E-01 | 0.3114085E-01 | 0.2718765E-01 | 0.2395656E-01 | 0.1844269E-01 |
| 0.1287558E-02 | 0.8089611E-02 | 0.1440642E-01 | 0.1440642E-01 | 0.1609902E-01 | 0.4888003E-02 | 0.4427225E-02 |
| 0.4247444E-02 | 0.4866663E-02 | 0.1661500E-02 | 0.1661500E-02 | 0.1665249E-02 | 0.4762874E-02 | 0.1226516E-01 |
| 0.1761393E-01 | 0.6269278E-02 | 0.3343475E-01 | 0.3343475E-01 | 0.2947691E-01 | 0.8187258E-16 | 0.2942254E-01 |
| 0.2451209E-01 | 0.1886490E-01 | 0.1119874E-01 | 0.1119874E-01 | 0.1304938E-02 | 0.8046393E-02 | 0.1424935E-01 |
| 0.2517784E-01 | 0.2121864E-01 | 0.9202957E-17 | 0.9202957E-17 | 0.2188459E-01 | 0.3047728E-01 | 0.4531244E-01 |
| 0.5828077E-01 | 0.4782223E-01 | 0.2917769E-01 | 0.2917769E-01 | 0.9816113E-02 | 0.2544250E-02 | 0.2525044E-01 |
| 0.1920907E-15 | 0.2043435E-01 | 0.1141782E-01 | 0.1141782E-01 | 0.2290940E-03 | 0.1006129E-01 | 0.1634403E-01 |
| 0.1508438E-01 | 0.1252467E-01 | 0.1286832E-01 | 0.1286832E-01 | 0.2963951E-01 | 0.2413249E-01 | 0.3110296E-15 |
| 0.3233744E-01 | 0.4678648E-01 | 0.5745983E-01 | 0.5745983E-01 | 0.6009588E-01 | 0.4966402E-01 | 0.3072454E-01 |
| 0.2211398E-02 | 0.2199082E-01 | 0.2358494E-01 | 0.2358494E-01 | 0.2239345E-14 | 0.2300078E-01 | 0.1455834E-01 |
| 0.9204589E-02 | 0.1582668E-01 | 0.1666949E-01 | 0.1666949E-01 | 0.1409532E-01 | 0.1154899E-01 | 0.1230369E-01 |
| 0.3835192E-03 | 0.3351950E-03 | 0.3351948E-03 | 0.3351948E-03 | 0.2914548E-03 | 0.3260291E-04 | 0.6438858E-02 |
| 0.286894E-02  | 0.2522064E-02 | 0.6898256E-02 | 0.6898256E-02 | 0.7066703E-02 | 0.3143729E-02 | 0.2720531E-02 |
| 0.7972227E-02 | 0.8029841E-02 | 0.4646237E-05 | 0.4646237E-05 | 0.5206370E-02 | 0.8121192E-02 | 0.8180353E-02 |
| 0.5895452E-04 | 0.9795606E-04 | 0.7368224E-04 | 0.7368224E-04 | 0.2616750E-05 | 0.5110339E-02 | 0.2212274E-01 |
| 0.4625538E-05 | 0.1033019E-05 | 0.7687156E-04 | 0.7687156E-04 | 0.7743108E-02 | 0.2173108E-02 | 0.2646118E-01 |
| 0.3928378E-04 | 0.1967913E-04 | 0.4768518E-02 | 0.4768518E-02 | 0.2183269E-01 | 0.6040072E-03 | 0.1126314E-04 |
| 0.7995298E-04 | 0.7936752E-02 | 0.2648753E-02 | 0.2648753E-02 | 0.2605580E-01 | 0.653362E-04  | 0.3753218E-04 |
| 0.2767539E-01 | 0.4395784E-02 | 0.412338E-02  | 0.412338E-02  | 0.1299970E-03 | 0.1223182E-03 | 0.1134046E-03 |
| 0.2321813E-01 | 0.1435649E-02 | 0.5183042E-04 | 0.5183042E-04 | 0.5263192E-05 | 0.2479067E-04 | 0.2782577E-01 |
| 0.4231026E-02 | 0.1351994E-03 | 0.1208867E-03 | 0.1208867E-03 | 0.1181923E-03 | 0.4910086E-02 | 0.2291295E-01 |
| 0.4784613E-04 | 0.2340670E-05 | 0.1452233E-04 | 0.1452233E-04 | 0.9769384E-01 | 0.9158132E-01 | 0.8671044E-01 |
| 0.7661718E-01 | 0.2668943E-01 | 0.1931027E-01 | 0.1931027E-01 | 0.1247237E-01 | 0.5860435E-02 | 0.1384138E-02 |
| 0.4780210E-03 |               |               |               |               |               |               |

|                |                |                |                |                |                |                |
|----------------|----------------|----------------|----------------|----------------|----------------|----------------|
| 0.3183345E-01  | 0.7585964E-01  | 0.7081072E-01  | 0.6556199E-01  | 0.6106151E-01  | 0.5931603E-01  | 0.5629933E-01  |
| 0.5367288E-01  | 0.5124821E-01  | 0.5001686E-01  | 0.4817438E-01  | 0.4647336E-01  | 0.4450613E-01  | 0.4111514E-01  |
| 0.3822286E-01  | 0.3501703E-01  | 0.3279883E-01  | 0.3084007E-01  | 0.2974344E-01  | 0.2876242E-01  | 0.2785453E-01  |
| 0.2732654E-01  | 0.2615648E-01  | 0.2495079E-01  | 0.2365079E-01  | 0.2262048E-01  | 0.2163300E-01  | 0.2088955E-01  |
| 0.             | 0.             | -0.2965079E-01 | 0.2209638E-01  | 0.             | 0.             | 0.             |
| 0.             | -0.1532957E-01 | -0.1640903E-01 | -0.1333209E-01 | -0.1205279E-01 | -0.1087331E-01 | -0.1087331E-01 |
| 0.             | 0.6240733E-02  | 0.2964579E-02  | 0.1213609E-02  | 0.1616712E-02  | 0.1083732E-01  | 0.1495859E-01  |
| 0.1824564E-01  | 0.2162796E-01  | 0.1653615E-02  | 0.4098101E-02  | 0.             | 0.4241651E-02  | 0.7056866E-02  |
| 0.9602649E-02  | 0.1096608E-01  | 0.1122133E-01  | 0.1034223E-01  | 0.8642212E-02  | 0.6361829E-02  | 0.3804222E-02  |
| 0.7389376E-01  | 0.1293024E-00  | 0.1710414E-00  | 0.1312423E-01  | 0.1761914E-00  | 0.2066755E-00  | 0.2155386E-00  |
| 0.2032070E-00  | 0.1883960E-02  | 0.3676071E-02  | 0.6047639E-01  | 0.9426065E-02  | 0.6191246E-03  | 0.1805874E-02  |
| 0.             | 0.4337638E-02  | 0.3110165E-02  | 0.5444659E-02  | 0.6386168E-02  | 0.6730252E-02  | 0.6329288E-02  |
| -0.1798868E-00 | 0.2112334E-00  | 0.2205561E-00  | 0.7485692E-01  | 0.1318849E-00  | 0.             | -0.1337742E-00 |
| 0.8651681E-02  | 0.2286998E-01  | 0.677731E-02   | 0.2081823E-00  | 0.1754810E-00  | 0.1258117E-00  | 0.6274140E-01  |
| 0.2843500E-01  | 0.3520991E-01  | 0.3938807E-01  | 0.4071466E-01  | 0.6240549E-02  | 0.7133619E-02  | 0.1886201E-01  |
| 0.1101632E-01  | 0.             | 0.4844853E-03  | 0.1534963E-01  | 0.2811486E-01  | 0.3638835E-01  | 0.2186256E-01  |
| -0.4720170E-01 | 0.4636988E-01  | 0.4154701E-01  | 0.3498233E-01  | 0.2477194E-01  | 0.3801719E-01  | 0.4424677E-01  |
| 0.1003251E-01  | 0.1728777E-02  | 0.1210797E-01  | 0.2101536E-01  | 0.2784133E-01  | 0.1044811E-01  | 0.             |
| -0.3613703E-01 | 0.3524222E-01  | 0.2069620E-01  | 0.5206281E-03  | 0.             | 0.3279390E-01  | -0.3552262E-01 |
| 0.3075193E-01  | 0.409071E-01   | 0.4707948E-01  | 0.4973062E-01  | 0.4832263E-01  | 0.1121870E-02  | 0.1746138E-01  |
| -0.1636671E-00 | -0.154564E-00  | -0.1452311E-03 | 0.1353813E-03  | 0.1271013E-00  | 0.4315863E-01  | 0.3538277E-01  |
| -0.1132344E-00 | -0.1086988E-01 | -0.1063654E-00 | 0.1024623E-03  | 0.9900258E-01  | 0.1238549E-00  | 0.1181876E-00  |
| -0.8130595E-01 | -0.7438438E-01 | -0.6583174E-01 | 0.6573616E-03  | 0.6342921E-01  | 0.9474824E-01  | 0.8754163E-01  |
| -0.5811796E-01 | 0.5633339E-01  | 0.             | 0.5718242E-01  | 0.5491757E-01  | 0.6144574E-01  | 0.5965463E-01  |
| -0.1607085E-06 | 0.             | 0.5715936E-02  | 0.4750832E-01  | 0.             | 0.5364958E-01  | 0.5242350E-01  |
| 0.             | 0.4192912E-01  | 0.4074757E-01  | 0.3072910E-01  | 0.2340401E-01  | 0.             | 0.1845755E-01  |
| 0.1385939E-01  | 0.8524279E-02  | 0.3802105E-02  | 0.3671892E-02  | 0.1466482E-01  | 0.2555107E-01  | 0.3445012E-01  |
| 0.3974258E-01  | 0.4658617E-01  | 0.3022213E-01  | 0.105219E-01   | 0.2255590E-02  | 0.9963052E-02  | 0.5558217E-02  |
| -0.1844016E-01 | -0.2883489E-01 | -0.3612288E-01 | 0.4151428E-01  | 0.4496671E-01  | 0.4674106E-01  | 0.4698526E-01  |
| -0.9964563E-04 | 0.2119025E-03  | 0.3493934E-16  | 0.1603516E-03  | 0.566626E-03   | 0.1801490E-02  | 0.2771095E-02  |
| -0.3458013E-02 | 0.3561040E-02  | 0.3242696E-02  | 0.2722656E-02  | 0.2478934E-02  | 0.3147615E-01  | 0.1075146E-01  |
| -0.2821195E-15 | -0.1017679E-01 | 0.5657902E-02  | 0.1853048E-01  | 0.2875126E-01  | 0.3590124E-01  | 0.4124185E-01  |
| 0.4469990E-01  | 0.4649294E-01  | 0.4677093E-01  | 0.1059544E-02  | 0.2885223E-03  | 0.5728587E-16  | 0.2359118E-03  |
| 0.9134889E-03  | 0.2125604E-02  | 0.2938582E-02  | 0.3501215E-02  | 0.3528378E-02  | 0.3164970E-02  | 0.2611448E-02  |
| 0.2337371E-02  | 0.2673772E-01  | 0.2272424E-01  | 0.1018883E-15  | 0.2257005E-01  | 0.1861169E-01  | 0.1467358E-01  |
| 0.8048205E-02  | 0.1299998E-02  | 0.6565702E-02  | -0.1457228E-01 | 0.2189825E-01  | 0.2774466E-01  | 0.2752231E-01  |
| 0.2475093E-01  | 0.3001402E-15  | 0.2455275E-01  | 0.2036377E-01  | 0.1462811E-01  | 0.7345512E-02  | 0.5936650E-03  |
| 0.9081910E-02  | 0.1734669E-01  | 0.2482102E-01  | 0.3111500E-01  | 0.2731625E-01  | 0.2248828E-01  | 0.432051E-15   |
| -0.2231765E-01 | -0.1795489E-01 | -0.1341131E-01 | -0.7635762E-02 | -0.1182407E-02 | 0.6473867E-02  | 0.1437890E-01  |
| 0.2168214E-01  | 0.2754682E-01  | 0.2867675E-01  | 0.2427183E-01  | 0.2575808E-14  | 0.2411276E-01  | 0.2003616E-01  |
| -0.1470116E-01 | 0.7576214E-02  | 0.4636686E-03  | 0.9093211E-02  | 0.1740864E-01  | 0.2482560E-01  | 0.3100176E-01  |
| 0.9561471E-04  | 0.9994392E-04  | 0.1048222E-03  | 0.1048222E-03  | 0.1352537E-03  | 0.2162932E-04  | 0.1043188E-03  |
| 0.8466882E-04  | 0.7158909E-04  | 0.7199226E-02  | 0.1055035E-03  | 0.8145138E-04  | 0.7098106E-02  | 0.7144858E-02  |
| 0.2923347E-02  | 0.3710293E-02  | 0.4049415E-02  | 0.3786844E-02  | 0.2870471E-02  | 0.736302E-02   | 0.4128129E-02  |
| 0.3788263E-02  | -0.1361309E-04 | -0.4092207E-04 | 0.2412640E-05  | 0.1075053E-05  | 0.9005707E-03  | 0.2332717E-01  |
| -0.4861493E-01 | 0.2796983E-05  | 0.4539202E-04  | 0.2856556E-04  | 0.5285500E-02  | 0.4926484E-01  | 0.2301630E-01  |
| 0.1462244E-04  | -0.3072390E-04 | 0.7967313E-04  | 0.862791E-03   | 0.2315845E-01  | 0.4840017E-01  | 0.3668752E-06  |
| 0.4435589E-04  | 0.2726811E-04  | 0.5240985E-02  | 0.1183794E-02  | 0.2277907E-01  | 0.1250470E-04  | 0.2912008E-04  |
| -0.7935737E-04 | 0.2170323E-01  | 0.4791919E-01  | 0.1183794E-02  | 0.4253139E-04  | 0.2129553E-04  | 0.2596815E-04  |
| -0.4807589E-01 | 0.2311009E-01  | 0.2690658E-02  | 0.3175652E-04  | 0.7645222E-04  | 0.1273751E-04  | 0.2168706E-01  |
| 0.4781398E-01  | -0.1202699E-02 | 0.4230013E-04  | 0.2092055E-04  | 0.2240175E-04  | 0.4903104E-01  | 0.2300102E-01  |
| 0.2646275E-02  | 0.3237570E-04  | -0.7590003E-04 | 0.9178057E-03  | 0.2293116E-01  | 0.2175804E-01  | 0.2079824E-01  |
| 0.1990164E-01  | 0.1876251E-01  | -0.1043125E-03 | -0.1006114E-03 | 0.9681674E-01  | -0.9184938E-01 | 0.8518924E-01  |
| 0.3775479E-04  |                |                |                |                |                |                |

|                |                |                |                |                |                |                |
|----------------|----------------|----------------|----------------|----------------|----------------|----------------|
| 0.2245647E-00  | 0.2071609E-00  | 0.1923329E-00  | 0.1770433E-00  | 0.1637948E-00  | 0.1586123E-00  | 0.1498304E-00  |
| 0.1420898E-00  | 0.1348224E-00  | 0.1311380E-00  | 0.1261654E-00  | 0.1216029E-00  | 0.1163734E-00  | 0.11073847E-00 |
| 0.9984273E-01  | 0.9133378E-01  | 0.8547415E-01  | 0.8034132E-01  | 0.7735305E-01  | 0.7475146E-01  | 0.7213129E-01  |
| 0.6972999E-01  | 0.6681337E-01  | 0.6468133E-01  | 0.629307E-01   | 0.6182930E-01  | 0.6020419E-01  | 0.5948778E-01  |
| -0.5775378E-01 | -0.5034035E-01 | -0.4744834E-01 | -0.4424834E-01 | -0.3936566E-01 | -0.3650138E-01 | -0.3407153E-01 |
| -0.2548862E-01 | -0.1771054E-01 | -0.1463311E-01 | -0.1072458E-01 | -0.5452296E-02 | -0.1852071E-01 | -0.1080740E-00 |
| 0.5117303E-01  | 0.5066331E-01  | 0.464641E-00   | 0.422921E-02   | 0.3163183E-01  | 0.3425745E-01  | 0.2263083E-01  |
| 0.1596295E-00  | 0.1464641E-00  | 0.1209244E-00  | 0.9317981E-02  | 0.2606459E-02  | 0.6303052E-03  | 0.6883696E-03  |
| 0.9256874E-02  | 0.5699663E-02  | 0.4223021E-02  | 0.223021E-02   | 0.190161E-02   | 0.5365604E-01  | 0.1094380E-01  |
| 0.3150059E-02  | 0.1439965E-00  | 0.1605635E-00  | 0.1605635E-00  | 0.1635215E-00  | 0.1500744E-00  | 0.1242129E-00  |
| 0.8568228E-01  | 0.3563329E-01  | -0.2244070E-01 | -0.5882572E-01 | -0.8774338E-02 | -0.4008532E-02 | -0.1010533E-01 |
| 0.3121933E-02  | 0.6624205E-03  | 0.2998930E-03  | 0.2219333E-03  | 0.4008532E-02  | 0.6567539E-02  | 0.4680795E-02  |
| 0.14522054E-02 | -0.5789605E-01 | 0.2809308E-01  | 0.2700808E-01  | 0.2789593E-01  | -0.1371010E-01 | -0.6187757E-02 |
| 0.1953801E-02  | 0.9805439E-02  | 0.1931987E-01  | 0.2700808E-01  | 0.3163183E-01  | 0.3317282E-01  | 0.3118178E-01  |
| -0.5302068E-02 | 0.2682196E-01  | -0.5048186E-02 | -0.6749693E-02 | 0.8236465E-02  | 0.1914766E-01  | 0.2704856E-01  |
| 0.2720817E-01  | 0.1005499E-01  | 0.2969008E-01  | 0.3709651E-01  | 0.6199155E-01  | 0.2679849E-01  | 0.3002799E-01  |
| 0.2680723E-01  | 0.3399057E-01  | -0.2464319E-01 | -0.6049319E-02 | -0.1364132E-01 | -0.2284857E-01 | -0.237973E-01  |
| 0.3374740E-01  | -0.9839193E-02 | -0.1778906E-01 | 0.1054603E-01  | 0.2039063E-01  | 0.9964742E-02  | 0.1237973E-01  |
| -0.2750273E-03 | 0.8120030E-01  | 0.3236610E-01  | -0.1874191E-01 | -0.2039063E-01 | -0.2574545E-01 | -0.3561844E-01 |
| 0.9078009E-01  | 0.8236610E-01  | 0.7772209E-01  | 0.6441522E-01  | 0.5593834E-01  | 0.5297389E-01  | 0.4805403E-01  |
| 0.4393409E-01  | 0.3973928E-01  | 0.3732209E-01  | 0.3732209E-01  | 0.3522847E-01  | 0.3455029E-01  | 0.3224923E-01  |
| 0.3065853E-01  | 0.2945122E-01  | 0.3415980E-01  | 0.2357171E-01  | 0.2733405E-01  | 0.2045571E-01  | 0.1867805E-01  |
| 0.1603532E-01  | 0.1633050E-01  | 0.2097983E-02  | 0.1766557E-01  | 0.1402197E-01  | 0.1072429E-01  | 0.7561361E-02  |
| -0.1246665E-04 | 0.1107631E-00  | 0.6978819E-01  | 0.2124131E-01  | 0.2858401E-01  | 0.3078904E-02  | 0.5685083E-01  |
| 0.6987226E-01  | -0.5171285E-01 | -0.1915583E-01 | 0.4813361E-02  | 0.5971344E-02  | -0.3078904E-02 | -0.5451702E-02 |
| -0.1079989E-01 | 0.1723635E-01  | 0.3140953E-01  | -0.1597128E-02 | 0.8585629E-15  | -0.1463723E-02 | -0.8677992E-02 |
| -0.2839582E-02 | 0.1840027E-02  | 0.8664219E-02  | 0.8903244E-02  | 0.5579873E-03  | 0.6826631E-03  | 0.1745792E-02  |
| 0.1993553E-01  | 0.2072404E-01  | 0.2291906E-15  | 0.1998054E-01  | 0.8641820E-02  | -0.889321E-02  | -0.2393594E-01 |
| -0.3678342E-01 | -0.4415154E-01 | -0.4754449E-01 | -0.4845918E-01 | -0.5095851E-01 | -0.4731556E-01 | 0.1834765E-02  |
| 0.8684772E-15  | 0.1675717E-02  | 0.1602490E-01  | 0.1189567E-01  | 0.6491275E-02  | -0.1701519E-02 | -0.3331188E-02 |
| 0.1580224E-02  | 0.1404941E-02  | -0.1388653E-02 | -0.3602316E-01 | 0.2209142E-01  | 0.2082753E-15  | -0.2128114E-01 |
| -0.3420320E-02 | 0.1517346E-01  | 0.2932628E-01  | 0.4117253E-01  | 0.4756818E-01  | 0.4988507E-01  | 0.4957362E-01  |
| 0.5088330E-01  | -0.4270457E-02 | -0.3315398E-01 | -0.3061103E-16 | -0.3273143E-01 | -0.3728097E-01 | -0.2586771E-01 |
| 0.1324595E-01  | 0.1716006E-01  | 0.1024428E-01  | 0.1640333E-01  | 0.2303830E-01  | 0.3512024E-01  | 0.4433633E-01  |
| 0.3062487E-01  | 0.9034144E-15  | 0.3040397E-01  | 0.2169298E-01  | 0.1558238E-01  | 0.7581720E-02  | 0.9445110E-04  |
| -0.9681056E-02 | -0.1922899E-01 | -0.2711129E-01 | -0.3132062E-01 | 0.1059305E-01  | 0.2607182E-01  | 0.1501509E-14  |
| 0.2578271E-01  | 0.3402094E-01  | 0.2244821E-01  | 0.7775538E-02  | -0.8880504E-02 | -0.1757652E-01 | -0.2250714E-01 |
| -0.2716338E-01 | -0.3714479E-01 | -0.5739683E-01 | -0.2456731E-01 | -0.694067E-14  | -0.2482918E-01 | -0.1774975E-01 |
| -0.1650077E-01 | -0.1039144E-01 | -0.1740023E-02 | -0.977725E-02  | 0.2022768E-01  | 0.2798866E-01  | 0.3145721E-01  |
| -0.1375605E-03 | -0.7991040E-04 | -0.2083506E-04 | -0.2083447E-04 | -0.7292986E-03 | 0.5752287E-04  | 0.7353657E-02  |
| 0.7104988E-02  | -0.1901940E-02 | -0.2497241E-02 | -0.6838901E-02 | -0.6522314E-02 | 0.1177607E-02  | 0.1864499E-02  |
| 0.9412193E-07  | 0.5627089E-02  | -0.1885913E-01 | 0.3114787E-03  | -0.8895239E-02 | -0.5476747E-02 | 0.1937889E-01  |
| -0.3630639E-03 | 0.5527283E-04  | 0.1947077E-03  | -0.6494136E-04 | -0.3801517E-05 | 0.1972281E-01  | 0.5909816E-01  |
| 0.2805722E-01  | -0.5002793E-04 | -0.7041317E-04 | -0.3436617E-04 | 0.1003207E-01  | 0.2943355E-01  | -0.5292556E-01 |
| -0.1481107E-03 | -0.1501892E-03 | 0.6492319E-04  | -0.1937321E-01 | -0.5802885E-01 | -0.7924013E-01 | 0.4035641E-04  |
| 0.5607504E-04  | 0.2299465E-04  | -0.1073343E-01 | -0.2865944E-01 | 0.5165400E-01  | 0.14029984E-03 | 0.1381944E-03  |
| -0.5652599E-04 | 0.5488438E-01  | 0.3409766E-01  | 0.42659148E-02 | 0.2839552E-03  | -0.1272665E-03 | -0.8568847E-04 |
| 0.3196097E-01  | -0.5596047E-01 | 0.1013182E-02  | -0.1550214E-03 | 0.1461622E-03  | -0.6711788E-04 | -0.5440062E-01 |
| -0.3454771E-01 | -0.4051613E-02 | -0.2878931E-03 | 0.1255235E-03  | 0.6828822E-04  | -0.3210270E-01 | 0.5541731E-01  |
| -0.7766520E-03 | 0.1582228E-03  | -0.1532731E-03 | 0.5255362E-04  | 0.1233679E-00  | 0.1166718E-00  | 0.1113426E-00  |
| -0.1065291E-00 | 0.1008644E-00  | 0.7515386E-02  | 0.7238016E-07  | 0.5850410E-02  | 0.5948306E-02  | 0.7625370E-02  |
| -0.1215543E-00 |                |                |                |                |                |                |



|               |               |                |               |                |               |                |
|---------------|---------------|----------------|---------------|----------------|---------------|----------------|
| 0.9594050E-02 | 0.9075870E-02 | 0.8033763E-02  | 0.7441991E-02 | 0.6121601E-02  | 0.5421612E-02 | 0.4972420E-02  |
| 0.4024370E-02 | 0.2490178E-02 | 0.1700388E-02  | 0.2733609E-02 | 0.3807768E-02  | 0.5289928E-02 | 0.7776012E-02  |
| 0.1053152E-01 | 0.1281145E-01 | 0.1450434E-01  | 0.1613969E-01 | 0.1663643E-01  | 0.1728176E-01 | 0.1699123E-01  |
| 0.1646601E-01 | 0.1413091E-01 | 0.0            | 0.149829E-01  | 0.1357534E-01  | 0.1168755E-01 | 0.9478538E-02  |
| 0.            | 0.            | 0.7693941E-03  | 0.6456933E-02 | 0.             | 0.            | 0.             |
| 0.            | 0.2199041E-01 | 0.2301547E-01  | 0.1889249E-01 | 0.182821E-01   | 0.            | 0.1782076E-01  |
| 0.1747132E-01 | 0.1765262E-01 | 0.1839349E-01  | 0.1878517E-01 | 0.1708713E-01  | 0.1279715E-01 | 0.7213530E-02  |
| 0.1158353E-02 | 0.2067235E-02 | 0.5400152E-01  | 0.5774249E-02 | 0.7147335E-02  | 0.7147335E-02 | 0.3870552E-02  |
| 0.1855230E-01 | 0.2576242E-01 | 0.3003401E-01  | 0.2588933E-01 | 0.2112774E-01  | 0.1934171E-01 | 0.2347450E-01  |
| 0.1670064E-00 | 0.1261956E-01 | 0.             | 0.1337566E-01 | 0.1521683E-01  | 0.8431851E-02 | 0.1887757E-01  |
| 0.2803253E-01 | 0.1981363E-01 | 0.1476997E-01  | 0.2156324E-01 | 0.42301970E-01 | 0.4533084E-01 | 0.3327297E-02  |
| 0.            | 0.3593273E-02 | 0.3125360E-02  | 0.1824304E-01 | 0.2291970E-01  | 0.2803334E-01 | 0.2409697E-01  |
| 0.1957265E-01 | 0.1923671E-01 | 0.2430861E-01  | 0.1731137E-01 | 0.1267129E-01  | 0.            | 0.1798718E-01  |
| 0.1417492E-01 | 0.7717792E-02 | 0.1970101E-01  | 0.2977154E-01 | 0.2068285E-01  | 0.1484644E-01 | 0.2204873E-01  |
| 0.4222794E-01 | 0.8012636E-01 | 0.4681246E-02  | 0.            | 0.5235087E-02  | 0.1526771E-01 | 0.1041915E-01  |
| 0.7428296E-02 | 0.4791600E-02 | 0.9495312E-02  | 0.1036766E-01 | 0.3425141E-02  | 0.1207225E-01 | 0.1593190E-00  |
| 0.2561817E-01 | 0.            | 0.2669661E-01  | 0.8168523E-01 | 0.7169705E-01  | 0.6467655E-01 | 0.5425799E-01  |
| 0.5753795E-01 | 0.5032231E-01 | 0.2161464E-01  | 0.2935491E-01 | 0.9759248E-01  | 0.7537950E-02 | 0.             |
| 0.8960412E-02 | 0.1699900E-01 | 0.1065875E-01  | 0.6748236E-02 | 0.3299505E-02  | 0.8406829E-02 | 0.1018442E-01  |
| 0.3753648E-02 | 0.1199605E-01 | 0.1439948E-01  | 0.2026798E-01 | 0.             | 0.1966237E-01 | 0.6401157E-01  |
| 0.5221711E-01 | 0.4471568E-01 | 0.3415276E-01  | 0.3983366E-01 | 0.3520007E-01  | 0.1113722E-01 | 0.3287581E-01  |
| 0.2072393E-00 | 0.1834656E-00 | 0.1606376E-00  | 0.142241E-00  | 0.1184900E-00  | 0.1106765E-00 | 0.9813814E-01  |
| 0.879474E-01  | 0.7629835E-01 | 0.7169152E-01  | 0.7212372E-01 | 0.6655375E-01  | 0.6254410E-01 | 0.6254410E-01  |
| 0.6039858E-01 | 0.5992659E-01 | 0.8113468E-01  | 0.439512E-01  | 0.4081947E-01  | 0.3524896E-01 | 0.2992739E-01  |
| 0.2142638E-01 | 0.2336220E-01 | 0.             | 0.2761789E-01 | 0.1598514E-01  | 0.5053339E-02 | 0.5415541E-02  |
| 0.7263908E-04 | 0.            | 0.3846185E-02  | 0.4502949E-01 | 0.             | 0.            | 0.             |
| 0.4086276E-00 | 0.4086276E-00 | 0.2641354E-00  | 0.1055466E-00 | 0.8905775E-01  | 0.            | 0.1905094E-00  |
| 0.2383786E-00 | 0.1776712E-00 | 0.6657347E-01  | 0.1321222E-01 | 0.1228080E-01  | 0.2415148E-01 | 0.3728764E-01  |
| 0.1422680E-01 | 0.3135041E-01 | 0.8091363E-01  | 0.2952101E-01 | 0.2781688E-14  | 0.2885731E-01 | 0.4855407E-01  |
| 0.2312809E-01 | 0.1026768E-02 | 0.2961578E-01  | 0.3832961E-01 | 0.3528785E-01  | 0.2640724E-01 | 0.3695583E-01  |
| 0.4298942E-01 | 0.1043113E-01 | 0.8284721E-15  | 0.9717794E-02 | 0.1656011E-01  | 0.1452304E-03 | 0.1345235E-01  |
| 0.2700378E-01 | 0.2888922E-01 | 0.2466542E-01  | 0.1862777E-01 | 0.2247581E-01  | 0.1282730E-00 | 0.2320141E-01  |
| 0.2719135E-14 | 0.2190205E-01 | 0.5405313E-01  | 0.2455957E-01 | 0.4890764E-02  | 0.4036215E-01 | 0.5003320E-01  |
| 0.4572894E-01 | 0.3540123E-01 | 0.4441323E-01  | 0.2355662E-02 | 0.1496975E-01  | 0.9899676E-15 | 0.1440029E-01  |
| 0.7697380E-02 | 0.5412884E-02 | 0.1150106E-01  | 0.2064965E-01 | 0.2093957E-01  | 0.1676150E-01 | 0.1130906E-01  |
| 0.1564025E-01 | 0.6787347E-01 | 0.3626974E-01  | 0.1187600E-16 | 0.3519965E-01  | 0.5916804E-01 | 0.3385993E-01  |
| 0.1045343E-01 | 0.1813637E-01 | 0.2287331E-01  | 0.2023448E-01 | 0.2147362E-01  | 0.4447385E-01 | 0.3374221E-01  |
| 0.6566030E-02 | 0.2982327E-14 | 0.6428934E-02  | 0.1985587E-01 | 0.1587804E-01  | 0.1249886E-01 | 0.4452133E-02  |
| 0.3280441E-02 | 0.2683675E-02 | 0.3672555E-03  | 0.1207463E-01 | 0.1047693E-00  | 0.2782697E-01 | 0.5057708E-14  |
| 0.2730690E-01 | 0.6575219E-01 | 0.4081329E-01  | 0.1013325E-01 | 0.2615548E-01  | 0.3491559E-01 | 0.3276256E-01  |
| 0.3255241E-01 | 0.5349963E-01 | 0.6081797E-01  | 0.4799418E-01 | 0.2222834E-13  | 0.4615064E-01 | 0.5429647E-01  |
| 0.3292340E-01 | 0.2129396E-01 | 0.1420642E-01  | 0.1479242E-01 | 0.1239910E-01  | 0.4063676E-02 | 0.1442937E-01  |
| 0.2286175E-03 | 0.3415127E-04 | 0.1665383E-03  | 0.1665404E-03 | 0.2703878E-02  | 0.1056536E-03 | 0.3338254E-03  |
| 0.1191216E-02 | 0.1369711E-03 | 0.2001074E-02  | 0.1795655E-02 | 0.2887817E-02  | 0.2415148E-02 | 0.4792077E-04  |
| 0.2244802E-01 | 0.2496472E-02 | 0.7249021E-01  | 0.8499213E-02 | 0.2088783E-01  | 0.2515067E-02 | 0.7466233E-01  |
| 0.8794686E-02 | 0.1473849E-03 | 0.6514459E-03  | 0.6695927E-05 | 0.3874927E-04  | 0.4768284E-01 | 0.1506489E-01  |
| 0.6454108E-01 | 0.2123652E-03 | 0.2778118E-03  | 0.1538757E-03 | 0.4383657E-01  | 0.7321126E-01 | 0.3705281E-02  |
| 0.5498528E-03 | 0.3431932E-03 | 0.2667159E-03  | 0.4466622E-01 | 0.8629476E-02  | 0.7145246E-01 | 0.12667561E-03 |
| 0.2542272E-03 | 0.2084927E-03 | 0.44830824E-01 | 0.6764763E-01 | 0.1144326E-01  | 0.4719440E-01 | 0.3063748E-03  |
| 0.2578657E-03 | 0.3839929E-02 | 0.857508E-01   | 0.3017633E-02 | 0.9401716E-03  | 0.1754403E-03 | 0.3797492E-03  |
| 0.8540260E-01 | 0.7059061E-02 | 0.1932165E-02  | 0.2219642E-03 | 0.4874793E-03  | 0.1433836E-03 | 0.3621554E-02  |
| 0.8909643E-01 | 0.2780739E-02 | 0.9532018E-03  | 0.1847622E-03 | 0.2645130E-03  | 0.8659909E-01 | 0.3445346E-02  |
| 0.1717494E-02 | 0.2494039E-03 | 0.4934918E-03  | 0.4024675E-04 | 0.1882238E-01  | 0.1760747E-01 | 0.1742307E-01  |
| 0.1944212E-01 | 0.2321627E-01 | 0.6291432E-01  | 0.6049019E-01 | 0.5382367E-01  | 0.5180780E-01 | 0.5452758E-01  |
| 0.1663096E-03 | 0.            | 0.             | 0.            | 0.             | 0.            | 0.             |

|                |                |                |                |                |                |                |
|----------------|----------------|----------------|----------------|----------------|----------------|----------------|
| 0.2508104E-00  | 0.2303501E-00  | 0.2131999E-00  | 0.1953083E-00  | 0.1801720E-00  | 0.1743561E-00  | 0.1641441E-00  |
| 0.1554065E-00  | 0.1475062E-00  | 0.1435114E-00  | 0.1371821E-00  | 0.1313656E-00  | 0.1245683E-00  | 0.1129137E-00  |
| 0.1028381E-00  | 0.9184179E-01  | 0.8421400E-01  | 0.7743244E-01  | 0.7370802E-01  | 0.7036221E-01  | 0.6745472E-01  |
| 0.6481723E-01  | 0.6244896E-01  | -0.            | 0.6380921E-01  | 0.6006212E-01  | 0.5791676E-01  | 0.5589277E-01  |
| -0.            | -0.6311736E-02 | -0.6311736E-02 | 0.5063921E-01  | -0.            | -0.            | -0.            |
| -0.            | -0.4874380E-01 | -0.5047899E-01 | 0.5063921E-01  | -0.4254315E-01 | -0.            | -0.4006261E-01 |
| -0.3662023E-01 | -0.2959434E-01 | -0.2153655E-01 | -0.1078039E-01 | -0.2398103E-02 | 0.1516144E-01  | 0.2676800E-01  |
| 0.3649373E-01  | 0.4728171E-01  | -0.3189501E-01 | 0.7839350E-02  | -0.            | 0.8830894E-02  | 0.3832466E-01  |
| 0.6075613E-01  | 0.7608125E-01  | 0.8258890E-01  | 0.8266891E-01  | 0.7494461E-01  | 0.6057855E-01  | 0.4138757E-01  |
| 0.7053318E-02  | 0.5980224E-02  | -0.            | 0.5256289E-02  | -0.7607929E-02 | -0.2401753E-01 | -0.3527939E-01 |
| -0.4250263E-01 | -0.4408982E-01 | -0.4245154E-01 | -0.3891700E-01 | -0.3484495E-01 | 0.3029298E-01  | -0.9812228E-02 |
| -0.            | -0.1096791E-01 | -0.4102485E-01 | -0.6404536E-01 | -0.7996085E-01 | -0.8672591E-01 | -0.8602583E-01 |
| -0.7765933E-01 | -0.6228545E-01 | -0.4200300E-01 | -0.6030983E-02 | -0.4742905E-02 | -0.            | -0.3456612E-02 |
| 0.9767548E-02  | 0.2656399E-01  | 0.3830117E-01  | 0.4562510E-01  | 0.4683466E-01  | 0.4459004E-01  | 0.4039400E-01  |
| 0.3533607E-01  | -0.5792641E-01 | 0.8664939E-01  | 0.             | 0.8712115E-01  | -0.1039898E-00 | -0.1112390E-00 |
| -0.102395E-00  | -0.9759959E-01 | -0.7752002E-01 | -0.4923121E-01 | -0.1415084E-01 | 0.2534785E-01  | -0.3393771E-01 |
| -0.3233608E-01 | 0.             | -0.3280784E-01 | -0.4212511E-01 | -0.5446776E-01 | -0.6020485E-01 | -0.5989174E-01 |
| -0.5179040E-01 | -0.3921682E-01 | -0.2437156E-01 | -0.9108047E-02 | 0.5695326E-01  | 0.8917305E-01  | 0.             |
| 0.8959768E-01  | 0.1085928E-00  | 0.1168429E-00  | 0.1153810E-00  | 0.1036909E-00  | 0.8309711E-01  | 0.5381294E-01  |
| 0.1727056E-01  | -0.2403065E-01 | 0.1961609E-01  | -0.3115870E-02 | 0.             | -0.3194907E-02 | -0.1184843E-01 |
| -0.1380540E-01 | -0.1537636E-01 | -0.1533322E-01 | -0.1590463E-01 | -0.1432969E-01 | -0.9915386E-02 | -0.2900053E-02 |
| -0.8596772E-01 | -0.7926704E-01 | -0.7326232E-01 | -0.6748257E-01 | -0.6176156E-01 | -0.5963759E-01 | -0.5611717E-01 |
| -0.5302911E-01 | -0.4995134E-01 | -0.4842785E-01 | -0.4697295E-01 | -0.4482904E-01 | -0.4304510E-01 | -0.3950098E-01 |
| -0.3659455E-01 | -0.3358021E-01 | -0.3264216E-01 | -0.2785374E-01 | -0.2646192E-01 | -0.2487537E-01 | -0.2342183E-01 |
| -0.2166799E-01 | -0.2112673E-01 | 0.             | -0.2204227E-01 | -0.1956623E-01 | -0.1761718E-01 | -0.1575805E-01 |
| -0.4991862E-04 | 0.             | 0.2069292E-02  | -0.1993993E-01 | 0.             | 0.             | 0.             |
| 0.             | -0.3127851E-01 | -0.1358958E-01 | 0.2141808E-02  | 0.2356325E-01  | 0.             | 0.3430115E-01  |
| 0.3855449E-01  | 0.2928185E-01  | 0.1475433E-01  | 0.1782656E-02  | -0.2440693E-02 | -0.2593283E-02 | -0.4613089E-02 |
| 0.1244745E-01  | -0.1691257E-01 | 0.1881696E-01  | 0.2410243E-01  | -0.2765030E-01 | 0.2376054E-01  | 0.1937709E-01  |
| 0.9915174E-02  | 0.1109736E-02  | -0.8453702E-02 | 0.1543269E-01  | -0.2066844E-01 | -0.2433787E-01 | -0.2888251E-01 |
| 0.4038163E-01  | 0.2603122E-01  | -0.8914624E-16 | 0.2575825E-01  | 0.1656807E-01  | 0.9258735E-02  | 0.1435866E-02  |
| -0.5708404E-02 | -0.1326877E-01 | -0.2022240E-01 | -0.2591271E-01 | -0.2915428E-01 | -0.1719024E-01 | -0.2219438E-01 |
| 0.2698085E-15  | -0.2161302E-01 | -0.1451152E-01 | -0.1630113E-02 | 0.9446799E-02  | 0.1950627E-01  | -0.2535110E-01 |
| 0.2837723E-01  | 0.2948304E-01  | 0.3174813E-01  | -0.3853017E-01 | -0.2374643E-01 | -0.8176511E-16 | -0.2328834E-01 |
| -0.1139233E-01 | -0.4780543E-03 | 0.9817283E-02  | 0.1761451E-01  | 0.2424886E-01  | 0.2915200E-01  | 0.3222292E-01  |
| 0.3292567E-01  | -0.1606244E-01 | -0.4813758E-02 | 0.8538892E-17  | -0.4931804E-02 | -0.2221880E-02 | -0.3968408E-02 |
| -0.4448670E-02 | -0.5096928E-02 | -0.3087099E-02 | 0.5665984E-03  | 0.1197992E-02  | 0.3304672E-03  | 0.4666455E-01  |
| 0.4887570E-01  | -0.3049644E-15 | 0.4856329E-01  | 0.4451991E-01  | 0.3550323E-01  | 0.2414367E-01  | 0.1086397E-01  |
| -0.2393201E-02 | -0.1533696E-01 | -0.2740539E-01 | -0.3878069E-01 | 0.1465101E-01  | -0.2393100E-03 | -0.5194669E-15 |
| -0.2204877E-03 | -0.5275446E-02 | -0.4183024E-02 | -0.3043504E-02 | -0.1060852E-02 | -0.1437778E-02 | -0.2104497E-02 |
| 0.1873636E-02  | 0.9181239E-03  | -0.5034946E-01 | 0.6052306E-01  | 0.2191932E-14  | -0.6001322E-01 | -0.5537169E-01 |
| -0.4418926E-01 | -0.3129252E-01 | -0.1701683E-01 | -0.2469746E-02 | 0.1231837E-01  | 0.2653344E-01  | 0.3997486E-01  |
| -0.8905317E-04 | -0.1066707E-03 | -0.1255588E-03 | -0.1255591E-03 | 0.3488046E-03  | 0.1465960E-04  | 0.7132506E-02  |
| 0.7226385E-02  | -0.5904308E-02 | -0.5640822E-02 | -0.7046520E-02 | -0.7166101E-02 | 0.5967987E-02  | 0.5666116E-02  |
| 0.1530938E-02  | 0.6580252E-02  | 0.8587836E-02  | 0.1768902E-02  | -0.1818787E-02 | -0.6701046E-02 | -0.8740167E-02 |
| -0.1627480E-02 | 0.1434272E-04  | -0.9563978E-04 | -0.8071448E-04 | 0.1204523E-04  | 0.2723896E-03  | 0.5063111E-01  |
| -0.2062564E-01 | 0.3522317E-04  | 0.2084814E-04  | -0.1023401E-03 | -0.1154858E-01 | -0.2325164E-01 | -0.5253486E-01 |
| 0.6938848E-04  | -0.4308303E-04 | -0.3651133E-06 | -0.8585306E-03 | -0.5209300E-01 | 0.2241315E-01  | -0.1088706E-04 |
| -0.1722518E-04 | 0.1094121E-03  | 0.1072409E-01  | 0.2176788E-01  | 0.5422744E-01  | -0.4374634E-04 | 0.3710792E-04  |
| 0.1141976E-04  | 0.5039061E-01  | -0.2292051E-01 | 0.3749089E-02  | -0.1256318E-03 | -0.7072723E-04 | 0.5497216E-04  |
| -0.2498498E-01 | -0.5062413E-01 | -0.1414920E-02 | -0.7864946E-04 | -0.2661258E-05 | -0.8143023E-05 | -0.4986239E-01 |
| 0.2364205E-01  | -0.3500053E-02 | 0.1126414E-03  | 0.6257805E-04  | -0.2580877E-04 | 0.2536607E-01  | 0.5183863E-01  |
| 0.1483922E-02  | 0.8388431E-04  | -0.1678954E-05 | 0.3504794E-04  | 0.1148253E-00  | 0.1081378E-00  | 0.1024924E-00  |
| 0.9648349E-01  | 0.8886738E-01  | -0.7081814E-01 | -0.6793133E-01 | -0.6440058E-01 | -0.6065440E-01 | -0.5632370E-01 |
| -0.9901684E-04 |                |                |                |                |                |                |

|               |               |               |               |                |                |                |
|---------------|---------------|---------------|---------------|----------------|----------------|----------------|
| 0.1832476E-02 | 0.2547769E-01 | 0.3263791E-02 | 0.3873565E-02 | 0.4528940E-02  | 0.4806994E-02  | 0.51359724E-02 |
| 0.5507618E-02 | 0.5955135E-02 | 0.6171140E-02 | 0.5418496E-02 | 0.5665024E-02  | 0.5286117E-02  | 0.4639540E-02  |
| 0.3937725E-02 | 0.3318255E-02 | 0.2859944E-02 | 0.2430919E-02 | 0.2266634E-02  | 0.2068914E-02  | 0.2097404E-02  |
| 0.2133539E-02 | 0.2570853E-02 | 0.3921539E-02 | 0.2416589E-02 | 0.2635353E-02  | 0.2991396E-02  | 0.3417469E-02  |
| 0.2256005E-02 | 0.1948808E-02 | 0.1948808E-02 | 0.2380344E-02 | 0.2727929E-02  | 0.3056867E-02  | 0.3056867E-02  |
| 0.4541016E-02 | 0.5574113E-02 | 0.5574113E-02 | 0.6512624E-02 | 0.6792740E-02  | 0.6153638E-02  | 0.5045760E-02  |
| 0.3656688E-02 | 0.1674582E-02 | 0.1674582E-02 | 0.3715877E-02 | 0.3921539E-02  | 0.3929830E-02  | 0.1063122E-02  |
| 0.2305937E-02 | 0.1965584E-02 | 0.1965584E-02 | 0.9338697E-02 | 0.1529454E-02  | 0.2108563E-02  | 0.1102427E-02  |
| 0.6822553E-02 | 0.1164674E-02 | 0.1164674E-02 | 0.6921686E-02 | 0.1058024E-02  | 0.2596353E-02  | 0.3458494E-02  |
| 0.9915249E-04 | 0.3813234E-03 | 0.3813234E-03 | 0.6306925E-03 | 0.3899102E-02  | 0.1414580E-01  | 0.7830107E-03  |
| 0.9103038E-03 | 0.4432661E-01 | 0.4432661E-01 | 0.1610435E-02 | 0.7849290E-02  | 0.7927045E-02  | 0.8728453E-02  |
| 0.6170220E-02 | 0.1987488E-02 | 0.1987488E-02 | 0.8461531E-03 | 0.6089357E-02  | 0.32666128E-02 | 0.7148682E-02  |
| 0.4094812E-04 | 0.8461531E-03 | 0.8461531E-03 | 0.2035875E-06 | 0.1439721E-02  | 0.2679298E-00  | 0.1667571E-02  |
| 0.6468937E-01 | 0.1355233E-00 | 0.1355233E-00 | 0.4285824E-01 | 0.1313961E-00  | 0.2052536E-00  | 0.2604226E-00  |
| 0.2879134E-00 | 0.1862112E-01 | 0.1862112E-01 | 0.6683545E-02 | 0.5032588E-01  | 0.4896631E-01  | 0.3730655E-01  |
| 0.4495791E-01 | 0.2931601E-01 | 0.2931601E-01 | 0.2982147E-00 | 0.2566274E-01  | 0.1351499E-00  | 0.5412921E-01  |
| 0.2166288E-00 | 0.2707719E-00 | 0.2707719E-00 | 0.3765414E-01 | 0.22964127E-00 | 0.2679298E-00  | 0.2132415E-00  |
| 0.4450127E-01 | 0.6739072E-01 | 0.6739072E-01 | 0.5586453E-01 | 0.4049371E-01  | 0.3844728E-01  | 0.4566891E-01  |
| 0.8786464E-02 | 0.5043884E-02 | 0.5043884E-02 | 0.2152905E-02 | 0.1583732E-02  | 0.2449423E-01  | 0.9967542E-02  |
| 0.777014E-02  | 0.8459538E-02 | 0.8459538E-02 | 0.7379126E-02 | 0.7776820E-02  | 0.2767518E-02  | 0.4650861E-02  |
| 0.3314479E-02 | 0.3273729E-02 | 0.3273729E-02 | 0.4603446E-02 | 0.4699707E-02  | 0.6785382E-02  | 0.5927436E-02  |
| 0.6642280E-02 | 0.2331210E-03 | 0.2331210E-03 | 0.5947003E-02 | 0.7860982E-02  | 0.5392316E-02  | 0.6076651E-02  |
| 0.9843815E-01 | 0.6742513E-01 | 0.6742513E-01 | 0.1871392E-03 | 0.1218719E-01  | 0.9871316E-02  | 0.1179621E-01  |
| 0.344094E-01  | 0.1160245E-01 | 0.1160245E-01 | 0.3107927E-01 | 0.8141799E-03  | 0.9866109E-02  | 0.3501268E-01  |
| 0.2010017E-02 | 0.2480557E-01 | 0.2480557E-01 | 0.3911036E-02 | 0.6242786E-02  | 0.2618669E-02  | 0.1480314E-01  |
| 0.1307275E-01 | 0.1880725E-01 | 0.1880725E-01 | 0.1819500E-01 | 0.1378330E-01  | 0.7483621E-02  | 0.4093850E-03  |
| 0.3818797E-02 | 0.1325245E-15 | 0.1325245E-15 | 0.3891990E-03 | 0.2950975E-03  | 0.2107300E-02  | 0.5747555E-02  |
| 0.4212191E-02 | 0.2146245E-02 | 0.2146245E-02 | 0.1348009E-03 | 0.1543487E-01  | 0.3324667E-01  | 0.3441135E-02  |
| 0.8345922E-02 | 0.3434517E-02 | 0.3434517E-02 | 0.1982966E-01 | 0.3183311E-02  | 0.3324667E-01  | 0.8386937E-02  |
| 0.3290778E-02 | 0.1217598E-02 | 0.1217598E-02 | 0.1726701E-02 | 0.2201747E-02  | 0.3788044E-02  | 0.4524251E-02  |
| 0.2114974E-02 | 0.2146311E-02 | 0.2146311E-02 | 0.1290817E-02 | 0.2083732E-02  | 0.8759815E-02  | 0.5158786E-02  |
| 0.2166156E-01 | 0.2247372E-02 | 0.2247372E-02 | 0.1201527E-15 | 0.1087587E-02  | 0.2532698E-02  | 0.4918542E-02  |
| 0.3839803E-02 | 0.3063351E-02 | 0.3063351E-02 | 0.5006659E-03 | 0.1087587E-02  | 0.8883859E-02  | 0.6763475E-02  |
| 0.6149706E-15 | 0.4950465E-02 | 0.4950465E-02 | 0.9153713E-02 | 0.9277071E-02  | 0.8883859E-02  | 0.9800258E-15  |
| 0.3931662E-02 | 0.1616626E-02 | 0.1616626E-02 | 0.2486083E-02 | 0.3549532E-01  | 0.6389994E-02  | 0.9758248E-02  |
| 0.1909327E-02 | 0.3434517E-02 | 0.3434517E-02 | 0.9457892E-02 | 0.1563296E-01  | 0.1443365E-01  | 0.9758248E-02  |
| 0.5366426E-02 | 0.1622889E-01 | 0.1622889E-01 | 0.8626304E-02 | 0.5008365E-14  | 0.8288738E-02  | 0.1137517E-01  |
| 0.6140481E-02 | 0.5062365E-02 | 0.5062365E-02 | 0.5284884E-02 | 0.4490324E-02  | 0.2128824E-02  | 0.2517310E-02  |
| 0.5608066E-03 | 0.5126044E-03 | 0.5126044E-03 | 0.1260444E-03 | 0.2836581E-03  | 0.7579456E-04  | 0.1501698E-02  |
| 0.1204619E-02 | 0.1666380E-02 | 0.1666380E-02 | 0.2488343E-02 | 0.2718491E-02  | 0.4023916E-03  | 0.9373525E-03  |
| 0.1296286E-02 | 0.1748908E-01 | 0.1748908E-01 | 0.4032874E-02 | 0.3996307E-02  | 0.527706E-03   | 0.1683170E-01  |
| 0.2074445E-03 | 0.1303349E-03 | 0.1303349E-03 | 0.1025274E-04 | 0.4350088E-05  | 0.8075186E-02  | 0.1186046E-02  |
| 0.3982431E-04 | 0.4029019E-04 | 0.4029019E-04 | 0.5469205E-04 | 0.8841565E-02  | 0.6632919E-02  | 0.5935745E-02  |
| 0.4396565E-04 | 0.8411565E-04 | 0.8411565E-04 | 0.9072022E-02 | 0.2722777E-02  | 0.6400743E-02  | 0.3125706E-04  |
| 0.5256593E-04 | 0.8558734E-02 | 0.8558734E-02 | 0.591540E-02  | 0.5920439E-02  | 0.1097630E-03  | 0.8706789E-04  |
| 0.3266803E-02 | 0.1074001E-01 | 0.1074001E-01 | 0.2739575E-03 | 0.2284849E-03  | 0.3314334E-04  | 0.6736668E-04  |
| 0.2290476E-02 | 0.2766195E-03 | 0.2766195E-03 | 0.7662342E-04 | 0.1137138E-03  | 0.1780441E-04  | 0.4263269E-04  |
| 0.5430238E-03 | 0.1811925E-03 | 0.1811925E-03 | 0.3749351E-04 | 0.4859975E-04  | 0.1003717E-01  | 0.4122703E-02  |
| 0.2890278E-04 | 0.1349498E-03 | 0.1349498E-03 | 0.9031224E-05 | 0.7002851E-02  | 0.6984075E-02  | 0.6768508E-02  |
| 0.4842934E-02 | 0.6059812E-02 | 0.6059812E-02 | 0.5948974E-02 | 0.6616833E-02  | 0.5939352E-02  | 0.3799564E-02  |
| 0.5978105E-03 |               |               |               |                |                |                |

|                |                |                |                |                |                |                |
|----------------|----------------|----------------|----------------|----------------|----------------|----------------|
| 0.2330943E-00  | 0.1975629E-00  | 0.1681247E-00  | 0.1377479E-00  | 0.1127455E-00  | 0.1033998E-00  | 0.8664519E-01  |
| 0.7298895E-01  | 0.6122214E-01  | 0.5551596E-01  | 0.4734751E-01  | 0.4006754E-01  | 0.3180195E-01  | 0.1775741E-01  |
| 0.5621124E-02  | -0.7417264E-02 | -0.1646683E-01 | -0.2457756E-01 | -0.2896934E-01 | -0.3296248E-01 | -0.3630866E-01 |
| 0.3935585E-01  | -0.4177164E-01 | 0.3085369E-02  | -0.4028752E-01 | -0.4452513E-01 | -0.4679474E-01 | -0.4887416E-01 |
| 0.             | 0.             | 0.3837613E-01  | -0.5456174E-01 | 0.             | 0.             | 0.             |
| 0.4370314E-01  | 0.4541315E-01  | 0.3686765E-01  | -0.3640449E-01 | 0.4137572E-01  | 0.             | 0.42433124E-01 |
| 0.7709713E-07  | -0.4464905E-02 | 0.4576396E-01  | 0.4373166E-01  | 0.3778210E-01  | 0.2886190E-01  | 0.1855144E-01  |
| -0.5007579E-01 | -0.6144819E-01 | 0.2242754E-01  | -0.1448452E-03 | 0.             | -0.1533161E-02 | -0.2772207E-01 |
| -0.8189456E-02 | -0.2323459E-02 | 0.             | -0.5951850E-01 | -0.4777544E-01 | -0.3073885E-01 | -0.1110843E-01 |
| -0.4071791E-01 | -0.3570755E-01 | 0.             | -0.3277173E-02 | -0.1884802E-01 | -0.3547643E-01 | -0.3990721E-01 |
| 0.             | 0.1720305E-02  | 0.2904959E-01  | -0.2052483E-01 | -0.1276932E-01 | -0.2430687E-01 | 0.6629893E-03  |
| 0.5017132E-01  | 0.3287914E-01  | 0.1259810E-01  | 0.5197458E-01  | 0.6322076E-01  | 0.6720623E-01  | 0.6212785E-01  |
| 0.1930605E-01  | 0.3581067E-01  | 0.4072147E-01  | 0.1035541E-01  | 0.2253461E-02  | 0.             | 0.45555045E-02 |
| 0.1175420E-01  | 0.2119252E-01  | -0.6236618E-04 | 0.4151720E-01  | 0.3591142E-01  | 0.2836908E-01  | 0.2061424E-01  |
| -0.1514743E-01 | -0.1602484E-01 | -0.1543382E-01 | 0.             | 0.7916258E-04  | -0.8049546E-02 | -0.1156980E-01 |
| -0.1544779E-01 | 0.             | -0.1702372E-01 | -0.1202525E-01 | -0.6563281E-02 | 0.5411646E-03  | 0.2702658E-02  |
| -0.1014899E-00 | -0.8188194E-01 | -0.5452165E-01 | -0.5337947E-01 | -0.8935225E-01 | -0.1064752E-00 | -0.1113161E-00 |
| 0.5152914E-03  | 0.1008560E-01  | 0.1375761E-01  | -0.2339606E-01 | -0.2397771E-01 | 0.7874672E-03  | 0.             |
| 0.7716775E-02  | -0.7818733E-03 | -0.7223676E-02 | 0.1794890E-01  | 0.1909617E-01  | 0.1836086E-01  | 0.1428852E-01  |
| 0.8452877E-01  | 0.1014700E-00  | 0.1070647E-00  | 0.1220195E-01  | 0.             | 0.1413067E-01  | 0.5000111E-01  |
| -0.1853782E-00 | -0.1675775E-00 | -0.1520096E-00 | 0.9792476E-01  | 0.7955080E-01  | 0.5352669E-01  | 0.2365938E-01  |
| -0.1027890E-00 | -0.9598686E-01 | -0.9268612E-01 | -0.1372840E-00 | -0.1230321E-00 | -0.1178346E-00 | -0.1097726E-00 |
| -0.6308112E-01 | -0.5542353E-01 | -0.5202117E-01 | -0.8913489E-01 | -0.8382776E-01 | -0.7936439E-01 | -0.7045724E-01 |
| -0.2605272E-01 | -0.2480164E-01 | 0.             | -0.4116357E-01 | -0.3768227E-01 | -0.3380596E-01 | 0.3027125E-01  |
| -0.7684383E-03 | 0.             | 0.1738377E-02  | -0.2694425E-01 | -0.2117869E-01 | -0.1663770E-01 | -0.1238158E-01 |
| 0.             | -0.4436648E-01 | 0.7805984E-02  | -0.2309483E-01 | 0.             | 0.             | 0.             |
| 0.1077956E-00  | 0.8813018E-01  | 0.5933027E-01  | 0.2797629E-01  | 0.7606920E-01  | -0.            | 0.9931670E-01  |
| -0.4838587E-02 | -0.1184173E-01 | -0.5395791E-02 | 0.3659963E-01  | 0.2366302E-01  | -0.1374828E-01 | 0.3852435E-02  |
| 0.1236696E-00  | 0.1397737E-03  | 0.1364011E-02  | 0.5477061E-01  | -0.3223454E-15 | 0.5621066E-01  | 0.9685324E-01  |
| -0.8109266E-01 | -0.6045989E-01 | -0.5541548E-15 | 0.1206687E-00  | 0.9395865E-01  | 0.6322951E-01  | 0.3237261E-01  |
| 0.2701935E-01  | 0.3336651E-01  | 0.3427360E-01  | -0.5914174E-01 | 0.3224454E-01  | -0.5374808E-02 | 0.1350384E-01  |
| 0.4429571E-15  | -0.4881946E-01 | -0.2749895E-01 | 0.3084203E-01  | 0.2717105E-01  | -0.5125201E-02 | -0.5027667E-01 |
| 0.3741510E-01  | 0.3555097E-01  | 0.3335957E-01  | -0.1930744E-02 | 0.1400970E-01  | 0.2764727E-01  | 0.3452744E-01  |
| 0.5886374E-01  | 0.7586436E-01  | 0.8708648E-01  | 0.1075370E-01  | 0.3696861E-01  | 0.1759310E-14  | 0.3780949E-01  |
| 0.3317508E-01  | -0.754426E-02  | 0.1414181E-02  | 0.8786615E-01  | 0.8150178E-01  | 0.6864800E-01  | 0.5193858E-01  |
| 0.6974683E-02  | 0.1860792E-01  | 0.3025149E-01  | -0.3498842E-15 | 0.7849446E-03  | -0.3014727E-02 | -0.4178556E-02 |
| -0.7234966E-01 | -0.3565058E-15 | -0.7281180E-01 | 0.3527706E-01  | 0.3310502E-01  | 0.2356278E-01  | -0.7196724E-01 |
| -0.4408646E-01 | -0.2453264E-01 | -0.5219540E-02 | -0.7854885E-01 | -0.8103622E-01 | -0.7422277E-01 | -0.6183932E-01 |
| -0.1117938E-00 | -0.1086178E-00 | -0.9802704E-01 | 0.1108428E-01  | -0.9426561E-01 | -0.1124984E-00 | -0.1028398E-14 |
| -0.1475767E-01 | 0.1571561E-01  | -0.3414355E-01 | -0.9164355E-01 | -0.8013271E-01 | -0.6521529E-01 | -0.4258515E-01 |
| 0.4588150E-01  | -0.4204372E-01 | -0.3419094E-01 | -0.5588311E-01 | 0.8981909E-15  | -0.5513938E-01 | -0.5207424E-01 |
| -0.7102990E-03 | -0.6661405E-03 | -0.6345689E-03 | -0.2232978E-01 | -0.6823516E-02 | 0.8709712E-02  | -0.2299527E-01 |
| -0.1211558E-01 | -0.5363761E-02 | -0.4597038E-02 | -0.6345689E-03 | 0.378719E-03   | 0.221832E-03   | -0.1245570E-01 |
| -0.6267661E-02 | -0.2541402E-02 | 0.7506270E-02  | 0.1046512E-01  | 0.1009191E-01  | 0.7869860E-02  | 0.6973101E-02  |
| 0.7652701E-02  | 0.1418998E-03  | -0.2023091E-02 | -0.9117959E-02 | 0.6997040E-02  | 0.430399E-02   | -0.8845076E-02 |
| 0.5297646E-02  | 0.3374117E-03  | -0.2559170E-04 | 0.8357003E-04  | 0.2608739E-03  | 0.2793446E-01  | -0.2616846E-01 |
| 0.3352303E-03  | 0.8036022E-04  | 0.1074384E-03  | 0.1076553E-03  | -0.1404709E-01 | -0.2629550E-01 | 0.2301350E-01  |
| -0.6346101E-04 | 0.3987152E-04  | 0.8697887E-02  | 0.1599587E-01  | -0.6279110E-02 | 0.2873676E-01  | 0.2004621E-03  |
| -0.3855059E-04 | -0.2441600E-02 | -0.2152831E-02 | -0.4529114E-02 | 0.1455914E-01  | 0.2029038E-03  | -0.9389063E-04 |
| -0.1652349E-01 | 0.1984817E-01  | -0.2014651E-02 | -0.2822753E-07 | -0.909847E-04  | -0.3144569E-04 | 0.3749841E-03  |
| 0.2381902E-01  | 0.5223218E-02  | 0.9291098E-04  | 0.1336292E-03  | 0.2625860E-05  | 0.2887954E-03  | 0.9051417E-02  |
| 0.4172885E-02  | -0.2320164E-03 | -0.5030272E-04 | -0.6944276E-04 | 0.2363012E-03  | 0.219777E-01   | 0.8828830E-03  |
| -0.3924175E-02 | -0.1207584E-01 | -0.8688751E-01 | 0.245640E-03   | 0.1670892E-01  | 0.8951973E-02  | 0.2676704E-02  |
| -0.7857643E-03 | 0.             | 0.             | -0.8066174E-01 | -0.7368257E-01 | -0.6673153E-01 | -0.58727E0E-01 |

|                |                |                 |                |                |                |                |
|----------------|----------------|-----------------|----------------|----------------|----------------|----------------|
| 0.1696479E-01  | 0.1515011E-01  | 0.1365650E-01   | 0.1207327E-01  | 0.1076393E-01  | 0.1027545E-01  | 0.9373537E-02  |
| 0.8624785E-02  | 0.7974942E-02  | 0.7644389E-02   | 0.7013298E-02  | 0.6431647E-02  | 0.5738388E-02  | 0.4552223E-02  |
| 0.3498902E-02  | 0.2382777E-02  | 0.1602266E-02   | 0.9026394E-03  | 0.5306494E-03  | 0.1833227E-03  | -0.7976752E-04 |
| -0.3200718E-03 | -0.4559290E-04 | 0.              | -0.3584264E-03 | -0.6715248E-03 | -0.8058905E-03 | -0.9170719E-03 |
| 0.             | 0.             | -0.1604704E-04  | -0.1313294E-02 | 0.             | 0.             | 0.             |
| 0.             | 0.1312440E-02  | 0.1063194E-02   | 0.1656248E-02  | 0.1919488E-02  | 0.             | 0.2160156E-02  |
| 0.2479745E-02  | 0.3058779E-02  | 0.2566530E-02   | 0.3959076E-02  | 0.3962170E-02  | 0.3491102E-02  | 0.2746236E-02  |
| 0.1845615E-02  | 0.1234161E-02  | -0.2082564E-01  | 0.7214746E-03  | 0.             | 0.1261538E-02  | 0.1713509E-01  |
| 0.2893499E-01  | 0.3641571E-01  | 0.3905868E-01   | 0.3738389E-01  | 0.3139536E-01  | 0.2154343E-01  | 0.8942673E-02  |
| -0.5348365E-01 | -0.4787699E-02 | 0.              | 0.3493031E-02  | 0.3200397E-01  | 0.5812750E-01  | 0.7490296E-01  |
| 0.8109797E-01  | 0.7796787E-01  | 0.6527158E-01   | 0.4393111E-01  | 0.1655774E-01  | 0.2017267E-01  | -0.3356677E-03 |
| 0.             | -0.1542085E-02 | -0.1733928E-01  | -0.2916409E-01 | -0.3681539E-01 | -0.3940056E-01 | -0.3766979E-01 |
| -0.3157909E-01 | -0.2153052E-01 | -0.8745399E-01  | 0.5388494E-01  | -0.5034959E-02 | 0.             | 0.3999606E-02  |
| -0.3155995E-01 | -0.5770450E-01 | -0.7436193E-01  | -0.8053049E-01 | -0.7753199E-01 | -0.6501324E-01 | -0.4382623E-01 |
| -0.1672070E-01 | 0.1838732E-01  | -0.1030790E-01  | 0.             | -0.1109348E-01 | -0.3292705E-01 | -0.4940404E-01 |
| -0.5944954E-01 | -0.6231309E-01 | -0.5836150E-01  | -0.4767433E-01 | -0.3103338E-01 | -0.1061116E-01 | -0.4767486E-01 |
| 0.1352407E-01  | 0.             | 0.1530334E-01   | 0.6165398E-01  | 0.9660372E-01  | 0.1186151E-00  | 0.1258935E-00  |
| 0.1193035E-00  | 0.9870291E-01  | 0.6581013E-01   | 0.2473390E-01  | -0.1894375E-01 | 0.1103528E-01  | 0.             |
| 0.1179074E-01  | 0.3431816E-01  | 0.5100587E-01   | 0.6113205E-01  | 0.1894375E-01  | 0.5982700E-01  | 0.4882057E-01  |
| 0.3183748E-01  | 0.1089879E-01  | 0.4666013E-01   | -0.1373633E-01 | 0.6393126E-01  | -0.1542895E-01 | -0.6145686E-01 |
| 0.4665630E-01  | 0.4365062E-01  | -0.             | -0.1192342E-02 | -0.9863199E-01 | -0.6572343E-01 | -0.2472726E-01 |
| -0.1881624E-04 | -0.            | 0.2417031E-02   | 0.1831765E-02  | -0.1688350E-00 | 0.1632141E-00  | 0.1533385E-00  |
| -0.            | -0.9418151E-01 | -0.8430502E-02  | 0.1256321E-00  | 0.1194665E-00  | 0.1118373E-00  | 0.7893077E-01  |
| 0.5976377E-01  | 0.6141017E-01  | -0.6398824E-01  | 0.5988766E-01  | 0.5581743E-01  | 0.5235983E-01  | 0.4926226E-01  |
| -0.2855765E-02 | 0.1619126E-01  | -0.7800362E-01  | 0.4508109E-01  | 0.4126312E-01  | 0.3917381E-01  | 0.3715844E-01  |
| -0.9725461E-01 | -0.9263502E-01 | -0.81066489E-01 | 0.2833330E-01  | -0.            | -0.            | -0.            |
| 0.3161505E-01  | 0.3426597E-01  | -0.9986982E-16  | 0.3442149E-01  | -0.6820244E-01 | -0.            | -0.6267373E-01 |
| 0.3269284E-01  | 0.2504125E-01  | 0.1588892E-01   | 0.6982052E-02  | -0.4946557E-01 | -0.3272076E-01 | -0.1607548E-01 |
| -0.5122828E-15 | 0.8607029E-01  | 0.9400875E-01   | 0.9866345E-01  | -0.4737763E-15 | -0.8612512E-01 | -0.9370332E-01 |
| 0.4361481E-01  | 0.2125987E-01  | 0.4515232E-02   | -0.3052941E-01 | 0.4737763E-15  | -0.1877789E-01 | 0.2601479E-02  |
| -0.3700819E-01 | -0.3758960E-01 | -0.3477574E-01  | -0.2943136E-01 | 0.4063216E-01  | 0.3919655E-01  | 0.3744137E-01  |
| 0.1295023E-02  | -0.7118066E-01 | -0.6813327E-01  | 0.1582567E-16  | -0.6825864E-01 | 0.7897366E-01  | 0.8566091E-01  |
| -0.6609644E-01 | -0.5884999E-01 | -0.4651928E-01  | 0.3128579E-01  | -0.1575073E-01 | 0.8419989E-01  | 0.6595418E-01  |
| -0.2870109E-01 | -0.5083920E-15 | -0.2872895E-01  | -0.2347110E-01 | -0.2822092E-01 | -0.1227745E-15 | -0.3425691E-01 |
| -0.1864045E-01 | -0.1285609E-01 | -0.65955690E-02 | -0.2031263E-02 | 0.7125202E-01  | -0.1281195E-01 | -0.4430385E-02 |
| 0.6705073E-01  | 0.6714439E-01  | 0.6844441E-01   | 0.6633391E-01  | 0.6020555E-01  | 0.4862307E-01  | -0.6933565E-01 |
| 0.1807687E-01  | 0.5093295E-02  | 0.2888999E-01   | 0.2794313E-01  | 0.4378758E-14  | -0.688710E-01  | -0.3326653E-01 |
| 0.2267275E-01  | 0.2145167E-01  | 0.1821549E-01   | 0.1475104E-01  | 0.1021530E-01  | 0.2304636E-01  | 0.2236653E-01  |
| 0.4865933E-04  | 0.3658506E-04  | 0.2438358E-04   | 0.2438349E-04  | 0.1372921E-03  | 0.5922576E-02  | 0.2635142E-02  |
| 0.5591133E-02  | 0.1366495E-01  | 0.1375238E-01   | -0.6016315E-02 | -0.6059484E-02 | -0.1151023E-04 | 0.5556661E-02  |
| -0.4154464E-02 | -0.5259703E-07 | 0.1044346E-01   | 0.1232901E-01  | 0.4045274E-02  | 0.1318126E-01  | -0.1328418E-01 |
| -0.1233001E-01 | -0.1304079E-04 | 0.1163990E-03   | 0.7893943E-06  | 0.9009872E-05  | 0.6595839E-02  | -0.3278679E-04 |
| 0.2281539E-01  | 0.1767605E-04  | -0.1682984E-03  | 0.5796335E-05  | 0.9732810E-02  | 0.2175522E-01  | -0.1297589E-02 |
| 0.4035411E-04  | 0.1142958E-04  | -0.1833235E-03  | -0.7272317E-02 | -0.1313356E-01 | -0.2147433E-01 | 0.1811457E-05  |
| -0.1670595E-03 | 0.5834047E-05  | -0.9564306E-02  | -0.2294649E-01 | 0.2837046E-02  | 0.2252035E-04  | -0.8338427E-05 |
| 0.1795517E-03  | 0.1554748E-02  | 0.2012229E-01   | -0.5624441E-03 | 0.1274111E-03  | 0.4229517E-05  | 0.2411621E-04  |
| 0.1941268E-01  | -0.5638792E-01 | 0.6779285E-01   | 0.1400362E-04  | -0.1908212E-03 | 0.1047223E-04  | -0.1593653E-02 |
| -0.1931182E-01 | 0.5817089E-03  | -0.1236524E-03  | 0.8176212E-05  | 0.1213241E-05  | -0.1905729E-01 | 0.1328362E-02  |
| -0.6759926E-02 | -0.2081363E-04 | 0.1920067E-03   | 0.9829211E-05  | 0.3135656E-01  | 0.2887476E-01  | 0.2675413E-01  |
| 0.2443415E-01  | 0.2151494E-01  | 0.1111269E-03   | 0.1959422E-03  | 0.9952826E-01  | 0.9157704E-01  | 0.8080592E-01  |
| 0.4609246E-04  |                |                 |                |                |                |                |

|                |                |                |                |                |                |                |
|----------------|----------------|----------------|----------------|----------------|----------------|----------------|
| 0.1682658E-00  | 0.1544272E-00  | 0.1427220E-00  | 0.1305574E-00  | 0.1201059E-00  | 0.1160458E-00  | 0.1090428E-00  |
| 0.1029257E-00  | 0.9725999E-01  | 0.9436230E-01  | 0.9005358E-01  | 0.8608052E-01  | 0.8146760E-01  | 0.7354498E-01  |
| 0.6679577E-01  | 0.5934441E-01  | 0.5420579E-01  | 0.4961053E-01  | 0.4710869E-01  | 0.4493227E-01  | 0.4293986E-01  |
| 0.4115273E-01  | 0.3938166E-01  | 0.3558150E-02  | 0.3098417E-01  | 0.3776929E-01  | 0.3613838E-01  | 0.3455161E-01  |
| -0.            | -0.            | -0.2558150E-02 | 0.3098417E-01  | -0.            | -0.            | -0.            |
| -0.            | -0.6110520E-01 | -0.5931219E-01 | -0.6263001E-01 | -0.6326882E-01 | -0.6373116E-01 | -0.6373116E-01 |
| -0.6409563E-01 | -0.6378112E-01 | -0.6179098E-01 | -0.5680292E-01 | -0.4738478E-01 | -0.3486948E-01 | -0.2065042E-01 |
| -0.5450644E-02 | -0.1322657E-01 | -0.2375851E-01 | 0.9203526E-03  | -0.            | 0.1881670E-02  | 0.2429001E-01  |
| 0.427331E-01   | 0.5371746E-01  | 0.5740092E-01  | 0.5390171E-01  | 0.4424100E-01  | 0.2951189E-01  | 0.1169004E-01  |
| 0.4540423E-01  | 0.3836741E-02  | -0.            | 0.2724214E-02  | -0.2753215E-01 | -0.5052323E-01 | -0.6587109E-01 |
| -0.7155514E-01 | -0.6858632E-01 | -0.6858632E-01 | -0.3797201E-01 | -0.1379381E-01 | 0.2414219E-01  | -0.9058533E-03 |
| -0.            | -0.179078E-02  | -0.2434652E-01 | -0.4282889E-01 | -0.5371495E-01 | -0.5751694E-01 | -0.5407247E-01 |
| -0.443452E-01  | -0.2976372E-01 | -0.1194573E-01 | -0.4581167E-01 | -0.3879336E-02 | -0.            | -0.3052581E-02 |
| 0.2733648E-01  | 0.5034673E-01  | 0.655740E-01   | 0.7124973E-01  | 0.6840862E-01  | 0.5696681E-01  | 0.3800337E-01  |
| 0.1398776E-01  | -0.3830207E-01 | 0.2866258E-01  | 0.             | 0.3072495E-01  | 0.849677E-01   | 0.1277453E-00  |
| 0.1538629E-00  | 0.1611247E-00  | 0.1499623E-00  | 0.1217898E-00  | 0.7975998E-01  | 0.2904815E-01  | 0.1395866E-01  |
| -0.2482643E-02 | 0.             | -0.2802218E-02 | -0.1188994E-01 | -0.1739932E-01 | -0.2156266E-01 | -0.2288604E-01 |
| -0.2202113E-01 | -0.1825764E-01 | -0.1186193E-01 | -0.3525154E-02 | 0.3902957E-01  | -0.2853172E-01 | 0.             |
| -0.3053709E-01 | -0.8486129E-01 | -0.1275877E-00 | -0.1537139E-00 | -0.1609974E-00 | -0.1498767E-00 | -0.1217331E-00 |
| -0.7970266E-01 | -0.2896064E-01 | -0.1311032E-01 | 0.2606202E-02  | 0.             | 0.2839159E-02  | 0.1166216E-01  |
| 0.1724684E-01  | 0.2137640E-01  | 0.2259497E-01  | 0.2173622E-01  | 0.1795020E-01  | 0.1159423E-01  | 0.337332E-02   |
| -0.1328248E-00 | -0.1207820E-00 | -0.1107879E-00 | -0.1001167E-00 | -0.9141292E-01 | -0.8799785E-01 | -0.8188880E-01 |
| -0.7663764E-01 | -0.7194307E-01 | -0.6953710E-01 | -0.6553262E-01 | -0.6222581E-01 | -0.5799120E-01 | -0.5097695E-01 |
| -0.4490481E-01 | -0.3813215E-01 | -0.2904866E-01 | -0.3011403E-01 | -0.2798986E-01 | -0.2626174E-01 | -0.2472158E-01 |
| -0.2353336E-01 | -0.2183958E-01 | 0.             | -0.2251372E-01 | -0.2071717E-01 | -0.1985254E-01 | -0.1900295E-01 |
| 0.8836431E-04  | 0.             | 0.1096337E-02  | -0.1270166E-01 | 0.             | 0.             | 0.             |
| 0.             | 0.5801192E-01  | 0.4694911E-01  | 0.4306204E-01  | 0.3300472E-01  | 0.             | 0.2804631E-01  |
| 0.2602312E-01  | 0.2926699E-01  | 0.3352421E-01  | 0.3421482E-01  | 0.2904639E-01  | 0.2088588E-01  | 0.1217365E-01  |
| 0.4011448E-02  | -0.7275411E-02 | 0.7117426E-01  | 0.7697038E-01  | 0.2784007E-15  | 0.7713776E-01  | 0.8181207E-01  |
| 0.8179580E-01  | 0.744896E-01   | 0.6223571E-01  | 0.4583036E-01  | 0.2792973E-01  | 0.1119391E-01  | -0.6157778E-03 |
| 0.4947485E-01  | 0.6087390E-01  | 0.1179067E-15  | 0.6098707E-01  | 0.6630161E-01  | 0.6598569E-01  | 0.6061304E-01  |
| 0.5042394E-01  | 0.3740137E-01  | 0.2306495E-01  | 0.9581120E-02  | -0.1189626E-02 | -0.6513718E-01 | -0.7696882E-01 |
| 0.1876490E-15  | -0.7749775E-01 | -0.8873345E-01 | -0.9471641E-01 | -0.9127619E-01 | -0.8054643E-01 | -0.6342583E-01 |
| -0.4310617E-01 | -0.2290925E-01 | -0.7491179E-02 | -0.4252697E-01 | -0.5804696E-01 | 0.2733251E-15  | -0.5841047E-01 |
| -0.6381044E-01 | -0.7358177E-01 | -0.7189693E-01 | -0.6357639E-01 | -0.5076634E-01 | -0.3524868E-01 | -0.1960593E-01 |
| -0.6342779E-02 | 0.2071450E-01  | 0.1865300E-01  | 0.2798416E-16  | 0.1880178E-01  | 0.1970722E-01  | 0.2034475E-01  |
| 0.1806035E-01  | 0.1456567E-01  | 0.9603499E-02  | 0.4763068E-02  | 0.8587728E-03  | -0.1197262E-02 | 0.7748878E-01  |
| 0.8033025E-01  | 0.2901341E-15  | 0.8052122E-01  | 0.8383701E-01  | 0.8432266E-01  | 0.7932553E-01  | 0.6916859E-01  |
| 0.5439698E-01  | 0.3692635E-01  | 0.1896912E-01  | 0.3044949E-02  | -0.1029409E-01 | -0.6610092E-02 | 0.5144972E-15  |
| -0.6708663E-02 | -0.7534010E-02 | -0.962462E-02  | -0.9813352E-02 | -0.9290491E-02 | -0.7438859E-02 | -0.5608034E-02 |
| -0.4308285E-02 | -0.4235943E-02 | -0.6553803E-01 | -0.6369468E-01 | -0.2274550E-14 | -0.6396344E-01 | -0.6681041E-01 |
| -0.6793715E-01 | -0.6432261E-01 | -0.5665087E-01 | -0.4558407E-01 | -0.3260362E-01 | -0.1918505E-01 | -0.7180233E-02 |
| 0.8266269E-04  | 0.8006761E-04  | 0.7935978E-04  | 0.7935992E-04  | -0.8984513E-04 | -0.2126586E-04 | 0.9444516E-02  |
| 0.9365891E-02  | -0.1216329E-01 | -0.1228596E-01 | -0.9014764E-02 | -0.8925368E-02 | 0.1165127E-01  | 0.1179379E-01  |
| 0.8457056E-02  | 0.1345907E-01  | -0.3859119E-02 | -0.1888327E-02 | -0.8496017E-02 | -0.1365205E-01 | 0.4045917E-02  |
| 0.2041395E-02  | 0.1351451E-04  | -0.5309774E-04 | -0.1393410E-03 | -0.3324833E-04 | 0.8660404E-02  | 0.2326500E-01  |
| -0.143252E-01  | -0.4537631E-04 | -0.1038878E-03 | -0.1540608E-03 | -0.1277747E-01 | -0.1013854E-01 | -0.2206971E-01 |
| -0.5407795E-04 | -0.1430296E-03 | 0.8451620E-04  | -0.7103600E-02 | -0.1903351E-01 | 0.9941769E-02  | -0.2364134E-04 |
| 0.1136748E-03  | 0.1331898E-03  | 0.1321056E-01  | 0.1407222E-01  | 0.1719317E-01  | -0.1415620E-04 | 0.1432652E-03  |
| -0.8952085E-04 | 0.1792928E-01  | -0.1192488E-01 | 0.640774E-02   | -0.8925275E-04 | -0.1275113E-04 | -0.6361345E-04 |
| -0.9739897E-02 | -0.2139439E-01 | -0.3692866E-02 | -0.1766369E-03 | 0.1137409E-03  | -0.5361979E-04 | -0.1859978E-01 |
| 0.9124977E-02  | -0.6671428E-02 | 0.8656369E-04  | 0.1399919E-03  | -0.1562964E-04 | 0.9002002E-02  | 0.1874671E-01  |
| 0.3453516E-02  | 0.1906502E-03  | -0.1094610E-03 | -0.1389436E-04 | 0.6823621E-01  | 0.6419671E-01  | 0.6080407E-01  |
| 0.5732669E-01  | 0.5318231E-01  | -0.7690088E-01 | -0.7266737E-01 | -0.6848774E-01 | -0.6304207E-01 | -0.5575235E-01 |
| 0.9439966E-04  |                |                |                |                |                |                |

SA-8 RUN #2 MODE 11 XN = 1 914805

|                |                |                |                |                |                 |
|----------------|----------------|----------------|----------------|----------------|-----------------|
| 0.3408987E-00  | 0.3046371E-00  | 0.2637219E-00  | 0.2289543E-00  | 0.2155645E-00  | 0.1923525E-00   |
| 0.1723879E-00  | 0.1451069E-00  | 0.1310675E-00  | 0.1181521E-00  | 0.1031159E-00  | 0.7728956E-01   |
| 0.5502484E-01  | 0.3039528E-01  | 0.1324260E-01  | -0.2424260E-01 | -0.1952717E-01 | -0.2718431E-01  |
| -0.3439640E-01 | -0.4146639E-01 | -0.3744397E-01 | -0.4829584E-01 | -0.5498625E-01 | -0.6155540E-01  |
| -0.            | 0.4839806E-02  | -0.7783130E-01 | -0.            | -0.            | -0.             |
| -0.            | -0.7916237E-02 | -0.1365749E-01 | -0.1472758E-01 | -0.            | -0.1547767E-01  |
| -0.1612390E-01 | -0.1564417E-01 | -0.1379499E-01 | -0.1108674E-01 | -0.8938981E-02 | -0.8421627E-02  |
| -0.1050111E-01 | -0.6144000E-02 | 0.4403232E-02  | -0.            | 0.4716887E-02  | 0.1305028E-01   |
| -0.1905349E-01 | 0.2121273E-01  | 0.1750535E-01  | 0.1110175E-01  | 0.2544486E-02  | -0.7360902E-02  |
| -0.8916727E-03 | -0.8687552E-03 | -0.4621495E-03 | -0.1210139E-02 | -0.1454720E-02 | -0.1345448E-02  |
| -0.1099792E-02 | -0.4898692E-02 | -0.1332671E-01 | 0.9485549E-03  | -0.6078072E-02 | -0.45727813E-02 |
| -0.            | -0.6514021E-03 | -0.7465986E-02 | -0.2215630E-01 | -0.2155316E-01 | -0.1777431E-01  |
| -0.1126857E-01 | 0.2580785E-02  | 0.1526848E-01  | 0.8901254E-03  | -0.            | 0.9550520E-03   |
| 0.1327449E-02  | 0.1611707E-02  | 0.4840557E-02  | 0.7617132E-03  | 0.1744466E-03  | -0.4566948E-03  |
| -0.1094827E-02 | -0.3253773E-02 | 0.1680242E-01  | 0.5122201E-02  | 0.1195022E-01  | 0.1720141E-01   |
| 0.1980216E-01  | 0.1968696E-01  | 0.2803006E-02  | 0.4418664E-02  | -0.3819996E-02 | -0.4858911E-02  |
| 0.2591604E-02  | 0.             | 0.3723982E-02  | 0.1288494E-01  | 0.1526581E-01  | 0.1542592E-01   |
| 0.1338201E-01  | -0.1165468E-02 | 0.4758820E-02  | 0.3165283E-02  | -0.4706888E-02 | 0.              |
| -0.4979030E-02 | -0.3544092E-02 | -0.1681556E-01 | -0.1928572E-01 | -0.1649585E-01 | -0.1139359E-01  |
| -0.4466758E-02 | 0.3544092E-02  | 0.4758820E-02  | 0.             | -0.2928295E-02 | -0.8726370E-02  |
| -0.1310219E-01 | -0.1546931E-01 | -0.1556675E-01 | -0.9279179E-02 | -0.3526856E-02 | 0.3200063E-02   |
| 0.9696678E-01  | 0.8566614E-01  | 0.7616863E-01  | 0.5627367E-01  | 0.5463742E-01  | 0.4900467E-01   |
| 0.4414658E-01  | 0.3972573E-01  | 0.3749622E-01  | 0.3077455E-01  | 0.2695890E-01  | 0.2042092E-01   |
| 0.1477800E-01  | 0.8510537E-02  | 0.1478000E-01  | -0.2030621E-02 | -0.4114896E-02 | -0.6058681E-02  |
| -0.7877588E-02 | -0.9723948E-02 | 0.             | -0.1145970E-01 | -0.1314484E-01 | -0.1479894E-01  |
| -0.1928810E-03 | 0.             | 0.1105554E-02  | 0.             | 0.             | 0.              |
| 0.             | -0.6680874E-02 | -0.4474912E-02 | -0.5292373E-02 | 0.             | -0.5031761E-02  |
| 0.5022518E-02  | -0.5411210E-02 | -0.5643072E-02 | -0.4452470E-02 | -0.3566776E-02 | -0.3107763E-02  |
| -0.3365733E-02 | -0.5272110E-02 | -0.1111550E-01 | -0.539341E-02  | -0.2796292E-02 | 0.3814397E-02   |
| 0.9145293E-02  | 0.1269004E-01  | 0.1400229E-01  | -0.3055825E-02 | 0.475614E-02   | 0.7095627E-02   |
| -0.226788E-01  | -0.5621480E-01 | -0.3231826E-17 | 0.1371177E-01  | 0.9831272E-01  | -0.1013099E-00  |
| -0.2245919E-01 | -0.7400122E-01 | -0.4900609E-01 | -0.2143760E-01 | -0.4893382E-02 | 0.1244452E-01   |
| 0.1641852E-15  | 0.1300481E-01  | 0.2722044E-01  | 0.3758409E-01  | 0.4170314E-01  | 0.3646547E-01   |
| 0.2790269E-01  | 0.1770841E-01  | 0.8155824E-02  | 0.2324096E-02  | -0.8295843E-16 | 0.5646859E-01   |
| 0.9753399E-01  | 0.1255519E-00  | 0.1359700E-02  | 0.1294237E-03  | 0.7788269E-01  | 0.4242802E-01   |
| 0.9078728E-02  | -0.2645974E-01 | -0.348871E-01  | -0.5145496E-15 | -0.4187779E-01 | -0.4654277E-01  |
| -0.4712720E-01 | -0.4352097E-01 | -0.3634002E-01 | -0.2679420E-01 | -0.7340817E-02 | -0.2686995E-02  |
| 0.6131910E-02  | 0.1168630E-15  | 0.6399489E-02  | 0.1348449E-01  | 0.2255256E-01  | 0.2368561E-01   |
| 0.2286549E-01  | 0.2057111E-01  | 0.1766148E-01  | 0.1516704E-01  | 0.3631150E-02  | 0.1417561E-15   |
| 0.3878932E-02  | 0.9833760E-02  | 0.1483817E-01  | 0.1799093E-01  | 0.1891976E-01  | 0.1735852E-01   |
| 0.1521797E-01  | 0.1329432E-01  | -0.2737413E-01 | -0.3859929E-01 | -0.3896850E-01 | -0.4822377E-01  |
| -0.5457216E-01 | -0.5627180E-01 | -0.5274631E-01 | -0.4471365E-01 | -0.2119897E-01 | -0.1012506E-01  |
| -0.1162012E-04 | -0.1059099E-04 | -0.9816648E-05 | -0.9816648E-05 | 0.4928933E-04  | -0.6901240E-02  |
| -0.6877977E-02 | 0.1360816E-02  | 0.1372164E-02  | 0.6573753E-02  | -0.1038183E-02 | -0.1052515E-02  |
| -0.1112029E-01 | -0.1038606E-01 | -0.8357239E-02 | -0.8220197E-02 | 0.1101004E-01  | 0.7961799E-02   |
| 0.7587886E-02  | 0.1978767E-04  | -0.2580510E-04 | 0.5711943E-04  | -0.7049698E-02 | -0.2528233E-01  |
| -0.2054638E-02 | 0.4241222E-04  | -0.3791512E-04 | 0.8827148E-04  | -0.1050166E-01 | 0.2934997E-01   |
| 0.6069244E-04  | 0.1931082E-03  | 0.1153203E-05  | 0.3383475E-02  | 0.8353615E-02  | 0.6339663E-04   |
| 0.8378775E-05  | -0.4927447E-04 | -0.1081260E-01 | 0.4678436E-02  | 0.4634502E-04  | -0.1985456E-03  |
| 0.2353461E-04  | -0.2197772E-01 | -0.4236222E-02 | -0.2203474E-02 | 0.8228471E-04  | 0.1352480E-04   |
| -0.9964395E-02 | 0.2459165E-01  | -0.1595134E-02 | 0.2225372E-04  | 0.6064224E-04  | 0.2419433E-01   |
| 0.8357073E-02  | 0.2952717E-02  | 0.2904988E-04  | 0.1142716E-03  | 0.1141809E-01  | -0.2059535E-01  |
| 0.2265075E-02  | -0.4932059E-04 | -0.8898630E-04 | 0.4701753E-04  | 0.9548762E-01  | 0.9081702E-01   |
| -0.6586357E-01 | 0.4797249E-01  | 0.3717152E-02  | 0.3326193E-02  | 0.2562746E-02  | 0.2033427E-02   |
| -0.1333483E-04 |                |                |                |                |                 |

|                |                |                |                |                 |                |                |
|----------------|----------------|----------------|----------------|-----------------|----------------|----------------|
| 0.3261039E-01  | 0.2880286E-01  | 0.2564949E-01  | 0.2230370E-01  | 0.1952114E-01   | 0.1845683E-01  | 0.1654800E-01  |
| 0.1493341E-01  | 0.1350720E-01  | 0.1278338E-01  | 0.1138079E-01  | 0.1007748E-01   | 0.8515842E-02  | 0.5832696E-02  |
| 0.3450116E-02  | 0.8784184E-03  | -0.9278765E-03 | -0.2589062E-02 | -0.3506554E-02  | -0.4380328E-02 | -0.5107736E-02 |
| -0.5795141E-02 | -0.6296393E-02 | 0.6384201E-03  | -0.9341711E-02 | -0.6940341E-02  | -0.7443388E-02 | -0.7905743E-02 |
| 0.             | 0.             | 0.2450264E-02  | 0.2641458E-02  | 0.2368528E-02   | 0.             | 0.             |
| 0.2559002E-02  | 0.288828E-02   | 0.3236671E-02  | 0.3463091E-02  | 0.3204335E-02   | 0.2318655E-02  | 0.1008715E-02  |
| -0.5955546E-03 | -0.2338063E-02 | -0.8094448E-02 | 0.1670124E-02  | 0.1690929E-02   | 0.6064773E-02  | 0.6064773E-02  |
| 0.7634057E-02  | 0.8465892E-02  | 0.8092865E-02  | 0.7010143E-02  | 0.4543338E-02   | 0.5321926E-03  | -0.4873184E-02 |
| -0.2450629E-01 | 0.1742469E-03  | 0.             | 0.4010138E-03  | 0.1098398E-01   | 0.1460863E-01  | 0.1650022E-02  |
| 0.1666177E-01  | 0.1525400E-01  | 0.1076684E-01  | 0.2666713E-02  | -0.8476548E-02  | 0.7194508E-02  | -0.1972451E-02 |
| 0.             | -0.2102322E-02 | -0.6202864E-02 | -0.7732286E-02 | -0.8815480E-02  | -0.8347114E-02 | -0.7208697E-02 |
| -0.4659779E-02 | 0.4291465E-03  | 0.5155289E-02  | 0.2521150E-01  | 0.2691013E-03   | 0.             | 0.4973608E-03  |
| -0.1018813E-01 | -0.1381928E-01 | -0.1587791E-01 | -0.1556679E-01 | -0.1436372E-01  | -0.1016962E-01 | -0.2325483E-02 |
| 0.9340897E-02  | 0.1150161E-01  | 0.9470845E-03  | -0.            | 0.8926153E-03   | -0.3843130E-02 | -0.5680661E-02 |
| -0.6963208E-02 | -0.7466781E-02 | -0.7642169E-02 | -0.6334621E-02 | -0.3231466E-02  | 0.1389598E-02  | -0.2493585E-01 |
| 0.2371378E-03  | 0.             | 0.5789744E-03  | 0.1197175E-01  | 0.1600176E-01   | 0.1864265E-01  | 0.1909425E-01  |
| 0.1853048E-01  | 0.1442343E-01  | 0.5869716E-02  | -0.6407113E-02 | 0.1238358E-01   | 0.1611159E-02  | -0.            |
| 0.1644886E-02  | 0.855962E-02   | 0.1148684E-01  | 0.1331322E-01  | -0.1238358E-01  | 0.1331256E-01  | 0.1089168E-01  |
| 0.6162021E-02  | -0.4604480E-03 | 0.2305474E-01  | -0.4399756E-03 | -0.1372345E-01  | -0.6281078E-03 | -0.1124600E-01 |
| -0.1529321E-01 | -0.1796481E-01 | -0.1834267E-01 | -0.1792115E-01 | -0.1369435E-01  | -0.5263698E-02 | -0.6047285E-01 |
| 0.3803975E-01  | 0.3376626E-00  | 0.3190966E-00  | 0.2642709E-00  | -0.2325866E-00  | 0.2202204E-00  | 0.1987708E-00  |
| 0.1800598E-00  | 0.1630924E-00  | 0.1397495E-00  | 0.1397495E-00  | 0.1266866E-00   | 0.1106391E-00  | 0.8339453E-01  |
| 0.5971904E-01  | 0.3327086E-01  | 0.3818775E-02  | -0.5693933E-03 | -0.9919796E-02  | -0.1831053E-01 | -0.2616124E-01 |
| -0.3323673E-01 | -0.4119495E-01 | -0.            | -0.3719759E-01 | -0.4797421E-01  | -0.5426958E-01 | -0.6047285E-01 |
| -0.1524935E-04 | -0.            | 0.4583463E-02  | -0.8324932E-01 | -0.             | -0.            | -0.            |
| -0.            | -0.5582247E-01 | -0.3754856E-01 | -0.2822323E-01 | -0.1087170E-01  | -0.            | -0.1713277E-02 |
| 0.2421090E-02  | -0.3243830E-02 | -0.1231756E-01 | -0.1634752E-01 | -0.1085560E-01  | -0.2996904E-02 | -0.3700573E-03 |
| -0.8690016E-02 | -0.2042662E-01 | 0.3523989E-02  | 0.5958912E-01  | 0.2751724E-15   | 0.6075788E-01  | 0.9653943E-01  |
| 0.1149714E-02  | 0.1178831E-00  | 0.1058486E-00  | 0.8514943E-01  | 0.5866776E-01   | 0.3019295E-01  | 0.1946437E-02  |
| -0.4479032E-02 | -0.3461830E-01 | 0.1165792E-16  | -0.3524477E-01 | -0.5461272E-01  | -0.6461086E-01 | -0.6611065E-01 |
| -0.5962261E-01 | -0.4805357E-01 | -0.3298713E-01 | -0.1647733E-01 | -0.1698338E-03  | 0.800894E-03   | -0.5834410E-01 |
| 0.3239501E-15  | -0.5944135E-01 | -0.9561078E-01 | -0.1130093E-00 | -0.11464838E-00 | -0.1019780E-00 | -0.8127402E-01 |
| -0.5527624E-01 | -0.2745745E-01 | 0.1073380E-03  | 0.7255421E-02  | 0.3182988E-01   | 0.6751713E-16  | 0.3242052E-01  |
| 0.4932834E-01  | 0.5916856E-01  | 0.6156723E-01  | 0.5626947E-01  | 0.4598614E-01   | 0.3220915E-01  | 0.1687636E-01  |
| 0.1468700E-02  | -0.2527728E-01 | -0.268623E-01  | -0.1196938E-16 | -0.2735663E-01  | -0.3504543E-01 | -0.4528562E-01 |
| -0.5117533E-01 | -0.5250401E-01 | -0.4676509E-01 | -0.3672422E-01 | -0.2569448E-01  | -0.1815403E-01 | -0.1045405E-01 |
| -0.9487829E-02 | 0.2870675E-15  | -0.958492E-02  | -0.104915E-01  | -0.1240614E-01  | -0.1321729E-01 | -0.1325215E-01 |
| -0.1150876E-01 | -0.8862653E-02 | -0.6120784E-02 | -0.4524941E-02 | 0.2810890E-01   | 0.2728693E-01  | 0.3330333E-15  |
| 0.2777731E-01  | 0.3473075E-01  | 0.4579308E-01  | 0.5328034E-01  | 0.560591E-01    | 0.5102003E-01  | 0.4087761E-01  |
| 0.2915486E-01  | 0.2063608E-01  | 0.1217357E-01  | 0.4095805E-02  | -0.3130737E-14  | 0.4341078E-02  | 0.5477641E-02  |
| 0.8967635E-02  | 0.1058873E-01  | 0.1063261E-01  | 0.8965543E-02  | 0.6975726E-02   | 0.5424016E-02  | 0.523253E-02   |
| -0.1409657E-04 | -0.3364798E-04 | -0.5358249E-04 | -0.5358249E-04 | 0.2923492E-03   | -0.4915321E-05 | -0.3451104E-02 |
| -0.3360582E-02 | -0.6032451E-02 | -0.5807931E-02 | 0.2927017E-02  | 0.2814403E-02   | 0.6669554E-02  | 0.6405580E-02  |
| 0.2027738E-02  | 0.3730109E-02  | -0.7203697E-02 | -0.1289342E-01 | -0.2054977E-02  | -0.3502929E-02 | 0.6909724E-02  |
| 0.1265276E-01  | -0.1136865E-04 | -0.1700891E-03 | 0.115734E-04   | 0.9482810E-05   | -0.1652092E-01 | -0.6040888E-02 |
| -0.3076675E-01 | 0.1350201E-04  | -0.1801936E-03 | 0.2369837E-04  | -0.4901238E-02  | -0.2968062E-01 | 0.5244481E-02  |
| 0.5230734E-04  | 0.8813746E-04  | 0.2510205E-04  | 0.1570377E-01  | 0.1457184E-02   | 0.3216854E-01  | 0.6713758E-05  |
| -0.1807335E-03 | -0.1019003E-04 | 0.5546255E-02  | 0.2497439E-01  | -0.3271156E-02  | -0.3310030E-04 | -0.7713136E-04 |
| -0.3203309E-04 | 0.3823663E-03  | -0.3098165E-01 | 0.5536076E-03  | -0.1599999E-02  | -0.1166765E-04 | -0.4989087E-04 |
| -0.3217813E-01 | 0.3189860E-02  | -0.3686731E-02 | 0.2992739E-02  | 0.7986926E-04   | -0.4122186E-04 | -0.8528659E-03 |
| 0.318890E-01   | -0.5511074E-03 | 0.1678800E-03  | 0.7186823E-05  | 0.8075215E-04   | 0.3226596E-01  | -0.2325528E-02 |
| 0.3635735E-02  | -0.1275987E-04 | -0.7314338E-04 | 0.5246061E-04  | 0.3502146E-01   | 0.29444188E-01 | 0.2479907E-01  |
| 0.1984209E-01  | 0.137272E-01   | 0.1129292E-03  | 0.9790135E-03  | 0.8450332E-01   | 0.6886861E-01  | 0.4875553E-01  |
| -0.2291476E-04 |                |                |                |                 |                |                |



|                |                |                |                |                 |                |                 |
|----------------|----------------|----------------|----------------|-----------------|----------------|-----------------|
| 0.7363307E-02  | 0.6504837E-02  | 0.5772627E-02  | 0.5011883E-02  | 0.4347633E-02   | 0.4086130E-02  | 0.3648094E-02   |
| 0.3256117E-02  | 0.2887164E-02  | 0.2700795E-02  | 0.2407748E-02  | 0.2133745E-02   | 0.1811154E-02  | 0.1252455E-02   |
| 0.7703461E-03  | 0.2199351E-03  | -0.1667712E-03 | -0.5345162E-03 | -0.7552483E-03  | -0.9661665E-03 | -0.1181128E-02  |
| -0.1391200E-02 | -0.1616180E-02 | 0.             | -0.1490220E-02 | -0.1822471E-02  | -0.2041459E-02 | -0.2261759E-02  |
| 0.             | 0.             | 0.2325991E-03  | -0.2775765E-02 | 0.              | 0.             | 0.              |
| -0.2364451E-02 | -0.1430646E-02 | -0.1084534E-02 | -0.1782193E-02 | -0.1987012E-02  | -0.2159821E-02 | -0.2159821E-02  |
| -0.1558680E-02 | -0.2665252E-02 | -0.2853076E-02 | -0.2905691E-02 | -0.2725313E-02  | -0.2354129E-02 | -0.19333750E-02 |
| 0.7849552E-02  | 0.8968739E-02  | 0.8683643E-02  | 0.1750393E-02  | 0.1895587E-02   | 0.1895587E-02  | 0.5255455E-02   |
| -0.3208289E-02 | 0.3241033E-02  | 0.             | 0.6970261E-02  | 0.4122895E-02   | 0.4204875E-03  | -0.3759795E-02  |
| 0.1621287E-01  | 0.1302418E-01  | 0.7738786E-02  | 0.3496982E-02  | 0.9647681E-02   | 0.1455107E-01  | -0.1669080E-01  |
| 0.             | -0.1873306E-02 | -0.5249548E-02 | 0.9103618E-03  | -0.6775119E-02  | 0.2038282E-02  | -0.1740659E-01  |
| -0.4109357E-02 | -0.4426229E-03 | 0.3703857E-02  | -0.7831783E-02 | -0.8918536E-02  | -0.8642037E-02 | -0.6939013E-02  |
| -0.9621036E-02 | -0.1494400E-01 | -0.1663848E-01 | 0.3156384E-02  | -0.3221270E-02  | 0.             | -0.3522252E-02  |
| -0.6848483E-02 | 0.4562589E-03  | -0.2014968E-02 | -0.1616176E-01 | -0.1295965E-01  | -0.7665304E-02 | -0.8440275E-02  |
| -0.7728693E-02 | -0.7741557E-02 | 0.6616777E-02  | 0.4615445E-02  | -0.2124106E-02  | -0.4573158E-02 | -0.6659056E-02  |
| 0.4004167E-02  | 0.             | 0.4283183E-02  | -0.117474E-02  | -0.1984365E-02  | 0.9788162E-03  | -0.3174279E-02  |
| 0.1676075E-01  | 0.1106548E-01  | 0.3561056E-02  | 0.1117474E-02  | 0.1698544E-01   | 0.1993288E-01  | 0.1994196E-01   |
| 0.2577005E-02  | 0.5217346E-02  | 0.7505744E-02  | -0.490927E-02  | -0.1698544E-01  | 0.2448764E-02  | 0.              |
| 0.2333262E-02  | -0.9426077E-03 | 0.3306366E-02  | 0.8679883E-02  | -0.1794263E-03  | 0.7452910E-02  | 0.5242140E-02   |
| -0.1695296E-01 | -0.1985323E-01 | -0.1983738E-01 | -0.3984193E-02 | -0.8691475E-02  | -0.4277932E-02 | -0.119488E-01   |
| 0.4001649E-00  | 0.3520970E-00  | 0.3116913E-00  | -0.1663303E-01 | -0.1098062E-01  | -0.3441156E-02 | 0.5031855E-02   |
| 0.1764972E-00  | 0.1580330E-00  | 0.1487712E-03  | 0.2698123E-00  | 0.2342147E-00   | 0.2205357E-00  | 0.1968306E-00   |
| 0.5653502E-01  | 0.3123690E-01  | 0.5288961E-02  | 0.1366015E-00  | 0.1213830E-00   | 0.1059577E-00  | 0.7940946E-01   |
| -0.3599064E-01 | -0.4334181E-01 | 0.             | -0.2666409E-02 | -0.1187562E-01  | -0.2041531E-01 | -0.2840805E-01  |
| 0.1982173E-04  | 0.             | 0.4552547E-02  | -0.3911296E-01 | -0.5053126E-01  | -0.5763053E-01 | -0.6459892E-01  |
| 0.             | -0.7369645E-02 | -0.4811655E-02 | -0.8105852E-01 | 0.              | 0.             | 0.              |
| -0.1946661E-01 | -0.1927340E-01 | -0.1735348E-01 | -0.1295345E-01 | -0.1621189E-01  | -0.            | -0.1815892E-01  |
| -0.1091249E-01 | -0.2028195E-01 | 0.1608907E-01  | -0.1447690E-01 | -0.149288E-01   | -0.9517414E-02 | -0.32122319E-02 |
| 0.118199E-00   | 0.1183029E-00  | 0.1107296E-00  | 0.5705682E-01  | 0.5786526E-01   | 0.5827824E-01  | 0.9041538E-01   |
| -0.6191050E-02 | -0.2772688E-01 | 0.9789183E-16  | 0.9119076E-01  | 0.6338441E-01   | 0.3207964E-01  | 0.3250349E-02   |
| 0.5652681E-01  | -0.4656494E-01 | -0.3235695E-01 | -0.2837807E-01 | -0.4532419E-01  | -0.5669059E-01 | -0.6028134E-01  |
| 0.6354968E-15  | -0.5646099E-01 | -0.8913560E-01 | -0.1643929E-01 | -0.1950320E-02  | -0.1395855E-00 | -0.5520079E-01  |
| -0.6464635E-01 | -0.3336817E-01 | -0.4436953E-02 | -0.1114250E-00 | -0.1184280E-00  | -0.1114152E-00 | -0.9225629E-01  |
| 0.4149232E-01  | 0.5107884E-01  | 0.5370058E-01  | 0.7163673E-02  | 0.2620349E-01   | 0.1495157E-15  | 0.2676309E-01   |
| 0.9801307E-04  | -0.1317942E-01 | -0.2628360E-01 | 0.4985534E-01  | 0.4056883E-01   | 0.2759616E-01  | 0.1318372E-01   |
| -0.4751441E-01 | -0.4602226E-01 | -0.4092813E-01 | -0.2052181E-16 | -0.2668471E-01  | -0.3712200E-01 | -0.4440690E-01  |
| -0.8197180E-02 | 0.6018536E-15  | -0.8355367E-02 | -0.3313007E-01 | -0.2416872E-01  | -0.1579382E-01 | -0.3280876E-02  |
| -0.1449364E-01 | -0.1165877E-01 | -0.8364926E-02 | -0.1237950E-01 | -0.1528751E-01  | -0.1664944E-01 | -0.1627053E-01  |
| 0.2939156E-01  | 0.3986608E-01  | 0.4688876E-01  | -0.5295083E-02 | 0.1562793E-01   | 0.2899178E-01  | 0.8591871E-15   |
| 0.2359993E-01  | 0.1480428E-01  | 0.6008651E-02  | 0.4948220E-01  | 0.4733797E-01   | 0.4155684E-01  | 0.3311140E-01   |
| 0.1876137E-01  | 0.1984627E-01  | 0.1901593E-01  | 0.1170787E-01  | -0.5990748E-14  | 0.1185524E-01  | 0.1598843E-01   |
| 0.1565606E-05  | 0.1010007E-05  | 0.3583826E-05  | 0.1656759E-01  | 0.1286537E-01   | 0.8616176E-02  | 0.4651068E-02   |
| -0.3324680E-02 | -0.6789874E-02 | -0.6793647E-02 | 0.3583834E-05  | -0.39990258E-04 | -0.4289826E-05 | -0.3324585E-02  |
| 0.5346234E-02  | 0.4911994E-02  | -0.1485916E-01 | 0.3440590E-02  | 0.3440639E-02   | 0.6073189E-02  | 0.6677537E-02   |
| 0.1353982E-01  | -0.5603632E-06 | -0.1016490E-03 | -0.1373292E-02 | -0.5206343E-02  | -0.4712474E-02 | 0.1476550E-01   |
| -0.2733628E-01 | -0.1819024E-04 | -0.2133475E-03 | 0.5347865E-05  | -0.6256475E-05  | -0.1110904E-01 | 0.5210955E-03   |
| -0.2204567E-04 | 0.3667212E-04  | 0.7259385E-04  | 0.3196435E-04  | -0.15995570E-02 | -0.2360129E-01 | 0.3436591E-02   |
| 0.2107129E-03  | -0.3641439E-04 | 0.1897496E-02  | 0.1128663E-01  | 0.2622170E-02   | 0.2632680E-01  | 0.4704319E-05   |
| -0.7428917E-04 | 0.2469993E-02  | -0.2391967E-02 | 0.2437143E-01  | -0.4225326E-02  | 0.9687875E-05  | -0.3296702E-04  |
| -0.2590887E-01 | 0.1257103E-02  | -0.3355509E-02 | 0.1343276E-02  | -0.3539855E-04  | -0.5382259E-04 | -0.3267340E-04  |
| 0.2340381E-01  | -0.1384519E-02 | 0.3762646E-04  | -0.3095658E-03 | 0.1384293E-03   | -0.5682295E-04 | -0.2417735E-02  |
| 0.3292176E-02  | 0.3138069E-04  | -0.1357798E-03 | 0.5483644E-04  | 0.1908399E-04   | -0.2554637E-01 | -0.1773354E-02  |
| 0.1532775E-01  | 0.1105821E-01  | 0.1055854E-06  | 0.4134644E-04  | 0.2680413E-01   | 0.2243913E-01  | 0.1890148E-01   |
| -0.1564430E-05 | 0.             | 0.             | 0.9408793E-01  | 0.8018508E-01   | 0.6499904E-01  | 0.4626638E-01   |

|                |                |                |                 |                 |                |                |
|----------------|----------------|----------------|-----------------|-----------------|----------------|----------------|
| 0.1222877E-00  | 0.1073607E-00  | 0.9482798E-01  | 0.8182094F-01   | 0.7079650E-01   | 0.6656075E-01  | 0.5919956E-01  |
| 0.5289443E-01  | 0.4718270E-01  | 0.4431655E-01  | 0.3994169E-01   | 0.3592959E-01   | 0.3126652E-01  | 0.2326376E-01  |
| 0.1636851E-01  | 0.8757068E-02  | 0.3460029F-02  | -0.1364694F-02  | -0.4094464E-02  | -0.6603771E-02 | -0.8931636E-02 |
| -0.1111598E-01 | -0.1324357E-01 | 0.             | -0.1203355E-01  | -0.1530544E-01  | -0.1731297E-01 | -0.1927762E-01 |
| 0.             | 0.             | 0.1449566E-02  | -0.2416880E-01  | 0.              | 0.             | 0.             |
| -0.            | -0.1214179E-02 | -0.3461713E-03 | -0.1603605F-02  | -0.1779904E-02  | -0.1880776E-02 | -0.1880776E-02 |
| 0.             | -0.192864E-02  | 0.1448157E-02  | -0.9080341E-03  | -0.3546441E-03  | -0.1786102E-03 | -0.6081567E-03 |
| -0.1884084E-02 | -0.4996988E-02 | 0.1231041E-02  | -0.3606358E-03  | 0.              | -0.4320537E-03 | -0.1964494E-02 |
| -0.3167708E-02 | -0.3698410E-02 | -0.3653413E-02 | -0.3019484E-02  | -0.1924103E-02  | -0.4700939E-03 | 0.1177403E-01  |
| 0.3994861E-02  | -0.3429634E-02 | 0.             | -0.3693849E-02  | -0.1027059E-01  | -0.1512937E-01 | -0.1701988E-01 |
| -0.1626168E-01 | -0.1287205E-01 | -0.7387054E-02 | -0.2863838F-03  | 0.7751623E-02   | -0.1265854E-02 | 0.320127E-03   |
| 0.             | 0.3779980E-03  | 0.1882825E-02  | 0.3056203F-02   | 0.3557329E-02   | 0.3532975E-02  | 0.2927546E-02  |
| 0.1870875E-02  | 0.4713716E-03  | -0.1123033E-02 | -0.3936640E-02  | 0.3443291E-02   | 0.             | 0.3750603E-02  |
| 0.1031421E-01  | 0.1517790E-01  | 0.708538E-01   | -0.1632198E-01  | 0.1290214E-01   | 0.7382263E-02  | 0.2553325E-03  |
| -0.7823126E-02 | -0.1544279E-02 | 0.3044033E-02  | 0.              | 0.3213246E-02   | 0.7268803E-02  | 0.1043803E-01  |
| 0.1194210E-01  | 0.1178950E-01  | 0.9914875E-02  | 0.6611126F-02   | 0.2192028E-02   | -0.2873284E-02 | 0.3372751E-02  |
| -0.3001223E-02 | -0.            | -0.9042012E-02 | -0.9159038F-02  | -0.1393972E-01  | -0.1624263E-01 | -0.            |
| -0.1363024E-01 | -0.7325236E-02 | -0.2893150E-02 | 0.4139125E-02   | 0.1661864E-02   | -0.3078675E-02 | -0.1618539E-01 |
| -0.3258118E-02 | -0.1053877E-01 | -0.1053877E-01 | 0.1295388F-01   | -0.1189981E-01  | -0.1001129E-01 | -0.6686361E-02 |
| -0.2242651E-02 | -0.3410178E-02 | -0.3410178E-02 | 0.3023491E-02   | -0.             | 0.3271943E-02  | 0.9193417E-02  |
| 0.1392738E-01  | 0.1621449E-01  | 0.1616393E-01  | 0.1360763F-01   | 0.9033977E-02   | 0.2898055E-02  | -0.4127498E-02 |
| -0.3789373E-00 | -0.3340038E-00 | -0.2962019E-00 | -0.2569728E-00  | -0.2235629E-00  | -0.2106966E-00 | -0.1884272E-00 |
| -0.1692554E-00 | -0.1517885E-00 | -0.1430031E-00 | -0.1294224F-00  | -0.1167376E-00  | -0.1019021E-00 | -0.7635603E-01 |
| -0.5432676E-01 | -0.2995028E-01 | -0.4898068E-02 | 0.2706913E-02   | 0.1158565E-01   | 0.1981352E-01  | 0.2751613E-01  |
| 0.3481862E-01  | 0.4191172E-01  | -0.            | 0.3784160E-01   | 0.4883020E-01   | 0.5565749E-01  | 0.6235655E-01  |
| -0.9265126E-04 | -0.4382989E-02 | -0.7826974E-01 | -0.             | -0.             | -0.            | -0.            |
| -0.            | 0.7638463E-02  | 0.597688E-02   | 0.1211826E-01   | 0.1477505E-01   | -0.            | 0.1632055E-01  |
| 0.1731111E-01  | 0.1705092E-01  | 0.1544160E-01  | 0.1295519E-01   | 0.1008341E-01   | 0.8006087E-02  | 0.7658280E-02  |
| -0.1000499E-01 | -0.1943558E-01 | -0.2078370E-01 | -0.6157523E-01  | -0.5469459E-15  | -0.6275123E-01 | -0.9412952E-01 |
| -0.1142292E-00 | -0.1192434E-00 | -0.1103216E-00 | -0.8980623E-01  | -0.6139920E-01  | -0.2974471E-01 | -0.5706582E-03 |
| -0.3047559E-02 | 0.8531978E-02  | -0.1076070E-15 | 0.8902928E-02   | 0.1833893E-01   | 0.2510489E-01  | 0.2799289E-01  |
| 0.2721254E-01  | 0.2328422E-01  | 0.1714934E-01  | 0.1003056E-01   | 0.3528283E-02   | 0.1234471E-01  | 0.6319873E-01  |
| -0.5797232E-15 | 0.6472905E-01  | 0.1046251E-00  | 0.1313951E-02   | 0.1401389E-00   | 0.1320838E-00  | 0.1098073E-00  |
| 0.7768556E-01  | 0.4125730E-01  | 0.7467238E-02  | 0.5547648E-02   | -0.7337736E-02  | 0.2088025E-15  | -0.7376599E-02 |
| -0.8491289E-02 | -0.8703718E-02 | -0.7826425E-02 | -0.6156163E-02  | -0.3854093E-02  | -0.1265348E-02 | 0.1254660E-02  |
| 0.3289832E-02  | 0.5534694E-02  | 0.1560626E-01  | -0.2825062E-17  | 0.1591290E-01   | 0.2399580E-01  | 0.3014907E-01  |
| 0.3358128E-01  | 0.3369724E-01  | 0.3100618E-01  | 0.2606672E-01   | 0.2006489E-01   | 0.1441548E-01  | 0.9515571E-03  |
| 0.8436157E-02  | -0.5746432E-15 | 0.8670760E-02  | 0.1475148E-01   | 0.1943735E-01   | 0.2209835E-01  | 0.2244126E-01  |
| 0.2082679E-01  | 0.172178E-01   | 0.1397519E-01  | 0.1058451E-01   | -0.1936327E-01  | -0.3023308E-01 | -0.8322239E-15 |
| -0.3056383E-01 | -0.3917890E-01 | -0.4506449E-01 | -0.4715309E-01  | -0.4486573E-01  | -0.3891530E-01 | -0.3020665E-01 |
| -0.2039925E-01 | -0.1137557E-01 | -0.1520171E-01 | -0.2400889F-01  | 0.5259646E-14   | -0.2426945E-01 | -0.3117018E-01 |
| -0.3600682E-01 | -0.3771900E-01 | -0.3581653E-01 | -0.3078374E-01  | -0.2347990E-01  | -0.1533849E-01 | -0.7962202E-02 |
| -0.1682164E-04 | -0.1604395E-04 | -0.158839E-04  | -0.158840E-04   | 0.3100010E-04   | 0.2449935E-04  | 0.7592314E-03  |
| 0.7667672E-03  | 0.7584667E-02  | 0.7588297E-02  | -0.9076310F-03  | -0.91953718E-03 | -0.7434044E-02 | -0.7438091E-02 |
| -0.9309638E-02 | -0.8851389E-02 | 0.1216446E-01  | 0.1134633E-01   | 0.9317801E-02   | 0.887934E-02   | -0.1219786E-01 |
| -0.1137229E-01 | 0.1050071E-04  | 0.1012846F-03  | 0.3093517F-04   | 0.2539225E-04   | 0.9111320E-02  | -0.9508890E-02 |
| 0.2839505E-01  | 0.3460665E-04  | 0.2081440F-03  | 0.2410679E-05   | 0.4935195E-02   | 0.2155896E-01  | 0.6878738E-02  |
| 0.4124042E-04  | 0.2692271E-04  | -0.7137052F-04 | -0.1058165F-01  | 0.6491093E-02   | -0.2507413E-01 | 0.1799300E-04  |
| -0.2171032E-03 | 0.1503192E-04  | -0.6095238E-02 | -0.2448625E-01  | -0.3445323E-02  | 0.1097771E-04  | -0.3401774E-04 |
| 0.8378602E-04  | -0.1036750E-01 | 0.2427404E-01  | -0.22480314F-02 | 0.3581006E-04   | 0.8362152E-04  | 0.3938348E-04  |
| 0.2421278E-01  | 0.7491069E-02  | 0.3026704E-02  | 0.4106664E-04   | -0.1177901F-03  | 0.8108822E-04  | 0.1118528E-01  |
| -0.2224388E-01 | 0.2572671E-02  | -0.4060871E-04 | -0.9635236F-04  | 0.1882123E-02   | 0.2332129E-01  | -0.5502108E-02 |
| -0.2699296E-02 | -0.5045303E-04 | 0.1072255E-03  | -0.2591431E-04  | 0.8570238E-02   | 0.7136800E-02  | 0.5944235E-02  |
| 0.4717496E-02  | 0.3259735E-02  | -0.1131617E-00 | -0.9730775F-01  | -0.8297930E-01  | -0.6717866E-01 | -0.4759088E-01 |
| -0.1886821E-04 |                |                |                 |                 |                |                |

|                |                |                |                |                |                |                |
|----------------|----------------|----------------|----------------|----------------|----------------|----------------|
| 0.3338577E-02  | 0.2921639E-02  | 0.2596200E-02  | 0.2240397E-02  | 0.1973153E-02  | 0.1879120E-02  | 0.1680359E-02  |
| 0.1535179E-02  | 0.1430831E-02  | 0.1378099E-02  | 0.1276244E-02  | 0.1088003E-02  | 0.9194914E-03  | 0.6343500E-03  |
| 0.3686473E-03  | 0.1096849E-03  | -0.7262533E-04 | -0.2366479E-03 | -0.3104509E-03 | -0.3829512E-03 | -0.4096456E-03 |
| -0.4307772E-03 | -0.3784965E-03 | 0.             | -0.3913440E-03 | -0.3914452E-03 | -0.3515407E-03 | -0.2984648E-03 |
| 0.             | 0.             | 0.7883555E-05  | -0.2168111E-03 | 0.             | 0.             | 0.             |
| 0.             | 0.6476567E-03  | 0.5985249E-03  | 0.6529609E-03  | 0.6951503E-03  | 0.             | 0.7334579E-03  |
| 0.7872678E-03  | 0.8936764E-03  | 0.5865449E-03  | 0.1030255E-02  | 0.9385590E-03  | 0.7105470E-03  | 0.4405549E-03  |
| 0.1963134E-03  | 0.1749900E-03  | -0.4629241E-02 | -0.5918966E-03 | 0.             | -0.5666175E-03 | 0.1473654E-02  |
| 0.2428044E-02  | 0.2954108E-02  | 0.2899254E-02  | 0.2464689E-02  | 0.1473696E-02  | -0.8548170E-04 | -0.2142416E-02 |
| -0.1239353E-01 | -0.1974172E-02 | 0.             | -0.1835012E-03 | 0.3281545E-02  | 0.5585833E-02  | 0.6847529E-02  |
| 0.6666477E-02  | 0.5619282E-02  | 0.4603752E-03  | -0.6280028E-03 | 0.5287273E-02  | 0.4438770E-02  | 0.5317506E-03  |
| 0.             | 0.4603752E-03  | 0.2342503E-02  | -0.2534600E-02 | -0.3177170E-02 | -0.3077123E-02 | -0.2594640E-02 |
| -0.1532679E-02 | 0.1616338E-03  | 0.5228657E-02  | 0.1264617E-01  | 0.2035303E-02  | 0.             | 0.2074410E-02  |
| 0.5366763E-02  | 0.5459603E-02  | 0.9214899E-03  | -0.6562006E-02 | -0.5596689E-02 | 0.3270448E-02  | 0.5188672E-03  |
| -0.3193017E-02 | -0.3282998E-02 | -0.3026454E-02 | -0.2098599E-02 | 0.8779964E-03  | -0.1437336E-02 | -0.2552173E-01 |
| -0.1941249E-02 | 0.             | -0.1764346E-02 | 0.3451718E-02  | 0.5765701E-02  | 0.1719782E-02  | -0.1227660E-01 |
| 0.6516284E-02  | 0.4418828E-02  | 0.7097087E-03  | -0.2949017E-02 | -0.5727888E-02 | 0.7095812E-02  | 0.7175781E-02  |
| -0.8468891E-03 | 0.1510646E-02  | 0.2435389E-02  | 0.2949017E-02  | 0.2958242E-02  | 0.2711308E-02  | 0.             |
| 0.3256051E-03  | -0.1767297E-02 | 0.1194148E-01  | 0.1970035E-02  | -0.            | 0.1846356E-02  | -0.3298480E-02 |
| -0.5803980E-02 | -0.7272998E-02 | -0.7393628E-02 | -0.6760740E-02 | -0.4590060E-02 | -0.7988366E-03 | 0.4248952E-02  |
| -0.4686391E-00 | -0.4064846E-00 | -0.3544654E-00 | -0.3010391E-00 | -0.2561513E-00 | -0.2391777E-00 | -0.2093739E-00 |
| -0.1844623E-00 | 0.1622557E-00  | 0.1512322E-00  | -0.1363031E-00 | -0.1224221E-00 | -0.1067387E-00 | -0.7984758E-01 |
| -0.5706755E-01 | -0.3237654E-01 | -0.3064462E-02 | 0.1479919E-03  | 0.8307932E-02  | 0.1549111E-01  | 0.2182811E-01  |
| 0.2760412E-01  | 0.3272732E-01  | 0.             | 0.2965165E-01  | 0.3786974E-01  | 0.4295125E-01  | 0.4781774E-01  |
| -0.7215521E-05 | -0.            | -0.2230212E-02 | 0.5692189E-01  | -0.            | -0.            | -0.            |
| -0.            | -0.2604326E-01 | -0.2050607E-01 | -0.1710917E-01 | -0.1129358E-01 | -0.            | -0.8645143E-02 |
| -0.8117769E-02 | -0.1211770E-01 | -0.1737034E-01 | -0.2080591E-01 | -0.1986809E-01 | -0.1601679E-01 | -0.118673E-01  |
| -0.9177767E-02 | -0.4352754E-02 | -0.1213512E-02 | 0.2432943E-01  | 0.2340782E-01  | 0.2491539E-01  | 0.4185583E-01  |
| 0.5087510E-01  | 0.5196907E-01  | 0.4553394E-01  | 0.3441390E-01  | 0.2074285E-01  | 0.7465423E-02  | -0.2827011E-02 |
| 0.9409905E-03  | -0.9347413E-02 | -0.4206029E-17 | -0.9553173E-02 | -0.1606498E-01 | -0.1925103E-01 | -0.1939412E-01 |
| -0.1670041E-01 | -0.1230699E-01 | -0.7006932E-02 | -0.1891472E-02 | 0.2095588E-02  | 0.1924701E-02  | -0.2551926E-01 |
| -0.3727137E-16 | -0.2608685E-01 | -0.4372636E-01 | -0.5265409E-01 | -0.5327488E-01 | -0.4624885E-01 | -0.3455328E-01 |
| -0.2035642E-01 | -0.6632667E-02 | 0.3939125E-02  | -0.1905790E-03 | 0.825328E-02   | 0.3025633E-17  | 0.8456785E-02  |
| 0.1424996E-01  | 0.1753865E-01  | 0.1815001E-01  | 0.1601342E-01  | 0.1218504E-01  | 0.7413879E-02  | 0.2730749E-02  |
| -0.9777054E-03 | -0.1187192E-01 | -0.9047769E-02 | -0.3058430E-17 | -0.9343338E-02 | -0.1267636E-01 | -0.1905958E-01 |
| -0.2471909E-01 | -0.2836174E-01 | -0.2822653E-01 | -0.2465918E-01 | -0.1839841E-01 | -0.1108621E-01 | -0.5359380E-02 |
| -0.4580317E-02 | 0.2161791E-16  | -0.4708131E-02 | -0.6330299E-02 | -0.9094589E-02 | -0.1145239E-01 | -0.1288964E-01 |
| -0.1268312E-01 | -0.1096754E-01 | -0.8027899E-02 | -0.4566905E-02 | 0.1294386E-01  | 0.9641731E-02  | 0.2753647E-16  |
| 0.9960119E-02  | 0.1359828E-01  | 0.2087607E-01  | 0.2756539E-01  | 0.3193996E-01  | 0.3200926E-01  | 0.2811562E-01  |
| 0.2114334E-01  | 0.1293233E-01  | 0.5259148E-02  | 0.1678368E-02  | -0.4101085E-15 | 0.1845999E-02  | 0.3238149E-02  |
| 0.6314957E-02  | 0.8902987E-02  | 0.1051978E-01  | 0.1071820E-01  | 0.9717268E-02  | 0.7687023E-02  | 0.5131441E-02  |
| 0.1131176E-03  | 0.1052117E-03  | 0.9716585E-04  | 0.9716373E-04  | 0.2949144E-04  | -0.3103065E-04 | 0.1739590E-02  |
| 0.1763600E-02  | 0.4592878E-02  | 0.4651621E-02  | -0.2145242E-02 | -0.2214070E-02 | -0.4165553E-02 | -0.4234413E-02 |
| -0.1866455E-02 | 0.7353313E-03  | 0.5413107E-02  | 0.2174399E-02  | 0.1823653E-02  | 0.7178650E-03  | -0.5463796E-02 |
| -0.2194086E-02 | -0.2204214E-04 | 0.1466525E-04  | -0.1468399E-05 | 0.6540523E-05  | -0.1365053E-02 | -0.1439018E-03 |
| -0.4607622E-02 | 0.1049656E-04  | 0.1048051E-04  | 0.577561E-05   | 0.3493152E-02  | -0.4522593E-02 | 0.7251967E-03  |
| 0.1982691E-04  | 0.2329391E-04  | -0.7366803E-04 | 0.9407327E-03  | -0.9139956E-03 | 0.5599786E-02  | 0.3827444E-05  |
| -0.8671887E-05 | 0.2537278E-05  | -0.3122600E-02 | 0.3705349E-02  | 0.4729405E-03  | -0.7012409E-05 | 0.1919825E-04  |
| 0.6771158E-04  | 0.1880529E-05  | -0.4655266E-02 | 0.3007248E-03  | 0.1136770E-04  | -0.1482409E-04 | 0.1666757E-04  |
| -0.5024725E-02 | 0.111194E-03   | 0.1639539E-02  | -0.4079399E-05 | -0.4697502E-04 | -0.1087179E-04 | -0.2048371E-02 |
| 0.5278927E-02  | -0.3652392E-03 | -0.6230361E-03 | 0.1321723E-04  | 0.2158735E-05  | 0.5206837E-02  | 0.4455394E-03  |
| -0.1712176E-02 | -0.1386742E-05 | 0.5034803E-04  | 0.245367E-04   | -0.2411678E-01 | -0.2028102E-01 | -0.1716348E-01 |
| -0.1405384E-01 | -0.1036937E-01 | -0.1111064E-00 | -0.9662924E-01 | -0.8273160E-01 | -0.6690253E-01 | -0.4719419E-01 |
| 0.1119195E-03  |                |                |                |                |                |                |

|                |                |                |                |                 |                |                |
|----------------|----------------|----------------|----------------|-----------------|----------------|----------------|
| 0.4719744E-02  | 0.4109546E-02  | 0.3599238E-02  | 0.3072412E-02  | 0.2629846E-02   | 0.2461248E-02  | 0.2169032E-02  |
| 0.1922321E-02  | 0.1702227E-02  | 0.1594581E-02  | 0.1431873E-02  | 0.1283734E-02   | 0.1112284E-02  | 0.8185498E-03  |
| 0.5641899E-03  | 0.2844550E-03  | 0.8935355E-04  | -0.8572913E-04 | -0.1844413E-03  | -0.2734592E-03 | 0.3544725E-03  |
| -0.4287509E-03 | -0.5006590E-03 | 0.             | -0.4603270E-03 | -0.5686746E-03  | -0.6337722E-03 | -0.6962798E-03 |
| 0.             | 0.             | 0.4326021E-04  | -0.9005215E-03 | 0.              | 0.             | 0.             |
| 0.             | 0.5405069E-03  | 0.4976133E-03  | 0.6139134E-03  | 0.4660113E-03   | 0.             | 0.7023829E-03  |
| 0.8482474E-03  | 0.8482474E-03  | 0.153009E-03   | 0.9454432E-03  | 0.8958616E-03   | 0.7606667E-03  | 0.5682934E-03  |
| 0.3304678E-03  | 0.9443572E-04  | 0.2440532E-02  | 0.4654273E-03  | 0.              | 0.3945093E-03  | -0.1327054E-02 |
| -0.2646569E-02 | -0.3267976E-02 | -0.3250471E-02 | -0.2581247E-02 | -0.1387090E-02  | 0.2144495E-03  | 0.2052564E-02  |
| 0.5193561E-02  | 0.1046448E-02  | 0.             | 0.8925840E-03  | -0.2794357E-02  | -0.5628702E-02 | -0.6926474E-02 |
| -0.6827149E-02 | -0.5312615E-02 | -0.2670516E-02 | 0.8404460E-03  | 0.4848599E-02   | -0.2579828E-02 | -0.4942990E-03 |
| 0.             | -0.4213017E-03 | 0.1378164E-02  | 0.2754565E-02  | 0.3410211E-02   | 0.3402390E-02  | 0.2717448E-02  |
| 0.1483968E-02  | -0.1771479E-03 | -0.2087153E-02 | -0.5208261E-02 | -0.11087015E-02 | 0.             | -0.9321421E-03 |
| 0.2745880E-02  | 0.5589286E-02  | 0.6836491E-02  | 0.6809667E-02  | -0.5312362E-02  | 0.2691585E-02  | -0.7975235E-03 |
| -0.4782623E-02 | -0.1898769E-02 | -0.3065423E-03 | 0.             | -0.2379066E-03  | 0.1237187E-02  | 0.2449251E-02  |
| 0.3092874E-02  | 0.3177935E-02  | 0.2660018E-02  | 0.1643231E-02  | 0.2395081E-03   | -0.1384569E-02 | 0.4911482E-02  |
| 0.9069255E-03  | 0.             | 0.7506461E-03  | -0.2931560E-02 | -0.5935456E-02  | -0.7497825E-02 | -0.7665149E-02 |
| -0.6329309E-02 | -0.3763298E-02 | -0.2493816E-03 | 0.3800070E-02  | 0.1492982E-02   | -0.1298790E-03 | 0.             |
| 0.7362868E-04  | -0.1223537E-02 | -0.2291394E-02 | -0.2831404E-02 | -0.2859108E-02  | -0.2337460E-02 | -0.1371358E-02 |
| -0.766444E-04  | 0.1433780E-02  | -0.5364720E-02 | -0.1111637E-02 | 0.              | -0.9507255E-03 | 0.2870200E-02  |
| 0.5033483E-02  | 0.7642959E-02  | 0.7870151E-02  | 0.5554759E-02  | 0.3967082E-02   | 0.3955957E-03  | -0.3732568E-02 |
| 0.4672536E-00  | 0.4055900E-00  | 0.3540833E-00  | 0.3010284E-00  | 0.2566478E-00   | 0.2398321E-00  | 0.2102598E-00  |
| 0.1855247E-00  | 0.1635316E-00  | 0.1525916E-00  | 0.1374297E-00  | 0.1235820E-00   | 0.1076817E-00  | 0.8057116E-01  |
| 0.5755055E-01  | 0.3252012E-01  | 0.1972959E-02  | 0.1467732E-03  | -0.8015090E-02  | -0.1509135E-01 | -0.2132208E-01 |
| -0.2685907E-01 | -0.3214778E-01 | 0.             | -0.2918757E-01 | -0.3708787E-01  | -0.4182576E-01 | -0.4636567E-01 |
| -0.1649737E-04 | 0.             | 0.2241204E-02  | -0.5763556E-01 | 0.              | 0.             | 0.             |
| 0.9275229E-02  | 0.1844898E-01  | 0.9480865E-02  | 0.1212814E-01  | -0.1391467E-01  | 0.             | 0.1524364E-01  |
| 0.1663481E-01  | 0.1844898E-01  | 0.1963848E-01  | 0.2030033E-01  | 0.1969423E-01   | 0.1745851E-01  | 0.1403228E-01  |
| 0.9595159E-02  | 0.4374390E-02  | -0.3758013E-02 | -0.2397806E-01 | -0.1290020E-15  | -0.2455063E-01 | -0.3977240E-01 |
| -0.4893566E-01 | -0.5024274E-01 | -0.4459959E-01 | -0.3365495E-01 | -0.1989086E-01  | -0.6414621E-02 | 0.3284706E-02  |
| -0.1094331E-03 | 0.9059121E-02  | -0.3216619E-16 | 0.9322949E-02  | 0.11634694E-01  | 0.2075312E-01  | 0.2169246E-01  |
| 0.1953054E-01  | 0.1497508E-01  | 0.9107472E-02  | 0.3289999E-02  | -0.9325818E-03  | 0.2574680E-02  | 0.2449723E-01  |
| -0.1336538E-15 | 0.2512864E-01  | 0.4183897E-01  | 0.5217722E-01  | 0.5412829E-01   | 0.4858341E-01  | 0.3727016E-01  |
| 0.2279418E-01  | 0.8429771E-02  | -0.2113161E-02 | -0.1349516E-02 | -0.9184977E-02  | -0.5335223E-16 | -0.9398012E-02 |
| -0.1520684E-01 | -0.1860372E-01 | -0.1893037E-01 | -0.1657821E-01 | -0.1220235E-01  | -0.6798947E-02 | -0.1608857E-02 |
| 0.1990759E-02  | 0.6968111E-02  | 0.8089599E-02  | 0.6580222E-18  | 0.8354001E-02   | 0.1276376E-01  | 0.1861731E-01  |
| 0.2407154E-01  | 0.2740495E-01  | 0.2786029E-01  | 0.2504810E-01  | 0.1921318E-01   | 0.1128946E-01  | 0.2039626E-02  |
| 0.2794195E-02  | -0.1356280E-15 | 0.2919483E-02  | 0.5111501E-02  | 0.7910769E-02   | 0.1045966E-01  | 0.1200165E-01  |
| 0.1220513E-01  | 0.1093018E-01  | 0.8325711E-02  | 0.4845094E-02  | -0.9510705E-02  | -0.1101230E-01 | -0.2234440E-15 |
| -0.1129214E-01 | -0.1604003E-01 | -0.2205397E-01 | -0.2740343E-01 | -0.3035066E-01  | -0.3016368E-01 | -0.2652076E-01 |
| -0.1977888E-01 | -0.1100293E-01 | -0.3995917E-02 | -0.4864677E-02 | 0.1250617E-14   | -0.4976490E-02 | -0.7003532E-02 |
| -0.9555920E-02 | -0.1180792E-01 | -0.1298363E-01 | -0.127517E-01  | -0.1103159E-02  | -0.8014309E-02 | -0.4199652E-02 |
| -0.1176061E-03 | -0.1162769E-03 | -0.1151545E-03 | -0.1151545E-03 | 0.7697237E-04   | 0.3172617E-04  | -0.1715379E-02 |
| -0.1705068E-02 | -0.4340166E-02 | -0.4314365E-02 | 0.1868923E-02  | 0.1856266E-02   | 0.4242620E-02  | 0.4212598E-02  |
| 0.9850693E-03  | 0.6322895E-03  | -0.2589843E-02 | -0.171210E-02  | -0.9859982E-03  | -0.5797495E-03 | 0.2541190E-02  |
| 0.1701287E-02  | 0.1953994E-04  | -0.3769780E-04 | 0.1068874E-05  | 0.4093577E-05   | -0.5436035E-03 | -0.7564269E-03 |
| 0.4185929E-02  | 0.7458653E-05  | 0.1737746E-05  | -0.9668957E-05 | -0.4968048E-02  | 0.2634023E-02  | -0.5058421E-03 |
| 0.1031116E-04  | -0.1112122E-04 | 0.6046764E-04  | 0.4487868E-03  | 0.3280658E-03   | -0.3648539E-02 | 0.6865159E-06  |
| -0.3676619E-05 | 0.1015405E-04  | 0.4701795E-02  | -0.3126335E-02 | 0.1028046E-02   | -0.1583281E-05 | 0.9764267E-05  |
| -0.5605595E-04 | -0.1590865E-02 | 0.3176028E-02  | -0.4352172E-03 | -0.4319354E-04  | 0.1948311E-04  | 0.6721976E-05  |
| 0.3211308E-02  | 0.2263156E-03  | 0.1619078E-02  | 0.1375272E-04  | 0.2657905E-04   | 0.7477695E-04  | 0.1810840E-02  |
| -0.2861910E-02 | 0.5352775E-03  | 0.4088429E-04  | -0.2100743E-04 | 0.1721973E-05   | -0.3152635E-02 | 0.1031684E-03  |
| 0.1716607E-02  | -0.1372651E-04 | -0.2901897E-04 | -0.1528409E-04 | 0.2649035E-01   | 0.2233215E-01  | 0.1891518E-01  |
| -0.1542585E-01 | 0.1122076E-01  | 0.1116770E-03  | 0.9719797E-01  | 0.3343793E-01   | -0.6750868E-01 | 0.4745362E-01  |
| -0.1195141E-03 | 0.             | 0.             | 0.             | 0.              | 0.             | 0.             |

|                |                |                |                |                |                |                |
|----------------|----------------|----------------|----------------|----------------|----------------|----------------|
| 0.1437131E-01  | 0.1138013E-01  | 0.8876005E-02  | 0.6387455E-02  | 0.4335858E-02  | 0.3580083E-02  | 0.2249C19E-02  |
| 0.1186602E-02  | 0.2568124E-03  | -0.1825269E-03 | -0.3702114E-03 | -0.4833301E-03 | -0.5238110E-03 | -0.5587299E-03 |
| -0.4985115E-03 | -0.4386002E-03 | -0.3715985E-03 | -0.2419004E-03 | -0.1992194E-03 | -0.1310243E-03 | -0.1340873E-03 |
| -0.1369245E-03 | -0.3261228E-03 | 0.             | -0.2775322E-03 | -0.3416069E-03 | -0.4613007E-03 | -0.6110004E-03 |
| 0.             | 0.             | 0.2293508E-04  | -0.1285164E-02 | 0.             | 0.             | 0.             |
| 0.             | 0.5925253E-02  | 0.4108409E-02  | 0.8307406E-02  | 0.9446543E-02  | 0.             | 0.1040826E-01  |
| 0.1150678E-01  | 0.1291733E-01  | 0.1345005E-01  | 0.1292979E-01  | 0.1102410E-01  | 0.8306360E-02  | 0.5606654E-02  |
| 0.3509477E-02  | 0.3694623E-02  | -0.5431933E-03 | -0.5110077E-02 | 0.             | -0.4906776E-02 | -0.3982374E-02 |
| -0.6493004E-03 | 0.1509725E-02  | 0.3491131E-02  | -0.3500904E-02 | 0.2944266E-02  | 0.2202583E-02  | 0.1750012E-02  |
| -0.9975977E-02 | -0.1918195E-01 | 0.             | -0.1866548E-01 | -0.1304133E-01 | -0.1082113E-02 | 0.7126372E-02  |
| 0.             | 0.1383371E-01  | 0.1111164E-01  | 0.6715631E-02  | 0.2018046E-02  | 0.113412E-02   | 0.5118347E-02  |
| 0.             | 0.4999139E-02  | 0.3896567E-02  | 0.6349659E-03  | -0.1238883E-02 | -0.3155776E-02 | 0.18C3549E-01  |
| 0.             | -0.2295220E-02 | -0.2036987E-02 | -0.9160451E-02 | -0.1890994E-01 | 0.             | -0.6435406E-02 |
| -0.1280170E-01 | 0.1023668E-02  | -0.7186332E-02 | -0.1352932E-01 | -0.1369053E-01 | -0.1084154E-01 | -0.2273145E-02 |
| -0.1621897E-02 | 0.5930168E-02  | 0.7961553E-02  | 0.             | 0.7646808E-02  | 0.3867193E-02  | -0.5720579E-02 |
| -0.6278759E-02 | -0.8614947E-02 | -0.7466882E-02 | -0.4582199E-02 | -0.9101949E-03 | 0.2759766E-02  | 0.1489531E-01  |
| -0.1496173E-01 | 0.             | -0.1451331E-01 | -0.4582199E-02 | 0.2377053E-02  | 0.9997001E-02  | 0.             |
| 0.1295728E-01  | 0.8020481E-02  | 0.2206766E-02  | -0.9314629E-02 | 0.5683498E-02  | 0.8880432E-02  | 0.             |
| -0.8480120E-02 | -0.4734637E-02 | 0.2156004E-02  | -0.3022147E-02 | 0.9651594E-02  | 0.8598451E-02  | 0.5529782E-02  |
| 0.1530812E-02  | -0.2505292E-02 | 0.7531283E-02  | 0.6856629E-02  | -0.            | 0.8501552E-02  | 0.2913126E-02  |
| -0.3017638E-02 | -0.1042840E-01 | -0.1527122E-01 | 0.1494743E-01  | -0.8378584E-02 | -0.2511432E-02 | 0.5000427E-01  |
| 0.1990450E-00  | 0.1618770E-00  | 0.1311247E-00  | 0.1004158E-00  | -0.8378584E-02 | 0.6626535E-01  | 0.6201166E-02  |
| 0.3741043E-01  | 0.2690938E-01  | 0.2156746E-01  | 0.1813665E-01  | 0.1455095E-01  | 0.1144583E-01  | -0.7878213E-02 |
| 0.2305504E-02  | -0.1223358E-02 | -0.7266227E-02 | -0.7171527E-02 | -0.7726762E-02 | -0.7967154E-02 | -0.4584292E-02 |
| -0.7744391E-02 | -0.5540332E-02 | 0.             | -0.5756260E-02 | -0.5117511E-02 | -0.4886974E-02 | 0.             |
| 0.1025515E-04  | 0.             | -0.1007193E-03 | 0.7583628E-02  | 0.             | 0.             | 0.             |
| -0.            | -0.2311285E-01 | -0.1192900E-01 | -0.9484511E-01 | -0.1369029E-00 | -0.            | -0.1657074E-00 |
| -0.1919702E-00 | -0.2159412E-00 | -0.2220421E-00 | -0.2162912E-00 | -0.1931259E-00 | -0.1517759E-00 | -0.1004845E-00 |
| -0.4466864E-01 | -0.2421150E-01 | -0.1539633E-02 | 0.2674045E-01  | 0.615717E-15   | 0.2791328E-01  | 0.5504485E-01  |
| 0.7323202E-01  | 0.7272304E-01  | 0.5952103E-01  | 0.3432651E-01  | 0.6868635E-01  | -0.1216281E-01 | -0.1031598E-01 |
| -0.5525744E-02 | -0.1287013E-01 | 0.2005432E-15  | -0.1328111E-01 | -0.2177045E-01 | -0.2753543E-01 | -0.2641517E-01 |
| -0.2057130E-01 | -0.1044706E-01 | 0.373792E-04   | 0.6635083E-02  | 0.4610002E-02  | -0.3412002E-02 | -0.2968569E-01 |
| 0.8399987E-15  | -0.3103475E-01 | -0.5865574E-01 | -0.7834189E-01 | -0.7870582E-01 | -0.6499058E-01 | -0.3813429E-01 |
| -0.8414969E-02 | 0.1274868E-01  | 0.1231621E-01  | -0.1127060E-02 | 0.9521981E-02  | -0.1605192E-15 | 0.9894507E-02  |
| 0.1897349E-01  | 0.2417776E-01  | 0.2271468E-01  | 0.1744367E-01  | 0.8662997E-02  | -0.1788890E-03 | -0.5351885E-02 |
| -0.2412246E-02 | -0.8284952E-02 | 0.2290688E-01  | -0.2274929E-16 | 0.2648920E-01  | 0.9071766E-01  | 0.1631369E-00  |
| 0.2135839E-00  | 0.2313359E-00  | 0.2086033E-00  | 0.1551940E-00  | 0.8859220E-01  | 0.3211385E-01  | -0.8389902E-00 |
| 0.8146849E-02  | 0.8830646E-15  | 0.9905643E-02  | 0.4160123E-01  | 0.7685530E-01  | 0.1015212E-00  | 0.1103673E-00  |
| 0.9982523E-01  | 0.7436275E-01  | 0.4223520E-01  | 0.1456461E-01  | 0.4136760E-02  | -0.2394958E-01 | 0.1328307E-14  |
| -0.2747647E-01 | -0.9016416E-01 | -0.1627478E-00 | -0.2140834E-00 | -0.2324250E-00 | -0.2095632E-00 | -0.1554063E-00 |
| -0.8779155E-01 | -0.3043737E-01 | 0.4712757E-02  | 0.5981866E-02  | -0.6697366E-14 | -0.7992389E-02 | -0.4059285E-01 |
| -0.7693665E-01 | -0.1007928E-00 | -0.1075900E-00 | -0.9510867E-01 | -0.6880885E-01 | -0.3722000E-01 | -0.1102262E-01 |
| -0.852460E-03  | -0.8140963E-03 | -0.7755801E-03 | -0.7755803E-03 | 0.1366583E-03  | 0.2060361E-03  | -0.8344159E-02 |
| -0.8381601E-02 | -0.2802554E-01 | -0.2806849E-01 | 0.9090604E-02  | 0.9136491E-02  | 0.2759943E-01  | 0.2764417E-01  |
| 0.7021158E-02  | 0.6530650E-02  | -0.1484293E-01 | -0.1027580E-02 | -0.6829630E-02 | -0.6381851E-02 | 0.1480614E-01  |
| 0.1042681E-01  | 0.1454542E-01  | -0.5613182E-04 | -0.1880251E-04 | 0.1297486E-04  | 0.1344239E-01  | 0.1002593E-01  |
| -0.1407494E-01 | 0.2241541E-04  | -0.2790234E-03 | -0.1389496E-03 | -0.1776970E-01 | -0.6746389E-02 | -0.3403698E-02 |
| -0.3883243E-04 | -0.8332234E-04 | 0.5970091E-03  | -0.1246952E-01 | -0.1143405E-01 | 0.1610917E-01  | 0.3523602E-05  |
| 0.2822417E-03  | 0.1290285E-03  | 0.1761096E-01  | 0.5014121E-02  | 0.5159663E-02  | 0.6672923E-04  | 0.8238661E-04  |
| -0.5865224E-03 | -0.5978208E-03 | -0.8474588E-02 | -0.2482457E-02 | 0.8096703E-03  | -0.9353916E-04 | -0.4042803E-04 |
| -0.2770640E-01 | -0.4843514E-02 | 0.6837025E-02  | -0.2482457E-02 | 0.7905183E-04  | 0.7402714E-04  | 0.80C4542E-03  |
| 0.9537574E-02  | 0.2799922E-02  | -0.8169386E-03 | 0.9747311E-04  | 0.6570566E-04  | 0.2747864E-01  | 0.6032109E-02  |
| -0.6510394E-02 | -0.7135921E-05 | -0.8212712E-04 | -0.4273547E-04 | 0.2313171E-02  | 0.1272825E-02  | 0.4721988E-03  |
| 0.4851361E-04  | -0.3299229E-03 | 0.1247533E-01  | 0.9672957E-02  | 0.6296793E-02  | 0.3472293E-02  | 0.9021276E-03  |

|                |                |                |                |                |                |                |
|----------------|----------------|----------------|----------------|----------------|----------------|----------------|
| 0.8180205E-03  | 0.2835355E-03  | -0.5235456E-03 | -0.1032346E-02 | -0.1931091E-02 | -0.2382516E-02 | -0.2665503E-02 |
| -0.3224020E-02 | -0.4540424E-02 | -0.3789166E-02 | -0.3069729E-02 | -0.3069729E-02 | -0.2055897E-02 | -0.3506208E-03 |
| 0.1476824E-02  | 0.2990977E-02  | 0.4091419E-02  | 0.5203767E-02  | 0.5468514E-02  | 0.5789572E-02  | 0.5437421E-02  |
| 0.5043575E-02  | 0.3349318E-02  | -0.3966273E-02 | 0.3966273E-02  | 0.2856325E-02  | 0.1528856E-02  | -0.2268146E-05 |
| -0.            | 0.4176891E-04  | -0.2736116E-02 | -0.            | -0.            | -0.            | -0.            |
| -0.            | 0.3842963E-02  | -0.7698722E-03 | 0.1091753E-01  | 0.1403552E-01  | 0.1668555E-01  | 0.1668555E-01  |
| 0.1969722E-01  | 0.2348121E-01  | 0.2485774E-01  | 0.2365532E-01  | 0.1939434E-01  | 0.1375132E-01  | 0.8502229E-02  |
| 0.4969668E-02  | 0.5444364E-02  | 0.2405175E-01  | -0.6484678E-02 | -0.            | -0.5624185E-02 | -0.7656938E-02 |
| 0.1865080E-02  | 0.6703954E-02  | 0.8426621E-02  | 0.4257286E-02  | -0.8319109E-03 | -0.4131484E-02 | -0.3541936E-02 |
| 0.5725883E-01  | -0.2371278E-01 | -0.            | -0.2261904E-01 | -0.2568269E-01 | 0.3015317E-02  | 0.1944451E-01  |
| 0.2757982E-01  | 0.1784768E-01  | 0.3746363E-02  | -0.7451061E-02 | -0.1181123E-01 | -0.1935387E-01 | 0.61748685E-02 |
| -0.            | 0.6551902E-02  | 0.6438186E-02  | 0.3489381E-02  | -0.6542113E-02 | -0.8376792E-02 | -0.3808713E-02 |
| 0.1695721E-02  | 0.4614340E-02  | 0.3929390E-02  | -0.6080433E-01 | 0.2431758E-01  | -0.            | 0.2038439E-01  |
| 0.2597669E-01  | -0.1443420E-02 | -0.1891111E-01 | -0.2790975E-01 | -0.1802874E-01 | 0.3872280E-02  | 0.6627049E-02  |
| 0.1139147E-01  | -0.2464464E-01 | 0.9368650E-02  | -0.            | 0.8550445E-02  | 0.9735772E-02  | -0.3357851E-02 |
| -0.1174295E-01 | -0.1504991E-01 | -0.8890717E-02 | -0.9498122E-03 | 0.5915862E-02  | 0.7119740E-02  | 0.6918283E-01  |
| -0.1545921E-01 | 0.             | -0.1512297E-01 | -0.2302247E-01 | 0.5060676E-02  | 0.2230500E-01  | 0.2899861E-01  |
| 0.1548074E-01  | -0.1594710E-02 | -0.1224735E-01 | -0.1259187E-01 | 0.3452242E-01  | -0.8424501E-02 | 0.             |
| -0.7062285E-02 | -0.1151918E-01 | 0.2655801E-02  | 0.1190026E-01  | 0.1590886E-01  | 0.9623384E-02  | 0.1142111E-02  |
| -0.5188025E-02 | -0.7206220E-02 | -0.5844155E-01 | 0.1744450E-01  | 0.             | 0.1613969E-01  | 0.2070494E-01  |
| -0.5879792E-02 | -0.2196847E-01 | -0.2861685E-01 | -0.1479019E-01 | 0.1496575E-02  | 0.1171254E-01  | 0.1250733E-01  |
| -0.4812495E-00 | -0.3761101E-00 | -0.2922808E-00 | -0.2060988E-00 | -0.1422713E-00 | -0.1191320E-00 | -0.7666504E-01 |
| -0.4512433E-01 | -0.2168277E-01 | -0.1095829E-01 | 0.1148837E-02  | 0.6787092E-02  | 0.1531494E-01  | 0.2624633E-01  |
| 0.3476281E-01  | 0.4340706E-01  | 0.7933349E-01  | 0.4256314E-01  | 0.4076326E-01  | 0.3599297E-01  | 0.3028012E-01  |
| -0.2170727E-01 | 0.1852924E-01  | 0.             | 0.2336866E-01  | 0.9964847E-02  | -0.1056267E-02 | -0.1200181E-01 |
| -0.1831282E-04 | 0.             | -0.2668565E-04 | 0.5014456E-02  | 0.             | 0.             | 0.             |
| 0.             | 0.2103121E-00  | 0.1171013E-00  | 0.3917962E-01  | -0.7057842E-01 | 0.             | -0.1239569E-00 |
| -0.1415430E-00 | -0.8278426E-01 | 0.4844033E-02  | 0.6995456E-01  | 0.7242909E-01  | 0.3414011E-01  | -0.5326716E-02 |
| -0.1932620E-01 | -0.8646146E-01 | -0.9316448E-02 | -0.8138086E-01 | 0.2292550E-14  | -0.8043473E-01 | -0.8510050E-01 |
| -0.4882205E-01 | -0.7684407E-02 | 0.3590856E-01  | 0.5582630E-01  | 0.5281136E-01  | 0.2840956E-01  | 0.1083591E-02  |
| 0.1561663E-01  | 0.3050311E-01  | 0.7058759E-15  | 0.3019646E-01  | 0.4045609E-01  | 0.2812628E-01  | 0.1108064E-01  |
| -0.8145085E-02 | -0.1841495E-01 | -0.1941047E-01 | -0.1122669E-01 | -0.4778047E-03 | -0.2803882E-01 | 0.7134824E-01  |
| 0.2769825E-14  | 0.7014561E-01  | 0.8462933E-01  | 0.4874456E-01  | 0.5653571E-02  | -0.3859698E-01 | -0.5712253E-01 |
| -0.5188840E-01 | -0.2598300E-01 | 0.2069735E-02  | -0.2097934E-01 | -0.4081203E-01 | 0.6572913E-15  | -0.4050709E-01 |
| -0.4060282E-01 | -0.2823263E-01 | -0.1314560E-01 | 0.5928430E-02  | 0.1759196E-01  | 0.2054666E-01  | 0.1388199E-01  |
| 0.3676567E-02  | -0.1051823E-01 | -0.8215749E-01 | -0.5256640E-16 | -0.8090143E-01 | -0.8848853E-01 | -0.5163634E-01 |
| -0.7417483E-02 | 0.3773666E-01  | 0.5743600E-01  | 0.5483920E-01  | 0.3388741E-01  | 0.8050696E-02  | -0.1433678E-01 |
| -0.3510787E-01 | 0.2870268E-14  | -0.3418316E-01 | -0.2782983E-01 | -0.3844975E-02 | 0.2026360E-01  | 0.4115584E-01  |
| 0.4715815E-01  | 0.4033137E-01  | 0.2380401E-01  | 0.5909847E-02  | -0.2130840E-01 | 0.7018002E-01  | 0.4478400E-14  |
| 0.6952405E-01  | 0.9056970E-01  | 0.5958357E-01  | 0.1589958E-01  | -0.3038314E-01 | -0.5076247E-01 | -0.4855900E-01 |
| -0.2847600E-01 | -0.4177102E-02 | -0.1153979E-01 | 0.4956945E-01  | -0.2224661E-13 | 0.4748193E-01  | 0.3518464E-01  |
| -0.4493181E-02 | -0.3211549E-01 | -0.5077825E-01 | -0.5181276E-01 | -0.4078845E-01 | 0.2188809E-01  | -0.3257075E-02 |
| -0.4493303E-03 | -0.3144707E-03 | -0.1774053E-03 | 0.1774042E-03  | 0.1601409E-02  | 0.1314811E-03  | -0.2086638E-01 |
| -0.2115949E-01 | -0.6126099E-01 | -0.6189462E-01 | 0.1997594E-01  | 0.2037885E-01  | 0.6195963E-01  | 0.6265081E-01  |
| 0.3186907E-01  | 0.2651235E-01  | -0.8309050E-01 | -0.5803455E-01 | -0.3087700E-01 | -0.2637590E-01 | 0.8437772E-01  |
| 0.5819449E-01  | 0.1385752E-03  | -0.2747433E-03 | -0.2884400E-04 | 0.1490201E-04  | -0.8033629E-02 | 0.1390411E-01  |
| -0.1058166E-01 | -0.1089850E-03 | -0.1146175E-02 | 0.4117586E-04  | -0.2199053E-01 | -0.9636679E-01 | 0.5418684E-02  |
| -0.3542528E-03 | -0.2574949E-03 | 0.9823372E-03  | 0.7912217E-02  | -0.1545666E-01 | 0.1066933E-00  | 0.1397212E-03  |
| 0.1125453E-02  | -0.3572140E-04 | 0.2293059E-01  | 0.9537122E-01  | -0.3963801E-02 | 0.3835243E-03  | 0.2439917E-03  |
| 0.1000152E-02  | 0.6991639E-02  | -0.8089777E-01 | 0.2194512E-02  | 0.2206988E-03  | -0.1441694E-03 | -0.7437827E-02 |
| -0.8785401E-01 | -0.1023141E-01 | -0.2505556E-01 | -0.1244977E-03 | 0.1129579E-02  | -0.2592503E-03 | -0.7251446E-02 |
| 0.8216508E-01  | -0.1881043E-02 | -0.7038339E-03 | 0.1370686E-03  | 0.7788008E-03  | 0.8809786E-01  | 0.1101084E-01  |
| 0.2533097E-01  | 0.1127443E-03  | -0.1123502E-02 | 0.2617890E-03  | -0.1457145E-03 | 0.1149153E-02  | 0.2726215E-02  |
| 0.5629705E-02  | 0.9621311E-02  | 0.1126543E-01  | 0.2113704E-01  | 0.2475405E-01  | 0.2909831E-01  | 0.35556676E-01 |
| -0.4221638E-03 |                |                |                |                |                |                |

0.1870853E-03  
 0.1160771E-03  
 0.7577211E-04  
 0.4306658E-04  
 -0.  
 -0.  
 -0.4029825E-04  
 0.9731257E-05  
 0.1006208E-01  
 0.4343008E-01  
 0.1031217E-01  
 -0.  
 0.1515023E-02  
 0.3073292E-01  
 0.1868478E-01  
 -0.7067697E-02  
 0.3706352E-01  
 0.3149010E-02  
 0.1528659E-01  
 -0.4710287E-02  
 -0.2399194E-01  
 0.1736396E-00  
 0.1356454E-00  
 0.1038925E-00  
 0.7290916E-01  
 -0.1221696E-06  
 0.  
 0.3407643E-01  
 -0.1985851E-01  
 0.2355737E-01  
 -0.1790639E-01  
 -0.4066124E-02  
 -0.712459E-17  
 0.4773644E-02  
 0.1236314E-01  
 -0.7816669E-02  
 0.1514223E-01  
 0.9540713E-03  
 0.3513222E-01  
 0.1183191E-01  
 -0.9529397E-02  
 0.5387542E-05  
 -0.3701543E-02  
 0.3861842E-02  
 0.7405235E-02  
 -0.3675068E-01  
 -0.3359422E-06  
 0.1018039E-03  
 -0.1018925E-03  
 -0.3612121E-01  
 0.3612628E-01  
 0.4223108E-02  
 0.2354809E-01  
 0.5390496E-05  
 0.1720704E-03  
 0.1098901E-03  
 0.6587350E-04  
 0.4050104E-04  
 -0.  
 -0.  
 -0.4412849E-04  
 0.1908205E-04  
 0.7219676E-02  
 0.3715386E-01  
 0.3179873E-02  
 -0.1528224E-01  
 0.4653967E-02  
 0.2412184E-01  
 -0.1799789E-01  
 -0.4215622E-02  
 0.  
 0.4067317E-02  
 0.1271896E-01  
 -0.7752999E-02  
 -0.1711022E-01  
 0.1659961E-00  
 0.1319134E-00  
 0.9622665E-01  
 0.6981002E-01  
 0.  
 0.4746836E-01  
 0.2820263E-01  
 0.3193043E-01  
 0.1656902E-01  
 -0.1527742E-01  
 -0.1106265E-02  
 0.3646839E-01  
 0.1184764E-01  
 0.9547216E-02  
 0.4311229E-01  
 0.9168419E-02  
 0.1330644E-17  
 -0.1962887E-02  
 -0.2969282E-01  
 0.1883326E-01  
 -0.6651971E-02  
 0.5382582E-05  
 -0.9450000E-02  
 0.3909477E-02  
 -0.9480741E-06  
 -0.2225117E-06  
 -0.7988919E-07  
 -0.2888534E-06  
 0.1263294E-04  
 -0.3924573E-04  
 -0.2229852E-03  
 0.3211309E-06  
 0.2240044E-01  
 0.1593365E-03  
 0.1067730E-03  
 0.5969476E-04  
 -0.  
 -0.3720247E-04  
 -0.4409373E-04  
 -0.3298415E-04  
 0.1796067E-01  
 0.4367067E-02  
 -0.4053138E-02  
 -0.1275562E-01  
 0.7711458E-02  
 -0.1721732E-01  
 -0.1536094E-01  
 -0.1270931E-02  
 0.3680701E-01  
 -0.1135372E-01  
 0.9978263E-02  
 -0.4336434E-01  
 -0.1023533E-01  
 0.1594365E-01  
 0.1299938E-00  
 0.9034929E-01  
 0.  
 -0.6966744E 00  
 0.5135864E-01  
 0.2230493E-01  
 0.4330964E-01  
 0.9630387E-02  
 0.1807454E-16  
 0.1871991E-02  
 -0.3010390E-01  
 0.1886129E-01  
 0.6651167E-02  
 0.3641186E-01  
 0.2195819E-02  
 0.1503266E-01  
 -0.4889419E-02  
 -0.2293498E-01  
 -0.1789312E-01  
 -0.3813398E-02  
 0.5377885E-05  
 -0.9448573E-02  
 -0.9315798E-02  
 -0.10124960E-03  
 0.1013483E-03  
 0.7368072E-02  
 -0.3613233E-01  
 -0.4226712E-02  
 0.1011833E-03  
 -0.1017194E-03  
 0.1172019E-00  
 0.1461294E-03  
 0.1018634E-03  
 0.5414215E-04  
 0.4190174E-04  
 0.2711157E-04  
 -0.4325760E-04  
 -0.2663391E-04  
 0.1539916E-01  
 0.1409335E-02  
 0.3689807E-01  
 -0.1135181E-01  
 -0.1004061E-01  
 -0.4342957E-01  
 -0.1031367E-01  
 0.  
 0.1714604E-02  
 0.3061970E-01  
 -0.1867450E-01  
 0.7121934E-02  
 0.3704352E-01  
 -0.3127540E-02  
 0.1524474E-00  
 0.1262301E-00  
 0.8551436E-01  
 0.7160515E-01  
 0.5311670E-01  
 0.4282841E-01  
 0.1500493E-01  
 0.3686602E-01  
 0.2517611E-02  
 -0.1517055E-01  
 0.4838919E-02  
 0.2333821E-01  
 0.1786132E-01  
 0.3799720E-02  
 0.6182337E-17  
 0.4811452E-02  
 0.1236619E-01  
 -0.7813602E-02  
 -0.1600648E-01  
 -0.1511305E-01  
 -0.9110538E-03  
 0.5377885E-05  
 0.3904439E-02  
 -0.9422387E-02  
 -0.6419302E-07  
 -0.2668784E-06  
 0.6482309E-02  
 0.3672536E-01  
 0.2214269E-03  
 -0.4459718E-06  
 -0.3130365E-06  
 0.7446080E-06  
 0.1122504E-00  
 0.1347045E-03  
 0.9730270E-04  
 0.5098615E-04  
 0.3825895E-04  
 -0.  
 -0.  
 -0.4245410E-04  
 -0.1783417E-04  
 -0.  
 -0.1600026E-02  
 0.3073188E-01  
 -0.1868341E-01  
 -0.7196396E-02  
 -0.3715382E-01  
 -0.3180840E-02  
 -0.1525425E-01  
 0.4726691E-02  
 0.1801509E-01  
 0.2401489E-01  
 0.4267424E-02  
 0.  
 0.4086280E-02  
 0.1462081E-00  
 0.1226305E-00  
 0.8231773E-01  
 0.6671923E-01  
 0.  
 0.3991591E-01  
 0.6341476E-02  
 0.7802713E-17  
 0.4633715E-02  
 -0.1259104E-01  
 -0.1634106E-01  
 0.1513280E-01  
 0.8949818E-03  
 0.3614685E-01  
 -0.1183162E-01  
 0.9562939E-02  
 -0.4309745E-01  
 -0.9177212E-02  
 0.1891468E-18  
 0.2002686E-02  
 -0.4302884E-05  
 0.3903740E-02  
 0.3849805E-02  
 -0.7351144E-02  
 -0.7351144E-01  
 -0.2287831E-04  
 0.3221567E-05  
 -0.1010028E-03  
 0.1017847E-03  
 0.2667845E-05  
 0.2661982E-01  
 0.1080910E-00  
 0.1302437E-03  
 0.9194197E-04  
 0.4817798E-04  
 0.3593776E-04  
 -0.  
 -0.  
 -0.8332260E-05  
 0.1529461E-01  
 0.4645284E-02  
 0.2412067E-01  
 -0.1795550E-01  
 -0.4344591E-02  
 -0.  
 0.4052890E-02  
 0.1267545E-01  
 0.7751747E-02  
 0.1713354E-01  
 0.1539257E-01  
 0.1315117E-02  
 -0.3678726E-01  
 0.1136937E-01  
 0.1436895E-00  
 0.1182532E-00  
 0.7915548E-01  
 0.6363532E-01  
 0.  
 0.  
 0.2376035E-02  
 0.3660393E-01  
 -0.1177217E-01  
 -0.9827645E-02  
 -0.4324865E-01  
 -0.9412841E-02  
 0.1331927E-18  
 -0.2016072E-02  
 0.2969948E-01  
 -0.1884336E-01  
 0.6687027E-02  
 -0.3639660E-01  
 -0.2196885E-02  
 -0.1500383E-01  
 0.4912669E-02  
 -0.1584830E-05  
 0.9446032E-02  
 0.3893754E-02  
 -0.6487102E-02  
 -0.3670666E-01  
 0.3671114E-01  
 0.1090922E-06  
 0.1651632E-06  
 -0.4118268E-06  
 0.3610741E-01  
 0.2544606E-01  
 0.1038259E-00  
 0.1227236E-03  
 0.8270166E-04  
 0.4550773E-04  
 0.3366507E-04  
 -0.  
 -0.4161117E-04  
 0.1049382E-05  
 0.1277332E-01  
 -0.7710007E-02  
 0.1721576E-01  
 -0.1538715E-01  
 -0.1389687E-02  
 -0.3689862E-01  
 0.1135223E-01  
 -0.9926635E-02  
 0.4338186E-01  
 0.1025805E-01  
 0.  
 -0.1682556E-02  
 -0.3059827E-01  
 0.1868650E-01  
 0.1395223E-00  
 0.1106301E-00  
 0.7602103E-01  
 0.6055925E-01  
 0.  
 0.3735090E-01  
 -0.1111633E-01  
 0.3029172E-01  
 -0.1884848E-01  
 -0.6944599E-02  
 -0.3673143E-01  
 -0.2328934E-02  
 0.1502289E-01  
 -0.4924070E-02  
 0.2293037E-01  
 0.1791109E-01  
 0.3852366E-02  
 0.6533515E-17  
 0.4815806E-02  
 -0.1233328E-01  
 0.7813070E-02  
 -0.3902113E-02  
 0.9444320E-02  
 0.9306562E-02  
 0.3913555E-04  
 -0.1509229E-04  
 -0.7739448E-07  
 -0.5259281E-07  
 0.2105915E-05  
 0.3139647E-05  
 0.3222897E-04  
 0.9865112E-01

|               |               |               |               |               |               |               |
|---------------|---------------|---------------|---------------|---------------|---------------|---------------|
| 0.9249007E-01 | 0.9134991E-01 | 0.9026787E-01 | 0.8896901E-01 | 0.8758510E-01 | 0.8693875E-01 | 0.8603084E-01 |
| 0.8496487E-01 | 0.8380083E-01 | 0.8318352E-01 | 0.8139452E-01 | 0.7961667E-01 | 0.7735921E-01 | 0.7337495E-01 |
| 0.6775631E-01 | 0.6552222E-01 | 0.6245190E-01 | 0.5930164E-01 | 0.5727377E-01 | 0.5514866E-01 | 0.5294899E-01 |
| 0.5068589E-01 | 0.4840444E-01 | 0.4739070E-01 | 0.4973907E-01 | 0.4608466E-01 | 0.4374675E-01 | 0.4138959E-01 |
| 0.            | 0.            | 0.            | 0.            | 0.            | 0.            | 0.            |
| 0.6460561E-01 | 0.6460561E-01 | 0.6850294E-01 | 0.5958755E-01 | 0.5633819E-01 | 0.5343750E-01 | 0.            |
| 0.4261589E-01 | 0.4261589E-01 | 0.3513366E-01 | 0.2543786E-01 | 0.1332786E-01 | 0.1195555E-01 | 0.            |
| 0.4136592E-01 | 0.4136592E-01 | 0.4955128E-01 | 0.2608551E-01 | 0.            | 0.2527011E-01 | 0.4845495E-02 |
| 0.2645375E-01 | 0.2645375E-01 | 0.3513510E-01 | 0.3950534E-01 | 0.3693948E-01 | 0.3283323E-01 | 0.3177471E-01 |
| 0.7538169E-02 | 0.7538169E-02 | 0.            | 0.8303873E-02 | 0.2784725E-01 | 0.4328333E-01 | 0.5267833E-01 |
| 0.5288403E-01 | 0.5288403E-01 | 0.4488797E-01 | 0.3260125E-01 | 0.1755170E-01 | 0.5138255E-01 | 0.3148669E-01 |
| 0.3078697E-01 | 0.3078697E-01 | 0.1320217E-01 | 0.2561849E-02 | 0.1518461E-01 | 0.2411147E-01 | 0.2980923E-01 |
| 0.3253502E-01 | 0.3253502E-01 | 0.3091251E-01 | 0.1610143E-01 | 0.6960270E-02 | 0.            | 0.7708396E-02 |
| 0.4212658E-01 | 0.4212658E-01 | 0.5147286E-01 | 0.5464157E-01 | 0.5212491E-01 | 0.4453157E-01 | 0.3272614E-01 |
| 0.5968013E-01 | 0.5968013E-01 | 0.5149953E-01 | 0.            | 0.5116004E-01 | 0.4302453E-01 | 0.3424056E-01 |
| 0.1598045E-01 | 0.1598045E-01 | 0.6732333E-02 | 0.2477659E-02 | 0.161462E-01  | 0.2059243E-01 | 0.2004516E-01 |
| 0.            | 0.            | 0.1328881E-01 | 0.7330071E-02 | 0.6318824E-01 | 0.3351550E-02 | 0.7414272E-02 |
| 0.1297127E-01 | 0.1297127E-01 | 0.1458676E-01 | 0.1572394E-01 | 0.6318824E-01 | 0.6264256E-01 | 0.            |
| 0.6054797E-01 | 0.6054797E-01 | 0.5625397E-01 | 0.4908208E-01 | 0.3928362E-01 | 0.2677585E-01 | 0.1208833E-01 |
| 0.2150984E-01 | 0.2150984E-01 | 0.2164843E-01 | 0.1673651E-01 | 0.            | 0.1655557E-01 | 0.1212651E-01 |
| 0.3695744E-02 | 0.3695744E-02 | 0.1646416E-03 | 0.2972244E-02 | 0.5679059E-02 | 0.8017764E-02 | 0.1011842E-01 |
| 0.3759501E-02 | 0.3759501E-02 | 0.3359635E-02 | 0.2943783E-02 | 0.2585000E-02 | 0.2446345E-02 | 0.2205499E-02 |
| 0.1802696E-02 | 0.1802696E-02 | 0.1704582E-02 | 0.1554886E-02 | 0.1412911E-02 | 0.1248164E-02 | 0.9636866E-03 |
| 0.4508243E-03 | 0.4508243E-03 | 0.1465084E-03 | 0.9068322E-04 | 0.2561279E-05 | 0.8619286E-04 | 0.1621946E-03 |
| 0.2945827E-03 | 0.2945827E-03 | 0.            | 0.2566265E-03 | 0.3585426E-03 | 0.4215118E-03 | 0.4825089E-03 |
| 0.            | 0.            | 0.7158125E-04 | 0.6207359E-03 | 0.            | 0.            | 0.            |
| 0.2736081E-02 | 0.2736081E-02 | 0.2477158E-02 | 0.3049064E-02 | 0.3215243E-02 | 0.            | 0.3361496E-02 |
| 0.3825406E-02 | 0.3825406E-02 | 0.4018958E-02 | 0.3934625E-02 | 0.337513E-02  | 0.2997872E-02 | 0.            |
| 0.1677327E-02 | 0.1677327E-02 | 0.4413131E-01 | 0.6153731E-01 | 0.2998721E-14 | 0.6191577E-01 | 0.7332883E-01 |
| 0.7684363E-01 | 0.7684363E-01 | 0.6943367E-01 | 0.5666715E-01 | 0.3864673E-01 | 0.1650555E-01 | 0.4464760E-02 |
| 0.2263542E-01 | 0.2263542E-01 | 0.2311098E-14 | 0.2159705E-01 | 0.4126125E-02 | 0.2511134E-01 | 0.3805399E-01 |
| 0.4075191E-01 | 0.4075191E-01 | 0.3663996E-01 | 0.3425752E-01 | 0.3467377E-01 | 0.1174260E-01 | 0.7149174E-02 |
| 0.7670119E-02 | 0.7670119E-02 | 0.2199988E-01 | 0.3231063E-01 | 0.3828093E-01 | 0.4033057E-01 | 0.3851609E-01 |
| 0.2141758E-01 | 0.2141758E-01 | 0.1068785E-01 | 0.6645196E-01 | 0.8745680E-01 | 0.5224897E-16 | 0.8801598E-01 |
| 0.1092577E-00 | 0.1092577E-00 | 0.1035528E-00 | 0.8657810E-01 | 0.6124564E-01 | 0.3274317E-01 | 0.6755126E-02 |
| 0.1621483E-01 | 0.1621483E-01 | 0.1474023E-01 | 0.3792966E-15 | 0.1479654E-01 | 0.1491086E-01 | 0.1489053E-01 |
| 0.8302279E-02 | 0.8302279E-02 | 0.1908254E-02 | 0.4036470E-02 | 0.7446673E-02 | 0.8974440E-02 | 0.6655339E-01 |
| 0.7960240E-16 | 0.7960240E-16 | 0.6006206E-01 | 0.5272320E-01 | 0.4397901E-01 | 0.3495180E-01 | 0.2641960E-01 |
| 0.6445636E-02 | 0.6445636E-02 | 0.7685699E-02 | 0.2327239E-01 | 0.2798524E-01 | 0.2369946E-01 | 0.6216399E-15 |
| 0.1727212E-01 | 0.1727212E-01 | 0.1044454E-01 | 0.4859878E-02 | 0.1502762E-02 | 0.4885289E-03 | 0.3031705E-02 |
| 0.1432220E-01 | 0.1432220E-01 | 0.5355527E-01 | 0.4685352E-01 | 0.3611656E-16 | 0.4661405E-01 | 0.4039571E-01 |
| 0.2395571E-01 | 0.2395571E-01 | 0.1276943E-01 | 0.5752554E-03 | 0.1018772E-01 | 0.1747149E-01 | 0.2223834E-01 |
| 0.3988734E-04 | 0.3988734E-04 | 0.3839113E-04 | 0.3839112E-04 | 0.6309336E-04 | 0.5472645E-04 | 0.1325911E-01 |
| 0.6275136E-02 | 0.6275136E-02 | 0.6272668E-02 | 0.1181829E-01 | 0.1181361E-01 | 0.4823938E-02 | 0.4819149E-02 |
| 0.1640601E-01 | 0.1640601E-01 | 0.1945719E-02 | 0.7831591E-03 | 0.8562806E-02 | 0.8468391E-02 | 0.6830447E-02 |
| 0.3593024E-04 | 0.3593024E-04 | 0.4303988E-05 | 0.1372780E-03 | 0.2366964E-07 | 0.8824117E-02 | 0.5270010E-01 |
| 0.7486085E-04 | 0.7486085E-04 | 0.1840573E-03 | 0.2761525E-03 | 0.4503448E-02 | 0.6500120E-02 | 0.5328904E-01 |
| 0.1820342E-03 | 0.1820342E-03 | 0.1376572E-03 | 0.1066403E-01 | 0.4370375E-01 | 0.1145869E-01 | 0.7688753E-04 |
| 0.4446703E-06 | 0.4446703E-06 | 0.1347315E-01 | 0.3740096E-02 | 0.4326444E-01 | 0.5859745E-04 | 0.1009810E-03 |
| 0.1711509E-03 | 0.1711509E-03 | 0.6903140E-04 | 0.6079961E-02 | 0.3930445E-04 | 0.1791732E-03 | 0.1416321E-03 |
| 0.1375909E-03 | 0.1375909E-03 | 0.2424233E-03 | 0.177774E-03  | 0.2237437E-04 | 0.7089592E-04 | 0.4314648E-01 |
| 0.1886654E-02 | 0.1886654E-02 | 0.4924977E-01 | 0.9911737E-04 | 0.1362425E-03 | 0.4455039E-02 | 0.4543929E-01 |
| 0.3121051E-02 | 0.3121051E-02 | 0.5056110E-04 | 0.5056110E-04 | 0.7671375E-01 | 0.7383636E-01 | 0.7156359E-01 |
| 0.2630200E-03 | 0.2630200E-03 | 0.6374210E-06 | 0.6374210E-06 | 0.1502068E-01 | 0.1473791E-01 | 0.1444400E-01 |
| 0.6723256E-01 | 0.6723256E-01 | 0.6566965E-01 | 0.1599758E-01 | 0.            | 0.            | 0.            |
| 0.4292564E-04 | 0.4292564E-04 | 0.            | 0.            | 0.            | 0.            | 0.            |



|                |                |                |                |                |                |                |
|----------------|----------------|----------------|----------------|----------------|----------------|----------------|
| 0.6172435E-01  | 0.5229425E-01  | 0.4449279E-01  | 0.3647411E-01  | 0.2988613E-01  | 0.2742251E-01  | 0.2308054E-01  |
| 0.1954891E-01  | 0.1645575E-01  | 0.1496538E-01  | 0.1303820E-01  | 0.1136353E-01  | 0.9500812E-02  | 0.6360035E-02  |
| 0.3484630E-02  | 0.8442701E-03  | -0.1120773E-02 | -0.2860264E-02 | -0.6773425E-02 | -0.4567391E-02 | -0.5250442E-02 |
| -0.5954706E-02 | -0.6389760E-02 | -0.5153176E-03 | -0.9082203E-02 | -0.6707095E-02 | -0.7446270E-02 | -0.7926506E-02 |
| -0.0           | -0.0           | 0.5153176E-03  | -0.9082203E-02 | -0.6707095E-02 | -0.7446270E-02 | -0.7926506E-02 |
| -0.0           | 0.2380553E-02  | 0.2809872E-02  | 0.1714562E-02  | 0.1330792E-02  | -0.0           | 0.9973706E-03  |
| 0.5163686E-03  | -0.7578854E-04 | 0.5946522E-03  | 0.9777788E-03  | -0.1047039E-02 | -0.7636943E-03 | 0.3185978E-03  |
| 0.1550302E-03  | 0.2414475E-03  | 0.3786467E-02  | -0.1157369E-02 | -0.0           | -0.1368401E-02 | -0.5664795E-02 |
| -0.9198011E-02 | -0.1117200E-01 | -0.1182108E-01 | -0.1092754E-01 | -0.9045629E-02 | -0.6434451E-02 | -0.3317105E-02 |
| 0.5475901E-01  | 0.1411029E-00  | -0.0           | 0.1437871E-00  | 0.2128024E-00  | 0.2625633E-00  | 0.2855618E-00  |
| 0.2406721E-00  | 0.2505222E-00  | -0.7830873E-02 | 0.1262172E-01  | 0.4231171E-01  | -0.7079845E-02 | -0.7767633E-02 |
| -0.4493359E-02 | -0.3417567E-02 | -0.2400117E-02 | -0.8373248E-02 | -0.7779620E-02 | -0.7002354E-02 | -0.5740667E-02 |
| 0.2745321E-00  | 0.2821655E-00  | 0.3098798E-01  | 0.43664384E-01 | 0.1423902E-00  | -0.0           | 0.1454377E-00  |
| 0.4859740E-03  | 0.6260549E-03  | -0.4035465E-03 | 0.3065699E-00  | 0.2749601E-00  | 0.2181010E-00  | 0.1402382E-00  |
| 0.1767589E-03  | -0.1625695E-03 | -0.4645563E-03 | -0.5938473E-03 | -0.4031463E-03 | -0.1428730E-03 | 0.5269342E-04  |
| -0.6579412E-02 | 0.0            | -0.7021268E-02 | -0.1663058E-01 | -0.1166821E-03 | 0.1009745E-02  | 0.5095370E-02  |
| -0.2653758E-01 | -0.2153326E-01 | -0.1385145E-01 | -0.4008281E-02 | 0.1624560E-02  | -0.2790446E-01 | -0.2881790E-01 |
| 0.1994902E-02  | 0.2197063E-02  | 0.2148966E-02  | 0.2063771E-02  | 0.1313426E-02  | 0.5154005E-03  | -0.2513012E-03 |
| -0.5404523E-03 | -0.2425893E-03 | -0.5954214E-02 | 0.2768487E-02  | 0.0            | 0.3053195E-02  | 0.1063153E-01  |
| 0.1710709E-01  | 0.2153949E-01  | -0.2293706E-01 | 0.2158211E-01  | 0.1755304E-01  | 0.1183476E-01  | 0.5561139E-02  |
| -0.1314550E-01 | -0.1308810E-01 | -0.1295711E-01 | -0.1283712E-01 | -0.1269189E-01 | -0.1257061E-01 | -0.1246359E-01 |
| -0.1229241E-01 | -0.1203404E-01 | -0.1196459E-01 | -0.1176563E-01 | -0.1149173E-01 | -0.1121667E-01 | -0.1071018E-01 |
| -0.135499E-01  | -0.9866520E-02 | -0.9112149E-02 | -0.9276316E-02 | -0.9184433E-02 | -0.8994491E-02 | -0.8977066E-02 |
| -0.8955170E-02 | -0.8950334E-02 | 0.0            | -0.8986905E-02 | -0.8920190E-02 | -0.8886794E-02 | -0.8927564E-02 |
| -0.1000465E-04 | 0.0            | 0.6012078E-03  | -0.8943034E-02 | 0.0            | 0.0            | 0.0            |
| 0.0            | 0.1040677E-01  | 0.1078139E-01  | 0.1056183E-01  | 0.1082575E-01  | 0.0            | 0.1099838E-01  |
| 0.1110343E-01  | 0.1092706E-01  | 0.1031329E-01  | 0.909771E-02   | 0.7176073E-02  | 0.4931224E-02  | 0.2562034E-02  |
| 0.1916101E-03  | -0.3143458E-02 | 0.2416308E-01  | 0.1688195E-01  | 0.8981372E-13  | 0.1660499E-01  | 0.1026265E-01  |
| 0.9487989E-02  | 0.1938652E-01  | 0.3013134E-01  | 0.2206878E-01  | -0.5189784E-02 | -0.9111880E-02 | 0.3717389E-01  |
| 0.5277443E-02  | -0.9066652E-02 | -0.7096665E-13 | -0.9584638E-02 | -0.2728023E-01 | -0.2773878E-01 | -0.1874734E-01 |
| -0.4044917E-02 | -0.4556750E-02 | -0.2335679E-01 | -0.1973917E-01 | 0.3354923E-01  | 0.2805576E-02  | -0.1317092E-01 |
| -0.1064493E-13 | -0.136777E-01  | -0.2615740E-01 | -0.3005879E-01 | -0.1950889E-01 | -0.4450381E-02 | 0.5283982E-02  |
| -0.2349399E-01 | -0.1808320E-01 | 0.3601385E-01  | 0.2449074E-01  | 0.2037679E-01  | 0.1590963E-14  | 0.2013602E-01  |
| 0.1478853E-01  | 0.1303531E-01  | 0.2121340E-01  | 0.3112241E-01  | 0.2292456E-01  | -0.5013778E-02 | -0.1028296E-01 |
| 0.3532154E-01  | 0.2590474E-01  | 0.1352920E-01  | -0.1136004E-13 | 0.1314374E-01  | 0.1964879E-02  | -0.1904632E-02 |
| 0.5128569E-02  | 0.1497983E-01  | 0.1126193E-01  | -0.8554287E-02 | -0.1183427E-01 | 0.2546275E-01  | 0.1853125E-01  |
| 0.7655349E-02  | -0.1961336E-14 | 0.7241222E-02  | -0.2998903E-02 | -0.6643311E-02 | 0.5660800E-03  | 0.1168623E-01  |
| 0.1008286E-01  | -0.8220195E-02 | -0.1147937E-01 | 0.2558185E-01  | 0.4839644E-02  | -0.6645876E-02 | -0.1933778E-13 |
| -0.778040E-02  | -0.1766674E-01 | -0.2065879E-01 | -0.1219409E-01 | 0.3388972E-04  | -0.5077624E-03 | -0.1645518E-01 |
| -0.1578877E-01 | 0.2485451E-01  | 0.1546316E-01  | 0.5379066E-02  | 0.9980226E-02  | 0.4985606E-02  | -0.4076211E-02 |
| -0.6680499E-02 | 0.1066228E-02  | 0.1231992E-01  | 0.1051945E-01  | -0.7932917E-02 | -0.1098309E-01 | 0.2683934E-01  |
| 0.3523298E-03  | 0.3346193E-03  | 0.3345911E-03  | 0.3345911E-03  | -0.1480570E-02 | -0.7629611E-03 | -0.5667596E-03 |
| -0.585051E-03  | -0.1898350E-02 | -0.1952073E-02 | 0.1946718E-02  | 0.1939544E-02  | 0.2494298E-02  | 0.2407044E-02  |
| 0.346277E-03   | 0.1040351E-02  | -0.1842142E-02 | -0.2542484E-02 | 0.1829470E-03  | -0.7787626E-04 | 0.1931480E-02  |
| 0.2715842E-02  | -0.5511167E-04 | -0.2847525E-04 | 0.2894480E-05  | -0.2484118E-06 | -0.1192416E-01 | 0.5361619E-02  |
| 0.4171822E-02  | 0.9117734E-03  | 0.7846190E-03  | 0.2982523E-03  | -0.1168954E-01 | 0.1327611E-03  | 0.9143611E-02  |
| 0.9105387E-03  | 0.8293716E-03  | 0.3433372E-03  | 0.9273849E-02  | 0.4384070E-02  | 0.1334211E-03  | 0.9105708E-03  |
| 0.8459838E-03  | 0.2989716E-03  | -0.8467257E-02 | 0.9273849E-02  | 0.9691864E-02  | 0.9126324E-03  | 0.8194896E-03  |
| 0.2330832E-03  | -0.4839648E-03 | 0.3319033E-02  | 0.1969518E-02  | -0.2634434E-04 | 0.1299845E-04  | -0.3860125E-03 |
| -0.468607E-02  | 0.7557546E-02  | 0.100186E-02   | 0.1050975E-04  | -0.2265550E-04 | -0.4356412E-03 | -0.1195841E-02 |
| 0.1182007E-01  | 0.1684071E-02  | 0.2863993E-04  | 0.1828718E-04  | -0.3998344E-03 | 0.4125819E-02  | 0.8338246E-02  |
| 0.3475944E-02  | 0.1826463E-04  | -0.4413939E-04 | -0.4044105E-04 | 0.7614774E-02  | 0.5534941E-02  | 0.3885328E-02  |
| 0.2266806E-02  | 0.4077567E-03  | -0.1333952E-01 | -0.1288892E-01 | -0.1232532E-01 | -0.1155066E-01 | -0.1049070E-01 |
| 0.3217511E-03  |                |                |                |                |                |                |

|                 |                |                |                |                |                |                |
|-----------------|----------------|----------------|----------------|----------------|----------------|----------------|
| 0.3134684E-00   | 0.2731840E-00  | 0.2395635E-00  | 0.2047568E-00  | 0.1756418E-00  | 0.1645759E-00  | 0.1451163E-00  |
| 0.1288103E-00   | 0.1141590E-00  | 0.1068956E-00  | 0.9673668E-01  | 0.8763963E-01  | 0.7726498E-01  | 0.5960619E-01  |
| 0.4450449E-01   | 0.2818299E-01  | 0.1689177E-01  | 0.6869232E-02  | 0.1473280E-02  | -0.3264726E-02 | -0.7435659E-02 |
| -0.1117348E-01  | -0.1465321E-01 | 0.             | -0.1265231E-01 | -0.1805353E-01 | -0.2126727E-01 | -0.2434490E-01 |
| 0.              | 0.             | 0.1346707E-02  | -0.3181753E-01 | 0.             | 0.             | 0.             |
| 0.              | -0.5114132E-02 | -0.4701483E-02 | -0.5296709E-02 | -0.5339659E-02 | -0.5326024E-02 | -0.5326024E-02 |
| -0.5229363E-02  | -0.4826130E-02 | -0.4153402E-02 | -0.3055720E-02 | -0.1515010E-02 | 0.1002765E-03  | 0.1590370E-03  |
| -0.2790588E-02  | 0.3791769E-02  | 0.5585468E-03  | 0.1963006E-01  | 0.             | 0.2010309E-01  | 0.3528532E-01  |
| 0.4639644E-01   | 0.5238816E-01  | 0.             | 0.4679391E-01  | 0.3650095E-01  | 0.2240947E-01  | 0.6378082E-02  |
| -0.778727E-02   | -0.874511E-02  | 0.             | -0.8696020E-02 | -0.9990115E-02 | -0.1111384E-01 | -0.1129712E-01 |
| -0.1190257E-01  | -0.1180300E-01 | -0.1193195E-01 | -0.1266615E-01 | -0.1402465E-01 | -0.1014737E-01 | -0.1014737E-01 |
| 0.              | -0.1067542E-01 | -0.2077543E-01 | -0.2866891E-01 | -0.3252459E-01 | -0.2275694E-02 | -0.3076230E-01 |
| -0.2506295E-01  | -0.1663766E-01 | -0.5854351E-02 | -0.5961211E-02 | -0.3040422E-01 | 0.             | -0.3112177E-01 |
| -0.571801E-01   | -0.6471077E-01 | -0.7022466E-01 | -0.6856257E-01 | -0.5942503E-01 | -0.4452238E-01 | -0.2515245E-01 |
| -0.3250932E-02  | -0.4901912E-02 | -0.1306766E-01 | 0.             | -0.1331465E-01 | -0.1948682E-01 | -0.2347623E-01 |
| -0.2717988E-01  | -0.2276527E-01 | -0.1815857E-01 | -0.1119779E-01 | -0.2302877E-02 | 0.7562270E-02  | -0.1610105E-02 |
| 0.1629260E-01   | 0.             | 0.1693156E-01  | 0.3129805E-01  | 0.4205878E-01  | 0.4733198E-01  | 0.4600018E-01  |
| 0.3970515E-01   | 0.2917430E-01  | 0.1621964E-01  | 0.2467150E-02  | 0.3377951E-02  | 0.9393204E-02  | 0.             |
| 0.9719200E-02   | 0.144071E-01   | 0.1802702E-01  | 0.2043435E-01  | 0.1994322E-01  | 0.1781930E-01  | 0.1380256E-01  |
| 0.8126243E-02   | 0.1809023E-02  | -0.2119555E-02 | -0.2792620E-01 | 0.             | -0.2882232E-01 | -0.5033137E-01 |
| -0.6724113E-01  | -0.765677E-01  | -0.7860203E-01 | -0.7155739E-01 | -0.5601084E-01 | -0.3233647E-01 | -0.2926052E-02 |
| 0.175183E-00    | 0.9568762E-01  | 0.8584177E-01  | 0.7540356E-01  | 0.6641354E-01  | 0.6303889E-01  | 0.5690088E-01  |
| 0.5162055E-01   | 0.4676220E-01  | 0.4426419E-01  | 0.4018962E-01  | 0.3660422E-01  | 0.3220122E-01  | 0.2470374E-01  |
| 0.1401617E-01   | 0.1090008E-01  | 0.3005251E-02  | 0.1376179E-02  | -0.1262219E-02 | -0.3300939E-02 | -0.5556669E-02 |
| -0.7580152E-02  | -0.9515322E-02 | 0.             | -0.8488022E-02 | -0.1132180E-01 | -0.1304668E-01 | -0.1490454E-01 |
| 0.1278870E-03   | 0.             | 0.1517720E-02  | -0.1908003E-01 | 0.             | 0.             | 0.             |
| -0.             | -0.1284660E-01 | -0.9130609E-02 | -0.1446453E-01 | -0.1440641E-01 | -0.            | -0.1439316E-01 |
| -0.1442938E-01  | -0.1456083E-01 | -0.1460401E-01 | -0.1441070E-01 | -0.1391735E-01 | -0.1327001E-01 | -0.1241463E-01 |
| -0.1172791E-01  | -0.841329E-02  | 0.3093200E-01  | 0.3736767E-02  | -0.2109680E-12 | 0.3064042E-02  | -0.1579196E-01 |
| 0.5470719E-01   | -0.8800230E-02 | -0.1157182E-01 | -0.5480031E-01 | -0.1026243E-00 | -0.4379625E-01 | 0.1319450E-00  |
| 0.5437637E-01   | 0.4248464E-01  | -0.1667622E-12 | 0.4215619E-01  | 0.3280386E-01  | 0.3539408E-01  | 0.5210428E-01  |
| -0.2449452E-13  | 0.1057744E-01  | -0.4825446E-01 | -0.8603271E-02 | 0.1503379E-00  | 0.5372611E-01  | 0.3901777E-01  |
| -0.6399861E-01  | 0.3867503E-01  | 0.2926290E-01  | 0.3102784E-01  | 0.4281451E-01  | 0.3660120E-01  | -0.1291955E-01 |
| -0.2902930E-01  | -0.1654058E-01 | 0.1551810E-00  | 0.2805001E-01  | -0.4541766E-02 | 0.3309663E-14  | -0.5364934E-02 |
| 0.1453545E-00   | 0.3003920E-01  | -0.1608925E-01 | -0.5344119E-02 | -0.3543110E-01 | -0.7807445E-01 | -0.2353168E-01 |
| -0.4023050E-01  | -0.1200667E-01 | -0.9747873E-02 | -0.2656636E-13 | -0.1122227E-01 | -0.4887306E-01 | -0.6135908E-01 |
| 0.1015232E-01   | -0.4697480E-14 | 0.8409862E-02  | -0.2894301E-01 | -0.5344078E-02 | 0.1119872E-00  | 0.4558307E-01  |
| -0.2454838E-02  | -0.3023622E-01 | -0.3380328E-02 | 0.2894301E-01  | -0.4424308E-01 | -0.2648561E-01 | 0.3749639E-03  |
| 0.2511648E-01   | -0.1411187E-02 | -0.5294711E-02 | 0.1113159E-00  | 0.5699703E-01  | 0.2731653E-01  | -0.4514508E-13 |
| -0.2713521E-01  | 0.1348931E-00  | 0.4290969E-01  | 0.2012053E-01  | 0.4759787E-01  | 0.3970352E-01  | 0.3761153E-02  |
| -0.3065147E-01  | -0.5859202E-02 | 0.2577324E-01  | 0.9637078E-02  | 0.2385480E-14  | 0.8174212E-02  | 0.2308590E-01  |
| -0.3103216E-03  | -0.3291346E-03 | -0.3451238E-03 | 0.2448985E-01  | -0.4780469E-02 | 0.1838286E-01  | 0.1285865E-00  |
| 0.7906129E-03   | 0.2766674E-02  | 0.2718043E-02  | -0.3451237E-03 | 0.1947560E-03  | 0.2152390E-02  | 0.7957898E-03  |
| -0.3250745E-04  | -0.3367399E-02 | 0.4467021E-03  | 0.2146237E-02  | -0.2105630E-02 | -0.2859187E-02 | -0.2904581E-02 |
| -0.1533656E-04  | 0.8089301E-03  | 0.2747215E-04  | 0.3759055E-02  | 0.7710825E-03  | -0.2507984E-02 | 0.1570577E-02  |
| -0.1772194E-00  | 0.3723028E-02  | -0.1966958E-02 | -0.5135316E-05 | 0.3907846E-07  | -0.2008540E-01 | 0.8972241E-01  |
| 0.3714631E-02   | -0.2091474E-02 | 0.3216480E-02  | 0.3251937E-02  | -0.2218103E-01 | 0.7715646E-01  | -0.1776653E-00 |
| -0.2007832E-02  | 0.3236586E-02  | -0.2649158E-01 | -0.2248484E-01 | 0.8075207E-01  | -0.1615416E-00 | 0.3722789E-02  |
| 0.3307592E-02   | 0.1462482E-02  | 0.4919512E-01  | 0.9234670E-01  | -0.1682244E-00 | 0.3720089E-02  | 0.2054906E-02  |
| -0.6319683E-02  | 0.5363457E-01  | 0.7287776E-02  | 0.6650753E-02  | 0.8343894E-04  | 0.8523657E-04  | -0.5117450E-03 |
| 0.672983E-01    | 0.5723454E-02  | 0.4910802E-04  | 0.1354739E-03  | 0.3629005E-04  | -0.4630409E-03 | -0.7758843E-02 |
| 0.5402170E-02   | 0.1676947E-03  | 0.7596603E-04  | 0.1111934E-03  | -0.5516393E-03 | 0.7985974E-02  | 0.6236339E-01  |
| 0.5395173E-01   | 0.4138401E-01  | 0.1525374E-01  | -0.4296885E-03 | 0.8753185E-01  | 0.7484411E-01  | 0.6447077E-01  |
| -0.29444061E-03 | 0.             | 0.             | 0.13348824E-01 | 0.1152403E-01  | 0.9399114E-02  | 0.6707910E-02  |

|                |                |                |                 |                |                |                |
|----------------|----------------|----------------|-----------------|----------------|----------------|----------------|
| 0.8557241E-01  | 0.8062331E-01  | 0.7560323E-01  | 0.7036607E-01   | 0.6588212E-01  | 0.6414288E-01  | 0.6112325E-01  |
| 0.5849544E-01  | 0.5607579E-01  | 0.5484297E-01  | 0.5292429E-01   | 0.5115328E-01  | 0.4908168E-01  | 0.4552325E-01  |
| 0.4246372E-01  | 0.3903317E-01  | 0.3675825E-01  | 0.3470763E-01   | 0.3355284E-01  | 0.3252409E-01  | 0.3159643E-01  |
| 0.3075298E-01  | 0.2990773E-01  | -0.            | 0.3036517E-01   | 0.2913923E-01  | 0.2839958E-01  | 0.2768690E-01  |
| -0.            | -0.            | -0.3387550E-02 | 0.2590504E-01   | -0.            | -0.            | -0.            |
| -0.            | -0.1692241E-01 | -0.1818522E-01 | -0.1467344E-01  | -0.1319627E-01 | -0.            | -0.1183618E-01 |
| -0.1001109E-01 | -0.6498934E-02 | -0.2731985E-02 | 0.2022432E-02   | 0.7557784E-02  | 0.1267414E-01  | 0.1714286E-01  |
| 0.2069142E-01  | 0.2458787E-01  | -0.8402436E-02 | -0.1548640E-01  | -0.            | -0.1569283E-01 | -0.2115757E-01 |
| -0.2475891E-01 | -0.2583446E-01 | -0.2438765E-01 | -0.2062394E-01  | 0.1485887E-01  | 0.7478486E-02  | 0.9180223E-03  |
| 0.6732421E-01  | 0.1303373E-00  | -0.            | 0.1321179E-00   | 0.1792439E-00  | 0.2104213E-00  | 0.2199057E-00  |
| 0.2078100E-00  | 0.1758266E-00  | -0.1267180E-00 | 0.6378109E-01   | -0.7882456E-02 | 0.1061612E-02  | -0.5983462E-02 |
| -0.            | -0.6212053E-02 | -0.1205686E-01 | -0.1666251E-01  | -0.1308766E-00 | -0.            | -0.1931733E-01 |
| -0.1799929E-00 | -0.1279886E-01 | -0.7975388E-02 | -0.6949396E-01  | -0.1308766E-00 | -0.            | -0.1326130E-01 |
| 0.7854373E-02  | -0.2113496E-00 | -0.2209159E-00 | -0.2087917E-00  | -0.1766900E-00 | -0.1273730E-00 | -0.6414841E-01 |
| 0.338759E-01   | -0.2170613E-01 | 0.6410104E-02  | 0.              | -0.5858371E-02 | 0.7831599E-02  | 0.2032741E-01  |
| -0.2619810E-02 | 0.3738773E-01  | 0.4140690E-01  | 0.4250999E-01   | -0.4110198E-01 | 0.3805939E-01  | 0.1435564E-01  |
| -0.474558E-01  | -0.4525598E-01 | -0.6220762E-02 | -0.1804987E-01  | -0.3097143E-01 | -0.4047365E-01 | -0.4592698E-01 |
| 0.6045354E-02  | -0.6925258E-02 | -0.3994830E-01 | -0.3264697E-01  | 0.2210120E-01  | 0.7084448E-02  | 0.             |
| -0.4069799E-01 | -0.3798400E-01 | -0.1926408E-01 | -0.2027830E-01  | -0.3631941E-01 | -0.4048075E-01 | -0.4181077E-01 |
| 0.3549380E-01  | 0.4544241E-01  | -0.1338508E-01 | 0.5034734E-02   | 0.             | 0.5675395E-02  | 0.2167833E-01  |
| -0.1515519E-00 | -0.1499781E-00 | 0.5087263E-01  | 0.5190025E-01   | 0.4878789E-01  | 0.4220165E-01  | 0.339841E-01   |
| -0.171825E-00  | -0.1025224E-00 | -0.1402374E-00 | -0.1300746E-00  | -0.1214220E-00 | -0.1180736E-00 | -0.1122352E-00 |
| -0.7522251E-01 | -0.7007121E-01 | -0.1001946E-00 | -0.9654227E-01  | -0.9317509E-01 | -0.8914725E-01 | -0.8238240E-01 |
| -0.5417910E-01 | -0.5257512E-01 | -0.6254097E-01 | -0.6169006E-01  | -0.5948770E-01 | -0.5753745E-01 | -0.5577122E-01 |
| -0.3226633E-05 | 0.             | 0.5394610E-02  | -0.4492282E-01  | 0.             | -0.4971658E-01 | -0.4836613E-01 |
| 0.             | 0.2977626E-01  | 0.3184659E-01  | 0.2585633E-01   | 0.2323040E-01  | 0.             | 0.             |
| 0.1757094E-01  | 0.1133414E-01  | 0.4647583E-02  | -0.3790183E-02  | -0.1361490E-01 | 0.             | 0.2081337E-01  |
| -0.3700376E-01 | -0.4398775E-01 | 0.2726737E-01  | 0.1156459E-01   | 0.1324218E-14  | 0.1098885E-01  | -0.3164467E-02 |
| -0.1527291E-01 | -0.2725357E-01 | -0.3538777E-01 | -0.4081342E-01  | -0.4384204E-01 | -0.4556659E-01 | -0.4694650E-01 |
| 0.3095297E-02  | 0.1047353E-02  | 0.9699006E-15  | 0.9762809E-03   | -0.8393438E-03 | -0.2530230E-02 | -0.3966965E-02 |
| -0.4719346E-02 | -0.5245198E-02 | -0.5158277E-02 | 0.541874E-02    | 0.6298997E-02  | -0.2794223E-01 | -0.1194337E-01 |
| 0.1572109E-15  | -0.1136252E-01 | 0.3017340E-02  | 0.1620858E-01   | 0.2711571E-01  | 0.3534510E-01  | 0.4134869E-01  |
| 0.4500382E-01  | 0.4605648E-01  | 0.4532335E-01  | -0.3831620E-02  | -0.1603386E-02 | -0.3299944E-16 | -0.1526571E-02 |
| 0.4188287E-03  | 0.2133446E-02  | 0.3386114E-02  | 0.4305053E-02   | 0.5139439E-02  | 0.5748271E-02  | -0.5540128E-02 |
| 0.4531870E-02  | 0.2174117E-01  | 0.2071476E-01  | 0.1842453E-15   | 0.2056552E-01  | 0.1782673E-01  | 0.1325979E-01  |
| 0.7123524E-02  | 0.2280554E-03  | -0.6858514E-02 | -0.1362922E-01  | -0.2012237E-01 | -0.2628941E-01 | 0.2765957E-01  |
| 0.2513612E-01  | 0.4076804E-16  | 0.2595016E-01  | 0.2239337E-01   | 0.1664022E-01  | 0.2043485E-01  | 0.3862836E-03  |
| -0.8527518E-02 | -0.1709960E-01 | -0.2527649E-01 | -0.6622318E-02  | -0.2204427E-01 | -0.6800856E-02 | 0.3155812E-15  |
| -0.2226762E-01 | -0.1706011E-01 | -0.1239700E-01 | -0.2665517E-01  | -0.1968912E-03 | 0.2684463E-01  | 0.1380565E-01  |
| 0.192125E-01   | 0.2474590E-01  | -0.2865460E-01 | 0.5942221E-04   | 0.1746792E-01  | 0.2537684E-01  | -0.2237272E-01 |
| 0.1536028E-01  | -0.8853545E-02 | 0.5942221E-04  | 0.8497857E-02   | -0.4391757E-04 | -0.3111518E-04 | 0.3173570E-01  |
| 0.5960262E-04  | 0.5951549E-04  | -0.7016391E-02 | -0.8465417E-03  | -0.8453746E-03 | 0.6996534E-02  | 0.8669485E-03  |
| 0.8657773E-03  | -0.7026131E-02 | -0.2059216E-02 | -0.2964716E-04  | -0.2613512E-02 | 0.3959885E-02  | 0.6985675E-02  |
| 0.2565188E-02  | 0.4010293E-02  | -0.5294974E-04 | -0.24964716E-04 | 0.2162539E-06  | 0.5425128E-03  | 0.2047363E-02  |
| 0.3109806E-02  | -0.1143754E-04 | -0.2429021E-04 | -0.2813183E-04  | -0.6098962E-02 | -0.4816312E-01 | -0.2520648E-01 |
| -0.4571503E-01 | -0.2000347E-04 | -0.4810600E-04 | -0.2883848E-03  | -0.2678359E-01 | 0.4776556E-01  | -0.2373861E-04 |
| 0.2316565E-04  | 0.1822009E-04  | 0.6367963E-02  | 0.4707541E-01   | 0.2735339E-01  | -0.2112506E-04 | 0.388858E-04   |
| 0.4784095E-04  | 0.2477983E-01  | -0.4710137E-01 | 0.1253503E-02   | -0.6728079E-04 | -0.1893125E-04 | -0.2713593E-04 |
| -0.4566914E-01 | -0.2652555E-01 | -0.2617132E-02 | -0.3173171E-04  | 0.5864941E-04  | -0.1175318E-04 | -0.2481970E-01 |
| 0.4639901E-01  | -0.1402816E-02 | 0.6507543E-04  | 0.2040878E-04   | 0.336777E-04   | 0.6672403E-01  | 0.2590314E-01  |
| 0.2548784E-02  | 0.3118708E-04  | -0.6149064E-04 | 0.1579699E-04   | 0.2869911E-01  | 0.2742628E-01  | 0.2635672E-01  |
| 0.2329007E-01  | 0.2389194E-01  | -0.9977422E-01 | -0.9616767E-01  | -0.9242568E-01 | -0.8772288E-01 | -0.8156384E-01 |
| 0.571927E-04   |                |                |                 |                |                |                |

|               |               |               |                |               |               |               |
|---------------|---------------|---------------|----------------|---------------|---------------|---------------|
| 0.2296014E-00 | 0.2122850E-00 | 0.1976910E-00 | 0.1824887E-00  | 0.1695076E-00 | 0.1644852E-00 | 0.1557594E-00 |
| 0.1481984E-00 | 0.1412602E-00 | 0.1377371E-00 | 0.1323150E-00  | 0.1273222E-00 | 0.1214970E-00 | 0.1114974E-00 |
| 0.1029059E-00 | 0.9344836E-01 | 0.8689720E-01 | 0.8111748E-01  | 0.7787749E-01 | 0.7499115E-01 | 0.7238530E-01 |
| 0.7001419E-01 | 0.6765788E-01 | 0.6489974E-01 | 0.6398242E-01  | 0.6549420E-01 | 0.6340741E-01 | 0.6139444E-01 |
| 0.            | 0.            | 0.7301951E-02 | 0.5634718E-01  | 0.            | 0.            | 0.            |
| 0.            | 0.4428782E-01 | 0.4689974E-01 | 0.3938242E-01  | 0.3612068E-01 | 0.            | 0.3310267E-01 |
| 0.2902491E-01 | 0.2108163E-01 | 0.2128557E-01 | 0.131870E-02   | 0.1185597E-01 | 0.2427236E-01 | 0.3530771E-01 |
| 0.4428439E-01 | 0.5411687E-01 | 0.7682675E-01 | 0.1300705E-00  | 0.            | 0.1315948E-00 | 0.1721809E-00 |
| 0.1980525E-00 | 0.2041217E-00 | 0.1906283E-00 | 0.1591310E-00  | 0.1122099E-00 | 0.5288254E-01 | 0.1425019E-01 |
| 0.6536734E-02 | 0.4978419E-02 | 0.            | 0.4911010E-02  | 0.3270941E-02 | 0.1534438E-02 | 0.1938273E-03 |
| 0.1317595E-02 | 0.3326647E-02 | 0.4675654E-02 | 0.582543E-02   | 0.6895506E-02 | 0.6505432E-01 | 0.9604501E-01 |
| 0.            | 0.9688158E-01 | 0.1196542E-00 | 0.1325981E-00  | 0.1326192E-00 | 0.1200955E-00 | 0.9605930E-01 |
| 0.6230322E-01 | 0.2083253E-01 | 0.2542567E-01 | 0.6930403E-02  | 0.573350E-02  | 0.            | 0.5514465E-02 |
| 0.411153E-02  | 0.5355E-02    | 0.810336E-03  | 8.177599E-04   | 0.736E-02     | 0.4047895E-01 | 0.580540E-02  |
| 0.9661946E-02 | 0.5540E-01    | 0.23082E-01   | 0.2544909E-01  | 0.62347E-01   | 0.1748811E-01 | 0.821207E-02  |
| 0.176304E-02  | 0.9828516E-02 | 0.1804219E-01 | 0.1791035E-02  | 0.203344E-01  | 0.3790856E-01 | 0.2366906E-01 |
| 0.1247169E-01 | 0.            | 0.1205104E-01 | 0.3033199E-01  | 0.7930332E-02 | 0.1624712E-01 | 0.2264073E-01 |
| 0.2714249E-01 | 0.2971795E-01 | 0.6379587E-02 | 0.3019189E-02  | 0.3492276E-01 | 0.2550704E-01 | 0.            |
| 0.2512389E-01 | 0.1594477E-01 | 0.8379587E-02 | 0.7625586E-02  | 0.1171435E-01 | 0.1969390E-01 | 0.            |
| 0.3276353E-01 | 0.2621298E-01 | 0.2171773E-01 | 0.3604856E-01  | 0.            | 0.7115273E-02 | 0.5503207E-02 |
| 0.1700528E-01 | 0.5176951E-01 | 0.3254707E-01 | 0.44847270E-01 | 0.3678035E-01 | 0.3511965E-01 | 0.3189473E-01 |
| 0.5595566E-01 | 0.2714249E-01 | 0.4824741E-01 | 0.4547270E-01  | 0.4144418E-01 | 0.4023462E-01 | 0.3812468E-01 |
| 0.3529991E-01 | 0.3462861E-01 | 0.3377810E-01 | 0.3246008E-01  | 0.3124523E-01 | 0.2980966E-01 | 0.2735073E-01 |
| 0.2523398E-01 | 0.2290491E-01 | 0.2020672E-01 | 0.1986699E-01  | 0.1907042E-01 | 0.1836278E-01 | 0.1771755E-01 |
| 0.171382E-01  | 0.1655043E-01 | 0.            | 0.1686881E-01  | 0.1601448E-01 | 0.1550047E-01 | 0.1500197E-01 |
| 0.1420307E-05 | 0.            | 0.1617115E-02 | 0.1376324E-01  | 0.            | 0.            | 0.            |
| 0.            | 0.1065822E-01 | 0.1143137E-01 | 0.9388177E-02  | 0.8588650E-02 | 0.            | 0.7848477E-02 |
| 0.6848124E-02 | 0.4899457E-02 | 0.2777074E-02 | 0.5745734E-04  | 0.3159609E-02 | 0.6178939E-02 | 0.8849744E-02 |
| 0.1100704E-01 | 0.1339316E-01 | 0.6144507E-02 | 0.3371648E-02  | 0.1261953E-14 | 0.3271975E-02 | 0.7665683E-03 |
| 0.1520858E-02 | 0.3402870E-02 | 0.4949738E-02 | 0.6364369E-02  | 0.7420814E-02 | 0.7466433E-02 | 0.6558018E-02 |
| 0.3832202E-01 | 0.2060097E-01 | 0.1022988E-14 | 0.1994501E-01  | 0.3784823E-02 | 0.1134743E-01 | 0.2419308E-01 |
| 0.3422834E-01 | 0.4187340E-01 | 0.4693048E-01 | 0.4902734E-01  | 0.4891434E-01 | 0.5853609E-02 | 0.3422306E-02 |
| 0.1543062E-15 | 0.3328875E-02 | 0.1072431E-02 | 0.1143854E-02  | 0.3147771E-02 | 0.4661794E-02 | 0.5559176E-02 |
| 0.6356870E-02 | 0.6907269E-02 | 0.8305755E-02 | 0.3783593E-01  | 0.2024006E-01 | 0.1686853E-16 | 0.1958750E-01 |
| 0.3521419E-02 | 0.1167254E-01 | 0.2477314E-01 | 0.3489882E-01  | 0.4205484E-01 | 0.4641534E-01 | 0.4902418E-01 |
| 0.5089794E-01 | 0.2752217E-01 | 0.2649259E-01 | 0.1601772E-15  | 0.2634074E-01 | 0.2350679E-01 | 0.1863241E-01 |
| 0.1191086E-01 | 0.4175526E-02 | 0.3958888E-02 | 0.1190760E-01  | 0.1963861E-01 | 0.2701585E-01 | 0.3816214E-01 |
| 0.3523278E-01 | 0.2786805E-16 | 0.3599593E-01 | 0.3152876E-01  | 0.2459150E-01 | 0.1563356E-01 | 0.5441892E-02 |
| 0.5694624E-02 | 0.1687926E-01 | 0.2686909E-01 | 0.3501157E-01  | 0.2839641E-01 | 0.2712388E-01 | 0.2639825E-15 |
| 0.2695584E-01 | 0.2377305E-01 | 0.1876793E-01 | 0.1225056E-01  | 0.4740997E-02 | 0.3599716E-02 | 0.1206435E-01 |
| 0.197376E-01  | 0.2557560E-01 | 0.3817894E-01 | 0.3676381E-01  | 0.7384332E-17 | 0.3654582E-01 | 0.3250744E-01 |
| 0.2562863E-01 | 0.1623978E-01 | 0.5469394E-02 | 0.5851042E-02  | 0.1683576E-01 | 0.2721341E-01 | 0.3675422E-01 |
| 0.1306721E-03 | 0.130563E-03  | 0.1300463E-03 | 0.1300463E-03  | 0.8656069E-04 | 0.3831502E-04 | 0.8629383E-02 |
| 0.851725E-02  | 0.1245638E-02 | 0.1244326E-02 | 0.8587790E-02  | 0.8573441E-02 | 0.1257193E-02 | 0.1254812E-02 |
| 0.3095286E-02 | 0.5006130E-02 | 0.2310815E-02 | 0.3739383E-02  | 0.3179402E-02 | 0.5062025E-02 | 0.2290494E-02 |
| 0.3649364E-02 | 0.3214854E-04 | 0.1818815E-04 | 0.7355730E-04  | 0.2502008E-06 | 0.7494212E-02 | 0.5953293E-01 |
| 0.1344298E-01 | 0.2530319E-04 | 0.7587015E-05 | 0.7051897E-04  | 0.1750087E-02 | 0.1469915E-01 | 0.5920619E-01 |
| 0.2539784E-04 | 0.6990044E-04 | 0.6647880E-05 | 0.7635973E-02  | 0.5843665E-01 | 0.1556375E-01 | 0.2242714E-04 |
| 0.3103725E-04 | 0.1076309E-03 | 0.1427979E-02 | 0.1364550E-01  | 0.5704256E-01 | 0.2127511E-04 | 0.4207335E-04 |
| 0.4790350E-04 | 0.5732931E-01 | 0.1477252E-01 | 0.3593188E-02  | 0.1663574E-04 | 0.7611230E-04 | 0.4024868E-05 |
| 0.1277370E-01 | 0.5755829E-01 | 0.7743044E-03 | 0.9028497E-04  | 0.1169308E-05 | 0.4136145E-04 | 0.5751841E-01 |
| 0.1416593E-01 | 0.3535383E-02 | 0.1985864E-04 | 0.8105767E-04  | 0.8386881E-05 | 0.1260885E-01 | 0.5842625E-01 |
| 0.6076196E-03 | 0.9622300E-04 | 0.2051518E-05 | 0.3595695E-04  | 0.1277646E-00 | 0.1210455E-00 | 0.1154533E-00 |
| 0.1097364E-00 | 0.1025694E-00 | 0.2313169E-02 | 0.2209042E-02  | 0.2120483E-02 | 0.2002051E-02 | 0.1841941E-02 |
| 0.1310365E-03 |               |               |                |               |               |               |

|                 |                |                |                |                |                |                |
|-----------------|----------------|----------------|----------------|----------------|----------------|----------------|
| 0.1706429E-00   | 0.1483632E-00  | 0.1297680E-00  | 0.1105270E-00  | 0.9443277E-01  | 0.8831777E-01  | 0.7756581E-01  |
| 0.6955812E-01   | 0.6047731E-01  | 0.5646511E-01  | 0.5086774E-01  | 0.4585277E-01  | 0.4013750E-01  | 0.3040779E-01  |
| 0.2209307E-01   | 0.1310116E-01  | 0.6883776E-02  | 0.1360336E-02  | -0.1610976E-02 | -0.4218363E-02 | -0.6515506E-02 |
| -0.85744059E-02 | -0.1048946E-01 | -0.9921190E-03 | -0.9386941E-02 | -0.1236037E-01 | -0.1413192E-01 | -0.1582941E-01 |
| -0.             | -0.            | -0.            | -0.            | -0.            | -0.            | -0.            |
| -0.2545510E-02  | -0.1792796E-02 | -0.1390696E-02 | -0.2130171E-02 | -0.2301738E-02 | -0.            | -0.2426907E-02 |
| -0.1344001E-03  | -0.2633645E-02 | -0.2568267E-02 | -0.2314329E-02 | -0.1830755E-02 | -0.1238479E-02 | -0.6468763E-03 |
| 0.50343995E-02  | 0.2499416E-03  | -0.9576580E-02 | -0.3859799E-02 | -0.            | -0.3725449E-02 | 0.1070460E-02  |
| -0.17899566E-01 | 0.8029142E-02  | 0.9400406E-02  | 0.9672069E-02  | 0.8613828E-02  | 0.6590861E-02  | 0.4179558E-02  |
| 0.2769874E-01   | 0.2783898E-01  | -0.            | -0.3730897E-02 | 0.7927522E-02  | 0.1762861E-01  | 0.2454876E-01  |
| -0.             | 0.2783898E-01  | -0.            | 0.1874521E-01  | 0.1066125E-01  | 0.8960980E-02  | 0.1362846E-02  |
| -0.1423238E-01  | 0.1040987E-02  | 0.2476454E-01  | -0.1082098E-01 | -0.1421702E-01 | -0.1610431E-01 | -0.1597349E-01 |
| -0.1036334E-01  | -0.1091178E-01 | -0.5396228E-02 | -0.1811391E-01 | 0.3027893E-01  | -0.2671228E-01 | 0.2524542E-02  |
| -0.1322485E-01  | -0.2095702E-01 | -0.6417037E-02 | 0.1874521E-01  | 0.3077893E-01  | -0.2671228E-01 | -0.2069752E-01 |
| 0.2268922E-00   | 0.4462545E-01  | -0.2764035E-01 | 0.1811391E-01  | 0.119778E-00   | 0.1661093E-00  | 0.2065756E-00  |
| 0.1580631E-01   | 0.2248358E-00  | 0.2016254E-00  | 0.3082291E-01  | 0.119778E-00   | 0.3525247E-01  | -0.1225903E-01 |
| 0.              | 0.             | 0.1676849E-01  | 0.             | 0.             | 0.7038805E-01  | 0.7313975E-01  |
| 0.6918442E-01   | 0.5633563E-01  | 0.1676849E-01  | 0.4021031E-01  | 0.92944220E-01 | 0.92944220E-01 | 0.             |
| 0.9505807E-01   | 0.1501194E-00  | 0.3935814E-01  | 0.1953047E-01  | 0.5902868E-01  | 0.1959474E-00  | 0.1571723E-00  |
| 0.1033094E-00   | 0.4009283E-01  | 0.1923984E-00  | 0.2151633E-00  | 0.2587589E-01  | 0.1776547E-01  | 0.1198577E-01  |
| 0.6124779E-02   | 0.77722543E-02 | 0.2399043E-01  | 0.1803115E-01  | 0.2159500E-00  | 0.1776547E-01  | 0.8266536E-02  |
| 0.1594232E-00   | 0.1447225E-00  | -0.4237868E-02 | -0.7862165E-02 | -0.9894619E-02 | -0.9910416E-02 | -0.9679209E-01 |
| 0.9036493E-01   | 0.8447591E-01  | 0.1324100E-00  | 0.1195050E-00  | 0.1084668E-00  | 0.1042552E-00  | 0.8266536E-02  |
| 0.5104555E-01   | 0.4278725E-01  | 0.8147374E-01  | 0.7676772E-01  | 0.7249611E-01  | 0.6739293E-01  | 0.9679209E-01  |
| 0.2191695E-01   | 0.1981071E-01  | 0.3337182E-01  | 0.3188084E-01  | 0.2895840E-01  | 0.2651024E-01  | 0.5866245E-01  |
| 0.6385560E-04   | 0.             | 0.136194E-02   | 0.2095973E-01  | 0.1784161E-01  | 0.1594942E-01  | 0.2409761E-01  |
| 0.              | -0.2916978E-01 | -0.2773399E-01 | 0.2880610E-01  | 0.             | 0.             | 0.1402984E-01  |
| -0.2597018E-01  | -0.2361878E-01 | -0.2074709E-01 | -0.1658211E-01 | -0.2792370E-01 | -0.5183830E-02 | -0.2710221E-01 |
| 0.6016112E-02   | 0.1292905E-01  | -0.6287479E-02 | -0.1834794E-01 | -0.1101902E-01 | -0.1858567E-01 | -0.2590451E-01 |
| -0.248484E-01   | -0.1550144E-01 | -0.1233324E-01 | -0.2885685E-01 | -0.1046423E-12 | -0.1404739E-01 | -0.7667850E-01 |
| 0.3572124E-01   | 0.3275238E-01  | -0.8263725E-13 | 0.362947E-01   | 0.4767106E-01  | 0.3072365E-01  | 0.3798411E-01  |
| 0.3702035E-01   | 0.1243406E-01  | -0.1999697E-01 | 0.3532330E-02  | 0.2924250E-01  | 0.4551954E-01  | 0.3323548E-01  |
| -0.1217170E-13  | 0.3286297E-01  | 0.2330170E-01  | 0.1909617E-01  | 0.7258987E-01  | 0.1260332E-01  | -0.1564519E-01 |
| -0.4593280E-01  | -0.2191335E-01 | 0.6256778E-01  | 0.7088666E-02  | 0.2005369E-01  | 0.1622436E-14  | -0.1564519E-01 |
| -0.1727166E-01  | -0.1761770E-01 | -0.7007200E-02 | -0.2532040E-04 | -0.7118623E-02 | 0.1622436E-14  | -0.7447218E-02 |
| 0.7722950E-01   | -0.6750920E-02 | -0.2678228E-01 | -0.1360161E-01 | -0.1360161E-01 | -0.3380986E-01 | -0.6342465E-02 |
| -0.3585531E-01  | -0.1735859E-01 | -0.1293062E-01 | -0.1925031E-01 | -0.274684E-01  | -0.4546460E-01 | -0.4996982E-01 |
| -0.4329028E-02  | -0.2327038E-14 | -0.5164406E-02 | -0.2312334E-01 | -0.2960676E-01 | 0.6537270E-01  | -0.1305089E-01 |
| -0.2590642E-02  | -0.1379433E-01 | 0.1984261E-02  | 0.6102779E-01  | 0.2960676E-01  | -0.1911150E-01 | -0.3651362E-02 |
| 0.3440782E-01   | 0.1991671E-01  | 0.1591134E-01  | 0.2512382E-01  | 0.4961314E-01  | 0.3505460E-01  | -0.2244823E-13 |
| 0.8083001E-02   | 0.5686147E-01  | 0.3078733E-01  | 0.1398537E-01  | 0.3430114E-01  | 0.2516080E-01  | 0.2798892E-02  |
| -0.7808357E-02  | 0.287151E-02   | 0.1656298E-01  | 0.1361721E-01  | 0.1170637E-14  | 0.1322957E-01  | -0.2929148E-02 |
| 0.2332213E-03   | 0.2425178E-03  | 0.2332897E-03  | 0.2332898E-03  | -0.334969E-02  | 0.5725547E-02  | 0.5815059E-01  |
| 0.1846889E-02   | 0.5377634E-02  | -0.2602805E-02 | -0.1373765E-03 | -0.1373765E-03 | 0.1045273E-02  | 0.1853670E-02  |
| -0.2910749E-02  | -0.3777405E-02 | 0.2330403E-02  | 0.5522252E-02  | 0.2579518E-02  | -0.5628960E-02 | -0.5643278E-02 |
| -0.25122554E-02 | 0.2736129E-03  | -0.5497938E-04 | -0.1349719E-05 | -0.1721979E-03 | -0.5154849E-03 | -0.4713224E-03 |
| -0.6374645E-01  | 0.1845517E-02  | -0.9332189E-03 | 0.1611850E-02  | -0.3962269E-06 | -0.7366043E-02 | 0.4321122E-01  |
| 0.1844250E-02   | -0.1062400E-02 | 0.1554047E-02  | -0.1260537E-01 | 0.8068323E-02  | 0.5802483E-01  | -0.8725754E-01 |
| -0.1026121E-02  | -0.1595262E-02 | -0.1734551E-01 | -0.1260537E-01 | 0.4179670E-01  | -0.9966364E-01 | 0.1846615E-02  |
| 0.1632095E-02   | -0.5309156E-03 | 0.4430226E-02  | 0.2634537E-01  | -0.8600890E-01 | 0.1846000E-02  | -0.1049239E-02 |
| 0.1579679E-01   | 0.2889196E-01  | 0.5415714E-02  | 0.8392553E-02  | 0.6858088E-04  | 0.3316075E-04  | -0.2391197E-03 |
| 0.1189333E-01   | 0.3010064E-02  | -0.5061461E-04 | 0.8392553E-02  | -0.2426488E-04 | -0.2292649E-03 | -0.2888088E-02 |
| 0.5374466E-03   | 0.1062946E-03  | 0.8417410E-04  | -0.6191727E-04 | -0.2858756E-03 | -0.1476301E-01 | 0.2974460E-01  |
| 0.3578811E-01   | 0.2916662E-01  | 0.5853695E-01  | 0.55277439E-01 | 0.5199593E-01  | 0.4942259E-01  | 0.4315832E-01  |
| 0.2626098E-03   | 0.             | 0.             | 0.             | 0.             | 0.4800844E-01  | 0.4285788E-01  |

|                |                |               |               |                |                |                |
|----------------|----------------|---------------|---------------|----------------|----------------|----------------|
| 0.22224257E-00 | 0.2055513E-00  | 0.1913228E-00 | 0.1764947E-00 | 0.1638193E-00  | 0.1589105E-00  | 0.1503877E-00  |
| 0.1429900E-00  | 0.1361943E-00  | 0.1327399E-00 | 0.1273954E-00 | 0.1224677E-00  | 0.1167124E-00  | 0.1068282E-00  |
| 0.9533185E-01  | 0.8891087E-01  | 0.8248410E-01 | 0.7674029E-01 | 0.7352098E-01  | 0.7064677E-01  | 0.6804585E-01  |
| 0.6567394E-01  | 0.6332788E-01  | 0.6276937E-02 | 0.5202548E-01 | 0.61115903E-01 | 0.5906488E-01  | 0.5704299E-01  |
| 0.0            | 0.4932858E-01  | 0.5136304E-01 | 0.4520911E-01 | 0.4245783E-01  | 0.4141290E-01  | 0.3986693E-01  |
| 0.3632977E-01  | 0.2930145E-01  | 0.2143143E-01 | 0.1103570E-01 | 0.1709438E-02  | 0.1414290E-01  | 0.2554338E-01  |
| 0.3522147E-01  | 0.4600912E-01  | 0.1920154E-01 | 0.1674567E-01 | 0.8052051E-01  | 0.1793057E-01  | 0.4812251E-01  |
| 0.7249446E-01  | 0.8803535E-01  | 0.9409570E-01 | 0.9132703E-01 | 0.852051E-01   | 0.8292484E-01  | 0.4237386E-01  |
| 0.3264908E-01  | 0.9468494E-02  | 0.5361128E-01 | 0.4683695E-01 | 0.3875382E-01  | 0.2921123E-01  | 0.4237386E-01  |
| 0.5040628E-01  | 0.5361128E-01  | 0.1135665E-01 | 0.6025016E-01 | 0.7468506E-01  | 0.2154379E-01  | 0.1029805E-01  |
| 0.7117643E-01  | 0.5689035E-01  | 0.3870607E-01 | 0.3251391E-01 | 0.8940748E-02  | 0.8092808E-01  | 0.7954619E-01  |
| 0.1244063E-01  | 0.3029255E-01  | 0.4355258E-01 | 0.3251391E-01 | 0.5463184E-01  | 0.5301288E-01  | 0.4732149E-01  |
| 0.3889246E-01  | 0.7068818E-01  | 0.9328917E-01 | 0.5156578E-01 | 0.1698187E-01  | 0.1103748E-00  | 0.1194596E-00  |
| 0.1181963E-00  | 0.1064247E-00  | 0.8553925E-01 | 0.5407143E-01 | 0.4379164E-02  | 0.2402957E-01  | 0.44826875E-02 |
| 0.4872803E-02  | 0.2206807E-03  | 0.4868389E-02 | 0.4739157E-02 | 0.7058240E-01  | 0.3705910E-02  | 0.27777955E-02 |
| 0.1595485E-02  | 0.1097445E-00  | 0.1292192E-02 | 0.2884730E-02 | 0.1054448E-00  | 0.8360934E-01  | 0.5326938E-01  |
| 0.9350289E-01  | 0.2441950E-01  | 0.186363E-00  | 0.1172478E-00 | 0.1054448E-00  | 0.1153410E-01  | 0.2020098E-01  |
| 0.1636397E-01  | 0.3105211E-01  | 0.7759167E-03 | 0.1119615E-01 | 0.2452070E-01  | 0.1718020E-01  | 0.8426255E-02  |
| 0.2706834E-01  | 0.3185802E-01  | 0.3185802E-01 | 0.2959146E-01 | 0.8640289E-01  | 0.8376247E-01  | 0.7918385E-01  |
| 0.1179681E-00  | 0.1088711E-00  | 0.1011993E-00 | 0.9321547E-01 | 0.6422795E-01  | 0.6111686E-01  | 0.5577011E-01  |
| 0.1521723E-01  | 0.7157518E-01  | 0.6972935E-01 | 0.6688354E-01 | 0.3778515E-01  | 0.3622245E-01  | 0.3482595E-01  |
| 0.5118501E-01  | 0.4612427E-01  | 0.4028648E-01 | 0.3951795E-01 | 0.3778515E-01  | 0.2998102E-01  | 0.2889596E-01  |
| 0.3354958E-01  | 0.3228563E-01  | 0.2892464E-02 | 0.2615339E-01 | 0.31111434E-01 | 0.0            | 0.2889596E-01  |
| 0.5000217E-05  | 0.25393967E-01 | 0.262671E-01  | 0.2338149E-01 | 0.2195191E-01  | 0.0            | 0.2062075E-01  |
| 0.1880411E-01  | 0.1513505E-01  | 0.1115206E-01 | 0.5806464E-02 | 0.7569867E-03  | 0.7174143E-02  | 0.1307714E-01  |
| 0.1311695E-01  | 0.2374708E-01  | 0.3764204E-01 | 0.2662885E-01 | 0.1469759E-14  | 0.2619012E-01  | 0.1564085E-01  |
| 0.4933514E-02  | 0.5162269E-02  | 0.1385847E-01 | 0.2091640E-01 | 0.2630699E-01  | 0.3068697E-01  | 0.3438925E-01  |
| 0.3163913E-01  | 0.2163913E-01  | 0.1091800E-14 | 0.2125080E-01 | 0.1179569E-01  | 0.2349699E-02  | 0.6399988E-02  |
| 0.1374417E-01  | 0.1944610E-01  | 0.235243E-01  | 0.4273382E-01 | 0.5809373E-02  | 0.3826173E-01  | 0.2667408E-01  |
| 0.1126597E-15  | 0.2622043E-01  | 0.1521769E-01 | 0.2673433E-02 | 0.5809373E-02  | 0.1460748E-01  | 0.2224858E-01  |
| 0.2721992E-01  | 0.3167834E-01  | 0.3281647E-01 | 0.3275400E-01 | 0.2285920E-01  | 0.3264587E-16  | 0.2247347E-01  |
| 0.108978E-01   | 0.3800386E-02  | 0.4678492E-02 | 0.1202176E-01 | 0.1841919E-01  | 0.2346974E-01  | 0.2638061E-01  |
| 0.2728946E-01  | 0.4593635E-02  | 0.4989657E-02 | 0.2060652E-15 | 0.4984758E-02  | 0.5029319E-02  | 0.4540883E-02  |
| 0.3471370E-02  | 0.2095929E-02  | 0.7573543E-03 | 0.4632968E-03 | 0.1973356E-02  | 0.3875617E-02  | 0.5575444E-01  |
| 0.5452374E-01  | 0.3093572E-16  | 0.5428775E-01 | 0.4994202E-01 | 0.4194562E-01  | 0.3047060E-01  | 0.3632544E-15  |
| 0.197860E-02   | 0.1293001E-01  | 0.2707307E-02 | 0.3995016E-01 | 0.4623499E-02  | 0.4109808E-02  | 0.1554414E-02  |
| 0.4072977E-02  | 0.3359813E-02  | 0.2576837E-02 | 0.1801508E-02 | 0.4623499E-02  | 0.2332766E-03  | 0.5015407E-01  |
| 0.2399537E-01  | 0.2497267E-02  | 0.5726415E-01 | 0.5558108E-01 | 0.4623499E-02  | 0.5532499E-01  | 0.3822782E-01  |
| 0.4234421E-02  | 0.3111775E-01  | 0.1775107E-01 | 0.2738086E-02 | 0.266144E-01   | 0.2665444E-01  | 0.64403759E-02 |
| 0.4446061E-04  | 0.44442164E-04 | 0.4437253E-04 | 0.4437253E-04 | 0.266144E-01   | 0.1903710E-04  | 0.7680391E-02  |
| 0.6394463E-02  | 0.7582706E-02  | 0.7571286E-02 | 0.6531097E-02 | 0.6519970E-02  | 0.7412711E-02  | 0.3169973E-03  |
| 0.4546289E-02  | 0.7562075E-02  | 0.3988634E-03 | 0.7168505E-03 | 0.4439255E-02  | 0.5063485E-02  | 0.5014746E-01  |
| 0.5613453E-03  | 0.1711519E-04  | 0.4180616E-04 | 0.8046336E-04 | 0.3418901E-06  | 0.2733213E-01  | 0.4951088E-01  |
| 0.2477072E-01  | 0.2245296E-04  | 0.1828489E-04 | 0.1110238E-03 | 0.7308272E-02  | 0.2702469E-01  | 0.2670657E-04  |
| 0.2373764E-04  | 0.6080340E-04  | 0.1644695E-04 | 0.5001225E-02 | 0.5141286E-01  | 0.2602752E-04  | 0.1525355E-04  |
| 0.4094970E-04  | 0.7099358E-04  | 0.7853890E-02 | 0.2615217E-01 | 0.5199248E-01  | 0.7315420E-04  | 0.91995244E-04 |
| 0.6268523E-04  | 0.4856708E-01  | 0.2599856E-02 | 0.3680708E-02 | 0.4793582E-04  | 0.4793582E-04  | 0.1525355E-04  |
| 0.2695785E-01  | 0.5069775E-01  | 0.2289756E-02 | 0.1043193E-03 | 0.7020848E-04  | 0.3065431E-04  | 0.4855047E-01  |
| 0.2538397E-01  | 0.3802124E-02  | 0.5327614E-04 | 0.7159003E-04 | 0.2268498E-04  | 0.26994148E-01 | 0.4982329E-01  |
| 0.22222081E-02 | 0.9602621E-04  | 0.6986781E-04 | 0.3577657E-04 | 0.1025499E-00  | 0.9703437E-01  | 0.9243384E-01  |
| 0.8773764E-01  | 0.8184201E-01  | 0.8729901E-01 | 0.8364245E-01 | 0.7988838E-01  | 0.7523883E-01  | 0.6918389E-01  |
| 0.4453545E-04  |                |               |               |                |                |                |

|                |                |                |                |                |                |                |
|----------------|----------------|----------------|----------------|----------------|----------------|----------------|
| 0.8522957E-01  | 0.7379738E-01  | 0.7435657E-01  | 0.6868217E-01  | 0.6380643E-01  | 0.6191211E-01  | 0.5861379E-01  |
| 0.5307802E-01  | 0.5171419E-01  | 0.4961005E-01  | 0.4961005E-01  | 0.4765999E-01  | 0.4538369E-01  | 0.4147056E-01  |
| 0.3811993E-01  | 0.3442959E-01  | 0.3188335E-01  | 0.2961591E-01  | 0.2838175E-01  | 0.2730172E-01  | 0.2634081E-01  |
| 0.2548128E-01  | 0.2467178E-01  | 0.2513236E-01  | 0.2513236E-01  | 0.2390578E-01  | 0.2316995E-01  | 0.2246618E-01  |
| -0.            | -0.            | -0.1876400E-02 | 0.2087562E-01  | -0.            | -0.            | -0.            |
| -0.            | 0.3091383E-01  | 0.3061736E-01  | 0.3088070E-01  | 0.3069012E-01  | -0.            | 0.3047313E-01  |
| -0.            | 0.2896827E-01  | 0.2715558E-01  | 0.2395242E-01  | 0.1886095E-01  | 0.1263971E-01  | 0.5785559E-02  |
| 0.1449764E-02  | 0.1078788E-01  | 0.3472835E-01  | 0.7437017E-04  | -0.            | 0.1083856E-02  | 0.3028717E-01  |
| 0.5387369E-01  | 0.6867656E-01  | 0.7422917E-01  | 0.7090598E-01  | 0.5966920E-01  | 0.4181632E-01  | 0.1964685E-01  |
| 0.3204385E-01  | 0.2951493E-02  | 0.2951493E-02  | 0.1992434E-02  | 0.2253081E-01  | 0.4239297E-01  | 0.5492447E-01  |
| 0.5479201E-01  | 0.5722051E-01  | 0.4802267E-01  | 0.3332079E-01  | 0.1509360E-01  | 0.3431210E-01  | 0.1190421E-02  |
| -0.            | 0.2352759E-02  | 0.3220605E-01  | 0.5624099E-01  | 0.7138255E-01  | -0.7694951E-01 | 0.7347812E-01  |
| -0.            | 0.4304993E-01  | 0.5493301E-01  | 0.3196702E-01  | 0.2905647E-02  | -0.            | 0.1947099E-02  |
| -0.            | 0.4233880E-01  | 0.5493301E-01  | 0.5976140E-01  | 0.5725720E-01  | 0.4805183E-01  | 0.3316670E-01  |
| 0.1517965E-02  | 0.1877471E-02  | 0.2225259E-02  | 0.             | 0.2177178E-02  | 0.1054247E-02  | 0.5094340E-04  |
| 0.9764609E-02  | 0.9779370E-01  | 0.2459768E-02  | 0.2712776E-02  | 0.2566679E-02  | 0.2068134E-02  | 0.4311626E-01  |
| 0.1178658E-00  | 0.9779370E-01  | 0.6652424E-01  | 0.5635342E-01  | 0.9306169E-01  | 0.1162247E-00  | 0.1244863E-00  |
| 0.1358202E-02  | 0.2072558E-03  | 0.1153110E-01  | 0.2853286E-01  | 0.3240068E-02  | 0.1415997E-02  | 0.             |
| 0.2480632E-02  | 0.2122152E-02  | 0.1529727E-02  | 0.2505624E-02  | 0.3240068E-02  | 0.3039571E-02  | 0.2825883E-02  |
| 0.9796436E-01  | 0.1221093E-00  | 0.4233320E-01  | 0.1198532E-01  | 0.2953869E-02  | 0.1381051E-01  | 0.5998315E-01  |
| 0.2272551E-00  | 0.2071346E-00  | 0.1306390E-00  | 0.1236324E-00  | 0.1024675E-00  | 0.6984980E-01  | 0.3023250E-01  |
| 0.1331010E-00  | 0.1251847E-00  | 0.1901928E-00  | 0.1725896E-00  | 0.1576148E-00  | 0.1518349E-00  | 0.1417701E-00  |
| 0.8202426E-01  | 0.7142839E-01  | 0.1151215E-00  | 0.1151215E-00  | 0.1094980E-00  | 0.1029321E-00  | 0.9166357E-01  |
| 0.4551674E-01  | 0.4313627E-01  | 0.5756238E-01  | 0.5756238E-01  | 0.5400347E-01  | 0.5084321E-01  | 0.4804359E-01  |
| 0.2916799E-05  | 0.             | 0.4450537E-01  | 0.4450537E-01  | 0.4084966E-01  | 0.3864832E-01  | 0.3654773E-01  |
| 0.             | 0.6455620E-01  | 0.2672318E-02  | 0.357597E-01   | 0.             | 0.             | 0.             |
| -0.6504834E-01 | -0.6341162E-01 | -0.6337003E-01 | -0.6529119E-01 | -0.6539859E-01 | 0.             | -0.6536578E-01 |
| -0.2323810E-03 | -0.1835973E-01 | -0.6009232E-01 | -0.5367608E-01 | -0.4302885E-01 | -0.2982748E-01 | -0.1534301E-01 |
| -0.730300E-01  | -0.6864913E-01 | -0.5620291E-01 | -0.647510E-01  | -0.2060219E-13 | -0.6489193E-01 | -0.6966146E-01 |
| 0.5719075E-01  | 0.7403447E-01  | 0.1630974E-13  | 0.4612338E-01  | 0.24646894E-01 | -0.8854775E-02 | -0.8041843E-02 |
| 0.6622768E-01  | 0.5001696E-01  | 0.3577983E-01  | 0.7443482E-01  | 0.8578352E-01  | 0.8902571E-01  | 0.8148439E-01  |
| 0.314424E-01   | 0.6414905E-01  | 0.7321952E-01  | 0.1689380E-01  | -0.9707439E-02 | 0.4975023E-01  | 0.6382707E-01  |
| 0.8729674E-01  | 0.1463285E-01  | 0.8878195E-02  | 0.7506674E-01  | 0.6760237E-01  | 0.5407408E-01  | 0.4087841E-01  |
| 0.5729782E-02  | 0.8357322E-01  | 0.8009105E-01  | -0.6372897E-01 | -0.7552789E-01 | -0.3458290E-15 | -0.7575254E-01 |
| 0.6782081E-01  | 0.7518525E-01  | -0.7483883E-01 | -0.7061652E-01 | -0.5245929E-01 | -0.2757135E-01 | -0.8741685E-02 |
| 0.2428987E-02  | 0.4674214E-15  | -0.4674469E-01 | 0.2574207E-14  | -0.7479631E-01 | -0.7364451E-01 | -0.7145237E-01 |
| 0.6892982E-04  | 0.3130325E-02  | 0.2535188E-02  | 0.2685177E-01  | -0.1036095E-01 | -0.4695171E-02 | -0.2846897E-04 |
| 0.7317080E-01  | 0.7709591E-01  | 0.7633353E-01  | 0.4972125E-02  | 0.5731893E-02  | 0.3665262E-02  | 0.4238511E-03  |
| 0.1591085E-01  | 0.7287968E-02  | 0.8066721E-02  | -0.7017772E-02 | 0.6777294E-01  | 0.7301171E-01  | 0.4388168E-14  |
| 0.3002451E-02  | -0.4302194E-02 | -0.6032611E-02 | -0.5957968E-02 | 0.5606989E-01  | 0.4302707E-01  | 0.3152606E-01  |
| -0.1705131E-04 | -0.1790542E-04 | -0.1696445E-04 | -0.4384135E-02 | 0.1292150E-02  | 0.3325216E-02  | -0.3797197E-02 |
| 0.1144925E-01  | 0.9529124E-02  | 0.9529124E-02  | -0.1696445E-04 | 0.3180349E-03  | 0.1894122E-03  | -0.4322259E-02 |
| 0.8710963E-03  | 0.1066938E-02  | 0.7821484E-02  | -0.1163192E-01 | -0.1160293E-02 | -0.9923135E-02 | -0.9878719E-02 |
| 0.1349514E-01  | 0.1170231E-05  | 0.1411578E-03  | 0.1363853E-01  | -0.1142340E-02 | 0.1522043E-02  | -0.7686374E-02 |
| 0.2309132E-01  | -0.2139157E-03 | -0.6258822E-04 | -0.1360212E-03 | 0.2346548E-07  | 0.1671253E-01  | 0.1384295E-01  |
| -0.2144604E-03 | -0.2960765E-03 | -0.2190769E-03 | -0.1178211E-01 | 0.8275084E-02  | 0.2519568E-01  | -0.1814145E-01 |
| -0.3195341E-03 | 0.1249870E-05  | 0.3942377E-02  | -0.2734382E-01 | -0.1587821E-01 | -0.2838681E-01 | -0.2161926E-03 |
| 0.8798211E-04  | 0.1437073E-01  | 0.2328272E-01  | 0.2482413E-02  | 0.1222916E-01  | -0.2181058E-03 | -0.1233263E-03 |
| 0.2436755E-01  | -0.1568611E-01 | 0.6098886E-02  | -0.8043669E-04 | 0.1654296E-03  | -0.8471214E-04 | 0.1243979E-03  |
| -0.2692620E-01 | -0.3434176E-02 | -0.1780792E-03 | -0.8964536E-04 | -0.1485386E-03 | 0.1062261E-03  | -0.1432422E-01 |
| 0.7000503E-02  | 0.8654976E-04  | 0.1446988E-03  | 0.8964536E-04  | 0.8276151E-04  | -0.2374730E-01 | 0.1249500E-01  |
| 0.5759144E-01  | 0.5321917E-01  | 0.9301605E-01  | 0.8807377E-01  | 0.6861299E-01  | 0.6456590E-01  | 0.6115702E-01  |
| -0.1576913E-04 | -0.            | -0.            | -0.            | 0.8292950E-01  | 0.7655771E-01  | 0.6826795E-01  |

|                |                 |                |                |                 |                |                |
|----------------|-----------------|----------------|----------------|-----------------|----------------|----------------|
| 0.227124F-00   | 0.2026273F-00   | 0.1857347E-00  | 0.1681925E-00  | 0.1532867E-00   | 0.1475498E-00  | 0.1375429E-00  |
| 0.1289471E-00  | 0.1211207F-00   | 0.1117584E-00  | 0.1112525E-00  | 0.1058391E-00   | 0.9957181E-01  | 0.8882975E-01  |
| 0.7964018F-01  | 0.6956573E-01   | 0.6260939E-01  | 0.5639036E-01  | 0.5302352E-01   | 0.5007208E-01  | 0.4744475E-01  |
| 0.4508982E-01  | 0.4289379E-01   | 0.             | 0.4415971E-01  | 0.4078032E-01   | 0.3875013E-01  | 0.3680540E-01  |
| 0.             | 0.              | -0.2834849E-02 | 0.3229503E-01  | 0.              | 0.             | 0.             |
| 0.693706E-01   | -0.6693706E-01  | -0.6520271E-01 | -0.6836687E-01 | -0.6883417E-01  | -0.6883417E-01 | -0.6913694E-01 |
| -0.6457556E-02 | -0.6844548E-01  | -0.6580261E-01 | -0.601043E-01  | -0.4975359E-01  | -0.3624991E-01 | -0.2092806E-01 |
| 0.6300572E-01  | 0.1631395E-01   | -0.3605128E-01 | 0.2932755E-02  | 0.              | 0.4219200E-02  | 0.3688950E-01  |
| 0.2374629E-01  | 0.7904919E-01   | 0.8446318E-01  | 0.7973017E-01  | 0.6588166E-01   | 0.4440468E-01  | 0.1797425E-01  |
| -0.448049E-01  | 0.1841906E-02   | 0.             | 0.1112858E-02  | -0.1732957E-01  | -0.3219546E-01 | -0.4149518E-01 |
| 0.             | -0.4259934E-01  | -0.3520707E-01 | -0.2352892E-01 | -0.9067400E-02  | 0.3657149E-01  | -0.1287272E-02 |
| -0.6338634E-01 | -0.2530601E-02  | -0.3430653E-01 | -0.5976570E-01 | -0.7550289E-01  | -0.8095093E-01 | -0.7658503E-01 |
| 0.1736219F-01  | -0.4279798E-01  | -0.1742034E-01 | -0.2368998E-01 | -0.1797689E-02  | 0.             | -0.1073888E-02 |
| 0.9126382E-02  | 0.322164E-01    | 0.4149635E-01  | -0.4487669E-01 | 0.4258875E-01   | 0.3520299E-01  | 0.2354766E-01  |
| 0.152338E-00   | -0.3317237E-01  | 0.2701180E-01  | 0.             | 0.2900789E-01   | 0.7964472E-01  | 0.1204918E-00  |
| 0.3721930E-02  | 0.1522544E-00   | 0.1416553E-00  | 0.1151812E-00  | 0.7582341E-01   | 0.2850730E-01  | -0.8573173E-02 |
| 0.2333583E-01  | -0.             | 0.4133319E-02  | 0.1454131E-01  | 0.2304508E-01   | 0.2835158E-01  | 0.3011486E-01  |
| -0.2908792E-01 | 0.2334305E-01   | 0.1572273E-01  | 0.6466177E-02  | 0.3318493E-01   | -0.2708792E-01 | 0.             |
| -0.7603967E-01 | -0.7980322E-01  | -0.1207199E-00 | -0.1455254E-00 | -0.1525590E-00  | -0.1419556E-00 | -0.1154503E-00 |
| -0.2468759E-01 | -0.2865381E-01  | 0.8328928E-02  | -0.4539789E-02 | 0.              | -0.4969799E-02 | -0.1584527E-01 |
| -0.4316155E-01 | -0.3016432E-01  | -0.3189267E-01 | -0.2991037E-01 | -0.2457410E-01  | -0.1651659E-01 | -0.6781013E-02 |
| -0.2544343E-01 | -0.43787137E-01 | -0.3987927E-01 | -0.3573022E-01 | -0.3220462E-01  | -0.3084418E-01 | -0.2847959E-01 |
| -0.1436509E-01 | -0.2458687E-01  | -0.2364815E-01 | -0.2221578E-01 | -0.2088715E-01  | -0.1933018E-01 | -0.1665842E-01 |
| -0.5449620E-02 | -0.1183584F-01  | -0.8985843E-02 | -0.8498176E-02 | -0.7621402E-02  | -0.6829473E-02 | -0.6110667E-02 |
| -0.4592222E-05 | -0.4817032E-02  | 0.             | -0.5180919E-02 | -0.4204253E-02  | -0.3610233E-02 | -0.3035432E-02 |
| 0.             | 0.              | 0.1869631E-03  | -0.1681936E-02 | 0.              | 0.             | 0.             |
| 0.1160081E-01  | 0.1098260E-01   | 0.1072744E-01  | 0.1124655E-01  | 0.8561195E-01   | 0.             | 0.1151305E-01  |
| 0.1467237E-02  | -0.1154990E-01  | 0.117157E-01   | 0.102842E-01   | 0.8561176E-01   | 0.6383049E-02  | 0.3971057E-02  |
| 0.5731180E-01  | -0.1458902E-02  | 0.3968783E-01  | 0.4932477E-01  | 0.1958335E-14   | 0.4952719E-01  | 0.5562201E-01  |
| 0.6626878E-01  | 0.5389464E-01   | 0.4621236E-01  | 0.3580807E-01  | 0.2391761E-01   | 0.1150640E-01  | 0.6480865E-03  |
| 0.8514459E-01  | 0.8581474E-01   | 0.1524279E-14  | 0.8627553E-01  | 0.9913684E-01   | 0.1037691E-00  | 0.9865500E-01  |
| 0.2299912E-15  | -0.6589987E-01  | 0.4357288E-01  | 0.2083903E-01  | 0.1599613E-02   | -0.4062084E-01 | -0.4987978E-01 |
| -0.2225410E-01 | -0.5007965F-01  | -0.5588054E-01 | -0.5748748E-01 | -0.5421840E-01  | -0.4641732E-01 | -0.3512088E-01 |
| -0.9973482E-01 | -0.1086327F-01  | -0.3238773E-02 | -0.6727333E-01 | -0.8661589E-01  | -0.3442675E-16 | -0.8705059E-01 |
| -0.4319750E-02 | -0.1043824E-00  | -0.9956797E-01 | -0.8609970E-01 | -0.6606172E-01  | -0.4264520E-01 | -0.2063342E-01 |
| 0.1341915E-01  | -0.1562463E-01  | -0.1540865E-01 | 0.2575936E-15  | -0.1538548E-01  | -0.1505831E-01 | -0.1446833E-01 |
| 0.6729825E-01  | -0.1165413F-01  | -0.8938620E-02 | 0.5600188E-02  | -0.2708375E-02  | -0.9090262E-03 | 0.6569300E-01  |
| 0.4740022E-01  | 0.4520184F-16   | 0.6943726E-01  | 0.7244393E-01  | 0.7263632E-01   | 0.6839925E-01  | 0.5963064E-01  |
| 0.1591311F-01  | 0.3296599E-01   | 0.1745568E-01  | 0.2563514E-02  | 0.1444542E-01   | 0.1489552E-01  | 0.4430615E-15  |
| 0.2396112E-02  | 0.1523575E-01   | 0.1481039E-01  | 0.1334000E-01  | 0.1105317E-01   | 0.8442350E-02  | 0.5691006E-02  |
| 0.7116499E-01  | -0.1384739F-02  | -0.6631644E-01 | -0.6904671E-01 | -0.3740185E-16  | -0.6915296E-01 | -0.7131988E-01 |
| 0.1727132E-04  | -0.6729730F-01  | -0.5915556E-01 | -0.4703774E-01 | -0.3229984E-01  | -0.1734408E-01 | -0.4661704E-02 |
| 0.1290918F-01  | 0.1734508E-04   | 0.1739800E-04  | 0.1739800E-04  | -0.1032368E-04  | -0.2314556E-04 | 0.1293431E-01  |
| 0.7470765E-02  | -0.7637841E-02  | -0.762024E-02  | -0.1287631E-01 | -0.75844157E-02 | 0.75844157E-02 | 0.7566983E-02  |
| -0.3777629F-02 | 0.1320409E-01   | 0.2400081E-02  | 0.3725771E-02  | -0.7249458E-02  | -0.1313717E-01 | -0.2417775E-02 |
| -0.1556967E-02 | -0.9585681E-05  | -0.2097220E-04 | -0.1581831E-03 | 0.1898144E-06   | 0.1090111E-01  | 0.2414723E-01  |
| 0.3456739E-04  | -0.3177177E-04  | -0.1142414E-04 | -0.1988024E-03 | -0.1167095E-01  | -0.3593298E-02 | -0.2317936E-01 |
| 0.4864073F-04  | -0.1438386E-03  | -0.1472978E-04 | -0.104787E-01  | -0.2579090E-01  | 0.4786532E-02  | -0.3681928E-04 |
| -0.4371760E-04 | 0.1392012F-03   | 0.1208102E-01  | 0.1934061E-02  | 0.2647071E-01   | -0.3356765E-04 | 0.1829598E-03  |
| -0.2649302E-02 | 0.2271884F-01   | -0.2947816E-02 | 0.7045119E-02  | -0.2944322E-04  | -0.1659912E-03 | 0.5295269E-05  |
| 0.1726383E-02  | -0.2428171E-01  | -0.2706207E-03 | -0.1889187E-03 | 0.2912233E-04   | -0.1509195E-04 | -0.2262342E-01 |
| 0.565434E-03   | -0.7163180E-02  | 0.2784710E-04  | 0.1643418E-03  | 0.3258545E-05   | 0.2574889E-02  | 0.2323224E-01  |
| 0.7805992E-01  | 0.1865069E-03   | -0.2971621E-04 | 0.2247199E-04  | 0.9542495E-05   | 0.8902137E-01  | 0.8365396E-01  |
| 0.1727991E-04  | 0.7128849E-01   | -0.4212431E-01 | -0.3960111E-01 | -0.3704838E-01  | -0.3394896E-01 | -0.2994721E-01 |



|                |                |                |                |                 |                |                |
|----------------|----------------|----------------|----------------|-----------------|----------------|----------------|
| 0.3401103E-00  | 0.2887758E-00  | 0.25441165E-00 | 0.2181878E-00  | 0.1878174E-00   | 0.1761743E-00  | 0.1559373E-00  |
| 0.1386765E-00  | 0.1230678E-00  | 0.1152633E-00  | 0.1035461E-00  | 0.9284372E-01   | 0.8044833E-01  | 0.5920041E-01  |
| 0.4091732E-01  | 0.2077764E-01  | 0.6767679E-02  | -0.5991463E-02 | -0.1317068E-01  | -0.1974477E-01 | -0.2583701E-01 |
| -0.3154117E-01 | -0.3708597E-01 | 0.             | -0.3392104E-01 | -0.4246307E-01  | -0.4771753E-01 | -0.5285876E-01 |
| 0.             | 0.             | 0.4219483E-02  | -0.6554159E-01 | 0.              | 0.             | 0.             |
| -0.8049757E-02 | -0.1557725E-01 | -0.4683091E-02 | -0.1066378E-01 | -0.1205718E-01  | 0.             | -0.1314273E-01 |
| -0.1395666E-01 | -0.1675748E-01 | -0.4429128E-02 | -0.1518642E-01 | -0.1337328E-01  | -0.1139162E-01 | -0.1029793E-01 |
| 0.2328892E-01  | 0.2278168E-01  | 0.2183849E-01  | 0.5986183E-02  | 0.              | 0.6276302E-02  | 0.1450053E-01  |
| -0.3726777E-02 | 0.1288392E-02  | 0.             | 0.1773228E-01  | 0.1068320E-01   | 0.1216111E-02  | -0.9727918E-02 |
| 0.1083465E-01  | 0.9236366E-02  | 0.             | 0.1490992E-02  | 0.5814251E-02   | 0.9092910E-02  | 0.1089542E-01  |
| 0.             | -0.4582308E-02 | -0.1198752E-01 | -0.1411448E-02 | -0.4304696E-02  | 0.5031532E-02  | -0.4266552E-02 |
| -0.756834E-02  | 0.5680196E-03  | 0.9782826E-02  | -0.1724209E-01 | -0.1914394E-01  | -0.1809030E-01 | -0.1398080E-01 |
| -0.5578580E-02 | -0.9102592E-02 | -0.1074221E-01 | 0.4204924E-02  | -0.1076366E-02  | 0.             | -0.1243389E-02 |
| 0.2563238E-02  | 0.1041644E-02  | 0.6290310E-02  | -0.            | 0.9061626E-02   | -0.5956223E-02 | -0.1868374E-02 |
| 0.1462186E-01  | 0.1356204E-01  | 0.1080291E-01  | 0.6746563E-02  | 0.6446097E-02   | 0.1063680E-01  | 0.1355618E-01  |
| 0.1323493E-01  | -0.            | 0.1378633E-01  | 0.2731784E-01  | 0.2031315E-02   | -0.2867924E-02 | -0.2934202E-02 |
| 0.3350559E-01  | 0.2792451E-01  | 0.1353180E-01  | -0.2864845E-02 | 0.3798844E-01   | 0.4380924E-01  | 0.4397687E-01  |
| -0.4724083E-02 | -0.8262282E-02 | -0.1105155E-01 | -0.1239477E-01 | -0.3472546E-03  | -0.4571525E-02 | -0.            |
| -0.3427218E-02 | 0.2332869E-02  | 0.3702050E-02  | -0.1141620E-01 | -0.327546E-01   | -0.1108379E-01 | -0.8038724E-02 |
| -0.3402856E-01 | -0.3703781E-01 | -0.3638527E-01 | -0.3096217E-01 | -0.2155003E-01  | -0.8734567E-02 | -0.2408176E-01 |
| 0.2476122E-00  | 0.2176180E-00  | 0.1924678E-00  | 0.1663597E-00  | 0.1442392E-00   | 0.1357527E-00  | 0.6407867E-02  |
| 0.1383846E-01  | 0.9696349E-01  | 0.8241871E-01  | 0.8241871E-01  | 0.7428562E-01   | 0.6472433E-01  | 0.4831443E-01  |
| 0.1342291E-01  | 0.1847107E-01  | 0.2329882E-02  | -0.2436738E-02 | -0.8149812E-02  | -0.1336330E-01 | -0.1832538E-01 |
| -0.2300024E-01 | -0.2759213E-01 | -0.            | -0.2499745E-01 | -0.3201830E-01  | -0.3635941E-01 | -0.4066005E-01 |
| -0.9364027E-06 | -0.            | 0.3085428E-02  | -0.5120890E-01 | -0.             | -0.            | -0.            |
| -0.            | 0.1146571E-01  | -0.8365099E-02 | -0.1339956E-01 | -0.1426302E-01  | -0.            | -0.1492413E-01 |
| -0.1560546E-01 | -0.1630192E-01 | -0.1629682E-01 | -0.1547273E-01 | -0.1374649E-01  | -0.1189246E-01 | -0.1076463E-01 |
| -0.1104773E-01 | -0.1564044E-01 | 0.1117025E-01  | 0.2053991E-01  | -0.5571023E-13  | 0.2080914E-01  | -0.2801912E-01 |
| 0.3575824E-01  | 0.4577814E-01  | 0.5153318E-01  | 0.4105183E-01  | 0.1540421E-01   | 0.3022600E-02  | 0.2250159E-01  |
| -0.2785012E-02 | -0.5026033E-01 | -0.4396085E-13 | -0.5171333E-01 | -0.8941680E-01  | -0.1123361E-00 | -0.1126059E-00 |
| -0.9576670E-01 | -0.8020067E-01 | -0.6773292E-01 | -0.3764968E-01 | -0.2183811E-01  | 0.9082999E-02  | -0.1152394E-01 |
| -0.6696249E-14 | -0.1215374E-01 | -0.2820485E-01 | -0.3604659E-01 | -0.3124719E-01  | -0.2071966E-01 | -0.1800645E-01 |
| -0.2454266E-01 | -0.1522572E-01 | 0.2442986E-01  | 0.2004594E-01  | 0.5013926E-01   | 0.9785298E-15  | 0.5093452E-01  |
| 0.7274324E-01  | 0.8838737E-01  | 0.9892488E-01  | 0.9946927E-01  | 0.7916045E-01   | 0.4001235E-01  | 0.1246799E-01  |
| 0.188960E-01   | -0.6374808E-02 | -0.2515196E-01 | -0.7023269E-14 | -0.2578584E-01  | -0.4223905E-01 | -0.5126424E-01 |
| -0.4998626E-01 | -0.4038764E-01 | -0.3676017E-01 | -0.4075598E-01 | -0.3349540E-01  | 0.1980849E-02  | 0.1551789E-01  |
| 0.1309962E-01  | -0.1200764E-14 | 0.1293561E-01  | -0.4023269E-02 | -0.9332734E-02  | 0.1469255E-01  | 0.2113096E-01  |
| 0.1540548E-01  | 0.4588969E-02  | 0.3920032E-03  | 0.2213038E-01  | 0.2773411E-01   | 0.4813912E-01  | -0.1198184E-13 |
| 0.159770E-01   | 0.3437433E-01  | 0.3961420E-01  | 0.4813335E-01  | 0.5431107E-01   | 0.4989940E-02  | 0.2908865E-01  |
| 0.1708152E-01  | 0.3466060E-01  | 0.6715266E-02  | -0.4579849E-02 | 0.6664144E-15   | -0.4989940E-02 | -0.1480274E-01 |
| -0.1744523E-01 | -0.1596740E-01 | -0.8811403E-02 | -0.8831146E-02 | -0.1846282E-01  | -0.1789684E-01 | 0.8099604E-02  |
| 0.1757584E-03  | 0.1718871E-03  | 0.1686141E-03  | 0.1686141E-03  | -0.9504346E-03  | -0.5479272E-03 | -0.6343688E-02 |
| -0.6340620E-02 | -0.7952020E-03 | -0.8264599E-03 | 0.6501075E-02  | 0.6475467E-02   | -0.2086549E-02 | -0.2021490E-02 |
| -0.5633965E-02 | -0.4878947E-02 | 0.1351146E-01  | -0.1180252E-01 | 0.6741970E-02   | 0.6735485E-02  | 0.1183004E-01  |
| 0.175918E-01   | -0.2177421E-04 | -0.5888060E-04 | 0.7256647E-04  | -0.3144594E-06  | -0.1580203E-01 | -0.1526127E-01 |
| -0.1153284E-01 | 0.5705784E-03  | 0.4345666E-03  | 0.2585710E-03  | 0.9504428E-03   | -0.1583761E-01 | 0.3048385E-01  |
| 0.5853007E-03  | 0.7302592E-03  | 0.1945779E-03  | 0.1575604E-02  | 0.2064311E-01   | 0.2542786E-01  | 0.5943798E-03  |
| 0.6463729E-03  | 0.1193858E-03  | -0.1200190E-01 | 0.2183759E-01  | -0.1387108E-01  | 0.5878354E-03  | 0.4205230E-03  |
| 0.1547735E-03  | -0.1765484E-01 | -0.1288475E-01 | 0.1505015E-03  | -0.8589616E-05  | 0.3449148E-04  | -0.3174920E-03 |
| -0.2282306E-01 | 0.2327865E-01  | 0.1288035E-02  | -0.1132406E-04 | -0.1167917E-03  | 0.3345461E-03  | 0.1798418E-01  |
| 0.2276082E-01  | 0.2430568E-02  | 0.5336942E-04  | -0.551147E-04  | -0.27395880E-03 | 0.2074907E-01  | -0.1472942E-01 |
| 0.3654754E-02  | -0.1626800E-04 | -0.1009254E-03 | -0.2888966E-03 | 0.9909094E-01   | 0.8264216E-01  | 0.6921977E-01  |
| 0.5557558E-01  | 0.3993161E-01  | 0.4829773E-01  | 0.4140751E-01  | 0.3528917E-01   | 0.2863549E-01  | 0.2044279E-01  |

|                |                |                |                |                |                |                |
|----------------|----------------|----------------|----------------|----------------|----------------|----------------|
| 0.2524946E-01  | 0.2235507E-01  | 0.1991428E-01  | 0.1736986E-01  | 0.1519140E-01  | 0.1434610E-01  | 0.1289072E-01  |
| 0.1162780E-01  | 0.1045900E-01  | 0.9870373E-02  | 0.8925884E-02  | 0.8050225E-02  | 0.7021687E-02  | 0.5249168E-02  |
| 0.3713940E-01  | 0.2004668E-02  | 0.8096983E-03  | -0.2936159E-03 | -0.9309827E-03 | -0.1528591E-02 | -0.2095321E-02 |
| -0.2636623E-02 | -0.3172628E-02 | 0.             | -0.2867978E-02 | -0.3691930E-02 | -0.4203845E-02 | -0.4708818E-02 |
| 0.             | 0.             | 0.38866113E-03 | -0.5856050E-02 | 0.             | 0.             | 0.             |
| 0.             | -0.1350857E-02 | -0.9988474E-03 | -0.1592912E-02 | -0.1718078E-02 | -0.            | -0.1811389E-02 |
| -0.1902452E-02 | -0.1979183E-02 | -0.1949798E-02 | -0.1803320E-02 | -0.1544220E-02 | -0.1294900E-02 | -0.1167872E-02 |
| -0.1257132E-02 | -0.1918918E-02 | -0.4760841E-03 | 0.9075402E-03  | 0.             | 0.9457711E-03  | 0.2054368E-02  |
| 0.2859746E-02  | 0.3226023E-02  | 0.3155689E-02  | 0.2670667E-02  | 0.1831727E-02  | 0.7070101E-03  | -0.5984469E-03 |
| 0.1462280E-03  | -0.7482765E-04 | 0.             | -0.8183629E-04 | -0.2565647E-03 | -0.3771179E-03 | -0.4284545E-03 |
| -0.3938953E-03 | -0.2953174E-03 | -0.1359086E-03 | 0.7268894E-04  | -0.3120010E-03 | 0.6231595E-03  | -0.4422630E-03 |
| 0.             | -0.4747004E-03 | -0.1330090E-02 | -0.1947403E-02 | -0.2223177E-02 | -0.2159021E-02 | -0.1772191E-02 |
| -0.1109867E-02 | -0.2296565E-03 | 0.7818957E-03  | 0.1521623E-03  | 0.1049364E-03  | 0.             | 0.1128385E-02  |
| 0.3167226E-03  | 0.4576582E-03  | 0.5042730E-03  | 0.4734443E-03  | 0.3578871E-03  | 0.1780048E-03  | -0.5009108E-04 |
| -0.3053375E-03 | -0.1819060E-02 | -0.5177436E-02 | -0.            | -0.5275587E-02 | -0.7864926E-02 | -0.9555503E-02 |
| 0.9950770E-02  | -0.8969021E-02 | -0.6716047E-02 | 0.3384129E-02  | 0.7587315E-03  | 0.5364880E-02  | 0.7572225E-03  |
| 0.5411306E-02  | 0.             | 0.5551255E-02  | 0.9209524E-02  | 0.1171971E-01  | 0.1253309E-01  | 0.1156118E-01  |
| 0.8991436E-02  | 0.4777605E-02  | -0.4361556E-03 | -0.6285642E-02 | -0.7427688E-03 | -0.5797090E-02 | -0.            |
| -0.5949600E-02 | -0.9932090E-02 | -0.1268433E-01 | -0.1361239E-01 | -0.1261443E-01 | -0.9784450E-02 | -0.5391394E-02 |
| 0.1722612E-03  | 0.6464698E-02  | 0.1342540E-02  | 0.4241292E-02  | -0.            | 0.4325082E-02  | 0.6534061E-02  |
| 0.7926019E-02  | 0.8147302E-02  | 0.7150750E-02  | 0.5016168E-02  | 0.1930267E-02  | -0.1865641E-02 | -0.6061882E-02 |
| -0.6242066E-02 | -0.5468913E-02 | -0.4820499E-02 | -0.4147552E-02 | -0.3576633E-02 | -0.3358243E-02 | -0.2976804E-02 |
| -0.2650931E-02 | -0.2355778E-02 | -0.2207435E-02 | -0.1982106E-02 | -0.1774281E-02 | -0.1530694E-02 | -0.1112678E-02 |
| -0.7518581E-03 | -0.3556108E-03 | -0.6908313E-04 | 0.1706188E-03  | 0.3124605E-03  | 0.4398735E-03  | 0.5603628E-03  |
| 0.6726652E-03  | 0.7824351E-03  | -0.            | 0.7208004E-03  | 0.8873351E-03  | 0.9900217E-03  | 0.1091544E-02  |
| -0.1437646E-03 | -0.            | -0.6300350E-04 | 0.1302643E-02  | -0.            | -0.            | -0.            |
| -0.            | -0.3373792E-03 | -0.2818938E-03 | -0.3780782E-03 | -0.3754249E-03 | -0.            | -0.3768183E-03 |
| -0.3834078E-03 | -0.4055942E-03 | -0.4334412E-03 | -0.4612202E-03 | -0.4665712E-03 | -0.4259268E-03 | -0.3345005E-03 |
| -0.1526754E-03 | 0.1028732E-03  | -0.4838989E-01 | -0.1165348E-00 | 0.1096765E-14  | -0.1184478E-00 | -0.1698112E-00 |
| -0.2318306E-00 | -0.2089587E-00 | -0.1927349E-00 | -0.1579664E-00 | -0.1115048E-00 | -0.6266778E-01 | -0.2183628E-01 |
| 0.3109020E-01  | 0.1146179E-00  | 0.8674463E-15  | 0.1169549E-00  | 0.1792330E-00  | 0.2193892E-00  | 0.2307157E-00  |
| 0.1250621E-00  | 0.1781507E-00  | 0.1274084E-00  | 0.7228921E-01  | 0.2463048E-01  | -0.4609876E-01 | -0.1095794E-00 |
| 0.1241344E-15  | -0.1113588E-00 | -0.1591603E-00 | -0.1888853E-00 | -0.1953804E-00 | -0.1800898E-00 | -0.1475402E-00 |
| -0.1041769E-00 | -0.5878989E-01 | -0.2112062E-01 | 0.3460108E-01  | 0.1236858E-00  | -0.1718142E-16 | 0.1262411E-00  |
| 0.1943184E-00  | 0.2382552E-00  | 0.2506952E-00  | 0.2336431E-00  | 0.1932708E-00  | 0.1376655E-00  | 0.7713575E-01  |
| 0.2454235E-01  | -0.1281668E-01 | -0.1392412E-01 | 0.1428068E-15  | -0.1399344E-01 | -0.1535187E-01 | -0.1643283E-01 |
| -0.1668233E-01 | -0.1571779E-01 | -0.1337873E-01 | -0.9941551E-02 | -0.6237506E-02 | -0.2963552E-02 | -0.1039186E-01 |
| -0.9915220E-02 | 0.3790714E-17  | -0.9916683E-02 | -0.9732726E-02 | -0.9507801E-02 | -0.9008262E-02 | -0.7991524E-02 |
| -0.6278802E-02 | -0.4031583E-02 | -0.1888568E-02 | -0.2989377E-03 | -0.1101661E-01 | -0.1131776E-01 | 0.2642939E-15  |
| -0.1135364E-01 | -0.1196376E-01 | -0.1245232E-01 | -0.1240743E-01 | -0.1150159E-01 | -0.9545691E-02 | -0.6754711E-02 |
| -0.3045777E-02 | -0.1371586E-02 | -0.1340862E-01 | -0.1515664E-01 | -0.8258942E-17 | -0.1524411E-01 | -0.1710072E-01 |
| -0.1849338E-01 | -0.1880473E-01 | -0.1766316E-01 | -0.1496770E-01 | -0.1108116E-01 | -0.6981749E-02 | -0.3537249E-02 |
| -0.1021964E-05 | -0.9329852E-06 | -0.8580824E-06 | -0.8580722E-06 | 0.3431998E-04  | -0.3254794E-04 | -0.2563437E-03 |
| -0.255774E-03  | 0.2822253E-03  | 0.2818589E-03  | 0.4862020E-03  | 0.4846142E-03  | -0.5229202E-03 | -0.5211910E-03 |
| -0.9528479E-02 | -0.1477073E-01 | 0.8136620E-02  | 0.1343906E-01  | -0.7125853E-02 | -0.1242869E-01 | 0.8526025E-02  |
| 0.1375573E-01  | 0.1269873E-04  | 0.2697102E-05  | 0.8057457E-05  | 0.3945685E-05  | 0.1066109E-01  | -0.7850907E-03 |
| 0.1059696E-01  | 0.9421429E-05  | 0.2469247E-03  | -0.4268049E-04 | -0.1160745E-01 | -0.2107429E-02 | -0.6224351E-02 |
| -0.3831810E-04 | -0.225577E-03  | 0.3201073E-04  | 0.1039872E-01  | 0.3687968E-02  | 0.9772541E-02  | 0.1173939E-04  |
| 0.2341322E-03  | -0.5076490E-04 | -0.1377608E-01 | -0.2222089E-02 | -0.1115239E-01 | -0.4026176E-04 | -0.2575610E-03 |
| 0.4176539E-04  | -0.1274067E-01 | -0.8350768E-03 | -0.7742912E-03 | -0.1721788E-03 | 0.1007959E-03  | -0.1077790E-03 |
| -0.1154292E-01 | 0.2671961E-02  | 0.1057328E-02  | 0.1614355E-03  | -0.1116301E-03 | 0.1223663E-03  | -0.7887328E-02 |
| -0.1203454E-02 | -0.2736388E-03 | -0.1714020E-03 | 0.7963334E-04  | -0.1016586E-03 | 0.1190967E-01  | -0.1769812E-02 |
| 0.1117223E-02  | 0.1552686E-03  | -0.1162325E-03 | 0.1174425E-03  | 0.6932841E-02  | 0.5824587E-02  | 0.4920218E-02  |
| 0.3997528E-02  | 0.2898064E-02  | -0.3247048E-02 | -0.2768568E-02 | -0.2340018E-02 | -0.1867677E-02 | -0.1281734E-02 |
| -0.1091163E-05 |                |                |                |                |                |                |

|                |                |                |                |                |                |                |
|----------------|----------------|----------------|----------------|----------------|----------------|----------------|
| 0.2023595F-02  | 0.1712661E-02  | 0.1456561E-02  | 0.1190905E-02  | 0.9741911E-03  | 0.8931327E-03  | 0.7488183E-03  |
| 0.6324416E-03  | 0.5280951E-03  | 0.4780395E-03  | 0.4150098E-03  | 0.3618772E-03  | 0.3029875E-03  | 0.2046986E-03  |
| 0.1203737E-03  | 0.3477754E-04  | 0.2465186E-04  | 0.7450405E-04  | -0.9853013E-04 | -0.1177480E-03 | -0.1314870E-03 |
| -0.1418282E-03 | -0.1484523E-03 | -0.1484523E-03 | -0.1821455E-03 | -0.1569528E-03 | -0.1626441E-03 | -0.1669962E-03 |
| -0.1068736F-03 | 0.1068736F-03  | 0.9943579E-04  | 0.1227020E-03  | 0.1319569E-03  | -0.1858352E-03 | 0.1405338E-03  |
| 0.1712517E-03  | 0.1712517E-03  | 0.1874989E-03  | 0.1997376E-03  | 0.2005167E-03  | -0.4689709E-03 | 0.1592346E-03  |
| 0.7454394E-04  | -0.7454394E-04 | -0.7454394E-04 | -0.4522876E-03 | -0.6267925E-03 | -0.2394528E-03 | -0.8194891E-03 |
| 0.1948301F-03  | 0.1948301F-03  | 0.3713557E-03  | 0.9226466E-03  | 0.5973540E-04  | -0.7000795E-04 | 0.2069446E-03  |
| 0.3373766E-03  | 0.3373766E-03  | 0.2055664E-03  | 0.1922723E-03  | 0.3638330E-03  | -0.1557310E-03 | 0.1765859E-03  |
| 0.3631521E-03  | 0.3631521E-03  | 0.2486559E-03  | 0.3779488E-03  | 0.4514177E-03  | 0.5027399E-03  | 0.3411072E-04  |
| 0.5403861E-03  | 0.5403861E-03  | 0.6374757E-03  | 0.3480963E-03  | 0.5848238E-04  | -0.3149575E-03 | 0.7047597E-04  |
| 0.3617681E-04  | 0.3617681E-04  | 0.4554891E-03  | -0.2802950E-03 | 0.5148535E-03  | 0.7865499E-03  | 0.4723907E-04  |
| 0.8977714E-03  | 0.8977714E-03  | 0.6137750F-03  | 0.6266924E-03  | 0.4664935E-03  | -0.8560210E-03 | 0.9916431F-03  |
| 0.6333450E-03  | 0.6333450E-03  | 0.4800052E-03  | 0.2028943E-03  | -0.2999902E-03 | -0.1651203E-02 | 0.2635888E-03  |
| 0.1209659E-02  | 0.1209659E-02  | 0.1157299F-03  | -0.1064445E-02 | 0.3648847E-04  | 0.5104003E-02  | -0.1561891E-02 |
| 0.5719716F-03  | 0.5719716F-03  | 0.1107319E-02  | 0.9632531E-02  | 0.9992259E-03  | -0.6792308E-03 | 0.2201740E-03  |
| 0.3397291E-03  | 0.3397291E-03  | 0.4652585E-03  | 0.151248E-02   | 0.2628897E-04  | -0.7073254E-03 | 0.8689772E-03  |
| 0.9296316E-03  | 0.9296316E-03  | -0.6732069E-03 | -0.3672321E-03 | 0.2628897E-04  | 0.4830668E-03  | 0.9699804E-03  |
| 0.3398275E-02  | 0.3398275E-02  | -0.2665470E-02 | -0.2320005E-02 | 0.2026101E-02  | -0.1909504E-02 | -0.1715345E-02 |
| 0.1546031E-02  | 0.1546031E-02  | -0.1390458F-02 | -0.1200345E-02 | -0.1088651E-02 | -0.9644489E-03 | -0.7482484E-03 |
| 0.5597062E-03  | 0.5597062E-03  | -0.3654015F-02 | -0.9606012E-04 | -0.2904811E-04 | 0.4226307E-04  | 0.9545866E-04  |
| 0.1469223E-03  | 0.1469223E-03  | 0.1951180E-03  | 0.1643872E-03  | 0.2447137E-03  | 0.2946098E-03  | 0.3375021E-03  |
| -0.1337678E-02 | -0.1337678E-02 | 0.3220704E-04  | 0.4691415E-03  | 0.5333394E-03  | 0.3650487E-04  | -0.4705820E-03 |
| 0.3971728E-03  | 0.3971728E-03  | 0.4401394E-03  | -0.6098820E-03 | -0.5333394E-03 | 0.4335178E-01  | 0.6682286E-04  |
| 0.7699126E-04  | 0.7699126E-04  | -0.1914203E-03 | -0.9967889E-04 | -0.1789526E-04 | 0.9391078E-01  | 0.1972566E-01  |
| 0.1763778E-00  | 0.1763778E-00  | -0.5382874E-01 | 0.4039483E-01  | -0.3010537E-15 | 0.1159209E-00  | 0.5023412E-01  |
| 0.6503524E-01  | 0.6503524E-01  | 0.2054872E-00  | 0.1821715E-00  | 0.1417616E-00  | 0.5418380E-01  | 0.1419830E-00  |
| 0.1421212E-00  | 0.1421212E-00  | 0.9848849E-15  | 0.9218376E-02  | 0.6944948E-01  | -0.2066086E-00 | 0.4032458E-01  |
| 0.3360802E-16  | 0.3360802E-16  | 0.1076931E-00  | 0.7465107E-01  | 0.4356869E-01  | 0.1827445E-00  | 0.1827445E-00  |
| 0.1422277E-00  | 0.1422277E-00  | 0.1199153E-00  | 0.1767809F-01  | 0.2054787E-00  | -0.1351714E-15 | 0.9493654E-02  |
| 0.6339035F-01  | 0.6339035F-01  | 0.5030295E-01  | -0.6534159E-01 | 0.7151577E-02  | 0.1074504E-00  | 0.7460616E-01  |
| 0.4371431E-01  | 0.4371431E-01  | 0.1415277E-00  | 0.1467300E-00  | 0.1338075E-00  | 0.1159165E-00  | 0.1159165E-00  |
| 0.113882E-00   | 0.113882E-00   | -0.1094263E-00 | 0.1103206E-16  | -0.1097386E-00 | 0.1491437E-01  | -0.1074504E-00 |
| -0.1122304E-00 | -0.1122304E-00 | -0.7325555E-01 | -0.4476226E-01 | -0.1401115E-01 | -0.1206021E-00 | -0.1074504E-00 |
| -0.8211651E-01 | -0.8211651E-01 | -0.1860346E-01 | 0.1212119E-00  | -0.1253061E-00 | -0.1107594E-00 | -0.1058707E-00 |
| -0.1110893E-00 | -0.1110893E-00 | -0.1195583E-00 | 0.1294245E-01  | -0.1046847E-00 | -0.7488754E-01 | -0.4601012E-01 |
| -0.1482744E-01 | -0.1482744E-01 | -0.1048139E-00 | -0.1133762E-00 | -0.9812069E-01 | -0.128363E-00  | -0.1214329E-00 |
| -0.1255353E-00 | -0.1255353E-00 | -0.1059889E-00 | -0.8214752E-01 | -0.2057793E-16 | -0.1849990E-01 | -0.1306235E-01 |
| 0.2331236E-04  | 0.2331236E-04  | 0.2201994E-04  | 0.2201993E-04  | 0.5176709E-01  | 0.3942104E-03  | -0.6882976E-03 |
| -0.6861241E-03 | -0.6861241E-03 | 0.5373449E-03  | -0.6009183E-03 | 0.3060130E-03  | 0.5540708E-03  | 0.5531225E-03  |
| 0.1154269E-02  | 0.1154269E-02  | -0.1155290E-02 | -0.1968945E-02 | -0.1232019E-02 | 0.1949855E-02  | -0.1255838E-02 |
| -0.2731858E-02 | -0.2731858E-02 | -0.1333929E-06 | 0.3189282E-06  | 0.3061670E-03  | -0.1311370E-01 | -0.1725809E-01 |
| 0.1716544E-01  | 0.1716544E-01  | -0.1222223E-03 | 0.1594767E-03  | -0.8770335E-02 | -0.1639911E-01 | 0.2004215E-01  |
| 0.3418390E-03  | 0.3418390E-03  | 0.1291222E-03  | -0.1310927E-01 | -0.1737161E-01 | 0.1702768E-01  | 0.3365269E-03  |
| 0.1272973E-03  | 0.1272973E-03  | 0.8671588E-02  | -0.1653477E-01 | 0.2019534E-01  | 0.3417209E-03  | -0.4952208E-04 |
| 0.5457953E-02  | 0.5457953E-02  | 0.1234892E-01  | 0.2840213E-02  | -0.2481195E-04 | -0.1143834E-03 | 0.3497161E-03  |
| 0.1722800E-01  | 0.1722800E-01  | 0.2625180E-02  | -0.8739640E-04 | 0.7874442E-04  | 0.3084096E-03  | 0.8207486E-02  |
| 0.2618041E-02  | 0.2618041E-02  | -0.2553840E-04 | -0.1156631E-03 | 0.3498584E-03  | 0.532187E-02   | 0.1201357E-01  |
| 0.1185342E-04  | 0.1185342E-04  | -0.7835585E-04 | -0.3077780E-03 | 0.9710560E-04  | 0.6437613E-04  | 0.3840008E-04  |
| 0.2421354E-04  | 0.2421354E-04  | -0.1075940E-02 | -0.9537092E-03 | -0.8326589E-03 | -0.6907916E-03 | -0.5103603E-03 |

|                |                |                |                 |                 |                |                 |
|----------------|----------------|----------------|-----------------|-----------------|----------------|-----------------|
| 0.4591461E-00  | 0.3985017E-00  | 0.3478169E-00  | 0.2955695E-00   | 0.2511797E-00   | 0.2351850E-00  | 0.2060240E-00   |
| 0.1315595E-00  | 0.1597554E-00  | 0.1488987E-00  | 0.1338234E-00   | 0.1202361E-00   | 0.1047879E-00  | 0.7845344E-01   |
| 0.5508057E-01  | 0.3173844E-01  | 0.1498840E-01  | 0.1743589E-03   | -0.7804717E-02  | -0.1474589E-01 | -0.2088260E-01  |
| -0.2635692E-01 | -0.3156098E-01 | -0.2862473E-01 | -0.2862473E-01  | -0.3646762E-01  | -0.4118074E-01 | -0.4570729E-01  |
| -0.9900107E-02 | 0.9280454E-02  | 0.1170880E-01  | -0.5668938E-01  | -0.1274713E-01  | -0.1369403E-01 | -0.3253069E-02  |
| 0.1693859E-01  | 0.1851066E-01  | 0.1948536E-01  | 0.8572042E-03   | 0.1690978E-01   | 0.1355013E-01  | 0.4972651E-02   |
| 0.3645139E-02  | 0.5704604E-02  | 0.7565240E-02  | 0.6021065E-03   | -0.3218745E-02  | 0.7019938E-03  | 0.3925306E-02   |
| -0.7639264E-02 | -0.1638672E-03 | -0.1638672E-03 | -0.9172828E-04  | 0.4407118E-03   | 0.8854777E-03  | 0.1085725E-02   |
| 0.1870434E-03  | 0.4282601E-03  | 0.3113978E-02  | 0.6002183E-02   | -0.66111961E-03 | 0.5647101E-02  | -0.9097231E-03  |
| 0.8357506E-03  | -0.4899505E-02 | -0.9673798E-03 | 0.7381782E-03   | 0.7380360E-02   | 0.7289028E-02  | 0.5741454E-03   |
| -0.7602015E-03 | -0.4899505E-02 | -0.9673798E-03 | 0.9324118E-03   | 0.9745569E-04   | -0.3413034E-03 | 0.7411951E-04   |
| -0.6711717E-03 | 0.2922388E-03  | 0.2922388E-03  | 0.0.3408060E-02 | -0.1779928E-03  | -0.2995700E-02 | -0.5457679E-02  |
| 0.4081678E-02  | -0.5639217E-02 | -0.5639217E-02 | -0.2370225E-02  | 0.3938786E-03   | 0.3057655E-02  | 0.3036511E-02   |
| -0.6818452E-02 | 0.6236003E-04  | 0.6236003E-04  | 0.2208550E-02   | -0.4309196E-02  | -0.5388996E-02 | -0.5511424E-02  |
| 0.2916432E-02  | -0.5315102E-03 | -0.5315102E-03 | 0.2208550E-02   | -0.4355013E-02  | 0.5215076E-03  | 0.0.            |
| -0.4547692E-02 | 0.5386016E-02  | 0.5386016E-02  | 0.6780816E-02   | 0.6994225E-02   | 0.5925923E-02  | 0.3738585E-02   |
| -0.320382E-03  | -0.3271908E-02 | -0.3271908E-02 | -0.2929364E-03  | 0.6994225E-02   | -0.1943287E-03 | 0.2281935E-02   |
| 0.4202625E-02  | 0.520730E-02   | 0.520730E-02   | 0.4396190E-02   | 0.2700241E-02   | 0.3479358E-03  | -0.2415448E-02  |
| 0.1008470E-00  | 0.8767049E-01  | 0.6530258E-01  | 0.6530258E-01   | 0.5578844E-01   | 0.5217736E-01  | 0.4583838E-01   |
| 0.432184E-01   | 0.3578183E-01  | 0.3012821E-01  | 0.3012821E-01   | 0.2710628E-01   | 0.2363811E-01  | 0.1771540E-01   |
| 0.1268438E-01  | 0.7204666E-02  | 0.9148506E-04  | 0.9148506E-04   | -0.1708207E-02  | -0.3282463E-02 | -0.46659027E-02 |
| -0.5910699E-02 | -0.7090373E-02 | -0.6423738E-02 | -0.6423738E-02  | -0.8203396E-02  | -0.9276866E-02 | -0.1030426E-01  |
| -0.1744006E-06 | 0.0.           | 0.4930729E-03  | -0.1275600E-01  | 0.0.            | 0.0.           | 0.0.            |
| 0.2851965E-02  | 0.2332268E-02  | 0.3407393E-02  | 0.3407393E-02   | 0.3595247E-02   | 0.0.           | 0.3772776E-02   |
| 0.4414353E-02  | 0.4730989E-02  | 0.4730989E-02  | 0.4908805E-02   | 0.4754555E-02   | 0.4209023E-02  | 0.3388431E-02   |
| 0.2335982E-02  | 0.1060166E-02  | -0.1043456E-03 | 0.4598466E-02   | 0.5297722E-14   | 0.4730123E-02  | 0.8271077E-02   |
| 0.117749E-01   | 0.9803749E-02  | 0.7967018E-02  | 0.6215711E-02   | 0.5038647E-02   | 0.2489301E-02  | -0.2395280E-02  |
| 0.116875E-02   | 0.2207068E-01  | 0.4187357E-14  | 0.2286379E-01   | 0.3875406E-01   | 0.4819818E-01  | 0.4910364E-01   |
| 0.428087E-01   | 0.3228656E-01  | 0.2012678E-01  | 0.6965978E-02   | -0.5388399E-02  | -0.1753594E-02 | -0.4791876E-01  |
| 0.6203817E-15  | -0.4870705E-02 | -0.7110207E-02 | -0.8701093E-02  | -0.9646814E-02  | -0.9447351E-02 | -0.7184952E-02  |
| -0.3266345E-02 | -0.7830987E-03 | -0.1900433E-02 | -0.3217914E-02  | -0.2296454E-01  | -0.9151221E-16 | -0.2350283E-01  |
| -0.3809664E-01 | -0.4697360E-01 | -0.4886756E-01 | -0.4403098E-01  | -0.3295852E-01  | 0.1801051E-01  | -0.4842357E-02  |
| 0.1426131E-02  | 0.4059391E-02  | 0.5311268E-02  | 0.6675020E-15   | 0.5498663E-02   | 0.8831686E-02  | 0.1256337E-01   |
| 0.1524496E-01  | 0.1643539E-01  | 0.1667598E-01  | 0.1593870E-01   | 0.1242176E-01   | 0.5282254E-02  | -0.8112240E-02  |
| -0.8336924E-02 | 0.1087118E-15  | -0.8555387E-02 | -0.1192059E-01  | -0.1693385E-01  | -0.2204907E-01 | -0.2542118E-01  |
| -0.2535792E-01 | -0.2140474E-01 | -0.1576275E-01 | -0.1082559E-01  | -0.5810196E-02  | 0.5441050E-02  | 0.1136728E-14   |
| -0.5568286E-02 | -0.7386626E-02 | -0.1057470E-01 | -0.1418581E-01  | -0.1678686E-01  | -0.1688534E-01 | -0.1413439E-01  |
| -0.1059049E-01 | -0.8177659E-02 | -0.5279186E-02 | 0.6732464E-02   | -0.6347447E-16  | 0.6996966E-02  | 0.1146484E-01   |
| 0.1579204E-01  | 0.2098137E-01  | 0.2308420E-01  | 0.2342961E-01   | 0.2195834E-01   | 0.1696666E-01  | 0.7790388E-02   |
| -0.8298694E-04 | -0.8203117E-04 | -0.8116486E-04 | -0.8116487E-04  | 0.1324117E-03   | 0.6925920E-04  | -0.4850911E-02  |
| -0.4832807E-02 | 0.8074390E-03  | 0.8087403E-03  | 0.4719404E-02   | 0.4700320E-02   | -0.7842356E-03 | -0.7753219E-03  |
| -0.2756829E-02 | -0.1892656E-02 | -0.2035330E-02 | -0.1422955E-02  | 0.2704886E-02   | 0.1813221E-02  | 0.2023477E-02   |
| 0.1444960E-02  | 0.1265032E-04  | -0.9049640E-05 | 0.3866627E-04   | 0.3124308E-06   | -0.4423721E-02 | 0.1580817E-02   |
| -0.4742877E-03 | -0.5087555E-04 | -0.6599268E-04 | 0.4159232E-04   | 0.3314764E-03   | 0.8259040E-03  | -0.3720818E-02  |
| -0.5703272E-04 | -0.4956151E-04 | 0.2841500E-05  | 0.5593956E-02   | -0.2165668E-02  | -0.9390976E-03 | -0.5978607E-04  |
| -0.392583E-04  | -0.7496619E-04 | -0.921272E-03  | -0.1371666E-02  | -0.232914E-02   | -0.5455942E-04 | -0.5912583E-04  |
| -0.328632E-04  | 0.2086880E-02  | 0.2953827E-03  | -0.1905964E-02  | -0.2977926E-05  | 0.3621595E-04  | 0.4505510E-04   |
| 0.2425535E-02  | -0.2543919E-02 | -0.1713744E-03 | 0.4414527E-04   | -0.9111030E-05  | 0.3298119E-04  | -0.2093169E-02  |
| -0.1197464E-02 | 0.1696137E-02  | 0.1269105E-05  | -0.3574205E-04  | 0.1105619E-04   | -0.2232306E-02 | 0.1741037E-02   |
| -0.2496981E-04 | -0.4424727E-04 | 0.8876213E-05  | 0.2630829E-04   | 0.1144731E-00   | 0.9659154E-01  | 0.8186160E-01   |
| 0.6585152E-01  | 0.4874889E-01  | -0.8907394E-04 | -0.5030511E-04  | -0.27489385E-04 | -0.9532597E-05 | 0.2435536E-05   |
| -0.8312139E-04 |                |                |                 |                 |                |                 |

|                |                |                |                |                |                |                |
|----------------|----------------|----------------|----------------|----------------|----------------|----------------|
| 0.8130362F-02  | 0.7046017E-02  | 0.6146554E-02  | 0.5206785E-02  | 0.4426809E-02  | 0.4130161E-02  | 0.3609944E-02  |
| 0.3177056E-02  | 0.2779665F-02  | 0.2585708E-02  | 0.2306226E-02  | 0.2060830E-02  | 0.1778064E-02  | 0.1299073E-02  |
| 0.8422081F-03  | 0.4400405E-03  | 0.1300617E-03  | -0.1456138E-03 | -0.2946012E-03 | -0.4282032E-03 | -0.5445290E-03 |
| -0.6496305E-03 | -0.7450157E-03 | 0.0            | -0.6886535E-03 | -0.8446349E-03 | -0.9351983E-03 | -0.1021772E-02 |
| 0.0            | 0.0            | 0.5314832E-04  | -0.1252959E-02 | 0.0            | 0.0            | 0.0            |
| 0.0            | 0.1691391F-03  | 0.2275460E-03  | 0.1793304E-03  | 0.1854527E-03  | 0.0            | 0.1921680E-03  |
| 0.0            | 0.2218891E-03  | 0.2391914E-03  | 0.2499614E-03  | 0.2398958E-03  | 0.1994792E-03  | 0.1297671E-03  |
| 0.2752736E-04  | -0.1458083E-03 | 0.8953900E-04  | 0.1898713E-03  | 0.0            | 0.1810712E-03  | 0.2415052E-03  |
| 0.2510100E-03  | 0.1813631F-03  | 0.7617452E-04  | -0.6817047E-04 | -0.2359673E-03 | -0.4088659E-03 | -0.5841561E-03 |
| -0.3668247E-03 | -0.4166859E-03 | 0.0            | -0.4075739E-03 | -0.4269826E-03 | -0.3798706E-03 | -0.2612206E-03 |
| -0.9932280E-04 | 0.9019163E-04  | 0.2968251E-03  | 0.5019293E-03  | 0.7015134E-03  | 0.1119171E-03  | 0.2987881E-03  |
| 0.0            | 0.2893816E-03  | 0.4224867E-03  | 0.4709198E-03  | 0.4347943E-03  | 0.3213704E-03  | 0.1451513E-03  |
| -0.6002938E-04 | -0.3103943F-03 | -0.5645226E-03 | -0.2313085E-03 | -0.4456085E-04 | 0.0            | 0.4851338E-04  |
| -0.2640780E-03 | -0.4046275E-03 | -0.4374130E-03 | -0.3693378E-03 | -0.2254689E-03 | -0.1648308E-04 | 0.2537287E-03  |
| 0.5739966F-03  | 0.2012900E-03  | 0.3137516E-04  | 0.0            | 0.2230771E-04  | -0.1212458E-03 | -0.2286898E-03 |
| -0.2984079F-03 | -0.3085593E-03 | -0.2691067E-03 | -0.1913430E-03 | -0.8040969E-04 | -0.5059736E-04 | -0.1830783E-03 |
| -0.5641052E-04 | 0.0            | -0.4387889E-04 | 0.5688195E-04  | 0.1695879E-03  | 0.2113387E-03  | 0.2247471E-03  |
| 0.1829086E-03  | 0.9576471E-04  | -0.2812125E-04 | -0.1799777E-03 | -0.1544602E-03 | -0.1523913E-03 | 0.0            |
| -0.1577571E-03 | -0.1368649F-03 | -0.1090727E-03 | -0.5783455E-04 | 0.9294657E-05  | 0.7544241E-04  | 0.1362562E-03  |
| 0.1381036F-03  | 0.2350480E-03  | 0.2162779E-03  | 0.2069080E-03  | 0.0            | -0.1996138E-03 | 0.1670360E-03  |
| 0.1387178E-03  | 0.8426643E-04  | 0.1426646E-04  | -0.6778602E-04 | -0.1655647E-03 | -0.2634293E-03 | -0.3655176E-03 |
| 0.1363541E-03  | 0.1287763E-03  | 0.1630852E-03  | 0.1822819E-03  | 0.1958835E-03  | 0.2126608E-03  | 0.2137491E-03  |
| 0.2216648E-03  | 0.2324046E-03  | 0.2360137E-03  | 0.2190586E-03  | 0.2262309E-03  | 0.2143603E-03  | 0.2017537E-03  |
| 0.1571360E-03  | 0.1546665E-03  | 0.1400417E-03  | 0.1257558E-03  | 0.1067401E-03  | 0.1247920E-03  | 0.1024424E-03  |
| 0.8831066E-04  | 0.7906461F-04  | 0.0            | 0.7838261E-04  | 0.7281638E-04  | 0.7142043E-04  | 0.5161868E-04  |
| -0.1878541E-02 | 0.0            | -0.4796281E-05 | 0.1421771E-03  | 0.0            | 0.0            | 0.0            |
| 0.0            | 0.6469602E-03  | -0.2974602E-03 | 0.1108742E-02  | 0.1094743E-02  | -0.0           | 0.1085440E-02  |
| 0.1375326E-02  | 0.1051731E-02  | 0.1005161E-02  | 0.9043294E-03  | 0.7271100E-03  | -0.5166780E-03 | 0.3223502E-03  |
| 0.1828487E-03  | 0.1857830E-03  | -0.1359639E-03 | -0.1507313E-03 | 0.1413276E-15  | -0.1505576E-00 | -0.1514499E-00 |
| -0.1344295E-00 | -0.9968253F-01 | -0.5218224E-01 | 0.7994178E-03  | 0.5101694E-01  | 0.8946821E-01  | 0.1102982E-00  |
| -0.1461581E-00 | -0.1461581E-00 | 0.8408147E-15  | -0.1458904E-00 | -0.1444615E-00 | -0.1256555E-00 | -0.9005425E-01 |
| -0.4778290E-01 | 0.8933272E-02  | 0.5706194E-01  | 0.9299678E-01  | 0.115021E-00   | -0.1354890E-00 | -0.1502668E-00 |
| 0.1351414E-16  | -0.1501007F-00 | -0.1510355E-00 | -0.1341271E-00 | -0.9953777E-01 | -0.5223263E-01 | 0.5829390E-03  |
| 0.5069230E-01  | 0.8912531F-01  | 0.1100469E-00  | -0.1345243E-00 | -0.1469427E-00 | 0.1380152E-15  | -0.1466822E-00 |
| -0.1455121E-00 | -0.1268093E-00 | -0.9113668E-01 | -0.4365912E-01 | 0.8343533E-02  | 0.5677712E-01  | 0.9293914E-01  |
| 0.1115288F-00  | -0.1236291F-00 | -0.1147057E-00 | -0.3235984E-16 | -0.1135501E-00 | -0.9209352E-01 | -0.5878046E-01 |
| -0.1785781F-01 | 0.2505996E-01  | 0.6411669E-01  | 0.9396945E-01  | 0.1103936E-00  | 0.1134142E-00  | -0.1227544E-00 |
| -0.1116062E-00 | -0.1317978E-16 | -0.1102865E-00 | -0.8538413E-01 | -0.4828473E-01 | -0.4433381E-02 | 0.3979873E-01  |
| 0.7819688E-01  | 0.1055209E-00  | 0.1180202E-00  | 0.1166248E-00  | -0.1230556E-00 | -0.1137855E-00 | 0.2285758E-16  |
| -0.1126166E-00 | -0.9068738E-01 | -0.5693390E-01 | -0.1579551E-01 | 0.2707094E-01  | 0.6579688E-01  | 0.9513883E-01  |
| 0.1109909E-00  | 0.1135434F-00  | -0.1223540E-00 | -0.1108021E-00 | 0.1875815E-16  | -0.1094598E-00 | -0.8399313E-01 |
| -0.4534975E-01 | -0.2154138F-02 | 0.4214011F-01  | 0.8029690E-01  | 0.1071219E-00  | 0.1189629E-00  | 0.1168925E-00  |
| 0.3124031E-04  | 0.3145288E-04  | 0.3164305E-04  | 0.3164305E-04  | -0.1091043E-03 | -0.1496128E-03 | 0.1086482E-02  |
| 0.1781633E-02  | -0.8808696F-03 | -0.8781146E-03 | 0.1293634E-02  | -0.1286884E-02 | -0.1277720E-02 | -0.1271893E-02 |
| -0.3195932E-03 | -0.4683501E-03 | 0.2582223E-03  | 0.4388304E-03  | -0.7757306E-04 | -0.2021751E-03 | 0.2876885E-03  |
| 0.4351080E-03  | -0.3446440F-04 | 0.1003834E-05  | 0.1539393E-05  | 0.1249067E-02  | 0.1805403E-02  | -0.8442537E-01 |
| 0.9753635E-01  | 0.1259379E-02  | 0.1799377E-03  | 0.3695649E-04  | -0.5304117E-03 | -0.8478223E-01 | 0.9845938E-01  |
| 0.1261663E-02  | 0.1596707F-04  | 0.7127769E-03  | -0.105701E-02  | -0.8396562E-01 | 0.9917212E-01  | 0.1259519E-02  |
| 0.1775528E-03  | 0.3166500E-04  | -0.9345604E-04 | -0.850986E-01  | 0.9803483E-01  | 0.1261811E-02  | 0.1566777E-03  |
| 0.7566880E-04  | 0.1340283E-02  | 0.5430282E-01  | -0.1168940E-02 | -0.3068261E-04 | 0.6707572E-04  | 0.1441301E-02  |
| 0.1538237E-02  | 0.5463707F-01  | -0.1051366E-02 | 0.1162682E-04  | 0.4484402E-04  | 0.1464333E-02  | 0.1688704E-02  |
| 0.5395228E-01  | -0.1084493E-02 | -0.2645180E-04 | 0.6407607E-04  | 0.1440087E-02  | 0.9988839E-03  | 0.5421521E-01  |
| -0.1050392E-02 | 0.9834464E-05  | 0.46649508E-04 | 0.1464035E-04  | 0.1907441E-02  | 0.1592606E-02  | 0.1333656E-02  |
| 0.1068800E-02  | 0.7500960F-03  | -0.1959799E-03 | -0.1393391E-03 | -0.9069328E-04 | -0.3934573E-04 | 0.2241467E-04  |
| 0.3089018E-04  | 0.0            | 0.0            | 0.0            | 0.0            | 0.0            | 0.0            |

|                |                |                |                |                |                |                |
|----------------|----------------|----------------|----------------|----------------|----------------|----------------|
| 0.2498333E-01  | 0.2039507E-01  | 0.1662062E-01  | 0.1282580E-01  | 0.7772223E-02  | 0.8664898E-02  | 0.6676372E-02  |
| 0.5132472E-02  | 0.3866738E-02  | 0.3272233E-02  | 0.2723034E-02  | 0.2281259E-02  | 0.1856042E-02  | 0.1171290E-02  |
| 0.6508792E-03  | 0.1447788E-03  | -0.1692653E-03 | -0.4062720E-03 | -0.4553305E-03 | -0.4324622E-03 | -0.3596906E-03 |
| -0.2444446E-03 | -0.7969470E-04 | 0.             | -0.1606355E-03 | 0.7404282E-04  | 0.2344041E-03  | 0.4060577E-03  |
| 0.             | 0.             | -0.3049572E-04 | 0.2621104E-03  | 0.             | 0.             | 0.             |
| 0.             | 0.1772785E-02  | 0.2409337E-02  | 0.8173004E-03  | 0.2629465E-03  | 0.             | -0.2106893E-03 |
| -0.7818117E-03 | -0.1662385E-02 | -0.2294167E-02 | -0.2660525E-02 | -0.2482623E-02 | 0.             | -0.4906920E-03 |
| 0.1241665E-02  | 0.3075008E-02  | 0.1633704E-02  | 0.5966957E-02  | 0.             | 0.6075340E-02  | 0.8963064E-02  |
| 0.1005121E-01  | 0.8913426E-02  | 0.5917488E-02  | 0.1420451E-02  | -0.3968324E-02 | -0.9764561E-02 | -0.1564368E-01 |
| -0.2725067E-02 | -0.6297673E-02 | 0.             | -0.6380659E-02 | -0.8633464E-02 | -0.9207665E-02 | -0.7827629E-02 |
| -0.4648844E-02 | -0.1883014E-03 | 0.51111408E-02 | 0.1081604E-01  | 0.1661634E-01  | -0.2720535E-03 | 0.5112484E-02  |
| 0.             | 0.5260157E-02  | 0.9058614E-02  | 0.1088024E-01  | 0.1014480E-01  | 0.7048789E-02  | 0.2060768E-02  |
| -0.4188335E-02 | -0.1110501E-01 | -0.1824233E-01 | 0.1417947E-02  | -0.4574590E-02 | 0.             | -0.4731511E-02 |
| -0.8983515E-02 | -0.1111332E-01 | -0.1063037E-01 | -0.7647109E-02 | -0.2747621E-02 | 0.3525262E-02  | 0.1060150E-01  |
| 0.1301174E-01  | 0.3293587E-02  | 0.1487349E-02  | -0.1996977E-02 | 0.1426064E-02  | -0.1490296E-03 | -0.1444156E-02 |
| -0.2251569E-02 | -0.2382071E-02 | -0.1996977E-02 | -0.1186566E-02 | -0.1463799E-03 | 0.9683280E-03  | -0.7927629E-03 |
| -0.138183E-03  | 0.             | -0.9305653E-04 | 0.3955826E-03  | 0.6726984E-03  | 0.7236624E-03  | 0.7409451E-03  |
| 0.6788871E-03  | 0.6763212E-03  | 0.6089091E-03  | 0.4358350E-03  | -0.3257360E-02 | -0.1715657E-02 | 0.             |
| -0.1550960E-02 | -0.2108614E-03 | 0.1122772E-02  | 0.2087767E-02  | 0.2581638E-02  | 0.2482937E-02  | 0.1766159E-02  |
| 0.4554323E-03  | -0.1265728E-02 | 0.6899176E-03  | 0.3979743E-03  | 0.             | 0.3876365E-03  | 0.6320219E-04  |
| -0.3250082E-03 | -0.7245097E-03 | -0.9897700E-03 | -0.1105315E-02 | -0.1022781E-02 | -0.8308275E-03 | -0.6333151E-03 |
| -0.1308369E-01 | -0.1508256E-01 | -0.1261844E-01 | -0.1010828E-01 | -0.8069016E-02 | -0.7327855E-02 | -0.5991964E-02 |
| -0.4336888E-02 | -0.4051209E-02 | -0.3628221E-02 | -0.3135212E-02 | -0.2720646E-02 | -0.2257027E-02 | -0.1488174E-02 |
| -0.8375146E-03 | -0.1703037E-03 | 0.7594472E-03  | 0.6653383E-03  | 0.8634480E-03  | 0.9953834E-03  | 0.1126397E-02  |
| 0.1227311E-02  | 0.1316763E-02  | 0.             | 0.1273137E-02  | 0.1391752E-02  | 0.1456809E-02  | 0.1529007E-02  |
| 0.3332315E-05  | 0.             | -0.7493381E-04 | 0.1823734E-02  | 0.             | 0.             | 0.             |
| 0.             | 0.1349522E-02  | -0.2046724E-02 | 0.2908049E-02  | -0.2755688E-02 | -0.            | -0.2626957E-02 |
| 0.2468993E-02  | 0.2191218E-02  | 0.1895414E-02  | 0.1492886E-02  | 0.9752601E-03  | 0.4702400E-03  | 0.6267023E-04  |
| -0.1708535E-03 | -0.7664167E-06 | -0.1467368E-02 | 0.6550397E-02  | 0.1539438E-13  | 0.6764330E-02  | 0.1252773E-01  |
| 0.1477298E-01  | 0.1225389E-01  | 0.7260951E-02  | 0.3969026E-02  | 0.3050605E-02  | -0.1958883E-02 | -0.1425835E-01 |
| -0.1244930E-01 | 0.4452369E-02  | 0.1231174E-13  | 0.4624774E-02  | 0.9121751E-02  | 0.1114779E-01  | 0.9234787E-02  |
| -0.2237607E-00 | 0.2745586E-02  | 0.2733128E-02  | -0.1678498E-02 | -0.1428061E-01 | 0.1798401E-02  | 0.9117046E-02  |
| 0.5110700E-02  | 0.4425586E-02  | 0.1435581E-01  | 0.1587789E-02  | 0.1272358E-01  | 0.7275989E-02  | 0.3760391E-02  |
| 0.1796305E-14  | 0.9303973E-02  | 0.9303973E-02  | 0.4135810E-03  | 0.5015612E-02  | -0.2737351E-15 | 0.5163706E-02  |
| 0.2942836E-02  | -0.1535703E-02 | -0.1280752E-01 | -0.4135810E-03 | 0.1253175E-02  | 0.1831943E-02  | -0.1358956E-02 |
| 0.9190555E-02  | 0.1058158E-01  | 0.8019425E-02  | 0.3566804E-02  | -0.5717930E-01 | -0.1137116E-00 | -0.1755235E-00 |
| -0.1214930E-01 | -0.1904468E-01 | -0.5420724E-01 | 0.1917041E-14  | 0.1241571E-00  | -0.6120278E-01 | 0.1107829E-01  |
| -0.2237607E-00 | -0.2451193E-00 | -0.2322333E-00 | -0.1871478E-00 | 0.1675740E-00  | 0.2084095E-00  | 0.2219158E-00  |
| 0.4890919E-01  | 0.4265053E-15  | 0.5185385E-01  | 0.1089585E-00  | -0.1711424E-01 | -0.5189397E-01 | 0.3236528E-14  |
| 0.2073255E-00  | 0.1679447E-00  | 0.1067484E-00  | 0.3303947E-01  | -0.2384491E-00 | -0.2259551E-00 | -0.1822049E-00 |
| -0.5478893E-01 | -0.1101764E-00 | -0.1705578E-00 | -0.2175755E-00 | 0.2373505E-03  | 0.5389315E-01  | 0.1121165E-00  |
| -0.1212657E-01 | -0.6065177E-01 | 0.1201131E-01  | 0.5089225E-01  | -0.2174495E-15 | 0.1099550E-00  | 0.3664250E-01  |
| 0.1716498E-00  | 0.2129015E-00  | 0.2263777E-00  | 0.2113549E-00  | 0.1714259E-00  | 0.1099550E-00  | 0.3664250E-01  |
| -0.5172542E-04 | -0.4926603E-04 | -0.4705728E-04 | -0.4705726E-04 | 0.2470004E-03  | 0.1495670E-03  | 0.3518587E-01  |
| 0.3501476E-01  | -0.3406849E-01 | 0.3389258E-01  | 0.3252729E-01  | 0.3235050E-01  | -0.3403231E-01 | -0.3382319E-01 |
| 0.6792533E-03  | 0.8354547E-03  | 0.6179239E-03  | 0.8300645E-03  | -0.9583806E-03 | -0.1333335E-02 | -0.4256426E-03 |
| -0.5372162E-03 | 0.8799176E-05  | 0.3807072E-05  | -0.1535097E-04 | -0.8444636E-04 | 0.3286077E-01  | 0.1820299E-01  |
| 0.7169576E-03  | -0.3146676E-03 | -0.4305759E-04 | -0.6378611E-03 | -0.2956865E-01 | -0.5156397E-02 | -0.2044879E-01 |
| -0.2080185E-03 | -0.2668586E-03 | 0.4778763E-03  | 0.3070469E-01  | 0.1018772E-01  | 0.8907952E-03  | -0.3166526E-03 |
| -0.5020839E-03 | -0.6099756E-03 | -0.2842479E-01 | -0.5235960E-02 | -0.1217495E-01 | -0.2060515E-03 | -0.2249061E-03 |
| 0.4926185E-03  | 0.1711025E-01  | -0.8538390E-02 | 0.4619079E-04  | -0.4411513E-03 | 0.1831424E-03  | -0.2633909E-03 |
| -0.1258295E-01 | -0.5812184E-02 | 0.3305659E-03  | 0.4172882E-03  | -0.2160638E-03 | 0.2215364E-03  | 0.9241776E-02  |
| -0.8745140E-02 | -0.1360975E-02 | -0.4366519E-03 | 0.2210336E-03  | -0.2737350E-03 | -0.1294629E-01 | 0.2053148E-02  |
| 0.1584497E-03  | 0.4495336E-03  | -0.2122595E-03 | 0.2551179E-03  | 0.1441329E-02  | 0.1136578E-02  | 0.8748876E-03  |
| 0.5989007E-03  | 0.3171762E-03  | -0.2849325E-02 | -0.2245941E-02 | -0.1754045E-02 | -0.1261741E-02 | -0.6932912E-03 |
| -0.5207468E-04 |                |                |                |                |                |                |

SA-8 RUN #3 MODE 17 XN = 6317079

|                |                 |                |                |                |                |                |
|----------------|-----------------|----------------|----------------|----------------|----------------|----------------|
| 0.1005291E-00  | 0.7573286E-01   | 0.555817E-01   | 0.3555817E-01  | 0.1990939E-01  | 0.1441082E-01  | 0.4419882E-02  |
| -0.2380530E-02 | -0.8411618E-02  | -0.1084897E-01 | -0.1211074E-01 | -0.1281107E-01 | -0.1298778E-01 | -0.1299379E-01 |
| -0.1258774E-01 | -0.1169067E-01  | -0.1086513E-01 | -0.9837068E-02 | -0.8860504E-02 | -0.7672806E-02 | -0.6311184E-02 |
| -0.4338263E-02 | -0.31583348E-02 | -0.            | -0.4068139E-02 | -0.1587184E-02 | -0.3495675E-04 | -0.1681620E-02 |
| -0.            | -0.             | -0.3072577E-03 | 0.5734864E-02  | -0.            | -0.            | -0.            |
| -0.            | 0.1330341E-01   | 0.1411805E-01  | 0.1084357E-01  | 0.9210025E-02  | -0.            | 0.7603419E-02  |
| 0.5339411E-02  | 0.8992009E-03   | -0.3511288E-02 | -0.7910440E-02 | -0.1051599E-01 | -0.9452773E-02 | -0.4837368E-02 |
| 0.3577870E-02  | 0.1870880E-01   | -0.4451641E-03 | -0.1949335E-03 | -0.            | -0.1708274E-03 | -0.6650085E-04 |
| 0.1486502E-04  | -0.313257E-03   | -0.2274467E-01 | 0.1069584E-02  | 0.2343495E-02  | 0.4105341E-02  | 0.5994218E-02  |
| -0.3511515E-01 | -0.2274467E-01  | -0.            | -0.1229263E-01 | -0.1037142E-01 | 0.1139964E-02  | 0.9529300E-02  |
| 0.1582594E-01  | 0.1734312E-01   | 0.1500540E-01  | 0.9375503E-02  | 0.1740722E-02  | 0.131771E-03   | 0.1229561E-03  |
| -0.            | 0.1474033E-03   | 0.2058375E-03  | 0.8654945E-04  | -0.4942118E-03 | -0.1833051E-02 | -0.3341452E-01 |
| -0.4752832E-02 | -0.5713224E-02  | -0.6327833E-02 | 0.3441735E-01  | 0.2169337E-01  | -0.            | 0.2131901E-01  |
| 0.9442668E-02  | 0.1851683E-02   | -0.1010538E-01 | -0.1577638E-01 | -0.1710198E-01 | -0.1435583E-01 | -0.7770280E-02 |
| 0.1437873E-02  | 0.2279212E-01   | 0.1255656E-01  | 0.             | 0.1219319E-01  | 0.2967476E-02  | -0.4998039E-02 |
| -0.1002994E-01 | -0.1171125E-01  | -0.9957762E-02 | -0.5500871E-02 | 0.4970062E-03  | 0.7054354E-02  | -0.2472069E-01 |
| -0.1240167E-01 | 0.              | -0.1191147E-01 | -0.1161940E-02 | 0.7634106E-02  | 0.1255724E-01  | 0.1560864E-01  |
| 0.1480812E-01  | 0.1136478E-01   | -0.5418528E-02 | -0.2441804E-02 | -0.2611340E-01 | -0.1734070E-01 | 0.             |
| -0.1697698E-01 | -0.8022170E-02  | 0.1087260E-02  | 0.8384461E-02  | 0.1355511E-01  | 0.1463309E-01  | 0.1151668E-01  |
| 0.4370731E-02  | -0.5541242E-02  | 0.2590169E-01  | -0.1641139E-01 | 0.             | 0.1599712E-01  | 0.6424049E-02  |
| -0.3308985E-02 | -0.1089326E-01  | -0.1647915E-01 | -0.1781176E-01 | -0.            | -0.9075821E-02 | -0.1379853E-02 |
| 0.1761072E-00  | 0.1461428E-00   | 0.1214883E-00  | 0.9637670E-01  | 0.1506267E-01  | 0.6890100E-01  | 0.5549756E-01  |
| 0.4490182E-01  | 0.3605034E-01   | 0.3174114E-01  | 0.2730876E-01  | 0.2374246E-01  | 0.1982777E-01  | 0.1355686E-01  |
| 0.8549167E-02  | 0.3626098E-02   | -0.6905523E-02 | -0.2498599E-02 | -0.3172445E-02 | -0.3312835E-02 | -0.2943556E-02 |
| -0.2134216E-02 | -0.4326020E-03  | 0.             | -0.9490817E-03 | 0.5545511E-03  | 0.1772344E-02  | 0.3096419E-02  |
| 0.5642333E-05  | 0.              | -0.3534469E-03 | 0.8906574E-02  | 0.             | 0.             | 0.             |
| -0.            | -0.7445735E-01  | -0.4719965E-01 | -0.1109812E-00 | -0.1306753E-00 | 0.             | -0.1478521E-00 |
| -0.1586739E-00 | -0.1996823E-00  | -0.2183304E-00 | -0.2208222E-00 | -0.1955342E-00 | -0.1475529E-00 | -0.9242266E-01 |
| -0.4104974E-01 | -0.1913253E-01  | -0.2954888E-01 | 0.2259876E-01  | -0.7903203E-13 | 0.2401380E-01  | 0.6159534E-01  |
| 0.7745228E-01  | 0.6414820E-01   | 0.3704052E-01  | 0.1844058E-01  | 0.1509643E-01  | -0.2607271E-02 | -0.4735802E-01 |
| -0.2172713E-01 | -0.2896862E-01  | 0.6245019E-13  | -0.2887178E-01 | -0.2941585E-01 | -0.2699652E-01 | -0.2705162E-01 |
| -0.2460155E-01 | -0.5015417E-02  | 0.2681323E-01  | 0.2756489E-01  | -0.2870148E-01 | 0.7347582E-02  | -0.2327887E-01 |
| 0.9179300E-14  | 0.2408792E-01   | -0.4574796E-01 | 0.6083361E-01  | -0.6950814E-01 | -0.6577274E-01 | -0.3604614E-01 |
| 0.130248E-01   | 0.2522000E-01   | -0.2112495E-01 | -0.7571689E-02 | 0.1453921E-01  | -0.1352765E-14 | 0.1513824E-01  |
| 0.3115827E-01  | 0.3512464E-01   | 0.2097415E-01  | 0.7111877E-03  | -0.4928161E-02 | 0.7919816E-02  | 0.4831800E-02  |
| -0.3348173E-01 | -0.2011556E-01  | 0.2614062E-01  | 0.9926454E-14  | 0.2993874E-01  | 0.1073891E-00  | 0.1776774E-00  |
| 0.2136840E-00  | 0.2137571E-00   | 0.1903091E-00  | 0.1540133E-00  | 0.9181742E-01  | 0.4376733E-02  | -0.3813295E-01 |
| -0.9173513E-02 | -0.1777589E-14  | -0.7004711E-02 | 0.3540985E-01  | 0.7478012E-01  | 0.9506677E-01  | 0.9657196E-01  |
| 0.9158573E-01  | 0.8502352E-01   | 0.5407005E-01  | -0.1317161E-01 | 0.1162556E-02  | -0.3321450E-01 | 0.1690769E-13  |
| -0.3626181E-01 | -0.9389504E-01  | -0.1602544E-00 | -0.2146385E-00 | -0.2382996E-00 | -0.2121527E-00 | -0.1432111E-00 |
| -0.7743444E-01 | -0.5598353E-01  | 0.7647013E-02  | 0.2590665E-02  | -0.8286245E-15 | -0.385851E-02  | -0.2569421E-01 |
| -0.5512435E-01 | -0.8802607E-01  | -0.1084212E-00 | -0.9903816E-01 | -0.6004047E-01 | -0.2734130E-01 | -0.3146374E-01 |
| -0.1236631E-02 | -0.1203520E-02  | -0.1172852E-02 | -0.1172852E-02 | 0.1758684E-02  | 0.9010877E-03  | 0.2891696E-02  |
| 0.2947031E-02  | -0.2991193E-01  | -0.2961690E-01 | -0.1572740E-02 | -0.1504705E-02 | 0.2711891E-01  | 0.2695422E-01  |
| 0.115132E-01   | 0.1348580E-01   | -0.1307093E-02 | -0.2248182E-02 | -0.1113505E-01 | -0.1502819E-01 | 0.1532938E-02  |
| 0.3108084E-02  | 0.1726429E-03   | -0.9690070E-04 | -0.1353027E-03 | 0.7850705E-05  | 0.2789955E-01  | 0.2412962E-01  |
| -0.1553210E-01 | -0.8706120E-03  | -0.8547241E-03 | -0.6455290E-03 | -0.1991083E-01 | -0.1169683E-01 | -0.3345012E-01 |
| -0.9061385E-03 | -0.9007571E-03  | 0.1896942E-03  | 0.6877540E-02  | -0.3901031E-01 | 0.1053733E-01  | -0.9460887E-03 |
| -0.4444089E-03 | -0.1025326E-03  | 0.3569259E-01  | -0.4492166E-02 | 0.3910374E-01  | -0.9153087E-03 | -0.4876397E-03 |
| -0.8575401E-03 | 0.2019236E-01   | -0.1717387E-01 | 0.3606321E-03  | 0.6808361E-03  | -0.1962465E-03 | 0.4573464E-03  |
| -0.2637877E-01 | -0.3317607E-01  | 0.6452219E-02  | -0.5105003E-04 | -0.2733913E-04 | 0.4480093E-03  | -0.1936271E-01 |
| -0.8550399E-03 | -0.3659454E-02  | -0.7696219E-03 | 0.2279722E-03  | 0.4117575E-03  | 0.2851081E-01  | 0.1991318E-01  |
| -0.9554686E-02 | 0.9794593E-04   | -0.3643029E-06 | -0.7870044E-02 | -0.7870044E-02 | -0.8824156E-02 | -0.9573195E-02 |
| -0.1013391E-01 | -0.1051118E-01  | -0.2387197E-01 | 0.2204657E-01  | 0.1899839E-01  | 0.1485138E-01  | -0.9394019E-02 |
| -0.1261765E-02 |                 |                |                |                |                |                |



|                |                |                |                |                |                             |
|----------------|----------------|----------------|----------------|----------------|-----------------------------|
| 0.2735709E-01  | 0.2350754E-01  | 0.2031945E-01  | 0.1429112E-01  | 0.1326245E-01  | 0.1145316E-01               |
| 0.9760923E-02  | 0.8635888E-02  | 0.7990949E-02  | 0.7115345E-02  | 0.5470996E-02  | 0.3991833E-02               |
| 0.2723890E-02  | 0.1362323E-02  | 0.4160825E-03  | -0.4219228E-03 | -0.1291460E-02 | -0.1656123E-02              |
| -0.1988963E-02 | -0.2306034E-02 | 0.             | -0.2126022E-02 | -0.2908517E-02 | -0.3190193E-02              |
| 0.             | 0.             | 0.2012213E-03  | -0.3886453E-02 | 0.             | 0.                          |
| 0.             | -0.1143155E-03 | -0.2895445E-03 | 0.1493496E-03  | 0.             | 0.4181098E-03               |
| 0.5582642E-03  | 0.7491773E-03  | 0.8451510E-03  | 0.8277025E-03  | 0.3027189E-03  | -0.1017505E-03              |
| -0.5347720E-03 | -0.1143987E-02 | 0.2004056E-03  | 0.2351191E-02  | 0.2404651E-02  | 0.4183417E-02               |
| 0.5563261E-02  | 0.6395439E-02  | 0.6418372E-02  | 0.5788960E-02  | 0.2584905E-02  | 0.4517981E-03               |
| -0.1654256E-02 | -0.1654256E-02 | 0.             | -0.1612751E-02 | -0.3041716E-02 | 0.5575003E-03               |
| 0.1131868E-02  | 0.1393396E-02  | 0.1519998E-03  | -0.2869114E-03 | 0.1070230E-02  | 0.6110376E-03               |
| 0.             | 0.5731205E-03  | 0.1058796E-02  | -0.2415379E-03 | -0.5021601E-03 | -0.3442665E-03              |
| -0.3534461E-04 | 0.4250519E-03  | 0.1058796E-02  | 0.1801361E-02  | 0.             | 0.1945735E-02               |
| -0.1599622E-02 | 0.1035789E-02  | -0.2335872E-03 | -0.7149699E-03 | -0.1548157E-02 | -0.1317299E-02              |
| -0.7632368E-03 | -0.4124471E-03 | -0.1045568E-02 | 0.             | -0.1517065E-02 | -0.1790171E-02              |
| -0.1786751E-02 | -0.1764528E-02 | -0.1504058E-02 | -0.1121088E-02 | -0.1140447E-03 | -0.1749198E-02              |
| -0.5782184E-03 | 0.             | -0.4644549E-03 | 0.7379502E-03  | 0.2910936E-02  | 0.33544454E-02              |
| 0.3252566E-02  | 0.2773079E-02  | 0.1851587E-02  | 0.7579197E-03  | 0.9810507E-03  | 0.                          |
| 0.9779531E-03  | 0.1164931E-02  | 0.1280910E-02  | 0.1435175E-02  | 0.1433365E-02  | 0.1367756E-02               |
| 0.1221495E-02  | 0.9758919E-03  | 0.9010582E-03  | -0.8493110E-03 | -0.9262551E-03 | -0.2585737E-02              |
| -0.4125171E-02 | -0.5197491E-02 | -0.5806311E-02 | -0.5479413E-02 | -0.1927389E-02 | 0.1039620E-02               |
| 0.1217091E-01  | 0.1012253E-01  | 0.8456755E-02  | 0.6748811E-02  | 0.4866166E-02  | 0.3950793E-02               |
| 0.3236763E-02  | 0.2641875E-02  | 0.2357439E-02  | 0.2014926E-02  | 0.1433931E-02  | 0.9209806E-03               |
| 0.4547450E-03  | 0.2428411E-04  | -0.6077454E-03 | -0.5553134E-03 | -0.7568990E-03 | -0.8559356E-03              |
| -0.9267811E-03 | -0.9654781E-03 | 0.             | -0.9437129E-03 | -0.1042988E-02 | -0.1099607E-02              |
| -0.1050898E-01 | 0.             | 0.1157670E-03  | -0.1110316E-02 | 0.             | 0.                          |
| 0.             | 0.1347587E-02  | -0.2098306E-02 | 0.2168428E-02  | 0.             | 0.1779764E-02               |
| 0.1283612E-02  | 0.4189901E-03  | -0.3583574E-03 | -0.1643683E-02 | -0.1802230E-02 | -0.1674060E-02              |
| -0.1274699E-02 | -0.8421074E-02 | -0.6839373E-01 | -0.5148464E-13 | 0.3489671E-01  | 0.1029694E-00               |
| 0.1299572E-00  | 0.1089931E-00  | 0.4848063E-01  | -0.1067196E-01 | -0.1318969E-00 | -0.9785862E-01              |
| -0.6391867E-01 | 0.3843397E-01  | -0.3774817E-13 | 0.1086291E-00  | 0.1337214E-00  | 0.1103116E-00               |
| 0.4781293E-01  | -0.3524556E-01 | -0.1088911E-00 | -0.9792751E-01 | -0.6679772E-01 | 0.3398998E-01               |
| -0.6062262E-14 | 0.3642591E-01  | 0.1044976E-00  | 0.1108177E-00  | 0.5045629E-01  | -0.3140811E-01              |
| -0.1047257E-00 | -0.1301291E-00 | -0.9643942E-01 | 0.3344169E-01  | 0.1447116E-14  | 0.3581521E-01               |
| 0.1033240E-00  | 0.1284217E-00  | 0.1052528E-00  | -0.3938878E-01 | -0.1124391E-00 | -0.1364617E-00              |
| -0.1002700E-00 | -0.1139116E-00 | -0.7190263E-01 | -0.6782394E-01 | 0.8077257E-02  | 0.9437063E-01               |
| 0.1591425E-00  | 0.1787506E-00  | 0.1441748E-00  | -0.7402414E-02 | -0.5419477E-01 | -0.1124697E-00              |
| -0.7165147E-01 | -0.1341877E-14 | -0.6771644E-01 | 0.8759192E-01  | 0.1493049E-00  | 0.1675337E-00               |
| 0.1335454E-00  | 0.6049735E-01  | -0.1356640E-01 | -0.1099590E-00 | -0.6827903E-01 | -0.1093913E-13              |
| -0.6422271E-01 | 0.1095421E-01  | 0.9632486E-01  | 0.1794908E-00  | 0.1448894E-00  | 0.7061292E-01               |
| -0.5868670E-02 | -0.5212032E-01 | -0.1124822E-00 | 0.7019053E-15  | -0.6739826E-01 | 0.6384078E-02               |
| 0.9007430E-01  | 0.1528773E-00  | 0.1716063E-00  | 0.6354960E-01  | -0.1183494E-01 | -0.5599925E-01              |
| -0.4213318E-03 | -0.4106307E-03 | -0.4002476E-03 | -0.2040386E-03 | 0.3404066E-04  | -0.1475215E-02              |
| -0.1455950E-02 | 0.1099179E-02  | 0.1083036E-02  | -0.5504318E-03 | 0.6249159E-03  | 0.6053536E-03               |
| -0.1241284E-03 | -0.4957313E-04 | -0.4619658E-03 | 0.2613331E-03  | 0.5731844E-03  | -0.3113644E-03              |
| -0.4234939E-03 | -0.1233599E-04 | 0.1991643E-05  | -0.1486148E-02 | 0.1623383E-01  | 0.1184910E-00 <sup>22</sup> |
| -0.1582282E-00 | -0.1047414E-02 | -0.1018575E-02 | 0.1910979E-01  | 0.1197322E-00  | -0.1648820E-00              |
| -0.1048354E-02 | -0.9895380E-03 | 0.1039524E-04  | 0.1213301E-00  | -0.1666654E-00 | -0.1046928E-02              |
| -0.118622E-02  | 0.3375711E-04  | 0.1849690E-01  | -0.1678403E-02 | -0.1047405E-02 | -0.1000953E-02              |
| 0.1096476E-04  | -0.208952F-01  | -0.6428789E-01 | 0.2212090E-03  | 0.3122176E-03  | -0.2724114E-02              |
| -0.211458E-01  | -0.6242156F-01 | -0.4784243E-02 | 0.3197477E-03  | -0.2735509E-02 | -0.1811306E-01              |
| -0.6282254E-01 | -0.4658385F-02 | 0.2101853E-03  | -0.2724867E-02 | -0.1879933E-01 | -0.6527231E-01              |
| -0.5076002E-02 | 0.1789659F-03  | 0.3268062E-03  | -0.2752144E-02 | 0.5009618E-02  | 0.4144124E-02               |
| 0.3295447E-02  | 0.2285909F-02  | 0.3015027E-03  | 0.1503114E-03  | -0.4240374E-04 | -0.1160635E-03              |
| -0.4339542E-03 |                |                |                |                |                             |



SA-8 RUN #3 MODE 19 XN = 1722093

|                 |                |                |                |                |                |                |
|-----------------|----------------|----------------|----------------|----------------|----------------|----------------|
| 0.6447488E-01   | 0.5190493E-01  | 0.4162006E-01  | 0.3114729E-01  | 0.2277527E-01  | 0.1972930E-01  | 0.1422994E-01  |
| 0.9387838E-02   | 0.6418999E-02  | 0.4762485E-02  | 0.3203420E-02  | 0.2002145E-02  | 0.8345139E-03  | -0.1024513E-02 |
| -0.2915176E-02  | -0.3864184E-02 | -0.4749978E-02 | -0.5409277E-02 | -0.5560805E-02 | -0.5551035E-02 | -0.5379241E-02 |
| -0.5101401E-02  | -0.4664431E-02 | 0.             | -0.4870254E-02 | -0.4321453E-02 | -0.3908960E-02 | -0.3457094E-02 |
| 0.              | 0.             | 0.1461850E-03  | -0.2117915E-02 | 0.             | 0.             | 0.             |
| 0.              | 0.5586226E-02  | 0.6252792E-02  | 0.3737588E-02  | 0.2597569E-02  | 0.             | 0.1532620E-02  |
| 0.175189E-03    | -0.2503015E-02 | -0.4921080E-02 | -0.7160293E-02 | -0.8245307E-02 | -0.7294303E-02 | -0.4504596E-02 |
| 0.1738689E-03   | 0.7627100E-02  | 0.8699403E-02  | 0.8588857E-02  | 0.             | 0.8400134E-02  | 0.6526141E-02  |
| 0.2716821E-02   | -0.9453665E-03 | -0.4515239E-02 | 0.26138510E-02 | -0.5966009E-02 | -0.3880572E-02 | -0.1962331E-03 |
| 0.2336608E-02   | 0.2453228E-02  | 0.             | 0.2468624E-02  | -0.1247979E-02 | -0.2405153E-03 | -0.1174998E-02 |
| 0.              | -0.2521558E-02 | -0.2431738E-02 | -0.2483505E-02 | -0.2994493E-02 | -0.5485923E-02 | 0.5338080E-03  |
| 0.              | 0.5590089E-03  | 0.4345729E-02  | 0.5466916E-02  | 0.47386173E-02 | 0.2098204E-02  | -0.3770662E-03 |
| -0.25557463E-02 | -0.3997022E-02 | -0.4439724E-02 | -0.4090422E-02 | -0.5260473E-02 | 0.             | -0.5208414E-02 |
| -0.5331154E-02  | -0.3132136E-02 | 0.5023790E-03  | 0.3722127E-02  | 0.6124301E-02  | 0.6218816E-02  | 0.3476661E-02  |
| -0.1717345E-02  | 0.2153951E-03  | -0.6273986E-02 | 0.             | -0.6378951E-02 | -0.9534283E-02 | -0.9067424E-02 |
| -0.4970344E-02  | 0.2249533E-03  | 0.5622202E-02  | 0.9610165E-02  | 0.1195023E-01  | 0.1301863E-01  | 0.8566393E-02  |
| 0.5683012E-02   | 0.             | 0.5641579E-02  | 0.3082382E-02  | 0.8435161E-02  | -0.1046503E-02 | -0.            |
| -0.5991607E-02  | -0.7694678E-02 | -0.7551655E-02 | 0.486590E-02   | 0.8271734E-02  | 0.9361300E-02  | 0.1269572E-01  |
| -0.1236745E-01  | -0.1322933E-01 | -0.103688E-01  | -0.3803935E-02 | 0.871734E-02   | 0.3519388E-04  | 0.3980771E-02  |
| 0.1291848E-01   | 0.1088465E-01  | 0.4899066E-02  | -0.8509576E-04 | 0.3190734E-02  | -0.1232923E-01 | 0.1523506E-03  |
| 0.6745919E-02   | 0.7601531E-02  | 0.5198444E-02  | 0.1078448E-02  | -0.            | -0.7427687E-02 | -0.2655918E-02 |
| -0.4102770E-01  | -0.297623E-01  | -0.205823E-01  | -0.1179073E-01 | -0.5051235E-02 | -0.2653935E-02 | 0.1422679E-02  |
| 0.4282817E-02   | 0.6281649E-02  | 0.7041311E-02  | 0.7020351E-02  | 0.6965198E-02  | 0.6522026E-02  | 0.5679754E-02  |
| 0.4638291E-02   | 0.3531211E-02  | 0.2652123E-02  | 0.1813447E-02  | 0.1182728E-02  | 0.8121757E-03  | 0.1523506E-03  |
| -0.4445987E-03  | -0.1026433E-02 | 0.             | -0.7515227E-03 | -0.1548678E-02 | -0.2040908E-02 | -0.2655918E-02 |
| 0.3579772E-02   | 0.             | 0.1451992E-03  | -0.3896413E-02 | -0.            | -0.            | -0.            |
| 0.5245473E-02   | 0.5245473E-02  | 0.7017677E-02  | 0.4552741E-02  | 0.4657297E-02  | -0.            | 0.4605516E-02  |
| 0.4788672E-02   | 0.3030628E-02  | 0.1171507E-02  | -0.1238450E-02 | 0.3345952E-02  | -0.3892253E-02 | -0.2883578E-02 |
| 0.2980086E-03   | 0.2452142E-02  | -0.8000222E-01 | 0.195350E-01   | -0.1927443E-12 | 0.2163322E-01  | 0.845517E-01   |
| 0.1789691E-00   | 0.9743232E-01  | 0.4579594E-01  | -0.5414690E-01 | -0.1634709E-00 | -0.1642937E-00 | -0.8724507E-02 |
| -0.1300481E-00  | -0.9012426E-01 | -0.1511024E-12 | -0.8814934E-01 | -0.4775193E-01 | 0.7327369E-02  | 0.6231347E-01  |
| 0.8933897E-01   | 0.4921635E-01  | -0.4231956E-01 | -0.7252361E-01 | 0.275537E-01   | 0.8291841E-01  | 0.1997813E-01  |
| -0.2744113E-13  | 0.2207670E-01  | 0.8637933E-01  | 0.1097368E-00  | 0.9513616E-01  | 0.4008442E-01  | -0.6203431E-01 |
| -0.1714829E-00  | -0.1703890E-00 | -0.1198587E-01 | -0.1132675E-01 | -0.7675475E-01 | 0.3468550E-14  | -0.7484984E-01 |
| -0.3394436E-01  | 0.1616340E-01  | 0.6940948E-01  | 0.9465735E-01  | 0.5241812E-01  | -0.4097515E-01 | -0.7162663E-01 |
| 0.3157400E-01   | -0.1387780E-00 | -0.1583784E-00 | -0.2434418E-13 | -0.1569143E-00 | -0.1404324E-00 | -0.7108972E-01 |
| 0.3724121E-01   | 0.1323383E-00  | 0.1524996E-00  | 0.8829626E-01  | 0.2660625E-01  | 0.4623384E-01  | -0.1499268E-00 |
| -0.1583545E-00  | -0.4535554E-14 | -0.1669522E-00 | -0.1484536E-00 | -0.7748298E-01 | 0.3231982E-01  | 0.1299494E-00  |
| 0.1525582E-00   | 0.8810863E-01  | 0.2295303E-01  | 0.3958077E-01  | 0.1545057E-00  | -0.1708837E-00 | -0.4117436E-13 |
| -0.1593476E-00  | -0.1483782E-01 | -0.7437874E-01 | 0.3726903E-01  | 0.1342892E-00  | 0.1548805E-00  | 0.9016391E-01  |
| 0.2659225E-01   | 0.4244858E-01  | -0.1403745E-00 | -0.1540393E-00 | 0.2230829E-14  | -0.1526823E-00 | -0.1325123E-00 |
| -0.6397928E-01  | 0.3947657E-01  | 0.1292772E-00  | 0.1451494E-00  | 0.7777349E-01  | 0.1496882E-01  | 0.3872002E-01  |
| -0.3495495E-02  | -0.3678344E-02 | -0.3471687E-02 | -0.3471687E-02 | -0.3364891E-02 | -0.1763145E-02 | 0.6212125E-02  |
| 0.6399708E-02   | 0.2235530E-02  | 0.19989545E-02 | -0.5507238E-02 | -0.5456667E-02 | 0.5260892E-02  | 0.4917605E-02  |
| -0.4335892E-02  | -0.7349181E-02 | 0.9838734E-02  | 0.1681022E-01  | -0.1127047E-01 | -0.1637802E-01 | 0.6907001E-02  |
| 0.1160456E-01   | 0.2376147E-03  | 0.9801429E-05  | -0.6157868E-04 | -0.8907720E-03 | 0.1621395E-01  | 0.1008038E-00  |
| -0.6765453E-01  | 0.1278634E-02  | 0.1356794E-02  | 0.1254136E-03  | -0.1033569E-01 | 0.9282858E-01  | -0.1062310E-00 |
| 0.1225838E-02   | 0.6715030E-03  | 0.2708867E-03  | 0.5805657E-02  | 0.7878547E-01  | -0.7472953E-01 | 0.1262989E-02  |
| 0.120285E-02    | 0.2948015E-03  | -0.4517985E-02 | 0.8435213E-01  | -0.8236297E-01 | 0.1227033E-02  | 0.8443137E-03  |
| 0.2709224E-03   | -0.2916025E-01 | -0.4754291E-01 | -0.1630837E-02 | 0.1396381E-04  | 0.5123497E-03  | -0.4992343E-02 |
| -0.1473548E-01  | -0.5375185E-01 | -0.1991011E-02 | 0.3963060E-03  | 0.3540901E-03  | -0.4655051E-02 | -0.5201776E-01 |
| -0.5755959E-01  | -0.6601116E-02 | -0.710771E-04  | 0.6916548E-03  | -0.5257077E-02 | -0.1960509E-01 | 0.3282216E-01  |
| -0.3534270E-02  | 0.4695151E-03  | 0.3701016E-03  | -0.4548780E-02 | 0.2879304E-02  | 0.1447224E-02  | 0.3271739E-03  |
| -0.4193082E-02  | -0.1901738E-02 | 0.6308595E-02  | 0.7769859E-02  | 0.7909250E-02  | 0.6895246E-02  | 0.4979990E-02  |

|                |                |                 |                |                |                |                |
|----------------|----------------|-----------------|----------------|----------------|----------------|----------------|
| 0.4116195F-01  | 0.3293448F-01  | 0.2615422E-01   | 0.1950262E-01  | 0.1416357E-01  | 0.1226027E-01  | 0.8905429E-02  |
| 0.6337375E-02  | 0.4405933F-02  | 0.3509095E-02   | 0.2794311E-02  | 0.2192866E-02  | 0.1679763E-02  | 0.8374758E-03  |
| 0.2919984E-03  | -0.3381074E-03 | -0.6859783E-03  | -0.9656865E-03 | -0.1063435E-02 | -0.1080020E-02 | -0.1093793E-02 |
| -0.174215E-02  | -0.1077586E-02 | 0.              | -0.1089788E-02 | -0.9997492E-03 | -0.9726714E-03 | -0.9550223E-03 |
| 0.             | 0.             | 0.1593319E-05   | -0.7324457E-03 | 0.             | 0.             | 0.             |
| 0.             | 0.3251044F-03  | 0.1208083E-02   | -0.5217772E-03 | -0.1036888E-02 | -0.1520478E-02 | -0.1520478E-02 |
| -0.2159672E-02 | -0.3266242E-02 | -0.4143029E-02  | -0.4676028E-02 | -0.4388840E-02 | -0.3186557E-02 | -0.1446646E-02 |
| 0.5837589F-03  | 0.2678583E-02  | -0.8022209E-03  | -0.3181026E-02 | 0.             | -0.3071758E-02 | -0.3749759E-02 |
| -0.2757505E-02 | -0.1308792E-02 | 0.9387264E-03   | 0.2249166E-02  | 0.3260193E-02  | 0.3790485E-02  | 0.3632655E-02  |
| -0.3564117E-02 | -0.2513699E-02 | 0.              | -0.2569907E-02 | -0.1579262E-02 | -0.4474653E-03 | -0.7410224E-04 |
| 0.8051852E-03  | 0.7416308E-03  | 0.7898604E-03   | 0.1559349E-02  | 0.3392291E-02  | -0.2051916E-02 | -0.4826677E-02 |
| 0.             | -0.4684072E-02 | -0.5437234E-02  | -0.3876289E-02 | -0.1644561E-02 | 0.1285239E-02  | 0.2801839E-02  |
| 0.3305712E-02  | 0.2776460E-02  | 0.1150834E-02   | 0.3476506E-02  | 0.4502906E-02  | 0.             | 0.4465622E-02  |
| 0.4580486F-02  | 0.3376645E-02  | 0.4547261F-03   | 0.1955175E-02  | -0.3978723E-02 | -0.3984901E-02 | -0.1319500E-02 |
| 0.3473613E-02  | 0.3699853E-02  | 0.6836809E-02   | -0.            | 0.6851525E-02  | 0.7418010E-02  | 0.5436874E-02  |
| 0.1223600E-02  | -0.2370681E-02 | -0.5498447E-02  | -0.7204225E-02 | -0.8110649E-02 | -0.8771587E-02 | -0.2669360E-02 |
| -0.140921E-02  | -0.1515670E-02 | -0.1515670E-02  | -0.1513452E-02 | -0.2873443E-02 | -0.4856151E-02 | -0.4981312E-02 |
| -0.3569336E-02 | -0.3606413E-03 | 0.2679511E-02   | 0.3936890E-02  | 0.2051512E-02  | 0.6434036E-02  | -0.            |
| 0.652668E-02   | 0.865684E-02   | 0.8092181E-02   | 0.4223351E-02  | 0.1756560E-05  | -0.4407825E-02 | -0.7633447E-02 |
| -0.9887010E-02 | -0.1163748E-01 | 0.8086177E-03   | 0.8423805E-03  | -0.            | 0.8668652E-03  | 0.4469037E-03  |
| -0.3912488F-03 | -0.1293090F-02 | -0.1912842E-03  | 0.1857158E-02  | 0.4653476E-02  | 0.6012180E-02  | 0.4703467E-02  |
| 0.2545042E-01  | 0.1916104F-01  | 0.1392400E-01   | 0.8875990E-02  | 0.5002520E-02  | 0.3523374E-02  | 0.1159754E-02  |
| -0.6115109E-03 | -0.1945013E-02 | -0.2494427E-02  | -0.2634946E-02 | -0.2877026E-02 | -0.2864319E-02 | -0.2842104E-02 |
| -0.2504335E-02 | -0.2316917E-02 | -0.2523392E-02  | -0.1844867E-02 | -0.1521747E-02 | -0.1533752E-02 | -0.1111895E-02 |
| -0.7472836E-03 | -0.3746437E-03 | -0.             | -0.4970166E-03 | -0.8696740E-04 | 0.1747243E-03  | 0.6213404E-03  |
| 0.3773365E-02  | -0.            | -0.5396961E-04  | 0.1405551E-02  | -0.            | -0.            | -0.            |
| -0.            | -0.2226095F-02 | -0.3447784E-02  | -0.2469763E-02 | -0.3184345E-02 | -0.            | -0.3631481E-02 |
| -0.3868417E-02 | -0.3317817E-02 | -0.1800568E-02  | -0.6008513E-03 | 0.3098189E-02  | 0.4228689E-02  | 0.3810748E-02  |
| 0.1588068F-02  | -0.1173062E-03 | 0.8247936E-01   | -0.6054978E-03 | 0.2671294E-12  | -0.2450979E-02 | -0.5712010E-01 |
| -0.8532519E-01 | -0.9503386E-01 | -0.8621448E-01  | 0.3005938E-01  | 0.1598159E-00  | 0.1715823E-00  | -0.1145738E-01 |
| 0.1181198E-00  | 0.8669407E-01  | 0.2056853E-12   | 0.8496252E-01  | 0.4798053E-01  | -0.4197211E-02 | -0.7025645E-01 |
| -0.1106572E-00 | -0.6718395E-01 | 0.4822096E-01   | 0.8837895E-01  | -0.4549563E-01 | 0.8342426E-01  | -0.4537694E-02 |
| 0.3053434F-13  | -0.6450953E-02 | -0.6387104E-01  | -0.9325154E-01 | -0.9975511E-01 | -0.6802868E-01 | 0.3042181E-01  |
| 0.1511279F-00  | 0.1729948E-00  | -0.9468345E-02  | 0.1205917E-00  | 0.9529516E-01  | -0.4722309E-14 | 0.9354247E-01  |
| 0.5843566E-01  | 0.4085939F-02  | -0.6692364E-01  | -0.1124881E-00 | -0.7243337E-01 | 0.4241436E-01  | 0.8507691E-01  |
| -0.4481015E-01 | 0.1402768E-00  | 0.1665571E-00   | 0.3304002E-13  | 0.1650810E-00  | 0.1516181E-00  | 0.7862373E-01  |
| -0.4067836E-01 | -0.1462612E-00 | -0.1629806E-00  | -0.7934980E-01 | -0.9285718E-02 | -0.5360664E-01 | 0.1368838E-00  |
| 0.1586783E-00  | 0.6037360F-14  | 0.1573059E-00   | 0.1408143E-00  | 0.6886002E-01  | -0.4594292E-01 | -0.1474734E-00 |
| -0.1512973E-00 | -0.7455190E-01 | -0.1725086E-02  | -0.4878870E-01 | 0.1422003E-00  | 0.1641378E-00  | 0.5600756E-13  |
| 0.1527020E-00  | 0.1455106E-00  | 0.7092960E-01   | -0.4669835E-01 | -0.1490864E-00 | -0.1623256E-00 | -0.7697800E-01 |
| -0.7154184E-02 | -0.5283257E-01 | 0.1409724F-00   | 0.1604884E-00  | -0.3014756E-14 | 0.1591792E-00  | 0.1416222E-00  |
| 0.7241431E-01  | -0.4195560E-01 | -0.1405326E-00  | -0.1521998E-00 | -0.6524087E-01 | 0.5903665E-02  | -0.4338709E-01 |
| 0.3265940E-02  | 0.3071688E-02  | 0.2886173E-02   | 0.2886173E-02  | 0.5030144E-02  | 0.3000435E-02  | 0.2073953E-03  |
| 0.2573984E-03  | -0.4953616E-02 | -0.4621716E-02  | -0.1155163E-02 | -0.1086052E-02 | -0.4898255E-02 | -0.4469170E-02 |
| 0.7364290E-02  | 0.1118959E-01  | -0.7283797E-02  | -0.1282318E-01 | 0.6036332E-02  | 0.8974886E-02  | -0.8206169E-02 |
| -0.1355487E-01 | -0.6194733E-04 | 0.6437440E-06   | -0.1223758E-04 | 0.9636040E-03  | -0.3299947E-03 | -0.8456494E-01 |
| 0.4104796E-01  | -0.1759109F-02 | -0.2520207E-02  | -0.1416139E-03 | 0.1403015E-01  | -0.8868251E-01 | 0.5877644E-01  |
| -0.1722651E-02 | -0.2029364E-02 | -0.1865500E-03  | -0.8288892E-03 | -0.9214847E-01 | 0.4347202E-01  | -0.1755950E-02 |
| -0.2508742E-02 | -0.1538131E-03 | 0.1584162E-01   | -0.8667922E-01 | 0.6598962E-01  | -0.1717949E-02 | -0.1990616E-02 |
| -0.155597E-03  | 0.4408726E-01  | 0.5600453E-01   | 0.3452964E-02  | -0.4361286E-04 | -0.5860813E-03 | 0.5976423E-02  |
| 0.2058719E-01  | 0.4677699E-01  | 0.1286218F-02   | -0.4117381E-03 | -0.3818193E-03 | 0.5616760E-02  | 0.3839123E-01  |
| 0.5732249E-01  | 0.2069194F-02  | 0.1821960E-04   | -0.5763318E-03 | 0.6155144E-02  | 0.2000761E-01  | 0.5455029E-01  |
| 0.1901404E-02  | -0.3553278E-03 | -0.3850386E-03  | 0.5677164E-02  | 0.1104508E-02  | 0.6429801E-03  | 0.2521773E-03  |
| -0.1506794E-03 | -0.6138056F-03 | -0.37265539E-02 | -0.3736810E-02 | -0.3743483E-02 | -0.3315701E-02 | -0.2569280E-02 |
| 0.3552698F-02  | -0.            | -0.             | -0.            | -0.            | -0.            | -0.            |

|                 |                |                |                |                |                |                |
|-----------------|----------------|----------------|----------------|----------------|----------------|----------------|
| 0.21311571-01   | 0.16764627-01  | 0.1303045E-01  | 0.9415619E-02  | 0.6540151E-02  | 0.5530658E-02  | 0.3776790E-02  |
| 0.2463802E-02   | 0.1542302F-02  | 0.1130486E-02  | 0.8577525E-03  | 0.6298159E-03  | 0.4737202E-03  | 0.270689E-03   |
| 0.1185812E-03   | -0.6411955E-04 | -0.1337020E-03 | -0.1969846E-03 | -0.2238101E-03 | -0.2254621E-03 | -0.2484239E-03 |
| -0.2581065E-03  | -0.3215877E-03 | -0.            | -0.3042100E-03 | -0.3161053E-03 | -0.3520362E-03 | -0.3989643E-03 |
| -0.             | -0.            | 0.1578507E-06  | -0.3717565E-03 | -0.            | -0.            | -0.            |
| -0.             | 0.9805551E-04  | 0.6811183E-03  | 0.3297399E-03  | 0.5891740E-03  | -0.            | -0.8348803E-03 |
| -0.1160845E-02  | -0.1721449F-02 | -0.2149263E-02 | -0.2369736E-02 | -0.2135210E-02 | -0.1438689E-02 | -0.5095257E-03 |
| 0.4356034E-03   | -0.1445222E-02 | -0.1681910E-03 | -0.1192809E-02 | -0.            | -0.1112464E-02 | -0.1357889E-02 |
| -0.8994304E-03  | -0.4589133E-03 | 0.3684563E-03  | 0.6797549E-03  | 0.1060593E-02  | 0.1471949E-02  | 0.1711253E-02  |
| -0.25441215E-02 | -0.7740511F-03 | -0.            | -0.7991783E-03 | 0.4516822E-03  | 0.1059886E-02  | 0.4945657E-03  |
| -0.4774181E-04  | -0.7865431E-03 | -0.9577030E-03 | 0.7022598E-04  | 0.2322415E-02  | -0.6132559E-03 | -0.2281076E-03 |
| -0.             | -0.2182917E-02 | -0.2688160E-02 | -0.1853353E-04 | -0.7247551E-03 | -0.            | 0.1357855E-02  |
| 0.198371E-02    | 0.9500088F-03  | -0.3814258E-04 | 0.1704952E-02  | 0.1458757E-02  | -0.            | 0.1427661E-02  |
| 0.1185374E-02   | 0.7796942E-03  | -0.1662977E-03 | -0.6563393E-03 | -0.1142455E-02 | 0.9105980E-03  | 0.3104277E-03  |
| 0.290504E-02    | 0.1737672E-02  | -0.3721806F-02 | 0.             | 0.3732390E-02  | 0.4081512E-02  | 0.2844348E-02  |
| 0.3153789F-03   | -0.1650042E-02 | -0.3123156E-02 | 0.3576827E-02  | -0.3534343E-02 | -0.3422815E-02 | -0.1998895E-02 |
| -0.6145740E-03  | 0.             | -0.6756727E-03 | -0.2877037E-03 | -0.1034608E-02 | -0.2437937E-02 | -0.2783874E-02 |
| -0.2186504E-02  | -0.3846689E-03 | 0.1376732E-02  | 0.2039242E-02  | 0.1041664E-02  | 0.3258085E-02  | 0.             |
| 0.326605E-02    | -0.429927E-02  | 0.3854132E-02  | 0.1665634E-02  | -0.3721543E-03 | -0.2306104E-02 | -0.3438935E-02 |
| -0.4794590E-02  | -0.4634746E-02 | 0.7153562E-03  | -0.2229159E-03 | 0.             | -0.2161334E-03 | -0.9596438E-03 |
| -0.1409484E-02  | -0.1335660E-02 | 0.2103498E-03  | 0.2144690E-02  | 0.3964221E-02  | 0.4118694E-02  | 0.2021669E-02  |
| 0.9578031E-02   | 0.7643545F-02  | 0.5714249E-02  | 0.3894713E-02  | 0.2464283E-02  | 0.1869349E-02  | 0.9967149E-03  |
| 0.2908071E-03   | -0.2824363E-03 | -0.5329433E-03 | -0.6131890E-03 | -0.8068870E-03 | -0.8721808E-03 | -0.1006891E-02 |
| -0.9273739E-03  | -0.9878450F-03 | -0.1321886E-02 | -0.9567292E-03 | -0.8168247E-03 | -0.9117787E-03 | -0.6962905E-03 |
| -0.5190959E-03  | -0.3202321E-03 | 0.             | -0.3620567E-03 | -0.1919833E-03 | -0.8259620E-04 | -0.1587045E-03 |
| -0.5128591E-03  | 0.             | -0.2723852E-04 | 0.6873039E-03  | 0.             | 0.             | 0.             |
| 0.              | 0.4381910F-03  | -0.2789632E-02 | 0.9482409E-03  | -0.1808386E-04 | 0.             | -0.7468685E-03 |
| -0.1448684E-02  | -0.1999663F-02 | -0.1751866E-02 | -0.7578485E-03 | 0.7277520E-03  | 0.1809613E-02  | 0.2111464E-02  |
| 0.1275405E-02   | 0.5486304E-03  | -0.1147821E-00 | -0.1771436E-00 | 0.1587617E-12  | -0.175620E-00  | -0.168403E-00  |
| -0.9787918E-01  | -0.2242323E-02 | 0.8630427E-01  | 0.1602295E-00  | 0.1963154E-00  | 0.1236049E-00  | -0.5677514E-00 |
| -0.117832E-00   | -0.1479343E-00 | 0.1256170E-12  | -0.1462599E-00 | -0.1326237E-01 | 0.6850279E-01  | 0.7705361E-02  |
| 0.7243384E-01   | 0.1227035E-00  | 0.1521422E-00  | 0.9043288E-01  | -0.7057903E-01 | -0.1133602E-00 | -0.1782467E-00 |
| 0.150519E-13    | -0.1767069E-00 | -0.1712018E-00 | -0.1009930E-00 | -0.4593004E-02 | 0.8501349E-01  | 0.1596937E-00  |
| 0.1960275E-00   | 0.1232843E-00  | -0.5677471E-01 | -0.1017680E-00 | -0.142217E-00  | -0.2746338E-14 | -0.1425454F-00 |
| -0.1276096E-00  | -0.644621F-01  | 0.9264989E-02  | 0.6925368E-01  | 0.1201761E-00  | 0.1496385E-00  | 0.8947850F-01  |
| -0.6744818E-01  | -0.5693157E-01 | -0.3011423E-02 | 0.2001235E-13  | -0.2951528E-04 | 0.6275425E-01  | 0.9641659E-01  |
| 0.7550750E-01   | 0.1881220F-01  | -0.2507242E-01 | -0.3034029E-01 | -0.3999324E-01 | -0.9062696E-01 | -0.6094438E-01 |
| -0.1290229E-01  | 0.3687091E-14  | -0.9989893E-02 | 0.4816110E-01  | 0.8207011E-01  | 0.6622740E-01  | 0.1566560E-01  |
| -0.2309621E-01  | -0.2455653E-01 | -0.2455653E-01 | -0.8636097E-01 | -0.5435072E-01 | -0.2806681E-02 | 0.3406641E-13  |
| 0.2347428E-03   | 0.6079069F-01  | 0.9319317E-01  | 0.7271311E-01  | 0.1717178E-01  | -0.2530825E-01 | -0.3003500E-01 |
| -0.4002650E-01  | -0.9143348E-01 | -0.5765381E-01 | -0.1077256E-01 | -0.1927814E-14 | -0.7870104E-02 | 0.4917498F-01  |
| -0.8269295E-01  | 0.6750921E-01  | 0.1822202E-01  | 0.1927285E-01  | -0.2028334E-01 | -0.2881220E-01 | -0.8376603E-01 |
| 0.117375E-02    | 0.1223290E-02  | 0.1132679E-02  | 0.1132679E-02  | 0.4143631E-02  | 0.2993421E-02  | 0.8530477E-04  |
| 0.1183042E-03   | -0.4419313F-02 | -0.4144338E-02 | -0.2482691E-03 | -0.2180448E-03 | -0.4148871E-02 | -0.3808872E-02 |
| 0.2670107E-02   | 0.4023769F-02  | -0.3593911E-02 | -0.6168311E-02 | -0.2126998E-02 | 0.2974669F-02  | -0.3610286E-02 |
| -0.6101957E-00  | 0.2349807E-03  | 0.7141256E-06  | -0.5282446E-05 | -0.9108655E-03 | 0.1255627E-01  | 0.9220848E-01  |
| -0.1713772E-00  | -0.2972082E-02 | -0.381075E-02  | -0.8811815E-03 | 0.1690720E-01  | 0.9007912E-01  | -0.1853980E-00 |
| -0.2957508E-02  | -0.3634385F-02 | -0.8713896E-03 | 0.1242378E-01  | 0.8814996E-01  | -0.1918208E-00 | -0.2971222E-02 |
| -0.3828755E-02  | -0.8887181E-03 | 0.1761308E-01  | 0.8935282E-01  | -0.1813915E-00 | -0.2957327E-02 | -0.3615018E-02 |
| -0.8585257E-03  | 0.2050849F-02  | -0.9422318E-01 | -0.4464403E-03 | 0.1110683E-03  | -0.4168821E-04 | -0.3493216E-02 |
| -0.8007162E-02  | -0.9933068E-01 | -0.1329394E-02 | -0.2195694E-04 | 0.32201465F-04 | -0.3664019E-02 | -0.9461513E-03 |
| -0.9180022E-01  | -0.1076692F-02 | 0.1409786E-03  | -0.386326E-04  | -0.3392159E-02 | -0.9621207E-02 | -0.9515592E-01 |
| -0.109083E-02   | 0.4637797E-05  | 0.3466700E-04  | -0.3623167E-02 | 0.2858086E-03  | 0.1482579E-03  | 0.31639959E-04 |
| -0.9717394E-04  | -0.2337863E-03 | -0.9036117E-03 | -0.9411895E-03 | -0.9760601E-03 | -0.9807821E-03 | -0.9797097E-03 |
| 0.1470067E-02   |                |                |                |                |                |                |

APPENDIX B

Generalized Masses

The generalized masses for each run were calculated and are tabulated on pages B-3 thru B-21.

To illustrate how the generalized masses can be used to determine the independence of modes within a given run the SA-5 run #1 will be used as being typical. The results of using the criteria set up on page 31 for mode 3 of SA-5 run #1 are shown below for several modes.

| <u>Mode</u><br><u>Run #1</u> | $\frac{M_{33}M_{ii} - M_{3i}^2}{M_{33}M_{ii}} - 1$ |
|------------------------------|--|
| 4                            | .0131  |
| 5                            | .0000002   |
| 7                            | .0000008   |
| 8                            | .0000005   |
| 10                           | .00006   |
| 11                           | .0000009   |
| 12                           | .000001  |

From the above it can be seen that mode 3 run #1 is orthogonal to all the other modes but the degree of orthogonality to mode 4 is much less than to the others. This is probably due to the early convergence of mode 4. As indicated in table 3 the same mode for run #2 seems to be better converged. It seems reasonable to assume that if the off diagonal terms in the generalized mass matrix are an order of magnitude smaller or less than the diagonal terms the two modes are independent. Therefore the criteria chosen on page 31 are too stringent for the Saturn vehicle.

It should be noted that due to the manner in which the eigenvectors were programmed it was necessary to use zero eigenvalues. The eigenvectors associated with these are not necessarily orthogonal to any others.

I = 1 GENERALIZED MASS SA-5 RUN #1

|                 |                 |                 |                 |                 |                |                |
|-----------------|-----------------|-----------------|-----------------|-----------------|----------------|----------------|
| 0.16205942E 05  | -0.20477928E 02 | -0.59981904E 01 | -0.14301284E 03 | 0.84501339E 02  | 0.84582343E 02 | 0.16526596E 02 |
| -0.55035444E 01 | -0.5379115E 02  | -0.47138245E 02 | 0.78796370E 01  | 0.46979170E 01  | 0.98537505E 02 | 0.10686291E 03 |
| 0.25410955E 02  | 0.26656005E 02  | -0.53268044E 01 | 0.17059138E 03  | 0.14501333E 03  | 0.15579016E 03 | 0.15721428E 03 |
| 0.17367976E 03  | -0.66918734E-01 | -0.66918734E-01 | -0.66918734E-01 | -0.66918734E-01 |                |                |

I = 2

|                 |                 |                 |                 |                 |                 |                 |
|-----------------|-----------------|-----------------|-----------------|-----------------|-----------------|-----------------|
| -0.20477927E 02 | 0.15277122E 05  | 0.79066873E-01  | -0.12055151E 02 | -0.81878040E 02 | -0.75436345E 02 | -0.18703089E 02 |
| -0.49089790E 02 | -0.98517999E 02 | -0.61225145E 02 | -0.30843522E 01 | 0.26500663E 02  | 0.55983499E 02  | 0.50798023E 02  |
| 0.70423342E 02  | 0.65201601E 02  | 0.15636682E 02  | -0.22951849E 02 | 0.21977580E 03  | 0.20645026E 03  | 0.12614887E 03  |
| 0.10109140E 03  | -0.12345322E 04 | -0.12345322E 04 | -0.12345322E 04 | -0.12345322E 04 |                 |                 |

I = 3

|                 |                 |                 |                |                 |                 |                 |
|-----------------|-----------------|-----------------|----------------|-----------------|-----------------|-----------------|
| -0.59981912E 01 | 0.79067294E-01  | 0.83127547E 04  | 0.87215378E 03 | 0.29510588E 01  | -0.10707039E 03 | -0.57468864E 01 |
| 0.39823868E 01  | -0.25519002E 02 | -0.74113308E 02 | 0.93921009E 01 | -0.11511477E 01 | -0.11609968E 02 | -0.23517985E 01 |
| -0.22178625E 01 | 0.43613232E 02  | 0.42378287E 01  | 0.11237389E-00 | 0.36304245E 01  | -0.25075707E 01 | -0.67005242E 00 |
| -0.92143748E 01 | 0.11627404E 02  | 0.11627404E 02  | 0.11627404E 02 | 0.11627404E 02  |                 |                 |

I = 4

|                 |                 |                 |                |                 |                 |                 |
|-----------------|-----------------|-----------------|----------------|-----------------|-----------------|-----------------|
| -0.14301284E 03 | -0.12055150E 02 | 0.87215374E 03  | 0.69877145E 04 | -0.81857172E 02 | -0.36301255E 02 | 0.40447789E 03  |
| 0.36898971E 03  | -0.49050256E-00 | -0.12367710E 03 | 0.21566068E 03 | 0.12408170E 03  | -0.64739715E 02 | -0.13288194E 03 |
| -0.40005848E 02 | -0.41507577E 02 | 0.69760638E 02  | 0.90371683E 01 | -0.34086598E 02 | -0.14867861E 02 | 0.34078656E 01  |
| -0.16588876E 02 | 0.48730279E 03  | 0.48730279E 03  | 0.48730279E 03 | 0.48730279E 03  |                 |                 |

I = 5

|                 |                 |                 |                 |                 |                 |                 |
|-----------------|-----------------|-----------------|-----------------|-----------------|-----------------|-----------------|
| 0.84501339E 02  | -0.81878039E 02 | 0.29510625E 01  | -0.81857174E 02 | 0.67246491E 04  | 0.65559142E 04  | 0.99701939E 01  |
| 0.18803877E 04  | 0.72682892E 02  | -0.26356671E 02 | 0.20550338E 02  | 0.48543327E 01  | -0.33890372E 01 | -0.27336235E 01 |
| -0.36958509E 02 | -0.25189275E 02 | 0.11936519E 01  | 0.24546760E 02  | -0.12059746E 03 | -0.96443412E 02 | -0.81897189E 02 |
| -0.64285436E 02 | 0.18561742E 04  | 0.18561742E 04  | 0.18561742E 04  | 0.18561742E 04  |                 |                 |

I = 6

|                 |                 |                 |                 |                 |                 |                 |
|-----------------|-----------------|-----------------|-----------------|-----------------|-----------------|-----------------|
| 0.84582343E 02  | -0.75436345E 02 | -0.10707039E 03 | -0.36301260E 02 | 0.65559142E 04  | 0.64986719E 04  | 0.71137683E 03  |
| 0.18486638E 04  | 0.60221218E 02  | -0.15188399E 02 | 0.64038970E 02  | 0.11575522E 03  | -0.50472160E 02 | -0.11400707E 03 |
| -0.46702661E 02 | -0.42355586E 02 | 0.93313036E 01  | 0.88243055E 01  | -0.14388292E 03 | -0.13311450E 03 | -0.83004901E 02 |
| -0.63296819E 02 | 0.18449245E 04  | 0.18449245E 04  | 0.18449245E 04  | 0.18449245E 04  |                 |                 |

I = 7

|                 |                 |                 |                |                 |                |                 |
|-----------------|-----------------|-----------------|----------------|-----------------|----------------|-----------------|
| 0.16526603E 02  | -0.18703090E 02 | -0.57468845E 01 | 0.40447789E 03 | 0.99701933E 01  | 0.71137683E 03 | 0.54501168E 04  |
| 0.31307562E 03  | 0.95229779E 02  | -0.78633383E 03 | 0.67471223E 02 | 0.83364369E 01  | 0.45556944E 02 | 0.11111490E 02  |
| 0.24863294E 01  | -0.43180373E 02 | -0.74966619E 01 | 0.87840207E 01 | -0.80387993E 00 | 0.79393400E 01 | -0.13649760E 02 |
| -0.58753685E 01 | 0.28151522E 03  | 0.28151522E 03  | 0.28151522E 03 | 0.28151522E 03  |                |                 |

I = 8

|                 |                 |                |                 |                |                |                |
|-----------------|-----------------|----------------|-----------------|----------------|----------------|----------------|
| -0.55035462E 01 | -0.49089774E 02 | 0.39823873E 01 | 0.36898971E 03  | 0.18803877E 04 | 0.18486638E 04 | 0.31307562E 03 |
| 0.40554114E 04  | 0.34789187E 04  | 0.4342801E 03  | -0.51391558E 02 | 0.15854991E 04 | 0.28930136E 04 | 0.24255595E 04 |
| 0.55243094E 03  | 0.58955817E 03  | 0.11290026E 03 | -0.10589880E 03 | 0.35277321E 03 | 0.35403603E 03 | 0.13383566E 03 |
| 0.186661436E 03 | 0.25293694E 04  | 0.25293694E 04 | 0.25293694E 04  | 0.25293694E 04 |                |                |

I = 9

|                 |                 |                 |                 |                 |                 |                 |
|-----------------|-----------------|-----------------|-----------------|-----------------|-----------------|-----------------|
| -0.53791118E 02 | -0.98518009E 02 | -0.25519002E 02 | -0.49049871E-00 | 0.72682912E 02  | 0.60221209E 02  | 0.95229779E 02  |
| 0.34789187E 04  | 0.50632218E 04  | 0.55787102E 03  | -0.13886150E 03 | -0.49286792E 02 | 0.84556612E 01  | 0.31077224E 02  |
| -0.43335406E 02 | -0.37462118E 02 | -0.46895827E 02 | 0.15339226E 02  | -0.20723022E 03 | -0.19596546E 03 | -0.11723444E 03 |
| -0.77608995E 02 | 0.27163713E 04  | 0.27163713E 04  | 0.27163713E 04  | 0.27163713E 04  |                 |                 |

I = 10

-0.47138245E 02 -0.61225145E 02 -0.74113309E 02 -0.12367710E 03 -0.26356663E 02 -0.15188391E 02 -0.78633383E 03  
 0.43432801E 03 0.55787103E 03 0.10836445E 05 -0.40163732E 04 0.57697361E 02 0.11630355E 03 0.15065435E 03  
 0.63088365E 02 0.93026183E 02 -0.15691133E 02 -0.26197118E 02 0.24628033E 03 0.11513596E 03 -0.27924630E 02  
 -0.10018649E 03 0.22359040E 03 0.22359040E 03 0.22359040E 03 0.22359040E 03 0.22359040E 03 0.22359040E 03

I = 11

0.78796371E 01 -0.30843525E 01 0.93921006E 01 0.21566067E 03 0.20550314E 02 0.64038970E 02 0.67471223E 02  
 -0.51391562E 02 -0.13886151E 03 -0.40163732E 04 0.11138199E 05 0.15670251E 02 0.53787267E 02 -0.68154C98E 00  
 0.13164196E 01 -0.78359595E 02 0.76920651E 01 0.11511381E 02 0.20302919E 01 0.25397357E 02 0.10256075E 01  
 0.13667559E 02 -0.43049505E 02 -0.43049505E 02 -0.43049505E 02 -0.43049505E 02 -0.43049505E 02 -0.43049505E 02

I = 12

0.46979202E 01 0.26500665E 02 -0.11511535E 01 0.12408170E 03 0.48543324E 01 0.11575522E 03 0.83364571E 01  
 0.15854992E 04 -0.49286783E 02 0.57697382E 02 0.15670251E 02 0.77870033E 04 0.34493705E 04 0.78310844E 01  
 0.12889550E 01 -0.12397149E 03 0.25442798E 01 0.18669975E-00 -0.29923601E 02 -0.26765539E 01 0.81650254E 01  
 0.53445018E 02 0.42907456E 03 0.42907456E 03 0.42907456E 03 0.42907456E 03 0.42907456E 03 0.42907456E 03

I = 13

0.98537504E 02 0.55983499E 02 -0.11609966E 02 -0.64739713E 02 -0.33890396E 01 -0.50472173E 02 0.45556944E 02  
 0.28930136E 04 0.84556747E 01 0.11630355E 03 0.53787270E 02 0.34493705E 04 0.81756224E 04 0.73663872E 04  
 0.58096096E 02 0.99363156E 02 -0.13774906E 03 -0.80405483E 01 0.54512311E 01 0.74067247E 01 0.16663203E 02  
 0.47866457E 02 0.64603806E 03 0.64603806E 03 0.64603806E 03 0.64603806E 03 0.64603806E 03 0.64603806E 03

I = 14

0.10686291E 03 0.50798018E 02 -0.23517997E 01 -0.13288194E 03 -0.27336276E 01 -0.11400706E 03 0.11111486E 02  
 0.24255595E 04 0.31077210E 02 0.15065435E 03 -0.68156689E 00 0.78310578E 01 0.73663872E 04 0.81607697E 04  
 0.53735930E 01 0.14298284E 03 0.57290949E 01 -0.26310520E 01 0.23979391E 02 0.54355896E 01 0.22122723E 02  
 0.30710241E 02 0.50762659E 03 0.50762659E 03 0.50762659E 03 0.50762659E 03 0.50762659E 03 0.50762659E 03

I = 15

0.25410955E 02 0.70423342E 02 -0.22178625E 01 -0.40005846E 02 -0.36958501E 02 -0.46702661E 02 0.24863284E 01  
 0.55243094E 03 -0.43335406E 02 0.63088366E 02 0.13164189E 01 0.12889553E 01 0.58096085E 02 0.53736C09E 01  
 0.68080320E 04 0.67019130E 04 0.59046546E 01 -0.88635172E 01 0.98075677E 02 0.86570226E 02 0.69722583E 02  
 0.73594681E 02 -0.12792058E 04 -0.12792058E 04 -0.12792058E 04 -0.12792058E 04 -0.12792058E 04 -0.12792058E 04

I = 16

0.26656007E 02 0.65201597E 02 0.4361231E 02 -0.41507577E 02 -0.25189275E 02 -0.42355586E 02 -0.43180375E 02  
 0.5895816E 03 -0.37462116E 02 0.93026183E 02 -0.78359595E 02 -0.12397149E 03 0.99363158E 02 0.14298284E 03  
 0.67019130E 04 0.6850331E 04 0.12581716E 04 -0.71127150E 01 0.96729036E 02 0.72254331E 02 0.52459944E 02  
 0.80288547E 02 -0.13325235E 04 -0.13325235E 04 -0.13325235E 04 -0.13325235E 04 -0.13325235E 04 -0.13325235E 04

I = 17

0.53268015E 01 0.15636683E 02 0.42378282E 01 0.69760646E 02 0.11936519E 01 0.93313035E 01 -0.74964552E 01  
 0.11290026E 03 -0.46895826E 02 -0.15691138E 02 0.76920687E 01 0.25442918E 01 -0.13774907E 03 0.57290872E 01  
 0.59046540E 01 0.12581716E 04 0.65002553E 04 -0.64005311E 01 0.38749215E 01 0.31697176E 02 0.16711470E 02  
 0.48897582E 02 -0.38993817E 03 -0.38993817E 03 -0.38993817E 03 -0.38993817E 03 -0.38993817E 03 -0.38993817E 03

I = 18

0.17059138E 03 -0.22951845E 02 0.11237407E-00 0.90371685E 01 0.24546760E 02 0.98243045E 01 0.87840212E 01  
 -0.10599880E 03 0.15339231E 02 -0.26197118E 02 0.11511381E 02 0.18669979E-00 -0.80405509E 01 -0.26310520E 01  
 -0.88635211E 01 -0.71127136E 01 -0.64005285E 01 0.2074540E 04 0.37039708E 02 -0.31314250E 02 -0.21468759E 02  
 -0.19542032E 02 0.88560266E 02 0.88560266E 02 0.88560266E 02 0.88560266E 02 0.88560266E 02 0.88560266E 02

I = 19

|                |                 |                 |                 |                 |                 |                 |
|----------------|-----------------|-----------------|-----------------|-----------------|-----------------|-----------------|
| 0.14501333E 03 | 0.21977580E 03  | 0.36304260E 01  | -0.34086594E 02 | -0.12059745E 03 | -0.14388292E 03 | -0.80387998E 00 |
| 0.35277320E 03 | -0.20723024E 03 | 0.24628033E 03  | 0.20302879E 01  | -0.29923598E 02 | 0.54511877E 01  | 0.23979422E 02  |
| 0.98075682E 02 | 0.96729040E 02  | 0.38749220E 01  | -0.37039708E 02 | 0.12997816E 05  | 0.12728561E 05  | 0.31287453E 03  |
| 0.36829160E 03 | -0.27762006E 04 | -0.27762006E 04 | -0.27762006E 04 | -0.27762006E 04 |                 |                 |

I = 20

|                |                 |                 |                 |                 |                 |                |
|----------------|-----------------|-----------------|-----------------|-----------------|-----------------|----------------|
| 0.15579016E 03 | 0.20645026E 03  | -0.25075697E 01 | -0.14867859E 02 | -0.96443412E 02 | -0.13314836E 03 | 0.79393373E 01 |
| 0.35403603E 03 | -0.19596547E 03 | 0.11513596E 03  | 0.25397360E 02  | -0.26765461E 01 | -0.74066906E 01 | 0.54356044E 01 |
| 0.86570227E 02 | 0.72254317E 02  | 0.31697190E 02  | -0.31814248E 02 | 0.12728561E 05  | 0.13018091E 05  | 0.23643190E 03 |
| 0.47932041E 03 | -0.27586938E 04 | -0.27586938E 04 | -0.27586938E 04 | -0.27586938E 04 |                 |                |

I = 21

|                |                 |                 |                 |                 |                 |                 |
|----------------|-----------------|-----------------|-----------------|-----------------|-----------------|-----------------|
| 0.15721428E 03 | 0.12614887E 03  | -0.67005243E 00 | 0.34078643E 01  | -0.81897181E 02 | -0.83004906E 02 | -0.13649762E 02 |
| 0.13383565E 03 | -0.11723443E 02 | -0.27924629E 02 | 0.10256058E 01  | 0.81650282E 01  | 0.16663194E 02  | 0.22122717E 02  |
| 0.69722579E 02 | 0.52459944E 02  | 0.16711472E 02  | -0.21468759E 02 | 0.31287456E 03  | 0.23643189E 03  | 0.70180888E 04  |
| 0.70962592E 04 | 0.37029185E 04  | 0.37029185E 04  | 0.37029185E 04  | 0.37029185E 04  |                 |                 |

I = 22

|                |                 |                 |                 |                 |                 |                 |
|----------------|-----------------|-----------------|-----------------|-----------------|-----------------|-----------------|
| 0.17367976E 03 | 0.10109140E 03  | -0.92143767E 01 | -0.16588874E 02 | -0.64285436E 02 | -0.63296819E 02 | -0.58753723E 01 |
| 0.18661436E 03 | -0.77609004E 02 | -0.10018650E 03 | 0.13667558E 02  | 0.53445018E 02  | 0.47866449E 02  | 0.30710252E 02  |
| 0.73594681E 02 | 0.80288544E 02  | 0.48897576E 02  | -0.19542032E 02 | 0.36829160E 03  | 0.47932041E 03  | 0.70962592E 04  |
| 0.73627633E 04 | 0.37959825E 04  | 0.37959825E 04  | 0.37959825E 04  | 0.37959825E 04  |                 |                 |

I = 23

|                 |                 |                 |                 |                 |                 |                |
|-----------------|-----------------|-----------------|-----------------|-----------------|-----------------|----------------|
| -0.66918734E-01 | -0.12345322E 04 | 0.11627404E 02  | 0.48730279E 03  | 0.18561742E 04  | 0.18449245E 04  | 0.28151522E 03 |
| 0.25293694E 04  | 0.27163713E 04  | 0.22359040E 03  | -0.43049505E 02 | 0.42907456E 03  | 0.64603806E 03  | 0.50762659E 03 |
| -0.12792058E 04 | -0.13325235E 04 | -0.38993817E 03 | 0.88560266E 02  | -0.27762006E 04 | -0.27586938E 04 | 0.37029185E 04 |
| 0.37959825E 04  | 0.34682000E 05  | 0.34682000E 05  | 0.34682000E 05  | 0.34682000E 05  |                 |                |

I = 24

|                 |                 |                 |                 |                 |                 |                |
|-----------------|-----------------|-----------------|-----------------|-----------------|-----------------|----------------|
| -0.66918734E-01 | -0.12345322E 04 | 0.11627404E 02  | 0.48730279E 03  | 0.18561742E 04  | 0.18449245E 04  | 0.28151522E 03 |
| 0.25293694E 04  | 0.27163713E 04  | 0.22359040E 03  | -0.43049505E 02 | 0.42907456E 03  | 0.64603806E 03  | 0.50762659E 03 |
| -0.12792058E 04 | -0.13325235E 04 | -0.38993817E 03 | 0.88560266E 02  | -0.27762006E 04 | -0.27586938E 04 | 0.37029185E 04 |
| 0.37959825E 04  | 0.34682000E 05  | 0.34682000E 05  | 0.34682000E 05  | 0.34682000E 05  |                 |                |

I = 25

|                 |                 |                 |                 |                 |                 |                |
|-----------------|-----------------|-----------------|-----------------|-----------------|-----------------|----------------|
| -0.66918734E-01 | -0.12345322E 04 | 0.11627404E 02  | 0.48730279E 03  | 0.18561742E 04  | 0.18449245E 04  | 0.28151522E 03 |
| 0.25293694E 04  | 0.27163713E 04  | 0.22359040E 03  | -0.43049505E 02 | 0.42907456E 03  | 0.64603806E 03  | 0.50762659E 03 |
| -0.12792058E 04 | -0.13325235E 04 | -0.38993817E 03 | 0.88560266E 02  | -0.27762006E 04 | -0.27586938E 04 | 0.37029185E 04 |
| 0.37959825E 04  | 0.34682000E 05  | 0.34682000E 05  | 0.34682000E 05  | 0.34682000E 05  |                 |                |

I = 26

|                 |                 |                 |                 |                 |                 |                |
|-----------------|-----------------|-----------------|-----------------|-----------------|-----------------|----------------|
| -0.66918734E-01 | -0.12345322E 04 | 0.11627404E 02  | 0.48730279E 03  | 0.18561742E 04  | 0.18449245E 04  | 0.28151522E 03 |
| 0.25293694E 04  | 0.27163713E 04  | 0.22359040E 03  | -0.43049505E 02 | 0.42907456E 03  | 0.64603806E 03  | 0.50762659E 03 |
| -0.12792058E 04 | -0.13325235E 04 | -0.38993817E 03 | 0.88560266E 02  | -0.27762006E 04 | -0.27586938E 04 | 0.37029185E 04 |
| 0.37959825E 04  | 0.34682000E 05  | 0.34682000E 05  | 0.34682000E 05  | 0.34682000E 05  |                 |                |



I = 1 GENERALIZED MASS SA-5 RUN #2

|                 |                 |                 |                 |                 |                 |                 |
|-----------------|-----------------|-----------------|-----------------|-----------------|-----------------|-----------------|
| 0.1569343E 05   | 0.49408409E 03  | -0.32306118E 01 | -0.22287364E-00 | 0.34232169E 01  | -0.40424382E 02 | 0.12959402E 02  |
| -0.19684910E 01 | -0.77925944E 01 | 0.37792429E 01  | -0.25092584E 02 | -0.27959891E 02 | 0.17487597E 02  | -0.29470894E 01 |
| 0.17749221E 02  | 0.76646360E 01  | -0.65182885E 00 | -0.53783266E 02 | -0.33095010E 02 | -0.19991256E 02 | 0.69499733E 01  |
| 0.22589288E 02  | 0.25332148E 02  | 0.11745698E 04  |                 |                 |                 |                 |

I = 2

|                 |                 |                 |                 |                 |                 |                |
|-----------------|-----------------|-----------------|-----------------|-----------------|-----------------|----------------|
| 0.49408410E 03  | 0.15304677E 05  | -0.19314194E 02 | 0.28264826E 01  | 0.10221989E 02  | -0.92631832E 02 | 0.29702865E 02 |
| -0.88812090E 02 | -0.93973954E 02 | 0.45027803E 01  | -0.10100001E 02 | -0.56184401E 01 | 0.15337483E 02  | 0.51225571E 02 |
| 0.28338256E 02  | 0.11760913E 02  | 0.12635829E 03  | 0.16878407E 03  | 0.22248086E 03  | 0.25997996E 02  | 0.89200810E 02 |
| -0.75999632E 02 | 0.23988978E 03  | -0.72184131E-01 |                 |                 |                 |                |

I = 3

|                 |                 |                 |                 |                 |                 |                 |
|-----------------|-----------------|-----------------|-----------------|-----------------|-----------------|-----------------|
| 0.32306146E 01  | -0.19314194E 02 | 0.66265965E 04  | 0.68795414E 04  | 0.86596812E 01  | 0.65059615E 02  | 0.16796982E 02  |
| 0.25612143E 02  | 0.24248664E 02  | -0.30251572E 02 | -0.21436011E 01 | -0.21869914E-00 | -0.72258025E 01 | -0.10898390E 02 |
| -0.40775041E 01 | -0.10763949E-00 | -0.26547716E 02 | 0.15499891E 02  | -0.15996901E 02 | 0.16532832E 02  | -0.26785283E 02 |
| -0.16593070E 02 | -0.50530178E 02 | -0.19418287E 04 |                 |                 |                 |                 |

I = 4

|                 |                |                 |                 |                |                 |                |
|-----------------|----------------|-----------------|-----------------|----------------|-----------------|----------------|
| -0.2228739E-00  | 0.28264830E 01 | 0.68795414E 04  | 0.72207041E 04  | 0.94369817E 02 | -0.46570741E 02 | 0.33039139E 03 |
| 0.57924454E 02  | 0.70523315E 02 | 0.10833503E 03  | -0.14945123E 03 | 0.48452795E 02 | -0.30509640E 03 | 0.62056633E 02 |
| 0.23260771E 02  | 0.16704063E 03 | -0.75285549E 01 | 0.38493227E 02  | 0.71699110E 02 | -0.28463043E 02 | 0.32618275E 02 |
| -0.48978603E 02 | 0.29647222E 03 | -0.20260468E 04 |                 |                |                 |                |

I = 5

|                 |                |                |                 |                |                 |                |
|-----------------|----------------|----------------|-----------------|----------------|-----------------|----------------|
| 0.34232173E 01  | 0.10221987E 02 | 0.86596816E 01 | 0.54369817E 02  | 0.41792563E 04 | 0.34605569E 04  | 0.60783575E 03 |
| 0.22232029E 03  | 0.24443617E 03 | 0.29058408E 03 | -0.27032206E 03 | 0.88136375E 02 | -0.55219741E 03 | 0.11021663E 03 |
| 0.39970402E 02  | 0.26760203E 03 | 0.35233784E 02 | 0.43277851E 02  | 0.15275969E 03 | -0.76414578E 02 | 0.10907772E 03 |
| -0.41760287E 02 | 0.55517358E 03 | 0.21321301E 04 |                 |                |                 |                |

I = 6

|                 |                 |                 |                 |                |                 |                 |
|-----------------|-----------------|-----------------|-----------------|----------------|-----------------|-----------------|
| -0.40424382E 02 | -0.92631831E 02 | 0.65059630E 02  | -0.46570741E 02 | 0.34605569E 04 | 0.50887417E 04  | -0.12856507E 04 |
| 0.47033801E 02  | 0.22638445E 03  | -0.2408171E 03  | 0.74075493E 02  | 0.33562608E 02 | -0.10428846E 03 | -0.30746140E 03 |
| -0.26801853E 03 | -0.53086922E 02 | -0.70599356E 03 | 0.82286670E 03  | 0.39577138E 03 | 0.47118148E 03  | -0.16074656E 03 |
| -0.35319958E 03 | -0.18386104E 04 | 0.20315651E 04  |                 |                |                 |                 |

I = 7

|                 |                |                 |                 |                |                 |                |
|-----------------|----------------|-----------------|-----------------|----------------|-----------------|----------------|
| 0.12959400E 02  | 0.29702862E 02 | 0.16796993E 02  | 0.33038159E 03  | 0.60783573E 03 | -0.12856507E 04 | 0.55806247E 04 |
| 0.39326278E 04  | 0.39001724E 04 | 0.16291726E 04  | -0.10347698E 04 | 0.31907796E 03 | -0.21138440E 04 | 0.39651144E 03 |
| 0.14087181E 03  | 0.94402485E 03 | 0.37371841E 02  | 0.17615679E 03  | 0.49156498E 03 | -0.22822382E 03 | 0.31408603E 03 |
| -0.18513289E 03 | 0.18147957E 04 | -0.37700243E 03 |                 |                |                 |                |

I = 8

|                 |                 |                 |                 |                 |                 |                 |
|-----------------|-----------------|-----------------|-----------------|-----------------|-----------------|-----------------|
| -0.19684943E 01 | -0.88812094E 02 | 0.25612143E 02  | 0.67924456E 02  | 0.22232029E 03  | 0.47033804E 02  | 0.39326278E 04  |
| 0.52513661E 04  | 0.50967914E 04  | 0.48539930E 01  | -0.62627405E 01 | -0.52487677E 01 | -0.16343496E 02 | -0.90502857E 02 |
| -0.31493350E 02 | -0.76307621E 00 | -0.17201725E 01 | -0.34026795E 01 | -0.62047672E 01 | -0.20347320E 02 | -0.11617891E 02 |
| 0.96212066E 01  | 0.83337320E 01  | -0.31912320E 03 |                 |                 |                 |                 |

I = 9

|                 |                 |                 |                |                 |                |                 |
|-----------------|-----------------|-----------------|----------------|-----------------|----------------|-----------------|
| -0.77925963E 01 | -0.93973947E 02 | 0.24248661E 02  | 0.70523313E 02 | 0.24443618E 03  | 0.22638445E 03 | 0.39001724E 04  |
| 0.50967914E 04  | 0.53598873E 04  | 0.20084976E 04  | 0.5031927E 02  | -0.10345270E 02 | 0.55778119E 02 | -0.70891102E 02 |
| -0.38989640E 02 | -0.91427888E 01 | -0.11160874E 03 | 0.14414317E 03 | 0.80472413E 04  | 0.55293763E 02 | -0.14999438E 02 |
| -0.60542659E 02 | -0.28065610E 03 | -0.30158332E 03 |                |                 |                |                 |

I = 10

0.37792423E 01 0.45027811E 01 -0.30251572E 02 -0.10863502E 03 0.29058409E 03 -0.24087171E 03 0.16291726E 04  
 0.46540490E 01 0.20084976E 04 0.11010557E 05 -0.51621532E 01 -0.23157985E 02 0.30900946E 02 0.14993422E 03  
 0.33569779E 02 0.80512626E 01 0.35959999E 02 0.85634733E 02 -0.10416245E 03 -0.10230082E 02 0.70294475E 01  
 0.33101527E 02 0.15585284E 03 -0.67125873E 02

I = 11

-0.25092588E 02 -0.10100066E 02 -0.21435878E 01 -0.14945123E 03 -0.27033208E 03 0.74075478E 02 -0.10347698E 04  
 0.62627597E 01 0.50631929E 02 0.51621570E 01 0.77738447E 04 0.64308178E 04 -0.56544866E 01 0.12458526E 02  
 0.62689917E 01 0.21032068E 01 0.78114098E 02 0.12999010E 02 -0.36526989E 02 0.25566707E 02 -0.44287036E 02  
 -0.38026221E 02 -0.15807737E 02 0.64341943E 03

I = 12

-0.27959898E 02 -0.56184386E 01 -0.21867900E-00 0.48452795E 02 0.88136375E 02 0.33562604E 02 0.31907797E 03  
 -0.52487706E 01 -0.10345266E 02 -0.28158000E 02 -0.64308179E 04 0.73531158E 04 -0.40648787E 04 0.60993609E 02  
 0.17172626E 02 0.98345205E 02 -0.87789125E 02 0.35656808E 02 0.14913848E 02 0.85193595E 01 -0.20790368E 02  
 -0.44527002E 02 0.65537582E 02 0.69665928E 03

I = 13

0.17487001E 02 0.15337475E 02 -0.72258027E 01 -0.30509640E 03 -0.55219741E 03 -0.10428846E 03 -0.21138441E 04  
 -0.15343504E 02 0.55778124E 02 0.30900949E 02 -0.56544942E 01 -0.40648787E 04 0.81575222E 04 0.33152118E 02  
 0.14783032E 02 0.25826886E 01 0.30441377E 03 -0.13788709E 02 0.71423312E 01 -0.14607717E 02 0.27690476E 02  
 -0.94976205E 01 0.17056222E 03 -0.33205346E 03

I = 14

-0.29470862E 01 0.51225574E 02 -0.10898388E 02 -0.62056638E 02 0.11021663E 03 -0.30746140E 03 0.39651114E 03  
 -0.90502858E 02 -0.70891102E 02 0.14993422E 03 0.12458533E 02 0.60993605E 02 0.33152110E 02 0.68306148E 04  
 0.16432592E 03 0.11979479E 02 -0.13334960E 03 -0.30006784E 02 -0.14995926E 03 0.53954196E 02 0.18582483E 01  
 0.53809325E 02 -0.14689910E 01 -0.34180245E 03

I = 15

0.17749216E 02 0.28838259E 02 -0.40775106E 01 0.23260766E 02 0.39970402E 02 -0.26801853E 03 0.14087181E 03  
 -0.31493493E 02 -0.38989642E 02 0.83568776E 02 0.62690066E 01 0.17172876E 02 0.14783037E 02 0.16432592E 03  
 0.64902077E 04 0.42907638E 01 0.25317054E 02 -0.29703357E 02 -0.32889438E 02 -0.61959627E 01 0.56764025E 02  
 0.53790863E 02 0.98729826E 02 0.99398676E 03

I = 16

0.76646360E 01 0.11760913E 02 -0.10763851E-00 0.16704064E 03 0.26760202E 03 -0.53086929E 02 0.94402484E 03  
 -0.75307089E 00 -0.91427874E 01 0.80512628E 01 0.21032069E 01 0.98345205E 02 0.25826894E 01 0.11979477E 02  
 0.42907633E 01 0.20835540E 04 -0.18937299E 04 -0.20208570E 01 0.10242566E 02 -0.76976155E 01 0.16046043E 02  
 -0.56507099E 02 -0.29299192E 03 0.26153708E 02

I = 17

-0.65182624E 00 0.12635829E 03 -0.26547720E 02 -0.75285587E 01 0.35233790E 02 0.70599356E 03 0.37371840E 02  
 -0.17201729E 01 -0.11160874E 03 0.35960000E 02 0.78114098E 02 -0.87789135E 02 0.30441377E 03 -0.13334959E 03  
 0.25317051E 02 -0.18937299E 04 0.31237695E 04 0.21169847E 04 0.23297861E 04 -0.11774337E 03 0.37919193E 03  
 -0.29271048E 03 0.23009498E 04 -0.12477507E 03

I = 18

-0.53783259E 02 0.16878407E 03 0.15499890E 02 0.38493231E 02 0.43277853E 02 0.82286672E 03 0.17615680E 03  
 -0.34026727E 01 0.14414318E 03 -0.66347337E 02 0.12999576E 02 0.35856871E 02 -0.13788709E 02 -0.30006780E 02  
 -0.29703360E 02 0.20208500E 01 0.21169847E 04 -0.14120530E 05 0.13109936E 05 0.30746177E 03 -0.26103850E 03  
 -0.45034545E 03 -0.12972880E 04 -0.97057477E 03

I = 19

-0.33095016E 02 0.22248086E 03 -0.15996904E 02 -0.71699112E 02 0.15275969E 03 0.39577138E 03 0.49156498E 03  
 -0.62047656E 01 0.80472413E 02 -0.10416245E 03 -0.36526993E 02 0.14913864E 02 0.71423294E 01 -0.14995926E 03  
 -0.32889440E 02 0.10242566E 02 0.23297861E 04 0.13109936E 05 0.12774201E 05 0.82082953E 02 -0.40791449E 02  
 -0.34895047E 03 -0.42849746E 03 -0.92288813E 03 -0.92288813E 03 -0.92288813E 03 -0.92288813E 03 -0.92288813E 03

I = 20

-0.19991253E 02 0.2599796E 02 0.16532838E 02 0.16532838E 02 -0.76414570E 02 0.47118149E 03 -0.22822382E 03  
 -0.20347319E 02 0.86293764E 02 -0.10230080E 02 -0.10230080E 02 -0.10416245E 03 0.14913864E 02 0.53954189E 02  
 -0.61959605E 01 -0.76976153E 01 0.16046041E 02 0.37919193E 03 -0.44287031E 02 -0.20790359E 02 0.18582445E 01  
 -0.59615929E 04 -0.96013698E 03 0.41965200E 04 0.41965200E 04 -0.30746774E 03 0.82082933E 02 0.62815432E 04

I = 21

0.69499732E 01 0.89200812E 02 0.26785275E 02 0.26785275E 02 0.10907772E 03 -0.16074657E 03 0.31408603E 03  
 -0.11617888E 02 -0.14999139E 02 0.70294479E 01 0.70294479E 01 -0.44287031E 02 -0.20790359E 02 0.18582445E 01  
 0.56764042E 02 0.16046041E 02 0.37919193E 03 0.37919193E 03 -0.26103850E 03 -0.40791450E 02 0.71000114E 04  
 -0.63393404E 04 0.24772056E 03 0.46601874E 04 0.46601874E 04 -0.48978607E 02 -0.41760290E 02 -0.63393404E 04

I = 22

0.22589285E 02 0.75999632E 02 0.16593067E 02 0.16593067E 02 -0.48978607E 02 -0.41760290E 02 -0.18513289E 03  
 0.96212039E 01 -0.60542662E 02 0.33101569E 02 0.33101569E 02 -0.38026217E 02 -0.44527669E 02 0.53809326E 02  
 0.5379080E 02 -0.5650711E 02 0.29271048E 03 0.29271048E 03 -0.45034546E 03 -0.34895047E 03 -0.63393404E 04  
 0.63741502E 04 0.70867930E 02 0.70867930E 02 -0.42232643E 04 -0.42232643E 04 -0.42232643E 04 -0.42232643E 04

I = 23

0.25332150E 02 0.23988978E 03 0.50530178E 02 0.50530178E 02 0.29647222E 03 0.55517358E 03 0.18147957E 04  
 0.83337328E 01 -0.28063610E 03 0.15585284E 03 0.15585284E 03 -0.15807743E 02 0.65537566E 02 -0.14689919E 01  
 0.98729824E 02 -0.29299191E 03 0.23009498E 04 0.23009498E 04 -0.12972880E 04 -0.42849746E 03 0.24772055E 03  
 0.70867932E 02 0.523336156E 04 0.523336156E 04 -0.72826683E 03 -0.72826683E 03 -0.72826683E 03 -0.72826683E 03

I = 24

0.11745696E 04 0.72184131E-01 0.19418287E 04 0.19418287E 04 -0.20260468E 04 0.21321301E 04 0.37700243E 03  
 -0.31912520E 03 -0.30158332E 03 0.67125873E 02 -0.67125873E 02 0.64341943E 03 0.69665928E 03 -0.34180245E 03  
 0.99398676E 03 0.26153708E 02 -0.12477507E 03 -0.12477507E 03 -0.97057477E 03 -0.92288813E 03 0.46601874E 04  
 -0.42232643E 04 -0.72826683E 03 0.34682000E 05 0.34682000E 05 -0.20260468E 04 0.21321301E 04 -0.37700243E 03

I = 1 GENERALIZED MASS SA-5 RUN #3

J.1657342E 05 0.11634656E 02 -C.55990305E 01 -C.537333131E 02 -0.54885776E 01  
 -0.14734756E 02 0.32259573E 02 0.32852378E 02 0.61783505E 01 -0.58947988E 02 0.54693657E 02  
 -0.67287699E 03 0.25313058E 02 -0.23911364E 01 0.78851399E 01 0.15556655E 01 -0.111433310E 01 -0.51230242E 04  
 0.56113528E 01 -0.25451850E 01 0.55378442E 01

I = 2

U.11634656E 02 J.14577947E 05 -C.80759465E 02 -C.44459972E 03 0.49757145E 03 -0.62271028E 03 -0.94925001E 02  
 -J.22118713E 03 0.25479149E 03 0.26476175E 03 0.51163902E 02 0.29232416E 03 -0.64379878E 03 0.71881881E 03  
 -0.75523186E 01 0.28269211E 03 -0.26524724E 02 0.53196471E 02 0.22488447E 02 -0.25974349E 01 -0.53359273E 02  
 0.58529114E 02 -0.21042462E 02 0.58485604E 02

I = 3

-0.55990259E 01 -0.80759469E 02 0.79869255E 04 0.22101918E 03 0.98497736E 03 0.10130417E 04 0.16731018E 04  
 0.52249027E 03 0.22214674E 03 0.95660845E 02 0.44470593E 03 0.47129631E 02 -0.64351089E 01 0.16319257E 02  
 -0.93446087E 03 0.67286093E 01 0.11298466E 01 -0.32053281E 02 0.13404095E 02 -0.15683509E 01 0.32169903E 01  
 0.46487454E-00 0.26601291E 01 -0.18573635E 01

I = 4

-0.39350151E 02 -0.44459972E 03 0.22101917E 03 0.62869418E 04 0.58788954E 04 0.54940066E 04 -0.13253119E 04  
 -0.13560718E 03 -0.45237409E 03 -0.28781737E 01 -0.95427747E 02 0.92262889E 01 -0.10563309E 01 0.21251964E 03  
 -0.14934223E 01 0.10358755E 03 -0.82433633E 01 0.68509914E 00 0.13404095E 02 0.60376057E 02 -0.69084151E 00  
 -0.20321605E 02 0.39792851E 02 -0.12703340E 02

I = 5

-0.42765267E 02 -0.49757145E 03 0.98497733E 03 0.58788954E 04 0.67447565E 04 0.66234078E 04 0.88095102E 03  
 0.20498794E 04 -0.26741347E 02 -0.31069575E 03 0.24472407E 03 0.70028090E 03 -0.24215456E 03 0.47940034E 03  
 -0.14555517E 02 0.21220915E 03 0.12476108E 02 -0.11227810E 03 0.24696240E 02 0.13804457E 03 -0.37832586E 02  
 -0.95705248E 02 0.18379848E 03 0.16574881E 03

I = 6

-0.537333135E 02 -0.62271028E 03 0.10130417E 04 0.54940066E 04 0.66234078E 04 0.70487531E 04 0.12897495E 04  
 0.32444655E 04 -0.77147784E 02 -0.56489779E 03 0.80709037E 02 0.71035515E 03 0.40111231E 03 -0.64287283E 03  
 0.32530765E 01 -0.26628422E 03 0.27980783E 02 0.15181184E 03 0.36511361E 02 -0.27051161E 02 0.17017511E 02  
 -0.82698458E 02 0.21659067E 02 -0.89771345E 02

I = 7

-0.54885776E 01 -0.94925003E 02 0.16731018E 04 0.88095101E 03 0.8055101E 03 0.12897495E 04 0.65603679E 04  
 0.14949746E 04 0.70498793E 03 0.98695701E 02 0.90478642E 03 0.68673195E 02 -0.16380784E 02 -0.12673023E 03  
 -0.43287504E 01 -0.63093370E 02 0.13678913E 02 -0.62649605E 02 0.18947922E 03 -0.28743436E 02 0.49447970E 01  
 0.20538355E 01 -0.38535241E 01 -0.16524353E 02

I = 8

-0.14734760E 02 -0.22218713E 03 0.52249029E 05 0.13560718E 03 0.20498794E 04 0.32444655E 04 0.14949746E 04  
 0.72687735E 04 0.18139356E 04 -0.60211926E 02 0.30501764E 03 0.38859469E 02 0.35870656E 01 -0.53796019E 03  
 -0.26580770E 01 -0.26076373E 03 0.20365226E 02 0.32851843E 01 -0.18928162E 02 -0.14923958E 03 -0.56409385E 00  
 0.49216375E 02 -0.98303312E 02 0.30563553E 02

I = 9

0.32259573E 02 0.25479149E 03 0.22214674E 03 -0.45237409E 03 -0.26741355E 02 -0.77147788E 02 0.70498703E 03  
 0.18139356E 04 0.44622123E 04 0.44312112E 04 0.59334895E 03 0.69391464E 03 -0.36503342E 03 0.60204701E 03  
 -0.62708423E 01 0.24962328E 03 -0.24022978E 02 -0.14723886E 03 0.75923060E-02 0.23781246E 02 -0.13652176E 02  
 0.75613475E 02 -0.16588975E 02 0.76234144E 02

I = 10

J.32852379E 02 0.26476175E 03 0.95660848E 02 -0.28781693E 01 -0.31069575E 03 -0.56489779E 03 0.98695694E 02  
 -0.60211918E 02 0.44312113E 04 0.51070594E 04 0.45492308E 03 0.72585288E 00 -0.30943980E 01 0.25794728E 03  
 0.84013291E 03 0.12372782E 03 -0.98137117E 01 -0.15907813E 02 0.19541515E 02 0.59575634E 02 -0.14218888E-00  
 -0.16875683E 02 0.37798540E 02 -0.98787246E 01

I = 11

0.61783510E 01 0.51163902E 02 0.44470592E 03 -0.55427749E 02 0.24472407E 03 0.80799037E 02 0.90478643E 03  
 0.30501764E 03 0.99334895E 03 0.45492308E 03 0.10217889E 05 -0.17212068E 03 0.20601840E 02 0.87594507E 02  
 -0.75580746E 00 0.44520240E 02 -0.12651350E 02 0.52773696E 02 -0.14950815E 03 0.12097342E 02 -0.34134577E 01  
 0.19156390E 02 -0.85560434E 01 0.29043009E 02

I = 12

0.25468984E 02 0.29232416E 03 0.47129633E 02 -0.92262877E 01 0.70028090E 03 -0.71039515E 03 0.68673193E 02  
 -0.38859451E 02 0.69391464E 03 0.72586540E 00 -0.17212071E 03 0.81274130E 04 0.35288578E 01 0.23556738E 04  
 0.57210118E 00 0.10827108E 04 -0.70993605E 02 -0.21706623E 01 0.92340789E 01 0.38166221E 03 0.52507941E-01  
 0.17463390E 03 0.23398800E 03 0.83670076E 02

I = 13

-0.58847991E 02 -0.64379878E 03 -0.64351112E 01 -0.10563342E 01 -0.24215456E 03 0.40111231E 03 -0.16380785E 02  
 0.35870657E 01 -0.36503343E 03 -0.3094402E 01 0.20601825E 02 0.35288548E 01 0.80610215E 04 -0.75666466E 04  
 -0.55978048E 00 -0.27678578E 04 0.99783105E 02 0.51770140E 01 -0.19158234E 02 -0.42154525E 03 -0.71421137E 00  
 -0.11483251E 03 -0.25157604E 03 -0.54534917E 02

I = 14

0.64693858E 02 0.71881881E 03 0.16319254E 02 0.21251964E 03 0.47940035E 03 -0.64287284E 03 -0.12673022E 03  
 -0.53796020E 03 0.60204702E 03 0.25794728E 03 0.87594514E 02 0.23556738E 04 -0.75666466E 04 0.80566063E 04  
 0.57672447E 03 0.25052559E 04 -0.51028621E 02 0.11465506E 04 0.11668640E 03 0.72050142E 03 0.77987526E 02  
 -0.16241565E 03 0.59899627E 03 -0.29927687E 03

I = 15

-0.67287542E 00 -0.75523206E 01 -0.93446188E 00 -0.14934228E 01 -0.14555515E 02 0.32530771E 01 -0.43287503E 01  
 -0.26580766E 01 -0.62708424E 01 0.84013376E 00 0.75580784E 00 0.57209384E 00 -0.55977237E 00 0.57672448E 03  
 0.89579785E 04 -0.82551241E 04 0.51195822E 01 -0.70372760E 00 0.47273235E 01 -0.50405107E 02 0.33081669E-00  
 0.30369244E 02 -0.56308994E 02 0.36653325E 02

I = 16

0.25312061E 02 0.28269210E 03 0.67286088E 01 0.10358755E 03 0.21220914E 03 -0.26628424E 03 -0.63093365E 02  
 -0.26076373E 03 0.24962328E 03 0.12372782E 03 0.44520242E 02 0.10827108E 04 -0.27678578E 04 0.25052559E 04  
 -0.82551241E 04 0.87685917E 04 -0.14342160E 02 0.64011978E 03 0.54291269E 02 0.35421445E 03 0.40824426E 02  
 -0.13563799E 03 0.32537393E 03 -0.19941498E 03

I = 17

-0.23911391E 01 -0.26524726E 02 0.11298490E 01 -0.82433364E 01 0.12476108E 02 0.27983784E 02 0.13678914E 02  
 0.20365223E 02 -0.24029778E 02 -0.98137117E 01 -0.12651348E 02 -0.70993599E 02 0.99783105E 02 -0.51028628E 02  
 0.51195860E 01 -0.14342173E 02 0.75512064E 04 -0.43086598E 03 -0.34025926E 02 0.12414563E 03 -0.98451975E 01  
 -0.12053025E 03 0.17438439E 03 -0.13446903E 03

I = 18

0.78851407E 01 0.93196474E 02 -0.32053284E 02 -0.68509732E 00 -0.11227810E 03 0.15181184E 03 -0.62649610E 02  
 0.32851843E 01 -0.14723887E 03 -0.15907816E 02 0.52773697E 02 -0.21706629E 01 0.51770595E 01 0.11465676E 04  
 -0.75374020E 00 0.64011980E 03 -0.43086598E 03 0.11927527E 05 -0.65654283E 02 -0.63232847E 03 -0.24239384E 01  
 -0.18011738E 03 -0.43854916E 03 -0.76935598E 02

I = 1  
 0.10551579E 01 0.22488448E 02 0.10799270E 03 0.13404092E 02 0.24656244E 02 0.36511362E 02 0.18947738E 03  
 0.18925158E 02 0.75848255E-02 0.19541515E 02 0.14950816E 03 0.92340904E 01 -0.19158226E 02 0.11668545E 03  
 0.47273158E 01 0.54291254E 02 0.34025926E 02 -0.63654239E 02 0.12575386E 05 -0.21798865E 03 0.14249997E 02  
 0.10200611E 03 -0.15571102E 03 0.10487216E 03 0.60376054E 02 0.13804457E 03 -0.27051162E 02 -0.28743439E 02  
 I = 20  
 -0.11143325E 01 -0.25974055E 01 0.15683521E 01 0.60376054E 02 0.13804457E 03 -0.27051162E 02 -0.28743439E 02  
 -0.14923958E 03 0.23761246E 02 0.59575632E 02 0.12097338E 02 0.38166221E 03 -0.42154524E 03 0.72050140E 03  
 -0.50405151E 02 0.35421442E 03 0.12414560E 03 -0.63232846E 03 -0.21798865E 03 0.22944823E 05 0.24143443E 05  
 -0.21345913E 05 0.95948835E 03 -0.13941026E 04 -0.13941026E 04 -0.13941026E 04 -0.13941026E 04 -0.13941026E 04

I = 21  
 -0.51230241E 01 -0.53359271E 02 0.32169914E 01 0.69083858E 00 0.37832581E 02 0.17017512E 02 0.49447977E 01  
 -0.56409254E 00 -0.13652175E 02 -0.14219365E-00 -0.34134573E 01 0.52511815E-01 -0.71420850E 00 0.77987517E 02  
 0.33080526E-00 0.40824410E 02 -0.98451796E 01 -0.24239423E 01 0.14249966E 02 0.24143442E 05 0.26231031E 05  
 -0.22361479E 05 -0.14484137E 03 -0.24880251E 05 -0.24880251E 05 -0.24880251E 05 -0.24880251E 05 -0.24880251E 05

I = 22  
 0.56113556E 01 0.58529113E 02 0.46487500E-00 0.20321605E 02 0.95705251E 02 -0.82698460E 02 0.20538379E 01  
 0.49216376E 02 0.75613470E 02 -0.16875681E 02 0.19156390E 02 0.17463390E 03 -0.11483251E 03 -0.16241562E 03  
 0.30369282E 02 -0.13563799E 03 -0.12053026E 03 -0.18011739E 03 0.10200612E 03 -0.21345913E 05 -0.22361479E 05  
 0.20101911E 05 -0.66835336E 03 0.12119466E 04 0.26601296E 01 0.39792848E 02 0.21659064E 02 -0.38535254E 01  
 -0.25451855E 01 -0.21042461E 02 0.26601296E 01 0.39792848E 02 0.21659064E 02 -0.38535254E 01 -0.38535254E 01  
 -0.98303308E 02 -0.16588980E 02 0.37798542E 02 0.855560460E 01 0.23358801E 03 -0.25157604E 03 0.59899628E 03  
 -0.56308991E 02 0.32537392E 03 0.17438439E 03 -0.33854914E 03 -0.15571102E 03 0.95948830E 03 -0.14484140E 03  
 -0.66835336E 03 0.50591429E 04 -0.50466173E 04 -0.50466173E 04 -0.50466173E 04 -0.50466173E 04 -0.50466173E 04

I = 23  
 0.55376447E 01 0.58485601E 02 -0.18573038E 01 -0.12703338E 02 -0.16574881E 03 -0.89771345E 02 -0.16524351E 02  
 0.30563555E 02 0.76234142E 02 -0.98787244E 01 0.29043008E 02 0.83670081E 02 -0.54534917E 02 -0.29327687E 03  
 0.36653335E 02 -0.19941497E 03 -0.13446902E 03 -0.76935988E 02 0.10487216E 03 -0.13941027E 04 -0.24880247E 03  
 0.12119466E 04 -0.50466172E 04 0.51301295E 04 -0.51301295E 04 -0.51301295E 04 -0.51301295E 04 -0.51301295E 04

I = 24

I = 1 GENERALIZED MASS SA-8 RUN #1

|                 |                 |                 |                 |                 |                 |                 |
|-----------------|-----------------|-----------------|-----------------|-----------------|-----------------|-----------------|
| 0.14019132E 05  | -0.38877776E 03 | -0.68963010E 02 | 0.71012337E 02  | 0.59850177E 02  | -0.17148605E 02 | -0.11125981E 03 |
| -0.96699613E 02 | -0.17965721E 02 | 0.14856931E 03  | -0.16812553E 02 | 0.10185279E 03  | -0.62587291E-01 | -0.62587291E-01 |
| -0.62587291E-01 | -0.62587291E-01 | -0.62587291E-01 | -0.62587291E-01 | -0.62587291E-01 | -0.62587291E-01 | -0.62587291E-01 |
| -0.62587291E-01 |                 |                 |                 |                 |                 |                 |

I = 2

|                 |                 |                 |                 |                 |                 |                 |
|-----------------|-----------------|-----------------|-----------------|-----------------|-----------------|-----------------|
| -0.38877776E 03 | 0.13816024E 05  | 0.16171471E 02  | -0.17889456E 02 | -0.16845948E 02 | 0.34046891E 02  | 0.32493833E 02  |
| 0.31401407E 02  | -0.10447155E 02 | 0.18146058E 02  | 0.22513983E 02  | -0.17028518E 03 | -0.10650690E 04 | -0.10650690E 04 |
| -0.10650690E 04 | -0.10650690E 04 | -0.10650690E 04 | -0.10650690E 04 | -0.10650690E 04 | -0.10650690E 04 | -0.10650690E 04 |
| -0.10650690E 04 |                 |                 |                 |                 |                 |                 |

I = 3

|                 |                 |                 |                 |                 |                 |                 |
|-----------------|-----------------|-----------------|-----------------|-----------------|-----------------|-----------------|
| -0.68963005E 02 | 0.16171471E 02  | 0.57846183E 04  | -0.18054502E 04 | -0.10153608E 04 | 0.55332509E 03  | 0.22362179E 04  |
| 0.17901517E 04  | 0.22516657E 03  | -0.17255951E 04 | -0.50395986E 03 | -0.65677500E 03 | -0.34954877E 03 | -0.34954877E 03 |
| -0.34954877E 03 | -0.34954877E 03 | -0.34954877E 03 | -0.34954877E 03 | -0.34954877E 03 | -0.34954877E 03 | -0.34954877E 03 |
| -0.34954877E 03 |                 |                 |                 |                 |                 |                 |

I = 4

|                 |                 |                 |                |                |                |                 |
|-----------------|-----------------|-----------------|----------------|----------------|----------------|-----------------|
| 0.71012337E 02  | -0.17889455E 02 | -0.18054502E 04 | 0.47359359E 04 | 0.46639700E 04 | 0.81622233E 03 | -0.20146809E 04 |
| -0.18422765E 04 | -0.17721964E 03 | 0.18632709E 04  | 0.59941259E 03 | 0.75750058E 03 | 0.22232759E 04 | 0.22232759E 04  |
| 0.22232759E 04  | 0.22232759E 04  | 0.22232759E 04  | 0.22232759E 04 | 0.22232759E 04 | 0.22232759E 04 | 0.22232759E 04  |
| 0.22232759E 04  |                 |                 |                |                |                |                 |

I = 5

|                 |                 |                 |                |                |                |                 |
|-----------------|-----------------|-----------------|----------------|----------------|----------------|-----------------|
| 0.59850179E 02  | -0.16845955E 02 | -0.10153608E 04 | 0.46639701E 04 | 0.47208284E 04 | 0.94201200E 03 | -0.16568641E 04 |
| -0.15689690E 04 | -0.19744030E 03 | 0.14667045E 04  | 0.44101722E 03 | 0.74991465E 03 | 0.23062813E 04 | 0.23062813E 04  |
| 0.23062813E 04  | 0.23062813E 04  | 0.23062813E 04  | 0.23062813E 04 | 0.23062813E 04 | 0.23062813E 04 | 0.23062813E 04  |
| 0.23062813E 04  |                 |                 |                |                |                |                 |

I = 6

|                 |                 |                |                |                 |                |                |
|-----------------|-----------------|----------------|----------------|-----------------|----------------|----------------|
| -0.17148603E 02 | 0.34046891E 02  | 0.55332510E 03 | 0.81622232E 03 | 0.94201200E 03  | 0.31146690E 04 | 0.25655115E 04 |
| 0.24218731E 04  | -0.51246919E 03 | 0.10992078E 04 | 0.55139332E 03 | -0.60624724E 03 | 0.14477815E 04 | 0.14477815E 04 |
| 0.14477815E 04  | 0.14477815E 04  | 0.14477815E 04 | 0.14477815E 04 | 0.14477815E 04  | 0.14477815E 04 | 0.14477815E 04 |
| 0.14477815E 04  |                 |                |                |                 |                |                |

I = 7

|                 |                |                 |                 |                 |                |                |
|-----------------|----------------|-----------------|-----------------|-----------------|----------------|----------------|
| -0.11125982E 03 | 0.32493835E 02 | 0.22362179E 04  | -0.20146809E 04 | -0.16568641E 04 | 0.25655115E 04 | 0.54938108E 04 |
| 0.49709260E 04  | 0.24017078E 03 | -0.28693524E 04 | -0.10144299E 04 | -0.84068310E 03 | 0.82641564E 03 | 0.82641564E 03 |
| 0.82641564E 03  | 0.82641564E 03 | 0.82641564E 03  | 0.82641564E 03  | 0.82641564E 03  | 0.82641564E 03 | 0.82641564E 03 |
| 0.82641564E 03  |                |                 |                 |                 |                |                |

I = 8

|                 |                |                |                 |                 |                |                |
|-----------------|----------------|----------------|-----------------|-----------------|----------------|----------------|
| -0.96699614E 02 | 0.31401401E 02 | 0.17901517E 04 | -0.18422765E 04 | -0.15689690E 04 | 0.24218731E 04 | 0.49709260E 04 |
| 0.45406139E 04  | 0.29522533E 03 | -0.2272253E 04 | -0.73163158E 03 | -0.89997622E 03 | 0.73890257E 03 | 0.73890257E 03 |
| 0.73890257E 03  | 0.73890257E 03 | 0.73890257E 03 | 0.73890257E 03  | 0.73890257E 03  | 0.73890257E 03 | 0.73890257E 03 |
| 0.73890257E 03  |                |                |                 |                 |                |                |

I = 9

|                 |                 |                 |                 |                 |                 |                |
|-----------------|-----------------|-----------------|-----------------|-----------------|-----------------|----------------|
| -0.17965721E 02 | -0.10447153E 02 | 0.22516656E 03  | -0.17721964E 03 | -0.19744030E 03 | -0.51246919E 03 | 0.24017078E 03 |
| 0.29522533E 03  | 0.14076155E 04  | -0.53221020E 03 | -0.28692774E 03 | 0.19427378E 03  | 0.17113215E 03  | 0.17113215E 03 |
| 0.17113215E 03  | 0.17113215E 03  | 0.17113215E 03  | 0.17113215E 03  | 0.17113215E 03  | 0.17113215E 03  | 0.17113215E 03 |
| 0.17113215E 03  |                 |                 |                 |                 |                 |                |

I = 10

0.14856930E 03 0.18146054E 02 -0.17255951E 04 0.18632709E 04 0.14667045E 04 0.10992078E 04 -0.28693523E 04  
-0.2272253E 04 -0.53221020E 03 0.65753273E 04 0.28731773E 04 -0.75226583E 03 -0.21815766E 03  
-0.21815766E 03 -0.21815766E 03 -0.21815766E 03 -0.21815766E 03 -0.21815766E 03 -0.21815766E 03  
-0.21815766E 03

I = 11

0.16812553E 02 0.22513986E 02 -0.50395986E 03 0.59941259E 03 0.44101723E 03 0.55139330E 03 -0.10144299E 04  
-0.73163157E 03 -0.28692774E 03 0.28731773E 04 0.85023813E 04 -0.59935091E 04 0.32659976E 04 0.32659976E 04  
0.32659976E 04 0.32659976E 04 0.32659976E 04 0.32659976E 04 0.32659976E 04 0.32659976E 04

I = 12

0.10185279E 03 -0.17028517E 03 -0.65677500E 03 0.75750058E 03 0.74991465E 03 -0.60624724E 03 -0.84068310E 03  
-0.89997622E 03 0.19427378E 03 -0.75226581E 03 -0.59935091E 04 -0.79948774E 04 0.22350015E 04 0.22350015E 04  
0.22350015E 04 0.22350015E 04 0.22350015E 04 0.22350015E 04 0.22350015E 04 0.22350015E 04

I = 13

0.62587291E-01 -0.10650690E 04 -0.34954877E 03 0.22232759E 04 0.23062813E 04 0.14477815E 04 0.82641564E 03  
0.73890257E 03 0.17113215E 03 -0.21815766E 03 0.32659976E 04 0.22350015E 04 0.34682000E 05 0.34682000E 05  
0.34682000E 05 0.34682000E 05 0.34682000E 05 0.34682000E 05 0.34682000E 05 0.34682000E 05

I = 14

0.62587291E-01 -0.10650690E 04 -0.34954877E 03 0.22232759E 04 0.23062813E 04 0.14477815E 04 0.82641564E 03  
0.73890257E 03 0.17113215E 03 -0.21815766E 03 0.32659976E 04 0.22350015E 04 0.34682000E 05 0.34682000E 05  
0.34682000E 05 0.34682000E 05 0.34682000E 05 0.34682000E 05 0.34682000E 05 0.34682000E 05

I = 15

0.62587291E-01 -0.10650690E 04 -0.34954877E 03 0.22232759E 04 0.23062813E 04 0.14477815E 04 0.82641564E 03  
0.73890257E 03 0.17113215E 03 -0.21815766E 03 0.32659976E 04 0.22350015E 04 0.34682000E 05 0.34682000E 05  
0.34682000E 05 0.34682000E 05 0.34682000E 05 0.34682000E 05 0.34682000E 05 0.34682000E 05

I = 16

0.62587291E-01 -0.10650690E 04 -0.34954877E 03 0.22232759E 04 0.23062813E 04 0.14477815E 04 0.82641564E 03  
0.73890257E 03 0.17113215E 03 -0.21815766E 03 0.32659976E 04 0.22350015E 04 0.34682000E 05 0.34682000E 05  
0.34682000E 05 0.34682000E 05 0.34682000E 05 0.34682000E 05 0.34682000E 05 0.34682000E 05

I = 17

0.62587291E-01 -0.10650690E 04 -0.34954877E 03 0.22232759E 04 0.23062813E 04 0.14477815E 04 0.82641564E 03  
0.73890257E 03 0.17113215E 03 -0.21815766E 03 0.32659976E 04 0.22350015E 04 0.34682000E 05 0.34682000E 05  
0.34682000E 05 0.34682000E 05 0.34682000E 05 0.34682000E 05 0.34682000E 05 0.34682000E 05

I = 18

0.62587291E-01 -0.10650690E 04 -0.34954877E 03 0.22232759E 04 0.23062813E 04 0.14477815E 04 0.82641564E 03  
0.73890257E 03 0.17113215E 03 -0.21815766E 03 0.32659976E 04 0.22350015E 04 0.34682000E 05 0.34682000E 05  
0.34682000E 05 0.34682000E 05 0.34682000E 05 0.34682000E 05 0.34682000E 05 0.34682000E 05



I = 19

|                 |                 |                 |                |                |                |                |
|-----------------|-----------------|-----------------|----------------|----------------|----------------|----------------|
| -0.62587291E-01 | -0.10650690E 04 | -0.34954877E 03 | 0.22232759E 04 | 0.23062813E 04 | 0.14477815E 04 | 0.82641564E 03 |
| 0.73890257E 03  | 0.17113215E 03  | -0.21815766E 03 | 0.32659976E 04 | 0.22350015E 04 | 0.34682000E 05 | 0.34682000E 05 |
| 0.34682000E 05  | 0.34682000E 05  | 0.34682000E 05  | 0.34682000E 05 | 0.34682000E 05 | 0.34682000E 05 | 0.34682000E 05 |
| 0.34682000E 05  |                 |                 |                |                |                |                |

I = 20

|                 |                 |                 |                |                |                |                |
|-----------------|-----------------|-----------------|----------------|----------------|----------------|----------------|
| -0.62587291E-01 | -0.10650690E 04 | -0.34954877E 03 | 0.22232759E 04 | 0.23062813E 04 | 0.14477815E 04 | 0.82641564E 03 |
| 0.73890257E 03  | 0.17113215E 03  | -0.21815766E 03 | 0.32659976E 04 | 0.22350015E 04 | 0.34682000E 05 | 0.34682000E 05 |
| 0.34682000E 05  | 0.34682000E 05  | 0.34682000E 05  | 0.34682000E 05 | 0.34682000E 05 | 0.34682000E 05 | 0.34682000E 05 |
| 0.34682000E 05  |                 |                 |                |                |                |                |

I = 21

|                 |                 |                 |                |                |                |                |
|-----------------|-----------------|-----------------|----------------|----------------|----------------|----------------|
| -0.62587291E-01 | -0.10650690E 04 | -0.34954877E 03 | 0.22232759E 04 | 0.23062813E 04 | 0.14477815E 04 | 0.82641564E 03 |
| 0.73890257E 03  | 0.17113215E 03  | -0.21815766E 03 | 0.32659976E 04 | 0.22350015E 04 | 0.34682000E 05 | 0.34682000E 05 |
| 0.34682000E 05  | 0.34682000E 05  | 0.34682000E 05  | 0.34682000E 05 | 0.34682000E 05 | 0.34682000E 05 | 0.34682000E 05 |
| 0.34682000E 05  |                 |                 |                |                |                |                |

I = 22

|                 |                 |                 |                |                |                |                |
|-----------------|-----------------|-----------------|----------------|----------------|----------------|----------------|
| -0.62587291E-01 | -0.10650690E 04 | -0.34954877E 03 | 0.22232759E 04 | 0.23062813E 04 | 0.14477815E 04 | 0.82641564E 03 |
| 0.73890257E 03  | 0.17113215E 03  | -0.21815766E 03 | 0.32659976E 04 | 0.22350015E 04 | 0.34682000E 05 | 0.34682000E 05 |
| 0.34682000E 05  | 0.34682000E 05  | 0.34682000E 05  | 0.34682000E 05 | 0.34682000E 05 | 0.34682000E 05 | 0.34682000E 05 |
| 0.34682000E 05  |                 |                 |                |                |                |                |

I = 1 GENERALIZED MASS SA-8 RUN #2

0.13654235E 05 C.81235470E C2 0.25727116E 02 0.47351372E 02 0.18378211E C3 -C.22891506E 02 -0.39325246E 02  
 0.29662473E 03 C.38399432E C3 -0.21232079E 03 0.38910134E 02 0.11295594E C3 C.13278079E 03 -0.12260016E 03  
 0.92499990E 02 -C.10023668E C3 0.519C7305E 03 0.19911418E 02 -0.10904201E 04 -C.10904201E 04 -0.10904201E 04  
 -0.10904201E 04 -C.109C4201E C4 -0.109C4201E 04 -0.10904201E 04 -0.10904201E 04

I = 2

0.81235458E 02 C.85372954E C4 0.41793041E 02 0.31721116E 03 0.88514875E C3 C.79892595E 01 -0.26304109E 03  
 -0.28571700E 03 C.17059956E C3 -0.19866157E 03 0.70202763E 02 0.91198178E C2 C.18484435E 03 -0.1576395E 03  
 -C.45678164E C3 C.4238C258E C3 0.28499135E 04 0.13273570E 03 -0.37013858E-C1 -C.37013858E-01 -0.37013858E-01  
 -0.37013858E-01 -C.37013858E-01 -0.37013858E-01 -0.37013858E-01

I = 3

0.25727117E 02 C.41793041E C2 0.56206276E 04 0.44152306E 02 0.24063613E 03 C.71719059E 01 0.57184717E 02  
 -0.29253602E 02 -C.17705353E 01 -0.39745688E 02 0.10725258E 02 -0.17308811E C2 C.83565310E 01 -0.20914468E 01  
 -0.61471259E 01 -C.318CC679E C1 0.69868938E 02 0.12588933E 03 0.16157013E 04 -C.16157013E 04 -0.16157013E 04  
 -0.16157013E 04 -C.16157013E C4 -0.16157013E 04 -0.16157013E 04

I = 4

0.47351372E 02 C.31721116E C3 0.44152304E 02 0.41401561E 04 0.14966568E C4 -C.14570253E 03 -0.34826458E 03  
 -0.26608750E 03 C.303E3515E C2 0.28570406E 02 0.23297525E 02 -0.12192266E C3 C.57657047E 02 -0.39170326E 02  
 -0.26885845E 02 -C.3196C680E 02 0.65162525E 03 0.73310109E 02 0.59779121E C3 C.59779121E 03 0.59779121E 03  
 0.59779121E 03 C.59779121E C3 0.59779121E 03 0.59779121E 03

I = 5

0.18378211E 03 C.88514875E 03 0.24063613E 03 0.14966568E 04 0.64240525E C4 -C.56284066E 03 -0.11912349E 04  
 -0.13018191E 04 C.95002411E C2 0.12763172E 03 -0.22305413E 02 0.40943CC7E C3 C.210C8618E 03 -0.18718161E 03  
 -0.96180300E 02 -C.11872586E C3 0.22763681E 04 0.26525185E 04 0.10872950E C4 C.10872950E 04 0.10872950E 04  
 0.10872950E 04 C.10872950E C4 0.10872950E 04

I = 6

0.22891507E 02 C.79892594E C1 0.71719097E 01 0.14570253E 03 -0.56284066E C3 C.40400909E 04 0.10775458E 03  
 0.27417540E 03 C.20927184E C2 -0.2177793E 02 0.39481754E 02 0.55950321E C2 -0.25697160E 02 0.39393971E 02  
 0.95166305E 01 C.15510633E 02 -0.24146674E 03 -0.30047508E 02 -0.58864263E 03 -C.58864263E 03 -0.58864263E 03  
 -0.58864263E 03 -C.58864263E C3 -0.58864263E 03 -0.58864263E 03

I = 7

0.39325245E 02 -C.26304109E C3 0.57184717E 02 0.34826458E 03 -0.11912349E 04 C.10775457E 03 0.109622354E 05  
 0.17355846E 03 C.67415491E C2 -0.35853682E 02 -0.32815535E 02 0.20937C83E C3 -C.20978823E 02 0.23201C36E 02  
 0.23530375E 02 C.23442192E C2 -0.51660384E 03 -0.57330799E 03 0.69711407E 02 C.69711407E 02 0.69711407E 02  
 0.69711407E 02 C.69711407E 02 0.69711407E 02

I = 8

0.29662473E 03 -C.28571699E 03 -0.28253595E 02 0.26608751E 03 -0.13018191E C4 C.27417541E 03 0.17355847E 03  
 0.60810868E 04 -C.37415577E C4 -0.25604636E 03 0.60700982E 03 0.1858378CE C3 -0.55991636E 02 0.31597344E 03  
 0.56639785E 02 C.46697974E C2 0.46697974E C2 -0.39603574E 03 -0.50908960E 03 -0.41069493E 03 -C.41069493E 03  
 -0.41069493E 03 -C.41069493E C3 -0.41069493E 03 -0.41069493E 03

I = 9

0.38399431E 03 C.17059956E C3 0.17705411E 01 -0.30383510E 02 -0.95002412E C2 C.20927183E 02 0.67415458E 02  
 -0.37415577E 04 C.56593236E C4 -0.32142538E 04 0.13677188E 03 -0.65931419E C2 C.21105552E 02 0.4595338E 02  
 0.14547567E 01 C.4566C073E 01 -0.12045852E 03 C.28918577E 01 0.56154519E C3 C.56154519E 03 0.56154519E 03  
 0.56154519E 03 C.56154519E C3 0.56154519E 03

I = 10

-0.21323079E 03 -C.19866157E C3 -0.39745688E 02 C.28570407E 02 0.12763172E C3 -C.21777793E 02 -0.35853682E 02

-0.25604635E 03 -C.32142538E 04 0.65873300E 04 -0.66709264E 02 -0.249846C4E 03 -C.10687057E 03 -0.38897140E 02

-0.41312282E 01 -C.74517720E C1 0.79384498E 02 0.23921087E 02 -0.25232580E 03 -C.25232580E 03 -0.25232580E 03

-0.25232580E 03 -C.25232580E 03 -0.25232580E 03 -0.25232580E 02 -0.25232580E 03 -0.25232580E 03

I = 11

0.38910134E 02 C.70202761E C2 0.10725258E 02 0.23297530E 02 0.22305413E C2 -C.39481751E 02 -0.32815532E 02

0.60700581E 03 C.13677188E 03 0.66709261E 02 0.27375095E 04 0.98973523E C3 -C.80602298E 03 0.81035618E 02

0.18208943E 01 C.11369956E 02 -0.770C8159E 01 0.20953905E 02 -0.18284734E C3 -C.18284734E 03 -0.18284734E 03

-0.18284734E 03 -C.18284734E 03 -0.18284734E 03 -0.18284734E 03 -0.18284734E 03 -0.18284734E 03

I = 12

0.11295594E 03 C.91158179E C2 0.17308812E 02 -0.12192627E 03 0.40943CC7E 03 0.55950321E 02 0.20937C83E 03

0.18583780E 03 C.65931418E C2 0.24984604E 03 0.98973523E 03 0.286555C2E 04 0.27642575E 04 -0.25530819E 04

0.54696281E 01 C.12788140E C2 0.22689798E 03 -0.15993091E 03 -0.70843594E C3 -C.70843594E 03 -0.70843594E 03

-0.70843594E 03 -C.70843594E C3 -0.70843594E 03 -0.70843594E 03 -0.70843594E 03 -0.70843594E 03

I = 13

0.13278C79E 03 C.18484435E C3 0.83565268E 01 0.57657047E 02 0.21038618E C3 0.25697162E 02 -0.30978825E 02

-0.55991638E 02 C.211C5554E C2 -0.10687058E 03 0.80602298E 03 0.27642575E C4 -C.27595223E 04 -0.26072830E 04

-0.90140674E 01 -C.47375081E-00 0.50429927E 02 0.11266552E 03 0.70341843E C3 -C.70341843E 03 -0.70341843E 03

-0.70341843E 03 -C.70341843E C3 -0.70341843E 03 -0.70341843E 03 -0.70341843E 03 -0.70341843E 03

I = 14

-0.12260C16E 03 -C.15746395E 03 -0.20914472E 01 -0.39170323E 02 -0.18718161E 03 0.38393971E 02 0.23201C33E 02

0.31597344E 03 C.45953950E C2 -0.38897135E 02 0.81035616E 02 0.25530819E G4 -C.26072830E 04 0.27508580E 04

0.69885918E 01 C.61376042E C1 -0.31869426E 02 -0.96331011E 02 0.67406489E C3 0.67406489E 03 0.67406489E 03

0.67406489E 03 C.67406489E C3 0.67406489E 03 0.67406489E 03 0.67406489E 03 0.67406489E 03 0.67406489E 03

I = 15

0.92499590E 02 -C.45678164E C3 -0.61471398E 01 -0.26885843E 02 0.96180258E 02 0.551663C3E 01 0.23530374E 02

0.56639788E 02 C.14547989E C1 -0.41312277E 01 0.18208939E 01 0.54696212E C1 -C.50140676E 01 0.69885917E 01

0.11420467E 04 -C.11423372E C4 -0.70254430E 02 -0.23476924E 02 -0.15096220E 03 -C.15096220E 03 -0.15096220E 03

-0.15096220E 03 -C.15096220E C3 -0.15096220E 03 -0.15096220E 03 -0.15096220E 03 -0.15096220E 03

I = 16

-0.10023668E 03 C.4238C258E C3 0.4238C258E 03 0.318C0706E 01 -0.31960680E 02 0.11872586E 03 0.23442192E 02

0.46697573E 02 0.456CC086E C1 -0.74517702E 01 0.11369956E 02 0.12788137E G2 0.47374892E-00 0.61376122E 01

-0.11423372E 04 C.11528908E C4 -0.18642260E 02 -0.71674482E 02 -0.15171258E 03 0.15171258E 03 0.15171258E 03

0.15171258E 03 C.15171258E 03 0.15171258E 03 0.15171258E 03 0.15171258E 03 0.15171258E 03 0.15171258E 03

I = 17

0.51907304E 03 C.28499135E 04 0.69868934E 02 0.65162525E 03 0.22763681E C4 0.24146674E 03 -0.51660384E 03

-0.39603572E 03 -0.12045852E 03 0.79384489E 02 -0.77008175E 01 -0.22689758E 03 0.50429925E 02 -0.31869424E 02

-0.70294429E 02 -C.18642262E C2 0.13657287E 05 0.11506587E 04 -0.83970338E 03 -C.83970338E 03 -0.83970338E 03

-0.83970338E 03 -C.83970338E C3 -0.83970338E 03 -0.83970338E 03 -0.83970338E 03 -0.83970338E 03

I = 18

0.19911418E 02 C.13273570E C3 0.12588934E 03 0.73310109E 03 0.26525185E C4 -C.30C47508E 03 -0.57330799E 03

-0.50908950E 03 C.28918616E C1 0.23921098E 02 0.20953906E 02 0.15993091E C3 0.11266552E 03 -0.96331C14E 02

-0.23476924E 02 -C.71674484E C2 0.115C6587E 04 0.51250123E 04 0.29986563E C4 -C.29986563E 04 -0.29986563E 04

-0.29986563E 04 -C.29986563E C4 -0.29986563E 04 -0.29986563E 04 -0.29986563E 04 -0.29986563E 04







I = 10  
 0.172 4621E 1 -0.66939130E 03 -0.14225326 E 03 0.29832314E 03 -0.21272516E 02 -0.21268172E 02 0.145 2471E 02  
 0.24311150E 03 -0.16587920E 04 0.633788 44E 04 0.26519929E 02 -0.41765121E 01 -0.13520573E 02 -0.21863279E 02  
 0.19379430E 01 -0.972297416E 01 0.43624299E 02 0.12552715E 02 -0.28760779E 02 0.47507708E 01 0.69510831E 01  
 0.14746373E 03 0.14746373E 03 0.14746373E 03 0.14746373E 03 0.14746373E 03 0.14746373E 03 0.14746373E 03

I = 11  
 0.1 1.1239E-02 -0.14316299E 01 0.197 8234E 03 0.846243 0E 03 -0.33014054E 02 -0.18926 19E 02 -0.138918 2E 03  
 0.04580821E 03 0.00109310E 03 0.20519933E 02 0.20519933E 02 0.9394310E 02 -0.34704517E 01 0.13333983E 03  
 0.7697533 E 01 -0.26380144E 02 -0.11803648E 03 0.679385 1E 02 0.16189306E 03 -0.15274680E 03 -0.17033070E 03  
 0.24429850E 03 -0.24429850E 03 -0.24429850E 03 0.24429850E 03 -0.24429850E 03 -0.24429850E 03 -0.24429850E 03

I = 12  
 0.46387411E 01 -0.43231322E 04 -0.33137137E 02 0.17375944E 03 -0.76112261E 01 -0.45557587E 01 0.23848014E 01  
 0.11718558E 03 0.03751853E 02 -0.41765086E 01 0.93943094E 02 0.80401234E 04 0.70324130E 01 -0.18073981E 02  
 0.19389274E 01 -0.219431749E 01 -0.12603390E 02 0.10512210E 02 0.22176369E 01 0.29254122E 01 0.39965706E 01  
 0.3 6533398E 04 0.3 6533398E 04 0.3 6533398E 04 0.3 6533398E 04 0.3 6533398E 04 0.3 6533398E 04 0.3 6533398E 04

I = 13  
 0.927582 1E-01 -0.44393859E 02 -0.29335678E 01 -0.14513058E 02 -0.51301113E 01 0.85770904E 01 -0.66932446E 01  
 0.11437474E 02 -0.63789362E 01 -0.21352 566E 02 -0.34300468E 01 0.73323978E 01 0.89594326E 04 0.12928949E 02  
 0.76236430E 03 -0.99458939E 03 0.58836231E 01 -0.90339507E 00 0.13694417E 02 0.14928189E 02 0.11505119E 02  
 0.23785624E 06 0.23785624E 06 0.23785624E 06 0.23785624E 06 0.23785624E 06 0.23785624E 06 0.23785624E 06

I = 14  
 0.47269286E-01 -0.19621322E 02 0.694 6263E 02 0.51325540E 03 -0.62888620E 01 0.11263588E 02 -0.52734883E 01  
 0.28662919E 03 -0.44661499E 02 -0.42186328E 02 0.13383982E 03 0.18073982E 02 0.12928949E 02 0.11632244E 04  
 0.19155437E 02 -0.16841402E 02 -0.55251577E 02 0.55794764E 02 0.10780159E 02 0.44117844E 02 0.24242294E 02  
 0.242722250E 03 0.242722250E 03 0.242722250E 03 0.242722250E 03 0.242722250E 03 0.242722250E 03 0.242722250E 03

I = 15  
 0.16956464E-01 -0.1496195E 02 -0.16165770E 02 -0.91038199E 02 -0.38246004E-03 0.77512328E 00 -0.49129181E-01  
 0.45391982E 02 -0.30332011E 01 -0.19379468E 01 -0.76975355E 01 0.19389317E 01 0.76287573E 00 0.19155437E 02  
 0.76248411E 04 -0.37151951E 01 -0.14597860E 02 -0.18159988E 02 -0.31254197E 02 0.40091724E 02 0.24833984E 02  
 0.37738 041E 06 0.37738 041E 06 0.37738 041E 06 0.37738 041E 06 0.37738 041E 06 0.37738 041E 06 0.37738 041E 06

I = 16  
 0.35975399E 00 -0.27785755E 03 -0.23941080E 02 -0.90957943E 02 0.11143871E 01 -0.56960335E 00 0.9124 181E 00  
 0.44313179E 02 -0.30979177E 02 0.57297417E 01 -0.26380137E 02 -0.21544370E 01 -0.99457572E 00 -0.16841397E 02  
 0.37151923E 01 0.11939357E 05 0.13147248E 05 -0.13626931E 02 -0.32790273E 02 0.59899332E 02 0.33844268E 02  
 0.65639 22E 05 -0.656 5 22E 05 -0.656 5 22E 05 0.65605022E 05 -0.65605022E 05 0.65605022E 05 0.65605022E 05

I = 17  
 0.729393936E-02 0.153252226E 02 -0.12971412E 03 -0.58324730E 03 0.10305695E 02 0.83354603E 01 -0.25573398E 01  
 0.26275933E 03 0.25379521E 03 0.43624291E 02 0.11889648E 03 -0.12600395E 02 0.58886421E 01 -0.55251577E 02  
 0.14597869E 02 0.259933749E 02 0.13147248E 05 -0.98956255E 02 -0.15850922E 03 0.31172010E 03 0.20499054E 03  
 0.60990874E 04 0.60990874E 04 0.60990874E 04 0.60990874E 04 0.60990874E 04 0.60990874E 04 0.60990874E 04

I = 18  
 0.79338942E-01 0.343 9146E 02 0.28992960E 02 0.32128924E 03 -0.27604847E 02 -0.48061124E 02 0.33899615E 02  
 0.15196952E 03 0.1172 867E 03 0.12552711E 02 0.679385 9E 02 0.10512213E 02 -0.90394230E 00 0.55794764E 02  
 0.18060 03E 02 0.13626930E 02 0.98956255E 02 0.2574357 E 05 0.20703307E 03 -0.18423864E 03 -0.17274885E 03  
 0.11545643E 07 0.11545643E 07 0.11545643E 07 0.11545643E 07 0.11545643E 07 0.11545643E 07 0.11545643E 07

-0.59378721E-01 -0.18388561E-02 -0.19298719E-03 0.30359434E-02 0.16800418E-03 0.19437701E-03 0.26560894E-03  
 -0.30782232E-03 0.18229954E-02 0.14746373E-03 -0.24429851E-03 0.30653398E-04 0.23785624E-06 0.24272250E-03  
 0.97038041E-06 -0.65605022E-05 0.60990874E-04 -0.11545643E-07 -0.69202647E-06 0.74860854E-06 -0.70763679E-06  
 0.77688400E-09 0.77688400E-09 0.77688400E-09 0.77688400E-09 0.77688400E-09 0.77688400E-09 0.77688400E-09