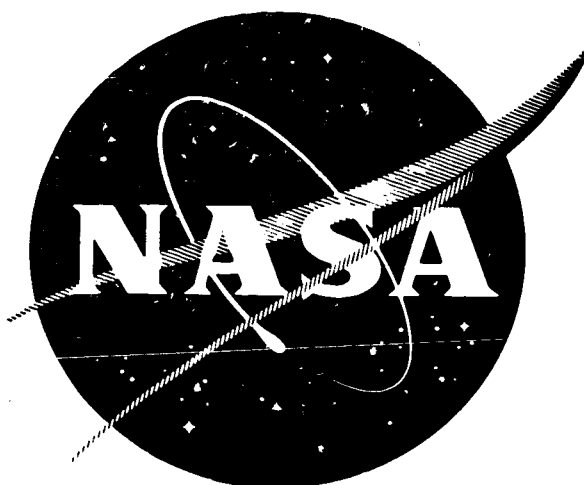


NASA-CR-72337



**DETERMINATION OF BIAXIAL CREEP
STRENGTH OF T-111 TANTALUM ALLOY**

SEMI-ANNUAL REPORT

Period: March 8, 1967 to September 8, 1967

EDITED BY L. B. ENGEL, JR.

prepared for
NATIONAL AERONAUTICS AND SPACE ADMINISTRATION
CONTRACT NAS 3-9437

**SPACE POWER AND PROPULSION SECTION
MISSILE AND SPACE DIVISION**

GENERAL  ELECTRIC
CINCINNATI, OHIO 45215

NOTICE

This report was prepared as an account of Government sponsored work. Neither the United States, nor the National Aeronautics and Space Administration (NASA), nor any person acting on behalf of NASA:

- A.) Makes any warranty or representation, expressed or implied, with respect to the accuracy, completeness, or usefulness of the information contained in this report, or that the use of any information, apparatus, method, or process disclosed in this report may not infringe privately owned rights; or
- B.) Assumes any liabilities with respect to the use of, or for damages resulting from the use of any information, apparatus, method or process disclosed in this report.

As used above, "person acting on behalf of NASA" includes any employee or contractor of NASA, or employee of such contractor, to the extent that such employee or contractor of NASA, or employee of such contractor prepares, disseminates, or provides access to, any information pursuant to his employment or contract with NASA, or his employment with such contractor.

Requests for copies of this report
should be referred to:

National Aeronautics and Space Administration
Scientific and Technical Information Division

Attention: USS-A
Washington, D.C. 20546

DETERMINATION OF BIAXIAL CREEP
STRENGTH OF T-111 TANTALUM ALLOY

SEMI-ANNUAL REPORT

Covering the Period
March 8, 1967 to September 8, 1967

Prepared by
L. B. Engel, Jr.

Approved by
R. G. Frank

NATIONAL AERONAUTICS AND SPACE ADMINISTRATION

Contract NAS 3-9437

Technical Management
NASA-Lewis Research Center
Space Power Systems Division
Mr. R. L. Davies

SPACE POWER AND PROPULSION SECTION
MISSILE AND SPACE DIVISION
GENERAL ELECTRIC COMPANY
CINCINNATI, OHIO 45215

TABLE OF CONTENTS

	<u>Page No.</u>
I INTRODUCTION	1
II SUMMARY.	2
III PROGRAM STATUS	3
A. Materials Procurement.	3
B. Test Facility.	3
C. Potassium Pressure Transducer.	7
D. Error Analysis	12
IV FUTURE PLANS	17
REFERENCES	18

LIST OF ILLUSTRATIONS

<u>Figure No.</u>		<u>Page No.</u>
1	Schematic Arrangement Utilized for Measuring Biaxially Induced Creep in the Thin-Wall Sections of D-43 Alloy Reflux Corrosion Capsules on NASA Contract NAS 3-6012	4
2	Test Facility Utilized to Measure Biaxially Induced Creep in D-43 Alloy Reflux Corrosion Capsules on NASA Contract NAS 3-6012	5
3	Test Facility Utilized to Measure Biaxially Induced Creep in D-43 Alloy Reflux Corrosion Capsules on NASA Contract NAS 3-6012	6
4	Design of T-111 Alloy Biaxial Creep Capsule Pressure Transducer.	8
5	Schematic of Pressure System to be Utilized with T-111 Alloy Biaxial Creep Capsule Pressure Transducer.	9
6	T-111 Alloy Biaxial Creep Capsule Design Showing Location of Pressure Transducer.	10
7	Components for Potassium Pressure Transducer Prior to Assembly	11

LIST OF TABLES

<u>Table No.</u>		<u>Page No.</u>
I	Hypothetical Test Conditions for Biaxially Stressed Capsule.	15
II	Effect of Parameter Errors on Accuracy of Stress-Strain Properties	16

DETERMINATION OF BIAXIAL CREEP
STRENGTH OF T-111 TANTALUM ALLOY

I. INTRODUCTION

This report covers the period from March 8, 1967 to September 8, 1967, of a program to document the creep behavior of seamless and welded and reworked T-111 alloy tubing under a biaxial state of stress, and to evaluate the effects of stress on the corrosion behavior of T-111 alloy with potassium. Potassium refluxing capsules of seamless and welded and reworked T-111 alloy tubing are to be tested under conditions which will result in one to five percent equivalent uniaxial strain during a 5000-hour exposure. It is anticipated that the capsule test temperature will be in the range of 2100° to 2400°F. The capsule walls will be reduced in the potassium liquid region and in the vapor condensing region to provide gauge sections where the extent of creep can be measured. The testing will be done in a manner similar to that developed under an earlier NASA contract⁽¹⁾ (NAS 3-6012).

II. SUMMARY

An order for seamless and welded and reworked 1.5-inch OD x 0.100-inch wall T-111 alloy tubing from which the capsules will be fabricated was placed with the Superior Tube Company. Delivery of the seamless and welded and reworked 1.5-inch OD x 0.100-inch wall T-111 alloy tubing is scheduled for January 8, 1968.

Minor design changes in the test facility which will be used for this program and which was previously used for NASA Contract NAS 3-6012 have been completed.

The detailed design of the potassium pressure transducer to be used to measure the potassium pressure in the refluxing capsules during testing was completed and approved by the NASA Program Manager; machining of the components has been completed and assembly of the pressure transducer is now underway.

An error analysis of the test facility and the stress-strain relationships utilized in calculating equivalent uniaxial values from biaxial data has been completed.

III. PROGRAM STATUS

MATERIALS PROCUREMENT

An order for 48 inches of 1.5-inch OD x 0.100-inch wall seamless and welded and reworked T-111 alloy tubing was placed with the Superior Tube Company, Norristown, Pennsylvania. Both the seamless and welded and reworked T-111 alloy tubing will be made from the same heat of T-111 alloy. The seamless tubing will be made utilizing standard tube reducing techniques. The welded and reworked tubing will be made by making an electron beam weld pass along the entire length of the seamless 2.0-inch OD x 0.250-inch thick wall tube shell prior to reduction to final size. Subsequently, the weld will be clearly marked, benched, and ultrasonically inspected. The inside of both tube shells will then be honed to a surface finish of less than 16 rms by Detroit Diameters, South Hills, Michigan. After honing, the welded tube shell will be reduced to final size in the same manner and at the same time as the seamless tubing. Delivery of the 2.0-inch OD x 0.250-inch wall T-111 alloy tube shells to the General Electric Company, SPPS for welding and honing prior to the final reduction is scheduled for October 2, 1967. The delivery of the finished tubing from Superior Tube Company is scheduled for January 8, 1968.

TEST FACILITY

The same test facility as was used for testing capsules made from D-43 alloy on NASA Contract NAS 3-6012⁽¹⁾ will be used for the testing of the T-111 alloy capsules, Figures 1 through 3. Minor design changes in the facility have been completed to allow for installation of a potassium pressure transducer which will be attached to the T-111 alloy capsule. A pressure transducer, to measure the potassium pressure within the capsule, was not used on the previously tested D-43 alloy capsules.

Fabrication of the modified test facility hardware has been completed and is ready for installation into the previously used test facility.

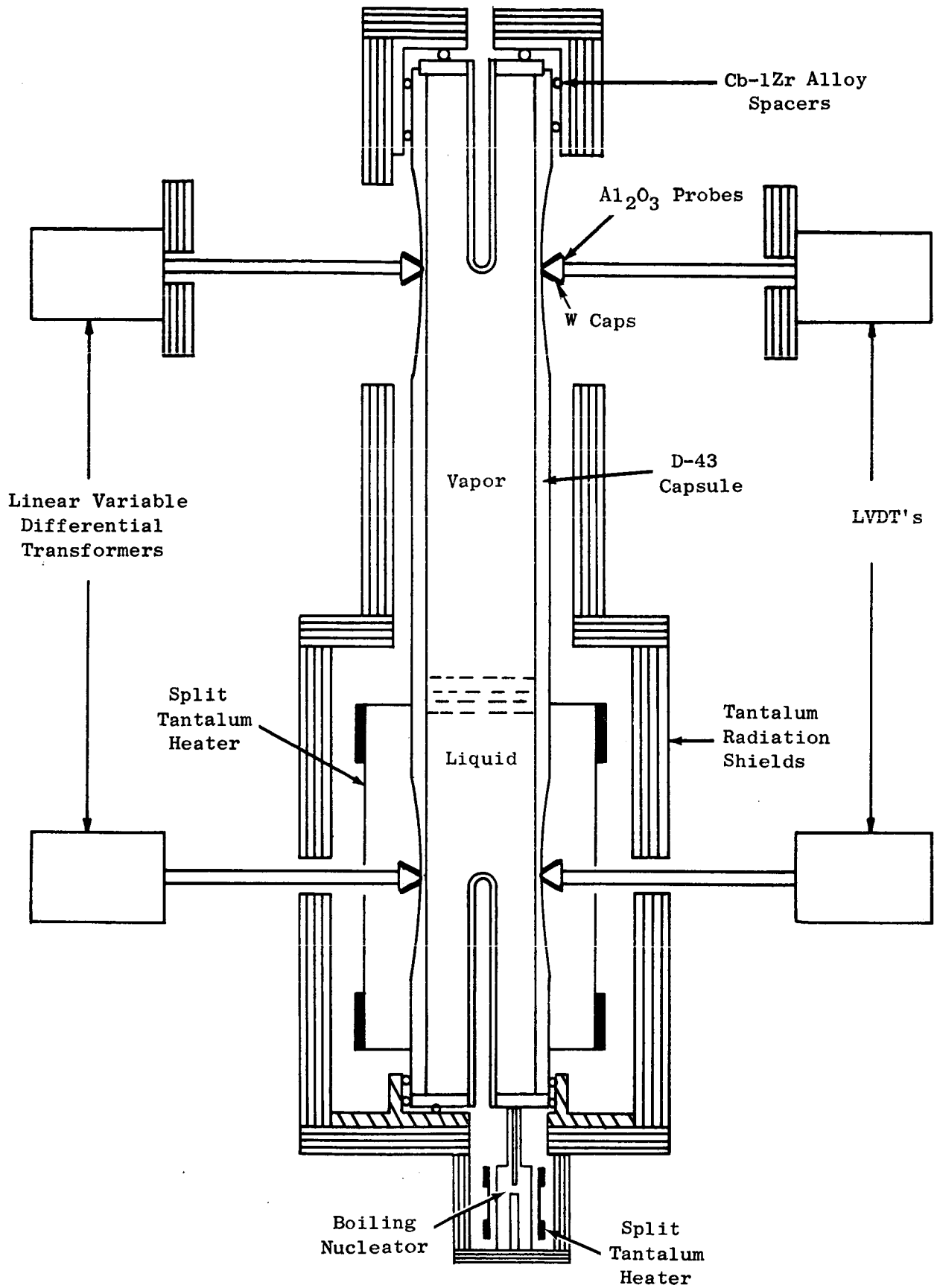


Figure 1. Schematic Arrangement Utilized for Measuring Biaxially Induced Creep in the Thin-Wall Sections of D-43 Alloy Reflux Corrosion Capsules on NASA Contract NAS 3-6012.

C1290-1

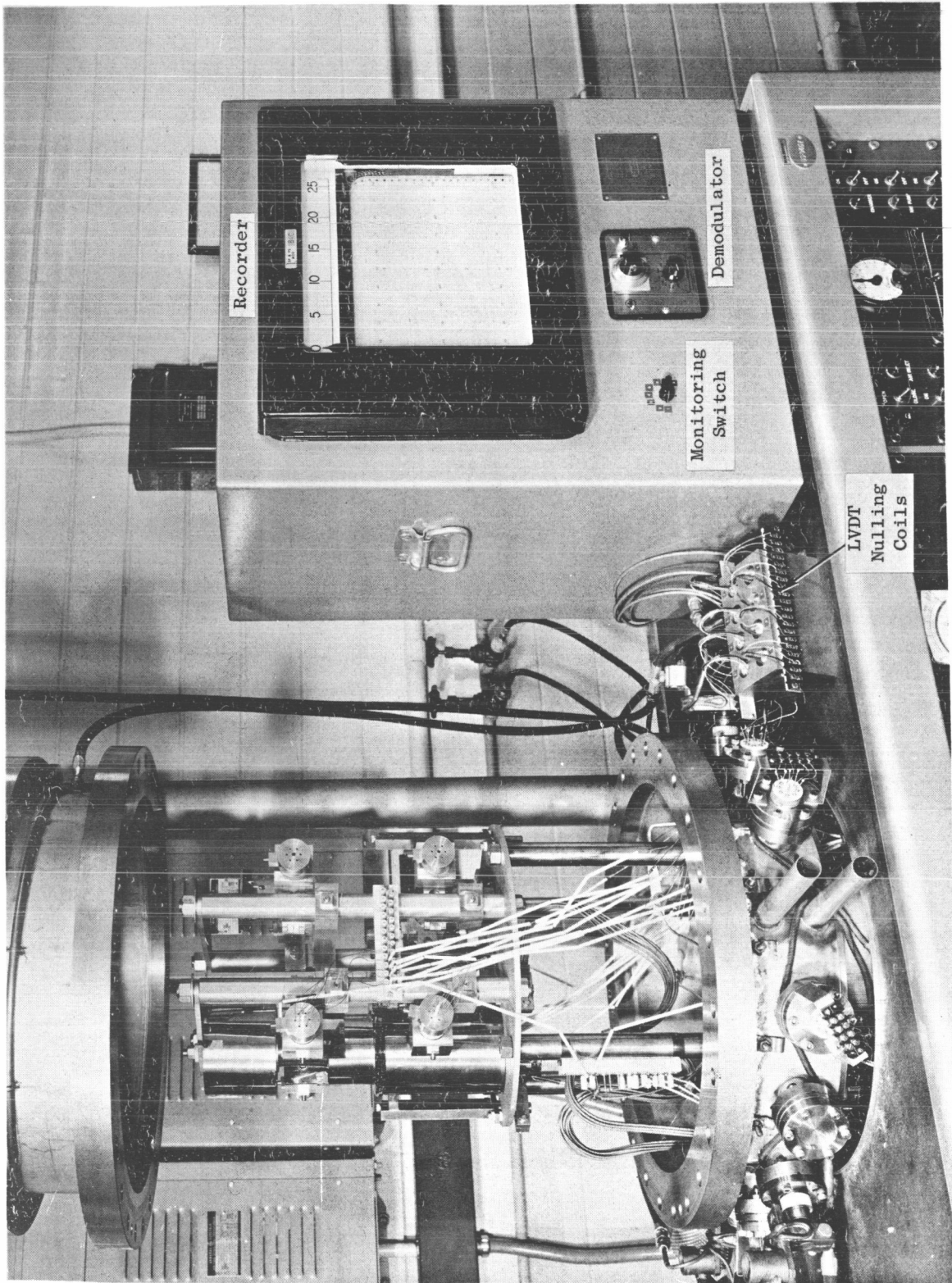


Figure 2. Test Facility Utilized to Measure Biaxially Induced Creep in D-43 Alloy Reflux Corrosion Capsules on NASA Contract NAS 3-6012.

C1290-2

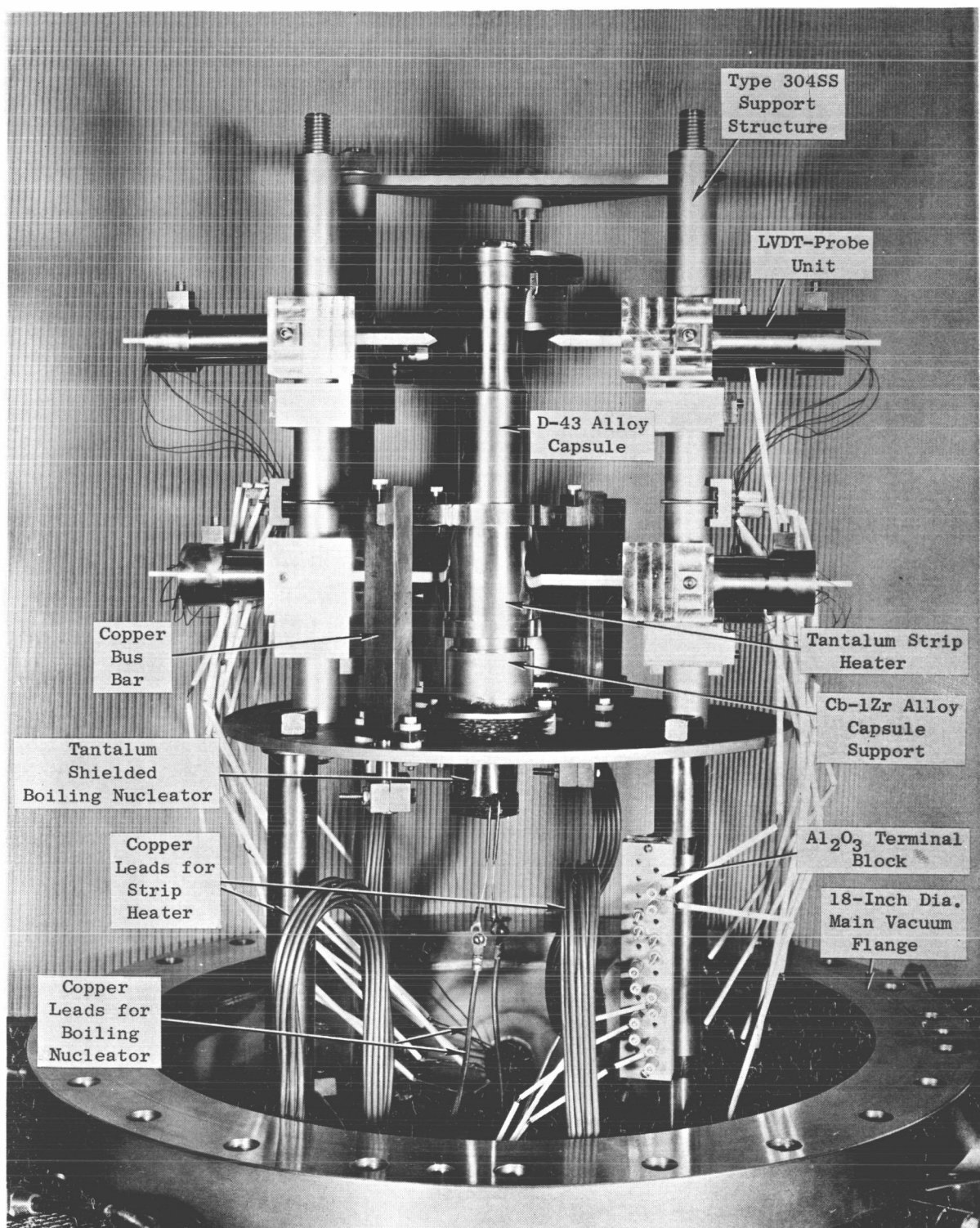


Figure 3. Test Facility Utilized to Measure Biaxially Induced Creep in D-43 Alloy Reflux Corrosion Capsules on NASA Contract NAS 3-6012.

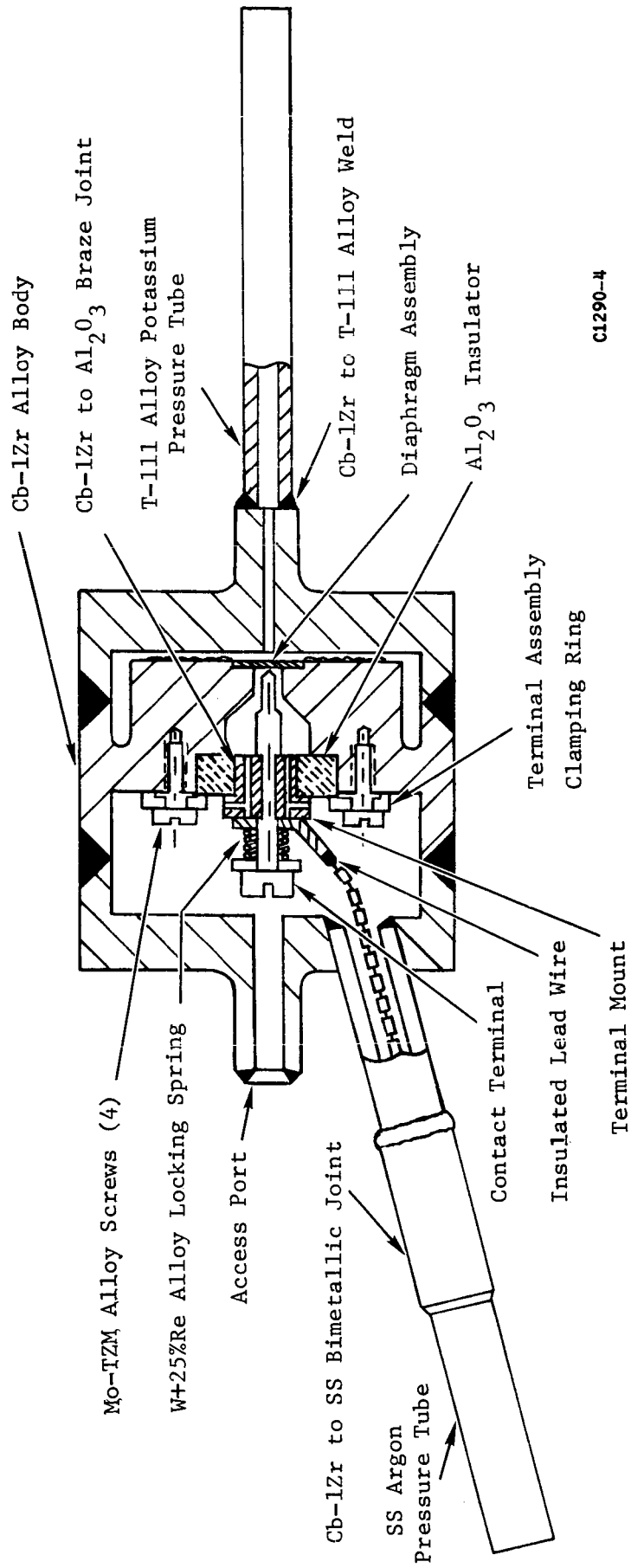
C1290-3

POTASSIUM PRESSURE TRANSDUCER

The design of the potassium pressure transducer to be used for measuring the potassium pressure within the capsule during testing is very similar to the design of the pressure transducer used by the U. S. Naval Research Laboratory ⁽²⁾ to determine the vapor pressure of potassium as a function of temperature. The detailed design of the pressure transducer has been completed and has been received and approved by the NASA Program Manager and personnel from the U. S. Naval Research Laboratory.

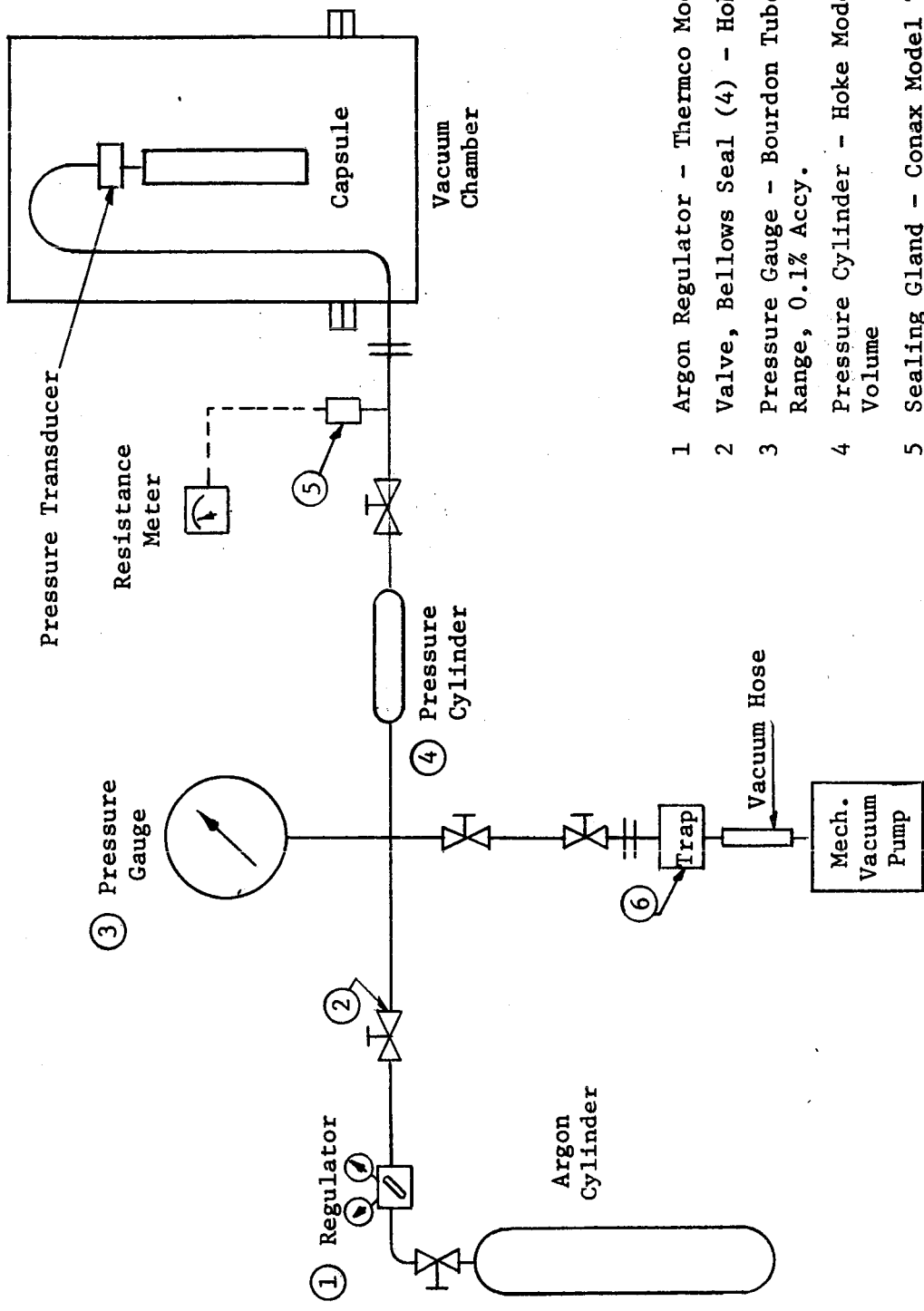
The pressure transducer design is shown in Figure 4. A schematic of the pressure system to be used with the pressure transducer is shown in Figure 5. The pressure transducer works on a manual null-balance principle with high purity argon gas pressure being applied to one side of the transducer diaphragm and opposing the vapor pressure of the potassium which exerts a force on the opposite side of the pressure transducer diaphragm. By pre-setting the terminal in contact with the diaphragm such that when the pressure on one side of the diaphragm is in balance with the opposing pressure on the other side of the diaphragm, the contact is slightly open. The open circuit can be used to indicate when the argon pressure just equals the potassium vapor pressure in the test capsule. Measurement of the argon pressure with an accurate pressure gauge is a direct indication of the potassium vapor pressure on the opposing side of the diaphragm and, therefore, within the test capsule. The argon gas pressure is controlled with two Hoke needle valves (Model TY445), one to allow argon to enter the system, and the second to allow argon to bleed off into a vacuum. The total volume of the gas system is increased by adding a one-liter pressure cylinder in order to provide greater control in making small manual pressure adjustments.

Figure 6 illustrates the test capsule design, which is similar to that previously utilized under NASA Contract NAS 3-6012, with the pressure transducer in place. Machining of the pressure transducer components at Precision Mechanics, Inc., Newtown, Ohio has been completed, Figure 7, and the assembly of two pressure transducers has been initiated.



CI290-4

Figure 4. Design of T-111 Alloy Biaxial Creep Capsule Pressure Transducer.



- 1 Argon Regulator - Thermco Model 3504-600 all SS.
- 2 Valve, Bellows Seal (4) - Hoke Model Ty445
- 3 Pressure Gauge - Bourdon Tube Type, 500 psia Range, 0.1% Accy.
- 4 Pressure Cylinder - Hoke Model 8HD 1000, 1 Liter Volume
- 5 Sealing Gland - Conax Model TG-24A-1-T With Teflon Seal
- 6 Molecular Sieve Trap - Varian Model 956-5003

Figure 5. Schematic of Pressure System to be Utilized With T-111 Alloy Biaxial Creep Capsule Pressure Transducer.

CI231-2

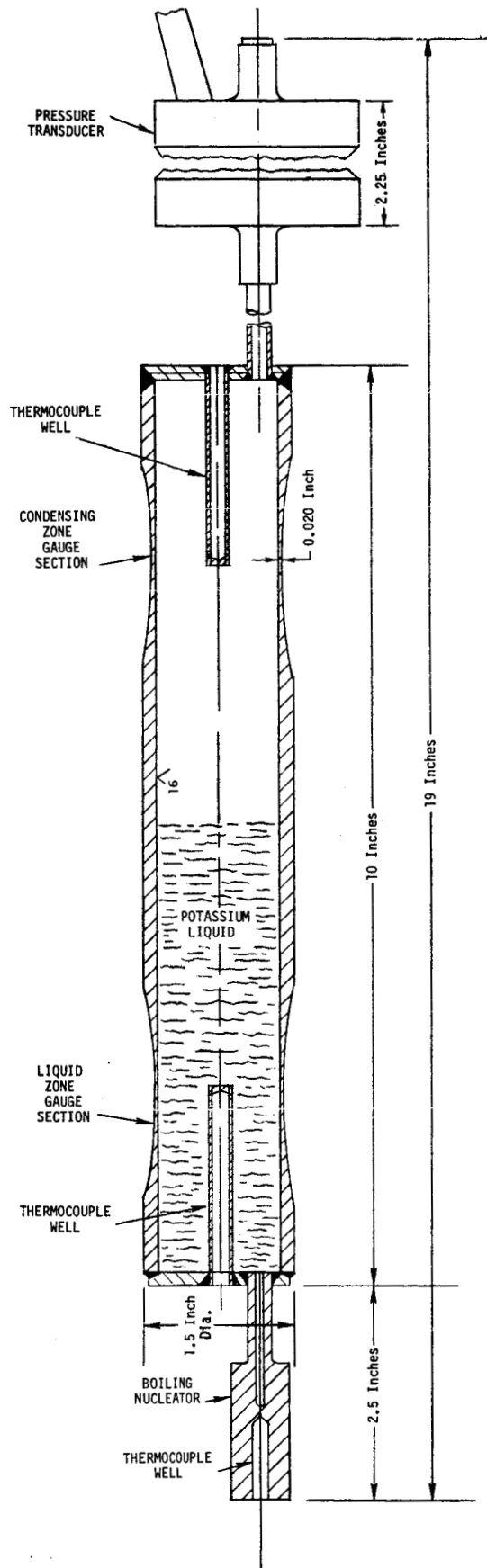


Figure 6. T-111 Alloy Biaxial Creep Capsule Design Showing Location Of Pressure Transducer.

C1290-5

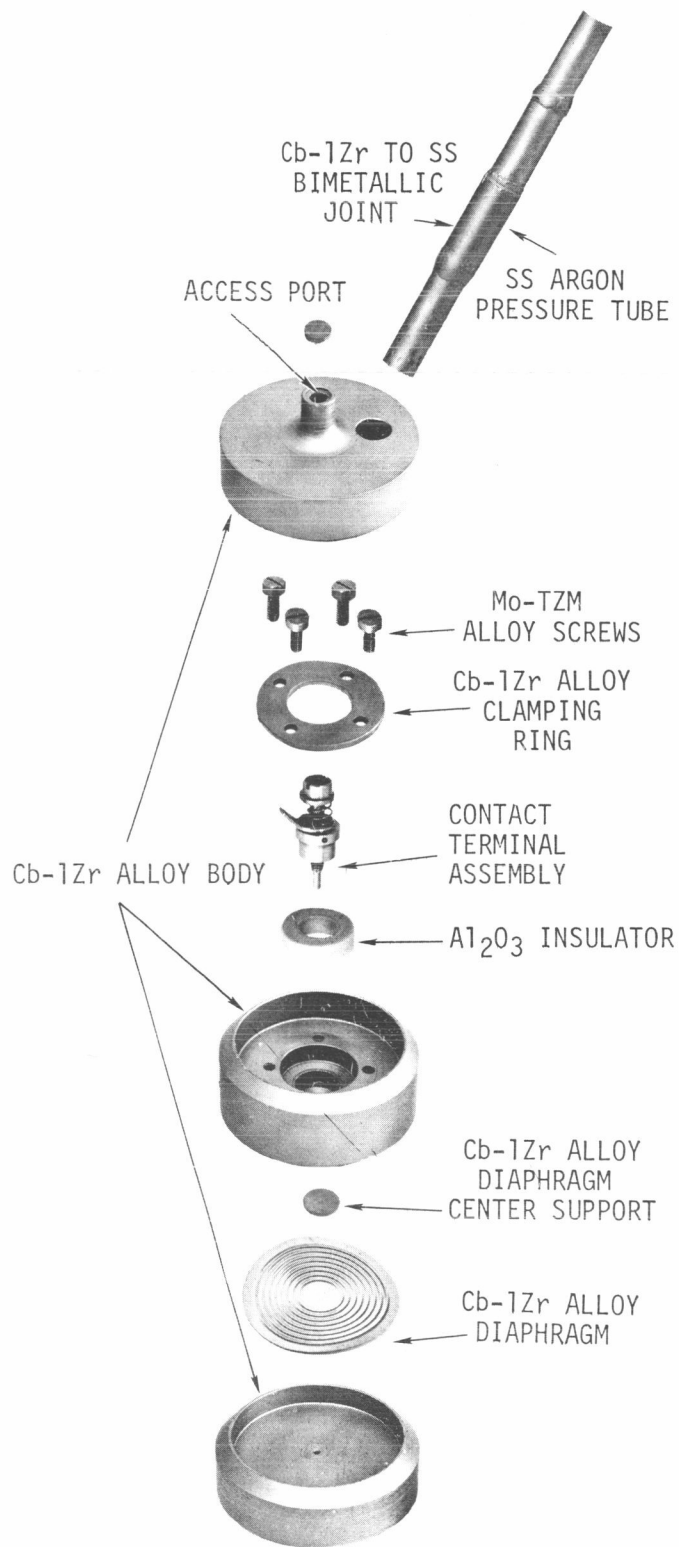


Figure 7. Components for Potassium Pressure Transducer Prior to Assembly.

C1290-6

ERROR ANALYSIS

An error analysis to determine the anticipated accuracy of the creep data which will be obtained from both the uniaxial and biaxial creep tests on the T-111 alloy tubing has been completed. This analysis will allow a more realistic evaluation of any observed differences between the uniaxial and biaxial creep properties of the T-111 alloy. It also indicates which parameters contribute most significantly to the resulting creep data and, therefore, which parameter should be determined as accurately as possible.

The actual uniaxial and biaxial test data are compared by computing effective or equivalent uniaxial stress-strain data from the biaxial test results based on the von Mises theory of yielding as applied to pressurized tubes by C. R. Soderberg⁽³⁾. The basic assumptions of the von Mises theory are isotropy and constancy of volume during straining in the material of interest. The equivalent uniaxial data computed from the biaxial test results are then compared directly with the actual uniaxial test results. In this particular program, the effective stress levels in both the uniaxial and biaxial tests will be the same so that strain is the only variable. The remaining two parameters of time and temperature which are necessary for describing the creep properties of a material are measured directly during both the uniaxial and biaxial tests. Therefore, to obtain an accurate comparison of the uniaxial and biaxial stress-strain data the tests must be conducted at similar times and temperatures.

The theoretical effective or equivalent uniaxial stress for the biaxially stressed* T-111 alloy test capsule can be determined by the following equation⁽⁴⁾ :

$$\sigma_e = \frac{\sqrt{3}}{2} \left(\frac{pr}{t} \right) \quad (1)$$

* Although the capsule is actually being triaxially stressed, the radial stresses are quite small and are, therefore, neglected for simplification.

where,

- σ_e = effective uniaxial stress for the biaxially stressed test capsule
- p = absolute internal pressure of capsule
- r = mean capsule radius
- t = capsule wall thickness in gauge section

The effective uniaxial strain for the biaxially strained capsule can be computed using the equation (4) :

$$\epsilon_e = \frac{\sqrt{3} \Delta d}{3r} - \frac{2\sqrt{3} pr \left(1 - \frac{\mu}{2}\right)}{3tE} \quad (2)$$

where,

- ϵ_e = effective uniaxial strain for the biaxially strained test capsule
- Δd = change in capsule diameter in gauge section for some interval of time.
- r = mean capsule radius
- p = absolute internal pressure of capsule
- μ = Poisson's Ratio for material being tested
- t = capsule wall thickness in gauge section
- E = Young's modulus of elasticity for material being tested

The stress-strain data for the uniaxial tests are determined quite simply with the uniaxial stress being determined from:

$$\sigma = \frac{F}{A} \quad (3)$$

where,

- σ = uniaxial stress
- F = total load
- A = cross-sectional area of specimen in gauge length;

and the uniaxial strain is determined from:

$$\epsilon = \frac{\Delta L}{L} \quad (4)$$

where,

- ϵ = uniaxial strain
- ΔL = change in gauge length for some interval of time
- L = gauge length.

Based on creep properties reported by TRW Equipment Laboratories (5) for T-111 alloy, a set of hypothetical test conditions have been selected for the biaxially stressed test capsule which will result in an equivalent uniaxial creep of one-percent in 5000 hours. These conditions will be utilized to calculate the anticipated error in the stress-strain data to be determined in this program. The hypothetical test conditions and other necessary T-111 alloy property data along with their respective anticipated errors are given in Table I. Using the data in Table I and equations 1, 2, 3, and 4, the individual and combined effects of the various parameter errors on the accuracy of the equivalent uniaxial and actual uniaxial stress-strain data were computed. These effects are shown in Table II. It is obvious from the data in Table II that the use of a pressure transducer on the test capsule to determine the potassium vapor pressure (p) significantly reduces the possible error in determining the equivalent uniaxial stress (σ_e) in the capsule. Also accurate measurement of the capsule wall thickness (t) in the gauge section should be performed in an attempt to reduce the error introduced by this measurement in the equivalent uniaxial-stress data. The accuracy of the equivalent uniaxial strain (ϵ_e) is greatly dependent on the accuracy of the measured diameter change (Δd) during testing and, therefore, the diameter change should be measured as accurately as possible. The error introduced by the cross-sectional area in determining the uniaxial stress (σ) is caused by the small cross-sectional area of the uniaxial test specimens combined with the accuracy of measuring the area.

TABLE I. HYPOTHETICAL TEST CONDITIONS FOR
BIAXIALLY STRESSED CAPSULE ^(a)

SYMBOL	PARAMETER	MEAN VALUE	ERROR
T	Temperature	2215°F	±1%
p	Potassium Vapor Pressure	268.6 psia	±14.3 psia ^(b) ±0.27 psia ^(c)
r	Mean Capsule Radius	0.660 in.	±0.001 in.
Δd	Capsule Diameter Change In 5000 Hours	0.012 in.	±0.0015 in.
t	Capsule Wall Thickness	0.020 in.	±0.001 in.
μ	Poisson's Ratio	0.35	±0.05
E	Young's Modulus (2215°F)	18 x 10 ⁶ psi	±2 x 10 ⁶ psi
F	Total Load for Uniaxial Test	153.5 lbs.	±0.1 lbs.
A	Cross-sectional Area of Uniaxial Test Specimen	0.020 in. ²	±0.001 in. ²
L	Gauge Length of Uniaxial Test Specimen	0.200 in.	±0.00005 in.
ΔL	Change In Gauge Length In 5000 Hours	0.002 in.	±0.00005 in.

(a) Selected to result in 1% uniaxial creep in 5000 hours.

(b) Error when determined as a function of temperature.

(c) Error when measured directly with pressure transducer.

TABLE II. EFFECT OF PARAMETER ERRORS^(a) ON ACCURACY OF STRESS-STRAIN PROPERTIES

FOR BIAXIAL TEST		
PARAMETER	MAXIMUM ERROR, %	
	$\sigma_e^{(b)}$	$\epsilon_e^{(c)}$
p	$\pm 5.31^{(d)}$, $\pm 0.10^{(e)}$	$\pm 0.19^{(d)}$, $\pm 0.00^{(e)}$
r	± 0.02	± 0.09
t	± 5.26	± 0.19
Δd	-	± 13.06
u	-	± 0.09
E		± 0.39
Total Effect	$\pm 11.00^{(d)}$, $\pm 5.50^{(e)}$	$\pm 14.20^{(d)}$, $\pm 14.00^{(e)}$

FOR UNIAXIAL TEST		
	$\sigma^{(f)}$	$\epsilon^{(g)}$
F	± 0.06	-
A	± 5.26	-
L	-	± 0.03
ΔL	-	± 2.50
Total Effect	± 5.32	± 2.53

(a) Given in Table I.

(b) Calculated using equation (1), σ_e (average) = 7676 psi.

(c) Calculated using equation (2), ϵ_e (average) = 0.01 in./in.

(d) Based on pressure being determined from temperature.

(e) Based on pressure being determined from pressure transducer.

(f) Calculated using equation (3), σ (average) = 7676 psi.

(g) Calculated using equation (4), ϵ (average) = 0.01 in./in.

IV. FUTURE PLANS

- A. The 1.5-inch OD x 0.100-inch wall T-111 alloy tubing needed to make the capsules will be received and fabrication of the test capsules will be initiated.
- B. Fabrication of the pressure transducer will be completed and calibration of the transducer will be initiated.

REFERENCES

- (1) Harrison, R. W., "The Compatibility of Biaxially Stressed D-43 Alloy with Refluxing Potassium", NASA Contractor Report NASA CR-807, NASA Contract NAS 3-6012, June (1967).
- (2) Ewing, C. T., Stone, J. P., Spann, J. R., Steinkuller, E. W. Williams, D. D., and Miller, R. R., "High-Temperature Properties of Potassium", September 24, 1965, NRL Report 6233, U. S. Naval Research Laboratory.
- (3) Soderberg, C. R., "Interpretation of Creep Tests on Tubes", Trans. A.S.M.E. 63, 737, November (1941).
- (4) Stallone, M. J., General Electric Company, Flight Propulsion Division, Evendale, Ohio, Private Communication, September 7 (1967).
- (5) TRW Equipment Laboratories, Cleveland, Ohio, "Generation of Long Time Creep Data on Refractory Alloys at Elevated Temperature", Series of Quarterly Progress Reports for NASA Contract NAS 3-2545.

DISTRIBUTION LIST - SEMI-ANNUAL REPORT

CONTRACT NAS3-9437

National Aeronautics & Space Administration
Washington, D. C. 20546
ATTN: Arvin Smith (RNW)

National Aeronautics & Space Administration
Washington, D. C. 20546
ATTN: S.V. Manson (RNP)

National Aeronautics & Space Administration
Washington, D. C. 20546
ATTN: George C. Deutsch (RR)

National Aeronautics & Space Administration
Washington, D. C. 20546
ATTN: Dr. Fred Schulman (RNP)

National Aeronautics & Space Administration
Scientific & Technical Information Facility
P.O. Box 33
College Park, Maryland 20740
ATTN: Acquisitions Branch
(SQT-34054) (2 + Repro.)

National Aeronautics & Space Administration
Ames Research Center
Moffet Field, California 94035
ATTN: Librarian

National Aeronautics & Space Administration
Goddard Space Flight Center
Greenbelt, Maryland 20771
ATTN: Librarian

National Aeronautics & Space Administration
Langley Research Center
Hampton, Virginia 23365
ATTN: Librarian

National Aeronautics & Space Administration
Manned Spacecraft Center
Houston, Texas 77001
ATTN: Librarian

National Aeronautics & Space Administration
George C. Marshall Space Flight Center
Huntsville, Alabama 35812
ATTN: Librarian

Jet Propulsion Laboratory
California Institute of Technology
4800 Oak Grove Drive
Pasadena, California 91103
ATTN: Librarian

National Aeronautics & Space
Administration
Lewis Research Center
21000 Brookpark Road
Cleveland, Ohio 44135
ATTN: Librarian M.S. 3-7

National Aeronautics & Space
Administration
Lewis Research Center
21000 Brookpark Road
Cleveland, Ohio 44135
ATTN: Dr. B. Lubarsky M.S. 500-201

National Aeronautics & Space
Administration
Lewis Research Center
21000 Brookpark Road
Cleveland, Ohio 44135
ATTN: G. M. Ault M.S. 105-1

National Aeronautics & Space
Administration
Lewis Research Center
21000 Brookpark Road
Cleveland, Ohio 44135
ATTN: R. L. Davies M.S. 500-201

National Aeronautics & Space
Administration
Lewis Research Center
21000 Brookpark Road
Cleveland, Ohio 44135
ATTN: J. E. Dilley M.S. 500-309

National Aeronautics & Space
Administration
Lewis Research Center
21000 Brookpark Road
Cleveland, Ohio 44135
ATTN: M. Sabala M.S. 3-19

NAS3-9437

National Aeronautics & Space Administration
Lewis Research Center
21000 Brookpark Road
Cleveland, Ohio 44135
ATTN: T. A. Moss M.S. 500-201

National Aeronautics & Space Administration
Lewis Research Center
21000 Brookpark Road
Cleveland, Ohio 44135
ATTN: Coulson Scheuermann (106-1)

National Aeronautics & Space Administration
Lewis Research Center
21000 Brookpark Road
Cleveland, Ohio 44135
ATTN: Report Control Office M.S. 5-5

National Aeronautics & Space Administration
Lewis Research Center
21000 Brookpark Road
Cleveland, Ohio 44135
ATTN: V. F. Hlavin M.S. 3-14

National Bureau of Standards
Washington, D. C. 20225
ATTN: Librarian

Flight Vehicle Power Branch
Air Force Aero-Propulsion Lab.
Wright Patterson AFB, Ohio 45433
ATTN: Charles Armbruster ASRPP-10

Flight Vehicle Power Branch
Air Force Aero-Propulsion Lab.
Wright Patterson AFB, Ohio 45433
ATTN: T. Cooper

Flight Vehicle Power Branch
Air Force Aero-Propulsion Lab.
Wright Patterson AFB, Ohio 45433
ATTN: Librarian

Flight Vehicle Power Branch
Air Force Aero-Propulsion Lab.
Wright Patterson AFB, Ohio 45433
ATTN: George E. Thompson APIP-1

Flight Vehicle Power Branch
Air Force Aero-Propulsion Lab.
Wright Patterson AFB, Ohio 45433
ATTN: George Sherman API

Flight Vehicle Power Branch
Air Force Aero-Propulsion Lab.
Wright Patterson AFB, Ohio 45433
ATTN: George Glenn

Army Ordnance Frankford Arsenal
Bridesburg Station
Philadelphia, Pennsylvania 19137
ATTN: Librarian

Bureau of Mines
Albany, Oregon
ATTN: Librarian

Bureau of Ships
Department of the Navy
Washington, D. C. 20225
ATTN: Librarian

Bureau of Weapons
Research and Engineering
Materials Division
Washington, D. C. 20225
ATTN: Librarian

U.S. Atomic Energy Commission
Technical Reports Library
Washington, D. C. 20545
ATTN: J. M. O'Leary (2)

U. S. Atomic Energy Commission
Germantown, Maryland 20767
ATTN: K. E. Horton

U. S. Atomic Energy Commission
Technical Information Service Extension
P.O. Box 62
Oak Ridge, Tennessee 27831 (3)

U. S. Atomic Energy Commission
Washington, D. C. 20545
ATTN: M. J. Whitman

NAS3-9437

Office of Naval Research
Power Division
Washington, D. C. 20225
ATTN: Librarian

U.S. Naval Research Laboratory
Washington, D. C. 20225
ATTN: Librarian

Advanced Technology Laboratories
Division of American Standard
369 Whisman Road
Mountain View, California 94040
ATTN: Librarian

AiResearch Manufacturing Company
Sky Harbor Airport
402 South 36th Street
Phoenix, Arizona 85034
ATTN: Librarian

AiResearch Manufacturing Company
Sky Harbor Airport
402 South 36th Street
Phoenix, Arizona 85034
ATTN: E. A. Kovacevich

AiResearch Manufacturing Company
9851-9951 Sepulveda Boulevard
Los Angeles, California 90045
ATTN: Librarian

Argonne National Laboratory
9700 South Cross Avenue
Argonne, Illinois 60440
ATTN: Librarian

AiResearch Manufacturing Company
Sky Harbor Airport
402 South 36th Street
Phoenix, Arizona 85034
ATTN: John Dannan

Atomics International
8900 DeSoto Avenue
Canoga Park, California 91303
ATTN: Librarian

Atomic International
8900 DeSoto Avenue
Canoga Park, California 91303
ATTN: Harry Pearlman

AVCO
Research & Advanced Development Program
201 Lowell Street
Wilmington, Massachusetts 01800
ATTN: Librarian

Babcock & Wilcox Company
Research Center
Alliance, Ohio 44601
ATTN: Librarian

Battelle Memorial Institute
505 King Avenue
Columbus, Ohio 43201
ATTN: Dr. E. M. Simmons

The Bendix Corporation
Research Laboratories Division
Southfield, Michigan 48200
ATTN: Librarian

The Boeing Company
Seattle, Washington 98100
ATTN: Librarian

Brookhaven National Laboratory
Upton, Long Island, New York 11973
ATTN: Librarian

Chance Vought Aircraft, Inc.
P.O. Box 5907
Dallas, Texas 75222
ATTN: Librarian

Battelle Memorial Institute
505 King Avenue
Columbus, Ohio 43201
ATTN: Librarian

Clevite Corporation
Mechanical Research Division
540 East 105th Street
Cleveland, Ohio 44108
ATTN: N.C. Beerli

Convair Astronautics
5001 Kerrny Villa Road
San Diego, California 92111
ATTN: Librarian

NAS3-9437

Curtiss-Wright Corporation
Research Division
Quehanna, Pennsylvania
ATTN: Librarian

Eitel McCullough, Inc.
301 Industrial Way
San Carlos, California
ATTN: M. Parkman

Electro-Optical Systems, Inc.
Advanced Power Systems Division
Pasadena, California 91100
ATTN: Librarian

Ford Motor Company
Aeronutronics
Newport Beach, California 92660
ATTN: Librarian

General Atomics
John Jay Hopkins Laboratory
P.O. Box 608
San Diego, California 92112
ATTN: Librarian

General Atomics
John Jay Hopkins Laboratory
P.O. Box 608
San Diego, California 92112
ATTN: Dr. Ling Yang

General Electric Company
Atomic Power Equipment Division
P.O. Box 1131
San Jose, California

General Electric Company
Missile & Space Division
3198 Chestnut Street
Philadelphia, Pennsylvania 19104
ATTN: Librarian

General Electric Company
Vallecitos Atomic Lab.
Pleasanton, California 93566
ATTN: Librarian

General Dynamics/Fort Worth
P.O. Box 748
Fort Worth, Texas 76100
ATTN: Librarian

General Motors Corporation
Allison Division
Indianapolis, Indiana 46206
ATTN: Librarian

Hamilton Standard
Division of United Aircraft Corporation
Windsor Locks, Connecticut
ATTN: Librarian

Hughes Aircraft Company
Engineering Division
Culver City, California 90230
ATTN: Librarian

IIT Research Institute
10 West 35th Street
Chicago, Illinois 60616
ATTN: Librarian

Lockheed Missiles & Space Division
Lockheed Aircraft Corporation
Sunnyvale, California
ATTN: Librarian

Lockheed Missiles & Space Division
Lockheed Aircraft Corporation
Sunnyvale, California
ATTN: John N. Cox

Marquardt Aircraft Company
P.O. Box 2013
Van Nuys, California
ATTN: Librarian

The Martin Company
Baltimore, Maryland 21203
ATTN: Librarian

The Martin Company
Nuclear Division
P.O. Box 5042
Baltimore, Maryland 21220
ATTN: Librarian

NAS3-9437

Martin Marietta Corporation
Metals Technology Laboratory
Wheeling, Illinois

Materials Research and Development
Manlabs, Incorporated
21 Erie Street
Cambridge, Massachusetts 02139

Materials Research Corporation
Orangeburg, New York
ATTN: Librarian

McDonnell Aircraft
St. Louis, Missouri 63100
ATTN: Librarian

MSA Research Corporation
Callery, Pennsylvania 16024
ATTN: Librarian

North American Aviation, Inc.
Los Angeles Division
Los Angeles, California 90009
ATTN: Librarian

Oak Ridge National Laboratory
Oak Ridge, Tennessee 37831
ATTN: W. H. Cook

Oak Ridge National Laboratory
Oak Ridge, Tennessee 37831
ATTN: W. O. Harms

Oak Ridge National Laboratory
Oak Ridge, Tennessee 37831
ATTN: Librarian

Oak Ridge National Laboratory
Oak Ridge, Tennessee 37831
ATTN: J. H. DeVan

Pratt & Whitney Aircraft
400 Main Street
East Hartford, Connecticut 06108
ATTN: Librarian

Republic Aviation Corporation
Farmingdale, Long Island, New York
ATTN: Librarian

Rocketdyne
Canoga Park, California 91303
ATTN: Librarian

Solar
2200 Pacific Highway
San Diego, California 92112
ATTN: Librarian

Southwest Research Institute
8500 Culebra Road
San Antonio, Texas 78206

Superior Tube Company
Norristown, Pennsylvania
ATTN: Mr. A. Bound

Sylvania Electrics Products, Inc.
Chem. & Metallurgical
Towanda, Pennsylvania
ATTN: Librarian

TRW, Inc.
Caldwell Research Center
23555 Euclid Avenue
Cleveland, Ohio 44117
ATTN: Librarian

TRW, Inc.
Caldwell Research Center
23555 Euclid Avenue
Cleveland, Ohio 44117
ATTN: E. Steigerwald

Union Carbide Corporation
Stellite Division
Kokomo, Indiana
ATTN: Librarian

Union Carbide Nuclear Company
P.O. Box X
Oak Ridge, Tennessee 37831
ATTN: Records Department (2)

Union Carbide Metals
Niagara Falls, New York 14300
ATTN: Librarian

United Aircraft Corporation
Pratt & Whitney Division
400 W. Main Street
Hartford 8, Connecticut
ATTN: W. H. Podolny

United Nuclear Corporation
Five New Street
White Plains, New York 10600
ATTN: Librarian

Union Carbide Corporation
Parma Research Center
P.O. Box 6115
Cleveland, Ohio 44101
ATTN: Technical Information Services

Wah Chang Corporation
Albany, Oregon
ATTN: Librarian

Westinghouse Electric Corporation
Astronuclear Laboratory
P.O. Box 10864
Pittsburgh, Pennsylvania 15236
ATTN: Librarian

Westinghouse Electric Corporation
Astronuclear Laboratory
P.O. Box 10864
Pittsburgh, Pennsylvania 15236
ATTN: R. T. Begley

Westinghouse Electric Corporation
Materials Manufacturing Division
RD#2 Box 25
Blairsville, Pennsylvania
ATTN: Librarian

Westinghouse Electric Corporation
Aerospace Electrical Division
Lima, Ohio
ATTN: P. E. Kueser

Westinghouse Electric Corporation
Research & Development Center
Pittsburgh, Pennsylvania 15235
ATTN: Librarian

Wyman-Gordon Company
North Grafton, Massachusetts
ATTN: Librarian

Grumman Aircraft
Bethpage, New York
ATTN: Librarian

Lawrence Radiation Laboratory
Livermore, California
ATTN: Librarian (2)

Allis Chalmers
Atomic Energy Division
Milwaukee, Wisconsin
ATTN: Librarian

Allison-General Motors
Energy Conversion Division
Indianapolis, Indiana
ATTN: Librarian

AMF Atomics
140 Greenwich Avenue
Greenwich, Connecticut
ATTN: Librarian

American Machine and Foundry Company
Alexandria Division
1025 North Royal Street
Alexandria, Virginia
ATTN: Librarian

Douglas Aircraft Company, Inc.
Missile & Space Systems Division
3000 Ocean Park Boulevard
Santa Monica, California
ATTN: Librarian

Climax Molybdenum Company of Michigan
1600 Huron Parkway
Ann Arbor, Michigan 48105
ATTN: Librarian

Climax Molybdenum Company of Michigan
1600 Huron Parkway
Ann Arbor, Michigan 48105
ATTN: Dr. M. Semchyshen

Fansteel Metallurgical Corporation
North Chicago, Illinois
ATTN: Librarian

National Research Corporation
405 Industrial Place
Newton, Massachusetts
ATTN: Librarian

NAS3-9437

Universal Cyclops Steel Corporation
Refractomet Division
Bridgeville, Pennsylvania
ATTN: C.P. Mueller

Los Alamos Scientific Laboratory
University of California
Los Alamos, New Mexico
ATTN: Librarian

Lockheed Georgia Company
Division, Lockheed Aircraft Company
Marietta, Georgia
ATTN: Librarian

Sandia Corporation
Div. 9333
P.O. Box 5800
Albuquerque, New Mexico 87115
ATTN: James Jacobs