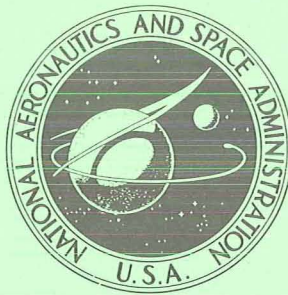


N70-25288

NASA CONTRACTOR
REPORT



NASA CR-1478, Vol. II

NASA CR-1478, Vol. II

CASE FILE
COPY

A SELF-STUDY COURSE
IN FORTRAN PROGRAMING

Volume II - Workbook

by Valmer Norrod, Sheldon Blecher, and Martha Horton

Prepared by
COMPUTER SCIENCES CORPORATION
El Segundo, Calif.
for Langley Research Center



A SELF-STUDY COURSE IN FORTRAN PROGRAMING

Volume II - Workbook

By Valmer Norrod, Sheldon Blecher, and Martha Horton

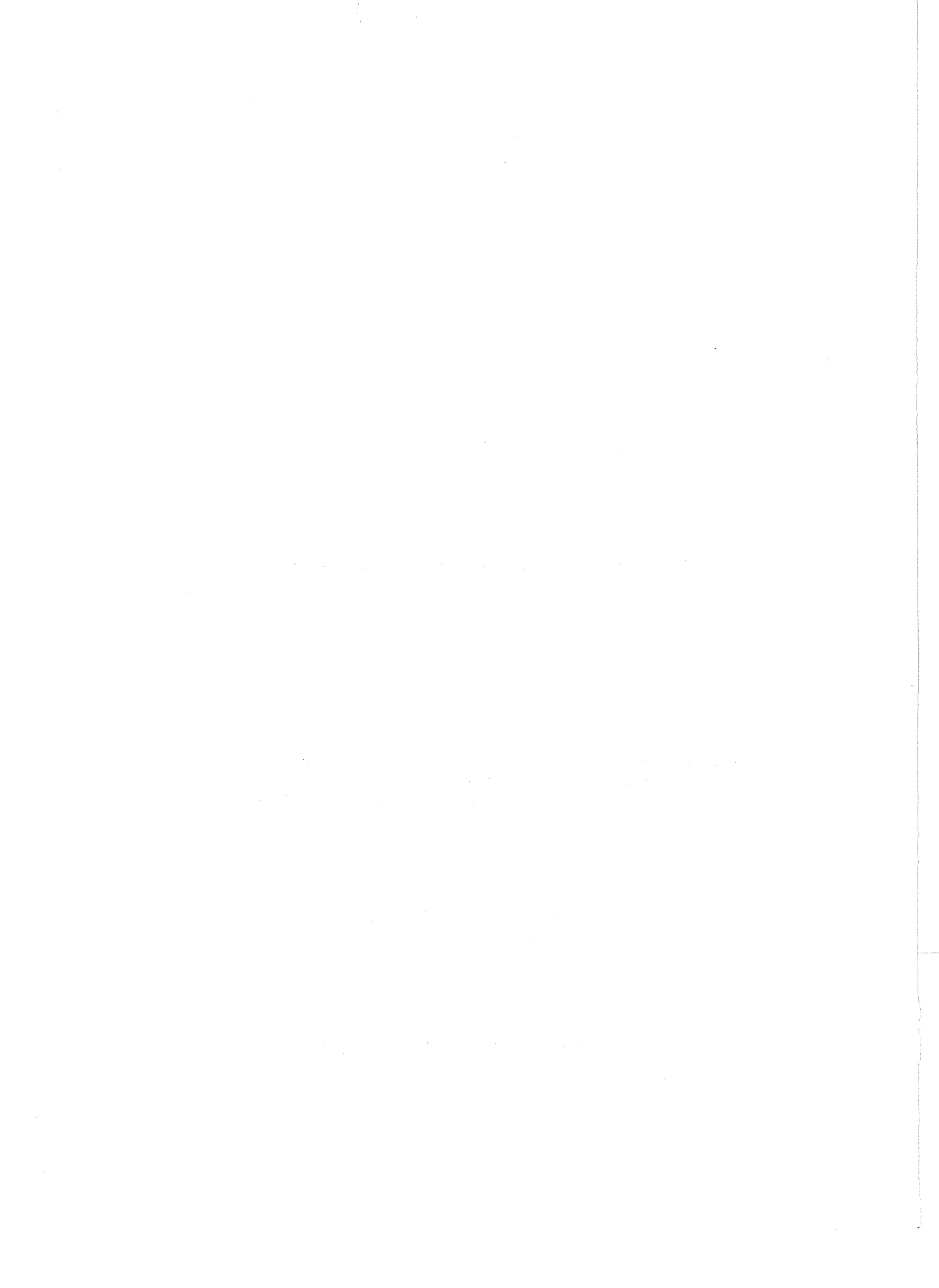
Distribution of this report is provided in the interest of information exchange. Responsibility for the contents resides in the author or organization that prepared it.

Prepared under Contract No. NAS 5-9758 by
COMPUTER SCIENCES CORPORATION
El Segundo, Calif.

for Langley Research Center

NATIONAL AERONAUTICS AND SPACE ADMINISTRATION

For sale by the Clearinghouse for Federal Scientific and Technical Information
Springfield, Virginia 22151 - CFSTI price \$3.00



ABSTRACT

This two-volume manual is a comprehensive course in FORTRAN programming. Beginning with number systems and basic concepts, it proceeds systematically through the elements of the FORTRAN language and concludes with a discussion of programming techniques such as flow charting and debugging. Volume I is organized as a programmed textbook with frequent checkpoints and abundant examples. Exercises and answers referred to in Volume I are contained in the Workbook - Volume II. Written for training programmers at the NASA Langley Research Center, the manual is based on Control Data FORTRAN 2.3, but it is generally applicable to other versions.

FOREWORD

This manual was developed by Computer Sciences Corporation for training FORTRAN programmers at the NASA Langley Research Center. While it is a description of Control Data FORTRAN 2.3 structured for self-study, it is generally applicable to other versions of FORTRAN.

The following personnel of the Langley Research Center worked closely with the contractor and made major contributions to the document: Lessie D. Hunter, Margaret A. Ridenhour, Nancy L. Taylor, and Dorothy J. Vaughan. Prior to publication, the manual has been used by more than 100 people and has proved to be very effective.

It is suitable for use by an individual studying alone, or as the basis for informal group study. When used as a group text, experience has shown that the study is more effective if it is supplemented by periodic reviews by a course monitor and concluded with a final examination.

Parts I - IV are intended to cover the basic elements of the FORTRAN language and may be used as a course for the engineer or manager interested in acquiring only a basic knowledge of the language but not intending to progress into actual programming work.

Roger V. Butler
Head, Computational Techniques Section
Langley Research Center

TABLE OF CONTENTS

<u>EXERCISES</u>	<u>PAGE</u>
Part II	
II. A	1
II. B	4
II. C	7
II. D	9
II. E	13
II. F	16
II. G	19
II. H	23
Part III	
III. B	27
III. C	35
III. D	38
III. E	47
Part IV	
IV. C	61
IV. D	64
IV. E	66
IV. F	68
IV. G	69
IV. H	71
IV. I	72
IV. J	74
IV. K	76
IV. L	78

TABLE OF CONTENTS (Continued)

<u>EXERCISES</u>	<u>PAGE</u>
Part V	
V.A	82
V.B	88
V.C	90
V.D	92
V.E	93
V.F	97
V.G	98
V.H	99
V.I	101
V.J	102
Part VI	
VI.A	106
VI.B	107
VI.C	108
VI.D	110
VI.E	111
VI.F	112
VI.G	114
VI.H	115
VI.I	118
VI.J	120
VI.K	123
VI.L	126
VI.M	127
VI.N	128
VI.P	131

TABLE OF CONTENTS (Continued)

<u>ANSWERS</u>	<u>PAGE</u>
Part II	
II. A	A-1
II. B	A-3
II. C	A-4
II. D	A-5
II. E	A-6
II. F	A-7
II. G	A-8
II. H	A-9
Part III	
III. B	A-11
III. C	A-15
III. D	A-16
III. E	A-19
Part IV	
IV. C	A-26
IV. D	A-28
IV. E	A-29
IV. F	A-30
IV. G	A-31
IV. H	A-32
IV. I	A-33
IV. J	A-34
IV. K	A-35
IV. L	A-36

TABLE OF CONTENTS (Continued)

<u>ANSWERS</u>	<u>PAGE</u>
Part V	
V. A	A-37
V. B	A-39
V. C	A-40
V. D	A-41
V. E	A-43
V. F	A-45
V. G	A-46
V. H	A-47
V. I	A-48
V. J	A-49
Part VI	
VI. A	A-51
VI. B	A-52
VI. C	A-53
VI. D	A-54
VI. E	A-55
VI. F	A-56
VI. G	A-57
VI. H	A-58
VI. I	A-59
VI. J	A-60
VI. K	A-62
VI. L	A-63
VI. M	A-64
VI. N	A-65
VI. P	A-67

By Valmer Norrod, Sheldon Blecher, and Martha Horton
Computer Sciences Corporation

Exercise II. A

1. Write the five arithmetic operations and the FORTRAN symbol(s) used to denote these operations.

<u>Operations</u>	<u>Symbols</u>
1) _____	_____
2) _____	_____
3) _____	_____
4) _____	_____
5) _____	_____

- 1) _____
- 2) _____
- 3) _____
- 4) _____
- 5) _____

2. A variable name must not contain more than _____ characters.

3. The first character in a variable name must be a _____.

4. Indicate the operation which is performed first in each expression.

- 1) $A^{**2}+C$ _____
- 2) $(A^{**2}+D)^{**2}$ _____
- 3) FORCE+TEMP/OVER _____
- 4) $A*(-D)+C$ _____
- 5) $((K-L)+J)*L$ _____

5. FORTRAN statements must not start before column _____ in the coding form.

Exercise II. A (Continued)

6. If a FORTRAN statement is not complete when column 72 has been used, a _____ card may be used.
7. The expression within the innermost set of parentheses is evaluated _____ (first, last).
8. A statement number can be any integer in the range 1 through _____.
9. If no parentheses are present, the operation which is performed first on a left to right basis is _____.
10. A continuation card is indicated by a non-zero punch in column _____.

11. Write two FORTRAN statements on the coding form below. The first statement will use the known circumference of a circle to compute the radius. The next statement will compute the area. The equations involved are

$$r = \frac{c}{2\pi} \quad \text{and} \quad a = \pi r^2$$

FORTRAN CODING FORM

Statement No.	C for Comment	FORTRAN STATEMENT
5		50
6	C=22.5.6	
7	PI=3.14159265	
8	NOW COMPUTE THE RADIUS AND AREA	
9		
10		
11		
12		
13		
14		
15		
16		
17		
18		
19		
20		

		80
73		

Exercise II.A (Continued)

12. Write the equivalent algebraic expression from each of the following FORTRAN expressions.

1) $A+B*C/D*F+G**2/R$

2) $3.0*PHI**2/D*C-P$

3) $A/B*C*D-4.0/A*F$

4) $X**2/Y*C+Y**2/X*A$

5) $G*T**2/C/D-A*B$

Exercise II, B (Continued)

7. Write the values below as real constants. In doing this please eliminate long strips of leading or trailing zeros.

- 1.) $.96 \times 10^{-4}$
- 2.) 20
- 3.) 20.6×10^2
- 4.) .00000008
- 5.) 200000000.

8. Consider the two statements below and assume that they are to be evaluated in sequence.

	C for Comment	FORTRAN CODING FORM
Statement No.	7	50
10	X=20.0	73
20	X=X+20.0	80

The value of X after statement 10 has been evaluated is _____. The value of X after statements 10 and 20 have been evaluated is _____.

Exercise II. B (Continued)

9. The power of 10 used in writing a real constant must always be a positive or negative _____.
10. If $L = 29$ and $K = 5$, the result of the expression L/K in FORTRAN is _____.

Exercise II. C

For each of the following statements, outline the sequence of steps required to carry out the required computation. If the mode is mixed, convert the variable to appropriate mode just before using it. The first one is worked out as an example.

1. $I = 4.0 * Y ** 2 - ((J - K) * X) / D$

- 1.) K is subtracted from J in the fixed-point mode.
- 2.) The result of step 1 is converted to floating-point.
- 3.) The result of step 2 is multiplied by X.
- 4.) Y is squared.
- 5.) The result of step 4 is multiplied by 4.0.
- 6.) The result of step 3 is divided by D.
- 7.) The result of step 6 is subtracted from the result of step 5.
- 8.) The result of step 7 is converted to fixed-point.
- 9.) The result of step 8 is assigned to I.

2. $Z = JJ - KK$

- 1.) _____
- 2.) _____
- 3.) _____

3. $X = Z ** 2 / 4.0 * A * C + L * Y * SIGMA$

- 1.) _____
- 2.) _____

Exercise II. C (Continued)

3. _____
3.) _____
4.) _____
5.) _____
6.) _____
7.) _____
8.) _____
9.) _____

4. $POLY = ((3.2 * K + 1.5) * X + 4.1) * X + 26.0$

- 1.) _____
2.) _____
3.) _____
4.) _____
5.) _____
6.) _____
7.) _____
8.) _____

5. $SLOPE = (Y4 - Y3) / (X4 - X3)$

- 1.) _____
2.) _____
3.) _____
4.) _____

Exercise II. D (Continued)

2. If you had any trouble with problem 1, see if you follow the explanation which follows. First, we must decide on names for the three different variables involved. If we select A, B, and C, the DIMENSION statement should read DIMENSION A(3, 3), B(3), C(3). The first FORTRAN statement is then written $C(1) = A(1, 1)*B(1)+A(1, 2)*B(2)+A(1, 3)*B(3)$
- Using the variable names A, B, and C and assuming that K has a value in the range 1, 2, or 3, write a FORTRAN statement that sets SUM equal to the sum of the elements in the Kth row of A.
-

3. Suppose that the surface temperature of a lake is read every hour over a period of 90 days. One way of storing these values in a program is to use a two-dimensional array, T. Let the first subscript represent the day and the second subscript the hour. Thus, the temperature at hour five on the third day of observation is referenced T(3, 5).
- The value of T(6, 10) is missing. Write the DIMENSION statement and then the FORTRAN statement which will set this value to the average of the 9th and 11th hour readings on the same day.
-
-

Exercise II, D (Continued)

4. Using the same values as in number 3, write the FORTRAN statement which will set the value of T(6, 10) to the average of four readings. Two of these readings being at the same hour on the two previous days and the other two being at the same hour of the two following days.

5. Using the two-dimensional array established in number 3, assume that the temperature had increased at a constant rate between hour 8 and hour 9 on day 66. Write the FORTRAN statement which assigns TEMP the temperature at 30 minutes past hour 8.

6. Using the two-dimensional array established in number 3, write the statement which assigns DTEMP the value obtained by subtracting the temperature at hour 8 from the temperature at hour 9 on day 66.

The above gives the change from hour 8 to hour 9. Now write the statement which assigns DTEMP one-half of this change.

Exercise II. D (Continued)

6. The above added to the temperature at hour 8 gives the result asked for in number 5.
Now write the statement which assigns TEMP the value at 30 minutes past hour 8.
-

Exercise II. E

1. List the five different types of variables and the seven different types of constants.

Variables

Constants

2. List the three different variable types which, if used, must appear in a type statement.

_____, _____, _____

3. A double precision constant differs from a real constant in that every constant must be written with a power of ten multiplier and this multiplier is denoted by D instead of E as with real constants. The double precision constant may have up to 29 digits while the real constant is limited to 15. Indicate the type of constant for each of the following:

- | | | | |
|-----------------|-------|------------|-------|
| 1.) .25D0 | _____ | 5.) .8E-4 | _____ |
| 2.) .33 | _____ | 6.) .8D-4 | _____ |
| 3.) 17 | _____ | 7.) 10 | _____ |
| 4.) (25.0, 0.0) | _____ | 8.) .TRUE. | _____ |

Exercise II.E (Continued)

7. The _____ constant is used to store alphabetic information in a computer word. A unique _____ digit code is assigned to each letter, _____, or special character. If characters are entered, the entire computer word is filled. The constant 6HRADIUS will fill the left thirty-six binary digits of the computer word. The rightmost twenty-four binary digits will be filled with _____ blank characters.

8. A logical variable has the value .TRUE. when it is non-zero. When it is zero it is said to have the value _____.

Exercise II. F

1. The logical constant `.TRUE.` in binary form is a word of all 1's. The logical constant `.FALSE.` is a binary word of all zeros.

`.TRUE.` = 11111...11111₂
`.FALSE.` = 00000...00000₂

Considering the binary digits of the two constants, indicate a `.TRUE.` or `.FALSE.` result for each of the following expressions.

- 1.) `.TRUE.` `.AND.` `.TRUE.` _____
- 2.) `.FALSE.` `.AND.` `.TRUE.` _____
- 3.) `.TRUE.` `.AND.` `.FALSE.` _____
- 4.) `.FALSE.` `.AND.` `.FALSE.` _____
- 5.) `.TRUE.` `.OR.` `.TRUE.` _____
- 6.) `.TRUE.` `.OR.` `.FALSE.` _____
- 7.) `.FALSE.` `.OR.` `.TRUE.` _____
- 8.) `.FALSE.` `.OR.` `.FALSE.` _____
- 9.) `.NOT.` `.TRUE.` _____
- 10.) `.NOT.` `.FALSE.` _____

2. It was mentioned that logical variables can have the value `.TRUE.` or the value `.FALSE.`. This leads to the question as to what happens when a logical variable occurs on the left side of the equal. If the value on the right side is zero, it is set to `.FALSE.`. If the value on the right is non-zero, it is set to `.TRUE.` In case the right hand side is double precision or complex, only the most significant and real parts respectively are used for the zero or non-zero test. Now consider the following statements.

Exercise II. F (Continued)

FORTRAN CODING FORM

Statement No.	C for Comment	FORTRAN STATEMENT	73	80
1		LOGICAL M, N, NCOM		
2		DOUBLE PRECISION X, Y		
3		COMPLEX C		
4		M = C		
5		N = X * Y		
6		NCOM = K		
7				

Indicate the value of the logical variables assuming the statements above are executed with the values given.

	<u>K</u>	<u>X</u>	<u>Y</u>	<u>C</u>	<u>M</u>	<u>N</u>	<u>NCOM</u>
1.)	2	0.D0	.02D-2	(10.0, 0.0)			
2.)	5	24.D0	0.0D0	(0.0, 20.0)			
3.)	0	200.D0	10.D2	(2.0, 0.0)			
4.)	100	0.0D0	0.0D0	(4.0, 5.0)			
5.)	0	1.0D10	50.D0	(0.0, 6.0)			

Exercise II. F (Continued)

3. Indicate in octal the value of the integer variable I after each of the following statements.

- 1.) I = 00000777 .OR. 00007000 _____
- 2.) I = 0000052 .AND. 0000050 _____
- 3.) I = .NOT. (.TRUE. .OR. 0000001) _____
- 4.) I = 5 .OR. 2 _____
- 5.) I = L .AND. K _____
where L = 16_{10} and K = 1_{10}

Exercise II. G

1. When different types of variables were mixed in logical operations, the operations were performed on the binary digits and no consideration was given to the types of variables involved. As you realized when working with arithmetic operations involving real and integer variables, certain variable types must be converted before meaningful evaluations can be performed.
2. A real value is converted to complex by using the real value as the real part of the complex number and setting the imaginary part to _____.
3. An integer is converted to complex by converting it to real form and then following the steps in 2. A real value is converted to double precision by making the real value the most significant part and setting the least significant part to _____.
4. Write the steps involved in executing the following statements. Convert each variable to the dominant mode just before using it. The first one is worked out as an example.

C for Comment	FORTRAN CODING FORM	
Statement No. 5	FORTRAN STATEMENT	50
6	DOUBLE PRECISION A	
7	X = A * I	
		73
		80

- 1.) I is converted to double precision
- 2.) result of step 1 is multiplied by A
- 3.) convert result of step 2 to real
- 4.) assign result of step 3 to X.

Exercise II. G (Continued)

5.

FORTRAN CODING FORM

C for Comment		
State- ment No.	7	50
	COMPLEX D	
	X = X * D + I	

73	80

- 1.)
- 2.)
- 3.)
- 4.)
- 5.)
- 6.)

6.

FORTRAN CODING FORM

C for Comment		
State- ment No.	7	50
	COMPLEX C, D	
	C = D * X + Y	

73	80

- 1.)
- 2.)
- 3.)
- 4.)
- 5.)

Exercise II. G (Continued)

8.

	C for Comment	FORTRAN CODING FORM	
State- ment No.	50	FORTRAN STATEMENT	80
1		COMPLEX F, G	
2		DOUBLE PRECISION Y	
3		F = Y*(X+4) - G	

NOTE: Double precision is converted to complex by dropping the least significant part and using the most significant part as the real part of the complex value. The imaginary part is set to zero.

- 1.) _____
- 2.) _____
- 3.) _____
- 4.) _____
- 5.) _____
- 6.) _____
- 7.) _____

Exercise II.H

This exercise is a review of the material presented in PART II of the manual.

1. The five arithmetic operations are:

- 1.) _____
- 2.) _____
- 3.) _____
- 4.) _____
- 5.) _____

2. Within the innermost set of parentheses, the operational hierarchy is:

- 1.) _____
- 2.) _____ and _____
- 3.) _____ and _____

3. The expression within the innermost set of parentheses is evaluated _____.

4. There are five different types of variables. List them.

- 1.) _____
- 2.) _____
- 3.) _____
- 4.) _____
- 5.) _____

Exercise II. H (Continued)

5. Three of the above variables are not needed in many programs. List the two which appear in almost all programs.

- 1.) _____
- 2.) _____

6. If both real variables and integer variables appear in an arithmetic expression, the result of the expression will be _____.

7. List the seven types of constants and give an example of each.

<u>Type of Constant</u>	<u>Example</u>
1.) _____	_____
2.) _____	_____
3.) _____	_____
4.) _____	_____
5.) _____	_____
6.) _____	_____
7.) _____	_____

8. A variable which appears in a DIMENSION statement is called a _____.

Exercise II. H (Continued)

9. A subscript may be a simple arithmetic expression of integer constants and integer variables. True or false? _____

10. In the expression $X(L(5))*Y$, $L(5)$ is a valid subscript. True or false? _____

11. A subscripted variable is not a valid subscript. Is a real variable a valid subscript? _____

12. Write a DIMENSION statement which will make A, B, and C into one-, two-, and three-dimensional arrays respectively. Make each array hold a maximum of 100 values.

	C for Comment		
Statement No.	110	FORTRAN CODING FORM	73
507	50	FORTRAN STATEMENT	80

13. If no type statements are used, real and integer variables are recognized by the first _____ in their names.

Exercise II. H (Continued)

14. Write type statements to declare POLY as double precision and CAPL as complex.

Statement No	FORTRAN STATEMENT	C for Comment
1		
2		
3		
4		
5		
6		
7		
8		
9		
10		
11		
12		
13		
14		
15		
16		
17		
18		
19		
20		
21		
22		
23		
24		
25		
26		
27		
28		
29		
30		
31		
32		
33		
34		
35		
36		
37		
38		
39		
40		
41		
42		
43		
44		
45		
46		
47		
48		
49		
50		

15. Three types of variables must always appear in a type statement. Name them.

- 1.) _____
- 2.) _____
- 3.) _____

Exercise III. B

1. In the following groups of statements, analyze the GO TO statement: (1) tell what kind it is (unconditional, assigned, or computed), and (2) write the statement number to which control will be transferred.

(a) I = 2 (kind) _____
GO TO (7, 6, 5, 2), I (statement no.) _____

(b) ASSIGN 6 TO I (kind) _____
GO TO I (statement no.) _____

(c) I = 2 (kind) _____
GO TO 6 (statement no.) _____

(d) ASSIGN 20 TO INDEX (kind) _____
GO TO INDEX (35, 15, 20, 455, 200) (statement no.) _____

(e) J = 10 (kind) _____
GO TO (10, 30, 65, 400, 10, 6, 8, 10, 10, 30, 10), J (statement no.) _____

Exercise III. B

2. Analyze the following program segments that use GO TO statements, and answer the questions with each:

(a) DIMENSION NTABLE (5, 5, 5)

I = 1

J = I + 1

N = J + 1

GO TO 30

.

30 L = NTABLE (I, J, J)

.

.

After the above statements are executed, the variable L is set equal to the contents of NTABLE(____, _____, _____).

(b) A = 4.0

B = 3.0

GO TO 50

.

.

50 HYPOT = A**2 + B**2

After statement 50 has been executed, the value of HYPOT is _____ and the value of A is _____.

Exercise III. B

2. (Cont.) (c)
- ```
 ASSIGN 20 TO INDEX
15 GO TO INDEX (20, 30, 40, 6)
30 A = 1.0
 ASSIGN 40 TO INDEX
 GO TO 15
20 A = 2.0
 ASSIGN 6 TO INDEX
 GO TO 15
40 A = 3.0
 ASSIGN 30 TO INDEX
 GO TO 15
6 (program continues)
```

- 1.) After this coding was executed, the last statement number assigned to INDEX was \_\_\_\_\_.
- 2.) The last value given to A was \_\_\_\_\_.

- (d)
- ```
DIMENSION ITABLE(50)
M = 1
2 GO TO (3, 1, 10, 50), M
3 ITABLE(M) = M
M = M+1
GO TO 2
1 GO TO 3
10 GO TO 3
50 (program continues)
```

- 1.) After this is executed, the value of M is _____.
- 2.) After this is executed, the value last placed in ITABLE(M) is _____.

Exercise III. B

```

2. (Cont.) (e) DIMENSION ITABLE(10)
                M = 1
                2 GO TO (3, 3, 3, 3, 3, 3, 3, 3, 3, 3, 50), M
                3 ITABLE(M) = M*2-1
                  M = M + 1
                  GO TO 2
                50 (program continues)
    
```

- 1.) After this is executed, the value in M is _____.
- 2.) List, in sequence, the values that are now in the 10 positions of ITABLE:

3. The following statements contain coding errors and/or logic errors. Rewrite the incorrect line or lines correctly in the blanks; in some cases there may be several correct answers and any one correct answer is acceptable.

```

(a) I = 0
    GO TO (2, 6, 10, 55), I
    
```

C for Comment	FORTRAN CODING FORM
Statement No. 507	FORTRAN STATEMENT 50

73	80

Exercise III. B

3. (Cont.) (b) GO TO, (10, 99, 3, 1), NUMBER

C for Comment		FORTRAN CODING FORM	
State- ment No.	50	FORTTRAN STATEMENT	50
7			

73	80
----	----

(c) ASSIGN 20 TO JSWCH
GO TO, JSWCH

C for Comment		FORTRAN CODING FORM	
State- ment No.	50	FORTTRAN STATEMENT	50
7			

73	80
----	----

(d) I = 7
GO TO (3, 50, 2), I

C for Comment		FORTRAN CODING FORM	
State- ment No.	50	FORTTRAN STATEMENT	50
7			

73	80
----	----

Exercise III. B

3. (Cont.) (e) J = 100
GO TO (100, 150, 23), J

C for Comment	
State- ment No. 6	50
5 0 7	

73	80
----	----

- (f) ASSIGN 50 TO ISWCH
GO TO ISWTCH

C for Comment	
State- ment No. 6	50
5 0 7	

73	80
----	----

- (g) ASSIGN 10 TO B
GO TO B, (20, 30, 10)

C for Comment	
State- ment No. 6	50
5 0 7	

73	80
----	----

Exercise III, C

1. Write the FORTRAN expression which is equivalent to each of the following:

- a.) Arithmetic variables: A is greater than B and less than C _____
- b.) Arithmetic variables: A is greater than B and not greater than C _____
- c.) Logical variables: A is the same as B and not the same as C _____
- d.) Arithmetic variables: A is the same as B and not the same as C _____
- e.) Arithmetic variables: either A is equal to B or C is equal to D _____

2. See II.E. 18 (Methods of Writing Octal Constants)

	FORTRAN CODING FORM	
C for Comment		
Statement No. 50	FORTRAN STATEMENT	50
	I = 1 4 B	
	J = 2 4 B	
	IX = I .AND. J	

73	80

The octal value in IX will be _____.

Exercise III. C

3.

C for Comment		FORTRAN CODING FORM	
State- ment No.	Statement	73	80
50	LOGICAL I, J		
	.		
	.		
	.		
	IX = I .AND. J		

The binary digits in IX will be either all _____ or all _____.

Exercise III. C

4. Look at the following program segment, and answer the questions below.

FORTRAN CODING FORM

Statement No.	C for Comment	FORTRAN STATEMENT	50
10		DIMENSION I(10)	
15		LOGICAL I	
20		IINDEX = J	
30		GO TO (30, 40, 75), IINDEX	
40		I(INDEX) = J * LT * K	
50		IINDEX = IINDEX + 1	
60		GO TO 20	
70		I(INDEX) = L * EQ * M	
75		GO TO 15	
		(program continues)	

Indicate the true or false value of the logical variables assuming the statements above are executed with the values given below:

	J	K	L	M	I(INDEX) after statement 30	I(INDEX) after statement 40
a.)	1	2	3	4	_____	_____
b.)	1	1	6	6	_____	_____
c.)	2	1	3	4	//////////	_____

Exercise III.D

1. There are three kinds of IF statements.

a.) The Three-Branch Arithmetic IF

The program branches to the first statement number listed in the IF statement if the value of the control expression is _____, to the second statement if the value is _____, and to the third statement if the value is _____.

b.) The Two-Branch Logical IF

The program branches to the first statement listed in the IF statement if the value of the control expression is _____, to the second statement if the value is _____.

c.) The One-Branch Logical IF

If the value of the control expression is _____, the program executes whatever statement is included with the IF; but, if the value is _____, the program ignores the optional statement with the IF, and goes to the next sequential statement.

2. Write the three-branch arithmetic IF statement that expresses each of the following:

a.) If $I < 1$, go to statement 20; otherwise go to statement 30 _____

b.) If $I \leq 1$, go to statement 20; otherwise go to statement 30 _____

c.) If $INDEX \geq 400$, go to statement 40; otherwise go to statement 10 _____

d.) If $A > B$, go to statement 30; if they are both equal, go to statement 60; otherwise go to statement 25 _____

Exercise III. D

3. (Cont.) c.) 100 - MAX
 If result is ≤ 0 , go to statement 50;
 otherwise go to 100.

C for Comment		FORTRAN CODING FORM	
State- ment No.	100	FORTRAN STATEMENT	50
5	07		

73	80

- d.) 100.-SUM
 If result is negative, go to statement 20; if
 result is 0, go to 10; otherwise go to 35.

C for Comment		FORTRAN CODING FORM	
State- ment No.	100	FORTRAN STATEMENT	50
5	07		

73	80

- e.) $bx^2 - 2 \cdot \frac{y}{az}$
 If result is negative, go to statement 55;
 otherwise go to 100.

C for Comment		FORTRAN CODING FORM	
State- ment No.	100	FORTRAN STATEMENT	50
5	07		

73	80

Exercise II. D

4. (Cont.)

FORTRAN CODING FORM

Statement No.	C for Comment	FORTRAN STATEMENT	
50		FOR TUNE=50000.00	50
		GO TO 66	
70		FOR TUNE=50000.00	
		GO TO 66	
100		FOR TUNE=5000.0	
66		(program continues)	

73	80

Exercise III, D

5. Referring to the problem above about Art's inheritance, if Art is now at least 21.0 years of age, he will get the money right away; but if his age is less than 21.0 years, he must wait. Write a program to determine action to be taken. If Art's age is 21.0 or more, go to statement 10, but if his age is less than 21.0, go to statement 20.

Write your coding here:

C for Comment	FORTRAN CODING FORM	
Statement No. 5	FORTRAN STATEMENT	50
6		
7		
8		
9		
10		
11		
12		
13		
14		
15		
16		
17		
18		
19		
20		
21		
22		
23		
24		
25		
26		
27		
28		
29		
30		
31		
32		
33		
34		
35		
36		
37		
38		
39		
40		
41		
42		
43		
44		
45		
46		
47		
48		
49		
50		
51		
52		
53		
54		
55		
56		
57		
58		
59		
60		
61		
62		
63		
64		
65		
66		
67		
68		
69		
70		
71		
72		
73		
74		
75		
76		
77		
78		
79		
80		

6. Indicate which of the following two-branch logical IF statements is correct by + ; if incorrect, indicate by - and give reason.

- a.) IF (A EQ B) 5, 10 _____
- b.) IF A .EQ. B 5, 10 _____
- c.) IF (A .EQ. B), 5, 10 _____
- d.) IF (A .EQ. B) 5, 10 _____

Exercise III.D

7. Remembering the definition of a one-branch logical IF statement, after each example write + if it is a valid one-branch logical IF; but, if it is not valid, enter - and the reason why. Assume that TEST is a logical variable.

a.) IF (A .EQ. B) D = A

b.) IF (A = B) D = A

c.) IF (T .EQ. 90.0) A**2 + B**2 = C**2

d.) IF (X .GE. Y) GO TO 50

e.) IF (G .NE. H) INTEGER G, H

f.) IF (DATA .GE. 100.0.AND.DATA .LT. 101.0) TEST = .TRUE.

Exercise III. D

8. Using the one-branch logical IF statement, solve the following problem:

Suppose you wish the computer to perform some calculations several times, but--on the first iteration only--you wish to execute an additional step (in this case it will be: `ISTART=1`).

The computer must determine, at each iteration, whether or not this is the first iteration, and will skip the additional step if it determines this is not the first iteration.

To enable the computer to determine if it is in the first iteration, or in a second or later iteration, you will create an on-off switch, a logical variable we will call `NOTFRST`, and let the computer test the switch using the one-branch logical IF. When `NOTFRST` is true, or on, the computer knows this is not the first iteration.

Write statements that will do the following:

- (a) Initialize `NOTFRST` to a false value (in other words, turn the switch off) before starting on the calculations for the first time. (Assume that `NOTFRST` has already been declared logical in a type statement.)
- (b) Using the one-branch logical IF with `NOTFRST` as its logical control expression, tell the computer: If this is the first iteration, execute the statement `ISTART=1`, and then turn on `NOTFRST` (set it to true for all successive iterations). Next go on to statement 40, where the program continues.
- (c) But if this is not the first iteration, merely go to statement 40.

Use the coding form provided on the following page.

Exercise III. E

1. The FORTRAN statement that automatically sets up the repetitive loop is called a _____ statement, and the group of statements between this statement and the terminal statement is called a _____ loop.
2. The DO statement defines the initial value of its control variable; the amount by which this variable is to be _____ upon each repetition of the loop; and the _____ value of the variable, which determines whether to repeat the loop or to exit from it.
3. Indicate your choice of answers for each of the following questions (there is only one correct answer for each):
 - (a) The index (control) variable in the DO statement is restricted to a: _____
 - 1.) Simple integer variable
 - 2.) Simple integer variable or integer expression
 - (b) The three loop parameters--the initial value of the control variable, maximum value, and amount of the increment (if given)--may be: _____
 - 1.) Either integer constants or simple integer variables
 - 2.) Only simple integer variables
 - (c) Which of the following is true about the loop parameters? _____
 - 1.) If one parameter is a variable, all must be variables; if one is a constant, all must be constants.
 - 2.) It is valid to mix them; that is, one may be a constant, one a simple integer variable, etc.

Exercise III. E

3. (Cont.) (d) If a loop parameter is a constant, it _____
- 1.) Must be positive and non-zero
 - 2.) May be negative, or positive, or zero
- (e) Which of the following is a valid DO statement? _____
- 1.) DO 20 INDEX = 1, 10
 - 2.) DO 20 CONTROL = 1, 10
- (f) Which of the following is a valid DO statement? _____
- 1.) DO 3 I=2, MAX
 - 2.) DO 3 I=2, XMAX
- (g) Which of the following is a valid DO statement? _____
- 1.) DO 10 J=2, 1
 - 2.) DO 10 J=2, 0

Exercise III.E

4. The following DO statements each represent the beginning of a different DO loop. How many times will each loop be executed?

- a.) DO 20 I=1, 10 _____
- b.) DO 35 J=2, 1 _____
- c.) DO 200 INDEX=1, MAX _____
- d.) DO 99 M=5, 35, 5 _____
- e.) I=1
J=I+1
MAX=J+1
DO 300 INDEX=J, MAX _____
- f.) DO 19 N=1, 20, 3 _____

5. The value in the second parameter of the DO statement can be changed outside of the DO loop. Which of the following DO statements can have this value changed? _____

- 1.) DO 20 NUM=1, 20
- 2.) DO 20 NUM=1, MAX

Exercise III. E

6. The statement at the end of the DO loop, the terminal statement, must be an executable statement, with certain qualifications. Following are two lists of statements: one contains all valid terminal statements, the other contains all invalid terminal statements. For each list, write the word valid or invalid at the head of the list.

a.) _____ terminal statements for DO loops:

- 1.) FORMAT
- 2.) DIMENSION
- 3.) COMMON
- 4.) type declaration
- 5.) statement without a statement number
- 6.) PAUSE
- 7.) STOP
- 8.) END
- 9.) RETURN
- 10.) arithmetic IF statement
- 11.) another DO statement
- 12.) a GO TO statement

b.) _____ terminal statements for DO loops:

- 1.) Numbered statement (provided it also fits one of the following categories)
- 2.) Any arithmetic expression
- 3.) the CONTINUE statement
- 4.) logical IF statement (to be used, however, with extreme caution)

Exercise III. E

7. Determine if each of the following statements can be the terminal statement in a DO loop. Answer yes or no for each:

- a.) 50 IF (A) 10, 20, 30 _____
- b.) 50 A = B _____
- c.) 50 CONTINUE _____
- d.) 50 DIMENSION ARRAY (5, 5) _____
- e.) 50 LOGICAL FLIP _____
- f.) 50 GO TO (10, 20, 30), I _____
- g.) 50 IF (I) 10, 20, 30 _____
- h.) 50 A = R + S*SIN (2.*3.1416) _____
- i.) 50 IF (A.AND.B) C = 2.0 _____
- j.) 50 DO 10 I = 1, 6 _____

Exercise III. E

13.

Write a program to do the following:

- a.) Define three arrays of one-dimension, 1000 locations each, to be called MAP, IPOS, and INEG. (MAP will already contain 1000 random values that may be positive, negative, or zero. IPOS is an array into which the program will store successive positive values as they are encountered in MAP, and INEG is likewise an array for negative values from MAP.)
- b.) Initialize (set to zero) the five accumulator variables:
 - 1.) IZERO (this will be used to tally up the total number of zero values)
 - 2.) IPOSM (this will be used to hold a cumulative sum of all positive values in MAP)
 - 3.) INEGM (this will be used to hold a cumulative sum of all negative values in MAP)
 - 4.) Another integer variable (you name it) to be used for subscripting IPOS and as a counter for adding positive values in IPOSM
 - 5.) Another integer variable (you name it) to be used for subscripting INEG and as a counter for adding negative values in INEGM
- c.) Write a DO loop to evaluate all 1000 locations in the array MAP to see if they are negative, zero, or positive values. If the value from MAP is zero, add 1 to the zero-value counter IZERO; if the value from MAP is positive, place it in the next sequential location in the positive-value array IPOS; and if the value from MAP is negative, place it in the next sequential location in the negative-value array INEG. In the same loop develop a cumulative sum of the positive values in IPOSM and a cumulative sum of the negative values in INEGM.

Exercise IV. C

1. What is the purpose of the list in an I/O statement?

2. How is one item of an I/O list separated from another in the list?

3. What is the maximum allowable length for a list?

4. May a list item be subscripted? _____

Let us now look at some I/O lists as they might appear in a program. Consider the following five lines of code, and assume that formats I0, 20, 30 and 40 are available:

```
(1) DIMENSION A(10), B(5, 2), C(3, 3, 3), I(6), J(4, 4)
(2) READ 10, (A (IX), B(IX,1), IX = 1, 5)
(3) READ 20, I, (B (IX, 2), IX = 1, 5)
(4) READ 30, C
(5) READ 40, J(1, 1), J(2, 1), J(3, 1), J(4, 1)
```

5. What is the list of line (2)?

6. What is the list of line (4)?

7. How many items will be read at line (2)?

Exercise IV. C (Continued)

8. Write the items in the order in which they will be read. (line 2)

9. How many items will be read at line (3) ?

10. Write the items in the order in which they will be read. (line 3)

11. How many items will be read at line (4) ?

12. Write in order the first six items read in at (4).

13. How many items will be read at line (5) ?

14. Write the list from line (5) as an implied DO loop.

Now consider some other lists:

- (1) PRINT 7, I, X(I),
- (2) PUNCH 999, CAT DOG MOUSE
- (3) PRINT 5000, A, B(K), K = 4, 10
- (4) PRINT 1776, DATE, TIME, (RESULT (I), I = M, N)

15. What fault can you find with the list in line (1) ?

16. What fault can you find with the list in line (2) ?

17. Is there a fault in the list in line (3) ?

18. If answer to 17 is "yes", what is it ?

19. Is there a fault in the list in line (4), and if so, what is it ?

20. Insert missing parentheses in the proper places in the following list:

```
READ 100, ARRAY(I, J, K), I = 1, IMAX, J = 1, JMAX, K = 1, KMAX
```

Exercise IV. D

1. What kind of FORTRAN statement tells what data conversion(s) is(are) to be used for an I/O list?

 2. By what means does an I/O statement refer to a particular FORMAT statement?

 3. May more than one I/O statement refer to a single FORMAT statement?

 4. May one I/O statement refer to more than one FORMAT statement?

 5. Where does the FORMAT statement number appear on the coding form or punched card?

 6. Where do the letters FORMAT appear?

 7. Where may the FORMAT statement appear in the program?

 8. Do you know why there are so few restrictions on the placement of FORMAT statements within a program?

- If you answered yes, proceed to question 9. If you answered no: a FORMAT statement is not "executable"; that is, it does not generate any code within the part of the program which the computer is to execute.

Exercise IV.D (Continued)

- 9. May a FORMAT statement extend to more than one line of coding?

- 10. How many FORMAT statements may appear within a program?

- 11. How do you think you are going to like programming?

Exercise IV.E

1. For what kind of number is the Ew.d conversion used?

2. What does w indicate?

3. What does d indicate?

4. What is the rule-of-thumb relationship between the sizes of w and d?

Suppose five variables contain quantities as follows:

<u>Variable</u>	<u>Value</u>
A	3.14159260
B	5280.0
C	57.29577950
D	.017453290
E	6378.3880

Write the output values for the following lists and formats, using b to indicate a single blank.

5. PRINT 100, A, B, C, D, E
100 FORMAT (E12.5, E12.3, E6, E12.3, E10.3)

Exercise IV. E (Continued)

6. PRINT 555, A, E
555 FORMAT (E10, E10)

7. PRINT 123, B
123 FORMAT (E9.2)

8. PRINT 1, D, C
1 FORMAT (E13.6, E12.3)

1. For what type of number is Fw. d conversion used?

2. What does w indicate?

3. What does d indicate?

4. Is it permissible for d to be zero?

5. What effect does d=0 have on output?

6. Is a sign output under Fw. d conversion?

Consider again the five variables:

<u>Variable</u>	<u>Value</u>
A	3.14159260
B	5280.0
C	57.29577950
D	.017453290
E	638.3880

Write the output values for the following lists and formats, using b to indicate a single blank.

Exercise IV. G (Continued)

7. PRINT 123, D, E, B
123 FORMAT (F10.4, F10.4, F10.4)

8. PRINT 19, A, C, E
19 FORMAT (F4.2, F12.7, F4.0)

9. PRINT 1111, D
1111 FORMAT (F10.6)

10. PRINT 2, A, B, C, D, E
2 FORMAT (F2.0, F5.0, F3.0, F4.0, F4.0)

Exercise IV.1 (Continued)

In core these values are stored:

<u>Variable</u>	<u>Value</u>
IMP	12345
JOB	67890
KEY	1440
MOP	365
NAP	1

5. What will be output for

```
PRINT 1, NAP, KEY, IMP  
1 FORMAT (I5, I5, I5)
```

6. What will be output for

```
PRINT 2, KEY, KEY, KEY  
2 FORMAT (I7, I6, I5)
```

7. What will be output for

```
PRINT 3, IMP, JOB  
3 FORMAT (I8, I5)
```

8. What will be output for

```
PRINT 4, IMP, MOP, NAP, KEY, JOB  
4 FORMAT (I7, I4, I2, I5, I6)
```

Exercise IV.J (Continued)

5. What values would be read in by

```
READ 10, V1, I1  
10 FORMAT (11XF4.2, 7XI2)
```

In core are the following values:

```
IDAY      =      2  
IYEAR     =    1967  
VAL(1)    =    10.0  
VAL(2)    =    20.0  
VAL(3)    =    30.0  
IWEEK     =     34  
          =
```

6. How would the output look for

```
PRINT 100, IWEEK, IDAY, IYEAR  
100 FORMAT (10X, *WEEK*13, 2X, I2, *NDbDAY*, 2X, *YEAR*, I5)  
      *  
      *  
PRINT 102, (VAL(I), I = 1, 3)  
102 FORMAT (2XF4.1, 2XF4.1, 4XF4.1)
```

Exercise IV.K

1. What character, when used in a FORMAT statement, indicates the end of a record?

2. How many cards will be read by

```
READ 472, AG, BA, CF, DM, EU
472 FORMAT (3XF4.4/E10.2, E10.4//F15.5, E12.4)
```

3. How many lines will be produced by

```
PRINT 1, (ARRAY(I), I = 1, 4), K1, K2
1 FORMAT (//2XF5.1, 2XF5.1, 2XF5.1, 2XF5.1//I10/I10)
```

4. How many lines will be produced by

```
PRINT 88, I, J, K
88 FORMAT (///10X, I3, 2X14, 2XI5)
```

5. How many lines will be produced by

```
PRINT 888, I, J, K
888 FORMAT (///10X, I3, 2X, I4, 2XI5/)
```

Exercise IV.K (Continued)

6. How many lines will be produced by

```
PRINT 8888, I, J, K  
8888 FORMAT (//10X, I3, 2X, I4, 2X, I5//)
```

7. Of the five lines produced by

```
PRINT 16, I, M, A  
16 FORMAT (//I10/I10/2XE20.9)
```

the first line will be (blank, printed), the second line will be (blank, printed), the third line will be (blank, printed), the fourth line will be (blank, printed), the fifth line will be (blank, printed).

Exercise IV. L

1. For what kind of data is the wH specification used? _____
2. For output purposes, the wH characters to be output appear within the _____ statement itself.
3. On input, the wH characters to be _____ are read into a particular FORMAT statement.
4. Blanks appearing within a wH specification field are ignored. True or false? _____
5. FORTRAN characters appearing in a wH specification field are converted to CDC 6000 series _____.

Exercise V.A (Continued)

3. The formal parameters of a statement function are limited to simple variables and most of our examples have shown the actual parameters as simple variables. An actual parameter may be any arithmetic expression.

An example is the statement function

$$\text{AREA(RSQ)} = 3.14159265 * \text{RSQ} \quad .$$

This function computes the area of a circle when given the square of the radius. Now suppose we know the coordinates of the center of a circle (p, q) and a point on the circle (x, y). The area Z can be obtained in two ways. One way is to compute the square of the radius and then refer to the function to get the area.

$$\begin{aligned} \text{RSQD} &= (X - P)**2 + (Y - Q)**2 \\ Z &= \text{AREA (RSQD)} \end{aligned}$$

The second is to write the argument as an arithmetic expression.

$$Z = \text{AREA} ((X - P)**2 + (Y - Q)**2)$$

In this case, the arithmetic expression is evaluated and the result is used as the argument.

Library functions are provided to compute many trigonometric and logarithmic functions. Two library functions are ALOG(p₁) and Sqrt(p₁). These functions will compute the natural logarithm of a real variable and the square root of a real variable respectively. Using these two functions, write a statement function to compute HSININV(X) where HSININV(X) is the inverse hyperbolic sine of X. The arithmetic formula is

$$\sinh^{-1}(x) = \log_e \left(x + \sqrt{x^2 + 1} \right)$$

Exercise V.A (Continued)

4. At this point, you are going to write a computer program using FORTRAN. It will be a simple program and you will be given step by step directions on its development.

Before starting to write a program, make sure you know what data variables you will input into the computer. Also, know what calculations are to be performed on these variables and what computed results are required.

The program we are going to write will assume that a simple harmonic transverse wave is traveling along a string of beads. Our job is to calculate the displacement of a particular bead at a particular time. The equation of the displacement is

$$y = a \text{ sine } \left[2\pi \left(\frac{t}{T} - \frac{x}{\lambda} \right) \right]$$

where

a = amplitude

t = time

T = period

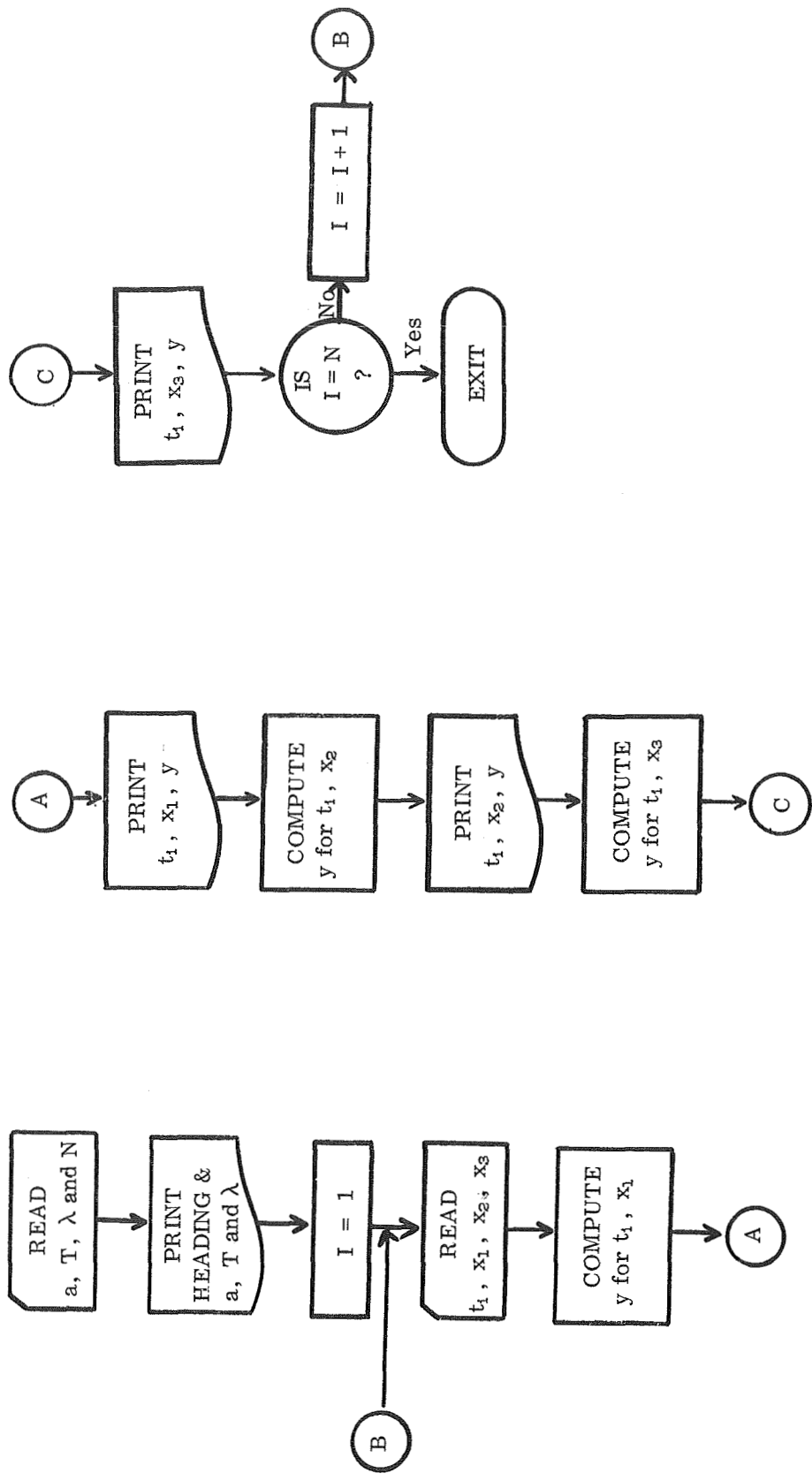
x = distance of bead from origin

λ = wave length

The input required for the calculation is five parameters a, t, T, x, and λ . For our purposes, we will assume that a, T and λ will remain constant during a complete computer run. A sixth parameter, N, will be read which gives the number of different values of t which will be used. We will assume that three values of x will be input for each value of t.

The output will consist of a line of print for each computation. This line of print will consist of t, x, and y.

4.(Cont.) Once the problem is defined, a flowchart will usually make the coding easier.



Exercise V.A (Continued)

4. (Cont.) You are now ready to write your computer program. Assume that $\text{SIN}(p_1)$ is a function which will compute the sine of a real variable.

Step 1: Write a statement function to compute y . Since a , T , λ and t_i appear in all three computations, the only parameter needed is x .

Step 2: Read the values of a , T , λ and N from the first input card. Be sure to use the same names which you used in the statement function. a , T and λ should be real. N should be integer.

Step 3: Write the format statement corresponding to the read statement in Step 2.

Step 4: Write statements which will (1) start a new page, print and identify the values, a , T and λ , and (2) make headings for the columns t , x , and y .

Step 5: Write a statement which will set $I = 1$.

Step 6: Write a statement to input the next card. This card contains the next value of t and the three values of x to be used in computing y . Be sure that you used the same variable name for t as you used in the statement function. Also write the necessary format statement.

Step 7: Use the first value of x in the statement function to obtain the corresponding value of y .

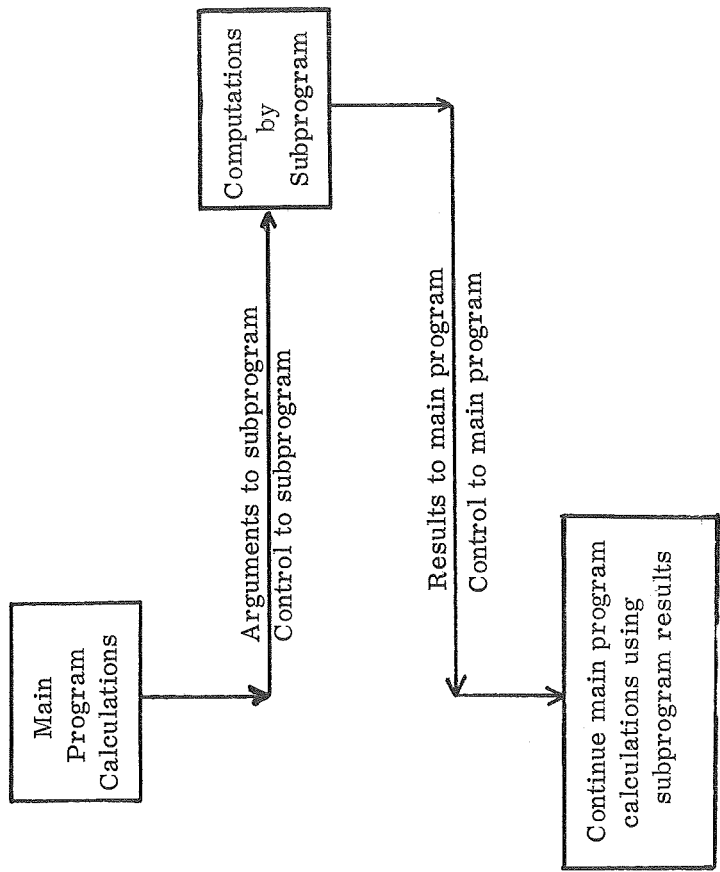
Step 8: Print the three values t , x_1 , and y under the heading you printed earlier.

Exercise V.A (Continued)

4. (Cont.)
- Step 9: Use the second value of x in the statement function to obtain the corresponding value of y .
- Step 10: Print the three values t , x_2 , and y .
- Step 11: Use the third value of x in the statement function to obtain the corresponding value of y .
- Step 12: Print the three values t , x_3 , and y .
- Step 13: Test to see if $I = N$. If yes, write the statement CALL EXIT. If not, set $I = I + 1$ and then go to the statement which reads the next card containing a new value of t and three new x values.

Exercise V. B

1. Illustration of flow at execution time.



Exercise V. B (Continued)

2. Since a subprogram is written as a separate entity, the number of arguments and their types is established at the time the subprogram is written. Any program which uses this subprogram must supply the _____ number of arguments and make sure that their _____ are as required by the subprogram.

3. The type of the result(s) from a subprogram is also determined at the time the subprogram is written. If a subprogram returns a real result, the main program must treat the result as _____.

Exercise V. C

1. Write a function subprogram which has three formal parameters A, B and N. The function is to return the sum of the first N products to $A(1)*B(1) + A(2)*B(2) + \dots + A(N)*B(N)$.

Step 1: Write the function definition statement.

Step 2: Make 1000 the maximum dimensions of A and B.

Step 3: Set the sum to zero.

Step 4: Set up a DO loop using the parameter N as the upper limit.

Step 5: Sum all products.

Step 6: Return to main program.

Step 7: END

2. Write the first card (function definition statement) of a function which will return a complex result. The function is to have two parameters, B and C. The name of the function is CPROD.

*3. Suppose the function defined in problem 2 is being referenced by another program or subprogram which we shall call the main program. Write the statement which must appear in the main program to insure type compatibility.

*4. If a function has four formal parameters, any reference to the function must have _____ actual parameters.

Exercise V. C (Continued)

- *5. If the third formal parameter in a function is integer, the third actual parameter in a reference to the function must be _____.
- *6. If the second formal parameter is dimensioned in a function, the second _____ in a reference to the function generally should have the same dimensions.

*NOTE: Failure to comply with these items will not give a diagnostic message.

Exercise V.D

1. Write a subroutine subprogram having one parameter K. In the subroutine, K is to be tested for a value of 0, and if K does equal zero, the message "K = 0" is to be printed from instructions within the subroutine.
2. Write the statement which refers to the above subroutine in the main program.
3. Assume that in a main program the array LIST is dimensioned for a maximum of 50 values. Write a subroutine which searches the entire array, finds the smallest value, and places that value in LEAST.

Exercise V. E

1. If $I = -3$ and $J = -5$, what values will be stored in K after execution of each of the following statements?

- a.) $K = IABS(I) - IABS(J)$ _____
- b.) $K = IABS(J)**2$ _____
- c.) $K = -IABS(I)$ _____

2. The statement $X = AMIN1(A, B, C) + AMAX1(Y, Z)$ will cause the evaluation of _____ in-line functions with each function forming a term in the sum to be stored at location _____. The first term (function) will find the _____ value of the variables A, B, C, while the second term (function) will choose the maximum value from the variables _____ and _____.

3. Evaluate each of the following to determine what will be contained in location X after execution. (Assume $I = 1, J = -5, K = 2, A = 2.5, B = 3.0, C = 5.0, D = -2.$)

- a.) $X = AMAX0(I, J, K)$ _____
- b.) $X = AMIN0(I, J, K)$ _____
- c.) $X = AMAX1(A, B, C) + AMIN1(B, C, D)$ _____
- d.) $X = MAX0(I, J)**2$ _____
- e.) $X = MAX1(A, C) - MAX1(C, D)$ _____
- f.) $X = ABS(AMIN1(A, B, C, D))$ _____

Exercise V. E (Continued)

4. ALPHA is an angle of rotation computed and stored in degrees. Although ALPHA can represent the effect of many revolutions, only values between 0° and 360° are meaningful in a particular analysis. Write a statement using modular arithmetic which will disregard previous revolutions and store the angular distance traveled by ALPHA in its current revolution into a location called BETA.

C for Comment	FORTRAN CODING FORM
Statement No. 37	FORTRAN STATEMENT 50
37	73
38	80

5. The variable I is assigned the value 35. The statement $N = \text{MOD}(I, 7)$ is then executed. N will be assigned the value _____.
6. If the variables P and Q are both declared COMPLEX with $Q = 5.2 + 3.3i$, which of the following statements would assign P the value $5.2 - 3.3i$? _____

- a.) $P = \text{AIMAG}(Q)$
- b.) $P = \text{REAL}(Q)$
- c.) $P = \text{CONJG}(Q)$

7. After executing the following sequence of instructions, what will be the values stored in locations A and B?

```

COMPLEX R, S
P = 3.7
Q = -5.5
R = CMPLX(P, Q)
S = CONJG(R)
A = REAL(S)
B = AIMAG(S)

```

8. Before using any of the trigonometric library functions, one should guarantee that all angular arguments which exist in degrees have been converted to _____.

9. Write a sequence of statements to satisfy each of the following conditions:

- a.) assign the tangent of X (in radians) to the variable Y
- b.) assign the absolute value of the difference between the cosine of X (in radians) and the sine of X (in radians) to the variable Z
- c.) assign the natural logarithm of X to the variable Y
- d.) assign the sum of the square root of X plus the square root of Y to the variable Z
- e.) assign the arctangent of the quotient A/B to the variable Y.

a.) _____

b.) _____

c.) _____

d.) _____

e.) _____

Exercise V. E (Continued)

10. Determine the value stored in location Z after execution of each of the following:
(Assume $X = 0.0$, $Y = 4.0$.)

- a.) $Z = \text{SIN}(X)$
- b.) $Z = \text{COS}(X*Y)$
- c.) $Z = \text{TAN}(X) + \text{COS}(X) - \text{SQRT}(Y)$
- d.) $Z = \text{EXP}(X)$
- e.) $Z = \text{SQRT}(X**2 + Y**2)$

Exercise V. G

1. No computations are permitted in a BLOCK DATA subprogram. Are computations permitted in the main program?
2. Write a BLOCK DATA subprogram which a.) assigns the following 10 constants to data array SLEEP: 1.5, 2.0, 10.9, 5.7 three times, and 9.8 four times; b.) assigns the value 8.5 to variable HRS. Use one DATA statement, and ZZ as the block name.

Exercise V.H

1. In FORTRAN, alternate names can be assigned to variables by using the _____ statement.
2. Write a statement that allows the three simple variables: A, B, I to share the same storage location.

3. Write a set of statements that dimensions an array named "C" at 10 and defines F as an alternate name of C(5).

4. Suppose F in the previous problem had been dimensioned at 3 and above statements applied. F(2) would share a storage location with C() and F(3) would share a storage location with C().
5. Suppose X is complex. Write an EQUIVALENCE declaration allowing the imaginary part of X to be referred to by the name UNREAL. Use the array F defined above.

Exercise V.H (Continued)

6. Given: COMMON/C1/A, B
COMMON/C2/C, D
DIMENSION E(2), F(3)

What is wrong with each of the following:

- a. EQUIVALENCE (A, B) _____
- b. EQUIVALENCE (D, E) _____
- c. EQUIVALENCE (A, C) _____
- d. EQUIVALENCE (A, E), (B, F), (F, E) _____

1. A program that calls subroutines may include the names of other functions or subroutines as parameters in the calling sequence if the functions or subroutines are defined in _____ statements.

2. Where must the statements appear relative to the calling sequence? _____

3. Suppose TAN1 is a function that computes A/B defined as follows:

```
FUNCTION TAN1(A, B)
IF (B .EQ. 0.0) GO TO 5
TAN1 = A/B
RETURN
5 TAN1 = 999999999.
6 RETURN
END
```

Suppose you know that $\tan\theta = \sin\theta/\cos\theta$ and you know that library functions SIN and COS are available. Write the steps to set TT equal to the tangent of THETA using functions TAN1, SIN, and COS.

Exercise V.J

1. Name the three general methods for handling off-repeated functions in a main program.

- a.) _____
- b.) _____
- c.) _____

2. a.) Where is the statement function described?
b.) How is it referenced?

3. Consider the general form of the statement function

$$\text{NAME}(P_1, P_2, \dots, P_n) = \text{EXP}$$

- a.) The upper and lower limits for n are _____ and _____.
- b.) The P 's represent _____ and must be _____.

4. a.) The rules for naming statement functions and function subprograms are alike in that the name implies _____.

b.) Conversely, a subroutine name is not associated with the _____ of the variable(s) involved.

Exercise V.J (Continued)

5. How does FORTRAN distinguish between statement functions and subscripted variables?
6. Write the FORTRAN statement(s) necessary to define the statement function named CALC which adds three parameters and divides their sum by 9.3.
7. The _____ subprogram is used to calculate a single result, whereas the _____ subprogram may not calculate anything or may perform several calculations to be returned to the main program.
8. A subroutine name must be the same in both the main program and the subroutine itself. True or false? _____ The parameters, if any, in the main program and subroutine must have the same variable names. True or false? _____
9. May one subroutine reference another? _____
10. Write a general FORTRAN statement for referencing a subroutine. _____
11. In using the COMMON statement the order of assignment to the common area of memory and the naming of variables are equally important. True or false? _____

Exercise V.J (Continued)

12. a.) The common area with no name is called _____. Those common areas with names are called _____.
- b.) Different common blocks are identified by _____.
- c.) A labeled common name may be the same as a _____ name used within the program but cannot be the same as a _____ name.

13. What, if any, are the errors in the following statements ?

- a.) COMMON/MANY/M, A, N, Y
COMMON A, K
- b.) COMMON/123T4/F, E, WHAT
- c.) DIMENSION ARRAY (10), BITS (5)
COMMON WORK, ARRAY (11), BITS, KMON
- d.) COMMON/STUFF/IOP, NOP, SAP
COMMON/TOUGH/HARRY, SAM, JOE, SAL

14. When is it acceptable to define array limits using variable dimensions?

Exercise V. J (Continued)

15. List the advantages of the block data subprogram over a.) storing input data on cards and b.) writing constants into the program. (Assuming a large number of values.)
16. What is the disadvantage of the block data method?
17. There are no _____ permitted in a block data subprogram.

Exercise VI.A

1. For what type of number is the Dw. d conversion used?

2. Which other type of conversion does the Dw. d conversion most closely resemble?

3. What is the largest permissible magnitude for the exponent of a Dw. d number?

Exercise VI.B.

1. To which two other conversions does the Gw.d conversion correspond?

2. When is E-type conversion used for a Gw.d specification?

3. In core, variable X contains the value 1273.4793365. What will be output for
PRINT 100, X
100 FORMAT (G11.3) _____
4. In core, variable Y also contains the value 1273.4793365. What will be output for
PRINT 200, Y
200 FORMAT (G14.4) _____
5. In core, variable Z contains the value 5977342.100177. What will be output for
PRINT 300, Z
300 FORMAT (G8.4) _____
6. To output the value 12345.6789, which conversion will be used for the following specifications?
How will the output look?
a.) G11.1 b.) G11.4 c.) G11.0
d.) G13.6 e.) G10.1
a. _____
b. _____
c. _____
d. _____
e. _____

Exercise VI.C

1. For what type of data is Lw conversion used?

An input card is punched

C ^{COMMENT}		IDENTIFICATION	
STATEMENT NUMBER	NO	YES	NO
1	0	0	0
2	0	0	0
3	0	0	0
4	0	0	0
5	0	0	0
6	0	0	0
7	0	0	0
8	0	0	0
9	0	0	0
10	0	0	0
11	0	0	0
12	0	0	0
13	0	0	0
14	0	0	0
15	0	0	0
16	0	0	0
17	0	0	0
18	0	0	0
19	0	0	0
20	0	0	0
21	0	0	0
22	0	0	0
23	0	0	0
24	0	0	0
25	0	0	0
26	0	0	0
27	0	0	0
28	0	0	0
29	0	0	0
30	0	0	0
31	0	0	0
32	0	0	0
33	0	0	0
34	0	0	0
35	0	0	0
36	0	0	0
37	0	0	0
38	0	0	0
39	0	0	0
40	0	0	0
41	0	0	0
42	0	0	0
43	0	0	0
44	0	0	0
45	0	0	0
46	0	0	0
47	0	0	0
48	0	0	0
49	0	0	0
50	0	0	0
51	0	0	0
52	0	0	0
53	0	0	0
54	0	0	0
55	0	0	0
56	0	0	0
57	0	0	0
58	0	0	0
59	0	0	0
60	0	0	0
61	0	0	0
62	0	0	0
63	0	0	0
64	0	0	0
65	0	0	0
66	0	0	0
67	0	0	0
68	0	0	0
69	0	0	0
70	0	0	0
71	0	0	0
72	0	0	0
73	0	0	0
74	0	0	0
75	0	0	0
76	0	0	0
77	0	0	0
78	0	0	0
79	0	0	0
80	0	0	0

In core, variables YES, NO, and MAYBE have the values true, false, and false, respectively.

2. What will be the values of A, B, C, and D if the card is read by

```

READ 100, A, B, C, D
100 FORMAT (L3, L4, L3, L2)
    
```

- A= _____
- B= _____
- C= _____
- D= _____

3. What will the output be for

```

PRINT 876, YES, NO, MAYBE
876 FORMAT (L6, L10, L2)
    
```

Exercise VI.C (Continued)

For the same input card, and the same initial values in core for YES, NO and MAYBE, consider this code:

```
PRINT 1, YES, NO, MAYBE          (1)
1  FORMAT (I4, I4, I4, I4)        (2)
   READ 2, YES, NO, MAYBE        (3)
2  FORMAT (L1, L7, L1)          (4)
   PRINT 1, YES, NO, MAYBE        (5)
```

4. What will the output from (1) be ?

5. What will the output from (5) be ?

Exercise VI.D

1. The variable XTEST contains the value .006879. What value is printed if XTEST is output according to the format specification 3PF6.2? _____
2. What effect does the scale factor have on the conversion of integers (I conversion)? _____
3. Suppose that a scale factor of 3 is currently effective. How many places will be printed to the left of the decimal point if 26.379246 is printed with an E12.3 conversion? _____

Exercise VI.F (Continued)

6. What would be read by

```
READ 99, HEAD1, HEAD2  
99 FORMAT (A10, A7)
```

HEAD1
HEAD2

7. What would be read by

```
READ 456, HEAD1, HEAD2  
456 FORMAT (A7, A10)
```

HEAD1
HEAD2

Exercise VI.G

Three variables in core contain values as follows:

<u>Variable</u>	<u>Value</u>
MONTH	04050305150205225555 D E C E M B E R b b
NDAY	0000000000000000000318
YEAR	5655344441425555555558 , b 1 9 6 7 b b b b

1. What will the output be for

```
PRINT 10, MONTH, NDAY, YEAR
10 FORMAT (A9, I2, A6)
```

2. What will the output be for

```
PRINT 20, MONTH, YEAR
20 FORMAT (A3, A6)
```

3. What will the output be for

```
PRINT 30, MONTH, NDAY
30 FORMAT (A3, I3)
```

Exercise VI.H

1. For what type of data is Rw conversion used?

An input card is punched as follows:

12-10-67 STATION 1421 DEGREES		ORTRAN STATEMENT		IDENTIFICATION
COMMENT NUMBER	1			
STATEMENT NUMBER	01			
1	0	0	0	0
2	0	0	0	0
3	0	0	0	0
4	0	0	0	0
5	0	0	0	0
6	0	0	0	0
7	0	0	0	0
8	0	0	0	0
9	0	0	0	0
10	0	0	0	0
11	0	0	0	0
12	0	0	0	0
13	0	0	0	0
14	0	0	0	0
15	0	0	0	0
16	0	0	0	0
17	0	0	0	0
18	0	0	0	0
19	0	0	0	0
20	0	0	0	0
21	0	0	0	0
22	0	0	0	0
23	0	0	0	0
24	0	0	0	0
25	0	0	0	0
26	0	0	0	0
27	0	0	0	0
28	0	0	0	0
29	0	0	0	0
30	0	0	0	0
31	0	0	0	0
32	0	0	0	0
33	0	0	0	0
34	0	0	0	0
35	0	0	0	0
36	0	0	0	0
37	0	0	0	0
38	0	0	0	0
39	0	0	0	0
40	0	0	0	0
41	0	0	0	0
42	0	0	0	0
43	0	0	0	0
44	0	0	0	0
45	0	0	0	0
46	0	0	0	0
47	0	0	0	0
48	0	0	0	0
49	0	0	0	0
50	0	0	0	0
51	0	0	0	0
52	0	0	0	0
53	0	0	0	0
54	0	0	0	0
55	0	0	0	0
56	0	0	0	0
57	0	0	0	0
58	0	0	0	0
59	0	0	0	0
60	0	0	0	0
61	0	0	0	0
62	0	0	0	0
63	0	0	0	0
64	0	0	0	0
65	0	0	0	0
66	0	0	0	0
67	0	0	0	0
68	0	0	0	0
69	0	0	0	0
70	0	0	0	0
71	0	0	0	0
72	0	0	0	0
73	0	0	0	0
74	0	0	0	0
75	0	0	0	0
76	0	0	0	0
77	0	0	0	0
78	0	0	0	0
79	0	0	0	0
80	0	0	0	0

The console display code for the characters punched on the card is

Character	Code	Character	Code
A	01	T	24
D	04	0	33
E	05	1	34
G	07	2	35
I	11	4	37
N	16	6	41
O	17	7	42
R	22	-	46
S	23	blank	55

Exercise VI.H (Continued)

2. What octal values will be stored in memory for

```

READ 17, DATE, STATN, TEMP
17 FORMAT (A10, R10, R2)
    
```

```

DATE=
STATN=
TEMP=
    
```

3. What octal values will be stored in memory for

```

READ 956, DATE, HEDNG1, STANO, TEMP, HEDNG2
956 FORMAT (A8, A10, R2, R2, A8)
    
```

```

DATE=
HEDNG1=
STANO=
TEMP=
HEDNG2=
    
```

4. What octal values will be stored in memory for

```

READ 5, DATE, HEDNG1, STANO, TEMP, HEDNG2
5 FORMAT (R8, R10, A2, A2, R8)
    
```

```

DATE=
HEDNG1=
STANO=
TEMP=
HEDNG2=
    
```

In core are stored these values:

LABEL 1: 14012411242504055555

L A T I T U D E b b

LABEL 2: 14171607112425040555

L O N G I T U D E b

LABEL 3: 01142411242504055555

A L T I T U D E b b

5. What will the printout be for

```
PRINT 14, LABEL1, LABEL2, LABEL3  
14 FORMAT (A10, R10, A10)
```

6. What will the printout be for

```
PRINT 29, LABEL1, LABEL2, LABEL3  
29 FORMAT (A3, A4, A3)
```

7. What will the printout be for

```
PRINT 92, LABEL1, LABEL2, LABEL3  
92 FORMAT (R3, R4, R3)
```

Exercise VI.1

1. For what type of number is `Ow` conversion used? _____

2. How many `O`-type digits are contained in a single CDC 6000 series computer word? _____

3. Which of the following numbers are not suitable for input by an `O15` specification? _____

- A. `bbb433714662155`
- B. `137434221531362`
- C. `bb2232568133412`
- D. `bbbbbbbbbbbbbb29`

In core the variable `OCTAL` contains the value `224317771256732443138`

4. What will be output by _____

```
PRINT 982, OCTAL
  982 FORMAT (O10)
```

5. What will be output by _____

```
PRINT 8, OCTAL
  8 FORMAT (O23)
```


Exercise VI.J

1. Write a FORMAT statement which may be used to read data cards containing:

- a.) an integer in columns 1 - 10
- b.) an integer in columns 11 - 15
- c.) an integer in columns 16 - 22
- d.) seven characters in columns 25 - 31
- e.) a real number of the form xx.xxx in columns 35 - 40.

C for Comment	FORTRAN CODING FORM	
Statement No. 7	FORTRAN STATEMENT	50
1		73
2		80
3		
4		
5		
6		
7		
8		
9		
10		

2. Write the DIMENSION, FORMAT, and READ statements which will enter the format specifications from problem 1 into the array FMT1.

C for Comment	FORTRAN CODING FORM	
Statement No. 7	FORTRAN STATEMENT	50
1		73
2		80
3		
4		
5		
6		
7		
8		
9		
10		

Exercise VI.K

1. There exists an analogy between formatted I/O statements and the ENCODE/DECODE statements. The ENCODE statement parallels output since it causes conversion from binary to _____. The DECODE statement parallels _____, since data is transformed from an existing BCD form into a binary form specified by a FORMAT statement. All conversions, however, remain within the computer _____ rather than causing transfers through an external I/O device.

2. Given the following DIMENSION and FORMAT statements:

```
DIMENSION X(3), Y(3), Z(10)
2 FORMAT (3F7.2, 3E14.8, 2I5)
```

write an ENCODE statement which will produce an eighty-character record beginning in location Z(1), containing the data in locations X(1), X(2), X(3), Y(1), Y(2), Y(3), I, J converted according to the above FORMAT.



3. Examine the following set of instructions:

```
DIMENSION X(8), Y(4)
ENCODE(40, 5, X) (Y(I), I=1, 4)
5 FORMAT (4F8.3)
```

Answer these questions concerning the above instruction set.

Exercise VI.K (Continued)

3. (Continued) a.) Upon execution of the ENCODE statement, what is the length (in console display code characters) of the resulting record?

Answer: _____

b.) How many locations in the X array are filled during execution?

Answer: _____

c.) If the values in the Y array are given as 1.25, 2.50, 3.75, 5.0 in succession, what 10 characters will be contained in X(1) after execution?

Answer: _____

d.) What is the contents of X(4) as a result of executing the ENCODE statement?

Answer: _____

4. If X=10HDATA5.2833 and the instruction DECODE(10, 2, X) VALUE, H, I is executed, what will be in locations VALUE, H, I if statement 2 has the form: 2 FORMAT (A4, F4.2, I2)?

VALUE: _____

H: _____

I: _____

Exercise VI.K (Continued)

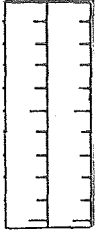
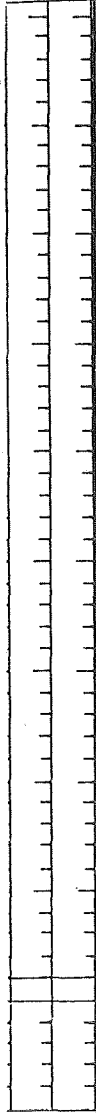
5. The variable Z has been dimensioned 2 with each location being defined as follows:

Z(1)=10HINPUTb1250
Z(2)=10H3.1415b757

Write the DECODE and FORMAT statement which will use a 20-character record of BCD information at Z to assign the values:

INPUT to a variable named TYPE
1250 to a variable named N1
3.1415 to a variable named PI
757 to a variable named N2.

The length of the variables TYPE and PI is expected to be six characters each while the length of the variable N1 and N2 is expected to be four characters each.



1. Write the statement which will leave tape 7 positioned at load point (beginning of the tape).

2. Write a statement which will branch to statement 200 if an end-of-file indicator was encountered on the last read on tape 7. Otherwise, branch to statement 400.

3. Assume that tape unit 7 is positioned ready to read record 10. Write the instructions which will position tape unit 7 ready to read record 8.

Exercise VI.P

1. Any single line of coding--any acceptable FORTRAN statement, continued statement, END card, or comment--may be thought of as a card _____.
2. Which card (FORTRAN statement) signifies to the compiler that preceding lines of coding are to be grouped together as a program or subprogram?

Answer: _____

3. A file of executable programs is comprised of at least a _____ program and possibly one or more _____.
4. Certain routines which govern the overall course of action of the computer, such as reading in your program and allocating memory space are called _____ routines.
5. Write a program card which precedes the deck called MAIN, and indicates the use of four systems files. The systems files include the card reader and printer, an input tape called TAPEIN, and an output tape called DATA.

- II.A
1. (1) exponentiation **
(2) multiplication *
(3) division /
(4) addition +
(5) subtraction -

 2. 7

 3. letter

 4. (1) A**2
(2) A**2
(3) TEMP/OVER
(4) -D
(5) (K - L)

 5. seven

 6. continuation

 7. first

 8. 99999

 9. exponentiation

 10. six

 11. $R = C / (2.0 * PI)$
AREA = PI * R * R * 2

ANSWERS

- II. B
1. integer, real
 2. floating point
 3. I, J, K, L, M, N
 4. letter
 5. decimal point
 6. $Y = (X^{**2} - 3.0*X + 1.0) / (X*(X-1.0)**2)$
 7.

(1)	.96E-4
(2)	20.0
(3)	20.6E2
(4)	8.0E-8
(5)	2.0E8
 8. 20.0, 40.0
 9. integer
 10. 5

ANSWERS

- II. C
2. (1) KK is subtracted from JJ in the fixed-point mode.
(2) The result of Step 1 is converted to floating point.
(3) The result of Step 2 is assigned to Z.
3. (1) Z is squared.
(2) The result of Step 1 is divided by 4.0.
(3) The result of Step 2 is multiplied by A.
(4) The result of Step 3 is multiplied by C.
(5) L is converted to floating-point.
(6) The result of Step 5 is multiplied by Y.
(7) The result of Step 6 is multiplied by SIGMA.
(8) The result of Step 7 is added to the result of Step 4.
(9) The result of Step 8 is assigned to X.
4. (1) K is converted to floating point.
(2) 3.2 is multiplied by result of Step 1.
(3) The result of Step 2 is added to 1.5.
(4) The result of Step 3 is multiplied by X.
(5) The result of Step 4 is added to 4.1.
(6) The result of Step 5 is multiplied by X.
(7) The result of Step 6 is added to 26.0.
(8) The result of Step 7 is assigned to POLY.
5. (1) X8 is subtracted from X4.
(2) Y3 is subtracted from Y4,
(3) The result of Step 2 is divided by the result of Step 1
(4) The result of Step 3 is assigned to SLOPE.

ANSWERS

II. D

1. DIMENSION A(3, 3), B(3), C(3)
C(1) = A(1, 1)*B(1) + A(1, 2)*B(2) + A(1, 3)*B(3)
C(2) = A(2, 1)*B(1) + A(2, 2)*B(2) + A(2, 3)*B(3)
C(3) = A(3, 1)*B(1) + A(3, 2)*B(2) + A(3, 3)*B(3)
2. SUM = A(K, 1) + A(K, 2) + A(K, 3)
3. DIMENSION T(90, 24)
T(6, 10) = (T(6, 9) + T(6, 11))/2.0
4. T(6, 10) = (T(4, 10) + T(5, 10) + T(7, 10) + T(8, 10))/4.0
5. TEMP = .5 * (T(66, 9) - T(66, 8)) + T(66, 8) or TEMP = .5*(T(66, 8)+T(66, 9))
6. DTEMP = T(66, 9) - T(66, 8)
DTEMP = .5*DTEMP
TEMP = DTEMP + T(66, 8)

ANSWERS

- | | | | |
|-------|----|--|---|
| II. E | 1. | integer
real
complex
double precision
logical | integer
real
complex
double precision
logical
octal
Hollerith |
| | 2. | complex, double precision, logical | |
| | 3. | double precision, real, integer, complex, real, double precision, integer, logical | |
| | 4. | 20 | |
| | 5. | right, zeros, left | |
| | 6. | COMPLEX Y
$Y = ((3.0, 4.0) * (-1.0, 2.0)) / ((-1.0, -1.0) * (3.0, -1.0))$ | |
| | 7. | Hollerith, six, numeral, four | |
| | 8. | .FALSE. | |

ANSWERS

II. F

1.

- (1) TRUE.
- (2) FALSE.
- (3) FALSE.
- (4) FALSE.
- (5) TRUE.
- (6) TRUE.
- (7) TRUE.
- (8) FALSE.
- (9) FALSE.
- (10) TRUE.

2.

- | | <u>M</u> | <u>N</u> | <u>NCOM</u> |
|-----|----------|----------|-------------|
| (1) | TRUE. | FALSE. | TRUE. |
| (2) | FALSE. | FALSE. | TRUE. |
| (3) | TRUE. | TRUE. | FALSE. |
| (4) | TRUE. | FALSE. | TRUE. |
| (5) | FALSE. | TRUE. | FALSE. |

3.

- (1) 7777
- (2) 50
- (3) 0
- (4) 7
- (5) 0

ANSWERS

- II. G
1. not a problem
 2. zero
 3. zero
 4. not a problem
 5.
 - (1) Convert real value X to complex.
 - (2) Multiply result of Step 1 by complex value D.
 - (3) Convert integer I to complex.
 - (4) Add result of Step 3 to result of Step 2.
 - (5) Convert result of Step 4 to real.
 - (6) Assign result of Step 5 to X.
 6.
 - (1) Convert real value X to complex.
 - (2) Multiply result of Step 1 by complex value D.
 - (3) Convert real value Y to complex.
 - (4) Add result of Step 2 and result of Step 3.
 - (5) Assign result of Step 4 to C.
 7.
 - (1) Add C(1) to C(2).
 - (2) Add result of Step 1 to C(3).
 - (3) Convert integer J to complex.
 - (4) Multiply result of Step 2 by result of Step 3.
 - (5) Convert integer constant 1 to complex.
 - (6) Subtract result of Step 5 from result of Step 4.
 - (7) Assign complex result to D.
 8.
 - (1) Convert integer constant 4 to real.
 - (2) Add result of Step 1 to X.
 - (3) Convert double precision value Y to complex.
 - (4) Convert result of Step 2 to complex.
 - (5) Multiply result of Step 3 by result of Step 4.
 - (6) Subtract complex value G from result of Step 5.
 - (7) Assign complex result to F.

- II. H
1. (1) addition
(2) subtraction
(3) multiplication
(4) division
(5) exponentiation
 2. (1) exponentiation
(2) multiplication and division
(3) addition and subtraction
 3. first
 4. (1) integer
(2) real
(3) double precision
(4) complex
(5) logical
 5. (1) integer
(2) real
 6. real
 7. (1) integer
(2) real
(3) double precision
(4) complex
(5) logical
(6) octal
(7) Hollerith
 8. subscripted variable
 9. true
 10. false
 11. no

12
6.0
4.0D0
(2.0, 3.5)
.TRUE.
O000006
6HAT BAT

ANSWERS

- II. H
- 12. DIMENSION A (100), B (50, 2), C (2, 10, 5)
 - 13. letter
 - 14. DOUBLE PRECISION POLY
COMPLEX CAPL
 - 15. (1) double precision
(2) complex
(3) logical

- III. B
1. a.) computed
6
b.) assigned
6
c.) unconditional
6
d.) assigned
20
e.) computed
30

 2. a.) NTABLE(1, 2, 2)
b.) 25.0, 4.0
c.) (1) 6
(2) 2.0
d.) (1) 4
(2) 3
e.) (1) 11
(2) 1, 3, 5, 7, 9, 11, 13, 15, 17, 19

- III. C
1. a.) A .GT. B .AND. A .LT. C
b.) A .GT. B .AND. A .LE. C
c.) A .AND. B .AND. .NOT. C
d.) A .EQ. B .AND. A .NE. C
e.) A .EQ. B .OR. C .EQ. D

2. 4_8

3. Ones, zeros

4. a.) true, false
b.) false, true
c.) ----, false

ANSWERS

- III.D
1. a.) negative, zero, positive
b.) true (all ones), false (all zeros)
c.) true, false
 2. a.) IF (I-1)20, 30, 30
b.) IF (I-1)20, 20, 30
c.) IF (INDEX-400)10, 40, 40
d.) IF (A-B)25, 60, 30
 3. a.) $N = (\text{JCOUNT}-1)/2$
IF(N) 10, 35, 35
b.) $R = 8. * (X+10.)$
IF(R)30, 50, 40
c.) $N = 100 - \text{MAX}$
IF(N)50, 50, 100
d.) $R = 100. - \text{SUM}$
IF(R)20, 10, 35
e.) $R = B * X ** 2 - 2. * Y / (A * Z)$
IF(R)55, 100, 100
f.) $N = (M * K) ** 2 - 2 * (I + K)$
IF(N)70, 60, 70

III, D

4.

FORTRAN CODING FORM

C for Comment		
State- ment No.	80	50
1	IF (A-B) 2, 2, 1	
2	IF (A-C) 7, 0, 5, 0, 5, 0	
	IF (A-C) 1, 0, 0, 7, 0, 7, 0	

73	80
----	----

5.

FORTRAN CODING FORM

C for Comment		
State- ment No.	80	50
	IF (A-21, 0) 2, 0, 1, 0, 1, 0	

73	80
----	----

- 6. a.) - Periods around EQ are missing
- b.) - Parentheses should enclose A, EQ, B
- c.) - Comma after the parentheses is incorrect
- d.) +

III. E

1. DO, DO
2. incremented, maximum
3.
 - a.) (1)
 - b.) (1)
 - c.) (2)
 - d.) (1)
 - e.) (1)
 - f.) (1)
 - g.) (1)
4.
 - a.) 10
 - b.) 1
 - c.) MAX times
 - d.) 7
 - e.) 2
 - f.) 7
5. (2)

ANSWERS

III.E 6. a.) invalid

b.) valid

7. a.) no

b.) yes

c.) yes

d.) no

e.) no

f.) no

g.) no

h.) yes

i.) yes

j.) no

III.E 8.

10	DO 5 I = 1, 99
3	IF (VALUE(I) .LT. VALUE(J)) 5, 6
8	VALUE(J) = X
5	CONTINUE

9.

FORTRAN CODING FORM

C for Comment	
Statement No.	50
10	DIMENSION INDEX(4,00)
	DO 30 I = 1, 40,0
	INDEX(I) = I
30	CONTINUE
	(rest of program)

73	80

ANSWERS

III. E 10.

FORTRAN CODING FORM

Statement No	C for Comment	FORTRAN STATEMENT
50		
20	DIMENSION ISUM(30) ISUM(30) = 0 DO 25 I, 1, 29 ISUM(30) = ISUM(30) + ISUM(I)	
25	CONTINUE	
30	IF(ISUM(30) .GE. 100) GO TO 45 LITTLE = ISUM(30)	
45	GO TO 50 LARGE = ISUM(30)	
50	(program continues)	

III.E 11.

FORTRAN CODING FORM

Statement No.	C for Comment	FORTRAN STATEMENT	
90		DO 95 I=1, MAX	73
		IF (SUM.LT. VALUE) 90, 100	80
95		SUM = SUM * 2.0	
		CONTINUE	
100		(program continues)	
C		OTHER VALID IF STATEMENTS INSTEAD OF THE	
C		ABOVE COULD BE IF (SUM.GE. VALUE) 100, 90	
C		OR IF (SUM.GE. VALUE) GO TO 100	
C		OR IF (SUM = VALUE) 90, 100, 100	

III. E 13.

FORTRAN CODING FORM

Statement No	C for Comment	FORTRAN STATEMENT	73	80
507		DIMENSION MAP(1,0,0,0), IPOS(1,0,0,0), INEG(1,0,0,0)		
C		CLEAR THE 5 ACCUMULATORS		
		IZERO = 0		
		IPOSM = 0		
		INEGM = 0		
		K = 0		
		J = 0		
		DO 555, I = 1, 1, 0, 0, 0		
		IF (MAP(I)) 1, 2, 3		
1		J = J + 1		
		INEG(J) = MAP(I)		
		INEGM = INEGM + MAP(I)		
		GO TO 555.5		
2		IZERO = IZERO + 1		
		GO TO 5.555		
3		K = K + 1		
		IPOS(K) = MAP(I)		
		IPOSM = IPOSM + MAP(I)		
5.555		CONTINUE		

ANSWERS

- IV.C
1. To specify which data items are to be transmitted, and their order.
 2. By a comma
 3. 19 continuation cards
 4. Yes
 5. (A (IX), B(IX, 1), IX = 1, 5)
 6. C
 7. 10
 8. A(1), B(1, 1), A(2), B(2, 1), A(3), B(3, 1), A(4), B(4, 1), A(5), B(5, 1)
 9. 11
 10. I(1), I(2), I(3), I(4), I(5), I(6), B(1, 2), B(2, 2), B(3, 2), B(4, 2), B(5, 2)
 11. 27
 12. C(1, 1, 1), C(2, 1, 1), C(3, 1, 1), C(1, 2, 1), C(2, 2, 1), C(3, 2, 1)
 13. 4
 14. (J(IX, 1), IX = 1, 4)
 15. The last item of the list should not be followed by a comma.

IV. C

- 16. There should be commas after CAT and DOG
- 17. Yes
- 18. The implied DO loop should be enclosed in parentheses.
- 19. No fault
- 20. READ 100, (((ARRAY (L, J, K), I=1, IMAX), J=1, JMAX), K=1, KMAX)

ANSWERS

- IV.D
1. A FORMAT statement
 2. By the FORMAT statement number
 3. Yes
 4. No
 5. In columns 1-5
 6. Beginning in column 7 or beyond
 7. Any place, except not as the last statement of a DO loop.
 8. Yes or No
 9. Yes, if continue is indicated in column 6 of all but the first line.
 10. There is no maximum.

IV.E

1. Real number with exponent
2. The entire output field width
3. The number of fractional places to be output to the right of the decimal point
4. $w \geq d+7$
5. b3.14159E+00bbb5.280E+03b6E+01bbb1.745E-02b6.378E+03
6. bbbb3E+00bbbbbb6E+03
7. b5.28E+03
8. b1.745329E-02bbb5.730 E+01

ANSWERS

- IV.F
1. A = 3.14
 B = 159.5280
 C = 6.378×10^{30}
 D = .017453
2. W = 3.14159
 X = 5280.0
 Y = 6378.0
 Z = 0.017453
3. PI = 3.1415952806
 RAD = $.378 \times 10^{30}$
 DTR = 0.017453

ANSWERS

- IV.G
1. Real number without exponent
 2. The entire output field width
 3. The number of places to be output following the decimal point
 4. Yes
 5. The decimal point and fractional places are not output.
 6. Yes, for negative numbers only
 7. bbbb.0175bb638.3880b5280.0000
 8. 3.14bb57.2957795bb638
 9. bbb.017453
 10. b3b5280b57bbbb638

ANSWERS

- IV.H
1. VAL = 123.45
YDS = 1760.0
SQT = 89.44272
SQ = 64000.0
 2. A = 12345.17
B = 60.08
C = 9.44272640000
 3. ONE = 123451760.0
TWO = 89.442726

IV. I

1. Integer

- 2. I = 9362
- J = 17741
- K = 666
- L = 450

- 3. N1 = 93620
- N2 = 177
- N3 = 410

- 4. MA = 936201
- MB = 774
- MC = 10066

- 5. bbb1b144012345

- 6. bbb1440bb1440b1440

- 7. bbb1234567890

- 8. bb12345b365b1b1440b67890

ANSWERS

IV. J 1. To skip card columns

2. To leave blanks in the printed line

3. IX = 13
VAL = 245.9322

4. K = 130
X = 245.9322
IYEAR = 1965

5. V1 = 93.22
II = 1

6. bbbbbbbbcWEEKb34bb b2ND bDA Ybb YEAR b1967

ANSWERS

- IV. K
1. Slash
 2. 4
 3. 6
 4. 4
 5. 5
 6. 5
 7. blank, blank, printed, printed, printed

ANSWERS

- IV. L
1. Hollerith or alphanumeric
 2. FORMAT
 3. input
 4. False
 5. Console display code
 6. bINPUTbCOMPONENTsb-bTYPEb1bbbb
bbbb122.6bbbb147.2bbbb826.9
bLATTITUDEbANDBLONGITUDEb--bbbb
bbbb-22.6bbbb133.0
 7. DIMENSION VALUE(5)
DATA(VALUE(I), I=1, 5)/5*0.0/
or DATA(VALUE(I), I=1, 5)/0.0, 0.0, 0.0, 0.0, 0.0/
or DATA VALUE/5*0.0/
or DATA VALUE/0.0, 0.0, 0.0, 0.0, 0.0/
 8. PRINT 10
10 FORMAT (15Hb1bLIKEbFORTRAN)
or
PRINT 10
10 FORMAT (1X, *1bLIKEbFORTRAN*)

- V.A
1. a.) STFNXY
b.) X, Y
c.) $X^2 + 24 XY$
d.) precede
 2. a.) actual
b.) 13.0
 3. $\text{HSINIV}(X) = \text{ALOG}(X + \text{SQRT}(X^{**2} + 1.0))$
 4. see next page

V.A.

4.

ANSWERS

FORTRAN CODING FORM

Statement No.	Comment	FORTRAN STATEMENT
16		Y(X)=A*SIN(2*3.1415926*((TSM/T)-(X/AMBA)))
17		
18		
19		
20		FORMAT(1H1,9X,11HAMPLITUDE =,F12.4,10X,
1		8PERIOD =,F12.4,10X,13HWAVE LENGTH =,F12.4)
		PRINT 30
30		FORMAT(1H,9X,12H TIME,10X,
1		12H DISTANCE,10X,12HDISPLACEMENT)
		I = 1
		VARIABLE DATA AND COMPUTE
35		READ 40,TSM,X1,X2,X3
40		FORMAT(4F15.3)
		Y1=Y(X1)
		PRINT 50,TSM,X1,Y1
50		FORMAT(3F22.4)
		Y1=Y(X2)
		PRINT 50,TSM,X2,Y1
		Y1=Y(X3)
		PRINT 50,TSM,X3,Y1
		IF(I.EQ.N)CALL EXIT
		I = I + 1
		GO TO 35
		END

- V.B
2. a.) correct
b.) types
 3. real

V.D 1.

FORTRAN CODING FORM

Statement No.	C for Comment	FORTRAN STATEMENT	
50			50
		SUBROUTINE PRNT(K)	
		IF(K.NE.0) RETURN	
		PRINT 50	
50		FORMAT(6H K = 0)	
		RETURN	
		END	

73			80

2. CALL PRNT (M)

Note that in the calling sequence (that is, the list of parameters) the naming of variables need not be identical in the main program and subroutine, but should be consistent in type, and position.

V.E

- 1. a.) -2
- b.) 25
- c.) -3

2. 2, X, minimum, Y, Z

- 3. a.) 2.0
- b.) -5.0
- c.) 3.0
- d.) 1.0
- e.) 0.0
- f.) 2.0

4.

FORTRAN CODING FORM

C for Comment	
State- ment No.	50
B E T A = A M O D (A L P H A , 3 6 0 . 0)	

5. 0

6. C

73	80
----	----

ANSWERS

V.E 7. 3.7, 5.5

8. radians

9.

FORTRAN CODING FORM

Statement No.	C for Comment	FORTRAN STATEMENT
50		
a.)	Y=ATAN(X)	
b.)	Z=ABS(SIN(X)-COS(X)) or Z=ABS(COS(X)-SIN(X))	
c.)	Y=ALOG(X)	
d.)	Z=SQRT(X)+SQRT(Y)	
e.)	Y=ATAN2(A,B)	

10. a.) 0.0
 b.) 1.0
 c.) -1.0
 d.) 1.0

73	
80	

- V. F
1. . . . is given a name which identifies the block
 2. A block name (CEMENT) and subprogram name (CEMENT) may not be the same.

- V.H
1. EQUIVALENCE
 2. EQUIVALENCE (A, B, D)
 3. DIMENSION C(10)
EQUIVALENCE (F, C(5))
 4. F(2) with C(6); F(3) with C(7)
 5. EQUIVALENCE (X, F), (F(2), UNREAL)
 6.
 - a. Can't EQUIVALENCE variables in the same COMMON.
 - b. Shouldn't extend COMMON.
 - c. Can't EQUIVALENCE variables in different COMMON areas.
 - d. Arrays E and F are inconsistently equivalenced.

ANSWERS

- | | | |
|-----|----|---|
| V.I | 1. | EXTERNAL |
| | 2. | Preceding |
| | 3. | EXTERNAL SIN, COS
TT = TANI(SIN(THETA), COS(THETA)) |

1. a.) Statement function
b.) Function subprogram
c.) Subroutine subprogram
2. a.) In the program where it is to be used.
b.) By placing the statement function name in an arithmetic or logical expression.
3. a.) 60, 1
b.) formal parameters, simple variables
4. a.) type of variable, fixed or floating point b.) type
5. Subscripted variables are dimensioned and function names are not.
6. a.) $CALC(X, Y, Z) = (X + Y + Z)/9.3$
7. function, subroutine
8. a.) True. b.) False. The naming of the parameters need not be the same, but their ordering in the list and type must be.
9. Yes
10. $CALL NAME(p_1, p_2, \dots, p_n)$
 $60 \geq n \geq 0$

ANSWERS

- V. J
11. False. Ordering is the most important factor. Variable names may or may not be the same.
12. a.) blank common, labeled common
b.) name
c.) variable name
subprogram
13. a.) Variable A is defined in both COMMON statements.
b.) The block name begins with a number, but is not all numbers.
c.) Variable ARRAY is dimensioned twice.
d.) No errors
14. In DIMENSION statements within a subprogram, the main program furnishing the values through the calling sequence.
15. a.) The deck of cards must be submitted with each computer run.
b.) Requires excessive computer memory and time.
16. Variables defined in the block data subprogram must be in labeled common.

ANSWERS

VI.A 1. Double precision with exponent

2. Ew.d

3. 322

ANSWERS

- | VI. B | 1. | Fw. d and Ew. d | | | | | | | | | | | | |
|--------------------|--|---|--------------------|---------------|-------|-------------|-------|--|-------|-------------|-------|---------------|-------|-------------|
| | 2. | When the magnitude of the number exceeds the range for F-type conversion | | | | | | | | | | | | |
| | 3. | bb1.273E+03 | | | | | | | | | | | | |
| | 4. | bbbb1273.bbbb | | | | | | | | | | | | |
| | 5. | *773E+06 | | | | | | | | | | | | |
| | 6. | <table border="0" style="width: 100%;"> <thead> <tr> <th style="text-align: left;"><u>Format Type</u></th> <th style="text-align: left;"><u>Output</u></th> </tr> </thead> <tbody> <tr> <td>a.) E</td> <td>bbbb1.2E+04</td> </tr> <tr> <td>b.) E</td> <td>b1.2346E+04
(rounding has occurred)</td> </tr> <tr> <td>c.) E</td> <td>bbbbbb1E+04</td> </tr> <tr> <td>d.) F</td> <td>bb12345.7bbbb</td> </tr> <tr> <td>e.) E</td> <td>bbbb1.2E+04</td> </tr> </tbody> </table> | <u>Format Type</u> | <u>Output</u> | a.) E | bbbb1.2E+04 | b.) E | b1.2346E+04
(rounding has occurred) | c.) E | bbbbbb1E+04 | d.) F | bb12345.7bbbb | e.) E | bbbb1.2E+04 |
| <u>Format Type</u> | <u>Output</u> | | | | | | | | | | | | | |
| a.) E | bbbb1.2E+04 | | | | | | | | | | | | | |
| b.) E | b1.2346E+04
(rounding has occurred) | | | | | | | | | | | | | |
| c.) E | bbbbbb1E+04 | | | | | | | | | | | | | |
| d.) F | bb12345.7bbbb | | | | | | | | | | | | | |
| e.) E | bbbb1.2E+04 | | | | | | | | | | | | | |

ANSWERS

VI. D

1. 6.88
2. none
3. 4

ANSWERS

- VI. F
1. Alphanumeric
 2. CDC 6000 series console display code
 3. 10
 4. TESTbDATAb
 5. HEAD1 = TESTbDATAb
HEAD2 = RESULTSbbb
 6. HEAD1 = TESTbDATAb
HEAD2 = RESULTSbbb
 7. HEAD1 = TESTbDAbbb

VI.G

1. DECEMBERb25, b1967
2. DEC, b1967
3. DECb25

ANSWERS

- | VI. H | 1. | Alphanumeric |
|-------|----|--|
| | 2. | DATE = 34354634334641425555
STATN = 23240124111716553437
TEMP = 00000000000000003534 |
| | 3. | DATE = 34354634334641425555
HEDNG1 = 55552324012411171655
STANO = 00000000000000003437
TEMP = 00000000000000003534
HEDNG2 = 55040507220505235555 |
| | 4. | DATE = 00003435463433464142
HEDNG1 = 55552324012411171655
STANO = 34375555555555555555
TEMP = 35345555555555555555
HEDNG2 = 00005504050722050523 |
| | 5. | LATITUDEbbLONGITUDEbALTTITUDEbb |
| | 6. | LATLONGALT |

- VI.1
1. Octal numbers
 2. 20
 3. C, D (Not octal numbers)
 4. 5673244313
 5. bbb22431777125673244313
 6. OCT1 = 777777777777777765432
OCT2 = 0000000000000000717
OCT3 = 0000000000000212223

ANSWERS

VI.J 1.

C for Comment	FORTRAN CODING FORM	
Statement No. 50	FORTRAN STATEMENT	50
10	FORMAT (I1,0,I5,I7,2X,A7,3X,F6.3)	

73		80

2.

C for Comment	FORTRAN CODING FORM	
Statement No. 50	FORTRAN STATEMENT	50
10	DIMENSION FMT1(8)	
10	READ 20, (FMT1(I), I=1,8)	
20	FORMAT(8A10)	

73		80

3. parenthesis

4.

C for Comment	FORTRAN CODING FORM	
Statement No. 50	FORTRAN STATEMENT	50
10	READ FMT1,N1,N2,N3,K,X	

73		80

VI. J

(Cont.)

- 5. a.) (10F12.6)
- b.) (6F15.6)
- c.) (7F15.6)
- d.) (10F12.6/5F12.6)

ANSWERS

VI.K

1. console display code
input
memory

2.

```
ENCODE(8 0, 2, Z(1)) X, Y, I, J
```

3. a.) 40
b.) 4
c.) bbb1.250bb
d.) 00bbbbbbbb

4. VALUE: DATAbbbbbb
H: 5.28
I: 33

5.

```
DECODE(20, 5, Z) TYPE, N1, PI, N2  
5 FORMAT(A6, I4, F6.4, I4)
```


ANSWERS

VI. M

1.

	C for Comment	
Statement No.	FORTRAN CODING FORM	FORTRAN STATEMENT
50		50
REWIND		
7		

	FORTRAN CODING FORM	
Statement No.		FORTRAN STATEMENT
73		80

2.

	C for Comment	
Statement No.	FORTRAN CODING FORM	FORTRAN STATEMENT
50		50
IF (EOF)		
2, 00, 4, 00		

	FORTRAN CODING FORM	
Statement No.		FORTRAN STATEMENT
73		80

3.

	C for Comment	
Statement No.	FORTRAN CODING FORM	FORTRAN STATEMENT
50		50
BACKSPACE		
7		
BACKSPACE		
7		

	FORTRAN CODING FORM	
Statement No.		FORTRAN STATEMENT
73		80

ANSWERS

4.

VI. N.
(Cont.)

a.)	\$ T L I S	T	A = 1	. 0 , 2 . 0 , 5 . 2 , 1 . 5 , 6 . 0 , K = 9 , R = 1 . 2 , \$
b.)	\$ T L I S	T	A = 0	. 0 , 0 . 0 , 0 . 0 , 3 . 2 , K = 9 , R = 1 . 2 , \$
c.)	\$ T L I S	T	A = 1	. 0 , 2 . 0 , 3 . 0 , 9 . 2 , 3 . 2 , K = 3 , R = 6 . 8 , \$
d.)	\$ T L I S	T	A = 1	. 0 , 1 . 0 , 9 . 3 , 1 . 5 , 5 . 5 , K = 7 , R = 1 . 2 , \$
e.)	\$ T L I S	T	A = 1	. 0 , 2 . 0 , 3 . 0 , 1 . 5 , 3 . 2 , K = 9 , R = 1 . 2 , \$

VI. P

1. image
2. END
3. main, subprograms
4. executive (or system)
5. PROGRAM MAIN (INPUT, OUTPUT, TAPEIN, DATA)