

A&A 600, A56 (2017)
DOI: [10.1051/0004-6361/201630286](https://doi.org/10.1051/0004-6361/201630286)
© ESO 2017

**Astronomy
&
Astrophysics**

Decay of COSAC and Ptolemy mass spectra at comet 67P/Churyumov-Gerasimenko

Harald Krüger¹, Fred Goesmann¹, Chaitanya Giri^{2, 1}, Ian Wright³, Andrew Morse³, Jan Hendrik Bredehöft⁴,
Stephan Ulamec⁵, Barbara Cozzoni⁵, Pascale Ehrenfreund^{6, 7}, Thomas Gautier^{8, 9}, Susan McKenna-Lawlor¹⁰,
Francois Raulin¹¹, Harald Steininger¹, and Cyril Szopa¹²

¹ Max-Planck-Institut für Sonnensystemforschung, Justus-von-Liebig-Weg 3, 37077 Göttingen, Germany
e-mail: krueger@mps.mpg.de

² Earth Life Science Institute, Tokyo Institute of Technology, 2-12-1-IE-1 Ookayama, Meguro-ku, 152-8550 Tokyo, Japan

³ Department of Physical Sciences, The Open University, Walton Hall, Milton Keynes, MK7 6AA, UK

⁴ University of Bremen, Institute for Applied and Physical Chemistry, Leobener Str. 5, 28359 Bremen, Germany

⁵ German Aerospace Center, DLR, 51147 Cologne, Germany

⁶ Leiden Observatory, PO Box 9513, 2300 RA Leiden, The Netherlands

⁷ Space Policy Institute, George Washington University, 20052 Washington DC, USA

⁸ CREEST, Universities Space Research Association appointed at NASA Goddard Space Flight Center, Greenbelt, MD 20771, USA

⁹ PIIM, UMR 7345, Avenue Normandie-Niemen, 13013 Marseille, France

¹⁰ Space Technology Ireland, Ltd., Maynooth, Co. Kildare, Ireland

¹¹ LISA, UMR CNRS 7583, Université Paris-Est Créteil & Université Paris-Diderot, 94000 Créteil, France

¹² Univ. Versailles St.-Quentin, Sorbonne Univ., UPMC Univ. Paris 06; CNRS/INSU, LATMOS-IPSL, 4 place Jussieu 75005 Paris, France

Received 19 December 2016 / Accepted 25 January 2017

ABSTRACT

Context. The Rosetta lander Philae successfully landed on the nucleus of comet 67P/Churyumov-Gerasimenko on 12 November 2014. Philae is equipped with two gas analysers: The Cometary Sampling and Composition experiment (COSAC) and the gas chromatograph and mass spectrometer Ptolemy.

Aims. COSAC is designed for in situ analysis of organic molecules on 67P while Ptolemy is optimised to measure ratios of stable isotopes.

Methods. On 12 to 14 November 2014, both instruments measured the organic composition of the comet nucleus material through seven measurements in sniffing mode during Philae's hopping and at its final landing site Abydos. We compare the temporal evolution of intensities of several ion species identified by both mass spectrometers. For COSAC, this is the first analysis of the temporal behaviour of the measured ion species.

Results. All ion species showed the highest intensities in the first spectra measured by both instruments approximately 20 to 30 min after Philae's first touchdown at Agilkia, and a decay during the six consecutive measurements at Abydos. Both instruments measured an almost identical decay of the water peak (m/z 18), and CO (m/z 28) behaved similarly. In the COSAC measurements, the peak at m/z 44 decays much slower than all the other ion species, including the water peak. In particular, the m/z 44 peak decays much slower in the COSAC measurements than in the Ptolemy data. This supports our earlier interpretation that COSAC analysed, for the first time, a regolith sample from a cometary nucleus in situ, while Ptolemy measured cometary gas from the ambient coma. The m/z 44 peak measured by COSAC was likely dominated by organic species, whereas the peak measured by Ptolemy was interpreted to be mostly due to CO₂. Ion species heavier than m/z 30 tend to decay somewhat slower in the COSAC measurements than in the Ptolemy data, which may be related to differences in the exhaust designs between both instruments.

Key words. astrochemistry – comets: individual: 67P/Churyumov-Gerasimenko – comets: general – astrobiology – space vehicles: instruments

1. Introduction

On 12 November 2014, Philae successfully landed on its target comet 67P/Churyumov-Gerasimenko (hereafter 67P) at a heliocentric distance of 2.99 AU (Biele et al. 2015). Philae carries two evolved gas analysers on board: The Cometary Sampling and Composition (COSAC) experiment designed for in situ analysis of organic molecules on 67P (Goesmann et al. 2007) and the gas chromatograph/mass spectrometer Ptolemy optimised to measure ratios of stable isotopes (Wright et al. 2007).

Both instruments were successfully operated from 12 to 14 November 2014 during Philae's hopping and at its final landing site Abydos (during the so-called First Science Sequence of Philae). In this time interval, COSAC performed seven measurements in so-called sniffing mode (this term refers to a direct measurement of the ambient volatiles released from the comet, without prior gas chromatographic separation). Results from the first of these measurements obtained approximately 25 min after the first touchdown at Agilkia were published by Goesmann et al. (2015), while the remaining six COSAC spectra obtained at

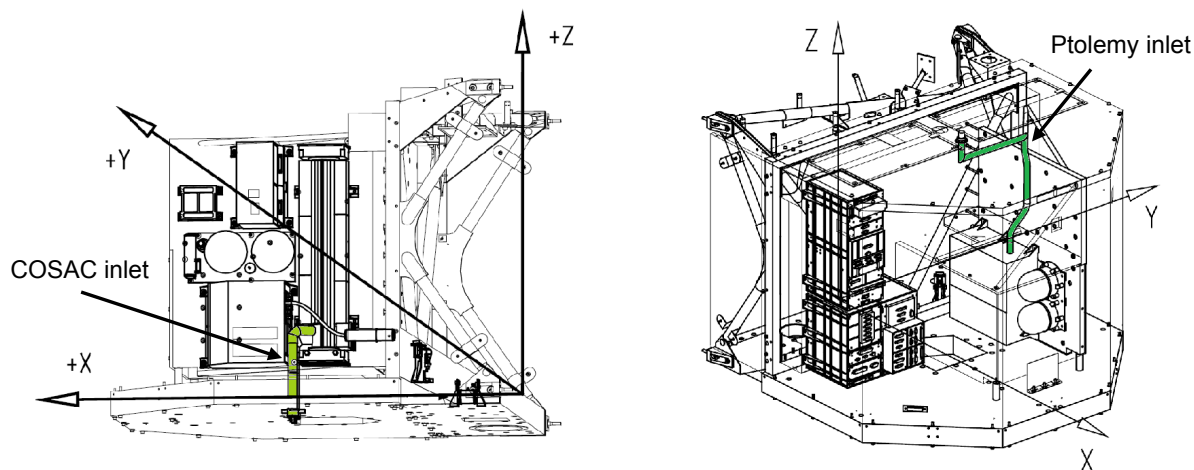


Fig. 1. Three-dimensional drawings of Philae. The vent tubes (gas inlets) for COSAC (*left*) and Ptolemy (*right*) are indicated. The COSAC vent tubes have an inner diameter of 19 mm and a length of 145 mm and 165 mm, respectively. The siphon-shaped Ptolemy tube has an inner diameter of 12 mm and is approximately 500 mm long.

Abydos were not previously described in detail. From the circumstances of the first touchdown, it is believed that COSAC collected, with its twin vent tubes – located at the bottom of Philae pointing toward the cometary surface (Fig. 1, left panel), a tiny amount of the cometary regolith that was raised in a dust cloud during touchdown and later sublimed inside the instrument (Goesmann et al. 2015). A dust cloud was indeed recorded by the Rosetta navigation camera close to Agilkia a few minutes after touchdown; approximately 0.4 m³ of material was excavated (Biele et al. 2015).

Ptolemy measurements were taken 12 to 15 min before each of the seven COSAC measurements. Results were published by Wright et al. (2015) and Morse et al. (2015). In the latter paper, the authors consider the temporal evolution of three abundant cometary species: H₂O, CO and CO₂. Ptolemy likely collected ambient gas, which during the first measurement consisted of the ambient coma as well as additional gas from the recently disturbed regolith and dust cloud, because Ptolemy’s vent tubes are located at the top of Philae and were pointing away from the cometary surface at the time of the measurements (Fig. 1, right panel).

In this paper, we evaluate the time evolution of several ion species that were identified in the COSAC and Ptolemy spectra, with a particular emphasis on the peaks at a mass per unit charge m/z 18, 28, and 44 (H₂O, CO, and partially CO₂).

2. Analysis

Philae reached the comet surface and made its first touchdown on 12 November 2014, 15:34:04 UTC at the Agilkia landing site. Instead of a nominal landing, Philae bounced and continued its journey across the surface of 67P and finally came to rest at Abydos at 17:31:17 UTC, about two hours after its first touchdown. The first COSAC spectrum was taken approximately 25 min after the first touchdown during Philae’s hoppings, and the following six spectra were collected at Abydos on 13 and 14 November 2014 (Table 1). An additional COSAC spectrum that was taken on 16 October 2014 at a distance of approximately 10 km from the nucleus we take as a reference for the instrumental background (measurement #0 in Table 1). The instrumental settings were kept identical for all measurements so as to ensure that we can directly compare these data.

Our analysis is based on peak lists generated from each spectrum. The peak lists contain the total number of ions counted in predefined mass bins centred close to the integer m/z of the respective peak, after subtraction of background noise determined in separate bins adjacent to the peak. Table 1 lists the total number of ions for the most intense peaks in the COSAC spectra. Details about the algorithm for generating the peak lists can be found in Goesmann et al. (2015, Supplementary Material).

Figure 2 (left) shows peak intensities derived from the COSAC peak lists. The noise level is approximately 10 ion counts per integer m/z bin, and only in the first spectrum do many ion species show a much higher count rate significantly above the noise level. Intensities extracted from the first five spectra for ion species m/z 18, 28, and 44, and for the total ion counts (TIC), show an approximate exponential drop during the initial 22 h after Philae’s first touchdown. Peak intensities for the other species are very much influenced by noise (see Table 1). The peak intensities for all ion species tend to level off approximately 20 h after touchdown, indicating that they become dominated by noise. We therefore ignore the last two COSAC spectra in our analysis.

Figure 2 (right panel) shows Ptolemy data for H₂O, CO, and CO₂ measured between 12 and 14 November 2014 (Morse et al. 2015). It should be noted that the ion counts given for these three species are summed ion counts for up to four m/z bins to account for hydrogen abstraction (i.e. the addition or subtraction of one or more protons to the ion species under consideration): m/z 16, 17, 18 and 19 to derive the intensities of H₂O, m/z 28 and 29 for CO, and m/z 44 and 45 to get the intensity of CO₂. The analysis of the Ptolemy data was described in detail by Morse et al. (2015). The peak intensities for H₂O, CO, and CO₂ measured with Ptolemy level off after approximately 20 h and display a flattening similar to that found in the COSAC measurements. Therefore, we also ignore these two final Ptolemy spectra.

We assumed that comet material entered the COSAC vent tubes (Fig. 1, left panel), which, during Philae’s first touchdown at Agilkia, pointed downwards, that is, towards the cometary nucleus (Goesmann et al. 2015). Once inside COSAC, the material was heated to ~280 K so that gases could evolve from the grains. In the ideal case of a closed system, and with enough material available, the partial pressure in the system would have increased with time up to the relevant vapour pressure at the tube

Table 1. Measurement times (day and UTC), total ion counts (TIC) and peak intensities for m/z species extracted from the COSAC spectra.

Meas. Number	Day 2014	UTC [hh:mm]	TIC	m/z															
				15	16	17	18	27	28	29	30	31	43	44	45	57	59	61	
0	16 Oct.	14:30	373	1	5	2	19	2	23	4	2	3	2	23	0	0	2	0	
1	12 Nov.	16:02	19 242	141	59	536	2521	70	137	172	62	77	112	121	114	95	65	30	
2	13 Nov.	06:48	5161	10	25	178	797	12	43	22	6	9	16	93	4	5	5	-3	
3	13 Nov.	08:50	2915	15	20	91	393	6	35	12	7	0	10	85	0	3	-6	-4	
4	13 Nov.	10:52	1962	4	0	56	210	1	23	16	11	8	2	74	0	0	-1	-1	
5	13 Nov.	12:54	1651	6	10	47	188	8	28	16	3	-2	9	60	1	1	-1	4	
6	14 Nov.	02:59	798	6	9	11	56	7	30	4	0	2	2	40	0	0	0	0	
7	14 Nov.	12:44	728	0	6	11	63	1	20	2	0	1	8	46	1	2	0	2	

Notes. The noise is about 10 ion counts per integer m/z bin.

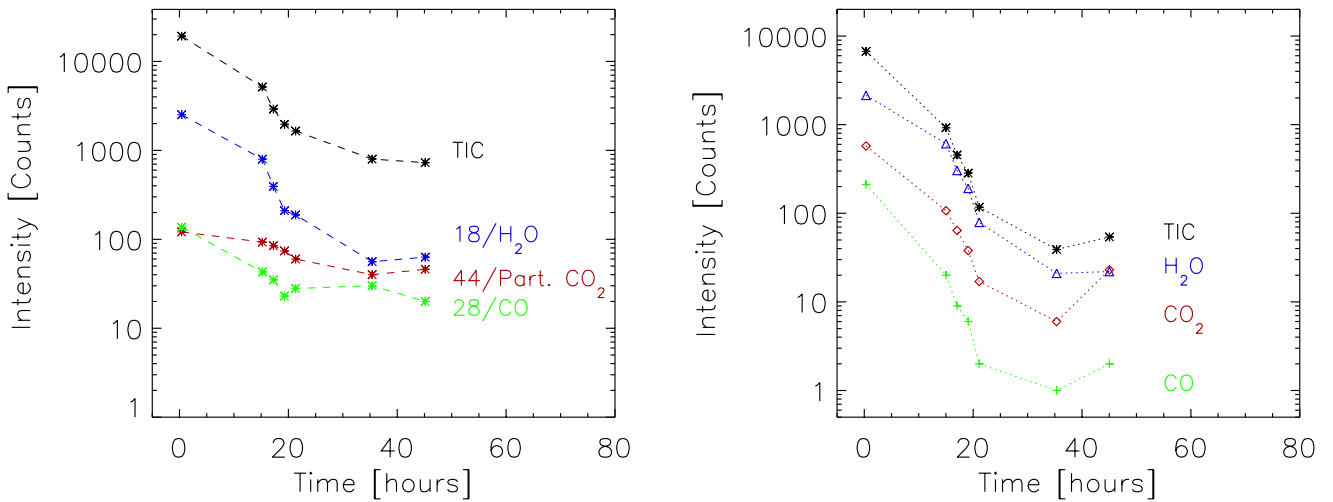


Fig. 2. *Left:* temporal behaviour of ion species with m/z 18 (H_2O), 28 (CO), 44 (partially CO_2) and total ion counts (TIC), respectively, derived from the seven COSAC spectra (raw counts, not corrected for instrumental background). *Right:* ptolemy data taken from Morse et al. (2015, their Table 3, corrected for hydrogen abstraction, a feature of the ion trap employed in Ptolemy). The time axis is set to zero at Philae’s touchdown on 12 November 2014, 15:34:04 UTC (see text for details).

temperature. The real system, however, is not closed, and gas could escape from the tubes. Therefore, we assume an approximately exponential pressure drop in the tubes.

No thermal sensors are located on the vent tubes of COSAC, therefore the temperature can only be derived indirectly based on the temperatures of the closest thermal sensors on board Philae and on simulations with a thermal mathematical model. The analysis based on the temperature recorded during Philae’s operation at 67P by two COSAC sensors at the electronic box, the gas chromatograph, and the Philae baseplate sensor show a temperature variation from the first touchdown to the end of Philae’s operation at Abydos. The simulations showed that the temperature at the COSAC mass spectrometer likely dropped from ~ 280 K at first touchdown to ~ 260 K (Cozzoni 2016) at the time when measurement #5 was performed, and a similar drop can be expected for the exhaust tubes as well. The Ptolemy internal temperature sensor measured a drop by only 4 K from 273 K to 269 K between measurements #1 and #5 (Morse et al. 2015, their Table 1).

Even though the temperature of COSAC dropped by approximately 20 K during the analysis period reported here, it remained much higher than the cometary environment and should have only marginally contributed towards species decay in the instrument. We therefore make the simplifying assumption that the temperature remained constant. We believe this is a reasonable assumption because also at approximately 260 K, the gas

pressure in the system remained far below the vapour pressure of the three species considered (otherwise our mass spectra would have been saturated). Then – to a first order approximation – the pressure of each individual species should follow an exponential decay curve. For Ptolemy, we made a similar assumption with the exception that ambient coma gas entered the vent tubes of Ptolemy, which pointed away from the comet surface.

In Fig. 3, we show the temporal behaviour of H_2O , CO , and CO_2 in the COSAC and Ptolemy spectra during the initial 22 h after touchdown at Agilkia (measurements #1 to #5 in Tables 1 and 2). For both instruments, in measurement #1, all peaks were above the background noise level, while in the later spectra, many peaks, in particular all peaks above m/z 45, had dropped to the background level. For COSAC, we subtracted the peak intensities derived from the reference spectrum from the other measurements in order to correct for instrumental background. We note that the background of m/z 18 was relatively low and thus the correction is not significant; only the results for m/z 28 are affected by the background correction.

It should be noted that in our analysis of the COSAC spectra, we also consider peaks for ion species with a relatively low count rate. This applies in particular to peaks at m/z 30, 31, 45, 57 and 59. In these cases, only the COSAC spectrum #1 showed strong intensities well above the noise level, which is estimated at approximately ten counts per integer m/z bin. In the other spectra measured 15 to 22 h later, these peaks are very weak and,

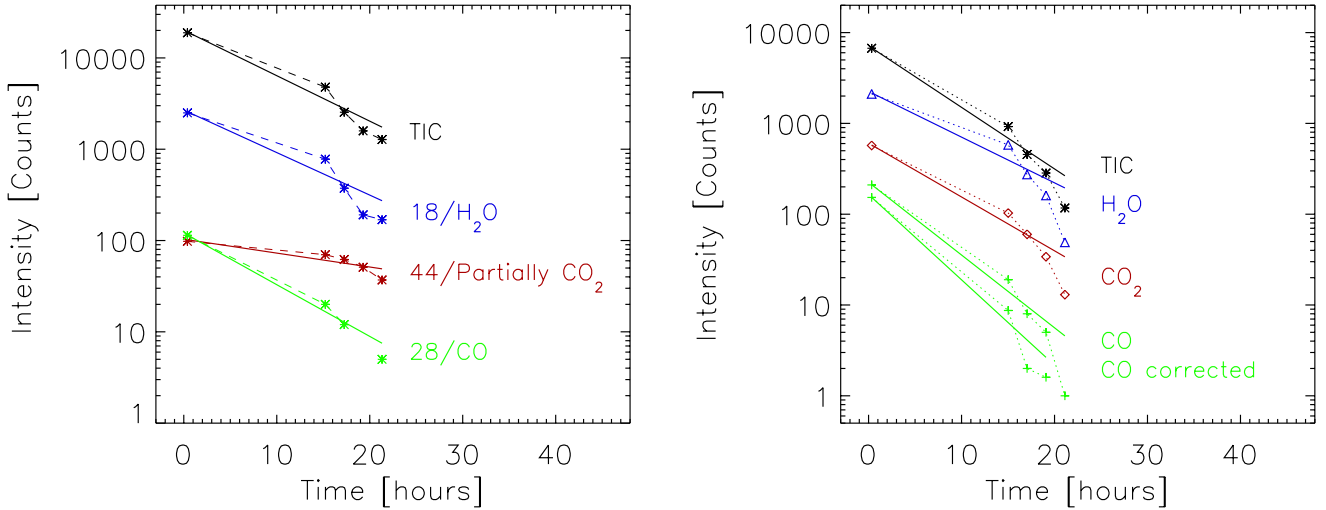


Fig. 3. *Left:* COSAC measurements #1 to 5 (Table 1) corrected for instrumental background. Spectrum #0 was used for background correction. The noise is about 10 ion counts per integer m/z bin. *Right:* same for Ptolemy. Corrections for instrumental background and CO_2 fragmentation were applied (see text for details). Exponential slopes were fitted to the data (Table 3). As for Fig. 2, the time axis is set to zero at Philae’s touchdown.

Table 2. Measurement times (day and UTC), total ion counts (TIC), and peak intensities for m/z species extracted from the Ptolemy spectra.

Meas. Number	Day 2014	UTC [hh:mm]	TIC	m/z										
				15	18	27	28	30	31	43	44	57	59	61
0	16 Oct.	17:23	171	2	112	2	5	2	0	0	10	3	1	0
1	12 Nov.	15:54	6721	150	2142	38	211	45	314	257	575	414	130	79
2	13 Nov.	06:35	923	10	610	10	20	1	7	15	107	3	3	6
3	13 Nov.	08:37	455	6	304	2	9	1	3	8	64	3	1	1
4	13 Nov.	10:39	284	2	191	2	6	1	1	7	38	1	1	2
5	13 Nov.	12:41	117	8	79	1	2	1	1	4	17	1	1	1
6	14 Nov.	02:54	39	0	21	0	1	0	0	4	6	0	0	0
7	14 Nov.	12:36	54	0	22	0	2	0	1	2	23	0	0	0

Notes. Entries for m/z 18 (H_2O) are the sum of ion species at m/z 16, 17, 18 and 19; those at m/z 28 (CO) are the sum of m/z 28 and 29 and those for m/z 44 (CO_2) are the sum of m/z 44 and 45 (Morse et al. 2015).

thus, the slopes we derive here are likely lower limits for the true slopes. Hence, the peaks for these species likely dropped even faster than implied by our slope fitting.

The Ptolemy data for H_2O , CO , and CO_2 were taken from Morse et al. (2015, their Table 3). For Ptolemy, we applied a correction for the contribution of CO_2 fragments to the CO peak. We assumed a ratio of 10/1 based on the NIST database (Stein 2015; Morse et al. 2015). The corrected and uncorrected data are compared in Fig. 3.

We also applied a correction for instrumental background to the Ptolemy data. We assumed 30, 2, and 4 counts for H_2O , CO , and CO_2 , respectively, measured beyond 30 km from the nucleus (Morse et al. 2015). The effect of this correction is very small, changing the fitted slope only in the third digit after the decimal point. A zero background was assumed for all remaining species. The correction for instrumental background in the Ptolemy data is thus totally negligible in our analysis.

3. Results

In Fig. 4 we compare the slopes derived from fitting exponentials to the count rates of the individual peaks in the COSAC and Ptolemy spectra. For the fit, each data point was weighted with the square root of the total number of ion counts in the peak. This ensures that peaks with a higher statistical significance get

a higher weight in the fit. Figure 4 shows that the temporal behaviour differs between individual ion species.

3.1. COSAC

In the COSAC spectra, the peak at m/z 44 exhibits the slowest drop of all peaks considered in our analysis. It decays significantly slower than, for example, the water peak at m/z 18. For both COSAC and Ptolemy, the peak at m/z 18 is by far the strongest in the spectra (Tables 1 and 2). Furthermore, in the COSAC spectra the slope for the total ion counts (TIC) is indistinguishable within the measurement accuracy from the slope of the H_2O peak (Table 3).

For COSAC, the slopes tend to fall into two or, possibly, three categories:

- Most of the species show a trend very similar to the water peak. This is particularly obvious for m/z 17, 27, 28 and 30.
- m/z 44 clearly shows a flatter slope than all other species. We note that Goesmann et al. (2015) assigned the m/z 44 peak to a large extent to species other than CO_2 (see Sect. 4 for details).
- m/z 15, 45, 57 and 59 show a somewhat steeper decrease than water. However, given the low number of counts, all of these species may also be compatible with the water peak.

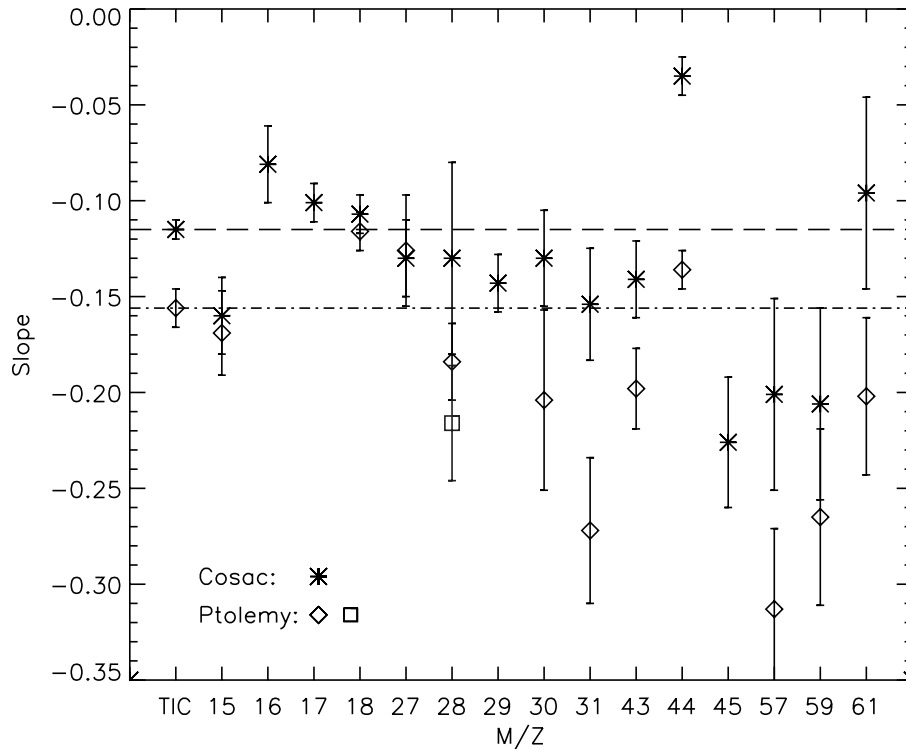


Fig. 4. Slopes of fits for the individual ion species investigated; asterisks: COSAC (data listed in Table 3), diamonds: Ptolemy, square: Ptolemy m/z 28 corrected for CO_2 fragmentation. The error bars display 1σ uncertainties for the slopes derived from fitting exponentials to the data, taking into account uncertainties in instrumental background. The horizontal lines indicate the values for the total ion counts (TIC) for COSAC (long dashes) and Ptolemy (dash-dots).

Table 3. Slopes of exponential functions fitted to peak intensities derived from the COSAC and Ptolemy spectra.

m/z	Slope	
	COSAC	Ptolemy
TIC	-0.12 ± 0.01	-0.16 ± 0.01
15	-0.16 ± 0.02	-0.17 ± 0.02
16	-0.08 ± 0.01	–
17	-0.10 ± 0.01	–
18	-0.11 ± 0.01	-0.12 ± 0.01
27	-0.13 ± 0.01	-0.13 ± 0.03
28	-0.13 ± 0.05	-0.18 ± 0.02
29	-0.14 ± 0.01	–
30	-0.13 ± 0.02	-0.20 ± 0.05
31	-0.15 ± 0.02	-0.27 ± 0.04
43	-0.14 ± 0.01	-0.20 ± 0.02
44	-0.04 ± 0.01	-0.14 ± 0.01
45	-0.23 ± 0.04	–
57	-0.20 ± 0.03	-0.31 ± 0.04
59	-0.21 ± 0.04	-0.27 ± 0.05
61	-0.10 ± 0.05	-0.20 ± 0.04

Notes. A \sqrt{n} weighting of the individual data points was used for the fits, with n being the intensity (counts) of the respective peak. The \pm uncertainties given are 1σ uncertainties for the slopes of the fit curves.

3.2. Ptolemy

In Fig. 4, the entries for m/z 18, 28, and 44 for Ptolemy are the summed up values from several other peaks: The groups defined by Morse et al. (2015) – water, CO , CO_2 , TIC, and “other” – were defined to correct for the effects of hydrogen abstraction,

a feature of the ion trap (see also Sect. 2). We can therefore directly compare the slopes for these species derived from COSAC and Ptolemy. For ion species at other m/z values, hydrogen abstraction can shift the peak location depending on the affected molecule and without a detailed knowledge of the underlying molecule, no correction for hydrogen abstraction can be applied.

The results from Ptolemy are generally similar to the COSAC results, except for m/z 44 (mostly CO_2 in the case of Ptolemy). A variation in the decay of the peak intensities is also evident in the Ptolemy spectra. The m/z 18 peak shows striking agreement with the value measured by COSAC. For Ptolemy, the water peak decays somewhat slower than do the total ion counts.

Up to m/z 30, the peaks in the Ptolemy spectra show a similar trend to those found for COSAC, while heavier species tend to decay somewhat faster than for COSAC. The most significant difference occurs for m/z 44. For Ptolemy, the decay of this peak is close to the value measured for water while for COSAC, this peak decays much more slowly. This supports our earlier interpretation that Ptolemy and COSAC measured different samples of cometary material (see Sect. 4).

4. Discussion

The interpretation of the COSAC data put forward by Goesmann et al. (2015) is in conformity with data interpretations from other scientific payloads made both aboard the Philae Lander and the Rosetta Orbiter. For instance, data from the Surface Electrical Sounding and Acoustic Monitoring Experiment (SESAME) on Philae and Philae’s landing gear indicated that Agilkia apparently has a soft and granular surface (~ 20 cm in thickness) on top of a more rigid, icy subsurface (Roll et al. 2016; Roll & Witte 2016; Mohlmann et al. 2017). In

contrast, Abydos was found to consist mostly of rigid, icy material (Biele et al. 2015; Spohn et al. 2015).

The Visual Infrared and Thermal Imaging Spectrometer (VIRTIS) on board Rosetta revealed that solar insolation causes sublimation of H₂O ice, mostly from the uppermost surface layers. When in shadow or on the night-side, a temperature inversion is present between the now colder surface and a subsurface that remains warmer for a longer duration. These observed diurnal variations probably trigger the sublimation-condensation cycle on the nucleus of 67P (De Sanctis et al. 2015, see also below).

On 12 November, when Philae impacted on the solar-illuminated Agilkia, it excavated ~0.4 m³ of regolith from 67P's top surface layer (Biele et al. 2015). De Sanctis et al. (2015) discussed, in detail, a temperature gradient that exists between the top layer of the surface, which is reported to have a temperature of between approximately 180 K and 230 K during daytime whereas the temperature of the subsurface at a depth of 4 cm, is, even during daytime, only approximately 130 K. Therefore, we infer that Philae's excavation would have suddenly exposed the colder subsurface to the higher temperatures of the solar insolated surface and that this process would have rapidly caused the sublimation of volatile species from dust grains present in the subsurface. Further, these volatilized species entered the COSAC and Ptolemy mass spectrometers. In the case of COSAC, the measurement was likely dominated by gases that vaporized from grains after they entered the exhaust tubes and were warmed up later by the lander interior rather than sunlight. COSAC was at a much higher temperature (~260 K to 280 K), as measured by the thermal sensors on the COSAC electronic box and on the gas chromatograph (Goesmann et al. 2015; Cozzoni 2016).

COSAC measured six mass spectra at the final landing site, Abydos. However, unlike in the first mass spectrum, these spectra did not generate peaks that could be attributed to organic species. Abydos is a geologically and thermally distinct site when compared to Agilkia. Abydos was almost permanently in shadow with low diurnal surface temperatures ranging from 90 K to 130 K and has a hard sintered surface with limited regolith (Spohn et al. 2015). The lower temperature likely prohibited sublimation of volatile organic species, which thus could not diffuse into the COSAC mass spectrometer during all six later sniffing mode measurements. Very low cometary activity close to Philae during the COSAC and Ptolemy measurements at Abydos was also indicated by measurements with the Dust Impact Monitor on board Philae, which did not detect any dust impact during five hours of measurement time (Krüger et al. 2015).

We emphasise the distinct locations of COSAC's and Ptolemy's vent tubes that enabled their respective sniffing mode mass spectrometer operations. COSAC's vent tubes are located at the bottom plate of the lander and opened toward the surface of the nucleus. However, Ptolemy's vent tubes are located on top of the lander and opened toward the "zenith" (i.e. the cometary coma and open space; cf. Fig. 1). The COSAC tubes do not have a cover at their orifice, while the Ptolemy tube is shielded by a table-like structure so as to prevent in-falling dust from entering directly. It is approximately 5 × 5 cm in size and located about 2 cm above the vent tube's orifice.

Goesmann et al. (2015), during the course of their investigations, had initially ascribed m/z 44 in the first COSAC mass spectrum entirely to CO₂, but doing so did not yield an appropriate mass fit to the other peaks, especially those at m/z 57, 58, and 59. They, however, did not rule out a minor contribution from CO₂ to the m/z 44 peak. The most relevant species that they ascribed to this m/z 44 peak, and which generated a

sensible fit with other peaks, were acetaldehyde (C₂H₄O, accounting for approximately 56% of the total peak intensity), formamide (HCONH₂, 21%) and acetamide (CH₃CONH₂, 23%). The interpretation of this fit to the first COSAC spectrum was recently re-investigated (Altwegg et al. 2017).

Contrary to COSAC's mass spectral interpretation, Wright et al. (2015) concluded that CO₂ was the major contributor to the m/z 44 and 45 peaks measured by Ptolemy. Acetaldehyde, formamide and acetamide are comparatively less volatile than CO₂ and could possibly be a constituent species of the subsurface cometary grains that probably entered the COSAC vent tubes immediately after impact excavation. Owing to the zenith-directed position of Ptolemy's vent tubes and a siphon-shaped inlet (Fig. 1, right panel) also preventing grains from entering the system, its mass spectrometer could not have received organic-abundant grains from the impact-excavated subsurface directly. During the landing event, the coma composition would have been modified by gas vaporising from newly excavated dust exposed to solar illumination and contact with the lander (including the entrance to the Ptolemy vent tubes), thus explaining the high concentration of organics measured compared to orbiter measurements (Hässig et al. 2015). Wright et al. (2015) therefore confirm measuring gaseous CO₂ present in the nebulous coma atmosphere over the illuminated nucleus surface. The different slopes of the m/z 44 peak, as measured by both COSAC and Ptolemy, indicate that they have indeed analysed different species, sampled via their distinctly positioned vent tubes, and originating from different environments on the comet.

A requirement to support our interpretation would be precise information about the phase transitions or vapour pressures of volatile organic species at extremely low temperatures and low-pressure conditions (typical of cometary environments). Phase transition studies of most organic species are derived using mathematical equations such as the Clausius-Clapeyron relation, Lee-Kesler method, and Antoine equation. These and other similar equations usually generate appropriate vapour-pressure values of chemical species existing under terrestrial conditions. Few empirical attempts to extrapolate the sublimation-condensation curves of volatile species H₂O, CO, and CO₂ at extremely low pressures and temperatures have been made in the past (Yamamoto et al. 1983; Prialnik et al. 2005; Hübner et al. 2006; Fray & Schmitt 2009). However, empirical extrapolations of vapour pressures at astrophysically relevant temperatures are not always accurate (Fray & Schmitt 2009). Even if accurate, most of these extrapolations are made assuming each species to be in a pure ice configuration.

A comet's surface material is heterogeneous and consists of complex refractory organic material, inorganic minerals, and a mixture of ices of several chemical species. For example, VIRTIS has demonstrated the presence of non-volatile refractory organic material on the surface that could be formed by ultraviolet or energetic particle irradiation of high-volatility carbon-containing ices such as CH₄, CO, and CO₂. Therefore, the precise vapour pressures of chemical species in such complex mixtures cannot be derived from the values of their pure ice counterparts. Determination of vapour pressures of organic chemical species existing in diverse astrophysical environments is a robust task that should be carried out before related astrophysics and astrochemical studies can be mounted.

The situation is further complicated by the fact that species embedded as minor components in a matrix do not sublimate at their pure ice sublimation temperatures or temperatures related to their vapour pressure. Instead, they can be released

at higher temperatures by so-called volcano desorption due to phase changes occurring in the ice between different amorphous structures, from an amorphous to a crystalline phase, or by codesorption with water. Only very volatile species can desorb to a small part already at lower temperatures (Collings et al. 2004). These desorption processes were studied in the laboratory with cometary analogue materials (Martín-Doménech et al. 2014). In the experiments, the desorption occurred at temperatures below 180 K, that is, at temperatures below the likely daytime temperature at the cometary surface (see above), rendering them rather unlikely in our case. At present, however, we cannot exclude that such desorption occurred in the cometary sample analysed by COSAC.

5. Summary

We have investigated the temporal behaviour of various ion species in mass spectra measured with the mass spectrometers COSAC and Ptolemy on board the Rosetta lander Philae. Each instrument measured seven spectra, one during Philae's hopping approximately 20 to 30 min after touchdown at Agilkia and six consecutive spectra at Philae's final landing site Abydos. Results from the first COSAC measurements obtained approximately 25 min after the first touchdown at Agilkia were published by Goesmann et al. (2015). This represents the first in situ analysis of a nucleus regolith sample from a comet. The remaining six COSAC spectra obtained at Abydos were not previously presented in detail. The Ptolemy data were discussed by Wright et al. (2015) and Morse et al. (2015).

The ion intensities measured with both instruments are strongest in the spectra measured immediately after Philae's touchdown at Agilkia and decreased later after Philae came to rest at Abydos. For most ion species, particularly water, the measured decay rates are in good agreement between both instruments. A striking difference is seen for m/z 44: this peak drops significantly more slowly in the COSAC spectra than in the Ptolemy spectra and, in the COSAC spectra, it exhibits the shallowest drop of all ion species investigated.

The difference in the slopes of the m/z 44 peak as measured by COSAC and Ptolemy indicates that both instruments measured different ion species at this m/z . This supports earlier results by Goesmann et al. (2015) and Wright et al. (2015) indicating that COSAC measured, for the first time, cometary

nucleus material from the Agilkia landing site while Ptolemy measured the composition of the ambient gas, that is, coma plus gas vapourised from disturbed dust. Unfortunately, the limited operational lifetime of Philae did not allow for further measurements and improved data.

Acknowledgements. This research was supported by the German Bundesministerium für Wirtschaft und Energie through Deutsches Zentrum für Luft- und Raumfahrt e.V. (DLR, grant 50 QP 1302). Support by MPI für Sonnensystemforschung is gratefully acknowledged as is the Programme de Développement d'Experiences Scientifiques administered by Enterprise Ireland (SMcKL). F.R. and C.S. wish to thank CNES for its financial support to COSAC activities. C.G. gratefully acknowledges ELSI Origins Network (EON) which is supported by a grant from the John Templeton Foundation. We thank the Rosetta project at ESA, the Philae project at DLR and CNES and the Philae Lead Scientists for effective and successful mission operations. We would like to acknowledge the work of Helmut Rosenbauer and Colin Pillinger who are both unfortunately no longer with us. They envisaged the instruments and made them become reality so that we can harvest what they seeded.

References

- Altwegg, K., Balsinger, H., Berthelier, J. J., et al. 2017, *MNRAS*, submitted
- Biele, J., Ulamec, S., Maibaum, M., et al. 2015, *Science*, **349**, 9816
- Collings, M. P., Anderson, M. A., Chen, R., et al. 2004, *MNRAS*, **354**, 1133
- Cozzoni, B. 2016, Temperature of COSAC Vent-pipe during FSS, Philae internal technical note
- De Sanctis, M. C., Capaccioni, F., Ciarniello, M., et al. 2015, *Nature*, **525**, 500
- Fray, N., & Schmitt, B. 2009, *Planet. Space Sci.*, **57**, 2053
- Goesmann, F., Rosenbauer, H., Roll, R., et al. 2007, *Space Sci. Rev.*, **128**, 257
- Goesmann, F., Rosenbauer, H., Bredehöft, J.-H., et al. 2015, *Science*, **349**, 0689
- Hässig, M., Altwegg, K., Balsinger, H., et al. 2015, *Science*, **347**, 0276
- Hübner, W. F., Benkhoff, J., Capria, M.-T., et al. 2006, Heat and Gas Diffusion in Comet Nuclei (The International Space Science Institute, Bern, Switzerland, by ESA Publications Division, Noordwijk, The Netherlands, SR-004)
- Krüger, H., Seidensticker, K. J., Fischer, H. H., et al. 2015, *A&A*, **583**, A15
- Martín-Doménech, R., Muñoz Caro, G. M., Bueno, J., & Goesmann, F. 2014, *A&A*, **564**, A8
- Morse, A., Wright, I., et al. 2015, *A&A*, **583**, A42
- Möhlmann, D., Seidensticker, K. J., Fischer, H.-H., et al. 2017, *Icarus*, submitted
- Prialnik, D., Benkhoff, J., & Podolak, M. 2005, in *Comets II*, eds. M. C. Festou, H. U. Keller, & H. A. Weaver (University of Arizona Press), 359
- Roll, R., & Witte, L. 2016, *Planet. Space Sci.*, **125**, 12
- Roll, R., Witte, L., & Arnold, W. 2016, *Icarus*, **280**, 359
- Spohn, T., Knollenberg, J., Ball, A. J., et al. 2015, *Science*, **349**, 0464
- Stein, S. E. 2015, in *NIST Chemistry WebBook*, eds. P. J. Linstrom, & W. G. Mallard, <http://webbook.nist.gov>
- Wright, I. P., Barber, S. J., Morgan, G. H., et al. 2007, *Space Sci. Rev.*, **128**, 363
- Wright, I. P., Sheridan, S., Barber, S. J., et al. 2015, *Science*, **349**, 0673
- Yamamoto, T., Nakagawa, N., & Fukui, Y. 1983, *A&A*, **122**, 171