

Contents lists available at ScienceDirect

Journal of Geometry and Physics

journal homepage: www.elsevier.com/locate/jgp

Taub–NUT dynamics with a magnetic field



Rogelio Jante, Bernd J. Schroers*

Maxwell Institute for Mathematical Sciences and Department of Mathematics, Heriot-Watt University, Edinburgh EH14 4AS, UK

ARTICLE INFO

Article history:

Received 10 August 2015

Accepted 29 February 2016

Available online 8 March 2016

Keywords:

Taub–NUT geometry

Dirac equation

Runge–Lenz vector

Dynamical symmetry

Landau levels

Gravitational instanton

ABSTRACT

We study classical and quantum dynamics on the Euclidean Taub–NUT geometry coupled to an abelian gauge field with self-dual curvature and show that, even though Taub–NUT has neither bounded orbits nor quantum bound states, the magnetic binding via the gauge field produces both. The conserved Runge–Lenz vector of Taub–NUT dynamics survives, in a modified form, in the gauged model and allows for an essentially algebraic computation of classical trajectories and energies of quantum bound states. We also compute scattering cross sections and find a surprising electric–magnetic duality. Finally, we exhibit the dynamical symmetry behind the conserved Runge–Lenz and angular momentum vectors in terms of a twistorial formulation of phase space.

© 2016 The Authors. Published by Elsevier B.V. This is an open access article under the CC BY license (<http://creativecommons.org/licenses/by/4.0/>).

1. Introduction

The Euclidean Taub–NUT (TN) geometry has been studied extensively and from several different points of view. It is interesting as a particularly simple example of a gravitational instanton, it can be viewed as a Kaluza–Klein geometrisation of the Dirac monopole and it arises in the context of monopole moduli spaces, either directly, or, in its ‘negative mass’ form, as an asymptotic limit. In each of these contexts it plays a role akin to that of the hydrogen atom in atomic physics, both in the general sense of being the simplest example and in the technical sense of sharing simplifying features with the hydrogen atom, like a Runge–Lenz type conserved quantity.

The four-dimensional Maxwell equations on TN space have a simple source-free solution which is intimately connected to the TN geometry. This was first pointed out by Pope [1,2] who went on to show that the index of the Dirac operator minimally coupled to this Maxwell field is non-trivial. The index and the properties of zero-modes of this gauged Dirac operator were recently studied in detail in our paper [3] from which the current paper evolved.

The Maxwell field first considered by Pope has played an important role in various contexts. Its field strength is a harmonic two-form which is self-dual for an appropriate choice of orientation and also square-integrable. It is exact, with a globally defined gauge potential which is, however, not square-integrable. In other words, the harmonic two-form generates the non-trivial L^2 -cohomology in the middle dimension of TN space. This is the reason why it was important in tests of S-duality on monopole moduli spaces [4,5].

One can relate the self-dual two-form directly to the TN geometry by noting that, with a suitable normalisation, it is the Poincaré dual of the $\mathbb{C}P^1$ which compactifies TN to $\mathbb{C}P^2$ [6]. More generally, one can understand the L^2 -cohomology of TN and its multi-centre generalisation in terms of the ordinary cohomology of a suitable compactification [7].

For all of these reasons, it is not surprising that the inclusion of the self-dual gauge field in the dynamics on TN space turns out to be mathematically natural. In this paper, we consider the geodesic motion on TN coupled to the self-dual gauge field as our model for the classical dynamics and the Dirac and Laplace operators on TN, also minimally coupled to the gauge

* Corresponding author.

E-mail addresses: rj89@hw.ac.uk (R. Jante), bj.schroers@hw.ac.uk (B.J. Schroers).

field, as quantum models. We show that all the interesting algebraic features of ordinary TN dynamics carry over to the gauged case, and that, moreover, bounded motions and quantum bound states, neither of which are possible on (regular, ‘positive mass’) TN alone, occur in the gauged dynamics.

In general qualitative and semi-quantitative terms, the classical and quantum dynamics on TN space is strikingly similar to the Kepler problem and the non-relativistic hydrogen atom. The basic reason why the four-dimensional TN geometry can model the three-dimensional motion of a charged particle is the fact that TN is a Kaluza–Klein geometrisation of the Dirac monopole in three dimensions [8,9]. The more detailed similarities are related to the conserved Runge–Lenz vector in both cases. In this sense, one can view our inclusion of the magnetic field in the TN dynamics as analogous to the inclusion of a magnetic monopole field in the much studied extension of the Kepler problem to the MICZ Kepler problem [10,11].

From the Kaluza–Klein point of view, the magnetic field of the monopole is already encoded in the geometry, and the name ‘magnetic field’ for an additional abelian gauge field on TN is potentially confusing. We adopt it here because it is justified from the four-dimensional point of view. As we shall see, the magnetic field leads to magnetic binding akin to that responsible for Landau levels in planar systems. In fact, in a limit where TN becomes flat Euclidean four-space, the four-dimensional magnetic field is constant, and the bound states that we find become ordinary Landau levels. This picture of magnetic binding also provides a qualitative explanation of the index found by Pope and of the form of the zero-modes discussed in [3].

We have organised our presentation to proceed from the most direct to more abstract treatments of gauged TN dynamics. We begin in Section 2 with a brief general discussion of how a magnetic field on a two-dimensional Riemannian manifold can produce bound states. In Section 3, we collect conventions for describing the TN geometry and the associated Dirac and Laplace operators coupled to a magnetic field. We turn to the classical dynamics in Section 4, discuss the conserved Runge–Lenz and angular momentum vectors of the gauged geodesic motion on TN and describe the classical trajectories. Section 5 contains a direct solution of the eigenvalue problem for the gauged Laplace operator on TN space through separation of variables. We exhibit the promised bound states, give their energies and degeneracies and compute scattering cross sections. In Section 6, we solve the quantum problem algebraically, using a quantum version of the Runge–Lenz vector. In Section 7, we exhibit the symmetry underlying the conservation of angular momentum and the Runge–Lenz vectors from a twistorial description of phase space. Our final Section 8 contains a brief discussion, our conclusions and an outlook onto open problems.

2. A toy model: motion on a surface with magnetic field

We can gain a qualitative understanding of bound states on TN coupled to a Maxwell field by considering a two-dimensional model, consisting of a two-dimensional manifold with metric and magnetic field. We will encounter a manifold and metric of the same kind in our study of TN as a geodesic submanifold, and the magnetic field as the restriction of the Maxwell field to the geodesic submanifold. However, here we study the two-dimensional model in its own right.

Consider a two-dimensional manifold diffeomorphic to an open disk D with $U(1)$ -invariant metric of the form

$$ds^2 = dR^2 + c^2(R)d\gamma^2. \quad (2.1)$$

For consistency with our later discussion of the TN geometry we take the angular coordinate γ in the interval $[0, 4\pi)$, so that $4\pi c$ is the length of a $U(1)$ orbit. The radial coordinate R is the proper radial distance from the origin and has range $[0, \infty)$, and we assume a form of c near $R = 0$ to ensure that the metric is smooth there. We are interested in two kinds of behaviour of the function c .

The first case captures what happens in the regular TN geometry. The function c has the finite range $[0, L)$ for some positive real number L so that the length of the $U(1)$ orbits remain bounded. Moreover we assume that $c(0) = 0$ and that c is strictly monotonic, so that one can picture the metric as being induced on a cigar-shaped surface of revolution in three-dimensional Euclidean space, as shown in Fig. 1. The qualitative behaviour of geodesics on such a surface is well known and follows from Clairaut’s relation. Generic geodesics spiral on the cigar. Geodesics spiralling towards the tip will be reflected at some point and spiral out. All geodesics ultimately move arbitrarily far away from the tip and there are no geodesics which remain in a region bounded by a finite value of R .

The second case captures what happens in the singular or ‘negative mass’ TN. The function c diverges at $R = 0$, has the range (L, ∞) and is monotonically decreasing. As an embedded surface, this is a funnel, with the opening at $R = 0$ and the tip at $R = \infty$ as shown in Fig. 1. Generic geodesics again spiral on this surface, but now there are two kinds of behaviour. Geodesics which travel straight down the funnel or spiral only slowly may escape to $R = \infty$. However, geodesics travelling into the funnel with sufficiently high angular momentum relative to their speed will bounce back and remain inside a region bounded by some finite value of R .

We now return to the first case with monotonically increasing $c \in [0, L)$ and consider the inclusion of a magnetic field of a specific type given by the two-form

$$B = d\left(\frac{pc^2}{2L^2}d\gamma\right) = \frac{p}{L^2}c\,dc \wedge d\gamma, \quad (2.2)$$

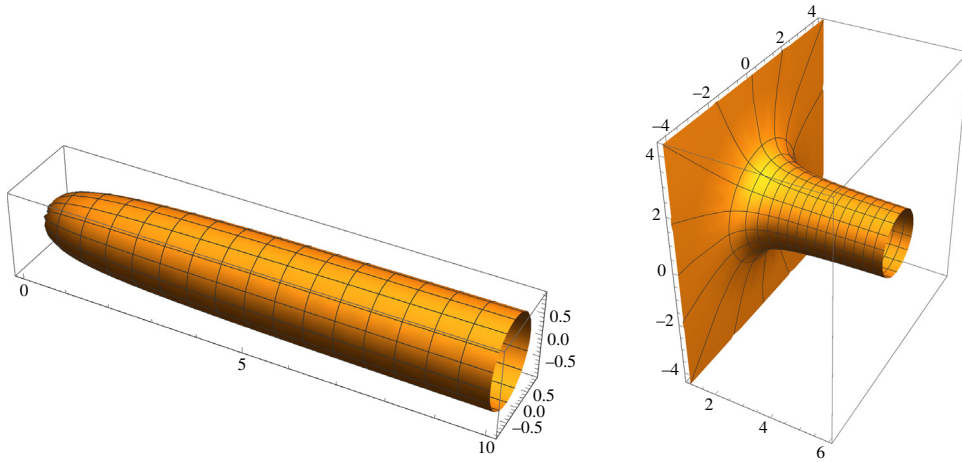


Fig. 1. The cigar-shaped surface for positive L (left) and the funnel-shaped surface for negative L (right).

for some real constant p which controls the strength of the magnetic field, and is proportional to its flux:

$$\frac{1}{2\pi} \int_D B = p. \tag{2.3}$$

The Lagrangian governing the motion of a particle on the surface with metric (2.1), minimally coupled to the gauge potential for B is, for a suitably chosen mass parameter,

$$\mathcal{L} = \frac{1}{4} (\dot{R}^2 + c^2 \dot{\gamma}^2) - \frac{pc^2}{2L^2} \dot{\gamma}. \tag{2.4}$$

With the momenta conjugate to R and γ

$$p_R = \frac{\partial \mathcal{L}}{\partial \dot{R}} = \frac{1}{2} \dot{R} \quad q = \frac{\partial \mathcal{L}}{\partial \dot{\gamma}} = \frac{1}{2} c^2 \dot{\gamma} - \frac{pc^2}{2L^2}, \tag{2.5}$$

the Hamiltonian is

$$H = p_R^2 + \left(\frac{q}{c} + \frac{pc}{2L^2} \right)^2. \tag{2.6}$$

Since q is conserved and p constant, this is effectively the Hamiltonian for one-dimensional motion on the half-line in the potential

$$W = \left(\frac{q}{c} + \frac{pc}{2L^2} \right)^2, \tag{2.7}$$

which is plotted in Fig. 2.

We would like to know if there are bounded trajectories in the potential (2.7). As a potential, W should be viewed as a function of R , but with our assumption that $dc/dR > 0$ we can study its minima by looking at W as a function of c . It is easy to check that $W(c)$ has a unique minimum at $c_m > 0$ satisfying

$$\frac{c_m^2}{L^2} = \left| \frac{2q}{p} \right|. \tag{2.8}$$

However, for c_m to be in the range $[0, L)$ we require

$$|q| < \left| \frac{p}{2} \right|, \tag{2.9}$$

and this is a necessary and sufficient condition for W to have a minimum. The value at the minimum is

$$W(c_m) = \begin{cases} 0 & \text{if } pq < 0 \\ \frac{2pq}{L^2} & \text{if } pq \geq 0. \end{cases} \tag{2.10}$$

The qualitative form of the potential is similar in the two cases. We also note that the inequality (2.10) implies the bound

$$L^2 W \geq \begin{cases} 0 & \text{if } pq < 0 \\ 2pq & \text{if } pq \geq 0, \end{cases} \tag{2.11}$$

which will play an important role in our discussion.

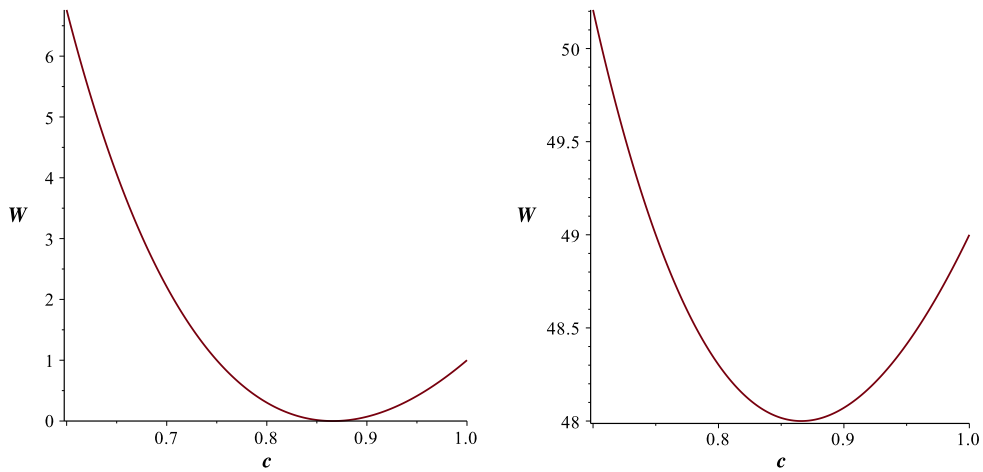


Fig. 2. Plots of the potential (2.7) for $L = 1$ and $c \in [0, 1)$ for $q = 3$ and $p = -8$ (left) and $q = 3$ and $p = 8$ (right).

We conclude that a magnetic field on a cigar-shaped surface can lead to bounded trajectories even though the geometry of the cigar does not support any bounded geodesics. In the presence of the magnetic field (2.2), all trajectories with angular momentum q of magnitude less than $|p/2|$ remain in a bounded region.

3. Classical and quantum geometry of the Taub–NUT space

3.1. The Taub–NUT geometry

We use the conventions of [3] for the description of the TN geometry, and refer the reader to that paper for details. Here we summarise essential background and notation. The TN space M_{TN} is a non-compact four-dimensional Riemannian manifold with a self-dual Riemann tensor and $U(2)$ isometry. As a manifold it is diffeomorphic to \mathbb{R}^4 , and the metric can be written as

$$ds^2 = f^2 dr^2 + a^2 \sigma_1^2 + b^2 \sigma_2^2 + c^2 \sigma_3^2, \tag{3.1}$$

where σ_j are the left-invariant one-forms on $SU(2) \simeq S^3$. They are defined in terms of $h \in SU(2)$ via

$$h^{-1} dh = \sigma_1 t_1 + \sigma_2 t_2 + \sigma_3 t_3, \tag{3.2}$$

where we use $su(2)$ generators which are given in terms of the Pauli matrices τ_j as $t_j = -\frac{i}{2} \tau_j$.

The quantities a, b, c, f are functions of a radial coordinate r transverse to the $SU(2)$ orbits. The self-duality of the Riemann curvature is then equivalent to

$$\frac{2bc}{f} \frac{da}{dr} = (b - c)^2 - a^2, +\text{cycl.}, \tag{3.3}$$

and the solution which gives rise to the TN metric is

$$a = b = r\sqrt{V}, \quad c = \frac{L}{\sqrt{V}}, \quad f = -\frac{b}{r}, \quad V = \epsilon + \frac{L}{r}. \tag{3.4}$$

Here ϵ and L are parameters which are required to be positive for a smooth metric. As discussed in [12], the parameter ϵ is relevant for taking the Landau limit of our model, and can be used to introduce time-dependence in an interesting way. However, we shall set $\epsilon = 1$ for most of the text and work with the potential

$$V = 1 + \frac{L}{r}, \tag{3.5}$$

unless stated otherwise. The TN space with $L < 0$ arises as the asymptotic form of the two monopole moduli space [13] but has a singularity at $r = -L$. We will assume $L > 0$ in the following.

For the discussion of symmetries and the definition of natural differential operators associated to the TN geometry, we require the vector fields X_j which are dual to the left-invariant forms σ_j (so $\sigma_j(X_i) = \delta_{ij}$) and which generate right-actions on $h \in SU(2)$,

$$X_j : h \rightarrow ht_j. \tag{3.6}$$

We will also need the vector fields Z_j which generate the left-action,

$$Z_j : h \rightarrow -t_j h. \tag{3.7}$$

It follows from these definitions that, as vector fields on S^3 ,

$$[X_i, X_j] = \epsilon_{ijk} X_k, \quad [Z_i, Z_j] = \epsilon_{ijk} Z_k, \quad [X_i, Z_j] = 0, \tag{3.8}$$

where summation over repeated indices is assumed. By definition, the Lie derivative of the one-forms σ_i with respect to the Z_j vanishes.

There are several natural ways to parametrise $SU(2)$ and hence to write the one-forms and vector fields on it. For the purposes of this paper we need both a parametrisation in terms of Euler angles and another in terms of two complex numbers. Continuing with the conventions of [3] we therefore introduce complex numbers z_1, z_2 , constrained to satisfy $|z_1|^2 + |z_2|^2 = 1$, and write elements of $SU(2)$ as

$$h = \begin{pmatrix} z_1 & -\bar{z}_2 \\ z_2 & \bar{z}_1 \end{pmatrix}. \tag{3.9}$$

In some calculations it is more convenient to work with Euler angles $\beta \in [0, \pi], \alpha \in [0, 2\pi), \gamma \in [0, 4\pi)$ defined via

$$z_1 = e^{-\frac{i}{2}(\alpha+\gamma)} \cos \frac{\beta}{2}, \quad z_2 = e^{\frac{i}{2}(\alpha-\gamma)} \sin \frac{\beta}{2}. \tag{3.10}$$

Then the left-invariant one-forms can be expressed in terms of Euler angles as

$$\begin{aligned} \sigma_1 &= \sin \gamma d\beta - \cos \gamma \sin \beta d\alpha, \\ \sigma_2 &= \cos \gamma d\beta + \sin \gamma \sin \beta d\alpha, \\ \sigma_3 &= d\gamma + \cos \beta d\alpha, \end{aligned} \tag{3.11}$$

and the dual vector fields are

$$\begin{aligned} X_1 &= \cot \beta \cos \gamma \partial_\gamma + \sin \gamma \partial_\beta - \frac{\cos \gamma}{\sin \beta} \partial_\alpha, \\ X_2 &= -\cot \beta \sin \gamma \partial_\gamma + \cos \gamma \partial_\beta + \frac{\sin \gamma}{\sin \beta} \partial_\alpha, \\ X_3 &= \partial_\gamma. \end{aligned} \tag{3.12}$$

In terms of complex coordinates we have

$$\begin{aligned} X_1 &= \frac{i}{2}(\bar{z}_2 \partial_1 - \bar{z}_1 \partial_2 - z_2 \bar{\partial}_1 + z_1 \bar{\partial}_2), \\ X_2 &= \frac{1}{2}(-\bar{z}_2 \partial_1 + \bar{z}_1 \partial_2 - z_2 \bar{\partial}_1 + z_1 \bar{\partial}_2), \\ X_3 &= \frac{i}{2}(-z_1 \partial_1 - z_2 \partial_2 + \bar{z}_1 \bar{\partial}_1 + \bar{z}_2 \bar{\partial}_2), \end{aligned} \tag{3.13}$$

and

$$\begin{aligned} Z_1 &= \frac{i}{2}(-z_2 \partial_1 - z_1 \partial_2 + \bar{z}_2 \bar{\partial}_1 + \bar{z}_1 \bar{\partial}_2), \\ Z_2 &= \frac{1}{2}(-z_2 \partial_1 + z_1 \partial_2 - \bar{z}_2 \bar{\partial}_1 + \bar{z}_1 \bar{\partial}_2), \\ Z_3 &= \frac{i}{2}(z_1 \partial_1 - z_2 \partial_2 - \bar{z}_1 \bar{\partial}_1 + \bar{z}_2 \bar{\partial}_2). \end{aligned} \tag{3.14}$$

It follows from general arguments, but can also be checked explicitly, that the Laplace operator on $S^3 \simeq SU(2)$ can be written as

$$\Delta_{S^3} = Z_1^2 + Z_2^2 + Z_3^2 = X_1^2 + X_2^2 + X_3^2. \tag{3.15}$$

The magnetic field on TN referred to in the title and discussed in the Introduction can be written as the exterior derivative of the abelian gauge field

$$\mathcal{A} = \frac{pc^2}{2L^2} \sigma_3 = \frac{p}{2} \frac{r}{r+L} \sigma_3, \tag{3.16}$$

where p is a real parameter which will play an important role in our discussions. The magnetic field

$$\mathcal{F} = d\mathcal{A} = \frac{p}{L^2} \left(cdc \wedge \sigma_3 + \frac{c^2}{2} \sigma_2 \wedge \sigma_1 \right), \quad (3.17)$$

is (up to a multiplicative constant) the unique harmonic, normalisable and $U(2)$ -invariant two-form on TN.

Note that the gauge we have chosen preserves the $U(2)$ symmetry of the TN geometry. However, the magnetic field inevitably breaks the discrete symmetry

$$\beta \mapsto \pi - \beta, \quad \alpha \mapsto \pi + \alpha, \quad \gamma \mapsto -\gamma, \quad (3.18)$$

which maps

$$\sigma_1 \mapsto \sigma_1, \quad \sigma_2 \mapsto -\sigma_2, \quad \sigma_3 \mapsto -\sigma_3, \quad (3.19)$$

and therefore preserves the metric (3.1) but neither the gauge field (3.16) nor its curvature. As we will see, this has interesting consequences in the dynamics.

TN without the point $r = 0$ (the NUT) is a circle bundle over $\mathbb{R}^3 \setminus \{0\}$. As reviewed in [12], for each direction (β, α) in the base there is a geodesic submanifold parametrised by (r, γ) . Each of these geodesic submanifolds is of the general cigar-shape of our toy model in Section 2, and the flux of the magnetic field (3.17) through this submanifold is $2\pi p$. Thinking of TN as a two-sphere's worth of such cigar-shaped surfaces threaded by magnetic flux will prove very helpful for a qualitative understanding of our results.

3.2. The gauged Dirac and Laplace operators

The most fundamental operator associated to the metric (3.1) and the connection (3.16) is the Dirac operator on TN minimally coupled to the connection. As shown in [14] for the ungauged case, the spectrum of the Dirac operator and the Laplace operator are closely related. The arguments in [14] are essentially a reflection of an underlying supersymmetry. It is not difficult to adapt them to the gauged case, as we shall now show.

The gauged Dirac operator on TN has the following form [3]

$$\mathcal{D}_p = \begin{pmatrix} 0 & T_p^\dagger \\ T_p & 0 \end{pmatrix}, \quad (3.20)$$

where

$$\begin{aligned} T_p^\dagger &= \frac{i}{\sqrt{V}} \left(-\partial_r - \frac{1}{r} - \frac{V}{2L} + \tau_3 \left(\frac{p}{2L} - \frac{iV}{L} X_3 \right) - \frac{i}{r} (\tau_1 X_1 + \tau_2 X_2) \right), \\ T_p &= \frac{i}{\sqrt{V}} \left(-\partial_r - \frac{1}{r} + \frac{V}{2L} + \frac{L}{2r^2 V} + \tau_3 \left(\frac{iV}{L} X_3 - \frac{p}{2L} \right) + \frac{i}{r} (\tau_1 X_1 + \tau_2 X_2) \right). \end{aligned} \quad (3.21)$$

As shown in [1,2] and elaborated in [3], the kernel of T_p^\dagger is trivial but that of T_p has dimension $\frac{1}{2}([|p|])([|p|] + 1)$, where $[x]$ is the largest integer strictly smaller than the positive real number x . It follows that

$$H_- = T_p T_p^\dagger \quad (3.22)$$

is a strictly positive operator, and that

$$H_+ = T_p^\dagger T_p \quad (3.23)$$

is positive, but not strictly positive. Restricting to the orthogonal complement of the kernel of T_p , we can define the unitary operator

$$U = \frac{1}{\sqrt{H_-}} T_p, \quad (3.24)$$

with inverse $U^{-1} = T_p^\dagger / \sqrt{H_-}$, and use it to relate H_+ and H_- via

$$H_+ = U^{-1} H_- U. \quad (3.25)$$

It follows from this unitary equivalence that, as in the ungauged case [14], H_+ has the same spectrum as H_- apart from the zero eigenvalue of H_- . In other words if Ψ is a two-component eigenspinor of H_- with eigenvalue $E \neq 0$ then $U^{-1}\Psi$ is an eigenspinor of H_+ with the same eigenvalue.

Combining these results, we obtain eigenstates of the Dirac operator with non-zero eigenvalues from eigenstates of H_- as follows. Suppose that Ψ is an eigenstate of H_- with eigenvalue $E > 0$. Then

$$\mathcal{D} \begin{pmatrix} U^{-1}\Psi \\ \pm\Psi \end{pmatrix} = \pm\sqrt{E} \begin{pmatrix} U^{-1}\Psi \\ \pm\Psi \end{pmatrix}. \quad (3.26)$$

Inserting the expressions for the TN profile functions, we find

$$H_- = T_p T_p^\dagger = -\frac{1}{r^2 V} \partial_r (r^2 \partial_r) - \frac{1}{r^2 V} [(X_1 + t_1)^2 + (X_2 + t_2)^2] - \frac{V}{L^2} \left(X_3 + \frac{ip}{2V} + t_3 \right)^2. \tag{3.27}$$

It is convenient to change gauge by observing from (3.6) that

$$X_i h^{-1} = -t_i h^{-1} \tag{3.28}$$

and that therefore, as an operator identity,

$$h(X_i + t_i)h^{-1} = h(X_i h^{-1}) + h h^{-1} X_i + h t_i h^{-1} = X_i. \tag{3.29}$$

Employing this, we obtain

$$h H_- h^{-1} = H_p \tau_0, \tag{3.30}$$

where τ_0 is the 2×2 identity matrix and

$$H_p = -\frac{1}{r^2 V} \partial_r (r^2 \partial_r) - \frac{1}{r^2 V} (X_1^2 + X_2^2) - \frac{V}{L^2} \left(X_3 + \frac{ip}{2V} \right)^2 \tag{3.31}$$

is the Laplace operator associated to the metric (3.1) and minimally coupled to the gauge field (3.16). This is the operator whose spectrum we shall study in the remainder of this paper.

4. Dynamical symmetries in classical Taub–NUT dynamics

4.1. Canonical procedure

We now turn our attention to the classical dynamics in TN in the gauged case. We discuss the conserved angular momentum and Runge–Lenz vectors, and use them to describe the classical trajectories. Our treatment is an extension of the discussion in [13] and [15] of the (ungauged) motion on TN space.

As reviewed in Section 3, the TN space (3.1) can be parametrised by a coordinate r and the Euler angles α , β and γ . In these coordinates the Lagrangian for geodesic motion on TN takes the form

$$\mathcal{L} = \frac{1}{4} (f^2 \dot{r}^2 + a^2 \omega_1^2 + b^2 \omega_2^2 + c^2 \omega_3^2), \tag{4.1}$$

where ω_i are the components of the body fixed angular velocity,

$$\begin{aligned} \omega_1 &= \sin \gamma \dot{\beta} - \cos \gamma \sin \beta \dot{\alpha}, \\ \omega_2 &= \cos \gamma \dot{\beta} + \sin \gamma \sin \beta \dot{\alpha}, \\ \omega_3 &= \dot{\gamma} + \cos \beta \dot{\alpha}, \end{aligned} \tag{4.2}$$

and we have chosen an overall factor of 1/4 for convenience.

Inserting the angular velocities in the Lagrangian and recalling that $a = b = r\sqrt{V}$, $c = L/\sqrt{V}$, $f = -b/r$ we obtain

$$\mathcal{L} = \frac{1}{4} [V(\dot{r}^2 + r^2 \dot{\beta}^2 + r^2 \sin^2 \beta \dot{\alpha}^2) + L^2 V^{-1} (\dot{\gamma} + \cos \beta \dot{\alpha})^2]. \tag{4.3}$$

In terms of Cartesian coordinates

$$\vec{r} = (x_1, x_2, x_3) = (r \sin \beta \cos \alpha, r \sin \beta \sin \alpha, r \cos \beta), \tag{4.4}$$

the Lagrangian takes the more familiar form

$$\mathcal{L} = \frac{1}{4} (V |\dot{\vec{r}}|^2 + L^2 V^{-1} (\dot{\gamma} + \vec{A} \cdot \frac{\dot{\vec{r}}}{r})^2), \tag{4.5}$$

where \vec{A} is a gauge potential for the Dirac monopole

$$A_1 = -\frac{x_3 x_2}{r(r^2 - x_3^2)}, \quad A_2 = \frac{x_3 x_1}{r(r^2 - x_3^2)}, \quad A_3 = 0, \tag{4.6}$$

which satisfies

$$\partial_l A_m - \partial_m A_l = -\epsilon_{klm} \frac{x_k}{r^3} \quad \text{for } r \neq 0, \tag{4.7}$$

as well as

$$\vec{A} \cdot d\vec{r} = \cos \beta d\alpha. \quad (4.8)$$

We now minimally couple the motion on TN to the gauge potential (3.16) via the Lagrangian

$$\mathcal{L}_p = \frac{V}{4} |\dot{\vec{r}}|^2 + \frac{L^2}{4V} (\dot{\gamma} + \vec{A} \cdot \dot{\vec{r}})^2 - \frac{p}{2V} (\dot{\gamma} + \vec{A} \cdot \dot{\vec{r}}). \quad (4.9)$$

Clearly, the momentum q conjugate to the cyclic coordinate γ ,

$$q = \frac{\partial \mathcal{L}_p}{\partial \dot{\gamma}} = \frac{L^2}{2V} (\dot{\gamma} + \vec{A} \cdot \dot{\vec{r}}) - \frac{p}{2V}, \quad (4.10)$$

is conserved. The canonical momentum $\vec{\pi}$ conjugate to \vec{r} is

$$\vec{\pi} = \frac{\partial}{\partial \dot{\vec{r}}} \mathcal{L}_p = \frac{1}{2} V \dot{\vec{r}} + \frac{L^2}{2V} (\dot{\gamma} + \vec{A} \cdot \dot{\vec{r}}) \vec{A} - \frac{p}{2V} \vec{A} = \vec{p} + q \vec{A}, \quad (4.11)$$

where

$$\vec{p} = \frac{1}{2} V \dot{\vec{r}} \quad (4.12)$$

is called the mechanical momentum [13].

The canonical symplectic structure on the phase space T^*M_{TN} ,

$$dx_i \wedge d\pi_i + d\gamma \wedge dq, \quad (4.13)$$

is invariant under the $U(1)$ action which maps $\gamma \rightarrow \gamma + \delta$. The moment map for this action is the charge q , viewed as a map $T^*M_{\text{TN}} \rightarrow \mathbb{R}$, and the symplectic quotient by this $U(1)$ action

$$\mathcal{M}_q = T^*M_{\text{TN}} // U(1) \quad (4.14)$$

is, by definition, the pre-image of any real constant under the map q divided by the $U(1)$ action. The position vector \vec{r} and the canonical momentum vector $\vec{\pi}$ provide natural coordinates in terms of which the symplectic structure on \mathcal{M}_q takes the form

$$\omega = dx_i \wedge d\pi_i = dx_i \wedge dp_i + \frac{q}{2r^3} \epsilon_{ijk} x_j dx_k \wedge dx_i. \quad (4.15)$$

The associated Poisson brackets are

$$\{A, B\} = \frac{\partial A}{\partial x_i} \frac{\partial B}{\partial \pi_i} - \frac{\partial A}{\partial \pi_i} \frac{\partial B}{\partial x_i}, \quad (4.16)$$

so that the mechanical momentum $\vec{p} = \vec{\pi} - q\vec{A}$ satisfies

$$\{p_i, p_j\} = -q \epsilon_{ijk} \frac{x_k}{r^3}, \quad \{p_i, f(\vec{r})\} = -\partial_i f(\vec{r}), \quad (4.17)$$

where f is any function of \vec{r} .

We now rewrite the Lagrangian in terms of \vec{p} and q ,

$$\mathcal{L}_p = \frac{1}{V} |\vec{p}|^2 + \frac{q^2}{L^2} V - \frac{p^2}{4L^2 V}, \quad (4.18)$$

and perform the Legendre transformation to obtain the gauged Hamiltonian,

$$\begin{aligned} H_p &= \dot{\vec{r}} \cdot \vec{\pi} + \dot{\gamma} q - \mathcal{L}_p \\ &= \frac{1}{V} |\vec{p}|^2 + \frac{q^2}{L^2} V + \frac{pq}{L^2} + \frac{p^2}{4L^2 V} \\ &= H + \Delta H. \end{aligned} \quad (4.19)$$

Here H is the Hamiltonian for $p = 0$ and ΔH the contribution of the gauge potential:

$$H = \frac{1}{V} |\vec{p}|^2 + \frac{q^2}{L^2} V, \quad \Delta H = \frac{pq}{L^2} + \frac{p^2}{4L^2 V}. \quad (4.20)$$

Recalling that the profile function c appearing in the TN metric is $c = L/\sqrt{V}$, we note that

$$\begin{aligned} H_p &= \frac{1}{V} |\vec{p}|^2 + \left(\frac{q}{c} + \frac{pc}{2L^2} \right)^2 \\ &\geq \left(\frac{q}{c} + \frac{pc}{2L^2} \right)^2 \\ &\geq \begin{cases} 0 & \text{if } pq < 0 \\ 2pq & \text{if } pq \geq 0. \end{cases} \end{aligned} \tag{4.21}$$

For the last step we observed that the second term in the first line is the potential (2.7) of the toy model of Section 2, and used the bound (2.11).

There is a conserved angular momentum [13] of H given by

$$\vec{J} = \vec{r} \times \vec{p} + q\hat{r}, \tag{4.22}$$

which, by virtue of (4.17), satisfies the relations

$$\{J_k, p_l\} = \epsilon_{klm} p_m. \tag{4.23}$$

It also follows that

$$\{J_k, J_l\} = \epsilon_{klm} J_m. \tag{4.24}$$

Relation (4.23) can be employed to check that \vec{J} Poisson commutes with the Hamiltonian H . Since ΔH is spherically symmetric, \vec{J} also commutes with $H_p = H + \Delta H$.

In their study of the geodesic motion on the negative mass TN space in [13], Gibbons and Manton showed that there is a conserved vector quantity analogous to the Runge–Lenz vector of the Kepler problem which takes the form

$$\vec{M} = \vec{p} \times \vec{J} - \frac{\hat{r}}{2L} (L^2 H - 2q^2). \tag{4.25}$$

One checks that it satisfies

$$\{J_k, M_l\} = \epsilon_{klm} M_m, \tag{4.26}$$

and commutes with the TN Hamiltonian H for any value (positive or negative) of L . However, it fails to commute with our gauged Hamiltonian H_p since

$$\{\Delta H, M_k\} = -\frac{p^2}{4LrV^2} p_k + \frac{p^2}{4Lr^3V^3} x_k (\vec{r} \cdot \vec{p}). \tag{4.27}$$

By trial and error we find that the vector-valued function

$$\vec{f} = \frac{p^2 \vec{r}}{8LrV}, \tag{4.28}$$

satisfies $\{H_p, f_k\} = \{\Delta H, M_k\}$. Hence the components of the gauged Runge–Lenz vector

$$\vec{M}^p = \vec{M} - \vec{f} = \vec{p} \times \vec{J} - \frac{\hat{r}}{2L} (L^2 H_p - 2q^2 - pq), \tag{4.29}$$

commute with H_p . The Poisson brackets between the components of \vec{J} and \vec{M}^p turn out to be

$$\begin{aligned} \{J_i, M_j^p\} &= \epsilon_{ijk} M_k^p, \\ \{M_i^p, M_j^p\} &= \left[\frac{1}{L^2} \left(q + \frac{p}{2} \right)^2 - H_p \right] \epsilon_{ijk} J_k. \end{aligned} \tag{4.30}$$

We will study their Lie-algebraic interpretation in detail in Sections 6 and 7.

4.2. Classical trajectories

The conserved quantities discussed above can be used to determine the classical trajectories on TN in the gauged situation, i.e., the solutions of the Euler–Lagrange equations of (4.9) or Hamilton equations of (4.19) with Poisson brackets (4.16). Considering first the simpler case where $q = 0$, we deduce from (4.22) and (4.29) that

$$\vec{J} \cdot \hat{r} = 0, \quad \vec{J} \cdot \vec{M}^p = 0, \quad \vec{M}^p \cdot \vec{r} = J^2 - \frac{1}{2} L E r, \tag{4.31}$$

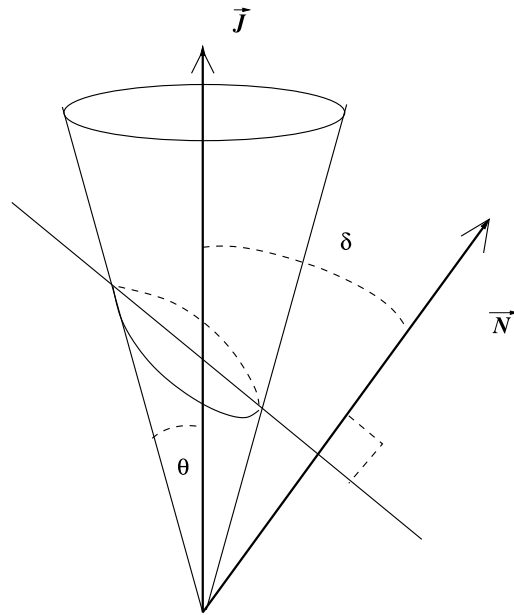


Fig. 3. The conic sections determined by the conserved vectors \vec{J} and \vec{N} .

where E denotes the (constant) value of H_p and $J = |\vec{J}|$. The first and second equations show that the movement is in a plane orthogonal to \vec{J} and that \vec{M}^p is in this plane. Using polar coordinates (r, ϕ) to parametrise the plane with \vec{M}^p in the direction determined by $\phi = 0$, we deduce, from the third equation,

$$r = \frac{J^2}{|\vec{M}^p| \cos \phi + \frac{1}{2}LE}. \quad (4.32)$$

This is the equation of a conic section. Finally taking into account the relation

$$|\vec{M}^p| = \sqrt{\left(E - \frac{p^2}{4L^2}\right)J^2 + \frac{1}{4}L^2E^2}, \quad (4.33)$$

we obtain the following types of orbit: the conic section is an ellipse for $L^2E < \frac{p^2}{4}$, a parabola for $L^2E = \frac{p^2}{4}$ and a hyperbola for $L^2E > \frac{p^2}{4}$.

In the general case $q \neq 0$, the expression (4.22) implies

$$\vec{J} \cdot \hat{r} = q, \quad (4.34)$$

which shows that \vec{r} lies on a cone whose axis of symmetry is along \vec{J} and whose vertex is at the origin. The opening angle $2\theta \in (0, \pi)$ of the cone relative to the direction of \vec{J} as shown in Fig. 3 is determined by

$$\cos \theta = \frac{|q|}{J}. \quad (4.35)$$

For $q > 0$, the cone is in the 'positive' half-space determined by $\vec{J} \cdot \vec{r} > 0$, while for $q < 0$ it is in the 'negative' half-space determined by $\vec{J} \cdot \vec{r} < 0$.

Furthermore, Eqs. (4.22) and (4.29) imply

$$\vec{J} \cdot \vec{M}^p = -\frac{q}{2L} (L^2E - 2q^2 - pq), \quad \vec{M}^p \cdot \vec{r} = J^2 - q^2 - \frac{r}{2L} (L^2E - 2q^2 - pq). \quad (4.36)$$

To interpret them, we define the vector

$$\vec{N} = q\vec{M}^p + \frac{1}{2L} (L^2E - 2q^2 - pq)\vec{J}. \quad (4.37)$$

As a linear combination of conserved vectors with conserved coefficients, this vector is also conserved. In terms of this vector, the second equation in (4.36) is equivalent to

$$\vec{N} \cdot \vec{r} = q(J^2 - q^2), \quad (4.38)$$

which shows that the motion is also in a plane perpendicular to the vector \vec{N} . With the notation $l = |\vec{r} \times \vec{p}|$ for the magnitude of the orbital angular momentum, we note

$$J^2 = l^2 + q^2, \tag{4.39}$$

so that

$$\vec{N} \cdot \vec{r} = ql^2. \tag{4.40}$$

The classical trajectories in the case $q \neq 0$ are thus intersections of the cone defined by (4.34) and the plane defined by (4.40). From classical geometry we know that these are ellipses (including the degenerate case of a point), parabolae or hyperbolae (including the degenerate case of a line). The nature of the orbit depends on the energy E and on the relative size of q and p ; as we shall see, the details are quite subtle, combining the results from the toy model in Section 2 with lessons from the role of conic sections as trajectories in the standard Kepler problem.

Focusing on the non-degenerate case $l \neq 0$, we note that the sign of q determines both the direction of the cone (4.34) and the position of the plane (4.40) relative to the origin. If $q > 0$ then the situation is as shown in Fig. 3, with the cone in the positive half-space determined by $\vec{J} \cdot \vec{r} > 0$ and the plane (4.40) displaced from the origin in the direction of \vec{N} . If $q < 0$ the cone is in the opposite half-space and the plane is displaced from the origin in the direction of $-\vec{N}$. The nature of the intersection between them, however, is independent of the sign of q , and only depends on the angle between \vec{J} and \vec{N} , see again Fig. 3.

A lengthy calculation shows that the squared norm of \vec{N} is

$$|\vec{N}|^2 = \frac{l^2 E}{4} (L^2 E - 2pq), \tag{4.41}$$

which is positive for all allowed values of the energy by virtue of (4.21). Since, from the first equation in (4.36),

$$\vec{N} \cdot \vec{J} = \frac{l^2}{2L} (L^2 E - 2q^2 - pq), \tag{4.42}$$

we deduce that δ is determined by

$$\cos \delta = \frac{l}{J} \frac{L^2 E - 2q^2 - pq}{L\sqrt{E(L^2 E - 2pq)}}. \tag{4.43}$$

In order to classify the orbits we also note that, from (4.35) and (4.39), $\sin \theta = \frac{l}{J}$ or

$$\cos\left(\frac{\pi}{2} - \theta\right) = \frac{l}{J}. \tag{4.44}$$

Elementary geometrical considerations in Fig. 3 now show that

$$l \neq 0 \quad \text{and} \quad \left\{ \begin{array}{l} \delta < \frac{\pi}{2} - \theta \\ \delta = \frac{\pi}{2} - \theta \\ \frac{\pi}{2} - \theta < \delta < \frac{\pi}{2} + \theta \\ \delta \geq \frac{\pi}{2} + \theta \end{array} \right\} \Leftrightarrow \text{orbit is } \left\{ \begin{array}{l} \text{ellipse} \\ \text{parabola} \\ \text{hyperbola} \\ \text{empty set} \end{array} \right\}. \tag{4.45}$$

We analyse each of those conditions in turn. Since the cosine function is strictly decreasing on the interval $[0, \pi]$, applying it to the inequalities in (4.45) reverses them. It will also be useful to observe that the energy bound (4.21) implies

$$q^2 < \frac{p^2}{4} \Rightarrow L^2 E > 2q^2 + pq. \tag{4.46}$$

For the short proof, one needs to distinguish the cases $pq > 0$ and $pq < 0$ and use $|q| < |p/2|$.

For elliptic orbits, we require $\cos \delta > \cos(\frac{\pi}{2} - \theta)$. Inserting the above relations, this condition gives

$$l \neq 0 \quad \text{and} \quad L^2 E - 2q^2 - pq > L\sqrt{E(L^2 E - 2pq)}. \tag{4.47}$$

Since the right hand side is positive (assuming $L > 0$), we deduce that, for elliptic orbits,

$$L^2 E > 2q^2 + pq. \tag{4.48}$$

On the other hand, squaring both sides of (4.47), we deduce

$$L^2 E < \left(q + \frac{p}{2}\right)^2. \tag{4.49}$$

However, the inequalities (4.48) and (4.49) can only both be satisfied if

$$q^2 < \frac{p^2}{4}, \quad (4.50)$$

which is precisely the condition (2.9) derived in the toy model in Section 2. Since, by (4.46), the condition (4.50) is sufficient for (4.48) to hold, we deduce that elliptical orbits occur iff $p \neq 0$, the charge q satisfy (4.50) and the energy satisfies (4.49).¹ As an aside we note that elliptical orbits are possible in the case $L < 0$ even when $p = 0$ (as discussed in [13]).

Returning to general p and positive L , the analysis of the conditions (4.45) for the parabolic and hyperbolic cases along the lines of the discussion of elliptical orbits is now straightforward. We skip most details, but point out that, in the hyperbolic case, the trigonometric identity $\cos(\frac{\pi}{2} + \theta) = -\cos(\frac{\pi}{2} - \theta)$ applied to (4.45) implies the condition

$$l \neq 0 \quad \text{and} \quad |L^2 E - 2q^2 - pq| < L\sqrt{E(L^2 E - 2pq)}, \quad (4.51)$$

which (for positive L) is equivalent to

$$L^2 E > \left(q + \frac{p}{2}\right)^2, \quad (4.52)$$

but does not require any restrictions on p and q .

We summarise the dependence of the orbits on the energy E and the charge q as follows:

$$l \neq 0 \quad \text{and} \quad \left\{ \begin{array}{l} p \neq 0, \quad q^2 < \frac{p^2}{4}, \quad L^2 E < \left(q + \frac{p}{2}\right)^2 \\ p \neq 0, \quad q^2 \leq \frac{p^2}{4}, \quad L^2 E = \left(q + \frac{p}{2}\right)^2 \\ L^2 E > \left(q + \frac{p}{2}\right)^2 \end{array} \right\} \Leftrightarrow \text{orbit is } \left\{ \begin{array}{l} \text{ellipse} \\ \text{parabola} \\ \text{hyperbola} \end{array} \right\}. \quad (4.53)$$

5. Gauged Taub–NUT quantum mechanics

5.1. Canonical quantisation

In this paper we set $\hbar = 1$ when discussing quantum mechanics. With this convention, the canonical quantisation procedure of T^*M_{TN} amounts to replacing

$$\vec{\pi} \rightarrow -i\frac{\partial}{\partial \vec{r}}, \quad q \rightarrow -i\partial_\gamma, \quad (5.1)$$

where $\frac{\partial}{\partial \vec{r}} = \left(\frac{\partial}{\partial x_1}, \frac{\partial}{\partial x_2}, \frac{\partial}{\partial x_3}\right)$. A comparison of q with (3.12) shows that, as an operator,

$$q = -i\partial_\gamma = -iX_3. \quad (5.2)$$

The relation (4.11) implies the quantisation of the mechanical momentum according to

$$\vec{p} \rightarrow -i\frac{\partial}{\partial \vec{r}} + i\vec{A}\partial_\gamma, \quad (5.3)$$

where \vec{A} is the magnetic monopole vector potential (4.6).

Inserting (5.2) into (4.19) gives

$$H_p = \frac{1}{V}|\vec{p}|^2 - \frac{V}{L^2} \left(X_3 + \frac{ip}{2V}\right)^2, \quad (5.4)$$

which turns out to be precisely the gauged Laplace operator (3.31). To see this, note that

$$\begin{aligned} |\vec{p}|^2 &= (-i\partial_t + i\partial_\gamma A_t)(-i\partial_t + i\partial_\gamma A_t) \\ &= -\left(\frac{\partial}{\partial \vec{r}}\right)^2 + 2\left(\vec{A} \cdot \frac{\partial}{\partial \vec{r}}\right)\partial_\gamma - |\vec{A}|^2\partial_\gamma^2, \end{aligned} \quad (5.5)$$

¹ If p were to vanish then (4.50) forces q to vanish, and then (4.49) would imply $E = 0$, which is impossible.

where $(\frac{\partial}{\partial \vec{r}})^2$ is the Laplace operator on Euclidean \mathbb{R}^3 , and we have used that, for the Dirac monopole (4.6), $\text{div} \vec{A} = 0$. In terms of spherical coordinates and (4.6) one checks that

$$\left(\frac{\partial}{\partial \vec{r}}\right)^2 = \frac{1}{r^2} \partial_r (r^2 \partial_r) + \frac{1}{r^2} (\partial_\beta^2 + \cot \beta \partial_\beta + \csc^2 \beta \partial_\alpha^2), \quad \vec{A} \cdot \frac{\partial}{\partial \vec{r}} = \frac{\cos \beta}{r^2 \sin^2 \beta} \partial_\alpha, \quad |\vec{A}|^2 = \frac{\cos^2 \beta}{r^2 \sin^2 \beta}, \quad (5.6)$$

so that

$$\begin{aligned} |\vec{p}|^2 &= -\frac{1}{r^2} \partial_r (r^2 \partial_r) - \frac{1}{r^2} (\partial_\beta^2 + \cot \beta \partial_\beta + \csc^2 \beta \partial_\alpha^2 - 2 \cot \beta \csc \beta \partial_\gamma \partial_\alpha + \cot^2 \beta \partial_\gamma^2) \\ &= -\frac{1}{r^2} \partial_r (r^2 \partial_r) - \frac{1}{r^2} (X_1^2 + X_2^2), \end{aligned} \quad (5.7)$$

where we have used the relation,

$$X_1^2 + X_2^2 = \partial_\beta^2 + \cot \beta \partial_\beta + \cot^2 \beta \partial_\gamma^2 + \csc^2 \beta \partial_\alpha^2 - 2 \cot \beta \csc \beta \partial_\alpha \partial_\gamma, \quad (5.8)$$

which can be obtained from (3.12). Substituting (5.7) into (5.4) shows that the quantum Hamiltonian H_p is the gauged Laplace operator (3.31), as claimed.

Finally applying the quantisation rule to the angular momentum \vec{J} defined in (4.22) we obtain the differential operator

$$\begin{aligned} \vec{J} &= -i\vec{r} \times \frac{\partial}{\partial \vec{r}} + i(\vec{r} \times \vec{A} - \hat{r}) \partial_\gamma \\ &= i \begin{pmatrix} \sin \alpha \partial_\beta + \cot \beta \cos \alpha \partial_\alpha - \frac{\cos \alpha}{\sin \beta} \partial_\gamma \\ -\cos \alpha \partial_\beta + \cot \beta \sin \alpha \partial_\alpha - \frac{\sin \alpha}{\sin \beta} \partial_\gamma \\ -\partial_\alpha \end{pmatrix}. \end{aligned} \quad (5.9)$$

Transforming coordinates according to (3.10), one checks that, up to a factor of i , the components are the vector fields Z_1, Z_2 and Z_3 (3.14) generating the left-action of $SU(2)$ on itself:

$$\vec{J} = i\vec{Z}. \quad (5.10)$$

It follows that the squared total angular momentum operator can be written in terms of the left- and right-generated vector fields on S^3 as

$$\vec{J}^2 = -(Z_1^2 + Z_2^2 + Z_3^2) = -(X_1^2 + X_2^2 + X_3^2) = -\Delta_{S^3}. \quad (5.11)$$

5.2. Separating variables

For fixed r , the angular part of the quantum Hamiltonian (3.31) is akin to the Hamiltonian of a symmetric rigid body coupled to a gauge field. In that context, the operators iZ_j are interpreted as ‘space-fixed’ angular momentum components and the operators iX_j as ‘body-fixed’ angular momentum components [13,3]. The quantum Hamiltonian H_p commutes with Z_1, Z_2, Z_3 and with X_3 ; together, these generate the $U(2)$ symmetry of TN space.

To separate the radial from the angular dependence in the wavefunction, we therefore require a complete set of functions on $SU(2)$ which diagonalise the commuting operators Δ_{S^3}, iZ_3, iX_3 . This is usually done in terms of Wigner functions of the Euler angles, but here we use the construction of the eigenfunctions as homogeneous polynomials of the complex coordinates z_1, z_2 and their complex conjugates given in [3]. As explained there, an irreducible representation of $SU(2)$ can be given in terms of polynomials in $z_1, z_2, \bar{z}_1, \bar{z}_2$ that belong to the kernel of the differential operator $\square = 4(\partial_1 \bar{\partial}_1 + \partial_2 \bar{\partial}_2)$. Combining this observation with the discussion in [16] we obtain a basis that satisfies this irreducibility condition:

$$Y_{sm}^j = \left[\frac{(j+s)!(j-s)!}{(j+m)!(j-m)!} \right]^{1/2} \sum_k \frac{(j+m)!}{(j+m-k)!k!} \frac{(j-m)!(-1)^{j-s-k}}{(j-s-k)!(s-m+k)!} z_1^{s-m+k} z_2^{j+m-k} \bar{z}_1^k \bar{z}_2^{j-s-k}, \quad (5.12)$$

where

$$j \in \frac{1}{2}\mathbb{Z}^+, \quad s, m = -j, -j+1, \dots, j-1, j, \quad (5.13)$$

and k runs over the values so that the factorials are well defined. These functions are normalised and are clearly orthogonal since they are eigenfunctions of the Hermitian operators Δ_{S^3} , (total angular momentum), iZ_3 (angular momentum along the space-fixed 3-axis), iX_3 (angular momentum along the body-fixed 3-axis) with eigenvalues

$$\Delta_{S^3} Y_{sm}^j = -j(j+1)Y_{sm}^j, \quad iZ_3 Y_{sm}^j = mY_{sm}^j, \quad iX_3 Y_{sm}^j = sY_{sm}^j. \quad (5.14)$$

They also satisfy

$$X_+ Y_{sm}^j = -i[(j-s)(j+s+1)]^{1/2} Y_{s+1,m}^j, \quad X_- Y_{sm}^j = -i[(j+s)(j-s+1)]^{1/2} Y_{s-1,m}^j, \quad (5.15)$$

where $X_{\pm} = X_1 \pm iX_2$, which shows that all the angular momentum eigenstates can be obtained from the holomorphic Y_{jm}^j or the anti-holomorphic Y_{-jm}^j by the repeated action of X_- or X_+ .

We look for stationary states Ψ of the form

$$\Psi(r, z_1, z_2) = R(r) Y_{sm}^j(z_1, z_2). \quad (5.16)$$

Using

$$(X_1^2 + X_2^2) Y_{sm}^j = [-j(j+1) + s^2] Y_{sm}^j \quad (5.17)$$

in the stationary Schrödinger equation

$$H_p \Psi = E \Psi, \quad (5.18)$$

we obtain the radial equation

$$\left[-\frac{1}{r^2} \partial_r (r^2 \partial_r) + \frac{1}{r^2} j(j+1) + \left(\frac{2s^2}{L} - \frac{ps}{L} - EL \right) \frac{1}{r} + \left(\left(\frac{s - \frac{p}{2}}{L} \right)^2 - E \right) \right] R(r) = 0. \quad (5.19)$$

Before we study bound and scattering states in the following sections, we make two general observations.

It follows from (5.2) that, when acting on the functions (5.12), the operator q has the eigenvalue $-s$. For later use, note that the classical bound (4.21) also holds in the quantum case, so that, in particular, for any eigenstate of H_p and q with eigenvalues E and $-s$, we have

$$L^2 E \geq \begin{cases} 0 & \text{if } ps > 0 \\ -2sp & \text{if } ps \leq 0. \end{cases} \quad (5.20)$$

Finally, it is worth stressing that neither the space-fixed nor the body-fixed angular momentum operators discussed above are invariant under $U(1)$ -gauge transformations. The quantum numbers j , s and m are not gauge invariant either and therefore have to be interpreted with care. However, this is familiar in the context of the Schrödinger equation coupled to a magnetic field, particularly in the discussion of Landau levels for planar motion in a magnetic field. Even though the angular momentum operator is not gauge invariant in this context, the eigenvalues can be used to label degenerate energy eigenstates. This labelling is not gauge invariant, but physical quantities like the energy or the degeneracy of energy levels are. The role of the gauge choice in labelling degenerate states in Landau levels is discussed in detail in [17], see also the book [18].

5.3. Bound states

The substitution of

$$R(r) = r^j e^{-k'r} u(r), \quad k'^2 = \left(\frac{s - \frac{p}{2}}{L} \right)^2 - E, \quad (5.21)$$

into the radial Schrödinger equation (5.19), reduces it to

$$z \frac{d^2 u}{dz^2} + (b - z) \frac{du}{dz} - au(z) = 0, \quad (5.22)$$

where

$$z = 2k'r, \quad a = (j+1+\lambda), \quad b = 2j+2, \quad (5.23)$$

and

$$\lambda = -\frac{1}{2k'L} (L^2 E + ps - 2s^2). \quad (5.24)$$

Eq. (5.22) is the confluent hypergeometric equation [19]. The general solution which is regular at the origin is

$$u = A M(a, b, z), \quad (5.25)$$

where A is an arbitrary constant and M is Kummer's function of the first kind. Square integrability requires

$$a = -\nu, \quad \nu = 0, 1, 2, \dots \text{ and } k' \in \mathbb{R}^+. \quad (5.26)$$

Since j takes arbitrary half-integer positive values, the first condition is equivalent to

$$n := -\lambda = \nu + j + 1, \quad \nu = 0, 1, 2, \dots \tag{5.27}$$

In principle, n can take all half-integer values ≥ 1 , but the ranges of the quantum numbers j and n are related by (5.27). This requirement together with the expression (5.24) for λ as well as $L > 0$ and $k' > 0$ imply

$$L^2 E > 2s^2 - ps. \tag{5.28}$$

On the other hand, the relation (5.21) between E and k' enforces

$$L^2 E < \left(s - \frac{p}{2}\right)^2 = s^2 - ps + \frac{p^2}{4}. \tag{5.29}$$

There can only be bound states if these two inequalities can be simultaneously satisfied, i.e., if

$$\frac{p^2}{4} > s^2, \tag{5.30}$$

which is the quantum version of the condition (4.50) for bounded orbits in the classical theory.

Note that, if L were negative, the inequality (5.28) would have the opposite direction and there would be no condition on p . In that case we can set $p = 0$ and recover the bound states in the singular $L = -2$ TN space discussed in [13], which exist for any $s \neq 0$. As shown in [20], there are no bound states (and no bounded orbits) when $L > 0$ and $p = 0$. More generally, however, binding is always possible when p is sufficiently large. All these results confirm the qualitative discussion of the two-dimensional toy model in Section 2.

Solving (5.21), (5.24) and (5.27) for E , we find

$$E = \frac{2}{L^2} \left[-n^2 + s^2 - \frac{ps}{2} \right] \pm \frac{2n}{L^2} \sqrt{n^2 - s^2 + \frac{p^2}{4}}. \tag{5.31}$$

Only the solution with the upper sign satisfies (5.28), and we write the resulting spectrum of bound state energies as

$$E = \frac{2}{L^2} \left[s^2 - \frac{ps}{2} + n \sqrt{n^2 - s^2 + \frac{p^2}{4}} - n^2 \right], \quad n = |s| + 1, |s| + 2, |s| + 3 \dots \tag{5.32}$$

The behaviour for large n is typical for Coulomb bound states

$$E \approx \frac{\left(s - \frac{p}{2}\right)^2}{L^2} - \frac{\left(s^2 - \frac{p^2}{4}\right)^2}{4L^2 n^2} + \mathcal{O}\left(\frac{1}{n^4}\right). \tag{5.33}$$

This formula for the bound state energies shows that, like in the toy model of Section 2, the bound state energies are relatively high when p and q have the same sign (so that the signs of p and s are opposite) but are lowered when the signs of p and q are opposite (and those of p and s the same). Note also that, in the limit $p = 0$ and for $L = -2$ our formula reduces to that obtained in [13] for the negative mass TN space. For a detailed comparison observe that in [13] only integer values of j and n were considered.

The energy levels for fixed s and n have a large degeneracy, given by the sum over the dimension $2j + 1$ for allowed values of j . Recalling the constraint (5.27) and $j \geq |s|$, the degeneracy is

$$\sum'_{j=|s|}^{n-1} 2j + 1 = (2|s| + 1) + (2|s| + 3) + \dots + (2n - 3) + (2n - 1) = n^2 - s^2, \tag{5.34}$$

with \sum' indicating that we sum over integers if $|s|$ is an integer and over half-odd integers if $|s|$ is a half-odd integer. As we shall see in Section 6, the degeneracy can be understood in terms of a conserved Runge–Lenz vector.

5.4. Scattering states

Next we turn to solutions of the eigenvalue equation (5.18) which describe stationary scattering states. For the analysis of scattering it is convenient to use parabolic coordinates familiar from the treatment of Coulomb scattering.

Assuming solutions of (5.18) of the form

$$\psi = e^{-isy} e^{im\alpha} \Lambda(\beta, r), \tag{5.35}$$

and recalling the formula (5.8), we find that Λ has to satisfy the equation

$$\left(\partial_r^2 + \frac{2}{r} \partial_r + \frac{1}{r^2} \partial_\beta^2 + \frac{1}{r^2} \cot \beta \partial_\beta \right) \Lambda + \frac{1}{r^2} (-s^2 \cot^2 \beta - m^2 \csc^2 \beta + 2ms \cot \beta \csc \beta) \Lambda - \frac{V^2}{L^2} \left(s - \frac{p}{2V} \right)^2 \Lambda + EV \Lambda = 0. \tag{5.36}$$

Now introducing parabolic coordinates ξ, η via

$$\xi = r(1 + \cos \beta), \quad \eta = r(1 - \cos \beta), \quad (5.37)$$

and noting the inverse transformation

$$r = \frac{\xi + \eta}{2}, \quad \cos \beta = \frac{\xi - \eta}{\xi + \eta}, \quad \sin \beta = \frac{2\sqrt{\xi\eta}}{\xi + \eta}, \quad (5.38)$$

we think of Λ now as a function of ξ and η via the substitution (5.38) for r and β . Then (5.36) becomes

$$\begin{aligned} \frac{4}{\xi + \eta} (\xi \partial_\xi^2 + \eta \partial_\eta^2 + \partial_\xi + \partial_\eta) \Lambda - \frac{1}{\xi \eta} \left(s^2 + m^2 + 2ms \frac{\xi - \eta}{\xi + \eta} \right) \Lambda \\ + \left(-\frac{2s^2}{L} + \frac{sp}{L} + EL \right) \frac{2\Lambda}{\xi + \eta} - \frac{1}{L^2} \left(s - \frac{p}{2} \right)^2 \Lambda + E\Lambda = 0. \end{aligned} \quad (5.39)$$

Separating variables again via $\Lambda = f(\xi)g(\eta)$ we find

$$\frac{4\xi}{f} \partial_\xi^2 f + \frac{4}{f} \partial_\xi f - \frac{1}{\xi} (m + s)^2 + k^2 \xi + 2 \left(EL - \frac{2s^2}{L} + \frac{ps}{L} \right) - C = 0, \quad (5.40)$$

$$\frac{4\eta}{g} \partial_\eta^2 g + \frac{4}{g} \partial_\eta g - \frac{1}{\eta} (m - s)^2 + k^2 \eta + C = 0, \quad (5.41)$$

where C is a separation constant and

$$k^2 = E - \frac{1}{L^2} \left(s - \frac{p}{2} \right)^2. \quad (5.42)$$

These differential equations can be simplified further if we assume solutions of the form

$$f(\xi) = \xi^{\frac{|m-s|}{2}} e^{-\frac{ik\xi}{2}} F(\xi), \quad g(\eta) = \eta^{\frac{|m+s|}{2}} e^{-\frac{ik\eta}{2}} G(\eta), \quad (5.43)$$

and implement the change of variable

$$z_1 = ik\xi, \quad z_2 = ik\eta. \quad (5.44)$$

Doing so we deduce that both F and G satisfy the confluent hypergeometric equation

$$z_1 \frac{d^2 F}{dz_1^2} + (b_1 - z_1) \frac{dF}{dz_1} - a_1 F = 0, \quad (5.45)$$

$$z_2 \frac{d^2 G}{dz_2^2} + (b_2 - z_2) \frac{dG}{dz_2} - a_2 G = 0, \quad (5.46)$$

where

$$a_1 = \frac{|m-s|}{2} + \frac{1}{2} - \frac{ic}{4k} + \frac{i}{2k} \left(EL - \frac{2s^2}{L} + \frac{ps}{L} \right), \quad b_1 = |m-s| + 1, \quad (5.47)$$

$$a_2 = \frac{|m+s|}{2} + \frac{1}{2} + \frac{ic}{4k}, \quad b_2 = |m+s| + 1. \quad (5.48)$$

We see from these relations that

$$a_1 + a_2 = 1 + \frac{1}{2}|m+s| + \frac{1}{2}|m-s| - i\lambda, \quad (5.49)$$

where

$$\lambda = -\frac{L}{2kL^2} (L^2 E + ps - 2s^2). \quad (5.50)$$

So, the scattering solution is of the form

$$\Psi = e^{-isy} e^{im\alpha} \xi^{\frac{|m-s|}{2}} \eta^{\frac{|m+s|}{2}} e^{-\frac{ik\xi}{2}} e^{-\frac{ik\eta}{2}} M(a_1, b_1, ik\xi) M(a_2, b_2, ik\eta), \quad (5.51)$$

where M is Kummer's function of the first kind. This is formally the same as the two monopole scattering state found by Gibbons and Manton [13] in the case $p = 0$ and $L = -2$. However, in our case the constants k and λ have an extra p -dependence and the length parameter L is positive.

As in [13] one can compute the cross section by looking at the wave function with $m = s$ and $a_1 = 1$,

$$\Psi = e^{is(\alpha-\gamma)}(r-z)^{|s|}e^{ikz}M(|s| - i\lambda, 2|s| + 1, ik(r-z)), \quad z = r \cos \beta. \tag{5.52}$$

Then the substitution of the asymptotic form of $M(|s| - i\lambda, 2|s| + 1, ik(r-z))$ for large $|z|$ as in [13] allows us to identify the scattered spherical wave, and to obtain the cross section

$$\frac{d\sigma}{d\Omega} = \frac{s^2 + \lambda^2}{4k^2} \csc^4 \frac{\beta}{2}. \tag{5.53}$$

Writing λ in terms of k via (5.50), we finally arrive at the cross section

$$\begin{aligned} \left(\frac{d\sigma}{d\Omega}\right)_{(p,s)} &= \frac{L^2}{16} \left[\frac{4s^2}{k^2L^2} + \left(1 - \frac{s^2}{k^2L^2} + \frac{p^2}{4k^2L^2}\right)^2 \right] \csc^4 \frac{\beta}{2} \\ &= \frac{L^2}{16} \left[\left(1 + \frac{s^2}{k^2L^2}\right)^2 + \frac{p^2}{4k^2L^2} \left(2 - \frac{2s^2}{k^2L^2} + \frac{p^2}{4k^2L^2}\right) \right] \csc^4 \frac{\beta}{2}. \end{aligned} \tag{5.54}$$

The special cases $s = 0$ and $p = 0$ are interesting because the resulting cross sections

$$\left(\frac{d\sigma}{d\Omega}\right)_{(p,0)} = \frac{L^2}{16} \left(1 + \frac{(p/2)^2}{L^2k^2}\right)^2 \csc^4 \frac{\beta}{2} \tag{5.55}$$

and

$$\left(\frac{d\sigma}{d\Omega}\right)_{(0,s)} = \frac{L^2}{16} \left(1 + \frac{s^2}{L^2k^2}\right)^2 \csc^4 \frac{\beta}{2} \tag{5.56}$$

are mapped into each other under the exchange $s \leftrightarrow p/2$ even though the general case (5.54) is not invariant under this exchange. In both special cases, the charge, energy and angular dependence approaches that of the Rutherford scattering cross section for electrically charged particles in the limit of large s (or p).

6. Algebraic calculation of quantum bound states

6.1. The Runge–Lenz operator and $so(4)$ symmetry

In 1926, Pauli computed the quantum spectrum of the hydrogen atom by using the conservation of the Runge–Lenz vector [21]. His method has since then been much explored and extended in various papers, see [22] for a reference which is particularly useful in the current context. More recently, it was used to compute bound states and scattering of the Laplace operator on TN space [15] and also for the Dirac operator on TN [14]. We now use it to re-derive the spectrum of the gauged TN Hamiltonian (3.31) purely algebraically.

As always in quantising a theory, we need to be careful with ordering in the quantisation of classically conserved quantities. While there are no such ambiguities in the definition of the angular momentum operators, they do arise in defining a quantum version of the Runge–Lenz vector. The quantum analogues of the canonical Poisson brackets (4.17),

$$[p_i, p_j] = -i\epsilon_{ijk} \frac{x_k}{r^3}, \quad [p_j, f(\vec{r})] = -i\partial_j f(\vec{r}), \tag{6.1}$$

imply, for the quantum angular momentum operator (5.9),

$$[J_i, p_j] = i\epsilon_{ijk} p_k, \tag{6.2}$$

which is the quantum version of (4.23). This means that $[J_i, p_j] \neq 0$, $i \neq j$, and hence the order of \vec{J} and \vec{p} is important in the definition of the quantum version of the Runge–Lenz vector (4.29).

Noting that, classically, $\vec{p} \times \vec{J} = \frac{1}{2}(\vec{p} \times \vec{J} - \vec{J} \times \vec{p})$, one finds that the quantum ordering

$$\vec{M} = \frac{1}{2}(\vec{p} \times \vec{J} - \vec{J} \times \vec{p}) - \frac{\hat{r}}{2L} (L^2H - 2q^2) \tag{6.3}$$

ensures that the quantum commutation relations between \vec{J} and \vec{M} are,

$$[J_k, J_l] = i\epsilon_{klm} J_m, \quad [J_k, M_l] = i\epsilon_{klm} M_m, \tag{6.4}$$

in analogy to the classical Poisson brackets (4.24) and (4.26) respectively. Now we use (6.2) to rewrite the Runge–Lenz vector as

$$\vec{M} = \vec{p} \times \vec{J} - i\vec{p} - \frac{\hat{r}}{2L} (L^2H - 2q^2). \tag{6.5}$$

The second ambiguity has to do with the position of the factor \hat{r} of the last term. The above choice guarantees that the quantum Runge–Lenz vector commutes with H .

In order to obtain a Runge–Lenz vector which commutes with the gauged Hamiltonian H_p and still satisfies the relations (6.4), it turns out that the addition of the term \vec{f} (4.28), which worked in the classical case, also works in the quantum theory. The gauged quantum Runge–Lenz vector is therefore

$$\vec{M}^p = \vec{p} \times \vec{J} - i\vec{p} - \frac{\hat{r}}{2L} (L^2 H_p - 2q^2 - pq). \quad (6.6)$$

A lengthy calculation yields the commutators

$$\begin{aligned} [J_i, M_j^p] &= i\epsilon_{ijk} M_k^p, \\ [M_i^p, M_j^p] &= i \left[\frac{1}{L^2} \left(q + \frac{p}{2} \right)^2 - H_p \right] \epsilon_{ijk} J_k, \end{aligned} \quad (6.7)$$

which quantise the Poisson brackets (4.30). We also find the following operator identities:

$$\begin{aligned} \vec{M}^p \cdot \vec{J} &= \vec{J} \cdot \vec{M}^p = -\frac{q}{2L} (L^2 H_p - 2q^2 - pq), \\ \vec{M}^p \cdot \vec{M}^p &= \left[H_p - \frac{1}{L^2} \left(q + \frac{p}{2} \right)^2 \right] (\vec{J} \cdot \vec{J} - q^2 + 1) + \frac{1}{4L^2} (L^2 H_p - 2q^2 - pq)^2. \end{aligned} \quad (6.8)$$

Since the Hamiltonian H_p and the $U(1)$ generator q commute with each other and all components of \vec{M}^p and \vec{J} , we can fix their eigenvalues and study the commutation relations of \vec{M}^p and \vec{J} in a fixed common eigenspace of H_p and q . Denoting the eigenvalues by, respectively, E and $-s$, and assuming the bound state energy range

$$L^2 E < \left(s - \frac{p}{2} \right)^2, \quad (6.9)$$

we define the rescaled Runge–Lenz vector,

$$\tilde{M}^p = \frac{1}{\sqrt{\frac{1}{L^2} \left(s - \frac{p}{2} \right)^2 - E}} \vec{M}^p. \quad (6.10)$$

Together with the components of \vec{J} , it satisfies the $so(4)$ commutation relations,

$$[J_i, J_j] = i\epsilon_{ijk} J_k, \quad [J_i, \tilde{M}_j^p] = i\epsilon_{ijk} \tilde{M}_k^p, \quad [\tilde{M}_i^p, \tilde{M}_j^p] = i\epsilon_{ijk} J_k. \quad (6.11)$$

6.2. Bound states revisited

The bound state energies of H_p can now be derived from the isomorphism $so(4) \simeq su(2) \oplus su(2)$ and the standard representation theory of $su(2)$. We introduce the commuting operators

$$\vec{J}_{\pm} = \frac{1}{2} (\vec{J} \pm \tilde{M}^p), \quad (6.12)$$

and see that the two Casimirs

$$J_{\pm}^2 = \frac{1}{4} (\vec{J} \cdot \vec{J} + \tilde{M}^p \cdot \tilde{M}^p) \pm \frac{1}{4} (\tilde{M}^p \cdot \vec{J} + \vec{J} \cdot \tilde{M}^p) \quad (6.13)$$

have eigenvalues $j_{\pm}(j_{\pm} + 1)$, where j_{\pm} are both non-negative half-integers. Moreover, since $\vec{J} = \vec{J}_+ + \vec{J}_-$, it follows that the total angular momentum quantum number j defined in (5.14) lies in the range

$$|j_+ - j_-| \leq j \leq |j_+ + j_-|. \quad (6.14)$$

Since $-j \leq s \leq j$, we deduce that

$$-|j_+ + j_-| \leq s \leq |j_+ + j_-|. \quad (6.15)$$

In terms of \tilde{M}^p , the relations (6.8) read

$$\begin{aligned} \tilde{M}^p \cdot \vec{J} &= \vec{J} \cdot \tilde{M}^p = \frac{s}{2L} \frac{(L^2 E - 2s^2 + ps)}{\sqrt{\frac{1}{L^2} \left(s - \frac{p}{2} \right)^2 - E}}, \\ \tilde{M}^p \cdot \tilde{M}^p + \vec{J} \cdot \vec{J} &= s^2 - 1 + \frac{(L^2 E - 2s^2 + ps)^2}{4 \left(\left(s - \frac{p}{2} \right)^2 - L^2 E \right)}. \end{aligned} \quad (6.16)$$

Substituting these into (6.13) and replacing \vec{j}_{\pm}^2 by the eigenvalues $j_{\pm}(j_{\pm} + 1)$, we get two quadratic equations for the unknown²

$$n := \frac{L^2E - 2s^2 + ps}{2L\sqrt{\frac{1}{L^2} \left(s - \frac{p}{2}\right)^2 - E}}, \tag{6.17}$$

namely

$$\begin{aligned} n^2 + 2sn + s^2 - 1 - 4j_+(j_+ + 1) &= 0, \\ n^2 - 2sn + s^2 - 1 - 4j_-(j_- + 1) &= 0. \end{aligned} \tag{6.18}$$

The roots of the first equation are

$$n = -s \pm (2j_+ + 1), \tag{6.19}$$

and the roots for the second equation are

$$n = s \pm (2j_- + 1). \tag{6.20}$$

Both equations have to be satisfied for some values of j_+ and j_- , but combining the upper sign in one with the lower sign in the other implies a value of s which is outside the range (6.15). Hence, there are only two possible solutions for n , one which is manifestly a half-integer ≥ 1 :

$$n = -s + (2j_+ + 1) = s + (2j_- + 1), \tag{6.21}$$

and one which is manifestly a half-integer ≤ -1 :

$$n = -s - (2j_+ + 1) = s - (2j_- + 1). \tag{6.22}$$

Finally solving (6.17) for E we obtain again the solutions (5.31) previously obtained via square integrability arguments. However, we still have four possibilities in total: two choices of sign in (5.31) and two choices for n (positive or negative) and in this section we cannot assume the conditions (5.28) and (5.30) to resolve the ambiguity. In the four different cases the energy equation (5.31) takes the two possible forms

$$\frac{L^2E}{2} - s^2 + \frac{ps}{2} = n^2 \left(\pm \sqrt{1 + \frac{\frac{p^2}{4} - s^2}{n^2}} - 1 \right). \tag{6.23}$$

We can eliminate the lower sign because it conflicts with the lower bound (5.20). To see this we re-write (6.23) with the lower sign as

$$L^2E = -ps - 2(n^2 - s^2) - 2n^2 \sqrt{1 + \frac{\frac{p^2}{4} - s^2}{n^2}}, \tag{6.24}$$

showing that $L^2E < -ps$ in this case. However, this is inconsistent with the energy inequality (5.20) and therefore ruled out.

Turning to the upper sign, we need to consider the two possible signs of n and check the consistency between (6.23) and (6.17). In the case $n \geq 1$, both (6.23) and (6.17) assign a positive sign to $\frac{L^2E}{2} - s^2 + \frac{ps}{2}$ provided $s^2 < p^2/4$. In that case we arrive at the previously derived energy spectrum (5.32) together with the condition (5.30) for bound states. However, $n \leq -1$ is also consistent provided $s^2 > p^2/4$. We have not been able to eliminate this case using only the algebraic methods of this section. It seems that the consideration of the actual wavefunction (5.18) and integrability requirement (5.27) is needed to rule out $n \leq -1$.

Finally turning to the degeneracy of the energy levels, we see that the quantum numbers n and s are determined via

$$n = j_+ + j_- + 1, \quad s = j_+ - j_-, \tag{6.25}$$

and that the degeneracy of the energy level with quantum numbers n and s is the dimension of the tensor product $j_+ \otimes j_-$ of the irreducible angular representations with spins j_+ and j_- ,

$$(2j_+ + 1)(2j_- + 1) = n^2 - s^2, \tag{6.26}$$

reproducing and interpreting the degeneracy (5.34) of energy levels.

In this section we have only studied the commutation relations of the angular momentum and Runge–Lenz vectors at energies satisfying $L^2E < (s-p/2)^2$ and corresponding to bound states. It is not difficult to modify our discussion for the case $L^2E \geq (s-p/2)^2$. The dynamical symmetry algebra of the angular momentum and of a suitably rescaled Runge–Lenz vector, analogous to (6.11), turns out to be isomorphic to the Lie algebra $so(3) \times \mathbb{R}^3$ of the Euclidean group when $L^2E = (s-p/2)^2$ and isomorphic to the Lie algebra $so(3, 1)$ of the Lorentz group when $L^2E > (s-p/2)^2$. In the following section we will see how these three cases can be understood from a unified, geometrical point of view.

² Note that the definition of n here is consistent with (5.24) and (5.27).

7. Twistorial derivation of the gauged Runge–Lenz vector

7.1. Twistors, $SU(2, 2)$ symmetry and moment maps

It has been known for a while [23] that the usual Kepler problem can be regularised by embedding momentum three-space into the three-sphere by means of a stereographic projection. This gives a geometrical picture of the angular momentum and Runge–Lenz vectors as conserved quantities associated with symmetries of the round three-sphere. For a full geometrical understanding of the dynamical symmetry of the Kepler problem, it is moreover convenient to think of it as the symplectic quotient of an eight dimensional phase space, and the dynamical symmetry algebra for the various energy regimes as subalgebras of $so(4, 2)$, see [24] for a pedagogical review.

It was shown in [25] that one can similarly interpret angular momentum and Runge–Lenz vectors of the (ungauged) TN motion as generators of a subalgebra of a $su(2, 2) \simeq so(4, 2)$ symmetry algebra acting on an eight-dimensional phase space of twistors. In this section we show how this story can be extended to the gauged TN dynamics. We begin with a brief review of the relevant notation.

For our purposes, twistor space is $\mathbb{T} = (\mathbb{C}^2 \times \mathbb{C}^2) \setminus \{0\}$, and a twistor

$$Z = \begin{pmatrix} \omega \\ \pi \end{pmatrix} \in \mathbb{T} \quad (7.1)$$

is a pair of spinors $\omega = \begin{pmatrix} \omega_1 \\ \omega_2 \end{pmatrix}$ and $\pi = \begin{pmatrix} \pi_1 \\ \pi_2 \end{pmatrix}$. Twistor space \mathbb{T} is endowed with a pairing

$$(Z, Z) = \bar{\pi}_1 \omega_1 + \bar{\pi}_2 \omega_2 + \bar{\omega}_1 \pi_1 + \bar{\omega}_2 \pi_2, \quad (7.2)$$

which can be written as the matrix product Z^*Z where

$$Z^* = Z^\dagger A, \quad A = \begin{pmatrix} 0 & \tau_0 \\ \tau_0 & 0 \end{pmatrix}, \quad (7.3)$$

is the conjugate spinor and we write again τ_0 for the 2×2 identity matrix. The pairing is invariant under $U(2, 2)$, but we are particularly interested in the Lie algebra of the subgroup $SU(2, 2)$. Following [25], we pick generators γ_{KL} where the structure constants are purely imaginary, and again write τ_i for the Pauli matrices:

$$\begin{aligned} \gamma_{0k} &= -\frac{i}{2} \begin{pmatrix} \tau_k & 0 \\ 0 & -\tau_k \end{pmatrix}, & \gamma_{ij} &= \frac{1}{2} \epsilon_{ijk} \begin{pmatrix} \tau_k & 0 \\ 0 & \tau_k \end{pmatrix}, & \gamma_{06} &= \frac{1}{2} \begin{pmatrix} 0 & \tau_0 \\ \tau_0 & 0 \end{pmatrix}, \\ \gamma_{k6} &= \frac{1}{2} \begin{pmatrix} 0 & \tau_k \\ -\tau_k & 0 \end{pmatrix}, & \gamma_{05} &= \frac{1}{2} \begin{pmatrix} 0 & \tau_0 \\ -\tau_0 & 0 \end{pmatrix}, & \gamma_{k5} &= \frac{1}{2} \begin{pmatrix} 0 & \tau_k \\ \tau_k & 0 \end{pmatrix}, \\ \gamma_{56} &= \frac{i}{2} \begin{pmatrix} \tau_0 & 0 \\ 0 & -\tau_0 \end{pmatrix}, & (\gamma_{LK} &= -\gamma_{KL}, & K, L &= 0, \dots, 3, 5, 6; & i, j, k &= 1, 2, 3). \end{aligned} \quad (7.4)$$

For us, two sub-Lie algebras will be important. The stabiliser Lie algebra of the generator γ_{06} is the Lie algebra generated by $s_i := \frac{1}{2} \epsilon_{ijk} \gamma_{jk}$ and $t_i := \gamma_{5i}$ and is isomorphic to $so(4)$:

$$[s_i, s_j] = i \epsilon_{ijk} s_k, \quad [s_i, t_j] = i \epsilon_{ijk} t_k, \quad [t_i, t_j] = i \epsilon_{ijk} s_k. \quad (7.5)$$

The stabiliser Lie algebra of the generator γ_{05} is the Lie algebra generated by s_i and $r_i := \gamma_{i6}$ and is isomorphic to $so(3, 1)$:

$$[s_i, s_j] = i \epsilon_{ijk} s_k, \quad [s_i, r_j] = i \epsilon_{ijk} r_k, \quad [r_i, r_j] = -i \epsilon_{ijk} s_k. \quad (7.6)$$

As discussed in [25],³ the space \mathbb{T} has the $U(2, 2)$ invariant one-form

$$\theta = \text{Im}(Z^* dZ) = \frac{1}{2i} (Z_\alpha^* dZ^\alpha - Z^\alpha dZ_\alpha^*), \quad (7.7)$$

whose exterior derivative

$$\Omega = d\theta = -idZ^* \wedge dZ \quad (7.8)$$

is a symplectic form on \mathbb{T} . The $su(2, 2)$ generators γ_{KL} define vector fields on \mathbb{T} whose moment maps are

$$J_{KL} = Z^* \gamma_{KL} Z. \quad (7.9)$$

³ Note that our sign conventions differ from those in [25].

The diagonal $U(1)$ subgroup of $U(2, 2)$ acts on \mathbb{T} , preserving its symplectic structure. The moment map is $\frac{1}{2}Z^*Z$, and the symplectic quotient is the level set

$$\mathbb{T}_q = \left\{ Z \in \mathbb{T} \mid \frac{1}{2}Z^*Z = q \right\} \tag{7.10}$$

quotiented by the diagonal $U(1)$ action:

$$\tilde{\mathcal{M}}_q = \mathbb{T}_q/U(1). \tag{7.11}$$

We now introduce coordinates on \mathbb{T} which are particularly well adapted for describing this quotient. With the notation $\vec{\tau} = (\tau_1, \tau_2, \tau_3)$, we parametrise the spinors π and ω in terms of spherical coordinates $(R, \alpha, \beta, \gamma)$ and $\vec{P} \in \mathbb{R}^3, q \in \mathbb{R}$ as

$$\pi = \sqrt{R} \begin{pmatrix} e^{-\frac{i}{2}(\alpha+\gamma)} \cos \frac{\beta}{2} \\ e^{\frac{i}{2}(\alpha-\gamma)} \sin \frac{\beta}{2} \end{pmatrix}, \tag{7.12}$$

and

$$\omega = \left(i\vec{P} \cdot \vec{\tau} + \frac{q}{R}\tau_0 \right) \pi. \tag{7.13}$$

In order to compute the symplectic structure and moment maps in terms of \vec{R} and \vec{P} , we note that

$$\pi^\dagger \pi = R, \quad \pi^\dagger \vec{\tau} \pi = \vec{R}, \tag{7.14}$$

where

$$\vec{R} = (X_1, X_2, X_3) = (R \sin \beta \cos \alpha, R \sin \beta \sin \alpha, R \cos \beta), \tag{7.15}$$

and

$$\omega^\dagger \omega = R\vec{P}^2 + \frac{q}{R}, \quad \omega^\dagger \vec{\tau} \omega = -2\vec{P} \times \vec{J} + \left(R\vec{P}^2 + \frac{q}{R} \right) \hat{R}. \tag{7.16}$$

It is not difficult to check that, for fixed q , the twistor $Z = \begin{pmatrix} \omega \\ \pi \end{pmatrix}$ satisfies (7.10) and thus belongs to \mathbb{T}_q . Moreover, the diagonal $U(1)$ acts simply by shifting γ , so that the vectors $\vec{P}, \vec{R} \in \mathbb{R}^3$, which are independent of γ , are good coordinates on the quotient $\tilde{\mathcal{M}}_q$.

The symplectic structure (7.8) induces a symplectic structure on $\tilde{\mathcal{M}}_q$ which can be expressed as

$$\Omega = dX_i \wedge dP_i + \frac{q}{2R^3} \epsilon_{ilm} X_n dX_i \wedge dX_l. \tag{7.17}$$

The moment maps for γ_{50}, γ_{60} and the generators of their stabiliser Lie algebras can be written in terms of \vec{P}, \vec{R} as

$$\begin{aligned} Z^* \gamma_{50} Z &= \frac{1}{2}(\omega^\dagger \omega - \pi^\dagger \pi) = \frac{1}{2} \left(R\vec{P}^2 + \frac{q}{R} - R \right), \\ Z^* \gamma_{06} Z &= \frac{1}{2}(\pi^\dagger \pi + \omega^\dagger \omega) = \frac{1}{2} \left(R\vec{P}^2 + \frac{q}{R} + R \right), \\ Z^* \vec{s} Z &= \frac{1}{2}(\omega^\dagger \vec{\tau} \pi + \pi^\dagger \vec{\tau} \omega) = \vec{R} \times \vec{P} + q\hat{R}, \\ Z^* \vec{t} Z &= -\frac{1}{2}(\pi^\dagger \vec{\tau} \pi + \omega^\dagger \vec{\tau} \omega) = \vec{P} \times \vec{J} - \frac{1}{2} \left(R\vec{P}^2 + \frac{q}{R} + R \right) \hat{R}, \\ Z^* \vec{r} Z &= \frac{1}{2}(\pi^\dagger \vec{\tau} \pi - \omega^\dagger \vec{\tau} \omega) = \vec{P} \times \vec{J} - \frac{1}{2} \left(R\vec{P}^2 + \frac{q}{R} - R \right) \hat{R}. \end{aligned} \tag{7.18}$$

We can summarise these formulae more neatly by introducing a variable κ which can take the values ± 1 . Then we write

$$\tilde{H}_p = \frac{1}{2} \left(R\vec{P}^2 + \frac{q}{R} + \kappa R \right), \tag{7.19}$$

for the moment maps $Z^* \gamma_{50} Z$ and $Z^* \gamma_{06} Z$ with $\kappa = 1$ and $\kappa = -1$. We write

$$\vec{J} = \vec{R} \times \vec{P} + q\hat{R}, \tag{7.20}$$

for the vector or moment map $Z^* \vec{s} Z$, and finally note that

$$\vec{K} = \vec{P} \times \vec{J} - \tilde{H}_p \hat{R} \tag{7.21}$$

unifies the moment maps $Z^*\vec{t}Z$ and $Z^*\vec{r}Z$ for $\kappa = 1$ and $\kappa = -1$.

It then follows from the general theory of moment maps (and can also be verified directly) that the Poisson brackets of these moment maps are, up to factors of i , the commutators of the Lie algebra elements which enter the definition. In other words, the brackets are

$$\begin{aligned} \{\tilde{H}_p, J_i\} &= \{\tilde{H}_p, K_i\} = 0 \\ \{J_i, J_j\} &= \epsilon_{ijk}J_k, \quad \{J_i, K_j\} = \epsilon_{ijk}K_k, \quad \{K_i, K_j\} = \kappa\epsilon_{ijk}J_k. \end{aligned} \quad (7.22)$$

7.2. Mapping twistor space to the gauged Taub–NUT phase space

Adapting the treatment of [25], we shall show how the quotient $\tilde{\mathcal{M}}_q$ (7.11) can be mapped onto the symplectic quotient \mathcal{M}_q (4.14) of the cotangent bundle of TN. The map between the phase spaces is not canonical, but it can be extended to a map on the evolution space, preserving the presymplectic (or Poincaré–Cartan) two-form.

For a phase space \mathcal{M} with symplectic structure ω and Hamiltonian H , the evolution space is $\mathcal{M} \times \mathbb{R}$, and the presymplectic two-form is $\omega + dH \wedge dt$, where t is a global (time) coordinate on \mathbb{R} . The trajectories of the flow with Hamiltonian H can be characterised as the vortex lines of $\omega + dH \wedge dt$, i.e., the lines whose tangent lines are in the null space of $\omega + dH \wedge dt$. Now consider the extended phase spaces $\mathcal{M} \times \mathbb{R}$ and $\tilde{\mathcal{M}} \times \tilde{\mathbb{R}}$ with symplectic structures and Hamiltonians (ω, H) on \mathcal{M} and $(\tilde{\omega}, \tilde{H})$ on $\tilde{\mathcal{M}}$, and time coordinates t on \mathbb{R} and \tilde{t} on $\tilde{\mathbb{R}}$. Then a map

$$F : \mathcal{M} \times \mathbb{R} \rightarrow \tilde{\mathcal{M}} \times \tilde{\mathbb{R}} \quad (7.23)$$

which satisfies

$$F^*(\tilde{\omega} + d\tilde{H} \wedge d\tilde{t}) = \omega + dH \wedge dt \quad (7.24)$$

will map trajectories in the Hamiltonian system (\mathcal{M}, ω, H) to trajectories in the Hamiltonian system $(\tilde{\mathcal{M}}, \tilde{\omega}, \tilde{H})$. For details and a pedagogical discussion of Hamiltonian trajectories as vortex lines of Poincaré–Cartan structures see [26].

We should stress that, in contrast to the treatment of the ungauged case with negative L in [25], and unlike in the usual Kepler problem, no regularisation is required in our case since our Hamiltonian is smooth and finite on the entire phase space. For definiteness we focus on the case

$$L^2 H_p < \left(q + \frac{p}{2}\right)^2, \quad (7.25)$$

which is relevant for bounded orbits.

The two extended phase spaces we would like to map into each other are $\mathcal{M}_q \times \mathbb{R}$ with presymplectic two-form

$$\sigma = \omega + dH_p \wedge dt = dx_l \wedge dp_l + \frac{q}{2r^3} \epsilon_{ilm} x_n dx_i \wedge dx_l + dH_p \wedge dt, \quad (7.26)$$

and $\tilde{\mathcal{M}}_q \times \tilde{\mathbb{R}}$ with presymplectic two-form

$$\Sigma = dX_l \wedge dP_l + \frac{q}{2R^3} \epsilon_{ilm} X_n dX_i \wedge dX_l + d\tilde{H}_p \wedge d\tilde{t}. \quad (7.27)$$

The required map is most easily written down in terms of the coordinates $(\vec{P}, \vec{R}, \tilde{t})$ of $\tilde{\mathcal{M}}_q \times \tilde{\mathbb{R}}$ and the coordinates (\vec{p}, \vec{r}, t) on $\mathcal{M}_q \times \mathbb{R}$. It takes the form

$$F : \mathcal{M}_q \times \mathbb{R} \rightarrow \tilde{\mathcal{M}}_q \times \tilde{\mathbb{R}}, \quad (\vec{r}, \vec{p}, t) \mapsto (\vec{R}, \vec{P}, \tilde{t}), \quad (7.28)$$

where

$$\begin{aligned} \vec{R} &= \vec{r} \sqrt{\frac{1}{L^2} \left(q + \frac{p}{2}\right)^2 - H_p}, \\ \vec{P} &= \frac{\vec{p}}{\sqrt{\frac{1}{L^2} \left(q + \frac{p}{2}\right)^2 - H_p}}, \\ \tilde{t} &= \frac{\sqrt{\frac{1}{L^2} \left(q + \frac{p}{2}\right)^2 - H_p}}{\frac{p^2}{L} + \frac{pq}{2L} - \frac{1}{2}LH_p} \left\{ \vec{r} \cdot \vec{p} + 2 \left[\frac{1}{L^2} \left(q + \frac{p}{2}\right)^2 - H_p \right] t \right\}. \end{aligned} \quad (7.29)$$

A lengthy calculation shows

$$F^*(dX_l \wedge dP_l) = dx_l \wedge dp_l + \frac{\frac{1}{2}(\vec{p} \cdot d\vec{r} + \vec{r} \cdot d\vec{p}) \wedge dH_p}{\frac{1}{L^2} \left(q + \frac{p}{2}\right)^2 - H_p},$$

$$F^* \left(\frac{q}{2R^3} \epsilon_{ilm} X_n dX_i \wedge dX_l \right) = \frac{q}{2r^3} \epsilon_{ilm} x_n dx_i \wedge dx_l, \tag{7.30}$$

and

$$F^*(d\tilde{H}_p \wedge d\tilde{t}) = dH_p \wedge dt - \frac{\frac{1}{2}(\vec{p} \cdot d\vec{r} + \vec{r} \cdot d\vec{p}) \wedge dH_p}{\frac{1}{L^2} \left(q + \frac{p}{2}\right)^2 - H_p}. \tag{7.31}$$

Combining these, we deduce

$$F^* \Sigma = \sigma, \tag{7.32}$$

as claimed. It follows that F maps solutions of the Hamilton equations

$$\frac{d\vec{r}}{dt} = \frac{\partial H_p}{\partial \vec{p}}, \quad \frac{d\vec{p}}{dt} = -\frac{\partial H_p}{\partial \vec{r}} \tag{7.33}$$

to solutions of the Hamilton equations

$$\frac{d\vec{R}}{d\tilde{t}} = \frac{\partial \tilde{H}_p}{\partial \vec{P}}, \quad \frac{d\vec{P}}{d\tilde{t}} = -\frac{\partial \tilde{H}_p}{\partial \vec{R}}. \tag{7.34}$$

Having seen that F maps trajectories to trajectories, albeit traversed at different rates, we conclude this section by showing how F relates observables. It is easy to check that F maps the angular momentum in $\tilde{\mathcal{M}}_q$ to the angular momentum in \mathcal{M}_q , i.e., the substitution of (7.29) into (7.20) gives the TN angular momentum

$$\vec{J} = \vec{r} \times \vec{p} + q\hat{r}. \tag{7.35}$$

The Hamiltonians and the Runge–Lenz generators, however, are related by pulling back with F together with rescaling. Substituting the expressions (7.29) into the Hamiltonian (7.19) with $\kappa = 1$, one finds the re-scaled gauged TN Hamiltonian,

$$\tilde{H}_p = \frac{L^2 H_p - 2q^2 - pq}{2L \sqrt{\frac{1}{L^2} \left(q + \frac{p}{2}\right)^2 - H_p}}, \tag{7.36}$$

and the substitution into (7.21) (again with $\kappa = 1$) gives a rescaled Runge–Lenz vector (6.10),

$$\vec{K} = \frac{\vec{p} \times \vec{J} - \frac{1}{2L} (L^2 H_p - 2q^2 - pq) \hat{r}}{\sqrt{\frac{1}{L^2} \left(q + \frac{p}{2}\right)^2 - H_p}}. \tag{7.37}$$

8. Discussion and conclusion

Our results show that the inclusion of the magnetic field (3.16) in the discussion of dynamics on TN space is both mathematically natural and phenomenologically interesting. The gauge field preserves the geometrical $U(2)$ symmetry of TN and here we showed that it also preserves the dynamical symmetry of the associated phase space.

As suggested by our qualitative discussion of magnetic binding in Section 2, the form of the magnetic field ensures the existence of bounded orbits classically and of bound states quantum mechanically. As a result, TN dynamics with the magnetic field (3.16) combines aspects of two paradigmatic systems of classical and quantum mechanics – the Kepler problem and the Landau problem of a charged particle in a magnetic field – into one model that preserves and merges the most interesting features of both.

In fact, one can understand many results of this paper qualitatively by thinking of gauged TN dynamics as a combination of a Landau problem in the cigar-shaped submanifolds of TN space, reviewed in Section 3.1, and a Kepler problem on the base. The magnetic field on the cigars acts as a ‘magnetic plug’ which keeps trajectories in a bounded region and produces quantum bound states, provided the energy is sufficiently small and $|q| < |p/2|$. This last condition is precisely the condition for bounded trajectories in our toy model of Section 2. A further link with Landau states, explained in [12], is that in the limit where the TN parameter ϵ in (3.4) (which we set to 1 in our discussion) is taken to zero, the gauged TN problem actually becomes a four-dimensional Landau problem.

Some of the details of our results deserve further comments. The spectrum of quantum bound states (5.32) depends both on the magnetic flux parameter p and the quantum number s . Importantly, it also depends on the relative sign of those two

quantum numbers through the appearance of the product ps in the energy levels (5.32). This is a consequence of the breaking of the discrete symmetry (3.18). In view of the interpretation of s as a component of the body-fixed angular momentum, the dependence on energy levels on the alignment of this angular momentum with the magnetic flux is essentially an (anomalous) Zeeman effect.

In the interpretation of the TN manifold as a collective coordinate space of magnetic monopoles in [13,5,4], the body-fixed angular momentum quantum number s is an electric charge. Adopting that nomenclature, and recalling that the parameter p measure the magnetic flux of an external magnetic field, the equality of the purely magnetic scattering cross section and the purely electric cross section may be viewed as a manifestation of a magnetic–electric duality. As far as we are aware, this is not expected in this context, and it remains an open problem to find a simple explanation of it.

Acknowledgements

RJ thanks MACS at Heriot-Watt University for a Ph.D. scholarship. BJS acknowledges support through the EPSRC grant ‘Dynamics in Geometric Models of Matter’ (EP/K00848X/1). We thank the Isaac Newton Institute for hospitality during the final stage of writing this paper and Guido Franchetti for producing the plots in Fig. 1.

References

- [1] C.N. Pope, Axial-vector anomalies and the index theorem in charged Schwarzschild and Taub-NUT spaces, *Nuclear Phys. B* 141 (1978) 432–444.
- [2] C.N. Pope, The η -invariant of charged spinors in Taub-NUT, *J. Phys. A: Math. Gen.* 14 (1981) L133–L137.
- [3] R. Jante, B.J. Schroers, Dirac operators on the Taub-NUT space, monopoles and $SU(2)$ representations, *JHEP.* 1401 (2014) 114.
- [4] K. Lee, E.J. Weinberg, P. Yi, Electromagnetic duality and $SU(3)$ monopoles, *Phys. Lett. B* 376 (1996) 97–102.
- [5] J.P. Gauntlett, D.A. Lowe, Dyons and S-duality in $N = 4$ supersymmetric gauge theory, *Nuclear Phys. B* 472 (1996) 194–206.
- [6] M. Atiyah, N.S. Manton, B.J. Schroers, Geometric models of matter, *Proc. Roy. Soc. A* 468 (2012) 1252–1279.
- [7] G. Franchetti, Harmonic forms on ALF gravitational instantons, *J. High Energy Phys.* 1412 (2014) 075. arXiv:1410.2864.
- [8] R.D. Sorkin, Kaluza-Klein monopole, *Phys. Rev. Lett.* 51 (1983) 87–90.
- [9] D.J. Gross, M.J. Perry, Magnetic monopoles in Kaluza-Klein theories, *Nuclear Phys. B* 226 (1983) 29–48.
- [10] H.V. McIntosh, A. Cisneros, Degeneracy in the presence of a magnetic monopole, *J. Math. Phys.* 11 (1970) 896–916.
- [11] D. Zwanziger, Exactly soluble non-relativistic model of particles with both electric and magnetic charges, *Phys. Rev.* 176 (1968) 1480–1488.
- [12] M. Atiyah, N. Franchetti, B.J. Schroers, Time evolution in a geometric model of a particle, *J. High Energy Phys.* 1502 (2015) 062.
- [13] G.W. Gibbons, N.S. Manton, Classical and quantum dynamics of BPS monopoles, *Nuclear Phys. B* 274 (1986) 183–224.
- [14] A. Comtet, P.A. Horváthy, The Dirac equation in Taub-NUT space, *Phys. Lett. B* 349 (1995) 49–56.
- [15] L.G. Fehér, P.A. Horváthy, Dynamical symmetry of monopole scattering, *Phys. Lett. B* 183 (1987) 182–186.
- [16] T. Dray, A unified treatment of Wigner \mathcal{D} functions, spin-weighted spherical harmonics, and monopole harmonics, *J. Math. Phys.* 27 (1986) 781–792.
- [17] T. Haugset, J. Aa. Ruud, F. Ravndal, Gauge invariance of Landau levels, *Phys. Scr.* 47 (1993) 715–719.
- [18] E. Fradkin, *Field Theories of Condensed Matter Physics*, second ed., Cambridge University Press, Cambridge, 2013.
- [19] M. Abramowitz, I.A. Stegun, *Handbook of Mathematical Functions*, Dover, New York, 1970.
- [20] E.J. de Vries, B.J. Schroers, Supersymmetric quantum mechanics of magnetic monopoles: a case study, *Nuclear Phys. B* 815 (2009) 368–403.
- [21] W. Pauli, *Z. Phys.* 36 (1926) 336–363.
- [22] M. Bander, C. Itzykson, Group theory and the hydrogen atom (I), *Rev. Mod. Phys.* 38 (1966) 330–345.
- [23] J.K. Moser, Regularization of Kepler’s problem and the averaging method on a manifold, *Comm. Pure Appl. Math.* 23 (1970) 609–636.
- [24] V. Guillemin, S. Sternberg, Variations on a theme of Kepler, in: *AMS Colloquium Publications*, vol. 42, American Mathematical Society, 1990.
- [25] B. Cordani, L.G. Fehér, P.A. Horváthy, Kepler type dynamical symmetries of long range monopole interactions, *J. Math. Phys.* 31 (1990) 202–211.
- [26] V.I. Arnold, *Mathematical Methods of Classical Mechanics*, Springer Verlag, New York, 1978.