

Noninvasive continuous hemodynamic monitoring

Jasper Truijen · Johannes J. van Lieshout ·
Wilbert A. Wesselink · Berend E. Westerhof

Received: 2 October 2011 / Accepted: 30 May 2012 / Published online: 14 June 2012
© The Author(s) 2012. This article is published with open access at Springerlink.com

Abstract Monitoring of continuous blood pressure and cardiac output is important to prevent hypoperfusion and to guide fluid administration, but only few patients receive such monitoring due to the invasive nature of most of the methods presently available. Noninvasive blood pressure can be determined continuously using finger cuff technology and cardiac output is easily obtained using a pulse contour method. In this way completely noninvasive continuous blood pressure and cardiac output are available for clinical use in all patients that would otherwise not be monitored. Developments and state of art in hemodynamic monitoring are reviewed here, with a focus on noninvasive continuous hemodynamic monitoring from the finger.

Keywords Blood pressure · Cardiac output · Finapres methodology · Nexfin · CO-trek · Pulse contour analysis

1 Introduction

The primary evaluation of the hemodynamic condition is done by assessing heart rate (HR) and mean blood pressure (BP) as a surrogate of tissue perfusion. When these parameters change rapidly, a single measurement conveys insufficient information, making continuous measurement desirable [1]. For continuous measurement of BP, cannulation of an artery is the primary approach. However, noninvasive and continuous monitoring of BP has several advantages, particularly if intra-arterial measurement of BP is not warranted while intermittent measurements do not have the required time resolution [2]. Finger cuff technology can provide such continuous and noninvasive monitoring of BP and other hemodynamics parameters.

Although giving vital information, BP and HR due to their regulated nature frequently do not respond to substantial changes in intravascular volume, e.g. fluid administration or blood loss. Age and pre-existing cardiovascular morbidity complicate interpretation of these parameters further [3–9]. In supine adults hypotension and tachycardia are frequently absent even after blood loss of more than 1 l [3–8, 10, 11]. Therefore, fluid administration to optimize cardiac preload guided by BP is not straightforward. In contrast, cardiac output (CO) and especially cardiac stroke volume (SV) are sensitive to deviations in preload [7, 8]. Also, when arterial pressure is being restored by administering sympathomimetic drugs, it is at the expense of regional flow possibly including that to the brain [12]. Moreover, there is growing evidence that a patient's cumulative fluid balance as well as strategy to guide fluid administration have an impact on patient morbidity and hospital stay. This has stimulated the development of methods that immediately detect changes in cardiac preload and output. With techniques like trans-esophageal and

J. Truijen · J. J. van Lieshout · B. E. Westerhof
Laboratory for Clinical Cardiovascular Physiology, AMC Heart
Failure Research Center, Amsterdam, The Netherlands

J. J. van Lieshout
Acute Admissions Unit, Department of Internal Medicine,
Academic Medical Center, University of Amsterdam,
Amsterdam, The Netherlands

J. J. van Lieshout
School of Biomedical Sciences, University of Nottingham
Medical School, Queen's Medical Centre, Nottingham, UK

W. A. Wesselink · B. E. Westerhof (✉)
Clinical Team, BMEYE BV, Centerpoint 1, 4th floor,
Hoogoorddreef 60, 1101 BE Amsterdam, The Netherlands
e-mail: berend.westerhof@bmeye.com

thoracic echocardiography or Doppler [13, 14], arterial pulse contour analysis [15–18] and determination of CO by lithium kinetics [19], several alternatives to the traditional indicator dilution and pulmonary artery catheterization techniques [20–22] have become available. These alternatives facilitate continuous and even noninvasive evaluation of volume treatment of patients [23]. Many continuous CO monitoring devices are called “minimally invasive” since they use arterial access that is already present for monitoring of BP or blood gas analysis. Nonetheless, the use of these devices is restricted to patients having such access. Recently, several completely noninvasive devices measuring continuous BP or CO were introduced for clinical use. The Nexfin[®] (BMEYE B.V. Amsterdam, the Netherlands) allows hemodynamic monitoring with both BP and CO continuously available in patients without an arterial line. Continuous BP is measured with a cuff around a finger and a pulse contour method calculates beat-to-beat CO. This review summarizes past and present developments in BP and CO measurement with a focus on continuous noninvasive finger cuff technology and its clinical applications.

2 Overview of methods for measurement of blood pressure

The first quantitative measurements of blood pressure were performed in animals by Hales in 1733 [24, 25]. Early reports of intra-arterial pressure measurement in the human are from 1912, when Bleichröder [26] cannulated his own radial artery. It is unlikely that he recorded his BP although it would have been possible at that time: Frank developed accurate and fast manometers that could measure pulsatile pressure in 1903 [27]. Invasive measurement of BP was confined to the physiology labs for quite some time [28, 29]. However in the 1950s and 1960s, with the development of refined insertion techniques [30] and Teflon catheters it became standard clinical practice. High fidelity catheter-tip manometers, such as used to measure pressure gradients across a coronary stenosis, were introduced by Murgó and Millar in 1972 [31]. Table 1 gives an overview of BP methods.

Practical noninvasive (intermittent) BP measurement became possible when Riva-Rocci presented his air-inflatable arm cuff connected to a manometer in 1896 [32, 33]. By deflating the cuff and feeling for the pulse, systolic BP could be determined. In 1905 Korotkoff [34, 35] advanced the technique further with the auscultatory method making it possible to determine diastolic pressure as well. In 1903 Cushing recommended BP monitoring using the Riva-Rocci sphygmomanometer for patients under general anesthesia [36]. Nowadays, automated assessment of BP with oscillometric devices is commonly used. These devices determine BP by analyzing the

oscillations measured in the cuff-pressure. The pressure in the cuff is first brought above systolic pressure and then deflated to below diastolic pressure. Oscillations are largest when cuff pressure equals mean arterial pressure. Proprietary algorithms determine systolic and diastolic values from the oscillations. Oscillometers may be inaccurate [37], and provided values that are frequently lower than direct BP measurements in critically ill patients, [38, 39] whereas detection of large BP changes is unreliable [40]. Due to its intermittent nature hyper- and hypotensive periods may be missed [2].

“Semi-continuous noninvasive methods” based on radial arterial tonometry require an additional arm cuff to calibrate arterial pressure [41–43]. The use of these devices may become problematic under conditions with significant patient motion or surgical manipulation of the limbs [43, 44]. However, tonometry devices have contributed greatly to the knowledge of the relation between the pressure wave shape and cardiovascular function [45, 46].

3 Noninvasive continuous measurement of blood pressure

Continuous noninvasive measurement of BP is possible using finger cuff technology. The first generation using this technology was introduced with the Finapres[™] device developed by Wesseling et al. [47] in the early 1980s. This technology is based on the volume-clamp method invented by the Czech physiologist Jan Peñáz [47–49]. The diameter of a finger artery under a cuff is “clamped” i.e. kept at a constant diameter in the presence of the changes in arterial pressure during each heart beat. Changes in diameter are measured by means of an infrared photo-plethysmograph built into the finger cuff. The finger cuff keeps the diameter of the underlying arteries constant by dynamically applying a counter-pressure throughout the cardiac cycle. When, for instance, during systole an increase in arterial volume is detected by the plethysmograph, the cuff pressure is immediately increased by a rapid pressure servo-controller system to prevent the volume change [17]. An artery could be clamped at any volume between collapsed and fully extended, but in either case the vessel wall will bear part of the pressure. Only when the artery is kept at its “unloaded” volume, there is no tension in the wall and internal pressure equals external pressure. Defining the correct unloaded volume of a finger artery is not straightforward. Moreover, the unloaded volume of an artery has to be established regularly since it is a function of arterial wall smooth muscle stress and tone. At zero transmural pressure the artery is not collapsed but retains approximately 1/3 or 1/2 of its maximal volume. The unloaded volume is also close to the volume it would have at a mean pressure where the

Table 1 Methods for measurement of blood pressure and cardiac output

System	Method	Company	CO	BP
Nexfin	Finger cuff technology/pulse contour analysis	BMEYE	+ ___ + ___	
Finometer	Finger cuff technology/pulse contour analysis	FMS	+ ___ + ___	
LIFEGARD® ICG	Thoracic electrical bioimpedance	CAS Medical Systems, Inc.	+ ___ + ...	
BioZ Monitor	Impedance cardiography	CardioDynamics International Corporation	+ ___ + ...	
Cheetah reliant	“Bioreactance”	Cheetah Medical	+ ___ + ...	
Cardioscreen/Niccomo	Impedance cardiography and impedance plethysmography	Medis Medizinische Messtechnik GmbH	+ ___ + ...	
AESCULON	Electrical “velocimetry”	Osyпка Medical GmbH	+ ___ + ...	
HIC-4000	Impedance cardiography	Microtronics Corp Bio Imp Tech, Inc.	+ ___	
NICaS	Regional impedance	NImedical	+ ___	
IQ2	3-dimensional impedance	Noninvasive Medical Technologies	+ ___	
ICON	Electrical “velocimetry”	Osyпка Medical GmbH	+ ___	
PHYSIO FLOW	Thoracic electrical bioimpedance	Manatec biomedical	+ ___	
AcQtrac	Thoracic impedance	Väsamed	+ ___	
esCCO	Pulse wave transit time	Nihon Kohden	+ ___	
TEBCO	Thoracic electrical bioimpedance	HEMO SAPIENS INC.	+ ___	
NCCOM 3	Impedance cardiography	Bomed Medical Manufacturing Ltd	+ ___	
RheoCardioMonitor	Impedance cardiography	Rheo-Graphic PTE	+ ___	
HemoSonic™ 100	transesophageal Doppler	Arrow Critical Care Products	+ ___	
ECOM	Endotracheal bioimpedance	ConMed Corporation	+ ___	
CardioQ-ODM™	Oesophageal Doppler	Deltex	+ ___	
TECO	Transesophageal Doppler	Medicina	+ ___	
ODM II	Transesophageal Doppler	Abbott	+ ___	
HDI/PulseWave™ CR-2000	Pressure waveform analysis	Hypertension Diagnostics, Inc	+ __ + __	
USCOM 1A	Transthoracic Doppler	Uscom	+ __	
NICO	Rebreathing Fick	Philips Respironics	+ ...	
Innocor	Rebreathing Fick	Innovision A/S	+ ...	
Vigileo/FloTrac	Pulse contour analysis	Edwards Lifesciences	- ___ - ___	
LiDCOplus PulseCO	Transpulmonary lithium dilution/pulse contour analysis	LiDCO Ltd	- ___ - ___	
PiCCO2	Transpulmonary thermodilution/pulse contour analysis	PULSION Medical Systems AG	- ___ - ___	
MOSTCARE PRAM	Pulse contour analysis	Vytech	- ___ - ___	
Vigilance	Pulmonary artery catheter thermodilution	Edwards Lifesciences	- ... - ___	
DDG	Dye-densitogram analyzer	Nihon Kohden	- ...	
Trucom	Pulmonary artery catheter thermodilution	Omega Critical Care	- ...	
COstatus	Ultrasound dilution	Transonic Systems Inc.	- + ...	
CNAP Monitor 500	Finger cuff technology	CNSystems Medizintechnik AG	+ ___	
SphygmoCor® CPV System	Applanation tonometry	AtCor Medical	+ __	
TL-200 T-LINE	Applanation tonometry	Tensys Medical, Inc.	+ __	

+ noninvasive, - invasive, ___ continuous, __ semi-continuous, ... intermittent

amplitude of the pulsations in the plethysmogram are largest. The unloaded volume can be established by “Physiocal®”, developed by Wesseling et al. Physiocal analyzes the curvature and sharpness of the plethysmogram during short periods of steady cuff pressure levels [49]. A

set of criteria allows determining whether the volume is precisely at a level that holds the optimum between the slightly too much collapsed and slightly too much extended volumes. The analysis is automatically repeated regularly during measurement, to follow changing physiological

states of the vasculature. Owing to Physiocal, calibrated recordings of the entire finger arterial pressure wave are obtained [17]. Generally, an interval between Physiocal calibrations of more than 30 beats is accepted as a criterion for a reliable measurement. Pressure values are typically available within approximately 1 min after starting the measurement. While the Finapres and its successors use Physiocal, the CNAP device (CNSystems Medizintechnik AG, Graz, Austria) uses ‘interlocking control loops’ for volume clamping called the VERIFI algorithm. However, frequent calibration with an upper arm cuff is still needed [50].

The Finapres device showed the arterial pressure as measured at the finger. However, since the brachial site is the clinical standard for noninvasive BP measurement later devices such as the Finometer (FMS, Amsterdam, the Netherlands) and the Nexfin (BMEYE, Amsterdam, the Netherlands) show the brachial pressure reconstructed from the finger pressure. Reconstruction reverses the physiological waveform transformation that waves experience while travelling through the arterial system (see Fig. 1). The progressively narrowing arteries cause backwards reflection of the pressure waves, resulting in a more peaked waveform towards the periphery. Additionally, in the smaller arteries, the resistance starts to play a role and pressure levels become affected. The change in waveform from the central to the peripheral arteries is largely predictable [51–53]. The waveform transformation along the arm can be mathematically described and this description can be used to reverse the transformation [54, 55]. The pressure drop due to resistance to flow in the smaller arteries can be compensated by application of a level correction formula. This population based formula determines a pressure drop based on systolic and diastolic values [51]. The combination of these two methods reconstructs brachial artery pressures from finger arterial pressures. An alternative is used in the CNAP device that displays a finger pressure wave that is fitted to systolic and diastolic pressures from upper arm cuff measurements.

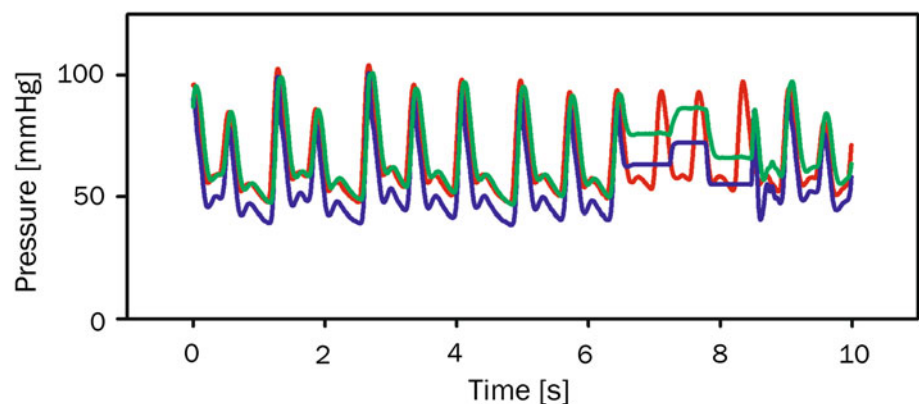
Both the Finometer and the Nexfin use a system that automatically corrects for hydrostatic differences in pressure when the hand is not at heart level. The “finger side” of the heart reference system is fixed next to the finger on which the cuff is applied and the “heart side” at right atrial level. The hydrostatic difference is measured and the recordings are continuously corrected to give BP at heart level. The CNAP device uses repeated upper arm cuff measurements to compensate for hydrostatic pressure differences.

4 Validation of noninvasive continuous measurement of blood pressure

Tracking of changes in BP was already considered good in earlier devices using the finger cuff technology [56]. With the physiological waveform transformation absolute values reconstructed from finger arterial pressures are comparable with (non-) invasively measured brachial or radial pressures [57–59]. Measurements with the Nexfin are performed without the need for an external calibration whereas other devices using finger cuff technology such as the Finometer [17, 60] and the CNAP require extra measurements with an upper arm cuff [61]. A recent overview of noninvasive BP monitors and clinical validation studies focused specifically on the need for calibration by a separate method [62].

The BP measurement with the latest generation finger cuff technology device, the Nexfin, was validated against both invasive and noninvasive methods [59, 63, 64]. From a comparison against an auscultatory BP measurement (Riva-Rocci/Korotkoff) in 104 subjects it was concluded that Nexfin provides accurate measurement of BP with good within-subject precision [59]. Validation against invasive radial pressure was performed in fifty patients during coronary artery bypass grafting [64]. Within-patient analyses showed excellent correlations between the noninvasive and invasive pressures and good within subject precisions over wide ranges of pressure changes. Moreover, bias and

Fig. 1 The differences in pressure levels and wave shape in the radial (*red*) and finger (*blue*) arteries. A physiological model can reconstruct the brachial artery pressure (*green*) from the finger arterial pressure. The staircase is the result of an automatic calibration. (Color figure online)



precision, defined as group average and standard deviation of the differences, were within AAMI criteria [65]. No relation was found between the differences and mean arterial pressure or HR, indicating that the reconstruction methodology performs well in a wide range of hemodynamic states. It was concluded that noninvasively measured blood pressure could follow changes in pressure and provided values comparable to invasive monitoring.

The Nexfin has also been evaluated in an emergency care setting where the authors concluded that continuous BP and HR measured by the Nexfin device showed reasonable agreement when compared with the intermittent values obtained by automated ED equipment [66]. However, they also suggested that theoretically, noninvasive and continuous monitoring of the BP and HR might better reflect underlying hemodynamics than these same measurements obtained intermittently and, thus, could be important in patient management [66].

5 Overview of methods for measurement of cardiac output

Various methods to measure CO are being used and can be characterized by their invasiveness or their ability to measure continuously. Table 1 gives an overview of CO methods. One of the first methods to determine flow was proposed by Fick [67], and uses the relation between the rate of uptake of oxygen in an organ and the difference of oxygen concentrations over that organ. Therefore, to measure CO (total flow in the body), arterial and mixed venous oxygen concentrations as well as oxygen consumption need to be sampled. Frank, also known for the Frank-Starling law of the heart, developed the 2-element Windkessel model to determine CO [68]. The two elements of this model are total arterial compliance and systemic vascular resistance. After total arterial compliance was estimated by a pulse wave velocity measurement, systemic vascular resistance could be determined from the diastolic decay of the pressure curve. Using Ohm's law, CO could then be calculated by dividing mean arterial pressure by this resistance. This method can be seen as a very early pulse contour method, in which the shape of the pressure wave is analyzed to obtain CO.

Indicator dilution techniques use the Stewart-Hamilton [69] equation to describe the rate at which an indicator, injected into the blood stream, is diluted. CO is calculated from the quantity of injected indicator and the area under the Stewart-Hamilton curve measured downstream. The indicator usually is a dye or a thermal marker, and is injected into a vein and following passage through the heart subsequently sampled from an artery. For the thermodilution technique iced glucose is injected in the right atrium

and the temperature downstream in the pulmonary artery is sampled with the Swan-Ganz catheter [70]. To obtain a reliable estimation with these techniques CO should remain constant for at least the duration of a single measurement. However, HR, SV and BP may change rapidly and this has resulted in the practice to perform several estimations of CO, and even sometimes in elimination of outliers from a series of consecutive thermodilution estimates, both indicating that the requirement of stability is usually not met.

Determination of CO with the thermodilution method is in general restricted to the critically ill patients or patients at high risk associated with an intervention or with serious comorbidities. The use of intermittent estimation of CO by thermodilution is decreasing [20–22] owing to the invasive nature of pulmonary artery catheterization. Besides the requirement to be less invasive, it may also be necessary to measure hemodynamic changes with short time intervals. Hereto, monitors need to provide a continuous measure of CO, usually based on analysis of the arterial BP curve (“pulse contour” methods).

In their publication of 1904 Erlanger and Hooker determined cardiac SV from characteristics of the arterial pressure pulse [71]. Pulse contour methods are based on solid physical principles, less solid physiological models, and involve substantial computations [72]. Until recently, pulse contour methods analyzed the arterial pulse wave from an intra-arterial catheter, initially in place for BP monitoring or sampling for blood gas analysis. Several minimally invasive techniques have become available that provide continuous CO measurement [73] operating either with or without an additional (invasive, intermittent) calibration. The LiDCO[®] system applies a bolus indicator dilution method for CO measurement using lithium chloride as an indicator. Detection of the indicator in arterial blood through a lithium-sensitive electrode produces a lithium concentration–time curve [19]. The produced CO estimate is used to calibrate a pulse contour-derived SV. The PiCCO[®] system also utilizes pulse contour analysis of intra-arterial BP for continuous CO monitoring, whereas transpulmonary thermodilution is used for calibration [74]. Although still invasive to some extent an advantage of these techniques over conventional thermodilution is that pulmonary artery catheterization is not required. The Flo-Trac/Vigileo[™] system also uses an intra-arterial pressure waveform based pulse contour analysis [75–77], but without the need to calibrate.

In general, calibration may improve the accuracy of the absolute values, but is not essential as long as changes in CO are accurately tracked. Continuous tracking is necessary to assess the response to a relatively fast hemodynamic change, such as a fluid challenge or passive leg-raising. Responding to the challenge with a certain increase in CO indicates that the patient is fluid responsive and thus

may benefit from receiving additional fluid [7, 9, 78]. A recent meta-analysis comprehensively reviews current minimally invasive CO techniques [79].

6 Noninvasive continuous measurement of cardiac output

Noninvasive and (semi-)continuous tracking of changes in SV can be accomplished by thoracic electrical impedance [80–82], ultrasound [14, 83] and by pulse contour analysis [84–88]. Pitfalls of the first method include electrode placement, motion artifacts, validity of the applied equations, and calibration [89, 90]. Doppler ultrasound measurement of aortic blood velocity combined with echocardiographic estimation of the aortic root cross-sectional area yields SV, although semi-continuous at best. The application of the semi-invasive trans-esophageal approach is limited to anesthetized patients. For a trans-thoracic approach the Doppler probe has to be held over the root of the aorta requiring a skilled operator and constancy of probe angle to minimize bias [83]. Nonetheless, esophageal Doppler has been shown to give positive results in goal-directed therapy [91–93].

In order to determine beat-to-beat SV and CO from noninvasive continuous BP from the finger a pulse contour method based on a physiological model of the circulation is used. In the early 1970s Wesseling developed the cZ pulse contour method making use of the systolic part of the pressure curve (pulsatile systolic area, PSA, see Fig. 2). This cZ method used a constant impedance Z to calculate the SV from the PSA. An empirical formula incorporating patient age, HR and mean arterial pressure was used to dynamically correct the impedance Z (hence the name cZ for corrected impedance) for changes in the hemodynamic status. Tracking of SV changes was reliable, but calibration of Z with a reference method was necessary for correct absolute values. Subsequent to the cZ method, Wesseling et al. developed a method using a 3-element Windkessel description of aortic input impedance. By adding a third element to Frank's 2-element Windkessel, Westerhof et al. [94, 95] substantially improved the modeling of the pressure-flow relation [96]. The third element, the characteristic impedance Z_c represents the impedance that the ventricle encounters during ejection. Its value is determined by the interaction of the capacity of the proximal aorta to store volume (thus proximal compliance C) and the blood mass that needs to be accelerated (inertance L). Z_c is equal to the square root of L/C . Windkessel compliance C_w is equal to the sum of the compliances of all arteries, mainly the ascending and descending aorta, and it represents the ability to elastically store the stroke volume ejected by the heart. Peripheral resistance R_p equals the

sum of all resistances of small arteries and arterioles, representing the resistance to the flow of blood. In Wesseling's Modelflow method a Windkessel model is used in which Z_c and C_w are nonlinear functions of pressure, age, gender, height and weight [97] assuring better absolute CO values and tracking over a wider range of pressures [98]. Using pressure as input a flow curve could be calculated [18, 99, 100]. Subsequent integration of the flow curve yielded SV.

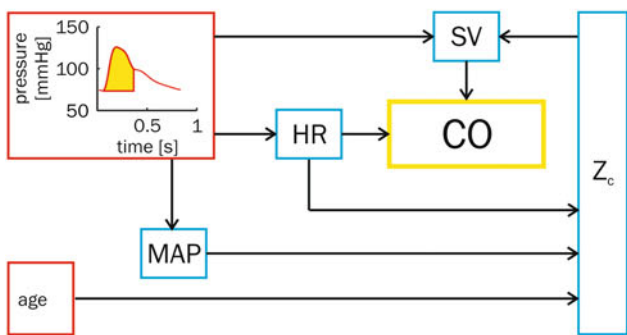
Nexfin CO-trek is a model implemented in the Nexfin that calculates beat-to-beat SV by dividing the area under the systolic part of the reconstructed brachial artery pressure curve by the aortic input impedance (Z_{in} , Fig. 2). Z_{in} is determined from a 3-element Windkessel model [94, 96] with nonlinear descriptions for the parameters as proposed by Wesseling. Values for SV become instantaneously available with the onset of the BP measurement. Using the described physiological models for pressure reconstruction and input impedance, Nexfin CO-trek was internally evaluated on data including invasive and noninvasive finger arterial pressures together with thermodilution CO data obtained during cardiac surgery [98, 99], from healthy subjects experiencing progressive central hypovolemia induced by passive head-up tilt [15], and from critically-ill patients with arterial hypotension due to severe septic shock and treated with catecholamines [16]. Thermodilution CO in these trials was determined with quadruple respiratory phase controlled thermodilution estimates [101]. A specific objective for the development of Nexfin CO-trek was that noninvasive arterial pressure should be employed as input.

7 Validation of noninvasive continuous measurement of cardiac output

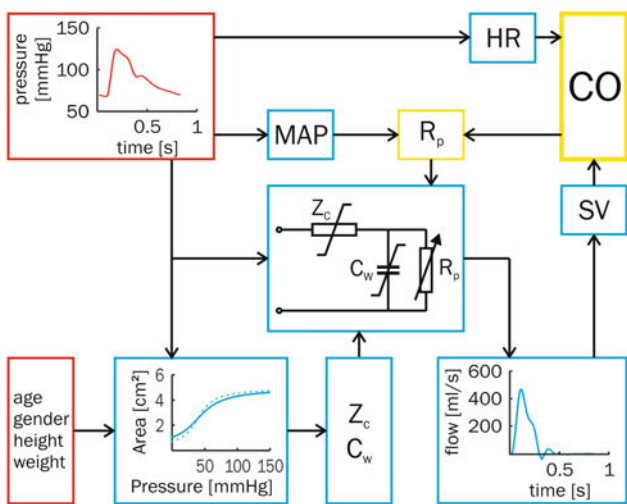
Thoracic electrical impedance and ultrasound measurement of CO have been extensively described in the literature. Raaijmakers concluded that "impedance CO might be useful for trend analysis" [102]. Coats concluded that "Doppler methods are safe, fairly reproducible and reasonably accurate" [103]. It should be noted that, although ultrasound is often used to assess fluid responsiveness, the change in aortic diameter may give rise to substantial errors when not accounted for [104].

In a recent study both noninvasive finger arterial pressure and intra-arterial pressure input were used as input to two validate methods: Nexfin CO-trek and Modelflow. Awake post-coronary artery bypass surgery patients with a pulmonary artery thermodilution-based estimate of CO serving as a reference were included [58]. Measurements were done with patients in supine and sitting position. It was found that Nexfin CO-trek readings were comparable to thermodilution CO, with intra-arterial pressure as well as

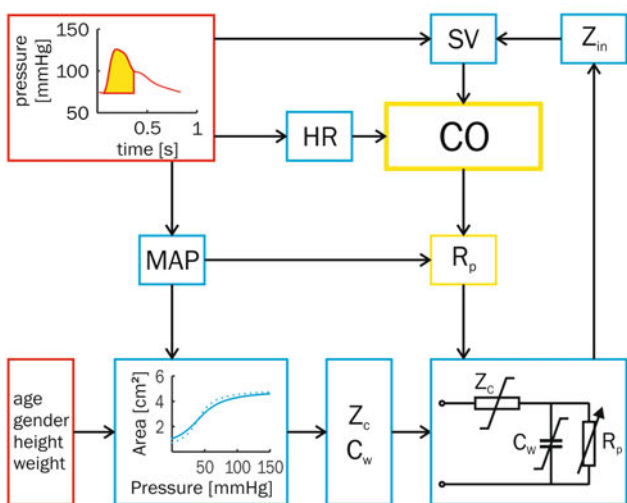
cZ (1974)



Modelflow (1993)



Nexfin CO-trek (2007)



◀ **Fig. 2** The cZ pulse contour method, Modelflow and Nexfin CO-trek. The corrected Z (“cZ”, top) method uses an impedance Z to calculate stroke volume (SV) [121]. The time-integral of the arterial pressure wave above diastolic pressure and between valve opening and closing (as determined by upstroke and incisura) is called the pulsatile systolic area (PSA, hashed area in the Figure) of the pressure. This PSA together with the characteristic impedance Z_c , which is estimated from age and depending on mean arterial pressure (MAP) and heart rate (HR, the inverse of the heart period of the pressure wave), gives SV. Cardiac output (CO) is calculated by multiplying SV and HR. The method was developed for tracking of changes in CO and for correct absolute values a calibration of Z was necessary. In the Modelflow method (middle) the 3-element Windkessel was implemented. Z_c and Windkessel compliance C_w depend on age, gender, height and weight and are nonlinearly related to pressure as shown in the pressure—area relation [97]. Thus, patient data and arterial pressures are both needed to determine these Windkessel parameters [99]. The time varying R_p is the ratio of MAP and CO and iteratively determined. To calculate CO, Modelflow imposes arterial pressure on the Windkessel model. A flow curve is produced of which the time-integral gives SV. The Nexfin CO-trek method (bottom) divides the PSA by the input impedance of the Windkessel to instantaneously give SV. In contrast to Modelflow, there is no need for constructing a flow curve. Moreover while Modelflow was developed to be used on invasive pressures, Nexfin CO-trek was developed to work with noninvasive BP as measured with Nexfin [58].

with noninvasive finger arterial pressure as input. The earlier Modelflow CO-method, developed to be used with invasively measured pressures, performed less well on noninvasive measured BP [58].

Sokolski et al. examined 25 ICU patients with advanced heart failure to compare CO measurements using the pulmonary artery catheter thermodilution method and using the Nexfin [105]. The reported bias and standard deviation were 0.1 and 0.4 l/min, respectively. These results are promising, especially considering the fact that the population included 13 patients with atrial fibrillation and 13 patients with decompensated heart failure. The authors therefore conclude that the Nexfin could be applied in clinical practice for patients with advanced HF.

Broch et al. concluded that “the Nexfin is a reliable method of measuring cardiac output during and after cardiac surgery” [106]. Compared with trans-cardiopulmonary thermodilution, the mean bias of Nexfin was -0.1 (95 % limits of agreement -0.6 to $+0.5$, percentage error 23 %) and -0.1 (-0.8 to $+0.6$, 26 %) $l\ min^{-1}\ m^{-2}$, before and after cardiopulmonary bypass, respectively. These data show that Nexfin gives excellent results without calibration. Further, a good correlation between the two methods was found when passive leg-raise was performed, with $R^2 = 0.72$, $p < 0.001$ before and $R^2 = 0.76$, $p < 0.001$ after cardiopulmonary bypass.

Two recent studies further demonstrated the ability of tracking changes in CO. The first compared the changes in SV measured by Nexfin CO-trek with the echo Doppler aortic velocity–time integral as a measure of SV

during the optimization of atrioventricular delay in cardiac resynchronization therapy and a good agreement was found [107]. The second study compared, during exercise, the CO of Nexfin CO-trek with inert gas rebreathing method for CO estimation [108]. A good correlation was found and values actually converged for large CO values [109].

8 Clinical applications of noninvasive continuous hemodynamic monitoring

8.1 Anesthesiology

Continuous, totally noninvasive monitoring is possible in groups currently (nearly) unmonitored. Examples include orthopedic surgery in the elderly, abdominal surgery and bariatric surgery. In obese patients upper arm cuffs for BP measurement often do not fit, and thigh cuffs are needed, or a brachial cuff is used on the forearm. While the arms and legs can increase significantly in circumference, fingers do get larger but usually not up to the degree that the finger cuff does not fit.

For surgical patients volume treatment corrects a perioperative volume deficit and attenuates negative influences on the central blood volume (corresponding to the diastolic volume of the heart) caused by, e.g. hemorrhage, repositioning of the patient, anesthesia and ventilation. Interpretation of the heart rate (HR) and arterial pressure responses to a reduced central blood volume is complex. Cardiovascular variables are regulated and affected by influences other than central blood volume, including surgical stress and anesthesia [10]. This makes it unlikely that accurate volume treatment can be based on HR and BP alone. Considering the important contribution of a subnormal central blood volume in circulatory shock, a definition of normovolemia may be derived from individualized goal-directed volume therapy, not only to the patient in shock but also to patients in the perioperative period [8]. Cerebral blood flow and oxygenation become affected with a blood loss corresponding to 30 % of the central blood volume [110] or a blood loss of 1.0–1.5 l [9]. It is becoming clear that monitoring of the circulation allows for intervention well before cerebral blood flow and oxygenation become affected [111]. Fluid therapy guided by cardiac output has been demonstrated to improve perioperative outcome and reduce complications and the length of hospital stay [91, 92, 112]. This goal-directed volume treatment is guided by various techniques that determine cardiac output [92, 93]. The availability of noninvasive and continuous monitoring of SV or CO enables individualization of fluid treatment from fixed-volume to goal-directed volume therapy in a wide range of patients.

8.2 Emergency care

Noninvasiveness and ability for quick assessment allows the characterization of hemodynamic profiles of patients in the Emergency Department and following of possible changes. It was demonstrated by Nowak et al. [113] that emergency physicians, when asked whether the CO of their patients was low, normal or high, were right only half of the time. Nonetheless decisions in acutely ill patients are based on such assumptions of the underlying hemodynamic profile [113] with potentially important clinical ramifications.

8.3 Cardiology

In cardiac resynchronization therapy, the atrioventricular delay or the inter-ventricular delay can be chosen to optimize SV. In a study comparing noninvasive pulse contour SV with echo Doppler aortic velocity–time integral while optimizing the atrioventricular delay, a good agreement was found and the authors concluded that Nexfin is a promising tool in individual optimization [107].

During invasive electrophysiology procedures, it is common practice to use an intra-arterial line to monitor BP in critical situations of hypotension caused by tachyarrhythmias or by intermittent incremental ventricular temporary pacing till to the maximally tolerated systolic BP fall. During such procedures Nexfin recorded reliable BP waveforms notwithstanding the presence of tachyarrhythmia [114]. The authors stated that continuous noninvasive BP monitoring is feasible in the interventional electrophysiology laboratory and may replace intra-arterial BP in that setting.

Noninvasive BP with finger cuff technology has been used for a long time in the diagnosis and management of syncope [115] and is used in tilt table testing and other autonomic function testing [116]. Nexfin enables continuous cardiovascular evaluation of patients presenting with unexplained syncopal attacks and thus considerably contributed to diagnostic efficacy and accuracy [117]. Also in this field CO is receiving increasing attention [118].

9 Conclusion and perspective

As indicated by De Waal et al. [119] the ideal CO monitor should be: “reliable, continuous, noninvasive, operator-independent, cost-effective, and should have a fast response time (beat-to-beat).” Noninvasive and continuous determination of CO with the Nexfin is comparable to thermodilution CO, is continuous, truly noninvasive and operator independent. Generally within a minute after start-up, beat-to-beat data on BP, HR, SV and CO become simultaneously available. The only point of contact with

the patient is the cuff around a finger. CO monitoring is not routine practice yet due to its often invasive and intermittent nature. Nonetheless, fluid therapy guided by CO has been shown to improve perioperative outcome and to reduce complications as well as length of hospital stay [112, 120]. Noninvasive continuous CO techniques make routine monitoring of CO readily available facilitating easier assessment of fluid-responsiveness and a further application of goal directed fluid therapy.

Open Access This article is distributed under the terms of the Creative Commons Attribution License which permits any use, distribution, and reproduction in any medium, provided the original author(s) and the source are credited.

References

1. Woolmer RF. Principles of measurement. *Acta Anaesthesiol Scand.* 1962;17–21.
2. Chen G, Chung E, Meng L, Alexander B, Vu T, Rinehart J, Cannesson M. Impact of non invasive and beat-to-beat arterial pressure monitoring on intraoperative hemodynamic management. *J Clin Monit Comput.* 2012;26:133–40.
3. Secher NH, Jacobsen J, Friedman DB, Matzen S. Bradycardia during reversible hypovolaemic shock: associated neural reflex mechanisms and clinical implications. *J Clin Exp Pharmacol Physiol.* 1992;19:733–43.
4. McGee S, Abernethy WB III, Simel DL. The rational clinical examination. Is this patient hypovolemic? *JAMA.* 1999;281:1022–9.
5. Kinsella SM, Tuckey JP. Perioperative bradycardia and asystole: relationship to vasovagal syncope and the Bezold-Jarisch reflex. *Br J Anaesth.* 2001;86:859–68.
6. Harms MPM, Van Lieshout JJ, Jenstrup M, Pott F, Secher NH. Postural effects on cardiac output and mixed venous oxygen saturation in humans. *Exp Physiol.* 2003;88(5):611–6.
7. Cooke WH, Ryan KL, Convertino VA. Lower body negative pressure as a model to study progression to acute hemorrhagic shock in humans. *J Appl Physiol.* 2004;96:1249–61.
8. Secher NH, Van Lieshout JJ. Normovolaemia defined by central blood volume and venous oxygen saturation. *Clin Exp Pharmacol Physiol.* 2005;32:901–10.
9. Secher NH, Van Lieshout JJ. Hypovolemic shock. In: Hahn RG, editor. *Clinical fluid therapy in the perioperative setting.* 2nd ed. Cambridge: Cambridge University Press; 2011. p. 166–76.
10. Schadt JC, Ludbrook J. Hemodynamic and neurohumoral responses to acute hypovolemia in conscious mammals. *Am J Physiol.* 1991;260:H305–18.
11. Campagna JA, Carter C. Clinical relevance of the Bezold-Jarisch reflex. *Anesthesiology.* 2003;98:1250–60.
12. Brassard P, Seifert T, Secher NH. Is cerebral oxygenation negatively affected by infusion of norepinephrine in healthy subjects? *Br J Anaesth.* 2009;102:800–5.
13. Singer M, Clarke J, Bennett ED. Continuous hemodynamic monitoring by esophageal Doppler. *Crit Care Med.* 1989;17:447–52.
14. Toska K, Walloe L. Dynamic time course of hemodynamic responses after passive head-up tilt and tilt back to supine position. *J Appl Physiol.* 2002;92:1671–6.
15. Harms MPM, Wesseling KH, Pott F, Jenstrup M, Van Goudoever J, Secher NH, Van Lieshout JJ. Continuous stroke volume monitoring by modelling flow from non-invasive measurement of arterial pressure in humans under orthostatic stress. *Clin Sci.* 1999;97:291–301.
16. Jellema WT, Wesseling KH, Groeneveld AB, Stoutenbeek CP, Thijs LG, Van Lieshout JJ. Continuous cardiac output in septic shock by simulating a model of the aortic input impedance: a comparison with bolus injection thermodilution. *Anesthesiology.* 1999;90:1317–28.
17. Bogert LW, Van Lieshout JJ. Non-invasive pulsatile arterial pressure and stroke volume changes from the human finger. *Exp Physiol.* 2005;90:437–46.
18. Nissen P, Van Lieshout JJ, Novovic S, Bundgaard-Nielsen M, Secher NH. Techniques of cardiac output measurement during liver transplantation: arterial pulse wave versus thermodilution. *Liver Transpl.* 2009;15:287–91.
19. Kurita T, Morita K, Kato S, Kikura M, Horie M, Ikeda K. Comparison of the accuracy of the lithium dilution technique with the thermodilution technique for measurement of cardiac output. *Br J Anaesth.* 1997;79:770–5.
20. Richard C, Warszawski J, Anguel N, Deye N, Combes A, Barnoud D, Boulain T, Lefort Y, Fartoukh M, Baud F, Boyer A, Brochard L, Teboul JL. Early use of the pulmonary artery catheter and outcomes in patients with shock and acute respiratory distress syndrome: a randomized controlled trial. *JAMA.* 2003;290:2713–20.
21. Wiener RS, Welch HG. Trends in the use of the pulmonary artery catheter in the United States, 1993–2004. *JAMA.* 2007;298:423–9.
22. Shah MR, Hasselblad V, Stevenson LW, Binanay C, O'Connor CM, Sopko G, Califf RM. Impact of the pulmonary artery catheter in critically ill patients: meta-analysis of randomized clinical trials. *JAMA.* 2005;294:1664–70.
23. Truijzen J, Bundgaard-Nielsen M, Van Lieshout JJ. A definition of normovolaemia and consequences for cardiovascular control during orthostatic and environmental stress. *Eur J Appl Physiol.* 2010;109:141–57.
24. Hales S. *Statical essays: concerning Haemastatics; or, an account of some hydraulic and hydrostatical experiments made on the blood and blood-vessels of animals.* London: Printed for W. Innys and R. Manby; 1733.
25. Hales S. *Foundations of anesthesiology. An account of some hydraulic and hydrostatical experiments made on the blood and blood-vessels of animals.* 1710 [classical article]. *J Clin Monit Comput.* 2000;16:45–7.
26. Bleichröder F. *Intraarterielle Therapie.* *Berliner Klinische Wochenschrift.* 1912;49:1503–4.
27. Frank O. Kritik der Elasticchen manometer. *Z Biol.* 1903;44:445–613.
28. Lambert EH, Wood EH. The use of a resistance wire, strain gauge manometer to measure intraarterial pressure. *Proc Soc Exp Biol Med.* 1947;64:186–90.
29. Peterson LH, Dripps RD, Risman GC. A method for recording the arterial pressure pulse and blood pressure in man. *Am Heart J.* 1949;37:771–82.
30. Seldinger SI. Catheter replacement of the needle in percutaneous arteriography; a new technique. *Acta Radiol.* 1953;39:368–76.
31. Murgu JP, Millar H. A new cardiac catheter for high fidelity differential pressure recordings. In: *Proceedings of 25th annual conference on engineering medical biology.* Bell Harbour; 1972. p. 303.
32. Riva-Rocci S. Un nuovo sfigmomanometro. *Gazz Med Tor.* 1896;47:981–1017.
33. Riva-Rocci S, Zanchetti A, Mancia G. A new sphygmomanometer. Sphygmomanometric technique. *J Hypertens.* 1996;14:1–12.
34. Korotkov NC. On methods of studying blood pressure. *Izvestiia Voenomedistinskite Akademiia.* 1905;11:365.

35. Korotkov NS. Concerning the problem of the methods of blood pressure measurement. *J Hypertens*. 2005;23:5.
36. Cushing H. On routine determination of arterial tension in operating room and clinic. *Boston Med Surg J*. 1903;148:250–6.
37. Marino PL, Sutin KM. Arterial blood pressure. In: Marino PL, editor. *The ICU book*. 3rd ed. Philadelphia: Lippincott Williams & Wilkins; 2006. p. 151–61.
38. Bur A, Hirschl MM, Herkner H, Oschatz E, Kofler J, Woisetschlager C, Laggner AN. Accuracy of oscillometric blood pressure measurement according to the relation between cuff size and upper-arm circumference in critically ill patients. *Crit Care Med*. 2000;28:371–6.
39. Bur A, Herkner H, Vlcek M, Woisetschlager C, Derhaschnig U, Delle KG, Laggner AN, Hirschl MM. Factors influencing the accuracy of oscillometric blood pressure measurement in critically ill patients. *Crit Care Med*. 2003;31:793–9.
40. Wax DB, Lin HM, Leibowitz AB. Invasive and concomitant noninvasive intraoperative blood pressure monitoring: observed differences in measurements and associated therapeutic interventions. *Anesthesiology*. 2011;115:973–8.
41. Searle NR, Perrault J, Ste-Marie H, Dupont C. Assessment of the arterial tonometer (N-CAT) for the continuous blood pressure measurement in rapid atrial fibrillation. *Can J Anaesth*. 1993;40:388–93.
42. Steiner LA, Johnston AJ, Salvador R, Czosnyka M, Menon DK. Validation of a tonometric noninvasive arterial blood pressure monitor in the intensive care setting. *Anaesthesia*. 2003;58:448–54.
43. Szmuk P, Pivalizza E, Warters RD, Ezri T, Gebhard R. An evaluation of the T-Line Tensymeter continuous noninvasive blood pressure device during induced hypotension. *Anaesthesia*. 2008;63:307–12.
44. Janelle GM, Gravenstein N. An accuracy evaluation of the T-Line Tensymeter (continuous noninvasive blood pressure management device) versus conventional invasive radial artery monitoring in surgical patients. *Anesth Analg*. 2006;102:484–90.
45. Williams B, Lacy PS, Thom SM, Cruickshank K, Stanton A, Collier D, Hughes AD, Thurston H, O'Rourke M. Differential impact of blood pressure-lowering drugs on central aortic pressure and clinical outcomes: principal results of the Conduit Artery Function Evaluation (CAFE) study. *Circulation*. 2006;113:1213–25.
46. Roman MJ, Devereux RB, Kizer JR, Lee ET, Galloway JM, Ali T, Umans JG, Howard BV. Central pressure more strongly relates to vascular disease and outcome than does brachial pressure: the Strong Heart Study. *Hypertension*. 2007;50:197–203.
47. Wesseling KH. A century of noninvasive arterial pressure measurement: from Marey to Penaz and Finapres. *Homeostasis*. 1995;36:2–3.
48. Peñáz J. Photoelectric measurement of blood pressure, volume and flow in the finger. 1973; Dresden 1973. p. 104.
49. Wesseling KH, De Wit B, Van der Hoeven GMA, Van Goudoever J, Settels JJ. Physiological, calibrating finger vascular physiology for Finapres. *Homeostasis*. 1995;36:67–82.
50. Iliès C, Bauer M, Berg P, Rosenberg J, Hedderich J, Bein B, Hinz J, Hanss R. Investigation of the agreement of a continuous non-invasive arterial pressure device in comparison with invasive radial artery measurement. *Br J Anaesth*. 2012;108:202–10.
51. Gizdulich P, Prentza A, Wesseling KH. Models of brachial to finger pulse wave distortion and pressure decrement. *Cardiovasc Res*. 1997;33:698–705.
52. Westerhof BE, Guelen I, Stok WJ, Wesseling KH, Spaan JA, Westerhof N, Bos WJ, Stergiopoulos N. Arterial pressure transfer characteristics: effects of travel time. *Am J Physiol Heart Circ Physiol*. 2007;292:H800–7.
53. Westerhof BE, Guelen I, Stok WJ, Lasance HA, Ascoop CA, Wesseling KH, Westerhof N, Bos WJ, Stergiopoulos N, Spaan JA. Individualization of transfer function in estimation of central aortic pressure from the peripheral pulse is not required in patients at rest. *J Appl Physiol*. 2008;105:1858–63.
54. Bos WJW, Van Goudoever J, Van Montfrans GA, Van den Meiracker AH, Wesseling KH. Reconstruction of brachial artery pressure from noninvasive finger pressure measurements. *Circulation*. 1996;94:1870–5.
55. Gizdulich P, Imholz BPM, van den Meiracker AH, Parati G, Wesseling KH. Finapres tracking of systolic pressure and baroreflex sensitivity improved by waveform filtering. *J Hypertens*. 1996;14:243–50.
56. Imholz BPM, Wieling W, Van Montfrans GA, Wesseling KH. Fifteen years experience with finger arterial pressure monitoring: assessment of the technology. *Cardiovasc Res*. 1998;38:605–16.
57. Westerhof BE, Guelen I, Parati G, Gropelli A, Van MG, Wieling W, Wesseling KH, Bos WJW. Variable day/night bias in 24-h non-invasive finger pressure against intrabrachial artery pressure is removed by waveform filtering and level correction. *J Hypertens*. 2002;20:1981–6.
58. Bogert LW, Wesseling KH, Schraa O, Van Lieshout EJ, De Mol BA, Van GJ, Westerhof BE, Van Lieshout JJ. Pulse contour cardiac output derived from non-invasive arterial pressure in cardiovascular disease. *Anaesthesia*. 2010;65:1119–25.
59. Eeftink Schattenkerk DW, Van Lieshout JJ, Van den Meiracker AH, Wesseling KR, Blanc S, Wieling W, Van Montfrans GA, Settels JJ, Wesseling KH, Westerhof BE. Nexfin noninvasive continuous blood pressure validated against Riva-Rocci/Korotkoff. *Am J Hypertens*. 2009;22:378–83.
60. Guelen I, Westerhof BE, Van Der Sar GL, Van Montfrans GA, Kiemeneij F, Wesseling KH, Bos WJ. Validation of brachial artery pressure reconstruction from finger arterial pressure. *J Hypertension*. 2008;26:1321–7.
61. Jeleazcov C, Krajcinovic L, Munster T, Birkholz T, Fried R, Schuttler J, Fechner J. Precision and accuracy of a new device (CNAPTM) for continuous non-invasive arterial pressure monitoring: assessment during general anaesthesia. *Br J Anaesth*. 2010;105:264–72.
62. Ng KG. Review of measurement methods and clinical validation studies of noninvasive blood pressure monitors: accuracy requirements and protocol considerations for devices that require patient-specific calibration by a secondary method or device before use. *Blood Press Monit*. 2011;16:291–303.
63. Martina JR, Westerhof BE, Van Goudoever J, De JN, Van Lieshout JJ, Lahpor JR, De Mol BA. Noninvasive blood pressure measurement by the Nexfin monitor during reduced arterial pulsatility: a feasibility study. *ASAIO J*. 2010;56:221–7.
64. Martina JR, Westerhof BE, Van Goudoever J, de Beaumont EM, Truijen J, Kim YS, Immink RV, Jobsis DA, Hollmann MW, Lahpor JR, De Mol BA, Van Lieshout JJ. Noninvasive continuous arterial blood pressure monitoring with nexfin. *Anesthesiology*. 2012;116:1092–103.
65. AAMI. American national standard for electronic or automated sphygmomanometers. Arlington: Association for the Advancement of Medical Instrumentation; 2002.
66. Nowak RM, Sen A, Garcia AJ, Wilkie H, Yang JJ, Nowak MR, Moyer ML. Noninvasive continuous or intermittent blood pressure and heart rate patient monitoring in the ED. *Am J Emerg Med*. 2011;29:782–9.
67. Fick A. Ueber die Messung des Blutquantums in den Herzventrikeln. *Verhandlungen der Physikalisch-medicinischen*

- Gesellschaft in Würzburg. Physikalisch-medicinische Gesellschaft in Würzburg; 1870. p. XVI–XVII.
68. Frank O. Die Grundform des arteriellen Pulses. *Z Biol.* 1899; 37:483–526.
 69. Hamilton WF. Comparison of the Fick and dye-injection methods of measuring the cardiac output in man. *Am J Physiol Heart Circulatory Physiology.* 1948;153:309–21.
 70. Swan HJ, Ganz W, Forrester J, Marcus H, Diamond G, Chonette D. Catheterization of the heart in man with use of a flow-directed balloon-tipped catheter. *N Engl J Med.* 1970;283:447–51.
 71. Erlanger J, Hooker DR. An experimental study of blood pressure and of pulse-pressure in man. Maryland: Physiological laboratory of the Johns Hopkins university; 1904.
 72. Van Lieshout JJ, Wesseling KH. Continuous cardiac output by pulse contour analysis? *Br J Anaesth.* 2001;86:467–9.
 73. Alhashemi JA, Ceconi M, Hofer CK. Cardiac output monitoring: an integrative perspective. *Crit Care.* 2011;15:214.
 74. Della RG, Costa MG, Coccia C, Pompei L, Di Marco P, Vilardi V, Pietropaoli P. Cardiac output monitoring: aortic transpulmonary thermodilution and pulse contour analysis agree with standard thermodilution methods in patients undergoing lung transplantation. *Can J Anaesth.* 2003;50:707–11.
 75. Manecke GR Jr, Auger WR. Cardiac output determination from the arterial pressure wave: clinical testing of a novel algorithm that does not require calibration. *J Cardiothorac Vasc Anesth.* 2007;21:3–7.
 76. Mayer J, Boldt J, Schollhorn T, Rohm KD, Mengistu AM, Suttner S. Semi-invasive monitoring of cardiac output by a new device using arterial pressure waveform analysis: a comparison with intermittent pulmonary artery thermodilution in patients undergoing cardiac surgery. *Br J Anaesth.* 2007;98:176–82.
 77. Opdam HI, Wan L, Bellomo R. A pilot assessment of the Flo-Trac(TM) cardiac output monitoring system. *Intensive Care Med.* 2007;33:344–9.
 78. Secher NH, Van Lieshout JJ, Shock Mathias CJ, Bannister R, editors. Autonomic failure. A textbook of clinical disorders of the autonomic nervous system. Oxford: Oxford University Press; 2011.
 79. Peyton PJ, Chong SW. Minimally invasive measurement of cardiac output during surgery and critical care: a meta-analysis of accuracy and precision. *Anesthesiology.* 2010;113:1220–35.
 80. Kubicek WG, Karnegis JN, Patterson RP, Witsoe DA, Mattson RH. Development and evaluation of an impedance cardiac output system. *Aerospace Med.* 1966;37:1208–12.
 81. Moore R, Sansores R, Guimond V, Abboud R. Evaluation of cardiac output by thoracic electrical impedance during exercise in normal subjects. *Chest.* 1992;102:448–55.
 82. Keren H, Burkhoff D, Squara P. Evaluation of a noninvasive continuous cardiac output monitoring system based on thoracic bioimpedance. *Am J Physiol Heart Circ Physiol.* 2007;293:H583–9.
 83. Van Lieshout JJ, Toska K, Van Lieshout EJ, Eriksen M, Walloe L, Wesseling KH. Beat-to-beat noninvasive stroke volume from arterial pressure and Doppler ultrasound. *Eur J Appl Physiol.* 2003;90:131–7.
 84. Jansen JRC, Wesseling KH, Settels JJ, Schreuder JJ. Continuous cardiac output monitoring by pulse contour during cardiac surgery. *Eur Heart J.* 1990;11(Suppl I):26–32.
 85. Stok WJ, Baisch F, Hillebrecht A, Schulz H, Meyer M, Karemaker JM. Noninvasive cardiac output measurement by arterial pulse analysis compared with inert gas rebreathing. *J Appl Physiol.* 1993;74:2687–93.
 86. Antonutto G, Girardis M, Tuniz D, di Prampero PE. Noninvasive assessment of cardiac output from arterial pressure profiles during exercise. *Eur J Appl Physiol Occup Physiol.* 1995;72:18–24.
 87. Wieling W, Van Lieshout JJ, Ten Harkel ADJ. Dynamics of circulatory adjustments to head-up tilt and tilt-back in healthy and sympathetically denervated subjects. *Clin Sci.* 1998;94:347–52.
 88. Stok WJ, Stringer RC, Karemaker JM. Noninvasive cardiac output measurement in orthostasis: pulse contour analysis compared with acetylene rebreathing. *J Appl Physiol.* 1999;87:2266–73.
 89. Woltjer HH, Bogaard HJ, Scheffer GJ, van der Spoel HL, Huybregts MA, de Vries PM. Standardization of non-invasive impedance cardiography for assessment of stroke volume: comparison with thermodilution. *Br J Anaesth.* 1996;77:748–52.
 90. van der Meer BJ, Woltjer HH, Sousman AM, Schreuder WO, Bulder ER, Huybregts MA, de Vries PM. Impedance cardiography. Importance of the equation and the electrode configuration. *Intensive Care Med.* 1996;22:1120–4.
 91. Noblett SE, Snowden CP, Shenton BK, Horgan AF. Randomized clinical trial assessing the effect of Doppler-optimized fluid management on outcome after elective colorectal resection. *Br J Surg.* 2006;93:1069–76.
 92. Gan TJ, Soppitt A, Maroof M, el Moalem H, Robertson KM, Moretti E, Dwane P, Glass PS. Goal-directed intraoperative fluid administration reduces length of hospital stay after major surgery. *Anesthesiology.* 2002;97:820–6.
 93. Bundgaard-Nielsen M, Ruhnau B, Secher NH, Kehlet H. Flow-related techniques for preoperative goal-directed fluid optimization. *Br J Anaesth.* 2007;98:38–44.
 94. Westerhof N, Elzinga G, Sipkema P. An artificial arterial system for pumping hearts. *J Appl Physiol.* 1971;31:776–81.
 95. Toorop GP, Westerhof N, Elzinga G. Beat-to-beat estimation of peripheral resistance and arterial compliance during pressure transients. *Am J Physiol.* 1987;252:H1275–83.
 96. Westerhof N, Lankhaar JW, Westerhof BE. The arterial Windkessel. *Med Biol Eng Comput.* 2009;47:131–41.
 97. Langewouters GJ, Wesseling KH, Goedhard WJA. The static elastic properties of 45 human thoracic and 20 abdominal aortas in vitro and the parameters of a new model. *J Biomech.* 1984; 17:425–535.
 98. Jansen JRC, Schreuder JJ, Mulier JP, Smith NT, Settels JJ, Wesseling KH. A comparison of cardiac output derived from the arterial pressure wave against thermodilution in cardiac surgery patients. *Br J Anaesth.* 2001;87:212–22.
 99. Wesseling KH, Jansen JRC, Settels JJ, Schreuder JJ. Computation of aortic flow from pressure in humans using a nonlinear, three-element model. *J Appl Physiol.* 1993;74:2566–73.
 100. Jellema WT, Groeneveld AB, Wesseling KH, Thijs LG, Westerhof N, Van Lieshout JJ. Heterogeneity and prediction of hemodynamic responses to dobutamine in patients with septic shock. *Crit Care Med.* 2006;34:2392–8.
 101. Jansen JRC, Versprille A. Improvement of cardiac output estimation by the thermodilution method during mechanical ventilation. *Intensive Care Med.* 1986;12:71–9.
 102. Raaijmakers E, Faes TJ, Scholten RJ, Goovaerts HG, Heethaar RM. A meta-analysis of three decades of validating thoracic impedance cardiography. *Crit Care Med.* 1999;27:1203–13.
 103. Coats AJ. Doppler ultrasonic measurement of cardiac output: reproducibility and validation. *Eur Heart J.* 1990;11(Suppl I): 49–61.
 104. Monnet X, Chemla D, Osman D, Anguel N, Richard C, Pinsky MR, Teboul JL. Measuring aortic diameter improves accuracy of esophageal Doppler in assessing fluid responsiveness. *Crit Care Med.* 2007;35:477–82.
 105. Sokolski M, Rydlewska A, Krakowiak B, Biegus J, Zymliński R, Banasiak W, Jankowska EA, Ponikowski P. Comparison of invasive and non-invasive measurements of haemodynamic

- parameters in patients with advanced heart failure. *J Cardiovasc Med (Hagerstown)*. 2011;12:773–8.
106. Broch O, Renner J, Gruenewald M, Meybohm P, Schöttler J, Caliebe A, Steinfath M, Malbrain M, Bein B. A comparison of the Nexfin[®] and transcardiopulmonary thermodilution to estimate cardiac output during coronary artery surgery. *Anaesthesia* 2012;67:377–83.
107. van Geldorp IE, Delhaas T, Hermans B, Vernooij K, Broers B, Klimusina J, Regoli F, Faletra FF, Moccetti T, Gerritse B, Cornelussen R, Settels JJ, Crijns HJ, Auricchio A, Prinzen FW. Comparison of a non-invasive arterial pulse contour technique and echo Doppler aorta velocity-time integral on stroke volume changes in optimization of cardiac resynchronization therapy. *Europace*. 2011;13:87–95.
108. Bartels SA, Stok WJ, Bezemer R, Boksem RJ, Van GJ, Cherpanath TG, Van Lieshout JJ, Westerhof BE, Karemaker JM, Ince C. Noninvasive cardiac output monitoring during exercise testing: Nexfin pulse contour analysis compared to an inert gas rebreathing method and respired gas analysis. *J Clin Monit Comput*. 2011;25:315–21.
109. Van der Spoel AG, Voogel AJ, Folkers A, Boer C, Bouwman RA. Comparison of noninvasive continuous arterial waveform analysis (Nexfin) with transthoracic Doppler echocardiography for monitoring of cardiac output. *J Clin Anesth*. 2012;24:304–9.
110. Van Lieshout JJ, Wieling W, Karemaker JM, Secher NH. Syncope, cerebral perfusion, and oxygenation. *J Appl Physiol*. 2003;94:833–48.
111. Nissen P, Brassard P, Jorgensen TB, Secher NH. Phenylephrine but not ephedrine reduces frontal lobe oxygenation following anesthesia-induced hypotension. *Neurocrit Care*. 2010;12:17–23.
112. Bundgaard-Nielsen M, Holte K, Secher NH, Kehlet H. Monitoring of perioperative fluid administration by individualized goal-directed therapy. *Acta Anaesthesiol Scand*. 2007;51:331–40.
113. Nowak RM, Sen A, Garcia AJ, Wilkie H, Yang JJ, Nowak MR, Moyer ML. The inability of emergency physicians to adequately clinically estimate the underlying hemodynamic profiles of acutely ill patients. *Am J Emerg Med*. 2011.
114. Maggi R, Viscardi V, Furukawa T, Brignole M. Non-invasive continuous blood pressure monitoring of tachycardic episodes during interventional electrophysiology. *Europace*. 2010;12:1616–22.
115. Moya A, Sutton R, Ammirati F, Blanc JJ, Brignole M, Dahm JB, Deharo JC, Gajek J, Gjesdal K, Krahn A, Massin M, Pepi M, Pezawas T, Ruiz GR, Sarasin F, Ungar A, Van Dijk JG, Walma EP, Wieling W. Guidelines for the diagnosis and management of syncope (version 2009). *Eur Heart J*. 2009;30:2631–71.
116. Sipkens LM, Treskes K, Ariese-Beldman K, Veerman DP, Boer C. Application of Nexfin noninvasive beat-to-beat arterial blood pressure monitoring in autonomic function testing. *Blood Press Monit*. 2011;16:246–51.
117. Fedorowski A, Burri P, Juul-Moller S, Melander O. A dedicated investigation unit improves management of syncopal attacks (Syncope Study of Unselected Population in Malmo–SYSTEMA I). *Europace*. 2010;12:1322–8.
118. Gisolf J, Westerhof BE, Van Dijk N, Wesseling KH, Wieling W, Karemaker JM. Sublingual nitroglycerin used in routine tilt testing provokes a cardiac output-mediated vasovagal response. *J Am Coll Cardiol*. 2004;44:588–93.
119. de Waal EE, Wappler F, Buhre WF. Cardiac output monitoring. *Curr Opin Anaesthesiol*. 2009;22:71–7.
120. Grocott MP, Mythen MG, Gan TJ. Perioperative fluid management and clinical outcomes in adults. *Anesth Analg*. 2005;100:1093–106.
121. Wesseling KH, Smith NT, Nichols WW, Weber H, De Wit B, Beneken JEW. Beat-to-beat cardiac output from the arterial pressure pulse contour. In: Feldman SA, Leigh JM, Spierdijk J, editors. *Measurement anaesthesia*. Leiden: Leiden University Press; 1974. p. 148–64.