

[Faint, illegible text, likely bleed-through from the reverse side of the page]

NATIONAL AERONAUTICS AND SPACE ADMINISTRATION

1

2

TABLES FOR SUPERSONIC FLOW

AROUND RIGHT CIRCULAR CONES

AT SMALL ANGLE OF ATTACK

By Joseph L. Sims,
George C. Marshall Space Flight Center



Scientific and Technical Information Division

1964

NATIONAL AERONAUTICS AND SPACE ADMINISTRATION

Washington, D.C.

For sale by the Superintendent of Documents, U.S. Government Printing Office
Washington, D.C., 20402 - Price \$2.25

Foreword

THIS REPORT PRESENTS, in tabular form, the results of the calculation of supersonic flow fields about right circular cones at small angles of attack. The calculations were performed using the theory of Stone (Jour. Math. and Phys., vol. 27, 1948) which yields results in a wind-fixed coordinate system. However, all results presented herein have been transformed into a body-fixed coordinate system. This makes the results compatible with those presented in NASA SP-3004 for zero angle of attack. Furthermore, these data along with those in SP-3004 yield all the information necessary to start a method-of-characteristics solution about a sharp-pointed body of revolution at a small angle of attack.

Results are presented for cone angles from 2.5° to 30° in regular increments of 2.5° . For each of these 12 cone angles, a series of 16 problems was computed at free-stream Mach numbers from 1.5 to 20.0. The free-stream Mach number was not increased in even increments, but the same values were used for each cone angle. In this volume, there is a small-angle-of-attack solution for each zero-angle-of-attack solution presented in SP-3004. All calculations were performed using the ideal gas value (1.4) for the ratio of the specific heats.

|

Contents

	PAGE
FOREWORD.....	iii
INTRODUCTION.....	1
SYMBOLS.....	2
SOLUTION OF THE EQUATIONS.....	3
DISCUSSION OF RESULTS.....	7
REFERENCES.....	8

TABLE

1.—VALUES FOR MINIMUM FREE STREAM MACH NUMBER.....	19
2.—VALUES OF $\left(\frac{dC_N}{d\alpha}\right)_{\alpha=0}$	20
3.—VALUES OF η/α	21
4.—VALUES OF S_2/R	22
5.—SURFACE VALUES OF M_2^*	23
6.—SURFACE VALUES OF $M_{v,2}^*$	24
7.—SURFACE VALUES OF α_1/α	25

Conical Flow Field

TABLES

	PAGES
8-24.— $\theta_s=2.5^\circ$; $M_\infty=1.0121844$ to 20.0.....	26-59
25-41.— $\theta_s=5.0^\circ$; $M_\infty=1.0383341$ to 20.0.....	60-92
42-58.— $\theta_s=7.5^\circ$; $M_\infty=1.0735583$ to 20.0.....	93-125
59-75.— $\theta_s=10.0^\circ$; $M_\infty=1.1159051$ to 20.0.....	126-159
76-92.— $\theta_s=12.5^\circ$; $M_\infty=1.1643198$ to 20.0.....	160-193
93-109.— $\theta_s=15.0^\circ$; $M_\infty=1.2182190$ to 20.0.....	194-226
110-126.— $\theta_s=17.5^\circ$; $M_\infty=1.2773745$ to 20.0.....	227-259
127-143.— $\theta_s=20.0^\circ$; $M_\infty=1.3419094$ to 20.0.....	260-292
144-160.— $\theta_s=22.5^\circ$; $M_\infty=1.4123337$ to 20.0.....	293-325
161-177.— $\theta_s=25.0^\circ$; $M_\infty=1.4895952$ to 20.0.....	326-358
178-193.— $\theta_s=27.5^\circ$; $M_\infty=1.5751393$ to 20.0.....	359-390
194-209.— $\theta_s=30.0^\circ$; $M_\infty=1.6710795$ to 20.0.....	391-422

1

Introduction

THE SOLUTION of supersonic flow fields by the method of characteristics requires that starting conditions be known. Ferri, in reference 1, developed a method-of-characteristics solution for axially symmetric bodies of revolution at small angles of attack. With computing machinery that is now available, this has become a feasible method for computing the aerodynamic characteristics of bodies near zero angle of attack. For sharp-nosed bodies of revolution, the required starting line may be obtained by computing the flow field about a cone at a small angle of attack.

This calculation is readily performed using Stone's theory in reference 2. Some solutions of this theory are available in reference 3. However, the manner in which these results are presented, namely in a wind-fixed coordinate system, makes their use somewhat cumbersome. Additionally, as pointed out in reference 4, the flow component perpendicular to the meridian planes was computed incorrectly. The results contained herein have been computed in the same basic manner as those of reference 3 with the correct velocity normal to

the meridian planes. Also, all results have been transferred into the body-fixed coordinate system. Therefore, the values tabulated herein may be used, in conjunction with the respective zero-angle-of-attack results of reference 5, as starting conditions for the method-of-characteristics solution of the flow field about axially symmetric bodies of revolution at small angles of attack.

As in the zero-angle-of-attack case (ref. 5) the present results have been computed using the ideal gas value of 1.4 for the ratio of the specific heats of air. Solutions are given for cone angles from 2.5° to 30° in increments of 2.5° . For each cone angle, results were computed for a constant series of free-stream Mach numbers from 1.5 to 20. In addition, a solution was computed which yielded the minimum free-stream Mach number for a completely supersonic conical flow field. For cone angles of 27.5° and 30° , this minimum free-stream Mach number was above 1.5. Consequently, solutions at this Mach number were not computed for these two cone angles.

Symbols

\bar{r}, θ, Φ	wind-fixed spherical coordinates (fig. 1)	A	coefficient defined by equation (3)
x, r, ϕ	body-fixed cylindrical coordinates (fig. 2)	B	coefficient defined by equation (4)
u, v, w	nondimensional velocity components in polar coordinates (u along \bar{r} -axis, v in θ -direction in meridian plane, and w normal to meridian plane)	C	coefficient defined by equation (5)
$\bar{u}, \bar{v}, \bar{w}$	nondimensional velocity components in cylindrical coordinates (\bar{u} along x -axis, \bar{v} along r -axis, and \bar{w} normal to meridian plane)	f	constant defined by equation of state (eq. (7))
a	nondimensional speed of sound	$\left(\frac{dC_N}{d\alpha}\right)_{\alpha=0}$	initial slope of normal-force-coefficient curve
a^*	critical speed of sound, $V_l \sqrt{\frac{\gamma-1}{\gamma+1}}$	$\left(\frac{dC_M}{d\alpha}\right)_{\alpha=0}$	initial slope of pitching-moment-coefficient curve
A	reference area (base area of finite length cone)	$(x_{cp})_{\alpha=0}$	initial center of pressure position
C_p	pressure coefficient, $\Delta P/q$	α	angle of attack
D	reference diameter (base diameter of finite length cone)	γ	ratio of specific heats, c_p/c_v ; ideal gas value, 1.4
l	length of cone	η	tilt angle of shock wave due to α
M^*	critical Mach number $\left(\frac{V}{V_l}\right)\left(\frac{V_l}{a^*}\right)$	ρ	density
M	Mach number	ψ	flow direction angle, angle between velocity vector V and x -axis
P	pressure	θ	conical ray angle, measured from cone axis
q	free-stream dynamic pressure, $\frac{\rho_\infty}{2} V_\infty^2$	μ	Mach angle
R	universal gas constant	$\frac{\alpha_l}{\alpha}$	ratio of local angle of attack to cone angle of attack (upwash factor)
ΔS	increase in entropy	<i>Subscripts:</i>	
S_2	coefficient defined in equations (8) and (9)	s	denotes values at cone surface
V	resultant velocity (dimensional)	w	denotes conditions immediately behind shock wave
V_l	limiting velocity due to expansion into a vacuum (dimensional)	∞	denotes free-stream conditions
		1	flow quantities for the zero-angle-of-attack condition
		2	flow quantities related to the effect of angle of attack
		l	local values
		u'_2, v'_2, w'_2	"body-fixed" velocity components, spherical coordinate system

Solution of the Equations

THE BASIC THEORY that is to be used has become quite well known (refs. 2, 3, and 6) and will only be summarized here. The spherical coordinate system, \bar{r}, θ, ϕ , shown in figure 1 is used for the basic system of equations. Now u, v , and w are velocity components in the \bar{r}, θ , and ϕ directions, respectively, and P and ρ are pressure and density, respectively. It has been shown in reference 2 that these quantities can be expanded in series that are independent of \bar{r} and, if higher order terms in α are neglected, we have

$$\left. \begin{aligned} u &= u_1 + \alpha u_2 \cos \phi \\ v &= v_1 + \alpha v_2 \cos \phi \\ w &= \alpha w_2 \sin \phi \\ P &= P_1 + \alpha P_2 \cos \phi \\ \rho &= \rho_1 + \alpha \rho_2 \cos \phi \end{aligned} \right\} \quad (1)$$

where u_1, v_1, P_1 , and ρ_1 are obtained from the cone solution at zero angle of attack. Ferri, in reference 7, shows that the pressure and density are fairly nonlinear with α and therefore the equations

$$P = P_1 + \alpha P_2 \cos \phi$$

and

$$\rho = \rho_1 + \alpha \rho_2 \cos \phi$$

apply only at very small values of α . For all numerical calculations subsequent to the integration of the basic equations, exact pressure and density velocity relationships were used. This procedure was shown in reference 7 to be good to much larger values of α . The present problem, then, is to find solutions for u_2, v_2 , and w_2 . These coefficients are independent of \bar{r}, ϕ , and α and a resulting second-order

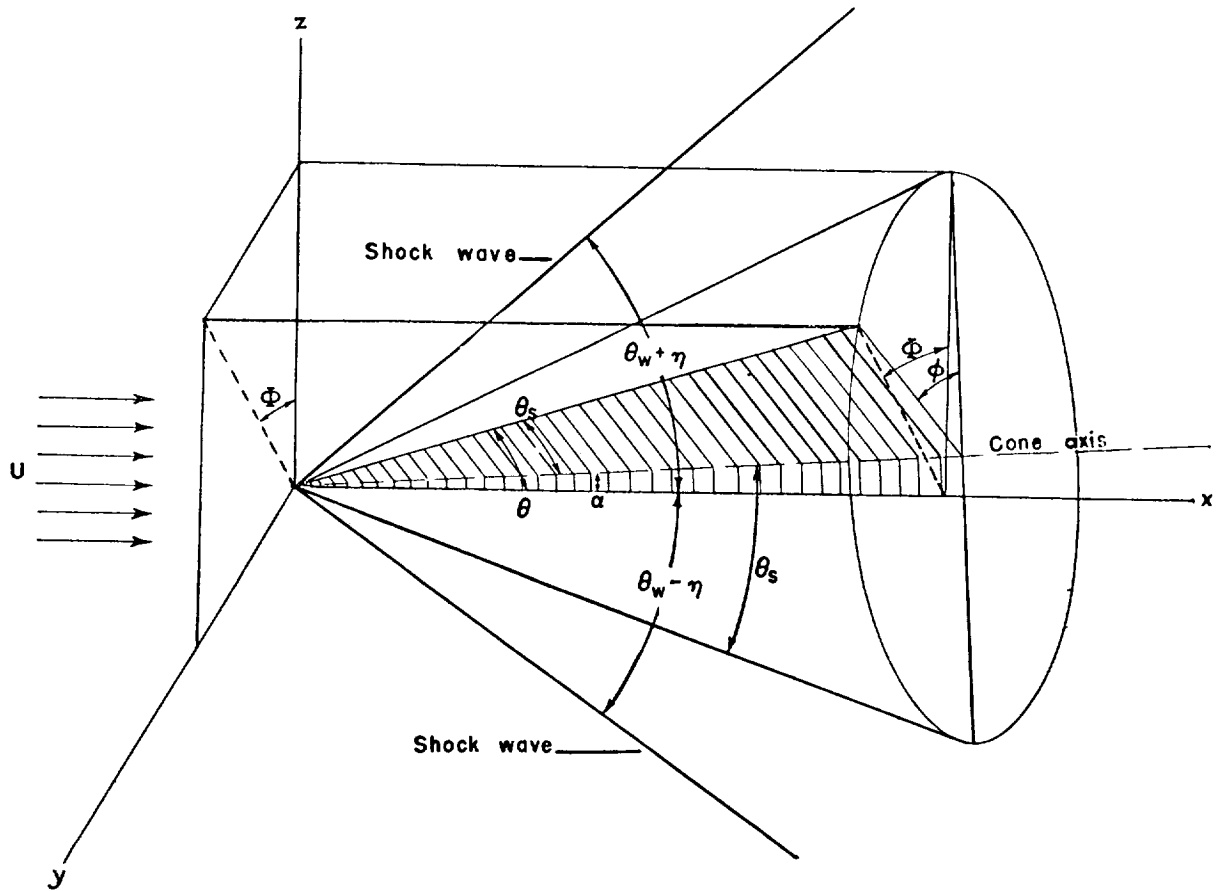


FIGURE 1.—Wind-fixed polar coordinates.

differential equation is a complete formulation of the problem. This differential equation is (with $v_2 = \frac{du_2}{d\theta}$)

$$\frac{1}{f} \left(\frac{d^2 u_2}{d\theta^2} \right) + \frac{A}{f} \left(\frac{du_2}{d\theta} \right) + \frac{B}{f} u_2 + C = 0 \quad (2)$$

where

$$A = \cot \theta + \lambda [2u_1 + 3v_1 \cot \theta + (\gamma + 1)\lambda v_1 (u_1 + v_1 \cot \theta)] \quad (3)$$

$$B = 1 - \cot^2 \theta + \lambda [\lambda(\gamma - 1)(u_1 + v_1 \cot \theta) - v_1 \cot^2 \theta] \quad (4)$$

$$C = \frac{1 + \lambda v_1}{(\gamma - 1) \sin^2 \theta} \sqrt{-v_1 \rho_1 \sin \theta} \int_{\theta_w}^{\theta} \frac{P_1 d\theta}{-v_1 \rho_1 \sqrt{-v_1 \rho_1 \sin \theta}} \quad (5)$$

and

$$\lambda = \frac{v_1}{a^2 - v_1^2} \quad (6)$$

In equation (2), the coefficients are functions of the zero-angle-of-attack flow field solutions only. In addition, the constant f arises in the equation of state and is defined by

$$f = \frac{P_2}{P_1} - \gamma \frac{\rho_2}{\rho_1} \quad (7)$$

In reference 1, Ferri has shown that

$$\Delta S = \Delta S_1 + \alpha S_2 \cos \phi \quad (8)$$

is a satisfactory definition for the entropy in flows of this type outside the surface shear layer. However, Ferri shows in reference 7 that the entropy distribution given by equation (8) cannot exist on the surface of the cone where ΔS is constant. In fact, there is a small region next to the surface, the vortical layer, where it is not applicable; therefore, the present results apply at the outer edge of the vortical layer. As α approaches zero, this layer becomes infinitely thin and there is no pressure gradient across this layer; therefore, forces on the cone may be computed from the flow field defined by equation (8). Then from equations (7), (8), and the equation of state for rotational flow, we get

$$\frac{S_2}{R} = \frac{f}{\gamma - 1} \quad (9)$$

Equation (2) must be provided with appropriate

boundary conditions before its solution may be obtained. When $\theta = \theta_w$,

$$\frac{u_2}{f} = \frac{a^2}{\gamma(\gamma - 1)(u_1 + v_1 \cot \theta_w)} \quad (10)$$

$$\frac{v_2}{f} = \frac{2a^2 \cot \theta (2u_1 - v_1 \cot \theta_w)}{\gamma(\gamma^2 - 1)(u_1 + v_1 \cot \theta_w)^2} \quad (11)$$

and when $\theta = \theta_s$,

$$v_{2,s} = 2u_{1,s} \quad (12)$$

Also, equation (5) becomes indeterminate at the surface of the cone and must be replaced by

$$C_s = -\frac{\csc^2 \theta_s}{\gamma - 1} \left(\frac{P_1}{\rho_1 u_1} \right)_s \quad (13)$$

Now, starting with equations (10) and (11), equation (2) may be numerically integrated from the shock wave to the cone surface. This

process yields values of $\frac{u_2}{f}$ and $\frac{v_2}{f}$ everywhere in the flow field. From equation (12) and the integrated value of $\frac{v_2}{f}$ at the cone surface, the value of f can be found. With this information, the values of u_2 and v_2 may be found everywhere in the flow field. The corresponding values of w_2 can now be found from

$$w_2 = \frac{Cf \sin \theta}{1 + \lambda v_1} - \frac{u_2}{\sin \theta} \quad (14)$$

and S_2/R can be computed from equation (9). One remaining parameter of interest is the ratio of the shock-wave yaw to cone yaw η/α which is computed from

$$\frac{\eta}{\alpha} = \frac{a^2 f \cot \theta}{\gamma(\gamma - 1)(u_1 + v_1 \cot \theta)^2} \quad (15)$$

where all quantities are evaluated at the shock wave. As in the zero-angle-of-attack case, all the velocities have been nondimensionalized by the limiting velocity that the gas can attain if it is expanded adiabatically into a vacuum.

We now have the complete solution of the flow field about a circular cone at a small angle of attack; however, these results are in a wind-fixed spherical coordinate system. They should be transformed into a body-fixed cylindrical coordinate system for use as starting conditions for the method-of-characteristics solutions of flow fields about general pointed bodies of revolution. (See fig. 2.) The u_2 , v_2 , and w_2

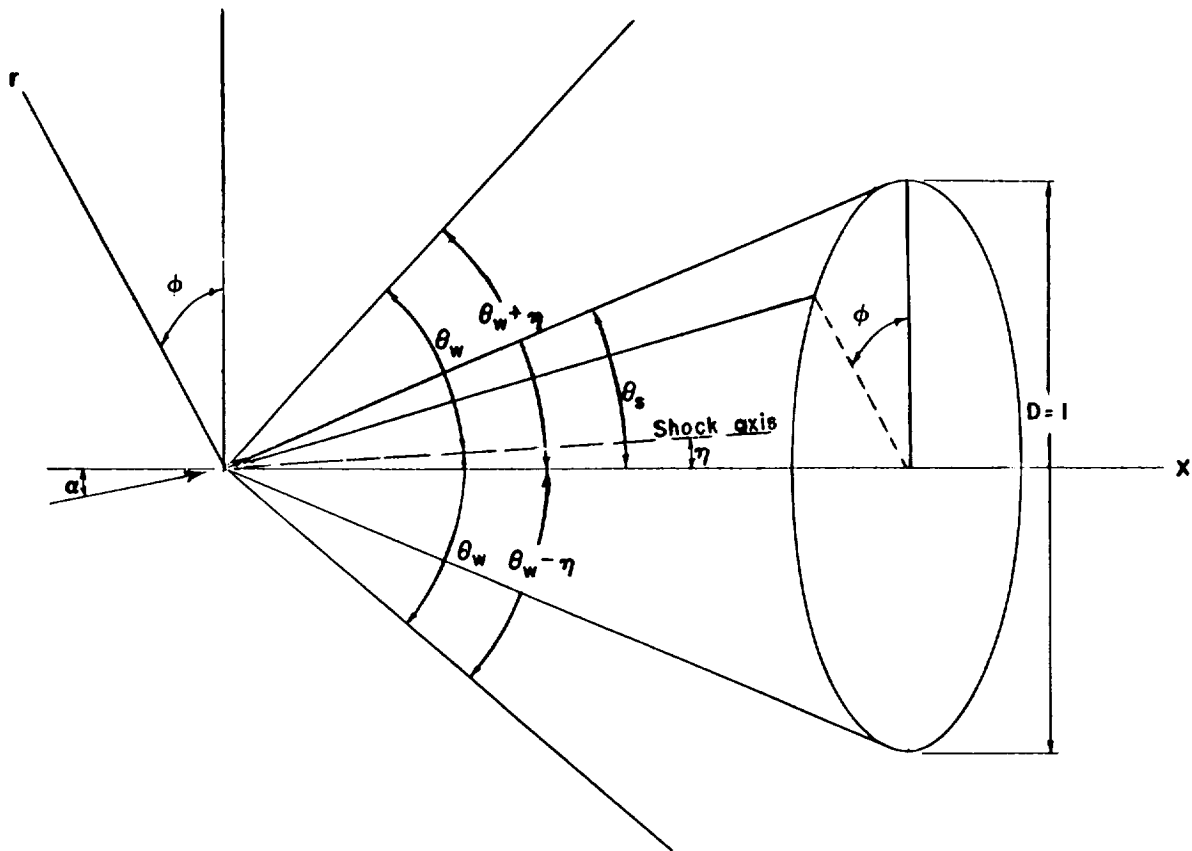


FIGURE 2.—Body-fixed cylindrical coordinates.

velocity components can be transformed into a body-fixed spherical coordinate system by the following equations (refs. 8 and 4):

$$u'_2 = u_2 + v_1 \quad (16)$$

$$v'_2 = v_2 - \left[\frac{a^2(u_1 + v_1 \cot \theta)}{a^2 - v_1^2} + u_1 \right] \quad (17)$$

$$w'_2 = w_2 - v_1 \csc \theta \quad (18)$$

where u'_2 , v'_2 , and w'_2 are the angle-of-attack results in the body-fixed spherical coordinate system.

For a general body of revolution, the body-fixed cylindrical coordinate system is generally used and the results of reference 5 are given in such a system. Therefore, the present results will be transformed into this system. In the

cylindrical coordinate system, the velocity components may be written as

$$\left. \begin{aligned} \bar{u} &= \bar{u}_1 + \alpha \bar{u}_2 \cos \phi \\ \bar{v} &= \bar{v}_1 + \alpha \bar{v}_2 \cos \phi \\ \bar{w} &= \alpha \bar{w}_2 \sin \phi \end{aligned} \right\} \quad (19)$$

in the x , r , and ϕ directions, respectively, and all quantities are considered to be nondimensionalized by the limiting velocity. It is easily shown that equations (19) may be written as

$$\left. \begin{aligned} M^* &= M_1^* + \alpha M_2^* \cos \phi \\ \psi &= \psi_1 + \alpha \psi_2 \cos \phi \\ M_w^* &= \alpha M_{w,2}^* \sin \phi \end{aligned} \right\} \quad (20)$$

where M_1^* and ψ_1 are the zero-angle-of-attack

results given in reference 5. The nondimensional velocity components in polar coordinates (u'_2 , v'_2 , and w'_2) can be transformed into the nondimensional velocity components in cylindrical coordinates by

$$\bar{u}_2 = u'_2 \cos \theta - v'_2 \sin \theta \quad (21)$$

$$\bar{v}_2 = u'_2 \sin \theta + v'_2 \cos \theta \quad (22)$$

$$w_2 = w'_2 \quad (23)$$

Now the components \bar{u}_2 and v_2 can be used to obtain the resultant velocities and flow direction indicated in equations (20). These relationships are easily shown to be

$$M_2^* = (\bar{u}_2 \cos \psi_1 + \bar{v}_2 \sin \psi) \sqrt{\frac{\gamma+1}{\gamma-1}} \quad (24)$$

since

$$\frac{V_i}{a^*} = \sqrt{\frac{\gamma+1}{\gamma-1}} \quad (25)$$

In general,

$$\left(\frac{dC_N}{d\alpha}\right)_{\alpha=0} = \frac{2}{A} \int_0^{1/D} \int_0^\pi r \left(\frac{dC_p}{d\alpha}\right)_{\alpha=0} \cos \phi \, d\phi \, d(x/D) \quad (28)$$

We have

$$\left(\frac{dC_p}{d\alpha}\right)_{\alpha=0} = \frac{1}{q_\infty} \left(\frac{dP}{d\alpha}\right)_{\alpha=0} \quad (29)$$

and for the flow which is rotational

$$\frac{P}{P_1} = \left[\frac{(\gamma+1) - (\gamma-1)(M_1^* + \alpha M_2^* \cos \phi)^2}{(\gamma+1) - (\gamma-1)M_1^{*2}} \right]^{\frac{\gamma}{\gamma-1}} e^{-\frac{\alpha S_2}{R} \cos \phi} \quad (30)$$

so that

$$\frac{1}{P_1} \left(\frac{dP}{d\alpha}\right)_{\alpha=0} = \frac{-2\gamma M_1^* M_2^* \cos \phi}{(\gamma+1) - (\gamma-1)M_1^{*2}} - \frac{S_2}{R} \cos \phi \quad (31)$$

When equations (29) and (31) are inserted in equation (28) we get

$$\left(\frac{dC_N}{d\alpha}\right)_{\alpha=0} = \frac{4}{\gamma M_\infty^2 A} \int_0^{1/D} \int_0^\pi \frac{P_1}{P_\infty} r \left[\frac{-2\gamma M_1^* M_2^*}{(\gamma+1) - (\gamma-1)M_1^{*2}} - \frac{S_2}{R} \right] r \cos^2 \phi \, d\phi \, d(x/D) \quad (32)$$

Performing the integration in the ϕ direction and simplifying we get

$$\left(\frac{dC_N}{d\alpha}\right)_{\alpha=0} = \frac{8}{\gamma M_\infty^2 D} \int_0^{1/D} \frac{P_1}{P_\infty} r \left[\frac{-2\gamma M_1^* M_2^*}{(\gamma+1) - (\gamma-1)M_1^{*2}} - \frac{S_2}{R} \right] d(x/D) \quad (33)$$

where the integrand of equation (33) will give the local normal-force-coefficient slope for any general body of revolution. For the cone, the indicated integration is readily performed and the result is

$$\left(\frac{dC_N}{d\alpha}\right)_{\alpha=0} = \frac{1}{\gamma M_\infty^2} \frac{P_1}{P_\infty} \left[\frac{-2\gamma M_1^* M_2^*}{(\gamma+1) - (\gamma-1)M_1^{*2}} - \frac{S_2}{R} \right] \cot \theta, \quad (34)$$

and

$$\psi_2 = \frac{\sqrt{\frac{\gamma+1}{\gamma-1}}}{M_1^*} (\bar{v}_2 \cos \psi_1 - \bar{u}_2 \sin \psi_1) \quad (26)$$

$$M_{w,2}^* = \bar{w}_2 \sqrt{\frac{\gamma+1}{\gamma-1}} \quad (27)$$

which completes the transformation of the basic component velocities in wind-fixed polar coordinates to resultant velocities and flow directions in body-fixed cylindrical coordinates.

These results are primarily intended to provide starting data for a method-of-characteristics solution that formulates the equation of state from speed of sound and entropy rather than from pressure and density. For this reason, the values of P_2 and ρ_2 in equations (1) and (7) were not computed numerically. In reference 3 the slope of the normal-force coefficient as α approaches zero was computed from the surface value of P_2 . For the present case, this quantity and the slope of the pitching-moment-coefficient curve have been computed as follows:

where all quantities are evaluated at the surface of the cone and the reference diameter is the base diameter and is taken to be 1 caliber. In a similar manner, the slope of the pitching-moment-coefficient curve is

$$\left(\frac{dC_M}{d\alpha}\right)_{\alpha=0} = \frac{2}{3\gamma M_\infty^2} \frac{P_1}{P_\infty} \left[\frac{-2\gamma M_1^* M_2^*}{(\gamma+1) - (\gamma-1)M_1^{*2}} - \frac{S_2}{R} \right] \frac{l}{D} \cot \theta_s \sec^2 \theta_s \quad (35)$$

if moments are taken about the cone vertex. Then the center-of-pressure position is

$$(x_{cp})_{\alpha=0} = \frac{2}{3} \frac{l}{D} \sec^2 \theta_s \quad (36)$$

These results are identical to those found by Kopal in reference 3.

From these equations, the effect of the entropy change due to angle of attack on the forces and moments acting on the cone can be seen more clearly than from the equivalent equations in reference 3. In general, even though the zero-angle-of-attack flow field is

isentropic, the effects of entropy changes due to angle of attack are not negligible.

One additional quantity which may be computed from the basic conical flow field calculations and which is of interest to the aerodynamicist is the local upwash factor α_l/α . If α is small, this quantity may be computed from

$$\frac{\alpha_l}{\alpha} = \frac{M_{w,2}^* \sin \phi}{M_1^*} \quad (37)$$

where α_l is the total local angle of attack of a two-dimensional surface in any given meridian plane.

Discussion of Results

All the results given herein are in a body-fixed x, r, ϕ cylindrical coordinate system that has its origin at the cone vertex and the x -axis is the axis of symmetry. The tables for the individual flow fields are printed at the same conical-ray angles as the zero-angle-of-attack tables in reference 5. Tables for the individual solutions were printed directly from the machine calculations and were not converted to decimal forms. For each number, the leading sign is the algebraic sign of the number. The next eight digits that represent the size of the quantity are considered to be 0.xxxxxxxx. Coming last are an algebraic sign and two digits that are the exponent of 10^{+xx} by which the quantity must be multiplied to obtain the correct decimal-point location. Thus a number that is printed in the machine code as +12937642+01 is read as 1.2937642. In each of the tables, the coefficients $M_{v,2}^*$, ψ_2 , and M_2^* , along with the zero-angle-of-attack Mach angle μ_1 in radians, are given as a function of the conical-ray angle θ in radians. The tabulations start at the cone surface and end at the shock-wave surface. At the end of each table, the values of the ratio of cone to shock-wave yaw η/α and the entropy coefficient S_2/R are listed.

The manner in which these solutions were obtained yields results that are in error at each

point by a factor of the total integration error in $\frac{1}{f} \frac{d^2 u_2}{d\theta^2}$ through the entire flow field. This is caused by f being evaluated from the integrated value of $\frac{1}{f} v_2$ and the surface boundary condition on v_2 . In addition, there can also be errors in the integration of $\frac{1}{f} \frac{du_2}{d\theta}$ to obtain $\frac{u_2}{f}$.

Realistic estimates of the sum total of all numerical inaccuracies can be made from the surface values of the flow direction coefficients. In the body-fixed cylindrical coordinate system, the surface boundary condition is $\psi_2=0$. During the coordinate transformation, all results were transformed by the same equations and no additional restraints were applied. Therefore, the total numerical error in any example is of the same order of magnitude by which the surface value of ψ_2 differs from zero. This difference is never as great as 10^{-5} and in the majority of the cases is smaller than 10^{-6} .

In addition to the individual flow field solutions given in tables 8 through 209, surface values and additionally computed results are given in summary form in tables 1 through 7. All summary tables were tabulated or computed by hand from the machine printed individual flow field solutions. Table 1 gives complete summary results for the minimum free-stream

Mach number solution for each cone angle. Values of the initial slope of the normal-force coefficient were computed from equation (34) and are given in table 2. Tables 3 through 6 are merely tabulations of the flow field constants and surface values of the velocity coefficients. Table 7 gives the surface values of the upwash factor α_i/α in the $\eta/2$ meridian plane. Those values were computed from equation (37) with $\sin \phi=1$. Also, the summary results are presented in graphical form in figures 3 through 9. It can be seen in figure 9 that for the larger cone angles and

higher free-stream Mach numbers that the surface value of the upwash factor actually becomes a very strong downwash factor. The behavior of these upwash factors across the flow field for all the cone angles at free-stream Mach numbers of 1.5, 5.0, and 20.0 are shown in figures 10 through 12. The shock-wave boundary conditions require that the upwash factor be close to 1 at the shock wave. This causes the distribution shapes across the flow fields to change as the Mach number or cone angle changes.

References

1. FERRI, ANTONIO: The Method of Characteristics for the Determination of Supersonic Flow Over Bodies of Revolution at Small Angles of Attack. NACA Rep. 1044, 1951.
2. STONE, A. H.: On Supersonic Flow Past a Slightly Yawing Cone. Jour. Math. and Phys., vol. 27, 1948, pp. 67-81.
3. KOPAL, ZDENĚK: Tables of Supersonic Flow Around Yawing Cones. Massachusetts Institute of Technology, Tech. Rep. No. 3, 1947.
4. ROBERTS, RICHARD C., and RILEY, JAMES D.: A Guide to the Use of the M.I.T. Cone Tables. Jour. Aero. Sci., vol. 21, no. 5, 1954, p. 336.
5. SIMS, JOSEPH L.: Tables for Supersonic Flow Around Right Circular Cones at Zero Angle of Attack. NASA SP-3004, 1964.
6. YOUNG, G. B. W.: An Elucidation of Stone's Solution for a Slightly Yawing Supersonic Cone. The Rand Corp., RM 48, July 20, 1948.
7. FERRI, ANTONIO: Supersonic Flow Around Circular Cones at Angles of Attack. NACA Rep. 1045, 1951.
8. VAN DYKE, MILTON D., YOUNG, GEORGE B. W., and SISKA, CHARLES: Proper Use of the M.I.T. Tables for Supersonic Flow Past Inclined Cones. Jour. Aero. Sci., vol. 18, no. 5, 1951, pp. 355-356.

Bibliography

- KOPAL, ZDENĚK: Tables of Supersonic Flow Around Cones. Massachusetts Institute of Technology, Tech. Rep. No. 1, 1947.
- YOUNG, G. B. W., and SISKA, C. P.: Supersonic Flow Around Cones at Large Yaw. Jour. Aero. Sci., vol. 19, no. 2, 1952, pp. 111-119.

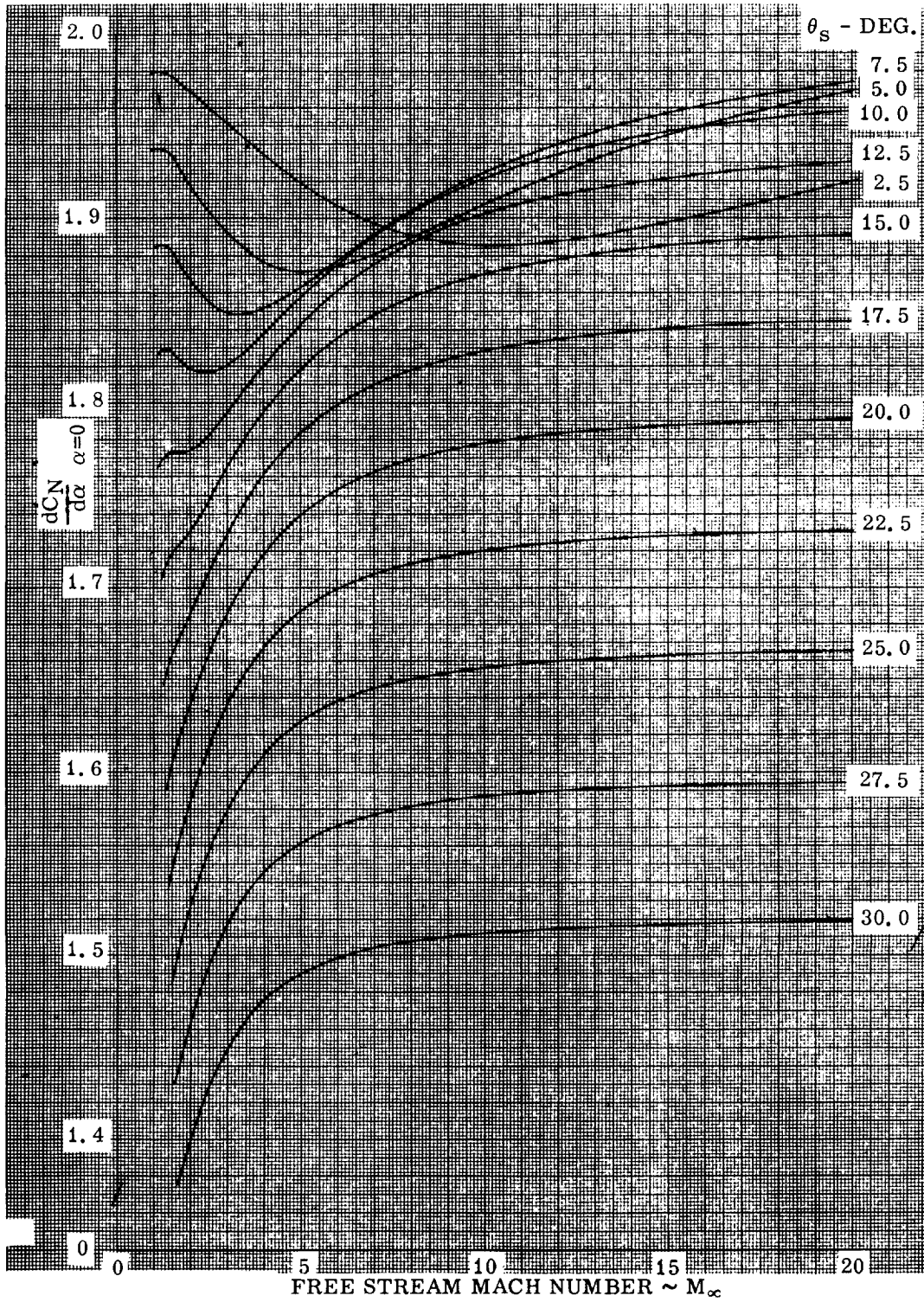


FIGURE 3.—Slope of the normal-force-coefficient curve with change in free-stream Mach number for $\theta_s=7.5$ to 30.

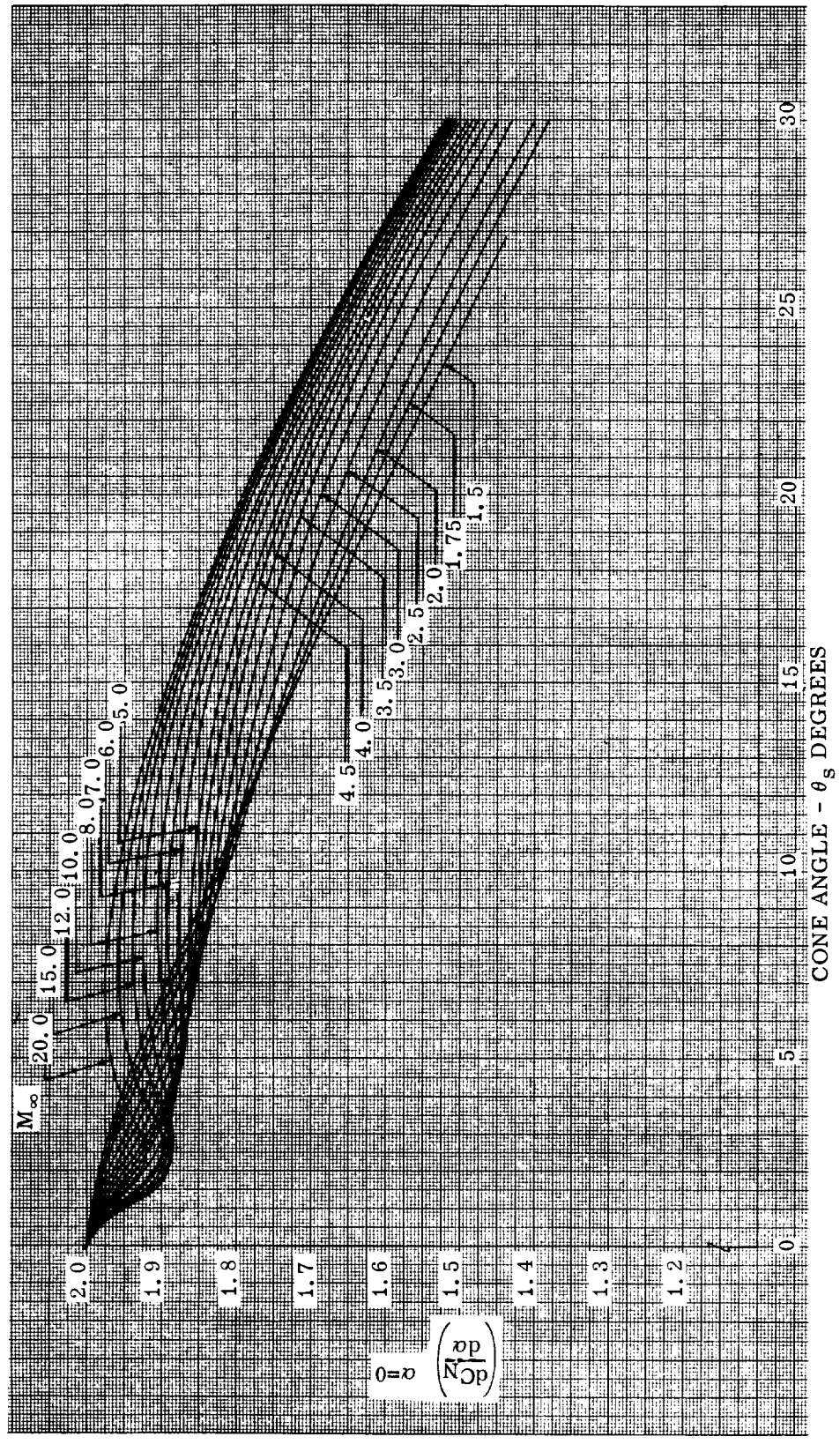


FIGURE 4.—Slope of the normal-force-coefficient curve with cone angle for $M_\infty = 1.5$ to 20.

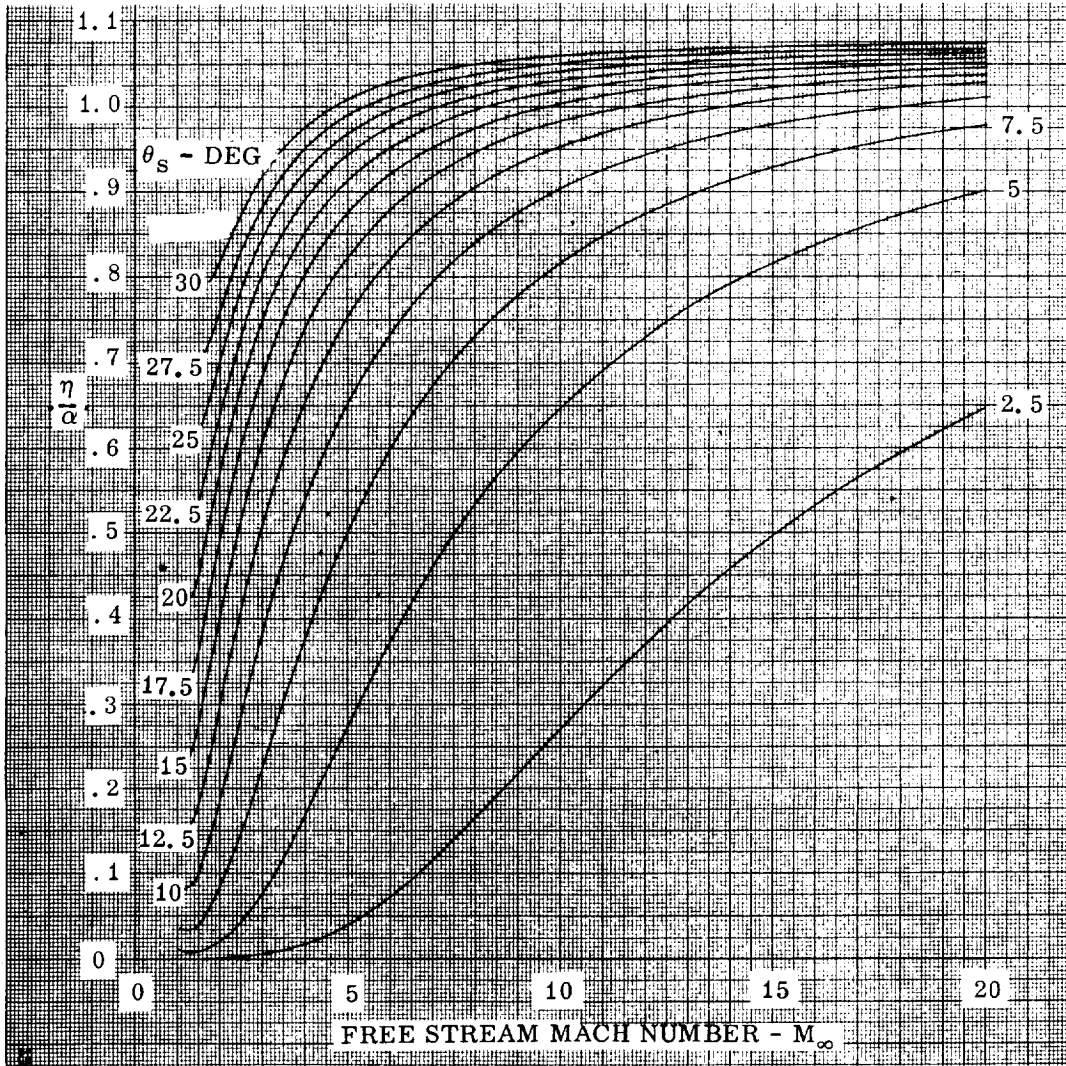


FIGURE 5.—Ratio of shock-wave yaw to body yaw η/α as a function of free-stream Mach number.

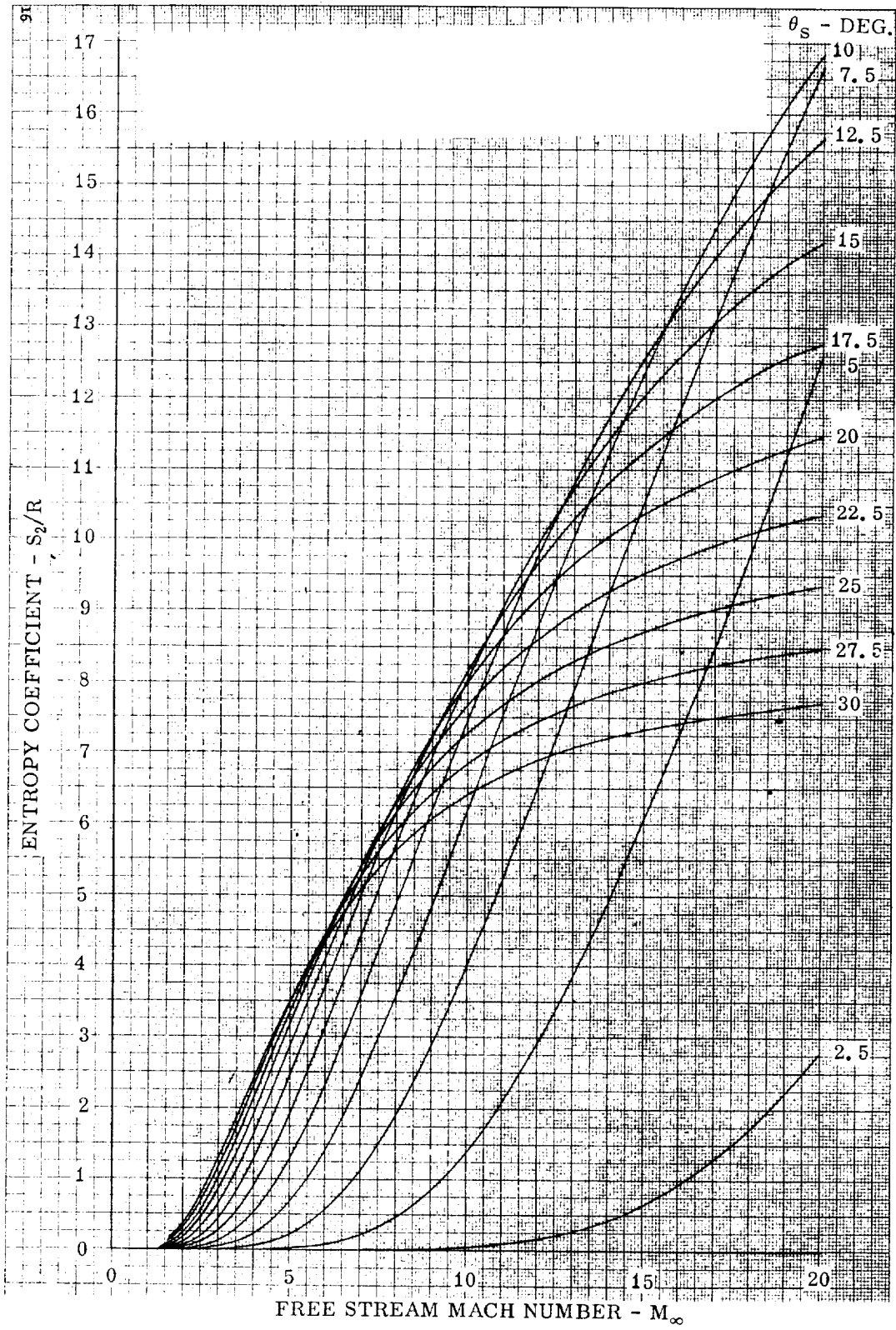


FIGURE 6.—Entropy coefficient S_2/R as a function of free-stream Mach number.

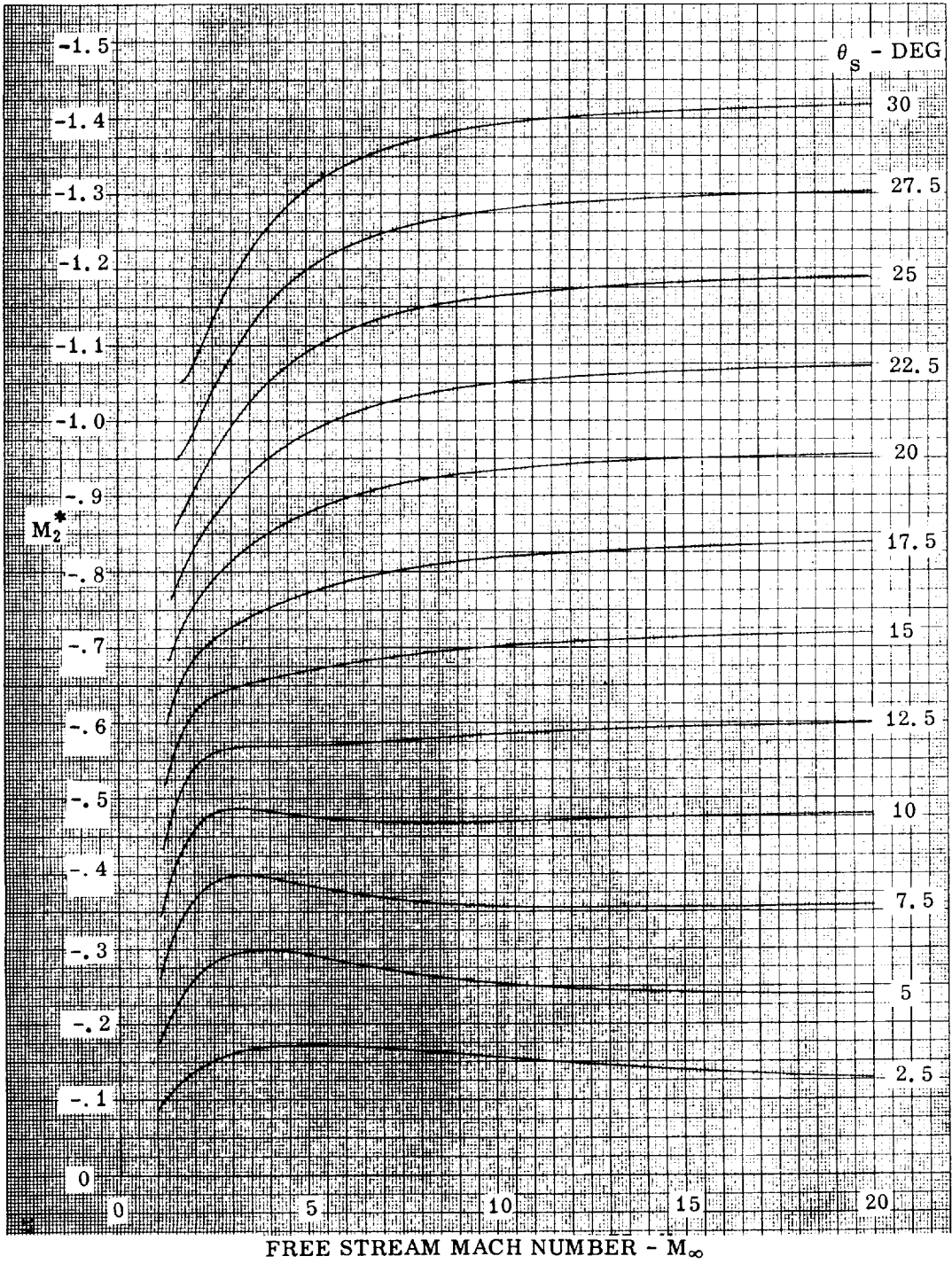


FIGURE 7.—Cone-surface velocity coefficient M_2^* as a function of free-stream Mach number.

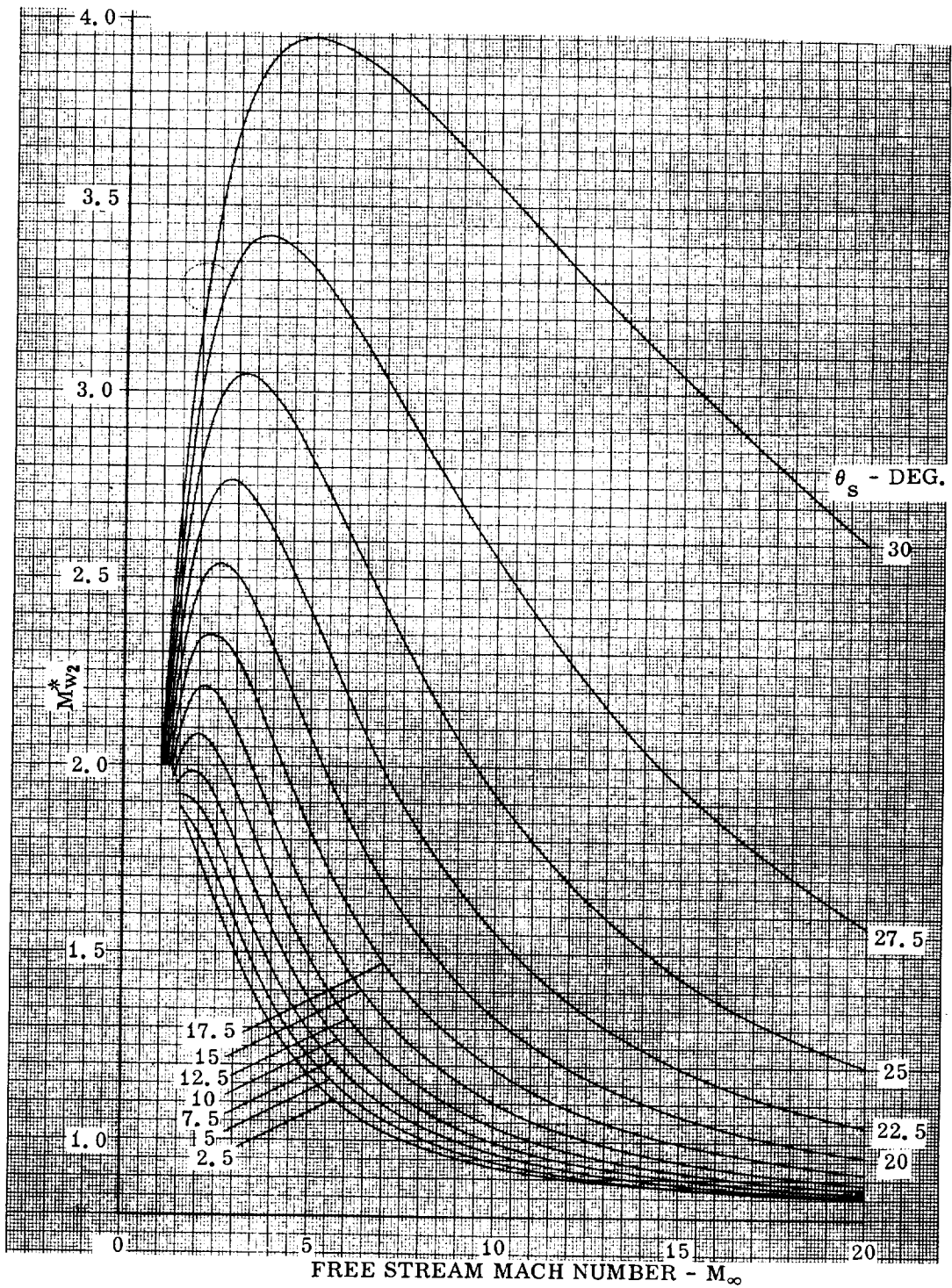


FIGURE 8.—Cone-surface velocity coefficient in ϕ direction M_{w2}^* , as a function of free-stream Mach number.

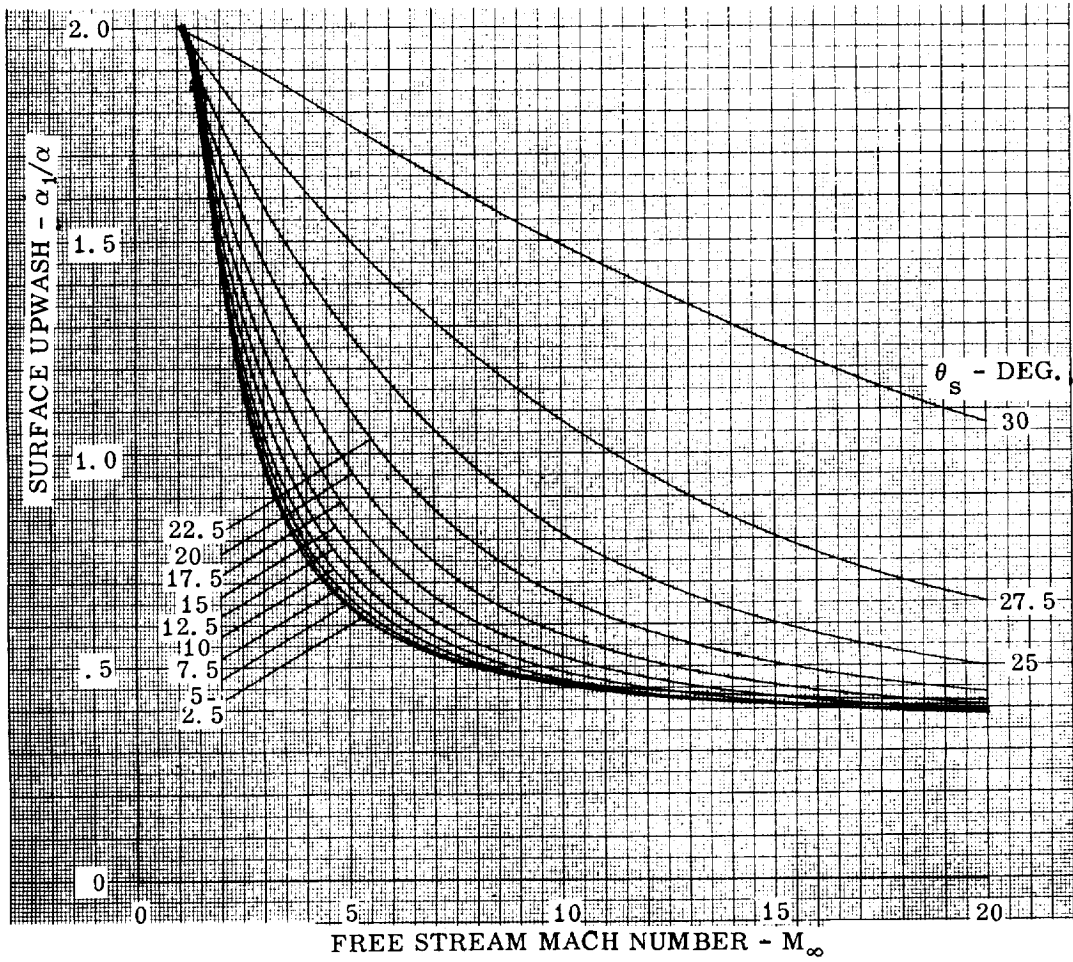


FIGURE 9.—Cone-surface upwash values α_1/α in the $\pi/2$ meridian plane as a function of free-stream Mach number.

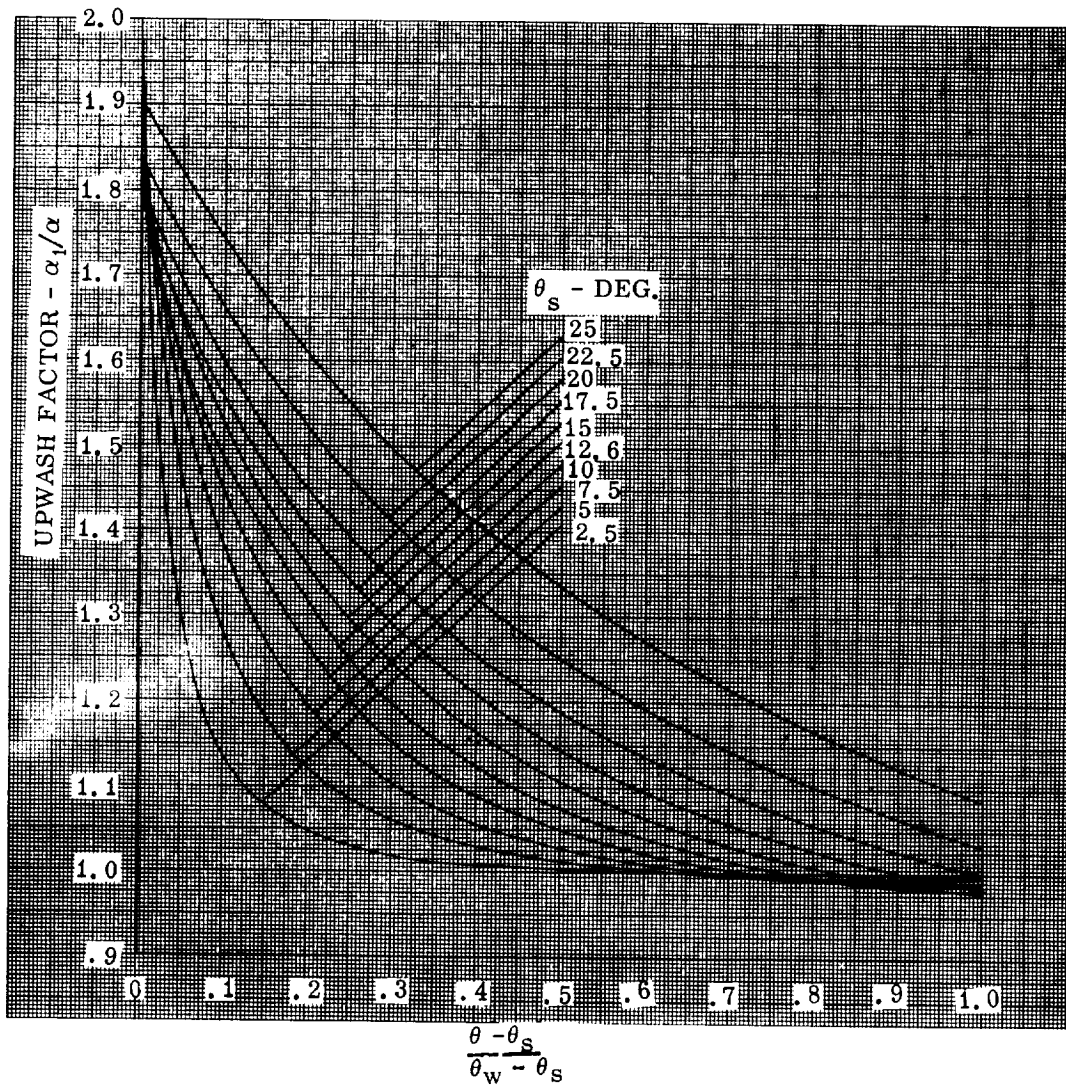


FIGURE 10.—Upwash factor α_1/α through flow field for all cone angles. $M_\infty=1.5$.

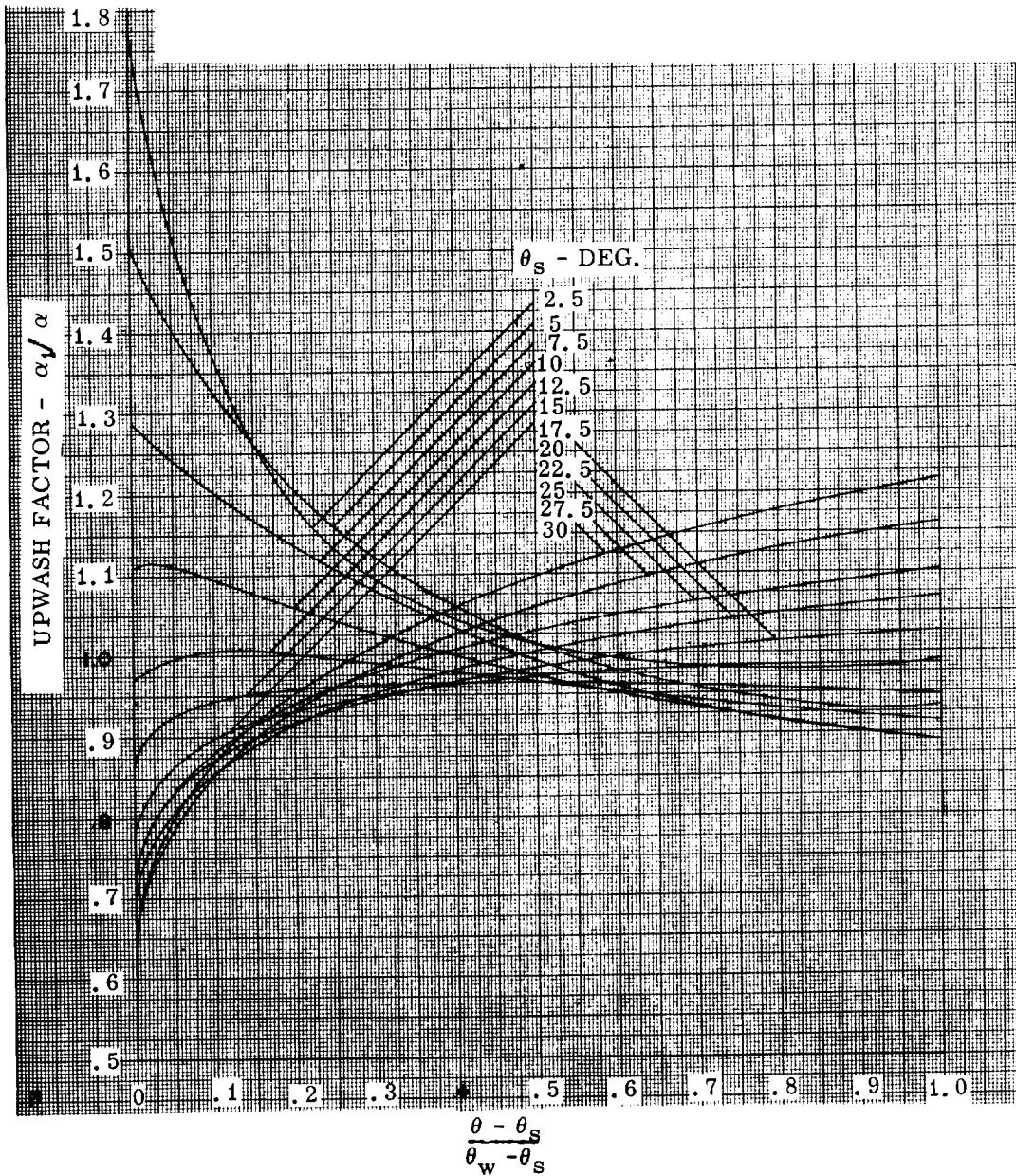


FIGURE 11.—Upwash factor α_i/α through flow field for all cone angles. $M_\infty=5.0$.

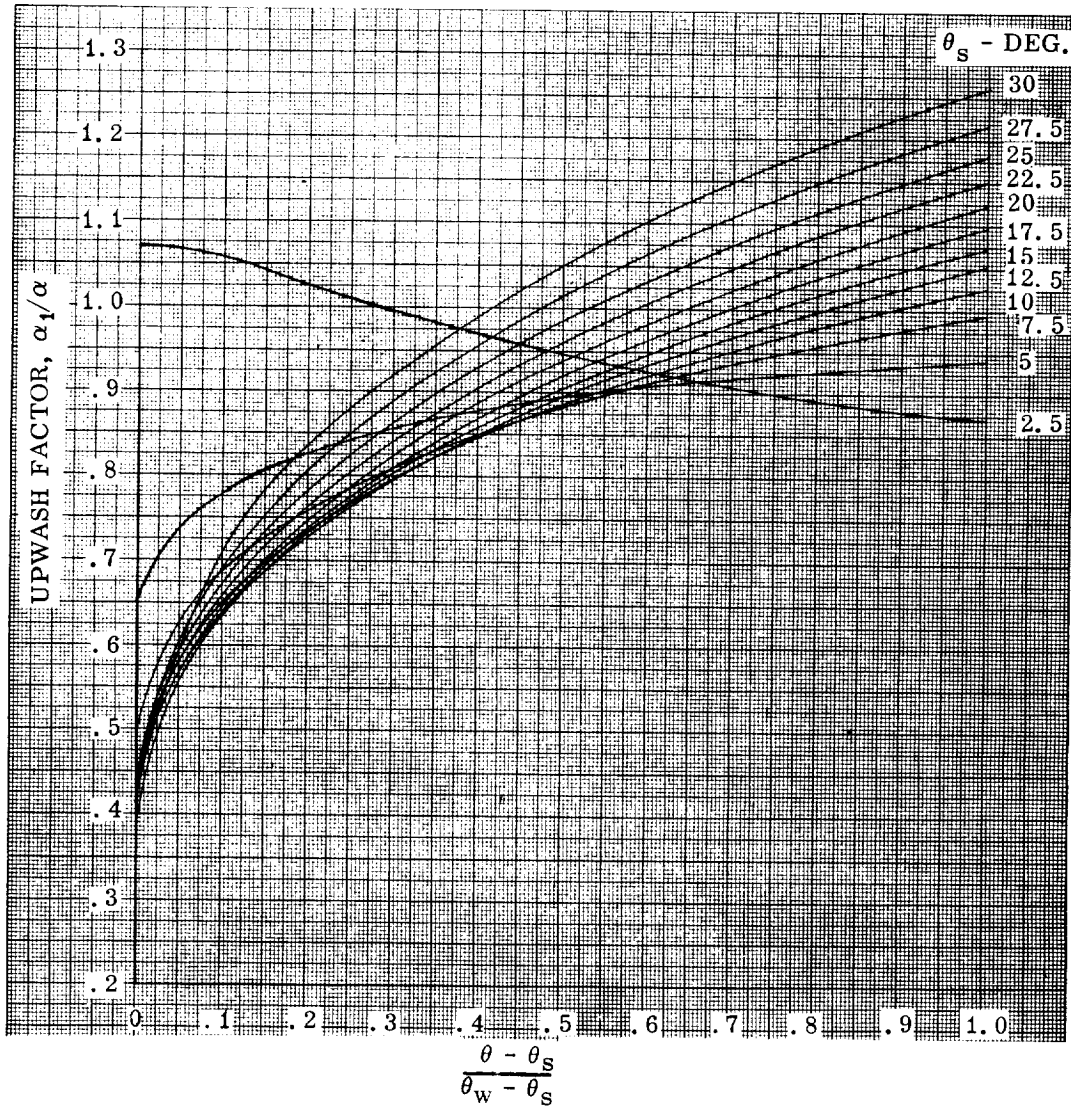


FIGURE 12.—Upwash factor α_1/α through flow field for all cone angles. $M_\infty = 20$.

TABLE 1.—Values for Minimum Free Stream Mach Number

θ_B	M_{00}	S_2/R	η/α	M_2^*	M_{W2}^*	$\left(\frac{\delta CN}{\delta \alpha}\right)_{\alpha=0}$	$\frac{\alpha_L}{\alpha}$
2.5	1.0121844	0	.00217694	-.08727873	2.0015645	1.9792220	2.0015561
5.0	1.0383341	.00000004	.01230054	-.17468360	2.0045502	1.9377305	2.0045418
7.5	1.0735583	.00000168	.03650328	-.26192168	2.0068113	1.8847211	2.0068029
10.0	1.1159051	.00002551	.08055267	-.34849606	2.0069071	1.8259721	2.0068987
12.5	1.1643198	.00021161	.14640315	-.43387247	2.0039620	1.7653417	2.0039536
15.0	1.2182190	.00112638	.23047873	-.51775257	1.9973856	1.7053838	1.9973772
17.5	1.2773745	.00426192	.32567982	-.60040503	1.9865672	1.6474358	1.9865589
20.0	1.3419094	.01239809	.42489989	-.68287429	1.9707283	1.5917219	1.9707200
22.5	1.4123337	.02949805	.52313389	-.76692255	1.9490311	1.5376674	1.9490229
25.0	1.4895953	.06020902	.61769493	-.85476984	1.9208169	1.4843004	1.9208088
27.5	1.5751393	.10929058	.70754538	-.94880773	1.8857868	1.4305861	1.8857789
30.0	1.6710795	.18124500	.79257648	-1.0514337	1.8439785	1.3756264	1.8439708

TABLE 2.—Values of $\left(\frac{dC_N}{d\alpha}\right)_{\alpha=0}$

$\frac{\theta_a}{M_{\infty}}$	2.5	5.0	7.5	10.0	12.5	15.0	17.5	20.0	22.5	25.0	27.5	30.0
1.5	1.9770483	1.9336127	1.8821566	1.8280992	1.7735619	1.7187816	1.6630926	1.6057182	1.5462941	1.4852936		
1.75	1.9731742	1.9258447	1.8737533	1.8224578	1.7730646	1.7243971	1.6746400	1.6223425	1.5666956	1.5075064	1.4451701	1.3808820
2.0	1.9690287	1.9180672	1.8661051	1.8183423	1.7742540	1.7310117	1.6859216	1.6372641	1.5842135	1.5265736	1.4645815	1.3988695
2.5	1.9602967	1.9036740	1.8548454	1.8161039	1.7820973	1.7472553	1.7083329	1.6638860	1.6134668	1.5571606	1.4953496	1.4286279
3.0	1.9514206	1.8917127	1.8493550	1.8202950	1.7941549	1.7645092	1.7287097	1.6859461	1.6362061	1.5798551	1.5174588	1.4497109
3.5	1.9426977	1.8826075	1.8437600	1.8232076	1.8074148	1.7806466	1.7461812	1.7037859	1.6537994	1.5968132	1.5335317	1.4647351
4.0	1.9343213	1.8763907	1.8516843	1.8377630	1.8203259	1.7949749	1.7608321	1.7181330	1.6674853	1.6096523	1.5454397	1.4756774
4.5	1.9264473	1.8728601	1.8568202	1.8477350	1.8322265	1.8074272	1.7730368	1.7296967	1.6782310	1.6195188	1.5544309	1.4838272
5.0	1.9191785	1.8715909	1.8632046	1.8574765	1.8430453	1.8181556	1.7832011	1.7390731	1.6867491	1.6272149	1.5613461	1.4900257
6.0	1.9066985	1.8741557	1.8772933	1.8752450	1.8611884	1.8352940	1.7988073	1.7530357	1.6991506	1.6381839	1.5710540	1.4986224
7.0	1.8972025	1.8808308	1.8911403	1.8902959	1.8754007	1.8479983	1.8098978	1.7626404	1.7074620	1.6453960	1.5773421	1.5041237
8.0	1.8906735	1.8893943	1.9037986	1.9027991	1.8865235	1.8575153	1.8179511	1.7694507	1.7132534	1.6503536	1.5816157	1.5078364
10.0	1.8854155	1.9075860	1.9248544	1.9216225	1.9022129	1.8703588	1.8284727	1.7781460	1.7205191	1.6564935	1.5868584	1.5123524
12.0	1.8876297	1.9243231	1.9408134	1.9345246	1.9122898	1.8782443	1.8347389	1.7832191	1.7246910	1.6599792	1.5898124	1.5148790
15.0	1.8980460	1.9449893	1.9576949	1.9470431	1.9215589	1.8852675	1.8402027	1.7875704	1.7282369	1.6629184	1.5922831	1.5169846
20.0	1.9201707	1.9690214	1.9743436	1.9583547	1.9295376	1.8911343	1.8446777	1.7910947	1.7310758	1.6652577	1.5942431	1.5186494

TABLE 3.—Values of η/α

$\frac{\theta_0}{M_0}$	2.5	5.0	7.5	10.0	12.5	15.0	17.5	20.0	22.5	25.0	27.5	30.0
1.5	.00074733	.00892260	.03969488	.10010991	.18235063	.27329506	.36389199	.45067835	.53421016	.61828732	.72375701	.79386161
1.75	.00092225	.01369109	.05855076	.13875238	.23711734	.33646197	.42892604	.51151872	.58663168	.65628791	.76152806	.81762884
2.0	.00141458	.02075911	.08387407	.18490860	.29658696	.40093566	.49255071	.57195610	.64148305	.70378305	.76152806	.81762884
2.5	.00312118	.04280362	.14949129	.28524969	.41110196	.51626669	.60240022	.67360711	.73365607	.78599116	.83188827	.87471911
3.0	.00599504	.07592912	.22593435	.38158925	.50912396	.60876468	.68718994	.75024821	.80223525	.84628884	.88479272	.91968614
3.5	.01071391	.11870182	.30350512	.46646118	.58948288	.68164939	.75231325	.80801301	.85318058	.89091954	.92351300	.95275293
4.0	.01745684	.16805034	.37641877	.53884221	.65492595	.73941289	.80290425	.85215502	.89157696	.92418800	.95215777	.97714609
4.5	.02686232	.22056184	.44230187	.60003263	.70850068	.78570056	.84274758	.88640771	.92100043	.94942244	.97371925	.99542565
5.0	.03908265	.27340060	.50074497	.65182040	.75273361	.82321734	.87454194	.91338011	.94391272	.96889663	.99024541	1.0093735
6.0	.07206739	.37310363	.59750128	.73354722	.82051890	.87937121	.92119491	.95230836	.97653946	.99633236	1.01333392	1.0287567
7.0	.11500206	.46008901	.67266545	.79406681	.86902240	.91843370	.95290748	.97828496	.99799440	1.0141692	1.0282243	1.0411748
8.0	.16470033	.53379273	.73178295	.83989085	.90467656	.94647985	.97226307	.99633994	1.0127462	1.0263328	1.0383124	1.0495543
10.0	.27088421	.64819131	.81705950	.90300990	.95208818	.98280663	1.0036634	1.0189514	1.0310250	1.0412849	1.0506409	1.0597521
12.0	.37125200	.73060356	.87396801	.94293802	.98095566	1.0043416	1.0201858	1.0312297	1.0414146	1.0497229	1.0575613	1.0654551
15.0	.49726594	.81607830	.92875949	.97952470	1.0065773	1.0230624	1.0343503	1.0429492	1.0501752	1.0568021	1.0633470	1.0702106
20.0	.64736297	.90095105	.97845977	1.0110095	1.0279555	1.0383886	1.0458047	1.0517863	1.0571601	1.0624228	1.0679259	1.0739668

TABLE 4.—Values of S_2/R

$\frac{e_B}{M_{\infty}}$	2.5	5.0	7.5	10.0	12.5	15.0	17.5	20.0	22.5	25.0	27.5	30.0
1.5	0	.00000005	.00000562	.00011304	.00086550	.00360790	.01012958	.02183831	.03925705	.06208045	.17086043	.21724420
1.75	0	.00000026	.00002513	.00044198	.00290760	.01054154	.02630850	.05147879	.08539250	.12605120	.29615322	.36228410
2.0	0	.00000113	.00009868	.00146944	.00822046	.02605120	.05846916	.10526045	.16339428	.22852647	.66893951	.77297168
2.5	0	.00001473	.00093635	.00972443	.04034877	.10202616	.19333497	.30578538	.42873282	.55236798	1.1674833	1.2942112
3.0	.00000004	.00011726	.00510904	.03799214	.12406043	.26503020	.44421967	.64012917	.83409281	1.0126687	1.7376544	1.8660115
3.5	.00000028	.00062518	.01855880	.10419619	.28275386	.53226292	.81399595	1.0938411	1.3485308	1.5649763	2.3325493	2.4426318
4.0	.00000148	.00242868	.05044272	.22528968	.52922223	.90361511	1.2869730	1.6374408	1.9326250	2.1642120	2.9188266	2.9949845
4.5	.00000645	.00736542	.11139813	.41325849	.86584078	1.3672324	1.8390193	2.2386446	2.5503781	2.7743829	3.4758014	3.5072959
5.0	.00002367	.01841350	.21148885	.67397682	1.2862914	1.9053581	2.4445670	2.8686834	3.1735795	3.3703613	4.4640163	4.3905147
6.0	.00020787	.07554007	.55871952	1.4110692	2.3328274	3.1283282	3.7273106	4.1295307	4.3633487	4.4639590	5.2730121	5.0919484
7.0	.00116769	.21118246	1.1253099	2.3976681	3.5633848	4.4348988	4.9980551	5.3041495	5.4167738	5.3918950	5.9212796	5.6413838
8.0	.00467230	.46013986	1.9078801	3.5667639	4.8783463	5.7269817	6.1803763	6.3446693	6.3133029	6.1560334	6.8510152	6.4113377
10.0	.03642460	1.3616326	4.0018350	6.1821069	7.4816898	8.0631022	8.1737496	8.0053529	7.6831589	7.2834610	7.4530394	6.892703
12.0	.15100908	2.8904198	6.5379488	8.8289414	9.8048860	9.9624022	9.6838439	9.1968111	8.6251689	8.0325221	8.0087375	7.3426457
15.0	.64243590	6.0565072	10.571831	12.388365	12.591415	12.062879	11.258289	10.385923	9.5348125	8.7391644	8.0087375	7.3426457
20.0	2.7803199	12.589628	16.655053	16.836580	15.673661	14.202619	12.772787	11.483733	10.349623	9.3572677	8.4868690	7.7189663

TABLE 5.—Surface Values of M^*

$\frac{\theta_B}{M_{\infty}}$	2.5	5.0	7.5	10.0	12.5	15.0	17.5	20.0	22.5	25.0	27.5	30.0
1.5	-.11690017	-.22548475	-.32371196	-.41200093	-.49186970	-.56550740	-.63553542	-.70482219	-.77661579	-.85544114	-.96078969	-1.0531874
1.75	-.12855757	-.24547378	-.34870218	-.43946209	-.52025601	-.59420940	-.66449348	-.73390529	-.80482839	-.87953209	-.98688977	-1.0746970
2.0	-.13817494	-.26114854	-.36721104	-.45872706	-.53951038	-.613777320	-.68518412	-.75646440	-.82952658	-.90584455	-.1.0399937	-1.1309798
2.5	-.15237201	-.28214468	-.38934563	-.47960088	-.55987255	-.63606327	-.71195712	-.78955041	-.86978778	-.95313832	-.1.0860076	-1.1822087
3.0	-.16149953	-.29310958	-.39798797	-.48609825	-.56705865	-.64717173	-.72223191	-.79415578	-.86202025	-.92666689	-.1.0252590	-1.1238656
3.5	-.16711697	-.29752013	-.39880630	-.48555679	-.56891709	-.65407666	-.74252624	-.83420696	-.92861262	-.1.0252590	-.1.1238656	-1.2244454
4.0	-.17032355	-.29777603	-.39553099	-.48232896	-.56915559	-.65956639	-.75379562	-.85110039	-.95066492	-.1.0518884	-.1.1544510	-1.2583342
4.5	-.17186814	-.29548987	-.39045456	-.47851265	-.56928256	-.66458325	-.76368290	-.86544261	-.96893608	-.1.0735619	-.1.1790314	-1.2853454
5.0	-.17225797	-.29173854	-.38489678	-.47505672	-.56978514	-.66936345	-.77241486	-.87762374	-.98407147	-.1.0912155	-.1.1988221	-1.3069267
6.0	-.17085242	-.28245942	-.37477197	-.47027772	-.57202352	-.67819256	-.78886400	-.89674973	-.1.0070979	-.1.1175260	-.1.2279139	-1.3383619
7.0	-.16780254	-.27313332	-.36721631	-.46811463	-.57522743	-.68580311	-.79795338	-.91061495	-.1.02322344	-.1.13555674	-.1.2475783	-1.3594092
8.0	-.16397661	-.26504228	-.36214387	-.46768234	-.57865886	-.69212451	-.80644654	-.92080334	-.1.0348054	-.1.1483055	-.1.2613215	-1.3740216
10.0	-.15571455	-.25324719	-.35711951	-.46924173	-.58483803	-.70147268	-.81808832	-.93422526	-.1.0496942	-.1.1644558	-.1.2785808	-1.3922573
12.0	-.14798841	-.24628202	-.35576166	-.47170400	-.58957906	-.70766579	-.82531581	-.94226951	-.1.0584334	-.1.1738122	-.1.2884955	-1.4026751
15.0	-.13864108	-.24124876	-.35623912	-.47504974	-.59443925	-.71345774	-.83178488	-.94929785	-.1.0659600	-.1.1817986	-.1.2969102	-1.4114837
20.0	-.12887066	-.23907151	-.35831009	-.47879511	-.59897563	-.71848715	-.83720339	-.95506731	-.1.0720649	-.1.1882282	-.1.3036516	-1.4185198

TABLE 6.—Surface Values of $M_{\frac{\theta_s}{M_{CO}}}$

$\frac{\theta_s}{M_{CO}}$	2.5	5.0	7.5	10.0	12.5	15.0	17.5	20.0	22.5	25.0	27.5	30.0
1.5	2.6804563	2.5873638	2.4801681	2.3723961	2.2705880	2.1775470	2.0944213	2.0221965	1.9627833	1.9204801	1.8567999	1.8188225
1.75	2.9476152	2.8166636	2.6715412	2.5298243	2.3981863	2.2781322	2.1695090	2.0722358	1.9867741	1.9142474	1.8153117	1.7549267
2.0	3.1680218	2.9964699	2.8131524	2.6389650	2.4795576	2.3347932	2.2037269	2.0860100	1.9817600	1.8913662	1.7066795	1.6303825
2.5	3.4934330	3.2373082	2.9813055	2.7484798	2.5399049	2.3518528	2.1845143	2.0371024	1.9089959	1.7992269	1.5861477	1.5086138
3.0	3.7026478	3.3689113	3.0423415	2.7589243	2.5081862	2.2877264	2.0967247	1.9336563	1.7960840	1.6811707	1.4736367	1.4008998
3.5	3.8313989	3.4127977	3.0759732	2.7089203	2.4252010	2.1831877	1.9805542	1.8131298	1.67759476	1.5641845	1.3595455	1.2948290
4.0	3.9048840	3.4137615	2.9876082	2.6237924	2.3166671	2.0636361	1.8588977	1.6947976	1.5637867	1.4593642	1.2475257	1.1762213
4.5	3.9402656	3.3822227	2.9134091	2.5201716	2.1989019	1.9434245	1.7431735	1.5869365	1.4649663	1.3695455	1.1533570	1.0868737
5.0	3.9491606	3.3323361	2.8639454	2.4088493	2.0815026	1.8298638	1.6381965	1.4921122	1.3802274	1.2940750	1.073854	1.0261713
6.0	3.9167200	3.1957546	2.6253363	2.1877030	1.8660617	1.6332231	1.4641462	1.3400499	1.2478405	1.1786065	0.9566195	0.98366276
7.0	3.8460414	3.0371644	2.4254294	1.9878536	1.6861181	1.4781591	1.3326243	1.2287884	1.1533570	1.0978075	0.8739367	0.89952825
8.0	3.7562509	2.8726169	2.2392280	1.8165977	1.5407473	1.3579989	1.2337262	1.1469575	1.0850255	1.0401317	0.81502633	0.87347457
10.0	3.5541170	2.5564524	1.9259938	1.5540749	1.3312857	1.1919671	1.1009996	1.0394198	0.99661020	0.96638724	0.74506069	0.8522971
12.0	3.3457910	2.2791203	1.6886632	1.3732013	1.1953103	1.0882875	1.0202706	0.9721235	0.94453194	0.92339367	0.69952825	0.8522971
15.0	3.0440763	1.9465511	1.4406707	1.1982609	1.0696547	0.99515006	0.94908189	0.91931386	0.89960751	0.88656006	0.65352072	0.8522971
20.0	2.5987957	1.5731916	1.2006948	1.0412398	0.96144174	0.91690363	0.89021864	0.87358266	0.86313485	0.85682334	0.62352072	0.8522971

TABLE 7.—Surface Values of α_i/α

$\frac{\theta_i}{\theta_{cp}}$	2.5	5.0	7.5	10.0	12.5	15.0	17.5	20.0	22.5	25.0	27.5	30.0
1.5	1.9764603	1.9339905	1.8890037	1.8491441	1.8184612	1.7925666	1.7935116	1.8042662	1.8372788	1.9045376	1.6579135	1.7242542
1.75	1.9636728	1.8996508	1.8320013	1.7701184	1.7175671	1.6792319	1.6434212	1.6230222	1.6159577	1.6256160	1.4436998	1.4650697
2.0	1.9504446	1.8658604	1.7784195	1.6988215	1.6297370	1.5709119	1.5220125	1.4834371	1.4562547	1.4421560	1.1662013	1.1592680
2.5	1.9227632	1.7996406	1.6790799	1.5720018	1.4781983	1.3962224	1.3258021	1.2672395	1.2208790	1.1870430	.98582912	.97212697
3.0	1.8937932	1.7355572	1.5884268	1.4602105	1.3482782	1.2515406	1.1699798	1.1033374	1.0509481	1.0120026	.85971655	.84571564
3.5	1.8639515	1.6740316	1.5049370	1.3794972	1.2344764	1.1294027	1.0436221	.97560857	.92344653	.88530600	.76819801	.75609910
4.0	1.8335963	1.6152547	1.4273688	1.2679217	1.1344020	1.0260333	.94058699	.87493537	.82596197	.79104466	.69997458	.69041377
4.5	1.8030205	1.5591914	1.3548240	1.1845556	1.0465900	.93861930	.85629314	.79489564	.75033366	.71945388	.64797701	.64097975
5.0	1.7724554	1.5056649	1.2868082	1.1088568	.96977976	.86471594	.78705450	.73070433	.69087975	.66410210	.57565092	.57311386
6.0	1.7120438	1.4053341	1.1633770	.97860636	.84430059	.74909147	.68240627	.63632405	.60537616	.58593244	.52920837	.53007774
7.0	1.6533359	1.3128199	1.0588957	.87316463	.74884113	.66528458	.60932048	.57227291	.54864084	.53019200	.49779815	.5012127
8.0	1.5968043	1.2274133	.96324586	.78822964	.67579875	.60351882	.55691976	.52728250	.50940958	.49735836	.45948120	.46625770
10.0	1.4905751	1.0770380	.81648784	.66435892	.57516338	.52168448	.48937408	.47043202	.46056342	.45315770	.43800140	.44678814
12.0	1.3926313	.95661960	.71008788	.58216884	.51207962	.472226589	.44960840	.43755861	.43268851	.41283802	.42005998	.43059372
15.0	1.2590431	.80821249	.60167368	.50448328	.45503955	.42879938	.41526062	.40951836	.40912519	.39669578	.40586904	.41782943
20.0	1.0694459	.64972789	.49873243	.43597031	.40674278	.39288343	.38732128	.38694834	.39030181	.39669578	.40586904	.41782943

TABLE 8.—Conical Flow Field. $\theta_s=2.7^\circ$, $M_\infty=1.0121844$

M_∞	θ_s	θ_w
+10121844+01	+43633275-01	+14174491+01

θ	M_{w2}^*	ψ_2	M_2^*	H_1
+43633275-01	+20015645+01	+11169177-05	-87278726-01	+15676366+01
+61086567-01	+15114657+01	-49059678+00	-77611470-01	+15500973+01
+78539851-01	+13097157+01	-69265043+00	-65227514-01	+15373681+01
+95993134-01	+12075940+01	-79502136+00	-55342025-01	+15283256+01
+11344642+00	+11488873+01	-85394986+00	-47743526-01	+15214314+01
+13089970+00	+11120883+01	-89095131+00	-41830079-01	+15159171+01
+14835298+00	+10875284+01	-91569789+00	-37131448-01	+15113519+01
+16580626+00	+10703386+01	-93306113+00	-33320332-01	+15074733+01
+18325955+00	+10578496+01	-94571197+00	-30171026-01	+15041111+01
+20071283+00	+10484992+01	-95521404+00	-27525928-01	+15011498+01
+21816611+00	+10413240+01	-96253211+00	-25272493-01	+14985071+01
+23561940+00	+10357031+01	-96828792+00	-23328798-01	+14961232+01
+25307268+00	+10312223+01	-97289664+00	-21633806-01	+14939525+01
+27052596+00	+10275963+01	-97664439+00	-20141287-01	+14919606+01
+28797925+00	+10246240+01	-97973299+00	-18815798-01	+14901194+01
+30543253+00	+10221598+01	-98230840+00	-17629589-01	+14884080+01
+32288581+00	+10200966+01	-98447844+00	-16560568-01	+14868081+01
+34033909+00	+10183539+01	-98632388+00	-15591146-01	+14853057+01
+35779238+00	+10168705+01	-98790641+00	-14706946-01	+14838885+01
+37524566+00	+10155991+01	-98927367+00	-13896234-01	+14825461+01
+39269894+00	+10145026+01	-99046303+00	-13149305-01	+14812707+01
+41015223+00	+10135517+01	-99150408+00	-12458004-01	+14800544+01
+42760551+00	+10127231+01	-99242045+00	-11815564-01	+14788911+01
+44505879+00	+10119978+01	-99323126+00	-11216133-01	+14777755+01
+46251208+00	+10113604+01	-99395215+00	-10654781-01	+14767026+01
+47996536+00	+10107983+01	-99459583+00	-10127302-01	+14756686+01
+49741864+00	+10103010+01	-99517300+00	-96300306-02	+14746695+01
+51487193+00	+10098600+01	-99569245+00	-91596752-02	+14737018+01
+53232521+00	+10094679+01	-99616167+00	-87135120-02	+14727629+01
+54977849+00	+10091186+01	-99658687+00	-82891239-02	+14718500+01
+56723177+00	+10088068+01	-99697336+00	-78843473-02	+14709610+01
+58468506+00	+10085283+01	-99732570+00	-74972431-02	+14700935+01
+60213834+00	+10082791+01	-99764775+00	-71261114-02	+14692455+01
+61959162+00	+10080561+01	-99794289+00	-67694142-02	+14684151+01
+63704491+00	+10078565+01	-99821405+00	-64257327-02	+14676006+01
+65449819+00	+10076778+01	-99846372+00	-60938609-02	+14668004+01
+67195147+00	+10075179+01	-99869415+00	-57726006-02	+14660138+01
+68940476+00	+10073751+01	-99890713+00	-54610033-02	+14652387+01
+70685804+00	+10072476+01	-99910445+00	-51579969-02	+14644741+01
+72431132+00	+10071342+01	-99928755+00	-48628029-02	+14637186+01
+74176461+00	+10070336+01	-99945781+00	-45744509-02	+14629710+01
+75921789+00	+10069447+01	-99961631+00	-42922893-02	+14622305+01
+77667117+00	+10068665+01	-99976418+00	-40154828-02	+14614961+01
+79412445+00	+10067983+01	-99990232+00	-37433567-02	+14607660+01
+81157774+00	+10067393+01	-10000315+01	-34752730-02	+14600401+01
+82903102+00	+10066888+01	-10001525+01	-32105540-02	+14593168+01
+84648430+00	+10066463+01	-10002660+01	-29485636-02	+14585955+01
+86393759+00	+10066113+01	-10003726+01	-26886462-02	+14578749+01
+88139087+00	+10065833+01	-10004729+01	-24301901-02	+14571542+01
+89884415+00	+10065618+01	-10005675+01	-21724110-02	+14564325+01

TABLE 8.—Continued

 $M_{00} = +10121844+01$ $\theta_0 = +43633275-01$

θ	M_1^*	ψ_2	M_2^*	μ_1
+91629744+00	+10065467+01	-10006566+01	-19148468-02	+14557084+01
+93375072+00	+10065376+01	-10007408+01	-16566416-02	+14549812+01
+95120400+00	+10065343+01	-10008205+01	-13970831-02	+14542497+01
+96865728+00	+10065364+01	-10008960+01	-11354663-02	+14535129+01
+98611057+00	+10065440+01	-10009677+01	-87106960-03	+14527695+01
+10035638+01	+10065568+01	-10010358+01	-60290630-03	+14520185+01
+10210169+01	+10065747+01	-10011007+01	-32985057-03	+14512586+01
+10384701+01	+10065977+01	-10011627+01	-50983609-04	+14504883+01
+10559232+01	+10066256+01	-10012221+01	+23486816-03	+14497064+01
+10733764+01	+10066587+01	-10012790+01	+52909092-03	+14489108+01
+10908295+01	+10066968+01	-10013340+01	+83338397-03	+14481001+01
+11082826+01	+10067401+01	-10013872+01	+11494727-02	+14472722+01
+11257358+01	+10067887+01	-10014389+01	+14796878-02	+14464246+01
+11431889+01	+10068428+01	-10014896+01	+18266034-02	+14455549+01
+11606420+01	+10069026+01	-10015397+01	+21934245-02	+14446604+01
+11780952+01	+10069684+01	-10015895+01	+25839045-02	+14437377+01
+11955483+01	+10070407+01	-10016397+01	+30031700-02	+14427829+01
+12130014+01	+10071200+01	-10016910+01	+34573704-02	+14417911+01
+12304546+01	+10072067+01	-10017443+01	+39547832-02	+14407573+01
+12479077+01	+10073019+01	-10018009+01	+45061869-02	+14396747+01
+12653608+01	+10074064+01	-10018626+01	+51267181-02	+14385344+01
+12828140+01	+10075217+01	-10019319+01	+58378670-02	+14373259+01
+13002671+01	+10076495+01	-10020125+01	+66709904-02	+14360353+01
+13177202+01	+10077925+01	-10021107+01	+76758340-02	+14346429+01
+13351734+01	+10079542+01	-10022373+01	+89364800-02	+14331204+01
+13526265+01	+10081404+01	-10024131+01	+10609192-01	+14314252+01
+13700796+01	+10083608+01	-10026842+01	+13031653-01	+14294825+01
+13875328+01	+10086356+01	-10031829+01	+17140552-01	+14271420+01
+14049859+01	+10090219+01	-10045605+01	+27401914-01	+14239706+01
+14174491+01	+10096076+01	-10193359+01	+12623363+00	+14193686+01

 $S_2/R = +12322689-09$ $\eta/\alpha = +21769449-02$

TABLE 9.—Conical Flow Field. $\theta_s=2.5^\circ$; $M_\infty=1.5$

M_∞	e_s	e_v
+14999999+01	+43633275-01	+72979225+00

θ	M_2^*	ψ_2	M_2^*	μ_1
+43633275-01	+26804562+01	+58108708-06	-11690016+00	+73776524+00
+58904897-01	+20757862+01	-44652213+00	-10612724+00	+73757962+00
+74176520-01	+18042375+01	-64769751+00	-91178417-01	+73725654+00
+89448142-01	+16595977+01	-75544828+00	-78553399-01	+73692239+00
+10471976+00	+15736685+01	-81993666+00	-68468374-01	+73660641+00
+11999139+00	+15185899+01	-86165003+00	-60394546-01	+73631430+00
+13439035+00	+14830490+01	-88885045+00	-54176474-01	+73606024+00
+14878931+00	+14574517+01	-90867115+00	-48987695-01	+73582486+00
+16318826+00	+14384453+01	-92358485+00	-44595027-01	+73560596+00
+17758722+00	+14239780+01	-93510730+00	-40826906-01	+73540155+00
+19198618+00	+14127369+01	-94421024+00	-37555661-01	+73520967+00
+20551248+00	+14043341+01	-95113749+00	-34849031-01	+73503952+00
+21903877+00	+13975082+01	-95687276+00	-32434266-01	+73487797+00
+23256506+00	+13919010+01	-96168298+00	-30262914-01	+73472406+00
+24609136+00	+13872503+01	-96576439+00	-28296337-01	+73457693+00
+25961765+00	+13833606+01	-96926360+00	-26503401-01	+73443582+00
+27227128+00	+13802790+01	-97210925+00	-24960753-01	+73430873+00
+28492491+00	+13776394+01	-97461428+00	-23530560-01	+73418591+00
+29757854+00	+13753675+01	-97683509+00	-22198392-01	+73406694+00
+31023217+00	+13734040+01	-97881704+00	-20951857-01	+73395140+00
+32288580+00	+13717009+01	-98059684+00	-19780544-01	+73383897+00
+33466677+00	+13703152+01	-98209854+00	-18749646-01	+73373679+00
+34644773+00	+13690955+01	-98347122+00	-17769663-01	+73363684+00
+35822870+00	+13680202+01	-98473188+00	-16834972-01	+73353888+00
+37000967+00	+13670710+01	-98589492+00	-15940561-01	+73344268+00
+38179063+00	+13662325+01	-98697267+00	-15081901-01	+73334809+00
+39269893+00	+13655435+01	-98790369+00	-14315277-01	+73326178+00
+40360724+00	+13649293+01	-98877799+00	-13572889-01	+73317657+00
+41451554+00	+13643820+01	-98960206+00	-12851972-01	+73309233+00
+42542384+00	+13638952+01	-99038158+00	-12150002-01	+73300892+00
+43633214+00	+13634629+01	-99112161+00	-11464628-01	+73292620+00
+44636778+00	+13631088+01	-99177172+00	-10846675-01	+73285059+00
+45640342+00	+13627932+01	-99239565+00	-10239050-01	+73277534+00
+46643905+00	+13625127+01	-99299651+00	-96399565-02	+73270040+00
+47647469+00	+13622646+01	-99357712+00	-90477817-02	+73262569+00
+48651033+00	+13620466+01	-99413994+00	-84609189-02	+73255111+00
+49567331+00	+13618720+01	-99464058+00	-79282175-02	+73248301+00
+50483624+00	+13617192+01	-99513042+00	-73970673-02	+73241486+00
+51399913+00	+13615869+01	-99561132+00	-68660351-02	+73234659+00
+52316203+00	+13614740+01	-99608514+00	-63336771-02	+73227803+00
+53232492+00	+13613794+01	-99655365+00	-57984549-02	+73220918+00
+54061516+00	+13613089+01	-99697469+00	-53101283-02	+73214651+00
+54890540+00	+13612522+01	-99739432+00	-48166500-02	+73208341+00
+55719564+00	+13612086+01	-99781435+00	-43162564-02	+73201980+00
+56548588+00	+13611779+01	-99823638+00	-38072586-02	+73195560+00
+57377612+00	+13611595+01	-99866224+00	-32875726-02	+73189070+00
+58119370+00	+13611534+01	-99904828+00	-28116589-02	+73183194+00
+58861128+00	+13611569+01	-99944079+00	-23233322-02	+73177241+00
+59602886+00	+13611699+01	-99984169+00	-18204220-02	+73171202+00
+60344644+00	+13611923+01	-10002531+01	-13002911-02	+73165068+00

TABLE 9.—Continued

$M_{\infty} = +14999999+01$

$\theta_B = +43633275-01$

θ	M_{w2}^*	ψ_2	M_2^*	μ_1
+61086403+00	+13612242+01	-10006779+01	-75965163-03	+73158824+00
+61740895+00	+13612603+01	-10010660+01	-26268812-03	+73153213+00
+62395388+00	+13613039+01	-10014695+01	+25629234-03	+73147491+00
+63049880+00	+13613552+01	-10018913+01	+80111384-03	+73141648+00
+63704372+00	+13614145+01	-10023354+01	+13765632-02	+73135668+00
+64358865+00	+13614820+01	-10028064+01	+19884467-02	+73129533+00
+64926092+00	+13615475+01	-10032407+01	+25537638-02	+73124071+00
+65493319+00	+13616200+01	-10037047+01	+31582280-02	+73118455+00
+66060546+00	+13616996+01	-10042043+01	+38093173-02	+73112672+00
+66627773+00	+13617871+01	-10047477+01	+45171928-02	+73106691+00
+67194999+00	+13618831+01	-10053456+01	+52953054-02	+73100488+00
+67674961+00	+13619716+01	-10059046+01	+60215941-02	+73095031+00
+68154922+00	+13620674+01	-10065250+01	+68259417-02	+73089360+00
+68634883+00	+13621714+01	-10072231+01	+77287372-02	+73083435+00
+69114844+00	+13622847+01	-10080222+01	+87588142-02	+73077213+00
+69594805+00	+13624088+01	-10089563+01	+99582883-02	+73070633+00
+69987501+00	+13625198+01	-10098569+01	+11110190-01	+73064922+00
+70380196+00	+13626409+01	-10109277+01	+12474142-01	+73058853+00
+70772892+00	+13627741+01	-10122403+01	+14138661-01	+73052337+00
+71165588+00	+13629227+01	-10139170+01	+16254225-01	+73045246+00
+71558283+00	+13630915+01	-10161919+01	+19108978-01	+73037374+00
+71863713+00	+13632422+01	-10186858+01	+22222056-01	+73030491+00
+72169143+00	+13634178+01	-10224098+01	+26847688-01	+73022609+00
+72474573+00	+13636340+01	-10290015+01	+34991513-01	+73013074+00
+72780002+00	+13639388+01	-10470576+01	+57168182-01	+72999870+00
+72979225+00	+13644126+01	-14625869+01	+56456921+00	+72979700+00

$S_2/R = +16863514-10$

$\eta/\alpha = +74733072-03$

TABLE 10.—Conical Flow Field. $\theta_s=2.5^\circ$; $M_\infty=1.75$

M_{00}	θ_B	θ_W		
+17499997+01	+43633275-01	+60832317+00		

θ	M_{w2}^*	ϕ_2	M_2^*	μ_1
+43633275-01	+29476152+01	+40043960-06	-12855757+00	+61467143+00
+57159569-01	+23328346+01	-41023586+00	-11860381+00	+61453938+00
+70685863-01	+20357368+01	-60931002+00	-10383193+00	+61429859+00
+84212157-01	+18701071+01	-72108516+00	-90735474-01	+61404115+00
+97738452-01	+17686079+01	-79023327+00	-79918490-01	+61379217+00
+11126475+00	+17020810+01	-83608569+00	-71045704-01	+61355829+00
+12391838+00	+16587351+01	-86636084+00	-64137150-01	+61335398+00
+13657201+00	+16270618+01	-88881104+00	-58283298-01	+61316291+00
+14922564+00	+16032724+01	-90595603+00	-53264232-01	+61298382+00
+16187927+00	+15849965+01	-91937535+00	-48911895-01	+61281547+00
+17453290+00	+15706903+01	-93010020+00	-45097768-01	+61265659+00
+18631386+00	+15600202+01	-93827869+00	-41943084-01	+61251627+00
+19809483+00	+15512984+01	-94512260+00	-39105956-01	+61238244+00
+20987580+00	+15440972+01	-95092017+00	-36536104-01	+61225441+00
+22165676+00	+15380997+01	-95588570+00	-34192776-01	+61213157+00
+23343773+00	+15330672+01	-96018150+00	-32042738-01	+61201336+00
+24434603+00	+15291086+01	-96367051+00	-30200390-01	+61190768+00
+25525433+00	+15257072+01	-96677002+00	-28481823-01	+61180521+00
+26616263+00	+15227725+01	-96954237+00	-26871562-01	+61170566+00
+27707093+00	+15202318+01	-97203814+00	-25356212-01	+61160875+00
+28797924+00	+15180259+01	-97429874+00	-23924310-01	+61151423+00
+29801487+00	+15162504+01	-97620026+00	-22671907-01	+61142912+00
+30805051+00	+15146859+01	-97795395+00	-21474696-01	+61134565+00
+31808615+00	+15133058+01	-97957894+00	-20326431-01	+61126363+00
+32812179+00	+15120880+01	-98109154+00	-19221510-01	+61118291+00
+33815742+00	+15110134+01	-98250590+00	-18154818-01	+61110335+00
+34732040+00	+15101435+01	-98372188+00	-17210264-01	+61103161+00
+35648337+00	+15093687+01	-98487444+00	-16290364-01	+61096059+00
+36564635+00	+15086798+01	-98597109+00	-15391995-01	+61089017+00
+37480932+00	+15080687+01	-98701842+00	-14511999-01	+61082028+00
+38397229+00	+15075283+01	-98802232+00	-13647702-01	+61075088+00
+39226260+00	+15070951+01	-98889807+00	-12876760-01	+61068838+00
+40055291+00	+15067105+01	-98974686+00	-12114113-01	+61062610+00
+40884322+00	+15063711+01	-99057238+00	-11357652-01	+61056389+00
+41713353+00	+15060736+01	-99137817+00	-10605174-01	+61050173+00
+42542384+00	+15058150+01	-99216775+00	-98543819-02	+61043952+00
+43284148+00	+15056147+01	-99286316+00	-91821332-02	+61038377+00
+44025913+00	+15054421+01	-99355073+00	-85075626-02	+61032783+00
+44767678+00	+15052957+01	-99423304+00	-78285718-02	+61027165+00
+45509442+00	+15051744+01	-99491263+00	-71430922-02	+61021512+00
+46251207+00	+15050770+01	-99559227+00	-64486952-02	+61015818+00
+46905705+00	+15050101+01	-99619449+00	-58263955-02	+61010755+00
+47560203+00	+15049606+01	-99680133+00	-51929932-02	+61005645+00
+48214701+00	+15049280+01	-99741532+00	-45460524-02	+61000480+00
+48869199+00	+15049120+01	-99803928+00	-38827711-02	+60995255+00
+49523697+00	+15049123+01	-99867647+00	-31999805-02	+60989955+00
+50090928+00	+15049255+01	-99924229+00	-25893970-02	+60985297+00
+50658155+00	+15049509+01	-99982370+00	-19582708-02	+60980567+00
+51225382+00	+15049883+01	-10004240+01	-13032095-02	+60975725+00
+51792609+00	+15050379+01	-10010469+01	-62022859-03	+60970862+00

TABLE 10.—Continued

$M_{00} = +17499997+01$

$\theta_B = +43633275-01$

θ	M_{w2}^*	ψ_2	M_2^*	μ_1
+52359836+00	+15051000+01	-10016974+01	+95887629-04	+60965864+00
+52839797+00	+15051624+01	-10022735+01	+73220634-03	+60961547+00
+53319758+00	+15052341+01	-10028779+01	+14011961-02	+60957141+00
+53799719+00	+15053155+01	-10035156+01	+21084599-02	+60952631+00
+54279680+00	+15054069+01	-10041930+01	+28608475-02	+60948008+00
+54759642+00	+15055090+01	-10049185+01	+36672070-02	+60943252+00
+55152337+00	+15056009+01	-10055550+01	+43747567-02	+60939251+00
+55545032+00	+15057007+01	-10062377+01	+51335856-02	+60935140+00
+55937728+00	+15058091+01	-10069759+01	+59535571-02	+60930905+00
+56330424+00	+15059267+01	-10077817+01	+68474750-02	+60926523+00
+56723119+00	+15060544+01	-10086704+01	+78320646-02	+60921978+00
+57028549+00	+15061614+01	-10094324+01	+86746755-02	+60918313+00
+57333979+00	+15062758+01	-10102705+01	+95998083-02	+60914516+00
+57639409+00	+15063983+01	-10112024+01	+10626210-01	+60910573+00
+57944838+00	+15065300+01	-10122517+01	+11779081-01	+60906455+00
+58250268+00	+15066720+01	-10134516+01	+13093788-01	+60902135+00
+58555698+00	+15068260+01	-10148503+01	+14621447-01	+60897577+00
+58861128+00	+15069943+01	-10165208+01	+16439586-01	+60892724+00
+59166558+00	+15071799+01	-10185797+01	+18671905-01	+60887503+00
+59471988+00	+15073874+01	-10212311+01	+21534599-01	+60881809+00
+59777418+00	+15076242+01	-10248720+01	+25447353-01	+60875462+00
+60082847+00	+15079037+01	-10304130+01	+31372348-01	+60868145+00
+60388277+00	+15082550+01	-10406848+01	+42295243-01	+60859157+00
+60693707+00	+15087818+01	-10746664+01	+78203717-01	+60845996+00
+60832317+00	+15093787+01	-15593236+01	+58790853+00	+60831375+00

$S_2/R = +64084767-10$

$\eta/\alpha = +92524748-03$

TABLE 11.—Conical Flow Field. $\theta_s=2.5^\circ$; $M_\infty=2.0$

M_∞	θ_s		θ_w	
+20000000+01	+43633275-01		+52369890+00	

θ	M_2^*	ψ_2	M_2^*	μ_1
+43633275-01	+31680218+01	+27409988-06	-13817494+00	+52918596+00
+54977909-01	+25819824+01	-36141522+00	-12995104+00	+52909449+00
+66322542-01	+22699984+01	-55465848+00	-11660851+00	+52891699+00
+77667176-01	+20846454+01	-67033386+00	-10396172+00	+52871826+00
+89011810-01	+19658136+01	-74524153+00	-93013206-01	+52851981+00
+10035644+00	+18852489+01	-79665329+00	-83716998-01	+52832905+00
+11170108+00	+18282444+01	-83355881+00	-75818244-01	+52814819+00
+12217305+00	+17893228+01	-85916243+00	-69542559-01	+52799032+00
+13264502+00	+17594580+01	-87914904+00	-64062774-01	+52784069+00
+14311699+00	+17360962+01	-89508571+00	-59237875-01	+52769875+00
+15358896+00	+17175222+01	-90802765+00	-54954654-01	+52756380+00
+16406093+00	+17025495+01	-91870657+00	-51122492-01	+52743519+00
+17453290+00	+16903369+01	-92764285+00	-47668661-01	+52731222+00
+18413220+00	+16810425+01	-93462895+00	-44784442-01	+52720404+00
+19373151+00	+16732017+01	-94068891+00	-42131143-01	+52709980+00
+20333081+00	+16665448+01	-94599160+00	-39677724-01	+52699909+00
+21293012+00	+16608612+01	-95066927+00	-37397896-01	+52690161+00
+22252942+00	+16559851+01	-95482675+00	-35269386-01	+52680703+00
+23212873+00	+16517848+01	-95854785+00	-33273367-01	+52671508+00
+24085537+00	+16484628+01	-96160952+00	-31559932-01	+52663356+00
+24958201+00	+16455458+01	-96440905+00	-29931658-01	+52655384+00
+25830866+00	+16429796+01	-96698180+00	-28379074-01	+52647572+00
+26703530+00	+16407187+01	-96935776+00	-26893703-01	+52639901+00
+27576194+00	+16387247+01	-97156218+00	-25468106-01	+52632369+00
+28448858+00	+16369652+01	-97361710+00	-24095275-01	+52624958+00
+29234256+00	+16355593+01	-97535438+00	-22899704-01	+52618377+00
+30019653+00	+16343038+01	-97699797+00	-21737641-01	+52611871+00
+30805051+00	+16331836+01	-97855873+00	-20605033-01	+52605432+00
+31590449+00	+16321857+01	-98004624+00	-19498231-01	+52599048+00
+32375847+00	+16312983+01	-98146937+00	-18413454-01	+52592716+00
+33161244+00	+16305117+01	-98283600+00	-17347330-01	+52586424+00
+33859376+00	+16298899+01	-98400944+00	-16412484-01	+52580854+00
+34557507+00	+16293351+01	-98514899+00	-15487126-01	+52575306+00
+35255638+00	+16288425+01	-98625931+00	-14568904-01	+52569766+00
+35953769+00	+16284077+01	-98734484+00	-13655225-01	+52564230+00
+36651901+00	+16280270+01	-98840993+00	-12743565-01	+52558692+00
+37350032+00	+16276969+01	-98945887+00	-11831122-01	+52553142+00
+37960897+00	+16274471+01	-99036701+00	-11029731-01	+52548274+00
+38571762+00	+16272318+01	-99126922+00	-10223325-01	+52543386+00
+39182627+00	+16270495+01	-99216864+00	-94095295-02	+52538473+00
+39793492+00	+16268987+01	-99306867+00	-85857044-02	+52533529+00
+40404357+00	+16267783+01	-99397288+00	-77490305-02	+52528541+00
+41015222+00	+16266872+01	-99488515+00	-68961508-02	+52523505+00
+41538820+00	+16266317+01	-99567676+00	-61494688-02	+52519148+00
+42062419+00	+16265967+01	-99648080+00	-53852139-02	+52514742+00
+42586017+00	+16265818+01	-99730057+00	-46004450-02	+52510284+00
+43109616+00	+16265868+01	-99814024+00	-37913422-02	+52505761+00
+43633214+00	+16266116+01	-99900458+00	-29534864-02	+52501169+00
+44156813+00	+16266561+01	-99989904+00	-20818081-02	+52496498+00
+44593145+00	+16267085+01	-10006724+01	-13248716-02	+52492535+00

TABLE 11.—Continued

 $M_{00} = +20000000+01$ $\theta_B = +43633275-01$

θ	M_{W2}^*	ψ_2	M_2^*	μ_1
+45029477+00	+16267749+01	-10014759+01	-53556743-03	+52488501+00
+45465809+00	+16268554+01	-10023156+01	+29156375-03	+52484388+00
+45902141+00	+16269507+01	-10031978+01	+11628260-02	+52480184+00
+46338473+00	+16270612+01	-10041310+01	+20865037-02	+52475879+00
+46774805+00	+16271874+01	-10051260+01	+30721717-02	+52471459+00
+47123871+00	+16273004+01	-10059750+01	+39141612-02	+52467830+00
+47472937+00	+16274246+01	-10068807+01	+48124721-02	+52464105+00
+47822002+00	+16275606+01	-10078538+01	+57776061-02	+52460274+00
+48171068+00	+16277094+01	-10089079+01	+68225333-02	+52456325+00
+48520133+00	+16278719+01	-10100612+01	+79647255-02	+52452238+00
+48869199+00	+16280494+01	-10113379+01	+92272845-02	+52447992+00
+49130999+00	+16281934+01	-10123954+01	+10271348-01	+52444688+00
+49392798+00	+16283477+01	-10135589+01	+11418242-01	+52441267+00
+49654597+00	+16285132+01	-10148528+01	+12691167-01	+52437709+00
+49916396+00	+16286915+01	-10163106+01	+14122162-01	+52433998+00
+50178194+00	+16288842+01	-10179788+01	+15755447-01	+52430101+00
+50439991+00	+16290937+01	-10199246+01	+17655083-01	+52425988+00
+50614522+00	+16292441+01	-10214253+01	+19116435-01	+52423100+00
+50789054+00	+16294045+01	-10231382+01	+20780572-01	+52420076+00
+50963585+00	+16295764+01	-10251264+01	+22707575-01	+52416891+00
+51138116+00	+16297618+01	-10274828+01	+24985511-01	+52413513+00
+51312648+00	+16299637+01	-10303508+01	+27750388-01	+52409900+00
+51487179+00	+16301858+01	-10339677+01	+31227126-01	+52405988+00
+51661710+00	+16304345+01	-10387636+01	+35823032-01	+52401682+00
+51836242+00	+16307197+01	-10456234+01	+42375347-01	+52396823+00
+52010773+00	+16310611+01	-10567849+01	+52999740-01	+52391102+00
+52185304+00	+16315071+01	-10806911+01	+75670663-01	+52383750+00
+52359836+00	+16323646+01	-13099131+01	+29204672+00	+52369898+00
+52369890+00	+16325217+01	-16222435+01	+58657998+00	+52367388+00

 $S_2/R = +28692822-09$ $\eta/\alpha = +14145849-02$

TABLE 12.—Conical Flow Field. $\theta_s=2.5^\circ$; $M_\infty=2.5$

M_∞	θ_s	θ_w
+24999999+01	+43633275-01	+41168587+00

θ	M_{w2}^*	ψ_2	M_2^*	μ_1
+43633275-01	+34934330+01	+17383718-06	-15237201+00	+41629626+00
+52796248-01	+29399955+01	-30516685+00	-14588048+00	+41623619+00
+61959222-01	+26134163+01	-48617039+00	-13427458+00	+41611135+00
+71122195-01	+24049652+01	-60274487+00	-12238977+00	+41596391+00
+80285169-01	+22640709+01	-68249163+00	-11149391+00	+41581077+00
+89448142-01	+21645987+01	-73962830+00	-10182686+00	+41565916+00
+98611116-01	+20919281+01	-78209781+00	-93322233-01	+41551208+00
+10777409+00	+20373606+01	-81462643+00	-85834129-01	+41537067+00
+11606440+00	+19990089+01	-83798211+00	-79807579-01	+41524787+00
+12435471+00	+19683373+01	-85708546+00	-74386375-01	+41512900+00
+13264502+00	+19434843+01	-87295278+00	-69482260-01	+41501632+00
+14093533+00	+19231205+01	-88631220+00	-65020848-01	+41490708+00
+14922564+00	+19062735+01	-89769784+00	-60939187-01	+41480172+00
+15751595+00	+18922203+01	-90750859+00	-57184573-01	+41470001+00
+16580625+00	+18804133+01	-91604785+00	-53712302-01	+41460154+00
+17322390+00	+18714077+01	-92280294+00	-50813890-01	+41451601+00
+18064155+00	+18636267+01	-92886046+00	-48087989-01	+41443269+00
+18805919+00	+18568794+01	-93432813+00	-45514347-01	+41435139+00
+19547684+00	+18510112+01	-93929394+00	-43075150-01	+41427190+00
+20289448+00	+18458947+01	-94383078+00	-40754859-01	+41419405+00
+21031213+00	+18414254+01	-94799943+00	-38539418-01	+41411774+00
+21772977+00	+18375160+01	-95185108+00	-36416448-01	+41404274+00
+22427475+00	+18344733+01	-95502114+00	-34610841-01	+41397757+00
+23081973+00	+18317674+01	-95800404+00	-32861315-01	+41391325+00
+23736472+00	+18293618+01	-96082246+00	-31161077-01	+41384964+00
+24390970+00	+18272250+01	-96349650+00	-29504031-01	+41378670+00
+25045468+00	+18253296+01	-96604414+00	-27884088-01	+41372430+00
+25699966+00	+18236521+01	-96848154+00	-26295518-01	+41366236+00
+26354464+00	+18221716+01	-97082363+00	-24732757-01	+41360076+00
+26921696+00	+18210340+01	-97278684+00	-23394971-01	+41354764+00
+27488927+00	+18200204+01	-97469725+00	-22068667-01	+41349461+00
+28056159+00	+18191219+01	-97656284+00	-20750161-01	+41344164+00
+28623391+00	+18183302+01	-97839137+00	-19435573-01	+41338872+00
+29190623+00	+18176381+01	-98019063+00	-18120836-01	+41333572+00
+29757854+00	+18170393+01	-98196851+00	-16801490-01	+41328255+00
+30325086+00	+18165280+01	-98373301+00	-15472787-01	+41322917+00
+30805051+00	+18161602+01	-98522185+00	-14337228-01	+41318374+00
+31285016+00	+18158491+01	-98671252+00	-13187629-01	+41313805+00
+31764982+00	+18155922+01	-98821092+00	-12019900-01	+41309197+00
+32244947+00	+18153878+01	-98972346+00	-10829626-01	+41304547+00
+32724912+00	+18152341+01	-99125735+00	-96114374-02	+41299847+00
+33204878+00	+18151299+01	-99282091+00	-83591359-02	+41295088+00
+33684843+00	+18150741+01	-99442353+00	-70655391-02	+41290257+00
+34077542+00	+18150640+01	-99577170+00	-59703407-02	+41286245+00
+34470241+00	+18150858+01	-99716086+00	-48359205-02	+41282172+00
+34862939+00	+18151394+01	-99859965+00	-36554683-02	+41278029+00
+35255638+00	+18152252+01	-10000985+01	-24205920-02	+41273808+00
+35648337+00	+18153436+01	-10016700+01	-11212911-02	+41269492+00
+36041036+00	+18154953+01	-10033298+01	+25515614-03	+41265076+00
+36433735+00	+18156817+01	-10050976+01	+17246289-02	+41260538+00

TABLE 12.—Continued

$M_{\infty} = +24999999+01$

$\theta_8 = +43633275-01$

θ	M_{w2}^*	ψ_2	M_2^*	μ_1
+36739167+00	+18158515+01	-10065636+01	+29450585-02	+41256915+00
+37044600+00	+18160444+01	-10081253+01	+42463211-02	+41253197+00
+37350032+00	+18162611+01	-10098028+01	+56446532-02	+41249373+00
+37655465+00	+18165037+01	-10116200+01	+71595767-02	+41245426+00
+37960897+00	+18167739+01	-10136102+01	+88178313-02	+41241341+00
+38266330+00	+18170742+01	-10158174+01	+10655228-01	+41237093+00
+38571762+00	+18174081+01	-10183028+01	+12721014-01	+41232651+00
+38789928+00	+18176695+01	-10202955+01	+14374529-01	+41229340+00
+39008094+00	+18179523+01	-10225194+01	+16216668-01	+41225894+00
+39226260+00	+18182591+01	-10250354+01	+18296524-01	+41222291+00
+39444426+00	+18185934+01	-10279319+01	+20685325-01	+41218501+00
+39662592+00	+18189597+01	-10313385+01	+23487265-01	+41214487+00
+39880758+00	+18193642+01	-10354580+01	+26865289-01	+41210194+00
+40098924+00	+18198161+01	-10406293+01	+31091435-01	+41205549+00
+40229824+00	+18201154+01	-10444752+01	+34225349-01	+41202545+00
+40360724+00	+18204411+01	-10491375+01	+38015410-01	+41199334+00
+40491623+00	+18207995+01	-10549850+01	+42756888-01	+41195866+00
+40622523+00	+18211999+01	-10626789+01	+48978921-01	+41192055+00
+40753422+00	+18216581+01	-10735452+01	+57741410-01	+41187772+00
+40884322+00	+18222030+01	-10908236+01	+71632534-01	+41182768+00
+41015222+00	+18229043+01	-11258243+01	+99680560-01	+41176440+00
+41146121+00	+18240867+01	-13082271+01	+24529994+00	+41166015+00
+41168587+00	+18245679+01	-16936362+01	+55254223+00	+41161831+00

$S_2/R = +41637881-08$

$\eta/\alpha = +51211750-02$

TABLE 13.—Conical Flow Field. $\theta_s = 2.5^\circ$; $M_\infty = 3.0$

M_{00}	θ_s	θ_v
+29999999+01	+43633275-01	+34011057+00

θ	M_{w2}^*	ψ_2	M_2^*	μ_1
+43633275-01	+37026478+01	+10203803-06	-16149953+00	+34428440+00
+50614588-01	+32273896+01	-24351105+00	-15709969+00	+34424682+00
+57595901-01	+29142489+01	-40472277+00	-14836335+00	+34416266+00
+64577214-01	+26972534+01	-51738830+00	-13859682+00	+34405702+00
+71558527-01	+25409116+01	-59949777+00	-12901622+00	+34394207+00
+78539840-01	+24247312+01	-66137989+00	-12005125+00	+34382403+00
+85084821-01	+23410921+01	-70664799+00	-11231229+00	+34371342+00
+91629802-01	+22750626+01	-74301870+00	-10521344+00	+34360440+00
+98174784-01	+22221231+01	-77275794+00	-98710806-01	+34349771+00
+10471976+00	+21791143+01	-79745031+00	-92747476-01	+34339366+00
+11126475+00	+21437746+01	-81823142+00	-87264762-01	+34329244+00
+11737340+00	+21162440+01	-83483584+00	-82532261-01	+34320051+00
+12348204+00	+20929398+01	-84926913+00	-78129093-01	+34311097+00
+12959069+00	+20730837+01	-86192495+00	-74018466-01	+34302372+00
+13569934+00	+20560686+01	-87311160+00	-70167608-01	+34293862+00
+14180799+00	+20414150+01	-88307350+00	-66547543-01	+34285556+00
+14748031+00	+20295868+01	-89139926+00	-63370128-01	+34278013+00
+15315263+00	+20192154+01	-89896660+00	-60351225-01	+34270621+00
+15882494+00	+20100960+01	-90588182+00	-57474379-01	+34263371+00
+16449726+00	+20020583+01	-91223391+00	-54724714-01	+34256251+00
+17016958+00	+19949605+01	-91809772+00	-52088942-01	+34249249+00
+17540556+00	+19891389+01	-92313246+00	-49746359-01	+34242884+00
+18064155+00	+19839363+01	-92784861+00	-47481637-01	+34236603+00
+18587753+00	+19792840+01	-93228390+00	-45286556-01	+34230401+00
+19111352+00	+19751230+01	-93647113+00	-43153654-01	+34224267+00
+19634950+00	+19714017+01	-94043969+00	-41075523-01	+34218193+00
+20114915+00	+19683389+01	-94390757+00	-39213044-01	+34212675+00
+20594881+00	+19655783+01	-94723158+00	-37385878-01	+34207195+00
+21074846+00	+19630931+01	-95042828+00	-35589189-01	+34201747+00
+21554811+00	+19608601+01	-95351287+00	-33818060-01	+34196327+00
+22034776+00	+19588585+01	-95649957+00	-32067742-01	+34190925+00
+22471108+00	+19572241+01	-95914084+00	-30490628-01	+34186030+00
+22907441+00	+19557532+01	-96172201+00	-28922929-01	+34181140+00
+23343773+00	+19544350+01	-96425203+00	-27360912-01	+34176253+00
+23780105+00	+19532594+01	-96674021+00	-25800521-01	+34171361+00
+24216437+00	+19522176+01	-96919561+00	-24237555-01	+34166459+00
+24609136+00	+19513877+01	-97138512+00	-22824856-01	+34162034+00
+25001835+00	+19506547+01	-97356232+00	-21402813-01	+34157593+00
+25394534+00	+19500139+01	-97573464+00	-19967344-01	+34153129+00
+25787232+00	+19494612+01	-97790970+00	-18514198-01	+34148634+00
+26179931+00	+19489930+01	-98009575+00	-17028377-01	+34144105+00
+26528997+00	+19486451+01	-98205537+00	-15703115-01	+34140047+00
+26878063+00	+19483598+01	-98403783+00	-14341200-01	+34135949+00
+27227128+00	+19481353+01	-98605081+00	-12947617-01	+34131806+00
+27576194+00	+19479703+01	-98810351+00	-11516318-01	+34127615+00
+27925259+00	+19478640+01	-99020600+00	-10040604-01	+34123365+00
+28230692+00	+19478185+01	-99209584+00	-87066042-02	+34119593+00
+28536124+00	+19478173+01	-99404220+00	-73259707-02	+34115764+00
+28841557+00	+19478603+01	-99605612+00	-58911553-02	+34111872+00
+29146989+00	+19479479+01	-99815071+00	-43930454-02	+34107909+00

TABLE 13.—Continued

 $M_{20} = +29999999+01$ $\theta_8 = +43633275-01$

θ	M_{w2}^*	ψ_2	M_2^*	μ_1
+29452422+00	+19480807+01	-10003419+01	-28205187-02	+34103863+00
+29714221+00	+19482312+01	-10023112+01	-14032809-02	+34100323+00
+29976020+00	+19484164+01	-10043808+01	+89150198-04	+34096709+00
+30237820+00	+19486376+01	-10065685+01	+16694292-02	+34093009+00
+30499619+00	+19488962+01	-10088971+01	+33535620-02	+34089213+00
+30761418+00	+19491939+01	-10113953+01	+51619366-02	+34085311+00
+30979584+00	+19494738+01	-10136331+01	+67823082-02	+34081962+00
+31197750+00	+19497843+01	-10160412+01	+85259613-02	+34078519+00
+31415916+00	+19501277+01	-10186548+01	+10417703-01	+34074964+00
+31634082+00	+19505066+01	-10215194+01	+12489430-01	+34071283+00
+31852248+00	+19509244+01	-10246956+01	+14784067-01	+34067461+00
+32026781+00	+19512894+01	-10275162+01	+16819102-01	+34064279+00
+32201314+00	+19516849+01	-10306475+01	+19074816-01	+34060976+00
+32375847+00	+19521142+01	-10341675+01	+21606178-01	+34057523+00
+32550380+00	+19525820+01	-10381865+01	+24490594-01	+34053912+00
+32724912+00	+19530941+01	-10428640+01	+27839732-01	+34050094+00
+32855812+00	+19535119+01	-10469450+01	+30755176-01	+34047075+00
+32986712+00	+19539638+01	-10516811+01	+34131358-01	+34043890+00
+33117611+00	+19544554+01	-10572987+01	+38126425-01	+34040511+00
+33248511+00	+19549952+01	-10641497+01	+42986461-01	+34036892+00
+33379410+00	+19555951+01	-10728272+01	+49125388-01	+34032965+00
+33510310+00	+19562737+01	-10844222+01	+57304177-01	+34028627+00
+33641210+00	+19570623+01	-11012487+01	+69135369-01	+34023704+00
+33772109+00	+19580237+01	-11294638+01	+88906257-01	+34017848+00
+33903009+00	+19593264+01	-11953017+01	+13486658+00	+34010110+00
+34011057+00	+19614454+01	-17276633+01	+50497478+00	+33997884+00

 $S_2/R = +39415474-07$ $\eta/\alpha = +59950392-02$

TABLE 14.—Conical Flow Field. $\theta_s=2.5^\circ$; $M_\infty=3.5$

M_∞	θ_s	θ_w
+34999998+01	+43633275-01	+29017134+00

θ	M_{w2}^*	ψ_2	M_2^*	μ_1
+43633275-01	+38313989+01	+84255589-07	-16711697+00	+29406715+00
+49305592-01	+34161848+01	-20234978+00	-16392461+00	+29404028+00
+54977909-01	+31227433+01	-34600818+00	-15714117+00	+29397721+00
+60650226-01	+29078693+01	-45207231+00	-14909187+00	+29389467+00
+66322542-01	+27459869+01	-53288155+00	-14080596+00	+29380176+00
+71994860-01	+26211606+01	-59606351+00	-13274090+00	+29370371+00
+77667176-01	+25230296+01	-64655024+00	-12508887+00	+29360355+00
+82903161-01	+24500705+01	-68476543+00	-11845043+00	+29351081+00
+88139146-01	+23900489+01	-71681354+00	-11222604+00	+29341865+00
+93375131-01	+23401596+01	-74402173+00	-10639925+00	+29332765+00
+98611116-01	+22983197+01	-76737598+00	-10094382+00	+29323805+00
+10384710+00	+22629543+01	-78762214+00	-95829680-01	+29315006+00
+10908309+00	+22328552+01	-80533368+00	-91026181-01	+29306371+00
+11388274+00	+22090846+01	-81972602+00	-86870552-01	+29298603+00
+11868239+00	+21883736+01	-83263895+00	-82929628-01	+29290973+00
+12348204+00	+21702570+01	-84429529+00	-79183518-01	+29283474+00
+12828170+00	+21543547+01	-85487799+00	-75613848-01	+29276103+00
+13308135+00	+21403537+01	-86453826+00	-72203734-01	+29268854+00
+13788100+00	+21279947+01	-87340255+00	-68937705-01	+29261718+00
+14224432+00	+21180009+01	-88086011+00	-66081483-01	+29255320+00
+14660764+00	+21090472+01	-88781595+00	-63322738-01	+29249005+00
+15097097+00	+21010154+01	-89432915+00	-60652056-01	+29242764+00
+15533429+00	+20938041+01	-90045109+00	-58060884-01	+29236593+00
+15969761+00	+20873257+01	-90622682+00	-55541120-01	+29230482+00
+16406093+00	+20815039+01	-91169627+00	-53085059-01	+29224428+00
+16798791+00	+20767709+01	-91638615+00	-50922972-01	+29219022+00
+17191490+00	+20724737+01	-92087986+00	-48801361-01	+29213650+00
+17584189+00	+20685747+01	-92519854+00	-46715269-01	+29208308+00
+17976888+00	+20650409+01	-92936147+00	-44659758-01	+29202995+00
+18369587+00	+20618422+01	-93338691+00	-42629940-01	+29197700+00
+18762286+00	+20589523+01	-93729164+00	-40620933-01	+29192422+00
+19111352+00	+20566237+01	-94067402+00	-38848629-01	+29187737+00
+19460417+00	+20545056+01	-94398422+00	-37085287-01	+29183058+00
+19809483+00	+20525844+01	-94723280+00	-35327221-01	+29178378+00
+20158549+00	+20508484+01	-95042972+00	-33570630-01	+29173693+00
+20507614+00	+20492862+01	-95358536+00	-31811398-01	+29168996+00
+20856680+00	+20478882+01	-95670993+00	-30045138-01	+29164285+00
+21162112+00	+20467928+01	-95942645+00	-28490332-01	+29160149+00
+21467545+00	+20458109+01	-96213456+00	-26923105-01	+29155994+00
+21772977+00	+20449378+01	-96484168+00	-25339863-01	+29151814+00
+22078410+00	+20441693+01	-96755590+00	-23736345-01	+29147607+00
+22383842+00	+20435015+01	-97028605+00	-22107971-01	+29143368+00
+22689275+00	+20429311+01	-97304152+00	-20449596-01	+29139091+00
+22951074+00	+20425174+01	-97543155+00	-18999785-01	+29135390+00
+23212873+00	+20421717+01	-97785529+00	-17519336-01	+29131652+00
+23474672+00	+20418925+01	-98032121+00	-16003401-01	+29127876+00
+23736472+00	+20416787+01	-98283842+00	-14446525-01	+29124052+00
+23998271+00	+20415299+01	-98541778+00	-12842183-01	+29120178+00
+24260070+00	+20414455+01	-98807142+00	-11183137-01	+29116246+00
+24478236+00	+20414243+01	-99034999+00	-97524230-02	+29112919+00

TABLE 14.—Continued

$$M_{00} = +34999998+01$$

$$e_8 = +43633275-01$$

θ	M_{W2}^*	ψ_2	M_2^*	μ_1
+24696402+00	+20414477+01	-99270018+00	-82713356-02	+29109545+00
+24914568+00	+20415164+01	-99513276+00	-67333449-02	+29106115+00
+25132734+00	+20416307+01	-99766170+00	-51297070-02	+29102627+00
+25350900+00	+20417915+01	-10003026+01	-34507622-02	+29099070+00
+25569066+00	+20419999+01	-10030746+01	-16846067-02	+29095438+00
+25743599+00	+20422018+01	-10054020+01	-19933701-03	+29092473+00
+25918132+00	+20424361+01	-10078423+01	+13598960-02	+29089450+00
+26092665+00	+20427038+01	-10104128+01	+30038883-02	+29086360+00
+26267198+00	+20430064+01	-10131339+01	+47452713-02	+29083203+00
+26441731+00	+20433455+01	-10160311+01	+66001868-02	+29079963+00
+26616263+00	+20437232+01	-10191359+01	+85880720-02	+29076637+00
+26747163+00	+20440333+01	-10216240+01	+10180882-01	+29074077+00
+26878063+00	+20443677+01	-10242714+01	+11875109-01	+29071455+00
+27008962+00	+20447279+01	-10271033+01	+13686557-01	+29068766+00
+27139862+00	+20451157+01	-10301505+01	+15634278-01	+29066001+00
+27270761+00	+20455331+01	-10334515+01	+17742447-01	+29063152+00
+27401661+00	+20459827+01	-10370557+01	+20041669-01	+29060211+00
+27532561+00	+20464674+01	-10410263+01	+22571479-01	+29057162+00
+27663460+00	+20469908+01	-10454475+01	+25384091-01	+29053993+00
+27794360+00	+20475578+01	-10504329+01	+28550265-01	+29050682+00
+27925259+00	+20481743+01	-10561414+01	+32168543-01	+29047200+00
+28056159+00	+20488481+01	-10628030+01	+36381774-01	+29043538+00
+28187059+00	+20495896+01	-10707679+01	+41407171-01	+29039628+00
+28317958+00	+20504138+01	-10805986+01	+47593101-01	+29035422+00
+28448858+00	+20513427+01	-10932739+01	+55545546-01	+29030825+00
+28579758+00	+20524117+01	-11107024+01	+66444640-01	+29025699+00
+28710657+00	+20536850+01	-11372850+01	+83009433-01	+29019781+00
+28841557+00	+20553040+01	-11867662+01	+11372260+00	+29012493+00
+28972456+00	+20577749+01	-13532854+01	+21661581+00	+29001756+00
+29017134+00	+20594069+01	-17411191+01	+45562785+00	+28994860+00

$$S_2/R = +27580906-06$$

$$\eta/\alpha = +10713908-01$$

TABLE 15.—Conical Flow Field. $\theta_s=2.5^\circ$; $M_\infty=4.0$

M_{∞}	θ_s	θ_v
+39999999+01	+43633275-01	+25329402+00

θ	M_{w2}^*	ψ_2	M_2^*	μ_1
+43633275-01	+39048840+01	+57829311-07	-17032355+00	+25696298+00
+47996596-01	+35662106+01	-15928205+00	-16827540+00	+25694554+00
+52359916-01	+33086240+01	-28087965+00	-16360142+00	+25690239+00
+56723237-01	+31082503+01	-37611766+00	-15768351+00	+25684327+00
+61086558-01	+29494252+01	-45232327+00	-15125361+00	+25677416+00
+65449878-01	+28215175+01	-51441925+00	-14470570+00	+25669885+00
+69813199-01	+27170986+01	-56581897+00	-13825126+00	+25661987+00
+74176520-01	+26308498+01	-60895311+00	-13200065+00	+25653884+00
+78539840-01	+25588783+01	-64559340+00	-12600688+00	+25645687+00
+82903161-01	+24982817+01	-67705735+00	-12029015+00	+25637468+00
+86830150-01	+24516423+01	-70177790+00	-11538382+00	+25630095+00
+90757138-01	+24111814+01	-72368105+00	-11069742+00	+25622766+00
+94684127-01	+23759038+01	-74321784+00	-10622107+00	+25615501+00
+98611116-01	+23450056+01	-76075272+00	-10194269+00	+25608309+00
+10253810+00	+23178345+01	-77658216+00	-97849487-01	+25601197+00
+10646509+00	+22938546+01	-79095005+00	-93928120-01	+25594166+00
+11039208+00	+22726224+01	-80405904+00	-90165748-01	+25587217+00
+11431907+00	+22537704+01	-81607770+00	-86549725-01	+25580352+00
+11824606+00	+22369894+01	-82714855+00	-83068023-01	+25573563+00
+12173672+00	+22236010+01	-83629124+00	-80076734-01	+25567593+00
+12522737+00	+22114870+01	-84485343+00	-77174797-01	+25561682+00
+12871803+00	+22005123+01	-85289862+00	-74355023-01	+25555824+00
+13220869+00	+21905597+01	-86048262+00	-71610516-01	+25550018+00
+13569934+00	+21815265+01	-86765479+00	-68934509-01	+25544258+00
+13919000+00	+21733231+01	-87445877+00	-66320777-01	+25538541+00
+14268066+00	+21658704+01	-88093369+00	-63763123-01	+25532864+00
+14617131+00	+21590993+01	-88711455+00	-61255658-01	+25527222+00
+14966197+00	+21529483+01	-89303297+00	-58792613-01	+25521611+00
+15271629+00	+21480320+01	-89801919+00	-56669326-01	+25516719+00
+15577062+00	+21435164+01	-90284443+00	-54571999-01	+25511846+00
+15882494+00	+21393725+01	-90752513+00	-52496796-01	+25506986+00
+16187927+00	+21355735+01	-91207717+00	-50439997-01	+25502136+00
+16493359+00	+21320958+01	-91651518+00	-48397707-01	+25497291+00
+16798791+00	+21289179+01	-92085327+00	-46366029-01	+25492445+00
+17104224+00	+21260203+01	-92510510+00	-44340903-01	+25487604+00
+17409656+00	+21233854+01	-92928387+00	-42318158-01	+25482754+00
+17715089+00	+21209973+01	-93340308+00	-40293258-01	+25477891+00
+17976888+00	+21191360+01	-93689598+00	-38552402-01	+25473712+00
+18238687+00	+21174373+01	-94036304+00	-36803293-01	+25469517+00
+18500487+00	+21158937+01	-94381293+00	-35042409-01	+25465306+00
+18762286+00	+21144987+01	-94725437+00	-33266081-01	+25461071+00
+19024085+00	+21132458+01	-95069684+00	-31470188-01	+25456811+00
+19285884+00	+21121300+01	-95415018+00	-29650196-01	+25452522+00
+19547684+00	+21111459+01	-95762529+00	-27800949-01	+25448197+00
+19809483+00	+21102895+01	-96113371+00	-25916846-01	+25443831+00
+20071282+00	+21095570+01	-96468852+00	-23991292-01	+25439421+00
+20289448+00	+21090389+01	-96769672+00	-22349714-01	+25435705+00
+20507614+00	+21086032+01	-97075650+00	-20669212-01	+25431947+00
+20725780+00	+21082486+01	-97387884+00	-18944207-01	+25428147+00
+20943946+00	+21079742+01	-97707568+00	-17168085-01	+25424296+00

TABLE 15.—Continued

 $M_{00} = +39999999+01$ $\theta_0 = +4363275-01$

θ	M_{w2}^*	ψ_2	M_2^*	μ_1
+21162112+00	+21077795+01	-98036085+00	-15333494-01	+25420390+00
+21380278+00	+21076643+01	-98375074+00	-13431393-01	+25416421+00
+21598444+00	+21076289+01	-98726426+00	-11451378-01	+25412383+00
+21816610+00	+21076738+01	-99092429+00	-93807977-02	+25408266+00
+22034776+00	+21078003+01	-99475781+00	-72046145-02	+25404064+00
+22209309+00	+21079615+01	-99797203+00	-53750815-02	+25400631+00
+22383842+00	+21081773+01	-10013395+01	-34544582-02	+25397129+00
+22558375+00	+21084492+01	-10048852+01	-14285965-02	+25393549+00
+22732908+00	+21087795+01	-10086397+01	+71938325-03	+25389886+00
+22907441+00	+21091706+01	-10126406+01	+30107592-02	+25386126+00
+23081973+00	+21096259+01	-10169346+01	+54716578-02	+25382259+00
+23256506+00	+21101491+01	-10215825+01	+81361348-02	+25378270+00
+23431039+00	+21107453+01	-10266626+01	+11048031-01	+25374140+00
+23605572+00	+21114209+01	-10322791+01	+14265793-01	+25369848+00
+23736472+00	+21119846+01	-10369275+01	+16926854-01	+25366509+00
+23867371+00	+21126019+01	-10420378+01	+19849501-01	+25363049+00
+23998271+00	+21132781+01	-10477171+01	+2309319-01	+25359450+00
+24129170+00	+21140201+01	-10541113+01	+26740541-01	+25355693+00
+24260070+00	+21148366+01	-10614235+01	+30903863-01	+25351746+00
+24390970+00	+21157390+01	-10699521+01	+35749574-01	+25347577+00
+24521869+00	+21167430+01	-10801492+01	+41529614-01	+25343133+00
+24652769+00	+21178709+01	-10927518+01	+48653753-01	+25338345+00
+24783669+00	+21191558+01	-11090547+01	+57841725-01	+25333107+00
+24870935+00	+21201250+01	-11231476+01	+65762224-01	+25329283+00
+24958201+00	+21212125+01	-11413869+01	+75988189-01	+25325103+00
+25045468+00	+21224589+01	-11665304+01	+90048066-01	+25320440+00
+25132734+00	+21239367+01	-12048989+01	+11144279+00	+25315057+00
+25220001+00	+21258049+01	-12759234+01	+15092608+00	+25308443+00
+25307267+00	+21286140+01	-15053028+01	+27800188+00	+25298815+00
+25329402+00	+21297961+01	-17410748+01	+40839115+00	+25294855+00

 $S_2/R = +14762922-05$ $\eta/\alpha = +17456840-01$

TABLE 16.—Conical Flow Field. $\theta_s=2.5^\circ$; $M_\infty=4.5$

M_∞	θ_s	θ_w			
+44999997+01	+43633275-01	+22495268+00			
θ	M_2^*	ψ_2	M_2^*	μ_1	
+43633275-01	+39402656+01	+46333298-07	-17186814+00	+22839781+00	
+47123931-01	+36593581+01	-12873108+00	-17048831+00	+22838562+00	
+50614588-01	+34345371+01	-23208251+00	-16717784+00	+22835441+00	
+54105245-01	+32518601+01	-31654909+00	-16278403+00	+22831017+00	
+57595901-01	+31014897+01	-38664512+00	-15781227+00	+22825697+00	
+61086558-01	+29763076+01	-44559553+00	-15256894+00	+22819756+00	
+64577214-01	+28710647+01	-49575746+00	-14724107+00	+22813388+00	
+68067871-01	+27818146+01	-53888910+00	-14194262+00	+22806734+00	
+71558527-01	+27055445+01	-57632518+00	-13674188+00	+22799893+00	
+75049184-01	+26399218+01	-60909473+00	-13167831+00	+22792934+00	
+78539840-01	+25831157+01	-63800244+00	-12677287+00	+22785912+00	
+82030497-01	+25336739+01	-66368543+00	-12203478+00	+22778862+00	
+85084821-01	+24955319+01	-68391650+00	-11802756+00	+22772694+00	
+88139146-01	+24614953+01	-70235020+00	-11414788+00	+22766536+00	
+91193471-01	+24310288+01	-71922101+00	-11039184+00	+22760402+00	
+94247796-01	+24036825+01	-73472619+00	-10675435+00	+22754297+00	
+97302119-01	+23790754+01	-74903327+00	-10322982+00	+22748227+00	
+10035644+00	+23568827+01	-76228511+00	-99811972-01	+22742195+00	
+10341077+00	+23368274+01	-77460428+00	-96494484-01	+22736201+00	
+10646509+00	+23186700+01	-78609695+00	-93270849-01	+22730246+00	
+10951942+00	+23022049+01	-79685495+00	-90134783-01	+22724328+00	
+11257374+00	+22872540+01	-80695813+00	-87079898-01	+22718453+00	
+11562807+00	+22736613+01	-81647722+00	-84100030-01	+22712613+00	
+11824606+00	+22629884+01	-82421850+00	-81600955-01	+22707635+00	
+12086405+00	+22531378+01	-83161113+00	-79148805-01	+22702683+00	
+12348204+00	+22440421+01	-83868671+00	-76739916-01	+22697751+00	
+12610004+00	+22356408+01	-84547377+00	-74370709-01	+22692841+00	
+12871803+00	+22278792+01	-85199872+00	-72037521-01	+22687948+00	
+13133602+00	+22207086+01	-85828533+00	-69736996-01	+22683074+00	
+13395401+00	+22140843+01	-86435611+00	-67465522-01	+22678210+00	
+13657201+00	+22079669+01	-87023127+00	-65219783-01	+22673359+00	
+13919000+00	+22023200+01	-87593008+00	-62996095-01	+22668517+00	
+14180799+00	+21971110+01	-88147043+00	-60791054-01	+22663682+00	
+14442598+00	+21923104+01	-88686916+00	-58601138-01	+22658849+00	
+14660764+00	+21886023+01	-89127167+00	-56785021-01	+22654822+00	
+14878931+00	+21851448+01	-89559613+00	-54974631-01	+22650792+00	
+15097097+00	+21819248+01	-89985122+00	-53167716-01	+22646758+00	
+15315263+00	+21789303+01	-90404550+00	-51361857-01	+22642717+00	
+15533429+00	+21761498+01	-90818760+00	-49554669-01	+22638669+00	
+15751595+00	+21735735+01	-91228571+00	-47743563-01	+22634612+00	
+15969761+00	+21711917+01	-91634832+00	-45925777-01	+22630537+00	
+16187927+00	+21689956+01	-92038422+00	-44098372-01	+22626447+00	
+16406093+00	+21669774+01	-92440195+00	-42258206-01	+22622342+00	
+16624259+00	+21651299+01	-92841064+00	-40401959-01	+22618210+00	
+16842425+00	+21634462+01	-93241997+00	-38525743-01	+22614056+00	
+17016958+00	+21622132+01	-93563448+00	-37007717-01	+22610710+00	
+17191490+00	+21610785+01	-93886118+00	-35472104-01	+22607343+00	
+17366023+00	+21600394+01	-94210595+00	-33916302-01	+22603954+00	
+17540556+00	+21590937+01	-94537497+00	-32337653-01	+22600541+00	
+17715089+00	+21582393+01	-94867490+00	-30733067-01	+22597099+00	

TABLE 16.—Continued

$\kappa_{00} = +44999997+01$

$\theta_0 = +43633275-01$

θ	κ_{12}^*	ν_2	κ_2^*	μ_1
+17889622+00	+21574741+01	-95201331+00	-29099132-01	+22593626+00
+18064155+00	+21567968+01	-95539779+00	-27432277-01	+22590121+00
+18238687+00	+21562058+01	-95883760+00	-25728056-01	+22586578+00
+18413220+00	+21557001+01	-96234240+00	-23981953-01	+22582998+00
+18587753+00	+21552788+01	-96592353+00	-22188402-01	+22579372+00
+18762286+00	+21549414+01	-96959339+00	-20341247-01	+22575697+00
+18893186+00	+21547431+01	-97241262+00	-18916505-01	+22572907+00
+19024085+00	+21545920+01	-97529672+00	-17454195-01	+22570086+00
+19154985+00	+21544878+01	-97825367+00	-15950396-01	+22567230+00
+19285884+00	+21544311+01	-98129175+00	-14400945-01	+22564335+00
+19416784+00	+21544221+01	-98442104+00	-12800782-01	+22561402+00
+19547684+00	+21544614+01	-98765276+00	-11144147-01	+22558423+00
+19678583+00	+21545496+01	-99099970+00	-94247768-02	+22555400+00
+19809483+00	+21546877+01	-99447674+00	-76349040-02	+22552325+00
+19940383+00	+21548767+01	-99810148+00	-57658294-02	+22549192+00
+20071282+00	+21551181+01	-10018939+01	-38072471-02	+22546002+00
+20202182+00	+21554134+01	-10058785+01	-17467748-02	+22542746+00
+20289448+00	+21556412+01	-10086558+01	-30949438-03	+22540534+00
+20376715+00	+21558945+01	-10115411+01	+11846792-02	+22538288+00
+20463981+00	+21561742+01	-10145459+01	+27413537-02	+22536006+00
+20551248+00	+21564810+01	-10176835+01	+43673819-02	+22533683+00
+20638514+00	+21568161+01	-10209690+01	+60704297-02	+22531316+00
+20725780+00	+21571805+01	-10244200+01	+78593800-02	+22528904+00
+20813047+00	+21575756+01	-10280571+01	+97447529-02	+22526444+00
+20900313+00	+21580029+01	-10319046+01	+11738868-01	+22523930+00
+20987580+00	+21584640+01	-10359919+01	+13856498-01	+22521356+00
+21074846+00	+21589610+01	-10409540+01	+16115510-01	+22518717+00
+21162112+00	+21594962+01	-10450331+01	+18537385-01	+22516009+00
+21249379+00	+21600724+01	-10500817+01	+21148467-01	+22513221+00
+21336645+00	+21606927+01	-10555651+01	+23981881-01	+22510350+00
+21423912+00	+21613611+01	-10615666+01	+27079848-01	+22507381+00
+21511178+00	+21620820+01	-10681930+01	+30496227-01	+22504301+00
+21598444+00	+21628615+01	-10755848+01	+34302037-01	+22501098+00
+21685711+00	+21637064+01	-10839329+01	+38593532-01	+22497750+00
+21772977+00	+21646260+01	-10935018+01	+43504170-01	+22494234+00
+21860244+00	+21656320+01	-11046736+01	+49226562-01	+22490521+00
+21947510+00	+21667402+01	-11180225+01	+56049787-01	+22486568+00
+22034776+00	+21679726+01	-11344667+01	+64435788-01	+22482315+00
+22122043+00	+21693623+01	-11555795+01	+75175794-01	+22477676+00
+22209309+00	+21709604+01	-11843694+01	+89781127-01	+22472516+00
+22296576+00	+21728585+01	-12275580+01	+11162593+00	+22466588+00
+22383842+00	+21752498+01	-13048865+01	+15061115+00	+22459378+00
+22471108+00	+21787493+01	-15263097+01	+26183087+00	+22449236+00
+22495268+00	+21802570+01	-17295576+01	+36371660+00	+22444989+00

$s_2/R = +64535610-05$

$\eta/\alpha = +26862316-01$

TABLE 17.—Conical Flow Field. $\theta_s=2.5^\circ$; $M_\infty=5.0$

M_{00}	θ_s	θ_v
+49999999+01	+43633275-01	+20251780+00

θ	M_{w2}^*	ψ_2	M_2^*	μ_1
+43633275-01	+39491606+01	+20518200-07	-17225797+00	+20571584+00
+46687599-01	+36993973+01	-11226374+00	-17117613+00	+20570579+00
+49741924-01	+34942114+01	-20476887+00	-16851217+00	+20567956+00
+52796248-01	+33236341+01	-28210485+00	-16488621+00	+20564173+00
+55850573-01	+31803595+01	-34757952+00	-16069062+00	+20559548+00
+58904897-01	+30589212+01	-40363173+00	-15617736+00	+20554311+00
+61959222-01	+29551622+01	-45209528+00	-15150978+00	+20548631+00
+65013546-01	+28658776+01	-49437192+00	-14679400+00	+20542630+00
+68067871-01	+27885586+01	-53155024+00	-14209872+00	+20536396+00
+71122195-01	+27212204+01	-56448667+00	-13746777+00	+20530000+00
+74176520-01	+26622739+01	-59386370+00	-13292827+00	+20523491+00
+77230844-01	+26104385+01	-62022999+00	-12849604+00	+20516911+00
+80285169-01	+25646669+01	-64403269+00	-12417932+00	+20510280+00
+82903161-01	+25296047+01	-66267434+00	-12057346+00	+20504580+00
+85521154-01	+24979100+01	-67989649+00	-11705435+00	+20498875+00
+88139146-01	+24691950+01	-69586468+00	-11362040+00	+20493168+00
+90757138-01	+24431268+01	-71072120+00	-11026901+00	+20487469+00
+93375131-01	+24194168+01	-72458958+00	-10699692+00	+20481784+00
+95993123-01	+23978163+01	-73757680+00	-10380036+00	+20476110+00
+98611116-01	+23781079+01	-74977662+00	-10067535+00	+20470454+00
+10122911+00	+23601029+01	-76127098+00	-97617648-01	+20464814+00
+10384710+00	+23436345+01	-77213260+00	-94622833-01	+20459192+00
+10646509+00	+23285571+01	-78242568+00	-91686514-01	+20453589+00
+10908309+00	+23147416+01	-79220762+00	-88804071-01	+20448000+00
+11170108+00	+23020744+01	-80152959+00	-85971057-01	+20442428+00
+11388274+00	+22923228+01	-80897976+00	-83644739-01	+20437794+00
+11606440+00	+22832452+01	-81616730+00	-81346831-01	+20433172+00
+11824606+00	+22747951+01	-82311417+00	-79074875-01	+20428553+00
+12042772+00	+22669292+01	-82984126+00	-76826105-01	+20423940+00
+12260938+00	+22596073+01	-83636846+00	-74597739-01	+20419331+00
+12479104+00	+22527943+01	-84271349+00	-72387150-01	+20414723+00
+12697270+00	+22464569+01	-84889371+00	-70191426-01	+20410118+00
+12915436+00	+22405655+01	-85492547+00	-68007736-01	+20405510+00
+13133602+00	+22350929+01	-86082392+00	-65833249-01	+20400897+00
+13351768+00	+22300139+01	-86660415+00	-63664771-01	+20396279+00
+13569934+00	+22253058+01	-87228052+00	-61499163-01	+20391650+00
+13788100+00	+22209476+01	-87786702+00	-59333073-01	+20387009+00
+13962633+00	+22177001+01	-88228088+00	-57597491-01	+20383286+00
+14137166+00	+22146551+01	-88665330+00	-55857416-01	+20379551+00
+14311699+00	+22118044+01	-89099120+00	-54110794-01	+20375805+00
+14486232+00	+22091404+01	-89530164+00	-52355634-01	+20372041+00
+14660764+00	+22066556+01	-89959217+00	-50589449-01	+20368259+00
+14835297+00	+22043434+01	-90387011+00	-48809855-01	+20364462+00
+15009830+00	+22021976+01	-90814330+00	-47014144-01	+20360640+00
+15184363+00	+22002125+01	-91241973+00	-45199484-01	+20356797+00
+15358896+00	+21983830+01	-91670799+00	-43362731-01	+20352928+00
+15533429+00	+21967044+01	-92101709+00	-41500362-01	+20349028+00
+15707961+00	+21951721+01	-92535693+00	-39608541-01	+20345098+00
+15882494+00	+21937824+01	-92973795+00	-37683044-01	+20341129+00
+16013394+00	+21928315+01	-93305781+00	-36213863-01	+20338127+00

TABLE 17.—Continued

$N_{00} = +49999999+01$

$e_8 = +43633275-01$

θ	N_{w2}^*	ψ_2	N_2^*	μ_1
+16144293+00	+21919579+01	-93641238+00	-34720907-01	+20335100+00
+16275193+00	+21911602+01	-93980766+00	-33201642-01	+20332048+00
+16406093+00	+21904373+01	-94324991+00	-31653326-01	+20328967+00
+16536992+00	+21897884+01	-94674585+00	-30073024-01	+20325859+00
+16667892+00	+21892130+01	-95030307+00	-28457416-01	+20322718+00
+16798791+00	+21887104+01	-95393001+00	-26802721-01	+20319542+00
+16929691+00	+21882803+01	-95763590+00	-25104717-01	+20316327+00
+17060591+00	+21879225+01	-96143113+00	-23358856-01	+20313074+00
+17191490+00	+21876371+01	-96532756+00	-21559637-01	+20309777+00
+17322390+00	+21874245+01	-96933855+00	-19701030-01	+20306431+00
+17453290+00	+21872848+01	-97347952+00	-17775895-01	+20303034+00
+17540556+00	+21872328+01	-97632091+00	-16451684-01	+20300739+00
+17627822+00	+21872139+01	-97923382+00	-15091526-01	+20298418+00
+17715089+00	+21872284+01	-98222479+00	-13692497-01	+20296068+00
+17802355+00	+21872769+01	-98530118+00	-12251150-01	+20293689+00
+17889622+00	+21873598+01	-98847118+00	-10763763-01	+20291278+00
+17976888+00	+21874779+01	-99174393+00	-92260650-02	+20288833+00
+18064155+00	+21876316+01	-99512979+00	-76332157-01	+20286354+00
+18151421+00	+21878219+01	-99864081+00	-59796750-02	+20283837+00
+18238687+00	+21880495+01	-10022906+01	-42591474-02	+20281278+00
+18325954+00	+21883158+01	-10060944+01	-24645667-02	+20278674+00
+18413220+00	+21886219+01	-10100698+01	-58772417-03	+20276024+00
+18500487+00	+21889693+01	-10142381+01	+13812442-02	+20273322+00
+18587753+00	+21893593+01	-10186237+01	+34535856-02	+20270566+00
+18675019+00	+21897942+01	-10232551+01	+56425072-02	+20267750+00
+18762286+00	+21902760+01	-10281666+01	+79640400-02	+20264868+00
+18849552+00	+21908073+01	-10333997+01	+10437323-01	+20261914+00
+18936819+00	+21913911+01	-10390047+01	+13085645-01	+20258881+00
+19024085+00	+21920307+01	-10450435+01	+15937619-01	+20255761+00
+19111352+00	+21927306+01	-10515935+01	+19029096-01	+20252544+00
+19198618+00	+21934956+01	-10587530+01	+22405527-01	+20249218+00
+19285884+00	+21943319+01	-10666488+01	+26125414-01	+20245770+00
+19373151+00	+21952470+01	-10754490+01	+30266325-01	+20242179+00
+19460417+00	+21962503+01	-10853796+01	+34932705-01	+20238430+00
+19547684+00	+21973537+01	-10967578+01	+40270585-01	+20234490+00
+19634950+00	+21985729+01	-11100406+01	+46490524-01	+20230327+00
+19722217+00	+21999289+01	-11259216+01	+53911650-01	+20225889+00
+19809483+00	+22014516+01	-11455096+01	+63043875-01	+20221111+00
+19896749+00	+22031847+01	-11707296+01	+74771410-01	+20215892+00
+19984016+00	+22051986+01	-12052970+01	+90799801-01	+20210070+00
+20071282+00	+22076188+01	-12576814+01	+11501291+00	+20203358+00
+20158549+00	+22107185+01	-13536726+01	+15922630+00	+20195129+00
+20245815+00	+22154287+01	-16550327+01	+29746872+00	+20183223+00
+20251780+00	+22158951+01	-17082800+01	+32185480+00	+20182078+00

$s_2/R = +23665782-04$

$\eta/\alpha = +39082647-01$

TABLE 18.—Conical Flow Field. $\theta_s=2.5^\circ$; $M_\infty=6.0$

M_∞	θ_s	θ_v		
+59999999+01		+43633275-01		+16936998+00

θ	M_{w2}^*	ψ_2	M_2^*	μ_1
+43633275-01	+39167200+01	+10739313-07	-17085242+00	+17195994+00
+46251267-01	+37014379+01	-94253110-01	-17004671+00	+17195150+00
+48869260-01	+35198069+01	-17402598+00	-16800862+00	+17192905+00
+51487252-01	+33652073+01	-24234132+00	-16515937+00	+17189603+00
+54105245-01	+32325805+01	-30145514+00	-16178112+00	+17185498+00
+56723237-01	+31180120+01	-35308259+00	-15806557+00	+17180780+00
+59341229-01	+30184263+01	-39855022+00	-15414410+00	+17175587+00
+61959222-01	+29313833+01	-43889812+00	-15010737+00	+17170029+00
+64577214-01	+28549256+01	-47495263+00	-14601792+00	+17164188+00
+67195207-01	+27874638+01	-50737847+00	-14191882+00	+17158129+00
+69813199-01	+27277012+01	-53671521+00	-13783933+00	+17151897+00
+72431192-01	+26745680+01	-56340553+00	-13379892+00	+17145535+00
+75049184-01	+26271742+01	-58781635+00	-12980996+00	+17139071+00
+77667176-01	+25847765+01	-61025372+00	-12587985+00	+17132530+00
+80285169-01	+25467506+01	-63097479+00	-12201231+00	+17125926+00
+82466829-01	+25180173+01	-64708981+00	-11883786+00	+17120386+00
+84648490-01	+24916862+01	-66227451+00	-11570699+00	+17114817+00
+86830150-01	+24675272+01	-67662451+00	-11261853+00	+17109226+00
+89011810-01	+24453360+01	-69022519+00	-10957053+00	+17103618+00
+91193471-01	+24249318+01	-70315260+00	-10656066+00	+17097993+00
+93375131-01	+24061571+01	-71547389+00	-10358625+00	+17092353+00
+95556792-01	+23888695+01	-72725032+00	-10064431+00	+17086698+00
+97738452-01	+23729431+01	-73853712+00	-97731359-01	+17081032+00
+99920112-01	+23582663+01	-74938401+00	-94843977-01	+17075349+00
+10210177+00	+23447387+01	-75983696+00	-91978264-01	+17069650+00
+10428343+00	+23322707+01	-76993812+00	-89130297-01	+17063934+00
+10646509+00	+23207819+01	-77972669+00	-86295686-01	+17058199+00
+10864675+00	+23101994+01	-78923962+00	-83469837-01	+17052440+00
+11082841+00	+23004591+01	-79851123+00	-80647953-01	+17046659+00
+11257374+00	+22932333+01	-80577734+00	-78389749-01	+17042012+00
+11431907+00	+22864815+01	-81292681+00	-76127853-01	+17037343+00
+11606440+00	+22801785+01	-81997599+00	-73859121-01	+17032654+00
+11780973+00	+22743020+01	-82694035+00	-71580480-01	+17027937+00
+11955506+00	+22688300+01	-83383643+00	-69288193-01	+17023195+00
+12130038+00	+22637436+01	-84068019+00	-66978456-01	+17018418+00
+12304571+00	+22590251+01	-84748797+00	-64647113-01	+17013608+00
+12479104+00	+22546583+01	-85427675+00	-62289615-01	+17008760+00
+12653637+00	+22506284+01	-86106458+00	-59900804-01	+17003868+00
+12828170+00	+22469220+01	-86786999+00	-57475013-01	+16998932+00
+13002703+00	+22435270+01	-87471332+00	-55005979-01	+16993944+00
+13177235+00	+22404329+01	-88161640+00	-52486420-01	+16988902+00
+13351768+00	+22376300+01	-88860339+00	-49908146-01	+16983790+00
+13526301+00	+22351100+01	-89570120+00	-47261817-01	+16978608+00
+13657201+00	+22334017+01	-90111516+00	-45225956-01	+16974672+00
+13788100+00	+22318462+01	-90662275+00	-43140423-01	+16970689+00
+13919000+00	+22304412+01	-91224040+00	-40999150-01	+16966652+00
+14049900+00	+22291857+01	-91798563+00	-38795544-01	+16962559+00
+14180799+00	+22280781+01	-92387939+00	-36521670-01	+16958408+00
+14311699+00	+22271180+01	-92994507+00	-34168486-01	+16954189+00
+14442598+00	+22263055+01	-93620993+00	-31725581-01	+16949898+00

TABLE 18.—Continued

$M_{00} = +59999999+01$

$\theta_0 = +3633275-01$

θ	M_2^*	ψ_2	M_2^*	M_1
+14573498+00	+22256407+01	-94270625+00	-29180344-01	+16945525+00
+14704398+00	+22251254+01	-94947078+00	-26518512-01	+16941063+00
+14835297+00	+22247614+01	-95654870+00	-23722318-01	+16936505+00
+14966197+00	+22245519+01	-96399358+00	-20770715-01	+16931842+00
+15097097+00	+22245007+01	-97187227+00	-17637516-01	+16927057+00
+15227996+00	+22246135+01	-98026603+00	-14290611-01	+16922138+00
+15358896+00	+22248974+01	-98927863+00	-10689060-01	+16917067+00
+15446162+00	+22251860+01	-99569496+00	-81212649-02	+16913593+00
+15533429+00	+22255584+01	-10024931+01	-53981392-02	+16910035+00
+15620695+00	+22260179+01	-10097333+01	-24959252-02	+16906384+00
+15707961+00	+22265696+01	-10174880+01	+61386903-03	+16902632+00
+15795228+00	+22272192+01	-10258476+01	+39670652-02	+16898768+00
+15882494+00	+22279735+01	-10349266+01	+76086471-02	+16894775+00
+15969761+00	+22288409+01	-10448713+01	+11596309-01	+16890640+00
+16057027+00	+22298318+01	-10558739+01	+16005613-01	+16886342+00
+16144293+00	+22309591+01	-10681923+01	+20938035-01	+16881858+00
+16231560+00	+22322393+01	-10821824+01	+26533520-01	+16877157+00
+16318826+00	+22336937+01	-10983527+01	+32991689-01	+16872198+00
+16406093+00	+22353514+01	-11174599+01	+40609371-01	+16866927+00
+16493359+00	+22372520+01	-11406951+01	+49853382-01	+16861272+00
+16580625+00	+22394539+01	-11700666+01	+61510049-01	+16855124+00
+16667892+00	+22420477+01	-12093108+01	+77040719-01	+16848315+00
+16755158+00	+22451897+01	-12664539+01	+99581137-01	+16840555+00
+16842425+00	+22491961+01	-13634013+01	+13768012+00	+16831258+00
+16929691+00	+22549565+01	-15998345+01	+23019073+00	+16818759+00
+16936998+00	+22555980+01	-16394007+01	+24564079+00	+16817423+00

$S_2/R = +20786675-03$

$\eta/\alpha = +72067390-01$

TABLE 19.—Conical Flow Field. $\theta_s=2.5^\circ$; $M_\infty=7.0$

M_∞	θ_B		θ_W	
+70000013+01	+43633275-01		+14622532+00	

θ	M_2^*	ψ_2	M_2^*	μ_1
+43633275-01	+38460414+01	+17724233-07	-16780254+00	+14803964+00
+45814935-01	+36674593+01	-76925468-01	-16724090+00	+14803299+00
+47996596-01	+35126213+01	-14380823+00	-16578111+00	+14801496+00
+50178256-01	+33775559+01	-20249033+00	-16368416+00	+14798791+00
+52359916-01	+32590748+01	-25439841+00	-16113540+00	+14795370+00
+54541577-01	+31546143+01	-30065450+00	-15826789+00	+14791371+00
+56723237-01	+30620952+01	-34215245+00	-15517805+00	+14786904+00
+58904897-01	+29798150+01	-37961319+00	-15193616+00	+14782060+00
+61086558-01	+29063676+01	-41362429+00	-14859358+00	+14776906+00
+63268218-01	+28405836+01	-44466962+00	-14518792+00	+14771495+00
+65449878-01	+27814842+01	-47315067+00	-14174659+00	+14765870+00
+67631539-01	+27282435+01	-49940411+00	-13828933+00	+14760093+00
+69813199-01	+26801627+01	-52371368+00	-13483020+00	+14754140+00
+71994860-01	+26366441+01	-54632113+00	-13137901+00	+14748071+00
+74176520-01	+25971768+01	-56743328+00	-12794200+00	+14741895+00
+76358180-01	+25613212+01	-58722843+00	-12452307+00	+14735629+00
+78539840-01	+25286974+01	-60586141+00	-12112403+00	+14729281+00
+80285169-01	+25047007+01	-62002305+00	-11841910+00	+14724149+00
+82030497-01	+24824112+01	-63358971+00	-11572653+00	+14718974+00
+83775825-01	+24616939+01	-64661787+00	-11304518+00	+14713758+00
+85521154-01	+24424298+01	-65915830+00	-11037376+00	+14708503+00
+87266482-01	+24245089+01	-67125848+00	-10771039+00	+14703210+00
+89011810-01	+24078342+01	-68296146+00	-10505303+00	+14697880+00
+90757138-01	+23923162+01	-69430787+00	-10239921+00	+14692512+00
+92502467-01	+23778763+01	-70533465+00	-99746307-01	+14687107+00
+94247796-01	+23644403+01	-71607800+00	-97091051-01	+14681662+00
+95993123-01	+23519435+01	-72657110+00	-94430241-01	+14676174+00
+97738452-01	+23403251+01	-73684660+00	-91760013-01	+14670645+00
+99483780-01	+23295318+01	-74693533+00	-89076342-01	+14665069+00
+10122911+00	+23195131+01	-75686852+00	-86374461-01	+14659445+00
+10297444+00	+23102252+01	-76667597+00	-83649461-01	+14653769+00
+10471976+00	+23016268+01	-77638862+00	-80895619-01	+14648036+00
+10646509+00	+22936817+01	-78603732+00	-78106594-01	+14642240+00
+10777409+00	+22881313+01	-79325116+00	-75987538-01	+14637852+00
+10908309+00	+22829165+01	-80046150+00	-73841249-01	+14633422+00
+11039208+00	+22780260+01	-80768285+00	-71664259-01	+14628948+00
+11170108+00	+22734487+01	-81493110+00	-69452235-01	+14624430+00
+11301007+00	+22691746+01	-82222318+00	-67200731-01	+14619861+00
+11431907+00	+22651955+01	-82957668+00	-64904557-01	+14615238+00
+11562807+00	+22615026+01	-83701186+00	-62558057-01	+14610556+00
+11693706+00	+22580891+01	-84455032+00	-60154556-01	+14605812+00
+11824606+00	+22549488+01	-85221617+00	-57686640-01	+14600999+00
+11955506+00	+22520764+01	-86003662+00	-55145706-01	+14596114+00
+12086405+00	+22494679+01	-86804252+00	-52522035-01	+14591146+00
+12217305+00	+22471193+01	-87626976+00	-49803622-01	+14586089+00
+12348204+00	+22450289+01	-88475928+00	-46977250-01	+14580935+00
+12479104+00	+22431962+01	-89355929+00	-44026638-01	+14575674+00
+12610004+00	+22416208+01	-90272814+00	-40932233-01	+14570296+00
+12740903+00	+22403049+01	-91233556+00	-37670431-01	+14564785+00
+12828170+00	+22395734+01	-91902573+00	-35388822-01	+14561030+00

TABLE 19.—Continued

$M_{00} = +70000013+01$

$\theta_8 = +43633275-01$

θ	$M_{\psi_2}^*$	ψ_2	M_2^*	M_1
+12915436+00	+22389606+01	-92597831+00	-33009782-01	+14557205+00
+13002703+00	+22384682+01	-93322925+00	-30521062-01	+14553305+00
+13089969+00	+22380993+01	-94081946+00	-27908681-01	+14549319+00
+13177235+00	+22378567+01	-94879843+00	-25155656-01	+14545243+00
+13264502+00	+22377445+01	-95722541+00	-22241658-01	+14541069+00
+13351768+00	+22377680+01	-96617125+00	-19142283-01	+14536786+00
+13439035+00	+22379329+01	-97572416+00	-15827424-01	+14532379+00
+13526301+00	+22382465+01	-98599353+00	-12259452-01	+14527840+00
+13613567+00	+22387179+01	-99711698+00	-83911344-02	+14523149+00
+13700834+00	+22393583+01	-10092723+01	-41615013-02	+14518286+00
+13788100+00	+22401815+01	-10226934+01	+50968765-03	+14513233+00
+13875367+00	+22412052+01	-10376945+01	+57300316-02	+14507951+00
+13962633+00	+22424522+01	-10547118+01	+11648746-01	+14502407+00
+14049900+00	+22439519+01	-10743722+01	+18480393-01	+14496553+00
+14137166+00	+22457452+01	-10976152+01	+26545760-01	+14490320+00
+14180799+00	+22467686+01	-11110154+01	+31189559-01	+14487036+00
+14224432+00	+22478883+01	-11259354+01	+36354855-01	+14483617+00
+14268066+00	+22491155+01	-11427319+01	+42162996-01	+14480051+00
+14311699+00	+22504646+01	-11618870+01	+48778281-01	+14476312+00
+14355332+00	+22519537+01	-11840828+01	+56432862-01	+14472366+00
+14398965+00	+22536068+01	-12103132+01	+65464905-01	+14468181+00
+14442598+00	+22554560+01	-12421056+01	+76393535-01	+14463700+00
+14486232+00	+22575475+01	-12819487+01	+90064318-01	+14458851+00
+14529865+00	+22599502+01	-13342534+01	+10797487+00	+14453520+00
+14573498+00	+22627770+01	-14078215+01	+13311186+00	+14447522+00
+14617131+00	+22662367+01	-15237746+01	+17263725+00	+14440518+00
+14622532+00	+22667271+01	-15433431+01	+17929914+00	+14439554+00

$S_2/R = +11676889-02$

$\eta/\alpha = +11500205+00$

TABLE 20.—Conical Flow Field. $\theta_s=2.5^\circ$; $M_\infty=8.0$

M_∞	θ_B	θ_W
+80000002+01	+43633275-01	+12931031+00

θ	M_{w2}^*	ϕ_2	M_2^*	μ_1
+43633275-01	+37562509+01	+11408702-07	-16397661+00	+13020607+00
+45378603-01	+36149593+01	-60285933-01	-16361770+00	+13020129+00
+47123931-01	+34889069+01	-11414056+00	-16265881+00	+13018804+00
+48869260-01	+33761089+01	-16256400+00	-16124286+00	+13016779+00
+50614588-01	+32748016+01	-20636331+00	-15947755+00	+13014168+00
+52359916-01	+31835054+01	-24619677+00	-15744479+00	+13011064+00
+54105245-01	+31009745+01	-28260701+00	-15520733+00	+13007547+00
+55850573-01	+30261543+01	-31604534+00	-15281335+00	+13003677+00
+57595901-01	+29581479+01	-34689015+00	-15030019+00	+12999509+00
+59341229-01	+28961869+01	-37546126+00	-14769673+00	+12995081+00
+61086558-01	+28396121+01	-40203074+00	-14502530+00	+12990429+00
+62831886-01	+27878500+01	-42683238+00	-14230309+00	+12985582+00
+64577214-01	+27404077+01	-45006696+00	-13954341+00	+12980564+00
+66322542-01	+26968516+01	-47190959+00	-13675618+00	+12975398+00
+68067871-01	+26568050+01	-49251265+00	-13394894+00	+12970098+00
+69813199-01	+26199356+01	-51201034+00	-13112705+00	+12964680+00
+71558527-01	+25859525+01	-53052079+00	-12829422+00	+12959152+00
+73303856-01	+25545965+01	-54814970+00	-12545273+00	+12953522+00
+75049184-01	+25256401+01	-56499099+00	-12260366+00	+12947798+00
+76794513-01	+24988794+01	-58112984+00	-11974717+00	+12941989+00
+78103509-01	+24801413+01	-59281924+00	-11759949+00	+12937577+00
+79412505-01	+24624666+01	-60418724+00	-11544650+00	+12933119+00
+80721501-01	+24457928+01	-61526172+00	-11328742+00	+12928616+00
+82030497-01	+24300622+01	-62606898+00	-11112113+00	+12924069+00
+83339494-01	+24152200+01	-63663486+00	-10894623+00	+12919478+00
+84648490-01	+24012178+01	-64698298+00	-10676128+00	+12914842+00
+85957486-01	+23880090+01	-65713704+00	-10456448+00	+12910160+00
+87266482-01	+23755517+01	-66711939+00	-10235376+00	+12905434+00
+88575478-01	+23638080+01	-67695163+00	-10012692+00	+12900659+00
+89884475-01	+23527410+01	-68665578+00	-97881365-01	+12895836+00
+91193471-01	+23423180+01	-69625314+00	-95614309-01	+12890962+00
+92502467-01	+23325092+01	-70576500+00	-93322616-01	+12886037+00
+93811463-01	+23232858+01	-71521334+00	-91002728-01	+12881055+00
+95120459-01	+23146227+01	-72462022+00	-88650746-01	+12876014+00
+96429456-01	+23064954+01	-73400917+00	-86262185-01	+12870912+00
+97738452-01	+22988828+01	-74340411+00	-83832020-01	+12865744+00
+99047448-01	+22917656+01	-75283036+00	-81354822-01	+12860505+00
+10035644+00	+22851254+01	-76231584+00	-78824060-01	+12855191+00
+10166544+00	+22789457+01	-77189071+00	-76232438-01	+12849796+00
+10253810+00	+22750755+01	-77833927+00	-74466873-01	+12846151+00
+10341077+00	+22713997+01	-78485279+00	-72667779-01	+12842460+00
+10428343+00	+22679153+01	-79144283+00	-70832036-01	+12838756+00
+10515610+00	+22646187+01	-79812212+00	-68956182-01	+12834962+00
+10602876+00	+22615083+01	-80490359+00	-67036608-01	+12831139+00
+10690143+00	+22585803+01	-81180349+00	-65068766-01	+12827265+00
+10777409+00	+22558335+01	-81883824+00	-63047932-01	+12823336+00
+10864675+00	+22532662+01	-82602673+00	-60968747-01	+12819346+00
+10951942+00	+22508774+01	-83338981+00	-58825010-01	+12815294+00
+11039208+00	+22486663+01	-84095175+00	-56609679-01	+12811175+00
+11126475+00	+22466324+01	-84873963+00	-54314656-01	+12806986+00

TABLE 20.—Continued

$M_{00} = +80000002+01$

$\theta_8 = +43633275=01$

θ	M_{w2}^*	ψ_2	M_2^*	μ_1
+11213741+00	+22447766+01	-85678458+00	-51930705-01	+12802718+00
+11301007+00	+22430997+01	-86512286+00	-49447031-01	+12798365+00
+11388274+00	+22416030+01	-87379687+00	-46850826-01	+12793924+00
+11475540+00	+22402891+01	-88285643+00	-44127018-01	+12789381+00
+11562807+00	+22391614+01	-89236049+00	-41257900-01	+12784731+00
+11650073+00	+22382247+01	-90237988+00	-38221855-01	+12779963+00
+11737340+00	+22374839+01	-91300195+00	-34992591-01	+12775064+00
+11824606+00	+22369465+01	-92433337+00	-31537527-01	+12770019+00
+11868239+00	+22367568+01	-93030555+00	-29713115-01	+12767435+00
+11911872+00	+22366217+01	-93650765+00	-27816253-01	+12764811+00
+11955506+00	+22365428+01	-94296180+00	-25840235-01	+12762140+00
+11999139+00	+22365211+01	-94969463+00	-23777086-01	+12759421+00
+12042772+00	+22365591+01	-95673485+00	-21617997-01	+12756650+00
+12086405+00	+22366584+01	-96411679+00	-19352472-01	+12753825+00
+12130038+00	+22368222+01	-97187851+00	-16969113-01	+12750939+00
+12173672+00	+22370525+01	-98006668+00	-14453626-01	+12747991+00
+12217305+00	+22373530+01	-98873424+00	-11790036-01	+12744973+00
+12260938+00	+22377270+01	-99794529+00	-89588277-02	+12741880+00
+12304571+00	+22381791+01	-10077749+01	-59373032-02	+12738708+00
+12348204+00	+22387132+01	-10183160+01	-26973173-02	+12735446+00
+12391838+00	+22393355+01	-10296798+01	+79486859-03	+12732088+00
+12435471+00	+22400522+01	-10420056+01	+45812846-02	+12728623+00
+12479104+00	+22408715+01	-10554666+01	+87144984-02	+12725040+00
+12522737+00	+22418019+01	-10702856+01	+13261614-01	+12721323+00
+12566370+00	+22428554+01	-10867491+01	+18309412-01	+12717458+00
+12610004+00	+22440453+01	-11052397+01	+23973286-01	+12713423+00
+12653637+00	+22453889+01	-11262791+01	+30410650-01	+12709188+00
+12697270+00	+22469085+01	-11505991+01	+37842050-01	+12704723+00
+12740903+00	+22486329+01	-11792680+01	+46589349-01	+12699985+00
+12784536+00	+22506022+01	-12139182+01	+57143964-01	+12694913+00
+12828170+00	+22528712+01	-12572118+01	+70306843-01	+12689426+00
+12871803+00	+22555248+01	-13138420+01	+87488666-01	+12683390+00
+12915436+00	+22586989+01	-13931318+01	+11148995+00	+12676604+00
+12931031+00	+22600012+01	-14304112+01	+12275626+00	+12673935+00

$s_2/R = +46723042-02$

$\eta/\alpha = +16470033+00$

TABLE 21.—Conical Flow Field. $\theta_s=2.5^\circ$; $M_\infty=10.0$

M_∞	θ_s		θ_w	
+10000002+02	+43633275-01		+10660326+00	

θ	M_{w2}^*	ψ_2	M_2^*	H_1
+43633275-01	+35541170+01	+82654878-08	-15571455+00	+10540683+00
+44942271-01	+34539823+01	-42829318-01	-15551914+00	+10540356+00
+46251267-01	+33612335+01	-82172988-01	-15498202+00	+10539432+00
+47560263-01	+32759246+01	-11847458+00	-15416545+00	+10537986+00
+48869260-01	+31973343+01	-15210761+00	-15311914+00	+10536090+00
+50178256-01	+31248072+01	-18338909+00	-15188305+00	+10533792+00
+51487252-01	+30577635+01	-21258923+00	-15048945+00	+10531142+00
+52796248-01	+29956844+01	-23994088+00	-14896446+00	+10528182+00
+54105245-01	+29381171+01	-26564487+00	-14732933+00	+10524943+00
+55414241-01	+28846555+01	-28987648+00	-14560134+00	+10521454+00
+56723237-01	+28349433+01	-31278879+00	-14379452+00	+10517739+00
+58032233-01	+27886599+01	-33451703+00	-14192029+00	+105138.7+00
+59341229-01	+27455226+01	-35518045+00	-13998780+00	+10509714+00
+60650226-01	+27052761+01	-37488557+00	-13800448+00	+10505436+00
+61959222-01	+26676913+01	-39372798+00	-13597608+00	+10501001+00
+63268218-01	+26325648+01	-41179330+00	-13390714+00	+10496417+00
+64577214-01	+25997116+01	-42915935+00	-13180105+00	+10491697+00
+65886211-01	+25689657+01	-44589702+00	-12966018+00	+10486845+00
+67195207-01	+25401773+01	-46207135+00	-12748603+00	+10481868+00
+68504203-01	+25132092+01	-47774282+00	-12527930+00	+10476770+00
+69813199-01	+24879396+01	-49296725+00	-12303999+00	+10471557+00
+71122195-01	+24642557+01	-50779765+00	-12076741+00	+10466231+00
+72431192-01	+24420558+01	-52228419+00	-11846005+00	+10460791+00
+73740188-01	+24212486+01	-53647472+00	-11611605+00	+10455237+00
+75049184-01	+24017497+01	-55041598+00	-11373251+00	+10449573+00
+76358180-01	+23834826+01	-56415409+00	-11130601+00	+10443795+00
+77667176-01	+23663790+01	-57773452+00	-10883230+00	+10437900+00
+78976173-01	+23503746+01	-59120427+00	-10630625+00	+10431883+00
+80285169-01	+23354139+01	-60461049+00	-10372178+00	+10425743+00
+81157833-01	+23259938+01	-61353758+00	-10196277+00	+10421576+00
+82030497-01	+23170000+01	-62247451+00	-10017210+00	+10417347+00
+82903161-01	+23084203+01	-63143753+00	-98347006-01	+10413057+00
+83775825-01	+23002424+01	-64044403+00	-96484394-01	+10408702+00
+84648490-01	+22924547+01	-64951315+00	-94580711-01	+10404279+00
+85521154-01	+22850478+01	-65866464+00	-92632003-01	+10399782+00
+86393817-01	+22780121+01	-66792068+00	-90633787-01	+10395209+00
+87266482-01	+22713402+01	-67730485+00	-88581068-01	+10390556+00
+88139146-01	+22650232+01	-68684494+00	-86467835-01	+10385819+00
+89011810-01	+22590557+01	-69657021+00	-84287599-01	+10380992+00
+89884475-01	+22534318+01	-70651493+00	-82032494-01	+10376068+00
+90757138-01	+22481482+01	-71671691+00	-79693790-01	+10371041+00
+91629802-01	+22432003+01	-72722151+00	-77260851-01	+10365903+00
+92502467-01	+22385867+01	-73808026+00	-74721382-01	+10360642+00
+93375131-01	+22343067+01	-74935388+00	-72060798-01	+10355251+00
+94247796-01	+22303611+01	-76111484+00	-69261518-01	+10349718+00
+95120459-01	+22267520+01	-77345073+00	-66302129-01	+10344031+00
+95993123-01	+22234846+01	-78646796+00	-63156630-01	+10338169+00
+96865788-01	+22205656+01	-80029935+00	-59792147-01	+10332113+00
+97738452-01	+22180049+01	-81511151+00	-56167703-01	+10325845+00
+98611116-01	+22158161+01	-83111962+00	-52230030-01	+10319336+00

TABLE 21.—Continued

 $M_{00} = +10000002+02$ $\theta_0 = +43633275-01$

θ	M_{w2}^*	ψ_2	M_2^*	μ_1
+99483780-01	+22140174+01	-84860639+00	-47909235-01	+10312545+00
+10035644+00	+22126333+01	-86795222+00	-43111001-01	+10305440+00
+10122911+00	+22116973+01	-88968627+00	-37704503-01	+10297959+00
+10210177+00	+22112541+01	-91457251+00	-31500682-01	+10290036+00
+10297444+00	+22113660+01	-94376434+00	-24214686-01	+10281572+00
+10384710+00	+22121238+01	-97910698+00	-15391015-01	+10272434+00
+10471976+00	+22136636+01	-10237964+01	-42423234-02	+10262420+00
+10515610+00	+22147902+01	-10513713+01	+26283378-02	+10256989+00
+10559243+00	+22162056+01	-10840102+01	+10750753-01	+10251205+00
+10602876+00	+22179649+01	-11237217+01	+20618082-01	+10244983+00
+10646509+00	+22201492+01	-11738566+01	+33051929-01	+10238210+00
+10660326+00	+22209475+01	-11927608+01	+37733969-01	+10235927+00

 $S_2/R = +36424603-01$ $\eta/\alpha = +27088421+00$

TABLE 22.—Conical Flow Field. $\theta_s=2.5^\circ$; $M_\infty=12.0$

M_{∞}	θ_B	θ_V
+11999996+02	+43633275-01	+92378254-01

θ	M_{w2}^*	ψ_2	M_2^*	μ_1
+43633275-01	+33457910+01	+59662852-08	-14798841+00	+89003197-01
+44505939-01	+32865095+01	-27085922-01	-14790472+00	+89001483-01
+45378603-01	+32269771+01	-52681035-01	-14766796+00	+88996529-01
+46251267-01	+31706968+01	-76921283-01	-14729722+00	+88988602-01
+47123931-01	+31173267+01	-99929197-01	-14680876+00	+88978014-01
+47996596-01	+30667281+01	-12181406+00	-14621651+00	+88964953-01
+48869260-01	+30187493+01	-14267347+00	-14553238+00	+88949605-01
+49741924-01	+29732358+01	-16259482+00	-14476663+00	+88932164-01
+50614588-01	+29300387+01	-18165669+00	-14392805+00	+88912792-01
+51487252-01	+28890178+01	-19992989+00	-14302426+00	+88891655-01
+52359916-01	+28500414+01	-21747860+00	-14206174+00	+88868819-01
+53232580-01	+28129872+01	-23436107+00	-14104613+00	+88844418-01
+54105245-01	+27777417+01	-25063043+00	-13998226+00	+88818602-01
+54977909-01	+27442000+01	-26633528+00	-13887426+00	+88791392-01
+55850573-01	+27122647+01	-28152028+00	-13772564+00	+88762856-01
+56723237-01	+26818462+01	-29622644+00	-13653940+00	+88733129-01
+57595901-01	+26528589+01	-31049214+00	-13531800+00	+88702202-01
+58468565-01	+26252271+01	-32435243+00	-13406358+00	+88670179-01
+59341229-01	+25988765+01	-33784089+00	-13277777+00	+88637061-01
+60213894-01	+25737407+01	-35098831+00	-13146194+00	+88602930-01
+61086558-01	+25497590+01	-36382359+00	-13011708+00	+88567808-01
+61959222-01	+25268711+01	-37637500+00	-12874383+00	+88531702-01
+62831886-01	+25050244+01	-38866855+00	-12734264+00	+88494688-01
+63704550-01	+24841692+01	-40072944+00	-12591367+00	+88456697-01
+64577214-01	+24642571+01	-41258242+00	-12445667+00	+88417805-01
+65449878-01	+24452453+01	-42425104+00	-12297129+00	+88378019-01
+66322542-01	+24270937+01	-43575825+00	-12145691+00	+88337339-01
+67195207-01	+24097642+01	-44712707+00	-11991245+00	+88295735-01
+68067871-01	+23932214+01	-45838038+00	-11833669+00	+88253237-01
+68940535-01	+23774328+01	-46954099+00	-11672812+00	+88209815-01
+69813199-01	+23623677+01	-48063211+00	-11509479+00	+88165462-01
+70685863-01	+23479989+01	-49167714+00	-11340459+00	+88120169-01
+71558527-01	+23342988+01	-50270121+00	-11168474+00	+88073909-01
+72431192-01	+23212443+01	-51372975+00	-10992222+00	+88026635-01
+73303856-01	+23088120+01	-52479025+00	-10811341+00	+87978347-01
+74176520-01	+22969830+01	-53591143+00	-10625423+00	+87928965-01
+75049184-01	+22857369+01	-54712578+00	-10433971+00	+87878457-01
+75921848-01	+22750579+01	-55846745+00	-10236436+00	+87826774-01
+76794513-01	+22649307+01	-56997519+00	-10032143+00	+87773829-01
+77667176-01	+22553418+01	-58169244+00	-98203260-01	+87719567-01
+78103509-01	+22507457+01	-58764468+00	-97113196-01	+87691918-01
+78539840-01	+22462796+01	-59366847+00	-96000726-01	+87663904-01
+78976173-01	+22419428+01	-59977109+00	-94864519-01	+87635517-01
+79412505-01	+22377344+01	-60596044+00	-93702981-01	+87606743-01
+79848836-01	+22336534+01	-61224530+00	-92514431-01	+87577552-01
+80285169-01	+22296987+01	-61863508+00	-91297011-01	+87547936-01
+80721501-01	+22258707+01	-62513976+00	-90048681-01	+87517872-01
+81157833-01	+22221678+01	-63177109+00	-88767102-01	+87487354-01
+81594165-01	+22185901+01	-63854128+00	-87449871-01	+87456353-01
+82030497-01	+22151373+01	-64546416+00	-86094040-01	+87424829-01

TABLE 22.—Continued

$M_{\infty} = +11999996+02$

$\theta_g = +43633275-01$

θ	M_{w2}^*	ψ_2	M_2^*	μ_1
+82466829-01	+22118102+01	-65255470+00	-84696688-01	+87392784-01
+82903161-01	+22086083+01	-65982993+00	-83254190-01	+87360181-01
+83339494-01	+22055324+01	-66730883+00	-81762677-01	+87327011-01
+83775825-01	+22025831+01	-67501302+00	-80217649-01	+87293185-01
+84212157-01	+21997620+01	-68296615+00	-78614227-01	+87258689-01
+84648490-01	+21970695+01	-69119637+00	-76946530-01	+87223522-01
+85084821-01	+21945078+01	-69973444+00	-75208098-01	+87187580-01
+85521154-01	+21920788+01	-70861688+00	-73391350-01	+87150886-01
+85957486-01	+21897851+01	-71788538+00	-71487528-01	+87113306-01
+86393817-01	+21876291+01	-72758887+00	-69486372-01	+87074838-01
+86830150-01	+21856151+01	-73778446+00	-67375934-01	+87035373-01
+87266482-01	+21837470+01	-74854024+00	-65141901-01	+86994834-01
+87702814-01	+21820300+01	-75993793+00	-62767139-01	+86953170-01
+88139146-01	+21804698+01	-77207680+00	-60230795-01	+86910203-01
+88575478-01	+21790738+01	-78507680+00	-57507778-01	+86865864-01
+89011810-01	+21778506+01	-79908809+00	-54566544-01	+86819999-01
+89448142-01	+21768106+01	-81430024+00	-51367458-01	+86772412-01
+89884475-01	+21759664+01	-83095501+00	-47859817-01	+86722925-01
+90320806-01	+21753346+01	-84936722+00	-43977816-01	+86671277-01
+90757138-01	+21749340+01	-86996132+00	-39632650-01	+86617148-01
+91193471-01	+21747903+01	-89331916+00	-34702904-01	+86560167-01
+91629802-01	+21749356+01	-92026678+00	-29016230-01	+86499825-01
+92066135-01	+21754138+01	-95202940+00	-22317359-01	+86435452-01
+92378254-01	+21759927+01	-97871684+00	-16693612-01	+86386487-01

$S_2/R = +15100908+00$

$\eta/\alpha = +37125200+00$

TABLE 23.—Conical Flow Field. $\theta_s=2.5^\circ$; $M_\infty=15.0$

M_∞	θ_s	θ_v
+14999994+02	+43633275-01	+79177930-01

θ	M_2^*	ψ_2	M_2^*	μ_1
+43633275-01	+30440763+01	-11234079-07	-13864108+00	+72743088-01
+44069607-01	+30232950+01	-12465640-01	-13862154+00	+72742589-01
+44505939-01	+30045394+01	-24570029-01	-13856468+00	+72741046-01
+44942271-01	+29792918+01	-36367128-01	-13847276+00	+72738521-01
+45378603-01	+29549926+01	-47857088-01	-13834800+00	+72735056-01
+45814935-01	+29311206+01	-59055355-01	-13819239+00	+72730698-01
+46251267-01	+29077005+01	-69976011-01	-13800779+00	+72725512-01
+46687599-01	+28847619+01	-80632695-01	-13779586+00	+72719484-01
+47123931-01	+28623257+01	-91038300-01	-13755817+00	+72712697-01
+47560263-01	+28404006+01	-10120510+00	-13729615+00	+72705142-01
+47996596-01	+28189897+01	-11114468+00	-13701111+00	+72696864-01
+48432928-01	+27980892+01	-12086810+00	-13670426+00	+72687871-01
+48869260-01	+27776932+01	-13038586+00	-13637673+00	+72678238-01
+49305592-01	+27577922+01	-13970797+00	-13602950+00	+72667964-01
+49741924-01	+27383772+01	-14884389+00	-13566353+00	+72657041-01
+50178256-01	+27194386+01	-15780254+00	-13527970+00	+72645515-01
+50614588-01	+27009654+01	-16659252+00	-13487875+00	+72633401-01
+51050920-01	+26829472+01	-17522197+00	-13446145+00	+72620757-01
+51487252-01	+26653707+01	-18369891+00	-13402843+00	+72607539-01
+51923584-01	+26482270+01	-19203058+00	-13358030+00	+72593793-01
+52359916-01	+26315038+01	-20022428+00	-13311759+00	+72579518-01
+52796248-01	+26151907+01	-20828685+00	-13264082+00	+72564758-01
+53232580-01	+25992787+01	-21622469+00	-13215045+00	+72549484-01
+53668913-01	+25837546+01	-22404453+00	-13164684+00	+72533764-01
+54105245-01	+25686100+01	-23175230+00	-13113036+00	+72517529-01
+54541577-01	+25538353+01	-23935385+00	-13060133+00	+72500869-01
+54977909-01	+25394197+01	-24685518+00	-13006003+00	+72483718-01
+55414241-01	+25253548+01	-25426163+00	-12950670+00	+72466135-01
+55850573-01	+25116324+01	-26157852+00	-12894155+00	+72448119-01
+56286905-01	+24982426+01	-26881145+00	-12836471+00	+72429694-01
+56723237-01	+24851765+01	-27596554+00	-12777634+00	+72410821-01
+57159569-01	+24724274+01	-28304564+00	-12717652+00	+72391547-01
+57595901-01	+24599868+01	-29005687+00	-12656534+00	+72371803-01
+58032233-01	+24478484+01	-29700377+00	-12594281+00	+72351701-01
+58468565-01	+24360027+01	-30389175+00	-12530891+00	+72331175-01
+58904897-01	+24244439+01	-31072520+00	-12466365+00	+72310224-01
+59341229-01	+24131649+01	-31750901+00	-12400692+00	+72288871-01
+59777562-01	+24021596+01	-32424783+00	-12333860+00	+72267122-01
+60213894-01	+23914219+01	-33094627+00	-12265862+00	+72244957-01
+60650226-01	+23809448+01	-33760930+00	-12196674+00	+72222396-01
+61086558-01	+23707229+01	-34424159+00	-12126280+00	+72199434-01
+61522890-01	+23607511+01	-35084797+00	-12054651+00	+72176061-01
+61959222-01	+23510232+01	-35743339+00	-11981758+00	+72152301-01
+62395554-01	+23415352+01	-36400261+00	-11907573+00	+72128095-01
+62831886-01	+23322809+01	-37056105+00	-11832052+00	+72103470-01
+63268218-01	+23232561+01	-37711368+00	-11755159+00	+72078429-01
+63704550-01	+23144562+01	-38366603+00	-11676840+00	+72052978-01
+64140882-01	+23058766+01	-39022371+00	-11597044+00	+72027065-01
+64577214-01	+22975139+01	-39679229+00	-11515717+00	+72000735-01
+65013546-01	+22893633+01	-40337814+00	-11432787+00	+71973935-01

TABLE 23.—Continued

$$\mu_{\infty} = +14999994+02$$

$$\theta_{\infty} = +43633275-01$$

θ	$\mu_{v_2}^*$	v_2	μ_2^*	μ_1
+65449878-01	+22814214+01	-40998731+00	-11348190+00	+71946703-01
+65886211-01	+22736857+01	-41662627+00	-11261843+00	+71918957-01
+66322542-01	+22661514+01	-42330245+00	-11173655+00	+71890749-01
+66758874-01	+22588150+01	-43002340+00	-11083531+00	+71862057-01
+67195207-01	+22516751+01	-43679671+00	-10991365+00	+71832836-01
+67631539-01	+22447275+01	-44363126+00	-10897039+00	+71803115-01
+68067871-01	+22379703+01	-45053606+00	-10800415+00	+71772859-01
+68504203-01	+22314016+01	-45752096+00	-10701356+00	+71742020-01
+68940535-01	+22250180+01	-46459706+00	-10599694+00	+71710653-01
+69376867-01	+22188194+01	-47177561+00	-10495252+00	+71678638-01
+69813199-01	+22128020+01	-47907033+00	-10387818+00	+71646019-01
+70249531-01	+22069656+01	-48649506+00	-10277180+00	+71612738-01
+70685863-01	+22013083+01	-49406544+00	-10163072+00	+71578793-01
+71122195-01	+21958304+01	-50179906+00	-10045216+00	+71544126-01
+71558527-01	+21905297+01	-50971617+00	-99232802-01	+71508698-01
+71994860-01	+21854069+01	-51783826+00	-97969058-01	+71472495-01
+72431192-01	+21804618+01	-52619097+00	-96656615-01	+71435429-01
+72867523-01	+21756947+01	-53480268+00	-95290721-01	+71397491-01
+73303856-01	+21711066+01	-54370657+00	-93865716-01	+71358636-01
+73740188-01	+21666986+01	-55294063+00	-92375212-01	+71318746-01
+74176520-01	+21624726+01	-56254955+00	-90811462-01	+71277774-01
+74612852-01	+21584310+01	-57258587+00	-89165608-01	+71235641-01
+75049184-01	+21545774+01	-58311081+00	-87427009-01	+71192264-01
+75485516-01	+21509159+01	-59419886+00	-85582943-01	+71147531-01
+75921848-01	+21474515+01	-60594019+00	-83617868-01	+71101323-01
+76358180-01	+21441910+01	-61844551+00	-81512711-01	+71053460-01
+76794513-01	+21411415+01	-63185245+00	-79243826-01	+71003817-01
+77230844-01	+21383136+01	-64633401+00	-76781383-01	+70952159-01
+77667176-01	+21357195+01	-66211430+00	-74086779-01	+70898287-01
+78103509-01	+21333747+01	-67948727+00	-71109498-01	+70841876-01
+78539840-01	+21312989+01	-69884815+00	-67781651-01	+70782557-01
+78976173-01	+21295181+01	-72074702+00	-64008888-01	+70719836-01
+79177930-01	+21288038+01	-73193097+00	-62079480-01	+70689626-01

$$s_2/R = +64243590+00$$

$$\eta/\alpha = +49726594+00$$

TABLE 24.—Conical Flow Field. $\theta_s=2.5^\circ$; $M_\infty=20.0$

M_{00}	θ_s	θ_w
+19999912+02	+43633275-01	+67346899-01

θ	M_{w2}^*	ψ_2	M_2^*	μ_1
+43633275-01	+25987956+01	-12601959-07	-12887066+00	+56726687-01
+44069607-01	+26071278+01	-10714713-01	-12885377+00	+56726031-01
+44505939-01	+26135291+01	-21139121-01	-12880456+00	+56724072-01
+44942271-01	+26002657+01	-31373927-01	-12872457+00	+56720875-01
+45378603-01	+25875473+01	-41386350-01	-12861557+00	+56716479-01
+45814935-01	+25742278+01	-51187161-01	-12847908+00	+56710981-01
+46251267-01	+25605109+01	-60786084-01	-12831649+00	+56704313-01
+46687599-01	+25465894+01	-70193156-01	-12812910+00	+56696661-01
+47123931-01	+25326011+01	-79418463-01	-12791807+00	+56687988-01
+47560263-01	+25186387+01	-88472087-01	-12768444+00	+56678347-01
+47996596-01	+25047673+01	-97363824-01	-12742917+00	+56667745-01
+48432928-01	+24910342+01	-10610325+00	-12715311+00	+56656219-01
+48869260-01	+24774741+01	-11469934+00	-12685705+00	+56643866-01
+49305592-01	+24641095+01	-12316130+00	-12654164+00	+56630597-01
+49741924-01	+24509611+01	-13149743+00	-12620751+00	+56616530-01
+50178256-01	+24380386+01	-13971642+00	-12585517+00	+56601614-01
+50614588-01	+24253519+01	-14782642+00	-12548510+00	+56585923-01
+51050920-01	+24129087+01	-15583517+00	-12509768+00	+56569420-01
+51487252-01	+24007116+01	-16375065+00	-12469321+00	+56552127-01
+51923584-01	+23887635+01	-17158037+00	-12427199+00	+56534112-01
+52359916-01	+23770651+01	-17933193+00	-12383420+00	+56515366-01
+52796248-01	+23656168+01	-18701279+00	-12337998+00	+56495845-01
+53232580-01	+23544179+01	-19463031+00	-12290939+00	+56475587-01
+53668913-01	+23434664+01	-20219192+00	-12242246+00	+56454629-01
+54105245-01	+23327624+01	-20970494+00	-12191913+00	+56432895-01
+54541577-01	+23223011+01	-21717709+00	-12139927+00	+56410454-01
+54977909-01	+23120816+01	-22461575+00	-12086272+00	+56387290-01
+55414241-01	+23021008+01	-23202871+00	-12030922+00	+56363426-01
+55850573-01	+22923561+01	-23942400+00	-11973842+00	+56338795-01
+56286905-01	+22828453+01	-24680950+00	-11914996+00	+56313440-01
+56723237-01	+22735655+01	-25419388+00	-11854334+00	+56287326-01
+57159569-01	+22645121+01	-26158636+00	-11791794+00	+56260489-01
+57595901-01	+22556846+01	-26899571+00	-11727310+00	+56232840-01
+58032233-01	+22470787+01	-27643224+00	-11660806+00	+56204431-01
+58468565-01	+22386923+01	-28390642+00	-11592187+00	+56175217-01
+58904897-01	+22305244+01	-29142916+00	-11521352+00	+56145176-01
+59341229-01	+22225706+01	-29901308+00	-11448178+00	+56114264-01
+59777562-01	+22148288+01	-30667160+00	-11372526+00	+56082472-01
+60213894-01	+22072983+01	-31441853+00	-11294243+00	+56049831-01
+60650226-01	+21999770+01	-32227032+00	-11213148+00	+56016229-01
+61086558-01	+21928635+01	-33024457+00	-11129029+00	+55981629-01
+61522890-01	+21859554+01	-33836178+00	-11041649+00	+55946000-01
+61959222-01	+21792527+01	-34664370+00	-10950732+00	+55909313-01
+62395554-01	+21727550+01	-35511632+00	-10855957+00	+55871494-01
+62831886-01	+21664619+01	-36380834+00	-10756953+00	+55832461-01
+63268218-01	+21603747+01	-37275349+00	-10653285+00	+55792168-01
+63704550-01	+21544926+01	-38199192+00	-10544423+00	+55750519-01
+64140882-01	+21488184+01	-39156992+00	-10429759+00	+55707410-01
+64577214-01	+21433531+01	-40154302+00	-10308545+00	+55662759-01
+65013546-01	+21381009+01	-41197740+00	-10179898+00	+55616394-01

TABLE 24.—Continued

$M_{00} = +19999912+02$

$\theta_8 = +43633275-01$

θ	M_{w2}^*	ψ_2	M_2^*	μ_1
+65449878-01	+21330658+01	-42295584+00	-10042701+00	+55568166-01
+65886211-01	+21282522+01	-43457990+00	-98955786-01	+55517904-01
+66322542-01	+21236687+01	-44697648+00	-97368129-01	+55465378-01
+66758874-01	+21193232+01	-46030990+00	-95641735-01	+55410318-01
+67195207-01	+21152290+01	-47479433+00	-93747580-01	+55352449-01
+67346899-01	+21138664+01	-48014931+00	-93042972-01	+55331618-01

$s_2/R = +27803199+01$

$\eta/\alpha = +64736296+00$

TABLE 25.—Conical Flow Field. $\theta_s=5.0^\circ$; $M_\infty=1.0383341$

M_∞	θ_s	θ_w
+10383341+01	+87266422-01	+13047785+01

θ	M_{w2}^*	ψ_2	M_2^*	μ_1
+87266422-01	+20045502+01	+18760329-05	-17468360+00	+15676366+01
+10471971+00	+16988308+01	-30690745+00	-16782121+00	+15473380+01
+12217299+00	+15142319+01	-49231791+00	-15532503+00	+15297176+01
+13962627+00	+13942910+01	-61290479+00	-14236252+00	+15156294+01
+15707955+00	+13120097+01	-69574856+00	-13038512+00	+15040092+01
+17453284+00	+12531486+01	-75512390+00	-11971284+00	+14941837+01
+19198612+00	+12096166+01	-79913836+00	-11030828+00	+14857101+01
+20943940+00	+11765384+01	-83267573+00	-10203090+00	+14782841+01
+22689269+00	+11508337+01	-85882094+00	-94723734-01	+14716890+01
+24434597+00	+11304786+01	-87960091+00	-88241919-01	+14657667+01
+26179925+00	+11140986+01	-89639200+00	-82460382-01	+14603977+01
+27925254+00	+11007337+01	-91015561+00	-77273959-01	+14554902+01
+29670582+00	+10896973+01	-92157956+00	-72595357-01	+14509729+01
+31415910+00	+10804873+01	-93116688+00	-68351903-01	+14467881+01
+33161238+00	+10727301+01	-93929205+00	-64483391-01	+14428897+01
+34906567+00	+10661427+01	-94623897+00	-60939450-01	+14392397+01
+36651895+00	+10605078+01	-95222541+00	-57677997-01	+14358073+01
+38397223+00	+10556562+01	-95742121+00	-54663497-01	+14325660+01
+40142552+00	+10514550+01	-96196014+00	-51865910-01	+14294935+01
+41887880+00	+10477978+01	-96594889+00	-49259589-01	+14265711+01
+43633208+00	+10445995+01	-96947319+00	-46822615-01	+14237826+01
+45378536+00	+10417909+01	-97260288+00	-44536072-01	+14211139+01
+47123865+00	+10393154+01	-97539501+00	-42383550-01	+14185527+01
+48869193+00	+10371261+01	-97789673+00	-40350863-01	+14160885+01
+50614521+00	+10351846+01	-98014716+00	-38425509-01	+14137118+01
+52359850+00	+10334583+01	-98217919+00	-36596473-01	+14114141+01
+54105178+00	+10319201+01	-98402036+00	-34854185-01	+14091882+01
+55850506+00	+10305469+01	-98569411+00	-33190001-01	+14070272+01
+57595835+00	+10293193+01	-98722036+00	-31596299-01	+14049250+01
+59341163+00	+10282206+01	-98861618+00	-30066148-01	+14028760+01
+61086491+00	+10272364+01	-98989625+00	-28593380-01	+14008754+01
+62831819+00	+10263546+01	-99107318+00	-27172398-01	+13989185+01
+64577147+00	+10255643+01	-99215812+00	-25798027-01	+13970012+01
+66322476+00	+10248565+01	-99316061+00	-24465638-01	+13951195+01
+68067804+00	+10242230+01	-99408913+00	-23170796-01	+13932697+01
+69813132+00	+10236569+01	-99495094+00	-21909609-01	+13914488+01
+71558461+00	+10231521+01	-99575273+00	-20678230-01	+13896529+01
+73303789+00	+10227033+01	-99650018+00	-19473119-01	+13878792+01
+75049117+00	+10223056+01	-99719843+00	-18290948-01	+13861249+01
+76794446+00	+10219551+01	-99785205+00	-17128449-01	+13843868+01
+78539774+00	+10216480+01	-99846526+00	-15982439-01	+13826624+01
+80285102+00	+10213813+01	-99904171+00	-14849943-01	+13809492+01
+82030430+00	+10211520+01	-99958472+00	-13727889-01	+13792444+01
+83775759+00	+10209577+01	-10000975+01	-12613166-01	+13775451+01
+85521087+00	+10207963+01	-10005827+01	-11502685-01	+13758493+01
+87266415+00	+10206659+01	-10010431+01	-10393168-01	+13741537+01
+89011744+00	+10205649+01	-10014810+01	-92813198-02	+13724563+01
+90757072+00	+10204918+01	-10018987+01	-81635967-02	+13707538+01
+92502400+00	+10204456+01	-10022984+01	-70361374-02	+13690435+01
+94247729+00	+10204252+01	-10026824+01	-58946280-02	+13673225+01

TABLE 25.—Continued

$M_{00} = +10383341+01$

$e_s = +87266422-01$

θ	M_{w2}^*	ψ_2	M_2^*	μ_1
+95993057+00	+10204298+01	-10030524+01	-47345717-02	+13655875+01
+97738385+00	+10204591+01	-10034108+01	-35507102-02	+13638349+01
+99483714+00	+10205124+01	-10037595+01	-23371250-02	+13620614+01
+10122903+01	+10205898+01	-10041007+01	-10867621-02	+13602626+01
+10297434+01	+10206911+01	-10044370+01	+20849654-03	+13584344+01
+10471966+01	+10208166+01	-10047711+01	+15583458-02	+13565716+01
+10646497+01	+10209669+01	-10051059+01	+29746656-02	+13546684+01
+10821028+01	+10211427+01	-10054453+01	+44723328-02	+13527183+01
+10995560+01	+10213452+01	-10057935+01	+60699746-02	+13507136+01
+11170091+01	+10215760+01	-10061564+01	+77917361-02	+13486449+01
+11344622+01	+10218372+01	-10065414+01	+96699385-02	+13465014+01
+11519154+01	+10221317+01	-10069587+01	+11748377-01	+13442691+01
+11693685+01	+10224632+01	-10074227+01	+14089493-01	+13419304+01
+11868216+01	+10228370+01	-10079549+01	+16784860-01	+13394621+01
+12042748+01	+10232606+01	-10085892+01	+19978018-01	+13368329+01
+12217279+01	+10237446+01	-10093829+01	+23908023-01	+13339972+01
+12391810+01	+10243059+01	-10104430+01	+29015195-01	+13308856+01
+12566342+01	+10249733+01	-10119992+01	+36229402-01	+13273800+01
+12740873+01	+10258040+01	-10146725+01	+48024266-01	+13232463+01
+12915405+01	+10269527+01	-10211659+01	+74981730-01	+13178506+01
+13047785+01	+10285706+01	-10558470+01	+21007887+00	+13107194+01

$S_2/R = +42632731-07$

$\eta/\alpha = +12300543-01$

TABLE 26.—Conical Flow Field. $\theta_s=5.0^\circ$; $M_\infty=1.5$

M_{00}	θ_s	θ_w
14999999+01	+87266422-01	+73078308+00

θ	M_{w2}^*	ψ_2	M_2^*	μ_1
87266422-01	+25873638+01	+11230586-05	-22548475+00	+75584412+00
10210171+00	+22393914+01	-26124163+00	-21869749+00	+75561643+00
11693700+00	+20150130+01	-43026338+00	-20550687+00	+75511479+00
13177229+00	+18620136+01	-54621409+00	-19103211+00	+75449330+00
14660758+00	+17531382+01	-62940769+00	-17704034+00	+75382409+00
16144288+00	+16730141+01	-69126061+00	-16410203+00	+75314267+00
17540550+00	+16155674+01	-73613153+00	-15299722+00	+75250619+00
18936813+00	+15705217+01	-77177847+00	-14289311+00	+75188212+00
20333075+00	+15346064+01	-80062213+00	-13370207+00	+75127412+00
21729338+00	+15055617+01	-82433548+00	-12532428+00	+75068365+00
23125601+00	+14817857+01	-84410539+00	-11766265+00	+75011103+00
24434597+00	+14632440+01	-85982775+00	-11105128+00	+74958999+00
25743593+00	+14475972+01	-87337304+00	-10492620+00	+74908357+00
27052589+00	+14343003+01	-88514730+00	-99230050-01	+74859096+00
28361586+00	+14229305+01	-89546614+00	-93912509-01	+74811131+00
29670582+00	+14131564+01	-90457801+00	-88929621-01	+74764367+00
30892312+00	+14052401+01	-91216876+00	-84546690-01	+74721723+00
32114042+00	+13983111+01	-91901143+00	-80393876-01	+74679970+00
33335771+00	+13922278+01	-92521338+00	-76446596-01	+74639034+00
34557501+00	+13868730+01	-93086410+00	-72682809-01	+74598845+00
35779231+00	+13821495+01	-93603817+00	-69082845-01	+74559342+00
36913694+00	+13782571+01	-94047134+00	-65871077-01	+74523215+00
38048157+00	+13747836+01	-94459125+00	-62772235-01	+74487569+00
39182621+00	+13716817+01	-94843526+00	-59774300-01	+74452356+00
40317085+00	+13689107+01	-95203595+00	-56866213-01	+74417524+00
41451548+00	+13664357+01	-95542192+00	-54037563-01	+74383027+00
42498745+00	+13643876+01	-95837869+00	-51488520-01	+74351437+00
43545942+00	+13625450+01	-96119173+00	-48991465-01	+74320056+00
44593139+00	+13608898+01	-96387703+00	-46539328-01	+74288841+00
45640336+00	+13594058+01	-96644928+00	-44125093-01	+74257753+00
46687533+00	+13580788+01	-96892191+00	-41741916-01	+74226753+00
47647463+00	+13569897+01	-97111167+00	-39578785-01	+74198386+00
48607394+00	+13560134+01	-97323733+00	-37430569-01	+74170031+00
49567325+00	+13551423+01	-97530749+00	-35291867-01	+74141659+00
50527250+00	+13543695+01	-97733058+00	-33156783-01	+74113235+00
51487173+00	+13536891+01	-97931484+00	-31019272-01	+74084722+00
52359830+00	+13531462+01	-98109186+00	-29068621-01	+74058690+00
53232486+00	+13526716+01	-98284979+00	-27105437-01	+74032523+00
54105143+00	+13522622+01	-98459509+00	-25123879-01	+74006188+00
54977800+00	+13519152+01	-98633441+00	-23117717-01	+73979647+00
55850456+00	+13516282+01	-98807497+00	-21079762-01	+73952861+00
56635847+00	+13514196+01	-98964896+00	-19211759-01	+73928509+00
57421239+00	+13512566+01	-99123648+00	-17304739-01	+73903892+00
58206629+00	+13511384+01	-99284433+00	-15351097-01	+73878970+00
58992021+00	+13510641+01	-99448055+00	-13341754-01	+73853703+00
59777412+00	+13510332+01	-99615389+00	-11266391-01	+73828038+00
60475537+00	+13510421+01	-99768104+00	-93560654-02	+73804847+00
61173663+00	+13510852+01	-99925451+00	-73732358-02	+73781257+00
61871788+00	+13511628+01	-10008845+01	-53053899-02	+73757215+00
62569913+00	+13512754+01	-10025835+01	-31374749-02	+73732669+00

TABLE 26.—Continued

$M_{\infty} = +14999999+01$

$\theta_8 = +87266422-01$

θ	$M_{w_2}^*$	ψ_2	M_2^*	μ_1
63268038+00	+13514237+01	-10043662+01	-85098393-03	+73707548+00
63878898+00	+13515837+01	-10060094+01	+12649491-02	+73685039+00
64489758+00	+13517730+01	-10077463+01	+35084979-02	+73661965+00
65100618+00	+13519928+01	-10095964+01	+59038978-02	+73638263+00
65711477+00	+13522449+01	-10115840+01	+84815356-02	+73613845+00
66322337+00	+13525314+01	-10137410+01	+11281248-01	+73588602+00
66845931+00	+13528063+01	-10157563+01	+13897227-01	+73566216+00
67369524+00	+13531107+01	-10179620+01	+16758713-01	+73543031+00
67893119+00	+13534474+01	-10204049+01	+19924077-01	+73518924+00
68416713+00	+13538198+01	-10231497+01	+23473843-01	+73493746+00
68940307+00	+13542326+01	-10262877+01	+27521719-01	+73467296+00
69376635+00	+13546118+01	-10292988+01	+31394202-01	+73444095+00
69812964+00	+13550282+01	-10327910+01	+35870806-01	+73419626+00
70249292+00	+13554882+01	-10369393+01	+41167961-01	+73393619+00
70685620+00	+13560008+01	-10420224+01	+47630467-01	+73365689+00
71121949+00	+13565796+01	-10485208+01	+55851150-01	+73335275+00
71471011+00	+13571041+01	-10553307+01	+64423243-01	+73308568+00
71820074+00	+13577020+01	-10645458+01	+75966453-01	+73278958+00
72169136+00	+13584045+01	-10782018+01	+92981266-01	+73245136+00
72518200+00	+13592755+01	-11020643+01	+12254069+00	+73204385+00
72867262+00	+13605059+01	-11650144+01	+20001321+00	+73148576+00
73078308+00	+13619226+01	-14506974+01	+54966838+00	+73086219+00

$s_2/R = 53742502-07$

$\eta/\alpha = +89226039-02$

TABLE 27.—Conical Flow Field. $\theta_s=5.0^\circ$; $M_\infty=1.75$

M_{00}	θ_s	θ_w
17499998+01	+87266422-01	+60952726+00

θ	M_{w2}^*	ψ_2	M_2^*	μ_1
87266422-01	+28166636+01	+76147262-06	-24547378+00	+62867632+00
10035638+00	+24739104+01	-23221656+00	-23948730+00	+62852046+00
11344635+00	+22426089+01	-38960179+00	-22732249+00	+62816603+00
12653631+00	+20792947+01	-50159298+00	-21344123+00	+62771470+00
13962627+00	+19598396+01	-58438299+00	-19959223+00	+62721792+00
15271623+00	+18699599+01	-64750201+00	-18644835+00	+62670287+00
16493353+00	+18048531+01	-69391944+00	-17501639+00	+62621879+00
17715083+00	+17529744+01	-73152795+00	-16442050+00	+62573838+00
18936813+00	+17110445+01	-76250106+00	-15462313+00	+62526531+00
20158543+00	+16767413+01	-78837782+00	-14556100+00	+62480154+00
21380272+00	+16483826+01	-81027414+00	-13716285+00	+62434794+00
22514736+00	+16262809+01	-82776722+00	-12989743+00	+62393605+00
23649199+00	+16074761+01	-84304390+00	-12309065+00	+62353303+00
24783663+00	+15913815+01	-85649589+00	-11669352+00	+62313853+00
25918126+00	+15775358+01	-86843211+00	-11066189+00	+62275220+00
27052589+00	+15655718+01	-87909954+00	-10495587+00	+62237347+00
28099786+00	+15559420+01	-88799366+00	-99946475-01	+62203010+00
29146983+00	+15474743+01	-89610601+00	-95158271-01	+62169232+00
30194180+00	+15400115+01	-90354441+00	-90567921-01	+62135966+00
31241377+00	+15334222+01	-91039975+00	-86154005-01	+62103165+00
32288574+00	+15275966+01	-91674902+00	-81897038-01	+62070779+00
33248505+00	+15228474+01	-92218123+00	-78117077-01	+62041421+00
34208436+00	+15186003+01	-92728794+00	-74440539-01	+62012338+00
35168366+00	+15148026+01	-93210796+00	-70855092-01	+61983494+00
36128297+00	+15114087+01	-93667581+00	-67348795-01	+61954854+00
37088227+00	+15083786+01	-94102219+00	-63910175-01	+61926378+00
37960891+00	+15059107+01	-94480488+00	-60833489-01	+61900606+00
38833555+00	+15036922+01	-94844681+00	-57795126-01	+61874908+00
39706219+00	+15017030+01	-95196575+00	-54786703-01	+61849257+00
40578884+00	+14999253+01	-95537859+00	-51799609-01	+61823618+00
41451548+00	+14983433+01	-95870135+00	-48825025-01	+61797962+00
42236946+00	+14970753+01	-96162759+00	-46150941-01	+61774828+00
43022343+00	+14959455+01	-96450457+00	-43472289-01	+61751619+00
43807741+00	+14949459+01	-96734339+00	-40781368-01	+61728315+00
44593139+00	+14940694+01	-97015548+00	-38069772-01	+61704879+00
45378536+00	+14933097+01	-97295256+00	-35328296-01	+61681277+00
46076668+00	+14927281+01	-97543634+00	-32857959-01	+61660128+00
46774799+00	+14922310+01	-97792745+00	-30347714-01	+61638797+00
47472931+00	+14918159+01	-98043621+00	-27788135-01	+61617245+00
48171062+00	+14914801+01	-98297410+00	-25168593-01	+61595434+00
48869193+00	+14912217+01	-98555383+00	-22476652-01	+61573329+00
49480658+00	+14910581+01	-98785691+00	-20050402-01	+61553713+00
50090922+00	+14909519+01	-99021467+00	-17546079-01	+61533805+00
50701782+00	+14909030+01	-99264028+00	-14950015-01	+61513563+00
51312642+00	+14909112+01	-99514952+00	-12245908-01	+61492950+00
51923501+00	+14909771+01	-99776115+00	-94140316-02	+61471916+00
52447096+00	+14910800+01	-10000984+01	-68667820-02	+61453504+00
52970689+00	+14912269+01	-10025454+01	-41891332-02	+61434698+00
53494283+00	+14914186+01	-10051236+01	-13580210-02	+61415447+00
54017877+00	+14916570+01	-10078599+01	+16551674-02	+61395693+00

TABLE 27.—Continued

 $M_{00} = +17499998+01$ $e_s = +87266422-01$

θ	M_{12}^2	ψ_2	M_2^2	μ_1
54541471+00	+14919443+01	-10107878+01	+48865451-02	+61375365+00
54977800+00	+14922230+01	-10134054+01	+77793894-02	+61357928+00
55414128+00	+14925395+01	-10162186+01	+10890852-01	+61339979+00
55850456+00	+14928964+01	-10192687+01	+14265120-01	+61321446+00
56286785+00	+14932970+01	-10226100+01	+17960329-01	+61302248+00
56723113+00	+14937451+01	-10263150+01	+22054304-01	+61282281+00
57072176+00	+14941414+01	-10296071+01	+25687258-01	+61265665+00
57421239+00	+14945749+01	-10332650+01	+29717754-01	+61248387+00
57770301+00	+14950499+01	-10373841+01	+34247387-01	+61230344+00
58119364+00	+14955720+01	-10420981+01	+39419045-01	+61211398+00
58468427+00	+14961484+01	-10476035+01	+45441659-01	+61191370+00
58730224+00	+14966222+01	-10524262+01	+50702634-01	+61175497+00
58992021+00	+14971379+01	-10580492+01	+56819905-01	+61158740+00
59253817+00	+14977029+01	-10647589+01	+64097524-01	+61140919+00
59515615+00	+14983279+01	-10730094+01	+73016896-01	+61121773+00
59777412+00	+14990285+01	-10835787+01	+84402063-01	+61100924+00
59951943+00	+14995491+01	-10925908+01	+94079190-01	+61085795+00
60126474+00	+15001250+01	-11040440+01	+10634396+00	+61069379+00
60301006+00	+15007732+01	-11193766+01	+12271560+00	+61051257+00
60475537+00	+15015225+01	-11415976+01	+14637034+00	+61030722+00
60650068+00	+15024291+01	-11785302+01	+18555919+00	+61006388+00
60824600+00	+15036391+01	-12616526+01	+27345402+00	+60974645+00
60952726+00	+15051057+01	-15386821+01	+56546000+00	+60937092+00

 $S_2/R = 25730927-06$ $\eta/\alpha = +13691091-01$

TABLE 28.—Conical Flow Field. $\theta_s=5.0^\circ; M_\infty=2.0$

M_∞	θ_s	θ_w
20000000+01	+87266422-01	+52524879+00

θ	M_{w2}^*	ψ_2	M_2^*	μ_1
87266422-01	+29964699+01	+51571988-06	-26114854+00	+54107635+00
99047389-01	+26619413+01	-20928375+00	-25583057+00	+54095786+00
11082835+00	+24281416+01	-35629841+00	-24464322+00	+54068170+00
12260932+00	+22584589+01	-46398685+00	-23147345+00	+54032224+00
13439029+00	+21315676+01	-54554620+00	-21799084+00	+53991942+00
14617125+00	+20343467+01	-60902963+00	-20491410+00	+53949547+00
15707955+00	+19633915+01	-65620507+00	-19342276+00	+53909532+00
16798786+00	+19060854+01	-69506963+00	-18260226+00	+53869412+00
17889616+00	+18592315+01	-72756472+00	-17245421+00	+53829538+00
18980446+00	+18205183+01	-75509343+00	-16294585+00	+53790124+00
20071276+00	+17882401+01	-77869144+00	-15402921+00	+53751282+00
21074840+00	+17631212+01	-79760290+00	-14630284+00	+53716104+00
22078404+00	+17415944+01	-81431665+00	-13899049+00	+53681472+00
23081968+00	+17230542+01	-82920297+00	-13205213+00	+53647382+00
24085531+00	+17070182+01	-84255858+00	-12544980+00	+53613812+00
25089095+00	+16930978+01	-85462369+00	-11914826+00	+53580731+00
26005392+00	+16819669+01	-86467992+00	-11362948+00	+53550932+00
26921690+00	+16721381+01	-87394909+00	-10831092+00	+53521483+00
27837987+00	+16634453+01	-88253683+00	-10317086+00	+53492352+00
28754285+00	+16557487+01	-89053336+00	-98188829-01	+53463507+00
29670582+00	+16489299+01	-89801637+00	-93345520-01	+53434909+00
30499613+00	+16434325+01	-90440087+00	-89067603-01	+53409222+00
31328644+00	+16385069+01	-91046475+00	-84874836-01	+53383675+00
32157674+00	+16340972+01	-91624777+00	-80754312-01	+53358242+00
32986706+00	+16301548+01	-92178591+00	-76693157-01	+53332893+00
33815736+00	+16266373+01	-92711215+00	-72678551-01	+53307594+00
34557501+00	+16238196+01	-93172334+00	-69115185-01	+53284974+00
35299266+00	+16212889+01	-93621023+00	-65568900-01	+53262340+00
36041030+00	+16190243+01	-94059284+00	-62029480-01	+53239667+00
36782795+00	+16170075+01	-94489072+00	-58486196-01	+53216923+00
37524559+00	+16152221+01	-94912334+00	-54927381-01	+53194077+00
38179057+00	+16138275+01	-95281953+00	-51764380-01	+53173807+00
38833555+00	+16125932+01	-95649437+00	-48569736-01	+53153404+00
39488053+00	+16115116+01	-96016239+00	-45332917-01	+53132841+00
40142552+00	+16105759+01	-96383953+00	-42041703-01	+53112084+00
40797050+00	+16097803+01	-96754277+00	-38682450-01	+53091109+00
41364281+00	+16092004+01	-97078845+00	-35703570-01	+53072710+00
41931513+00	+16087194+01	-97408213+00	-32649525-01	+53054087+00
42498745+00	+16083354+01	-97743979+00	-29506209-01	+53035202+00
43065976+00	+16080467+01	-98087989+00	-26256981-01	+53016024+00
43633208+00	+16078524+01	-98442389+00	-22882190-01	+52996509+00
44113174+00	+16077615+01	-98752275+00	-19910923-01	+52979702+00
44593139+00	+16077383+01	-99073296+00	-16815261-01	+52962584+00
45073104+00	+16077832+01	-99407670+00	-13574186-01	+52945124+00
45553070+00	+16078975+01	-99758089+00	-10162067-01	+52927276+00
46033035+00	+16080829+01	-10012787+01	-65472891-02	+52908989+00
46425734+00	+16082890+01	-10044770+01	-34114941-02	+52893657+00
46818432+00	+16085461+01	-10078610+01	-86213283-04	+52877953+00
47211131+00	+16088562+01	-10114657+01	+34621214-02	+52861828+00
47603830+00	+16092223+01	-10153354+01	+72759900-02	+52845233+00

TABLE 28.—Continued

$M_{00} = +20000000+01$

$\theta_B = +87266422-01$

θ	M_{W2}^*	ψ_2	M_2^*	μ_1
47996529+00	+16096476+01	-10195269+01	+11410074-01	+52828098+00
48301961+00	+16100223+01	-10230564+01	+14891894-01	+52814350+00
48607394+00	+16104382+01	-10268702+01	+18653434-01	+52800182+00
48912826+00	+16108984+01	-10310263+01	+22750372-01	+52785542+00
49218259+00	+16114069+01	-10356000+01	+27254742-01	+52770365+00
49523691+00	+16119685+01	-10406916+01	+32262822-01	+52754570+00
49741857+00	+16124055+01	-10447202+01	+36219778-01	+52742854+00
49960023+00	+16128755+01	-10491494+01	+40564078-01	+52730727+00
50178188+00	+16133820+01	-10540668+01	+45379346-01	+52718130+00
50396352+00	+16139291+01	-10595889+01	+50776897-01	+52705000+00
50614516+00	+16145222+01	-10658771+01	+56910396-01	+52691245+00
50745415+00	+16149029+01	-10701086+01	+61030421-01	+52682650+00
50876313+00	+16153045+01	-10747615+01	+65554052-01	+52673762+00
51007212+00	+16157291+01	-10799209+01	+70562275-01	+52664546+00
51138110+00	+16161793+01	-10856977+01	+76160592-01	+52654960+00
51269009+00	+16166585+01	-10922401+01	+82489755-01	+52644948+00
51399907+00	+16171709+01	-10997518+01	+89743191-01	+52634445+00
51530806+00	+16177217+01	-11085226+01	+98196215-01	+52623363+00
51661704+00	+16183181+01	-11189817+01	+10825580+00	+52611593+00
51792603+00	+16189695+01	-11317967+01	+12055488+00	+52598974+00
51923501+00	+16196900+01	-11480805+01	+13614791+00	+52585282+00
52054400+00	+16205007+01	-11698606+01	+15695492+00	+52570172+00
52185298+00	+16214374+01	-12013538+01	+18696626+00	+52553060+00
52316197+00	+16225693+01	-12534266+01	+23645862+00	+52532816+00
52447096+00	+16240739+01	-13687897+01	+34579690+00	+52506530+00
52524879+00	+16254124+01	-15870352+01	+55218825+00	+52483657+00

$S_2/R = 11313209-05$

$\eta/\alpha = +20759116-01$

TABLE 29.—Conical Flow Field. $\theta_s=5.0^\circ$; $M_\infty=2.5$

M_{∞}	θ_s	θ_w
25000000+01	+87266422-01	+41425491+00

θ	M_{w2}^*	ψ_2	M_2^*	μ_1
87266422-01	+32373082+01	+31455420-06	-28214468+00	+42610371+00
94684068-01	+29941697+01	-13576572+00	-27961871+00	+42605642+00
10210171+00	+28019757+01	-24348357+00	-27362901+00	+42593636+00
10951936+00	+26474768+01	-33067414+00	-26576250+00	+42576748+00
11693700+00	+25214936+01	-40246139+00	-25693678+00	+42556562+00
12435465+00	+24174951+01	-46244416+00	-24769173+00	+42534139+00
13133596+00	+23354222+01	-51044746+00	-23889581+00	+42511648+00
13831728+00	+22656403+01	-55190121+00	-23017182+00	+42488249+00
14529859+00	+22058758+01	-58802970+00	-22161438+00	+42464249+00
15227990+00	+21543601+01	-61978152+00	-21327706+00	+42439871+00
15926122+00	+21096998+01	-64790176+00	-20518742+00	+42415269+00
16580620+00	+20730671+01	-67149474+00	-19783790+00	+42392110+00
17235118+00	+20407425+01	-69281244+00	-19071543+00	+42368926+00
17889616+00	+20121175+01	-71217967+00	-18381456+00	+42345766+00
18544114+00	+19866881+01	-72986595+00	-17712633+00	+42322661+00
19198612+00	+19640336+01	-74609664+00	-17063950+00	+42299639+00
19809477+00	+19450811+01	-76009989+00	-16475574+00	+42278235+00
20420342+00	+19279944+01	-77313247+00	-15902574+00	+42256922+00
21031207+00	+19125648+01	-78530803+00	-15343821+00	+42235697+00
21642072+00	+18986122+01	-79672535+00	-14798191+00	+42214561+00
22252937+00	+18859808+01	-80747070+00	-14264548+00	+42193506+00
22820168+00	+18753162+01	-81691340+00	-13778759+00	+42174023+00
23387400+00	+18655793+01	-82589613+00	-13301427+00	+42154596+00
23954632+00	+18566866+01	-83446749+00	-12831640+00	+42135218+00
24521863+00	+18485637+01	-84267141+00	-12368485+00	+42115876+00
25089095+00	+18411454+01	-85054767+00	-11911053+00	+42096560+00
25612694+00	+18348724+01	-85755908+00	-11493078+00	+42078741+00
26136292+00	+18291089+01	-86434918+00	-11078445+00	+42060922+00
26659891+00	+18238182+01	-87094309+00	-10666389+00	+42043090+00
27183489+00	+18189671+01	-87736456+00	-10256108+00	+42025231+00
27707088+00	+18145258+01	-88363608+00	-98467928-01	+42007334+00
28187053+00	+18107916+01	-88927202+00	-94716833-01	+41990880+00
28667018+00	+18073606+01	-89481693+00	-90959355-01	+41974369+00
29146983+00	+18042157+01	-90028717+00	-87187854-01	+41957785+00
29626949+00	+18013417+01	-90569919+00	-83394207-01	+41941112+00
30106914+00	+17987246+01	-91106971+00	-79569342-01	+41924337+00
30543246+00	+17965581+01	-91593053+00	-76056970-01	+41908981+00
30979578+00	+17945850+01	-92078496+00	-72502480-01	+41893514+00
31415910+00	+17927981+01	-92564723+00	-68897048-01	+41877916+00
31852242+00	+17911905+01	-93053280+00	-65230394-01	+41862169+00
32288574+00	+17897564+01	-93545847+00	-61491079-01	+41846258+00
32681273+00	+17886095+01	-93994105+00	-58052855-01	+41831778+00
33073972+00	+17875956+01	-94448614+00	-54534267-01	+41817127+00
33466671+00	+17867121+01	-94911024+00	-50923051-01	+41802288+00
33859370+00	+17859567+01	-95383245+00	-47204777-01	+41787241+00
34252068+00	+17853279+01	-95867463+00	-43362594-01	+41771961+00
34601134+00	+17848745+01	-96309993+00	-39827391-01	+41758161+00
34950200+00	+17845200+01	-96766073+00	-36162365-01	+41744136+00
35299266+00	+17842648+01	-97238135+00	-32348286-01	+41729858+00
35648331+00	+17841096+01	-97729045+00	-28362136-01	+41715301+00

TABLE 29.—Continued

$M_{00} = +25000000+01$

$\theta_8 = +87266422-01$

θ	M_{w2}^*	ψ_2	M_2^*	μ_1
35997397+00	+17840558+01	-98242272+00	-24176224-01	+41700434+00
36302829+00	+17840934+01	-98712906+00	-20323287-01	+41687142+00
36608262+00	+17842122+01	-99207200+00	-16264370-01	+41673555+00
36913694+00	+17844144+01	-99729314+00	-11965644-01	+41659639+00
37219127+00	+17847034+01	-10028431+01	-73860943-02	+41645359+00
37524559+00	+17850832+01	-10087862+01	-24737234-02	+41630664+00
37786359+00	+17854847+01	-10142539+01	+20512514-02	+41617701+00
38048157+00	+17859606+01	-10201346+01	+69215880-02	+41604356+00
38309957+00	+17865159+01	-10265112+01	+12204375-01	+41590577+00
38571756+00	+17871565+01	-10334908+01	+17986620-01	+41576305+00
38833555+00	+17878901+01	-10412158+01	+24383600-01	+41561467+00
39051721+00	+17885797+01	-10483598+01	+30294924-01	+41548606+00
39269887+00	+17893475+01	-10563064+01	+36863670-01	+41535227+00
39488053+00	+17902028+01	-10652621+01	+44256628-01	+41521241+00
39706219+00	+17911571+01	-10755163+01	+52707412-01	+41506548+00
39924385+00	+17922258+01	-10874921+01	+62557057-01	+41491007+00
40098919+00	+17931765+01	-10987356+01	+71784991-01	+41477840+00
40273451+00	+17942279+01	-11119901+01	+82640150-01	+41463882+00
40447984+00	+17953998+01	-11280340+01	+95748308-01	+41448951+00
40622517+00	+17967203+01	-11481490+01	+11213900+00	+41432793+00
40797050+00	+17982324+01	-11746420+01	+13366335+00	+41415019+00
40927949+00	+17995334+01	-12013538+01	+15530562+00	+41400254+00
41058849+00	+18010313+01	-12382551+01	+18512583+00	+41383768+00
41189749+00	+18028167+01	-12946637+01	+23058289+00	+41364731+00
41320648+00	+18050867+01	-13991705+01	+31454544+00	+41341342+00
41425491+00	+18076498+01	-16125203+01	+48545926+00	+41315838+00

$S_2/R = 14728486-04$

$\eta/\alpha = +42803619-01$

TABLE 30.—Conical Flow Field. $\theta_s=5.0^\circ$; $M_\infty=3.0$

M_∞	θ_s	θ_w
30000000+01	+87266422-01	+34409993+00

θ	M_{w2}^*	ψ_2	M_2^*	μ_1
87266422-01	+33629113+01	+21373853-06	-29310958+00	+35315015+00
92502407-01	+31783909+01	-95649743-01	-29173000+00	+35312568+00
97738393-01	+30226552+01	-17660660+00	-28824000+00	+35306061+00
10297438+00	+28900447+01	-24591829+00	-28336147+00	+35296495+00
10821036+00	+27762337+01	-30586504+00	-27757845+00	+35284601+00
11344635+00	+26778735+01	-35818399+00	-27121991+00	+35270929+00
11868233+00	+25923347+01	-40422059+00	-26451156+00	+35255885+00
12391832+00	+25175301+01	-44503121+00	-25760916+00	+35239790+00
12915430+00	+24517838+01	-48145636+00	-25062023+00	+35222880+00
13395395+00	+23983096+01	-51157344+00	-24420142+00	+35206822+00
13875361+00	+23504416+01	-53900165+00	-23781170+00	+35190348+00
14355326+00	+23074581+01	-56409678+00	-23147824+00	+35173545+00
14835291+00	+22687515+01	-58715752+00	-22521925+00	+35156483+00
15315257+00	+22338064+01	-60843676+00	-21904627+00	+35139218+00
15795222+00	+22021834+01	-62814974+00	-21296593+00	+35121799+00
16275187+00	+21735068+01	-64648096+00	-20698110+00	+35104252+00
16755152+00	+21474527+01	-66358937+00	-20109195+00	+35086609+00
17191485+00	+21258069+01	-67819770+00	-19581963+00	+35070505+00
17627817+00	+21059136+01	-69200043+00	-19062214+00	+35054349+00
18064149+00	+20876108+01	-70507804+00	-18549595+00	+35038149+00
18500481+00	+20707557+01	-71750239+00	-18043692+00	+35021912+00
18936813+00	+20552214+01	-72933767+00	-17544033+00	+35005642+00
19373145+00	+20408950+01	-74064185+00	-17050091+00	+34989336+00
19809477+00	+20276758+01	-75146724+00	-16561309+00	+34972997+00
20245809+00	+20154742+01	-76186134+00	-16077089+00	+34956626+00
20638508+00	+20052961+01	-77088336+00	-15644673+00	+34941858+00
21031207+00	+19958242+01	-77962077+00	-15214946+00	+34927054+00
21423906+00	+19870104+01	-78810095+00	-14787407+00	+34912212+00
21816605+00	+19788114+01	-79634946+00	-14361522+00	+34897327+00
22209303+00	+19711874+01	-80439085+00	-13936717+00	+34882390+00
22602002+00	+19641023+01	-81224840+00	-13512397+00	+34867393+00
22994701+00	+19575234+01	-81994422+00	-13087933+00	+34852333+00
23387400+00	+19514208+01	-82750003+00	-12662647+00	+34837200+00
23736466+00	+19463739+01	-83411597+00	-12283329+00	+34823678+00
24085531+00	+19416644+01	-84065281+00	-11902236+00	+34810082+00
24434597+00	+19372761+01	-84712541+00	-11518773+00	+34796405+00
24783663+00	+19331942+01	-85354872+00	-11132293+00	+34782635+00
25132728+00	+19294052+01	-85993804+00	-10742088+00	+34768765+00
25481794+00	+19258970+01	-86630911+00	-10347400+00	+34754784+00
25830860+00	+19226582+01	-87267856+00	-99473642-01	+34740680+00
26179925+00	+19196787+01	-87906398+00	-95410354-01	+34726439+00
26485358+00	+19172771+01	-88467903+00	-91794953-01	+34713856+00
26790790+00	+19150617+01	-89033428+00	-88115246-01	+34701147+00
27096223+00	+19130274+01	-89604445+00	-84362355-01	+34688300+00
27401655+00	+19111699+01	-90182594+00	-80525887-01	+34675300+00
27707088+00	+19094856+01	-90769652+00	-76594630-01	+34662138+00
28012520+00	+19079712+01	-91367651+00	-72555319-01	+34648794+00
28317953+00	+19066244+01	-91978852+00	-68392960-01	+34635252+00
28623385+00	+19054432+01	-92605896+00	-64089834-01	+34621491+00
28885184+00	+19045617+01	-93158235+00	-60274015-01	+34609506+00

TABLE 30.—Continued

$M_{00} = +30000000+01$

$\theta_B = +87266422-01$

θ	$M_{\psi_2}^*$	ψ_2	M_2^*	μ_1
29146983+00	+19038008+01	-93726610+00	-56324630-01	+34597330+00
29408783+00	+19031606+01	-94313574+00	-52224124-01	+34584942+00
29670582+00	+19026419+01	-94922101+00	-47951713-01	+34572322+00
29932381+00	+19022460+01	-95555681+00	-43483030-01	+34559450+00
30194180+00	+19019747+01	-96218489+00	-38788725-01	+34546299+00
30455980+00	+19018307+01	-96915557+00	-33833417-01	+34532838+00
30717779+00	+19018178+01	-97653043+00	-28573575-01	+34519033+00
30935945+00	+19019105+01	-98303915+00	-23919489-01	+34507236+00
31154111+00	+19021009+01	-98993549+00	-18978362-01	+34495142+00
31372277+00	+19023932+01	-99728599+00	-13703052-01	+34482721+00
31590443+00	+19027927+01	-10051739+01	-80347609-02	+34469934+00
31808609+00	+19033058+01	-10137040+01	-18993245-02	+34456735+00
32026775+00	+19039406+01	-10230116+01	+47989336-02	+34443069+00
32244941+00	+19047069+01	-10332751+01	+12186019-01	+34428872+00
32463107+00	+19056177+01	-10447342+01	+20431235-01	+34414059+00
32637640+00	+19064612+01	-10549824+01	+27800552-01	+34401694+00
32812173+00	+19074182+01	-10664414+01	+36033386-01	+34388802+00
32986706+00	+19085024+01	-10794343+01	+45357169-01	+34375295+00
33161238+00	+19097312+01	-10944194+01	+56094447-01	+34361061+00
33335771+00	+19111283+01	-11120759+01	+68722522-01	+34345953+00
33510304+00	+19127261+01	-11334609+01	+83983958-01	+34329772+00
33684837+00	+19145714+01	-11603385+01	+10311605+00	+34312222+00
33859370+00	+19167363+01	-11959348+01	+12837949+00	+34292852+00
33990270+00	+19186401+01	-12321497+01	+15400794+00	+34276690+00
34121169+00	+19208783+01	-12828973+01	+18982106+00	+34258537+00
34252068+00	+19236142+01	-13626011+01	+24589629+00	+34237364+00
34382968+00	+19272276+01	-15199405+01	+35621384+00	+34210776+00
34409993+00	+19281655+01	-15770283+01	+39616417+00	+34204096+00

$s_2/R = 11725676-03$

$\eta/\alpha = +75929121-01$

TABLE 31.—Conical Flow Field. $\theta_s=5.0^\circ$; $M_\infty=3.5$

M_∞	θ_s	θ_w			
+34999996+01	+87266422-01	+29591943+00			
θ	M_{w2}^*	ψ_2	M_2^*	μ_1	
+87266422-01	+34127977+01	+14400575-06	-29752013+00	+30246147+00	
+91629743-01	+32546156+01	-77970627-01	-29652625+00	+30244369+00	
+95993064-01	+31174207+01	-14576525+00	-29394279+00	+30239545+00	
+10035638+00	+29977074+01	-20523720+00	-29023204+00	+30232313+00	
+10471971+00	+28926573+01	-25782531+00	-28572254+00	+30223163+00	
+10908303+00	+28000049+01	-30466289+00	-28065037+00	+30212475+00	
+11344635+00	+27179113+01	-34665451+00	-27518669+00	+30200541+00	
+11780967+00	+26448716+01	-38453046+00	-26945635+00	+30187600+00	
+12217299+00	+25796437+01	-41888656+00	-26355061+00	+30173833+00	
+12653631+00	+25211928+01	-45021384+00	-25753644+00	+30159391+00	
+13046330+00	+24736632+01	-47615739+00	-25207156+00	+30145908+00	
+13439029+00	+24303841+01	-50023003+00	-24658459+00	+30132044+00	
+13831728+00	+23908942+01	-52264725+00	-24109487+00	+30117854+00	
+14224426+00	+23547933+01	-54359516+00	-23561631+00	+30103389+00	
+14617125+00	+23217344+01	-56323521+00	-23015869+00	+30088679+00	
+15009824+00	+22914139+01	-58170859+00	-22472849+00	+30073764+00	
+15402523+00	+22635669+01	-59913900+00	-21932953+00	+30058662+00	
+15795222+00	+22379599+01	-61563556+00	-21396358+00	+30043400+00	
+16187921+00	+22143874+01	-63129523+00	-20863060+00	+30027989+00	
+16536986+00	+21949948+01	-64458240+00	-20391667+00	+30014178+00	
+16886052+00	+21769521+01	-65733150+00	-19922586+00	+30000264+00	
+17235118+00	+21601568+01	-66959240+00	-19455566+00	+29986256+00	
+17584183+00	+21445165+01	-68141092+00	-18990298+00	+29972151+00	
+17933249+00	+21299477+01	-69282935+00	-18526422+00	+29957955+00	
+18282315+00	+21163748+01	-70388678+00	-18063520+00	+29943667+00	
+18631380+00	+21037295+01	-71461979+00	-17601128+00	+29929281+00	
+18980446+00	+20919497+01	-72506270+00	-17138732+00	+29914798+00	
+19329512+00	+20809789+01	-73524801+00	-16675759+00	+29900215+00	
+19634944+00	+20720029+01	-74397322+00	-16269694+00	+29887367+00	
+19940377+00	+20635755+01	-75254519+00	-15862252+00	+29874434+00	
+20245809+00	+20556683+01	-76098335+00	-15452939+00	+29861408+00	
+20551241+00	+20482544+01	-76930720+00	-15041205+00	+29848288+00	
+20856674+00	+20413096+01	-77753587+00	-14626455+00	+29835061+00	
+21162106+00	+20348114+01	-78568865+00	-14208047+00	+29821721+00	
+21467539+00	+20287392+01	-79378516+00	-13785250+00	+29808263+00	
+21772971+00	+20230743+01	-80184544+00	-13357289+00	+29794675+00	
+22078404+00	+20177995+01	-80989045+00	-12923270+00	+29780943+00	
+22340203+00	+20135768+01	-81679051+00	-12545693+00	+29769055+00	
+22602002+00	+20096203+01	-82370997+00	-12162259+00	+29757048+00	
+22863802+00	+20059217+01	-83066443+00	-11772190+00	+29744911+00	
+23125601+00	+20024735+01	-83767084+00	-11374626+00	+29732634+00	
+23387400+00	+19992693+01	-84474716+00	-10968612+00	+29720208+00	
+23649199+00	+19963028+01	-85191371+00	-10553033+00	+29707618+00	
+23910998+00	+19935693+01	-85919237+00	-10126663+00	+29694853+00	
+24172798+00	+19910641+01	-86660817+00	-96880676-01	+29681895+00	
+24434597+00	+19887837+01	-87418929+00	-92356013-01	+29668730+00	
+24652763+00	+19870532+01	-88065621+00	-88465819-01	+29657582+00	
+24870929+00	+19854756+01	-88728156+00	-84453165-01	+29646266+00	
+25089095+00	+19840505+01	-89408956+00	-80303467-01	+29634763+00	
+25307261+00	+19827779+01	-90110793+00	-75999629-01	+29623062+00	

TABLE 31.—Continued

$$M_{\odot} = +34999996+01$$

$$\theta_s = +87266422-01$$

θ	$M_{\psi_2}^*$	ψ_2	M_2^*	μ_1
+25525427+00	+19816579+01	-90836911+00	-71521746-01	+29611139+00
+25743593+00	+19806918+01	-91591084+00	-66846405-01	+29598978+00
+25961759+00	+19798815+01	-92377752+00	-61946108-01	+29586558+00
+26179925+00	+19792293+01	-93202262+00	-56787336-01	+29573851+00
+26398091+00	+19787390+01	-94071038+00	-51329993-01	+29560825+00
+26572624+00	+19784664+01	-94803162+00	-46716376-01	+29550154+00
+26747157+00	+19783035+01	-95573527+00	-41849488-01	+29539237+00
+26921690+00	+19782540+01	-96387967+00	-36692657-01	+29528051+00
+27096223+00	+19783226+01	-97253633+00	-31201108-01	+29516567+00
+27270755+00	+19785146+01	-98179301+00	-25319624-01	+29504756+00
+27445288+00	+19788370+01	-99175919+00	-18979410-01	+29492578+00
+27619821+00	+19792980+01	-10025738+01	-12093240-01	+29479987+00
+27794354+00	+19799079+01	-10144161+01	-45487524-02	+29466931+00
+27968887+00	+19806796+01	-10275232+01	+38028779-02	+29453345+00
+28099786+00	+19813741+01	-10383722+01	+10714503-01	+29442757+00
+28230686+00	+19821773+01	-10502896+01	+18303621-01	+29431781+00
+28361586+00	+19830994+01	-10635098+01	+26717047-01	+29420366+00
+28492485+00	+19841535+01	-10783468+01	+36151028-01	+29408447+00
+28623385+00	+19853560+01	-10952321+01	+46875140-01	+29395943+00
+28754285+00	+19867282+01	-11147802+01	+59272910-01	+29382748+00
+28885184+00	+19882984+01	-11379014+01	+73911927-01	+29368724+00
+29016084+00	+19901056+01	-11660169+01	+91677669-01	+29353678+00
+29146983+00	+19922063+01	-12015017+01	+11404855+00	+29337336+00
+29277883+00	+19946874+01	-12487112+01	+14373280+00	+29319268+00
+29408783+00	+19976967+01	-13167976+01	+18641579+00	+29298751+00
+29539682+00	+20015244+01	-14297773+01	+25700133+00	+29274348+00
+29591943+00	+20034149+01	-15022125+01	+30214633+00	+29262863+00

$$s_2/R = +62517749-03$$

$$\eta/\alpha = +11870182+00$$

TABLE 32.—Conical Flow Field. $\theta_s=5.0^\circ$; $M_\infty=4.0$

M_∞	θ_s	θ_w			
+39999996+01	+87266422-01	+26104195+00			

θ	M_{w2}^*	ψ_2	M_2^*	μ_1
+87266422-01	+34137615+01	+98138116-07	-29777603+00	+26511814+00
+91193411-01	+32705756+01	-68196352-01	-29696170+00	+26510295+00
+95120399-01	+31445609+01	-12832268+00	-29481497+00	+26506135+00
+99047389-01	+30332039+01	-18175466+00	-29168671+00	+26499829+00
+10297438+00	+29343501+01	-22957847+00	-28783304+00	+26491775+00
+10690137+00	+28462312+01	-27266309+00	-28344285+00	+26482282+00
+11082835+00	+27673844+01	-31171206+00	-27865655+00	+26471596+00
+11475534+00	+26965934+01	-34730101+00	-27357914+00	+26459914+00
+11868233+00	+26328370+01	-37990596+00	-26828933+00	+26447392+00
+12260932+00	+25752555+01	-40992379+00	-26284622+00	+26434162+00
+12609998+00	+25286628+01	-43470551+00	-25791518+00	+26421888+00
+12959063+00	+24859292+01	-45790795+00	-25292150+00	+26409198+00
+13308129+00	+24466710+01	-47970507+00	-24788292+00	+26396135+00
+13657195+00	+24105510+01	-50024908+00	-24281268+00	+26382743+00
+14006260+00	+23772741+01	-51967353+00	-23772042+00	+26369060+00
+14355326+00	+23465795+01	-53809667+00	-23261272+00	+26355110+00
+14704392+00	+23182376+01	-55562333+00	-22749376+00	+26340918+00
+15053457+00	+22920440+01	-57234760+00	-22236556+00	+26326499+00
+15402523+00	+22678175+01	-58835400+00	-21722845+00	+26311869+00
+15707955+00	+22481054+01	-60183109+00	-21272517+00	+26298899+00
+16013388+00	+22296784+01	-61486432+00	-20821245+00	+26285782+00
+16318820+00	+22124481+01	-62749738+00	-20368780+00	+26272517+00
+16624253+00	+21963344+01	-63977119+00	-19914799+00	+26259106+00
+16929685+00	+21812649+01	-65172410+00	-19458916+00	+26245549+00
+17235118+00	+21671730+01	-66339266+00	-19000678+00	+26231850+00
+17540550+00	+21539985+01	-67481188+00	-18539549+00	+26217998+00
+17845983+00	+21416866+01	-68601537+00	-18074921+00	+26203993+00
+18151415+00	+21301870+01	-69703637+00	-17606103+00	+26189826+00
+18413214+00	+21209424+01	-70636220+00	-17200332+00	+26177552+00
+18675013+00	+21122349+01	-71559838+00	-16790354+00	+26165147+00
+18936813+00	+21040403+01	-72476567+00	-16375553+00	+26152608+00
+19198612+00	+20963363+01	-73388528+00	-15955240+00	+26139928+00
+19460411+00	+20891026+01	-74297905+00	-15528642+00	+26127095+00
+19722210+00	+20823203+01	-75206988+00	-15094903+00	+26114102+00
+19984010+00	+20759726+01	-76118201+00	-14653045+00	+26100938+00
+20245809+00	+20700438+01	-77034130+00	-14201963+00	+26087590+00
+20507608+00	+20645200+01	-77957585+00	-13740398+00	+26074043+00
+20725774+00	+20602173+01	-78735106+00	-13346712+00	+26062592+00
+20943940+00	+20561808+01	-79521948+00	-12943799+00	+26050980+00
+21162106+00	+20524050+01	-80320276+00	-12530583+00	+26039203+00
+21380272+00	+20488849+01	-81132501+00	-12105824+00	+26027244+00
+21598439+00	+20456163+01	-81961342+00	-11668126+00	+26015087+00
+21816605+00	+20425961+01	-82809865+00	-11215852+00	+26002715+00
+22034771+00	+20398216+01	-83681586+00	-10747127+00	+25990116+00
+22252937+00	+20372914+01	-84580578+00	-10259729+00	+25977263+00
+22471103+00	+20350049+01	-85511613+00	-97510400-01	+25964139+00
+22645636+00	+20333516+01	-86283249+00	-93266929-01	+25953424+00
+22820168+00	+20318555+01	-87082371+00	-88848453-01	+25942502+00
+22994701+00	+20305180+01	-87912928+00	-84232981-01	+25931357+00
+23169234+00	+20293416+01	-88779554+00	-79394472-01	+25919966+00

TABLE 32.—Continued

$M_{\infty} = +3999996+01$

$\theta_s = +87266422-01$

θ	M_{w2}^*	ψ_2	M_2^*	μ_1
+23343767+00	+20283289+01	-89687767+00	-74301909-01	+25908308+00
+23518300+00	+20274839+01	-90644170+00	-68918118-01	+25896360+00
+23692832+00	+20268115+01	-91656812+00	-63197662-01	+25884089+00
+23867365+00	+20263180+01	-92735544+00	-57084964-01	+25871461+00
+24041898+00	+20260113+01	-93892699+00	-50510297-01	+25858435+00
+24172798+00	+20259097+01	-94821280+00	-45223816-01	+25848375+00
+24303697+00	+20259237+01	-95810889+00	-39582067-01	+25838041+00
+24434597+00	+20260593+01	-96871596+00	-33527924-01	+25827404+00
+24565496+00	+20263239+01	-98015908+00	-26990952-01	+25816428+00
+24696396+00	+20267263+01	-99259594+00	-19882098-01	+25805078+00
+24827296+00	+20272771+01	-10062295+01	-12086878-01	+25793305+00
+24958195+00	+20279894+01	-10213256+01	-34555819-02	+25781053+00
+25089095+00	+20288800+01	-10382406+01	+62124117-02	+25768249+00
+25219995+00	+20299697+01	-10574668+01	+17194238-01	+25754803+00
+25307261+00	+20308201+01	-10719032+01	+25433429-01	+25745425+00
+25394527+00	+20317812+01	-10879571+01	+34588192-01	+25735670+00
+25481794+00	+20328656+01	-11060078+01	+44871367-01	+25725482+00
+25569060+00	+20340893+01	-11265728+01	+56573044-01	+25714794+00
+25656327+00	+20354725+01	-11503807+01	+70101779-01	+25703524+00
+25743593+00	+20370419+01	-11784999+01	+86055608-01	+25691555+00
+25830860+00	+20388339+01	-12125710+01	+10535283+00	+25678736+00
+25918126+00	+20409000+01	-12552777+01	+12949426+00	+25664849+00
+26005392+00	+20433184+01	-13113976+01	+16114905+00	+25649568+00
+26092659+00	+20462169+01	-13905219+01	+20567257+00	+25632346+00
+26104195+00	+20466465+01	-14036412+01	+21304474+00	+25629882+00

$S_2/R = +24286836-02$

$\eta/\alpha = +16805034+00$

TABLE 33.—Conical Flow Field. $\theta_s=5.0^\circ$; $M_\infty=4.5$

M_∞	θ_s	θ_v		
+44999991+01		+87266422-01		+23483710+00

θ	M_{v2}^*	v_2	M_2^*	μ_1
+87266422-01	+33832227+01	+75320713-07	-29548987+00	+23644054+00
+90320747-01	+32718026+01	-51936723-01	-29499068+00	+23643070+00
+93375072-01	+31707028+01	-98987357-01	-29363790+00	+23640322+00
+96429395-01	+30789883+01	-14184016+00	-29161112+00	+23636077+00
+99483720-01	+29955699+01	-18106288+00	-28904975+00	+23630554+00
+10253805+00	+29195017+01	-21712791+00	-28606277+00	+23623931+00
+10559237+00	+28499682+01	-25043163+00	-28273591+00	+23616361+00
+10864669+00	+27862654+01	-28130926+00	-27913687+00	+23607971+00
+11170102+00	+27277845+01	-31004624+00	-27531935+00	+23598860+00
+11475534+00	+26739950+01	-33688761+00	-27132597+00	+23589116+00
+11780967+00	+26244342+01	-36204478+00	-26719055+00	+23578815+00
+12086399+00	+25786962+01	-38570153+00	-26293990+00	+23568018+00
+12391832+00	+25364251+01	-40801816+00	-25859515+00	+23556775+00
+12653631+00	+25027125+01	-42618758+00	-25480880+00	+23546818+00
+12915430+00	+24711380+01	-44355564+00	-25097360+00	+23536587+00
+13177229+00	+24415426+01	-46019375+00	-24709597+00	+23526107+00
+13439029+00	+24137816+01	-47616682+00	-24318080+00	+23515393+00
+13700828+00	+23877247+01	-49153398+00	-23923170+00	+23504460+00
+13962627+00	+23632527+01	-50634951+00	-23525103+00	+23493319+00
+14224426+00	+23402586+01	-52066302+00	-23124039+00	+23481978+00
+14486226+00	+23186436+01	-53452076+00	-22720017+00	+23470448+00
+14748025+00	+22983184+01	-54796552+00	-22313009+00	+23458736+00
+15009824+00	+22792011+01	-56103740+00	-21902911+00	+23446843+00
+15271623+00	+22612170+01	-57377420+00	-21489532+00	+23434773+00
+15533423+00	+22442976+01	-58621175+00	-21072622+00	+23422529+00
+15751589+00	+22309667+01	-59637232+00	-20722267+00	+23412191+00
+15969755+00	+22182982+01	-60636796+00	-20369007+00	+23401732+00
+16187921+00	+22062613+01	-61621746+00	-20012571+00	+23391150+00
+16406087+00	+21948272+01	-62593900+00	-19652660+00	+23380440+00
+16624253+00	+21839690+01	-63555084+00	-19288931+00	+23369603+00
+16842419+00	+21736618+01	-64507122+00	-18920990+00	+23358636+00
+17060585+00	+21638826+01	-65451833+00	-18548403+00	+23347531+00
+17278751+00	+21546098+01	-66391084+00	-18170680+00	+23336288+00
+17496917+00	+21458238+01	-67326761+00	-17787264+00	+23324895+00
+17715083+00	+21375060+01	-68260867+00	-17397540+00	+23313352+00
+17933249+00	+21296395+01	-69195459+00	-1700809+00	+23301645+00
+18151415+00	+21222088+01	-70132718+00	-16596274+00	+23289773+00
+18325948+00	+21165686+01	-70886008+00	-16266450+00	+23280144+00
+18500481+00	+21111915+01	-71643780+00	-15930551+00	+23270397+00
+18675013+00	+21060713+01	-72407402+00	-15588020+00	+23260523+00
+18849546+00	+21012027+01	-73178360+00	-15238217+00	+23250516+00
+19024079+00	+20965803+01	-73958258+00	-14880441+00	+23240370+00
+19198612+00	+20921997+01	-74748852+00	-14513897+00	+23230074+00
+19373145+00	+20880569+01	-75552095+00	-14137683+00	+23219621+00
+19547678+00	+20841483+01	-76370140+00	-13750787+00	+23209000+00
+19722210+00	+20804710+01	-77205421+00	-13352055+00	+23198199+00
+19896743+00	+20770228+01	-78060655+00	-12940152+00	+23187207+00
+20071276+00	+20738021+01	-78938942+00	-12513574+00	+23176010+00
+20245809+00	+20708081+01	-79843868+00	-12070526+00	+23164590+00
+20376709+00	+20687111+01	-80542494+00	-11726220+00	+23155869+00

TABLE 33.—Continued

$M_{00} = +44999991+01$

$\theta_8 = +87266422-01$

θ	M_{w2}^*	ψ_2	M_2^*	M_1
+20507608+00	+20667416+01	-81260419+00	-11370490+00	+23147008+00
+20638508+00	+20649004+01	-81999876+00	-11002206+00	+23137992+00
+20769408+00	+20631882+01	-82763441+00	-10620063+00	+23128814+00
+20900307+00	+20616062+01	-83554065+00	-10222560+00	+23119464+00
+21031207+00	+20601563+01	-84375110+00	-98079834-01	+23109925+00
+21162106+00	+20588402+01	-85230536+00	-93743105-01	+23100186+00
+21293006+00	+20576611+01	-86124913+00	-89191963-01	+23090230+00
+21423906+00	+20566221+01	-87063681+00	-84398551-01	+23080037+00
+21554805+00	+20557271+01	-88053298+00	-79329642-01	+23069589+00
+21685705+00	+20549810+01	-89101554+00	-73945355-01	+23058864+00
+21816605+00	+20543901+01	-90217905+00	-68197113-01	+23047830+00
+21903871+00	+20540856+01	-91005633+00	-64133673-01	+23040288+00
+21991137+00	+20538559+01	-91832884+00	-59860841-01	+23032583+00
+22078404+00	+20537035+01	-92704512+00	-55353868-01	+23024704+00
+22165670+00	+20536320+01	-93626235+00	-50583312-01	+23016635+00
+22252937+00	+20536451+01	-94604772+00	-45514702-01	+23008367+00
+22340203+00	+20537471+01	-95648248+00	-40106359-01	+22999875+00
+22427469+00	+20539434+01	-96766470+00	-34308123-01	+22991140+00
+22514736+00	+20542398+01	-97971488+00	-28058185-01	+22982141+00
+22602002+00	+20546433+01	-99278196+00	-21280340-01	+22972847+00
+22689269+00	+20551625+01	-10070539+01	-13878363-01	+22963227+00
+22776535+00	+20558076+01	-10227711+01	-57294958-02	+22953240+00
+22863802+00	+20565908+01	-10402480+01	+33270648-02	+22942839+00
+22951068+00	+20575276+01	-10599046+01	+13505568-01	+22931962+00
+23038334+00	+20586372+01	-10823173+01	+25100111-01	+22920538+00
+23125601+00	+20599448+01	-11083027+01	+38526867-01	+22908472+00
+23212867+00	+20614830+01	-11390689+01	+54401112-01	+22895631+00
+23300134+00	+20632977+01	-11764887+01	+73675796-01	+22881848+00
+23387400+00	+20654536+01	-12236722+01	+97931996-01	+22866865+00
+23474666+00	+20680509+01	-12862609+01	+13003537+00	+22850306+00
+23483710+00	+20683509+01	-12940035+01	+13400169+00	+22848478+00

$S_2/R = +73654210-02$

$\eta/\alpha = +22056184+00$

TABLE 34.—Conical Flow Field. $\theta_s=5.0^\circ$; $M_\infty=5.0$

M_{∞}	θ_s	θ_w
+49999991+01	+87266422-01	+21458047+00

θ	M_{w2}^*	ψ_2	M_2^*	μ_1
+87266422+01	+33323361+01	+60070306-07	-29173854+00	+21372102+00
+89884414+01	+32386180+01	-43306703-01	-29137317+00	+21371332+00
+92502407-01	+31518236+01	-83092116-01	-29036882+00	+21369161+00
+95120399-01	+30719598+01	-11979980+00	-28884194+00	+21365774+00
+97738393-01	+29983700+01	-15380469+00	-28688564+00	+21361319+00
+10035638+00	+29304448+01	-18542501+00	-28457483+00	+21355936+00
+10297438+00	+28676397+01	-21493279+00	-28196997+00	+21349725+00
+10559237+00	+28094735+01	-24256208+00	-27912016+00	+21342782+00
+10821036+00	+27555205+01	-26851543+00	-27606531+00	+21335190+00
+11082835+00	+27054043+01	-29296926+00	-27283791+00	+21327014+00
+11344635+00	+26587898+01	-31607818+00	-26946442+00	+21318310+00
+11606434+00	+26153784+01	-33797839+00	-26596633+00	+21309131+00
+11868233+00	+25749051+01	-35879038+00	-26236102+00	+21299516+00
+12130032+00	+25371320+01	-37862150+00	-25866250+00	+21289500+00
+12391832+00	+25018464+01	-39756789+00	-25488177+00	+21279118+00
+12653631+00	+24688561+01	-41571619+00	-25102753+00	+21268392+00
+12871797+00	+24429930+01	-43028669+00	-24776426+00	+21259209+00
+13089963+00	+24185135+01	-44439904+00	-24445730+00	+21249811+00
+13308129+00	+23953344+01	-45809177+00	-24110864+00	+21240211+00
+13526295+00	+23733789+01	-47140095+00	-23771952+00	+21230415+00
+13744461+00	+23525767+01	-48436028+00	-23429064+00	+21220431+00
+13962627+00	+23328622+01	-49700188+00	-23082186+00	+21210261+00
+14180793+00	+23141757+01	-50935593+00	-22731261+00	+21199910+00
+14398959+00	+22964620+01	-52145117+00	-22376168+00	+21189380+00
+14617125+00	+22796696+01	-53331554+00	-22016729+00	+21178672+00
+14835291+00	+22637513+01	-54497590+00	-21652706+00	+21167789+00
+15053457+00	+22486637+01	-55645841+00	-21283808+00	+21156724+00
+15271623+00	+22343659+01	-56778912+00	-20909664+00	+21145479+00
+15489789+00	+22208209+01	-57899359+00	-20529867+00	+21134052+00
+15707955+00	+22079944+01	-59009759+00	-20143911+00	+21122436+00
+15926122+00	+21958543+01	-60112746+00	-19751220+00	+21110628+00
+16100654+00	+21866170+01	-60991604+00	-19431777+00	+21101037+00
+16275187+00	+21777864+01	-61868855+00	-19107211+00	+21091316+00
+16449720+00	+21693496+01	-62745995+00	-18777097+00	+21081458+00
+16624253+00	+21612948+01	-63624560+00	-18440949+00	+21071456+00
+16798786+00	+21536105+01	-64506203+00	-18098222+00	+21061305+00
+16973319+00	+21462868+01	-65392658+00	-17748312+00	+21051002+00
+17147851+00	+21393137+01	-66285811+00	-17390534+00	+21040537+00
+17322384+00	+21326829+01	-67187688+00	-17024113+00	+21029904+00
+17496917+00	+21263866+01	-68100509+00	-16648175+00	+21019088+00
+17671450+00	+21204177+01	-69026743+00	-16261715+00	+21008084+00
+17845983+00	+21147702+01	-69969099+00	-15863599+00	+20996877+00
+18020515+00	+21094386+01	-70930669+00	-15452513+00	+20985454+00
+18195048+00	+21044188+01	-71914910+00	-15026939+00	+20973800+00
+18369581+00	+20997074+01	-72925794+00	-14585114+00	+20961899+00
+18544114+00	+20953020+01	-73967961+00	-14124960+00	+20949730+00
+18675013+00	+20921980+01	-74773300+00	-13766360+00	+20940415+00
+18805913+00	+20892655+01	-75601846+00	-13394887+00	+20930928+00
+18936813+00	+20865048+01	-76456590+00	-13009160+00	+20921252+00
+19067712+00	+20839170+01	-77340976+00	-12607582+00	+20911381+00

TABLE 34.—Continued

$M_{\infty} = +49999991+01$

$\theta_s = +87266422-01$

θ	M_{w2}^*	ψ_2	M_2^*	μ_1
+19198612+00	+20815033+01	-78258974+00	-12188296+00	+20901294+00
+19329512+00	+20792661+01	-79215223+00	-11749148+00	+20890979+00
+19460411+00	+20772079+01	-80215192+00	-11287566+00	+20880414+00
+19591311+00	+20753325+01	-81265375+00	-10800516+00	+20869580+00
+19722210+00	+20736445+01	-82373555+00	-10284319+00	+20858450+00
+19853110+00	+20721499+01	-83549195+00	-97345419-01	+20846997+00
+19984010+00	+20708557+01	-84803953+00	-91456894-01	+20835186+00
+20114909+00	+20697711+01	-86152323+00	-85109356-01	+20822980+00
+20245809+00	+20689072+01	-87612748+00	-78215915-01	+20810328+00
+20376709+00	+20682781+01	-89209025+00	-70664686-01	+20797178+00
+20507608+00	+20679012+01	-90972574+00	-62307769-01	+20783456+00
+20594875+00	+20678011+01	-92261571+00	-56193178-01	+20773949+00
+20682141+00	+20678313+01	-93659883+00	-49556171-01	+20764118+00
+20769408+00	+20680016+01	-95188312+00	-42299127-01	+20753929+00
+20856674+00	+20683242+01	-96873675+00	-34296255-01	+20743334+00
+20943940+00	+20688138+01	-98751218+00	-25382253-01	+20732275+00
+21031207+00	+20694886+01	-10086859+01	-15334188-01	+20720693+00
+21118473+00	+20703720+01	-10329184+01	-38429102-02	+20708495+00
+21205740+00	+20714949+01	-10611588+01	+95354136-02	+20695572+00
+21293006+00	+20728980+01	-10948347+01	+25467379-01	+20681770+00
+21380272+00	+20746387+01	-11362104+01	+45009644-01	+20666884+00
+21458047+00	+20765421+01	-11826589+01	+66906554-01	+20652456+00

$s_2/R = +18413504-01$

$\eta/\alpha = +27340060+00$

TABLE 35.—Conical Flow Field. $\theta_s=5.0^\circ$; $M_\infty=6.0$

M_∞	θ_s		θ_w	
+59999990+01	+87266422-01		+18564567+00	

θ	M_{w2}^*	v_2	M_2^*	μ_1
+87266422-01	+31957546+01	+41909516-07	-28245942+00	+18001378+00
+89448083-01	+31245256+01	-33958448-01	-28221311+00	+18000778+00
+91629743-01	+30552893+01	-65621648-01	-28152582+00	+17999067+00
+93811403-01	+29903851+01	-95244251-01	-28046456+00	+17996367+00
+95993064-01	+29296510+01	-12304917+00	-27908442+00	+17992779+00
+98174724-01	+28728107+01	-14923046+00	-27743081+00	+17988400+00
+10035638+00	+28195797+01	-17395722+00	-27554133+00	+17983300+00
+10253805+00	+27696869+01	-19737775+00	-27344713+00	+17977549+00
+10471971+00	+27228815+01	-21962276+00	-27117408+00	+17971203+00
+10690137+00	+26789354+01	-24080797+00	-26874367+00	+17964309+00
+10908303+00	+26376391+01	-26103653+00	-26617366+00	+17956915+00
+11126469+00	+25988026+01	-28040092+00	-26347874+00	+17949053+00
+11344635+00	+25622533+01	-29898440+00	-26067088+00	+17940756+00
+11562801+00	+25278330+01	-31686258+00	-25775980+00	+17932051+00
+11780967+00	+24953990+01	-33410424+00	-25475321+00	+17922960+00
+11999133+00	+24648209+01	-35077258+00	-25165710+00	+17913505+00
+12173666+00	+24416135+01	-36373407+00	-24911871+00	+17905687+00
+12348198+00	+24194615+01	-37639405+00	-24652741+00	+17897651+00
+12522731+00	+23983116+01	-38877938+00	-24388426+00	+17889405+00
+12697264+00	+23781156+01	-40091532+00	-24118976+00	+17880952+00
+12871797+00	+23588280+01	-41282638+00	-23844386+00	+17872296+00
+13046330+00	+23404066+01	-42453618+00	-23564610+00	+17863440+00
+13220863+00	+23228119+01	-43606770+00	-23279548+00	+17854386+00
+13395395+00	+23060075+01	-44744351+00	-22989051+00	+17845131+00
+13569928+00	+22899590+01	-45868590+00	-22692917+00	+17835678+00
+13744461+00	+22746346+01	-46981718+00	-22390896+00	+17826024+00
+13918994+00	+22600049+01	-48085968+00	-22082667+00	+17816169+00
+14093527+00	+22460421+01	-49183627+00	-21767864+00	+17806107+00
+14268060+00	+22327207+01	-50277039+00	-21446037+00	+17795834+00
+14442592+00	+22200171+01	-51368633+00	-21116670+00	+17785345+00
+14617125+00	+22079094+01	-52460950+00	-20779161+00	+17774632+00
+14748025+00	+2192077+01	-53282284+00	-20520260+00	+17766449+00
+14878924+00	+21908219+01	-54106762+00	-20256054+00	+17758128+00
+15009824+00	+21827448+01	-54935674+00	-19986157+00	+17749670+00
+15140724+00	+21749694+01	-55770403+00	-19710148+00	+17741068+00
+15271623+00	+21674895+01	-56612416+00	-19427554+00	+17732318+00
+15402523+00	+21602990+01	-57463346+00	-19137840+00	+17723411+00
+15533423+00	+21533933+01	-58324915+00	-18840415+00	+17714345+00
+15664322+00	+21467672+01	-59199079+00	-18534592+00	+17705103+00
+15795222+00	+21404166+01	-60087955+00	-18219606+00	+17695685+00
+15926122+00	+21343377+01	-60993936+00	-17894584+00	+17686075+00
+16057021+00	+21285275+01	-61919689+00	-17558517+00	+17676269+00
+16187921+00	+21229839+01	-62868230+00	-17210264+00	+17666247+00
+16318820+00	+21177049+01	-63843006+00	-16848493+00	+17656001+00
+16449720+00	+21126894+01	-64848019+00	-16471649+00	+17645513+00
+16580620+00	+21079375+01	-65887850+00	-16077924+00	+17634766+00
+16667886+00	+21049162+01	-66603061+00	-15805015+00	+17627449+00
+16755152+00	+21020130+01	-67337954+00	-15522936+00	+17620001+00
+16842419+00	+20992283+01	-68094622+00	-15230845+00	+17612413+00
+16929685+00	+20965630+01	-68875393+00	-14927819+00	+17604680+00

TABLE 35.—Continued

 $M_{00} = +599999990+01$ $\theta_0 = +87266422-01$

θ	M_{w2}^*	ψ_2	M_2^*	μ_1
+17016952+00	+20940186+01	-69682920+00	-14612778+00	+17596791+00
+17104218+00	+20915965+01	-70520215+00	-14284520+00	+17588738+00
+17191485+00	+20892986+01	-71390777+00	-13941627+00	+17580507+00
+17278751+00	+20871271+01	-72298638+00	-13582484+00	+17572088+00
+17366017+00	+20850848+01	-73248483+00	-13205176+00	+17563466+00
+17453284+00	+20831751+01	-74245839+00	-12807483+00	+17554628+00
+17540550+00	+20814020+01	-75297230+00	-12386762+00	+17545555+00
+17627817+00	+20797699+01	-76410484+00	-11939850+00	+17536224+00
+17715083+00	+20782846+01	-77595061+00	-11462909+00	+17526616+00
+17802349+00	+20769527+01	-78862505+00	-10951278+00	+17516699+00
+17889616+00	+20757821+01	-80227118+00	-10399173+00	+17506447+00
+17933249+00	+20752603+01	-80951311+00	-10105740+00	+17501181+00
+17976882+00	+20747827+01	-81706897+00	-97993191-01	+17495815+00
+18020515+00	+20743507+01	-82496900+00	-94786896-01	+17490348+00
+18064149+00	+20739660+01	-83324810+00	-91424391-01	+17484767+00
+18107782+00	+20736307+01	-84194581+00	-87889809-01	+17479068+00
+18151415+00	+20733467+01	-85110839+00	-84164430-01	+17473243+00
+18195048+00	+20731165+01	-86078890+00	-80226889-01	+17467280+00
+18238681+00	+20729428+01	-87104955+00	-76052095-01	+17461175+00
+18282315+00	+20728285+01	-88196393+00	-71610487-01	+17454912+00
+18325948+00	+20727773+01	-89361861+00	-66867156-01	+17448482+00
+18369581+00	+20727929+01	-90611847+00	-61779896-01	+17441866+00
+18413214+00	+20728798+01	-91958989+00	-56297958-01	+17435051+00
+18456847+00	+20730437+01	-93418719+00	-50359351-01	+17428019+00
+18500481+00	+20732901+01	-95010338+00	-43886486-01	+17420743+00
+18544114+00	+20736270+01	-96757866+00	-36783068-01	+17413200+00
+18564567+00	+20738183+01	-97639113+00	-33202460-01	+17409564+00

 $S_2/R = +75540071-01$ $\eta/\alpha = +37310362+00$

TABLE 36.—Conical Flow Field. $\theta_s=5.0^\circ$; $M_\infty=7.0$

M_∞	θ_s	θ_w
+70000002+01	+87266422-01	+16627981+00

θ	M_{w2}^*	ψ_2	M_2^*	μ_1
+87266422-01	+30371644+01	+30035153-07	-27315332+00	+15623040+00
+89011751-01	+29907808+01	-25605160-01	-27300155+00	+15622614+00
+90757079-01	+29401575+01	-49846524-01	-27257154+00	+15621377+00
+92502407-01	+28913800+01	-72845826-01	-27189706+00	+15619408+00
+94247735-01	+28447989+01	-94717896-01	-27100676+00	+15616766+00
+95993064-01	+28004509+01	-11556672+00	-26992500+00	+15613506+00
+97738393-01	+27582771+01	-13548563+00	-26867249+00	+15609677+00
+99483720-01	+27181867+01	-15455852+00	-26726684+00	+15605319+00
+10122905+00	+26800770+01	-17286095+00	-26572305+00	+15600473+00
+10297438+00	+26438446+01	-19046120+00	-26405385+00	+15595166+00
+10471971+00	+26093882+01	-20742142+00	-26227004+00	+15589429+00
+10646503+00	+25766112+01	-22379824+00	-26038071+00	+15583284+00
+10821036+00	+25454216+01	-23964377+00	-25839348+00	+15576760+00
+10995569+00	+25157338+01	-25500599+00	-25631466+00	+15569868+00
+11170102+00	+24874671+01	-26992951+00	-25414933+00	+15562627+00
+11344635+00	+24605466+01	-28445587+00	-25190157+00	+15555049+00
+11519168+00	+24349015+01	-29862439+00	-24957444+00	+15547150+00
+11693700+00	+24104683+01	-31247181+00	-24717012+00	+15538936+00
+11868233+00	+23871848+01	-32603381+00	-24468987+00	+15530416+00
+11999133+00	+23704434+01	-33603837+00	-24278016+00	+15523827+00
+12130032+00	+23542947+01	-34591565+00	-24082787+00	+15517070+00
+12260932+00	+23387185+01	-35567910+00	-23883269+00	+15510144+00
+12391832+00	+23236939+01	-36534261+00	-23679392+00	+15503055+00
+12522731+00	+23092027+01	-37491966+00	-23471071+00	+15495801+00
+12653631+00	+22952269+01	-38442393+00	-23258179+00	+15488378+00
+12784531+00	+22817499+01	-39386913+00	-23040574+00	+15480787+00
+12915430+00	+22687555+01	-40326937+00	-22818070+00	+15473027+00
+13046330+00	+22562295+01	-41263886+00	-22590457+00	+15465096+00
+13177229+00	+22441576+01	-42199253+00	-22357476+00	+15456991+00
+13308129+00	+22325261+01	-43134594+00	-22118845+00	+15448705+00
+13439029+00	+22213237+01	-44071509+00	-21874219+00	+15440238+00
+13569928+00	+22105385+01	-45011725+00	-21623213+00	+15431584+00
+13700828+00	+22001598+01	-45957087+00	-21365379+00	+15422732+00
+13831728+00	+21901777+01	-46909578+00	-21100204+00	+15413683+00
+13962627+00	+21805837+01	-47871325+00	-20827109+00	+15404425+00
+14093527+00	+21713690+01	-48844711+00	-20545413+00	+15394946+00
+14224426+00	+21625263+01	-49832338+00	-20254341+00	+15385240+00
+14311693+00	+21568347+01	-50500100+00	-20054647+00	+15378637+00
+14398959+00	+21513039+01	-51176426+00	-19850088+00	+15371923+00
+14486226+00	+21459320+01	-51862379+00	-19640327+00	+15365095+00
+14573492+00	+21407182+01	-52559062+00	-19425006+00	+15358148+00
+14660758+00	+21356610+01	-53267739+00	-19203710+00	+15351076+00
+14748025+00	+21307595+01	-53989777+00	-18975970+00	+15343872+00
+14835291+00	+21260129+01	-54726696+00	-18741285+00	+15336533+00
+14922558+00	+21214210+01	-55480184+00	-18499070+00	+15329051+00
+15009824+00	+21169830+01	-56252146+00	-18248679+00	+15321419+00
+15097091+00	+21126995+01	-57044694+00	-17989371+00	+15313628+00
+15184357+00	+21085704+01	-57860253+00	-17720307+00	+15305670+00
+15271623+00	+21045968+01	-58701555+00	-17440524+00	+15297533+00
+15358890+00	+21007795+01	-59571764+00	-17148924+00	+15289207+00

TABLE 36.—Continued

$M_{\infty} = +70000002+01$

$\theta_2 = +87266422-01$

θ	M_{w2}^*	ψ_2	M_2^*	μ_1
+15446156+00	+20971199+01	-60474499+00	-16844212+00	+15280679+00
+15533423+00	+20936203+01	-61413944+00	-16524920+00	+15271936+00
+15620689+00	+20902828+01	-62395074+00	-16189280+00	+15262961+00
+15707955+00	+20871107+01	-63423698+00	-15835235+00	+15253735+00
+15795222+00	+20841081+01	-64506759+00	-15460302+00	+15244238+00
+15838855+00	+20826717+01	-65071248+00	-15264106+00	+15239382+00
+15882488+00	+20812796+01	-65652621+00	-15061518+00	+15234447+00
+15926122+00	+20799324+01	-66252217+00	-14852076+00	+15229432+00
+15969755+00	+20786311+01	-66871506+00	-14635241+00	+15224332+00
+16013388+00	+20773767+01	-67512149+00	-14410435+00	+15219142+00
+16057021+00	+20761701+01	-68175990+00	-14176998+00	+15213862+00
+16100654+00	+20750124+01	-68865106+00	-13934183+00	+15208482+00
+16144288+00	+20739052+01	-69581846+00	-13681166+00	+15202998+00
+16187921+00	+20728495+01	-70328876+00	-13416995+00	+15197403+00
+16231554+00	+20718473+01	-71109185+00	-13140601+00	+15191692+00
+16275187+00	+20709002+01	-71926245+00	-12850756+00	+15185860+00
+16318820+00	+20700102+01	-72784037+00	-12546045+00	+15179893+00
+16362454+00	+20691795+01	-73687194+00	-12224827+00	+15173788+00
+16406087+00	+20684108+01	-74641077+00	-11885192+00	+15167530+00
+16449720+00	+20677068+01	-75651981+00	-11524906+00	+15161110+00
+16493353+00	+20670709+01	-76727415+00	-11141316+00	+15154516+00
+16536986+00	+20665069+01	-77876288+00	-10731264+00	+15147730+00
+16580620+00	+20660188+01	-79109414+00	-10290917+00	+15140741+00
+16624253+00	+20656120+01	-80439880+00	-98156508-01	+15133523+00
+16627981+00	+20655814+01	-80558418+00	-97732927-01	+15132899+00

$S_2/R = +21118246+00$

$\eta/\alpha = +46008900+00$

TABLE 37.—Conical Flow Field. $\theta_s=5.0^\circ$; $M_\infty=8.0$

M_∞	θ_s	θ_v		
+79999971+01	+87266422-01	+15261801+00		

θ	M_{w2}^*	v_2	M_2^*	μ_1
+87266422-01	+28726169+01	+21304004-07	-26504228+00	+13858228+00
+88575418-01	+28519132+01	-18128218-01	-26496042+00	+13857961+00
+89884414-01	+28198884+01	-35559840-01	-26472487+00	+13857186+00
+91193411-01	+27876236+01	-52335115-01	-26434949+00	+13855933+00
+92502407-01	+27558416+01	-68498824-01	-26384651+00	+13854238+00
+93811403-01	+27248494+01	-84095041-01	-26322675+00	+13852124+00
+95120399-01	+26947728+01	-99165333-01	-26249969+00	+13849619+00
+96429395-01	+26656619+01	-11374837+00	-26167367+00	+13846742+00
+97738393-01	+26375303+01	-12787990+00	-26075601+00	+13843518+00
+99047389-01	+26103711+01	-14159334+00	-25975313+00	+13839959+00
+10035638+00	+25841658+01	-15491961+00	-25867065+00	+13836087+00
+10166538+00	+25588910+01	-16788748+00	-25751349+00	+13831913+00
+10297438+00	+25345191+01	-18052403+00	-25628587+00	+13827455+00
+10428337+00	+25110214+01	-19285460+00	-25499149+00	+13822713+00
+10559237+00	+24883685+01	-20490292+00	-25363344+00	+13817708+00
+10690137+00	+24665309+01	-21669163+00	-25221439+00	+13812447+00
+10821036+00	+24454796+01	-22824220+00	-25073648+00	+13806932+00
+10951936+00	+24251866+01	-23957507+00	-24920149+00	+13801177+00
+11082835+00	+24056246+01	-25071003+00	-24761071+00	+13795181+00
+11213735+00	+23867679+01	-26166598+00	-24596512+00	+13788953+00
+11344635+00	+23685908+01	-27246157+00	-24426525+00	+13782496+00
+11475534+00	+23510698+01	-28311490+00	-24251130+00	+13775812+00
+11606434+00	+23341827+01	-29364366+00	-24070310+00	+13768902+00
+11737334+00	+23179070+01	-30406574+00	-23884004+00	+13761768+00
+11868233+00	+23022224+01	-31439904+00	-23692115+00	+13754411+00
+11999133+00	+22871103+01	-32466119+00	-23494506+00	+13746829+00
+12086399+00	+22773441+01	-33147233+00	-23359504+00	+13741650+00
+12173666+00	+22678188+01	-33826559+00	-23221813+00	+13736369+00
+12260932+00	+22585298+01	-34504660+00	-23081363+00	+13730985+00
+12348198+00	+22494720+01	-35182138+00	-22938060+00	+13725498+00
+12435465+00	+22406407+01	-35859585+00	-22791816+00	+13719906+00
+12522731+00	+22320318+01	-36537635+00	-22642516+00	+13714207+00
+12609998+00	+22236414+01	-37216933+00	-22490042+00	+13708399+00
+12697264+00	+22154656+01	-37898151+00	-22334258+00	+13702486+00
+12784531+00	+22075002+01	-38582037+00	-22175007+00	+13696454+00
+12871797+00	+21997421+01	-39269340+00	-22012125+00	+13690308+00
+12959063+00	+21921879+01	-39960857+00	-21845421+00	+13684046+00
+13046330+00	+21848345+01	-40657462+00	-21674683+00	+13677659+00
+13133596+00	+21776788+01	-41360087+00	-21499678+00	+13671148+00
+13220863+00	+21707185+01	-42069712+00	-21320153+00	+13664509+00
+13308129+00	+21639509+01	-42787435+00	-21135808+00	+13657736+00
+13395395+00	+21573737+01	-43514432+00	-20946321+00	+13650824+00
+13482662+00	+21509853+01	-44251992+00	-20751330+00	+13643768+00
+13569928+00	+21447832+01	-45001565+00	-20550419+00	+13636560+00
+13657195+00	+21387666+01	-45764696+00	-20343132+00	+13629196+00
+13744461+00	+21329342+01	-46543131+00	-20128950+00	+13621669+00
+13831728+00	+21272850+01	-47338868+00	-19907272+00	+13613968+00
+13918994+00	+21218182+01	-48154115+00	-19677428+00	+13606084+00
+14006260+00	+21165337+01	-48991389+00	-19438645+00	+13598008+00
+14093527+00	+21114320+01	-49853554+00	-19190025+00	+13589729+00

TABLE 37.—Continued

 $M_{\infty} = +79999971+01$ $\theta_s = +87866488-01$

θ	M_{v2}^*	ψ_2	M_2^*	μ_1
+14180793+00	+21065131+01	-50743909+00	-18930547+00	+13581235+00
+14224426+00	+21041227+01	-51200839+00	-18796361+00	+13576901+00
+14268060+00	+21017785+01	-51666302+00	-18658997+00	+13572508+00
+14311693+00	+20994808+01	-52140869+00	-18518268+00	+13568056+00
+14355326+00	+20972297+01	-52625195+00	-18373971+00	+13563534+00
+14398959+00	+20950258+01	-53119929+00	-18225892+00	+13558949+00
+14442592+00	+20928693+01	-53625845+00	-18073795+00	+13554294+00
+14486226+00	+20907605+01	-54143771+00	-17917414+00	+13549567+00
+14529859+00	+20887000+01	-54674568+00	-17756471+00	+13544767+00
+14573492+00	+20866883+01	-55219263+00	-17590645+00	+13539886+00
+14617125+00	+20847259+01	-55778939+00	-17419594+00	+13534924+00
+14660758+00	+20828136+01	-56354763+00	-17242928+00	+13529877+00
+14704392+00	+20809520+01	-56948135+00	-17060226+00	+13524741+00
+14748025+00	+20791420+01	-57560503+00	-16871003+00	+13519510+00
+14791658+00	+20773847+01	-58193538+00	-16674739+00	+13514181+00
+14835291+00	+20756810+01	-58849130+00	-16470829+00	+13508746+00
+14878924+00	+20740321+01	-59529364+00	-16258606+00	+13503206+00
+14922558+00	+20724391+01	-60236664+00	-16037296+00	+13497546+00
+14966191+00	+20709037+01	-60973745+00	-15806038+00	+13491765+00
+15009824+00	+20694276+01	-61743721+00	-15563832+00	+13485854+00
+15053457+00	+20680126+01	-62550211+00	-15309533+00	+13479802+00
+15097091+00	+20666609+01	-63397327+00	-15041821+00	+13473602+00
+15140724+00	+20653746+01	-64289997+00	-14759136+00	+13467245+00
+15184357+00	+20641568+01	-65233871+00	-14459678+00	+13460714+00
+15227990+00	+20630103+01	-66235780+00	-14141276+00	+13454001+00
+15261801+00	+20621734+01	-67056996+00	-13879947+00	+13448664+00

 $S_2/R = +46013985+00$ $\eta/\alpha = +53379273+00$

TABLE 38.—Conical Flow Field. $\theta_s=5.0^\circ$; $M_\infty=10.0$

M_∞	θ_s	θ_w		
+99999948+01	+87266422-01	+13498608+00		

θ	M_{w2}^*	ψ_2	M_2^*	μ_1
+87266422-01	+25564523+01	+11990778-07	-25324719+00	+11424073+00
+88139087-01	+25776325+01	-10758433-01	-25321422+00	+11423933+00
+89011751-01	+25678626+01	-21299365-01	-25311761+00	+11423522+00
+89884414-01	+25571762+01	-31613769-01	-25296081+00	+11422849+00
+90757079-01	+25449673+01	-41706492-01	-25274710+00	+11421927+00
+91629743-01	+25319333+01	-51585475-01	-25247949+00	+11420766+00
+92502407-01	+25184581+01	-61260230-01	-25216075+00	+11419378+00
+93375072-01	+25047686+01	-70740836-01	-25179338+00	+11417769+00
+94247735-01	+24910073+01	-80037399-01	-25137968+00	+11415951+00
+95120399-01	+24772700+01	-89159933-01	-25092172+00	+11413927+00
+95993064-01	+24636221+01	-98118241-01	-25042140+00	+11411703+00
+96865728-01	+24501095+01	-10692177+00	-24988037+00	+11409291+00
+97738393-01	+24367658+01	-11557970+00	-24930019+00	+11406694+00
+98611056-01	+24236153+01	-12410088+00	-24868219+00	+11403917+00
+99483720-01	+24106750+01	-13249397+00	-24802757+00	+11400963+00
+10035638+00	+23979578+01	-14076732+00	-24733739+00	+11397838+00
+10122905+00	+23854723+01	-14892903+00	-24661257+00	+11394546+00
+10210171+00	+23732248+01	-15698699+00	-24585389+00	+11391092+00
+10297438+00	+23612188+01	-16494898+00	-24506201+00	+11387476+00
+10384704+00	+23494567+01	-17282262+00	-24423745+00	+11383698+00
+10471971+00	+23379399+01	-18061526+00	-24338064+00	+11379766+00
+10559237+00	+23266684+01	-18833440+00	-24249186+00	+11375679+00
+10646503+00	+23156410+01	-19598733+00	-24157128+00	+11371438+00
+10733770+00	+23048565+01	-20358136+00	-24061895+00	+11367045+00
+10821036+00	+22943135+01	-21112377+00	-23963481+00	+11362499+00
+10908303+00	+22840095+01	-21862187+00	-23861868+00	+11357804+00
+10995569+00	+22739423+01	-22608329+00	-23757020+00	+11352955+00
+11082835+00	+22641088+01	-23351548+00	-23648894+00	+11347958+00
+11170102+00	+22545068+01	-24092626+00	-23537433+00	+11342806+00
+11257368+00	+22451334+01	-24832360+00	-23422560+00	+11337499+00
+11344635+00	+22359857+01	-25571592+00	-23304184+00	+11332040+00
+11431901+00	+22270609+01	-26311164+00	-23182201+00	+11326422+00
+11519168+00	+22183562+01	-27052005+00	-23056483+00	+11320644+00
+11606434+00	+22098694+01	-27795041+00	-22926887+00	+11314702+00
+11693700+00	+22015971+01	-28541315+00	-22793240+00	+11308596+00
+11780967+00	+21935373+01	-29291906+00	-22655347+00	+11302318+00
+11824600+00	+21895862+01	-29669187+00	-22584743+00	+11299114+00
+11868233+00	+21856872+01	-30048000+00	-22512988+00	+11295864+00
+11911866+00	+21818407+01	-30428482+00	-22440055+00	+11292569+00
+11955500+00	+21780456+01	-30810833+00	-22365908+00	+11289228+00
+11999133+00	+21743019+01	-31195210+00	-22290506+00	+11285844+00
+12042766+00	+21706093+01	-31581813+00	-22213809+00	+11282410+00
+12086399+00	+21669677+01	-31970838+00	-22135777+00	+11278927+00
+12130032+00	+21633772+01	-32362467+00	-22056363+00	+11275396+00
+12173666+00	+21598371+01	-32756943+00	-21975516+00	+11271814+00
+12217299+00	+21563476+01	-33154476+00	-21893181+00	+11268181+00
+12260932+00	+21529084+01	-33555311+00	-21809306+00	+11264496+00
+12304565+00	+21495195+01	-33959710+00	-21723827+00	+11260758+00
+12348198+00	+21461803+01	-34367949+00	-21636675+00	+11256961+00
+12391832+00	+21428913+01	-34780303+00	-21547784+00	+11253109+00

TABLE 38.—Continued

$$M_{\infty} = +99999948+01$$

$$\theta_s = +87266422-01$$

θ	M_{w2}^*	ψ_2	M_2^*	μ_1
+12435465+00	+21396519+01	-35197113+00	-21457073+00	+11249202+00
+12479098+00	+21364626+01	-35618671+00	-21364463+00	+11245231+00
+12522731+00	+21333231+01	-36045339+00	-21269866+00	+11241201+00
+12566364+00	+21302335+01	-36477504+00	-21173184+00	+11237109+00
+12609998+00	+21271934+01	-36915591+00	-21074309+00	+11232952+00
+12653631+00	+21242035+01	-37360002+00	-20973133+00	+11228726+00
+12697264+00	+21212633+01	-37811255+00	-20869530+00	+11224434+00
+12740897+00	+21183734+01	-38269829+00	-20763368+00	+11220068+00
+12784531+00	+21155341+01	-38736286+00	-20654505+00	+11215629+00
+12828164+00	+21127448+01	-39211274+00	-20542769+00	+11211114+00
+12871797+00	+21100065+01	-39695428+00	-20427997+00	+11206517+00
+12915430+00	+21073194+01	-40189469+00	-20309990+00	+11201840+00
+12959063+00	+21046837+01	-40694225+00	-20188536+00	+11197074+00
+13002697+00	+21020997+01	-41210575+00	-20063400+00	+11192219+00
+13046330+00	+20995681+01	-41739471+00	-19934332+00	+11187272+00
+13089963+00	+20970893+01	-42282009+00	-19801030+00	+11182225+00
+13133596+00	+20946642+01	-42839404+00	-19663178+00	+11177075+00
+13177229+00	+20922931+01	-43412998+00	-19520418+00	+11171818+00
+13220863+00	+20899773+01	-44004291+00	-19372348+00	+11166450+00
+13264496+00	+20877173+01	-44615044+00	-19218495+00	+11160959+00
+13308129+00	+20855144+01	-45247118+00	-19058360+00	+11155345+00
+13351762+00	+20833698+01	-45902774+00	-18891342+00	+11149595+00
+13395395+00	+20812848+01	-46584531+00	-18716766+00	+11143703+00
+13439029+00	+20792611+01	-47295279+00	-18533855+00	+11137661+00
+13482662+00	+20773002+01	-48038446+00	-18341697+00	+11131458+00
+13498608+00	+20765998+01	-48318768+00	-18268987+00	+11129153+00

$$S_2/R = +13816326+01$$

$$\eta/\alpha = +64819131+00$$

TABLE 39.—Conical Flow Field. $\theta_s=5.0^\circ$; $M_\infty=12.0$

M_∞	θ_s		θ_v	
+12000011+02	+87266422-01		+12439992+00	

θ	M_{v2}^*	ψ_2	M_2^*	μ_1
+87266422-01	+22791203+01	-82654878-08	-24628202+00	+98370566-01
+88139087-01	+23397063+01	-96330518-02	-24625228+00	+98368957-01
+89011751-01	+23450851+01	-19155579-01	-24616448+00	+98364264-01
+89884414-01	+23474928+01	-28533134-01	-24602122+00	+98356605-01
+90757079-01	+23464982+01	-37759664-01	-24582500+00	+98346062-01
+91629743-01	+23434065+01	-46836025-01	-24557814+00	+98332800-01
+92502407-01	+23389374+01	-55766844-01	-24528282+00	+98316937-01
+93375072-01	+23335205+01	-64558653-01	-24494097+00	+98298519-01
+94247735-01	+23274356+01	-73218705-01	-24455434+00	+98277695-01
+95120399-01	+23208729+01	-81755030-01	-24412451+00	+98254442-01
+95993064-01	+23139692+01	-90175569-01	-24365282+00	+98228893-01
+96865728-01	+23068258+01	-98488545-01	-24314048+00	+98201125-01
+97738393-01	+22995194+01	-10670214+00	-24258854+00	+98171160-01
+98611056-01	+22921086+01	-11482466+00	-24199782+00	+98139017-01
+99483720-01	+22846398+01	-12286433+00	-24136904+00	+98104775-01
+10035638+00	+22771503+01	-13082930+00	-24070276+00	+98068475-01
+10079272+00	+22734079+01	-13478633+00	-24035568+00	+98049551-01
+10122905+00	+22696701+01	-13872786+00	-23999935+00	+98030083-01
+10166538+00	+22659408+01	-14265487+00	-23963381+00	+98010153-01
+10210171+00	+22622222+01	-14656843+00	-23925906+00	+97989693-01
+10253805+00	+22585168+01	-15046955+00	-23887511+00	+97968765-01
+10297438+00	+22548267+01	-15435939+00	-23848195+00	+97947292-01
+10341071+00	+22511538+01	-15823891+00	-23807956+00	+97925328-01
+10384704+00	+22474996+01	-16210936+00	-23766793+00	+97902871-01
+10428337+00	+22438667+01	-16597161+00	-23724703+00	+97879916-01
+10471971+00	+22402550+01	-16982705+00	-23681678+00	+97856439-01
+10515604+00	+22366662+01	-17367665+00	-23637715+00	+97832463-01
+10559237+00	+22331022+01	-17752162+00	-23592805+00	+97808010-01
+10602870+00	+22295637+01	-18136317+00	-23546941+00	+97783036-01
+10646503+00	+22260518+01	-18520245+00	-23500113+00	+97757532-01
+10690137+00	+22225673+01	-18904076+00	-23452310+00	+97731545-01
+10733770+00	+22191110+01	-19287935+00	-23403521+00	+97705036-01
+10777403+00	+22156839+01	-19671945+00	-23353733+00	+97678013-01
+10821036+00	+22122865+01	-20056244+00	-23302929+00	+97650483-01
+10864669+00	+22089195+01	-20440976+00	-23251095+00	+97622409-01
+10908303+00	+22055832+01	-20826288+00	-23198209+00	+97593821-01
+10951936+00	+22022789+01	-21212316+00	-23144254+00	+97564689-01
+10995569+00	+21990063+01	-21599228+00	-23089208+00	+97535006-01
+11039202+00	+21957666+01	-21987170+00	-23033048+00	+97504780-01
+11082835+00	+21925596+01	-22376317+00	-22975747+00	+97474001-01
+11126469+00	+21893865+01	-22766829+00	-22917280+00	+97442649-01
+11170102+00	+21862468+01	-23158906+00	-22857613+00	+97410738-01
+11213735+00	+21831416+01	-23552726+00	-22796715+00	+97378269-01
+11257368+00	+21800707+01	-23948494+00	-22734551+00	+97345188-01
+11301002+00	+21770346+01	-24346424+00	-22671081+00	+97311488-01
+11344635+00	+21740340+01	-24746724+00	-22606266+00	+97277202-01
+11388268+00	+21710686+01	-25149644+00	-22540061+00	+97242296-01
+11431901+00	+21681392+01	-25555420+00	-22472414+00	+97206748-01
+11475534+00	+21652464+01	-25964320+00	-22403277+00	+97170547-01
+11519168+00	+21623896+01	-26376633+00	-22332588+00	+97133680-01

TABLE 39.—Continued

$$M_{\infty} = +12000011+02$$

$$e_s = +87266422-01$$

θ	$M_{v_2}^*$	v_2	M_2^*	μ_1
+11562801+00	+21595694+01	-26792647+00	-22260291+00	+97096153-01
+11606434+00	+21567863+01	-27212693+00	-22186312+00	+97057901-01
+11650067+00	+21540407+01	-27637107+00	-22110580+00	+97018934-01
+11693700+00	+21513328+01	-28066254+00	-22033019+00	+96979238-01
+11737334+00	+21486629+01	-28500546+00	-21953538+00	+96938773-01
+11780967+00	+21460313+01	-28940400+00	-21872043+00	+96897534-01
+11824600+00	+21434386+01	-29386298+00	-21788432+00	+96855453-01
+11868233+00	+21408848+01	-29838740+00	-21702589+00	+96812590-01
+11911866+00	+21383706+01	-30298269+00	-21614389+00	+96768825-01
+11955500+00	+21358963+01	-30765501+00	-21523697+00	+96724167-01
+11999133+00	+21334624+01	-31241105+00	-21430358+00	+96678585-01
+12042766+00	+21310695+01	-31725811+00	-21334205+00	+96632019-01
+12086399+00	+21287183+01	-32220393+00	-21235057+00	+96584439-01
+12130032+00	+21264089+01	-32725787+00	-21132697+00	+96535801-01
+12173666+00	+21241428+01	-33242967+00	-21026901+00	+96486069-01
+12217299+00	+21219198+01	-33773052+00	-20917409+00	+96435174-01
+12260932+00	+21197414+01	-34317286+00	-20803928+00	+96383058-01
+12304565+00	+21176079+01	-34877087+00	-20686124+00	+96329644-01
+12348198+00	+21155208+01	-35454071+00	-20563625+00	+96274889-01
+12391832+00	+21134810+01	-36050044+00	-20436002+00	+96218705-01
+12435465+00	+21114899+01	-36667062+00	-20302775+00	+96161007-01
+12439992+00	+21112863+01	-36732288+00	-20288624+00	+96154972-01

$$S_2/R = +28904198+01$$

$$\eta/\alpha = +73060356+00$$

TABLE 40.—Conical Flow Field. $\theta_s=5.0^\circ$; $M_\infty=15.0$

M_∞	θ_s	θ_w			
+14999971+02	+87266422-01	+11497084+00			
θ	M_{w2}^*	θ_2	M_2^*	μ_1	
+87266422-01	+19465511+01	+61700121-08	-24124876+00	+82989953-01	
+87702754-01	+20112205+01	-42145439-02	-24124217+00	+82989484-01	
+88139087-01	+20729255+01	-83802457-02	-24122270+00	+82988113-01	
+88575418-01	+20881214+01	-12598805-01	-24119014+00	+82985788-01	
+89011751-01	+21035027+01	-16814463-01	-24114475+00	+82982606-01	
+89448083-01	+21163432+01	-21023614-01	-24108671+00	+82978546-01	
+89884414-01	+21271015+01	-25222344-01	-24101618+00	+82973636-01	
+90320747-01	+21362358+01	-29408020-01	-24093335+00	+82967877-01	
+90757079-01	+21440804+01	-33578993-01	-24083843+00	+82961321-01	
+91193411-01	+21508771+01	-37734284-01	-24073158+00	+82953937-01	
+91629743-01	+21568052+01	-41873246-01	-24061298+00	+82945793-01	
+92066075-01	+21620003+01	-45995752-01	-24048278+00	+82936875-01	
+92502407-01	+21665698+01	-50101695-01	-24034115+00	+82927167-01	
+92938739-01	+21705993+01	-54191265-01	-24018824+00	+82916729-01	
+93375072-01	+21741562+01	-58264872-01	-24002417+00	+82905530-01	
+93811403-01	+21772983+01	-62322875-01	-23984908+00	+82893617-01	
+94247735-01	+21800736+01	-66365818-01	-23966308+00	+82880980-01	
+94684068-01	+21825213+01	-70394331-01	-23946627+00	+82867630-01	
+95120399-01	+21846766+01	-74409086-01	-23925875+00	+82853570-01	
+95556732-01	+21865687+01	-78410808-01	-23904060+00	+82838840-01	
+95993064-01	+21882231+01	-82400299-01	-23881189+00	+82823411-01	
+96429395-01	+21896633+01	-86378404-01	-23857267+00	+82807250-01	
+96865728-01	+21909076+01	-90346006-01	-23832301+00	+82790419-01	
+97302060-01	+21919741+01	-94303966-01	-23806294+00	+82772947-01	
+97738393-01	+21928784+01	-98253292-01	-23779248+00	+82754761-01	
+98174724-01	+21936347+01	-10219498+00	-23751166+00	+82735904-01	
+98611056-01	+21942547+01	-10613000+00	-23722046+00	+82716397-01	
+99047389-01	+21947500+01	-11005944+00	-23691888+00	+82696192-01	
+99483720-01	+21951308+01	-11398441+00	-23660690+00	+82675352-01	
+99920053-01	+21954068+01	-11790596+00	-23628450+00	+82653835-01	
+10035638+00	+21955853+01	-12182542+00	-23595158+00	+82631640-01	
+10079272+00	+21956749+01	-12574388+00	-23560812+00	+82608773-01	
+10122905+00	+21956817+01	-12966265+00	-23525404+00	+82585260-01	
+10166538+00	+21956129+01	-13358301+00	-23488923+00	+82561061-01	
+10210171+00	+21954743+01	-13750641+00	-23451358+00	+82536153-01	
+10253805+00	+21952711+01	-14143415+00	-23412698+00	+82510590-01	
+10297438+00	+21950083+01	-14536776+00	-23372927+00	+82484335-01	
+10341071+00	+21946910+01	-14930870+00	-23332030+00	+82457386-01	
+10384704+00	+21943227+01	-15325877+00	-23289987+00	+82429722-01	
+10428337+00	+21939082+01	-15721946+00	-23246778+00	+82401364-01	
+10471971+00	+21934509+01	-16119258+00	-23202383+00	+82372300-01	
+10515604+00	+21929546+01	-16518007+00	-23156774+00	+82342505-01	
+10559237+00	+21924220+01	-16918389+00	-23109924+00	+82311957-01	
+10602870+00	+21918569+01	-17320595+00	-23061803+00	+82280673-01	
+10646503+00	+21912614+01	-17724877+00	-23012375+00	+82248627-01	
+10690137+00	+21906392+01	-18131437+00	-22961607+00	+82215779-01	
+10733770+00	+21899919+01	-18540534+00	-22909457+00	+82182153-01	
+10777403+00	+21893223+01	-18952434+00	-22855880+00	+82147740-01	
+10821036+00	+21886325+01	-19367433+00	-22800827+00	+82112476-01	
+10864669+00	+21879250+01	-19785827+00	-22744244+00	+82076341-01	

TABLE 40.—Continued

$$M_{00} = +14999971+02$$

$$\theta_s = +87266422-01$$

θ	M_{w2}^*	ψ_2	M_2^*	μ_1
+10908303+00	+21872018+01	-20207934+00	-22686072+00	+82039371-01
+10951936+00	+21864647+01	-20634125+00	-22626248+00	+82001485-01
+10995569+00	+21857156+01	-21064756+00	-22564702+00	+81962682-01
+11039202+00	+21849568+01	-21500257+00	-22501353+00	+81922963-01
+11082835+00	+21841894+01	-21941092+00	-22436114+00	+81882230-01
+11126469+00	+21834155+01	-22387736+00	-22368891+00	+81840500-01
+11170102+00	+21826363+01	-22840763+00	-22299575+00	+81797681-01
+11213735+00	+21818538+01	-23300753+00	-22228050+00	+81753790-01
+11257368+00	+21810696+01	-23768352+00	-22154184+00	+81708767-01
+11301002+00	+21802850+01	-24244320+00	-22077831+00	+81662558-01
+11344635+00	+21795015+01	-24729477+00	-21998823+00	+81615067-01
+11388268+00	+21787213+01	-25224708+00	-21916977+00	+81566311-01
+11431901+00	+21779452+01	-25731084+00	-21832081+00	+81516176-01
+11475534+00	+21771754+01	-26249755+00	-21743900+00	+81464588-01
+11497084+00	+21767978+01	-26510788+00	-21699061+00	+81438615-01

$$S_2/R = +60565072+01$$

$$\eta/\alpha = +81607830+00$$

TABLE 41.—Conical Flow Field. $\theta_s=5.0^\circ$; $M_\infty=20.0$

M_∞	θ_s	θ_v
+19999975+02.	+87266422-01	+10697188+00

θ	M_{v2}^*	θ_2	M_2^*	μ_1
+87266422-01	+15731916+01	-10593794-07	-23907150+00	+68483308-01
+87702754-01	+16994666+01	-35467115-02	-23906593+00	+68482779-01
+88139087-01	+18047318+01	-70928328-02	-23904931+00	+68481095-01
+88575418-01	+18408861+01	-10767911-01	-23902103+00	+68478331-01
+89011751-01	+18757559+01	-14487289-01	-23898114+00	+68474524-01
+89448083-01	+19059796+01	-18242222-01	-23892961+00	+68469644-01
+89884414-01	+19324764+01	-22024272-01	-23886644+00	+68463735-01
+90320747-01	+19560609+01	-25827468-01	-23879165+00	+68456866-01
+90757079-01	+19773135+01	-29647474-01	-23870528+00	+68448968-01
+91193411-01	+19966527+01	-33481194-01	-23860737+00	+68440102-01
+91629743-01	+20143880+01	-37326226-01	-23849797+00	+68430297-01
+92066075-01	+20307550+01	-41180903-01	-23837711+00	+68419553-01
+92502407-01	+20459391+01	-45043891-01	-23824484+00	+68407841-01
+92938739-01	+20600868+01	-48914367-01	-23810118+00	+68395234-01
+93375072-01	+20733186+01	-52791694-01	-23794616+00	+68381704-01
+93811403-01	+20857344+01	-56675573-01	-23777979+00	+68367250-01
+94247735-01	+20974152+01	-60565851-01	-23760209+00	+68351917-01
+94684068-01	+21084332+01	-64462607-01	-23741303+00	+68335675-01
+95120399-01	+21188485+01	-68366026-01	-23721262+00	+68318531-01
+95556732-01	+21287128+01	-72276434-01	-23700084+00	+68300508-01
+95993064-01	+21380720+01	-76194396-01	-23677762+00	+68281554-01
+96429395-01	+21469660+01	-80120444-01	-23654292+00	+68261735-01
+96865728-01	+21554297+01	-84055358-01	-23629667+00	+68241007-01
+97302060-01	+21634944+01	-87999892-01	-23603879+00	+68219408-01
+97738393-01	+21711882+01	-91955112-01	-23576919+00	+68196922-01
+98174724-01	+21785364+01	-95921968-01	-23548773+00	+68173520-01
+98611056-01	+21855613+01	-99901706-01	-23519428+00	+68149179-01
+99047389-01	+21922832+01	-10389554+00	-23488869+00	+68123937-01
+99483720-01	+21987210+01	-10790486+00	-23457077+00	+68097762-01
+99920053-01	+22048921+01	-11193120+00	-23424034+00	+68070642-01
+10035638+00	+22108108+01	-11597625+00	-23389714+00	+68042583-01
+10079272+00	+22164924+01	-12004176+00	-23354094+00	+68013519-01
+10122905+00	+22219494+01	-12412961+00	-23317144+00	+67983515-01
+10166538+00	+22271937+01	-12824195+00	-23278832+00	+67952484-01
+10210171+00	+22322369+01	-13238114+00	-23239120+00	+67920387-01
+10253805+00	+22370892+01	-13654960+00	-23197972+00	+67887254-01
+10297438+00	+22417599+01	-14074994+00	-23155344+00	+67853078-01
+10341071+00	+22462577+01	-14498527+00	-23111183+00	+67817740-01
+10384704+00	+22505918+01	-14925861+00	-23065439+00	+67781269-01
+10428337+00	+22547690+01	-15357349+00	-23018047+00	+67743636-01
+10471971+00	+22587970+01	-15793389+00	-22968942+00	+67704782-01
+10515604+00	+22626824+01	-16234407+00	-22918048+00	+67664646-01
+10559237+00	+22664319+01	-16680876+00	-22865278+00	+67623198-01
+10602870+00	+22700512+01	-17133327+00	-22810537+00	+67580364-01
+10646503+00	+22735457+01	-17592348+00	-22753717+00	+67536116-01
+10690137+00	+22769230+01	-18058601+00	-22694699+00	+67490332-01
+10697188+00	+22774580+01	-18134593+00	-22684954+00	+67482844-01

$s_2/R = +12589628+02$

$\eta/\alpha = +90095104+00$

TABLE 42.—Conical Flow Field. $\theta_s=7.5^\circ$; $M_\infty=1.0735583$

M_∞	θ_s	θ_w		
10735583+01		+13089970+00		
		+12132281+01		

θ	M_{V2}^*	ψ_2	M_2^*	μ_1
13089970+00	+20068111+01	+24209730-05	-26192165+00	+15676272+01
14835299+00	+17856173+01	-22311520+00	-25672081+00	+15462108+01
16580627+00	+16301644+01	-37999393+00	-24576335+00	+15261715+01
18325955+00	+15167382+01	-49456805+00	-23287850+00	+15091773+01
20071284+00	+14314507+01	-58083946+00	-21973028+00	+14945190+01
21816612+00	+13657222+01	-64745065+00	-20704001+00	+14816818+01
23561940+00	+13140162+01	-69997393+00	-19509876+00	+14702949+01
25307269+00	+12726286+01	-74213482+00	-18399619+00	+14600840+01
27052597+00	+12390038+01	-77650193+00	-17372784+00	+14508416+01
28797925+00	+12113329+01	-80489278+00	-16424712+00	+14424077+01
30543254+00	+11883051+01	-82862361+00	-15549060+00	+14346560+01
32288582+00	+11689521+01	-84866643+00	-14739082+00	+14274868+01
34033910+00	+11525457+01	-86575214+00	-13988215+00	+14208188+01
35779238+00	+11385297+01	-88043870+00	-13290358+00	+14145854+01
37524567+00	+11264735+01	-89315834+00	-12639965+00	+14087317+01
39269895+00	+11160393+01	-90424987+00	-12032068+00	+14032115+01
41015223+00	+11069596+01	-91398210+00	-11462244+00	+13979858+01
42760551+00	+10990194+01	-92257056+00	-10926557+00	+13930217+01
44505880+00	+10920453+01	-93018969+00	-10421522+00	+13882902+01
46251208+00	+10858957+01	-93698173+00	-99440535-01	+13837671+01
47996536+00	+10804541+01	-94306394+00	-94913950-01	+13794310+01
49741865+00	+10756239+01	-94853356+00	-90610976-01	+13752625+01
51487193+00	+10713249+01	-95347159+00	-86509744-01	+13712455+01
53232521+00	+10674895+01	-95794625+00	-82590631-01	+13673651+01
54977850+00	+10640608+01	-96201517+00	-78836046-01	+13636082+01
56723178+00	+10609905+01	-96572745+00	-75230052-01	+13599630+01
58468506+00	+10582375+01	-96912498+00	-71758149-01	+13564187+01
60213835+00	+10557663+01	-97224378+00	-68407168-01	+13529658+01
61959163+00	+10535469+01	-97511505+00	-65165008-01	+13495954+01
63704491+00	+10515529+01	-97776581+00	-62020447-01	+13462993+01
65449819+00	+10497618+01	-98021963+00	-58963181-01	+13430700+01
67195147+00	+10481538+01	-98249719+00	-55983422-01	+13399008+01
68940476+00	+10467119+01	-98461672+00	-53072033-01	+13367849+01
70685804+00	+10454210+01	-98659426+00	-50220334-01	+13337160+01
72431132+00	+10442681+01	-98844405+00	-47419976-01	+13306884+01
74176461+00	+10432418+01	-99017908+00	-44662742-01	+13276964+01
75921789+00	+10423320+01	-99181069+00	-41940716-01	+13247348+01
77667117+00	+10415299+01	-99334948+00	-39245794-01	+13217981+01
79412445+00	+10408278+01	-99480486+00	-36570052-01	+13188812+01
81157774+00	+10402190+01	-99618559+00	-33905191-01	+13159791+01
82903102+00	+10396977+01	-99749986+00	-31242576-01	+13130865+01
84648430+00	+10392588+01	-99875532+00	-28573129-01	+13101982+01
86393759+00	+10388979+01	-99995929+00	-25887056-01	+13073090+01
88139087+00	+10386113+01	-10011189+01	-23173614-01	+13044133+01
89884415+00	+10383962+01	-10022412+01	-20420920-01	+13015051+01
91629744+00	+10382499+01	-10033333+01	-17615394-01	+12985785+01
93375072+00	+10381708+01	-10044027+01	-14741506-01	+12956264+01
95120400+00	+10381576+01	-10054574+01	-11780660-01	+12926416+01
96865728+00	+10382097+01	-10065062+01	-87109468-02	+12896159+01
98611057+00	+10383273+01	-10075591+01	-55055812-02	+12865402+01

TABLE 42.—Continued

$M_{\infty} = 10735583+01$

$e_g = +13089970+00$

Θ	$M_{W_2}^*$	ψ_2	M_2^*	μ_1
10035638+01	+10385112+01	-10086280+01	-21309539-02	+12834038+01
10210169+01	+10387632+01	-10097276+01	+14556293-02	+12801943+01
10384701+01	+10390862+01	-10108765+01	+53101395-02	+12768969+01
10559232+01	+10394843+01	-10120993+01	+95076940-02	+12734935+01
10733764+01	+10399637+01	-10134301+01	+14153125-01	+12699615+01
10908295+01	+10405328+01	-10149177+01	+19397948-01	+12662713+01
11082826+01	+10412041+01	-10166371+01	+25472519-01	+12623837+01
11257358+01	+10419955+01	-10187098+01	+32749438-01	+12582436+01
11431889+01	+10429347+01	-10213518+01	+41883840-01	+12537684+01
11606420+01	+10440673+01	-10249947+01	+54172054-01	+12488250+01
11780952+01	+10454785+01	-10306771+01	+72697115-01	+12431673+01
11955483+01	+10473658+01	-10418996+01	+10771728+00	+12362270+01
12130014+01	+10505518+01	-10908289+01	+25203473+00	+12256285+01
12132281+01	+10506186+01	-10929418+01	+25815350+00	+12254178+01

$S_2/R = 16812719-05$

$\eta/\alpha = +36503280-01$

TABLE 43.—Conical Flow Field. $\theta_s=7.5^\circ$; $M_\infty=1.5$

M_∞	θ_s	θ_w		
+14999998+01		+13089970+00		+73489673+00
θ	M_{w2}^*	ψ_2	M_2^*	μ_1
+13089970+00	+24801681+01	+16381964-05	-32371195+00	+78151899+00
+14486233+00	+22537287+01	-17403725+00	-31936447+00	+78128970+00
+15882496+00	+20840487+01	-30482710+00	-30959141+00	+78072946+00
+17278758+00	+19536463+01	-40587764+00	-29738441+00	+77996928+00
+18675021+00	+18513172+01	-48576481+00	-28426742+00	+77908826+00
+20071284+00	+17696014+01	-55015869+00	-27102918+00	+77813534+00
+21380280+00	+17071314+01	-59992213+00	-25887146+00	+77720454+00
+22689276+00	+16552499+01	-64175284+00	-24713115+00	+77625467+00
+23998272+00	+16117392+01	-67731722+00	-23588478+00	+77529674+00
+25307269+00	+15749353+01	-70786363+00	-22515736+00	+77433813+00
+26616265+00	+15435696+01	-73434282+00	-21494485+00	+77338376+00
+27837995+00	+15183323+01	-75603833+00	-20585993+00	+77249954+00
+29059724+00	+14963464+01	-77530432+00	-19718256+00	+77162325+00
+30281454+00	+14771055+01	-79252056+00	-18888616+00	+77075584+00
+31503184+00	+14601991+01	-80799562+00	-18094293+00	+76989770+00
+32724914+00	+14452909+01	-82198262+00	-17332521+00	+76904904+00
+33859377+00	+14329936+01	-83382207+00	-16651917+00	+76826920+00
+34993840+00	+14219941+01	-84470037+00	-15994928+00	+76749699+00
+36128304+00	+14121354+01	-85473725+00	-15359549+00	+76673207+00
+37262768+00	+14032841+01	-86403511+00	-14743856+00	+76597394+00
+38397231+00	+13953257+01	-87268232+00	-14146016+00	+76522205+00
+39444428+00	+13886871+01	-88015325+00	-13608486+00	+76453305+00
+40491625+00	+13826590+01	-88718789+00	-13083345+00	+76384831+00
+41538822+00	+13771828+01	-89383304+00	-12569311+00	+76316737+00
+42586019+00	+13722073+01	-90013052+00	-12065133+00	+76248959+00
+43633216+00	+13676873+01	-90611777+00	-11569586+00	+76181445+00
+44593146+00	+13639101+01	-91136261+00	-11121881+00	+76119726+00
+45553077+00	+13604552+01	-91639907+00	-10679498+00	+76058123+00
+46513007+00	+13572981+01	-92124918+00	-10241504+00	+75996586+00
+47472938+00	+13544172+01	-92593346+00	-98069528-01	+75935058+00
+48432868+00	+13517931+01	-93047120+00	-93748826-01	+75873484+00
+49305533+00	+13496157+01	-93448472+00	-89834022-01	+75817412+00
+50178195+00	+13476244+01	-93840546+00	-85923580-01	+75761205+00
+51050852+00	+13458085+01	-94224639+00	-82009172-01	+75704810+00
+51923509+00	+13441586+01	-94602026+00	-78082001-01	+75648174+00
+52796165+00	+13426660+01	-94973966+00	-74132677-01	+75591234+00
+53581556+00	+13414510+01	-95305125+00	-70550728-01	+75539678+00
+54366948+00	+13403521+01	-95633879+00	-66934248-01	+75487778+00
+55152338+00	+13393650+01	-95961230+00	-63274079-01	+75435476+00
+55937730+00	+13384857+01	-96288231+00	-59560277-01	+75382720+00
+56723121+00	+13377109+01	-96616007+00	-55781485-01	+75329440+00
+57421246+00	+13371073+01	-96909005+00	-52357701-01	+75281586+00
+58119372+00	+13365820+01	-97204532+00	-48862344-01	+75233206+00
+58817497+00	+13361336+01	-97503613+00	-45283860-01	+75184246+00
+59515622+00	+13357609+01	-97807434+00	-41608843-01	+75134638+00
+60213747+00	+13354632+01	-98117298+00	-37822118-01	+75084305+00
+60824607+00	+13352638+01	-98394568+00	-34402968-01	+75039605+00
+61435467+00	+13351215+01	-98678797+00	-30870484-01	+74994226+00
+62046327+00	+13350363+01	-98971334+00	-27208167-01	+74948098+00
+62657186+00	+13350087+01	-99273743+00	-23396938-01	+74901140+00

TABLE 43.—Continued

$M_{\infty} = +14999998+01$

$\theta_s = +13089970+00$

θ	M_{w2}^*	ψ_2	M_2^*	μ_1
+63268046+00	+13350397+01	-99587890+00	-19413655-01	+74853264+00
+63791640+00	+13351136+01	-99868167+00	-15841868-01	+74811421+00
+64315233+00	+13352324+01	-10016035+01	-12102783-01	+74768752+00
+64838828+00	+13353973+01	-10046645+01	-81714516-02	+74725175+00
+65362422+00	+13356097+01	-10078885+01	-40179515-02	+74680594+00
+65886016+00	+13358718+01	-10113048+01	+39440135-03	+74634897+00
+66322344+00	+13361298+01	-10143246+01	+43018109-02	+74595869+00
+66758673+00	+13364257+01	-10175287+01	+84526403-02	+74555885+00
+67195001+00	+13367614+01	-10209487+01	+12886713-01	+74514844+00
+67631329+00	+13371394+01	-10246242+01	+17653419-01	+74472628+00
+68067658+00	+13375627+01	-10286044+01	+22814540-01	+74429090+00
+68416720+00	+13379364+01	-10320503+01	+27280399-01	+74393198+00
+68765783+00	+13383436+01	-10357729+01	+32100961-01	+74356248+00
+69114845+00	+13387870+01	-10398244+01	+37341362-01	+74318118+00
+69463909+00	+13392699+01	-10442714+01	+43084758-01	+74278664+00
+69812971+00	+13397961+01	-10492010+01	+49439676-01	+74237702+00
+70162034+00	+13403706+01	-10547295+01	+56551149-01	+74195020+00
+70511096+00	+13409995+01	-10610169+01	+64618110-01	+74150332+00
+70860159+00	+13416907+01	-10682900+01	+73922240-01	+74103289+00
+71209222+00	+13424548+01	-10768838+01	+84879441-01	+74053421+00
+71558285+00	+13433064+01	-10873196+01	+98135308-01	+74000076+00
+71907347+00	+13442661+01	-11004626+01	+11476079+00	+73942324+00
+72256410+00	+13453660+01	-11178877+01	+13670149+00	+73878739+00
+72605472+00	+13466595+01	-11428600+01	+16798608+00	+73806925+00
+72954535+00	+13482502+01	-11837532+01	+21893053+00	+73722218+00
+73303598+00	+13504025+01	-12731954+01	+32966597+00	+73612709+00
+73489673+00	+13520922+01	-14087678+01	+49672097+00	+73530040+00

$S_2/R = +56237753-05$

$\eta/\alpha = +39694875-01$

TABLE 44.—Conical Flow Field. $\theta_s=7.5^\circ$; $M_\infty=1.75$

M_∞	θ_s	θ_v
+17500000+01	+13089970+00	+61444903+00

θ	M_{w2}^*	ψ_2	M_2^*	μ_1
+13089970+00	+26715412+01	+10980293-05	-34870218+00	+64797315+00
+14224434+00	+24679925+01	-14086643+00	-34547783+00	+64784172+00
+15358897+00	+23076347+01	-25219735+00	-33786047+00	+64750902+00
+16493361+00	+21790820+01	-34198110+00	-32789114+00	+64704235+00
+17627824+00	+20744911+01	-41564355+00	-31673870+00	+64648576+00
+18762287+00	+19883111+01	-47698447+00	-30508462+00	+64586867+00
+19896751+00	+19165195+01	-52873447+00	-29332877+00	+64521123+00
+20943948+00	+18604356+01	-56973550+00	-28259009+00	+64458058+00
+21991145+00	+18122924+01	-60547299+00	-27206962+00	+64393513+00
+23038342+00	+17707035+01	-63687492+00	-26182644+00	+64328036+00
+24085539+00	+17345742+01	-66467250+00	-25188986+00	+64262033+00
+25132736+00	+17030306+01	-68944880+00	-24226999+00	+64195780+00
+26179933+00	+16753682+01	-71167376+00	-23296455+00	+64129488+00
+27139863+00	+16529290+01	-73013335+00	-22470243+00	+64068803+00
+28099794+00	+16329034+01	-74701537+00	-21668478+00	+64008272+00
+29059724+00	+16149852+01	-76252514+00	-20889795+00	+63947940+00
+30019655+00	+15989159+01	-77683645+00	-20132717+00	+63887839+00
+30979586+00	+15844761+01	-79009788+00	-19395663+00	+63827974+00
+31939516+00	+15714786+01	-80243682+00	-18677031+00	+63768349+00
+32812180+00	+15607787+01	-81294680+00	-18038331+00	+63714333+00
+33684844+00	+15510335+01	-82285839+00	-17412269+00	+63660483+00
+34557508+00	+15421515+01	-83223592+00	-16797608+00	+63606774+00
+35430172+00	+15340525+01	-84113662+00	-16193126+00	+63553185+00
+36302837+00	+15266659+01	-84961209+00	-15597573+00	+63499681+00
+37175501+00	+15199294+01	-85770883+00	-15009702+00	+63446231+00
+37960899+00	+15143765+01	-86470716+00	-14486134+00	+63398141+00
+38746296+00	+15092696+01	-87146163+00	-13966808+00	+63350026+00
+39531694+00	+15045767+01	-87799875+00	-13450758+00	+63301857+00
+40317092+00	+15002686+01	-88434362+00	-12936970+00	+63253598+00
+41102489+00	+14963196+01	-89051998+00	-12424389+00	+63205205+00
+41887887+00	+14927063+01	-89655068+00	-11911911+00	+63156644+00
+42586019+00	+14897595+01	-90180696+00	-11455497+00	+63113295+00
+43284150+00	+14870480+01	-90698119+00	-10997330+00	+63069738+00
+43982281+00	+14845600+01	-91208871+00	-10536445+00	+63025936+00
+44680413+00	+14822846+01	-91714510+00	-10071794+00	+62981844+00
+45378544+00	+14802120+01	-92216630+00	-96022310-01	+62937423+00
+46076675+00	+14783333+01	-92716917+00	-91264620-01	+62892619+00
+46687540+00	+14768427+01	-93154522+00	-87039697-01	+62853063+00
+47298405+00	+14754900+01	-93593325+00	-82745672-01	+62813135+00
+47909270+00	+14742713+01	-94034675+00	-78370571-01	+62772793+00
+48520135+00	+14731830+01	-94480070+00	-73900586-01	+62731985+00
+49131000+00	+14722222+01	-94931157+00	-69320099-01	+62690658+00
+49741865+00	+14713865+01	-95389789+00	-64611163-01	+62648755+00
+50265461+00	+14707682+01	-95790486+00	-60456855-01	+62612327+00
+50789055+00	+14702396+01	-96199780+00	-56177383-01	+62575378+00
+51312649+00	+14698003+01	-96619404+00	-51755005-01	+62537859+00
+51836243+00	+14694501+01	-97051353+00	-47168985-01	+62499707+00
+52359837+00	+14691896+01	-97497955+00	-42394837-01	+62460855+00
+52883431+00	+14690194+01	-97961986+00	-37403204-01	+62421229+00
+53319760+00	+14689477+01	-98364360+00	-33052215-01	+62387553+00

TABLE 44.—Continued

 $M_{\infty} = +17500000+01$ $\theta_B = +13089970+00$

θ	M_{w2}^*	ψ_2	M_2^*	μ_1
+53756088+00	+14689408+01	-98783415+00	-28501400-01	+62353219+00
+54192416+00	+14690004+01	-99221864+00	-23721740-01	+62318163+00
+54628745+00	+14691284+01	-99682976+00	-18678029-01	+62282308+00
+55065073+00	+14693271+01	-10017073+01	-13327505-01	+62245568+00
+55501401+00	+14695997+01	-10069003+01	-76175369-02	+62207839+00
+55850464+00	+14698735+01	-10113226+01	-27467267-02	+62176863+00
+56199526+00	+14701994+01	-10160247+01	+24381177-02	+62145108+00
+56548589+00	+14705802+01	-10210546+01	+79886121-02	+62112484+00
+56897652+00	+14710194+01	-10264718+01	+13968861-01	+62078896+00
+57246715+00	+14715211+01	-10323520+01	+20460085-01	+62044225+00
+57595777+00	+14720905+01	-10387923+01	+27566997-01	+62008330+00
+57857574+00	+14725655+01	-10440658+01	+33382156-01	+61980505+00
+58119372+00	+14730855+01	-10497952+01	+39694740-01	+61951805+00
+58381168+00	+14736541+01	-10560690+01	+46599582-01	+61922126+00
+58642965+00	+14742760+01	-10630017+01	+54219071-01	+61891347+00
+58904762+00	+14749570+01	-10707447+01	+62715348-01	+61859312+00
+59166559+00	+14757044+01	-10795033+01	+72307748-01	+61825830+00
+59341091+00	+14762439+01	-10860435+01	+79457824-01	+61802585+00
+59515622+00	+14768203+01	-10932739+01	+87349992-01	+61778499+00
+59690153+00	+14774377+01	-11013424+01	+96141791-01	+61753467+00
+59864685+00	+14781011+01	-11104462+01	+10604354+00	+61727351+00
+60039216+00	+14788168+01	-11208557+01	+11734279+00	+61699987+00
+60213747+00	+14795928+01	-11329511+01	+13044405+00	+61671160+00
+60388279+00	+14804397+01	-11472893+01	+14593930+00	+61640592+00
+60562810+00	+14813718+01	-11647290+01	+16474048+00	+61607899+00
+60737342+00	+14824098+01	-11866750+01	+18833863+00	+61572537+00
+60911873+00	+14835844+01	-12156301+01	+21938781+00	+61533683+00
+61086404+00	+14849462+01	-12566309+01	+26322509+00	+61489987+00
+61260935+00	+14865896+01	-13219229+01	+33281581+00	+61438921+00
+61435467+00	+14887381+01	-14539310+01	+47304097+00	+61374497+00
+61444903+00	+14888785+01	-14655137+01	+48532569+00	+61370375+00

 $S_2/R = +25130657-04$ $\eta/\alpha = +58550757-01$

TABLE 45.—Conical Flow Field. $\theta_s=7.5^\circ$; $M_\infty=2.0$

M_∞	θ_s	θ_v			
+19999999+01		+13089970+00			+53140176+00

θ	M_{v2}^*	ψ_2	M_2^*	μ_1
+13089970+00	+28131524+01	+73784031-06	-36721103+00	+55713357+00
+14006268+00	+26360660+01	-11298895+00	-36491571+00	+55705346+00
+14922565+00	+24904145+01	-20620313+00	-35925645+00	+55684427+00
+15838862+00	+23691983+01	-28423063+00	-35153965+00	+55654219+00
+16755160+00	+22672768+01	-35037918+00	-34259010+00	+55617249+00
+17627824+00	+21846193+01	-40457271+00	-33340706+00	+55577416+00
+18500488+00	+21134301+01	-45180199+00	-32388571+00	+55534240+00
+19373152+00	+20517250+01	-49330162+00	-31422415+00	+55488565+00
+20245817+00	+19979351+01	-53004134+00	-30455335+00	+55441031+00
+21074847+00	+19530208+01	-56123946+00	-29543580+00	+55394585+00
+21903878+00	+19132430+01	-58937338+00	-28643436+00	+55347206+00
+22732909+00	+18778838+01	-61488168+00	-27757840+00	+55299131+00
+23561940+00	+18463472+01	-63812787+00	-26888449+00	+55250541+00
+24347338+00	+18195448+01	-65833926+00	-26080478+00	+55204164+00
+25132736+00	+17953694+01	-67701058+00	-25287873+00	+55157548+00
+25918134+00	+17735166+01	-69432799+00	-24510379+00	+55110753+00
+26703531+00	+17537257+01	-71045152+00	-23747456+00	+55063826+00
+27445296+00	+17367250+01	-72470788+00	-23039644+00	+55019423+00
+28187060+00	+17211990+01	-73812474+00	-22343432+00	+54974951+00
+28928825+00	+17070044+01	-75079186+00	-21657982+00	+54930426+00
+29670589+00	+16940154+01	-76278887+00	-20982371+00	+54885847+00
+30368721+00	+16827923+01	-77353193+00	-20354615+00	+54843835+00
+31066852+00	+16724573+01	-78379764+00	-19733859+00	+54801769+00
+31764983+00	+16629374+01	-79363455+00	-19119187+00	+54759632+00
+32463115+00	+16541678+01	-80308696+00	-18509668+00	+54717412+00
+33117613+00	+16465761+01	-81163567+00	-17942037+00	+54677736+00
+33772111+00	+16395495+01	-81991361+00	-17377205+00	+54637950+00
+34426609+00	+16330495+01	-82795006+00	-16814277+00	+54598034+00
+35081107+00	+16270411+01	-83577277+00	-16252304+00	+54557964+00
+35691972+00	+16218486+01	-84290464+00	-15727768+00	+54520404+00
+36302837+00	+16170334+01	-84989438+00	-15202310+00	+54482665+00
+36913702+00	+16125742+01	-85676259+00	-14674979+00	+54444714+00
+37524567+00	+16084517+01	-86352933+00	-14144772+00	+54406528+00
+38091798+00	+16049100+01	-86973964+00	-13648888+00	+54370831+00
+38659030+00	+16016307+01	-87589644+00	-13148593+00	+54334875+00
+39226262+00	+15986026+01	-88201659+00	-12642825+00	+54298631+00
+39793493+00	+15958151+01	-88811761+00	-12130402+00	+54262063+00
+40317092+00	+15934475+01	-89374842+00	-11650351+00	+54227986+00
+40840690+00	+15912702+01	-89939417+00	-11162348+00	+54193572+00
+41364289+00	+15892775+01	-90507160+00	-10665091+00	+54158783+00
+41887887+00	+15874641+01	-91079884+00	-10157102+00	+54123581+00
+42367853+00	+15859555+01	-91610976+00	-96805805-01	+54090911+00
+42847818+00	+15845908+01	-92149655+00	-91921517-01	+54057822+00
+43327783+00	+15833677+01	-92697848+00	-86901182-01	+54024268+00
+43807749+00	+15822843+01	-93257741+00	-81725074-01	+53990206+00
+44244081+00	+15814196+01	-93778981+00	-76865291-01	+53958757+00
+44680413+00	+15806686+01	-94314129+00	-71837804-01	+53926798+00
+45116745+00	+15800315+01	-94865673+00	-66619351-01	+53894283+00
+45553077+00	+15795088+01	-95436552+00	-61182269-01	+53861152+00
+45945776+00	+15791368+01	-95969722+00	-56074868-01	+53830761+00

TABLE 45.—Continued

 $M_{00} = +19999999+01$ $\theta_0 = +13089970+00$

θ	M_{w2}^*	ψ_2	M_2^*	μ_1
+46338474+00	+15788595+01	-96524339+00	-50735261-01	+53799767+00
+46731174+00	+15786785+01	-97103958+00	-45129447-01	+53768110+00
+47123872+00	+15785962+01	-97712863+00	-39216185-01	+53735723+00
+47472938+00	+15786084+01	-98282866+00	-33661772-01	+53706254+00
+47822004+00	+15787035+01	-98884558+00	-27782170-01	+53676078+00
+48171069+00	+15788850+01	-99523358+00	-21524970-01	+53645120+00
+48520135+00	+15791569+01	-10020600+01	-14825338-01	+53613291+00
+48825568+00	+15794729+01	-10084585+01	-85367140-02	+53584641+00
+49131000+00	+15798661+01	-10153280+01	-17787254-02	+53555161+00
+49436432+00	+15803415+01	-10227576+01	+55346322-02	+53524751+00
+49741865+00	+15809052+01	-10308621+01	+13513756-01	+53493293+00
+50003664+00	+15814644+01	-10384576+01	+20990582-01	+53465385+00
+50265461+00	+15820998+01	-10467803+01	+29179309-01	+53436495+00
+50527258+00	+15828186+01	-10559900+01	+38233723-01	+53406486+00
+50789055+00	+15836298+01	-10663013+01	+48359645-01	+53375192+00
+51007219+00	+15843844+01	-10759446+01	+57817213-01	+53347989+00
+51225383+00	+15852191+01	-10867883+01	+68436529-01	+53319603+00
+51443547+00	+15861445+01	-10991535+01	+80525284-01	+53289841+00
+51661712+00	+15871740+01	-11134973+01	+94520579-01	+53258460+00
+51836243+00	+15880843+01	-11268409+01	+10751403+00	+53231977+00
+52010775+00	+15890846+01	-11423865+01	+12262182+00	+53204034+00
+52185306+00	+15901910+01	-11608902+01	+14056548+00	+53174334+00
+52359837+00	+15914256+01	-11835334+01	+16247155+00	+53142480+00
+52490735+00	+15924545+01	-12043719+01	+18258730+00	+53116834+00
+52621634+00	+15935923+01	-12299886+01	+20726506+00	+53089303+00
+52752533+00	+15948668+01	-12626768+01	+23868715+00	+53059382+00
+52883431+00	+15963211+01	-13066579+01	+28086769+00	+53026285+00
+53014330+00	+15980277+01	-13708414+01	+34227345+00	+52988680+00
+53140176+00	+16000385+01	-14731253+01	+43988246+00	+52945856+00

 $S_2/R = +98683409-04$ $\eta/\alpha = +83874073-01$

TABLE 46.—Conical Flow Field. $\theta_s=7.5^\circ$; $M_\infty=2.5$

M_{∞}	θ_s	θ_v
+24999998+01	+13089970+00	+42357796+00

θ	M_2^*	ψ_2	M_2^*	μ_1
+13089970+00	+29813055+01	+43492764-06	-38934562+00	+43897753+00
+13788102+00	+28351227+01	-83187369-01	-38788125+00	+43893334+00
+14486233+00	+27093683+01	-15492994+00	-38410628+00	+43881426+00
+15184364+00	+26004766+01	-21742232+00	-37872659+00	+43863675+00
+15882496+00	+25055939+01	-27234388+00	-37223273+00	+43841327+00
+16580627+00	+24224514+01	-32100118+00	-36496988+00	+43815326+00
+17235125+00	+23535447+01	-36184799+00	-35768161+00	+43788286+00
+17889623+00	+22921318+01	-39878050+00	-35007905+00	+43759150+00
+18544121+00	+22372005+01	-43235857+00	-34226865+00	+43728289+00
+19198620+00	+21879073+01	-46304500+00	-33432808+00	+43696001+00
+19853118+00	+21435434+01	-49122623+00	-32631366+00	+43662523+00
+20463983+00	+21060549+01	-51555571+00	-31880274+00	+43630371+00
+21074847+00	+20719231+01	-53821113+00	-31128602+00	+43597473+00
+21685712+00	+20407894+01	-55938653+00	-30377964+00	+43563927+00
+22296577+00	+20123431+01	-57925023+00	-29629407+00	+43529816+00
+22907442+00	+19863141+01	-59794933+00	-28883529+00	+43495202+00
+23474674+00	+19641020+01	-61438312+00	-28193547+00	+43462653+00
+24041906+00	+19436041+01	-63001615+00	-27506065+00	+43429744+00
+24609137+00	+19246730+01	-64493089+00	-26820849+00	+43396494+00
+25176369+00	+19071778+01	-65920173+00	-26137530+00	+43362925+00
+25743601+00	+18910014+01	-67289632+00	-25455574+00	+43329041+00
+26267199+00	+18771497+01	-68507964+00	-24826729+00	+43297489+00
+26790798+00	+18642591+01	-69686975+00	-24197881+00	+43265672+00
+27314396+00	+18522633+01	-70830872+00	-23568334+00	+43233586+00
+27837995+00	+18411018+01	-71943633+00	-22937289+00	+43201223+00
+28361593+00	+18307205+01	-73029025+00	-22303852+00	+43168569+00
+28841558+00	+18218472+01	-74003033+00	-21720256+00	+43138370+00
+29321524+00	+18135533+01	-74959816+00	-21132953+00	+43107902+00
+29801489+00	+18058074+01	-75902052+00	-20541007+00	+43077148+00
+30281454+00	+17985807+01	-76832407+00	-19943352+00	+43046087+00
+30761420+00	+17918471+01	-77753577+00	-19338815+00	+43014696+00
+31197752+00	+17861335+01	-78585323+00	-18782166+00	+42985854+00
+31634083+00	+17807915+01	-79413872+00	-18217631+00	+42956700+00
+32070416+00	+17758063+01	-80241458+00	-17643972+00	+42927205+00
+32506748+00	+17711646+01	-81070439+00	-17059791+00	+42897345+00
+32943080+00	+17668542+01	-81903350+00	-16463496+00	+42867089+00
+333335779+00	+17632494+01	-82658598+00	-15914984+00	+42839491+00
+33728478+00	+17598974+01	-83421468+00	-15353686+00	+42811515+00
+34121176+00	+17567921+01	-84194388+00	-14777886+00	+42783130+00
+34513875+00	+17539283+01	-84980079+00	-14185596+00	+42754300+00
+34906574+00	+17513018+01	-85781610+00	-13574539+00	+42724987+00
+35255640+00	+17491634+01	-86510209+00	-13013461+00	+42698486+00
+35604706+00	+17472080+01	-87256931+00	-12433253+00	+42671533+00
+35953771+00	+17454346+01	-88025027+00	-11831367+00	+42644084+00
+36302837+00	+17438429+01	-88818286+00	-11204801+00	+42616095+00
+36651902+00	+17424333+01	-89641172+00	-10549989+00	+42587515+00
+36957335+00	+17413504+01	-90389645+00	-99505362-01	+42561976+00
+37262768+00	+17404097+01	-91169073+00	-93227914-01	+42535892+00
+37568200+00	+17396134+01	-91984469+00	-86626983-01	+42509211+00
+37873632+00	+17389647+01	-92841886+00	-79653230-01	+42481874+00

TABLE 46.—Continued

$M_{\infty} = +24999998+01$

$\theta_8 = +13089970+00$

θ	M_{w2}^*	ψ_2	M_2^*	μ_1
+38179065+00	+17384678+01	-93748706+00	-72246614-01	+42453811+00
+38440864+00	+17381668+01	-94572119+00	-65497889-01	+42429117+00
+38702663+00	+17379855+01	-95445506+00	-58319466-01	+42403771+00
+38964462+00	+17379290+01	-96377563+00	-50640297-01	+42377701+00
+39226262+00	+17380038+01	-97379104+00	-42371987-01	+42350822+00
+39488061+00	+17382179+01	-98463830+00	-33402721-01	+42323040+00
+39706227+00	+17385097+01	-99443954+00	-25289557-01	+42299111+00
+39924393+00	+17389118+01	-10050721+01	-16482556-01	+42274389+00
+40142559+00	+17394328+01	-10167044+01	-68443877-02	+42248778+00
+40360725+00	+17400831+01	-10295569+01	+38045535-02	+42222152+00
+40578891+00	+17408758+01	-10439239+01	+15703933-01	+42194367+00
+40753424+00	+17416233+01	-10567753+01	+26341165-01	+42171179+00
+40927957+00	+17424831+01	-10711336+01	+38215747-01	+42147011+00
+41102489+00	+17434685+01	-10873816+01	+51638362-01	+42121712+00
+41277023+00	+17445967+01	-11060537+01	+67042711-01	+42095090+00
+41451555+00	+17458898+01	-11279258+01	+85057426-01	+42066900+00
+41582455+00	+17469857+01	-11471166+01	+10083766+00	+42044530+00
+41713355+00	+17482082+01	-11694947+01	+11920908+00	+42020899+00
+41844254+00	+17495798+01	-11961579+01	+14105927+00	+41995760+00
+41975154+00	+17511318+01	-12288231+01	+16777526+00	+41968761+00
+42106053+00	+17529090+01	-12703655+01	+20167802+00	+41939406+00
+42236953+00	+17549808+01	-13260750+01	+24703469+00	+41906918+00
+42357796+00	+17572552+01	-13995235+01	+30668533+00	+41873025+00

$S_2/R = +93635257-03$

$\eta/\alpha = +14949129+00$

TABLE 47.—Conical Flow Field. $\theta_s=7.5^\circ$; $M_\infty=3.0$

M_{∞}	e_u	e_v		
+29999998+01	+13089970+00	+35701068+00		

e	M_{w2}^*	ψ_2	M_2^*	μ_1
+13089970+00	+30423415+01	+27590431-06	-39798796+00	+36455247+00
+13569936+00	+29379522+01	-55394886-01	-39725520+00	+36453119+00
+14049901+00	+28436333+01	-10536156+00	-39527822+00	+36447197+00
+14529866+00	+27584106+01	-15068494+00	-39232977+00	+36438076+00
+15009832+00	+26811831+01	-19200947+00	-38861944+00	+36426247+00
+15489797+00	+26110040+01	-22986844+00	-38430963+00	+36412104+00
+15969762+00	+25470614+01	-26470738+00	-37952683+00	+36395982+00
+16449727+00	+24886599+01	-29690134+00	-37437015+00	+36378145+00
+16929693+00	+24351995+01	-32676844+00	-36891747+00	+36358825+00
+17366025+00	+23904491+01	-35213083+00	-36375543+00	+36340130+00
+17802357+00	+23490121+01	-37597217+00	-35843608+00	+36320481+00
+18238689+00	+23105878+01	-39844749+00	-35298874+00	+36299978+00
+18675021+00	+22749099+01	-41969335+00	-34743686+00	+36278712+00
+19111353+00	+22417419+01	-43983060+00	-34179898+00	+36256753+00
+19547685+00	+22108729+01	-45896687+00	-33608958+00	+36234159+00
+19984017+00	+21821148+01	-47719838+00	-33031981+00	+36210990+00
+20420349+00	+21552991+01	-49461152+00	-32449791+00	+36187282+00
+20813048+00	+21327004+01	-50964835+00	-31921851+00	+36165520+00
+21205747+00	+21114528+01	-52413750+00	-31390445+00	+36143374+00
+21598446+00	+20914657+01	-53812675+00	-30855726+00	+36120864+00
+21991145+00	+20726562+01	-55166041+00	-30317737+00	+36098004+00
+22383844+00	+20549490+01	-56477949+00	-29776420+00	+36074805+00
+22776542+00	+20382752+01	-57752240+00	-29231627+00	+36051275+00
+23169241+00	+20225716+01	-58992542+00	-28683106+00	+36027418+00
+23561940+00	+20077803+01	-60202273+00	-28130533+00	+36003238+00
+23911006+00	+19953558+01	-61254563+00	-27635619+00	+35981474+00
+24260072+00	+19835761+01	-62287491+00	-27136815+00	+35959453+00
+24609137+00	+19724095+01	-63303201+00	-26633720+00	+35937170+00
+24958203+00	+19618268+01	-64303802+00	-26125851+00	+35914620+00
+25307269+00	+19518005+01	-65291364+00	-25612675+00	+35891803+00
+25656334+00	+19423057+01	-66267962+00	-25093585+00	+35868701+00
+26005400+00	+19333190+01	-67235674+00	-24567893+00	+35845311+00
+26354466+00	+19248192+01	-68196608+00	-24034831+00	+35821617+00
+26659898+00	+19177654+01	-69033570+00	-23561674+00	+35800628+00
+26965330+00	+19110569+01	-69868505+00	-23081546+00	+35779384+00
+27270763+00	+19046822+01	-70702972+00	-22593730+00	+35757879+00
+27576195+00	+18986309+01	-71538609+00	-22097411+00	+35736094+00
+27881628+00	+18928933+01	-72377164+00	-21591680+00	+35714019+00
+28187060+00	+18874605+01	-73220495+00	-21075513+00	+35691634+00
+28492493+00	+18823245+01	-74070621+00	-20547758+00	+35668920+00
+28797925+00	+18774781+01	-74929725+00	-20007114+00	+35645858+00
+29059724+00	+18735497+01	-75675080+00	-19532325+00	+35625798+00
+29321524+00	+18698258+01	-76430481+00	-19045916+00	+35605445+00
+29583323+00	+18663031+01	-77197799+00	-18546687+00	+35584785+00
+29845122+00	+18629792+01	-77979076+00	-18033297+00	+35563800+00
+30106921+00	+18598519+01	-78776638+00	-17504190+00	+35542462+00
+30368721+00	+18569194+01	-79593082+00	-16957613+00	+35520751+00
+30630520+00	+18541808+01	-80431391+00	-16391519+00	+35498638+00
+30892319+00	+18516356+01	-81294972+00	-15803555+00	+35476091+00
+31110485+00	+18496624+01	-82036773+00	-15294897+00	+35456948+00

TABLE 47.—Continued

$M_{\infty} = +29999998+01$

$\theta_s = +13089970+00$

θ	M_{v2}^*	ψ_2	M_2^*	μ_1
+31328651+00	+18478242+01	-82801501+00	-14767287+00	+35437452+00
+31546817+00	+18461218+01	-83592203+00	-14218578+00	+35417584+00
+31764983+00	+18445567+01	-84412365+00	-13646305+00	+35397313+00
+31983149+00	+18431307+01	-85266097+00	-13047553+00	+35376609+00
+32201315+00	+18418462+01	-86158192+00	-12418902+00	+35355434+00
+32419481+00	+18407064+01	-87094364+00	-11756292+00	+35333746+00
+32637647+00	+18397153+01	-88081442+00	-11054834+00	+35311499+00
+32812180+00	+18390327+01	-88913288+00	-10461749+00	+35293262+00
+32986713+00	+18384514+01	-89788082+00	-98363897-01	+35274599+00
+33161246+00	+18379750+01	-90711895+00	-91744214-01	+35255475+00
+33335779+00	+18376078+01	-91692007+00	-84706313-01	+35235844+00
+33510312+00	+18373547+01	-92737249+00	-77187126-01	+35215660+00
+33684844+00	+18372220+01	-93858447+00	-69109160-01	+35194869+00
+33859377+00	+18372168+01	-95069114+00	-60375965-01	+35173400+00
+34033910+00	+18373478+01	-96386336+00	-50865499-01	+35151178+00
+34164810+00	+18375418+01	-97457170+00	-43129887-01	+35133962+00
+34295709+00	+18378238+01	-98611873+00	-34786310-01	+35116220+00
+34426609+00	+18382002+01	-99865003+00	-25731102-01	+35097898+00
+34557508+00	+18386785+01	-10123491+01	-15833605-01	+35078932+00
+34688408+00	+18392680+01	-10274511+01	-49263594-02	+35059240+00
+34819308+00	+18399796+01	-10442651+01	+72102336-02	+35038729+00
+34950207+00	+18408274+01	-10632039+01	+20869498-01	+35017279+00
+35081107+00	+18418288+01	-10848360+01	+36455066-01	+34994744+00
+35212006+00	+18430063+01	-11099719+01	+54541808-01	+34970928+00
+35342906+00	+18443900+01	-11398135+01	+75981515-01	+34945579+00
+35473806+00	+18460215+01	-11762384+01	+10210361+00	+34918342+00
+35604706+00	+18479603+01	-12223890+01	+13513105+00	+34888711+00
+35701068+00	+18496359+01	-12657589+01	+16610554+00	+34864929+00

$B_2/R = +51090390-02$

$\eta/\alpha = +22593435+00$

TABLE 48.—Conical Flow Field. $\theta_s=7.5^\circ$; $M_\infty=3.5$

M_∞	e_s	e_w
+35000010+01	+13089970+00	+31238763+00

θ	M_{w2}^*	v_2	M_2^*	μ_1
+13089970+00	+30359732+01	+20628795-06	-39880630+00	+31309046+00
+13439036+00	+29607107+01	-38730975-01	-39841068+00	+31307875+00
+13788102+00	+28899080+01	-74648640-01	-39731276+00	+31304548+00
+14137167+00	+28240921+01	-10807032+00	-39562744+00	+31299317+00
+14486233+00	+27628807+01	-13927017+00	-39344880+00	+31292403+00
+14835299+00	+27058853+01	-16848520+00	-39085412+00	+31283988+00
+15184364+00	+26527471+01	-19592103+00	-38790720+00	+31274232+00
+15533430+00	+26031408+01	-22175712+00	-38466083+00	+31263272+00
+15882496+00	+25567749+01	-24615086+00	-38115887+00	+31251227+00
+16231561+00	+25133862+01	-26924103+00	-37743770+00	+31238201+00
+16580627+00	+24727391+01	-29115051+00	-37352763+00	+31224279+00
+16929693+00	+24346209+01	-31198861+00	-36945383+00	+31209541+00
+17278758+00	+23988399+01	-33185309+00	-36523713+00	+31194056+00
+17584191+00	+23693123+01	-34850508+00	-36144398+00	+31179938+00
+17889623+00	+23413355+01	-36453238+00	-35756420+00	+31165324+00
+18195056+00	+23148128+01	-37998376+00	-35360586+00	+31150247+00
+18500488+00	+22896551+01	-39490433+00	-34957552+00	+31134727+00
+18805921+00	+22657802+01	-40933559+00	-34547854+00	+31118792+00
+19111353+00	+22431128+01	-42331604+00	-34131915+00	+31102461+00
+19416786+00	+22215831+01	-43688152+00	-33710062+00	+31085749+00
+19722218+00	+22011271+01	-45006549+00	-33282520+00	+31068672+00
+20027651+00	+21816851+01	-46289929+00	-32849459+00	+31051246+00
+20333083+00	+21632022+01	-47541264+00	-32410927+00	+31033474+00
+20638515+00	+21456276+01	-48763355+00	-31966940+00	+31015368+00
+20943948+00	+21289141+01	-49958880+00	-31517416+00	+30996931+00
+21205747+00	+21152405+01	-50964415+00	-31127601+00	+30980868+00
+21467546+00	+21021418+01	-51953880+00	-30733481+00	+30964570+00
+21729345+00	+20895939+01	-52928795+00	-30334897+00	+30948031+00
+21991145+00	+20775744+01	-53890650+00	-29931638+00	+30931255+00
+22252944+00	+20660622+01	-54840915+00	-29523463+00	+30914238+00
+22514743+00	+20550375+01	-55781049+00	-29110082+00	+30896979+00
+22776542+00	+20444816+01	-56712521+00	-28691156+00	+30879475+00
+23038342+00	+20343772+01	-57636788+00	-28266320+00	+30861721+00
+23300141+00	+20247082+01	-58555328+00	-27835137+00	+30843710+00
+23561940+00	+20154593+01	-59469672+00	-27397123+00	+30825437+00
+23823739+00	+20066165+01	-60381379+00	-26951721+00	+30806891+00
+24085539+00	+19981665+01	-61292066+00	-26498329+00	+30788066+00
+24303705+00	+19914159+01	-62051426+00	-26113887+00	+30772156+00
+24521871+00	+19849231+01	-62812290+00	-25722955+00	+30756040+00
+24740037+00	+19786818+01	-63575746+00	-25325046+00	+30739705+00
+24958203+00	+19726863+01	-64342953+00	-24919598+00	+30723146+00
+25176369+00	+19669312+01	-65115144+00	-24505999+00	+30706352+00
+25394535+00	+19614116+01	-65893650+00	-24083561+00	+30689314+00
+25612701+00	+19561231+01	-66679885+00	-23651539+00	+30672021+00
+25830867+00	+19510615+01	-67475423+00	-23209068+00	+30654457+00
+26049033+00	+19462232+01	-68281962+00	-22755194+00	+30636612+00
+26267199+00	+19416051+01	-69101391+00	-22288834+00	+30618468+00
+26485365+00	+19372043+01	-69935802+00	-21808769+00	+30600008+00
+26703531+00	+19330187+01	-70787551+00	-21313600+00	+30581213+00
+26878064+00	+19298238+01	-71483184+00	-20905535+00	+30565920+00

TABLE 48.—Continued

$M_{\infty} = +35000010+01$

$\theta_s = +13089970+00$

θ	M_{w2}^*	ψ_2	M_2^*	μ_1
+27052597+00	+19267649+01	-72193110+00	-20485868+00	+30550389+00
+27227130+00	+19238415+01	-72919021+00	-20053558+00	+30534603+00
+27401662+00	+19210535+01	-73662795+00	-19607446+00	+30518549+00
+27576195+00	+19184010+01	-74426573+00	-19146198+00	+30502211+00
+27750728+00	+19158843+01	-75212756+00	-18668315+00	+30485570+00
+27925261+00	+19135044+01	-76024082+00	-18172070+00	+30468607+00
+28099794+00	+19112622+01	-76863710+00	-17655476+00	+30451301+00
+28274327+00	+19091596+01	-77735243+00	-17116246+00	+30433625+00
+28448859+00	+19071985+01	-78642946+00	-16551684+00	+30415552+00
+28623392+00	+19053816+01	-79591740+00	-15958648+00	+30397052+00
+28797925+00	+19037120+01	-80587495+00	-15333412+00	+30378088+00
+28928825+00	+19025590+01	-81369277+00	-14840709+00	+30363537+00
+29059724+00	+19014931+01	-82184851+00	-14325185+00	+30348683+00
+29190624+00	+19005169+01	-83038236+00	-13784282+00	+30333506+00
+29321524+00	+18996330+01	-83934132+00	-13214993+00	+30317978+00
+29452423+00	+18988445+01	-84878061+00	-12613807+00	+30302074+00
+29583323+00	+18981553+01	-85876560+00	-11976545+00	+30285762+00
+29714223+00	+18975697+01	-86937476+00	-11298207+00	+30269008+00
+29845122+00	+18970926+01	-88070299+00	-10572741+00	+30251770+00
+29976022+00	+18967303+01	-89286641+00	-97927499-01	+30234000+00
+30106921+00	+18964897+01	-90600904+00	-89490671-01	+30215645+00
+30237821+00	+18963793+01	-92031219+00	-80301465-01	+30196635+00
+30368721+00	+18964096+01	-93600746+00	-70212662-01	+30176896+00
+30455987+00	+18965140+01	-94739036+00	-62894266-01	+30163283+00
+30543254+00	+18966909+01	-95963727+00	-55020255-01	+30149270+00
+30630520+00	+18969455+01	-97288679+00	-46502734-01	+30134818+00
+30717786+00	+18972839+01	-98731076+00	-37232604-01	+30119881+00
+30805053+00	+18977132+01	-10031255+01	-27072902-01	+30104406+00
+30892319+00	+18982421+01	-10206081+01	-15848110-01	+30088329+00
+30979586+00	+18988810+01	-10401206+01	-33291482-02	+30071572+00
+31066852+00	+18996431+01	-10621458+01	+10789369-01	+30054039+00
+31154118+00	+19005443+01	-10873473+01	+26926869-01	+30035609+00
+31238763+00	+19015714+01	-11157108+01	+45067074-01	+30016731+00

$s_2/R = +18558803-01$

$\eta/\alpha = +30350512+00$

TABLE 49.—Conical Flow Field. $\theta_s=7.5^\circ$; $M_\infty=4.0$

M_∞	e_s	e_v
+39999998+01	+13089970+00	+28078488+00

e	M_{w2}^*	τ_2	M_2^*	μ_1
+13089970+00	+29876082+01	+14621764-06	-39553099+00	+27532314+00
+13395403+00	+29256751+01	-32320334-01	-39523046+00	+27531377+00
+13700835+00	+28650740+01	-62594562-01	-39438797+00	+27528695+00
+14006268+00	+28079716+01	-91031319-01	-39308109+00	+27524447+00
+14311700+00	+27542816+01	-11781655+00	-39137443+00	+27518790+00
+14617133+00	+27038034+01	-14311366+00	-38932206+00	+27511860+00
+14922565+00	+26563213+01	-16706671+00	-38696931+00	+27503771+00
+15227998+00	+26116262+01	-18980276+00	-38435427+00	+27494629+00
+15533430+00	+25695220+01	-21143474+00	-38150902+00	+27484522+00
+15838862+00	+25298275+01	-23206346+00	-37846054+00	+27473527+00
+16144295+00	+24923767+01	-25177910+00	-37523153+00	+27461713+00
+16449727+00	+24570170+01	-27066289+00	-37184113+00	+27449137+00
+16755160+00	+24236086+01	-28878819+00	-36830527+00	+27435851+00
+17060592+00	+23920243+01	-30622172+00	-36463724+00	+27421901+00
+17322392+00	+23663144+01	-32066050+00	-36139638+00	+27409448+00
+17584191+00	+23417903+01	-33467129+00	-35807212+00	+27396553+00
+17845990+00	+23183888+01	-34828702+00	-35466917+00	+27383240+00
+18107789+00	+22960512+01	-36153860+00	-35119131+00	+27369525+00
+18369589+00	+22747230+01	-37445504+00	-34764144+00	+27355423+00
+18631388+00	+22543533+01	-38706375+00	-34402169+00	+27340943+00
+18893187+00	+22348950+01	-39939074+00	-34033353+00	+27326100+00
+19154986+00	+22163039+01	-41146088+00	-33657762+00	+27310894+00
+19416786+00	+21985390+01	-42329792+00	-33275410+00	+27295338+00
+19678585+00	+21815622+01	-43492483+00	-32886230+00	+27279433+00
+19940384+00	+21653377+01	-44636402+00	-32490100+00	+27263182+00
+20202183+00	+21498322+01	-45763733+00	-32086830+00	+27246588+00
+20463983+00	+21350149+01	-46876621+00	-31676163+00	+27229651+00
+20682149+00	+21231720+01	-47794543+00	-31328055+00	+27215271+00
+20900315+00	+21117712+01	-48705166+00	-30974360+00	+27200648+00
+21118481+00	+21007977+01	-49609754+00	-30614798+00	+27185780+00
+21336647+00	+20902378+01	-50509559+00	-30249069+00	+27170663+00
+21554813+00	+20800783+01	-51405900+00	-29876818+00	+27155291+00
+21772979+00	+20703073+01	-52300099+00	-29497649+00	+27139661+00
+21991145+00	+20609129+01	-53193567+00	-29111097+00	+27123763+00
+22209311+00	+20518845+01	-54087751+00	-28716654+00	+27107592+00
+22427477+00	+20432124+01	-54984175+00	-28313737+00	+27091136+00
+22645643+00	+20348869+01	-55884488+00	-27901685+00	+27074387+00
+22863809+00	+20268998+01	-56790423+00	-27479759+00	+27057333+00
+23081975+00	+20192428+01	-57703859+00	-27047112+00	+27039964+00
+23300141+00	+20119092+01	-58626857+00	-26602793+00	+27022260+00
+23474674+00	+20062705+01	-59373660+00	-26238196+00	+27007845+00
+23649207+00	+20008314+01	-60129286+00	-25864800+00	+26993197+00
+23823739+00	+19955893+01	-60895116+00	-25481905+00	+26978306+00
+23998272+00	+19905418+01	-61672669+00	-25088721+00	+26963159+00
+24172805+00	+19856868+01	-62463615+00	-24684364+00	+26947746+00
+24347338+00	+19810226+01	-63269796+00	-24267845+00	+26932053+00
+24521871+00	+19765478+01	-64093317+00	-23838020+00	+26916061+00
+24696404+00	+19722614+01	-64936504+00	-23393616+00	+26899755+00
+24870937+00	+19681629+01	-65802000+00	-22933153+00	+26883117+00
+25045469+00	+19642521+01	-66692822+00	-22454954+00	+26866123+00

TABLE 49.—Continued

$M_{\infty} = +39999998+01$

$\theta_B = +13089970+00$

θ	* M_{w2}	ψ_2	* M_2	μ_1
+25220002+00	+19605294+01	-67612427+00	-21957058+00	+26848750+00
+25394535+00	+19569959+01	-68564817+00	-21437203+00	+26830971+00
+25569068+00	+19536529+01	-69554677+00	-20892711+00	+26812757+00
+25699968+00	+19512722+01	-70324935+00	-20466307+00	+26798788+00
+25830867+00	+19490012+01	-71122043+00	-20022739+00	+26784537+00
+25961767+00	+19468416+01	-71949074+00	-19560244+00	+26769987+00
+26092666+00	+19447952+01	-72809589+00	-19076769+00	+26755118+00
+26223566+00	+19428644+01	-73707711+00	-18569942+00	+26739904+00
+26354466+00	+19410518+01	-74648269+00	-18036975+00	+26724323+00
+26485365+00	+19393608+01	-75636939+00	-17474595+00	+26708344+00
+26616265+00	+19377952+01	-76680474+00	-16878909+00	+26691934+00
+26747164+00	+19363596+01	-77786989+00	-16245233+00	+26675054+00
+26878064+00	+19350596+01	-78966312+00	-15567891+00	+26657662+00
+27008964+00	+19339016+01	-80230534+00	-14839916+00	+26639707+00
+27139863+00	+19328936+01	-81594676+00	-14052647+00	+26621131+00
+27270763+00	+19320451+01	-83077770+00	-13195118+00	+26601859+00
+27358029+00	+19315737+01	-84144400+00	-12577599+00	+26588585+00
+27445296+00	+19311824+01	-85283645+00	-11917494+00	+26574934+00
+27532562+00	+19308760+01	-86506456+00	-11208499+00	+26560875+00
+27619828+00	+19306599+01	-87826224+00	-10442930+00	+26546364+00
+27707095+00	+19305409+01	-89259529+00	-96112594-01	+26531358+00
+27794361+00	+19305265+01	-90827364+00	-87014553-01	+26515801+00
+27881628+00	+19306260+01	-92556498+00	-76981611-01	+26499628+00
+27968894+00	+19308509+01	-94481913+00	-65813459-01	+26482759+00
+28056161+00	+19312149+01	-96650368+00	-53242482-01	+26465097+00
+28078488+00	+19313326+01	-97251427+00	-49759500-01	+26460437+00

$S_2/R = +50442720-01$

$\eta/\alpha = +37641877+00$

TABLE 50.—Conical Flow Field. $\theta_s=7.5^\circ$; $M_\infty=4.5$

M_{∞}	θ_s	θ_V			
+44999990+01		+13089970+00			+25747371+00

θ	M_{V2}^*	v_2	M_2^*	μ_1
+13089970+00	+29134091+01	+10360964-06	-39045456+00	+24642081+00
+13351770+00	+28667190+01	-26451928-01	-39023740+00	+24641358+00
+13613569+00	+28174220+01	-51484784-01	-38962229+00	+24639266+00
+13875368+00	+27700928+01	-75222686-01	-38865795+00	+24635932+00
+14137167+00	+27249807+01	-97782598-01	-38738580+00	+24631461+00
+14398967+00	+26820778+01	-11927012+00	-38584121+00	+24625947+00
+14660766+00	+26413056+01	-13977994+00	-38405428+00	+24619470+00
+14922565+00	+26025626+01	-15939724+00	-38205082+00	+24612106+00
+15184364+00	+25657421+01	-17819865+00	-37985283+00	+24603918+00
+15446164+00	+25307380+01	-19625351+00	-37747917+00	+24594959+00
+15707963+00	+24974493+01	-21362470+00	-37494591+00	+24585282+00
+15969762+00	+24657790+01	-23036956+00	-37226674+00	+24574931+00
+16231561+00	+24356370+01	-24654058+00	-36945327+00	+24563942+00
+16493361+00	+24069381+01	-26218612+00	-36651524+00	+24552348+00
+16755160+00	+23796037+01	-27735073+00	-36346078+00	+24540184+00
+16973326+00	+23578139+01	-28965057+00	-36083129+00	+24529624+00
+17191492+00	+23368806+01	-30166776+00	-35812872+00	+24518697+00
+17409658+00	+23167659+01	-31342378+00	-35535562+00	+24507412+00
+17627824+00	+22974349+01	-32493874+00	-35251400+00	+24495780+00
+17845990+00	+22788542+01	-33623222+00	-34960531+00	+24483809+00
+18064156+00	+22609923+01	-34732290+00	-34663048+00	+24471506+00
+18282322+00	+22438199+01	-35822881+00	-34359001+00	+24458874+00
+18500488+00	+22273095+01	-36896749+00	-34048390+00	+24445921+00
+18718654+00	+22114347+01	-37955604+00	-33731163+00	+24432649+00
+18936820+00	+21961710+01	-39001139+00	-33407221+00	+24419056+00
+19154986+00	+21814956+01	-40035016+00	-33076423+00	+24405148+00
+19373152+00	+21673867+01	-41058902+00	-32738568+00	+24390919+00
+19591318+00	+21538239+01	-42074466+00	-32393408+00	+24376372+00
+19809484+00	+21407884+01	-43083403+00	-32040635+00	+24361501+00
+19984017+00	+21307273+01	-43886944+00	-31752690+00	+24349367+00
+20158550+00	+21209836+01	-44688258+00	-31459421+00	+24337020+00
+20333083+00	+21115489+01	-45488283+00	-31160575+00	+24324457+00
+20507616+00	+21024156+01	-46287993+00	-30855875+00	+24311671+00
+20682149+00	+20935764+01	-47088392+00	-30545007+00	+24298660+00
+20856681+00	+20850246+01	-47890542+00	-30227610+00	+24285417+00
+21031214+00	+20767535+01	-48695575+00	-29903287+00	+24271935+00
+21205747+00	+20687573+01	-49504668+00	-29571593+00	+24258208+00
+21380280+00	+20610302+01	-50319104+00	-29232027+00	+24244229+00
+21554813+00	+20535672+01	-51140242+00	-28884024+00	+24229985+00
+21729345+00	+20463635+01	-51969578+00	-28526945+00	+24215467+00
+21903878+00	+20394145+01	-52808730+00	-28160081+00	+24200665+00
+22078411+00	+20327165+01	-53659470+00	-27782620+00	+24185567+00
+22252944+00	+20262660+01	-54523769+00	-27393648+00	+24170157+00
+22383844+00	+20215886+01	-55182199+00	-27093735+00	+24158385+00
+22514743+00	+20170479+01	-55850498+00	-26786273+00	+24146423+00
+22645643+00	+20126424+01	-56529793+00	-26470703+00	+24134258+00
+22776542+00	+20083718+01	-57221299+00	-26146418+00	+24121888+00
+22907442+00	+20042354+01	-57926372+00	-25812744+00	+24109297+00
+23038342+00	+20002327+01	-58646528+00	-25468911+00	+24096478+00
+23169241+00	+19963637+01	-59383431+00	-25114068+00	+24083418+00

TABLE 50.—Continued

$M_{00} = +44999990+01$

$\theta_8 = +13089970+00$

θ	M_{w2}^*	ψ_2	M_2^*	μ_1
+23300141+00	+19926282+01	-60138967+00	-24747249+00	+24070106+00
+23431041+00	+19890269+01	-60915238+00	-24367369+00	+24056526+00
+23561940+00	+19855601+01	-61714644+00	-23973178+00	+24042662+00
+23692840+00	+19822286+01	-62539905+00	-23563264+00	+24028501+00
+23823739+00	+19790339+01	-63394154+00	-23135986+00	+24014018+00
+23954639+00	+19759775+01	-64280994+00	-22689462+00	+23999193+00
+24085539+00	+19730614+01	-65204618+00	-22221479+00	+23984006+00
+24172805+00	+19711966+01	-65843189+00	-21896319+00	+23973663+00
+24260072+00	+19693961+01	-66501948+00	-21559598+00	+23963137+00
+24347338+00	+19676612+01	-67182742+00	-21210354+00	+23952417+00
+24434604+00	+19659928+01	-67887701+00	-20847449+00	+23941493+00
+24521871+00	+19643924+01	-68619201+00	-20469640+00	+23930354+00
+24609137+00	+19628614+01	-69379954+00	-20075494+00	+23918987+00
+24696404+00	+19614017+01	-70173058+00	-19663378+00	+23907376+00
+24783670+00	+19600152+01	-71002098+00	-19231392+00	+23895504+00
+24870937+00	+19587041+01	-71871194+00	-18777369+00	+23883356+00
+24958203+00	+19574711+01	-72785178+00	-18298762+00	+23870911+00
+25045469+00	+19563190+01	-73749705+00	-17792589+00	+23858149+00
+25132736+00	+19552512+01	-74771476+00	-17255314+00	+23845040+00
+25220002+00	+19542718+01	-75858494+00	-16682731+00	+23831560+00
+25307269+00	+19533852+01	-77020410+00	-16069751+00	+23817670+00
+25394535+00	+19525967+01	-78269030+00	-15410175+00	+23803336+00
+25481801+00	+19519126+01	-79618871+00	-14696364+00	+23788512+00
+25569068+00	+19513404+01	-81088215+00	-13918725+00	+23773145+00
+25656334+00	+19508889+01	-82700294+00	-13065063+00	+23757171+00
+25743601+00	+19505690+01	-84485194+00	-12119608+00	+23740516+00
+25747371+00	+19505583+01	-84566749+00	-12076401+00	+23739781+00

$s_2/R = +11139813+00$

$\eta/\alpha = +44230187+00$

TABLE 51.—Conical Flow Field. $\theta_s=7.5^\circ$; $M_\infty=5.0$

M_{∞}	θ_s		θ_w	
+49999979+01	+13089970+00		+23972546+00	
θ	M_{w2}^*	ψ_2	M_2^*	μ_1
+13089970+00	+28239454+01	+64726919-07	-38489677+00	+22360247+00
+13308136+00	+27937296+01	-21070287-01	-38474929+00	+22359715+00
+13526303+00	+27563559+01	-41220653-01	-38432712+00	+22358171+00
+13744469+00	+27194508+01	-60513057-01	-38365813+00	+22355691+00
+13962635+00	+26836212+01	-79012997-01	-38276658+00	+22352344+00
+14180801+00	+26490475+01	-96781984-01	-38167366+00	+22348186+00
+14398967+00	+26157784+01	-11387695+00	-38039780+00	+22343274+00
+14617133+00	+25838094+01	-13035003+00	-37895506+00	+22337654+00
+14835299+00	+25531121+01	-14624911+00	-37735943+00	+22331371+00
+15053465+00	+25236468+01	-16161812+00	-37562310+00	+22324460+00
+15271631+00	+24953683+01	-17649763+00	-37375665+00	+22316956+00
+15489797+00	+24682303+01	-19092495+00	-37176928+00	+22308892+00
+15707963+00	+24421846+01	-20493497+00	-36966886+00	+22300290+00
+15926129+00	+24171857+01	-21855992+00	-36746223+00	+22291179+00
+16144295+00	+23931885+01	-23183004+00	-36515517+00	+22281577+00
+16362461+00	+23701500+01	-24477372+00	-36275248+00	+22271503+00
+16580627+00	+23480290+01	-25741779+00	-36025813+00	+22260975+00
+16755160+00	+23309666+01	-26733437+00	-35819889+00	+22252230+00
+16929693+00	+23144474+01	-27708786+00	-35608435+00	+22243213+00
+17104225+00	+22984533+01	-28669034+00	-35391555+00	+22233923+00
+17278758+00	+22829668+01	-29615345+00	-35169317+00	+22224365+00
+17453291+00	+22679711+01	-30548858+00	-34941766+00	+22214544+00
+17627824+00	+22534505+01	-31470683+00	-34708923+00	+22204464+00
+17802357+00	+22393899+01	-32381914+00	-34470772+00	+22194126+00
+17976890+00	+22257748+01	-33283629+00	-34227281+00	+22183529+00
+18151422+00	+22125917+01	-34176897+00	-33978383+00	+22172680+00
+18325955+00	+21998272+01	-35062802+00	-33723983+00	+22161572+00
+18500488+00	+21874692+01	-35942408+00	-33463964+00	+22150210+00
+18675021+00	+21755058+01	-36816812+00	-33198166+00	+22138588+00
+18849554+00	+21639258+01	-37687118+00	-32926409+00	+22126707+00
+19024087+00	+21527189+01	-38554454+00	-32648467+00	+22114563+00
+19198620+00	+21418748+01	-39419993+00	-32364083+00	+22102149+00
+19373152+00	+21313843+01	-40284948+00	-32072958+00	+22089466+00
+19504052+00	+21237431+01	-40934045+00	-31849983+00	+22079770+00
+19634952+00	+21162921+01	-41584084+00	-31622857+00	+22069918+00
+19765851+00	+21090281+01	-42235657+00	-31391398+00	+22059900+00
+19896751+00	+21019477+01	-42889365+00	-31155408+00	+22049720+00
+20027651+00	+20950481+01	-43545865+00	-30914663+00	+22039368+00
+20158550+00	+20883264+01	-44205834+00	-30668918+00	+22028842+00
+20289450+00	+20817797+01	-44869992+00	-30417912+00	+22018139+00
+20420349+00	+20754056+01	-45539128+00	-30161336+00	+22007252+00
+20551249+00	+20692018+01	-46214060+00	-29898870+00	+21996176+00
+20682149+00	+20631661+01	-46895687+00	-29630140+00	+21984904+00
+20813048+00	+20572964+01	-47584968+00	-29354751+00	+21973430+00
+20943948+00	+20515910+01	-48282963+00	-29072251+00	+21961743+00
+21074847+00	+20460484+01	-48990806+00	-28782145+00	+21949843+00
+21205747+00	+20406670+01	-49709775+00	-28483865+00	+21937711+00
+21336647+00	+20354456+01	-50441239+00	-28176795+00	+21925344+00
+21467546+00	+20303834+01	-51186744+00	-27860228+00	+21912727+00
+21554813+00	+20270966+01	-51692385+00	-27643523+00	+21904172+00

TABLE 51.—Continued

$M_{\infty} = +49999979+01$

$\theta_s = +13089970+00$

θ	M_{w2}^*	ψ_2	M_2^*	μ_1
+21642079+00	+20238800+01	-52205583+00	-27421991+00	+21895498+00
+21729345+00	+20207336+01	-52726937+00	-27195344+00	+21886699+00
+21816612+00	+20176572+01	-53257107+00	-26963278+00	+21877771+00
+21903878+00	+20146511+01	-53796796+00	-26725460+00	+21868711+00
+21991145+00	+20117150+01	-54346786+00	-26481513+00	+21859512+00
+22078411+00	+20088495+01	-54907909+00	-26231043+00	+21850170+00
+22165678+00	+20060547+01	-55481112+00	-25973596+00	+21840677+00
+22252944+00	+20033306+01	-56067416+00	-25708683+00	+21831026+00
+22340210+00	+20006780+01	-56667937+00	-25435764+00	+21821213+00
+22427477+00	+19980973+01	-57283938+00	-25154228+00	+21811229+00
+22514743+00	+19955890+01	-57916806+00	-24863407+00	+21801065+00
+22602010+00	+19931539+01	-58568097+00	-24562545+00	+21790712+00
+22689276+00	+19907929+01	-59239545+00	-24250803+00	+21780161+00
+22776542+00	+19885071+01	-59933111+00	-23927223+00	+21769400+00
+22863809+00	+19862976+01	-60651027+00	-23590722+00	+21758417+00
+22907442+00	+19852218+01	-61019894+00	-23417250+00	+21752838+00
+22951075+00	+19841657+01	-61395806+00	-23240077+00	+21747200+00
+22994709+00	+19831294+01	-61779148+00	-23059027+00	+21741501+00
+23038342+00	+19821130+01	-62170324+00	-22873891+00	+21735735+00
+23081975+00	+19811171+01	-62569748+00	-22684476+00	+21729905+00
+23125608+00	+19801416+01	-62977899+00	-22490541+00	+21724006+00
+23169241+00	+19791867+01	-63395263+00	-22291860+00	+21718035+00
+23212875+00	+19782531+01	-63822381+00	-22088159+00	+21711992+00
+23256508+00	+19773409+01	-64259832+00	-21879164+00	+21705872+00
+23300141+00	+19764504+01	-64708235+00	-21664568+00	+21699674+00
+23343774+00	+19755819+01	-65168271+00	-21444045+00	+21693395+00
+23387407+00	+19747360+01	-65640692+00	-21217223+00	+21687032+00
+23431041+00	+19739130+01	-66126300+00	-20983710+00	+21680581+00
+23474674+00	+19731133+01	-66625979+00	-20743088+00	+21674038+00
+23518307+00	+19723374+01	-67140699+00	-20494874+00	+21667401+00
+23561940+00	+19715859+01	-67671511+00	-20238562+00	+21660662+00
+23605573+00	+19708594+01	-68219593+00	-19973574+00	+21653823+00
+23649207+00	+19701584+01	-68786239+00	-19699286+00	+21646874+00
+23692840+00	+19694837+01	-69372870+00	-19415011+00	+21639811+00
+23736473+00	+19688360+01	-69981093+00	-19119962+00	+21632629+00
+23780106+00	+19682160+01	-70612657+00	-18813296+00	+21625323+00
+23823739+00	+19676246+01	-71269553+00	-18494039+00	+21617886+00
+23867373+00	+19670627+01	-71954017+00	-18161112+00	+21610311+00
+23911006+00	+19665315+01	-72668543+00	-17813307+00	+21602590+00
+23954639+00	+19660321+01	-73415983+00	-17449243+00	+21594714+00
+23972546+00	+19658367+01	-73732933+00	-17294794+00	+21591439+00

$S_2/R = +21148885+00$

$\eta/\alpha = +50074497+00$

TABLE 52.—Conical Flow Field. $\theta_s=7.5^\circ$; $M_\infty=6.0$

M_{∞}	θ_s	a_w
+59999982+01	+13089970+00	+21481181+00

θ	M_{w2}^*	ψ_2	M_2^*	μ_1
+13089970+00	+26253363+01	+61234459-07	-37477197+00	+18993029+00
+13264503+00	+26232663+01	-15386138-01	-37468315+00	+18992653+00
+13439036+00	+26031543+01	-30292379-01	-37442577+00	+18991549+00
+13613569+00	+25811175+01	-44729316-01	-37401279+00	+18989764+00
+13788102+00	+25585448+01	-58721458-01	-37345594+00	+18987335+00
+13962635+00	+25359799+01	-72296250-01	-37276564+00	+18984300+00
+14137167+00	+25136825+01	-85480824-01	-37195116+00	+18980688+00
+14311700+00	+24917915+01	-98301286-01	-37102077+00	+18976533+00
+14486233+00	+24703841+01	-11078246+00	-36998172+00	+18971854+00
+14660766+00	+24495044+01	-12294778+00	-36884048+00	+18966676+00
+14835299+00	+24291758+01	-13481941+00	-36760271+00	+18961024+00
+15009832+00	+24094089+01	-14641822+00	-36627338+00	+18954912+00
+15184364+00	+23902060+01	-15776409+00	-36485680+00	+18948360+00
+15358897+00	+23715639+01	-16887586+00	-36335671+00	+18941382+00
+15533430+00	+23534760+01	-17977150+00	-36177631+00	+18933990+00
+15707963+00	+23359334+01	-19046821+00	-36011824+00	+18926196+00
+15882496+00	+23189251+01	-20098254+00	-35838469+00	+18918009+00
+16057028+00	+23024396+01	-21133048+00	-35657739+00	+18909439+00
+16231561+00	+22864646+01	-22152760+00	-35469760+00	+18900494+00
+16406094+00	+22709876+01	-23158904+00	-35274620+00	+18891176+00
+16536994+00	+22596993+01	-23905507+00	-35123590+00	+18883947+00
+16667893+00	+22486786+01	-24645947+00	-34968556+00	+18876515+00
+16798793+00	+22379205+01	-25380846+00	-34809506+00	+18868878+00
+16929693+00	+22274199+01	-26110828+00	-34646413+00	+18861037+00
+17060592+00	+22171720+01	-26836515+00	-34479239+00	+18852992+00
+17191492+00	+22071714+01	-27558548+00	-34307926+00	+18844744+00
+17322392+00	+21974137+01	-28277569+00	-34132402+00	+18836291+00
+17453291+00	+21878945+01	-28994222+00	-33952584+00	+18827632+00
+17584191+00	+21786088+01	-29709188+00	-33768365+00	+18818765+00
+17715090+00	+21695527+01	-30423154+00	-33579624+00	+18809691+00
+17845990+00	+21607219+01	-31136844+00	-33386216+00	+18800402+00
+17976890+00	+21521123+01	-31850996+00	-33187978+00	+18790899+00
+18107789+00	+21437205+01	-32566394+00	-32984722+00	+18781176+00
+18238689+00	+21355426+01	-33283857+00	-32776239+00	+18771230+00
+18369589+00	+21275753+01	-34004264+00	-32562286+00	+18761052+00
+18500488+00	+21198153+01	-34728534+00	-32342590+00	+18750644+00
+18631388+00	+21122596+01	-35457664+00	-32116841+00	+18739991+00
+18762287+00	+21049054+01	-36192716+00	-31884696+00	+18729092+00
+18893187+00	+20977503+01	-36934848+00	-31645769+00	+18717936+00
+18980453+00	+20930894+01	-37434161+00	-31482494+00	+18710352+00
+19067720+00	+20885153+01	-37937581+00	-31315863+00	+18702649+00
+19154986+00	+20840273+01	-38445534+00	-31145718+00	+18694820+00
+19242253+00	+20796249+01	-38958493+00	-30971889+00	+18686865+00
+19329519+00	+20753076+01	-39476943+00	-30794183+00	+18678778+00
+19416786+00	+20710749+01	-40001422+00	-30612400+00	+18670557+00
+19504052+00	+20669265+01	-40532499+00	-30426315+00	+18662196+00
+19591318+00	+20628621+01	-41070787+00	-30235692+00	+18653691+00
+19678585+00	+20588815+01	-41616965+00	-30040251+00	+18645035+00
+19765851+00	+20549844+01	-42171771+00	-29839705+00	+18636228+00
+19853118+00	+20511708+01	-42735999+00	-29633726+00	+18627259+00

TABLE 52.—Continued

$$M_{00} = +59999982+01$$

$$\Theta_B = +13089970+00$$

Θ	M_{w2}^*	ψ_2	M_2^*	μ_1
+19940384+00	+20474407+01	-43310532+00	-29421959+00	+18618122+00
+20027651+00	+20437941+01	-43896331+00	-29203999+00	+18608811+00
+20114917+00	+20402312+01	-44494469+00	-28979412+00	+18599320+00
+20202183+00	+20367523+01	-45106122+00	-28747706+00	+18589640+00
+20289450+00	+20333578+01	-45732615+00	-28508330+00	+18579759+00
+20376716+00	+20300481+01	-46375421+00	-28260661+00	+18569673+00
+20463983+00	+20268242+01	-47036197+00	-28004007+00	+18559366+00
+20551249+00	+20236865+01	-47716811+00	-27737577+00	+18548828+00
+20594882+00	+20221505+01	-48065209+00	-27600423+00	+18543469+00
+20638515+00	+20206364+01	-48419385+00	-27460478+00	+18538048+00
+20682149+00	+20191443+01	-48779654+00	-27317611+00	+18532561+00
+20725782+00	+20176747+01	-49146346+00	-27171681+00	+18527007+00
+20769415+00	+20162276+01	-49519813+00	-27022539+00	+18521386+00
+20813048+00	+20148031+01	-49900465+00	-26870013+00	+18515693+00
+20856681+00	+20134016+01	-50288705+00	-26713929+00	+18509924+00
+20900315+00	+20120233+01	-50684968+00	-26554107+00	+18504082+00
+20943948+00	+20106681+01	-51089772+00	-26390322+00	+18498163+00
+20987581+00	+20093370+01	-51503601+00	-26222369+00	+18492161+00
+21031214+00	+20080297+01	-51927055+00	-26049997+00	+18486075+00
+21074847+00	+20067468+01	-52360736+00	-25872948+00	+18479902+00
+21118481+00	+20054886+01	-52805331+00	-25690928+00	+18473639+00
+21162114+00	+20042555+01	-53261559+00	-25503634+00	+18467282+00
+21205747+00	+20030478+01	-53730251+00	-25310714+00	+18460827+00
+21249380+00	+20018661+01	-54212271+00	-25111802+00	+18454269+00
+21293013+00	+20007108+01	-54708597+00	-24906484+00	+18447607+00
+21336647+00	+19995826+01	-55220315+00	-24694297+00	+18440831+00
+21380280+00	+19984819+01	-55748614+00	-24474734+00	+18433939+00
+21423913+00	+19974095+01	-56294792+00	-24247250+00	+18426925+00
+21467546+00	+19963659+01	-56860352+00	-24011204+00	+18419785+00
+21481181+00	+19960460+01	-57041298+00	-23935588+00	+18417527+00

$$S_2/R = +55871952+00$$

$$\eta/\alpha = +59750128+00$$

TABLE 53.—Conical Flow Field. $\theta_s=7.5^\circ$; $M_\infty=7.0$

M_∞	θ_s	θ_w
+69999977+01	+13089970+00	+19846161+00

θ	M_{w2}^*	ψ_2	M_2^*	μ_1
+13089970+00	+24254294+01	+44470653-07	-36721631+00	+16637082+00
+13220870+00	+24519428+01	-10587956-01	-36716956+00	+16636849+00
+13351770+00	+24484427+01	-20983512-01	-36703230+00	+16636162+00
+13482669+00	+24410796+01	-31171375-01	-36680928+00	+16635039+00
+13613569+00	+24317347+01	-41151890-01	-36650496+00	+16633505+00
+13744469+00	+24212946+01	-50931303-01	-36612350+00	+16631568+00
+13875368+00	+24102148+01	-60517902-01	-36566873+00	+16629253+00
+14006268+00	+23987623+01	-69920854-01	-36514411+00	+16626569+00
+14137167+00	+23871065+01	-79149525-01	-36455280+00	+16623535+00
+14268067+00	+23753613+01	-88213384-01	-36389764+00	+16620158+00
+14398967+00	+23636057+01	-97121689-01	-36318122+00	+16616449+00
+14529866+00	+23518974+01	-10588353+00	-36240584+00	+16612419+00
+14660766+00	+23402783+01	-11450776+00	-36157357+00	+16608079+00
+14791666+00	+23287791+01	-12300300+00	-36068623+00	+16603435+00
+14922565+00	+23174235+01	-13137768+00	-35974544+00	+16598495+00
+15053465+00	+23062293+01	-13963998+00	-35875258+00	+16593268+00
+15184364+00	+22952091+01	-14779792+00	-35770884+00	+16587757+00
+15315264+00	+22843731+01	-15585943+00	-35661522+00	+16581970+00
+15446164+00	+22737287+01	-16383220+00	-35547254+00	+16575905+00
+15577063+00	+22632811+01	-17172382+00	-35428142+00	+16569573+00
+15707963+00	+22530342+01	-17954192+00	-35304229+00	+16562974+00
+15838862+00	+22429902+01	-18729404+00	-35175540+00	+16556109+00
+15969762+00	+22331509+01	-19498769+00	-35042084+00	+16548981+00
+16100662+00	+22235167+01	-20263041+00	-34903849+00	+16541592+00
+16231561+00	+22140877+01	-21022988+00	-34760802+00	+16533943+00
+16362461+00	+22048638+01	-21779383+00	-34612895+00	+16526031+00
+16493361+00	+21958438+01	-22533027+00	-34460054+00	+16517857+00
+16624260+00	+21870271+01	-23284728+00	-34302188+00	+16509417+00
+16711527+00	+21812615+01	-23785198+00	-34194095+00	+16503642+00
+16798793+00	+21755849+01	-24285441+00	-34083675+00	+16497750+00
+16886059+00	+21699973+01	-24785721+00	-33970883+00	+16491735+00
+16973326+00	+21644980+01	-25286307+00	-33855667+00	+16485601+00
+17060592+00	+21590865+01	-25787496+00	-33737971+00	+16479341+00
+17147859+00	+21537625+01	-26289577+00	-33617727+00	+16472958+00
+17235125+00	+21485254+01	-26792850+00	-33494868+00	+16466448+00
+17322392+00	+21433748+01	-27297651+00	-33369314+00	+16459810+00
+17409658+00	+21383101+01	-27804311+00	-33240980+00	+16453040+00
+17496924+00	+21333309+01	-28313197+00	-33109769+00	+16446138+00
+17584191+00	+21284370+01	-28824667+00	-32975582+00	+16439100+00
+17671457+00	+21236275+01	-29339132+00	-32838298+00	+16431925+00
+17758724+00	+21189026+01	-29857009+00	-32697798+00	+16424608+00
+17845990+00	+21142615+01	-30378761+00	-32553938+00	+16417145+00
+17933256+00	+21097042+01	-30904847+00	-32406573+00	+16409533+00
+18020523+00	+21052301+01	-31435808+00	-32255531+00	+16401769+00
+18107789+00	+21008392+01	-31972190+00	-32100633+00	+16393849+00
+18195056+00	+20965313+01	-32514599+00	-31941672+00	+16385764+00
+18282322+00	+20923061+01	-33063688+00	-31778427+00	+16377512+00
+18369589+00	+20881636+01	-33620169+00	-31610653+00	+16369091+00
+18456855+00	+20841038+01	-34184818+00	-31438077+00	+16360486+00
+18544121+00	+20801270+01	-34758489+00	-31260391+00	+16351695+00

TABLE 53.—Continued

$$M_{\infty} = +69999977+01$$

$$\theta_s = +13089970+00$$

θ	$M_{\psi_2}^*$	ψ_2	M_2^*	μ_1
+18631388+00	+20762328+01	-35342132+00	-31077255+00	+16342711+00
+18718654+00	+20724219+01	-35936770+00	-30888296+00	+16333524+00
+18805921+00	+20686943+01	-36543592+00	-30693086+00	+16324126+00
+18893187+00	+20650508+01	-37163854+00	-30491151+00	+16314509+00
+18980453+00	+20614916+01	-37799032+00	-30281949+00	+16304658+00
+19024087+00	+20597438+01	-38122715+00	-30174435+00	+16299641+00
+19067720+00	+20580176+01	-38450751+00	-30064871+00	+16294561+00
+19111353+00	+20563127+01	-38783381+00	-29953164+00	+16289417+00
+19154986+00	+20546295+01	-39120872+00	-29839218+00	+16284207+00
+19198620+00	+20529680+01	-39463484+00	-29722933+00	+16278930+00
+19242253+00	+20513284+01	-39811514+00	-29604195+00	+16273582+00
+19285886+00	+20497109+01	-40165274+00	-29482889+00	+16268162+00
+19329519+00	+20481157+01	-40525107+00	-29358883+00	+16262665+00
+19373152+00	+20465428+01	-40891381+00	-29232038+00	+16257093+00
+19416786+00	+20449928+01	-41264459+00	-29102220+00	+16251442+00
+19460419+00	+20434653+01	-41644803+00	-28969249+00	+16245707+00
+19504052+00	+20419611+01	-42032855+00	-28832960+00	+16239887+00
+19547685+00	+20404802+01	-42429117+00	-28693161+00	+16233982+00
+19591318+00	+20390231+01	-42834129+00	-28549651+00	+16227982+00
+19634952+00	+20375900+01	-43248480+00	-28402200+00	+16221887+00
+19678585+00	+20361811+01	-43672834+00	-28250562+00	+16215694+00
+19722218+00	+20347971+01	-44107883+00	-28094469+00	+16209397+00
+19765851+00	+20334381+01	-44554420+00	-27933624+00	+16202995+00
+19809484+00	+20321047+01	-45013301+00	-27767702+00	+16196479+00
+19846161+00	+20310040+01	-45409230+00	-27624050+00	+16190915+00

$$S_2/R = +11253099+01$$

$$\eta/\alpha = +67266545+00$$

TABLE 54.—Conical Flow Field. $\theta_s=7.5^\circ$; $M_\infty=8.0$

M_{00}	θ_s	θ_v
+79999964+01	+13089970+00	+18711985+00

θ	M_{w2}^*	r_2	N_2^*	μ_1
+13089970+00	+22392280+01	+37252903-07	-36214387+00	+14905783+00
+13220870+00	+22942804+01	-97500160-02	-36210030+00	+14905531+00
+13351770+00	+23030588+01	-19389815-01	-36197176+00	+14904784+00
+13482669+00	+23054331+01	-28884316-01	-36176198+00	+14903565+00
+13613569+00	+23043730+01	-38224825-01	-36147463+00	+14901896+00
+13744469+00	+23012557+01	-47412140-01	-36111318+00	+14899791+00
+13875368+00	+22967941+01	-56450820-01	-36068078+00	+14897271+00
+14006268+00	+22914101+01	-65347218-01	-36018033+00	+14894350+00
+14137167+00	+22853754+01	-74108619-01	-35961439+00	+14891039+00
+14268067+00	+22788769+01	-82742738-01	-35898529+00	+14887353+00
+14398967+00	+22720477+01	-91257618-01	-35829507+00	+14883300+00
+14529866+00	+22649856+01	-99661341-01	-35754551+00	+14878894+00
+14660766+00	+22577659+01	-10796197+00	-35673814+00	+14874137+00
+14791666+00	+22504457+01	-11616760+00	-35587431+00	+14869042+00
+14922565+00	+22430703+01	-12428635+00	-35495507+00	+14863615+00
+15053465+00	+22356753+01	-13232638+00	-35398126+00	+14857858+00
+15184364+00	+22282898+01	-14029576+00	-35295352+00	+14851776+00
+15315264+00	+22209370+01	-14820269+00	-35187224+00	+14845375+00
+15446164+00	+22136359+01	-15605540+00	-35073763+00	+14838654+00
+15577063+00	+22064023+01	-16386231+00	-34954964+00	+14831617+00
+15664330+00	+22016240+01	-16904563+00	-34872785+00	+14826750+00
+15751596+00	+21968844+01	-17421505+00	-34788207+00	+14821744+00
+15838862+00	+21921868+01	-17937311+00	-34701210+00	+14816593+00
+15926129+00	+21875335+01	-18452259+00	-34611770+00	+14811303+00
+16013395+00	+21829270+01	-18966623+00	-34519856+00	+14805870+00
+16100662+00	+21783690+01	-19480692+00	-34425434+00	+14800295+00
+16187928+00	+21738614+01	-19994757+00	-34328459+00	+14794576+00
+16275194+00	+21694061+01	-20509128+00	-34228887+00	+14788710+00
+16362461+00	+21650041+01	-21024123+00	-34126660+00	+14782698+00
+16449727+00	+21606568+01	-21540075+00	-34021717+00	+14776537+00
+16536994+00	+21563655+01	-22057337+00	-33913987+00	+14770224+00
+16624260+00	+21521312+01	-22576269+00	-33803393+00	+14763757+00
+16711527+00	+21479546+01	-23097261+00	-33689843+00	+14757137+00
+16798793+00	+21438369+01	-23620724+00	-33573242+00	+14750355+00
+16886059+00	+21397788+01	-24147086+00	-33453481+00	+14743413+00
+16973326+00	+21357809+01	-24676818+00	-33330437+00	+14736304+00
+17060592+00	+21318440+01	-25210423+00	-33203974+00	+14729025+00
+17147859+00	+21279690+01	-25748415+00	-33073947+00	+14721572+00
+17235125+00	+21241563+01	-26291391+00	-32940185+00	+14713941+00
+17278758+00	+21222734+01	-26564936+00	-32871847+00	+14710054+00
+17322392+00	+21204066+01	-26839958+00	-32802504+00	+14706122+00
+17366025+00	+21185555+01	-27116557+00	-32732128+00	+14702143+00
+17409658+00	+21167205+01	-27394810+00	-32660696+00	+14698116+00
+17453291+00	+21149015+01	-27674820+00	-32588175+00	+14694037+00
+17496924+00	+21130987+01	-27956680+00	-32514535+00	+14689910+00
+17540558+00	+21113123+01	-28240497+00	-32439742+00	+14685731+00
+17584191+00	+21095421+01	-28526383+00	-32363760+00	+14681502+00
+17627824+00	+21077883+01	-28814455+00	-32286553+00	+14677217+00
+17671457+00	+21060512+01	-29104827+00	-32208084+00	+14672878+00
+17715090+00	+21043305+01	-29397631+00	-32128306+00	+14668485+00

TABLE 54.—Continued

$$M_{\infty} = +79999964+01$$

$$\theta_8 = +13089970+00$$

θ	M_{w2}^*	ψ_2	M_2^*	μ_1
+17758724+00	+21026267+01	-29692997+00	-32047180+00	+14664034+00
+17802357+00	+21009398+01	-29991072+00	-31964658+00	+14659526+00
+17845990+00	+20992696+01	-30292005+00	-31880689+00	+14654959+00
+17889623+00	+20976166+01	-30595953+00	-31795218+00	+14650330+00
+17933256+00	+20959807+01	-30903084+00	-31708194+00	+14645640+00
+17976890+00	+20943621+01	-31213584+00	-31619549+00	+14640889+00
+18020523+00	+20927609+01	-31527639+00	-31529226+00	+14636070+00
+18064156+00	+20911773+01	-31845449+00	-31437152+00	+14631184+00
+18107789+00	+20896114+01	-32167238+00	-31343254+00	+14626231+00
+18151422+00	+20880634+01	-32493232+00	-31247454+00	+14621207+00
+18195056+00	+20865334+01	-32823684+00	-31149665+00	+14616110+00
+18238689+00	+20850216+01	-33158845+00	-31049799+00	+14610939+00
+18282322+00	+20835282+01	-33499019+00	-30947755+00	+14605691+00
+18325955+00	+20820533+01	-33844513+00	-30843426+00	+14600363+00
+18369589+00	+20805974+01	-34195647+00	-30736703+00	+14594954+00
+18413222+00	+20791603+01	-34552785+00	-30627457+00	+14589460+00
+18456855+00	+20777426+01	-34916304+00	-30515560+00	+14583879+00
+18500488+00	+20763445+01	-35286635+00	-30400862+00	+14578205+00
+18544121+00	+20749661+01	-35664231+00	-30283209+00	+14572440+00
+18587755+00	+20736077+01	-36049598+00	-30162420+00	+14566578+00
+18631388+00	+20722700+01	-36443272+00	-30038318+00	+14560611+00
+18675021+00	+20709529+01	-36845854+00	-29910684+00	+14554542+00
+18711985+00	+20698539+01	-37194306+00	-29799650+00	+14549317+00

$$S_2/R = +19078801+01$$

$$\eta/\alpha = +73178295+00$$

TABLE 55.—Conical Flow Field. $\theta_s=7.5^\circ$; $M_\infty=10.0$

M_{∞}	θ_s	θ_v
+99999934+01	+13089970+00	+17279866+00

θ	M_2^*	ψ_2	M_2^*	μ_1
+13089970+00	+19258937+01	+27241185-07	-35711951+00	+12556165+00
+13177237+00	+20314869+01	-56320645-02	-35710248+00	+12556036+00
+13264503+00	+20577361+01	-11312500-01	-35705128+00	+12555652+00
+13351770+00	+20795413+01	-16997601-01	-35696634+00	+12555019+00
+13439036+00	+20960052+01	-22670818-01	-35684823+00	+12554143+00
+13526303+00	+21089739+01	-28322876-01	-35669759+00	+12553032+00
+13613569+00	+21194752+01	-33948680-01	-35651510+00	+12551696+00
+13700835+00	+21281313+01	-39545570-01	-35630139+00	+12550136+00
+13788102+00	+21353496+01	-45112301-01	-35605704+00	+12548359+00
+13875368+00	+21414148+01	-50648545-01	-35578265+00	+12546369+00
+13962635+00	+21465341+01	-56154587-01	-35547873+00	+12544171+00
+14049901+00	+21508639+01	-61631151-01	-35514575+00	+12541768+00
+14137167+00	+21545263+01	-67079372-01	-35478414+00	+12539164+00
+14224434+00	+21576173+01	-72500634-01	-35439428+00	+12536363+00
+14311700+00	+21602152+01	-77896539-01	-35397652+00	+12533364+00
+14398967+00	+21623844+01	-83268814-01	-35353111+00	+12530176+00
+14486233+00	+21641785+01	-88619320-01	-35305832+00	+12526797+00
+14573500+00	+21656424+01	-93950210-01	-35255829+00	+12523229+00
+14660766+00	+21668148+01	-99263503-01	-35203118+00	+12519474+00
+14748032+00	+21677282+01	-10456157+00	-35147705+00	+12515531+00
+14835299+00	+21684114+01	-10984665+00	-35089592+00	+12511404+00
+14878932+00	+21686745+01	-11248516+00	-35059523+00	+12509273+00
+14922565+00	+21688891+01	-11512138+00	-35028775+00	+12507093+00
+14966198+00	+21690579+01	-11775565+00	-34997350+00	+12504867+00
+15009832+00	+21691833+01	-12038824+00	-34965245+00	+12502596+00
+15053465+00	+21692675+01	-12301957+00	-34932459+00	+12500279+00
+15097098+00	+21693130+01	-12565001+00	-34898987+00	+12497914+00
+15140731+00	+21693216+01	-12827986+00	-34864828+00	+12495505+00
+15184364+00	+21692953+01	-13090951+00	-34829977+00	+12493048+00
+15227998+00	+21692361+01	-13353932+00	-34794433+00	+12490547+00
+15271631+00	+21691453+01	-13616974+00	-34758187+00	+12487996+00
+15315264+00	+21690251+01	-13880100+00	-34721241+00	+12485401+00
+15358897+00	+21688768+01	-14143365+00	-34683584+00	+12482759+00
+15402530+00	+21687017+01	-14406815+00	-34645212+00	+12480066+00
+15446164+00	+21685017+01	-14670478+00	-34606121+00	+12477329+00
+15489797+00	+21682776+01	-14934413+00	-34566300+00	+12474544+00
+15533430+00	+21680309+01	-15198652+00	-34525746+00	+12471710+00
+15577063+00	+21677630+01	-15463247+00	-34484449+00	+12468827+00
+15620696+00	+21674747+01	-15728249+00	-34442400+00	+12465896+00
+15664330+00	+21671671+01	-15993709+00	-34399591+00	+12462917+00
+15707963+00	+21668418+01	-16259673+00	-34356012+00	+12459888+00
+15751596+00	+21664992+01	-16526196+00	-34311653+00	+12456807+00
+15795229+00	+21661404+01	-16793334+00	-34266501+00	+12453680+00
+15838862+00	+21657665+01	-17061144+00	-34220548+00	+12450497+00
+15882496+00	+21653784+01	-17329680+00	-34173777+00	+12447265+00
+15926129+00	+21649767+01	-17599009+00	-34126178+00	+12443983+00
+15969762+00	+21645623+01	-17869190+00	-34077734+00	+12440647+00
+16013395+00	+21641359+01	-18140301+00	-34028431+00	+12437256+00
+16057028+00	+21636985+01	-18412396+00	-33978252+00	+12433814+00
+16100662+00	+21632507+01	-18685552+00	-33927181+00	+12430316+00

TABLE 55.—Continued

$M_{\infty} = +99999934+01$

$\theta_s = +13089970+00$

θ	M_{w2}^*	ψ_2	M_2^*	μ_1
+16144295+00	+21627931+01	-18959846+00	-33875198+00	+12426762+00
+16187928+00	+21623265+01	-19235348+00	-33822285+00	+12423155+00
+16231561+00	+21618514+01	-19512162+00	-33768419+00	+12419487+00
+16275194+00	+21613684+01	-19790353+00	-33713578+00	+12415764+00
+16318828+00	+21608784+01	-20070017+00	-33657741+00	+12411980+00
+16362461+00	+21603817+01	-20351247+00	-33600880+00	+12408136+00
+16406094+00	+21598789+01	-20634149+00	-33542969+00	+12404232+00
+16449727+00	+21593707+01	-20918818+00	-33483982+00	+12400265+00
+16493361+00	+21588575+01	-21205368+00	-33423884+00	+12396234+00
+16536994+00	+21583397+01	-21493920+00	-33362646+00	+12392142+00
+16580627+00	+21578181+01	-21784585+00	-33300234+00	+12387982+00
+16624260+00	+21572930+01	-22077510+00	-33236606+00	+12383753+00
+16667893+00	+21567649+01	-22372816+00	-33171728+00	+12379456+00
+16711527+00	+21562344+01	-22670660+00	-33105556+00	+12375089+00
+16755160+00	+21557018+01	-22971194+00	-33038044+00	+12370652+00
+16798793+00	+21551676+01	-23274592+00	-32969145+00	+12366137+00
+16842426+00	+21546323+01	-23581021+00	-32898803+00	+12361548+00
+16886059+00	+21540963+01	-23890673+00	-32826967+00	+12356880+00
+16929693+00	+21535600+01	-24203755+00	-32753572+00	+12352132+00
+16973326+00	+21530240+01	-24520474+00	-32678559+00	+12347303+00
+17016959+00	+21524885+01	-24841079+00	-32601852+00	+12342387+00
+17060592+00	+21519542+01	-25165807+00	-32523382+00	+12337386+00
+17104225+00	+21514215+01	-25494938+00	-32443063+00	+12332291+00
+17147859+00	+21508904+01	-25828772+00	-32360803+00	+12327104+00
+17191492+00	+21503619+01	-26167617+00	-32276510+00	+12321822+00
+17235125+00	+21498361+01	-26511837+00	-32190078+00	+12316437+00
+17278758+00	+21493137+01	-26861783+00	-32101392+00	+12310950+00
+17279866+00	+21493007+01	-26870728+00	-32099115+00	+12310810+00

$s_2/R = +40018350+01$

$\eta/\alpha = +81705950+00$

TABLE 56.—Conical Flow Field. $\theta_s=7.5^\circ$; $M_\infty=12.0$

M_∞	θ_s	θ_w		
+11999992+02	+13089970+00	+16443793+00		
θ	M_{w2}^*	ψ_2	M_2^*	μ_1
+13089970+00	+16886632+01	+22584572-07	-35576165+00	+11062150+00
+13133604+00	+17667250+01	-25224159-02	-35575779+00	+11062115+00
+13177237+00	+18471996+01	-50223600-02	-35574635+00	+11062007+00
+13220870+00	+18698596+01	-75892741-02	-35572698+00	+11061826+00
+13264503+00	+18932338+01	-10175378-01	-35569975+00	+11061578+00
+13308136+00	+19136756+01	-12777184-01	-35566465+00	+11061256+00
+13351770+00	+19316606+01	-15390669-01	-35562167+00	+11060871+00
+13395403+00	+19477074+01	-18012893-01	-35557084+00	+11060417+00
+13439036+00	+19621976+01	-20641717-01	-35551221+00	+11059895+00
+13482669+00	+19754085+01	-23275455-01	-35544578+00	+11059309+00
+13526303+00	+19875469+01	-25912819-01	-35537161+00	+11058659+00
+13569936+00	+19987700+01	-28552780-01	-35528975+00	+11057943+00
+13613569+00	+20092006+01	-31194549-01	-35520021+00	+11057165+00
+13657202+00	+20189372+01	-33837442-01	-35510305+00	+11056324+00
+13700835+00	+20280601+01	-36480955-01	-35499832+00	+11055422+00
+13744469+00	+20366353+01	-39124645-01	-35488603+00	+11054458+00
+13788102+00	+20447180+01	-41768223-01	-35476624+00	+11053433+00
+13831735+00	+20523554+01	-44411421-01	-35463898+00	+11052350+00
+13875368+00	+20595875+01	-47054050-01	-35450427+00	+11051205+00
+13919001+00	+20664494+01	-49695970-01	-35436217+00	+11050003+00
+13962635+00	+20729709+01	-52337072-01	-35421270+00	+11048742+00
+14006268+00	+20791789+01	-54977400-01	-35405586+00	+11047424+00
+14049901+00	+20850970+01	-57616829-01	-35389171+00	+11046047+00
+14093534+00	+20907459+01	-60255429-01	-35372026+00	+11044612+00
+14137167+00	+20961440+01	-62893229-01	-35354154+00	+11043119+00
+14180801+00	+21013083+01	-65530344-01	-35335554+00	+11041572+00
+14224434+00	+21062535+01	-68166840-01	-35316228+00	+11039969+00
+14268067+00	+21109938+01	-70802874-01	-35296178+00	+11038306+00
+14311700+00	+21155412+01	-73438537-01	-35275404+00	+11036589+00
+14355334+00	+21199072+01	-76074068-01	-35253907+00	+11034815+00
+14398967+00	+21241021+01	-78709562-01	-35231687+00	+11032988+00
+14442600+00	+21281353+01	-81345296-01	-35208741+00	+11031102+00
+14486233+00	+21320155+01	-83981457-01	-35185073+00	+11029164+00
+14529866+00	+21357509+01	-86618238-01	-35160679+00	+11027167+00
+14573500+00	+21393488+01	-89255950-01	-35135556+00	+11025117+00
+14617133+00	+21428162+01	-91894802-01	-35109704+00	+11023010+00
+14660766+00	+21461596+01	-94535081-01	-35083120+00	+11020850+00
+14704399+00	+21493846+01	-97177094-01	-35055801+00	+11018632+00
+14748032+00	+21524970+01	-99821152-01	-35027747+00	+11016360+00
+14791666+00	+21555023+01	-10246760+00	-34998949+00	+11014029+00
+14835299+00	+21584048+01	-10511676+00	-34969406+00	+11011646+00
+14878932+00	+21612097+01	-10776893+00	-34939114+00	+11009204+00
+14922565+00	+21639205+01	-11042456+00	-34908065+00	+11006707+00
+14966198+00	+21665417+01	-11308403+00	-34876253+00	+11004151+00
+15009832+00	+21690772+01	-11574770+00	-34843677+00	+11001541+00
+15053465+00	+21715301+01	-11841601+00	-34810325+00	+10998872+00
+15097098+00	+21739042+01	-12108942+00	-34776190+00	+10996147+00
+15140731+00	+21762026+01	-12376831+00	-34741267+00	+10993361+00
+15184364+00	+21784281+01	-12645330+00	-34705543+00	+10990520+00
+15227998+00	+21805839+01	-12914474+00	-34669012+00	+10987619+00

TABLE 56.—Continued

$M_{00} = +11999992+02$

$\theta_8 = +13089970+00$

θ	M_{W2}^*	ψ_2	M_2^*	μ_1
+15271631+00	+21826724+01	-13184329+00	-34631662+00	+10984657+00
+15315264+00	+21846964+01	-13454939+00	-34593481+00	+10981636+00
+15358897+00	+21866581+01	-13726366+00	-34554459+00	+10978553+00
+15402530+00	+21885599+01	-13998671+00	-34514582+00	+10975408+00
+15446164+00	+21904043+01	-14271911+00	-34473838+00	+10972203+00
+15489797+00	+21921929+01	-14546161+00	-34432210+00	+10968933+00
+15533430+00	+21939281+01	-14821485+00	-34389684+00	+10965598+00
+15577063+00	+21956119+01	-15097953+00	-34346242+00	+10962201+00
+15620696+00	+21972455+01	-15375653+00	-34301864+00	+10958736+00
+15664330+00	+21988316+01	-15654647+00	-34256537+00	+10955204+00
+15707963+00	+22003712+01	-15935034+00	-34210234+00	+10951601+00
+15751596+00	+22018661+01	-16216899+00	-34162937+00	+10947932+00
+15795229+00	+22033178+01	-16500334+00	-34114618+00	+10944194+00
+15838862+00	+22047277+01	-16785438+00	-34065255+00	+10940380+00
+15882496+00	+22060975+01	-17072320+00	-34014822+00	+10936495+00
+15926129+00	+22074283+01	-17361088+00	-33963285+00	+10932535+00
+15969762+00	+22087217+01	-17651869+00	-33910616+00	+10928496+00
+16013395+00	+22099787+01	-17944775+00	-33856783+00	+10924379+00
+16057028+00	+22112005+01	-18239949+00	-33801746+00	+10920184+00
+16100662+00	+22123884+01	-18537539+00	-33745469+00	+10915904+00
+16144295+00	+22135436+01	-18837692+00	-33687906+00	+10911541+00
+16187928+00	+22146673+01	-19140575+00	-33629018+00	+10907088+00
+16231561+00	+22157601+01	-19446361+00	-33568754+00	+10902549+00
+16275194+00	+22168235+01	-19755237+00	-33507060+00	+10897917+00
+16318828+00	+22178583+01	-20067412+00	-33443881+00	+10893191+00
+16362461+00	+22188655+01	-20383099+00	-33379154+00	+10888369+00
+16406094+00	+22198463+01	-20702558+00	-33312812+00	+10883444+00
+16443793+00	+22206732+01	-20981739+00	-33254146+00	+10879111+00

$S_2/R = +65379488+01$

$\eta/\alpha = +87396801+00$

TABLE 57.—Conical Flow Field. $\theta_s=7.5^\circ$; $M_\infty=15.0$

M_∞	θ_s	θ_w		
+14999986+02		+13089970+00		+15720234+00

θ	M_{w2}^*	τ_2	M_2^*	M_1
+13089970+00	+14406707+01	+17695129-07	-35623912+00	+96598103-01
+13133604+00	+15594245+01	-22167631-02	-35623569+00	+96597685-01
+13177237+00	+16696155+01	-44301823-02	-35622553+00	+96596456-01
+13220870+00	+17060200+01	-67442367-02	-35620808+00	+96594453-01
+13264503+00	+17422903+01	-90977368-02	-35618333+00	+96591628-01
+13308136+00	+17742495+01	-11484958-01	-35615118+00	+96588023-01
+13351770+00	+18026743+01	-13899915-01	-35611155+00	+96583641-01
+13395403+00	+18283167+01	-16338199-01	-35606442+00	+96578537-01
+13439036+00	+18517235+01	-18796446-01	-35600975+00	+96572638-01
+13482669+00	+18732895+01	-21272040-01	-35594751+00	+96566036-01
+13526303+00	+18933072+01	-23762922-01	-35587769+00	+96558668-01
+13569936+00	+19119999+01	-26267324-01	-35580028+00	+96550591-01
+13613569+00	+19295426+01	-28783910-01	-35571530+00	+96541792-01
+13657202+00	+19460744+01	-31311486-01	-35562270+00	+96532269-01
+13700835+00	+19617088+01	-33849087-01	-35552252+00	+96522070-01
+13744469+00	+19765401+01	-36395898-01	-35541474+00	+96511162-01
+13788102+00	+19906466+01	-38951252-01	-35529936+00	+96499539-01
+13831735+00	+20040951+01	-41514537-01	-35517637+00	+96487246-01
+13875368+00	+20169427+01	-44085309-01	-35504579+00	+96474267-01
+13919001+00	+20292391+01	-46663159-01	-35490759+00	+96460595-01
+13962635+00	+20410272+01	-49247754-01	-35476178+00	+96446261-01
+14006268+00	+20523449+01	-51838858-01	-35460835+00	+96431263-01
+14049901+00	+20632254+01	-54436253-01	-35444728+00	+96415579-01
+14093534+00	+20736992+01	-57039800-01	-35427858+00	+96399210-01
+14137167+00	+20837918+01	-59649399-01	-35410221+00	+96382177-01
+14180801+00	+20935279+01	-62264970-01	-35391815+00	+96364490-01
+14224434+00	+21029287+01	-64886560-01	-35372640+00	+96346117-01
+14268067+00	+21120138+01	-67514076-01	-35352692+00	+96327096-01
+14311700+00	+21208011+01	-70147628-01	-35331969+00	+96307411-01
+14355334+00	+21293068+01	-72787302-01	-35310468+00	+96287042-01
+14398967+00	+21375453+01	-75433205-01	-35288183+00	+96266016-01
+14442600+00	+21455308+01	-78085481-01	-35265112+00	+96244297-01
+14486233+00	+21532754+01	-80744224-01	-35241249+00	+96221931-01
+14529866+00	+21607909+01	-83409739-01	-35216590+00	+96198886-01
+14573500+00	+21680881+01	-86082246-01	-35191128+00	+96175156-01
+14617133+00	+21751767+01	-88761934-01	-35164859+00	+96150740-01
+14660766+00	+21820663+01	-91449111-01	-35137774+00	+96125662-01
+14704399+00	+21887653+01	-94144145-01	-35109867+00	+96099846-01
+14748032+00	+21952817+01	-96847322-01	-35081129+00	+96073374-01
+14791666+00	+22016232+01	-99558964-01	-35051553+00	+96046187-01
+14835299+00	+22077967+01	-10227954+00	-35021126+00	+96018277-01
+14878932+00	+22138090+01	-10500940+00	-34989841+00	+95989652-01
+14922565+00	+22196658+01	-10774912+00	-34957686+00	+95960296-01
+14966198+00	+22253736+01	-11049905+00	-34924649+00	+95930211-01
+15009832+00	+22309376+01	-11325977+00	-34890718+00	+95899366-01
+15053465+00	+22363632+01	-11603181+00	-34855878+00	+95867775-01
+15097098+00	+22416548+01	-11881580+00	-34820115+00	+95835403-01
+15140731+00	+22468173+01	-12161232+00	-34783412+00	+95802277-01
+15184364+00	+22518553+01	-12442205+00	-34745754+00	+95768332-01
+15227998+00	+22567727+01	-12724570+00	-34707120+00	+95733575-01

TABLE 57.—Continued

$M_{\infty} = +14999986+02$

$\theta_2 = +13089970+00$

θ	M_{w2}^*	v_2	M_2^*	μ_1
+15271631+00	+22615737+01	-13008402+00	-34667491+00	+95698021-01
+15315264+00	+22662616+01	-13293785+00	-34626848+00	+95661625-01
+15358897+00	+22708405+01	-13580798+00	-34585164+00	+95624357-01
+15402530+00	+22753135+01	-13869544+00	-34542417+00	+95586218-01
+15446164+00	+22796836+01	-14160120+00	-34498580+00	+95547154-01
+15489797+00	+22839542+01	-14452624+00	-34453623+00	+95507205-01
+15533430+00	+22881283+01	-14747181+00	-34407516+00	+95466286-01
+15577063+00	+22922084+01	-15043902+00	-34360226+00	+95424398-01
+15620696+00	+22961974+01	-15342912+00	-34311717+00	+95381527-01
+15664330+00	+23000977+01	-15644361+00	-34261950+00	+95337599-01
+15707963+00	+23039126+01	-15948403+00	-34210882+00	+95292642-01
+15720234+00	+23049701+01	-16034384+00	-34196281+00	+95279827-01

$s_2/R = +10571831+02$

$\eta/\alpha = +92875949+00$

TABLE 58.—Conical Flow Field. $\theta_s=7.5^\circ$; $M_\infty=20.0$

M_∞	θ_s	θ_v
+19999971+02	+13089970+00	+15127223+00

θ	M_2^*	ψ_2	M_2^*	μ_1
+13089970+00	+12006948+01	+13504177-07	-35831009+00	+83994716-01
+13133604+00	+13724910+01	-19401773-02	-35830708+00	+83994254-01
+13177237+00	+15176612+01	-39052125-02	-35829805+00	+83992876-01
+13220870+00	+15716596+01	-60100625-02	-35828225+00	+83990581-01
+13264503+00	+16240599+01	-81786381-02	-35825956+00	+83987369-01
+13308136+00	+16703628+01	-10402233-01	-35822978+00	+83983272-01
+13351770+00	+17117571+01	-12672348-01	-35819277+00	+83978310-01
+13395403+00	+17492997+01	-14982634-01	-35814839+00	+83972483-01
+13439036+00	+17837472+01	-17328230-01	-35809656+00	+83965800-01
+13482669+00	+18156427+01	-19705253-01	-35803719+00	+83958253-01
+13526303+00	+18453891+01	-22110601-01	-35797021+00	+83949871-01
+13569936+00	+18732923+01	-24541689-01	-35789557+00	+83940662-01
+13613569+00	+18995926+01	-26996288-01	-35781320+00	+83930633-01
+13657202+00	+19244813+01	-29472584-01	-35772306+00	+83919778-01
+13700835+00	+19481145+01	-31969056-01	-35762510+00	+83908117-01
+13744469+00	+19706208+01	-34484306-01	-35751930+00	+83895646-01
+13788102+00	+19921083+01	-37017233-01	-35740558+00	+83882362-01
+13831735+00	+20126690+01	-39566780-01	-35728393+00	+83868272-01
+13875368+00	+20322380+01	-42132054-01	-35715429+00	+83853386-01
+13919001+00	+20513117+01	-44712361-01	-35701663+00	+83837687-01
+13962635+00	+20695217+01	-47307009-01	-35687092+00	+83821199-01
+14006268+00	+20870617+01	-49915458-01	-35671709+00	+83803921-01
+14049901+00	+21039787+01	-52537248-01	-35655513+00	+83785839-01
+14093534+00	+21203133+01	-55171924-01	-35638497+00	+83766944-01
+14137167+00	+21361016+01	-57819221-01	-35620656+00	+83747252-01
+14180801+00	+21513768+01	-60478798-01	-35601986+00	+83726778-01
+14224434+00	+21661687+01	-63150463-01	-35582480+00	+83705462-01
+14268067+00	+21805041+01	-65834035-01	-35562134+00	+83683357-01
+14311700+00	+21944072+01	-68529366-01	-35540940+00	+83660438-01
+14355334+00	+22079006+01	-71236437-01	-35518891+00	+83636701-01
+14398967+00	+22210049+01	-73955164-01	-35495981+00	+83612114-01
+14442600+00	+22337385+01	-76685552-01	-35472201+00	+83586707-01
+14486233+00	+22461189+01	-79427634-01	-35447543+00	+83560436-01
+14529866+00	+22581619+01	-82181524-01	-35421998+00	+83533339-01
+14573500+00	+22698824+01	-84947351-01	-35395556+00	+83505362-01
+14617133+00	+22812941+01	-87725213-01	-35368207+00	+83476491-01
+14660766+00	+22924099+01	-90515323-01	-35339939+00	+83446763-01
+14704399+00	+23032413+01	-93317945-01	-35310742+00	+83416104-01
+14748032+00	+23137998+01	-96133256-01	-35280600+00	+83384514-01
+14791666+00	+23240951+01	-98961534-01	-35249502+00	+83352006-01
+14835299+00	+23341373+01	-10180319+00	-35217432+00	+83318524-01
+14878932+00	+23439357+01	-10465845+00	-35184375+00	+83284094-01
+14922565+00	+23534984+01	-10752780+00	-35150314+00	+83248637-01
+14966198+00	+23628336+01	-11041164+00	-35115229+00	+83212159-01
+15009832+00	+23719486+01	-11331041+00	-35079102+00	+83174608-01
+15053465+00	+23808506+01	-11622451+00	-35041913+00	+83136037-01
+15097098+00	+23895489+01	-11915451+00	-35003640+00	+83096317-01
+15127223+00	+23954363+01	-12118663+00	-34976576+00	+83068318-01

$S_2/R = +16655053+02$

$\eta/\alpha = +97845976+00$

TABLE 59.—Conical Flow Field. $\theta_s=10.0^\circ$; $M_\infty=1.1159051$

M_∞	θ_s	θ_w			
+11159051+01	+17453296+00	+11389087+01			
θ	M_{w2}^*	θ_2	M_2^*	μ_1	
+17453296+00	+20069071+01	+27390197-05	-34849606+00	+15676366+01	
+19198625+00	+18342672+01	-17531612+00	-34434318+00	+15456001+01	
+20943953+00	+17025461+01	-30913389+00	-33486161+00	+15241159+01	
+22689281+00	+15997292+01	-41367359+00	-32285909+00	+15052474+01	
+24434610+00	+15179282+01	-49694978+00	-30982758+00	+14884986+01	
+26179938+00	+14517851+01	-56440057+00	-29657180+00	+14734782+01	
+27925266+00	+13975544+01	-61982419+00	-28352428+00	+14598860+01	
+29670594+00	+13525518+01	-66594039+00	-27091049+00	+14474878+01	
+31415923+00	+13148118+01	-70473880+00	-25883869+00	+14360992+01	
+33161251+00	+12828678+01	-73770290+00	-24735036+00	+14255727+01	
+34906579+00	+12556071+01	-76595724+00	-23644900+00	+14157885+01	
+36651907+00	+12321730+01	-79036735+00	-22611685+00	+14066483+01	
+38397236+00	+12118969+01	-81160813+00	-21632493+00	+13980707+01	
+40142564+00	+11942508+01	-83021237+00	-20703881+00	+13899869+01	
+41887892+00	+11788135+01	-84660506+00	-19822224+00	+13823395+01	
+43633221+00	+11652451+01	-86112904+00	-18983887+00	+13750790+01	
+45378549+00	+11532693+01	-87406300+00	-18185370+00	+13681630+01	
+47123877+00	+11426595+01	-88563563+00	-17423337+00	+13615546+01	
+48869206+00	+11332283+01	-89603615+00	-16694664+00	+13552221+01	
+50614534+00	+11248198+01	-90542192+00	-15996442+00	+13491373+01	
+52359862+00	+11173036+01	-91392510+00	-15325957+00	+13432755+01	
+54105191+00	+11105696+01	-92165708+00	-14680705+00	+13376146+01	
+55850519+00	+11045246+01	-92871263+00	-14058350+00	+13321349+01	
+57595847+00	+10990896+01	-93517254+00	-13456725+00	+13268186+01	
+59341175+00	+10941964+01	-94110628+00	-12873798+00	+13216497+01	
+61086504+00	+10897871+01	-94657373+00	-12307676+00	+13166136+01	
+62831832+00	+10858113+01	-95162692+00	-11756571+00	+13116969+01	
+64577160+00	+10822256+01	-95631134+00	-11218770+00	+13068873+01	
+66322489+00	+10789924+01	-96066686+00	-10692650+00	+13021732+01	
+68067817+00	+10760788+01	-96472867+00	-10176632+00	+12975439+01	
+69813145+00	+10734563+01	-96852792+00	-96691905-01	+12929894+01	
+71558474+00	+10710999+01	-97209264+00	-91687983-01	+12884998+01	
+73303802+00	+10689880+01	-97544787+00	-86739449-01	+12840660+01	
+75049130+00	+10671014+01	-97861644+00	-81830871-01	+12796790+01	
+76794459+00	+10654235+01	-98161932+00	-76946327-01	+12753298+01	
+78539787+00	+10639399+01	-98447590+00	-72069201-01	+12710098+01	
+80285115+00	+10626381+01	-98720449+00	-67181661-01	+12667103+01	
+82030443+00	+10615072+01	-98982253+00	-62264421-01	+12624223+01	
+83775772+00	+10605381+01	-99234708+00	-57296106-01	+12581364+01	
+85521100+00	+10597231+01	-99479518+00	-52252562-01	+12538432+01	
+87266428+00	+10590559+01	-99718413+00	-47106131-01	+12495321+01	
+89011757+00	+10585317+01	-99953261+00	-41823977-01	+12451925+01	
+90757085+00	+10581470+01	-10018607+01	-36367048-01	+12408118+01	
+92502413+00	+10579000+01	-10041912+01	-30687615-01	+12363764+01	
+94247742+00	+10577902+01	-10065509+01	-24725714-01	+12318706+01	
+95993070+00	+10578192+01	-10089727+01	-18404189-01	+12272759+01	
+97738398+00	+10579908+01	-10114989+01	-11620912-01	+12225704+01	
+99483727+00	+10583113+01	-10141853+01	-42372030-02	+12177271+01	
+10122904+01	+10587909+01	-10171101+01	+39433936-02	+12127121+01	
+10297436+01	+10594448+01	-10203882+01	+13211109-01	+12074807+01	

TABLE 59.—Continued

$$M_{\infty} = +11159051+01$$

$$\theta_8 = +17453296+00$$

θ	$M_{w_2}^*$	ψ_2	M_2^*	μ_1
+10471967+01	+10602959+01	-10241989+01	+24019195-01	+12019717+01
+10646498+01	+10613791+01	-10288450+01	+37128673-01	+11960973+01
+10821030+01	+10627509+01	-10348910+01	+53949103-01	+11897215+01
+10995561+01	+10645105+01	-10435578+01	+77500136-01	+11826107+01
+11170093+01	+10668616+01	-10582105+01	+11601504+00	+11742916+01
+11344624+01	+10703828+01	-10944222+01	+20712708+00	+11634223+01
+11389087+01	+10716952+01	-11172530+01	+26310290+00	+11597155+01

$$S_2/R = +25506939-04$$

$$\eta/\alpha = +80552673-01$$

TABLE 60.—Conical Flow Field. $\theta_s=10.0^\circ$; $M_\infty=1.5$

M_{∞}	θ_s	θ_v
+15000000+01	+17453296+00	+74466072+00

θ	M_{v2}^*	ψ_2	M_2^*	μ_1
+17453296+00	+23723961+01	+21257438-05	-41200093+00	+81444942+00
+18805926+00	+22094038+01	-12907556+00	-40890777+00	+81421335+00
+20158555+00	+20777858+01	-23354920+00	-40142454+00	+81360558+00
+21511185+00	+19699797+01	-31951050+00	-39140585+00	+81273942+00
+22863814+00	+18805864+01	-39125058+00	-37997326+00	+81169211+00
+24216444+00	+18056678+01	-45186991+00	-36781674+00	+81051742+00
+25481807+00	+17460805+01	-50054821+00	-35617087+00	+80933686+00
+26747170+00	+16947610+01	-54292583+00	-34448764+00	+80810022+00
+28012533+00	+16502799+01	-58010933+00	-33290641+00	+80682396+00
+29277896+00	+16115068+01	-61297107+00	-32151328+00	+80552004+00
+30543259+00	+15775379+01	-64220711+00	-31035878+00	+80419736+00
+31721355+00	+15495869+01	-66666218+00	-30021178+00	+80295485+00
+32899452+00	+15246832+01	-68883319+00	-29030375+00	+80170569+00
+34077548+00	+15024247+01	-70902934+00	-28063511+00	+80045271+00
+35255645+00	+14824747+01	-72750993+00	-27120057+00	+79919793+00
+36433741+00	+14645490+01	-74449405+00	-26199075+00	+79794290+00
+37524572+00	+14495461+01	+75904846+00	-25365295+00	+79678142+00
+38615402+00	+14359083+01	-77260755+00	-24548620+00	+79562084+00
+39706232+00	+14234937+01	-78528239+00	-23747828+00	+79446140+00
+40797062+00	+14121793+01	-79717010+00	-22961627+00	+79330314+00
+41887892+00	+14018574+01	-80835665+00	-22188657+00	+79214566+00
+42891456+00	+13931570+01	-81809439+00	-21488005+00	+79108120+00
+43895020+00	+13851525+01	-82735591+00	-20796242+00	+79001684+00
+44898584+00	+13777865+01	-83618928+00	-20112206+00	+78895201+00
+45902148+00	+13710081+01	-84463805+00	-19434707+00	+78788627+00
+46905711+00	+13647717+01	-85274243+00	-18762503+00	+78681888+00
+47822009+00	+13595164+01	-85987273+00	-18152284+00	+78584231+00
+48738306+00	+13546512+01	-86677309+00	-17544378+00	+78486318+00
+49654603+00	+13501511+01	-87346856+00	-16937709+00	+78388083+00
+50570896+00	+13459934+01	-87998278+00	-16331125+00	+78289453+00
+51487186+00	+13421577+01	-88633873+00	-15723403+00	+78190346+00
+52316209+00	+13389494+01	-89197154+00	-15171492+00	+78100198+00
+53145234+00	+13359772+01	-89750946+00	-14616521+00	+78009512+00
+53974257+00	+13332300+01	-90296875+00	-14057346+00	+77918223+00
+54803281+00	+13306976+01	-90836603+00	-13492703+00	+77826241+00
+55632305+00	+13283711+01	-91371818+00	-12921214+00	+77733475+00
+56374063+00	+13264572+01	-91848327+00	-12402807+00	+77649725+00
+57115821+00	+13246965+01	-92323974+00	-11876435+00	+77565189+00
+57857580+00	+13230842+01	-92800200+00	-11340696+00	+77479776+00
+58599338+00	+13216165+01	-93278524+00	-10794025+00	+77393393+00
+59341096+00	+13202899+01	-93760643+00	-10234629+00	+77305935+00
+59995588+00	+13192342+01	-94190670+00	-97288415-01	+77227775+00
+60650081+00	+13182845+01	-94626541+00	-92099140-01	+77148590+00
+61304573+00	+13174398+01	-95069843+00	-86759939-01	+77068287+00
+61959066+00	+13166992+01	-95522411+00	-81249186-01	+76986749+00
+62613558+00	+13160623+01	-95986344+00	-75541621-01	+76903851+00
+63180786+00	+13155945+01	-96399479+00	-70413049-01	+76830797+00
+63748012+00	+13152052+01	-96824815+00	-65091727-01	+76756508+00
+64315239+00	+13148952+01	-97264509+00	-59550879-01	+76680873+00
+64882466+00	+13146657+01	-97721073+00	-53759041-01	+76603753+00

TABLE 60.—Continued

$M_{\infty} = +15000000+01$

$\theta_s = +17453296+00$

θ	$M_{v_2}^*$	ψ_2	M_2^*	μ_1
+65449692+00	+13145183+01	-98197519+00	-47678457-01	+76524999+00
+65929654+00	+13144592+01	-98618858+00	-42274259-01	+76456956+00
+66409615+00	+13144622+01	-99059628+00	-36597722-01	+76387498+00
+66889577+00	+13145291+01	-99522983+00	-30608990-01	+76316481+00
+67369537+00	+13146626+01	-10001272+01	-24259978-01	+76243751+00
+67849498+00	+13148655+01	-10053348+01	-17491793-01	+76169125+00
+68242194+00	+13150857+01	-10098662+01	-11591922-01	+76106504+00
+68634890+00	+13153574+01	-10146825+01	-53135873-02	+76042332+00
+69027585+00	+13156834+01	-10198313+01	+14033028-02	+75976446+00
+69420281+00	+13160670+01	-10253714+01	+86333449-02	+75908665+00
+69812976+00	+13165124+01	-10313766+01	+16469951-01	+75838762+00
+70118406+00	+13169048+01	-10364286+01	+23059740-01	+75782763+00
+70423836+00	+13173403+01	-10418748+01	+30158774-01	+75725175+00
+70729266+00	+13178223+01	-10477847+01	+37854851-01	+75665831+00
+71034696+00	+13183547+01	-10542466+01	+46259003-01	+75604525+00
+71340125+00	+13189423+01	-10613738+01	+55513809-01	+75541016+00
+71645555+00	+13195909+01	-10693148+01	+65805982-01	+75475004+00
+71950985+00	+13203076+01	-10782694+01	+77386190-01	+75406123+00
+72256415+00	+13211017+01	-10885135+01	+90600488-01	+75333911+00
+72561845+00	+13219847+01	-11004416+01	+10594265+00	+75257767+00
+72867274+00	+13229725+01	-11146411+01	+12414733+00	+75176897+00
+73172704+00	+13240868+01	-11320357+01	+14636836+00	+75090194+00
+73478134+00	+13253591+01	-11541819+01	+17454705+00	+74996058+00
+73783564+00	+13268384+01	-11839669+01	+21227998+00	+74891999+00
+74088994+00	+13286083+01	-12275624+01	+26724431+00	+74773752+00
+74394424+00	+13308369+01	-13016349+01	+36014261+00	+74632738+00
+74466072+00	+13314622+01	-13281262+01	+39326291+00	+74594516+00

$S_2/R = +11303591-03$

$\eta/\alpha = +10010990+00$

TABLE 61.—Conical Flow Field. $\theta_s=10.0^\circ$; $M_\infty=1.75$

M_∞	θ_s		θ_w	
+17500000+01	+17453296+00		+62563831+00	

θ	M_{w2}^*	ψ_2	M_2^*	μ_1
+17453296+00	+25298243+01	+14118850-05	-43946208+00	+67192296+00
+18544127+00	+23868208+01	-10172222+00	-43724635+00	+67179324+00
+19634957+00	+22667084+01	-18736180+00	-43167122+00	+67144968+00
+20725787+00	+21648818+01	-26033456+00	-42391531+00	+67094637+00
+21816617+00	+20778284+01	-32317796+00	-41475599+00	+67032252+00
+22907447+00	+20028497+01	-37781308+00	-40471348+00	+66960706+00
+23998277+00	+19378443+01	-42571950+00	-39413933+00	+66882152+00
+25001841+00	+18854167+01	-46484903+00	-38414828+00	+66805093+00
+26005405+00	+18389862+01	-49998381+00	-37403809+00	+66724434+00
+27008969+00	+17977022+01	-53171008+00	-36389774+00	+66640930+00
+28012533+00	+17608620+01	-56051048+00	-35378831+00	+66555165+00
+29016096+00	+17278808+01	-58678562+00	-34375074+00	+66467588+00
+30019660+00	+16982685+01	-61087090+00	-33381105+00	+66378564+00
+30935958+00	+16738219+01	-63118989+00	-32483418+00	+66296242+00
+31852255+00	+16515704+01	-65010365+00	-31595713+00	+66213101+00
+32768552+00	+16312821+01	-66777182+00	-30718111+00	+66129255+00
+33684850+00	+16127560+01	-68433334+00	-29850394+00	+66044800+00
+34601147+00	+15958171+01	-69991035+00	-28992069+00	+65959800+00
+35517444+00	+15803122+01	-71461060+00	-28142423+00	+65874295+00
+36346475+00	+15674075+01	-72723519+00	-27380439+00	+65796528+00
+37175506+00	+15554789+01	-73928405+00	-26624058+00	+65718373+00
+38004537+00	+15444482+01	-75081495+00	-25872410+00	+65639829+00
+38833568+00	+15342453+01	-76188071+00	-25124534+00	+65560882+00
+39662599+00	+15248076+01	-77253006+00	-24379372+00	+65481508+00
+40491630+00	+15160790+01	-78280818+00	-23635769+00	+65401677+00
+41233394+00	+15088290+01	-79172430+00	-22970746+00	+65329831+00
+41975159+00	+15020738+01	-80040589+00	-22304986+00	+65257546+00
+42716924+00	+14957836+01	-80888050+00	-21637434+00	+65184786+00
+43458688+00	+14899319+01	-81717481+00	-20966938+00	+65111509+00
+44200453+00	+14844943+01	-82531501+00	-20292229+00	+65037658+00
+44942217+00	+14794486+01	-83332713+00	-19611915+00	+64963178+00
+45596715+00	+14753061+01	-84031104+00	-19005753+00	+64896883+00
+46251213+00	+14714407+01	-84723388+00	-18392848+00	+64829995+00
+46905711+00	+14678414+01	-85411437+00	-17771894+00	+64762460+00
+47560209+00	+14644978+01	-86097215+00	-17141433+00	+64694214+00
+48214708+00	+14614009+01	-86782806+00	-16499820+00	+64625187+00
+48869206+00	+14585423+01	-87470443+00	-15845187+00	+64555307+00
+49436437+00	+14562522+01	-88069911+00	-15265678+00	+64493984+00
+50003669+00	+14541318+01	-88674452+00	-14673227+00	+64431891+00
+50570896+00	+14521775+01	-89285986+00	-14066019+00	+64368960+00
+51138123+00	+14503865+01	-89906632+00	-13442012+00	+64305108+00
+51705350+00	+14487564+01	-90538774+00	-12798825+00	+64240261+00
+52272577+00	+14472855+01	-91185171+00	-12133677+00	+64174312+00
+52752538+00	+14461646+01	-91745577+00	-11551309+00	+64117568+00
+53232499+00	+14451569+01	-92320642+00	-10948594+00	+64059885+00
+53712460+00	+14442625+01	-92912933+00	-10322830+00	+64001177+00
+54192421+00	+14434823+01	-93525407+00	-96708619-01	+63941348+00
+54672383+00	+14428174+01	-94161581+00	-89889413-01	+63880292+00
+55152344+00	+14422698+01	-94825614+00	-82725909-01	+63817885+00
+55545039+00	+14419108+01	-95393118+00	-76571131-01	+63765920+00

TABLE 61.—Continued

$M_{\infty} = +17500000+01$

$\theta_s = +17453296+00$

θ	$M_{w_2}^*$	ψ_2	M_2^*	μ_1
+55937735+00	+14416337+01	-95985919+00	-70114034-01	+63712468+00
+56330430+00	+14414410+01	-96607920+00	-63312209-01	+63658026+00
+56723126+00	+14413355+01	-97263861+00	-56114310-01	+63602270+00
+57115821+00	+14413206+01	-97959415+00	-48458506-01	+63545078+00
+57508517+00	+14414006+01	-98701692+00	-40267715-01	+63486283+00
+57813947+00	+14415316+01	-99316873+00	-33466800-01	+63439332+00
+58119377+00	+14417259+01	-99970721+00	-26229210-01	+63391200+00
+58424806+00	+14419872+01	-10066944+01	-18487385-01	+63341768+00
+58730236+00	+14423193+01	-10142074+01	-10157898-01	+63290904+00
+59035666+00	+14427274+01	-10223423+01	-11363386-02	+63238442+00
+59341096+00	+14432170+01	-10312215+01	+87097804-02	+63184191+00
+59559260+00	+14436208+01	-10381052+01	+16340473-01	+63144218+00
+59777424+00	+14440731+01	-10455211+01	+24556933-01	+63103117+00
+59995588+00	+14445774+01	-10535592+01	+33456424-01	+63060768+00
+60213753+00	+14451382+01	-10623323+01	+43160672-01	+63017037+00
+60431917+00	+14457607+01	-10719841+01	+53824869-01	+62971757+00
+60650081+00	+14464512+01	-10827011+01	+65650085-01	+62924732+00
+60780980+00	+14469012+01	-10897423+01	+73409837-01	+62895579+00
+60911878+00	+14473803+01	-10973217+01	+81754195-01	+62865652+00
+61042776+00	+14478909+01	-11055213+01	+90771345-01	+62834877+00
+61173675+00	+14484356+01	-11144417+01	+10056943+00	+62803169+00
+61304573+00	+14490175+01	-11242080+01	+11128288+00	+62770435+00
+61435472+00	+14496403+01	-11349782+01	+12308148+00	+62736558+00
+61566371+00	+14503082+01	-11469554+01	+13618321+00	+62701401+00
+61697269+00	+14510267+01	-11604053+01	+15087302+00	+62664801+00
+61828168+00	+14518023+01	-11756844+01	+16753317+00	+62626548+00
+61959066+00	+14526431+01	-11932841+01	+18669008+00	+62586387+00
+62089965+00	+14535600+01	-12139037+01	+20909257+00	+62543981+00
+62220863+00	+14545669+01	-12385802+01	+23585060+00	+62498888+00
+62351761+00	+14556832+01	-12689332+01	+26869610+00	+62450502+00
+62482660+00	+14569366+01	-13076678+01	+31052031+00	+62397946+00
+62563831+00	+14578006+01	-13379075+01	+34311304+00	+62362701+00

$S_2/R = +44198215-03$

$\eta/\alpha = +13875238+00$

TABLE 62.—Conical Flow Field. $\theta_s=10.0^\circ$; $M_\infty=2.0$

M_∞	θ_s	e_w
+19999998+01	+17453296+00	+54464827+00

e	M_{w2}^*	ψ_2	M_2^*	μ_1
+17453296+00	+26389650+01	+94622374-06	-45872706+00	+57667870+00
+18369594+00	+25121222+01	-83158913-01	-45706010+00	+57659485+00
+19285891+00	+24026019+01	-15507103+00	-45275138+00	+57636841+00
+20202189+00	+23074920+01	-21784996+00	-44659453+00	+57603028+00
+21118486+00	+22243939+01	-27312379+00	-43914383+00	+57560374+00
+22034783+00	+21513928+01	-32216523+00	-43079115+00	+57510672+00
+22951080+00	+20869469+01	-36598362+00	-42181601+00	+57455301+00
+23867378+00	+20298029+01	-40538935+00	-41241901+00	+57395337+00
+24696409+00	+19835313+01	-43779145+00	-40367460+00	+57337833+00
+25525440+00	+19417590+01	-46752478+00	-39478103+00	+57277754+00
+26354471+00	+19039486+01	-49492922+00	-38579535+00	+57215498+00
+27183502+00	+18696426+01	-52029324+00	-37675904+00	+57151390+00
+28012533+00	+18384493+01	-54386352+00	-36770146+00	+57085690+00
+28841564+00	+18100318+01	-56585236+00	-35864271+00	+57018605+00
+29670594+00	+17840990+01	-58644390+00	-34959546+00	+56950292+00
+30412359+00	+17627949+01	-60381517+00	-34151594+00	+56888235+00
+31154124+00	+17431188+01	-62029818+00	-33345283+00	+56825371+00
+31895888+00	+17249304+01	-63598382+00	-32540517+00	+56761756+00
+32637652+00	+17081048+01	-65095428+00	-31736969+00	+56697419+00
+33379417+00	+16925309+01	-66528380+00	-30934136+00	+56632392+00
+34121182+00	+16781098+01	-67904023+00	-30131316+00	+56566685+00
+34862946+00	+16647528+01	-69228604+00	-29327652+00	+56500301+00
+35517444+00	+16537875+01	-70359588+00	-28617009+00	+56441157+00
+36171942+00	+16435399+01	-71459074+00	-27904087+00	+56381463+00
+36826441+00	+16339655+01	-72530634+00	-27187951+00	+56321200+00
+37480939+00	+16250237+01	-73577687+00	-26467557+00	+56260344+00
+38135437+00	+16166777+01	-74603569+00	-25741728+00	+56198863+00
+38789935+00	+16088942+01	-75611554+00	-25009137+00	+56136717+00
+39444433+00	+16016430+01	-76604893+00	-24268298+00	+56073861+00
+40011665+00	+15957680+01	-77456479+00	-23618277+00	+56018773+00
+40578896+00	+15902559+01	-78301735+00	-22959558+00	+55963073+00
+41146128+00	+15850922+01	-79142909+00	-22290772+00	+55906719+00
+41713360+00	+15802633+01	-79982382+00	-21610354+00	+55849653+00
+42280592+00	+15757573+01	-80822672+00	-20916536+00	+55791827+00
+42847823+00	+15715633+01	-81666485+00	-20207306+00	+55733175+00
+43415055+00	+15676718+01	-82516794+00	-19480343+00	+55673625+00
+43895020+00	+15646091+01	-83243780+00	-18849391+00	+55622474+00
+44374986+00	+15617526+01	-83979970+00	-18201953+00	+55570567+00
+44854951+00	+15590989+01	-84727835+00	-17535882+00	+55517843+00
+45334916+00	+15566448+01	-85490167+00	-16848687+00	+55464227+00
+45814881+00	+15543882+01	-86270156+00	-16137476+00	+55409644+00
+46294847+00	+15523277+01	-87071476+00	-15398842+00	+55354005+00
+46774812+00	+15504626+01	-87898426+00	-14628767+00	+55297208+00
+47167511+00	+15490824+01	-88597622+00	-13971970+00	+55249793+00
+47560209+00	+15478339+01	-89320656+00	-13287767+00	+55201454+00
+47952909+00	+15467187+01	-90071391+00	-12572455+00	+55152101+00
+48345607+00	+15457386+01	-90854380+00	-11821631+00	+55101649+00
+48738306+00	+15448963+01	-91675110+00	-11029987+00	+55049982+00
+49131005+00	+15441954+01	-92540189+00	-10191105+00	+54996980+00
+49523704+00	+15436404+01	-93457777+00	-92970430-01	+54942494+00

TABLE 62.—Continued

$M_{00} = +19999998+01$

$e_s = +17453296+00$

θ	M_{r2}^*	v_2	M_2^*	μ_1
+49829137+00	+15433135+01	-94214182+00	-85572563-01	+54898979+00
+50134568+00	+15430818+01	-95014330+00	-77724170-01	+54854369+00
+50439998+00	+15429495+01	-95865373+00	-69355484-01	+54808553+00
+50745428+00	+15429215+01	-96776117+00	-60380714-01	+54761404+00
+51050857+00	+15430040+01	-97757589+00	-50692410-01	+54712773+00
+51356287+00	+15432043+01	-98823777+00	-40154362-01	+54662479+00
+51661717+00	+15435314+01	-99992782+00	-28590304-01	+54610305+00
+51879881+00	+15438489+01	-10090369+01	-19576174-01	+54571742+00
+52098045+00	+15442418+01	-10189036+01	-98121972-02	+54531969+00
+52316209+00	+15447160+01	-10296686+01	+83840939-03	+54490851+00
+52534373+00	+15452790+01	-10415139+01	+12551886-01	+54448223+00
+52752538+00	+15459392+01	-10546763+01	+25557984-01	+54403884+00
+52970702+00	+15467077+01	-10694739+01	+40164460-01	+54357585+00
+53188866+00	+15475983+01	-10863429+01	+56793282-01	+54309016+00
+53319765+00	+15481984+01	-10977064+01	+67980742-01	+54278625+00
+53450663+00	+15488534+01	-11102134+01	+80280507-01	+54247167+00
+53581562+00	+15495691+01	-11240949+01	+93915459-01	+54214515+00
+53712460+00	+15503524+01	-11396533+01	+10917711+00	+54180512+00
+53843359+00	+15512118+01	-11572943+01	+12645637+00	+54144967+00
+53974257+00	+15521581+01	-11775761+01	+14629100+00	+54107638+00
+54105156+00	+15532052+01	-12012940+01	+16944626+00	+54068209+00
+54236054+00	+15543714+01	-12296274+01	+19705634+00	+54026272+00
+54366953+00	+15556819+01	-12644186+01	+23089194+00	+53981252+00
+54464827+00	+15567773+01	-12964172+01	+26195451+00	+53945100+00

$s_2/R = +14694423-02$

$\eta/\alpha = +18490860+00$

TABLE 63.—Conical Flow Field. $\theta_s=10.0^\circ$; $M_\infty=2.5$

M_{00}	θ_s	θ_w
25000000+01	+17453296+00	+44136238+00

θ	M_2^*	ψ_2	M_2^*	μ_1
17453296+00	+27484798+01	+53783879-06	-47960088+00	+45427690+00
17976895+00	+26718181+01	-45399319-01	-47900503+00	+45425097+00
18500493+00	+26007322+01	-87118874-01	-47736689+00	+45417775+00
19024092+00	+25352673+01	-12560556+00	-47487674+00	+45406346+00
19547690+00	+24748957+01	-16124007+00	-47168732+00	+45391330+00
20071289+00	+24191242+01	-19434718+00	-46792184+00	+45373169+00
20594887+00	+23675117+01	-22520583+00	-46368023+00	+45352237+00
21118486+00	+23196679+01	-25405700+00	-45904374+00	+45328853+00
21642084+00	+22752472+01	-28110969+00	-45407881+00	+45303282+00
22122050+00	+22372732+01	-30448472+00	-44928554+00	+45278129+00
22602015+00	+22017072+01	-32662658+00	-44429637+00	+45251491+00
23081980+00	+21683603+01	-34764582+00	-43914001+00	+45223502+00
23561945+00	+21370621+01	-36764151+00	-43384016+00	+45194283+00
24041911+00	+21076588+01	-38670248+00	-42841652+00	+45163933+00
24521876+00	+20800114+01	-40490889+00	-42288524+00	+45132542+00
25001841+00	+20539942+01	-42233335+00	-41725950+00	+45100182+00
25481807+00	+20294926+01	-43904169+00	-41154990+00	+45066926+00
25918139+00	+20084461+01	-45366049+00	-40629368+00	+45035959+00
26354471+00	+19884948+01	-46777884+00	-40098000+00	+45004331+00
26790803+00	+19695731+01	-48143514+00	-39561253+00	+44972074+00
27227135+00	+19516204+01	-49466531+00	-39019388+00	+44939215+00
27663467+00	+19345810+01	-50750270+00	-38472573+00	+44905776+00
28099799+00	+19184036+01	-51997864+00	-37920875+00	+44871771+00
28536131+00	+19030405+01	-53212270+00	-37364281+00	+44837222+00
28972463+00	+18884478+01	-54396269+00	-36802703+00	+44802135+00
29365162+00	+18759395+01	-55438063+00	-36292883+00	+44770106+00
29757861+00	+18639948+01	-56459244+00	-35778701+00	+44737648+00
30150560+00	+18525881+01	-57461584+00	-35259938+00	+44704767+00
30543259+00	+18416954+01	-58446832+00	-34736314+00	+44671459+00
30935958+00	+18312944+01	-59416682+00	-34207493+00	+44637722+00
31328656+00	+18213640+01	-60372801+00	-33673092+00	+44603552+00
31721355+00	+18118851+01	-61316828+00	-33132668+00	+44568941+00
32114054+00	+18028393+01	-62250419+00	-32585707+00	+44533877+00
32463120+00	+17951486+01	-63072838+00	-32093575+00	+44502323+00
32812186+00	+17877756+01	-63889484+00	-31595372+00	+44470392+00
33161251+00	+17807100+01	-64701539+00	-31090599+00	+44438073+00
33510317+00	+17739420+01	-65510224+00	-30578699+00	+44405360+00
33859382+00	+17674626+01	-66316809+00	-30059041+00	+44372232+00
34208448+00	+17612633+01	-67122596+00	-29530940+00	+44338675+00
34557514+00	+17553361+01	-67928968+00	-28993628+00	+44304669+00
34906579+00	+17496739+01	-68737369+00	-28446236+00	+44270195+00
35212012+00	+17449315+01	-69447610+00	-27958247+00	+44239629+00
35517444+00	+17403826+01	-70161708+00	-27461084+00	+44208669+00
35822877+00	+17360235+01	-70880850+00	-26953955+00	+44177298+00
36128309+00	+17318507+01	-71606324+00	-26435962+00	+44145493+00
36433741+00	+17278609+01	-72339529+00	-25906117+00	+44113234+00
36739174+00	+17240517+01	-73081980+00	-25363310+00	+44080496+00
37044607+00	+17204203+01	-73835373+00	-24806284+00	+44047251+00
37350039+00	+17169649+01	-74601565+00	-24233631+00	+44013467+00
37611838+00	+17141419+01	-75270053+00	-23729137+00	+43984056+00

TABLE 63.—Continued

$M_{00} = +25000000+01$

$\theta_8 = +17453296+00$

θ	M_{W2}^*	ψ_2	M_2^*	μ_1
37873637+00	+17114460+01	-75950943+00	-23210836+00	+43954203+00
38135437+00	+17088768+01	-76645847+00	-22677449+00	+43923880+00
38397236+00	+17064339+01	-77356592+00	-22127529+00	+43893061+00
38659035+00	+17041173+01	-78085228+00	-21559427+00	+43861713+00
38920835+00	+17019272+01	-78834075+00	-20971265+00	+43829802+00
39182634+00	+16998643+01	-79605788+00	-20360887+00	+43797289+00
39444433+00	+16979295+01	-80403400+00	-19725815+00	+43764132+00
39662599+00	+16964160+01	-81090387+00	-19175653+00	+43735976+00
39880765+00	+16949935+01	-81800145+00	-18604416+00	+43707306+00
40098931+00	+16936633+01	-82535338+00	-18009901+00	+43678091+00
40317097+00	+16924269+01	-83299072+00	-17389554+00	+43648292+00
40535263+00	+16912864+01	-84094898+00	-16740430+00	+43617864+00
40753429+00	+16902439+01	-84926996+00	-16059075+00	+43586762+00
40971595+00	+16893023+01	-85800274+00	-15341421+00	+43554929+00
41189761+00	+16884649+01	-86720559+00	-14582652+00	+43522304+00
41364294+00	+16878726+01	-87495270+00	-13942182+00	+43495587+00
41538827+00	+16873517+01	-88308750+00	-13268200+00	+43468276+00
41713360+00	+16869051+01	-89165971+00	-12556587+00	+43440328+00
41887892+00	+16865357+01	-90072840+00	-11802451+00	+43411686+00
42062426+00	+16862472+01	-91036391+00	-10999973+00	+43382294+00
42236958+00	+16860439+01	-92065136+00	-10142110+00	+43352082+00
42411491+00	+16859306+01	-93169479+00	-92202625-01	+43320971+00
42586024+00	+16859131+01	-94362248+00	-82238279-01	+43288867+00
42716924+00	+16859671+01	-95324405+00	-74196716-01	+43264074+00
42847823+00	+16860824+01	-96353648+00	-65592475-01	+43238608+00
42978723+00	+16862628+01	-97460106+00	-56341982-01	+43212408+00
43109622+00	+16865130+01	-98656224+00	-46342787-01	+43185400+00
43240522+00	+16868385+01	-99957427+00	-35467885-01	+43157503+00
43371422+00	+16872457+01	-10138313+01	-23557413-01	+43128618+00
43502321+00	+16877422+01	-10295826+01	-10406627-01	+43098627+00
43633221+00	+16883375+01	-10471538+01	+42521959-02	+43067384+00
43764120+00	+16890432+01	-10669798+01	+20776007-01	+43034713+00
43895020+00	+16898737+01	-10896583+01	+39654968-01	+43000394+00
44025920+00	+16908479+01	-11160375+01	+61584387-01	+42964137+00
44136238+00	+16917984+01	-11420465+01	+83174774-01	+42931805+00

$s_2/R = 97244343-02$

$\eta/\alpha = +28524969+00$

TABLE 64.—Conical Flow Field. $\theta_s=10.0^\circ$; $M_\infty=3.0$

M_{∞}	θ_s	θ_w
+29999997+01	+17453296+00	+37899374+00

θ	M_{w2}^*	θ_2	M_2^*	μ_1
+17453296+00	+27589243+01	+36554411-06	-48605825+00	+37791633+00
+17889628+00	+26979254+01	-35426055-01	-48563788+00	+37789846+00
+18325960+00	+26385811+01	-68466660-01	-48446473+00	+37784746+00
+18762293+00	+25829070+01	-99375107-01	-48265342+00	+37776701+00
+19198625+00	+25307739+01	-12837579+00	-48029849+00	+37766021+00
+19634957+00	+24819494+01	-15566485+00	-47747818+00	+37752971+00
+20071289+00	+24361921+01	-18141379+00	-47425751+00	+37737787+00
+20507621+00	+23932725+01	-20577343+00	-47069056+00	+37720667+00
+20943953+00	+23529778+01	-22887708+00	-46682245+00	+37701784+00
+21380285+00	+23151131+01	-25084301+00	-46269081+00	+37681287+00
+21772984+00	+22829655+01	-26972702+00	-45877307+00	+37661566+00
+22165683+00	+22525237+01	-28784439+00	-45468649+00	+37640729+00
+22558382+00	+22236790+01	-30525812+00	-45044730+00	+37618844+00
+22951080+00	+21963312+01	-32202588+00	-44606900+00	+37595980+00
+23343779+00	+21703887+01	-33820045+00	-44156292+00	+37572186+00
+23736478+00	+21457667+01	-35383054+00	-43693830+00	+37547513+00
+24129177+00	+21223875+01	-36896116+00	-43220257+00	+37522005+00
+24521876+00	+21001789+01	-38363417+00	-42736157+00	+37495697+00
+24914575+00	+20790749+01	-39788870+00	-42241965+00	+37468618+00
+25263641+00	+20611937+01	-41023784+00	-41794456+00	+37443920+00
+25612706+00	+20440970+01	-42230983+00	-41339331+00	+37418645+00
+25961772+00	+20277476+01	-43412804+00	-40876641+00	+37392810+00
+26310838+00	+20121110+01	-44571489+00	-40406360+00	+37366420+00
+26659903+00	+19971549+01	-45709207+00	-39928390+00	+37339482+00
+27008969+00	+19828489+01	-46828066+00	-39442554+00	+37311997+00
+27358035+00	+19691651+01	-47930136+00	-38948605+00	+37283968+00
+27707100+00	+19560771+01	-49017442+00	-38446227+00	+37255394+00
+28056166+00	+19435605+01	-50092007+00	-37935013+00	+37226269+00
+28361598+00	+19330592+01	-51023399+00	-37480073+00	+37200331+00
+28667031+00	+19229636+01	-51947956+00	-37017611+00	+37173957+00
+28972463+00	+19132602+01	-52867081+00	-36547185+00	+37147142+00
+29277896+00	+19039365+01	-53782193+00	-36068296+00	+37119877+00
+29583328+00	+18949808+01	-54694776+00	-35580358+00	+37092152+00
+29888761+00	+18863820+01	-55606358+00	-35082727+00	+37063951+00
+30194193+00	+18781300+01	-56518566+00	-34574650+00	+37035256+00
+30499625+00	+18702152+01	-57433095+00	-34055301+00	+37006052+00
+30805058+00	+18626288+01	-58351778+00	-33523714+00	+36976321+00
+31066857+00	+18563816+01	-59144007+00	-33057514+00	+36950395+00
+31328656+00	+18503652+01	-59942072+00	-32580758+00	+36924047+00
+31590456+00	+18445753+01	-60747419+00	-32092585+00	+36897257+00
+31852255+00	+18390081+01	-61561616+00	-31592025+00	+36870006+00
+32114054+00	+18336601+01	-62386404+00	-31077984+00	+36842269+00
+32375854+00	+18285284+01	-63223684+00	-30549225+00	+36814025+00
+32637652+00	+18236102+01	-64075589+00	-30004336+00	+36785242+00
+32899452+00	+18189035+01	-64944505+00	-29441713+00	+36755890+00
+33161251+00	+18144066+01	-65833118+00	-28859513+00	+36725933+00
+33379417+00	+18108186+01	-66590874+00	-28357866+00	+36700481+00
+33597583+00	+18073751+01	-67366440+00	-27839745+00	+36674555+00
+33815749+00	+18040761+01	-68162088+00	-27303545+00	+36648130+00
+34033915+00	+18009219+01	-68980381+00	-26747440+00	+36621172+00

TABLE 64.—Continued

$$M_{\infty} = +29999997+01$$

$$\theta_s = +17453296+00$$

θ	M_{w2}^*	v_2	M_2^*	μ_1
+34252081+00	+17979130+01	-69824279+00	-26169317+00	+36593651+00
+34470247+00	+17950506+01	-70697178+00	-25566729+00	+36565520+00
+34688413+00	+17923361+01	-71603008+00	-24936848+00	+36536742+00
+34906579+00	+17897716+01	-72546364+00	-24276337+00	+36507266+00
+35124745+00	+17873596+01	-73532689+00	-23581253+00	+36477031+00
+35299278+00	+17855422+01	-74356984+00	-22997168+00	+36452258+00
+35473811+00	+17838266+01	-75216811+00	-22385112+00	+36426923+00
+35648344+00	+17822155+01	-76116716+00	-21741770+00	+36400983+00
+35822877+00	+17807116+01	-77062086+00	-21063222+00	+36374393+00
+35997409+00	+17793185+01	-78059308+00	-20344809+00	+36347095+00
+36171942+00	+17780405+01	-79116049+00	-19580944+00	+36319032+00
+36346475+00	+17768823+01	-80241608+00	-18764850+00	+36290130+00
+36521008+00	+17758499+01	-81447411+00	-17888204+00	+36260306+00
+36695541+00	+17749503+01	-82747665+00	-16940662+00	+36229463+00
+36826441+00	+17743678+01	-83795474+00	-16175742+00	+36205591+00
+36957340+00	+17738691+01	-84915785+00	-15356853+00	+36181025+00
+37088240+00	+17734592+01	-86120076+00	-14475661+00	+36155697+00
+37219139+00	+17731439+01	-87422504+00	-13521876+00	+36129530+00
+37350039+00	+17729299+01	-88840843+00	-12482613+00	+36102435+00
+37480939+00	+17728261+01	-90397697+00	-11341489+00	+36074298+00
+37611838+00	+17728422+01	-92122458+00	-10077221+00	+36044992+00
+37742738+00	+17729908+01	-94054125+00	-86615761-01	+36014356+00
+37873637+00	+17732877+01	-96245687+00	-70562686-01	+35982187+00
+37899374+00	+17733651+01	-96713049+00	-67140660-01	+35975664+00

$$s_2/R = +37992137-01$$

$$\eta/\alpha = +38158925+00$$

TABLE 65.—Conical Flow Field. $\theta_s=10.0^\circ$; $M_\infty=3.5$

M_{00}	θ_s	θ_v
+34999996+01	+17453296+00	+33790128+00

θ	M_{v2}^*	ψ_2	M_2^*	μ_1
+17453296+00	+27089202+01	+25983900-06	-48555679+00	+32545805+00
+17758729+00	+26734181+01	-23370806-01	-48535088+00	+32544904+00
+18064161+00	+26340134+01	-45650269-01	-48476331+00	+32542292+00
+18369594+00	+25956807+01	-66917233-01	-48383521+00	+32538103+00
+18675026+00	+25587792+01	-87250457-01	-48260233+00	+32532458+00
+18980459+00	+25233811+01	-10672306+00	-48109575+00	+32525462+00
+19285891+00	+24894745+01	-12540156+00	-47934253+00	+32517213+00
+19591324+00	+24570164+01	-14334682+00	-47736621+00	+32507795+00
+19896756+00	+24259510+01	-16061428+00	-47518730+00	+32497282+00
+20202189+00	+23962177+01	-17725475+00	-47282371+00	+32485745+00
+20507621+00	+23677554+01	-19331471+00	-47029104+00	+32473242+00
+20813053+00	+23405042+01	-20883686+00	-46760285+00	+32459830+00
+21118486+00	+23144060+01	-22386070+00	-46477087+00	+32445558+00
+21423918+00	+22894054+01	-23842280+00	-46180537+00	+32430469+00
+21685718+00	+22688100+01	-25056283+00	-45916387+00	+32416913+00
+21947517+00	+22489509+01	-26240859+00	-45643547+00	+32402808+00
+22209316+00	+22297982+01	-27397895+00	-45362432+00	+32388170+00
+22471115+00	+22113235+01	-28529179+00	-45073394+00	+32373020+00
+22732914+00	+21935000+01	-29636417+00	-44776737+00	+32357372+00
+22994714+00	+21763018+01	-30721219+00	-44472707+00	+32341238+00
+23256513+00	+21597049+01	-31785138+00	-44161513+00	+32324635+00
+23518312+00	+21436863+01	-32829661+00	-43843307+00	+32307571+00
+23780111+00	+21282241+01	-33856213+00	-43518200+00	+32290054+00
+24041911+00	+21132979+01	-34866190+00	-43186265+00	+32272090+00
+24303710+00	+20988878+01	-35860934+00	-42847528+00	+32253687+00
+24565509+00	+20849756+01	-36841755+00	-42501983+00	+32234851+00
+24827308+00	+20715437+01	-37809940+00	-42149574+00	+32215584+00
+25045475+00	+20607053+01	-38608033+00	-41850588+00	+32199200+00
+25263641+00	+20501799+01	-39398964+00	-41546698+00	+32182517+00
+25481807+00	+20399587+01	-40183469+00	-41237800+00	+32165536+00
+25699973+00	+20300335+01	-40962271+00	-40923776+00	+32148256+00
+25918139+00	+20203963+01	-41736107+00	-40604487+00	+32130675+00
+26136305+00	+20110395+01	-42505719+00	-40279763+00	+32112788+00
+26354471+00	+20019561+01	-43271862+00	-39949414+00	+32094595+00
+26572637+00	+19931392+01	-44035304+00	-39613226+00	+32076093+00
+26790803+00	+19845823+01	-44796839+00	-39270944+00	+32057273+00
+27008969+00	+19762794+01	-45557285+00	-38922296+00	+32038132+00
+27227135+00	+19682245+01	-46317490+00	-38566962+00	+32018661+00
+27445301+00	+19604121+01	-47078328+00	-38204599+00	+31998859+00
+27663467+00	+19528371+01	-47840744+00	-37834805+00	+31978710+00
+27838000+00	+19469448+01	-48452458+00	-37533334+00	+31962338+00
+28012533+00	+19411989+01	-49066335+00	-37226580+00	+31945735+00
+28187065+00	+19355973+01	-49682930+00	-36914276+00	+31928894+00
+28361598+00	+19301378+01	-50302831+00	-36596124+00	+31911809+00
+28536131+00	+19248185+01	-50926663+00	-36271799+00	+31894474+00
+28710664+00	+19196374+01	-51555106+00	-35940941+00	+31876880+00
+28885197+00	+19145930+01	-52188860+00	-35603167+00	+31859019+00
+29059730+00	+19096837+01	-52828691+00	-35258043+00	+31840885+00
+29234262+00	+19049079+01	-53475443+00	-34905091+00	+31822463+00
+29408795+00	+19002644+01	-54130001+00	-34543794+00	+31803745+00

TABLE 65.—Continued

$$M_{00} = +34999996+01$$

$$\theta_s = +17453296+00$$

θ	M_{w2}^*	$\#_2$	M_2^*	μ_1
+29583328+00	+18957520+01	-54793338+00	-34173573+00	+31784720+00
+29757861+00	+18913698+01	-55466527+00	-33793789+00	+31765375+00
+29932394+00	+18871170+01	-56150734+00	-33403726+00	+31745693+00
+30063293+00	+18840118+01	-56671899+00	-33103957+00	+31730704+00
+30194193+00	+18809787+01	-57200580+00	-32797590+00	+31715511+00
+30325093+00	+18780177+01	-57737417+00	-32484228+00	+31700104+00
+30455992+00	+18751285+01	-58283117+00	-32163422+00	+31684482+00
+30586892+00	+18723114+01	-58838439+00	-31834694+00	+31668631+00
+30717792+00	+18695661+01	-59404215+00	-31497508+00	+31652543+00
+30848691+00	+18668929+01	-59981358+00	-31151287+00	+31636206+00
+30979591+00	+18642920+01	-60570873+00	-30795384+00	+31619612+00
+31110490+00	+18617637+01	-61173855+00	-30429094+00	+31602748+00
+31241390+00	+18593085+01	-61791531+00	-30051618+00	+31585602+00
+31372290+00	+18569268+01	-62425276+00	-29662069+00	+31568159+00
+31503189+00	+18546192+01	-63076593+00	-29259470+00	+31550406+00
+31634089+00	+18523866+01	-63747202+00	-28842708+00	+31532323+00
+31721355+00	+18509404+01	-64205915+00	-28556388+00	+31520078+00
+31808622+00	+18495281+01	-64674668+00	-28262820+00	+31507674+00
+31895888+00	+18481503+01	-65154149+00	-27961547+00	+31495103+00
+31983154+00	+18468072+01	-65645104+00	-27652084+00	+31482360+00
+32070421+00	+18454993+01	-66148344+00	-27333904+00	+31469438+00
+32157687+00	+18442271+01	-66664752+00	-27006426+00	+31456330+00
+32244954+00	+18429910+01	-67195322+00	-26668999+00	+31443026+00
+32332220+00	+18417918+01	-67741126+00	-26320925+00	+31429520+00
+32419486+00	+18406300+01	-68303362+00	-25961419+00	+31415798+00
+32506753+00	+18395063+01	-68883358+00	-25589610+00	+31401856+00
+32594020+00	+18384214+01	-69482575+00	-25204544+00	+31387679+00
+32681286+00	+18373764+01	-70102673+00	-24805136+00	+31373255+00
+32768552+00	+18363721+01	-70745493+00	-24390182+00	+31358572+00
+32855819+00	+18354095+01	-71413103+00	-23958330+00	+31343617+00
+32943085+00	+18344899+01	-72107860+00	-23508036+00	+31328374+00
+33030352+00	+18336146+01	-72832420+00	-23037568+00	+31312824+00
+33117618+00	+18327849+01	-73589849+00	-22544924+00	+31296950+00
+33204884+00	+18320026+01	-74383617+00	-22027838+00	+31280732+00
+33292151+00	+18312693+01	-75217776+00	-21483663+00	+31264143+00
+33379417+00	+18305874+01	-76097007+00	-20909353+00	+31247162+00
+33466684+00	+18299589+01	-77026820+00	-20301313+00	+31229757+00
+33553950+00	+18293866+01	-78013662+00	-19655345+00	+31211895+00
+33641216+00	+18288733+01	-79065268+00	-18966413+00	+31193542+00
+33728483+00	+18284227+01	-80190875+00	-18228516+00	+31174653+00
+33790128+00	+18281443+01	-81036553+00	-17673878+00	+31160963+00

$$S_2/R = +10419619+00$$

$$\eta/\alpha = +46646118+00$$

TABLE 66.—Conical Flow Field. $\theta_s=10.0^\circ$; $M_\infty=4.0$

M_∞	θ_s	θ_v
+39999996+01	+17453296+00	+30918220+00

θ	M_2^*	ψ_2	M_2^*	μ_1
+17453296+00	+26237924+01	+17508864-06	-48232896+00	+28717133+00
+17715096+00	+26045983+01	-18795527-01	-48218131+00	+28716445+00
+17976895+00	+25756552+01	-36874541-01	-48175627+00	+28714443+00
+18238694+00	+25463250+01	-54272462-01	-48107890+00	+28711212+00
+18500493+00	+25174264+01	-71033811-01	-48017142+00	+28706836+00
+18762293+00	+24892393+01	-87202409-01	-47905346+00	+28701384+00
+19024092+00	+24618779+01	-10281967+00	-47774231+00	+28694924+00
+19285891+00	+24353872+01	-11792410+00	-47625324+00	+28687510+00
+19547690+00	+24097782+01	-13255169+00	-47459971+00	+28679195+00
+19809490+00	+23850447+01	-14673577+00	-47279356+00	+28670027+00
+20071289+00	+23611702+01	-16050726+00	-47084521+00	+28660048+00
+20333088+00	+23381333+01	-17389508+00	-46876382+00	+28649298+00
+20594887+00	+23159092+01	-18692621+00	-46655738+00	+28637809+00
+20856687+00	+22944716+01	-19962601+00	-46423283+00	+28625609+00
+21118486+00	+22737940+01	-21201824+00	-46179619+00	+28612731+00
+21380285+00	+22538498+01	-22412546+00	-45925257+00	+28599191+00
+21642084+00	+22346126+01	-23596887+00	-45660634+00	+28585019+00
+21860250+00	+22191035+01	-24565154+00	-45432535+00	+28572737+00
+22078416+00	+22040535+01	-25517636+00	-45197730+00	+28560035+00
+22296582+00	+21894487+01	-26455429+00	-44956356+00	+28546923+00
+22514748+00	+21752759+01	-27379581+00	-44708519+00	+28533406+00
+22732914+00	+21615219+01	-28291122+00	-44454294+00	+28519490+00
+22951080+00	+21481747+01	-29191059+00	-44193728+00	+28505181+00
+23169247+00	+21352221+01	-30080377+00	-43926836+00	+28490483+00
+23387413+00	+21226527+01	-30960052+00	-43653606+00	+28475398+00
+23605579+00	+21104559+01	-31831044+00	-43373995+00	+28459928+00
+23823745+00	+20986209+01	-32694323+00	-43087925+00	+28444074+00
+24041911+00	+20871377+01	-33550856+00	-42795291+00	+28427835+00
+24260077+00	+20759970+01	-34401605+00	-42495959+00	+28411211+00
+24478243+00	+20651896+01	-35247558+00	-42189749+00	+28394198+00
+24696409+00	+20547068+01	-36089727+00	-41876456+00	+28376792+00
+24914575+00	+20445406+01	-36929129+00	-41555831+00	+28358991+00
+25132741+00	+20346829+01	-37766844+00	-41227579+00	+28340787+00
+25307274+00	+20270141+01	-38436543+00	-40959260+00	+28325929+00
+25481807+00	+20195345+01	-39106453+00	-40685652+00	+28310803+00
+25656339+00	+20122408+01	-39777198+00	-40406527+00	+28295405+00
+25830872+00	+20051297+01	-40449415+00	-40121651+00	+28279734+00
+26005405+00	+19981982+01	-41123788+00	-39830748+00	+28263775+00
+26179938+00	+19914433+01	-41801034+00	-39533517+00	+28247528+00
+26354471+00	+19848623+01	-42481916+00	-39229622+00	+28230983+00
+26529004+00	+19784527+01	-43167249+00	-38918694+00	+28214131+00
+26703537+00	+19722120+01	-43857907+00	-38600318+00	+28196963+00
+26878069+00	+19661381+01	-44554820+00	-38274037+00	+28179470+00
+27052602+00	+19602290+01	-45259020+00	-37939337+00	+28161637+00
+27227135+00	+19544829+01	-45971612+00	-37595642+00	+28143455+00
+27401668+00	+19488982+01	-46693804+00	-37242319+00	+28124907+00
+27576201+00	+19434733+01	-47426946+00	-36878642+00	+28105979+00
+27750733+00	+19382071+01	-48172501+00	-36503811+00	+28086656+00
+27925266+00	+19330988+01	-48932123+00	-36116903+00	+28066914+00
+28056166+00	+19293707+01	-49512168+00	-35818182+00	+28051823+00

TABLE 66.—Continued

$\theta_{00} = +39999996+01$

$\theta_0 = +17453296+00$

θ	M_2^*	ψ_2	M_2^*	μ_1
+28187065+00	+19257307+01	-50102019+00	-35511599+00	+28036476+00
+28317965+00	+19221788+01	-50702615+00	-35196615+00	+28020865+00
+28448865+00	+19187150+01	-51314998+00	-34872630+00	+28004975+00
+28579764+00	+19153394+01	-51940322+00	-34538981+00	+27988793+00
+28710664+00	+19120521+01	-52579853+00	-34194917+00	+27972310+00
+28841564+00	+19088537+01	-53235021+00	-33839613+00	+27955506+00
+28972463+00	+19057444+01	-53907414+00	-33472129+00	+27938370+00
+29103363+00	+19027251+01	-54598813+00	-33091417+00	+27920878+00
+29234262+00	+18997965+01	-55311251+00	-32696272+00	+27903017+00
+29365162+00	+18969598+01	-56047027+00	-32285338+00	+27884760+00
+29496062+00	+18942159+01	-56808766+00	-31857051+00	+27866083+00
+29626961+00	+18915667+01	-57599473+00	-31409626+00	+27846963+00
+29757861+00	+18890137+01	-58422652+00	-30940977+00	+27827369+00
+29888761+00	+18865591+01	-59282379+00	-30448682+00	+27807266+00
+30019660+00	+18842055+01	-60183454+00	-29929878+00	+27786615+00
+30106927+00	+18826939+01	-60809891+00	-29567645+00	+27772521+00
+30194193+00	+18812295+01	-61459138+00	-29190987+00	+27758152+00
+30281459+00	+18798134+01	-62133415+00	-28798587+00	+27743490+00
+30368726+00	+18784469+01	-62835198+00	-28388968+00	+27728520+00
+30455992+00	+18771312+01	-63567365+00	-27960420+00	+27713221+00
+30543259+00	+18758682+01	-64333207+00	-27510979+00	+27697571+00
+30630525+00	+18746596+01	-65136510+00	-27038397+00	+27681548+00
+30717792+00	+18735074+01	-65981724+00	-26540033+00	+27665125+00
+30805058+00	+18724139+01	-66874041+00	-26012798+00	+27648273+00
+30892324+00	+18713817+01	-67819595+00	-25453054+00	+27630957+00
+30918220+00	+18710878+01	-68111419+00	-25280107+00	+27625728+00

$S_2/R = +22528968+00$

$\eta/\alpha = +53884221+00$

TABLE 67.—Conical Flow Field. $\theta_s=10.0^\circ$; $M_\infty=4.5$

M_{∞}	θ_s	θ_w
+44999998+01	+17453296+00	+28822452+00

θ	M_{w2}^*	ψ_2	M_2^*	μ_1
+17453296+00	+25201716+01	+12898818-06	-47851264+00	+25802721+00
+17671462+00	+25189467+01	-14732010-01	-47841334+00	+25802223+00
+17889628+00	+25011777+01	-29035688-01	-47812488+00	+25800760+00
+18107794+00	+24815052+01	-42915703-01	-47766099+00	+25798389+00
+18325960+00	+24612567+01	-56391343-01	-47703415+00	+25795161+00
+18544127+00	+24409382+01	-69484880-01	-47625562+00	+25791117+00
+18762293+00	+24207940+01	-82218720-01	-47533553+00	+25786300+00
+18980459+00	+24009563+01	-94614646-01	-47428288+00	+25780747+00
+19198625+00	+23815013+01	-10669343+00	-47310581+00	+25774492+00
+19416791+00	+23624733+01	-11847479+00	-47181156+00	+25767564+00
+19634957+00	+23438981+01	-12997749+00	-47040655+00	+25759994+00
+19853123+00	+23257888+01	-14121936+00	-46889653+00	+25751802+00
+20071289+00	+23081514+01	-15221723+00	-46728658+00	+25743015+00
+20289455+00	+22909859+01	-16298707+00	-46558116+00	+25733652+00
+20507621+00	+22742893+01	-17354423+00	-46378418+00	+25723731+00
+20725787+00	+22580554+01	-18390331+00	-46189900+00	+25713271+00
+20943953+00	+22422771+01	-19407830+00	-45992855+00	+25702280+00
+21162119+00	+22269460+01	-20408264+00	-45787526+00	+25690777+00
+21380285+00	+22120528+01	-21392944+00	-45574108+00	+25678771+00
+21554818+00	+22004469+01	-22170197+00	-45397659+00	+25668810+00
+21729351+00	+21891101+01	-22938807+00	-45216195+00	+25658539+00
+21903884+00	+21780372+01	-23699397+00	-45029763+00	+25647958+00
+22078416+00	+21672231+01	-24452579+00	-44838389+00	+25637072+00
+22252949+00	+21566627+01	-25198965+00	-44642087+00	+25625882+00
+22427482+00	+21463511+01	-25939156+00	-44440849+00	+25614390+00
+22602015+00	+21362834+01	-26673751+00	-44234658+00	+25602598+00
+22776548+00	+21264548+01	-27403359+00	-44023470+00	+25590508+00
+22951080+00	+21168606+01	-28128583+00	-43807233+00	+25578114+00
+23125613+00	+21074962+01	-28850043+00	-43585869+00	+25565420+00
+23300146+00	+20983572+01	-29568349+00	-43359289+00	+25552426+00
+23474679+00	+20894393+01	-30284147+00	-43127377+00	+25539127+00
+23649212+00	+20807384+01	-30998094+00	-42889996+00	+25525518+00
+23823745+00	+20722505+01	-31710844+00	-42646991+00	+25511600+00
+23998277+00	+20639717+01	-32423111+00	-42398181+00	+25497367+00
+24172810+00	+20558984+01	-33135609+00	-42143352+00	+25482814+00
+24347343+00	+20480272+01	-33849093+00	-41882275+00	+25467934+00
+24521876+00	+20403546+01	-34564368+00	-41614673+00	+25452723+00
+24652776+00	+20347287+01	-35102502+00	-41409512+00	+25441091+00
+24783675+00	+20292114+01	-35642499+00	-41200366+00	+25429265+00
+24914575+00	+20238017+01	-36184741+00	-40987083+00	+25417239+00
+25045475+00	+20184984+01	-36729650+00	-40769496+00	+25405011+00
+25176374+00	+20133004+01	-37277673+00	-40547412+00	+25392577+00
+25307274+00	+20082067+01	-37829271+00	-40320630+00	+25379927+00
+25438173+00	+20032163+01	-38384947+00	-40088926+00	+25367061+00
+25569073+00	+19983283+01	-38945230+00	-39852054+00	+25353971+00
+25699973+00	+19935421+01	-39510699+00	-39609747+00	+25340649+00
+25830872+00	+19888566+01	-40081969+00	-39361708+00	+25327088+00
+25961772+00	+19842716+01	-40659701+00	-39107615+00	+25313282+00
+26092672+00	+19797861+01	-41244620+00	-38847108+00	+25299223+00
+26223571+00	+19753999+01	-41837512+00	-38579792+00	+25284900+00

TABLE 67.—Continued

$$M_{60} = +44999998+01$$

$$e_8 = +17453296+00$$

e	M_{v2}^*	v_2	M_2^*	μ_1
+26354471+00	+19711125+01	-42439226+00	-38305230+00	+25270306+00
+26485370+00	+19669236+01	-43050715+00	-38022939+00	+25255426+00
+26616270+00	+19628331+01	-43673008+00	-37732376+00	+25240249+00
+26747170+00	+19588408+01	-44307261+00	-37432939+00	+25224765+00
+26878069+00	+19549470+01	-44954733+00	-37123950+00	+25208957+00
+26965336+00	+19524058+01	-45394428+00	-36912281+00	+25198231+00
+27052602+00	+19499085+01	-45841089+00	-36695789+00	+25187351+00
+27139869+00	+19474552+01	-46295226+00	-36474194+00	+25176309+00
+27227135+00	+19450461+01	-46757370+00	-36247212+00	+25165100+00
+27314401+00	+19426814+01	-47228119+00	-36014519+00	+25153720+00
+27401668+00	+19403612+01	-47708116+00	-35775768+00	+25142159+00
+27488934+00	+19380860+01	-48198050+00	-35530579+00	+25130414+00
+27576201+00	+19358561+01	-48698711+00	-35278525+00	+25118475+00
+27663467+00	+19336718+01	-49210940+00	-35019150+00	+25106331+00
+27750733+00	+19315335+01	-49735669+00	-34751939+00	+25093979+00
+27838000+00	+19294418+01	-50273929+00	-34476328+00	+25081406+00
+27925266+00	+19273972+01	-50826870+00	-34191692+00	+25068601+00
+28012533+00	+19254004+01	-51395759+00	-33897328+00	+25055556+00
+28099799+00	+19234522+01	-51982037+00	-33592455+00	+25042256+00
+28187065+00	+19215532+01	-52587292+00	-33276197+00	+25028690+00
+28274332+00	+19197045+01	-53213335+00	-32947559+00	+25014841+00
+28361598+00	+19179072+01	-53862213+00	-32605420+00	+25000697+00
+28448865+00	+19161623+01	-54536270+00	-32248492+00	+24986234+00
+28492498+00	+19153100+01	-54883553+00	-32064036+00	+24978878+00
+28536131+00	+19144714+01	-55238148+00	-31875326+00	+24971437+00
+28579764+00	+19136465+01	-55600478+00	-31682129+00	+24963906+00
+28623397+00	+19128357+01	-55970941+00	-31484223+00	+24956284+00
+28667031+00	+19120393+01	-56350015+00	-31281354+00	+24948565+00
+28710664+00	+19112573+01	-56738200+00	-31073241+00	+24940750+00
+28754297+00	+19104900+01	-57136029+00	-30859598+00	+24932832+00
+28797930+00	+19097379+01	-57544085+00	-30640098+00	+24924806+00
+28822452+00	+19093220+01	-57778105+00	-30514058+00	+24920253+00

$$S_2/R = +41325849+00$$

$$\eta/\alpha = +60003263+00$$

TABLE 68.—Conical Flow Field. $\theta_s=10.0^\circ$; $M_\infty=5.0$

M_∞	θ_s	θ_w			
+49999999+01	+17453296+00	+27241579+00			
θ	M_{w2}^*	ψ_2	M_2^*	μ_1	
+17453296+00	+24088493+01	+94063580-07	-47505672+00	+23514249+00	
+17671462+00	+24241868+01	-13855938-01	-47496139+00	+23513728+00	
+17889628+00	+24138041+01	-27360236-01	-47468370+00	+23512198+00	
+18107794+00	+23999369+01	-40501239-01	-47423600+00	+23509722+00	
+18325960+00	+23846324+01	-53291190-01	-47362969+00	+23506345+00	
+18544127+00	+23686838+01	-65747953-01	-47287495+00	+23502117+00	
+18762293+00	+23524865+01	-77890900-01	-47198096+00	+23497075+00	
+18980459+00	+23362640+01	-89739389-01	-47095589+00	+23491258+00	
+19198625+00	+23201534+01	-10131243+00	-46980696+00	+23484702+00	
+19416791+00	+23042422+01	-11262836+00	-46854058+00	+23477432+00	
+19634957+00	+22885884+01	-12370480+00	-46716239+00	+23469479+00	
+19853123+00	+22732302+01	-13455862+00	-46567729+00	+23460866+00	
+20071289+00	+22581930+01	-14520620+00	-46408955+00	+23451611+00	
+20289455+00	+22434937+01	-15566298+00	-46240279+00	+23441736+00	
+20507621+00	+22291421+01	-16594418+00	-46062012+00	+23431253+00	
+20725787+00	+22151442+01	-17606432+00	-45874399+00	+23420184+00	
+20900320+00	+22042021+01	-18405408+00	-45717718+00	+23410908+00	
+21074853+00	+21934880+01	-19195713+00	-45555260+00	+23401269+00	
+21249386+00	+21830013+01	-19978045+00	-45387086+00	+23391268+00	
+21423918+00	+21727407+01	-20753102+00	-45213230+00	+23380907+00	
+21598451+00	+21627044+01	-21521582+00	-45033707+00	+23370191+00	
+21772984+00	+21528904+01	-22284178+00	-44848512+00	+23359124+00	
+21947517+00	+21432966+01	-23041586+00	-44657622+00	+23347703+00	
+22122050+00	+21339202+01	-23794516+00	-44460985+00	+23335928+00	
+22296582+00	+21247590+01	-24543674+00	-44258531+00	+23323799+00	
+22471115+00	+21158098+01	-25289793+00	-44050165+00	+23311318+00	
+22645648+00	+21070700+01	-26033619+00	-43835769+00	+23298477+00	
+22820181+00	+20985371+01	-26775914+00	-43615195+00	+23285277+00	
+22994714+00	+20902081+01	-27517481+00	-43388271+00	+23271710+00	
+23169247+00	+20820804+01	-28259153+00	-43154785+00	+23257776+00	
+23343779+00	+20741515+01	-29001800+00	-42914502+00	+23243462+00	
+23474679+00	+20683335+01	-29559982+00	-42729661+00	+23232475+00	
+23605579+00	+20626250+01	-30119641+00	-42540710+00	+23221268+00	
+23736478+00	+20570247+01	-30681210+00	-42347498+00	+23209836+00	
+23867378+00	+20515317+01	-31245145+00	-42149866+00	+23198178+00	
+23998277+00	+20461453+01	-31811927+00	-41947636+00	+23186286+00	
+24129177+00	+20408645+01	-32382069+00	-41740607+00	+23174154+00	
+24260077+00	+20356885+01	-32956120+00	-41528560+00	+23161775+00	
+24390976+00	+20306166+01	-33534661+00	-41311255+00	+23149148+00	
+24521876+00	+20256481+01	-34118326+00	-41088422+00	+23136261+00	
+24652776+00	+20207824+01	-34707788+00	-40859770+00	+23123107+00	
+24783675+00	+20160191+01	-35303796+00	-40624961+00	+23109677+00	
+24914575+00	+20113575+01	-35907146+00	-40383638+00	+23095962+00	
+25045475+00	+20067976+01	-36518713+00	-40135394+00	+23081952+00	
+25176374+00	+20023388+01	-37139469+00	-39879771+00	+23067635+00	
+25307274+00	+19979812+01	-37770471+00	-39616263+00	+23052998+00	
+25394540+00	+19951322+01	-38197406+00	-39435937+00	+23043055+00	
+25481807+00	+19923282+01	-38629800+00	-39251666+00	+23032960+00	
+25569073+00	+19895692+01	-39068061+00	-39063255+00	+23022707+00	
+25656339+00	+19868551+01	-39512638+00	-38870479+00	+23012292+00	

TABLE 68.—Continued

$$M_{\infty} = +49999999+01$$

$$\theta_s = +17453296+00$$

θ	M_{w2}^*	ψ_2	M_2^*	μ_1
+25743606+00	+19841863+01	-39964015+00	-38673101+00	+23001706+00
+25830872+00	+19815628+01	-40422704+00	-38470866+00	+22990948+00
+25918139+00	+19789848+01	-40889278+00	-38263486+00	+22980009+00
+26005405+00	+19764525+01	-41364355+00	-38050650+00	+22968883+00
+26092672+00	+19739661+01	-41848606+00	-37832021+00	+22957563+00
+26179938+00	+19715261+01	-42342773+00	-37607225+00	+22946040+00
+26267204+00	+19691327+01	-42847669+00	-37375849+00	+22934308+00
+26354471+00	+19667863+01	-43364213+00	-37137426+00	+22922355+00
+26441737+00	+19644875+01	-43893403+00	-36891452+00	+22910171+00
+26529004+00	+19622368+01	-44436334+00	-36637370+00	+22897747+00
+26616270+00	+19600348+01	-44994258+00	-36374534+00	+22885072+00
+26659903+00	+19589523+01	-45279267+00	-36239622+00	+22878636+00
+26703537+00	+19578822+01	-45568562+00	-36102245+00	+22872130+00
+26747170+00	+19568247+01	-45862339+00	-35962306+00	+22865555+00
+26790803+00	+19557798+01	-46160812+00	-35819702+00	+22858909+00
+26834436+00	+19547477+01	-46464219+00	-35674301+00	+22852189+00
+26878069+00	+19537286+01	-46772794+00	-35525989+00	+22845392+00
+26921703+00	+19527224+01	-47086806+00	-35374630+00	+22838517+00
+26965336+00	+19517295+01	-47406516+00	-35220085+00	+22831564+00
+27008969+00	+19507499+01	-47732240+00	-35062200+00	+22824525+00
+27052602+00	+19497838+01	-48064284+00	-34900812+00	+22817402+00
+27096235+00	+19488314+01	-48402990+00	-34735750+00	+22810191+00
+27139869+00	+19478928+01	-48748733+00	-34566823+00	+22802889+00
+27183502+00	+19469683+01	-49101910+00	-34393826+00	+22795493+00
+27227135+00	+19460580+01	-49462936+00	-34216547+00	+22788001+00
+27241579+00	+19457599+01	-49584255+00	-34156879+00	+22785500+00

$$S_2/R = +67397681+00$$

$$\eta/\alpha = +65182040+00$$

TABLE 69.—Conical Flow Field. $\theta_s=10.0^\circ$; $M_\infty=6.0$

M_∞	θ_s	θ_w
+60000052+01	+17453296+00	+25049160+00

θ	M_{w2}^*	ψ_2	M_2^*	μ_1
+17453296+00	+21877030+01	+50757080-07	-47027772+00	+20165300+00
+17627829+00	+22401635+01	-99219354-02	-47022149+00	+20164934+00
+17802362+00	+22489519+01	-19734195-01	-47005552+00	+20163859+00
+17976895+00	+22511076+01	-29397259-01	-46978466+00	+20162105+00
+18151428+00	+22499323+01	-38902288-01	-46941369+00	+20159701+00
+18325960+00	+22467711+01	-48249821-01	-46894706+00	+20156675+00
+18500493+00	+22423137+01	-57444341-01	-46838893+00	+20153048+00
+18675026+00	+22369679+01	-66491965-01	-46774304+00	+20148844+00
+18849559+00	+22309962+01	-75399898-01	-46701277+00	+20144081+00
+19024092+00	+22245783+01	-84175699-01	-46620118+00	+20138775+00
+19198625+00	+22178428+01	-92827212-01	-46531093+00	+20132945+00
+19373158+00	+22108845+01	-10136236+00	-46434442+00	+20126604+00
+19547690+00	+22037753+01	-10978914+00	-46330370+00	+20119764+00
+19722223+00	+21965706+01	-11811542+00	-46219055+00	+20112437+00
+19896756+00	+21893137+01	-12634923+00	-46100643+00	+20104631+00
+20071289+00	+21820395+01	-13449843+00	-45975253+00	+20096353+00
+20245822+00	+21747755+01	-14257101+00	-45842977+00	+20087612+00
+20420355+00	+21675443+01	-15057489+00	-45703879+00	+20078412+00
+20551254+00	+21621533+01	-15653755+00	-45595102+00	+20071212+00
+20682154+00	+21567977+01	-16246949+00	-45482511+00	+20063759+00
+20813053+00	+21514829+01	-16837413+00	-45366105+00	+20056050+00
+20943953+00	+21462138+01	-17425509+00	-45245867+00	+20048088+00
+21074853+00	+21409944+01	-18011581+00	-45121778+00	+20039873+00
+21205752+00	+21358285+01	-18595998+00	-44993801+00	+20031401+00
+21336652+00	+21307193+01	-19179141+00	-44861895+00	+20022676+00
+21467552+00	+21256696+01	-19761389+00	-44726002+00	+20013694+00
+21598451+00	+21206819+01	-20343138+00	-44586062+00	+20004453+00
+21729351+00	+21157581+01	-20924802+00	-44441994+00	+19994951+00
+21860250+00	+21109002+01	-21506814+00	-44293705+00	+19985185+00
+21991150+00	+21061100+01	-22089621+00	-44141093+00	+19975152+00
+22122050+00	+21013888+01	-22673697+00	-43984035+00	+19964848+00
+22252949+00	+20967378+01	-23259556+00	-43822390+00	+19954265+00
+22383849+00	+20921584+01	-23847708+00	-43656007+00	+19943400+00
+22514748+00	+20876518+01	-24438718+00	-43484713+00	+19932249+00
+22645648+00	+20832185+01	-25033195+00	-43308305+00	+19920804+00
+22732914+00	+20803043+01	-25431753+00	-43187750+00	+19913007+00
+22820181+00	+20774235+01	-25832340+00	-43064754+00	+19905072+00
+22907447+00	+20745762+01	-26235178+00	-42939233+00	+19896999+00
+22994714+00	+20717628+01	-26640488+00	-42811107+00	+19888782+00
+23081980+00	+20689835+01	-27048515+00	-42680282+00	+19880421+00
+23169247+00	+20662385+01	-27459518+00	-42546654+00	+19871909+00
+23256513+00	+20635281+01	-27873756+00	-42410125+00	+19863249+00
+23343779+00	+20608524+01	-28291540+00	-42270567+00	+19854429+00
+23431046+00	+20582118+01	-28713165+00	-42127862+00	+19845453+00
+23518312+00	+20556065+01	-29138974+00	-41981868+00	+19836309+00
+23605579+00	+20530367+01	-29569327+00	-41832431+00	+19826997+00
+23692845+00	+20505027+01	-30004613+00	-41679392+00	+19817512+00
+23780111+00	+20480050+01	-30445233+00	-41522573+00	+19807846+00
+23867378+00	+20455436+01	-30891665+00	-41361772+00	+19797993+00
+23954644+00	+20431190+01	-31344382+00	-41196784+00	+19787951+00

TABLE 69.—Continued

$M_{\infty} = +60000052+01$

$\theta_B = +17453296+00$

θ	M_{w2}^*	ϕ_2	M_2^*	μ_1
+24041911+00	+20407315+01	-31803934+00	-41027365+00	+19777709+00
+24129177+00	+20383816+01	-32270906+00	-40853262+00	+19767260+00
+24172810+00	+20372209+01	-32507366+00	-40764364+00	+19761956+00
+24216444+00	+20360697+01	-32745929+00	-40674189+00	+19756597+00
+24260077+00	+20349280+01	-32986687+00	-40582689+00	+19751182+00
+24303710+00	+20337960+01	-33229738+00	-40489823+00	+19745710+00
+24347343+00	+20326738+01	-33475164+00	-40395552+00	+19740181+00
+24390976+00	+20315612+01	-33723095+00	-40299823+00	+19734592+00
+24434610+00	+20304587+01	-33973623+00	-40202587+00	+19728941+00
+24478243+00	+20293660+01	-34226876+00	-40103795+00	+19723231+00
+24521876+00	+20282833+01	-34482978+00	-40003384+00	+19717456+00
+24565509+00	+20272108+01	-34742054+00	-39901302+00	+19711615+00
+24609142+00	+20261484+01	-35004247+00	-39797480+00	+19705708+00
+24652776+00	+20250963+01	-35269702+00	-39691858+00	+19699732+00
+24696409+00	+20240546+01	-35538583+00	-39584357+00	+19693687+00
+24740042+00	+20230232+01	-35811051+00	-39474908+00	+19687569+00
+24783675+00	+20220025+01	-36087276+00	-39363431+00	+19681379+00
+24827308+00	+20209925+01	-36367452+00	-39249840+00	+19675113+00
+24870942+00	+20199932+01	-36651781+00	-39134040+00	+19668769+00
+24914575+00	+20190048+01	-36940479+00	-39015939+00	+19662344+00
+24958208+00	+20180275+01	-37233776+00	-38895428+00	+19655836+00
+25001841+00	+20170614+01	-37531901+00	-38772405+00	+19649243+00
+25045475+00	+20161066+01	-37835141+00	-38646739+00	+19642562+00
+25049160+00	+20160266+01	-37860978+00	-38636008+00	+19641996+00

$S_2/R = +14110692+01$

$\eta/\alpha = +73354721+00$

TABLE 70.—Conical Flow Field. $\theta_s=10.0^\circ$; $M_\infty=7.0$

M_{∞}	θ_s	θ_v
+69999982+01	+17453296+00	+23632593+00

θ	M_{w2}^*	v_2	M_2^*	μ_1
+17453296+00	+19878536+01	+53085387-07	-46811463+00	+17850967+00
+17584196+00	+20717233+01	-67373556-02	-46808545+00	+17850745+00
+17715096+00	+20961198+01	-13493126-01	-46799827+00	+17850084+00
+17845995+00	+21119875+01	-20223847-01	-46785426+00	+17849002+00
+17976895+00	+21230827+01	-26911970-01	-46765488+00	+17847508+00
+18107794+00	+21311661+01	-33549739-01	-46740159+00	+17845618+00
+18238694+00	+21371561+01	-40133764-01	-46709582+00	+17843343+00
+18369594+00	+21416010+01	-46662870-01	-46673896+00	+17840694+00
+18500493+00	+21448584+01	-53137324-01	-46633224+00	+17837680+00
+18631393+00	+21471766+01	-59558142-01	-46587687+00	+17834310+00
+18762293+00	+21487362+01	-65927022-01	-46537390+00	+17830591+00
+18893192+00	+21496733+01	-72246058-01	-46482429+00	+17826532+00
+19024092+00	+21500929+01	-78517594-01	-46422893+00	+17821411+00
+19154991+00	+21500783+01	-84744226-01	-46358859+00	+17817241+00
+19285891+00	+21496967+01	-90928724-01	-46290395+00	+17812379+00
+19416791+00	+21490029+01	-97074048-01	-46217557+00	+17807016+00
+19547690+00	+21480423+01	-10318322+00	-46140389+00	+17801339+00
+19678590+00	+21468533+01	-10925934+00	-46058931+00	+17795353+00
+19809490+00	+21454681+01	-11530570+00	-45973208+00	+17789059+00
+19940389+00	+21439141+01	-12132562+00	-45883237+00	+17782458+00
+20071289+00	+21422152+01	-12732256+00	-45789024+00	+17775550+00
+20202189+00	+21403919+01	-13330014+00	-45690561+00	+17768340+00
+20333088+00	+21384621+01	-13926197+00	-45587834+00	+17760826+00
+20463988+00	+21364414+01	-14521191+00	-45480817+00	+17753009+00
+20594887+00	+21343438+01	-15115398+00	-45369463+00	+17744882+00
+20682154+00	+21329087+01	-15511301+00	-45292795+00	+17739297+00
+20769420+00	+21314479+01	-15907163+00	-45214158+00	+17733574+00
+20856687+00	+21299648+01	-16303117+00	-45133531+00	+17727711+00
+20943953+00	+21284620+01	-16699299+00	-45050888+00	+17721710+00
+21031220+00	+21269421+01	-17095854+00	-44966200+00	+17715570+00
+21118486+00	+21254077+01	-17492920+00	-44879438+00	+17709288+00
+21205752+00	+21238607+01	-17890658+00	-44790566+00	+17702863+00
+21293019+00	+21223037+01	-18289219+00	-44699545+00	+17696294+00
+21380285+00	+21207384+01	-18688782+00	-44606332+00	+17689580+00
+21467552+00	+21191666+01	-19089511+00	-44510881+00	+17682718+00
+21554818+00	+21175903+01	-19491588+00	-44413140+00	+17675704+00
+21642084+00	+21160110+01	-19895212+00	-44313051+00	+17668537+00
+21729351+00	+21144303+01	-20300581+00	-44210555+00	+17661218+00
+21816617+00	+21128497+01	-20707909+00	-44105583+00	+17653739+00
+21903884+00	+21112704+01	-21117426+00	-43998061+00	+17646097+00
+21991150+00	+21096941+01	-21529366+00	-43887909+00	+17638294+00
+22078416+00	+21081217+01	-21943996+00	-43775039+00	+17630318+00
+22165683+00	+21065546+01	-22361582+00	-43659355+00	+17622174+00
+22252949+00	+21049938+01	-22782419+00	-43540751+00	+17613853+00
+22340216+00	+21034406+01	-23206819+00	-43419113+00	+17605352+00
+22427482+00	+21018960+01	-23635122+00	-43294318+00	+17596663+00
+22514748+00	+21003610+01	-24067687+00	-43166224+00	+17587784+00
+22602015+00	+20988367+01	-24504915+00	-43034682+00	+17578708+00
+22689281+00	+20973241+01	-24947228+00	-42899528+00	+17569429+00
+22732914+00	+20965724+01	-25170435+00	-42830538+00	+17564712+00

TABLE 70.—Continued

$\mu_{\infty} = +69999982+01$

$\theta_{\infty} = +17453296+00$

θ	μ_2^*	ν_2	μ_2^*	μ_1
+22776548+00	+20958241+01	-25395099+00	-42760573+00	+17559940+00
+22820181+00	+20950790+01	-25621274+00	-42689611+00	+17555115+00
+22863814+00	+20943375+01	-25849040+00	-42617620+00	+17550232+00
+22907447+00	+20935998+01	-26078453+00	-42544574+00	+17545295+00
+22951080+00	+20928657+01	-26309597+00	-42470444+00	+17540298+00
+22994714+00	+20921355+01	-26542549+00	-42395197+00	+17535243+00
+23038347+00	+20914093+01	-26777392+00	-42318799+00	+17530130+00
+23081980+00	+20906872+01	-27014212+00	-42241216+00	+17524955+00
+23125613+00	+20899694+01	-27253107+00	-42162406+00	+17519717+00
+23169247+00	+20892559+01	-27494167+00	-42082337+00	+17514416+00
+23212880+00	+20885470+01	-27737502+00	-42000961+00	+17509048+00
+23256513+00	+20878425+01	-27983212+00	-41918235+00	+17503614+00
+23300146+00	+20871429+01	-28231412+00	-41834114+00	+17498110+00
+23343779+00	+20864481+01	-28482224+00	-41748549+00	+17492539+00
+23387413+00	+20857584+01	-28735776+00	-41661485+00	+17486893+00
+23431046+00	+20850738+01	-28992201+00	-41572867+00	+17481176+00
+23474679+00	+20843945+01	-29251646+00	-41482635+00	+17475383+00
+23518312+00	+20837205+01	-29514272+00	-41390726+00	+17469512+00
+23561945+00	+20830520+01	-29780231+00	-41297068+00	+17463560+00
+23605579+00	+20823894+01	-30049702+00	-41201595+00	+17457529+00
+23632593+00	+20819822+01	-30218349+00	-41141548+00	+17453755+00

$\beta_2/R = +23976681+01$

$\eta/\alpha = +79406680+00$

TABLE 71.—Conical Flow Field. $\theta_s=10.0^\circ$; $M_\infty=8.0$

M_{00}	Θ_B	Θ_w
79999968+01	+17453296+00	+22663938+00

Θ	M_{w2}^*	Φ_2	M_2^*	μ_1
17453296+00	+18165977+01	+43772161-07	-46768234+00	+16172452+00
17540563+00	+19236839+01	-41039446-02	-46767035+00	+16172346+00
17627829+00	+19520264+01	-82643917-02	-46763415+00	+16172027+00
17715096+00	+19767053+01	-12448772-01	-46757373+00	+16171505+00
17802362+00	+19961586+01	-16643451-01	-46748926+00	+16170779+00
17889628+00	+20121562+01	-20840047-01	-46738101+00	+16169854+00
17976895+00	+20256922+01	-25033380-01	-46724923+00	+16168737+00
18064161+00	+20373692+01	-29220112-01	-46709423+00	+16167431+00
18151428+00	+20475832+01	-33398027-01	-46691631+00	+16165937+00
18238694+00	+20566104+01	-37565601-01	-46671575+00	+16164263+00
18325960+00	+20646523+01	-41721874-01	-46649284+00	+16162406+00
18413227+00	+20718619+01	-45866200-01	-46624785+00	+16160374+00
18500493+00	+20783576+01	-49998301-01	-46598103+00	+16158166+00
18587760+00	+20842343+01	-54117974-01	-46569264+00	+16155790+00
18675026+00	+20895684+01	-58225397-01	-46538286+00	+16153244+00
18762293+00	+20944236+01	-62320768-01	-46505193+00	+16150528+00
18849559+00	+20988526+01	-66404378-01	-46470004+00	+16147650+00
18936825+00	+21029000+01	-70476686-01	-46432733+00	+16144607+00
19024092+00	+21066044+01	-74538235-01	-46393396+00	+16141402+00
19111358+00	+21099985+01	-78589618-01	-46352006+00	+16138036+00
19198625+00	+21131111+01	-82631429-01	-46308576+00	+16134509+00
19285891+00	+21159670+01	-86664447-01	-46263111+00	+16130828+00
19373158+00	+21185889+01	-90689398-01	-46215620+00	+16126989+00
19460424+00	+21209957+01	-94707173-01	-46166105+00	+16122991+00
19547690+00	+21232052+01	-98718572-01	-46114570+00	+16118840+00
19634957+00	+21252329+01	-10272453+00	-46061015+00	+16114532+00
19722223+00	+21270929+01	-10672602+00	-46005437+00	+16110070+00
19809490+00	+21287976+01	-11072404+00	-45947830+00	+16105454+00
19896756+00	+21303588+01	-11471963+00	-45888188+00	+16100680+00
19984022+00	+21317867+01	-11871388+00	-45826502+00	+16095754+00
20071289+00	+21330908+01	-12270798+00	-45762757+00	+16090671+00
20158555+00	+21342797+01	-12670313+00	-45696938+00	+16085431+00
20245822+00	+21353615+01	-13070057+00	-45629027+00	+16080034+00
20333088+00	+21363436+01	-13470159+00	-45559002+00	+16074478+00
20420355+00	+21372324+01	-13870758+00	-45486838+00	+16068765+00
20507621+00	+21380343+01	-14272000+00	-45412506+00	+16062889+00
20594887+00	+21387551+01	-14674028+00	-45335975+00	+16056852+00
20682154+00	+21394000+01	-15077007+00	-45257208+00	+16050653+00
20769420+00	+21399742+01	-15481101+00	-45176165+00	+16044286+00
20856687+00	+21404820+01	-15886486+00	-45092801+00	+16037752+00
20943953+00	+21409278+01	-16293355+00	-45007067+00	+16031047+00
21031220+00	+21413159+01	-16701890+00	-44918908+00	+16024171+00
21118486+00	+21416498+01	-17112316+00	-44828261+00	+16017118+00
21162119+00	+21417976+01	-17318308+00	-44781984+00	+16013523+00
21205752+00	+21419332+01	-17524852+00	-44735061+00	+16009883+00
21249386+00	+21420569+01	-17731980+00	-44687481+00	+16006199+00
21293019+00	+21421693+01	-17939732+00	-44639234+00	+16002467+00
21336652+00	+21422706+01	-18148128+00	-44590312+00	+15998690+00
21380285+00	+21423613+01	-18357210+00	-44540700+00	+15994862+00
21423918+00	+21424418+01	-18567010+00	-44490390+00	+15990988+00

TABLE 71.—Continued

$M_{00} = +79999968+01$

$\theta_8 = +17453296+00$

θ	M_{w2}^*	v_2	M_2^*	μ_1
21467552+00	+21425122+01	-18777560+00	-44439367+00	+15987065+00
21511185+00	+21425731+01	-18988902+00	-44387622+00	+15983094+00
21554818+00	+21426247+01	-19201074+00	-44335140+00	+15979073+00
21598451+00	+21426675+01	-19414113+00	-44281907+00	+15975000+00
21642084+00	+21427017+01	-19628066+00	-44227909+00	+15970877+00
21685718+00	+21427274+01	-19842973+00	-44173131+00	+15966703+00
21729351+00	+21427454+01	-20058882+00	-44117554+00	+15962473+00
21772984+00	+21427556+01	-20275834+00	-44061168+00	+15958192+00
21816617+00	+21427584+01	-20493884+00	-44003949+00	+15953857+00
21860250+00	+21427541+01	-20713083+00	-43945880+00	+15949464+00
21903884+00	+21427430+01	-20933477+00	-43886943+00	+15945018+00
21947517+00	+21427253+01	-21155135+00	-43827115+00	+15940514+00
21991150+00	+21427014+01	-21378105+00	-43766375+00	+15935951+00
22034783+00	+21426713+01	-21602454+00	-43704704+00	+15931329+00
22078416+00	+21426356+01	-21828241+00	-43642072+00	+15926649+00
22122050+00	+21425943+01	-22055540+00	-43578458+00	+15921906+00
22165683+00	+21425477+01	-22284417+00	-43513834+00	+15917101+00
22209316+00	+21424961+01	-22514951+00	-43448172+00	+15912229+00
22252949+00	+21424397+01	-22747224+00	-43381439+00	+15907295+00
22296582+00	+21423788+01	-22981314+00	-43313606+00	+15902291+00
22340216+00	+21423136+01	-23217312+00	-43244638+00	+15897221+00
22383849+00	+21422443+01	-23455306+00	-43174505+00	+15892082+00
22427482+00	+21421710+01	-23695401+00	-43103159+00	+15886870+00
22471115+00	+21420942+01	-23937692+00	-43030568+00	+15881587+00
22514748+00	+21420140+01	-24182290+00	-42956688+00	+15876228+00
22558382+00	+21419307+01	-24429315+00	-42881475+00	+15870792+00
22602015+00	+21418443+01	-24678892+00	-42804876+00	+15865277+00
22645648+00	+21417553+01	-24931145+00	-42726847+00	+15859684+00
22663938+00	+21417173+01	-25037684+00	-42693708+00	+15857318+00

$S_2/R = 35667639+01$

$\eta/\alpha = +83989085+00$

TABLE 72.—Conical Flow Field. $\theta_s=10.0^\circ$; $M_\infty=10.0$

M_{∞}	θ_s	θ_v
+99999941+01	+17453296+00	+21462672+00

θ	M_{w2}^*	v_2	M_2^*	H_1
+17453296+00	+15540749+01	+34458935-07	-46924173+00	+13938306+00
+17496930+00	+16325817+01	-17919885-02	-46923908+00	+13938278+00
+17540563+00	+17199192+01	-35661804-02	-46923120+00	+13938188+00
+17584196+00	+17442167+01	-54007573-02	-46921779+00	+13938040+00
+17627829+00	+17698383+01	-72558764-02	-46919885+00	+13937832+00
+17671462+00	+17925476+01	-91288527-02	-46917433+00	+13937567+00
+17715096+00	+18127717+01	-11016376-01	-46914422+00	+13937245+00
+17758729+00	+18310242+01	-12915980-01	-46910848+00	+13936865+00
+17802362+00	+18476889+01	-14825830-01	-46906710+00	+13936429+00
+17845995+00	+18630456+01	-16744400-01	-46902008+00	+13935937+00
+17889628+00	+18773025+01	-18670560-01	-46896744+00	+13935392+00
+17933262+00	+18906189+01	-20603252-01	-46890916+00	+13934793+00
+17976895+00	+19031191+01	-22541759-01	-46884525+00	+13934137+00
+18020528+00	+19149024+01	-24485320-01	-46877572+00	+13933429+00
+18064161+00	+19260501+01	-26433386-01	-46870057+00	+13932668+00
+18107794+00	+19366286+01	-28385466-01	-46861982+00	+13931856+00
+18151428+00	+19466941+01	-30341108-01	-46853350+00	+13930990+00
+18195061+00	+19562942+01	-32299977-01	-46844158+00	+13930074+00
+18238694+00	+19654694+01	-34261698-01	-46834409+00	+13929105+00
+18282327+00	+19742549+01	-36226030-01	-46824105+00	+13928085+00
+18325960+00	+19826812+01	-38192720-01	-46813245+00	+13927016+00
+18369594+00	+19907756+01	-40161573-01	-46801833+00	+13925895+00
+18413227+00	+19985614+01	-42132409-01	-46789866+00	+13924724+00
+18456860+00	+20060598+01	-44105042-01	-46777349+00	+13923506+00
+18500493+00	+20132898+01	-46079377-01	-46764281+00	+13922235+00
+18544127+00	+20202686+01	-48055257-01	-46750664+00	+13920917+00
+18587760+00	+20270109+01	-50032641-01	-46736497+00	+13919549+00
+18631393+00	+20335308+01	-52011438-01	-46721781+00	+13918135+00
+18675026+00	+20398411+01	-53991605-01	-46706518+00	+13916670+00
+18718659+00	+20459531+01	-55973062-01	-46690708+00	+13915157+00
+18762293+00	+20518774+01	-57955774-01	-46674351+00	+13913596+00
+18805926+00	+20576234+01	-59939769-01	-46657447+00	+13911988+00
+18849559+00	+20632003+01	-61925000-01	-46639996+00	+13910332+00
+18893192+00	+20686163+01	-63911485-01	-46621999+00	+13908629+00
+18936825+00	+20738788+01	-65899205-01	-46603456+00	+13906877+00
+18980459+00	+20789952+01	-67888224-01	-46584365+00	+13905078+00
+19024092+00	+20839715+01	-69878547-01	-46564728+00	+13903230+00
+19067725+00	+20888143+01	-71870203-01	-46544544+00	+13901337+00
+19111358+00	+20935291+01	-73863253-01	-46523811+00	+13899395+00
+19154991+00	+20981212+01	-75857749-01	-46502531+00	+13897409+00
+19198625+00	+21025956+01	-77853766-01	-46480699+00	+13895374+00
+19242258+00	+21069570+01	-79851333-01	-46458317+00	+13893292+00
+19285891+00	+21112100+01	-81850523-01	-46435384+00	+13891163+00
+19329524+00	+21153586+01	-83851470-01	-46411896+00	+13888986+00
+19373158+00	+21194067+01	-85854214-01	-46387853+00	+13886764+00
+19416791+00	+21233580+01	-87858874-01	-46363254+00	+13884492+00
+19460424+00	+21272159+01	-89865564-01	-46338095+00	+13882173+00
+19504057+00	+21309839+01	-91874320-01	-46312376+00	+13879807+00
+19547690+00	+21346650+01	-93885353-01	-46286094+00	+13877395+00
+19591324+00	+21382620+01	-95898709-01	-46259244+00	+13874932+00

TABLE 72.—Continued

$M_{\infty} = +99999941+01$

$\theta_s = +17453296+00$

θ	M_2^*	ψ_2	M_2^*	$\#1$
+19634957+00	+21417781+01	-97914535-01	-46231829+00	+13872424+00
+19678590+00	+21452155+01	-99932989-01	-46203840+00	+13869869+00
+19722223+00	+21485772+01	-10195415+00	-46175277+00	+13867263+00
+19765856+00	+21518654+01	-10397824+00	-46146136+00	+13864608+00
+19809490+00	+21550824+01	-10600534+00	-46116413+00	+13861907+00
+19853123+00	+21582305+01	-10803565+00	-46086105+00	+13859157+00
+19896756+00	+21613117+01	-11006933+00	-46055207+00	+13856354+00
+19940389+00	+21643281+01	-11210654+00	-46023715+00	+13853505+00
+19984022+00	+21672814+01	-11414749+00	-45991623+00	+13850605+00
+20027656+00	+21701737+01	-11619233+00	-45958929+00	+13847654+00
+20071289+00	+21730067+01	-11824126+00	-45925625+00	+13844655+00
+20114922+00	+21757820+01	-12029447+00	-45891707+00	+13841605+00
+20158555+00	+21785014+01	-12235218+00	-45857168+00	+13838502+00
+20202189+00	+21811662+01	-12441466+00	-45822002+00	+13835349+00
+20245822+00	+21837781+01	-12648206+00	-45786201+00	+13832143+00
+20289455+00	+21863384+01	-12855468+00	-45749761+00	+13828883+00
+20333088+00	+21888484+01	-13063275+00	-45712672+00	+13825572+00
+20376721+00	+21913096+01	-13271649+00	-45674928+00	+13822208+00
+20420355+00	+21937234+01	-13480619+00	-45636520+00	+13818787+00
+20463988+00	+21960907+01	-13690213+00	-45597440+00	+13815314+00
+20507621+00	+21984129+01	-13900460+00	-45557677+00	+13811784+00
+20551254+00	+22006910+01	-14111392+00	-45517222+00	+13808195+00
+20594887+00	+22029261+01	-14323040+00	-45476067+00	+13804553+00
+20638521+00	+22051194+01	-14535433+00	-45434199+00	+13800853+00
+20682154+00	+22072718+01	-14748605+00	-45391607+00	+13797093+00
+20725787+00	+22093844+01	-14962595+00	-45348280+00	+13793275+00
+20769420+00	+22114579+01	-15177442+00	-45304205+00	+13789398+00
+20813053+00	+22134936+01	-15393176+00	-45259371+00	+13785460+00
+20856687+00	+22154922+01	-15609851+00	-45213759+00	+13781457+00
+20900320+00	+22174544+01	-15827500+00	-45167359+00	+13777394+00
+20943953+00	+22193813+01	-16046170+00	-45120152+00	+13773266+00
+20987586+00	+22212736+01	-16265917+00	-45072122+00	+13769072+00
+21031220+00	+22231321+01	-16486778+00	-45023256+00	+13764813+00
+21074853+00	+22249576+01	-16708808+00	-44973531+00	+13760485+00
+21118486+00	+22267507+01	-16932068+00	-44922929+00	+13756089+00
+21162119+00	+22285122+01	-17156603+00	-44871430+00	+13751621+00
+21205752+00	+22302429+01	-17382491+00	-44819010+00	+13747083+00
+21249386+00	+22319433+01	-17609776+00	-44765651+00	+13742471+00
+21293019+00	+22336141+01	-17838539+00	-44711324+00	+13737786+00
+21336652+00	+22352559+01	-18068841+00	-44656006+00	+13733025+00
+21380285+00	+22368694+01	-18300767+00	-44599667+00	+13728183+00
+21423918+00	+22384554+01	-18534389+00	-44542279+00	+13723262+00
+21462672+00	+22398413+01	-18743349+00	-44490414+00	+13718826+00

$S_2/R = +61821069+01$

$\eta/\alpha = +90300989+00$

TABLE 73.—Conical Flow Field. $\theta_s=10.0^\circ$; $M_\infty=12.0$

M_{∞}	θ_s	θ_w
+12000008+02	+17453296+00	+20775907+00

θ	M_{w2}^*	ψ_2	M_2^*	μ_1
+17453296+00	+13732013+01	+27474016-07	-47170400+00	+12555110+00
+17496930+00	+14803440+01	-16164770-02	-47170158+00	+12555079+00
+17540563+00	+15894512+01	-32244180-02	-47169441+00	+12554980+00
+17584196+00	+16234145+01	-49110446-02	-47168206+00	+12554818+00
+17627829+00	+16581973+01	-66288896-02	-47166452+00	+12554592+00
+17671462+00	+16891006+01	-83741373-02	-47164168+00	+12554304+00
+17715096+00	+17167574+01	-10142487-01	-47161345+00	+12553953+00
+17758729+00	+17418466+01	-11930682-01	-47157981+00	+12553538+00
+17802362+00	+17648693+01	-13736216-01	-47154070+00	+12553064+00
+17845995+00	+17861883+01	-15557108-01	-47149610+00	+12552530+00
+17889628+00	+18060740+01	-17391731-01	-47144597+00	+12551934+00
+17933262+00	+18247321+01	-19238797-01	-47139030+00	+12551280+00
+17976895+00	+18423237+01	-21097125-01	-47132907+00	+12550566+00
+18020528+00	+18589774+01	-22965780-01	-47126225+00	+12549796+00
+18064161+00	+18747978+01	-24843959-01	-47118985+00	+12548964+00
+18107794+00	+18898715+01	-26730909-01	-47111184+00	+12548076+00
+18151428+00	+19042708+01	-28625986-01	-47102822+00	+12547133+00
+18195061+00	+19180577+01	-30528703-01	-47093899+00	+12546130+00
+18238694+00	+19312841+01	-32438505-01	-47084412+00	+12545074+00
+18282327+00	+19439960+01	-34355036-01	-47074364+00	+12543958+00
+18325960+00	+19562328+01	-36277876-01	-47063750+00	+12542789+00
+18369594+00	+19680297+01	-38206703-01	-47052573+00	+12541562+00
+18413227+00	+19794172+01	-40141178-01	-47040831+00	+12540281+00
+18456860+00	+19904224+01	-42081127-01	-47028524+00	+12538947+00
+18500493+00	+20010700+01	-44026236-01	-47015649+00	+12537557+00
+18544127+00	+20113823+01	-45976346-01	-47002209+00	+12536112+00
+18587760+00	+20213789+01	-47931290-01	-46988200+00	+12534613+00
+18631393+00	+20310776+01	-49890874-01	-46973622+00	+12533057+00
+18675026+00	+20404948+01	-51854999-01	-46958477+00	+12531450+00
+18718659+00	+20496453+01	-53823530-01	-46942761+00	+12529790+00
+18762293+00	+20585432+01	-55796386-01	-46926473+00	+12528074+00
+18805926+00	+20672007+01	-57773462-01	-46909614+00	+12526304+00
+18849559+00	+20756294+01	-59754770-01	-46892180+00	+12524481+00
+18893192+00	+20838400+01	-61740149-01	-46874170+00	+12522604+00
+18936825+00	+20918423+01	-63729640-01	-46855585+00	+12520672+00
+18980459+00	+20996457+01	-65723187-01	-46836419+00	+12518688+00
+19024092+00	+21072585+01	-67720790-01	-46816676+00	+12516650+00
+19067725+00	+21146887+01	-69722487-01	-46796350+00	+12514558+00
+19111358+00	+21219437+01	-71728250-01	-46775439+00	+12512410+00
+19154991+00	+21290307+01	-73738105-01	-46753941+00	+12510211+00
+19198625+00	+21359559+01	-75752067-01	-46731854+00	+12507958+00
+19242258+00	+21427255+01	-77770233-01	-46709176+00	+12505647+00
+19285891+00	+21493452+01	-79792606-01	-46685901+00	+12503286+00
+19329524+00	+21558207+01	-81819287-01	-46662031+00	+12500866+00
+19373158+00	+21621568+01	-83850316-01	-46637559+00	+12498395+00
+19416791+00	+21683584+01	-85885805-01	-46612483+00	+12495866+00
+19460424+00	+21744299+01	-87925831-01	-46586797+00	+12493284+00
+19504057+00	+21803760+01	-89970491-01	-46560499+00	+12490645+00
+19547690+00	+21862005+01	-92019927-01	-46533585+00	+12487949+00
+19591324+00	+21919073+01	-94074210-01	-46506049+00	+12485196+00

TABLE 73.—Continued

 $M_{00} = +12000008+02$ $e_0 = +17453296+00$

θ	M_{w2}^*	$\#_2$	M_2^*	μ_1
+19634957+00	+21974999+01	-96133492-01	-46477886+00	+12482385+00
+19678590+00	+22029823+01	-98197917-01	-46449095+00	+12479518+00
+19722223+00	+22083575+01	-10026761+00	-46419667+00	+12476594+00
+19765856+00	+22136286+01	-10234275+00	-46389595+00	+12473612+00
+19809490+00	+22187986+01	-10442353+00	-46358875+00	+12470569+00
+19853123+00	+22238707+01	-10651003+00	-46327502+00	+12467467+00
+19896756+00	+22288474+01	-10860248+00	-46295467+00	+12464307+00
+19940389+00	+22337313+01	-11070112+00	-46262764+00	+12461084+00
+19984022+00	+22385250+01	-11280613+00	-46229384+00	+12457801+00
+20027656+00	+22432309+01	-11491776+00	-46195322+00	+12454455+00
+20071289+00	+22478513+01	-11703620+00	-46160566+00	+12451047+00
+20114922+00	+22523884+01	-11916167+00	-46125112+00	+12447575+00
+20158555+00	+22568444+01	-12129446+00	-46088944+00	+12444038+00
+20202189+00	+22612212+01	-12343490+00	-46052057+00	+12440436+00
+20245822+00	+22655208+01	-12558317+00	-46014439+00	+12436766+00
+20289455+00	+22697451+01	-12773961+00	-45976080+00	+12433029+00
+20333088+00	+22738958+01	-12990454+00	-45936967+00	+12429225+00
+20376721+00	+22779747+01	-13207830+00	-45897088+00	+12425350+00
+20420355+00	+22819835+01	-13426120+00	-45856430+00	+12421402+00
+20463988+00	+22859237+01	-13645362+00	-45814981+00	+12417386+00
+20507621+00	+22897969+01	-13865590+00	-45772725+00	+12413292+00
+20551254+00	+22936045+01	-14086850+00	-45729646+00	+12409127+00
+20594887+00	+22973480+01	-14309191+00	-45685729+00	+12404883+00
+20638521+00	+23010288+01	-14532644+00	-45640957+00	+12400561+00
+20682154+00	+23046482+01	-14757264+00	-45595311+00	+12396160+00
+20725787+00	+23082075+01	-14983098+00	-45548772+00	+12391675+00
+20769420+00	+23117083+01	-15210198+00	-45501322+00	+12387109+00
+20775907+00	+23122238+01	-15244062+00	-45494189+00	+12386423+00

 $S_2/R = +88289413+01$ $\eta/\alpha = +94293802+00$

TABLE 74.—Conical Flow Field. $\theta_s=10.0^\circ$; $M_\infty=15.0$

M_∞	θ_s	θ_w
+14999997+02	+17453296+00	+20192526+00

θ	M_{w2}^*	ψ_2	M_2^*	μ_1
+17453296+00	+11982609+01	+20489097-07	-47504974+00	+11294409+00
+17496930+00	+13400859+01	-14560679-02	-47504755+00	+11294374+00
+17540563+00	+14733996+01	-29162839-02	-47504103+00	+11294268+00
+17584196+00	+15189154+01	-44753682-02	-47502965+00	+11294089+00
+17627829+00	+15644326+01	-60778982-02	-47501331+00	+11293842+00
+17671462+00	+16049060+01	-77186017-02	-47499187+00	+11293524+00
+17715096+00	+16412290+01	-93919933-02	-47496524+00	+11293141+00
+17758729+00	+16742814+01	-11093833-01	-47493330+00	+11292688+00
+17802362+00	+17047022+01	-12820879-01	-47489600+00	+11292168+00
+17845995+00	+17329535+01	-14570565-01	-47485326+00	+11291583+00
+17889628+00	+17593783+01	-16340767-01	-47480505+00	+11290931+00
+17933262+00	+17842372+01	-18129710-01	-47475128+00	+11290213+00
+17976895+00	+18077345+01	-19935911-01	-47469192+00	+11289432+00
+18020528+00	+18300331+01	-21758039-01	-47462694+00	+11288585+00
+18064161+00	+18512662+01	-23594979-01	-47455632+00	+11287675+00
+18107794+00	+18715429+01	-25445772-01	-47448001+00	+11286703+00
+18151428+00	+18909555+01	-27309532-01	-47439797+00	+11285664+00
+18195061+00	+19095817+01	-29185492-01	-47431020+00	+11284565+00
+18238694+00	+19274879+01	-31072994-01	-47421665+00	+11283401+00
+18282327+00	+19447323+01	-32971390-01	-47411732+00	+11282177+00
+18325960+00	+19613648+01	-34880118-01	-47401216+00	+11280891+00
+18369594+00	+19774299+01	-36798727-01	-47390118+00	+11279544+00
+18413227+00	+19929665+01	-38726797-01	-47378432+00	+11278133+00
+18456860+00	+20080092+01	-40663898-01	-47366160+00	+11276662+00
+18500493+00	+20225891+01	-42609669-01	-47353297+00	+11275128+00
+18544127+00	+20367342+01	-44563808-01	-47339842+00	+11273534+00
+18587760+00	+20504693+01	-46525996-01	-47325793+00	+11271880+00
+18631393+00	+20638177+01	-48496030-01	-47311145+00	+11270163+00
+18675026+00	+20767995+01	-50473622-01	-47295899+00	+11268385+00
+18718659+00	+20894343+01	-52458622-01	-47280052+00	+11266547+00
+18762293+00	+21017388+01	-54450766-01	-47263600+00	+11264647+00
+18805926+00	+21137295+01	-56450007-01	-47246543+00	+11262688+00
+18849559+00	+21254206+01	-58456094-01	-47228877+00	+11260664+00
+18893192+00	+21368259+01	-60468972-01	-47210597+00	+11258582+00
+18936825+00	+21479581+01	-62488520-01	-47191703+00	+11256436+00
+18980459+00	+21588285+01	-64514623-01	-47172192+00	+11254229+00
+19024092+00	+21694482+01	-66547228-01	-47152059+00	+11251960+00
+19067725+00	+21798272+01	-68586280-01	-47131302+00	+11249629+00
+19111358+00	+21899750+01	-70631771-01	-47109915+00	+11247234+00
+19154991+00	+21999002+01	-72683580-01	-47087899+00	+11244777+00
+19198625+00	+22096113+01	-74741748-01	-47065245+00	+11242256+00
+19242258+00	+22191160+01	-76806278-01	-47041953+00	+11239669+00
+19285891+00	+22284217+01	-78877154-01	-47018014+00	+11237022+00
+19329524+00	+22375351+01	-80954359-01	-46993428+00	+11234306+00
+19373158+00	+22464628+01	-83037993-01	-46968188+00	+11231526+00
+19416791+00	+22552109+01	-85128056-01	-46942289+00	+11228680+00
+19460424+00	+22637851+01	-87224566-01	-46915725+00	+11225767+00
+19504057+00	+22721909+01	-89327632-01	-46888491+00	+11222789+00
+19547690+00	+22804335+01	-91437290-01	-46860581+00	+11219738+00
+19591324+00	+22885178+01	-93553643-01	-46831990+00	+11216623+00

TABLE 74.—Continued

$$M_{00} = +14999997+02$$

$$\theta_{\mu} = +17453296+00$$

θ	$M_{\mu 2}^*$	ψ_2	M_2^*	μ_1
+19634957+00	+22964486+01	-95676810-01	-46802708+00	+11213434+00
+19678590+00	+23042301+01	-97806833-01	-46772730+00	+11210177+00
+19722223+00	+23118666+01	-99943904-01	-46742049+00	+11206847+00
+19765856+00	+23193623+01	-10208800+00	-46710657+00	+11203445+00
+19809490+00	+23267207+01	-10423935+00	-46678546+00	+11199967+00
+19853123+00	+23339458+01	-10639807+00	-46645707+00	+11196415+00
+19896756+00	+23410407+01	-10856433+00	-46612130+00	+11192787+00
+19940389+00	+23480089+01	-11073825+00	-46577808+00	+11189081+00
+19984022+00	+23548536+01	-11292002+00	-46542729+00	+11185297+00
+20027656+00	+23615778+01	-11510979+00	-46506884+00	+11181432+00
+20071289+00	+23681844+01	-11730779+00	-46470260+00	+11177483+00
+20114922+00	+23746762+01	-11951424+00	-46432845+00	+11173452+00
+20158555+00	+23810566+01	-12172928+00	-46394631+00	+11169334+00
+20192526+00	+23859480+01	-12345973+00	-46364318+00	+11166070+00

$$S_2/R = +12388365+02$$

$$\eta/\alpha = +97952470+00$$

TABLE 75.—Conical Flow Field. $\theta_s=10.0^\circ$; $M_\infty=20.0$

M_∞	θ_s	θ_v
+19999984+02	+17453296+00	+19723448+00

θ	M_2^*	ψ_2	M_2^*	μ_1
+17453296+00	+10412398+01	+46566129-08	-47879511+00	+10203331+00
+17496930+00	+12219898+01	-13203262-02	-47879312+00	+10203293+00
+17540563+00	+13804515+01	-26605744-02	-47878714+00	+10203176+00
+17584196+00	+14387900+01	-41204919-02	-47877651+00	+10202983+00
+17627829+00	+14960205+01	-56368457-02	-47876112+00	+10202713+00
+17671462+00	+15469045+01	-72027585-02	-47874075+00	+10202367+00
+17715096+00	+15926428+01	-88113090-02	-47871526+00	+10201948+00
+17758729+00	+16343379+01	-10457270-01	-47868452+00	+10201452+00
+17802362+00	+16727817+01	-12136518-01	-47864841+00	+10200883+00
+17845995+00	+17085450+01	-13845820-01	-47860684+00	+10200241+00
+17889628+00	+17420497+01	-15582506-01	-47855973+00	+10199527+00
+17933262+00	+17736180+01	-17344286-01	-47850699+00	+10198744+00
+17976895+00	+18035010+01	-19129270-01	-47844857+00	+10197887+00
+18020528+00	+18318996+01	-20935680-01	-47838441+00	+10196960+00
+18064161+00	+18589770+01	-22762138-01	-47831443+00	+10195962+00
+18107794+00	+18848683+01	-24607314-01	-47823861+00	+10194895+00
+18151428+00	+19096866+01	-26470067-01	-47815687+00	+10193755+00
+18195061+00	+19335274+01	-28349340-01	-47806922+00	+10192548+00
+18238694+00	+19564736+01	-30244265-01	-47797556+00	+10191271+00
+18282327+00	+19785956+01	-32154000-01	-47787588+00	+10189926+00
+18325960+00	+19999555+01	-34077780-01	-47777014+00	+10188510+00
+18369594+00	+20206077+01	-36014929-01	-47765829+00	+10187026+00
+18413227+00	+20406002+01	-37964820-01	-47754032+00	+10185474+00
+18456860+00	+20599757+01	-39926901-01	-47741618+00	+10183851+00
+18500493+00	+20787725+01	-41900665-01	-47728583+00	+10182160+00
+18544127+00	+20970246+01	-43885588-01	-47714926+00	+10180401+00
+18587760+00	+21147633+01	-45881279-01	-47700640+00	+10178573+00
+18631393+00	+21320167+01	-47887302-01	-47685725+00	+10176673+00
+18675026+00	+21488100+01	-49903289-01	-47670177+00	+10174707+00
+18718659+00	+21651668+01	-51928935-01	-47653994+00	+10172669+00
+18762293+00	+21811082+01	-53963913-01	-47637168+00	+10170563+00
+18805926+00	+21966538+01	-56007905-01	-47619700+00	+10168388+00
+18849559+00	+22118218+01	-58060730-01	-47601584+00	+10166138+00
+18893192+00	+22266290+01	-60122052-01	-47582818+00	+10163822+00
+18936825+00	+22410906+01	-62191655-01	-47563396+00	+10161433+00
+18980459+00	+22552210+01	-64269368-01	-47543317+00	+10158971+00
+19024092+00	+22690335+01	-66354980-01	-47522575+00	+10156439+00
+19067725+00	+22825406+01	-68448258-01	-47501167+00	+10153831+00
+19111358+00	+22957539+01	-70549111-01	-47479088+00	+10151152+00
+19154991+00	+23086840+01	-72657330-01	-47456335+00	+10148396+00
+19198625+00	+23213415+01	-74772816-01	-47432901+00	+10145565+00
+19242258+00	+23337356+01	-76895343-01	-47408784+00	+10142658+00
+19285891+00	+23458754+01	-79024866-01	-47383977+00	+10139675+00
+19329524+00	+23577693+01	-81161223-01	-47358476+00	+10136612+00
+19373158+00	+23694251+01	-83304327-01	-47332274+00	+10133471+00
+19416791+00	+23808504+01	-85453980-01	-47305370+00	+10130247+00
+19460424+00	+23920524+01	-87610119-01	-47277754+00	+10126944+00
+19504057+00	+24030375+01	-89772660-01	-47249422+00	+10123555+00
+19547690+00	+24138124+01	-91941413-01	-47220368+00	+10120084+00
+19591324+00	+24243827+01	-94116323-01	-47190584+00	+10116523+00

TABLE 75.—Continued

$$M_{\infty} = +19999984+02$$

$$\theta_0 = +17453296+00$$

θ	M_{w2}^*	ψ_2	M_2^*	μ_1
+19634957+00	+24347543+01	-96297232-01	-47160069+00	+10112878+00
+19678590+00	+24449326+01	-98483957-01	-47128810+00	+10109143+00
+19722223+00	+24549244+01	-10067644+00	-47096804+00	+10105313+00
+19723448+00	+24552022+01	-10073787+00	-47095898+00	+10105209+00

$$s_2/R = +16836580+02$$

$$\eta/\alpha = +10110095+01$$

TABLE 76.—Conical Flow Field. $\theta_s=12.5^\circ$; $M_\infty=1.1643198$

M_∞	θ_s	θ_w
+11643198+01	+21816615+00	+10801535+01

θ	M_{w2}^*	ψ_2	M_2^*	μ_1
+21816615+00	+20039620+01	+29364601-05	-43387247+00	+15676366+01
+23561943+00	+18630735+01	-14436459+00	-43043956+00	+15452139+01
+25307272+00	+17498481+01	-26040201+00	-42219145+00	+15227705+01
+27052600+00	+16574622+01	-35514276+00	-41123019+00	+15025922+01
+28797928+00	+15810808+01	-43355085+00	-39881344+00	+14843199+01
+30543257+00	+15172048+01	-49921521+00	-38570574+00	+14676508+01
+32288585+00	+14632489+01	-55478540+00	-37237519+00	+14523401+01
+34033913+00	+14172683+01	-60225309+00	-35910771+00	+14381908+01
+35779241+00	+13777763+01	-64313970+00	-34607519+00	+14250427+01
+37524570+00	+13436200+01	-67862445+00	-33337718+00	+14127636+01
+39269898+00	+13138939+01	-70963260+00	-32106709+00	+14012440+01
+41015226+00	+12878784+01	-73689917+00	-30916855+00	+13903915+01
+42760555+00	+12649958+01	-76101397+00	-29768616+00	+13801279+01
+44505883+00	+12447779+01	-78245476+00	-28661244+00	+13703867+01
+46251211+00	+12268418+01	-80161225+00	-27593232+00	+13611104+01
+47996540+00	+12108720+01	-81880845+00	-26562615+00	+13522492+01
+49741868+00	+11966066+01	-83431076+00	-25567162+00	+13437597+01
+51487196+00	+11838266+01	-84834293+00	-24604503+00	+13356036+01
+53232525+00	+11723480+01	-86109324+00	-23672227+00	+13277473+01
+54977853+00	+11620151+01	-87272143+00	-22767912+00	+13201608+01
+56723181+00	+11526955+01	-88374358+00	-21889164+00	+13128168+01
+58468509+00	+11442764+01	-89313642+00	-21033634+00	+13056912+01
+60213838+00	+11366608+01	-90214060+00	-20199024+00	+12987620+01
+61959166+00	+11297650+01	-91046359+00	-19383070+00	+12920088+01
+63704494+00	+11235171+01	-91818161+00	-18583545+00	+12854132+01
+65449823+00	+11178545+01	-92536170+00	-17798242+00	+12789579+01
+67195151+00	+11127229+01	-93206303+00	-17024956+00	+12726268+01
+68940479+00	+11080749+01	-93833830+00	-16261465+00	+12664045+01
+70685808+00	+11038693+01	-94423487+00	-15505486+00	+12602768+01
+72431136+00	+11000701+01	-94979560+00	-14754670+00	+12542294+01
+74176464+00	+10966461+01	-95505978+00	-14006536+00	+12482488+01
+75921793+00	+10935699+01	-96006377+00	-13258443+00	+12423214+01
+77667121+00	+10908181+01	-96484195+00	-12507509+00	+12364339+01
+79412449+00	+10883700+01	-96942732+00	-11750533+00	+12305724+01
+81157777+00	+10862086+01	-97385238+00	-10983904+00	+12247228+01
+82903106+00	+10843192+01	-97814988+00	-10203458+00	+12188703+01
+84648434+00	+10826899+01	-98235399+00	-94042788-01	+12129990+01
+86393762+00	+10813118+01	-98650157+00	-85804667-01	+12070916+01
+88139091+00	+10801782+01	-99063408+00	-77247294-01	+12011285+01
+89884419+00	+10792856+01	-99479992+00	-68278756-01	+11950879+01
+91629747+00	+10786336+01	-99905838+00	-58779759-01	+11889439+01
+93375076+00	+10782257+01	-10034853+01	-48591122-01	+11826656+01
+95120404+00	+10780700+01	-10081829+01	-37492358-01	+11762147+01
+96865732+00	+10781810+01	-10132952+01	-25166326-01	+11695423+01
+98611061+00	+10785819+01	-10190393+01	-11132826-01	+11625836+01
+10035639+01	+10793097+01	-10257640+01	+53816910-02	+11552478+01
+10210170+01	+10804234+01	-10340828+01	+25732023-01	+11474005+01
+10384701+01	+10820237+01	-10452131+01	+52587406-01	+11388237+01
+10559233+01	+10843011+01	-10620639+01	+92264505-01	+11291167+01
+10733764+01	+10877010+01	-10943566+01	+16563319+00	+11173545+01

TABLE 76.—Continued

$$M_{00} = +11643198+01$$

$$\theta_s = +21816615+00$$

θ	M_{w2}^*	ψ_2	M_2^*	μ_1
+10801535+01	+10895712+01	-11190594+01	+22023000+00	+11117203+01

$$s_2/R = +21161288-03$$

$$\eta/\alpha = +14640315+00$$

TABLE 77.—Conical Flow Field. $\theta_s=12.5^\circ$; $M_\infty=1.5$

M_{∞}	θ_s	θ_w
+14999999+01	+21816615+00	+76158205+00

θ	M_{w2}^*	ϕ_2	M_2^*	μ_1
+21816615+00	+22705880+01	+26552007-05	-49186970+00	+85531009+00
+23038345+00	+21552775+01	-94782059-01	-48986274+00	+85509812+00
+24260075+00	+20565815+01	-17596945+00	-48472464+00	+85452978+00
+25481804+00	+19715046+01	-24616902+00	-47745686+00	+85368746+00
+26703534+00	+18976548+01	-30738124+00	-46874773+00	+85263293+00
+27925264+00	+18331487+01	-36116337+00	-45907628+00	+85141295+00
+29146994+00	+17764872+01	-40874405+00	-44877905+00	+85006367+00
+30281457+00	+17298391+01	-44823464+00	-43886587+00	+84871925+00
+31415921+00	+16881237+01	-48386561+00	-42875477+00	+84730465+00
+32550384+00	+16506858+01	-51616577+00	-41854434+00	+84583368+00
+33684847+00	+16169768+01	-54557621+00	-40830546+00	+84431725+00
+34819311+00	+15865355+01	-57246741+00	-39808850+00	+84276410+00
+35953774+00	+15589707+01	-59715268+00	-38792854+00	+84118120+00
+37000971+00	+15357907+01	-61821265+00	-37862109+00	+83969845+00
+38048168+00	+15145524+01	-63780166+00	-36939395+00	+83819833+00
+39095365+00	+14950595+01	-65607704+00	-36025385+00	+83668371+00
+40142562+00	+14771411+01	-67317676+00	-35120361+00	+83515674+00
+41189759+00	+14606471+01	-68922195+00	-34224289+00	+83361906+00
+42236956+00	+14454458+01	-70432004+00	-33336880+00	+83207190+00
+43196887+00	+14325472+01	-71740942+00	-32530612+00	+83064608+00
+44156817+00	+14205575+01	-72984893+00	-31730698+00	+82921345+00
+45116748+00	+14094054+01	-74169803+00	-30936525+00	+82777420+00
+46076678+00	+13990271+01	-75301097+00	-30147374+00	+82632845+00
+47036609+00	+13893652+01	-76383728+00	-29362444+00	+82487602+00
+47996540+00	+13803680+01	-77422258+00	-28580833+00	+82341666+00
+48869204+00	+13727264+01	-78331632+00	-27872351+00	+82208367+00
+49741868+00	+13655639+01	-79210993+00	-27165000+00	+82074421+00
+50614526+00	+13588518+01	-80063113+00	-26457920+00	+81939779+00
+51487183+00	+13525637+01	-80890640+00	-25750165+00	+81804384+00
+52359840+00	+13466756+01	-81696091+00	-25040726+00	+81668168+00
+53232497+00	+13411658+01	-82481907+00	-24328484+00	+81531052+00
+54017888+00	+13365138+01	-83174314+00	-23684069+00	+81406803+00
+54803279+00	+13321389+01	-83854447+00	-23035431+00	+81281681+00
+55588670+00	+13280287+01	-84523996+00	-22381510+00	+81155606+00
+56374061+00	+13241723+01	-85184674+00	-21721132+00	+81028488+00
+57159452+00	+13205596+01	-85838209+00	-21053011+00	+80900231+00
+57944843+00	+13171814+01	-86486392+00	-20375706+00	+80770728+00
+58642969+00	+13143687+01	-87035570+00	-19764646+00	+80654468+00
+59341094+00	+13117296+01	-87631371+00	-19143784+00	+80537035+00
+60039219+00	+13092594+01	-88203265+00	-18511699+00	+80418323+00
+60737344+00	+13069540+01	-88776824+00	-17866786+00	+80298225+00
+61435470+00	+13048096+01	-89353763+00	-17207231+00	+80176613+00
+62133595+00	+13028234+01	-89935977+00	-16530948+00	+80053344+00
+62744454+00	+13012132+01	-90451389+00	-15923605+00	+79944007+00
+63355315+00	+12997208+01	-90974024+00	-15299787+00	+79833166+00
+63966174+00	+12983454+01	-91505655+00	-14657378+00	+79720696+00
+64577034+00	+12970863+01	-92048303+00	-13993940+00	+79606453+00
+65187894+00	+12959436+01	-92604272+00	-13306627+00	+79490271+00
+65798753+00	+12949175+01	-93176229+00	-12592120+00	+79371974+00
+66322347+00	+12941316+01	-93681578+00	-11955056+00	+79268733+00

TABLE 77.—Continued

$M_{\infty} = +14999999+01$

$\theta_B = +21816615+00$

θ	M_{W2}^*	ψ_2	M_2^*	μ_1
+66845941+00	+12934331+01	-94203280+00	-11292193+00	+79163637+00
+67369536+00	+12928231+01	-94744056+00	-10600066+00	+79056522+00
+67893129+00	+12923034+01	-95307076+00	-98746184-01	+78947197+00
+68416723+00	+12918764+01	-95896166+00	-91109355-01	+78835446+00
+68940317+00	+12915447+01	-96515909+00	-83031167-01	+78721026+00
+69376646+00	+12913437+01	-97059790+00	-75910394-01	+78623432+00
+69812974+00	+12912140+01	-97632780+00	-68382234-01	+78523592+00
+70249302+00	+12911584+01	-98239656+00	-60384963-01	+78421287+00
+70685631+00	+12911807+01	-98886266+00	-51843142-01	+78316256+00
+71121959+00	+12912851+01	-99579869+00	-42663113-01	+78208204+00
+71558287+00	+12914769+01	-10032959+01	-32727273-01	+78096777+00
+71907350+00	+12916976+01	-10097754+01	-24134348-01	+78004919+00
+72256412+00	+12919824+01	-10167643+01	-14864234-01	+77910371+00
+72605476+00	+12923359+01	-10243580+01	-47943910-02	+77812828+00
+72954538+00	+12927641+01	-10326784+01	+62317716-02	+77711924+00
+73303601+00	+12932737+01	-10418847+01	+18418057-01	+77607222+00
+73652663+00	+12938735+01	-10521883+01	+32035516-01	+77498174+00
+73914461+00	+12943889+01	-10608066+01	+43405521-01	+77413134+00
+74176257+00	+12949669+01	-10703662+01	+55994683-01	+77324922+00
+74438054+00	+12956144+01	-10810831+01	+70078355-01	+77233097+00
+74699852+00	+12963401+01	-10932502+01	+86029444-01	+77137124+00
+74961648+00	+12971551+01	-11072752+01	+10436704+00	+77036317+00
+75223446+00	+12980737+01	-11237486+01	+12584141+00	+76929784+00
+75397977+00	+12987530+01	-11365134+01	+14243635+00	+76855007+00
+75572508+00	+12994944+01	-11511336+01	+16139893+00	+76776697+00
+75747039+00	+13003073+01	-11681457+01	+18340871+00	+76694264+00
+75921571+00	+13012044+01	-11883322+01	+20945632+00	+76606933+00
+76096103+00	+13022026+01	-12128905+01	+24105650+00	+76513650+00
+76158205+00	+13025864+01	-12230178+01	+25406240+00	+76478762+00

$S_2/R = +86550254-03$

$\eta/\alpha = +18235063+00$

TABLE 78.—Conical Flow Field. $\theta_s=12.5^\circ$; $M_\infty=1.75$

M_{00}	θ_s	θ_w			
+17500001+01	+21816615+00	+64398686+00			
θ	M_{w2}^*	ψ_2	M_2^*	μ_1	
+21816615+00	+23981863+01	+17601997-05	-52025601+00	+70051200+00	
+22907445+00	+22889801+01	-80619828-01	-51854330+00	+70037494+00	
+23998275+00	+21937805+01	-15084485+00	-51408417+00	+70000296+00	
+25089106+00	+21104968+01	-21253595+00	-50766641+00	+69944461+00	
+26136302+00	+20399988+01	-26508307+00	-50018272+00	+69876785+00	
+27183499+00	+19773823+01	-31212830+00	-49176608+00	+69797933+00	
+28230696+00	+19215329+01	-35449764+00	-48267756+00	+69709916+00	
+29234260+00	+18735074+01	-39133914+00	-47351573+00	+69618456+00	
+30237824+00	+18301739+01	-42499825+00	-46403935+00	+69521175+00	
+31241388+00	+17909620+01	-45588708+00	-45434222+00	+69418993+00	
+32201318+00	+17568642+01	-48316251+00	-44492454+00	+69317337+00	
+33161249+00	+17257308+01	-50848271+00	-43541377+00	+69212385+00	
+34121179+00	+16972488+01	-53207222+00	-42584285+00	+69104562+00	
+35037477+00	+16722849+01	-55315432+00	-41667243+00	+68999276+00	
+35953774+00	+16492830+01	-57298572+00	-40748233+00	+68891920+00	
+36870072+00	+16280621+01	-59169758+00	-39828118+00	+68782691+00	
+37742736+00	+16093614+01	-60858425+00	-38951192+00	+68677059+00	
+38615400+00	+15920090+01	-62465152+00	-38073717+00	+68569962+00	
+39488064+00	+15758960+01	-63998099+00	-37195492+00	+68461467+00	
+40317095+00	+15616480+01	-65392821+00	-36360092+00	+68357154+00	
+41146126+00	+15483560+01	-66733494+00	-35523070+00	+68251650+00	
+41975157+00	+15359526+01	-68025522+00	-34683699+00	+68144958+00	
+42760555+00	+15249664+01	-69209268+00	-33885532+00	+68042784+00	
+43545952+00	+15146764+01	-70357936+00	-33083565+00	+67939511+00	
+44331350+00	+15050402+01	-71475358+00	-32276767+00	+67835123+00	
+45073114+00	+14965047+01	-72505358+00	-31509280+00	+67735468+00	
+45814879+00	+14884883+01	-73513826+00	-30735281+00	+67634724+00	
+46556644+00	+14809641+01	-74503755+00	-29953477+00	+67532835+00	
+47254775+00	+14743101+01	-75421177+00	-29209225+00	+67435832+00	
+47952906+00	+14680518+01	-76327294+00	-28455399+00	+67337690+00	
+48651038+00	+14621720+01	-77224653+00	-27690444+00	+67238333+00	
+49305536+00	+14569899+01	-78060322+00	-26961630+00	+67144003+00	
+49960034+00	+14521155+01	-78892888+00	-26219846+00	+67048449+00	
+50614526+00	+14475385+01	-79724763+00	-25463216+00	+66951574+00	
+51225387+00	+14435267+01	-80502841+00	-24741753+00	+66859880+00	
+51836246+00	+14397592+01	-81284863+00	-24003514+00	+66766852+00	
+52447106+00	+14362300+01	-82073327+00	-23246221+00	+66672390+00	
+53014332+00	+14331620+01	-82813684+00	-22523656+00	+66583284+00	
+53581560+00	+14302918+01	-83564529+00	-21779935+00	+66492714+00	
+54148786+00	+14276169+01	-84328666+00	-21012243+00	+66400575+00	
+54672380+00	+14253193+01	-85048616+00	-20279475+00	+66314005+00	
+55195974+00	+14231854+01	-85785573+00	-19520415+00	+66225849+00	
+55719568+00	+14212149+01	-86542923+00	-18731489+00	+66135972+00	
+56199530+00	+14195524+01	-87258432+00	-17978482+00	+66051938+00	
+56679491+00	+14180283+01	-87997969+00	-17192973+00	+65966183+00	
+57159452+00	+14166441+01	-88765744+00	-16370391+00	+65878559+00	
+57595780+00	+14155088+01	-89492451+00	-15585802+00	+65797120+00	
+58032108+00	+14144932+01	-90251195+00	-14761059+00	+65713818+00	
+58468437+00	+14136001+01	-91047402+00	-13890185+00	+65628480+00	
+58861133+00	+14129041+01	-91801437+00	-13060987+00	+65549764+00	

TABLE 78.—Continued

$M_{00} = +17500001+01$

$e_s = +21816615+00$

θ	M_{V2}^*	ψ_2	M_2^*	μ_1
+59253828+00	+14123136+01	-92597012+00	-12182078+00	+65469053+00
+59646524+00	+14118329+01	-93441271+00	-11245576+00	+65386146+00
+59995586+00	+14115017+01	-94239708+00	-10356919+00	+65310415+00
+60344649+00	+14112655+01	-95091262+00	-94065678-01	+65232562+00
+60693712+00	+14111295+01	-96005485+00	-83839883-01	+65152362+00
+60999142+00	+14110975+01	-96866219+00	-74196305-01	+65080050+00
+61304571+00	+14111522+01	-97794234+00	-63786847-01	+65005514+00
+61610001+00	+14112996+01	-98802314+00	-52470767-01	+64928501+00
+61871798+00	+14115052+01	-99742429+00	-41914147-01	+64860289+00
+62133595+00	+14117901+01	-10076657+01	-30414252-01	+64789803+00
+62395392+00	+14121609+01	-10189168+01	-17785154-01	+64716766+00
+62613556+00	+14125416+01	-10292213+01	-62257355-02	+64653714+00
+62831720+00	+14129934+01	-10405451+01	+64666176-02	+64588428+00
+63049885+00	+14135236+01	-10531031+01	+20527017-01	+64520627+00
+63224416+00	+14140099+01	-10642262+01	+32966234-01	+64464343+00
+63398947+00	+14145571+01	-10765097+01	+46686028-01	+64406015+00
+63573479+00	+14151718+01	-10902011+01	+61956468-01	+64345385+00
+63704377+00	+14156818+01	-11015871+01	+74638242-01	+64298212+00
+63835275+00	+14162384+01	-11141278+01	+88587765-01	+64249405+00
+63966174+00	+14168462+01	-11280538+01	+10405623+00	+64198770+00
+64097073+00	+14175113+01	-11436665+01	+12137187+00	+64146072+00
+64227971+00	+14182409+01	-11613687+01	+14097274+00	+64091023+00
+64358870+00	+14190440+01	-11817125+01	+16345905+00	+64033262+00
+64398686+00	+14193047+01	-11885357+01	+17099190+00	+64015087+00

$s_2/R = +29076031-02$

$\eta/\alpha = +23711734+00$

TABLE 79.—Conical Flow Field. $\theta_s=12.5^\circ$; $M_\infty=2.0$

M_{∞}	θ_s	e_w
+19999998+01	+21815615+00	+56518145+00

θ	M_{w2}^*	ψ_2	M_2^*	μ_1
+21816615+00	+24795576+01	+12023374-05	-53951038+00	+59955184+00
+22514746+00	+24064300+01	-50217574-01	-53875577+00	+59950043+00
+23212878+00	+23389465+01	-96127695-01	-53669216+00	+59935588+00
+23911009+00	+22770880+01	-13826899+00	-53357286+00	+59913111+00
+24609140+00	+22202906+01	-17709828+00	-52959890+00	+59883693+00
+25307272+00	+21680353+01	-21300348+00	-52493071+00	+59848242+00
+26005403+00	+21198624+01	-24631626+00	-51969710+00	+59807517+00
+26659901+00	+20780484+01	-27544647+00	-51436963+00	+59765127+00
+27314399+00	+20391737+01	-30275288+00	-50870609+00	+59719122+00
+27968897+00	+20029780+01	-32841447+00	-50276349+00	+59669892+00
+28623395+00	+19692297+01	-35258877+00	-49658868+00	+59617775+00
+29277893+00	+19377227+01	-37541516+00	-49022010+00	+59563057+00
+29932392+00	+19082726+01	-39701763+00	-48368920+00	+59505991+00
+30543257+00	+18824956+01	-41617347+00	-47746992+00	+59450792+00
+31154121+00	+18582453+01	-4344046+00	-47114866+00	+59393885+00
+31764986+00	+18354123+01	-45189191+00	-46473924+00	+59335394+00
+32375851+00	+18138970+01	-46859436+00	-45825279+00	+59275433+00
+32986716+00	+17936089+01	-48460848+00	-45169814+00	+59214103+00
+33597581+00	+17744658+01	-49998991+00	-44508197+00	+59151485+00
+34164812+00	+17576494+01	-51375090+00	-43888766+00	+59092246+00
+34732044+00	+17417003+01	-52704828+00	-43264727+00	+59032003+00
+35299276+00	+17265676+01	-53991726+00	-42636243+00	+58970795+00
+35866508+00	+17122047+01	-55239079+00	-42003372+00	+58908653+00
+36433740+00	+16985684+01	-56449975+00	-41366082+00	+58845602+00
+37000971+00	+16856188+01	-57627331+00	-40724245+00	+58781662+00
+37524570+00	+16742430+01	-58686737+00	-40127572+00	+58721859+00
+38048168+00	+16633943+01	-59721936+00	-39526624+00	+58661317+00
+38571767+00	+16530476+01	-60735059+00	-38921116+00	+58600032+00
+39095365+00	+16431797+01	-61727877+00	-38310697+00	+58538004+00
+39618963+00	+16337690+01	-62702313+00	-37694948+00	+58475222+00
+40142562+00	+16247955+01	-63660175+00	-37073405+00	+58411682+00
+40622527+00	+16169376+01	-64525191+00	-36498086+00	+58352753+00
+41102493+00	+16094180+01	-65379150+00	-35916954+00	+58293161+00
+41582458+00	+16022238+01	-66223430+00	-35329464+00	+58232876+00
+42062423+00	+15953435+01	-67059397+00	-34735020+00	+58171889+00
+42542389+00	+15887661+01	-67888436+00	-34132953+00	+58110172+00
+43022354+00	+15824814+01	-68711971+00	-33522511+00	+58047697+00
+43458686+00	+15770140+01	-69457095+00	-32959594+00	+57990214+00
+43895018+00	+15717740+01	-70200015+00	-32388370+00	+57932056+00
+44331350+00	+15667553+01	-70941924+00	-31808056+00	+57873187+00
+44767682+00	+15619523+01	-71684074+00	-31217794+00	+57813575+00
+45204014+00	+15573596+01	-72427784+00	-30616621+00	+57753183+00
+45640346+00	+15529724+01	-73174470+00	-30003465+00	+57691973+00
+46033045+00	+15491962+01	-73850294+00	-29440376+00	+57636140+00
+46425744+00	+15455799+01	-74530959+00	-28865625+00	+57579571+00
+46818443+00	+15421211+01	-75217759+00	-28278117+00	+57522233+00
+47211142+00	+15388176+01	-75912148+00	-27676599+00	+57464064+00
+47603840+00	+15356673+01	-76615675+00	-27059698+00	+57405023+00
+47996540+00	+15326685+01	-77330079+00	-26425846+00	+57345062+00
+48345605+00	+15301292+01	-77975784+00	-25846761+00	+57290939+00

TABLE 79.—Continued

 $M_{00} = +19999998+01$ $\theta_3 = +21816615+00$

θ	M_{w2}^*	$\#_2$	M_2^*	μ_1
+48694671+00	+15277080+01	-78633132+00	-25251459+00	+57235995+00
+49043736+00	+15254044+01	-79303821+00	-24638338+00	+57180174+00
+49392802+00	+15232183+01	-79989769+00	-24005579+00	+57123420+00
+49741868+00	+15211497+01	-80693137+00	-23351097+00	+57065674+00
+50090933+00	+15191992+01	-81416389+00	-22672510+00	+57006865+00
+50396362+00	+15175900+01	-82067768+00	-22056807+00	+56954475+00
+50701792+00	+15160726+01	-82738726+00	-21418404+00	+56901153+00
+51007222+00	+15146479+01	-83431765+00	-20754845+00	+56846833+00
+51312652+00	+15133173+01	-84149737+00	-20063322+00	+56791446+00
+51618082+00	+15120826+01	-84895995+00	-19340527+00	+56734910+00
+51923512+00	+15109457+01	-85674427+00	-18582608+00	+56677134+00
+52185309+00	+15100509+01	-86370751+00	-17901571+00	+56626549+00
+52447106+00	+15092317+01	-87097500+00	-17188016+00	+56574901+00
+52708903+00	+15084903+01	-87858659+00	-16437992+00	+56522114+00
+52970700+00	+15078292+01	-88658941+00	-15646835+00	+56468092+00
+53232497+00	+15072516+01	-89503944+00	-14808994+00	+56412727+00
+53494294+00	+15067609+01	-90400398+00	-13917796+00	+56355905+00
+53712458+00	+15064215+01	-91192607+00	-13128574+00	+56307336+00
+53930622+00	+15061483+01	-92031940+00	-12291023+00	+56257561+00
+54148786+00	+15059447+01	-92925226+00	-11398379+00	+56206475+00
+54366950+00	+15058144+01	-93880808+00	-10442403+00	+56153957+00
+54585115+00	+15057620+01	-94908894+00	-94130054-01	+56099862+00
+54803279+00	+15057930+01	-96022168+00	-82976723-01	+56044026+00
+54977810+00	+15058821+01	-96984748+00	-73330523-01	+55997974+00
+55152342+00	+15060325+01	-98022254+00	-62933130-01	+55950561+00
+55326873+00	+15062487+01	-99147316+00	-51660240-01	+55901652+00
+55501404+00	+15065361+01	-10037578+01	-39356017-01	+55851083+00
+55675935+00	+15069013+01	-10172784+01	-25821887-01	+55798661+00
+55850467+00	+15073518+01	-10322967+01	-10800840-01	+55744155+00
+55981365+00	+15077514+01	-10447485+01	+16419804-02	+55701733+00
+56112264+00	+15082093+01	-10584258+01	+15296976-01	+55657834+00
+56243163+00	+15087313+01	-10735723+01	+30402739-01	+55612278+00
+56374061+00	+15093244+01	-10905053+01	+47269898-01	+55564857+00
+56504959+00	+15099973+01	-11096480+01	+66312363-01	+55515311+00
+56518145+00	+15100700+01	-11117193+01	+68371327-01	+55510191+00

 $s_2/R = +82204570-02$ $\eta/\alpha = +29658696+00$

TABLE 80.—Conical Flow Field. $\theta_s=12.5^\circ$; $M_\infty=2.5$

M_∞	θ_s	θ_v		
+24999999+01	+21816615+00	+46630615+00		

θ	M_{w2}^*	ψ_2	M_2^*	μ_1
+21816615+00	+25395049+01	+64633787-06	-55987255+00	+47182578+00
+22296580+00	+24916833+01	-31798460-01	-55949869+00	+47180352+00
+22776545+00	+24438421+01	-61713097-01	-55844615+00	+47173960+00
+23256511+00	+23984442+01	-89915374-01	-55680677+00	+47163806+00
+23736476+00	+23555200+01	-11656267+00	-55465804+00	+47150251+00
+24216441+00	+23149625+01	-14179566+00	-55206556+00	+47133600+00
+24696407+00	+22766354+01	-16573939+00	-54908501+00	+47114131+00
+25176372+00	+22403989+01	-18850567+00	-54576371+00	+47092076+00
+25656337+00	+22061183+01	-21019452+00	-54214196+00	+47067651+00
+26136302+00	+21736667+01	-23089595+00	-53825416+00	+47041036+00
+26572634+00	+21456529+01	-24892695+00	-53451363+00	+47015084+00
+27008967+00	+21189708+01	-26626449+00	-53059638+00	+46987568+00
+27445299+00	+20935438+01	-28295933+00	-52651865+00	+46958588+00
+27881631+00	+20693004+01	-29905817+00	-52229454+00	+46928228+00
+28317963+00	+20461747+01	-31460406+00	-51793600+00	+46896565+00
+28754295+00	+20241052+01	-32963682+00	-51345331+00	+46863667+00
+29190627+00	+20030348+01	-34419342+00	-50885510+00	+46829596+00
+29626959+00	+19829103+01	-35830831+00	-50414857+00	+46794405+00
+30063291+00	+19636825+01	-37201356+00	-49933973+00	+46758141+00
+30455990+00	+19471061+01	-38402305+00	-49492821+00	+46724617+00
+30848689+00	+19311875+01	-39574605+00	-49044033+00	+46690281+00
+31241388+00	+19158973+01	-40720224+00	-48587815+00	+46655156+00
+31634087+00	+19012079+01	-41841045+00	-48124302+00	+46619259+00
+32026785+00	+18870936+01	-42938872+00	-47653577+00	+46582608+00
+32419484+00	+18735301+01	-44015436+00	-47175660+00	+46545212+00
+32812183+00	+18604945+01	-45072414+00	-46690508+00	+46507083+00
+33204882+00	+18479654+01	-46111438+00	-46198030+00	+46468225+00
+33597581+00	+18359228+01	-47134095+00	-45698069+00	+46428643+00
+33946646+00	+18256114+01	-48030635+00	-45247212+00	+46392849+00
+34295712+00	+18156569+01	-48916545+00	-44790091+00	+46356485+00
+34644778+00	+18060475+01	-49792897+00	-44326481+00	+46319544+00
+34993844+00	+17967720+01	-50660767+00	-43856110+00	+46282025+00
+35342909+00	+17878199+01	-51521237+00	-43378667+00	+46243913+00
+35691975+00	+17791813+01	-52375393+00	-42893790+00	+46205206+00
+36041040+00	+17708468+01	-53224338+00	-42401074+00	+46165890+00
+36390106+00	+17628076+01	-54069206+00	-41900055+00	+46125953+00
+36739172+00	+17550553+01	-54911174+00	-41390206+00	+46085379+00
+37044604+00	+17485014+01	-55646460+00	-40936386+00	+46049342+00
+37350037+00	+17421563+01	-56381301+00	-40474910+00	+46012790+00
+37655469+00	+17360155+01	-57116579+00	-40005289+00	+45975707+00
+37960902+00	+17300747+01	-57853226+00	-39526985+00	+45938082+00
+38266334+00	+17243297+01	-58592233+00	-39039383+00	+45899892+00
+38571767+00	+17187769+01	-59334645+00	-38541822+00	+45861116+00
+38877199+00	+17134129+01	-60081599+00	-38033544+00	+45821734+00
+39182631+00	+17082343+01	-60834297+00	-37513716+00	+45781716+00
+39488064+00	+17032385+01	-61594061+00	-36981411+00	+45741040+00
+39749863+00	+16990996+01	-62252005+00	-36514414+00	+45705626+00
+40011663+00	+16950916+01	-62917184+00	-36036742+00	+45669682+00
+40273461+00	+16912131+01	-63590674+00	-35547573+00	+45633184+00
+40535261+00	+16874630+01	-64273660+00	-35045991+00	+45596109+00

TABLE 80.—Continued

$$M_{00} = +24999999+01$$

$$\theta_0 = +21816615+00$$

θ	M_{W2}^*	ψ_2	M_2^*	μ_1
+40797060+00	+16838404+01	-64967432+00	-34530988+00	+45558428+00
+41058859+00	+16803446+01	-65673437+00	-34001412+00	+45520109+00
+41320659+00	+16769751+01	-66393275+00	-33455983+00	+45481120+00
+41582458+00	+16737316+01	-67128723+00	-32893253+00	+45441422+00
+41844257+00	+16706141+01	-67881816+00	-32311567+00	+45400976+00
+42062423+00	+16681126+01	-68524494+00	-31811006+00	+45366664+00
+42280589+00	+16656989+01	-69182484+00	-31294752+00	+45331774+00
+42498755+00	+16633737+01	-69857454+00	-30761419+00	+45296269+00
+42716921+00	+16611376+01	-70551281+00	-30209437+00	+45260116+00
+42935087+00	+16589911+01	-71266099+00	-29637022+00	+45223275+00
+43153253+00	+16569357+01	-72004307+00	-29042155+00	+45185706+00
+43371419+00	+16549724+01	-72768696+00	-28422493+00	+45147358+00
+43589585+00	+16531029+01	-73562458+00	-27775340+00	+45108181+00
+43807751+00	+16513290+01	-74389290+00	-27097577+00	+45068113+00
+43982284+00	+16499803+01	-75077467+00	-26530882+00	+45035377+00
+44156817+00	+16486956+01	-75792144+00	-25940085+00	+45001988+00
+44331350+00	+16474764+01	-76536275+00	-25322692+00	+44967905+00
+44505883+00	+16463245+01	-77313270+00	-24675827+00	+44933085+00
+44680416+00	+16452421+01	-78127085+00	-23996140+00	+44897473+00
+44854948+00	+16442313+01	-78982363+00	-23279706+00	+44861007+00
+45029481+00	+16432951+01	-79884570+00	-22521909+00	+44823624+00
+45204014+00	+16424364+01	-80840211+00	-21717255+00	+44785246+00
+45378547+00	+16416590+01	-81857132+00	-20859128+00	+44745784+00
+45509446+00	+16411319+01	-82665649+00	-20175701+00	+44715422+00
+45640346+00	+16406550+01	-83518732+00	-19453682+00	+44684342+00
+45771246+00	+16402307+01	-84421987+00	-18688344+00	+44652497+00
+45902146+00	+16398616+01	-85382100+00	-17874066+00	+44619823+00
+46033045+00	+16395508+01	-86407061+00	-17004124+00	+44586249+00
+46163945+00	+16393021+01	-87506498+00	-16070423+00	+44551697+00
+46294844+00	+16391193+01	-88692234+00	-15063035+00	+44516070+00
+46425744+00	+16390075+01	-89978856+00	-13969720+00	+44479263+00
+46556644+00	+16389724+01	-91384687+00	-12775108+00	+44441145+00
+46630615+00	+16389891+01	-92240393+00	-12048070+00	+44418973+00

$$S_2/R = +40348766-01$$

$$\eta/\alpha = +41110196+00$$

TABLE 81.—Conical Flow Field. $\theta_s=12.5^\circ$; $M_\infty=3.0$

M_∞	θ_B		θ_W	
+29999998+01	+21816615+00		+40760084+00	
θ	M_{W2}^*	ψ_2	M_2^*	μ_1
+21816615+00	+25081861+01	+45076013-06	-56705864+00	+39313283+00
+22165681+00	+24827485+01	-21321829-01	-56686040+00	+39312123+00
+22514746+00	+24511473+01	-41754462-01	-56629178+00	+39308751+00
+22863812+00	+24198414+01	-61349420-01	-56538902+00	+39303329+00
+23212878+00	+23893688+01	-80164177-01	-56418401+00	+39295995+00
+23561943+00	+23598916+01	-98253711-01	-56270484+00	+39286880+00
+23911009+00	+23314580+01	-11566917+00	-56097618+00	+39276098+00
+24260075+00	+23040708+01	-13245775+00	-55901980+00	+39263753+00
+24609140+00	+22777116+01	-14866304+00	-55685475+00	+39249939+00
+24958206+00	+22523515+01	-16432522+00	-55449790+00	+39234741+00
+25307272+00	+22279568+01	-17948156+00	-55196407+00	+39218233+00
+25656337+00	+22044915+01	-19416641+00	-54926630+00	+39200484+00
+26005403+00	+21819189+01	-20841192+00	-54641596+00	+39181555+00
+26354468+00	+21602032+01	-2224781+00	-54342308+00	+39161501+00
+26659901+00	+21418769+01	-23404021+00	-54069422+00	+39143070+00
+26965333+00	+21241566+01	-24555800+00	-53786796+00	+39123846+00
+27270766+00	+21070203+01	-25681771+00	-53494876+00	+39103856+00
+27576198+00	+20904468+01	-26783518+00	-53194050+00	+39083125+00
+27881631+00	+20744157+01	-27862551+00	-52884648+00	+39061675+00
+28187063+00	+20589076+01	-28920305+00	-52566950+00	+39039520+00
+28492496+00	+20439038+01	-29958151+00	-52241193+00	+39016685+00
+28797928+00	+20293865+01	-30977426+00	-51907555+00	+38993178+00
+29103361+00	+20153391+01	-31979400+00	-51566181+00	+38969018+00
+29408793+00	+20017450+01	-32965318+00	-51217172+00	+38944210+00
+29714226+00	+19885892+01	-33936378+00	-50860581+00	+38918766+00
+30019658+00	+19758571+01	-34893756+00	-50496426+00	+38892692+00
+30325091+00	+19635345+01	-35838614+00	-50124676+00	+38865994+00
+30586890+00	+19532883+01	-36639385+00	-49799942+00	+38842616+00
+30848689+00	+19433255+01	-37432495+00	-49469516+00	+38818780+00
+31110488+00	+19336385+01	-38218666+00	-49133302+00	+38794487+00
+31372287+00	+19242199+01	-38998599+00	-48791187+00	+38769737+00
+31634087+00	+19150630+01	-39773002+00	-48443034+00	+38744529+00
+31895886+00	+19061610+01	-40542600+00	-48088673+00	+38718855+00
+32157685+00	+18975078+01	-41308124+00	-47727910+00	+38692717+00
+32419484+00	+18890971+01	-42070322+00	-47360517+00	+38666106+00
+32681284+00	+18809236+01	-42829941+00	-46986243+00	+38639015+00
+32943083+00	+18729816+01	-43587787+00	-46604793+00	+38611436+00
+33204882+00	+18652660+01	-44344671+00	-46215834+00	+38583362+00
+33466681+00	+18577720+01	-45101436+00	-45819005+00	+38554779+00
+33728480+00	+18504951+01	-45858980+00	-45413883+00	+38525677+00
+33946646+00	+18445935+01	-46491539+00	-45069609+00	+38501018+00
+34164812+00	+18388373+01	-47125863+00	-44718955+00	+38475981+00
+34382978+00	+18332241+01	-47762561+00	-44361590+00	+38450554+00
+34601144+00	+18277521+01	-48402270+00	-43997150+00	+38424728+00
+34819311+00	+18224190+01	-49045675+00	-43625238+00	+38398491+00
+35037477+00	+18172231+01	-49693513+00	-43245406+00	+38371831+00
+35255643+00	+18121628+01	-50346556+00	-42857176+00	+38344733+00
+35473809+00	+18072365+01	-51005652+00	-42460009+00	+38317182+00
+35691975+00	+18024427+01	-51671719+00	-42053305+00	+38289158+00
+35910141+00	+17977804+01	-52345755+00	-41636399+00	+38260646+00

TABLE 81.—Continued

$M_{00} = +29999998+01$

$e_s = +21816615+00$

θ	M_{w2}^*	ψ_2	M_2^*	μ_1
+36128307+00	+17932482+01	-53028839+00	-41208565+00	+38231627+00
+36346473+00	+17888454+01	-53722177+00	-40768973+00	+38202075+00
+36564639+00	+17845710+01	-54427088+00	-40316698+00	+38171966+00
+36739172+00	+17812437+01	-55000328+00	-39945062+00	+38147463+00
+36913705+00	+17779982+01	-55582736+00	-39564059+00	+38122572+00
+37088238+00	+17748343+01	-56175231+00	-39173035+00	+38097278+00
+37262770+00	+17717519+01	-56778797+00	-38771273+00	+38071563+00
+37437303+00	+17687512+01	-57394545+00	-38357970+00	+38045405+00
+37611836+00	+17658324+01	-58023693+00	-37932232+00	+38018787+00
+37786369+00	+17629958+01	-58667603+00	-37493058+00	+37991684+00
+37960902+00	+17602418+01	-59327797+00	-37039327+00	+37964073+00
+38135435+00	+17575711+01	-60005984+00	-36569774+00	+37935924+00
+38309967+00	+17549843+01	-60704080+00	-36082976+00	+37907210+00
+38484500+00	+17524825+01	-61424292+00	-35577295+00	+37877895+00
+38659033+00	+17500668+01	-62169102+00	-35050877+00	+37847944+00
+38833566+00	+17477386+01	-62941383+00	-34501577+00	+37817317+00
+38964465+00	+17460507+01	-63540601+00	-34073112+00	+37793875+00
+39095365+00	+17444137+01	-64158713+00	-33629199+00	+37770005+00
+39226265+00	+17428287+01	-64797517+00	-33168506+00	+37745684+00
+39357164+00	+17412965+01	-65459041+00	-32689512+00	+37720887+00
+39488064+00	+17398183+01	-66145588+00	-32190487+00	+37695584+00
+39618963+00	+17383954+01	-66859783+00	-31669473+00	+37669747+00
+39749863+00	+17370294+01	-67604639+00	-31124220+00	+37643337+00
+39880763+00	+17357220+01	-68383641+00	-30552117+00	+37616322+00
+40011663+00	+17344750+01	-69200846+00	-29950130+00	+37588655+00
+40142562+00	+17332909+01	-70060987+00	-29314731+00	+37560290+00
+40273461+00	+17321719+01	-70969670+00	-28641729+00	+37531171+00
+40404361+00	+17311212+01	-71933581+00	-27926140+00	+37501237+00
+40535261+00	+17301420+01	-72960731+00	-27161994+00	+37470418+00
+40666161+00	+17292385+01	-74060853+00	-26342038+00	+37438632+00
+40760084+00	+17286392+01	-74901764+00	-25714409+00	+37415178+00

$S_2/R = +12406043+00$

$\eta/\alpha = +50912396+00$

TABLE 82.—Conical Flow Field. $\theta_s=12.5^\circ$; $M_\infty=3.5$

M_∞	θ_s		θ_w	
+34999995+01	+21816615+00		+36939419+00	

θ	M_{w2}^*	τ_2	M_2^*	μ_1
+21816615+00	+24252010+01	+33434480-06	-56891709+00	+33953583+00
+22122047+00	+24182586+01	-17195307-01	-56876924+00	+33952687+00
+22427480+00	+23971334+01	-33816827-01	-56834173+00	+33950062+00
+22732912+00	+23746145+01	-49878519-01	-56765745+00	+33945815+00
+23038345+00	+23518740+01	-65410693-01	-56673700+00	+33940048+00
+23343777+00	+23293409+01	-80445871-01	-56559865+00	+33932847+00
+23649210+00	+23072137+01	-95015789-01	-56425877+00	+33924293+00
+23954642+00	+22855939+01	-10915066+00	-56273175+00	+33914454+00
+24260075+00	+22645343+01	-12287894+00	-56103045+00	+33903401+00
+24565507+00	+22440608+01	-13622753+00	-55916619+00	+33891188+00
+24870940+00	+22241836+01	-14922157+00	-55714898+00	+33877870+00
+25176372+00	+22049031+01	-16188486+00	-55498766+00	+33863491+00
+25481804+00	+21862138+01	-17423976+00	-55268992+00	+33848096+00
+25787237+00	+21681060+01	-18630738+00	-55026252+00	+33831719+00
+26049036+00	+21530389+01	-19643750+00	-54808314+00	+33816931+00
+26310835+00	+21383817+01	-20638335+00	-54581595+00	+33801466+00
+26572634+00	+21241255+01	-21615640+00	-54346369+00	+33785345+00
+26834434+00	+21102610+01	-22576779+00	-54102872+00	+33768579+00
+27096233+00	+20967790+01	-23522835+00	-53851295+00	+33751182+00
+27358032+00	+20836696+01	-24454853+00	-53591792+00	+33733167+00
+27619831+00	+20709239+01	-25373835+00	-53324492+00	+33714544+00
+27881631+00	+20585325+01	-26280787+00	-53049473+00	+33695317+00
+28143430+00	+20464865+01	-27176685+00	-52766786+00	+33675501+00
+28405229+00	+20347771+01	-28062488+00	-52476448+00	+33655091+00
+28667029+00	+20233957+01	-28939154+00	-52178433+00	+33634096+00
+28928828+00	+20123342+01	-29807633+00	-51872689+00	+33612516+00
+29190627+00	+20015845+01	-30668878+00	-51559119+00	+33590353+00
+29408793+00	+19928592+01	-31381750+00	-51291742+00	+33571435+00
+29626959+00	+19843408+01	-32090831+00	-51018742+00	+33552110+00
+29845125+00	+19760253+01	-32796686+00	-50740003+00	+33532374+00
+30063291+00	+19679088+01	-33499897+00	-50455385+00	+33512222+00
+30281457+00	+19599872+01	-34201068+00	-50164726+00	+33491651+00
+30499623+00	+19522572+01	-34900809+00	-49867840+00	+33470657+00
+30717789+00	+19447150+01	-35599759+00	-49564512+00	+33449234+00
+30935955+00	+19373575+01	-36298580+00	-49254504+00	+33427372+00
+31154121+00	+19301813+01	-36997961+00	-48937541+00	+33405064+00
+31372287+00	+19231835+01	-37698636+00	-48613316+00	+33382303+00
+31590453+00	+19163612+01	-38401367+00	-48281485+00	+33359074+00
+31808619+00	+19097117+01	-39106975+00	-47941662+00	+33335370+00
+32026785+00	+19032325+01	-39816325+00	-47593417+00	+33311172+00
+32201318+00	+18981701+01	-40387133+00	-47308426+00	+33291452+00
+32375851+00	+18932142+01	-40961447+00	-47017460+00	+33271397+00
+32550384+00	+18883635+01	-41539816+00	-46720214+00	+33251002+00
+32724917+00	+18836172+01	-42122828+00	-46416358+00	+33230256+00
+32899450+00	+18789743+01	-42711110+00	-46105523+00	+33209148+00
+33073982+00	+18744341+01	-43305341+00	-45787310+00	+33187665+00
+33248515+00	+18699959+01	-43906257+00	-45461275+00	+33165796+00
+33423048+00	+18656590+01	-44514667+00	-45126926+00	+33143524+00
+33597581+00	+18614229+01	-45131437+00	-44783720+00	+33120837+00
+33772114+00	+18572873+01	-45757532+00	-44431049+00	+33097714+00

TABLE 82.—Continued

$$M_{\infty} = +34999995+01$$

$$\theta_s = +21816615+00$$

θ	M_{w2}^*	ψ_2	M_2^*	μ_1
+33946646+00	+18532517+01	-46394007+00	-44068240+00	+33074142+00
+34121179+00	+18493161+01	-47042038+00	-43694539+00	+33050096+00
+34295712+00	+18454804+01	-47702920+00	-43309104+00	+33025557+00
+34426612+00	+18426692+01	-48207879+00	-43011760+00	+33006813+00
+34557512+00	+18399144+01	-48721561+00	-42706834+00	+32987768+00
+34688411+00	+18372162+01	-49244690+00	-42393845+00	+32968409+00
+34819311+00	+18345745+01	-49778098+00	-42072242+00	+32948723+00
+34950210+00	+18319900+01	-50322672+00	-41741436+00	+32928694+00
+35081110+00	+18294628+01	-50879396+00	-41400764+00	+32908306+00
+35212010+00	+18269933+01	-51449370+00	-41049492+00	+32887548+00
+35342909+00	+18245821+01	-52033815+00	-40686799+00	+32866398+00
+35473809+00	+18222299+01	-52634091+00	-40311771+00	+32844836+00
+35604708+00	+18199373+01	-53251730+00	-39923375+00	+32822846+00
+35735608+00	+18177050+01	-53888455+00	-39520448+00	+32800395+00
+35866508+00	+18155341+01	-54546220+00	-39101669+00	+32777464+00
+35997408+00	+18134257+01	-55227250+00	-38665537+00	+32754024+00
+36084674+00	+18120555+01	-55695435+00	-38364303+00	+32738098+00
+36171940+00	+18107139+01	-56175936+00	-38054022+00	+32721922+00
+36259206+00	+18094016+01	-56669689+00	-37734058+00	+32705480+00
+36346473+00	+18081190+01	-57177705+00	-37403728+00	+32688769+00
+36433740+00	+18068667+01	-57701149+00	-37062247+00	+32671769+00
+36521006+00	+18056452+01	-58241287+00	-36708759+00	+32654468+00
+36608272+00	+18044555+01	-58799536+00	-36342304+00	+32636852+00
+36695539+00	+18032980+01	-59377497+00	-35961800+00	+32618906+00
+36782805+00	+18021737+01	-59976963+00	-35566042+00	+32600608+00
+36870072+00	+18010834+01	-60599979+00	-35153652+00	+32581940+00
+36939419+00	+18002420+01	-61113363+00	-34813061+00	+32566829+00

$$S_2/R = +28275326+00$$

$$\eta/\alpha = +58948288+00$$

TABLE 83.—Conical Flow Field. $\theta_s=12.5^\circ$; $M_\infty=4.0$

M_∞	θ_s	θ_w
+39999998+01	+21816615+00	+34295689+00

θ	M_{w2}^*	ψ_2	M_2^*	μ_1
+21816615+00	+23166671+01	+25983900-06	-56915559+00	+30070708+00
+22078414+00	+23311143+01	-13650811-01	-56905096+00	+30070028+00
+22340213+00	+23217330+01	-26971294-01	-56874581+00	+30068030+00
+22602013+00	+23090585+01	-39946970-01	-56825317+00	+30064788+00
+22863812+00	+22950116+01	-52587354-01	-56758519+00	+30060363+00
+23125611+00	+22803311+01	-64907616-01	-56675287+00	+30054816+00
+23387410+00	+22653852+01	-76924530-01	-56576615+00	+30048199+00
+23649210+00	+22503834+01	-88655143-01	-56463392+00	+30040559+00
+23911009+00	+22354549+01	-10011623+00	-56336421+00	+30031941+00
+24172808+00	+22206828+01	-11132406+00	-56196412+00	+30022383+00
+24434607+00	+22061225+01	-12229427+00	-56043997+00	+30011920+00
+24696407+00	+21918114+01	-13304190+00	-55879742+00	+30000585+00
+24958206+00	+21777745+01	-14358137+00	-55704137+00	+29988406+00
+25220005+00	+21640285+01	-15392667+00	-55517616+00	+29975410+00
+25481804+00	+21505843+01	-16409116+00	-55320550+00	+29961618+00
+25699970+00	+21396161+01	-17243283+00	-55148501+00	+29949529+00
+25918136+00	+21288642+01	-18066522+00	-54969507+00	+29936912+00
+26136302+00	+21183293+01	-18879546+00	-54783697+00	+29923776+00
+26354468+00	+21080116+01	-19683050+00	-54591176+00	+29910127+00
+26572634+00	+20979101+01	-20477728+00	-54392027+00	+29895972+00
+26790801+00	+20880236+01	-21264249+00	-54186312+00	+29881319+00
+27008967+00	+20783504+01	-22043297+00	-53974064+00	+29866168+00
+27227133+00	+20688884+01	-22815526+00	-53755300+00	+29850525+00
+27445299+00	+20596355+01	-23581609+00	-53530008+00	+29834391+00
+27663465+00	+20505890+01	-24342219+00	-53298153+00	+29817767+00
+27881631+00	+20417465+01	-25098023+00	-53059680+00	+29800654+00
+28099797+00	+20331053+01	-25849718+00	-52814500+00	+29783051+00
+28317963+00	+20246626+01	-26597992+00	-52562507+00	+29764953+00
+28536129+00	+20164157+01	-27343562+00	-52303557+00	+29746358+00
+28710662+00	+20099573+01	-27938572+00	-52091276+00	+29731123+00
+28885195+00	+20036213+01	-28532709+00	-51874334+00	+29715561+00
+29059727+00	+19974061+01	-29126372+00	-51652615+00	+29699676+00
+29234260+00	+19913103+01	-29719987+00	-51425989+00	+29683454+00
+29408793+00	+19853331+01	-30313978+00	-51194307+00	+29666897+00
+29583326+00	+19794728+01	-30908799+00	-50957404+00	+29649996+00
+29757859+00	+19737284+01	-31504929+00	-50715096+00	+29632748+00
+29932392+00	+19680987+01	-32102861+00	-50467178+00	+29615144+00
+30106924+00	+19625826+01	-32703135+00	-50213419+00	+29597175+00
+30281457+00	+19571790+01	-33306304+00	-49953567+00	+29578834+00
+30455990+00	+19518871+01	-33912965+00	-49687339+00	+29560114+00
+30630523+00	+19467058+01	-34523761+00	-49414425+00	+29541000+00
+30805056+00	+19416345+01	-35139378+00	-49134476+00	+29521483+00
+30979589+00	+19366723+01	-35760569+00	-48847099+00	+29501549+00
+31110488+00	+19330218+01	-36230603+00	-48626440+00	+29486317+00
+31241388+00	+19294322+01	-36704584+00	-48401162+00	+29470839+00
+31372287+00	+19259030+01	-37182922+00	-48171048+00	+29455103+00
+31503187+00	+19224343+01	-37666029+00	-47935860+00	+29439105+00
+31634087+00	+19190258+01	-38154363+00	-47695342+00	+29422837+00
+31764986+00	+19156774+01	-38648418+00	-47449207+00	+29406291+00
+31895886+00	+19123891+01	-39148721+00	-47197151+00	+29389453+00

TABLE 83.—Continued

$M_{00} = +39999998+01$

$\theta_8 = +21816615+00$

θ	M_{w2}^*	ψ_2	M_2^*	μ_1
+32026785+00	+19091608+01	-39655846+00	-46938837+00	+29372318+00
+32157685+00	+19059926+01	-40170431+00	-46673886+00	+29354874+00
+32288585+00	+19028846+01	-40693162+00	-46401891+00	+29337108+00
+32419484+00	+18998369+01	-41274781+00	-46122402+00	+29319007+00
+32550384+00	+18968496+01	-41766132+00	-45834914+00	+29300559+00
+32681284+00	+18939231+01	-42318119+00	-45538879+00	+29281749+00
+32812183+00	+18910576+01	-42881758+00	-45233672+00	+29262558+00
+32899450+00	+18891815+01	-43264552+00	-45024764+00	+29249545+00
+32986716+00	+18873329+01	-43653388+00	-44811253+00	+29236349+00
+33073982+00	+18855119+01	-44048665+00	-44592889+00	+29222967+00
+33161249+00	+18837188+01	-44450814+00	-44369412+00	+29209388+00
+33248515+00	+18819537+01	-44860297+00	-44140535+00	+29195609+00
+33335782+00	+18802170+01	-45277614+00	-43905946+00	+29181620+00
+33423048+00	+18785087+01	-45703329+00	-43665300+00	+29167414+00
+33510314+00	+18768293+01	-46138028+00	-43418233+00	+29152985+00
+33597581+00	+18751791+01	-46582369+00	-43164338+00	+29138318+00
+33684847+00	+18735585+01	-47037067+00	-42903168+00	+29123411+00
+33772114+00	+18719677+01	-47502920+00	-42634231+00	+29108249+00
+33859380+00	+18704073+01	-47980805+00	-42356983+00	+29092821+00
+33946646+00	+18688777+01	-48471680+00	-42070824+00	+29077114+00
+34033913+00	+18673795+01	-48976631+00	-41775089+00	+29061119+00
+34077546+00	+18666423+01	-49234750+00	-41623402+00	+29053008+00
+34121179+00	+18659132+01	-49496851+00	-41469033+00	+29044818+00
+34164812+00	+18651922+01	-49763111+00	-41311873+00	+29036548+00
+34208446+00	+18644795+01	-50033699+00	-41151816+00	+29028196+00
+34252079+00	+18637751+01	-50308819+00	-40988734+00	+29019759+00
+34295689+00	+18630797+01	-50588494+00	-40822608+00	+29011245+00

$s_2/R = +52932223+00$

$\eta/\alpha = +65492594+00$

TABLE 84.—Conical Flow Field. $\theta_s=12.5^\circ$; $M_\infty=4.5$

M_{00}	θ_s	θ_w
+44999993+01	+21816615+00	+32383435+00

θ	M_{w2}^*	ψ_2	M_2^*	H_1
+21816615+00	+21989018+01	+20675361-06	-56928256+00	+27135883+00
+22034781+00	+22349949+01	-10585796-01	-56921300+00	+27135392+00
+22252947+00	+22373772+01	-21016663-01	-56900823+00	+27133945+00
+22471113+00	+22346316+01	-31261223-01	-56867483+00	+27131587+00
+22689279+00	+22294103+01	-41315071-01	-56821911+00	+27128356+00
+22907445+00	+22227595+01	-51181298-01	-56764702+00	+27124290+00
+23125611+00	+22152135+01	-60866022-01	-56696402+00	+27119418+00
+23343777+00	+22070853+01	-70376791-01	-56617511+00	+27113771+00
+23561943+00	+21985761+01	-79721585-01	-56528483+00	+27107379+00
+23780109+00	+21898220+01	-88908721-01	-56429729+00	+27100264+00
+23998275+00	+21809198+01	-97946558-01	-56321620+00	+27092451+00
+24216441+00	+21719397+01	-10684343+00	-56204487+00	+27083958+00
+24434607+00	+21629348+01	-11500755+00	-56078628+00	+27074806+00
+24652774+00	+21539448+01	-12424698+00	-55944299+00	+27065012+00
+24870940+00	+21450011+01	-13276969+00	-55801736+00	+27054586+00
+25089106+00	+21361275+01	-14118350+00	-55651127+00	+27043547+00
+25307272+00	+21273429+01	-14949611+00	-55492642+00	+27031902+00
+25481804+00	+21203895+01	-15607838+00	-55360277+00	+27022158+00
+25656337+00	+21135089+01	-16260467+00	-55223012+00	+27012037+00
+25830870+00	+21067061+01	-16907874+00	-55080895+00	+27001543+00
+26005403+00	+20999853+01	-17550442+00	-54933957+00	+26990680+00
+26179936+00	+20933501+01	-18188557+00	-54782217+00	+26979449+00
+26354468+00	+20868032+01	-18822602+00	-54625686+00	+26967854+00
+26529001+00	+20803472+01	-19452956+00	-54464362+00	+26955896+00
+26703534+00	+20739838+01	-20080016+00	-54298226+00	+26943573+00
+26878067+00	+20677147+01	-20704173+00	-54127253+00	+26930887+00
+27052600+00	+20615409+01	-21325828+00	-53951399+00	+26917837+00
+27227133+00	+20554636+01	-21945392+00	-53770610+00	+26904421+00
+27401665+00	+20494836+01	-22563277+00	-53584818+00	+26890638+00
+27576198+00	+20436011+01	-23179927+00	-53393936+00	+26876484+00
+27750731+00	+20378168+01	-23795769+00	-53197866+00	+26861958+00
+27925264+00	+20321309+01	-24411277+00	-52996488+00	+26847055+00
+28099797+00	+20265436+01	-25026926+00	-52789666+00	+26831768+00
+28230696+00	+20224178+01	-25489054+00	-52630888+00	+26820051+00
+28361596+00	+20183475+01	-25951777+00	-52468882+00	+26808111+00
+28492496+00	+20143328+01	-26415312+00	-52303574+00	+26795945+00
+28623395+00	+20103735+01	-26879900+00	-52134875+00	+26783552+00
+28754295+00	+20064697+01	-27345793+00	-51962685+00	+26770929+00
+28885195+00	+20026214+01	-27813250+00	-51786902+00	+26758072+00
+29016094+00	+19988284+01	-28282566+00	-51607402+00	+26744974+00
+29146994+00	+19950908+01	-28754020+00	-51424064+00	+26731632+00
+29277893+00	+19914087+01	-29227924+00	-51236748+00	+26718040+00
+29408793+00	+19877817+01	-29704609+00	-51045300+00	+26704192+00
+29539693+00	+19842101+01	-30184424+00	-50849559+00	+26690084+00
+29670592+00	+19806938+01	-30667740+00	-50649342+00	+26675711+00
+29801492+00	+19772329+01	-31154954+00	-50444452+00	+26661062+00
+29932392+00	+19738274+01	-31646505+00	-50234669+00	+26646129+00
+30063291+00	+19704773+01	-32142848+00	-50019759+00	+26630906+00
+30194191+00	+19671827+01	-32644484+00	-49799459+00	+26615383+00
+30281457+00	+19650172+01	-32982117+00	-49649457+00	+26604863+00

TABLE 84.—Continued

$M_{00} = +44999993+01$

$\theta_0 = +21816615+00$

θ	M_{w2}^*	ψ_2	M_2^*	μ_1
+30368724+00	+19628765+01	-33322514+00	-49496842+00	+26594202+00
+30455990+00	+19607606+01	-33665861+00	-49341513+00	+26583397+00
+30543257+00	+19586697+01	-34012344+00	-49183367+00	+26572445+00
+30630523+00	+19566037+01	-34362176+00	-49022291+00	+26561341+00
+30717789+00	+19545627+01	-34715573+00	-48858165+00	+26550083+00
+30805056+00	+19525469+01	-35072771+00	-48690855+00	+26538663+00
+30892322+00	+19505564+01	-35434011+00	-48520230+00	+26527081+00
+30979589+00	+19485911+01	-35799576+00	-48346132+00	+26515329+00
+31066855+00	+19466513+01	-36169739+00	-48168405+00	+26503405+00
+31154121+00	+19447372+01	-36544813+00	-47986874+00	+26491301+00
+31241388+00	+19428488+01	-36925126+00	-47801354+00	+26479012+00
+31328654+00	+19409863+01	-37311039+00	-47611638+00	+26466535+00
+31415921+00	+19391500+01	-37702933+00	-47417511+00	+26453859+00
+31503187+00	+19373400+01	-38101234+00	-47218727+00	+26440982+00
+31590453+00	+19355566+01	-38506392+00	-47015030+00	+26427893+00
+31634087+00	+19346749+01	-38711690+00	-46911254+00	+26421268+00
+31677720+00	+19338000+01	-38918899+00	-46806138+00	+26414584+00
+31721353+00	+19329319+01	-39128080+00	-46699646+00	+26407847+00
+31764986+00	+19320705+01	-39339306+00	-46591735+00	+26401051+00
+31808619+00	+19312160+01	-39552653+00	-46482363+00	+26394196+00
+31852253+00	+19303684+01	-39768203+00	-46371481+00	+26387281+00
+31895886+00	+19295278+01	-39986028+00	-46259048+00	+26380303+00
+31939519+00	+19286941+01	-40206227+00	-46145008+00	+26373263+00
+31983152+00	+19278675+01	-40428890+00	-46029310+00	+26366161+00
+32026785+00	+19270480+01	-40654106+00	-45911899+00	+26358993+00
+32070419+00	+19262356+01	-40881984+00	-45792714+00	+26351756+00
+32114052+00	+19254303+01	-41112632+00	-45671696+00	+26344453+00
+32157685+00	+19246323+01	-41346155+00	-45548778+00	+26337079+00
+32201318+00	+19238416+01	-41582676+00	-45423894+00	+26329634+00
+32244951+00	+19230583+01	-41822320+00	-45296971+00	+26322114+00
+32288585+00	+19222825+01	-42065219+00	-45167930+00	+26314521+00
+32332218+00	+19215142+01	-42311508+00	-45036698+00	+26306852+00
+32375851+00	+19207535+01	-42561340+00	-44903182+00	+26299102+00
+32383435+00	+19206220+01	-42605130+00	-44879740+00	+26297747+00

$S_2/R = +86584078+00$

$\eta/\alpha = +70850067+00$

TABLE 85.—Conical Flow Field. $\theta_s=12.5^\circ$; $M_\infty=5.0$

M_∞	θ_s		θ_w	
+49999994+01	+21816615+00		+30952796+00	

θ	M_{w2}^*	ψ_2	M_2^*	μ_1
+21816615+00	+20815026+01	+17043203-06	-56978514+00	+24847471+00
+22034781+00	+21410134+01	-98900208-02	-56971883+00	+24846961+00
+22252947+00	+21534703+01	-19697405-01	-56952272+00	+24845459+00
+22471113+00	+21585397+01	-29371871-01	-56920213+00	+24843009+00
+22689279+00	+21599194+01	-38900901-01	-56876244+00	+24839655+00
+22907445+00	+21590717+01	-48282869-01	-56820877+00	+24835428+00
+23125611+00	+21567464+01	-57520580-01	-56754582+00	+24830361+00
+23343777+00	+21533870+01	-66618988-01	-56677786+00	+24824486+00
+23561943+00	+21492804+01	-75584338-01	-56590878+00	+24817829+00
+23780109+00	+21446232+01	-84423341-01	-56494206+00	+24810412+00
+23998275+00	+21395569+01	-93143182-01	-56388078+00	+24802262+00
+24216441+00	+21341862+01	-10175127+00	-56272767+00	+24793393+00
+24434607+00	+21285908+01	-11025512+00	-56148503+00	+24783822+00
+24652774+00	+21228329+01	-11866232+00	-56015489+00	+24773566+00
+24870940+00	+21169611+01	-12698045+00	-55873887+00	+24762637+00
+25045472+00	+21122086+01	-13357598+00	-55754513+00	+24753413+00
+25220005+00	+21074249+01	-14012341+00	-55629779+00	+24743770+00
+25394538+00	+21026242+01	-14662663+00	-55499722+00	+24733709+00
+25569071+00	+20978186+01	-15308975+00	-55364368+00	+24723236+00
+25743604+00	+20930183+01	-15951679+00	-55223726+00	+24712350+00
+25918136+00	+20882323+01	-16591181+00	-55077794+00	+24701054+00
+26092669+00	+20834681+01	-17227910+00	-54926551+00	+24689348+00
+26267202+00	+20787325+01	-17862296+00	-54769963+00	+24677233+00
+26441735+00	+20740313+01	-18494775+00	-54607980+00	+24664704+00
+26616268+00	+20693696+01	-19125804+00	-54440540+00	+24651761+00
+26790801+00	+20647518+01	-19755856+00	-54267552+00	+24638401+00
+26965333+00	+20601820+01	-20385413+00	-54088920+00	+24624622+00
+27139866+00	+20556635+01	-21014990+00	-53904519+00	+24610417+00
+27314399+00	+20511994+01	-21645124+00	-53714205+00	+24595781+00
+27445299+00	+20478887+01	-22118422+00	-53567488+00	+24584516+00
+27576198+00	+20446111+01	-22592601+00	-53417270+00	+24573001+00
+27707098+00	+20413678+01	-23067918+00	-53263464+00	+24561235+00
+27837998+00	+20381595+01	-23544652+00	-53105970+00	+24549211+00
+27968897+00	+20349871+01	-24023089+00	-52944683+00	+24536924+00
+28099797+00	+20318514+01	-24503542+00	-52779476+00	+24524370+00
+28230696+00	+20287531+01	-24986331+00	-52610220+00	+24511543+00
+28361596+00	+20256929+01	-25471803+00	-52436773+00	+24498434+00
+28492496+00	+20226716+01	-25960328+00	-52258972+00	+24485042+00
+28623395+00	+20196895+01	-26452299+00	-52076639+00	+24471359+00
+28754295+00	+20167476+01	-26948136+00	-51889585+00	+24457375+00
+28885195+00	+20138463+01	-27448299+00	-51697592+00	+24443082+00
+29016094+00	+20109863+01	-27953288+00	-51500423+00	+24428467+00
+29146994+00	+20081681+01	-28463628+00	-51297819+00	+24413525+00
+29234260+00	+20063128+01	-28807114+00	-51159588+00	+24403378+00
+29321527+00	+20044766+01	-29153424+00	-51018720+00	+24393075+00
+29408793+00	+20026597+01	-29502763+00	-50875114+00	+24382613+00
+29496060+00	+20008621+01	-29855336+00	-50728660+00	+24371988+00
+29583326+00	+19990843+01	-30211371+00	-50579244+00	+24361195+00
+29670592+00	+19973262+01	-30571104+00	-50426745+00	+24350232+00
+29757859+00	+19955882+01	-30934792+00	-50271024+00	+24339092+00

TABLE 85.—Continued

$M_{00} = +49999994+01$

$e_s = +21816615+00$

θ	M_{w2}^*	ψ_2	M_2^*	μ_1
+29845125+00	+19938704+01	-31302722+00	-50111935+00	+24327771+00
+29932392+00	+19921731+01	-316,5179+00	-49949325+00	+24316263+00
+30019658+00	+19904966+01	-32052489+00	-49783023+00	+24304563+00
+30106924+00	+19888410+01	-32435001+00	-49612841+00	+24292663+00
+30194191+00	+19872067+01	-32823086+00	-49438583+00	+24280558+00
+30281457+00	+19855939+01	-33217158+00	-49260026+00	+24268237+00
+30368724+00	+19840029+01	-33617659+00	-49076935+00	+24255697+00
+30412357+00	+19832157+01	-33820472+00	-48983607+00	+24249342+00
+30455990+00	+19824341+01	-34025077+00	-48889046+00	+24242931+00
+30499623+00	+19816581+01	-34231544+00	-48793213+00	+24236456+00
+30543257+00	+19808878+01	-34439939+00	-48696075+00	+24229923+00
+30586890+00	+19801231+01	-34650346+00	-48597582+00	+24223326+00
+30630523+00	+19793643+01	-34862832+00	-48497702+00	+24216667+00
+30674156+00	+19786113+01	-35077482+00	-48396386+00	+24209944+00
+30717789+00	+19778642+01	-35294388+00	-48293587+00	+24203154+00
+30761423+00	+19771229+01	-35513636+00	-48189256+00	+24196298+00
+30805056+00	+19763877+01	-35735326+00	-48083340+00	+24189372+00
+30848689+00	+19756585+01	-35959553+00	-47975789+00	+24182376+00
+30892322+00	+19749354+01	-36186427+00	-47866538+00	+24175309+00
+30935955+00	+19742185+01	-36416065+00	-47755530+00	+24168166+00
+30952796+00	+19739436+01	-36505440+00	-47712212+00	+24165392+00

$S_2/R = +12862914+01$

$\eta/\alpha = +75273361+00$

TABLE 86.—Conical Flow Field. $\theta_s=12.5^\circ$; $M_\infty=6.0$

M_{00}	θ_s	θ_w
+59999984+01	+21816615+00	+28990367+00

θ	M_{w2}^*	ψ_2	M_2^*	μ_1
+21816615+00	+18660617+01	+12479723-06	-57202352+00	+21532756+00
+21947514+00	+19559916+01	-52548428-02	-57200178+00	+21532558+00
+22078414+00	+19849294+01	-10556251-01	-57193638+00	+21531968+00
+22209314+00	+20051406+01	-15866351-01	-57182772+00	+21530995+00
+22340213+00	+20203912+01	-21168053-01	-57167644+00	+21529654+00
+22471113+00	+20324755+01	-26452759-01	-57148328+00	+21527950+00
+22602013+00	+20423304+01	-31715515-01	-57124903+00	+21525891+00
+22732912+00	+20505162+01	-36953461-01	-57097444+00	+21523491+00
+22863812+00	+20573988+01	-42164928-01	-57066023+00	+21520750+00
+22994712+00	+20632329+01	-47349015-01	-57030715+00	+21517680+00
+23125611+00	+20682047+01	-52505480-01	-56991580+00	+21514287+00
+23256511+00	+20724542+01	-57634417-01	-56948688+00	+21510574+00
+23387410+00	+20760904+01	-62736205-01	-56902092+00	+21506552+00
+23518310+00	+20792003+01	-67811536-01	-56851847+00	+21502222+00
+23649210+00	+20818538+01	-72861260-01	-56798004+00	+21497589+00
+23780109+00	+20841089+01	-77886317-01	-56740603+00	+21492657+00
+23911009+00	+20860134+01	-82887877-01	-56679688+00	+21487431+00
+24041909+00	+20876083+01	-87867123-01	-56615291+00	+21481915+00
+24172808+00	+20889280+01	-92825309-01	-56547441+00	+21476110+00
+24303708+00	+20900023+01	-97763846-01	-56476165+00	+21470019+00
+24434607+00	+20908569+01	-10268415+00	-56401480+00	+21463645+00
+24565507+00	+20915143+01	-10758776+00	-56323405+00	+21456989+00
+24696407+00	+20919944+01	-11247620+00	-56241944+00	+21450054+00
+24827306+00	+20923144+01	-11735113+00	-56157105+00	+21442839+00
+24958206+00	+20924899+01	-12221422+00	-56068885+00	+21435346+00
+25089106+00	+20925346+01	-12706728+00	-55977279+00	+21427573+00
+25220005+00	+20924607+01	-13191209+00	-55882271+00	+21419526+00
+25350905+00	+20922796+01	-13675052+00	-55783845+00	+21411198+00
+25481804+00	+20920010+01	-14158454+00	-55681976+00	+21402591+00
+25569071+00	+20917657+01	-14480582+00	-55612136+00	+21396699+00
+25656337+00	+20914936+01	-14802670+00	-55540737+00	+21390679+00
+25743604+00	+20911871+01	-15124780+00	-55467772+00	+21384532+00
+25830870+00	+20908483+01	-15446983+00	-55393225+00	+21378262+00
+25918136+00	+20904792+01	-15769341+00	-55317083+00	+21371864+00
+26005403+00	+20900819+01	-16091929+00	-55239325+00	+21365337+00
+26092669+00	+20896580+01	-16414828+00	-55159932+00	+21358682+00
+26179936+00	+20892095+01	-16738098+00	-55078888+00	+21351895+00
+26267202+00	+20887378+01	-17061829+00	-54996168+00	+21344977+00
+26354468+00	+20882446+01	-17386103+00	-54911747+00	+21337930+00
+26441735+00	+20877312+01	-17711000+00	-54825598+00	+21330745+00
+26529001+00	+20871991+01	-18036606+00	-54737695+00	+21323428+00
+26616268+00	+20866496+01	-18363020+00	-54648007+00	+21315972+00
+26703534+00	+20860840+01	-18690333+00	-54556499+00	+21308378+00
+26790801+00	+20855036+01	-19018650+00	-54463136+00	+21300642+00
+26878067+00	+20849092+01	-19348071+00	-54367880+00	+21292765+00
+26965333+00	+20843021+01	-19678708+00	-54270688+00	+21284744+00
+27052600+00	+20836835+01	-20010670+00	-54171517+00	+21276575+00
+27139866+00	+20830540+01	-20344092+00	-54070313+00	+21268257+00
+27227133+00	+20824150+01	-20679085+00	-53967033+00	+21259785+00
+27314399+00	+20817671+01	-21015796+00	-53861616+00	+21251158+00

TABLE 86.—Continued

$$M_{00} = +59999984+01$$

$$e_s = +21816615+00$$

θ	M_{w2}^*	ψ_2	M_2^*	μ_1
+27401665+00	+20811113+01	-21354358+00	-53754003+00	+21242375+00
+27488932+00	+20804484+01	-21694929+00	-53644130+00	+21233428+00
+27576198+00	+20797793+01	-22037660+00	-53531927+00	+21224319+00
+27663465+00	+20791047+01	-22382729+00	-53417319+00	+21215039+00
+27750731+00	+20784254+01	-22730310+00	-53300225+00	+21205588+00
+27837998+00	+20777423+01	-23080595+00	-53180558+00	+21195960+00
+27925264+00	+20770558+01	-23433787+00	-53058226+00	+21186152+00
+27968897+00	+20767117+01	-23611547+00	-52996026+00	+21181176+00
+28012530+00	+20763669+01	-23790115+00	-52933123+00	+21176155+00
+28056164+00	+20760217+01	-23969523+00	-52869499+00	+21171087+00
+28099797+00	+20756761+01	-24149806+00	-52805141+00	+21165968+00
+28143430+00	+20753302+01	-24330992+00	-52740033+00	+21160802+00
+28187063+00	+20749842+01	-24513114+00	-52674159+00	+21155586+00
+28230696+00	+20746380+01	-24696215+00	-52607502+00	+21150317+00
+28274330+00	+20742919+01	-24880320+00	-52540048+00	+21144998+00
+28317963+00	+20739456+01	-25065471+00	-52471776+00	+21139626+00
+28361596+00	+20735996+01	-25251711+00	-52402665+00	+21134201+00
+28405229+00	+20732537+01	-25439077+00	-52332700+00	+21128722+00
+28448862+00	+20729082+01	-25627613+00	-52261857+00	+21123188+00
+28492496+00	+20725629+01	-25817360+00	-52190118+00	+21117598+00
+28536129+00	+20722182+01	-26008368+00	-52117456+00	+21111950+00
+28579762+00	+20718739+01	-26200684+00	-52043851+00	+21106245+00
+28623395+00	+20715303+01	-26394358+00	-51969276+00	+21100480+00
+28667029+00	+20711873+01	-26589448+00	-51893707+00	+21094657+00
+28710662+00	+20708451+01	-26786002+00	-51817115+00	+21088772+00
+28754295+00	+20705037+01	-26984083+00	-51739473+00	+21082822+00
+28797928+00	+20701633+01	-27183746+00	-51660752+00	+21076810+00
+28841561+00	+20698238+01	-27385061+00	-51580918+00	+21070732+00
+28885195+00	+20694855+01	-27588087+00	-51499942+00	+21064589+00
+28928828+00	+20691483+01	-27792901+00	-51417784+00	+21058380+00
+28972461+00	+20688124+01	-27999579+00	-51334410+00	+21052099+00
+28990367+00	+20686752+01	-28084941+00	-51299844+00	+21049502+00

$$S_2/R = +23328274+01$$

$$\eta/\alpha = +82051889+00$$

TABLE 87.—Conical Flow Field. $\theta_s=12.5^\circ$; $M_\infty=7.0$

M_{00}	θ_B		θ_W	
+70000000+01	+21816615+00		+27739747+00	

θ	M_{W2}^*	ψ_2	M_2^*	μ_1
+21816615+00	+16861181+01	+95926225-07	-57522743+00	+19274429+00
+21947514+00	+18161167+01	-47508841-02	-57520747+00	+19274218+00
+22078414+00	+18616332+01	-96084164-02	-57514681+00	+19273587+00
+22209314+00	+18948071+01	-14517253-01	-57504519+00	+19272549+00
+22340213+00	+19209980+01	-19452710-01	-57490276+00	+19271112+00
+22471113+00	+19427034+01	-24401532-01	-57471991+00	+19269288+00
+22602013+00	+19612270+01	-29355691-01	-57449702+00	+19267084+00
+22732912+00	+19773480+01	-34309867-01	-57423451+00	+19264510+00
+22863812+00	+19915765+01	-39260617-01	-57393288+00	+19261574+00
+22994712+00	+20042680+01	-44205538-01	-57359250+00	+19258278+00
+23125611+00	+20156821+01	-49143187-01	-57321381+00	+19254632+00
+23256511+00	+20260152+01	-54072534-01	-57279718+00	+19250645+00
+23387410+00	+20354203+01	-58993299-01	-57234295+00	+19246317+00
+23518310+00	+20440191+01	-63905345-01	-57185142+00	+19241653+00
+23649210+00	+20519107+01	-68808899-01	-57132287+00	+19236660+00
+23780109+00	+20591765+01	-73704463-01	-57075748+00	+19231339+00
+23911009+00	+20658849+01	-78592724-01	-57015545+00	+19225691+00
+24041909+00	+20720935+01	-83474579-01	-56951686+00	+19219722+00
+24172808+00	+20778517+01	-88351028-01	-56884177+00	+19213431+00
+24303708+00	+20832020+01	-93223315-01	-56813022+00	+19206820+00
+24434607+00	+20881815+01	-98092662-01	-56738215+00	+19199891+00
+24565507+00	+20928225+01	-10296064+00	-56659742+00	+19192641+00
+24696407+00	+20971536+01	-10782875+00	-56577587+00	+19185073+00
+24783673+00	+20998814+01	-11107511+00	-56520760+00	+19179850+00
+24870940+00	+21024896+01	-11432283+00	-56462277+00	+19174485+00
+24958206+00	+21049844+01	-11757246+00	-56402127+00	+19168974+00
+25045472+00	+21073717+01	-12082467+00	-56340300+00	+19163322+00
+25132739+00	+21096571+01	-12407995+00	-56276780+00	+19157525+00
+25220005+00	+21118455+01	-12733908+00	-56211554+00	+19151582+00
+25307272+00	+21139417+01	-13050265+00	-56144603+00	+19145493+00
+25394538+00	+21159502+01	-13387142+00	-56075908+00	+19139258+00
+25481804+00	+21178752+01	-13714614+00	-56005451+00	+19132873+00
+25569071+00	+21197206+01	-14042759+00	-55933207+00	+19126338+00
+25656337+00	+21214902+01	-14371654+00	-55859151+00	+19119650+00
+25743604+00	+21231873+01	-14701389+00	-55783257+00	+19112809+00
+25830870+00	+21248153+01	-15032054+00	-55705495+00	+19105812+00
+25918136+00	+21263773+01	-15363745+00	-55625833+00	+19098659+00
+26005403+00	+21278762+01	-15696562+00	-55544234+00	+19091346+00
+26092669+00	+21293147+01	-16030609+00	-55460660+00	+19083869+00
+26179936+00	+21306956+01	-16365997+00	-55375074+00	+19076229+00
+26267202+00	+21320212+01	-16702845+00	-55287426+00	+19068419+00
+26354468+00	+21332941+01	-17041277+00	-55197672+00	+19060439+00
+26441735+00	+21345164+01	-17381425+00	-55105756+00	+19052287+00
+26529001+00	+21356903+01	-17723436+00	-55011622+00	+19043956+00
+26616268+00	+21368177+01	-18067447+00	-54915212+00	+19035444+00
+26699901+00	+21373647+01	-18240255+00	-54866130+00	+19031119+00
+26703534+00	+21379008+01	-18413624+00	-54816455+00	+19026747+00
+26747167+00	+21384263+01	-18587579+00	-54766175+00	+19022325+00
+26790801+00	+21389413+01	-18762144+00	-54715279+00	+19017858+00
+26834434+00	+21394462+01	-18937332+00	-54663762+00	+19013342+00

TABLE 87.—Continued

 $M_{00} = +70000000+01$ $\theta_8 = +21816615+00$

θ	M_{w2}^*	ψ_2	M_2^*	μ_1
+26878067+00	+21399410+01	-19112177+00	-54611610+00	+19008775+00
+26921700+00	+21404262+01	-19289694+00	-54558814+00	+19004159+00
+26965333+00	+21409017+01	-19466918+00	-54505361+00	+18999492+00
+27008967+00	+21413680+01	-19644872+00	-54451239+00	+18994775+00
+27052600+00	+21418250+01	-19823588+00	-54396436+00	+18990005+00
+27096233+00	+21422731+01	-20003088+00	-54340941+00	+18985181+00
+27139866+00	+21427125+01	-20183407+00	-54284739+00	+18980306+00
+27183499+00	+21431432+01	-20364570+00	-54227818+00	+18975374+00
+27227133+00	+21435656+01	-20546613+00	-54170162+00	+18970387+00
+27270766+00	+21439798+01	-20729572+00	-54111753+00	+18965343+00
+27314399+00	+21443859+01	-20913477+00	-54052578+00	+18960243+00
+27358032+00	+21447842+01	-21098371+00	-53992622+00	+18955085+00
+27401665+00	+21451747+01	-21284286+00	-53931864+00	+18949868+00
+27445299+00	+21455579+01	-21471270+00	-53870287+00	+18944590+00
+27488932+00	+21459334+01	-21659358+00	-53807871+00	+18939251+00
+27532565+00	+21463019+01	-21848592+00	-53744597+00	+18933849+00
+27576198+00	+21466634+01	-22039019+00	-53680446+00	+18928385+00
+27619831+00	+21470180+01	-22230690+00	-53615392+00	+18922855+00
+27663465+00	+21473660+01	-22423654+00	-53549413+00	+18917260+00
+27707098+00	+21477074+01	-22617961+00	-53482485+00	+18911595+00
+27739747+00	+21479588+01	-22764252+00	-53431778+00	+18907316+00

 $S_2/R = +35633848+01$ $\eta/\alpha = +86902240+00$

TABLE 88.—Conical Flow Field. $\theta_s=12.5^\circ$; $M_\infty=8.0$

M_∞	θ_s	θ_Y
+79999989+01	+21816615+00	+26894684+00

θ	M_{w2}^*	ψ_2	M_2^*	μ_1
+21816615+00	+15407473+01	+75902790-07	-57865886+00	+17659337+00
+21903881+00	+16879469+01	-28927703-02	-57865070+00	+17659239+00
+21991148+00	+17314758+01	-58768201-02	-57862561+00	+17658938+00
+22078414+00	+17699182+01	-89156600-02	-57858324+00	+17658443+00
+22165681+00	+18013906+01	-11993595-01	-57852339+00	+17657756+00
+22252947+00	+18282329+01	-15100465-01	-57844595+00	+17656879+00
+22340213+00	+18517567+01	-18229642-01	-57835091+00	+17655818+00
+22427480+00	+18727568+01	-21376497-01	-57823827+00	+17654572+00
+22514746+00	+18917550+01	-24537486-01	-57810806+00	+17653146+00
+22602013+00	+19091158+01	-27710057-01	-57796030+00	+17651543+00
+22689279+00	+19251056+01	-30892078-01	-57779508+00	+17649762+00
+22776545+00	+19399257+01	-34081948-01	-57761242+00	+17647808+00
+22863812+00	+19537334+01	-37278343-01	-57741239+00	+17645686+00
+22951078+00	+19666538+01	-40480225-01	-57719505+00	+17643391+00
+23038345+00	+19787888+01	-43686789-01	-57696046+00	+17640931+00
+23125611+00	+19902224+01	-46897340-01	-57670867+00	+17638305+00
+23212878+00	+20010249+01	-50111389-01	-57643974+00	+17635514+00
+23300144+00	+20112562+01	-53328564-01	-57615368+00	+17632559+00
+23387410+00	+20209674+01	-56548590-01	-57585055+00	+17629443+00
+23474677+00	+20302026+01	-59771189-01	-57553038+00	+17626166+00
+23561943+00	+20390002+01	-62996393-01	-57519318+00	+17622729+00
+23649210+00	+20473942+01	-66224027-01	-57483897+00	+17619132+00
+23736476+00	+20554144+01	-69454188-01	-57446777+00	+17615377+00
+23823743+00	+20630872+01	-72686942-01	-57407952+00	+17611464+00
+23911009+00	+20704364+01	-75922416-01	-57367427+00	+17607393+00
+23998275+00	+20774833+01	-79160819-01	-57325192+00	+17603165+00
+24085542+00	+20842470+01	-82402352-01	-57281250+00	+17598779+00
+24172808+00	+20907451+01	-85647278-01	-57235590+00	+17594235+00
+24260075+00	+20969931+01	-88895977-01	-57188208+00	+17589536+00
+24347341+00	+21030055+01	-92148785-01	-57139098+00	+17584677+00
+24434607+00	+21087955+01	-95406086-01	-57088247+00	+17579658+00
+24521874+00	+21143753+01	-98668272-01	-57035647+00	+17574483+00
+24609140+00	+21197557+01	-10193586+00	-56981284+00	+17569148+00
+24696407+00	+21249473+01	-10520941+00	-56925145+00	+17563653+00
+24783673+00	+21299593+01	-10848938+00	-56867213+00	+17557998+00
+24870940+00	+21348008+01	-11177644+00	-56807471+00	+17552177+00
+24958206+00	+21394797+01	-11507117+00	-56745902+00	+17546193+00
+25045472+00	+21440038+01	-11837428+00	-56682481+00	+17540044+00
+25132739+00	+21483801+01	-12168649+00	-56617187+00	+17533726+00
+25176372+00	+21505149+01	-12334626+00	-56583829+00	+17530505+00
+25220005+00	+21526153+01	-12500855+00	-56549993+00	+17527239+00
+25263638+00	+21546818+01	-12667357+00	-56515673+00	+17523932+00
+25307272+00	+21567154+01	-12834133+00	-56480869+00	+17520581+00
+25350905+00	+21587168+01	-13001197+00	-56445575+00	+17517187+00
+25394538+00	+21606864+01	-13168566+00	-56409786+00	+17513750+00
+25438171+00	+21626252+01	-13336245+00	-56373499+00	+17510268+00
+25481804+00	+21645337+01	-13504249+00	-56336710+00	+17506742+00
+25525438+00	+21664126+01	-13672586+00	-56299413+00	+17503171+00
+25569071+00	+21682625+01	-13841276+00	-56261602+00	+17499556+00
+25612704+00	+21700839+01	-14010326+00	-56223275+00	+17495894+00

TABLE 88.—Continued

$$M_{00} = +79999989+01$$

$$\theta_8 = +21816615+00$$

θ	M_{w2}^*	ψ_2	M_2^*	μ_1
+25656337+00	+21718773+01	-14179755+00	-56184424+00	+17492186+00
+25699970+00	+21736436+01	-14349576+00	-56145045+00	+17488430+00
+25743604+00	+21753831+01	-14519801+00	-56105131+00	+17484630+00
+25787237+00	+21770964+01	-14690448+00	-56064677+00	+17480782+00
+25830870+00	+21787840+01	-14861532+00	-56023675+00	+17476885+00
+25874503+00	+21804463+01	-15033068+00	-55982120+00	+17472941+00
+25918136+00	+21820839+01	-15205074+00	-55940006+00	+17468947+00
+25961770+00	+21836973+01	-15377572+00	-55897323+00	+17464903+00
+26005403+00	+21852869+01	-15550569+00	-55854065+00	+17460809+00
+26049036+00	+21868532+01	-15724089+00	-55810226+00	+17456666+00
+26092669+00	+21883965+01	-15898154+00	-55765795+00	+17452471+00
+26136302+00	+21899173+01	-16072785+00	-55720763+00	+17448225+00
+26179936+00	+21914161+01	-16248002+00	-55675124+00	+17443926+00
+26223569+00	+21928932+01	-16423822+00	-55628867+00	+17439572+00
+26267202+00	+21943490+01	-16600270+00	-55581984+00	+17435165+00
+26310835+00	+21957840+01	-16777366+00	-55534463+00	+17430702+00
+26354468+00	+21971984+01	-16955141+00	-55486294+00	+17426186+00
+26398102+00	+21985927+01	-17133608+00	-55437467+00	+17421613+00
+26441735+00	+21999672+01	-17312806+00	-55387969+00	+17416983+00
+26485368+00	+22013222+01	-17492755+00	-55337789+00	+17412294+00
+26529001+00	+22026581+01	-17672488+00	-55286916+00	+17407548+00
+26572634+00	+22039753+01	-17855033+00	-55235332+00	+17402740+00
+26616268+00	+22052740+01	-18037416+00	-55183027+00	+17397872+00
+26659901+00	+22065545+01	-18220674+00	-55129988+00	+17392942+00
+26703534+00	+22078172+01	-18404840+00	-55076195+00	+17387949+00
+26747167+00	+22090623+01	-18589948+00	-55021635+00	+17382891+00
+26790801+00	+22102903+01	-18776026+00	-54966296+00	+17377768+00
+26834434+00	+22115014+01	-18963124+00	-54910154+00	+17372580+00
+26878067+00	+22126958+01	-19151279+00	-54853191+00	+17367322+00
+26894684+00	+22131465+01	-19223203+00	-54831288+00	+17365305+00

$$s_2/R = +48783463+01$$

$$\eta/\alpha = +90467656+00$$

TABLE 89.—Conical Flow Field. $\theta_s=12.5^\circ$; $M_\infty=10.0$

M_∞	Θ_B	Θ_W
+99999932+01	+21816615+00	+25860856+00

Θ	M_2^*	ψ_2	M_2^*	μ_1
+21816615+00	+13312857+01	+54016709-07	-58483802+00	+15550062+00
+21903881+00	+15337635+01	-25500557-02	-58483075+00	+15549953+00
+21991148+00	+15976254+01	-52407533-02	-58480803+00	+15549625+00
+22078414+00	+16531180+01	-80200462-02	-58476914+00	+15549082+00
+22165681+00	+16990078+01	-10866028-01	-58471358+00	+15548327+00
+22252947+00	+17385323+01	-13764574-01	-58464110+00	+15547364+00
+22340213+00	+17734882+01	-16706283-01	-58455145+00	+15546200+00
+22427480+00	+18049618+01	-19684431-01	-58444450+00	+15544831+00
+22514746+00	+18336668+01	-22693932-01	-58432012+00	+15543265+00
+22602013+00	+18601010+01	-25730851-01	-58417820+00	+15541503+00
+22689279+00	+18846284+01	-28792010-01	-58401869+00	+15539546+00
+22776545+00	+19075247+01	-31874827-01	-58384152+00	+15537397+00
+22863812+00	+19290048+01	-34977208-01	-58364664+00	+15535057+00
+22951078+00	+19492396+01	-38097411-01	-58343400+00	+15532529+00
+23038345+00	+19683690+01	-41233956-01	-58320356+00	+15529814+00
+23125611+00	+19865078+01	-44385633-01	-58295528+00	+15526914+00
+23212878+00	+20037525+01	-47551550-01	-58268911+00	+15523827+00
+23300144+00	+20201850+01	-50730793-01	-58240501+00	+15520561+00
+23387410+00	+20358753+01	-53922743-01	-58210291+00	+15517107+00
+23431044+00	+20434615+01	-55523300-01	-58194511+00	+15515313+00
+23474677+00	+20508842+01	-57126805-01	-58178280+00	+15513471+00
+23518310+00	+20581499+01	-58733290-01	-58161594+00	+15511586+00
+23561943+00	+20652645+01	-60342652-01	-58144455+00	+15509655+00
+23605576+00	+20722336+01	-61954865-01	-58126861+00	+15507678+00
+23649210+00	+20790625+01	-63569909-01	-58108811+00	+15505656+00
+23692843+00	+20857562+01	-65187729-01	-58090306+00	+15503588+00
+23736476+00	+20923194+01	-66808351-01	-58071341+00	+15501472+00
+23780109+00	+20987565+01	-68431750-01	-58051918+00	+15499312+00
+23823743+00	+21050718+01	-70057906-01	-58032034+00	+15497107+00
+23867376+00	+21112689+01	-71686805-01	-58011688+00	+15494855+00
+23911009+00	+21173520+01	-73318435-01	-57990879+00	+15492560+00
+23954642+00	+21233244+01	-74952883-01	-57969605+00	+15490215+00
+23998275+00	+21291896+01	-76590083-01	-57947863+00	+15487828+00
+24041909+00	+21349507+01	-78230053-01	-57925656+00	+15485391+00
+24085542+00	+21406109+01	-79872801-01	-57902976+00	+15482910+00
+24129175+00	+21461731+01	-81518419-01	-57879825+00	+15480380+00
+24172808+00	+21516400+01	-83166864-01	-57856201+00	+15477805+00
+24216441+00	+21570143+01	-84818170-01	-57832099+00	+15475183+00
+24260075+00	+21622986+01	-86472421-01	-57807519+00	+15472516+00
+24303708+00	+21674952+01	-88129623-01	-57782459+00	+15469798+00
+24347341+00	+21726066+01	-89789750-01	-57756916+00	+15467036+00
+24390974+00	+21776348+01	-91452966-01	-57730886+00	+15464225+00
+24434607+00	+21825821+01	-93119238-01	-57704368+00	+15461365+00
+24478241+00	+21874505+01	-94788648-01	-57677358+00	+15458459+00
+24521874+00	+21922420+01	-96461247-01	-57649855+00	+15455503+00
+24565507+00	+21969584+01	-98137103-01	-57621854+00	+15452497+00
+24609140+00	+22016015+01	-99816271-01	-57593352+00	+15449443+00
+24652774+00	+22061732+01	-10149883+00	-57564346+00	+15446340+00
+24696407+00	+22106750+01	-10318486+00	-57534833+00	+15443186+00
+24740040+00	+22151086+01	-10487438+00	-57504808+00	+15439980+00

TABLE 89.—Continued

 $M_{00} = +99999932+01$ $\theta_8 = +21816615+00$

θ	$M_{\psi 2}^*$	ψ_2	M_2^*	μ_1
+24783673+00	+22194755+01	-10656750+00	-57474267+00	+15436728+00
+24827306+00	+22237772+01	-10826432+00	-57443208+00	+15433422+00
+24870940+00	+22280152+01	-10996492+00	-57411624+00	+15430062+00
+24914573+00	+22321907+01	-11166938+00	-57379512+00	+15426654+00
+24958206+00	+22363053+01	-11337780+00	-57346869+00	+15423193+00
+25001839+00	+22403602+01	-11509023+00	-57313688+00	+15419678+00
+25045472+00	+22443565+01	-11680688+00	-57279963+00	+15416109+00
+25089106+00	+22482955+01	-11852776+00	-57245692+00	+15412488+00
+25132739+00	+22521785+01	-12025305+00	-57210866+00	+15408809+00
+25176372+00	+22560064+01	-12198281+00	-57175482+00	+15405077+00
+25220005+00	+22597804+01	-12371721+00	-57139532+00	+15401290+00
+25263638+00	+22635019+01	-12545637+00	-57103011+00	+15397445+00
+25307272+00	+22671710+01	-12720039+00	-57065913+00	+15393542+00
+25350905+00	+22707894+01	-12894949+00	-57028230+00	+15389581+00
+25394538+00	+22743580+01	-13070374+00	-56989954+00	+15385560+00
+25438171+00	+22778777+01	-13246330+00	-56951080+00	+15381481+00
+25481804+00	+22813493+01	-13422835+00	-56911598+00	+15377340+00
+25525438+00	+22847736+01	-13599904+00	-56871502+00	+15373137+00
+25569071+00	+22881516+01	-13777550+00	-56830782+00	+15368873+00
+25612704+00	+22914840+01	-13955799+00	-56789431+00	+15364544+00
+25656337+00	+22947717+01	-14134664+00	-56747437+00	+15360152+00
+25699970+00	+22980154+01	-14314165+00	-56704792+00	+15355693+00
+25743604+00	+23012158+01	-14494324+00	-56661487+00	+15351169+00
+25787237+00	+23043737+01	-14675162+00	-56617507+00	+15346576+00
+25830870+00	+23074901+01	-14856694+00	-56572847+00	+15341913+00
+25860856+00	+23096080+01	-14981837+00	-56541764+00	+15338676+00

 $S_2/R = +74816898+01$ $\eta/\alpha = +95208817+00$

TABLE 90.—Conical Flow Field. $\theta_s=12.5^\circ$; $M_\infty=12.0$

M_{00}	θ_s		θ_w	
+11999995+02	+21816615+00		+25278296+00	

θ	M_{w2}^*	ψ_2	M_2^*	μ_1
+21816615+00	+11953103+01	+43306500-07	-58957906+00	+14274946+00
+21860248+00	+13161040+01	-11746436-02	-58957737+00	+14274917+00
+21903881+00	+14407987+01	-23441049-02	-58957235+00	+14274829+00
+21947514+00	+14802260+01	-35893866-02	-58956360+00	+14274681+00
+21991148+00	+15207409+01	-48668147-02	-58955104+00	+14274477+00
+22034781+00	+15569386+01	-61728898-02	-58953458+00	+14274214+00
+22078414+00	+15895104+01	-75036720-02	-58951413+00	+14273898+00
+22122047+00	+16192125+01	-88560595-02	-58948962+00	+14273521+00
+22165681+00	+16466033+01	-10221757-01	-58946097+00	+14273090+00
+22209314+00	+16720883+01	-11616854-01	-58942815+00	+14272603+00
+22252947+00	+16959686+01	-13021800-01	-58939112+00	+14272062+00
+22296580+00	+17184740+01	-14441298-01	-58934981+00	+14271463+00
+22340213+00	+17397840+01	-15874265-01	-58930421+00	+14270814+00
+22383847+00	+17600421+01	-17319677-01	-58925428+00	+14270110+00
+22427480+00	+17793652+01	-18776747-01	-58919998+00	+14269351+00
+22471113+00	+17978494+01	-20244737-01	-58914129+00	+14268541+00
+22514746+00	+18155759+01	-21722942-01	-58907820+00	+14267675+00
+22558379+00	+18326126+01	-23210795-01	-58901067+00	+14266757+00
+22602013+00	+18490185+01	-24707752-01	-58893868+00	+14265788+00
+22645646+00	+18648443+01	-26213364-01	-58886223+00	+14264764+00
+22689279+00	+18801339+01	-27727169-01	-58878128+00	+14263690+00
+22732912+00	+18949262+01	-29248773-01	-58869582+00	+14262564+00
+22776545+00	+19092555+01	-30777821-01	-58860584+00	+14261389+00
+22820179+00	+19231523+01	-32314016-01	-58851131+00	+14260159+00
+22863812+00	+19366438+01	-33856989-01	-58841224+00	+14258879+00
+22907445+00	+19497541+01	-35406507-01	-58830860+00	+14257547+00
+22951078+00	+19625056+01	-36962332-01	-58820038+00	+14256164+00
+22994712+00	+19749183+01	-38524188-01	-58808756+00	+14254732+00
+23038345+00	+19870102+01	-40091882-01	-58797013+00	+14253249+00
+23081978+00	+19987979+01	-41665207-01	-58784808+00	+14251717+00
+23125611+00	+20102967+01	-43243984-01	-58772140+00	+14250133+00
+23169244+00	+20215203+01	-44828053-01	-58759007+00	+14248498+00
+23212878+00	+20324819+01	-46417245-01	-58745408+00	+14246814+00
+23256511+00	+20431932+01	-48011437-01	-58731342+00	+14245079+00
+23300144+00	+20536653+01	-49610475-01	-58716806+00	+14243294+00
+23343777+00	+20639082+01	-51214283-01	-58701801+00	+14241460+00
+23387410+00	+20739315+01	-52822703-01	-58686325+00	+14239573+00
+23431044+00	+20837441+01	-54435651-01	-58670375+00	+14237639+00
+23474677+00	+20933542+01	-56053035-01	-58653951+00	+14235653+00
+23518310+00	+21027695+01	-57674760-01	-58637051+00	+14233616+00
+23561943+00	+21119972+01	-59300800-01	-58619673+00	+14231530+00
+23605576+00	+21210443+01	-60931021-01	-58601817+00	+14229394+00
+23649210+00	+21299171+01	-62565408-01	-58583478+00	+14227206+00
+23692843+00	+21386217+01	-64203896-01	-58564657+00	+14224968+00
+23736476+00	+21471637+01	-65846418-01	-58545352+00	+14222678+00
+23780109+00	+21555483+01	-67492939-01	-58525562+00	+14220339+00
+23823743+00	+21637809+01	-69143442-01	-58505282+00	+14217947+00
+23867376+00	+21718661+01	-70797902-01	-58484512+00	+14215505+00
+23911009+00	+21798085+01	-72456290-01	-58463248+00	+14213008+00
+23954642+00	+21876124+01	-74118578-01	-58441490+00	+14210463+00

TABLE 90.—Continued

 $M_{00} = +11999995+02$ $\theta_8 = +21816615+00$

θ	M_{w2}^*	ψ_2	M_2^*	μ_1
+23998275+00	+21952819+01	-75784735-01	-58419235+00	+14207866+00
+24041909+00	+22028211+01	-77454793-01	-58396479+00	+14205214+00
+24085542+00	+22102334+01	-79128704-01	-58373221+00	+14202511+00
+24129175+00	+22175226+01	-80806469-01	-58349459+00	+14199755+00
+24172808+00	+22246919+01	-82488117-01	-58325188+00	+14196946+00
+24216441+00	+22317446+01	-84173665-01	-58300408+00	+14194082+00
+24260075+00	+22386838+01	-85863100-01	-58275112+00	+14191166+00
+24303708+00	+22455125+01	-87556432-01	-58249301+00	+14188193+00
+24347341+00	+22522333+01	-89253699-01	-58222971+00	+14185167+00
+24390974+00	+22588491+01	-90954951-01	-58196114+00	+14182084+00
+24434607+00	+22653623+01	-92660156-01	-58168734+00	+14178949+00
+24478241+00	+22717756+01	-94369389-01	-58140822+00	+14175753+00
+24521874+00	+22780912+01	-96082690-01	-58112375+00	+14172503+00
+24565507+00	+22843115+01	-97800086-01	-58083390+00	+14169195+00
+24609140+00	+22904385+01	-99521638-01	-58053863+00	+14165828+00
+24652774+00	+22964745+01	-10124736+00	-58023788+00	+14162404+00
+24696407+00	+23024214+01	-10297727+00	-57993163+00	+14158921+00
+24740040+00	+23082812+01	-10471154+00	-57961979+00	+14155375+00
+24783673+00	+23140557+01	-10645013+00	-57930236+00	+14151771+00
+24827306+00	+23197468+01	-10819315+00	-57897928+00	+14148105+00
+24870940+00	+23253563+01	-1099+060+00	-57865047+00	+14144376+00
+24914573+00	+23308856+01	-11169262+00	-57831591+00	+14140584+00
+24958206+00	+23363365+01	-11344924+00	-57797551+00	+14136731+00
+25001839+00	+23417107+01	-11521056+00	-57762924+00	+14132810+00
+25045472+00	+23470093+01	-11697665+00	-57727701+00	+14128824+00
+25089106+00	+23522341+01	-11874762+00	-57691876+00	+14124771+00
+25132739+00	+23573864+01	-12052348+00	-57655444+00	+14120651+00
+25176372+00	+23624674+01	-12230435+00	-57618398+00	+14116461+00
+25220005+00	+23674785+01	-12409039+00	-57580730+00	+14112200+00
+25263638+00	+23724215+01	-12588160+00	-57542431+00	+14107869+00
+25278296+00	+23740667+01	-12648438+00	-57529428+00	+14106401+00

 $S_2/R = +98048859+01$ $\eta/\alpha = +98095566+00$

TABLE 91.—Conical Flow Field. $\theta_s=12.5^\circ$; $M_\infty=15.0$

M_∞	e_B	e_W
+14999985+02	+21816615+00	+24789127+00

θ	M_{W2}^*	ψ_2	M_2^*	μ_1
+21816615+00	+10696547+01	+34458935-07	-59443925+00	+13139784+00
+21860248+00	+12178180+01	-10812609-02	-59443770+00	+13139754+00
+21903881+00	+13613249+01	-21655201-02	-59443304+00	+13139660+00
+21947514+00	+14098208+01	-33380222-02	-59442480+00	+13139504+00
+21991148+00	+14587372+01	-45502423-02	-59441292+00	+13139287+00
+22034781+00	+15024216+01	-57978202-02	-59439724+00	+13139006+00
+22078414+00	+15417728+01	-70759370-02	-59437763+00	+13138664+00
+22122047+00	+15777048+01	-83809993-02	-59435401+00	+13138265+00
+22165681+00	+16108848+01	-97101950-02	-59432631+00	+13137803+00
+22209314+00	+16417960+01	-11061279-01	-59429446+00	+13137282+00
+22252947+00	+16707966+01	-12432343-01	-59425837+00	+13136703+00
+22296580+00	+16981592+01	-13821844-01	-59421800+00	+13136063+00
+22340213+00	+17240977+01	-15228415-01	-59417331+00	+13135370+00
+22383847+00	+17487824+01	-16650904-01	-59412423+00	+13134615+00
+22427480+00	+17723521+01	-18088235-01	-59407073+00	+13133802+00
+22471113+00	+17949210+01	-19539555-01	-59401279+00	+13132934+00
+22514746+00	+18165850+01	-21004010-01	-59395034+00	+13132009+00
+22558379+00	+18374256+01	-22480878-01	-59388336+00	+13131026+00
+22602013+00	+18575125+01	-23969508-01	-59381182+00	+13129986+00
+22645646+00	+18769057+01	-25469289-01	-59373571+00	+13128891+00
+22689279+00	+18956577+01	-26979678-01	-59365497+00	+13127737+00
+22732912+00	+19138146+01	-28500177-01	-59356959+00	+13126530+00
+22776545+00	+19314168+01	-30030324-01	-59347955+00	+13125268+00
+22820179+00	+19485009+01	-31569733-01	-59338482+00	+13123949+00
+22863812+00	+19650989+01	-33117929-01	-59328538+00	+13122573+00
+22907445+00	+19812399+01	-34674630-01	-59318121+00	+13121144+00
+22951078+00	+19969500+01	-36239494-01	-59307228+00	+13119660+00
+22994712+00	+20122532+01	-37812193-01	-59295857+00	+13118119+00
+23038345+00	+20271709+01	-39394467-01	-59284007+00	+13116524+00
+23081978+00	+20417229+01	-40979985-01	-59271678+00	+13114874+00
+23125611+00	+20559271+01	-42574596-01	-59258864+00	+13113171+00
+23169244+00	+20698001+01	-44176004-01	-59245565+00	+13111409+00
+23212878+00	+20833573+01	-45784032-01	-59231779+00	+13109594+00
+23256511+00	+20966127+01	-47398440-01	-59217503+00	+13107725+00
+23300144+00	+21095794+01	-49019077-01	-59202738+00	+13105799+00
+23343777+00	+21222694+01	-50645772-01	-59187480+00	+13103817+00
+23387410+00	+21346941+01	-52278353-01	-59171726+00	+13101780+00
+23431044+00	+21468640+01	-53916674-01	-59155474+00	+13099688+00
+23474677+00	+21587889+01	-55560564-01	-59138725+00	+13097541+00
+23518310+00	+21704779+01	-57209927-01	-59121476+00	+13095339+00
+23561943+00	+21819397+01	-58864585-01	-59103722+00	+13093078+00
+23605576+00	+21931823+01	-60524494-01	-59085464+00	+13090764+00
+23649210+00	+22042133+01	-62189499-01	-59066698+00	+13088392+00
+23692843+00	+22150400+01	-63859518-01	-59047424+00	+13085964+00
+23736476+00	+22256692+01	-65534447-01	-59027636+00	+13083477+00
+23780109+00	+22361070+01	-67214213-01	-59007337+00	+13080934+00
+23823743+00	+22463596+01	-68898757-01	-58986520+00	+13078332+00
+23867376+00	+22564325+01	-70587934-01	-58965184+00	+13075673+00
+23911009+00	+22663315+01	-72281751-01	-58943326+00	+13072954+00
+23954642+00	+22760613+01	-73980066-01	-58920944+00	+13070176+00

TABLE 91.—Continued

$$M_{\infty} = +14999985+02$$

$$\theta_s = +21816615+00$$

θ	M_{w2}^*	ψ_2	M_2^*	μ_1
+23998275+00	+22856269+01	-75682860-01	-58898035+00	+13067342+00
+24041909+00	+22950332+01	-77390047-01	-58874598+00	+13064446+00
+24085542+00	+23042843+01	-79101606-01	-58850626+00	+13061488+00
+24129175+00	+23133846+01	-80817487-01	-58826120+00	+13058471+00
+24172808+00	+23223378+01	-82537641-01	-58801074+00	+13055390+00
+24216441+00	+23311480+01	-84261950-01	-58775487+00	+13052250+00
+24260075+00	+23398188+01	-85990451-01	-58749356+00	+13049044+00
+24303708+00	+23483535+01	-87723113-01	-58722676+00	+13045777+00
+24347341+00	+23567556+01	-89459813-01	-58695444+00	+13042444+00
+24390974+00	+23650282+01	-91200595-01	-58667657+00	+13039047+00
+24434607+00	+23731744+01	-92945367-01	-58639311+00	+13035583+00
+24478241+00	+23811972+01	-94694141-01	-58610402+00	+13032055+00
+24521874+00	+23890992+01	-96446844-01	-58580925+00	+13028455+00
+24565507+00	+23968833+01	-98203482-01	-58550879+00	+13024790+00
+24609140+00	+24045519+01	-99963986-01	-58520257+00	+13021053+00
+24652774+00	+24121076+01	-10172831+00	-58489056+00	+13017246+00
+24696407+00	+24195527+01	-10349641+00	-58457272+00	+13013367+00
+24740040+00	+24268894+01	-10526830+00	-58424899+00	+13009416+00
+24783673+00	+24341208+01	-10704383+00	-58391934+00	+13005391+00
+24789127+00	+24350173+01	-10726575+00	-58387779+00	+13004889+00

$$S_2/R = +12591415+02$$

$$\eta/\alpha = +10065773+01$$

TABLE 92.—Conical Flow Field. $\theta_s=12.5^\circ$; $M_\infty=20.0$

M_∞	θ_s	θ_w
19999967+02	+21816615+00	+24400081+00

θ	M_w^*	ψ_2	M_2^*	μ_1
21816615+00	+96144174+00	+28871000-07	-59897563+00	+12183587+00
21860248+00	+11375522+01	-10048132-02	-59897419+00	+12183555+00
21903881+00	+12991440+01	-20216191-02	-59896983+00	+12183455+00
21947514+00	+13568302+01	-31386367-02	-59896201+00	+12183286+00
21991148+00	+14141482+01	-43027732-02	-59895063+00	+12183056+00
22034781+00	+14653028+01	-55087581-02	-59893551+00	+12182756+00
22078414+00	+15114128+01	-67510405-02	-59891652+00	+12182394+00
22122047+00	+15535517+01	-80253468-02	-59889353+00	+12181965+00
22165681+00	+15924968+01	-93284603-02	-59886646+00	+12181475+00
22209314+00	+16288090+01	-10657699-01	-59883518+00	+12180918+00
22252947+00	+16629038+01	-12010882-01	-59879965+00	+12180302+00
22296580+00	+16950974+01	-13386139-01	-59875978+00	+12179623+00
22340213+00	+17256371+01	-14781914-01	-59871552+00	+12178881+00
22383847+00	+17547208+01	-16196751-01	-59866681+00	+12178075+00
22427480+00	+17825083+01	-17629469-01	-59861356+00	+12177210+00
22471113+00	+18091331+01	-19078949-01	-59855577+00	+12176283+00
22514746+00	+18347055+01	-20544222-01	-59849337+00	+12175293+00
22558379+00	+18593202+01	-22024385-01	-59842632+00	+12174244+00
22602013+00	+18830577+01	-23518701-01	-59835458+00	+12173135+00
22645646+00	+19059876+01	-25026408-01	-59827812+00	+12171964+00
22689279+00	+19281706+01	-26546830-01	-59819689+00	+12170733+00
22732912+00	+19496603+01	-28079363-01	-59811087+00	+12169442+00
22776545+00	+19705034+01	-29623427-01	-59802001+00	+12168091+00
22820179+00	+19907420+01	-31178484-01	-59792431+00	+12166680+00
22863812+00	+20104134+01	-32744088-01	-59782372+00	+12165209+00
22907445+00	+20295514+01	-34319763-01	-59771823+00	+12163681+00
22951078+00	+20481864+01	-35905128-01	-59760779+00	+12162089+00
22994712+00	+20663456+01	-37499749-01	-59749240+00	+12160439+00
23038345+00	+20840541+01	-39103287-01	-59737202+00	+12158732+00
23081978+00	+21013347+01	-40715349-01	-59724662+00	+12156962+00
23125611+00	+21182085+01	-42335679-01	-59711619+00	+12155133+00
23169244+00	+21346943+01	-43963938-01	-59698070+00	+12153242+00
23212878+00	+21508101+01	-45599820-01	-59684013+00	+12151294+00
23256511+00	+21665721+01	-47243094-01	-59669445+00	+12149282+00
23300144+00	+21819954+01	-48893477-01	-59654367+00	+12147212+00
23343777+00	+21970941+01	-50550741-01	-59638772+00	+12145080+00
23387410+00	+22118812+01	-52214644-01	-59622661+00	+12142888+00
23431044+00	+22263689+01	-53884924-01	-59606031+00	+12140635+00
23474677+00	+22405684+01	-55561416-01	-59588881+00	+12138319+00
23518310+00	+22544906+01	-57243906-01	-59571206+00	+12135942+00
23561943+00	+22681451+01	-58932209-01	-59553005+00	+12133500+00
23605576+00	+22815416+01	-60626098-01	-59534279+00	+12130998+00
23649210+00	+22946885+01	-62325418-01	-59515020+00	+12128434+00
23692843+00	+23075945+01	-64030022-01	-59495232+00	+12125804+00
23736476+00	+23202671+01	-65739719-01	-59474908+00	+12123109+00
23780109+00	+23327138+01	-67454283-01	-59454048+00	+12120353+00
23823743+00	+23449416+01	-69173643-01	-59432649+00	+12117529+00
23867376+00	+23569568+01	-70897558-01	-59410709+00	+12114640+00
23911009+00	+23687661+01	-72625927-01	-59388225+00	+12111682+00
23954642+00	+23803749+01	-74358529-01	-59365197+00	+12108660+00

TABLE 92.—Continued

$M_{\infty} = +19999967+02$

$\theta_s = +21816615+00$

θ	$M_{w_2}^*$	ψ_2	M_2^*	μ_1
23998275+00	+23917891+01	-76095237-01	-59341620+00	+12105571+00
24041909+00	+24030141+01	-77835958-01	-59317493+00	+12102409+00
24085542+00	+24140548+01	-79580476-01	-59292813+00	+12099179+00
24129175+00	+24249162+01	-81328613-01	-59267579+00	+12095879+00
24172808+00	+24356028+01	-83080212-01	-59241788+00	+12092506+00
24216441+00	+24461189+01	-84835058-01	-59215438+00	+12089062+00
24260075+00	+24564688+01	-86593044-01	-59188526+00	+12085547+00
24303708+00	+24666565+01	-88354014-01	-59161049+00	+12081953+00
24347341+00	+24766858+01	-90117701-01	-59133007+00	+12078285+00
24390974+00	+24865616+01	-91883928-01	-59104398+00	+12074543+00
24400081+00	+24886036+01	-92252783-01	-59098358+00	+12073755+00

$s_2/R = 15673661+02$

$\eta/\alpha = +10279555+01$

TABLE 93.—Conical Flow Field. $\theta_s=15.0^\circ$; $M_\infty=1.2182190$

M_∞	θ_s	θ_w
+12182190+01	+26179935+00	+10355562+01

θ	M_{w2}^*	ψ_2	M_2^*	μ_1
+26179935+00	+19973856+01	+30379742-05	-51775256+00	+15676366+01
+27925263+00	+18792220+01	-12261972+00	-51484750+00	+15449453+01
+29670591+00	+17806964+01	-22476010+00	-50761640+00	+15218158+01
+31415920+00	+16977238+01	-31080347+00	-49766916+00	+15006680+01
+33161248+00	+16271766+01	-38401055+00	-48604785+00	+14812361+01
+34906576+00	+15666826+01	-44684961+00	-47343673+00	+14632773+01
+36651905+00	+15144158+01	-50121889+00	-46028921+00	+14465910+01
+38397233+00	+14689521+01	-54859864+00	-44690694+00	+14310108+01
+40142561+00	+14291668+01	-59015768+00	-43349016+00	+14163972+01
+41887890+00	+13941613+01	-62682947+00	-42017039+00	+14026333+01
+43633218+00	+13632105+01	-65936699+00	-40703218+00	+13896201+01
+45378546+00	+13357242+01	-68838358+00	-39412758+00	+13772723+01
+47123875+00	+13112174+01	-71438297+00	-38148600+00	+13655166+01
+48869203+00	+12892888+01	-73778219+00	-36912118+00	+13542895+01
+50614531+00	+12696039+01	-75892899+00	-35703579+00	+13435356+01
+52359859+00	+12518824+01	-77811566+00	-34522458+00	+13332058+01
+54105188+00	+12358871+01	-79558917+00	-33367697+00	+13232567+01
+55850516+00	+12214174+01	-81155960+00	-32237837+00	+13136496+01
+57595844+00	+12083018+01	-82620697+00	-31131140+00	+13043499+01
+59341173+00	+11963935+01	-83968618+00	-30045656+00	+12953261+01
+61086501+00	+11855663+01	-85213145+00	-28979279+00	+12865495+01
+62831829+00	+11757112+01	-86365985+00	-27929755+00	+12779938+01
+64577158+00	+11667338+01	-87437397+00	-26894724+00	+12696350+01
+66322486+00	+11585521+01	-88436460+00	-25871678+00	+12614501+01
+68067814+00	+11510947+01	-89371250+00	-24857973+00	+12534177+01
+69813143+00	+11442995+01	-90249024+00	-23850789+00	+12455175+01
+71558471+00	+11381124+01	-91076371+00	-22847089+00	+12377299+01
+73303799+00	+11324861+01	-91859349+00	-21843562+00	+12300356+01
+75049127+00	+11273796+01	-92603604+00	-20836551+00	+12224156+01
+76794456+00	+11227574+01	-93314499+00	-19821945+00	+12148508+01
+78539784+00	+11185890+01	-93997251+00	-18795042+00	+12073216+01
+80285112+00	+11148485+01	-94657081+00	-17750336+00	+11998076+01
+82030441+00	+11115143+01	-95299346+00	-16681306+00	+11922870+01
+83775769+00	+11085692+01	-95929803+00	-15579992+00	+11847364+01
+85521097+00	+11060000+01	-96554865+00	-14436489+00	+11771293+01
+87266426+00	+11037981+01	-97182024+00	-13238137+00	+11694356+01
+89011754+00	+11019599+01	-97820465+00	-11968295+00	+11616205+01
+90757082+00	+11004874+01	-98482052+00	-10604364+00	+11536413+01
+92502411+00	+10993899+01	-99182955+00	-91144814-01	+11454448+01
+94247739+00	+10986865+01	-99946552+00	-74516436-01	+11369622+01
+95993067+00	+10984101+01	-10080902+01	-55424906-01	+11280998+01
+97738395+00	+10986157+01	-10183101+01	-32638329-01	+11187229+01
+99483724+00	+10993966+01	-10312568+01	-38696557-02	+11086230+01
+10122904+01	+11009226+01	-10493888+01	+35807844-01	+10974403+01
+10297436+01	+11035512+01	-10795721+01	+10000004+00	+10844384+01
+10355562+01	+11048042+01	-10957119+01	+13352157+00	+10794338+01

$s_2/R = +11263825-02$

$\eta/\alpha = +23047873+00$

TABLE 94.—Conical Flow Field. $\theta_s=15.0^\circ$; $M_\infty=1.5$

M_{00}	θ_s		θ_w	
+14999999+01	+26179935+00		+78592364+00	

θ	M_{w2}^*	ψ_2	M_2^*	μ_1
+26179935+00	+21775470+01	+32288954-05	-56550740+00	+90583965+00
+27488931+00	+20792944+01	-84788033-01	-56366033+00	+90557273+00
+28797927+00	+19934216+01	-15866747+00	-55885044+00	+90484866+00
+30106924+00	+19181913+01	-22354015+00	-55192885+00	+90376244+00
+31415920+00	+18519285+01	-28090481+00	-54350096+00	+90238750+00
+32724916+00	+17932702+01	-33195533+00	-53400224+00	+90078096+00
+33946646+00	+17444003+01	-37475675+00	-52445067+00	+89911224+00
+35168376+00	+17004394+01	-41353795+00	-51443127+00	+89730982+00
+36390105+00	+16607630+01	-44883238+00	-50408515+00	+89539693+00
+37611835+00	+16248453+01	-48108781+00	-49351756+00	+89339230+00
+38833565+00	+15922406+01	-51068260+00	-48280669+00	+89131107+00
+39968029+00	+15645985+01	-53606343+00	-47278313+00	+88932059+00
+41102492+00	+15392233+01	-55965018+00	-46271948+00	+88728249+00
+42236955+00	+15158873+01	-58163612+00	-45263994+00	+88520322+00
+43371418+00	+14943920+01	-60219031+00	-44256143+00	+88308792+00
+44505882+00	+14745633+01	-62146151+00	-43249466+00	+88094082+00
+45553079+00	+14576067+01	-63822546+00	-42321786+00	+87893341+00
+46600276+00	+14418333+01	-65410066+00	-41395756+00	+87690364+00
+47647473+00	+14271479+01	-66917040+00	-40471257+00	+87485291+00
+48694670+00	+14134657+01	-68350988+00	-39547953+00	+87278238+00
+49741867+00	+14007106+01	-69718770+00	-38625300+00	+87069269+00
+50701791+00	+13897744+01	-70919824+00	-37779468+00	+86876052+00
+51661714+00	+13795123+01	-72075035+00	-36932865+00	+86681249+00
+52621637+00	+13698812+01	-73188569+00	-36084661+00	+86484833+00
+53581559+00	+13608421+01	-74264357+00	-35233896+00	+86286759+00
+54541481+00	+13523594+01	-75306104+00	-34379473+00	+86086962+00
+55414138+00	+13451036+01	-76226598+00	-33598500+00	+85903755+00
+56286795+00	+13382588+01	-77124462+00	-32812420+00	+85718969+00
+57159451+00	+13318050+01	-78002212+00	-32020051+00	+85532505+00
+58032108+00	+13257237+01	-78862326+00	-31220066+00	+85344248+00
+58904765+00	+13199979+01	-79707274+00	-30410981+00	+85154071+00
+59690156+00	+13151361+01	-80456816+00	-29673644+00	+84981150+00
+60475547+00	+13105398+01	-81197958+00	-28926193+00	+84806422+00
+61260938+00	+13061997+01	-81932622+00	-28167080+00	+84629754+00
+62046329+00	+13021076+01	-82662819+00	-27394552+00	+84450993+00
+62831719+00	+12982560+01	-83390690+00	-26606611+00	+84269956+00
+63529845+00	+12950288+01	-84037580+00	-25891448+00	+84106971+00
+64227970+00	+12919825+01	-84686191+00	-25160471+00	+83941878+00
+64926095+00	+12891133+01	-85338445+00	-24411583+00	+83774507+00
+65624221+00	+12864184+01	-85996456+00	-23642385+00	+83604665+00
+66322346+00	+12838953+01	-86662606+00	-22850079+00	+83432136+00
+66933206+00	+12818273+01	-87254274+00	-22135316+00	+83278777+00
+67544065+00	+12798889+01	-87856296+00	-21397837+00	+83122985+00
+68154925+00	+12780797+01	-88471014+00	-20634701+00	+82964559+00
+68765786+00	+12763998+01	-89101152+00	-19842451+00	+82803261+00
+69376645+00	+12748500+01	-89749875+00	-19017007+00	+82638826+00
+69900239+00	+12736262+01	-90323524+00	-18279422+00	+82495163+00
+70423833+00	+12725001+01	-90916337+00	-17510265+00	+82348755+00
+70947427+00	+12714734+01	-91531577+00	-16705247+00	+82199358+00
+71471021+00	+12705482+01	-92173131+00	-15859237+00	+82046697+00

TABLE 94.—Continued

 $M_{\infty} = +14999999+01$ $\theta_8 = +26179935+00$

θ	M_{w2}^*	ψ_2	M_2^*	μ_1
+71994615+00	+12697274+01	-92845665+00	-14966067+00	+81890445+00
+72430943+00	+12691255+01	-93433843+00	-14180328+00	+81757231+00
+72867271+00	+12686008+01	-94051451+00	-13351340+00	+81621015+00
+73303600+00	+12681564+01	-94703279+00	-12472733+00	+81481516+00
+73739928+00	+12677957+01	-95395179+00	-11536741+00	+81338404+00
+74176257+00	+12675230+01	-96134367+00	-10533786+00	+81191295+00
+74525319+00	+12673717+01	-96765770+00	-96752529-01	+81070426+00
+74874382+00	+12672830+01	-97438898+00	-87586752-01	+80946442+00
+75223445+00	+12672608+01	-98160790+00	-77747320-01	+80819022+00
+75572507+00	+12673095+01	-98940189+00	-67118779-01	+80687801+00
+75921570+00	+12674343+01	-99788155+00	-55555083-01	+80552340+00
+76183368+00	+12675816+01	-10047751+01	-46158186-01	+80447652+00
+76445164+00	+12677785+01	-10122086+01	-36031969-01	+80340024+00
+76706961+00	+12680288+01	-10202755+01	-25053681-01	+80229156+00
+76968758+00	+12683369+01	-10290936+01	-13068617-01	+80114681+00
+77230555+00	+12687081+01	-10388133+01	+12043939-03	+79996176+00
+77405087+00	+12689938+01	-10458884+01	+97057944-02	+79914679+00
+77579618+00	+12693127+01	-10535232+01	+20034430-01	+79830980+00
+77754149+00	+12696674+01	-10618075+01	+31223649-01	+79744862+00
+77928681+00	+12700609+01	-10708521+01	+43418407-01	+79656087+00
+78103212+00	+12704970+01	-10807968+01	+56800863-01	+79564363+00
+78277743+00	+12709799+01	-10918200+01	+71603705-01	+79469338+00
+78452274+00	+12715150+01	-11041542+01	+88129690-01	+79370599+00
+78592364+00	+12719864+01	-11152082+01	+10290827+00	+79288317+00

 $S_2/R = +36078972-02$ $\eta/\alpha = +27329506+00$

TABLE 95.—Conical Flow Field. $\theta_s=15.0^\circ$; $M_\infty=1.75$

M_{00}	θ_s		θ_w	
+17499998+01	+26179935+00		+66900117+00	

θ	M_{w2}^*	ϕ_2	M_2^*	μ_1
+26179935+00	+22781322+01	+21206215-05	-59420940+00	+73420212+00
+27227132+00	+21962070+01	-64068207-01	-59294485+00	+73406808+00
+28274329+00	+21218956+01	-12145023+00	-58955937+00	+73369692+00
+29321526+00	+20550675+01	-17313876+00	-58454888+00	+73312850+00
+30325090+00	+19972003+01	-21808639+00	-57856876+00	+73242843+00
+31328653+00	+19446516+01	-25914716+00	-57169045+00	+73159959+00
+32332217+00	+18968037+01	-29681741+00	-56410773+00	+73066060+00
+33292148+00	+18549447+01	-33006391+00	-55633457+00	+72967377+00
+34252078+00	+18164996+01	-36090442+00	-54815758+00	+72861157+00
+35212009+00	+17811197+01	-38960820+00	-53965762+00	+72748325+00
+36128306+00	+17499279+01	-41522888+00	-53130118+00	+72635174+00
+37044603+00	+17210199+01	-43929321+00	-52275158+00	+72517272+00
+37960901+00	+16941912+01	-46195778+00	-51404265+00	+72395105+00
+38833565+00	+16704070+01	-48236900+00	-50562408+00	+72275143+00
+39706229+00	+16482048+01	-50174390+00	-49710148+00	+72151947+00
+40578893+00	+16274597+01	-52017896+00	-48848718+00	+72025757+00
+41407924+00	+16089998+01	-53690145+00	-48022641+00	+71903274+00
+42236955+00	+15916677+01	-55292291+00	-47189492+00	+71778391+00
+43065986+00	+15753852+01	-56830614+00	-46349453+00	+71651214+00
+43851384+00	+15608637+01	-58234362+00	-45547229+00	+71528681+00
+44636782+00	+15471659+01	-59590620+00	-44738560+00	+71404204+00
+45422180+00	+15342418+01	-60903698+00	-43923068+00	+71277809+00
+46163944+00	+15227050+01	-62107856+00	-43146115+00	+71156686+00
+46905708+00	+15117825+01	-63280412+00	-42361983+00	+71033856+00
+47647473+00	+15014418+01	-64424521+00	-41569927+00	+70909295+00
+48345604+00	+14922143+01	-65478075+00	-40816443+00	+70790455+00
+49043735+00	+14834531+01	-66511640+00	-40054296+00	+70670017+00
+49741867+00	+14751373+01	-67527689+00	-39282495+00	+70547930+00
+50396362+00	+14677286+01	-68466533+00	-38549138+00	+70431922+00
+51050854+00	+14606798+01	-69394227+00	-37805201+00	+70314351+00
+51705347+00	+14539772+01	-70312873+00	-37049460+00	+70195145+00
+52316207+00	+14480232+01	-71164042+00	-36332222+00	+70082334+00
+52927066+00	+14423508+01	-72011077+00	-35602193+00	+69967950+00
+53537926+00	+14369517+01	-72855923+00	-34857912+00	+69851901+00
+54105153+00	+14321763+01	-73640279+00	-34152576+00	+69742568+00
+54672380+00	+14276245+01	-74426326+00	-33432000+00	+69631627+00
+55239607+00	+14232913+01	-75215999+00	-32694459+00	+69518980+00
+55763200+00	+14194816+01	-75949974+00	-31996893+00	+69413382+00
+56286795+00	+14158514+01	-76690677+00	-31281426+00	+69306134+00
+56810388+00	+14123981+01	-77440159+00	-30546032+00	+69197129+00
+57290350+00	+14093864+01	-78136832+00	-29852441+00	+69095549+00
+57770311+00	+14065204+01	-78844761+00	-29138109+00	+68992280+00
+58250272+00	+14037994+01	-79566192+00	-28400668+00	+68887202+00
+58686601+00	+14014510+01	-80235879+00	-27707929+00	+68789992+00
+59122929+00	+13992221+01	-80920998+00	-26991477+00	+68691063+00
+59559257+00	+13971129+01	-81624050+00	-26248570+00	+68590290+00
+59951953+00	+13953175+01	-82274487+00	-25554724+00	+68497901+00
+60344648+00	+13936205+01	-82944202+00	-24834187+00	+68403788+00
+60737344+00	+13920230+01	-83635994+00	-24083827+00	+68307818+00
+61086406+00	+13906878+01	-84272075+00	-23388867+00	+68220843+00

TABLE 95.—Continued

$M_{\infty} = +17499998+01$

$\theta_8 = +26179935+00$

θ	M_{w2}^*	ψ_2	M_2^*	μ_1
+61435469+00	+13894336+01	-84930835+00	-22664466+00	+68132170+00
+61784532+00	+13882621+01	-85615374+00	-21907131+00	+68041677+00
+62089961+00	+13873065+01	-86238337+00	-21214240+00	+67960885+00
+62395392+00	+13864172+01	-86886656+00	-20489794+00	+67878479+00
+62700821+00	+13855962+01	-87563640+00	-19730051+00	+67794334+00
+62962618+00	+13849483+01	-88169670+00	-19047426+00	+67720722+00
+63224415+00	+13843537+01	-88802494+00	-18332387+00	+67645635+00
+63486212+00	+13838141+01	-89465441+00	-17581175+00	+67568963+00
+63704376+00	+13834080+01	-90043738+00	-16924342+00	+67503772+00
+63922540+00	+13830430+01	-90648322+00	-16236322+00	+67437313+00
+64140704+00	+13827204+01	-91282259+00	-15513664+00	+67369502+00
+64315236+00	+13824942+01	-91812926+00	-14907912+00	+67314211+00
+64489767+00	+13822974+01	-92366762+00	-14275042+00	+67257935+00
+64664299+00	+13821310+01	-92946184+00	-13612345+00	+67200610+00
+64795197+00	+13820269+01	-93399189+00	-13093890+00	+67156889+00
+64926095+00	+13819412+01	-93869463+00	-12555414+00	+67112504+00
+65056995+00	+13818746+01	-94358479+00	-11995266+00	+67067427+00
+65187893+00	+13818277+01	-94867907+00	-11411569+00	+67021616+00
+65318791+00	+13818012+01	-95399620+00	-10802214+00	+66975033+00
+65449690+00	+13817961+01	-95955748+00	-10164822+00	+66927633+00
+65580588+00	+13818131+01	-96538708+00	-94966707-01	+66879366+00
+65711487+00	+13818534+01	-97151265+00	-87946662-01	+66830177+00
+65842385+00	+13819180+01	-97796602+00	-80552471-01	+66780008+00
+65973284+00	+13820081+01	-98478404+00	-72742789-01	+66728789+00
+66104182+00	+13821252+01	-99200954+00	-64469730-01	+66676450+00
+66235080+00	+13822708+01	-99969283+00	-55677176-01	+66622905+00
+66365980+00	+13824468+01	-10078933+01	-46298517-01	+66568058+00
+66496878+00	+13826550+01	-10166820+01	-36254759-01	+66511806+00
+66627776+00	+13828978+01	-10261440+01	-25450758-01	+66454023+00
+66758675+00	+13831778+01	-10363833+01	-13770729-01	+66394569+00
+66889573+00	+13834981+01	-10475275+01	-10724330-02	+66333283+00
+66900117+00	+13835258+01	-10484688+01	-49617514-06	+66328263+00

$S_2/R = +10541538-01$

$\eta/\alpha = +33646197+00$

TABLE 96.—Conical Flow Field. $\theta_s=15.0^\circ$; $M_\infty=2.0$

M_∞	θ_s	θ_w
+19999998+01	+26179935+00	+59192180+00

θ	M_w^*	ψ_2	M_2^*	μ_1
+26179935+00	+23347932+01	+14770776-05	-61377320+00	+62594455+00
+27008966+00	+22704227+01	-48156653-01	-61294550+00	+62586993+00
+27837997+00	+22091185+01	-92303543-01	-61067673+00	+62565979+00
+28667028+00	+21525812+01	-13293574+00	-60723773+00	+62533250+00
+29496059+00	+21004751+01	-17048000+00	-60284274+00	+62490327+00
+30281456+00	+20548377+01	-20352981+00	-59795221+00	+62441420+00
+31066854+00	+20124978+01	-23440044+00	-59247340+00	+62385423+00
+31852252+00	+19731625+01	-26332243+00	-58650083+00	+62323105+00
+32637650+00	+19365681+01	-29049698+00	-58011119+00	+62255127+00
+33379414+00	+19043109+01	-31471672+00	-57374993+00	+62186230+00
+34121179+00	+18741101+01	-33766727+00	-56711514+00	+62113187+00
+34862943+00	+18458054+01	-35946621+00	-56024175+00	+62036346+00
+35604708+00	+18192523+01	-38021910+00	-55315801+00	+61955996+00
+36302839+00	+17957444+01	-39888110+00	-54631919+00	+61877392+00
+37000970+00	+17735743+01	-41677298+00	-53932914+00	+61796083+00
+37699101+00	+17526524+01	-43396082+00	-53219948+00	+61712223+00
+38397233+00	+17328970+01	-45050548+00	-52493880+00	+61625932+00
+39051731+00	+17153696+01	-46548193+00	-51801833+00	+61542924+00
+39706229+00	+16987458+01	-47998572+00	-51099095+00	+61457939+00
+40360727+00	+16829742+01	-49405748+00	-50385787+00	+61371034+00
+41015225+00	+16680072+01	-50773557+00	-49661860+00	+61282251+00
+41626090+00	+16547253+01	-52017886+00	-48976425+00	+61197711+00
+42236955+00	+16420734+01	-53233967+00	-48281251+00	+61111561+00
+42847820+00	+16300214+01	-54424555+00	-47575905+00	+61023809+00
+43458685+00	+16185411+01	-55592348+00	-46859829+00	+60934441+00
+44025917+00	+16083699+01	-56658645+00	-46184685+00	+60849996+00
+44593148+00	+15986501+01	-57709698+00	-45499011+00	+60764119+00
+45160380+00	+15893636+01	-58747635+00	-44802015+00	+60676776+00
+45727612+00	+15804940+01	-59774602+00	-44092767+00	+60587933+00
+46251210+00	+15726635+01	-60714738+00	-43426277+00	+60504546+00
+46774809+00	+15651639+01	-61649199+00	-42747460+00	+60419793+00
+47298407+00	+15579850+01	-62579845+00	-42055206+00	+60333618+00
+47822006+00	+15511173+01	-63508643+00	-41348253+00	+60245966+00
+48301971+00	+15450878+01	-64360208+00	-40686056+00	+60164256+00
+48781937+00	+15393063+01	-65213706+00	-40009011+00	+60081182+00
+49261902+00	+15337674+01	-66071006+00	-39315669+00	+59996675+00
+49741867+00	+15284660+01	-66934144+00	-38604377+00	+59910655+00
+50178198+00	+15238488+01	-67725763+00	-37940580+00	+59831072+00
+50614526+00	+15194215+01	-68525922+00	-37258752+00	+59750093+00
+51050854+00	+15151813+01	-69336692+00	-36557038+00	+59667634+00
+51487183+00	+15111264+01	-70160394+00	-35833307+00	+59583602+00
+51879878+00	+15076340+01	-70914947+00	-35161089+00	+59506546+00
+52272574+00	+15042895+01	-71684267+00	-34466980+00	+59428044+00
+52665269+00	+15010925+01	-72470818+00	-33748596+00	+59348007+00
+53057965+00	+14980431+01	-73277410+00	-33003191+00	+59266326+00
+53407027+00	+14954565+01	-74013846+00	-32315328+00	+59192238+00
+53756090+00	+14929875+01	-74771337+00	-31600956+00	+59116658+00
+54105153+00	+14906368+01	-75552926+00	-30857035+00	+59039477+00
+54454215+00	+14884060+01	-76362170+00	-30080000+00	+58960576+00
+54759645+00	+14865536+01	-77096192+00	-29369660+00	+58890020+00

TABLE 96.—Continued

$M_{00} = +19999998+01$

$\theta_8 = +26179935+00$

θ	M_{w2}^*	ϕ_2	M_2^*	μ_1
+55065075+00	+14847959+01	-77857830+00	-28627473+00	+58817942+00
+55370505+00	+14831347+01	-78650908+00	-27849575+00	+58744218+00
+55675935+00	+14815723+01	-79479925+00	-27031406+00	+58668723+00
+55937732+00	+14803139+01	-80223165+00	-26293969+00	+58602488+00
+56199529+00	+14791322+01	-81000746+00	-25518911+00	+58534732+00
+56461326+00	+14780296+01	-81817386+00	-24701442+00	+58465332+00
+56723123+00	+14770092+01	-82678731+00	-23835843+00	+58394149+00
+56941287+00	+14762241+01	-83435513+00	-23072836+00	+58333358+00
+57159451+00	+14755005+01	-84232714+00	-22266916+00	+58271110+00
+57377615+00	+14748413+01	-85075893+00	-21412452+00	+58207293+00
+57595780+00	+14742494+01	-85971739+00	-20502685+00	+58141765+00
+57770311+00	+14738268+01	-86731702+00	-19729628+00	+58088008+00
+57944842+00	+14734517+01	-87535468+00	-18910977+00	+58032966+00
+58119373+00	+14731266+01	-88388905+00	-18040817+00	+57976538+00
+58293905+00	+14728541+01	-89299064+00	-17112038+00	+57918603+00
+58424803+00	+14726862+01	-90023956+00	-16371896+00	+57874081+00
+58555702+00	+14725512+01	-90789765+00	-15589714+00	+57828572+00
+58686601+00	+14724510+01	-91601491+00	-14760457+00	+57782004+00
+58817499+00	+14723873+01	-92465017+00	-13878212+00	+57734292+00
+58948398+00	+14723626+01	-93387362+00	-12935936+00	+57685343+00
+59079296+00	+14723792+01	-94376950+00	-11925177+00	+57635053+00
+59192180+00	+14724289+01	-95292087+00	-10990761+00	+57590516+00

$S_2/R = +26051197-01$

$\eta/\alpha = +40093565+00$

TABLE 97.—Conical Flow Field. $\theta_s=15.0^\circ$; $M_\infty=2.5$

M_{∞}	θ_s	θ_w
+25000000+01	+26179935+00	+49662599+00

θ	M_{w2}^*	ψ_2	M_2^*	μ_1
+26179935+00	+23518528+01	+72922558-06	-63606527+00	+49173541+00
+26703533+00	+23207571+01	-27553295-01	-63572343+00	+49170850+00
+27227132+00	+22839430+01	-53687017-01	-63475364+00	+49163087+00
+27750731+00	+22480222+01	-78505701-01	-63323123+00	+49150704+00
+28274329+00	+22134932+01	-10211858+00	-63122064+00	+49134091+00
+28797927+00	+21804685+01	-12462663+00	-62877694+00	+49113585+00
+29321526+00	+21489491+01	-14612169+00	-62594724+00	+49089493+00
+29845124+00	+21188944+01	-16668697+00	-62277188+00	+49062078+00
+30325090+00	+20925813+01	-18478634+00	-61958706+00	+49034232+00
+30805055+00	+20674004+01	-20222117+00	-61616377+00	+49003947+00
+31285020+00	+20433011+01	-21904011+00	-61252188+00	+48971372+00
+31764986+00	+20202328+01	-23528836+00	-60867846+00	+48936632+00
+32244951+00	+19981470+01	-25100753+00	-60464827+00	+48899839+00
+32724916+00	+19769971+01	-26623622+00	-60044388+00	+48861090+00
+33204881+00	+19567383+01	-28101061+00	-59607592+00	+48820473+00
+33641214+00	+19390592+01	-29407593+00	-59197069+00	+48781994+00
+34077546+00	+19220520+01	-30681751+00	-58774324+00	+48742085+00
+34513878+00	+19056882+01	-31925799+00	-58339808+00	+48700791+00
+34950210+00	+18899410+01	-33141896+00	-57893881+00	+48658149+00
+35386542+00	+18747851+01	-34332099+00	-57436812+00	+48614188+00
+35822874+00	+18601965+01	-35498388+00	-56968787+00	+48568937+00
+36259206+00	+18461526+01	-36642681+00	-56489900+00	+48522417+00
+36651905+00	+18339613+01	-37655270+00	-56049633+00	+48479479+00
+37044603+00	+18221794+01	-38652873+00	-55600537+00	+48435531+00
+37437303+00	+18107928+01	-39636784+00	-55142516+00	+48390580+00
+37830001+00	+17997886+01	-40608304+00	-54675409+00	+48344626+00
+38222700+00	+17891543+01	-41568708+00	-54199009+00	+48297666+00
+38615399+00	+17788780+01	-42519286+00	-53713037+00	+48249699+00
+39008098+00	+17689488+01	-43461331+00	-53217161+00	+48200707+00
+39357163+00	+17604057+01	-44292603+00	-52767739+00	+48156294+00
+39706229+00	+17521215+01	-45119126+00	-52309830+00	+48111052+00
+40055295+00	+17440898+01	-45941865+00	-51843054+00	+48064969+00
+40404361+00	+17363043+01	-46761820+00	-51366970+00	+48018026+00
+40753426+00	+17287591+01	-47580038+00	-50881080+00	+47970205+00
+41102492+00	+17214488+01	-48397611+00	-50384811+00	+47921481+00
+41451558+00	+17143682+01	-49215697+00	-49877521+00	+47871828+00
+41756990+00	+17083574+01	-49932893+00	-49424037+00	+47827600+00
+42062422+00	+17025158+01	-50652300+00	-48961008+00	+47782615+00
+42367855+00	+16968406+01	-51374837+00	-48487832+00	+47736848+00
+42673287+00	+16913293+01	-52101508+00	-48003823+00	+47690275+00
+42978720+00	+16859794+01	-52833398+00	-47508220+00	+47642866+00
+43284152+00	+16807889+01	-53571677+00	-47000169+00	+47594584+00
+43589585+00	+16757557+01	-54317629+00	-46478709+00	+47545393+00
+43851384+00	+16715656+01	-54964194+00	-46020253+00	+47502474+00
+44113183+00	+16674890+01	-55618411+00	-45550390+00	+47458827+00
+44374982+00	+16635250+01	-56281357+00	-45068263+00	+47414423+00
+44636782+00	+16596731+01	-56954203+00	-44572928+00	+47369224+00
+44898581+00	+16559328+01	-57638256+00	-44063316+00	+47323196+00
+45160380+00	+16523038+01	-58334974+00	-43538225+00	+47276293+00
+45422180+00	+16487859+01	-59045983+00	-42996300+00	+47228473+00

TABLE 97.—Continued

$$M_{00} = +25000000+01$$

$$\Theta_S = +26179935+00$$

Θ	M_{W2}^*	ψ_2	M_2^*	μ_1
+45640346+00	+16459393+01	-59650720+00	-42530734+00	+47187884+00
+45858512+00	+16431701+01	-60267842+00	-42051401+00	+47146586+00
+46076678+00	+16404786+01	-60898676+00	-41557177+00	+47104549+00
+46294844+00	+16378652+01	-61544691+00	-41046801+00	+47061732+00
+46513010+00	+16353304+01	-62207565+00	-40518843+00	+47018088+00
+46731176+00	+16328750+01	-62889170+00	-39971682+00	+46973580+00
+46949342+00	+16304998+01	-63591658+00	-39403473+00	+46928146+00
+47123875+00	+16286582+01	-64170326+00	-38932329+00	+46891096+00
+47298407+00	+16268691+01	-64765345+00	-38445132+00	+46853387+00
+47472940+00	+16251336+01	-65378307+00	-37940499+00	+46814982+00
+47647473+00	+16234524+01	-66011022+00	-37416864+00	+46775842+00
+47822006+00	+16218266+01	-66665533+00	-36872455+00	+46735924+00
+47996539+00	+16202572+01	-67344180+00	-36305244+00	+46695182+00
+48171071+00	+16187455+01	-68049633+00	-35712907+00	+46653563+00
+48301971+00	+16176507+01	-68598161+00	-35250571+00	+46621738+00
+48432871+00	+16165899+01	-69164986+00	-34771312+00	+46589358+00
+48563770+00	+16155639+01	-69751763+00	-34273693+00	+46556395+00
+48694670+00	+16145738+01	-70360376+00	-33756083+00	+46522817+00
+48825569+00	+16136204+01	-70992962+00	-33216634+00	+46488586+00
+48956469+00	+16127049+01	-71651934+00	-32653250+00	+46453667+00
+49087369+00	+16118284+01	-72340082+00	-32063521+00	+46418012+00
+49218269+00	+16109924+01	-73060595+00	-31444683+00	+46381577+00
+49349168+00	+16101984+01	-73817186+00	-30793533+00	+46344306+00
+49480068+00	+16094481+01	-74614188+00	-30106328+00	+46306140+00
+49610967+00	+16087436+01	-75456670+00	-29378686+00	+46267011+00
+49662599+00	+16084788+01	-75802727+00	-29079478+00	+46251299+00

$$S_2/R = +10202616+00$$

$$\eta/\alpha = +51626669+00$$

TABLE 98.—Conical Flow Field. $\theta_s=15.0^\circ$; $M_\infty=3.0$

M_∞	θ_s	θ_w
+29999999+01	+26179935+00	+44085123+00

θ	$M_{\theta 2}^*$	ψ_2	M_2^*	μ_1
+26179935+00	+22877264+01	+53737313-06	-64717173+00	+41034178+00
+26529001+00	+22850419+01	-16689576-01	-64702138+00	+41033014+00
+26878066+00	+22675439+01	-32864048-01	-64658562+00	+41029599+00
+27227132+00	+22483901+01	-48527685-01	-64588651+00	+41024077+00
+27576198+00	+22288019+01	-63704075-01	-64494400+00	+41016562+00
+27925263+00	+22092323+01	-78419658-01	-64377615+00	+41007169+00
+28274329+00	+21898967+01	-92701046-01	-64239907+00	+40995997+00
+28623395+00	+21709099+01	-10657398+00	-64082712+00	+40983135+00
+28972460+00	+21523358+01	-12006291+00	-63907322+00	+40968667+00
+29321526+00	+21342102+01	-13319107+00	-63714882+00	+40952666+00
+29670591+00	+21165519+01	-14598039+00	-63506418+00	+40935200+00
+30019657+00	+20993692+01	-15845156+00	-63282838+00	+40916331+00
+30368723+00	+20826633+01	-17062426+00	-63044946+00	+40896116+00
+30674155+00	+20684348+01	-18104522+00	-62825608+00	+40877359+00
+30979588+00	+20545650+01	-19126375+00	-62596279+00	+40857638+00
+31285020+00	+20410490+01	-20129122+00	-62357333+00	+40836981+00
+31590452+00	+20278805+01	-21113852+00	-62109093+00	+40815414+00
+31895885+00	+20150530+01	-22081619+00	-61851846+00	+40792955+00
+32201318+00	+20025595+01	-23033433+00	-61585838+00	+40769629+00
+32506750+00	+19903928+01	-23970281+00	-61311270+00	+40745448+00
+32812182+00	+19785456+01	-24893107+00	-61028318+00	+40720430+00
+33117615+00	+19670104+01	-25802845+00	-60737108+00	+40694589+00
+33423048+00	+19557801+01	-26700398+00	-60437737+00	+40667936+00
+33728480+00	+19448474+01	-27586654+00	-60130273+00	+40640477+00
+34033912+00	+19342053+01	-28462495+00	-59814738+00	+40612221+00
+34295712+00	+19253095+01	-29205585+00	-59537852+00	+40587371+00
+34557511+00	+19166180+01	-29942207+00	-59255004+00	+40561939+00
+34819310+00	+19081265+01	-30672904+00	-58966152+00	+40535926+00
+35081109+00	+18998310+01	-31398216+00	-58671231+00	+40509334+00
+35342908+00	+18917277+01	-32118695+00	-58370155+00	+40482159+00
+35604708+00	+18838129+01	-32834902+00	-58062813+00	+40454399+00
+35866507+00	+18760828+01	-33547397+00	-57749077+00	+40426051+00
+36128306+00	+18685340+01	-34256751+00	-57428794+00	+40397110+00
+36390105+00	+18611631+01	-34963550+00	-57101783+00	+40367568+00
+36651905+00	+18539668+01	-35668411+00	-56767836+00	+40337418+00
+36913704+00	+18469421+01	-36371954+00	-56426717+00	+40306652+00
+37175503+00	+18400859+01	-37074835+00	-56078154+00	+40275258+00
+37393669+00	+18344992+01	-37660552+00	-55781780+00	+40248606+00
+37611835+00	+18290261+01	-38246693+00	-55479833+00	+40221505+00
+37830001+00	+18236649+01	-38833694+00	-55172094+00	+40193940+00
+38048167+00	+18184145+01	-39422004+00	-54858321+00	+40165905+00
+38266333+00	+18132733+01	-40012101+00	-54538258+00	+40137390+00
+38484499+00	+18082402+01	-40604495+00	-54211608+00	+40108381+00
+38702665+00	+18033139+01	-41199719+00	-53878058+00	+40078867+00
+38920831+00	+17984933+01	-41798349+00	-53537250+00	+40048831+00
+39138997+00	+17937774+01	-42400993+00	-53188806+00	+40018258+00
+39357163+00	+17891653+01	-43008319+00	-52832288+00	+39987134+00
+39575330+00	+17846561+01	-43621037+00	-52467226+00	+39955440+00
+39793496+00	+17802490+01	-44239922+00	-52093096+00	+39923152+00
+39968029+00	+17767964+01	-44740032+00	-51786871+00	+39896882+00

TABLE 98.—Continued

$M_{\infty} = + 299999999+01$

$e_B = +26179935+00$

θ	M_{w2}^*	ψ_2	M_2^*	μ_1
+40142561+00	+17734084+01	-45245091+00	-51474145+00	+39870208+00
+40317094+00	+17700849+01	-45755604+00	-51154555+00	+39843115+00
+40491627+00	+17668256+01	-46272118+00	-50827711+00	+39815589+00
+40666160+00	+17636304+01	-46795220+00	-50493180+00	+39787617+00
+40840693+00	+17604990+01	-47325563+00	-50150489+00	+39759178+00
+41015225+00	+17574316+01	-47863837+00	-49799128+00	+39730259+00
+41189758+00	+17544283+01	-48410816+00	-49438520+00	+39700838+00
+41364291+00	+17514889+01	-48967345+00	-49068026+00	+39670894+00
+41538824+00	+17486138+01	-49534358+00	-48686950+00	+39640405+00
+41713357+00	+17458031+01	-50112881+00	-48294507+00	+39609347+00
+41887890+00	+17430572+01	-50704072+00	-47889821+00	+39577689+00
+42018789+00	+17410406+01	-51156548+00	-47577686+00	+39553536+00
+42149689+00	+17390610+01	-51617472+00	-47257654+00	+39529016+00
+42280588+00	+17371184+01	-52087484+00	-46929230+00	+39504115+00
+42411488+00	+17352134+01	-52567318+00	-46591855+00	+39478818+00
+42542388+00	+17333462+01	-53057758+00	-46244928+00	+39453106+00
+42673287+00	+17315171+01	-53559665+00	-45887776+00	+39426964+00
+42804187+00	+17297268+01	-54074017+00	-45519653+00	+39400369+00
+42935086+00	+17279756+01	-54601883+00	-45139735+00	+39373300+00
+43065986+00	+17262642+01	-55144442+00	-44747105+00	+39345737+00
+43196886+00	+17245931+01	-55703037+00	-44340731+00	+39317651+00
+43327786+00	+17229630+01	-56279176+00	-43919448+00	+39289017+00
+43458685+00	+17213750+01	-56874531+00	-43481957+00	+39259804+00
+43545952+00	+17203399+01	-57283069+00	-43180559+00	+39239989+00
+43633218+00	+17193242+01	-57701631+00	-42870815+00	+39219892+00
+43720484+00	+17183282+01	-58130905+00	-42552187+00	+39199500+00
+43807751+00	+17173521+01	-58571663+00	-42224092+00	+39178802+00
+43895017+00	+17163965+01	-59024727+00	-41885882+00	+39157785+00
+43982284+00	+17154616+01	-59491027+00	-41536850+00	+39136434+00
+44069550+00	+17145480+01	-59971589+00	-41176201+00	+39114732+00
+44085123+00	+17143873+01	-60058909+00	-41110572+00	+39110825+00

$S_2/R = +26503019+00$

$\eta/\alpha = +60876468+00$

TABLE 99.—Conical Flow Field. $\theta_s=15.0^\circ$; $M_\infty=3.5$

M_∞	θ_B	θ_V
+34999999+01	+26179935+00	+40494077+00

θ	M_{W2}^*	ψ_2	M_2^*	H_1
+26179935+00	+21831877+01	+41164458-06	-65407666+00	+35549482+00
+26485367+00	+22046984+01	-13295575-01	-65396596+00	+35548584+00
+26790800+00	+21995188+01	-26307071-01	-65364224+00	+35545949+00
+27096232+00	+21904645+01	-39009194-01	-65311848+00	+35541667+00
+27401665+00	+21796915+01	-51405990-01	-65240692+00	+35535819+00
+27707097+00	+21680304+01	-63508672-01	-65151871+00	+35528481+00
+28012530+00	+21558991+01	-75330639-01	-65046402+00	+35519721+00
+28317962+00	+21435387+01	-86886261-01	-64925198+00	+35509602+00
+28623395+00	+21310998+01	-98189786-01	-64789086+00	+35498176+00
+28928827+00	+21186820+01	-10925540+00	-64638796+00	+35485495+00
+29234259+00	+21063535+01	-12009687+00	-64474991+00	+35471603+00
+29539692+00	+20941618+01	-13072752+00	-64298256+00	+35456543+00
+29845124+00	+20821408+01	-14116023+00	-64109107+00	+35440354+00
+30150557+00	+20703145+01	-15140756+00	-63907996+00	+35423066+00
+30412356+00	+20603461+01	-16005266+00	-63726390+00	+35407395+00
+30674155+00	+20505413+01	-16857784+00	-63536501+00	+35390953+00
+30935955+00	+20409058+01	-17699037+00	-63338507+00	+35373757+00
+31197754+00	+20314438+01	-18529736+00	-63132567+00	+35355819+00
+31459553+00	+20221578+01	-19350576+00	-62918807+00	+35337150+00
+31721352+00	+20130497+01	-20162248+00	-62697325+00	+35317759+00
+31983152+00	+20041204+01	-20965425+00	-62468195+00	+35297653+00
+32244951+00	+19953700+01	-21760785+00	-62231463+00	+35276838+00
+32506750+00	+19867983+01	-22549003+00	-61987145+00	+35255318+00
+32768549+00	+19784045+01	-23330741+00	-61735235+00	+35233098+00
+33030348+00	+19701876+01	-24106679+00	-61475690+00	+35210178+00
+33292148+00	+19621466+01	-24877502+00	-61208449+00	+35186557+00
+33553947+00	+19542798+01	-25643898+00	-60933415+00	+35162233+00
+33772113+00	+19478560+01	-26279697+00	-60698170+00	+35141423+00
+33990279+00	+19415513+01	-26913331+00	-60457332+00	+35120118+00
+34208445+00	+19353646+01	-27545236+00	-60210791+00	+35098314+00
+34426611+00	+19292948+01	-28175851+00	-59958417+00	+35076007+00
+34644777+00	+19233408+01	-28805639+00	-59700065+00	+35053191+00
+34862943+00	+19175019+01	-29435072+00	-59435565+00	+35029856+00
+35081109+00	+19117768+01	-30064646+00	-59164727+00	+35005996+00
+35299275+00	+19061647+01	-30694886+00	-58887332+00	+34981603+00
+35517441+00	+19006644+01	-31326338+00	-58603138+00	+34956664+00
+35735607+00	+18952753+01	-31959590+00	-58311872+00	+34931168+00
+35953773+00	+18899963+01	-32595250+00	-58013229+00	+34905102+00
+36171939+00	+18848267+01	-33233976+00	-57706868+00	+34878450+00
+36390105+00	+18797657+01	-33876491+00	-57392398+00	+34851197+00
+36564638+00	+18757946+01	-34393733+00	-57134701+00	+34828947+00
+36739171+00	+18718923+01	-34914305+00	-56871299+00	+34806290+00
+36913704+00	+18680584+01	-35438657+00	-56601923+00	+34783214+00
+37088237+00	+18642928+01	-35967263+00	-56326281+00	+34759707+00
+37262769+00	+18605951+01	-36500660+00	-56044050+00	+34735755+00
+37437303+00	+18569653+01	-37039402+00	-55754870+00	+34711346+00
+37611835+00	+18534032+01	-37584099+00	-55458356+00	+34686461+00
+37786368+00	+18499088+01	-38135426+00	-55154069+00	+34661084+00
+37960901+00	+18464820+01	-38694110+00	-54841530+00	+34635198+00
+38135434+00	+18431229+01	-39260961+00	-54520201+00	+34608779+00

TABLE 99.—Continued

$M_{\infty} = +34999999+01$

$\Theta_s = +26179935+00$

Θ	M_{w2}^*	ψ_2	M_2^*	μ_1
+38309967+00	+18398316+01	-39836847+00	-54189499+00	+34581808+00
+38484499+00	+18366085+01	-40422755+00	-53848750+00	+34554262+00
+38659032+00	+18334536+01	-41019790+00	-53497205+00	+34526108+00
+38789932+00	+18311325+01	-41475585+00	-53225965+00	+34504579+00
+38920831+00	+18288502+01	-41938889+00	-52947791+00	+34482680+00
+39051731+00	+18266070+01	-42410318+00	-52662253+00	+34460397+00
+39182631+00	+18244031+01	-42890564+00	-52368872+00	+34437712+00
+39313531+00	+18222389+01	-43380374+00	-52067125+00	+34414611+00
+39444430+00	+18201148+01	-43880584+00	-51756429+00	+34391074+00
+39575330+00	+18180311+01	-44392118+00	-51436136+00	+34367081+00
+39706229+00	+18159884+01	-44916008+00	-51105523+00	+34342609+00
+39837129+00	+18139872+01	-45453397+00	-50763786+00	+34317637+00
+39968029+00	+18120280+01	-46005588+00	-50410008+00	+34292138+00
+40098928+00	+18101117+01	-46574032+00	-50043166+00	+34266084+00
+40229828+00	+18082390+01	-47160385+00	-49662099+00	+34239439+00
+40360727+00	+18064109+01	-47766529+00	-49265480+00	+34212174+00
+40447994+00	+18052173+01	-48182683+00	-48991681+00	+34193633+00
+40494077+00	+18045954+01	-48406604+00	-48843874+00	+34183721+00

$S_2/R = +53226292+00$

$\eta/\alpha = +68164938+00$

TABLE 100.—Conical Flow Field. $\theta_s=15.0^\circ$; $M_\infty=4.0$

M_∞	θ_s		θ_w	
+39999998+01	+26179935+00		+38032070+00	
θ	M_w^*	ψ_2	M_2^*	μ_1
+26179935+00	+20636380+01	+32596290-06	-65956638+00	+31611655+00
+26441734+00	+21107884+01	-10459041-01	-65948881+00	+31610980+00
+26703533+00	+21185038+01	-20802548-01	-65925989+00	+31608993+00
+26965333+00	+21200462+01	-30985477-01	-65888624+00	+31605751+00
+27227132+00	+21185567+01	-40998179-01	-65837456+00	+31601310+00
+27488931+00	+21152642+01	-50840680-01	-65773114+00	+31595716+00
+27750731+00	+21107973+01	-60516695-01	-65696179+00	+31589016+00
+28012530+00	+21055267+01	-70032091-01	-65607186+00	+31581249+00
+28274329+00	+20996911+01	-79393419-01	-65506619+00	+31572450+00
+28536128+00	+20934541+01	-88608009-01	-65394917+00	+31562654+00
+28797927+00	+20869322+01	-97683141-01	-65272476+00	+31551891+00
+29059727+00	+20802118+01	-10662646+00	-65139644+00	+31540187+00
+29321526+00	+20733579+01	-11544553+00	-64996738+00	+31527568+00
+29583325+00	+20664208+01	-12414787+00	-64844029+00	+31514052+00
+29845124+00	+20594399+01	-13274095+00	-64681753+00	+31499664+00
+30063290+00	+20536119+01	-13982381+00	-64539362+00	+31487015+00
+30281456+00	+20477900+01	-14684027+00	-64390562+00	+31473776+00
+30499622+00	+20419865+01	-15379465+00	-64235438+00	+31459956+00
+30717788+00	+20362117+01	-16069119+00	-64074049+00	+31445561+00
+30935955+00	+20304745+01	-16753419+00	-63906443+00	+31430596+00
+31154121+00	+20247822+01	-17432795+00	-63732652+00	+31415062+00
+31372286+00	+20191411+01	-18107675+00	-63552690+00	+31398967+00
+31590452+00	+20135565+01	-18778498+00	-63366553+00	+31382309+00
+31808618+00	+20080329+01	-19445711+00	-63174221+00	+31365089+00
+32026784+00	+20025744+01	-20109757+00	-62975654+00	+31347310+00
+32244951+00	+19971840+01	-20771103+00	-62770793+00	+31328963+00
+32463117+00	+19918648+01	-21430215+00	-62559564+00	+31310051+00
+32681283+00	+19866190+01	-22087588+00	-62341863+00	+31290568+00
+32899449+00	+19814488+01	-22743717+00	-62117577+00	+31270508+00
+33073982+00	+19773683+01	-23268075+00	-61933306+00	+31254044+00
+33248514+00	+19733381+01	-23792249+00	-61744645+00	+31237200+00
+33423048+00	+19693590+01	-24316536+00	-61551491+00	+31219976+00
+33597580+00	+19654315+01	-24841230+00	-61353740+00	+31202365+00
+33772113+00	+19615563+01	-25366644+00	-61151270+00	+31184363+00
+33946646+00	+19577337+01	-25893117+00	-60943943+00	+31165962+00
+34121179+00	+19539644+01	-26420993+00	-60731608+00	+31147155+00
+34295712+00	+19502487+01	-26950644+00	-60514098+00	+31127933+00
+34470244+00	+19465871+01	-27482457+00	-60291232+00	+31108287+00
+34644777+00	+19429798+01	-28016848+00	-60062801+00	+31088209+00
+34819310+00	+19394274+01	-28554264+00	-59828577+00	+31067686+00
+34993843+00	+19359301+01	-29095182+00	-59588310+00	+31046706+00
+35168376+00	+19324882+01	-29640115+00	-59341717+00	+31025260+00
+35342908+00	+19291021+01	-30189612+00	-59088494+00	+31003329+00
+35473808+00	+19265995+01	-30605101+00	-58894016+00	+30986553+00
+35604708+00	+19241286+01	-31023773+00	-58695453+00	+30969490+00
+35735607+00	+19216895+01	-31445920+00	-58492634+00	+30952130+00
+35866507+00	+19192827+01	-31871852+00	-58285373+00	+30934467+00
+35997407+00	+19169082+01	-32301914+00	-58073465+00	+30916491+00
+36128306+00	+19145661+01	-32736465+00	-57856685+00	+30898191+00
+36259206+00	+19122569+01	-33175899+00	-57634794+00	+30879560+00

TABLE 100.—Continued

$M_{00} = +39999998+01$

$\Theta_B = +26179935+00$

Θ	M_{W2}^*	Φ_2	M_2^*	μ_1
+36390105+00	+19099805+01	-33620645+00	-57407523+00	+30860585+00
+36521005+00	+19077374+01	-34071159+00	-57174588+00	+30841252+00
+36651905+00	+19055279+01	-34527953+00	-56935662+00	+30821551+00
+36782804+00	+19033521+01	-34991570+00	-56690407+00	+30801469+00
+36913704+00	+19012105+01	-35462625+00	-56438424+00	+30780986+00
+37044603+00	+18991034+01	-35941772+00	-56179294+00	+30760092+00
+37175503+00	+18970313+01	-36429756+00	-55912541+00	+30738763+00
+37262769+00	+18956695+01	-36760386+00	-55730212+00	+30724294+00
+37350036+00	+18943236+01	-37095568+00	-55544090+00	+30709618+00
+37437303+00	+18929937+01	-37435584+00	-55353996+00	+30694729+00
+37524569+00	+18916801+01	-37780742+00	-55159722+00	+30679618+00
+37611835+00	+18903828+01	-38131369+00	-54961060+00	+30664281+00
+37699101+00	+18891021+01	-38487830+00	-54757771+00	+30648707+00
+37786368+00	+18878382+01	-38850512+00	-54549605+00	+30632888+00
+37873635+00	+18865914+01	-39219826+00	-54336290+00	+30616818+00
+37960901+00	+18853617+01	-39596254+00	-54117516+00	+30600483+00
+38032070+00	+18843720+01	-39908835+00	-53934843+00	+30586962+00

$S_2/R = +90361511+00$

$\eta/\alpha = +73941289+00$

TABLE 101.—Conical Flow Field. $\theta_s=15.0^\circ$; $M_\infty=4.5$

M_{00}	θ_s	θ_w
+44999998+01	+26179935+00	+36266044+00

θ	M_{w2}^*	ψ_2	M_2^*	μ_1
+26179935+00	+19434245+01	+27194619-06	-66458325+00	+28659828+00
+26398101+00	+20142854+01	-80583505-02	-66453207+00	+28659346+00
+26616267+00	+20339673+01	-16111275-01	-66437959+00	+28657918+00
+26834433+00	+20454527+01	-24105838-01	-66412856+00	+28655582+00
+27052599+00	+20527430+01	-32024561-01	-66378207+00	+28652368+00
+27270765+00	+20574250+01	-39860498-01	-66334324+00	+28648305+00
+27488931+00	+20603159+01	-47611312-01	-66281501+00	+28643426+00
+27707097+00	+20619012+01	-55277046-01	-66220012+00	+28637750+00
+27925263+00	+20624970+01	-62859132-01	-66150118+00	+28631301+00
+28143429+00	+20623222+01	-70359847-01	-66072054+00	+28624103+00
+28361595+00	+20615354+01	-77782053-01	-65986037+00	+28616171+00
+28579761+00	+20602557+01	-85129044-01	-65892263+00	+28607523+00
+28797927+00	+20585748+01	-92404291-01	-65790907+00	+28598177+00
+29016093+00	+20565650+01	-99611535-01	-65682124+00	+28588139+00
+29234259+00	+20542842+01	-10675465+00	-65566050+00	+28577430+00
+29452425+00	+20517795+01	-11383756+00	-65442802+00	+28566058+00
+29626958+00	+20496411+01	-11946329+00	-65339106+00	+28556488+00
+29801491+00	+20474013+01	-12505520+00	-65230921+00	+28546502+00
+29976024+00	+20450749+01	-13061546+00	-65118283+00	+28536106+00
+30150557+00	+20426745+01	-13614632+00	-65001212+00	+28525301+00
+30325090+00	+20402116+01	-14164997+00	-64879734+00	+28514089+00
+30499622+00	+20376961+01	-14712864+00	-64753852+00	+28502474+00
+30674155+00	+20351367+01	-15258464+00	-64623568+00	+28490454+00
+30848688+00	+20325413+01	-15802041+00	-64488877+00	+28478028+00
+31023221+00	+20299170+01	-16343833+00	-64349763+00	+28465204+00
+31197754+00	+20272699+01	-16884089+00	-64206196+00	+28451972+00
+31372286+00	+20246057+01	-17423056+00	-64058151+00	+28438339+00
+31546819+00	+20219295+01	-17961001+00	-63905575+00	+28424296+00
+31721352+00	+20192458+01	-18498192+00	-63748422+00	+28409844+00
+31895885+00	+20165587+01	-19034919+00	-63586622+00	+28394979+00
+32070418+00	+20138722+01	-19571462+00	-63420098+00	+28379699+00
+32245138+00	+20118596+01	-19973942+00	-63292053+00	+28367962+00
+3232217+00	+20098506+01	-20376622+00	-63161261+00	+28355984+00
+32463117+00	+20078463+01	-20779646+00	-63027673+00	+28343765+00
+32594016+00	+20058479+01	-21183155+00	-62891242+00	+28331304+00
+32724916+00	+20038566+01	-21587301+00	-62751909+00	+28318594+00
+32855816+00	+20018733+01	-21992242+00	-62609609+00	+28305632+00
+32986715+00	+19998991+01	-22398139+00	-62464281+00	+28292416+00
+33117615+00	+19979349+01	-22805166+00	-62315848+00	+28278942+00
+33248514+00	+19959815+01	-23213502+00	-62164230+00	+28265204+00
+33379414+00	+19940398+01	-23623338+00	-62009340+00	+28251201+00
+33510314+00	+19921105+01	-24034872+00	-61851083+00	+28236923+00
+33641214+00	+19901945+01	-24448316+00	-61689359+00	+28222366+00
+33772113+00	+19882923+01	-24863889+00	-61524055+00	+28207526+00
+33903013+00	+19864049+01	-25281838+00	-61355046+00	+28192397+00
+34033912+00	+19845327+01	-25702408+00	-61182204+00	+28176968+00
+34121179+00	+19832933+01	-25984382+00	-61064773+00	+28166515+00
+34208445+00	+19820613+01	-26267723+00	-60945531+00	+28155924+00
+34295712+00	+19808367+01	-26552532+00	-60824420+00	+28145190+00
+34382978+00	+19796198+01	-26838893+00	-60701399+00	+28134314+00

TABLE 101.—Continued

$$M_{00} = +44999998+01$$

$$\Theta_8 = +26179935+00$$

Θ	M_{w2}^*	ψ_2	M_2^*	μ_1
+34470244+00	+19784107+01	-27126905+00	-60576405+00	+28123294+00
+34557511+00	+19772096+01	-27416668+00	-60449387+00	+28112126+00
+34644777+00	+19760166+01	-27708295+00	-60320280+00	+28100804+00
+34732044+00	+19748321+01	-28001903+00	-60189015+00	+28089328+00
+34819310+00	+19736560+01	-28297610+00	-60055526+00	+28077691+00
+34906576+00	+19724886+01	-28595542+00	-59919739+00	+28065897+00
+34993843+00	+19713302+01	-28895839+00	-59781574+00	+28053934+00
+35081109+00	+19701808+01	-29198638+00	-59640942+00	+28041803+00
+35168376+00	+19690406+01	-29504094+00	-59497762+00	+28029497+00
+35255642+00	+19679099+01	-29812373+00	-59351930+00	+28017013+00
+35342908+00	+19667887+01	-30123645+00	-59203346+00	+28004347+00
+35386542+00	+19662319+01	-30280459+00	-59127988+00	+27997943+00
+35430175+00	+19656773+01	-30438096+00	-59051896+00	+27991492+00
+35473808+00	+19651254+01	-30596571+00	-58975062+00	+27984993+00
+35517441+00	+19645760+01	-30755913+00	-58897468+00	+27978445+00
+35561075+00	+19640291+01	-30916155+00	-58819094+00	+27971847+00
+35604708+00	+19634848+01	-31077321+00	-58739928+00	+27965198+00
+35648341+00	+19629431+01	-31239438+00	-58659950+00	+27958500+00
+35691974+00	+19624040+01	-31402539+00	-58579141+00	+27951749+00
+35735607+00	+19618675+01	-31566652+00	-58497485+00	+27944945+00
+35779241+00	+19613338+01	-31731812+00	-58414959+00	+27938087+00
+35822874+00	+19608026+01	-31898052+00	-58331545+00	+27931174+00
+35866507+00	+19602743+01	-32065411+00	-58247219+00	+27924207+00
+35910140+00	+19597487+01	-32233918+00	-58161962+00	+27917182+00
+35953773+00	+19592259+01	-32403612+00	-58075751+00	+27910101+00
+35997407+00	+19587059+01	-32574533+00	-57988561+00	+27902961+00
+36041040+00	+19581888+01	-32746720+00	-57900367+00	+27895764+00
+36084673+00	+19576745+01	-32920217+00	-57811144+00	+27888504+00
+36128306+00	+19571632+01	-33095066+00	-57720864+00	+27881184+00
+36171939+00	+19566547+01	-33271320+00	-57629500+00	+27873802+00
+36215573+00	+19561493+01	-33449023+00	-57537019+00	+27866356+00
+36259206+00	+19556469+01	-33628220+00	-57443395+00	+27858847+00
+36266044+00	+19555684+01	-33656441+00	-57428620+00	+27857663+00

$$S_2/R = +13672324+01$$

$$\eta/\alpha = +78570056+00$$

TABLE 102.—Conical Flow Field. $\theta_s=15.0^\circ$; $M_\infty=5.0$

M_∞	θ_B	θ_W
+49999991+01	+26179935+00	+34954864+00

θ	M_{w2}^*	ϕ_2	M_2^*	μ_1
+26179935+00	+18298638+01	+23376197-06	-66936344+00	+26376361+00
+26354468+00	+19196404+01	-59990436-02	-66933235+00	+26376044+00
+26529001+00	+19490095+01	-12050827-01	-66923894+00	+26375095+00
+26703533+00	+19688133+01	-18106058-01	-66908386+00	+26373538+00
+26878066+00	+19835626+01	-24144938-01	-66886824+00	+26371392+00
+27052599+00	+19951068+01	-30157817-01	-66859324+00	+26368666+00
+27227132+00	+20044021+01	-36139318-01	-66826017+00	+26365381+00
+27401665+00	+20120185+01	-42086354-01	-66787015+00	+26361550+00
+27576198+00	+20183285+01	-47997355-01	-66742442+00	+26357186+00
+27750731+00	+20235912+01	-53871711-01	-66692400+00	+26352298+00
+27925263+00	+20279951+01	-59709382-01	-66636993+00	+26346899+00
+28099796+00	+20316828+01	-65510811-01	-66576323+00	+26340998+00
+28274329+00	+20347649+01	-71276874-01	-66510472+00	+26334608+00
+28448862+00	+20373294+01	-77008666-01	-66439521+00	+26327733+00
+28623395+00	+20394471+01	-82707453-01	-66363541+00	+26320382+00
+28797927+00	+20411766+01	-88374739-01	-66282596+00	+26312562+00
+28972460+00	+20425665+01	-94012119-01	-66196744+00	+26304279+00
+29146993+00	+20436577+01	-99621342-01	-66106029+00	+26295537+00
+29321526+00	+20444851+01	-10520427+00	-66010489+00	+26286341+00
+29496059+00	+20450786+01	-11076285+00	-65910155+00	+26276695+00
+29670591+00	+20454641+01	-11629900+00	-65805055+00	+26266601+00
+29845124+00	+20456642+01	-12181491+00	-65695192+00	+26256061+00
+29976024+00	+20457044+01	-12593982+00	-65609676+00	+26247866+00
+30106924+00	+20456591+01	-13005551+00	-65521486+00	+26239421+00
+30237823+00	+20455347+01	-13416300+00	-65430615+00	+26230726+00
+30368723+00	+20453377+01	-13826324+00	-65337055+00	+26221783+00
+30499622+00	+20450736+01	-14235732+00	-65240798+00	+26212591+00
+30630522+00	+20447478+01	-14644627+00	-65141825+00	+26203149+00
+30761422+00	+20443649+01	-15053124+00	-65040122+00	+26193455+00
+30892321+00	+20439296+01	-15461338+00	-64935667+00	+26183507+00
+31023221+00	+20434459+01	-15869388+00	-64828433+00	+26173308+00
+31154121+00	+20429176+01	-16277393+00	-64718394+00	+26162852+00
+31285020+00	+20423483+01	-16685480+00	-64605516+00	+26152142+00
+31415920+00	+20417413+01	-17093785+00	-64489761+00	+26141173+00
+31546819+00	+20410996+01	-17502439+00	-64371090+00	+26129939+00
+31677719+00	+20404261+01	-17911596+00	-64249452+00	+26118444+00
+31808618+00	+20397235+01	-18321398+00	-64124799+00	+26106682+00
+31939518+00	+20389944+01	-18732012+00	-63997069+00	+26094649+00
+32070418+00	+20382409+01	-19143597+00	-63866204+00	+26082338+00
+32201318+00	+20374655+01	-19556325+00	-63732132+00	+26069751+00
+32332217+00	+20366702+01	-19970379+00	-63594779+00	+26056879+00
+32463117+00	+20358569+01	-20385956+00	-63454057+00	+26043719+00
+32594016+00	+20350275+01	-20803261+00	-63309877+00	+26030265+00
+32681283+00	+20344665+01	-21082532+00	-63211787+00	+26021128+00
+32768549+00	+20338996+01	-21362731+00	-63112081+00	+26011857+00
+32855816+00	+20333274+01	-21643938+00	-63010729+00	+26002447+00
+32943082+00	+20327502+01	-21926217+00	-62907693+00	+25992899+00
+33030348+00	+20321686+01	-22209649+00	-62802937+00	+25983208+00
+33117615+00	+20315829+01	-22494316+00	-62696414+00	+25973373+00
+33204881+00	+20309936+01	-22780299+00	-62588088+00	+25963391+00

TABLE 102.—Continued

$$M_{00} = +49999991+01$$

$$\theta_B = +26179935+00$$

θ	M_{w2}^*	ψ_2	M_2^*	μ_1
+33292148+00	+20304012+01	-23067697+00	-62477907+00	+25953260+00
+33379414+00	+20298059+01	-23356593+00	-62365823+00	+25942977+00
+33466680+00	+20292082+01	-23647089+00	-62251787+00	+25932540+00
+33553947+00	+20286086+01	-23939287+00	-62135740+00	+25921943+00
+33641214+00	+20280073+01	-24233304+00	-62017625+00	+25911184+00
+33728480+00	+20274047+01	-24529244+00	-61897379+00	+25900260+00
+33815746+00	+20268013+01	-24827238+00	-61774932+00	+25889168+00
+33903013+00	+20261972+01	-25127417+00	-61650213+00	+25877901+00
+33990279+00	+20255929+01	-25429913+00	-61523144+00	+25866458+00
+34077546+00	+20249888+01	-25734878+00	-61393646+00	+25854832+00
+34164812+00	+20243851+01	-26042468+00	-61261625+00	+25843021+00
+34252078+00	+20237823+01	-26352849+00	-61126990+00	+25831018+00
+34339345+00	+20231805+01	-26666193+00	-60989641+00	+25818821+00
+34426611+00	+20225802+01	-26982701+00	-60849464+00	+25806420+00
+34470244+00	+20222807+01	-27142200+00	-60778278+00	+25800141+00
+34513878+00	+20219817+01	-27302568+00	-60706343+00	+25793811+00
+34557511+00	+20216832+01	-27463834+00	-60633637+00	+25787426+00
+34601144+00	+20213853+01	-27626025+00	-60560148+00	+25780988+00
+34644777+00	+20210881+01	-27789170+00	-60485858+00	+25774492+00
+34688410+00	+20207914+01	-27953304+00	-60410745+00	+25767941+00
+34732044+00	+20204954+01	-28118458+00	-60334793+00	+25761331+00
+34775677+00	+20202002+01	-28284663+00	-60257984+00	+25754665+00
+34819310+00	+20199058+01	-28451961+00	-60180292+00	+25747941+00
+34862943+00	+20196122+01	-28620380+00	-60101699+00	+25741156+00
+34906576+00	+20193195+01	-28789962+00	-60022185+00	+25734309+00
+34950210+00	+20190276+01	-28960752+00	-59941720+00	+25727401+00
+34954864+00	+20189966+01	-28979031+00	-59933085+00	+25726662+00

$$B_2/R = +19053581+01$$

$$\eta/\alpha = +82321733+00$$

TABLE 103.—Conical Flow Field. $\theta_s=15.0^\circ$; $M_\infty=6.0$

M_{00}	θ_s	θ_w
+59999947+01	+26179935+00	+33173775+00

θ	M_{w2}^*	ψ_2	M_2^*	μ_1
+26179935+00	+16332231+01	+16484410-06	-67819256+00	+23105025+00
+26310835+00	+17563756+01	-39738221-02	-67817674+00	+23104834+00
+26441734+00	+18003041+01	-80420477-02	-67812857+00	+23104265+00
+26572634+00	+18327892+01	-12160705-01	-67804763+00	+23103326+00
+26703533+00	+18587405+01	-16309164-01	-67793392+00	+23102022+00
+26834433+00	+18804855+01	-20476044-01	-67778753+00	+23100364+00
+26965333+00	+18992399+01	-24654223-01	-67760871+00	+23098359+00
+27096232+00	+19157304+01	-28838745-01	-67739766+00	+23096014+00
+27227132+00	+19304324+01	-33026165-01	-67715465+00	+23093332+00
+27358032+00	+19436776+01	-37213870-01	-67687991+00	+23090322+00
+27488931+00	+19557077+01	-41400076-01	-67657378+00	+23086987+00
+27619831+00	+19667062+01	-45583426-01	-67623647+00	+23083333+00
+27750731+00	+19768155+01	-49762873-01	-67586828+00	+23079365+00
+27881630+00	+19861495+01	-53937839-01	-67546939+00	+23075085+00
+28012530+00	+19948003+01	-58107867-01	-67504003+00	+23070499+00
+28143429+00	+20028443+01	-62272650-01	-67458041+00	+23065611+00
+28274329+00	+20103452+01	-66432190-01	-67409072+00	+23060422+00
+28405229+00	+20173572+01	-70586575-01	-67357107+00	+23054933+00
+28536128+00	+20239263+01	-74735990-01	-67302163+00	+23049151+00
+28667028+00	+20300926+01	-78880688-01	-67244250+00	+23043075+00
+28797927+00	+20358908+01	-83021098-01	-67183373+00	+23036707+00
+28928827+00	+20413512+01	-87157724-01	-67119539+00	+23030048+00
+29059727+00	+20465008+01	-91291097-01	-67052748+00	+23023102+00
+29190626+00	+20513635+01	-95421829-01	-66983000+00	+23015866+00
+29321526+00	+20559605+01	-99550604-01	-66910292+00	+23008341+00
+29452425+00	+20603109+01	-10367824+00	-66834614+00	+23000529+00
+29583325+00	+20644317+01	-10780549+00	-66755955+00	+22992428+00
+29714225+00	+20683387+01	-11193328+00	-66674303+00	+22984040+00
+29845124+00	+20720456+01	-11606255+00	-66589639+00	+22975361+00
+29932391+00	+20744123+01	-11881675+00	-66531511+00	+22969414+00
+30019657+00	+20766993+01	-12157237+00	-66472026+00	+22963335+00
+30106924+00	+20789100+01	-12432976+00	-66411175+00	+22957126+00
+30194190+00	+20810477+01	-12708924+00	-66348950+00	+22950786+00
+30281456+00	+20831150+01	-12985119+00	-66285342+00	+22944313+00
+30368723+00	+20851149+01	-13261597+00	-66220334+00	+22937708+00
+30455989+00	+20870502+01	-13538397+00	-66153920+00	+22930970+00
+30543256+00	+20889232+01	-13815561+00	-66086082+00	+22924097+00
+30630522+00	+20907361+01	-14093130+00	-66016809+00	+22917088+00
+30717788+00	+20924916+01	-14371146+00	-65946084+00	+22909942+00
+30805055+00	+20941915+01	-14649655+00	-65873887+00	+22902660+00
+30892321+00	+20958380+01	-14928708+00	-65800207+00	+22895236+00
+30979588+00	+20974331+01	-15208351+00	-65725017+00	+22887672+00
+31066854+00	+20989785+01	-15488641+00	-65648302+00	+22879967+00
+31154121+00	+21004762+01	-15769624+00	-65570036+00	+22872115+00
+31241387+00	+21019276+01	-16051365+00	-65490196+00	+22864118+00
+31328653+00	+21033345+01	-16333916+00	-65408756+00	+22855973+00
+31415920+00	+21046985+01	-16617342+00	-65325692+00	+22847681+00
+31503186+00	+21060210+01	-16901709+00	-65240968+00	+22839232+00
+31590452+00	+21073034+01	-17187085+00	-65154557+00	+22830630+00
+31677719+00	+21085471+01	-17473539+00	-65066425+00	+22821872+00

TABLE 103.—Continued

$M_{00} = +59999947+01$

$\theta_8 = +26179935+00$

θ	M_{w2}^*	ψ_2	M_2^*	μ_1
+31764986+00	+21097534+01	-17761149+00	-64976536+00	+22812953+00
+31852252+00	+21109235+01	-18049992+00	-64884851+00	+22803872+00
+31939518+00	+21120588+01	-18340150+00	-64791332+00	+22794626+00
+32026784+00	+21131602+01	-18631714+00	-64695932+00	+22785210+00
+32114051+00	+21142289+01	-18924776+00	-64598605+00	+22775622+00
+32201318+00	+21152661+01	-19219432+00	-64499302+00	+22765858+00
+32288584+00	+21162727+01	-19515794+00	-64397968+00	+22755916+00
+32332217+00	+21167649+01	-19664645+00	-64346522+00	+22750875+00
+32375850+00	+21172498+01	-19813963+00	-64294546+00	+22745787+00
+32419484+00	+21177276+01	-19963766+00	-64242033+00	+22740652+00
+32463117+00	+21181982+01	-20114065+00	-64188974+00	+22735470+00
+32506750+00	+21186621+01	-20264874+00	-64135363+00	+22730240+00
+32550383+00	+21191191+01	-20416213+00	-64081188+00	+22724961+00
+32594016+00	+21195694+01	-20568103+00	-64026440+00	+22719633+00
+32637650+00	+21200131+01	-20720553+00	-63971113+00	+22714254+00
+32681283+00	+21204504+01	-20873588+00	-63915197+00	+22708824+00
+32724916+00	+21208813+01	-21027219+00	-63858679+00	+22703343+00
+32768549+00	+21213058+01	-21181479+00	-63801549+00	+22697811+00
+32812182+00	+21217244+01	-21336370+00	-63743796+00	+22692223+00
+32855816+00	+21221369+01	-21491931+00	-63685412+00	+22686583+00
+32899449+00	+21225433+01	-21648171+00	-63626383+00	+22680887+00
+32943082+00	+21229439+01	-21805118+00	-63566695+00	+22675138+00
+32986715+00	+21233388+01	-21962788+00	-63506337+00	+22669330+00
+33030348+00	+21237280+01	-22121215+00	-63445296+00	+22663467+00
+33073982+00	+21241117+01	-22280416+00	-63383559+00	+22657544+00
+33117615+00	+21244898+01	-22440427+00	-63321107+00	+22651562+00
+33161248+00	+21248626+01	-22601265+00	-63257930+00	+22645521+00
+33173775+00	+21249687+01	-22647592+00	-63239660+00	+22643778+00

$s_2/R = +31283282+01$

$\eta/\alpha = +87937120+00$

TABLE 104.—Conical Flow Field. $\theta_s=15.0^\circ$; $M_\infty=7.0$

M_{00}	θ_s		θ_w	
+70000002+01	+26179935+00		+32051775+00	
θ	M_{w2}^*	θ_2	M_2^*	μ_1
+26179935+00	+14781591+01	+14901161-06	-68580311+00	+20908345+00
+26310835+00	+16416902+01	-36108065-02	-68578854+00	+20908144+00
+26441734+00	+17022143+01	-73649408-02	-68574360+00	+20907541+00
+26572634+00	+17476293+01	-11203544-01	-68566745+00	+20906546+00
+26703533+00	+17844749+01	-15099535-01	-68555966+00	+20905168+00
+26834433+00	+18157912+01	-19037731-01	-68542000+00	+20903414+00
+26965333+00	+18431641+01	-23008304-01	-68524841+00	+20901293+00
+27096232+00	+18675418+01	-27004336-01	-68504495+00	+20898808+00
+27227132+00	+18895449+01	-31020737-01	-68480959+00	+20895970+00
+27358032+00	+19096062+01	-35053756-01	-68454245+00	+20892778+00
+27488931+00	+19280416+01	-39100472-01	-68424358+00	+20889243+00
+27619831+00	+19450908+01	-43158632-01	-68391308+00	+20885364+00
+27750731+00	+19609401+01	-47226477-01	-68355105+00	+20881152+00
+27881630+00	+19757384+01	-51302768-01	-68315754+00	+20876603+00
+28012530+00	+19896068+01	-55386403-01	-68273260+00	+20871726+00
+28143429+00	+20026452+01	-59476758-01	-68227631+00	+20866521+00
+28274329+00	+20149373+01	-63573335-01	-68178869+00	+20860991+00
+28405229+00	+20265540+01	-67675782-01	-68126973+00	+20855138+00
+28536128+00	+20375561+01	-71784037-01	-68071943+00	+20848961+00
+28667028+00	+20479963+01	-75898112-01	-68013771+00	+20842464+00
+28797927+00	+20579203+01	-80018175-01	-67952450+00	+20835648+00
+28928827+00	+20673683+01	-84144543-01	-67887974+00	+20828509+00
+29059727+00	+20763757+01	-88277634-01	-67820324+00	+20821048+00
+29146993+00	+20821516+01	-91036977-01	-67773453+00	+20815898+00
+29234259+00	+20877543+01	-93799707-01	-67725157+00	+20810604+00
+29321526+00	+20931918+01	-96566039-01	-67675431+00	+20805164+00
+29408792+00	+20984712+01	-99336188-01	-67624266+00	+20799581+00
+29496059+00	+21035996+01	-10211039+00	-67571651+00	+20793854+00
+29583325+00	+21085833+01	-10488888+00	-67517582+00	+20787979+00
+29670591+00	+21134283+01	-10767196+00	-67462046+00	+20781957+00
+29757858+00	+21181402+01	-11045993+00	-67405028+00	+20775790+00
+29845124+00	+21227244+01	-11325310+00	-67346521+00	+20769473+00
+29932391+00	+21271858+01	-11605180+00	-67286508+00	+20763007+00
+30019657+00	+21315291+01	-11885641+00	-67224976+00	+20756389+00
+30106924+00	+21357587+01	-12166734+00	-67161906+00	+20749619+00
+30194190+00	+21398789+01	-12448491+00	-67097284+00	+20742694+00
+30281456+00	+21438935+01	-12730964+00	-67031090+00	+20735614+00
+30368723+00	+21478063+01	-13014194+00	-66963304+00	+20728375+00
+30455989+00	+21516209+01	-13298231+00	-66893904+00	+20720975+00
+30543256+00	+21553406+01	-13583123+00	-66822868+00	+20713415+00
+30630522+00	+21589686+01	-13868925+00	-66750170+00	+20705691+00
+30717788+00	+21625079+01	-14155693+00	-66675784+00	+20697800+00
+30805055+00	+21659615+01	-14443485+00	-66599680+00	+20689739+00
+30892321+00	+21693320+01	-14732368+00	-66521830+00	+20681507+00
+30979588+00	+21726221+01	-15022405+00	-66442199+00	+20673100+00
+31023221+00	+21742377+01	-15167879+00	-66401704+00	+20668830+00
+31066854+00	+21758343+01	-15313671+00	-66360753+00	+20664513+00
+31110487+00	+21774118+01	-15459788+00	-66319335+00	+20660153+00
+31154121+00	+21789708+01	-15606241+00	-66277449+00	+20655744+00
+31197754+00	+21805116+01	-15753029+00	-66235093+00	+20651293+00

TABLE 104.—Continued

$M_{\infty} = +700000002+01$

$\Theta_8 = +26179935+00$

Θ	M_{w2}^*	Φ_2	M_2^*	μ_1
+31241387+00	+21820343+01	-15900181+00	-66192256+00	+20646793+00
+31285020+00	+21835391+01	-16047699+00	-66148936+00	+20642243+00
+31328653+00	+21850265+01	-16195595+00	-66105124+00	+20637647+00
+31372286+00	+21864967+01	-16343880+00	-66060815+00	+20633004+00
+31415920+00	+21879497+01	-16492567+00	-66016003+00	+20628309+00
+31459553+00	+21893861+01	-16641660+00	-65970687+00	+20623567+00
+31503186+00	+21908060+01	-16791179+00	-65924854+00	+20618772+00
+31546819+00	+21922095+01	-16941140+00	-65878499+00	+20613929+00
+31590452+00	+21935971+01	-17091550+00	-65831613+00	+20609033+00
+31634086+00	+21949688+01	-17242428+00	-65784191+00	+20604084+00
+31677719+00	+21963249+01	-17393781+00	-65736226+00	+20599083+00
+31721352+00	+21976656+01	-17545628+00	-65687708+00	+20594029+00
+31764986+00	+21989912+01	-17697986+00	-65638630+00	+20588919+00
+31808618+00	+22003018+01	-17850870+00	-65588981+00	+20583754+00
+31852252+00	+22015976+01	-18004296+00	-65538756+00	+20578534+00
+31895885+00	+22028789+01	-18158276+00	-65487943+00	+20573257+00
+31939518+00	+22041458+01	-18312834+00	-65436533+00	+20567923+00
+31983152+00	+22053984+01	-18467989+00	-65384515+00	+20562528+00
+32026784+00	+22066372+01	-18623754+00	-65331883+00	+20557074+00
+32051775+00	+22073406+01	-18713236+00	-65301463+00	+20553929+00

$S_2/R = +44348988+01$

$\eta/\alpha = +91843370+00$

TABLE 105.—Conical Flow Field. $\theta_s=15.0^\circ$; $M_\infty=8.0$

M_{∞}	θ_s		θ_w	
+79999971+01	+26179935+00		+31300625+00	
θ	M_{w2}^*	ψ_2	M_2^*	μ_1
+26179935+00	+13579989+01	+13131648-06	-69212451+00	+19358293+00
+26267201+00	+15319346+01	-22064243-02	-69211854+00	+19358200+00
+26354468+00	+15853114+01	-45147408-02	-69210000+00	+19357917+00
+26441734+00	+16327673+01	-68887016-02	-69206837+00	+19357451+00
+26529001+00	+16721108+01	-93124025-02	-69202323+00	+19356800+00
+26616267+00	+17060591+01	-11775514-01	-69196448+00	+19355970+00
+26703533+00	+17361347+01	-14271059-01	-69189183+00	+19354963+00
+26790800+00	+17632596+01	-16794055-01	-69180522+00	+19353780+00
+26878066+00	+17880397+01	-19340738-01	-69170457+00	+19352423+00
+26965333+00	+18108973+01	-21908089-01	-69158980+00	+19350896+00
+27052599+00	+18321412+01	-24493713-01	-69146085+00	+19349198+00
+27139866+00	+18520050+01	-27095580-01	-69131764+00	+19347334+00
+27227132+00	+18706709+01	-29712053-01	-69116019+00	+19345303+00
+27314398+00	+18882840+01	-32341762-01	-69098845+00	+19343109+00
+27401665+00	+19049623+01	-34983461-01	-69080241+00	+19340753+00
+27488931+00	+19208033+01	-37636193-01	-69060205+00	+19338232+00
+27576198+00	+19358885+01	-40299094-01	-69038736+00	+19335553+00
+27663464+00	+19502872+01	-42971400-01	-69015831+00	+19332713+00
+27750731+00	+19640588+01	-45652495-01	-68991490+00	+19329715+00
+27837997+00	+19772545+01	-48341831-01	-68965711+00	+19326561+00
+27925263+00	+19899189+01	-51038941-01	-68938492+00	+19323250+00
+28012530+00	+20020914+01	-53743443-01	-68909829+00	+19319781+00
+28099796+00	+20138066+01	-56455031-01	-68879723+00	+19316157+00
+28187063+00	+20250954+01	-59173395-01	-68848169+00	+19312379+00
+28274329+00	+20359853+01	-61898309-01	-68815167+00	+19308446+00
+28361595+00	+20465011+01	-64629647-01	-68780709+00	+19304357+00
+28448862+00	+20566652+01	-67367209-01	-68744796+00	+19300116+00
+28536128+00	+20664978+01	-70110982-01	-68707421+00	+19295716+00
+28623395+00	+20760174+01	-72860861-01	-68668578+00	+19291164+00
+28710661+00	+20852407+01	-75616834-01	-68628262+00	+19286457+00
+28797927+00	+20941832+01	-78378930-01	-68586467+00	+19281595+00
+28885194+00	+21028590+01	-81147159-01	-68543185+00	+19276579+00
+28972460+00	+21112811+01	-83921611-01	-68498410+00	+19271404+00
+29059727+00	+21194616+01	-86702378-01	-68452131+00	+19266073+00
+29146993+00	+21274115+01	-89489571-01	-68404342+00	+19260584+00
+29234259+00	+21351413+01	-92283357-01	-68355029+00	+19254938+00
+29321526+00	+21426605+01	-95083958-01	-68304181+00	+19249131+00
+29408792+00	+21499780+01	-97891544-01	-68251789+00	+19243162+00
+29452425+00	+21535638+01	-99297999-01	-68225008+00	+19240119+00
+29496059+00	+21571023+01	-10070628+00	-68197836+00	+19237034+00
+29539692+00	+21605944+01	-10211645+00	-68170269+00	+19233909+00
+29583325+00	+21640411+01	-10352855+00	-68142310+00	+19230740+00
+29626958+00	+21674432+01	-10494251+00	-68113953+00	+19227531+00
+29670591+00	+21708017+01	-10635847+00	-68085193+00	+19224282+00
+29714225+00	+21741173+01	-10777644+00	-68056035+00	+19220991+00
+29757858+00	+21773910+01	-10919647+00	-68026473+00	+19217656+00
+29801491+00	+21806235+01	-11061859+00	-67996503+00	+19214281+00
+29845124+00	+21838155+01	-11204284+00	-67966125+00	+19210861+00
+29888758+00	+21869678+01	-11346926+00	-67935337+00	+19207400+00
+29932391+00	+21900811+01	-11489793+00	-67904135+00	+19203895+00

TABLE 105.—Continued

$$M_{\infty} = +79999971+01$$

$$\theta_g = +26179935+00$$

θ	M_{w2}^*	ψ_2	M_2^*	μ_1
+29976024+00	+21931563+01	-11632886+00	-67872517+00	+19200346+00
+30019657+00	+21961937+01	-11776213+00	-67840479+00	+19196755+00
+30063290+00	+21991943+01	-11919776+00	-67808020+00	+19193120+00
+30106924+00	+22021586+01	-12063584+00	-67775136+00	+19189440+00
+30150557+00	+22050873+01	-12207638+00	-67741824+00	+19185715+00
+30194190+00	+22079808+01	-12351949+00	-67708082+00	+19181947+00
+30237823+00	+22108400+01	-12496525+00	-67673905+00	+19178131+00
+30281456+00	+22136652+01	-12641363+00	-67639289+00	+19174269+00
+30325090+00	+22164573+01	-12786475+00	-67604233+00	+19170363+00
+30368723+00	+22192165+01	-12931867+00	-67568732+00	+19166409+00
+30412356+00	+22219435+01	-13077548+00	-67532782+00	+19162407+00
+30455989+00	+22246388+01	-13223523+00	-67496378+00	+19158360+00
+30499622+00	+22273028+01	-13369800+00	-67459517+00	+19154264+00
+30543256+00	+22299361+01	-13516385+00	-67422196+00	+19150118+00
+30586889+00	+22325393+01	-13663288+00	-67384411+00	+19145924+00
+30630522+00	+22351125+01	-13810518+00	-67346152+00	+19141681+00
+30674155+00	+22376566+01	-13958077+00	-67307421+00	+19137386+00
+30717788+00	+22401717+01	-14105981+00	-67268209+00	+19133043+00
+30761422+00	+22426583+01	-14254236+00	-67228512+00	+19128647+00
+30805055+00	+22451169+01	-14402848+00	-67188327+00	+19124199+00
+30848688+00	+22475480+01	-14551829+00	-67147646+00	+19119700+00
+30892321+00	+22499518+01	-14701192+00	-67106462+00	+19115147+00
+30935955+00	+22523288+01	-14850942+00	-67064773+00	+19110541+00
+30979588+00	+22546793+01	-15001093+00	-67022570+00	+19105880+00
+31023221+00	+22570037+01	-15151654+00	-66979849+00	+19101164+00
+31066854+00	+22593025+01	-15302630+00	-66936604+00	+19096392+00
+31110487+00	+22615759+01	-15454046+00	-66892823+00	+19091563+00
+31154121+00	+22638242+01	-15605902+00	-66848505+00	+19086678+00
+31197754+00	+22660479+01	-15758217+00	-66803642+00	+19081732+00
+31241387+00	+22682473+01	-15911004+00	-66758220+00	+19076728+00
+31285020+00	+22704227+01	-16064273+00	-66712239+00	+19071665+00
+31300625+00	+22711952+01	-16119195+00	-66695663+00	+19069843+00

$$S_2/R = +57269817+01$$

$$\eta/\alpha = +94647985+00$$

TABLE 106.—Conical Flow Field. $\theta_s=15.0^\circ$; $M_\infty=10.0$

M_{∞}	θ_s	θ_w
+99999961+01	+26179935+00	+30390794+00

θ	M_{w2}^*	ψ_2	M_2^*	μ_1
+26179935+00	+11919671+01	+10896474-06	-70147268+00	+17368021+00
+26267201+00	+14146775+01	-19766372-02	-70146730+00	+17367920+00
+26354468+00	+14860142+01	-40912125-02	-70145026+00	+17367617+00
+26441734+00	+15484657+01	-62958021-02	-70142080+00	+17367114+00
+26529001+00	+16004803+01	-85699642-02	-70137837+00	+17366614+00
+26616267+00	+16455724+01	-10900373-01	-70132257+00	+17365521+00
+26703533+00	+16856932+01	-13278069-01	-70125317+00	+17364435+00
+26790800+00	+17220230+01	-15696632-01	-70116989+00	+17363162+00
+26878066+00	+17553367+01	-18150998-01	-70107253+00	+17361701+00
+26965333+00	+17861741+01	-20637196-01	-70096095+00	+17360055+00
+27052599+00	+18149304+01	-23152009-01	-70083501+00	+17358226+00
+27139866+00	+18419045+01	-25692697-01	-70069460+00	+17356215+00
+27227132+00	+18673292+01	-28257027-01	-70053958+00	+17354025+00
+27314398+00	+18913904+01	-30843062-01	-70036991+00	+17351657+00
+27401665+00	+19142387+01	-33449114-01	-70018543+00	+17349110+00
+27488931+00	+19359992+01	-36073794-01	-69998614+00	+17346386+00
+27576198+00	+19567760+01	-38715796-01	-69977189+00	+17343485+00
+27663464+00	+19766580+01	-41374083-01	-69954266+00	+17340413+00
+27750731+00	+19957209+01	-44047656-01	-69929839+00	+17337166+00
+27794364+00	+20049660+01	-45389911-01	-69917058+00	+17335476+00
+27837997+00	+20140304+01	-46735723-01	-69903899+00	+17333744+00
+27881630+00	+20229209+01	-48084931-01	-69890359+00	+17331970+00
+27925263+00	+20316439+01	-49437502-01	-69876439+00	+17330150+00
+27968897+00	+20402056+01	-50793370-01	-69862138+00	+17328289+00
+28012530+00	+20486116+01	-52152412-01	-69847453+00	+17326382+00
+28056163+00	+20568672+01	-53514601-01	-69832386+00	+17324433+00
+28099796+00	+20649778+01	-54879854-01	-69816935+00	+17322442+00
+28143429+00	+20729480+01	-56248176-01	-69801099+00	+17320408+00
+28187063+00	+20807822+01	-57619427-01	-69784874+00	+17318329+00
+28230696+00	+20884850+01	-58993581-01	-69768265+00	+17316207+00
+28274329+00	+20960601+01	-60370632-01	-69751266+00	+17314041+00
+28317962+00	+21035117+01	-61750486-01	-69733879+00	+17311832+00
+28361595+00	+21108432+01	-63133150-01	-69716102+00	+17309579+00
+28405229+00	+21180584+01	-64518538-01	-69697932+00	+17307283+00
+28448862+00	+21251603+01	-65906630-01	-69679373+00	+17304944+00
+28492495+00	+21321522+01	-67297430-01	-69660418+00	+17302562+00
+28536128+00	+21390372+01	-68690892-01	-69641066+00	+17300135+00
+28579761+00	+21458180+01	-70086974-01	-69621319+00	+17297663+00
+28623395+00	+21524975+01	-71485660-01	-69601178+00	+17295147+00
+28667028+00	+21590784+01	-72886924-01	-69580637+00	+17292590+00
+28710661+00	+21655630+01	-74290775-01	-69559693+00	+17289986+00
+28754294+00	+21719538+01	-75697197-01	-69538351+00	+17287338+00
+28797927+00	+21782533+01	-77106144-01	-69516606+00	+17284645+00
+28841561+00	+21844634+01	-78517675-01	-69494454+00	+17281906+00
+28885194+00	+21905864+01	-79931691-01	-69471898+00	+17279124+00
+28928827+00	+21966244+01	-81348238-01	-69448933+00	+17276296+00
+28972460+00	+22025793+01	-82767326-01	-69425560+00	+17273422+00
+29016093+00	+22084530+01	-84188922-01	-69401775+00	+17270502+00
+29059727+00	+22142472+01	-85613037-01	-69377578+00	+17267537+00
+29103360+00	+22199639+01	-87039698-01	-69352966+00	+17264525+00

TABLE 106.—Continued

$M_{\infty} = +99999961+01$

$\theta_B = +26179935+00$

θ	M_{w2}^*	ψ_2	M_2^*	μ_1
+29146993+00	+22256046+01	-88468832-01	-69327937+00	+17261467+00
+29190626+00	+22311709+01	-89900511-01	-69302492+00	+17258362+00
+29234259+00	+22366645+01	-91334732-01	-69276624+00	+17255211+00
+29277893+00	+22420868+01	-92771521-01	-69250334+00	+17252011+00
+29321526+00	+22474393+01	-94210836-01	-69223620+00	+17248764+00
+29365159+00	+22527234+01	-95652746-01	-69196478+00	+17245469+00
+29408792+00	+22579404+01	-97097248-01	-69168905+00	+17242124+00
+29452425+00	+22630918+01	-98544356-01	-69140900+00	+17238732+00
+29496059+00	+22681787+01	-99994061-01	-69112463+00	+17235292+00
+29539692+00	+22732024+01	-10144640+00	-69083588+00	+17231800+00
+29583325+00	+22781640+01	-10290144+00	-69054273+00	+17228258+00
+29626958+00	+22830648+01	-10435914+00	-69024516+00	+17224667+00
+29670591+00	+22879057+01	-10581956+00	-68994313+00	+17221025+00
+29714225+00	+22926881+01	-10728270+00	-68963662+00	+17217331+00
+29757858+00	+22974127+01	-10874862+00	-68932559+00	+17213584+00
+29801491+00	+23020807+01	-11021734+00	-68901002+00	+17209785+00
+29845124+00	+23066930+01	-11168883+00	-68868989+00	+17205933+00
+29888758+00	+23112507+01	-11316318+00	-68836514+00	+17202029+00
+29932391+00	+23157545+01	-11464040+00	-68803575+00	+17198071+00
+29976024+00	+23202055+01	-11612052+00	-68770167+00	+17194058+00
+30019657+00	+23246044+01	-11760361+00	-68736288+00	+17189989+00
+30063290+00	+23289523+01	-11908967+00	-68701934+00	+17185863+00
+30106924+00	+23332496+01	-12057880+00	-68667098+00	+17181682+00
+30150557+00	+23374975+01	-12207095+00	-68631781+00	+17177442+00
+30194190+00	+23416965+01	-12356627+00	-68595974+00	+17173146+00
+30237823+00	+23458475+01	-12506466+00	-68559676+00	+17168790+00
+30281456+00	+23499513+01	-12656628+00	-68522882+00	+17164372+00
+30325090+00	+23540083+01	-12807116+00	-68485585+00	+17159896+00
+30368723+00	+23580198+01	-12957925+00	-68447785+00	+17155357+00
+30390794+00	+23600317+01	-13034335+00	-68428472+00	+17153040+00

$B_2/R = +80631022+01$

$\eta/\alpha = +98280662+00$

TABLE 107.—Conical Flow Field. $\theta_s=15.0^\circ$; $M_\infty=12.0$

M_∞	θ_s		θ_w	
+11999995+02	+26179935+00		+29883132+00	

θ	M_{w2}^*	ψ_2	M_2^*	M_1
+26179935+00	+10882875+01	+94994903-07	-70766579+00	+16188466+00
+26223568+00	+12135793+01	-92420354-03	-70766453+00	+16188440+00
+26267201+00	+13463983+01	-18431218-02	-70766076+00	+16188359+00
+26310835+00	+13879460+01	-28316230-02	-70765413+00	+16188227+00
+26354468+00	+14309637+01	-38501192-02	-70764461+00	+16188040+00
+26398101+00	+14695248+01	-48955828-02	-70763204+00	+16187802+00
+26441734+00	+15043192+01	-59644757-02	-70761635+00	+16187510+00
+26485367+00	+15361293+01	-70540793-02	-70759748+00	+16187169+00
+26529001+00	+15655348+01	-81622908-02	-70757534+00	+16186774+00
+26572634+00	+15929573+01	-92874495-02	-70754991+00	+16186331+00
+26616267+00	+16187105+01	-10428144-01	-70752111+00	+16185834+00
+26659900+00	+16430332+01	-11583204-01	-70748892+00	+16185287+00
+26703533+00	+16661123+01	-12751600-01	-70745327+00	+16184692+00
+26747167+00	+16880972+01	-13932457-01	-70741415+00	+16184046+00
+26790800+00	+17091092+01	-15125024-01	-70737150+00	+16183351+00
+26834433+00	+17292484+01	-16328621-01	-70732527+00	+16182607+00
+26878066+00	+17485987+01	-17542575-01	-70727551+00	+16181812+00
+26921700+00	+17672317+01	-18766351-01	-70722214+00	+16180970+00
+26965333+00	+17852077+01	-19999476-01	-70716512+00	+16180078+00
+27008966+00	+18025799+01	-21241465-01	-70710448+00	+16179138+00
+27052599+00	+18193936+01	-22491912-01	-70704013+00	+16178149+00
+27096232+00	+18356896+01	-23750389-01	-70697211+00	+16177112+00
+27139866+00	+18515030+01	-25016566-01	-70690036+00	+16176028+00
+27183499+00	+18668657+01	-26290145-01	-70682488+00	+16174899+00
+27227132+00	+18818059+01	-27570833-01	-70674566+00	+16173721+00
+27270765+00	+18963490+01	-28858265-01	-70666268+00	+16172495+00
+27314398+00	+19105177+01	-30152243-01	-70657592+00	+16171221+00
+27358032+00	+19243327+01	-31452513-01	-70648534+00	+16169900+00
+27401665+00	+19378131+01	-32758843-01	-70639097+00	+16168533+00
+27445298+00	+19509760+01	-34070997-01	-70629276+00	+16167118+00
+27488931+00	+19638370+01	-35388794-01	-70619072+00	+16165657+00
+27532564+00	+19764107+01	-36712079-01	-70608482+00	+16164150+00
+27576198+00	+19887104+01	-38040640-01	-70597505+00	+16162595+00
+27619831+00	+20007484+01	-39374314-01	-70586140+00	+16160994+00
+27663464+00	+20125360+01	-40712972-01	-70574387+00	+16159345+00
+27707097+00	+20240840+01	-42056392-01	-70562243+00	+16157651+00
+27750731+00	+20354021+01	-43404514-01	-70549708+00	+16155910+00
+27794364+00	+20464993+01	-44757220-01	-70536781+00	+16154122+00
+27837997+00	+20573844+01	-46114290-01	-70523458+00	+16152289+00
+27881630+00	+20680653+01	-47475704-01	-70509739+00	+16150409+00
+27925263+00	+20785495+01	-48841300-01	-70495625+00	+16148482+00
+27968897+00	+20888440+01	-50211021-01	-70481115+00	+16146508+00
+28012530+00	+20989558+01	-51584730-01	-70466204+00	+16144488+00
+28056163+00	+21088906+01	-52962344-01	-70450895+00	+16142419+00
+28099796+00	+21186545+01	-54343782-01	-70435182+00	+16140306+00
+28143429+00	+21282531+01	-55728985-01	-70419068+00	+16138148+00
+28187063+00	+21376917+01	-57117815-01	-70402548+00	+16135940+00
+28230696+00	+21469752+01	-58510239-01	-70385627+00	+16133685+00
+28274329+00	+21561083+01	-59906215-01	-70368297+00	+16131382+00
+28317962+00	+21650956+01	-61305634-01	-70350559+00	+16129034+00

TABLE 107.—Continued

 $M_{00} = +11999995+02$ $\theta_8 = +26179935+00$

θ	M_{w2}^*	ψ_2	M_2^*	μ_1
+28361595+00	+21739412+01	-62708409-01	-70332414+00	+16126639+00
+28405229+00	+21826491+01	-64114567-01	-70313859+00	+16124194+00
+28448862+00	+21912234+01	-65523961-01	-70294891+00	+16121703+00
+28492495+00	+21996676+01	-66936624-01	-70275508+00	+16119163+00
+28536128+00	+22079851+01	-68352473-01	-70255711+00	+16116577+00
+28579761+00	+22161797+01	-69771440-01	-70235499+00	+16113941+00
+28623395+00	+22242540+01	-71193511-01	-70214869+00	+16111255+00
+28667028+00	+22322115+01	-72618624-01	-70193821+00	+16108522+00
+28710661+00	+22400548+01	-74046776-01	-70172349+00	+16105739+00
+28754294+00	+22477869+01	-75477901-01	-70150456+00	+16102908+00
+28797927+00	+22554104+01	-76911923-01	-70128139+00	+16100027+00
+28841561+00	+22629279+01	-78348889-01	-70105395+00	+16097096+00
+28885194+00	+22703417+01	-79788730-01	-70082225+00	+16094115+00
+28928827+00	+22776545+01	-81231410-01	-70058625+00	+16091081+00
+28972460+00	+22848684+01	-82676950-01	-70034593+00	+16087999+00
+29016093+00	+22919855+01	-84125276-01	-70010128+00	+16084863+00
+29059727+00	+22990079+01	-85576398-01	-69985228+00	+16081677+00
+29103360+00	+23059379+01	-87030249-01	-69959889+00	+16078439+00
+29146993+00	+23127771+01	-88486861-01	-69934112+00	+16075148+00
+29190626+00	+23195276+01	-89946191-01	-69907892+00	+16071804+00
+29234259+00	+23261911+01	-91408209-01	-69881228+00	+16068408+00
+29277893+00	+23327694+01	-92872889-01	-69854121+00	+16064957+00
+29321526+00	+23392642+01	-94340234-01	-69826563+00	+16061451+00
+29365159+00	+23456770+01	-95810260-01	-69798555+00	+16057890+00
+29408792+00	+23520096+01	-97282915-01	-69770093+00	+16054274+00
+29452425+00	+23582633+01	-98758149-01	-69741177+00	+16050602+00
+29496059+00	+23644395+01	-10023601+00	-69711801+00	+16046873+00
+29539692+00	+23705400+01	-10171643+00	-69681964+00	+16043086+00
+29583325+00	+23765658+01	-10319943+00	-69651664+00	+16039243+00
+29626958+00	+23825183+01	-10468503+00	-69620899+00	+16035338+00
+29670591+00	+23883989+01	-10617310+00	-69589662+00	+16031375+00
+29714225+00	+23942087+01	-10766375+00	-69557955+00	+16027353+00
+29757858+00	+23999490+01	-10915687+00	-69525773+00	+16023269+00
+29801491+00	+24056210+01	-11065249+00	-69493112+00	+16019122+00
+29845124+00	+24112260+01	-11215057+00	-69459970+00	+16014914+00
+29883132+00	+24160544+01	-11345745+00	-69430710+00	+16011200+00

 $S_2/R = +99624022+01$ $\eta/\alpha = +10043416+01$

TABLE 108.—Conical Flow Field. $\theta_s=15.0^\circ$; $M_\infty=15.0$

M_{00}	θ_s	θ_w
+14999948+02	+26179935+00	+29460009+00

θ	M_{w2}^*	ψ_2	M_2^*	μ_1
+26179935+00	+99515006+00	+82887709-07	-71345774+00	+15157169+00
+26223568+00	+11416810+01	-86488295-03	-71345656+00	+15157141+00
+26267201+00	+12891149+01	-17298004-02	-71345304+00	+15157057+00
+26310835+00	+13376876+01	-26723212-02	-71344672+00	+15156917+00
+26354468+00	+13872170+01	-36496790-02	-71343759+00	+15156722+00
+26398101+00	+14315809+01	-46582902-02	-71342548+00	+15156472+00
+26441734+00	+14716313+01	-56941081-02	-71341030+00	+15156165+00
+26485367+00	+15082720+01	-67541106-02	-71339197+00	+15155807+00
+26529001+00	+15421677+01	-78358613-02	-71337039+00	+15155394+00
+26572634+00	+15738007+01	-89374390-02	-71334551+00	+15154926+00
+26616267+00	+16035280+01	-10057210-01	-71331725+00	+15154406+00
+26659900+00	+16316223+01	-11193837-01	-71328556+00	+15153831+00
+26703533+00	+16582968+01	-12346172-01	-71325041+00	+15153204+00
+26747167+00	+16837217+01	-13513149-01	-71321175+00	+15152525+00
+26790800+00	+17080352+01	-14693949-01	-71316953+00	+15151794+00
+26834433+00	+17313517+01	-15887725-01	-71312370+00	+15151011+00
+26878066+00	+17537669+01	-17093754-01	-71307421+00	+15150177+00
+26921700+00	+17753617+01	-18311417-01	-71302109+00	+15149289+00
+26965333+00	+17962056+01	-19540098-01	-71296426+00	+15148351+00
+27008966+00	+18163586+01	-20779282-01	-71290369+00	+15147362+00
+27052599+00	+18358730+01	-22028465-01	-71283936+00	+15146323+00
+27096232+00	+18547949+01	-23287178-01	-71277124+00	+15145231+00
+27139866+00	+18731644+01	-24555027-01	-71269932+00	+15144090+00
+27183499+00	+18910178+01	-25831592-01	-71262356+00	+15142898+00
+27227132+00	+19083869+01	-27116545-01	-71254395+00	+15141658+00
+27270765+00	+19253011+01	-28409533-01	-71246048+00	+15140364+00
+27314398+00	+19417863+01	-29710261-01	-71237310+00	+15139024+00
+27358032+00	+19578660+01	-31018439-01	-71228179+00	+15137633+00
+27401665+00	+19735619+01	-32333735-01	-71218655+00	+15136190+00
+27445298+00	+19888934+01	-33655929-01	-71208736+00	+15134698+00
+27488931+00	+20038784+01	-34984843-01	-71198421+00	+15133157+00
+27532564+00	+20185336+01	-36320165-01	-71187707+00	+15131564+00
+27576198+00	+20328741+01	-37661700-01	-71176592+00	+15129922+00
+27619831+00	+20469139+01	-39009237-01	-71165076+00	+15128231+00
+27663464+00	+20606659+01	-40362556-01	-71153156+00	+15126491+00
+27707097+00	+20741421+01	-41721552-01	-71140830+00	+15124699+00
+27750731+00	+20873540+01	-43085983-01	-71128100+00	+15122859+00
+27794364+00	+21003117+01	-44455721-01	-71114961+00	+15120969+00
+27837997+00	+21130252+01	-45830593-01	-71101411+00	+15119029+00
+27881630+00	+21255037+01	-47210470-01	-71087454+00	+15117037+00
+27925263+00	+21377554+01	-48595167-01	-71073082+00	+15114998+00
+27968897+00	+21497885+01	-49984599-01	-71058297+00	+15112907+00
+28012530+00	+21616106+01	-51378583-01	-71043096+00	+15110768+00
+28056163+00	+21732289+01	-52777043-01	-71027478+00	+15108575+00
+28099796+00	+21846497+01	-54179861-01	-71011444+00	+15106334+00
+28143429+00	+21958799+01	-55586901-01	-70994992+00	+15104039+00
+28187063+00	+22069251+01	-56998023-01	-70978117+00	+15101696+00
+28230696+00	+22177910+01	-58413211-01	-70960821+00	+15099303+00
+28274329+00	+22284832+01	-59832288-01	-70943099+00	+15096856+00
+28317962+00	+22390065+01	-61255208-01	-70924955+00	+15094357+00

TABLE 108.—Continued

$$M_{\infty} = +14999948+02$$

$$\theta_B = +26179935+00$$

θ	M_{w2}^*	ψ_2	M_2^*	μ_1
+28361595+00	+22493660+01	-62681817-01	-70906383+00	+15091808+00
+28405229+00	+22595661+01	-64112106-01	-70887384+00	+15089206+00
+28448862+00	+22696114+01	-65545909-01	-70867957+00	+15086553+00
+28492495+00	+22795059+01	-66983182-01	-70848096+00	+15083846+00
+28536128+00	+22892535+01	-68423860-01	-70827806+00	+15081087+00
+28579761+00	+22988583+01	-69867820-01	-70807080+00	+15078274+00
+28623395+00	+23083237+01	-71315024-01	-70785918+00	+15075406+00
+28667028+00	+23176533+01	-72765329-01	-70764322+00	+15072487+00
+28710661+00	+23268503+01	-74218768-01	-70742287+00	+15069511+00
+28754294+00	+23359179+01	-75675165-01	-70719809+00	+15066483+00
+28797927+00	+23448592+01	-77134483-01	-70696894+00	+15063398+00
+28841561+00	+23536771+01	-78596668-01	-70673532+00	+15060257+00
+28885194+00	+23623744+01	-80061625-01	-70649726+00	+15057060+00
+28928827+00	+23709539+01	-81529282-01	-70625475+00	+15053807+00
+28972460+00	+23794179+01	-82999659-01	-70600774+00	+15050496+00
+29016093+00	+23877691+01	-84472552-01	-70575625+00	+15047126+00
+29059727+00	+23960099+01	-85947969-01	-70550022+00	+15043700+00
+29103360+00	+24041425+01	-87425822-01	-70523967+00	+15040213+00
+29146993+00	+24121693+01	-88905999-01	-70497458+00	+15036667+00
+29190626+00	+24200921+01	-90388460-01	-70470491+00	+15033062+00
+29234259+00	+24279131+01	-91873130-01	-70443067+00	+15029394+00
+29277893+00	+24356342+01	-93359929-01	-70415182+00	+15025665+00
+29321526+00	+24432575+01	-94848811-01	-70386834+00	+15021873+00
+29365159+00	+24507846+01	-96339599-01	-70358024+00	+15018017+00
+29408792+00	+24582176+01	-97832286-01	-70328747+00	+15014098+00
+29452425+00	+24655585+01	-99326784-01	-70299004+00	+15010114+00
+29460009+00	+24668252+01	-99586659-01	-70293791+00	+15009417+00

$$S_2/R = +12062879+02$$

$$\eta/\alpha = +10230624+01$$

TABLE 109.—Conical Flow Field. $\theta_s=15.0^\circ$; $M_\infty=20.0$

M_{00}	θ_s		θ_w	
+19999957+02	+26179935+00		+29125730+00	

θ	M_{w2}^*	ψ_2	M_2^*	μ_1
+26179935+00	+91690363+00	+69849193-07	-71848715+00	+14304875+00
+26223568+00	+10837996+01	-81716198-03	-71848602+00	+14304846+00
+26267201+00	+12445835+01	-16397880-02	-71848266+00	+14304756+00
+26310835+00	+12998537+01	-25472995-02	-71847662+00	+14304610+00
+26354468+00	+13555256+01	-34942143-02	-71846779+00	+14304406+00
+26398101+00	+14053544+01	-44763479-02	-71845602+00	+14304143+00
+26441734+00	+14503511+01	-54892506-02	-71844121+00	+14303824+00
+26485367+00	+14915366+01	-65294178-02	-71842325+00	+14303447+00
+26529001+00	+15296553+01	-75942092-02	-71840204+00	+14303014+00
+26572634+00	+15652461+01	-86814053-02	-71837753+00	+14302525+00
+26616267+00	+15987085+01	-97892964-02	-71834959+00	+14301980+00
+26659900+00	+16303468+01	-10916291-01	-71831821+00	+14301380+00
+26703533+00	+16603989+01	-12061090-01	-71828331+00	+14300724+00
+26747167+00	+16890546+01	-13222560-01	-71824485+00	+14300014+00
+26790800+00	+17164682+01	-14399694-01	-71820275+00	+14299248+00
+26834433+00	+17427672+01	-15591553-01	-71815701+00	+14298428+00
+26878066+00	+17680585+01	-16797342-01	-71810755+00	+14297552+00
+26921700+00	+17924323+01	-18016302-01	-71805436+00	+14296623+00
+26965333+00	+18159665+01	-19247795-01	-71799737+00	+14295641+00
+27008966+00	+18387276+01	-20491180-01	-71793656+00	+14294605+00
+27052599+00	+18607740+01	-21745915-01	-71787191+00	+14293514+00
+27096232+00	+18821570+01	-23011463-01	-71780338+00	+14292371+00
+27139866+00	+19029219+01	-24287329-01	-71773092+00	+14291174+00
+27183499+00	+19231085+01	-25573066-01	-71765454+00	+14289925+00
+27227132+00	+19427529+01	-26868300-01	-71757418+00	+14288624+00
+27270765+00	+19618874+01	-28172554-01	-71748985+00	+14287268+00
+27314398+00	+19805411+01	-29485537-01	-71740150+00	+14285859+00
+27358032+00	+19987405+01	-30806921-01	-71730911+00	+14284395+00
+27401665+00	+20165090+01	-32136302-01	-71721268+00	+14282882+00
+27445298+00	+20338690+01	-33473407-01	-71711217+00	+14281317+00
+27488931+00	+20508403+01	-34817957-01	-71700756+00	+14279696+00
+27532564+00	+20674414+01	-36169711-01	-71689882+00	+14278023+00
+27576198+00	+20836890+01	-37528330-01	-71678598+00	+14276299+00
+27619831+00	+20995990+01	-38893644-01	-71666896+00	+14274520+00
+27663464+00	+21151858+01	-40265374-01	-71654781+00	+14272691+00
+27707097+00	+21304627+01	-41643306-01	-71642244+00	+14270805+00
+27750731+00	+21454422+01	-43027255-01	-71629288+00	+14268868+00
+27794364+00	+21601362+01	-44416977-01	-71615909+00	+14266876+00
+27837997+00	+21745554+01	-45812325-01	-71602108+00	+14264832+00
+27881630+00	+21887098+01	-47213035-01	-71587884+00	+14262734+00
+27925263+00	+22026093+01	-48618944-01	-71573231+00	+14260585+00
+27968897+00	+22162626+01	-50029931-01	-71558151+00	+14258379+00
+28012530+00	+22296782+01	-51445777-01	-71542643+00	+14256122+00
+28056163+00	+22428639+01	-52866353-01	-71526702+00	+14253809+00
+28099796+00	+22558274+01	-54291496-01	-71510332+00	+14251441+00
+28143429+00	+22685756+01	-55721045-01	-71493526+00	+14249019+00
+28187063+00	+22811154+01	-57154821-01	-71476288+00	+14246541+00
+28230696+00	+22934527+01	-58592774-01	-71458614+00	+14244008+00
+28274329+00	+23055938+01	-60034676-01	-71440502+00	+14241419+00
+28317962+00	+23175443+01	-61480367-01	-71421950+00	+14238775+00

TABLE 109.—Continued

$M_{\infty} = +19999957+02$

$\Theta_B = +26179935+00$

Θ	M_{w2}^*	ψ_2	M_2^*	μ_1
+28361595+00	+23293095+01	-62929761-01	-71402960+00	+14236075+00
+28405229+00	+23408947+01	-64382724-01	-71383527+00	+14233317+00
+28448862+00	+23523046+01	-65839090-01	-71363655+00	+14230503+00
+28492495+00	+23635440+01	-67298776-01	-71343336+00	+14227630+00
+28536128+00	+23746172+01	-68761641-01	-71322575+00	+14224699+00
+28579761+00	+23855286+01	-70227485-01	-71301367+00	+14221710+00
+28623395+00	+23962820+01	-71696250-01	-71279711+00	+14218663+00
+28667028+00	+24068815+01	-73167821-01	-71257610+00	+14215555+00
+28710661+00	+24173307+01	-74641976-01	-71235059+00	+14212389+00
+28754294+00	+24276331+01	-76118666-01	-71212055+00	+14209159+00
+28797927+00	+24377920+01	-77597725-01	-71188602+00	+14205871+00
+28841561+00	+24478109+01	-79078991-01	-71164696+00	+14202518+00
+28885194+00	+24576927+01	-80562393-01	-71140338+00	+14199103+00
+28928827+00	+24674403+01	-82047710-01	-71115524+00	+14195625+00
+28972460+00	+24770568+01	-83534797-01	-71090258+00	+14192084+00
+29016093+00	+24865448+01	-85023589-01	-71064536+00	+14188476+00
+29059727+00	+24959070+01	-86513842-01	-71038355+00	+14184805+00
+29103360+00	+25051468+01	-88005411-01	-71011720+00	+14181065+00
+29125730+00	+25098366+01	-88770509-01	-70997893+00	+14179124+00

$S_2/R = +14202619+02$

$\eta/\alpha = +10383886+01$

TABLE 110.—Conical Flow Field. $\theta_s=17.5^\circ$; $M_\infty=1.2773745$

M_{00}	θ_B	θ_V
+12773745+01	+30543261+00	+10034478+01

θ	M_{w2}^*	ψ_2	M_2^*	μ_1
+30543261+00	+19865672+01	+30957162-05	-60040503+00	+15676366+01
+32288589+00	+18861135+01	-10644174+00	-59790664+00	+15447497+01
+34033917+00	+17997307+01	-19747360+00	-59152336+00	+15211032+01
+35779246+00	+17251980+01	-27597934+00	-58251213+00	+14992074+01
+37524574+00	+16604404+01	-34419460+00	-57173369+00	+14788594+01
+39269902+00	+16038123+01	-40387283+00	-55978483+00	+14598620+01
+41015231+00	+15540032+01	-45640623+00	-54708296+00	+14420482+01
+42760559+00	+15099600+01	-50291259+00	-53392171+00	+14252753+01
+44505887+00	+14708288+01	-54429836+00	-52050778+00	+14094218+01
+46251216+00	+14359113+01	-58130545+00	-50698631+00	+13943843+01
+47996544+00	+14046314+01	-61454597+00	-49345826+00	+13800724+01
+49741872+00	+13765105+01	-64452898+00	-47999252+00	+13664085+01
+51487200+00	+13511485+01	-67168091+00	-46663444+00	+13533243+01
+53232529+00	+13282084+01	-69636138+00	-45341214+00	+13407597+01
+54977857+00	+13074048+01	-71887553+00	-44034082+00	+13286613+01
+56723185+00	+12884949+01	-73948410+00	-42742580+00	+13169813+01
+58468514+00	+12712710+01	-75841106+00	-41466489+00	+13056768+01
+60213842+00	+12555547+01	-77584994+00	-40205004+00	+12947090+01
+61959170+00	+12411920+01	-79196922+00	-38956828+00	+12840422+01
+63704498+00	+12280498+01	-80691613+00	-37720283+00	+12736437+01
+65449826+00	+12160124+01	-82082052+00	-36493312+00	+12634833+01
+67195155+00	+12049792+01	-83379763+00	-35273514+00	+12535323+01
+68940483+00	+11948625+01	-84595063+00	-34058141+00	+12437635+01
+70685811+00	+11855858+01	-85737288+00	-32844061+00	+12341511+01
+72431140+00	+11770824+01	-86814970+00	-31627709+00	+12246697+01
+74176468+00	+11692940+01	-87836050+00	-30404985+00	+12152943+01
+75921796+00	+11621702+01	-88808024+00	-29171158+00	+12059999+01
+77667125+00	+11556674+01	-89738160+00	-27920661+00	+11967608+01
+79412453+00	+11497484+01	-90633668+00	-26646869+00	+11875502+01
+81157781+00	+11443820+01	-91501981+00	-25341713+00	+11783396+01
+82903109+00	+11395426+01	-92351057+00	-23995201+00	+11690976+01
+84648438+00	+11352108+01	-93189795+00	-22594642+00	+11597895+01
+86393766+00	+11313729+01	-94028682+00	-21123499+00	+11503748+01
+88139094+00	+11280222+01	-94880770+00	-19559531+00	+11408056+01
+89884423+00	+11251600+01	-95763263+00	-17871765+00	+11310231+01
+91629751+00	+11227982+01	-96700283+00	-16015205+00	+11209520+01
+93375079+00	+11209626+01	-97728067+00	-13920897+00	+11104919+01
+95120408+00	+11197005+01	-98905610+00	-11475780+00	+10995013+01
+96865736+00	+11190957+01	-10033907+01	-84766817-01	+10877661+01
+98611064+00	+11193000+01	-10224795+01	-45066861-01	+10749296+01
+10034478+01	+11206086+01	-10517036+01	+14409450-01	+10604073+01

$s_2/R = +42619212-02$

$\eta/\alpha = +32567982+00$

TABLE 111.—Conical Flow Field. $\theta_s=17.5^\circ$; $M_\infty=1.5$

M_{00}	θ_s	θ_w
+14999999+01	+30543261+00	+81737375+00

θ	M_{w2}^*	ψ_2	M_2^*	μ_1
+30543261+00	+20944213+01	+38538128-05	-63553542+00	+96948630+00
+31721357+00	+20224640+01	-66572949-01	-63428592+00	+96924016+00
+32899454+00	+19567496+01	-12643564+00	-63092781+00	+96855729+00
+34077551+00	+18973579+01	-18051057+00	-62594131+00	+96750975+00
+35255647+00	+18435551+01	-22957032+00	-61969345+00	+96615637+00
+36433744+00	+17946769+01	-27426038+00	-61246691+00	+96454562+00
+37611840+00	+17501480+01	-31512375+00	-60448065+00	+96271746+00
+38702670+00	+17123636+01	-34994954+00	-59655756+00	+96085972+00
+39793501+00	+16775428+01	-38220292+00	-58823631+00	+95886591+00
+40884331+00	+16453888+01	-41215564+00	-57960186+00	+95675442+00
+41975161+00	+16156422+01	-44004445+00	-57072178+00	+95454082+00
+43065991+00	+15880750+01	-46607681+00	-56164982+00	+95223828+00
+44156821+00	+15624866+01	-49043514+00	-55242848+00	+94985783+00
+45160385+00	+15405400+01	-51150518+00	-54384171+00	+94760703+00
+46163949+00	+15199952+01	-53140686+00	-53517709+00	+94530428+00
+47167513+00	+15007419+01	-55024078+00	-52645035+00	+94295475+00
+48171077+00	+14826812+01	-56809758+00	-51767349+00	+94056271+00
+49174640+00	+14657238+01	-58505937+00	-50885512+00	+93813187+00
+50178203+00	+14497896+01	-60120069+00	-50000109+00	+93566521+00
+51094492+00	+14360726+01	-61527973+00	-49188865+00	+93338379+00
+52010782+00	+14230973+01	-62877923+00	-48375009+00	+93107598+00
+52927071+00	+14108180+01	-64174316+00	-47558503+00	+92874287+00
+53843361+00	+13991925+01	-65421250+00	-46739160+00	+92638530+00
+54759650+00	+13881822+01	-66622552+00	-45916676+00	+92400381+00
+55675940+00	+13777518+01	-67781810+00	-45090618+00	+92159866+00
+56504964+00	+13687873+01	-68797251+00	-44339704+00	+91940227+00
+57333988+00	+13602488+01	-69783416+00	-43584932+00	+91718636+00
+58163011+00	+13521158+01	-70742577+00	-42825725+00	+91495070+00
+58992036+00	+13443693+01	-71676936+00	-42061419+00	+91269477+00
+59821059+00	+13369919+01	-72588611+00	-41291263+00	+91041791+00
+60650083+00	+13299673+01	-73479686+00	-40514383+00	+90811931+00
+61391842+00	+13239690+01	-74261175+00	-39812790+00	+90604344+00
+62133600+00	+13182312+01	-75029260+00	-39104256+00	+90394857+00
+62875357+00	+13127448+01	-75785406+00	-38387898+00	+90183377+00
+63617116+00	+13075014+01	-76531082+00	-37662735+00	+89969793+00
+64358874+00	+13024930+01	-77267803+00	-36927661+00	+89753982+00
+65100633+00	+12977123+01	-77997118+00	-36181441+00	+89535805+00
+65755125+00	+12936781+01	-78635765+00	-35512643+00	+89341208+00
+66409618+00	+12898120+01	-79271073+00	-34833001+00	+89144525+00
+67064110+00	+12861102+01	-79904262+00	-34141314+00	+88945637+00
+67718603+00	+12825695+01	-80536664+00	-33436211+00	+88744383+00
+68373095+00	+12791866+01	-81169682+00	-32716165+00	+88540613+00
+69027588+00	+12759592+01	-81804868+00	-31979425+00	+88334136+00
+69594814+00	+12732859+01	-82358424+00	-31325880+00	+88152847+00
+70162041+00	+12707265+01	-82916100+00	-30656828+00	+87969230+00
+70729268+00	+12682799+01	-83479246+00	-29970598+00	+87783125+00
+71296494+00	+12659455+01	-84049368+00	-29265287+00	+87594356+00
+71863722+00	+12637228+01	-84628159+00	-28538703+00	+87402722+00
+72430949+00	+12616117+01	-85217535+00	-27788342+00	+87208000+00
+72910910+00	+12599128+01	-85726130+00	-27132690+00	+87040643+00

TABLE 111.—Continued

$M_{00} = +14999999+01$

$\theta_8 = +30543261+00$

θ	M_{w2}^*	ψ_2	M_2^*	μ_1
+73390871+00	+12582944+01	-86245397+00	-26455884+00	+86870733+00
+73870832+00	+12567570+01	-86777076+00	-25755578+00	+86698082+00
+74350793+00	+12553015+01	-87323154+00	-25029063+00	+86522485+00
+74830755+00	+12539289+01	-87885939+00	-24273186+00	+86343708+00
+75310715+00	+12526407+01	-88468120+00	-23484254+00	+86161489+00
+75703411+00	+12516507+01	-88961081+00	-22811147+00	+86009631+00
+76096106+00	+12507194+01	-89471166+00	-22110207+00	+85855091+00
+76488802+00	+12498484+01	-90000734+00	-21378176+00	+85697662+00
+76881498+00	+12490393+01	-90552545+00	-20611244+00	+85537116+00
+77274193+00	+12482940+01	-91129857+00	-19804907+00	+85373191+00
+77666889+00	+12476148+01	-91736542+00	-18953815+00	+85205592+00
+77972319+00	+12471339+01	-92231667+00	-18256838+00	+85072484+00
+78277748+00	+12466962+01	-92749966+00	-17525323+00	+84936768+00
+78583178+00	+12463032+01	-93294500+00	-16755055+00	+84798242+00
+78888608+00	+12459571+01	-93868867+00	-15941068+00	+84656678+00
+79194038+00	+12456599+01	-94477384+00	-15077435+00	+84511818+00
+79499468+00	+12454142+01	-95125248+00	-14157008+00	+84363362+00
+79717632+00	+12452720+01	-95615536+00	-13460070+00	+84254931+00
+79935797+00	+12451589+01	-96131844+00	-12726002+00	+84144350+00
+80153961+00	+12450764+01	-96677374+00	-11950421+00	+84031456+00
+80372125+00	+12450260+01	-97255926+00	-11128136+00	+83916072+00
+80590289+00	+12450096+01	-97871974+00	-10253029+00	+83797991+00
+80808453+00	+12450293+01	-98530914+00	-93177462-01	+83676986+00
+81026617+00	+12450875+01	-99239274+00	-83133942-01	+83552789+00
+81244782+00	+12451870+01	-10000504+01	-72291058-01	+83425090+00
+81462946+00	+12453311+01	-10083812+01	-60514248-01	+83293532+00
+81681110+00	+12455237+01	-10175096+01	-47634471-01	+83157691+00
+81737375+00	+12455818+01	-10200118+01	-44108768-01	+83121903+00

$S_2/R = +10129582-01$

$\eta/\alpha = +36389199+00$

TABLE 112.—Conical Flow Field. $\theta_s=17.5^\circ; M_\infty=1.75$

M_∞	θ_s	θ_w
+17500000+01	+30543261+00	+69978538+00

θ	M_{w2}^*	ϕ_2	M_2^*	μ_1
+30543261+00	+21695090+01	+25480986-05	-66449348+00	+77397998+00
+31459558+00	+21139770+01	-48059365-01	-66369523+00	+77386990+00
+32375855+00	+20603429+01	-92333523-01	-66149671+00	+77355888+00
+33292153+00	+20105583+01	-13324636+00	-65814905+00	+77307285+00
+34208450+00	+19644167+01	-17117250+00	-65385411+00	+77243363+00
+35081115+00	+19235899+01	-20481258+00	-64903256+00	+77169956+00
+35953779+00	+18855483+01	-23628069+00	-64361463+00	+77085709+00
+36826443+00	+18500579+01	-26579014+00	-63769461+00	+76991795+00
+37699107+00	+18169059+01	-29352856+00	-63135008+00	+76889221+00
+38528138+00	+17874020+01	-31839080+00	-62498804+00	+76784553+00
+39357169+00	+17596856+01	-34193120+00	-61834606+00	+76673496+00
+40186200+00	+17336221+01	-36426315+00	-61146190+00	+76556613+00
+41015231+00	+17090893+01	-38548887+00	-60436674+00	+76434392+00
+41800628+00	+16871594+01	-40466088+00	-59747369+00	+76314055+00
+42586026+00	+16664184+01	-42299457+00	-59043214+00	+76189608+00
+43371424+00	+16467882+01	-44055525+00	-58325670+00	+76061316+00
+44156821+00	+16281974+01	-45740282+00	-57595898+00	+75929411+00
+44898586+00	+16115349+01	-47270956+00	-56896260+00	+75801685+00
+45640351+00	+15956905+01	-48747266+00	-56187096+00	+75671054+00
+46382115+00	+15806179+01	-50173238+00	-55468813+00	+75537633+00
+47123880+00	+15662739+01	-51552645+00	-54741655+00	+75401516+00
+47822011+00	+15534038+01	-52811558+00	-54049250+00	+75271003+00
+48520142+00	+15411134+01	-54035161+00	-53349042+00	+75138214+00
+49218274+00	+15293743+01	-55226121+00	-52640891+00	+75003182+00
+49916405+00	+15181603+01	-56386983+00	-51924556+00	+74865933+00
+50570898+00	+15081021+01	-57450152+00	-51245244+00	+74735246+00
+51225391+00	+14984651+01	-58491000+00	-50558056+00	+74602608+00
+51879883+00	+14892317+01	-59511447+00	-49862518+00	+74467994+00
+52534376+00	+14803856+01	-60513369+00	-49158084+00	+74331391+00
+53145235+00	+14724654+01	-61433446+00	-48491997+00	+74202055+00
+53756095+00	+14648577+01	-62340537+00	-47816962+00	+74070912+00
+54366955+00	+14575520+01	-63236176+00	-47132270+00	+73937915+00
+54977815+00	+14505382+01	-64121915+00	-46437102+00	+73802996+00
+55545041+00	+14442787+01	-64936899+00	-45781409+00	+73675947+00
+56112268+00	+14382560+01	-65746034+00	-45115049+00	+73547125+00
+56679495+00	+14324636+01	-66550680+00	-44437074+00	+73416457+00
+57246722+00	+14268956+01	-67352273+00	-43746416+00	+73283867+00
+57770316+00	+14219504+01	-68090796+00	-43096589+00	+73159692+00
+58293910+00	+14171879+01	-68829287+00	-42433851+00	+73033721+00
+58817504+00	+14126044+01	-69569102+00	-41756995+00	+72905864+00
+59341098+00	+14081968+01	-70311718+00	-41064654+00	+72776020+00
+59821059+00	+14043086+01	-70996289+00	-40415080+00	+72655153+00
+60301021+00	+14005638+01	-71685935+00	-39749829+00	+72532428+00
+60780982+00	+13969607+01	-72382163+00	-39067371+00	+72407736+00
+61260943+00	+13934980+01	-73086631+00	-38365963+00	+72280960+00
+61697271+00	+13904712+01	-73735771+00	-37710203+00	+72163790+00
+62133600+00	+13875589+01	-74394836+00	-37035422+00	+72044677+00
+62569927+00	+13847609+01	-75065590+00	-36339672+00	+71923502+00
+63006256+00	+13820773+01	-75750038+00	-35620719+00	+71800124+00
+63398952+00	+13797599+01	-76379640+00	-34951691+00	+71687074+00

TABLE 112.—Continued

$M_{\infty} = +17500000+01$

$\theta_8 = +30543261+00$

θ	M_{w2}^*	ψ_2	M_2^*	μ_1
+63791648+00	+13775357+01	-77024088+00	-34259615+00	+71571996+00
+64184343+00	+13754054+01	-77685563+00	-33541994+00	+71454750+00
+64577038+00	+13733698+01	-78366578+00	-32795941+00	+71335182+00
+64926101+00	+13716409+01	-78990666+00	-32106208+00	+71226805+00
+65275163+00	+13699889+01	-79634869+00	-31388607+00	+71116320+00
+65624226+00	+13684152+01	-80301919+00	-30639953+00	+71003574+00
+65973289+00	+13669214+01	-80995032+00	-29856509+00	+70888391+00
+66278718+00	+13656815+01	-81625845+00	-29139015+00	+70785454+00
+66584148+00	+13645058+01	-82282471+00	-28388063+00	+70680358+00
+66889578+00	+13633962+01	-82968395+00	-27599594+00	+70572933+00
+67195009+00	+13623549+01	-83687730+00	-26768814+00	+70462994+00
+67456805+00	+13615185+01	-84334596+00	-26018729+00	+70366598+00
+67718603+00	+13607359+01	-85013271+00	-25229106+00	+70268044+00
+67980399+00	+13600094+01	-85728089+00	-24394900+00	+70167160+00
+68242196+00	+13593413+01	-86484223+00	-23510102+00	+70063750+00
+68460360+00	+13588313+01	-87150362+00	-22728940+00	+69975484+00
+68678524+00	+13583657+01	-87853811+00	-21902646+00	+69885158+00
+68896689+00	+13579468+01	-88599692+00	-21025281+00	+69792606+00
+69114853+00	+13575771+01	-89394171+00	-20089719+00	+69697630+00
+69289384+00	+13573187+01	-90069689+00	-19293642+00	+69619761+00
+69463916+00	+13570954+01	-90785608+00	-18449572+00	+69540072+00
+69638447+00	+13569091+01	-91547359+00	-17551242+00	+69458419+00
+69812979+00	+13567620+01	-92361441+00	-16591166+00	+69374631+00
+69978538+00	+13566611+01	-93189157+00	-15615179+00	+69293010+00

$S_2/R = +26308504-01$

$\eta/\alpha = +42852604+00$

TABLE 113.—Conical Flow Field. $\theta_s=17.5^\circ$; $M_\infty=2.0$

M_{00}	Θ_B	Θ_W
+19999999+01	+30543261+00	+62370115+00

Θ	M_{W2}^*	Ψ_2	M_2^*	μ_1
+30543261+00	+22037269+01	+17806888-05	-68518411+00	+65637441+00
+31372292+00	+21580322+01	-40498488-01	-68451553+00	+65629661+00
+32201323+00	+21103006+01	-78162758-01	-68265677+00	+65607540+00
+33030353+00	+20652116+01	-11328009+00	-67979873+00	+65572756+00
+33859385+00	+20229176+01	-14611810+00	-67609699+00	+65526708+00
+34688415+00	+19833105+01	-17691196+00	-67167874+00	+65470609+00
+35517447+00	+19462243+01	-20586815+00	-66664831+00	+65405484+00
+36346477+00	+19114823+01	-23316857+00	-66109124+00	+65332207+00
+37088242+00	+18822443+01	-25632342+00	-65573058+00	+65260353+00
+37830006+00	+18546307+01	-27838432+00	-65004667+00	+65183041+00
+38571771+00	+18285342+01	-29944414+00	-64407434+00	+65100674+00
+39313536+00	+18038552+01	-31958690+00	-63784265+00	+65013600+00
+40055300+00	+17805025+01	-33888932+00	-63137554+00	+64922121+00
+40797065+00	+17583917+01	-35742155+00	-62469248+00	+64826501+00
+41538829+00	+17374455+01	-37524818+00	-61780908+00	+64726952+00
+42193327+00	+17198737+01	-39043916+00	-61157884+00	+64636007+00
+42847825+00	+17031080+01	-40516542+00	-60520832+00	+64542259+00
+43502323+00	+16871066+01	-41946307+00	-59870198+00	+64445795+00
+44156821+00	+16718305+01	-43336609+00	-59206260+00	+64346684+00
+44811320+00	+16572437+01	-44690689+00	-58529138+00	+64244985+00
+45465818+00	+16433129+01	-46011662+00	-57838790+00	+64140733+00
+46120316+00	+16300069+01	-47302524+00	-57135015+00	+64033953+00
+46687548+00	+16189581+01	-48399175+00	-56513943+00	+63939372+00
+47254779+00	+16083395+01	-49477271+00	-55882191+00	+63842893+00
+47822011+00	+15981347+01	-50538655+00	-55239324+00	+63744501+00
+48389243+00	+15883285+01	-51585166+00	-54584815+00	+63644179+00
+48956474+00	+15789066+01	-52618664+00	-53918013+00	+63541893+00
+49523706+00	+15698557+01	-53641021+00	-53238154+00	+63437601+00
+50090937+00	+15611635+01	-54654170+00	-52544330+00	+63331254+00
+50570898+00	+15540801+01	-55505740+00	-51945561+00	+63239614+00
+51050860+00	+15472388+01	-56353409+00	-51335303+00	+63146409+00
+51530821+00	+15406336+01	-57198496+00	-50712718+00	+63051592+00
+52010782+00	+15342589+01	-58042399+00	-50076862+00	+62955100+00
+52490743+00	+15281095+01	-58886608+00	-49426647+00	+62856867+00
+52970704+00	+15221807+01	-59732717+00	-48760848+00	+62756818+00
+53450665+00	+15164683+01	-60582464+00	-48078059+00	+62654868+00
+53843361+00	+15119527+01	-61281744+00	-47505660+00	+62569969+00
+54236056+00	+15075775+01	-61985873+00	-46919816+00	+62483674+00
+54628752+00	+15033410+01	-62696093+00	-46319408+00	+62395912+00
+55021448+00	+14992418+01	-63413779+00	-45703167+00	+62306614+00
+55414143+00	+14952786+01	-64140448+00	-45069660+00	+62215697+00
+55806838+00	+14914506+01	-64877800+00	-44417263+00	+62123073+00
+56199534+00	+14877571+01	-65627735+00	-43744106+00	+62028638+00
+56504964+00	+14849771+01	-66221094+00	-43204834+00	+61953865+00
+56810394+00	+14822781+01	-66824504+00	-42650572+00	+61877875+00
+57115823+00	+14796602+01	-67439241+00	-42080046+00	+61800597+00
+57421254+00	+14771236+01	-68066719+00	-41491807+00	+61721967+00
+57726683+00	+14746688+01	-68708559+00	-40884211+00	+61641902+00
+58032113+00	+14722963+01	-69366556+00	-40255403+00	+61560322+00
+58337543+00	+14700067+01	-70042792+00	-39603238+00	+61477122+00

TABLE 113.—Continued

$M_{00} = +19999999+01$

$\theta_8 = +30543261+00$

θ	M_{w2}^*	ψ_2	M_2^*	μ_1
+58555707+00	+14684227+01	-70538271+00	-39121773+00	+61416653+00
+58773872+00	+14668819+01	-71045227+00	-38626142+00	+61355263+00
+58992036+00	+14653848+01	-71564760+00	-38115205+00	+61292904+00
+59210200+00	+14639320+01	-72098069+00	-37587709+00	+61229531+00
+59428364+00	+14625242+01	-72646510+00	-37042247+00	+61165087+00
+59646528+00	+14611621+01	-73211621+00	-36477210+00	+61099511+00
+59864692+00	+14598465+01	-73795131+00	-35890799+00	+61032740+00
+59995591+00	+14590799+01	-74154873+00	-35527851+00	+60992073+00
+60126489+00	+14583307+01	-74522417+00	-35155982+00	+60950933+00
+60257388+00	+14575990+01	-74898274+00	-34774653+00	+60909300+00
+60388286+00	+14568852+01	-75283004+00	-34383284+00	+60867157+00
+60519185+00	+14561896+01	-75677213+00	-33981241+00	+60824485+00
+60650083+00	+14555125+01	-76081585+00	-33567816+00	+60781257+00
+60780982+00	+14548543+01	-76496828+00	-33142264+00	+60737452+00
+60911880+00	+14542152+01	-76923758+00	-32703737+00	+60693047+00
+61042779+00	+14535958+01	-77363260+00	-32251317+00	+60648011+00
+61173677+00	+14529965+01	-77816311+00	-31783983+00	+60602319+00
+61304576+00	+14524178+01	-78284003+00	-31300600+00	+60555939+00
+61435474+00	+14518602+01	-78767544+00	-30799914+00	+60508833+00
+61566373+00	+14513243+01	-79268274+00	-30280527+00	+60460970+00
+61697271+00	+14508107+01	-79787720+00	-29740858+00	+60412305+00
+61828170+00	+14503201+01	-80327578+00	-29179146+00	+60362799+00
+61959068+00	+14498534+01	-80889780+00	-28593383+00	+60312398+00
+62089967+00	+14494114+01	-81476510+00	-27981312+00	+60261057+00
+62220865+00	+14489949+01	-82090266+00	-27340338+00	+60208715+00
+62351764+00	+14486051+01	-82733921+00	-26667497+00	+60155305+00
+62370115+00	+14485527+01	-82826718+00	-26570444+00	+60147732+00

$S_2/R = +58469157-01$

$\eta/\alpha = +49255071+00$

TABLE 114.—Conical Flow Field. $\theta_s=17.5^\circ$; $M_\infty=2.5$

M_∞	θ_s	θ_w
+25000000+01	+3054 3261+00	+53101645+00

θ	M_w^*	ϕ_2	M_2^*	H_1
+30543261+00	+21845143+01	+94622374-06	-71195711+00	+51431870+00
+31023226+00	+21755895+01	-20843618-01	-71172890+00	+51429559+00
+31503191+00	+21539005+01	-40910184-01	-71107193+00	+51422830+00
+31983157+00	+21311277+01	-60220797-01	-71002545+00	+51411993+00
+32463122+00	+21083356+01	-78818495-01	-70862441+00	+51397320+00
+32943087+00	+20859026+01	-96748120-01	-70689965+00	+51379057+00
+33423053+00	+20639973+01	-11405310+00	-70487842+00	+51357426+00
+33903018+00	+20426999+01	-13077424+00	-70258467+00	+51332625+00
+34382983+00	+20220473+01	-14695001+00	-70003955+00	+51304831+00
+34819315+00	+20038433+01	-16121222+00	-69752333+00	+51277104+00
+35255647+00	+19861834+01	-17507872+00	-69482706+00	+51247144+00
+35691979+00	+19690618+01	-18857321+00	-69196167+00	+51215050+00
+36128311+00	+19524692+01	-20171819+00	-68893678+00	+51180909+00
+36564643+00	+19363941+01	-21453475+00	-68576090+00	+51144805+00
+37000976+00	+19208235+01	-22704301+00	-68244146+00	+51106801+00
+37437308+00	+19057438+01	-23926202+00	-67898492+00	+51066968+00
+37873640+00	+18911407+01	-25120986+00	-67539678+00	+51025359+00
+38266338+00	+18783938+01	-26174539+00	-67205887+00	+50986436+00
+38659038+00	+18660112+01	-27208744+00	-66862103+00	+50946144+00
+39051736+00	+18539829+01	-28224774+00	-66508560+00	+50904514+00
+39444435+00	+18422989+01	-29223752+00	-66145449+00	+50861573+00
+39837134+00	+18309496+01	-30206790+00	-65772907+00	+50817338+00
+40229833+00	+18199256+01	-31174957+00	-65391023+00	+50771826+00
+40622532+00	+18092178+01	-32129316+00	-64999845+00	+50725049+00
+41015231+00	+17988175+01	-33070900+00	-64599374+00	+50677016+00
+41364296+00	+17898241+01	-33897972+00	-64235557+00	+50633269+00
+41713362+00	+17810614+01	-34716474+00	-63864300+00	+50588537+00
+42062428+00	+17725237+01	-35527131+00	-63485499+00	+50542817+00
+42411493+00	+17642061+01	-36330653+00	-63099038+00	+50496107+00
+42760559+00	+17561032+01	-37127778+00	-62704747+00	+50448400+00
+43109625+00	+17482102+01	-37919227+00	-62302435+00	+50399691+00
+43458690+00	+17405227+01	-38705753+00	-61891869+00	+50349964+00
+43807756+00	+17330359+01	-39488123+00	-61472775+00	+50299210+00
+44113189+00	+17266466+01	-40169905+00	-61098827+00	+50253944+00
+44418621+00	+17204050+01	-40849654+00	-60717867+00	+50207866+00
+44724053+00	+17143089+01	-41527939+00	-60329625+00	+50160961+00
+45029486+00	+17083555+01	-42205348+00	-59933795+00	+50113214+00
+45334918+00	+17025427+01	-42882500+00	-59530037+00	+50064604+00
+45640351+00	+16968682+01	-43560041+00	-59117976+00	+50015112+00
+45945783+00	+16913300+01	-44238662+00	-58697181+00	+49964713+00
+46251216+00	+16859261+01	-44919089+00	-58267184+00	+49913384+00
+46513015+00	+16813997+01	-45504341+00	-57890890+00	+49868623+00
+46774814+00	+16769696+01	-46092013+00	-57507083+00	+49823139+00
+47036613+00	+16726348+01	-46682675+00	-57115354+00	+49776906+00
+47298413+00	+16683944+01	-47276915+00	-56715258+00	+49729902+00
+47560212+00	+16642475+01	-47875388+00	-56306303+00	+49682103+00
+47822011+00	+16601934+01	-48478785+00	-55887943+00	+49633479+00
+48083810+00	+16562316+01	-49087871+00	-55459574+00	+49583998+00
+48345610+00	+16523613+01	-49703471+00	-55020525+00	+49533629+00
+48563776+00	+16492057+01	-50222101+00	-54645961+00	+49490949+00

TABLE 114.—Continued

$$M_{00} = +25000000+01$$

$$\Theta_8 = +30543261+00$$

Θ	M_{W2}^*	ψ_2	M_2^*	μ_1
+48781942+00	+16461132+01	-50746450+00	-54262988+00	+49447605+00
+49000108+00	+16430837+01	-51277153+00	-53871078+00	+49403567+00
+49218274+00	+16401169+01	-51814888+00	-53469654+00	+49358810+00
+49436440+00	+16372130+01	-52360377+00	-53058088+00	+49313308+00
+49654606+00	+16343719+01	-52914463+00	-52635659+00	+49267026+00
+49872772+00	+16315937+01	-53478042+00	-52201588+00	+49219928+00
+50090937+00	+16288787+01	-54052104+00	-51755006+00	+49171980+00
+50265469+00	+16267522+01	-54519652+00	-51388074+00	+49132981+00
+50440000+00	+16246666+01	-54995250+00	-51011952+00	+49093387+00
+50614531+00	+16226219+01	-55479590+00	-50626030+00	+49053175+00
+50789062+00	+16206185+01	-55973432+00	-50229636+00	+49012316+00
+50963594+00	+16186566+01	-56477617+00	-49822019+00	+48970782+00
+51138125+00	+16167367+01	-56993054+00	-49402366+00	+48928543+00
+51312657+00	+16148591+01	-57520788+00	-48969751+00	+48885564+00
+51487188+00	+16130245+01	-58061955+00	-48523149+00	+48841811+00
+51618086+00	+16116770+01	-58477433+00	-48178326+00	+48808461+00
+51748985+00	+16103543+01	-58901791+00	-47824454+00	+48774634+00
+51879883+00	+16090566+01	-59335690+00	-47460937+00	+48740309+00
+52010782+00	+16077842+01	-59779861+00	-47087126+00	+48705466+00
+52141680+00	+16065376+01	-60235086+00	-46702318+00	+48670080+00
+52272579+00	+16053172+01	-60702262+00	-46305716+00	+48634131+00
+52403477+00	+16041233+01	-61182358+00	-45896447+00	+48597589+00
+52534376+00	+16029566+01	-61676463+00	-45473537+00	+48560426+00
+52665275+00	+16018175+01	-62185781+00	-45035905+00	+48522612+00
+52796173+00	+16007068+01	-62711681+00	-44582331+00	+48484113+00
+52927071+00	+15996250+01	-63255687+00	-44111452+00	+48444889+00
+53057970+00	+15985728+01	-63819529+00	-43621721+00	+48404904+00
+53101645+00	+15982285+01	-64012405+00	-43453829+00	+48391384+00

$$S_2/R = +19333497+00$$

$$\eta/\alpha = +60240022+00$$

TABLE 115.—Conical Flow Field. $\theta_s=17.5^\circ$; $M_\infty=3.0$

M_{∞}	θ_B	θ_W
+29999999+01	+30543261+00	+47752193+00

θ	M_{W2}^*	ψ_2	M_2^*	μ_1
+30543261+00	+20967247+01	+59790909-06	-72923191+00	+42981564+00
+30935960+00	+21162863+01	-15221853-01	-72908379+00	+42980078+00
+31328659+00	+21097017+01	-30079169-01	-72865196+00	+42975726+00
+31721357+00	+20993976+01	-44543870-01	-72795544+00	+42968674+00
+32114056+00	+20874997+01	-58623689-01	-72701210+00	+42959067+00
+32506755+00	+20748208+01	-72334389-01	-72583808+00	+42947038+00
+32899454+00	+20617669+01	-85694151-01	-72444782+00	+42932705+00
+33292153+00	+20485699+01	-98721756-01	-72285436+00	+42916174+00
+33684852+00	+20353732+01	-11143602+00	-72106930+00	+42897546+00
+34077551+00	+20222703+01	-12385517+00	-71910294+00	+42876903+00
+34426617+00	+20107528+01	-13466106+00	-71721025+00	+42856926+00
+34775682+00	+19993896+01	-14525972+00	-71518724+00	+42835471+00
+35124748+00	+19882026+01	-15566268+00	-71303900+00	+42812584+00
+35473813+00	+19772074+01	-16588136+00	-71076989+00	+42788302+00
+35822879+00	+19664151+01	-17592644+00	-70838392+00	+42762662+00
+36171945+00	+19558334+01	-18580862+00	-70588433+00	+42735694+00
+36521010+00	+19454674+01	-19553804+00	-70327408+00	+42707428+00
+36870076+00	+19353203+01	-20512483+00	-70055545+00	+42677885+00
+37219142+00	+19253936+01	-21457873+00	-69773035+00	+42647086+00
+37524574+00	+19168891+01	-22274947+00	-69517216+00	+42619122+00
+37830006+00	+19085535+01	-23083228+00	-69253421+00	+42590216+00
+38135439+00	+19003862+01	-23883351+00	-68981684+00	+42560378+00
+38440872+00	+18923861+01	-24675947+00	-68702015+00	+42529610+00
+38746304+00	+18845522+01	-25461638+00	-68414401+00	+42497917+00
+39051736+00	+18768829+01	-26241072+00	-68118793+00	+42465299+00
+39357169+00	+18693766+01	-27014884+00	-67815115+00	+42431754+00
+39662601+00	+18620317+01	-27783729+00	-67503256+00	+42397279+00
+39968034+00	+18548463+01	-28548267+00	-67183083+00	+42361866+00
+40229833+00	+18488131+01	-29200673+00	-66901895+00	+42330761+00
+40491632+00	+18428946+01	-29850847+00	-66614343+00	+42298954+00
+40753432+00	+18370898+01	-30499252+00	-66320267+00	+42266440+00
+41015231+00	+18313975+01	-31146351+00	-66019494+00	+42233206+00
+41277030+00	+18258166+01	-31792641+00	-65711826+00	+42199243+00
+41538829+00	+18203460+01	-32438620+00	-65397035+00	+42164538+00
+41800628+00	+18149846+01	-33084829+00	-65074864+00	+42129078+00
+42062428+00	+18097314+01	-33731829+00	-64745024+00	+42092842+00
+42324227+00	+18045856+01	-34380213+00	-64407200+00	+42055817+00
+42542393+00	+18003786+01	-34922050+00	-64119313+00	+42024344+00
+42760559+00	+17962451+01	-35465684+00	-63825391+00	+41992296+00
+42978725+00	+17921844+01	-36011529+00	-63525181+00	+41959655+00
+43196891+00	+17881962+01	-36560027+00	-63218396+00	+41926408+00
+43415057+00	+17842801+01	-37111648+00	-62904730+00	+41892540+00
+43633223+00	+17804357+01	-37666902+00	-62583838+00	+41858029+00
+43851389+00	+17766627+01	-38226339+00	-62255341+00	+41822856+00
+44069555+00	+17729609+01	-38790541+00	-61918825+00	+41787002+00
+44287721+00	+17693300+01	-39360163+00	-61573825+00	+41750437+00
+44462254+00	+17664763+01	-39820230+00	-61291371+00	+41720660+00
+44636787+00	+17636679+01	-40284601+00	-61002873+00	+41690398+00
+44811320+00	+17609047+01	-40753700+00	-60708010+00	+41659637+00
+44985853+00	+17581867+01	-41227980+00	-60406441+00	+41628356+00

TABLE 115.—Continued

$M_{\infty} = +29999999+01$

$\theta_s = +30543261+00$

θ	M_{w2}^*	ψ_2	M_2^*	μ_1
+45160385+00	+17555141+01	-41707933+00	-60097788+00	+41596544+00
+45334918+00	+17528868+01	-42194096+00	-59781636+00	+41564174+00
+45509451+00	+17503051+01	-42687054+00	-59457534+00	+41531230+00
+45683984+00	+17477690+01	-43187460+00	-59124973+00	+41497687+00
+45858517+00	+17452788+01	-43696018+00	-58783403+00	+41463520+00
+45989417+00	+17434413+01	-44083251+00	-58520942+00	+41437471+00
+46120316+00	+17416300+01	-44475868+00	-58252782+00	+41411043+00
+46251216+00	+17398448+01	-44874257+00	-57978613+00	+41384222+00
+46382115+00	+17380860+01	-45278841+00	-57698099+00	+41356998+00
+46513015+00	+17363539+01	-45690083+00	-57410875+00	+41329351+00
+46643915+00	+17346485+01	-46108479+00	-57116538+00	+41301271+00
+46774814+00	+17329701+01	-46534581+00	-56814651+00	+41272735+00
+46905714+00	+17313190+01	-46968989+00	-56504732+00	+41243729+00
+47036613+00	+17296955+01	-47412365+00	-56186252+00	+41214229+00
+47123880+00	+17286287+01	-47713291+00	-55968885+00	+41194278+00
+47211146+00	+17275744+01	-48018752+00	-55747272+00	+41174093+00
+47298413+00	+17265327+01	-48329011+00	-55521203+00	+41153666+00
+47385679+00	+17255038+01	-48644335+00	-55290464+00	+41132989+00
+47472945+00	+17244877+01	-48965018+00	-55054814+00	+41112054+00
+47560212+00	+17234848+01	-49291354+00	-54814020+00	+41090854+00
+47647478+00	+17224950+01	-49623702+00	-54567793+00	+41069377+00
+47734745+00	+17215186+01	-49962414+00	-54315852+00	+41047616+00
+47752193+00	+17213250+01	-50030928+00	-54264770+00	+41043233+00

$S_2/R = +44421967+00$

$\eta/\alpha = +68718993+00$

TABLE 116.—Conical Flow Field. $\theta_s=17.5^\circ$; $M_\infty=3.5$

M_∞	θ_s		θ_w	
+34999990+01	+30543261+00		+44344094+00	

θ	M_w^*	ϕ_2	M_2^*	μ_1
+30543261+00	+19805542+01	+46100467-06	-74252624+00	+37358408+00
+30805060+00	+20269981+01	-91709513-02	-74246333+00	+37357747+00
+31066859+00	+20365135+01	-18272996-01	-74227691+00	+37355796+00
+31328659+00	+20401683+01	-27264373-01	-74197136+00	+37352602+00
+31590458+00	+20408930+01	-36133485-01	-74155136+00	+37348215+00
+31852257+00	+20398364+01	-44877057-01	-74102128+00	+37342675+00
+32114056+00	+20375881+01	-53495519-01	-74038541+00	+37336024+00
+32375855+00	+20344973+01	-61990937-01	-73964763+00	+37328291+00
+32637655+00	+20307900+01	-70366473-01	-73881168+00	+37319516+00
+32899454+00	+20266219+01	-78625917-01	-73788095+00	+37309729+00
+33161253+00	+20221053+01	-86773362-01	-73685854+00	+37298957+00
+33423053+00	+20173237+01	-94813074-01	-73574734+00	+37287224+00
+33684852+00	+20123408+01	-10274940+00	-73455000+00	+37274560+00
+33946651+00	+20072066+01	-11058700+00	-73326888+00	+37260982+00
+34208450+00	+20019604+01	-11833024+00	-73190616+00	+37246514+00
+34470249+00	+19966342+01	-12598369+00	-73046375+00	+37231171+00
+34732049+00	+19912538+01	-13355184+00	-72894339+00	+37214968+00
+34950215+00	+19867442+01	-13979671+00	-72761796+00	+37200823+00
+35168381+00	+19822221+01	-14598807+00	-72624024+00	+37186097+00
+35386547+00	+19776965+01	-15212845+00	-72481086+00	+37170801+00
+35604713+00	+19731749+01	-15822051+00	-72333041+00	+37154940+00
+35822879+00	+19686641+01	-16426680+00	-72179933+00	+37138517+00
+36041045+00	+19641696+01	-17026986+00	-72021803+00	+37121536+00
+36259211+00	+19596968+01	-17623228+00	-71858682+00	+37104005+00
+36477377+00	+19552497+01	-18215665+00	-71690587+00	+37085922+00
+36695543+00	+19508323+01	-18804556+00	-71517528+00	+37067292+00
+36913709+00	+19464479+01	-19390173+00	-71339503+00	+37048115+00
+37131875+00	+19420994+01	-19972773+00	-71156502+00	+37028390+00
+37350041+00	+19377895+01	-20552627+00	-70968505+00	+37008121+00
+37568207+00	+19335203+01	-21130010+00	-70775479+00	+36987305+00
+37786373+00	+19292938+01	-21705204+00	-70577387+00	+36965939+00
+38004539+00	+19251119+01	-22278491+00	-70374170+00	+36944021+00
+38222705+00	+19209760+01	-22850170+00	-70165761+00	+36921547+00
+38397238+00	+19177014+01	-23306549+00	-69995249+00	+36903166+00
+38571771+00	+19144579+01	-23762250+00	-69821318+00	+36884424+00
+38746304+00	+19112459+01	-24217437+00	-69643917+00	+36865317+00
+38920837+00	+19080660+01	-24672274+00	-69462986+00	+36845843+00
+39095370+00	+19049186+01	-25126937+00	-69278461+00	+36825996+00
+39269902+00	+19018043+01	-25581604+00	-69090273+00	+36805775+00
+39444435+00	+18987232+01	-26036468+00	-68898338+00	+36785171+00
+39618968+00	+18956760+01	-26491718+00	-68702572+00	+36764184+00
+39793501+00	+18926628+01	-26947563+00	-68502879+00	+36742802+00
+39968034+00	+18896840+01	-27404208+00	-68299152+00	+36721023+00
+40142566+00	+18867400+01	-27861876+00	-68091281+00	+36698838+00
+40317100+00	+18838308+01	-28320809+00	-67879139+00	+36676241+00
+40491632+00	+18809569+01	-28781250+00	-67662589+00	+36653221+00
+40666165+00	+18781185+01	-29243456+00	-67441482+00	+36629771+00
+40840698+00	+18753159+01	-29707708+00	-67215658+00	+36605882+00
+41015231+00	+18725491+01	-30174304+00	-66984932+00	+36581540+00
+41146130+00	+18704978+01	-30525972+00	-66808562+00	+36562983+00

TABLE 116.—Continued

$M_{00} = +34999990+01$

$e_8 = +30543261+00$

Θ	M_{w1}^*	ψ_2	M_2^*	μ_1
+41277030+00	+18684670+01	-30879272+00	-66629236+00	+36544161+00
+41407930+00	+18664567+01	-31234350+00	-66446866+00	+36525069+00
+41538829+00	+18644671+01	-31591366+00	-66261347+00	+36505700+00
+41669729+00	+18624983+01	-31950485+00	-66072570+00	+36486046+00
+41800628+00	+18605503+01	-32311879+00	-65880422+00	+36466105+00
+41931528+00	+18586233+01	-32675734+00	-65684775+00	+36445868+00
+42062428+00	+18567175+01	-33042251+00	-65485494+00	+36425326+00
+42193327+00	+18548329+01	-33411629+00	-65282439+00	+36404476+00
+42324227+00	+18529697+01	-33784105+00	-65075451+00	+36383303+00
+42455127+00	+18511280+01	-34159908+00	-64864364+00	+36361803+00
+42586026+00	+18493080+01	-34539302+00	-64648991+00	+36339964+00
+42716926+00	+18475098+01	-34922557+00	-64429147+00	+36317777+00
+42847825+00	+18457336+01	-35309978+00	-64204611+00	+36295231+00
+42978725+00	+18439796+01	-35701878+00	-63975155+00	+36272313+00
+43109625+00	+18422478+01	-36098611+00	-63740530+00	+36249012+00
+43196891+00	+18411060+01	-36365958+00	-63581110+00	+36233258+00
+43284157+00	+18399742+01	-36635745+00	-63419183+00	+36217325+00
+43371424+00	+18388525+01	-36908085+00	-63254657+00	+36201205+00
+43458690+00	+18377411+01	-37183117+00	-63087442+00	+36184898+00
+43545957+00	+18366400+01	-37460986+00	-62917423+00	+36168396+00
+43633223+00	+18355494+01	-37741834+00	-62744498+00	+36151694+00
+43720489+00	+18344692+01	-38025830+00	-62568545+00	+36134786+00
+43807756+00	+18333997+01	-38313138+00	-62389441+00	+36117670+00
+43895022+00	+18323408+01	-38603953+00	-62207047+00	+36100335+00
+43982289+00	+18312927+01	-38898457+00	-62021222+00	+36082780+00
+44069555+00	+18302555+01	-39196864+00	-61831811+00	+36064995+00
+44156821+00	+18292293+01	-39499399+00	-61638650+00	+36046972+00
+44244088+00	+18282143+01	-39806299+00	-61441560+00	+36028707+00
+44331355+00	+18272105+01	-40117827+00	-61240347+00	+36010191+00
+44344094+00	+18270650+01	-40163700+00	-61210624+00	+36007468+00

$S_2/R = +81399595+00$

$\eta/\alpha = +75231325+00$

TABLE 117.—Conical Flow Field. $\theta_s=17.5^\circ$; $M_\infty=4.0$

M_∞	θ_s	θ_w
+40000030+01	+30543261+00	+42028295+00

θ	M_{w2}^*	ψ_2	M_2^*	μ_1
+30543261+00	+18588977+01	+37532300-06	-75379562+00	+33361927+00
+30761427+00	+19304729+01	-69669690-02	-75375431+00	+33361460+00
+30979593+00	+19521568+01	-13955153-01	-75363074+00	+33360080+00
+31197759+00	+19658022+01	-20916192-01	-75342645+00	+33357818+00
+31415925+00	+19752946+01	-27832627-01	-75314345+00	+33354696+00
+31634091+00	+19821771+01	-34696177-01	-75278376+00	+33350745+00
+31852257+00	+19872452+01	-41502849-01	-75234940+00	+33345984+00
+32070423+00	+19909724+01	-48250733-01	-75184229+00	+33340436+00
+32288589+00	+19936673+01	-54939263-01	-75126428+00	+33334123+00
+32506755+00	+19955444+01	-61568713-01	-75061712+00	+33327061+00
+32724921+00	+19967598+01	-68140014-01	-74990250+00	+33319267+00
+32943087+00	+19974305+01	-74654345-01	-74912187+00	+33310762+00
+33161253+00	+19976478+01	-81113395-01	-74827660+00	+33301556+00
+33379419+00	+19974835+01	-87518869-01	-74736807+00	+33291663+00
+33597585+00	+19969956+01	-93872787-01	-74639738+00	+33281096+00
+33815751+00	+19962316+01	-10017723+00	-74536561+00	+33269867+00
+34033917+00	+19952309+01	-10643434+00	-74427370+00	+33257983+00
+34252083+00	+19940264+01	-11264641+00	-74312245+00	+33245456+00
+34470249+00	+19926463+01	-11881577+00	-74191258+00	+33232291+00
+34644783+00	+19914319+01	-12372209+00	-74090294+00	+33221307+00
+34819315+00	+19901312+01	-12860391+00	-73985643+00	+33209919+00
+34993848+00	+19887535+01	-13346241+00	-73877327+00	+33198137+00
+35168381+00	+19873075+01	-13829897+00	-73765367+00	+33185958+00
+35342914+00	+19858007+01	-14311489+00	-73649767+00	+33173386+00
+35517447+00	+19842401+01	-14791151+00	-73530543+00	+33160422+00
+35691979+00	+19826317+01	-15269019+00	-73407693+00	+33147064+00
+35866512+00	+19809813+01	-15745237+00	-73281214+00	+33133317+00
+36041045+00	+19792940+01	-16219942+00	-73151101+00	+33119179+00
+36215578+00	+19775742+01	-16693283+00	-73017336+00	+33104648+00
+36390111+00	+19758264+01	-17165409+00	-72879913+00	+33089728+00
+36564643+00	+19740544+01	-17636476+00	-72738796+00	+33074412+00
+36739176+00	+19722616+01	-18106640+00	-72593962+00	+33058702+00
+36913709+00	+19704515+01	-18576063+00	-72445373+00	+33042595+00
+37088242+00	+19686269+01	-19044917+00	-72292988+00	+33026088+00
+37262775+00	+19667907+01	-19513372+00	-72136758+00	+33009176+00
+37437308+00	+19649454+01	-19981606+00	-71976629+00	+32991859+00
+37611840+00	+19630934+01	-20449811+00	-71812539+00	+32974130+00
+37742740+00	+19617012+01	-20801058+00	-71686829+00	+32960561+00
+37873640+00	+19603074+01	-21152481+00	-71558818+00	+32946756+00
+38004539+00	+19589128+01	-21504173+00	-71428467+00	+32932712+00
+38135439+00	+19575180+01	-21856220+00	-71295738+00	+32918427+00
+38266338+00	+19561240+01	-22208712+00	-71160597+00	+32903899+00
+38397238+00	+19547313+01	-22561757+00	-71022989+00	+32889121+00
+38528138+00	+19533406+01	-22915451+00	-70882870+00	+32874094+00
+38659038+00	+19519526+01	-23269907+00	-70740185+00	+32858811+00
+38789937+00	+19505679+01	-23625230+00	-70594879+00	+32843273+00
+38920837+00	+19491871+01	-23981539+00	-70446891+00	+32827471+00
+39051736+00	+19478107+01	-24338952+00	-70296156+00	+32811405+00
+39182636+00	+19464394+01	-24697611+00	-70142599+00	+32795065+00
+39313536+00	+19450734+01	-25057641+00	-69986146+00	+32778447+00

TABLE 117.—Continued

$M_{00} = +40000030+01$

$\Theta_B = +30543261+00$

Θ	M_{W2}^*	Φ_2	M_2^*	μ_1
+39444435+00	+19437136+01	-25419183+00	-69826718+00	+32761549+00
+39575335+00	+19423601+01	-25782384+00	-69664225+00	+32744367+00
+39706234+00	+19410137+01	-26147412+00	-69498573+00	+32726887+00
+39837134+00	+19396747+01	-26514432+00	-69329659+00	+32709107+00
+39968034+00	+19383435+01	-26883618+00	-69157376+00	+32691022+00
+40055300+00	+19374607+01	-27131042+00	-69040586+00	+32678790+00
+40142566+00	+19365816+01	-27379574+00	-68922210+00	+32666415+00
+40229833+00	+19357065+01	-27629274+00	-68802208+00	+32653897+00
+40317100+00	+19348355+01	-27880208+00	-68680533+00	+32641232+00
+40404366+00	+19339687+01	-28132441+00	-68557148+00	+32628415+00
+40491632+00	+19331061+01	-28386048+00	-68432000+00	+32615446+00
+40578899+00	+19322480+01	-28641104+00	-68305046+00	+32602321+00
+40666165+00	+19313944+01	-28897683+00	-68176232+00	+32589038+00
+40753432+00	+19305455+01	-29155872+00	-68045504+00	+32575591+00
+40840698+00	+19297013+01	-29415755+00	-67912802+00	+32561980+00
+40927964+00	+19288622+01	-29677425+00	-67778068+00	+32548199+00
+41015231+00	+19280280+01	-29940974+00	-67641236+00	+32534244+00
+41102497+00	+19271990+01	-30206507+00	-67502238+00	+32520114+00
+41189764+00	+19263753+01	-30474127+00	-67361001+00	+32505804+00
+41277030+00	+19255569+01	-30743958+00	-67217448+00	+32491307+00
+41364296+00	+19247441+01	-31016110+00	-67071496+00	+32476618+00
+41451563+00	+19239370+01	-31290715+00	-66923058+00	+32461738+00
+41538829+00	+19231356+01	-31567907+00	-66772040+00	+32446656+00
+41582462+00	+19227371+01	-31707523+00	-66695532+00	+32439037+00
+41626096+00	+19223402+01	-31847835+00	-66618345+00	+32431369+00
+41669729+00	+19219447+01	-31988874+00	-66540457+00	+32423646+00
+41713362+00	+19215508+01	-32130655+00	-66461860+00	+32415872+00
+41756995+00	+19211584+01	-32273196+00	-66382540+00	+32408040+00
+41800628+00	+19207676+01	-32416522+00	-66302480+00	+32400155+00
+41844262+00	+19203784+01	-32560659+00	-66221662+00	+32392215+00
+41887895+00	+19199908+01	-32705621+00	-66140076+00	+32384218+00
+41931528+00	+19196048+01	-32851438+00	-66057704+00	+32376164+00
+41975161+00	+19192204+01	-32998133+00	-65974524+00	+32368051+00
+42018794+00	+19188377+01	-33145736+00	-65890522+00	+32359878+00
+42028295+00	+19187547+01	-33177982+00	-65872129+00	+32358094+00

$S_2/R = +12869730+01$

$\eta/\alpha = +80290425+00$

TABLE 118.—Conical Flow Field. $\theta_s=17.5^\circ$; $M_\infty=4.5$

M_∞	θ_s	θ_w
+45000045+01	+30543261+00	+40380119+00

θ	M_{w2}^*	ψ_2	M_2^*	μ_1
+30543261+00	+17431735+01	+31385571-06	-76368290+00	+30393050+00
+30761427+00	+18441568+01	-64247530-02	-76364386+00	+30392575+00
+30979593+00	+18782243+01	-12930897-01	-76352617+00	+30391166+00
+31197759+00	+19014103+01	-19452519-01	-76333042+00	+30388852+00
+31415925+00	+19189323+01	-25964758-01	-76305795+00	+30385664+00
+31634091+00	+19328606+01	-32455065-01	-76271012+00	+30381625+00
+31852257+00	+19442632+01	-38916422-01	-76228850+00	+30376755+00
+32070423+00	+19537766+01	-45344614-01	-76179452+00	+30371080+00
+32288589+00	+19618168+01	-51737322-01	-76122956+00	+30364617+00
+32506755+00	+19686732+01	-58093390-01	-76059503+00	+30357385+00
+32724921+00	+19745568+01	-64412567-01	-75989213+00	+30349399+00
+32943087+00	+19796272+01	-70695180-01	-75912200+00	+30340673+00
+33161253+00	+19840079+01	-76941969-01	-75828567+00	+30331221+00
+33379419+00	+19877973+01	-83153999-01	-75738410+00	+30321055+00
+33597585+00	+19910750+01	-89332719-01	-75641808+00	+30310184+00
+33815751+00	+19939063+01	-95479777-01	-75538836+00	+30298619+00
+33990284+00	+19958872+01	-10037582+00	-75451909+00	+30288872+00
+34164817+00	+19976413+01	-10525370+00	-75360963+00	+30278689+00
+34339350+00	+19991897+01	-11011460+00	-75266021+00	+30268072+00
+34513883+00	+20005509+01	-11495958+00	-75167093+00	+30257022+00
+34688415+00	+20017415+01	-11978982+00	-75064195+00	+30245543+00
+34862949+00	+20027759+01	-12460649+00	-74957329+00	+30233637+00
+35037481+00	+20036674+01	-12941109+00	-74846487+00	+30221300+00
+35212014+00	+20044277+01	-13420475+00	-74731670+00	+30208536+00
+35386547+00	+20050677+01	-13898898+00	-74612863+00	+30195344+00
+35561080+00	+20055969+01	-14376520+00	-74490047+00	+30181722+00
+35735613+00	+20060241+01	-14853493+00	-74363194+00	+30167672+00
+35910145+00	+20063573+01	-15329976+00	-74232277+00	+30153188+00
+36084678+00	+20066038+01	-15806133+00	-74097257+00	+30138268+00
+36259211+00	+20067704+01	-16282136+00	-73958086+00	+30122911+00
+36433744+00	+20068632+01	-16758164+00	-73814712+00	+30107110+00
+36564643+00	+20068877+01	-17115319+00	-73704386+00	+30094966+00
+36695543+00	+20068762+01	-17472675+00	-73591632+00	+30082569+00
+36826443+00	+20068308+01	-17830329+00	-73476416+00	+30069914+00
+36957342+00	+20067533+01	-18188361+00	-73358706+00	+30057001+00
+37088242+00	+20066457+01	-18546870+00	-73238458+00	+30043826+00
+37219142+00	+20065098+01	-18905950+00	-73115636+00	+30030385+00
+37350041+00	+20063472+01	-19265706+00	-72990191+00	+30016677+00
+37480941+00	+20061596+01	-19626240+00	-72862078+00	+30002695+00
+37611840+00	+20059483+01	-19987671+00	-72731234+00	+29988438+00
+37742740+00	+20057151+01	-20350114+00	-72597613+00	+29973897+00
+37873640+00	+20054611+01	-20713694+00	-72461138+00	+29959072+00
+38004539+00	+20051877+01	-21078536+00	-72321752+00	+29943957+00
+38135439+00	+20048961+01	-21444784+00	-72179374+00	+29928543+00
+38266338+00	+20045876+01	-21812579+00	-72033928+00	+29912828+00
+38397238+00	+20042632+01	-22182076+00	-71885327+00	+29896805+00
+38484504+00	+20040386+01	-22429435+00	-71784459+00	+29885948+00
+38571771+00	+20038079+01	-22677678+00	-71682116+00	+29874947+00
+38659038+00	+20035712+01	-22926851+00	-71578271+00	+29863801+00
+38746304+00	+20033289+01	-23177014+00	-71472885+00	+29852507+00

TABLE 118.—Continued

$$M_{\infty} = +45000045+01$$

$$\Theta_g = +30543261+00$$

Θ	M_{w2}^*	ψ_2	M_2^*	μ_1
+38833570+00	+20030813+01	-23428224+00	-71365927+00	+29841064+00
+38920837+00	+20028286+01	-23680542+00	-71257362+00	+29829471+00
+39008103+00	+20025711+01	-23934026+00	-71147146+00	+29817722+00
+39095370+00	+20023091+01	-24188754+00	-71035241+00	+29805812+00
+39182636+00	+20020429+01	-24444786+00	-70921603+00	+29793744+00
+39269902+00	+20017726+01	-24702200+00	-70806186+00	+29781511+00
+39357169+00	+20014987+01	-24961079+00	-70688940+00	+29769110+00
+39444435+00	+20012213+01	-25221491+00	-70569815+00	+29756537+00
+39531702+00	+20009406+01	-25483532+00	-70448756+00	+29743788+00
+39618968+00	+20006570+01	-25747291+00	-70325705+00	+29730862+00
+39706234+00	+20003706+01	-26012862+00	-70200599+00	+29717753+00
+39749868+00	+20002265+01	-26146358+00	-70137257+00	+29711128+00
+39793501+00	+20000817+01	-26280344+00	-70073375+00	+29704456+00
+39837134+00	+19999364+01	-26414838+00	-70008945+00	+29697738+00
+39880767+00	+19997905+01	-26549854+00	-69943958+00	+29690969+00
+39924400+00	+19996441+01	-26685401+00	-69878407+00	+29684150+00
+39968034+00	+19994973+01	-26821499+00	-69812278+00	+29677283+00
+40011667+00	+19993500+01	-26958163+00	-69745565+00	+29670364+00
+40055300+00	+19992022+01	-27095406+00	-69678253+00	+29663394+00
+40098934+00	+19990541+01	-27233241+00	-69610339+00	+29656373+00
+40142566+00	+19989056+01	-27371692+00	-69541802+00	+29649300+00
+40186200+00	+19987567+01	-27510775+00	-69472638+00	+29642171+00
+40229833+00	+19986076+01	-27650511+00	-69402829+00	+29634992+00
+40273466+00	+19984581+01	-27790909+00	-69332368+00	+29627754+00
+40317100+00	+19983084+01	-27932000+00	-69261239+00	+29620462+00
+40360732+00	+19981585+01	-28073792+00	-69189432+00	+29613116+00
+40380119+00	+19980919+01	-28137024+00	-69157310+00	+29609833+00

$$S_2/R = +18390193+01$$

$$\eta/\alpha = +84274758+00$$

TABLE 119.—Conical Flow Field. $\theta_s=17.5^\circ$; $M_\infty=5.0$

M_{∞}	θ_s	θ_v
+49999998+01	+30543261+00	+39164866+00

θ	M_{w2}^*	ψ_2	M_2^*	μ_1
+30543261+00	+16381965+01	+26822090-06	-77241485+00	+28115419+00
+30717794+00	+17563790+01	-47760764-02	-77239121+00	+28115109+00
+30892326+00	+17989334+01	-96572833-02	-77231939+00	+28114181+00
+31066859+00	+18294273+01	-14587143-01	-77219896+00	+28112651+00
+31241392+00	+18535023+01	-19541858-01	-77203009+00	+28110538+00
+31415925+00	+18734694+01	-24508582-01	-77181317+00	+28107851+00
+31590458+00	+18905236+01	-29479276-01	-77154863+00	+28104606+00
+31764991+00	+19053782+01	-34448579-01	-77123702+00	+28100813+00
+31939523+00	+19184995+01	-39412795-01	-77087883+00	+28096483+00
+32114056+00	+19302125+01	-44369315-01	-77047460+00	+28091623+00
+32288589+00	+19407545+01	-49316362-01	-77002484+00	+28086249+00
+32463122+00	+19503047+01	-54252746-01	-76953005+00	+28080367+00
+32637655+00	+19590031+01	-59177693-01	-76899066+00	+28073980+00
+32812187+00	+19669609+01	-64090742-01	-76840712+00	+28067104+00
+32986721+00	+19742687+01	-68991782-01	-76777979+00	+28059737+00
+33161253+00	+19810008+01	-73880859-01	-76710906+00	+28051887+00
+33335786+00	+19872199+01	-78758264-01	-76639516+00	+28043560+00
+33510319+00	+19929784+01	-83624448-01	-76563842+00	+28034760+00
+33684852+00	+19983216+01	-88479979-01	-76483898+00	+28025492+00
+33859385+00	+20032884+01	-93325515-01	-76399706+00	+28015756+00
+34033917+00	+20079126+01	-98161929-01	-76311268+00	+28005557+00
+34164817+00	+20111739+01	-10178375+00	-76242164+00	+27997605+00
+34295717+00	+20142704+01	-10540137+00	-76170675+00	+27989393+00
+34426617+00	+20172123+01	-10901520+00	-76096804+00	+27980919+00
+34557516+00	+20200089+01	-11262571+00	-76020546+00	+27972190+00
+34688415+00	+20226689+01	-11623348+00	-75941896+00	+27963199+00
+34819315+00	+20252001+01	-11983896+00	-75860846+00	+27953950+00
+34950215+00	+20276097+01	-12344273+00	-75777385+00	+27944443+00
+35081115+00	+20299045+01	-12704539+00	-75691504+00	+27934671+00
+35212014+00	+20320907+01	-13064757+00	-75603187+00	+27924638+00
+35342914+00	+20341742+01	-13424992+00	-75512419+00	+27914343+00
+35473813+00	+20361602+01	-13785301+00	-75419182+00	+27903782+00
+35604713+00	+20380539+01	-14145768+00	-75323455+00	+27892957+00
+35735613+00	+20398599+01	-14506463+00	-75225212+00	+27881863+00
+35866512+00	+20415825+01	-14867466+00	-75124428+00	+27870496+00
+35997412+00	+20432260+01	-15228852+00	-75021070+00	+27858859+00
+36128311+00	+20447942+01	-15590710+00	-74915111+00	+27846944+00
+36259211+00	+20462906+01	-15953128+00	-74806510+00	+27834751+00
+36390111+00	+20477187+01	-16316200+00	-74695232+00	+27822275+00
+36521010+00	+20490817+01	-16680025+00	-74581229+00	+27809513+00
+36651910+00	+20503826+01	-17044707+00	-74464457+00	+27796463+00
+36739176+00	+20512168+01	-17288357+00	-74385045+00	+27787599+00
+36826443+00	+20520255+01	-17532469+00	-74304359+00	+27778602+00
+36913709+00	+20528094+01	-17777082+00	-74222387+00	+27769473+00
+37000976+00	+20535694+01	-18022228+00	-74139108+00	+27760206+00
+37088242+00	+20543062+01	-18267944+00	-74054505+00	+27750804+00
+37175508+00	+20550203+01	-18514277+00	-73968552+00	+27741262+00
+37262775+00	+20557126+01	-18761262+00	-73881229+00	+27731578+00
+37350041+00	+20563837+01	-19008938+00	-73792517+00	+27721754+00
+37437308+00	+20570341+01	-19257356+00	-73702389+00	+27711785+00

TABLE 119.—Continued

$$M_{\infty} = +49999998+01$$

$$\theta_s = +30543261+00$$

θ	M_{w2}^*	ϕ_2	M_2^*	μ_1
+37524574+00	+20576647+01	-19506558+00	-73610820+00	+27701665+00
+37611840+00	+20582758+01	-19756592+00	-73517782+00	+27691399+00
+37699107+00	+20588680+01	-20007514+00	-73423244+00	+27680983+00
+37786373+00	+20594420+01	-20259372+00	-73327177+00	+27670411+00
+37873640+00	+20599983+01	-20512217+00	-73229553+00	+27659683+00
+37960906+00	+20605374+01	-20766118+00	-73130333+00	+27648795+00
+38048172+00	+20610598+01	-21021128+00	-73029483+00	+27637745+00
+38135439+00	+20615659+01	-21277311+00	-72926964+00	+27626530+00
+38222705+00	+20620564+01	-21534734+00	-72822735+00	+27615144+00
+38309972+00	+20625316+01	-21793473+00	-72716755+00	+27603589+00
+38397238+00	+20629920+01	-22053591+00	-72608978+00	+27591855+00
+38440872+00	+20632168+01	-22184195+00	-72554399+00	+27585921+00
+38484504+00	+20634380+01	-22315175+00	-72499353+00	+27579942+00
+38528138+00	+20636558+01	-22446540+00	-72443833+00	+27573918+00
+38571771+00	+20638701+01	-22578308+00	-72387829+00	+27567846+00
+38615404+00	+20640810+01	-22710479+00	-72331339+00	+27561727+00
+38659038+00	+20642887+01	-22843071+00	-72274354+00	+27555562+00
+38702670+00	+20644930+01	-22976094+00	-72216868+00	+27549346+00
+38746304+00	+20646941+01	-23109565+00	-72158869+00	+27543084+00
+38789937+00	+20648921+01	-23243490+00	-72100352+00	+27536771+00
+38833570+00	+20650869+01	-23377880+00	-72041310+00	+27530410+00
+38877204+00	+20652786+01	-23512754+00	-71981736+00	+27523997+00
+38920837+00	+20654673+01	-23648128+00	-71921613+00	+27517532+00
+38964470+00	+20656530+01	-23784005+00	-71860940+00	+27511018+00
+39008103+00	+20658358+01	-23920413+00	-71799705+00	+27504448+00
+39051736+00	+20660157+01	-24057359+00	-71737899+00	+27497826+00
+39095370+00	+20661927+01	-24194862+00	-71675509+00	+27491149+00
+39139003+00	+20663670+01	-24332928+00	-71612531+00	+27484418+00
+39164866+00	+20664692+01	-24415036+00	-71574925+00	+27480406+00

$$S_2/R = +24445670+01$$

$$\eta/\alpha = +87454194+00$$

TABLE 120.—Conical Flow Field. $\theta_s=17.5^\circ$; $M_\infty=6.0$

M_∞	θ_s	θ_w
+59999970+01	+30543261+00	+37527812+00

θ	M_{w2}^*	ψ_2	M_2^*	μ_1
+30543261+00	+14641462+01	+21606684-06	-78686400+00	+24888318+00
+30674160+00	+16122080+01	-31708842-02	-78685198+00	+24888135+00
+30805060+00	+16671972+01	-64587528-02	-78681499+00	+24887583+00
+30935960+00	+17087134+01	-98175760-02	-78675225+00	+24886672+00
+31066859+00	+17425262+01	-13225398-01	-78666334+00	+24885408+00
+31197759+00	+17713665+01	-16669751-01	-78654812+00	+24883798+00
+31328659+00	+17966600+01	-20142560-01	-78640644+00	+24881846+00
+31459558+00	+18192586+01	-23637986-01	-78623830+00	+24879559+00
+31590458+00	+18397202+01	-27151671-01	-78604370+00	+24876944+00
+31721357+00	+18584333+01	-30680399-01	-78582264+00	+24874000+00
+31852257+00	+18756816+01	-34221457-01	-78557520+00	+24870735+00
+31983157+00	+18916801+01	-37772779-01	-78530144+00	+24867156+00
+32114056+00	+19065961+01	-41332734-01	-78500140+00	+24863262+00
+32244956+00	+19205632+01	-44899927-01	-78467518+00	+24859058+00
+32375855+00	+19336898+01	-48473281-01	-78432284+00	+24854549+00
+32506755+00	+19460656+01	-52051939-01	-78394443+00	+24849734+00
+32637655+00	+19577657+01	-55635209-01	-78354001+00	+24844619+00
+32768555+00	+19688537+01	-59222486-01	-78310966+00	+24839205+00
+32899454+00	+19793840+01	-62813411-01	-78265338+00	+24833494+00
+33030353+00	+19894039+01	-66407683-01	-78217119+00	+24827488+00
+33161253+00	+19989544+01	-70005051-01	-78166314+00	+24821188+00
+33292153+00	+20080716+01	-73605472-01	-78112922+00	+24814596+00
+33423053+00	+20167872+01	-77208880-01	-78056940+00	+24807712+00
+33553952+00	+20251298+01	-80815274-01	-77998369+00	+24800536+00
+33684852+00	+20331245+01	-84424812-01	-77937200+00	+24793071+00
+33815751+00	+20407940+01	-88037602-01	-77873426+00	+24785314+00
+33946651+00	+20481589+01	-91653888-01	-77807045+00	+24777266+00
+34077551+00	+20552376+01	-95274011-01	-77738042+00	+24768928+00
+34208450+00	+20620469+01	-98898294-01	-77666402+00	+24760296+00
+34295717+00	+20664447+01	-10131693+00	-77617172+00	+24754380+00
+34382983+00	+20707338+01	-10373767+00	-77566762+00	+24748331+00
+34470249+00	+20749182+01	-10616068+00	-77515162+00	+24742153+00
+34557516+00	+20790018+01	-10858612+00	-77462368+00	+24735841+00
+34644783+00	+20829881+01	-11101410+00	-77408377+00	+24729397+00
+34732049+00	+20868805+01	-11344480+00	-77353176+00	+24722820+00
+34819315+00	+20906822+01	-11587842+00	-77296760+00	+24716110+00
+34906582+00	+20943963+01	-11831507+00	-77239124+00	+24709266+00
+34993848+00	+20980255+01	-12075505+00	-77180252+00	+24702283+00
+35081115+00	+21015727+01	-12319846+00	-77120142+00	+24695165+00
+35168381+00	+21050404+01	-12564559+00	-77058780+00	+24687910+00
+35255647+00	+21084313+01	-12809661+00	-76996157+00	+24680515+00
+35342914+00	+21117475+01	-13055179+00	-76932258+00	+24672981+00
+35430180+00	+21149915+01	-13301137+00	-76867075+00	+24665305+00
+35517447+00	+21181652+01	-13547563+00	-76800589+00	+24657486+00
+35604713+00	+21212710+01	-13794479+00	-76732795+00	+24649522+00
+35691979+00	+21243105+01	-14041919+00	-76663670+00	+24641414+00
+35779246+00	+21272860+01	-14289904+00	-76593202+00	+24633161+00
+35866512+00	+21301989+01	-14538474+00	-76521374+00	+24624754+00
+35953779+00	+21330512+01	-14787661+00	-76448167+00	+24616197+00
+36041045+00	+21358445+01	-15037498+00	-76373562+00	+24607486+00

TABLE 120.—Continued

$$M_{\infty} = +59999970+01$$

$$\Theta_8 = +30543261+00$$

Θ	M_{w2}^*	ψ_2	M_2^*	μ_1
+36128311+00	+21385804+01	-15288012+00	-76297539+00	+24598622+00
+36215578+00	+21412605+01	-15539253+00	-76220079+00	+24589600+00
+36302844+00	+21438861+01	-15791253+00	-76141158+00	+24580417+00
+36390111+00	+21464587+01	-16044059+00	-76060750+00	+24571070+00
+36477377+00	+21489797+01	-16297707+00	-75978831+00	+24561559+00
+36564643+00	+21514504+01	-16552245+00	-75895378+00	+24551879+00
+36651910+00	+21538720+01	-16807722+00	-75810357+00	+24542028+00
+36695543+00	+21550648+01	-16935826+00	-75767249+00	+24537039+00
+36739176+00	+21562458+01	-17064186+00	-75723739+00	+24532002+00
+36782810+00	+21574151+01	-17192802+00	-75679824+00	+24526923+00
+36826443+00	+21585728+01	-17321691+00	-75635495+00	+24521798+00
+36870076+00	+21597192+01	-17450852+00	-75590752+00	+24516629+00
+36913709+00	+21608544+01	-17580295+00	-75545587+00	+24511414+00
+36957342+00	+21619784+01	-17710021+00	-75499997+00	+24506152+00
+37000976+00	+21630915+01	-17840049+00	-75453982+00	+24500842+00
+37044609+00	+21641937+01	-17970382+00	-75407527+00	+24495486+00
+37088242+00	+21652851+01	-18101023+00	-75360636+00	+24490082+00
+37131875+00	+21663659+01	-18231987+00	-75313300+00	+24484630+00
+37175508+00	+21674364+01	-18363279+00	-75265514+00	+24479126+00
+37219142+00	+21684963+01	-18494912+00	-75217269+00	+24473574+00
+37262775+00	+21695461+01	-18626888+00	-75168568+00	+24467972+00
+37306408+00	+21705858+01	-18759220+00	-75119397+00	+24462321+00
+37350041+00	+21716154+01	-18891917+00	-75069755+00	+24456616+00
+37393674+00	+21726351+01	-19024994+00	-75019630+00	+24450860+00
+37437308+00	+21736451+01	-19158451+00	-74969022+00	+24445051+00
+37480941+00	+21746453+01	-19292308+00	-74917917+00	+24439189+00
+37524574+00	+21756360+01	-19426567+00	-74866315+00	+24433271+00
+37527812+00	+21757093+01	-19436539+00	-74862472+00	+24432832+00

$$S_2/R = +37273106+01$$

$$\eta/\alpha = +92119491+00$$

TABLE 121.—Conical Flow Field. $\theta_s=17.5^\circ$; $M_\infty=7.0$

M_{∞}	θ_s	θ_w
+70000000+01	+30543261+00	+36506213+00

θ	M_{w2}^*	ψ_2	M_2^*	μ_1
+30543261+00	+13326243+01	+18533319-06	-79795338+00	+22751248+00
+30674160+00	+15190489+01	-29020756-02	-79794226+00	+22751054+00
+30805060+00	+15897491+01	-59603918-02	-79790760+00	+22750479+00
+30935960+00	+16434837+01	-91166813-02	-79784814+00	+22749527+00
+31066859+00	+16875840+01	-12343723-01	-79776329+00	+22748204+00
+31197759+00	+17254594+01	-15625940-01	-79765256+00	+22746518+00
+31328659+00	+17588880+01	-18953034-01	-79751565+00	+22744476+00
+31459558+00	+17889326+01	-22317564-01	-79735234+00	+22742084+00
+31590458+00	+18162884+01	-25713978-01	-79716249+00	+22739342+00
+31721357+00	+18414399+01	-29137810-01	-79694596+00	+22736259+00
+31852257+00	+18647413+01	-32585629-01	-79670272+00	+22732840+00
+31983157+00	+18864608+01	-36054609-01	-79643261+00	+22729086+00
+32114056+00	+19068071+01	-39542439-01	-79613562+00	+22725001+00
+32244956+00	+19259468+01	-43047165-01	-79581174+00	+22720588+00
+32375855+00	+19440158+01	-46567259-01	-79546090+00	+22715849+00
+32506755+00	+19611258+01	-50101392-01	-79508304+00	+22710790+00
+32637655+00	+19773706+01	-53648430-01	-79467814+00	+22705408+00
+32768555+00	+19928300+01	-57207579-01	-79424616+00	+22699708+00
+32899454+00	+20075718+01	-60778066-01	-79378701+00	+22693690+00
+33030353+00	+20216554+01	-64359315-01	-79330063+00	+22687352+00
+33161253+00	+20351320+01	-67950867-01	-79278694+00	+22680701+00
+33292153+00	+20480467+01	-71552428-01	-79224588+00	+22673734+00
+33423053+00	+20604395+01	-75163747-01	-79167730+00	+22666449+00
+33510319+00	+20684291+01	-77576661-01	-79128290+00	+22661417+00
+33597585+00	+20762123+01	-79993809-01	-79087618+00	+22656244+00
+33684852+00	+20837977+01	-82415265-01	-79045709+00	+22650929+00
+33772118+00	+20911938+01	-84840960-01	-79002557+00	+22645472+00
+33859385+00	+20984082+01	-87270953-01	-78958157+00	+22639873+00
+33946651+00	+21054482+01	-89705230-01	-78912507+00	+22634131+00
+34033917+00	+21123207+01	-92143943-01	-78865595+00	+22628246+00
+34121184+00	+21190319+01	-94587133-01	-78817417+00	+22622216+00
+34208450+00	+21255879+01	-97034862-01	-78767965+00	+22616041+00
+34295717+00	+21319943+01	-99487251-01	-78717232+00	+22609721+00
+34382983+00	+21382564+01	-10194441+00	-78665205+00	+22603251+00
+34470249+00	+21443792+01	-10440645+00	-78611881+00	+22596633+00
+34557516+00	+21503673+01	-10687349+00	-78557245+00	+22589868+00
+34644783+00	+21562254+01	-10934564+00	-78501292+00	+22582953+00
+34732049+00	+21619577+01	-11182312+00	-78444009+00	+22575886+00
+34819315+00	+21675681+01	-11430616+00	-78385379+00	+22568663+00
+34906582+00	+21730607+01	-11679481+00	-78325395+00	+22561285+00
+34993848+00	+21784388+01	-11928934+00	-78264043+00	+22553751+00
+35081115+00	+21837059+01	-12178997+00	-78201305+00	+22546058+00
+35168381+00	+21888655+01	-12429690+00	-78137172+00	+22538203+00
+35255647+00	+21939206+01	-12681038+00	-78071622+00	+22530187+00
+35342914+00	+21988741+01	-12933068+00	-78004641+00	+22522004+00
+35386547+00	+22013137+01	-13059346+00	-77970607+00	+22517850+00
+35430180+00	+22037289+01	-13185805+00	-77936210+00	+22513655+00
+35473813+00	+22061202+01	-13312447+00	-77901443+00	+22509414+00
+35517447+00	+22084878+01	-13439276+00	-77866308+00	+22505133+00
+35561080+00	+22108321+01	-13566299+00	-77830800+00	+22500808+00

TABLE 121.—Continued

$M_{\infty} = +70000000+01$

$\theta_B = +30543261+00$

θ	M_{W2}^*	ψ_2	M_2^*	μ_1
+35604713+00	+22131533+01	-13693516+00	-77794919+00	+22496439+00
+35648346+00	+22154519+01	-13820931+00	-77758658+00	+22492026+00
+35691979+00	+22177280+01	-13948552+00	-77722017+00	+22487570+00
+35735613+00	+22199820+01	-14076378+00	-77684993+00	+22483069+00
+35779246+00	+22222142+01	-14204416+00	-77647580+00	+22478522+00
+35822879+00	+22244246+01	-14332672+00	-77609779+00	+22473928+00
+35866512+00	+22266140+01	-14461148+00	-77571586+00	+22469290+00
+35910145+00	+22287822+01	-14589851+00	-77532996+00	+22464604+00
+35953779+00	+22309297+01	-14718784+00	-77494007+00	+22459870+00
+35997412+00	+22330568+01	-14847955+00	-77454613+00	+22455091+00
+36041045+00	+22351635+01	-14977362+00	-77414814+00	+22450263+00
+36084678+00	+22372503+01	-15107017+00	-77374607+00	+22445389+00
+36128311+00	+22393173+01	-15236925+00	-77333983+00	+22440461+00
+36171945+00	+22413647+01	-15367092+00	-77292940+00	+22435487+00
+36215578+00	+22433930+01	-15497518+00	-77251477+00	+22430462+00
+36259211+00	+22454021+01	-15628217+00	-77209584+00	+22425385+00
+36302844+00	+22473923+01	-15759190+00	-77167263+00	+22420258+00
+36346477+00	+22493640+01	-15890442+00	-77124507+00	+22415078+00
+36390111+00	+22513172+01	-16021978+00	-77081314+00	+22409847+00
+36433744+00	+22532523+01	-16153807+00	-77037674+00	+22404563+00
+36477377+00	+22551694+01	-16285939+00	-76993586+00	+22399223+00
+36506213+00	+22564267+01	-16373422+00	-76964206+00	+22395667+00

$S_2/R = +49980551+01$

$\eta/\alpha = +95290748+00$

TABLE 122.—Conical Flow Field. $\theta_s=17.5^\circ$; $M_\infty=8.0$

M_{00}	θ_s	θ_w
+80000001+01	+30543261+00	+35827161+00

θ	M_w^*	ψ_2	M_2^*	μ_1
+30543261+00	+12337262+01	+16484410-06	-80644654+00	+21261528+00
+30630527+00	+14243527+01	-17821239-02	-80644200+00	+21261439+00
+30717794+00	+14836934+01	-36665825-02	-80642770+00	+21261172+00
+30805060+00	+15367608+01	-56189504-02	-80640305+00	+21260730+00
+30892326+00	+15810278+01	-76240404-02	-80636768+00	+21260114+00
+30979593+00	+16194380+01	-96718157-02	-80632131+00	+21259326+00
+31066859+00	+16536429+01	-11755607-01	-80626369+00	+21258369+00
+31154126+00	+16846422+01	-13870504-01	-80619469+00	+21257244+00
+31241392+00	+17130928+01	-16012739-01	-80611411+00	+21255950+00
+31328659+00	+17394524+01	-18179285-01	-80602188+00	+21254496+00
+31415925+00	+17640554+01	-20367642-01	-80591788+00	+21252877+00
+31503191+00	+17871551+01	-22575794-01	-80580199+00	+21251099+00
+31590458+00	+18089486+01	-24802001-01	-80567417+00	+21249159+00
+31677724+00	+18295932+01	-27044710-01	-80553432+00	+21247061+00
+31764991+00	+18492164+01	-29302686-01	-80538243+00	+21244805+00
+31852257+00	+18679236+01	-31574797-01	-80521840+00	+21242395+00
+31939523+00	+18858034+01	-33860016-01	-80504220+00	+21239827+00
+32026790+00	+19029307+01	-36157433-01	-80485379+00	+21237106+00
+32114056+00	+19193694+01	-38466346-01	-80465313+00	+21234231+00
+32201323+00	+19351752+01	-40786034-01	-80444018+00	+21231204+00
+32288589+00	+19503962+01	-43115896-01	-80421492+00	+21228024+00
+32375855+00	+19650750+01	-45455381-01	-80397728+00	+21224694+00
+32463122+00	+19792491+01	-47803997-01	-80372724+00	+21221211+00
+32550388+00	+19929519+01	-50161316-01	-80346476+00	+21217578+00
+32637655+00	+20062132+01	-52526982-01	-80318981+00	+21213795+00
+32724921+00	+20190598+01	-54900601-01	-80290237+00	+21209862+00
+32812187+00	+20315159+01	-57281910-01	-80260239+00	+21205779+00
+32899454+00	+20436033+01	-59670571-01	-80228981+00	+21201547+00
+32986721+00	+20553421+01	-62066439-01	-80196463+00	+21197165+00
+33073987+00	+20667505+01	-64469224-01	-80162675+00	+21192633+00
+33161253+00	+20778451+01	-66878770-01	-80127617+00	+21187951+00
+33248520+00	+20886411+01	-69295004-01	-80091282+00	+21183118+00
+33335786+00	+20991529+01	-71717685-01	-80053666+00	+21178134+00
+33423053+00	+21093932+01	-74146737-01	-80014762+00	+21173000+00
+33510319+00	+21193743+01	-76582086-01	-79974566+00	+21167715+00
+33597585+00	+21291075+01	-79023687-01	-79933069+00	+21162274+00
+33684852+00	+21386028+01	-81471469-01	-79890266+00	+21156683+00
+33772118+00	+21478703+01	-83925375-01	-79846147+00	+21150936+00
+33859385+00	+21569188+01	-86385391-01	-79800710+00	+21145037+00
+33946651+00	+21657569+01	-88851529-01	-79753944+00	+21138980+00
+34033917+00	+21743927+01	-91323815-01	-79705839+00	+21132766+00
+34121184+00	+21828334+01	-93802311-01	-79656389+00	+21126392+00
+34208450+00	+21910860+01	-96287013-01	-79605578+00	+21119860+00
+34252083+00	+21951439+01	-97531684-01	-79579662+00	+21116535+00
+34295717+00	+21991573+01	-98777949-01	-79553403+00	+21113168+00
+34339350+00	+22031269+01	-10002580+00	-79526798+00	+21109760+00
+34382983+00	+22070534+01	-10127526+00	-79499849+00	+21106312+00
+34426617+00	+22109376+01	-10252632+00	-79472551+00	+21102822+00
+34470249+00	+22147801+01	-10377901+00	-79444903+00	+21099291+00
+34513883+00	+22185817+01	-10503329+00	-79416908+00	+21095718+00

TABLE 122.—Continued

$M_{\infty} = +80000001+01$

$\Theta_B = +30543261+00$

Θ	M_{w2}^*	ψ_2	M_2^*	μ_1
+34557516+00	+22223431+01	-10628924+00	-79388559+00	+21092103+00
+34601149+00	+22260648+01	-10754687+00	-79359856+00	+21088446+00
+34644783+00	+22297475+01	-10880616+00	-79330795+00	+21084747+00
+34688415+00	+22333918+01	-11006713+00	-79301380+00	+21081004+00
+34732049+00	+22369983+01	-11132987+00	-79271603+00	+21077220+00
+34775682+00	+22405677+01	-11259429+00	-79241467+00	+21073391+00
+34819315+00	+22441003+01	-11386049+00	-79210968+00	+21069516+00
+34862949+00	+22475968+01	-11512841+00	-79180105+00	+21065602+00
+34906582+00	+22510579+01	-11639811+00	-79148874+00	+21061641+00
+34950215+00	+22544838+01	-11766965+00	-79117271+00	+21057636+00
+34993848+00	+22578752+01	-11894302+00	-79085300+00	+21053585+00
+35037481+00	+22612326+01	-12021822+00	-79052955+00	+21049488+00
+35081115+00	+22645565+01	-12149530+00	-79020233+00	+21045347+00
+35124748+00	+22678472+01	-12277426+00	-78987136+00	+21041160+00
+35168381+00	+22711053+01	-12405519+00	-78953654+00	+21036925+00
+35212014+00	+22743314+01	-12533800+00	-78919793+00	+21032644+00
+35255647+00	+22775256+01	-12662286+00	-78885544+00	+21028315+00
+35299281+00	+22806885+01	-12790965+00	-78850909+00	+21023938+00
+35342914+00	+22838206+01	-12919850+00	-78815882+00	+21019512+00
+35386547+00	+22869222+01	-13048940+00	-78780461+00	+21015038+00
+35430180+00	+22899937+01	-13178241+00	-78744643+00	+21010514+00
+35473813+00	+22930356+01	-13307749+00	-78708427+00	+21005940+00
+35517447+00	+22960481+01	-13437477+00	-78671806+00	+21001317+00
+35561080+00	+22990317+01	-13567418+00	-78634784+00	+20996640+00
+35604713+00	+23019867+01	-13697584+00	-78597350+00	+20991914+00
+35648346+00	+23049136+01	-13827969+00	-78559507+00	+20987135+00
+35691979+00	+23078125+01	-13958590+00	-78521244+00	+20982302+00
+35735613+00	+23106840+01	-14089438+00	-78482565+00	+20977417+00
+35779246+00	+23135282+01	-14220523+00	-78443463+00	+20972476+00
+35822879+00	+23163456+01	-14351846+00	-78403935+00	+20967482+00
+35827161+00	+23166208+01	-14364737+00	-78400037+00	+20966990+00

$S_2/R = +61803763+01$

$\eta/\alpha = +97526307+00$

TABLE 123.—Conical Flow Field. $\theta_s=17.5^\circ$; $M_\infty=10.0$

M_{00}	θ_s	θ_v
+99999937+01	+30543261+00	+35010593+00

θ	M_{v2}^*	τ_2	M_2^*	μ_1
+30543261+00	+11009996+01	+13969839-06	-81808832+00	+19376328+00
+30630527+00	+13335707+01	-16201437-02	-81808414+00	+19376235+00
+30717794+00	+14083494+01	-33690240-02	-81807087+00	+19375952+00
+30805060+00	+14742864+01	-52036457-02	-81804765+00	+19375483+00
+30892326+00	+15294260+01	-71054930-02	-81801405+00	+19374830+00
+30979593+00	+15773986+01	-90623489-02	-81796961+00	+19373996+00
+31066859+00	+16202250+01	-11066053-01	-81791404+00	+19372982+00
+31154126+00	+16591269+01	-13110523-01	-81784707+00	+19371791+00
+31241392+00	+16949062+01	-15191129-01	-81776850+00	+19370424+00
+31328659+00	+17281223+01	-17304176-01	-81767816+00	+19368881+00
+31415925+00	+17591834+01	-19446530-01	-81757584+00	+19367165+00
+31503191+00	+17883987+01	-21615608-01	-81746140+00	+19365281+00
+31590458+00	+18160090+01	-23809257-01	-81733476+00	+19363223+00
+31677724+00	+18422061+01	-26025504-01	-81719577+00	+19360998+00
+31764991+00	+18671462+01	-28262742-01	-81704433+00	+19358603+00
+31852257+00	+18909578+01	-30519522-01	-81688035+00	+19356041+00
+31939523+00	+19137490+01	-32794497-01	-81670376+00	+19353314+00
+32026790+00	+19356112+01	-35086568-01	-81651445+00	+19350422+00
+32114056+00	+19566227+01	-37394692-01	-81631239+00	+19347362+00
+32201323+00	+19768513+01	-39717943-01	-81609745+00	+19344141+00
+32288589+00	+19963561+01	-42055579-01	-81586958+00	+19340754+00
+32375855+00	+20151889+01	-44406726-01	-81562874+00	+19337203+00
+32463122+00	+20333955+01	-46770781-01	-81537483+00	+19333491+00
+32550388+00	+20510167+01	-49147146-01	-81510785+00	+19329615+00
+32637655+00	+20680889+01	-51535272-01	-81482764+00	+19325575+00
+32724921+00	+20846449+01	-53934574-01	-81453423+00	+19321369+00
+32812187+00	+21007143+01	-56344697-01	-81422750+00	+19317002+00
+32899454+00	+21163239+01	-58765179-01	-81390740+00	+19312470+00
+32986721+00	+21314980+01	-61195666-01	-81357388+00	+19307773+00
+33073987+00	+21462587+01	-63635833-01	-81322682+00	+19302911+00
+33161253+00	+21606267+01	-66085309-01	-81286623+00	+19297883+00
+33248520+00	+21746204+01	-68543867-01	-81249198+00	+19292688+00
+33335786+00	+21882573+01	-71011269-01	-81210401+00	+19287324+00
+33423053+00	+22015530+01	-73487223-01	-81170225+00	+19281790+00
+33466686+00	+22080777+01	-74728376-01	-81149616+00	+19278960+00
+33510319+00	+22145226+01	-75971588-01	-81128659+00	+19276088+00
+33553952+00	+22208893+01	-77216832-01	-81107355+00	+19273171+00
+33597585+00	+22271795+01	-78464122-01	-81085699+00	+19270211+00
+33641219+00	+22333947+01	-79713375-01	-81063693+00	+19267209+00
+33684852+00	+22395365+01	-80964634-01	-81041334+00	+19264163+00
+33728485+00	+22456063+01	-82217836-01	-81018622+00	+19261074+00
+33772118+00	+22516055+01	-83473022-01	-80995556+00	+19257939+00
+33815751+00	+22575355+01	-84730109-01	-80972132+00	+19254762+00
+33859385+00	+22633975+01	-85989111-01	-80948353+00	+19251539+00
+33903018+00	+22691930+01	-87249997-01	-80924214+00	+19248271+00
+33946651+00	+22749229+01	-88512782-01	-80899715+00	+19244960+00
+33990284+00	+22805886+01	-89777433-01	-80874857+00	+19241602+00
+34033917+00	+22861913+01	-91043967-01	-80849634+00	+19238198+00
+34077551+00	+22917320+01	-92312312-01	-80824051+00	+19234748+00
+34121184+00	+22972118+01	-93582472-01	-80798101+00	+19231254+00

TABLE 123.—Continued

$$M_{00} = +99999937+01$$

$$\Theta_B = +30543261+00$$

Θ	M_{w2}^*	Φ_2	M_2^*	μ_1
+34164817+00	+23026318+01	-94854453-01	-80771784+00	+19227713+00
+34208450+00	+23079931+01	-96128255-01	-80745100+00	+19224124+00
+34252083+00	+23132965+01	-97403888-01	-80718044+00	+19220488+00
+34295717+00	+23185430+01	-98681299-01	-80690619+00	+19216804+00
+34339350+00	+23237336+01	-99960444-01	-80662820+00	+19213071+00
+34382983+00	+23288692+01	-10124139+00	-80634650+00	+19209292+00
+34426617+00	+23339506+01	-10252410+00	-80606099+00	+19205463+00
+34470249+00	+23389787+01	-10380854+00	-80577174+00	+19201585+00
+34513883+00	+23439544+01	-10509475+00	-80547869+00	+19197656+00
+34557516+00	+23488784+01	-10638271+00	-80518181+00	+19193679+00
+34601149+00	+23537515+01	-10767237+00	-80488111+00	+19189650+00
+34644783+00	+23585745+01	-10896374+00	-80457655+00	+19185571+00
+34688415+00	+23633482+01	-11025680+00	-80426815+00	+19181440+00
+34732049+00	+23680732+01	-11155156+00	-80395586+00	+19177255+00
+34775682+00	+23727502+01	-11284803+00	-80363967+00	+19173017+00
+34819315+00	+23773799+01	-11414615+00	-80331952+00	+19168728+00
+34862949+00	+23819631+01	-11544596+00	-80299546+00	+19164384+00
+34906582+00	+23865003+01	-11674744+00	-80266741+00	+19159984+00
+34950215+00	+23909921+01	-11805053+00	-80233539+00	+19155530+00
+34993848+00	+23954394+01	-11935526+00	-80199936+00	+19151021+00
+35010593+00	+23971345+01	-11985630+00	-80186940+00	+19149279+00

$$S_2/R = +81737495+01$$

$$\eta/\alpha = +10036634+01$$

TABLE 124.—Conical Flow Field. $\theta_s=17.5^\circ$; $M_\infty=12.0$

M_∞	θ_s	θ_w
+11999985+02	+30543261+00	+34558101+00

θ	M_{w2}^*	ψ_2	M_2^*	μ_1
+30543261+00	+10202706+01	+12479723-06	-82531581+00	+18276851+00
+30630527+00	+12817583+01	-15279567-02	-82531188+00	+18276752+00
+30717794+00	+13673205+01	-32028155-02	-82529917+00	+18276459+00
+30805060+00	+14421502+01	-49754642-02	-82527677+00	+18275972+00
+30892326+00	+15047942+01	-68250690-02	-82524407+00	+18275294+00
+30979593+00	+15593626+01	-87379171-02	-82520060+00	+18274429+00
+31066859+00	+16081326+01	-10704773-01	-82514600+00	+18273374+00
+31154126+00	+16524795+01	-12718878-01	-82507997+00	+18272134+00
+31241392+00	+16933063+01	-14774867-01	-82500219+00	+18270713+00
+31328659+00	+17312419+01	-16868532-01	-82491249+00	+18269109+00
+31415925+00	+17667464+01	-18996367-01	-82481065+00	+18267325+00
+31503191+00	+18001675+01	-21155401-01	-82469648+00	+18265360+00
+31590458+00	+18317761+01	-23343081-01	-82456982+00	+18263220+00
+31677724+00	+18617882+01	-25557241-01	-82443055+00	+18260903+00
+31764991+00	+18903794+01	-27795954-01	-82427849+00	+18258408+00
+31852257+00	+19176947+01	-30057495-01	-82411360+00	+18255739+00
+31939523+00	+19438553+01	-32340405-01	-82393572+00	+18252899+00
+32026790+00	+19689644+01	-34643302-01	-82374475+00	+18249883+00
+32114056+00	+19931099+01	-36964999-01	-82354060+00	+18246693+00
+32157689+00	+20048457+01	-38132531-01	-82343355+00	+18245034+00
+32201323+00	+20163684+01	-39304367-01	-82332318+00	+18243332+00
+32244956+00	+20276860+01	-40480376-01	-82320948+00	+18241586+00
+32288589+00	+20388060+01	-41660463-01	-82309242+00	+18239798+00
+32332222+00	+20497356+01	-42844477-01	-82297200+00	+18237964+00
+32375855+00	+20604813+01	-44032370-01	-82284820+00	+18236089+00
+32419489+00	+20710495+01	-45223975-01	-82272105+00	+18234169+00
+32463122+00	+20814459+01	-46419272-01	-82259051+00	+18232208+00
+32506755+00	+20916761+01	-47618100-01	-82245656+00	+18230204+00
+32550388+00	+21017455+01	-48820424-01	-82231920+00	+18228154+00
+32594021+00	+21116589+01	-50026113-01	-82217842+00	+18226063+00
+32637655+00	+21214212+01	-51235131-01	-82203422+00	+18223928+00
+32681288+00	+21310368+01	-52447374-01	-82188658+00	+18221749+00
+32724921+00	+21405098+01	-53662756-01	-82173551+00	+18219528+00
+32768555+00	+21498445+01	-54881251-01	-82158095+00	+18217260+00
+32812187+00	+21590447+01	-56102730-01	-82142296+00	+18214951+00
+32855821+00	+21681139+01	-57327164-01	-82126148+00	+18212599+00
+32899454+00	+21770559+01	-58554495-01	-82109652+00	+18210202+00
+32943087+00	+21858738+01	-59784645-01	-82092807+00	+18207759+00
+32986721+00	+21945708+01	-61017554-01	-82075611+00	+18205274+00
+33030353+00	+22031501+01	-62253190-01	-82058067+00	+18202743+00
+33073987+00	+22116145+01	-63491468-01	-82040167+00	+18200170+00
+33117620+00	+22199669+01	-64732355-01	-82021914+00	+18197550+00
+33161253+00	+22282098+01	-65975781-01	-82003311+00	+18194887+00
+33204887+00	+22363461+01	-67221657-01	-81984351+00	+18192178+00
+33248520+00	+22443780+01	-68470035-01	-81965033+00	+18189423+00
+33292153+00	+22523079+01	-69720814-01	-81945362+00	+18186626+00
+33335786+00	+22601382+01	-70973940-01	-81925329+00	+18183780+00
+33379419+00	+22678709+01	-72229388-01	-81904940+00	+18180890+00
+33423053+00	+22755084+01	-73487084-01	-81884190+00	+18177953+00
+33466686+00	+22830524+01	-74746993-01	-81863078+00	+18174969+00

TABLE 124.—Continued

$M_{\infty} = +11999985+02$

$\Theta_B = +30543261+00$

Θ	M_{w2}^*	ψ_2	M_2^*	H_1
+33510319+00	+22905051+01	-76009088-01	-81841606+00	+18171941+00
+33553952+00	+22978682+01	-77273352-01	-81819768+00	+18168865+00
+33597585+00	+23051437+01	-78539684-01	-81797568+00	+18165743+00
+33641219+00	+23123333+01	-79808120-01	-81775002+00	+18162571+00
+33684852+00	+23194386+01	-81078549-01	-81752069+00	+18159351+00
+33728485+00	+23264613+01	-82350962-01	-81728769+00	+18156086+00
+33772118+00	+23334029+01	-83625339-01	-81705101+00	+18152770+00
+33815751+00	+23402651+01	-84901599-01	-81681062+00	+18149407+00
+33859385+00	+23470492+01	-86179744-01	-81656653+00	+18145995+00
+33903018+00	+23537567+01	-87459716-01	-81631871+00	+18142534+00
+33946651+00	+23603891+01	-88741477-01	-81606716+00	+18139024+00
+33990284+00	+23669474+01	-90025034-01	-81581187+00	+18135461+00
+34033917+00	+23734332+01	-91310320-01	-81555281+00	+18131848+00
+34077551+00	+23798476+01	-92597306-01	-81528996+00	+18128184+00
+34121184+00	+23861919+01	-93885890-01	-81502337+00	+18124468+00
+34164817+00	+23924672+01	-95176124-01	-81475295+00	+18120701+00
+34208450+00	+23986748+01	-96467882-01	-81447873+00	+18116882+00
+34252083+00	+24048156+01	-97761214-01	-81420071+00	+18113010+00
+34295717+00	+24108907+01	-99056057-01	-81391884+00	+18109082+00
+34339350+00	+24169012+01	-10035232+00	-81363313+00	+18105102+00
+34382983+00	+24228481+01	-10165000+00	-81334355+00	+18101066+00
+34426617+00	+24287324+01	-10294903+00	-81305011+00	+18096975+00
+34470249+00	+24345551+01	-10424937+00	-81275279+00	+18092829+00
+34513883+00	+24403169+01	-10555101+00	-81245158+00	+18088625+00
+34557516+00	+24460193+01	-10685380+00	-81214648+00	+18084367+00
+34558101+00	+24460953+01	-10687114+00	-81214240+00	+18084313+00

$S_2/R = +96838438+01$

$\eta/\alpha = +10201858+01$

TABLE 125.—Conical Flow Field. $\theta_s=17.5^\circ$; $M_\infty=15.0$

M_∞	θ_s	θ_w
+14999985+02	+30543261+00	+34182829+00

θ	M_w^*	ψ_2	M_2^*	μ_1
+30543261+00	+94908189+00	+96857548-07	-83178487+00	+17328630+00
+30630527+00	+12386573+01	-14506700-02	-83178115+00	+17328529+00
+30717794+00	+13347892+01	-30657686-02	-83176892+00	+17328223+00
+30805060+00	+14182703+01	-47903135-02	-83174717+00	+17327718+00
+30892326+00	+14882102+01	-66011064-02	-83171517+00	+17327013+00
+30979593+00	+15491878+01	-84829172-02	-83167242+00	+17326115+00
+31066859+00	+16037307+01	-10425512-01	-83161850+00	+17325022+00
+31154126+00	+16533644+01	-12421383-01	-83155300+00	+17323734+00
+31241392+00	+16990898+01	-14464509-01	-83147563+00	+17322259+00
+31328659+00	+17416047+01	-16550227-01	-83138616+00	+17320593+00
+31415925+00	+17814185+01	-18674542-01	-83128430+00	+17318740+00
+31503191+00	+18189172+01	-20834105-01	-83116986+00	+17316700+00
+31590458+00	+18544010+01	-23026074-01	-83104267+00	+17314475+00
+31677724+00	+18881093+01	-25247958-01	-83090254+00	+17312066+00
+31764991+00	+19202365+01	-27497530-01	-83074932+00	+17309476+00
+31852257+00	+19509437+01	-29772892-01	-83058287+00	+17306699+00
+31895890+00	+19658076+01	-30919676-01	-83049469+00	+17305243+00
+31939523+00	+19803652+01	-32072274-01	-83040312+00	+17303741+00
+31983157+00	+19946302+01	-33230483-01	-83030819+00	+17302195+00
+32026790+00	+20086151+01	-34394145-01	-83020986+00	+17300602+00
+32070423+00	+20223319+01	-35563077-01	-83010817+00	+17298965+00
+32114056+00	+20357913+01	-36737110-01	-83000305+00	+17297282+00
+32157689+00	+20490037+01	-37916077-01	-82989452+00	+17295552+00
+32201323+00	+20619784+01	-39099846-01	-82978255+00	+17293778+00
+32244956+00	+20747243+01	-40288283-01	-82966713+00	+17291959+00
+32288589+00	+20872498+01	-41481234-01	-82954826+00	+17290094+00
+32332222+00	+20995626+01	-42678547-01	-82942594+00	+17288183+00
+32375855+00	+21116702+01	-43880145-01	-82930013+00	+17286229+00
+32419489+00	+21235795+01	-45085877-01	-82917082+00	+17284226+00
+32463122+00	+21352969+01	-46295657-01	-82903801+00	+17282180+00
+32506755+00	+21468287+01	-47509328-01	-82890169+00	+17280085+00
+32550388+00	+21581808+01	-48726811-01	-82876186+00	+17277947+00
+32594021+00	+21693585+01	-49948028-01	-82861847+00	+17275763+00
+32637655+00	+21803672+01	-51172828-01	-82847156+00	+17273532+00
+32681288+00	+21912118+01	-52401153-01	-82832109+00	+17271253+00
+32724921+00	+22018971+01	-53632865-01	-82816706+00	+17268930+00
+32768555+00	+22124273+01	-54867928-01	-82800947+00	+17266560+00
+32812187+00	+22228071+01	-56106193-01	-82784829+00	+17264145+00
+32855821+00	+22330402+01	-57347597-01	-82768353+00	+17261681+00
+32899454+00	+22431307+01	-58592074-01	-82751515+00	+17259171+00
+32943087+00	+22530822+01	-59839565-01	-82734317+00	+17256614+00
+32986721+00	+22628983+01	-61089940-01	-82716756+00	+17254009+00
+33030353+00	+22725823+01	-62343108-01	-82698833+00	+17251358+00
+33073987+00	+22821375+01	-63599032-01	-82680546+00	+17248659+00
+33117620+00	+22915670+01	-64857627-01	-82661897+00	+17245912+00
+33161253+00	+23008738+01	-66118829-01	-82642880+00	+17243118+00
+33204887+00	+23100607+01	-67382555-01	-82623497+00	+17240275+00
+33248520+00	+23191305+01	-68648763-01	-82603745+00	+17237382+00
+33292153+00	+23280857+01	-69917318-01	-82583629+00	+17234440+00
+33335786+00	+23369289+01	-71188188-01	-82563139+00	+17231449+00

TABLE 125.—Continued

$M_{\infty} = +14999985+02$

$\theta_s = +30543261+00$

θ	M_{w2}^*	ψ_2	M_2^*	μ_1
+33379419+00	+23456625+01	-72461367-01	-82542281+00	+17228409+00
+33423053+00	+23542888+01	-73736690-01	-82521051+00	+17225318+00
+33466686+00	+23628102+01	-75014108-01	-82499453+00	+17222179+00
+33510319+00	+23712287+01	-76293587-01	-82477479+00	+17218987+00
+33553952+00	+23795465+01	-77575039-01	-82455130+00	+17215746+00
+33597585+00	+23877655+01	-78858407-01	-82432410+00	+17212453+00
+33641219+00	+23958875+01	-80143593-01	-82409314+00	+17209107+00
+33684852+00	+24039148+01	-81430537-01	-82385842+00	+17205711+00
+33728485+00	+24118488+01	-82719220-01	-82361992+00	+17202260+00
+33772118+00	+24196916+01	-84009487-01	-82337766+00	+17198758+00
+33815751+00	+24274445+01	-85301361-01	-82313160+00	+17195199+00
+33859385+00	+24351092+01	-86594704-01	-82288177+00	+17191592+00
+33903018+00	+24426875+01	-87889467-01	-82262810+00	+17187925+00
+33946651+00	+24501808+01	-89185513-01	-82237068+00	+17184206+00
+33990284+00	+24575905+01	-90482919-01	-82210940+00	+17180429+00
+34033917+00	+24649180+01	-91781444-01	-82184432+00	+17176597+00
+34077551+00	+24721649+01	-93081105-01	-82157541+00	+17172707+00
+34121184+00	+24793323+01	-94381769-01	-82130268+00	+17168759+00
+34164817+00	+24864220+01	-95683336-01	-82102612+00	+17164756+00
+34182829+00	+24893264+01	-96220868-01	-82091089+00	+17163087+00

$S_2/R_1 = +11258289+02$

$\eta/\alpha = +10343503+01$

TABLE 126.—Conical Flow Field. $\theta_s=17.5^\circ$; $M_\infty=20.0$

M_∞	θ_s	θ_w
+20000089+02	+30543261+00	+33887634+00

θ	M_{w2}^*	ϕ_2	M_2^*	μ_1
+30543261+00	+89021864+00	+10523945-06	-83720339+00	+16555615+00
+30586894+00	+10467099+01	-69459341-03	-83720250+00	+16555589+00
+30630527+00	+12051647+01	-13896748-02	-83719984+00	+16555510+00
+30674160+00	+12574770+01	-21579806-02	-83719502+00	+16555377+00
+30717794+00	+13109159+01	-29596612-02	-83718797+00	+16555195+00
+30761427+00	+13588646+01	-37914002-02	-83717857+00	+16554960+00
+30805060+00	+14022220+01	-46494501-02	-83716669+00	+16554672+00
+30848693+00	+14419497+01	-55309832-02	-83715226+00	+16554335+00
+30892326+00	+14787561+01	-64337347-02	-83713520+00	+16553944+00
+30935960+00	+15131540+01	-73558828-02	-83711544+00	+16553506+00
+30979593+00	+15455248+01	-82959561-02	-83709292+00	+16553015+00
+31023226+00	+15761583+01	-92526646-02	-83706755+00	+16552475+00
+31066859+00	+16052817+01	-10224940-01	-83703933+00	+16551883+00
+31110493+00	+16330762+01	-11211808-01	-83700819+00	+16551246+00
+31154126+00	+16596891+01	-12212399-01	-83697408+00	+16550556+00
+31197759+00	+16852418+01	-13225975-01	-83693696+00	+16549816+00
+31241392+00	+17098361+01	-14251659-01	-83689680+00	+16549028+00
+31285025+00	+17335585+01	-15289416-01	-83685354+00	+16548191+00
+31328659+00	+17564829+01	-16338104-01	-83680718+00	+16547306+00
+31372292+00	+17786728+01	-17397332-01	-83675767+00	+16546371+00
+31415925+00	+18001841+01	-18466695-01	-83670497+00	+16545390+00
+31459558+00	+18210653+01	-19545716-01	-83664905+00	+16544358+00
+31503191+00	+18413596+01	-20634018-01	-83658992+00	+16543279+00
+31546825+00	+18611052+01	-21731153-01	-83652753+00	+16542154+00
+31590458+00	+18803366+01	-22836839-01	-83646185+00	+16540977+00
+31634091+00	+18990841+01	-23950687-01	-83639286+00	+16539755+00
+31677724+00	+19173756+01	-25072409-01	-83632056+00	+16538485+00
+31721357+00	+19352360+01	-26201674-01	-83624487+00	+16537167+00
+31764991+00	+19526883+01	-27338280-01	-83616585+00	+16535802+00
+31808624+00	+19697534+01	-28481867-01	-83608344+00	+16534386+00
+31852257+00	+19864499+01	-29632257-01	-83599760+00	+16532927+00
+31895890+00	+20027959+01	-30789188-01	-83590835+00	+16531419+00
+31939523+00	+20188070+01	-31952400-01	-83581567+00	+16529863+00
+31983157+00	+20344982+01	-33121726-01	-83571952+00	+16528260+00
+32026790+00	+20498834+01	-34296961-01	-83561990+00	+16526610+00
+32070423+00	+20649753+01	-35477858-01	-83551679+00	+16524912+00
+32114056+00	+20797857+01	-36664315-01	-83541019+00	+16523167+00
+32157689+00	+20943259+01	-37856083-01	-83530008+00	+16521373+00
+32201323+00	+21086061+01	-39053017-01	-83518643+00	+16519532+00
+32244956+00	+21226359+01	-40254899-01	-83506926+00	+16517647+00
+32288589+00	+21364244+01	-41461678-01	-83494853+00	+16515709+00
+32332222+00	+21499802+01	-42673073-01	-83482424+00	+16513725+00
+32375855+00	+21633113+01	-43889051-01	-83469639+00	+16511695+00
+32419489+00	+21764251+01	-45109414-01	-83456490+00	+16509616+00
+32463122+00	+21893288+01	-46334004-01	-83442986+00	+16507488+00
+32506755+00	+22020292+01	-47562758-01	-83429120+00	+16505314+00
+32550388+00	+22145324+01	-48795461-01	-83414892+00	+16503090+00
+32594021+00	+22268446+01	-50032028-01	-83400303+00	+16500818+00
+32637655+00	+22389714+01	-51272356-01	-83385347+00	+16498497+00
+32681288+00	+22509183+01	-52516276-01	-83370030+00	+16496128+00

TABLE 126.—Continued

$$M_{\infty} = +20000089+02$$

$$\Theta_B = +30543261+00$$

Θ	M_{w2}^*	ψ_2	M_2^*	μ_1
+32724921+00	+22626904+01	-53763751-01	-83354343+00	+16493709+00
+32768555+00	+22742924+01	-55014572-01	-83338292+00	+16491242+00
+32812187+00	+22857293+01	-56268700-01	-83321873+00	+16488725+00
+32855821+00	+22970052+01	-57525977-01	-83305087+00	+16486160+00
+32899454+00	+23081244+01	-58786351-01	-83287930+00	+16483544+00
+32943087+00	+23190910+01	-60049667-01	-83270404+00	+16480879+00
+32986721+00	+23299088+01	-61315839-01	-83252506+00	+16478163+00
+33030353+00	+23405815+01	-62584747-01	-83234237+00	+16475396+00
+33073987+00	+23511126+01	-63856316-01	-83215595+00	+16472579+00
+33117620+00	+23615055+01	-65130403-01	-83196581+00	+16469711+00
+33161253+00	+23717634+01	-66406976-01	-83177194+00	+16466791+00
+33204887+00	+23818893+01	-67685870-01	-83157431+00	+16463820+00
+33248520+00	+23918863+01	-68967026-01	-83137296+00	+16460794+00
+33292153+00	+24017573+01	-70250328-01	-83116782+00	+16457717+00
+33335786+00	+24115049+01	-71535681-01	-83095894+00	+16454589+00
+33379419+00	+24211317+01	-72822962-01	-83074627+00	+16451406+00
+33423053+00	+24306404+01	-74112099-01	-83052985+00	+16448170+00
+33466686+00	+24400334+01	-75402965-01	-83030965+00	+16444880+00
+33510319+00	+24493130+01	-76695481-01	-83008565+00	+16441532+00
+33553952+00	+24584813+01	-77989505-01	-82985790+00	+16438133+00
+33597585+00	+24675407+01	-79284937-01	-82962635+00	+16434675+00
+33641219+00	+24764933+01	-80581728-01	-82939100+00	+16431163+00
+33684852+00	+24853410+01	-81879687-01	-82915186+00	+16427594+00
+33728485+00	+24940857+01	-83178773-01	-82890892+00	+16423967+00
+33772118+00	+25027295+01	-84478800-01	-82866222+00	+16420281+00
+33815751+00	+25112741+01	-85779672-01	-82841167+00	+16416539+00
+33859385+00	+25197219+01	-87081314-01	-82815736+00	+16412736+00
+33887634+00	+25251400+01	-87924227-01	-82799076+00	+16410247+00

$$S_2/R = +12772787+02$$

$$\eta/\alpha = +10458047+01$$

TABLE 127.—Conical Flow Field. $\theta_s=20.0^\circ$; $M_\infty=1.3419094$

M_∞	θ_s	θ_w
+13419094+01	+34906588+00	+98196510+00

θ	M_2^*	ψ_2	M_2^*	μ_1
+34906588+00	+19707283+01	+32428652-05	-68287428+00	+15676366+01
+36651917+00	+18856086+01	-93877872-01	-68070173+00	+15445992+01
+38397245+00	+18098380+01	-17583776+00	-67503707+00	+15205473+01
+40142573+00	+17431035+01	-24783866+00	-66687629+00	+14980553+01
+41887902+00	+16840723+01	-31145804+00	-65693115+00	+14769639+01
+43633230+00	+16316092+01	-36797047+00	-64571578+00	+14571111+01
+45378558+00	+15847744+01	-41841535+00	-63360444+00	+14383539+01
+47123887+00	+15427900+01	-46364775+00	-62087097+00	+14205696+01
+48869215+00	+15050102+01	-50437674+00	-60771632+00	+14036516+01
+50614543+00	+14708951+01	-54119498+00	-59428765+00	+13875071+01
+52359872+00	+14399910+01	-57460098+00	-58069213+00	+13720547+01
+54105200+00	+14119144+01	-60501690+00	-56700693+00	+13572227+01
+55850528+00	+13863395+01	-63280258+00	-55328634+00	+13429473+01
+57595856+00	+13629878+01	-65826634+00	-53956698+00	+13291717+01
+59341185+00	+13416205+01	-68167421+00	-52587166+00	+13158442+01
+61086513+00	+13220318+01	-70325680+00	-51221233+00	+13029184+01
+62831841+00	+13040438+01	-72321525+00	-49859193+00	+12903516+01
+64577170+00	+12875017+01	-74172611+00	-48500595+00	+12781046+01
+66322498+00	+12722713+01	-75894535+00	-47144336+00	+12661407+01
+68067826+00	+12582352+01	-77501178+00	-45788709+00	+12544254+01
+69813155+00	+12452907+01	-79005001+00	-44431431+00	+12429258+01
+71558483+00	+12333483+01	-80417298+00	-43069616+00	+12316104+01
+73303811+00	+12223295+01	-81748431+00	-41699722+00	+12204479+01
+75049140+00	+12121657+01	-83008061+00	-40317461+00	+12094077+01
+76794468+00	+12027973+01	-84205367+00	-38917629+00	+11984584+01
+78539796+00	+11941728+01	-85349273+00	-37493891+00	+11875678+01
+80285124+00	+11862483+01	-86448734+00	-36038439+00	+11767016+01
+82030453+00	+11789867+01	-87513076+00	-34541488+00	+11658228+01
+83775781+00	+11723581+01	-88552445+00	-32990544+00	+11548903+01
+85521109+00	+11663396+01	-89578467+00	-31369255+00	+11438569+01
+87266438+00	+11609161+01	-90605252+00	-29655608+00	+11326668+01
+89011766+00	+11560812+01	-91650990+00	-27818948+00	+11212519+01
+90757094+00	+11518397+01	-92740839+00	-25814694+00	+11095253+01
+92502423+00	+11482112+01	-93912212+00	-23574542+00	+10973711+01
+94247751+00	+11452374+01	-95225691+00	-20986453+00	+10846261+01
+95993079+00	+11429967+01	-96790222+00	-17848862+00	+10710432+01
+97738408+00	+11416371+01	-98831988+00	-13746741+00	+10562087+01
+98196510+00	+11414581+01	-99503211+00	-12407999+00	+10520230+01

$S_2/R = +12398090-01$

$\eta/\alpha = +42489989+00$

TABLE 128.—Conical Flow Field. $\theta_s=20.0^\circ$; $M_\infty=1.5$

M_∞	θ_B	θ_W
+14999999+01	+34906588+00	+85571959+00

θ	M_{W2}^*	ψ_2	M_2^*	μ_1
+34906588+00	+20221965+01	+46137720-05	-70482219+00	+10533291+01
+36084685+00	+19642720+01	-59351832-01	-70377023+00	+10530370+01
+37262782+00	+19091543+01	-11349538+00	-70090238+00	+10522182+01
+38440878+00	+18584706+01	-16304252+00	-69658253+00	+10509501+01
+39618975+00	+18118864+01	-20852889+00	-69109780+00	+10492974+01
+40797072+00	+17690113+01	-25041423+00	-68467595+00	+10473151+01
+41975168+00	+17294784+01	-28909460+00	-67749865+00	+10450495+01
+43065998+00	+16955669+01	-32235051+00	-67030642+00	+10427333+01
+44156828+00	+16640048+01	-35338978+00	-66268496+00	+10402346+01
+45247659+00	+16345842+01	-38242178+00	-65471063+00	+10375761+01
+46338489+00	+16071196+01	-40963174+00	-64644578+00	+10347774+01
+47429319+00	+15814454+01	-43518420+00	-63794143+00	+10318554+01
+48520149+00	+15574138+01	-45922587+00	-62923902+00	+10288244+01
+49523713+00	+15366413+01	-48012299+00	-62108694+00	+10259502+01
+50527272+00	+15170538+01	-49994498+00	-61281690+00	+10230025+01
+51530827+00	+14985670+01	-51877548+00	-60444612+00	+10199883+01
+52534383+00	+14811044+01	-53669071+00	-59598823+00	+10169137+01
+53537938+00	+14645966+01	-55376042+00	-58745388+00	+10137837+01
+54541493+00	+14489802+01	-57004848+00	-57885103+00	+10106028+01
+55457782+00	+14354511+01	-58428745+00	-57094116+00	+10076571+01
+56374072+00	+14225767+01	-59796520+00	-56298153+00	+10046742+01
+57290362+00	+14103198+01	-61112023+00	-55497350+00	+10016559+01
+58206651+00	+13986462+01	-62378868+00	-54691704+00	+99860369+00
+59122941+00	+13875242+01	-63600434+00	-53881098+00	+99551867+00
+60039230+00	+13769248+01	-64779902+00	-53065301+00	+99240150+00
+60868254+00	+13677628+01	-65813286+00	-52322435+00	+98955387+00
+61697278+00	+13589879+01	-66816811+00	-51574692+00	+98668042+00
+62526301+00	+13505832+01	-67792509+00	-50821653+00	+98378090+00
+63355326+00	+13425325+01	-68742343+00	-50062817+00	+98085505+00
+64184349+00	+13348210+01	-69668233+00	-49297583+00	+97790229+00
+65013373+00	+13274349+01	-70572028+00	-48525274+00	+97492190+00
+65755132+00	+13210915+01	-71363460+00	-47827614+00	+97223096+00
+66496890+00	+13149897+01	-72139967+00	-47123014+00	+96951625+00
+67238647+00	+13091216+01	-72902837+00	-46410752+00	+96677676+00
+67980406+00	+13034797+01	-73653378+00	-45690017+00	+96401139+00
+68722164+00	+12980571+01	-74392907+00	-44959886+00	+96121877+00
+69463923+00	+12928474+01	-75122775+00	-44219331+00	+95839739+00
+70118415+00	+12884227+01	-75759863+00	-43556318+00	+95588275+00
+70772908+00	+12841554+01	-76391519+00	-42883373+00	+95334300+00
+71427400+00	+12800421+01	-77018779+00	-42199506+00	+95077679+00
+72081893+00	+12760797+01	-77642754+00	-41503571+00	+94818243+00
+72736385+00	+12722655+01	-78264620+00	-40794300+00	+94555814+00
+73390878+00	+12685968+01	-78885638+00	-40070251+00	+94290189+00
+73958104+00	+12655333+01	-79424241+00	-39429523+00	+94057224+00
+74525331+00	+12625763+01	-79964232+00	-38775251+00	+93821526+00
+75092558+00	+12597248+01	-80506683+00	-38106076+00	+93582924+00
+75659785+00	+12569778+01	-81052784+00	-37420449+00	+93341219+00
+76227012+00	+12543348+01	-81603847+00	-36716613+00	+93096187+00
+76794239+00	+12517955+01	-82161356+00	-35992559+00	+92847590+00
+77274200+00	+12497278+01	-82639369+00	-35362388+00	+92634253+00

TABLE 128.—Continued

 $M_{00} = +14999999+01$ $\theta_8 = +34906588+00$

θ	M_{w2}^*	ψ_2	M_2^*	μ_1
+77754161+00	+12477342+01	-83124346+00	-34714472+00	+92417988+00
+78234122+00	+12458151+01	-83617575+00	-34046982+00	+92198590+00
+78714084+00	+12439709+01	-84120523+00	-33357824+00	+91975842+00
+79194045+00	+12422023+01	-84634884+00	-32644568+00	+91749488+00
+79674006+00	+12405101+01	-85162591+00	-31904420+00	+91519255+00
+80066701+00	+12391832+01	-85605843+00	-31276565+00	+91327775+00
+80459397+00	+12379090+01	-86060956+00	-30626452+00	+91133300+00
+80852092+00	+12366883+01	-86529576+00	-29951681+00	+90935613+00
+81244788+00	+12355222+01	-87013578+00	-29249506+00	+90734484+00
+81637483+00	+12344121+01	-87515175+00	-28516699+00	+90529638+00
+82030179+00	+12333595+01	-88036934+00	-27749503+00	+90320782+00
+82335609+00	+12325816+01	-88458624+00	-27126192+00	+90155354+00
+82641039+00	+12318406+01	-88896012+00	-26476961+00	+89987121+00
+82946468+00	+12311374+01	-89351053+00	-25798962+00	+89815880+00
+83251898+00	+12304734+01	-89825987+00	-25088930+00	+89641414+00
+83557328+00	+12298500+01	-90323452+00	-24343024+00	+89463471+00
+83862758+00	+12292688+01	-90846553+00	-23556731+00	+89281775+00
+84080922+00	+12288807+01	-91237917+00	-22967426+00	+89149519+00
+84299087+00	+12285158+01	-91645817+00	-22352503+00	+89015055+00
+84517251+00	+12281750+01	-92072054+00	-21709352+00	+88878244+00
+84735415+00	+12278595+01	-92518706+00	-21034971+00	+88738923+00
+84953579+00	+12275702+01	-92988198+00	-20325862+00	+88596916+00
+85171743+00	+12273084+01	-93483347+00	-19577962+00	+88452027+00
+85389907+00	+12270754+01	-94007487+00	-18786480+00	+88304032+00
+85571959+00	+12269042+01	-94469866+00	-18088610+00	+88177976+00

 $S_2/R = +21838305-01$ $\eta/\alpha = +45067835+00$

TABLE 129.—Conical Flow Field. $\theta_s=20.0^\circ$; $M_\infty=1.75$

M_∞	Θ_s	Θ_w
+17500001+01	+34906588+00	+73560474+00

θ	M_{w2}^*	ϕ_2	M_2^*	μ_1
+34906588+00	+20722358+01	+30472675-05	-73390529+00	+82155506+00
+35822886+00	+20312490+01	-42027015-01	-73324197+00	+82143635+00
+36739183+00	+19881465+01	-81214560-01	-73139327+00	+82109831+00
+37655480+00	+19472797+01	-11782207+00	-72854454+00	+82056582+00
+38571778+00	+19088164+01	-15209739+00	-72484877+00	+81986010+00
+39488075+00	+18726801+01	-18426166+00	-72043248+00	+81899964+00
+40404372+00	+18387370+01	-21451077+00	-71540076+00	+81800036+00
+41320670+00	+18068409+01	-24301892+00	-70984091+00	+81687605+00
+42149701+00	+17796260+01	-26744143+00	-70441646+00	+81576113+00
+42978732+00	+17538679+01	-29066885+00	-69866473+00	+81456144+00
+43807763+00	+17294720+01	-31279458+00	-69262411+00	+81328372+00
+44636793+00	+17063503+01	-33390334+00	-68632709+00	+81193403+00
+45465825+00	+16844216+01	-35407256+00	-67980100+00	+81051762+00
+46294855+00	+16636109+01	-37337281+00	-67306899+00	+80903906+00
+47123887+00	+16438490+01	-39186904+00	-66615008+00	+80750233+00
+47865651+00	+16270040+01	-40778568+00	-65981407+00	+80608100+00
+48607416+00	+16109053+01	-42314619+00	-65335035+00	+80461803+00
+49349180+00	+15955135+01	-43798760+00	-64676641+00	+80311538+00
+50090944+00	+15807922+01	-45234468+00	-64006814+00	+80157464+00
+50832702+00	+15667073+01	-46625009+00	-63325992+00	+79999715+00
+51574460+00	+15532272+01	-47973460+00	-62634484+00	+79838410+00
+52316219+00	+15403227+01	-49282748+00	-61932454+00	+79673635+00
+52970711+00	+15293922+01	-50407700+00	-61304314+00	+79525420+00
+53625204+00	+15188709+01	-51506162+00	-60667968+00	+79374594+00
+54279696+00	+15087422+01	-52579908+00	-60023282+00	+79221182+00
+54934189+00	+14989905+01	-53630648+00	-59370061+00	+79065191+00
+55588681+00	+14896015+01	-54660061+00	-58708019+00	+78906623+00
+56243174+00	+14805614+01	-55669791+00	-58036791+00	+78745464+00
+56897666+00	+14718576+01	-56661467+00	-57355923+00	+78581685+00
+57464893+00	+14645769+01	-57507560+00	-56757626+00	+78437594+00
+58032120+00	+14575325+01	-58342350+00	-56151271+00	+78291476+00
+58599347+00	+14507175+01	-59166892+00	-55536390+00	+78143291+00
+59166573+00	+14441254+01	-59982256+00	-54912437+00	+77992990+00
+59733801+00	+14377501+01	-60789538+00	-54278800+00	+77840514+00
+60301027+00	+14315860+01	-61589864+00	-53634783+00	+77685799+00
+60868254+00	+14256277+01	-62384401+00	-52979593+00	+77528767+00
+61348215+00	+14207431+01	-63053083+00	-52415821+00	+77394023+00
+61828176+00	+14159997+01	-63719259+00	-51842808+00	+77257495+00
+62308138+00	+14113946+01	-64383753+00	-51259877+00	+77119122+00
+62788099+00	+14069256+01	-65047426+00	-50666274+00	+76978829+00
+63268060+00	+14025905+01	-65711199+00	-50061162+00	+76836535+00
+63748021+00	+13983872+01	-66376066+00	-49443591+00	+76692147+00
+64227982+00	+13943139+01	-67043087+00	-48812517+00	+76545570+00
+64620677+00	+13910768+01	-67591254+00	-48285301+00	+76423933+00
+65013373+00	+13879248+01	-68142335+00	-47747519+00	+76300695+00
+65406069+00	+13848573+01	-68697091+00	-47198358+00	+76175773+00
+65798764+00	+13818738+01	-69256342+00	-46636922+00	+76049093+00
+66191460+00	+13789737+01	-69820991+00	-46062203+00	+75920568+00
+66584155+00	+13761569+01	-70392029+00	-45473086+00	+75790100+00
+66976851+00	+13734230+01	-70970567+00	-44868298+00	+75657587+00

TABLE 129.—Continued

 $M_{00} = +17500001+01$ $\theta_8 = +34906588+00$

θ	M_{w2}^*	ϕ_2	M_2^*	μ_1
+67282281+00	+13713539+01	-71426503+00	-44386169+00	+75553033+00
+67587711+00	+13693351+01	-71888364+00	-43892953+00	+75447112+00
+67893140+00	+13673665+01	-72356841+00	-43387823+00	+75339762+00
+68198570+00	+13654483+01	-72832715+00	-42869863+00	+75230913+00
+68504000+00	+13635809+01	-73316853+00	-42338042+00	+75120488+00
+68809430+00	+13617644+01	-73810210+00	-41791216+00	+75008405+00
+69114860+00	+13599993+01	-74313854+00	-41228103+00	+74894575+00
+69333024+00	+13587702+01	-74680555+00	-40815116+00	+74812145+00
+69551188+00	+13575678+01	-75053600+00	-40392504+00	+74728736+00
+69769353+00	+13563923+01	-75433514+00	-39959629+00	+74644303+00
+69987517+00	+13552439+01	-75820886+00	-39515779+00	+74558807+00
+70205681+00	+13541231+01	-76216348+00	-39060188+00	+74472193+00
+70423845+00	+13530301+01	-76620611+00	-38592002+00	+74384416+00
+70642009+00	+13519654+01	-77034445+00	-38110279+00	+74295414+00
+70772908+00	+13513402+01	-77287696+00	-37814315+00	+74241403+00
+70903806+00	+13507255+01	-77544906+00	-37512855+00	+74186917+00
+71034704+00	+13501213+01	-77806296+00	-37205637+00	+74131941+00
+71165603+00	+13495278+01	-78072097+00	-36892375+00	+74076461+00
+71296502+00	+13489451+01	-78342557+00	-36572770+00	+74020457+00
+71427400+00	+13483732+01	-78617949+00	-36246492+00	+73963915+00
+71558299+00	+13478125+01	-78898549+00	-35913201+00	+73906817+00
+71689197+00	+13472629+01	-79184678+00	-35572517+00	+73849145+00
+71820095+00	+13467247+01	-79476668+00	-35224034+00	+73790874+00
+71950994+00	+13461980+01	-79774877+00	-34867318+00	+73731989+00
+72081893+00	+13456831+01	-80079696+00	-34501892+00	+73672462+00
+72212791+00	+13451801+01	-80391554+00	-34127246+00	+73612275+00
+72343689+00	+13446894+01	-80710907+00	-33742819+00	+73551396+00
+72474588+00	+13442110+01	-81038263+00	-33348006+00	+73489801+00
+72605487+00	+13437452+01	-81374169+00	-32942145+00	+73427461+00
+72736385+00	+13432924+01	-81719223+00	-32524511+00	+73364343+00
+72867284+00	+13428528+01	-82074090+00	-32094304+00	+73300418+00
+72998182+00	+13424268+01	-82439485+00	-31650662+00	+73235648+00
+73129080+00	+13420146+01	-82816216+00	-31192609+00	+73169994+00
+73259979+00	+13416166+01	-83205166+00	-30719089+00	+73103418+00
+73390878+00	+13412333+01	-83607321+00	-30228916+00	+73035873+00
+73521776+00	+13408651+01	-84023774+00	-29720770+00	+72967309+00
+73560474+00	+13407593+01	-84149800+00	-29566902+00	+72946839+00

 $S_2/R = +51478786-01$ $\eta/\alpha = +51151872+00$

TABLE 130.—Conical Flow Field. $\theta_s=20.0^\circ$; $M_\infty=2.0$

M_{∞}	Θ_B	Θ_W
+19999999+01	+34906588+00	+65966167+00

Θ	M_{W2}^*	ψ_2	M_2^*	μ_1
+34906588+00	+20860100+01	+21588057-05	-75646440+00	+69170847+00
+35735619+00	+20576094+01	-34971345-01	-75591415+00	+69162682+00
+36564650+00	+20214826+01	-67886356-01	-75436663+00	+69139306+00
+37393681+00	+19862080+01	-98899573-01	-75195976+00	+69102269+00
+38222712+00	+19524285+01	-12817921+00	-74880892+00	+69052898+00
+39051743+00	+19202876+01	-15588002+00	-74501068+00	+68992339+00
+39880774+00	+18897866+01	-18214179+00	-74064597+00	+68921593+00
+40709805+00	+18608737+01	-20709035+00	-73578253+00	+68841516+00
+41451570+00	+18362915+01	-22839246+00	-73105492+00	+68762585+00
+42193334+00	+18128661+01	-24880772+00	-72600791+00	+68677260+00
+42935099+00	+17905400+01	-26840380+00	-72067065+00	+68585943+00
+43676863+00	+17692567+01	-28724258+00	-71506783+00	+68489001+00
+44418627+00	+17489620+01	-30538128+00	-70922012+00	+68386747+00
+45160392+00	+17296042+01	-32287288+00	-70314468+00	+68279451+00
+45902157+00	+17111348+01	-33976666+00	-69685549+00	+68167344+00
+46556655+00	+16955392+01	-35421334+00	-69113763+00	+68064588+00
+47211153+00	+16805700+01	-36826024+00	-68526803+00	+67958354+00
+47865651+00	+16661992+01	-38193575+00	-67925107+00	+67848736+00
+48520149+00	+16524007+01	-39526688+00	-67308972+00	+67735814+00
+49174647+00	+16391497+01	-40827955+00	-66678558+00	+67619643+00
+49829145+00	+16264234+01	-42099886+00	-66033889+00	+67500267+00
+50483639+00	+16141999+01	-43344925+00	-65374841+00	+67377710+00
+51050866+00	+16039974+01	-44404039+00	-64791847+00	+67268931+00
+51618093+00	+15941449+01	-45446271+00	-64197607+00	+67157769+00
+52185320+00	+15846308+01	-46473157+00	-63591780+00	+67044199+00
+52752547+00	+15754442+01	-47486216+00	-62973932+00	+66928203+00
+53319774+00	+15665747+01	-48486994+00	-62343537+00	+66809745+00
+53887000+00	+15580126+01	-49477063+00	-61699944+00	+66688780+00
+54454227+00	+15497489+01	-50458039+00	-61042394+00	+66565246+00
+54934189+00	+15429833+01	-51282234+00	-60474446+00	+66458661+00
+55414150+00	+15364204+01	-52102182+00	-59895235+00	+66350138+00
+55894111+00	+15300559+01	-52918981+00	-59304059+00	+66239618+00
+56374072+00	+15238856+01	-53733824+00	-58700091+00	+66127031+00
+56854033+00	+15179055+01	-54547951+00	-58082409+00	+66012304+00
+57333995+00	+15121122+01	-55362701+00	-57449966+00	+65895352+00
+57813955+00	+15065024+01	-56179533+00	-56801547+00	+65776074+00
+58206651+00	+15020470+01	-56850506+00	-56258188+00	+65676678+00
+58599347+00	+14977110+01	-57524881+00	-55702364+00	+65575585+00
+58992042+00	+14934933+01	-58203701+00	-55133116+00	+65472722+00
+59384738+00	+14893927+01	-58888101+00	-54549363+00	+65368003+00
+59777433+00	+14854083+01	-59579335+00	-53949886+00	+65261339+00
+60170129+00	+14815393+01	-60278809+00	-53333292+00	+65152626+00
+60562824+00	+14777852+01	-60988080+00	-52698008+00	+65041753+00
+60868254+00	+14749446+01	-61547633+00	-52189827+00	+64953942+00
+61173684+00	+14721732+01	-62115116+00	-51668285+00	+64864683+00
+61479114+00	+14694712+01	-62691546+00	-51132310+00	+64773904+00
+61784544+00	+14668387+01	-63278099+00	-50580675+00	+64681521+00
+62089974+00	+14642758+01	-63876048+00	-50012025+00	+64587451+00
+62395403+00	+14617832+01	-64486857+00	-49424808+00	+64491600+00
+62700833+00	+14593612+01	-65112174+00	-48817255+00	+64393859+00

TABLE 130.—Continued

$$M_{\infty} = +19999999+01$$

$$\theta_B = +34906588+00$$

θ	M_{w2}^*	ψ_2	M_2^*	μ_1
+62918997+00	+14576748+01	-65568753+00	-48369726+00	+64322822+00
+63137162+00	+14560252+01	-66034465+00	-47909962+00	+64250715+00
+63355326+00	+14544127+01	-66510174+00	-47437037+00	+64177484+00
+63573490+00	+14528376+01	-66996827+00	-46949930+00	+64103078+00
+63791654+00	+14513005+01	-67495487+00	-46447487+00	+64027435+00
+64009818+00	+14498020+01	-68007354+00	-45928417+00	+63950486+00
+64227982+00	+14483426+01	-68533770+00	-45391267+00	+63872162+00
+64358881+00	+14474861+01	-68857227+00	-45059626+00	+63824475+00
+64489779+00	+14466440+01	-69186830+00	-44720490+00	+63776248+00
+64620677+00	+14458167+01	-69522976+00	-44373438+00	+63727457+00
+64751577+00	+14450043+01	-69866079+00	-44018014+00	+63678086+00
+64882475+00	+14442071+01	-70216622+00	-43653708+00	+63628107+00
+65013373+00	+14434252+01	-70575099+00	-43279977+00	+63577501+00
+65144272+00	+14426589+01	-70942065+00	-42896222+00	+63526242+00
+65275170+00	+14419085+01	-71318120+00	-42501793+00	+63474301+00
+65406069+00	+14411744+01	-71703926+00	-42095984+00	+63421655+00
+65536967+00	+14404567+01	-72100224+00	-41677989+00	+63368265+00
+65667866+00	+14397559+01	-72507811+00	-41246954+00	+63314104+00
+65798764+00	+14390723+01	-72927583+00	-40801913+00	+63259130+00
+65929662+00	+14384065+01	-73360518+00	-40341810+00	+63203312+00
+65966167+00	+14382241+01	-73483738+00	-40210665+00	+63187592+00

$$S_2/R = +10526045+00$$

$$\eta/\alpha = +57195610+00$$

TABLE 131.—Conical Flow Field. $\theta_s=20.0^\circ$; $M_\infty=2.5$

M_∞	θ_s	θ_w		
+24999999+01	+34906588+00	+56864312+00		

θ	M_{w2}^*	ψ_2	M_2^*	μ_1
+34906588+00	+20371024+01	+12051314-05	-78955041+00	+54004939+00
+35386554+00	+20468744+01	-17650582-01	-78936607+00	+54002572+00
+35866519+00	+20359948+01	-34805918-01	-78883070+00	+53995655+00
+36346484+00	+20223793+01	-51446689-01	-78797056+00	+53984460+00
+36826449+00	+20077173+01	-67588672-01	-78680995+00	+53969237+00
+37306415+00	+19926470+01	-83254263-01	-78537066+00	+53950211+00
+37786380+00	+19774814+01	-98467815-01	-78367232+00	+53927585+00
+38266345+00	+19623955+01	-11325374+00	-78173245+00	+53901540+00
+38746310+00	+19474938+01	-12763568+00	-77956669+00	+53872243+00
+39182642+00	+19341619+01	-14037873+00	-77741362+00	+53842916+00
+39618975+00	+19210675+01	-15282330+00	-77509475+00	+53811126+00
+40055307+00	+19082316+01	-16498505+00	-77261850+00	+53776967+00
+40491639+00	+18956670+01	-17687897+00	-76999238+00	+53740522+00
+40927971+00	+18833820+01	-18851947+00	-76722301+00	+53701871+00
+41364303+00	+18713807+01	-1992049+00	-76431631+00	+53661078+00
+41800635+00	+18596647+01	-21109524+00	-76127739+00	+53618207+00
+42236967+00	+18482335+01	-22205662+00	-75811076+00	+53573309+00
+42629666+00	+18381875+01	-23174959+00	-75515475+00	+53531209+00
+43022365+00	+18283687+01	-24128854+00	-75210076+00	+53487534+00
+43415064+00	+18187745+01	-25068180+00	-74895074+00	+53442318+00
+43807763+00	+18094018+01	-25993780+00	-74570629+00	+53395582+00
+44200461+00	+18002476+01	-26906472+00	-74236860+00	+53347340+00
+44593161+00	+17913081+01	-27807045+00	-73893855+00	+53297614+00
+44985859+00	+17825800+01	-28696301+00	-73541655+00	+53246410+00
+45378558+00	+17740595+01	-29575031+00	-73180268+00	+53193737+00
+45727624+00	+17666570+01	-30347909+00	-72851301+00	+53145688+00
+46076689+00	+17594132+01	-31113622+00	-72515015+00	+53096483+00
+46425755+00	+17523252+01	-31872728+00	-72171330+00	+53046120+00
+46774821+00	+17453908+01	-32625774+00	-71820156+00	+52994592+00
+47123887+00	+17386074+01	-33373332+00	-71461361+00	+52941895+00
+47472952+00	+17319724+01	-34115961+00	-71094800+00	+52888019+00
+47822018+00	+17254836+01	-34854242+00	-70720285+00	+52832954+00
+48171083+00	+17191388+01	-35588782+00	-70337601+00	+52776682+00
+48476516+00	+17137033+01	-36228913+00	-69995855+00	+52726439+00
+48781948+00	+17083748+01	-36867076+00	-69647471+00	+52675247+00
+49087381+00	+17031519+01	-37503712+00	-69292232+00	+52623086+00
+49392813+00	+16980334+01	-38139291+00	-68929892+00	+52569938+00
+49698246+00	+16930178+01	-38774292+00	-68560177+00	+52515786+00
+50003678+00	+16881040+01	-39409212+00	-68182793+00	+52460606+00
+50309108+00	+16832909+01	-40044606+00	-67797385+00	+52404372+00
+50614538+00	+16785773+01	-40681029+00	-67403584+00	+52347058+00
+50876335+00	+16746156+01	-41227821+00	-67059040+00	+52297045+00
+51138132+00	+16707257+01	-41776220+00	-66707732+00	+52246192+00
+51399929+00	+16669071+01	-42326663+00	-66349332+00	+52194480+00
+51661726+00	+16631592+01	-42879615+00	-65983487+00	+52141879+00
+51923523+00	+16594817+01	-43435576+00	-65609802+00	+52088363+00
+52185320+00	+16558740+01	-43995076+00	-65227852+00	+52033901+00
+52447117+00	+16523359+01	-44558692+00	-64837164+00	+51978461+00
+52708914+00	+16488671+01	-45127061+00	-64437202+00	+51922009+00
+52927078+00	+16460291+01	-45604830+00	-64096400+00	+51874158+00

TABLE 131.—Continued

$M_{00} = +24999999+01$

$\theta_B = +34906588+00$

θ	M_{w2}^*	ψ_2	M_2^*	μ_1
+53145242+00	+16432390+01	-46086804+00	-63748385+00	+51825554+00
+53363407+00	+16404965+01	-46573459+00	-63392745+00	+51776166+00
+53581571+00	+16378018+01	-47065294+00	-63029038+00	+51725967+00
+53799735+00	+16351549+01	-47562863+00	-62656770+00	+51674926+00
+54017899+00	+16325558+01	-48066781+00	-62275397+00	+51623009+00
+54236063+00	+16300045+01	-48577709+00	-61884318+00	+51570179+00
+54454227+00	+16275013+01	-49096378+00	-61482870+00	+51516399+00
+54628759+00	+16255335+01	-49517427+00	-61153751+00	+51472661+00
+54803290+00	+16235966+01	-49944410+00	-60817105+00	+51428262+00
+54977821+00	+16216910+01	-50377820+00	-60472475+00	+51383177+00
+55152353+00	+16198167+01	-50818188+00	-60119366+00	+51337380+00
+55326884+00	+16179739+01	-51266128+00	-59757216+00	+51290840+00
+55501415+00	+16161630+01	-51722296+00	-59385423+00	+51243525+00
+55675947+00	+16143843+01	-52187417+00	-59003306+00	+51195399+00
+55850478+00	+16126380+01	-52662286+00	-58610128+00	+51146427+00
+55981377+00	+16113499+01	-53025375+00	-58307488+00	+51109118+00
+56112275+00	+16100804+01	-53394871+00	-57997766+00	+51071293+00
+56243174+00	+16088298+01	-53771221+00	-57680550+00	+51032928+00
+56374072+00	+16075982+01	-54154923+00	-57355372+00	+50994006+00
+56504970+00	+16063861+01	-54546518+00	-57021736+00	+50954500+00
+56635869+00	+16051935+01	-54946593+00	-56679088+00	+50914390+00
+56766768+00	+16040207+01	-55355803+00	-56326818+00	+50873647+00
+56864312+00	+16031600+01	-55667087+00	-56057676+00	+50842865+00

$S_2/R = +30578538+00$

$\eta/\alpha = +67360710+00$

TABLE 132.—Conical Flow Field. $\theta_s=20.0^\circ$; $M_\infty=3.0$

M_∞	θ_s		θ_w	
+29999998+01	+34906588+00		+51687237+00	

θ	M_{w2}^*	θ_2	M_2^*	μ_1
+34906588+00	+19336563+01	+72456896-06	-81415578+00	+45191376+00
+35255654+00	+19749998+01	-11336204-01	-81406225+00	+45190186+00
+35604720+00	+19813075+01	-22543753-01	-81378622+00	+45186684+00
+35953785+00	+19821103+01	-33572819-01	-81333573+00	+45180972+00
+36302851+00	+19802224+01	-44412447-01	-81271900+00	+45173142+00
+36651917+00	+19767375+01	-55061568-01	-81194371+00	+45163281+00
+37000982+00	+19722145+01	-65523147-01	-81101717+00	+45151469+00
+37350048+00	+19669829+01	-75802298-01	-80994602+00	+45137778+00
+37699114+00	+19612549+01	-85905087-01	-80873642+00	+45122270+00
+38048179+00	+19551758+01	-95838082-01	-80739402+00	+45105012+00
+38397245+00	+19488489+01	-10560833+00	-80592390+00	+45086056+00
+38746310+00	+19423507+01	-11522271+00	-80433076+00	+45065453+00
+39051743+00	+19365700+01	-12351315+00	-80283913+00	+45046112+00
+39357176+00	+19307328+01	-13169442+00	-80125909+00	+45025572+00
+39662608+00	+19248633+01	-13977126+00	-79959292+00	+45003861+00
+39968040+00	+19189813+01	-14774830+00	-79784269+00	+44981001+00
+40273473+00	+19131032+01	-15563015+00	-79601023+00	+44957011+00
+40578905+00	+19072423+01	-16342130+00	-79409725+00	+44931912+00
+40884338+00	+19014096+01	-17112638+00	-79210505+00	+44905718+00
+41189770+00	+18956145+01	-17874978+00	-79003489+00	+44878448+00
+41495203+00	+18898646+01	-18629611+00	-78788772+00	+44850108+00
+41800635+00	+18841665+01	-19376958+00	-78566441+00	+44820713+00
+42106068+00	+18785256+01	-20117470+00	-78336550+00	+44790270+00
+42367867+00	+18737396+01	-20747088+00	-78133516+00	+44763347+00
+42629666+00	+18690013+01	-21372291+00	-77924968+00	+44735659+00
+42891465+00	+18643130+01	-21993362+00	-77710907+00	+44707209+00
+43153265+00	+18596764+01	-22610569+00	-77491327+00	+44678005+00
+43415064+00	+18550931+01	-23224213+00	-77266198+00	+44648034+00
+43676863+00	+18505643+01	-23834583+00	-77035490+00	+44617303+00
+43938662+00	+18460914+01	-24441964+00	-76799154+00	+44585805+00
+44200461+00	+18416751+01	-25046668+00	-76557127+00	+44553537+00
+44462261+00	+18373164+01	-25648992+00	-76309335+00	+44520495+00
+44724060+00	+18330158+01	-26249257+00	-76055691+00	+44486674+00
+44985859+00	+18287741+01	-26847793+00	-75796085+00	+44452059+00
+45204025+00	+18252847+01	-27345484+00	-75575108+00	+44422606+00
+45422191+00	+18218366+01	-27842412+00	-75349824+00	+44392590+00
+45640357+00	+18184303+01	-28338775+00	-75120150+00	+44362007+00
+45858523+00	+18150658+01	-28834788+00	-74885987+00	+44330850+00
+46076689+00	+18117433+01	-29330677+00	-74647219+00	+44299108+00
+46294855+00	+18084629+01	-29826675+00	-74403733+00	+44266772+00
+46513021+00	+18052249+01	-30323031+00	-74155387+00	+44233833+00
+46731187+00	+18020292+01	-30819998+00	-73902044+00	+44200278+00
+46949354+00	+17988761+01	-31317847+00	-73643537+00	+44166096+00
+47167520+00	+17957655+01	-31816859+00	-73379694+00	+44131274+00
+47385686+00	+17926977+01	-32317340+00	-73110317+00	+44095795+00
+47560219+00	+17902742+01	-32718996+00	-72890692+00	+44066929+00
+47734751+00	+17878782+01	-33121968+00	-72667275+00	+44037625+00
+47909284+00	+17855097+01	-33526441+00	-72439935+00	+44007871+00
+48083817+00	+17831687+01	-33932604+00	-72208541+00	+43977662+00
+48258350+00	+17808554+01	-34340673+00	-71972936+00	+43946981+00

TABLE 132.—Continued

$M_{00} = +29999998+01$

$\theta_B = +34906588+00$

θ	M_{w2}^*	ψ_2	M_2^*	μ_1
+48432883+00	+17785697+01	-34750847+00	-71732972+00	+43915820+00
+48607416+00	+17763119+01	-35163365+00	-71488470+00	+43884167+00
+48781948+00	+17740819+01	-35578484+00	-71239240+00	+43852007+00
+48956481+00	+17718798+01	-35996458+00	-70985083+00	+43819325+00
+49131014+00	+17697058+01	-36417576+00	-70725775+00	+43786105+00
+49305547+00	+17675599+01	-36842143+00	-70461079+00	+43752335+00
+49436446+00	+17659690+01	-37163019+00	-70258872+00	+43726633+00
+49567346+00	+17643942+01	-37486165+00	-70053367+00	+43700604+00
+49698246+00	+17628354+01	-37811738+00	-69844445+00	+43674238+00
+49829145+00	+17612926+01	-38139908+00	-69631961+00	+43647525+00
+49960045+00	+17597661+01	-38470844+00	-69415784+00	+43620458+00
+50090944+00	+17582559+01	-38804739+00	-69195749+00	+43593027+00
+50221842+00	+17567620+01	-39141799+00	-68971694+00	+43565221+00
+50352741+00	+17552845+01	-39482241+00	-68743434+00	+43537027+00
+50483639+00	+17538237+01	-39826289+00	-68510788+00	+43508437+00
+50614538+00	+17523795+01	-40174201+00	-68273541+00	+43479435+00
+50745436+00	+17509522+01	-40526244+00	-68031467+00	+43450008+00
+50832702+00	+17500100+01	-40763377+00	-67867286+00	+43430149+00
+50919968+00	+17490754+01	-41002573+00	-67700773+00	+43410090+00
+51007234+00	+17481485+01	-41243918+00	-67531853+00	+43389827+00
+51094499+00	+17472292+01	-41487519+00	-67360437+00	+43369356+00
+51181765+00	+17463177+01	-41733487+00	-67186433+00	+43348671+00
+51269030+00	+17454139+01	-41981934+00	-67009749+00	+43327767+00
+51356296+00	+17445180+01	-42232975+00	-66830281+00	+43306641+00
+51443562+00	+17436300+01	-42486751+00	-66647918+00	+43285281+00
+51530827+00	+17427500+01	-42743395+00	-66462545+00	+43263686+00
+51618093+00	+17418779+01	-43003048+00	-66274044+00	+43241847+00
+51687237+00	+17411929+01	-43211017+00	-66122385+00	+43224372+00

$S_2/R = +64012917+00$

$\eta/\alpha = +75024821+00$

TABLE 133.—Conical Flow Field. $\theta_s=20.0^\circ$; $M_\infty=3.5$

M_∞	θ_s	θ_w
+34999998+01	+34906588+00	+48423752+00

θ	M_{w2}^*	ψ_2	M_2^*	μ_1
+34906588+00	+18131298+01	+51036477-06	-83420696+00	+39409621+00
+35168387+00	+18822434+01	-76189116-02	-83415728+00	+39408961+00
+35430187+00	+19028912+01	-15256386-01	-83400867+00	+39407003+00
+35691986+00	+19156726+01	-22857716-01	-83376322+00	+39403791+00
+35953785+00	+19244196+01	-30403942-01	-83342344+00	+39399367+00
+36215585+00	+19306373+01	-37886217-01	-83299190+00	+39393764+00
+36477384+00	+19351007+01	-45300171-01	-83247121+00	+39387021+00
+36739183+00	+19382709+01	-52643856-01	-83186384+00	+39379171+00
+37000982+00	+19404482+01	-59916778-01	-83117214+00	+39370238+00
+37262782+00	+19418415+01	-67119345-01	-83039829+00	+39360255+00
+37524581+00	+19426022+01	-74252577-01	-82954441+00	+39349244+00
+37786380+00	+19428445+01	-81317925-01	-82861238+00	+39337229+00
+38048179+00	+19426566+01	-88317255-01	-82760406+00	+39324233+00
+38309978+00	+19421082+01	-95252440-01	-82652100+00	+39310273+00
+38571778+00	+19412555+01	-10212575+00	-82536476+00	+39295373+00
+38833577+00	+19401446+01	-10893953+00	-82413663+00	+39279541+00
+39095376+00	+19388134+01	-11569615+00	-82283787+00	+39262795+00
+39313542+00	+19375590+01	-12128482+00	-82170237+00	+39248151+00
+39531708+00	+19361898+01	-12683698+00	-82051914+00	+39232890+00
+39749874+00	+19347194+01	-13235422+00	-81928862+00	+39217016+00
+39968040+00	+19331602+01	-13783798+00	-81801122+00	+39200534+00
+40186206+00	+19315227+01	-14328997+00	-81668729+00	+39183448+00
+40404372+00	+19298167+01	-14871165+00	-81531717+00	+39165763+00
+40622538+00	+19280504+01	-15410468+00	-81390101+00	+39147482+00
+40840704+00	+19262317+01	-15947077+00	-81243900+00	+39128605+00
+41058870+00	+19243672+01	-16481149+00	-81093120+00	+39109137+00
+41277037+00	+19224630+01	-17012860+00	-80937764+00	+39089078+00
+41495203+00	+19205248+01	-17542382+00	-80777824+00	+39068427+00
+41713369+00	+19185575+01	-18069898+00	-80613285+00	+39047185+00
+41931535+00	+19165656+01	-18595583+00	-80444130+00	+39025350+00
+42149701+00	+19145533+01	-19119631+00	-80270327+00	+39002919+00
+42367867+00	+19125244+01	-19642228+00	-80091838+00	+38979889+00
+42586033+00	+19104823+01	-20163570+00	-79908621+00	+38956258+00
+42760566+00	+19088412+01	-20579881+00	-79758603+00	+38936916+00
+42935099+00	+19071952+01	-20995628+00	-79605490+00	+38917184+00
+43109631+00	+19055457+01	-21410923+00	-79449247+00	+38897058+00
+43284164+00	+19038939+01	-21825876+00	-79289827+00	+38876535+00
+43458697+00	+19022410+01	-22240612+00	-79127190+00	+38855609+00
+43633230+00	+19005883+01	-22655251+00	-78961283+00	+38834278+00
+43807763+00	+18989367+01	-23069919+00	-78792051+00	+38812537+00
+43982295+00	+18972874+01	-23484743+00	-78619434+00	+38790380+00
+44156828+00	+18956412+01	-23899868+00	-78443361+00	+38767801+00
+44331361+00	+18939991+01	-24315432+00	-78263762+00	+38744794+00
+44505894+00	+18923619+01	-24731587+00	-78080559+00	+38721353+00
+44680427+00	+18907305+01	-25148494+00	-77893659+00	+38697470+00
+44854959+00	+18891055+01	-25566307+00	-77702974+00	+38673137+00
+45029493+00	+18874878+01	-25985209+00	-77508400+00	+38648345+00
+45204025+00	+18858781+01	-26405375+00	-77309823+00	+38623086+00
+45378558+00	+18842769+01	-26827006+00	-77107121+00	+38597349+00
+45509458+00	+18830822+01	-27144309+00	-76952310+00	+38577726+00

TABLE 133.—Continued

$$M_{\infty} = +34999998+01$$

$$\theta_B = +34906588+00$$

θ	M_{w2}^*	ψ_2	M_2^*	μ_1
+45640357+00	+18818928+01	-27462645+00	-76795047+00	+38557822+00
+45771257+00	+18807092+01	-27782105+00	-76635264+00	+38537634+00
+45902157+00	+18795316+01	-28102788+00	-76472894+00	+38517155+00
+46033056+00	+18783602+01	-28424803+00	-76307866+00	+38496381+00
+46163956+00	+18771953+01	-28748262+00	-76140101+00	+38475300+00
+46294855+00	+18760370+01	-29073278+00	-75969517+00	+38453913+00
+46425755+00	+18748857+01	-29399982+00	-75796023+00	+38432209+00
+46556655+00	+18737415+01	-29728499+00	-75619527+00	+38410183+00
+46687555+00	+18726048+01	-30058967+00	-75439926+00	+38387826+00
+46818454+00	+18714755+01	-30391539+00	-75257115+00	+38365128+00
+46949354+00	+18703542+01	-30726364+00	-75070973+00	+38342081+00
+47080253+00	+18692409+01	-31063624+00	-74881371+00	+38318679+00
+47211153+00	+18681359+01	-31403484+00	-74688184+00	+38294909+00
+47342053+00	+18670394+01	-31746142+00	-74491259+00	+38270762+00
+47472952+00	+18659516+01	-32091800+00	-74290444+00	+38246224+00
+47560219+00	+18652313+01	-32324016+00	-74154321+00	+38229642+00
+47647485+00	+18645152+01	-32557730+00	-74016343+00	+38212881+00
+47734751+00	+18638031+01	-32793025+00	-73876445+00	+38195932+00
+47822018+00	+18630952+01	-33029967+00	-73734577+00	+38178794+00
+47909284+00	+18623916+01	-33268642+00	-73590672+00	+38161461+00
+47996551+00	+18616923+01	-33509142+00	-73444661+00	+38143929+00
+48083817+00	+18609975+01	-33751543+00	-73296480+00	+38126194+00
+48171083+00	+18603071+01	-33995947+00	-73146049+00	+38108250+00
+48258350+00	+18596213+01	-34242459+00	-72993292+00	+38090092+00
+48345616+00	+18589401+01	-34491180+00	-72838124+00	+38071717+00
+48423752+00	+18583343+01	-34715842+00	-72697075+00	+38055075+00

$$S_2/R = +10938411+01$$

$$\eta/\alpha = +80801301+00$$

TABLE 134.—Conical Flow Field. $\theta_s=20.0^\circ$; $M_\infty=4.0$

M_{00}	θ_s		θ_w	
+39999999+01	+34906588+00		+46225228+00	

θ	M_{w2}^*	ψ_2	M_2^*	μ_1
+34906588+00	+16947976+01	+41536987-06	-85110039+00	+35345540+00
+35124755+00	+17896702+01	-57688132-02	-85106798+00	+35345078+00
+35342921+00	+18223979+01	-11616955-01	-85096999+00	+35343705+00
+35561087+00	+18450190+01	-17487548-01	-85080666+00	+35341448+00
+35779253+00	+18623641+01	-23358367-01	-85057877+00	+35338329+00
+35997419+00	+18763518+01	-29217657-01	-85028726+00	+35334370+00
+36215585+00	+18879718+01	-35058355-01	-84993320+00	+35329591+00
+36433751+00	+18978139+01	-40875956-01	-84951765+00	+35324017+00
+36651917+00	+19062639+01	-46667716-01	-84904165+00	+35317657+00
+36870083+00	+19135901+01	-52431740-01	-84850624+00	+35310532+00
+37088249+00	+19199883+01	-58166942-01	-84791242+00	+35302658+00
+37306415+00	+19256064+01	-63872740-01	-84726105+00	+35294047+00
+37524581+00	+19305597+01	-69549019-01	-84655311+00	+35284711+00
+37742747+00	+19349395+01	-75195978-01	-84578931+00	+35274665+00
+37960913+00	+19388202+01	-80813977-01	-84497046+00	+35263916+00
+38179079+00	+19422625+01	-86403670-01	-84409722+00	+35252479+00
+38397245+00	+19453176+01	-91965833-01	-84317021+00	+35240358+00
+38615411+00	+19480285+01	-97501341-01	-84219000+00	+35227565+00
+38833577+00	+19504319+01	-10301125+00	-84115704+00	+35214102+00
+39008110+00	+19521546+01	-10740154+00	-84029296+00	+35202856+00
+39182642+00	+19537149+01	-11177681+00	-83939558+00	+35191188+00
+39357176+00	+19551257+01	-11613769+00	-83846502+00	+35179102+00
+39531708+00	+19563984+01	-12048488+00	-83750140+00	+35166601+00
+39706241+00	+19575433+01	-12481912+00	-83650481+00	+35153683+00
+39880774+00	+19585699+01	-12914114+00	-83547532+00	+35140351+00
+40055307+00	+19594865+01	-13345171+00	-83441291+00	+35126606+00
+40229840+00	+19603012+01	-13775171+00	-83331760+00	+35112447+00
+40404372+00	+19610208+01	-14204185+00	-83218936+00	+35097876+00
+40578905+00	+19616521+01	-14632308+00	-83102808+00	+35082890+00
+40753438+00	+19622010+01	-15059631+00	-82983363+00	+35067489+00
+40927971+00	+19626730+01	-15486251+00	-82860587+00	+35051674+00
+41102504+00	+19630733+01	-15912256+00	-82734462+00	+35035442+00
+41277037+00	+19634066+01	-16337750+00	-82604961+00	+35018789+00
+41451570+00	+19636772+01	-16762843+00	-82472057+00	+35001713+00
+41626102+00	+19638893+01	-17187628+00	-82335722+00	+34984214+00
+41800635+00	+19640466+01	-17612233+00	-82195914+00	+34966285+00
+41975168+00	+19641527+01	-18036760+00	-82052594+00	+34947925+00
+42106068+00	+19642006+01	-18355185+00	-81942771+00	+34933867+00
+42236967+00	+19642229+01	-18673691+00	-81830922+00	+34919562+00
+42367867+00	+19642208+01	-18992339+00	-81717025+00	+34905005+00
+42498766+00	+19641955+01	-19311177+00	-81601056+00	+34890196+00
+42629666+00	+19641481+01	-19630273+00	-81482980+00	+34875132+00
+42760566+00	+19640797+01	-19949687+00	-81362774+00	+34859809+00
+42891465+00	+19639914+01	-20269472+00	-81240409+00	+34844225+00
+43022365+00	+19638841+01	-20589714+00	-81115839+00	+34828377+00
+43153265+00	+19637588+01	-20910464+00	-80989040+00	+34812259+00
+43284164+00	+19636163+01	-21231798+00	-80859960+00	+34795870+00
+43415064+00	+19634577+01	-21553801+00	-80728565+00	+34779205+00
+43545963+00	+19632836+01	-21876542+00	-80594804+00	+34762261+00
+43676863+00	+19630949+01	-22200109+00	-80458633+00	+34745030+00

TABLE 134.—Continued

$M_{\infty} = +39999999+01$

$\theta_B = +34906588+00$

θ	M_{w2}^*	ψ_2	M_2^*	μ_1
+43807763+00	+19628924+01	-22524579+00	-80319993+00	+34727509+00
+43938662+00	+19626767+01	-22850050+00	-80178834+00	+34709694+00
+44069562+00	+19624487+01	-23176624+00	-80035092+00	+34691577+00
+44200461+00	+19622089+01	-23504393+00	-79888702+00	+34673154+00
+44331361+00	+19619581+01	-23833455+00	-79739599+00	+34654419+00
+44418627+00	+19617851+01	-24053607+00	-79638654+00	+34641752+00
+44505894+00	+19616076+01	-24274424+00	-79536445+00	+34628939+00
+44593161+00	+19614259+01	-24495936+00	-79432949+00	+34615982+00
+44680427+00	+19612401+01	-24718189+00	-79328137+00	+34602877+00
+44767693+00	+19610504+01	-24941212+00	-79221989+00	+34589618+00
+44854959+00	+19608569+01	-25165050+00	-79114472+00	+34576208+00
+44942226+00	+19606598+01	-25389747+00	-79005558+00	+34562641+00
+45029493+00	+19604594+01	-25615341+00	-78895217+00	+34548916+00
+45116759+00	+19602557+01	-25841886+00	-78783412+00	+34535029+00
+45204025+00	+19600489+01	-26069424+00	-78670117+00	+34520978+00
+45291292+00	+19598391+01	-26298010+00	-78555284+00	+34506759+00
+45378558+00	+19596266+01	-26527692+00	-78438886+00	+34492368+00
+45465825+00	+19594114+01	-26758529+00	-78320876+00	+34477804+00
+45553091+00	+19591937+01	-26990573+00	-78201219+00	+34463063+00
+45640357+00	+19589737+01	-27223888+00	-78079864+00	+34448139+00
+45727624+00	+19587514+01	-27458544+00	-77956765+00	+34433031+00
+45814890+00	+19585271+01	-27694602+00	-77831876+00	+34417734+00
+45902157+00	+19583009+01	-27932136+00	-77705138+00	+34402244+00
+45945790+00	+19581871+01	-28051476+00	-77641066+00	+34394423+00
+45989423+00	+19580729+01	-28171215+00	-77576506+00	+34386554+00
+46033056+00	+19579583+01	-28291356+00	-77511460+00	+34378633+00
+46076689+00	+19578433+01	-28411918+00	-77445915+00	+34370662+00
+46120323+00	+19577279+01	-28532909+00	-77379865+00	+34362638+00
+46163956+00	+19576122+01	-28654336+00	-77313301+00	+34354563+00
+46207589+00	+19574961+01	-28776214+00	-77246217+00	+34346434+00
+46225228+00	+19574492+01	-28825597+00	-77218957+00	+34343135+00

$S_2/R = +16374408+01$

$\eta/\alpha = +85215501+00$

TABLE 135.—Conical Flow Field. $\theta_s=20.0^\circ$; $M_\infty=4.5$

M_∞	θ_s	θ_w
+44999999+01	+34906588+00	+44671754+00

θ	M_{w2}^*	ϕ_2	M_2^*	μ_1
+34906588+00	+15869365+01	+35390258-06	-86544260+00	+32354682+00
+35124755+00	+17127222+01	-53215176-02	-86541200+00	+32354213+00
+35342921+00	+17583892+01	-10775924-01	-86531872+00	+32352821+00
+35561087+00	+17909587+01	-16290138-01	-86516209+00	+32350529+00
+35779253+00	+18166676+01	-21835113-01	-86494233+00	+32347364+00
+35997419+00	+18379902+01	-27395127-01	-86465985+00	+32343348+00
+36215585+00	+18562029+01	-32960346-01	-86431529+00	+32338498+00
+36433751+00	+18720674+01	-38524274-01	-86390933+00	+32332832+00
+36651917+00	+18860815+01	-44082351-01	-86344264+00	+32326370+00
+36870083+00	+18985924+01	-49631467-01	-86291593+00	+32319125+00
+37088249+00	+19098535+01	-55169368-01	-86232986+00	+32311113+00
+37306415+00	+19200566+01	-60694588-01	-86168506+00	+32302347+00
+37524581+00	+19293511+01	-66206285-01	-86098214+00	+32292837+00
+37742747+00	+19378557+01	-71703854-01	-86022166+00	+32282593+00
+37960913+00	+19456672+01	-77187219-01	-85940404+00	+32271626+00
+38179079+00	+19528653+01	-82656506-01	-85852972+00	+32259942+00
+38395361+00	+19582270+01	-87022004-01	-85778968+00	+32250084+00
+38528144+00	+19632683+01	-91379082-01	-85701373+00	+32239775+00
+38702677+00	+19680149+01	-95727964-01	-85620200+00	+32229017+00
+38877210+00	+19724896+01	-10006919+00	-85535455+00	+32217813+00
+39051743+00	+19767129+01	-10440318+00	-85447150+00	+32206162+00
+39226276+00	+19807028+01	-10873046+00	-85355280+00	+32194070+00
+39400809+00	+19844759+01	-11305169+00	-85259845+00	+32181531+00
+39575342+00	+19880468+01	-11736750+00	-85160843+00	+32168550+00
+39749874+00	+19914290+01	-12167860+00	-85058264+00	+32155126+00
+39924407+00	+19946347+01	-12598575+00	-84952099+00	+32141257+00
+40098940+00	+19976751+01	-13028969+00	-84842328+00	+32126940+00
+40273473+00	+20005602+01	-13459141+00	-84728931+00	+32112176+00
+40448006+00	+20032994+01	-13889174+00	-84611884+00	+32096962+00
+40622538+00	+20059014+01	-14319161+00	-84491159+00	+32081295+00
+40797072+00	+20083740+01	-14749205+00	-84366720+00	+32065170+00
+40927971+00	+20101480+01	-15071842+00	-84270931+00	+32052774+00
+41058870+00	+20118562+01	-15394621+00	-84173009+00	+32040117+00
+41189770+00	+20135013+01	-15717590+00	-84072941+00	+32027195+00
+41320670+00	+20150862+01	-16040799+00	-83970699+00	+32014009+00
+41451570+00	+20166129+01	-16364312+00	-83866255+00	+32000554+00
+41582469+00	+20180839+01	-16688172+00	-83759594+00	+31986826+00
+41713369+00	+20195015+01	-17012439+00	-83650678+00	+31972824+00
+41844268+00	+20208678+01	-17337178+00	-83539482+00	+31958546+00
+41975168+00	+20221845+01	-17662457+00	-83425965+00	+31943985+00
+42106068+00	+20234538+01	-17988339+00	-83310096+00	+31929137+00
+42236967+00	+20246774+01	-18314893+00	-83191833+00	+31914001+00
+42367867+00	+20258569+01	-18642193+00	-83071138+00	+31898571+00
+42498766+00	+20269941+01	-18970320+00	-82947964+00	+31882843+00
+42629666+00	+20280905+01	-19299350+00	-82822260+00	+31866809+00
+42760566+00	+20291477+01	-19629374+00	-82693977+00	+31850467+00
+42847832+00	+20298313+01	-19849985+00	-82606993+00	+31839397+00
+42935099+00	+20304986+01	-20071102+00	-82518821+00	+31828184+00
+43022365+00	+20311498+01	-20292767+00	-82429437+00	+31816827+00
+43109631+00	+20317854+01	-20514991+00	-82338829+00	+31805325+00

TABLE 135.—Continued

$M_{00} = +44999999+01$

$\theta_3 = +34906588+00$

θ	M_{w2}^*	ψ_2	M_2^*	μ_1
+43196898+00	+20324056+01	-20737822+00	-82246969+00	+31793674+00
+43284164+00	+20330111+01	-20961278+00	-82153843+00	+31781873+00
+43371431+00	+20336020+01	-21185403+00	-82059423+00	+31769920+00
+43458697+00	+20341787+01	-21410234+00	-81963688+00	+31757810+00
+43545963+00	+20347416+01	-21635799+00	-81866612+00	+31745542+00
+43633230+00	+20352910+01	-21862142+00	-81768167+00	+31733116+00
+43720496+00	+20358271+01	-22089304+00	-81668328+00	+31720525+00
+43807763+00	+20363503+01	-22317323+00	-81567066+00	+31707766+00
+43895029+00	+20368610+01	-22546243+00	-81464349+00	+31694841+00
+43982295+00	+20373593+01	-22776111+00	-81360145+00	+31681743+00
+44069562+00	+20378457+01	-23006975+00	-81254422+00	+31668469+00
+44113195+00	+20380844+01	-23122797+00	-81200979+00	+31661765+00
+44156828+00	+20383204+01	-23238886+00	-81147142+00	+31655015+00
+44200461+00	+20385533+01	-23355250+00	-81092906+00	+31648220+00
+44244095+00	+20387836+01	-23471898+00	-81038267+00	+31641379+00
+44287728+00	+20390109+01	-23588836+00	-80983219+00	+31634489+00
+44331361+00	+20392356+01	-23706067+00	-80927758+00	+31627556+00
+44374994+00	+20394575+01	-23823602+00	-80871876+00	+31620571+00
+44418627+00	+20396767+01	-23941445+00	-80815573+00	+31613540+00
+44462261+00	+20398932+01	-24059611+00	-80758837+00	+31606459+00
+44505894+00	+20401072+01	-24178104+00	-80701666+00	+31599330+00
+44549527+00	+20403185+01	-24296933+00	-80644052+00	+31592149+00
+44593161+00	+20405272+01	-24416102+00	-80585993+00	+31584919+00
+44636793+00	+20407335+01	-24535621+00	-80527479+00	+31577638+00
+44671754+00	+20408970+01	-24631629+00	-80480271+00	+31571771+00

$S_2/R = +22386446+01$

$\eta/\alpha = +88640771+00$

TABLE 136.—Conical Flow Field. $\theta_s=20.0^\circ$; $M_\infty=5.0$

M_∞	θ_s		θ_w	
+49999999+01	+34906588+00		+43533264+00	

θ	M_{w2}^*	ψ_2	M_2^*	μ_1
+34906588+00	+14921121+01	+29429793-06	-87762374+00	+30079336+00
+35081121+00	+16326036+01	-39574523-02	-87760529+00	+30079030+00
+35255654+00	+16853711+01	-80490466-02	-87754849+00	+30078121+00
+35430187+00	+17241199+01	-12214927-01	-87745239+00	+30076618+00
+35604720+00	+17553877+01	-16429337-01	-87731665+00	+30074533+00
+35779253+00	+17818512+01	-20677757-01	-87714107+00	+30071885+00
+35953785+00	+18048942+01	-24950838-01	-87692575+00	+30068680+00
+36128318+00	+18253425+01	-29242063-01	-87667073+00	+30064928+00
+36302851+00	+18437361+01	-33546530-01	-87637615+00	+30060637+00
+36477384+00	+18604513+01	-37860682-01	-87604225+00	+30055819+00
+36651917+00	+18757631+01	-42181561-01	-87566921+00	+30050481+00
+36826449+00	+18898796+01	-46507107-01	-87525718+00	+30044631+00
+37000982+00	+19029630+01	-50835593-01	-87480641+00	+30038274+00
+37175515+00	+19151426+01	-55165716-01	-87431708+00	+30031416+00
+37350048+00	+19265235+01	-59496449-01	-87378939+00	+30024064+00
+37524581+00	+19371925+01	-63827044-01	-87322350+00	+30016222+00
+37699114+00	+19472223+01	-68156954-01	-87261952+00	+30007895+00
+37873646+00	+19566744+01	-72485785-01	-87197763+00	+29999088+00
+38048179+00	+19656018+01	-76813404-01	-87129788+00	+29989801+00
+38222712+00	+19740499+01	-81139631-01	-87058041+00	+29980040+00
+38397245+00	+19820584+01	-85464590-01	-86982522+00	+29969806+00
+38528144+00	+19877974+01	-88707539-01	-86923409+00	+29961820+00
+38659044+00	+19933219+01	-91949959-01	-86862175+00	+29953571+00
+38789944+00	+19986441+01	-95191936-01	-86798821+00	+29945054+00
+38920844+00	+20037750+01	-98433673-01	-86733339+00	+29936277+00
+39051743+00	+20087246+01	-10167531+00	-86665729+00	+29927232+00
+39182642+00	+20135023+01	-10491707+00	-86595986+00	+29917923+00
+39313542+00	+20181168+01	-10815915+00	-86524103+00	+29908348+00
+39444442+00	+20225760+01	-11140184+00	-86450074+00	+29898508+00
+39575342+00	+20268874+01	-11464544+00	-86373886+00	+29888400+00
+39706241+00	+20310579+01	-11789015+00	-86295534+00	+29878024+00
+39837141+00	+20350939+01	-12113638+00	-86215002+00	+29867380+00
+39968040+00	+20390014+01	-12438441+00	-86132281+00	+29856466+00
+40098940+00	+20427861+01	-12763463+00	-86047350+00	+29845281+00
+40229840+00	+20464533+01	-13088742+00	-85960202+00	+29833818+00
+40360739+00	+20500077+01	-13414323+00	-85870811+00	+29822082+00
+40491639+00	+20534543+01	-13740240+00	-85779157+00	+29810065+00
+40622538+00	+20567972+01	-14066547+00	-85685223+00	+29797769+00
+40753438+00	+20600405+01	-14393291+00	-85588980+00	+29785187+00
+40884338+00	+20631883+01	-14720523+00	-85490404+00	+29772318+00
+41015238+00	+20662441+01	-15048295+00	-85389465+00	+29759159+00
+41102504+00	+20682319+01	-15267138+00	-85320848+00	+29750223+00
+41189770+00	+20701814+01	-15486263+00	-85251156+00	+29741155+00
+41277037+00	+20720935+01	-15705694+00	-85180378+00	+29731952+00
+41364303+00	+20739691+01	-15925444+00	-85108507+00	+29722615+00
+41451570+00	+20758091+01	-16145529+00	-85035531+00	+29713145+00
+41538836+00	+20776143+01	-16365982+00	-84961435+00	+29703534+00
+41626102+00	+20793855+01	-16586811+00	-84886208+00	+29693785+00
+41713369+00	+20811237+01	-16808046+00	-84809837+00	+29683896+00
+41800635+00	+20828295+01	-17029705+00	-84732308+00	+29673863+00

TABLE 136.—Continued

 $M_{00} = +49999999+01$ $\theta_8 = +34906588+00$

θ	M_{W2}^*	ψ_2	M_2^*	μ_1
+41887902+00	+20845036+01	-17251809+00	-84653609+00	+29663688+00
+41975168+00	+20861468+01	-17474394+00	-84573717+00	+29653365+00
+42062434+00	+20877598+01	-17697475+00	-84492621+00	+29642896+00
+42149701+00	+20893433+01	-17921084+00	-84410303+00	+29632275+00
+42236967+00	+20908979+01	-18145244+00	-84326747+00	+29621502+00
+42324234+00	+20924242+01	-18369987+00	-84241929+00	+29610576+00
+42411500+00	+20939228+01	-18595341+00	-84155834+00	+29599492+00
+42498766+00	+20953945+01	-18821332+00	-84068439+00	+29588249+00
+42586033+00	+20968395+01	-19048000+00	-83979720+00	+29576845+00
+42673299+00	+20982587+01	-19275375+00	-83889657+00	+29565277+00
+42760566+00	+20996526+01	-19503498+00	-83798222+00	+29553538+00
+42804199+00	+21003401+01	-19617844+00	-83751984+00	+29547607+00
+42847832+00	+21010214+01	-19732395+00	-83705394+00	+29541632+00
+42891465+00	+21016967+01	-19847149+00	-83658447+00	+29535612+00
+42935099+00	+21023660+01	-19962113+00	-83611142+00	+29529551+00
+42978732+00	+21030294+01	-20077290+00	-83563472+00	+29523443+00
+43022365+00	+21036868+01	-20192689+00	-83515435+00	+29517291+00
+43065998+00	+21043384+01	-20308314+00	-83467033+00	+29511095+00
+43109631+00	+21049841+01	-20424168+00	-83418251+00	+29504853+00
+43153265+00	+21056242+01	-20540259+00	-83369097+00	+29498566+00
+43196898+00	+21062586+01	-20656589+00	-83319556+00	+29492229+00
+43240531+00	+21068874+01	-20773171+00	-83269627+00	+29485847+00
+43284164+00	+21075106+01	-20890004+00	-83219309+00	+29479417+00
+43327797+00	+21081283+01	-21007098+00	-83168596+00	+29472941+00
+43371431+00	+21087406+01	-21124464+00	-83117479+00	+29466413+00
+43415064+00	+21093475+01	-21242097+00	-83065961+00	+29459839+00
+43458697+00	+21099490+01	-21360010+00	-83014033+00	+29453213+00
+43502330+00	+21105453+01	-21478212+00	-82961689+00	+29446537+00
+43533264+00	+21109649+01	-21562186+00	-82924328+00	+29441776+00

 $S_2/R = +28686833+01$ $\eta/\alpha = +91338010+00$

TABLE 137.—Conical Flow Field. $\theta_s=20.0^\circ$; $M_\infty=6.0$

M_∞	θ_s	θ_w
+59999980+01	+34906588+00	+42010459+00

θ	M_{w2}^*	ψ_2	M_2^*	μ_1
+34906588+00	+13400499+01	+25145710-06	-89674972+00	+26889805+00
+35037488+00	+15059189+01	-26393626-02	-89674036+00	+26889624+00
+35168387+00	+15687699+01	-54050982-02	-89671112+00	+26889092+00
+35299287+00	+16167212+01	-82514305-02	-89666109+00	+26888207+00
+35430187+00	+16561437+01	-11156198-01	-89658968+00	+26886979+00
+35561087+00	+16900562+01	-14106782-01	-89649657+00	+26885412+00
+35691986+00	+17200335+01	-17094649-01	-89638147+00	+26883511+00
+35822886+00	+17470175+01	-20113800-01	-89624418+00	+26881281+00
+35953785+00	+17716238+01	-23159504-01	-89608459+00	+26878726+00
+36084685+00	+17942812+01	-26228147-01	-89590258+00	+26875851+00
+36215585+00	+18153034+01	-29316768-01	-89569807+00	+26872658+00
+36346484+00	+18349272+01	-32422978-01	-89547102+00	+26869153+00
+36477384+00	+18533375+01	-35544712-01	-89522140+00	+26865336+00
+36608283+00	+18706817+01	-38680270-01	-89494917+00	+26861213+00
+36739183+00	+18870794+01	-41828237-01	-89465431+00	+26856786+00
+36870083+00	+19026296+01	-44987403-01	-89433678+00	+26852055+00
+37000982+00	+19174153+01	-48156692-01	-89399663+00	+26847027+00
+37131882+00	+19315067+01	-51335291-01	-89363378+00	+26841701+00
+37262782+00	+19449640+01	-54522412-01	-89324825+00	+26836077+00
+37393681+00	+19578392+01	-57717405-01	-89284002+00	+26830164+00
+37524581+00	+19701778+01	-60919766-01	-89240907+00	+26823952+00
+37655480+00	+19820196+01	-64128998-01	-89195538+00	+26817451+00
+37786380+00	+19933999+01	-67344757-01	-89147892+00	+26810660+00
+37917280+00	+20043499+01	-70566726-01	-89097963+00	+26803578+00
+38048179+00	+20148978+01	-73794656-01	-89045747+00	+26796207+00
+38179079+00	+20250688+01	-77028365-01	-88991242+00	+26788544+00
+38309978+00	+20348853+01	-80267750-01	-88934440+00	+26780592+00
+38440878+00	+20443680+01	-83512692-01	-88875333+00	+26772351+00
+38571778+00	+20535357+01	-86763157-01	-88813912+00	+26763817+00
+38659044+00	+20594810+01	-88933179-01	-88771674+00	+26757967+00
+38746310+00	+20652985+01	-91105680-01	-88728402+00	+26751988+00
+38833577+00	+20709927+01	-93280681-01	-88684089+00	+26745877+00
+38920844+00	+20765679+01	-95458161-01	-88638735+00	+26739637+00
+39008110+00	+20820278+01	-97638201-01	-88592332+00	+26733265+00
+39095376+00	+20873765+01	-99820814-01	-88544880+00	+26726763+00
+39182642+00	+20926173+01	-10200606+00	-88496373+00	+26720125+00
+39269909+00	+20977537+01	-10419397+00	-88446804+00	+26713355+00
+39357176+00	+21027889+01	-10638464+00	-88396172+00	+26706454+00
+39444442+00	+21077259+01	-10857811+00	-88344467+00	+26699418+00
+39531708+00	+21125677+01	-11077447+00	-88291685+00	+26692246+00
+39618975+00	+21173172+01	-11297376+00	-88237821+00	+26684938+00
+39706241+00	+21219767+01	-11517611+00	-88182866+00	+26677493+00
+39793508+00	+21265490+01	-11738159+00	-88126812+00	+26669910+00
+39880774+00	+21310364+01	-11959030+00	-88069657+00	+26662188+00
+39968040+00	+21354414+01	-12180234+00	-88011389+00	+26654325+00
+40055307+00	+21397660+01	-12401783+00	-87951999+00	+26646322+00
+40142573+00	+21440123+01	-12623689+00	-87891480+00	+26638175+00
+40229840+00	+21481825+01	-12845963+00	-87829825+00	+26629884+00
+40317106+00	+21522785+01	-13068619+00	-87767017+00	+26621447+00
+40404372+00	+21563021+01	-13291668+00	-87703053+00	+26612863+00

TABLE 137.—Continued

$M_{\infty} = +59999980+01$

$\theta_0 = +34906588+00$

θ	M_2^*	ψ_2	M_2^*	μ_1
+40491639+00	+21602552+01	-13515128+00	-87637920+00	+26604132+00
+40578905+00	+21641394+01	-13739015+00	-87571605+00	+26595246+00
+40666172+00	+21679563+01	-13963339+00	-87504098+00	+26586210+00
+40753438+00	+21717077+01	-14188124+00	-87435383+00	+26577020+00
+40840704+00	+21753950+01	-14413381+00	-87365450+00	+26567673+00
+40927971+00	+21790197+01	-14639127+00	-87294288+00	+26558167+00
+41015238+00	+21825832+01	-14865388+00	-87221873+00	+26548501+00
+41058870+00	+21843425+01	-14978716+00	-87185193+00	+26543605+00
+41102504+00	+21860869+01	-15092182+00	-87148197+00	+26538668+00
+41146137+00	+21878167+01	-15205782+00	-87110880+00	+26533691+00
+41189770+00	+21895320+01	-15319526+00	-87073239+00	+26528672+00
+41233404+00	+21912331+01	-15433413+00	-87035276+00	+26523611+00
+41277037+00	+21929200+01	-15547446+00	-86996987+00	+26518506+00
+41320670+00	+21945928+01	-15661629+00	-86958371+00	+26513360+00
+41364303+00	+21962519+01	-15775961+00	-86919421+00	+26508169+00
+41407936+00	+21978971+01	-15890450+00	-86880140+00	+26502935+00
+41451570+00	+21995289+01	-16005098+00	-86840522+00	+26497657+00
+41495203+00	+22011471+01	-16119904+00	-86800565+00	+26492334+00
+41538836+00	+22027521+01	-16234880+00	-86760266+00	+26486967+00
+41582469+00	+22043440+01	-16350022+00	-86719625+00	+26481554+00
+41626102+00	+22059228+01	-16465331+00	-86678637+00	+26476096+00
+41669736+00	+22074887+01	-16580818+00	-86637301+00	+26470590+00
+41713369+00	+22090419+01	-16696482+00	-86595613+00	+26465041+00
+41757002+00	+22105825+01	-16812327+00	-86553570+00	+26459443+00
+41800635+00	+22121104+01	-16928358+00	-86511167+00	+26453797+00
+41844268+00	+22136261+01	-17044577+00	-86468404+00	+26448102+00
+41887902+00	+22151294+01	-17160989+00	-86425276+00	+26442360+00
+41931535+00	+22166206+01	-17277598+00	-86381784+00	+26436568+00
+41975168+00	+22180999+01	-17394406+00	-86337918+00	+26430727+00
+42010459+00	+22192876+01	-17489027+00	-86302172+00	+26425967+00

$s_2/R = +41295306+01$

$\eta/\alpha = +95230836+00$

TABLE 138.—Conical Flow Field. $\theta_s=20.0^\circ$; $M_\infty=7.0$

M_{00}	θ_s	θ_w
+69999984+01	+34906588+00	+41067349+00

θ	M_{w2}^*	ψ_2	M_2^*	μ_1
+34906588+00	+12287884+01	+20489097-06	-91061495+00	+24804661+00
+35037488+00	+14299990+01	-24339221-02	-91060624+00	+24804477+00
+35168387+00	+15072927+01	-50257631-02	-91057867+00	+24803924+00
+35299287+00	+15664650+01	-77196788-02	-91053101+00	+24803009+00
+35430187+00	+16153327+01	-10489337-01	-91046245+00	+24801737+00
+35561087+00	+16575402+01	-13319522-01	-91037245+00	+24800114+00
+35691986+00	+16949878+01	-16200060-01	-91026057+00	+24798145+00
+35822886+00	+17288105+01	-19123472-01	-91012650+00	+24795836+00
+35953785+00	+17597513+01	-22084123-01	-90996996+00	+24793188+00
+36084685+00	+17883271+01	-25077490-01	-90979073+00	+24790205+00
+36215585+00	+18149159+01	-28099839-01	-90958863+00	+24786895+00
+36346484+00	+18398038+01	-31148206-01	-90936354+00	+24783257+00
+36477384+00	+18632137+01	-34219984-01	-90911530+00	+24779297+00
+36608283+00	+18853233+01	-37313059-01	-90884382+00	+24775015+00
+36739183+00	+19062772+01	-40425558-01	-90854899+00	+24770417+00
+36870083+00	+19261947+01	-43555910-01	-90823071+00	+24765500+00
+37000982+00	+19451758+01	-46702783-01	-90788892+00	+24760271+00
+37131882+00	+19633055+01	-49864959-01	-90752351+00	+24754726+00
+37262782+00	+19806565+01	-53041387-01	-90713440+00	+24748872+00
+37393681+00	+19972915+01	-56231229-01	-90672155+00	+24742707+00
+37524581+00	+20132655+01	-59433694-01	-90628484+00	+24736229+00
+37655480+00	+20286265+01	-62648139-01	-90582420+00	+24729443+00
+37786380+00	+20434173+01	-65873933-01	-90533957+00	+24722350+00
+37917280+00	+20576755+01	-69110659-01	-90483076+00	+24714944+00
+38048179+00	+20714352+01	-72357843-01	-90429777+00	+24707229+00
+38135446+00	+20803464+01	-74528325-01	-90392890+00	+24701912+00
+38222712+00	+20890579+01	-76703206-01	-90354919+00	+24696457+00
+38309978+00	+20975774+01	-78882450-01	-90315860+00	+24690863+00
+38397245+00	+21059120+01	-81065961-01	-90275706+00	+24685130+00
+38484511+00	+21140688+01	-83253763-01	-90234455+00	+24679255+00
+38571778+00	+21220539+01	-85445748-01	-90192102+00	+24673242+00
+38659044+00	+21298734+01	-87641883-01	-90148644+00	+24667085+00
+38746310+00	+21375331+01	-89842142-01	-90104073+00	+24660788+00
+38833577+00	+21450383+01	-92046511-01	-90058384+00	+24654347+00
+38920844+00	+21523940+01	-94255025-01	-90011575+00	+24647764+00
+39008110+00	+21596050+01	-96467646-01	-89963634+00	+24641035+00
+39095376+00	+21666759+01	-98684402-01	-89914561+00	+24634161+00
+39182642+00	+21736110+01	-10090530+00	-89864344+00	+24627142+00
+39269909+00	+21804144+01	-10313035+00	-89812984+00	+24619973+00
+39357176+00	+21870900+01	-10535964+00	-89760463+00	+24612655+00
+39444442+00	+21936415+01	-10759310+00	-89706782+00	+24605186+00
+39531708+00	+22000724+01	-10983089+00	-89651927+00	+24597565+00
+39618975+00	+22063860+01	-11207300+00	-89595894+00	+24589792+00
+39706241+00	+22125857+01	-11431948+00	-89538676+00	+24581862+00
+39793508+00	+22186744+01	-11657041+00	-89480259+00	+24573775+00
+39880774+00	+22246550+01	-11882584+00	-89420633+00	+24565529+00
+39968040+00	+22305303+01	-12108589+00	-89359789+00	+24557124+00
+40055307+00	+22363031+01	-12335059+00	-89297718+00	+24548554+00
+40142573+00	+22419758+01	-12562000+00	-89234407+00	+24539819+00
+40186206+00	+22447754+01	-12675655+00	-89202285+00	+24535391+00

TABLE 138.—Continued

$$M_{00} = +69999984+01$$

$$\theta_B = +34906588+00$$

θ	M_{w2}^*	ψ_2	M_2^*	μ_1
+40229840+00	+22475509+01	-12789432+00	-89169845+00	+24530919+00
+40273473+00	+22503027+01	-12903333+00	-89137090+00	+24526403+00
+40317106+00	+22530308+01	-13017358+00	-89104017+00	+24521845+00
+40360739+00	+22557358+01	-13131513+00	-89070626+00	+24517243+00
+40404372+00	+22584177+01	-13245792+00	-89036911+00	+24512599+00
+40448006+00	+22610769+01	-13360199+00	-89002877+00	+24507911+00
+40491639+00	+22637136+01	-13474739+00	-88968517+00	+24503176+00
+40535272+00	+22663283+01	-13589410+00	-88933832+00	+24498401+00
+40578905+00	+22689209+01	-13704211+00	-88898819+00	+24493580+00
+40622538+00	+22714919+01	-13819151+00	-88863473+00	+24488710+00
+40666172+00	+22740413+01	-13934224+00	-88827797+00	+24483796+00
+40709805+00	+22765696+01	-14049437+00	-88791786+00	+24478836+00
+40753438+00	+22790769+01	-14164786+00	-88755443+00	+24473829+00
+40797072+00	+22815634+01	-14280281+00	-88718759+00	+24468776+00
+40840704+00	+22840293+01	-14395915+00	-88681734+00	+24463674+00
+40884338+00	+22864750+01	-14511693+00	-88644369+00	+24458524+00
+40927971+00	+22889005+01	-14627622+00	-88606657+00	+24453325+00
+40971604+00	+22913060+01	-14743693+00	-88568601+00	+24448079+00
+41015238+00	+22936919+01	-14859920+00	-88530191+00	+24442781+00
+41058870+00	+22960584+01	-14976294+00	-88491433+00	+24437433+00
+41067349+00	+22965161+01	-14998919+00	-88483868+00	+24436391+00

$$S_2/R = +53041495+01$$

$$\eta/\alpha = +97828496+00$$

TABLE 139.—Conical Flow Field. $\theta_s=20.0^\circ$; $M_\infty=8.0$

M_∞	Θ_B	Θ_W
+79999962+01	+34906588+00	+40443925+00

Θ	M_{W2}^*	Φ_2	M_2^*	μ_1
+34906588+00	+11469575+01	+17881393-06	-92080333+00	+23366763+00
+35037488+00	+13770805+01	-22936184-02	-92079510+00	+23366574+00
+35168387+00	+14661938+01	-47705304-02	-92076872+00	+23366004+00
+35299287+00	+15345296+01	-73666554-02	-92072263+00	+23365060+00
+35430187+00	+15911043+01	-10052130-01	-92065594+00	+23363750+00
+35561087+00	+16400765+01	-12809696-01	-92056789+00	+23362079+00
+35691986+00	+16836122+01	-15627690-01	-92045794+00	+23360052+00
+35822886+00	+17230057+01	-18497644-01	-92032566+00	+23357672+00
+35953785+00	+17591033+01	-21413036-01	-92017068+00	+23354944+00
+36084685+00	+17924949+01	-24368523-01	-91999267+00	+23351870+00
+36215585+00	+18236110+01	-27359942-01	-91979142+00	+23348456+00
+36346484+00	+18527781+01	-30383697-01	-91956670+00	+23344704+00
+36477384+00	+18802500+01	-33436831-01	-91931827+00	+23340618+00
+36608283+00	+19062293+01	-36516732-01	-91904600+00	+23336198+00
+36739183+00	+19308810+01	-39621292-01	-91874972+00	+23331447+00
+36870083+00	+19543412+01	-42748583-01	-91842931+00	+23326369+00
+37000982+00	+19767238+01	-45896928-01	-91808459+00	+23320961+00
+37131882+00	+19981259+01	-49064850-01	-91771545+00	+23315227+00
+37262782+00	+20186300+01	-52251169-01	-91732179+00	+23309169+00
+37350048+00	+20318366+01	-54385012-01	-91704566+00	+23304947+00
+37437314+00	+20446951+01	-56526255-01	-91675850+00	+23300583+00
+37524581+00	+20572228+01	-58674583-01	-91646032+00	+23296073+00
+37611847+00	+20694356+01	-60829756-01	-91615106+00	+23291418+00
+37699114+00	+20813485+01	-62991541-01	-91583069+00	+23286619+00
+37786380+00	+20929746+01	-65159777-01	-91549914+00	+23281674+00
+37873646+00	+21043267+01	-67334200-01	-91515642+00	+23276584+00
+37960913+00	+21154164+01	-69514698-01	-91480246+00	+23271348+00
+38048179+00	+21262545+01	-71701087-01	-91443721+00	+23265966+00
+38135446+00	+21368512+01	-73893187-01	-91406065+00	+23260436+00
+38222712+00	+21472157+01	-76090950-01	-91367268+00	+23254759+00
+38309978+00	+21573570+01	-78294210-01	-91327332+00	+23248932+00
+38397245+00	+21672833+01	-80502832-01	-91286249+00	+23242959+00
+38484511+00	+21770024+01	-82716778-01	-91244010+00	+23236833+00
+38571778+00	+21865215+01	-84935884-01	-91200613+00	+23230558+00
+38659044+00	+21958475+01	-87160178-01	-91156054+00	+23224128+00
+38746310+00	+22049870+01	-89389517-01	-91110323+00	+23217548+00
+38833577+00	+22139459+01	-91623820-01	-91063417+00	+23210813+00
+38877210+00	+22183596+01	-92742833-01	-91039520+00	+23207386+00
+38920844+00	+22227302+01	-93863069-01	-91015328+00	+23203923+00
+38964476+00	+22270586+01	-94984584-01	-90990834+00	+23200417+00
+39008110+00	+22313453+01	-96107277-01	-90966047+00	+23196872+00
+39051743+00	+22355909+01	-97231199-01	-90940959+00	+23193289+00
+39095376+00	+22397962+01	-98356323-01	-90915572+00	+23189666+00
+39139010+00	+22439617+01	-99482663-01	-90889881+00	+23186002+00
+39182642+00	+22480881+01	-10061020+00	-90863891+00	+23182298+00
+39226276+00	+22521757+01	-10173895+00	-90837595+00	+23178553+00
+39269909+00	+22562254+01	-10286886+00	-90810997+00	+23174769+00
+39313542+00	+22602375+01	-10400001+00	-90784093+00	+23170941+00
+39357176+00	+22642127+01	-10513236+00	-90756883+00	+23167075+00
+39400809+00	+22681514+01	-10626590+00	-90729366+00	+23163165+00

TABLE 139.—Continued

$M_{00} = +79999962+01$

$\theta_B = +34906588+00$

θ	M_2^*	ψ_2	M_2^*	μ_1
+39444442+00	+22720541+01	-10740061+00	-90701541+00	+23159214+00
+39488075+00	+22759214+01	-10853652+00	-90673406+00	+23155221+00
+39531708+00	+22797536+01	-10967361+00	-90644959+00	+23151186+00
+39575342+00	+22835515+01	-11081188+00	-90616203+00	+23147108+00
+39618975+00	+22873152+01	-11195138+00	-90587133+00	+23142987+00
+39662608+00	+22910454+01	-11309202+00	-90557747+00	+23138823+00
+39706241+00	+22947424+01	-11423387+00	-90528046+00	+23134615+00
+39749874+00	+22984067+01	-11537689+00	-90498030+00	+23130363+00
+39793508+00	+23020386+01	-11652109+00	-90467692+00	+23126068+00
+39837141+00	+23056388+01	-11766647+00	-90437040+00	+23121726+00
+39880774+00	+23092073+01	-11881304+00	-90406065+00	+23117342+00
+39924407+00	+23127448+01	-11996082+00	-90374768+00	+23112911+00
+39968040+00	+23162515+01	-12110977+00	-90343148+00	+23108433+00
+40011674+00	+23197279+01	-12225990+00	-90311201+00	+23103910+00
+40055307+00	+23231743+01	-12341123+00	-90278930+00	+23099342+00
+40098940+00	+23265911+01	-12456374+00	-90246330+00	+23094726+00
+40142573+00	+23299786+01	-12571744+00	-90213401+00	+23090062+00
+40186206+00	+23333371+01	-12687232+00	-90180141+00	+23085350+00
+40229840+00	+23366671+01	-12802839+00	-90146548+00	+23080591+00
+40273473+00	+23399688+01	-12918565+00	-90112621+00	+23075784+00
+40317106+00	+23432425+01	-13034410+00	-90078359+00	+23070925+00
+40360739+00	+23464886+01	-13150377+00	-90043760+00	+23066018+00
+40404372+00	+23497074+01	-13266455+00	-90008821+00	+23061060+00
+40443925+00	+23526019+01	-13371777+00	-89976862+00	+23056525+00

$S_2/R = +63446693+01$

$\eta/\alpha = +99633993+00$

TABLE 140.—Conical Flow Field. $\theta_s=20.0^\circ$; $M_\infty=10.0$

M_∞	θ_s	θ_w
+99999950+01	+34906588+00	+39698293+00

θ	M_{w2}^*	ψ_2	M_2^*	μ_1
+34906588+00	+10394198+01	+16950071-06	-93422526+00	+21569262+00
+34993855+00	+12754829+01	-13827421-02	-93422200+00	+21569176+00
+35081121+00	+13512434+01	-28836969-02	-93421132+00	+21568911+00
+35168387+00	+14185450+01	-44645201-02	-93419264+00	+21568470+00
+35255654+00	+14749751+01	-61084609-02	-93416540+00	+21567857+00
+35342921+00	+15241837+01	-78045204-02	-93412920+00	+21567071+00
+35430187+00	+15682071+01	-95451996-02	-93408378+00	+21566117+00
+35517453+00	+16082773+01	-11325054-01	-93402886+00	+21564995+00
+35604720+00	+16452029+01	-13139809-01	-93396422+00	+21563706+00
+35691986+00	+16795473+01	-14986046-01	-93388964+00	+21562252+00
+35779253+00	+17117222+01	-16860921-01	-93380498+00	+21560634+00
+35866519+00	+17420388+01	-18761987-01	-93371008+00	+21558852+00
+35953785+00	+17707396+01	-20687208-01	-93360481+00	+21556908+00
+36041052+00	+17980179+01	-22634765-01	-93348905+00	+21554805+00
+36128318+00	+18240307+01	-24603188-01	-93336267+00	+21552543+00
+36215585+00	+18489075+01	-26590990-01	-93322559+00	+21550120+00
+36302851+00	+18727570+01	-28596977-01	-93307772+00	+21547540+00
+36390117+00	+18956711+01	-30619930-01	-93291900+00	+21544804+00
+36477384+00	+19177285+01	-32658961-01	-93274926+00	+21541908+00
+36564650+00	+19389974+01	-34713103-01	-93256853+00	+21538859+00
+36651917+00	+19595372+01	-36781546-01	-93237668+00	+21535653+00
+36739183+00	+19793999+01	-38863521-01	-93217366+00	+21532292+00
+36826449+00	+19986316+01	-40958317-01	-93195943+00	+21528777+00
+36913716+00	+20172734+01	-43065359-01	-93173388+00	+21525105+00
+37000982+00	+20353617+01	-45184038-01	-93149704+00	+21521278+00
+37088249+00	+20529295+01	-47313782-01	-93124878+00	+21517296+00
+37175515+00	+20700065+01	-49454126-01	-93098905+00	+21513162+00
+37262782+00	+20866195+01	-51604543-01	-93071781+00	+21508871+00
+37350048+00	+21027931+01	-53764681-01	-93043502+00	+21504427+00
+37437314+00	+21185495+01	-55934124-01	-93014065+00	+21499824+00
+37524581+00	+21339092+01	-58112447-01	-92983459+00	+21495067+00
+37611847+00	+21488911+01	-60299366-01	-92951681+00	+21490152+00
+37699114+00	+21635124+01	-62494524-01	-92918728+00	+21485081+00
+37786380+00	+21777891+01	-64697603-01	-92884596+00	+21479852+00
+37873646+00	+21917360+01	-66908325-01	-92849277+00	+21474466+00
+37960913+00	+22053668+01	-69126458-01	-92812765+00	+21468919+00
+38048179+00	+22186944+01	-71351659-01	-92775056+00	+21463212+00
+38135446+00	+22317305+01	-73583775-01	-92736147+00	+21457345+00
+38222712+00	+22444865+01	-75822512-01	-92696028+00	+21451314+00
+38266345+00	+22507627+01	-76944297-01	-92675515+00	+21448237+00
+38309978+00	+22569726+01	-78067688-01	-92654698+00	+21445120+00
+38353612+00	+22631175+01	-79192618-01	-92633575+00	+21441961+00
+38397245+00	+22691987+01	-80319053-01	-92612150+00	+21438761+00
+38440878+00	+22752170+01	-81447011-01	-92590417+00	+21435519+00
+38484511+00	+22811737+01	-82576460-01	-92568375+00	+21432234+00
+38528144+00	+22870698+01	-83707359-01	-92546028+00	+21428908+00
+38571778+00	+22929063+01	-84839641-01	-92523372+00	+21425540+00
+38615411+00	+22986843+01	-85973400-01	-92500405+00	+21422127+00
+38659044+00	+23044048+01	-87108520-01	-92477131+00	+21418673+00
+38702677+00	+23100685+01	-88244992-01	-92453544+00	+21415176+00

TABLE 140.—Continued

 $M_{00} = +99999950+01$ $\theta_8 = +34906588+00$

θ	M_{w2}^*	ψ_2	M_2^*	μ_1
+38746310+00	+23156765+01	-89382804-01	-92429647+00	+21411636+00
+38789944+00	+23212297+01	-90521916-01	-92405437+00	+21408052+00
+38833577+00	+23267289+01	-91662337-01	-92380916+00	+21404425+00
+38877210+00	+23321748+01	-92804041-01	-92356077+00	+21400752+00
+38920844+00	+23375685+01	-93946984-01	-92330925+00	+21397036+00
+38964476+00	+23429105+01	-95091142-01	-92305459+00	+21393275+00
+39008110+00	+23482018+01	-96236534-01	-92279676+00	+21389469+00
+39051743+00	+23534432+01	-97383083-01	-92253576+00	+21385617+00
+39095376+00	+23586351+01	-98530805-01	-92227160+00	+21381721+00
+39139010+00	+23637785+01	-99679650-01	-92200421+00	+21377777+00
+39182642+00	+23688740+01	-10082964+00	-92173364+00	+21373787+00
+39226276+00	+23739223+01	-10198067+00	-92145987+00	+21369752+00
+39269909+00	+23789239+01	-10313280+00	-92118286+00	+21365667+00
+39313542+00	+23838796+01	-10428599+00	-92090267+00	+21361536+00
+39357176+00	+23887901+01	-10544018+00	-92061921+00	+21357356+00
+39400809+00	+23936559+01	-10659535+00	-92033252+00	+21353129+00
+39444442+00	+23984775+01	-10775149+00	-92004258+00	+21348852+00
+39488075+00	+24032556+01	-10890856+00	-91974939+00	+21344527+00
+39531708+00	+24079908+01	-11006656+00	-91945292+00	+21340152+00
+39575342+00	+24126835+01	-11122545+00	-91915320+00	+21335725+00
+39618975+00	+24173344+01	-11238519+00	-91885018+00	+21331249+00
+39662608+00	+24219440+01	-11354578+00	-91854387+00	+21326722+00
+39698293+00	+24256838+01	-11449543+00	-91829095+00	+21322985+00

 $S_2/R = +80053528+01$ $\eta/\alpha = +10189514+01$

TABLE 141.—Conical Flow Field. $\theta_s=20.0^\circ$; $M_\infty=12.0$

M_∞	θ_s	θ_w
+11999992+02	+34906588+00	+39287165+00

θ	M_{w2}^*	ψ_2	M_2^*	μ_1
+34906588+00	+97521234+00	+15646219-06	-94226950+00	+20534409+00
+34993855+00	+12350016+01	-13155881-02	-94226636+00	+20534319+00
+35081121+00	+13195815+01	-27624443-02	-94225612+00	+20534048+00
+35168387+00	+13941684+01	-42978320-02	-94223797+00	+20533592+00
+35255654+00	+14567482+01	-59033465-02	-94221138+00	+20532962+00
+35342921+00	+15113636+01	-75669084-02	-94217586+00	+20532156+00
+35430187+00	+15602610+01	-92802942-02	-94213109+00	+20531173+00
+35517453+00	+16047987+01	-11037506-01	-94207678+00	+20530016+00
+35604720+00	+16458675+01	-12833791-01	-94201263+00	+20528689+00
+35691986+00	+16840883+01	-14665343-01	-94193850+00	+20527191+00
+35779253+00	+17199147+01	-16529078-01	-94185409+00	+20525525+00
+35866519+00	+17536899+01	-18422285-01	-94175928+00	+20523689+00
+35953785+00	+17856808+01	-20542605-01	-94165390+00	+20521687+00
+36041052+00	+18161006+01	-22288127-01	-94153784+00	+20519518+00
+36128318+00	+18451220+01	-24257025-01	-94141096+00	+20517186+00
+36215585+00	+18728880+01	-26247758-01	-94127309+00	+20514689+00
+36302851+00	+18995181+01	-28258927-01	-94112417+00	+20512027+00
+36390117+00	+19251137+01	-30289305-01	-94096409+00	+20509205+00
+36477384+00	+19497617+01	-32337718-01	-94079276+00	+20506217+00
+36564650+00	+19735370+01	-34403095-01	-94061010+00	+20503070+00
+36651917+00	+19965050+01	-36484545-01	-94041601+00	+20499761+00
+36739183+00	+20187231+01	-38581191-01	-94021041+00	+20496290+00
+36826449+00	+20402423+01	-40692193-01	-93999327+00	+20492657+00
+36913716+00	+20611074+01	-42816868-01	-93976449+00	+20488862+00
+37000982+00	+20813590+01	-44954562-01	-93952399+00	+20484907+00
+37088249+00	+21010332+01	-47104546-01	-93927174+00	+20480787+00
+37175515+00	+21201628+01	-49266309-01	-93900767+00	+20476509+00
+37262782+00	+21387772+01	-51439239-01	-93873173+00	+20472066+00
+37350048+00	+21569036+01	-53622879-01	-93844380+00	+20467460+00
+37437314+00	+21745665+01	-55816660-01	-93814392+00	+20462692+00
+37524581+00	+21917883+01	-58020182-01	-93783196+00	+20457760+00
+37568214+00	+22002404+01	-59125447-01	-93767146+00	+20455234+00
+37611847+00	+22085899+01	-60232990-01	-93750790+00	+20452663+00
+37655480+00	+22168392+01	-61342764-01	-93734133+00	+20450051+00
+37699114+00	+22249903+01	-62454667-01	-93717173+00	+20447399+00
+37742747+00	+22330457+01	-63568714-01	-93699903+00	+20444705+00
+37786380+00	+22410071+01	-64684833-01	-93682331+00	+20441971+00
+37830013+00	+22488768+01	-65802988-01	-93664450+00	+20439193+00
+37873646+00	+22566566+01	-66923143-01	-93646263+00	+20436373+00
+37917280+00	+22643484+01	-68045193-01	-93627768+00	+20433509+00
+37960913+00	+22719539+01	-69169146-01	-93608961+00	+20430606+00
+38004546+00	+22794748+01	-70294939-01	-93589850+00	+20427659+00
+38048179+00	+22869130+01	-71422557-01	-93570426+00	+20424668+00
+38091812+00	+22942699+01	-72551909-01	-93550696+00	+20421636+00
+38135446+00	+23015471+01	-73683011-01	-93530649+00	+20418559+00
+38179079+00	+23087461+01	-74815793-01	-93510293+00	+20415439+00
+38222712+00	+23158684+01	-75950238-01	-93489625+00	+20412276+00
+38266345+00	+23229153+01	-77086249-01	-93468646+00	+20409068+00
+38309978+00	+23298883+01	-78223833-01	-93447352+00	+20405816+00
+38353612+00	+23367887+01	-79362945-01	-93425742+00	+20402521+00

TABLE 141.—Continued

$$M_{00} = +11999992+02$$

$$\theta_B = +34906588+00$$

θ	M_{w2}^*	ψ_2	M_2^*	μ_1
+38397245+00	+23436176+01	-80503538-01	-93403818+00	+20399181+00
+38440878+00	+23503764+01	-81645576-01	-93381579+00	+20395796+00
+38484511+00	+23570663+01	-82789012-01	-93359023+00	+20392365+00
+38528144+00	+23636883+01	-83933808-01	-93336151+00	+20388890+00
+38571778+00	+23702438+01	-85079938-01	-93312961+00	+20385369+00
+38615411+00	+23767337+01	-86227349-01	-93289454+00	+20381800+00
+38659044+00	+23831591+01	-87376016-01	-93265628+00	+20378186+00
+38702677+00	+23895211+01	-88525891-01	-93241484+00	+20374525+00
+38746310+00	+23958205+01	-89676951-01	-93217019+00	+20370818+00
+38789944+00	+24020585+01	-90829094-01	-93192235+00	+20367063+00
+38833577+00	+24082359+01	-91982308-01	-93167131+00	+20363261+00
+38877210+00	+24143537+01	-93136586-01	-93141705+00	+20359409+00
+38920844+00	+24204127+01	-94291867-01	-93115956+00	+20355508+00
+38964476+00	+24264139+01	-95448137-01	-93089883+00	+20351560+00
+39008110+00	+24323580+01	-96605276-01	-93063490+00	+20347562+00
+39051743+00	+24382459+01	-97763310-01	-93036771+00	+20343512+00
+39095376+00	+24440785+01	-98922122-01	-93009731+00	+20339415+00
+39139010+00	+24498563+01	-10008176+00	-92982365+00	+20335265+00
+39182642+00	+24555804+01	-10124211+00	-92954673+00	+20331066+00
+39226276+00	+24612512+01	-10240313+00	-92926658+00	+20326814+00
+39269909+00	+24668699+01	-10356477+00	-92898316+00	+20322508+00
+39287165+00	+24690776+01	-10402430+00	-92887023+00	+20320795+00

$$S_2/R = +91968111+01$$

$$\eta/\alpha = +10319297+01$$

TABLE 142.—Conical Flow Field. $\theta_s=20.0^\circ$; $M_\infty=15.0$

M_∞	e_s		e_w	
+14999941+02	+34906588+00		+38947389+00	

θ	M_{w2}^*	ψ_2	M_2^*	μ_1
+34906588+00	+91931385+00	+14156103-06	-94929785+00	+19651212+00
+34993855+00	+12014527+01	-12597013-02	-94929487+00	+19651121+00
+35081121+00	+12944070+01	-26628934-02	-94928497+00	+19650839+00
+35168387+00	+13758676+01	-41627325-02	-94926727+00	+19650373+00
+35255654+00	+14442467+01	-57392530-02	-94924115+00	+19649724+00
+35342921+00	+15039589+01	-73792525-02	-94920613+00	+19648895+00
+35430187+00	+15574498+01	-90738963-02	-94916181+00	+19647884+00
+35517453+00	+16061966+01	-10816598-01	-94910786+00	+19646697+00
+35604720+00	+16511679+01	-12602238-01	-94904400+00	+19645331+00
+35691986+00	+16930391+01	-14426610-01	-94896998+00	+19643791+00
+35779253+00	+17323032+01	-16286280-01	-94888557+00	+19642076+00
+35866519+00	+17693335+01	-18178349-01	-94879057+00	+19640189+00
+35953785+00	+18044204+01	-20100251-01	-94868478+00	+19638131+00
+36041052+00	+18377954+01	-22049783-01	-94856812+00	+19635900+00
+36128318+00	+18696466+01	-24025029-01	-94844037+00	+19633499+00
+36215585+00	+19001291+01	-26024248-01	-94830141+00	+19630930+00
+36302851+00	+19293731+01	-28045855-01	-94815113+00	+19628191+00
+36390117+00	+19574889+01	-30088488-01	-94798943+00	+19625283+00
+36477384+00	+19845706+01	-32150852-01	-94781617+00	+19622207+00
+36564650+00	+20107001+01	-34231812-01	-94763128+00	+19618964+00
+36651917+00	+20359482+01	-36330231-01	-94743468+00	+19615552+00
+36695550+00	+20482616+01	-37385747-01	-94733194+00	+19613784+00
+36739183+00	+20603776+01	-38445234-01	-94722625+00	+19611972+00
+36782816+00	+20723027+01	-39508654-01	-94711758+00	+19610120+00
+36826449+00	+20840433+01	-40575847-01	-94700594+00	+19608226+00
+36870083+00	+20956054+01	-41646738-01	-94689133+00	+19606289+00
+36913716+00	+21069945+01	-42721235-01	-94677370+00	+19604310+00
+36957349+00	+21182159+01	-43799220-01	-94665305+00	+19602290+00
+37000982+00	+21292749+01	-44880589-01	-94652940+00	+19600227+00
+37044615+00	+21401760+01	-45965292-01	-94640272+00	+19598121+00
+37088249+00	+21509239+01	-47053201-01	-94627300+00	+19595975+00
+37131882+00	+21615230+01	-48144285-01	-94614025+00	+19593786+00
+37175515+00	+21719771+01	-49238397-01	-94600446+00	+19591554+00
+37219148+00	+21822905+01	-50335499-01	-94586558+00	+19589282+00
+37262782+00	+21924667+01	-51435504-01	-94572365+00	+19586965+00
+37306415+00	+22025093+01	-52538326-01	-94557866+00	+19584604+00
+37350048+00	+22124219+01	-53643898-01	-94543058+00	+19582202+00
+37393681+00	+22222076+01	-54752112-01	-94527943+00	+19579758+00
+37437314+00	+22318695+01	-55862953-01	-94512519+00	+19577271+00
+37480948+00	+22414108+01	-56976314-01	-94496787+00	+19574740+00
+37524581+00	+22508341+01	-58092151-01	-94480741+00	+19572166+00
+37568214+00	+22601422+01	-59210434-01	-94464386+00	+19569550+00
+37611847+00	+22693380+01	-60331017-01	-94447718+00	+19566887+00
+37655480+00	+22784237+01	-61453876-01	-94430737+00	+19564183+00
+37699114+00	+22874019+01	-62578965-01	-94413443+00	+19561434+00
+37742747+00	+22962748+01	-63706167-01	-94395838+00	+19558643+00
+37786380+00	+23050449+01	-64835477-01	-94377918+00	+19555807+00
+37830013+00	+23137142+01	-65966793-01	-94359681+00	+19552924+00
+37873646+00	+23222850+01	-67100101-01	-94341130+00	+19549999+00
+37917280+00	+23307589+01	-68235278-01	-9432265+00	+19547029+00

TABLE 142.—Continued

$$M_{00} = +14999941+02$$

$$\Theta_B = +34906588+00$$

Θ	M_{w2}^*	ϕ_2	M_2^*	μ_1
+37960913+00	+23391382+01	-69372337-01	-94303083+00	+19544014+00
+38004546+00	+23474246+01	-70511200-01	-94283582+00	+19540954+00
+38048179+00	+23556200+01	-71651788-01	-94263766+00	+19537848+00
+38091812+00	+23637261+01	-72794036-01	-94243632+00	+19534697+00
+38135446+00	+23717446+01	-73937914-01	-94223178+00	+19531498+00
+38179079+00	+23796771+01	-75083334-01	-94202406+00	+19528253+00
+38222712+00	+23875253+01	-76230263-01	-94181314+00	+19524963+00
+38266345+00	+23952905+01	-77378633-01	-94159905+00	+19521625+00
+38309978+00	+24029744+01	-78528412-01	-94138172+00	+19518240+00
+38353612+00	+24105783+01	-79679508-01	-94116122+00	+19514808+00
+38397245+00	+24181036+01	-80831868-01	-94093748+00	+19511328+00
+38440878+00	+24255516+01	-81985446-01	-94071054+00	+19507799+00
+38484511+00	+24329237+01	-83140167-01	-94048038+00	+19504221+00
+38528144+00	+24402211+01	-84295985-01	-94024702+00	+19500595+00
+38571778+00	+24474450+01	-85452830-01	-94001042+00	+19496919+00
+38615411+00	+24545966+01	-86610620-01	-93977060+00	+19493194+00
+38659044+00	+24616771+01	-87769364-01	-93952755+00	+19489418+00
+38702677+00	+24686875+01	-88928897-01	-93928128+00	+19485593+00
+38746310+00	+24756290+01	-90089197-01	-93903177+00	+19481716+00
+38789944+00	+24825026+01	-91250234-01	-93877904+00	+19477786+00
+38833577+00	+24893093+01	-92411916-01	-93852308+00	+19473806+00
+38877210+00	+24960501+01	-93574146-01	-93826387+00	+19469772+00
+38920844+00	+25027264+01	-94736868-01	-93800144+00	+19465686+00
+38947389+00	+25067567+01	-95444229-01	-93784031+00	+19463181+00

$$S_2/R = +10385923+02$$

$$\eta/\alpha = +10429492+01$$

TABLE 143.—Conical Flow Field. $\theta_s=20.0^\circ$; $M_\infty=20.0$

M_∞	Θ_S	Θ_W
19999972+02	+34906588+00	+38680903+00

Θ	M_{W2}^*	ψ_2	M_2^*	μ_1
34906588+00	+87358266+00	+11362135-06	-95506731+00	+18938374+00
34950221+00	+10197427+01	-60949288-03	-95506659+00	+18938351+00
34993855+00	+11753407+01	-12157746-02	-95506445+00	+18938279+00
35037488+00	+12246219+01	-18864032-02	-95506054+00	+18938158+00
35081121+00	+12756945+01	-25857836-02	-95505481+00	+18937991+00
35124755+00	+13216224+01	-33112075-02	-95504712+00	+18937778+00
35168387+00	+13631971+01	-40595084-02	-95503744+00	+18937515+00
35212021+00	+14013230+01	-48282258-02	-95502565+00	+18937207+00
35255654+00	+14366712+01	-56154989-02	-95501168+00	+18936852+00
35299287+00	+14697296+01	-64197611-02	-95499547+00	+18936449+00
35342921+00	+15008603+01	-72397515-02	-95497699+00	+18936001+00
35386554+00	+15303401+01	-80744177-02	-95495619+00	+18935507+00
35430187+00	+15583847+01	-89227818-02	-95493294+00	+18934967+00
35473820+00	+15851669+01	-97840484-02	-95490731+00	+18934381+00
35517453+00	+16108266+01	-10657487-01	-95487919+00	+18933750+00
35561087+00	+16354798+01	-11542475-01	-95484859+00	+18933073+00
35604720+00	+16592232+01	-12438396-01	-95481545+00	+18932351+00
35648353+00	+16821391+01	-13344727-01	-95477968+00	+18931585+00
35691986+00	+17042977+01	-14261007-01	-95474135+00	+18930773+00
35735619+00	+17257598+01	-15186777-01	-95470036+00	+18929918+00
35779253+00	+17465781+01	-16121598-01	-95465671+00	+18929019+00
35822886+00	+17667991+01	-17065121-01	-95461039+00	+18928072+00
35866519+00	+17864637+01	-18017014-01	-95456134+00	+18927082+00
35910152+00	+18056083+01	-18976934-01	-95450954+00	+18926051+00
35953785+00	+18242656+01	-19944534-01	-95445499+00	+18924971+00
35997419+00	+18424648+01	-20919573-01	-95439767+00	+18923850+00
36041052+00	+18602319+01	-21901743-01	-95433753+00	+18922685+00
36084685+00	+18775909+01	-22890830-01	-95427459+00	+18921475+00
36128318+00	+18945636+01	-23886532-01	-95420877+00	+18920222+00
36171951+00	+19111696+01	-24888689-01	-95414013+00	+18918927+00
36215585+00	+19274270+01	-25897024-01	-95406860+00	+18917586+00
36259218+00	+19433525+01	-26911365-01	-95399417+00	+18916201+00
36302851+00	+19589613+01	-27931480-01	-95391686+00	+18914775+00
36346484+00	+19742677+01	-28957266-01	-95383663+00	+18913305+00
36390117+00	+19892846+01	-29988436-01	-95375344+00	+18911792+00
36433751+00	+20040242+01	-31024894-01	-95366731+00	+18910236+00
36477384+00	+20184979+01	-32066429-01	-95357824+00	+18908634+00
36521017+00	+20327160+01	-33112956-01	-95348619+00	+18906991+00
36564650+00	+20466885+01	-34164257-01	-95339112+00	+18905304+00
36608283+00	+20604244+01	-35220178-01	-95329308+00	+18903573+00
36651917+00	+20739324+01	-36280617-01	-95319203+00	+18901800+00
36695550+00	+20872207+01	-37345413-01	-95308794+00	+18899985+00
36739183+00	+21002968+01	-38414514-01	-95298083+00	+18898125+00
36782816+00	+21131676+01	-39487690-01	-95287069+00	+18896221+00
36826449+00	+21258402+01	-40564904-01	-95275749+00	+18894274+00
36870083+00	+21383210+01	-41645978-01	-95264124+00	+18892284+00
36913716+00	+21506157+01	-42730860-01	-95252190+00	+18890251+00
36957349+00	+21627301+01	-43819392-01	-95239951+00	+18888172+00
37000982+00	+21746698+01	-44911468-01	-95227399+00	+18886050+00
37044615+00	+21864397+01	-46006992-01	-95214542+00	+18883887+00

TABLE 143.—Continued

$M_{00} = +19999972+02$

$\theta_8 = +34906588+00$

θ	M_{w2}^*	ψ_2	M_2^*	μ_1
37088249+00	+21980448+01	-47105881-01	-95201373+00	+18881679+00
37131882+00	+22094897+01	-48208014-01	-95187893+00	+18879426+00
37175515+00	+22207788+01	-49313311-01	-95174101+00	+18877131+00
37219148+00	+22319163+01	-50421691-01	-95159996+00	+18874788+00
37262782+00	+22429061+01	-51533052-01	-95145578+00	+18872403+00
37306415+00	+22537523+01	-52647267-01	-95130848+00	+18869974+00
37350048+00	+22644583+01	-53764318-01	-95115801+00	+18867499+00
37393681+00	+22750276+01	-54884063-01	-95100441+00	+18864981+00
37437314+00	+22854637+01	-56006471-01	-95084760+00	+18862417+00
37480948+00	+22957697+01	-57131386-01	-95068768+00	+18859809+00
37524581+00	+23059485+01	-58258805-01	-95052458+00	+18857155+00
37568214+00	+23160035+01	-59388569-01	-95035830+00	+18854456+00
37611847+00	+23259371+01	-60520666-01	-95018881+00	+18851711+00
37655480+00	+23357521+01	-61654972-01	-95001617+00	+18848922+00
37699114+00	+23454513+01	-62791453-01	-94984032+00	+18846086+00
37742747+00	+23550369+01	-63930001-01	-94966128+00	+18843203+00
37786380+00	+23645115+01	-65070526-01	-94947904+00	+18840273+00
37830013+00	+23738775+01	-66213012-01	-94929360+00	+18837298+00
37873646+00	+23831368+01	-67357305-01	-94910494+00	+18834275+00
37917280+00	+23922919+01	-68503413-01	-94891308+00	+18831207+00
37960913+00	+24013448+01	-69651156-01	-94871799+00	+18828088+00
38004546+00	+24102974+01	-70800523-01	-94851971+00	+18824924+00
38048179+00	+24191517+01	-71951474-01	-94831818+00	+18821711+00
38091812+00	+24279095+01	-73103898-01	-94811345+00	+18818448+00
38135446+00	+24365727+01	-74257693-01	-94790546+00	+18815137+00
38179079+00	+24451429+01	-75412765-01	-94769426+00	+18811780+00
38222712+00	+24536218+01	-76569106-01	-94747983+00	+18808370+00
38266345+00	+24620112+01	-77726573-01	-94726218+00	+18804912+00
38309978+00	+24703126+01	-78885128-01	-94704129+00	+18801403+00
38353612+00	+24785274+01	-80044693-01	-94681717+00	+18797844+00
38397245+00	+24866572+01	-81205143-01	-94658981+00	+18794233+00
38440878+00	+24947033+01	-82366397-01	-94635923+00	+18790571+00
38484511+00	+25026673+01	-83528436-01	-94612542+00	+18786858+00
38528144+00	+25105503+01	-84691118-01	-94588839+00	+18783092+00
38571778+00	+25183538+01	-85854358-01	-94564813+00	+18779272+00
38615411+00	+25260789+01	-87018037-01	-94540464+00	+18775400+00
38659044+00	+25337275+01	-88182096-01	-94515793+00	+18771474+00
38680903+00	+25375304+01	-88765384-01	-94503317+00	+18769486+00

$S_2/R = 11483733+02$

$\eta/\alpha = +10517862+01$

TABLE 144.—Conical Flow Field. $\theta_s=22.5^\circ$; $M_\infty=1.4123337$

M_∞	θ_s	θ_w
14123337+01	+39269911+00	+96928594+00

θ	M_{w2}^*	ψ_2	M_2^*	μ_1
39269911+00	+19490311+01	+34123659-05	-76692255+00	+15676366+01
41015239+00	+18789630+01	-83790435-01	-76501979+00	+15444793+01
42760568+00	+18131700+01	-15820791+00	-75997512+00	+15201003+01
44505896+00	+17540307+01	-22459083+00	-75258533+00	+14971201+01
46251224+00	+17008480+01	-28406739+00	-74343998+00	+14754114+01
47996553+00	+16528933+01	-33757554+00	-73297905+00	+14548384+01
49741881+00	+16095181+01	-38589909+00	-72153293+00	+14352784+01
51487209+00	+15701631+01	-42969688+00	-70935097+00	+14166238+01
53232538+00	+15343503+01	-46952655+00	-69662180+00	+13987800+01
54977866+00	+15016704+01	-50586264+00	-68348787+00	+13816631+01
56723194+00	+14717726+01	-53911145+00	-67005631+00	+13651989+01
58468523+00	+14443553+01	-56962276+00	-65640685+00	+13493212+01
60213851+00	+14191585+01	-59769937+00	-64259765+00	+13339697+01
61959179+00	+13959566+01	-62360464+00	-62866970+00	+13190905+01
63704507+00	+13745541+01	-64756902+00	-61465006+00	+13046335+01
65449836+00	+13547805+01	-66979520+00	-60055427+00	+12905530+01
67195164+00	+13364865+01	-69046263+00	-58638790+00	+12768061+01
68940492+00	+13195418+01	-70973107+00	-57214784+00	+12633524+01
70685821+00	+13038318+01	-72774380+00	-55782289+00	+12501539+01
72431149+00	+12892559+01	-74463064+00	-54339380+00	+12371732+01
74176477+00	+12757259+01	-76051036+00	-52883334+00	+12243740+01
75921806+00	+12631642+01	-77549325+00	-51410502+00	+12117200+01
77667134+00	+12515030+01	-78968326+00	-49916215+00	+11991745+01
79412462+00	+12406832+01	-80318080+00	-48394533+00	+11866992+01
81157790+00	+12306540+01	-81608579+00	-46837885+00	+11742536+01
82903119+00	+12213721+01	-82850103+00	-45236583+00	+11617933+01
84648447+00	+12128019+01	-84053751+00	-43577994+00	+11492687+01
86393775+00	+12049154+01	-85232143+00	-41845306+00	+11366224+01
88139104+00	+11976927+01	-86400556+00	-40015492+00	+11237857+01
89884432+00	+11911239+01	-87578807+00	-38055889+00	+11106734+01
91629760+00	+11852106+01	-88794630+00	-35918002+00	+10971750+01
93375089+00	+11799712+01	-90090256+00	-33525537+00	+10831398+01
95120417+00	+11754491+01	-91536649+00	-30748750+00	+10683488+01
96865745+00	+11717316+01	-93268820+00	-27341587+00	+10524560+01
96928594+00	+11716146+01	-93339469+00	-27201813+00	+10518567+01

$s_2/R = 29498053-01$

$\eta/\alpha = +52313389+00$

TABLE 145.—Conical Flow Field. $\theta_s=22.5^\circ$; $M_\infty=1.5$

M_∞	Θ_s	Θ_w			
14999999+01	+39269911+00	+90132794+00			
Θ	M_{w2}^*	ψ_2	M_2^*	μ_1	
39269911+00	+19627833+01	+56400895-05	-77661579+00	+11751247+01	
40448008+00	+19171881+01	-54387022-01	-77571558+00	+11747336+01	
41626105+00	+18709525+01	-10459226+00	-77323289+00	+11736298+01	
42804201+00	+18276538+01	-15102252+00	-76944984+00	+11719090+01	
43982298+00	+17873017+01	-19405789+00	-76459514+00	+11696543+01	
45160394+00	+17497164+01	-23403429+00	-75885501+00	+11669380+01	
46338491+00	+17146856+01	-27124749+00	-75238158+00	+11638232+01	
47429321+00	+16843452+01	-30346791+00	-74584267+00	+11606311+01	
48520152+00	+16558604+01	-33372739+00	-73886410+00	+11571815+01	
49610982+00	+16290879+01	-36219066+00	-73151435+00	+11535073+01	
50701806+00	+16038970+01	-38900561+00	-72385053+00	+11496368+01	
51792627+00	+15801689+01	-41430529+00	-71592043+00	+11455949+01	
52883448+00	+15577953+01	-43820979+00	-70776387+00	+11414031+01	
53887003+00	+15383232+01	-45906330+00	-70008847+00	+11374302+01	
54890558+00	+15198444+01	-47890506+00	-69227106+00	+11333586+01	
55894113+00	+15022948+01	-49780579+00	-68432960+00	+11291993+01	
56897668+00	+14856157+01	-51583041+00	-67627894+00	+11249616+01	
57901224+00	+14697531+01	-53303868+00	-66813126+00	+11206535+01	
58904779+00	+14546575+01	-54948561+00	-65989636+00	+11162822+01	
59821068+00	+14415056+01	-56388087+00	-65230784+00	+11122407+01	
60737358+00	+14289230+01	-57772027+00	-64465732+00	+11081550+01	
61653648+00	+14168800+01	-59103761+00	-63694795+00	+11040283+01	
62569937+00	+14053488+01	-60386457+00	-62918170+00	+10998633+01	
63486226+00	+13943038+01	-61623093+00	-62135950+00	+10956618+01	
64402516+00	+13837211+01	-62816486+00	-61348123+00	+10914256+01	
65231539+00	+13745263+01	-63861179+00	-60630403+00	+10875640+01	
66060564+00	+13656763+01	-64874528+00	-59907843+00	+10836753+01	
66889588+00	+13571570+01	-65858321+00	-59180228+00	+10797600+01	
67718611+00	+13489548+01	-66814286+00	-58447266+00	+10758180+01	
68547635+00	+13410573+01	-67744080+00	-57708599+00	+10718490+01	
69376659+00	+13334525+01	-68649311+00	-56963798+00	+10678527+01	
70118417+00	+13268873+01	-69439717+00	-56291783+00	+10642531+01	
70860175+00	+13205403+01	-70212814+00	-55614025+00	+10606302+01	
71601934+00	+13144045+01	-70969687+00	-54930045+00	+10569832+01	
72343692+00	+13084734+01	-71711412+00	-54239297+00	+10533108+01	
73085450+00	+13027409+01	-72439055+00	-53541165+00	+10496119+01	
73827208+00	+12972011+01	-73153693+00	-52834958+00	+10458851+01	
74481701+00	+12924689+01	-73774334+00	-52204500+00	+10425721+01	
75136193+00	+12878793+01	-74386465+00	-51566543+00	+10392348+01	
75790686+00	+12834290+01	-74990871+00	-50920410+00	+10358716+01	
76445178+00	+12791150+01	-75588361+00	-50265350+00	+10324811+01	
77099671+00	+12749347+01	-76179775+00	-49600531+00	+10290614+01	
77754163+00	+12708854+01	-76766004+00	-48925004+00	+10256107+01	
78321390+00	+12674802+01	-77270598+00	-48330069+00	+10225932+01	
78888617+00	+12641704+01	-77772655+00	-47725521+00	+10195492+01	
79455844+00	+12609548+01	-78272860+00	-47110506+00	+10164768+01	
80023071+00	+12578322+01	-78771969+00	-46484051+00	+10133744+01	
80590297+00	+12548017+01	-79270788+00	-45845076+00	+10102398+01	
81157524+00	+12518625+01	-79770210+00	-45192359+00	+10070708+01	
81637486+00	+12494464+01	-80193981+00	-44628304+00	+10043606+01	

TABLE 145.—Continued

$M_{00} = +14999999+01$

$\Theta_B = +39269911+00$

Θ	M_{w2}^*	ψ_2	M_2^*	μ_1
82117447+00	+12470949+01	-80619533+00	-44052474+00	+10016223+01
82597408+00	+12448078+01	-81047587+00	-43463806+00	+99885406+00
83077369+00	+12425852+01	-81478931+00	-42861117+00	+99605396+00
83557330+00	+12404269+01	-81914455+00	-42243058+00	+99321977+00
84037292+00	+12383333+01	-82355154+00	-41608097+00	+99034909+00
84429987+00	+12366684+01	-82720359+00	-41074799+00	+98797136+00
84822683+00	+12350473+01	-83090477+00	-40527936+00	+98556584+00
85215379+00	+12334700+01	-83466284+00	-39966295+00	+98313071+00
85608074+00	+12319371+01	-83848649+00	-39388496+00	+98066413+00
86000769+00	+12304490+01	-84238567+00	-38792983+00	+97816393+00
86393464+00	+12290064+01	-84637158+00	-38177969+00	+97562779+00
86698894+00	+12279162+01	-84953981+00	-37684853+00	+97362875+00
87004324+00	+12268542+01	-85277520+00	-37177618+00	+97160507+00
87309754+00	+12258210+01	-85608538+00	-36655047+00	+96955527+00
87615184+00	+12248170+01	-85947905+00	-36115760+00	+96747777+00
87920614+00	+12238428+01	-86296603+00	-35558196+00	+96537083+00
88226044+00	+12228990+01	-86655747+00	-34980590+00	+96323255+00
88444208+00	+12222439+01	-86919381+00	-34554623+00	+96168484+00
88662372+00	+12216050+01	-87189524+00	-34116564+00	+96011918+00
88880536+00	+12209827+01	-87466758+00	-33665495+00	+95853471+00
89098700+00	+12203772+01	-87751736+00	-33200383+00	+95693037+00
89316864+00	+12197891+01	-88045196+00	-32720078+00	+95530514+00
89535029+00	+12192187+01	-88347935+00	-32223308+00	+95365783+00
89753193+00	+12186665+01	-88660888+00	-31708620+00	+95198718+00
89971357+00	+12181331+01	-88985087+00	-31174390+00	+95029180+00
90132794+00	+12177508+01	-89232912+00	-30765419+00	+94902047+00

$S_2/R = 39257051-01$

$\eta/\alpha = +53421016+00$

TABLE 146.—Conical Flow Field. $\theta_s=22.5^\circ$; $M_\infty=1.75$

M_∞	θ_s	θ_w
17499999+01	+39269911+00	+77605995+00

θ	M_{w2}^*	ψ_2	M_2^*	μ_1
39269911+00	+19867741+01	+36880374-05	-80482838+00	+87981894+00
40186209+00	+19593146+01	-37641570-01	-80426888+00	+87968834+00
41102506+00	+19253405+01	-73101906-01	-80269393+00	+87931399+00
42018803+00	+18922132+01	-10652775+00	-80024306+00	+87872052+00
42935101+00	+18604781+01	-13808282+00	-79703431+00	+87792938+00
43851398+00	+18302519+01	-16791957+00	-79316735+00	+87695933+00
44767695+00	+18015295+01	-19617677+00	-78872670+00	+87582694+00
45683993+00	+17742603+01	-22298023+00	-78378392+00	+87454670+00
46513024+00	+17507845+01	-24607383+00	-77893001+00	+87327160+00
47342055+00	+17283890+01	-26814773+00	-77375345+00	+87189440+00
48171086+00	+17070189+01	-28927268+00	-76828737+00	+87042251+00
49000117+00	+16866206+01	-30951352+00	-76256036+00	+86886260+00
49829148+00	+16671429+01	-32893014+00	-75659692+00	+86722047+00
50658173+00	+16485365+01	-34757785+00	-75041803+00	+86550145+00
51487197+00	+16307556+01	-36550782+00	-74404154+00	+86371008+00
52228955+00	+16155105+01	-38098089+00	-73818119+00	+86204931+00
52970713+00	+16008620+01	-39594932+00	-73218378+00	+86033639+00
53712471+00	+15867826+01	-41044302+00	-72605692+00	+85857367+00
54454230+00	+15732464+01	-42449022+00	-71980685+00	+85676302+00
55195988+00	+15602290+01	-43811764+00	-71343854+00	+85490617+00
55937746+00	+15477074+01	-45135055+00	-70695579+00	+85300456+00
56679504+00	+15356600+01	-46421316+00	-70036127+00	+85105938+00
57333997+00	+15254078+01	-47527343+00	-69445093+00	+84930757+00
57988489+00	+15154958+01	-48607850+00	-68845521+00	+84752318+00
58642982+00	+15059118+01	-49664315+00	-68237375+00	+84570649+00
59297474+00	+14966441+01	-50698160+00	-67620571+00	+84385773+00
59951967+00	+14876815+01	-51710788+00	-66994946+00	+84197711+00
60606459+00	+14790137+01	-52703556+00	-66360283+00	+84006452+00
61260952+00	+14706308+01	-53677812+00	-65716278+00	+83811983+00
61828179+00	+14635889+01	-54508222+00	-65150306+00	+83640827+00
62395405+00	+14567482+01	-55326597+00	-64576749+00	+83467210+00
62962633+00	+14501035+01	-56133796+00	-63995279+00	+83291095+00
63529859+00	+14436494+01	-56930691+00	-63405502+00	+83112437+00
64097086+00	+14373813+01	-57718168+00	-62806970+00	+82931183+00
64664313+00	+14312945+01	-58497130+00	-62199174+00	+82747270+00
65231539+00	+14253848+01	-59268501+00	-61581536+00	+82560620+00
65711501+00	+14205195+01	-59915984+00	-61050743+00	+82400489+00
66191462+00	+14157758+01	-60559322+00	-60511984+00	+82238274+00
66671424+00	+14111515+01	-61199145+00	-59964763+00	+82073916+00
67151384+00	+14066446+01	-61836111+00	-59408525+00	+81907343+00
67631345+00	+14022533+01	-62470917+00	-58842657+00	+81738467+00
68111307+00	+13979757+01	-63104298+00	-58266466+00	+81567205+00
68591268+00	+13938102+01	-63737042+00	-57679188+00	+81393453+00
68983964+00	+13904846+01	-64254861+00	-57189837+00	+81249364+00
69376659+00	+13872323+01	-64773324+00	-56691964+00	+81103470+00
69769355+00	+13840528+01	-65292965+00	-56184988+00	+80955694+00
70162050+00	+13809454+01	-65814362+00	-55668266+00	+80805965+00
70554745+00	+13779097+01	-66338137+00	-55141098+00	+80654190+00
70947441+00	+13749452+01	-66864986+00	-54602687+00	+80500280+00
71340136+00	+13720516+01	-67395646+00	-54052160+00	+80344128+00

TABLE 146.—Continued

$M_{\infty} = +17499999+01$

$\Theta_B = +39269911+00$

Θ	M_{w2}^*	ψ_2	M_2^*	μ_1
71645566+00	+13698499+01	-67811545+00	-53614968+00	+80221057+00
71950996+00	+13676909+01	-68230675+00	-53169340+00	+80096506+00
72256426+00	+13655745+01	-68653491+00	-52714719+00	+79970412+00
72561856+00	+13635008+01	-69080499+00	-52250484+00	+79842708+00
72867285+00	+13614698+01	-69512255+00	-51775950+00	+79713323+00
73172715+00	+13594816+01	-69949357+00	-51290367+00	+79582181+00
73478146+00	+13575364+01	-70392474+00	-50792899+00	+79449193+00
73696310+00	+13561733+01	-70713078+00	-50429774+00	+79353021+00
73914474+00	+13548324+01	-71037422+00	-50059739+00	+79255826+00
74132638+00	+13535137+01	-71365824+00	-49682386+00	+79157568+00
74350802+00	+13522173+01	-71698636+00	-49297281+00	+79058206+00
74568966+00	+13509435+01	-72036230+00	-48903940+00	+78957696+00
74787131+00	+13496924+01	-72379019+00	-48501838+00	+78855993+00
75005295+00	+13484642+01	-72727450+00	-48090410+00	+78753043+00
75136193+00	+13477383+01	-72939424+00	-47838813+00	+78690652+00
75267091+00	+13470209+01	-73153716+00	-47583489+00	+78627783+00
75397991+00	+13463118+01	-73370453+00	-47324277+00	+78564420+00
75528889+00	+13456112+01	-73589767+00	-47061010+00	+78500553+00
75659787+00	+13449193+01	-73811789+00	-46793520+00	+78436161+00
75790686+00	+13442359+01	-74036670+00	-46521618+00	+78371237+00
75921584+00	+13435612+01	-74264556+00	-46245109+00	+78305760+00
76052483+00	+13428953+01	-74495621+00	-45963775+00	+78239718+00
76183381+00	+13422383+01	-74730041+00	-45677396+00	+78173089+00
76314280+00	+13415903+01	-74968004+00	-45385726+00	+78105858+00
76445178+00	+13409513+01	-75209706+00	-45088512+00	+78038005+00
76576076+00	+13403216+01	-75455369+00	-44785479+00	+77969512+00
76706976+00	+13397010+01	-75705227+00	-44476321+00	+77900358+00
76837874+00	+13390899+01	-75959531+00	-44160723+00	+77830513+00
76968772+00	+13384883+01	-76218550+00	-43838339+00	+77759964+00
77099671+00	+13378964+01	-76482578+00	-43508797+00	+77688679+00
77230569+00	+13373143+01	-76751928+00	-43171697+00	+77616636+00
77361468+00	+13367421+01	-77026936+00	-42826612+00	+77543806+00
77492367+00	+13361801+01	-77307983+00	-42473054+00	+77470155+00
77605995+00	+13357007+01	-77557154+00	-42158892+00	+77405537+00

$S_2/R = 85392500-01$

$\eta/\alpha = +58663168+00$

TABLE 147.—Conical Flow Field. $\theta_s=22.5^\circ$; $M_\infty=2.0$

M_∞	Θ_s	Θ_w
19999998+01	+39269911+00	+69928054+00

Θ	M_{w2}^*	ψ_2	M_2^*	μ_1
39269911+00	+19817600+01	+26356429-05	-82952657+00	+73327224+00
39924409+00	+19748945+01	-24527242-01	-82923775+00	+73321798+00
40578907+00	+19551286+01	-48111368-01	-82840756+00	+73306035+00
41233405+00	+19342168+01	-70767283-01	-82708806+00	+73280690+00
41887904+00	+19132314+01	-92542209-01	-82532566+00	+73246438+00
42542402+00	+18925537+01	-11348667+00	-82316145+00	+73203876+00
43196900+00	+18723535+01	-13365003+00	-82063165+00	+73153561+00
43807765+00	+18540030+01	-15180594+00	-81796895+00	+73100042+00
44418630+00	+18361706+01	-16935873+00	-81503873+00	+73040549+00
45029495+00	+18188689+01	-18634212+00	-81186153+00	+72975420+00
45640360+00	+18020994+01	-20278815+00	-80845565+00	+72904956+00
46251224+00	+17858569+01	-21872675+00	-80483720+00	+72829426+00
46862090+00	+17701319+01	-23418631+00	-80102056+00	+72749073+00
47429321+00	+17559831+01	-24813587+00	-79731024+00	+72670336+00
47996553+00	+17422595+01	-26171542+00	-79344898+00	+72587794+00
48563784+00	+17289496+01	-27494407+00	-78944479+00	+72501593+00
49131016+00	+17160416+01	-28783991+00	-78530468+00	+72411864+00
49698248+00	+17035235+01	-30042025+00	-78103482+00	+72318726+00
50265478+00	+16913835+01	-31270165+00	-77664045+00	+72222279+00
50789071+00	+16805029+01	-32378665+00	-77247757+00	+72130399+00
51312665+00	+16699254+01	-33464232+00	-76821547+00	+72035845+00
51836260+00	+16596425+01	-34528011+00	-76385670+00	+71938675+00
52359853+00	+16496454+01	-35571113+00	-75940328+00	+71838941+00
52883448+00	+16399260+01	-36594612+00	-75485673+00	+71736680+00
53407041+00	+16304764+01	-37599558+00	-75021811+00	+71631931+00
53887003+00	+16220445+01	-38505338+00	-74588567+00	+71533743+00
54366964+00	+16138271+01	-39397154+00	-74147652+00	+71433502+00
54846925+00	+16058187+01	-40275766+00	-73699045+00	+71331218+00
55326886+00	+15980139+01	-41141933+00	-73242687+00	+71226890+00
55806847+00	+15904078+01	-41996388+00	-72778491+00	+71120519+00
56286809+00	+15829953+01	-42839872+00	-72306333+00	+71012102+00
56723137+00	+15764208+01	-43597769+00	-71870056+00	+70911758+00
57159465+00	+15699993+01	-44347766+00	-71426915+00	+70809701+00
57595794+00	+15637272+01	-45090420+00	-70976734+00	+70705916+00
58032122+00	+15576017+01	-45826295+00	-70519302+00	+70600382+00
58468450+00	+15516198+01	-46555968+00	-70054385+00	+70493076+00
58904779+00	+15457785+01	-47280027+00	-69581703+00	+70383969+00
59297474+00	+15406395+01	-47927384+00	-69149392+00	+70284201+00
59690170+00	+15356103+01	-48571134+00	-68710286+00	+70182920+00
60082865+00	+15306893+01	-49211749+00	-68264093+00	+70080092+00
60475561+00	+15258746+01	-49849720+00	-67810495+00	+69975682+00
60868256+00	+15211648+01	-50485547+00	-67349141+00	+69869649+00
61260952+00	+15165582+01	-51119771+00	-66879632+00	+69761950+00
61610015+00	+15125490+01	-51682632+00	-66455095+00	+69664779+00
61959077+00	+15086194+01	-52245088+00	-66023430+00	+69566214+00
62308140+00	+15047683+01	-52807574+00	-65584264+00	+69466218+00
62657203+00	+15009950+01	-53370559+00	-65137185+00	+69364743+00
63006265+00	+14972989+01	-53934545+00	-64681739+00	+69261741+00
63355328+00	+14936790+01	-54500075+00	-64217420+00	+69157155+00
63660758+00	+14905737+01	-54996621+00	-63803435+00	+69064301+00

TABLE 147.—Continued

$M_{00} = +19999998+01$

$\Theta_S = +39269911+00$

Θ	M_{w2}^*	ψ_2	M_2^*	μ_1
63966188+00	+14875261+01	-55495201+00	-63381826+00	+68970151+00
64271618+00	+14845357+01	-55996267+00	-62952142+00	+68874656+00
64577047+00	+14816023+01	-56500297+00	-62513893+00	+68777766+00
64882477+00	+14787256+01	-57007819+00	-62066532+00	+68679427+00
65187907+00	+14759055+01	-57519399+00	-61609463+00	+68579582+00
65449703+00	+14735331+01	-57961606+00	-61209453+00	+68492755+00
65711501+00	+14712022+01	-58407677+00	-60801366+00	+68404729+00
65973298+00	+14689126+01	-58858091+00	-60384689+00	+68315458+00
66235095+00	+14666645+01	-59313350+00	-59958867+00	+68224892+00
66496892+00	+14644578+01	-59774008+00	-59523289+00	+68132980+00
66758689+00	+14622928+01	-60240678+00	-59077282+00	+68039658+00
66976853+00	+14605205+01	-60634652+00	-58697096+00	+67960764+00
67195017+00	+14587772+01	-61033699+00	-58308665+00	+67880809+00
67413181+00	+14570632+01	-61438289+00	-57911466+00	+67799750+00
67631345+00	+14553787+01	-61848927+00	-57504926+00	+67717534+00
67849509+00	+14537238+01	-62266187+00	-57088405+00	+67634117+00
68067674+00	+14520988+01	-62690683+00	-56661205+00	+67549445+00
68242205+00	+14508205+01	-63035948+00	-56311241+00	+67480762+00
68416737+00	+14495616+01	-63386673+00	-55953508+00	+67411205+00
68591268+00	+14483224+01	-63743277+00	-55587531+00	+67340740+00
68765800+00	+14471030+01	-64106220+00	-55212790+00	+67269329+00
68940330+00	+14459037+01	-64476007+00	-54828716+00	+67196932+00
69114862+00	+14447246+01	-64853195+00	-54434676+00	+67123508+00
69245760+00	+14438539+01	-65141301+00	-54132198+00	+67067739+00
69376659+00	+14429948+01	-65434187+00	-53823413+00	+67011348+00
69507558+00	+14421476+01	-65732170+00	-53507972+00	+66954307+00
69638456+00	+14413124+01	-66035564+00	-53185508+00	+66896599+00
69769355+00	+14404893+01	-66344733+00	-52855616+00	+66838197+00
69900253+00	+14396786+01	-66660060+00	-52517858+00	+66779073+00
69928054+00	+14395081+01	-66727860+00	-52445074+00	+66766426+00

$S_2/R = 16339428+00$

$\eta/\alpha = +64148305+00$

TABLE 148.—Conical Flow Field. $\theta_s=22.5^\circ$; $M_\infty=2.5$

M_∞	θ_s	θ_w
24999999+01	+39269911+00	+60899456+00

θ	M_w^*	ψ_2	M_2^*	μ_1
39269911+00	+19089959+01	+15441328-05	-86978778+00	+56957149+00
39749877+00	+19367146+01	-15316965-01	-86963659+00	+56954713+00
40229842+00	+19355819+01	-30337157-01	-86919374+00	+56947569+00
40709807+00	+19301232+01	-45010624-01	-86847673+00	+56935971+00
41189773+00	+19226762+01	-59334416-01	-86750254+00	+56920144+00
41669738+00	+19141410+01	-73315747-01	-86628672+00	+56900298+00
42149703+00	+19049724+01	-86966110-01	-86484351+00	+56876617+00
42629668+00	+18954345+01	-10029848+00	-86318591+00	+56849278+00
43109633+00	+18856939+01	-11332660+00	-86132565+00	+56818436+00
43545966+00	+18767571+01	-12491795+00	-85946755+00	+56787478+00
43982298+00	+18678040+01	-13627954+00	-85745793+00	+56753839+00
44418630+00	+18588775+01	-14742155+00	-85530336+00	+56717607+00
44854962+00	+18500096+01	-15835381+00	-85300967+00	+56678867+00
45291294+00	+18412246+01	-16908600+00	-85058220+00	+56637687+00
45727626+00	+18325408+01	-17962751+00	-84802565+00	+56594137+00
46163958+00	+18239720+01	-18998747+00	-84534427+00	+56548273+00
46600290+00	+18155290+01	-20017485+00	-84254174+00	+56500155+00
46992989+00	+18080444+01	-20920308+00	-83991855+00	+56454952+00
47385688+00	+18006726+01	-21810478+00	-83720186+00	+56407991+00
47778387+00	+17934168+01	-22688600+00	-83439340+00	+56359293+00
48171086+00	+17862795+01	-23555283+00	-83149457+00	+56308883+00
48563784+00	+17792626+01	-24411112+00	-82850655+00	+56256779+00
48956484+00	+17723671+01	-25256671+00	-82543017+00	+56202997+00
49349182+00	+17655938+01	-26092546+00	-82226600+00	+56147547+00
49741881+00	+17589431+01	-26919310+00	-81901437+00	+56090438+00
50090946+00	+17531342+01	-27647036+00	-81605053+00	+56038282+00
50440009+00	+17474221+01	-28368426+00	-81301733+00	+55984819+00
50789071+00	+17418063+01	-29083883+00	-80991441+00	+55930052+00
51138134+00	+17362865+01	-29793825+00	-80674116+00	+55873970+00
51487197+00	+17308623+01	-30498667+00	-80349674+00	+55816568+00
51836260+00	+17255330+01	-31198837+00	-80018015+00	+55757837+00
52185322+00	+17202981+01	-31894767+00	-79679010+00	+55697763+00
52534385+00	+17151570+01	-32586892+00	-79332516+00	+55636335+00
52839815+00	+17107349+01	-33189743+00	-79023048+00	+55581458+00
53145245+00	+17063836+01	-33790354+00	-78707574+00	+55525516+00
53450674+00	+17021027+01	-34389043+00	-78385938+00	+55468491+00
53756104+00	+16978917+01	-34986152+00	-78057969+00	+55410367+00
54061534+00	+16937502+01	-35582033+00	-77723471+00	+55351122+00
54366964+00	+16896777+01	-36177051+00	-77382229+00	+55290735+00
54672394+00	+16856738+01	-36771599+00	-77034000+00	+55229183+00
54977824+00	+16817380+01	-37366081+00	-76678515+00	+55166432+00
55239621+00	+16784186+01	-37875908+00	-76367818+00	+55111673+00
55501418+00	+16751487+01	-38386295+00	-76051361+00	+55055996+00
55763215+00	+16719282+01	-38897537+00	-75728921+00	+54999372+00
56025011+00	+16687568+01	-39409967+00	-75400244+00	+54941779+00
56286809+00	+16656344+01	-39923919+00	-75065061+00	+54883193+00
56548606+00	+16625609+01	-40439772+00	-74723072+00	+54823579+00
56810403+00	+16595361+01	-40957909+00	-74373946+00	+54762909+00
57072200+00	+16565599+01	-41478768+00	-74017316+00	+54701146+00
57290364+00	+16541168+01	-41915217+00	-73714108+00	+54648818+00

TABLE 148.—Continued

$$M_{00} = +24999999+01$$

$$\Theta_8 = +39269911+00$$

Θ	M_{w2}^*	ψ_2	M_2^*	μ_1
57508528+00	+16517074+01	-42354152+00	-73405165+00	+54595684+00
57726692+00	+16493316+01	-42795890+00	-73090202+00	+54541716+00
57944857+00	+16469896+01	-43240761+00	-72768921+00	+54486886+00
58163021+00	+16446813+01	-43689121+00	-72440994+00	+54431167+00
58381185+00	+16424067+01	-44141357+00	-72106062+00	+54374528+00
58599349+00	+16401660+01	-44597890+00	-71763729+00	+54316934+00
58817513+00	+16379592+01	-45059183+00	-71413563+00	+54258347+00
58992045+00	+16362183+01	-45431978+00	-71127469+00	+54210738+00
59166576+00	+16344993+01	-45808418+00	-70835792+00	+54162446+00
59341107+00	+16328022+01	-46188814+00	-70538234+00	+54113450+00
59515638+00	+16311273+01	-46573482+00	-70234488+00	+54063722+00
59690170+00	+16294746+01	-46962790+00	-69924202+00	+54013236+00
59864701+00	+16278443+01	-47357117+00	-69607007+00	+53961965+00
60039232+00	+16262365+01	-47756892+00	-69282488+00	+53909877+00
60213764+00	+16246514+01	-48162575+00	-68950195+00	+53856939+00
60344663+00	+16234776+01	-48471025+00	-68695575+00	+53816655+00
60475561+00	+16223168+01	-48783319+00	-68436072+00	+53775856+00
60606459+00	+16211692+01	-49099706+00	-68171447+00	+53734527+00
60737358+00	+16200347+01	-49420466+00	-67901427+00	+53692645+00
60868256+00	+16189136+01	-49745888+00	-67625728+00	+53650196+00
60899456+00	+16186485+01	-49824176+00	-67559145+00	+53639993+00

$$S_2/R = 42873282+00$$

$$\eta/\alpha = +73365606+00$$

TABLE 149.—Conical Flow Field. $\theta_s=22.5^\circ$; $M_\infty=3.0$

M_{00}	Θ_S	Θ_W
30000000+01	+39269911+00	+55844619+00

Θ	M_{w2}^*	ψ_2	M_2^*	μ_1
39269911+00	+17960840+01	+10076910-05	-90202025+00	+47708476+00
39618977+00	+18572396+01	-97412877-02	-90194444+00	+47707271+00
39968043+00	+18734827+01	-19460961-01	-90171870+00	+47703711+00
40317108+00	+18824627+01	-29092502-01	-90134753+00	+47697886+00
40666174+00	+18877720+01	-38615394-01	-90083601+00	+47689880+00
41015239+00	+18908109+01	-48021343-01	-90018913+00	+47679772+00
41364305+00	+18922991+01	-57307156-01	-89941174+00	+47667636+00
41713371+00	+18926638+01	-66472515-01	-89850839+00	+47653535+00
42062437+00	+18921828+01	-75518547-01	-89748341+00	+47637532+00
42411502+00	+18910482+01	-84447609-01	-89634074+00	+47619681+00
42760568+00	+18893989+01	-93262572-01	-89508409+00	+47600036+00
43109633+00	+18873390+01	-10196686+00	-89371686+00	+47578643+00
43415066+00	+18852630+01	-10949515+00	-89243226+00	+47558523+00
43720499+00	+18829767+01	-11694404+00	-89106726+00	+47537124+00
44025931+00	+18805152+01	-12431616+00	-88962361+00	+47514468+00
44331363+00	+18779074+01	-13161430+00	-88810287+00	+47490576+00
44636796+00	+18751779+01	-13884121+00	-88650648+00	+47465470+00
44942228+00	+18723473+01	-14599965+00	-88483568+00	+47439165+00
45247661+00	+18694331+01	-15309248+00	-88309163+00	+47411679+00
45553093+00	+18664503+01	-16012250+00	-88127530+00	+47383027+00
45858526+00	+18634122+01	-16709262+00	-87938753+00	+47353216+00
46163958+00	+18603300+01	-17400577+00	-87742894+00	+47322256+00
46469390+00	+18572134+01	-18086485+00	-87540009+00	+47290159+00
46731190+00	+18545214+01	-18670328+00	-87360546+00	+47261743+00
46992989+00	+18518152+01	-19250600+00	-87175964+00	+47232497+00
47254788+00	+18490993+01	-19827493+00	-86986274+00	+47202426+00
47516588+00	+18463775+01	-20401211+00	-86791468+00	+47171523+00
47778387+00	+18436534+01	-20971937+00	-86591542+00	+47139794+00
48040186+00	+18409300+01	-21539876+00	-86386472+00	+47107233+00
48301985+00	+18382102+01	-22105225+00	-86176233+00	+47073839+00
48563784+00	+18354966+01	-22668201+00	-85960787+00	+47039608+00
48825584+00	+18327916+01	-23229006+00	-85740087+00	+47005435+00
49087383+00	+18300972+01	-23787864+00	-85514072+00	+46968613+00
49349182+00	+18274154+01	-24344995+00	-85282675+00	+46931837+00
49567348+00	+18251915+01	-24808124+00	-85085671+00	+46900528+00
49785514+00	+18229786+01	-25270352+00	-84884821+00	+46868616+00
50003680+00	+18207775+01	-25731823+00	-84680064+00	+46836088+00
50221845+00	+18185891+01	-26192686+00	-84471333+00	+46802940+00
50440009+00	+18164140+01	-26653095+00	-84258553+00	+46769166+00
50658173+00	+18142531+01	-27113213+00	-84041642+00	+46734751+00
50876337+00	+18121071+01	-27573195+00	-83820513+00	+46699692+00
51094501+00	+18099765+01	-28033216+00	-83595066+00	+46663973+00
51312665+00	+18078619+01	-28493467+00	-83365195+00	+46627583+00
51530830+00	+18057640+01	-28954125+00	-83130777+00	+46590512+00
51748994+00	+18036832+01	-29415394+00	-82891691+00	+46552746+00
51923525+00	+18020312+01	-29784993+00	-82696958+00	+46522021+00
52098056+00	+18003908+01	-30155227+00	-82499071+00	+46490831+00
52272588+00	+17987621+01	-30526219+00	-82297940+00	+46459171+00
52447119+00	+17971455+01	-30898097+00	-82092473+00	+46427029+00
52621651+00	+17955412+01	-31270990+00	-81885573+00	+46394395+00

TABLE 149.—Continued

$M_{\infty} = +30000000+01$

$\Theta_S = +39269911+00$

Θ	M_{w2}^*	ψ_2	M_2^*	μ_1
52796182+00	+17939493+01	-31645032+00	-81674141+00	+46361256+00
52970713+00	+17923701+01	-32020373+00	-81459060+00	+46327606+00
53145245+00	+17908038+01	-32397168+00	-81240213+00	+46293430+00
53319776+00	+17892507+01	-32775574+00	-81017466+00	+46258715+00
53494307+00	+17877109+01	-33155777+00	-80790680+00	+46223445+00
53668838+00	+17861846+01	-33537955+00	-80559704+00	+46187609+00
53799737+00	+17850489+01	-33826004+00	-80383623+00	+46160349+00
53930636+00	+17839210+01	-34115362+00	-80205021+00	+46132753+00
54061534+00	+17828011+01	-34406124+00	-80023820+00	+46104817+00
54192433+00	+17816891+01	-34698391+00	-79839930+00	+46076529+00
54323331+00	+17805853+01	-34992265+00	-79653269+00	+46047882+00
54454230+00	+17794896+01	-35287856+00	-79463742+00	+46018867+00
54585128+00	+17784023+01	-35585279+00	-79271244+00	+45989475+00
54716026+00	+17773233+01	-35884664+00	-79075670+00	+45959698+00
54846925+00	+17762528+01	-36186133+00	-78876912+00	+45929523+00
54977824+00	+17751908+01	-36489834+00	-78674835+00	+45898940+00
55108722+00	+17741376+01	-36795914+00	-78469317+00	+45867939+00
55195988+00	+17734404+01	-37001369+00	-78330322+00	+45847033+00
55283254+00	+17727471+01	-37207996+00	-78189693+00	+45825932+00
55370519+00	+17720578+01	-37415863+00	-78047376+00	+45804630+00
55457785+00	+17713725+01	-37625010+00	-77903328+00	+45783124+00
55545051+00	+17706912+01	-37835500+00	-77757500+00	+45761411+00
55632316+00	+17700141+01	-38047397+00	-77609830+00	+45739485+00
55719582+00	+17693410+01	-38260763+00	-77460267+00	+45717345+00
55806847+00	+17686722+01	-38475654+00	-77308753+00	+45694982+00
55844619+00	+17683841+01	-38569154+00	-77242560+00	+45685236+00

$S_2/R = 83409280+00$

$\eta/\alpha = +80223524+00$

TABLE 150.—Conical Flow Field. $\theta_s=22.5^\circ$; $M_\infty=3.5$

M_{∞}	θ_s	θ_w
34999994+01	+39269911+00	+52692147+00

θ	M_w^*	ψ_2	M_2^*	μ_1
39269911+00	+16759476+01	+70035458-06	-92861261+00	+41737801+00
39531711+00	+17649245+01	-65140612-02	-92857268+00	+41737136+00
39793510+00	+17950764+01	-13105517-01	-92845210+00	+41735165+00
40055309+00	+18155932+01	-19710565-01	-92825145+00	+41731927+00
40317108+00	+18311164+01	-26305372-01	-92797183+00	+41727455+00
40578907+00	+18434698+01	-32877518-01	-92761467+00	+41721785+00
40840707+00	+18535927+01	-39419536-01	-92718140+00	+41714945+00
41102506+00	+18620455+01	-45926860-01	-92667360+00	+41706967+00
41364305+00	+18691941+01	-52396514-01	-92609265+00	+41697875+00
41626105+00	+18752930+01	-58826711-01	-92544003+00	+41687699+00
41887904+00	+18805279+01	-65216564-01	-92471706+00	+41676453+00
42149703+00	+18850391+01	-71565562-01	-92392500+00	+41664166+00
42411502+00	+18889354+01	-77873727-01	-92306510+00	+41650858+00
42673301+00	+18923035+01	-84141416-01	-92213845+00	+41636543+00
42935101+00	+18952134+01	-90369224-01	-92114612+00	+41621240+00
43196900+00	+18977229+01	-96558025-01	-92008904+00	+41604963+00
43458699+00	+18998800+01	-10270875+00	-91896808+00	+41587723+00
43676865+00	+19014379+01	-10780608+00	-91798570+00	+41572632+00
43895031+00	+19027996+01	-11287846+00	-91695994+00	+41556889+00
44113197+00	+19039829+01	-11792666+00	-91589112+00	+41540499+00
44331363+00	+19050036+01	-12295149+00	-91477955+00	+41523464+00
44549529+00	+19058756+01	-12795382+00	-91362553+00	+41505792+00
44767695+00	+19066116+01	-13293444+00	-91242926+00	+41487487+00
44985862+00	+19072227+01	-13789440+00	-91119096+00	+41468548+00
45204028+00	+19077191+01	-14283455+00	-90991073+00	+41448977+00
45422194+00	+19081101+01	-14775592+00	-90858867+00	+41428781+00
45640360+00	+19084037+01	-15265954+00	-90722485+00	+41407958+00
45858526+00	+19086076+01	-15754644+00	-90581923+00	+41386507+00
46076692+00	+19087289+01	-16241776+00	-90437175+00	+41364428+00
46294858+00	+19087736+01	-16727455+00	-90288235+00	+41341721+00
46513024+00	+19087476+01	-17211808+00	-90135080+00	+41318383+00
46731190+00	+19086562+01	-17694950+00	-89977689+00	+41294411+00
46949356+00	+19085043+01	-18177002+00	-89816037+00	+41269803+00
47123889+00	+19083424+01	-18561946+00	-89683624+00	+41249657+00
47298422+00	+19081467+01	-18946348+00	-89548443+00	+41229096+00
47472954+00	+19079193+01	-19330278+00	-89410462+00	+41208120+00
47647487+00	+19076623+01	-19713804+00	-89269664+00	+41186726+00
47822020+00	+19073773+01	-20097005+00	-89126019+00	+41164908+00
47996553+00	+19070661+01	-20479954+00	-88979491+00	+41142666+00
48171086+00	+19067302+01	-20862736+00	-88830049+00	+41119991+00
48345618+00	+19063713+01	-21245428+00	-88677650+00	+41096882+00
48520152+00	+19059906+01	-21628126+00	-88522252+00	+41073332+00
48694684+00	+19055896+01	-22010911+00	-88363811+00	+41049337+00
48869217+00	+19051696+01	-22393879+00	-88202273+00	+41024888+00
49043750+00	+19047318+01	-22777128+00	-88037584+00	+40999982+00
49218283+00	+19042773+01	-23160765+00	-87869683+00	+40974608+00
49392816+00	+19038073+01	-23544890+00	-87698507+00	+40948759+00
49567348+00	+19033228+01	-23929617+00	-87523984+00	+40922429+00
49741881+00	+19028249+01	-24315063+00	-87346038+00	+40895607+00
49872781+00	+19024432+01	-24604696+00	-87210282+00	+40875165+00

TABLE 150.—Continued

$M_{\infty} = +34999994+01$

$\Theta_S = +39269911+00$

Θ	M_{w2}^*	ϕ_2	M_2^*	μ_1
50003680+00	+19020548+01	-24894860+00	-87072515+00	+40854434+00
50134579+00	+19016603+01	-25185608+00	-86932700+00	+40833415+00
50265478+00	+19012598+01	-25477004+00	-86790794+00	+40812097+00
50396376+00	+19008537+01	-25769108+00	-86646749+00	+40790481+00
50527275+00	+19004425+01	-26061980+00	-86500525+00	+40768557+00
50658173+00	+19000264+01	-26355697+00	-86352063+00	+40746322+00
50789071+00	+18996058+01	-26650325+00	-86201318+00	+40723768+00
50919970+00	+18991809+01	-26945939+00	-86048224+00	+40700892+00
51050868+00	+18987522+01	-27242619+00	-85892729+00	+40677682+00
51181767+00	+18983199+01	-27540448+00	-85734762+00	+40654136+00
51312665+00	+18978842+01	-27839513+00	-85574258+00	+40630244+00
51443564+00	+18974455+01	-28139902+00	-85411143+00	+40606000+00
51574463+00	+18970040+01	-28441717+00	-85245341+00	+40581394+00
51705361+00	+18965601+01	-28745058+00	-85076768+00	+40556416+00
51836260+00	+18961140+01	-29050041+00	-84905330+00	+40531057+00
51923525+00	+18958154+01	-29254330+00	-84789403+00	+40513935+00
52010791+00	+18955161+01	-29459433+00	-84672132+00	+40496636+00
52098056+00	+18952161+01	-29665388+00	-84553485+00	+40479159+00
52185322+00	+18949154+01	-29872235+00	-84433435+00	+40461497+00
52272588+00	+18946142+01	-30080014+00	-84311942+00	+40443651+00
52359853+00	+18943126+01	-30288778+00	-84188966+00	+40425611+00
52447119+00	+18940105+01	-30498556+00	-84064480+00	+40407380+00
52534385+00	+18937080+01	-30709407+00	-83938437+00	+40388949+00
52621651+00	+18934053+01	-30921379+00	-83810793+00	+40370317+00
52692147+00	+18931608+01	-31093461+00	-83706493+00	+40355117+00

$S_2/R = 13485308+01$

$\eta/\alpha = +85318058+00$

TABLE 151.—Conical Flow Field. $\theta_s=22.5^\circ$; $M_\infty=4.0$

M_∞	Θ_s	Θ_w			
40000000+01	+39269911+00	+50585840+00			
Θ	M_{w2}^*	ψ_2	M_2^*	μ_1	
39269911+00	+15637867+01	+51036477-06	-95066492+00	+37590034+00	
39488077+00	+16780765+01	-49252417-02	-95063898+00	+37589575+00	
39706243+00	+17198587+01	-99669397-02	-95055978+00	+37588204+00	
39924409+00	+17498069+01	-15062962-01	-95042674+00	+37585948+00	
40142575+00	+17735503+01	-20188149-01	-95023984+00	+37582824+00	
40360741+00	+17933238+01	-25328554-01	-94999941+00	+37578855+00	
40578907+00	+18102802+01	-30475441-01	-94970582+00	+37574054+00	
40797073+00	+18251072+01	-35622690-01	-94935963+00	+37568445+00	
41015239+00	+18382545+01	-40765978-01	-94896134+00	+37562039+00	
41233405+00	+18500351+01	-45902144-01	-94851149+00	+37554853+00	
41451572+00	+18606778+01	-51028842-01	-94801065+00	+37546898+00	
41669738+00	+18703556+01	-56144405-01	-94745934+00	+37538188+00	
41887904+00	+18792034+01	-61247550-01	-94685812+00	+37528736+00	
42106070+00	+18873285+01	-66337399-01	-94620744+00	+37518552+00	
42324236+00	+18948182+01	-71413323-01	-94550781+00	+37507646+00	
42542402+00	+19017442+01	-76474989-01	-94475962+00	+37496025+00	
42760568+00	+19081670+01	-81522237-01	-94396333+00	+37483700+00	
42978734+00	+19141374+01	-86555094-01	-94311928+00	+37470676+00	
43196900+00	+19196990+01	-91573684-01	-94222775+00	+37456961+00	
43371433+00	+19238793+01	-95578511-01	-94148056+00	+37445494+00	
43545966+00	+19278392+01	-99574543-01	-94070332+00	+37433590+00	
43720499+00	+19315938+01	-10356211+00	-93989613+00	+37421251+00	
43895031+00	+19351569+01	-10754140+00	-93905903+00	+37408477+00	
44069564+00	+19385409+01	-11151272+00	-93819215+00	+37395273+00	
44244097+00	+19417572+01	-11547640+00	-93729551+00	+37381638+00	
44418630+00	+19448160+01	-11943285+00	-93636914+00	+37367573+00	
44593163+00	+19477269+01	-12338239+00	-93541305+00	+37353079+00	
44767695+00	+19504984+01	-12732552+00	-93442721+00	+37338155+00	
44942228+00	+19531387+01	-13126266+00	-93341157+00	+37322801+00	
45116761+00	+19556550+01	-13519424+00	-93236609+00	+37307015+00	
45291294+00	+19580541+01	-13912085+00	-93129067+00	+37290799+00	
45465827+00	+19603424+01	-14304295+00	-93018521+00	+37274148+00	
45640360+00	+19625255+01	-14696108+00	-92904954+00	+37257063+00	
45814892+00	+19646092+01	-15087590+00	-92788355+00	+37239541+00	
45989425+00	+19665982+01	-15478795+00	-92668699+00	+37221581+00	
46163958+00	+19684975+01	-15869786+00	-92545968+00	+37203176+00	
46338491+00	+19703113+01	-16260636+00	-92420131+00	+37184326+00	
46469390+00	+19716181+01	-16553718+00	-92323702+00	+37169892+00	
46600290+00	+19728809+01	-16846793+00	-92225497+00	+37155203+00	
46731190+00	+19741012+01	-17139887+00	-92125502+00	+37140257+00	
46862090+00	+19752805+01	-17433038+00	-92023702+00	+37125052+00	
46992989+00	+19764202+01	-17726269+00	-91920082+00	+37109587+00	
47123889+00	+19775217+01	-18019626+00	-91814619+00	+37093855+00	
47254788+00	+19785864+01	-18313149+00	-91707297+00	+37077858+00	
47385688+00	+19796154+01	-18606863+00	-91598094+00	+37061592+00	
47516588+00	+19806100+01	-18900818+00	-91486988+00	+37045053+00	
47647487+00	+19815713+01	-19195051+00	-91373951+00	+37028238+00	
47778387+00	+19825004+01	-19489603+00	-91258965+00	+37011142+00	
47909286+00	+19833984+01	-19784521+00	-91141996+00	+36993764+00	
48040186+00	+19842663+01	-20079852+00	-91023017+00	+36976100+00	

TABLE 151.—Continued

$M_{00} = +40000000+01$

$\Theta_B = +39269911+00$

Θ	M_{w2}^*	ψ_2	M_2^*	μ_1
48171086+00	+19851050+01	-20375639+00	-90901997+00	+36958143+00
48301985+00	+19859155+01	-20671941+00	-90778899+00	+36939893+00
48432885+00	+19866987+01	-20968806+00	-90653691+00	+36921341+00
48563784+00	+19874555+01	-21266287+00	-90526334+00	+36902483+00
48694684+00	+19881867+01	-21564440+00	-90396793+00	+36883316+00
48781950+00	+19886603+01	-21763617+00	-90309191+00	+36870361+00
48869217+00	+19891231+01	-21963131+00	-90220589+00	+36857265+00
48956484+00	+19895753+01	-22163016+00	-90130963+00	+36844024+00
49043750+00	+19900172+01	-22363280+00	-90040307+00	+36830639+00
49131016+00	+19904490+01	-22563954+00	-89948599+00	+36817104+00
49218283+00	+19908709+01	-22765051+00	-89855828+00	+36803420+00
49305549+00	+19912830+01	-22966595+00	-89761975+00	+36789583+00
49392816+00	+19916856+01	-23168609+00	-89667023+00	+36775593+00
49480082+00	+19920789+01	-23371117+00	-89570954+00	+36761444+00
49567348+00	+19924630+01	-23574143+00	-89473750+00	+36747137+00
49654615+00	+19928382+01	-23777712+00	-89375391+00	+36732670+00
49741881+00	+19932047+01	-23981851+00	-89275854+00	+36718037+00
49829148+00	+19935625+01	-24186588+00	-89175118+00	+36703235+00
49916414+00	+19939119+01	-24391949+00	-89073163+00	+36688266+00
50003680+00	+19942531+01	-24597965+00	-88969963+00	+36673125+00
50090946+00	+19945863+01	-24804667+00	-88865493+00	+36657806+00
50178212+00	+19949114+01	-25012083+00	-88759730+00	+36642309+00
50265478+00	+19952289+01	-25220256+00	-88652642+00	+36626629+00
50309110+00	+19953848+01	-25324633+00	-88598593+00	+36618719+00
50352743+00	+19955387+01	-25429213+00	-88544204+00	+36610764+00
50396376+00	+19956909+01	-25533997+00	-88489468+00	+36602760+00
50440009+00	+19958412+01	-25638988+00	-88434384+00	+36594709+00
50483642+00	+19959897+01	-25744199+00	-88378950+00	+36586609+00
50527275+00	+19961364+01	-25849628+00	-88323154+00	+36578460+00
50570907+00	+19962812+01	-25955281+00	-88267000+00	+36570262+00
50585840+00	+19963306+01	-25991489+00	-88247707+00	+36567449+00

$S_2/R = 19326250+01$

$\eta/\alpha = +89157696+00$

TABLE 152.—Conical Flow Field. $\theta_s=22.5^\circ; M_\infty=4.5$

M_{00}	θ_B	θ_W
44999996+01	+39269911+00	+49107302+00

θ	M_{W2}^*	ψ_2	M_2^*	H_1
39269911+00	+14649663+01	+41723251-06	-96893608+00	+34566879+00
39488077+00	+16104306+01	-45506544-02	-96891162+00	+34566415+00
39706243+00	+16652125+01	-92650112-02	-96883621+00	+34565037+00
39924409+00	+17051438+01	-14066229-01	-96870850+00	+34562762+00
40142575+00	+17372759+01	-18923102-01	-96852798+00	+34559615+00
40360741+00	+17644048+01	-23818182-01	-96829449+00	+34555612+00
40578907+00	+17879729+01	-28740117-01	-96800811+00	+34550774+00
40797073+00	+18088406+01	-33680871-01	-96766896+00	+34545116+00
41015239+00	+18275709+01	-38634755-01	-96727729+00	+34538653+00
41233405+00	+18445559+01	-43597279-01	-96683342+00	+34531397+00
41451572+00	+18600824+01	-48565157-01	-96633759+00	+34523365+00
41669738+00	+18743673+01	-53535873-01	-96579015+00	+34514566+00
41887904+00	+18875798+01	-58507398-01	-96519139+00	+34505007+00
42106070+00	+18998547+01	-63478222-01	-96454160+00	+34494703+00
42324236+00	+19113018+01	-68447267-01	-96384099+00	+34483659+00
42542402+00	+19220113+01	-73413593-01	-96308984+00	+34471884+00
42716935+00	+19300994+01	-77384373-01	-96245266+00	+34461941+00
42891467+00	+19377976+01	-81352869-01	-96178336+00	+34451535+00
43066001+00	+19451353+01	-85319070-01	-96108194+00	+34440671+00
43240533+00	+19521388+01	-89282803-01	-96034855+00	+34429349+00
43415066+00	+19588312+01	-93244150-01	-95958319+00	+34417572+00
43589599+00	+19652335+01	-97203194-01	-95878587+00	+34405339+00
43764132+00	+19713644+01	-10116008+00	-95795654+00	+34392651+00
43938665+00	+19772410+01	-10511504+00	-95709524+00	+34379512+00
44113197+00	+19828787+01	-10906821+00	-95620193+00	+34365916+00
44287730+00	+19882914+01	-11301995+00	-95527648+00	+34351865+00
44462263+00	+19934922+01	-11697049+00	-95431888+00	+34337360+00
44636796+00	+19984928+01	-12092032+00	-95332892+00	+34322395+00
44811329+00	+20033038+01	-12486974+00	-95230650+00	+34306974+00
44985862+00	+20079354+01	-12881924+00	-95125143+00	+34291089+00
45160394+00	+20123967+01	-13276929+00	-95016356+00	+34274739+00
45291294+00	+20156361+01	-13573251+00	-94932593+00	+34262171+00
45422194+00	+20187879+01	-13869650+00	-94846964+00	+34249336+00
45553093+00	+20218553+01	-14166159+00	-94759449+00	+34236236+00
45683993+00	+20248413+01	-14462808+00	-94670037+00	+34222865+00
45814892+00	+20277487+01	-14759612+00	-94578713+00	+34209225+00
45945792+00	+20305804+01	-15056607+00	-94485465+00	+34195310+00
46076692+00	+20333387+01	-15353823+00	-94390270+00	+34181120+00
46207591+00	+20360262+01	-15651288+00	-94293114+00	+34166651+00
46338491+00	+20386453+01	-15949038+00	-94193978+00	+34151901+00
46469390+00	+20411982+01	-16247106+00	-94092838+00	+34136864+00
46600290+00	+20436868+01	-16545530+00	-93989674+00	+34121539+00
46731190+00	+20461135+01	-16844344+00	-93884458+00	+34105924+00
46862090+00	+20484799+01	-17143590+00	-93777169+00	+34090011+00
46992989+00	+20507880+01	-17443308+00	-93667775+00	+34073798+00
47123889+00	+20530396+01	-17743541+00	-93556249+00	+34057282+00
47211155+00	+20545101+01	-17944008+00	-93480699+00	+34046097+00
47298422+00	+20559566+01	-18144738+00	-93404174+00	+34034775+00
47385688+00	+20573797+01	-18345748+00	-93326666+00	+34023311+00
47472954+00	+20587799+01	-18547056+00	-93248164+00	+34011703+00

TABLE 152.—Continued

$M_{00} = +44999996+01$

$\Theta_S = +39269911+00$

Θ	M_{w2}^*	ψ_2	M_2^*	μ_1
47560221+00	+20601574+01	-18748663+00	-93168661+00	+33999953+00
47647487+00	+20615129+01	-18950602+00	-93088137+00	+33988058+00
47734754+00	+20628467+01	-19152878+00	-93006588+00	+33976012+00
47822020+00	+20641591+01	-19355514+00	-92923992+00	+33963818+00
47909286+00	+20654508+01	-19558522+00	-92840346+00	+33951474+00
47996553+00	+20667218+01	-19761926+00	-92755628+00	+33938973+00
48083819+00	+20679728+01	-19965743+00	-92669825+00	+33926317+00
48171086+00	+20692039+01	-20169992+00	-92582923+00	+33913502+00
48258352+00	+20704157+01	-20374693+00	-92494904+00	+33900527+00
48345618+00	+20716084+01	-20579868+00	-92405756+00	+33887387+00
48432885+00	+20727823+01	-20785539+00	-92315454+00	+33874083+00
48476518+00	+20733624+01	-20888569+00	-92269870+00	+33867367+00
48520152+00	+20739378+01	-20991729+00	-92223987+00	+33860609+00
48563784+00	+20745088+01	-21095027+00	-92177808+00	+33853808+00
48607418+00	+20750753+01	-21198461+00	-92131332+00	+33846964+00
48651051+00	+20756373+01	-21302039+00	-92084549+00	+33840077+00
48694684+00	+20761949+01	-21405759+00	-92037465+00	+33833143+00
48738318+00	+20767482+01	-21509628+00	-91990074+00	+33826167+00
48781950+00	+20772971+01	-21613650+00	-91942370+00	+33819146+00
48825584+00	+20778418+01	-21717822+00	-91894357+00	+33812080+00
48869217+00	+20783821+01	-21822155+00	-91846026+00	+33804968+00
48912850+00	+20789182+01	-21926649+00	-91797380+00	+33797810+00
48956484+00	+20794502+01	-22031310+00	-91748407+00	+33790605+00
49000117+00	+20799780+01	-22136136+00	-91699112+00	+33783353+00
49043750+00	+20805017+01	-22241134+00	-91649489+00	+33776055+00
49087383+00	+20810212+01	-22346313+00	-91599536+00	+33768707+00
49107302+00	+20812573+01	-22394377+00	-91576627+00	+33765337+00

$S_2/R = 25503781+01$

$\eta/\alpha = +92100043+00$

TABLE 153.—Conical Flow Field. $\theta_s=22.5^\circ$; $M_\infty=5.0$

M_∞	Θ_s		Θ_w	
49999990+01	+39269911+00		+48029511+00	

Θ	M_{w2}^*	Φ_2	M_2^*	μ_1
39269911+00	+13802274+01	+36694109-06	-98407147+00	+32285957+00
39444444+00	+15375961+01	-33890102-02	-98405673+00	+32285658+00
39618977+00	+15980547+01	-69276225-02	-98401092+00	+32284761+00
39793510+00	+16430239+01	-10555075-01	-98393277+00	+32283280+00
39968043+00	+16797180+01	-14244793-01	-98382156+00	+32281224+00
40142575+00	+17110903+01	-17981594-01	-98367690+00	+32278605+00
40317108+00	+17386670+01	-21755554-01	-98349852+00	+32275433+00
40491641+00	+17633587+01	-25559377-01	-98328628+00	+32271715+00
40666174+00	+17857607+01	-29387726-01	-98304009+00	+32267460+00
40840707+00	+18062882+01	-33236282-01	-98275992+00	+32262675+00
41015239+00	+18252439+01	-37101749-01	-98244576+00	+32257370+00
41189773+00	+18428575+01	-40981380-01	-98209764+00	+32251548+00
41364305+00	+18593078+01	-44872932-01	-98171559+00	+32245217+00
41538838+00	+18747372+01	-48774585-01	-98129967+00	+32238382+00
41713371+00	+18892618+01	-52684786-01	-98084992+00	+32231050+00
41887904+00	+19029774+01	-56602309-01	-98036643+00	+32223224+00
42062437+00	+19159641+01	-60526084-01	-97984917+00	+32214907+00
42236969+00	+19282901+01	-64455287-01	-97929827+00	+32206105+00
42411502+00	+19400136+01	-68389192-01	-97871372+00	+32196818+00
42586035+00	+19511851+01	-72327249-01	-97809555+00	+32187049+00
42760568+00	+19618484+01	-76268972-01	-97744377+00	+32176804+00
42891467+00	+19695357+01	-79227528-01	-97693285+00	+32168806+00
43022367+00	+19769737+01	-82187816-01	-97640302+00	+32160539+00
43153267+00	+19841755+01	-85149837-01	-97585429+00	+32152005+00
43284167+00	+19911534+01	-88113514-01	-97528661+00	+32143205+00
43415066+00	+19979187+01	-91078778-01	-97469993+00	+32134136+00
43545966+00	+20044817+01	-94045685-01	-97409423+00	+32124799+00
43676865+00	+20108521+01	-97014238-01	-97346951+00	+32115195+00
43807765+00	+20170388+01	-99984439-01	-97282570+00	+32105323+00
43938665+00	+20230500+01	-10295629+00	-97216274+00	+32095182+00
44069564+00	+20288934+01	-10592995+00	-97148058+00	+32084772+00
44200464+00	+20345763+01	-10890548+00	-97077914+00	+32074090+00
44331363+00	+20401052+01	-11188300+00	-97005834+00	+32063136+00
44462263+00	+20454866+01	-11486262+00	-96931810+00	+32051909+00
44593163+00	+20507263+01	-11784448+00	-96855834+00	+32040406+00
44724062+00	+20558298+01	-12082869+00	-96777894+00	+32028628+00
44854962+00	+20608023+01	-12381543+00	-96697978+00	+32016572+00
44985862+00	+20656486+01	-12680492+00	-96616072+00	+32004238+00
45116761+00	+20703736+01	-12979733+00	-96532162+00	+31991620+00
45247661+00	+20749813+01	-13279291+00	-96446238+00	+31978716+00
45378560+00	+20794760+01	-13579193+00	-96358277+00	+31965524+00
45465827+00	+20824117+01	-13779525+00	-96298497+00	+31956570+00
45553093+00	+20853000+01	-13979625+00	-96237801+00	+31947482+00
45640360+00	+20881419+01	-14180103+00	-96176181+00	+31938266+00
45727626+00	+20909386+01	-14380766+00	-96113632+00	+31928916+00
45814892+00	+20936909+01	-14581623+00	-96050147+00	+31919433+00
45902159+00	+20963999+01	-14782683+00	-95985720+00	+31909815+00
45989425+00	+20990665+01	-14983957+00	-95920344+00	+31900062+00
46076692+00	+21016916+01	-15185452+00	-95854010+00	+31890171+00
46163958+00	+21042759+01	-15387179+00	-95786713+00	+31880143+00

TABLE 153.—Continued

$M_{00} = +49999990+01$

$\Theta_s = +39269911+00$

Θ	M_{w2}^*	Φ_2	M_2^*	μ_1
46251224+00	+21068205+01	-15589153+00	-95718440+00	+31869973+00
46338491+00	+21093261+01	-15791374+00	-95649190+00	+31859664+00
46425757+00	+21117934+01	-15993866+00	-95578947+00	+31849211+00
46513024+00	+21142232+01	-16196632+00	-95507704+00	+31838614+00
46600290+00	+21166164+01	-16399684+00	-95435455+00	+31827871+00
46687556+00	+21189735+01	-16603042+00	-95362185+00	+31816980+00
46774823+00	+21212952+01	-16806707+00	-95287886+00	+31805938+00
46862090+00	+21235824+01	-17010702+00	-95212548+00	+31794746+00
46949356+00	+21258354+01	-17215041+00	-95136156+00	+31783398+00
47036622+00	+21280552+01	-17419735+00	-95058700+00	+31771896+00
47123889+00	+21302421+01	-17624797+00	-94980171+00	+31760234+00
47167522+00	+21313234+01	-17727473+00	-94940498+00	+31754346+00
47211155+00	+21323969+01	-17830247+00	-94900548+00	+31748414+00
47254788+00	+21334624+01	-17933120+00	-94860324+00	+31742443+00
47298422+00	+21345200+01	-18036098+00	-94819825+00	+31736430+00
47342055+00	+21355699+01	-18139177+00	-94779044+00	+31730376+00
47385688+00	+21366121+01	-18242368+00	-94737980+00	+31724280+00
47429321+00	+21376467+01	-18345666+00	-94696634+00	+31718144+00
47472954+00	+21386738+01	-18449073+00	-94655003+00	+31711964+00
47516588+00	+21396933+01	-18552590+00	-94613089+00	+31705741+00
47560221+00	+21407054+01	-18656229+00	-94570883+00	+31699477+00
47603854+00	+21417102+01	-18759986+00	-94528382+00	+31693166+00
47647487+00	+21427076+01	-18863861+00	-94485592+00	+31686814+00
47691120+00	+21436978+01	-18967859+00	-94442505+00	+31680416+00
47734754+00	+21446808+01	-19071984+00	-94399121+00	+31673974+00
47778387+00	+21456567+01	-19176234+00	-94355438+00	+31667488+00
47822020+00	+21466255+01	-19280616+00	-94311450+00	+31660955+00
47865653+00	+21475874+01	-19385131+00	-94267160+00	+31654377+00
47909286+00	+21485423+01	-19489781+00	-94222561+00	+31647753+00
47952920+00	+21494902+01	-19594568+00	-94177654+00	+31641083+00
47996553+00	+21504314+01	-19699491+00	-94132436+00	+31634365+00
48029511+00	+21511379+01	-19778838+00	-94098076+00	+31629261+00

$S_2/R = 31735795+01$

$\eta/\alpha = +94391271+00$

TABLE 154.—Conical Flow Field. $\theta_s=22.5^\circ$; $M_\infty=6.0$

M_∞	θ_s		θ_w	
59999986+01	+39269911+00		+46596496+00	

θ	M_2^*	ψ_2	M_2^*	μ_1
39269911+00	+12478405+01	+30919909-06	-10070979+01	+29120967+00
39400811+00	+14258770+01	-22724178-02	-10070905+01	+29120794+00
39531711+00	+14941076+01	-46738423-02	-10070669+01	+29120275+00
39662610+00	+15464956+01	-71596932-02	-10070262+01	+29119412+00
39793510+00	+15898023+01	-97082779-02	-10069678+01	+29118214+00
39924409+00	+16272405+01	-12307122-01	-10068912+01	+29116685+00
40055309+00	+16604863+01	-14947841-01	-10067961+01	+29114825+00
40186209+00	+16905413+01	-17624302-01	-10066822+01	+29112644+00
40317108+00	+17180601+01	-20331770-01	-10065492+01	+29110144+00
40448008+00	+17434990+01	-23066472-01	-10063970+01	+29107327+00
40578907+00	+17671911+01	-25825378-01	-10062255+01	+29104196+00
40709807+00	+17893884+01	-28605906-01	-10060345+01	+29100757+00
40840707+00	+18102872+01	-31405918-01	-10058239+01	+29097011+00
40971607+00	+18300440+01	-34223495-01	-10055936+01	+29092959+00
41102506+00	+18487861+01	-37057094-01	-10053436+01	+29088607+00
41233405+00	+18666184+01	-39905328-01	-10050738+01	+29083956+00
41364305+00	+18836291+01	-42767007-01	-10047841+01	+29079007+00
41495205+00	+18998928+01	-45640998-01	-10044745+01	+29073764+00
41626105+00	+19154733+01	-48526479-01	-10041449+01	+29068224+00
41757004+00	+19304261+01	-51422521-01	-10037954+01	+29062394+00
41887904+00	+19447993+01	-54328462-01	-10034258+01	+29056273+00
42018803+00	+19586353+01	-57243619-01	-10030361+01	+29049862+00
42149703+00	+19719714+01	-60167415-01	-10026263+01	+29043163+00
42280603+00	+19848410+01	-63099375-01	-10021963+01	+29036176+00
42411502+00	+19972738+01	-66039128-01	-10017461+01	+29028901+00
42542402+00	+20092965+01	-68986171-01	-10012757+01	+29021339+00
42673301+00	+20209333+01	-71940189-01	-10007849+01	+29013488+00
42804201+00	+20322061+01	-74900882-01	-10002738+01	+29005351+00
42935101+00	+20431346+01	-77868027-01	-99974219+00	+28996926+00
43066001+00	+20537373+01	-80841389-01	-99919015+00	+28988212+00
43153267+00	+20606328+01	-82826990-01	-99881064+00	+28982243+00
43240533+00	+20673955+01	-84815249-01	-99842202+00	+28976145+00
43327800+00	+20740296+01	-86806082-01	-99802420+00	+28969918+00
43415066+00	+20805392+01	-88799442-01	-99761716+00	+28963562+00
43502333+00	+20869283+01	-90795353-01	-99720087+00	+28957075+00
43589599+00	+20932005+01	-92793781-01	-99677533+00	+28950459+00
43676865+00	+20993594+01	-94794682-01	-99634049+00	+28943714+00
43764132+00	+21054083+01	-96798046-01	-99589628+00	+28936835+00
43851398+00	+21113504+01	-98803842-01	-99544276+00	+28929825+00
43938665+00	+21171888+01	-10081214+00	-99497981+00	+28922681+00
44025931+00	+21229263+01	-10282284+00	-99450745+00	+28915409+00
44113197+00	+21285656+01	-10483601+00	-99402562+00	+28907998+00
44200464+00	+21341095+01	-10685161+00	-99353425+00	+28900455+00
44287730+00	+21395604+01	-10886971+00	-99303332+00	+28892775+00
44374997+00	+21449208+01	-11089023+00	-99252284+00	+28884961+00
44462263+00	+21501931+01	-11291331+00	-99200267+00	+28877007+00
44549529+00	+21553793+01	-11493887+00	-99147282+00	+28868917+00
44636796+00	+21604817+01	-11696701+00	-99093320+00	+28860686+00
44724062+00	+21655022+01	-11899769+00	-99038380+00	+28852316+00
44811329+00	+21704428+01	-12103100+00	-98982456+00	+28843803+00

TABLE 154.—Continued

$M_{\infty} = +59999986+01$

$\Theta_8 = +39269911+00$

Θ	M_{w2}^*	ψ_2	M_2^*	μ_1
44898595+00	+21753055+01	-12306697+00	-98925538+00	+28835147+00
44985862+00	+21800919+01	-12510556+00	-98867624+00	+28826349+00
45073128+00	+21848039+01	-12714692+00	-98808705+00	+28817402+00
45160394+00	+21894432+01	-12919102+00	-98748771+00	+28808309+00
45247661+00	+21940112+01	-13123793+00	-98687827+00	+28799068+00
45334927+00	+21985096+01	-13328770+00	-98625854+00	+28789676+00
45422194+00	+22029399+01	-13534037+00	-98562851+00	+28780131+00
45509460+00	+22073036+01	-13739599+00	-98498804+00	+28770433+00
45596726+00	+22116019+01	-13945469+00	-98433711+00	+28760577+00
45640360+00	+22137270+01	-14048519+00	-98400765+00	+28755589+00
45683993+00	+22158363+01	-14151647+00	-98367559+00	+28750563+00
45727626+00	+22179298+01	-14254851+00	-98334084+00	+28745497+00
45771259+00	+22200079+01	-14358140+00	-98300341+00	+28740390+00
45814892+00	+22220707+01	-14461505+00	-98266330+00	+28735243+00
45858526+00	+22241182+01	-14564954+00	-98232047+00	+28730054+00
45902159+00	+22261506+01	-14668484+00	-98197494+00	+28724825+00
45945792+00	+22281682+01	-14772096+00	-98162668+00	+28719553+00
45989425+00	+22301710+01	-14875795+00	-98127568+00	+28714241+00
46033058+00	+22321591+01	-14979573+00	-98092195+00	+28708885+00
46076692+00	+22341328+01	-15083443+00	-98056544+00	+28703487+00
46120325+00	+22360921+01	-15187398+00	-98020616+00	+28698047+00
46163958+00	+22380372+01	-15291438+00	-97984409+00	+28692564+00
46207591+00	+22399682+01	-15395571+00	-97947920+00	+28687035+00
46251224+00	+22418853+01	-15499791+00	-97911149+00	+28681465+00
46294858+00	+22437885+01	-15604105+00	-97874096+00	+28675849+00
46338491+00	+22456780+01	-15708508+00	-97836755+00	+28670190+00
46382124+00	+22475540+01	-15813004+00	-97799130+00	+28664483+00
46425757+00	+22494164+01	-15917596+00	-97761217+00	+28658732+00
46469390+00	+22512656+01	-16022278+00	-97723015+00	+28652936+00
46513024+00	+22531015+01	-16127058+00	-97684519+00	+28647093+00
46556657+00	+22549244+01	-16231934+00	-97645734+00	+28641204+00
46596496+00	+22565775+01	-16327770+00	-97610071+00	+28635789+00

$S_2/R = 43633486+01$

$\eta/\alpha = +97653946+00$

TABLE 155.—Conical Flow Field. $\theta_s=22.5^\circ$; $M_\infty=7.0$

M_{00}	Θ_s	Θ_w
69999979+01	+39269911+00	+45714479+00

Θ	M_{w2}^*	Φ_2	M_2^*	μ_1
39269911+00	+11533570+01	+27008355-06	-10232344+01	+27076136+00
39400811+00	+13634400+01	-21104589-02	-10232275+01	+27075958+00
39531711+00	+14447467+01	-43752752-02	-10232051+01	+27075423+00
39662610+00	+15072895+01	-67418180-02	-10231662+01	+27074540+00
39793510+00	+15591434+01	-91849640-02	-10231099+01	+27073310+00
39924409+00	+16040890+01	-11690216-01	-10230356+01	+27071739+00
40055309+00	+16440971+01	-14247712-01	-10229427+01	+27069833+00
40186209+00	+16803446+01	-16850244-01	-10228310+01	+27067593+00
40317108+00	+17136016+01	-19492315-01	-10227001+01	+27065026+00
40448008+00	+17444041+01	-22169406-01	-10225497+01	+27062134+00
40578907+00	+17731436+01	-24877880-01	-10223795+01	+27058918+00
40709807+00	+18001163+01	-27614677-01	-10221896+01	+27055380+00
40840707+00	+18255531+01	-30377233-01	-10219795+01	+27051530+00
40971607+00	+18496379+01	-33163236-01	-10217492+01	+27047363+00
41102506+00	+18725204+01	-35970826-01	-10214985+01	+27042886+00
41233405+00	+18943240+01	-38798278-01	-10212274+01	+27038098+00
41364305+00	+19151523+01	-41644139-01	-10209358+01	+27033003+00
41495205+00	+19350930+01	-44507019-01	-10206234+01	+27027600+00
41626105+00	+19542214+01	-47385817-01	-10202902+01	+27021892+00
41757004+00	+19726025+01	-50279481-01	-10199362+01	+27015879+00
41887904+00	+19902929+01	-53187022-01	-10195612+01	+27009564+00
42018803+00	+20073425+01	-56107692-01	-10191652+01	+27002946+00
42149703+00	+20237953+01	-59040735-01	-10187481+01	+26996023+00
42280603+00	+20396905+01	-61985472-01	-10183098+01	+26988799+00
42411502+00	+20550631+01	-64941304-01	-10178502+01	+26981274+00
42542402+00	+20699445+01	-67907750-01	-10173692+01	+26973441+00
42629668+00	+20796068+01	-69890957-01	-10170367+01	+26968052+00
42716935+00	+20890711+01	-71878576-01	-10166945+01	+26962530+00
42804201+00	+20983448+01	-73870402-01	-10163428+01	+26956870+00
42891467+00	+21074348+01	-75866369-01	-10159815+01	+26951074+00
42978734+00	+21163473+01	-77866312-01	-10156105+01	+26945143+00
43066001+00	+21250886+01	-79870218-01	-10152298+01	+26939072+00
43153267+00	+21336642+01	-81877911-01	-10148394+01	+26932865+00
43240533+00	+21420796+01	-83889375-01	-10144393+01	+26926521+00
43327800+00	+21503399+01	-85904540-01	-10140294+01	+26920038+00
43415066+00	+21584499+01	-87923247-01	-10136097+01	+26913416+00
43502333+00	+21664143+01	-89945551-01	-10131801+01	+26906653+00
43589599+00	+21742373+01	-91971284-01	-10127407+01	+26899751+00
43676865+00	+21819231+01	-94000477-01	-10122913+01	+26892705+00
43764132+00	+21894756+01	-96033025-01	-10118319+01	+26885518+00
43851398+00	+21968987+01	-98068896-01	-10113626+01	+26878188+00
43938665+00	+22041957+01	-10010807+00	-10108832+01	+26870710+00
44025931+00	+22113702+01	-10215050+00	-10103936+01	+26863090+00
44113197+00	+22184254+01	-10419618+00	-10098940+01	+26855320+00
44200464+00	+22253644+01	-10624501+00	-10093841+01	+26847404+00
44287730+00	+22321902+01	-10829699+00	-10088640+01	+26839337+00
44374997+00	+22389056+01	-11035212+00	-10083336+01	+26831117+00
44462263+00	+22455133+01	-11241037+00	-10077928+01	+26822744+00
44549529+00	+22520159+01	-11447173+00	-10072417+01	+26814219+00
44636796+00	+22584160+01	-11653614+00	-10066800+01	+26805538+00

TABLE 155.—Continued

$M_{\infty} = +69999979+01$

$\Theta_S = +39269911+00$

Θ	M_{w2}^*	ψ_2	M_2^*	μ_1
44724062+00	+22647158+01	-11860357+00	-10061078+01	+26796698+00
44767695+00	+22678290+01	-11963844+00	-10058178+01	+26792218+00
44811329+00	+22709179+01	-12067405+00	-10055251+01	+26787697+00
44854962+00	+22739828+01	-12171042+00	-10052297+01	+26783136+00
44898595+00	+22770241+01	-12274757+00	-10049316+01	+26778535+00
44942228+00	+22800421+01	-12378547+00	-10046309+01	+26773894+00
44985862+00	+22830369+01	-12482411+00	-10043275+01	+26769209+00
45029495+00	+22860087+01	-12586350+00	-10040213+01	+26764484+00
45073128+00	+22889580+01	-12690363+00	-10037125+01	+26759718+00
45116761+00	+22918849+01	-12794452+00	-10034010+01	+26754907+00
45160394+00	+22947896+01	-12898611+00	-10030867+01	+26750057+00
45204028+00	+22976723+01	-13002848+00	-10027697+01	+26745161+00
45247661+00	+23005334+01	-13107160+00	-10024499+01	+26740223+00
45291294+00	+23033730+01	-13211542+00	-10021274+01	+26735242+00
45334927+00	+23061913+01	-13316001+00	-10018021+01	+26730218+00
45378560+00	+23089886+01	-13420532+00	-10014741+01	+26725149+00
45422194+00	+23117651+01	-13525136+00	-10011432+01	+26720035+00
45465827+00	+23145209+01	-13629811+00	-10008096+01	+26714877+00
45509460+00	+23172563+01	-13734562+00	-10004732+01	+26709674+00
45553093+00	+23199715+01	-13839385+00	-10001339+01	+26704425+00
45596726+00	+23226667+01	-13944280+00	-99979184+00	+26699128+00
45640360+00	+23253420+01	-14049246+00	-99944691+00	+26693784+00
45683993+00	+23279977+01	-14154282+00	-99909916+00	+26688398+00
45714479+00	+23298419+01	-14227702+00	-99885455+00	+26684606+00

$S_2/R = '54167738+01$

$\eta/\alpha = +99799439+00$

TABLE 156.—Conical Flow Field. $\theta_s=22.5^\circ$; $M_\infty=8.0$

M_{∞}	Θ_s	Θ_w
79999968+01	+39269911+00	+45133986+00

Θ	M_{w2}^*	ψ_2	M_2^*	μ_1
39269911+00	+10850255+01	+24773180-06	-10348054+01	+25679330+00
39400811+00	+13205586+01	-20013265-02	-10347988+01	+25679149+00
39531711+00	+14122561+01	-41768756-02	-10347774+01	+25678603+00
39662610+00	+14828540+01	-64675417-02	-10347396+01	+25677700+00
39793510+00	+15414838+01	-88454746-02	-10346846+01	+25676444+00
39924409+00	+15923783+01	-11294533-01	-10346116+01	+25674839+00
40055309+00	+16377423+01	-13803801-01	-10345202+01	+25672889+00
40186209+00	+16788929+01	-16365165-01	-10344096+01	+25670599+00
40317108+00	+17166911+01	-18972455-01	-10342797+01	+25667973+00
40448008+00	+17517368+01	-21620594-01	-10341300+01	+25665011+00
40578907+00	+17844676+01	-24305506-01	-10339603+01	+25661722+00
40709807+00	+18152154+01	-27023712-01	-10337703+01	+25658103+00
40840707+00	+18442380+01	-29772235-01	-10335597+01	+25654161+00
40971607+00	+18717415+01	-32548524-01	-10333284+01	+25649896+00
41102506+00	+18978930+01	-35350408-01	-10330763+01	+25645310+00
41233405+00	+19228310+01	-38175914-01	-10328031+01	+25640404+00
41364305+00	+19466711+01	-41023327-01	-10325088+01	+25635182+00
41495205+00	+19695117+01	-43891134-01	-10321931+01	+25629642+00
41626105+00	+19914367+01	-46777945-01	-10318560+01	+25623786+00
41757004+00	+20125191+01	-49682584-01	-10314973+01	+25617616+00
41844271+00	+20261373+01	-51628368-01	-10312460+01	+25613328+00
41931537+00	+20394263+01	-53581269-01	-10309852+01	+25608899+00
42018803+00	+20524015+01	-55541065-01	-10307146+01	+25604330+00
42106070+00	+20650771+01	-57507396-01	-10304343+01	+25599621+00
42193336+00	+20774663+01	-59480090-01	-10301442+01	+25594774+00
42280603+00	+20895813+01	-61458893-01	-10298444+01	+25589785+00
42367869+00	+21014337+01	-63443591-01	-10295347+01	+25584656+00
42455135+00	+21130341+01	-65433995-01	-10292151+01	+25579385+00
42542402+00	+21243921+01	-67429900-01	-10288856+01	+25573975+00
42629668+00	+21355171+01	-69431133-01	-10285462+01	+25568422+00
42716935+00	+21464179+01	-71437482-01	-10281968+01	+25562727+00
42804201+00	+21571023+01	-73448878-01	-10278375+01	+25556891+00
42891467+00	+21675783+01	-75465112-01	-10274681+01	+25550911+00
42978734+00	+21778529+01	-77486073-01	-10270886+01	+25544785+00
43066001+00	+21879328+01	-79511619-01	-10266990+01	+25538517+00
43153267+00	+21978246+01	-81541617-01	-10262994+01	+25532102+00
43240533+00	+22075341+01	-83575936-01	-10258895+01	+25525542+00
43327800+00	+22170672+01	-85614463-01	-10254694+01	+25518833+00
43415066+00	+22264292+01	-87657075-01	-10250391+01	+25511977+00
43458699+00	+22310476+01	-88679874-01	-10248200+01	+25508493+00
43502333+00	+22356252+01	-89703694-01	-10245984+01	+25504971+00
43545966+00	+22401625+01	-90728449-01	-10243743+01	+25501412+00
43589599+00	+22446601+01	-91754171-01	-10241475+01	+25497817+00
43633232+00	+22491186+01	-92780871-01	-10239181+01	+25494182+00
43676865+00	+22535386+01	-93808485-01	-10236862+01	+25490509+00
43720499+00	+22579206+01	-94837060-01	-10234516+01	+25486797+00
43764132+00	+22622650+01	-95866506-01	-10232145+01	+25483048+00
43807765+00	+22665726+01	-96896888-01	-10229747+01	+25479261+00
43851398+00	+22708436+01	-97928147-01	-10227322+01	+25475433+00
43895031+00	+22750786+01	-98960261-01	-10224872+01	+25471567+00

TABLE 156.—Continued

$M_{\infty} = +79999968+01$

$\Theta_8 = +39269911+00$

Θ	M_{w2}^*	ψ_2	M_2^*	μ_1
43938665+00	+22792782+01	-99993292-01	-10222396+01	+25467661+00
43982298+00	+22834427+01	-10102715+00	-10219892+01	+25463717+00
44025931+00	+22875726+01	-10206188+00	-10217363+01	+25459734+00
44069564+00	+22916686+01	-10309740+00	-10214807+01	+25455708+00
44113197+00	+22957307+01	-10413379+00	-10212224+01	+25451644+00
44156831+00	+22997596+01	-10517100+00	-10209615+01	+25447539+00
44200464+00	+23037557+01	-10620899+00	-10206979+01	+25443394+00
44244097+00	+23077194+01	-10724781+00	-10204316+01	+25439209+00
44287730+00	+23116510+01	-10828739+00	-10201627+01	+25434983+00
44331363+00	+23155510+01	-10932773+00	-10198911+01	+25430715+00
44374997+00	+23194198+01	-11036883+00	-10196168+01	+25426405+00
44418630+00	+23232576+01	-11141070+00	-10193397+01	+25422054+00
44462263+00	+23270649+01	-11245333+00	-10190600+01	+25417661+00
44505896+00	+23308421+01	-11349671+00	-10187776+01	+25413223+00
44549529+00	+23345896+01	-11454077+00	-10184924+01	+25408746+00
44593163+00	+23383075+01	-11558556+00	-10182045+01	+25404224+00
44636796+00	+23419963+01	-11663102+00	-10179139+01	+25399659+00
44680429+00	+23456563+01	-11767721+00	-10176205+01	+25395050+00
44724062+00	+23492878+01	-11872404+00	-10173244+01	+25390398+00
44767695+00	+23528912+01	-11977152+00	-10170256+01	+25385700+00
44811329+00	+23564668+01	-12081963+00	-10167239+01	+25380959+00
44854962+00	+23600147+01	-12186841+00	-10164195+01	+25376173+00
44898595+00	+23635354+01	-12291781+00	-10161124+01	+25371343+00
44942228+00	+23670291+01	-12396784+00	-10158024+01	+25366463+00
44985862+00	+23704962+01	-12501842+00	-10154897+01	+25361540+00
45029495+00	+23739368+01	-12606960+00	-10151741+01	+25356571+00
45073128+00	+23773514+01	-12712136+00	-10148558+01	+25351554+00
45116761+00	+23807401+01	-12817364+00	-10145346+01	+25346489+00
45133986+00	+23820709+01	-12858910+00	-10144072+01	+25344480+00

$S_2/R = 63133028+01$

$\eta/\alpha = +10127462+01$

TABLE 157.—Conical Flow Field. $\theta_s=22.5^\circ$; $M_\infty=10.0$

M_{∞}	Θ_s	Θ_w
99999934+01	+39269911+00	+44442555+00

Θ	M_{w2}^*	ψ_2	M_2^*	μ_1
39269911+00	+99661019+00	+21606684-06	-10496942+01	+23951089+00
39357178+00	+12322912+01	-12170095-02	-10496916+01	+23951005+00
39444444+00	+13075439+01	-25421660-02	-10496830+01	+23950753+00
39531711+00	+13749175+01	-39411448-02	-10496677+01	+23950337+00
39618977+00	+14315175+01	-53989030-02	-10496453+01	+23949755+00
39706243+00	+14809540+01	-69054533-02	-10496155+01	+23949011+00
39793510+00	+15252478+01	-84540341-02	-10495778+01	+23948105+00
39880776+00	+15656216+01	-10039654-01	-10495322+01	+23947039+00
39968043+00	+16028779+01	-11658387-01	-10494784+01	+23945815+00
40055309+00	+16375761+01	-13307137-01	-10494161+01	+23944432+00
40142575+00	+16701244+01	-14983263-01	-10493452+01	+23942894+00
40229842+00	+17008319+01	-16684614-01	-10492656+01	+23941198+00
40317108+00	+17299389+01	-18409207-01	-10491772+01	+23939349+00
40404375+00	+17576371+01	-20155452-01	-10490797+01	+23937347+00
40491641+00	+17840821+01	-21921875-01	-10489731+01	+23935191+00
40578907+00	+18094022+01	-23707131-01	-10488573+01	+23932884+00
40666174+00	+18337052+01	-25510069-01	-10487323+01	+23930428+00
40753440+00	+18570821+01	-27329657-01	-10485978+01	+23927819+00
40840707+00	+18796110+01	-29164936-01	-10484538+01	+23925061+00
40927973+00	+19013595+01	-31015031-01	-10483004+01	+23922152+00
41015239+00	+19223861+01	-32879177-01	-10481373+01	+23919095+00
41102506+00	+19427426+01	-34756590-01	-10479645+01	+23915889+00
41189773+00	+19624744+01	-36646644-01	-10477820+01	+23912535+00
41277039+00	+19816223+01	-38548669-01	-10475897+01	+23909034+00
41364305+00	+20002224+01	-40462103-01	-10473876+01	+23905384+00
41451572+00	+20183071+01	-42386463-01	-10471755+01	+23901587+00
41538838+00	+20359060+01	-44321146-01	-10469535+01	+23897642+00
41626105+00	+20530455+01	-46265770-01	-10467215+01	+23893551+00
41713371+00	+20697500+01	-48219884-01	-10464795+01	+23889312+00
41800637+00	+20860414+01	-50183032-01	-10462273+01	+23884926+00
41887904+00	+21019401+01	-52154863-01	-10459651+01	+23880392+00
41975170+00	+21174644+01	-54134956-01	-10456927+01	+23875710+00
42062437+00	+21326318+01	-56123046-01	-10454100+01	+23870881+00
42149703+00	+21474578+01	-58118755-01	-10451171+01	+23865902+00
42236969+00	+21619572+01	-60121810-01	-10448140+01	+23860774+00
42324236+00	+21761438+01	-62131910-01	-10445005+01	+23855497+00
42411502+00	+21900297+01	-64148737-01	-10441766+01	+23850068+00
42498769+00	+22036271+01	-66172037-01	-10438423+01	+23844490+00
42586035+00	+22169469+01	-68201583-01	-10434977+01	+23838761+00
42673301+00	+22299994+01	-70237098-01	-10431425+01	+23832879+00
42760568+00	+22427941+01	-72278365-01	-10427769+01	+23826844+00
42847835+00	+22553402+01	-74325122-01	-10424006+01	+23820655+00
42891467+00	+22615227+01	-75350519-01	-10422086+01	+23817500+00
42935101+00	+22676462+01	-76377172-01	-10420138+01	+23814309+00
42978734+00	+22737117+01	-77405128-01	-10418165+01	+23811077+00
43022367+00	+22797201+01	-78434320-01	-10416165+01	+23807808+00
43066001+00	+22856724+01	-79464709-01	-10414138+01	+23804498+00
43109633+00	+22915694+01	-80496296-01	-10412084+01	+23801149+00
43153267+00	+22974122+01	-81529082-01	-10410004+01	+23797760+00
43196900+00	+23032014+01	-82563004-01	-10407897+01	+23794332+00

TABLE 157.—Continued

$M_{\infty} = +99999934+01$

$\Theta_B = +39269911+00$

Θ	M_{w2}^*	ψ_2	M_2^*	μ_1
43240533+00	+23089380+01	-83597980-01	-10405763+01	+23790861+00
43284167+00	+23146227+01	-84634071-01	-10403602+01	+23787353+00
43327800+00	+23202563+01	-85671265-01	-10401415+01	+23783801+00
43371433+00	+23258397+01	-86709443-01	-10399201+01	+23780212+00
43415066+00	+23313733+01	-87748639-01	-10396959+01	+23776582+00
43458699+00	+23368583+01	-88788837-01	-10394691+01	+23772907+00
43502333+00	+23422950+01	-89830033-01	-10392395+01	+23769195+00
43545966+00	+23476844+01	-90872109-01	-10390073+01	+23765439+00
43589599+00	+23530270+01	-91915119-01	-10387723+01	+23761641+00
43633232+00	+23583234+01	-92959044-01	-10385346+01	+23757803+00
43676865+00	+23635744+01	-94003817-01	-10382942+01	+23753921+00
43720499+00	+23687806+01	-95049407-01	-10380511+01	+23749996+00
43764132+00	+23739424+01	-96095848-01	-10378052+01	+23746030+00
43807765+00	+23790607+01	-97143059-01	-10375567+01	+23742019+00
43851398+00	+23841358+01	-98191029-01	-10373053+01	+23737965+00
43895031+00	+23891684+01	-99239735-01	-10370512+01	+23733868+00
43938665+00	+23941590+01	-10028915+00	-10367944+01	+23729726+00
43982298+00	+23991082+01	-10133923+00	-10365349+01	+23725540+00
44025931+00	+24040165+01	-10238995+00	-10362726+01	+23721311+00
44069564+00	+24088844+01	-10344131+00	-10360075+01	+23717037+00
44113197+00	+24137124+01	-10449325+00	-10357397+01	+23712716+00
44156831+00	+24185010+01	-10554576+00	-10354691+01	+23708349+00
44200464+00	+24232506+01	-10659882+00	-10351957+01	+23703938+00
44244097+00	+24279618+01	-10765235+00	-10349196+01	+23699480+00
44287730+00	+24326350+01	-10870638+00	-10346407+01	+23694976+00
44331363+00	+24372705+01	-10976088+00	-10343590+01	+23690423+00
44374997+00	+24418690+01	-11081575+00	-10340746+01	+23685824+00
44418630+00	+24464309+01	-11187104+00	-10337874+01	+23681176+00
44442555+00	+24489169+01	-11244974+00	-10336287+01	+23678609+00

$S_2/R = 76831588+01$

$\eta/\alpha = +10310250+01$

TABLE 158.—Conical Flow Field. $\theta_s=22.5^\circ$; $M_\infty=12.0$

M_{00}	θ_s	θ_w
11999989+02	+39269911+00	+44062723+00

θ	M_{w2}^*	ψ_2	M_2^*	μ_1
39269911+00	+94453193+00	+19557774-06	-10584334+01	+22966446+00
39357178+00	+11998692+01	-11658240-02	-10584309+01	+22966361+00
39444444+00	+12823977+01	-24493877-02	-10584226+01	+22966105+00
39531711+00	+13557969+01	-38132612-02	-10584077+01	+22965678+00
39618977+00	+14174851+01	-52410681-02	-10583857+01	+22965085+00
39706243+00	+14713965+01	-67220721-02	-10583564+01	+22964325+00
39793510+00	+15197255+01	-82489755-02	-10583192+01	+22963398+00
39880776+00	+15637995+01	-98163746-02	-10582740+01	+22962307+00
39968043+00	+16044888+01	-11419997-01	-10582205+01	+22961055+00
40055309+00	+16424004+01	-13056539-01	-10581585+01	+22959644+00
40142575+00	+16779773+01	-14723079-01	-10580878+01	+22958070+00
40229842+00	+17115547+01	-16417230-01	-10580083+01	+22956338+00
40317108+00	+17433932+01	-18136946-01	-10579197+01	+22954448+00
40404375+00	+17737010+01	-19880420-01	-10578220+01	+22952401+00
40491641+00	+18026468+01	-21646000-01	-10577150+01	+22950197+00
40578907+00	+18303699+01	-23432316-01	-10575985+01	+22947837+00
40666174+00	+18569871+01	-25238039-01	-10574726+01	+22945322+00
40753440+00	+18825972+01	-27062071-01	-10573371+01	+22942653+00
40840707+00	+19072849+01	-28903317-01	-10571919+01	+22939829+00
40927973+00	+19311233+01	-30760856-01	-10570370+01	+22936852+00
41015239+00	+19541762+01	-32633727-01	-10568722+01	+22933724+00
41102506+00	+19764996+01	-34521170-01	-10566974+01	+22930441+00
41189773+00	+19981429+01	-36422439-01	-10565127+01	+22927007+00
41277039+00	+20191501+01	-38336828-01	-10563179+01	+22923420+00
41364305+00	+20395606+01	-40263707-01	-10561130+01	+22919680+00
41451572+00	+20594096+01	-42202475-01	-10558979+01	+22915787+00
41538838+00	+20787289+01	-44152522-01	-10556726+01	+22911743+00
41626105+00	+20975475+01	-46113312-01	-10554370+01	+22907547+00
41713371+00	+21158914+01	-48084376-01	-10551911+01	+22903199+00
41800637+00	+21337847+01	-50065251-01	-10549348+01	+22898698+00
41887904+00	+21512494+01	-52055480-01	-10546680+01	+22894046+00
41975170+00	+21683057+01	-54054644-01	-10543908+01	+22889237+00
42062437+00	+21849720+01	-56062380-01	-10541031+01	+22884273+00
42149703+00	+22012657+01	-58078207-01	-10538049+01	+22879157+00
42236969+00	+22172023+01	-60101835-01	-10534960+01	+22873883+00
42324236+00	+22327968+01	-62132869-01	-10531766+01	+22868454+00
42367869+00	+22404701+01	-63151048-01	-10530128+01	+22865682+00
42411502+00	+22480628+01	-64170980-01	-10528464+01	+22862869+00
42455135+00	+22555767+01	-65192571-01	-10526773+01	+22860018+00
42498769+00	+22630131+01	-66215837-01	-10525056+01	+22857127+00
42542402+00	+22703736+01	-67240681-01	-10523311+01	+22854196+00
42586035+00	+22776596+01	-68267105-01	-10521540+01	+22851224+00
42629668+00	+22848724+01	-69295065-01	-10519742+01	+22848216+00
42673301+00	+22920134+01	-70324527+01	-10517917+01	+22845164+00
42716935+00	+22990839+01	-71355430-01	-10516065+01	+22842073+00
42760568+00	+23060851+01	-72387749-01	-10514185+01	+22838943+00
42804201+00	+23130183+01	-73421433-01	-10512279+01	+22835770+00
42847835+00	+23198845+01	-74456515-01	-10510346+01	+22832558+00
42891467+00	+23266849+01	-75492864-01	-10508385+01	+22829303+00
42935101+00	+23334206+01	-76530480-01	-10506397+01	+22826010+00

TABLE 158.—Continued

$M_{\infty} = +11999989+02$

$\Theta_B = +39269911+00$

Θ	M_{w2}^*	ψ_2	M_2^*	μ_1
42978734+00	+23400928+01	-77569328-01	-10504382+01	+22822673+00
43022367+00	+23467024+01	-78609403-01	-10502340+01	+22819295+00
43066001+00	+23532503+01	-79650644-01	-10500271+01	+22815876+00
43109633+00	+23597378+01	-80692989-01	-10498174+01	+22812416+00
43153267+00	+23661655+01	-81736452-01	-10496050+01	+22808912+00
43196900+00	+23725346+01	-82780970-01	-10493898+01	+22805366+00
43240533+00	+23788458+01	-83826465-01	-10491719+01	+22801778+00
43284167+00	+23851001+01	-84872996-01	-10489513+01	+22798147+00
43327800+00	+23912983+01	-85920440-01	-10487278+01	+22794474+00
43371433+00	+23974413+01	-86968816-01	-10485017+01	+22790754+00
43415066+00	+24035298+01	-88018067-01	-10482728+01	+22786993+00
43458699+00	+24095646+01	-89068159-01	-10480412+01	+22783188+00
43502333+00	+24155466+01	-90119026-01	-10478067+01	+22779340+00
43545966+00	+24214762+01	-91170679-01	-10475696+01	+22775445+00
43589599+00	+24273545+01	-92223077-01	-10473296+01	+22771506+00
43633232+00	+24331821+01	-93276147-01	-10470869+01	+22767524+00
43676865+00	+24389595+01	-94329868-01	-10468415+01	+22763493+00
43720499+00	+24446877+01	-95384162-01	-10465932+01	+22759419+00
43764132+00	+24503671+01	-96439040-01	-10463422+01	+22755299+00
43807765+00	+24559984+01	-97494473-01	-10460884+01	+22751131+00
43851398+00	+24615822+01	-98550380-01	-10458319+01	+22746916+00
43895031+00	+24671192+01	-99606733-01	-10455726+01	+22742655+00
43938665+00	+24726099+01	-10066345+00	-10453105+01	+22738345+00
43982298+00	+24780550+01	-10172053+00	-10450456+01	+22733988+00
44025931+00	+24834551+01	-10277789+00	-10447780+01	+22729582+00
44062723+00	+24879740+01	-10366961+00	-10445503+01	+22725835+00

$s_2/R = 86251689+01$

$\eta/\alpha = +10414146+01$

TABLE 159.—Conical Flow Field. $\theta_s=22.5^\circ$; $M_\infty=15.0$

M_{00}	θ_B		θ_W	
14999963+02	+39269911+00		+43749621+00	

θ	M_{W2}^*	ψ_2	M_2^*	μ_1
39269911+00	+89960750+00	+18998981-06	-10659600+01	+22132906+00
39357178+00	+11730399+01	-11234023-02	-10659576+01	+22132819+00
39444444+00	+12623144+01	-23734272-02	-10659495+01	+22132558+00
39531711+00	+13412698+01	-37096161-02	-10659349+01	+22132122+00
39618977+00	+14076474+01	-51144902-02	-10659133+01	+22131516+00
39706243+00	+14656820+01	-65765176-02	-10658843+01	+22130740+00
39793510+00	+15177284+01	-80879442-02	-10658475+01	+22129796+00
39880776+00	+15652104+01	-96429642-02	-10658026+01	+22128685+00
39968043+00	+16090611+01	-11237070-01	-10657493+01	+22127407+00
40055309+00	+16499314+01	-12866586-01	-10656874+01	+22125966+00
40142575+00	+16882962+01	-14528496-01	-10656168+01	+22124360+00
40229842+00	+17245151+01	-16220205-01	-10655370+01	+22122593+00
40317108+00	+17588675+01	-17939445-01	-10654482+01	+22120663+00
40404375+00	+17915764+01	-19684298-01	-10653501+01	+22118572+00
40491641+00	+18228228+01	-21453010-01	-10652424+01	+22116321+00
40578907+00	+18527561+01	-23244064-01	-10651252+01	+22113913+00
40666174+00	+18815015+01	-25056060-01	-10649983+01	+22111344+00
40753440+00	+19091647+01	-26887726-01	-10648616+01	+22108617+00
40840707+00	+19358368+01	-28737906-01	-10647150+01	+22105732+00
40927973+00	+19615962+01	-30605581-01	-10645585+01	+22102690+00
41015239+00	+19865110+01	-32489775-01	-10643918+01	+22099491+00
41102506+00	+20106415+01	-34389609-01	-10642150+01	+22096135+00
41189773+00	+20340405+01	-36304196-01	-10640279+01	+22092622+00
41277039+00	+20567553+01	-38232854-01	-10638306+01	+22088955+00
41364305+00	+20788278+01	-40174805-01	-10636229+01	+22085128+00
41451572+00	+21002963+01	-42129442-01	-10634048+01	+22081146+00
41538838+00	+21211945+01	-44096099-01	-10631761+01	+22077007+00
41626105+00	+21415534+01	-46074143-01	-10629370+01	+22072709+00
41713371+00	+21614012+01	-48063032-01	-10626872+01	+22068256+00
41757004+00	+21711416+01	-49061388-01	-10625583+01	+22065969+00
41800637+00	+21807637+01	-50062237-01	-10624268+01	+22063644+00
41844271+00	+21902703+01	-51065570-01	-10622926+01	+22061277+00
41887904+00	+21996643+01	-52071277-01	-10621557+01	+22058873+00
41931537+00	+22089481+01	-53079294-01	-10620162+01	+22056428+00
41975170+00	+22181245+01	-54089608-01	-10618739+01	+22053942+00
42018803+00	+22271958+01	-55102123-01	-10617290+01	+22051418+00
42062437+00	+22361643+01	-56116786-01	-10615814+01	+22048852+00
42106070+00	+22450324+01	-57133596-01	-10614310+01	+22046248+00
42149703+00	+22538021+01	-58152394-01	-10612780+01	+22043603+00
42193336+00	+22624757+01	-59173219-01	-10611222+01	+22040918+00
42236969+00	+22710549+01	-60195984-01	-10609637+01	+22038192+00
42280603+00	+22795418+01	-61220625-01	-10608025+01	+22035424+00
42324236+00	+22879384+01	-62247118-01	-10606386+01	+22032616+00
42367869+00	+22962463+01	-63275372-01	-10604720+01	+22029770+00
42411502+00	+23044673+01	-64305395-01	-10603026+01	+22026880+00
42455135+00	+23126031+01	-65337095-01	-10601305+01	+22023950+00
42498769+00	+23206553+01	-66370433-01	-10599557+01	+22020978+00
42542402+00	+23286255+01	-67405343-01	-10597781+01	+22017965+00
42586035+00	+23365151+01	-68441816-01	-10595977+01	+22014911+00
42629668+00	+23443258+01	-69479769-01	-10594146+01	+22011813+00

TABLE 159.—Continued

$M_{00} = +14999963+02$

$\Theta_8 = +39269911+00$

Θ	M_{w2}^*	ψ_2	M_2^*	μ_1
42673301+00	+23520588+01	-70519181-01	-10592288+01	+22008675+00
42716935+00	+23597156+01	-71559991-01	-10590401+01	+22005493+00
42760568+00	+23672976+01	-72602138-01	-10588488+01	+22002270+00
42804201+00	+23748058+01	-73645615-01	-10586547+01	+21999005+00
42847835+00	+23822417+01	-74690316-01	-10584578+01	+21995696+00
42891467+00	+23896064+01	-75736271-01	-10582581+01	+21992344+00
42935101+00	+23969012+01	-76783351-01	-10580557+01	+21988950+00
42978734+00	+24041271+01	-77831584-01	-10578505+01	+21985511+00
43022367+00	+24112854+01	-78880840-01	-10576425+01	+21982030+00
43066001+00	+24183769+01	-79931167-01	-10574317+01	+21978502+00
43109633+00	+24254028+01	-80982433-01	-10572182+01	+21974932+00
43153267+00	+24323642+01	-82034621-01	-10570019+01	+21971317+00
43196900+00	+24392620+01	-83087714-01	-10567828+01	+21967656+00
43240533+00	+24460972+01	-84141614-01	-10565610+01	+21963952+00
43284167+00	+24528706+01	-85196272-01	-10563363+01	+21960203+00
43327800+00	+24595832+01	-86251698-01	-10561089+01	+21956405+00
43371433+00	+24662359+01	-87307788-01	-10558787+01	+21952563+00
43415066+00	+24728296+01	-88364474-01	-10556457+01	+21948675+00
43458699+00	+24793651+01	-89421764-01	-10554100+01	+21944739+00
43502333+00	+24858432+01	-90479520-01	-10551714+01	+21940757+00
43545966+00	+24922646+01	-91537790-01	-10549301+01	+21936728+00
43589599+00	+24986302+01	-92596465-01	-10546860+01	+21932648+00
43633232+00	+25049409+01	-93655474-01	-10544392+01	+21928523+00
43676865+00	+25111970+01	-94714807-01	-10541895+01	+21924348+00
43720499+00	+25173999+01	-95774346-01	-10539371+01	+21920124+00
43749621+00	+25215105+01	-96481602-01	-10537671+01	+21917279+00

$s_2/R = 95348125+01$

$\eta/\alpha = +10501752+01$

TABLE 160.—Conical Flow Field. $\theta_s=22.5^\circ$; $M_\infty=20.0$

M_∞	θ_s	θ_w
19999963+02	+39269911+00	+43504579+00

θ	M_{w2}^*	ψ_2	M_2^*	μ_1
39269911+00	+86313485+00	+15832484-06	-10720649+01	+21465167+00
39357178+00	+11521225+01	-10901373-02	-10720625+01	+21465079+00
39444444+00	+12472299+01	-23145098-02	-10720546+01	+21464813+00
39531711+00	+13309677+01	-36300477-02	-10720403+01	+21464372+00
39618977+00	+14013805+01	-50182994-02	-10720190+01	+21463755+00
39706243+00	+14629621+01	-64671300-02	-10719902+01	+21462965+00
39793510+00	+15182062+01	-79683028-02	-10719537+01	+21462005+00
39880776+00	+15686190+01	-95156785-02	-10719089+01	+21460874+00
39968043+00	+16151881+01	-11104533-01	-10718557+01	+21459573+00
40055309+00	+16586021+01	-12730941-01	-10717938+01	+21458106+00
40142575+00	+16993636+01	-14391730-01	-10717230+01	+21456471+00
40229842+00	+17378528+01	-16084062-01	-10716431+01	+21454672+00
40317108+00	+17743655+01	-17805642-01	-10715539+01	+21452707+00
40404375+00	+18091374+01	-19554332-01	-10714552+01	+21450580+00
40491641+00	+18423601+01	-21328319-01	-10713469+01	+21448288+00
40578907+00	+18741919+01	-23125922-01	-10712289+01	+21445833+00
40666174+00	+19047648+01	-24945734-01	-10711010+01	+21443218+00
40753440+00	+19341912+01	-26786309-01	-10709631+01	+21440439+00
40840707+00	+19625670+01	-28646469-01	-10708151+01	+21437499+00
40927973+00	+19899751+01	-30525060-01	-10706570+01	+21434399+00
41015239+00	+20164880+01	-32421065-01	-10704886+01	+21431140+00
41102506+00	+20421689+01	-34333501-01	-10703098+01	+21427718+00
41189773+00	+20670742+01	-36261503-01	-10701206+01	+21424137+00
41277039+00	+20912536+01	-38204204-01	-10699208+01	+21420395+00
41320672+00	+21030852+01	-39180813-01	-10698170+01	+21418464+00
41364305+00	+21147517+01	-40160816-01	-10697106+01	+21416493+00
41407939+00	+21262579+01	-41144157-01	-10696014+01	+21414480+00
41451572+00	+21376085+01	-42130645-01	-10694896+01	+21412429+00
41495205+00	+21488078+01	-43120313-01	-10693751+01	+21410337+00
41538838+00	+21598601+01	-44112993-01	-10692580+01	+21408205+00
41582471+00	+21707693+01	-45108670-01	-10691381+01	+21406033+00
41626105+00	+21815393+01	-46107190-01	-10690156+01	+21403818+00
41669738+00	+21921735+01	-47108535-01	-10688903+01	+21401563+00
41713371+00	+22026756+01	-48112584-01	-10687624+01	+21399270+00
41757004+00	+22130489+01	-49119299-01	-10686317+01	+21396936+00
41800637+00	+22232965+01	-50128587-01	-10684984+01	+21394560+00
41844271+00	+22334215+01	-51140407-01	-10683622+01	+21392143+00
41887904+00	+22434266+01	-52154671-01	-10682234+01	+21389685+00
41931537+00	+22533150+01	-53171309-01	-10680819+01	+21387186+00
41975170+00	+22630891+01	-54190259-01	-10679375+01	+21384648+00
42018803+00	+22727515+01	-55211406-01	-10677905+01	+21382066+00
42062437+00	+22823045+01	-56234781-01	-10676407+01	+21379444+00
42106070+00	+22917508+01	-57260253-01	-10674881+01	+21376780+00
42149703+00	+23010927+01	-58287771-01	-10673328+01	+21374074+00
42193336+00	+23103321+01	-59317324-01	-10671747+01	+21371328+00
42236969+00	+23194713+01	-60348790-01	-10670139+01	+21368538+00
42280603+00	+23285124+01	-61382087-01	-10668503+01	+21365708+00
42324236+00	+23374573+01	-62417235-01	-10666839+01	+21362835+00
42367869+00	+23463079+01	-63454114-01	-10665148+01	+21359919+00
42411502+00	+23550660+01	-64492693-01	-10663428+01	+21356960+00

TABLE 160.—Continued

$$M_{\infty} = +19999963+02$$

$$\Theta_S = +39269911+00$$

Θ	M_{w2}^*	Φ_2	M_2^*	μ_1
42455135+00	+23637334+01	-65532876-01	-10661681+01	+21353958+00
42498769+00	+23723119+01	-66574648-01	-10659906+01	+21350915+00
42542402+00	+23808031+01	-67617949-01	-10658103+01	+21347829+00
42586035+00	+23892086+01	-68662720-01	-10656272+01	+21344697+00
42629668+00	+23975299+01	-69708876-01	-10654414+01	+21341524+00
42673301+00	+24057686+01	-70756378-01	-10652527+01	+21338307+00
42716935+00	+24139260+01	-71805147-01	-10650613+01	+21335045+00
42760568+00	+24220037+01	-72855113-01	-10648670+01	+21331739+00
42804201+00	+24300029+01	-73906302-01	-10646700+01	+21328390+00
42847835+00	+24379249+01	-74958559-01	-10644701+01	+21324994+00
42891467+00	+24457712+01	-76011872-01	-10642675+01	+21321554+00
42935101+00	+24535429+01	-77066190-01	-10640621+01	+21318069+00
42978734+00	+24612411+01	-78121442-01	-10638538+01	+21314537+00
43022367+00	+24688673+01	-79177582-01	-10636428+01	+21310961+00
43066001+00	+24764223+01	-80234527-01	-10634290+01	+21307337+00
43109633+00	+24839074+01	-81292191-01	-10632124+01	+21303669+00
43153267+00	+24913235+01	-82350532-01	-10629930+01	+21299952+00
43196900+00	+24986718+01	-83409511-01	-10627707+01	+21296190+00
43240533+00	+25059532+01	-84469042-01	-10625458+01	+21292379+00
43284167+00	+25131688+01	-85529092-01	-10623180+01	+21288521+00
43327800+00	+25203195+01	-86589539-01	-10620874+01	+21284613+00
43371433+00	+25274061+01	-87650358-01	-10618541+01	+21280657+00
43415066+00	+25344298+01	-88711460-01	-10616179+01	+21276652+00
43458699+00	+25413911+01	-89772772-01	-10613790+01	+21272597+00
43502333+00	+25482916+01	-90834226-01	-10611374+01	+21268494+00
43504579+00	+25486453+01	-90888801-01	-10611249+01	+21268285+00

$$S_2/R = 10349623+02$$

$$\eta/\alpha = +10571601+01$$

TABLE 161.—Conical Flow Field. $\theta_s=25.0^\circ$; $M_\infty=1.4895952$

M_∞	θ_s	θ_w
14895952+01	+43633231+00	+96379811+00

θ	M_w^*	ψ_2	M_2^*	μ_1
43633231+00	+19208169+01	+36135316-05	-85476983+00	+15676366+01
45378559+00	+18673011+01	-75479440-01	-85309668+00	+15443816+01
47123888+00	+18116381+01	-14354093+00	-84859591+00	+15197325+01
48869216+00	+17603520+01	-20506912+00	-84190742+00	+14963433+01
50614544+00	+17134114+01	-26086633+00	-83351944+00	+14741123+01
52359872+00	+16704642+01	-31162194+00	-82380656+00	+14529232+01
54105200+00	+16311194+01	-35792662+00	-81305768+00	+14326695+01
55850529+00	+15950080+01	-40028771+00	-80149641+00	+14132556+01
57595857+00	+15617972+01	-43914303+00	-78929610+00	+13945964+01
59341185+00	+15311920+01	-47487157+00	-77659102+00	+13766161+01
61086514+00	+15029326+01	-50780348+00	-76348457+00	+13592461+01
62831841+00	+14767909+01	-53822713+00	-75005570+00	+13424244+01
64577170+00	+14525662+01	-56639575+00	-73636360+00	+13260941+01
66322498+00	+14300822+01	-59253294+00	-72245108+00	+13102028+01
68067826+00	+14091837+01	-61683656+00	-70834757+00	+12947020+01
69813155+00	+13897337+01	-63948330+00	-69407045+00	+12795456+01
71558483+00	+13716112+01	-66063128+00	-67962694+00	+12646903+01
73303811+00	+13547092+01	-68042327+00	-66501459+00	+12500942+01
75049140+00	+13389333+01	-69898933+00	-65022153+00	+12357159+01
76794468+00	+13241999+01	-71644881+00	-63522634+00	+12215149+01
78539796+00	+13104352+01	-73291299+00	-61999710+00	+12074496+01
80285124+00	+12975743+01	-74848741+00	-60448977+00	+11934772+01
82030453+00	+12855605+01	-76327437+00	-58864568+00	+11795525+01
83775781+00	+12743446+01	-77737616+00	-57238725+00	+11656262+01
85521109+00	+12638848+01	-79089925+00	-55561170+00	+11516430+01
87266438+00	+12541468+01	-80396007+00	-53818101+00	+11375393+01
89011766+00	+12451038+01	-81669419+00	-51990524+00	+11232392+01
90757094+00	+12367375+01	-82927102+00	-50051508+00	+11086483+01
92502423+00	+12290403+01	-84192080+00	-47961164+00	+10936446+01
94247751+00	+12220182+01	-85498665+00	-45656964+00	+10780612+01
95993079+00	+12156981+01	-86903751+00	-43033111+00	+10616558+01
96379811+00	+12143979+01	-87237543+00	-42391472+00	+10578751+01

$S_2/R = 60209022-01$

$\eta/\alpha = +61769493+00$

TABLE 162.—Conical Flow Field. $\theta_s=25.0^\circ$; $M_\infty=1.5$

M_∞	θ_s	θ_w
15000000+01	+43633231+00	+95578503+00

θ	M_w^*	ψ_2	M_2^*	μ_1
43633231+00	+19204801+01	+70631504-05	-85544113+00	+14294704+01
44942227+00	+18818296+01	-56856319-01	-85448074+00	+14280932+01
46251223+00	+18391801+01	-10946603+00	-85182767+00	+14242668+01
47560220+00	+17987367+01	-15819282+00	-84777918+00	+14184676+01
48869216+00	+17607868+01	-20340216+00	-84257753+00	+14111469+01
50178210+00	+17252710+01	-24542345+00	-83642066+00	+14026930+01
51399929+00	+16941931+01	-28202653+00	-82995590+00	+13940599+01
52621649+00	+16649783+01	-31632163+00	-82290963+00	+13849165+01
53843368+00	+16374946+01	-34850035+00	-81537286+00	+13754184+01
55065088+00	+16116163+01	-37873477+00	-80742160+00	+13656843+01
56286807+00	+15872261+01	-40718003+00	-79911949+00	+13558027+01
57421261+00	+15658158+01	-43211421+00	-79114286+00	+13465537+01
58555715+00	+15455155+01	-45572868+00	-78294539+00	+13372746+01
59690168+00	+15262518+01	-47811642+00	-77455724+00	+13279953+01
60824622+00	+15079570+01	-49936262+00	-76600380+00	+13187375+01
61959076+00	+14905689+01	-51954550+00	-75730619+00	+13095170+01
63006263+00	+14752739+01	-53729421+00	-74916490+00	+13010481+01
64053452+00	+14606613+01	-55425022+00	-74092709+00	+12926264+01
65100640+00	+14466930+01	-57046188+00	-73260214+00	+12842553+01
66147828+00	+14333333+01	-58597432+00	-72419734+00	+12759368+01
67195016+00	+14205493+01	-60082935+00	-71571852+00	+12676713+01
68154939+00	+14093102+01	-61390247+00	-70788477+00	+12601407+01
69114860+00	+13985072+01	-62648443+00	-69999439+00	+12526530+01
70074783+00	+13881199+01	-63860191+00	-69204854+00	+12452064+01
71034705+00	+13781293+01	-65028007+00	-68404745+00	+12377985+01
71994628+00	+13685174+01	-66154283+00	-67599042+00	+12304266+01
72867285+00	+13600940+01	-67144022+00	-66861604+00	+12237536+01
73739941+00	+13519581+01	-68102933+00	-66119224+00	+12171051+01
74612598+00	+13440987+01	-69032567+00	-65371655+00	+12104783+01
75485255+00	+13365054+01	-69934424+00	-64618588+00	+12038700+01
76357911+00	+13291686+01	-70809957+00	-63859634+00	+11972770+01
77143302+00	+13227771+01	-71576595+00	-63171167+00	+11913534+01
77928693+00	+13165797+01	-72324056+00	-62477171+00	+11854365+01
78714084+00	+13105703+01	-73053326+00	-61777197+00	+11795233+01
79499476+00	+13047437+01	-73765375+00	-61070737+00	+11736107+01
80284867+00	+12990944+01	-74461165+00	-60357212+00	+11676953+01
80982991+00	+12942177+01	-75066778+00	-59716506+00	+11624319+01
81681117+00	+12894742+01	-75660991+00	-59069177+00	+11571609+01
82379242+00	+12848607+01	-76244500+00	-58414632+00	+11518793+01
83077367+00	+12803743+01	-76817997+00	-57752229+00	+11465844+01
83775493+00	+12760127+01	-77382224+00	-57081224+00	+11412725+01
84386352+00	+12722965+01	-77868901+00	-56486393+00	+11366081+01
84997213+00	+12686723+01	-78349577+00	-55883721+00	+11319256+01
85608073+00	+12651388+01	-78824803+00	-55272515+00	+11272224+01
86218932+00	+12616947+01	-79295163+00	-54652002+00	+11224955+01
86829792+00	+12583388+01	-79761282+00	-54021304+00	+11177419+01
87353386+00	+12555318+01	-80157941+00	-53471856+00	+11136435+01
87876979+00	+12527882+01	-80552433+00	-52913507+00	+11095206+01
88400573+00	+12501078+01	-80945241+00	-52345492+00	+11053707+01
88924168+00	+12474899+01	-81336913+00	-51766925+00	+11011912+01

TABLE 162.—Continued

$M_{00} = -15000000+01$

$\theta_8 = +43633231+00$

θ	M_{w2}^*	ψ_2	M_2^*	μ_1
89447762+00	+12449344+01	-81728037+00	-51176831+00	+10969790+01
89884090+00	+12428522+01	-82054013+00	-50675490+00	+10934417+01
90320419+00	+12408132+01	-82380476+00	-50164659+00	+10898775+01
90756747+00	+12388171+01	-82707887+00	-49643533+00	+10862843+01
91193075+00	+12368642+01	-83036751+00	-49111210+00	+10826596+01
91629404+00	+12349545+01	-83367633+00	-48566676+00	+10790010+01
91978466+00	+12334579+01	-83634216+00	-48121491+00	+10760477+01
92327529+00	+12319892+01	-83902868+00	-47667099+00	+10730693+01
92676591+00	+12305486+01	-84173980+00	-47202776+00	+10700640+01
93025655+00	+12291362+01	-84448007+00	-46727694+00	+10670302+01
93374717+00	+12277523+01	-84725451+00	-46240946+00	+10639657+01
93636514+00	+12267333+01	-84936107+00	-45867615+00	+10616459+01
93898311+00	+12257306+01	-85149262+00	-45486663+00	+10593066+01
94160108+00	+12247445+01	-85365206+00	-45097563+00	+10569469+01
94421905+00	+12237749+01	-85584265+00	-44699720+00	+10545654+01
94683702+00	+12228223+01	-85806780+00	-44292505+00	+10521612+01
94858233+00	+12221967+01	-85957243+00	-44015463+00	+10505449+01
95032765+00	+12215788+01	-86109543+00	-43733705+00	+10489175+01
95207296+00	+12209686+01	-86263821+00	-43446982+00	+10472785+01
95381827+00	+12203663+01	-86420228+00	-43155024+00	+10456274+01
95556359+00	+12197719+01	-86578923+00	-42857538+00	+10439636+01
95578503+00	+12196971+01	-86599221+00	-42819395+00	+10437516+01

$S_2/R = 62080445-01$

$\eta/\alpha = +61828732+00$

TABLE 163.—Conical Flow Field. $\theta_s=25.0^\circ$; $M_\infty=1.75$

M_{00}	θ_s	θ_w
17499999+01	+43633231+00	+82114418+00

θ	M_w^*	ψ_2	M_2^*	μ_1
43633231+00	+19142473+01	+44889748-05	-87953209+00	+95398248+00
44636795+00	+18972766+01	-37697144-01	-87896083+00	+95380437+00
45640359+00	+18687843+01	-73354456-01	-87734751+00	+95329367+00
46643922+00	+18401016+01	-10706721+00	-87482936+00	+95248326+00
47647486+00	+18121816+01	-13897298+00	-87152362+00	+95140193+00
48651050+00	+17853123+01	-16920611+00	-86752995+00	+95007515+00
49654614+00	+17595845+01	-19789161+00	-86293317+00	+94852541+00
50570906+00	+17371022+01	-22282897+00	-85827082+00	+94693255+00
51487195+00	+17155658+01	-24665277+00	-85321307+00	+94518368+00
52403485+00	+16949461+01	-26943728+00	-84780062+00	+94329081+00
53319775+00	+16752082+01	-29125116+00	-84206860+00	+94126452+00
54236064+00	+16563148+01	-31215773+00	-83604727+00	+93911428+00
55152353+00	+16382274+01	-33221586+00	-82976261+00	+93684845+00
55981377+00	+16225258+01	-34967806+00	-82386819+00	+93470501+00
56810401+00	+16074258+01	-36652801+00	-81779048+00	+93247788+00
57639425+00	+15929016+01	-38280098+00	-81154158+00	+93017139+00
58468449+00	+15789277+01	-39853030+00	-80513159+00	+92778929+00
59297473+00	+15654803+01	-41374722+00	-79856905+00	+92533492+00
60126496+00	+15525368+01	-42848126+00	-79186090+00	+92281117+00
60868255+00	+15413650+01	-44127807+00	-78573987+00	+92049628+00
61610013+00	+15305647+01	-45373000+00	-77950954+00	+91812924+00
62351771+00	+15201219+01	-46585543+00	-77317191+00	+91571129+00
63093529+00	+15100233+01	-47767200+00	-76672819+00	+91324336+00
63835287+00	+15002565+01	-48919671+00	-76017878+00	+91072623+00
64577046+00	+14908096+01	-50044605+00	-75352316+00	+90816036+00
65231538+00	+14827308+01	-51015620+00	-74756126+00	+90585605+00
65886031+00	+14748851+01	-51967524+00	-74151414+00	+90351406+00
66540523+00	+14672655+01	-52901391+00	-73537968+00	+90113418+00
67195016+00	+14598655+01	-53818265+00	-72915529+00	+89871616+00
67849508+00	+14526787+01	-54719205+00	-72283760+00	+89625955+00
68504001+00	+14456994+01	-55605248+00	-71642268+00	+89376371+00
69071228+00	+14398141+01	-56361915+00	-71078080+00	+89156836+00
69638454+00	+14340770+01	-57108687+00	-70505877+00	+88934233+00
70205681+00	+14284848+01	-57846861+00	-69925256+00	+88708494+00
70772909+00	+14230344+01	-58576567+00	-69335748+00	+88479530+00
71340135+00	+14177230+01	-59298744+00	-68736831+00	+88247242+00
71907362+00	+14125478+01	-60014176+00	-68127904+00	+88011523+00
72387323+00	+14082732+01	-60614872+00	-67604347+00	+87809294+00
72867285+00	+14040929+01	-61211832+00	-67072679+00	+87604429+00
73347245+00	+14000055+01	-61805592+00	-66532400+00	+87396830+00
73827207+00	+13960097+01	-62396736+00	-65982934+00	+87186396+00
74307168+00	+13921044+01	-62985874+00	-65423639+00	+86973011+00
74787129+00	+13882885+01	-63573656+00	-64853813+00	+86756536+00
75179825+00	+13852323+01	-64054058+00	-64379196+00	+86577032+00
75572520+00	+13822347+01	-64534443+00	-63896509+00	+86395280+00
75965215+00	+13792956+01	-65015271+00	-63405206+00	+86211186+00
76357911+00	+13764144+01	-65497023+00	-62904703+00	+86024649+00
76750606+00	+13735908+01	-65980233+00	-62394325+00	+85835557+00
77143302+00	+13708247+01	-66465482+00	-61873341+00	+85643784+00
77448732+00	+13687129+01	-66844714+00	-61460274+00	+85492695+00

TABLE 163.—Continued

$$M_{00} = +17499999+01$$

$$\Theta_B = +43633231+00$$

Θ	M_{w2}^*	ψ_2	M_2^*	H_1
77754162+00	+13666357+01	-67225886+00	-61039874+00	+85339836+00
78059591+00	+13645930+01	-67609368+00	-60611653+00	+85185125+00
78365021+00	+13625849+01	-67995533+00	-60175115+00	+85028499+00
78670451+00	+13606115+01	-68384825+00	-59729676+00	+84869861+00
78975881+00	+13586727+01	-68777692+00	-59274716+00	+84709121+00
79194046+00	+13573091+01	-69060786+00	-58943529+00	+84592962+00
79412210+00	+13559634+01	-69346175+00	-58606853+00	+84475641+00
79630374+00	+13546355+01	-69634076+00	-58264383+00	+84357112+00
79848538+00	+13533256+01	-69924727+00	-57915802+00	+84237333+00
80066702+00	+13520337+01	-70218387+00	-57560747+00	+84116252+00
80284867+00	+13507600+01	-70515334+00	-57198839+00	+83993825+00
80415765+00	+13500045+01	-70695200+00	-56978237+00	+83919697+00
80546663+00	+13492556+01	-70876434+00	-56754918+00	+83845055+00
80677561+00	+13485134+01	-71059100+00	-56528786+00	+83769877+00
80808461+00	+13477778+01	-71243283+00	-56299727+00	+83694158+00
80939359+00	+13470489+01	-71429069+00	-56067631+00	+83617879+00
81070257+00	+13463268+01	-71616534+00	-55832377+00	+83541026+00
81201156+00	+13456115+01	-71805785+00	-55593833+00	+83463585+00
81332054+00	+13449030+01	-71996909+00	-55351870+00	+83385542+00
81462953+00	+13442013+01	-72190014+00	-55106339+00	+83306874+00
81593852+00	+13435066+01	-72385212+00	-54857086+00	+83227566+00
81724750+00	+13428189+01	-72582625+00	-54603950+00	+83147600+00
81855648+00	+13421383+01	-72782373+00	-54346763+00	+83066959+00
81986547+00	+13414647+01	-72984596+00	-54085325+00	+82985619+00
82114418+00	+13408137+01	-73184665+00	-53825654+00	+82905467+00

$$S_2/R = 12605120+00$$

$$\eta/\alpha = +65628791+00$$

TABLE 164.—Conical Flow Field. $\theta_s=25.0^\circ$; $M_\infty=2.0$

M_∞	Θ_s	Θ_w
19999999+01	+43633231+00	+74232301+00

Θ	M_{w2}^*	ψ_2	M_2^*	μ_1
43633231+00	+18913262+01	+32261014-05	-90584455+00	+78310483+00
44287729+00	+18979821+01	-22129085-01	-90560078+00	+78304660+00
44942227+00	+18860765+01	-43575481-01	-90489482+00	+78287669+00
45596725+00	+18718130+01	-64313361-01	-90376480+00	+78260245+00
46251223+00	+18567140+01	-84362676-01	-90224564+00	+78223041+00
46905722+00	+18413493+01	-10375218+00	-90036886+00	+78176657+00
47560220+00	+18259952+01	-12251254+00	-89816272+00	+78121634+00
48171084+00	+18118085+01	-13948167+00	-89582896+00	+78062927+00
48781950+00	+17978358+01	-15595387+00	-89324892+00	+77997498+00
49392814+00	+17841218+01	-17195256+00	-89043935+00	+77925682+00
50003679+00	+17706947+01	-18750031+00	-88741524+00	+77847786+00
50614539+00	+17575712+01	-20261867+00	-88419013+00	+77764090+00
51225398+00	+17447607+01	-21732802+00	-88077613+00	+77674852+00
51792625+00	+17331492+01	-23063753+00	-87744643+00	+77587234+00
52359852+00	+17218121+01	-24362616+00	-87397113+00	+77495212+00
52927079+00	+17107479+01	-25630811+00	-87035725+00	+77398943+00
53494306+00	+16999543+01	-26869720+00	-86661105+00	+77298563+00
54061532+00	+16894275+01	-28080645+00	-86273818+00	+77194210+00
54628760+00	+16791633+01	-29264851+00	-85874354+00	+77085994+00
55152353+00	+16699176+01	-30335295+00	-85495185+00	+76982768+00
55675948+00	+16608875+01	-31384934+00	-85106304+00	+76876413+00
56199541+00	+16520689+01	-32414646+00	-84707975+00	+76766994+00
56723136+00	+16434574+01	-33425308+00	-84300403+00	+76654565+00
57246730+00	+16350488+01	-34417732+00	-83883786+00	+76539190+00
57770323+00	+16268387+01	-35392762+00	-83458246+00	+76420899+00
58250285+00	+16194835+01	-36271930+00	-83060430+00	+76309937+00
58730246+00	+16122883+01	-37137747+00	-82655265+00	+76196578+00
59210207+00	+16052497+01	-37990805+00	-82242783+00	+76080836+00
59690168+00	+15983647+01	-38831683+00	-81822986+00	+75962727+00
60170129+00	+15916301+01	-39660964+00	-81395848+00	+75842247+00
60650091+00	+15850430+01	-40479217+00	-80961324+00	+75719405+00
61086419+00	+15791801+01	-41214002+00	-80559818+00	+75605670+00
61522747+00	+15734345+01	-41940567+00	-80152065+00	+75489969+00
61959076+00	+15678041+01	-42659339+00	-79737962+00	+75372288+00
62395404+00	+15622868+01	-43370762+00	-79317382+00	+75252611+00
62831732+00	+15568807+01	-44075254+00	-78890188+00	+75130917+00
63268061+00	+15515838+01	-44773269+00	-78456203+00	+75007183+00
63660756+00	+15469086+01	-45396308+00	-78059651+00	+74894052+00
64053452+00	+15423191+01	-46014795+00	-77657279+00	+74779219+00
64446148+00	+15378141+01	-46629062+00	-77248906+00	+74662656+00
64838842+00	+15333925+01	-47239462+00	-76834332+00	+74544332+00
65231538+00	+15290531+01	-47846360+00	-76413324+00	+74424209+00
65624233+00	+15247947+01	-48450124+00	-75985632+00	+74302250+00
65973297+00	+15210767+01	-48984492+00	-75599621+00	+74192263+00
66322359+00	+15174213+01	-49516981+00	-75207888+00	+74080753+00
66671422+00	+15138278+01	-50047887+00	-74810196+00	+73967685+00
67020484+00	+15102955+01	-50577523+00	-74406277+00	+73853016+00
67369547+00	+15068240+01	-51106215+00	-73995852+00	+73736705+00
67718610+00	+15034125+01	-51634312+00	-73578602+00	+73618701+00
68024039+00	+15004764+01	-52096200+00	-73207632+00	+73514015+00

TABLE 164.—Continued

$M_{00} = +19999999+01$

$\Theta_8 = +43633231+00$

Θ	M_{w2}^*	ψ_2	M_2^*	μ_1
68329469+00	+14975857+01	-52558175+00	-72830916+00	+73407955+00
68634899+00	+14947399+01	-53020520+00	-72448175+00	+73300477+00
68940329+00	+14919390+01	-53483525+00	-72059108+00	+73191540+00
69245759+00	+14891825+01	-53947517+00	-71663381+00	+73081091+00
69551188+00	+14864703+01	-54412827+00	-71260631+00	+72969080+00
69812986+00	+14841807+01	-54812997+00	-70909527+00	+72871784+00
70074783+00	+14819234+01	-55214652+00	-70552699+00	+72773262+00
70336580+00	+14796983+01	-55618061+00	-70189854+00	+72673470+00
70598377+00	+14775055+01	-56023513+00	-69820665+00	+72572364+00
70860174+00	+14753447+01	-56431314+00	-69444779+00	+72469899+00
71121971+00	+14732161+01	-56841800+00	-69061815+00	+72366022+00
71340135+00	+14714668+01	-57186179+00	-68736966+00	+72278340+00
71558299+00	+14697398+01	-57532901+00	-68406647+00	+72189608+00
71776464+00	+14680352+01	-57882209+00	-68070566+00	+72099786+00
71994628+00	+14663530+01	-58234364+00	-67728419+00	+72008840+00
72212792+00	+14646933+01	-58589655+00	-67379860+00	+71916725+00
72430956+00	+14630561+01	-58948398+00	-67024518+00	+71823396+00
72605487+00	+14617627+01	-59238094+00	-66735097+00	+71747827+00
72780019+00	+14604838+01	-59530397+00	-66440858+00	+71671428+00
72954550+00	+14592195+01	-59825508+00	-66141561+00	+71594169+00
73129081+00	+14579699+01	-60123645+00	-65836943+00	+71516022+00
73303613+00	+14567351+01	-60425038+00	-65526724+00	+71436954+00
73478144+00	+14555152+01	-60729946+00	-65210602+00	+71356934+00
73609043+00	+14546101+01	-60961095+00	-64969439+00	+71296270+00
73739941+00	+14537135+01	-61194497+00	-64724619+00	+71235036+00
73870840+00	+14528254+01	-61430278+00	-64475990+00	+71173213+00
74001738+00	+14519458+01	-61668588+00	-64223372+00	+71110787+00
74132636+00	+14510750+01	-61909570+00	-63966592+00	+71047734+00
74232301+00	+14504178+01	-62094942+00	-63768173+00	+70999301+00

$S_2/R = 22852647+00$

$\eta/\alpha = +70378305+00$

TABLE 165.—Conical Flow Field. $\theta_s=25.0^\circ$; $M_\infty=2.5$

M_∞	θ_s	θ_w
25000000+01	+43633231+00	+65177773+00

θ	M_{w2}^*	ψ_2	M_2^*	μ_1
43633231+00	+17992269+01	+19650906-05	-95313832+00	+60375586+00
44113196+00	+18437381+01	-13591148-01	-95301271+00	+60373063+00
44593161+00	+18513467+01	-27030570-01	-95264192+00	+60365642+00
45073127+00	+18531366+01	-40244948-01	-95203741+00	+60353559+00
45553092+00	+18520819+01	-53217322-01	-95121088+00	+60337021+00
46033057+00	+18493355+01	-65944163-01	-95017337+00	+60316227+00
46513023+00	+18454869+01	-78427764-01	-94893537+00	+60291353+00
46992988+00	+18408832+01	-90673076-01	-94750645+00	+60262567+00
47472953+00	+18357480+01	-10268673+00	-94589553+00	+60230016+00
47909285+00	+18307476+01	-11341345+00	-94427995+00	+60197273+00
48345617+00	+18255174+01	-12396062+00	-94252626+00	+60161628+00
48781950+00	+18201198+01	-13433441+00	-94063962+00	+60123166+00
49218282+00	+18146032+01	-14454082+00	-93862467+00	+60081964+00
49654614+00	+18090054+01	-15458616+00	-93648577+00	+60038098+00
50090944+00	+18033566+01	-16447637+00	-93422678+00	+59991632+00
50527273+00	+17976811+01	-17421764+00	-93185115+00	+59942622+00
50963601+00	+17919984+01	-18381585+00	-92936205+00	+59891128+00
51356297+00	+17868912+01	-19233687+00	-92702712+00	+59842695+00
51748992+00	+17818010+01	-20075117+00	-92460428+00	+59792314+00
52141688+00	+17767360+01	-20906290+00	-92209517+00	+59740019+00
52534383+00	+17717029+01	-21727626+00	-91950106+00	+59685828+00
52927079+00	+17667077+01	-22539549+00	-91682309+00	+59629759+00
53319775+00	+17617552+01	-23342477+00	-91406220+00	+59571831+00
53712470+00	+17568497+01	-24136811+00	-91121906+00	+59512055+00
54105165+00	+17519945+01	-24922972+00	-90829419+00	+59450443+00
54545228+00	+17477236+01	-25615250+00	-90562590+00	+59394137+00
54803291+00	+17434968+01	-26301681+00	-90289332+00	+59336387+00
55152353+00	+17393155+01	-26982560+00	-90009633+00	+59277190+00
55501416+00	+17351810+01	-27658181+00	-89723464+00	+59216543+00
55850479+00	+17310947+01	-28328838+00	-89430797+00	+59154443+00
56199541+00	+17270573+01	-28994835+00	-89131571+00	+59090878+00
56548604+00	+17230697+01	-29656474+00	-88825719+00	+59025843+00
56897667+00	+17191326+01	-30314081+00	-88513147+00	+58959319+00
57203097+00	+17157296+01	-30886423+00	-88234055+00	+58899879+00
57508526+00	+17123661+01	-31456139+00	-87949656+00	+58839279+00
57813956+00	+17090424+01	-32023453+00	-87659857+00	+58777500+00
58119386+00	+17057586+01	-32588602+00	-87364547+00	+58714528+00
58424816+00	+17025152+01	-33151819+00	-87063609+00	+58650345+00
58730246+00	+16993121+01	-33713354+00	-86756901+00	+58584931+00
59035676+00	+16961497+01	-34273474+00	-86444274+00	+58518263+00
59341106+00	+16930279+01	-34832445+00	-86125553+00	+58450315+00
59602903+00	+16903847+01	-35310868+00	-85847373+00	+58391033+00
59864700+00	+16877715+01	-35788840+00	-85564452+00	+58330775+00
60126496+00	+16851885+01	-36266564+00	-85276639+00	+58269516+00
60388294+00	+16826357+01	-36744243+00	-84983786+00	+58207234+00
60650091+00	+16801131+01	-37222102+00	-84685711+00	+58143906+00
60911888+00	+16776209+01	-37700366+00	-84382236+00	+58079503+00
61173685+00	+16751591+01	-38179279+00	-84073152+00	+58014002+00
61435482+00	+16727278+01	-38659107+00	-83758238+00	+57947364+00
61653646+00	+16707250+01	-39059856+00	-83491180+00	+57890943+00

TABLE 165.—Continued

$M_{00} = +25000000+01$

$\Theta_8 = +43633231+00$

Θ	M_{w2}^*	Φ_2	M_2^*	μ_1
61871810+00	+16687435+01	-39461594+00	-83219753+00	+57833695+00
62089974+00	+16667832+01	-39864512+00	-82943788+00	+57775592+00
62308138+00	+16648444+01	-40268799+00	-82663103+00	+57716615+00
62526302+00	+16629270+01	-40674666+00	-82377504+00	+57656733+00
62744467+00	+16610311+01	-41082325+00	-82086781+00	+57595923+00
62962631+00	+16591568+01	-41492019+00	-81790707+00	+57534154+00
63180795+00	+16573041+01	-41903997+00	-81489031+00	+57471394+00
63355327+00	+16558376+01	-42235406+00	-81243478+00	+57420452+00
63529857+00	+16543852+01	-42568609+00	-80994011+00	+57368835+00
63704389+00	+16529467+01	-42903764+00	-80740470+00	+57316522+00
63878920+00	+16515224+01	-43241051+00	-80482679+00	+57263495+00
64053452+00	+16501123+01	-43580641+00	-80220459+00	+57209731+00
64227983+00	+16487164+01	-43922741+00	-79953596+00	+57155204+00
64402514+00	+16473348+01	-44267559+00	-79681881+00	+57099892+00
64577046+00	+16459678+01	-44615335+00	-79405069+00	+57043765+00
64707944+00	+16449520+01	-44878252+00	-79193963+00	+57001119+00
64838842+00	+16439445+01	-45143077+00	-78979734+00	+56957988+00
64969741+00	+16429453+01	-45409942+00	-78762247+00	+56914353+00
65100640+00	+16419544+01	-45678962+00	-78541381+00	+56870205+00
65177773+00	+16413745+01	-45838556+00	-78409594+00	+56843946+00

$S_2/R = 55236798+00$

$\eta/\alpha = +78559116+00$

TABLE 166.—Conical Flow Field. $\theta_s=25.0^\circ$; $M_\infty=3.0$

M_{00}	Θ_s	Θ_w		
29999998+01	+43633231+00	+60196673+00		
Θ	M_{w2}^*	ψ_2	M_2^*	μ_1
43633231+00	+16811707+01	+13615936-05	-99266689+00	+50589895+00
43982297+00	+17600028+01	-85724834-02	-99260463+00	+50588666+00
44331362+00	+17848864+01	-17200133-01	-99241761+00	+50585027+00
44680428+00	+18009320+01	-25803704-01	-99210797+00	+50579058+00
45029494+00	+18124433+01	-34356043-01	-99167854+00	+50570840+00
45378559+00	+18211001+01	-42843509-01	-99113249+00	+50560447+00
45727625+00	+18277672+01	-51258726-01	-99047299+00	+50547944+00
46076691+00	+18329596+01	-59597697-01	-98970306+00	+50533388+00
46425756+00	+18370129+01	-67858195-01	-98882574+00	+50516841+00
46774822+00	+18401609+01	-76039407-01	-98784379+00	+50498354+00
47123888+00	+18425730+01	-84141481-01	-98675985+00	+50477977+00
47472953+00	+18443773+01	-92165294-01	-98557643+00	+50455748+00
47778386+00	+18455359+01	-99122758-01	-98446108+00	+50434816+00
48083818+00	+18463584+01	-10602215+00	-98327279+00	+50412522+00
48389250+00	+18468888+01	-11286470+00	-98201286+00	+50388894+00
48694683+00	+18471639+01	-11965176+00	-98068245+00	+50363949+00
49000116+00	+18472150+01	-12638471+00	-97928273+00	+50337707+00
49305548+00	+18470686+01	-13306502+00	-97781472+00	+50310186+00
49610980+00	+18467477+01	-13969432+00	-97627932+00	+50281402+00
49916413+00	+18462721+01	-14627422+00	-97467736+00	+50251367+00
50221843+00	+18456390+01	-15280650+00	-97300954+00	+50220091+00
50527273+00	+18449238+01	-15929290+00	-97127647+00	+50187584+00
50832703+00	+18440797+01	-16573523+00	-96947864+00	+50153856+00
51094500+00	+18432787+01	-17122344+00	-96788642+00	+50123978+00
51356297+00	+18424131+01	-17668181+00	-96624714+00	+50093211+00
51618094+00	+18414890+01	-18211151+00	-96456091+00	+50061554+00
51879891+00	+18405120+01	-18751378+00	-96282780+00	+50029010+00
52141688+00	+18394871+01	-19288989+00	-96104786+00	+49995579+00
52403485+00	+18384189+01	-19824105+00	-95922102+00	+49961259+00
52665282+00	+18373116+01	-20356867+00	-95734717+00	+49926048+00
52927079+00	+18361690+01	-20887407+00	-95542613+00	+49889940+00
53188876+00	+18349948+01	-21415869+00	-95345770+00	+49852935+00
53450673+00	+18337922+01	-21942385+00	-95144151+00	+49815023+00
53712470+00	+18325641+01	-22467108+00	-94937717+00	+49776203+00
53930634+00	+18315233+01	-22903106+00	-94761982+00	+49743154+00
54148798+00	+18304684+01	-23338044+00	-94582843+00	+49709462+00
54366963+00	+18294006+01	-23772028+00	-94400259+00	+49675120+00
54585127+00	+18283214+01	-24205144+00	-94214195+00	+49640123+00
54803291+00	+18272319+01	-24637488+00	-94024606+00	+49604464+00
55021455+00	+18261334+01	-25069160+00	-93831442+00	+49568136+00
55239619+00	+18250270+01	-25500273+00	-93634650+00	+49531126+00
55457783+00	+18239137+01	-25930930+00	-93434171+00	+49493431+00
55675948+00	+18227945+01	-26361237+00	-93229938+00	+49455036+00
55894112+00	+18216704+01	-26791320+00	-93021882+00	+49415933+00
56112276+00	+18205422+01	-27221301+00	-92809920+00	+49376108+00
56286807+00	+18196373+01	-2765298+00	-92637483+00	+49334718+00
56461338+00	+18187308+01	-27909379+00	-92462447+00	+49310850+00
56635870+00	+18178229+01	-28253619+00	-92284758+00	+49277496+00
56810401+00	+18169142+01	-28598086+00	-92104362+00	+49243647+00
56984933+00	+18160051+01	-28942860+00	-91921207+00	+49209297+00

TABLE 166.—Continued

 $M_{\infty} = +29999998+01$ $\theta_8 = +43633231+00$

θ	M_{w2}^*	ϕ_2	M_2^*	μ_1
57159464+00	+18150958+01	-29288019+00	-91735229+00	+49174435+00
57333995+00	+18141867+01	-29633655+00	-91546355+00	+49139051+00
57508526+00	+18132781+01	-29979850+00	-91354523+00	+49103135+00
57683058+00	+18123703+01	-30326701+00	-91159646+00	+49066676+00
57857589+00	+18114637+01	-30674302+00	-90961655+00	+49029659+00
58032121+00	+18105586+01	-31022757+00	-90760457+00	+48992079+00
58163019+00	+18098808+01	-31284725+00	-90607396+00	+48963510+00
58293918+00	+18092042+01	-31547284+00	-90452437+00	+48934609+00
58424816+00	+18085288+01	-31810482+00	-90295536+00	+48905368+00
58555715+00	+18078547+01	-32074372+00	-90136644+00	+48875784+00
58686613+00	+18071821+01	-32339011+00	-89975718+00	+48845846+00
58817511+00	+18065111+01	-32604456+00	-89812698+00	+48815547+00
58948410+00	+18058417+01	-32870766+00	-89647531+00	+48784881+00
59079309+00	+18051741+01	-33138007+00	-89480162+00	+48753839+00
59210207+00	+18045084+01	-33406241+00	-89310527+00	+48722415+00
59341106+00	+18038447+01	-33675545+00	-89138561+00	+48690595+00
59472004+00	+18031831+01	-33945991+00	-88964191+00	+48658373+00
59559270+00	+18027433+01	-34126962+00	-88846574+00	+48636663+00
59646536+00	+18023045+01	-34308495+00	-88727836+00	+48614768+00
59733801+00	+18018668+01	-34490617+00	-88607952+00	+48592685+00
59821067+00	+18014301+01	-34673359+00	-88486896+00	+48570408+00
59908332+00	+18009945+01	-34856745+00	-88364642+00	+48547936+00
59995598+00	+18005601+01	-35040807+00	-88241162+00	+48525264+00
60082864+00	+18001268+01	-35225566+00	-88116433+00	+48502389+00
60170129+00	+17996948+01	-35411060+00	-87990417+00	+48479307+00
60196673+00	+17995638+01	-35467632+00	-87951837+00	+48472246+00

 $S_2/R = 10126687+01$ $\eta/\alpha = +84628884+00$

TABLE 167.—Conical Flow Field. $\theta_s=25.0^\circ$; $M_\infty=3.5$

M_{00}	θ_s	θ_w
34999999+01	+43633231+00	+57123978+00

θ	M_{w2}^*	ψ_2	M_2^*	μ_1
43633231+00	+15641845+01	+10170043-05	-10252590+01	+44385846+00
43895030+00	+16700247+01	-57122521-02	-10252265+01	+44385176+00
44156829+00	+17081267+01	-11542391-01	-10251273+01	+44383185+00
44418629+00	+17350896+01	-17420510-01	-10249611+01	+44379905+00
44680428+00	+17562513+01	-23319298-01	-10247280+01	+44375371+00
44942227+00	+17737085+01	-29223885-01	-10244287+01	+44369611+00
45204027+00	+17885418+01	-35124859-01	-10240639+01	+44362656+00
45465826+00	+18013957+01	-41015765-01	-10236343+01	+44354531+00
45727625+00	+18126914+01	-46892110-01	-10231410+01	+44345261+00
45989424+00	+18227223+01	-52750690-01	-10225846+01	+44334868+00
46251223+00	+18317029+01	-58589133-01	-10219660+01	+44323373+00
46513023+00	+18397951+01	-64405726-01	-10212862+01	+44310796+00
46774822+00	+18471250+01	-70199216-01	-10205459+01	+44297159+00
47036621+00	+18537932+01	-75968886-01	-10197458+01	+44282474+00
47298420+00	+18598811+01	-81714228-01	-10188866+01	+44266758+00
47560220+00	+18654561+01	-87435001-01	-10179691+01	+44250024+00
47822019+00	+18705743+01	-93131149-01	-10169939+01	+44232287+00
48040185+00	+18745251+01	-97859283-01	-10161375+01	+44216747+00
48258351+00	+18782156+01	-10257057+00	-10152417+01	+44200523+00
48476517+00	+18816669+01	-10726525+00	-10143067+01	+44183622+00
48694683+00	+18848974+01	-11194362+00	-10133329+01	+44166046+00
48912849+00	+18879240+01	-11660599+00	-10123205+01	+44147800+00
49131015+00	+18907615+01	-12125273+00	-10112695+01	+44128889+00
49349181+00	+18934232+01	-12588419+00	-10101803+01	+44109315+00
49567347+00	+18959215+01	-13050092+00	-10090529+01	+44089082+00
49785513+00	+18982671+01	-13510334+00	-10078875+01	+44068189+00
50003679+00	+19004703+01	-13969211+00	-10066840+01	+44046637+00
50221843+00	+19025400+01	-14426765+00	-10054426+01	+44024429+00
50440007+00	+19044847+01	-14883057+00	-10041633+01	+44001562+00
50658172+00	+19063120+01	-15338159+00	-10028459+01	+43978036+00
50876336+00	+19080291+01	-15792118+00	-10014906+01	+43953851+00
51094500+00	+19096423+01	-16245009+00	-10000971+01	+43929005+00
51312664+00	+19111578+01	-16696914+00	-99866525+00	+43903492+00
51487195+00	+19123036+01	-17057764+00	-99749216+00	+43882603+00
51661727+00	+19133931+01	-17418065+00	-99629431+00	+43861282+00
51836258+00	+19144287+01	-17777858+00	-99507162+00	+43839532+00
52010790+00	+19154130+01	-18137183+00	-99382396+00	+43817345+00
52185321+00	+19163480+01	-18496087+00	-99255110+00	+43794721+00
52359852+00	+19172360+01	-18854606+00	-99125291+00	+43771657+00
52534383+00	+19180790+01	-19212799+00	-98992918+00	+43748147+00
52708915+00	+19188787+01	-19570705+00	-98857966+00	+43724189+00
52883446+00	+19196372+01	-19928377+00	-98720415+00	+43699777+00
53057977+00	+19203560+01	-20285869+00	-98580234+00	+43674907+00
53232509+00	+19210369+01	-20643226+00	-98437395+00	+43649574+00
53407040+00	+19216813+01	-21000514+00	-98291866+00	+43623770+00
53581571+00	+19222908+01	-21357790+00	-98143609+00	+43597490+00
53756103+00	+19228666+01	-21715109+00	-97992593+00	+43570732+00
53930634+00	+19234103+01	-22072540+00	-97838770+00	+43543481+00
54105165+00	+19239230+01	-22430143+00	-97682100+00	+43515736+00
54236064+00	+19242880+01	-22698505+00	-97562699+00	+43494597+00

TABLE 167.—Continued

$M_{00} = +34999999+01$

$\Theta_B = +43633231+00$

Θ	M_{W2}^*	Φ_2	M_2^*	μ_1
54366963+00	+19246368+01	-22967028+00	-97441647+00	+43473168+00
54497861+00	+19249699+01	-23235751+00	-97318927+00	+43451451+00
54628760+00	+19252877+01	-23504705+00	-97194508+00	+43429437+00
54759658+00	+19255906+01	-23773919+00	-97068368+00	+43407123+00
54890556+00	+19258792+01	-24043439+00	-96940476+00	+43384505+00
55021455+00	+19261537+01	-24313295+00	-96810808+00	+43361575+00
55152353+00	+19264148+01	-24583521+00	-96679335+00	+43338334+00
55283252+00	+19266625+01	-24854159+00	-96546020+00	+43314772+00
55414150+00	+19268976+01	-25125246+00	-96410836+00	+43290886+00
55545049+00	+19271202+01	-25396822+00	-96273747+00	+43266671+00
55675948+00	+19273307+01	-25668943+00	-96134714+00	+43242117+00
55806846+00	+19275295+01	-25941645+00	-95993698+00	+43217221+00
55937745+00	+19277170+01	-26214978+00	-95850654+00	+43191975+00
56068643+00	+19278933+01	-26488995+00	-95705544+00	+43166371+00
56199541+00	+19280590+01	-26763745+00	-95558317+00	+43140402+00
56286807+00	+19281636+01	-26947350+00	-95458966+00	+43122882+00
56374073+00	+19282637+01	-27131323+00	-95358636+00	+43105197+00
56461338+00	+19283593+01	-27315682+00	-95257315+00	+43087339+00
56548604+00	+19284505+01	-27500442+00	-95154985+00	+43069308+00
56635870+00	+19285375+01	-27685627+00	-95051624+00	+43051100+00
56723136+00	+19286203+01	-27871257+00	-94947218+00	+43032716+00
56810401+00	+19286989+01	-28057346+00	-94841749+00	+43014147+00
56897667+00	+19287735+01	-28243921+00	-94735197+00	+42995393+00
56984933+00	+19288442+01	-28431005+00	-94627537+00	+42976453+00
57072198+00	+19289109+01	-28618619+00	-94518754+00	+42957319+00
57123978+00	+19289488+01	-28730195+00	-94453671+00	+42945878+00

$S_2/R = 15649763+01$

$\eta/\alpha = +89091953+00$

TABLE 168.—Conical Flow Field. $\theta_s=25.0^\circ$; $M_\infty=4.0$

M_{00}	θ_s	θ_w
40000001+01	+43633231+00	+55087169+00

θ	M_{w2}^*	ϕ_2	M_2^*	μ_1
43633231+00	+14593642+01	+80466270-06	-10518884+01	+40129749+00
43895030+00	+16008409+01	-52014217-02	-10518580+01	+40129086+00
44156829+00	+16538049+01	-10582682-01	-10517640+01	+40127116+00
44418629+00	+16921603+01	-16054517-01	-10516050+01	+40123871+00
44680428+00	+17228856+01	-21581991-01	-10513804+01	+40119383+00
44942227+00	+17487206+01	-27145479-01	-10510901+01	+40113682+00
45204027+00	+17710777+01	-32732368-01	-10507344+01	+40106794+00
45465826+00	+17907996+01	-38333692-01	-10503136+01	+40098744+00
45727625+00	+18084374+01	-43943116-01	-10498281+01	+40089554+00
45989424+00	+18243755+01	-49555719-01	-10492783+01	+40079243+00
46251223+00	+18388944+01	-55167936-01	-10486648+01	+40067835+00
46513023+00	+18522068+01	-60776897-01	-10479879+01	+40055347+00
46774822+00	+18644783+01	-66380465-01	-10472483+01	+40041789+00
46992988+00	+18740055+01	-71044763-01	-10465842+01	+40029687+00
47211154+00	+18829649+01	-75703515-01	-10458772+01	+40016862+00
47429320+00	+18914103+01	-80356095-01	-10451272+01	+40003319+00
47647486+00	+18993876+01	-85002206-01	-10443346+01	+39989065+00
47865652+00	+19069368+01	-89641479-01	-10434996+01	+39974104+00
48083818+00	+19140929+01	-94273846-01	-10426223+01	+39958441+00
48301984+00	+19208866+01	-98899150-01	-10417028+01	+39942081+00
48520150+00	+19273449+01	-10351746+00	-10407412+01	+39925023+00
48738316+00	+19334920+01	-10812889+00	-10397377+01	+39907272+00
48956482+00	+19393498+01	-11273359+00	-10386922+01	+39888827+00
49174648+00	+19449374+01	-11733182+00	-10376047+01	+39869690+00
49392814+00	+19502726+01	-12192386+00	-10364754+01	+39849862+00
49567347+00	+19543696+01	-12559331+00	-10355416+01	+39833499+00
49741880+00	+19583226+01	-12925921+00	-10345810+01	+39816692+00
49916413+00	+19621387+01	-13292186+00	-10335933+01	+39799439+00
50090944+00	+19658241+01	-13658146+00	-10325786+01	+39781737+00
50265476+00	+19693849+01	-14023833+00	-10315367+01	+39763588+00
50440007+00	+19728267+01	-14389274+00	-10304676+01	+39744986+00
50614539+00	+19761548+01	-14754492+00	-10293711+01	+39725931+00
50789070+00	+19793741+01	-15119533+00	-10282470+01	+39706418+00
50963601+00	+19824892+01	-15484426+00	-10270951+01	+39686444+00
51138133+00	+19855044+01	-15849207+00	-10259154+01	+39666006+00
51312664+00	+19884238+01	-16213918+00	-10247076+01	+39645099+00
51487195+00	+19912512+01	-16578600+00	-10234714+01	+39623719+00
51618094+00	+19933136+01	-16852121+00	-10225255+01	+39607369+00
51748992+00	+19953277+01	-17125667+00	-10215634+01	+39590750+00
51879891+00	+19972951+01	-17399257+00	-10205850+01	+39573854+00
52010790+00	+19992168+01	-17672919+00	-10195901+01	+39556684+00
52141688+00	+20010943+01	-17946673+00	-10185786+01	+39539233+00
52272586+00	+20029289+01	-18220534+00	-10175503+01	+39521500+00
52403485+00	+20047215+01	-18494533+00	-10165051+01	+39503479+00
52534383+00	+20064735+01	-18768692+00	-10154428+01	+39485171+00
52665282+00	+20081859+01	-19043035+00	-10143632+01	+39466570+00
52796180+00	+20098597+01	-19317589+00	-10132661+01	+39447672+00
52927079+00	+20114959+01	-19592378+00	-10121514+01	+39428473+00
53057977+00	+20130955+01	-19867440+00	-10110187+01	+39408969+00
53145243+00	+20141421+01	-20050973+00	-10102535+01	+39395795+00

TABLE 168.—Continued

$M_{00} = +40000001+01$

$\theta_8 = +43633231+00$

θ	M_{w2}^*	ψ_2	M_2^*	μ_1
53232509+00	+20151731+01	-20234643+00	-10094802+01	+39382480+00
53319775+00	+20161887+01	-20418466+00	-10086987+01	+39369028+00
53407040+00	+20171893+01	-20602448+00	-10079090+01	+39355433+00
53494306+00	+20181751+01	-20786592+00	-10071108+01	+39341694+00
53581571+00	+20191463+01	-20970919+00	-10063042+01	+39327809+00
53668837+00	+20201031+01	-21155429+00	-10054891+01	+39313777+00
53756103+00	+20210459+01	-21340145+00	-10046653+01	+39299598+00
53843368+00	+20219748+01	-21525070+00	-10038328+01	+39285266+00
53930634+00	+20228901+01	-21710211+00	-10029915+01	+39270781+00
54017900+00	+20237918+01	-21895592+00	-10021413+01	+39256143+00
54105165+00	+20246804+01	-22081209+00	-10012820+01	+39241350+00
54148798+00	+20251198+01	-22174112+00	-10008490+01	+39233895+00
54192431+00	+20255560+01	-22267084+00	-10004136+01	+39226397+00
54236064+00	+20259889+01	-22360125+00	-99997599+00	+39218861+00
54279697+00	+20264187+01	-22453232+00	-99995359+00	+39211283+00
54323330+00	+20268453+01	-22546409+00	-99990936+00	+39203666+00
54366963+00	+20272687+01	-22639656+00	-99864897+00	+39196007+00
54410595+00	+20276891+01	-22732980+00	-99820193+00	+39188307+00
54454228+00	+20281064+01	-22826378+00	-99775248+00	+39180565+00
54497861+00	+20285206+01	-22919853+00	-99730064+00	+39172780+00
54541494+00	+20289317+01	-23013407+00	-99684637+00	+39164953+00
54585127+00	+20293399+01	-23107041+00	-99638967+00	+39157085+00
54628760+00	+20297451+01	-23200758+00	-99593051+00	+39149174+00
54672392+00	+20301473+01	-23294559+00	-99546890+00	+39141217+00
54716025+00	+20305465+01	-23388444+00	-99500477+00	+39133220+00
54759658+00	+20309429+01	-23482417+00	-99453814+00	+39125176+00
54803291+00	+20313362+01	-23576486+00	-99406898+00	+39117089+00
54846924+00	+20317268+01	-23670640+00	-99359728+00	+39108958+00
54890556+00	+20321144+01	-23764892+00	-99312302+00	+39100781+00
54934189+00	+20324992+01	-23859238+00	-99264617+00	+39092559+00
54977822+00	+20328812+01	-23953680+00	-99216672+00	+39084291+00
55021455+00	+20332604+01	-24048225+00	-99168465+00	+39075977+00
55065088+00	+20336369+01	-24142871+00	-99119991+00	+39067615+00
55087169+00	+20338263+01	-24190810+00	-99095366+00	+39063368+00

$S_2/R = 21642120+01$

$\eta/\alpha = +92418800+00$

TABLE 169.—Conical Flow Field. $\theta_s=25.0^\circ$; $M_\infty=4.5$

M_{00}	Θ_B	Θ_W
45000002+01	+43633231+00	+53666064+00

Θ	M_{w2}^*	Φ_2	M_2^*	μ_1
43633231+00	+13695455+01	+65378845-06	-10735619+01	+37058026+00
43851397+00	+15301426+01	-39984547-02	-10735420+01	+37057564+00
44069563+00	+15919208+01	-81789568-02	-10734803+01	+37056190+00
44287729+00	+16375107+01	-12463050-01	-10733747+01	+37053923+00
44505895+00	+16745890+01	-16818549-01	-10732245+01	+37050781+00
44724061+00	+17061990+01	-21227047-01	-10730291+01	+37046781+00
44942227+00	+17339099+01	-25676280-01	-10727882+01	+37041940+00
45160393+00	+17586580+01	-30157655-01	-10725016+01	+37036272+00
45378559+00	+17810553+01	-34664514-01	-10721693+01	+37029792+00
45596725+00	+18015286+01	-39191723-01	-10717913+01	+37022510+00
45814891+00	+18203896+01	-43735316-01	-10713676+01	+37014438+00
46033057+00	+18378744+01	-48292043-01	-10708982+01	+37005590+00
46251223+00	+18541670+01	-52859288-01	-10703835+01	+36995970+00
46469389+00	+18694141+01	-57434851-01	-10698232+01	+36985592+00
46687555+00	+18837351+01	-62016984-01	-10692177+01	+36974463+00
46905722+00	+18972286+01	-66604189-01	-10685671+01	+36962587+00
47080254+00	+19074835+01	-70276858-01	-10680141+01	+36952553+00
47254787+00	+19172983+01	-73951516-01	-10674322+01	+36942050+00
47429320+00	+19267051+01	-77627767-01	-10668216+01	+36931077+00
47603853+00	+19357323+01	-81305213-01	-10661823+01	+36919639+00
47778386+00	+19444055+01	-84983609-01	-10655142+01	+36907738+00
47952918+00	+19527475+01	-88662769-01	-10648175+01	+36895369+00
48127451+00	+19607787+01	-92342421-01	-10640920+01	+36882540+00
48301984+00	+19685178+01	-96022497-01	-10633378+01	+36869247+00
48476517+00	+19759818+01	-99702956-01	-10625548+01	+36855494+00
48651050+00	+19831860+01	-10338366+00	-10617431+01	+36841277+00
48825582+00	+19901445+01	-10706467+00	-10609026+01	+36826597+00
49000116+00	+19968702+01	-11074599+00	-10600332+01	+36811454+00
49174648+00	+20033750+01	-11442769+00	-10591348+01	+36795845+00
49349181+00	+20096698+01	-11810992+00	-10582073+01	+36779768+00
49523714+00	+20157649+01	-12179272+00	-10572507+01	+36763222+00
49654614+00	+20202107+01	-12455533+00	-10565140+01	+36750503+00
49785513+00	+20245530+01	-12731843+00	-10557608+01	+36737517+00
49916413+00	+20287956+01	-13008214+00	-10549910+01	+36724262+00
50047312+00	+20329416+01	-13284656+00	-10542045+01	+36710738+00
50178210+00	+20369942+01	-13561172+00	-10534012+01	+36696943+00
50309109+00	+20409565+01	-13837780+00	-10525811+01	+36682874+00
50440007+00	+20448312+01	-14114494+00	-10517441+01	+36668528+00
50570906+00	+20486211+01	-14391315+00	-10508900+01	+36653906+00
50701804+00	+20523287+01	-14668267+00	-10500189+01	+36639003+00
50832703+00	+20559566+01	-14945359+00	-10491304+01	+36623818+00
50963601+00	+20595071+01	-15222609+00	-10482246+01	+36608347+00
51094500+00	+20629824+01	-15500030+00	-10473013+01	+36592587+00
51225398+00	+20663848+01	-15777642+00	-10463603+01	+36576535+00
51356297+00	+20697161+01	-16055458+00	-10454016+01	+36560190+00
51487195+00	+20729783+01	-16333502+00	-10444248+01	+36543546+00
51574461+00	+20751158+01	-16519000+00	-10437637+01	+36532281+00
51661727+00	+20772239+01	-16704610+00	-10430944+01	+36520882+00
51748992+00	+20793034+01	-16890337+00	-10424169+01	+36509346+00
51836258+00	+20813544+01	-17076198+00	-10417312+01	+36497669+00

TABLE 169.—Continued

$$M_{\infty} = +45000002+01$$

$$\Theta_B = +43633231+00$$

Θ	M_{w2}^*	Φ_2	M_2^*	μ_1
51923524+00	+20833777+01	-17262186+00	-10410373+01	+36485857+00
52010790+00	+20853737+01	-17448322+00	-10403350+01	+36473901+00
52098055+00	+20873429+01	-17634599+00	-10396243+01	+36461805+00
52185321+00	+20892856+01	-17821030+00	-10389051+01	+36449563+00
52272586+00	+20912025+01	-18007621+00	-10381774+01	+36437176+00
52359852+00	+20930937+01	-18194383+00	-10374411+01	+36424644+00
52447118+00	+20949600+01	-18381315+00	-10366961+01	+36411961+00
52534383+00	+20968015+01	-18568438+00	-10359424+01	+36399128+00
52621649+00	+20986186+01	-18755754+00	-10351798+01	+36386142+00
52708915+00	+21004119+01	-18943267+00	-10344083+01	+36373002+00
52796180+00	+21021816+01	-19130992+00	-10336278+01	+36359706+00
52839813+00	+21030578+01	-19224933+00	-10332341+01	+36352997+00
52883446+00	+21039282+01	-19318934+00	-10328382+01	+36346249+00
52927079+00	+21047929+01	-19412989+00	-10324399+01	+36339461+00
52970712+00	+21056519+01	-19507102+00	-10320393+01	+36332634+00
53014345+00	+21065053+01	-19601271+00	-10316365+01	+36325766+00
53057977+00	+21073531+01	-19695503+00	-10312313+01	+36318855+00
53101610+00	+21081955+01	-19789797+00	-10308237+01	+36311904+00
53145243+00	+21090323+01	-19884153+00	-10304138+01	+36304911+00
53188876+00	+21098636+01	-19978575+00	-10300015+01	+36297875+00
53232509+00	+21106895+01	-20073061+00	-10295868+01	+36290798+00
53276142+00	+21115101+01	-20167609+00	-10291697+01	+36283678+00
53319775+00	+21123253+01	-20262228+00	-10287503+01	+36276517+00
53363407+00	+21131352+01	-20356915+00	-10283283+01	+36269311+00
53407040+00	+21139400+01	-20451672+00	-10279040+01	+36262061+00
53450673+00	+21147394+01	-20546501+00	-10274772+01	+36254769+00
53494306+00	+21155336+01	-20641406+00	-10270479+01	+36247429+00
53537939+00	+21163227+01	-20736379+00	-10266161+01	+36240049+00
53581571+00	+21171068+01	-20831429+00	-10261818+01	+36232621+00
53625204+00	+21178858+01	-20926560+00	-10257450+01	+36225148+00
53666064+00	+21186109+01	-21015711+00	-10253338+01	+36218114+00

$$S_2/R = 27743829+01$$

$$\eta/\alpha = +94942244+00$$

TABLE 170.—Conical Flow Field. $\theta_s=25.0^\circ$; $M_\infty=5.0$

M_∞	Θ_s	Θ_w
49999993+01	+43633231+00	+52635069+00

Θ	M_{w2}^*	ψ_2	M_2^*	μ_1
43633231+00	+12940750+01	+55879354-06	-10912155+01	+34759305+00
43851397+00	+14826459+01	-37570912-02	-10911967+01	+34758843+00
44069563+00	+15560447+01	-77329278-02	-10911374+01	+34757460+00
44287729+00	+16105441+01	-11837017-01	-10910352+01	+34755180+00
44505895+00	+16551023+01	-16032396-01	-10908888+01	+34752018+00
44724061+00	+16932672+01	-20297732-01	-10906974+01	+34747993+00
44942227+00	+17268683+01	-24618821-01	-10904603+01	+34743119+00
45160393+00	+17569967+01	-28985474-01	-10901772+01	+34737412+00
45378559+00	+17843662+01	-33389859-01	-10898478+01	+34730883+00
45596725+00	+18094743+01	-37825983-01	-10894718+01	+34723547+00
45814891+00	+18326846+01	-42288953-01	-10890492+01	+34715412+00
46033057+00	+18542724+01	-46774849-01	-10885799+01	+34706489+00
46251223+00	+18744526+01	-51280405-01	-10880638+01	+34696786+00
46469389+00	+18933963+01	-55802973-01	-10875008+01	+34686312+00
46643922+00	+19077556+01	-59431756-01	-10870167+01	+34677379+00
46818455+00	+19214731+01	-63069023-01	-10865026+01	+34667959+00
46992988+00	+19346007+01	-66713890-01	-10859585+01	+34658056+00
47167521+00	+19471837+01	-70365674-01	-10853843+01	+34647668+00
47342054+00	+19592622+01	-74023787-01	-10847801+01	+34636800+00
47516586+00	+19708714+01	-77687571-01	-10841458+01	+34625452+00
47691119+00	+19820428+01	-81356727-01	-10834814+01	+34613625+00
47865652+00	+19928044+01	-85030745-01	-10827868+01	+34601319+00
48040185+00	+20031818+01	-88709380-01	-10820620+01	+34588533+00
48214718+00	+20131977+01	-92392375-01	-10813069+01	+34575268+00
48389250+00	+20228728+01	-96079500-01	-10805214+01	+34561524+00
48563784+00	+20322260+01	-99770568-01	-10797055+01	+34547296+00
48738316+00	+20412747+01	-10346553+00	-10788591+01	+34532586+00
48869216+00	+20478708+01	-10623921+00	-10782041+01	+34521234+00
49000116+00	+20543107+01	-10901507+00	-10775318+01	+34509607+00
49131015+00	+20606001+01	-11179299+00	-10768422+01	+34497705+00
49261915+00	+20667445+01	-11457308+00	-10761351+01	+34485528+00
49392814+00	+20727491+01	-11735529+00	-10754105+01	+34473069+00
49523714+00	+20786187+01	-12013967+00	-10746683+01	+34460330+00
49654614+00	+20843580+01	-12292627+00	-10739085+01	+34447309+00
49785513+00	+20899712+01	-12571516+00	-10731309+01	+34434002+00
49916413+00	+20954625+01	-12850636+00	-10723354+01	+34420408+00
50047312+00	+21008358+01	-13129993+00	-10715220+01	+34406525+00
50178210+00	+21060948+01	-13409603+00	-10706905+01	+34392349+00
50309109+00	+21112430+01	-13689463+00	-10698408+01	+34377878+00
50440007+00	+21162838+01	-13969588+00	-10689728+01	+34363106+00
50527273+00	+21195862+01	-14156496+00	-10683839+01	+34353091+00
50614539+00	+21228431+01	-14343523+00	-10677868+01	+34342941+00
50701804+00	+21260555+01	-14530682+00	-10671813+01	+34332653+00
50789070+00	+21292243+01	-14717968+00	-10665676+01	+34322229+00
50876336+00	+21323501+01	-14905396+00	-10659455+01	+34311667+00
50963601+00	+21354338+01	-15092956+00	-10653149+01	+34300962+00
51050867+00	+21384761+01	-15280666+00	-10646759+01	+34290117+00
51138133+00	+21414779+01	-15468526+00	-10640283+01	+34279129+00
51225398+00	+21444399+01	-15656533+00	-10633722+01	+34267996+00
51312664+00	+21473627+01	-15844701+00	-10627074+01	+34256717+00

TABLE 170.—Continued

$M_{\infty} = +49999993+01$

$\theta_8 = +43633231+00$

θ	M_{w2}^*	ψ_2	M_2^*	μ_1
51399929+00	+21502471+01	-16033028+00	-10620339+01	+34245290+00
51487195+00	+21530936+01	-16221522+00	-10613517+01	+34233713+00
51574461+00	+21559030+01	-16410189+00	-10606606+01	+34221986+00
51618094+00	+21572940+01	-16504590+00	-10603117+01	+34216064+00
51661727+00	+21586759+01	-16599030+00	-10599607+01	+34210104+00
51705359+00	+21600488+01	-16693519+00	-10596073+01	+34204107+00
51748992+00	+21614128+01	-16788052+00	-10592518+01	+34198070+00
51792625+00	+21627680+01	-16882633+00	-10588939+01	+34191994+00
51836258+00	+21641145+01	-16977262+00	-10585338+01	+34185878+00
51879891+00	+21654522+01	-17071937+00	-10581714+01	+34179721+00
51923524+00	+21667813+01	-17166665+00	-10578068+01	+34173527+00
51967157+00	+21681019+01	-17261436+00	-10574398+01	+34167292+00
52010790+00	+21694139+01	-17356261+00	-10570705+01	+34161015+00
52054422+00	+21707176+01	-17451133+00	-10566990+01	+34154698+00
52098055+00	+21720129+01	-17546055+00	-10563251+01	+34148342+00
52141688+00	+21732999+01	-17641032+00	-10559488+01	+34141942+00
52185321+00	+21745787+01	-17736064+00	-10555703+01	+34135501+00
52228954+00	+21758493+01	-17831143+00	-10551893+01	+34129018+00
52272586+00	+21771119+01	-17926285+00	-10548060+01	+34122493+00
52316219+00	+21783664+01	-18021478+00	-10544204+01	+34115926+00
52359852+00	+21796130+01	-18116727+00	-10540323+01	+34109315+00
52403485+00	+21808515+01	-18212035+00	-10536418+01	+34102659+00
52447118+00	+21820823+01	-18307399+00	-10532490+01	+34095961+00
52490750+00	+21833053+01	-18402821+00	-10528537+01	+34089219+00
52534383+00	+21845206+01	-18498301+00	-10524559+01	+34082433+00
52578016+00	+21857281+01	-18593841+00	-10520558+01	+34075601+00
52621649+00	+21869280+01	-18689445+00	-10516531+01	+34068726+00
52635069+00	+21872957+01	-18718862+00	-10515289+01	+34066604+00

$S_2/R = 33703613+01$

$\eta/\alpha = +96889663+00$

TABLE 171.—Conical Flow Field. $\theta_s=25.0^\circ$; $M_\infty=6.0$

M_{00}	θ_s		θ_w	
59999990+01	+43633231+00		+51271277+00	
θ	M_{w2}^*	ψ_2	M_2^*	μ_1
43633231+00	+11786065+01	+41909516-06	-11175260+01	+31600275+00
43807764+00	+13907406+01	-27130693-02	-11175151+01	+31599973+00
43982297+00	+14743847+01	-56259856-02	-11174801+01	+31599070+00
44156829+00	+15374232+01	-86644273-02	-11174190+01	+31597575+00
44331362+00	+15894625+01	-11796016-01	-11173306+01	+31595503+00
44505895+00	+16344187+01	-15002055-01	-11172139+01	+31592856+00
44680428+00	+16743143+01	-18270023-01	-11170683+01	+31589648+00
44854961+00	+17103557+01	-21590609-01	-11168933+01	+31585882+00
45029494+00	+17433314+01	-24956726-01	-11166883+01	+31581568+00
45204027+00	+17737908+01	-28362688-01	-11164530+01	+31576714+00
45378559+00	+18021354+01	-31803837-01	-11161872+01	+31571321+00
45553092+00	+18286689+01	-35276361-01	-11158906+01	+31565399+00
45727625+00	+18536282+01	-38777035-01	-11155630+01	+31558949+00
45902158+00	+18772021+01	-42303020-01	-11152041+01	+31551979+00
46076691+00	+18995441+01	-45851979-01	-11148139+01	+31544490+00
46251223+00	+19207812+01	-49421819-01	-11143921+01	+31536486+00
46425756+00	+19410196+01	-53010745-01	-11139387+01	+31527971+00
46556656+00	+19555978+01	-55713998-01	-11135779+01	+31521250+00
46687555+00	+19696984+01	-58426505-01	-11131991+01	+31514241+00
46818455+00	+19833512+01	-61147705-01	-11128024+01	+31506950+00
46949355+00	+19965829+01	-63877165-01	-11123876+01	+31499372+00
47080254+00	+20094176+01	-66614380-01	-11119548+01	+31491509+00
47211154+00	+20218772+01	-69358941-01	-11115039+01	+31483362+00
47342054+00	+20339817+01	-72110526-01	-11110348+01	+31474933+00
47472953+00	+20457494+01	-74868749-01	-11105475+01	+31466216+00
47603853+00	+20571969+01	-77633412-01	-11100420+01	+31457213+00
47734752+00	+20683398+01	-80404123-01	-11095181+01	+31447923+00
47865652+00	+20791921+01	-83180669-01	-11089759+01	+31438349+00
47996552+00	+20897671+01	-85962798-01	-11084153+01	+31428485+00
48127451+00	+21000767+01	-88750343-01	-11078362+01	+31418333+00
48258351+00	+21101323+01	-91543061-01	-11072385+01	+31407890+00
48389250+00	+21199444+01	-94340820-01	-11066222+01	+31397156+00
48520150+00	+21295229+01	-97143441-01	-11059873+01	+31386129+00
48607416+00	+21357832+01	-99014498-01	-11055535+01	+31378614+00
48694683+00	+21419463+01	-10088763+00	-11051114+01	+31370966+00
48781950+00	+21480146+01	-10276278+00	-11046609+01	+31363185+00
48869216+00	+21539905+01	-10463997+00	-11042020+01	+31355272+00
48956482+00	+21598763+01	-10651909+00	-11037347+01	+31347223+00
49043749+00	+21656740+01	-10840019+00	-11032588+01	+31339040+00
49131015+00	+21713858+01	-11028316+00	-11027745+01	+31330722+00
49218282+00	+21770137+01	-11216808+00	-11022817+01	+31322267+00
49305548+00	+21825596+01	-11405481+00	-11017803+01	+31313675+00
49392814+00	+21880253+01	-11594347+00	-11012703+01	+31304942+00
49480081+00	+21934126+01	-11783395+00	-11007517+01	+31296069+00
49567347+00	+21987232+01	-11972624+00	-11002244+01	+31287055+00
49654614+00	+22039588+01	-12162035+00	-10996884+01	+31277901+00
49741880+00	+22091209+01	-12351620+00	-10991437+01	+31268602+00
49829146+00	+22142111+01	-12541385+00	-10985903+01	+31259159+00
49916413+00	+22192308+01	-12731323+00	-10980280+01	+31249573+00
49960046+00	+22217147+01	-12826359+00	-10977436+01	+31244722+00

TABLE 171.—Continued

$$M_{\infty} = +59999990+01$$

$$\Theta_S = +43633231+00$$

Θ	M_{w2}^*	Φ_2	M_2^*	μ_1
50003679+00	+22241815+01	-12921437+00	-10974569+01	+31239836+00
50047312+00	+22266314+01	-13016561+00	-10971680+01	+31234913+00
50090944+00	+22290645+01	-13111726+00	-10968769+01	+31229952+00
50134577+00	+22314810+01	-13206937+00	-10965835+01	+31224952+00
50178210+00	+22338811+01	-13302188+00	-10962880+01	+31219915+00
50221843+00	+22362650+01	-13397486+00	-10959901+01	+31214842+00
50265476+00	+22386327+01	-13492825+00	-10956901+01	+31209729+00
50309109+00	+22409845+01	-13588202+00	-10953878+01	+31204576+00
50352741+00	+22433205+01	-13683628+00	-10950832+01	+31199385+00
50396374+00	+22456408+01	-13779092+00	-10947763+01	+31194158+00
50440007+00	+22479456+01	-13874601+00	-10944672+01	+31188889+00
50483640+00	+22502350+01	-13970152+00	-10941558+01	+31183581+00
50527273+00	+22525092+01	-14065742+00	-10938421+01	+31178234+00
50570906+00	+22547683+01	-14161375+00	-10935261+01	+31172848+00
50614539+00	+22570125+01	-14257053+00	-10932078+01	+31167420+00
50658172+00	+22592418+01	-14352767+00	-10928873+01	+31161952+00
50701804+00	+22614565+01	-14448530+00	-10925644+01	+31156444+00
50745437+00	+22636566+01	-14544324+00	-10922392+01	+31150894+00
50789070+00	+22658422+01	-14640167+00	-10919117+01	+31145304+00
50832703+00	+22680135+01	-14736049+00	-10915818+01	+31139672+00
50876336+00	+22701707+01	-14831971+00	-10912496+01	+31133997+00
50919969+00	+22723138+01	-14927933+00	-10909151+01	+31128281+00
50963601+00	+22744429+01	-15023936+00	-10905783+01	+31122523+00
51007234+00	+22765583+01	-15119979+00	-10902390+01	+31116722+00
51050867+00	+22786599+01	-15216060+00	-10898975+01	+31110877+00
51094500+00	+22807479+01	-15312183+00	-10895535+01	+31104988+00
51138133+00	+22828224+01	-15408347+00	-10892072+01	+31099058+00
51181765+00	+22848836+01	-15504546+00	-10888584+01	+31093082+00
51225398+00	+22869314+01	-15600785+00	-10885073+01	+31087062+00
51269031+00	+22889662+01	-15697062+00	-10881538+01	+31080996+00
51271277+00	+22890707+01	-15702018+00	-10881356+01	+31080685+00

$$S_2/R = 44639590+01$$

$$\eta/\alpha = +99633235+00$$

TABLE 172.—Conical Flow Field. $\theta_s=25.0^\circ$; $M_\infty=7.0$

M_∞	θ_s	θ_w		
69999980+01	+43633231+00	+50436191+00		

θ	M_w^*	ψ_2	M_2^*	μ_1
43633231+00	+10978075+01	+33527613-06	-11355674+01	+29581158+00
43764131+00	+13125306+01	-18797629-02	-11355618+01	+29580986+00
43895030+00	+13960140+01	-39081872-02	-11355435+01	+29580466+00
44025930+00	+14604586+01	-60358979-02	-11355114+01	+29579608+00
44156829+00	+15140334+01	-82392022-02	-11354647+01	+29578411+00
44287729+00	+15605838+01	-10504209-01	-11354027+01	+29576883+00
44418629+00	+16021143+01	-12821615-01	-11353249+01	+29575026+00
44549529+00	+16398223+01	-15184598-01	-11352309+01	+29572841+00
44680428+00	+16744902+01	-17587738-01	-11351204+01	+29570338+00
44811327+00	+17066631+01	-20026749-01	-11349931+01	+29567514+00
44942227+00	+17367389+01	-22498099-01	-11348488+01	+29564374+00
45073127+00	+17650184+01	-24998799-01	-11346871+01	+29560921+00
45204027+00	+17917363+01	-27526271-01	-11345079+01	+29557157+00
45334926+00	+18170793+01	-30078273-01	-11343111+01	+29553085+00
45465826+00	+18411991+01	-32652941-01	-11340965+01	+29548706+00
45596725+00	+18642214+01	-35248492-01	-11338639+01	+29544022+00
45727625+00	+18862510+01	-37863456-01	-11336133+01	+29539036+00
45858525+00	+19073772+01	-40496418-01	-11333444+01	+29533746+00
45989424+00	+19276760+01	-43146217-01	-11330572+01	+29528158+00
46120324+00	+19472136+01	-45811716-01	-11327517+01	+29522272+00
46251223+00	+19660474+01	-48491945-01	-11324276+01	+29516086+00
46382123+00	+19842281+01	-51185977-01	-11320850+01	+29509602+00
46513023+00	+20018000+01	-53893037-01	-11317237+01	+29502821+00
46643922+00	+20188030+01	-56612302-01	-11313437+01	+29495745+00
46774822+00	+20352727+01	-59343150-01	-11309449+01	+29488372+00
46905722+00	+20512409+01	-62084887-01	-11305273+01	+29480702+00
47036621+00	+20667363+01	-64837018-01	-11300906+01	+29472734+00
47167521+00	+20817851+01	-67598969-01	-11296350+01	+29464470+00
47254787+00	+20915813+01	-69445470-01	-11293206+01	+29458794+00
47342054+00	+21011961+01	-71295945-01	-11289977+01	+29452986+00
47429320+00	+21106357+01	-73150277-01	-11286664+01	+29447048+00
47516586+00	+21199057+01	-75008404-01	-11283264+01	+29440974+00
47603853+00	+21290118+01	-76870127-01	-11279779+01	+29434768+00
47691119+00	+21379590+01	-78735380-01	-11276208+01	+29428427+00
47778386+00	+21467522+01	-80604008-01	-11272551+01	+29421952+00
47865652+00	+21553963+01	-82475999-01	-11268807+01	+29415343+00
47952918+00	+21638955+01	-84351203-01	-11264977+01	+29408596+00
48040185+00	+21722540+01	-86229473-01	-11261060+01	+29401714+00
48127451+00	+21804759+01	-88110793-01	-11257056+01	+29394695+00
48214718+00	+21885649+01	-89995045-01	-11252965+01	+29387541+00
48301984+00	+21965247+01	-91882156-01	-11248787+01	+29380245+00
48389250+00	+22043587+01	-93772087-01	-11244520+01	+29372812+00
48476517+00	+22120703+01	-95664695-01	-11240165+01	+29365239+00
48563784+00	+22196625+01	-97559924-01	-11235722+01	+29357524+00
48651050+00	+22271385+01	-99457739-01	-11231191+01	+29349667+00
48738316+00	+22345010+01	-10135801+00	-11226571+01	+29341669+00
48825582+00	+22417529+01	-10326068+00	-11221861+01	+29333526+00
48912849+00	+22488967+01	-10516573+00	-11217063+01	+29325238+00
49000116+00	+22559351+01	-10707305+00	-11212174+01	+29316804+00
49087382+00	+22628705+01	-10898259+00	-11207196+01	+29308224+00

TABLE 172.—Continued

$M_{\infty} = +69999980+01$

$\theta_B = +43633231+00$

θ	M_{v2}^*	ψ_2	M_2^*	μ_1
49174648+00	+22697052+01	-11089426+00	-11202127+01	+29299494+00
49261915+00	+22764414+01	-11280802+00	-11196968+01	+29290614+00
49349181+00	+22830814+01	-11472380+00	-11191718+01	+29281582+00
49436448+00	+22896271+01	-11664159+00	-11186377+01	+29272395+00
49523714+00	+22960807+01	-11856121+00	-11180944+01	+29263055+00
49567347+00	+22992735+01	-11952171+00	-11178194+01	+29258327+00
49610980+00	+23024440+01	-12048267+00	-11175420+01	+29253557+00
49654614+00	+23055924+01	-12144404+00	-11172623+01	+29248750+00
49698247+00	+23087188+01	-12240589+00	-11169803+01	+29243902+00
49741880+00	+23118236+01	-12336813+00	-11166960+01	+29239015+00
49785513+00	+23149069+01	-12433076+00	-11164094+01	+29234087+00
49829146+00	+23179691+01	-12529382+00	-11161205+01	+29229118+00
49872780+00	+23210101+01	-12625730+00	-11158292+01	+29224108+00
49916413+00	+23240304+01	-12722113+00	-11155356+01	+29219058+00
49960046+00	+23270301+01	-12818539+00	-11152396+01	+29213964+00
50003679+00	+23300093+01	-12914999+00	-11149414+01	+29208830+00
50047312+00	+23329683+01	-13011493+00	-11146408+01	+29203654+00
50090944+00	+23359073+01	-13108022+00	-11143378+01	+29198436+00
50134577+00	+23388264+01	-13204586+00	-11140325+01	+29193176+00
50178210+00	+23417258+01	-13301179+00	-11137249+01	+29187871+00
50221843+00	+23446058+01	-13397807+00	-11134148+01	+29182525+00
50265476+00	+23474664+01	-13494463+00	-11131025+01	+29177134+00
50309109+00	+23503080+01	-13591149+00	-11127877+01	+29171700+00
50352741+00	+23531304+01	-13687864+00	-11124706+01	+29166222+00
50396374+00	+23559343+01	-13784607+00	-11121511+01	+29160697+00
50436191+00	+23584767+01	-13872906+00	-11118576+01	+29155620+00

$S_2/R = 53918950+01$

$\eta/\alpha = +10141692+01$

TABLE 173.—Conical Flow Field. $\theta_s=25.0^\circ$; $M_\infty=8.0$

M_∞	θ_s	θ_w
79999992+01	+43633231+00	+49888523+00

θ	M_{w2}^*	ψ_2	M_2^*	μ_1
43633231+00	+10401317+01	+29616058-06	-11483055+01	+28213355+00
43764131+00	+12772186+01	-17919559-02	-11483001+01	+28213180+00
43895030+00	+13698232+01	-37483834-02	-11482825+01	+28212652+00
44025930+00	+14413395+01	-58147050-02	-11482513+01	+28211781+00
44156829+00	+15008641+01	-79650749-02	-11482056+01	+28210567+00
44287729+00	+15526394+01	-10184383-01	-11481446+01	+28209015+00
44418629+00	+15988760+01	-12462433-01	-11480678+01	+28207128+00
44549529+00	+16408937+01	-14791645-01	-11479747+01	+28204909+00
44680428+00	+16795553+01	-17166140-01	-11478649+01	+28202363+00
44811327+00	+17154616+01	-19581139-01	-11477380+01	+28199495+00
44942227+00	+17490512+01	-22032827-01	-11475938+01	+28196303+00
45073127+00	+17806560+01	-24517776-01	-11474320+01	+28192793+00
45204027+00	+18105344+01	-27033187-01	-11472523+01	+28188966+00
45334926+00	+18388924+01	-29576588-01	-11470545+01	+28184825+00
45465826+00	+18658974+01	-32145800-01	-11468386+01	+28180369+00
45596725+00	+18916876+01	-34738943-01	-11466041+01	+28175604+00
45727625+00	+19163789+01	-37354331-01	-11463512+01	+28170527+00
45858525+00	+19400693+01	-39990393-01	-11460795+01	+28165143+00
45989424+00	+19628433+01	-42645797-01	-11457889+01	+28159449+00
46120324+00	+19847732+01	-45319190-01	-11454794+01	+28153452+00
46251223+00	+20059226+01	-48009567-01	-11451508+01	+28147148+00
46382123+00	+20263472+01	-50715843-01	-11448030+01	+28140540+00
46513023+00	+20460962+01	-53437045-01	-11444360+01	+28133625+00
46643922+00	+20652134+01	-56172384-01	-11440496+01	+28126405+00
46731189+00	+20776266+01	-58003349-01	-11437812+01	+28121422+00
46818455+00	+20897871+01	-59840007-01	-11435040+01	+28116301+00
46905722+00	+21017048+01	-61682131-01	-11432182+01	+28111046+00
46992988+00	+21133888+01	-63529497-01	-11429237+01	+28105653+00
47080254+00	+21248479+01	-65381977-01	-11426204+01	+28100125+00
47167521+00	+21360901+01	-67239318-01	-11423083+01	+28094458+00
47254787+00	+21471231+01	-69101389-01	-11419875+01	+28088657+00
47342054+00	+21579540+01	-70968013-01	-11416578+01	+28082716+00
47429320+00	+21685896+01	-72839023-01	-11413193+01	+28076635+00
47516586+00	+21790363+01	-74714264-01	-11409718+01	+28070416+00
47603853+00	+21893002+01	-76593609-01	-11406155+01	+28064058+00
47691119+00	+21993868+01	-78476924-01	-11402503+01	+28057561+00
47778386+00	+22093017+01	-80363996-01	-11398761+01	+28050922+00
47865652+00	+22190500+01	-82254776-01	-11394930+01	+28044143+00
47952918+00	+22286365+01	-84149111-01	-11391008+01	+28037220+00
48040185+00	+22380658+01	-86046816-01	-11386997+01	+28030154+00
48127451+00	+22473424+01	-87947845-01	-11382894+01	+28022945+00
48214718+00	+22564704+01	-89852053-01	-11378702+01	+28015592+00
48301984+00	+22654538+01	-91759290-01	-11374418+01	+28008092+00
48389250+00	+22742965+01	-93669501-01	-11370044+01	+28000445+00
48476517+00	+22830021+01	-95582503-01	-11365578+01	+27992652+00
48563784+00	+22915739+01	-97498232-01	-11361020+01	+27984706+00
48651050+00	+23000155+01	-99416559-01	-11356371+01	+27976611+00
48694683+00	+23041884+01	-10037669+00	-11354011+01	+27972506+00
48738316+00	+23083298+01	-10133742+00	-11351629+01	+27968363+00
48781950+00	+23124402+01	-10229871+00	-11349224+01	+27964182+00

TABLE 173.—Continued

$M_{00} = +79999992+01$

$\theta_s = +43633231+00$

θ	M_{w2}^*	$\#_2$	M_2^*	μ_1
48825582+00	+23165201+01	-10326059+00	-11346795+01	+27959963+00
48869216+00	+23205696+01	-10422302+00	-11344343+01	+27955706+00
48912849+00	+23245890+01	-10518603+00	-11341869+01	+27951409+00
48956482+00	+23285789+01	-10614956+00	-11339371+01	+27947070+00
49000116+00	+23325396+01	-10711368+00	-11336849+01	+27942693+00
49043749+00	+23364714+01	-10807822+00	-11334305+01	+27938279+00
49087382+00	+23403744+01	-10904329+00	-11331737+01	+27933822+00
49131015+00	+23442492+01	-11000882+00	-11329146+01	+27929327+00
49174648+00	+23480960+01	-11097482+00	-11326531+01	+27924792+00
49218282+00	+23519152+01	-11194126+00	-11323893+01	+27920217+00
49261915+00	+23557070+01	-11290814+00	-11321232+01	+27915598+00
49305548+00	+23594716+01	-11387544+00	-11318547+01	+27910941+00
49349181+00	+23632095+01	-11484315+00	-11315839+01	+27906242+00
49392814+00	+23669208+01	-11581126+00	-11313107+01	+27901502+00
49436448+00	+23706059+01	-11677974+00	-11310352+01	+27896718+00
49480081+00	+23742651+01	-11774856+00	-11307573+01	+27891892+00
49523714+00	+23778985+01	-11871770+00	-11304771+01	+27887025+00
49567347+00	+23815065+01	-11968717+00	-11301945+01	+27882115+00
49610980+00	+23850892+01	-12065695+00	-11299096+01	+27877164+00
49654614+00	+23886471+01	-12162700+00	-11296223+01	+27872168+00
49698247+00	+23921803+01	-12259731+00	-11293326+01	+27867128+00
49741880+00	+23956889+01	-12356790+00	-11290405+01	+27862044+00
49785513+00	+23991734+01	-12453869+00	-11287461+01	+27856915+00
49829146+00	+24026339+01	-12550970+00	-11284493+01	+27851743+00
49872780+00	+24060707+01	-12648086+00	-11281502+01	+27846525+00
49888523+00	+24073050+01	-12683129+00	-11280417+01	+27844635+00

$S_2/R = 61560334+01$

$\eta/\alpha = +10263328+01$

TABLE 174.—Conical Flow Field. $\theta_s=25.0^\circ$; $M_\infty=10.0$

M_{00}	Θ_s	Θ_w
99999953+01	+43633231+00	+49238318+00

Θ	M_{w2}^*	ψ_2	M_2^*	μ_1
43633231+00	+96638724+00	+26449561-06	-11644558+01	+26535685+00
43764131+00	+12345568+01	-16865991-02	-11644508+01	+26535507+00
43895030+00	+13398471+01	-35594683-02	-11644340+01	+26534968+00
44025930+00	+14211847+01	-55566952-02	-11644038+01	+26534074+00
44156829+00	+14889690+01	-76494310-02	-11643592+01	+26532833+00
44287729+00	+15479953+01	-98208673-02	-11642993+01	+26531243+00
44418629+00	+16007606+01	-12059489-01	-11642234+01	+26529310+00
44549529+00	+16487555+01	-14356768-01	-11641310+01	+26527041+00
44680428+00	+16929542+01	-16706163-01	-11640216+01	+26524432+00
44811327+00	+17340353+01	-19102240-01	-11638947+01	+26521494+00
44942227+00	+17724941+01	-21540532-01	-11637501+01	+26518225+00
45073127+00	+18087051+01	-24017340-01	-11635873+01	+26514628+00
45204027+00	+18429603+01	-26529355-01	-11634061+01	+26510706+00
45334926+00	+18754925+01	-29073739-01	-11632062+01	+26506460+00
45465826+00	+19064904+01	-31648090-01	-11629875+01	+26501887+00
45596725+00	+19361103+01	-34250196-01	-11627496+01	+26496998+00
45727625+00	+19644829+01	-36878040-01	-11624925+01	+26491786+00
45858525+00	+19917192+01	-39529843-01	-11622159+01	+26486257+00
45989424+00	+20179140+01	-42204037-01	-11619196+01	+26480409+00
46076691+00	+20348397+01	-43998489-01	-11617112+01	+26476332+00
46163957+00	+20513608+01	-45801861-01	-11614939+01	+26472115+00
46251223+00	+20674973+01	-47613762-01	-11612678+01	+26467758+00
46338490+00	+20832674+01	-49433820-01	-11610327+01	+26463257+00
46425756+00	+20986878+01	-51261626-01	-11607888+01	+26458616+00
46513023+00	+21137740+01	-53096920-01	-11605358+01	+26453834+00
46600289+00	+21285404+01	-54939408-01	-11602739+01	+26448911+00
46687555+00	+21430003+01	-56788782-01	-11600029+01	+26443843+00
46774822+00	+21571661+01	-58644736-01	-11597228+01	+26438633+00
46862088+00	+21710492+01	-60506990-01	-11594336+01	+26433282+00
46949355+00	+21846606+01	-62375342-01	-11591354+01	+26427788+00
47036621+00	+21980103+01	-64249519-01	-11588279+01	+26422147+00
47123888+00	+22111078+01	-66129250-01	-11585113+01	+26416366+00
47211154+00	+22239618+01	-68014342-01	-11581855+01	+26410438+00
47298420+00	+22365808+01	-69904539-01	-11578505+01	+26404364+00
47385687+00	+22489727+01	-71799684-01	-11575062+01	+26398143+00
47472953+00	+22611447+01	-73699472-01	-11571527+01	+26391776+00
47560220+00	+22731040+01	-75603792-01	-11567898+01	+26385262+00
47603853+00	+22790060+01	-76557571-01	-11566048+01	+26381946+00
47647486+00	+22848572+01	-77512389-01	-11564176+01	+26378596+00
47691119+00	+22906585+01	-78468240-01	-11562280+01	+26375208+00
47734752+00	+22964104+01	-79425068-01	-11560361+01	+26371783+00
47778386+00	+23021140+01	-80382855-01	-11558418+01	+26368319+00
47822019+00	+23077698+01	-81341618-01	-11556452+01	+26364818+00
47865652+00	+23133784+01	-82301303-01	-11554462+01	+26361279+00
47909285+00	+23189407+01	-83261863-01	-11552449+01	+26357701+00
47952918+00	+23244572+01	-84223324-01	-11550413+01	+26354086+00
47996552+00	+23299286+01	-85185621-01	-11548353+01	+26350432+00
48040185+00	+23353556+01	-86148736-01	-11546269+01	+26346738+00
48083818+00	+23407387+01	-87112691-01	-11544162+01	+26343007+00
48127451+00	+23460785+01	-88077394-01	-11542031+01	+26339237+00

TABLE 174.—Continued

$M_{\infty} = +99999953+01$

$\theta_B = +43633231+00$

θ	M_{w2}^*	ϕ_2	M_2^*	μ_1
48171084+00	+23513756+01	-89042834-01	-11539877+01	+26335427+00
48214718+00	+23566306+01	-90009039-01	-11537699+01	+26331578+00
48258351+00	+23618441+01	-90975970-01	-11535497+01	+26327688+00
48301984+00	+23670166+01	-91943543-01	-11533272+01	+26323761+00
48345617+00	+23721485+01	-92911811-01	-11531023+01	+26319792+00
48389250+00	+23772404+01	-93880724-01	-11528750+01	+26315784+00
48432884+00	+23822930+01	-94850223-01	-11526453+01	+26311735+00
48476517+00	+23873064+01	-95820315-01	-11524133+01	+26307647+00
48520150+00	+23922814+01	-96790949-01	-11521789+01	+26303516+00
48563784+00	+23972184+01	-97762151-01	-11519421+01	+26299345+00
48607416+00	+24021179+01	-98733844-01	-11517030+01	+26295134+00
48651050+00	+24069802+01	-99706014-01	-11514615+01	+26290879+00
48694683+00	+24118058+01	-10067869+00	-11512176+01	+26286585+00
48738316+00	+24165952+01	-10165179+00	-11509713+01	+26282245+00
48781950+00	+24213488+01	-10262528+00	-11507226+01	+26277865+00
48825582+00	+24260670+01	-10359913+00	-11504716+01	+26273443+00
48869216+00	+24307501+01	-10457337+00	-11502181+01	+26268978+00
48912849+00	+24353985+01	-10554795+00	-11499623+01	+26264471+00
48956482+00	+24400129+01	-10652278+00	-11497041+01	+26259918+00
49000116+00	+24445934+01	-10749790+00	-11494435+01	+26255322+00
49043749+00	+24491404+01	-10847326+00	-11491806+01	+26250683+00
49087382+00	+24536542+01	-10944884+00	-11489153+01	+26245998+00
49131015+00	+24581354+01	-11042456+00	-11486475+01	+26241271+00
49174648+00	+24625841+01	-11140047+00	-11483774+01	+26236498+00
49218282+00	+24670008+01	-11237648+00	-11481049+01	+26231677+00
49238318+00	+24690184+01	-11282463+00	-11479791+01	+26229453+00

$S_2/R = 72834610+01$

$\eta/\alpha = +10412849+01$

TABLE 175.—Conical Flow Field. $\theta_s=25.0^\circ$; $M_\infty=12.0$

M_{00}	θ_s		θ_w	
11999986+02	+43633231+00		+48882168+00	

θ	M_{w2}^*	r_2	M_2^*	μ_1
43633231+00	+92339367+00	+24586916-06	-11738122+01	+25588015+00
43720497+00	+11728228+01	-10570325-02	-11738102+01	+25587934+00
43807764+00	+12527369+01	-22205058-02	-11738033+01	+25587692+00
43895030+00	+13244357+01	-34572054-02	-11737910+01	+25587287+00
43982297+00	+13847781+01	-47525726-02	-11737728+01	+25586722+00
44069563+00	+14375693+01	-60968976-02	-11737484+01	+25585999+00
44156829+00	+14849407+01	-74835829-02	-11737173+01	+25585117+00
44244096+00	+15281822+01	-89077763-02	-11736795+01	+25584078+00
44331362+00	+15681394+01	-10365680-01	-11736345+01	+25582886+00
44418629+00	+16054022+01	-11854181-01	-11735824+01	+25581539+00
44505895+00	+16404009+01	-13370747-01	-11735228+01	+25580039+00
44593161+00	+16734613+01	-14913280-01	-11734556+01	+25578386+00
44680428+00	+17048363+01	-16479783-01	-11733807+01	+25576584+00
44767695+00	+17347280+01	-18068694-01	-11732979+01	+25574630+00
44854961+00	+17633003+01	-19678544-01	-11732071+01	+25572526+00
44942227+00	+17906885+01	-21307999-01	-11731082+01	+25570275+00
45029494+00	+18170058+01	-22955900-01	-11730011+01	+25567873+00
45116760+00	+18423481+01	-24621198-01	-11728857+01	+25565327+00
45204027+00	+18667976+01	-26302917-01	-11727619+01	+25562631+00
45291293+00	+18904253+01	-28000187-01	-11726296+01	+25559787+00
45378559+00	+19132929+01	-29712178-01	-11724888+01	+25556799+00
45465826+00	+19354549+01	-31438112-01	-11723393+01	+25553663+00
45553092+00	+19569590+01	-33177359-01	-11721812+01	+25550383+00
45640359+00	+19778480+01	-34929244-01	-11720143+01	+25546958+00
45727625+00	+19981600+01	-36693161-01	-11718386+01	+25543386+00
45814891+00	+20179290+01	-38468551-01	-11716540+01	+25539670+00
45902158+00	+20371862+01	-40254841-01	-11714606+01	+25535808+00
45989424+00	+20559592+01	-42051578-01	-11712581+01	+25531803+00
46076691+00	+20742737+01	-43858258-01	-11710467+01	+25527653+00
46163957+00	+20921528+01	-45674499-01	-11708262+01	+25523359+00
46251223+00	+21096179+01	-47499796-01	-11705966+01	+25518919+00
46338490+00	+21266882+01	-49333805-01	-11703579+01	+25514332+00
46425756+00	+21433820+01	-51176112-01	-11701100+01	+25509601+00
46513023+00	+21597158+01	-53026384-01	-11698528+01	+25504725+00
46600289+00	+21757049+01	-54884259-01	-11695865+01	+25499702+00
46687555+00	+21913637+01	-56749376-01	-11693109+01	+25494534+00
46774822+00	+22067054+01	-58621438-01	-11690260+01	+25489219+00
46862088+00	+22217424+01	-60500115-01	-11687317+01	+25483754+00
46949355+00	+22364864+01	-62385121-01	-11684281+01	+25478142+00
47036621+00	+22509479+01	-64276268-01	-11681151+01	+25472382+00
47123888+00	+22651372+01	-66173173-01	-11677926+01	+25466472+00
47211154+00	+22790638+01	-68075474-01	-11674608+01	+25460412+00
47298420+00	+22859313+01	-69028673-01	-11672913+01	+25457325+00
47298420+00	+22927366+01	-69983089-01	-11671194+01	+25454199+00
47342054+00	+22994804+01	-70938794-01	-11669452+01	+25451037+00
47385687+00	+23061640+01	-71895637-01	-11667686+01	+25447837+00
47429320+00	+23127883+01	-72853692-01	-11665897+01	+25444597+00
47472953+00	+23193540+01	-73812900-01	-11664083+01	+25441320+00
47516586+00	+23258624+01	-74773231-01	-11662246+01	+25438004+00
47560220+00	+23323141+01	-75734612-01	-11660385+01	+25434650+00

TABLE 175.—Continued

$M_{00} = +11999986+02$

$\theta_8 = +43633231+00$

θ	M_{w2}^*	ψ_2	M_2^*	μ_1
47603853+00	+23387102+01	-76697047-01	-11658500+01	+25431255+00
47647486+00	+23450514+01	-77660514-01	-11656591+01	+25427824+00
47691119+00	+23513385+01	-78624981-01	-11654658+01	+25424351+00
47734752+00	+23575725+01	-79590365-01	-11652702+01	+25420841+00
47778386+00	+23637539+01	-80556725-01	-11650721+01	+25417291+00
47822019+00	+23698837+01	-81523934-01	-11648717+01	+25413701+00
47865652+00	+23759626+01	-82492022-01	-11646689+01	+25410071+00
47909285+00	+23819912+01	-83460921-01	-11644636+01	+25406403+00
47952918+00	+23879703+01	-84430664-01	-11642560+01	+25402693+00
47996552+00	+23939007+01	-85401154-01	-11640460+01	+25398944+00
48040185+00	+23997828+01	-86372375-01	-11638335+01	+25395153+00
48083818+00	+24056174+01	-87344343-01	-11636187+01	+25391322+00
48127451+00	+24114052+01	-88316954-01	-11634015+01	+25387450+00
48171084+00	+24171468+01	-89290190-01	-11631818+01	+25383536+00
48214718+00	+24228427+01	-90264098-01	-11629598+01	+25379580+00
48258351+00	+24284935+01	-91238548-01	-11627354+01	+25375584+00
48301984+00	+24340999+01	-92213546-01	-11625085+01	+25371544+00
48345617+00	+24396624+01	-93189062-01	-11622792+01	+25367465+00
48389250+00	+24451816+01	-94165066-01	-11620476+01	+25363342+00
48432884+00	+24506579+01	-95141524-01	-11618135+01	+25359175+00
48476517+00	+24560920+01	-96118368-01	-11615771+01	+25354967+00
48520150+00	+24614842+01	-97095591-01	-11613382+01	+25350713+00
48563784+00	+24668352+01	-98073182-01	-11610970+01	+25346418+00
48607416+00	+24721456+01	-99051041-01	-11608533+01	+25342079+00
48651050+00	+24774155+01	-10002922+00	-11606072+01	+25337695+00
48694683+00	+24826456+01	-10100760+00	-11603588+01	+25333267+00
48738316+00	+24878364+01	-10198618+00	-11601079+01	+25328794+00
48781950+00	+24929883+01	-10296490+00	-11598547+01	+25324276+00
48825582+00	+24981017+01	-10394371+00	-11595991+01	+25319713+00
48869216+00	+25031772+01	-10492267+00	-11593410+01	+25315105+00
48882168+00	+25046766+01	-10521317+00	-11592641+01	+25313731+00

$S_2/R = 80332520+01$

$\eta/\alpha = +10497229+01$

TABLE 176.—Conical Flow Field. $\theta_s=25.0^\circ$; $M_\infty=15.0$

M_{00}	Θ_s	Θ_w
14999983+02	+43633231+00	+48589157+00

Θ	M_{w2}^*	Φ_2	M_2^*	μ_1
43633231+00	+88656005+00	+22910535-06	-11817986+01	+24790916+00
43720497+00	+11508911+01	-10235235-02	-11817966+01	+24790835+00
43807764+00	+12363292+01	-21600798-02	-11817900+01	+24790585+00
43895030+00	+13125954+01	-33742767-02	-11817779+01	+24790176+00
43982297+00	+13767942+01	-46506375-02	-11817600+01	+24789602+00
44069563+00	+14329774+01	-59789922-02	-11817359+01	+24788868+00
44156829+00	+14834080+01	-73523056-02	-11817051+01	+24787974+00
44244096+00	+15294550+01	-87654609-02	-11816675+01	+24786923+00
44331362+00	+15720159+01	-10214463-01	-11816227+01	+24785711+00
44418629+00	+16117164+01	-11696070-01	-11815707+01	+24784346+00
44505895+00	+16490133+01	-13207529-01	-11815111+01	+24782825+00
44593161+00	+16842521+01	-14746577-01	-11814438+01	+24781147+00
44680428+00	+17177013+01	-16311180-01	-11813687+01	+24779317+00
44767695+00	+17495754+01	-17899601-01	-11812856+01	+24777333+00
44854961+00	+17800480+01	-19510269-01	-11811944+01	+24775199+00
44942227+00	+18092627+01	-21141810-01	-11810949+01	+24772914+00
45029494+00	+18373398+01	-22792988-01	-11809871+01	+24770476+00
45116760+00	+18643809+01	-24462642-01	-11808708+01	+24767887+00
45204027+00	+18904732+01	-26149780-01	-11807460+01	+24765151+00
45291293+00	+19156922+01	-27853448-01	-11806125+01	+24762262+00
45378559+00	+19401032+01	-29572742-01	-11804703+01	+24759227+00
45465826+00	+19637639+01	-31306876-01	-11803193+01	+24756042+00
45553092+00	+19867253+01	-33055099-01	-11801595+01	+24752708+00
45640359+00	+20090324+01	-34816692-01	-11799907+01	+24749228+00
45727625+00	+20307258+01	-36591034-01	-11798129+01	+24745598+00
45814891+00	+20518417+01	-38377514-01	-11796260+01	+24741821+00
45902158+00	+20724129+01	-40175533-01	-11794300+01	+24737896+00
45989424+00	+20924689+01	-41984506-01	-11792249+01	+24733821+00
46076691+00	+21120371+01	-43804048-01	-11790106+01	+24729600+00
46163957+00	+21311417+01	-45633540-01	-11787870+01	+24725229+00
46251223+00	+21498052+01	-47472561-01	-11785541+01	+24720710+00
46338490+00	+21680487+01	-49320696-01	-11783118+01	+24716043+00
46425756+00	+21858910+01	-51177492-01	-11780602+01	+24711227+00
46513023+00	+22033498+01	-53042579-01	-11777992+01	+24706260+00
46600289+00	+22204413+01	-54915536-01	-11775287+01	+24701144+00
46687555+00	+22371808+01	-56795975-01	-11772487+01	+24695877+00
46774822+00	+22535822+01	-58683550-01	-11769592+01	+24690459+00
46818455+00	+22616602+01	-59629913-01	-11768109+01	+24687693+00
46862088+00	+22696588+01	-60577929-01	-11766602+01	+24684888+00
46905722+00	+22775790+01	-61527560-01	-11765071+01	+24682047+00
46949355+00	+22854226+01	-62478747-01	-11763516+01	+24679167+00
46992988+00	+22931910+01	-63431488-01	-11761938+01	+24676247+00
47036621+00	+23008854+01	-64385699-01	-11760335+01	+24673291+00
47080254+00	+23085072+01	-65341357-01	-11758708+01	+24670293+00
47123888+00	+23160577+01	-66298427-01	-11757057+01	+24667261+00
47167521+00	+23235381+01	-67256847-01	-11755382+01	+24664187+00
47211154+00	+23309497+01	-68216620-01	-11753683+01	+24661074+00
47254787+00	+23382935+01	-69177665-01	-11751960+01	+24657922+00
47298420+00	+23455707+01	-70139967-01	-11750213+01	+24654732+00
47342054+00	+23527824+01	-71103491-01	-11748441+01	+24651502+00

TABLE 176.—Continued

$$M_{\infty} = +14999983+02$$

$$\theta_8 = +43633231+00$$

θ	M_{w2}^*	ϕ_2	M_2^*	μ_1
47385687+00	+23599298+01	-72068158-01	-11746646+01	+24648233+00
47429320+00	+23670137+01	-73033990-01	-11744826+01	+24644924+00
47472953+00	+23740353+01	-74000900-01	-11742982+01	+24641574+00
47516586+00	+23809954+01	-74968902-01	-11741113+01	+24638185+00
47560220+00	+23878951+01	-75937867-01	-11739221+01	+24634755+00
47603853+00	+23947353+01	-76907880-01	-11737304+01	+24631286+00
47647486+00	+24015168+01	-77878790-01	-11735363+01	+24627775+00
47691119+00	+24082407+01	-78850638-01	-11733398+01	+24624225+00
47734752+00	+24149075+01	-79823304-01	-11731408+01	+24620632+00
47778386+00	+24215183+01	-80796862-01	-11729394+01	+24616999+00
47822019+00	+24280739+01	-81771160-01	-11727357+01	+24613325+00
47865652+00	+24345751+01	-82746269-01	-11725294+01	+24609610+00
47909285+00	+24410224+01	-83722034-01	-11723207+01	+24605851+00
47952918+00	+24474168+01	-84698494-01	-11721096+01	+24602052+00
47996552+00	+24537590+01	-85675595-01	-11718961+01	+24598209+00
48040185+00	+24600496+01	-86653261-01	-11716802+01	+24594326+00
48083818+00	+24662894+01	-87631497-01	-11714618+01	+24590397+00
48127451+00	+24724790+01	-88610239-01	-11712410+01	+24586427+00
48171084+00	+24786191+01	-89589457-01	-11710178+01	+24582413+00
48214718+00	+24847104+01	-90569076-01	-11707922+01	+24578357+00
48258351+00	+24907534+01	-91549113-01	-11705641+01	+24574257+00
48301984+00	+24967488+01	-92529451-01	-11703337+01	+24570111+00
48345617+00	+25026971+01	-93510114-01	-11701008+01	+24565922+00
48389250+00	+25085991+01	-94491030-01	-11698654+01	+24561687+00
48432884+00	+25144551+01	-95472154-01	-11696277+01	+24557408+00
48476517+00	+25202658+01	-96453435-01	-11693876+01	+24553084+00
48520150+00	+25260317+01	-97434807-01	-11691451+01	+24548713+00
48563784+00	+25317536+01	-98416278-01	-11689002+01	+24544298+00
48589157+00	+25350608+01	-98986953-01	-11687567+01	+24541712+00

$$s_2/R = 87391643+01$$

$$\eta/\alpha = +10568021+01$$

TABLE 177.—Conical Flow Field. $\theta_s=25.0^\circ; M_\infty=20.0$

M_∞	θ_s	θ_w
19999933+02	+43633231+00	+48360210+00

θ	M_{w2}^*	ψ_2	M_2^*	μ_1
43633231+00	+85682334+00	+21606684-06	-11882282+01	+24156067+00
43720497+00	+11337660+01	-99729747-03	-11882263+01	+24155983+00
43807764+00	+12239035+01	-21132175-02	-11882198+01	+24155732+00
43895030+00	+13040399+01	-33104662-02	-11882079+01	+24155316+00
43982297+00	+13715055+01	-45728683-02	-11881902+01	+24154738+00
44069563+00	+14305614+01	-58897175-02	-11881663+01	+24153993+00
44156829+00	+14835830+01	-72537847-02	-11881357+01	+24153088+00
44244096+00	+15320057+01	-86596422-02	-11880982+01	+24152022+00
44331362+00	+15767711+01	-10103138-01	-11880536+01	+24150797+00
44418629+00	+16185356+01	-11580803-01	-11880016+01	+24149415+00
44505895+00	+16577779+01	-13089838-01	-11879419+01	+24147873+00
44593161+00	+16948605+01	-14627799-01	-11878745+01	+24146175+00
44680428+00	+17300652+01	-16192602-01	-11877992+01	+24144322+00
44767695+00	+17636166+01	-17782371-01	-11877157+01	+24142314+00
44854961+00	+17956970+01	-19395532-01	-11876240+01	+24140152+00
44942227+00	+18264572+01	-21030603-01	-11875240+01	+24137835+00
45029494+00	+18560229+01	-22686224-01	-11874154+01	+24135365+00
45116760+00	+18845008+01	-24361229-01	-11872983+01	+24132745+00
45204027+00	+19119826+01	-26054552-01	-11871725+01	+24129970+00
45291293+00	+19385471+01	-27765142-01	-11870379+01	+24127044+00
45378559+00	+19642630+01	-29492101-01	-11868944+01	+24123967+00
45465826+00	+19891910+01	-31234616-01	-11867420+01	+24120738+00
45553092+00	+20133840+01	-32991787-01	-11865805+01	+24117359+00
45640359+00	+20368899+01	-34762990-01	-11864100+01	+24113830+00
45727625+00	+20597508+01	-36547422-01	-11862303+01	+24110150+00
45814891+00	+20820047+01	-38344510-01	-11860414+01	+24106316+00
45902158+00	+21036861+01	-40153589-01	-11858432+01	+24102334+00
45989424+00	+21248261+01	-41974058-01	-11856357+01	+24098201+00
46076691+00	+21454529+01	-43805432-01	-11854187+01	+24093917+00
46163957+00	+21655922+01	-45647098-01	-11851924+01	+24089480+00
46251223+00	+21852679+01	-47498642-01	-11849566+01	+24084894+00
46338490+00	+22045016+01	-49359506-01	-11847113+01	+24080154+00
46425756+00	+22233133+01	-51229315-01	-11844565+01	+24075262+00
46513023+00	+22417215+01	-53107532-01	-11841920+01	+24070217+00
46600289+00	+22597431+01	-54993771-01	-11839180+01	+24065018+00
46643922+00	+22686141+01	-55939808-01	-11837773+01	+24062360+00
46687555+00	+22773943+01	-56887671-01	-11836343+01	+24059664+00
46731189+00	+22860855+01	-57837319-01	-11834888+01	+24056931+00
46774822+00	+22946894+01	-58788743-01	-11833409+01	+24054158+00
46818455+00	+23032080+01	-59741851-01	-11831906+01	+24051345+00
46862088+00	+23116427+01	-60696620-01	-11830378+01	+24048493+00
46905722+00	+23199950+01	-61653001-01	-11828826+01	+24045602+00
46949355+00	+23282666+01	-62610958-01	-11827250+01	+24042672+00
46992988+00	+23364589+01	-63570412-01	-11825650+01	+24039703+00
47036621+00	+23445733+01	-64531313-01	-11824025+01	+24036696+00
47080254+00	+23526112+01	-65493699-01	-11822376+01	+24033645+00
47123888+00	+23605739+01	-66457405-01	-11820702+01	+24030557+00
47167521+00	+23684629+01	-67422453-01	-11819004+01	+24027428+00
47211154+00	+23762792+01	-68388791-01	-11817282+01	+24024262+00
47254787+00	+23840242+01	-69356372-01	-11815535+01	+24021051+00

TABLE 177.—Continued

 $M_{00} = 19999933+02$ $\theta_B = +43633231+00$

θ	M_{w2}^*	ψ_2	M_2^*	μ_1
47298420+00	+23916990+01	-70325147-01	-11813764+01	+24017802+00
47342054+00	+23993048+01	-71295088-01	-11811968+01	+24014512+00
47385687+00	+24068426+01	-72266090-01	-11810147+01	+24011181+00
47429320+00	+24143136+01	-73238231-01	-11808303+01	+24007810+00
47472953+00	+24217188+01	-74211344-01	-11806433+01	+24004397+00
47516586+00	+24290593+01	-75185435-01	-11804539+01	+24000943+00
47560220+00	+24363360+01	-76160438-01	-11802621+01	+23997447+00
47603853+00	+24435499+01	-77136323-01	-11800678+01	+23993911+00
47647486+00	+24507020+01	-78113019-01	-11798711+01	+23990330+00
47691119+00	+24577931+01	-79090581-01	-11796719+01	+23986710+00
47734752+00	+24648242+01	-80068836-01	-11794703+01	+23983044+00
47778386+00	+24717961+01	-81047817-01	-11792662+01	+23979338+00
47822019+00	+24787097+01	-82027419-01	-11790597+01	+23975587+00
47865652+00	+24855658+01	-83007643-01	-11788507+01	+23971794+00
47909285+00	+24923651+01	-83988421-01	-11786393+01	+23967958+00
47952918+00	+24991085+01	-84969718-01	-11784254+01	+23964078+00
47996552+00	+25057968+01	-85951454-01	-11782091+01	+23960154+00
48040185+00	+25124306+01	-86933633-01	-11779904+01	+23956184+00
48083818+00	+25190108+01	-87916143-01	-11777693+01	+23952173+00
48127451+00	+25255379+01	-88898941-01	-11775457+01	+23948115+00
48171084+00	+25320128+01	-89882016-01	-11773196+01	+23944012+00
48214718+00	+25384358+01	-90865280-01	-11770912+01	+23939864+00
48258351+00	+25448080+01	-91848713-01	-11768604+01	+23935670+00
48301984+00	+25511299+01	-92832223-01	-11766271+01	+23931429+00
48345617+00	+25574022+01	-93815741-01	-11763914+01	+23927144+00
48360210+00	+25594891+01	-94144627-01	-11763121+01	+23925704+00

 $S_{2R} = 93572677+01$ $\eta/\alpha = +10624228+01$

TABLE 178.—Conical Flow Field. $\theta_s=27.5^\circ$; $M_\infty=1.5751393$

M_∞	Θ_B	Θ_W
+15751393+01	+47996551+00	+96416474+00

Θ	M_{W2}^*	ψ_2	M_2^*	μ_1
+47996551+00	+19957868+01	+76666474-05	-94880773+00	+15676366+01
+48869215+00	+19737476+01	-34992501-01	-94842632+00	+15570992+01
+49741979+00	+19518407+01	-68491470-01	-94733521+00	+15443028+01
+50614538+00	+19293619+01	-10052138+00	-94561033+00	+15317218+01
+51497194+00	+19071366+01	-13115029+00	-94331932+00	+15194273+01
+52359951+00	+17854436+01	-16045039+00	-94052234+00	+15074201+01
+53232508+00	+17643960+01	-18849237+00	-93727249+00	+14956899+01
+54105164+00	+17440380+01	-21534385+00	-93361694+00	+14842238+01
+54977921+00	+17243812+01	-24106876+00	-92959758+00	+14730096+01
+55850478+00	+17054198+01	-26572724+00	-92525160+00	+14620345+01
+56723135+00	+16871387+01	-28937582+00	-92061198+00	+14512860+01
+57595791+00	+16695175+01	-31206748+00	-91570817+00	+14407531+01
+58469448+00	+16525332+01	-33385197+00	-91056629+00	+14304245+01
+59341105+00	+16361615+01	-35477589+00	-90520966+00	+14202904+01
+60213761+00	+16203777+01	-37488306+00	-89965895+00	+14103405+01
+61086418+00	+16051573+01	-39421445+00	-89393269+00	+14005654+01
+61959075+00	+15904764+01	-41280879+00	-88804726+00	+13909563+01
+62831732+00	+15763119+01	-43070224+00	-88201727+00	+13815045+01
+63704388+00	+15626414+01	-44792893+00	-87585566+00	+13722021+01
+64577045+00	+15494436+01	-46452095+00	-86957396+00	+13630411+01
+65449702+00	+15366980+01	-48050852+00	-86318228+00	+13540141+01
+66322358+00	+15243854+01	-49592018+00	-85668955+00	+13451139+01
+67195015+00	+15124871+01	-51078279+00	-85010363+00	+13363337+01
+68067672+00	+15009858+01	-52512168+00	-84343132+00	+13276668+01
+68940328+00	+14898646+01	-53896090+00	-83667851+00	+13191066+01
+69812985+00	+14791080+01	-55232313+00	-82985027+00	+13106470+01
+70685642+00	+14687010+01	-56522985+00	-82295082+00	+13022817+01
+71558299+00	+14586293+01	-57770145+00	-81598364+00	+12940050+01
+72430955+00	+14488797+01	-58975723+00	-80895150+00	+12858108+01
+73303612+00	+14394394+01	-60141569+00	-80185648+00	+12776935+01
+74176269+00	+14302965+01	-61269415+00	-79470013+00	+12696474+01
+75048925+00	+14214396+01	-62360939+00	-78748322+00	+12616669+01
+75921582+00	+14128578+01	-63417725+00	-78020600+00	+12537465+01
+76794239+00	+14045412+01	-64441289+00	-77286807+00	+12458806+01
+77666895+00	+13964801+01	-65433094+00	-76546843+00	+12380635+01
+78539552+00	+13886653+01	-66394530+00	-75800546+00	+12302898+01
+79412209+00	+13810883+01	-67326945+00	-75047687+00	+12225537+01
+80284866+00	+13737410+01	-68231643+00	-74287970+00	+12148494+01
+81157522+00	+13666159+01	-69109876+00	-73521026+00	+12071711+01
+82030179+00	+13597055+01	-69962872+00	-72746403+00	+11995124+01
+82902836+00	+13530033+01	-70791830+00	-71963565+00	+11918673+01
+83775492+00	+13465028+01	-71597937+00	-71171879+00	+11842289+01
+84648149+00	+13401981+01	-72382352+00	-70370599+00	+11765904+01
+85520906+00	+13340835+01	-73146251+00	-69558855+00	+11689443+01
+86393462+00	+13281539+01	-73890805+00	-68735637+00	+11612828+01
+87266119+00	+13224046+01	-74617223+00	-67899756+00	+11535975+01
+88138776+00	+13168311+01	-75326740+00	-67049830+00	+11458791+01
+89011433+00	+13114295+01	-76020665+00	-66184217+00	+11381176+01
+89884089+00	+13061961+01	-76700393+00	-65300987+00	+11303017+01
+90756746+00	+13011277+01	-77367419+00	-64397848+00	+11224192+01

TABLE 178.—Continued

$M_{\infty} = +15751393+01$

$\theta_B = +47996551+00$

θ	M_{w2}^*	ψ_2	M_2^*	μ_1
+91629403+00	+12962216+01	-78023433+00	-63472027+00	+11144559+01
+92502059+00	+12914756+01	-78670337+00	-62520173+00	+11063960+01
+93374716+00	+12868880+01	-79310346+00	-61538172+00	+10982210+01
+94247373+00	+12824578+01	-79946117+00	-60520892+00	+10899092+01
+95120030+00	+12791847+01	-80580917+00	-59461825+00	+10814350+01
+95992686+00	+12740692+01	-81218900+00	-58352560+00	+10727672+01
+96416474+00	+12721280+01	-81531427+00	-57792581+00	+10684769+01

$S_2/R = +10929058+00$

$\eta/\alpha = +70754538+00$

TABLE 179.—Conical Flow Field. $\theta_s=27.5^\circ$; $M_\infty=1.75$

M_{∞}	θ_s		θ_w	
+17500000+01	+47996551+00		+87135164+00	

θ	M_{w2}^*	ψ_2	M_2^*	μ_1
+47996551+00	+18567999+01	+55693090-05	-96078969+00	+10549667+01
+49000114+00	+18528881+01	-35411209-01	-96029554+00	+10547493+01
+50003678+00	+18321645+01	-69201082-01	-95888817+00	+10541236+01
+51007234+00	+18999673+01	-10138313+00	-95667395+00	+10531264+01
+52010789+00	+17876813+01	-13203977+00	-95374621+00	+10517910+01
+53014344+00	+17657887+01	-16126070+00	-95018614+00	+10501472+01
+54017399+00	+17444967+01	-18913398+00	-94606409+00	+10482218+01
+54934189+00	+17256611+01	-21347771+00	-94186152+00	+10462385+01
+55859478+00	+17074344+01	-23682785+00	-93728192+00	+10440572+01
+56766768+00	+16898253+01	-25924084+00	-93236087+00	+10416929+01
+57683057+00	+16728301+01	-28076954+00	-92712961+00	+10391591+01
+58599347+00	+16564374+01	-30146330+00	-92161554+00	+10364680+01
+59515636+00	+16406318+01	-32136863+00	-91584270+00	+10336307+01
+60344660+00	+16268223+01	-33873505+00	-91041418+00	+10309458+01
+61173684+00	+16134641+01	-3552186+00	-90480465+00	+10281558+01
+62002708+00	+16005426+01	-37175772+00	-89902605+00	+10252668+01
+62831732+00	+15880428+01	-38746962+00	-89308878+00	+10222839+01
+63660756+00	+15759499+01	-40268320+00	-88700190+00	+10192119+01
+64489779+00	+15642493+01	-41742271+00	-88077315+00	+10160550+01
+65231537+00	+15541016+01	-43022773+00	-87508529+00	+10131616+01
+65973296+00	+15442470+01	-44268758+00	-86929309+00	+10102055+01
+66715054+00	+15346761+01	-45481720+00	-86339990+00	+10071888+01
+67456812+00	+15253798+01	-46663127+00	-85740820+00	+10041132+01
+68198570+00	+15163491+01	-47814364+00	-85131999+00	+10009802+01
+68940328+00	+15075758+01	-48936773+00	-84513657+00	+99779090+00
+69594821+00	+15000419+01	-49904229+00	-83960218+00	+99493086+00
+70249313+00	+14926967+01	-50851121+00	-83399431+00	+99202819+00
+70903906+00	+14855350+01	-51778292+00	-82831264+00	+98908316+00
+71558299+00	+14785520+01	-52686572+00	-82255644+00	+98609596+00
+72212791+00	+14717429+01	-53576761+00	-81672468+00	+98306648+00
+72867284+00	+14651032+01	-54449657+00	-81081577+00	+97999454+00
+73434510+00	+14594825+01	-55192787+00	-80563080+00	+97729761+00
+74001737+00	+14539831+01	-55924024+00	-80038487+00	+97456817+00
+74568965+00	+14486023+01	-56643875+00	-79507608+00	+97180575+00
+75136191+00	+14433379+01	-57352846+00	-78970227+00	+96900977+00
+75703418+00	+14381872+01	-58051450+00	-78426092+00	+96617959+00
+76270645+00	+14331482+01	-58740186+00	-77874921+00	+96331435+00
+76750606+00	+14289700+01	-59315647+00	-77402808+00	+96086183+00
+77230567+00	+14248689+01	-59884744+00	-76925196+00	+95838293+00
+77710528+00	+14208436+01	-60447795+00	-76441850+00	+95587688+00
+78190490+00	+14168932+01	-61005142+00	-75952485+00	+95334288+00
+78670450+00	+14130164+01	-61557129+00	-75456807+00	+95078000+00
+79150412+00	+14092123+01	-62104119+00	-74954468+00	+94818727+00
+79543107+00	+14061531+01	-62548195+00	-74538256+00	+94604296+00
+79935803+00	+14031415+01	-62989389+00	-74117109+00	+94387726+00
+80328498+00	+14001768+01	-63427920+00	-73690786+00	+94168942+00
+80721194+00	+13972587+01	-63864025+00	-73259017+00	+93947874+00
+81113890+00	+13943866+01	-64297946+00	-72821507+00	+93724430+00
+81506585+00	+13915604+01	-64729949+00	-72377930+00	+93498518+00
+81912015+00	+13893935+01	-65064799+00	-72028507+00	+93321043+00

TABLE 179.—Continued

$$M_{\infty} = +17500000+01$$

$$\Theta_B = +47996551+00$$

Θ	M_{w2}^*	ψ_2	M_2^*	μ_1
+82117445+00	+13972539+01	-65398792+00	-71675020+00	+93141961+00
+82422875+00	+13851416+01	-65732075+00	-71317273+00	+92961222+00
+82729304+00	+13930562+01	-66064797+00	-70955053+00	+92778766+00
+83033734+00	+13909977+01	-66397132+00	-70588130+00	+92594533+00
+83339164+00	+13789660+01	-66729245+00	-70216258+00	+92408455+00
+83557328+00	+13775311+01	-66966436+00	-69947455+00	+92274372+00
+83775492+00	+13761099+01	-67203688+00	-69675880+00	+92139285+00
+83993657+00	+13747022+01	-67441070+00	-69401427+00	+92003166+00
+84211921+00	+13733080+01	-67678664+00	-69123972+00	+91865979+00
+84429985+00	+13719274+01	-67916559+00	-68843385+00	+91727695+00
+84648149+00	+13705603+01	-68154838+00	-68559535+00	+91588285+00
+84779947+00	+13697466+01	-68298034+00	-68387594+00	+91504078+00
+84909946+00	+13689377+01	-68441428+00	-68214395+00	+91419445+00
+85040845+00	+13681337+01	-68585037+00	-68039900+00	+91334373+00
+85171743+00	+13673345+01	-68728889+00	-67864072+00	+91248859+00
+85302642+00	+13665402+01	-68873010+00	-67688673+00	+91162888+00
+85433540+00	+13657508+01	-69017420+00	-67508265+00	+91076456+00
+85564438+00	+13649663+01	-69162150+00	-67328207+00	+90989549+00
+85695338+00	+13641866+01	-69307228+00	-67146658+00	+90902157+00
+85826236+00	+13634119+01	-69452679+00	-66963568+00	+90814274+00
+85957134+00	+13626420+01	-69598540+00	-66778895+00	+90725886+00
+86088032+00	+13618771+01	-69744835+00	-66592584+00	+90636982+00
+86218931+00	+13611171+01	-69891602+00	-66404588+00	+90547550+00
+86349830+00	+13603619+01	-70038874+00	-66214852+00	+90457578+00
+86480728+00	+13596118+01	-70186689+00	-66023317+00	+90367056+00
+86611627+00	+13588666+01	-70335082+00	-65829929+00	+90275969+00
+86742525+00	+13581263+01	-70484094+00	-65634616+00	+90184301+00
+86873423+00	+13573910+01	-70633771+00	-65437321+00	+90092042+00
+87004323+00	+13566607+01	-70784152+00	-65237969+00	+89999176+00
+87135164+00	+13559357+01	-70935211+00	-65036588+00	+89905735+00

$$S_2/R = +17086043+00$$

$$\eta/\alpha = +72375700+00$$

TABLE 180.—Conical Flow Field. $\theta_s=27.5^\circ$; $M_\infty=2.0$

M_∞	Θ_s	Θ_w
+20000000+01	+47996551+00	+78882392+00

θ	M_{w2}^*	ψ_2	M_2^*	μ_1
+47996551+00	+18153117+01	+39972365-05	-98688977+00	+84451973+00
+48651049+00	+18348513+01	-20397257-01	-98668184+00	+84445580+00
+49305547+00	+18300740+01	-40309671-01	-98607562+00	+84426870+00
+49960045+00	+18217873+01	-59677891-01	-98509889+00	+84396567+00
+50614538+00	+18119694+01	-78501619-01	-98377815+00	+84355335+00
+51269030+00	+18013764+01	-96792821-01	-98213776+00	+84303793+00
+51923523+00	+17903863+01	-11456869+00	-98019998+00	+84242485+00
+52534383+00	+17799629+01	-13071070+00	-97814096+00	+84176910+00
+53145242+00	+17694931+01	-14643545+00	-97585561+00	+84103663+00
+53756102+00	+17590508+01	-16175856+00	-97335760+00	+84023097+00
+54366962+00	+17486869+01	-17669533+00	-97065950+00	+83935547+00
+54977821+00	+17384370+01	-19126078+00	-96777265+00	+83841315+00
+55588681+00	+17283266+01	-20546942+00	-96470751+00	+83740673+00
+56199540+00	+17190789+01	-21835600+00	-96170988+00	+83641709+00
+56810400+00	+17099774+01	-23095800+00	-95857354+00	+83537629+00
+57421260+00	+17010291+01	-24328595+00	-95530469+00	+83428614+00
+58032120+00	+16922390+01	-25534999+00	-95190910+00	+83314816+00
+58642980+00	+16836105+01	-26716007+00	-94839185+00	+83196383+00
+59253840+00	+16751454+01	-27872567+00	-94475768+00	+83073452+00
+59864700+00	+16667473+01	-28919247+00	-94130290+00	+82956089+00
+60475560+00	+16594992+01	-29946581+00	-93775495+00	+82835086+00
+61086420+00	+16525608+01	-30955250+00	-93411651+00	+82710514+00
+61697280+00	+16453112+01	-31945923+00	-93038987+00	+82582449+00
+62308140+00	+16381992+01	-32919234+00	-92657711+00	+82450952+00
+62919000+00	+16312236+01	-33875814+00	-92267990+00	+82316083+00
+63530860+00	+16244977+01	-34738508+00	-91903459+00	+82189526+00
+64142720+00	+16187838+01	-35588120+00	-91532055+00	+82060204+00
+64754580+00	+16127306+01	-36425104+00	-91153851+00	+81928149+00
+65366440+00	+16067866+01	-37249921+00	-90768893+00	+81793367+00
+65978300+00	+16009503+01	-38062994+00	-90377227+00	+81655882+00
+66590160+00	+15952203+01	-38864767+00	-89978866+00	+81515699+00
+67202020+00	+15901021+01	-39584207+00	-89610904+00	+81385923+00
+67813880+00	+15850693+01	-40294980+00	-89237384+00	+81253923+00
+68425740+00	+15801209+01	-40997398+00	-88858290+00	+81119698+00
+69037600+00	+15752556+01	-41691783+00	-88473558+00	+80983236+00
+69649460+00	+15704724+01	-42378453+00	-88083137+00	+80844522+00
+70261320+00	+15657701+01	-43057717+00	-87686947+00	+80703550+00
+70873180+00	+15616064+01	-43662990+00	-87325367+00	+80574719+00
+71485040+00	+15575065+01	-44262760+00	-86958962+00	+80444016+00
+72096900+00	+15534698+01	-44857260+00	-86587638+00	+80311421+00
+72708760+00	+15494955+01	-45446732+00	-86211288+00	+80176912+00
+73320620+00	+15455828+01	-46031421+00	-85829793+00	+80040456+00
+73932480+00	+15417311+01	-46611570+00	-85443022+00	+79902028+00
+74544340+00	+15383580+01	-47123658+00	-85094673+00	+79777288+00
+75156200+00	+15350320+01	-47632538+00	-84741919+00	+79650927+00
+75768060+00	+15317527+01	-48138408+00	-84384631+00	+79522920+00
+76379920+00	+15285197+01	-48641447+00	-84022675+00	+79393233+00
+76991780+00	+15253325+01	-49141861+00	-83655891+00	+79261824+00
+77603640+00	+15221906+01	-49639861+00	-83284106+00	+79128655+00
+78215500+00	+15194785+01	-50073792+00	-82954556+00	+79010654+00

TABLE 180.—Continued

$M_{00} = +20000000+01$

$\theta_8 = +47996551+00$

θ	M_{w2}^*	ψ_2	M_2^*	μ_1
+72692752+00	+15168006+01	-50506189+00	-82620901+00	+78891242+00
+72998182+00	+15141566+01	-50937202+00	-82282999+00	+78770384+00
+73303512+00	+15115464+01	-51366994+00	-81940696+00	+78648042+00
+73609042+00	+15089697+01	-51795739+00	-81593812+00	+78524179+00
+73914472+00	+15064263+01	-52223614+00	-81242167+00	+78398749+00
+74176269+00	+15042726+01	-52589815+00	-80936816+00	+78289958+00
+74438065+00	+15021431+01	-52955644+00	-80627675+00	+78179953+00
+74699863+00	+15000378+01	-53321227+00	-80314607+00	+78068702+00
+74961659+00	+14979566+01	-53686706+00	-79997448+00	+77956166+00
+75223457+00	+14958992+01	-54052234+00	-79676024+00	+77842313+00
+75485254+00	+14938658+01	-54417963+00	-79350149+00	+77727098+00
+75747051+00	+14921894+01	-54723009+00	-79075047+00	+77630017+00
+75921582+00	+14905295+01	-55028409+00	-78796593+00	+77531935+00
+76139746+00	+14888860+01	-55334274+00	-78514660+00	+77432826+00
+76357910+00	+14872590+01	-55640722+00	-78229091+00	+77332658+00
+76576075+00	+14856485+01	-55947870+00	-77939745+00	+77231402+00
+76794239+00	+14840543+01	-56255848+00	-77646455+00	+77129024+00
+76968770+00	+14827909+01	-56502921+00	-77408866+00	+77046286+00
+77143301+00	+14815379+01	-56750691+00	-77168540+00	+76962791+00
+77317833+00	+14802954+01	-56999233+00	-76925382+00	+76878518+00
+77492364+00	+14790634+01	-57248634+00	-76679278+00	+76793440+00
+77666895+00	+14778420+01	-57498981+00	-76430114+00	+76707540+00
+77841427+00	+14766311+01	-57750376+00	-76177761+00	+76620792+00
+77972325+00	+14757299+01	-57939664+00	-75986329+00	+76555159+00
+78103224+00	+14748346+01	-58129637+00	-75792976+00	+76489026+00
+78234122+00	+14739452+01	-58320350+00	-75597629+00	+76422377+00
+78365020+00	+14730619+01	-58511845+00	-75400233+00	+76355205+00
+78495920+00	+14721846+01	-58704174+00	-75200717+00	+76287497+00
+78626818+00	+14713132+01	-58897400+00	-74999006+00	+76219237+00
+78757716+00	+14704479+01	-59091568+00	-74795026+00	+76150416+00
+78882392+00	+14696294+01	-59277442+00	-74598564+00	+76084330+00

$S_2/R = +29615322+00$

$\eta/\alpha = +76152805+00$

TABLE 181.—Conical Flow Field. $\theta_s=27.5^\circ$; $M_\infty=2.5$

M_∞	θ_B	θ_W
+25000000+01	+47996551+00	+69686390+00

θ	M_{w2}^*	ψ_2	M_2^*	μ_1
+47996551+00	+17066795+01	+25108457-05	-10399937+01	+64381856+00
+48476516+00	+17665334+01	-12314811-01	-10398884+01	+64379216+00
+48956481+00	+17919022+01	-24587609-01	-10395750+01	+64371434+00
+49436446+00	+17900864+01	-36726087-01	-10390607+01	+64358730+00
+49916412+00	+17946582+01	-48702642-01	-10383533+01	+64341309+00
+50396373+00	+17970072+01	-60505915-01	-10374606+01	+64319359+00
+50876335+00	+17978469+01	-72131276-01	-10363903+01	+64293048+00
+51356296+00	+17976004+01	-83577987-01	-10351496+01	+64262533+00
+51836257+00	+17965421+01	-94847198-01	-10337450+01	+64227967+00
+52272586+00	+17950364+01	-10494008+00	-10323313+01	+64193138+00
+52708914+00	+17931211+01	-11489118+00	-10307918+01	+64155163+00
+53145242+00	+17908757+01	-12470345+00	-10291306+01	+64114127+00
+53581571+00	+17883624+01	-13438023+00	-10273514+01	+64070111+00
+54017899+00	+17856310+01	-14392490+00	-10254578+01	+64023188+00
+54454227+00	+17827214+01	-15334116+00	-10234530+01	+63973419+00
+54890556+00	+17796666+01	-16263259+00	-10213400+01	+63920871+00
+55326984+00	+17764938+01	-17180304+00	-10191214+01	+63865595+00
+55719580+00	+17735562+01	-17995608+00	-10170364+01	+63813558+00
+56112275+00	+17705556+01	-18801685+00	-10148694+01	+63759383+00
+56504970+00	+17675041+01	-19598831+00	-10126220+01	+63703098+00
+56897666+00	+17644122+01	-20387304+00	-10102954+01	+63644734+00
+57290362+00	+17612890+01	-21167398+00	-10078908+01	+63584312+00
+57683057+00	+17581425+01	-21939394+00	-10054090+01	+63521842+00
+58075753+00	+17549796+01	-22703562+00	-10028510+01	+63457349+00
+58468448+00	+17518065+01	-23460190+00	-10002174+01	+63390834+00
+58817511+00	+17489819+01	-24126645+00	-99781341+00	+63330028+00
+59166573+00	+17461569+01	-24787551+00	-99535040+00	+63267644+00
+59515636+00	+17433344+01	-25443119+00	-99282852+00	+63203678+00
+59864699+00	+17405172+01	-26093544+00	-99024783+00	+63138133+00
+60213761+00	+17377078+01	-26739029+00	-98760828+00	+63071006+00
+60562924+00	+17349084+01	-27379782+00	-98490976+00	+63002288+00
+60911987+00	+17321209+01	-28016003+00	-98215201+00	+62931977+00
+61260950+00	+17293472+01	-28647912+00	-97933465+00	+62860058+00
+61566379+00	+17269327+01	-29197456+00	-97682021+00	+62795805+00
+61871909+00	+17245311+01	-29743999+00	-97425935+00	+62730301+00
+62177239+00	+17221430+01	-30287693+00	-97165159+00	+62663537+00
+62482669+00	+17197694+01	-30828691+00	-96899644+00	+62595498+00
+62789099+00	+17174112+01	-31367140+00	-96629323+00	+62526169+00
+63093528+00	+17150689+01	-31903208+00	-96354121+00	+62455535+00
+63398958+00	+17127432+01	-32437058+00	-96073952+00	+62383575+00
+63704388+00	+17104347+01	-32968851+00	-95788726+00	+62310271+00
+64009818+00	+17081402+01	-33492317+00	-95501447+00	+62236345+00
+64227982+00	+17065190+01	-33876233+00	-95287701+00	+62181400+00
+64449779+00	+17045815+01	-34328143+00	-95031317+00	+62115413+00
+64675157+00	+17026581+01	-34779025+00	-94770905+00	+62048366+00
+65013373+00	+17007489+01	-35229011+00	-94506371+00	+61980241+00
+65275170+00	+16988542+01	-35678229+00	-94237614+00	+61911014+00
+65536967+00	+16969742+01	-36126816+00	-93964520+00	+61840662+00
+65798764+00	+16951093+01	-36574921+00	-93686968+00	+61769156+00
+66016928+00	+16935668+01	-36948081+00	-93452180+00	+61708668+00

TABLE 181.—Continued

$M_{\infty} = +25000000+01$

$e_B = +47996551+00$

θ	M_{w2}^*	ψ_2	M_2^*	μ_1
+66235092+00	+16920350+01	-37321105+00	-93214114+00	+61647343+00
+66453257+00	+16905140+01	-37694084+00	-92972698+00	+61585166+00
+66671421+00	+16890039+01	-38067126+00	-92727825+00	+61522110+00
+66889585+00	+16875049+01	-38440335+00	-92479399+00	+61458158+00
+67107749+00	+16860170+01	-38813826+00	-92227305+00	+61393287+00
+67325913+00	+16845404+01	-39187703+00	-91971434+00	+61327478+00
+67544078+00	+16830752+01	-39562107+00	-91711651+00	+61260699+00
+67718609+00	+16819113+01	-39862094+00	-91500915+00	+61206561+00
+67893140+00	+16807548+01	-40162573+00	-91287516+00	+61151771+00
+68067672+00	+16796058+01	-40463613+00	-91071372+00	+61096314+00
+68242203+00	+16784643+01	-40765300+00	-90852396+00	+61040173+00
+68416734+00	+16773303+01	-41067718+00	-90630502+00	+60983332+00
+68591266+00	+16762040+01	-41370951+00	-90405587+00	+60925771+00
+68765797+00	+16750854+01	-41675093+00	-90177555+00	+60867467+00
+68940328+00	+16739746+01	-41980258+00	-89946282+00	+60808406+00
+69071227+00	+16731466+01	-42209852+00	-89770639+00	+60763598+00
+69202125+00	+16723230+01	-42440125+00	-89593058+00	+60718339+00
+69333024+00	+16715039+01	-42671124+00	-89413485+00	+60672620+00
+69463923+00	+16706892+01	-42902897+00	-89231860+00	+60626430+00
+69594821+00	+16698791+01	-43135511+00	-89048114+00	+60579757+00
+69686390+00	+16693151+01	-43298754+00	-88918291+00	+60546817+00

$S_2/R = +56893850+00$

$\eta/\alpha = +83188827+00$

TABLE 182.—Conical Flow Field. $\theta_s=27.5^\circ$; $M_\infty=3.0$

M_{00}	θ_s	θ_w
+30000002+01	+47996551+00	+64728576+00

θ	M_w^*	ψ_2	M_2^*	μ_1
+47996551+00	+15861477+01	+18104911-05	-10860076+01	+53910941+00
+48345616+00	+16903513+01	-77104010-02	-10859560+01	+53909676+00
+48694682+00	+17126315+01	-15532296-01	-10857996+01	+53905931+00
+49043748+00	+17347033+01	-23376934-01	-10855389+01	+53899783+00
+49392913+00	+17514980+01	-31212118-01	-10851751+01	+53891303+00
+49741879+00	+17649411+01	-39020717-01	-10847101+01	+53880557+00
+50090944+00	+17760242+01	-46792183-01	-10841459+01	+53867607+00
+50440006+00	+17853386+01	-54519767-01	-10834844+01	+53852514+00
+50789069+00	+17932705+01	-62198967-01	-10827276+01	+53835330+00
+51138132+00	+18000890+01	-69826724-01	-10818775+01	+53816104+00
+51487194+00	+18059901+01	-77401223-01	-10809360+01	+53794885+00
+51836257+00	+18111218+01	-84921145-01	-10799049+01	+53771712+00
+52141687+00	+18150723+01	-91456012-01	-10789305+01	+53749867+00
+52447117+00	+18185843+01	-97948608-01	-10778898+01	+53726578+00
+52752547+00	+18217093+01	-10439907+00	-10767838+01	+53701874+00
+53057977+00	+18244906+01	-11080769+00	-10756137+01	+53675771+00
+53363407+00	+18269650+01	-11717490+00	-10743801+01	+53648288+00
+53669936+00	+18291639+01	-12350124+00	-10730840+01	+53619444+00
+53974266+00	+18311146+01	-12978736+00	-10717261+01	+53589255+00
+54279696+00	+18328409+01	-13603397+00	-10703071+01	+53557729+00
+54585126+00	+18343635+01	-14224190+00	-10688276+01	+53524883+00
+54890556+00	+18357008+01	-14841211+00	-10672882+01	+53490726+00
+55195985+00	+18368690+01	-15454550+00	-10656894+01	+53455266+00
+55457782+00	+18377468+01	-15977405+00	-10642720+01	+53423841+00
+55719580+00	+18385191+01	-16497696+00	-10628115+01	+53391467+00
+55981377+00	+18391936+01	-17015487+00	-10613081+01	+53358146+00
+56243174+00	+18397770+01	-17530844+00	-10597618+01	+53323884+00
+56504970+00	+18402757+01	-18043847+00	-10581729+01	+53288674+00
+56766768+00	+18406952+01	-18554565+00	-10565414+01	+53252523+00
+57028565+00	+18410410+01	-19063077+00	-10548673+01	+53215427+00
+57290362+00	+18413179+01	-19569461+00	-10531506+01	+53177384+00
+57552159+00	+18415304+01	-20073805+00	-10513912+01	+53138393+00
+57813955+00	+18416828+01	-20576190+00	-10495890+01	+53098446+00
+58075753+00	+18417788+01	-21076702+00	-10477439+01	+53057541+00
+58293917+00	+18418183+01	-21492427+00	-10461734+01	+53022716+00
+58512081+00	+18418232+01	-21906969+00	-10445728+01	+52987217+00
+58730245+00	+18417953+01	-22320377+00	-10429419+01	+52951038+00
+58948409+00	+18417362+01	-22732714+00	-10412806+01	+52914176+00
+59166573+00	+18416477+01	-23144030+00	-10395885+01	+52876622+00
+59384738+00	+18415313+01	-23554389+00	-10378655+01	+52838372+00
+59602902+00	+18413884+01	-23963854+00	-10361113+01	+52799417+00
+59821066+00	+18412204+01	-24372478+00	-10343256+01	+52759750+00
+60039230+00	+18410286+01	-24780335+00	-10325080+01	+52719363+00
+60257394+00	+18408143+01	-25187489+00	-10306581+01	+52678245+00
+60475559+00	+18405786+01	-25594005+00	-10287756+01	+52636389+00
+60693723+00	+18403755+01	-25918814+00	-10272457+01	+52602362+00
+60911887+00	+18401599+01	-26243300+00	-10256943+01	+52567848+00
+60999153+00	+18399325+01	-26567498+00	-10241212+01	+52532841+00
+61173684+00	+18396937+01	-26891456+00	-10225261+01	+52497333+00
+61348215+00	+18394440+01	-27215207+00	-10209087+01	+52461320+00

TABLE 182.—Continued

$M_{\infty} = +30000002+01$

$e_B = +47996551+00$

θ	M_{w2}^*	ψ_2	M_2^*	μ_1
+61522746+00	+19391839+01	-27538805+00	-10192686+01	+52424791+00
+61697278+00	+19399139+01	-27862286+00	-10176055+01	+52387738+00
+61871909+00	+19396343+01	-28185700+00	-10159190+01	+52350155+00
+62046341+00	+19393456+01	-28509093+00	-10142088+01	+52312030+00
+62220872+00	+19390481+01	-28832516+00	-10124743+01	+52273354+00
+62395403+00	+19377424+01	-29156015+00	-10107152+01	+52234118+00
+62526301+00	+19375079+01	-29398727+00	-10093794+01	+52204315+00
+62657200+00	+19372690+01	-29641540+00	-10080292+01	+52174189+00
+62798099+00	+19370260+01	-29884472+00	-10066645+01	+52143728+00
+62918997+00	+19367789+01	-30127555+00	-10052850+01	+52112931+00
+63049896+00	+19365280+01	-30370812+00	-10038903+01	+52081792+00
+63180794+00	+19362733+01	-30614272+00	-10024803+01	+52050305+00
+63311692+00	+19360150+01	-30857962+00	-10010548+01	+52018463+00
+63442592+00	+19357532+01	-31101912+00	-99961335+00	+51986260+00
+63573490+00	+19354880+01	-31346143+00	-99815574+00	+51953691+00
+63704388+00	+19352197+01	-31590705+00	-99668159+00	+51920748+00
+63835287+00	+19349482+01	-31835611+00	-99519064+00	+51887422+00
+63922552+00	+19347656+01	-31999097+00	-99418713+00	+51864991+00
+64009818+00	+19345816+01	-32162760+00	-99317590+00	+51842383+00
+64097084+00	+19343964+01	-32326616+00	-99215681+00	+51819598+00
+64184349+00	+19342100+01	-32490682+00	-99112970+00	+51796634+00
+64271615+00	+19340224+01	-32654955+00	-99009457+00	+51773486+00
+64358881+00	+19338336+01	-32819455+00	-98905120+00	+51750153+00
+64446147+00	+19336437+01	-32984196+00	-98799950+00	+51726632+00
+64533412+00	+19334527+01	-33149184+00	-98693933+00	+51702921+00
+64620677+00	+19332607+01	-33314440+00	-98587051+00	+51679016+00
+64707943+00	+19330676+01	-33479976+00	-98479293+00	+51654913+00
+64728576+00	+19330219+01	-33519145+00	-98453697+00	+51649187+00

$s_2/R = +11674833+01$

$\eta/\alpha = +88479272+00$

TABLE 183.—Conical Flow Field. $\theta_s=27.5^\circ$; $M_\infty=3.5$

M_{00}	θ_B	θ_W
+34999999+01	+47996551+00	+61704946+00

θ	M_{w2}^*	ψ_2	M_2^*	μ_1
+47996551+00	+14736367+01	+14156103-05	-11238656+01	+47409611+00
+48258350+00	+15934292+01	-51243529-02	-11238388+01	+47408931+00
+48520149+00	+16380594+01	-10395288-01	-11237565+01	+47406904+00
+48781948+00	+16793096+01	-15738107-01	-11236175+01	+47403567+00
+49043748+00	+16960961+01	-21123543-01	-11234215+01	+47398945+00
+49305547+00	+17177427+01	-26535049-01	-11231684+01	+47393064+00
+49567346+00	+17364469+01	-31961836-01	-11228585+01	+47385958+00
+49829145+00	+17529226+01	-37396323-01	-11224921+01	+47377644+00
+50090944+00	+17676371+01	-42832777-01	-11220697+01	+47368149+00
+50352741+00	+17809155+01	-48267040-01	-11215917+01	+47357495+00
+50614538+00	+17929954+01	-53695763-01	-11210585+01	+47345700+00
+50876335+00	+18040569+01	-59116395-01	-11204708+01	+47332784+00
+51138132+00	+18142400+01	-64526902-01	-11198290+01	+47318764+00
+51399929+00	+18236564+01	-69925705-01	-11191335+01	+47303652+00
+51661726+00	+18323967+01	-75311459-01	-11183850+01	+47287467+00
+51923523+00	+18405361+01	-80683160-01	-11175838+01	+47270225+00
+52185320+00	+18481371+01	-86040085-01	-11167303+01	+47251935+00
+52447117+00	+18549986+01	-90492520-01	-11159795+01	+47235900+00
+52698914+00	+18597499+01	-94934100-01	-11151930+01	+47219151+00
+52950711+00	+18651145+01	-99364619-01	-11143709+01	+47201695+00
+53202508+00	+18702133+01	-10378398+00	-11135135+01	+47183533+00
+53454305+00	+18750650+01	-10819215+00	-11126209+01	+47164672+00
+53706102+00	+18796863+01	-11258912+00	-11116933+01	+47145116+00
+53957899+00	+18840924+01	-11697495+00	-11107309+01	+47124865+00
+54209696+00	+18882970+01	-12134967+00	-11097338+01	+47103926+00
+54461493+00	+18923125+01	-12571348+00	-11087021+01	+47082295+00
+54713290+00	+18961502+01	-13006646+00	-11076359+01	+47059980+00
+54965087+00	+18998205+01	-13440891+00	-11065351+01	+47036977+00
+55216884+00	+19033329+01	-13874093+00	-11054001+01	+47013290+00
+55468681+00	+19066963+01	-14306281+00	-11042306+01	+46988917+00
+55720478+00	+19099185+01	-14737483+00	-11030268+01	+46963857+00
+55972275+00	+19130071+01	-15167727+00	-11017886+01	+46938110+00
+56224072+00	+19159689+01	-15597043+00	-11005161+01	+46911675+00
+56475869+00	+19182514+01	-15939853+00	-10994732+01	+46890028+00
+56727666+00	+19204599+01	-16282113+00	-10984082+01	+46867936+00
+56979463+00	+19225975+01	-16623837+00	-10973211+01	+46845398+00
+57231260+00	+19246666+01	-16965055+00	-10962117+01	+46822410+00
+57483057+00	+19266701+01	-17305781+00	-10950801+01	+46798974+00
+57734854+00	+19286103+01	-17646042+00	-10939261+01	+46775082+00
+57986651+00	+19304895+01	-17985851+00	-10927496+01	+46750736+00
+58238448+00	+19323099+01	-18325248+00	-10915505+01	+46725928+00
+58490245+00	+19340737+01	-18664244+00	-10903287+01	+46700658+00
+58742042+00	+19357829+01	-19002872+00	-10890841+01	+46674920+00
+58993839+00	+19374393+01	-19341159+00	-10878165+01	+46648713+00
+59245636+00	+19390447+01	-19679135+00	-10865258+01	+46622026+00
+59497433+00	+19406010+01	-20016821+00	-10852117+01	+46594860+00
+59749230+00	+19421096+01	-20354257+00	-10838740+01	+46567207+00
+60001027+00	+19435722+01	-20691470+00	-10825127+01	+46539062+00
+60252824+00	+19449902+01	-21028486+00	-10811274+01	+46510419+00
+60504621+00	+19460254+01	-21281143+00	-10800725+01	+46488607+00

TABLE 183.—Continued

$$M_{00} = +34999999+01$$

$$\theta_B = +47006551+00$$

θ	M_{w2}^*	ψ_2	M_2^*	μ_1
+58730245+00	+19470369+01	-21533725+00	-10790039+01	+46466508+00
+58861144+00	+19480253+01	-21786249+00	-10779215+01	+46444117+00
+58992042+00	+19489912+01	-22038730+00	-10768251+01	+46421434+00
+59122941+00	+19499350+01	-22291180+00	-10757147+01	+46398453+00
+59253839+00	+19508573+01	-22543625+00	-10745899+01	+46375172+00
+59384738+00	+19517585+01	-22796073+00	-10734508+01	+46351586+00
+59515636+00	+19526391+01	-23048542+00	-10722973+01	+46327691+00
+59646535+00	+19534997+01	-23301053+00	-10711290+01	+46303485+00
+59777433+00	+19543406+01	-23553628+00	-10699458+01	+46278961+00
+59908332+00	+19551621+01	-23806277+00	-10687477+01	+46254116+00
+60039230+00	+19559650+01	-24059029+00	-10675343+01	+46228944+00
+60170129+00	+19567494+01	-24311890+00	-10663056+01	+46203440+00
+60301027+00	+19575157+01	-24564893+00	-10650612+01	+46177601+00
+60431926+00	+19582645+01	-24818054+00	-10638011+01	+46151418+00
+60562824+00	+19589959+01	-25071399+00	-10625249+01	+46124888+00
+60650990+00	+19594741+01	-25240411+00	-10616650+01	+46107003+00
+60737356+00	+19599449+01	-25409519+00	-10607979+01	+46088959+00
+60824621+00	+19604084+01	-25578730+00	-10599234+01	+46070755+00
+60911987+00	+19608647+01	-25748055+00	-10590415+01	+46052387+00
+60999153+00	+19613139+01	-25917500+00	-10581520+01	+46033853+00
+61086418+00	+19617560+01	-26087077+00	-10572549+01	+46015151+00
+61173684+00	+19621912+01	-26256784+00	-10563501+01	+45996279+00
+61260950+00	+19626196+01	-26426638+00	-10554375+01	+45977235+00
+61348215+00	+19630412+01	-26596638+00	-10545170+01	+45958017+00
+61435481+00	+19634561+01	-26766808+00	-10535885+01	+45938620+00
+61522746+00	+19638645+01	-26937142+00	-10526520+01	+45919044+00
+61610012+00	+19642664+01	-27107654+00	-10517073+01	+45899285+00
+61697278+00	+19646618+01	-27278356+00	-10507543+01	+45879342+00
+61784946+00	+19646964+01	-27293355+00	-10506703+01	+45877586+00

$$S_2/R = +17376544+01$$

$$\eta/\alpha = +92351299+00$$

TABLE 184.—Conical Flow Field. $\theta_s=27.5^\circ$; $M_\infty=4.0$

M_∞	θ_s	θ_w
+40000001+01	+47996551+00	+59716180+00

θ	M_w^*	ψ_2	M_2^*	μ_1
+47996551+00	+13762978+01	+11622906-05	-11544510+01	+43009681+00
+48258350+00	+15313942+01	-46716705-02	-11544261+01	+43009015+00
+48520149+00	+15907177+01	-95454380-02	-11543482+01	+43007025+00
+48781948+00	+16342258+01	-14529262-01	-11542153+01	+43003749+00
+49043748+00	+16694624+01	-19586720-01	-11540263+01	+42999214+00
+49305547+00	+16993890+01	-24697009-01	-11537807+01	+42993442+00
+49567346+00	+17255316+01	-29846366-01	-11534782+01	+42986463+00
+49829145+00	+17488003+01	-35025010-01	-11531188+01	+42978297+00
+50090944+00	+17697907+01	-40225519-01	-11527025+01	+42968967+00
+50352741+00	+17889176+01	-45442263-01	-11522293+01	+42958492+00
+50614538+00	+18064844+01	-50670680-01	-11516996+01	+42946888+00
+50876335+00	+18227208+01	-55907203-01	-11511135+01	+42934173+00
+51138132+00	+18378058+01	-61148674-01	-11504712+01	+42920361+00
+51399929+00	+18518822+01	-66393282-01	-11497729+01	+42905467+00
+51618093+00	+18629265+01	-70764305-01	-11491485+01	+42892237+00
+51836257+00	+18734077+01	-75135041-01	-11484855+01	+42878267+00
+52054422+00	+18833741+01	-79504587-01	-11477841+01	+42863568+00
+52272586+00	+18928679+01	-83872360-01	-11470444+01	+42848140+00
+52490750+00	+19019260+01	-88237792-01	-11462666+01	+42831992+00
+52708914+00	+19105809+01	-92600430-01	-11454506+01	+42815119+00
+52927078+00	+19188615+01	-96959883-01	-11445966+01	+42797536+00
+53145242+00	+19267932+01	-10131594+00	-11437047+01	+42779234+00
+53363407+00	+19343993+01	-10566840+00	-11427749+01	+42760219+00
+53581571+00	+19417003+01	-11001697+00	-11418072+01	+42740495+00
+53799735+00	+19487151+01	-11436174+00	-11408016+01	+42720059+00
+54017899+00	+19554607+01	-11870250+00	-11397583+01	+42698910+00
+54236063+00	+19619524+01	-12303937+00	-11386770+01	+42677050+00
+54410595+00	+19669727+01	-12650609+00	-11377847+01	+42659048+00
+54585126+00	+19718462+01	-12997038+00	-11368681+01	+42640585+00
+54759657+00	+19765794+01	-13343228+00	-11359272+01	+42621666+00
+54934189+00	+19811779+01	-13689186+00	-11349618+01	+42602282+00
+55108720+00	+19856474+01	-14034928+00	-11339720+01	+42582434+00
+55283251+00	+19899929+01	-14380455+00	-11329577+01	+42562119+00
+55457782+00	+19942193+01	-14725788+00	-11319187+01	+42541335+00
+55632314+00	+19983311+01	-15070932+00	-11308550+01	+42520078+00
+55806845+00	+20023326+01	-15415914+00	-11297665+01	+42498344+00
+55981377+00	+20062278+01	-15760738+00	-11286531+01	+42476129+00
+56155908+00	+20100206+01	-16105429+00	-11275145+01	+42453431+00
+56330439+00	+20137146+01	-16449995+00	-11263507+01	+42430243+00
+56504970+00	+20173132+01	-16794469+00	-11251615+01	+42406560+00
+56679501+00	+20199515+01	-17052770+00	-11242528+01	+42388471+00
+56854032+00	+20225392+01	-17311038+00	-11233297+01	+42370097+00
+57028563+00	+20250777+01	-17569274+00	-11223920+01	+42351438+00
+57203094+00	+20275680+01	-17827503+00	-11214396+01	+42332486+00
+57377625+00	+20300115+01	-18085723+00	-11204725+01	+42313245+00
+57552156+00	+20324091+01	-18343946+00	-11194906+01	+42293706+00
+57726687+00	+20347620+01	-18602186+00	-11184937+01	+42273869+00
+57901218+00	+20370713+01	-18860455+00	-11174818+01	+42253731+00
+58075749+00	+20393378+01	-19118760+00	-11164547+01	+42233285+00
+58250280+00	+20415626+01	-19377118+00	-11154123+01	+42212530+00

TABLE 184.—Continued

$M_{00} = +40000001+01$

$\theta_8 = +47996551+00$

θ	M_{w2}^*	ψ_2	M_2^*	μ_1
+57944954+00	+20437466+01	-19635543+00	-11143544+01	+42191457+00
+58975753+00	+20458906+01	-19894046+00	-11132810+01	+42170067+00
+58206651+00	+20479957+01	-20152638+00	-11121918+01	+42148353+00
+58293917+00	+20493778+01	-20325092+00	-11114569+01	+42133694+00
+58391183+00	+20507431+01	-20497594+00	-11107149+01	+42118887+00
+58459448+00	+20520919+01	-20670150+00	-11099657+01	+42103932+00
+58555714+00	+20534244+01	-20842765+00	-11092093+01	+42088828+00
+58642980+00	+20547409+01	-21015443+00	-11084456+01	+42073569+00
+58730245+00	+20560416+01	-21188193+00	-11076747+01	+42058157+00
+58817511+00	+20573265+01	-21361013+00	-11068964+01	+42042588+00
+58904776+00	+20585961+01	-21533910+00	-11061106+01	+42026861+00
+58992042+00	+20598505+01	-21706889+00	-11053174+01	+42010974+00
+59079308+00	+20610898+01	-21879952+00	-11045166+01	+41994926+00
+59166573+00	+20623143+01	-22053112+00	-11037082+01	+41978715+00
+59253939+00	+20635242+01	-22226365+00	-11028921+01	+41962338+00
+59341105+00	+20647197+01	-22399718+00	-11020684+01	+41945790+00
+59384738+00	+20653120+01	-22486437+00	-11016535+01	+41937453+00
+59428371+00	+20659009+01	-22573179+00	-11012368+01	+41929074+00
+59472003+00	+20664861+01	-22659953+00	-11008180+01	+41920651+00
+59515636+00	+20670679+01	-22746753+00	-11003973+01	+41912183+00
+59559269+00	+20676462+01	-22833581+00	-10999746+01	+41903675+00
+59602902+00	+20682211+01	-22920441+00	-10995499+01	+41895119+00
+59646535+00	+20687925+01	-23007330+00	-10991231+01	+41886519+00
+59690168+00	+20693605+01	-23094252+00	-10986944+01	+41877875+00
+59715180+00	+20696975+01	-23146083+00	-10984379+01	+41872704+00

$S_2/R = +23325493+01$

$\eta/\alpha = +95215776+00$

TABLE 185.—Conical Flow Field. $\theta_s=27.5^\circ$; $M_\infty=4.5$

M_{00}	θ_s	θ_w
+44999990+01	+47996551+00	+58336450+00

θ	M_w^*	ϕ_2	M_2^*	μ_1
+47996551+00	+12948290+01	+10058284-05	-11790314+01	+39866198+00
+48214717+00	+14667045+01	-35967231-02	-11790152+01	+39865736+00
+48432883+00	+15337216+01	-73863976-02	-11789641+01	+39864362+00
+48651949+00	+15935670+01	-11290018-01	-11788762+01	+39862089+00
+48869215+00	+16243790+01	-15275102-01	-11787502+01	+39858937+00
+49087381+00	+16593838+01	-19322805-01	-11785853+01	+39854919+00
+49305547+00	+16902444+01	-23420554-01	-11783811+01	+39850055+00
+49523713+00	+17179524+01	-27559137-01	-11781372+01	+39844353+00
+49741879+00	+17431564+01	-31731684-01	-11778532+01	+39837827+00
+49960045+00	+17663081+01	-35932561-01	-11775290+01	+39830489+00
+50178209+00	+17877377+01	-40157435-01	-11771645+01	+39822349+00
+50396373+00	+18076951+01	-44402532-01	-11767596+01	+39813421+00
+50614538+00	+18263751+01	-48664911-01	-11763142+01	+39803707+00
+50832702+00	+18439330+01	-52941840-01	-11758284+01	+39793224+00
+51050966+00	+18604954+01	-57231292-01	-11753022+01	+39781973+00
+51269030+00	+18761665+01	-61531361-01	-11747354+01	+39769961+00
+51487194+00	+18910338+01	-65840455-01	-11741283+01	+39757194+00
+51661726+00	+19023992+01	-69293303-01	-11736135+01	+39746443+00
+51836257+00	+19133309+01	-72750440-01	-11730728+01	+39735214+00
+52010789+00	+19238582+01	-76211292-01	-11725063+01	+39723511+00
+52185320+00	+19340075+01	-79675430-01	-11719140+01	+39711334+00
+52359851+00	+19438021+01	-83142427-01	-11712958+01	+39698686+00
+52534383+00	+19532634+01	-86611877-01	-11706519+01	+39685566+00
+52708914+00	+19624107+01	-90083536-01	-11699820+01	+39671977+00
+52883445+00	+19712615+01	-93557019-01	-11692863+01	+39657918+00
+53057977+00	+19798317+01	-97032122-01	-11685648+01	+39643388+00
+53232508+00	+19881361+01	-10050865+00	-11678173+01	+39628390+00
+53407039+00	+19961880+01	-10398643+00	-11670440+01	+39612921+00
+53581571+00	+20039999+01	-10746528+00	-11662447+01	+39596979+00
+53756102+00	+20115830+01	-11094509+00	-11654194+01	+39580567+00
+53930633+00	+20199482+01	-11442574+00	-11645680+01	+39563679+00
+54105164+00	+20261051+01	-11790716+00	-11636905+01	+39546315+00
+54279696+00	+20330629+01	-12138938+00	-11627868+01	+39528472+00
+54410595+00	+20391557+01	-12400147+00	-11620918+01	+39514774+00
+54541493+00	+20431447+01	-12661398+00	-11613820+01	+39500805+00
+54672392+00	+20480330+01	-12922687+00	-11606574+01	+39486563+00
+54803290+00	+20528237+01	-13184013+00	-11599178+01	+39472044+00
+54934189+00	+20575198+01	-13445381+00	-11591633+01	+39457249+00
+55065087+00	+20621239+01	-13706788+00	-11583938+01	+39442176+00
+55195985+00	+20666387+01	-13968239+00	-11576093+01	+39426823+00
+55326884+00	+20710667+01	-14229732+00	-11568096+01	+39411188+00
+55457782+00	+20754104+01	-14491279+00	-11559948+01	+39395266+00
+55588681+00	+20796720+01	-14752880+00	-11551647+01	+39379058+00
+55719580+00	+20838537+01	-15014532+00	-11543193+01	+39362560+00
+55850478+00	+20879576+01	-15276247+00	-11534585+01	+39345770+00
+55981377+00	+20919858+01	-15538024+00	-11525823+01	+39328683+00
+56112275+00	+20959401+01	-15799872+00	-11516904+01	+39311297+00
+56243174+00	+20998224+01	-16061791+00	-11507830+01	+39293610+00
+56374072+00	+21036345+01	-16323790+00	-11498597+01	+39275617+00
+56461338+00	+21061377+01	-16498510+00	-11492354+01	+39263450+00

TABLE 185.—Continued

$$M_{00} = +44999990+01$$

$$\theta_8 = +47996551+00$$

θ	M_{w2}^*	ψ_2	M_2^*	μ_1
+56548603+00	+21096110+01	-16673261+00	-11486041+01	+39251144+00
+56635869+00	+21110547+01	-16848055+00	-11479656+01	+39238699+00
+56723135+00	+21134695+01	-17022893+00	-11473201+01	+39226112+00
+56810400+00	+21158557+01	-17197778+00	-11466673+01	+39213384+00
+56997666+00	+21182136+01	-17372710+00	-11460073+01	+39200509+00
+56984932+00	+21205439+01	-17547686+00	-11453401+01	+39187493+00
+57072198+00	+21228469+01	-17722714+00	-11446656+01	+39174328+00
+57159463+00	+21251231+01	-17897795+00	-11439838+01	+39161016+00
+57246729+00	+21273726+01	-18072936+00	-11432947+01	+39147552+00
+57333995+00	+21295961+01	-18248129+00	-11425981+01	+39133939+00
+57421260+00	+21317938+01	-18423381+00	-11418941+01	+39120173+00
+57509526+00	+21339661+01	-18598692+00	-11411826+01	+39106252+00
+57595791+00	+21361134+01	-18774066+00	-11404636+01	+39092176+00
+57683057+00	+21382360+01	-18949510+00	-11397370+01	+39077939+00
+57770323+00	+21403343+01	-19125018+00	-11390028+01	+39063543+00
+57813955+00	+21413745+01	-19212794+00	-11386328+01	+39056282+00
+57857588+00	+21424086+01	-19300592+00	-11382610+01	+39048983+00
+57901221+00	+21434369+01	-19388409+00	-11378871+01	+39041642+00
+57944854+00	+21444592+01	-19476240+00	-11375114+01	+39034260+00
+57988487+00	+21454757+01	-19564095+00	-11371337+01	+39026836+00
+58032120+00	+21464864+01	-19651965+00	-11367540+01	+39019370+00
+58075753+00	+21474913+01	-19739853+00	-11363724+01	+39011862+00
+58119386+00	+21484905+01	-19827762+00	-11359888+01	+39004311+00
+58163018+00	+21494840+01	-19915690+00	-11356033+01	+38996716+00
+58206651+00	+21504719+01	-20003638+00	-11352158+01	+38989080+00
+58250284+00	+21514541+01	-20091610+00	-11348263+01	+38981399+00
+58293917+00	+21524307+01	-20179596+00	-11344348+01	+38973675+00
+58336450+00	+21533776+01	-20265385+00	-11340513+01	+38966105+00

$$S_2/R = +29188266+01$$

$$\eta/\alpha = +97371925+00$$

TABLE 186.—Conical Flow Field. $\theta_s=27.5^\circ$; $M_\infty=5.0$

M_{00}	θ_B		θ_W	
+49999998+01	+47996551+00		+57339789+00	

θ	M_{W2}^*	ψ_2	M_2^*	μ_1
+47996551+00	+12275257+01	+89034438-06	-11988221+01	+37532800+00
+48214717+00	+14258310+01	-33894293-02	-11988068+01	+37532340+00
+48432983+00	+15038121+01	-70033781-02	-11987577+01	+37530965+00
+48551049+00	+15620618+01	-10752611-01	-11986725+01	+37528692+00
+48969215+00	+16099308+01	-14600266-01	-11985496+01	+37525536+00
+49097381+00	+16511213+01	-18525101-01	-11983878+01	+37521519+00
+49305547+00	+16975422+01	-22512775-01	-11981866+01	+37516650+00
+49523713+00	+17203319+01	-26552819-01	-11979452+01	+37510943+00
+49741879+00	+17502344+01	-30637298-01	-11976633+01	+37504409+00
+49960045+00	+17777684+01	-34759702-01	-11973404+01	+37497060+00
+50179209+00	+18033128+01	-38915029-01	-11969763+01	+37488906+00
+50396373+00	+18271547+01	-43098900-01	-11965709+01	+37479958+00
+50614538+00	+18495178+01	-47307840-01	-11961238+01	+37470220+00
+50832702+00	+18705804+01	-51538717-01	-11956351+01	+37459700+00
+51050966+00	+18904877+01	-55788912-01	-11951045+01	+37448408+00
+51225398+00	+19056630+01	-59201479-01	-11946499+01	+37438823+00
+51399929+00	+19202282+01	-62624015-01	-11941684+01	+37428747+00
+51574460+00	+19342292+01	-66055614-01	-11936601+01	+37418183+00
+51748991+00	+19477063+01	-69495514-01	-11931247+01	+37407136+00
+51923523+00	+19606951+01	-72942993-01	-11925625+01	+37395602+00
+52098054+00	+19732275+01	-76397354-01	-11919732+01	+37383586+00
+52272586+00	+19853321+01	-79858102-01	-11913568+01	+37371089+00
+52447117+00	+19970347+01	-83324640-01	-11907134+01	+37358107+00
+52621648+00	+20083585+01	-86796589-01	-11900428+01	+37344645+00
+52796179+00	+20193246+01	-90273542-01	-11893451+01	+37330701+00
+52970711+00	+20299523+01	-93755126-01	-11886201+01	+37316270+00
+53145242+00	+20402591+01	-97241024-01	-11878678+01	+37301358+00
+53319774+00	+20502613+01	-10073092+00	-11870882+01	+37285956+00
+53494305+00	+20599736+01	-10422457+00	-11862812+01	+37270067+00
+53625204+00	+20670759+01	-10684710+00	-11856578+01	+37257828+00
+53756102+00	+20740282+01	-10947154+00	-11850190+01	+37245314+00
+53887000+00	+20808356+01	-11209782+00	-11843646+01	+37232518+00
+54017999+00	+20875031+01	-11472588+00	-11836946+01	+37219443+00
+54148797+00	+20940350+01	-11735562+00	-11830090+01	+37206088+00
+54279696+00	+21004358+01	-11998701+00	-11823076+01	+37192449+00
+54410595+00	+21067094+01	-12261997+00	-11815906+01	+37178524+00
+54541493+00	+21128597+01	-12525451+00	-11808577+01	+37164311+00
+54672392+00	+21188905+01	-12789058+00	-11801090+01	+37149809+00
+54803290+00	+21248054+01	-13052815+00	-11793444+01	+37135016+00
+54934189+00	+21306074+01	-13316716+00	-11785639+01	+37119927+00
+55065087+00	+21363000+01	-13580762+00	-11777673+01	+37104541+00
+55195985+00	+21418861+01	-13844950+00	-11769546+01	+37088854+00
+55326984+00	+21473686+01	-14109277+00	-11761257+01	+37072865+00
+55414150+00	+21509673+01	-14285571+00	-11755640+01	+37062034+00
+55501415+00	+21545221+01	-14461927+00	-11749952+01	+37051066+00
+55589681+00	+21580336+01	-14638345+00	-11744190+01	+37039960+00
+55677947+00	+21615026+01	-14814824+00	-11738356+01	+37028714+00
+55763212+00	+21649297+01	-14991363+00	-11732448+01	+37017327+00
+55850478+00	+21683158+01	-15167959+00	-11726467+01	+37005799+00
+55937744+00	+21716613+01	-15344617+00	-11720412+01	+36994126+00

TABLE 186.—Continued

$M_{00} = +49999998+01$

$\theta_8 = +47996551+00$

θ	M_{v2}^*	ψ_2	M_2^*	μ_1
+56025010+00	+21749672+01	-15521339+00	-11714282+01	+36982308+00
+56112275+00	+21792339+01	-15698115+00	-11708079+01	+36970344+00
+56199541+00	+21914621+01	-15874953+00	-11701800+01	+36958234+00
+56296906+00	+21946524+01	-16051849+00	-11695446+01	+36945973+00
+56374972+00	+21978054+01	-16228807+00	-11689018+01	+36933562+00
+56461338+00	+21909217+01	-16405817+00	-11682513+01	+36920998+00
+56548603+00	+21940017+01	-16582890+00	-11675933+01	+36908281+00
+56592236+00	+21955284+01	-16671447+00	-11672614+01	+36901864+00
+56635969+00	+21970462+01	-16760018+00	-11669276+01	+36895407+00
+56679502+00	+21985552+01	-16848601+00	-11665919+01	+36888912+00
+56723135+00	+22000555+01	-16937198+00	-11662543+01	+36882377+00
+56766768+00	+22015471+01	-17025814+00	-11659147+01	+36875803+00
+56910400+00	+22030301+01	-17114442+00	-11655732+01	+36869188+00
+56954033+00	+22045047+01	-17203083+00	-11652298+01	+36862531+00
+56997666+00	+22059707+01	-17291737+00	-11648844+01	+36855836+00
+56941299+00	+22074284+01	-17380404+00	-11645371+01	+36849098+00
+56984932+00	+22088777+01	-17469087+00	-11641879+01	+36842321+00
+57028565+00	+22103187+01	-17557783+00	-11638367+01	+36835501+00
+57072198+00	+22117515+01	-17646491+00	-11634835+01	+36828640+00
+57115830+00	+22131761+01	-17735215+00	-11631284+01	+36821736+00
+57159463+00	+22145926+01	-17823951+00	-11627713+01	+36814790+00
+57203096+00	+22160010+01	-17912702+00	-11624122+01	+36807801+00
+57246729+00	+22174014+01	-18001468+00	-11620511+01	+36800769+00
+57290362+00	+22187939+01	-18090238+00	-11616881+01	+36793695+00
+57333995+00	+22201785+01	-18179026+00	-11613231+01	+36786576+00
+57339789+00	+22203618+01	-18190817+00	-11612745+01	+36785628+00

$s_2/R = +34758014+01$

$\eta/\alpha = +99024541+00$

TABLE 187.—Conical Flow Field. $\theta_s=27.5^\circ$; $M_\infty=6.0$

M_∞	θ_B		θ_W	
+59999986+01	+47996551+00		+56027373+00	

θ	M_{w2}^*	ψ_2	M_2^*	μ_1
+47996551+00	+11263134+01	+74505806-06	-12279139+01	+34355577+00
+48171083+00	+13437548+01	-24598986-02	-12279050+01	+34355280+00
+48345616+00	+14299900+01	-51164180-02	-12278762+01	+34354391+00
+48520149+00	+14952175+01	-78981631-02	-12278253+01	+34352918+00
+48694682+00	+15492278+01	-10773961-01	-12277513+01	+34350869+00
+48869215+00	+15960156+01	-13725743-01	-12276530+01	+34348255+00
+49043748+00	+16376434+01	-16741281-01	-12275298+01	+34345082+00
+49219280+00	+16753414+01	-19811586-01	-12273811+01	+34341356+00
+49392913+00	+17099132+01	-22929605-01	-12272063+01	+34337081+00
+49567346+00	+17419187+01	-26089694-01	-12270051+01	+34332272+00
+49741979+00	+17717668+01	-29287266-01	-12267771+01	+34326926+00
+49916412+00	+17997669+01	-32518473-01	-12265220+01	+34321053+00
+50090944+00	+18261602+01	-35780001-01	-12262395+01	+34314655+00
+50265475+00	+18511389+01	-39068980-01	-12259295+01	+34307735+00
+50440006+00	+18748592+01	-42382915-01	-12255916+01	+34300300+00
+50614538+00	+18974505+01	-45719642-01	-12252259+01	+34292351+00
+50789069+00	+19190206+01	-49077271-01	-12248319+01	+34283892+00
+50963601+00	+19396616+01	-52454019-01	-12244099+01	+34274925+00
+51139132+00	+19594520+01	-55848440-01	-12239593+01	+34265450+00
+51269030+00	+19737778+01	-58404999-01	-12236028+01	+34258014+00
+51399929+00	+19876890+01	-60970223-01	-12232301+01	+34250294+00
+51530927+00	+20012086+01	-63543539-01	-12228414+01	+34242291+00
+51661726+00	+20143575+01	-66124592-01	-12224365+01	+34234005+00
+51792624+00	+20271549+01	-68712886-01	-12220154+01	+34225437+00
+51923523+00	+20396183+01	-71308078-01	-12215780+01	+34216584+00
+52054422+00	+20517637+01	-73909794-01	-12211243+01	+34207449+00
+52185320+00	+20636060+01	-76517668-01	-12206543+01	+34198031+00
+52316219+00	+20751587+01	-79131431-01	-12201680+01	+34188331+00
+52447117+00	+20864348+01	-81750732-01	-12196652+01	+34178346+00
+52578015+00	+20974460+01	-84375383-01	-12191460+01	+34168073+00
+52708914+00	+21082030+01	-87005025-01	-12186103+01	+34157514+00
+52839812+00	+21187163+01	-89639451-01	-12180581+01	+34146668+00
+52970711+00	+21289951+01	-92278434-01	-12174893+01	+34135533+00
+53101609+00	+21390487+01	-94921782-01	-12169039+01	+34124109+00
+53232508+00	+21488851+01	-97569249-01	-12163018+01	+34112392+00
+53363407+00	+21585123+01	-10022063+00	-12156830+01	+34100383+00
+53494305+00	+21679377+01	-10287577+00	-12150474+01	+34088077+00
+53581571+00	+21741126+01	-10464787+00	-12146144+01	+34079709+00
+53668836+00	+21802028+01	-10642147+00	-12141738+01	+34071205+00
+53756102+00	+21862102+01	-10819657+00	-12137258+01	+34062571+00
+53843368+00	+21921367+01	-10997311+00	-12132702+01	+34053801+00
+53930633+00	+21979839+01	-11175103+00	-12128072+01	+34044895+00
+54017899+00	+22037536+01	-11353031+00	-12123365+01	+34035853+00
+54105164+00	+22094473+01	-11531087+00	-12118583+01	+34026675+00
+54192430+00	+22150667+01	-11709269+00	-12113725+01	+34017358+00
+54279696+00	+22206132+01	-11887570+00	-12108791+01	+34007901+00
+54366962+00	+22260883+01	-12065993+00	-12103781+01	+33998305+00
+54454227+00	+22314934+01	-12244525+00	-12098695+01	+33988568+00
+54541493+00	+22368298+01	-12423162+00	-12093532+01	+33978689+00
+54628759+00	+22420989+01	-12601899+00	-12088292+01	+33968667+00

TABLE 187.—Continued

$M_{\infty} = +59999986+01$

$\theta_B = +47996551+00$

θ	M_{w2}^*	ϕ_2	M_2^*	μ_1
+54716025+00	+22473019+01	-12780737+00	-12082975+01	+33958500+00
+54803290+00	+22524400+01	-12959672+00	-12077581+01	+33948187+00
+54890556+00	+22575145+01	-13138696+00	-12072110+01	+33937725+00
+54977821+00	+22625264+01	-13317804+00	-12066561+01	+33927117+00
+55065087+00	+22674769+01	-13496994+00	-12060935+01	+33916358+00
+55108720+00	+22699295+01	-13586615+00	-12058092+01	+33910923+00
+55152353+00	+22723671+01	-13676255+00	-12055230+01	+33905448+00
+55195985+00	+22747900+01	-13765912+00	-12052349+01	+33899934+00
+55239618+00	+22771980+01	-13855587+00	-12049448+01	+33894382+00
+55283251+00	+22795915+01	-13945280+00	-12046527+01	+33888794+00
+55326884+00	+22819706+01	-14034986+00	-12043587+01	+33883162+00
+55370517+00	+22843354+01	-14124710+00	-12040627+01	+33877495+00
+55414150+00	+22866859+01	-14214444+00	-12037648+01	+33871789+00
+55457782+00	+22890223+01	-14304196+00	-12034648+01	+33866039+00
+55501415+00	+22913447+01	-14393957+00	-12031630+01	+33860252+00
+55545048+00	+22936533+01	-14483731+00	-12028591+01	+33854426+00
+55588681+00	+22959482+01	-14573522+00	-12025533+01	+33848558+00
+55632314+00	+22982294+01	-14663319+00	-12022455+01	+33842650+00
+55675947+00	+23004971+01	-14753128+00	-12019357+01	+33836699+00
+55719580+00	+23027513+01	-14842943+00	-12016239+01	+33830709+00
+55763212+00	+23049922+01	-14932773+00	-12013102+01	+33824677+00
+55806845+00	+23072200+01	-15022604+00	-12009944+01	+33818603+00
+55850478+00	+23094346+01	-15112442+00	-12006767+01	+33812488+00
+55894111+00	+23116361+01	-15202290+00	-12003570+01	+33806331+00
+55937744+00	+23138248+01	-15292142+00	-12000353+01	+33800131+00
+55981377+00	+23160006+01	-15381993+00	-11997116+01	+33793888+00
+56025010+00	+23181638+01	-15471852+00	-11993859+01	+33787601+00
+56027373+00	+23192807+01	-15476715+00	-11993683+01	+33787264+00

$S_2/R = +44640163+01$

$\eta/\alpha = +10133392+01$

TABLE 188.—Conical Flow Field. $\theta_s=27.5^\circ$; $M_\infty=7.0$

M_{00}	e_s		e_w	
+69999975+01	+47996551+00		+55227301+00	

θ	M_{w2}^*	ψ_2	M_2^*	μ_1
+47996551+00	+10566195+01	+64074993-06	-12475783+01	+32344912+00
+48171083+00	+13038383+01	-23172721-02	-12475699+01	+32344611+00
+48345616+00	+14023693+01	-48577264-02	-12475423+01	+32343713+00
+48520149+00	+14770403+01	-75410157-02	-12474931+01	+32342223+00
+48694682+00	+15389839+01	-10332454-01	-12474208+01	+32340153+00
+48869215+00	+15927302+01	-13211820-01	-12473242+01	+32337510+00
+49043748+00	+16406182+01	-16165324-01	-12472025+01	+32334303+00
+49218280+00	+16840423+01	-19182842-01	-12470549+01	+32330535+00
+49392813+00	+17239137+01	-22256428-01	-12468807+01	+32326214+00
+49567346+00	+17608674+01	-25379810-01	-12466795+01	+32321346+00
+49741879+00	+17953666+01	-28547641-01	-12464508+01	+32315937+00
+49916412+00	+18277624+01	-31755541-01	-12461943+01	+32309990+00
+50090944+00	+18583282+01	-34999713-01	-12459094+01	+32303510+00
+50265475+00	+18872818+01	-38276883-01	-12455961+01	+32296501+00
+50440006+00	+19148006+01	-41584279-01	-12452540+01	+32288964+00
+50614538+00	+19410309+01	-44919293-01	-12448828+01	+32280903+00
+50789070+00	+19659326+01	-48437323-01	-12445853+01	+32274516+00
+50963602+00	+19892236+01	-52112929-01	-12442712+01	+32267835+00
+51138134+00	+201131284+01	-55068970-01	-12439405+01	+32260863+00
+51312666+00	+20298096+01	-57636220-01	-12435932+01	+32253599+00
+51487198+00	+20460162+01	-60214141-01	-12432291+01	+32246042+00
+51661730+00	+20617741+01	-62802046-01	-12428481+01	+32238194+00
+51836262+00	+20771072+01	-65399475-01	-12424504+01	+32230054+00
+52010794+00	+20920372+01	-68005882-01	-12420357+01	+32221625+00
+52185326+00	+21065839+01	-70620754-01	-12416039+01	+32212900+00
+52359858+00	+21207656+01	-73243746-01	-12411552+01	+32203885+00
+52534390+00	+21345989+01	-75874338-01	-12406893+01	+32194573+00
+52708922+00	+21480996+01	-78512123-01	-12402063+01	+32184969+00
+52883454+00	+21612819+01	-81156812-01	-12397061+01	+32175070+00
+53057986+00	+21741592+01	-83807959-01	-12391887+01	+32164872+00
+53232518+00	+21825808+01	-86578769-01	-12386539+01	+32154377+00
+53407050+00	+21908758+01	-89352222-01	-12382878+01	+32147214+00
+53581582+00	+21990476+01	-92128216-01	-12379139+01	+32139117+00
+53756114+00	+22070992+01	-94906646-01	-12375323+01	+32132484+00
+53930646+00	+22150338+01	-97687452-01	-12371429+01	+32124916+00
+54105178+00	+22228542+01	-100470435-01	-12367458+01	+32117213+00
+54279710+00	+22305632+01	-103255620-01	-12363409+01	+32109374+00
+54454242+00	+22381634+01	-106042875-01	-12359282+01	+32101398+00
+54628774+00	+22456575+01	-108832178-01	-12355076+01	+32093285+00
+54803306+00	+22530477+01	-11162332+00	-12350793+01	+32085030+00
+54977838+00	+22603365+01	-10341633+00	-12346430+01	+32076637+00
+55152370+00	+22675262+01	-10521103+00	-12341990+01	+32068101+00
+55326902+00	+22746189+01	-10700739+00	-12337470+01	+32059426+00
+55501434+00	+22816167+01	-10880535+00	-12332872+01	+32050608+00
+55675966+00	+22895216+01	-11060479+00	-12328195+01	+32041645+00
+55850498+00	+22973999+01	-11240564+00	-12323439+01	+32032538+00
+56025030+00	+22991939+01	-11420654+00	-12318603+01	+32023285+00
+56200000+00	+22987090+01	-11600744+00	-12313689+01	+32013883+00
+56375000+00	+22970990+01	-11780834+00		
+56550000+00	+22953356+01	-11960924+00		
+56725000+00	+22935216+01	-12141014+00		
+56900000+00	+22916634+01	-12321104+00		
+57075000+00	+22897634+01	-12501194+00		
+57250000+00	+22878216+01	-12681284+00		
+57425000+00	+22858390+01	-12861374+00		
+57600000+00	+22838166+01	-13041464+00		
+57775000+00	+22817634+01	-13221554+00		
+57950000+00	+22796802+01	-13401644+00		
+58125000+00	+22775670+01	-13581734+00		
+58300000+00	+22754238+01	-13761824+00		
+58475000+00	+22732606+01	-13941914+00		
+58650000+00	+22710874+01	-14122004+00		
+58825000+00	+22689042+01	-14302094+00		
+59000000+00	+22667010+01	-14482184+00		
+59175000+00	+22644878+01	-14662274+00		
+59350000+00	+22622646+01	-14842364+00		
+59525000+00	+22600414+01	-15022454+00		
+59700000+00	+22578182+01	-15202544+00		
+59875000+00	+22555950+01	-15382634+00		
+60050000+00	+22533718+01	-15562724+00		
+60225000+00	+22511486+01	-15742814+00		
+60400000+00	+22489254+01	-15922904+00		
+60575000+00	+22467022+01	-16102994+00		
+60750000+00	+22444790+01	-16283084+00		
+60925000+00	+22422558+01	-16463174+00		
+61100000+00	+22400326+01	-16643264+00		
+61275000+00	+22378094+01	-16823354+00		
+61450000+00	+22355862+01	-17003444+00		
+61625000+00	+22333630+01	-17183534+00		
+61800000+00	+22311398+01	-17363624+00		
+61975000+00	+22289166+01	-17543714+00		
+62150000+00	+22266934+01	-17723804+00		
+62325000+00	+22244702+01	-17903894+00		
+62500000+00	+22222470+01	-18083984+00		
+62675000+00	+22200238+01	-18264074+00		
+62850000+00	+22178006+01	-18444164+00		
+63025000+00	+22155774+01	-18624254+00		
+63200000+00	+22133542+01	-18804344+00		
+63375000+00	+22111310+01	-18984434+00		
+63550000+00	+22089078+01	-19164524+00		
+63725000+00	+22066846+01	-19344614+00		
+63900000+00	+22044614+01	-19524704+00		
+64075000+00	+22022382+01	-19704794+00		
+64250000+00	+22000150+01	-19884884+00		
+64425000+00	+21977918+01	-20064974+00		
+64600000+00	+21955686+01	-20245064+00		
+64775000+00	+21933454+01	-20425154+00		
+64950000+00	+21911222+01	-20605244+00		
+65125000+00	+21888990+01	-20785334+00		
+65300000+00	+21866758+01	-20965424+00		
+65475000+00	+21844526+01	-21145514+00		
+65650000+00	+21822294+01	-21325604+00		
+65825000+00	+21800062+01	-21505694+00		
+66000000+00	+21777830+01	-21685784+00		
+66175000+00	+21755598+01	-21865874+00		
+66350000+00	+21733366+01	-22045964+00		
+66525000+00	+21711134+01	-22226054+00		
+66700000+00	+21688902+01	-22406144+00		
+66875000+00	+21666670+01	-22586234+00		
+67050000+00	+21644438+01	-22766324+00		
+67225000+00	+21622206+01	-22946414+00		
+67400000+00	+21600000+01	-23126504+00		
+67575000+00	+21577794+01	-23306594+00		
+67750000+00	+21555588+01	-23486684+00		
+67925000+00	+21533382+01	-23666774+00		
+68100000+00	+21511176+01	-23846864+00		
+68275000+00	+21488970+01	-24026954+00		
+68450000+00	+21466764+01	-24207044+00		
+68625000+00	+21444558+01	-24387134+00		
+68800000+00	+21422352+01	-24567224+00		
+68975000+00	+21400146+01	-24747314+00		
+69150000+00	+21377940+01	-24927404+00		
+69325000+00	+21355734+01	-25107494+00		
+69500000+00	+21333528+01	-25287584+00		
+69675000+00	+21311322+01	-25467674+00		
+69850000+00	+21289116+01	-25647764+00		
+70025000+00	+21266910+01	-25827854+00		
+70200000+00	+21244704+01	-26007944+00		
+70375000+00	+21222498+01	-26188034+00		
+70550000+00	+21200292+01	-26368124+00		
+70725000+00	+21178086+01	-26548214+00		
+70900000+00	+21155880+01	-26728304+00		
+71075000+00	+21133674+01	-26908394+00		
+71250000+00	+21111468+01	-27088484+00		
+71425000+00	+21089262+01	-27268574+00		
+71600000+00	+21067056+01	-27448664+00		
+71775000+00	+21044850+01	-27628754+00		
+71950000+00	+21022644+01	-27808844+00		
+72125000+00	+21000438+01	-27988934+00		
+72300000+00	+20978232+01	-28169024+00		
+72475000+00	+20956026+01	-28349114+00		
+72650000+00	+20933820+01	-28529204+00		
+72825000+00	+20911614+01	-28709294+00		
+73000000+00	+20889408+01	-28889384+00		
+73175000+00	+20867202+01	-29069474+00		
+73350000+00	+20844996+01	-29249564+00		
+73525000+00	+20822790+01	-29429654+00		
+73700000+00	+20800584+01	-29609744+00		
+73875000+00	+20778378+01	-29789834+00		
+74050000+00	+20756172+01	-29969924+00		
+74225000+00	+20733966+01	-30150014+00		
+74400000+00	+20711760+01	-30330104+00		
+74575000+00	+20689554+01	-30510194+00		
+74750000+00	+20667348+01	-30690284+00		
+74925000+00	+20645142+01	-30870374+00		
+75100000+00	+20622936+01	-31050464+00		
+75275000+00	+20600730+01	-31230554+00		
+75450000+00	+20578524+01	-31410644+00		
+75625000+00	+20556318+01	-31590734+00		
+75800000+00	+20534112+01	-31770824+00		
+75975000+00	+20511906+01	-31950914+00		
+76150000+00	+20489700+01	-32131004+00		
+76325000+00	+20467494+01	-32311094+00		
+76500000+00	+20445288+01	-32491184+00		
+76675000+00	+20423082+01	-32671274+00		
+76850000+00	+20400876+01	-32851364+00		
+77025000+00	+20378670+01	-33031454+00		
+77200000+00	+20356464+01	-33211544+00		
+77375000+00	+20334258+01	-33391634+00		
+77550000+00	+20312052+01	-33571724+00		
+77725000+00	+20289846+01	-33751814+00		
+77900000+00	+20267640+01	-33931904+00		
+78075000+00	+20245434+01	-34111994+00		
+78250000+00	+20223228+01	-34292084+00		
+78425000+00	+20201022+01	-34472174+00		
+78600000+00	+20178816+01	-34652264+00		
+78775000+00	+20156610+01	-34832354+00		
+78950000+00	+20134404+01	-35012444+00		
+79125000+00	+20112198+01	-3		

TABLE 188.—Continued

$$M_{00} = +69999975+01$$

$$\theta_8 = +47996551+00$$

θ	M_{w2}^*	ψ_2	M_2^*	μ_1
+54195164+00	+23953900+01	-11510931+00	-12311201+01	+32009127+00
+54148797+00	+23086980+01	-11601115+00	-12308694+01	+32004336+00
+54192430+00	+23119845+01	-11691328+00	-12306167+01	+31999505+00
+54235963+00	+23152499+01	-11781567+00	-12303620+01	+31994635+00
+54279596+00	+23184944+01	-11871838+00	-12301053+01	+31989729+00
+54323329+00	+23217180+01	-11962131+00	-12298466+01	+31984785+00
+54366962+00	+23249211+01	-12052449+00	-12295859+01	+31979801+00
+54410595+00	+23281038+01	-12142791+00	-12293233+01	+31974781+00
+54454227+00	+23312663+01	-12233152+00	-12290586+01	+31969719+00
+54497860+00	+23344088+01	-12323535+00	-12287919+01	+31964620+00
+54541493+00	+23375315+01	-12413939+00	-12285232+01	+31959483+00
+54585126+00	+23406346+01	-12504363+00	-12282525+01	+31954305+00
+54628759+00	+23437183+01	-12594799+00	-12279798+01	+31949089+00
+54672392+00	+23467826+01	-12685256+00	-12277051+01	+31943833+00
+54716025+00	+23498279+01	-12775725+00	-12274284+01	+31938536+00
+54759657+00	+23528542+01	-12866209+00	-12271497+01	+31933199+00
+54803290+00	+23558618+01	-12956705+00	-12268690+01	+31927822+00
+54846923+00	+23588508+01	-13047214+00	-12265863+01	+31922404+00
+54890556+00	+23618213+01	-13137730+00	-12263015+01	+31916946+00
+54934189+00	+23647736+01	-13228255+00	-12260148+01	+31911446+00
+54977821+00	+23677078+01	-13318789+00	-12257260+01	+31905903+00
+55021454+00	+23706241+01	-13409326+00	-12254352+01	+31900320+00
+55065087+00	+23735224+01	-13499868+00	-12251424+01	+31894696+00
+55108720+00	+23764032+01	-13590413+00	-12248476+01	+31889027+00
+55152353+00	+23792664+01	-13680956+00	-12245508+01	+31883318+00
+55195985+00	+23821124+01	-13771501+00	-12242520+01	+31877564+00
+55227301+00	+23841444+01	-13836482+00	-12240364+01	+31873413+00

$$S_2/R = +52730121+01$$

$$\eta/\alpha = +10282243+01$$

TABLE 189.—Conical Flow Field. $\theta_s=27.5^\circ$; $M_\infty=8.0$

M_{∞}	Θ_B		Θ_W	
79999977+01	+47996551+00		+54704135+00	

Θ	M_{W2}^*	ψ_2	M_2^*	μ_1
47996551+00	+10073854+01	+59977174-06	-12613215+01	+30992893+00
48127450+00	+12434325+01	-16390122-02	-12613171+01	+30992723+00
48258350+00	+13358147+01	-34333356-02	-12613026+01	+30992209+00
48389249+00	+14073421+01	-53322501-02	-12612767+01	+30991359+00
48520149+00	+14669760+01	-73116608-02	-12612385+01	+30990176+00
48651049+00	+15189254+01	-93574822-02	-12611873+01	+30988662+00
48781948+00	+15653839+01	-11460092-01	-12611225+01	+30986822+00
48912848+00	+16076610+01	-13612477-01	-12610438+01	+30984658+00
49043748+00	+16466129+01	-15809052-01	-12609506+01	+30982172+00
49174647+00	+16828354+01	-18045381-01	-12608427+01	+30979370+00
49305547+00	+17167632+01	-20317754-01	-12607197+01	+30976251+00
49436446+00	+17487255+01	-22622997-01	-12605813+01	+30972819+00
49567346+00	+17789782+01	-24958435-01	-12604274+01	+30969077+00
49698246+00	+18077257+01	-27321678-01	-12602577+01	+30965028+00
49829145+00	+18351337+01	-29710673-01	-12600720+01	+30960670+00
49960045+00	+18613392+01	-32123530-01	-12598701+01	+30956006+00
50090944+00	+18864569+01	-34558674-01	-12596519+01	+30951038+00
50221842+00	+19105839+01	-37014516-01	-12594172+01	+30945768+00
50352741+00	+19338036+01	-39489795-01	-12591659+01	+30940196+00
50483639+00	+19561879+01	-41983249-01	-12588979+01	+30934325+00
50614538+00	+19777996+01	-44493718-01	-12586131+01	+30928153+00
50745436+00	+19986939+01	-47020234-01	-12583113+01	+30921683+00
50876335+00	+20189193+01	-49561787-01	-12579925+01	+30914916+00
51007234+00	+20385192+01	-52117502-01	-12576565+01	+30907848+00
51138132+00	+20575324+01	-54686612-01	-12573033+01	+30900482+00
51269030+00	+20759936+01	-57268305-01	-12569328+01	+30892819+00
51399929+00	+20939341+01	-59861884-01	-12565450+01	+30884857+00
51530827+00	+21113825+01	-62466701-01	-12561398+01	+30876596+00
51618093+00	+21227543+01	-64209172-01	-12558598+01	+30870922+00
51705359+00	+21339259+01	-65956186-01	-12555721+01	+30865115+00
51792624+00	+21449042+01	-67707527-01	-12552766+01	+30859175+00
51879890+00	+21556953+01	-69463115-01	-12549732+01	+30853098+00
51967156+00	+21663053+01	-71222713-01	-12546620+01	+30846889+00
52054422+00	+21767398+01	-72986226-01	-12543429+01	+30840546+00
52141687+00	+21870043+01	-74753448-01	-12540159+01	+30834067+00
52228953+00	+21971036+01	-76524252-01	-12536811+01	+30827453+00
52316219+00	+22070428+01	-78298531-01	-12533383+01	+30820701+00
52403484+00	+22168262+01	-80076162-01	-12529875+01	+30813813+00
52490750+00	+22264584+01	-81856919-01	-12526288+01	+30806789+00
52578015+00	+22359434+01	-83640735-01	-12522622+01	+30799626+00
52665281+00	+22452852+01	-85427526-01	-12518875+01	+30792324+00
52752547+00	+22544876+01	-87217079-01	-12515049+01	+30784885+00
52839812+00	+22635541+01	-89009324-01	-12511143+01	+30777304+00
52927078+00	+22724882+01	-90804150-01	-12507156+01	+30769582+00
53014344+00	+22812933+01	-92601399-01	-12503089+01	+30761717+00
53101609+00	+22899723+01	-94400994-01	-12498942+01	+30753711+00
53188875+00	+22985285+01	-96202758-01	-12494714+01	+30745561+00
53276141+00	+23069645+01	-98006626-01	-12490405+01	+30737267+00
53363407+00	+23152833+01	-99812461-01	-12486016+01	+30728825+00
53450672+00	+23234876+01	-10162014+00	-12481546+01	+30720238+00

TABLE 189.—Continued

$M_{\infty} = +79999977+01$

$\theta_B = +47996551+00$

θ	M_{w2}^*	ϕ_2	M_2^*	μ_1
53537938+00	+23315797+01	-10342958+00	-12476994+01	+30711501+00
53625204+00	+23395621+01	-10524061+00	-12472362+01	+30702616+00
53712469+00	+23474374+01	-10705312+00	-12467648+01	+30693581+00
53799735+00	+23552076+01	-10886703+00	-12462854+01	+30684391+00
53887000+00	+23628750+01	-11068220+00	-12457978+01	+30675049+00
53930633+00	+23666708+01	-11159018+00	-12455509+01	+30670320+00
53974266+00	+23704417+01	-11249845+00	-12453020+01	+30665551+00
54017899+00	+23741879+01	-11340698+00	-12450511+01	+30660743+00
54061532+00	+23779097+01	-11431576+00	-12447981+01	+30655896+00
54105164+00	+23816072+01	-11522473+00	-12445431+01	+30651009+00
54148797+00	+23852809+01	-11613387+00	-12442861+01	+30646083+00
54192430+00	+23889308+01	-11704325+00	-12440270+01	+30641116+00
54236063+00	+23925573+01	-11795274+00	-12437659+01	+30636108+00
54279696+00	+23961605+01	-11886240+00	-12435027+01	+30631061+00
54323329+00	+23997406+01	-11977220+00	-12432376+01	+30625973+00
54366962+00	+24032978+01	-12068212+00	-12429703+01	+30620843+00
54410595+00	+24068325+01	-12159213+00	-12427010+01	+30615672+00
54454227+00	+24103448+01	-12250221+00	-12424298+01	+30610459+00
54497860+00	+24138349+01	-12341231+00	-12421565+01	+30605206+00
54541493+00	+24173029+01	-12432249+00	-12418811+01	+30599910+00
54585126+00	+24207491+01	-12523264+00	-12416037+01	+30594571+00
54628759+00	+24241738+01	-12614283+00	-12413243+01	+30589190+00
54672392+00	+24275771+01	-12705299+00	-12410428+01	+30583765+00
54704135+00	+24300397+01	-12771510+00	-12408368+01	+30579792+00

$S_2/R = 59212796+01$

$\eta/\alpha = +10383124+01$

TABLE 190.—Conical Flow Field. $\theta_s=27.5^\circ$; $M_\infty=10.0$

M_∞	Θ_s		Θ_w	
+99999928+01	+47996551+00		+54084699+00	

Θ	M_{w2}^*	ψ_2	M_2^*	μ_1
+47996551+00	+94502633+00	+51781535-06	-12785808+01	+29346953+00
+48127450+00	+12978987+01	-15521012-02	-12785767+01	+29346780+00
+48258350+00	+13112190+01	-32766536-02	-12785629+01	+29346260+00
+48389249+00	+13912191+01	-51172823-02	-12785378+01	+29345396+00
+48520149+00	+14579804+01	-70475452-02	-12785005+01	+29344194+00
+48651049+00	+15161891+01	-90519302-02	-12784502+01	+29342656+00
+48781948+00	+15682857+01	-11119936-01	-12783862+01	+29340787+00
+48912848+00	+16157272+01	-13243668-01	-12783080+01	+29338588+00
+49043748+00	+16594653+01	-15417026-01	-12782151+01	+29336064+00
+49174647+00	+17001632+01	-17635122-01	-12781072+01	+29333215+00
+49305547+00	+17393044+01	-19893756-01	-12779838+01	+29330046+00
+49436446+00	+17742549+01	-22189453-01	-12778447+01	+29326559+00
+49567346+00	+18092996+01	-24519211-01	-12776896+01	+29322756+00
+49698246+00	+18406656+01	-26880423-01	-12775182+01	+29318635+00
+49829145+00	+18715372+01	-29270722-01	-12773303+01	+29314202+00
+49960045+00	+19010669+01	-31687977-01	-12771257+01	+29309456+00
+50090944+00	+19293822+01	-34130435-01	-12769042+01	+29304401+00
+50221842+00	+19565913+01	-36596326-01	-12766656+01	+29299035+00
+50352741+00	+19827867+01	-39084192-01	-12764098+01	+29293361+00
+50483639+00	+20080485+01	-41592551-01	-12761366+01	+29287378+00
+50614538+00	+20324466+01	-44120179-01	-12758459+01	+29281088+00
+50745436+00	+20560420+01	-46665885-01	-12755375+01	+29274490+00
+50876335+00	+20788892+01	-49228521-01	-12752115+01	+29267587+00
+50963601+00	+20937289+01	-50945884-01	-12749843+01	+29262812+00
+51050866+00	+21082705+01	-52670032-01	-12747490+01	+29257901+00
+51138132+00	+21225261+01	-54400736-01	-12745058+01	+29252852+00
+51225398+00	+21365068+01	-56137724-01	-12742546+01	+29247668+00
+51312663+00	+21502233+01	-57880642-01	-12739953+01	+29242345+00
+51399929+00	+21636853+01	-59629375-01	-12737280+01	+29236885+00
+51487194+00	+21769021+01	-61383655-01	-12734526+01	+29231288+00
+51574460+00	+21898822+01	-63143229-01	-12731691+01	+29225552+00
+51661726+00	+22026340+01	-64907899-01	-12728775+01	+29219677+00
+51748991+00	+22151649+01	-66677507-01	-12725777+01	+29213662+00
+51836257+00	+22274822+01	-68451767-01	-12722697+01	+29207509+00
+51923523+00	+22395928+01	-70230517-01	-12719536+01	+29201216+00
+52010789+00	+22515030+01	-72013525-01	-12716293+01	+29194782+00
+52098054+00	+22632191+01	-73800660-01	-12712968+01	+29188207+00
+52185320+00	+22747467+01	-75591668-01	-12709560+01	+29181489+00
+52272586+00	+22860914+01	-77386454-01	-12706070+01	+29174629+00
+52359851+00	+22972583+01	-79184761-01	-12702497+01	+29167625+00
+52447117+00	+23082526+01	-80986455-01	-12698842+01	+29160477+00
+52534383+00	+23190788+01	-82791278-01	-12695104+01	+29153184+00
+52621648+00	+23297414+01	-84599201-01	-12691283+01	+29145746+00
+52708914+00	+23402447+01	-86409929-01	-12687378+01	+29138160+00
+52796179+00	+23505929+01	-88223312-01	-12683392+01	+29130424+00
+52883912+00	+23557100+01	-89130970-01	-12681367+01	+29126502+00
+52883445+00	+23607898+01	-90039234-01	-12679321+01	+29122541+00
+52927078+00	+23658327+01	-90948065-01	-12677255+01	+29118543+00
+52970711+00	+23708392+01	-91857468-01	-12675168+01	+29114507+00
+53014344+00	+23758097+01	-92767403-01	-12673060+01	+29110434+00

TABLE 190.—Continued

$M_{00} = +99999928+01$

$e_B = +47996551+00$

θ	M_{w2}^*	ϕ_2	M_2^*	μ_1
+53057977+00	+23907446+01	-93677859-01	-12670931+01	+29106321+00
+53101609+00	+23956444+01	-94588810-01	-12668782+01	+29102170+00
+53145242+00	+23905095+01	-95500234-01	-12666611+01	+29097982+00
+53199975+00	+23953402+01	-96412103-01	-12664420+01	+29093755+00
+53232508+00	+24001370+01	-97324424-01	-12662208+01	+29089489+00
+53276141+00	+24049003+01	-98237153-01	-12659975+01	+29085182+00
+53319774+00	+24096303+01	-99150214-01	-12657721+01	+29080839+00
+53363407+00	+24143277+01	-10006369+00	-12655447+01	+29076455+00
+53407039+00	+24199926+01	-10097747+00	-12653152+01	+29072032+00
+53450672+00	+24236255+01	-10189159+00	-12650836+01	+29067569+00
+53494305+00	+24282265+01	-10280601+00	-12648498+01	+29063067+00
+53537938+00	+24327964+01	-10372070+00	-12646141+01	+29058523+00
+53581571+00	+24373350+01	-10463560+00	-12643762+01	+29053940+00
+53625204+00	+24418431+01	-10555075+00	-12641363+01	+29049315+00
+53668836+00	+24463207+01	-10646609+00	-12638943+01	+29044649+00
+53712469+00	+24507682+01	-10738162+00	-12636502+01	+29039941+00
+53756102+00	+24551860+01	-10829725+00	-12634040+01	+29035195+00
+53799735+00	+24595744+01	-10921303+00	-12631558+01	+29030406+00
+53843368+00	+24639335+01	-11012890+00	-12629055+01	+29025574+00
+53887000+00	+24682638+01	-11104480+00	-12626532+01	+29020702+00
+53930633+00	+24725655+01	-11196077+00	-12623987+01	+29015786+00
+53974266+00	+24768390+01	-11287675+00	-12621422+01	+29010827+00
+54017899+00	+24810844+01	-11379271+00	-12618837+01	+29005826+00
+54061532+00	+24853021+01	-11470865+00	-12616231+01	+29000780+00
+54084699+00	+24875305+01	-11519493+00	-12614840+01	+28998087+00

$S_2/R = +68510151+01$

$\eta/\alpha = +10506409+01$

TABLE 191.—Conical Flow Field. $\theta_s=27.5^\circ$; $M_\infty=12.0$

M_{00}	Θ_B	Θ_w		
+11999990+02	+47996551+00	+53746203+00		

Θ	M_{w2}^*	ψ_2	M_2^*	μ_1
+47996551+00	+99896069+00	+49546361-06	-12884955+01	+28423852+00
+48127450+00	+11894218+01	-15044846-02	-12884915+01	+28423676+00
+48258350+00	+12985104+01	-31919330-02	-12884780+01	+28423150+00
+48399249+00	+13937476+01	-50025098-02	-12884533+01	+28422279+00
+48520149+00	+14549134+01	-69082119-02	-12884165+01	+28421062+00
+48651049+00	+15169891+01	-88927336-02	-12883666+01	+28419510+00
+48781948+00	+15725683+01	-10944866-01	-12883029+01	+28417619+00
+48912848+00	+16231987+01	-13056425-01	-12882248+01	+28415398+00
+49043748+00	+16698922+01	-15220923-01	-12881320+01	+28412846+00
+49174647+00	+17133527+01	-17432965-01	-12880238+01	+28409967+00
+49305547+00	+17540943+01	-19688312-01	-12879000+01	+28406762+00
+49436446+00	+17925057+01	-21983160-01	-12877602+01	+28403234+00
+49567346+00	+18288898+01	-24314381-01	-12876040+01	+28399387+00
+49698246+00	+18634876+01	-26679065-01	-12874313+01	+28395221+00
+49829145+00	+18964952+01	-29074766-01	-12872417+01	+28390736+00
+49960045+00	+19280743+01	-31499304-01	-12870350+01	+28385934+00
+50090944+00	+19583607+01	-33950591-01	-12868112+01	+28380818+00
+50221842+00	+19874690+01	-36426883-01	-12865698+01	+28375388+00
+50352741+00	+20154978+01	-38926532-01	-12863108+01	+28369643+00
+50483640+00	+20336263+01	-40605158-01	-12861283+01	+28365640+00
+50527272+00	+20513355+01	-42293094-01	-12859378+01	+28361496+00
+50614538+00	+20696458+01	-43989947-01	-12857394+01	+28357213+00
+50701804+00	+20855762+01	-45695269-01	-12855329+01	+28352792+00
+50789069+00	+21021439+01	-47408761-01	-12853184+01	+28348232+00
+50876335+00	+21183651+01	-49130086-01	-12850958+01	+28343531+00
+50963601+00	+21342546+01	-50858857-01	-12848651+01	+28338691+00
+51050866+00	+21498261+01	-52594820-01	-12846262+01	+28333711+00
+51138132+00	+21650925+01	-54337664-01	-12843791+01	+28328593+00
+51225398+00	+21800658+01	-56087084-01	-12841239+01	+28323335+00
+51312663+00	+21947571+01	-57842784-01	-12838604+01	+28317934+00
+51399929+00	+22091768+01	-59604546-01	-12835887+01	+28312394+00
+51487194+00	+22233347+01	-61372088-01	-12833086+01	+28306711+00
+51574460+00	+22372400+01	-63145151-01	-12830203+01	+28300889+00
+51661726+00	+22509013+01	-64923480-01	-12827237+01	+28294922+00
+51748991+00	+22643269+01	-66706825-01	-12824187+01	+28288815+00
+51836257+00	+22775242+01	-68495007-01	-12821054+01	+28282561+00
+51923523+00	+22905008+01	-70287747-01	-12817837+01	+28276165+00
+51967156+00	+22969083+01	-71185734-01	-12816197+01	+28272913+00
+52010789+00	+23032631+01	-72084786-01	-12814536+01	+28269625+00
+52054422+00	+23095661+01	-72984872-01	-12812854+01	+28266300+00
+52098054+00	+23158180+01	-73885990-01	-12811151+01	+28262939+00
+52141687+00	+23220195+01	-74788081-01	-12809427+01	+28259540+00
+52185320+00	+23281713+01	-75691117-01	-12807682+01	+28256105+00
+52228953+00	+23342743+01	-76595079-01	-12805916+01	+28252634+00
+52272586+00	+23403290+01	-77499967-01	-12804129+01	+28249125+00
+52316219+00	+23463363+01	-78405685-01	-12802321+01	+28245580+00
+52359851+00	+23522967+01	-79312242-01	-12800492+01	+28241996+00
+52403484+00	+23582109+01	-80219632-01	-12798641+01	+28238377+00
+52447117+00	+23640795+01	-81127799-01	-12796769+01	+28234720+00
+52490750+00	+23699031+01	-82036755-01	-12794877+01	+28231025+00

TABLE 191.—Continued

$M_{\infty} = +11999990+02$

$\theta_B = +47996551+00$

θ	M_{w2}^*	ψ_2	M_2^*	μ_1
+52534383+00	+23756824+01	-82946486-01	-12792963+01	+28227292+00
+52579015+00	+23814180+01	-83856904-01	-12791028+01	+28223520+00
+52621648+00	+23871103+01	-84767969-01	-12789072+01	+28219711+00
+52665281+00	+23927601+01	-85679769-01	-12787095+01	+28215864+00
+52708914+00	+23983677+01	-86592161-01	-12785096+01	+28211977+00
+52752547+00	+24039339+01	-87505160-01	-12783077+01	+28208053+00
+52796179+00	+24094590+01	-88418736-01	-12781037+01	+28204091+00
+52839812+00	+24149436+01	-89332853-01	-12778975+01	+28200089+00
+52883445+00	+24203881+01	-90247524-01	-12776893+01	+28196047+00
+52927078+00	+24257933+01	-91162650-01	-12774789+01	+28191969+00
+52970711+00	+24311593+01	-92078294-01	-12772664+01	+28187849+00
+53014344+00	+24364867+01	-92994373-01	-12770518+01	+28183692+00
+53057977+00	+24417760+01	-93910857-01	-12768350+01	+28179493+00
+53101609+00	+24470276+01	-94827750-01	-12766162+01	+28175256+00
+53145242+00	+24522421+01	-95744997-01	-12763952+01	+28170977+00
+53188875+00	+24574197+01	-96662552-01	-12761722+01	+28166658+00
+53232508+00	+24625609+01	-97580453-01	-12759470+01	+28162298+00
+53276141+00	+24676661+01	-98498623-01	-12757198+01	+28157897+00
+53319774+00	+24727358+01	-99417003-01	-12754904+01	+28153456+00
+53363407+00	+24777703+01	-10033562+00	-12752590+01	+28148973+00
+53407039+00	+24827700+01	-10125443+00	-12750254+01	+28144450+00
+53450672+00	+24877353+01	-10217342+00	-12747897+01	+28139882+00
+53494305+00	+24926666+01	-10309250+00	-12745520+01	+28135275+00
+53537938+00	+24975641+01	-10401166+00	-12743122+01	+28130624+00
+53581571+00	+25024283+01	-10493093+00	-12740702+01	+28125931+00
+53625204+00	+25072595+01	-10585016+00	-12738262+01	+28121195+00
+53668836+00	+25120582+01	-10676942+00	-12735802+01	+28116417+00
+53712469+00	+25168246+01	-10768863+00	-12733320+01	+28111593+00
+53746203+00	+25204878+01	-10839929+00	-12731388+01	+28107838+00

$S_2/R = +74530394+01$

$\eta/\alpha = +10575613+01$

TABLE 192.—Conical Flow Field. $\theta_s=27.5^\circ$; $M_\infty=15.0$

M_{00}	θ_B		θ_W	
+14999990+02	+47996551+00		+53468140+00	

θ	M_{W2}^*	ψ_2	M_2^*	μ_1
+47996551+00	+87822532+00	+46938658-06	-12969102+01	+27651458+00
+48083817+00	+11334923+01	-94928965-03	-12969086+01	+27651380+00
+48171083+00	+12151062+01	-20008683-02	-12969031+01	+27651142+00
+48258350+00	+12886517+01	-31231195-02	-12968931+01	+27650750+00
+48345616+00	+13506285+01	-43022595-02	-12968782+01	+27650202+00
+48432883+00	+14049097+01	-55290274-02	-12968581+01	+27649497+00
+48520149+00	+14536680+01	-67971647-02	-12968323+01	+27648642+00
+48607416+00	+14982188+01	-81021041-02	-12968007+01	+27647634+00
+48694682+00	+15394245+01	-94401371-02	-12967631+01	+27646475+00
+48781948+00	+15778865+01	-10808351-01	-12967192+01	+27645165+00
+48869215+00	+16140434+01	-12204340-01	-12966688+01	+27643707+00
+48956481+00	+16482272+01	-13626006-01	-12966119+01	+27642099+00
+49043748+00	+16806959+01	-15071567-01	-12965482+01	+27640344+00
+49131014+00	+17116554+01	-16539402-01	-12964777+01	+27638440+00
+49218280+00	+17412724+01	-18028144-01	-12964000+01	+27636391+00
+49305547+00	+17696849+01	-19536501-01	-12963153+01	+27634197+00
+49392813+00	+17970082+01	-21063339-01	-12962233+01	+27631857+00
+49480080+00	+18233399+01	-22607666-01	-12961241+01	+27629372+00
+49567346+00	+18487637+01	-24168525-01	-12960174+01	+27626744+00
+49654612+00	+18733519+01	-25745085-01	-12959033+01	+27623971+00
+49741879+00	+18971674+01	-27336491-01	-12957815+01	+27621057+00
+49829145+00	+19202654+01	-28942069-01	-12956521+01	+27617997+00
+49916412+00	+19426947+01	-30561093-01	-12955149+01	+27614797+00
+50003678+00	+19644987+01	-32192973-01	-12953699+01	+27611454+00
+50090944+00	+19857162+01	-33837095-01	-12952172+01	+27607970+00
+50178209+00	+20063819+01	-35492839-01	-12950565+01	+27604347+00
+50265475+00	+20265272+01	-37159747-01	-12948878+01	+27600577+00
+50352741+00	+20461807+01	-38837284-01	-12947111+01	+27596668+00
+50440006+00	+20653681+01	-40524960-01	-12945264+01	+27592616+00
+50527272+00	+20841130+01	-42222409-01	-12943336+01	+27588424+00
+50614538+00	+21024371+01	-43929100-01	-12941326+01	+27584090+00
+50701804+00	+21203602+01	-45644736-01	-12939234+01	+27579614+00
+50789069+00	+21379006+01	-47368888-01	-12937060+01	+27574996+00
+50876335+00	+21550750+01	-49101174-01	-12934804+01	+27570238+00
+50963601+00	+21718993+01	-50841186-01	-12932465+01	+27565335+00
+51050866+00	+21883880+01	-52588657-01	-12930042+01	+27560291+00
+51138132+00	+22045543+01	-54343304-01	-12927536+01	+27555104+00
+51225398+00	+22204110+01	-56104675-01	-12924947+01	+27549776+00
+51312663+00	+22359698+01	-57872543-01	-12922273+01	+27544303+00
+51399929+00	+22512417+01	-59646618-01	-12919515+01	+27538688+00
+51487194+00	+22662369+01	-61426654-01	-12916673+01	+27532926+00
+51574460+00	+22809653+01	-63212268-01	-12913746+01	+27527019+00
+51661726+00	+22954356+01	-65003249-01	-12910734+01	+27520966+00
+51748991+00	+23096567+01	-66799300-01	-12907638+01	+27514768+00
+51836257+00	+23236365+01	-68600192-01	-12904456+01	+27508423+00
+51923523+00	+23373826+01	-70405634-01	-12901188+01	+27501931+00
+51967156+00	+23441703+01	-71309957-01	-12899523+01	+27498629+00
+52010789+00	+23509023+01	-72215355-01	-12897836+01	+27495288+00
+52054422+00	+23575794+01	-73121784-01	-12896128+01	+27491912+00

TABLE 192.—Continued

$$M_{00} = +14999990+02$$

$$\theta_8 = +47996551+00$$

θ	M_{w2}^*	ψ_2	M_2^*	μ_1
+52099054+00	+23542024+01	-74029153-01	-12894398+01	+27488496+00
+52141587+00	+23707721+01	-74937507-01	-12892647+01	+27485044+00
+52195320+00	+23772892+01	-75846773-01	-12890875+01	+27481554+00
+52229953+00	+23937547+01	-76756934-01	-12889081+01	+27478026+00
+52272586+00	+23901691+01	-77667949-01	-12887266+01	+27474458+00
+52315219+00	+23955331+01	-78579783-01	-12885429+01	+27470854+00
+52359951+00	+24028476+01	-79492416-01	-12883571+01	+27467213+00
+52403484+00	+24091132+01	-80405819-01	-12881692+01	+27463531+00
+52447117+00	+24153305+01	-81320000-01	-12879791+01	+27459810+00
+52490750+00	+24215001+01	-82234831-01	-12877869+01	+27456052+00
+52534383+00	+24276228+01	-83150337-01	-12875925+01	+27452254+00
+52579015+00	+24336992+01	-84066470-01	-12873960+01	+27448417+00
+52621548+00	+24397298+01	-84983266-01	-12871973+01	+27444542+00
+52665281+00	+24457152+01	-85900575-01	-12869966+01	+27440625+00
+52709914+00	+24516561+01	-86818477-01	-12867936+01	+27436711+00
+52752547+00	+24575529+01	-87736895-01	-12865886+01	+27432675+00
+52796179+00	+24634062+01	-88655782-01	-12863814+01	+27428638+00
+52839912+00	+24692165+01	-89575109-01	-12861720+01	+27424564+00
+52883445+00	+24749845+01	-90494840-01	-12859606+01	+27420448+00
+52927078+00	+24807106+01	-91414956-01	-12857470+01	+27416290+00
+52970711+00	+24863953+01	-92335434-01	-12855312+01	+27412092+00
+53014344+00	+24920390+01	-93256216-01	-12853134+01	+27407852+00
+53057977+00	+24976423+01	-94177255-01	-12850934+01	+27403571+00
+53101609+00	+25032057+01	-95098556-01	-12848713+01	+27399250+00
+53145242+00	+25087295+01	-96020069-01	-12846471+01	+27394886+00
+53188875+00	+25142144+01	-96941761-01	-12844208+01	+27390479+00
+53232508+00	+25196605+01	-97863597-01	-12841924+01	+27386033+00
+53276141+00	+25250685+01	-98785547-01	-12839618+01	+27381540+00
+53319774+00	+25304387+01	-99707530-01	-12837292+01	+27377006+00
+53363407+00	+25357716+01	-10062954+00	-12834944+01	+27372430+00
+53407039+00	+25410676+01	-10155155+00	-12832575+01	+27367809+00
+53450672+00	+25463271+01	-10247350+00	-12830186+01	+27363144+00
+53494305+00	+25494226+01	-10284254+00	-12829225+01	+27361268+00

$$S_2/R = +80087374+01$$

$$\eta/\alpha = +10633470+04$$

TABLE 193.—Conical Flow Field. $\theta_s=27.5^\circ$; $M_\infty=20.0$

M_∞	θ_B	θ_W
+19999986+02	+47996551+00	+53251169+00

θ	M_{W2}^*	ψ_2	M_2^*	μ_1
+47996551+00	+85352072+00	+43585896-06	-13036516+01	+27039125+00
+48083917+00	+11192142+01	-92789158-03	-13036500+01	+27039044+00
+48171083+00	+12046874+01	-19622520-02	-13036446+01	+27038806+00
+48259350+00	+12814260+01	-30700788-02	-13036349+01	+27038409+00
+48345616+00	+13460994+01	-42370856-02	-13036202+01	+27037857+00
+48432983+00	+14027525+01	-54536276-02	-13036001+01	+27037148+00
+48520149+00	+14536508+01	-67132376-02	-13035746+01	+27036285+00
+48607416+00	+15001644+01	-80110952-02	-13035431+01	+27035268+00
+48694682+00	+15431923+01	-93435049-02	-13035055+01	+27034098+00
+48781948+00	+15933608+01	-10707311-01	-13034617+01	+27032777+00
+48869215+00	+16211271+01	-12100050-01	-13034113+01	+27031305+00
+48956481+00	+16568368+01	-13519565-01	-13033543+01	+27029682+00
+49043748+00	+16907588+01	-14963906-01	-13032905+01	+27027911+00
+49131014+00	+17231077+01	-16431464-01	-13032197+01	+27025992+00
+49218280+00	+17540571+01	-17920805-01	-13031418+01	+27023925+00
+49305547+00	+17937509+01	-19430576-01	-13030567+01	+27021712+00
+49392913+00	+18123089+01	-20959621-01	-13029642+01	+27019350+00
+49480080+00	+18398332+01	-22506874-01	-13028644+01	+27016843+00
+49567346+00	+18664107+01	-24071299-01	-13027570+01	+27014191+00
+49654612+00	+18921168+01	-25652066-01	-13026420+01	+27011394+00
+49741979+00	+19170170+01	-27248336-01	-13025193+01	+27008450+00
+49829145+00	+19411690+01	-28859282-01	-13023888+01	+27005364+00
+49916412+00	+19646233+01	-30484235-01	-13022505+01	+27002132+00
+50003678+00	+19974255+01	-32122485-01	-13021042+01	+26998758+00
+50090944+00	+20096156+01	-33773461-01	-13019501+01	+26995239+00
+50179209+00	+20312301+01	-35436513-01	-13017878+01	+26991578+00
+50265475+00	+20523016+01	-37111122-01	-13016175+01	+26987771+00
+50352741+00	+20728598+01	-38796742-01	-13014390+01	+26983822+00
+50440006+00	+20929315+01	-40492911-01	-13012523+01	+26979730+00
+50527272+00	+21125415+01	-42199107-01	-13010574+01	+26975495+00
+50614538+00	+21317120+01	-43914897-01	-13008543+01	+26971115+00
+50701804+00	+21504639+01	-45639854-01	-13006428+01	+26966593+00
+50789069+00	+21698162+01	-47373585-01	-13004229+01	+26961925+00
+50876335+00	+21867865+01	-49115639-01	-13001946+01	+26957115+00
+50963601+00	+22043910+01	-50865704-01	-12999579+01	+26952161+00
+51050866+00	+22216448+01	-52623402-01	-12997128+01	+26947062+00
+51138132+00	+22385621+01	-54388359-01	-12994592+01	+26941816+00
+51225398+00	+22551559+01	-56160271-01	-12991971+01	+26936425+00
+51312663+00	+22714383+01	-57938745-01	-12989264+01	+26930889+00
+51399929+00	+22874210+01	-59723487-01	-12986472+01	+26925205+00
+51487194+00	+23031145+01	-61514221-01	-12983594+01	+26919373+00
+51574460+00	+23185290+01	-63310576-01	-12980630+01	+26913395+00
+51661726+00	+23261345+01	-64210796-01	-12979116+01	+26910350+00
+51661726+00	+23336738+01	-65112296-01	-12977581+01	+26907268+00
+51705359+00	+23411479+01	-66015061-01	-12976023+01	+26904149+00
+51748991+00	+23485579+01	-66919068-01	-12974445+01	+26900992+00
+51792624+00	+23559049+01	-67824263-01	-12972844+01	+26897797+00
+51836257+00	+23631897+01	-68730611-01	-12971222+01	+26894564+00
+51879890+00	+23704135+01	-69638111-01	-12969578+01	+26891293+00
+51923523+00	+23775772+01	-70546630-01	-12967913+01	+26887984+00

TABLE 193.—Continued

$M_{\infty} = +19999986+02$

$\theta_B = +47996551+00$

θ	M_{w2}^*	ψ_2	M_2^*	μ_1
+51957156+00	+23846816+01	-71456265-01	-12966226+01	+26884638+00
+52019789+00	+23917278+01	-72366884-01	-12964518+01	+26881255+00
+52054422+00	+23987164+01	-73278485-01	-12962788+01	+26877831+00
+52099054+00	+24056485+01	-74190998-01	-12961036+01	+26874370+00
+52141587+00	+24125249+01	-75104439-01	-12959263+01	+26870870+00
+52185320+00	+24193463+01	-76018767-01	-12957468+01	+26867331+00
+52229953+00	+24261135+01	-76933909-01	-12955652+01	+26863754+00
+52272586+00	+24328273+01	-77849869-01	-12953813+01	+26860137+00
+52316219+00	+24394884+01	-78766599-01	-12951953+01	+26856481+00
+52359951+00	+24460976+01	-79684028-01	-12950072+01	+26852785+00
+52403484+00	+24526557+01	-80602169-01	-12948169+01	+26849051+00
+52447117+00	+24591631+01	-81521006-01	-12946244+01	+26845275+00
+52490750+00	+24656207+01	-82440408-01	-12944297+01	+26841461+00
+52534383+00	+24720291+01	-83360407-01	-12942330+01	+26837607+00
+52578015+00	+24783890+01	-84280982-01	-12940340+01	+26833711+00
+52621648+00	+24847010+01	-85202096-01	-12938329+01	+26829775+00
+52665281+00	+24909656+01	-86123624-01	-12936296+01	+26825801+00
+52708914+00	+24971835+01	-87045628-01	-12934242+01	+26821783+00
+52752547+00	+25033553+01	-87967995-01	-12932167+01	+26817725+00
+52796179+00	+25094815+01	-88890770-01	-12930069+01	+26813625+00
+52839812+00	+25155627+01	-89813857-01	-12927951+01	+26809482+00
+52883445+00	+25215995+01	-90737229-01	-12925811+01	+26805299+00
+52927078+00	+25275923+01	-91660824-01	-12923650+01	+26801075+00
+52970711+00	+25335418+01	-92584644-01	-12921467+01	+26796807+00
+53014344+00	+25394483+01	-93508634-01	-12919264+01	+26792497+00
+53057977+00	+25453125+01	-94432728-01	-12917038+01	+26788144+00
+53101609+00	+25511348+01	-95356912-01	-12914792+01	+26783748+00
+53145242+00	+25569155+01	-96281156-01	-12912524+01	+26779309+00
+53188875+00	+25626555+01	-97205379-01	-12910236+01	+26774825+00
+53232508+00	+25683550+01	-98129564-01	-12907926+01	+26770298+00
+53251169+00	+25707805+01	-98524736-01	-12906933+01	+26768354+00

$S_2/R = +84868689+01$

$\eta/\alpha = +10679259+01$

TABLE 194.—Conical Flow Field. $\theta_s=30.0^\circ$; $M_\infty=1.6710795$

M_{00}	θ_s		θ_w	
+16710795+01	+52359873+00		+96930610+00	
θ	M_{w2}^*	ϕ_2	M_2^*	μ_1
+52359873+00	+18439785+01	+79870224-05	-10514337+01	+15676366+01
+53232530+00	+18476698+01	-31820200-01	-10511003+01	+15570851+01
+54195187+00	+18339131+01	-62542111-01	-10501391+01	+15442344+01
+54977944+00	+18180698+01	-92122565-01	-10486020+01	+15315699+01
+55859500+00	+18015735+01	-12058886+00	-10465604+01	+15191632+01
+56723157+00	+17849537+01	-14798060+00	-10440444+01	+15070172+01
+57595914+00	+17684621+01	-17434141+00	-10411035+01	+14951237+01
+58468470+00	+17522320+01	-19971509+00	-10377764+01	+14834723+01
+59341127+00	+17363382+01	-22414489+00	-10340981+01	+14720513+01
+60213784+00	+17208222+01	-24767239+00	-10301003+01	+14608502+01
+61086440+00	+17057063+01	-27033785+00	-10258112+01	+14498578+01
+61959997+00	+16910006+01	-29217941+00	-10212562+01	+14390638+01
+62831754+00	+16767074+01	-31323368+00	-10164582+01	+14284585+01
+63704411+00	+16628239+01	-33353524+00	-10114380+01	+14180321+01
+64577967+00	+16493437+01	-35311705+00	-10062139+01	+14077761+01
+65449724+00	+16362586+01	-37201030+00	-10008029+01	+13976815+01
+66322381+00	+16235588+01	-39024467+00	-99521983+00	+13877403+01
+67195937+00	+16112336+01	-40784827+00	-98947829+00	+13779442+01
+68067694+00	+15992717+01	-42484778+00	-98359038+00	+13682859+01
+68940351+00	+15876619+01	-44126849+00	-97756704+00	+13587578+01
+69813007+00	+15763925+01	-45713439+00	-97141794+00	+13493530+01
+70685664+00	+15654523+01	-47246823+00	-96515179+00	+13400645+01
+71558321+00	+15548301+01	-48729168+00	-9587628+00	+13308858+01
+72430978+00	+15445149+01	-50162535+00	-95229827+00	+13218102+01
+73303634+00	+15344962+01	-51548865+00	-94572376+00	+13128315+01
+74176291+00	+15247638+01	-52890023+00	-93905794+00	+13039433+01
+75048948+00	+15153077+01	-54187764+00	-93230538+00	+12951398+01
+75921604+00	+15061183+01	-55443774+00	-92546992+00	+12864146+01
+76794261+00	+14971866+01	-56659655+00	-91855470+00	+12777621+01
+77666918+00	+14885035+01	-57836917+00	-91156241+00	+12691760+01
+78539575+00	+14800609+01	-58977016+00	-90449498+00	+12606508+01
+79412231+00	+14718505+01	-60081331+00	-89735388+00	+12521804+01
+80284888+00	+14638646+01	-61151177+00	-89013991+00	+12437586+01
+81157545+00	+14560957+01	-62187815+00	-88285340+00	+12353797+01
+82030201+00	+14485369+01	-63192444+00	-87549407+00	+12270375+01
+82902958+00	+14411814+01	-64166216+00	-86806111+00	+12187255+01
+83775515+00	+14340227+01	-65110229+00	-86055305+00	+12104374+01
+84648171+00	+14270548+01	-66025536+00	-85296784+00	+12021665+01
+85520828+00	+14202717+01	-66913147+00	-84530273+00	+11939056+01
+86393485+00	+14136679+01	-67774037+00	-83755430+00	+11856476+01
+87266142+00	+14072381+01	-68609137+00	-82971831+00	+11773845+01
+88138798+00	+14009773+01	-69419356+00	-82178964+00	+11691083+01
+89011455+00	+13948807+01	-70205569+00	-81376223+00	+11608098+01
+89884112+00	+13889439+01	-70968624+00	-80562877+00	+11524795+01
+90756768+00	+13831627+01	-71709359+00	-79738085+00	+11441068+01
+91629425+00	+13775330+01	-72428596+00	-78900838+00	+11356802+01
+92502082+00	+13720512+01	-73127158+00	-78049939+00	+11271865+01
+93374738+00	+13667138+01	-73805861+00	-77183980+00	+11186112+01
+94247395+00	+13615177+01	-74465547+00	-76301273+00	+11099377+01
+95120052+00	+13564598+01	-75107089+00	-75399776+00	+11011469+01

TABLE 194.—Continued

$M_{\infty} = +16710795$

$\theta_s = +52359873+00$

θ	M_{w2}^*	ψ_2	M_2^*	μ_1
+95992709+00	+13515376+01	-75731408+00	-74477033+00	+10922164+01
+96955365+00	+13457488+01	-76339532+00	-73529981+00	+10831196+01
+96939610+00	+13453961+01	-76384366+00	-73458115+00	+10824321+01

$S_2/R = +18124499+00$

$\eta/\alpha = +79257648+00$

TABLE 195.—Conical Flow Field. $\theta_s=30.0^\circ$; $M_\infty=1.75$

M_∞	θ_s		θ_w	
+17499999+01	+52359873+00		+92802044+00	

θ	M_{w2}^*	ψ_2	M_2^*	μ_1
+52359873+00	+18198225+01	+68992376-05	-10531874+01	+12146886+01
+53276163+00	+18282050+01	-31289920-01	-10528256+01	+12144190+01
+54192453+00	+18162167+01	-61500378-01	-10517828+01	+12136379+01
+55108742+00	+19015356+01	-90573198-01	-10501230+01	+12123857+01
+56025032+00	+17859123+01	-11853309+00	-10479049+01	+12107004+01
+56997689+00	+17797568+01	-14416355+00	-10453220+01	+12087257+01
+57779345+00	+17556114+01	-16885961+00	-10423215+01	+12064195+01
+58643902+00	+17406270+01	-19266095+00	-10389402+01	+12038088+01
+59515659+00	+17258922+01	-21560628+00	-10352113+01	+12009186+01
+60344683+00	+17121736+01	-23664594+00	-10313736+01	+11979352+01
+61173706+00	+16987551+01	-25697839+00	-10272717+01	+11947388+01
+62002730+00	+16956524+01	-27663359+00	-10229261+01	+11913464+01
+62831754+00	+16728735+01	-29564017+00	-10183554+01	+11877736+01
+63617145+00	+16610684+01	-31307274+00	-10138328+01	+11842354+01
+64402536+00	+16495560+01	-32996985+00	-10091361+01	+11805593+01
+65187927+00	+16383337+01	-34635264+00	-10042770+01	+11767556+01
+65973318+00	+16273973+01	-36224125+00	-99926606+00	+11728336+01
+66715977+00	+16173264+01	-37681080+00	-99440269+00	+11690287+01
+67456834+00	+16075012+01	-39097233+00	-98941959+00	+11651322+01
+68198592+00	+15979164+01	-40474057+00	-98432340+00	+11611506+01
+68940351+00	+15885663+01	-41812979+00	-97911999+00	+11570890+01
+69638476+00	+15799757+01	-43039741+00	-97412947+00	+11531976+01
+70336602+00	+15715833+01	-44235231+00	-96905266+00	+11492434+01
+71034727+00	+15633842+01	-45400488+00	-96389310+00	+11452297+01
+71732853+00	+15553738+01	-46536528+00	-95865392+00	+11411593+01
+72387345+00	+15480311+01	-47575886+00	-95367237+00	+11372943+01
+73041838+00	+15408462+01	-48591185+00	-94862525+00	+11333837+01
+73696330+00	+15338153+01	-49583159+00	-94351434+00	+11294292+01
+74350823+00	+15269347+01	-50552526+00	-93834106+00	+11254323+01
+74961682+00	+15206453+01	-51437486+00	-93345747+00	+11216646+01
+75572542+00	+15144807+01	-52303901+00	-92852138+00	+11178617+01
+76183401+00	+15084383+01	-53152308+00	-92353337+00	+11140243+01
+76794261+00	+15025152+01	-53983205+00	-91849384+00	+11101530+01
+77361488+00	+14971197+01	-54739517+00	-91376836+00	+11065281+01
+77928714+00	+14918229+01	-55481551+00	-90899870+00	+11028744+01
+78495942+00	+14866225+01	-56209690+00	-90418472+00	+10991919+01
+79063169+00	+14815167+01	-56924298+00	-89932621+00	+10954806+01
+79586763+00	+14768860+01	-57572242+00	-89480149+00	+10920289+01
+80119356+00	+14723328+01	-58209244+00	-89023801+00	+10885523+01
+80633950+00	+14678557+01	-58835576+00	-88563520+00	+10850504+01
+81157545+00	+14634532+01	-59451510+00	-88099241+00	+10815228+01
+81637505+00	+14594822+01	-60007201+00	-87670069+00	+10782662+01
+82117467+00	+14555718+01	-60554578+00	-87237398+00	+10749870+01
+82597428+00	+14517211+01	-61093828+00	-86801145+00	+10716849+01
+83077390+00	+14479291+01	-61625150+00	-86361216+00	+10683592+01
+83513718+00	+14445319+01	-62101456+00	-85958006+00	+10653148+01
+83950946+00	+14411820+01	-62571518+00	-85551586+00	+10622498+01
+84386375+00	+14378785+01	-63035475+00	-85141861+00	+10591635+01
+84822703+00	+14346207+01	-63493477+00	-84728725+00	+10560553+01
+85215398+00	+14317274+01	-63900699+00	-84353896+00	+10532386+01

TABLE 195.—Continued

$M_{\infty} = +17499999+01$

$\Theta_8 = +52359873+00$

Θ	M_{w2}^*	ψ_2	M_2^*	μ_1
+85609094+00	+14298704+01	-64303320+00	-83976119+00	+10504029+01
+86000789+00	+14260490+01	-64701440+00	-83595291+00	+10475476+01
+86393485+00	+14232630+01	-65095165+00	-83211310+00	+10446720+01
+86742547+00	+14208160+01	-65441545+00	-82867250+00	+10420982+01
+87091610+00	+14183962+01	-65784612+00	-82520518+00	+10395073+01
+87440673+00	+14160036+01	-66124451+00	-82171008+00	+10368985+01
+87799736+00	+14136377+01	-66461135+00	-81818626+00	+10342712+01
+88095166+00	+14115894+01	-66753210+00	-81507850+00	+10319567+01
+88400595+00	+14095613+01	-67042984+00	-81194709+00	+10296270+01
+88706025+00	+14075533+01	-67330523+00	-80879115+00	+10272815+01
+89011455+00	+14055651+01	-67615874+00	-80560979+00	+10249198+01
+89273252+00	+14038767+01	-67858768+00	-80286194+00	+10228821+01
+89535049+00	+14022027+01	-68100142+00	-80009404+00	+10208315+01
+89796946+00	+14005430+01	-68340029+00	-79730541+00	+10187678+01
+90058643+00	+13989976+01	-68578476+00	-79449524+00	+10166904+01
+90276908+00	+13975373+01	-68776104+00	-79213653+00	+10149484+01
+90494972+00	+13961867+01	-68972790+00	-78976181+00	+10131963+01
+90713136+00	+13948460+01	-69168557+00	-78737061+00	+10114337+01
+90931300+00	+13935149+01	-69363425+00	-78496241+00	+10096604+01
+91105931+00	+13924570+01	-69518697+00	-78302321+00	+10082339+01
+91290363+00	+13914053+01	-69673430+00	-78107245+00	+10068000+01
+91454993+00	+13903598+01	-69827641+00	-77910979+00	+10053587+01
+91629425+00	+13893203+01	-69981339+00	-77713491+00	+10039097+01
+91760323+00	+13885448+01	-70096289+00	-77564556+00	+10028179+01
+91891222+00	+13877727+01	-70210969+00	-77414897+00	+10017215+01
+92022121+00	+13870041+01	-70325390+00	-77264496+00	+10006205+01
+92153019+00	+13862389+01	-70439550+00	-77113345+00	+99951480+00
+92283918+00	+13854770+01	-70553469+00	-76961417+00	+99840431+00
+92414816+00	+13847186+01	-70667148+00	-76808698+00	+99728893+00
+92545714+00	+13839637+01	-70780592+00	-76655175+00	+99616855+00
+92676613+00	+13832121+01	-70893818+00	-76500816+00	+99504309+00
+92802044+00	+13824951+01	-71002102+00	-76352122+00	+99395978+00

$S_2/R = +21724420+00$

$\eta/\alpha = +79386160+00$

TABLE 196.—Conical Flow Field. $\theta_s=30.0^\circ$; $M_\infty=2.0$

M_∞	θ_s	θ_w
+20000000+01	+52359873+00	+83913453+00

θ	M_w^*	ψ_2	M_2^*	μ_1
+52359873+00	+17549267+01	+48391521-05	-10746970+01	+92348086+00
+53188898+00	+17877521+01	-24304733-01	-10744109+01	+92336427+00
+54017921+00	+17870311+01	-48032135-01	-10735777+01	+92302495+00
+54846945+00	+17813514+01	-71070894-01	-10722385+01	+92247773+00
+55675969+00	+17734387+01	-93410201-01	-10704326+01	+92173621+00
+56504993+00	+17643366+01	-11506130+00	-10681961+01	+92081267+00
+57334017+00	+17545682+01	-13604367+00	-10655614+01	+91971828+00
+58163041+00	+17444340+01	-15638027+00	-10625584+01	+91846329+00
+58994799+00	+17352111+01	-17404885+00	-10595808+01	+91721185+00
+59846557+00	+17259351+01	-19123792+00	-10563467+01	+91584528+00
+60388315+00	+17166694+01	-20796516+00	-10528716+01	+91436911+00
+61130073+00	+17074592+01	-22424782+00	-10491696+01	+91278853+00
+61871832+00	+16983376+01	-24010293+00	-10452534+01	+91110807+00
+62613590+00	+16893288+01	-25554691+00	-10411344+01	+90933196+00
+63355348+00	+16804507+01	-27059568+00	-10368229+01	+90746404+00
+64009841+00	+16727358+01	-28355820+00	-10328662+01	+90574233+00
+64664333+00	+16651392+01	-29623522+00	-10287724+01	+90395394+00
+65318926+00	+16576657+01	-30863686+00	-10245467+01	+90210076+00
+65973318+00	+16503186+01	-32077263+00	-10201936+01	+90018455+00
+66627811+00	+16431002+01	-33265184+00	-10157169+01	+89820680+00
+67282303+00	+16360119+01	-34428363+00	-10111203+01	+89616887+00
+67936796+00	+16290545+01	-3557677+00	-10064068+01	+89407191+00
+68594022+00	+16221307+01	-36536439+00	-10022290+01	+89220751+00
+69251249+00	+16173052+01	-37488464+00	-99796668+00	+89029999+00
+69908476+00	+16115775+01	-38424290+00	-99362083+00	+88834975+00
+70565703+00	+16059471+01	-39344422+00	-98919229+00	+88635707+00
+71222930+00	+16004132+01	-40249386+00	-98468163+00	+88432221+00
+71880157+00	+15949751+01	-41139681+00	-98008920+00	+88224521+00
+72537383+00	+15896319+01	-42015803+00	-97541499+00	+88012604+00
+73194610+00	+15843840+01	-42746425+00	-97139586+00	+87829988+00
+73851836+00	+15792361+01	-43467544+00	-96731774+00	+87644327+00
+74509063+00	+15741882+01	-44179445+00	-96318021+00	+87455602+00
+75166289+00	+15692403+01	-44882430+00	-95898257+00	+87263783+00
+75823516+00	+15643924+01	-45576781+00	-95472408+00	+87068838+00
+76480742+00	+15596445+01	-46262790+00	-95040380+00	+86870722+00
+77137969+00	+15549966+01	-46940744+00	-94602061+00	+86669384+00
+77795195+00	+15504487+01	-47489647+00	-94238658+00	+86502216+00
+78452422+00	+15459008+01	-48033519+00	-93870873+00	+86332818+00
+79109648+00	+15413529+01	-48572520+00	-93498606+00	+86161148+00
+79766875+00	+15368050+01	-49106818+00	-93121752+00	+85987160+00
+80424101+00	+15322571+01	-49636579+00	-92740195+00	+85810807+00
+81081328+00	+15277092+01	-50161976+00	-92353806+00	+85632030+00
+81738554+00	+15231613+01	-50683186+00	-91962442+00	+85450771+00
+82395781+00	+15186134+01	-51085789+00	-91654506+00	+85308034+00
+83053007+00	+15140655+01	-51486052+00	-91343384+00	+85163719+00
+83710234+00	+15095176+01	-51884070+00	-91028988+00	+85017791+00
+84367460+00	+15049697+01	-52279930+00	-90711219+00	+84870215+00
+85024687+00	+15004218+01	-52673730+00	-90389976+00	+84720939+00
+85681913+00	+14958739+01	-53065568+00	-90065152+00	+84569928+00
+86339140+00	+14913260+01	-53455546+00	-89736624+00	+84417125+00

TABLE 196.—Continued

$M_{\infty} = +20000000+01$

$\theta_B = +52359873+00$

θ	M_{w2}^*	ψ_2	M_2^*	μ_1
+80372154+00	+15204496+01	-53733017+00	-89499626+00	+84306860+00
+80590318+00	+15199111+01	-54009634+00	-89260620+00	+84195634+00
+80808482+00	+15173841+01	-54285437+00	-89019558+00	+84083428+00
+81026646+00	+15158688+01	-54560469+00	-88776380+00	+83970216+00
+81244810+00	+15143648+01	-54834774+00	-88531026+00	+83855978+00
+81462975+00	+15128724+01	-55108400+00	-88283434+00	+83740686+00
+81681139+00	+15113912+01	-55381394+00	-88033535+00	+83624318+00
+81912037+00	+15105080+01	-55544905+00	-87882462+00	+83553968+00
+81942935+00	+15096289+01	-55708219+00	-87730513+00	+83483212+00
+82073834+00	+15087539+01	-55871347+00	-87577676+00	+83412046+00
+82204733+00	+15078829+01	-56034295+00	-87423936+00	+83340460+00
+82335631+00	+15070160+01	-56197081+00	-87269273+00	+83268452+00
+82466530+00	+15061531+01	-56359719+00	-87113662+00	+83196009+00
+82597428+00	+15052944+01	-56522217+00	-86957092+00	+83123126+00
+82728326+00	+15044396+01	-56684591+00	-86799538+00	+83049797+00
+82859226+00	+15035889+01	-56846852+00	-86640980+00	+82976013+00
+82990124+00	+15027422+01	-57009020+00	-86481394+00	+82901764+00
+83121022+00	+15018996+01	-57171098+00	-86320768+00	+82827044+00
+83251921+00	+15010610+01	-57333114+00	-86159062+00	+82751841+00
+83382819+00	+15002264+01	-57495076+00	-85996260+00	+82676150+00
+83513718+00	+14993959+01	-57657008+00	-85832334+00	+82599954+00
+83644616+00	+14985693+01	-57818918+00	-85667256+00	+82523250+00
+83775515+00	+14977468+01	-57980832+00	-85500999+00	+82446026+00
+83906413+00	+14969283+01	-58142759+00	-85333533+00	+82368266+00
+83913453+00	+14968844+01	-58151467+00	-85324494+00	+82364071+00

$S_2/R = +36228410+00$

$\eta/\alpha = +81762884+00$

TABLE 197.—Conical Flow Field. $\theta_s=30.0^\circ$; $M_\infty=2.5$

M_{∞}	e_s		e_w	
+24999999+01	+52359873+00		+74427221+00	

θ	M_{w2}^*	ψ_2	M_2^*	μ_1
+52359873+00	+16303825+01	+30361116-05	-11309798+01	+69154231+00
+52839835+00	+17039732+01	-11388052-01	-11308908+01	+69151431+00
+53319796+00	+17261549+01	-22818998-01	-11306240+01	+69143175+00
+53799757+00	+17399288+01	-34185115-01	-11301832+01	+69129661+00
+54279719+00	+17494133+01	-45450609-01	-11295735+01	+69111092+00
+54759679+00	+17562125+01	-56597862-01	-11288004+01	+69087648+00
+55239641+00	+17611516+01	-67617125+01	-11278692+01	+69059501+00
+55719602+00	+17647215+01	-78503027-01	-11267853+01	+69026815+00
+56199563+00	+17672424+01	-89253071-01	-11255538+01	+68989721+00
+56635892+00	+17698117+01	-98906971-01	-11243102+01	+68952294+00
+57072220+00	+17698205+01	-10844773+00	-11229519+01	+68911439+00
+57508548+00	+17703628+01	-11787606+00	-11214824+01	+68867239+00
+57944877+00	+17705129+01	-12719311+00	-11199045+01	+68819776+00
+58381205+00	+17703305+01	-13640029+00	-11182213+01	+68769127+00
+58817533+00	+17698642+01	-14549931+00	-11164353+01	+68715353+00
+59253862+00	+17691539+01	-15449191+00	-11145492+01	+68658528+00
+59690190+00	+17682333+01	-16338010+00	-11125653+01	+68598710+00
+60082985+00	+17672485+01	-17129197+00	-11106979+01	+68542357+00
+60475581+00	+17661341+01	-17912265+00	-11087544+01	+68483652+00
+60868276+00	+17649055+01	-18687365+00	-11067362+01	+68422631+00
+61260972+00	+17635760+01	-19454673+00	-11046446+01	+68359323+00
+61653668+00	+17621577+01	-20214360+00	-11024807+01	+68293753+00
+62046363+00	+17606610+01	-20966595+00	-11002455+01	+68225943+00
+62439058+00	+17590951+01	-21711556+00	-10979398+01	+68155911+00
+62831754+00	+17574683+01	-22449421+00	-10955647+01	+68083672+00
+63224850+00	+17559771+01	-23099489+00	-10933955+01	+68017617+00
+63618446+00	+17544484+01	-23744209+00	-10911725+01	+67949838+00
+64012542+00	+17528863+01	-24383716+00	-10888958+01	+67880340+00
+64407138+00	+17512945+01	-25018139+00	-10865658+01	+67809120+00
+64802234+00	+17496768+01	-25647608+00	-10841827+01	+67736181+00
+65197830+00	+17480363+01	-26272244+00	-10817466+01	+67661524+00
+65593926+00	+17463759+01	-26892175+00	-10792578+01	+67585152+00
+65990522+00	+17446984+01	-27507540+00	-10767161+01	+67507049+00
+66387618+00	+17432184+01	-28042341+00	-10744488+01	+67437286+00
+66785214+00	+17417286+01	-28573834+00	-10721409+01	+67366190+00
+67183310+00	+17402305+01	-29102110+00	-10697924+01	+67293748+00
+67581906+00	+17387254+01	-29627266+00	-10674031+01	+67219953+00
+67981102+00	+17372146+01	-30149389+00	-10649726+01	+67144793+00
+68380898+00	+17356990+01	-30668572+00	-10625008+01	+67068256+00
+68781294+00	+17341799+01	-31184914+00	-10599874+01	+66990325+00
+69182290+00	+17326582+01	-31698504+00	-10574319+01	+66910989+00
+69583886+00	+17311352+01	-32213662+00	-10552077+01	+66841849+00
+69986082+00	+17300462+01	-32572856+00	-10529519+01	+66771649+00
+70388878+00	+17287398+01	-33007273+00	-10506644+01	+66700373+00
+70792274+00	+17274337+01	-33439936+00	-10483446+01	+66628008+00
+71196270+00	+17261283+01	-33870913+00	-10459921+01	+66554538+00
+71600866+00	+17248243+01	-34300275+00	-10436066+01	+66479944+00
+72006062+00	+17235218+01	-34728096+00	-10411874+01	+66404206+00
+72411858+00	+17222215+01	-35154446+00	-10387341+01	+66327306+00
+72818254+00	+17211396+01	-35508656+00	-10366633+01	+66262320+00

TABLE 197.—Continued

$$M_{\infty} = +24999999+01$$

$$\theta_B = +52359873+00$$

θ	M_{w2}^*	ϕ_2	M_2^*	H_1
+70598398+00	+17200597+01	-35861950+00	-10345678+01	+66196497+00
+70816563+00	+17189819+01	-36214361+00	-10324476+01	+66129819+00
+71034727+00	+17179062+01	-36565931+00	-10303020+01	+66062280+00
+71252891+00	+17168331+01	-36916716+00	-10281307+01	+65993857+00
+71471055+00	+17157625+01	-37266767+00	-10259331+01	+65924530+00
+71689219+00	+17146947+01	-37616130+00	-10237089+01	+65854286+00
+71907383+00	+17136299+01	-37964860+00	-10214572+01	+65783106+00
+72081915+00	+17127802+01	-38243427+00	-10196359+01	+65725467+00
+72256446+00	+17119326+01	-38521652+00	-10177964+01	+65667205+00
+72430978+00	+17110871+01	-38799566+00	-10159385+01	+65608308+00
+72605509+00	+17102438+01	-39077199+00	-10140617+01	+65548758+00
+72780040+00	+17094027+01	-39354580+00	-10121656+01	+65488548+00
+72954572+00	+17085639+01	-39631750+00	-10102500+01	+65427661+00
+73129103+00	+17077276+01	-39908736+00	-10083143+01	+65366081+00
+73303634+00	+17068937+01	-40185577+00	-10063582+01	+65303793+00
+73434533+00	+17062699+01	-40393136+00	-10048774+01	+65256607+00
+73565431+00	+17056476+01	-40600646+00	-10033846+01	+65209004+00
+73696330+00	+17050267+01	-40808127+00	-10018797+01	+65160982+00
+73827229+00	+17044072+01	-41015598+00	-10003623+01	+65112531+00
+73958127+00	+17037893+01	-41223071+00	-99883229+00	+65063642+00
+74089025+00	+17031729+01	-41430572+00	-99728938+00	+65014310+00
+74219923+00	+17025581+01	-41638115+00	-99573333+00	+64964521+00
+74350823+00	+17019448+01	-41845716+00	-99416392+00	+64914272+00
+74427221+00	+17015877+01	-41966918+00	-99324168+00	+64884727+00

$$S_2/R = +77297167+00$$

$$\eta/\alpha = +87471910+00$$

TABLE 198.—Conical Flow Field. $\theta_s=30.0^\circ; M_\infty=3.0$

M_∞	θ_s		θ_w	
+30000000+01	+52359873+00		+69436247+00	
θ	M_{w2}^*	ψ_2	M_2^*	μ_1
+52359873+00	+15086138+01	+22239983-05	-11822087+01	+57775847+00
+52708936+00	+16159011+01	-70786774-02	-11821656+01	+57774539+00
+53057999+00	+16544206+01	-14311422-01	-11820340+01	+57770652+00
+53407062+00	+16915678+01	-21601953-01	-11818129+01	+57764260+00
+53756124+00	+17028125+01	-28914426-01	-11815027+01	+57755435+00
+54105187+00	+17202900+01	-36228962-01	-11811043+01	+57744237+00
+54454250+00	+17351002+01	-43532781-01	-11806186+01	+57730727+00
+54803312+00	+17478992+01	-50817192-01	-11800469+01	+57714959+00
+55152375+00	+17591161+01	-58075886-01	-11793904+01	+57696985+00
+55501438+00	+17690496+01	-65304108-01	-11786506+01	+57676858+00
+55850500+00	+17779179+01	-72498593-01	-11778286+01	+57654617+00
+56199563+00	+17858862+01	-79656750-01	-11769257+01	+57630306+00
+56504993+00	+17922218+01	-85888813-01	-11760704+01	+57607368+00
+56810423+00	+17980362+01	-92090695-01	-11751550+01	+57582894+00
+57115853+00	+18033874+01	-98261676-01	-11741802+01	+575556914+00
+57421282+00	+18083236+01	-10440123+00	-11731467+01	+57529446+00
+57726712+00	+18128863+01	-11050910+00	-11720555+01	+57500509+00
+58032142+00	+18171110+01	-11658499+00	-11709069+01	+57470122+00
+58337572+00	+18210283+01	-12262895+00	-11697018+01	+57438295+00
+58643002+00	+18246653+01	-12864093+00	-11684407+01	+57405050+00
+58948432+00	+18280456+01	-13462114+00	-11671242+01	+57370396+00
+59253862+00	+18311898+01	-14056976+00	-11657528+01	+57334343+00
+59559291+00	+18341166+01	-14648716+00	-11643269+01	+57296904+00
+59821088+00	+18364649+01	-15153455+00	-11630617+01	+57263714+00
+60082985+00	+18386750+01	-15655944+00	-11617570+01	+57229514+00
+60344683+00	+18407556+01	-16156214+00	-11604132+01	+57194309+00
+60606480+00	+18427145+01	-16654298+00	-11590303+01	+57158101+00
+60868276+00	+18445590+01	-17150224+00	-11576085+01	+57120892+00
+61130073+00	+18462958+01	-17644021+00	-11561481+01	+57082683+00
+61391870+00	+18479310+01	-18135740+00	-11546490+01	+57043475+00
+61653668+00	+18494703+01	-18625411+00	-11531114+01	+57003267+00
+61915465+00	+18509189+01	-19113073+00	-11515354+01	+56962056+00
+62177261+00	+18522818+01	-19598772+00	-11499210+01	+56919843+00
+62439058+00	+18535635+01	-20082547+00	-11482682+01	+56876619+00
+62657222+00	+18545726+01	-20484256+00	-11468615+01	+56839827+00
+62875386+00	+18555306+01	-20884692+00	-11454282+01	+56802330+00
+63093551+00	+18564396+01	-21283879+00	-11439681+01	+56764124+00
+63311715+00	+18573017+01	-21681850+00	-11424812+01	+56725204+00
+63529879+00	+18581188+01	-22078624+00	-11409674+01	+56685567+00
+63748043+00	+18588928+01	-22474240+00	-11394267+01	+56645208+00
+63966207+00	+18596254+01	-22868729+00	-11378589+01	+56604121+00
+64184371+00	+18603183+01	-23262113+00	-11362639+01	+56562298+00
+64402536+00	+18609729+01	-23654436+00	-11346417+01	+56519736+00
+64620700+00	+18615909+01	-24045718+00	-11329920+01	+56476424+00
+64839864+00	+18621737+01	-24436004+00	-11313146+01	+56432357+00
+65013396+00	+18626154+01	-24747539+00	-11299527+01	+56396552+00
+65187927+00	+18630361+01	-25058466+00	-11285728+01	+56360254+00
+65362458+00	+18634364+01	-25368820+00	-11271750+01	+56323453+00
+65536990+00	+18638169+01	-25678603+00	-11257589+01	+56286151+00
+65711521+00	+18641781+01	-25987847+00	-11243246+01	+56248337+00

TABLE 198.—Continued

$M_{00} = +30000000+01$

$\theta_B = +52359873+00$

θ	M_{w2}^*	ψ_2	M_2^*	μ_1
+65986052+00	+18645208+01	-26296570+00	-11228718+01	+56210003+00
+66060584+00	+18648453+01	-26604793+00	-11214003+01	+56171149+00
+66235115+00	+18651523+01	-26912527+00	-11199102+01	+56131765+00
+66409647+00	+18654422+01	-27219801+00	-11184010+01	+56091842+00
+66584177+00	+18657154+01	-27526636+00	-11168728+01	+56051376+00
+66758709+00	+18659726+01	-27833050+00	-11153253+01	+56010356+00
+66939607+00	+18661552+01	-28062602+00	-11141517+01	+55979223+00
+67020506+00	+18663291+01	-28291938+00	-11129672+01	+55947770+00
+67151405+00	+18664946+01	-28521071+00	-11117715+01	+55915996+00
+67282303+00	+18666518+01	-28750011+00	-11105644+01	+55883891+00
+67413202+00	+18668009+01	-28978768+00	-11093460+01	+55851456+00
+67544100+00	+18669420+01	-29207350+00	-11081161+01	+55818683+00
+67674998+00	+18670754+01	-29435767+00	-11068746+01	+55785572+00
+67805897+00	+18672011+01	-29664033+00	-11056214+01	+55752113+00
+67936796+00	+18673193+01	-29892160+00	-11043563+01	+55718303+00
+68067694+00	+18674303+01	-30120159+00	-11030792+01	+55684138+00
+68198592+00	+18675340+01	-30348039+00	-11017900+01	+55649610+00
+68329598+00	+18675993+01	-30499895+00	-11009237+01	+55626389+00
+68373124+00	+18676614+01	-30651711+00	-11000520+01	+55603002+00
+68460390+00	+18677205+01	-30803487+00	-10991747+01	+55579449+00
+68547655+00	+18677766+01	-30955231+00	-10982918+01	+55555725+00
+68634921+00	+18678297+01	-31106935+00	-10974033+01	+55531832+00
+68722187+00	+18678799+01	-31258612+00	-10965091+01	+55507768+00
+68809452+00	+18679272+01	-31410265+00	-10956091+01	+55483528+00
+68896718+00	+18679716+01	-31561894+00	-10947034+01	+55459111+00
+68983983+00	+18680132+01	-31713504+00	-10937919+01	+55434516+00
+69071249+00	+18680520+01	-31865104+00	-10928745+01	+55409738+00
+69158515+00	+18680880+01	-32016691+00	-10919511+01	+55384779+00
+69245781+00	+18681213+01	-32168269+00	-10910217+01	+55359633+00
+69333047+00	+18681519+01	-32319852+00	-10900863+01	+55334300+00
+69420312+00	+18681799+01	-32471433+00	-10891448+01	+55308775+00
+69436247+00	+18681847+01	-32499107+00	-10889723+01	+55304097+00

$S_2/R = +12942112+01$

$\eta/\alpha = +91968614+00$

TABLE 199.—Conical Flow Field. $\theta_s=30.0^\circ$; $M_\infty=3.5$

M_∞	θ_s	θ_w		
+34999999+01	+52359873+00	+66429713+00		
θ	M_{w2}^*	ϕ_2	M_2^*	μ_1
+52359873+00	+14008998+01	+17695129-05	-12244454+01	+50884857+00.
+52665303+00	+15418055+01	-54957233-02	-12244151+01	+50883910+00
+52970733+00	+15950722+01	-11196956-01	-12243209+01	+50881095+00
+53276163+00	+16338265+01	-17003532-01	-12241608+01	+50876457+00
+53581593+00	+16650120+01	-22876613-01	-12239336+01	+50870040+00
+53987023+00	+16913438+01	-28794259-01	-12236392+01	+50861878+00
+54192453+00	+17142203+01	-34741804-01	-12232774+01	+50852017+00
+54497883+00	+17344763+01	-40708866-01	-12228484+01	+50840486+00
+54803312+00	+17526573+01	-46687689-01	-12223524+01	+50827320+00
+55108742+00	+17691439+01	-52672323-01	-12217899+01	+50812548+00
+55414172+00	+17842141+01	-58658004-01	-12211613+01	+50796198+00
+55719602+00	+17980784+01	-64641051-01	-12204669+01	+50778293+00
+55981399+00	+18091275+01	-69764897-01	-12198199+01	+50761728+00
+56243196+00	+18194952+01	-74882902-01	-12191253+01	+50744055+00
+56504993+00	+18292513+01	-79993821-01	-12183834+01	+50725284+00
+56766790+00	+18384546+01	-85096481-01	-12175945+01	+50705426+00
+57028587+00	+18471559+01	-90190056-01	-12167589+01	+50684493+00
+57290384+00	+18553985+01	-95273639-01	-12158769+01	+50662495+00
+57552181+00	+18632204+01	-10034674+00	-12149487+01	+50639438+00
+57813978+00	+18706548+01	-10540876+00	-12139747+01	+50615331+00
+58075775+00	+18777310+01	-11045935+00	-12129548+01	+50590178+00
+58337572+00	+18844750+01	-11549809+00	-12118896+01	+50563985+00
+58599369+00	+18909100+01	-12052476+00	-12107791+01	+50536757+00
+58817523+00	+18960514+01	-12470436+00	-12098191+01	+50513280+00
+59035697+00	+19010038+01	-12887534+00	-12088280+01	+50489089+00
+59253962+00	+19057769+01	-13303776+00	-12078056+01	+50464182+00
+59472026+00	+19103801+01	-13719160+00	-12067522+01	+50438562+00
+59690190+00	+19148219+01	-14133676+00	-12056677+01	+50412228+00
+59908354+00	+19191103+01	-14547333+00	-12045521+01	+50385181+00
+60126518+00	+19232526+01	-14960143+00	-12034056+01	+50357417+00
+60344683+00	+19272556+01	-15372108+00	-12022281+01	+50328935+00
+60562847+00	+19311257+01	-15783239+00	-12010195+01	+50299734+00
+60781011+00	+19348687+01	-16193542+00	-11997800+01	+50269811+00
+60999175+00	+19384903+01	-16603025+00	-11985095+01	+50239163+00
+61173706+00	+19413035+01	-16930045+00	-11974707+01	+50214117+00
+61348238+00	+19440449+01	-17256556+00	-11964119+01	+50188602+00
+61522769+00	+19467168+01	-17582573+00	-11953332+01	+50162616+00
+61697301+00	+19493212+01	-17908099+00	-11942344+01	+50136156+00
+61871832+00	+19518606+01	-18233149+00	-11931156+01	+50109217+00
+62046363+00	+19543369+01	-18557732+00	-11919767+01	+50081796+00
+62220894+00	+19567522+01	-18881856+00	-11908176+01	+50053891+00
+62395426+00	+19591080+01	-19205529+00	-11896383+01	+50025497+00
+62569957+00	+19614065+01	-19528762+00	-11884386+01	+49996611+00
+62744488+00	+19636492+01	-19851577+00	-11872184+01	+49967224+00
+62919020+00	+19658376+01	-20173981+00	-11859778+01	+49937335+00
+63049918+00	+19674444+01	-20415518+00	-11850337+01	+49914584+00
+63180816+00	+19690222+01	-20656837+00	-11840781+01	+49891543+00
+63314715+00	+19705717+01	-20897941+00	-11831107+01	+49868213+00
+63442614+00	+19720934+01	-21138828+00	-11821315+01	+49844591+00
+63573512+00	+19735880+01	-21379515+00	-11811406+01	+49820674+00

TABLE 199.—Continued

$M_{\infty} = +34999999+01$

$\theta_B = +52359873+00$

θ	M_{w2}^*	ψ_2	M_2^*	μ_1
+63704411+00	+19750559+01	-21620003+00	-11801378+01	+49796457+00
+63835309+00	+19764978+01	-21860304+00	-11791231+01	+49771936+00
+63966207+00	+19779141+01	-22100417+00	-11780963+01	+49747110+00
+64097106+00	+19793053+01	-22340350+00	-11770575+01	+49721975+00
+64228905+00	+19806719+01	-22580109+00	-11760066+01	+49696528+00
+64359903+00	+19820144+01	-22819701+00	-11749435+01	+49670766+00
+64446169+00	+19828963+01	-22979340+00	-11742279+01	+49653413+00
+64533435+00	+19837677+01	-23138905+00	-11735068+01	+49635917+00
+64620700+00	+19846289+01	-23298407+00	-11727802+01	+49618276+00
+64707966+00	+19854800+01	-23457840+00	-11720481+01	+49600490+00
+64795231+00	+19863211+01	-23617211+00	-11713104+01	+49582558+00
+64882497+00	+19871524+01	-23776520+00	-11705672+01	+49564475+00
+64969763+00	+19879738+01	-23935766+00	-11698183+01	+49546244+00
+65057028+00	+19887857+01	-24094957+00	-11690638+01	+49527861+00
+65144294+00	+19895880+01	-24254089+00	-11683036+01	+49509326+00
+65231560+00	+19903809+01	-24413168+00	-11675377+01	+49490636+00
+65318826+00	+19911645+01	-24572192+00	-11667661+01	+49471791+00
+65406092+00	+19919389+01	-24731174+00	-11659887+01	+49452787+00
+65493356+00	+19927042+01	-24890099+00	-11652055+01	+49433626+00
+65580622+00	+19934605+01	-25048984+00	-11644165+01	+49414304+00
+65667888+00	+19942080+01	-25207821+00	-11636216+01	+49394819+00
+65755154+00	+19949467+01	-25366617+00	-11628208+01	+49375170+00
+65842420+00	+19956766+01	-25525371+00	-11620141+01	+49355354+00
+65929685+00	+19963980+01	-25684086+00	-11612014+01	+49335371+00
+66016951+00	+19971109+01	-25842769+00	-11603827+01	+49315216+00
+66104217+00	+19978154+01	-26001412+00	-11595580+01	+49294891+00
+66191482+00	+19985115+01	-26160030+00	-11587271+01	+49274391+00
+66278748+00	+19991995+01	-26318614+00	-11578902+01	+49253714+00
+66366013+00	+19998793+01	-26477165+00	-11570471+01	+49232859+00
+66429713+00	+20003705+01	-26592877+00	-11564278+01	+49217526+00

$S_2/R = +19660115+01$

$\eta/\alpha = +95275293+00$

TABLE 200.—Conical Flow Field. $\theta_s=30.0^\circ$; $M_\infty=4.0$

M_{00}	θ_s	θ_w
+39999995+01	+52359873+00	+64467684+00

θ	M_{w2}^*	ψ_2	M_2^*	μ_1
+52359873+00	+13105691+01	+15050173-05	-12583342+01	+46290959+00
+52621671+00	+14760867+01	-42844638-02	-12583137+01	+46290284+00
+52893468+00	+15402998+01	-87857805-02	-12582488+01	+46288268+00
+53145265+00	+15877860+01	-13410591-01	-12581372+01	+46284938+00
+53407062+00	+16265189+01	-18121630-01	-12579773+01	+46280323+00
+53668958+00	+16596277+01	-22897340-01	-12577685+01	+46274445+00
+53930656+00	+16887243+01	-27723394-01	-12575100+01	+46267332+00
+54192453+00	+17147702+01	-32589264-01	-12572016+01	+46259001+00
+54454250+00	+17383940+01	-37487045-01	-12568429+01	+46249474+00
+54716047+00	+17600339+01	-42410541-01	-12564340+01	+46238771+00
+54977844+00	+17800102+01	-47354572-01	-12559747+01	+46226904+00
+55239641+00	+17985653+01	-52315056-01	-12554651+01	+46213891+00
+55501438+00	+18158882+01	-57288475-01	-12549051+01	+46199748+00
+55763235+00	+18321297+01	-62271979-01	-12542950+01	+46184489+00
+55981399+00	+18449274+01	-66430781-01	-12537483+01	+46170929+00
+56199563+00	+18571189+01	-70593688-01	-12531668+01	+46156606+00
+56417727+00	+18687557+01	-74759517-01	-12525507+01	+46141526+00
+56635892+00	+18798821+01	-78927428-01	-12519000+01	+46125696+00
+56854056+00	+18905372+01	-83096605-01	-12512147+01	+46109119+00
+57072220+00	+19007553+01	-87266199-01	-12504950+01	+46091801+00
+57290384+00	+19105668+01	-91435633-01	-12497410+01	+46073742+00
+57508548+00	+19199991+01	-95604300-01	-12489526+01	+46054947+00
+57726712+00	+19290763+01	-99771819-01	-12481298+01	+46035418+00
+57944877+00	+19378206+01	-10393770+00	-12472729+01	+46015155+00
+58163041+00	+19462517+01	-10810156+00	-12463818+01	+45994160+00
+58381205+00	+19543876+01	-11226307+00	-12454564+01	+45972433+00
+58599369+00	+19622448+01	-11642189+00	-12444970+01	+45949976+00
+58773900+00	+19683400+01	-11974688+00	-12437048+01	+45931485+00
+58948432+00	+19742735+01	-12306998+00	-12428908+01	+45912523+00
+59122963+00	+19800521+01	-12639100+00	-12420550+01	+45893091+00
+59297495+00	+19856818+01	-12970992+00	-12411973+01	+45873188+00
+59472026+00	+19911686+01	-13302668+00	-12403177+01	+45852813+00
+59646557+00	+19965178+01	-13634117+00	-12394162+01	+45831963+00
+59821088+00	+20017347+01	-13965341+00	-12384927+01	+45810636+00
+59995620+00	+20068241+01	-14296332+00	-12375474+01	+45788827+00
+60170151+00	+20117905+01	-14627092+00	-12365800+01	+45766542+00
+60344683+00	+20166383+01	-14957612+00	-12355906+01	+45743769+00
+60519214+00	+20213716+01	-15287903+00	-12345790+01	+45720508+00
+60693745+00	+20259941+01	-15617957+00	-12335454+01	+45696757+00
+60868276+00	+20305096+01	-15947775+00	-12324895+01	+45672510+00
+60999175+00	+20338281+01	-16194984+00	-12316830+01	+45653997+00
+61130073+00	+20370897+01	-16442064+00	-12308640+01	+45635201+00
+61260972+00	+20402957+01	-16689010+00	-12300323+01	+45616119+00
+61391870+00	+20434476+01	-16935827+00	-12291880+01	+45596752+00
+61522769+00	+20465465+01	-17182520+00	-12283311+01	+45577096+00
+61653668+00	+20495935+01	-17429083+00	-12274614+01	+45557147+00
+61784566+00	+20525900+01	-17675523+00	-12265790+01	+45536901+00
+61915465+00	+20555370+01	-17921838+00	-12256838+01	+45516360+00
+62046363+00	+20584354+01	-18168034+00	-12247757+01	+45495518+00
+62177261+00	+20612865+01	-18414105+00	-12238548+01	+45474376+00

TABLE 200.—Continued

$M_{00} = +39999995+01$

$\theta_B = +52359873+00$

θ	M_{w2}^*	ϕ_2	M_2^*	μ_1
+62399160+00	+20640911+01	-18660057+00	-12229209+01	+45452924+00
+62439058+00	+20668504+01	-18905890+00	-12219740+01	+45431166+00
+62569957+00	+20695651+01	-19151607+00	-12210141+01	+45409092+00
+62657222+00	+20713505+01	-19315357+00	-12203668+01	+45394201+00
+62744488+00	+20731169+01	-19479059+00	-12197138+01	+45379169+00
+62831754+00	+20748644+01	-19642708+00	-12190548+01	+45363991+00
+62919920+00	+20765933+01	-19806309+00	-12183900+01	+45348669+00
+63006286+00	+20793038+01	-19969859+00	-12177192+01	+45333203+00
+63093551+00	+20799961+01	-20133360+00	-12170426+01	+45317589+00
+63180916+00	+20816705+01	-20296818+00	-12163599+01	+45301827+00
+63268982+00	+20833272+01	-20460225+00	-12156713+01	+45285916+00
+63355348+00	+20849665+01	-20623584+00	-12149768+01	+45269853+00
+63442614+00	+20865885+01	-20786895+00	-12142762+01	+45253636+00
+63529879+00	+20881934+01	-20950163+00	-12135696+01	+45237268+00
+63617145+00	+20897815+01	-21113383+00	-12128569+01	+45220742+00
+63704411+00	+20913530+01	-21276555+00	-12121381+01	+45204058+00
+63791676+00	+20929235+01	-21358124+00	-12117765+01	+45195658+00
+638791676+00	+20929080+01	-21439680+00	-12114133+01	+45187218+00
+63935309+00	+20936793+01	-21521229+00	-12110485+01	+45178736+00
+63979942+00	+20944467+01	-21602762+00	-12106823+01	+45170214+00
+63922575+00	+20952101+01	-21684283+00	-12103145+01	+45161652+00
+63966207+00	+20959694+01	-21765796+00	-12099452+01	+45153050+00
+64009841+00	+20967248+01	-21847296+00	-12095743+01	+45144405+00
+64053473+00	+20974762+01	-21928781+00	-12092018+01	+45135721+00
+64097106+00	+20982237+01	-22010260+00	-12088278+01	+45126992+00
+64140739+00	+20989674+01	-22091726+00	-12084523+01	+45118222+00
+64184371+00	+20997071+01	-22173181+00	-12080752+01	+45109411+00
+64228005+00	+21004430+01	-22254621+00	-12076965+01	+45100557+00
+64271637+00	+21011750+01	-22336049+00	-12073164+01	+45091662+00
+64315271+00	+21019032+01	-22417466+00	-12069345+01	+45082722+00
+64358903+00	+21026276+01	-22498871+00	-12065512+01	+45073740+00
+64402536+00	+21033482+01	-22580265+00	-12061662+01	+45064716+00
+64446169+00	+21040651+01	-22661645+00	-12057797+01	+45055645+00
+64489804+00	+21044173+01	-22701763+00	-12055886+01	+45051162+00

$S_2/R = +24426318+01$

$\eta/\alpha = +97714609+00$

TABLE 201.—Conical Flow Field. $\theta_s=30.0^\circ$; $M_\infty=4.5$

M_{00}	e_s		e_w	
+44999992+01	+52359873+00		+63114000+00	

θ	M_{w2}^*	ψ_2	M_2^*	μ_1
+52359873+00	+12365120+01	+13224781-05	-12853453+01	+43043836+00
+52579038+00	+14164819+01	-33035614-02	-12853321+01	+43043372+00
+52796202+00	+14873047+01	-68062730-02	-12852897+01	+43041986+00
+53014366+00	+15402658+01	-10429513-01	-12852160+01	+43039693+00
+53232530+00	+15838284+01	-14140662-01	-12851098+01	+43036508+00
+53450694+00	+16213477+01	-17920837-01	-12849701+01	+43032451+00
+53668958+00	+16545528+01	-21757301-01	-12847963+01	+43027528+00
+53887023+00	+16844745+01	-25640696-01	-12845878+01	+43021757+00
+54105187+00	+17117865+01	-29563893-01	-12843441+01	+43015149+00
+54323351+00	+17369583+01	-33521120-01	-12840650+01	+43007710+00
+54541515+00	+17603328+01	-37507623-01	-12837503+01	+42999457+00
+54759679+00	+17821695+01	-41519549-01	-12833997+01	+42990396+00
+54977844+00	+18026708+01	-45553546-01	-12830132+01	+42980535+00
+55196008+00	+18219980+01	-49606822-01	-12825905+01	+42969884+00
+55414172+00	+18402823+01	-53676922-01	-12821316+01	+42958450+00
+55632336+00	+18576320+01	-57761699-01	-12816365+01	+42946239+00
+55850500+00	+18741380+01	-61859306-01	-12811051+01	+42933256+00
+56068664+00	+18898774+01	-65968130-01	-12805375+01	+42919511+00
+56286828+00	+19049616+01	-69262277-01	-12800572+01	+42907966+00
+56504992+00	+19193627+01	-72561961-01	-12795536+01	+42895935+00
+56723156+00	+19249006+01	-75866699-01	-12790268+01	+42883421+00
+56941320+00	+19358058+01	-79175815-01	-12784767+01	+42870427+00
+57159484+00	+19463642+01	-82488890-01	-12779033+01	+42856952+00
+57377648+00	+19565955+01	-85805431-01	-12773066+01	+42842996+00
+57595812+00	+19665174+01	-89125029-01	-12766867+01	+42828564+00
+57813976+00	+19761462+01	-92447317-01	-12760434+01	+42813651+00
+58032140+00	+19854966+01	-95771983-01	-12753768+01	+42798263+00
+58250304+00	+19945825+01	-99098637-01	-12746870+01	+42782394+00
+58468468+00	+20034165+01	-10242699+00	-12739737+01	+42766048+00
+58686632+00	+20120102+01	-10575685+00	-12732372+01	+42749222+00
+58904796+00	+20203744+01	-10908788+00	-12724772+01	+42731917+00
+59122960+00	+20285192+01	-11241994+00	-12716939+01	+42714130+00
+59341124+00	+20364539+01	-11575280+00	-12708871+01	+42695859+00
+59559288+00	+20441872+01	-11908622+00	-12700570+01	+42677104+00
+59777452+00	+20517271+01	-12242004+00	-12692033+01	+42657862+00
+59995616+00	+20572598+01	-12492067+00	-12685476+01	+42643107+00
+60213780+00	+20626912+01	-12742134+00	-12678787+01	+42628077+00
+60431944+00	+20680239+01	-12992205+00	-12671965+01	+42612770+00
+60650108+00	+20732609+01	-13242275+00	-12665010+01	+42597181+00
+60868272+00	+20784047+01	-13492336+00	-12657922+01	+42581314+00
+61086436+00	+20834579+01	-13742390+00	-12650700+01	+42565161+00
+61304600+00	+20884228+01	-13992421+00	-12643345+01	+42548725+00
+61522764+00	+20933019+01	-14242434+00	-12635856+01	+42532004+00
+61740928+00	+20980971+01	-14492426+00	-12628233+01	+42514992+00
+61959092+00	+21028107+01	-14742385+00	-12620475+01	+42497689+00
+62177256+00	+21074447+01	-14992313+00	-12612582+01	+42480094+00
+62395420+00	+21120009+01	-15242204+00	-12604554+01	+42462205+00
+62613584+00	+21164814+01	-15492058+00	-12596391+01	+42444016+00
+62831748+00	+21208878+01	-15741867+00	-12588092+01	+42425526+00
+63049912+00	+21252219+01	-15991625+00	-12579656+01	+42406733+00

TABLE 201.—Continued

$M_{\infty} = +44999992+01$

$\theta_B = +52359873+00$

θ	M_{w2}^*	ϕ_2	M_2^*	μ_1
+61139973+00	+21294853+01	-16241337+00	-12571084+01	+42387633+00
+61260972+00	+21336796+01	-16491001+00	-12562374+01	+42368220+00
+61348238+00	+21364381+01	-16657405+00	-12556491+01	+42355106+00
+61435503+00	+21391672+01	-16823785+00	-12550547+01	+42341850+00
+61522769+00	+21418669+01	-16990140+00	-12544542+01	+42328453+00
+61610035+00	+21445379+01	-17156465+00	-12538475+01	+42314912+00
+61697301+00	+21471807+01	-17322759+00	-12532347+01	+42301230+00
+61784566+00	+21497954+01	-17489023+00	-12526155+01	+42287400+00
+61871832+00	+21523826+01	-17655255+00	-12519903+01	+42273423+00
+61959097+00	+21549426+01	-17821453+00	-12513588+01	+42259300+00
+62046363+00	+21574757+01	-17987614+00	-12507211+01	+42245027+00
+62133629+00	+21599824+01	-18153738+00	-12500772+01	+42230602+00
+62220894+00	+21624629+01	-18319829+00	-12494270+01	+42216026+00
+62308160+00	+21649178+01	-18485877+00	-12487705+01	+42201296+00
+62395426+00	+21673471+01	-18651883+00	-12481077+01	+42186411+00
+62482691+00	+21697513+01	-18817845+00	-12474386+01	+42171368+00
+62569957+00	+21721307+01	-18983762+00	-12467633+01	+42156168+00
+62657222+00	+21744856+01	-19149634+00	-12460815+01	+42140806+00
+62744488+00	+21768163+01	-19315457+00	-12453933+01	+42125283+00
+62799121+00	+21779727+01	-19398347+00	-12450469+01	+42117459+00
+62831754+00	+21791231+01	-19481225+00	-12446989+01	+42109595+00
+62875386+00	+21802676+01	-19564089+00	-12443492+01	+42101689+00
+62919020+00	+21814063+01	-19646939+00	-12439980+01	+42093739+00
+62962652+00	+21825391+01	-19729776+00	-12436452+01	+42085750+00
+63006286+00	+21836661+01	-19812599+00	-12432907+01	+42077719+00
+63049918+00	+21847874+01	-19895406+00	-12429347+01	+42069645+00
+63093551+00	+21859029+01	-19978195+00	-12425770+01	+42061526+00
+63114000+00	+21864240+01	-20016987+00	-12424090+01	+42057713+00

$S_2/R = +29949845+01$

$\eta/\alpha = +99542565+00$

TABLE 202.—Conical Flow Field. $\theta_s=30.0^\circ$; $M_\infty=5.0$

M_∞	θ_s	θ_w
+50000039+01	+52359873+00	+62140105+00

θ	M_{w2}^*	ϕ_2	M_2^*	μ_1
+52359873+00	+11762213+01	+11920929-05	-13069267+01	+40653246+00
+52579038+00	+13809637+01	-31212568-02	-13069141+01	+40652784+00
+52796202+00	+14620530+01	-64689182-02	-13068734+01	+40651407+00
+53014366+00	+15228837+01	-99555068-02	-13068021+01	+40649127+00
+53232530+00	+15730552+01	-13544742-01	-13066984+01	+40645961+00
+53450694+00	+16163695+01	-17215632-01	-13065613+01	+40641923+00
+53668858+00	+16547858+01	-20953909-01	-13063898+01	+40637026+00
+53887023+00	+16994721+01	-24749096-01	-13061834+01	+40631283+00
+54105187+00	+17211917+01	-28593093-01	-13059412+01	+40624704+00
+54323351+00	+17504769+01	-32479417-01	-13056631+01	+40617301+00
+54541515+00	+17777159+01	-36402714-01	-13053485+01	+40609080+00
+54759679+00	+18032032+01	-40358599-01	-13049971+01	+40600052+00
+54977844+00	+18271680+01	-44343267-01	-13046089+01	+40590225+00
+55196008+00	+18497930+01	-48353426-01	-13041834+01	+40579606+00
+55414172+00	+18712270+01	-52386306-01	-13037205+01	+40568206+00
+55632336+00	+18915929+01	-56439448-01	-13032202+01	+40556023+00
+55850500+00	+19071864+01	-59695128-01	-13027929+01	+40545719+00
+55981399+00	+19222078+01	-62961418-01	-13023415+01	+40534921+00
+56155930+00	+19366974+01	-66237390-01	-13018659+01	+40523633+00
+56330462+00	+19506905+01	-69522265-01	-13013660+01	+40511854+00
+56504993+00	+19642189+01	-72815265-01	-13008419+01	+40499587+00
+56679524+00	+19773112+01	-76115709-01	-13002935+01	+40486831+00
+56854056+00	+19899931+01	-79422998-01	-12997208+01	+40473588+00
+57028587+00	+20022877+01	-82736555-01	-12991236+01	+40459856+00
+57203118+00	+20142164+01	-86055808-01	-12985021+01	+40444564+00
+57377649+00	+20257983+01	-89380323-01	-12978561+01	+40430935+00
+57552181+00	+20370511+01	-92709590-01	-12971857+01	+40415744+00
+57726712+00	+20479909+01	-96043228-01	-12964908+01	+40400063+00
+57901244+00	+20586328+01	-99380817-01	-12957713+01	+40383893+00
+58075775+00	+20689905+01	-10272206+00	-12950272+01	+40367231+00
+58250306+00	+20790766+01	-10606656+00	-12942585+01	+40350074+00
+58381205+00	+20864702+01	-10857694+00	-12936658+01	+40336882+00
+58512103+00	+20937224+01	-11108879+00	-12930592+01	+40323410+00
+58643002+00	+21008376+01	-11360211+00	-12924387+01	+40309656+00
+58773900+00	+21078201+01	-11611670+00	-12918042+01	+40295620+00
+58904799+00	+21146737+01	-11863249+00	-12911557+01	+40281298+00
+59035697+00	+21214024+01	-12114934+00	-12904934+01	+40266694+00
+59166596+00	+21280097+01	-12366721+00	-12898169+01	+40251799+00
+59297495+00	+21344990+01	-12618594+00	-12891265+01	+40236616+00
+59428393+00	+21408736+01	-12870546+00	-12884220+01	+40221142+00
+59559291+00	+21471366+01	-13122564+00	-12877034+01	+40205375+00
+59690190+00	+21532911+01	-13374646+00	-12869707+01	+40189312+00
+59821088+00	+21593398+01	-13626778+00	-12862238+01	+40172950+00
+59951987+00	+21652855+01	-13878953+00	-12854628+01	+40156287+00
+60082885+00	+21711308+01	-14131162+00	-12846875+01	+40139319+00
+60213784+00	+21768781+01	-14383400+00	-12838981+01	+40122046+00
+60301950+00	+21806565+01	-14551564+00	-12833638+01	+40110358+00
+60389315+00	+21843930+01	-14719734+00	-12828232+01	+40098531+00
+60475581+00	+21880884+01	-14887907+00	-12822763+01	+40086565+00
+60562847+00	+21917433+01	-15056075+00	-12817229+01	+40074456+00

TABLE 202.—Continued

$M_{00} = +50000039+01$

$\theta_B = +52359873+00$

θ	M_{w2}^*	ψ_2	M_2^*	μ_1
+60659112+00	+21953584+01	-15224243+00	-12811632+01	+40062209+00
+60737378+00	+21999343+01	-15392402+00	-12805971+01	+40049815+00
+60824644+00	+22024714+01	-15560551+00	-12800246+01	+40037280+00
+60911909+00	+22059706+01	-15728689+00	-12794457+01	+40024597+00
+60999175+00	+22094322+01	-15896812+00	-12788603+01	+40011769+00
+61086440+00	+22128569+01	-16064917+00	-12782685+01	+39998792+00
+61173706+00	+22162451+01	-16232999+00	-12776704+01	+39985666+00
+61260972+00	+22195974+01	-16401059+00	-12770656+01	+39972387+00
+61348238+00	+22229143+01	-16569081+00	-12764546+01	+39958958+00
+61435503+00	+22261964+01	-16737076+00	-12758369+01	+39945374+00
+61522769+00	+22294439+01	-16905036+00	-12752128+01	+39931636+00
+61566402+00	+22310550+01	-16989003+00	-12748984+01	+39924707+00
+61610035+00	+22326575+01	-17072959+00	-12745823+01	+39917739+00
+61653668+00	+22342517+01	-17156903+00	-12742645+01	+39910732+00
+61697301+00	+22358376+01	-17240836+00	-12739451+01	+39903684+00
+61740933+00	+22374152+01	-17324756+00	-12736242+01	+39896596+00
+61784566+00	+22389846+01	-17408661+00	-12733015+01	+39889468+00
+61828199+00	+22405459+01	-17492557+00	-12729773+01	+39882299+00
+61871832+00	+22420990+01	-17576440+00	-12726514+01	+39875090+00
+61915465+00	+22436441+01	-17660305+00	-12723240+01	+39867841+00
+61959097+00	+22451811+01	-17744156+00	-12719948+01	+39860548+00
+62002730+00	+22467103+01	-17827991+00	-12716641+01	+39853215+00
+62046363+00	+22482315+01	-17911809+00	-12713316+01	+39845841+00
+62089996+00	+22497449+01	-17995612+00	-12709976+01	+39838422+00
+62133629+00	+22512505+01	-18079400+00	-12706620+01	+39830962+00
+62149105+00	+22514733+01	-18091831+00	-12706120+01	+39829853+00

$S_2/R = +35072958+01$

$\eta/\alpha = +10093735+01$

TABLE 203.—Conical Flow Field. $\theta_s=30.0^\circ$; $M_\infty=6.0$

M_{00}	θ_s	θ_w
+59999980+01	+52359873+00	+60862959+00

θ	M_{w2}^*	ψ_2	M_2^*	μ_1
+52359873+00	+10968737+01	+10207295-05	-13383619+01	+37427333+00
+52534405+00	+13068069+01	-22751726-02	-13383546+01	+37427038+00
+52709936+00	+13943903+01	-47424883-02	-13383307+01	+37426153+00
+52933468+00	+14608201+01	-73334202-02	-13382883+01	+37424689+00
+53057999+00	+15159506+01	-10018073-01	-13382261+01	+37422651+00
+53232530+00	+15638071+01	-12778949-01	-13381432+01	+37420051+00
+53407062+00	+16064681+01	-15604265-01	-13380387+01	+37416892+00
+53581593+00	+16451726+01	-18485334-01	-13379120+01	+37413179+00
+53756124+00	+16907298+01	-21415267-01	-13377627+01	+37408921+00
+53930656+00	+17137036+01	-24388600-01	-13375901+01	+37404122+00
+54105187+00	+17445055+01	-27400758-01	-13373941+01	+37398789+00
+54279719+00	+17734469+01	-30447874-01	-13371742+01	+37392925+00
+54454250+00	+18007705+01	-33526689-01	-13369302+01	+37386536+00
+54628781+00	+18266695+01	-36634326-01	-13366617+01	+37379623+00
+54803312+00	+18513011+01	-39768305-01	-13363687+01	+37372193+00
+54977844+00	+18747954+01	-42926420-01	-13360508+01	+37364248+00
+55152375+00	+18972608+01	-46106666-01	-13357079+01	+37355790+00
+55326906+00	+19187898+01	-49307320-01	-13353399+01	+37346825+00
+55501438+00	+19394613+01	-52526809-01	-13349465+01	+37337350+00
+55675969+00	+19593438+01	-55763558-01	-13345278+01	+37327373+00
+55850498+00	+19737739+01	-58201719-01	-13341970+01	+37319559+00
+55937766+00	+19878162+01	-60648412-01	-13338518+01	+37311461+00
+56068664+00	+20014911+01	-63103121-01	-13334921+01	+37303081+00
+56199563+00	+20148174+01	-65565429-01	-13331180+01	+37294419+00
+56330462+00	+20278121+01	-68034932-01	-13327293+01	+37285474+00
+56461360+00	+20404907+01	-70511184-01	-13323261+01	+37276246+00
+56592259+00	+20528680+01	-72993811-01	-13319082+01	+37266739+00
+56723157+00	+20649572+01	-75482503-01	-13314757+01	+37256945+00
+56854056+00	+20767710+01	-77976897-01	-13310286+01	+37246872+00
+56984954+00	+20883206+01	-80476656-01	-13305668+01	+37236512+00
+57115853+00	+20996169+01	-82981515-01	-13300903+01	+37225872+00
+57246751+00	+21106699+01	-85491188-01	-13295990+01	+37214946+00
+57377649+00	+21214891+01	-88005378-01	-13290930+01	+37203735+00
+57508548+00	+21320830+01	-90523838-01	-13285721+01	+37192236+00
+57639447+00	+21424600+01	-93046251-01	-13280365+01	+37180452+00
+57770345+00	+21526278+01	-95572534-01	-13274860+01	+37168378+00
+57901244+00	+21625937+01	-98102264-01	-13269206+01	+37156014+00
+58032142+00	+21723645+01	-10063535+00	-13263403+01	+37143358+00
+58163041+00	+21819466+01	-10317149+00	-13257451+01	+37130409+00
+58250306+00	+21892328+01	-10486387+00	-13253400+01	+37121614+00
+58337572+00	+21944396+01	-10655749+00	-13249282+01	+37112686+00
+58424838+00	+22005688+01	-10825224+00	-13245098+01	+37103627+00
+58512103+00	+22066217+01	-10994809+00	-13240847+01	+37094431+00
+58599369+00	+22126000+01	-11164498+00	-13236529+01	+37085105+00
+58686635+00	+22185052+01	-11334283+00	-13232144+01	+37075646+00
+58773900+00	+22243387+01	-11504163+00	-13227692+01	+37066048+00
+58861166+00	+22301020+01	-11674127+00	-13223174+01	+37056316+00
+58948432+00	+22357963+01	-11844170+00	-13218589+01	+37046447+00
+59035697+00	+22414230+01	-12014287+00	-13213936+01	+37036441+00
+59122963+00	+22469833+01	-12184478+00	-13209217+01	+37026295+00

TABLE 203.—Continued

$M_{\infty} = +59999980+01$

$\theta_8 = +52359873+00$

θ	M_{w2}^*	ψ_2	M_2^*	μ_1
+59219229+00	+22524785+01	-12354727+00	-13204430+01	+37016011+00
+59297495+00	+22579096+01	-12525033+00	-13199576+01	+37005587+00
+59384760+00	+22632779+01	-12695387+00	-13194655+01	+36995021+00
+59472926+00	+22685845+01	-12865791+00	-13189666+01	+36984312+00
+59559291+00	+22738304+01	-13036232+00	-13184610+01	+36973459+00
+59646557+00	+22790167+01	-13206710+00	-13179486+01	+36962461+00
+59733823+00	+22841443+01	-13377212+00	-13174295+01	+36951318+00
+59821088+00	+22892143+01	-13547732+00	-13169036+01	+36940027+00
+59864721+00	+22917280+01	-13632995+00	-13166382+01	+36934328+00
+59909354+00	+22942275+01	-13718263+00	-13163710+01	+36928589+00
+59951987+00	+22967132+01	-13803532+00	-13161022+01	+36922814+00
+59995620+00	+22991850+01	-13888803+00	-13158317+01	+36917001+00
+60039253+00	+23016431+01	-13974076+00	-13155594+01	+36911150+00
+60082985+00	+23040876+01	-14059345+00	-13152855+01	+36905261+00
+60126518+00	+23065186+01	-14144614+00	-13150099+01	+36899333+00
+60170151+00	+23089361+01	-14229882+00	-13147326+01	+36893368+00
+60213784+00	+23113404+01	-14315143+00	-13144536+01	+36887364+00
+60257417+00	+23137315+01	-14400399+00	-13141729+01	+36881322+00
+60301050+00	+23161095+01	-14485656+00	-13138905+01	+36875240+00
+60344683+00	+23184745+01	-14570899+00	-13136065+01	+36869119+00
+60388315+00	+23208266+01	-14656140+00	-13133207+01	+36862957+00
+60431948+00	+23231659+01	-14741369+00	-13130333+01	+36856757+00
+60475581+00	+23254925+01	-14826596+00	-13127441+01	+36850517+00
+60519214+00	+23278064+01	-14911803+00	-13124533+01	+36844238+00
+60562847+00	+23301079+01	-14997002+00	-13121608+01	+36837918+00
+60606480+00	+23323970+01	-15082191+00	-13118666+01	+36831557+00
+60650112+00	+23346736+01	-15167367+00	-13115707+01	+36825156+00
+60693745+00	+23369381+01	-15252525+00	-13112731+01	+36818713+00
+60737378+00	+23391904+01	-15337669+00	-13109738+01	+36812231+00
+60781011+00	+23414306+01	-15422796+00	-13106729+01	+36805706+00
+60824644+00	+23436588+01	-15507906+00	-13103702+01	+36799139+00
+60868295+00	+23456058+01	-15582624+00	-13101031+01	+36793340+00

$S_2/R = +43905146+01$

$\eta/\alpha = +10287567+01$

TABLE 204.—Conical Flow Field. $\theta_s=30.0^\circ$; $M_\infty=7.0$

M_{00}	Θ_s		Θ_w	
+69999998+01	+52359873+00		+60087454+00	

Θ	M_{w2}^*	ψ_2	M_2^*	μ_1
+52359873+00	+10261713+01	+91642141-06	-13594092+01	+35404847+00
+52534405+00	+12728451+01	-21523573-02	-13594024+01	+35404551+00
+52709936+00	+13714641+01	-45189336-02	-13593795+01	+35403665+00
+52883468+00	+14463708+01	-70238635-02	-13593384+01	+35402192+00
+53057999+00	+15086246+01	-96342154-02	-13592777+01	+35400147+00
+53232530+00	+15627315+01	-12330819-01	-13591962+01	+35397534+00
+53407062+00	+16110180+01	-15100561-01	-13590929+01	+35394359+00
+53581593+00	+16548703+01	-17933734-01	-13589671+01	+35390629+00
+53756124+00	+16951946+01	-20822834-01	-13588183+01	+35386349+00
+53930656+00	+17326215+01	-23761731-01	-13586458+01	+35381526+00
+54105187+00	+17676118+01	-26745327-01	-13584492+01	+35376163+00
+54279719+00	+18005139+01	-29769346-01	-13582280+01	+35370266+00
+54454250+00	+18315994+01	-32830104-01	-13579820+01	+35363839+00
+54628781+00	+18610846+01	-35924397-01	-13577108+01	+35356886+00
+54803312+00	+18891454+01	-39049417-01	-13574141+01	+35349408+00
+54977844+00	+19159273+01	-42202652-01	-13570917+01	+35341409+00
+55152375+00	+19415519+01	-45381896-01	-13567434+01	+35332891+00
+55326906+00	+19661225+01	-48585087-01	-13563690+01	+35323858+00
+55501437+00	+1989124+01	-51002141-01	-13560708+01	+35316744+00
+55675968+00	+20011921+01	-53430993-01	-13557578+01	+35309341+00
+55850500+00	+20179914+01	-55870879-01	-13554299+01	+35301649+00
+55991399+00	+20343369+01	-58321282-01	-13550869+01	+35293669+00
+56112297+00	+20502528+01	-60781617-01	-13547290+01	+35285401+00
+56243196+00	+20657615+01	-63251271-01	-13543558+01	+35276845+00
+56374094+00	+20808829+01	-65729826-01	-13539676+01	+35267998+00
+56504993+00	+20956360+01	-68216722-01	-13535641+01	+35258864+00
+56635892+00	+21100377+01	-70711564-01	-13531454+01	+35249440+00
+56766790+00	+21241039+01	-73213857-01	-13527114+01	+35239726+00
+56897689+00	+21378491+01	-75723256-01	-13522620+01	+35229723+00
+57028587+00	+21512869+01	-78239273-01	-13517974+01	+35219428+00
+57159485+00	+21644300+01	-80761551-01	-13513172+01	+35208840+00
+57290384+00	+21772901+01	-83289798-01	-13508217+01	+35197958+00
+57421282+00	+21898781+01	-85823599-01	-13503107+01	+35186780+00
+57552181+00	+22022042+01	-88362601-01	-13497842+01	+35175309+00
+57683080+00	+22142782+01	-90906508-01	-13492422+01	+35163538+00
+57813978+00	+22221918+01	-92604990-01	-13488722+01	+35155524+00
+57944877+00	+22299999+01	-94305407-01	-13484953+01	+35147377+00
+58075775+00	+22377048+01	-96007682-01	-13481114+01	+35139096+00
+58206674+00	+22453089+01	-97711734-01	-13477207+01	+35130679+00
+58337572+00	+22528145+01	-99417425-01	-13473229+01	+35122125+00
+58468471+00	+22602237+01	-10112470+00	-13469183+01	+35113438+00
+58599369+00	+22675385+01	-10283346+00	-13465067+01	+35104611+00
+58730268+00	+22747610+01	-10454362+00	-13460881+01	+35095649+00
+58861166+00	+22818931+01	-10625509+00	-13456626+01	+35086545+00
+58992065+00	+22889367+01	-10796781+00	-13452301+01	+35077303+00
+59122964+00	+22958935+01	-10968167+00	-13447906+01	+35067920+00
+59253863+00	+23027652+01	-11139657+00	-13443442+01	+35058396+00
+59384762+00	+23095536+01	-11311246+00	-13438907+01	+35048729+00
+59515661+00	+23162602+01	-11482917+00	-13434303+01	+35038918+00
+59646560+00	+23228865+01	-11654668+00	-13429630+01	+35028964+00

TABLE 204.—Continued

$M_{00} = +69999998+01$

$\theta_8 = +52359873+00$

θ	M_{w2}^*	ψ_2	M_2^*	μ_1
+58948432+00	+23294342+01	-11826490+00	-13424886+01	+35018864+00
+59035697+00	+23359046+01	-11998375+00	-13420072+01	+35008613+00
+59079330+00	+23391113+01	-12084336+00	-13417639+01	+35003434+00
+59122963+00	+23422991+01	-12170311+00	-13415189+01	+34998218+00
+59166596+00	+23454684+01	-12256291+00	-13412721+01	+34992964+00
+59210229+00	+23486192+01	-12342283+00	-13410236+01	+34987672+00
+59253862+00	+23517516+01	-12428284+00	-13407733+01	+34982342+00
+59297495+00	+23548660+01	-12514292+00	-13405213+01	+34976974+00
+59341127+00	+23579623+01	-12600305+00	-13402675+01	+34971570+00
+59384760+00	+23610408+01	-12686318+00	-13400120+01	+34966126+00
+59428393+00	+23641016+01	-12772336+00	-13397548+01	+34960644+00
+59472026+00	+23671449+01	-12858355+00	-13394957+01	+34955124+00
+59515659+00	+23701710+01	-12944376+00	-13392350+01	+34949563+00
+59559291+00	+23731796+01	-13030397+00	-13389725+01	+34943965+00
+59602924+00	+23761713+01	-13116414+00	-13387083+01	+34938329+00
+59646557+00	+23791459+01	-13202430+00	-13384424+01	+34932649+00
+59690190+00	+23821038+01	-13288437+00	-13381747+01	+34926933+00
+59733823+00	+23850450+01	-13374439+00	-13379052+01	+34921178+00
+59777455+00	+23879695+01	-13460434+00	-13376341+01	+34915379+00
+59821088+00	+23908778+01	-13546418+00	-13373612+01	+34909544+00
+59864721+00	+23937698+01	-13632390+00	-13370865+01	+34903665+00
+59908354+00	+23966456+01	-13718349+00	-13368102+01	+34897747+00
+59951987+00	+23995053+01	-13804298+00	-13365321+01	+34891787+00
+59995620+00	+24023492+01	-13890228+00	-13362523+01	+34885786+00
+60039253+00	+24051774+01	-13976141+00	-13359707+01	+34879744+00
+60082885+00	+24079899+01	-14062037+00	-13356875+01	+34873661+00
+60087454+00	+24098235+01	-14071027+00	-13356578+01	+34873024+00

$S_2/R = +50919484+01$

$\eta/\alpha = +10411748+01$

TABLE 205.—Conical Flow Field. $\theta_s=30.0^\circ$; $M_\infty=8.0$

M_{∞}	θ_s	θ_w
+79999983+01	+52359873+00	+59581671+00

θ	M_w^*	ψ_2	M_2^*	μ_1
+52359873+00	+98366275+00	+86799264-06	-13740216+01	+34053985+00
+52534405+00	+12503491+01	-20718053-02	-13740150+01	+34053687+00
+52708936+00	+13572246+01	-43741316-02	-13739929+01	+34052795+00
+52883468+00	+14384699+01	-68255700-02	-13739527+01	+34051315+00
+53057999+00	+15060484+01	-93909688-02	-13738928+01	+34049260+00
+53232530+00	+15648265+01	-12049776-01	-13738120+01	+34046632+00
+53407062+00	+16173158+01	-14788065-01	-13737093+01	+34043442+00
+53581593+00	+16650135+01	-17595410-01	-13735839+01	+34039691+00
+53756124+00	+17088976+01	-20463679-01	-13734350+01	+34035387+00
+53930656+00	+17496493+01	-23386288-01	-13732620+01	+34030537+00
+54105187+00	+17877659+01	-26357822-01	-13730645+01	+34025143+00
+54279719+00	+18236237+01	-29373605-01	-13728419+01	+34019210+00
+54454250+00	+18575158+01	-32429639-01	-13725938+01	+34012742+00
+54628781+00	+18896758+01	-35522480-01	-13723199+01	+34005743+00
+54803312+00	+19202937+01	-38649090-01	-13720199+01	+33998215+00
+54977844+00	+19495265+01	-41806761-01	-13716935+01	+33990158+00
+55109742+00	+19706219+01	-44193920-01	-13714312+01	+33983771+00
+55239641+00	+19910604+01	-46596181-01	-13711538+01	+33977093+00
+55370539+00	+20108845+01	-49012743-01	-13708612+01	+33970119+00
+55501438+00	+20301322+01	-51442776-01	-13705534+01	+33962851+00
+55632336+00	+20498378+01	-53885516-01	-13702301+01	+33955291+00
+55763235+00	+20670321+01	-56340236-01	-13698915+01	+33947436+00
+55894133+00	+20847431+01	-58806296-01	-13695374+01	+33939289+00
+56025032+00	+21019962+01	-61283045-01	-13691678+01	+33930847+00
+56155930+00	+21198145+01	-63769929-01	-13687826+01	+33922113+00
+56286829+00	+21352194+01	-66266361-01	-13683816+01	+33913082+00
+56417727+00	+21512304+01	-68771790-01	-13679650+01	+33903758+00
+56548626+00	+21668655+01	-71285709-01	-13675327+01	+33894138+00
+56679524+00	+21821412+01	-73807623-01	-13670845+01	+33884222+00
+56810423+00	+21970729+01	-76337117-01	-13666205+01	+33874007+00
+56941321+00	+22116750+01	-78873667-01	-13661406+01	+33863492+00
+57072219+00	+22262332+01	-81416845-01	-13656419+01	+33852676+00
+57203118+00	+22408566+01	-83966292-01	-13651331+01	+33841562+00
+57334017+00	+22555452+01	-86526918-01	-13646042+01	+33830249+00
+57464915+00	+22702989+01	-89098218-01	-13640616+01	+33818736+00
+57595814+00	+22851187+01	-91680104-01	-13635042+01	+33807022+00
+57726712+00	+22999946+01	-94272576-01	-13629320+01	+33795107+00
+57857611+00	+23149265+01	-96875634-01	-13623450+01	+33782991+00
+57988510+00	+23299144+01	-99489278-01	-13617432+01	+33770674+00
+58119409+00	+23449583+01	-102133608-01	-13611266+01	+33758156+00
+58250308+00	+23600592+01	-104818453-01	-13604962+01	+33745437+00
+58381207+00	+23752171+01	-107533913-01	-13598510+01	+33732518+00
+58512106+00	+23904420+01	-110280008-01	-13591910+01	+33719400+00
+58643005+00	+24057349+01	-113056738-01	-13585162+01	+33706082+00
+58773904+00	+24210958+01	-115864103-01	-13578266+01	+33692564+00
+58904803+00	+24365247+01	-118692113-01	-13571222+01	+33678846+00
+59035702+00	+24520216+01	-121540768-01	-13564030+01	+33664928+00
+59166601+00	+24675865+01	-124410068-01	-13556690+01	+33650810+00
+59297500+00	+24832194+01	-127300013-01	-13549202+01	+33636492+00
+59428400+00	+24989203+01	-130210603-01	-13541566+01	+33621974+00
+59559300+00	+25146892+01	-133142848-01	-13533782+01	+33607256+00
+59690200+00	+25305261+01	-136096748-01	-13525850+01	+33592338+00
+59821100+00	+25464310+01	-139172303-01	-13517770+01	+33577220+00
+59952000+00	+25624039+01	-142269513-01	-13509542+01	+33561902+00
+60082900+00	+25784448+01	-145388378-01	-13501166+01	+33546384+00
+60213800+00	+25945537+01	-148528898-01	-13492642+01	+33530666+00
+60344700+00	+26107306+01	-151691073-01	-13483970+01	+33514748+00
+60475600+00	+26269755+01	-154874913-01	-13475150+01	+33498630+00
+60606500+00	+26432884+01	-158080418-01	-13466182+01	+33482312+00
+60737400+00	+26596693+01	-161307588-01	-13457066+01	+33465794+00
+60868300+00	+26761182+01	-164556423-01	-13447802+01	+33449076+00
+60999200+00	+26926351+01	-167826923-01	-13438390+01	+33432158+00
+61130100+00	+27092200+01	-171119088-01	-13428830+01	+33415040+00
+61261000+00	+27258729+01	-174432918-01	-13419122+01	+33397722+00
+61391900+00	+27425938+01	-177758413-01	-13409266+01	+33380204+00
+61522800+00	+27593827+01	-181105523-01	-13400262+01	+33362486+00
+61653700+00	+27762396+01	-184474248-01	-13391110+01	+33344568+00
+61784600+00	+27931645+01	-187864588-01	-13381810+01	+33326450+00
+61915500+00	+28101574+01	-191276543-01	-13372362+01	+33308132+00
+62046400+00	+28272193+01	-194709113-01	-13362766+01	+33289614+00
+62177300+00	+28443492+01	-198162308-01	-13353022+01	+33270896+00
+62308200+00	+28615471+01	-201636128-01	-13343130+01	+33251978+00
+62439100+00	+28788130+01	-205130573-01	-13333090+01	+33232860+00
+62570000+00	+28961469+01	-208645643-01	-13322902+01	+33213542+00
+62700900+00	+29135488+01	-212181338-01	-13312566+01	+33194024+00
+62831800+00	+29310187+01	-215737658-01	-13302082+01	+33174306+00
+62962700+00	+29485566+01	-219314603-01	-13291450+01	+33154388+00
+63093600+00	+29661625+01	-222912173-01	-13280670+01	+33134270+00
+63224500+00	+29838364+01	-226530378-01	-13269742+01	+33113952+00
+63355400+00	+30015783+01	-230169218-01	-13258666+01	+33093434+00
+63486300+00	+30193892+01	-233828693-01	-13247442+01	+33072716+00
+63617200+00	+30372691+01	-237508803-01	-13236070+01	+33051898+00
+63748100+00	+30552180+01	-241209548-01	-13224550+01	+33030880+00
+63879000+00	+30732359+01	-244930928-01	-13212882+01	+33009662+00
+64010000+00	+30913228+01	-248672943-01	-13201066+01	+32988244+00
+64140900+00	+31094787+01	-252435593-01	-13189102+01	+32966626+00
+64271800+00	+31277036+01	-256218888-01	-13176990+01	+32944808+00
+64402700+00	+31460975+01	-260022828-01	-13164730+01	+32922790+00
+64533600+00	+31646614+01	-263847413-01	-13152322+01	+32900572+00
+64664500+00	+31832953+01	-267692643-01	-13139766+01	+32878154+00
+64795400+00	+32020092+01	-271558528-01	-13127062+01	+32855536+00
+64926300+00	+32207931+01	-275445068-01	-13114210+01	+32832718+00
+65057200+00	+32396470+01	-279352263-01	-13101210+01	+32809700+00
+65188100+00	+32585709+01	-283280113-01	-13088062+01	+32786482+00
+65319000+00	+32775648+01	-287228618-01	-13074766+01	+32763064+00
+65450000+00	+32966287+01	-291197778-01	-13061322+01	+32739446+00
+65580900+00	+33157626+01	-295187593-01	-13047730+01	+32715628+00
+65711800+00	+33349665+01	-299198063-01	-13033990+01	+32691610+00
+65842700+00	+33542404+01	-303229198-01	-13020102+01	+32667392+00
+65973600+00	+33735843+01	-307280998-01	-13006066+01	+32642974+00
+66104500+00	+33930982+01	-311353453-01	-12991882+01	+32618356+00
+66235400+00	+34127821+01	-315446563-01	-12977550+01	+32593538+00
+66366300+00	+34326360+01	-319560328-01	-12963070+01	+32568520+00
+66497200+00	+34526599+01	-323694748-01	-12948442+01	+32543302+00
+66628100+00	+34728538+01	-327849823-01	-12933666+01	+32517884+00
+66759000+00	+34932177+01	-332025553-01	-12918742+01	+32492266+00
+66890000+00	+35137516+01	-336221943-01	-12903670+01	+32466448+00
+67020900+00	+35344555+01	-340439088-01	-12888450+01	+32440430+00
+67151800+00	+35553294+01	-344676988-01	-12873082+01	+32414212+00
+67282700+00	+35763733+01	-348935643-01	-12857566+01	+32387794+00
+67413600+00	+35975872+01	-353215053-01	-12841902+01	+32361176+00
+67544500+00	+36189711+01	-357515228-01	-12826090+01	+32334358+00
+67675400+00	+36405250+01	-361836168-01	-12810130+01	+32307340+00
+67806300+00	+36622489+01	-366177873-01	-12794022+01	+32280122+00
+67937200+00	+36841428+01	-370540343-01	-12777766+01	+32252704+00
+68068100+00	+37062067+01	-374923578-01	-12761362+01	+32225186+00
+68199000+00	+37284406+01	-379327578-01	-12744810+01	+32197468+00
+68330000+00	+37508445+01	-383752343-01	-12728110+01	+32169550+00
+68460900+00	+37734184+01	-388197873-01	-12711262+01	+32141432+00
+68591800+00	+37961623+01	-392664168-01	-12694266+01	+32113114+00
+68722700+00	+38190762+01	-397151228-01	-12677122+01	+32084596+00
+68853600+00	+38421601+01	-401659053-01	-12659830+01	+32055878+00
+68984500+00	+38654140+01	-406187653-01	-12642390+01	+32026960+00
+69115400+00	+38888379+01	-410736928-01	-12624802+01	+31997842+00
+69246300+00	+39124318+01	-415307878-01	-12607066+01	+31968524+00
+69377200+00	+39361957+01	-420000503-01	-12589182+01	+31938906+00
+69508100+00	+39602296+01	-424714813-01	-12571150+01	+31909088+00
+69639000+00	+39845335+01	-429450908-01	-12552970+01	+31879070+00
+69770000+00	+40091074+01	-434208783-01	-12534642+01	+31848852+00
+69900900+00	+40339513+01	-438988428-01	-12516166+01	+31818434+00
+70031800+00	+40590652+01	-443789843-01	-12497542+01	+31787816+00
+70162700+00	+40844491+01	-448613028-01	-12478770+01	+31756998+00
+70293600+00	+41101030+01	-453457973-01	-12459850+01	+31725980+00
+70424500+00	+41360269+01	-458324688-01	-12440782+01	+31694762+00
+70555400+00	+41622208+01	-463213173-01	-12421566+01	+31663344+00
+70686300+00	+41886947+01	-468123428-01	-12402202+01	+31631726+00
+70817200+00	+42154486+01	-473055453-01	-12382690+01	+31600008+00
+70948100+00	+42424725+01	-478009258-01	-12363030+01	+31568190+00
+71079000+00	+42697664+01	-483084843-01	-12343222+01	+31536272+00
+71210000+00	+42973303+01	-488182208-01	-12323266+01	+31504254+00
+71340900+00	+43251642+01	-493301353-01	-12303162+01</	

TABLE 205.—Continued

$M_{\infty} = +79999983+01$

$\theta_8 = +52359873+00$

θ	M_{w2}^*	ψ_2	M_2^*	μ_1
+58469470+00	+23614565+01	-10885210+00	-13593597+01	+33718070+00
+58512103+00	+23652571+01	-10971569+00	-13591339+01	+33713275+00
+58555736+00	+23690345+01	-11057945+00	-13589062+01	+33708443+00
+58599369+00	+23727888+01	-11144347+00	-13586767+01	+33703575+00
+58643002+00	+23765204+01	-11230763+00	-13584455+01	+33698670+00
+58686635+00	+23802293+01	-11317199+00	-13582125+01	+33693727+00
+58730267+00	+23839159+01	-11403650+00	-13579777+01	+33688745+00
+58773900+00	+23875804+01	-11490115+00	-13577411+01	+33683726+00
+58817533+00	+23912229+01	-11576590+00	-13575027+01	+33678669+00
+58861166+00	+23948437+01	-11663079+00	-13572626+01	+33673574+00
+58904799+00	+23984429+01	-11749573+00	-13570206+01	+33668440+00
+58948432+00	+24020208+01	-11836077+00	-13567769+01	+33663268+00
+58992065+00	+24055775+01	-11922588+00	-13565314+01	+33658057+00
+59035697+00	+24091133+01	-12009105+00	-13562841+01	+33652808+00
+59079330+00	+24126283+01	-12095624+00	-13560351+01	+33647519+00
+59122963+00	+24161227+01	-12182141+00	-13557843+01	+33642189+00
+59166596+00	+24195966+01	-12268661+00	-13555317+01	+33636822+00
+59210229+00	+24230503+01	-12355175+00	-13552773+01	+33631414+00
+59253862+00	+24264840+01	-12441687+00	-13550211+01	+33625967+00
+59297495+00	+24298978+01	-12528191+00	-13547632+01	+33620477+00
+59341127+00	+24332918+01	-12614691+00	-13545036+01	+33614949+00
+59384760+00	+24366663+01	-12701180+00	-13542421+01	+33609379+00
+59428393+00	+24400215+01	-12787653+00	-13539789+01	+33603771+00
+59472026+00	+24433573+01	-12874117+00	-13537140+01	+33598119+00
+59515659+00	+24466741+01	-12960564+00	-13534473+01	+33592427+00
+59559291+00	+24499720+01	-13046994+00	-13531788+01	+33586692+00
+59581671+00	+24516563+01	-13091318+00	-13530405+01	+33583737+00

$S_2/R = +56413838+01$

$\eta/\alpha = +10495543+01$

TABLE 206.—Conical Flow Field. $\theta_s=30.0^\circ$; $M_\infty=10.0$

M_{00}	θ_B	θ_W
+10000001+02	+52359873+00	+58984179+00

θ	M_{W2}^*	ψ_2	M_2^*	μ_1
+52359873+00	+93022971+00	+77486038-06	-13922573+01	+32420270+00
+52490772+00	+11868322+01	-14530979-02	-13922539+01	+32420101+00
+52621671+00	+12877356+01	-30668937-02	-13922425+01	+32419594+00
+52752569+00	+13880268+01	-47897398-02	-13922217+01	+32418751+00
+52883468+00	+14314351+01	-65969825-02	-13921905+01	+32417577+00
+53014366+00	+14895222+01	-84743574-02	-13921482+01	+32416075+00
+53145265+00	+15396645+01	-10412183-01	-13920943+01	+32414247+00
+53276163+00	+15862805+01	-12403037-01	-13920281+01	+32412098+00
+53407062+00	+16292970+01	-14441360-01	-13919494+01	+32409629+00
+53537960+00	+16693593+01	-16522545-01	-13918575+01	+32406844+00
+53668858+00	+17069380+01	-18642798-01	-13917522+01	+32403741+00
+53799757+00	+17423894+01	-20798761-01	-13916333+01	+32400327+00
+53930656+00	+17759904+01	-22987690-01	-13915004+01	+32396601+00
+54061554+00	+18079619+01	-25207005-01	-13913533+01	+32392567+00
+54192453+00	+18384833+01	-27454715-01	-13911917+01	+32388225+00
+54323351+00	+18677028+01	-29728726-01	-13910154+01	+32383576+00
+54454250+00	+18957441+01	-32027300-01	-13908244+01	+32378623+00
+54585148+00	+19227126+01	-34348849-01	-13906183+01	+32373367+00
+54716047+00	+19486982+01	-36691915-01	-13903970+01	+32367809+00
+54846945+00	+19737788+01	-39055225-01	-13901605+01	+32361947+00
+54977844+00	+19980220+01	-41437514-01	-13899085+01	+32355786+00
+55108742+00	+20214874+01	-43837670-01	-13896410+01	+32349324+00
+55239641+00	+20442277+01	-46254668-01	-13893578+01	+32342562+00
+55370539+00	+20662896+01	-48687425-01	-13890589+01	+32335499+00
+55501438+00	+20877150+01	-51135171-01	-13887441+01	+32328136+00
+55632336+00	+21085413+01	-53596944-01	-13884133+01	+32320475+00
+55763235+00	+21288024+01	-56071974-01	-13880665+01	+32312512+00
+55894133+00	+21485292+01	-58559518-01	-13877036+01	+32304250+00
+55981399+00	+21613973+01	-60224421-01	-13874527+01	+32298575+00
+56068664+00	+21740481+01	-61894383-01	-13871946+01	+32292763+00
+56155930+00	+21864887+01	-63569124-01	-13869293+01	+32286821+00
+56243196+00	+21987260+01	-65248522-01	-13866567+01	+32280741+00
+56330462+00	+22107663+01	-66932398-01	-13863769+01	+32274527+00
+56417727+00	+22226157+01	-68620481-01	-13860898+01	+32268180+00
+56504993+00	+22342802+01	-70312671-01	-13857955+01	+32261695+00
+56592259+00	+22457651+01	-72008751-01	-13854938+01	+32255072+00
+56679524+00	+22570755+01	-73708575-01	-13851849+01	+32248316+00
+56766790+00	+22682165+01	-75411968-01	-13848685+01	+32241423+00
+56854056+00	+22791928+01	-77118799-01	-13845450+01	+32234388+00
+56941321+00	+22900088+01	-78828660-01	-13842140+01	+32227218+00
+57028587+00	+23006689+01	-80541979-01	-13838757+01	+32219910+00
+57115853+00	+23111770+01	-82258061-01	-13835301+01	+32212459+00
+57203118+00	+23215370+01	-83976901-01	-13831771+01	+32204870+00
+57290384+00	+23317527+01	-85698362-01	-13828167+01	+32197140+00
+57377649+00	+23418276+01	-87422329-01	-13824490+01	+32189269+00
+57464915+00	+23517651+01	-89148585-01	-13820739+01	+32181253+00
+57552181+00	+23615684+01	-90876996-01	-13816914+01	+32173097+00
+57639447+00	+23712408+01	-92607434-01	-13813016+01	+32164793+00
+57726712+00	+23807851+01	-94339724-01	-13809044+01	+32156345+00
+57813978+00	+23902043+01	-96073769-01	-13804998+01	+32147751+00

TABLE 206.—Continued

$M_{\infty} = +1.0000001+02$

$\theta_8 = +52359873+00$

θ	M_{w2}^*	ψ_2	M_2^*	μ_1
+57901244+00	+23995011+01	-97809322-01	-13800879+01	+32139010+00
+57998510+00	+24086781+01	-99546287-01	-13796685+01	+32130118+00
+58075775+00	+24177380+01	-10128448+00	-13792419+01	+32121076+00
+58163041+00	+24266830+01	-10302381+00	-13788079+01	+32111885+00
+58250306+00	+24355156+01	-10476406+00	-13783666+01	+32102540+00
+58293939+00	+24398905+01	-10563450+00	-13781431+01	+32097810+00
+58337572+00	+24442381+01	-10650505+00	-13779179+01	+32093042+00
+58381205+00	+24485587+01	-10737581+00	-13776908+01	+32088235+00
+58424838+00	+24528526+01	-10824668+00	-13774619+01	+32083387+00
+58468470+00	+24571201+01	-10911763+00	-13772311+01	+32078502+00
+58512103+00	+24613614+01	-10998867+00	-13769986+01	+32073577+00
+58555736+00	+24655767+01	-11085982+00	-13767643+01	+32068610+00
+58599369+00	+24697662+01	-11173101+00	-13765281+01	+32063607+00
+58643002+00	+24739304+01	-11260216+00	-13762900+01	+32058561+00
+58686635+00	+24780693+01	-11347331+00	-13760502+01	+32053478+00
+58730267+00	+24821832+01	-11434447+00	-13758086+01	+32048352+00
+58773900+00	+24862723+01	-11521556+00	-13755652+01	+32043186+00
+58817533+00	+24903369+01	-11608660+00	-13753200+01	+32037979+00
+58861166+00	+24943771+01	-11695755+00	-13750729+01	+32032730+00
+58904799+00	+24983933+01	-11782835+00	-13748241+01	+32027441+00
+58948432+00	+25023857+01	-11869901+00	-13745735+01	+32022110+00
+58994179+00	+25056390+01	-11941213+00	-13743670+01	+32017713+00

$S_2/R = +64113376+01$

$\eta/\alpha = +10597521+01$

TABLE 207.—Conical Flow Field. $\theta_s=30.0^\circ$; $M_\infty=12.0$

M_∞	Θ_s	Θ_w
+11999986+02	+52359873+00	+58658328+00

Θ	M_{w2}^*	ψ_2	M_2^*	μ_1
+52359873+00	+89952824+00	+74878335-06	-14026751+01	+31509642+00
+52490772+00	+11703429+01	-14126971-02	-14026719+01	+31509471+00
+52621671+00	+12770402+01	-29944442-02	-14026607+01	+31508960+00
+52752569+00	+13598174+01	-46908073-02	-14026403+01	+31508111+00
+52883468+00	+14289998+01	-64760000-02	-14026095+01	+31506930+00
+53014366+00	+14894017+01	-83350576-02	-14025676+01	+31505419+00
+53145265+00	+15435304+01	-10257792-01	-14025139+01	+31503579+00
+53276163+00	+15928822+01	-12236521-01	-14024479+01	+31501417+00
+53407062+00	+16394354+01	-14265340-01	-14023692+01	+31498931+00
+53537960+00	+16898701+01	-16339459-01	-14022772+01	+31496125+00
+53668858+00	+17206832+01	-18454764-01	-14021716+01	+31493004+00
+53799757+00	+17582502+01	-20607851-01	-14020521+01	+31489565+00
+53930656+00	+17938634+01	-22795711-01	-14019184+01	+31485814+00
+54061554+00	+18277558+01	-25015797-01	-14017703+01	+31481751+00
+54192453+00	+18601166+01	-27265761-01	-14016074+01	+31477377+00
+54323351+00	+18911021+01	-29543567-01	-14014296+01	+31472696+00
+54454250+00	+19208431+01	-31847343-01	-14012367+01	+31467706+00
+54585148+00	+19494504+01	-34175374-01	-14010285+01	+31462411+00
+54716047+00	+19770190+01	-36526188-01	-14008048+01	+31456807+00
+54846945+00	+20036310+01	-38898315-01	-14005655+01	+31450899+00
+54977844+00	+20293577+01	-41290469-01	-14003104+01	+31444689+00
+55108742+00	+20542622+01	-43701455-01	-14000394+01	+31438174+00
+55239641+00	+20783997+01	-46130154-01	-13997524+01	+31431353+00
+55370539+00	+21018198+01	-48575509-01	-13994493+01	+31424228+00
+55501438+00	+21170565+01	-50214499-01	-13992383+01	+31419312+00
+55632336+00	+21320059+01	-51860210-01	-13990199+01	+31414259+00
+55763236+00	+21466792+01	-53512320-01	-13987944+01	+31409070+00
+55894133+00	+21610866+01	-55170640-01	-13985615+01	+31403747+00
+56025033+00	+21752382+01	-56834824-01	-13983214+01	+31398286+00
+56155933+00	+21891429+01	-58504716-01	-13980739+01	+31392690+00
+56286833+00	+22028093+01	-60180061-01	-13978190+01	+31386958+00
+56417733+00	+22162455+01	-61860628-01	-13975568+01	+31381092+00
+56548633+00	+22294591+01	-63546188-01	-13972872+01	+31375086+00
+56679533+00	+22424573+01	-65236564-01	-13970102+01	+31368943+00
+56810433+00	+22552470+01	-66931531-01	-13967258+01	+31362663+00
+56941333+00	+22678345+01	-68630874-01	-13964340+01	+31356245+00
+57072233+00	+22802258+01	-70334405-01	-13961347+01	+31349688+00
+57203133+00	+22924268+01	-72041929-01	-13958280+01	+31342993+00
+57334033+00	+23044430+01	-73753241-01	-13955138+01	+31336158+00
+57464933+00	+23162795+01	-75468171-01	-13951922+01	+31329182+00
+57595833+00	+23279414+01	-77186573-01	-13948631+01	+31322066+00
+57726733+00	+23394333+01	-78908163-01	-13945264+01	+31314808+00
+57857633+00	+23507597+01	-80632854-01	-13941823+01	+31307407+00
+57988533+00	+23619249+01	-82360427-01	-13938307+01	+31299865+00
+58119433+00	+23729330+01	-84090680-01	-13934716+01	+31292177+00
+58250333+00	+23837879+01	-85823491-01	-13931050+01	+31284344+00
+58381233+00	+23944934+01	-87558664-01	-13927309+01	+31276366+00
+58512133+00	+23997912+01	-88427055-01	-13925410+01	+31272322+00
+58643033+00	+24050530+01	-89295979-01	-13923493+01	+31268241+00
+58773933+00	+24102792+01	-90165436-01	-13921557+01	+31264123+00

TABLE 207.—Continued

$M_{\infty} = +11999986+02$

$\Theta_8 = +52359873+00$

Θ	M_{W2}^*	ψ_2	M_2^*	μ_1
+57552181+00	+24154702+01	-91035329-01	-13919602+01	+31259966+00
+57595814+00	+24206264+01	-91905694-01	-13917629+01	+31255774+00
+57639447+00	+24257482+01	-92776477-01	-13915636+01	+31251546+00
+57683080+00	+24308360+01	-93647662-01	-13913625+01	+31247278+00
+57726712+00	+24358902+01	-94519253-01	-13911596+01	+31242972+00
+57770345+00	+24409112+01	-95391213-01	-13909548+01	+31238629+00
+57813978+00	+24458993+01	-96263486-01	-13907481+01	+31234249+00
+57857611+00	+24508549+01	-97136102-01	-13905395+01	+31229829+00
+57901244+00	+24557782+01	-98008964-01	-13903291+01	+31225372+00
+57944877+00	+24606698+01	-98882183-01	-13901168+01	+31220876+00
+57988510+00	+24655299+01	-99755588-01	-13899026+01	+31216341+00
+58032142+00	+24703588+01	-10062922+00	-13896866+01	+31211766+00
+58075775+00	+24751570+01	-10150306+00	-13894688+01	+31207154+00
+58119408+00	+24799245+01	-10237707+00	-13892490+01	+31202502+00
+58163041+00	+24846619+01	-10325121+00	-13890275+01	+31197810+00
+58206674+00	+24893694+01	-10412548+00	-13888041+01	+31193079+00
+58250306+00	+24940473+01	-10499985+00	-13885788+01	+31188309+00
+58293939+00	+24986959+01	-10587433+00	-13883517+01	+31183498+00
+58337572+00	+25033155+01	-10674883+00	-13881227+01	+31178647+00
+58381205+00	+25079064+01	-10762336+00	-13878919+01	+31173755+00
+58424838+00	+25124688+01	-10849786+00	-13876593+01	+31168823+00
+58468470+00	+25170031+01	-10937235+00	-13874249+01	+31163850+00
+58512103+00	+25215095+01	-11024675+00	-13871886+01	+31158834+00
+58555736+00	+25259882+01	-11112110+00	-13869505+01	+31153779+00
+58599369+00	+25304395+01	-11199533+00	-13867106+01	+31148682+00
+58643002+00	+25348638+01	-11286940+00	-13864689+01	+31143543+00
+58686635+00	+25392881+01	-11374380+00	-13862254+01	+31138364+00
+58730268+00	+25437124+01	-11461820+00	-13859800+01	+31133145+00
+58773901+00	+25481367+01	-11549260+00	-13857327+01	+31127886+00
+58817534+00	+25525610+01	-11636700+00	-13854845+01	+31122587+00
+58861167+00	+25569853+01	-11724140+00	-13852354+01	+31117248+00
+58904800+00	+25614096+01	-11811580+00	-13849854+01	+31111869+00
+58948433+00	+25658339+01	-11899020+00	-13847345+01	+31106450+00
+58992066+00	+25702582+01	-11986460+00	-13844827+01	+31100991+00
+59035699+00	+25746825+01	-12073900+00	-13842300+01	+31095492+00
+59079332+00	+25791068+01	-12161340+00	-13839764+01	+31089953+00
+59122965+00	+25835311+01	-12248780+00	-13837219+01	+31084374+00
+59166598+00	+25879554+01	-12336220+00	-13834674+01	+31078755+00
+59210231+00	+25923797+01	-12423660+00	-13832119+01	+31073096+00
+59253864+00	+25968040+01	-12511100+00	-13829564+01	+31067497+00
+59297497+00	+26012283+01	-12598540+00	-13827000+01	+31061858+00
+59341130+00	+26056526+01	-12685980+00	-13824435+01	+31056179+00
+59384763+00	+26100769+01	-12773420+00	-13821870+01	+31050460+00
+59428396+00	+26145012+01	-12860860+00	-13819305+01	+31044701+00
+59472029+00	+26189255+01	-12948300+00	-13816740+01	+31038902+00
+59515662+00	+26233498+01	-13035740+00	-13814175+01	+31033063+00
+59559295+00	+26277741+01	-13123180+00	-13811610+01	+31027184+00
+59602928+00	+26321984+01	-13210620+00	-13809045+01	+31021265+00
+59646561+00	+26366227+01	-13298060+00	-13806480+01	+31015306+00
+59690194+00	+26410470+01	-13385500+00	-13803915+01	+31009307+00
+59733827+00	+26454713+01	-13472940+00	-13801350+01	+31003268+00
+59777460+00	+26498956+01	-13560380+00	-13798785+01	+30997189+00
+59821093+00	+26543199+01	-13647820+00	-13796220+01	+30991070+00
+59864726+00	+26587442+01	-13735260+00	-13793655+01	+30984911+00
+59908359+00	+26631685+01	-13822700+00	-13791090+01	+30978712+00
+59951992+00	+26675928+01	-13910140+00	-13788525+01	+30972473+00
+59995625+00	+26720171+01	-14000000+00	-13785960+01	+30966194+00
+60039258+00	+26764414+01	-14090000+00	-13783395+01	+30959875+00
+60082891+00	+26808657+01	-14180000+00	-13780830+01	+30953516+00
+60126524+00	+26852900+01	-14270000+00	-13778265+01	+30947117+00
+60170157+00	+26897143+01	-14360000+00	-13775700+01	+30940678+00
+60213790+00	+26941386+01	-14450000+00	-13773135+01	+30934209+00
+60257423+00	+26985629+01	-14540000+00	-13770570+01	+30927710+00
+60301056+00	+27029872+01	-14630000+00	-13768005+01	+30921171+00
+60344689+00	+27074115+01	-14720000+00	-13765440+01	+30914592+00
+60388322+00	+27118358+01	-14810000+00	-13762875+01	+30908073+00
+60431955+00	+27162601+01	-14900000+00	-13760310+01	+30901514+00
+60475588+00	+27206844+01	-15000000+00	-13757745+01	+30894915+00
+60519221+00	+27251087+01	-15100000+00	-13755180+01	+30888276+00
+60562854+00	+27295330+01	-15200000+00	-13752615+01	+30881597+00
+60606487+00	+27339573+01	-15300000+00	-13750050+01	+30874878+00
+60650120+00	+27383816+01	-15400000+00	-13747485+01	+30868119+00
+60693753+00	+27428059+01	-15500000+00	-13744920+01	+30861320+00
+60737386+00	+27472302+01	-15600000+00	-13742355+01	+30854481+00
+60781019+00	+27516545+01	-15700000+00	-13739790+01	+30847602+00
+60824652+00	+27560788+01	-15800000+00	-13737225+01	+30840683+00
+60868285+00	+27605031+01	-15900000+00	-13734660+01	+30833724+00
+60911918+00	+27649274+01	-16000000+00	-13732095+01	+30826725+00
+60955551+00	+27693517+01	-16100000+00	-13729530+01	+30819686+00
+60999184+00	+27737760+01	-16200000+00	-13726965+01	+30812607+00
+61042817+00	+27782003+01	-16300000+00	-13724400+01	+30805488+00
+61086450+00	+27826246+01	-16400000+00	-13721835+01	+30798329+00
+61130083+00	+27870489+01	-16500000+00	-13719270+01	+30791130+00
+61173716+00	+27914732+01	-16600000+00	-13716705+01	+30783891+00
+61217349+00	+27958975+01	-16700000+00	-13714140+01	+30776612+00
+61260982+00	+28003218+01	-16800000+00	-13711575+01	+30769293+00
+61304615+00	+28047461+01	-16900000+00	-13709010+01	+30761934+00
+61348248+00	+28091704+01	-17000000+00	-13706445+01	+30754535+00
+61391881+00	+28135947+01	-17100000+00	-13703880+01	+30747096+00
+61435514+00	+28180190+01	-17200000+00	-13701315+01	+30739617+00
+61479147+00	+28224433+01	-17300000+00	-13698750+01	+30732098+00
+61522780+00	+28268676+01	-17400000+00	-13696185+01	+30724539+00
+61566413+00	+28312919+01	-17500000+00	-13693620+01	+30716940+00
+61610046+00	+28357162+01	-17600000+00	-13691055+01	+30709301+00
+61653679+00	+28401405+01	-17700000+00	-13688490+01	+30701622+00
+61697312+00	+28445648+01	-17800000+00	-13685925+01	+30693903+00
+61740945+00	+28489891+01	-17900000+00	-13683360+01	+30686144+00
+61784578+00	+28534134+01	-18000000+00	-13680795+01	+30678345+00
+61828211+00	+28578377+01	-18100000+00	-13678230+01	+30670506+00
+61871844+00	+28622620+01	-18200000+00	-13675665+01	+30662627+00
+61915477+00	+28666863+01	-18300000+00	-13673100+01	+30654708+00
+61959110+00	+28711106+01	-18400000+00	-13670535+01	+30646749+00
+62002743+00	+28755349+01	-18500000+00	-13667970+01	+30638750+00
+62046376+00	+28799592+01	-18600000+00	-13665405+01	+30630711+00
+62090009+00	+28843835+01	-18700000+00	-13662840+01	+30622632+00
+62133642+00	+28888078+01	-18800000+00	-13660275+01	+30614513+00
+62177275+00	+28932321+01	-18900000+00	-13657710+01	+30606354+00
+62220908+00	+28976564+01	-19000000+00	-13655145+01	+30598155+00
+62264541+00	+29020807+01	-19100000+00	-13652580+01	+30589916+00
+62308174+00	+29065050+01	-19200000+00	-13650015+01	+30581637+00
+62351807+00	+29109293+01	-19300000+00	-13647450+01	+30573318+00
+62395440+00	+29153536+01	-19400000+00	-13644885+01	+30564959+00
+62439073+00	+29197779+01	-19500000+00	-13642320+01	+30556560+00
+62482706+00	+29242022+01	-19600000+00	-13639755+01	+30548121+00
+62526339+00	+29286265+01	-19700000+00	-13637190+01	+30539642+00
+62569972+00	+29330508+01	-19800000+00	-13634625+01	+30531123+00
+62613605+00	+29374751+01	-19900000+00	-13632060+01	+30522564+00
+62657238+00	+29418994+01	-20000000+00	-13629495+01	+30513965+00
+62700871+00	+29463237+01	-20100000+00	-13626930+01	+30505326+00
+62744504+00	+29507480+01	-20200000+00	-13624365+01	+30496647+00
+62788137+00	+29551723+01	-20300000+00	-13621800+01	+30487928+00
+62831770+00	+29595966+01	-20400000+00	-13619235+01	+30479169+00
+62875403+00	+29640209+01	-20500000+00	-13616670+01	+30470370+00
+62919036+00	+29684452+01	-20600000+00	-13614105+01	+30461531+00
+62962669+00	+29728695+01	-20700000+00	-13611540+01	+30452652+00
+63006302+00	+29772938+01	-20800000+00	-13608975+01	+30443733+00
+63049935+00	+29817181+01	-20900000+00	-13606410+01	+30434774+00
+63093568+00	+29861424+01	-21000000+00	-13603845+01	+30425775+00
+63137201+00	+29905667+01	-21100000+00	-13601280+01	+30416736+00
+63180834+00	+29949910+01	-21200000+00	-13598715+01	+30407657+00
+63224467+00	+29994153+01	-21300000+00	-13596150+01	+30398538+00
+63268100+00	+30038396+01	-21400000+00	-13593585+01	+30389379+00
+63311733+00	+30082639+01	-21500000+00	-13591020+01	+30380180+00
+63355366+00	+30126882+01	-21600000+00	-13588455+01	+30370941+00
+63399000+00	+30171125+01	-21700000+00	-13585890+01	+30361662+00
+63442633+00	+30215368+01	-21800000+00	-13583325+01	+30352343+00
+63486266+00	+30259611+01	-21900000+00	-13580760+01	+30342984+00
+63529899+00	+30303854+01	-22000000+00	-13578195+01	+30333585+00
+63573532+00	+30348097+01	-22100000+00	-13575630+01	+30324146+00
+63617165+00	+30392340+01	-22200000+00	-13573065+01	+30314667+00
+63660798+00	+30436583+01	-22300000+00	-13570500+01	+30305148+00
+63704431+00	+30480826+01	-22400000+00	-13567935+01	+30295589+00
+63748064+00	+30525069+01	-22500000+00	-1356	

TABLE 208.—Conical Flow Field. $\theta_s=30.0^\circ$; $M_\infty=15.0$

M_{00}	θ_s	ϵ_w
+14999973+02	+52359873+00	+58391003+00

θ	M_{w2}^*	ψ_2	M_2^*	μ_1
+52359873+00	+87347457+00	+71898103-06	-14114837+01	+30751023+00
+52490772+00	+11568543+01	-13795346-02	-14114806+01	+30750852+00
+52621671+00	+12696758+01	-29354803-02	-14114697+01	+30750338+00
+52752569+00	+13554185+01	-46109296-02	-14114496+01	+30749485+00
+52883468+00	+14279364+01	-63791014-02	-14114191+01	+30748298+00
+53014366+00	+14912676+01	-82243755-02	-14113774+01	+30746775+00
+53145265+00	+15480350+01	-10136191-01	-14113239+01	+30744925+00
+53276163+00	+15998043+01	-12106583-01	-14112580+01	+30742748+00
+53407062+00	+16475981+01	-14129315-01	-14111792+01	+30740246+00
+53537960+00	+16921285+01	-16199354-01	-14110870+01	+30737423+00
+53668858+00	+17339149+01	-18312506-01	-14109810+01	+30734280+00
+53799757+00	+17733502+01	-20465184-01	-14108609+01	+30730818+00
+53930656+00	+18107402+01	-22654235-01	-14107265+01	+30727041+00
+54061554+00	+18463286+01	-24876989-01	-14105773+01	+30722951+00
+54192453+00	+18803133+01	-27131006-01	-14104132+01	+30718548+00
+54323351+00	+19128579+01	-29414095-01	-14102339+01	+30713831+00
+54454250+00	+19440988+01	-31724330-01	-14100391+01	+30708807+00
+54585148+00	+19741524+01	-34059923-01	-14098289+01	+30703472+00
+54716047+00	+20031178+01	-36419246-01	-14096029+01	+30697828+00
+54846945+00	+20310809+01	-38800869-01	-14093610+01	+30691876+00
+54977844+00	+20581163+01	-41203350-01	-14091030+01	+30685619+00
+55108742+00	+20842900+01	-43625433-01	-14088288+01	+30679051+00
+55196008+00	+21012893+01	-45250464-01	-14086369+01	+30674501+00
+55283274+00	+21179469+01	-46883404-01	-14084378+01	+30669816+00
+55370539+00	+21342775+01	-48523832-01	-14082313+01	+30664992+00
+55457805+00	+21502943+01	-50171491-01	-14080175+01	+30660032+00
+55545071+00	+21660098+01	-51826101-01	-14077964+01	+30654936+00
+55632336+00	+21814358+01	-53487327-01	-14075678+01	+30649701+00
+55719602+00	+21965830+01	-55154976-01	-14073318+01	+30644329+00
+55806868+00	+22114617+01	-56828696-01	-14070884+01	+30638820+00
+55894133+00	+22260814+01	-58508288-01	-14068374+01	+30633173+00
+55981399+00	+22404510+01	-60193487-01	-14065790+01	+30627387+00
+56068664+00	+22545792+01	-61884023-01	-14063131+01	+30621463+00
+56155930+00	+22684737+01	-63579701-01	-14060397+01	+30615400+00
+56243196+00	+22821422+01	-65280281-01	-14057588+01	+30609197+00
+56330462+00	+22955916+01	-66985491-01	-14054703+01	+30602854+00
+56417727+00	+23088288+01	-68695113-01	-14051742+01	+30596371+00
+56504993+00	+23218600+01	-70408985-01	-14048705+01	+30589747+00
+56592259+00	+23346915+01	-72126873-01	-14045593+01	+30582981+00
+56679524+00	+23473287+01	-73848560-01	-14042405+01	+30576073+00
+56766790+00	+23597772+01	-75573832-01	-14039141+01	+30569019+00
+56854056+00	+23720421+01	-77302504-01	-14035800+01	+30561825+00
+56941321+00	+23841285+01	-79034328-01	-14032384+01	+30554483+00
+56984954+00	+239601062+01	-79901378-01	-14030648+01	+30550757+00
+57028587+00	+23960410+01	-80769166-01	-14028892+01	+30546996+00
+57072220+00	+24019334+01	-81637624-01	-14027118+01	+30543198+00
+57115853+00	+24077841+01	-82506753-01	-14025324+01	+30539363+00
+57159485+00	+24135934+01	-83376504-01	-14023511+01	+30535492+00
+57203118+00	+24193619+01	-84246922-01	-14021680+01	+30531582+00
+57246751+00	+24250902+01	-85117883-01	-14019829+01	+30527634+00

TABLE 208.—Continued

$M_{\infty} = +14999973+02$

$\Theta_B = +52359873+00$

Θ	$M_{w_2}^*$	ψ_2	M_2^*	μ_1
+57290384+00	+24307788+01	-85989434-01	-14017959+01	+30523651+00
+57334017+00	+24364281+01	-86861490-01	-14016071+01	+30519631+00
+57377649+00	+24420385+01	-87734129-01	-14014163+01	+30515572+00
+57421282+00	+24476106+01	-88607232-01	-14012237+01	+30511476+00
+57464915+00	+24531448+01	-89480765-01	-14010291+01	+30507342+00
+57509548+00	+24586415+01	-90354763-01	-14008326+01	+30503169+00
+57552181+00	+24641011+01	-91229193-01	-14006343+01	+30498960+00
+57595814+00	+24695242+01	-92103961-01	-14004341+01	+30494711+00
+57639447+00	+24749111+01	-92979077-01	-14002319+01	+30490424+00
+57683080+00	+24802623+01	-93854549-01	-14000279+01	+30486097+00
+57726712+00	+24855780+01	-94730351-01	-13998220+01	+30481733+00
+57770345+00	+24908587+01	-95606404-01	-13996143+01	+30477328+00
+57813978+00	+24961048+01	-96482713-01	-13994046+01	+30472885+00
+57857611+00	+25013168+01	-97359228-01	-13991931+01	+30468404+00
+57901244+00	+25064948+01	-98235934-01	-13989796+01	+30463883+00
+57944877+00	+25116393+01	-99112823-01	-13987644+01	+30459319+00
+57988510+00	+25167507+01	-99989887-01	-13985472+01	+30454718+00
+58032142+00	+25218292+01	-10086702+00	-13983282+01	+30450077+00
+58075775+00	+25268753+01	-10174422+00	-13981073+01	+30445394+00
+58119408+00	+25318892+01	-10262148+00	-13978846+01	+30440671+00
+58163041+00	+25368713+01	-10349879+00	-13976599+01	+30435907+00
+58206674+00	+25418220+01	-10437604+00	-13974335+01	+30431104+00
+58250306+00	+25467414+01	-10525329+00	-13972052+01	+30426258+00
+58293939+00	+25516300+01	-10613049+00	-13969751+01	+30421369+00
+58337572+00	+25564880+01	-10700754+00	-13967431+01	+30416439+00
+58381205+00	+25613158+01	-10788445+00	-13965093+01	+30411468+00
+58391003+00	+25623959+01	-10808131+00	-13964566+01	+30410351+00

$S_2/R = +73426456+01$

$\eta/\alpha = +10702106+01$

TABLE 209.—Conical Flow Field. $\theta_s=30.0^\circ$; $M_\infty=20.0$

M_{00}	Θ_s	Θ_w
20000030+02	+52359873+00	+58182628+00

Θ	M_{w2}^*	ψ_2	M_2^*	μ_1
52359873+00	+85260723+00	+69662929-06	-14185198+01	+30151857+00
52490772+00	+11464079+01	-13537817-02	-14185168+01	+30151686+00
52621671+00	+12624808+01	-28900579-02	-14185061+01	+30151168+00
52752569+00	+13525117+01	-45497827-02	-14184861+01	+30150310+00
52883468+00	+14277950+01	-63054673-02	-14184558+01	+30149116+00
53014366+00	+14935546+01	-81409514-02	-14184143+01	+30147587+00
53145265+00	+15525095+01	-10045253-01	-14183610+01	+30145727+00
53276163+00	+16062824+01	-12010187-01	-14182951+01	+30143537+00
53407062+00	+16559333+01	-14029328-01	-14182162+01	+30141022+00
53537960+00	+17022004+01	-16097486-01	-14181237+01	+30138183+00
53668858+00	+17456220+01	-18210284-01	-14180173+01	+30135021+00
53799757+00	+17866053+01	-20363990-01	-14178967+01	+30131541+00
53930656+00	+18254674+01	-22555389-01	-14177615+01	+30127743+00
54061554+00	+18624608+01	-24781641-01	-14176114+01	+30123627+00
54192453+00	+18977906+01	-27040232-01	-14174462+01	+30119198+00
54323351+00	+19316263+01	-29328927-01	-14172655+01	+30114454+00
54454250+00	+19641096+01	-31645708-01	-14170693+01	+30109397+00
54585148+00	+19953609+01	-33988670-01	-14168572+01	+30104028+00
54716047+00	+20254828+01	-36356192-01	-14166292+01	+30098349+00
54803312+00	+20449811+01	-37947427-01	-14164682+01	+30094390+00
54890578+00	+20640408+01	-39548453-01	-14162999+01	+30090291+00
54977844+00	+20826832+01	-41158769-01	-14161244+01	+30086056+00
55065109+00	+21009283+01	-42778138-01	-14159416+01	+30081682+00
55152375+00	+21187939+01	-44406056-01	-14157515+01	+30077172+00
55239641+00	+21362971+01	-46042264-01	-14155540+01	+30072522+00
55326906+00	+21534532+01	-47686361-01	-14153490+01	+30067734+00
55414172+00	+21702767+01	-49338069-01	-14151367+01	+30062807+00
55501438+00	+21867809+01	-50997008-01	-14149168+01	+30057742+00
55588704+00	+22029784+01	-52662924-01	-14146894+01	+30052538+00
55675969+00	+22188809+01	-54335460-01	-14144546+01	+30047196+00
55763235+00	+22344991+01	-56014381-01	-14142121+01	+30041714+00
55850500+00	+22498434+01	-57699408-01	-14139622+01	+30036094+00
55937766+00	+22649234+01	-59390280-01	-14137046+01	+30030332+00
56025032+00	+22797480+01	-61086670-01	-14134394+01	+30024431+00
56112297+00	+22943258+01	-62788363-01	-14131666+01	+30018387+00
56199563+00	+23086648+01	-64495153-01	-14128861+01	+30012203+00
56286829+00	+23227725+01	-66206708-01	-14125980+01	+30005877+00
56330462+00	+23297419+01	-67064252-01	-14124511+01	+30002659+00
56374094+00	+23366561+01	-67922864-01	-14123023+01	+29999406+00
56417727+00	+23435160+01	-68782587-01	-14121515+01	+29996119+00
56461360+00	+23503224+01	-69643337-01	-14119988+01	+29992797+00
56504993+00	+23570761+01	-70505138-01	-14118442+01	+29989434+00
56548626+00	+23637778+01	-71367938-01	-14116877+01	+29986038+00
56592259+00	+23704283+01	-72231676-01	-14115292+01	+29982607+00
56635892+00	+23770283+01	-73096376-01	-14113689+01	+29979140+00
56679524+00	+23835786+01	-73961965-01	-14112066+01	+29975633+00
56723157+00	+23900798+01	-74828460-01	-14110424+01	+29972093+00
56766790+00	+23965326+01	-75695768-01	-14108763+01	+29968514+00
56810423+00	+24029377+01	-76563932-01	-14107082+01	+29964900+00
56854056+00	+24092957+01	-77432885-01	-14105383+01	+29961248+00

TABLE 209.—Continued

$M_{00} = +20000030+02$

$\Theta_S = +52359873+00$

Θ	M_{w2}^*	ψ_2	M_2^*	μ_1
56897689+00	+24156073+01	-78302599-01	-14103664+01	+29957559+00
56941321+00	+24218731+01	-79173080-01	-14101925+01	+29953835+00
56984954+00	+24280935+01	-80044228-01	-14100168+01	+29950071+00
57028587+00	+24342694+01	-80916065-01	-14098391+01	+29946272+00
57072220+00	+24404012+01	-81788554-01	-14096596+01	+29942434+00
57115853+00	+24464894+01	-82661654-01	-14094781+01	+29938561+00
57159485+00	+24525348+01	-83535395-01	-14092946+01	+29934648+00
57203118+00	+24585376+01	-84409687-01	-14091093+01	+29930697+00
57246751+00	+24644986+01	-85284542-01	-14089221+01	+29926709+00
57290384+00	+24704181+01	-86159881-01	-14087329+01	+29922682+00
57334017+00	+24762968+01	-87035749-01	-14085418+01	+29918618+00
57377649+00	+24821351+01	-87912019-01	-14083488+01	+29914515+00
57421282+00	+24879334+01	-88788706-01	-14081539+01	+29910373+00
57464915+00	+24936922+01	-89665804-01	-14079571+01	+29906194+00
57508548+00	+24994121+01	-90543277-01	-14077583+01	+29901974+00
57552181+00	+25050934+01	-91421105-01	-14075577+01	+29897715+00
57595814+00	+25107366+01	-92299185-01	-14073552+01	+29893418+00
57639447+00	+25163421+01	-93177638-01	-14071507+01	+29889081+00
57683080+00	+25219103+01	-94056226-01	-14069444+01	+29884703+00
57726712+00	+25274416+01	-94935115-01	-14067362+01	+29880286+00
57770345+00	+25329365+01	-95814142-01	-14065260+01	+29875829+00
57813978+00	+25383954+01	-96693310-01	-14063141+01	+29871333+00
57857611+00	+25438185+01	-97572639-01	-14061002+01	+29866796+00
57901244+00	+25492064+01	-98452020-01	-14058844+01	+29862216+00
57944877+00	+25545593+01	-99331490-01	-14056668+01	+29857597+00
57988510+00	+25598777+01	-10021097+00	-14054473+01	+29852936+00
58032142+00	+25651619+01	-10109046+00	-14052259+01	+29848235+00
58075775+00	+25704122+01	-10196985+00	-14050027+01	+29843492+00
58119408+00	+25756291+01	-10284922+00	-14047776+01	+29838705+00
58163041+00	+25808129+01	-10372842+00	-14045507+01	+29833878+00
58182628+00	+25831294+01	-10412310+00	-14044483+01	+29831701+00

$s_2/R = 77189663+01$

$\eta/\alpha = +10739668+01$