

N73-26882

NASA TM X-62,280

**NASA TECHNICAL
MEMORANDUM**

NASA TM X-62,280

**OVERALL FLUCTUATING PRESSURE LEVELS ON PROSPECTIVE
SPACE SHUTTLE LAUNCH CONFIGURATIONS AT MACH NUMBERS
FROM 0.8 TO 2.2**

Jules B. Dods, Jr., Richard D. Hanly, and James H. Efting

**Ames Research Center
Moffett Field, Calif. 94035**

**CASE FILE
COPY**

April 1973

OVERALL FLUCTUATING PRESSURE LEVELS ON PROSPECTIVE SPACE
SHUTTLE LAUNCH CONFIGURATIONS AT MACH NUMBERS FROM 0.8 TO 2.2

BY

Jules B. Dods, Jr.; Richard D. Hanly; and James H. Efting

NASA, Ames Research Center
Moffett Field, California 94035

SUMMARY

Overall fluctuating pressure levels of seven space shuttle launch configurations are presented. The model was a 4-percent-scale space shuttle vehicle, tested in both the 11- by 11-foot Transonic Wind Tunnel and the 9- by 7-foot Supersonic Wind Tunnel at Ames Research Center. Mach numbers varied from 0.8 to 2.2, and the angle of attack range was from -8° to 8° at angles of sideslip of -5° , 0° , and 5° . The model configurations included both series-burn and parallel-burn configurations, two canopy configurations, two positions of the orbiter nose relative to the H0 tank nose and two H0 tank nose-cone angles (15° and 20°). The fluctuating pressure levels are presented in three forms. They are (1) the broadband $\Delta C_{p_{rms}}$ and OASPL's in dB for all of the transducers for specific test conditions, (2) full-scale OASPL's of individual transducers for all values of α , β , and Mach number, and (3) $\Delta C_{p_{rms}}$ values of the individual transducers for all values of α , β , and Mach number.

INTRODUCTION

The problem of in-flight aerodynamic noise has been studied extensively and it is known that reliable estimates of full-scale surface-pressure fluctuations can be made from scale-model tests in wind tunnels. Scaling relationships have been verified, and many details of the fluctuating pressure characteristics such as spatial correlation and convection velocities are understood. The effect of the wind tunnel environmental turbulence and noise have also been investigated sufficiently so that threshold levels of usable data are known.

Although the background of general research information and previous scale model data can generally be used for preliminary estimates of aerodynamic noise, the location and intensities of the pressure fluctuations are very dependent upon the configuration and attitude of the vehicle. In particular, because of the complexities of the configurations and the expectations of much flow interference, tests have been necessary in order

to make an acceptable assessment of the aerodynamic noise problem on the space shuttle. Such tests of 4-percent-scale models of series-burn and parallel-burn launch configurations were recently completed at Ames Research Center. Preliminary reporting of some of the results have been presented in Ref. 1.

In addition to the series-burn and parallel-burn configurations, two canopy configurations, two positions of the orbiter nose relative to the HO tank nose, and two HO tank nose-cone angles (15° and 20°) were tested. Tests were conducted in the Ames 11- by 11-foot TWT and in the 9- by 7-foot SWT at angles of attack of -8°, -4°, 0°, 4°, and 8° and at angles of sideslip of -5°, 0°, and 5°. Tests of the parallel burn configuration were conducted with the engine gaseous exhaust plumes simulated by solid bodies of revolution. For the tests in the 11- by 11-foot wind tunnel the Mach number varied from 0.8 to 1.4 and the Reynolds number varied from 2.2 to 4.2 million per foot. Mach numbers of 1.6 and 2.2 were selected for testing in the 9- by 7-foot tunnel and the Reynolds number varied between 2.4 and 3.0 million per foot.

NOTATION

$\Delta C_{P_{rms}}$	fluctuating pressure coefficient, $\frac{p'}{q_\infty}$
HO	hydrogen-oxygen tank
M_∞	free-stream Mach number
M.S.	model station, m (inch)
MS	model scale
OASPL	overall sound pressure level, dB
p'	fluctuating pressure, psf
P_o	reference pressure for OASPL, 4.177087×10^{-7} psf
q_∞	wind tunnel free-stream dynamic pressure, psf
$q_{\infty FS}$	full-scale flight free-stream dynamic pressure, psf
rms	root mean square
SRM	solid rocket motors
SWT	supersonic wind tunnel

TWT	transonic wind tunnel
T.S.	HO tank station, m (inch)
W.L.	water line, m (inch)
α	angle of attack, deg.
β	angle of sideslip, deg.

CONFIGURATION DESCRIPTION

Seven configurations were investigated during the course of the tests as shown in Fig. 1. Additional dimensional information for the parallel-burn configurations is presented in Fig. 2. The first five configurations were tested in the 11- by 11-foot TWT at Mach numbers from 0.8 to 1.4. Configuration 4 was also tested in the 9- by 7-foot SWT, along with configurations 6 and 7, at Mach numbers of 1.6 and 2.2. The location of the transducers is shown in Fig. 3. Installation photographs of each configuration are presented in Fig. 4.

The first configuration was a series-burn design which consisted of a constant 0.267-meter (10.50-inch) MS diameter cylinder representing a 6.60-meter (260-inch) HO tank followed by a 15° interstage flare and a cylindrical section (16.00-inch dia.) MS representing a 10.06 meter (396-inch) diameter booster. Configuration 2 was the same as configuration 1 except that the relative position of the orbiter nose and tank nose was shortened by 0.287-meter (11.31-inch) MS. Beginning with configuration 3, and for all others tested, the 15° tank nose-cone was replaced with a 20° nose-cone. The "bubble" shaped canopy was modified to a broader and flatter design (Figs. 1 and 2) for configuration 4, and, in addition, a 0.75-inch high by 1.00-inch wide (MS) dorsal fin was added, and the interstage flare and larger diameter booster were removed. The SRM's were added to form the parallel-burn configurations designated as 5, 6, and 7. For these configurations two 3.96-meter (156-inch) FS diameter parallel-burn solid rocket motors were installed and the relative position of the orbiter nose and HO tank nose was increased to the same distance used for configuration 1. For configurations 6 and 7 solid plumes were used to simulate the underexpanded exhaust gases from the SRM's and from the orbiter engines at Mach numbers of 1.6 and 2.2 respectively.

INSTRUMENTATION

The model was instrumented with 51 dynamic pressure transducers which had an effective diaphragm diameter of 0.12-cm (0.048-inch) and were mounted flush with the model surfaces. The transducers were individually powered by dc voltage supplies, and the output signals were amplified by differential

SYMBOLS FOR CONFIGURATION DESCRIPTION

- O = ORBITER
- C₁ = EXISTING CANOPY
- C₂ = MODIFIED CANOPY
- S = SHORT HO TANK
- L = LONG HO TANK
- T₁₅ = HO TANK, NOSE CONE HALF ANGLE
- T₂₀ = HO TANK, NOSE CONE HALF ANGLE
- R₁ = 15° RAMP AND PROTUBERANCE
- PB = PARALLEL BURN SOLID ROCKET MOTORS
- U₁ = PLUMES ON ORBITER AND SRM'S (FOR M=1.6)
- U₂ = PLUMES ON ORBITER AND SRM'S (FOR M=2.2)

NOTE:
DIMENSIONS ARE SHOWN IN METERS AND (INCHES)

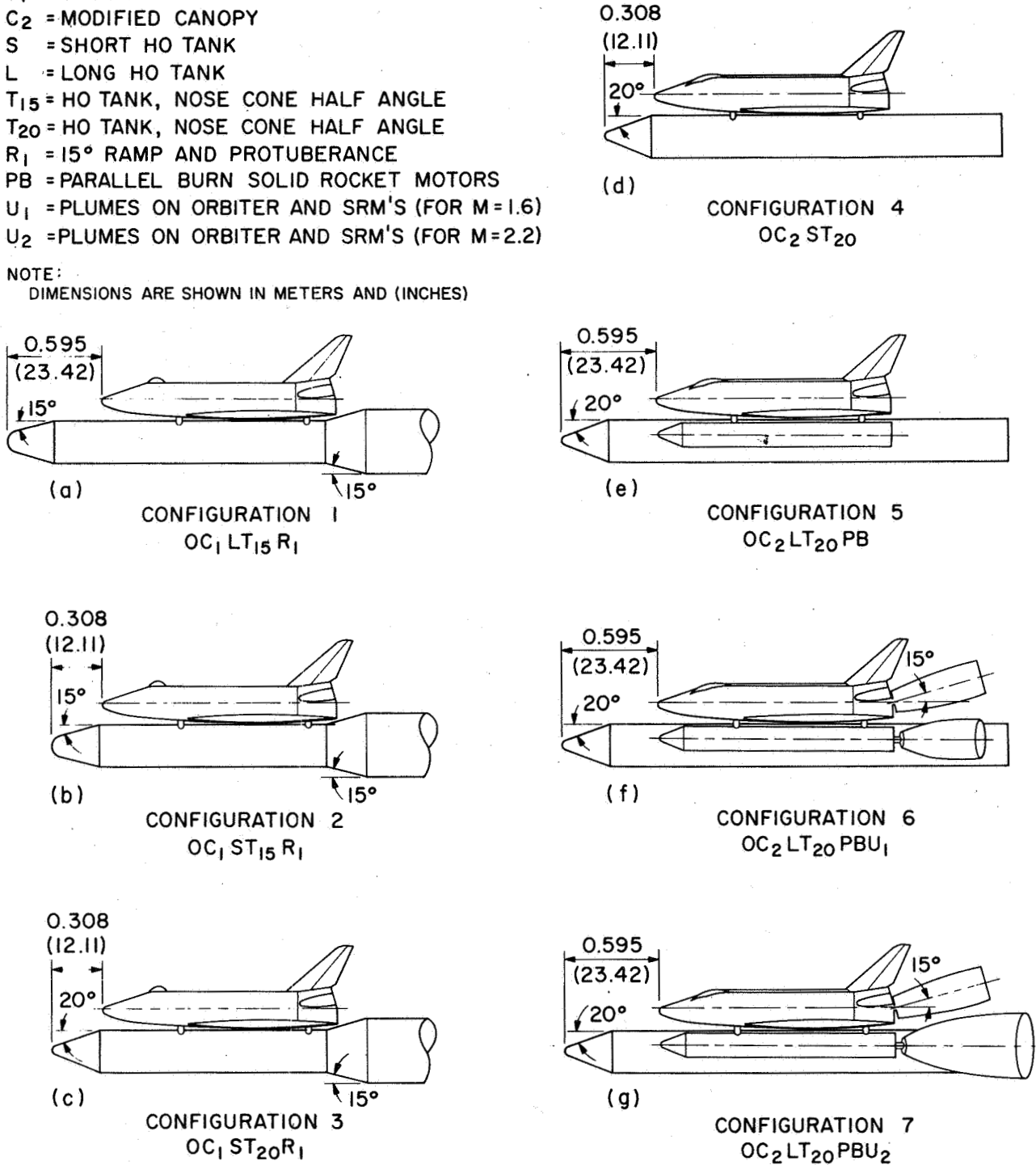
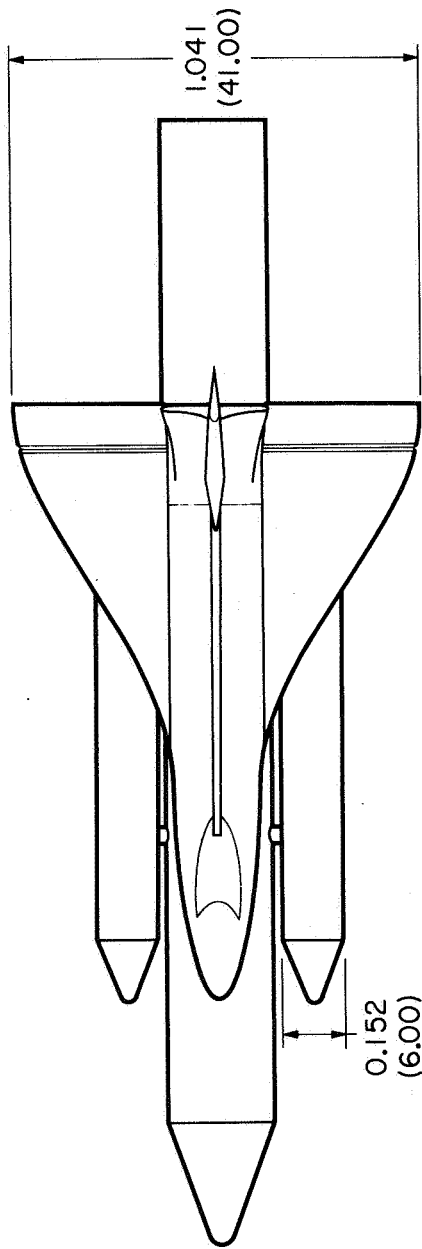


Figure 1.— Configurations tested.



NOTE:
DIMENSIONS ARE SHOWN IN METERS AND (INCHES)

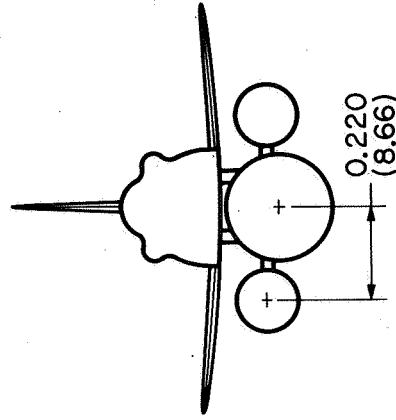
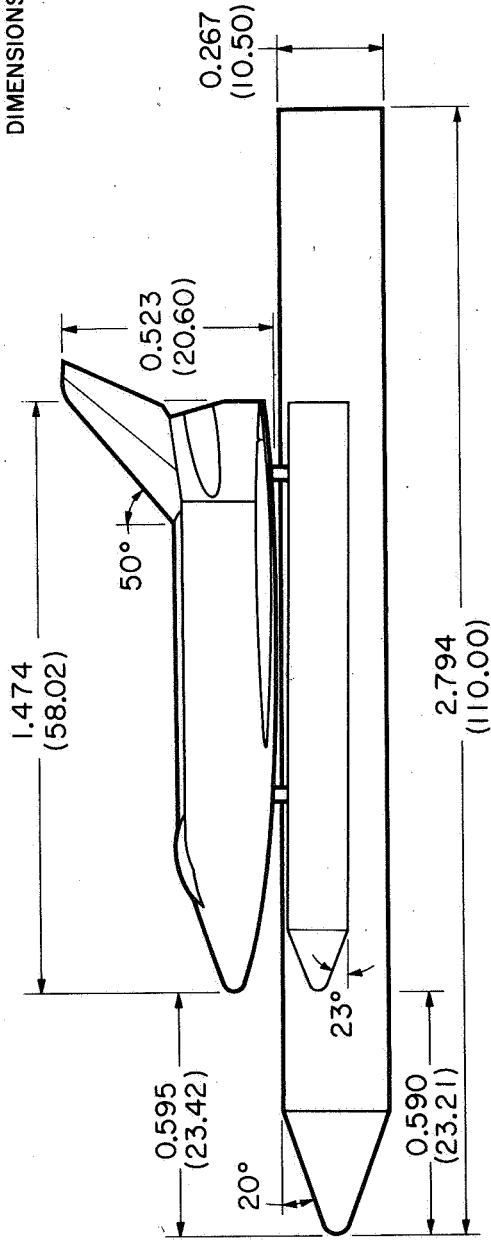
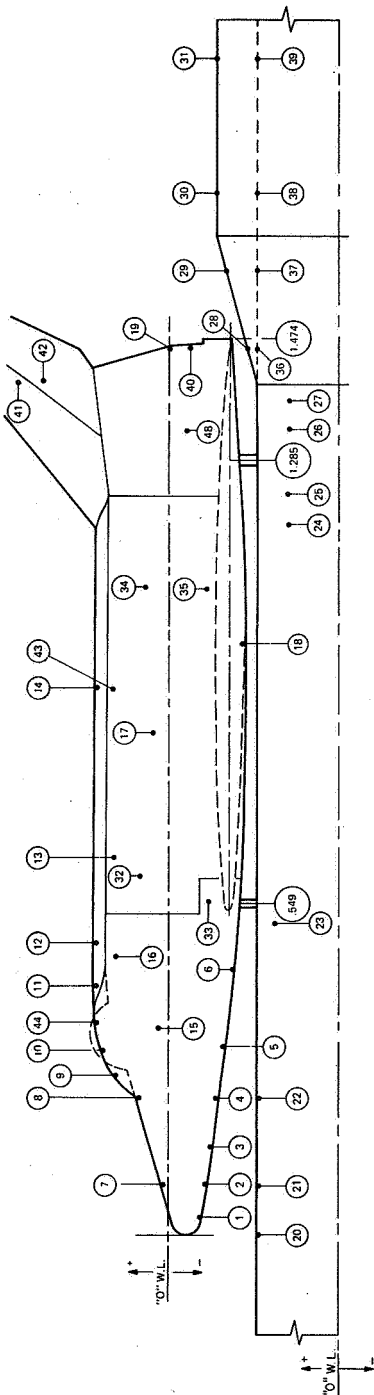


Figure 2.— Parallel-burn configuration with modified canopy.



TRANSDUCER NO.	MODEL STATION M.S.	WATER LINE W.L.	REMARKS
8	.264		TOP ξ IN FRONT OF CANOPY
9	.302		TOP ξ WINDSHIELD
10	.368		TOP ξ CANOPY
11	.406		TOP ξ BEHIND CANOPY
12	.490		TOP ξ ORBITER
13	.579		TOP ξ ORBITER
14	.564		TOP ξ ORBITER

NOTE:
 20² IS ON 15 NOSE AT STA. .315 TOP ξ FOR CONFIG. 2
 20³ IS ON 20 NOSE AT STA. .315 TOP ξ FOR CONFIG. 3 & 4

- NOTES:
1. --- CANOPY FOR CONFIGURATION 1, 2, 3
 2. \otimes CHANGED FROM CONFIGURATION 1, 2, 3
 3. * M.S. AND W.L. ARE IN TERMS OF THE TANK
 4. ORBITER NOSE M.S. 'O' LOCATED AT T.S. 0.594
 5. MINIMUM DISTANCE BETWEEN ORBITER AND TANK IS 0.014 METERS AT M.S. 0.953

TRANSDUCER NO.	MODEL STATION M.S.	WATER LINE W.L.	BUTT LINE B.L.	REMARKS
25	1.829	.116	.067	TANK *
26	1.930	.116	.067	TANK *
27	1.981	.116	.067	TANK *
28	2.060	.152	0.0	RAMP & PROTUB.
29	2.189	.184	0.0	RAMP & PROTUB.
30	2.311	.203	0.0	RAMP & PROTUB.
31	2.540	.203	0.0	RAMP & PROTUB.
32	.610	.646	.081	HALFWAY BETWEEN WL & TOP (NOT DORSAL)
33	1.592	.073	.119	HALFWAY BETWEEN WL & BOTTOM
34	1.057	.046	.049	SAME AS 32 WRT WL
35	1.054	.061	.117	SAME AS 32 WRT WL
36	2.089	.133	0.0	TANK *
37	2.111	.133	0.0	TANK *
38	2.311	.133	0.0	TANK *
39	2.540	.133	0.0	TANK *
40	1.470	.047	0.0	ORBITER BASE PLATE
41	1.407	.251	0.0	VERTICAL TAIL
42	1.407	.201	0.0	VERTICAL TAIL
43	.964	.146	.025	TOP OF CANOPY ON ξ
44	.330	.121	0.0	TOP OF CANOPY ON ξ
45	1.369		.146	HINGELINE BOTTOM SURF PORT WING-INBOARD
46	1.369		.301	HINGELINE BOTTOM SURF PORT WING-OUTBOARD
47	1.359		.230	LEFT WING - UPPER SURFACE ELEVON η
48	1.369	.025	.135	FUSELAGE - EVEN WITH ELEVON η
49	1.369		.230	RIGHT WING - LOWER SURFACE ELEVON η
50	1.369		.389	RIGHT WING - LOWER SURFACE ELEVON η
51	1.359		.414	RIGHT WING - UPPER SURFACE ELEVON η

TRANSDUCER NO.	MODEL STATION M.S.	WATER LINE W.L.	BUTT LINE B.L.	REMARKS
1	.025		0.0	
2	.076	.067	0.0	BOTT. ξ IN LINE WITH STATIC
3	.142	.083	0.0	BOTT. ξ
4	.229	.086	0.0	BOTT. ξ
5	.312	.103	0.0	BOTT. ξ
6	.432	.107	0.0	BOTT. ξ
7	.077	.024	0.0	TOP ξ
8	.224	.072	0.0	TOP ξ
9	.248	.091	0.0	TOP ξ
10	.265	.112	0.0	TOP ξ
11	.407	.146	0.0	TOP ξ
12	.090	.146	0.0	TOP ξ
13	.079	.146	.025	TOP ξ
14	.284	.146	0.0	TOP ξ
15	.331	.045	0.0	TOP ξ
16	.462	.057	.029	HALFWAY BETWEEN WL & CANOPY
17	.053	.045	.051	SAME HEIGHT AS 15 ABOVE WL
18	1.022	.124	0.0	BOTT. ξ
19	1.468	.0002	0.0	BASE PLATE
20	.584	.133	0.0	TANK EXTENSION TOP ξ *
21	.671	.133	0.0	TANK *
22	.818	.133	0.0	TANK *
23	1.092	.116	.067	TANK *
24	1.778	.116	.067	TANK *

NOTE:
 DIMENSIONS ARE SHOWN IN METERS

Figure 3.- Transducer locations.

dc amplifiers. The resulting voltage time histories were tape recorded at a speed of 60 inches per second. The frequency-response capability of the transducer-amplifier combination is considered to be flat within ± 1 dB from 10 Hz to 40 kHz. For any given configuration only 31 transducers were recorded on the tape recorder. The choice of transducer locations to be recorded was based on prior experience in selecting areas on the model where the highest noise levels could be expected for a particular configuration.

RESULTS AND DISCUSSION

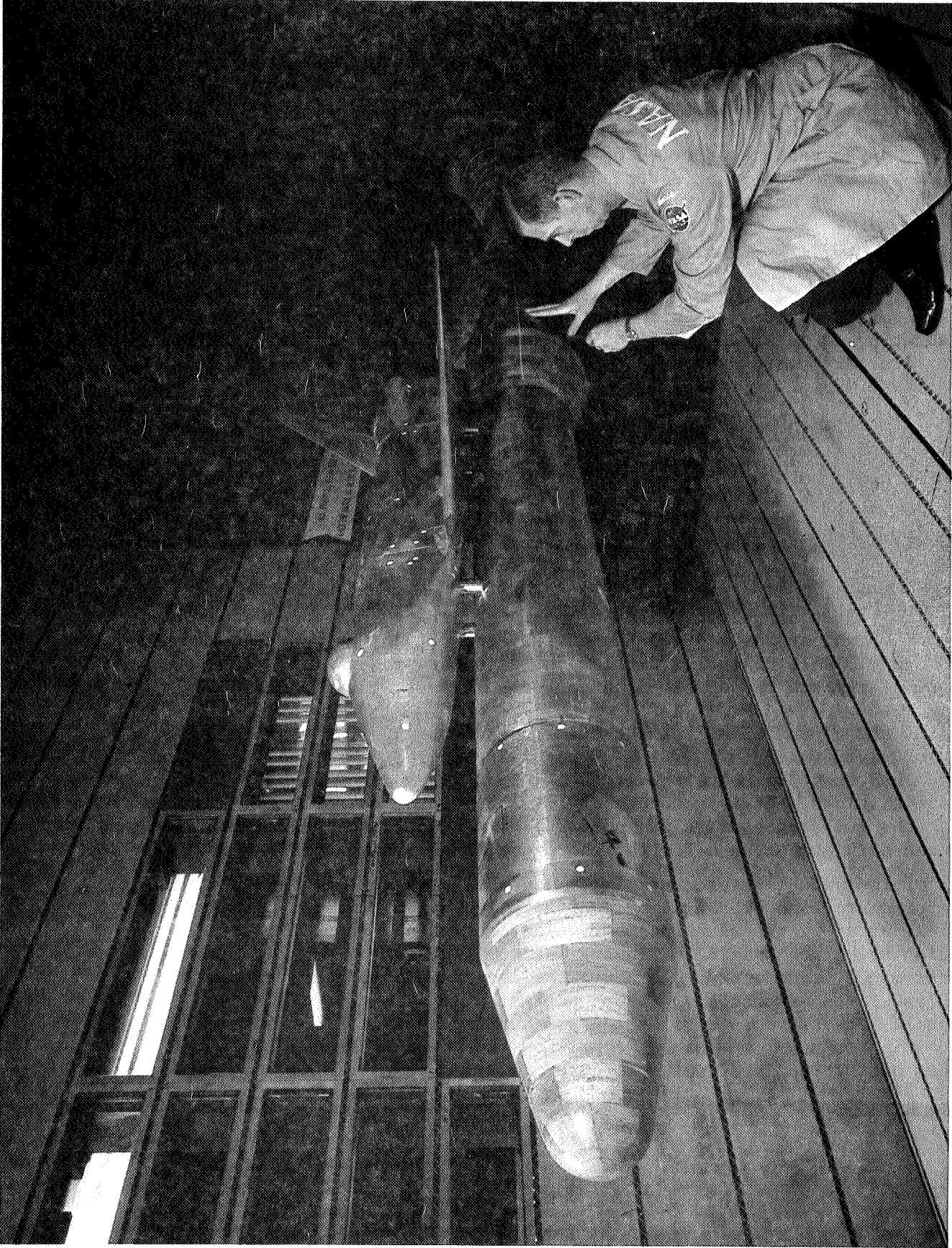
The data presented in this report consist of tabulated listings for each configuration as outlined in Table II. The data consist of broadband fluctuating pressure coefficients ($\Delta C_{p_{rms}}$), and full-scale OASPL calculated from (1) and (2).

$$\Delta C_{p_{rms}} = p' / q_{\infty} \quad (1)$$

$$OASPL = 20 \log_{10} [(\Delta C_{p_{rms}}) (q_{\infty FS}) / (P_o)] \quad (2)$$

where $q_{\infty FS}$ values are given in Table I for the series-burn and the parallel-burn configurations for a given launch trajectory. It is important to note that the OASPL will change if the launch trajectory is changed. The data in the listings are presented in three forms. First, the broadband $\Delta C_{p_{rms}}$

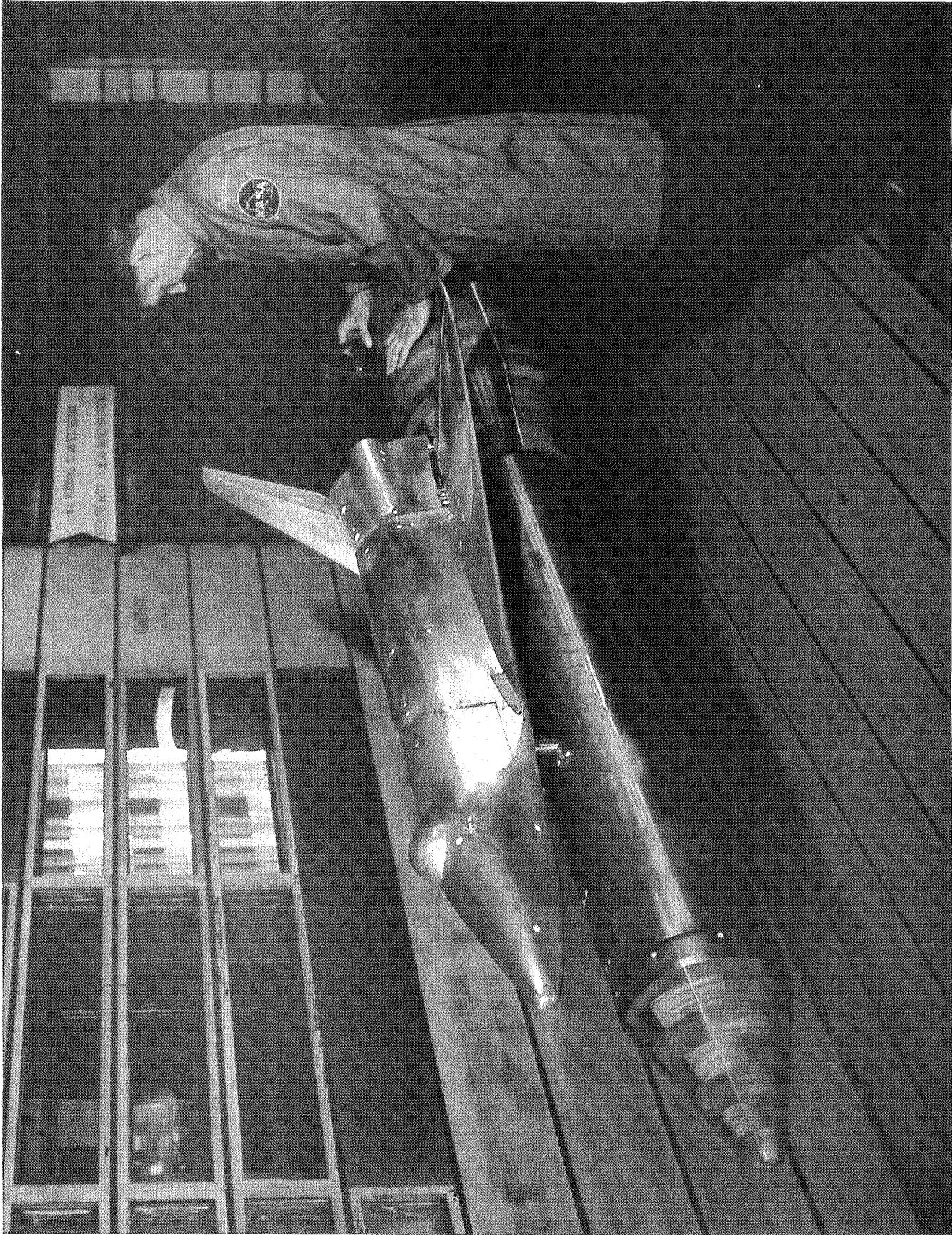
and OASPL are given for all of the transducers for specific test conditions, i.e., for given values of α , β , M_{∞} , and configuration. (For configuration 4, which was tested in both the 11- by 11-foot TWT and the 9- by 7-foot SWT, the listings are given separately.) For the second form, the listings present the full scale OASPL of individual transducers for all values of α , β , and Mach number, and for the third form the listings present $\Delta C_{p_{rms}}$ values of individual transducers for all values of α , β , and Mach number. These forms are also separated by configuration number and are arranged in numerical order by transducer number. The latter two forms of data presentation are given to aid in finding maximum fluctuating pressure levels for individual transducers. Although the large amount of data presented herein are given essentially without analysis, illustrative OASPL and full scale 1/3-octave spectra of the fluctuating pressures for selected areas of interest for the ascent condition have been presented in Ref. 1. An index of the tabulated data presented is given in Table II.



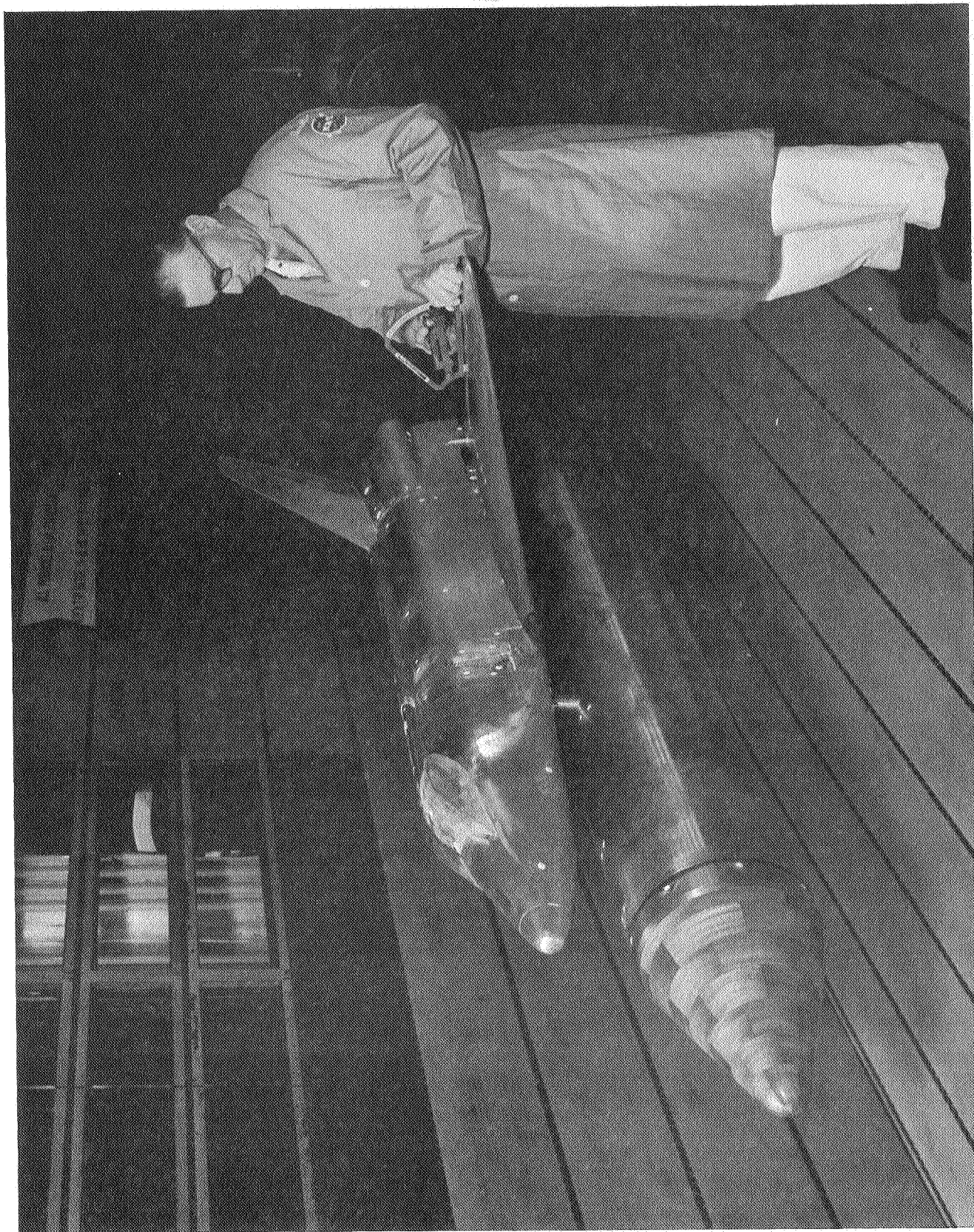
a) Configuration 1; 11- by 11-ft TWT
Figure 4.- Installation of the 4-percent-scale model launch configurations
in the Ames Research Center wind tunnels.



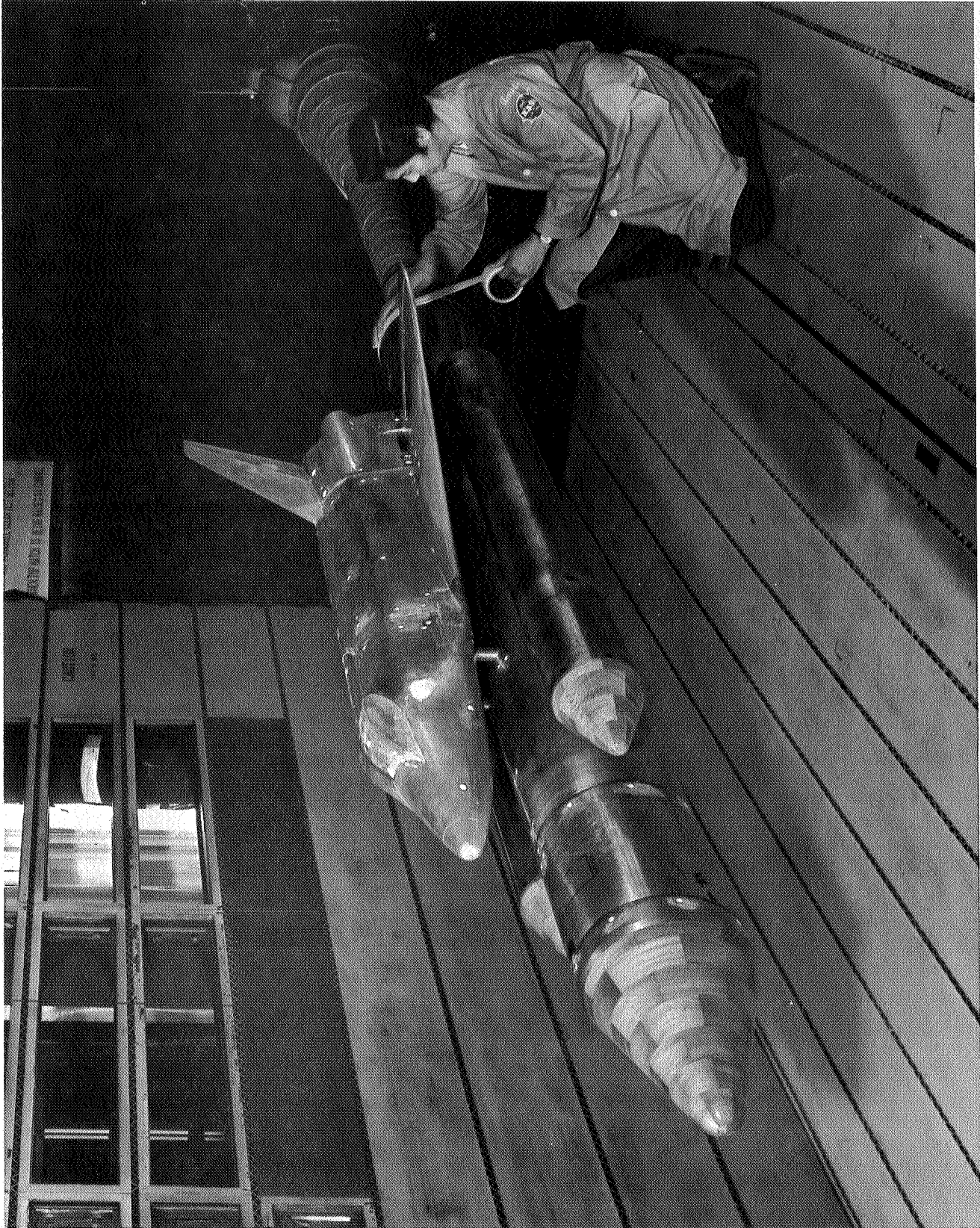
b) Configuration 2; 11- by 11-ft TWT
Figure 4.— Continued.



c) Configuration 3; 11- by 11-ft TWT
Figure 4.— Continued.

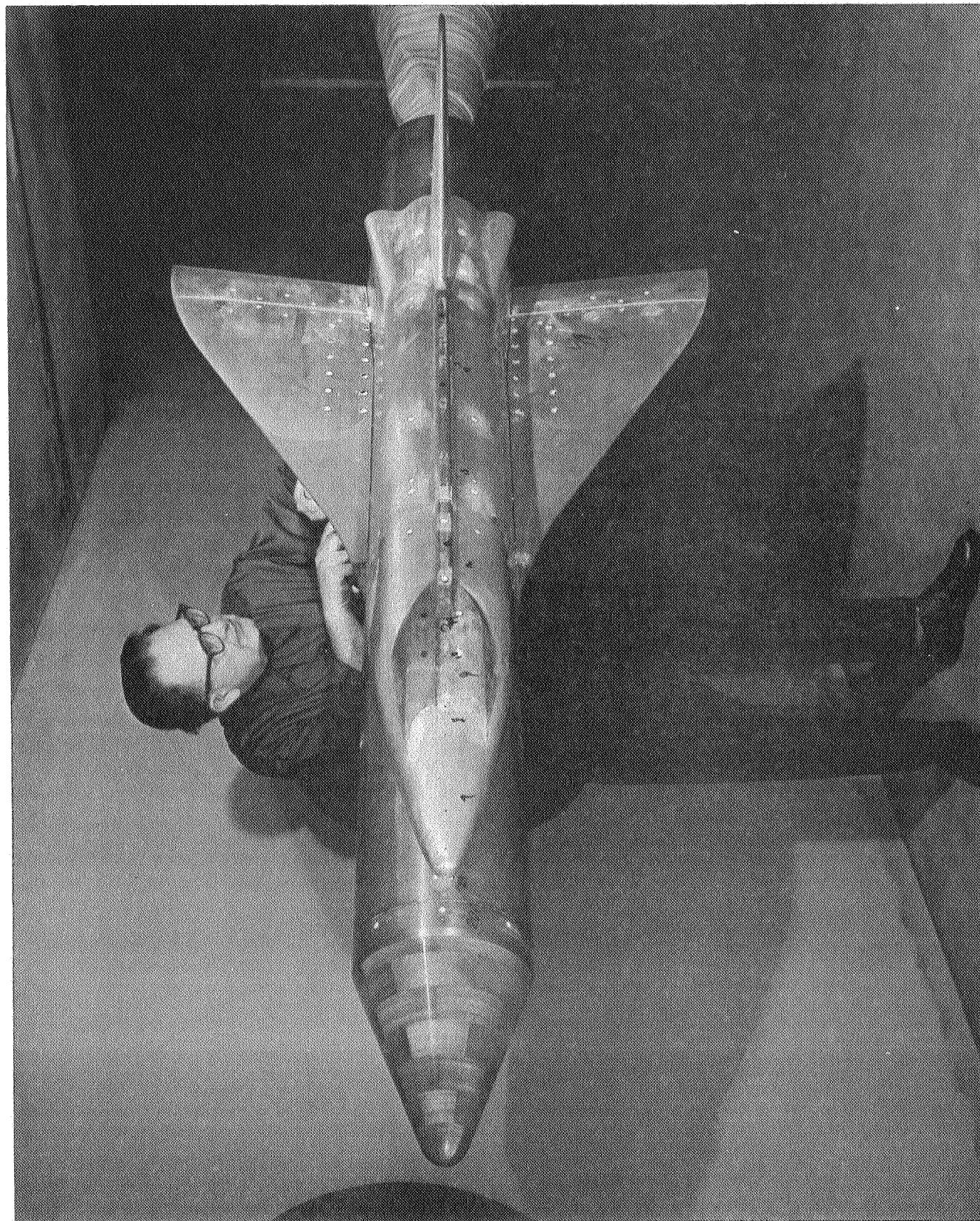


e) Configuration 5; 11- by 11-ft TWT
Figure 4.— Continued.

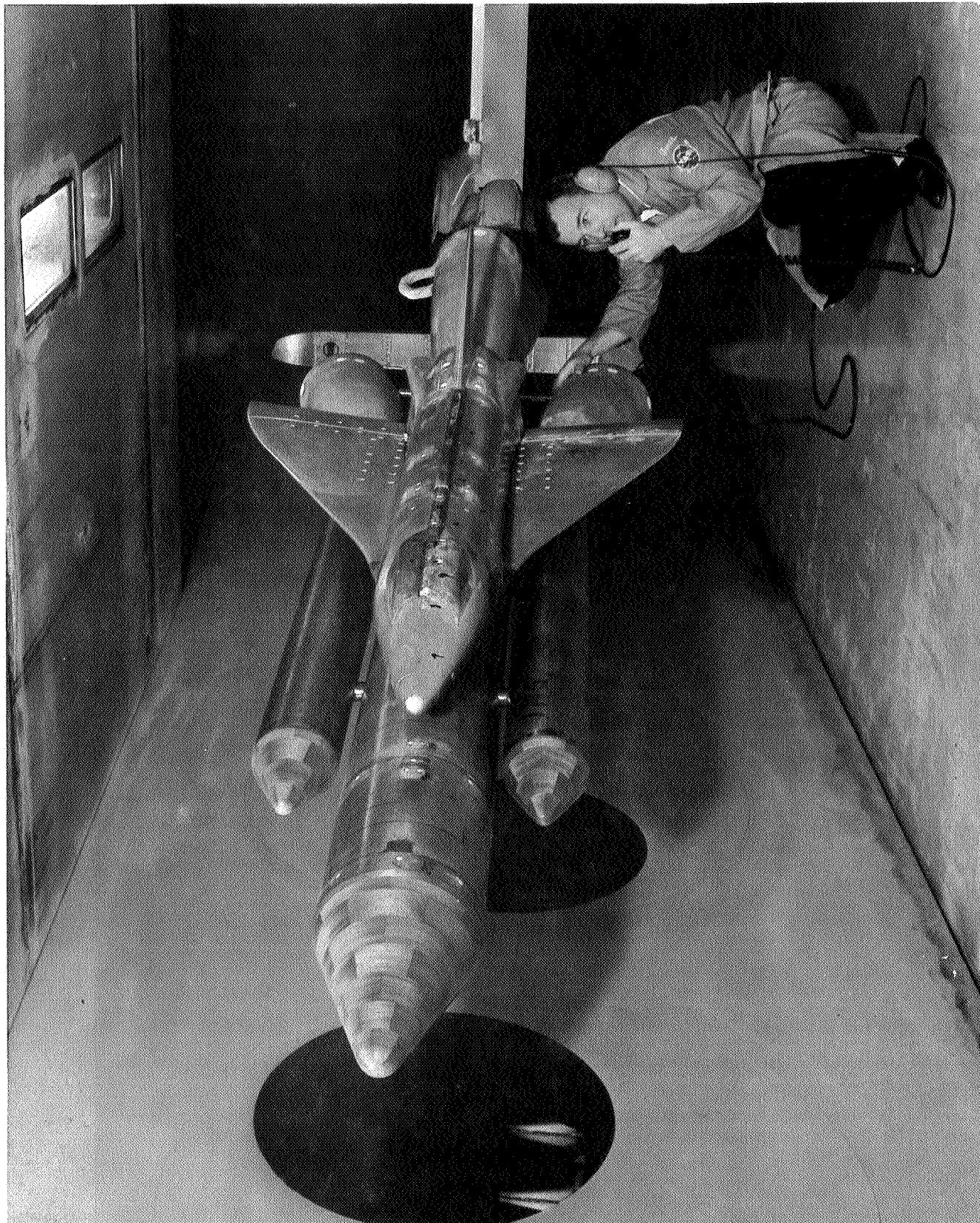


d) Configuration 4; 11- by 11-ft TWT

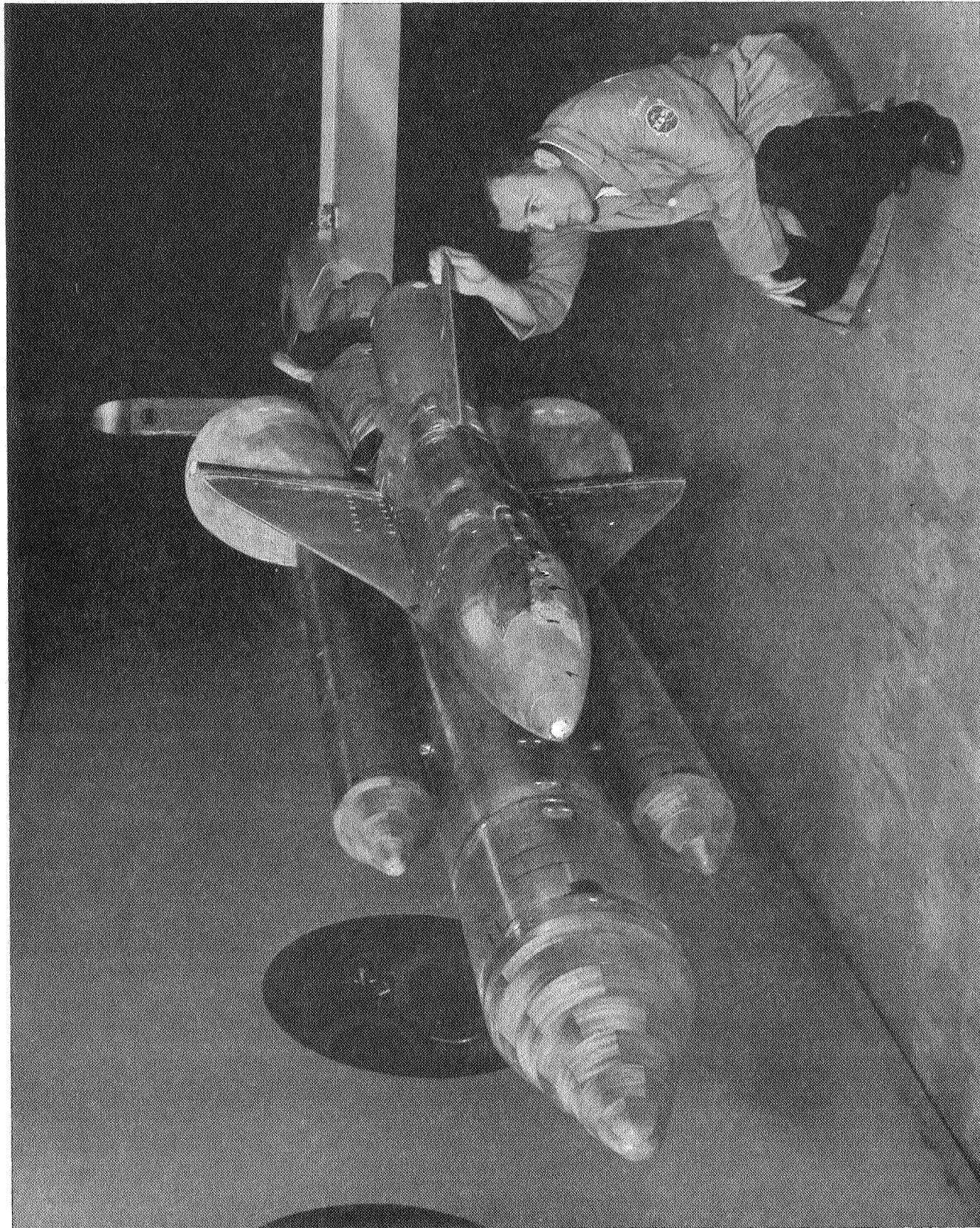
Figure 4.— Continued.



f) Configuration 4; 9- by 7-ft SWT
Figure 4.-- Continued.



g) Configuration 6; 9- by 7-ft SWT
Figure 4.— Continued.



h) Configuration 7; 9- by 7-ft SWT

Figure 4.- Concluded.

REFERENCES

1. Dods, Jules B., Jr.; Hanly, Richard D.: In-flight Aeroacoustic Environments on Prospective Space Shuttle Vehicles. NASA Space Shuttle Technology Conference. NASA TMX 2570, pp. 71-96, July 1972.

TABLE I. - LAUNCH TRAJECTORY¹

M_{∞}	Full Scale Dynamic Pressure, q_{∞} FS, psf	
	Series Burn	Parallel Burn
0.8	465	455
0.85	490	485
0.9	515	500
0.95	535	520
1.00	550	540
1.10	585	575
1.20	610	600
1.30	630	620
1.40	645	625
1.60	642	627
2.20	476	528

¹Supplied by NASA-Lyndon B. Johnson Space Center, as of January 26, 1972.

Handwritten Title

Handwritten text block 1

Handwritten text block 2

Handwritten text block 3

Handwritten text block 4

Handwritten text block 5

Handwritten text block 6

TABLE II – INDEX OF TABULATED DATA

CONFIGURATION 1

- A) Broadband ΔC_{prms} and dB levels as function of all transducers. (Runs 2-72)
- B) Broadband dB levels for individual transducers.
- C) Broadband ΔC_{prms} levels for individual transducers.

1

2

3

CONFIGURATION 2

- A) Broadband ΔC_{prms} and dB levels as function of all transducers. (Runs 74-107 and 155-163)
- B) Broadband dB levels for individual transducers.
- C) Broadband ΔC_{prms} levels for individual transducers.

4

5

6

CONFIGURATION 3

- A) Broadband ΔC_{prms} and dB levels as function of all transducers. (Runs 109-154)
- B) Broadband dB levels for individual transducers.
- C) Broadband ΔC_{prms} levels for individual transducers.

7

8

9

CONFIGURATION 4

- A) Broadband ΔC_{prms} and dB levels in 11- by 11-Foot TWT as function of all transducers. (Runs 165-208)
- B) Broadband ΔC_{prms} and dB levels in 9- by 7-Foot SWT as function of all transducers. (Runs 280-310)
- C) Broadband dB levels for individual transducers.
- D) Broadband ΔC_{prms} levels for individual transducers.

10

11

12

13

CONFIGURATION 5

- A) Broadband ΔC_{prms} and dB levels as function of all transducers. (Runs 211-275)
- B) Broadband dB levels for individual transducers.
- C) Broadband ΔC_{prms} levels for individual transducers.

14

15

16

CONFIGURATIONS 6 and 7

- A) Broadband ΔC_{prms} and dB levels for Conf. 6 as function of all transducers. (Runs 312-326)
- B) Broadband ΔC_{prms} and dB levels for Conf. 7 as function of all transducers. (Runs 328-344)
- C) Broadband dB levels for individual transducers.
- D) Broadband ΔC_{prms} levels for individual transducers.

17

18

19

20

AMES PRELIMINARY AERC-ACCOUSTIC DATA
TEST CCNDUCTED 17-28 JAN 72

AMES PRELIMINARY AERO-ACCOUSTIC DATA
TEST CCNDUCTED 17-28 JAN 72

CCNFICURATICN NG.		CONFICURATICN NG.	
1	2	1	3
RUN NO.	0.80	RUN NC.	0.90
MACH NC.	465 PSF	MACH NO.	515 PSF
DYN PRESSURE-C (FLIGHT)		DYN PRESSURE-Q (FLIGHT)	
1	0.0122	1	0.0057
2	0.0139	2	0.0099
3	0.0167	3	0.0102
4	0.0225	4	0.0122
5	0.0155	5	0.0106
6	0.0168	6	0.0127
7	0.0142	7	0.0106
8	0.0137	8	0.0106
9	0.0058	9	0.0041
10	0.0526	10	0.0485
11	0.0666	11	0.0646
13	0.0666	13	0.0923
16	0.1368	15	0.0113
18	0.0105	16	0.0900
20	0.0163	18	0.0329
21	0.0158	20	0.0175
22	0.0216	21	0.0146
23	0.0167	22	0.0127
24	0.0316	23	0.0168
25	0.0350	24	0.0415
26	0.0366	25	0.0416
27	0.0632	26	0.0554
28	0.0250	27	0.1062
29	0.0466	28	0.0387
30	0.0466	29	0.0468
31	0.0500	30	0.0452
32	0.0263	31	0.0482
33	0.0266	32	0.0365
34	0.0210	33	0.0241
		34	0.0185

ALPHA ANGLE C DEG
BETA ANGLE O DEG

ALPHA ANGLE C DEG
BETA ANGLE O DEG

TRANSDUCER NC DELTACPRMS DB

TRANSDUCER NC DELTACPRMS CB

1	143.3
2	143.8
3	145.4
4	148.0
5	144.7
6	145.4
7	144.0
8	143.7
9	136.2
10	155.4
11	157.4
13	157.4
16	163.7
18	141.4
20	145.2
21	144.9
22	147.6
23	145.4
24	150.9
25	151.8
26	152.2
27	156.9
28	151.8
29	154.3
30	154.3
31	154.9
32	149.3
33	149.4
34	147.4

1	141.6
2	141.7
3	142.0
4	143.5
5	142.3
6	143.9
7	142.3
8	142.3
9	134.1
10	155.5
11	158.0
13	161.1
15	142.9
16	160.9
18	152.2
20	146.7
21	145.1
22	143.9
23	146.3
24	154.2
25	154.2
26	156.7
27	162.3
28	153.6
29	155.2
30	154.9
31	155.5
32	153.2
33	149.5
34	147.2

AMES PRELIMINARY AERC-ACCUSTIC DATA
TEST CONDUCTED 17-28 JAN 72

CONFIGURATICN NC. 1
RUN NC. 4
MACH NC. 0.95
DYN PRESSURE-Q (FLIGHT) 535 PSF

ALPHA ANGLE 0 DEG
BETA ANGLE C DEG

TRANSDUCER NC	DELTA C A C F R M S	DB
1	0.0094	141.6
2	0.0092	141.4
3	0.0092	141.4
4	0.0109	142.9
5	0.0096	141.8
6	0.0127	144.2
7	0.0101	142.2
8	0.0098	142.0
9	0.0040	134.2
10	0.0613	157.9
11	0.0656	158.5
13	0.0584	162.0
15	0.0105	142.6
16	0.0831	160.5
18	0.0332	152.6
20	0.0215	148.8
21	0.0152	145.8
22	0.0105	142.9
23	0.0166	146.6
24	0.0525	156.6
25	0.0503	156.2
26	0.0591	157.6
27	0.1138	163.3
28	0.0438	155.0
29	0.0470	155.6
30	0.0444	155.1
31	0.0456	155.3
32	0.0438	155.0
33	0.0388	153.9
34	0.0197	148.0

AMES PRELIMINARY AERC-ACCUSTIC DATA
TEST CONDUCTED 17-28 JAN 72

CONFIGURATICN NC. 1
RUN NC. 5
MACH NC. 1.00
DYN PRESSURE-Q (FLIGHT) 550 PSF

ALPHA ANGLE C DEG
BETA ANGLE 0 DEG

TRANSDUCER NO	DELTA C A C F R M S	DB
1	0.0109	143.1
2	0.0113	143.5
3	0.0100	142.4
4	0.0117	143.8
5	0.0105	142.8
6	0.0125	144.3
7	0.0117	143.8
8	0.0082	140.7
9	0.0041	134.6
10	0.0371	153.8
11	0.0460	155.6
13	0.0753	159.9
15	0.0109	143.1
16	0.0628	158.3
18	0.0377	153.9
20	0.0209	148.8
21	0.0172	147.1
22	0.0117	143.8
23	0.0166	146.8
24	0.0523	156.8
25	0.1256	164.4
26	0.0439	155.2
27	0.0878	161.3
28	0.0377	153.9
29	0.0384	154.1
30	0.0424	154.9
31	0.0418	154.8
32	0.0272	151.1
33	0.0225	149.4
34	0.0167	146.8

AMES PRELIMINARY AERO-ACOUSTIC DATA
TEST CCNDUCTEC 17-28 JAN 72

AMES PRELIMINARY AERO-ACOUSTIC DATA
TEST CCNDUCTED 17-28 JAN 72

CONFIGURATION NO.	1	CONFIGURATION NO.	1
RUN NC.	6	RUN NC.	7
MACH NO.	1.20	MACH NO.	0.80
CYN PRESSURE-Q (FLIGHT)	610 PSF	CYN PRESSURE-Q (FLIGHT)	465 PSF

ALPHA ANGLE C DEG
BETA ANGLE 0 DEG

ALPHA ANGLE -8 DEG
BETA ANGLE 0 DEG

TRANSDUCER NC	CELTACPRMS	CB	TRANSDUCER NC	CELTACPRMS	CB
1	G.01C6	143.8	1	0.0142	144.0
2	0.01C4	143.6	2	0.0145	144.2
3	0.01C6	143.8	3	0.0167	145.4
4	G.01C4	143.6	4	0.0233	148.3
5	0.0089	142.3	5	0.0167	145.4
6	G.0119	144.8	6	0.0158	144.9
7	0.0129	145.5	7	0.0126	142.9
8	0.0112	144.3	8	0.0121	142.6
9	G.0G47	136.7	9	0.0066	137.3
10	0.0188	148.8	10	0.0666	157.4
11	0.0318	153.3	11	0.0684	157.6
13	0.0372	154.7	13	0.0631	156.9
15	0.0112	144.3	14	0.0316	150.9
16	0.0558	158.2	15	0.0308	150.7
18	0.0177	148.2	16	0.1578	164.9
20	0.0147	146.6	18	0.0358	152.0
21	0.0159	147.3	20	0.0153	144.6
22	0.0093	142.7	21	0.0147	144.3
23	G.02C0	149.3	22	0.0216	147.6
24	0.0282	152.3	23	0.0167	145.4
25	0.0312	153.2	24	0.0466	154.3
26	0.0298	152.8	25	0.0483	154.6
27	0.0588	158.7	26	0.0658	157.3
28	0.0212	149.8	27	0.1210	162.6
29	0.0216	150.0	28	0.0421	153.4
30	0.0388	155.1	29	0.0432	153.6
31	0.0334	153.8	30	0.0466	154.3
32	0.0118	144.7	31	0.0462	154.6
33	0.0165	147.6	32	0.0368	152.2
34	0.0118	144.7	33	0.0216	147.6
			34	0.0191	146.6

AMES PRELIMINARY AERC-ACCUSTIC DATA
TEST CCNDUCTEC 17-28 JAN 72

CONFIGURATION NO. 1
RUN NC. 8
MACH NC. 0.80
CYN PRESSURE-C (FLIGHT) 465 PSF

AMES PRELIMINARY AERC-ACCUSTIC DATA
TEST CONDUCTED 17-28 JAN 72

CONFIGURATICN NC. 1
RUN NO. 9
MACH NC. 0.80
DYN PRESSURE-Q (FLIGHT) 465 PSF

ALPHA ANGLE -4 DEG
BETA ANGLE 0 DEG

ALPHA ANGLE 0 DEG
BETA ANGLE C DEG

TRANSDUCER NO	DELTA C PRMS	DB	TRANSDUCER NC	DELTA C PRMS	DB
1	0.0142	144.0	1	0.0134	143.5
2	0.0142	144.0	2	0.0137	143.7
3	0.0163	145.2	3	0.0163	145.2
4	0.0225	148.0	4	0.0225	148.0
5	0.0167	145.4	5	0.0150	144.5
6	0.0158	144.9	6	0.0160	145.0
7	0.0142	144.0	7	0.0147	144.3
8	0.0139	143.8	8	0.0147	144.3
9	0.0074	138.3	9	0.0074	138.3
10	0.0579	156.2	10	0.0526	155.4
11	0.0658	157.3	11	0.0658	157.3
13	0.0631	156.9	13	0.0631	156.9
14	0.0308	150.7	14	0.0305	150.6
15	0.0275	149.7	15	0.0250	148.9
16	0.1421	164.0	16	0.1315	163.3
18	0.0351	152.8	18	0.0333	151.4
20	0.0158	144.9	20	0.0163	145.2
21	0.0153	144.6	21	0.0153	144.6
22	0.0208	147.3	22	0.0208	147.3
23	0.0175	145.8	23	0.0175	145.8
24	0.0355	152.9	24	0.0316	150.5
25	0.0400	153.0	25	0.0350	151.8
26	0.0500	154.9	26	0.0366	152.2
27	0.0894	160.0	27	0.0610	156.6
28	0.0368	152.2	28	0.0350	151.8
29	0.0416	153.3	29	0.0450	154.0
30	0.0466	154.3	30	0.0526	155.4
31	0.0500	154.9	31	0.0500	154.9
32	0.0289	150.1	32	0.0241	148.6
33	0.0250	148.9	33	0.0283	150.0
34	0.0208	147.3	34	0.0208	147.3

AMES PRELIMINARY AERC-ACCUSTIC DATA
TEST CONDUCTED 17-28 JAN 72

CONFIGURATICN NC. 1
RUN NC. 11
MACH NC. 0.80
DYN PRESSURE-Q (FLIGHT) 465 PSF

ALPHA ANGLE 8 DEG
BETA ANGLE C DEG

AMES PRELIMINARY AERC-ACCUSTIC DATA
TEST CCNDUCTEC 17-28 JAN 72

CONFIGURATION NO. 1
RUN NC. 10
MACH NO. 0.80
DYN PRESSURE-Q (FLIGHT) 465 PSF

ALPHA ANGLE 4 DEG
BETA ANGLE 0 DEG

TRANSDUCER NO	DELTA C PRMS	DB	TRANSDUCER NO	DELTA C PRMS	DB
1	0.0118	142.4	1	0.0121	142.6
2	0.0129	143.1	2	0.0132	143.3
3	0.0147	144.3	3	0.0147	144.3
4	0.0151	146.6	4	0.0151	146.6
5	0.0127	143.7	5	0.0132	143.3
6	0.0233	148.3	6	0.0174	145.7
7	0.0147	144.3	7	0.0158	144.9
8	0.0147	144.3	8	0.0147	144.3
9	0.0076	138.5	9	0.0074	138.3
10	0.0549	155.7	10	0.0552	155.8
11	0.0710	158.0	11	0.0684	157.6
13	0.0631	156.9	13	0.0631	156.9
14	0.0341	151.6	14	0.0097	140.7
15	0.0225	148.0	15	0.0076	138.5
16	0.1315	163.3	16	0.1332	163.4
18	0.0283	150.0	18	0.0300	150.5
20	0.0184	146.2	20	0.0167	145.4
21	0.0175	145.8	21	0.0167	145.4
22	0.0183	146.2	22	0.0183	146.2
23	0.0241	148.6	23	0.0183	146.2
24	0.0258	149.2	24	0.0283	150.0
25	0.0251	150.2	25	0.0300	150.5
26	0.0225	148.0	26	0.0278	149.8
27	0.0382	152.6	27	0.0450	154.0
28	0.0316	150.9	28	0.0342	151.6
29	0.0532	155.4	29	0.0500	154.9
30	0.0600	156.5	30	0.0532	155.4
31	0.0482	154.6	31	0.0526	155.4
32	0.0300	150.5	32	0.0263	149.3
33	0.0283	150.0	33	0.0251	150.2
34	0.0241	148.6	34	0.0225	148.0

AMES PRELIMINARY AERC-ACCUSTIC DATA
TEST CCNDUCTED 17-28 JAN 72

CONFIGURATICN NC. 1
RUN NO. 12
MACH NC. 0.90
DYN PRESSURE-Q (FLIGHT) 515 PSF

AMES PRELIMINARY AERC-ACCUSTIC DATA
TEST CCNDUCTED 17-28 JAN 72

CONFIGURATICN NC. 1
RUN NO. 13
MACH NC. 0.90
DYN PRESSURE-Q (FLIGHT) 515 PSF

ALPHA ANGLE -8 DEG
BETA ANGLE 0 DEG

ALPHA ANGLE -4 DEG
BETA ANGLE 0 DEG

TRANSDUCER NC	DELTA CP RMS	CB
1	0.0104	142.2
2	0.0111	142.7
3	0.0104	142.2
2	0.0125	143.8
3	0.0106	142.3
4	0.0136	144.5
5	0.0104	142.2
6	0.0097	141.6
7	0.0048	135.4
8	0.0462	155.1
9	0.0531	156.3
10	0.0831	160.2
11	0.0346	152.6
13	0.0115	143.0
14	0.0877	160.7
15	0.0270	150.4
16	0.0125	143.8
18	0.0125	143.8
20	0.0120	143.4
21	0.0153	145.5
22	0.0485	155.5
23	0.0453	154.9
24	0.0669	158.3
25	0.1292	164.0
26	0.0409	154.1
27	0.0410	154.1
28	0.0438	154.6
29	0.0476	155.4
30	0.0577	157.0
31	0.0205	148.1
32	0.0190	147.4

TRANSDUCER NC	DELTA CP RMS	CB
1	0.0102	142.0
2	0.0106	142.3
3	0.0104	142.2
4	0.0125	143.8
5	0.0106	142.3
6	0.0134	144.4
7	0.0108	142.5
8	0.0104	142.2
9	0.0048	135.4
10	0.0462	155.1
11	0.0508	155.9
13	0.0854	160.4
14	0.0346	152.6
15	0.0115	143.0
16	0.0831	160.2
18	0.0321	151.9
20	0.0134	144.4
21	0.0125	143.8
22	0.0122	143.5
23	0.0161	146.0
24	0.0517	156.1
25	0.0467	155.2
26	0.0623	157.7
27	0.1200	163.4
28	0.0416	154.2
29	0.0438	154.6
30	0.0438	154.6
31	0.0438	154.6
32	0.0462	155.1
33	0.0226	148.9
34	0.0190	147.4

AMES PRELIMINARY AERO-ACCUUSTIC DATA
TEST CCNCLUDED 17-28 JAN 72

AMES PRELIMINARY AERC-ACCUUSTIC DATA
TEST CONDUCTED 17-28 JAN 72

CONFIGURATION NO. 1
RUN NC. 14
MACH NO. 0.90
DYN PRESSURE-Q (FLIGHT) 515 PSF

CONFIGURATION NC. 1
RUN NO. 15
MACH NC. 0.90
DYN PRESSURE-Q (FLIGHT) 515 PSF

ALPHA ANGLE 0 DEG
BETA ANGLE 0 DEG

ALPHA ANGLE 4 DEG
BETA ANGLE 0 DEG

TRANSDUCER NC	DELTACPRMS	CB
1	0.0055	141.7
2	0.0099	141.7
3	0.0102	142.0
4	0.0120	143.4
5	0.0104	142.2
6	0.0125	144.0
7	0.0108	142.5
8	0.0106	142.3
9	0.0051	136.0
10	0.0485	155.5
11	0.0554	156.7
13	0.0877	160.7
14	0.0425	154.4
15	0.0115	143.0
16	0.0877	160.7
18	0.0325	152.2
20	0.0171	146.5
21	0.0146	145.1
22	0.0127	143.5
23	0.0168	146.3
24	0.0402	153.5
25	0.0354	153.7
26	0.0508	155.9
27	0.0570	161.6
28	0.0380	153.4
29	0.0438	154.6
30	0.0452	154.9
31	0.0452	154.9
32	0.0346	152.6
33	0.0256	150.0
34	0.0157	147.7

TRANSDUCER NO	DELTACPRMS	CB
1	0.0108	142.5
2	0.0127	143.9
3	0.0127	143.9
4	0.0143	144.9
5	0.0123	143.6
6	0.0219	148.6
7	0.0108	142.5
8	0.0111	142.7
9	0.0053	136.3
10	0.0508	155.5
11	0.0600	157.4
13	0.0506	161.0
14	0.0369	153.2
15	0.0115	143.0
16	0.0523	161.1
18	0.0270	150.4
20	0.0351	152.7
21	0.0307	151.6
22	0.0205	148.1
23	0.0270	150.4
24	0.0307	151.6
25	0.0343	152.5
26	0.0332	152.2
27	0.0646	158.0
28	0.0336	152.3
29	0.0452	154.9
30	0.0496	155.7
31	0.0438	154.6
32	0.0346	152.6
33	0.0252	151.1
34	0.0205	148.1

AMES PRELIMINARY AERC-ACCUSTIC DATA
TEST CONDUCTED 17-28 JAN 72

CONFIGURATION NC. 1
RUN NC. 17
MACH NC. 0.95
DYN PRESSURE-C (FLIGHT) 535 PSF

ALPHA ANGLE -8 DEG
BETA ANGLE 0 DEG

TRANSDUCER NC	DELTA CP RMS	CB
1	0.0105	142.6
2	0.0109	142.9
3	0.0098	142.0
4	0.0114	143.3
5	0.0096	141.8
6	0.0140	145.1
7	0.0103	142.4
8	0.0092	141.4
9	0.0046	135.4
10	0.0481	155.8
11	0.0525	156.6
13	0.0941	161.6
14	0.0368	153.5
15	0.0107	142.7
16	0.0809	160.3
18	0.0235	149.6
20	0.0127	144.2
21	0.0120	143.7
22	0.0103	142.4
23	0.0173	146.9
24	0.0459	155.4
25	0.0443	155.1
26	0.0656	158.5
27	0.1312	164.5
28	0.0438	155.0
29	0.0430	154.8
30	0.0444	155.1
31	0.0484	155.8
32	0.0634	158.2
33	0.0222	149.1
34	0.0201	148.2

AMES PRELIMINARY AERC-ACCUSTIC DATA
TEST CONDUCTED 17-28 JAN 72

CONFIGURATION NC. 1
RUN NO. 16
MACH NC. 0.90
DYN PRESSURE-Q (FLIGHT) 515 PSF

ALPHA ANGLE 8 DEG
BETA ANGLE C DEG

TRANSDUCER NO	DELTA CP RMS	CB
1	0.0161	146.0
2	0.0175	146.7
3	0.0183	147.1
4	0.0197	147.7
5	0.0161	146.0
6	0.0307	151.6
7	0.0106	142.3
8	0.0111	142.7
9	0.0055	136.6
10	0.0521	156.3
11	0.0646	158.0
13	0.0808	160.0
14	0.0369	153.2
15	0.0115	143.0
16	0.1016	162.0
18	0.0241	149.5
20	0.0462	155.1
21	0.0415	154.2
22	0.0248	149.7
23	0.0354	153.7
24	0.0248	149.7
25	0.0321	151.9
26	0.0217	148.5
27	0.0438	154.6
28	0.0307	151.6
29	0.0468	155.2
30	0.0556	156.7
31	0.0424	154.4
32	0.0415	154.2
33	0.0307	151.6
34	0.0219	148.6

AMES PRELIMINARY AERC-ACCUSTIC DATA
TEST CONDUCTED 17-28 JAN 72

CONFIGURATICN NC. 1
RUN NC. 18
MACH NO. 0.95
DYN PRESSURE-Q (FLIGHT) 535 PSF

AMES PRELIMINARY AERC-ACCUSTIC DATA
TEST CONDUCTED 17-28 JAN 72

CONFIGURATICN NC. 1
RUN NC. 19
MACH NO. 0.95
DYN PRESSURE-Q (FLIGHT) 535 PSF

ALPHA ANGLE -4 DEG
BETA ANGLE C DEG

ALPHA ANGLE 0 DEG
BETA ANGLE C DEG

TRANSDUCER NO	DELTACPRMS	DB
1	0.0101	142.2
2	0.0103	142.4
3	0.0096	141.8
4	0.0112	143.1
5	0.0096	141.8
6	0.0136	144.8
7	0.0105	142.6
8	0.0096	141.8
9	0.0046	135.4
10	0.0525	156.6
11	0.0569	157.3
13	0.0541	161.6
14	0.0372	153.6
15	0.0105	142.6
16	0.0744	159.6
18	0.0305	151.8
20	0.0145	145.6
21	0.0127	144.2
22	0.0105	142.6
23	0.0173	146.9
24	0.0547	156.9
25	0.0471	155.6
26	0.0613	157.9
27	0.1226	163.9
28	0.0415	154.5
29	0.0430	154.8
30	0.0430	154.8
31	0.0456	155.3
32	0.0459	155.4
33	0.0249	150.1
34	0.0201	148.2

TRANSDUCER NC	DELTACFRMS	CB
1	0.0056	141.8
2	0.0096	141.8
3	0.0092	141.4
4	0.0109	142.9
5	0.0096	141.8
6	0.0127	144.2
7	0.0103	142.4
8	0.0058	142.0
9	0.0048	135.8
10	0.0569	157.3
11	0.0656	158.5
13	0.0963	161.8
14	0.0263	153.3
15	0.0105	142.6
16	0.0766	159.8
18	0.0325	152.4
20	0.0219	149.0
21	0.0152	145.8
22	0.0109	142.9
23	0.0173	146.9
24	0.0525	156.6
25	0.0503	156.2
26	0.0569	157.3
27	0.1138	163.3
28	0.0415	154.5
29	0.0456	155.3
30	0.0444	155.1
31	0.0444	155.1
32	0.0438	155.0
33	0.0415	154.5
34	0.0194	147.9

AMES PRELIMINARY AERO-ACCLUSTIC DATA TEST CCNDUCTED 17-28 JAN 72

CONFIGURATICN NO. 1
 RUN NC. 20
 MACH NC. 0.95
 DYN PRESSURE-Q (FLIGHT) 535 PSF

AMES PRELIMINARY AERC-ACCUSTIC DATA TEST CCNDUCTED 17-28 JAN 72

CONFIGURATICN NO. 1
 RUN NC. 21
 MACH NC. 0.95
 DYN PRESSURE-Q (FLIGHT) 535 PSF

ALPHA ANGLE 4 DEG
 BETA ANGLE 0 DEG

ALPHA ANGLE 8 DEG
 BETA ANGLE C DEG

TRANSDUCER NO	DELTA C PRMS	DB	TRANSDUCER NO	DELTA C FRMS	DB
1	0.0152	145.8	1	0.0332	152.6
2	0.0127	144.2	2	0.0305	151.8
3	0.0105	142.6	3	0.0242	149.8
4	0.0138	144.5	4	0.0241	149.8
5	0.0111	143.1	5	0.0180	147.3
6	0.0201	148.2	6	0.0388	153.9
7	0.0105	142.6	7	0.0114	143.3
8	0.0103	142.4	8	0.0114	143.3
9	0.0051	136.3	9	0.0072	139.3
10	0.0591	157.6	10	0.0613	157.9
11	0.0656	158.5	11	0.0656	158.5
13	0.0919	161.4	13	0.0831	160.5
14	0.0350	153.0	14	0.0394	154.1
15	0.0105	142.6	15	0.0109	142.9
16	0.0831	160.5	16	0.0897	161.2
18	0.0258	151.6	18	0.0256	150.3
20	0.0525	156.6	20	0.0591	157.6
21	0.0438	155.0	21	0.0634	158.2
22	0.0154	147.5	22	0.0318	152.2
23	0.0277	151.0	23	0.0525	156.6
24	0.0402	154.2	24	0.0277	151.0
25	0.0415	154.5	25	0.0374	153.6
26	0.0394	154.1	26	0.0241	149.8
27	0.0788	160.1	27	0.0458	156.1
28	0.0374	153.6	28	0.0332	152.6
29	0.0456	155.3	29	0.0444	155.1
30	0.0588	157.5	30	0.0498	156.1
31	0.0444	155.1	31	0.0416	154.5
32	0.0381	153.8	32	0.0459	155.4
33	0.0547	156.9	33	0.0481	155.8
34	0.0215	149.0	34	0.0219	149.0

AMES PRELIMINARY AERC-ACCUSTIC DATA
TEST CONDUCTED 17-28 JAN 72

CONFIGURATION NC. 1
RUN NO. 22
MACH NC. 1.00
DYN PRESSURE-Q (FLIGHT) 550 PSF

ALPHA ANGLE -8 DEG
BETA ANGLE 0 DEG

TRANSDUCER NC	CELTACFRMS	CB
1	0.0100	142.4
2	0.0117	143.8
3	0.0109	143.1
4	0.0121	144.0
5	0.0103	142.6
6	0.0138	145.2
7	0.0113	143.5
8	0.0094	141.9
9	0.0046	135.6
10	0.0258	151.9
11	0.0419	154.8
13	0.0670	158.9
14	0.0311	152.2
15	0.0111	143.3
16	0.0651	159.2
18	0.0232	149.7
20	0.0146	145.7
21	0.0132	144.8
22	0.0109	143.1
23	0.0152	148.1
24	0.0502	156.4
25	0.0464	155.7
26	0.0649	158.6
27	0.1256	164.4
28	0.0424	154.5
29	0.0384	154.1
30	0.0424	154.5
31	0.0460	155.6
32	0.0335	152.9
33	0.0232	149.7
34	0.0166	146.8

AMES PRELIMINARY AERO-ACCUSTIC DATA
TEST CONDUCTED 17-28 JAN 72

CONFIGURATION NC. 1
RUN NO. 23
MACH NC. 1.00
DYN PRESSURE-Q (FLIGHT) 550 PSF

ALPHA ANGLE -4 DEG
BETA ANGLE 0 DEG

TRANSDUCER NC	CELTACFRMS	CB
1	0.0109	143.1
2	0.0121	144.0
3	0.0111	143.3
4	0.0121	144.0
5	0.0105	142.8
6	0.0134	144.5
7	0.0119	143.9
8	0.0058	142.2
9	0.0048	136.0
10	0.0311	152.2
11	0.0419	154.8
13	0.0649	158.6
14	0.0293	151.7
15	0.0111	143.3
16	0.0628	158.3
18	0.0331	152.8
20	0.0176	147.3
21	0.0146	145.7
22	0.0113	143.5
23	0.0179	147.4
24	0.0544	157.1
25	0.0460	155.6
26	0.0460	155.6
27	0.0920	161.7
28	0.0371	153.8
29	0.0358	153.5
30	0.0410	154.6
31	0.0358	154.4
32	0.0188	147.9
33	0.0212	148.5
34	0.0159	146.4

AMES PRELIMINARY AERO-ACCLUSTIC DATA
TEST CCNDUCTEC 17-28 JAN 72

CONFIGURATION NO. 1
RUN NC. 24
MACH NO. 1.00
DYN PRESSURE-Q (FLIGHT) 550 PSF

ALPHA ANGLE C DEG
BETA ANGLE C DEG

TRANSDUCER NC	DELTACPRMS	DB
1	0.0109	143.1
2	0.0117	143.8
3	0.0105	142.8
4	0.0117	143.8
5	0.0100	142.4
6	0.0126	144.4
7	0.0117	143.8
8	0.0100	142.4
9	0.0049	136.2
10	0.0358	153.5
11	0.0481	156.0
13	0.0691	159.2
14	0.0293	151.7
15	0.0109	143.1
16	0.0507	156.5
18	0.0358	153.5
20	0.0205	148.6
21	0.0172	147.1
22	0.0113	143.5
23	0.0166	146.8
24	0.0544	157.1
25	0.0544	157.1
26	0.0419	154.8
27	0.0838	160.9
28	0.0398	154.4
29	0.0384	154.1
30	0.0424	154.9
31	0.0398	154.4
32	0.0238	149.9
33	0.0245	150.2
34	0.0166	146.8

AMES PRELIMINARY AERC-ACCUSTIC DATA
TEST CCNDUCTED 17-28 JAN 72

CONFIGURATION NO. 1
RUN NO. 25
MACH NC. 1.00
DYN PRESSURE-Q (FLIGHT) 550 PSF

ALPHA ANGLE 4 DEG
BETA ANGLE C DEG

TRANSDUCER NO	DELTACPRMS	DB
1	0.0126	144.4
2	0.0113	143.5
3	0.0100	142.4
4	0.0117	143.8
5	0.0100	142.4
6	0.0121	144.0
7	0.0126	144.4
8	0.0105	142.8
9	0.0050	136.4
10	0.0384	154.1
11	0.0460	155.6
13	0.0691	159.2
14	0.0278	151.3
15	0.0109	143.1
16	0.0628	158.3
18	0.0344	153.1
20	0.0238	149.9
21	0.0745	159.8
22	0.0126	144.4
23	0.0166	146.8
24	0.0450	155.5
25	0.0523	156.8
26	0.0398	154.4
27	0.0712	159.4
28	0.0384	154.1
29	0.0398	154.4
30	0.0504	156.4
31	0.0418	154.8
32	0.0318	152.4
33	0.0331	152.8
34	0.0172	147.1

AMES PRELIMINARY AERC-ACCUSTIC DATA
TEST CONDUCTED 17-28 JAN 72

AMES PRELIMINARY AERC-ACCUSTIC DATA
TEST CONDUCTED 17-28 JAN 72

CONFIGURATION NC. 1
RUN NO. 26
MACH NC. 1.00
DYN PRESSURE-Q (FLIGHT) 550 PSF

CONFIGURATION NC. 1
RUN NO. 27
MACH NC. 1.10
DYN PRESSURE-Q (FLIGHT) 585 PSF

ALPHA ANGLE 8 DEG
BETA ANGLE C DEG

ALPHA ANGLE 0 DEG
BETA ANGLE C DEG

TRANSUCER NO	DELTACFRMS	CB	TRANSUCER NO	DELTACFRMS	CB
1	0.0130	144.7	1	0.0136	145.6
2	0.0126	144.4	2	0.0137	145.7
3	0.0100	142.4	3	0.0123	144.7
4	0.0113	143.5	4	0.0130	145.2
5	0.0056	142.0	5	0.0117	144.3
6	0.0121	144.0	6	0.0137	145.7
7	0.0121	144.0	7	0.0148	146.3
8	0.0105	142.8	8	0.0113	144.0
9	0.0052	136.7	9	0.0053	137.4
10	0.0424	154.9	10	0.0216	149.6
11	0.0439	155.2	11	0.0039	134.7
13	0.0628	158.3	13	0.0449	156.0
14	0.0278	151.3	14	0.0216	149.6
15	0.0107	143.0	15	0.0121	144.6
16	0.0628	158.3	16	0.0507	157.0
18	0.0331	152.8	18	0.0179	148.0
20	0.0252	150.4	20	0.0164	147.2
21	0.0318	152.4	21	0.0173	147.7
22	0.0132	144.8	22	0.0123	144.7
23	0.0159	146.4	23	0.0179	148.0
24	0.0417	154.8	24	0.0339	153.5
25	0.0461	156.0	25	0.0410	155.2
26	0.0335	152.9	26	0.0222	149.9
27	0.0712	159.4	27	0.0518	157.2
28	0.0939	161.8	28	0.0247	150.8
29	0.0424	154.9	29	0.0260	151.2
30	0.0582	157.7	30	0.0408	155.1
31	0.0410	154.6	31	0.0346	153.7
32	0.0460	155.6	32	0.0142	146.0
33	0.0357	154.4	33	0.0179	148.0
34	0.0159	146.4	34	0.0117	144.3

AMES PRELIMINARY AERC-ACCLUSTIC DATA
TEST CCNDUCTED 17-28 JAN 72

CONFIGURATICN NO. 1
RUN NC. 28
MACH NC. 1.20
DYN PRESSURE-Q (FLIGHT) 610 PSF

ALPHA ANGLE C DEG
BETA ANGLE 0 DEG

TRANSDUCER NO	DELTA C PRMS	DB
1	0.0100	143.3
2	0.0158	147.3
3	0.0100	143.3
4	0.0111	144.2
5	0.0054	142.8
6	0.0141	146.3
7	0.0117	144.7
8	0.0100	143.3
9	0.0050	137.3
10	0.0278	152.2
11	0.0306	153.0
13	0.0408	155.5
14	0.0241	150.9
15	0.0111	144.2
16	0.0761	160.9
18	0.0167	147.7
20	0.0170	147.9
21	0.0120	144.9
22	0.0085	141.9
23	0.0250	151.2
24	0.0250	151.2
25	0.0287	152.4
26	0.0389	155.1
27	0.0742	160.7
28	0.0204	149.5
29	0.0240	150.9
30	0.0426	155.9
31	0.0370	154.7
32	0.0158	147.3
33	0.0361	154.4
34	0.0146	146.6

AMES PRELIMINARY AERC-ACCLUSTIC DATA
TEST CCNDUCTED 17-28 JAN 72

CONFIGURATICN NO. 1
RUN NC. 29
MACH NC. 1.20
DYN PRESSURE-Q (FLIGHT) 610 PSF

ALPHA ANGLE -4 DEG
BETA ANGLE C DEG

TRANSDUCER NC	DELTA C PRMS	CB
1	0.0103	143.5
2	0.0137	146.0
3	0.0100	143.3
4	0.0109	144.0
5	0.0089	142.3
6	0.0125	145.2
7	0.0117	144.7
8	0.0100	143.8
9	0.0048	136.9
10	0.0247	151.1
11	0.0282	152.3
13	0.0362	154.5
14	0.0229	150.5
15	0.0112	144.3
16	0.0585	158.6
18	0.0153	147.0
20	0.0159	147.3
21	0.0134	145.8
22	0.0084	141.8
23	0.0158	149.2
24	0.0238	150.8
25	0.0273	152.0
26	0.0379	154.9
27	0.0706	160.3
28	0.0203	149.4
29	0.0218	150.1
30	0.0388	155.1
31	0.0370	154.7
32	0.0150	146.8
33	0.0273	152.0
34	0.0148	146.7

AMES PRELIMINARY AERO-ACCUSTIC DATA
TEST CONDUCTED 17-28 JAN 72

AMES PRELIMINARY AERO-ACCUSTIC DATA
TEST CONDUCTED 17-28 JAN 72

CONFIGURATION NO. 1
RUN NO. 30
MACH NO. 1.20
DYN PRESSURE-Q (FLIGHT) 610 PSF

CONFIGURATION NO. 1
RUN NO. 31
MACH NO. 1.20
DYN PRESSURE-Q (FLIGHT) 610 PSF

ALPHA ANGLE C DEG
BETA ANGLE O DEG

ALPHA ANGLE 4 DEG
BETA ANGLE C DEG

TRANSDUCER NO	DELTACPRMS	CB	TRANSDUCER NO	DELTACPRMS	DB
1	0.0106	143.6	1	0.0089	142.3
2	0.0139	146.1	2	0.0131	145.6
3	0.0100	143.3	3	0.0095	142.8
4	0.0109	144.0	4	0.0106	143.8
5	0.0089	142.3	5	0.0086	142.0
6	0.0117	144.7	6	0.0117	144.7
7	0.0122	145.1	7	0.0120	144.9
8	0.0112	144.3	8	0.0123	145.1
9	0.0050	137.3	9	0.0053	137.8
10	0.0229	150.5	10	0.0212	149.8
11	0.0265	151.8	11	0.0247	151.1
13	0.0362	154.5	13	0.0362	154.5
14	0.0229	150.5	14	0.0212	149.8
15	0.0114	144.4	15	0.0117	144.7
16	0.0529	157.8	16	0.0547	158.0
18	0.0167	147.7	18	0.0162	147.5
20	0.0145	146.5	20	0.0134	145.8
21	0.0155	147.3	21	0.0194	149.0
22	0.0089	142.3	22	0.0092	142.6
23	0.0203	149.4	23	0.0194	149.0
24	0.0247	151.1	24	0.0265	151.8
25	0.0282	152.3	25	0.0305	153.1
26	0.0291	152.6	26	0.0238	150.8
27	0.0564	158.3	27	0.0454	157.2
28	0.0203	149.4	28	0.0229	150.5
29	0.0218	150.1	29	0.0218	150.1
30	0.0388	155.1	30	0.0424	155.8
31	0.0352	154.2	31	0.0352	154.2
32	0.0123	145.1	32	0.0126	145.4
33	0.0238	150.8	33	0.0256	151.5
34	0.0114	144.4	34	0.0112	144.3

AMES PRELIMINARY AERC-ACCUSTIC DATA
TEST CONDUCTED 17-28 JAN 72

CONFIGURATICN NC. 1
RUN NO. 32
MACT NC. 1.20
DYN PRESSURE-Q (FLIGHT) 610 PSF

ALPHA ANGLE 8 DEG
BETA ANGLE C DEG

TRANSDUCER NC	CELTACPRMS	CB
1	0.0081	141.5
2	0.0120	144.9
3	0.0089	142.3
4	0.0106	143.8
5	0.0085	142.3
6	0.0120	144.5
7	0.0114	144.4
8	0.0137	146.0
9	0.0061	139.0
10	0.0221	150.2
11	0.0247	151.1
13	0.0362	154.5
14	0.0203	149.4
15	0.0125	145.2
16	0.0641	159.4
18	0.0167	147.7
20	0.0123	145.1
21	0.0212	149.8
22	0.0098	143.1
23	0.0176	148.2
24	0.0335	153.8
25	0.0406	155.5
26	0.0212	149.8
27	0.0530	157.8
28	0.0291	152.6
29	0.0264	151.7
30	0.0564	158.3
31	0.0252	154.2
32	0.0176	148.2
33	0.0441	156.2
34	0.0123	145.1

AMES PRELIMINARY AERC-ACCUSTIC DATA
TEST CONDUCTED 17-28 JAN 72

CONFIGURATICN NC. 1
RUN NO. 33
MACT NC. 1.20
DYN PRESSURE-Q (FLIGHT) 630 PSF

ALPHA ANGLE C DEG
BETA ANGLE C DEG

TRANSDUCER NC	CELTACPRMS	CB
1	0.0090	142.7
2	0.0087	142.4
3	0.0082	141.8
4	0.0052	142.8
5	0.0074	141.0
6	0.0117	144.9
7	0.0095	143.1
8	0.0133	146.0
9	0.0048	137.2
10	0.0128	145.7
11	0.0189	149.1
13	0.0301	153.1
14	0.0155	147.4
15	0.0109	144.3
16	0.0447	156.6
18	0.0135	146.2
20	0.0070	140.5
21	0.0164	147.9
22	0.0073	140.8
23	0.0232	150.9
24	0.0232	150.9
25	0.0258	151.8
26	0.0355	155.5
27	0.0706	160.5
28	0.0215	150.2
29	0.0212	150.1
30	0.0378	155.1
31	0.0342	154.2
32	0.0097	143.3
33	0.0275	152.4
34	0.0088	142.5

AMES PRELIMINARY AERC-ACCUSTIC DATA
TEST CCNDUCTEC 17-28 JAN 72

CONFIGURATION NO. 1
RUN NO. 34
MACH NO. 1.40
DYN PRESSURE-Q (FLIGHT) 645 PSF

ALPHA ANGLE C DEG
BETA ANGLE 0 DEG

TRANSUDCER NO	DELTA CP RMS	DB
1	0.0073	141.0
2	0.0162	148.0
3	0.0097	143.5
4	0.0050	142.9
5	0.0072	140.9
6	0.0208	150.1
7	0.0111	144.7
8	0.0147	147.1
9	0.0045	136.8
10	0.0066	140.2
11	0.0140	146.7
13	0.0250	151.7
14	0.0122	145.5
15	0.0144	146.9
16	0.0386	155.5
18	0.0136	146.4
20	0.0079	141.7
21	0.0161	147.9
22	0.0083	142.2
23	0.0273	152.5
24	0.0197	149.7
25	0.0250	151.7
26	0.0454	156.9
27	0.0818	162.0
28	0.0250	151.7
29	0.0208	150.1
30	0.0322	153.9
31	0.0124	145.6
32	0.0122	145.5
33	0.0375	155.3
34	0.0082	142.0

AMES PRELIMINARY AERC-ACCUSTIC DATA
TEST CCNDUCTEC 17-28 JAN 72

CONFIGURATION NO. 1
RUN NO. 35
MACH NO. 1.40
DYN PRESSURE-Q (FLIGHT) 645 PSF

ALPHA ANGLE -4 DEG
BETA ANGLE 0 DEG

TRANSUDCER NO	DELTA CP RMS	CB
1	0.0051	137.9
2	0.0318	153.8
3	0.0093	143.1
4	0.0086	142.5
5	0.0067	140.3
6	0.0280	152.7
7	0.0093	143.1
8	0.0144	146.9
9	0.0042	136.2
10	0.0068	140.4
11	0.0154	147.5
13	0.0261	152.1
14	0.0182	149.0
15	0.0122	145.5
16	0.0397	155.7
18	0.0136	146.4
20	0.0084	142.3
21	0.0140	146.7
22	0.0079	141.7
23	0.0295	153.2
24	0.0179	148.8
25	0.0250	151.7
26	0.0432	156.5
27	0.0772	161.5
28	0.0222	150.7
29	0.0200	149.8
30	0.0344	154.5
31	0.0344	154.5
32	0.0118	145.2
33	0.0454	156.9
34	0.0090	142.9

AMES PRELIMINARY AERO-ACCUSTIC DATA
TEST CCNDUCTED 17-28 JAN 72

CONFIGURATION NC. 1
RUN NC. 37
MACH NC. 1.40
DYN PRESSURE-C (FLIGHT) 645 PSF

ALPHA ANGLE 4 DEG
BETA ANGLE 0 DEG

TRANSDUCER NC	DELTA C PRMS	DB
1	0.0075	141.7
2	0.0136	146.4
3	0.0053	143.1
4	0.0090	142.5
5	0.0072	140.9
6	0.0161	147.5
7	0.0108	144.4
8	0.0144	146.5
9	0.0048	137.4
10	0.0068	140.4
11	0.0125	146.0
13	0.0227	150.9
14	0.0115	145.0
15	0.0147	147.1
16	0.0363	155.0
18	0.0136	146.4
20	0.0077	141.5
21	0.0172	148.5
22	0.0086	142.5
23	0.0250	151.7
24	0.0238	151.3
25	0.0273	152.5
26	0.0477	157.3
27	0.0908	162.9
28	0.0273	152.5
29	0.0222	150.7
30	0.0342	154.5
31	0.0454	156.5
32	0.0090	142.9
33	0.0375	155.3
34	0.0068	140.4

AMES PRELIMINARY AERC-ACCUSTIC DATA
TEST CCNDUCTED 17-28 JAN 72

CONFIGURATION NO. 1
RUN NC. 40
MACH NC. 1.40
DYN PRESSURE-Q (FLIGHT) 645 PSF

ALPHA ANGLE -4 DEG
BETA ANGLE 5 DEG

TRANSDUCER NO	DELTA C PRMS	DB
1	0.0061	139.5
2	0.0115	145.0
3	0.0086	142.5
4	0.0075	141.3
5	0.0062	135.6
6	0.0065	140.0
7	0.0086	142.5
8	0.0190	149.3
9	0.0053	138.3
10	0.0057	138.9
11	0.0108	144.4
13	0.0115	145.0
14	0.0115	145.0
15	0.0111	144.7
16	0.0522	158.1
18	0.0216	150.5
20	0.0082	142.2
21	0.0125	146.0
22	0.0072	140.9
23	0.0198	149.7
24	0.0201	145.8
25	0.0273	152.5
26	0.0500	157.8
27	0.0614	159.5
28	0.0443	156.7
29	0.0308	153.5
30	0.0410	156.0
31	0.0446	156.8
32	0.0261	152.1
33	0.0861	162.5
34	0.0104	144.1

AMES PRELIMINARY AERC-ACCUSTIC DATA
TEST CONDUCTED 17-28 JAN 72

AMES PRELIMINARY AERC-ACCUSTIC DATA
TEST CONDUCTED 17-28 JAN 72

CONFIGURATICN NC. 1
RUN NC. 41
MACH NC. 1.40
DYN PRESSURE-Q (FLIGHT) 645 PSF

CONFIGURATICN NC. 1
RUN NC. 42
MACH NC. 1.40
DYN PRESSURE-Q (FLIGHT) 645 PSF

ALPHA ANGLE C DEG
BETA ANGLE 5 DEG

ALPHA ANGLE 4 DEG
BETA ANGLE 5 DEG

TRANSDUCER NO	DELTACFRMS	DB
1	0.0068	140.4
2	0.0104	144.1
3	0.0050	142.5
4	0.0079	141.7
5	0.0066	140.2
6	0.0215	150.4
7	0.0066	142.5
8	0.0222	150.7
9	0.0068	140.4
10	0.0068	140.4
11	0.0118	145.2
13	0.0122	145.5
14	0.0017	128.4
15	0.0136	146.4
16	0.0375	155.3
18	0.0129	146.0
20	0.0086	142.5
21	0.0165	148.1
22	0.0079	141.7
23	0.0191	149.4
24	0.0197	149.7
25	0.0284	152.8
26	0.0534	158.3
27	0.0658	160.1
28	0.0511	157.9
29	0.0372	155.2
30	0.0452	156.5
31	0.0408	156.0
32	0.0108	144.4
33	0.0825	162.1
34	0.0118	145.2

TRANSDUCER NC	DELTACFRMS	DB
1	0.0079	141.7
2	0.0079	141.7
3	0.0083	142.2
4	0.0081	141.9
5	0.0068	140.4
6	0.0079	141.7
7	0.0097	143.5
8	0.0230	151.0
9	0.0081	141.9
10	0.0075	141.3
11	0.0129	146.0
13	0.0144	146.9
14	0.0083	142.2
15	0.0133	146.3
16	0.0352	154.7
18	0.0129	146.0
20	0.0086	142.5
21	0.0183	145.0
22	0.0079	141.7
23	0.0154	145.5
24	0.0227	150.9
25	0.0273	152.5
26	0.0568	158.9
27	0.0682	160.4
28	0.0568	158.9
29	0.0454	156.9
30	0.0546	158.5
31	0.0402	155.9
32	0.0100	143.8
33	0.0500	157.8
34	0.0111	144.7

AMES PRELIMINARY AERO-ACCUSTIC DATA
TEST CCNDUCTED 17-28 JAN 72

CCNFIGURATICN NO. 1
RUN NC. 44
MACH NC. 1.40
DYN PRESSURE-Q (FLIGHT) 645 PSF

AMES PRELIMINARY AERO-ACCUSTIC DATA
TEST CCNDUCTED 17-28 JAN 72

CCNFIGURATICN NO. 1
RUN NC. 45
MACH NC. 1.20
DYN PRESSURE-C (FLIGHT) 610 PSF

ALPHA ANGLE 8 DEG
BETA ANGLE 5 DEG

ALPHA ANGLE -8 DEG
BETA ANGLE 5 DEG

TRANSDUCER NC	DELTACFRMS	DB
1	0.0136	146.4
2	0.0075	141.3
3	0.0083	142.2
4	0.0083	142.2
5	0.0066	140.2
6	0.0072	140.9
7	0.0111	144.7
8	0.0215	150.4
9	0.0100	143.6
10	0.0090	142.9
11	0.0155	147.8
13	0.0193	149.5
14	0.0151	147.4
15	0.0115	145.0
16	0.0409	156.0
18	0.0140	146.7
20	0.0126	145.8
21	0.0182	149.0
22	0.0086	142.5
23	0.0153	149.5
24	0.0227	150.5
25	0.0307	153.5
26	0.0613	159.5
27	0.0750	161.3
28	0.0613	159.5
29	0.0574	159.0
30	0.0636	159.8
31	0.0432	156.5
32	0.0086	142.5
33	0.0273	152.5
34	0.0100	143.6

TRANSDUCER NC	DELTACPRMS	DB
1	0.0089	142.3
2	0.0106	143.8
3	0.0095	142.8
4	0.0106	143.8
5	0.0084	141.8
6	0.0139	146.1
7	0.0112	144.3
8	0.0100	143.3
9	0.0053	137.8
10	0.0089	142.3
11	0.0229	150.5
13	0.0190	148.9
14	0.0176	148.2
15	0.0112	144.3
16	0.0781	161.1
18	0.0178	148.3
20	0.0173	148.0
21	0.0123	145.1
22	0.0064	141.6
23	0.0585	158.6
24	0.0753	160.8
25	0.0388	155.1
26	0.0669	159.8
27	0.0812	161.5
28	0.0558	158.2
29	0.0512	157.5
30	0.0618	159.1
31	0.0370	154.7
32	0.0446	156.3
33	0.0388	155.1
34	0.0145	146.5

AMES PRELIMINARY AERC-ACCUSTIC DATA
TEST CONDUCTED 17-28 JAN 72

CONFIGURATICA NO. 1
RUN NC. 47
MACH NO. 1.20
DYN PRESSURE-Q (FLIGHT) 610 PSF

TRANSUCER NO	DELTA CP RMS	DB	ALPHA ANGLE BETA ANGLE	-4 DEG 5 DEG
1	0.0100	143.3		
2	0.0105	144.0		
3	0.0098	143.1		
4	0.0106	143.8		
5	0.0084	141.8		
6	0.0195	149.1		
7	0.0117	144.7		
8	0.0114	144.4		
9	0.0056	138.3		
10	0.0141	146.3		
11	0.0221	150.2		
13	0.0173	148.0		
14	0.0162	147.5		
15	0.0117	144.7		
16	0.0613	155.0		
18	0.0212	149.8		
20	0.0123	145.1		
21	0.0134	145.8		
22	0.0085	142.3		
23	0.0165	147.8		
24	0.0256	151.5		
25	0.0423	155.8		
26	0.0669	159.8		
27	0.0776	161.1		
28	0.0585	158.6		
29	0.0476	156.8		
30	0.0582	158.6		
31	0.0388	155.1		
32	0.0457	156.5		
33	0.0388	155.1		
34	0.0184	148.6		

AMES PRELIMINARY AERC-ACCUSTIC DATA
TEST CONDUCTED 17-28 JAN 72

CCFIGURATICA NC. 1
RUN NC. 48
MACH NO. 1.20
DYN PRESSURE-Q (FLIGHT) 610 PSF

TRANSUCER NO	DELTA CP RMS	DB	ALPHA ANGLE BETA ANGLE	0 DEG 5 DEG
1	0.0103	143.5		
2	0.0109	144.0		
3	0.0100	143.3		
4	0.0112	144.3		
5	0.0086	142.0		
6	0.0145	146.5		
7	0.0123	145.1		
8	0.0134	145.8		
9	0.0061	139.0		
10	0.0176	148.2		
11	0.0229	150.5		
13	0.0154	149.0		
14	0.0134	145.8		
15	0.0117	144.7		
16	0.0529	157.8		
18	0.0238	150.8		
20	0.0151	146.9		
21	0.0159	147.3		
22	0.0095	142.8		
23	0.0168	147.8		
24	0.0282	152.3		
25	0.0455	156.5		
26	0.0669	159.8		
27	0.0742	160.7		
28	0.0613	159.0		
29	0.0494	157.2		
30	0.0626	159.4		
31	0.0530	157.8		
32	0.0279	152.2		
33	0.0582	158.6		
34	0.0153	147.0		

AMES PRELIMINARY AERO-ACCUSTIC DATA
TEST CCNDUCTED 17-28 JAN 72

CONFIGURATION NO. 1
RUN NC. 45
MACH NC. 1.20
DYN PRESSURE-Q (FLIGHT) 610 PSF

ALPHA ANGLE 4 DEG
BETA ANGLE 5 DEG

TRANSDUCER NC	DELTACPRMS	DB
1	0.0057	143.0
2	0.0112	144.3
3	0.0106	143.8
4	0.0112	144.3
5	0.0086	142.0
6	0.0121	145.6
7	0.0117	144.7
8	0.0161	147.4
9	0.0067	139.8
10	0.0229	150.5
11	0.0265	151.8
13	0.0335	153.8
14	0.0155	147.3
15	0.0117	144.7
16	0.0512	157.5
18	0.0225	150.5
20	0.0134	145.8
21	0.0154	149.0
22	0.0100	143.3
23	0.0155	147.3
24	0.0282	152.3
25	0.0423	155.8
26	0.0725	160.5
27	0.0742	160.7
28	0.0613	159.0
29	0.0564	158.3
30	0.0776	161.1
31	0.0442	156.2
32	0.0176	148.2
33	0.0725	160.5
34	0.0124	145.8

AMES PRELIMINARY AERO-ACCUSTIC DATA
TEST CCNDUCTED 17-28 JAN 72

CONFIGURATION NO. 1
RUN NC. 50
MACH NC. 1.20
DYN PRESSURE-Q (FLIGHT) 610 PSF

ALPHA ANGLE 8 DEG
BETA ANGLE 5 DEG

TRANSDUCER NO	DELTACPRMS	DB
1	0.0095	142.8
2	0.0117	144.7
3	0.0100	143.3
4	0.0106	143.8
5	0.0089	142.3
6	0.0134	145.8
7	0.0112	144.3
8	0.0195	149.1
9	0.0072	140.4
10	0.0247	151.1
11	0.0318	153.3
13	0.0371	154.7
14	0.0221	150.2
15	0.0123	145.1
16	0.0618	159.1
18	0.0238	150.8
20	0.0113	144.4
21	0.0238	150.8
22	0.0106	143.8
23	0.0151	146.9
24	0.0300	152.8
25	0.0459	156.5
26	0.0864	162.0
27	0.0846	161.8
28	0.0669	159.8
29	0.0776	161.1
30	0.0552	162.9
31	0.0494	157.2
32	0.0162	147.5
33	0.0309	153.1
34	0.0128	145.4

AMES PRELIMINARY AERC-ACCUSTIC DATA
TEST CONDUCTED 17-28 JAN 72

CONFIGURATION NO. 1
RUN NO. 51
MACH NO. 1.00
DYN PRESSURE-Q (FLIGHT) 550 PSF

ALPHA ANGLE -8 DEG
BETA ANGLE 5 DEG

TRANSDUCER NO	DELTACFRMS	CB
1	0.0100	142.4
2	0.0109	143.1
3	0.0109	143.1
4	0.0122	144.1
5	0.0100	142.4
6	0.0159	146.4
7	0.0109	143.1
8	0.0056	142.0
9	0.0019	128.0
10	0.0343	153.1
11	0.0252	150.4
13	0.0159	148.4
14	0.0166	146.8
15	0.0117	143.8
16	0.0586	157.7
18	0.0278	151.2
20	0.0142	145.4
21	0.0126	144.4
22	0.0105	142.8
23	0.0159	148.4
24	0.0335	152.9
25	0.0450	155.5
26	0.0711	159.4
27	0.0920	161.7
28	0.0628	158.3
29	0.0686	159.1
30	0.0920	161.7
31	0.0556	157.3
32	0.0670	158.9
33	0.0265	150.9
34	0.0172	147.1

AMES PRELIMINARY AERC-ACCUSTIC DATA
TEST CONDUCTED 17-28 JAN 72

CONFIGURATION NO. 1
RUN NO. 52
MACH NO. 1.00
DYN PRESSURE-Q (FLIGHT) 550 PSF

ALPHA ANGLE -4 DEG
BETA ANGLE 5 DEG

TRANSDUCER NO	DELTACFRMS	CB
1	0.0113	143.5
2	0.0113	143.5
3	0.0109	143.1
4	0.0121	144.0
5	0.0100	142.4
6	0.0159	146.4
7	0.0117	143.8
8	0.0100	142.4
9	0.0056	137.4
10	0.0331	152.8
11	0.0291	151.7
13	0.0230	149.6
14	0.0159	146.4
15	0.0113	143.5
16	0.0544	157.1
18	0.0358	153.5
20	0.0163	146.6
21	0.0138	145.2
22	0.0109	143.1
23	0.0146	145.7
24	0.0377	153.9
25	0.0502	156.4
26	0.0544	157.1
27	0.0796	160.4
28	0.0607	158.1
29	0.0662	158.8
30	0.0920	161.7
31	0.0530	156.5
32	0.0795	160.4
33	0.0252	150.4
34	0.0238	149.5

AMES PRELIMINARY AERO-ACCLUSTIC DATA
TEST CCNUCTED 17-28 JAN 72

AMES PRELIMINARY AERC-ACCLUSTIC DATA
TEST CCNUCTED 17-28 JAN 72

CONFIGURATICN NO. 1
RUN NC. 53
MACH NO. 1.00
DYN PRESSURE-Q (FLIGHT) 550 PSF

CONFIGURATICN NO. 1
RUN NC. 54
MACH NO. 1.00
DYN PRESSURE-Q (FLIGHT) 550 PSF

ALPHA ANGLE 0 DEG
BETA ANGLE 5 DEG

ALPHA ANGLE 8 DEG
BETA ANGLE 5 DEG

TRANSDUCER NC	DELTA C PRMS	DB
1	0.0117	143.8
2	0.0113	143.5
3	0.0105	142.8
4	0.0121	144.0
5	0.0105	142.8
6	0.0151	146.0
7	0.0117	143.8
8	0.0105	142.8
9	0.0059	137.8
10	0.0371	153.8
11	0.0356	153.4
13	0.0398	154.4
14	0.0176	147.3
15	0.0105	143.1
16	0.0628	158.3
18	0.0523	156.8
20	0.0192	148.1
21	0.0152	146.0
22	0.0113	143.5
23	0.0146	145.7
24	0.0460	155.6
25	0.0628	158.3
26	0.0460	155.6
27	0.0754	159.9
28	0.0586	157.7
29	0.0628	158.3
30	0.0838	160.9
31	0.0500	156.4
32	0.0596	157.9
33	0.0380	154.0
34	0.0238	149.9

TRANSDUCER NO	DELTA C PRMS	DB
1	0.0121	144.0
2	0.0105	142.8
3	0.0100	142.4
4	0.0113	143.5
5	0.0100	142.4
6	0.0142	145.4
7	0.0117	143.8
8	0.0113	143.5
9	0.0059	137.8
10	0.0450	155.5
11	0.0502	156.4
13	0.0502	156.4
14	0.0352	153.3
15	0.0105	142.8
16	0.0628	158.3
18	0.0628	158.3
20	0.0225	149.4
21	0.0199	148.4
22	0.0117	143.8
23	0.0141	145.4
24	0.0544	157.1
25	0.0670	158.9
26	0.0586	157.7
27	0.0756	160.4
28	0.0628	158.3
29	0.0636	158.5
30	0.0838	160.9
31	0.0530	156.9
32	0.0460	155.6
33	0.0711	159.4
34	0.0225	149.4

AMES PRELIMINARY AERC-ACCUSTIC DATA
TEST CCNDUCTED 17-28 JAN 72

CCNFIGLRATICN NC. 1
RUN NC. 55
MACH NC. 1.00
DYN PRESSURE-Q (FLIGHT) 550 PSF

AMES PRELIMINARY AERC-ACCUSTIC DATA
TEST CCNDUCTED 17-28 JAN 72

CONFIGURATION NO. 1
RUN NC. 56
MACH NC. 0.95
DYN PRESSURE-Q (FLIGHT) 535 PSF

ALPHA ANGLE 4 DEG
BETA ANGLE 5 DEG

ALPHA ANGLE -8 DEG
BETA ANGLE 5 DEG

TRANSDUCER NO	DELTACFRMS	DB
1	0.0172	147.1
2	0.0146	145.7
3	0.0109	143.1
4	0.0117	143.8
5	0.0096	142.0
6	0.0146	145.7
7	0.0121	144.0
8	0.0121	144.0
9	0.0063	138.4
10	0.0477	156.0
11	0.0502	156.4
13	0.0586	157.7
14	0.0356	153.4
15	0.0105	142.8
16	0.0628	158.3
18	0.0795	160.4
20	0.0038	134.0
21	0.0419	154.8
22	0.0146	145.7
23	0.0175	147.4
24	0.0523	156.8
25	0.0628	158.3
26	0.0963	162.1
27	0.1004	162.4
28	0.0755	160.4
29	0.0688	159.1
30	0.0920	161.7
31	0.0544	157.1
32	0.0398	154.4
34	0.0212	148.9

TRANSDUCER NO	DELTACPRMS	DB
1	0.0105	142.6
2	0.0105	142.6
3	0.0101	142.2
4	0.0114	143.3
5	0.0096	141.8
6	0.0162	146.3
7	0.0101	142.2
8	0.0096	141.8
9	0.0058	137.4
10	0.0438	155.0
11	0.0332	152.6
13	0.0263	150.5
14	0.0166	146.6
15	0.0109	142.9
16	0.0569	157.3
18	0.0263	150.5
20	0.0118	143.6
21	0.0109	142.9
22	0.0052	141.4
23	0.0132	144.6
24	0.0372	153.6
25	0.0481	155.8
26	0.0744	159.6
27	0.0876	161.0
28	0.0613	157.9
29	0.0154	147.9
30	0.0788	160.1
31	0.0526	156.6
32	0.0857	161.2
33	0.0306	151.9
34	0.0180	147.3

AMES PRELIMINARY AERC-ACCUSTIC DATA
 TEST CCNDUCTED 17-28 JAN 72

AMES PRELIMINARY AERO-ACCUSTIC DATA
 TEST CCNDUCTED 17-28 JAN 72

CONFIGURATICN NC. 1
 RUN NO. 57
 MACT NC. 0.95
 DYN PRESSURE-Q (FLIGHT) 535 PSF

CCONFIGURATICN NO. 1
 RUN NC. 58
 MACT NO. 0.95
 DYN PRESSURE-C (FLIGHT) 535 PSF

ALPHA ANGLE -4 DEG
 BETA ANGLE 5 DEG

ALPHA ANGLE C DEG
 BETA ANGLE 5 DEG

TRANSUDCER NC	DELTACPRMS	DB	TRANSUDCER NC	DELTACPRMS	DB
1	0.0105	142.6	1	0.0105	142.6
2	0.0101	142.2	2	0.0096	141.8
3	0.0056	141.8	3	0.0092	141.4
4	0.0114	143.3	4	0.0109	142.5
5	0.0101	142.2	5	0.0096	141.8
6	0.0158	146.1	6	0.0149	145.6
7	0.0101	142.2	7	0.0101	142.2
8	0.0056	141.8	8	0.0101	142.2
9	0.0057	137.3	9	0.0057	137.3
10	0.0438	155.0	10	0.0525	156.6
11	0.0416	154.5	11	0.0525	156.6
13	0.0372	153.6	13	0.0613	157.9
14	0.0175	147.0	14	0.0219	149.0
15	0.0109	142.9	15	0.0105	142.6
16	0.0565	157.3	16	0.0613	157.9
18	0.0318	152.2	18	0.0402	154.2
20	0.0127	144.2	20	0.0158	146.1
21	0.0109	142.9	21	0.0116	143.4
22	0.0096	141.8	22	0.0096	141.8
23	0.0126	144.8	23	0.0138	144.9
24	0.0411	154.4	24	0.0416	154.5
25	0.0503	156.2	25	0.0569	157.3
26	0.0678	158.8	26	0.0569	157.3
27	0.0876	161.0	27	0.0876	161.0
28	0.0565	157.3	28	0.0503	156.2
29	0.0582	157.4	29	0.0582	157.4
30	0.0788	160.1	30	0.0700	159.1
31	0.1576	166.1	31	0.0526	156.6
32	0.1038	162.5	32	0.0997	162.1
33	0.0277	151.0	33	0.0318	152.2
34	0.0249	150.1	34	0.0270	150.8

AMES PRELIMINARY AERC-ACCLSTIC DATA
TEST CCNDUCTED 17-28 JAN 72

AMES PRELIMINARY AERC-ACCUSTIC DATA
TEST CCNDUCTED 17-28 JAN 72

CONFIGURATICN NO. 1
RUN NC. 60
MACH NC. 0.95
DYN PRESSURE-Q (FLIGHT) 535 PSF

CONFIGURATICN NO. 1
RUN NC. 61
MACH NC. 0.95
DYN PRESSURE-Q (FLIGHT) 535 PSF

ALPHA ANGLE 4 DEG
BETA ANGLE 5 DEG

ALPHA ANGLE 8 DEG
BETA ANGLE 5 DEG

TRANSDUCER NC	DELTA C PRMS	DB
1	0.0105	142.6
2	0.0056	141.8
3	0.0092	141.4
4	0.0105	142.6
5	0.0056	141.8
6	0.0131	144.5
7	0.0101	142.2
8	0.0101	142.2
9	0.0057	137.3
10	0.0613	157.9
11	0.0722	159.3
13	0.0656	158.5
14	0.0306	151.9
15	0.0105	142.6
16	0.0788	160.1
18	0.0481	155.8
20	0.0201	148.2
21	0.0132	144.6
22	0.0101	142.2
23	0.0138	144.9
24	0.0481	155.8
25	0.0613	157.9
26	0.0656	158.5
27	0.0518	161.4
28	0.0565	157.3
29	0.0612	157.9
30	0.0788	160.1
31	0.0526	156.6
32	0.0692	159.0
33	0.0525	156.6
34	0.0263	150.5

TRANSDUCER NC	DELTA C PRMS	DB
1	0.0350	153.0
2	0.0208	148.5
3	0.0152	145.8
4	0.0152	145.8
5	0.0118	143.6
6	0.0208	148.5
7	0.0109	142.9
8	0.0127	144.2
9	0.0083	140.5
10	0.0565	157.3
11	0.0700	159.1
13	0.0762	159.8
14	0.0394	154.1
15	0.0109	142.9
16	0.0331	152.5
18	0.0656	158.5
20	0.0525	156.6
21	0.0394	154.1
22	0.0180	147.3
23	0.0251	151.4
24	0.0459	155.4
25	0.0613	157.9
26	0.0963	161.8
27	0.0962	161.8
28	0.0656	158.5
29	0.0656	158.5
30	0.0788	160.1
31	0.0568	157.2
32	0.0623	158.0
33	0.0831	160.5
34	0.0222	149.1

AMES PRELIMINARY AERO-ACCUSTIC DATA
 TEST CCNDUCTED 17-28 JAN 72

CONFIGURATICN NC. 1
 RUN NC. 63
 MACH NC. 0.90
 DYN PRESSURE-Q (FLIGHT) 515 PSF

CONFIGURATICN NC. 1
 RUN NC. 62
 MACH NC. 0.90
 DYN PRESSURE-Q (FLIGHT) 515 PSF

ALPHA ANGLE -8 DEG
 BETA ANGLE 5 DEG

ALPHA ANGLE -4 DEG
 BETA ANGLE 5 DEG

TRANSDUCER NC	DELTA CF RMS	CB	TRANSDUCER NO	DELTA CF RMS	CB
1	0.0102	142.0	1	0.0105	142.2
2	0.0106	142.3	2	0.0102	142.0
3	0.0102	142.0	3	0.0102	142.0
4	0.0125	143.8	4	0.0125	143.8
5	0.0106	142.3	5	0.0111	142.7
6	0.0152	145.5	6	0.0162	146.0
7	0.0102	142.0	7	0.0106	142.3
8	0.0057	141.6	8	0.0102	142.0
9	0.0060	137.4	9	0.0058	137.1
10	0.0365	153.1	10	0.0351	152.7
11	0.0346	152.6	11	0.0415	154.2
13	0.0205	148.1	13	0.0300	151.4
14	0.0175	146.7	14	0.0168	146.3
15	0.0120	143.4	15	0.0115	143.0
16	0.0739	159.2	16	0.0646	158.0
18	0.0252	151.1	18	0.0336	152.3
20	0.0111	142.7	20	0.0120	143.4
21	0.0111	142.7	21	0.0111	142.7
22	0.0102	142.0	22	0.0106	142.3
23	0.0124	143.7	23	0.0125	144.0
24	0.0415	154.2	24	0.0439	154.7
25	0.0503	155.8	25	0.0554	156.7
26	0.0785	159.7	26	0.0665	158.3
27	0.0924	161.1	27	0.0924	161.1
28	0.0577	157.0	28	0.0554	156.7
29	0.0642	158.0	29	0.0584	157.1
30	0.0738	159.2	30	0.0702	158.7
31	0.0554	156.7	31	0.0526	156.2
32	0.1023	162.0	32	0.1023	162.0
33	0.0234	149.2	33	0.0215	148.6
34	0.0153	145.5	34	0.0234	149.2

AMES PRELIMINARY AERO-ACCUSTIC DATA
TEST CCNDUCTED 17-28 JAN 72

CCNFIGURATION NO. 1
RUN NC. 64
MACH NO. 0.90
CYN FRESSURE-Q (FLIGHT) 515 PSF

ALPHA ANGLE 0 DEG
BETA ANGLE 5 DEG

TRANSDUCER NC	CELTACPRMS	DB
1	0.0106	142.3
2	0.0102	142.0
3	0.0102	142.0
4	0.0125	143.8
5	0.0106	142.3
6	0.0152	145.5
7	0.0106	142.3
8	0.0111	142.7
9	0.0058	137.1
10	0.0424	154.4
11	0.0508	155.9
13	0.0584	157.1
14	0.0205	148.1
15	0.0120	143.4
16	0.0646	158.0
18	0.0351	152.7
20	0.0129	144.0
21	0.0110	142.6
22	0.0111	142.7
23	0.0131	144.2
24	0.0435	154.7
25	0.0577	157.0
26	0.0657	158.2
27	0.0830	160.2
28	0.0531	156.3
29	0.0600	157.4
30	0.0646	158.0
31	0.0554	156.7
32	0.0876	160.7
33	0.0256	150.0
34	0.0263	150.2

AMES PRELIMINARY AERC-ACCUSTIC DATA
TEST CCNDUCTED 17-28 JAN 72

CCNFIGURATION NO. 1
RUN NC. 65
MACH NC. 0.90
CYN FRESSURE-Q (FLIGHT) 515 PSF

ALPHA ANGLE 4 DEG
BETA ANGLE 5 DEG

TRANSDUCER NO	CELTACPRMS	DB
1	0.0111	142.7
2	0.0097	141.6
3	0.0099	141.7
4	0.0122	143.5
5	0.0106	142.3
6	0.0152	145.5
7	0.0106	142.3
8	0.0115	143.0
9	0.0060	137.4
10	0.0531	156.3
11	0.0665	158.3
13	0.0646	158.0
14	0.0300	151.4
15	0.0115	143.0
16	0.0785	159.7
18	0.0394	153.7
20	0.0152	145.5
21	0.0120	143.4
22	0.0115	143.0
23	0.0146	145.1
24	0.0462	155.1
25	0.0600	157.4
26	0.0739	159.2
27	0.0924	161.1
28	0.0508	155.9
29	0.0646	158.0
30	0.0738	159.2
31	0.0554	156.7
32	0.0623	157.7
33	0.0351	152.7
34	0.0241	149.5

AMES PRELIMINARY AERC-ACCUSTIC DATA
TEST CONDUCTED 17-28 JAN 72

CONFIGURATION NO. 1
RUN NO. 66
MACH NO. 0.90
DYN PRESSURE-Q (FLIGHT) 515 PSF

AMES PRELIMINARY AERC-ACCUSTIC DATA
TEST CONDUCTED 17-28 JAN 72

CONFIGURATION NO. 1
RUN NO. 67
MACH NO. 0.80
DYN PRESSURE-Q (FLIGHT) 465 PSF

ALPHA ANGLE 8 DEG
BETA ANGLE 5 DEG

ALPHA ANGLE -8 DEG
BETA ANGLE 5 DEG

TRANSDUCER NO	DELTA C FRMS	DB	TRANSDUCER NO	DELTA C PRMS	DB
1	0.0150	147.4	1	0.0153	144.6
2	0.0161	146.0	2	0.0150	144.5
3	0.0135	144.7	3	0.0183	146.2
4	0.0146	145.1	4	0.0283	150.0
5	0.0131	144.2	5	0.0183	146.2
6	0.0197	147.7	6	0.0184	146.2
7	0.0111	142.7	7	0.0126	142.5
8	0.0120	143.4	8	0.0126	142.9
9	0.0060	137.4	9	0.0074	138.3
10	0.0577	157.0	10	0.0579	156.2
11	0.0715	158.9	11	0.0684	157.6
13	0.0739	159.2	13	0.0200	147.0
14	0.0265	153.2	14	0.0200	147.0
15	0.0115	143.0	15	0.0605	156.6
16	0.0969	161.5	16	0.1665	165.4
18	0.0435	154.7	18	0.0366	152.2
20	0.0392	153.7	20	0.0127	143.7
21	0.0254	149.9	21	0.0142	144.0
22	0.0146	145.1	22	0.0250	148.9
23	0.0248	149.7	23	0.0158	144.9
24	0.0462	155.1	24	0.0483	154.6
25	0.0554	156.7	25	0.0605	156.6
26	0.0965	161.5	26	0.0710	158.0
27	0.0570	161.6	27	0.0842	159.4
28	0.0577	157.0	28	0.0526	155.4
29	0.0646	158.0	29	0.0700	157.8
30	0.0738	159.2	30	0.0732	158.2
31	0.0554	156.7	31	0.0600	156.5
32	0.0583	157.1	32	0.0854	160.0
33	0.0462	155.1	33	0.0200	147.0
34	0.0231	145.1	34	0.0158	144.9

AMES PRELIMINARY AERC-ACCLUSTIC DATA
TEST CONDUCTED 17-28 JAN 72

CONFIGURATION NO. 1
RUN NO. 68
MACH NO. 0.80
CYN PRESSURE-Q (FLIGHT) 465 PSF

ALPHA ANGLE -8 DEG
BETA ANGLE 5 DEG

TRANSDUCER NO	DELTACPRMS	CB
1	0.0150	144.5
2	0.0137	143.7
3	0.0182	146.2
4	0.0266	149.4
5	0.0183	146.2
6	0.0200	147.0
7	0.0132	143.3
8	0.0132	143.3
9	0.0074	138.3
10	0.0526	155.4
11	0.0579	156.2
13	0.0241	148.6
14	0.0208	147.3
15	0.0666	157.4
16	0.1245	162.9
18	0.0400	153.0
20	0.0142	144.0
21	0.0137	143.7
22	0.0216	147.6
23	0.0167	145.4
24	0.0474	154.4
25	0.0579	156.2
26	0.0575	156.2
27	0.0736	158.3
28	0.0526	155.4
29	0.0999	160.9
30	0.0632	156.9
31	0.0566	156.0
32	0.0833	159.3
33	0.0225	148.0
34	0.0216	147.6

AMES PRELIMINARY AERO-ACCUSTIC DATA
TEST CONDUCTED 17-28 JAN 72

CONFIGURATION NO. 1
RUN NO. 69
MACH NO. 0.80
CYN PRESSURE-C (FLIGHT) 465 PSF

ALPHA ANGLE 0 DEG
BETA ANGLE 5 DEG

TRANSDUCER NO	CELTACPRMS	CB
1	0.0137	143.7
2	0.0137	143.7
3	0.0167	145.4
4	0.0225	148.0
5	0.0175	145.8
6	0.0208	147.3
7	0.0137	143.7
8	0.0132	143.3
9	0.0074	138.3
10	0.0167	145.4
11	0.0191	146.6
13	0.0350	151.8
14	0.0216	147.6
15	0.0595	156.5
16	0.1052	161.4
18	0.0400	153.0
20	0.0142	144.0
21	0.0137	143.7
22	0.0208	147.3
23	0.0167	145.4
24	0.0475	154.5
25	0.0579	156.2
26	0.0579	156.2
27	0.0736	158.3
28	0.0500	154.9
29	0.0666	157.4
30	0.0632	156.9
31	0.0582	156.2
32	0.0833	159.3
33	0.0241	148.6
34	0.0241	148.6

AMES PRELIMINARY AERC-ACCLSTIC DATA
TEST CONDUCTED 17-28 JAN 72

CONFIGURATICN NC. 1
RUN NC. 71
MACH NC. 0.80
DYN PRESSURE-Q (FLIGHT) 465 PSF

ALPHA ANGLE 4 DEG
BETA ANGLE 5 DEG

TRANSDUCER NO	DELTACFRMS	CB
1	0.0132	143.3
2	0.0126	142.9
3	0.0153	144.6
4	0.0200	147.0
5	0.0153	144.6
6	0.0216	147.6
7	0.0147	144.3
8	0.0142	144.0
9	0.0237	148.4
10	0.0552	155.8
11	0.0737	158.3
13	0.0474	154.4
14	0.0258	149.2
15	0.0533	155.5
16	0.1082	161.6
18	0.0400	153.0
20	0.0147	144.3
21	0.0132	143.3
22	0.0175	145.8
23	0.0167	145.4
24	0.0450	154.0
25	0.0055	135.7
26	0.0068	137.6
27	0.0078	138.8
28	0.0047	134.4
29	0.0700	157.8
30	0.0700	157.8
31	0.0566	156.0
32	0.0526	155.4
33	0.0258	149.2
34	0.0241	148.6

AMES PRELIMINARY AERC-ACCUSTIC DATA
TEST CONDUCTED 17-28 JAN 72

CONFIGURATICN NC. 1
RUN NC. 72
MACH NC. 0.80
DYN PRESSURE-Q (FLIGHT) 465 PSF

ALPHA ANGLE 8 DEG
BETA ANGLE 5 DEG

TRANSDUCER NO	DELTACPRMS	CB
1	0.0126	142.9
2	0.0121	142.6
3	0.0153	144.6
4	0.0225	148.0
5	0.0147	144.3
6	0.0241	148.6
7	0.0142	144.0
8	0.0142	144.0
9	0.0076	138.5
10	0.0605	156.6
11	0.0868	159.7
13	0.0605	156.6
14	0.0358	152.0
15	0.0466	154.3
16	0.1158	162.2
18	0.0458	154.1
20	0.0153	144.6
21	0.0132	143.3
22	0.0183	146.2
23	0.0216	147.6
24	0.0500	154.5
25	0.0175	145.8
26	0.0266	149.4
27	0.0300	150.5
28	0.0158	144.9
29	0.0236	148.4
30	0.0234	148.3
31	0.0184	146.2
32	0.1332	163.4
33	0.0316	150.9
34	0.0233	148.3

AMES PRELIMINARY AERC-ACCUSTIC DATA
TEST CONDUCTED 17-28 JAN 72

AMES PRELIMINARY AERC-ACCUSTIC DATA
TEST CONDUCTED 17-28 JAN 72

CONFIGURATICA NO. 1
TRANSCUCER NO. 2

CONFIGURATICA NO. 1
TRANSCUCER NO. 1

ACCUSTIC LEVEL-0B

ACCUSTIC LEVEL-0B

BETA ANGLE 0 DEG		BETA ANGLE 5 DEG		BETA ANGLE 0 DEG		BETA ANGLE 5 DEG	
MACH NO.	ALPHA-DEG	MACH NO.	ALPHA-DEG	MACH NO.	ALPHA-DEG	MACH NO.	ALPHA-DEG
0.80	144.0	0.80	143.5	0.80	144.0	0.80	143.7
0.85	142.2	0.85	141.7	0.85	142.4	0.85	143.7
0.90	142.6	0.90	142.0	0.90	146.0	0.90	141.7
0.95	142.4	0.95	143.1	0.95	152.6	0.95	141.8
1.00	142.4	1.00	143.1	1.00	144.7	1.00	143.8
1.10	143.5	1.10	145.6	1.10	141.5	1.10	143.7
1.20	143.5	1.20	142.7	1.20	141.5	1.20	142.4
1.30	143.5	1.30	142.7	1.30	141.5	1.30	142.4
1.40	143.5	1.40	142.7	1.40	141.5	1.40	142.4
0.80	144.0	0.80	143.5	0.80	144.0	0.80	143.7
0.85	142.2	0.85	141.7	0.85	142.4	0.85	143.7
0.90	142.6	0.90	142.0	0.90	146.0	0.90	141.7
0.95	142.4	0.95	143.1	0.95	152.6	0.95	141.8
1.00	142.4	1.00	143.1	1.00	144.7	1.00	143.8
1.10	143.5	1.10	145.6	1.10	141.5	1.10	143.7
1.20	143.5	1.20	142.7	1.20	141.5	1.20	142.4
1.30	143.5	1.30	142.7	1.30	141.5	1.30	142.4
1.40	143.5	1.40	142.7	1.40	141.5	1.40	142.4

MACH NO.	ALPHA-DEG	MACH NO.	ALPHA-DEG	MACH NO.	ALPHA-DEG	MACH NO.	ALPHA-DEG
0.80	143.3	0.80	143.7	0.80	143.7	0.80	142.9
0.85	143.9	0.85	141.7	0.85	142.0	0.85	141.6
0.90	144.2	0.90	141.8	0.90	142.2	0.90	141.8
0.95	143.5	0.95	143.8	0.95	143.5	0.95	141.8
1.00	143.5	1.00	143.7	1.00	143.5	1.00	143.5
1.10	145.6	1.10	142.4	1.10	144.0	1.10	144.0
1.20	145.6	1.20	142.4	1.20	144.0	1.20	144.0
1.30	146.4	1.30	148.0	1.30	145.0	1.30	144.1
1.40	146.4	1.40	148.0	1.40	145.0	1.40	144.1

MACH NO.	ALPHA-DEG	MACH NO.	ALPHA-DEG	MACH NO.	ALPHA-DEG	MACH NO.	ALPHA-DEG
0.80	143.3	0.80	143.7	0.80	143.7	0.80	142.9
0.85	143.9	0.85	141.7	0.85	142.0	0.85	141.6
0.90	144.2	0.90	141.8	0.90	142.2	0.90	141.8
0.95	143.5	0.95	143.8	0.95	143.5	0.95	141.8
1.00	143.5	1.00	143.7	1.00	143.5	1.00	143.5
1.10	145.6	1.10	142.4	1.10	144.0	1.10	144.0
1.20	145.6	1.20	142.4	1.20	144.0	1.20	144.0
1.30	146.4	1.30	148.0	1.30	145.0	1.30	144.1
1.40	146.4	1.40	148.0	1.40	145.0	1.40	144.1

AVES PRELIMINARY AERC-ACCUSTIC DATA
TEST CCNDUCTEC 17-28 JAN 72

CCNFIGATION NO. 1
TRANSLUCER NO. 3

ACOUSTIC LEVEL-DB

MACH NO.	BETA ANGLE 0 DEG		BETA ANGLE 5 DEG	
	-8	-4	-8	-4
0.80	145.4	145.2	144.3	144.3
0.85			147.1	147.1
0.90	142.2	142.0	142.6	142.6
0.95	142.0	141.4	142.4	142.4
1.00	143.1	143.3	142.8	142.8
1.10			144.7	144.7
1.20			141.8	141.8
1.30			143.5	143.5
1.40			143.1	143.1

ACOUSTIC LEVEL-DB

MACH NO.	BETA ANGLE 0 DEG		BETA ANGLE 5 DEG	
	-8	-4	-8	-4
0.80	148.3	146.0	148.0	146.6
0.85			143.4	144.9
0.90	143.3	143.1	142.9	144.9
0.95	144.0	144.0	143.8	143.8
1.00			145.2	143.8
1.10			142.8	143.8
1.20			142.9	142.9
1.30				
1.40				

AVES PRELIMINARY AERC-ACCUSTIC DATA
TEST CCNDUCTEC 17-28 JAN 72

CCNFIGATION NO. 1
TRANSLUCER NO. 4

ACOUSTIC LEVEL-DB

MACH NO.	BETA ANGLE 0 DEG		BETA ANGLE 5 DEG	
	-8	-4	-8	-4
0.80	146.2	142.0	144.6	144.6
0.85			144.7	144.7
0.90	142.0	141.8	141.4	141.4
0.95	142.2	143.1	142.8	143.1
1.00	143.1	143.1	143.8	143.8
1.10			143.3	143.3
1.20			142.5	142.5
1.30				
1.40				

ACOUSTIC LEVEL-DB

MACH NO.	BETA ANGLE 0 DEG		BETA ANGLE 5 DEG	
	-8	-4	-8	-4
0.80	149.4	147.0	148.0	147.0
0.85			143.8	143.5
0.90	143.8	143.3	142.9	142.6
0.95	144.1	144.0	144.0	143.8
1.00			144.3	144.3
1.10			141.3	141.9
1.20				
1.30				
1.40				

AMES PRELIMINARY AERC-ACCLUSTIC DATA
TEST CCNDUCTED 17-28 JAN 72

CONFIGURATION NO. 5
TRANSDUCER NO. 1

ACOUSTIC LEVEL-DB

MACH NO.	BETA ANGLE 0 DEG			BETA ANGLE 5 DEG		
	-8	-4	0	-8	-4	0
0.80	145.4	145.4	143.3	143.7	143.7	143.7
0.85						
0.90	141.8	142.3	143.6	146.0	146.0	146.0
0.95	142.6	141.8	143.1	147.3	147.3	147.3
1.00		142.8	142.4	142.0	142.0	142.0
1.10			144.3			
1.20		142.3	141.0	142.3	142.3	142.3
1.30						
1.40		140.3	140.9			

AMES PRELIMINARY AERC-ACCUSTIC DATA
TEST CONDUCTED 17-28 JAN 72

CONFIGURATION NO. 6
TRANSDUCER NO. 1

ACOUSTIC LEVEL-DB

MACH NO.	BETA ANGLE 0 DEG			BETA ANGLE 5 DEG		
	-8	-4	0	-8	-4	0
0.80	144.9	144.9	145.0	145.7	145.7	145.7
0.85						
0.90	145.1	144.4	144.0	148.6	148.6	148.6
0.95	145.2	144.8	144.2	148.2	148.2	148.2
1.00		144.9	144.4	144.0	144.0	144.0
1.10			145.7			
1.20		145.2	144.9	144.7	144.7	144.7
1.30						
1.40		152.7	150.1	147.9	147.9	147.9

AMES PRELIMINARY AERC-ACCLUSTIC DATA
TEST CCNDUCTED 17-28 JAN 72

CONFIGURATION NO. 5
TRANSDUCER NO. 1

ACOUSTIC LEVEL-DB

MACH NO.	BETA ANGLE 0 DEG			BETA ANGLE 5 DEG		
	-8	-4	0	-8	-4	0
0.80	146.2	145.8	144.6	144.3	144.3	144.3
0.85						
0.90	142.3	142.3	142.3	144.2	144.2	144.2
0.95	141.8	142.2	141.8	143.6	143.6	143.6
1.00	142.4	142.4	142.0	142.4	142.4	142.4
1.10						
1.20	141.8	141.8	142.0	142.3	142.3	142.3
1.30						
1.40		139.6	140.2	140.2	140.2	140.2

AMES PRELIMINARY AERC-ACCUSTIC DATA
TEST CONDUCTED 17-28 JAN 72

CONFIGURATION NO. 6
TRANSDUCER NO. 1

ACOUSTIC LEVEL-DB

MACH NO.	BETA ANGLE 0 DEG			BETA ANGLE 5 DEG		
	-8	-4	0	-8	-4	0
0.80	147.0	147.0	147.3	147.6	147.6	147.6
0.85						
0.90	145.5	146.0	145.5	145.5	145.5	145.5
0.95	146.3	146.1	145.6	144.5	144.5	144.5
1.00	146.4	146.4	146.0	145.7	145.7	145.7
1.10						
1.20	146.1	149.1	146.5	145.6	145.6	145.6
1.30						
1.40	140.0	140.0	150.4	141.7	141.7	141.7

AMES PRELIMINARY AERC-ACCUSTIC DATA
TEST CONDUCTED 17-28 JAN 72

CONFIGURATION NO. 1
TRANSDUCER NO. 7

ACCUSTIC LEVEL-DB

MACH NO.	BETA ANGLE 0 DEG			BETA ANGLE 5 DEG		
	-8	-4	0	-8	-4	0
0.80	142.5	144.0	144.3	142.5	144.3	144.3
0.85				142.5	142.5	142.3
0.90	142.4	142.6	143.3	142.4	142.6	142.3
0.95	143.5	143.5	144.4	143.8	144.4	143.3
1.00				146.3	144.9	142.8
1.10				143.1	144.4	142.8
1.20						146.0
1.30						146.0
1.40				142.1	144.4	146.0

AMES PRELIMINARY AERC-ACCUSTIC DATA
TEST CONDUCTED 17-28 JAN 72

CONFIGURATION NO. 1
TRANSDUCER NO. 8

ACCUSTIC LEVEL-DB

MACH NO.	BETA ANGLE 0 DEG			BETA ANGLE 5 DEG		
	-8	-4	0	-8	-4	0
0.80	142.6	143.8	144.3	142.6	143.8	144.3
0.85				142.6	142.6	144.3
0.90	141.4	141.8	142.0	141.4	141.8	142.7
0.95	141.9	142.2	142.4	141.8	142.2	142.4
1.00				142.2	142.4	142.8
1.10				144.0	144.0	145.1
1.20				143.8	146.0	146.0
1.30						146.0
1.40				146.9	147.1	146.9

AMES PRELIMINARY AERC-ACCUSTIC DATA
TEST CONDUCTED 17-28 JAN 72

CONFIGURATION NO. 1
TRANSDUCER NO. 8

ACCUSTIC LEVEL-DB

MACH NO.	BETA ANGLE 0 DEG			BETA ANGLE 5 DEG		
	-8	-4	0	-8	-4	0
0.80	143.3	143.7	144.3	143.3	143.7	144.0
0.85				143.3	143.3	144.0
0.90	142.0	142.3	142.3	141.6	142.7	143.4
0.95	142.2	142.2	142.2	141.8	142.9	142.2
1.00	143.1	143.8	144.0	142.0	143.8	144.2
1.10				142.0	142.8	143.5
1.20	144.3	144.7	144.7	143.3	144.4	149.1
1.30						149.1
1.40				142.5	143.5	150.4

AMES PRELIMINARY AERO-ACCUSTIC DATA
TEST CONDUCTED 17-28 JAN 72

AMES PRELIMINARY AERO-ACCUSTIC DATA
TEST CONDUCTED 17-28 JAN 72

CONFIGURATION NO. 1
TRANSDUCER NO. 10

CONFIGURATION NO. 9
TRANSDUCER NO. 1

ACCUSTIC LEVEL-DB

ACCUSTIC LEVEL-DB

BETA ANGLE 0 DEG		BETA ANGLE 5 DEG	
MACH NO.	ALPHA-DEG	MACH NO.	ALPHA-DEG
0.80	137.3	0.80	138.3
0.85	135.4	0.85	136.0
0.90	135.4	0.90	135.8
0.95	136.0	0.95	136.2
1.00	136.5	1.00	137.4
1.10	136.2	1.10	137.2
1.20	136.2	1.20	136.6
1.30		1.30	
1.40		1.40	

BETA ANGLE 0 DEG		BETA ANGLE 5 DEG	
MACH NO.	ALPHA-DEG	MACH NO.	ALPHA-DEG
0.80	138.3	0.80	148.4
0.85	136.3	0.85	137.4
0.90	136.3	0.90	137.3
0.95	136.4	0.95	138.4
1.00	137.4	1.00	139.8
1.10	137.2	1.10	140.4
1.20	137.8	1.20	141.9
1.30	137.4	1.30	140.4
1.40	137.4	1.40	141.9

BETA ANGLE 0 DEG		BETA ANGLE 5 DEG	
MACH NO.	ALPHA-DEG	MACH NO.	ALPHA-DEG
0.80	157.4	0.80	155.4
0.85	156.2	0.85	153.1
0.90	155.1	0.90	155.0
0.95	156.6	0.95	153.1
1.00	152.2	1.00	142.3
1.10	151.1	1.10	138.9
1.20	149.6	1.20	140.4
1.30	145.7	1.30	141.3
1.40	140.4	1.40	140.4

BETA ANGLE 0 DEG		BETA ANGLE 5 DEG	
MACH NO.	ALPHA-DEG	MACH NO.	ALPHA-DEG
0.80	155.8	0.80	145.4
0.85	155.8	0.85	154.4
0.90	155.8	0.90	156.6
0.95	155.8	0.95	157.9
1.00	155.8	1.00	156.0
1.10	155.8	1.10	148.2
1.20	155.8	1.20	140.4
1.30	155.8	1.30	141.3
1.40	155.8	1.40	140.4

AMES PRELIMINARY AERC-ACCUSTIC DATA
TEST CCNCLUDED 17-28 JAN 72

CCNFIGURATICA NO. 1
TRANSDUCER NC. 11

ACCUSTIC LEVEL-DB

BETA ANGLE	0 DEG	5 DEG	8 DEG	4	8
MACH NO.					
0.80	157.6	157.3	157.3	157.6	158.0
0.85					
0.90	156.6	155.5	156.7	157.4	158.0
0.95	154.8	157.3	158.5	158.5	158.5
1.00		154.8	156.0	155.6	155.2
1.10			134.7		
1.20		152.3	145.1	151.1	151.1
1.30					
1.40		147.5	146.7	146.0	

ALPHA-DEG

BETA ANGLE	0 DEG	5 DEG	8 DEG	4	8
MACH NO.					
0.80	156.9	156.9	156.9	156.9	156.9
0.85					
0.90	161.6	161.6	161.6	161.0	160.0
0.95	158.9	158.6	159.2	159.2	160.5
1.00		158.6	156.0	159.2	158.3
1.10			156.0		
1.20		154.5	153.1	154.5	154.5
1.30					
1.40		152.1	151.7	150.9	

AMES PRELIMINARY AERG-ACCUSTIC DATA
TEST CCNCLUDED 17-28 JAN 72

CCNFIGURATICA NO. 1
TRANSDUCER NC. 13

ACCUSTIC LEVEL-DB

BETA ANGLE	0 DEG	5 DEG	8 DEG	4	8
MACH NO.					
0.80	156.2	146.6	146.6	158.3	159.7
0.85					
0.90	152.6	154.2	155.5	158.3	158.9
0.95	152.6	154.5	156.6	159.3	159.1
1.00	150.4	151.7	153.4	156.4	156.4
1.10					
1.20	150.5	150.2	150.5	151.8	153.3
1.30					
1.40		144.4	145.2	146.0	147.8

ALPHA-DEG

BETA ANGLE	0 DEG	5 DEG	8 DEG	4	8
MACH NO.					
0.80	148.6	148.6	148.6	151.8	156.6
0.85					
0.90	148.1	148.1	151.4	157.1	159.2
0.95	150.5	150.5	153.6	157.9	159.8
1.00	148.4	148.4	145.6	154.4	156.4
1.10					
1.20	148.9	148.9	148.0	149.0	154.7
1.30					
1.40	145.0	145.0	145.5	145.5	149.5

AMES PRELIMINARY AERC-ACCUSTIC DATA
TEST CCNDUCTED 17-28 JAN 72

CCNFIGURATION NO. 1
TRANSDUCER NO. 14

ACCUSTIC LEVEL-DB

BETA ANGLE	0 DEG			4			8					
	MACH NO.	-8	-4	0	4	8	MACH NO.	-8	-4	0	4	8
0.80	150.9	150.7	150.6	150.6	140.7	151.6	0.80	150.7	149.7	148.9	138.5	148.0
0.85							0.85					
0.90							0.90					
0.95	153.5	152.6	153.3	154.4	153.2	153.2	0.95	142.7	143.0	143.0	143.0	143.0
1.00	152.2	151.7	151.7	151.7	151.3	151.3	1.00	143.3	142.6	142.6	142.6	142.5
1.10							1.10					
1.20							1.20					
1.30							1.30					
1.40							1.40					

AMES PRELIMINARY AERC-ACCUSTIC DATA
TEST CCNDUCTED 17-28 JAN 72

CCNFIGURATION NO. 1
TRANSDUCER NO. 15

ACCUSTIC LEVEL-DB

BETA ANGLE	0 DEG			5 DEG			8					
	MACH NO.	-8	-4	0	5	8	MACH NO.	-8	-4	0	5	8
0.80	150.9	150.7	150.6	150.6	140.7	151.6	0.80	150.7	149.7	148.9	138.5	148.0
0.85							0.85					
0.90							0.90					
0.95	153.5	152.6	153.3	154.4	153.2	153.2	0.95	142.7	143.0	143.0	143.0	143.0
1.00	152.2	151.7	151.7	151.7	151.3	151.3	1.00	143.3	142.6	142.6	142.6	142.5
1.10							1.10					
1.20							1.20					
1.30							1.30					
1.40							1.40					

BETA ANGLE 5 DEG

BETA ANGLE	5 DEG			8						
	MACH NO.	-8	-4	0	8	MACH NO.	-8	-4	0	8
0.80	147.3	147.6	147.6	147.6	149.2	0.80	157.4	156.5	156.5	154.3
0.85						0.85				
0.90						0.90				
0.95	146.7	146.3	146.1	146.1	151.4	0.95	143.4	143.0	143.0	143.0
1.00	146.6	147.0	149.0	154.1	151.9	1.00	142.9	142.6	142.6	142.5
1.10	146.8	146.4	147.3	153.3	153.4	1.10	143.8	143.1	142.8	142.8
1.20						1.20				
1.30						1.30				
1.40						1.40				

BETA ANGLE 8 DEG

BETA ANGLE	8 DEG			15			20					
	MACH NO.	-8	-4	0	15	20	MACH NO.	-8	-4	0	15	20
0.80	147.3	147.6	147.6	147.6	149.2	151.6	0.80	157.4	156.5	156.5	155.5	154.3
0.85							0.85					
0.90							0.90					
0.95	146.7	146.3	146.1	146.1	151.4	153.2	0.95	143.4	143.0	143.0	143.0	143.0
1.00	146.6	147.0	149.0	154.1	151.9	154.1	1.00	142.9	142.6	142.6	142.6	142.5
1.10	146.8	146.4	147.3	153.3	153.4	153.3	1.10	143.8	143.1	142.8	142.8	142.8
1.20							1.20					
1.30							1.30					
1.40							1.40					

AMES PRELIMINARY AERC-ACCUSTIC DATA
TEST CCNDUCTED 17-28 JAN 72

CONFIGURATION NO. 1
TRANSDUCER NO. 16

ACCUSTIC LEVEL-DB

MACH NO.	BETA ANGLE 0 DEG			BETA ANGLE 5 DEG		
	-8	-4	0	-8	-4	0
0.80	164.9	164.0	163.3	163.4	163.3	163.3
0.85						
0.90						
0.95	160.3	160.2	160.7	161.1	162.0	162.0
1.00	155.2	155.6	156.8	160.5	161.2	161.2
1.10		158.3	156.5	158.3	158.3	158.3
1.20		158.6	157.0	158.0	159.4	159.4
1.30			156.6			
1.40		155.7	155.5	155.0		

CONFIGURATION NO. 1
TRANSDUCER NO. 18

ACCUSTIC LEVEL-DB

MACH NO.	BETA ANGLE 0 DEG			BETA ANGLE 5 DEG		
	-8	-4	0	-8	-4	0
0.80	152.0	152.8	151.4	150.5	150.5	150.5
0.85						
0.90						
0.95	149.6	151.8	152.2	150.4	149.5	149.5
1.00	149.7	151.8	152.4	151.6	150.3	150.3
1.10		152.8	153.5	153.1	152.8	152.8
1.20		147.0	148.0	147.5	147.7	147.7
1.30			146.2			
1.40		146.4	146.4	146.4		

AMES PRELIMINARY AERC-ACCUSTIC DATA
TEST CCNDUCTED 17-28 JAN 72

CONFIGURATION NO. 1
TRANSDUCER NO. 18

ACCUSTIC LEVEL-DB

MACH NO.	BETA ANGLE 0 DEG			BETA ANGLE 5 DEG		
	-8	-4	0	-8	-4	0
0.80	153.0	153.0	153.0	153.0	153.0	153.0
0.85						
0.90						
0.95	151.1	152.3	152.7	153.7	154.7	154.7
1.00	150.5	152.2	154.2	155.8	158.5	158.5
1.10	151.3	153.5	156.8	160.4	158.3	158.3
1.20	148.3	149.8	150.8	150.5	150.8	150.8
1.30			146.0			
1.40		150.5	146.0	146.0	146.7	146.7

AMES PRELIMINARY AERC-ACCUSTIC DATA
TEST CONDUCTED 17-28 JAN 72

CONFIGURATION NO. 1
TRANSDUCER NO. 21

ACOUSTIC LEVEL-DB

MACH NO.	BETA ANGLE 0 DEG			BETA ANGLE 5 DEG		
	-8	-4	0	-8	-4	0
0.80	144.6	144.9	144.2	146.2	144.6	145.4
0.85				146.2	144.6	145.4
0.90	144.2	144.4	143.7	155.1	143.8	145.1
0.95	145.7	145.6	144.8	157.6	144.2	145.8
1.00		147.3		150.4	145.7	147.1
1.10		147.2		145.1	145.8	147.7
1.20		147.3		145.1	145.8	147.9
1.30					146.7	147.9
1.40		142.3			146.7	148.5

AMES PRELIMINARY AERC-ACCUSTIC DATA
TEST CONDUCTED 17-28 JAN 72

CONFIGURATION NO. 1
TRANSDUCER NO. 20

ACOUSTIC LEVEL-DB

MACH NO.	BETA ANGLE 0 DEG			BETA ANGLE 5 DEG		
	-8	-4	0	-8	-4	0
0.80	144.6	144.9	144.2	146.2	144.6	145.4
0.85				146.2	144.6	145.4
0.90	144.2	144.4	143.7	155.1	143.8	145.1
0.95	145.7	145.6	144.8	157.6	144.2	145.8
1.00		147.3		150.4	145.7	147.1
1.10		147.2		145.1	145.8	147.7
1.20		147.3		145.1	145.8	147.9
1.30					146.7	147.9
1.40		142.3			146.7	148.5

AMES PRELIMINARY AERC-ACCUSTIC DATA
TEST CONDUCTED 17-28 JAN 72

CONFIGURATION NO. 1
TRANSDUCER NO. 21

ACOUSTIC LEVEL-DB

MACH NO.	BETA ANGLE 0 DEG			BETA ANGLE 5 DEG		
	-8	-4	0	-8	-4	0
0.80	144.6	144.9	144.2	146.2	144.6	145.4
0.85				146.2	144.6	145.4
0.90	144.2	144.4	143.7	155.1	143.8	145.1
0.95	145.7	145.6	144.8	157.6	144.2	145.8
1.00		147.3		150.4	145.7	147.1
1.10		147.2		145.1	145.8	147.7
1.20		147.3		145.1	145.8	147.9
1.30					146.7	147.9
1.40		142.3			146.7	148.5

AMES PRELIMINARY AERC-ACCUSTIC DATA
TEST CONDUCTED 17-28 JAN 72

CONFIGURATION NO. 1
TRANSDUCER NO. 23

ACOUSTIC LEVEL-DB

BETA ANGLE 0 DEG		BETA ANGLE 5 DEG		BETA ANGLE 0 DEG		BETA ANGLE 5 DEG	
MACH NO.	ALPHA-DEG	MACH NO.	ALPHA-DEG	MACH NO.	ALPHA-DEG	MACH NO.	ALPHA-DEG
0.80	147.3	0.80	146.2	0.80	145.4	0.80	148.6
0.85	142.5	0.85	148.1	0.85	146.0	0.85	153.7
0.90	142.6	0.90	147.9	0.90	146.5	0.90	156.6
0.95	143.5	0.95	144.4	0.95	148.1	0.95	146.4
1.00	141.8	1.00	142.6	1.00	149.2	1.00	148.2
1.10	141.7	1.10	142.5	1.10	153.2	1.10	151.7
1.20		1.20		1.20		1.20	
1.30		1.30		1.30		1.30	
1.40		1.40		1.40		1.40	

BETA ANGLE 0 DEG		BETA ANGLE 5 DEG		BETA ANGLE 0 DEG		BETA ANGLE 5 DEG	
MACH NO.	ALPHA-DEG	MACH NO.	ALPHA-DEG	MACH NO.	ALPHA-DEG	MACH NO.	ALPHA-DEG
0.80	147.3	0.80	146.2	0.80	145.4	0.80	147.6
0.85	142.3	0.85	145.1	0.85	143.7	0.85	149.7
0.90	141.6	0.90	142.2	0.90	144.6	0.90	151.4
0.95	143.1	0.95	145.7	0.95	148.4	0.95	145.4
1.00	142.3	1.00	143.3	1.00	147.8	1.00	146.5
1.10	140.5	1.10	141.7	1.10	149.7	1.10	149.5
1.20		1.20		1.20		1.20	
1.30		1.30		1.30		1.30	
1.40		1.40		1.40		1.40	

AMES PRELIMINARY AERC-ACCUSTIC DATA
TEST CONDUCTED 17-28 JAN 72

CONFIGURACION NC. 24
TRANSDUCER NC. 1

ACCUSTIC LEVEL-DB

MACH NO.	BETA ANGLE 0 DEG		ALPHA-DEG	
	-8	-4	-4	4
0.80	154.3	152.9	150.9	150.0
0.85				
0.90		156.1	153.5	151.6
0.95	155.4	156.5	156.6	154.2
1.00	156.4	157.1	157.1	155.5
1.10			153.5	
1.20		150.8	150.9	151.8
1.30				
1.40		148.8	149.7	151.3

BETA ANGLE 5 DEG

MACH NO.	BETA ANGLE 5 DEG		ALPHA-DEG	
	-8	-4	-4	4
0.80	154.4		154.5	154.0
0.85				
0.90	154.2	154.7	154.7	155.1
0.95	153.6	154.4	154.5	155.8
1.00	152.9	153.5	155.6	156.8
1.10				
1.20	160.8	151.5	152.3	152.3
1.30				
1.40		145.8	149.7	150.9

AMES PRELIMINARY AERC-ACCUSTIC DATA
TEST CONDUCTED 17-28 JAN 72

CONFIGURACION NC. 25
TRANSDUCER NC. 1

ACCUSTIC LEVEL-DB

MACH NO.	BETA ANGLE 0 DEG		ALPHA-DEG	
	-8	-4	-4	4
0.80	154.6	153.0	151.6	150.5
0.85				
0.90		155.2	153.7	152.5
0.95	155.1	155.6	156.2	154.5
1.00	155.7	155.6	157.1	156.8
1.10			155.2	
1.20		152.0	151.8	153.1
1.30				
1.40		151.7	151.7	152.5

BETA ANGLE 5 DEG

MACH NO.	BETA ANGLE 5 DEG		ALPHA-DEG	
	-8	-4	-4	4
0.80	156.2		156.2	135.7
0.85				
0.90	155.8	156.7	157.0	157.4
0.95	155.8	156.2	157.3	157.9
1.00	155.5	156.4	158.3	158.3
1.10				
1.20	155.1	155.8	156.5	155.8
1.30				
1.40		152.5	152.8	152.5

AMES PRELIMINARY AERC-ACCLUSTIC DATA
TEST CONDUCTED 17-28 JAN 72

CONFIGURATION NO. 26
TRANSDUCER NO. 1

ACCLUSTIC LEVEL-DB

BETA ANGLE	0 DEG	4	8	MACH NO.	0 DEG	4	8
0.80	157.3	154.5	148.0	0.80	162.6	160.0	152.6
0.85		152.2	148.5	0.85		163.4	154.6
0.90	158.5	157.3	149.8	0.90	164.5	163.5	156.1
0.95	158.6	154.8	152.5	0.95	164.4	161.7	159.4
1.00		149.5	149.8	1.00		160.3	157.8
1.10		155.5		1.10		161.5	
1.20				1.20			
1.30				1.30			
1.40				1.40			

BETA ANGLE	0 DEG	4	8	MACH NO.	0 DEG	4	8
0.80	157.3	154.5	148.0	0.80	162.6	160.0	152.6
0.85		152.2	148.5	0.85		163.4	154.6
0.90	158.5	157.3	149.8	0.90	164.5	163.5	156.1
0.95	158.6	154.8	152.5	0.95	164.4	161.7	159.4
1.00		149.5	149.8	1.00		160.3	157.8
1.10		155.5		1.10		161.5	
1.20				1.20			
1.30				1.30			
1.40				1.40			

AMES PRELIMINARY AERC-ACCLUSTIC DATA
TEST CONDUCTED 17-28 JAN 72

CONFIGURATION NO. 27
TRANSDUCER NO. 1

ACCLUSTIC LEVEL-DB

BETA ANGLE	5 DEG	4	8	MACH NO.	5 DEG	4	8
0.80	156.2	158.3	149.4	0.80	158.3	138.8	150.5
0.85		158.2	161.5	0.85		161.1	161.6
0.90	159.7	157.3	161.8	0.90	161.0	161.4	161.8
0.95	159.6	155.6	157.7	0.95	160.4	162.4	160.4
1.00	159.4		162.0	1.00		160.7	161.8
1.10			162.0	1.10			161.8
1.20	159.8	155.8	162.0	1.20	161.1	160.7	161.8
1.30			159.5	1.30			161.3
1.40			159.5	1.40	155.5	160.1	161.3

BETA ANGLE	5 DEG	4	8	MACH NO.	5 DEG	4	8
0.80	156.2	158.3	149.4	0.80	158.3	138.8	150.5
0.85		158.2	161.5	0.85		161.1	161.6
0.90	159.7	157.3	161.8	0.90	161.0	161.4	161.8
0.95	159.6	155.6	157.7	0.95	160.4	162.4	160.4
1.00	159.4		162.0	1.00		160.7	161.8
1.10			162.0	1.10			161.8
1.20	159.8	155.8	162.0	1.20	161.1	160.7	161.8
1.30			159.5	1.30			161.3
1.40			159.5	1.40	155.5	160.1	161.3

AMES PRELIMINARY AERC-ACCUSTIC DATA
TEST CONDUCTED 17-28 JAN 72

CONFIGURATION NO. 1
TRANSDUCER NO. 29

ACCUSTIC LEVEL-DB

MACH NO.	BETA ANGLE 0 DEG		ALPHA-DEG		BETA ANGLE 5 DEG		ALPHA-DEG	
	-8	-4	-8	-4	-8	-4	-8	-4
0.80	153.4	152.2	151.6	150.5	150.5	151.7	154.9	155.4
0.85								
0.90	155.0	154.2	153.4	151.6	151.6	152.3	154.9	155.2
0.95	154.9	154.5	154.5	152.6	152.6	153.6	155.3	155.1
1.00		153.8	154.4	161.8	161.8	154.1	154.4	154.9
1.10			150.8					
1.20		149.4	150.2	152.6	152.6	150.5	150.1	151.7
1.30								
1.40		150.7	151.7				149.8	150.7

AMES PRELIMINARY AERC-ACCUSTIC DATA
TEST CONDUCTED 17-28 JAN 72

CONFIGURATION NO. 1
TRANSDUCER NO. 28

ACCUSTIC LEVEL-DB

MACH NO.	BETA ANGLE 0 DEG		ALPHA-DEG		BETA ANGLE 5 DEG		ALPHA-DEG	
	-8	-4	-8	-4	-8	-4	-8	-4
0.80	155.4	156.7	154.9	144.9	144.9	134.4	157.8	148.4
0.85								
0.90	157.0	156.7	156.3	157.0	157.0	155.9	158.0	158.0
0.95	157.9	157.3	156.2	158.5	158.5	157.3	157.9	158.5
1.00	158.3	158.1	157.7	158.3	158.3	160.4	159.1	158.5
1.10								
1.20	158.2	158.6	159.0	159.8	159.8	159.0	158.3	161.1
1.30								
1.40		156.7	157.9	159.5	159.5	158.9	156.9	159.0

AMES PRELIMINARY AERC-ACCUSTIC DATA
TEST CONDUCTED 17-28 JAN 72

CONFIGURATION NO. 1
TRANSDUCER NC. 30

ACCUSTIC LEVEL-DB

AMES PRELIMINARY AERC-ACCUSTIC DATA
TEST CONDUCTED 17-28 JAN 72

CONFIGURATION NO. 1
TRANSDUCER NC. 31

ACCUSTIC LEVEL-DB

BETA ANGLE 0 DEG		BETA ANGLE 5 DEG		BETA ANGLE 0 DEG		BETA ANGLE 5 DEG					
MACH NO.	-8	-4	ALPHA-DEG C	4	8	MACH NO.	-8	-4	ALPHA-DEG C	4	8
0.80	154.3	154.2	155.4	155.4	156.5	0.80	154.6	154.5	154.5	155.4	154.6
0.85						0.85					
0.90	155.1	154.6	154.9	155.7	156.7	0.90	154.6	154.6	154.9	154.6	154.4
0.95	154.9	154.6	155.1	157.5	156.1	0.95	155.3	155.1	155.1	155.1	154.5
1.00		154.6	154.9	156.4	157.7	1.00	154.4	154.4	154.4	154.8	154.6
1.10			155.1			1.10		153.7			
1.20		155.1	155.1	155.8	158.3	1.20	154.7	154.2	154.2	154.2	154.2
1.30						1.30					
1.40		154.5	153.9	154.5		1.40	154.5	145.6	145.6	156.9	

BETA ANGLE 0 DEG		BETA ANGLE 5 DEG		BETA ANGLE 0 DEG		BETA ANGLE 5 DEG					
MACH NO.	-8	-4	ALPHA-DEG C	4	8	MACH NO.	-8	-4	ALPHA-DEG C	4	8
0.80	156.9	158.7	156.9	157.8	148.3	0.80	156.0	156.2	156.2	156.0	146.2
0.85						0.85					
0.90	159.2	160.1	158.0	159.2	159.2	0.90	156.7	156.7	156.7	156.7	156.7
0.95	160.1	161.7	159.1	160.1	160.1	0.95	156.6	166.1	156.6	156.6	157.2
1.00	161.7	161.7	160.9	161.7	160.9	1.00	157.3	156.9	156.4	157.1	156.9
1.10						1.10					
1.20	159.1	158.6	155.4	161.1	162.9	1.20	154.7	155.1	157.8	156.2	157.2
1.30						1.30					
1.40		156.0	156.9	158.5	159.8	1.40	156.8	156.8	156.0	155.9	156.5

AMES PRELIMINARY AERC-ACCUSTIC DATA
TEST CONDUCTED 17-28 JAN 72

CONFIGURATICA NC. 1
TRANSDUCER NO. 33

ACCUSTIC LEVEL-08

BETA ANGLE 0 DEG		BETA ANGLE 5 DEG		BETA ANGLE 0 DEG		BETA ANGLE 5 DEG	
MACH NO.	ALPHA-DEG C	MACH NO.	ALPHA-DEG C	MACH NO.	ALPHA-DEG C	MACH NO.	ALPHA-DEG C
0.80	152.2	0.80	149.3	0.80	147.6	0.80	150.5
0.85		0.85	152.6	0.85	149.1	0.85	154.2
0.90	158.2	0.90	153.8	0.90	149.7	0.90	155.4
0.95	152.9	0.95	152.4	0.95		1.00	155.6
1.00		1.00	146.0	1.00		1.10	
1.10		1.10	143.3	1.10		1.20	148.2
1.20		1.20	145.5	1.20		1.30	
1.30		1.30		1.30		1.40	
1.40		1.40	142.9	1.40			

BETA ANGLE 0 DEG		BETA ANGLE 5 DEG		BETA ANGLE 0 DEG		BETA ANGLE 5 DEG	
MACH NO.	ALPHA-DEG C	MACH NO.	ALPHA-DEG C	MACH NO.	ALPHA-DEG C	MACH NO.	ALPHA-DEG C
0.80	159.3	0.80	155.4	0.80	148.0	0.80	163.4
0.85		0.85	157.7	0.85	149.2	0.85	157.1
0.90	162.0	0.90	159.0	0.90	151.5	0.90	158.0
0.95	161.2	0.95	154.4	0.95	150.9	0.95	155.6
1.00	158.9	1.00	148.2	1.00	155.1	1.00	147.5
1.10		1.10	144.4	1.10	162.5	1.10	142.5
1.20	156.3	1.20		1.20	162.1	1.20	
1.30		1.30		1.30	162.1	1.30	
1.40		1.40	143.8	1.40	162.5	1.40	

AMES PRELIMINARY AERC-ACCUSTIC DATA
TEST CONDUCTED 17-28 JAN 72

CONFIGURATICA NC. 1
TRANSDUCER NO. 32

ACCUSTIC LEVEL-DB

BETA ANGLE 0 DEG		BETA ANGLE 5 DEG		BETA ANGLE 0 DEG		BETA ANGLE 5 DEG	
MACH NO.	ALPHA-DEG C	MACH NO.	ALPHA-DEG C	MACH NO.	ALPHA-DEG C	MACH NO.	ALPHA-DEG C
0.80	150.1	0.80	149.3	0.80	147.6	0.80	150.5
0.85		0.85	152.6	0.85	149.1	0.85	154.2
0.90	155.1	0.90	153.8	0.90	149.7	0.90	155.4
0.95	155.4	0.95	152.4	0.95		1.00	155.6
1.00	147.9	1.00	146.0	1.00		1.10	
1.10		1.10	143.3	1.10		1.20	148.2
1.20		1.20	145.5	1.20		1.30	
1.30		1.30		1.30		1.40	
1.40		1.40	142.9	1.40			

BETA ANGLE 0 DEG		BETA ANGLE 5 DEG		BETA ANGLE 0 DEG		BETA ANGLE 5 DEG	
MACH NO.	ALPHA-DEG C	MACH NO.	ALPHA-DEG C	MACH NO.	ALPHA-DEG C	MACH NO.	ALPHA-DEG C
0.80	159.3	0.80	155.4	0.80	148.0	0.80	163.4
0.85		0.85	157.7	0.85	149.2	0.85	157.1
0.90	162.0	0.90	159.0	0.90	151.5	0.90	158.0
0.95	161.2	0.95	154.4	0.95	150.9	0.95	155.6
1.00	158.9	1.00	148.2	1.00	155.1	1.00	147.5
1.10		1.10	144.4	1.10	162.5	1.10	142.5
1.20	156.3	1.20		1.20	162.1	1.20	
1.30		1.30		1.30	162.1	1.30	
1.40		1.40	143.8	1.40	162.5	1.40	

AMES PRELIMINARY AERC-ACCUSTIC DATA
TEST CONDUCTED 17-28 JAN 72

CONFIGURATION NO. 1
TRANSDUCER NO. 34

ACCUSTIC LEVEL-CB

BETA ANGLE C DEG

MACH NC.	-8	-4	0	4	8
0.80	146.6	147.3	147.3	148.0	148.6
0.85					
0.90	148.2	147.4	147.7	148.1	148.6
0.95	146.8	148.2	147.5	149.0	149.0
1.00		146.4	146.8	147.1	146.4
1.10			144.3		
1.20		146.7	142.5	144.3	145.1
1.30					
1.40		142.9	142.0	140.4	

BETA ANGLE 5 DEG

MACH NC.	-8	-4	C	4	8
0.80	147.6		148.6	148.6	148.3
0.85					
0.90	145.5	149.2	150.2	149.5	149.1
0.95	147.3	150.1	150.8	150.5	149.1
1.00	147.1	149.9	149.9	148.9	149.4
1.10					
1.20	146.5	148.6	147.0	145.8	145.4
1.30					
1.40		144.1	145.2	144.7	143.8

AMES PRELIMINARY AERC-ACCUSTIC DATA
TEST CONDUCTED 17-28 JAN 72

CONFIGURATION NO. 1
TRANSDUCER NO. 1

DELTA CPRMS

BETA ANGLE	0 DEG	4	8
MACH NO.			
0.80	.0142	.0121	.0118
0.85	.0102	.0108	.0161
0.90	.0105	.0152	.0332
0.95	.0100	.0126	.0130
1.00			
1.10			
1.20			
1.30			
1.40			

ALPHA-DEG
0
-4
0.0134
0.0099
0.0056
0.0109
0.0126
0.0090
0.0073

BETA ANGLE	0 DEG	4	8
MACH NO.			
0.80	.0145	.0142	.0132
0.85	.0111	.0106	.0127
0.90	.0109	.0103	.0127
0.95	.0117	.0121	.0113
1.00			
1.10			
1.20			
1.30			
1.40			

ALPHA-DEG
0
-4
0.0127
0.0099
0.0056
0.0117
0.0127
0.0087
0.0162

AMES PRELIMINARY AERC-ACCUSTIC DATA
TEST CONDUCTED 17-28 JAN 72

CONFIGURATION NO. 2
TRANSDUCER NO. 2

DELTA CPRMS

BETA ANGLE	5 DEG	4	8
MACH NO.			
0.80	.0150	.0132	.0126
0.85	.0102	.0111	.0190
0.90	.0105	.0105	.0350
0.95	.0100	.0172	.0121
1.00			
1.10			
1.20			
1.30			
1.40			

ALPHA-DEG
0
-4
0.0137
0.0106
0.0105
0.0117
0.0103
0.0068

BETA ANGLE	5 DEG	4	8
MACH NO.			
0.80	.0137	.0102	.0126
0.85	.0106	.0101	.0057
0.90	.0105	.0113	.0096
0.95	.0109	.0113	.0146
1.00			
1.10			
1.20			
1.30			
1.40			

ALPHA-DEG
0
-4
0.0127
0.0102
0.0056
0.0113
0.0105
0.0104
0.0162

AMES PRELIMINARY AERC-ACCUSTIC DATA
TEST CCNDUCTED 17-28 JAN 72

CONFIGURATION NO. 1
TRANSDUCER NO. 3

DELTA CPRMS

BETA ANGLE 0 DEG		ALPHA-DEG		BETA ANGLE 5 DEG	
MACH NO.	-8	-4	0	4	8
0.80	.0167	.0163	.0163	.0147	.0147
0.85	.0104	.0104	.0102	.0127	.0183
0.90	.0098	.0096	.0092	.0105	.0242
0.95	.0105	.0111	.0105	.0100	.0100
1.00		.0100	.0123	.0055	.0085
1.10		.0093	.0082		.0085
1.20					
1.30					
1.40				.0053	

AMES PRELIMINARY AERO-ACCUSTIC DATA
TEST CCNDUCTED 17-28 JAN 72

CONFIGURATION NO. 1
TRANSDUCER NO. 4

DELTA CPRMS

BETA ANGLE 0 DEG		ALPHA-DEG		BETA ANGLE 5 DEG	
MACH NO.	-8	-4	0	4	8
0.80	.0233	.0225	.0225	.0191	.0191
0.85		.0125	.0120	.0143	.0197
0.90	.0114	.0112	.0109	.0138	.0241
0.95	.0121	.0121	.0117	.0117	.0113
1.00		.0109	.0120	.0106	.0106
1.10		.0086	.0052		
1.20					
1.30					
1.40			.0050	.0050	

BETA ANGLE 0 DEG		ALPHA-DEG		BETA ANGLE 5 DEG	
MACH NO.	-8	-4	0	4	8
0.80	.0183	.0167	.0167	.0153	.0153
0.85	.0102	.0102	.0102	.0099	.0139
0.90	.0101	.0096	.0092	.0092	.0152
0.95	.0105	.0105	.0105	.0109	.0100
1.00		.0095	.0100	.0106	.0100
1.10		.0086	.0050		.0083
1.20					
1.30					
1.40				.0083	

BETA ANGLE 0 DEG		ALPHA-DEG		BETA ANGLE 5 DEG	
MACH NO.	-8	-4	0	4	8
0.80	.0266	.0225	.0225	.0200	.0225
0.85		.0125	.0125	.0122	.0146
0.90	.0125	.0114	.0109	.0105	.0152
0.95	.0122	.0121	.0121	.0117	.0113
1.00		.0106	.0112	.0112	.0106
1.10		.0075	.0075	.0081	.0083
1.20					
1.30					
1.40					

AMES PRELIMINARY AERO-ACCUSTIC DATA
TEST CCNDUCTED 17-28 JAN 72

CONFIGURATION NO. 1
TRANSDUCER NO. 5

DELTA CPRMS

BETA ANGLE	0 DEG		4		8	
	MACH NC.	ALPHA-DEG	MACH NC.	ALPHA-DEG	MACH NC.	ALPHA-DEG
0.80	.0167	.0150	.0132	.0137	.0137	.0137
0.85						
0.90		.0104	.0123	.0161	.0161	.0161
0.95	.0096	.0056	.0111	.0180	.0180	.0180
1.00	.0103	.0100	.0100	.0096	.0096	.0096
1.10		.0117				
1.20		.0074	.0086	.0089	.0089	.0089
1.30						
1.40		.0067	.0072	.0072	.0072	.0072

BETA ANGLE 5 DEG

BETA ANGLE	5 DEG		4		8	
	MACH NC.	ALPHA-DEG	MACH NC.	ALPHA-DEG	MACH NC.	ALPHA-DEG
0.80	.0183	.0175	.0153	.0147	.0147	.0147
0.85						
0.90	.0106	.0106	.0106	.0131	.0131	.0131
0.95	.0056	.0056	.0056	.0118	.0118	.0118
1.00	.0100	.0105	.0096	.0100	.0100	.0100
1.10						
1.20	.0084	.0086	.0086	.0089	.0089	.0089
1.30						
1.40	.0062	.0066	.0068	.0066	.0066	.0066

AMES PRELIMINARY AERO-ACCUSTIC DATA
TEST CCNDUCTED 17-28 JAN 72

CONFIGURATION NO. 1
TRANSDUCER NO. 6

DELTA CPRMS

BETA ANGLE	0 DEG		-4		4	
	MACH NC.	ALPHA-DEG	MACH NC.	ALPHA-DEG	MACH NC.	ALPHA-DEG
0.80	.0158	.0160	.0158	.0174	.0174	.0174
0.85						
0.90		.0129	.0134	.0219	.0219	.0219
0.95	.0140	.0127	.0136	.0201	.0201	.0201
1.00	.0138	.0126	.0134	.0121	.0121	.0121
1.10		.0137				
1.20		.0117	.0125	.0117	.0117	.0117
1.30						
1.40		.0208	.0280	.0161	.0161	.0161

BETA ANGLE 5 DEG

BETA ANGLE	5 DEG		-4		4	
	MACH NC.	ALPHA-DEG	MACH NC.	ALPHA-DEG	MACH NC.	ALPHA-DEG
0.80	.0200	.0208	.0200	.0216	.0216	.0216
0.85						
0.90	.0152	.0152	.0162	.0152	.0152	.0152
0.95	.0162	.0149	.0158	.0131	.0131	.0131
1.00	.0159	.0151	.0159	.0146	.0146	.0146
1.10						
1.20	.0139	.0145	.0195	.0131	.0131	.0131
1.30						
1.40	.0079	.0215	.0065	.0079	.0079	.0079

AMES PRELIMINARY AERC-ACCUSTIC DATA
TEST CONDUCTED 17-28 JAN 72

CONFIGURATION NC. 1
TRANSDUCER NO. 7

DELTA CFRMS

BETA ANGLE MACH NC.	C DEG			0 DEG			5 DEG		
	-8	-4	0	-8	-4	0	-8	-4	0
0.80	.0126	.0142	.0147	.0158	.0147	.0147	.0121	.0139	.0147
0.85									
0.90	.0103	.0108	.0106	.0108	.0106	.0106	.0092	.0104	.0111
0.95	.0113	.0105	.0114	.0105	.0114	.0114	.0094	.0096	.0114
1.00		.0119	.0121	.0126	.0121	.0121		.0098	.0105
1.10			.0148		.0114	.0114		.0106	.0123
1.20		.0117	.0095	.0120				.0144	.0144
1.30									
1.40		.0093	.0111	.0108					

AMES PRELIMINARY AERC-ACCUSTIC DATA
TEST CONDUCTED 17-28 JAN 72

CONFIGURATION NC. 1
TRANSDUCER NO. 8

DELTA CFRMS

BETA ANGLE MACH NC.	C DEG			0 DEG			5 DEG		
	-8	-4	0	-8	-4	0	-8	-4	0
0.80				.0158	.0147	.0147	.0121	.0139	.0147
0.85									
0.90				.0108	.0106	.0106	.0092	.0104	.0111
0.95				.0105	.0114	.0114	.0094	.0096	.0114
1.00				.0126	.0121	.0121		.0098	.0105
1.10					.0148	.0114		.0106	.0123
1.20				.0120				.0144	.0144
1.30									
1.40				.0108					

BETA ANGLE MACH NC.	C DEG			0 DEG			5 DEG		
	-8	-4	0	-8	-4	0	-8	-4	0
0.80	.0132	.0127	.0142	.0147	.0142	.0142	.0132	.0132	.0142
0.85									
0.90	.0102	.0106	.0111	.0106	.0111	.0111	.0097	.0102	.0115
0.95	.0101	.0101	.0109	.0101	.0109	.0109	.0096	.0096	.0101
1.00	.0109	.0117	.0117	.0121	.0117	.0117	.0096	.0100	.0121
1.10									
1.20	.0112	.0117	.0112	.0117	.0112	.0112	.0100	.0114	.0161
1.30									
1.40		.0066	.0111	.0097	.0111	.0111		.0150	.0230

AMES PRELIMINARY AERC-ACCUSTIC DATA
TEST CONDUCTED 17-28 JAN 72

CONFIGURATION NO. 1
TRANSCUCER NO. 9

DELTA CPRMS

MACH NO.	BETA ANGLE 0 DEG			BETA ANGLE 5 DEG		
	-8	-4	4	-8	-4	4
0.80	.0066	.0074	.0074	.0076		
0.85				.0055		
0.90	.0046	.0048	.0053	.0072		
0.95	.0046	.0046	.0050	.0052		
1.00				.0061		
1.10						
1.20		.0048	.0053			
1.30						
1.40		.0042	.0048			

ALPHA-DEG
C

BETA ANGLE 0 DEG

MACH NO.

ALPHA-DEG
C

AMES PRELIMINARY AERC-ACCUSTIC DATA
TEST CONDUCTED 17-28 JAN 72

CONFIGURATION NO. 1
TRANSCUCER NO. 10

DELTA CPRMS

MACH NO.	BETA ANGLE 0 DEG			BETA ANGLE 5 DEG		
	-8	-4	4	-8	-4	4
0.80	.0666	.0575	.0552	.0526		
0.85				.0365		
0.90	.0481	.0462	.0508	.0438		
0.95	.0298	.0525	.0591	.0343		
1.00		.0311	.0384	.0089		
1.10						
1.20		.0247	.0212			
1.30						
1.40		.0068	.0068			

ALPHA-DEG
C

BETA ANGLE 5 DEG

MACH NO.

ALPHA-DEG
C

AMES PRELIMINARY AERO-ACOUSTIC DATA
TEST CONDUCTED 17-28 JAN 72

CONFIGURATION NO. 11
TRANSDUCER NO. 11

DELTA CPRMS

BETA ANGLE	0 DEG	4	8
MACH NO.			
0.80	.0684	.0658	.0710
0.85			
0.90	.0525	.0508	.0646
0.95	.0419	.0369	.0656
1.00			
1.10		.0415	.0439
1.20		.0235	
1.30		.0282	.0247
1.40		.0154	

BETA ANGLE	5 DEG	4	8
MACH NO.			
0.80	.0579	.0191	.0868
0.85			
0.90	.0346	.0501	.0715
0.95	.0332	.0525	.0700
1.00	.0252	.0356	.0502
1.10			
1.20	.0225	.0225	.0318
1.30			
1.40		.0108	.0155

AMES PRELIMINARY AERO-ACOUSTIC DATA
TEST CONDUCTED 17-28 JAN 72

CONFIGURATION NO. 13
TRANSDUCER NO. 13

DELTA CPRMS

BETA ANGLE	0 DEG	-4	4
MACH NO.			
0.80	.0631	.0631	.0631
0.85			
0.90	.0941	.0854	.0906
0.95	.0670	.0541	.0519
1.00			
1.10		.0445	.0651
1.20		.0362	.0362
1.30			
1.40		.0261	.0227

BETA ANGLE	5 DEG	-4	4
MACH NO.			
0.80	.0241	.0350	.0474
0.85			
0.90	.0205	.0584	.0646
0.95	.0263	.0613	.0656
1.00	.0199	.0398	.0586
1.10			
1.20	.0190	.0154	.0335
1.30			
1.40		.0122	.0144

AMES PRELIMINARY AERO-ACOUSTIC DATA
TEST CONDUCTED 17-28 JAN 72

CONFIGURATICA NC. 1
TRANSDUCER NC. 15

DELTA CPRMS

AMES PRELIMINARY AERO-ACOUSTIC DATA
TEST CONDUCTED 17-28 JAN 72

CONFIGURATICA NC. 1
TRANSDUCER NC. 14

DELTA CPRMS

BETA ANGLE 0 DEG		BETA ANGLE 5 DEG		BETA ANGLE 0 DEG		BETA ANGLE 5 DEG	
MACH NO.	ALPHA-DEG	MACH NO.	ALPHA-DEG	MACH NO.	ALPHA-DEG	MACH NO.	ALPHA-DEG
0.80	.0316	0.80	.0341	0.80	.0308	0.80	.0275
0.85	.0368	0.85	.0369	0.85	.0308	0.85	.0115
0.90	.0311	0.90	.0394	0.90	.0107	0.90	.0105
0.95	.0372	0.95	.0350	0.95	.0111	0.95	.0109
1.00	.0253	1.00	.0278	1.00	.0111	1.00	.0121
1.10	.0225	1.10	.0203	1.10	.0112	1.10	.0109
1.20	.0182	1.20	.0212	1.20	.0122	1.20	.0144
1.30		1.30	.0115	1.30		1.30	
1.40		1.40		1.40		1.40	

BETA ANGLE 0 DEG		BETA ANGLE 5 DEG		BETA ANGLE 0 DEG		BETA ANGLE 5 DEG	
MACH NO.	ALPHA-DEG	MACH NO.	ALPHA-DEG	MACH NO.	ALPHA-DEG	MACH NO.	ALPHA-DEG
0.80	.0316	0.80	.0358	0.80	.0666	0.80	.0533
0.85	.0368	0.85	.0369	0.85	.0120	0.85	.0115
0.90	.0311	0.90	.0394	0.90	.0109	0.90	.0105
0.95	.0372	0.95	.0352	0.95	.0117	0.95	.0105
1.00	.0253	1.00	.0352	1.00	.0112	1.00	.0117
1.10	.0225	1.10	.0221	1.10	.0112	1.10	.0117
1.20	.0182	1.20	.0159	1.20	.0112	1.20	.0136
1.30		1.30	.0083	1.30		1.30	
1.40		1.40		1.40		1.40	

AMES PRELIMINARY AERO-ACCUSTIC DATA
TEST CCNUCTEC 17-28 JAN 72

CONFIGURATION NO. 1
TRANSCUCER NO. 16

DELTA CPRMS

BETA ANGLE	0 DEG	4	8
MACH NO.			
0.80	.1578	.1332	.1315
0.85			
C.5C			
0.95	.0809	.0523	.1016
1.00	.0691	.0831	.0897
1.10			
1.20			
1.30			
1.40			

ALPHA-DEG

BETA ANGLE	0 DEG	4	8
MACH NO.			
0.80	.1421	.1332	.1315
0.85			
C.5C			
0.95	.0831	.0523	.1016
1.00	.0744	.0831	.0897
1.10	.0628	.0628	.0628
1.20	.0507	.0547	.0641
1.30	.0447	.0547	.0641
1.40	.0386	.0363	.0641

AMES PRELIMINARY AERC-ACCUSTIC DATA
TEST CCNUCTEC 17-28 JAN 72

CONFIGURATION NO. 1
TRANSCUCER NO. 18

DELTA CPRMS

BETA ANGLE	0 DEG	4	8
MACH NO.			
0.80	.0358	.0300	.0283
0.85			
C.5C			
0.95	.0235	.0270	.0241
1.00	.0232	.0298	.0256
1.10			
1.20			
1.30			
1.40			

ALPHA-DEG

BETA ANGLE	0 DEG	4	8
MACH NO.			
0.80	.0351	.0300	.0283
0.85			
C.5C			
0.95	.0321	.0270	.0241
1.00	.0305	.0298	.0256
1.10	.0331	.0344	.0331
1.20	.0153	.0162	.0167
1.30			
1.40	.0136	.0136	.0136

AMES PRELIMINARY AERO-ACCUSTIC DATA
TEST CCNUCTEC 17-28 JAN 72

CONFIGURATION NO. 1
TRANSCUCER NO. 16

DELTA CPRMS

BETA ANGLE	0 DEG	4	8
MACH NO.			
0.80	.1249	.1082	.1158
0.85			
C.5C			
0.95	.0739	.0785	.0969
1.00	.0569	.0788	.0331
1.10	.0586	.0628	.0628
1.20	.0781	.0512	.0618
1.30			
1.40	.0522	.0352	.0405

ALPHA-DEG

BETA ANGLE	0 DEG	4	8
MACH NO.			
0.80	.1052	.1082	.1158
0.85			
C.5C			
0.95	.0646	.0785	.0969
1.00	.0569	.0788	.0331
1.10	.0544	.0628	.0628
1.20	.0613	.0512	.0618
1.30			
1.40	.0522	.0352	.0405

AMES PRELIMINARY AERO-ACCUSTIC DATA
TEST CCNUCTEC 17-28 JAN 72

CONFIGURATION NO. 1
TRANSCUCER NO. 16

DELTA CPRMS

BETA ANGLE	0 DEG	4	8
MACH NO.			
0.80	.0400	.0400	.0458
0.85			
C.5C			
0.95	.0292	.0394	.0439
1.00	.0263	.0481	.0656
1.10	.0278	.0523	.0628
1.20	.0178	.0238	.0238
1.30			
1.40	.0216	.0129	.0140

ALPHA-DEG

BETA ANGLE	0 DEG	4	8
MACH NO.			
0.80	.0400	.0400	.0458
0.85			
C.5C			
0.95	.0292	.0394	.0439
1.00	.0263	.0481	.0656
1.10	.0278	.0523	.0628
1.20	.0178	.0238	.0238
1.30			
1.40	.0216	.0129	.0140

AMES PRELIMINARY AERO-ACCLUSTIC DATA
TEST CCNCTEC 17-28 JAN 72

CCNFIGURATICA NO. 1
TRANSDUCER NC. 20

DELTA CPRMS

MACH NO.	BETA ANGLE 0 DEG			ALPHA-DEG 0	MACH NO.	BETA ANGLE 5 DEG		
	-8	-4	8			-8	-4	8
0.80	.0153	.0158	.0167	.0163	0.80	.0147	.0153	.0167
0.85			.0351	.0171	0.85			.0307
0.90	.0127	.0134	.0525	.0219	0.90	.0120	.0125	.0438
0.95	.0146	.0149	.0238	.0205	0.95	.0132	.0127	.0745
1.00		.0176	.0134	.0164	1.00		.0146	.0172
1.10			.0077	.0070	1.10		.0134	.0164
1.20		.0159		.0079	1.20		.0140	.0161
1.30					1.30			
1.40		.0064			1.40			

BETA ANGLE 5 DEG

MACH NO.	BETA ANGLE 5 DEG			ALPHA-DEG 0	MACH NO.	BETA ANGLE 0 DEG		
	-8	-4	8			-8	-4	8
0.80	.0142	.0120	.0147	.0142	0.80	.0137	.0137	.0132
0.85			.0152	.0129	0.85			.0120
0.90	.0111	.0127	.0201	.0158	0.90	.0111	.0111	.0132
0.95	.0118	.0127	.0038	.0152	0.95	.0109	.0105	.0419
1.00	.0142	.0163	.0134	.0152	1.00	.0126	.0138	.0152
1.10			.0086	.0151	1.10		.0134	.0159
1.20	.0173	.0123		.0066	1.20	.0123	.0134	.0194
1.30		.0083			1.30		.0129	.0165
1.40					1.40		.0129	.0183

BETA ANGLE 0 DEG

MACH NO.	BETA ANGLE 0 DEG			ALPHA-DEG 0	MACH NO.	BETA ANGLE 5 DEG		
	-8	-4	8			-8	-4	8
0.80	.0147	.0153	.0167	.0163	0.80	.0137	.0137	.0132
0.85			.0351	.0171	0.85			.0120
0.90	.0127	.0134	.0525	.0219	0.90	.0111	.0111	.0132
0.95	.0146	.0149	.0238	.0205	0.95	.0109	.0105	.0419
1.00		.0176	.0134	.0164	1.00	.0126	.0138	.0152
1.10			.0077	.0070	1.10		.0134	.0159
1.20		.0159		.0079	1.20	.0123	.0134	.0194
1.30					1.30		.0129	.0165
1.40		.0064			1.40		.0129	.0183

AMES PRELIMINARY AERO-ACCUUSTIC DATA
TEST CCNCTUED 17-28 JAN 72

CCNFIGURATICA NO. 1
TRANSDUCER NC. 21

DELTA CPRMS

MACH NO.	BETA ANGLE 0 DEG			ALPHA-DEG 0	MACH NO.	BETA ANGLE 5 DEG		
	-8	-4	8			-8	-4	8
0.80	.0147	.0153	.0167	.0153	0.80	.0137	.0137	.0132
0.85			.0307	.0146	0.85			.0120
0.90	.0120	.0125	.0438	.0152	0.90	.0111	.0111	.0132
0.95	.0132	.0127	.0745	.0172	0.95	.0109	.0105	.0419
1.00		.0146	.0172	.0172	1.00	.0126	.0138	.0152
1.10			.0194	.0164	1.10		.0134	.0159
1.20		.0134	.0194	.0164	1.20	.0123	.0134	.0194
1.30					1.30		.0129	.0165
1.40		.0140		.0161	1.40		.0129	.0183

BETA ANGLE 5 DEG

MACH NO.	BETA ANGLE 5 DEG			ALPHA-DEG 0	MACH NO.	BETA ANGLE 0 DEG		
	-8	-4	8			-8	-4	8
0.80	.0137	.0137	.0132	.0137	0.80	.0137	.0137	.0132
0.85			.0120	.0110	0.85			.0120
0.90	.0111	.0111	.0132	.0110	0.90	.0111	.0111	.0132
0.95	.0109	.0105	.0419	.0116	0.95	.0109	.0105	.0419
1.00	.0126	.0138	.0152	.0152	1.00	.0126	.0138	.0152
1.10			.0194	.0159	1.10		.0134	.0159
1.20	.0123	.0134	.0194	.0159	1.20	.0123	.0134	.0194
1.30		.0129	.0165	.0165	1.30		.0129	.0165
1.40		.0129	.0183	.0165	1.40		.0129	.0183

BETA ANGLE 0 DEG

AMES PRELIMINARY AERO-ACOUSTIC DATA
TEST CONDUCTED 17-28 JAN 72

AMES PRELIMINARY AERO-ACOUSTIC DATA
TEST CONDUCTED 17-28 JAN 72

CONFIGURATION NC. 1
TRANSDUCER NC. 25

CONFIGURATION NC. 1
TRANSDUCER NC. 24

DELTA CPRMS

DELTA CPRMS

BETA ANGLE 0 DEG		ALPHA-DEG		ALPHA-DEG	
MACH NO.	0 DEG	-4	0	4	8
0.80	.0483	.0400	.0350	.0300	.0291
0.85		.0467	.0354	.0343	.0321
0.90	.0443	.0471	.0503	.0415	.0374
0.95	.0464	.0460	.0544	.0523	.0481
1.00		.0273	.0410	.0309	.0406
1.10		.0250	.0258		
1.20					
1.30					
1.40					

BETA ANGLE 5 DEG		ALPHA-DEG		ALPHA-DEG	
MACH NO.	5 DEG	-4	0	4	8
0.80	.0579	.0554	.0579	.0555	.0175
0.85	.0503	.0503	.0577	.0600	.0554
0.90	.0481	.0503	.0565	.0613	.0613
0.95	.0450	.0502	.0628	.0628	.0670
1.00		.0423	.0459	.0423	.0459
1.10	.0388				
1.20		.0273	.0284	.0273	.0307
1.30					
1.40					

AMES PRELIMINARY AERO-ACCUSTIC DATA
TEST CCNDUCTEC 17-28 JAN 72

AMES PRELIMINARY AERO-ACCUSTIC DATA
TEST CCNDUCTEC 17-28 JAN 72

CONFIGURATION NO. 1
TRANSDUCER NO. 27

CONFIGURATION NO. 1
TRANSDUCER NO. 26

DELTA CPRMS

DELTA CPRMS

BETA ANGLE 0 DEG		BETA ANGLE 5 DEG	
MACH NO.	ALPHA-DEG	MACH NO.	ALPHA-DEG
0.80	.0500	0.80	.0278
0.85	.0622	0.85	.0332
0.90	.0613	0.90	.0354
0.95	.0645	0.95	.0398
1.00	.0222	1.00	.0238
1.10	.0375	1.10	.0454
1.20	.0432	1.20	.0477
1.30		1.30	
1.40		1.40	

BETA ANGLE 0 DEG		BETA ANGLE 5 DEG	
MACH NO.	ALPHA-DEG	MACH NO.	ALPHA-DEG
0.80	.0894	0.80	.0610
0.85	.1200	0.85	.0570
0.90	.1226	0.90	.1138
0.95	.0520	0.95	.0838
1.00	.0706	1.00	.0518
1.10	.0772	1.10	.0706
1.20		1.20	.0818
1.30		1.30	
1.40		1.40	

BETA ANGLE 0 DEG		BETA ANGLE 5 DEG	
MACH NO.	ALPHA-DEG	MACH NO.	ALPHA-DEG
0.80	.0225	0.80	.0266
0.85	.0217	0.85	.0969
0.90	.0241	0.90	.0563
0.95	.0335	0.95	.0586
1.00	.0212	1.00	.0864
1.10		1.10	.0613
1.20		1.20	
1.30		1.30	
1.40		1.40	

BETA ANGLE 0 DEG		BETA ANGLE 5 DEG	
MACH NO.	ALPHA-DEG	MACH NO.	ALPHA-DEG
0.80	.0924	0.80	.0736
0.85	.0876	0.85	.0830
0.90	.0796	0.90	.0924
0.95	.0742	0.95	.0518
1.00	.0614	1.00	.1004
1.10		1.10	.0742
1.20		1.20	.0846
1.30		1.30	.0682
1.40		1.40	

AMES PRELIMINARY AERO-ACOUSTIC DATA
TEST CONDUCTED 17-28 JAN 72

AMES PRELIMINARY AERO-ACOUSTIC DATA
TEST CONDUCTED 17-28 JAN 72

CONFIGURATION NC. 1
TRANSDUCER NC. 29

CONFIGURATION NC. 1
TRANSDUCER NC. 28

DELTA CPRMS

DELTA CPRMS

BETA ANGLE 0 DEG		BETA ANGLE 5 DEG		BETA ANGLE 0 DEG		BETA ANGLE 5 DEG	
MACH NO.	ALPHA-DEG	MACH NO.	ALPHA-DEG	MACH NO.	ALPHA-DEG	MACH NO.	ALPHA-DEG
0.80	.0350	0.80	.0342	0.80	.0432	0.80	.0450
0.85	.0368	0.85	.0336	0.85	.0432	0.85	.0438
0.90	.0416	0.90	.0374	0.90	.0430	0.90	.0456
0.95	.0415	0.95	.0384	0.95	.0384	0.95	.0398
1.00	.0371	1.00	.0247	1.00	.0358	1.00	.0260
1.10	.0203	1.10	.0229	1.10	.0218	1.10	.0212
1.20	.0222	1.20	.0273	1.20	.0200	1.20	.0208
1.30		1.30		1.30		1.30	
1.40		1.40		1.40		1.40	

BETA ANGLE 0 DEG		BETA ANGLE 5 DEG		BETA ANGLE 0 DEG		BETA ANGLE 5 DEG	
MACH NO.	ALPHA-DEG	MACH NO.	ALPHA-DEG	MACH NO.	ALPHA-DEG	MACH NO.	ALPHA-DEG
0.80	.0500	0.80	.0047	0.80	.0999	0.80	.0666
0.85	.0531	0.85	.0508	0.85	.0642	0.85	.0600
0.90	.0569	0.90	.0569	0.90	.0194	0.90	.0582
0.95	.0586	0.95	.0795	0.95	.0686	0.95	.0628
1.00	.0613	1.00	.0613	1.00	.0512	1.00	.0494
1.10	.0443	1.10	.0568	1.10	.0308	1.10	.0372
1.20		1.20		1.20		1.20	
1.30		1.30		1.30		1.30	
1.40		1.40		1.40		1.40	

AMES PRELIMINARY AERC-ACCUSTIC DATA
TEST CCNCLCTEC 17-28 JAN 72

CONFIGURATICA NC. 1
TRANSDUCER NC. 30

DELTA CPRMS

BETA ANGLE	0 DEG		4		8	
	MACT NC.	ALPHA-DEG C	MACT NO.	ALPHA-DEG C	MACT NO.	ALPHA-DEG C
0.80	.0466	.0526	0.80	.0532	0.80	.0600
0.85			0.85		0.85	
0.90	.0444	.0452	0.90	.0496	0.90	.0556
0.95	.0424	.0444	0.95	.0588	0.95	.0498
1.00		.0424	1.00	.0504	1.00	.0582
1.10		.0408	1.10	.0424	1.10	.0564
1.20		.0378	1.20		1.20	
1.30			1.30		1.30	
1.40		.0344	1.40	.0342	1.40	

AMES PRELIMINARY AERC-ACCUSTIC DATA
TEST CCNCLCTEC 17-28 JAN 72

CONFIGURATICA NC. 1
TRANSDUCER NC. 31

DELTA CPRMS

BETA ANGLE	0 DEG		-4		4	
	MACT NC.	ALPHA-DEG C	MACT NO.	ALPHA-DEG C	MACT NO.	ALPHA-DEG C
0.80	.0482	.0500	0.80	.0500	0.80	.0526
0.85			0.85		0.85	
0.90	.0484	.0438	0.90	.0438	0.90	.0438
0.95	.0460	.0456	0.95	.0444	0.95	.0444
1.00		.0358	1.00	.0358	1.00	.0418
1.10		.0370	1.10	.0346	1.10	.0352
1.20			1.20	.0342	1.20	
1.30			1.30		1.30	
1.40		.0344	1.40	.0124	1.40	.0454

BETA ANGLE	5 DEG		-4		8	
	MACT NC.	ALPHA-DEG C	MACT NO.	ALPHA-DEG C	MACT NO.	ALPHA-DEG C
0.80	.0632	.0632	0.80	.0700	0.80	.0234
0.85			0.85		0.85	
0.90	.0736	.0646	0.90	.0738	0.90	.0738
0.95	.0788	.0700	0.95	.0788	0.95	.0788
1.00	.0920	.0838	1.00	.0920	1.00	.0838
1.10			1.10	.0776	1.10	.0952
1.20	.0618	.0636	1.20		1.20	
1.30			1.30		1.30	
1.40		.0410	1.40	.0546	1.40	.0636

BETA ANGLE	5 DEG		-4		4	
	MACT NC.	ALPHA-DEG C	MACT NO.	ALPHA-DEG C	MACT NO.	ALPHA-DEG C
0.80	.0566	.0582	0.80	.0582	0.80	.0566
0.85			0.85		0.85	
0.90	.0554	.0554	0.90	.0554	0.90	.0554
0.95	.0526	.0526	0.95	.0526	0.95	.0526
1.00	.0556	.0500	1.00	.0530	1.00	.0544
1.10			1.10	.0388	1.10	.0442
1.20	.0370	.0330	1.20		1.20	
1.30			1.30		1.30	
1.40		.0408	1.40	.0446	1.40	.0402

AMES PRELIMINARY AERO-ACOUSTIC DATA
TEST CCNDUCTED 17-28 JAN 72

CONFIGURATION NO. 1
TRANSDUCER NO. 32

DELTA CPRMS

BETA ANGLE	0 DEG	4	8
MACH NO.			
0.80	.0368	.0263	.0300
0.85			
0.90	.0634	.0346	.0415
0.95	.0335	.0381	.0459
1.00		.0318	.0460
1.10		.0142	
1.20		.0128	.0176
1.30			
1.40		.0050	

ALPHA-DEG

-4

-8

AMES PRELIMINARY AERC-ACOUSTIC DATA
TEST CCNDUCTED 17-28 JAN 72

CONFIGURATION NO. 1
TRANSDUCER NO. 33

DELTA CPRMS

BETA ANGLE	0 DEG	-4	4	8
MACH NO.				
0.80	.0216	.0250	.0291	.0283
0.85				
0.90	.0222	.0226	.0292	.0307
0.95	.0232	.0249	.0347	.0481
1.00		.0212	.0331	.0397
1.10		.0179		
1.20		.0273	.0256	.0441
1.30				
1.40		.0454	.0375	

ALPHA-DEG

-4

-8

AMES PRELIMINARY AERO-ACOUSTIC DATA
TEST CCNDUCTED 17-28 JAN 72

CONFIGURATION NO. 1
TRANSDUCER NO. 32

DELTA CPRMS

BETA ANGLE	5 DEG	4	8
MACH NO.			
0.80	.0833	.0526	.1332
0.85			
0.90	.1023	.0623	.0583
0.95	.0897	.0652	.0623
1.00	.0670	.0398	.0460
1.10			
1.20	.0446	.0176	.0162
1.30			
1.40		.0100	.0086

ALPHA-DEG

-4

-8

AMES PRELIMINARY AERC-ACOUSTIC DATA
TEST CCNDUCTED 17-28 JAN 72

CONFIGURATION NO. 1
TRANSDUCER NO. 33

DELTA CPRMS

BETA ANGLE	5 DEG	-4	4	8
MACH NO.				
0.80	.0225	.0241	.0258	.0316
0.85				
0.90	.0234	.0219	.0351	.0462
0.95	.0306	.0277	.0325	.0831
1.00	.0265	.0252	.0380	.0711
1.10				
1.20	.0388	.0388	.0725	.0305
1.30				
1.40	.0861	.0861	.0500	.0273

ALPHA-DEG

-4

-8

AMES PRELIMINARY AERC-ACCUSTIC DATA
TEST CONDUCTED 17-28 JAN 72

CONFIGURATION NO. 1
TRANSDUCER NO. 34

DELTA CPRMS

BETA ANGLE	0 DEG				
MACH NO.	-8	-4	C	4	8
0.80	.0191	.0208	.0208	.0225	.0241
0.85					
0.90		.0190	.0197	.0205	.0215
0.95	.0201	.0201	.0154	.0219	.0219
1.00	.0166	.0159	.0166	.0172	.0155
1.10			.0117		
1.20		.0148	.0088	.0112	.0123
1.30					
1.40		.0050	.0062	.0068	

BETA ANGLE	5 DEG				
MACH NO.	-8	-4	C	4	8
0.80	.0216		.0241	.0241	.0233
0.85					
0.90	.0153	.0234	.0263	.0241	.0231
0.95	.0180	.0249	.0270	.0263	.0222
1.00	.0172	.0238	.0238	.0212	.0225
1.10					
1.20	.0145	.0184	.0153	.0134	.0128
1.30					
1.40		.0104	.0118	.0111	.0100

AMES PRELIMINARY AERO-ACOUSTIC DATA
TEST CONDUCTED 17-28 JAN 72

CONFIGURATION NC. 2
RUN NC. 76
MACH NO. 1.40
DYN PRESSURE-Q (FLIGHT) 645 PSF

ALPHA ANGLE -8 DEG
BETA ANGLE 5 DEG

TRANSDUCER AC	DELTA CP RMS	DB
1	0.0039	135.6
2	0.0045	136.8
3	0.0075	141.3
4	0.0075	141.3
5	0.0061	139.5
6	0.1651	168.1
7	0.0083	142.2
8	0.0136	146.4
9	0.0035	135.6
10	0.0055	138.6
12	0.0375	155.3
13	0.0111	144.7
15	0.0093	143.1
16	0.0613	159.5
17	0.0158	147.7
19	0.0168	148.3
20	0.0072	140.9
21	0.0072	140.9
22	0.0059	139.2
23	0.0204	150.0
25	0.0261	152.1
28	0.0405	156.0
29	0.0418	156.2
30	0.0476	157.3
32	0.0341	154.4
33	0.0750	161.3
34	0.0093	143.1
35	0.0148	147.2
40	0.0165	148.1
41	0.0295	153.2
42	0.0179	148.8

AMES PRELIMINARY AERC-ACCUSTIC DATA
TEST CONDUCTED 17-28 JAN 72

CONFIGURATION NC. 2
RUN NC. 76
MACH NO. 1.40
DYN PRESSURE-Q (FLIGHT) 645 PSF

ALPHA ANGLE -4 DEG
BETA ANGLE 5 DEG

TRANSDUCER NO	DELTA CP RMS	DB
1	0.0045	136.8
2	0.0048	137.4
3	0.0086	142.5
4	0.0086	142.5
5	0.0066	140.2
6	0.1651	168.1
7	0.0083	142.2
8	0.0193	149.5
9	0.0047	137.2
10	0.0057	138.9
12	0.0363	155.0
13	0.0111	144.7
15	0.0122	145.5
16	0.0522	158.1
17	0.0194	149.5
19	0.0182	149.0
20	0.0052	138.1
21	0.0086	142.5
22	0.0064	139.9
23	0.0182	149.0
25	0.0250	151.7
28	0.0454	156.9
29	0.0386	155.5
30	0.0476	157.3
32	0.0738	161.1
33	0.0954	163.4
34	0.0100	143.8
35	0.0122	145.5
40	0.0158	147.7
41	0.0307	153.5
42	0.0179	148.8

AMES PRELIMINARY AERC-ACCUSTIC DATA
TEST CONDUCTED 17-28 JAN 72

CONFIGURATION NC. 2
RUN NO. 77
MACH NC. 1.40
DYN PRESSURE-Q (FLIGHT) 645 PSF

ALPHA ANGLE 0 DEG
BETA ANGLE 5 DEG

TRANSDUCER NO	DELTACPRMS	CB
1	0.0048	137.4
2	0.0048	137.4
3	0.0093	143.1
4	0.0093	143.1
5	0.0073	141.0
6	0.1722	168.5
7	0.0083	142.2
8	0.0227	150.9
9	0.0057	138.9
10	0.0057	138.9
12	0.0386	155.5
13	0.0118	145.2
15	0.0158	147.7
16	0.0386	155.5
17	0.0170	148.4
19	0.0144	146.9
20	0.0052	138.1
21	0.0115	145.0
22	0.0068	140.4
23	0.0182	145.0
25	0.0273	152.5
28	0.0522	158.1
29	0.0454	156.9
30	0.0500	157.8
32	0.0108	144.4
33	0.0863	162.5
34	0.0122	145.5
35	0.0122	145.5
40	0.0158	147.7
41	0.0284	152.8
42	0.0136	146.4

AMES PRELIMINARY AERC-ACCUSTIC DATA
TEST CONDUCTED 17-28 JAN 72

CONFIGURATION NO. 2
RUN NO. 78
MACH NC. 1.40
DYN PRESSURE-Q (FLIGHT) 645 PSF

ALPHA ANGLE 4 DEG
BETA ANGLE 5 DEG

TRANSDUCER NC	DELTACFRMS	CB
1	0.0055	138.6
2	0.0059	139.2
3	0.0093	143.1
4	0.0090	142.9
5	0.0077	141.5
6	0.1722	168.5
7	0.0083	142.2
8	0.0238	151.3
9	0.0075	141.7
10	0.0068	140.4
12	0.0467	157.2
13	0.0136	146.4
15	0.0165	148.1
16	0.0363	155.0
17	0.0136	146.4
19	0.0194	149.5
20	0.0052	138.1
21	0.0172	148.5
22	0.0068	140.4
23	0.0061	139.5
25	0.0261	152.1
28	0.0568	158.9
29	0.0454	156.9
30	0.0500	157.8
32	0.0111	144.7
33	0.0545	158.5
34	0.0115	145.0
35	0.0093	143.1
40	0.0165	148.1
41	0.0261	152.1
42	0.0100	143.8

AMES PRELIMINARY AERC-ACCLUSTIC DATA
TEST CONDUCTED 17-28 JAN 72

CONFIGURATION NO. 2
RUN NC. 79
MACH NC. 1.40
DYN PRESSURE-C (FLIGHT) 645 PSF

AMES PRELIMINARY AERC-ACCLUSTIC DATA
TEST CONDUCTED 17-28 JAN 72

CONFIGURATION NO. 2
RUN NC. 80
MACH NC. 1.20
DYN PRESSURE-Q (FLIGHT) 610 PSF

ALPHA ANGLE 8 DEG
BETA ANGLE 5 DEG

ALPHA ANGLE -8 DEG
BETA ANGLE 5 DEG

TRANSDUCER NC	DELTA C PRMS	CB	TRANSDUCER NO	DELTA C PRMS	DB
1	0.0057	138.5	1	0.0056	138.3
2	0.0057	138.5	2	0.0123	145.1
3	0.0053	143.1	3	0.0095	142.8
4	0.0066	142.5	4	0.0095	142.8
5	0.0072	140.9	5	0.0084	141.8
6	0.1722	168.5	6	0.1115	164.2
7	0.0075	141.7	7	0.0100	143.3
8	0.0227	150.9	8	0.0106	143.8
9	0.0102	143.5	9	0.0056	138.3
10	0.0086	142.5	10	0.0057	143.0
12	0.1328	166.3	12	0.0525	157.8
13	0.0179	148.8	13	0.0167	147.7
15	0.0144	146.9	15	0.0106	143.8
16	0.0405	156.0	16	0.0781	161.1
17	0.0115	145.0	17	0.0203	149.4
19	0.0154	145.5	19	0.0247	151.1
20	0.0052	138.1	20	0.0078	141.1
21	0.0153	149.5	21	0.0070	141.1
22	0.0070	140.7	22	0.0070	140.2
23	0.0186	149.2	23	0.0168	147.8
25	0.0273	152.5	25	0.0415	155.6
28	0.0568	158.5	28	0.0476	156.8
29	0.0546	158.5	29	0.0442	156.2
30	0.0550	155.2	30	0.0564	158.3
32	0.0079	141.7	32	0.0418	155.7
33	0.0295	153.2	33	0.0624	159.2
34	0.0100	143.8	34	0.0150	146.8
35	0.0086	142.5	35	0.0185	148.6
40	0.0172	148.5	40	0.0158	149.2
41	0.0318	153.8	41	0.0669	159.8
42	0.0122	145.5	42	0.0259	151.6

AMES PRELIMINARY AERC-ACCUSTIC DATA
TEST CCNDUCTED 17-28 JAN 72

CONFIGURATION NC. 2
RUN NO. 81
MACH NO. 1.20
DYN PRESSURE-Q (FLIGHT) 610 PSF

ALPHA ANGLE -4 DEG
BETA ANGLE 5 DEG

TRANSDUCER NC	CELTACFRMS	CB
1	0.0053	137.8
2	0.0084	141.8
3	0.0100	143.8
4	0.0100	143.3
5	0.0026	131.6
6	0.1364	166.0
7	0.0100	143.3
8	0.0128	145.4
9	0.0061	139.0
10	0.0112	144.3
12	0.0530	157.8
13	0.0167	147.7
15	0.0112	144.3
16	0.0665	155.8
17	0.0256	151.5
19	0.0212	145.8
20	0.0087	142.1
21	0.0081	141.5
22	0.0075	140.8
23	0.0173	148.0
25	0.0455	156.5
28	0.0494	157.2
29	0.0406	155.5
30	0.0512	157.5
32	0.0418	155.7
33	0.0725	160.5
34	0.0168	147.8
35	0.0154	145.0
40	0.0184	148.6
41	0.0725	160.5
42	0.0247	151.1

AMES PRELIMINARY AERC-ACCUSTIC DATA
TEST CCNDUCTED 17-28 JAN 72

CONFIGURATION NO. 2
RUN NO. 82
MACH NO. 1.20
DYN PRESSURE-Q (FLIGHT) 610 PSF

ALPHA ANGLE C DEG
BETA ANGLE 5 DEG

TRANSDUCER NO	DELTACPRMS	DB
1	0.0058	138.6
2	0.0084	141.8
3	0.0100	143.3
4	0.0100	143.3
5	0.0084	141.8
6	0.1115	164.2
7	0.0055	142.8
8	0.0168	147.8
9	0.0061	139.0
10	0.0141	146.3
12	0.0558	158.2
13	0.0176	148.2
15	0.0112	144.3
16	0.0565	158.3
17	0.0212	149.8
19	0.0203	149.4
20	0.0085	142.3
21	0.0086	142.0
22	0.0075	140.8
23	0.0168	147.8
25	0.0441	156.2
28	0.0530	157.8
29	0.0424	155.8
30	0.0546	158.0
32	0.0238	150.8
33	0.0641	159.4
34	0.0151	146.5
35	0.0388	155.1
40	0.0184	148.6
41	0.0669	159.8
42	0.0212	149.8

AMES PRELIMINARY AERC-ACCUSTIC DATA
TEST CCNDUCTED 17-28 JAN 72

CONFIGURATICN NC. 2
RUN NO. 83
MACF NC. 1.20
DYN PRESSURE-Q (FLIGHT) 610 PSF

ALPHA ANGLE 4 DEG
BETA ANGLE 5 DEG

AMES PRELIMINARY AERC-ACCUSTIC DATA
TEST CCNDUCTED 17-28 JAN 72

CONFIGURATICN NO. 2
RUN NO. 84
MACF NC. 1.20
DYN PRESSURE-C (FLIGHT) 610 PSF

ALPHA ANGLE 8 DEG
BETA ANGLE 5 DEG

TRANSDUCER NC	DELTACPRMS	DB	TRANSDUCER NC	DELTACPRMS	DB
1	0.0061	139.0	1	0.0071	140.3
2	0.0089	142.3	2	0.0084	141.8
3	0.0100	143.3	3	0.0055	142.8
4	0.0112	144.3	4	0.0112	144.3
5	0.0085	142.3	5	0.0089	142.3
6	0.1115	164.2	6	0.1004	163.3
7	0.0095	142.8	7	0.0089	142.3
8	0.0212	145.8	8	0.0247	151.1
9	0.0072	140.4	9	0.0095	142.8
10	0.0155	147.3	10	0.0194	149.0
12	0.0669	159.8	12	0.0836	161.7
13	0.0351	151.3	13	0.0335	153.8
15	0.0134	145.8	15	0.0151	146.9
16	0.0494	157.2	16	0.0547	158.0
17	0.0154	149.0	17	0.0141	146.3
19	0.0194	149.0	19	0.0176	148.2
20	0.0100	143.3	20	0.0100	143.3
21	0.0095	142.8	21	0.0112	144.3
22	0.0078	141.1	22	0.0084	141.8
23	0.0155	147.1	23	0.0141	146.3
25	0.0423	155.8	25	0.0406	155.5
28	0.0558	158.2	28	0.0585	158.6
29	0.0476	156.8	29	0.0600	158.9
30	0.0652	159.6	30	0.0812	161.5
32	0.0132	145.7	32	0.0132	145.7
33	0.0635	159.3	33	0.0300	152.8
34	0.0141	146.3	34	0.0128	145.4
35	0.0353	154.2	35	0.0176	148.2
40	0.0178	148.3	40	0.0173	148.0
41	0.0725	160.5	41	0.0613	159.0
42	0.0168	147.8	42	0.0512	157.5

AMES PRELIMINARY AERC-ACCUSTIC DATA
TEST CCNDUCTED 17-28 JAN 72

CONFIGURATION NO. 2
RUN NC. 85
MACH NC. 1.00
DYN PRESSURE-C (FLIGHT) 550 PSF

AMES PRELIMINARY AERC-ACCUSTIC DATA
TEST CCNDUCTED 17-28 JAN 72

CONFIGURATION NC. 2
RUN NC. 86
MACH NC. 1.00
DYN PRESSURE-Q (FLIGHT) 550 PSF

ALPHA ANGLE -E DEG
BETA ANGLE 5 DEG

ALPHA ANGLE -4 DEG
BETA ANGLE 5 DEG

TRANSDUCER NC	DELTA C PRMS	DB	TRANSDUCER NC	DELTA C PRMS	CB
1	0.0067	138.9	1	0.0071	139.4
2	0.0052	141.7	2	0.0056	142.0
3	0.0092	141.7	3	0.0096	142.0
2	0.0105	143.1	4	0.0113	143.5
3	0.0088	141.3	5	0.0052	141.7
4	0.0711	159.4	6	0.0502	156.4
5	0.0106	142.9	7	0.0113	143.5
6	0.0106	142.9	8	0.0159	146.4
7	0.0075	139.9	9	0.0075	139.9
8	0.0278	151.3	10	0.0321	152.8
10	0.0628	158.3	12	0.0628	158.3
12	0.0212	148.9	13	0.0238	149.9
13	0.0109	143.1	15	0.0113	143.5
15	0.0628	158.3	16	0.0544	157.1
16	0.0326	152.7	17	0.0368	153.7
17	0.0232	149.7	19	0.0225	149.4
19	0.0123	144.2	20	0.0126	144.4
20	0.0109	143.1	21	0.0117	143.8
21	0.0080	140.5	22	0.0084	140.9
22	0.0163	146.6	23	0.0146	145.7
23	0.0419	154.8	25	0.0460	155.6
25	0.0586	157.7	28	0.0544	157.1
27	0.0628	158.3	29	0.0610	158.1
28	0.0838	160.9	30	0.0838	160.9
2	0.0596	157.9	32	0.0781	160.2
29	0.0384	154.1	33	0.0318	152.4
30	0.0199	148.4	34	0.0252	150.4
32	0.0212	148.9	35	0.0192	148.1
33	0.0212	148.9	40	0.0205	148.6
34	0.0795	160.4	41	0.0837	160.8
35	0.0305	152.1	42	0.0291	151.7

AMES PRELIMINARY AERC-ACCUSTIC DATA
TEST CCNCLCTED 17-28 JAN 72

CONFIGURATICA NC. 2
RUN NC. 87
MACF NC. 1.00
CYN PRESSURE-C (FLIGHT) 550 PSF

AMES PRELIMINARY AERC-ACCUSTIC DATA
TEST CCNCLCTEC 17-28 JAN 72

CONFIGURATION NO. 2
RUN NC. 88
MACF NO. 1.00
CYN PRESSURE-Q (FLIGHT) 550 PSF

TRANSDUCER NC	DELTA C P RMS	CB	TRANSDUCER NC	DELTA C P RMS	CB
1	0.0054	137.0	1	0.0062	138.4
2	0.0100	142.4	2	0.0105	142.8
3	0.0105	142.8	3	0.0113	143.5
4	0.0117	143.8	4	0.0126	144.4
5	0.0056	142.0	5	0.0126	144.4
6	0.0460	155.6	6	0.0450	155.5
7	0.0113	143.5	7	0.0109	143.1
8	0.0132	144.8	8	0.0146	145.7
9	0.0080	140.5	9	0.0080	140.5
10	0.0357	154.4	10	0.0450	155.5
12	0.0670	158.5	12	0.0711	155.4
13	0.0460	155.6	13	0.0544	157.1
15	0.0117	143.8	15	0.0126	144.4
16	0.0544	157.1	16	0.0586	157.7
17	0.0377	153.9	17	0.0253	151.7
19	0.0225	149.4	19	0.0225	145.4
20	0.0126	144.4	20	0.0130	144.7
21	0.0130	144.7	21	0.0146	145.7
22	0.0092	141.7	22	0.0100	142.4
23	0.0126	144.4	23	0.0119	143.9
25	0.0565	157.4	25	0.0586	157.7
28	0.0502	156.4	28	0.0565	157.4
29	0.0610	158.1	29	0.0578	157.6
30	0.0758	160.1	30	0.0754	159.5
32	0.0556	157.5	32	0.0040	134.4
33	0.0357	154.4	33	0.0586	157.7
34	0.0251	150.4	34	0.0225	149.4
35	0.0356	153.4	35	0.1674	166.9
40	0.0192	148.1	40	0.0199	148.4
41	0.0875	161.3	41	0.0755	160.4
42	0.0607	158.1	42	0.1046	162.8

AMES PRELIMINARY AERC-ACCUSTIC DATA
TEST CONDUCTED 17-28 JAN 72

CONFIGURATICN NC. 2
RUN NC. 89
MACH NC. 1.00
CYN PRESSURE-Q (FLIGHT) 550 PSF

ALPHA ANGLE 8 DEG
BETA ANGLE 5 DEG

TRANSDUCER NG	DELTA CP RMS	DB
1	0.0067	138.9
2	0.0109	143.1
3	0.0121	144.0
4	0.0132	144.8
5	0.0132	144.8
6	0.0331	152.8
7	0.0105	142.8
8	0.0159	146.4
9	0.0079	140.3
10	0.0450	155.5
12	0.0711	159.4
13	0.0544	157.1
15	0.0130	144.7
16	0.0628	158.3
17	0.0238	149.9
19	0.0225	149.4
20	0.0176	147.3
21	0.0172	147.1
22	0.0130	144.7
23	0.0113	143.5
25	0.0356	153.4
28	0.0670	158.5
29	0.0610	158.1
30	0.0754	159.5
33	0.0628	158.3
34	0.0199	148.4
35	0.0522	156.8
40	0.0212	148.9
41	0.0566	157.7
42	0.0755	160.4

AMES PRELIMINARY AERC-ACCUSTIC DATA
TEST CONDUCTED 17-28 JAN 72

CONFIGURATICN NC. 2
RUN NC. 90
MACH NC. 0.95
CYN PRESSURE-Q (FLIGHT) 535 PSF

ALPHA ANGLE -8 DEG
BETA ANGLE 5 DEG

TRANSDUCER NC	DELTA CP RMS	DB
1	0.0061	137.9
2	0.0088	141.0
3	0.0096	141.8
4	0.0105	142.5
5	0.0088	141.0
6	0.0415	154.5
7	0.0109	142.5
8	0.0105	142.6
9	0.0079	140.1
10	0.0374	153.6
12	0.0656	158.5
13	0.0350	153.0
15	0.0109	142.9
16	0.0565	157.3
17	0.0438	155.0
19	0.0235	149.6
20	0.0131	144.5
21	0.0132	144.6
22	0.0082	140.5
23	0.0138	144.9
25	0.0438	155.0
28	0.0569	157.3
29	0.0612	157.9
30	0.0788	160.1
32	0.0853	160.8
33	0.0443	155.1
34	0.0222	149.1
35	0.0277	151.0
40	0.0222	149.1
41	0.0875	161.0
42	0.0403	154.3

AMES PRELIMINARY AERC-ACCUSTIC DATA
TEST CONDUCTED 17-28 JAN 72

CONFIGURATION NC. 2
RUN NO. 91
MACF NC. 0.95
DYN PRESSURE-Q (FLIGHT) 535 PSF

ALPHA ANGLE -4 DEG
BETA ANGLE 5 DEG

TRANSDUCER NC	DELTA C/FRMS	CB
1	0.0070	139.1
2	0.0092	141.4
3	0.0096	141.8
4	0.0114	143.3
5	0.0105	142.6
6	0.0415	154.5
7	0.0105	142.5
8	0.0118	143.6
9	0.0079	140.1
10	0.0457	155.3
12	0.0656	158.5
13	0.1385	165.0
15	0.0123	143.9
16	0.0613	157.9
17	0.0503	156.2
19	0.0235	149.6
20	0.0131	144.5
21	0.0123	143.9
22	0.0088	141.0
23	0.0138	144.5
25	0.0481	155.8
28	0.0591	157.6
29	0.0610	157.9
30	0.0304	151.8
32	0.1038	162.5
33	0.0388	153.9
34	0.0744	155.6
35	0.0241	145.8
40	0.0222	149.1
41	0.0919	161.4
42	0.0374	153.6

AMES PRELIMINARY AERC-ACCUSTIC DATA
TEST CONDUCTED 17-28 JAN 72

CONFIGURATION NC. 2
RUN NO. 92
MACF NC. 0.95
DYN PRESSURE-Q (FLIGHT) 535 PSF

ALPHA ANGLE 0 DEG
BETA ANGLE 5 DEG

TRANSDUCER NO	DELTA C/FRMS	CB
1	0.0070	139.1
2	0.0101	142.2
3	0.0105	142.6
4	0.0144	145.3
5	0.0140	145.1
6	0.0415	154.5
7	0.0249	150.1
8	0.0125	144.1
9	0.0079	140.1
10	0.0525	156.6
12	0.0700	159.1
13	0.0656	158.5
15	0.0127	144.2
16	0.0656	158.5
17	0.0481	155.8
19	0.0235	149.6
20	0.0127	144.2
21	0.0138	144.5
22	0.0114	143.3
23	0.0132	144.6
25	0.0569	157.3
28	0.0503	156.2
29	0.0582	157.4
30	0.0228	149.3
32	0.0900	161.2
33	0.0471	155.6
34	0.0350	153.0
35	0.0306	151.9
40	0.0222	149.1
41	0.0919	161.4
42	0.0060	137.7

AMES PRELIMINARY AERC-ACCUSTIC DATA
TEST CCNDUCTED 17-28 JAN 72

CONFIGURATICN NC. 2
RUN NC. 93
MACH NO. 0.95
CYN PRESSURE-C (FLIGHT) 535 PSF

ALPHA ANGLE 4 DEG
BETA ANGLE 5 DEG

TRANSDUCER NC	DELTACPRMS	DB
1	0.0061	137.9
2	0.0109	142.9
3	0.0118	143.6
4	0.0153	145.8
5	0.0127	144.2
6	0.0415	154.5
7	0.0118	143.6
8	0.0138	144.5
9	0.0074	135.5
10	0.0613	157.9
12	0.0831	160.5
13	0.0692	159.0
15	0.0123	143.9
16	0.0788	160.1
17	0.0394	154.1
19	0.0263	150.5
20	0.0131	144.5
21	0.0180	147.3
22	0.0125	144.1
23	0.0123	143.5
25	0.0613	157.9
28	0.0525	156.6
29	0.0610	157.9
30	0.0720	159.3
32	0.0692	159.0
33	0.0613	157.9
34	0.0306	151.9
35	0.0438	155.0
40	0.0256	150.3
41	0.0831	160.5
42	0.1181	163.6

AMES PRELIMINARY AERC-ACCUSTIC DATA
TEST CCNDUCTED 17-28 JAN 72

CONFIGURATICN NC. 2
RUN NC. 95
MACH NO. 0.95
CYN PRESSURE-Q (FLIGHT) 535 PSF

ALPHA ANGLE 8 DEG
BETA ANGLE 5 DEG

TRANSDUCER NO	DELTACPRMS	DB
1	0.0088	141.0
2	0.0123	143.5
3	0.0127	144.2
4	0.0136	144.8
5	0.0114	143.3
6	0.0305	151.8
7	0.0123	143.9
8	0.0145	145.4
9	0.0076	135.8
10	0.0634	158.2
12	0.0897	161.2
13	0.0766	155.8
15	0.0123	143.9
16	0.0875	161.0
17	0.1138	163.3
19	0.0249	150.1
20	0.0131	144.5
21	0.0235	149.6
22	0.0132	144.6
23	0.0118	143.6
25	0.0569	157.3
28	0.0565	157.3
29	0.0610	157.9
30	0.0748	155.6
32	0.0569	157.3
33	0.1181	163.6
34	0.0270	150.8
35	0.0481	155.8
40	0.0222	145.1
41	0.0766	159.8
42	0.0963	161.8

AMES PRELIMINARY AERC-ACCUSTIC DATA
TEST CONDUCTED 17-28 JAN 72

CONFIGURATION NC. 2
RUN NO. 96
MACH NO. 0.90
DYN PRESSURE-Q (FLIGHT) 515 PSF

ALPHA ANGLE -8 DEG
BETA ANGLE 5 DEG

AMES PRELIMINARY AERC-ACCUSTIC DATA
TEST CONDUCTED 17-28 JAN 72

CONFIGURATION NC. 2
RUN NO. 97
MACH NO. 0.90
DYN PRESSURE-Q (FLIGHT) 515 PSF

ALPHA ANGLE -4 DEG
BETA ANGLE 5 DEG

TRANSDUCER NO	CELTACFRMS	DB	TRANSDUCER NC	CELTACFRMS	DB
1	0.0083	140.2	1	C.0CEE	140.7
2	0.0092	141.1	2	0.0099	141.7
3	0.0102	142.0	3	0.0115	143.0
4	0.0138	144.6	4	0.0153	145.5
5	0.0115	143.0	5	0.0127	143.9
6	0.0336	152.3	6	C.0221	151.9
7	C.0104	142.2	7	0.0111	142.7
8	0.0106	142.3	8	0.0117	143.2
9	0.0078	139.7	9	0.0076	139.4
10	C.0321	151.9	10	0.0360	152.9
12	0.0877	160.7	12	C.0808	160.0
13	0.0219	148.6	13	0.0314	151.8
15	0.0129	144.0	15	0.0132	144.2
16	0.0715	158.9	16	0.0646	158.0
17	0.0360	152.9	17	0.0462	155.1
19	0.0248	149.7	19	0.0248	149.7
20	C.0219	148.6	20	0.0143	144.9
21	0.0115	143.0	21	0.0134	144.4
22	0.0115	143.0	22	0.0125	143.8
23	0.0424	154.4	23	0.0139	144.7
25	0.0508	155.9	25	0.0554	156.7
28	C.0600	157.4	28	0.0577	157.0
29	0.0642	158.0	29	C.0584	157.1
30	0.0760	159.4	30	0.0702	158.7
32	0.0923	161.1	32	0.0949	161.4
33	0.0351	152.7	33	0.0321	151.9
34	0.0183	147.1	34	0.0258	150.1
35	0.0263	150.2	35	0.0219	148.6
40	0.0234	149.2	40	0.0234	149.2
41	0.0854	160.4	41	0.0877	160.7
42	C.0600	157.4	42	0.0425	154.4

AMES PRELIMINARY AERC-ACCUSTIC DATA
TEST CONDUCTED 17-28 JAN 72

CONFIGURATION NO. 2
RUN AC. 98
MACH NO. 0.90
DYN PRESSURE-Q (FLIGHT) 515 PSF

ALPHA ANGLE C DEG
BETA ANGLE 5 DEG

TRANSDUCER NO	DELTA C PRMS	DB
1	0.0059	141.7
2	0.0118	143.3
3	0.0122	143.5
4	0.0153	145.5
5	0.0120	143.4
6	0.0336	152.3
7	0.0115	143.0
8	0.0126	143.8
9	0.0076	139.4
10	0.0405	154.1
12	0.0831	160.2
13	0.0554	156.7
15	0.0106	142.3
16	0.0646	158.0
17	0.0435	154.7
19	0.0263	150.2
20	0.0143	144.9
21	0.0153	145.5
22	0.0125	144.0
23	0.0131	144.2
25	0.0554	156.7
28	0.0554	156.7
29	0.0584	157.1
30	0.0672	158.4
32	0.0730	159.1
33	0.0321	151.9
34	0.0277	150.7
35	0.0234	149.2
40	0.0224	148.8
42	0.1108	162.7

AMES PRELIMINARY AERC-ACCUSTIC DATA
TEST CONDUCTED 17-28 JAN 72

CONFIGURATION NO. 2
RUN AC. 99
MACH NO. 0.90
DYN PRESSURE-Q (FLIGHT) 515 PSF

ALPHA ANGLE 4 DEG
BETA ANGLE 5 DEG

TRANSDUCER NO	DELTA C PRMS	DB
1	0.0106	142.3
2	0.0125	143.8
3	0.0129	144.0
4	0.0138	144.6
5	0.0118	143.3
6	0.0336	152.3
7	0.0122	143.5
8	0.0131	144.2
9	0.0074	139.2
10	0.0531	156.3
12	0.0923	161.1
13	0.0652	158.6
15	0.0125	143.8
16	0.0785	159.7
17	0.0369	153.2
19	0.0278	150.7
20	0.0143	144.9
21	0.0175	146.7
22	0.0129	144.0
23	0.0131	144.2
25	0.0600	157.4
28	0.0508	155.5
29	0.0642	158.0
30	0.0702	158.7
32	0.0584	157.1
33	0.0424	154.4
34	0.0278	150.7
35	0.0415	154.2
40	0.0248	149.7
41	0.0808	160.0
42	0.1154	163.1

AMES PRELIMINARY AERC-ACCUSTIC DATA
TEST CONDUCTED 17-28 JAN 72

CONFIGURATION NC. 2
RUN NO. 100
MACH NC. 0.90
DYN PRESSURE-Q (FLIGHT) 515 PSF

TRANSDCER NC	DELTA CF RMS	DB	ALPHA ANGLE BETA ANGLE	8 DEG 5 DEG
1	0.0120	143.4		
2	0.0122	144.2		
3	0.0122	143.5		
4	0.0138	144.6		
5	0.0115	143.0		
6	0.0321	151.9		
7	0.0125	143.8		
8	0.0140	144.7		
9	0.0074	139.2		
10	0.0577	157.0		
12	0.1039	162.2		
13	0.0785	159.7		
15	0.0125	143.8		
16	0.0523	161.1		
17	0.0328	152.1		
19	0.0278	150.7		
20	0.0322	152.0		
21	0.0219	148.6		
22	0.0125	144.0		
23	0.0124	144.4		
25	0.0554	156.7		
28	0.0531	156.3		
29	0.0642	158.0		
30	0.0738	159.2		
32	0.0508	155.9		
33	0.0831	160.2		
34	0.0262	150.2		
35	0.0508	155.9		
40	0.0234	149.2		
41	0.0785	159.7		
42	0.0523	161.1		

AMES PRELIMINARY AERC-ACCUSTIC DATA
TEST CONDUCTED 17-28 JAN 72

CONFIGURATION NC. 2
RUN NO. 101
MACH NC. 0.80
DYN PRESSURE-Q (FLIGHT) 465 PSF

TRANSDCER NC	DELTA CF RMS	DB	ALPHA ANGLE BETA ANGLE	-8 DEG 5 DEG
1	0.0127	143.7		
2	0.0158	144.9		
3	0.0200	147.0		
4	0.0308	150.7		
5	0.0191	146.6		
6	0.0382	152.6		
7	0.0126	142.9		
8	0.0126	142.5		
9	0.0089	139.9		
10	0.0483	154.2		
12	0.0699	157.8		
13	0.0200	147.0		
15	0.0605	156.6		
16	0.1525	164.6		
17	0.0275	149.7		
19	0.0241	148.6		
20	0.0283	150.0		
21	0.0167	145.4		
22	0.0283	150.0		
23	0.0158	144.9		
25	0.0605	156.6		
28	0.0526	155.4		
29	0.0700	157.8		
30	0.0700	157.8		
32	0.0842	159.4		
33	0.0323	151.4		
34	0.0175	145.8		
35	0.0266	149.4		
40	0.0225	148.0		
41	0.0785	158.9		
42	0.0595	156.5		

AMES PRELIMINARY AERC-ACCUSTIC DATA
TEST CCNDUCTED 17-28 JAN 72

CONFIGURATION NO. 2
RUN NC. 102
MACF NC. 0.80
DYN PRESSURE-Q (FLIGHT) 465 PSF

ALPHA ANGLE -4 DEG
BETA ANGLE 5 DEG

AMES PRELIMINARY AERC-ACCUSTIC DATA
TEST CCNDUCTED 17-28 JAN 72

CONFIGURATION NO. 2
RUN NC. 103
MACF NC. 0.80
DYN PRESSURE-Q (FLIGHT) 465 PSF

ALPHA ANGLE C DEG
BETA ANGLE 5 DEG

TRANSDUCER NO	DELTA CPRMS	DB	TRANSDUCER NO	DELTA CPRMS	CB
1	0.0147	144.3	2	0.0163	145.2
2	0.0163	145.2	1	0.0153	144.6
3	0.0191	146.6	3	0.0191	146.6
4	0.0300	150.5	4	0.0283	150.0
5	0.0163	146.2	5	0.0163	146.2
6	0.0383	152.6	6	0.0383	152.6
7	0.0142	144.0	7	0.0142	144.0
8	0.0133	143.4	8	0.0143	144.0
9	0.0085	139.9	9	0.0087	139.7
10	0.0452	154.0	10	0.0483	154.6
12	0.1082	161.6	12	0.1249	162.9
13	0.0233	148.3	13	0.0342	151.6
15	0.0616	156.7	15	0.0616	156.7
16	0.1155	162.5	16	0.1052	161.4
17	0.0368	152.2	17	0.0368	152.2
19	0.0241	148.6	19	0.0250	148.9
20	0.0333	151.4	20	0.0358	152.0
21	0.0167	145.4	21	0.0175	145.8
22	0.0266	145.4	22	0.0233	148.3
23	0.0167	145.4	23	0.0167	145.4
25	0.0605	156.6	25	0.0579	156.2
28	0.0526	155.4	28	0.0526	155.4
29	0.0666	157.4	29	0.0666	157.4
30	0.0652	157.2	30	0.0666	157.4
32	0.0745	158.4	32	0.0658	157.3
33	0.0316	150.9	33	0.0300	150.5
34	0.0233	148.3	34	0.0266	149.4
35	0.0216	147.6	35	0.0233	148.3
40	0.0216	147.6	40	0.0216	147.6
41	0.0789	158.9	41	0.0763	158.6
42	0.0658	157.3	42	0.0737	158.3

AMES PRELIMINARY AERC-ACCUSTIC DATA
TEST CONDUCTED 17-28 JAN 72

CONFIGURATICN NC. 2
RUN NG. 104
MACF NC. 0.80
DYN PRESSURE-Q (FLIGHT) 465 PSF

ALPHA ANGLE 4 DEG
BETA ANGLE 5 DEG

TRANSDUCER NC	DELTACPRMS	CB
1	0.0158	144.9
2	0.0158	144.9
3	0.0167	145.4
4	0.0233	148.3
5	0.0167	145.4
6	0.0383	152.6
7	0.0153	144.6
8	0.0150	144.5
9	0.0084	139.4
10	0.0552	155.8
12	0.1215	163.3
13	0.0474	154.4
15	0.0500	154.9
16	0.1052	161.4
17	0.0305	150.6
19	0.0263	149.3
20	0.0358	152.0
21	0.0191	146.6
22	0.0200	147.0
23	0.0167	145.4
25	0.0552	155.8
28	0.0500	154.9
29	0.0666	157.4
30	0.0684	157.6
32	0.0500	154.9
33	0.0316	150.5
34	0.0258	149.2
35	0.0368	152.2
40	0.0233	148.3
41	0.0710	158.0
42	0.0816	159.2

AMES PRELIMINARY AERC-ACCUSTIC DATA
TEST CONDUCTED 17-28 JAN 72

CONFIGURATICN NO. 2
RUN NC. 105
MACF NC. 0.80
DYN PRESSURE-Q (FLIGHT) 465 PSF

ALPHA ANGLE 8 DEG
BETA ANGLE 5 DEG

TRANSDUCER NO	DELTACPRMS	CB
12	0.1315	163.3
13	0.0605	156.6
15	0.0350	151.8
16	0.1158	162.2
1	0.0158	144.9
2	0.0148	144.3
3	0.0158	144.9
5	0.0153	144.6
6	0.0366	152.2
7	0.0150	144.5
8	0.0150	144.5
9	0.0087	139.7
10	0.0605	156.6
17	0.0283	150.0
19	0.0266	149.4
20	0.0366	152.2
21	0.0216	147.6
22	0.0200	147.0
23	0.0191	146.6
25	0.0552	155.8
28	0.0500	154.9
29	0.0736	158.3
30	0.0716	158.0
32	0.0385	152.7
33	0.0383	152.6
34	0.0250	148.9
35	0.0500	154.9
40	0.0241	148.6
41	0.0763	158.6
42	0.0868	159.7

AMES PRELIMINARY AERC-ACCUSTIC DATA
TEST CCNUCTED 17-28 JAN 72

CONFIGURATICN NO. 2
RUN NC. 106
MACH NO. 1.30
DYN PRESSURE-Q (FLIGHT) 630 PSF

ALPHA ANGLE 0 DEG
BETA ANGLE 0 DEG

TRANSDUCER NC	DELTA CP RMS	DB
1	0.0026	134.7
2	0.0027	132.2
3	0.0079	141.5
4	0.0082	142.0
5	0.0070	140.5
6	0.1077	164.2
7	0.0079	141.5
8	0.0144	146.7
9	0.0041	135.8
10	0.0086	142.3
12	0.0420	156.0
13	0.0284	152.6
15	0.0108	144.2
16	0.0432	156.3
17	0.0133	146.0
19	0.0175	148.6
20	0.0079	141.5
21	0.0075	141.1
22	0.0070	140.5
23	0.0227	150.7
25	0.0250	151.5
28	0.0204	149.8
29	0.0154	149.3
30	0.0320	153.9
32	0.0111	144.5
33	0.0325	153.9
34	0.0090	142.7
35	0.0126	145.6
40	0.0118	145.0
41	0.0158	147.5
42	0.0284	152.6

AMES PRELIMINARY AERC-ACCUSTIC DATA
TEST CCNUCTED 17-28 JAN 72

CONFIGURATICN NO. 2
RUN NC. 107
MACH NO. 1.10
DYN PRESSURE-Q (FLIGHT) 585 PSF

ALPHA ANGLE C DEG
BETA ANGLE 0 DEG

TRANSDUCER NO	DELTA CP RMS	DB
1	0.0052	137.2
2	0.0073	140.2
3	0.0114	144.1
4	0.0129	145.1
5	0.0117	144.3
6	0.0870	161.7
7	0.0108	143.6
8	0.0124	144.8
9	0.0053	137.4
10	0.0343	153.6
12	0.0673	159.5
13	0.0445	155.9
15	0.0135	145.5
16	0.0761	160.6
17	0.0152	146.6
19	0.0167	147.4
20	0.0082	141.2
21	0.0088	141.8
22	0.0054	142.4
23	0.0111	143.8
25	0.0371	154.3
28	0.0222	149.9
29	0.0234	150.3
30	0.0370	154.3
32	0.0138	145.7
33	0.0246	150.7
34	0.0123	144.7
35	0.0322	153.1
40	0.0123	144.7
41	0.0185	148.3
42	0.0537	157.5

AMES PRELIMINARY AERC-ACCLUSTIC DATA
TEST CCNDUCTED 17-28 JAN 72

CONFIGURATICN NC. 2
RUN NC. 155
MACF NC. 1.40
DYN PRESSURE-Q (FLIGHT) 645 PSF

AMES PRELIMINARY AERC-ACCLUSTIC DATA
TEST CCNDUCTED 17-28 JAN 72

CONFIGURATICN NC. 2
RUN NC. 156
MACF NC. 1.30
DYN PRESSURE-Q (FLIGHT) 630 PSF

ALPHA ANGLE C DEG
BETA ANGLE C DEG

ALPHA ANGLE C DEG
BETA ANGLE C DEG

TRANSDUCER NC	DELTACPRMS	DB
1	0.0049	137.6
2	0.0047	137.2
3	0.0050	142.5
4	0.0108	144.4
5	0.0072	140.5
6	0.0161	147.9
7	0.0082	142.2
8	0.0158	147.7
10	0.0065	140.0
12	0.0386	155.5
13	0.0083	142.2
15	0.0158	147.7
16	0.0397	155.7
17	0.0079	141.7
19	0.0154	147.5
20	0.0051	137.9
21	0.0108	144.4
22	0.0072	140.5
23	0.0284	152.8
25	0.0238	151.3
27	0.0363	155.0
28	0.0227	150.9
29	0.0200	149.8
30	0.0302	153.4
32	0.0111	144.7
33	0.0295	153.2
34	0.0083	142.2
35	0.0111	144.7
40	0.0129	146.0
41	0.0147	147.1
42	0.0159	147.8

TRANSDUCER NC	DELTACPRMS	DB
1	0.0035	134.5
2	0.0044	136.4
3	0.0079	141.5
4	0.0083	142.0
5	0.0072	140.7
6	0.0115	144.8
7	0.0079	141.5
8	0.0147	146.9
10	0.0079	141.5
12	0.0409	155.8
13	0.0284	152.6
15	0.0111	144.5
16	0.0397	155.5
17	0.0075	141.1
19	0.0179	148.6
20	0.0075	141.1
21	0.0079	141.5
22	0.0065	139.8
23	0.0238	151.1
25	0.0250	151.5
27	0.0409	155.8
28	0.0204	149.8
29	0.0200	149.6
30	0.0338	154.1
32	0.0111	144.5
33	0.0238	151.1
34	0.0086	142.3
35	0.0133	146.0
40	0.0122	145.3
41	0.0158	147.5
42	0.0273	152.3

AMES PRELIMINARY AERC-ACCUSTIC DATA
TEST CCNDUCTED 17-28 JAN 72

CONFIGURATION NC. 2
RUN NC. 157
MACH NC. 1.20
DYN PRESSURE-Q (FLIGHT) 610 PSF

AMES PRELIMINARY AERC-ACCUSTIC DATA
TEST CCNDUCTED 17-28 JAN 72

CONFIGURATION NO. 2
RUN NC. 158
MACH NC. 1.10
DYN PRESSURE-Q (FLIGHT) 585 PSF

ALPHA ANGLE C DEG
BETA ANGLE C DEG

ALPHA ANGLE C DEG
BETA ANGLE C DEG

TRANSDUCER NC	DELTACFRMS	DB
1	0.0044	136.2
2	0.0084	141.8
3	0.0053	142.7
4	0.0112	144.3
5	0.0089	142.3
6	0.0122	145.1
7	0.0100	143.3
8	0.0136	146.0
10	0.0212	149.8
12	0.0558	158.2
13	0.0362	154.5
15	0.0117	144.7
16	0.0525	157.8
17	0.0112	144.3
19	0.0162	147.5
20	0.0084	141.8
21	0.0084	141.8
22	0.0078	141.1
23	0.0203	149.4
25	0.0256	151.5
27	0.0212	145.8
28	0.0176	148.2
29	0.0150	148.5
30	0.0352	154.2
32	0.0112	144.3
33	0.0194	149.0
34	0.0112	144.3
35	0.0265	151.8
40	0.0106	143.8
41	0.0162	147.5
42	0.0582	158.6

TRANSDUCER NO	DELTACPRMS	DB
1	0.0048	136.6
2	0.0205	149.2
3	0.0111	143.8
4	0.0125	145.1
5	0.0120	144.5
6	0.0140	145.8
7	0.0105	143.3
8	0.0130	145.2
10	0.0351	153.8
12	0.0703	159.9
13	0.0468	156.3
15	0.0135	145.5
16	0.0732	160.2
17	0.0126	144.9
19	0.0170	147.5
20	0.0085	141.5
21	0.0091	142.1
22	0.0097	142.7
23	0.0176	147.8
25	0.0371	154.3
27	0.0232	150.2
28	0.0232	150.2
29	0.0234	150.3
30	0.0352	153.5
32	0.0141	145.9
33	0.0157	146.8
34	0.0123	144.7
35	0.0094	142.4
40	0.0123	144.7
41	0.0195	148.7
42	0.0556	157.8

AMES PRELIMINARY AERC-ACCUSTIC DATA
TEST CONDUCTED 17-28 JAN 72

CONFIGURATION NC. 2
RUN NC. 155
MACT NC. 1.00
DYN PRESSURE-Q (FLIGHT) 550 PSF

ALPHA ANGLE C DEG
BETA ANGLE C DEG

TRANSDUCER NC	DELTACPRMS	DB
1	0.0050	136.4
2	0.0123	144.2
3	0.0113	143.5
4	0.0130	144.7
5	0.0126	144.4
6	0.0144	145.6
7	0.0109	143.1
8	0.0126	144.4
10	0.0338	153.0
12	C.0711	155.4
13	0.0774	160.2
15	0.0126	144.4
16	0.0607	158.1
17	0.0189	147.9
19	0.0225	145.4
20	0.0130	144.7
21	0.0109	143.1
22	0.0105	142.8
23	0.0159	146.4
25	0.0544	157.1
27	0.0335	152.9
28	0.0331	152.8
29	0.0344	153.1
30	0.0398	154.4
32	0.0225	145.4
33	0.0219	149.2
34	0.0172	147.1
35	0.0185	147.7
40	0.0152	148.1
41	0.0185	147.7
42	0.0670	158.9

AMES PRELIMINARY AERC-ACCUSTIC DATA
TEST CONDUCTED 17-28 JAN 72

CONFIGURATION NC. 2
RUN NC. 160
MACT NC. 0.95
DYN PRESSURE-Q (FLIGHT) 535 PSF

ALPHA ANGLE 0 DEG
BETA ANGLE C DEG

TRANSDUCER NC	DELTACPRMS	DB
1	0.0057	137.3
2	0.0114	143.3
3	0.0127	144.2
4	0.0158	146.1
5	0.0123	143.9
6	0.0144	145.3
7	0.0120	143.7
8	0.0118	143.6
10	0.0692	159.0
12	0.0897	161.2
13	0.1072	162.8
15	0.0127	144.2
16	0.0875	161.0
17	0.0306	151.9
19	0.0263	150.5
20	0.0131	144.5
21	0.0153	145.8
22	0.0127	144.2
23	0.0152	145.8
25	0.0481	155.8
27	0.0503	156.2
28	0.0415	154.5
29	0.0430	154.8
30	0.0416	154.5
32	0.0471	155.6
33	0.0526	156.6
34	0.0235	149.6
35	0.0443	155.1
40	0.0222	149.1
41	0.0305	151.8
42	0.0242	145.8

AMES PRELIMINARY AERC-ACCLSTIC DATA
TEST CCNDUCTED 17-28 JAN 72

CONFIGURATION NO. 2
RUN NC. 161
MACH NC. 0.50
DYN PRESSURE-C (FLIGHT) 515 PSF

ALPHA ANGLE C DEG
BETA ANGLE O DEG

TRANSDUCER NO	DELTA CP RMS	DB
1	0.0081	140.0
2	0.0125	143.8
3	0.0134	144.4
4	0.0148	145.2
5	0.0115	143.0
6	0.0138	144.6
7	0.0125	143.8
8	0.0117	143.2
10	0.0521	156.3
12	0.0831	160.2
13	0.0592	161.7
15	0.0129	144.0
16	0.0969	161.5
17	0.0877	160.7
19	0.0307	151.6
20	0.0148	145.2
21	0.0175	146.7
22	0.0129	144.0
23	0.0146	145.1
25	0.0409	154.1
27	0.0462	155.1
28	0.0394	153.7
29	0.0428	154.4
30	0.0428	154.4
32	0.0346	152.6
33	0.0314	151.8
34	0.0208	148.2
35	0.0352	153.7
40	0.0224	149.2
41	0.0323	152.0
42	0.0652	158.6

AMES PRELIMINARY AERC-ACCUSTIC DATA
TEST CCNDUCTED 17-28 JAN 72

CONFIGURATION NO. 2
RUN NC. 162
MACH NC. 0.85
DYN PRESSURE-Q (FLIGHT) 490 PSF

ALPHA ANGLE O DEG
BETA ANGLE O DEG

TRANSDUCER NO	DELTA CP RMS	DB
1	0.0113	142.4
2	0.0142	144.4
3	0.0142	144.4
4	0.0178	146.4
5	0.0137	144.1
6	0.0144	144.6
7	0.0132	143.8
8	0.0127	143.5
10	0.0511	155.6
12	0.1003	161.4
13	0.0807	159.5
15	0.0157	145.3
16	0.1076	162.0
17	0.0248	149.3
19	0.0341	152.0
20	0.0538	156.0
21	0.0170	146.0
22	0.0155	145.2
23	0.0147	144.7
25	0.0372	152.8
27	0.0416	153.8
28	0.0372	152.8
29	0.0434	154.1
30	0.0464	154.7
32	0.0245	149.2
33	0.0224	148.4
34	0.0205	147.6
35	0.0367	152.7
40	0.0217	148.1
41	0.0254	150.8
42	0.0758	159.0

AMES PRELIMINARY AERO-ACOUSTIC DATA
TEST CONDUCTED 17-28 JAN 72

CONFIGURATION NC. 2
RUN NC. 163
MACH NO. 0.80
DYN PRESSURE-Q (FLIGHT) 465 PSF

ALPHA ANGLE C DEG
BETA ANGLE C DEG

TRANSDUCER NC	DELTA C PRMS	DB
1	0.0147	144.3
2	0.0174	145.7
3	0.0162	145.1
4	0.0250	148.9
5	0.0167	145.4
6	0.0171	145.6
7	0.0129	143.1
8	0.0147	144.3
10	0.0579	156.2
12	0.1236	162.8
13	0.0658	157.3
15	0.0258	149.2
16	0.1432	164.1
17	0.0208	147.3
19	0.0366	152.2
20	0.0383	152.6
21	0.0191	146.6
22	0.0191	146.6
23	0.0163	145.2
25	0.0341	151.6
27	0.0316	150.9
28	0.0341	151.6
2	0.0341	151.6
29	0.0426	153.5
30	0.0466	154.3
32	0.0216	147.6
33	0.0241	148.6
34	0.0208	147.3
35	0.0368	152.2
40	0.0250	148.9
41	0.0342	151.6

AMES PRELIMINARY AERC-ACCUUSTIC DATA
TEST CCNDUCTED 17-28 JAN 72

CONFIGURATION NO. 1
TRANSDUCER NC. 2

ACOUSTIC LEVEL-DB

BETA ANGLE	0 DEG	4	8
MACH NO.	-8	-4	0
0.80	144.3	144.3	144.3
0.85	142.4	142.4	142.4
0.90	140.0	140.0	140.0
0.95	137.2	137.2	137.2
1.00	136.4	136.4	136.4
1.10	136.6	136.6	136.6
1.20	136.2	136.2	136.2
1.30	134.5	134.5	134.5
1.40	137.6	137.6	137.6

AMES PRELIMINARY AERC-ACCUUSTIC DATA
TEST CONDUCTED 17-28 JAN 72

CONFIGURATION NO. 2
TRANSDUCER NC. 2

ACOUSTIC LEVEL-DB

BETA ANGLE	0 DEG	4	8
MACH NO.	-8	-4	0
0.80	145.7	145.7	145.7
0.85	144.4	144.4	144.4
0.90	143.8	143.8	143.8
0.95	143.3	143.3	143.3
1.00	144.2	144.2	144.2
1.10	145.2	145.2	145.2
1.20	141.8	141.8	141.8
1.30	136.4	136.4	136.4
1.40	137.2	137.2	137.2

BETA ANGLE	5 DEG	8
MACH NC.	-8	0
0.80	143.7	144.9
0.85	140.7	142.3
0.90	137.9	137.9
0.95	139.4	138.4
1.00	137.0	138.5
1.10	137.8	135.0
1.20	136.8	138.6
1.30	136.8	137.4
1.40	135.6	138.9

BETA ANGLE	5 DEG	8
MACH NC.	-8	0
0.80	144.9	145.2
0.85	141.1	141.7
0.90	141.0	141.4
0.95	141.7	142.0
1.00	145.1	141.8
1.10	136.8	137.4
1.20	136.8	137.4
1.30	136.8	137.4
1.40	136.8	137.4

AMES PRELIMINARY AERC-ACCUSTIC DATA
TEST CONDUCTED 17-28 JAN 72

CONFIGURATION NO. 2
TRANSDUCER NO. 4

ACCUSTIC LEVEL-DB

AMES PRELIMINARY AERO-ACCUSTIC DATA
TEST CONDUCTED 17-28 JAN 72

CONFIGURATION NO. 3
TRANSDUCER NO. 3

ACCUSTIC LEVEL-DB

MACH NO.	BETA ANGLE 0 DEG			BETA ANGLE 5 DEG		
	-8	-4	0	-8	-4	0
0.80	145.1	146.6	148.9	143.5	143.8	144.3
0.85	144.4	146.6	146.4	143.5	143.8	144.3
0.90	144.4	146.6	145.2	143.3	143.8	144.3
0.95	144.2	146.6	146.1	143.3	143.8	144.3
1.00	143.5	146.6	144.7	143.5	143.8	144.3
1.10	143.8	146.6	145.1	143.3	143.8	144.3
1.20	142.7	146.6	144.3	143.3	143.8	144.3
1.30	141.5	146.6	142.0	143.3	143.8	144.3
1.40	142.5	146.6	144.4	143.3	143.8	144.3

MACH NO.	BETA ANGLE 0 DEG			BETA ANGLE 5 DEG		
	-8	-4	0	-8	-4	0
0.80	147.0	146.6	145.4	142.8	143.3	143.1
0.85	142.0	146.6	145.4	142.8	143.3	143.1
0.90	141.8	146.6	144.0	142.8	143.3	143.1
0.95	141.8	146.6	143.6	142.8	143.3	143.1
1.00	141.7	146.6	143.5	142.8	143.3	143.1
1.10	142.8	146.6	143.3	142.8	143.3	143.1
1.20	142.8	146.6	143.3	142.8	143.3	143.1
1.30	141.3	146.6	143.1	142.8	143.3	143.1
1.40	141.3	146.6	143.1	142.8	143.3	143.1

AMES PRELIMINARY AERC-ACCUSTIC DATA
TEST CONDUCTED 17-28 JAN 72

CONFIGURATION NO. 2
TRANSDUCER NO. 5

ACCUSTIC LEVEL-CB

BETA ANGLE	0 DEG	4	8
MACH NO.	-8	-4	0
	ALPHA-DEG		
0.80		145.4	145.4
0.85		144.1	144.1
0.90		143.0	143.0
0.95		143.9	143.9
1.00		144.4	144.4
1.10		144.5	144.5
1.20		142.3	142.3
1.30		140.7	140.7
1.40		140.5	140.5

AMES PRELIMINARY AERC-ACCUSTIC DATA
TEST CONDUCTED 17-28 JAN 72

CONFIGURATION NO. 2
TRANSDUCER NO. 6

ACCUSTIC LEVEL-CB

BETA ANGLE	0 DEG	4	8
MACH NO.	-8	-4	0
	ALPHA-DEG		
0.80		145.6	145.6
0.85		144.6	144.6
0.90		144.6	144.6
0.95		145.3	145.3
1.00		145.6	145.6
1.10		145.8	145.8
1.20		145.1	145.1
1.30		144.8	144.8
1.40		147.5	147.5

BETA ANGLE	5 DEG	8
MACH NO.	-8	-4
	ALPHA-DEG	
0.80	146.6	146.2
0.85	143.0	143.4
0.90	141.0	145.1
0.95	141.7	142.0
1.00	131.6	141.8
1.10	140.2	141.0
1.20	142.3	142.3
1.30	141.5	141.5
1.40	140.9	140.9

BETA ANGLE	5 DEG	8
MACH NO.	-8	-4
	ALPHA-DEG	
0.80	152.6	152.6
0.85	151.9	152.3
0.90	154.5	154.5
0.95	156.4	155.6
1.00	166.0	164.2
1.10	168.1	168.1
1.20	168.5	168.5
1.30	168.5	168.5
1.40	168.5	168.5

AMES PRELIMINARY AERC-ACCUSTIC DATA
TEST CONDUCTED 17-28 JAN 72

CONFIGURATICA NC. 7
TRANSDUCER NC. 2

AMES PRELIMINARY AERC-ACCUSTIC DATA
TEST CONDUCTED 17-28 JAN 72

CONFIGURATICA NC. 8
TRANSDUCER NC. 2

ACCUSTIC LEVEL-DB

ACCUSTIC LEVEL-DB

BETA ANGLE 0 DEG		BETA ANGLE 0 DEG		BETA ANGLE 0 DEG	
MACH NO.	ALPHA-DEG C	MACH NO.	ALPHA-DEG C	MACH NO.	ALPHA-DEG C
0.80	143.1	0.80	144.3	0.80	144.3
0.85	143.8	0.85	143.5	0.85	143.5
0.90	143.8	0.90	143.2	0.90	143.2
0.95	143.7	0.95	143.6	0.95	143.6
1.00	143.1	1.00	144.4	1.00	144.4
1.10	143.3	1.10	145.2	1.10	145.2
1.20	143.3	1.20	146.0	1.20	146.0
1.30	141.5	1.30	146.9	1.30	146.9
1.40	142.2	1.40	147.7	1.40	147.7

BETA ANGLE 5 DEG		BETA ANGLE 5 DEG		BETA ANGLE 5 DEG	
MACH NO.	ALPHA-DEG C	MACH NO.	ALPHA-DEG C	MACH NO.	ALPHA-DEG C
0.80	142.5	0.80	142.5	0.80	144.0
0.85	142.2	0.85	142.3	0.85	144.5
0.90	142.9	0.90	142.6	0.90	143.8
0.95	142.9	0.95	143.6	0.95	144.1
1.00	143.5	1.00	143.1	1.00	144.8
1.10	143.3	1.10	142.8	1.10	145.7
1.20	142.2	1.20	142.3	1.20	147.8
1.30	142.2	1.30	141.7	1.30	150.9
1.40	142.2	1.40	141.7	1.40	151.3

AMES PRELIMINARY AERC-ACCUUSTIC DATA
TEST CONDUCTED 17-28 JAN 72

CONFIGURATION NO. 2
TRANSDUCER NO. 10

ACCUUSTIC LEVEL-DB

BETA ANGLE	0 DEG	0 DEG	0 DEG	4	8
MACH NO.	MACH NO.	MACH NO.	MACH NO.	ALPHA-DEG	ALPHA-DEG
0.80	0.80	0.80	0.80	137.4	156.2
0.85	0.85	0.85	0.85	135.8	155.6
0.90	0.90	0.90	0.90		156.3
0.95	0.95	0.95	0.95		159.0
1.00	1.00	1.00	1.00		153.0
1.10	1.10	1.10	1.10		153.8
1.20	1.20	1.20	1.20		149.8
1.30	1.30	1.30	1.30		141.5
1.40	1.40	1.40	1.40		140.0

BETA ANGLE	5 DEG	5 DEG	5 DEG	4	8
MACH NO.	MACH NO.	MACH NO.	MACH NO.	ALPHA-DEG	ALPHA-DEG
0.80	0.80	0.80	0.80	139.7	154.6
0.85	0.85	0.85	0.85	139.4	155.8
0.90	0.90	0.90	0.90	139.2	156.3
0.95	0.95	0.95	0.95	139.5	157.9
1.00	1.00	1.00	1.00	140.5	155.5
1.10	1.10	1.10	1.10	140.4	149.0
1.20	1.20	1.20	1.20	140.4	147.3
1.30	1.30	1.30	1.30	138.5	138.9
1.40	1.40	1.40	1.40	141.7	140.4

AMES PRELIMINARY AERC-ACCUSTIC DATA
TEST CCNDUCTEC 17-28 JAN 72

CONFIGURATION NO. 12
TRANSEUCER NC. 2

AMES PRELIMINARY AERC-ACCUSTIC DATA
TEST CCNDUCTEC 17-28 JAN 72

CONFIGURATION NO. 13
TRANSEUCER NC. 2

ACOUSTIC LEVEL-DB

ACOUSTIC LEVEL-DB

BETA ANGLE	0 DEG	4	8	BETA ANGLE	0 DEG	4	8
MACH NO.	-8	-4	-4	MACH NO.	-8	-4	-4
0.80	162.8	161.4	161.4	0.80	157.3	159.5	159.5
0.85	160.2	161.2	161.2	0.85	161.7	162.8	162.8
0.90	155.4	155.5	155.5	0.90	160.2	156.2	156.2
0.95	158.2	155.8	155.8	0.95	154.5	152.6	152.6
1.00	155.5	155.5	155.5	1.00	142.2		
1.10				1.10			
1.20				1.20			
1.30				1.30			
1.40				1.40			

BETA ANGLE	5 DEG	8	4	BETA ANGLE	5 DEG	8	4
MACH NO.	-8	-4	-4	MACH NO.	-8	-4	-4
0.80	163.3	161.1	161.1	0.80	147.0	148.3	151.6
0.85	160.2	160.5	160.5	0.85	148.6	151.8	156.7
0.90	158.3	155.4	155.4	0.90	153.0	165.0	158.5
0.95	155.8	155.8	155.8	0.95	149.9	149.9	155.6
1.00	157.8	155.0	155.0	1.00	147.7	147.7	148.2
1.10	155.3	157.2	157.2	1.10	144.7	144.7	145.2
1.20				1.20			
1.30				1.30			
1.40				1.40			

AMES PRELIMINARY AERC-ACCLUSTIC DATA
TEST CCNDUCTED 17-28 JAN 72

CONFIGURATION NO. 2
TRANSDUCER NC. 15

ACOUSTIC LEVEL-DB

BETA ANGLE	0 DEG	4	8
MACH NO.	-8	-4	0
0.8C	145.2	145.2	145.2
0.85	145.3	145.3	145.3
0.90	144.0	144.0	144.0
0.95	144.2	144.2	144.2
1.0C	144.4	144.4	144.4
1.10	145.5	145.5	145.5
1.2C	144.7	144.7	144.7
1.30	144.5	144.5	144.5
1.4C	147.7	147.7	147.7

AMES PRELIMINARY AERC-ACCLUSTIC DATA
TEST CCNDUCTED 17-28 JAN 72

CONFIGURATION NO. 2
TRANSDUCER NC. 16

ACOUSTIC LEVEL-DB

BETA ANGLE	0 DEG	4	8
MACH NO.	-8	-4	0
0.8C	164.1	164.1	164.1
0.85	162.0	162.0	162.0
0.90	161.5	161.5	161.5
0.95	161.0	161.0	161.0
1.0C	158.1	158.1	158.1
1.10	160.2	160.2	160.2
1.2C	157.8	157.8	157.8
1.30	155.5	155.5	155.5
1.4C	155.7	155.7	155.7

AMES PRELIMINARY AERC-ACCLUSTIC DATA
TEST CCNDUCTED 17-28 JAN 72

CONFIGURATION NO. 2
TRANSDUCER NC. 15

ACOUSTIC LEVEL-DB

BETA ANGLE	5 DEG	8	4
MACH NO.	-8	-4	0
0.80	156.6	156.7	156.7
0.85	144.0	144.2	144.2
0.90	142.9	143.9	143.9
0.95	143.5	143.5	143.5
1.00	143.8	144.3	144.3
1.10	143.1	145.5	145.5
1.20	143.1	147.7	147.7
1.30	143.1	148.1	148.1
1.40	143.1	146.5	146.5

AMES PRELIMINARY AERC-ACCLUSTIC DATA
TEST CCNDUCTED 17-28 JAN 72

CONFIGURATION NO. 2
TRANSDUCER NC. 16

ACOUSTIC LEVEL-DB

BETA ANGLE	5 DEG	4	8
MACH NO.	-8	-4	0
0.80	164.6	162.5	161.4
0.85	158.9	158.0	158.0
0.90	157.3	157.9	157.9
0.95	157.1	157.1	157.1
1.00	161.1	158.8	158.3
1.10	159.5	158.1	158.0
1.20	159.5	155.5	155.0
1.30	159.5	155.5	155.0
1.40	159.5	155.5	155.0

AMES PRELIMINARY AERC-ACCUUSTIC DATA
TEST CCNDUCTED 17-28 JAN 72

AMES PRELIMINARY AERC-ACCUUSTIC DATA
TEST CCNDUCTED 17-28 JAN 72

CONFIGURATION NO. 2
TRANSCUCER NC. 19

CONFIGURATION NO. 2
TRANSCUCER NC. 17

ACCUUSTIC LEVEL-DB

ACCUUSTIC LEVEL-DB

BETA ANGLE	0 DEG	4	8	BETA ANGLE	0 DEG	4	8
MACH NO.		ALPHA-DEG		MACH NO.		ALPHA-DEG	
0.80	-8	147.3	152.2	0.80	-8	152.2	152.0
0.85	-4	149.2	151.6	0.85	-4	152.0	151.6
0.90		160.7	150.5	0.90		150.5	149.4
0.95		151.9	147.5	0.95		147.5	147.5
1.00		147.9	144.5	1.00		147.5	148.6
1.10		144.5	141.1	1.10		148.6	147.5
1.20		144.3	141.7	1.20		147.5	
1.30		141.1		1.30		148.6	
1.40		141.7		1.40		147.5	

BETA ANGLE	5 DEG	8	BETA ANGLE	5 DEG	8
MACH NO.		ALPHA-DEG	MACH NO.		ALPHA-DEG
0.80	-8	150.6	0.80	-8	148.6
0.85	-4	150.6	0.85	-4	149.3
0.90		153.2	0.90		150.7
0.95		154.1	0.95		150.5
1.00		151.7	1.00		149.4
1.10		149.9	1.10		149.4
1.20		146.3	1.20		149.4
1.30		145.0	1.30		149.0
1.40		146.4	1.40		149.5

AMES PRELIMINARY AERC-ACCUSTIC DATA
TEST CONDUCTED 17-28 JAN 72

CONFIGURATION NO. 2
TRANSDUCER NO. 20

AMES PRELIMINARY AERC-ACCUSTIC DATA
TEST CONDUCTED 17-28 JAN 72

CONFIGURATION NO. 2
TRANSDUCER NO. 21

ACCUSTIC LEVEL-DB

ACCUSTIC LEVEL-DB

BETA ANGLE	0 DEG	4	8	BETA ANGLE	0 DEG	4	8
MACH NO.	-8	-4	0	MACH NO.	-8	-4	0
0.80	152.6	151.4	152.0	0.80	146.6	145.4	146.0
0.85	156.0	154.9	155.5	0.85	146.0	144.8	145.3
0.90	145.2	144.5	144.5	0.90	146.7	145.5	146.0
0.95	144.5	144.2	144.5	0.95	145.8	144.6	145.3
1.00	144.7	144.4	144.7	1.00	143.1	141.9	142.1
1.10	141.5	142.1	143.3	1.10	142.1	140.9	141.8
1.20	141.8	142.1	143.3	1.20	141.8	140.9	141.5
1.30	141.1	138.1	138.1	1.30	141.5	140.9	141.5
1.40	137.9	138.1	138.1	1.40	144.4	142.8	144.4

BETA ANGLE	5 DEG	8	BETA ANGLE	5 DEG	8
MACH NO.	-8	-4	MACH NO.	-8	-4
0.80	150.0	152.0	0.80	145.4	146.6
0.85	148.6	144.5	0.85	144.4	146.7
0.90	144.5	144.5	0.90	143.9	147.3
0.95	144.4	144.7	0.95	143.8	145.7
1.00	142.1	143.3	1.00	141.5	144.3
1.10	141.1	143.3	1.10	142.0	144.3
1.20	140.9	138.1	1.20	142.0	144.3
1.30	140.9	138.1	1.30	142.0	144.3
1.40	140.9	138.1	1.40	142.0	144.3

AMES PRELIMINARY AERO-ACCUSTIC DATA
TEST CONDUCTED 17-28 JAN 72

CONFIGURATION NO. 2
TRANSDUCER NO. 23

ACCUSTIC LEVEL-DB

AMES PRELIMINARY AERO-ACCUSTIC DATA
TEST CONDUCTED 17-28 JAN 72

CONFIGURATION NO. 2
TRANSDUCER NO. 22

ACCUSTIC LEVEL-DB

BETA ANGLE 0 DEG		BETA ANGLE 5 DEG		BETA ANGLE 0 DEG		BETA ANGLE 5 DEG	
MACH NC.	ALPHA-DEG	MACH NC.	ALPHA-DEG	MACH NC.	ALPHA-DEG	MACH NC.	ALPHA-DEG
0.80	146.6	0.80	146.6	0.80	145.2	0.80	145.2
0.85	145.2	0.85	145.2	0.85	144.7	0.85	144.7
0.90	144.0	0.90	144.0	0.90	145.1	0.90	145.1
0.95	144.2	0.95	144.2	0.95	145.8	0.95	145.8
1.00	142.8	1.00	142.8	1.00	146.4	1.00	146.4
1.10	142.7	1.10	142.7	1.10	147.8	1.10	147.8
1.20	141.1	1.20	141.1	1.20	149.4	1.20	149.4
1.30	139.8	1.30	139.8	1.30	151.1	1.30	151.1
1.40	140.5	1.40	140.5	1.40	152.8	1.40	152.8

BETA ANGLE 0 DEG		BETA ANGLE 5 DEG		BETA ANGLE 0 DEG		BETA ANGLE 5 DEG	
MACH NC.	ALPHA-DEG	MACH NC.	ALPHA-DEG	MACH NO.	ALPHA-DEG	MACH NO.	ALPHA-DEG
0.80	147.0	0.80	147.0	0.80	145.4	0.80	145.4
0.85	144.0	0.85	144.0	0.85	144.7	0.85	144.2
0.90	144.6	0.90	144.6	0.90	144.9	0.90	144.6
0.95	144.7	0.95	144.7	0.95	145.7	0.95	143.9
1.00	141.8	1.00	141.8	1.00	148.0	1.00	147.1
1.20	140.4	1.20	140.4	1.20	149.0	1.20	149.0
1.30	140.4	1.30	140.4	1.30	149.0	1.30	149.0
1.40	140.7	1.40	140.7	1.40	149.0	1.40	149.0

AMES PRELIMINARY AERC-ACCUSTIC DATA
TEST CONDUCTED 17-28 JAN 72

CONFIGURATION NO. 25
TRANSDUCER NO. 2

ACCUSTIC LEVEL-DB

BETA ANGLE	0 DEG	4	8
MACH NO.	-8	-4	8
0.80		151.6	
0.85		152.8	
0.90		154.1	
0.95		155.8	
1.00		157.1	
1.10		154.3	
1.20		151.5	
1.30		151.5	
1.40		151.3	

AMES PRELIMINARY AERC-ACCUSTIC DATA
TEST CONDUCTED 17-28 JAN 72

CONFIGURATION NO. 28
TRANSDUCER NO. 2

ACCUSTIC LEVEL-DB

BETA ANGLE	0 DEG	-4	4	8
MACH NO.	-8	-4	4	8
0.80			151.6	
0.85			152.8	
0.90			153.7	
0.95			154.5	
1.00			152.8	
1.10			150.2	
1.20			148.2	
1.30			145.8	
1.40			150.5	

AMES PRELIMINARY AERC-ACCUSTIC DATA
TEST CONDUCTED 17-28 JAN 72

CONFIGURATION NO. 25
TRANSDUCER NO. 2

ACCUSTIC LEVEL-DB

BETA ANGLE	5 DEG	4	8
MACH NO.	-8	-4	8
0.80	156.6	156.2	155.8
0.85	155.5	156.7	156.7
0.90	155.0	155.8	157.3
0.95		155.6	153.4
1.00		157.4	155.5
1.10	155.6	156.5	152.5
1.20	152.1	151.7	152.1

AMES PRELIMINARY AERC-ACCUSTIC DATA
TEST CONDUCTED 17-28 JAN 72

CONFIGURATION NO. 28
TRANSDUCER NO. 2

ACCUSTIC LEVEL-DB

BETA ANGLE	5 DEG	-4	4	8
MACH NO.	-8	-4	4	8
0.80	155.4	155.4	154.9	154.9
0.85	157.4	157.0	155.9	156.3
0.90	157.3	157.6	156.2	157.3
0.95		157.1	156.4	158.9
1.00		157.2	158.2	158.6
1.10	156.8	157.2	158.2	158.6
1.20	156.0	156.9	158.1	158.9
1.30				
1.40				

AMES PRELIMINARY AERC-ACCUSTIC DATA
TEST CONDUCTED 17-28 JAN 72

CONFIGURATION NC. 2
TRANSDUCER NO. 30

ACCUSTIC LEVEL-DB

MACH NO.	BETA ANGLE 0 DEG			ALPHA-DEG 0	MACH NO.	BETA ANGLE 5 DEG		
	-8	-4	0			-8	-4	0
0.80				154.1	0.80			
0.85				154.4	0.85			154.7
0.90				154.8	0.90			154.4
0.95				153.1	0.95			154.5
1.00				150.3	1.00			154.4
1.10				148.5	1.10			153.9
1.20				149.6	1.20			154.2
1.30				145.6	1.30			154.1
1.40				145.6	1.40			153.4

AMES PRELIMINARY AERC-ACCUSTIC DATA
TEST CONDUCTED 17-28 JAN 72

CONFIGURATION NC. 2
TRANSDUCER NO. 29

ACCUSTIC LEVEL-DB

MACH NO.	BETA ANGLE 0 DEG			ALPHA-DEG 0	MACH NO.	BETA ANGLE 5 DEG		
	-8	-4	0			-8	-4	0
0.80				157.4	0.80			
0.85				157.1	0.85			157.2
0.90				157.5	0.90			157.4
0.95				156.1	0.95			158.7
1.00				155.5	1.00			151.8
1.10				155.8	1.10			160.9
1.20				156.8	1.20			158.0
1.30				156.9	1.30			157.8
1.40				156.9	1.40			157.8

AMES PRELIMINARY AERC-ACCLUSTIC DATA
TEST CONDUCTED 17-28 JAN 72

CONFIGURATION NO. 2
TRANSDUCER NO. 32

ACCUSTIC LEVEL-DB

BETA ANGLE	C DEG	MACH NO.	ALPHA-DEG C	4	8
0.80	-8				
0.85			145.2		
0.90			152.6		
0.95			155.6		
1.00			149.4		
1.10			145.5		
1.20			144.3		
1.30			144.5		
1.40			144.7		

AMES PRELIMINARY AERC-ACCUSTIC DATA
TEST CONDUCTED 17-28 JAN 72

CONFIGURATION NO. 2
TRANSDUCER NO. 33

ACCUSTIC LEVEL-DB

BETA ANGLE	0 DEG	MACH NO.	ALPHA-DEG C	-4	8
0.80	-8				
0.85			148.4		
0.90			151.8		
0.95			156.6		
1.00			149.2		
1.10			146.8		
1.20			149.0		
1.30			151.1		
1.40			153.2		

BETA ANGLE 5 DEG

MACH NO.	-8	4	8
0.80	155.4	154.9	152.7
0.85	161.1	157.1	155.9
0.90	160.8	161.2	157.3
1.00		157.5	134.4
1.10			
1.20	155.7	145.7	145.7
1.30			
1.40	154.4	144.7	141.7

BETA ANGLE 5 DEG

MACH NO.	-8	4	8
0.80	151.4	150.9	152.6
0.85	152.7	151.9	160.2
0.90	155.1	153.9	163.6
0.95		152.4	158.3
1.00			
1.10	159.2	160.5	152.8
1.20			
1.30	161.3	163.4	153.2
1.40			

AMES PRELIMINARY AERC-ACCLUSTIC DATA
TEST CCNDUCTEC 17-28 JAN 72

CONFIGURATION NC. 2
TRANSDUCER NC. 34

ACOUSTIC LEVEL-DB

BETA ANGLE	0 DEG	4	8
MACH NO.	-8	-4	0
0.80		147.6	148.9
0.85		148.2	149.2
0.90		145.6	150.7
0.95		147.1	151.9
1.00		144.7	149.4
1.10		144.3	146.9
1.20		142.3	145.5
1.30		142.2	145.0
1.40			143.8

ACOUSTIC LEVEL-DB

BETA ANGLE	0 DEG	4	8
MACH NO.	-8	-4	0
0.80		147.6	148.9
0.85		148.2	149.2
0.90		145.6	150.7
0.95		147.1	151.9
1.00		144.7	149.4
1.10		144.3	146.9
1.20		142.3	145.5
1.30		142.2	145.0
1.40			143.8

AMES PRELIMINARY AERC-ACCUSTIC DATA
TEST CCNDUCTEC 17-28 JAN 72

CONFIGURATION NC. 2
TRANSDUCER NC. 35

ACCUSTIC LEVEL-CB

BETA ANGLE	0 DEG	4	8
MACH NO.	-8	-4	0
0.80		152.7	154.9
0.85		153.7	155.9
0.90		155.1	155.8
0.95		147.7	156.8
1.00		142.4	148.2
1.10		151.8	148.2
1.20		146.0	142.5
1.30		144.7	

ACCUSTIC LEVEL-CB

BETA ANGLE	0 DEG	4	8
MACH NO.	-8	-4	0
0.80		147.6	148.3
0.85		149.4	152.2
0.90		150.2	154.2
0.95		151.0	155.0
1.00		148.1	166.9
1.10		145.0	154.2
1.20		148.6	148.2
1.30		147.2	143.1
1.40		145.5	145.5

AMES PRELIMINARY AERC-ACCUSTIC DATA
TEST CONDUCTED 17-28 JAN 72

CONFIGURATION NO. 2
TRANSDUCER NO. 40

ACCUSTIC LEVEL-DB

BETA ANGLE	C DEG	MACH NO.	ALPHA-DEG	4	8
	-8	0.80			
		0.85	148.1		
		0.90	145.2		
		0.95	145.1		
		1.00	148.1		
		1.10	144.7		
		1.20	143.8		
		1.30	145.3		
		1.40	146.0		

AMES PRELIMINARY AERC-ACCUSTIC DATA
TEST CONDUCTED 17-28 JAN 72

CONFIGURATION NO. 2
TRANSDUCER NO. 41

ACCUSTIC LEVEL-DB

BETA ANGLE	0 DEG	MACH NO.	ALPHA-DEG	4	8
	-8	0.80			
		0.85	150.8		
		0.90	152.0		
		0.95	151.8		
		1.00	147.7		
		1.10	146.7		
		1.20	147.5		
		1.30	147.5		
		1.40	147.1		

BETA ANGLE 5 DEG

BETA ANGLE	5 DEG	MACH NO.	ALPHA-DEG	4	8
	-8	0.80			
		0.85	147.6	148.3	148.6
		0.90	149.2	149.7	149.2
		0.95	149.1	150.3	149.1
		1.00	148.6	148.4	148.5
		1.10			
		1.20	148.6	148.3	148.0
		1.30			
		1.40	147.7	148.1	148.5

BETA ANGLE 5 DEG

BETA ANGLE	5 DEG	MACH NO.	ALPHA-DEG	4	8
	-8	0.80			
		0.85	158.5	158.6	158.6
		0.90	160.4	160.4	160.0
		0.95	161.0	161.4	160.5
		1.00	160.8	161.3	160.4
		1.10			
		1.20	160.5	159.8	160.5
		1.30			
		1.40	153.5	152.8	152.1

AMES PRELIMINARY AERC-ACCUSTIC DATA
TEST CONDUCTED 17-28 JAN 72

CONFIGURATION NO. 2
TRANSDUCER NO. 42

ACCUSTIC LEVEL-DB

BETA ANGLE	0 DEG	4	8
MACH NO.	-8	-4	C
0.80			155.0
0.85			158.6
0.90			145.8
0.95			158.9
1.00			157.8
1.10			158.6
1.20			152.3
1.30			147.8
1.40			

BETA ANGLE	5 DEG	4	8
MACH NO.	-8	-4	C
0.80	156.5	157.3	159.2
0.85			163.1
0.90	157.4	154.4	163.6
0.95	154.3	153.6	162.8
1.00		151.7	158.1
1.10			147.8
1.20	151.6	151.1	157.5
1.30			143.8
1.40	148.8	148.8	145.5

AMES PRELIMINARY AERC-ACCLSTIC DATA
TEST CCNDUCTED 17-28 JAN 72

CONFIGURATICN NO. 1 2
TRANSDUCER NC.

DELTA CPRMS

BETA ANGLE	0 DEG	4	8
MACH NO.	-8	-4	8
0.80		.0147	
0.85		.0113	
0.90		.0081	
0.95		.0057	
1.00		.0050	
1.10		.0048	
1.20		.0044	
1.30		.0035	
1.40		.0045	

AMES PRELIMINARY AERC-ACCUUSTIC DATA
TEST CCNDUCTED 17-28 JAN 72

CONFIGURATICN NO. 2 2
TRANSDUCER NC.

DELTA CPRMS

BETA ANGLE	0 DEG	-4	4	8
MACH NO.	-8	-4	4	8
0.80			.0174	
0.85			.0142	
0.90			.0125	
0.95			.0114	
1.00			.0123	
1.10			.0205	
1.20			.0084	
1.30			.0044	
1.40			.0047	

AMES PRELIMINARY AERC-ACCLSTIC DATA
TEST CCNDUCTED 17-28 JAN 72

CONFIGURATICN NO. 1 2
TRANSDUCER NC.

DELTA CPRMS

BETA ANGLE	5 DEG	4	8
MACH NO.	-8	-4	8
0.80	.0137	.0147	
0.85	.0083	.0088	
0.90	.0061	.0070	.0120
0.95	.0067	.0071	.0088
1.00	.0056	.0053	.0067
1.10	.0039	.0045	.0071
1.20			.0055
1.30			.0048
1.40			.0057

AMES PRELIMINARY AERC-ACCUUSTIC DATA
TEST CCNDUCTED 17-28 JAN 72

CONFIGURATICN NO. 2 2
TRANSDUCER NC.

DELTA CPRMS

BETA ANGLE	5 DEG	-4	4	8
MACH NO.	-8	-4	4	8
0.80	.0158	.0163	.0158	
0.85	.0092	.0099	.0125	.0132
0.90	.0088	.0092	.0109	.0123
0.95	.0092	.0096	.0105	.0109
1.00	.0123	.0084	.0089	.0084
1.10	.0045	.0048	.0059	.0057
1.20			.0048	
1.30			.0048	
1.40			.0059	

AMES PRELIMINARY AERC-ACCUSTIC DATA
TEST CONDUCTED 17-28 JAN 72

CONFIGURATION NC. 2
TRANSDUCER NC. 3

DELTA CFRMS

BETA ANGLE	C DEG	MACH NO.	ALPHA-DEG C	DELTA
	-8	0.80	.0162	8
		0.85	.0142	
		0.90	.0134	
		0.95	.0127	
		1.00	.0112	
		1.10	.0111	
		1.20	.0092	
		1.30	.0075	
		1.40	.0050	

AMES PRELIMINARY AERC-ACCUSTIC DATA
TEST CONDUCTED 17-28 JAN 72

CONFIGURATION NC. 2
TRANSDUCER NC. 4

DELTA CPRMS

BETA ANGLE	0 DEG	MACH NO.	ALPHA-DEG C	DELTA
	-8	0.80	.0250	8
		0.85	.0178	
		0.90	.0148	
		0.95	.0158	
		1.00	.0130	
		1.10	.0125	
		1.20	.0112	
		1.30	.0063	
		1.40	.0108	

AMES PRELIMINARY AERC-ACCUSTIC DATA
TEST CONDUCTED 17-28 JAN 72

CONFIGURATION NC. 2
TRANSDUCER NC. 3

DELTA CFRMS

BETA ANGLE	5 DEG	MACH NO.	ALPHA-DEG C	DELTA
	-8	0.80	.0191	8
		0.85	.0167	
		0.90	.0129	.0122
		0.95	.0118	.0127
		1.00	.0113	.0121
		1.10	.0100	.0095
		1.20	.0100	.0093
		1.30	.0093	.0093
		1.40	.0053	.0093

AMES PRELIMINARY AERC-ACCUSTIC DATA
TEST CONDUCTED 17-28 JAN 72

CONFIGURATION NC. 2
TRANSDUCER NC. 4

DELTA CPRMS

BETA ANGLE	5 DEG	MACH NO.	ALPHA-DEG C	DELTA
	-8	0.80	.0308	8
		0.85	.0200	.0233
		0.90	.0138	.0138
		0.95	.0109	.0153
		1.00	.0113	.0126
		1.10	.0100	.0112
		1.20	.0095	.0112
		1.30	.0075	.0090
		1.40	.0086	.0086

AMES PRELIMINARY AERC-ACCLUSTIC DATA
TEST CONDUCTED 17-28 JAN 72

CONFIGURATION NO. 5
TRANSDUCER NO. 2

DELTA CPRMS

BETA ANGLE	0 DEG	4	8
MACH NO.	-8	-4	8
0.80			
0.85			
0.90			
0.95			
1.00			
1.10			
1.20			
1.30			
1.40			

AMES PRELIMINARY AERC-ACCLUSTIC DATA
TEST CONDUCTED 17-28 JAN 72

CONFIGURATION NO. 6
TRANSDUCER NO. 2

DELTA CPRMS

BETA ANGLE	0 DEG	-4	4	8
MACH NO.	-8	-4	4	8
0.80				
0.85				
0.90				
0.95				
1.00				
1.10				
1.20				
1.30				
1.40				

BETA ANGLE 5 DEG

MACH NO.	-8	-4	4	8
0.80	.0191	.0183	.0167	
0.85				
0.90	.0115	.0127	.0118	.0115
0.95	.0088	.0105	.0127	.0114
1.00		.0092	.0126	.0132
1.10				
1.20	.0084	.0026	.0089	.0089
1.30				
1.40	.0061	.0066	.0077	.0072

BETA ANGLE 5 DEG

MACH NO.	-8	-4	4	8
0.80	.0383	.0383	.0383	
0.85				
0.90	.0336	.0321	.0326	.0321
0.95	.0415	.0415	.0415	.0305
1.00		.0502	.0460	.0331
1.10				
1.20	.1115	.1364	.1115	.1004
1.30				
1.40	.1651	.1651	.1722	.1722

AMES PRELIMINARY AERC-ACCUUSTIC DATA
TEST CCNDUCTED 17-28 JAN 72

CONFIGURATION NC. 2
TRANSDUCER NC. 7

DELTA CPRMS

BETA ANGLE	C DEG	MACH NO.	ALPHA-DEG C	ALPHA-DEG C	BETA ANGLE	0 DEG	MACH NO.	ALPHA-DEG C	ALPHA-DEG C
	-8	0.80	.0129	.0147		-8	0.80	.0129	.0147
		0.85	.0132	.0127			0.85	.0132	.0127
		0.90	.0125	.0117			0.90	.0125	.0117
		0.95	.0120	.0118			0.95	.0120	.0118
		1.00	.0109	.0126			1.00	.0109	.0126
		1.10	.0105	.0130			1.10	.0105	.0130
		1.20	.0100	.0136			1.20	.0100	.0136
		1.30	.0079	.0147			1.30	.0079	.0147
		1.40	.0083	.0158			1.40	.0083	.0158

AMES PRELIMINARY AERC-ACCUUSTIC DATA
TEST CCNDUCTED 17-28 JAN 72

CONFIGURATION NC. 2
TRANSDUCER NC. 8

DELTA CPRMS

BETA ANGLE	0 DEG	MACH NO.	ALPHA-DEG C	ALPHA-DEG C	BETA ANGLE	5 DEG	MACH NO.	ALPHA-DEG C	ALPHA-DEG C
		0.80	.0129	.0147			0.80	.0129	.0147
		0.85	.0132	.0127			0.85	.0132	.0127
		0.90	.0125	.0117			0.90	.0125	.0117
		0.95	.0120	.0118			0.95	.0120	.0118
		1.00	.0109	.0126			1.00	.0109	.0126
		1.10	.0105	.0130			1.10	.0105	.0130
		1.20	.0100	.0136			1.20	.0100	.0136
		1.30	.0079	.0147			1.30	.0079	.0147
		1.40	.0083	.0158			1.40	.0083	.0158

BETA ANGLE	5 DEG	MACH NO.	ALPHA-DEG C	ALPHA-DEG C	BETA ANGLE	0 DEG	MACH NO.	ALPHA-DEG C	ALPHA-DEG C
		0.80	.0129	.0147			0.80	.0129	.0147
		0.85	.0132	.0127			0.85	.0132	.0127
		0.90	.0125	.0117			0.90	.0125	.0117
		0.95	.0120	.0118			0.95	.0120	.0118
		1.00	.0109	.0126			1.00	.0109	.0126
		1.10	.0105	.0130			1.10	.0105	.0130
		1.20	.0100	.0136			1.20	.0100	.0136
		1.30	.0079	.0147			1.30	.0079	.0147
		1.40	.0083	.0158			1.40	.0083	.0158

AMES PRELIMINARY AERC-ACCUSTIC DATA
TEST CONDUCTED 17-28 JAN 72

CONFIGURATION NO. 2
TRANSDUCER NO. 5

DELTA CPRMS

BETA ANGLE	0 DEG	4	8
MACH NO.	-8	-4	0
0.80			
0.85			
0.90			
0.95			
1.00			
1.10			
1.20		.0053	
1.30		.0041	
1.40			

AMES PRELIMINARY AERC-ACCUSTIC DATA
TEST CONDUCTED 17-28 JAN 72

CONFIGURATION NO. 2
TRANSDUCER NO. 10

DELTA CPRMS

BETA ANGLE	0 DEG	4	8
MACH NO.	-8	-4	0
0.80			
0.85			
0.90			
0.95			
1.00			
1.10			
1.20			
1.30			
1.40			

BETA ANGLE	5 DEG	8
MACH NO.	-8	-4
0.80		
0.85		
0.90		
0.95		
1.00		
1.10		
1.20		
1.30		
1.40		

BETA ANGLE	5 DEG	8
MACH NO.	-8	-4
0.80		
0.85		
0.90		
0.95		
1.00		
1.10		
1.20		
1.30		
1.40		

AMES PRELIMINARY AERC-ACCUSTIC DATA
TEST CONDUCTED 17-28 JAN 72

CONFIGURATION NO. 2
TRANSDUCER NO. 12

DELTA CPRMS

BETA ANGLE	0 DEG	4	8
MACH NO.	MACH NO.	MACH NO.	MACH NO.
0.80	0.80	0.80	0.80
0.85	0.85	0.85	0.85
0.90	0.90	0.90	0.90
0.95	0.95	0.95	0.95
1.00	1.00	1.00	1.00
1.10	1.10	1.10	1.10
1.20	1.20	1.20	1.20
1.30	1.30	1.30	1.30
1.40	1.40	1.40	1.40

ALPHA-DEG	ALPHA-DEG	ALPHA-DEG
0.1236	0.0658	0.0658
0.1003	0.0807	0.0807
0.0831	0.0952	0.0952
0.0857	0.1072	0.1072
0.0711	0.0774	0.0774
0.0703	0.0468	0.0468
0.0558	0.0362	0.0362
0.0409	0.0284	0.0284
0.0386	0.0083	0.0083

AMES PRELIMINARY AERC-ACCUSTIC DATA
TEST CONDUCTED 17-28 JAN 72

CONFIGURATION NO. 2
TRANSDUCER NO. 13

DELTA CPRMS

BETA ANGLE	0 DEG	4	8
MACH NO.	MACH NO.	MACH NO.	MACH NO.
0.80	0.80	0.80	0.80
0.85	0.85	0.85	0.85
0.90	0.90	0.90	0.90
0.95	0.95	0.95	0.95
1.00	1.00	1.00	1.00
1.10	1.10	1.10	1.10
1.20	1.20	1.20	1.20
1.30	1.30	1.30	1.30
1.40	1.40	1.40	1.40

ALPHA-DEG	ALPHA-DEG	ALPHA-DEG
0.0342	0.0342	0.0342
0.0554	0.0554	0.0554
0.0456	0.0456	0.0456
0.0460	0.0460	0.0460
0.0176	0.0176	0.0176
0.0118	0.0118	0.0118

AMES PRELIMINARY AERC-ACCUSTIC DATA
TEST CONDUCTED 17-28 JAN 72

CONFIGURATION NO. 2
TRANSDUCER NO. 12

DELTA CPRMS

BETA ANGLE	5 DEG	8
MACH NO.	MACH NO.	MACH NO.
0.80	0.80	0.80
0.85	0.85	0.85
0.90	0.90	0.90
0.95	0.95	0.95
1.00	1.00	1.00
1.10	1.10	1.10
1.20	1.20	1.20
1.30	1.30	1.30
1.40	1.40	1.40

ALPHA-DEG	ALPHA-DEG	ALPHA-DEG
0.1215	0.0523	0.1035
0.0831	0.0831	0.0897
0.0700	0.0711	0.0711
0.0670	0.0669	0.0836
0.0558	0.0669	0.0836
0.0362	0.0467	0.1338

AMES PRELIMINARY AERC-ACCUSTIC DATA
TEST CONDUCTED 17-28 JAN 72

CONFIGURATION NO. 2
TRANSDUCER NO. 12

DELTA CPRMS

BETA ANGLE	5 DEG	8
MACH NO.	MACH NO.	MACH NO.
0.80	0.80	0.80
0.85	0.85	0.85
0.90	0.90	0.90
0.95	0.95	0.95
1.00	1.00	1.00
1.10	1.10	1.10
1.20	1.20	1.20
1.30	1.30	1.30
1.40	1.40	1.40

ALPHA-DEG	ALPHA-DEG	ALPHA-DEG
0.0200	0.0219	0.0314
0.0350	0.0385	0.0385
0.0167	0.0238	0.0238
0.0167	0.0167	0.0167
0.0111	0.0111	0.0111
0.0111	0.0111	0.0111

AMES PRELIMINARY AERC-ACCLUSTIC DATA
TEST CONDUCTED 17-28 JAN 72

CONFIGURATION NO. 2
TRANSDUCER NO. 15

DELTA CPRMS

BETA ANGLE	0 DEG	4	8
MACH NO.	-8	-4	0
0.80			.0258
0.85			.0157
0.90			.0129
0.95			.0127
1.00			.0126
1.10			.0135
1.20			.0117
1.30			.0111
1.40			.0158

AMES PRELIMINARY AERC-ACCLUSTIC DATA
TEST CONDUCTED 17-28 JAN 72

CONFIGURATION NO. 2
TRANSDUCER NO. 16

DELTA CPRMS

BETA ANGLE	0 DEG	-4	8
MACH NO.	-8	-4	0
0.80			.1432
0.85			.1076
0.90			.0969
0.95			.0875
1.00			.0607
1.10			.0722
1.20			.0525
1.30			.0357
1.40			.0357

AMES PRELIMINARY AERC-ACCLUSTIC DATA
TEST CONDUCTED 17-28 JAN 72

CONFIGURATION NO. 2
TRANSDUCER NO. 15

DELTA CPRMS

BETA ANGLE	5 DEG	4	8
MACH NO.	-8	-4	0
0.80			.0500
0.85			.0125
0.90			.0123
0.95			.0126
1.00			.0134
1.10			.0112
1.20			.0158
1.30			.0165
1.40			.0144

AMES PRELIMINARY AERC-ACCLUSTIC DATA
TEST CONDUCTED 17-28 JAN 72

CONFIGURATION NO. 2
TRANSDUCER NO. 16

DELTA CPRMS

BETA ANGLE	5 DEG	-4	8
MACH NO.	-8	-4	0
0.80			.1052
0.85			.0646
0.90			.0613
0.95			.0544
1.00			.0669
1.10			.0494
1.20			.0386
1.30			.0363
1.40			.0409

AMES PRELIMINARY AERC-ACCUSTIC DATA
TEST CONDUCTED 17-28 JAN 72

CONFIGURATION NO. 2
TRANSDUCER NO. 17

DELTA CPRMS

BETA ANGLE	0 DEG	4	8
MACH NO.	-8	-4	8
	ALPHA-DEG C		
0.80			
0.85		.0208	
0.90		.0248	
0.95		.0877	
1.00		.0306	
1.10		.0189	
1.20		.0126	
1.30		.0112	
1.40		.0075	

AMES PRELIMINARY AERC-ACCUSTIC DATA
TEST CONDUCTED 17-28 JAN 72

CONFIGURATION NO. 2
TRANSDUCER NO. 19

DELTA CPRMS

BETA ANGLE	0 DEG	-4	4	8
MACH NO.	-8	-4	4	8
	ALPHA-DEG C			
0.80				
0.85			.0366	
0.90			.0341	
0.95			.0307	
1.00			.0263	
1.10			.0225	
1.20			.0170	
1.30			.0162	
1.40			.0175	
			.0154	

AMES PRELIMINARY AERC-ACCUSTIC DATA
TEST CONDUCTED 17-28 JAN 72

CONFIGURATION NO. 2
TRANSDUCER NO. 17

DELTA CPRMS

BETA ANGLE	0 DEG	4	8
MACH NO.	-8	-4	8
	ALPHA-DEG C		
0.80			
0.85		.0368	
0.90		.0435	
0.95		.0503	
1.00		.0368	
1.10		.0256	
1.20		.0203	
1.30		.0158	
1.40		.0194	

AMES PRELIMINARY AERC-ACCUSTIC DATA
TEST CONDUCTED 17-28 JAN 72

CONFIGURATION NO. 2
TRANSDUCER NO. 19

DELTA CPRMS

BETA ANGLE	5 DEG	5 DEG	4	8
MACH NO.	-8	-4	4	8
	ALPHA-DEG C			
0.80				
0.85			.0305	
0.90			.0365	
0.95			.0354	
1.00			.0293	
1.10			.0194	
1.20			.0141	
1.30			.0136	
1.40			.0115	

AMES PRELIMINARY AERO-ACCUSTIC DATA
TEST CONDUCTED 17-28 JAN 72

CONFIGURATION NC. 20
TRANSDUCER NC. 2

DELTA CPRMS

BETA ANGLE	0 DEG	4	8
MACH NO.	ALPHA-DEG C		
0.80	-8	-4	0
0.85			.0383
0.90			.0538
0.95			.0148
1.00			.0131
1.10			.0120
1.20			.0085
1.30			.0084
1.40			.0075
			.0051

AMES PRELIMINARY AERO-ACCUSTIC DATA
TEST CONDUCTED 17-28 JAN 72

CONFIGURATION NC. 21
TRANSDUCER NC. 2

DELTA CPRMS

BETA ANGLE	0 DEG	-4	4	8
MACH NO.	ALPHA-DEG C			
0.80	-8	-4	0	8
0.85				.0191
0.90				.0170
0.95				.0175
1.00				.0153
1.10				.0109
1.20				.0091
1.30				.0084
1.40				.0079
				.0108

AMES PRELIMINARY AERO-ACCUSTIC DATA
TEST CONDUCTED 17-28 JAN 72

CONFIGURATION NC. 20
TRANSDUCER NC. 2

DELTA CPRMS

BETA ANGLE	5 DEG	4	8
MACH NO.	ALPHA-DEG C		
0.80	-8	-4	0
0.85			.0358
0.90			.0143
0.95			.0127
1.00			.0126
1.10			.0089
1.20			.0087
1.30			.0052
1.40			.0052

AMES PRELIMINARY AERO-ACCUSTIC DATA
TEST CONDUCTED 17-28 JAN 72

CONFIGURATION NC. 21
TRANSDUCER NC. 2

DELTA CPRMS

BETA ANGLE	5 DEG	-4	4	8
MACH NO.	ALPHA-DEG C			
0.80	-8	-4	0	8
0.85				.0167
0.90				.0134
0.95				.0123
1.00				.0117
1.10				.0081
1.20				.0078
1.30				.0072
1.40				.0086

AMES PRELIMINARY AERC-ACCLUSTIC DATA
TEST CCNUCTED 17-28 JAN 72

CONFIGURATICN NC. 22
TRANSDUCER NC. 2

DELTA CPRMS

BETA ANGLE	0 DEG	4	8
MACH NO.	-8	-4	0
0.80			
0.85			
0.90			
0.95			
1.00			
1.10			
1.20			
1.30			
1.40			

AMES PRELIMINARY AERO-ACCUUSTIC DATA
TEST CCNUCTED 17-28 JAN 72

CONFIGURATICN NC. 23
TRANSDUCER NC. 2

DELTA CPRMS

BETA ANGLE	0 DEG	-4	4
MACH NO.	-8	-4	0
0.80			
0.85			
0.90			
0.95			
1.00			
1.10			
1.20			
1.30			
1.40			

BETA ANGLE	5 DEG	4	8
MACH NO.	-8	-4	0
0.80			
0.85			
0.90			
0.95			
1.00			
1.10			
1.20			
1.30			
1.40			

BETA ANGLE	5 DEG	0	-4
MACH NO.	-8	-4	0
0.80			
0.85			
0.90			
0.95			
1.00			
1.10			
1.20			
1.30			
1.40			

ALPHA-DEG	0	4	8
0.0151			
0.0155			
0.0129			
0.0127			
0.0105			
0.0097			
0.0078			
0.0065			
0.0072			

ALPHA-DEG	0	4	8
0.0163			
0.0147			
0.0146			
0.0152			
0.0159			
0.0176			
0.0203			
0.0238			
0.0284			

ALPHA-DEG	0	4	8
0.0266			
0.0125			
0.0088			
0.0064			
0.0075			
0.0066			

ALPHA-DEG	0	4	8
0.0167			
0.0131			
0.0132			
0.0126			
0.0168			
0.0182			

AMES PRELIMINARY AERC-ACCUSTIC DATA
TEST CONDUCTED 17-28 JAN 72

CONFIGURATION NO. 25
TRANSDUCER NO. 2

DELTA CPRMS

BETA ANGLE	C DEG	ALPHA-DEG	4	8
MACH NO.	-8	-4		
0.80		.0341		
0.85		.0372		
0.90		.0405		
C.95		.0481		
1.00		.0544		
1.1C		.0371		
1.20		.0256		
1.3C		.0250		
1.40		.0228		

AMES PRELIMINARY AERC-ACCUSTIC DATA
TEST CONDUCTED 17-28 JAN 72

CONFIGURATION NO. 28
TRANSDUCER NO. 2

DELTA CPRMS

BETA ANGLE	0 DEG	ALPHA-DEG	4	8
MACH NO.	-8	-4		
0.8C		.0341		
0.85		.0372		
C.9C		.0394		
0.95		.0415		
1.0C		.0331		
1.10		.0232		
1.2C		.0176		
1.30		.0204		
1.4C		.0227		

AMES PRELIMINARY AERC-ACCUSTIC DATA
TEST CONDUCTED 17-28 JAN 72

CONFIGURATION NO. 25
TRANSDUCER NO. 2

DELTA CPRMS

BETA ANGLE	5 DEG	ALPHA-DEG	4	8
MACH NO.	-8	-4		
0.80		.0552		
0.85		.0554		
0.90		.0600		
C.95		.0613		
1.0C		.0565		
1.1C		.0586		
1.2C		.0423		
1.3C		.0441		
1.4C		.0273		

AMES PRELIMINARY AERC-ACCUSTIC DATA
TEST CONDUCTED 17-28 JAN 72

CONFIGURATION NO. 25
TRANSDUCER NO. 2

DELTA CPRMS

BETA ANGLE	5 DEG	ALPHA-DEG	4	8
MACH NO.	-8	-4		
0.80		.0526		
0.85		.0600		
C.95		.0569		
1.00		.0544		
1.10		.0454		
1.20		.0476		
1.30		.0405		
1.40		.0454		

AMES PRELIMINARY AERO-ACQUSTIC DATA
TEST CCNUCTEC 17-28 JAN 72

CONFIGURATICA NC. 2
TRANSDUCER NC. 29

DELTA CPRMS

BETA ANGLE	0 DEG	4	8
MACH NC.	-8	-4	0
0.80			
0.85		.0434	
0.90		.042E	
0.95		.0430	
1.00		.0344	
1.10		.0234	
1.20		.015C	
1.30		.0200	
1.40		.020C	

AMES PRELIMINARY AERC-ACCUSTIC DATA
TEST CCNUCTED 17-28 JAN 72

CONFIGURATICA NC. 2
TRANSDUCER NC. 30

DELTA CPRMS

BETA ANGLE	0 DEG	-4	-8
MACH NC.	-8	-4	0
0.80			
0.85		.0464	
0.90		.042E	
0.95		.0416	
1.00		.0358	
1.10		.0352	
1.20		.0352	
1.30		.0338	
1.40		.0302	

BETA ANGLE	5 DEG	4	8
MACH NC.	-8	-4	0
0.80			
0.85	.0700	.0666	.0736
0.90	.0642	.0584	.0642
0.95	.0612	.061C	.0610
1.00		.0610	.0610
1.10			.0600
1.20	.0442	.040E	.0476
1.30			.0454
1.40	.041E	.038E	.0546

BETA ANGLE	5 DEG	-4	-8
MACH NC.	-8	-4	0
0.80			
0.85		.0652	.0700
0.90		.0702	.0760
0.95		.0304	.078E
1.00		.0838	
1.10			.0564
1.20		.0512	.0476
1.30			.0476
1.40		.0476	

ALPHA-DEG	0	4	8
0.80			
0.85	.0666	.0664	.0716
0.90	.0672	.0702	.0738
0.95	.0228	.0720	.0748
1.00	.0768	.0754	.0754
1.10		.0652	.0812
1.20	.0546	.0652	.0812
1.30	.0500	.0500	.0590
1.40		.0500	.0590

AMES PRELIMINARY AERC-ACCUSTIC DATA
TEST CONDUCTED 17-28 JAN 72

CONFIGURATION NO. 2
TRANSDUCER NO. 35

DELTA CPRMS

BETA ANGLE	0 DEG	8	4	8
MACH NO.	-8	-4	-4	-4
0.80				
0.85				
0.90				
0.95				
1.00				
1.10				
1.20				
1.30				
1.40				

BETA ANGLE	0 DEG	8	4	8
MACH NO.	-8	-4	-4	-4
0.80				
0.85				
0.90				
0.95				
1.00				
1.10				
1.20				
1.30				
1.40				

AMES PRELIMINARY AERC-ACCUSTIC DATA
TEST CONDUCTED 17-28 JAN 72

CONFIGURATION NO. 2
TRANSDUCER NO. 34

DELTA CPRMS

BETA ANGLE	5 DEG	8	4	8
MACH NO.	-8	-4	-4	-4
0.80				
0.85				
0.90				
0.95				
1.00				
1.10				
1.20				
1.30				
1.40				

BETA ANGLE	5 DEG	8	4	8
MACH NO.	-8	-4	-4	-4
0.80				
0.85				
0.90				
0.95				
1.00				
1.10				
1.20				
1.30				
1.40				

ALPHA-DEG	4	8
C	4	8
0.0267		
0.0392		
0.0443		
0.0185		
0.0054		
0.0265		
0.0133		
0.0111		

ALPHA-DEG	4	8
C	4	8
0.0233		
0.0234		
0.0306		
0.0356		
0.0388		
0.0122		

ALPHA-DEG	4	8
C	4	8
0.0258		
0.0278		
0.0306		
0.0225		
0.0141		
0.0122		

ALPHA-DEG	4	8
C	4	8
0.0233		
0.0277		
0.0250		
0.0251		
0.0151		
0.0122		

AMES PRELIMINARY AERC-ACCUUSTIC DATA
TEST CCNDUCTEC 17-28 JAN 72

CONFIGURATION NO. 2
TRANSLCUCR NC. 40

DELTA CPRMS

BETA ANGLE	0 DEG	4	8
MACH NC.	-8	-4	0
0.8C			
0.85		.0217	
0.90		.0234	
0.95		.0222	
1.00		.0152	
1.10		.0123	
1.20		.0106	
1.30		.0122	
1.40		.0129	

AMES PRELIMINARY AERD-ACCUUSTIC DATA
TEST CCNDUCTED 17-28 JAN 72

CONFIGURATION NO. 2
TRANSLCUCR NC. 41

DELTA CPRMS

BETA ANGLE	0 DEG	-4	4
MACH NC.	-8	-4	0
0.80			
0.85			.0294
0.90			.0323
0.95			.0305
1.00			.0185
1.10			.0195
1.20			.0162
1.30			.0158
1.40			.0147

BETA ANGLE 5 DEG

MACH NC.	-8	-4	4	8
	.0225	.0216	.0233	.0241
0.8C				
0.85		.0216	.0233	.0241
0.90	.0224	.0234	.0248	.0234
0.95	.0222	.0222	.0256	.0222
1.00		.0205	.0199	.0212
1.10		.0184	.0178	.0173
1.20	.0198	.0184	.0178	.0173
1.30	.0165	.0158	.0165	.0172
1.40	.0165	.0158	.0165	.0172

BETA ANGLE 5 DEG

MACH NC.	-8	-4	4	8
	.0789	.0785	.0710	.0763
0.80				
0.85		.0785	.0710	.0763
0.90	.0854	.0877	.0808	.0785
0.95	.0875	.0915	.0831	.0766
1.00		.0837	.0795	.0586
1.10		.0725	.0725	.0613
1.20	.0665	.0725	.0725	.0613
1.30	.0255	.0307	.0261	.0318
1.40	.0255	.0307	.0261	.0318

AMES PRELIMINARY AERC-ACCUSTIC DATA
 TEST CONDUCTED 17-28 JAN 72

CONFIGURATICN NC. 2
 TRANSDUCER NC. 42

DELTA CPRMS

BETA ANGLE 0 DEG		ALPHA-DEG	
MACH NC.	-8	-4	0
0.80			
0.85			.0758
0.90			.0652
0.95			.0242
1.00			.0670
1.10			.0556
1.20			.0582
1.30			.0273
1.40			.0155

BETA ANGLE 5 DEG		ALPHA-DEG	
MACH NC.	-8	-4	0
0.80	.0599	.0658	.0737
0.85			
0.90	.0600	.0425	.1108
0.95	.0403	.0374	.0060
1.00		.0291	.0607
1.10			
1.20	.0255	.0247	.0212
1.30			
1.40	.0175	.0175	.0136

ALPHA-DEG		ALPHA-DEG	
	4	8	
	.0816	.0868	
	.1154	.0923	
	.1181	.0963	
	.1046	.0795	
	.0168	.0512	
	.0100	.0122	

AMES PRELIMINARY AERC-ACCUUSTIC DATA
TEST CCNDUCTED 17-28 JAN 72

AMES PRELIMINARY AERC-ACCUUSTIC DATA
TEST CCNDUCTED 17-28 JAN 72

CONFIGURATICN NC. 3
RUN NC. 105
MACH NC. 1.40
DYN PRESSURE-Q (FLIGHT) 645 PSF

CONFIGURATICN NO. 3
RUN NC. 110
MACH NO. 1.40
DYN PRESSURE-Q (FLIGHT) 645 PSF

ALPHA ANGLE -8 DEG
BETA ANGLE 5 DEG

ALPHA ANGLE -4 DEG
BETA ANGLE 5 DEG

TRANSDUCER NG	CELTACFRMS	CE	TRANSDUCER NO	DELTACPRMS	DB
1	0.0034	134.4	1	0.0039	135.6
2	0.0052	138.1	2	0.0057	138.9
3	0.0100	143.8	3	0.0115	145.0
4	0.0072	140.9	4	0.0079	141.7
5	0.0061	139.5	5	0.0064	139.5
6	0.0043	136.4	6	0.0043	136.4
7	0.0079	141.7	7	0.0079	141.7
8	0.0144	146.9	8	0.0201	149.8
9	0.0039	135.6	9	0.0047	137.2
10	0.0050	137.8	10	0.0187	149.2
34	0.0053	143.1	34	0.0100	143.8
12	0.0363	155.0	12	0.0386	155.5
13	0.0115	145.0	13	0.0115	145.0
41	0.0295	153.2	41	0.0318	153.8
15	0.0051	143.0	15	0.0122	145.5
16	0.0059	160.2	16	0.0522	158.1
17	0.0179	148.8	17	0.0219	150.6
42	0.0187	145.2	42	0.0161	147.9
19	0.0179	148.8	42	0.0179	148.8
20	0.0041	136.0	19	0.0194	149.5
21	0.0075	141.3	20	0.0073	141.0
22	0.0059	139.2	21	0.0090	142.9
23	0.0204	150.0	22	0.0068	140.4
32	0.0329	154.1	23	0.0148	147.2
25	0.0261	152.1	32	0.0204	150.0
33	0.0754	161.3	25	0.0250	151.7
27	0.0318	153.8	33	0.0933	163.2
28	0.0409	156.0	27	0.0318	153.8
29	0.0386	155.5	28	0.0454	156.9
30	0.0476	157.3	29	0.0256	153.2
40	0.0165	148.1	30	0.0454	156.9

AMES PRELIMINARY AERC-ACCUSTIC DATA
TEST CONDUCTED 17-28 JAN 72

CONFIGURATION NO. 3
RUN NO. 111
MACH NO. 1.40
DYN PRESSURE-Q (FLIGHT) 645 PSF

AMES PRELIMINARY AERC-ACCUSTIC DATA
TEST CONDUCTED 17-28 JAN 72

CONFIGURATION NO. 3
RUN NO. 112
MACH NO. 1.40
DYN PRESSURE-Q (FLIGHT) 645 PSF

TRANSUCER NC	ALPHA ANGLE BETA ANGLE	CELTACFRMS C DEG	CB
1		0.0041	136.0
2		0.0045	136.8
3		0.0066	142.5
4		0.0086	142.5
5		0.0068	140.4
6		0.0029	135.6
7		0.0079	141.7
8		0.0158	147.7
9		0.0043	136.4
10		0.0065	140.0
34		0.0053	143.1
12		0.0432	156.5
13		0.0250	151.7
41		0.0144	146.9
15		0.0136	146.4
16		0.0386	155.5
17		0.0172	148.5
42		0.0136	146.4
19		0.0144	146.9
20		0.0051	137.9
21		0.0093	143.1
22		0.0075	141.3
23		0.0318	153.8
32		0.0119	145.3
25		0.0250	151.7
33		0.0441	156.7
27		0.0363	155.0
28		0.0227	150.9
29		0.0186	149.2
30		0.0322	153.9
40		0.0115	145.0

TRANSUCER NC	ALPHA ANGLE BETA ANGLE	CELTACFRMS C DEG	CB
1		0.0041	136.0
2		0.0055	138.6
3		0.0129	146.0
4		0.0079	141.7
5		0.0066	140.2
6		0.0050	137.8
7		0.0079	141.7
8		0.0227	150.9
9		0.0061	139.5
10		0.0065	140.0
34		0.0122	145.5
12		0.0431	156.5
13		0.0115	145.0
41		0.0255	153.2
15		0.0165	148.1
16		0.0386	155.5
17		0.0158	147.7
42		0.0136	146.4
19		0.0194	149.5
20		0.0036	134.9
21		0.0108	144.4
22		0.0079	141.7
23		0.0153	149.5
32		0.0104	144.1
25		0.0250	151.7
33		0.0709	160.8
27		0.0329	154.1
28		0.0522	158.1
29		0.0454	156.9
30		0.0476	157.3
40		0.0158	147.7

AMES PRELIMINARY AERC-ACCLUSTIC DATA
TEST CCNDUCTED 17-28 JAN 72

CONFIGURATION NO. 2
RUN NC. 113
MACH NC. 1.40
DYN PRESSURE-Q (FLIGHT) 645 PSF

AMES PRELIMINARY AERC-ACCUSTIC DATA
TEST CONDUCTED 17-28 JAN 72

CONFIGURATION NO. 3
RUN NC. 114
MACH NC. 1.40
DYN PRESSURE-Q (FLIGHT) 645 PSF

ALPHA ANGLE C DEG
BETA ANGLE C DEG

ALPHA ANGLE 4 DEG
BETA ANGLE 5 DEG

TRANSDUCER NC	DELTA C PRMS	DB	TRANSDUCER NO	DELTA C PRMS	CB
1	0.0041	136.0	1	0.0041	136.0
2	0.0045	136.8	2	0.0052	138.1
3	0.0093	143.1	3	0.0144	146.9
4	0.0066	142.5	4	0.0079	141.7
5	0.0072	140.9	5	0.0068	140.4
6	0.0201	149.8	6	0.0055	138.6
7	0.0079	141.7	7	0.0075	141.7
8	0.0170	148.4	8	0.0227	150.9
9	0.0108	144.4	9	0.0115	145.0
10	0.0065	140.0	10	0.0065	140.0
11	0.0066	142.5	11	0.0094	143.2
12	0.0286	155.5	12	0.0467	157.2
13	0.0250	151.7	13	0.0129	146.0
14	0.0144	146.5	14	0.0250	151.7
15	0.0172	148.5	15	0.0172	148.5
16	0.0286	155.5	16	0.0341	154.4
17	0.0105	144.2	17	0.0136	146.4
18	0.0151	147.4	18	0.0057	143.5
19	0.0158	147.7	19	0.0201	149.8
20	0.0036	134.9	20	0.0035	135.6
21	0.0108	144.4	21	0.0151	147.4
22	0.0100	143.8	22	0.0100	143.8
23	0.0307	153.5	23	0.0200	145.8
24	0.0100	143.8	24	0.0122	145.5
25	0.0238	151.3	25	0.0250	151.7
26	0.0341	154.4	26	0.0151	148.5
27	0.0363	155.0	27	0.0341	154.4
28	0.0227	150.9	28	0.0568	158.9
29	0.0200	145.8	29	0.1408	166.7
30	0.0302	153.4	30	0.0522	158.1
31	0.0053	143.1	31	0.0165	148.1

AMES PRELIMINARY AERC-ACOUSTIC DATA
 TEST CONDUCTED 17-28 JAN 72

CONFIGURATION NO. 3
 RUN NO. 116
 MACH NO. 1.40
 DYN PRESSURE-Q (FLIGHT) 645 PSF

CONFIGURATION NO. 3
 RUN NO. 117
 MACH NO. 1.40
 DYN PRESSURE-Q (FLIGHT) 645 PSF

TRANSUCER NC	ALPHA ANGLE BETA ANGLE	CELTACPRMS 4 DEG 0 DEG	CB	TRANSUCER NC	ALPHA ANGLE BETA ANGLE	CELTACPRMS 8 DEG 5 DEG	CB
1		0.0041	136.0	1		0.0043	136.4
2		0.0043	136.4	2		0.0055	138.6
3		0.0100	143.8	3		0.0129	146.0
4		0.0076	141.4	4		0.0079	141.7
5		0.0072	140.9	5		0.0070	140.7
6		0.0165	148.1	6		0.0061	139.5
7		0.0079	141.7	7		0.0077	141.5
8		0.0182	149.0	8		0.0227	150.9
9		0.0129	146.0	9		0.0122	145.5
10		0.0057	138.9	10		0.0079	141.7
34		0.0072	140.9	34		0.0108	144.4
12		0.0386	155.5	12		0.0502	157.8
13		0.0227	150.9	13		0.0170	148.4
41		0.0151	147.4	41		0.0318	153.8
15		0.0187	149.2	15		0.0151	147.4
16		0.0341	154.4	16		0.0366	155.5
17		0.0090	142.9	17		0.0112	144.8
42		0.0158	147.7	42		0.0118	145.2
19		0.0179	148.8	19		0.0201	149.8
20		0.0039	135.6	20		0.0041	136.0
21		0.0143	146.9	21		0.0204	150.0
22		0.0111	144.7	22		0.0082	142.0
23		0.0273	152.5	23		0.0204	150.0
32		0.0086	142.5	32		0.0079	141.7
25		0.0250	151.7	25		0.0273	152.5
27		0.0432	156.5	33		0.0273	152.5
28		0.0261	152.1	27		0.0363	155.0
29		0.0222	150.7	28		0.0591	159.2
30		0.0330	154.1	29		0.0500	157.8
40		0.0129	146.0	30		0.0546	158.5
				40		0.0172	148.5

AMES PRELIMINARY AERC-ACCUSTIC DATA
TEST CCNDUCTED 17-28 JAN 72

CONFIGURATION NO. 3
 RUN AC. 118
 MACH NO. 1.30
 CYN PRESSURE-Q (FLIGHT) 630 PSF

AMES PRELIMINARY AERC-ACCUSTIC DATA
TEST CCNDUCTED 17-28 JAN 72

CONFIGURATION NO. 3
 RUN AC. 119
 MACH NO. 1.20
 CYN PRESSURE-Q (FLIGHT) 610 PSF

TRANSUCER NO	DELTA CP RMS	DB	ALPHA ANGLE BETA ANGLE	C O	DEG DEG	TRANSUCER NO	DELTA CP RMS	DB	ALPHA ANGLE BETA ANGLE	-E S	DEG CEG
1	0.0032	133.7				1	0.0029	135.1			
2	0.0043	136.2				2	0.0056	138.3			
3	0.0086	142.3				3	0.0106	143.8			
4	0.0086	142.3				4	0.0095	142.8			
5	0.0075	141.1				5	0.0078	141.1			
6	0.0122	145.3				6	0.0067	135.8			
7	0.0068	140.2				7	0.0100	143.3			
8	0.0159	147.6				8	0.0106	143.8			
9	0.0108	144.2				9	0.0106	143.8			
10	0.0079	141.5				10	0.0055	142.8			
11	0.0086	142.3				11	0.0155	147.3			
12	0.0409	155.8				12	0.0558	158.2			
13	0.0295	153.0				13	0.0167	147.7			
14	0.0151	147.1				14	0.0669	155.8			
15	0.0125	145.8				15	0.0100	143.3			
16	0.0409	155.8				16	0.0781	161.1			
17	0.0100	143.6				17	0.0194	149.0			
18	0.0273	152.3				18	0.0256	151.5			
19	0.0187	145.0				19	0.0229	150.5			
20	0.0034	134.2				20	0.0041	135.5			
21	0.0053	142.9				21	0.0081	141.5			
22	0.0064	135.7				22	0.0067	139.8			
23	0.0250	151.5				23	0.0168	147.8			
24	0.0122	145.3				24	0.0530	157.8			
25	0.0250	151.5				25	0.0441	156.2			
26	0.0273	152.3				26	0.0669	155.8			
27	0.0386	155.3				27	0.0353	154.2			
28	0.0216	150.3				28	0.0530	157.8			
29	0.0200	145.6				29	0.0458	156.5			
30	0.0344	154.3				30	0.0600	158.9			
						40	0.0154	145.0			

AMES PRELIMINARY AERC-ACCUSTIC DATA
TEST CCNDUCTED 17-28 JAN 72

CONFIGURATION NO. 3
RUN NC. 120
MACH NC. 1.20
DYN PRESSURE-Q (FLIGHT) 610 PSF

ALPHA ANGLE -4 DEG
BETA ANGLE 5 DEG

AMES PRELIMINARY AERC-ACCUSTIC DATA
TEST CONDUCTED 17-28 JAN 72

CONFIGURATION NO. 3
RUN NO. 121
MACH NC. 1.20
DYN PRESSURE-Q (FLIGHT) 610 PSF

ALPHA ANGLE -4 DEG
BETA ANGLE 0 DEG

TRANSDUCER NC	DELTA C PRMS	DB	TRANSDUCER NC	DELTA C FRMS	CB
1	0.0042	135.8	1	0.0039	135.1
2	0.0056	138.3	2	0.0051	137.4
3	0.0117	144.7	3	0.0089	142.3
4	0.0095	142.8	4	0.0106	143.8
5	0.0078	141.1	5	0.0084	141.8
6	0.0072	140.4	6	0.0128	145.4
7	0.0055	142.8	7	0.0095	142.8
8	0.0128	145.4	8	0.0117	144.7
9	0.0089	142.3	9	0.0084	141.8
10	0.0166	143.8	10	0.0247	151.1
11	0.0159	147.3	11	0.0134	145.8
12	0.0558	158.2	12	0.0613	159.0
13	0.0167	147.7	13	0.0371	154.7
14	0.0725	160.5	14	0.0145	146.5
15	0.0112	144.3	15	0.0112	144.3
16	0.0688	160.0	16	0.0558	158.2
17	0.0265	151.8	17	0.0151	146.9
18	0.0245	151.1	18	0.0441	156.2
19	0.0212	149.8	19	0.0190	148.9
20	0.0048	136.5	20	0.0046	136.5
21	0.0089	142.3	21	0.0084	141.8
22	0.0070	140.2	22	0.0070	140.2
23	0.0176	148.2	23	0.0224	150.3
24	0.0401	155.4	24	0.0145	146.5
25	0.0494	157.2	25	0.0256	151.5
26	0.0808	161.4	26	0.0252	151.3
27	0.0374	154.7	27	0.0221	150.2
28	0.1617	167.5	28	0.0173	148.0
29	0.0424	155.8	29	0.0200	149.3
30	0.0538	157.9	30	0.0352	154.2
31	0.0155	149.1	31	0.0112	144.3

AMES PRELIMINARY AERC-ACCUSTIC DATA
TEST CCNDUCTED 17-28 JAN 72

CONFIGURATION NO. 3
RUN NO. 124
MACH NO. 1.20
CYN PRESSURE-C (FLIGHT) 610 PSF

AMES PRELIMINARY AERC-ACCUSTIC DATA
TEST CCNDUCTED 17-28 JAN 72

CONFIGURATION NO. 3
RUN NO. 124
MACH NO. 1.20
CYN PRESSURE-C (FLIGHT) 610 PSF

ALPHA ANGLE 0 DEG
BETA ANGLE 5 DEG

ALPHA ANGLE C DEG
BETA ANGLE 0 DEG

TRANSDUCER NO	DELTA C PRMS	DB	TRANSDUCER NO	DELTA C PRMS	DB
1	0.0048	136.9	1	0.0044	136.2
2	0.0056	138.3	2	0.0053	137.8
3	0.0112	144.3	3	0.0089	142.3
4	0.0100	143.3	4	0.0112	144.3
5	0.0078	141.1	5	0.0089	142.3
6	0.0141	146.3	6	0.0128	145.4
7	0.0055	142.8	7	0.0095	142.8
8	0.0176	148.2	8	0.0476	156.8
9	0.0072	140.4	9	0.0072	140.4
10	0.0141	146.3	10	0.0282	152.3
34	0.0145	146.5	34	0.0106	143.8
12	0.0613	159.0	12	0.0558	158.2
13	0.0178	148.3	13	0.0371	154.7
41	0.0665	155.8	41	0.0155	147.3
15	0.0117	144.7	15	0.0128	145.4
16	0.0525	157.8	16	0.0547	158.0
17	0.0206	149.6	17	0.0117	144.7
42	0.0212	149.8	42	0.0582	158.6
19	0.0203	145.4	19	0.0168	147.8
20	0.0051	137.4	20	0.0051	137.4
21	0.0103	143.5	21	0.0058	143.1
22	0.0072	140.4	22	0.0081	141.5
23	0.0176	148.2	23	0.0212	149.8
32	0.0221	150.2	32	0.0112	144.3
25	0.0441	156.2	25	0.0256	151.5
33	0.0613	159.0	33	0.0212	149.8
27	0.0353	154.2	27	0.0229	150.5
28	0.0502	157.3	28	0.0176	148.2
29	0.0424	155.8	29	0.0190	148.9
30	0.0530	157.8	30	0.0352	154.2
40	0.0184	148.6	40	0.0106	143.8

AMES PRELIMINARY AERC-ACCUSTIC DATA
TEST CONDUCTED 17-28 JAN 72

CONFIGURATION NC. 3
RUN NC. 125
MACH NC. 1.20
DYN PRESSURE-Q (FLIGHT) 610 PSF

ALPHA ANGLE 4 DEG
BETA ANGLE 5 DEG

TRANSDUCER NC	DELTACFRMS	CB
1	0.0053	137.8
2	0.0053	137.8
3	0.0055	142.8
4	0.0106	143.8
5	0.0084	141.8
6	0.0139	146.1
7	0.0055	142.8
8	0.0227	150.4
9	0.0072	140.4
10	0.0155	147.3
34	0.0150	146.8
12	0.0665	155.8
13	0.0229	150.5
41	0.0665	159.8
15	0.0151	146.5
16	0.0494	157.2
17	0.0154	145.0
42	0.0194	149.0
19	0.0194	149.0
20	0.0060	138.5
21	0.0123	145.1
22	0.0078	141.1
23	0.0159	147.3
32	0.0459	156.5
25	0.0406	155.5
33	0.0558	158.2
27	0.0335	153.8
28	0.0558	158.2
29	0.0458	156.5
30	0.0626	159.4
40	0.0167	147.7

AMES PRELIMINARY AERC-ACCUSTIC DATA
TEST CONDUCTED 17-28 JAN 72

CONFIGURATION NC. 3
RUN NC. 126
MACH NC. 1.20
DYN PRESSURE-Q (FLIGHT) 610 PSF

ALPHA ANGLE 4 DEG
BETA ANGLE C DEG

TRANSDUCER NC	DELTACFRMS	CB
1	0.0048	136.9
2	0.0053	137.8
3	0.0085	142.3
4	0.0112	144.3
5	0.0089	142.3
6	0.0123	145.1
7	0.0085	142.3
8	0.0176	148.2
9	0.0067	139.8
10	0.0194	149.0
34	0.0105	143.7
12	0.0502	157.3
13	0.0371	154.7
41	0.0194	149.0
15	0.0151	146.9
16	0.0565	158.3
17	0.0117	144.7
42	0.0652	159.6
19	0.0150	146.8
20	0.0058	138.6
21	0.0109	144.0
22	0.0081	141.5
23	0.0185	148.6
32	0.0123	145.1
25	0.0325	153.8
33	0.0225	150.5
27	0.0247	151.1
28	0.0212	149.8
29	0.0206	149.6
30	0.0424	155.8
40	0.0106	143.8

AMES PRELIMINARY AERC-ACCUSTIC DATA AMES PRELIMINARY AERC-ACCUSTIC DATA
 TEST CONDUCTED 17-28 JAN 72 TEST CONDUCTED 17-28 JAN 72

CONFIGURATICN NC. 3 CONFIGURATICN NC. 3
 RUN NC. 127 RUN NC. 128
 MACH NO. 1.20 MACH NO. 1.10
 CYN PRESSURE-Q (FLIGHT) 610 PSF CYN PRESSURE-Q (FLIGHT) 585 PSF

TRANSUDCER NC	CELTACPRMS	CB	TRANSUDCER NO	DELTACPRMS	DB
1	0.0067	139.6	1	0.0044	135.8
2	0.0058	138.6	2	0.0054	137.6
3	0.0055	142.8	3	0.0117	144.3
4	0.0112	144.2	4	0.0123	144.7
5	0.0089	142.3	5	0.0111	143.8
6	0.0128	145.4	6	0.0146	146.2
7	0.0089	142.3	7	0.0100	142.9
8	0.0265	151.8	8	0.0129	145.1
9	0.0078	141.1	9	0.0070	135.8
10	0.0212	149.8	10	0.0333	153.4
11	0.0128	145.4	11	0.0117	144.3
12	0.0836	161.7	12	0.0703	155.5
13	0.0335	153.8	13	0.0463	156.2
14	0.0613	159.0	14	0.0185	148.3
15	0.0167	147.7	15	0.0135	145.5
16	0.0565	158.3	16	0.0703	159.9
17	0.0132	145.7	17	0.0135	145.5
18	0.0525	157.8	18	0.0556	157.8
19	0.0176	148.2	19	0.0164	147.2
20	0.0053	137.8	20	0.0050	136.9
21	0.0145	146.5	21	0.0105	143.3
22	0.0084	141.8	22	0.0054	142.4
23	0.0141	146.3	23	0.0176	147.8
24	0.0134	145.8	24	0.0135	145.5
25	0.0406	155.5	25	0.0389	154.7
26	0.0236	153.8	26	0.0176	147.8
27	0.0335	153.8	27	0.0222	149.9
28	0.0585	158.6	28	0.0222	149.9
29	0.0564	158.2	29	0.0222	149.9
30	0.0812	161.5	30	0.0362	154.1
40	0.0167	147.7	40	0.0123	144.7

AMES PRELIMINARY AERC-ACCUSTIC DATA
TEST CONDUCTED 17-28 JAN 72

CONFIGURATION NO. 3
RUN NO. 125
MACH NO. 1.00
DYN PRESSURE-Q (FLIGHT) 550 PSF

ALPHA ANGLE -8 DEG
BETA ANGLE 5 DEG

TRANSDUCER NO	DELTACPRMS	CB
1	0.0063	138.4
2	0.0092	141.7
3	0.0092	141.7
4	0.0105	142.8
5	0.0112	143.4
6	0.0096	142.0
7	0.0105	142.8
8	0.0106	142.9
9	0.0063	138.4
10	0.0318	152.4
34	0.0199	148.4
12	0.0628	158.3
13	0.0212	148.9
41	0.0837	160.8
15	0.0105	142.8
16	0.0670	158.9
17	0.0335	152.9
42	0.0305	152.1
19	0.0238	149.9
20	0.0050	136.4
21	0.0119	143.9
22	0.0080	140.5
23	0.0166	146.8
32	0.0586	157.7
25	0.0439	155.2
33	0.0377	153.9
27	0.0419	154.8
28	0.0566	157.7
29	0.0636	158.5
30	0.0838	160.9
40	0.0225	149.4

AMES PRELIMINARY AERO-ACCUSTIC DATA
TEST CONDUCTED 17-28 JAN 72

CONFIGURATION NO. 3
RUN NO. 130
MACH NO. 1.00
DYN PRESSURE-Q (FLIGHT) 550 PSF

ALPHA ANGLE -4 DEG
BETA ANGLE 5 DEG

TRANSDUCER NO	DELTACPRMS	CB
1	0.0059	137.8
2	0.0105	142.8
3	0.0105	142.8
4	0.0112	143.5
5	0.0088	141.3
6	0.0146	145.7
7	0.0105	142.8
8	0.0119	143.9
9	0.0059	137.8
10	0.0358	153.5
34	0.0265	150.9
12	0.0586	157.7
13	0.0252	150.4
41	0.0879	161.3
15	0.0109	143.1
16	0.0566	157.7
17	0.0377	153.9
42	0.0251	151.7
19	0.0225	149.4
20	0.0046	135.6
21	0.0122	144.8
22	0.0084	140.9
23	0.0146	145.7
32	0.0753	159.9
25	0.0460	155.6
33	0.0291	151.7
27	0.0314	152.3
28	0.0544	157.1
29	0.0566	157.7
30	0.0838	160.9
40	0.0225	149.4

AMES PRELIMINARY AERC-ACCUSTIC DATA
TEST CCNDUCTED 17-28 JAN 72

CONFIGURATICA NC. 3
RIN NC. 131
MACH NC. 1.00
DYN PRESSURE-C (FLIGHT) 550 PSF

ALPHA ANGLE -4 DEG
BETA ANGLE 0 DEG

TRANSDUCER NC	DELTACPRMS	DB
1	0.0054	137.0
2	0.0059	137.8
3	0.0117	143.8
4	0.0117	143.8
5	0.0100	142.4
6	0.0132	144.8
7	0.0105	142.8
8	0.0119	143.9
9	0.0059	137.8
10	0.0278	151.3
34	0.0146	145.7
12	0.0711	155.4
13	0.0670	158.9
41	0.0146	145.7
15	0.0117	143.8
16	0.0544	157.1
17	0.0167	146.8
42	0.0460	155.6
19	0.0238	149.9
20	0.0046	135.6
21	0.0056	142.0
22	0.0088	141.3
23	0.0185	147.7
32	0.0146	145.7
25	0.0460	155.6
33	0.0225	149.4
27	0.0419	154.8
28	0.0358	153.5
29	0.0332	152.8
30	0.0384	154.1
40	0.0185	147.7

AMES PRELIMINARY AERC-ACCUSTIC DATA
TEST CCNDUCTED 17-28 JAN 72

CONFIGURATICA NC. 3
RIN NO. 132
MACH NC. 1.00
DYN PRESSURE-Q (FLIGHT) 550 PSF

ALPHA ANGLE C DEG
BETA ANGLE 5 DEG

TRANSDUCER NC	DELTACFRMS	CB
1	0.0050	136.4
2	0.0055	137.8
3	0.0109	143.1
4	0.0117	143.8
5	0.0056	142.0
6	0.0159	146.4
7	0.0105	142.8
8	0.0132	144.8
9	0.0059	137.8
10	0.0460	155.6
34	0.0265	150.9
12	0.0586	157.7
13	0.0544	157.1
41	0.0521	161.7
15	0.0117	143.8
16	0.0586	157.7
17	0.0358	154.4
42	0.0711	159.4
19	0.0238	149.9
20	0.0050	136.4
21	0.0132	144.8
22	0.0088	141.3
23	0.0132	144.8
32	0.0628	158.3
25	0.0586	157.7
33	0.0377	153.9
27	0.0335	152.9
28	0.0502	156.4
29	0.0582	157.7
30	0.0742	159.8
40	0.0159	148.4

AMES PRELIMINARY AERC-ACCUSTIC DATA
TEST CONDUCTED 17-28 JAN 72

CONFIGURATICN NC. 3
RUN NC. 133
MACH NC. 1.00
DYN PRESSURE-Q (FLIGHT) 550 PSF

ALPHA ANGLE 0 DEG
BETA ANGLE 0 DEG

AMES PRELIMINARY AERC-ACCUSTIC DATA
TEST CONDUCTED 17-28 JAN 72

CONFIGURATICN NC. 3
RUN NC. 134
MACH NC. 1.00
DYN PRESSURE-Q (FLIGHT) 550 PSF

ALPHA ANGLE 0 DEG
BETA ANGLE 5 DEG

TRANSDUCER NC	DELTA C/F/RMS	DB	TRANSDUCER NO	DELTA C/F/RMS	DB
1	0.0050	136.4	1	0.0059	137.8
2	0.0055	137.8	2	0.0055	137.8
3	0.0121	144.0	3	0.0121	144.0
4	0.0126	144.4	4	0.0121	144.0
5	0.0126	144.4	5	0.0100	142.4
6	0.0146	145.7	6	0.0159	146.4
7	0.0100	142.4	7	0.0056	142.0
8	0.0132	144.6	8	0.0159	146.4
9	0.0050	136.4			
10	0.0331	152.8			
34	0.0155	146.4			
12	0.0711	159.4			
13	0.0753	159.9			
41	0.0185	147.7			
15	0.0126	144.4			
16	0.0566	157.7			
17	0.0176	147.3			
42	0.0628	158.3			
19	0.0232	149.7			
20	0.0050	136.4			
22	0.0100	142.4			
23	0.0159	146.4			
32	0.0152	148.1			
25	0.0502	156.4			
33	0.0238	149.9			
27	0.0335	152.5			
28	0.0331	152.8			
29	0.0332	152.8			
30	0.0398	154.4			
40	0.0165	147.7			

AMES PRELIMINARY AERC-ACCUSTIC DATA
TEST CCNDUCTED 17-28 JAN 72

CONFIGURATION NC. 3
RUN NC. 34
MACF NC. 1.00
DYN PRESSURE-Q (FLIGHT) 550 PSF

ALPHA ANGLE 0 DEG
BETA ANGLE 5 DEG

TRANSDUCER NC 9
DELTACFRMS 0.0071
CB 139.4

AMES PRELIMINARY AERC-ACCUSTIC DATA
TEST CCNDUCTED 17-28 JAN 72

CONFIGURATION NC. 3
RUN NC. 134
MACF NC. 1.00
DYN PRESSURE-Q (FLIGHT) 550 PSF

ALPHA ANGLE 0 DEG
BETA ANGLE 5 DEG

TRANSDUCER NO 10
DELTACFRMS 0.0544
CB 157.1

TRANSDUCER NO 34
DELTACFRMS 0.0225
CB 149.4

TRANSDUCER NO 12
DELTACFRMS 0.0753
CB 159.9

TRANSDUCER NO 13
DELTACFRMS 0.0586
CB 157.7

TRANSDUCER NO 41
DELTACFRMS 0.0837
CB 160.8

TRANSDUCER NO 15
DELTACFRMS 0.0126
CB 144.4

TRANSDUCER NO 16
DELTACFRMS 0.0711
CB 159.4

TRANSDUCER NO 17
DELTACFRMS 0.0272
CB 151.1

TRANSDUCER NO 42
DELTACFRMS 0.1130
CB 163.5

TRANSDUCER NO 19
DELTACFRMS 0.0225
CB 149.4

TRANSDUCER NO 20
DELTACFRMS 0.0052
CB 136.7

TRANSDUCER NO 21
DELTACFRMS 0.0139
CB 145.2

TRANSDUCER NO 22
DELTACFRMS 0.0096
CB 142.0

TRANSDUCER NO 23
DELTACFRMS 0.0122
CB 144.1

TRANSDUCER NO 32
DELTACFRMS 0.0419
CB 154.8

TRANSDUCER NO 25
DELTACFRMS 0.0586
CB 157.7

TRANSDUCER NO 33
DELTACFRMS 0.0711
CB 159.4

TRANSDUCER NO 27
DELTACFRMS 0.0335
CB 152.9

TRANSDUCER NO 28
DELTACFRMS 0.0565
CB 157.4

TRANSDUCER NO 29
DELTACFRMS 0.0582
CB 157.7

TRANSDUCER NO 30
DELTACFRMS 0.0742
CB 159.8

TRANSDUCER NO 40
DELTACFRMS 0.0212
CB 148.9

AMES PRELIMINARY AERC-ACCUSTIC DATA
TEST CONDUCTED 17-28 JAN 72

CONFIGURATION NO. 3
RUN NC. 135
MACH NO. 1.00
DYN PRESSURE-Q (FLIGHT) 550 PSF

AMES PRELIMINARY AERO-ACCUSTIC DATA
TEST CONDUCTED 17-28 JAN 72

CONFIGURATION NO. 3
RUN NC. 136
MACH NO. 1.00
DYN PRESSURE-Q (FLIGHT) 550 PSF

ALPHA ANGLE 4 DEG
BETA ANGLE 0 DEG

ALPHA ANGLE 8 DEG
BETA ANGLE 5 DEG

TRANSUCER NC	DELTACFRMS	DB
1	0.0054	137.0
2	0.0055	137.8
3	0.0126	144.4
4	0.0146	145.7
5	0.0132	144.8
6	0.0138	145.2
7	0.0056	142.0
8	0.0132	144.8
9	0.0054	137.0
10	0.0235	152.5
34	0.0209	148.8
12	0.0755	160.4
13	0.0753	155.5
41	0.0252	150.4
15	0.0134	144.5
16	0.0670	158.9
17	0.0153	148.1
42	0.0837	160.8
19	0.0238	149.9
20	0.0050	136.4
21	0.0126	144.4
22	0.0126	144.4
23	0.0125	145.2
32	0.0305	152.1
25	0.0305	152.1
33	0.0331	152.8
27	0.0293	151.7
28	0.0356	153.4
29	0.0370	153.8
30	0.0450	155.5
40	0.0185	147.7

TRANSUCER NC	DELTACPRMS	CB
1	0.0071	135.4
2	0.0059	137.8
3	0.0126	144.4
4	0.0132	144.8
5	0.0132	144.8
6	0.0155	146.4
7	0.0088	141.3
8	0.0155	146.4
9	0.0063	138.4
10	0.0502	156.4
34	0.0155	148.4
12	0.0795	160.4
13	0.0586	157.7
41	0.0662	158.8
15	0.0130	144.7
16	0.0711	155.4
17	0.0795	160.4
42	0.0816	160.6
19	0.0225	145.4
20	0.0052	136.7
21	0.0155	148.4
22	0.0117	143.8
23	0.0121	144.0
32	0.0335	152.5
25	0.0586	157.7
33	0.0816	160.6
27	0.0419	154.8
28	0.0607	158.1
29	0.0544	157.1
30	0.0716	159.5

AMES PRELIMINARY AERC-ACCUSTIC DATA
TEST CCNDUCTED 17-28 JAN 72

CCNFIGURATICN NC. 3
RUN NC. 137
MACF NC. 0.95
CYN PRESSURE-Q (FLIGHT) 535 PSF

ALPHA ANGLE 0 DEG
BETA ANGLE C DEG

AMES PRELIMINARY AERC-ACCUSTIC DATA
TEST CCNDUCTED 17-28 JAN 72

CCNFIGURATICN NO. 3
RUN NC. 138
MACF NO. 0.50
CYN PRESSURE-C (FLIGHT) 515 PSF

ALPHA ANGLE -8 DEG
BETA ANGLE 5 DEG

TRANSDUCER NC	DELTA CFFMS	DB	TRANSDUCER NC	DELTA CFFMS	DB
1	0.0046	135.4	1	0.0070	138.7
2	0.0061	137.9	2	0.0088	140.7
3	0.0152	145.8	3	0.0097	141.6
4	0.0152	145.8	4	0.0148	145.2
5	0.0127	144.2	5	0.0107	142.4
6	0.0140	145.1	6	0.0175	146.7
7	0.0105	142.6	7	0.0107	142.4
8	0.0125	144.1	8	0.0107	142.4
9	0.0061	137.9	9	0.0058	137.1
10	0.0700	159.1	10	0.0346	152.6
34	0.0219	145.0	34	0.0190	147.4
12	0.0831	160.5	12	0.0877	160.7
13	0.1108	163.0	13	0.0234	149.2
41	0.0306	151.9	41	0.0831	160.2
15	0.0127	144.2	15	0.0130	144.1
16	0.0875	161.0	16	0.0652	158.6
17	0.0306	151.9	17	0.0370	153.2
42	0.0788	160.1	42	0.0600	157.4
19	0.0263	150.5	19	0.0248	149.7
20	0.0048	135.8	20	0.0052	136.1
21	0.0118	143.6	21	0.0131	144.2
22	0.0127	144.2	22	0.0134	144.4
23	0.0152	145.8	23	0.0131	144.2
32	0.0438	155.0	32	0.0877	160.7
25	0.0503	156.2	25	0.0508	155.9
33	0.0485	155.5	33	0.0253	151.2
27	0.0547	156.9	27	0.0462	155.1
28	0.0354	154.1	28	0.0577	157.0
29	0.0444	155.1	29	0.0646	158.0
30	0.0416	154.5	30	0.0740	159.2
40	0.0222	149.1	40	0.0234	145.2

AMES PRELIMINARY AERC-ACCUSTIC DATA
TEST CONDUCTED 17-28 JAN 72

CONFIGURATICN NC. 3
RUN NC. 139
MACH NC. 0.90
DYN PRESSURE-Q (FLIGHT) 515 PSF

ALPHA ANGLE -4 DEG
BETA ANGLE 5 DEG

TRANSDUCER NC	DELTA C P RMS	DB
1	0.0083	140.2
2	0.0102	142.0
3	0.0120	143.4
4	0.0152	145.5
5	0.0131	144.2
6	0.0175	146.7
7	0.0111	142.7
8	0.0117	143.2
9	0.0065	138.1
10	0.0365	153.1
34	0.0277	150.7
12	0.0876	160.7
13	0.0323	152.0
41	0.0523	161.1
15	0.0134	144.4
16	0.0646	158.0
17	0.0438	154.6
42	0.0415	154.2
19	0.0248	149.7
20	0.0051	136.0
21	0.0168	146.3
22	0.0125	143.8
23	0.0134	144.4
32	0.0876	160.7
25	0.0568	156.5
33	0.0263	150.2
27	0.0462	155.1
28	0.0577	157.0
29	0.0584	157.1
30	0.0702	158.7
40	0.0234	149.2

AMES PRELIMINARY AERC-ACCUSTIC DATA
TEST CONDUCTED 17-28 JAN 72

CONFIGURATICN NC. 3
RUN NC. 140
MACH NC. 0.90
DYN PRESSURE-Q (FLIGHT) 515 PSF

ALPHA ANGLE -4 DEG
BETA ANGLE 0 DEG

TRANSDUCER NC	DELTA C P RMS	DB
1	0.0060	137.4
2	0.0111	142.7
3	0.0125	143.8
4	0.0161	146.0
5	0.0125	143.8
6	0.0148	145.2
7	0.0115	143.0
8	0.0111	142.7
9	0.0060	137.4
10	0.0467	155.2
34	0.0231	149.1
12	0.0785	159.7
13	0.1023	162.0
41	0.0234	149.2
15	0.0129	144.0
16	0.0821	160.2
17	0.0300	151.4
42	0.0652	158.6
19	0.0278	150.7
20	0.0051	136.0
21	0.0184	147.1
22	0.0129	144.0
23	0.0146	145.1
32	0.0438	154.6
25	0.0439	154.7
33	0.0205	148.1
27	0.0554	156.7
28	0.0354	153.7
29	0.0410	154.1
30	0.0410	154.1
40	0.0212	146.3

AMES PRELIMINARY AERC-ACCLUSTIC DATA
TEST CONDUCTED 17-28 JAN 72

CONFIGURATICN NC. 3
RUN NC. 141
MACH NC. 0.90
CYN PRESSURE-Q (FLIGHT) 515 PSF

ALPHA ANGLE C DEG
BETA ANGLE S DEG

TRANSDUCER NC	DELTACPRMS	DB
1	0.0069	138.6
2	0.0120	143.4
3	0.0125	143.8
4	0.0161	146.0
5	0.0129	144.0
6	0.0171	146.5
7	0.0115	143.0
8	0.0131	144.2
9	0.0073	139.1
10	0.0462	155.1
34	0.0323	152.0
12	0.0876	160.7
13	0.0600	157.4
41	0.0877	160.7
15	0.0134	144.4
16	0.0646	158.0
17	0.0439	154.7
42	0.1154	163.1
19	0.0831	160.2
20	0.0051	136.0
21	0.0263	150.2
22	0.0129	144.0
23	0.0131	144.2
32	0.0803	159.9
25	0.0631	157.8
33	0.0292	151.1
27	0.0415	154.2
28	0.0531	156.3
29	0.0556	156.7
30	0.0646	158.0
40	0.0234	149.2

AMES PRELIMINARY AERC-ACCUSTIC DATA
TEST CONDUCTED 17-28 JAN 72

CONFIGURATICN NC. 3
RUN NC. 142
MACH NC. 0.90
DYN PRESSURE-Q (FLIGHT) 515 PSF

ALPHA ANGLE O DEG
BETA ANGLE C DEG

TRANSDUCER NC	DELTACFRMS	CB
1	0.0060	137.4
2	0.0134	144.4
3	0.0146	145.1
4	0.0161	146.0
5	0.0120	143.4
6	0.0138	144.6
7	0.0125	143.8
8	0.0117	143.2
9	0.0065	138.1
10	0.0511	156.0
34	0.0231	149.1
12	0.0876	160.7
13	0.1023	162.0
41	0.0323	152.0
15	0.0129	144.0
16	0.0969	161.5
17	0.0277	150.7
42	0.0669	158.3
19	0.0321	151.9
20	0.0053	136.3
21	0.0278	150.7
22	0.0134	144.4
23	0.0146	145.1
32	0.0346	152.6
25	0.0409	154.1
33	0.0263	150.2
27	0.0462	155.1
28	0.0380	153.4
29	0.0438	154.6
30	0.0410	154.1
40	0.0234	149.2

AMES PRELIMINARY AERC-ACCLUSTIC DATA
TEST CCNDUCTEC 17-28 JAN 72

CONFIGURATION NO. 2
RUN NC. 143
MACH NO. 0.90
DYN PRESSURE-C (FLIGHT) 515 PSF

ALPHA ANGLE 4 DEG
BETA ANGLE 5 DEG

TRANSDUCER NC	DELTACFRMS	CB
1	0.0088	140.7
2	0.0161	146.0
3	0.0134	144.4
4	0.0162	146.0
5	0.0125	143.8
6	0.0161	146.0
7	0.0125	143.8
8	0.0146	145.1
9	0.0065	138.6
10	0.0554	156.7
34	0.0252	151.1
12	0.1023	162.0
13	0.0652	158.6
41	0.0831	160.2
15	0.0129	144.0
16	0.0877	160.7
17	0.0346	152.6
42	0.1154	163.1
19	0.0278	150.7
22	0.0146	145.1
20	0.0052	136.3
21	0.0409	154.1
23	0.0146	145.1
32	0.0584	157.1
25	0.0563	156.8
33	0.0352	153.7
27	0.0415	154.2
28	0.0508	155.9
29	0.0642	158.0
30	0.0702	158.7
40	0.0234	145.2

AMES PRELIMINARY AERC-ACCLUSTIC DATA
TEST CONDUCTED 17-28 JAN 72

CONFIGURATION NO. 3
RUN NC. 144
MACH NO. 0.90
DYN PRESSURE-Q (FLIGHT) 515 PSF

ALPHA ANGLE 4 DEG
BETA ANGLE 0 DEG

TRANSDUCER NC	DELTACFRMS	CB
1	0.0053	136.3
2	0.0146	145.1
3	0.0138	144.6
4	0.0161	146.0
5	0.0120	143.4
6	0.0134	144.4
7	0.0125	144.0
8	0.0131	144.2
9	0.0065	138.1
10	0.0555	156.7
34	0.0231	149.1
12	0.1023	162.0
13	0.1016	162.0
41	0.0380	153.4
15	0.0129	144.0
16	0.1108	162.7
17	0.0252	151.1
42	0.0665	158.3
19	0.0336	152.3
20	0.0053	136.3
21	0.0462	155.1
22	0.0135	144.7
23	0.0146	145.1
32	0.0369	153.2
25	0.0365	153.1
33	0.0321	151.9
27	0.0346	152.6
28	0.0346	152.6
29	0.0468	155.2
30	0.0526	156.2
40	0.0263	150.2

AMES PRELIMINARY AERC-ACCUSTIC DATA
TEST CONDUCTED 17-28 JAN 72

CONFIGURATION NC. 3
RUN NC. 145
MACH NC. 0.90
DYN PRESSURE-Q (FLIGHT) 515 PSF

ALPHA ANGLE 8 DEG
BETA ANGLE 5 DEG

TRANSDUCER NC	CELTACFRMS	CB
1	0.0142	144.9
2	0.0234	149.2
3	0.0150	147.4
4	0.0175	146.7
5	0.0146	145.1
6	0.0321	151.5
7	0.0134	144.4
8	0.0146	145.1
9	0.0065	138.1
10	0.0554	156.7
12	0.1022	162.0
34	0.0278	150.7
13	0.0785	159.7
41	0.0831	160.2
15	0.0134	144.4
16	0.1016	162.0
17	0.0323	152.0
42	0.0565	161.5
19	0.0263	150.2
20	0.0277	150.7
21	0.0646	158.0
22	0.0219	148.6
23	0.0278	150.7
25	0.0554	156.7
27	0.0415	154.2
28	0.0508	155.9
29	0.0672	158.4
30	0.0866	160.6
40	0.0234	149.2

AMES PRELIMINARY AERC-ACCUSTIC DATA
TEST CONDUCTED 17-28 JAN 72

CONFIGURATION NO. 3
RUN NO. 146
MACH NC. 0.85
DYN PRESSURE-Q (FLIGHT) 490 PSF

ALPHA ANGLE 0 DEG
BETA ANGLE 0 DEG

TRANSDUCER NC	CELTACFRMS	CB
1	0.0098	141.2
2	0.0142	144.4
3	0.0152	145.0
4	0.0178	146.4
5	0.0139	144.2
6	0.0147	144.7
7	0.0132	143.8
8	0.0124	143.3
9	0.0055	136.8
10	0.0511	155.6
34	0.0196	147.2
12	0.1084	162.1
13	0.0783	159.3
41	0.0254	150.8
15	0.0157	145.3
16	0.1125	162.4
17	0.0245	149.2
42	0.0783	159.3
19	0.0372	152.8
20	0.0587	156.8
21	0.0254	150.8
22	0.0155	145.2
23	0.0155	145.2
32	0.0245	149.2
25	0.0356	152.4
33	0.0232	148.7
27	0.0391	153.2
28	0.0356	152.4
29	0.0434	154.1
30	0.0434	154.1
40	0.0246	149.3

AMES PRELIMINARY AERC-ACCUSTIC DATA
TEST CCNDUCTED 17-28 JAN 72

CONFIGURATICN NC. 3
RUN NC. 147
MACH NC. 0.80
DYN PRESSURE-Q (FLIGHT) 465 PSF

ALPHA ANGLE -8 DEG
BETA ANGLE 5 DEG

TRANSDUCER NC	DELTACFRMS	CB
1	0.0132	143.3
2	0.0167	145.4
3	0.0208	147.3
4	0.0350	151.8
5	0.0200	147.0
6	0.0189	146.5
7	0.0126	142.5
8	0.0121	142.6
9	0.0074	138.3
10	0.0526	155.4
34	0.0183	146.2
12	0.0737	158.3
13	0.0200	147.0
41	0.0652	157.7
15	0.0631	156.5
16	0.1665	165.4
17	0.0283	150.0
42	0.0482	154.6
19	0.0250	148.9
20	0.0366	152.2
21	0.0216	147.6
22	0.0300	150.5
23	0.0167	145.4
32	0.0842	159.4
25	0.0631	156.5
33	0.0366	152.2
27	0.0421	153.4
28	0.0526	155.4
29	0.0732	158.2
30	0.0732	158.2
40	0.0216	147.6

AMES PRELIMINARY AERC-ACCUSTIC DATA
TEST CCNDUCTED 17-28 JAN 72

CONFIGURATICN NC. 3
RUN NC. 148
MACH NC. 0.80
DYN PRESSURE-Q (FLIGHT) 465 PSF

ALPHA ANGLE -4 DEG
BETA ANGLE 5 DEG

TRANSDUCER NC	DELTACPRMS	CB
1	0.0147	144.3
2	0.0167	145.4
3	0.0200	147.0
4	0.0316	150.5
5	0.0183	146.2
6	0.0205	147.2
7	0.0142	144.0
8	0.0132	143.4
9	0.0069	137.7
10	0.0474	154.4
34	0.0223	148.3
12	0.1166	162.3
13	0.0233	148.3
41	0.0789	158.9
15	0.0666	157.4
16	0.1322	163.4
17	0.0368	152.2
42	0.0631	156.9
19	0.0250	148.9
20	0.0366	152.2
21	0.0263	149.3
22	0.0266	149.4
23	0.0167	145.4
32	0.0737	158.3
25	0.0575	156.2
33	0.0323	151.4
27	0.0368	152.2
28	0.0526	155.4
29	0.0666	157.4
30	0.0666	157.4
40	0.0216	147.7

AMES PRELIMINARY AERC-ACCLSTIC DATA
TEST CCNDUCTED 17-28 JAN 72

CONFIGURATION NO. 3
RUN NC. 149
MACF NC. 0.80
DYN PRESSURE-C (FLIGHT) 465 PSF

ALPHA ANGLE -4 DEG
BETA ANGLE 0 DEG

TRANSDUCER NC	DELTACPRMS	DB
1	0.0142	144.0
2	0.0167	145.4
3	0.0200	147.0
4	0.0266	149.4
5	0.0183	146.2
6	0.0168	145.4
7	0.0142	144.0
8	0.0142	144.0
9	0.0063	136.9
10	0.0579	156.2
34	0.0200	147.0
12	0.1332	163.4
13	0.0631	156.9
41	0.0266	149.4
15	0.0300	150.5
16	0.1473	164.3
17	0.0233	148.3
42	0.0659	157.8
19	0.0350	151.8
20	0.0368	152.2
21	0.0283	150.0
22	0.0233	148.3
23	0.0167	145.4
32	0.0263	149.3
25	0.0366	152.2
33	0.0283	150.0
27	0.0421	153.4
28	0.0366	152.2
29	0.0432	153.6
30	0.0432	153.6
40	0.0250	148.9

AMES PRELIMINARY AERC-ACCUSTIC DATA
TEST CCNDUCTED 17-28 JAN 72

CONFIGURATION NC. 3
RUN NG. 150
MACF NC. 0.80
DYN PRESSURE-Q (FLIGHT) 465 PSF

ALPHA ANGLE 0 DEG
BETA ANGLE 5 DEG

TRANSDUCER NC	DELTACPRMS	CB
1	0.0168	145.4
2	0.0183	146.2
3	0.0200	147.0
4	0.0283	150.0
5	0.0183	146.2
6	0.0216	147.6
7	0.0147	144.3
8	0.0142	144.0
9	0.0063	136.9
10	0.0526	155.4
34	0.0266	149.4
12	0.1332	163.4
13	0.0350	151.8
41	0.0789	158.9
15	0.0616	156.7
16	0.1105	161.8
17	0.0368	152.2
42	0.0737	158.3
19	0.0266	149.4
20	0.0333	151.4
21	0.0421	153.4
22	0.0250	148.9
23	0.0183	146.2
32	0.0579	156.2
25	0.0579	156.2
33	0.0316	150.9
27	0.0350	151.8
28	0.0474	154.4
29	0.0632	156.9
30	0.0666	157.4
40	0.0216	147.6

AMES PRELIMINARY AERC-ACCUSTIC DATA
TEST CONDUCTED 17-28 JAN 72

CONFIGURATION NO. 3
RUN NO. 151
MACH NO. 0.80
DYN PRESSURE-Q (FLIGHT) 465 PSF

ALPHA ANGLE C DEG
BETA ANGLE 0 DEG

TRANSDUCER NO	DELTA CP RMS	DB
1	0.0153	144.6
2	0.0184	146.2
3	0.0183	146.2
4	0.0250	148.5
5	0.0168	145.4
6	0.0175	146.0
7	0.0158	144.9
8	0.0150	144.5
9	0.0058	136.2
10	0.0579	156.2
34	0.0210	147.4
12	0.1332	163.4
13	0.0684	157.6
41	0.0323	151.4
15	0.0250	148.9
16	0.1332	163.4
17	0.0233	148.3
42	0.0749	158.4
19	0.0366	152.2
20	0.0421	153.4
21	0.0368	152.2
22	0.0216	147.6
23	0.0167	145.4
32	0.0233	148.3
25	0.0333	151.4
33	0.0300	150.5
27	0.0316	150.9
28	0.0333	151.4
29	0.0432	153.6
30	0.0466	154.3
40	0.0250	148.9

AMES PRELIMINARY AERC-ACCUSTIC DATA
TEST CONDUCTED 17-28 JAN 72

CONFIGURATION NO. 3
RUN NO. 152
MACH NO. 0.80
DYN PRESSURE-Q (FLIGHT) 465 PSF

ALPHA ANGLE 4 DEG
BETA ANGLE 5 DEG

TRANSDUCER NO	DELTA CP RMS	DB
1	0.0168	145.4
2	0.0183	146.2
3	0.0183	146.2
4	0.0233	148.3
5	0.0179	146.0
6	0.0250	148.9
7	0.0158	144.9
8	0.0150	144.5
9	0.0068	137.6
10	0.0579	156.2
34	0.0250	148.9
12	0.1332	163.4
13	0.0526	155.4
41	0.0737	158.3
15	0.0500	154.9
16	0.1105	161.8
17	0.0300	150.5
42	0.0842	159.4
19	0.0266	149.4
20	0.0383	152.6
21	0.0526	155.4
22	0.0233	148.3
23	0.0216	147.6
32	0.0474	154.4
25	0.0526	155.4
33	0.0266	149.4
27	0.0368	152.2
28	0.0474	154.4
29	0.0666	157.4
30	0.0666	157.4
40	0.0233	148.3

AMES PRELIMINARY AERC-ACCUSTIC DATA
TEST CONDUCTED 17-28 JAN 72

CONFIGURATICN NC. 3
RUN NO. 153
MACH NC. 0.80
DYN PRESSURE-C (FLIGHT) 465 PSF

ALPHA ANGLE 4 DEG
BETA ANGLE C DEG

AMES PRELIMINARY AERC-ACCUSTIC DATA
TEST CONDUCTED 17-28 JAN 72

CONFIGURATICN NO. 3
RUN NO. 154
MACH NC. 0.80
DYN PRESSURE-Q (FLIGHT) 465 PSF

ALPHA ANGLE 8 DEG
BETA ANGLE 5 DEG

TRANSDUCER NC	CELTACFRMS	CB	TRANSDUCER NC	DELTACFRMS	CB
1	0.0163	145.2	1	0.0179	146.0
2	0.0200	147.0	2	0.0183	146.2
3	0.0175	146.0	3	0.0183	146.2
4	0.0216	147.6	4	0.0216	147.6
5	0.0153	144.6	5	0.0167	145.4
6	0.0168	145.4	6	0.0316	150.9
7	0.0163	145.2	7	0.0167	145.4
8	0.0150	144.5	8	0.0150	144.5
9	0.0068	137.6	9	0.0068	137.6
10	0.0566	156.0	10	0.0575	156.2
34	0.0210	147.4	34	0.0250	148.9
12	0.1332	163.4	12	0.1332	163.4
13	0.0684	157.6	13	0.0631	156.5
41	0.0383	152.6	41	0.0833	159.3
15	0.0233	148.3	15	0.0316	150.9
16	0.1332	163.4	16	0.1210	162.6
17	0.0237	148.4	17	0.0283	150.0
42	0.0737	158.3	42	0.0842	159.4
19	0.0363	152.6	19	0.0263	149.3
20	0.0333	151.4	20	0.0416	153.3
21	0.0526	155.4	21	0.0684	157.6
22	0.0200	147.0	22	0.0250	148.9
23	0.0183	146.2	23	0.0283	150.0
32	0.0237	148.4	32	0.0416	153.3
25	0.0316	150.9	25	0.0526	155.4
33	0.0300	150.5	33	0.0366	152.2
27	0.0222	148.3	27	0.0368	152.2
28	0.0333	151.4	28	0.0421	153.4
29	0.0466	154.3	29	0.0732	158.2
30	0.0532	155.4	30	0.0732	158.2
40	0.0263	150.0	40	0.0233	148.3

AMES PRELIMINARY AERO-ACCUSTIC DATA
TEST CONDUCTED 17-28 JAN 72

CONFIGURATION NO. 3
TRANSDUCER NO. 1

ACCUSTIC LEVEL-DB

BETA ANGLE	C DEG	MACH NO.	ALPHA-DEG	0	4	8
0.80	-8		144.6	145.2		
0.85			141.2			
0.90			137.4	136.3		
0.95			135.4			
1.00			136.4	137.0		
1.10			135.8			
1.20			136.2	136.9		
1.30			133.7			
1.40			136.0	136.0		

AMES PRELIMINARY AERO-ACCUSTIC DATA
TEST CONDUCTED 17-28 JAN 72

CONFIGURATION NO. 3
TRANSDUCER NO. 2

ACCUSTIC LEVEL-DB

BETA ANGLE	0 DEG	MACH NO.	ALPHA-DEG	0	4	8
0.80	-8		145.4	146.2	147.0	
0.85			142.7	144.4		
0.90			137.8	144.4	145.1	
0.95			137.8	137.8		
1.00			137.4	137.6	137.8	
1.10			137.4	137.8		
1.20			136.2	136.2		
1.30			136.8			
1.40			136.8	136.8		

BETA ANGLE 5 DEG

MACH NO.	BETA ANGLE	5 DEG	ALPHA-DEG	0	4	8
0.80	-8		144.3	145.4	146.0	
0.85			140.2	140.7		
0.90			137.8			
1.00			135.8	137.8		
1.10			135.6			
1.20			136.0	136.0		
1.30			135.6			
1.40			136.4	136.0		

BETA ANGLE 5 DEG

MACH NO.	BETA ANGLE	5 DEG	ALPHA-DEG	0	4	8
0.80	-8		145.4	146.2	146.2	
0.85			142.0	143.4	146.0	
0.90			142.8	144.2		
0.95			138.3	138.3	137.8	
1.00			138.3	138.6	138.6	
1.10			138.1	138.6	138.1	
1.20			138.9			
1.30			136.6	138.6		
1.40			136.6	138.6	138.6	

AMES PRELIMINARY AERC-ACCUSTIC DATA
TEST CONDUCTED 17-28 JAN 72

CCONFIGURATICN NO. 3
TRANSDUCER NO. 3

ACCUSTIC LEVEL-DB

MACH NO.	BETA ANGLE 0 DEG		BETA ANGLE 8 DEG	
	-8	-4	0	4
0.80	147.0	146.2	146.0	146.0
0.85	143.8	145.0	144.6	144.6
0.90	143.8	144.0	144.4	144.4
0.95	142.3	142.3	142.3	142.3
1.00	142.5	143.1	143.8	143.8
1.10				
1.20				
1.30				
1.40				

BETA ANGLE 5 DEG

MACH NO.	BETA ANGLE 5 DEG		BETA ANGLE 8 DEG	
	-8	-4	0	4
0.80	147.3	147.0	146.2	146.2
0.85	141.6	143.4	144.4	144.4
0.90	141.7	142.8	144.4	144.4
0.95	143.8	144.7	142.8	142.8
1.00	143.8	145.0	146.0	146.0
1.10				
1.20				
1.30				
1.40				

AMES PRELIMINARY AERC-ACCUSTIC DATA
TEST CONDUCTED 17-28 JAN 72

CCONFIGURATICN NO. 3
TRANSDUCER NO. 4

ACCUSTIC LEVEL-DB

MACH NO.	BETA ANGLE 0 DEG		BETA ANGLE 4 DEG	
	-8	-4	0	4
0.80	145.4	148.9	147.6	147.6
0.85	146.0	146.0	146.0	146.0
0.90	143.8	144.4	145.7	145.7
0.95	143.8	144.7	144.3	144.3
1.00	142.5	142.5	142.5	142.5
1.10				
1.20				
1.30				
1.40				

BETA ANGLE 5 DEG

MACH NO.	BETA ANGLE 5 DEG		BETA ANGLE 8 DEG	
	-8	-4	0	4
0.80	151.8	150.9	148.3	148.3
0.85	145.2	145.5	146.0	146.0
0.90	142.8	143.5	144.6	144.6
0.95	142.8	143.3	143.8	143.8
1.00	140.9	141.7	141.7	141.7
1.10				
1.20				
1.30				
1.40				

AMES PRELIMINARY AERC-ACCUSTIC DATA
TEST CONDUCTED 17-28 JAN 72

AMES PRELIMINARY AERC-ACCUSTIC DATA
TEST CONDUCTED 17-28 JAN 72

CONFIGURATION NO. 3
TRANSDUCER NO. 6

CONFIGURATION NO. 5
TRANSDUCER NO. 3

ACCUSTIC LEVEL-DB

ACCUSTIC LEVEL-DB

BETA ANGLE 0 DEG		BETA ANGLE 5 DEG		BETA ANGLE 8 DEG	
MACH NO.	ALPHA-DEG	MACH NO.	ALPHA-DEG	MACH NO.	ALPHA-DEG
0.80	145.4	0.80	146.0	0.80	146.0
0.85	144.2	0.85	146.2	0.85	145.4
0.90	143.4	0.90	144.2	0.90	145.1
0.95	144.2	0.95	144.4	0.95	144.8
1.00	142.4	1.00	143.8	1.00	144.8
1.10	141.8	1.10	141.1	1.10	142.3
1.20	141.1	1.20	140.9	1.20	142.3
1.30	140.4	1.30	140.5	1.30	140.5
1.40	146.2	1.40	146.2	1.40	140.7

BETA ANGLE 0 DEG		BETA ANGLE 5 DEG		BETA ANGLE 8 DEG	
MACH NO.	ALPHA-DEG	MACH NO.	ALPHA-DEG	MACH NO.	ALPHA-DEG
0.80	145.4	0.80	147.0	0.80	147.0
0.85	144.4	0.85	142.4	0.85	145.4
0.90	145.2	0.90	143.4	0.90	145.1
0.95	144.8	0.95	141.3	0.95	144.8
1.00	145.7	1.00	141.1	1.00	142.3
1.10	146.2	1.10	141.1	1.10	142.3
1.20	145.4	1.20	139.5	1.20	140.7
1.30	145.3	1.30	139.5	1.30	140.7
1.40	145.8	1.40	139.5	1.40	140.7

BETA ANGLE 0 DEG		BETA ANGLE 5 DEG		BETA ANGLE 8 DEG	
MACH NO.	ALPHA-DEG	MACH NO.	ALPHA-DEG	MACH NO.	ALPHA-DEG
0.80	146.0	0.80	147.6	0.80	147.6
0.85	146.0	0.85	146.5	0.85	148.9
0.90	146.0	0.90	146.7	0.90	146.0
0.95	146.0	0.95	145.7	0.95	146.4
1.00	146.0	1.00	146.3	1.00	145.4
1.10	146.0	1.10	137.8	1.10	145.4
1.20	146.0	1.20	136.4	1.20	139.5
1.30	146.0	1.30	136.4	1.30	139.5
1.40	146.0	1.40	136.4	1.40	139.5

AMES PRELIMINARY AERC-ACCUSTIC DATA
TEST CONDUCTED 17-28 JAN 72

CONFIGURATION NO. 3
TRANSDUCER NO. 7

ACCUSTIC LEVEL-DB

BETA ANGLE	0 DEG	4	8
MACH NC.	-8	-4	8
	ALPHA-DEG	ALPHA-DEG	ALPHA-DEG
0.80	144.0	144.5	145.2
0.85	143.0	143.8	143.8
0.90	142.8	142.8	142.8
0.95	142.8	142.8	142.8
1.00	142.8	142.8	142.8
1.10	142.8	142.8	142.8
1.20	142.8	142.8	142.8
1.30	141.7	141.7	141.7
1.40	141.7	141.7	141.7

AMES PRELIMINARY AERC-ACCUSTIC DATA
TEST CONDUCTED 17-28 JAN 72

CONFIGURATION NO. 3
TRANSDUCER NO. 8

ACCUSTIC LEVEL-DB

BETA ANGLE	0 DEG	4	8
MACH NC.	-8	-4	8
	ALPHA-DEG	ALPHA-DEG	ALPHA-DEG
0.80	144.0	144.0	144.5
0.85	142.7	142.7	143.3
0.90	143.9	142.7	143.2
0.95	143.9	143.9	144.1
1.00	144.7	143.9	144.8
1.10	144.7	144.7	145.1
1.20	147.7	144.7	156.8
1.30	147.7	147.7	147.6
1.40	147.7	147.7	148.4

AMES PRELIMINARY AERC-ACCUSTIC DATA
TEST CONDUCTED 17-28 JAN 72

CONFIGURATION NO. 3
TRANSDUCER NO. 8

ACCUSTIC LEVEL-DB

BETA ANGLE	5 DEG	8
MACH NC.	-8	8
	ALPHA-DEG	ALPHA-DEG
0.80	142.9	144.9
0.85	142.4	143.8
0.90	142.8	143.8
0.95	142.8	143.8
1.00	142.8	143.8
1.10	142.8	142.8
1.20	141.7	142.8
1.30	141.7	141.7
1.40	141.7	141.7

AMES PRELIMINARY AERC-ACCUSTIC DATA
TEST CONDUCTED 17-28 JAN 72

CONFIGURATION NO. 3
TRANSDUCER NO. 10

ACCUSTIC LEVEL-DE

BETA ANGLE 0 DEG		BETA ANGLE 5 DEG		BETA ANGLE 8 DEG		BETA ANGLE 10 DEG	
MACH NO.	ALPHA-DEG	MACH NO.	ALPHA-DEG	MACH NO.	ALPHA-DEG	MACH NO.	ALPHA-DEG
0.80	136.2	0.80	137.6	0.80	156.2	0.80	156.0
0.85	136.8	0.85	138.1	0.85	155.2	0.85	156.7
0.90	137.4	0.90	137.9	0.90	151.3	0.90	152.9
0.95	137.6	0.95	136.4	0.95	151.1	0.95	149.0
1.00	141.8	1.00	135.8	1.00	141.5	1.00	138.9
1.10	136.4	1.10	144.4	1.10	140.0	1.10	
1.20	136.4	1.20		1.20		1.20	
1.30	136.4	1.30		1.30		1.30	
1.40	136.4	1.40		1.40		1.40	

AMES PRELIMINARY AERC-ACCUSTIC DATA
TEST CONDUCTED 17-28 JAN 72

CONFIGURATION NO. 9
TRANSDUCER NO. 3

ACCUSTIC LEVEL-DE

BETA ANGLE 0 DEG		BETA ANGLE 5 DEG		BETA ANGLE 8 DEG		BETA ANGLE 10 DEG	
MACH NO.	ALPHA-DEG	MACH NO.	ALPHA-DEG	MACH NO.	ALPHA-DEG	MACH NO.	ALPHA-DEG
0.80	136.9	0.80	137.6	0.80	154.4	0.80	156.2
0.85	137.4	0.85	138.1	0.85	152.6	0.85	156.7
0.90	137.6	0.90	138.4	0.90	152.4	0.90	156.4
0.95	141.8	0.95	141.1	0.95	142.8	0.95	149.8
1.00	136.4	1.00	145.0	1.00	137.8	1.00	141.7
1.10	136.4	1.10		1.10		1.10	
1.20	136.4	1.20		1.20		1.20	
1.30	136.4	1.30		1.30		1.30	
1.40	136.4	1.40		1.40		1.40	

AMES PRELIMINARY AERC-ACOUSTIC DATA
TEST CONDUCTED 17-28 JAN 72

CONFIGURATION NO. 3
TRANSDUCER NO. 12

ACOUSTIC LEVEL-DB

BETA ANGLE 0 DEG		BETA ANGLE 5 DEG	
MACH NO.	ALPHA-DEG	MACH NO.	ALPHA-DEG
0.80	147.4	0.80	163.4
0.85	147.2	0.85	162.1
0.90	149.1	0.90	160.7
0.95	145.0	0.95	160.5
1.00	146.4	1.00	159.4
1.10	144.3	1.10	159.9
1.20	143.8	1.20	158.2
1.30	142.3	1.30	155.8
1.40	142.5	1.40	155.5

AMES PRELIMINARY AERC-ACCLUSTIC DATA
TEST CONDUCTED 17-28 JAN 72

CONFIGURATION NO. 34
TRANSDUCER NO. 3

ACOUSTIC LEVEL-DB

BETA ANGLE 0 DEG		BETA ANGLE 5 DEG	
MACH NO.	ALPHA-DEG	MACH NO.	ALPHA-DEG
0.80	147.0	0.80	163.4
0.85	149.1	0.85	162.0
0.90	145.7	0.90	160.4
0.95	145.8	0.95	157.3
1.00	143.1	1.00	155.5

AVES PRELIMINARY AERC-ACCUSTIC DATA
TEST CONDUCTED 17-28 JAN 72

CONFIGURATION NO. 3
TRANSDUCER NO. 41

ACCUSTIC LEVEL-DB

BETA ANGLE 0 DEG		BETA ANGLE 5 DEG	
MACH NO.	ALPHA-DEG	MACH NO.	ALPHA-DEG
0.80	157.6	0.80	151.4
0.85	159.3	0.85	150.8
0.90	162.0	0.90	152.0
0.95	163.0	0.95	151.9
1.00	159.9	1.00	147.7
1.10	156.2	1.10	148.2
1.20	154.7	1.20	147.3
1.30	153.0	1.30	147.1
1.40	151.7	1.40	146.9

BETA ANGLE 0 DEG		BETA ANGLE 5 DEG	
MACH NO.	ALPHA-DEG	MACH NO.	ALPHA-DEG
0.80	149.4	0.80	158.3
0.85	149.2	0.85	158.9
0.90	145.7	0.90	160.7
1.00	146.5	1.00	161.7
1.10	146.5	1.10	159.8
1.20	146.5	1.20	159.8
1.30	146.5	1.30	153.2
1.40	146.5	1.40	151.7

AVES PRELIMINARY AERC-ACCUSTIC DATA
TEST CONDUCTED 17-28 JAN 72

CONFIGURATION NO. 3
TRANSDUCER NO. 13

ACCUSTIC LEVEL-DB

BETA ANGLE 0 DEG		BETA ANGLE 5 DEG	
MACH NO.	ALPHA-DEG	MACH NO.	ALPHA-DEG
0.80	157.6	0.80	156.9
0.85	159.3	0.85	159.7
0.90	162.0	0.90	157.7
0.95	163.0	0.95	153.8
1.00	159.9	1.00	148.4
1.10	156.2	1.10	146.0
1.20	154.7	1.20	146.0
1.30	153.0	1.30	146.0
1.40	151.7	1.40	146.0

BETA ANGLE 0 DEG		BETA ANGLE 5 DEG	
MACH NO.	ALPHA-DEG	MACH NO.	ALPHA-DEG
0.80	149.4	0.80	155.4
0.85	149.2	0.85	158.6
0.90	145.7	0.90	159.7
1.00	146.5	1.00	157.7
1.10	146.5	1.10	150.5
1.20	146.5	1.20	148.3
1.30	146.5	1.30	145.0
1.40	146.5	1.40	145.0

AMES PRELIMINARY AERC-ACCUUSTIC DATA
TEST CCNDUCTED 17-28 JAN 72

CONFIGURATION NO. 3
TRANSDUCER NO. 16

ACCUUSTIC LEVEL-DB

AMES PRELIMINARY AERC-ACCUUSTIC DATA
TEST CCNDUCTED 17-28 JAN 72

CONFIGURATION NO. 3
TRANSDUCER NO. 15

ACCUUSTIC LEVEL-DB

BETA ANGLE 0 DEG		BETA ANGLE 5 DEG	
MACH NO.	ALPHA-DEG	MACH NO.	ALPHA-DEG
0.80	148.9	0.80	163.4
0.85	145.3	0.85	162.4
0.90	144.0	0.90	161.5
0.95	144.2	0.95	161.0
1.00	144.4	1.00	157.7
1.10	144.5	1.10	159.5
1.20	145.4	1.20	158.0
1.30	145.8	1.30	155.8
1.40	148.5	1.40	155.5

BETA ANGLE 0 DEG		BETA ANGLE 5 DEG	
MACH NO.	ALPHA-DEG	MACH NO.	ALPHA-DEG
0.80	148.3	0.80	163.4
0.85	144.0	0.85	162.4
0.90	144.0	0.90	161.5
0.95	144.5	0.95	161.0
1.00	144.9	1.00	157.7
1.10	146.9	1.10	159.5
1.20	145.2	1.20	158.0
1.30	145.2	1.30	155.8
1.40	145.2	1.40	155.5

AMES PRELIMINARY AERC-ACCUSTIC DATA
TEST CONDUCTED 17-28 JAN 72

CONFIGURATION NO. 3
TRANSDUCER NO. 17

ACCUSTIC LEVEL-DB

BETA ANGLE	0 DEG	4	8
MACH NO.	-8	-4	0
0.80	148.3	148.3	148.4
0.85	151.4	149.2	151.1
0.90	151.9	147.3	148.1
0.95	146.8	145.5	144.7
1.00	146.5	144.7	144.7
1.10	143.6	144.2	142.9
1.20	148.5		
1.30			
1.40			

AMES PRELIMINARY AERC-ACCUSTIC DATA
TEST CONDUCTED 17-28 JAN 72

CONFIGURATION NO. 3
TRANSDUCER NO. 42

ACCUSTIC LEVEL-DB

BETA ANGLE	0 DEG	-4	0	4	8
MACH NO.	-8	-4	0	4	8
0.80	157.8	157.8	158.4	158.3	158.3
0.85	158.6	158.6	159.3	158.3	158.3
0.90	155.6	155.6	160.1	160.8	160.8
0.95	156.2	156.2	157.8	159.6	159.6
1.00	146.4	146.4	152.3	147.7	147.7
1.10					
1.20					
1.30					
1.40					

BETA ANGLE	5 DEG	8	4	0	4	8
MACH NO.	-8	-4	0	4	8	8
0.80	150.0	152.2	152.2	150.5	150.0	150.0
0.85	152.2	154.6	154.7	152.6	152.0	152.0
0.90	152.9	153.9	154.4	145.0	160.4	160.4
0.95	149.0	149.6	149.6	145.7	145.7	145.7
1.00	148.8	150.6	147.7	146.4	144.8	144.8
1.10						
1.20						
1.30						
1.40						

AMES PRELIMINARY AERC-ACCUSTIC DATA
TEST CONDUCTED 17-28 JAN 72

CONFIGURATION NO. 3
TRANSDUCER NO. 20

ACCUSTIC LEVEL-DB

BETA ANGLE 0 DEG		BETA ANGLE 5 DEG	
MACH NO.	ALPHA-DEG	MACH NO.	ALPHA-DEG
0.80	151.8	0.80	152.2
0.85	152.6	0.85	156.8
0.90	150.7	0.90	136.0
0.95	150.5	0.95	135.8
1.00	149.9	1.00	136.4
1.10	147.2	1.10	136.5
1.20	146.9	1.20	137.4
1.30	146.9	1.30	134.2
1.40	147.7	1.40	134.9

BETA ANGLE 0 DEG		BETA ANGLE 5 DEG	
MACH NO.	ALPHA-DEG	MACH NO.	ALPHA-DEG
0.80	151.4	0.80	152.2
0.85	156.8	0.85	151.4
0.90	136.3	0.90	136.0
0.95	135.8	0.95	136.0
1.00	136.4	1.00	135.6
1.10	136.5	1.10	136.4
1.20	137.4	1.20	137.4
1.30	134.2	1.30	138.9
1.40	134.9	1.40	135.6

AMES PRELIMINARY AERC-ACCUSTIC DATA
TEST CONDUCTED 17-28 JAN 72

CONFIGURATION NO. 19
TRANSDUCER NO. 3

ACCUSTIC LEVEL-DB

BETA ANGLE 0 DEG		BETA ANGLE 5 DEG	
MACH NO.	ALPHA-DEG	MACH NO.	ALPHA-DEG
0.80	151.8	0.80	149.3
0.85	152.6	0.85	149.4
0.90	150.7	0.90	150.2
0.95	150.5	0.95	149.4
1.00	149.9	1.00	149.4
1.10	147.2	1.10	148.2
1.20	146.9	1.20	149.8
1.30	146.9	1.30	149.8
1.40	147.7	1.40	149.8

BETA ANGLE 0 DEG		BETA ANGLE 5 DEG	
MACH NO.	ALPHA-DEG	MACH NO.	ALPHA-DEG
0.80	148.9	0.80	148.9
0.85	149.4	0.85	149.4
0.90	145.7	0.90	145.7
0.95	145.7	0.95	145.4
1.00	145.4	1.00	145.4
1.10	149.4	1.10	149.4
1.20	145.0	1.20	145.0
1.30	149.5	1.30	149.5
1.40	149.5	1.40	149.5

AMES PRELIMINARY AERO-ACCUSTIC DATA
TEST CONDUCTED 17-28 JAN 72

CONFIGURATION NO. 21 3
TRANSDUCER NO.

ACCUSTIC LEVEL-DB

BETA ANGLE	C DEG	ALPHA-DEG	4	8
MACH NO.	-8	C		
0.8C	150.0	152.2	155.4	
0.85	147.1	150.8		
C.9C	142.0	150.7	155.1	
C.95	141.8	143.6		
1.00	141.6	143.2	144.4	
1.20	142.9	143.1	144.0	
1.30	143.1	142.9		
1.4C		144.4	146.9	

BETA ANGLE 5 DEG

BETA ANGLE	5 DEG	ALPHA-DEG	4	8
MACH NO.	-8	C		
0.8C	147.6	145.3	155.4	157.6
0.85	144.2	146.3		158.0
C.9C	143.9	144.8	148.4	
C.95	141.5	143.5	145.1	146.5
1.00	141.3	144.4	147.4	150.0

AMES PRELIMINARY AERO-ACCUSTIC DATA
TEST CONDUCTED 17-28 JAN 72

CONFIGURATION NO. 22 3
TRANSDUCER NO.

ACCUSTIC LEVEL-DB

BETA ANGLE	0 DEG	ALPHA-DEG	4	8
MACH NO.	-8	C		
0.8C	146.3	147.6	147.0	
0.85	144.0	145.2		
C.9C	141.3	144.4	144.7	
C.95	140.2	144.2		
1.00	141.3	142.4	144.4	
1.10	140.2	142.4		
1.20	141.5	141.5	141.5	
1.3C	141.3	135.7		
1.40		143.8	144.7	

BETA ANGLE 5 DEG

BETA ANGLE	5 DEG	ALPHA-DEG	4	8
MACH NO.	-8	C		
0.8C	150.5	145.4	148.3	148.9
0.85	144.4	143.8		148.6
C.9C	140.5	141.3	141.3	143.8
C.95	135.8	140.4	141.1	141.8
1.00	135.2	141.7	143.8	142.0

AMES PRELIMINARY AERC-ACCUSTIC DATA
TEST CONDUCTED 17-28 JAN 72

CONFIGURATION NO. 3
TRANSDUCER NO. 23

ACCUSTIC LEVEL-CB

BETA ANGLE 0 DEG		BETA ANGLE 5 DEG	
MACH NO.	ALPHA-DEG	MACH NO.	ALPHA-DEG
0.80	145.4	0.80	146.2
0.85	145.1	0.85	145.1
0.90	147.7	0.90	145.2
0.95	150.2	0.95	147.8
1.00	153.6	1.00	149.8
1.10		1.10	151.5
1.20		1.20	153.5
1.30		1.30	
1.40		1.40	

AMES PRELIMINARY AERC-ACCUSTIC DATA
TEST CONDUCTED 17-28 JAN 72

CONFIGURATION NO. 3
TRANSDUCER NO. 32

ACCUSTIC LEVEL-DB

BETA ANGLE 0 DEG		BETA ANGLE 5 DEG	
MACH NO.	ALPHA-DEG	MACH NO.	ALPHA-DEG
0.80	145.3	0.80	148.4
0.85	154.6	0.85	145.2
0.90	145.7	0.90	153.2
0.95	146.5	0.95	155.0
1.00	145.2	1.00	148.1
1.10	146.5	1.10	145.5
1.20	145.2	1.20	144.3
1.30		1.30	145.3
1.40		1.40	143.8

BETA ANGLE 0 DEG		BETA ANGLE 5 DEG	
MACH NO.	ALPHA-DEG	MACH NO.	ALPHA-DEG
0.80	145.4	0.80	150.0
0.85	144.4	0.85	147.6
0.90	145.7	0.90	145.1
0.95	144.8	0.95	150.7
1.00	148.2	1.00	144.0
1.10	149.5	1.10	146.3
1.20		1.20	147.3
1.30		1.30	149.8
1.40		1.40	150.0

BETA ANGLE 0 DEG		BETA ANGLE 5 DEG	
MACH NO.	ALPHA-DEG	MACH NO.	ALPHA-DEG
0.80	156.2	0.80	154.4
0.85	160.7	0.85	156.2
0.90	157.7	0.90	157.1
0.95	159.9	0.95	159.9
1.00	158.3	1.00	158.3
1.10	150.2	1.10	156.5
1.20	144.1	1.20	156.5
1.30	145.5	1.30	145.5
1.40		1.40	141.7

AMES PRELIMINARY AERC-ACCUSTIC DATA
TEST CONDUCTED 17-28 JAN 72

CONFIGURATION NO. 25
TRANSDUCER NO. 3

ACCUSTIC LEVEL-DB

BETA ANGLE	0 DEG	-4	0	4	8
MACH NO.	-8	152.2	151.4	150.9	150.9
0.80		152.2	151.4	150.9	150.9
0.85		152.4	152.4	152.4	152.4
0.90		154.7	154.1	153.1	153.1
0.95		156.2	156.2	156.2	156.2
1.00		155.6	156.4	152.1	152.1
1.10		154.7	154.7	154.7	154.7
1.20		151.5	151.5	153.8	153.8
1.30		151.5	151.5	151.5	151.5
1.40		151.7	151.3	151.7	151.7

AMES PRELIMINARY AERC-ACCUSTIC DATA
TEST CONDUCTED 17-28 JAN 72

CONFIGURATION NO. 33
TRANSDUCER NO. 3

ACCUSTIC LEVEL-DB

BETA ANGLE	0 DEG	-4	0	4	8
MACH NO.	-8	150.0	148.7	150.5	150.5
0.80		150.0	148.7	150.5	150.5
0.85		148.1	148.7	148.7	148.7
0.90		149.4	149.9	151.9	151.9
0.95		149.4	149.9	152.8	152.8
1.00		151.3	147.8	147.8	147.8
1.10		151.3	145.8	150.5	150.5
1.20		156.7	152.3	152.3	152.3
1.30		156.7	154.4	154.4	154.4
1.40		156.7	154.4	154.4	154.4

BETA ANGLE 5 DEG

MACH NO.	-8	-4	0	4	8
0.80	156.9	156.2	156.2	155.4	155.4
0.85	155.9	156.9	157.8	156.8	156.7
0.90	155.2	155.6	157.7	157.7	157.7
0.95	156.2	156.2	156.2	155.5	155.5
1.00	156.1	151.7	151.7	151.7	152.5
1.10					
1.20					
1.30					
1.40					

BETA ANGLE 5 DEG

MACH NO.	-8	-4	0	4	8
0.80	152.2	151.4	150.9	149.4	152.2
0.85	151.2	150.2	151.1	153.7	153.7
0.90	153.9	151.7	151.4	151.4	160.6
0.95	159.8	159.8	159.8	158.2	153.8
1.00	161.3	161.3	160.8	168.1	152.5
1.10					
1.20					
1.30					
1.40					

AMES PRELIMINARY AERC-ACCUSTIC DATA
TEST CCNUCTED 17-28 JAN 72

AMES PRELIMINARY AERC-ACCUSTIC DATA
TEST CCNUCTED 17-28 JAN 72

CCNFICURATION NO. 3
TRANSCUCER NC. 28

CCNFICURATION NO. 27
TRANSCUCER NC. 3

ACCUSTIC LEVEL-DB

ACCUSTIC LEVEL-DB

BETA ANGLE 0 DEG		BETA ANGLE 5 DEG		BETA ANGLE 0 DEG		BETA ANGLE 5 DEG	
MACH NC.	ALPHA-DEG	MACH NC.	ALPHA-DEG	MACH NC.	ALPHA-DEG	MACH NC.	ALPHA-DEG
0.80	150.9	0.80	148.3	0.80	151.4	0.80	151.4
0.85	153.2	0.85	152.6	0.85	152.4	0.85	152.4
0.90	155.1	0.90	156.9	0.90	153.7	0.90	152.6
0.95	156.9	0.95	151.7	0.95	154.1	0.95	153.4
1.00	152.9	1.00	151.1	1.00	152.8	1.00	149.8
1.10	149.9	1.10	150.2	1.10	148.0	1.10	145.8
1.20	150.5	1.20	155.0	1.20	148.0	1.20	150.9
1.30	155.3	1.30	155.0	1.30	148.0	1.30	150.9
1.40	155.0	1.40	156.5	1.40	150.9	1.40	152.1

BETA ANGLE 0 DEG		BETA ANGLE 5 DEG		BETA ANGLE 0 DEG		BETA ANGLE 5 DEG	
MACH NC.	ALPHA-DEG	MACH NC.	ALPHA-DEG	MACH NC.	ALPHA-DEG	MACH NC.	ALPHA-DEG
0.80	153.4	0.80	152.2	0.80	154.4	0.80	153.4
0.85	155.1	0.85	154.2	0.85	155.4	0.85	154.4
0.90	154.8	0.90	152.9	0.90	157.0	0.90	155.9
0.95	154.2	0.95	154.2	0.95	157.0	0.95	155.9
1.00	154.2	1.00	153.8	1.00	157.1	1.00	158.1
1.10	153.8	1.10	154.4	1.10	157.8	1.10	158.6
1.20	153.8	1.20	154.1	1.20	157.8	1.20	158.6
1.30	153.8	1.30	154.1	1.30	156.1	1.30	158.9
1.40	153.8	1.40	154.4	1.40	156.1	1.40	159.2

AMES PRELIMINARY AERC-ACCUSTIC DATA
TEST CONDUCTED 17-28 JAN 72

CONFIGURATION NO. 3
TRANSDUCER NO. 30

ACCUSTIC LEVEL-DB

AMES PRELIMINARY AERC-ACCUSTIC DATA
TEST CONDUCTED 17-28 JAN 72

CONFIGURATION NO. 3
TRANSDUCER NO. 25

ACCUSTIC LEVEL-DB

BETA ANGLE 0 DEG		BETA ANGLE 0 DEG		BETA ANGLE 5 DEG		BETA ANGLE 5 DEG	
MACH NO.	ALPHA-DEG	MACH NO.	ALPHA-DEG	MACH NO.	ALPHA-DEG	MACH NO.	ALPHA-DEG
0.80	153.6	0.80	154.3	0.80	158.2	0.80	157.4
0.85	154.1	0.85	155.2	0.85	159.2	0.85	158.0
0.90	154.6	0.90	153.8	0.90	166.9	0.90	157.7
0.95	155.1	0.95	149.9	0.95	158.3	0.95	155.8
1.00	152.8	1.00	148.5	1.00	156.5	1.00	156.5
1.10	149.9	1.10	145.6	1.10	157.8	1.10	156.9
1.20	145.3	1.20	145.8	1.20	157.3	1.20	157.3
1.30	145.2	1.30	150.7	1.30	157.8	1.30	157.3
1.40	145.2	1.40		1.40		1.40	

AMES PRELIMINARY AERC-ACCUSTIC DATA
TEST CONDUCTED 17-28 JAN 72

CONFIGURATION NC. 3
TRANSDUCER NC. 40

ACCUSTIC LEVEL-DB

BETA ANGLE	0 DEG				
MACH NO.	-8	-4	ALPHA-DEG C	4	8
0.80		148.9	148.9	150.0	
0.85			149.3		
0.90		148.3	149.2	150.2	
0.95			149.1		
1.00		147.7	147.7	147.7	
1.10			144.7		
1.20		144.3	143.8	143.8	
1.30					
1.40		145.0	143.1	146.0	

BETA ANGLE	5 DEG				
MACH NC.	-8	-4	ALPHA-DEG C	4	8
0.80	147.6	147.7	147.6	148.3	148.3
0.85					
0.90	149.2	149.2	149.2	149.2	
0.95					
1.00	149.4	149.4	148.4		
1.10					
1.20	149.0		148.6	147.7	147.7
1.30					
1.40	148.1		147.7	148.1	148.5

AMES PRELIMINARY AERC-ACCUSTIC DATA
TEST CONDUCTED 17-28 JAN 72

AMES PRELIMINARY AERC-ACCUSTIC DATA
TEST CONDUCTED 17-28 JAN 72

CONFIGURATION NC. 1 3
TRANSDUCER NC. 1

CONFIGURATION NC. 2 3
TRANSDUCER NC. 2

DELTA CPRMS

DELTA CPRMS

BETA ANGLE	0 DEG	4	8	0 DEG	4	8
MACH NO.		ALPHA-DEG C		MACH NO.	ALPHA-DEG C	
0.80	-8	.C142	.0163	0.80	-4	.0167
0.85		.C058	.0053	0.85		.0142
0.90		.0060	.0054	0.90		.0124
0.95		.C046	.0048	0.95		.0061
1.00		.C054	.0041	1.00		.0059
1.10		.0044		1.10		.0054
1.20		.0039		1.20		.0051
1.30		.0032		1.30		.0042
1.40		.C041		1.40		.0045

BETA ANGLE	5 DEG	4	8	5 DEG	4	8
MACH NO.		ALPHA-DEG C		MACH NO.	ALPHA-DEG C	
0.80	-8	.C147	.0168	0.80	-4	.0167
0.85		.C083	.0088	0.85		.0163
0.90		.C059	.0071	0.90		.0120
0.95		.C059	.0067	0.95		.0102
1.00		.C042	.0063	1.00		.0105
1.10		.C035	.0041	1.10		.0056
1.20		.C034		1.20		.0056
1.30				1.30		.0057
1.40				1.40		.0052

AMES PRELIMINARY AERO-ACCUSTIC DATA
TEST CONDUCTED 17-28 JAN 72

CONFIGURATION NO. 3
TRANSDUCER NO. 4

DELTA CPRMS

BETA ANGLE	0 DEG		8 DEG		4 DEG		-4 DEG	
	MACH NO.	ALPHA-DEG	MACH NO.	ALPHA-DEG	MACH NO.	ALPHA-DEG	MACH NO.	ALPHA-DEG
0.80	.0200	.0183	.0179	.0250	0.80	.0266	.0178	.0216
0.85	.0125	.0152	.0138	.0178	0.85	.0161	.0161	.0161
0.90	.0117	.0146	.0138	.0152	0.90	.0117	.0152	.0146
0.95	.0117	.0121	.0126	.0126	0.95	.0106	.0126	.0146
1.00	.0085	.0117	.0089	.0122	1.00	.0086	.0122	.0112
1.10	.0086	.0085	.0089	.0112	1.10	.0086	.0112	.0112
1.20	.0086	.0086	.0100	.0086	1.20	.0086	.0086	.0076
1.30	.0086	.0086	.0100	.0086	1.30	.0086	.0086	.0076
1.40	.0086	.0086	.0100	.0086	1.40	.0086	.0086	.0076

AMES PRELIMINARY AERO-ACCUSTIC DATA
TEST CONDUCTED 17-28 JAN 72

CONFIGURATION NO. 3
TRANSDUCER NO. 3

DELTA CPRMS

BETA ANGLE	0 DEG		8 DEG		5 DEG		-4 DEG	
	MACH NO.	ALPHA-DEG	MACH NO.	ALPHA-DEG	MACH NO.	ALPHA-DEG	MACH NO.	ALPHA-DEG
0.80	.0208	.0200	.0183	.0200	0.80	.0350	.0283	.0233
0.85	.0097	.0120	.0134	.0125	0.85	.0146	.0161	.0162
0.90	.0092	.0105	.0122	.0122	0.90	.0105	.0138	.0132
0.95	.0106	.0117	.0095	.0112	0.95	.0095	.0100	.0112
1.00	.0106	.0115	.0095	.0125	1.00	.0079	.0079	.0106
1.10	.0106	.0115	.0095	.0125	1.10	.0072	.0079	.0106
1.20	.0106	.0115	.0095	.0125	1.20	.0072	.0079	.0106
1.30	.0106	.0115	.0095	.0125	1.30	.0072	.0079	.0106
1.40	.0106	.0115	.0095	.0125	1.40	.0072	.0079	.0106

AMES PRELIMINARY AERC-ACCUSTIC DATA
TEST CONDUCTED 17-28 JAN 72

CONFIGURATION NO. 3
TRANSDUCER NO. 6

DELTA CPRMS

BETA ANGLE	0 DEG	BETA ANGLE	5 DEG	BETA ANGLE	8 DEG	ALPHA-DEG	4	ALPHA-DEG	8
MACH NO.	-8	MACH NO.	-4	MACH NO.	-4	C		C	
0.80	.0182	0.80	.0168	0.80	.0179	.0153	.0168	.0179	.0168
0.85	.0135	0.85	.0148	0.85	.0147	.0120	.0134	.0147	.0134
0.90	.0125	0.90	.0128	0.90	.0128	.0127	.0138	.0128	.0138
0.95	.0127	0.95	.0132	0.95	.0140	.0122	.0138	.0140	.0138
1.00	.0100	1.00	.0132	1.00	.0146	.0089	.0123	.0146	.0123
1.10	.0111	1.10	.0128	1.10	.0146	.0072	.0165	.0146	.0165
1.20	.0084	1.20	.0128	1.20	.0122			.0122	
1.30	.0075	1.30	.0039	1.30	.0201				
1.40	.0066	1.40	.0039	1.40					

BETA ANGLE	5 DEG	BETA ANGLE	5 DEG	BETA ANGLE	5 DEG	ALPHA-DEG	4	ALPHA-DEG	8
MACH NO.	-8	MACH NO.	-4	MACH NO.	-4	C		C	
0.80	.0200	0.80	.0189	0.80	.0167	.0179	.0250	.0216	.0316
0.85	.0107	0.85	.0175	0.85	.0146	.0125	.0161	.0171	.0321
0.90	.0107	0.90	.0175	0.90	.0146	.0125	.0161	.0171	.0321
0.95	.0112	0.95	.0096	0.95	.0132	.0115	.0159	.0221	.0159
1.00	.0078	1.00	.0067	1.00	.0089	.0078	.0139	.0141	.0128
1.10	.0078	1.10	.0043	1.10	.0070	.0084	.0055	.0141	.0128
1.20	.0061	1.20	.0043	1.20	.0068	.0068	.0055	.0050	.0061
1.30	.0061	1.30	.0043	1.30	.0068	.0068	.0055	.0050	.0061
1.40	.0061	1.40	.0043	1.40	.0070	.0068	.0055	.0050	.0061

AMES PRELIMINARY AERO-ACCUSTIC DATA
TEST CONDUCTED 17-28 JAN 72

CONFIGURATION NO. 3
TRANSDUCER NO. 7

DELTA CPRMS

BETA ANGLE	0 DEG	4	8
MACH NO.	-8	-4	0
0.80		.0158	.0163
0.85	.0142	.0122	.0129
0.90	.0115	.0105	.0096
0.95	.0105	.0100	.0089
1.00	.0095	.0068	.0079
1.10			
1.20			
1.30			
1.40			

ALPHA-DEG

BETA ANGLE	0 DEG	-4	4	8
MACH NO.	-8	-4	0	4
0.80		.0142	.0150	
0.85		.0111	.0131	
0.90		.0119	.0132	
0.95		.0117	.0176	
1.00		.0158	.0182	
1.10				
1.20				
1.30				
1.40				

AMES PRELIMINARY AERO-ACCUSTIC DATA
TEST CONDUCTED 17-28 JAN 72

CONFIGURATION NO. 3
TRANSDUCER NO. 8

DELTA CPRMS

BETA ANGLE	5 DEG	8
MACH NO.	-8	0
0.80		.0167
0.85	.0121	.0134
0.90	.0107	.0088
0.95	.0106	.0089
1.00	.0106	.0077
1.10		
1.20		
1.30		
1.40		

ALPHA-DEG

BETA ANGLE	5 DEG	-4	4	8
MACH NO.	-8	-4	0	4
0.80		.0133	.0150	
0.85		.0117	.0146	
0.90		.0119	.0159	
0.95		.0176	.0265	
1.00		.0201	.0227	
1.10				
1.20				
1.30				
1.40				

AMES PRELIMINARY AERC-ACCUSTIC DATA
TEST CONDUCTED 17-28 JAN 72

CONFIGURATION NC. 3
TRANSDUCER NO. 10

DELTA CPRMS

BETA ANGLE 0 DEG		BETA ANGLE 5 DEG	
MACH NO.	ALPHA-DEG C	MACH NO.	ALPHA-DEG C
0.80	.0063	0.80	.0579
0.85	.0058	0.85	.0511
0.90	.0060	0.90	.0555
0.95	.0065	0.95	.0700
1.00	.0061	1.00	.0331
1.10	.0055	1.10	.0333
1.20	.0070	1.20	.0282
1.30	.0084	1.30	.0075
1.40	.0043	1.40	.0065

AMES PRELIMINARY AERC-ACCUSTIC DATA
TEST CONDUCTED 17-28 JAN 72

CONFIGURATION NC. 3
TRANSDUCER NO. 9

DELTA CPRMS

BETA ANGLE 0 DEG		BETA ANGLE 5 DEG	
MACH NO.	ALPHA-DEG C	MACH NO.	ALPHA-DEG C
0.80	.0068	0.80	.0526
0.85	.0058	0.85	.0474
0.90	.0065	0.90	.0346
0.95	.0061	0.95	.0365
1.00	.0054	1.00	.0318
1.10	.0070	1.10	.0095
1.20	.0067	1.20	.0050
1.30	.0108	1.30	.0187
1.40	.0129	1.40	.0065

AMES PRELIMINARY AERC-ACCUSTIC DATA
TEST CCNUCTED 17-28 JAN 72

CONFIGURATICN NO. 3
TRANSDUCER NC. 34

DELTA CPRMS

BETA ANGLE MACH NO.	0 DEG	4	8
0.80	.0200	.0210	.0210
0.85	.0231	.0231	.0231
0.90	.0146	.0209	.0209
0.95	.0134	.0105	.0105
1.00	.0093	.0072	.0072
1.10			
1.20			
1.30			
1.40			

BETA ANGLE 5 DEG

BETA ANGLE MACH NO.	5 DEG	8
0.80	.0183	.0250
0.85	.0150	.0292
0.90	.0199	.0199
0.95	.0155	.0128
1.00	.0093	.0108
1.10		
1.20		
1.30		
1.40		

AMES PRELIMINARY AERC-ACCUSTIC DATA
TEST CCNUCTED 17-28 JAN 72

CONFIGURATICN NO. 3
TRANSDUCER NC. 12

DELTA CPRMS

BETA ANGLE MACH NO.	0 DEG	4	8
0.80	.1332	.1332	.1332
0.85	.0785	.0876	.1023
0.90	.0711	.0711	.0795
0.95	.0613	.0703	.0502
1.00	.0432	.0386	.0386
1.10			
1.20			
1.30			
1.40			

BETA ANGLE 5 DEG

BETA ANGLE MACH NO.	5 DEG	8
0.80	.0737	.1332
0.85	.0877	.0876
0.90	.0628	.1023
0.95	.0586	.1023
1.00	.0558	.0665
1.10	.0363	.0467
1.20		
1.30		
1.40		

AMES PRELIMINARY AERC-ACCOUSTIC DATA
TEST CONDUCTED 17-28 JAN 72

CONFIGURATION NO. 3
TRANSDUCER NO. 13

DELTA CPRMS

BETA ANGLE	0 DEG	8	4	8
MACH NO.			ALPHA-DEG C	
0.80	-8	.0684	.0684	.0684
0.85		.0783	.0783	.0783
0.90		.1023	.1023	.1023
0.95		.1108	.1108	.1108
1.00		.0670	.0753	.0753
1.10		.0462	.0462	.0462
1.20		.0371	.0371	.0371
1.30		.0295	.0295	.0295
1.40		.0250	.0250	.0250

AMES PRELIMINARY AERC-ACCOUSTIC DATA
TEST CONDUCTED 17-28 JAN 72

CONFIGURATION NO. 3
TRANSDUCER NO. 41

DELTA CPRMS

BETA ANGLE	0 DEG	-4	4	8
MACH NO.			ALPHA-DEG C	
0.80	-8	.0266	.0333	.0383
0.85		.0234	.0254	.0380
0.90		.0146	.0323	.0380
0.95		.0145	.0306	.0380
1.00		.0145	.0185	.0252
1.10		.0145	.0185	.0194
1.20		.0144	.0151	.0194
1.30		.0144	.0151	.0194
1.40		.0144	.0144	.0151

BETA ANGLE 5 DEG

BETA ANGLE	5 DEG	-8	4	8
MACH NO.			ALPHA-DEG C	
0.80	-8	.0200	.0350	.0631
0.85		.0234	.0600	.0785
0.90		.0212	.0785	.0586
0.95		.0167	.0178	.0335
1.00		.0115	.0115	.0170
1.10		.0115	.0115	.0170
1.20		.0115	.0115	.0170
1.30		.0115	.0115	.0170
1.40		.0115	.0115	.0170

BETA ANGLE 5 DEG

BETA ANGLE	5 DEG	-4	4	8
MACH NO.			ALPHA-DEG C	
0.80	-8	.0789	.0789	.0737
0.85		.0923	.0877	.0831
0.90		.0837	.0921	.0662
0.95		.0669	.0669	.0613
1.00		.0295	.0255	.0250
1.10		.0318	.0255	.0250
1.20		.0318	.0255	.0250
1.30		.0318	.0255	.0250
1.40		.0318	.0255	.0250

AMES PRELIMINARY AERC-ACCUSTIC DATA
TEST CCNDUCTEC 17-28 JAN 72

CONFIGURATION NO. 3
TRANSDUCER NO. 15

DELTA CFRMS

BETA ANGLE	C DEG	MACH NO.	ALPHA-DEG	0	4	8
0.80	-8	0.80	.0300	.0250	.0233	
0.85		0.85	.0157	.0125		
0.90		0.90	.0125	.0127		
0.95		0.95	.0117	.0126		
1.00		1.00	.0112	.0128		
1.10		1.10	.0129	.0172		
1.20		1.20	.0126			
1.30		1.30				
1.40		1.40				

BETA ANGLE 5 DEG

BETA ANGLE	5 DEG	MACH NO.	ALPHA-DEG	0	4	8
0.80	-8	0.80	.0666	.0616	.0500	.0316
0.85		0.85	.0134	.0134	.0129	.0134
0.90		0.90	.0105	.0117		.0130
0.95		0.95		.0117		.0167
1.00		1.00	.0122	.0165	.0172	.0151
1.10		1.10				
1.20		1.20				
1.30		1.30				
1.40		1.40				

AMES PRELIMINARY AERC-ACCUSTIC DATA
TEST CCNDUCTEC 17-28 JAN 72

CONFIGURATION NO. 3
TRANSDUCER NO. 16

DELTA CFRMS

BETA ANGLE	0 DEG	MACH NO.	ALPHA-DEG	0	4	8
0.80	-8	0.80	.1473	.1332	.1332	
0.85		0.85	.0831	.0969		
0.90		0.90	.0544	.0875		
0.95		0.95	.0558	.0586		
1.00		1.00	.0386	.0703		
1.10		1.10		.0547		
1.20		1.20		.0409		
1.30		1.30		.0386		
1.40		1.40				

BETA ANGLE 5 DEG

BETA ANGLE	5 DEG	MACH NO.	ALPHA-DEG	0	4	8
0.80	-8	0.80	.1332	.1105	.1105	.1210
0.85		0.85	.0646	.0646	.0877	.1016
0.90		0.90	.0586	.0586		.0711
0.95		0.95		.0529	.0494	.0565
1.00		1.00	.0522	.0386	.0341	.0386
1.10		1.10				
1.20		1.20				
1.30		1.30				
1.40		1.40				

AMES PRELIMINARY AERC-ACCUSTIC DATA
TEST CCNDUCTED 17-2E JAN 72

CONFIGURATION NO. 3
TRANSDUCER NO. 17

DELTA CFRMS

BETA ANGLE	0 DEG	8	4	8
MACH NO.			ALPHA-DEG	
0.80			.0233	.0237
0.85			.0245	.0245
0.90			.0277	.0292
0.95			.0300	.0300
1.00			.0167	.0153
1.10			.0135	.0135
1.20			.0117	.0117
1.30			.0100	.0100
1.40			.0172	.0050

AMES PRELIMINARY AERO-ACCLUSTIC DATA
TEST CCNDUCTED 17-28 JAN 72

CONFIGURATION NO. 3
TRANSDUCER NO. 42

DELTA CFRMS

BETA ANGLE	0 DEG	-8	-4	4	8
MACH NO.				ALPHA-DEG	
0.80			.0655	.0745	.0737
0.85			.0652	.0782	.0665
0.90			.0460	.0788	.0837
1.00			.0441	.0628	.0653
1.10			.0136	.0556	.0653
1.20				.0582	.0273
1.30				.0273	.0151
1.40				.0151	

AMES PRELIMINARY AERC-ACCUSTIC DATA
TEST CCNDUCTED 17-2E JAN 72

CONFIGURATION NO. 3
TRANSDUCER NO. 17

DELTA CFRMS

BETA ANGLE	0 DEG	8	4	8
MACH NO.			ALPHA-DEG	
0.80			.0368	.0300
0.85			.0438	.0346
0.90			.0377	.0358
0.95			.0200	.0200
1.00			.0158	.0154
1.10			.0215	.0136
1.20				
1.30				
1.40				

AMES PRELIMINARY AERC-ACCUSTIC DATA
TEST CCNDUCTED 17-2E JAN 72

CONFIGURATION NO. 3
TRANSDUCER NO. 17

DELTA CFRMS

BETA ANGLE	5 DEG	-8	-4	4	8
MACH NO.				ALPHA-DEG	
0.80			.0283	.0368	.0283
0.85			.0370	.0438	.0323
0.90			.0335	.0377	.0323
1.00			.0194	.0200	.0795
1.10			.0179	.0158	.0132
1.20					.0132
1.30					.0112
1.40					.0112

AMES PRELIMINARY AERC-ACCUSTIC DATA
TEST CONDUCTED 17-28 JAN 72

CONFIGURATION NO. 3
TRANSDUCER NO. 19

DELTA CPRMS

BETA ANGLE	0 DEG	5 DEG	8 DEG	4	8
MACH NO.	-8			ALPHA-DEG C	ALPHA-DEG C
0.80				.0350	.0383
0.85				.0372	
0.90				.0278	.0336
0.95				.0238	.0263
1.00				.0232	.0238
1.10				.0164	
1.20				.0150	.0150
1.30				.0187	
1.40				.0144	.0179

AMES PRELIMINARY AERC-ACCUSTIC DATA
TEST CONDUCTED 17-28 JAN 72

CONFIGURATION NO. 3
TRANSDUCER NO. 20

DELTA CPRMS

BETA ANGLE	0 DEG	5 DEG	8 DEG	-4	0	4	8
MACH NO.	-8			ALPHA-DEG C	ALPHA-DEG C	ALPHA-DEG C	ALPHA-DEG C
0.80				.0366	.0421	.0333	
0.85				.0372	.0567		
0.90				.0278	.0053	.0053	
0.95				.0238	.0048		
1.00				.0232	.0050	.0050	
1.10				.0164	.0050		
1.20				.0150	.0051	.0058	
1.30				.0187	.0034		
1.40				.0144	.0036	.0039	

BETA ANGLE	0 DEG	5 DEG	8 DEG	-4	4	8
MACH NO.	-8			ALPHA-DEG C	ALPHA-DEG C	ALPHA-DEG C
0.80				.0250	.0266	.0263
0.85				.0248	.0278	.0263
0.90				.0238		.0225
0.95				.0225		.0176
1.00					.0194	.0201
1.10						
1.20						
1.30						
1.40						

BETA ANGLE	0 DEG	5 DEG	8 DEG	-4	4	8
MACH NO.	-8			ALPHA-DEG C	ALPHA-DEG C	ALPHA-DEG C
0.80				.0266	.0333	.0416
0.85				.0052	.0051	.0277
0.90				.0050	.0050	.0052
0.95				.0046	.0051	.0053
1.00					.0036	.0041
1.10						.0039
1.20						
1.30						
1.40						

AMES PRELIMINARY AERC-ACCUSTIC DATA
TEST CONDUCTED 17-28 JAN 72

CONFIGURATION NC. 21 3
TRANSDUCER NC.

DELTA CPRMS

BETA ANGLE	0 DEG	8	4	8
MACH NO.	-8	-4	0	4
	ALPHA-DEG	ALPHA-DEG	ALPHA-DEG	ALPHA-DEG
0.80	.0283	.0368	.0526	.0368
0.85	.0254	.0254	.0462	.0254
0.90	.0164	.0278	.0118	.0164
0.95	.0096	.0105	.0126	.0096
1.00	.0084	.0058	.0105	.0084
1.10	.0093	.0053	.0143	.0093
1.20	.0093	.0053	.0143	.0093
1.30	.0093	.0053	.0143	.0093
1.40	.0093	.0053	.0143	.0093

AMES PRELIMINARY AERC-ACCUSTIC DATA
TEST CONDUCTED 17-28 JAN 72

CONFIGURATION NC. 22 3
TRANSDUCER NC.

DELTA CPRMS

BETA ANGLE	0 DEG	-8	-4	0	4	8
MACH NO.	-8	-4	0	4	8	8
	ALPHA-DEG	ALPHA-DEG	ALPHA-DEG	ALPHA-DEG	ALPHA-DEG	ALPHA-DEG
0.80	.0233	.0216	.0155	.0200	.0216	.0200
0.85	.0125	.0125	.0124	.0139	.0125	.0139
0.90	.0088	.0088	.0127	.0126	.0088	.0126
0.95	.0070	.0070	.0094	.0081	.0070	.0081
1.00	.0075	.0075	.0064	.0081	.0075	.0081
1.10	.0075	.0075	.0064	.0081	.0075	.0081
1.20	.0075	.0075	.0064	.0081	.0075	.0081
1.30	.0075	.0075	.0064	.0081	.0075	.0081
1.40	.0075	.0075	.0064	.0081	.0075	.0081

BETA ANGLE	5 DEG	-8	-4	0	4	8
MACH NO.	-8	-4	0	4	8	8
	ALPHA-DEG	ALPHA-DEG	ALPHA-DEG	ALPHA-DEG	ALPHA-DEG	ALPHA-DEG
0.80	.0216	.0263	.0421	.0526	.0684	.0216
0.85	.0131	.0168	.0263	.0462	.0646	.0131
0.90	.0119	.0132	.0132	.0199	.0199	.0119
1.00	.0081	.0103	.0103	.0145	.0145	.0081
1.10	.0075	.0108	.0108	.0151	.0204	.0075
1.20	.0075	.0108	.0108	.0151	.0204	.0075
1.30	.0075	.0108	.0108	.0151	.0204	.0075
1.40	.0075	.0108	.0108	.0151	.0204	.0075

AMES PRELIMINARY AERC-ACCUSTIC DATA
TEST CONDUCTED 17-28 JAN 72

CONFIGURATION NO. 3
TRANSDUCER NO. 23

DELTA CPRMS

MACH NO.	BETA ANGLE 0 DEG		BETA ANGLE 5 DEG	
	-8	-4	-4	-8
0.80	.0167	.0167	.0183	.0183
0.85	.0155	.0155	.0146	.0146
0.90	.0146	.0146	.0139	.0139
0.95	.0152	.0152	.0176	.0176
1.00	.0155	.0155	.0212	.0212
1.10	.0176	.0176	.0250	.0250
1.20	.0224	.0224	.0307	.0307
1.30	.0318	.0318		
1.40	.0318	.0318		

AMES PRELIMINARY AERC-ACCUSTIC DATA
TEST CONDUCTED 17-28 JAN 72

CONFIGURATION NO. 3
TRANSDUCER NO. 32

DELTA CPRMS

MACH NO.	BETA ANGLE 0 DEG		BETA ANGLE 5 DEG	
	-8	-4	-4	-8
0.80	.0263	.0263	.0233	.0233
0.85	.0438	.0438	.0245	.0245
0.90	.0438	.0438	.0346	.0346
0.95	.0438	.0438	.0438	.0438
1.00	.0146	.0146	.0192	.0192
1.10	.0145	.0145	.0135	.0135
1.20	.0145	.0145	.0112	.0112
1.30	.0119	.0119	.0122	.0122
1.40	.0119	.0119	.0100	.0100

AMES PRELIMINARY AERC-ACCUSTIC DATA
TEST CONDUCTED 17-28 JAN 72

CONFIGURATION NO. 3
TRANSDUCER NO. 23

DELTA CPRMS

MACH NO.	BETA ANGLE 0 DEG		BETA ANGLE 5 DEG	
	-8	-4	-4	-8
0.80	.0167	.0167	.0216	.0216
0.85	.0131	.0131	.0146	.0146
0.90	.0166	.0166	.0122	.0122
0.95	.0168	.0168	.0176	.0176
1.00	.0204	.0204	.0159	.0159
1.10			.0200	.0200
1.20				
1.30				
1.40				

AMES PRELIMINARY AERC-ACCUSTIC DATA
TEST CONDUCTED 17-28 JAN 72

CONFIGURATION NO. 3
TRANSDUCER NO. 32

DELTA CPRMS

MACH NO.	BETA ANGLE 0 DEG		BETA ANGLE 5 DEG	
	-8	-4	-4	-8
0.80	.0842	.0737	.0575	.0474
0.85	.0877	.0876	.0803	.0584
0.90	.0586	.0753	.0628	.0335
0.95	.0530	.0221	.0221	.0459
1.00	.0329	.0104	.0104	.0122
1.10				
1.20				
1.30				
1.40				

AMES PRELIMINARY AERC-ACCUSTIC DATA
TEST CONDUCTED 17-28 JAN 72

CONFIGURATION NC. 25
TRANSCUCER NC. 3

DELTA CPRMS

BETA ANGLE	0 DEG	4	8
MACH NO.	ALPHA-DEG		
0.80	-8	.0333	.0216
0.85	-4	.0356	.0365
0.90	.0439	.0409	.0305
0.95	.0503	.0502	.0389
1.00	.0460	.0256	.0335
1.10	.0256	.0250	.0250
1.20	.0256	.0228	
1.30	.0250		
1.40	.0250		

AMES PRELIMINARY AERC-ACCUSTIC DATA
TEST CONDUCTED 17-28 JAN 72

CONFIGURATION NC. 33
TRANSCUCER NC. 3

DELTA CPRMS

BETA ANGLE	0 DEG	-4	0	4
MACH NO.	ALPHA-DEG			
0.80	-8	.0283	.0300	.0300
0.85	.0283	.0205	.0263	.0321
0.90	.0205	.0485	.0238	.0331
0.95	.0225	.0176	.0212	.0229
1.00	.0252	.0272	.0341	
1.10	.0441			
1.20				
1.30				
1.40				

AMES PRELIMINARY AERC-ACCUSTIC DATA
TEST CONDUCTED 17-28 JAN 72

CONFIGURATION NC. 25
TRANSCUCER NC. 3

DELTA CPRMS

BETA ANGLE	5 DEG	-4	0	4
MACH NO.	ALPHA-DEG			
0.80	-8	.0526	.0526	.0526
0.85	.0508	.0579	.0531	.0554
0.90	.0508	.0568	.0586	.0586
0.95	.0439	.0460	.0441	.0406
1.00	.0441	.0441	.0406	.0250
1.10	.0261	.0250		
1.20				
1.30				
1.40				

AMES PRELIMINARY AERC-ACCUSTIC DATA
TEST CONDUCTED 17-28 JAN 72

CONFIGURATION NC. 33
TRANSCUCER NC. 3

DELTA CPRMS

BETA ANGLE	5 DEG	-4	0	4
MACH NO.	ALPHA-DEG			
0.80	-8	.0366	.0316	.0266
0.85	.0293	.0263	.0292	.0392
0.90	.0377	.0251	.0333	.0816
0.95	.0665	.0613	.0558	.0336
1.00	.0754	.0705	.0651	.0273
1.10				
1.20				
1.30				
1.40				

AMES PRELIMINARY AERC-ACCUSTIC DATA
TEST CONDUCTED 17-28 JAN 72

CONFIGURATION NC. 27
TRANSDUCER NC.

DELTA CPRMS

BETA ANGLE	0 DEG	4	8
MACH NC.	-8	-4	0
0.80	.0421	.0421	.0316
0.85			.0391
0.90		.0554	.0462
0.95			.0547
1.00		.0419	.0335
1.10			.0222
1.20		.0221	.0229
1.30			.0366
1.40		.0363	.0363

BETA ANGLE	0 DEG	-4	-8
MACH NC.	0	4	8
0.80	.0333	.0333	.0266
0.85			.0394
0.90		.0380	.0358
0.95		.0354	.0222
1.00		.0331	.0176
1.10		.0222	.0216
1.20		.0173	.0227
1.30			.0261
1.40		.0227	

AMES PRELIMINARY AERC-ACCUSTIC DATA
TEST CONDUCTED 17-28 JAN 72

CONFIGURATION NC. 28
TRANSDUCER NC.

DELTA CPRMS

BETA ANGLE	5 DEG	8	4
MACH NC.	-8	-4	0
0.80	.0421	.0368	.0350
0.85			.0415
0.90	.0462	.0462	.0415
0.95			.0335
1.00	.0419	.0314	.0353
1.10			.0353
1.20	.0353		.0329
1.30			.0341
1.40	.0318		

BETA ANGLE	5 DEG	-4	-8
MACH NC.	0	4	8
0.80	.0526	.0526	.0526
0.85			.0577
0.90	.0577	.0577	.0586
0.95			.0544
1.00	.0586	.0544	.0502
1.10			.0502
1.20	.0530	.0530	.0502
1.30			.0558
1.40	.0409	.0409	.0568

AMES PRELIMINARY AERO-ACCUSTIC DATA
 TEST CONDUCTED 17-28 JAN 72
 CONFIGURATION NO. 29
 TRANSDUCER NO. 3

DELTA CPRMS

BETA ANGLE	C DEG	MACH NO.	ALPHA-DEG	0	4	8
	-8					
0.80			.0432	.0466		
0.85			.0434			
0.90			.0410	.0468		
0.95			.0444			
1.00			.0332	.0370		
1.10			.0222			
1.20			.0200	.0206		
1.30			.0200			
1.40			.0186	.0222		

AMES PRELIMINARY AERO-ACCUSTIC DATA
 TEST CONDUCTED 17-28 JAN 72
 CONFIGURATION NO. 30
 TRANSDUCER NO. 3

DELTA CPRMS

BETA ANGLE	0 DEG	MACH NO.	ALPHA-DEG	0	4	8
	-8					
0.80			.0432	.0466	.0532	
0.85			.0410	.0434		
0.90			.0384	.0416	.0526	
0.95			.0362	.0358	.0450	
1.00			.0352	.0352	.0424	
1.10			.0322	.0344		
1.20				.0302	.0330	

AMES PRELIMINARY AERO-ACCUSTIC DATA
 TEST CONDUCTED 17-28 JAN 72
 CONFIGURATION NO. 29
 TRANSDUCER NO. 3

DELTA CPRMS

BETA ANGLE	5 DEG	MACH NO.	ALPHA-DEG	0	4	8
	-8					
0.80			.0666	.0666	.0732	
0.85			.0584	.0642		
0.90			.0586			
0.95			.0582		.0544	
1.00			.0424	.0458	.0564	
1.10			.0454	.1408	.0500	

AMES PRELIMINARY AERO-ACCUSTIC DATA
 TEST CONDUCTED 17-28 JAN 72
 CONFIGURATION NO. 30
 TRANSDUCER NO. 3

DELTA CPRMS

BETA ANGLE	5 DEG	MACH NO.	ALPHA-DEG	0	4	8
	-8					
0.80			.0732	.0666	.0666	.0732
0.85			.0740	.0702	.0702	
0.90			.0838	.0636	.0702	
0.95			.0600	.0530	.0636	.0716
1.00			.0476	.0476	.0636	.0812
1.10				.0476	.0522	.0546

AMES PRELIMINARY AERC-ACCUSTIC DATA
 TEST CONDUCTED 17-28 JAN 72

CONFIGURATION NC. 3
 TRANSDUCER NC. 40

DELTA CPRMS

BETA ANGLE 0 DEG		BETA ANGLE 5 DEG	
MACH NO.	ALPHA-DEG C	MACH NC.	ALPHA-DEG C
0.80	.0250	0.80	.0216
0.85	.0248	0.85	.0234
0.90	.0234	0.90	.0225
0.95	.0222	1.00	.0194
1.00	.0185	1.10	.0165
1.10	.0123	1.20	
1.20	.0106	1.30	
1.30	.0093	1.40	
1.40			

MACH NO.	ALPHA-DEG C	MACH NC.	ALPHA-DEG C
0.80	.0283	0.80	.0233
0.85	.0263	0.85	.0234
0.90	.0185	0.90	.0199
0.95	.0106	1.00	.0184
1.00	.0106	1.10	.0167
1.10	.0125	1.20	.0172
1.20		1.30	
1.30		1.40	
1.40			

AMES PRELIMINARY AERC-ACCUSTIC DATA
TEST CONDUCTED 17-28 JAN 72

CONFIGURATICN NC. 4
RUN NC. 165
MACF NO. 1.40
CYN PRESSURE-Q (FLIGHT) 645 PSF

ALPHA ANGLE -8 DEG
BETA ANGLE 5 DEG

TRANSDUCER NO	DELTA CPRMS	DB
1	0.0038	135.4
4	0.0078	141.6
6	0.0057	138.9
8	0.0053	143.1
9	0.0100	143.8
10	0.0057	138.9
11	0.0045	137.6
12	0.0453	156.9
13	0.0245	151.7
14	0.0136	146.4
15	0.0074	141.2
16	0.0358	154.9
17	0.0093	143.1
19	0.0129	146.0
20	0.0045	136.8
22	0.0064	139.9
24	0.0237	151.3
25	0.0260	152.1
27	0.0588	159.2
32	0.0100	143.8
33	0.0716	160.9
34	0.0107	144.4
35	0.0143	146.9
36	0.0317	153.8
38	0.0566	158.8
40	0.0169	148.3
43	0.0100	143.8
44	0.0047	137.2
45	0.0053	143.1
46	0.0339	154.4

AMES PRELIMINARY AERO-ACCUSTIC DATA
TEST CONDUCTED 17-28 JAN 72

CONFIGURATICN NO. 4
RUN NO. 166
MACF NO. 1.40
CYN PRESSURE-Q (FLIGHT) 645 PSF

ALPHA ANGLE -4 DEG
BETA ANGLE 5 DEG

TRANSDUCER NO	DELTA CPRMS	DB
1	0.0043	136.4
4	0.0086	142.5
6	0.0052	138.1
8	0.0107	144.4
9	0.0136	146.4
10	0.0047	137.2
11	0.0049	137.6
12	0.0405	155.9
13	0.0226	150.9
14	0.0114	144.9
15	0.0074	141.2
16	0.0264	152.2
17	0.0085	142.8
19	0.0153	149.5
20	0.0049	137.6
22	0.0071	140.8
24	0.0200	149.8
25	0.0271	152.4
27	0.0540	158.4
32	0.0100	143.8
33	0.0930	163.1
34	0.0093	143.1
35	0.0114	144.5
36	0.0320	153.9
38	0.0520	158.1
40	0.0181	148.9
43	0.0093	143.1
44	0.0045	136.8
45	0.0078	141.6
46	0.0271	152.4

AMES PRELIMINARY AERC-ACCUSTIC DATA
TEST CONDUCTED 17-28 JAN 72

CONFIGURATION NC. 4
RUN NO. 167
MACF NC. 1.40
DYN PRESSURE-Q (FLIGHT) 645 PSF

ALPHA ANGLE -4 DEG
BETA ANGLE C DEG

AMES PRELIMINARY AERC-ACCUSTIC DATA
TEST CONDUCTED 17-28 JAN 72

CONFIGURATION NO. 4
RUN NC. 168
MACF NO. 1.40
DYN PRESSURE-Q (FLIGHT) 645 PSF

ALPHA ANGLE C DEG
BETA ANGLE 5 DEG

TRANSDUCER NC	DELTA C PRMS	LB	TRANSDUCER NO	DELTA C PRMS	DB
1	0.0043	136.4	1	0.0048	137.4
4	0.0078	141.6	4	0.0053	143.1
6	0.0254	153.1	6	0.0019	129.3
8	0.0157	147.7	8	0.0150	147.3
9	0.0214	150.4	9	0.0200	149.8
10	0.0068	140.4	10	0.0052	138.1
11	0.0043	136.4	11	0.0054	128.4
12	0.0226	150.9	12	0.0294	153.1
13	0.0152	149.4	13	0.0136	146.4
14	0.0053	143.1	14	0.0100	143.8
15	0.0081	141.9	15	0.0077	141.5
16	0.0175	148.8	16	0.0272	152.5
17	0.0085	142.8	17	0.0093	143.1
19	0.0086	142.5	19	0.0136	146.4
20	0.0052	138.1	20	0.0025	131.7
22	0.0072	140.9	22	0.0172	148.5
24	0.0175	148.8	24	0.0272	152.5
25	0.0271	152.4	25	0.0450	156.8
27	0.0358	154.9	27	0.0542	158.5
32	0.0053	143.1	32	0.0066	142.5
33	0.0430	156.4	33	0.0788	161.7
34	0.0066	142.5	34	0.0079	141.7
35	0.0107	144.4	35	0.0143	146.9
36	0.0317	153.8	36	0.0362	154.9
38	0.0271	152.4	38	0.0362	154.9
40	0.0100	143.8	40	0.0086	142.5
43	0.0066	142.5	43	0.0072	140.9
44	0.0047	137.2	44	0.0043	136.4
45	0.0072	140.9	45	0.0072	140.9
46	0.0107	144.4	46	0.0204	150.0

AMES PRELIMINARY AERC-ACCUSTIC DATA
TEST CCNCLCTED 17-28 JAN 72

CCNFIGURATICN NC. 4
RUN NC. 169
MACF NO. 1.40
CYN PRESSURE-Q (FLIGHT) 645 PSF

ALPHA ANGLE C DEG
BETA ANGLE C DEG

TRANSDUCER NC	DELTACFRMS	DB
1	0.0045	136.8
4	0.0086	142.5
6	0.0215	150.4
8	0.0175	148.8
9	0.0272	152.5
10	0.0052	138.1
11	0.0043	136.4
12	0.0226	150.9
13	0.0226	150.9
14	0.0093	143.1
15	0.0077	141.5
16	0.0143	146.9
17	0.0104	144.1
19	0.0075	141.3
20	0.0042	136.2
22	0.0089	142.8
24	0.0179	148.8
25	0.0227	150.9
27	0.0258	152.0
32	0.0086	142.5
33	0.0453	156.9
34	0.0072	140.9
35	0.0121	145.4
36	0.0254	153.1
38	0.0215	150.4
40	0.0066	142.5
43	0.0078	141.6
44	0.0043	136.4
45	0.0025	133.0
46	0.0104	144.1

AMES PRELIMINARY AERC-ACCUSTIC DATA
TEST CCNCLCTED 17-28 JAN 72

CCNFIGURATICN NC. 4
RUN NC. 170
MACF NO. 1.40
DYN PRESSURE-Q (FLIGHT) 645 PSF

ALPHA ANGLE 4 DEG
BETA ANGLE 5 DEG

TRANSDUCER NC	DELTACFRMS	DB
1	0.0054	138.4
4	0.0093	143.1
6	0.0055	135.2
8	0.0226	150.9
9	0.0254	153.1
10	0.0056	138.7
11	0.0056	138.7
12	0.0286	152.9
13	0.0136	146.4
14	0.0075	141.7
15	0.0072	140.9
16	0.0315	153.7
19	0.0128	145.9
20	0.0042	136.2
22	0.0075	141.7
24	0.0192	149.4
25	0.0260	152.1
27	0.0588	155.2
32	0.0066	140.2
33	0.0430	156.4
34	0.0089	142.8
35	0.0143	146.9
36	0.0476	157.3
38	0.0294	153.1
40	0.0111	144.7
43	0.0086	142.5
44	0.0040	135.8
45	0.0075	141.3
46	0.0204	150.0

AMES PRELIMINARY AERC-ACCUSTIC DATA
TEST CCNDUCTED 17-28 JAN 72

CONFIGURATION NC. 4
RUN NO. 171
MACF NC. 1.40
DYN PRESSURE-Q (FLIGHT) 645 PSF

ALPHA ANGLE 4 DEG
BETA ANGLE C DEG

TRANSDUCER NO	CELTACPRMS	CB
1	0.0054	138.4
4	0.0093	143.1
6	0.0186	149.2
8	0.0543	158.5
9	0.0254	153.1
10	0.0057	138.9
11	0.0041	136.0
12	0.0152	145.4
13	0.0100	143.8
14	0.0685	142.8
15	0.0079	141.7
16	0.0150	147.3
17	0.0068	140.4
19	0.0070	140.7
20	0.0042	136.2
22	0.0090	142.9
24	0.0168	148.3
25	0.0222	150.7
27	0.0250	151.7
32	0.0675	141.7
33	0.0498	157.7
34	0.0082	142.0
35	0.0053	143.1
36	0.0271	152.4
38	0.0215	150.4
40	0.0075	141.3
43	0.0072	140.9
44	0.0041	136.0
45	0.0075	141.3
46	0.0104	144.1

AMES PRELIMINARY AERC-ACCUSTIC DATA
TEST CCNDUCTED 17-28 JAN 72

CONFIGURATION NG. 4
RUN NC. 172
MACF NC. 1.40
DYN PRESSURE-C (FLIGHT) 645 PSF

ALPHA ANGLE E DEG
BETA ANGLE 5 DEG

TRANSDUCER NO	CELTACPRMS	DB
1	0.0061	139.5
4	0.0053	143.1
6	0.0072	140.9
8	0.0245	151.7
9	0.0358	154.9
10	0.0066	140.2
11	0.0066	140.2
12	0.0254	153.1
13	0.0143	146.9
14	0.0086	142.5
15	0.0072	140.9
16	0.0254	153.1
17	0.0086	142.5
19	0.0057	143.5
20	0.0041	136.0
22	0.0082	142.0
24	0.0204	150.0
27	0.0634	159.8
32	0.0072	140.9
33	0.0271	152.4
34	0.0061	139.5
35	0.0271	152.4
36	0.0543	158.5
38	0.0282	152.8
40	0.0104	144.1
43	0.0075	141.7
44	0.0035	135.6
45	0.0079	141.7
46	0.0208	150.1

AMES PRELIMINARY AERC-ACGUSTIC DATA
TEST CCNDUCTED 17-28 JAN 72

CONFIGURATION NO. 4
RUN NC. 173
MACH NO. 1.30
DYN PRESSURE-Q (FLIGHT) 630 PSF

ALPHA ANGLE C DEG
BETA ANGLE 0 DEG

TRANSDUCER NO	DELTA CPRMS	DB
1	0.0031	133.4
4	0.0087	142.4
6	0.0152	147.2
8	0.0224	150.6
9	0.0058	138.8
10	0.0045	136.6
11	0.0274	152.3
12	0.0206	149.8
13	0.0101	143.7
14	0.0080	141.6
15	0.0159	147.6
16	0.0080	141.6
17	0.0216	150.3
19	0.0042	136.0
20	0.0065	139.8
22	0.0180	148.7
24	0.0217	150.3
25	0.0456	156.7
27	0.0080	141.6
32	0.0137	146.3
34	0.0343	154.3
35	0.0286	152.7
38	0.0152	147.2
40	0.0082	142.0
43	0.0046	136.8
44	0.0076	141.2
45	0.0152	147.2
46		

AMES PRELIMINARY AERC-ACGUSTIC DATA
TEST CCNDUCTED 17-28 JAN 72

CONFIGURATION NO. 4
RUN NC. 174
MACH NO. 1.20
DYN PRESSURE-C (FLIGHT) 610 PSF

ALPHA ANGLE -8 DEG
BETA ANGLE 5 DEG

TRANSDUCER NC	DELTA CPRMS	CB
1	0.0045	137.1
4	0.0106	143.8
6	0.0058	138.6
8	0.0085	142.3
9	0.0089	142.3
10	0.0100	143.3
11	0.0139	146.1
12	0.0558	158.2
13	0.0175	148.3
14	0.0176	148.2
15	0.0055	142.8
16	0.0529	157.8
17	0.0159	147.3
19	0.0176	148.2
20	0.0048	136.9
22	0.0012	140.4
24	0.0211	149.8
25	0.0300	152.8
27	0.0704	160.2
32	0.0151	146.9
33	0.0665	155.8
34	0.0149	146.8
35	0.0176	148.2
36	0.0441	156.2
38	0.0780	161.1
40	0.0225	150.5
43	0.0176	148.2
44	0.0067	139.8
45	0.0370	154.7
46	0.1500	166.8

AMES PRELIMINARY AERC-ACCUSTIC DATA
TEST CCNDUCTED 17-28 JAN 72

CONFIGURATICN NC. 4
RUN NO. 175
MACH NC. 1.20
DYN PRESSURE-Q (FLIGHT) 610 PSF

ALPHA ANGLE -4 DEG
BETA ANGLE 5 DEG

TRANSDUCER NC	DELTACFRMS	DB
1	0.0C55	138.1
4	0.0111	144.2
6	0.0C73	140.6
8	0.0095	142.8
9	0.0100	143.3
10	0.0084	141.8
11	0.0111	144.2
12	0.0474	156.8
13	0.0162	147.5
14	0.0156	147.2
15	0.0C85	142.3
16	0.0525	157.8
17	0.0138	146.1
19	0.0212	149.8
20	0.0C48	136.9
22	0.0075	140.8
24	0.0229	150.5
25	0.0317	153.3
27	0.067C	159.8
32	0.0145	146.5
33	0.0893	162.3
34	0.0132	145.7
35	0.0150	146.8
36	0.0459	156.5
38	0.0665	159.8
40	0.0212	149.8
43	0.0134	145.8
44	0.0061	139.0
45	0.0C89	142.3
46	0.0353	154.2

AMES PRELIMINARY AERO-ACCUSTIC DATA
TEST CCNDUCTED 17-28 JAN 72

CONFIGURATION NO. 4
RUN NC. 176
MACH NC. 1.20
DYN PRESSURE-Q (FLIGHT) 610 PSF

ALPHA ANGLE -4 DEG
BETA ANGLE 0 DEG

TRANSDUCER NO	DELTACPRMS	DB
1	0.0048	136.9
4	0.0311	144.2
6	0.0176	148.2
8	0.0111	144.2
9	0.0139	146.1
10	0.0084	141.8
11	0.0067	139.8
12	0.0370	154.7
13	0.0162	147.5
14	0.0123	145.1
15	0.0095	142.8
16	0.0229	150.5
17	0.0134	145.8
19	0.0175	148.3
20	0.0051	137.4
22	0.0073	140.6
24	0.0247	151.1
25	0.0282	152.3
27	0.0776	161.1
32	0.0123	145.1
33	0.0282	152.3
34	0.0123	145.1
35	0.0162	147.5
36	0.0476	156.8
38	0.0423	155.8
40	0.0154	149.0
43	0.0134	145.8
44	0.0056	138.3
45	0.0166	143.8
46	0.0240	150.9

AMES PRELIMINARY AERC-ACCUSTIC DATA
TEST CCNDUCTED 17-28 JAN 72

CCNFIGURATION NC. 4
RUN NC. 177
MACH NC. 1.20
DYN PRESSURE-Q (FLIGHT) 610 PSF

ALPHA ANGLE C DEG
BETA ANGLE C DEG

TRANSDUCER NC	DELTA CP RMS	CB
1	0.0067	135.8
4	0.0117	144.7
6	0.0100	143.3
8	0.0100	143.3
9	0.0123	145.1
10	0.0072	140.4
11	0.0106	143.8
12	0.0353	154.2
13	0.0201	145.4
14	0.0128	145.4
15	0.0089	142.3
16	0.0441	156.2
17	0.0151	146.9
19	0.0176	148.2
20	0.0056	138.3
22	0.0084	141.8
24	0.0265	151.8
25	0.0350	155.1
27	0.0318	153.3
32	0.0123	145.1
33	0.0837	161.7
34	0.0117	144.7
35	0.0307	153.0
36	0.0529	157.8
38	0.0557	158.2
40	0.0176	148.2
43	0.0139	146.1
44	0.0056	138.3
45	0.0089	142.3
46	0.0335	153.8

AMES PRELIMINARY AERC-ACCUSTIC DATA
TEST CCNDUCTED 17-28 JAN 72

CCNFIGURATION NC. 4
RUN NC. 178
MACH NC. 1.20
DYN PRESSURE-Q (FLIGHT) 610 PSF

ALPHA ANGLE C DEG
BETA ANGLE C DEG

TRANSDUCER NC	DELTA CP RMS	CB
1	0.0055	138.1
4	0.0111	144.2
6	0.0151	146.9
8	0.0139	146.1
9	0.0139	146.1
10	0.0078	141.1
11	0.0067	135.8
12	0.0335	153.8
13	0.0150	146.8
14	0.0128	145.4
15	0.0095	142.8
16	0.0184	148.6
17	0.0117	144.7
19	0.0176	148.2
20	0.0056	138.3
22	0.0073	140.6
24	0.0265	151.8
25	0.0282	152.3
27	0.0740	160.7
32	0.0117	144.7
33	0.0265	151.8
35	0.0203	149.4
36	0.0529	157.8
38	0.0441	156.2
40	0.0154	149.0
43	0.0123	145.1
44	0.0056	138.3
45	0.0111	144.2
46	0.0251	151.3

AMES PRELIMINARY AERC-ACCUSTIC DATA
TEST CONDUCTED 17-28 JAN 72

CONFIGURATICN NO. 4
RUN NC. 179
MACH NC. 1.20
DYN PRESSURE-Q (FLIGHT) 610 PSF

ALPHA ANGLE 4 DEG
BETA ANGLE 5 DEG

TRANSDUCER NO	DELTA C PRMS	DB
1	0.0071	140.3
4	0.0117	144.7
6	0.0123	145.1
8	0.0176	148.2
9	0.0184	148.6
10	0.0073	140.6
11	0.0111	144.2
12	0.0317	153.3
13	0.0212	149.8
14	0.0128	145.4
15	0.0089	142.3
16	0.0388	155.1
17	0.0098	143.1
19	0.0156	147.2
20	0.0061	139.0
22	0.0078	141.1
24	0.0406	155.5
27	0.0564	158.3
32	0.0100	143.3
33	0.0388	155.1
34	0.0111	144.2
35	0.0418	155.7
36	0.0614	159.1
38	0.0406	155.5
40	0.0151	146.9
43	0.0128	145.4
44	0.0056	138.3
45	0.0095	142.8
46	0.0300	152.8

AMES PRELIMINARY AERC-ACCUSTIC DATA
TEST CONDUCTED 17-28 JAN 72

CONFIGURATICN NO. 4
RUN NC. 180
MACH NC. 1.20
DYN PRESSURE-Q (FLIGHT) 610 PSF

ALPHA ANGLE 4 DEG
BETA ANGLE C DEG

TRANSDUCER NO	DELTA C PRMS	DB
1	0.0060	138.9
4	0.0116	144.6
6	0.0137	146.0
8	0.0176	148.2
9	0.0265	151.8
10	0.0075	140.8
11	0.0067	135.8
12	0.0265	151.8
13	0.0145	146.5
14	0.0122	145.0
15	0.0095	142.8
16	0.0255	152.6
17	0.0111	144.2
19	0.0167	147.7
20	0.0061	139.0
22	0.0080	141.4
24	0.0265	151.8
25	0.0291	152.6
27	0.0706	160.3
32	0.0117	144.7
33	0.0388	155.1
34	0.0100	143.3
35	0.0282	152.3
36	0.0512	157.5
38	0.0441	156.2
40	0.0150	148.9
43	0.0111	144.2
44	0.0056	138.3
45	0.0117	144.7
46	0.0278	152.2

AMES PRELIMINARY AERC-ACCUSTIC DATA
TEST CCNDUCTED 17-28 JAN 72

CONFIGURATICN NC. 4
RUN NC. 181
MACF NC. 1.20
CYN PRESSURE-C (FLIGHT) 610 PSF

ALPHA ANGLE 8 DEG
BETA ANGLE 5 DEG

TRANSDUCER NC	CELTACFRMS	CB
1	0.0077	141.0
4	0.0117	144.7
6	0.0131	145.6
8	0.0282	152.3
9	0.0282	152.3
10	0.0072	140.4
11	0.0128	145.4
12	0.0300	152.8
13	0.0247	151.1
14	0.0145	146.5
15	0.0100	143.2
16	0.0388	155.1
17	0.0103	143.5
19	0.0128	145.4
20	0.0056	138.3
22	0.0084	141.8
24	0.0247	151.1
25	0.0370	154.7
27	0.0634	155.3
32	0.0106	143.8
33	0.0273	152.0
34	0.0100	143.3
35	0.0317	153.3
36	0.0665	155.8
38	0.0370	154.7
40	0.0135	146.1
43	0.0128	145.4
44	0.0061	139.0
45	0.0054	142.8
46	0.0265	151.8

AMES PRELIMINARY AERC-ACCUSTIC DATA
TEST CCNDUCTED 17-28 JAN 72

CONFIGURATICN NC. 4
RUN NO. 182
MACF NC. 1.10
DYN PRESSURE-Q (FLIGHT) 585 PSF

ALPHA ANGLE 0 DEG
BETA ANGLE C DEG

TRANSDUCER NO	DELTACFRMS	CB
1	0.0056	137.9
4	0.0140	145.8
6	0.0146	146.2
8	0.0117	144.3
9	0.0158	146.5
10	0.0094	142.4
11	0.0187	148.4
12	0.0468	156.3
13	0.0240	150.5
14	0.0128	145.1
15	0.0117	144.3
16	0.0352	153.9
17	0.0123	144.7
19	0.0185	148.3
20	0.0052	137.2
22	0.0108	143.6
24	0.0259	151.2
25	0.0342	153.6
27	0.0888	161.9
32	0.0129	145.1
33	0.0203	149.1
34	0.0103	143.2
35	0.0185	148.3
36	0.0462	156.2
38	0.0370	154.3
40	0.0198	148.9
43	0.0120	144.5
44	0.0064	139.0
45	0.0105	143.3
46	0.0277	151.8

AMES PRELIMINARY AERO-ACCLUSTIC DATA
TEST CONDUCTED 17-28 JAN 72

CONFIGURATION NO. 4
RUN NO. 183
MACH NO. 1.00
DYN PRESSURE-Q (FLIGHT) 550 PSF

AMES PRELIMINARY AERO-ACCLUSTIC DATA
TEST CONDUCTED 17-28 JAN 72

CONFIGURATION NO. 4
RUN NO. 184
MACH NO. 1.00
DYN PRESSURE-Q (FLIGHT) 550 PSF

ALPHA ANGLE -8 DEG
BETA ANGLE 5 DEG

ALPHA ANGLE -4 DEG
BETA ANGLE 5 DEG

TRANSDUCER NO	DELTA C PRMS	DB	TRANSDUCER NO	DELTA C PRMS	DB
1	0.0065	138.6	1	0.0056	137.4
4	0.0152	146.0	4	0.0172	147.1
6	0.0132	144.8	6	0.0146	145.7
8	0.0084	140.9	8	0.0104	142.7
9	0.0082	140.7	9	0.0083	140.8
10	0.0071	135.4	10	0.0071	139.4
11	0.0159	146.4	11	0.0152	146.0
12	0.0544	157.1	12	0.0502	156.4
13	0.0251	151.7	13	0.0238	149.9
14	0.0185	147.7	14	0.0211	148.9
15	0.0189	143.1	15	0.0183	142.6
16	0.0251	150.4	16	0.0251	150.4
17	0.0172	147.1	17	0.0172	147.1
19	0.0330	152.8	19	0.0313	152.3
20	0.0059	137.8	20	0.0059	137.8
22	0.0080	140.5	22	0.0084	140.9
24	0.0251	150.4	24	0.0301	152.0
25	0.0357	154.4	25	0.0418	154.8
27	0.0330	152.8	27	0.0330	152.8
32	0.0198	148.3	32	0.0242	150.1
33	0.0544	157.1	33	0.0502	156.4
34	0.0146	145.7	34	0.0146	145.7
35	0.0152	146.0	35	0.0116	143.7
36	0.0628	156.3	36	0.0711	155.4
38	0.0963	162.1	38	0.0837	160.8
40	0.0331	152.8	40	0.0251	150.4
43	0.0238	149.9	44	0.0111	143.3
44	0.0088	141.3	45	0.0132	144.8
45	0.0115	143.5	46	0.0460	155.6
46	0.0523	156.8			

AMES PRELIMINARY AERC-ACCUSTIC DATA
TEST CONDUCTED 17-28 JAN 72

CONFIGURATICN NC. 4
RUN NO. 185
MACH NC. 1.00
DYN PRESSURE-Q (FLIGHT) 550 PSF

AMES PRELIMINARY AERC-ACCUSTIC DATA
TEST CONDUCTED 17-28 JAN 72

CONFIGURATICN NC. 4
RUN NO. 186
MACH NC. 1.00
DYN PRESSURE-Q (FLIGHT) 550 PSF

ALPHA ANGLE -4 DEG
BETA ANGLE C DEG

ALPHA ANGLE 0 DEG
BETA ANGLE S DEG

TRANSUDGER NC	DELTA CFFMS	CB	TRANSUDGER NC	DELTA CFFMS	CB
1	0.0059	137.8	1	0.0063	138.4
4	0.0152	146.0	4	0.0178	147.4
6	0.0238	149.9	6	0.0172	147.1
8	0.0100	142.4	8	0.0092	141.7
9	0.0125	144.3	9	0.0062	138.2
10	0.0071	139.4	10	0.0065	138.6
11	0.0211	148.9	11	0.0185	147.7
12	0.0544	157.1	12	0.0502	156.4
13	0.0198	148.3	13	0.0232	149.7
14	0.0135	145.2	14	0.0165	146.7
15	0.0112	143.5	15	0.0104	142.7
16	0.0384	154.1	16	0.0251	151.7
17	0.0146	145.7	17	0.0159	146.4
19	0.0238	149.9	19	0.0230	149.6
20	0.0054	137.0	20	0.0055	137.8
22	0.0052	141.7	22	0.0052	141.7
24	0.0565	157.4	24	0.0368	153.7
25	0.0502	156.4	25	0.0544	157.1
27	0.1088	163.1	27	0.1046	162.8
32	0.0152	146.0	32	0.0159	148.4
33	0.0265	150.9	33	0.0205	148.6
34	0.0117	143.8	34	0.0132	144.8
35	0.0132	144.8	35	0.0259	150.7
36	0.0732	159.7	36	0.1255	164.4
38	0.0502	156.4	38	0.0690	156.2
40	0.0251	150.4	40	0.0264	150.8
43	0.0146	145.7	43	0.0152	146.0
44	0.0067	138.9	44	0.0185	147.7
45	0.0126	144.4	45	0.0132	144.8
46	0.0410	154.6	46	0.0419	154.8

AMES PRELIMINARY AERC-ACCUUSTIC DATA
TEST CCNDUCTED 17-28 JAN 72

AMES PRELIMINARY AERC-ACCUUSTIC DATA
TEST CCNDUCTED 17-28 JAN 72

CONFIGURATION NO. 4
RUN NC. 187
MACF NO. 1.00
CYN PRESSURE-Q (FLIGHT) 550 PSF

CCNFIGURATION NO. 4
RUN NO. 188
MACF NO. 1.00
CYN PRESSURE-Q (FLIGHT) 550 PSF

ALPHA ANGLE C DEG
BETA ANGLE 0 DEG

ALPHA ANGLE 4 DEG
BETA ANGLE 5 DEG

TRANSDUCER NC	DELTACPRMS	DB	TRANSDUCER NC	DELTACPRMS	CB
1	0.0050	136.4	1	0.0067	138.5
4	0.0165	146.7	4	0.0172	147.1
6	0.0224	149.4	6	0.0152	146.0
8	0.0112	143.4	8	0.0115	143.5
9	0.0125	144.3	9	0.0211	148.9
10	0.0067	138.9	10	0.0067	138.9
11	0.0179	147.4	11	0.0225	149.4
12	0.0544	157.1	12	0.0502	156.4
13	0.0191	148.0	13	0.0265	150.5
14	0.0146	145.7	14	0.0158	146.4
15	0.0117	143.8	15	0.0117	143.8
16	0.0490	156.2	16	0.0753	159.9
17	0.0139	145.2	17	0.0145	145.6
19	0.0158	148.3	19	0.0225	149.4
20	0.0056	137.4	20	0.0059	137.8
22	0.0105	142.8	22	0.0096	142.0
24	0.0627	158.3	24	0.0397	154.4
25	0.0586	157.7	25	0.0502	156.4
27	0.1004	162.4	27	0.0962	162.1
32	0.0158	146.4	32	0.0158	148.3
33	0.0278	151.3	33	0.0962	162.1
34	0.0117	143.8	34	0.0125	144.3
35	0.0158	146.4	35	0.0418	154.8
36	0.0665	158.9	36	0.0878	161.3
38	0.0439	155.2	38	0.0544	157.1
40	0.0211	148.9	40	0.0231	149.7
43	0.0122	144.8	43	0.0145	145.6
44	0.0060	138.0	44	0.0139	145.2
45	0.0146	145.7	45	0.0139	145.2
46	0.0125	144.3	46	0.0419	154.8

AMES PRELIMINARY AERC-ACCUSTIC DATA
TEST CONDUCTED 17-28 JAN 72

CONFIGURATION NC. 4
RUN NC. 189
MACH NC. 1.00
DYN PRESSURE-Q (FLIGHT) 550 PSF

ALPHA ANGLE 4 DEG
BETA ANGLE 0 DEG

TRANSDUCER NC	DELTACFRMS	CB
1	0.0065	138.6
4	0.0175	147.4
6	0.0179	147.4
8	0.0172	147.1
9	0.0167	146.8
10	0.0079	140.3
11	0.0314	152.3
12	0.0628	158.3
13	0.0155	148.4
14	0.0145	145.6
15	0.0117	143.8
16	0.0523	156.8
17	0.0132	144.8
19	0.0172	147.1
20	0.0057	137.5
22	0.0126	144.4
24	0.0544	157.1
25	0.0565	157.4
27	0.0878	161.3
32	0.0155	146.4
33	0.0371	153.8
34	0.0115	143.5
35	0.0272	151.1
36	0.0628	158.3
38	0.0357	154.4
40	0.0205	148.6
43	0.0115	143.5
44	0.0061	138.1
45	0.0145	145.6
46	0.0357	154.4

AMES PRELIMINARY AERC-ACCUSTIC DATA
TEST CONDUCTED 17-28 JAN 72

CONFIGURATION NO. 4
RUN NC. 190
MACH NC. 1.00
DYN PRESSURE-Q (FLIGHT) 550 PSF

ALPHA ANGLE 6 DEG
BETA ANGLE 5 DEG

TRANSDUCER NC	DELTACFRMS	DB
1	0.0071	139.4
4	0.0185	147.7
6	0.0146	145.7
8	0.0130	144.7
9	0.0159	146.4
10	0.0071	135.4
11	0.0253	151.7
12	0.0586	157.7
13	0.0265	150.5
14	0.0198	148.3
15	0.0126	144.4
16	0.0711	159.4
17	0.0126	144.4
19	0.0158	148.3
20	0.0059	137.8
22	0.0146	145.7
24	0.0331	152.8
25	0.0544	157.1
27	0.0562	162.1
32	0.0159	146.4
33	0.0665	158.9
34	0.0105	142.8
35	0.0314	152.3
36	0.0520	161.7
38	0.0502	156.4
40	0.0218	149.2
43	0.0132	144.8
44	0.0291	151.7
45	0.0185	147.7
46	0.0429	155.2

AMES PRELIMINARY AERQ-ACCUSTIC DATA
TEST CONDUCTED 17-28 JAN 72

CONFIGURATION NO. 4
RUN NO. 191
MACH NO. 0.95
DYN PRESSURE-C (FLIGHT) 535 PSF

ALPHA ANGLE C DEG
BETA ANGLE O DEG

TRANSDUCER NC	DELTACPRMS	CB
1	0.0047	135.6
4	0.0180	147.3
6	0.0438	155.0
8	0.0105	142.5
9	0.0144	145.3
10	0.0070	139.1
11	0.0832	160.6
12	0.0900	161.2
13	0.0245	150.1
14	0.0166	146.6
15	0.0123	143.5
16	0.1055	162.5
17	0.0138	144.9
19	0.0222	149.1
20	0.0055	137.0
22	0.0118	143.6
24	0.0438	155.0
25	0.0354	154.1
27	0.1358	164.8
32	0.0194	147.9
33	0.0245	150.1
34	0.0118	143.6
35	0.0372	153.6
36	0.0744	155.6
38	0.0503	156.2
40	0.0235	145.6
43	0.0138	144.5
44	0.0061	137.9
45	0.0125	144.1
46	0.0429	154.8

AMES PRELIMINARY AERC-ACCUSTIC DATA
TEST CONDUCTED 17-28 JAN 72

CONFIGURATION NO. 4
RUN NO. 192
MACH NO. 0.90
DYN PRESSURE-Q (FLIGHT) 515 PSF

ALPHA ANGLE -8 DEG
BETA ANGLE 5 DEG

TRANSDUCER NC	DELTACFRMS	CB
1	0.0078	139.7
4	0.0248	149.7
6	0.0148	145.2
8	0.0088	140.7
9	0.0083	140.2
10	0.0078	139.7
11	0.0554	156.7
12	0.1022	162.0
13	0.0439	154.7
14	0.0161	146.0
15	0.0277	150.7
16	0.0554	156.7
17	0.0219	148.6
19	0.0307	151.6
20	0.0069	138.6
22	0.0106	142.3
24	0.0263	150.2
25	0.0354	153.7
27	0.1154	163.1
32	0.0462	155.1
33	0.0161	146.0
34	0.0153	145.5
35	0.0125	143.8
36	0.0785	159.7
38	0.0831	160.2
40	0.0262	150.2
43	0.0212	148.3
44	0.0215	148.6
45	0.0350	152.7
46	0.0577	157.0

AMES PRELIMINARY AERC-ACCUSTIC DATA
TEST CONDUCTED 17-28 JAN 72

CONFIGLRATION NC. 4
RUN NO. 193
MACH NC. 0.90
DYN PRESSURE-Q (FLIGHT) 515 PSF

AMES PRELIMINARY AERC-ACCUSTIC DATA
TEST CONDUCTED 17-28 JAN 72

CONFIGURATION NO. 4
RUN NC. 194
MACH NC. 0.90
DYN PRESSURE-Q (FLIGHT) 515 PSF

ALPHA ANGLE -4 DEG
BETA ANGLE 5 DEG

ALPHA ANGLE -4 DEG
BETA ANGLE 0 DEG

TRANSDUCER NO	DELTA C/PRMS	CB	TRANSDUCER NO	DELTA C/PRMS	DB
1	0.0083	140.2	4	0.0175	146.7
4	0.0234	149.2	6	0.0212	148.2
6	0.0146	145.1	8	0.0102	142.0
8	0.0088	140.7	9	0.0028	130.8
9	0.0088	140.7	10	0.0074	139.2
10	0.0078	139.7	11	0.0785	159.7
11	0.0508	155.9	12	0.0969	161.5
12	0.0877	160.7	13	0.0321	151.9
13	0.0323	152.0	14	0.0204	148.0
14	0.0190	147.4	15	0.0134	144.4
15	0.0134	144.4	16	0.0523	161.1
16	0.0600	157.4	17	0.0138	144.6
17	0.0212	148.3	19	0.0234	149.2
19	0.0277	150.7	20	0.0060	137.4
20	0.0062	137.7	22	0.0118	143.2
22	0.0113	142.9	24	0.0438	154.6
24	0.0328	152.1	25	0.0423	154.3
25	0.0438	154.6	27	0.1246	163.7
27	0.1246	163.7	32	0.0161	146.0
32	0.0277	150.7	33	0.0190	147.4
33	0.0175	146.7	34	0.0125	143.8
34	0.0146	145.1	35	0.0115	142.0
35	0.0102	142.0	36	0.0646	158.0
36	0.0785	159.7	38	0.0485	155.5
38	0.0762	155.5	40	0.0212	148.3
40	0.0248	149.7	43	0.0168	146.3
43	0.0204	148.0	44	0.0078	139.7
44	0.0321	151.9	45	0.0204	148.0
45	0.0321	151.9	46	0.0462	155.1
46	0.0531	156.3			

AMES PRELIMINARY AERC-ACCLUSTIC DATA
TEST CCNDUCTED 17-28 JAN 72

CONFIGURATION NO. 4
RUN NC. 195
MACH NC. 0.90
DYN PRESSURE-Q (FLIGHT) 515 PSF

ALPHA ANGLE C DEG
BETA ANGLE S DEG

TRANSDUCER NO	DELTACPRMS	DB
1	C.0078	139.7
4	C.0204	148.0
6	0.0146	145.1
8	0.0097	141.6
10	0.0074	135.2
11	0.0554	156.7
12	0.0785	155.7
13	0.0292	151.1
14	0.0219	148.6
15	0.0138	144.6
16	0.0692	158.6
17	0.0153	145.5
19	0.0248	149.7
20	0.0060	137.4
22	0.0125	143.8
24	0.0321	151.9
25	0.0438	154.6
27	0.1200	163.4
32	0.0190	147.4
33	0.0219	148.6
34	0.0153	145.5
35	0.0168	146.3
36	0.0785	159.7
38	C.0600	157.4
40	0.0226	148.5
43	C.0168	146.3
44	0.0365	153.1
45	0.0292	151.1
46	C.0462	155.1

AMES PRELIMINARY AERC-ACCLUSTIC DATA
TEST CONDUCTED 17-28 JAN 72

CONFIGURATION NO. 4
RUN NC. 196
MACH NC. 0.90
DYN PRESSURE-Q (FLIGHT) 515 PSF

ALPHA ANGLE O DEG
BETA ANGLE C DEG

TRANSDUCER NO	DELTACFRMS	DB
1	0.0066	138.2
4	0.0168	146.3
6	0.0190	147.4
8	0.0111	142.7
10	0.0074	135.2
11	0.0923	161.1
12	0.0510	156.0
13	0.0248	149.7
14	0.0175	146.7
15	0.0134	144.4
16	0.1062	162.3
17	0.0138	144.6
19	0.0150	147.4
20	0.0060	137.4
22	0.0125	144.0
24	0.0392	153.7
25	0.0365	153.2
27	0.1424	164.9
32	0.0168	146.3
33	0.0212	148.3
34	0.0129	144.0
35	0.0323	152.0
36	0.0600	157.4
38	0.0415	154.2
40	0.0157	147.7
43	0.0153	145.5
44	0.0095	141.4
45	0.0365	153.1
46	0.0438	154.6

AMES PRELIMINARY AERC-ACCUSTIC DATA
TEST CONDUCTED 17-28 JAN 72

CONFIGURATION NC. 4
RUN NC. 197
MACH NC. 0.90
DYN PRESSURE-Q (FLIGHT) 515 PSF

ALPHA ANGLE 4 DEG
BETA ANGLE 5 DEG

TRANSDUCER NC	DELTA C FRMS	CB
1	0.0074	139.2
4	0.0190	147.4
6	0.0146	145.1
8	0.0115	143.0
10	0.0069	138.6
11	0.0336	152.3
12	0.0831	160.2
13	0.0323	152.0
14	0.0204	148.0
15	0.0125	143.8
16	0.0785	159.7
17	0.0146	145.1
19	0.0219	148.6
20	0.0060	137.4
22	0.0134	144.4
24	0.0321	151.9
25	0.0453	154.5
27	0.1154	163.1
32	0.0190	147.4
33	0.0336	152.3
34	0.0146	145.1
35	0.0322	152.0
36	0.0785	159.7
38	0.0462	155.1
40	0.0219	148.6
43	0.0175	146.7
44	0.0646	158.0
45	0.0226	148.9
46	0.0462	155.1

AMES PRELIMINARY AERC-ACCUSTIC DATA
TEST CONDUCTED 17-28 JAN 72

CONFIGURATION NC. 4
RUN NC. 198
MACH NC. 0.90
DYN PRESSURE-Q (FLIGHT) 515 PSF

ALPHA ANGLE 4 DEG
BETA ANGLE C DEG

TRANSDUCER NC	DELTA C FRMS	CB
1	0.0055	136.6
4	0.0162	146.0
6	0.0153	145.5
8	0.0115	143.0
11	0.0877	160.7
12	0.0831	160.2
13	0.0248	149.7
14	0.0175	146.7
15	0.0120	143.4
16	0.1154	163.1
17	0.0139	144.7
19	0.0182	147.0
20	0.0060	137.4
22	0.0129	144.0
24	0.0352	153.7
25	0.0392	153.7
27	0.1478	165.2
32	0.0153	145.5
33	0.0277	150.7
34	0.0139	144.7
35	0.0415	154.2
36	0.0600	157.4
38	0.0369	153.2
40	0.0197	147.7
43	0.0146	145.1
44	0.1062	162.3
45	0.0285	150.5
46	0.0423	154.3

AMES PRELIMINARY AERC-ACCUSTIC DATA
TEST CCNDUCTED 17-28 JAN 72

CCNFIGURATION NO. 4
RUN NC. 199
MACF NO. 0.50
CYN PRESSURE-C (FLIGHT) 515 PSF

AMES PRELIMINARY AERO-ACCUSTIC DATA
TEST CCNDUCTED 17-28 JAN 72

CCNFIGURATION NO. 4
RUN NC. 200
MACF NO. 0.85
CYN PRESSURE-Q (FLIGHT) 490 PSF

ALPHA ANGLE 8 DEG
BETA ANGLE 5 DEG

ALPHA ANGLE C DEG
BETA ANGLE 0 DEG

TRANSDUCER NC	DELTA CP RMS	DB	TRANSDUCER NO	DELTA CP RMS	DB
1	0.0138	144.6	1	C.0108	142.1
4	0.0204	148.0	4	0.0186	146.8
6	0.0088	140.7	6	0.0179	146.4
8	0.0138	144.6	8	0.0118	142.8
10	0.0072	139.0	10	0.0086	140.1
11	0.0434	154.6	11	0.0835	159.8
12	0.1197	163.4	12	0.0516	155.6
13	0.0277	150.7	13	0.0194	147.1
14	0.0212	148.3	14	C.0163	145.6
15	0.0125	143.8	15	0.0186	146.8
16	0.0877	160.7	16	0.0614	157.1
17	0.0143	144.9	17	0.0155	145.2
19	0.0212	148.3	19	0.0194	147.1
20	0.0323	152.0	20	C.0070	138.3
22	0.0065	138.6	22	0.0155	145.2
24	0.0111	142.7	24	0.0452	155.2
25	0.0482	155.5	25	0.0450	154.5
27	0.1154	163.1	27	0.1718	166.1
32	0.0168	146.3	32	0.0171	146.0
33	0.0692	158.6	33	0.0225	148.4
34	0.0146	145.1	34	0.0148	144.8
35	0.0462	155.1	35	0.0285	150.5
36	0.0785	159.7	36	0.0565	156.4
38	0.0462	155.1	38	0.0368	152.7
40	0.0204	148.0	40	0.0202	147.5
43	0.0554	156.7	43	0.0155	145.2
44	0.0739	159.2	44	0.1226	163.8
45	0.0270	150.4	45	0.0311	151.2
46	0.0485	155.5	46	C.0466	154.8

AMES PRELIMINARY AERC-ACCUSTIC DATA
TEST CONDUCTED 17-28 JAN 72

CONFIGURATION NO. 4
RUN NC. 201
MACH NC. 0.80
DYN PRESSURE-Q (FLIGHT) 465 PSF

ALPHA ANGLE -8 DEG
BETA ANGLE 5 DEG

TRANSDUCER NG	DELTACPRMS	DB
1	0.0132	143.3
4	0.0355	152.0
6	0.0167	145.4
8	0.0103	141.2
10	0.0127	143.0
11	0.0359	152.0
12	0.0443	153.9
13	0.0234	148.3
14	0.0197	146.8
15	0.0584	156.3
16	0.0434	153.7
17	0.0155	145.0
19	0.0234	148.3
20	0.0401	153.0
22	0.0267	149.5
24	0.0351	151.8
25	0.0501	154.5
27	0.1162	162.2
32	0.0305	150.7
33	0.0200	147.0
34	0.0159	145.0
35	0.0127	142.7
36	0.0818	159.2
38	0.0528	155.4
40	0.0217	147.7
43	0.0175	145.8
44	0.0317	151.0
45	0.0300	150.5
46	0.0528	155.4

AMES PRELIMINARY AERC-ACCUSTIC DATA
TEST CONDUCTED 17-28 JAN 72

CONFIGURATION NO. 4
RUN NC. 202
MACH NC. 0.80
DYN PRESSURE-Q (FLIGHT) 465 PSF

ALPHA ANGLE -4 DEG
BETA ANGLE 5 DEG

TRANSDUCER NC	DELTACPRMS	DB
1	0.0148	144.3
4	0.0317	151.0
6	0.0184	146.2
8	0.0111	141.8
10	0.0116	142.2
11	0.0334	151.4
12	0.0443	153.5
13	0.0234	148.3
14	0.0209	147.3
15	0.0581	156.2
16	0.0484	154.6
17	0.0200	147.0
19	0.0225	148.0
20	0.0356	152.5
22	0.0217	147.7
24	0.0367	152.2
25	0.0501	154.5
27	0.1162	162.2
32	0.0217	147.7
33	0.0234	148.3
34	0.0167	145.4
35	0.0143	144.0
36	0.0765	158.6
38	0.0501	154.9
40	0.0217	147.7
43	0.0184	146.2
44	0.0367	152.2
45	0.0292	150.2
46	0.0528	155.4

AMES PRELIMINARY AERC-ACCUSTIC DATA
TEST CONDUCTED 17-28 JAN 72

CONFIGURATION NC. 4
RUN NC. 203
MACH NC. 0.80
DYN PRESSURE-Q (FLIGHT) 465 PSF

ALPHA ANGLE -4 DEG
BETA ANGLE 0 DEG

TRANSDUCER NC	DELTACFRMS	CB
1	0.0137	143.7
4	0.0275	149.7
6	0.0192	146.6
8	0.0121	142.6
10	0.0119	142.4
11	0.0326	151.2
12	0.0359	152.0
13	0.0217	147.7
14	0.0164	145.2
15	0.0284	152.6
16	0.0554	155.8
17	0.0184	146.2
19	0.0225	148.0
20	0.0396	152.9
22	0.0217	147.7
24	0.0528	155.4
25	0.0528	155.4
27	0.1900	166.5
32	0.0200	147.0
33	0.0234	148.3
34	0.0167	145.4
35	0.0157	144.8
36	0.0570	156.0
38	0.0401	153.0
40	0.0217	147.7
43	0.0184	146.2
44	0.0234	148.3
45	0.0326	151.2
46	0.0501	154.9

AMES PRELIMINARY AERC-ACCUSTIC DATA
TEST CONDUCTED 17-28 JAN 72

CONFIGURATION NC. 4
RUN NC. 204
MACH NC. 0.80
DYN PRESSURE-Q (FLIGHT) 465 PSF

ALPHA ANGLE 0 DEG
BETA ANGLE 5 DEG

TRANSDUCER NC	DELTACFRMS	CB
1	0.0179	146.0
4	0.0284	150.0
6	0.0192	146.6
8	0.0121	142.6
10	0.0111	141.8
11	0.0367	152.2
12	0.0433	153.7
13	0.0205	147.3
14	0.0200	147.0
15	0.0501	154.9
16	0.0534	155.5
17	0.0184	146.2
19	0.0217	147.7
20	0.0367	152.2
22	0.0217	147.7
24	0.0376	152.4
25	0.0475	154.5
27	0.1162	162.2
32	0.0200	147.0
33	0.0255	149.2
34	0.0184	146.2
35	0.0184	146.2
36	0.0765	158.6
38	0.0449	154.0
40	0.0217	147.7
43	0.0167	145.4
44	0.0607	156.6
45	0.0305	150.7
46	0.0501	154.9

AMES PRELIMINARY AERC-ACCUSTIC DATA
TEST CONDUCTED 17-28 JAN 72

CONFIGURATICN NC. 4
RUN NO. 205
MACF NC. 0.80
DYN PRESSURE-Q (FLIGHT) 465 PSF

ALPHA ANGLE C DEG
BETA ANGLE C DEG

AMES PRELIMINARY AERC-ACCUSTIC DATA
TEST CONDUCTED 17-28 JAN 72

CONFIGURATICN NC. 4
RUN NO. 206
MACF NC. 0.80
DYN PRESSURE-Q (FLIGHT) 465 PSF

ALPHA ANGLE 4 DEG
BETA ANGLE 5 DEG

TRANSDUCER NC	CELTACFRMS	CB	TRANSDUCER NO	CELTACFRMS	CB
1	0.0158	144.9	1	0.0185	146.3
4	0.0234	148.3	4	0.0259	149.2
6	0.0152	146.6	6	0.0217	147.7
8	0.0127	143.0	8	0.0137	143.7
10	0.0111	141.8	10	0.0111	141.8
11	0.0351	152.8	12	0.0465	154.3
12	0.0359	152.0	13	0.0234	148.3
13	0.0225	148.0	14	0.0192	146.6
14	0.0175	145.8	15	0.0501	154.9
15	0.0300	150.5	16	0.0434	153.7
16	0.0443	153.9	17	0.0175	145.8
17	0.0175	145.8	19	0.0217	147.7
19	0.0209	147.3	20	0.0384	152.6
20	0.0449	154.0	22	0.0217	147.7
22	0.0200	147.0	24	0.0356	152.9
24	0.0528	155.4	25	0.0528	155.4
25	0.0528	155.4	27	0.1162	162.2
27	0.1742	165.8	32	0.0200	147.0
32	0.0200	147.0	33	0.0292	150.2
33	0.0267	149.5	34	0.0164	146.2
34	0.0175	145.8	35	0.0300	150.5
35	0.0264	149.4	36	0.0739	158.3
36	0.0607	156.6	38	0.0351	152.8
38	0.0370	152.3	40	0.0209	147.3
40	0.0217	147.7	43	0.0152	146.6
43	0.0200	147.0	44	0.0765	158.6
44	0.0250	148.9	45	0.0355	152.0
45	0.0351	151.8	46	0.0475	154.5
46	0.0484	154.6			

AMES PRELIMINARY AERC-ACCUUSTIC DATA
TEST CCNCUCTEC 17-28 JAN 72

CONFIGURATICN NO. 4
RUN NC. 207
MACF NC. 0.80
DYN PRESSURE-Q (FLIGHT) 465 PSF

ALPHA ANGLE 4 DEG
BETA ANGLE 0 DEG

TRANSDUCER NC	DELTACPRMS	CB
1	0.0175	145.8
4	0.0217	147.7
6	0.0175	145.8
8	0.0143	144.0
10	0.0111	141.8
11	0.0443	153.9
12	0.0370	152.3
13	0.0217	147.7
14	0.0152	146.6
15	0.0284	150.0
16	0.0367	152.2
17	0.0184	146.2
19	0.0200	147.0
20	0.0401	153.0
22	0.0200	147.0
24	0.0501	154.9
25	0.0528	155.4
27	0.1636	165.2
32	0.0200	147.0
33	0.0275	145.7
34	0.0152	146.6
35	0.0370	152.3
36	0.0581	156.2
38	0.0370	152.3
40	0.0217	147.7
43	0.0152	146.6
44	0.0326	151.2
45	0.0376	152.4
46	0.0484	154.6

AMES PRELIMINARY AERC-ACCUUSTIC DATA
TEST CONDUCTED 17-28 JAN 72

CONFIGURATICN NO. 4
RUN NC. 208
MACF NC. 0.80
DYN PRESSURE-Q (FLIGHT) 465 PSF

ALPHA ANGLE 8 DEG
BETA ANGLE 5 DEG

TRANSDUCER NC	DELTACPRMS	CB
1	0.0192	146.6
4	0.0250	148.9
6	0.0267	145.5
8	0.0167	145.4
10	0.0116	142.2
11	0.0443	153.9
12	0.0465	154.3
13	0.0234	148.2
14	0.0225	148.0
15	0.0501	154.9
16	0.0484	154.6
17	0.0184	146.2
19	0.0192	146.6
20	0.0426	153.5
22	0.0234	148.3
25	0.0581	156.2
27	0.1214	162.6
32	0.0192	146.6
33	0.0351	151.8
34	0.0152	146.6
35	0.0412	153.2
36	0.0660	157.3
38	0.0380	152.5
40	0.0184	146.2
43	0.0217	147.7
44	0.0818	159.2
45	0.0384	152.6
46	0.0551	155.8

AMES PRELIMINARY AERC-ACCUSTIC DATA
TEST CCNUCTED 17-28 JAN 72

CONFIGURATION NO. 4
RUN NC. 280
MACT NO. 1.60
CYN PRESSURE-Q (FLIGHT) 642 PSF

ALPHA ANGLE -8 DEG
BETA ANGLE 5 DEG

TRANSDUCER NC	CELTACPRMS	CB
1	0.0027	135.1
2	0.0047	137.2
4	0.0064	139.9
5	0.0057	138.5
6	0.0021	130.2
8	0.0112	144.7
9	0.0143	146.8
12	0.0226	150.8
13	0.0107	144.3
16	0.0323	153.9
17	0.0066	140.1
18	0.0027	132.4
21	0.0073	141.0
23	0.0028	132.7
27	0.0388	155.5
32	0.0084	142.2
34	0.0129	145.9
35	0.0154	149.5
37	0.0372	155.1
39	0.0460	157.0
41	0.0251	153.0
42	0.0869	162.5
43	0.0082	142.0
44	0.0031	133.6
45	0.0218	150.5
46	0.0123	145.5
47	0.0110	144.6
48	0.0170	148.3
49	0.0107	144.3
50	0.0004	115.8
51	0.0066	140.1

AMES PRELIMINARY AERC-ACCLUSTIC DATA
TEST CCNUCTED 17-28 JAN 72

CONFIGURATION NO. 4
RUN NC. 281
MACT NO. 1.60
CYN PRESSURE-Q (FLIGHT) 642 PSF

ALPHA ANGLE -4 DEG
BETA ANGLE 5 DEG

TRANSDUCER NC	CELTACPRMS	CB
1	0.0047	137.2
2	0.0047	137.2
4	0.0066	140.1
5	0.0058	135.0
6	0.0002	109.8
8	0.0154	145.5
9	0.0242	151.4
12	0.0307	153.5
13	0.0112	144.7
16	0.0275	152.5
17	0.0066	140.1
18	0.0029	133.0
21	0.0123	145.5
23	0.0275	152.5
27	0.0034	134.4
32	0.0077	141.5
34	0.0128	145.5
35	0.0162	147.9
37	0.0275	152.5
39	0.0453	156.9
41	0.0251	151.7
42	0.0485	157.4
43	0.0072	140.5
44	0.0031	133.6
45	0.0218	150.5
46	0.0102	143.9
47	0.0055	143.3
48	0.0186	149.1
49	0.0069	140.5
50	0.0036	134.5
51	0.0059	135.2

AMES PRELIMINARY AERC-ACCLSTIC DATA
TEST CCNUCTED 17-28 JAN 72

CONFIGURATION NO. 4
RUN NC. 282
MACH NC. 1.60
DYN PRESSURE-C (FLIGHT) 642 PSF

ALPHA ANGLE C DEG
BETA ANGLE 5 DEG

TRANSDUCER NO	DELTA CP RMS	DB
1	0.0053	138.2
2	0.0047	137.2
4	0.0072	140.9
5	0.0056	138.7
6	0.0019	125.3
8	0.0178	148.7
9	0.0223	153.9
12	0.0251	151.7
13	0.0118	145.2
16	0.0259	152.0
17	0.0074	141.1
18	0.0031	133.6
21	0.0178	148.7
23	0.0234	151.1
27	0.0276	152.6
32	0.0066	140.1
34	0.0097	143.5
35	0.0017	128.3
37	0.0242	151.4
39	0.0356	154.8
41	0.0154	149.5
42	0.0679	160.4
43	0.0066	140.1
44	0.0028	132.7
45	0.0202	149.8
46	0.0084	142.2
47	0.0085	142.7
48	0.0055	143.3
49	0.0066	140.1
50	0.0072	140.9
51	0.0051	137.9

AMES PRELIMINARY AERC-ACCLSTIC DATA
TEST CCNUCTED 17-28 JAN 72

CONFIGURATION NO. 4
RUN NC. 283
MACH NC. 1.60
DYN PRESSURE-Q (FLIGHT) 642 PSF

ALPHA ANGLE 4 DEG
BETA ANGLE 5 DEG

TRANSDUCER NO	DELTA CP RMS	CB
1	0.0061	139.4
2	0.0048	137.4
4	0.0031	133.6
5	0.0054	138.4
6	0.0021	130.2
8	0.0169	148.3
9	0.0323	153.9
12	0.0242	151.4
13	0.0118	145.2
16	0.0251	151.7
17	0.0065	140.0
18	0.0034	134.4
21	0.0154	147.5
23	0.0275	152.5
27	0.0358	155.7
32	0.0056	138.7
34	0.0118	145.2
35	0.0123	145.5
37	0.0259	152.0
39	0.0259	152.0
41	0.0202	149.8
42	0.0873	162.8
43	0.0064	139.9
44	0.0028	132.7
45	0.0178	148.7
46	0.0087	142.5
47	0.0120	145.3
48	0.0089	142.7
49	0.0077	141.5
50	0.0102	143.9
51	0.0039	135.6

AMES PRELIMINARY AERC-ACCUSTIC DATA
TEST CCNGUCTED 17-28 JAN 72

CCNFIGURATICN NC. 4
RUN NC. 284
MACH NC. 1.60
DYN PRESSURE-Q (FLIGHT) 642 PSF

ALPHA ANGLE 8 DEG
BETA ANGLE 5 DEG

TRANSDUCER NC	DELTACFRMS	CB
1	0.0066	140.1
2	0.0045	136.8
4	0.0072	140.5
5	0.0051	137.9
6	0.0024	131.3
8	0.0158	147.7
9	0.0251	153.0
12	0.0255	152.0
13	0.0107	144.3
16	0.0226	150.6
17	0.0082	142.0
18	0.0037	135.1
21	0.0112	144.7
23	0.0375	155.2
27	0.0468	157.1
32	0.0064	139.9
34	0.0007	142.5
35	0.0102	143.5
37	0.0242	151.4
39	0.0255	152.0
41	0.0210	150.2
42	0.0562	158.7
43	0.0072	140.5
44	0.0034	134.4
45	0.0178	148.7
46	0.0092	143.0
47	0.0115	144.5
48	0.0087	142.5
49	0.0055	143.3
50	0.0005	140.5
51	0.0025	133.0

AMES PRELIMINARY AERC-ACCUSTIC DATA
TEST CCNGUCTED 17-28 JAN 72

CCNFIGURATICN NC. 4
RUN NC. 285
MACH NC. 1.60
DYN PRESSURE-Q (FLIGHT) 642 PSF

ALPHA ANGLE -8 DEG
BETA ANGLE -5 DEG

TRANSDUCER NC	DELTACFRMS	CB
1	0.0026	132.0
2	0.0039	135.6
4	0.0066	140.1
5	0.0050	137.7
6	0.0019	129.3
8	0.0138	146.5
9	0.0194	149.5
12	0.0251	153.0
13	0.0072	140.5
16	0.0128	145.9
17	0.0072	140.5
18	0.0027	132.4
21	0.0065	140.5
23	0.0307	153.5
27	0.0452	156.8
32	0.0072	140.5
34	0.0077	141.5
35	0.0102	143.5
37	0.0372	155.1
39	0.0460	157.0
41	0.0084	142.2
42	0.0364	155.0
43	0.0056	138.7
44	0.0031	133.6
45	0.0154	145.5
46	0.0061	139.4
47	0.0074	141.1
48	0.0105	144.2
49	0.0089	142.7
50	0.0128	145.5
51	0.0107	144.3

AMES PRELIMINARY AERC-ACCUSTIC DATA
TEST CCNDUCTED 17-28 JAN 72

CONFIGURATICA NC. 4
RLN NC. 286
MACF NC. 1.60
CYN PRESSURE-Q (FLIGHT) 642 PSF

ALPHA ANGLE -4 DEG
BETA ANGLE -5 DEG

AMES PRELIMINARY AERO-ACCUSTIC DATA
TEST CCNDUCTED 17-28 JAN 72

CONFIGURATION NO. 4
RUN NC. 287
MACF NC. 1.60
CYN PRESSURE-Q (FLIGHT) 642 PSF

ALPHA ANGLE C DEG
BETA ANGLE -5 DEG

TRANSDUCER NC	DELTA CP RMS	CB	TRANSDUCER NO	DELTA CP RMS	DB
1	0.0024	134.4	1	0.0039	135.6
2	0.0039	135.6	2	0.0029	135.6
4	0.0069	140.5	4	0.0087	142.5
5	0.0049	137.5	5	0.0061	139.4
6	0.0019	129.3	6	0.0019	129.3
8	0.0178	148.7	8	0.0179	148.8
9	0.0283	152.8	9	0.0322	153.9
12	0.0251	153.0	12	0.0259	152.0
13	0.0061	135.4	13	0.0061	135.4
16	0.0123	145.5	16	0.0115	144.5
17	0.0069	140.5	17	0.0072	140.9
18	0.0031	133.6	18	0.0034	134.4
21	0.0123	145.5	21	0.0186	149.1
23	0.0382	155.4	23	0.0511	157.9
27	0.0356	154.8	27	0.0332	154.2
32	0.0072	140.9	32	0.0073	141.0
34	0.0077	141.5	34	0.0066	140.1
35	0.0057	143.5	35	0.0133	146.2
37	0.0275	152.5	37	0.0226	150.8
39	0.0460	157.0	39	0.0356	154.8
41	0.0086	142.4	41	0.0084	142.2
42	0.0409	156.0	42	0.0364	155.0
43	0.0054	138.4	43	0.0046	137.0
44	0.0029	133.0	44	0.0027	132.4
45	0.0170	148.3	45	0.0170	148.3
46	0.0076	141.2	46	0.0070	140.6
47	0.0064	139.9	47	0.0060	139.3
48	0.0116	145.0	48	0.0120	145.3
49	0.0087	142.5	49	0.0079	141.7
50	0.0113	144.8	50	0.0074	141.1
51	0.0102	143.5	51	0.0052	143.0

AMES PRELIMINARY AERC-ACCLUSTIC DATA
TEST CCNDUCTED 17-28 JAN 72

CONFIGURATICN NC. 4
RUN NC. 288
MACH NC. 1.60
DYN PRESSURE-Q (FLIGHT) 642 PSF

ALPHA ANGLE 4 DEG
BETA ANGLE -5 DEG

TRANSDUCER NC	DELTACPRMS	DB
1	0.0047	137.2
2	0.0035	135.6
4	0.0082	142.0
5	0.0054	138.4
6	0.0022	131.0
8	0.0170	148.3
9	0.0315	153.7
12	0.0275	152.5
13	0.0066	140.1
16	0.0169	148.3
17	0.0059	139.2
18	0.0026	134.5
21	0.0162	147.9
23	0.0562	158.7
27	0.0385	155.4
32	0.0066	140.1
34	0.0061	135.4
35	0.0307	153.5
37	0.0226	150.8
39	0.0267	152.3
41	0.0082	142.0
42	0.0364	155.0
43	0.0040	135.8
44	0.0023	131.0
45	0.0137	146.5
46	0.0112	144.7
47	0.0053	138.2
48	0.0102	143.9
49	0.0075	141.7
50	0.0089	142.7
51	0.0066	140.1

AMES PRELIMINARY AERC-ACCLUSTIC DATA
TEST CCNDUCTED 17-28 JAN 72

CONFIGURATICN NC. 4
RUN NC. 285
MACH NC. 1.60
DYN PRESSURE-Q (FLIGHT) 642 PSF

ALPHA ANGLE 8 DEG
BETA ANGLE -5 DEG

TRANSDUCER NC	DELTACPRMS	DB
1	0.0050	137.7
2	0.0035	135.6
4	0.0072	140.9
5	0.0052	138.1
6	0.0026	132.0
8	0.0148	147.1
9	0.0251	153.0
12	0.0210	150.2
13	0.0097	143.5
16	0.0234	151.1
17	0.0047	137.2
18	0.0040	135.8
21	0.0110	144.6
23	0.0537	158.3
27	0.0184	145.0
32	0.0059	139.2
34	0.0056	138.7
35	0.0242	151.4
37	0.0267	152.3
39	0.0267	152.3
41	0.0082	142.0
42	0.0356	154.8
43	0.0056	138.7
44	0.0026	132.0
45	0.0162	147.9
46	0.0092	143.0
47	0.0066	140.1
48	0.0095	143.3
49	0.0087	142.5
50	0.0123	145.5
51	0.0065	140.5

AMES PRELIMINARY AERC-ACCUSTIC DATA
TEST CCNDUCTED 17-28 JAN 72

CONFIGURATION NC. 4
RUN NO. 291
MACF NC. 1.60
DYN PRESSURE-Q (FLIGHT) 642 PSF

ALPHA ANGLE 8 DEG
BETA ANGLE C DEG

TRANSUDCER NO	DELTACPRMS	DB
1	0.0051	137.9
2	0.0047	137.2
4	0.0082	142.0
5	0.0060	139.3
6	0.0107	144.3
8	0.0148	147.1
9	0.0307	153.5
12	0.0162	147.9
13	0.0082	142.0
16	0.0123	145.5
17	0.0061	139.4
18	0.0040	135.8
21	0.0113	144.8
23	0.0453	156.9
27	0.0224	150.7
32	0.0069	140.5
34	0.0066	140.1
35	0.0194	149.5
37	0.0056	138.7
39	0.0259	152.0
41	0.0087	142.5
42	0.0358	154.8
43	0.0056	138.7
44	0.0029	133.0
45	0.0092	143.0
46	0.0102	143.9
47	0.0002	105.8
48	0.0100	143.7
49	0.0005	142.7
50	0.0123	145.5
51	0.0040	135.8

AMES PRELIMINARY AERC-ACCUSTIC DATA
TEST CCNDUCTED 17-28 JAN 72

CONFIGURATION NC. 4
RUN NO. 291
MACF NC. 1.60
DYN PRESSURE-Q (FLIGHT) 642 PSF

ALPHA ANGLE 4 DEG
BETA ANGLE C DEG

TRANSUDCER NC	DELTACPRMS	CB
1	0.0053	138.2
2	0.0047	137.2
4	0.0178	148.7
5	0.0051	137.9
6	0.0026	132.0
8	0.0178	148.7
9	0.0356	154.8
12	0.0178	148.7
13	0.0072	140.9
16	0.0118	145.2
17	0.0054	138.4
18	0.0036	134.9
21	0.0137	146.5
23	0.0517	158.0
27	0.0266	152.2
32	0.0061	139.4
34	0.0072	140.9
35	0.0112	144.7
37	0.0178	148.7
39	0.0275	152.5
41	0.0092	143.0
42	0.0364	155.0
43	0.0056	138.7
44	0.0020	129.8
45	0.0056	143.4
46	0.0107	144.3
47	0.0068	140.4
48	0.0102	143.9
49	0.0082	142.0
50	0.0148	147.1
51	0.0082	142.0

AMES PRELIMINARY AERC-ACCUSTIC DATA AMES PRELIMINARY AERC-ACCUSTIC DATA
 TEST CCNCLUDED 17-28 JAN 72 TEST CCNCLUDED 17-28 JAN 72

CCNFIGLRATICA NC. 4
 RUN NO. 292
 MACF NC. 1.60
 DYN PRESSURE-Q (FLIGHT) 642 PSF

CCNFIGLRATICA NO. 4
 RUN NC. 293
 MACF NC. 1.60
 DYN PRESSURE-Q (FLIGHT) 642 PSF

ALPHA ANGLE 0 DEG
 BETA ANGLE 0 DEG

ALPHA ANGLE -4 DEG
 BETA ANGLE 0 DEG

TRANSDUCER NC	DELTACFRMS	DB
1	0.0045	136.8
2	0.0047	137.2
4	0.0027	132.4
5	0.0061	135.4
6	0.0178	148.7
8	0.0178	148.7
9	0.0356	154.8
12	0.0178	148.7
13	0.0092	143.0
16	0.0118	145.2
17	0.0064	135.5
18	0.0032	133.8
21	0.0162	147.5
23	0.0372	155.1
27	0.0388	155.5
32	0.0072	140.5
34	0.0066	140.1
35	0.0102	143.5
37	0.0178	148.7
39	0.0323	153.5
41	0.0092	143.0
42	0.0409	156.0
43	0.0056	138.7
44	0.0031	133.6
45	0.0052	143.0
46	0.0087	142.5
47	0.0076	141.3
48	0.0057	143.5
49	0.0087	142.5
50	0.0107	144.3
51	0.0077	141.5

TRANSDUCER NC	DELTACFRMS	DB
1	0.0036	134.5
2	0.0047	137.2
4	0.0072	140.9
5	0.0051	137.5
6	0.0194	149.5
8	0.0154	145.5
9	0.0307	153.5
12	0.0169	148.3
13	0.0102	143.5
16	0.0148	147.1
17	0.0072	140.5
18	0.0030	133.3
21	0.0107	144.3
23	0.0307	153.5
27	0.0468	157.1
32	0.0072	140.5
34	0.0072	140.5
35	0.0112	144.7
37	0.0275	152.5
39	0.0436	156.5
41	0.0102	143.5
42	0.0299	153.2
43	0.0061	138.4
44	0.0031	133.6
45	0.0102	143.9
46	0.0164	148.0
47	0.0078	141.6
48	0.0113	144.8
49	0.0077	141.5
50	0.0210	150.2
51	0.0102	143.5

AMES PRELIMINARY AER-ACCUSTIC DATA
TEST CONDUCTED 17-28 JAN 72

CONFIGURATION NO. 4
RUN NC. 295
MACH NC. 1.60
DYN PRESSURE-Q (FLIGHT) 642 PSF

AMES PRELIMINARY AER-ACCUSTIC DATA
TEST CONDUCTED 17-28 JAN 72

CONFIGURATION NO. 4
RUN NC. 296
MACH NC. 2.20
DYN PRESSURE-Q (FLIGHT) 476 PSF

ALPHA ANGLE -E DEG
BETA ANGLE 0 DEG

ALPHA ANGLE -8 DEG
BETA ANGLE 5 DEG

TRANSDUCER NO	CELTACPRMS	DB
1	0.0027	132.4
2	0.0047	137.2
4	0.0066	140.1
5	0.0053	138.2
6	0.0021	130.2
8	0.0164	148.0
9	0.0159	145.7
12	0.0143	146.8
13	0.0112	144.7
16	0.0210	150.2
17	0.0066	140.1
18	0.0028	132.7
21	0.0066	140.1
23	0.0335	154.3
27	0.0518	158.0
32	0.0087	142.5
34	0.0061	135.4
35	0.0128	145.9
37	0.0307	153.5
39	0.0486	157.5
41	0.0102	143.5
42	0.0339	154.3
43	0.0066	140.1
44	0.0031	133.6
45	0.0226	150.8
46	0.0057	143.5
47	0.0077	141.5
48	0.0052	143.0
49	0.0087	142.5
50	0.0178	148.7
51	0.0072	140.9

TRANSDUCER NO	DELTACFRMS	DB
1	0.0035	132.0
2	0.0050	135.1
4	0.0062	137.0
5	0.0061	136.8
6	0.0014	124.1
8	0.0166	145.5
9	0.0353	153.0
12	0.0131	143.5
13	0.0057	140.9
16	0.0207	147.5
17	0.0041	133.4
18	0.0023	128.4
21	0.0179	146.2
23	0.0345	152.0
27	0.0220	148.0
32	0.0065	137.4
34	0.0063	137.1
35	0.0083	139.5
37	0.0200	147.2
39	0.0327	151.4
41	0.0018	126.2
42	0.0124	143.0
43	0.0062	137.0
44	0.0031	131.0
45	0.0251	149.1
46	0.0053	135.6
47	0.0083	135.5
48	0.0152	144.8
49	0.0056	140.8
50	0.0022	128.0
51	0.0050	135.1

AMES PRELIMINARY AERC-ACCUSTIC DATA
TEST CONDUCTED 17-28 JAN 72

CONFIGURATION NC. 4
RUN NC. 257
MACH NC. 2.20
DYN PRESSURE-Q (FLIGHT) 476 PSF

ALPHA ANGLE -4 DEG
BETA ANGLE 5 DEG

TRANSDUCER NC	DELTA C/F RMS	CB
1	0.0022	128.0
2	0.0046	134.4
4	0.0065	127.5
5	0.0055	135.9
6	0.0016	125.2
8	0.0186	146.5
9	0.0306	150.8
12	0.0117	142.5
13	0.0083	139.5
16	0.0228	148.3
17	0.0044	134.0
18	0.0021	127.6
21	0.0072	138.3
23	0.0437	153.9
27	0.0220	148.0
32	0.0083	139.5
34	0.0055	136.6
35	0.0090	140.2
37	0.0138	143.9
39	0.0262	149.5
41	0.0021	127.6
42	0.0138	143.9
43	0.0046	134.4
44	0.0025	129.1
45	0.0155	145.2
46	0.0050	135.1
47	0.0065	137.9
48	0.0104	141.5
49	0.0053	135.6
50	0.0038	132.7
51	0.0044	134.0

AMES PRELIMINARY AERC-ACCUSTIC DATA
TEST CONDUCTED 17-28 JAN 72

CONFIGURATION NC. 4
RUN NC. 258
MACH NC. 2.20
DYN PRESSURE-Q (FLIGHT) 476 PSF

ALPHA ANGLE C DEG
BETA ANGLE 5 DEG

TRANSDUCER NC	DELTA C/F RMS	CB
1	0.0025	129.1
2	0.0044	134.0
4	0.0069	127.5
5	0.0062	137.0
6	0.0017	125.7
8	0.0173	145.9
9	0.0327	151.4
12	0.0110	142.0
13	0.0083	139.5
16	0.0124	143.0
17	0.0049	134.9
18	0.0022	128.0
21	0.0022	128.0
23	0.0458	154.4
27	0.0208	147.5
32	0.0055	135.9
34	0.0050	135.1
35	0.0104	141.5
37	0.0145	144.4
39	0.0235	148.6
41	0.0025	129.1
42	0.0186	146.5
43	0.0044	134.0
44	0.0022	128.0
45	0.0138	143.9
46	0.0053	135.6
47	0.0062	137.0
48	0.0110	142.0
49	0.0057	136.3
50	0.0036	132.3
51	0.0033	131.5

AMES PRELIMINARY AERC-ACCUSTIC DATA AMES PRELIMINARY AERC-ACCUSTIC DATA
 TEST CONDUCTED 17-28 JAN 72 TEST CONDUCTED 17-28 JAN 72

 CONFIGURATION NC. 4 CONFIGURATION NC. 4
 RUN NC. 299 RUN NC. 300
 MACF NC. 2.20 MACF NC. 2.20
 DYN PRESSURE-Q (FLIGHT) 476 PSF DYN PRESSURE-Q (FLIGHT) 476 PSF

TRANSDCUER NC	CELTACFRMS	DB	ALPHA ANGLE BETA ANGLE	4 DEG 5 DEG	TRANSDCUER NC	CELTACFRMS	DB	ALPHA ANGLE BETA ANGLE	8 DEG 5 DEG
1	0.0028	130.1			1	0.0033	131.5		
2	0.0041	133.4			2	0.0039	133.0		
4	0.0057	140.5			4	0.0076	138.8		
5	0.0090	140.2			5	0.0048	134.8		
6	0.0019	126.7			6	0.0020	127.2		
8	0.0175	146.2			8	0.0145	144.4		
9	0.0306	150.8			9	0.0222	149.5		
12	0.0110	142.0			12	0.0050	140.2		
13	0.0069	137.9			13	0.0090	140.2		
16	0.0104	141.5			16	0.0086	135.8		
17	0.0052	135.5			17	0.0042	137.0		
18	0.0023	128.4			18	0.0025	129.1		
21	0.0022	128.0			21	0.0022	128.0		
23	0.0589	156.5			23	0.0658	158.0		
27	0.0220	148.0			27	0.0208	147.5		
32	0.0048	134.8			32	0.0043	137.1		
34	0.0055	135.9			34	0.0055	135.9		
35	0.0083	135.5			35	0.0050	140.2		
37	0.0131	143.5			37	0.0110	142.0		
39	0.0218	147.5			39	0.0240	148.7		
41	0.0086	139.8			41	0.0090	140.2		
42	0.0347	151.9			42	0.0104	141.5		
43	0.0059	136.6			43	0.0052	135.5		
44	0.0021	127.6			44	0.0017	125.7		
45	0.0117	142.5			45	0.0116	142.4		
46	0.0063	137.1			46	0.0071	138.2		
47	0.0065	137.5			47	0.0053	140.5		
48	0.0086	139.8			48	0.0077	138.9		
49	0.0063	137.1			49	0.0070	138.0		
50	0.0041	133.4			50	0.0050	135.1		
51	0.0028	130.1			51	0.0026	125.4		

AMES PRELIMINARY AERG-ACCUUSTIC DATA
TEST CCNDUCTEC 17-28 JAN 72

CONFIGURATICN NC. 4
RUN NC. 301
MACF NC. 2.20
CYN PRESSURE-Q (FLIGHT) 476 PSF

AMES PRELIMINARY AERG-ACCUUSTIC DATA
TEST CCNDUCTEC 17-28 JAN 72

CONFIGURATICN NO. 4
RUN NC. 302
MACF NC. 2.20
CYN PRESSURE-Q (FLIGHT) 476 PSF

TRANSDUCER NC	DELTA CP RMS	CB	ALPHA ANGLE BETA ANGLE	-E DEG C DEG	TRANSDUCER NO	DELTA CP RMS	DB	ALPHA ANGLE BETA ANGLE	-4 DEG 0 DEG	TRANSDUCER NO	DELTA CP RMS	DB
1	C.CC46	134.4			1	0.0021	127.6			1	0.0021	127.6
2	0.0050	135.1			2	0.0044	134.0			2	0.0044	134.0
4	0.0062	137.0			4	0.0069	137.9			4	0.0069	137.9
5	0.0062	137.0			5	G.CC63	137.1			5	G.CC63	137.1
6	0.0014	124.1			6	0.0017	125.7			6	0.0017	125.7
8	G.C152	144.8			8	0.0173	145.9			8	0.0173	145.9
9	0.0352	153.0			9	0.0353	153.0			9	0.0353	153.0
12	0.0117	142.5			12	0.0117	142.5			12	0.0117	142.5
13	0.0069	137.5			13	G.CC62	137.0			13	G.CC62	137.0
16	0.0166	145.5			16	0.0104	141.5			16	0.0104	141.5
17	0.0046	134.4			17	0.0044	134.0			17	0.0044	134.0
18	0.0022	128.0			18	0.0021	127.6			18	0.0021	127.6
21	0.0156	147.0			21	0.0055	135.9			21	0.0055	135.9
23	0.0502	155.1			23	0.0451	155.0			23	0.0451	155.0
27	0.0220	148.0			27	0.0194	146.5			27	0.0194	146.5
32	0.0052	135.5			32	0.0048	134.8			32	0.0048	134.8
34	0.0052	135.5			34	0.0041	133.4			34	0.0041	133.4
35	0.0076	138.8			35	0.0076	138.8			35	0.0076	138.8
37	G.0200	147.2			37	0.0124	143.0			37	0.0124	143.0
39	0.0327	151.4			39	0.0218	147.9			39	0.0218	147.9
41	0.0074	138.5			41	0.0065	137.9			41	0.0065	137.9
42	0.0176	146.0			42	0.0145	144.4			42	0.0145	144.4
43	G.CC57	136.3			43	0.0046	134.4			43	0.0046	134.4
44	0.0027	129.8			44	0.0027	129.8			44	0.0027	129.8
45	0.0360	152.3			45	0.0117	142.5			45	0.0117	142.5
46	0.0024	128.7			46	0.0026	129.4			46	0.0026	129.4
47	0.0068	137.8			47	0.0043	133.8			47	0.0043	133.8
48	0.0068	137.8			48	0.0083	139.5			48	0.0083	139.5
49	0.0036	132.3			49	0.0048	134.8			49	0.0048	134.8
50	0.0023	128.4			50	G.0034	131.8			50	G.0034	131.8
51	0.0052	135.5			51	G.0046	134.4			51	G.0046	134.4

AMES PRELIMINARY AERC-ACCUSTIC DATA
TEST CONDUCTED 17-28 JAN 72

CONFIGURATION NC. 4
RUN NC. 303
MACH NC. 2.20
DYN PRESSURE-Q (FLIGHT) 476 PSF

AMES PRELIMINARY AERC-ACCUSTIC DATA
TEST CONDUCTED 17-28 JAN 72

CONFIGURATION NC. 4
RUN NC. 304
MACH NC. 2.20
DYN PRESSURE-Q (FLIGHT) 476 PSF

ALPHA ANGLE C DEG
BETA ANGLE C DEG

ALPHA ANGLE 4 DEG
BETA ANGLE C DEG

TRANSDUCER NC	DELTA PRMS	DB	TRANSDUCER NO	DELTA PRMS	DB
1	0.0023	128.4	2	0.0041	133.4
2	0.0044	134.0	4	0.0076	138.8
4	0.0069	137.9	5	0.0069	137.9
5	0.0074	138.5	6	0.0020	127.2
6	0.0025	125.1	8	0.0152	144.8
8	0.0173	145.9	9	0.0349	152.0
9	0.0371	152.5	12	0.0057	140.5
12	0.0117	142.5	13	0.0059	136.6
13	0.0055	136.6	16	0.0074	138.5
16	0.0085	135.7	17	0.0036	132.3
17	0.0040	133.2	18	0.0022	128.0
18	0.0020	127.2	21	0.0005	120.2
21	0.0022	128.0	23	0.0524	155.5
23	0.0502	155.1	27	0.0144	144.3
27	0.0130	143.4	32	0.0041	133.4
32	0.0046	134.4	34	0.0048	134.8
34	0.0044	134.0	35	0.0152	144.8
35	0.0104	141.5	37	0.0076	138.8
37	0.0054	140.6	39	0.0148	144.5
39	0.0138	143.5	41	0.0062	137.0
41	0.0062	137.0	42	0.0155	144.9
42	0.0138	143.5	43	0.0040	133.2
43	0.0048	134.8	44	0.0025	129.1
44	0.0024	128.7	45	0.0057	140.9
45	0.0110	142.0	46	0.0046	134.4
46	0.0036	132.3	47	0.0040	133.2
47	0.0043	133.8	48	0.0072	138.3
48	0.0086	139.8	49	0.0063	137.1
49	0.0056	136.1	50	0.0038	132.7
50	0.0032	131.2	51	0.0026	129.4
51	0.0035	132.0			

AMES PRELIMINARY AERC-ACCUSTIC DATA
TEST CCNDUCTED 17-28 JAN 72

CONFIGURATION NO. 4
RUN NO. 305
MACH NO. 2.20
DYN PRESSURE-C (FLIGHT) 476 PSF

ALPHA ANGLE 8 DEG
BETA ANGLE C DEG

TRANSDUCER NC	DELTACPRMS	CB
1	0.0024	128.7
2	0.0039	133.0
4	0.0076	138.8
5	0.0076	138.8
6	0.0022	128.0
8	0.0152	144.8
9	0.0327	151.4
12	0.0050	140.2
13	0.0065	137.5
16	0.0081	139.3
17	0.0040	133.2
18	0.0023	128.4
21	0.0021	127.6
23	0.0578	156.4
27	0.0260	147.2
32	0.0035	133.0
34	0.0050	135.1
35	0.0057	140.5
37	0.0074	138.5
39	0.0153	146.8
41	0.0061	136.8
42	0.0138	143.5
43	0.0050	135.1
44	0.0017	125.7
45	0.0050	140.2
46	0.0059	136.0
47	0.0033	131.5
48	0.0064	137.3
49	0.0072	138.3
50	0.0057	136.3
51	0.0026	129.4

AMES PRELIMINARY AERC-ACOUSTIC DATA
TEST CCNDUCTED 17-28 JAN 72

CONFIGURATION NO. 4
RUN NO. 306
MACH NO. 2.20
DYN PRESSURE-C (FLIGHT) 476 PSF

ALPHA ANGLE -8 DEG
BETA ANGLE -5 DEG

TRANSDUCER NC	DELTACPRMS	CB
1	0.0028	130.1
2	0.0046	134.4
4	0.0062	137.0
5	0.0055	135.5
6	0.0014	124.1
8	0.0166	145.5
9	0.0371	152.5
12	0.0145	144.4
13	0.0055	136.6
16	0.0117	142.5
17	0.0056	136.1
18	0.0022	128.0
21	0.0176	146.0
23	0.0704	158.1
27	0.0242	148.8
32	0.0050	135.1
34	0.0055	135.5
35	0.0117	142.5
37	0.0228	148.3
39	0.0371	152.5
41	0.0082	135.5
42	0.0327	151.4
43	0.0044	134.0
44	0.0027	125.8
45	0.0404	153.3
46	0.0034	131.8
47	0.0055	135.5
48	0.0050	140.2
49	0.0107	141.7
50	0.0015	124.7
51	0.0055	135.5

AMES PRELIMINARY AERC-ACCUSTIC DATA
TEST CCNUCTED 17-28 JAN 72

CONFIGURATICN NO. 4
RUN NC. 307
MACH NC. 2.20
DYN PRESSURE-Q (FLIGHT) 476 PSF

ALPHA ANGLE -4 DEG
BETA ANGLE -5 DEG

TRANSDUCER NO	DELTA C PRMS	DB
1	0.0023	128.4
2	0.0041	133.4
4	0.0069	137.9
5	0.0055	136.6
6	0.0016	125.2
8	0.0186	146.5
9	0.0283	150.2
12	0.0124	143.0
13	0.0052	135.5
16	0.0090	140.2
17	0.0052	135.5
18	0.0021	127.6
21	0.0066	137.5
23	0.0755	158.7
27	0.0194	146.9
32	0.0055	135.9
34	0.0055	135.9
35	0.0083	139.5
37	0.0145	144.4
39	0.0262	149.5
41	0.0075	139.1
42	0.0228	148.3
43	0.0044	134.0
44	0.0024	128.7
45	0.0181	146.3
46	0.0031	131.0
47	0.0046	134.4
48	0.0093	140.5
49	0.0155	145.2
50	0.0031	131.0
51	0.0052	135.5

AMES PRELIMINARY AERC-ACCUSTIC DATA
TEST CONDUCTED 17-28 JAN 72

CONFIGURATICN NO. 4
RUN NC. 308
MACH NC. 2.20
DYN PRESSURE-Q (FLIGHT) 476 PSF

ALPHA ANGLE C DEG
BETA ANGLE -5 DEG

TRANSDUCER NO	DELTA C PRMS	DB
1	0.0026	129.4
2	0.0041	133.4
4	0.0076	138.8
5	0.0069	137.9
6	0.0017	125.7
8	0.0179	146.2
9	0.0327	151.4
12	0.0650	157.9
13	0.0061	136.8
16	0.0124	143.0
17	0.0047	134.6
18	0.0022	128.0
21	0.0022	128.0
23	0.0825	159.5
27	0.0200	147.2
32	0.0052	135.5
34	0.0652	157.4
35	0.0145	144.4
37	0.0152	144.8
39	0.0224	148.1
41	0.0072	138.3
42	0.0262	145.5
43	0.0044	134.0
44	0.0020	127.2
45	0.0131	143.5
46	0.0036	132.3
47	0.0039	133.0
48	0.0125	143.1
49	0.0026	125.4
50	0.0032	131.2
51	0.0046	134.4

AMES PRELIMINARY AERC-ACCUSTIC DATA AMES PRELIMINARY AERC-ACCUSTIC DATA
 TEST CONDUCTED 17-28 JAN 72 TEST CONDUCTED 17-28 JAN 72

CONFIGURATICA NC. 4
 RUN NC. 309
 MACH NC. 2.20
 DYN PRESSURE-Q (FLIGHT) 476 PSF

CONFIGURATICA NC. 4
 RUN NO. 310
 MACH NC. 2.20
 DYN PRESSURE-Q (FLIGHT) 476 PSF

ALPHA ANGLE 4 DEG
 BETA ANGLE -5 DEG

ALPHA ANGLE 8 DEG
 BETA ANGLE -5 DEG

TRANSDUCER NC	DELTA CP RMS	DB	TRANSDUCER NC	DELTA CP RMS	CB
1	0.0026	129.4	1	0.0028	130.1
2	0.0041	133.4	2	0.0037	132.5
4	0.0083	139.5	4	0.0117	142.5
5	0.0061	136.8	5	0.0050	135.1
6	0.0019	126.7	6	0.0022	128.0
8	0.0159	145.2	8	0.0138	143.9
9	0.0284	150.2	9	0.0240	148.7
12	0.0083	139.5	12	0.0059	136.6
13	0.0062	137.0	13	0.0063	137.1
16	0.0173	145.9	16	0.0153	146.8
17	0.0040	133.2	17	0.0032	131.2
18	0.0024	128.7	18	0.0025	129.1
21	0.0021	127.6	21	0.0022	128.0
23	0.0828	155.5	23	0.0857	160.2
27	0.0208	147.5	27	0.0248	149.0
32	0.0055	135.9	32	0.0048	134.8
34	0.0046	134.4	34	0.0046	134.4
35	0.0090	140.2	35	0.0110	142.0
37	0.0145	144.4	37	0.0131	143.5
39	0.0221	148.0	39	0.0240	148.7
41	0.0067	137.7	41	0.0062	137.0
42	0.0157	147.0	42	0.0153	146.8
43	0.0031	131.0	43	0.0033	131.5
44	0.0020	127.2	44	0.0018	126.2
45	0.0135	143.7	45	0.0144	144.3
46	0.0043	133.8	46	0.0052	135.5
47	0.0034	131.8	47	0.0029	130.4
48	0.0077	138.9	48	0.0065	137.9
49	0.0072	138.3	49	0.0076	138.8
50	0.0051	135.3	50	0.0057	136.3
51	0.0041	133.4	51	0.0015	124.7

AMES PRELIMINARY AERC-ACCUSTIC DATA
TEST CONDUCTED 17-28 JAN 72

CONFIGURATION NC. 1 4
TRANSDUCER NC.

ACCUSTIC LEVEL-DB

BETA ANGLE	0 DEG	4	8
MACH NO.	-8	-4	0
0.80	142.7	144.9	145.8
0.85		142.1	
0.90		138.2	136.6
0.95		135.6	
1.00	137.6	136.4	138.6
1.10		137.5	
1.20		138.1	138.9
1.30		133.4	
1.40	136.4	136.8	138.4
1.60	134.4	134.9	138.2
2.20	127.6	128.4	

AMES PRELIMINARY AERC-ACCUSTIC DATA
TEST CONDUCTED 17-28 JAN 72

CONFIGURATION NC. 2 4
TRANSDUCER NC.

ACCUSTIC LEVEL-DB

BETA ANGLE	0 DEG	-4	0	4	8
MACH NO.	-8	-4	0	4	8
0.80					
0.85					
0.90					
0.95					
1.00					
1.10					
1.20					
1.30					
1.40					
1.60	137.2	137.2	137.2	137.2	137.2
2.20	135.1	134.0	134.0	133.4	133.0

BETA ANGLE 5 DEG

MACH NO.	-8	-4	0	4	8
0.80	143.3	144.3	146.0	146.3	146.6
0.85					
0.90	139.7	140.2	139.7	139.2	144.6
0.95					
1.00	138.6	137.4	138.4	138.9	135.4
1.10					
1.20	137.1	138.1	140.3	140.3	141.0
1.30					
1.40	135.4	136.4	137.4	138.4	139.5
1.60	135.1	137.2	138.2	139.4	140.1
2.20	132.0	128.0	129.1	130.1	131.5

BETA ANGLE 5 DEG

MACH NO.	-8	-4	0	4	8
0.80					
0.85					
0.90					
0.95					
1.00					
1.10					
1.20					
1.30					
1.40					
1.60	137.2	137.2	137.2	137.4	136.8
2.20	135.1	134.4	134.0	133.4	133.0

BETA ANGLE -5 DEG

MACH NO.	-8	-4	0	4	8
0.80					
0.85					
0.90					
0.95					
1.00					
1.10					
1.20					
1.30					
1.40					
1.60	132.0	134.4	135.6	137.2	137.7
2.20	130.1	128.4	129.4	129.4	130.1

BETA ANGLE -5 DEG

MACH NO.	-8	-4	0	4	8
0.80					
0.85					
0.90					
0.95					
1.00					
1.10					
1.20					
1.30					
1.40					
1.60	135.6	135.6	135.6	135.6	135.6
2.20	134.4	133.4	133.4	133.4	132.5

AMES PRELIMINARY AERC-ACCLUSTIC DATA
TEST CCNCTEC 17-28 JAN 72

CONFIGURATION NO. 4
TRANSDUCER NC. 4

ACOUSTIC LEVEL-DB

BETA ANGLE	0 DEG	4	8
MACH NO.	-8	-4	0
0.80	145.7	148.3	147.7
0.85	146.7	146.8	146.0
0.90	146.7	146.3	147.2
0.95	146.0	147.2	147.4
1.00	146.0	146.7	146.7
1.10	144.2	145.8	144.2
1.20	144.2	144.2	144.6
1.30	141.6	142.4	142.4
1.40	140.5	142.5	143.1
1.60	137.9	132.4	148.7
2.20	137.9	137.9	138.8

AMES PRELIMINARY AERC-ACCUUSTIC DATA
TEST CCNDUCTED 17-28 JAN 72

CONFIGURATION NO. 4
TRANSDUCER NC. 5

ACOUSTIC LEVEL-DB

BETA ANGLE	0 DEG	-4	-8
MACH NO.	0	-4	-8
0.80	138.2	137.9	137.9
0.85	137.0	137.1	137.0
0.90	138.8	138.8	138.8
0.95	142.0	142.0	142.0
1.00	138.8	138.8	138.8
1.10	138.8	138.8	138.8
1.20	138.8	138.8	138.8
1.30	138.8	138.8	138.8
1.40	138.8	138.8	138.8
1.60	138.8	138.8	138.8
2.20	138.8	138.8	138.8

BETA ANGLE	5 DEG	4	8
MACH NO.	-8	-4	0
0.80	152.0	151.0	150.0
0.85	149.7	149.2	148.0
0.90	149.7	149.2	148.0
0.95	146.0	147.1	147.4
1.00	143.8	144.2	144.7
1.10	141.6	142.5	143.1
1.20	139.9	140.1	140.9
1.40	137.0	137.5	137.5
1.60	137.0	137.5	137.5
2.20	137.0	137.5	137.5

BETA ANGLE	5 DEG	-4	-8
MACH NO.	0	-4	-8
0.80	138.9	139.0	138.9
0.85	136.8	135.9	136.8
0.90	138.9	138.9	138.9
0.95	138.9	138.9	138.9
1.00	138.9	138.9	138.9
1.10	138.9	138.9	138.9
1.20	138.9	138.9	138.9
1.30	138.9	138.9	138.9
1.40	138.9	138.9	138.9
1.60	138.9	138.9	138.9
2.20	138.9	138.9	138.9

BETA ANGLE	-5 DEG	-4	8
MACH NO.	-8	-4	0
0.80	140.1	140.5	142.5
0.85	137.0	137.9	138.8
0.90	137.0	137.9	138.8
0.95	137.0	137.9	138.8
1.00	137.0	137.9	138.8
1.10	137.0	137.9	138.8
1.20	137.0	137.9	138.8
1.30	137.0	137.9	138.8
1.40	137.0	137.9	138.8
1.60	137.0	137.9	138.8
2.20	137.0	137.9	138.8

BETA ANGLE	-5 DEG	-4	8
MACH NO.	0	-4	8
0.80	137.7	137.5	140.5
0.85	135.9	136.6	142.5
0.90	137.7	136.6	142.5
0.95	137.7	136.6	142.5
1.00	137.7	136.6	142.5
1.10	137.7	136.6	142.5
1.20	137.7	136.6	142.5
1.30	137.7	136.6	142.5
1.40	137.7	136.6	142.5
1.60	137.7	136.6	142.5
2.20	137.7	136.6	142.5

AMES PRELIMINARY AERC-ACGUSTIC DATA
TEST CONDUCTED 17-28 JAN 72

CONFIGURATION NC. 4
TRANSDUCER NC. 8

ACUSTIC LEVEL-DB

BETA ANGLE	0 DEG	5 DEG	8 DEG	4	8
MACH NO.					
0.80	146.6	145.8	142.6	143.0	144.0
0.85	148.3	145.5	142.0	142.8	143.0
0.90	145.5	147.4	142.4	142.9	147.1
0.95	148.2	146.0	144.2	144.3	148.2
1.00	152.1	149.2	147.7	147.2	158.5
1.10	145.5	132.0	149.5	148.8	147.1
1.20	125.7	127.2	145.5	145.5	144.8
1.30					
1.40					
1.60	130.2	144.3	148.0	148.7	147.1
2.20	124.1	128.0	144.8	145.5	144.8

BETA ANGLE	0 DEG	5 DEG	8 DEG	4	8
MACH NO.					
0.80	146.6	147.7	141.8	142.6	143.7
0.85	145.1	145.1	140.7	141.6	143.0
0.90	145.7	146.0	140.9	141.7	143.9
0.95	140.6	145.1	142.8	148.2	152.3
1.00	136.1	139.2	144.4	147.3	151.7
1.10	105.8	130.2	145.5	148.7	147.7
1.20	125.2	126.7	146.5	145.5	144.4
1.30					
1.40					
1.60	125.3	131.0	148.7	148.8	147.1
2.20	124.1	126.7	146.5	146.2	143.5

AMES PRELIMINARY AERC-ACGUSTIC DATA
TEST CONDUCTED 17-28 JAN 72

CONFIGURATION NC. 4
TRANSDUCER NC. 8

ACUSTIC LEVEL-DB

BETA ANGLE	0 DEG	5 DEG	8 DEG	4	8
MACH NO.					
0.80	146.6	147.7	141.8	142.6	143.7
0.85	145.1	145.1	140.7	141.6	143.0
0.90	145.7	146.0	140.9	141.7	143.9
0.95	140.6	145.1	142.8	148.2	152.3
1.00	136.1	139.2	144.4	147.3	151.7
1.10	105.8	130.2	145.5	148.7	147.7
1.20	125.2	126.7	146.5	145.5	144.4
1.30					
1.40					
1.60	125.3	131.0	148.7	148.8	147.1
2.20	124.1	126.7	146.5	146.2	143.5

AMES PRELIMINARY AERC-ACCUSTIC DATA
TEST CCNDUCTEC 17-28 JAN 72

CONFIGURATION NO. 4
TRANSDUCER NO. 9

ACCUSTIC LEVEL-DB

BETA ANGLE	0 DEG	4	8
MACH NO.	-8	-4	8
0.8C			
0.85			
0.90		130.8	
0.95		144.3	
1.00		146.9	146.8
1.10		146.1	151.8
1.20		150.6	153.1
1.30		153.5	154.8
1.40	149.7	153.0	152.0
1.60	153.0		
2.20			

BETA ANGLE	5 DEG	4	8
MACH NO.	-8	-4	8
0.80			
0.85			
0.90	140.2	140.7	
0.95			
1.00	140.7	140.8	146.4
1.10			
1.20	142.3	142.3	152.3
1.30			
1.40	143.8	146.4	154.9
1.60	146.8	151.4	153.0
2.20	153.0	150.8	149.5

BETA ANGLE	-5 DEG	4	8
MACH NO.	-8	-4	8
0.8C			
0.85			
0.90			
0.95			
1.00			
1.10			
1.20			
1.30			
1.40	145.5	152.8	153.0
1.60	152.5	150.2	148.7
2.20			

AMES PRELIMINARY AERC-ACCUSTIC DATA
TEST CCNDUCTEC 17-28 JAN 72

CONFIGURATION NO. 4
TRANSDUCER NO. 10

ACCUSTIC LEVEL-DB

BETA ANGLE	0 DEG	4	8
MACH NO.	-8	-4	8
0.80			
0.85			
0.90		142.4	141.8
0.95		139.2	
1.00		135.4	140.3
1.10		139.1	
1.20		138.5	
1.30		142.4	
1.40		141.1	140.8
1.60		138.8	
2.20		138.1	128.9

BETA ANGLE	5 DEG	4	8
MACH NO.	-8	-4	8
0.80			
0.85			
0.90	143.0	142.2	141.8
0.95			
1.00	139.7	139.7	138.6
1.10			
1.20	135.4	139.4	138.9
1.30			
1.40	143.2	141.8	140.6
1.60	138.9	137.2	138.7
2.20			

BETA ANGLE	-5 DEG	4	8
MACH NO.	-8	-4	8
0.80			
0.85			
0.90			
0.95			
1.00			
1.10			
1.20			
1.30			
1.40			
1.60			
2.20			

AMES PRELIMINARY AERC-ACCLUSTIC DATA
TEST CONDUCTED 17-28 JAN 72

CONFIGURATION NO. 4
TRANSDUCER NO. 11

ACCLUSTIC LEVEL-DB

BETA ANGLE	0 DEG	4	8
MACH NO.	-8	-4	0
0.80	151.2	152.8	153.9
0.85	159.7	159.8	160.7
0.90	148.5	160.6	152.3
1.00	129.8	147.4	139.8
1.10	136.4	148.4	136.0
1.20		139.8	
1.30		136.6	
1.40		136.4	
1.60			
2.20			

AMES PRELIMINARY AERC-ACCUSTIC DATA
TEST CONDUCTED 17-28 JAN 72

CONFIGURATION NO. 4
TRANSDUCER NO. 12

ACCUSTIC LEVEL-DE

BETA ANGLE	0 DEG	-4	8
MACH NO.	-8	-4	0
0.80	152.0	152.0	152.0
0.85	161.5	159.6	160.2
0.90	157.1	161.2	158.3
1.00	154.7	156.3	151.8
1.10		153.8	
1.20		152.3	
1.30		150.9	
1.40	146.8	148.3	149.4
1.60	142.5	148.7	146.7
2.20		142.5	140.9

AMES PRELIMINARY AERC-ACCLUSTIC DATA
TEST CONDUCTED 17-28 JAN 72

CONFIGURATION NO. 4
TRANSDUCER NO. 11

ACCLUSTIC LEVEL-DB

BETA ANGLE	5 DEG	4	8
MACH NO.	-8	-4	0
0.80	151.4	152.2	153.9
0.85	155.5	156.7	154.6
0.90	146.0	147.7	151.7
1.00	144.2	144.2	145.4
1.10	137.6	138.4	140.2
1.20		138.7	
1.30		138.4	
1.40		137.6	
1.60			
2.20			

AMES PRELIMINARY AERC-ACCUSTIC DATA
TEST CONDUCTED 17-28 JAN 72

CONFIGURATION NO. 4
TRANSDUCER NO. 12

ACCUSTIC LEVEL-DE

BETA ANGLE	5 DEG	-4	8
MACH NO.	-8	-4	0
0.80	153.9	153.9	154.3
0.85	162.0	160.7	160.2
0.90	157.1	156.4	157.7
1.00	158.2	156.8	152.8
1.10		155.9	
1.20		153.5	
1.30		142.5	
1.40	153.0	153.0	152.9
1.60	144.4	143.0	151.4
2.20		142.5	142.0

AMES PRELIMINARY AERC-ACCUSTIC DATA
TEST CONDUCTED 17-28 JAN 72

CONFIGURATION NO. 4
TRANSDUCER NO. 11

ACCLUSTIC LEVEL-DB

BETA ANGLE	-5 DEG	-4	8
MACH NO.	-8	-4	0
0.80	153.0	153.0	152.0
0.85	153.0	153.0	152.0
0.90	153.0	153.0	152.0
1.00	153.0	153.0	152.0
1.10	153.0	153.0	152.0
1.20	153.0	153.0	152.0
1.30	153.0	153.0	152.0
1.40	153.0	153.0	152.0
1.60	153.0	153.0	152.0
2.20	153.0	153.0	152.0

AMES PRELIMINARY AERC-ACCUSTIC DATA
TEST CONDUCTED 17-28 JAN 72

CONFIGURATION NO. 13
TRANSDUCER NO. 4

ACCUSTIC LEVEL-DB

MACH NO.	BETA ANGLE 0 DEG		ALPHA-DEG C	MACH NO.	BETA ANGLE 5 DEG		ALPHA-DEG C
	-8	-4			-8	-4	
0.80	147.7	148.0	147.7	0.80	145.2	145.8	146.6
0.85	151.9	147.1	145.7	0.85	146.0	145.6	146.7
0.90	148.3	150.1	148.4	0.95	145.2	146.6	145.6
1.00	147.5	148.0	146.5	1.10	145.1	145.7	145.0
1.10	145.4	146.8	143.8	1.20	143.1	143.7	142.8
1.20	143.9	150.9	140.9	1.30			
1.40	137.9	143.0	136.6	1.40			
1.60		137.0		1.60			
2.20				2.20			

AMES PRELIMINARY AERC-ACCUSTIC DATA
TEST CONDUCTED 17-28 JAN 72

CONFIGURATION NO. 14
TRANSDUCER NO. 4

ACCUSTIC LEVEL-DB

MACH NO.	BETA ANGLE 0 DEG		ALPHA-DEG C	MACH NO.	BETA ANGLE 5 DEG		ALPHA-DEG C
	-8	-4			-8	-4	
0.80	147.7	148.0	147.7	0.80	145.2	145.8	146.6
0.85	151.9	147.1	145.7	0.85	146.0	145.6	146.7
0.90	148.3	150.1	148.4	0.95	145.2	146.6	145.6
1.00	147.5	148.0	146.5	1.10	145.1	145.7	145.0
1.10	145.4	146.8	143.8	1.20	143.1	143.7	142.8
1.20	143.9	150.9	140.9	1.30			
1.40	137.9	143.0	136.6	1.40			
1.60		137.0		1.60			
2.20				2.20			

MACH NO.	BETA ANGLE 0 DEG		ALPHA-DEG C	MACH NO.	BETA ANGLE 5 DEG		ALPHA-DEG C
	-8	-4			-8	-4	
0.80	147.7	148.0	147.7	0.80	145.2	145.8	146.6
0.85	151.9	147.1	145.7	0.85	146.0	145.6	146.7
0.90	148.3	150.1	148.4	0.95	145.2	146.6	145.6
1.00	147.5	148.0	146.5	1.10	145.1	145.7	145.0
1.10	145.4	146.8	143.8	1.20	143.1	143.7	142.8
1.20	143.9	150.9	140.9	1.30			
1.40	137.9	143.0	136.6	1.40			
1.60		137.0		1.60			
2.20				2.20			

MACH NO.	BETA ANGLE 0 DEG		ALPHA-DEG C	MACH NO.	BETA ANGLE 5 DEG		ALPHA-DEG C
	-8	-4			-8	-4	
0.80	147.7	148.0	147.7	0.80	145.2	145.8	146.6
0.85	151.9	147.1	145.7	0.85	146.0	145.6	146.7
0.90	148.3	150.1	148.4	0.95	145.2	146.6	145.6
1.00	147.5	148.0	146.5	1.10	145.1	145.7	145.0
1.10	145.4	146.8	143.8	1.20	143.1	143.7	142.8
1.20	143.9	150.9	140.9	1.30			
1.40	137.9	143.0	136.6	1.40			
1.60		137.0		1.60			
2.20				2.20			

AMES PRELIMINARY AERC-ACCUSTIC DATA
TEST CCNDUCTED 17-28 JAN 72

CCNFIGLRATICN NC. 4
TRANSDUCER NC. 15

AMES PRELIMINARY AERO-ACCUSTIC DATA
TEST CCNDUCTED 17-28 JAN 72

CCNFIGLRATICN NC. 4
TRANSDUCER NC. 16

ACCUSTIC LEVEL-CB

BETA ANGLE	C DEG	MACH NO.	ALPHA-DEG	0 DEG	8
	-8		C		
			-4		
0.80			152.6	150.0	
0.85			146.8		
0.90			144.4	143.4	
0.95			143.5		
1.00			143.8	143.8	
1.10			144.3		
1.20			142.8	142.8	
1.30			141.6		
1.40			141.5	141.7	
1.60					
2.2C					

ACCUSTIC LEVEL-CB

BETA ANGLE	0 DEG	MACH NO.	ALPHA-DEG	4	8
	-8		C		
			-4		
0.80			155.8	152.2	
0.85			157.1		
0.90			161.1	163.1	
0.95			162.9		
1.00			154.1	156.8	
1.10			152.9		
1.20			150.5	152.8	
1.30			147.6		
1.40			148.8	147.3	
1.60			147.1	145.2	
2.20			141.5	138.5	
	150.2			147.3	145.5
	145.5			138.5	139.3

BETA ANGLE 5 DEG

MACH NO.	ALPHA-DEG	8
	C	
	-4	
0.80	156.2	154.9
0.85		154.9
0.90	144.4	143.8
0.95		143.8
1.00	142.6	144.4
1.10		143.3
1.20	142.3	142.3
1.30		140.9
1.40	141.2	141.5
1.60		140.9
2.2C		

BETA ANGLE 5 DEG

MACH NO.	ALPHA-DEG	8
	C	
	-4	
0.80	154.6	153.7
0.85		153.7
0.90	157.4	156.7
0.95		155.7
1.00	150.4	150.4
1.10		155.9
1.20	157.8	157.8
1.30		155.1
1.40	152.2	153.7
1.60	152.5	151.7
2.20	148.3	143.0
	155.5	155.5
	158.6	158.6
	151.7	151.7
	155.1	155.1
	152.5	152.5
	152.0	152.0
	143.0	143.0

BETA ANGLE -5 DEG

MACH NO.	ALPHA-DEG	8
	C	
	-4	
0.80		
0.85		
0.90		
0.95		
1.00		
1.10		
1.20		
1.30		
1.40		
1.60		
2.2C		

BETA ANGLE -5 DEG

MACH NO.	ALPHA-DEG	8
	C	
	-4	
0.80		
0.85		
0.90		
0.95		
1.00		
1.10		
1.20		
1.30		
1.40		
1.60		
2.20		
	145.5	145.5
	142.5	142.5
	145.5	144.5
	140.2	143.0
	148.3	148.3
	145.9	145.9
	151.1	151.1
	146.8	146.8

AMES PRELIMINARY AERC-ACCUSTIC DATA
TEST CONDUCTED 17-26 JAN 72

CONFIGURATION NO. 17
TRANSDUCER NO. 4

ACCUSTIC LEVEL-DB

BETA ANGLE	0 DEG	4	8	BETA ANGLE	0 DEG	4	8
MACH NO.	-8	ALPHA-DEG C	ALPHA-DEG C	MACH NO.	-8	ALPHA-DEG C	ALPHA-DEG C
0.80	146.2	145.8	146.2	0.80	132.7	133.6	134.9
0.85	144.6	145.2	144.7	0.85	128.0	127.2	128.0
0.90	145.7	144.5	144.8	1.00	133.3	133.6	134.9
0.95	145.6	144.7	144.2	1.10	127.6	127.2	128.0
1.00	145.6	144.7	144.2	1.20			
1.10	142.8	141.6	140.4	1.30			
1.20	140.5	144.1	140.4	1.40			
1.30	134.0	135.5	138.4	1.60			
1.40		133.2	132.3	2.20			
1.60							
2.20							

AMES PRELIMINARY AERC-ACCUSTIC DATA
TEST CONDUCTED 17-28 JAN 72

CONFIGURATION NO. 18
TRANSDUCER NO. 4

ACCUSTIC LEVEL-DB

BETA ANGLE	5 DEG	8	BETA ANGLE	5 DEG	8
MACH NO.	-8	ALPHA-DEG C	MACH NO.	-8	ALPHA-DEG C
0.80	147.0	146.2	0.80	132.4	133.6
0.85	148.3	145.5	0.85	128.4	128.0
0.90	147.1	146.4	0.90	133.0	133.6
0.95	146.1	143.1	1.00	127.6	128.0
1.00	142.8	143.1	1.10		
1.10	140.1	140.0	1.20		
1.20	134.0	135.5	1.30		
1.30			1.40		
1.40			1.60		
1.60			2.20		
2.20					

BETA ANGLE	-5 DEG	4	8	BETA ANGLE	-5 DEG	4	8
MACH NO.	-8	ALPHA-DEG C	ALPHA-DEG C	MACH NO.	-8	ALPHA-DEG C	ALPHA-DEG C
0.80	140.5	140.5	139.2	0.80	132.4	134.4	135.8
0.85	135.5	134.6	133.2	0.85	128.0	128.0	129.1
0.90				0.90			
0.95				0.95			
1.00				1.00			
1.10				1.10			
1.20				1.20			
1.30				1.30			
1.40				1.40			
1.60				1.60			
2.20				2.20			

AMES PRELIMINARY AERC-ACCLUSTIC DATA
TEST CCNUCTEC 17-28 JAN 72

CONFIGURATION NO. 4
TRANSDUCER NO. 19

ACOUSTIC LEVEL-DB

BETA ANGLE	0 DEG	8	4	8
MACH NO.	-8	-4	0	4
0.80	148.0	147.2	147.0	147.0
0.85	149.2	147.1	147.0	147.0
0.90	149.1	148.2	147.1	147.1
0.95	148.3	148.2	147.7	147.7
1.00	142.5	141.3	140.7	140.7
1.10				
1.20				
1.30				
1.40				
1.60				
2.20				

AMES PRELIMINARY AERC-ACCLUSTIC DATA
TEST CCNUCTEC 17-28 JAN 72

CONFIGURATION NO. 4
TRANSDUCER NO. 20

ACOUSTIC LEVEL-DB

BETA ANGLE	0 DEG	-4	0	4
MACH NO.	-8	-4	0	4
0.80	152.9	152.9	154.0	153.0
0.85	137.4	137.4	138.2	137.4
0.90	137.0	137.0	137.4	137.4
0.95	137.0	137.0	137.4	137.5
1.00	137.4	137.4	137.2	137.2
1.10	137.4	137.4	138.3	138.3
1.20	136.1	136.1	136.0	136.0
1.30				
1.40				
1.60				
2.20				

BETA ANGLE 5 DEG

MACH NO.	-8	-4	0	4	8
	5 DEG	5 DEG	5 DEG	5 DEG	5 DEG
0.80	146.3	146.0	147.7	147.7	146.6
0.85	151.6	150.7	148.6	148.6	148.3
0.90	152.8	152.3	149.4	149.4	148.3
0.95	148.2	148.8	147.2	147.2	145.4
1.00	146.0	145.5	145.9	145.9	143.5
1.10					
1.20					
1.30					
1.40					
1.60					
2.20					

BETA ANGLE 5 DEG

MACH NO.	-8	-4	0	4	8
	5 DEG	5 DEG	5 DEG	5 DEG	5 DEG
0.80	153.0	152.9	152.2	152.6	153.5
0.85	138.6	137.7	137.4	137.4	152.0
0.90	137.8	137.8	137.8	137.8	137.8
0.95	136.9	136.9	139.0	139.0	138.3
1.00	136.8	137.6	131.7	136.2	136.0
1.10					
1.20					
1.30					
1.40					
1.60					
2.20					

BETA ANGLE -5 DEG

MACH NO.	-8	-4	0	4	8
	-5 DEG	-5 DEG	-5 DEG	-5 DEG	-5 DEG
0.80	146.0	146.0	146.4	145.9	143.5
0.85	148.2	148.8	147.2	147.2	145.4
0.90	146.0	145.5	145.9	145.9	143.5
0.95					
1.00					
1.10					
1.20					
1.30					
1.40					
1.60					
2.20					

BETA ANGLE -5 DEG

MACH NO.	-8	-4	0	4	8
	-5 DEG	-5 DEG	-5 DEG	-5 DEG	-5 DEG
0.80	153.0	152.9	152.2	152.6	153.5
0.85	138.6	137.7	137.4	137.4	152.0
0.90	137.8	137.8	137.8	137.8	137.8
0.95	136.9	136.9	139.0	139.0	138.3
1.00	136.8	137.6	131.7	136.2	136.0
1.10					
1.20					
1.30					
1.40					
1.60					
2.20					

AMES PRELIMINARY AERC-ACQUSTIC DATA
TEST CCNDUCTEC 17-28 JAN 72

CONFIGURATION NO. 4
TRANSDUCER NO. 21

ACOUSTIC LEVEL-DB

BETA ANGLE	0 DEG	4	8
MACH NO.	-8	ALPHA-DEG C	8
0.8C			
0.85			
0.90			
0.95			
1.00			
1.1C			
1.20			
1.30			
1.40			
1.60	140.1	144.3	144.8
2.2C	147.0	135.5	127.6
		147.5	
		128.0	
		146.5	
		120.2	

BETA ANGLE	5 DEG	4	8
MACH NO.	-8	ALPHA-DEG C	8
0.8C			
0.85			
0.90			
0.95			
1.00			
1.1C			
1.20			
1.30			
1.40			
1.60	141.0	145.5	144.7
2.2C	146.2	138.2	128.0
		148.7	
		128.0	
		147.5	
		128.0	

BETA ANGLE	-5 DEG	4	8
MACH NO.	-8	ALPHA-DEG C	8
0.8C			
0.85			
0.90			
0.95			
1.00			
1.10			
1.20			
1.30			
1.40			
1.60	140.5	145.5	144.6
2.2C	146.0	137.5	128.0
		145.1	
		128.0	
		147.5	
		127.6	

AMES PRELIMINARY AERC-ACQUSTIC DATA
TEST CCNDUCTEC 17-28 JAN 72

CONFIGURATION NO. 4
TRANSDUCER NO. 22

ACOUSTIC LEVEL-DB

BETA ANGLE	0 DEG	4	8
MACH NO.	-8	ALPHA-DEG C	8
0.80			
0.85			
0.90			
0.95			
1.00			
1.10			
1.20			
1.30			
1.40			
1.60	140.1	144.3	144.8
2.2C	147.0	135.5	127.6
		147.5	
		128.0	
		146.5	
		120.2	

BETA ANGLE	5 DEG	4	8
MACH NO.	-8	ALPHA-DEG C	8
0.8C			
0.85			
0.90			
0.95			
1.00			
1.10			
1.20			
1.30			
1.40			
1.60	141.0	145.5	144.7
2.2C	146.2	138.2	128.0
		148.7	
		128.0	
		147.5	
		128.0	

BETA ANGLE	-5 DEG	4	8
MACH NO.	-8	ALPHA-DEG C	8
0.8C			
0.85			
0.90			
0.95			
1.00			
1.10			
1.20			
1.30			
1.40			
1.60	140.5	145.5	144.6
2.2C	146.0	137.5	128.0
		145.1	
		128.0	
		147.5	
		127.6	

AMES PRELIMINARY AERC-ACCUSTIC DATA
TEST CONDUCTED 17-28 JAN 72

CONFIGURATION NC. 4
TRANSDUCER NC. 23

AMES PRELIMINARY AERC-ACCUSTIC DATA
TEST CONDUCTED 17-28 JAN 72

CONFIGURATION NC. 4
TRANSDUCER NC. 24

ACCUSTIC LEVEL-DB

BETA ANGLE MACH NC.	C DEG	ALPHA-DEG C	4	8
0.80	-8	-4		
0.85				
0.90				
0.95				
1.00				
1.10				
1.20				
1.30				
1.40				
1.60	154.3	155.1	158.0	156.9
2.20	155.1	155.0	155.5	156.4

ACCUSTIC LEVEL-DB

BETA ANGLE MACH NC.	0 DEG	ALPHA-DEG C	4	8
0.80	-8	-4		
0.85				
0.90				
0.95				
1.00				
1.10				
1.20				
1.30				
1.40				
1.60	155.4	155.2	154.9	154.9
2.20	154.6	153.7	153.7	153.7
	157.4	155.0	157.1	157.1
	151.1	151.2	151.8	151.8
	148.7	148.7	148.7	148.7
	148.8	148.8	148.3	148.3

BETA ANGLE 5 DEG

BETA ANGLE MACH NC.	5 DEG	ALPHA-DEG C	4	8
0.80	-8	-4		
0.85				
0.90				
0.95				
1.00				
1.10				
1.20				
1.30				
1.40				
1.60	132.7	151.1	152.5	155.2
2.20	152.0	153.9	156.5	158.0

BETA ANGLE 5 DEG

BETA ANGLE MACH NC.	5 DEG	ALPHA-DEG C	4	8
0.80	-8	-4		
0.85				
0.90				
0.95				
1.00				
1.10				
1.20				
1.30				
1.40				
1.60	151.8	152.2	152.4	152.9
2.20	150.2	152.1	151.9	151.9
	150.4	152.0	154.4	152.8
	149.8	150.5	155.5	151.1
	151.3	149.8	149.4	150.0

BETA ANGLE -5 DEG

BETA ANGLE MACH NC.	-5 DEG	ALPHA-DEG C	4	8
0.80	-8	-4		
0.85				
0.90				
0.95				
1.00				
1.10				
1.20				
1.30				
1.40				
1.60	153.5	155.4	158.7	158.3
2.20	158.1	156.7	159.5	160.2

BETA ANGLE -5 DEG

BETA ANGLE MACH NC.	-5 DEG	ALPHA-DEG C	4	8
0.80	-8	-4		
0.85				
0.90				
0.95				
1.00				
1.10				
1.20				
1.30				
1.40				
1.60	158.4	157.9	158.7	158.3
2.20	158.1	156.7	159.5	160.2

AMES PRELIMINARY AERC-ACCUSTIC DATA
TEST CCNDUCTED 17-28 JAN 72

CONFIGURATION NO. 4
TRANSDUCER NO. 25

ACCUSTIC LEVEL-DB

BETA ANGLE	0 DEG	8	4	8
MACH NO.	-8	-4	0	4
0.80	155.4	155.4	155.4	155.4
0.85	154.2	154.5	153.7	153.7
0.90	154.1	157.7	157.4	157.4
0.95	156.4	153.6	152.6	152.6
1.00	152.3	150.3	150.7	150.7
1.10	152.4			
1.20				
1.30				
1.40				
1.60				
2.20				

BETA ANGLE 5 DEG

BETA ANGLE	5 DEG	8	4	8
MACH NO.	-8	-4	0	4
0.80	154.9	154.9	154.5	155.4
0.85	153.7	154.6	154.6	154.9
0.90	154.4	154.8	157.1	156.4
0.95	152.8	153.3	154.7	154.7
1.00	152.1	152.4	152.1	152.1
1.10				
1.20				
1.30				
1.40				
1.60				
2.20				

BETA ANGLE -5 DEG

BETA ANGLE	-5 DEG	-4	4	8
MACH NO.	-8	-4	0	4
0.80				
0.85				
0.90				
0.95				
1.00				
1.10				
1.20				
1.30				
1.40				
1.60				
2.20				

AMES PRELIMINARY AERO-ACCUSTIC DATA
TEST CCNDUCTED 17-28 JAN 72

CONFIGURATION NO. 4
TRANSDUCER NO. 27

ACCUSTIC LEVEL-DB

BETA ANGLE	0 DEG	-4	4	8
MACH NO.	-8	-4	0	4
0.80	166.5	165.8	165.2	165.2
0.85	163.7	166.1	165.2	165.2
0.90	163.1	164.8	161.3	161.3
0.95	161.1	161.5	160.3	160.3
1.00	154.9	156.7	151.7	151.7
1.10	157.1	152.0	152.2	152.2
1.20	146.9	143.4	144.3	144.3
1.30				
1.40				
1.60				
2.20				

BETA ANGLE 5 DEG

BETA ANGLE	5 DEG	-4	4	8
MACH NO.	-8	-4	0	4
0.80	162.2	162.2	162.2	162.2
0.85	163.1	163.7	163.1	163.1
0.90	152.8	152.8	162.8	162.1
0.95	160.2	159.8	158.3	159.3
1.00	158.4	158.4	159.2	159.8
1.10	134.4	134.4	155.7	157.1
1.20	148.0	148.0	147.5	147.5
1.30				
1.40				
1.60				
2.20				

BETA ANGLE -5 DEG

BETA ANGLE	-5 DEG	-4	4	8
MACH NO.	-8	-4	0	4
0.80				
0.85				
0.90				
0.95				
1.00				
1.10				
1.20				
1.30				
1.40				
1.60				
2.20				

AMES PRELIMINARY AERC-ACCUSTIC DATA
TEST CONDUCTED 17-28 JAN 72

CONFIGURATION NC. 4
TRANSDUCER NC. 32

ACCUSTIC LEVEL-DB

BETA ANGLE	C DEG	ALPHA-DEG C	MACH NO.	ALPHA-DEG C	BETA ANGLE	0 DEG	MACH NO.	ALPHA-DEG C	8
	-8	-4		4		-8		4	
0.80		147.0		147.0			0.80	148.2	149.7
0.85		146.0		146.0			0.85	148.4	148.4
0.90		146.3		145.5			0.90	147.4	150.7
0.95		147.5		147.5			0.95	150.1	150.1
1.00		146.0		146.4			1.00	150.9	153.8
1.10		145.1		145.1			1.10	149.1	149.1
1.20		144.7		144.7			1.20	151.8	155.1
1.30		141.6		141.6			1.30	156.4	157.7
1.40		142.5		141.7			1.40		
1.60	142.5	140.5		135.4			1.60		
2.20	135.5	134.8		133.4			2.20		

AMES PRELIMINARY AERC-ACCUSTIC DATA
TEST CONDUCTED 17-28 JAN 72

CONFIGURATION NC. 4
TRANSDUCER NC. 33

ACCUSTIC LEVEL-DB

BETA ANGLE	0 DEG	ALPHA-DEG C	MACH NO.	ALPHA-DEG C	BETA ANGLE	5 DEG	MACH NO.	ALPHA-DEG C	8
	-8	-4		4		-8		4	
0.80		147.0		147.0			0.80	148.2	149.7
0.85		146.0		146.0			0.85	148.4	148.4
0.90		146.3		145.5			0.90	147.4	150.7
0.95		147.5		147.5			0.95	150.1	150.1
1.00		146.0		146.4			1.00	150.9	153.8
1.10		145.1		145.1			1.10	149.1	149.1
1.20		144.7		144.7			1.20	151.8	155.1
1.30		141.6		141.6			1.30	156.4	157.7
1.40		142.5		141.7			1.40		
1.60	142.5	140.5		135.4			1.60		
2.20	135.5	134.8		133.4			2.20		

BETA ANGLE	5 DEG	ALPHA-DEG C	MACH NO.	ALPHA-DEG C	BETA ANGLE	-5 DEG	MACH NO.	ALPHA-DEG C	8
	-8	-4		4		-8		4	
0.80		147.0		147.0			0.80	148.2	149.7
0.85		146.0		146.0			0.85	148.4	148.4
0.90		146.3		145.5			0.90	147.4	150.7
0.95		147.5		147.5			0.95	150.1	150.1
1.00		146.0		146.4			1.00	150.9	153.8
1.10		145.1		145.1			1.10	149.1	149.1
1.20		144.7		144.7			1.20	151.8	155.1
1.30		141.6		141.6			1.30	156.4	157.7
1.40		142.5		141.7			1.40		
1.60	142.2	140.1		138.7			1.60		
2.20	137.4	135.5		134.8			2.20		

BETA ANGLE	-5 DEG	ALPHA-DEG C	MACH NO.	ALPHA-DEG C	BETA ANGLE	0 DEG	MACH NO.	ALPHA-DEG C	8
	-8	-4		4		-8		4	
0.80		147.0		147.0			0.80	148.2	149.7
0.85		146.0		146.0			0.85	148.4	148.4
0.90		146.3		145.5			0.90	147.4	150.7
0.95		147.5		147.5			0.95	150.1	150.1
1.00		146.0		146.4			1.00	150.9	153.8
1.10		145.1		145.1			1.10	149.1	149.1
1.20		144.7		144.7			1.20	151.8	155.1
1.30		141.6		141.6			1.30	156.4	157.7
1.40		142.5		141.7			1.40		
1.60	140.9	141.0		140.1			1.60		
2.20	135.1	135.5		135.9			2.20		

AMES PRELIMINARY AERC-ACCUSTIC DATA
TEST CONDUCTED 17-28 JAN 72

CONFIGURATION NO. 4
TRANSDUCER NO. 35

ACOUSTIC LEVEL-DB

BETA ANGLE	0 DEG	5 DEG	8 DEG	4	8	0 DEG	5 DEG	8 DEG	4	8
MACH NO.	ALPHA-DEG			ALPHA-DEG			ALPHA-DEG			
0.80	-4	145.8	146.6	-4	144.8	-4	145.4	152.3	-4	149.4
0.85	145.4	144.8	144.7	144.8	150.5	143.0	152.0	154.2	150.5	152.0
0.90	143.8	143.6	143.9	144.8	153.6	144.8	146.4	151.1	146.4	151.1
0.95	143.8	143.2	143.3	147.5	148.3	147.5	145.4	152.3	148.3	152.3
1.00	145.1	141.6	142.0	144.4	146.2	144.4	145.4	143.1	145.4	143.1
1.10	142.5	140.9	140.9	144.7	143.5	144.7	143.5	144.7	143.5	144.7
1.20	140.9	140.1	134.8	138.8	141.5	138.8	141.5	144.8	141.5	144.8
1.30	133.4	134.0								
1.40			140.1							
1.60	139.4		135.1							
2.20	135.5									

AMES PRELIMINARY AERO-ACCUSTIC DATA
TEST CONDUCTED 17-28 JAN 72

CONFIGURATION NO. 4
TRANSDUCER NO. 34

ACOUSTIC LEVEL-DB

BETA ANGLE	0 DEG	5 DEG	8 DEG	4	8	0 DEG	5 DEG	8 DEG	4	8
MACH NO.	ALPHA-DEG			ALPHA-DEG			ALPHA-DEG			
0.80	-4	145.4	146.2	-4	144.0	-4	146.2	150.5	-4	146.2
0.85	145.4	145.5	145.1	144.0	150.5	142.0	146.3	152.0	150.5	153.2
0.90	145.1	145.5	144.3	142.0	155.1	142.0	150.7	154.8	152.0	155.1
0.95	145.7	144.8	144.2	143.7	152.3	143.7	150.7	154.8	152.3	152.3
1.00	145.7	144.2	144.2	146.8	153.3	146.8	155.7	153.3	155.7	153.3
1.10	143.1	141.7	142.8	144.5	139.5	144.5	146.5	146.5	146.5	152.4
1.20	145.9	142.5	142.5	147.9	142.5	147.9	128.3	145.5	128.3	143.9
1.30	136.6	135.9	135.9	140.2	135.9	140.2	141.5	135.5	141.5	140.2
1.40										
1.60	141.5	140.1	138.7	143.5	138.7	143.5	146.2	153.5	146.2	151.4
2.20	135.5	134.4	134.4	135.5	134.4	135.5	144.4	140.2	144.4	142.0

AMES PRELIMINARY AERC-ACCUSTIC DATA
TEST CCNDUCTEC 17-28 JAN 72

CONFIGURATION NO. 4
TRANSDUCER NO. 36

ACCUSTIC LEVEL-DB

BETA ANGLE	0 DEG	4	8
MACH NO.	-8	-4	0
	ALPHA-DEG	ALPHA-DEG	ALPHA-DEG
0.80	156.6	156.2	156.2
0.85	156.4	157.4	157.4
0.90	158.0	159.6	158.3
0.95	159.7	158.2	157.5
1.00	156.8	154.3	152.4
1.10	153.8	153.1	
1.20			
1.30			
1.40			
1.60			
2.20			

AMES PRELIMINARY AERC-ACCUSTIC DATA
TEST CCNDUCTEC 17-28 JAN 72

CONFIGURATION NO. 4
TRANSDUCER NO. 37

ACCUSTIC LEVEL-DB

BETA ANGLE	0 DEG	-4	8
MACH NO.	-8	-4	0
	ALPHA-DEG	ALPHA-DEG	ALPHA-DEG
0.80	153.5	152.5	148.7
0.85	147.2	143.0	148.7
0.90			138.8
0.95			
1.00			
1.10			
1.20			
1.30			
1.40			
1.60			
2.20			

BETA ANGLE	5 DEG	8
MACH NO.	-8	0
	ALPHA-DEG	ALPHA-DEG
0.80	155.2	158.3
0.85	159.7	159.7
0.90	158.3	161.3
0.95	156.2	159.1
1.00	153.8	157.3
1.10		
1.20		
1.30		
1.40		
1.60		
2.20		

BETA ANGLE	5 DEG	4	8
MACH NO.	-8	-4	0
	ALPHA-DEG	ALPHA-DEG	ALPHA-DEG
0.80	155.1	152.5	151.4
0.85	147.2	143.5	144.4
0.90			152.0
0.95			143.5
1.00			
1.10			
1.20			
1.30			
1.40			
1.60			
2.20			

BETA ANGLE	-5 DEG	4	8
MACH NO.	-8	-4	0
	ALPHA-DEG	ALPHA-DEG	ALPHA-DEG
0.80	155.1	152.5	150.8
0.85	148.3	144.4	144.4
0.90			150.8
0.95			144.4
1.00			
1.10			
1.20			
1.30			
1.40			
1.60			
2.20			

BETA ANGLE	-5 DEG	4	8
MACH NO.	-8	-4	0
	ALPHA-DEG	ALPHA-DEG	ALPHA-DEG
0.80	155.1	152.5	150.8
0.85	148.3	144.4	144.4
0.90			150.8
0.95			144.4
1.00			
1.10			
1.20			
1.30			
1.40			
1.60			
2.20			

AMES PRELIMINARY AERC-ACCUSTIC DATA
TEST CONDUCTED 17-28 JAN 72

CONFIGURATION NO. 4
TRANSDUCER NO. 38

ACCUSTIC LEVEL-DB

BETA ANGLE	0 DEG	4	8
MACH NO.	-8	-4	0
0.80	153.0	152.3	152.3
0.85	155.5	152.7	152.7
0.90	156.4	154.2	153.2
0.95	155.6	156.2	156.2
1.00	152.4	155.2	154.4
1.10		154.3	
1.20		156.2	
1.30		152.7	
1.40		150.4	
1.60			
2.20			

AMES PRELIMINARY AERC-ACCUSTIC DATA
TEST CONDUCTED 17-28 JAN 72

CONFIGURATION NO. 4
TRANSDUCER NO. 39

ACCUSTIC LEVEL-DB

BETA ANGLE	0 DEG	4	8
MACH NO.	-8	-4	0
0.80	157.5	156.5	152.5
0.85	151.4	147.9	144.5
0.90			
0.95			
1.00			
1.10			
1.20			
1.30			
1.40			
1.60			
2.20			

BETA ANGLE 5 DEG

BETA ANGLE	5 DEG	8
MACH NO.	-8	-4
0.80	155.4	152.5
0.85	160.2	155.1
0.90	162.1	156.4
0.95	161.1	154.7
1.00	158.8	153.1
1.10		
1.20		
1.30		
1.40		
1.60		
2.20		

BETA ANGLE -5 DEG

BETA ANGLE	-5 DEG	-8
MACH NO.	-4	0
0.80	154.5	154.0
0.85	155.5	157.4
0.90	160.8	159.2
0.95	155.8	155.5
1.00	158.1	154.9
1.10		
1.20		
1.30		
1.40		
1.60		
2.20		

BETA ANGLE -5 DEG

BETA ANGLE	-5 DEG	-8
MACH NO.	-4	0
0.80	157.0	156.9
0.85	151.4	149.5
0.90		
0.95		
1.00		
1.10		
1.20		
1.30		
1.40		
1.60		
2.20		

BETA ANGLE -5 DEG

BETA ANGLE	-5 DEG	-8
MACH NO.	-4	0
0.80	157.0	157.0
0.85	151.4	149.5
0.90		
0.95		
1.00		
1.10		
1.20		
1.30		
1.40		
1.60		
2.20		

AMES PRELIMINARY AERC-ACCUSTIC DATA
TEST CONDUCTED 17-28 JAN 72

CONFIGURATION NC. 4
TRANSDUCER NC. 40

ACCUSTIC LEVEL-DB

BETA ANGLE	0 DEG	4	8
MACH NO.	ALPHA-DEG C	ALPHA-DEG C	ALPHA-DEG C
0.80	147.7	147.7	147.7
0.85	147.5	147.7	147.7
0.90	146.2	147.7	147.7
0.95	150.4	148.6	148.6
1.00	148.9	148.9	148.9
1.10	145.0	147.2	147.2
1.20	143.8	142.5	141.3
1.40			
1.60			
2.20			

AMES PRELIMINARY AERC-ACCUSTIC DATA
TEST CONDUCTED 17-28 JAN 72

CONFIGURATION NC. 4
TRANSDUCER NC. 41

ACCUSTIC LEVEL-DB

BETA ANGLE	0 DEG	4	8
MACH NO.	ALPHA-DEG C	ALPHA-DEG C	ALPHA-DEG C
0.80	143.5	143.0	143.0
0.85	138.5	137.0	137.0
0.90			
0.95			
1.00			
1.10			
1.20			
1.30			
1.40			
1.60			
2.20			

AMES PRELIMINARY AERC-ACCUSTIC DATA
TEST CONDUCTED 17-28 JAN 72

CONFIGURATION NC. 4
TRANSDUCER NC. 40

ACCUSTIC LEVEL-DB

BETA ANGLE	5 DEG	4	8
MACH NO.	ALPHA-DEG C	ALPHA-DEG C	ALPHA-DEG C
0.80	147.7	147.3	146.2
0.85	150.2	148.6	148.0
0.90	152.8	150.8	149.2
1.00	150.5	146.9	146.1
1.10	148.3	144.7	144.1
1.20			
1.40			
1.60			
2.20			

AMES PRELIMINARY AERC-ACCUSTIC DATA
TEST CONDUCTED 17-28 JAN 72

CONFIGURATION NC. 4
TRANSDUCER NC. 41

ACCUSTIC LEVEL-DB

BETA ANGLE	5 DEG	4	8
MACH NO.	ALPHA-DEG C	ALPHA-DEG C	ALPHA-DEG C
0.80	153.0	149.5	149.8
0.85	126.2	129.1	139.8
0.90			
0.95			
1.00			
1.10			
1.20			
1.30			
1.40			
1.60			
2.20			

AMES PRELIMINARY AERC-ACCUSTIC DATA
TEST CONDUCTED 17-28 JAN 72

CONFIGURATION NC. 4
TRANSDUCER NC. 40

ACCUSTIC LEVEL-DB

BETA ANGLE	-5 DEG	4	8
MACH NO.	ALPHA-DEG C	ALPHA-DEG C	ALPHA-DEG C
0.80	142.4	142.2	142.0
0.85	139.5	138.3	137.7
0.90			
0.95			
1.00			
1.10			
1.20			
1.30			
1.40			
1.60			
2.20			

AMES PRELIMINARY AERC-ACCUSTIC DATA
TEST CONDUCTED 17-28 JAN 72

CONFIGURATION NC. 4
TRANSDUCER NC. 41

ACCUSTIC LEVEL-DB

BETA ANGLE	-5 DEG	4	8
MACH NO.	ALPHA-DEG C	ALPHA-DEG C	ALPHA-DEG C
0.80	142.4	142.2	142.0
0.85	139.5	138.3	137.7
0.90			
0.95			
1.00			
1.10			
1.20			
1.30			
1.40			
1.60			
2.20			

AMES PRELIMINARY AERC-ACCUSTIC DATA
TEST CONDUCTED 17-28 JAN 72

CONFIGURATION NC. 44
TRANSDUCER NC.

AMES PRELIMINARY AERC-ACCUSTIC DATA
TEST CONDUCTED 17-28 JAN 72

CONFIGURATION NC. 45
TRANSDUCER NC.

ACCUSTIC LEVEL-DB

ACCUSTIC LEVEL-DB

BETA ANGLE	0 DEG			0 DEG			8		0 DEG			8
MACH NO.	-8	-4	ALPHA-DEG C	MACH NO.	-8	-4	ALPHA-DEG C	MACH NO.	-8	-4	ALPHA-DEG C	MACH NO.
0.80		148.3	148.9	0.80		151.2	151.8	0.80		151.2	151.8	0.80
0.85		155.7	163.8	0.85		162.3	151.2	0.85		148.0	151.2	0.85
0.90		138.5	141.4	0.90		138.1	153.1	0.90		144.4	144.1	0.90
0.95		138.3	137.5	0.95		138.0	144.4	0.95		144.4	145.7	0.95
1.00		137.2	138.0	1.00		139.0	143.2	1.00		143.8	143.2	1.00
1.10		136.6	136.3	1.10		138.3	144.2	1.10		141.2	144.2	1.10
1.20		133.6	136.6	1.20		136.0	141.2	1.20		140.5	141.2	1.20
1.30		129.8	128.7	1.30		125.8	133.0	1.30		143.9	133.0	1.30
1.40		128.7	128.7	1.40		129.1	143.0	1.40		142.5	143.0	1.40
1.60	133.6			1.60	150.8			1.60	152.3			1.60
2.20	125.8			2.20	125.7			2.20	142.5			2.20

BETA ANGLE	5 DEG			5 DEG			8		5 DEG			8
MACH NO.	-8	-4	ALPHA-DEG C	MACH NO.	-8	-4	ALPHA-DEG C	MACH NO.	-8	-4	ALPHA-DEG C	MACH NO.
0.80		152.2	156.6	0.80		156.6	156.6	0.80		150.2	150.7	0.80
0.85		151.9	153.1	0.85		158.0	159.2	0.85		151.9	151.1	0.85
0.90		143.2	147.7	0.90		145.2	151.7	0.90		144.8	144.8	0.90
0.95		139.0	138.3	0.95		138.3	139.0	0.95		142.3	142.8	0.95
1.00		136.8	136.4	1.00		135.8	135.6	1.00		141.6	140.9	1.00
1.10		133.6	132.7	1.10		132.7	134.4	1.10		150.5	145.8	1.10
1.20		129.1	126.0	1.20		127.6	125.7	1.20		145.2	143.9	1.20
1.30		133.0	132.4	1.30		131.0	132.0	1.30		148.2	148.2	1.30
1.40		128.7	127.2	1.40		127.2	126.2	1.40		146.3	146.3	1.40
1.60	133.6			1.60	145.5			1.60	148.2			1.60
2.20	125.8			2.20	146.3			2.20	146.3			2.20

BETA ANGLE	-5 DEG			-5 DEG			8		-5 DEG			8
MACH NO.	-8	-4	ALPHA-DEG C	MACH NO.	-8	-4	ALPHA-DEG C	MACH NO.	-8	-4	ALPHA-DEG C	MACH NO.
0.80		133.0	132.4	0.80		131.0	132.0	0.80		148.2	148.2	0.80
0.85		128.7	127.2	0.85		127.2	126.2	0.85		146.5	146.5	0.85
0.90		133.6	132.7	0.90		132.7	134.4	0.90		143.7	143.7	0.90
0.95		129.1	126.0	0.95		127.6	125.7	0.95		142.5	142.5	0.95
1.00		133.6	132.7	1.00		132.7	134.4	1.00		141.7	141.7	1.00
1.10		129.1	126.0	1.10		127.6	125.7	1.10		148.7	148.7	1.10
1.20		133.0	132.4	1.20		131.0	132.0	1.20		142.8	142.8	1.20
1.30		128.7	127.2	1.30		127.2	126.2	1.30		141.3	141.3	1.30
1.40		133.6	132.4	1.40		131.0	132.0	1.40		148.7	148.7	1.40
1.60	133.6			1.60	145.5			1.60	148.2			1.60
2.20	125.8			2.20	146.3			2.20	146.3			2.20

AMES PRELIMINARY AERC-ACCLUSTIC DATA
TEST CONDUCTED 17-28 JAN 72

CONFIGURATION NC. 46
TRANSDUCER NC. 4

ACOUSTIC LEVEL-DB

BETA ANGLE	0 DEG	5 DEG	8	4	8
MACH NO.	-8	-4	0	4	8
0.80		154.5	154.6	154.6	
0.85		154.8	154.8	154.8	
0.90		155.1	154.6	154.3	
0.95		154.8	154.8	154.4	
1.00		154.6	144.3	154.4	
1.10		151.8	151.8	152.2	
1.20		151.3	151.3	152.2	
1.30		147.2	147.2	144.1	
1.40		144.4	144.1	144.1	
1.60	143.5	148.0	142.5	144.3	143.5
2.20	128.7	129.4	132.3	134.4	136.6

BETA ANGLE	5 DEG	8	4	8
MACH NO.	-8	-4	0	4
0.80	155.4	155.4	154.5	155.8
0.85				
0.90	157.0	156.3	155.1	155.5
0.95				
1.00	156.8	155.6	154.8	155.2
1.10				
1.20	166.8	154.2	152.8	151.8
1.30				
1.40	154.4	152.4	150.0	150.1
1.60	145.5	143.9	142.2	143.0
2.20	135.6	135.1	137.1	138.2

BETA ANGLE	-5 DEG	-8	4	8
MACH NO.	-8	-4	0	4
0.80				
0.85				
0.90				
0.95				
1.00				
1.10				
1.20				
1.30				
1.40				
1.60	139.4	141.3	144.7	143.0
2.20	131.8	121.0	133.8	135.5

AMES PRELIMINARY AERC-ACCUUSTIC DATA
TEST CONDUCTED 17-28 JAN 72

CONFIGURATION NC. 47
TRANSDUCER NC. 4

ACOUSTIC LEVEL-DB

BETA ANGLE	0 DEG	5 DEG	8	4	8
MACH NO.	-8	-4	0	4	8
0.80					
0.85					
0.90					
0.95					
1.00					
1.10					
1.20					
1.30					
1.40					
1.60	141.5	141.6	141.3	140.4	105.8
2.20	137.8	133.6	133.6	133.2	131.5

BETA ANGLE	5 DEG	8	4	8
MACH NO.	-8	-4	0	4
0.80				
0.85				
0.90				
0.95				
1.00				
1.10				
1.20				
1.30				
1.40				
1.60	144.6	143.3	142.7	145.3
2.20	139.5	137.9	137.0	137.9

BETA ANGLE	-5 DEG	-8	4	8
MACH NO.	-8	-4	0	4
0.80				
0.85				
0.90				
0.95				
1.00				
1.10				
1.20				
1.30				
1.40				
1.60	141.1	125.5	135.3	140.1
2.20	135.9	134.4	133.0	130.4

AMES PRELIMINARY AERC-ACCUSTIC DATA
TEST CCNDUCTED 17-28 JAN 72

CONFIGURATION NO. 4
TRANSDUCER NC. 48

ACCUSTIC LEVEL-DB

BETA ANGLE	0 DEG	4	8
MACH NC.	-8	4	8
0.80			
0.85			
0.90			
0.95			
1.00			
1.10			
1.20			
1.30			
1.40			
1.60	143.0	143.9	143.7
2.20	137.8	138.3	137.3

AMES PRELIMINARY AERC-ACCUSTIC DATA
TEST CCNDUCTED 17-28 JAN 72

CONFIGURATION NO. 4
TRANSDUCER NC. 49

ACCUSTIC LEVEL-DB

BETA ANGLE	0 DEG	4	8
MACH NC.	-8	4	8
0.80			
0.85			
0.90			
0.95			
1.00			
1.10			
1.20			
1.30			
1.40			
1.60	142.5	142.5	142.7
2.20	132.3	136.1	136.3

BETA ANGLE	5 DEG	4	8
MACH NC.	-8	4	8
0.80			
0.85			
0.90			
0.95			
1.00			
1.10			
1.20			
1.30			
1.40			
1.60	148.3	142.7	142.5
2.20	144.8	135.8	138.5

BETA ANGLE	5 DEG	4	8
MACH NC.	-8	4	8
0.80			
0.85			
0.90			
0.95			
1.00			
1.10			
1.20			
1.30			
1.40			
1.60	144.3	140.1	143.3
2.20	140.8	136.3	138.0

BETA ANGLE	-5 DEG	4	8
MACH NC.	-8	4	8
0.80			
0.85			
0.90			
0.95			
1.00			
1.10			
1.20			
1.30			
1.40			
1.60	144.2	143.9	143.3
2.20	140.2	136.5	137.5

BETA ANGLE	-5 DEG	4	8
MACH NC.	-8	4	8
0.80			
0.85			
0.90			
0.95			
1.00			
1.10			
1.20			
1.30			
1.40			
1.60	142.7	141.7	142.5
2.20	141.7	129.4	138.8

AMES PRELIMINARY AERC-ACCUSTIC DATA
TEST CONDUCTED 17-28 JAN 72

CONFIGURATION NO. 4
TRANSDUCER NO. 50

ACCUSTIC LEVEL-DB

BETA ANGLE	0 DEG	4	8
MACH NO.	-8	-4	0
		ALPHA-DEG	
0.80			
0.85			
0.90			
0.95			
1.00			
1.10			
1.20			
1.30			
1.40			
1.60	146.7	144.2	145.5
2.20	128.4	131.2	136.3

BETA ANGLE	5 DEG	4	8
MACH NO.	-8	-4	0
		ALPHA-DEG	
0.80			
0.85			
0.90			
0.95			
1.00			
1.10			
1.20			
1.30			
1.40			
1.60	115.8	140.9	140.5
2.20	128.0	132.3	135.1

BETA ANGLE	-5 DEG	4	8
MACH NO.	-8	-4	0
		ALPHA-DEG	
0.80			
0.85			
0.90			
0.95			
1.00			
1.10			
1.20			
1.30			
1.40			
1.60	145.9	141.1	145.5
2.20	124.7	131.2	136.3

AMES PRELIMINARY AERC-ACCUSTIC DATA
TEST CONDUCTED 17-28 JAN 72

CONFIGURATION NO. 4
TRANSDUCER NO. 51

ACCUSTIC LEVEL-DB

BETA ANGLE	0 DEG	4	8
MACH NO.	-8	-4	0
		ALPHA-DEG	
0.80			
0.85			
0.90			
0.95			
1.00			
1.10			
1.20			
1.30			
1.40			
1.60	140.9	141.5	142.0
2.20	135.5	132.0	129.4

BETA ANGLE	5 DEG	4	8
MACH NO.	-8	-4	0
		ALPHA-DEG	
0.80			
0.85			
0.90			
0.95			
1.00			
1.10			
1.20			
1.30			
1.40			
1.60	140.1	137.5	135.6
2.20	135.1	131.5	130.1

BETA ANGLE	-5 DEG	4	8
MACH NO.	-8	-4	0
		ALPHA-DEG	
0.80			
0.85			
0.90			
0.95			
1.00			
1.10			
1.20			
1.30			
1.40			
1.60	144.3	143.5	140.1
2.20	135.9	135.5	133.4

AMES PRELIMINARY AERC-ACCUSTIC DATA
TEST CONDUCTED 17-28 JAN 72

CONFIGURATICA NC. 4
TRANSDUCER NO. 4

DELTA CPRMS

BETA ANGLE	0 DEG	4	8
MACH NO.	-8		
0.80		.0217	
0.85	.0275	.0234	
0.90		.0186	
0.95	.0175	.0168	
1.00		.0180	
1.10	.0152	.0165	
1.20		.0140	
1.30	.0111	.0111	
1.40		.0087	
1.60	.0078	.0066	
2.20	.0072	.0027	
	.0069	.0069	
		.0076	
		.0053	
		.0178	
		.0076	
		.0082	
		.0076	

BETA ANGLE	5 DEG	4	8
MACH NO.	-8		
0.80		.0259	
0.85	.0359	.0284	
0.90		.0204	
0.95	.0248	.0204	
1.00		.0178	
1.10	.0152	.0172	
1.20		.0117	
1.30	.0106	.0117	
1.40		.0093	
1.60	.0078	.0072	
2.20	.0064	.0031	
	.0062	.0069	
		.0097	
		.0076	

BETA ANGLE	-5 DEG	4	8
MACH NO.	-8		
0.80		.0082	
0.85	.0066	.0069	
0.90		.0076	
0.95	.0062	.0069	
1.00		.0067	
1.10	.0066	.0069	
1.20		.0072	
1.30	.0062	.0069	
1.40		.0067	
1.60	.0066	.0069	
2.20	.0062	.0076	
		.0083	
		.0072	
		.0117	

AMES PRELIMINARY AERC-ACCUSTIC DATA
TEST CONDUCTED 17-28 JAN 72

CONFIGURATICA NC. 4
TRANSDUCER NO. 5

DELTA CPRMS

BETA ANGLE	0 DEG	4	8
MACH NO.	-8		
0.80			
0.85			
0.90			
0.95			
1.00			
1.10			
1.20			
1.30			
1.40			
1.60	.0053	.0051	
2.20	.0062	.0063	
		.0061	
		.0074	
		.0051	
		.0069	
		.0061	
		.0076	
		.0060	
		.0076	

BETA ANGLE	5 DEG	4	8
MACH NO.	-8		
0.80			
0.85			
0.90			
0.95			
1.00			
1.10			
1.20			
1.30			
1.40			
1.60	.0057	.0058	
2.20	.0061	.0055	
		.0056	
		.0062	
		.0054	
		.0090	
		.0051	
		.0048	

BETA ANGLE	-5 DEG	4	8
MACH NO.	-8		
0.80			
0.85			
0.90			
0.95			
1.00			
1.10			
1.20			
1.30			
1.40			
1.60	.0050	.0049	
2.20	.0055	.0059	
		.0061	
		.0069	
		.0054	
		.0061	
		.0052	
		.0050	

AMES PRELIMINARY AERC-ACOUSTIC DATA
TEST CONDUCTED 17-28 JAN 72

CONFIGURACION NC. 4
TRANSDUCER NO. 6

DELTA CPRMS

BETA ANGLE	0 DEG	ALPHA-DEG	4	8
MACH NO.	-8	-4	.0152	.0175
0.80		.0192	.0179	.0153
0.85		.0212	.0438	.0179
0.90		.0238	.0146	.0137
0.95		.0176	.0151	.0186
1.00		.0294	.0215	.0026
1.10		.0194	.0178	.0020
1.20		.0017	.0025	
1.30				
1.40				
1.60	.0021			.0107
2.20	.0014			.0022

AMES PRELIMINARY AERC-ACOUSTIC DATA
TEST CONDUCTED 17-28 JAN 72

CONFIGURACION NC. 4
TRANSDUCER NO. 8

DELTA CPRMS

BETA ANGLE	0 DEG	ALPHA-DEG	4	8
MACH NO.	-8	-4	.0127	.0143
0.80		.0121	.0118	.0115
0.85		.0102	.0109	.0172
0.90		.0100	.0117	.0176
0.95		.0111	.0139	.0152
1.00		.0157	.0179	.0543
1.10		.0194	.0178	.0178
1.20	.0164	.0173	.0173	.0152
1.30				
1.40				
1.60	.0152			.0148
2.20				.0152

BETA ANGLE	5 DEG	ALPHA-DEG	4	8
MACH NO.	-8	-4	.0152	.0217
0.80		.0184	.0146	.0088
0.85		.0146	.0146	.0146
0.90		.0146	.0172	.0146
0.95		.0146	.0123	.0131
1.00		.0073	.0059	.0072
1.10		.0057	.0021	.0024
1.20		.0021	.0019	.0020
1.30		.0014	.0017	
1.40				
1.60	.0019	.0019	.0019	.0026
2.20	.0014	.0016	.0019	.0022

BETA ANGLE	5 DEG	ALPHA-DEG	4	8
MACH NO.	-8	-4	.0121	.0137
0.80		.0111	.0097	.0115
0.85		.0088	.0092	.0130
0.90		.0084	.0092	.0130
0.95		.0089	.0176	.0282
1.00		.0093	.0150	.0249
1.10		.0112	.0178	.0158
1.20	.0166	.0186	.0173	.0145
1.30				
1.40				
1.60	.0138	.0178	.0179	.0148
2.20	.0166	.0186	.0179	.0138

BETA ANGLE	-5 DEG	ALPHA-DEG	4	8
MACH NO.	-8	-4	.0019 <td></td>	
0.80		.0019	.0019	
0.85		.0014	.0016	
0.90		.0019	.0017	
0.95		.0019	.0017	
1.00		.0019	.0017	
1.10		.0019	.0017	
1.20		.0019	.0017	
1.30		.0019	.0017	
1.40		.0019	.0017	
1.60	.0019	.0019	.0019	.0170
2.20	.0014	.0016	.0019	.0159

BETA ANGLE	-5 DEG	ALPHA-DEG	4	8
MACH NO.	-8	-4	.0019 <td></td>	
0.80		.0019	.0019	
0.85		.0014	.0016	
0.90		.0019	.0017	
0.95		.0019	.0017	
1.00		.0019	.0017	
1.10		.0019	.0017	
1.20		.0019	.0017	
1.30		.0019	.0017	
1.40		.0019	.0017	
1.60	.0019	.0019	.0019	.0170
2.20	.0014	.0016	.0019	.0159

AMES PRELIMINARY AERC-ACCLSTIC DATA
TEST CCNDUCTED 17-28 JAN 72

CONFIGURATION NO. 4
TRANSDUCER NO. 9

DELTA CPRMS

BETA ANGLE	0 DEG	4	8
MACH NO.	-8	-4	0
0.8C			
0.85			
0.90			
0.95			
1.0C			
1.10			
1.20			
1.30			
1.4C			
1.6C			
2.20			
			.0307
			.0327

BETA ANGLE	5 DEG	4	8
MACH NO.	-8	-4	0
0.80			
0.85			
0.90			
0.95			
1.00			
1.10			
1.20			
1.30			
1.40			
1.6C			
2.20			
			.0155
			.0282
			.0358
			.0291
			.0262

BETA ANGLE	-5 DEG	4	8
MACH NO.	-8	-4	0
0.80			
0.85			
0.90			
0.95			
1.00			
1.10			
1.20			
1.30			
1.40			
1.6C			
2.20			
			.0291
			.0240

AMES PRELIMINARY AERC-ACCUSTIC DATA
TEST CCNDUCTED 17-28 JAN 72

CONFIGURATION NO. 4
TRANSDUCER NO. 10

DELTA CPRMS

BETA ANGLE	0 DEG	4	8
MACH NO.	-8	-4	0
0.8C			
0.85			
0.90			
0.95			
1.0C			
1.10			
1.20			
1.30			
1.4C			
1.6C			
2.20			
			.0111
			.0066
			.0074
			.0070
			.0067
			.0054
			.0078
			.0058
			.0052

BETA ANGLE	5 DEG	4	8
MACH NO.	-8	-4	0
0.80			
0.85			
0.90			
0.95			
1.00			
1.10			
1.20			
1.30			
1.40			
1.60			
2.20			
			.0116
			.0078
			.0071
			.0064
			.0047

BETA ANGLE	-5 DEG	4	8
MACH NO.	-8	-4	0
0.80			
0.85			
0.90			
0.95			
1.00			
1.10			
1.20			
1.30			
1.40			
1.60			
2.20			
			.0111
			.0074
			.0065
			.0073
			.0056

AMES PRELIMINARY AERC-ACCUSTIC DATA
TEST CONDUCTED 17-28 JAN 72

CONFIGURATICA NC. 4
TRANSDUCER NC. 11

AMES PRELIMINARY AERC-ACCUSTIC DATA
TEST CONDUCTED 17-28 JAN 72

CONFIGURATICA NC. 4
TRANSDUCER NC. 12

DELTA CPRMS

DELTA CPRMS

BETA ANGLE	0 DEG	4	8	0 DEG	4	8
MACH NO.	MACH NO.	ALPHA-DEG	ALPHA-DEG	MACH NO.	ALPHA-DEG	ALPHA-DEG
0.80	-8	.0443	.0443	0.80	-4	.0359
0.85		.0877	.0877	0.85		.0516
0.90		.0822	.0822	0.90		.0565
0.95		.0175	.0314	0.95		.0544
1.00		.0187	.0067	1.00		.0468
1.10		.0067	.0041	1.10		.0335
1.20		.0045		1.20		.0274
1.30		.0043		1.30		.0226
1.40				1.40		.0178
1.60				1.60		.0169
2.20				2.20		.0117

BETA ANGLE	5 DEG	4	8	5 DEG	4	8
MACH NO.	MACH NO.	ALPHA-DEG	ALPHA-DEG	MACH NO.	ALPHA-DEG	ALPHA-DEG
0.80	-8	.0367	.0443	0.80	-4	.0443
0.85		.0554	.0434	0.85		.0877
0.90		.0152	.0293	0.90		.0502
0.95		.0111	.0128	0.95		.0474
1.00		.0049	.0066	1.00		.0405
1.10				1.10		.0307
1.20				1.20		.0117
1.30				1.30		.0254
1.40				1.40		.0251
1.60				1.60		.0110
2.20				2.20		.0110

BETA ANGLE	-5 DEG	4	8	-5 DEG	4	8
MACH NO.	MACH NO.	ALPHA-DEG	ALPHA-DEG	MACH NO.	ALPHA-DEG	ALPHA-DEG
0.80	-8			0.80	-4	.0291
0.85				0.85		.0124
0.90				0.90		.0255
0.95				0.95		.0650
1.00				1.00		.0275
1.10				1.10		.0083
1.20				1.20		
1.30				1.30		
1.40				1.40		
1.60				1.60		
2.20				2.20		

AMES PRELIMINARY AERC-ACCUSTIC DATA
TEST CCNDUCTED 17-28 JAN 72

CONFIGURATICA NC. 4
TRANSDUCER NO. 13

DELTA CPRMS

MACH NO.	BETA ANGLE 0 DEG		ALPHA-DEG C		MACH NO.	BETA ANGLE 5 DEG		ALPHA-DEG C	
	-8	-4	.0217	.0225		-8	-4	.0234	.0209
0.80		.0217	.0225		0.80		.0234	.0209	
0.85		.0321	.0248		0.85		.0323	.0292	
0.90		.0198	.0159		0.90		.0238	.0232	
0.95		.0162	.0145		1.00		.0162	.0136	
1.00		.0192	.0100		1.10		.0112	.0118	
1.10		.0102	.0072		1.20		.0062	.0063	
1.20		.0069	.0059		1.30				
1.40					1.40				
1.60					1.60				
2.20					2.20				

MACH NO.	BETA ANGLE 0 DEG		ALPHA-DEG C		MACH NO.	BETA ANGLE 5 DEG		ALPHA-DEG C	
	-8	-4	.0217	.0225		-8	-4	.0234	.0209
0.80		.0217	.0225		0.80		.0234	.0209	
0.85		.0321	.0248		0.85		.0323	.0292	
0.90		.0198	.0159		0.90		.0238	.0232	
0.95		.0162	.0145		1.00		.0162	.0136	
1.00		.0192	.0100		1.10		.0112	.0118	
1.10		.0102	.0072		1.20		.0062	.0063	
1.20		.0069	.0059		1.30				
1.40					1.40				
1.60					1.60				
2.20					2.20				

MACH NO.	BETA ANGLE 0 DEG		ALPHA-DEG C		MACH NO.	BETA ANGLE 5 DEG		ALPHA-DEG C	
	-8	-4	.0217	.0225		-8	-4	.0234	.0209
0.80		.0217	.0225		0.80		.0234	.0209	
0.85		.0321	.0248		0.85		.0323	.0292	
0.90		.0198	.0159		0.90		.0238	.0232	
0.95		.0162	.0145		1.00		.0162	.0136	
1.00		.0192	.0100		1.10		.0112	.0118	
1.10		.0102	.0072		1.20		.0062	.0063	
1.20		.0069	.0059		1.30				
1.40					1.40				
1.60					1.60				
2.20					2.20				

AMES PRELIMINARY AERC-ACCUSTIC DATA
TEST CCNDUCTEC 17-28 JAN 72

CONFIGURATICA NC. 4
TRANSDUCER NO. 14

DELTA CPRMS

MACH NO.	BETA ANGLE 0 DEG		ALPHA-DEG C		MACH NO.	BETA ANGLE 5 DEG		ALPHA-DEG C	
	-8	-4	.0175	.0163		-8	-4	.0175	.0163
0.80		.0164	.0175		0.80		.0192	.0175	
0.85		.0204	.0175		0.85		.0175	.0166	
0.90		.0139	.0146		0.90		.0139	.0128	
0.95		.0123	.0128		1.00		.0123	.0122	
1.00		.0093	.0101		1.10		.0093	.0093	
1.10					1.20				
1.20					1.30				
1.40					1.40				
1.60					1.60				
2.20					2.20				

MACH NO.	BETA ANGLE 0 DEG		ALPHA-DEG C		MACH NO.	BETA ANGLE 5 DEG		ALPHA-DEG C	
	-8	-4	.0200	.0215		-8	-4	.0200	.0215
0.80		.0205	.0200		0.80		.0192	.0200	
0.85		.0150	.0215		0.85		.0204	.0215	
0.90		.0211	.0165		0.90		.0158	.0165	
0.95		.0156	.0128		1.00		.0128	.0128	
1.00		.0114	.0100		1.10		.0114	.0100	
1.10					1.20				
1.20					1.30				
1.40					1.40				
1.60					1.60				
2.20					2.20				

MACH NO.	BETA ANGLE 0 DEG		ALPHA-DEG C		MACH NO.	BETA ANGLE 5 DEG		ALPHA-DEG C	
	-8	-4	.0200	.0215		-8	-4	.0200	.0215
0.80		.0205	.0200		0.80		.0192	.0200	
0.85		.0150	.0215		0.85		.0204	.0215	
0.90		.0211	.0165		0.90		.0158	.0165	
0.95		.0156	.0128		1.00		.0128	.0128	
1.00		.0114	.0100		1.10		.0114	.0100	
1.10					1.20				
1.20					1.30				
1.40					1.40				
1.60					1.60				
2.20					2.20				

AMES PRELIMINARY AERC-ACCUSTIC DATA
TEST CCNDUCTED 17-28 JAN 72

CONFIGURATICA NC. 4
TRANSDUCER NC. 15

DELTA CPRMS

BETA ANGLE	0 DEG	4	8
MACH NO.	-8	-4	0
	ALPHA-DEG		
	C		
0.80	.0364	.0300	.0284
0.85	.0134	.0186	.0120
C.5C	.0123	.0123	.0123
0.95	.0113	.0117	.0117
1.00	.0095	.0095	.0095
1.10	.0081	.0077	.0079
1.20			
1.3C			
1.40			
1.60			
2.20			

AMES PRELIMINARY AERC-ACCUSTIC DATA
TEST CCNDUCTED 17-28 JAN 72

CONFIGURATICA NC. 4
TRANSDUCER NC. 16

DELTA CPRMS

BETA ANGLE	0 DEG	-4	4	8
MACH NO.	-8	-4	0	4
	ALPHA-DEG			
	C			
0.80	.0554	.0443	.0367	.0367
0.85	.0523	.0614	.1154	.1154
C.5C	.0384	.1055	.0523	.0523
0.95	.0229	.0352	.0299	.0299
1.00	.0179	.0184	.0150	.0150
1.10	.0148	.0143	.0118	.0118
1.20	.0104	.0085	.0074	.0074
1.3C				
1.40				
1.60				
2.20				

BETA ANGLE 5 DEG

BETA ANGLE	5 DEG	-8	4	8
MACH NO.	-8	-4	0	4
	ALPHA-DEG			
	C			
0.8C	.0584	.0581	.0501	.0501
0.85	.0277	.0134	.0125	.0125
0.90	.0109	.0103	.0117	.0126
0.95	.0095	.0089	.0089	.0100
1.00	.0074	.0074	.0072	.0072
1.10				
1.20				
1.3C				
1.40				
1.60				
2.20				

BETA ANGLE 5 DEG

BETA ANGLE	5 DEG	-4	4	8
MACH NO.	-8	-4	0	4
	ALPHA-DEG			
	C			
0.80	.0434	.0484	.0434	.0484
0.85	.0554	.0600	.0785	.0877
C.5C	.0251	.0251	.0753	.0711
0.95	.0529	.0529	.0388	.0388
1.00	.0358	.0264	.0315	.0294
1.10	.0323	.0275	.0251	.0226
1.20	.0207	.0228	.0104	.0086
1.3C				
1.40				
1.60				
2.20				

BETA ANGLE -5 DEG

BETA ANGLE	-5 DEG	-8	4	8
MACH NO.	-8	-4	0	4
	ALPHA-DEG			
	0			
0.8C	.0128	.0123	.0115	.0169
0.85	.0117	.0090	.0124	.0173
C.5C				
0.95				
1.00				
1.10				
1.20				
1.3C				
1.40				
1.60				
2.20				

BETA ANGLE -5 DEG

BETA ANGLE	-5 DEG	-4	4	8
MACH NO.	-8	-4	0	4
	ALPHA-DEG			
	0			
0.8C	.0128	.0123	.0115	.0169
0.85	.0117	.0090	.0124	.0173
C.5C				
0.95				
1.00				
1.10				
1.20				
1.3C				
1.40				
1.60				
2.20				

AMES PRELIMINARY AERC-ACCLUSTIC DATA
TEST CCNUCTED 17-28 JAN 72

CONFIGURATION NO. 17
TRANSLUCER NC.

DELTA CPRMS

BETA ANGLE	0 DEG	4	8
MACH NO.	-8	-4	0
0.80		.0184	.0184
0.85		.0155	.0155
0.90		.0138	.0138
0.95		.0138	.0138
1.00		.0146	.0132
1.10		.0123	.0135
1.20		.0134	.0117
1.30		.0080	.0111
1.40		.0065	.0068
1.60	.0066	.0072	.0054
2.20	.0046	.0044	.0036
			.0061
			.0040

CONFIGURATION NO. 4
TRANSLUCER NC. 18

DELTA CPRMS

BETA ANGLE	0 DEG	-4	8
MACH NO.	-8	-4	0
0.80			
0.85			
0.90			
0.95			
1.00			
1.10			
1.20			
1.30			
1.40			
1.60	.0028	.0030	.0022
2.20	.0022	.0021	.0020
			.0036
			.0022

AMES PRELIMINARY AERC-ACCLUSTIC DATA
TEST CCNUCTED 17-28 JAN 72

CONFIGURATION NO. 17
TRANSLUCER NC.

DELTA CPRMS

BETA ANGLE	5 DEG	4	8
MACH NO.	-8	-4	0
0.80		.0175	.0184
0.85		.0200	.0184
0.90	.0219	.0212	.0143
0.95	.0172	.0172	.0126
1.00	.0159	.0138	.0103
1.10	.0092	.0089	.0086
1.20	.0066	.0066	.0082
1.30	.0041	.0044	.0052
1.40			.0065
1.60	.0072	.0065	.0052
2.20	.0056	.0052	.0032
			.0047
			.0040

CONFIGURATION NO. 4
TRANSLUCER NC. 18

DELTA CPRMS

BETA ANGLE	5 DEG	-4	8
MACH NO.	-8	-4	0
0.80			
0.85			
0.90			
0.95			
1.00			
1.10			
1.20			
1.30			
1.40			
1.60	.0027	.0029	.0021
2.20	.0023	.0021	.0022
			.0034
			.0023

AMES PRELIMINARY AERC-ACCLUSTIC DATA
TEST CCNUCTED 17-28 JAN 72

CONFIGURATION NO. 17
TRANSLUCER NC.

DELTA CPRMS

BETA ANGLE	-5 DEG	4	8
MACH NO.	-8	-4	0
0.80			
0.85			
0.90			
0.95			
1.00			
1.10			
1.20			
1.30			
1.40			
1.60	.0072	.0065	.0052
2.20	.0056	.0052	.0032
			.0047
			.0040

CONFIGURATION NO. 4
TRANSLUCER NC. 18

DELTA CPRMS

BETA ANGLE	-5 DEG	-4	8
MACH NO.	-8	-4	0
0.80			
0.85			
0.90			
0.95			
1.00			
1.10			
1.20			
1.30			
1.40			
1.60	.0027	.0029	.0021
2.20	.0023	.0021	.0022
			.0034
			.0023

AMES PRELIMINARY AERC-ACCUSTIC DATA
TEST CONDUCTED 17-28 JAN 72

AMES PRELIMINARY AERC-ACCUSTIC DATA
TEST CONDUCTED 17-28 JAN 72

CONFIGURATICA NC. 4
TRANSDUCER NO. 19

CONFIGURATICA NC. 4
TRANSDUCER NO. 20

DELTA CPRMS

DELTA CPRMS

BETA ANGLE	0 DEG	ALPHA-DEG	4	8
MACH NO.	-8	-4	.0200	.0200
0.80		.0225	.0194	.0182
0.85		.0234	.0222	.0172
0.90		.0238	.0185	.0167
0.95		.0175	.0176	.0167
1.00		.0070	.0075	.0070
1.10				
1.20				
1.30				
1.40				
1.60				
2.20				

BETA ANGLE	0 DEG	ALPHA-DEG	4	8
MACH NO.	-8	-4	.0401	.0401
0.80		.0396	.0449	.0449
0.85		.0060	.0070	.0070
0.90		.0055	.0060	.0060
0.95		.0054	.0055	.0055
1.00		.0051	.0052	.0052
1.10		.0051	.0056	.0056
1.20		.0042	.0042	.0042
1.30				
1.40				
1.60				
2.20				

BETA ANGLE	5 DEG	ALPHA-DEG	4	8
MACH NO.	-8	-4	.0217	.0217
0.80		.0225	.0219	.0212
0.85		.0277	.0225	.0198
0.90		.0313	.0230	.0228
0.95		.0212	.0156	.0128
1.00		.0153	.0128	.0097
1.10				
1.20				
1.30				
1.40				
1.60				
2.20				

BETA ANGLE	5 DEG	ALPHA-DEG	4	8
MACH NO.	-8	-4	.0384	.0384
0.80		.0396	.0367	.0367
0.85		.0062	.0060	.0060
0.90		.0055	.0059	.0059
0.95		.0048	.0061	.0061
1.00		.0045	.0025	.0025
1.10				
1.20				
1.30				
1.40				
1.60				
2.20				

BETA ANGLE	-5 DEG	ALPHA-DEG	4	8
MACH NO.	-8	-4		
0.80				
0.85				
0.90				
0.95				
1.00				
1.10				
1.20				
1.30				
1.40				
1.60				
2.20				

BETA ANGLE	-5 DEG	ALPHA-DEG	4	8
MACH NO.	-8	-4		
0.80				
0.85				
0.90				
0.95				
1.00				
1.10				
1.20				
1.30				
1.40				
1.60				
2.20				

AMES PRELIMINARY AERC-ACCUSTIC DATA
TEST CONDUCTED 17-28 JAN 72

CONFIGURATION NO. 4
TRANSDUCER NO. 21

DELTA CFFMS

BETA ANGLE 0 DEG

MACH NO. -8 -4 ALPHA-DEG C 4 8

0.80				
0.85				
0.90				
0.95				
1.00				
1.10				
1.20				
1.30				
1.40				
1.60	.0107	.0162	.0137	.0113
2.20	.0055	.0022	.0009	.0021

BETA ANGLE 5 DEG

MACH NO. -8 -4 ALPHA-DEG C 4 8

0.80				
0.85				
0.90				
0.95				
1.00				
1.10				
1.20				
1.30				
1.40				
1.60	.0073	.0123	.0154	.0112
2.20	.0179	.0072	.0022	.0022

BETA ANGLE -5 DEG

MACH NO. -8 -4 ALPHA-DEG C 4 8

0.80				
0.85				
0.90				
0.95				
1.00				
1.10				
1.20				
1.30				
1.40				
1.60	.0069	.0123	.0186	.0110
2.20	.0176	.0066	.0022	.0021

AMES PRELIMINARY AERC-ACCUSTIC DATA
TEST CONDUCTED 17-28 JAN 72

CONFIGURATION NO. 4
TRANSDUCER NO. 22

DELTA CPRMS

BETA ANGLE 0 DEG

MACH NO. -8 -4 ALPHA-DEG C 4 8

0.80				
0.85				
0.90				
0.95				
1.00				
1.10				
1.20				
1.30				
1.40				
1.60	.0217	.0118	.0073	.0072
2.20	.0155	.0129	.0065	.0090

BETA ANGLE 5 DEG

MACH NO. -8 -4 ALPHA-DEG C 4 8

0.80				
0.85				
0.90				
0.95				
1.00				
1.10				
1.20				
1.30				
1.40				
1.60	.0267	.0113	.0075	.0071
2.20	.0106	.0084	.0064	.0079

BETA ANGLE -5 DEG

MACH NO. -8 -4 ALPHA-DEG C 4 8

0.80				
0.85				
0.90				
0.95				
1.00				
1.10				
1.20				
1.30				
1.40				
1.60	.0217	.0125	.0052	.0172
2.20	.0134	.0056	.0078	.0079

AMES PRELIMINARY AERC-ACCUSTIC DATA
TEST CONDUCTED 17-28 JAN 72

CONFIGURATION NO. 4
TRANSDUCER NO. 23

DELTA CPRMS

BETA ANGLE	0 DEG	-4	ALPHA-DEG	4	8
MACH NO.	-8	-4	0	4	8
0.80					
0.85					
0.90					
0.95					
1.00					
1.10					
1.20					
1.30					
1.40					
1.60	.0339	.0307	.0372	.0517	.0453
2.20	.0502	.0451	.0502	.0524	.0578

DELTA CPRMS

BETA ANGLE	5 DEG	-4	ALPHA-DEG	4	8
MACH NO.	-8	-4	0	4	8
0.80					
0.85					
0.90					
0.95					
1.00					
1.10					
1.20					
1.30					
1.40					
1.60	.0028	.0275	.0234	.0275	.0375
2.20	.0345	.0437	.0458	.0589	.0698

DELTA CPRMS

BETA ANGLE	-5 DEG	-4	ALPHA-DEG	4	8
MACH NO.	-8	-4	0	4	8
0.80					
0.85					
0.90					
0.95					
1.00					
1.10					
1.20					
1.30					
1.40					
1.60	.0307	.0383	.0511	.0562	.0537
2.20	.0704	.0759	.0629	.0828	.0897

AMES PRELIMINARY AERC-ACCUSTIC DATA
TEST CONDUCTED 17-28 JAN 72

CONFIGURATION NO. 4
TRANSDUCER NO. 24

DELTA CPRMS

BETA ANGLE	0 DEG	-4	ALPHA-DEG	4	8
MACH NO.	-8	-4	0	4	8
0.80					
0.85		.0528	.0528	.0501	
0.90		.0438	.0438	.0392	
0.95		.0565	.0565	.0544	
1.00		.0247	.0247	.0265	
1.10		.0175	.0175	.0168	
1.20					
1.30					
1.40					
1.60					
2.20					

DELTA CPRMS

BETA ANGLE	5 DEG	-4	ALPHA-DEG	4	8
MACH NO.	-8	-4	0	4	8
0.80					
0.85		.0367	.0376	.0396	
0.90		.0328	.0321	.0321	.0111
0.95		.0301	.0368	.0397	.0331
1.00		.0225	.0272	.0406	.0247
1.10		.0211			
1.20		.0237			
1.30					
1.40					
1.60					
2.20					

DELTA CPRMS

BETA ANGLE	-5 DEG	-4	ALPHA-DEG	4	8
MACH NO.	-8	-4	0	4	8
0.80					
0.85					
0.90					
0.95					
1.00					
1.10					
1.20					
1.30					
1.40					
1.60					
2.20					

AMES PRELIMINARY AERC-ACCLUSTIC DATA
TEST CONDUCTED 17-28 JAN 72

CONFIGURACION NC. 4
TRANSDUCER NC. 25

DELTA CPRMS

BETA ANGLE	0 DEG	ALPHA-DEG	8
MACH NO.	-8	-4	4
0.80	.0528	.0528	.0528
0.85	.0450	.0450	.0450
0.90	.0369	.0369	.0392
0.95	.0354	.0354	.0354
1.00	.0566	.0566	.0565
1.10	.0342	.0342	.0291
1.20	.0282	.0282	.0222
1.30	.0217	.0217	.0222
1.40	.0271	.0271	.0222
1.60			
2.20			

BETA ANGLE 5 DEG

BETA ANGLE	5 DEG	ALPHA-DEG	8
MACH NO.	-8	-4	4
0.80	.0501	.0475	.0528
0.85	.0394	.0438	.0482
0.90	.0397	.0418	.0544
1.00	.0300	.0317	.0370
1.10	.0260	.0271	.0260
1.20			
1.30			
1.40			
1.60			
2.20			

BETA ANGLE -5 DEG

BETA ANGLE	-5 DEG	ALPHA-DEG	8
MACH NO.	-8	-4	4
0.80			
0.85			
0.90			
0.95			
1.00			
1.10			
1.20			
1.30			
1.40			
1.60			
2.20			

AMES PRELIMINARY AERC-ACCLUSTIC DATA
TEST CONDUCTED 17-28 JAN 72

CONFIGURACION NC. 4
TRANSDUCER NC. 27

DELTA CPRMS

BETA ANGLE	0 DEG	ALPHA-DEG	8
MACH NO.	-8	-4	4
0.80	.1900	.1742	.1636
0.85	.1246	.1178	.1178
0.90	.1088	.1044	.1478
0.95	.0888	.0888	.1358
1.00	.0776	.0742	.1004
1.10	.0358	.0456	.0878
1.20	.0468	.0258	.0706
1.30	.0358	.0388	.0250
1.40	.0468	.0388	.0266
1.60	.0220	.0130	.0144
2.20			.0224
			.0200

BETA ANGLE 5 DEG

BETA ANGLE	5 DEG	ALPHA-DEG	8
MACH NO.	-8	-4	4
0.80	.1162	.1162	.1162
0.85	.1154	.1200	.1154
0.90	.0330	.1046	.0962
0.95	.0704	.0670	.0634
1.00	.0588	.0540	.0634
1.10	.0388	.0334	.0398
1.20	.0220	.0220	.0220
1.30			
1.40			
1.60			
2.20			

BETA ANGLE -5 DEG

BETA ANGLE	-5 DEG	ALPHA-DEG	8
MACH NO.	-8	-4	4
0.80			
0.85			
0.90			
0.95			
1.00			
1.10			
1.20			
1.30			
1.40			
1.60			
2.20			

.0356 .0385 .0184
.0154 .0208 .0248

AMES PRELIMINARY AERC-ACCUSTIC DATA
TEST CONDUCTED 17-28 JAN 72

CONFIGURATION NO. 4
TRANSDUCER NO. 32

DELTA CPRMS

BETA ANGLE	0 DEG	5 DEG	8 DEG
MACH NO.	-8	-4	0
0.80	.0200	.0200	.0200
0.85	.0171	.0171	.0171
0.90	.0168	.0168	.0168
0.95	.0154	.0154	.0154
1.00	.0152	.0152	.0152
1.10	.0129	.0129	.0129
1.20	.0117	.0117	.0117
1.30	.0080	.0080	.0080
1.40	.0079	.0079	.0079
1.60	.0061	.0061	.0061
2.20	.0041	.0041	.0041
			.0069
			.0039

AMES PRELIMINARY AERC-ACCUSTIC DATA
TEST CONDUCTED 17-28 JAN 72

CONFIGURATION NO. 4
TRANSDUCER NO. 33

DELTA CPRMS

BETA ANGLE	0 DEG	5 DEG	8 DEG
MACH NO.	-8	-4	0
0.80	.0234	.0234	.0234
0.85	.0190	.0190	.0190
0.90	.0249	.0249	.0249
0.95	.0278	.0278	.0278
1.00	.0203	.0203	.0203
1.10	.0265	.0265	.0265
1.20	.0282	.0282	.0282
1.30	.0430	.0430	.0430
1.40	.0458	.0458	.0458
1.60			.0275
2.20			.0277
			.0371
			.0388
			.0458

BETA ANGLE	0 DEG	5 DEG	8 DEG
MACH NO.	-8	-4	0
0.80	.0200	.0200	.0200
0.85	.0150	.0150	.0150
0.90	.0150	.0150	.0150
0.95	.0158	.0158	.0158
1.00	.0100	.0100	.0100
1.10	.0066	.0066	.0066
1.20	.0056	.0056	.0056
1.30	.0048	.0048	.0048
1.40	.0072	.0072	.0072
1.60	.0055	.0055	.0055
2.20	.0083	.0083	.0083
			.0192
			.0168
			.0159
			.0106
			.0072
			.0064
			.0063

BETA ANGLE	0 DEG	5 DEG	8 DEG
MACH NO.	-8	-4	0
0.80	.0200	.0200	.0200
0.85	.0161	.0161	.0161
0.90	.0544	.0544	.0544
0.95	.0669	.0669	.0669
1.00	.0716	.0716	.0716
1.10	.0853	.0853	.0853
1.20	.0930	.0930	.0930
1.30			.0259
1.40			.0219
1.60			.0305
2.20			.0962
			.0388
			.0430
			.0273
			.0271

BETA ANGLE	0 DEG	5 DEG	8 DEG
MACH NO.	-8	-4	0
0.80	.0072	.0072	.0072
0.85	.0055	.0055	.0055
0.90	.0073	.0073	.0073
0.95	.0052	.0052	.0052
1.00	.0066	.0066	.0066
1.10	.0055	.0055	.0055
1.20	.0073	.0073	.0073
1.30	.0052	.0052	.0052
1.40	.0055	.0055	.0055
1.60	.0072	.0072	.0072
2.20	.0055	.0055	.0055
			.0059
			.0048

BETA ANGLE	0 DEG	5 DEG	8 DEG
MACH NO.	-8	-4	0
0.80	.0072	.0072	.0072
0.85	.0055	.0055	.0055
0.90	.0073	.0073	.0073
0.95	.0052	.0052	.0052
1.00	.0066	.0066	.0066
1.10	.0055	.0055	.0055
1.20	.0073	.0073	.0073
1.30	.0052	.0052	.0052
1.40	.0055	.0055	.0055
1.60	.0072	.0072	.0072
2.20	.0055	.0055	.0055
			.0059
			.0048

AMES PRELIMINARY AERC-ACCUSTIC DATA
TEST CONDUCTED 17-28 JAN 72

CONFIGURATION NC. 34
TRANSDUCER NO. 4

DELTA CFRMS

BETA ANGLE	0 DEG	5 DEG	8 DEG	ALPHA-DEG	4	8
MACH NO.	-8	-4	-4	C	.0152	.0175
0.80		.0167		.0148	.0139	.0117
0.85		.0125		.0118	.0119	.0103
0.90		.0117		.0103	.0100	.0080
0.95		.0117		.0080	.0082	.0072
1.00		.0123		.0072	.0048	.0066
1.10		.0086		.0044		.0050
1.20		.0072				
1.30		.0041				
1.40						
1.60	.0061					
2.20	.0052					

BETA ANGLE 5 DEG

BETA ANGLE	5 DEG	8 DEG	ALPHA-DEG	4	8
MACH NO.	-8	-4	C	.0184	.0192
0.80	.0159	.0167	.0184	.0146	.0146
0.85	.0153	.0146	.0153	.0125	.0105
0.90	.0146	.0146	.0132	.0111	.0100
0.95	.0145	.0132		.0089	.0087
1.00	.0107	.0053	.0075	.0118	.0055
1.10	.0129	.0128	.0057		
1.20	.0063	.0055	.0050		

BETA ANGLE 5 DEG

BETA ANGLE	5 DEG	8 DEG	ALPHA-DEG	4	8
MACH NO.	-8	-4	0	.0184	.0192
0.80	.0137	.0143	.0184	.0146	.0146
0.85	.0125	.0102	.0168	.0125	.0105
0.90	.0152	.0116	.0259	.0111	.0100
0.95	.0176	.0150		.0089	.0087
1.00	.0143	.0114	.0143	.0118	.0055
1.10	.0194	.0162	.0017		
1.20	.0083	.0050	.0104		

BETA ANGLE 0 DEG

BETA ANGLE	0 DEG	8 DEG	ALPHA-DEG	4	8
MACH NO.	-8	-4	0	.0370	.0412
0.80	.0157	.0264	.0264	.0300	.0412
0.85	.0115	.0285	.0285	.0322	.0462
0.90	.0132	.0322	.0322	.0418	.0314
0.95	.0162	.0185	.0185	.0418	.0317
1.00	.0107	.0121	.0121	.0143	.0271
1.10	.0112	.0102	.0102	.0123	.0102
1.20	.0076	.0104	.0104	.0083	.0090

AMES PRELIMINARY AERC-ACCUSTIC DATA
TEST CONDUCTED 17-28 JAN 72

CONFIGURATION NC. 35
TRANSDUCER NO. 4

DELTA CFRMS

BETA ANGLE	0 DEG	5 DEG	8 DEG	ALPHA-DEG	4	8
MACH NO.	-8	-4	0	.0264	.0370	.0412
0.80	.0157	.0264	.0264	.0300	.0412	.0412
0.85	.0115	.0285	.0285	.0322	.0418	.0314
0.90	.0132	.0322	.0322	.0418	.0418	.0317
0.95	.0162	.0185	.0185	.0143	.0143	.0271
1.00	.0107	.0121	.0121	.0123	.0123	.0102
1.10	.0112	.0102	.0102	.0083	.0083	.0090
1.20	.0076	.0104	.0104			

BETA ANGLE 5 DEG

BETA ANGLE	5 DEG	8 DEG	ALPHA-DEG	4	8
MACH NO.	-8	-4	0	.0370	.0412
0.80	.0137	.0143	.0184	.0300	.0412
0.85	.0125	.0102	.0168	.0322	.0462
0.90	.0152	.0116	.0259	.0418	.0314
0.95	.0176	.0150		.0418	.0317
1.00	.0143	.0114	.0143	.0143	.0271
1.10	.0194	.0162	.0017	.0123	.0102
1.20	.0083	.0050	.0104	.0083	.0090

BETA ANGLE 0 DEG

BETA ANGLE	0 DEG	8 DEG	ALPHA-DEG	4	8
MACH NO.	-8	-4	0	.0370	.0412
0.80	.0157	.0264	.0264	.0300	.0412
0.85	.0115	.0285	.0285	.0322	.0462
0.90	.0132	.0322	.0322	.0418	.0314
0.95	.0162	.0185	.0185	.0418	.0317
1.00	.0107	.0121	.0121	.0143	.0271
1.10	.0112	.0102	.0102	.0123	.0102
1.20	.0076	.0104	.0104	.0083	.0090

BETA ANGLE -5 DEG

BETA ANGLE	-5 DEG	8 DEG	ALPHA-DEG	4	8
MACH NO.	-8	-4	0	.0370	.0412
0.80	.0077	.0077	.0066	.0061	.0056
0.85	.0055	.0055	.0652	.0046	.0046
0.90					
0.95					
1.00					
1.10					
1.20					
1.30					
1.40					
1.60					
2.20					

BETA ANGLE -5 DEG

BETA ANGLE	-5 DEG	8 DEG	ALPHA-DEG	4	8
MACH NO.	-8	-4	0	.0370	.0412
0.80	.0097	.0097	.0133	.0307	.0242
0.85	.0083	.0083	.0145	.0090	.0110
0.90					
0.95					
1.00					
1.10					
1.20					
1.30					
1.40					
1.60					
2.20					

BETA ANGLE 0 DEG

BETA ANGLE	0 DEG	8 DEG	ALPHA-DEG	4	8
MACH NO.	-8	-4	0	.0370	.0412
0.80	.0157	.0264	.0264	.0300	.0412
0.85	.0115	.0285	.0285	.0322	.0462
0.90	.0132	.0322	.0322	.0418	.0314
0.95	.0162	.0185	.0185	.0418	.0317
1.00	.0107	.0121	.0121	.0143	.0271
1.10	.0112	.0102	.0102	.0123	.0102
1.20	.0076	.0104	.0104	.0083	.0090

AMES PRELIMINARY AERC-ACCUSTIC DATA
TEST CONDUCTED 17-28 JAN 72

CONFIGURATION NO. 4
TRANSDUCER NO. 38

DELTA CPRMS

BETA ANGLE	0 DEG	4	8
MACH NO.	-8	0	8
0.80		.0370	
0.85	.0401	.0370	
0.90	.0485	.0369	
0.95	.0502	.0357	
1.00	.0423	.0441	
1.10	.0271	.0215	
1.20			
1.30			
1.40			
1.60			
2.20			

AMES PRELIMINARY AERC-ACCUSTIC DATA
TEST CONDUCTED 17-28 JAN 72

CONFIGURATION NO. 4
TRANSDUCER NO. 39

DELTA CPRMS

BETA ANGLE	0 DEG	4	8
MACH NO.	-8	0	8
0.80		.0323	
0.85	.0436	.0323	
0.90	.0218	.0138	
0.95			
1.00			
1.10			
1.20			
1.30			
1.40			
1.60	.0486	.0275	.0259
2.20	.0327	.0148	.0193

AMES PRELIMINARY AERC-ACCUSTIC DATA
TEST CONDUCTED 17-28 JAN 72

CONFIGURATION NO. 4
TRANSDUCER NO. 38

DELTA CPRMS

BETA ANGLE	5 DEG	4	8
MACH NO.	-8	0	8
0.80		.0391	
0.85	.0528	.0449	.0380
0.90	.0831	.0600	.0462
0.95	.0563	.0690	.0502
1.00	.0780	.0406	.0370
1.10			
1.20			
1.30			
1.40			
1.60	.0566	.0362	.0283
2.20			

AMES PRELIMINARY AERC-ACCUSTIC DATA
TEST CONDUCTED 17-28 JAN 72

CONFIGURATION NO. 4
TRANSDUCER NO. 39

DELTA CPRMS

BETA ANGLE	5 DEG	4	8
MACH NO.	-8	0	8
0.80		.0356	
0.85	.0460	.0356	
0.90	.0327	.0235	
0.95			
1.00			
1.10			
1.20			
1.30			
1.40			
1.60	.0453	.0259	.0259
2.20	.0327	.0218	.0240

AMES PRELIMINARY AERC-ACOUSTIC DATA
TEST CONDUCTED 17-28 JAN 72

CONFIGURATION NO. 4
TRANSDUCER NO. 40

DELTA CPRMS

BETA ANGLE	0 DEG	4	8
MACH NO.	-8	0	0
0.80	.0217	.0217	.0217
0.85	.0212	.0202	.0202
0.90	.0251	.0235	.0235
0.95	.0154	.0158	.0158
1.00	.0100	.0086	.0086
1.10			
1.20			
1.30			
1.40			
1.60			
2.20			

AMES PRELIMINARY AERC-ACOUSTIC DATA
TEST CONDUCTED 17-28 JAN 72

CONFIGURATION NO. 4
TRANSDUCER NO. 41

DELTA CPRMS

BETA ANGLE	0 DEG	4	8
MACH NO.	-8	0	0
0.80	.0102	.0092	.0092
0.85	.0074	.0062	.0062
0.90			
0.95			
1.00			
1.10			
1.20			
1.30			
1.40			
1.60			
2.20			

BETA ANGLE	5 DEG	8
MACH NO.	-8	0
0.80	.0217	.0184
0.85	.0263	.0204
0.90	.0331	.0218
0.95	.0229	.0139
1.00	.0169	.0104
1.10		
1.20		
1.30		
1.40		
1.60		
2.20		

BETA ANGLE	5 DEG	4	8
MACH NO.	-8	0	0
0.80	.0102	.0092	.0092
0.85	.0074	.0062	.0062
0.90			
0.95			
1.00			
1.10			
1.20			
1.30			
1.40			
1.60			
2.20			

BETA ANGLE	0 DEG	4	8
MACH NO.	-8	0	0
0.80	.0217	.0209	.0209
0.85	.0246	.0219	.0219
0.90	.0251	.0264	.0264
0.95	.0212	.0151	.0139
1.00	.0181	.0111	.0104
1.10			
1.20			
1.30			
1.40			
1.60			
2.20			

BETA ANGLE	0 DEG	4	8
MACH NO.	-8	0	0
0.80	.0291	.0154	.0210
0.85	.0018	.0025	.0090
0.90			
0.95			
1.00			
1.10			
1.20			
1.30			
1.40			
1.60			
2.20			

BETA ANGLE	0 DEG	4	8
MACH NO.	-8	0	0
0.80	.0084	.0086	.0082
0.85	.0083	.0072	.0067
0.90			
0.95			
1.00			
1.10			
1.20			
1.30			
1.40			
1.60			
2.20			

BETA ANGLE	0 DEG	4	8
MACH NO.	-8	0	0
0.80	.0084	.0084	.0082
0.85	.0083	.0072	.0067
0.90			
0.95			
1.00			
1.10			
1.20			
1.30			
1.40			
1.60			
2.20			

AMES PRELIMINARY AERC-ACCUSTIC DATA
TEST CONDUCTED 17-28 JAN 72

CONFIGURATION NO. 4
TRANSDUCER NO. 42

DELTA CPRMS

BETA ANGLE	0 DEG	4	8
MACH NO.	-8	-4	0
0.80			
0.85			
0.90			
0.95			
1.00			
1.10			
1.20			
1.30			
1.40			
1.60	.0339	.0299	.0409
2.20	.0176	.0145	.0138
			.0358
			.0155

BETA ANGLE 5 DEG

BETA ANGLE	5 DEG	8
MACH NO.	-8	-4
0.80		
0.85		
0.90		
0.95		
1.00		
1.10		
1.20		
1.30		
1.40		
1.60	.0869	.0675
2.20	.0124	.0138
		.0873
		.0347

ALPHA-DEG

BETA ANGLE	-5 DEG	4	8
MACH NO.	-8	-4	0
0.80			
0.85			
0.90			
0.95			
1.00			
1.10			
1.20			
1.30			
1.40			
1.60	.0364	.0409	.0364
2.20	.0327	.0228	.0262
			.0356
			.0193

AMES PRELIMINARY AERC-ACCUSTIC DATA
TEST CONDUCTED 17-28 JAN 72

CONFIGURATION NO. 4
TRANSDUCER NO. 43

DELTA CPRMS

BETA ANGLE	0 DEG	4	8
MACH NO.	-8	-4	0
0.80			
0.85			
0.90			
0.95			
1.00			
1.10			
1.20			
1.30			
1.40			
1.60	.0066	.0086	.0078
2.20	.0057	.0061	.0056
			.0048
			.0040

BETA ANGLE 5 DEG

BETA ANGLE	5 DEG	8
MACH NO.	-8	-4
0.80		
0.85		
0.90		
0.95		
1.00		
1.10		
1.20		
1.30		
1.40		
1.60	.0175	.0184
2.20	.0212	.0204
		.0238
		.0176
		.0134
		.0093
		.0072
		.0066
		.0044

ALPHA-DEG

BETA ANGLE	-5 DEG	4	8
MACH NO.	-8	-4	0
0.80			
0.85			
0.90			
0.95			
1.00			
1.10			
1.20			
1.30			
1.40			
1.60	.0056	.0054	.0046
2.20	.0044	.0044	.0044
			.0086
			.0064
			.0059

ALPHA-DEG

AMES PRELIMINARY AERC-ACCUSTIC DATA
TEST CONDUCTED 17-28 JAN 72

CONFIGURATICA NC. 4
TRANSDUCER NC. 44

DELTA CPRMS

BETA ANGLE	0 DEG	5 DEG	8 DEG
MACH NO.	-8	-4	8
0.80	.0234	.0250	.0326
0.85	.0078	.0326	.0818
0.90	.0067	.1062	.0739
0.95	.0056	.0061	.0291
1.00	.0047	.0064	.0061
1.10	.0031	.0046	.0039
1.20	.0027	.0042	.0034
1.30		.0031	.0017
1.40		.0024	
1.60			
2.20			

AMES PRELIMINARY AERC-ACCUSTIC DATA
TEST CONDUCTED 17-28 JAN 72

CONFIGURATICA NC. 4
TRANSDUCER NC. 45

DELTA CPRMS

BETA ANGLE	0 DEG	5 DEG	8 DEG
MACH NO.	-8	-4	8
0.80	.0326	.0351	.0376
0.85	.0204	.0311	.0384
0.90	.0126	.0365	.0270
0.95	.0106	.0125	.0185
1.00	.0072	.0146	.0094
1.10	.0026	.0105	.0079
1.20	.0360	.0076	.0178
1.30		.0029	.0116
1.40		.0052	
1.60		.0110	
2.20			

AMES PRELIMINARY AERC-ACCUSTIC DATA
TEST CONDUCTED 17-28 JAN 72

CONFIGURATICA NC. 4
TRANSDUCER NC. 44

DELTA CPRMS

BETA ANGLE	0 DEG	5 DEG	8 DEG
MACH NO.	-8	-4	8
0.80	.0234	.0267	.0326
0.85	.0078	.0367	.0818
0.90	.0067	.0321	.0739
0.95	.0056	.0265	.0291
1.00	.0047	.0165	.0061
1.10	.0031	.0061	.0039
1.20	.0027	.0045	.0034
1.30		.0031	.0017
1.40		.0025	
1.60			
2.20			

AMES PRELIMINARY AERC-ACCUSTIC DATA
TEST CONDUCTED 17-28 JAN 72

CONFIGURATICA NC. 4
TRANSDUCER NC. 45

DELTA CPRMS

BETA ANGLE	0 DEG	5 DEG	8 DEG
MACH NO.	-8	-4	8
0.80	.0300	.0292	.0355
0.85	.0350	.0321	.0226
0.90	.0119	.0132	.0139
0.95	.0370	.0089	.0095
1.00	.0093	.0078	.0075
1.10	.0218	.0218	.0178
1.20	.0251	.0155	.0117
1.30			
1.40			
1.60			
2.20			

AMES PRELIMINARY AERC-ACCUSTIC DATA
TEST CONDUCTED 17-28 JAN 72

CONFIGURACION NO. 4
TRANSDUCER NO. 46

DELTA CPRMS

BETA ANGLE	0 DEG	4	8
MACH NO.	-8	-4	0
0.80	.0501	.0484	.0484
0.85	.0462	.0423	.0423
0.90	.0425	.0397	.0397
1.00	.0277	.0278	.0278
1.10	.0152	.0104	.0104
1.20	.0164	.0107	.0107
1.40	.0026	.0036	.0036
1.60	.0057	.0102	.0102
2.20	.0024	.0059	.0059

DELTA CPRMS

BETA ANGLE	5 DEG	4	8
MACH NO.	-8	-4	0
0.80	.0528	.0501	.0475
0.85	.0577	.0462	.0462
0.90	.0523	.0419	.0419
1.00	.1500	.0353	.0300
1.10	.0339	.0271	.0204
1.20	.0123	.0102	.0084
1.40	.0053	.0050	.0053
1.60	.0061	.0076	.0070
2.20	.0034	.0031	.0036

AMES PRELIMINARY AERC-ACCUSTIC DATA
TEST CONDUCTED 17-28 JAN 72

CONFIGURACION NO. 4
TRANSDUCER NO. 47

DELTA CPRMS

BETA ANGLE	0 DEG	4	8
MACH NO.	-8	-4	0
0.80	.0077	.0076	.0068
0.85	.0068	.0043	.0040
0.90	.0078	.0076	.0068
0.95	.0078	.0043	.0040
1.00	.0077	.0076	.0068
1.10	.0068	.0043	.0040
1.20	.0077	.0076	.0068
1.30	.0068	.0043	.0040
1.40	.0077	.0076	.0068
1.60	.0068	.0043	.0040
2.20	.0077	.0076	.0068

DELTA CPRMS

BETA ANGLE	5 DEG	4	8
MACH NO.	-8	-4	0
0.80	.0110	.0085	.0120
0.85	.0083	.0062	.0069
0.90	.0110	.0085	.0120
0.95	.0083	.0062	.0069
1.00	.0110	.0085	.0120
1.10	.0083	.0062	.0069
1.20	.0110	.0085	.0120
1.30	.0083	.0062	.0069
1.40	.0110	.0085	.0120
1.60	.0083	.0062	.0069
2.20	.0110	.0085	.0120

DELTA CPRMS

BETA ANGLE	-5 DEG	4	8
MACH NO.	-8	-4	0
0.80	.0061	.0076	.0070
0.85	.0034	.0031	.0036
0.90	.0061	.0076	.0070
0.95	.0034	.0031	.0036
1.00	.0061	.0076	.0070
1.10	.0034	.0031	.0036
1.20	.0061	.0076	.0070
1.30	.0034	.0031	.0036
1.40	.0061	.0076	.0070
1.60	.0034	.0031	.0036
2.20	.0061	.0076	.0070

AMES PRELIMINARY AERC-ACCLUSTIC DATA
TEST CCACTECTEC 17-28 JAN 72

CONFIGURATION NO. 4
TRANSDUCER NO. 48

DELTA CPRMS

BETA ANGLE 0 DEG

MACH NO. -8 -4 0 4 8

0.80				
0.85				
0.90				
0.95				
1.00				
1.10				
1.20				
1.30				
1.40				
1.60	.0092	.0113	.0097	.0100
2.20	.0066	.0083	.0086	.0072

BETA ANGLE 5 DEG

MACH NO. -8 -4 0 4 8

0.80				
0.85				
0.90				
0.95				
1.00				
1.10				
1.20				
1.30				
1.40				
1.60	.0170	.0186	.0095	.0087
2.20	.0152	.0104	.0110	.0086

BETA ANGLE -5 DEG

MACH NO. -8 -4 0 4 8

0.80				
0.85				
0.90				
0.95				
1.00				
1.10				
1.20				
1.30				
1.40				
1.60	.0105	.0116	.0120	.0095
2.20	.0090	.0093	.0125	.0077

AMES PRELIMINARY AERC-ACCUSTIC DATA
TEST CONDUCTED 17-28 JAN 72

CONFIGURATION NO. 4
TRANSDUCER NO. 49

DELTA CPRMS

BETA ANGLE 0 DEG

MACH NO. -8 -4 0 4 8

0.80				
0.85				
0.90				
0.95				
1.00				
1.10				
1.20				
1.30				
1.40				
1.60	.0087	.0077	.0087	.0082
2.20	.0036	.0048	.0056	.0063

BETA ANGLE 5 DEG

MACH NO. -8 -4 0 4 8

0.80				
0.85				
0.90				
0.95				
1.00				
1.10				
1.20				
1.30				
1.40				
1.60	.0107	.0065	.0066	.0077
2.20	.0096	.0053	.0057	.0063

BETA ANGLE -5 DEG

MACH NO. -8 -4 0 4 8

0.80				
0.85				
0.90				
0.95				
1.00				
1.10				
1.20				
1.30				
1.40				
1.60	.0089	.0087	.0079	.0079
2.20	.0107	.0159	.0026	.0072

AMES PRELIMINARY AERC-ACCUSTIC DATA
TEST CCACUCTED 17-28 JAN 72

CONFIGURATION NO. 4
TRANSDUCER NO. 50

DELTA CPRMS

BETA ANGLE	0 DEG	4	8
MACH NO.	-8	-4	0
0.80			
0.85			
0.90			
0.95			
1.00			
1.10			
1.20			
1.30			
1.40			
1.60	.0178	.0107	.0123
2.20	.0023	.0032	.0057

BETA ANGLE	5 DEG	4	8
MACH NO.	-8	-4	0
0.80			
0.85			
0.90			
0.95			
1.00			
1.10			
1.20			
1.30			
1.40			
1.60	.0004	.0036	.0069
2.20	.0022	.0036	.0050

BETA ANGLE	-5 DEG	4	8
MACH NO.	-8	-4	0
0.80			
0.85			
0.90			
0.95			
1.00			
1.10			
1.20			
1.30			
1.40			
1.60	.0128	.0113	.0123
2.20	.0015	.0031	.0051

AMES PRELIMINARY AERC-ACCUSTIC DATA
TEST CONDUCTED 17-28 JAN 72

CONFIGURATION NO. 4
TRANSDUCER NO. 51

DELTA CPRMS

BETA ANGLE	0 DEG	4	8
MACH NO.	-8	-4	0
0.80			
0.85			
0.90			
0.95			
1.00			
1.10			
1.20			
1.30			
1.40			
1.60	.0072	.0102	.0082
2.20	.0052	.0046	.0026

BETA ANGLE	5 DEG	4	8
MACH NO.	-8	-4	0
0.80			
0.85			
0.90			
0.95			
1.00			
1.10			
1.20			
1.30			
1.40			
1.60	.0066	.0059	.0039
2.20	.0050	.0044	.0028

BETA ANGLE	-5 DEG	4	8
MACH NO.	-8	-4	0
0.80			
0.85			
0.90			
0.95			
1.00			
1.10			
1.20			
1.30			
1.40			
1.60	.0107	.0102	.0066
2.20	.0055	.0052	.0041

AMES PRELIMINARY AERO-ACCLUSTIC DATA
TEST CCNUCTED 17-28 JAN 72

CONFIGURATION NO. 5
RUN NC. 211
MACH NO. 1.40
DYN PRESSURE-Q (FLIGHT) 625 PSF

ALPHA ANGLE -8 DEG
BETA ANGLE 5 DEG

TRANSDUCER NO	DELTA CP RMS	DB
1	0.0100	143.5
2	0.0143	146.6
3	0.0115	144.7
4	0.0086	142.2
5	0.0079	141.5
6	0.0172	148.2
44	0.0063	139.5
8	0.0079	141.5
9	0.0251	151.5
32	0.0100	143.5
33	0.0385	155.2
12	0.0165	147.8
34	0.0100	143.5
35	0.0143	146.6
15	0.0072	140.6
16	0.0317	153.5
17	0.0075	141.0
18	0.0175	148.4
19	0.0179	148.6
20	0.0034	134.1
21	0.0351	154.4
22	0.0111	144.4
23	0.0204	149.7
24	0.0201	145.6
36	0.0283	152.5
38	0.0487	157.3
27	0.0498	157.4
40	0.0152	149.2
43	0.0086	142.2
45	0.0251	151.5
46	0.0661	162.2

AMES PRELIMINARY AERC-ACCUSTIC DATA
TEST CCNUCTED 17-28 JAN 72

CONFIGURATION NO. 5
RUN NC. 212
MACH NO. 1.40
DYN PRESSURE-Q (FLIGHT) 625 PSF

ALPHA ANGLE -4 DEG
BETA ANGLE 5 DEG

TRANSDUCER NO	DELTA CP RMS	DB
1	0.0100	143.5
2	0.0150	147.0
3	0.0172	148.2
4	0.0107	144.1
5	0.0072	140.6
6	0.0201	149.6
44	0.0054	138.1
8	0.0086	142.2
9	0.0258	151.7
32	0.0093	142.9
33	0.0254	152.9
12	0.0172	148.2
34	0.0093	142.9
35	0.0136	146.2
15	0.0068	140.2
16	0.0093	142.9
17	0.0079	141.5
18	0.0179	148.6
19	0.0172	148.2
20	0.0039	135.3
21	0.0476	157.1
22	0.0159	147.5
23	0.0249	151.4
24	0.0204	149.7
36	0.0254	152.5
38	0.0430	156.2
27	0.0634	159.5
40	0.0192	149.2
43	0.0079	141.5
45	0.0702	160.4
46	0.0815	161.7

AMES PRELIMINARY AERC-ACCUSTIC DATA
TEST CCNDUCTED 17-28 JAN 72

CONFIGURATICN NC. 5
RUN NO. 213
MACF NC. 1.40
DYN PRESSURE-Q (FLIGHT) 625 PSF

AMES PRELIMINARY AERC-ACCUSTIC DATA
TEST CCNDUCTEC 17-28 JAN 72

CONFIGURATICN NO. 5
RUN NO. 214
MACF NO. 1.40
DYN PRESSURE-Q (FLIGHT) 625 PSF

ALPHA ANGLE -4 DEG
BETA ANGLE C DEG

ALPHA ANGLE C DEG
BETA ANGLE 5 DEG

TRANSDUCER NC	CELTACFRMS	CB	TRANSDUCER NC	CELTACPRMS	DB
1	0.0107	144.1	1	0.0055	143.1
2	0.0201	149.6	2	0.0143	146.6
3	0.0172	148.2	3	0.0165	147.8
4	0.0132	145.9	4	0.0115	144.7
5	0.0070	140.4	5	0.0079	141.5
6	0.0186	148.9	6	0.0251	151.5
44	0.0045	136.6	8	0.0086	142.2
8	0.0100	143.5	9	0.0272	152.2
9	0.0258	151.7	32	0.0077	141.2
32	0.0075	141.5	33	0.0317	153.5
33	0.0453	156.6	12	0.0156	147.4
12	0.0158	147.5	34	0.0095	143.1
34	0.0055	143.1	35	0.0115	144.7
35	0.0115	144.7	15	0.0066	139.9
15	0.0075	141.0	16	0.0215	150.1
16	0.0136	146.2	17	0.0053	142.9
17	0.0075	141.0	18	0.0193	149.2
18	0.0272	152.2	19	0.0165	147.8
19	0.0158	147.5	20	0.0039	135.3
20	0.0039	135.3	21	0.0487	157.3
21	0.0272	152.2	22	0.0183	148.7
22	0.0129	145.7	23	0.0294	152.9
23	0.0254	152.9	24	0.0235	150.9
24	0.0249	151.4	36	0.0288	152.7
36	0.0328	153.8	38	0.0430	156.2
38	0.0362	154.7	27	0.0612	159.2
27	0.0566	158.6	40	0.0201	149.6
40	0.0204	149.7	43	0.0072	140.6
43	0.0079	141.5	44	0.0050	137.5
44	0.0056	142.2	45	0.0143	146.6
45	0.0056	158.6			

AMES PRELIMINARY AERC-ACCUSTIC DATA
TEST CCNDUCTED 17-28 JAN 72

CONFIGURATION NC. 5
RUN NO. 215
MACH NC. 1.40
DYN PRESSURE-Q (FLIGHT) 625 PSF

AMES PRELIMINARY AERC-ACCUSTIC DATA
TEST CCNDUCTED 17-28 JAN 72

CONFIGURATION NO. 5
RUN NC. 216
MACH NO. 1.40
DYN PRESSURE-Q (FLIGHT) 625 PSF

ALPHA ANGLE C DEG
BETA ANGLE C DEG

ALPHA ANGLE 4 DEG
BETA ANGLE 5 DEG

TRANSUDCER NC	DELTACFRMS	CB
1	0.0172	148.2
2	0.0294	152.9
3	0.0521	157.8
4	0.0408	155.7
5	0.0204	149.7
6	0.0521	157.8
44	0.0045	136.6
8	0.0115	144.7
9	0.0293	152.8
22	0.0075	141.5
33	0.0476	157.1
12	0.0137	146.2
34	0.0086	142.2
35	0.0115	144.7
15	0.0063	139.5
16	0.0129	145.7
17	0.0082	141.8
18	0.0243	151.2
19	0.0186	148.9
20	0.0041	135.8
21	0.0476	157.1
22	0.0521	157.8
23	0.0385	155.2
24	0.0249	151.4
36	0.0340	154.1
38	0.0408	155.7
27	0.0502	157.5
40	0.0208	149.5
43	0.0079	141.5
45	0.0090	142.6
46	0.0328	153.8

TRANSUDCER NC	DELTACFRMS	CB
1	0.0107	144.1
2	0.0150	147.0
3	0.0143	146.6
4	0.0115	144.7
5	0.0086	142.2
6	0.0340	154.1
44	0.0045	136.6
8	0.0093	142.9
9	0.0296	152.9
32	0.0070	140.4
33	0.0385	155.2
12	0.0136	146.2
34	0.0107	144.1
35	0.0115	144.7
15	0.0063	139.5
16	0.0186	148.9
17	0.0107	144.1
18	0.0294	152.9
19	0.0159	147.5
20	0.0043	136.2
21	0.0415	155.5
22	0.0172	148.2
23	0.0294	152.9
24	0.0340	154.1
36	0.0362	154.7
38	0.0453	156.6
27	0.0680	160.2
40	0.0172	148.2
43	0.0072	140.6
45	0.0172	148.2
46	0.0396	155.5

AMES PRELIMINARY AERC-ACCUSTIC DATA
TEST CCNUCTED 17-28 JAN 72

CONFIGURATION NC. 5
RUN NC. 217
MACH NC. 1.40
DYN PRESSURE-Q (FLIGHT) 625 PSF

AMES PRELIMINARY AERC-ACCUSTIC DATA
TEST CCNUCTED 17-28 JAN 72

CONFIGURATION NC. 5
RUN NC. 218
MACH NC. 1.40
DYN PRESSURE-Q (FLIGHT) 625 PSF

TRANSDUCER NC	DELTA C PRMS	DB	ALPHA ANGLE BETA ANGLE	4 DEG C DEG
1	0.0317	153.5		
2	0.0556	158.4		
3	0.0854	162.1		
4	0.0645	159.7		
5	0.0272	152.2		
6	0.0430	156.2		
44	0.0041	135.8		
8	0.0136	146.2		
9	0.0240	154.1		
32	0.0100	143.5		
33	0.0498	157.4		
12	0.0115	144.7		
34	0.0086	142.2		
35	0.0112	144.5		
15	0.0063	139.5		
16	0.0186	148.9		
17	0.0082	141.8		
18	0.0283	152.5		
19	0.0125	145.7		
20	0.0043	136.2		
21	0.0537	158.1		
22	0.0544	158.2		
23	0.0498	157.4		
24	0.0283	152.5		
36	0.0317	153.5		
38	0.0317	153.5		
27	0.0430	156.2		
40	0.0143	146.6		
43	0.0052	142.5		
45	0.0100	143.5		
46	0.0317	153.5		

TRANSDUCER NO	DELTA C FRMS	CB	ALPHA ANGLE BETA ANGLE	8 DEG 5 DEG
1	0.0136	146.2		
2	0.0193	149.2		
3	0.0192	149.2		
4	0.0122	145.2		
6	0.0340	154.1		
44	0.0048	137.1		
8	0.0115	144.7		
9	0.0430	156.2		
32	0.0100	143.5		
33	0.0566	158.6		
12	0.0115	144.7		
34	0.0107	144.1		
35	0.0122	145.2		
15	0.0068	140.2		
16	0.0243	151.2		
17	0.0115	144.7		
18	0.0272	152.2		
19	0.0132	145.9		
20	0.0044	136.4		
21	0.0365	155.2		
22	0.0165	147.8		
23	0.0396	155.5		
24	0.0317	153.5		
36	0.0498	157.4		
38	0.0356	155.5		
27	0.0702	160.4		
40	0.0147	146.8		
43	0.0090	142.6		
45	0.0165	147.8		
46	0.0362	154.7		

AMES PRELIMINARY AERC-ACCLSTIC DATA
TEST CCNDUCTEC 17-28 JAN 72

CONFIGURATION NC. 5
RUN NC. 219
MACH NO. 1.30
LYN PRESSURE-Q (FLIGHT) 620 PSF

TRANSDUCER NC	DELTA CP RMS	DB	ALPHA ANGLE C DEG	BETA ANGLE C DEG
1	0.0181	148.6		
2	0.0389	155.2		
3	0.0434	156.2		
4	0.0320	153.5		
5	0.0183	148.7		
6	0.0480	157.1		
44	0.0050	137.4		
8	0.0108	144.1		
9	0.0343	154.1		
32	0.0054	142.9		
33	0.0526	157.9		
12	0.0145	146.7		
34	0.0101	143.5		
35	0.0130	145.7		
15	0.0066	135.8		
16	0.0181	148.6		
17	0.0094	142.9		
18	0.0260	151.7		
19	0.0225	150.6		
20	0.0032	133.5		
21	0.0526	157.9		
22	0.0457	156.6		
23	0.0400	155.5		
24	0.0263	151.8		
36	0.0366	154.7		
38	0.0434	156.2		
27	0.0640	155.6		
40	0.0224	150.4		
43	0.0054	142.5		
45	0.0119	144.9		

AMES PRELIMINARY AERC-ACCOUSTIC DATA
TEST CCNDUCTED 17-28 JAN 72

CONFIGURATION NC. 5
RUN NC. 220
MACH NO. 1.20
LYN PRESSURE-Q (FLIGHT) 600 PSF

TRANSDUCER NC	DELTA CP RMS	DB	ALPHA ANGLE -8 DEG	BETA ANGLE 5 DEG	CB
1	0.0112	144.1			144.1
2	0.0095	142.7			142.7
3	0.0078	141.0			141.0
4	0.0084	141.6			141.6
5	0.0084	141.6			141.6
44	0.0073	140.4			140.4
8	0.0078	141.0			141.0
9	0.0245	150.5			150.5
32	0.0128	145.3			145.3
33	0.0454	157.0			157.0
12	0.0558	158.1			158.1
34	0.0139	146.0			146.0
35	0.0154	148.9			148.9
15	0.0089	142.1			142.1
16	0.0441	156.0			156.0
17	0.0112	144.1			144.1
18	0.0247	151.0			151.0
19	0.0225	150.3			150.3
20	0.0025	135.0			135.0
21	0.0126	145.2			145.2
22	0.0064	139.3			139.3
23	0.0159	147.2			147.2
24	0.0238	150.7			150.7
36	0.0418	155.6			155.6
38	0.0530	157.6			157.6
27	0.0952	162.7			162.7
40	0.0265	151.6			151.6
43	0.0139	146.0			146.0
45	0.0221	150.0			150.0
46	0.0890	162.1			162.1

AMES PRELIMINARY AERC-ACCUSTIC DATA
TEST CCNDUCTED 17-28 JAN 72

CONFIGURATICA NC. 5
RUN NC. 221
MACH NC. 1.20
DYN PRESSURE-Q (FLIGHT) 600 PSF

ALPHA ANGLE -4 DEG
BETA ANGLE 5 DEG

TRANSDUCER NC	DELTA CP RMS	CB
1	0.0106	143.7
2	0.0055	142.7
3	0.0175	148.2
4	0.0084	141.6
5	0.0072	140.4
6	0.0124	145.7
44	0.0067	139.7
8	0.0084	141.6
9	0.0300	152.7
5	0.0123	144.9
32	0.0669	159.7
33	0.0335	153.6
12	0.0134	145.7
34	0.0159	147.2
35	0.0084	141.6
15	0.0353	154.1
16	0.0117	144.5
17	0.0282	152.2
18	0.0194	148.9
19	0.0042	135.6
20	0.0169	147.7
21	0.0072	140.3
22	0.0176	148.1
23	0.0265	151.6
24	0.0418	155.6
36	0.0558	158.1
38	0.0552	162.7
27	0.0238	150.7
40	0.0134	145.7
43	0.0176	148.1

AMES PRELIMINARY AERC-ACCUSTIC DATA
TEST CCNDUCTED 17-28 JAN 72

CONFIGURATICA NC. 5
RUN NC. 222
MACH NC. 1.20
DYN PRESSURE-Q (FLIGHT) 600 PSF

ALPHA ANGLE -4 DEG
BETA ANGLE 0 DEG

TRANSDUCER NO	DELTA CP RMS	DB
1	0.0109	142.9
2	0.0066	141.8
3	0.0070	140.0
4	0.0084	141.6
5	0.0060	138.7
6	0.0142	146.2
44	0.0056	138.1
8	0.0085	142.1
9	0.0282	152.2
32	0.0106	143.7
33	0.0256	151.3
12	0.0221	150.0
34	0.0117	144.5
35	0.0185	148.5
15	0.0081	141.3
16	0.0167	147.6
17	0.0117	144.5
18	0.0206	149.4
19	0.0203	149.3
20	0.0043	135.8
21	0.0203	149.3
22	0.0067	139.7
23	0.0212	149.7
24	0.0238	150.7
36	0.0418	155.6
38	0.0502	157.2
27	0.0861	161.8
40	0.0238	150.7
43	0.0176	148.1
45	0.0128	145.3
46	0.0558	158.1

AMES PRELIMINARY AERC-ACCUUSTIC DATA
TEST CCNDUCTED 17-28 JAN 72

CCNFIGURATICN NO. 5
RUN NO. 223
MACH NC. 1.20
DYN PRESSURE-Q (FLIGHT) 600 PSF

ALPHA ANGLE C DEG
BETA ANGLE 5 DEG

TRANSDUCER NC	DELTACPRMS	CB
1	0.0109	143.9
2	0.0109	143.9
3	0.0081	141.3
4	0.0055	142.7
5	0.0073	140.4
6	0.0150	148.7
44	0.0064	139.3
8	0.0084	141.6
9	0.0309	152.9
32	0.0098	143.0
33	0.0362	154.3
12	0.0203	149.3
34	0.0150	148.7
35	0.0185	148.5
15	0.0078	141.0
16	0.0262	151.5
17	0.0126	145.2
18	0.0335	153.6
19	0.0194	148.9
20	0.0044	136.0
21	0.0291	152.4
22	0.0092	142.4
23	0.0229	150.3
24	0.0291	152.4
36	0.0435	155.9
38	0.0642	155.3
27	0.0864	161.9
40	0.0225	150.3
43	0.0100	143.1
45	0.0162	147.3
46	0.0415	155.5

AMES PRELIMINARY AERC-ACCUUSTIC DATA
TEST CCNDUCTED 17-28 JAN 72

CCNFIGURATICN NO. 5
RUN NO. 224
MACH NC. 1.20
DYN PRESSURE-Q (FLIGHT) 600 PSF

ALPHA ANGLE C DEG
BETA ANGLE 0 DEG

TRANSDUCER NC	DELTACPRMS	CB
1	0.0265	151.6
2	0.0370	154.5
3	0.0370	154.5
4	0.0273	151.9
5	0.0152	146.8
6	0.0476	156.7
44	0.0056	138.1
8	0.0100	143.1
9	0.0318	153.2
32	0.0128	145.3
33	0.0457	156.3
12	0.0185	148.5
34	0.0112	144.1
35	0.0185	148.5
15	0.0086	141.8
16	0.0225	150.3
17	0.0128	145.3
18	0.0291	152.4
19	0.0176	148.1
20	0.0048	136.8
21	0.0558	158.1
22	0.0379	154.7
23	0.0459	156.4
24	0.0273	151.9
36	0.0402	155.2
38	0.0418	155.6
27	0.0706	160.1
40	0.0185	148.5
43	0.0135	146.0
45	0.0176	148.1
46	0.0400	155.3

AMES PRELIMINARY AERC-ACCUSTIC DATA
TEST CONDUCTED 17-28 JAN 72

CONFIGURATION NO. 5
RUN NO. 225
MACH NO. 1.20
DYN PRESSURE-Q (FLIGHT) 600 PSF

AMES PRELIMINARY AERC-ACCUSTIC DATA
TEST CONDUCTED 17-28 JAN 72

CONFIGURATION NO. 5
RUN NO. 226
MACH NO. 1.20
DYN PRESSURE-Q (FLIGHT) 600 PSF

ALPHA ANGLE 4 DEG
BETA ANGLE 5 DEG

ALPHA ANGLE 4 DEG
BETA ANGLE C DEG

TRANSDUCER NO	DELTACPRMS	DB	TRANSDUCER NO	CELTACPRMS	CB
1	0.0134	145.7	1	0.10E8	163.9
2	0.0162	147.3	2	0.0809	161.3
3	0.0184	148.4	3	0.0ECS	161.3
4	0.0173	147.9	4	0.0586	158.5
5	0.0100	143.1	5	0.0307	152.9
6	0.0256	151.3	6	0.0459	156.4
44	0.0064	139.3	44	0.0053	137.6
8	0.0098	143.0	8	0.0117	144.5
9	0.0353	154.1	9	0.0344	153.9
32	0.0103	143.4	32	0.0168	147.7
33	0.0415	155.5	33	0.0614	158.9
12	0.0176	148.1	12	0.0168	147.7
34	0.0126	145.2	34	0.0141	146.1
35	0.0176	148.1	35	0.0194	148.9
15	0.0086	141.8	15	0.0078	141.0
16	0.0300	152.7	16	0.0256	151.3
17	0.0134	145.7	17	0.0194	148.9
18	0.0335	153.6	18	0.0256	151.3
19	0.0203	149.3	19	0.0156	147.0
20	0.0048	136.8	20	0.0050	137.1
21	0.0379	154.7	21	0.0614	158.9
22	0.0441	156.0	22	0.0529	157.6
23	0.0273	151.9	23	0.0530	157.6
24	0.0305	152.9	24	0.0265	151.6
36	0.0502	157.2	36	0.0388	154.9
38	0.0586	158.5	38	0.0312	153.0
27	0.0882	162.1	27	0.0618	159.0
40	0.0176	148.1	40	0.0172	147.9
43	0.0100	143.1	43	0.0117	144.5
45	0.0173	147.9	45	0.0154	148.5
46	0.0362	154.3	46	0.0370	154.5

AMES PRELIMINARY AERC-ACCUSTIC DATA
TEST CONDUCTED 17-28 JAN 72

CONFIGURATION NO. 5
RUN NO. 227
MACH NO. 1.20
DYN PRESSURE-Q (FLIGHT) 600 PSF

AMES PRELIMINARY AERC-ACCUSTIC DATA
TEST CONDUCTED 17-28 JAN 72

CONFIGURATION NO. 5
RUN NO. 228
MACH NO. 1.10
DYN PRESSURE-Q (FLIGHT) 575 PSF

TRANSUCER NC	DELTA CP RMS	DB	ALPHA ANGLE BETA ANGLE	8 DEG 5 DEG	TRANSUCER NC	DELTA CP RMS	DB	ALPHA ANGLE BETA ANGLE	C DEG C DEG
1	0.0318	153.2			1	0.0731	160.1		
2	0.0282	152.2			2	0.0614	158.5		
3	0.0212	149.7			3	0.0486	156.5		
4	0.0238	150.7			4	0.0296	152.2		
5	0.0126	145.2			5	0.0213	145.3		
6	0.0318	153.2			6	0.0537	157.4		
44	0.0058	138.4			44	0.0064	138.9		
8	0.0103	143.4			8	0.0114	143.9		
9	0.0362	154.3			9	0.0315	152.7		
32	0.0138	145.9			32	0.0167	147.2		
33	0.1116	164.1			33	0.0410	155.0		
12	0.0203	149.3			12	0.0296	152.2		
34	0.0145	146.4			34	0.0108	143.4		
35	0.0344	153.5			35	0.0322	152.9		
15	0.0106	142.7			15	0.0117	144.1		
16	0.0309	152.9			16	0.0250	150.7		
17	0.0168	147.7			17	0.0135	145.4		
18	0.0415	155.5			18	0.0287	151.9		
19	0.0135	146.0			19	0.0259	151.0		
20	0.0048	136.8			21	0.0848	161.3		
21	0.0502	157.2			22	0.0352	153.7		
22	0.0154	148.5			23	0.0611	158.5		
23	0.0282	152.2			24	0.0296	152.2		
24	0.0225	153.6			36	0.0481	156.4		
36	0.0725	160.4			38	0.0426	155.4		
38	0.0150	146.7			27	0.1092	163.5		
27	0.0830	161.5			40	0.0222	149.7		
40	0.0168	147.7			43	0.0108	143.4		
43	0.0105	143.5			46	0.0453	155.9		
45	0.0194	148.9							
46	0.0362	154.3							

AMES PRELIMINARY AERC-ACCUSTIC DATA
TEST CCNDUCTED 17-28 JAN 72

CONFIGURATION NC. 5
RUN NC. 229
MACF NC. 1.00
DYN PRESSURE-Q (FLIGHT) 540 PSF

AMES PRELIMINARY AERC-ACCUSTIC DATA
TEST CCNDUCTED 17-28 JAN 72

CONFIGURATION NC. 5
RUN NC. 230
MACF NC. 1.00
DYN PRESSURE-Q (FLIGHT) 540 PSF

ALPHA ANGLE -8 DEG
BETA ANGLE 5 DEG

ALPHA ANGLE -4 DEG
BETA ANGLE 5 DEG

TRANSDUCER NO	CELTACFRMS	CB
1	0.0098	142.1
2	0.0090	141.3
3	0.0072	139.5
4	0.0084	140.7
5	0.0056	141.9
6	0.0172	146.9
44	0.0073	139.5
8	0.0077	140.0
9	0.0261	150.6
32	0.0159	146.3
33	0.0502	156.2
12	0.0544	156.9
34	0.0138	145.0
35	0.0165	146.6
15	0.0058	142.1
16	0.0774	160.0
17	0.0152	145.9
18	0.0410	154.5
19	0.0278	151.1
20	0.0042	134.7
21	0.0092	141.5
22	0.0067	138.8
23	0.0172	146.9
24	0.0377	153.8
36	0.0586	157.6
38	0.0523	156.6
27	0.1088	163.0
40	0.0318	152.3
43	0.0218	149.0
45	0.0248	150.1
46	0.1151	163.5

TRANSDUCER NO	CELTACFRMS	CB
1	0.0056	141.9
2	0.0084	140.7
3	0.0117	143.6
4	0.0086	140.9
5	0.0103	142.5
6	0.0185	147.6
44	0.0067	138.8
8	0.0080	140.3
9	0.0278	151.1
32	0.0159	146.3
33	0.0755	160.2
12	0.0502	156.2
34	0.0134	144.8
35	0.0192	147.9
15	0.0092	141.5
16	0.0816	160.5
17	0.0152	145.9
18	0.0439	155.1
19	0.0318	152.3
20	0.0042	134.7
21	0.0098	142.1
22	0.0067	138.8
23	0.0212	148.8
24	0.0377	153.8
36	0.0670	158.8
38	0.0628	158.2
27	0.1046	162.6
40	0.0244	153.0
43	0.0159	146.3
45	0.0271	150.9
46	0.0711	155.3

AMES PRELIMINARY AERC-ACCLUSTIC DATA
TEST CCALCTEC 17-28 JAN 72

CONFIGURATION NO. 5
RUN NC. 231
MACH NC. 1.00
CYN PRESSURE-Q (FLIGHT) 540 PSF

ALPHA ANGLE -4 DEG
BETA ANGLE 0 DEG

TRANSDUCER NC	DELTA C PRMS	DB
1	0.0092	141.5
2	0.0075	135.7
3	0.0065	138.5
4	0.0080	140.3
5	0.0094	141.7
6	0.0152	147.9
44	0.0061	137.9
8	0.0086	140.5
9	0.0265	150.7
32	0.0146	145.5
33	0.0304	151.9
12	0.0565	157.3
34	0.0121	143.9
35	0.0146	145.5
15	0.0105	142.7
16	0.0265	150.7
17	0.0132	144.6
18	0.0301	151.8
19	0.0344	153.0
20	0.0040	134.3
21	0.0119	143.7
22	0.0071	139.3
23	0.0258	150.5
24	0.0415	154.7
36	0.0628	158.2
38	0.0460	155.5
27	0.0130	144.5
40	0.0304	151.9
43	0.0132	144.6
45	0.0251	150.2
46	0.0565	157.3

AMES PRELIMINARY AERC-ACCUSTIC DATA
TEST CONDUCTED 17-28 JAN 72

CONFIGURATION NO. 5
RUN NC. 232
MACH NC. 1.00
CYN PRESSURE-Q (FLIGHT) 540 PSF

ALPHA ANGLE 0 DEG
BETA ANGLE 5 DEG

TRANSDUCER NC	DELTA C PRMS	DB
1	0.0146	145.5
2	0.0146	145.5
3	0.0225	145.3
4	0.0152	145.9
5	0.0225	145.3
6	0.0304	151.9
44	0.0135	145.1
8	0.0084	140.7
9	0.0251	151.5
32	0.0212	148.8
33	0.0795	160.2
12	0.0544	156.9
34	0.0138	145.0
35	0.0335	152.7
15	0.0121	143.9
16	0.0837	160.7
17	0.0155	146.3
18	0.0358	154.2
19	0.0344	153.0
20	0.0042	134.7
21	0.0146	145.5
22	0.0115	143.7
23	0.0245	150.0
24	0.0331	152.6
36	0.0738	159.6
38	0.0691	159.0
27	0.1004	162.3
40	0.0318	152.3
43	0.0132	144.6
45	0.0265	150.7
46	0.0544	156.9

AMES PRELIMINARY AERC-ACCUSTIC DATA
TEST CCNDUCTED 17-28 JAN 72

CCNFICRATICN NC. 5
RUN NO. 233
MACF NC. 1.00
DYN PRESSURE-Q (FLIGHT) 540 PSF

ALPHA ANGLE 0 DEG
BETA ANGLE 0 DEG

TRANSDUCER NC	DELTACFRMS	CB
1	0.0628	158.2
2	0.0502	156.2
3	0.0419	154.7
4	0.0293	151.6
5	0.0272	150.9
6	0.0516	156.5
44	0.0063	138.2
8	0.0121	143.5
9	0.0318	152.3
32	0.0172	146.9
33	0.0419	154.7
12	0.0544	156.9
34	0.0132	144.6
35	0.0225	149.3
15	0.0172	146.9
16	0.0331	152.6
17	0.0139	145.1
19	0.0225	145.3
21	0.0711	159.3
22	0.0563	161.9
23	0.0586	157.6
24	0.0398	154.2
36	0.0544	156.9
38	0.0419	154.7
27	0.1046	162.6
40	0.0225	149.3
43	0.0132	144.6
45	0.0232	145.5
6	0.0419	154.7

AMES PRELIMINARY AERC-ACCUSTIC DATA
TEST CCNDUCTED 17-28 JAN 72

CCNFICRATICN NC. 5
RUN NO. 234
MACF NC. 1.00
DYN PRESSURE-C (FLIGHT) 540 PSF

ALPHA ANGLE 4 DEG
BETA ANGLE 5 DEG

TRANSDUCER NC	DELTACFRMS	CB
1	0.0419	154.7
2	0.0251	150.2
3	0.0205	148.6
4	0.0251	150.2
5	0.0304	151.9
6	0.0357	154.2
44	0.0159	146.3
8	0.0100	142.2
9	0.0358	153.3
32	0.0159	148.2
33	0.1046	162.6
12	0.0586	157.6
34	0.0146	145.5
35	0.0356	153.3
15	0.0056	141.9
16	0.0837	160.7
17	0.0172	146.9
18	0.0460	155.5
19	0.0245	150.0
21	0.0377	153.8
22	0.0212	148.8
23	0.0301	151.8
24	0.0351	153.1
36	0.0755	160.2
38	0.0691	159.0
27	0.1004	162.3
40	0.0251	150.2
43	0.0135	145.1
45	0.0271	150.9
46	0.0460	155.5
46	0.0460	155.5

AMES PRELIMINARY AERC-ACCUSTIC DATA
TEST CONDUCTED 17-28 JAN 72

CONFIGURATICA NC. 5
RUN NC. 235
MACF NC. 1.00
DYN PRESSURE-Q (FLIGHT) 540 PSF

ALPHA ANGLE 4 DEG
BETA ANGLE C DEG

TRANSDUCER NG	DELTACPRMS	DB
1	0.1046	162.6
2	0.0860	160.5
3	0.0753	159.8
4	0.0586	157.6
5	0.0292	151.6
6	0.0544	156.9
44	0.0055	137.6
8	0.0119	143.7
9	0.0344	153.0
32	0.0711	159.2
33	0.0563	161.9
12	0.0586	157.6
34	0.0172	146.9
35	0.0331	152.6
15	0.0278	151.1
16	0.0544	156.9
17	0.0212	148.8
18	0.0331	152.6
19	0.0155	148.2
20	0.0460	155.5
21	0.0864	161.0
22	0.0565	157.3
23	0.0670	158.8
24	0.0358	154.2
36	0.0502	156.2
38	0.0356	153.3
27	0.1004	162.3
40	0.0199	148.2
43	0.0126	144.2
45	0.0238	149.8
46	0.0397	154.2

AMES PRELIMINARY AERC-ACCUSTIC DATA
TEST CONDUCTED 17-28 JAN 72

CONFIGURATICA NC. 5
RUN NO. 236
MACF NC. 1.00
DYN PRESSURE-Q (FLIGHT) 540 PSF

ALPHA ANGLE 8 DEG
BETA ANGLE 5 DEG

TRANSDUCER NC	DELTACPRMS	CB
1	0.0879	161.1
2	0.0544	156.9
3	0.0502	156.2
4	0.0460	155.5
5	0.0314	152.2
6	0.0544	156.9
44	0.0139	145.1
8	0.0106	142.7
9	0.0371	153.6
32	0.0377	153.8
33	0.1456	165.5
12	0.0544	156.9
34	0.0185	147.6
35	0.0377	153.8
15	0.0172	146.9
16	0.0921	161.5
17	0.0238	149.8
18	0.0435	155.1
19	0.0251	150.2
20	0.0377	153.8
21	0.0795	160.2
22	0.0419	154.7
23	0.0435	155.1
24	0.0356	153.3
36	0.0837	160.7
38	0.0628	158.2
27	0.0962	161.9
40	0.0278	151.1
43	0.0146	145.5
45	0.0337	152.8
46	0.0481	155.5

AMES PRELIMINARY AERC-ACCUSTIC DATA
TEST CCNDUCTEC 17-28 JAN 72

CONFIGURATION NO. 5
RUN NC. 237
MACF NC. 0.95
DYN PRESSURE-Q (FLIGHT) 520 PSF

ALPHA ANGLE -E DEG
BETA ANGLE 5 DEG

AMES PRELIMINARY AERC-ACCUSTIC DATA
TEST CCNDUCTED 17-28 JAN 72

CONFIGURATION NO. 5
RUN NO. 238
MACF NC. 0.95
DYN PRESSURE-Q (FLIGHT) 520 PSF

ALPHA ANGLE -4 DEG
BETA ANGLE 5 DEG

TRANSDUCER NO	DELTA C P RMS	DB	TRANSDUCER NC	DELTA C P RMS	DB
1	0.0096	141.5	1	0.0096	141.5
2	0.0083	140.3	2	0.0083	140.3
3	0.0074	139.3	3	0.0201	148.0
4	0.0092	141.2	4	0.0105	142.3
5	0.0166	146.3	5	0.0208	148.3
6	0.0249	149.8	6	0.0263	150.3
44	0.0166	146.3	44	0.0166	146.3
8	0.0079	139.5	8	0.0083	140.3
9	0.0277	150.8	9	0.0291	151.2
32	0.0194	147.7	32	0.0208	148.3
33	0.0318	152.0	33	0.0415	154.3
12	0.0635	158.0	12	0.0657	158.3
34	0.0144	145.1	34	0.0152	145.5
35	0.0118	143.3	35	0.0138	144.7
15	0.0105	142.3	15	0.0109	142.7
16	0.0563	161.6	16	0.1095	162.7
17	0.0180	147.0	17	0.0180	147.0
18	0.0415	154.3	18	0.0415	154.3
19	0.0251	151.2	19	0.0332	152.3
20	0.0044	134.8	20	0.0044	134.8
21	0.0090	141.0	21	0.0094	141.4
22	0.0070	138.8	22	0.0077	139.6
23	0.0242	149.6	23	0.0256	150.1
24	0.0365	153.6	24	0.0346	152.7
36	0.0613	157.7	36	0.0701	158.8
38	0.0460	155.2	38	0.0569	157.0
27	0.1138	163.0	27	0.1138	163.0
40	0.0306	151.6	40	0.0332	152.3
43	0.0201	148.0	43	0.0215	148.6
45	0.0335	152.5	45	0.0318	152.0
46	0.0515	161.2	46	0.0744	159.3

AMES PRELIMINARY AERC-ACCUSTIC DATA
TEST CCNDUCTED 17-28 JAN 72

CONFIGURATICN NC. 5
RUN NC. 239
MACH NC. 0.95
DYN PRESSURE-Q (FLIGHT) 520 PSF

ALPHA ANGLE -4 DEG
BETA ANGLE 0 DEG

TRANSDUCER NC	DELTA C PRMS	DB
1	0.0088	140.8
2	0.0079	139.5
3	0.0070	138.8
4	0.0088	140.8
5	0.0152	145.5
6	0.0245	145.8
44	0.0061	137.6
8	0.0092	141.2
9	0.0291	151.2
32	0.0208	148.3
33	0.0263	150.3
12	0.0832	160.3
34	0.0123	143.7
35	0.0222	148.8
15	0.0105	142.3
16	0.0563	161.6
17	0.0138	144.7
18	0.0318	152.0
19	0.0332	152.3
20	0.0042	134.4
21	0.0173	146.7
22	0.0097	141.6
23	0.0305	151.6
24	0.0462	155.6
36	0.0657	158.3
38	0.0436	154.7
27	0.1314	164.3
40	0.0291	151.2
43	0.0145	145.1
45	0.0332	152.3
46	0.0657	158.3

AMES PRELIMINARY AERC-ACCUSTIC DATA
TEST CCNDUCTED 17-28 JAN 72

CONFIGURATICN NC. 5
RUN NC. 240
MACH NC. 0.95
DYN PRESSURE-Q (FLIGHT) 520 PSF

ALPHA ANGLE 0 DEG
BETA ANGLE 5 DEG

TRANSDUCER NO	DELTA C PRMS	DB
1	0.0131	144.2
2	0.0127	144.0
3	0.0263	150.3
4	0.0166	146.3
5	0.0245	145.8
6	0.0305	151.6
44	0.0152	145.5
8	0.0088	140.8
9	0.0305	151.6
32	0.0525	156.3
33	0.0482	155.6
12	0.0701	158.8
34	0.0166	146.3
35	0.0563	161.6
15	0.0105	142.7
16	0.0963	161.6
17	0.0154	147.7
18	0.0346	152.7
19	0.0402	154.0
20	0.0525	156.3
21	0.0415	154.3
22	0.0105	142.7
23	0.0245	145.8
24	0.0318	152.0
36	0.0766	155.6
38	0.0623	157.8
27	0.1054	162.7
40	0.0242	152.6
43	0.0154	147.7
45	0.0318	152.0
46	0.0613	157.7

AMES PRELIMINARY AERC-ACCUSTIC DATA
TEST CONDUCTED 17-28 JAN 72

CONFIGURATION NO. 5
RUN NO. 241
MACF NO. 0.95
DYN PRESSURE-Q (FLIGHT) 520 PSF

AMES PRELIMINARY AERC-ACCUSTIC DATA
TEST CONDUCTED 17-28 JAN 72

CONFIGURATION NO. 5
RUN NO. 242
MACF NO. 0.95
DYN PRESSURE-Q (FLIGHT) 520 PSF

TRANSDUCER NO	DELTA CFFRMS	CB	TRANSDUCER NO	DELTA CPRMS	DB
1	0.0428	154.7	1	0.0438	154.7
2	0.0394	153.8	2	0.0306	151.6
3	0.0354	153.8	3	0.0306	151.6
4	0.0354	153.8	4	0.0250	152.8
5	0.0306	151.6	5	0.0235	149.3
6	0.0482	155.6	6	0.0402	154.0
44	0.0061	137.6	44	0.0180	147.0
8	0.0105	142.7	8	0.0096	141.5
9	0.0205	151.6	9	0.0346	152.7
32	0.0235	149.3	32	0.0306	151.6
33	0.0306	151.6	33	0.0701	158.8
12	0.0969	161.6	12	0.0744	155.3
34	0.0125	143.8	34	0.0166	146.3
35	0.0428	154.7	35	0.0428	154.7
15	0.0166	146.3	15	0.0127	144.0
16	0.1095	162.7	16	0.1445	165.1
17	0.0145	145.1	17	0.0194	147.7
18	0.0305	151.6	18	0.0415	154.3
19	0.0277	150.8	19	0.0318	152.0
20	0.2077	168.3	20	0.0332	152.3
21	0.1055	162.7	21	0.0591	157.3
22	0.0350	152.8	22	0.0285	151.0
23	0.0482	155.6	23	0.0346	152.7
24	0.0388	153.7	24	0.0346	152.7
36	0.0565	157.0	36	0.0788	155.8
38	0.0438	154.7	38	0.0657	158.3
27	0.1314	164.3	27	0.1138	163.0
40	0.0263	150.3	40	0.0305	151.6
43	0.0613	157.7	43	0.0194	147.7
45	0.0291	151.2	45	0.0318	152.0
46	0.0482	155.6	46	0.0547	156.7

ALPHA ANGLE 0 DEG
BETA ANGLE 0 DEG

ALPHA ANGLE 4 DEG
BETA ANGLE 5 DEG

AMES PRELIMINARY AERC-ACCUSTIC DATA
TEST CONDUCTED 17-28 JAN 72

CONFIGURATION NC. 5
RUN NC. 243
MACF NC. 0.95
CYN PRESSURE-Q (FLIGHT) 520 PSF

AMES PRELIMINARY AERC-ACCUSTIC DATA
TEST CONDUCTED 17-28 JAN 72

CONFIGURATION NO. 5
RUN NC. 244
MACF NC. 0.95
CYN PRESSURE-Q (FLIGHT) 520 PSF

ALPHA ANGLE 4 DEG
BETA ANGLE C DEG

ALPHA ANGLE 8 DEG
BETA ANGLE 5 DEG

TRANSDUCER NC	DELTA C FRMS	DB	TRANSDUCER NO	DELTA C PRMS	DB
1	0.0519	161.2	1	0.0831	160.3
2	0.0701	158.8	2	0.0482	155.6
3	0.0613	157.7	3	0.0525	156.3
4	0.0482	155.6	4	0.0436	154.7
5	0.0251	151.2	5	0.0277	150.8
6	0.0565	157.0	6	0.0525	156.3
44	0.0066	138.3	44	0.0482	155.6
8	0.0111	142.8	8	0.0111	142.8
9	0.0332	152.3	9	0.0346	152.7
32	0.0241	149.5	32	0.0350	152.8
33	0.0613	157.7	33	0.1108	162.8
12	0.0832	160.3	12	0.0565	157.0
34	0.0166	146.3	34	0.0194	147.7
35	0.0438	154.7	35	0.0354	153.8
15	0.0144	145.1	15	0.0152	145.5
16	0.1138	163.0	16	0.0876	160.8
17	0.0187	147.3	17	0.0208	148.2
18	0.0350	152.8	18	0.0443	154.8
19	0.0249	149.8	19	0.0277	150.8
20	0.0525	156.3	20	0.0394	153.8
21	0.0822	160.3	21	0.0722	159.1
22	0.0482	155.6	22	0.0388	153.7
23	0.0657	158.3	23	0.0438	154.7
24	0.0388	153.7	24	0.0372	153.3
36	0.0525	156.3	36	0.0744	159.3
38	0.0354	153.8	38	0.0591	157.3
27	0.1226	163.7	27	0.1054	162.7
40	0.0222	148.8	40	0.0263	150.2
43	0.0173	146.7	43	0.0187	147.3
45	0.0251	151.2	45	0.0346	152.7
46	0.0443	154.8	46	0.0460	155.2

AMES PRELIMINARY AERC-ACCUSTIC DATA
TEST CONDUCTED 17-28 JAN 72

CONFIGURATION NC. 5
RUN NO. 245
MACF NC. 0.90
DYN PRESSURE-Q (FLIGHT) 520 PSF

ALPHA ANGLE -8 DEG
BETA ANGLE 5 DEG

TRANSDUCER NC	DELTACFFMS	CB
1	0.0092	141.2
2	0.0083	140.3
3	0.0078	139.7
4	0.0129	144.1
5	0.0234	149.3
6	0.0234	149.3
44	0.0175	146.8
8	0.0078	139.7
9	0.0263	150.3
32	0.0323	152.1
33	0.0219	148.7
12	0.0876	160.8
34	0.0152	145.5
35	0.0120	143.5
15	0.0111	142.8
16	0.0646	158.1
17	0.0168	146.4
18	0.0350	152.8
19	0.0336	152.4
20	0.0046	135.2
21	0.0088	140.8
22	0.0074	139.3
23	0.0175	146.8
24	0.0369	153.2
36	0.0735	159.3
38	0.0508	156.0
27	0.1200	163.5
40	0.0350	152.8
43	0.0190	147.5
45	0.0423	154.4
46	0.0831	160.3

AMES PRELIMINARY AERC-ACCUSTIC DATA
TEST CONDUCTED 17-28 JAN 72

CONFIGURATION NO. 5
RUN NC. 246
MACF NO. 0.90
DYN PRESSURE-Q (FLIGHT) 500 PSF

ALPHA ANGLE -4 DEG
BETA ANGLE 5 DEG

TRANSDUCER NC	DELTACPRMS	CB
1	0.0102	141.7
2	0.0090	140.6
3	0.0235	149.0
4	0.0153	145.3
5	0.0277	150.4
6	0.0248	149.5
44	0.0248	149.5
8	0.0081	139.7
9	0.0242	149.2
32	0.0219	148.4
33	0.0277	150.4
12	0.0831	160.0
34	0.0168	146.1
35	0.0143	144.7
15	0.0106	142.1
16	0.0735	158.5
17	0.0204	147.8
18	0.0354	153.5
19	0.0409	152.8
20	0.0044	134.4
21	0.0057	141.3
22	0.0078	139.4
23	0.0150	147.1
24	0.0369	152.9
36	0.0785	159.5
38	0.0606	157.2
27	0.1200	163.1
40	0.0350	152.4
43	0.0157	147.5
45	0.0354	153.5
46	0.0692	158.4

AMES PRELIMINARY AERC-ACCLUSTIC DATA
TEST CCNUCTED 17-26 JAN 72

CONFIGURATICN NG. 5
RUN NC. 247
MACH NC. 0.90
DYN PRESSURE-Q (FLIGHT) 500 PSF

ALPHA ANGLE -4 DEG
BETA ANGLE 0 DEG

AMES PRELIMINARY AERC-ACCLUSTIC DATA
TEST CCNUCTED 17-28 JAN 72

CONFIGURATICN NG. 5
RUN NC. 248
MACH NC. 0.90
DYN PRESSURE-Q (FLIGHT) 500 PSF

ALPHA ANGLE C DEG
BETA ANGLE 5 DEG

TRANSUDUCER NO	DELTA CP RMS	DB	TRANSUDUCER NO	DELTA CP RMS	DB
1	0.0090	140.6	1	0.0162	145.8
2	0.0083	139.5	2	0.0129	143.8
3	0.0069	138.3	3	0.0204	147.8
4	0.0115	142.6	4	0.0219	148.4
5	0.0146	144.8	5	0.0285	150.7
6	0.0219	148.4	6	0.0307	151.3
44	0.0069	138.3	44	0.0328	151.5
8	0.0092	140.8	8	0.0090	140.6
9	0.0285	150.7	9	0.0321	151.7
32	0.0168	146.1	32	0.0215	148.4
33	0.0255	149.7	33	0.0328	151.5
12	0.0534	161.0	12	0.0762	155.2
34	0.0125	143.5	34	0.0171	146.2
35	0.0182	146.8	35	0.0212	148.1
15	0.0111	142.5	15	0.0129	143.8
16	0.0592	161.5	16	0.0808	159.7
17	0.0134	144.1	17	0.0161	145.7
18	0.0307	151.3	18	0.0394	153.5
19	0.0336	152.1	20	0.0462	154.9
20	0.0044	134.4	21	0.0175	146.4
21	0.0131	143.9	22	0.0146	144.8
22	0.0102	141.7	23	0.0246	149.5
23	0.0219	148.4	24	0.0336	152.1
24	0.0435	154.4	36	0.0808	159.7
36	0.0600	157.1	38	0.0623	157.5
38	0.0435	154.4	27	0.1200	163.1
27	0.1430	164.7	40	0.0336	152.1
40	0.0277	150.4	43	0.0175	146.4
43	0.0161	145.7	45	0.0394	153.5
45	0.0462	154.9	46	0.0577	156.8
46	0.0646	157.8			

AMES PRELIMINARY AERC-ACCUSTIC DATA
TEST CCNDUCTED 17-28 JAN 72

CONFIGURATION NO. 5
RUN NC. 249
MACH NO. 0.50
DYN PRESSURE-Q (FLIGHT) 500 PSF

ALPHA ANGLE C DEG
BETA ANGLE 0 DEG

AMES PRELIMINARY AERO-ACCUSTIC DATA
TEST CCNDUCTED 17-28 JAN 72

CONFIGURATION NO. 5
RUN NC. 250
MACH NO. 0.50
DYN PRESSURE-Q (FLIGHT) 500 PSF

ALPHA ANGLE 4 DEG
BETA ANGLE 5 DEG

TRANSUCER NO	DELTA CP RMS	DB	TRANSUCER NC	CELTAC PRMS	CB
1	0.0321	151.7	1	0.0357	153.5
2	0.0300	151.1	2	0.0305	151.2
3	0.0305	151.2	3	0.0351	152.5
4	0.0342	152.2	4	0.0260	152.7
5	0.0270	150.2	44	0.0623	157.5
6	0.0482	155.2	8	0.0057	141.3
44	0.0255	151.0	9	0.0343	152.3
8	0.0102	141.7	32	0.0219	148.4
9	0.0314	151.5	33	0.0508	155.7
32	0.0182	146.8	12	0.0652	158.4
33	0.0307	151.3	34	0.0168	146.1
12	0.0821	160.0	35	0.0406	153.7
34	0.0138	144.4	15	0.0152	145.2
35	0.0406	153.7	16	0.0808	155.7
15	0.0138	144.4	17	0.0168	146.1
17	0.1108	162.5	18	0.0423	154.1
18	0.0139	144.4	19	0.0292	150.9
19	0.0336	152.1	20	0.0425	154.4
21	0.0263	150.0	21	0.0508	155.7
22	0.0558	156.5	22	0.0277	150.4
23	0.0321	151.7	23	0.0379	153.1
24	0.0511	155.7	24	0.0365	152.8
26	0.0415	153.9	36	0.0739	158.9
38	0.0600	157.1	38	0.0511	155.7
27	0.0415	153.9	27	0.1200	163.1
27	0.1478	165.0	40	0.0277	150.4
40	0.0248	145.5	43	0.0185	146.9
43	0.0161	145.7	45	0.0326	152.1
45	0.0458	154.8	46	0.0462	154.9
46	0.0554	156.4			

AMES PRELIMINARY AERC-ACCUSTIC DATA
TEST CCNDUCTEC 17-28 JAN 72

CCNFIGURATICA NC. 5
RUN NG. 251
MACH NG. 0.90
DYN PRESSURE-C (FLIGHT) 500 PSF

ALPHA ANGLE 4 DEG
BETA ANGLE 0 DEG

AMES PRELIMINARY AERC-ACCUSTIC DATA
TEST CCNDUCTEC 17-28 JAN 72

CCNFIGURATICA NC. 5
RUN NG. 252
MACH NG. 0.90
DYN PRESSURE-Q (FLIGHT) 500 PSF

ALPHA ANGLE 8 DEG
BETA ANGLE 5 DEG

TRANSUCER NC	CELTACPRMS	CB	TRANSUCER NC	CELTACPRMS	DB
1	0.0652	158.4	1	0.0692	158.4
2	0.0554	156.4	2	0.0058	136.8
3	0.0508	155.7	3	0.0462	154.9
4	0.0462	154.9	4	0.0415	153.9
5	0.0292	150.9	5	0.0277	150.4
6	0.0525	156.0	6	0.0511	155.7
44	0.1385	164.4	44	0.0665	158.1
8	0.0111	142.5	8	0.0123	143.4
9	0.0336	152.1	9	0.0365	152.8
32	0.0157	147.5	32	0.0268	150.1
33	0.0360	152.7	33	0.0877	160.4
12	0.0923	160.9	12	0.1168	162.9
34	0.0168	146.1	34	0.0190	147.1
35	0.0443	154.5	35	0.0365	152.9
15	0.0138	144.4	15	0.0190	147.1
16	0.1265	163.6	16	0.0969	161.3
17	0.0168	146.1	17	0.0190	147.1
18	0.0409	153.8	18	0.0423	154.1
19	0.0248	145.5	19	0.0263	150.0
20	0.0646	157.8	20	0.0508	155.7
21	0.0715	158.6	21	0.0577	156.8
22	0.0415	153.9	22	0.0350	152.4
23	0.0623	157.5	23	0.0423	154.1
24	0.0462	154.9	24	0.0435	154.4
36	0.0531	156.1	36	0.0669	158.1
38	0.0365	152.9	38	0.0554	156.4
27	0.1478	165.0	27	0.1200	163.1
40	0.0241	145.2	40	0.0241	149.2
43	0.0153	145.3	43	0.0197	147.5
45	0.0409	153.8	45	0.0365	152.8
46	0.0405	153.8	46	0.0462	154.9

AMES PRELIMINARY AERC-ACCUSTIC DATA
TEST CONDUCTED 17-28 JAN 72

CONFIGURATION NC. 5
RUN NC. 253
MACH NC. 0.85
DYN PRESSURE-Q (FLIGHT) 485 PSF

ALPHA ANGLE 0 DEG
BETA ANGLE 0 DEG

AMES PRELIMINARY AERC-ACCUSTIC DATA
TEST CONDUCTED 17-28 JAN 72

CONFIGURATION NC. 5
RUN NO. 255
MACH NC. 0.80
DYN PRESSURE-Q (FLIGHT) 455 PSF

ALPHA ANGLE -8 DEG
BETA ANGLE 5 DEG

TRANSDUCER NO	DELTA CP RMS	DB	TRANSDUCER NC	DELTA CP RMS	DB
1	0.0155	145.1	1	0.0106	141.2
2	0.0171	146.0	2	0.0100	140.7
3	0.0186	146.7	3	0.0111	141.6
4	0.0270	149.9	4	0.0217	147.5
5	0.0248	149.2	5	0.0200	146.8
6	0.0357	152.4	6	0.0250	148.7
44	0.0451	155.1	44	0.0317	150.8
8	0.0108	142.0	8	0.0090	135.8
9	0.0311	151.2	9	0.0267	149.3
32	0.0186	146.7	32	0.0267	145.3
33	0.0311	151.2	33	0.0317	150.8
12	0.0540	155.9	12	0.0422	153.2
34	0.0157	145.2	34	0.0158	144.7
35	0.0442	154.2	35	0.0167	145.2
15	0.0171	146.0	15	0.0501	154.7
16	0.0638	157.4	16	0.0467	154.1
17	0.0152	144.5	17	0.0175	145.6
18	0.0466	154.7	18	0.0467	154.1
19	0.0264	149.7	19	0.0367	152.0
20	0.0442	154.2	20	0.1584	164.7
21	0.0344	152.0	21	0.0106	141.2
22	0.0233	148.6	22	0.0501	154.7
23	0.0388	153.1	23	0.0192	146.4
24	0.0540	155.9	24	0.0422	153.2
36	0.0589	156.7	36	0.0871	159.5
38	0.0393	153.2	38	0.0554	155.6
27	0.1718	166.0	27	0.1266	162.8
40	0.0264	149.7	40	0.0334	151.2
43	0.0155	145.1	43	0.0167	145.2
45	0.0540	155.9	45	0.0434	153.5
46	0.0466	154.7	46	0.0686	157.5

AMES PRELIMINARY AERC-ACCUSTIC DATA
TEST CCNDUCTED 17-28 JAN 72

CCNFIGURATICN NO. 5
RUN NC. 256
MACF NO. 0.80
CYN PRESSURE-Q (FLIGHT) 455 PSF

ALPHA ANGLE -4 DEG
BETA ANGLE 5 DEG

AMES PRELIMINARY AERC-ACCUSTIC DATA
TEST CCNDUCTED 17-28 JAN 72

CCNFIGURATICN NO. 5
RUN NC. 257
MACF NO. 0.80
CYN PRESSURE-Q (FLIGHT) 455 PSF

ALPHA ANGLE -4 DEG
BETA ANGLE 0 DEG

TRANSDUCER NC	CELTACPRMS	CB	TRANSDUCER NO	CELTACPRMS	DB
1	0.0116	142.0	1	0.0111	141.6
2	0.0100	140.7	1	0.0111	141.6
3	0.0250	148.7	2	0.0106	141.2
4	0.0234	148.1	3	0.0116	142.0
5	0.0234	148.1	4	0.0200	146.8
6	0.0250	148.7	5	0.0217	147.5
8	0.0095	140.3	6	0.0234	148.1
9	0.0284	149.6	44	0.0217	147.5
32	0.0200	146.8	8	0.0111	141.6
33	0.0317	150.8	9	0.0267	149.3
12	0.0422	153.2	32	0.0200	146.8
34	0.0190	146.3	33	0.0367	152.0
35	0.0184	146.0	12	0.0343	151.4
15	0.0551	155.6	34	0.0152	146.4
16	0.0551	155.6	35	0.0200	146.8
17	0.0192	146.4	15	0.0317	150.8
18	0.0501	154.7	16	0.0484	154.4
19	0.0326	151.0	17	0.0167	145.2
20	0.1584	164.7	18	0.0528	155.2
21	0.0116	142.0	19	0.0334	151.2
22	0.0167	145.2	20	0.0554	155.6
23	0.0200	146.8	21	0.0167	145.2
24	0.0417	153.1	22	0.0175	145.6
36	0.0845	155.3	23	0.0225	147.8
38	0.0528	155.2	24	0.0633	156.8
27	0.1266	162.8	36	0.0633	156.8
40	0.0317	150.8	38	0.0417	153.1
43	0.0175	145.6	27	0.0190	166.4
44	0.0480	154.4	40	0.0300	150.3
45	0.0417	153.1	43	0.0184	146.0
46	0.0581	156.0	45	0.0568	155.8
			46	0.0517	155.0

AMES PRELIMINARY AERC-ACCLUSTIC DATA
TEST CCANCTED 17-28 JAN 72

CONFIGURATION NO. 5
 RUN NC. 258
 MACH NC. 0.80
 DYN PRESSURE-C (FLIGHT) 455 PSF

AMES PRELIMINARY AERC-ACCUSTIC DATA
TEST CONDUCTED 17-28 JAN 72

CONFIGURATION NO. 5
 RUN NC. 255
 MACH NC. 0.80
 DYN PRESSURE-C (FLIGHT) 455 PSF

TRANSUDCER NO	ALPHA ANGLE BETA ANGLE	C 5	CEG CEG	DELTA C PRMS	DB	TRANSUDCER NO	ALPHA ANGLE BETA ANGLE	C C	CEG CEG	DELTA C PRMS	CB
1				0.0116	142.0	1				0.0116	142.0
2				0.0116	142.0	2				0.0127	142.8
3				0.0250	148.7	3				0.0150	144.3
4				0.0267	149.3	4				0.0234	148.1
5				0.0234	148.1	5				0.0250	148.7
6				0.0267	149.3	6				0.0300	150.3
44				0.0581	156.0	44				0.0250	148.7
8				0.0106	141.2	8				0.0116	142.0
9				0.0317	150.8	9				0.0300	150.3
32				0.0200	146.8	32				0.0200	146.8
33				0.0334	151.2	33				0.0334	151.2
12				0.0449	153.8	12				0.0370	152.1
34				0.0200	146.8	34				0.0200	146.8
35				0.0264	145.2	35				0.0343	151.4
15				0.0434	153.5	15				0.0317	150.8
16				0.0517	155.0	16				0.0467	154.1
17				0.0184	146.0	17				0.0175	145.6
18				0.0451	153.8	18				0.0633	156.8
19				0.0300	150.3	19				0.0267	149.3
20				0.0417	153.1	20				0.0467	154.1
21				0.0184	146.0	21				0.0242	148.4
22				0.0200	146.8	22				0.0217	147.5
23				0.0250	148.7	23				0.0300	150.3
24				0.0417	153.1	24				0.0581	156.0
36				0.0845	159.3	36				0.0633	156.8
38				0.0475	154.3	38				0.0396	152.7
27				0.1266	162.8	27				0.1500	166.3
40				0.0300	150.3	40				0.0300	150.3
43				0.0167	145.2	43				0.0200	146.8
45				0.0417	153.1	45				0.0467	154.1
46				0.0528	155.2	46				0.0417	153.1

AMES PRELIMINARY AERC-ACCUSTIC DATA
TEST CCNDUCTED 17-28 JAN 72

CONFIGURATICA NC. 5
RUN NC. 260
MACH NC. 0.80
DYN PRESSURE-C (FLIGHT) 455 PSF

ALPHA ANGLE 4 DEG
BETA ANGLE 5 DEG

TRANSDUCER NC	DELTA C PRMS	CB
1	0.0158	144.7
2	0.0167	145.2
3	0.0250	150.0
4	0.0300	150.3
5	0.0234	148.1
6	0.0317	150.8
44	0.0792	158.7
8	0.0116	142.0
9	0.0351	151.6
32	0.0200	146.8
33	0.0351	151.6
12	0.0528	155.2
34	0.0211	147.2
35	0.0396	152.7
15	0.0739	158.1
16	0.0528	155.2
17	0.0184	146.0
18	0.0451	153.8
19	0.0284	145.8
20	0.0501	154.7
21	0.0250	148.7
22	0.0234	148.1
23	0.0317	150.8
24	0.0475	154.3
36	0.0818	159.0
38	0.0422	153.2
27	0.1214	162.4
40	0.0284	145.8
43	0.0192	146.4
45	0.0367	152.0
46	0.0475	154.3

AMES PRELIMINARY AERC-ACCUSTIC DATA
TEST CCNDUCTED 17-28 JAN 72

CONFIGURATION NO. 5
RUN NC. 261
MACH NC. 0.80
DYN PRESSURE-Q (FLIGHT) 455 PSF

ALPHA ANGLE 4 DEG
BETA ANGLE 0 DEG

TRANSDUCER NO	DELTA C PRMS	DB
1	0.0200	146.8
2	0.0238	148.3
3	0.0250	148.7
4	0.0317	150.8
5	0.0267	149.3
6	0.0417	153.1
44	0.0300	150.3
8	0.0121	142.4
9	0.0334	151.2
32	0.0200	146.8
33	0.0284	149.8
12	0.0356	152.7
34	0.0200	146.8
35	0.0445	153.8
15	0.0334	151.2
16	0.0392	152.6
17	0.0184	146.0
18	0.0581	156.0
19	0.0255	149.0
20	0.0528	155.2
21	0.0327	151.0
22	0.0267	149.3
23	0.0417	153.1
24	0.0528	155.2
36	0.0607	156.4
38	0.0329	151.1
27	0.1650	165.3
40	0.0284	149.8
43	0.0152	146.4
45	0.0384	152.4
46	0.0342	151.4

AMES PRELIMINARY AERC-ACCUSTIC DATA
TEST CONDUCTED 17-28 JAN 72

CONFIGURATICN NO. 5
RUN NC. 262
MACH NC. 0.80
DYN PRESSURE-Q (FLIGHT) 455 PSF

AMES PRELIMINARY AERC-ACCUSTIC DATA
TEST CONDUCTED 17-28 JAN 72

CONFIGURATICN NC. 5
RUN NC. 263
MACH NC. 0.80
DYN PRESSURE-Q (FLIGHT) 455 PSF

TRANSUDCER NO	ALPHA ANGLE BETA ANGLE	8 DEG 5 DEG	CELTACPRMS	DB	TRANSUDCER NC	ALPHA ANGLE BETA ANGLE	8 DEG -5 DEG	CELTACPRMS	CB
1			0.0284	149.8	1			0.0317	150.8
2			0.0264	149.2	2			0.0238	148.3
3			0.0343	151.4	3			0.0264	145.2
4			0.0334	151.2	4			0.0317	150.8
5			0.0250	148.7	5			0.0234	148.1
6			0.0401	152.8	6			0.0401	152.8
44			0.0581	156.0	44			0.0422	153.2
8			0.0167	145.2	8			0.0121	142.4
9			0.0367	152.0	9			0.0334	151.2
32			0.0217	147.5	32			0.0217	147.5
33			0.0475	154.3	33			0.0267	145.3
12			0.0792	158.7	12			0.0686	157.5
34			0.0200	146.8	34			0.0250	148.7
35			0.0422	153.2	35			0.0739	158.1
15			0.0801	158.8	15			0.0217	147.5
16			0.0792	158.7	16			0.0528	155.2
17			0.0200	146.8	17			0.0192	146.4
18			0.0467	154.1	18			0.0501	154.7
19			0.0242	148.4	19			0.0250	148.7
20			0.0581	156.0	20			0.0581	156.0
21			0.0284	149.8	21			0.0292	150.1
22			0.0259	145.0	22			0.0259	149.0
23			0.0367	152.0	23			0.0327	151.0
24			0.0475	154.3	24			0.0401	152.8
36			0.0581	156.0	36			0.0554	155.6
38			0.0422	153.2	38			0.0445	153.8
27			0.1320	163.2	27			0.1162	162.0
40			0.0242	148.4	40			0.0250	148.7
43			0.0200	146.8	43			0.0184	146.0
45			0.0417	153.1	45			0.0405	153.0
46			0.0359	151.8	46			0.0401	152.8

AMES PRELIMINARY AERO-ACCLUSTIC DATA
TEST CCNCLUDED 17-28 JAN 72

CONFIGURATION NO. 5
RUN AC. 267
MACF NO. 0.55
DYN PRESSURE-Q (FLIGHT) 520 PSF

AMES PRELIMINARY AERO-ACCUUSTIC DATA
TEST CCNCLUDED 17-28 JAN 72

CONFIGURATION NO. 5
RUN NO. 268
MACF NO. 1.00
DYN PRESSURE-Q (FLIGHT) 540 PSF

TRANSUCER AC	CELTACPRMS	CB	ALPHA ANGLE BETA ANGLE	8 DEG -5 DEG	TRANSUCER NC	CELTACPRMS	CB	ALPHA ANGLE BETA ANGLE	8 DEG -5 DEG
1	0.0652	156.7			1	0.0711	159.3		
2	0.0525	156.3			2	0.0502	156.2		
4	0.0438	154.7			4	0.0460	155.5		
5	0.0263	150.3			5	0.0301	151.8		
6	0.0525	156.3			6	0.0544	156.9		
44	0.0832	160.3			44	0.0663	138.2		
8	0.0109	142.7			8	0.0117	143.6		
9	0.0346	152.7			9	0.0357	153.3		
32	0.0154	147.7			32	0.0152	145.9		
33	0.0438	154.7			33	0.0193	147.9		
12	0.1385	164.7			12	0.0565	157.3		
34	0.0131	144.2			34	0.0130	144.5		
35	0.0657	158.3			35	0.0732	159.5		
15	0.0144	145.1			15	0.0146	145.5		
16	0.0832	160.3			16	0.0544	156.9		
17	0.0144	145.1			17	0.0146	145.5		
18	0.0438	154.7			18	0.0439	155.1		
19	0.0277	150.8			19	0.0232	149.5		
20	0.0354	153.8			20	0.0357	153.3		
21	0.0701	158.8			21	0.0794	160.2		
22	0.0402	154.0			22	0.0435	155.1		
23	0.0900	161.0			23	0.1059	162.7		
24	0.0360	153.0			24	0.1130	163.3		
36	0.0701	158.8			36	0.0732	159.5		
38	0.0613	157.7			38	0.0607	157.9		
27	0.0964	161.6			27	0.0662	158.6		
40	0.0263	150.3			40	0.0265	150.7		
43	0.0154	147.7			43	0.0155	146.3		
45	0.0173	146.7			45	0.0192	147.9		
46	0.0457	155.1			46	0.0397	154.2		

AMES PRELIMINARY AERC-ACCUSTIC DATA
 TEST CONDUCTED 17-28 JAN 72

AMES PRELIMINARY AERC-ACCUSTIC DATA
 TEST CONDUCTED 17-28 JAN 72

CONFIGURATION NO. 5
 RUN NO. 269
 MACH NO. 1.20
 DYN PRESSURE-Q (FLIGHT) 600 PSF

CONFIGURATION NO. 5
 RUN NO. 270
 MACH NO. 1.40
 DYN PRESSURE-Q (FLIGHT) 625 PSF

ALPHA ANGLE 8 DEG
 BETA ANGLE -5 DEG

ALPHA ANGLE 8 DEG
 BETA ANGLE -5 DEG

TRANSDUCER NO	DELTA C PRMS	DB	TRANSDUCER NO	DELTA C PRMS	DB
1	0.0278	152.0	1	0.0150	147.0
2	0.0199	149.1	2	0.0215	150.1
4	0.0199	149.1	4	0.0125	145.4
5	0.0114	144.3	44	0.0048	137.1
6	0.0364	152.8	65	0.0272	152.2
44	0.0144	146.3	60	0.0272	152.2
8	0.0082	141.4	8	0.0115	144.7
9	0.0265	151.6	9	0.0374	155.0
32	0.0096	142.8	32	0.0053	142.9
33	0.0088	142.0	33	0.0258	151.7
12	0.0132	145.6	12	0.0100	143.5
34	0.0094	142.6	34	0.0090	142.6
35	0.0357	154.2	35	0.0272	152.2
15	0.0062	139.0	15	0.0063	139.5
16	0.0205	149.4	16	0.0222	150.4
17	0.0318	153.2	17	0.0082	141.8
18	0.0304	152.8	18	0.0272	152.2
19	0.0109	143.5	19	0.0122	145.2
20	0.0037	134.5	20	0.0041	135.8
21	0.0377	154.7	21	0.0358	154.6
22	0.0139	146.0	22	0.0172	148.2
23	0.0356	154.2	23	0.0476	157.1
24	0.0251	151.1	24	0.0260	151.8
36	0.0565	158.2	36	0.0476	157.1
38	0.0356	154.2	38	0.0372	154.9
27	0.0268	151.7	27	0.0372	154.9
40	0.0132	145.6	40	0.0136	146.2
43	0.0077	140.9	43	0.0068	140.2
45	0.0179	148.2	45	0.0150	147.0
46	0.0179	148.2	46	0.0204	145.7

AMES PRELIMINARY AERO-ACCUSTIC DATA
TEST CONDUCTED 17-28 JAN 72

CONFIGURATION NO. 5
RUN NO. 271
MACH NO. 1.40
DYN PRESSURE-Q (FLIGHT) 625 PSF

ALPHA ANGLE 4 DEG
BETA ANGLE -5 DEG

TRANSDUCER NC	DELTA CP RMS	CB
1	0.0093	142.9
2	0.0158	147.5
4	0.0115	144.7
5	0.0072	140.6
6	0.0260	151.8
44	0.0048	137.1
8	0.0104	143.8
49	0.0317	153.5
32	0.0053	142.9
33	0.0272	152.2
12	0.0107	144.1
34	0.0090	142.6
35	0.0122	145.2
15	0.0061	135.2
16	0.0222	150.4
17	0.0175	148.6
18	0.0272	152.2
19	0.0173	148.3
20	0.0040	135.5
21	0.0394	155.4
22	0.0170	148.1
23	0.0340	154.1
24	0.0408	155.7
36	0.0340	154.1
38	0.0408	155.7
27	0.0444	156.4
40	0.0158	147.5
43	0.0057	138.6
45	0.0208	149.5
46	0.0150	147.0

AMES PRELIMINARY AERO-ACCUSTIC DATA
TEST CONDUCTED 17-28 JAN 72

CONFIGURATION NO. 5
RUN NO. 272
MACH NO. 1.20
DYN PRESSURE-Q (FLIGHT) 600 PSF

ALPHA ANGLE 4 DEG
BETA ANGLE -5 DEG

TRANSDUCER NC	DELTA CP RMS	CB
1	0.0165	147.5
2	0.0229	150.3
4	0.0215	145.8
5	0.0129	145.4
6	0.0340	153.8
44	0.0082	141.4
8	0.0129	145.4
9	0.0420	155.8
32	0.0158	147.1
33	0.0208	149.5
12	0.0208	149.5
34	0.0179	148.2
35	0.0680	155.8
15	0.0100	143.1
16	0.0301	152.7
17	0.0165	147.5
18	0.0430	155.8
19	0.0283	152.2
20	0.0059	138.6
21	0.0476	156.7
22	0.0177	148.1
23	0.0317	153.2
24	0.0453	156.3
36	0.0609	158.8
38	0.0716	160.2
27	0.0838	161.6
40	0.0238	150.7
43	0.0115	144.4
45	0.0226	150.2
46	0.0317	153.2

AMES PRELIMINARY AERC-ACCUSTIC DATA
TEST CONDUCTED 17-28 JAN 72

CONFIGURATION NO. 5
RUN NC. 273
MACH NC. 1.00
DYN PRESSURE-Q (FLIGHT) 540 PSF

AMES PRELIMINARY AERC-ACCUSTIC DATA
TEST CONDUCTED 17-28 JAN 72

CONFIGURATION NO. 5
RUN NC. 274
MACH NC. 0.95
DYN PRESSURE-Q (FLIGHT) 520 PSF

ALPHA ANGLE 4 DEG
BETA ANGLE -5 DEG

ALPHA ANGLE 4 DEG
BETA ANGLE -5 DEG

TRANSUCER NC	DELTACPRMS	CB	TRANSUCER NC	DELTACPRMS	CB
1	0.0544	156.9	1	0.0354	153.8
2	0.0420	154.9	2	0.0285	151.0
4	0.0430	154.5	4	0.0327	152.2
5	0.0294	151.6	5	0.0160	147.0
6	0.0675	158.5	6	0.0388	153.7
44	0.0107	142.8	44	0.0744	159.3
8	0.0172	146.9	8	0.0101	142.0
9	0.0566	157.3	9	0.0346	152.7
32	0.0249	150.2	32	0.0154	147.7
33	0.0226	145.7	33	0.0415	154.3
12	0.1003	162.3	12	0.1246	163.8
34	0.0236	149.7	34	0.0131	144.2
35	0.0859	160.5	35	0.0613	157.7
15	0.0193	147.9	15	0.0114	143.0
16	0.0566	157.3	16	0.0744	159.3
17	0.0238	149.8	17	0.0166	146.3
18	0.0824	160.5	18	0.0425	154.6
19	0.0430	154.9	19	0.0332	152.3
20	0.0487	156.0	20	0.0318	152.0
21	0.0788	160.2	21	0.0569	157.0
22	0.0385	153.9	22	0.0251	151.2
23	0.0365	153.9	23	0.0070	138.8
24	0.0752	155.8	24	0.0354	153.8
36	0.1246	164.1	36	0.0722	155.1
38	0.1182	163.7	38	0.0679	158.5
27	0.1290	164.4	27	0.0964	161.6
40	0.0430	154.9	40	0.0298	151.4
43	0.0172	146.9	43	0.0152	145.5
45	0.0260	150.5	45	0.0166	146.3
46	0.0675	158.9	46	0.0443	154.8

AMES PRELIMINARY AERG-ACOUSTIC DATA
TEST CONDUCTED 17-28 JAN 72

CONFIGURATION NO. 5
RUN NO. 275
MACH NO. 0.80
CYN PRESSURE-C (FLIGHT) 455 PSF

ALPHA ANGLE 4 DEG
BETA ANGLE -5 DEG

TRANSDUCER NO	DELTA CF RMS	DB
1	0.0167	145.2
2	0.0167	145.2
4	0.0267	149.3
5	0.0200	146.8
6	0.0317	150.8
44	0.0317	150.8
8	0.0116	142.0
9	0.0317	150.8
32	0.0217	147.5
33	0.0300	150.3
12	0.0632	156.8
34	0.0217	147.5
35	0.0581	156.0
15	0.0234	148.1
16	0.0501	154.7
17	0.0164	146.0
18	0.0459	154.0
19	0.0267	149.3
20	0.0501	154.7
21	0.0242	148.4
22	0.0225	147.8
23	0.0234	148.1
24	0.0409	153.0
36	0.0739	158.1
38	0.0406	152.9
27	0.1320	163.2
40	0.0275	149.5
43	0.0164	145.0
45	0.0484	154.4
46	0.0401	152.8

AMES PRELIMINARY AERC-ACCUSTIC DATA
TEST CCNDUCTED 17-28 JAN 72

CONFIGURATICN NC. 1 5
TRANSDUCER NC. 1

ACCUSTIC LEVEL-DB

BETA ANGLE	0 DEG	8	4	8
MACH NO.	-8	-4	ALPHA-DEG 0	4
0.80	141.6	142.0	146.8	146.8
0.85	145.1	145.1	158.4	158.4
0.90	140.8	151.7	161.2	161.2
0.95	141.5	158.2	162.6	162.6
1.00	143.5	160.1	163.9	163.9
1.10	148.6	148.6	153.5	153.5
1.20	144.1	148.2		
1.30				
1.40				

BETA ANGLE 5 DEG

BETA ANGLE	5 DEG	8	4	8
MACH NO.	-8	-4	ALPHA-DEG 0	4
0.80	141.2	142.0	144.7	144.7
0.85	141.2	141.7	153.5	153.5
0.90	141.5	141.5	154.7	154.7
0.95	142.1	141.5	154.7	154.7
1.00	144.1	143.5	145.7	145.7
1.10	143.5	143.1	144.1	144.1
1.20				
1.30				
1.40				

BETA ANGLE -5 DEG

BETA ANGLE	-5 DEG	8	4	8
MACH NO.	-8	-4	ALPHA-DEG C	4
0.80	145.2	145.2	150.8	150.8
0.85	153.8	153.8	158.7	158.7
0.90	156.9	156.9	159.3	159.3
0.95	147.5	147.5	152.0	152.0
1.00	142.9	142.9	147.0	147.0
1.10				
1.20				
1.30				
1.40				

AMES PRELIMINARY AERC-ACCUSTIC DATA
TEST CCNDUCTED 17-28 JAN 72

CONFIGURATICN NC. 2 5
TRANSDUCER NC. 2

ACCUSTIC LEVEL-DB

BETA ANGLE	0 DEG	-4	4	8
MACH NO.	-8	-4	ALPHA-DEG C	4
0.80	142.8	142.8	148.3	148.3
0.85	146.0	146.0	156.4	156.4
0.90	139.9	139.9	151.1	151.1
0.95	139.5	139.5	153.8	153.8
1.00	139.7	139.7	156.2	156.2
1.10	141.6	141.6	158.5	158.5
1.20	154.5	154.5	161.3	161.3
1.30	155.2	155.2	158.4	158.4
1.40	152.9	152.9		

BETA ANGLE 5 DEG

BETA ANGLE	5 DEG	-4	4	8
MACH NO.	-8	-4	ALPHA-DEG C	4
0.80	140.7	140.7	142.0	142.0
0.85	140.3	140.3	143.8	143.8
0.90	140.3	140.3	144.0	144.0
0.95	141.3	140.7	145.5	145.5
1.00	142.7	142.7	143.9	143.9
1.10	146.6	147.0	146.6	146.6
1.20				
1.30				
1.40				

BETA ANGLE -5 DEG

BETA ANGLE	-5 DEG	-4	4	8
MACH NO.	-8	-4	ALPHA-DEG C	4
0.80	145.2	145.2	148.3	148.3
0.85	151.0	151.0	156.3	156.3
0.90	154.9	154.9	156.2	156.2
0.95	150.3	150.3	149.1	149.1
1.00	147.5	147.5	150.1	150.1
1.10				
1.20				
1.30				
1.40				

AMES PRELIMINARY AERC-ACCUSTIC DATA
TEST CONDUCTED 17-28 JAN 72

CONFIGURATION NO. 3
TRANSDUCER NO. 5

ACCUSTIC LEVEL-DB

BETA ANGLE	0 DEG	8	4	8
MACH NO.	-8	-4	ALPHA-DEG C	ALPHA-DEG C
0.80			144.3	148.7
0.85			146.7	155.7
0.90		138.3	151.2	157.7
0.95		138.6	153.6	159.8
1.00		138.5	154.7	161.3
1.10			156.5	162.1
1.20		140.0	154.5	
1.30			156.2	
1.40		148.2	157.6	

BETA ANGLE 5 DEG

BETA ANGLE	5 DEG	8	4	8
MACH NO.	-8	-4	ALPHA-DEG C	ALPHA-DEG C
0.80	141.6	148.7	148.7	150.0
0.85				151.4
0.90	139.7	145.0	147.6	154.5
0.95	135.3	148.0	150.3	156.3
1.00	135.5	143.6	145.2	156.2
1.10				149.7
1.20	141.0	148.2	141.2	148.4
1.30				149.2
1.40	144.7	148.2	147.8	146.6

BETA ANGLE -5 DEG

BETA ANGLE	-5 DEG	8	4	8
MACH NO.	-8	-4	ALPHA-DEG C	ALPHA-DEG C
0.80				149.2
0.85				
0.90				
0.95				
1.00				
1.10				
1.20				
1.30				
1.40				

AMES PRELIMINARY AERC-ACCUSTIC DATA
TEST CONDUCTED 17-28 JAN 72

CONFIGURATION NO. 4
TRANSDUCER NO. 5

ACCUSTIC LEVEL-DB

BETA ANGLE	0 DEG	8	4	8
MACH NO.	-8	-4	ALPHA-DEG C	ALPHA-DEG C
0.80			148.1	150.8
0.85			145.5	154.9
0.90		142.8	152.2	155.6
0.95		140.8	153.8	157.6
1.00		140.3	151.6	
1.10			152.2	158.5
1.20		141.6	151.5	153.5
1.30			152.5	155.7
1.40		145.5		

BETA ANGLE 5 DEG

BETA ANGLE	5 DEG	8	4	8
MACH NO.	-8	-4	ALPHA-DEG C	ALPHA-DEG C
0.80	147.5	148.1	145.3	150.3
0.85				151.2
0.90	144.1	145.3	148.4	153.9
0.95	141.2	142.3	146.2	154.7
1.00	140.7	140.9	145.9	155.5
1.10				150.2
1.20	141.6		142.7	147.9
1.30				145.2
1.40	142.2	144.1	144.7	144.7

BETA ANGLE -5 DEG

BETA ANGLE	-5 DEG	8	4	8
MACH NO.	-8	-4	ALPHA-DEG C	ALPHA-DEG C
0.80				149.3
0.85				
0.90				
0.95				
1.00				
1.10				
1.20				
1.30				
1.40				

AMES PRELIMINARY AERC-ACCUUSTIC DATA
TEST CCALCTED 17-28 JAN 72

CCNFIGURATION NC. 5
TRANSDUCER NC. 5

AMES PRELIMINARY AERC-ACCUUSTIC DATA
TEST CCNDUCTED 17-28 JAN 72

CCNFIGURATION NC. 5
TRANSDUCER NC. 6

ACCUUSTIC LEVEL-CB

ACCUUSTIC LEVEL-DB

BETA ANGLE C DEG		BETA ANGLE 0 DEG		BETA ANGLE 5 DEG		BETA ANGLE 8 DEG	
MACH NC.	ALPHA-DEG	MACH NO.	ALPHA-DEG	MACH NO.	ALPHA-DEG	MACH NO.	ALPHA-DEG
0.80	148.7	0.80	150.3	0.80	150.3	0.80	153.1
0.85	145.2	0.85	152.4	0.85	152.4	0.85	156.0
0.90	144.8	0.90	150.9	0.90	148.4	0.90	157.0
0.95	145.5	0.95	151.2	0.95	149.8	0.95	156.9
1.00	141.7	1.00	151.6	1.00	147.9	1.00	156.5
1.10	149.3	1.10	149.3	1.10	157.4	1.10	156.4
1.20	138.7	1.20	152.9	1.20	146.2	1.20	156.7
1.30	146.7	1.30	146.7	1.30	157.1	1.30	157.1
1.40	140.4	1.40	152.2	1.40	148.9	1.40	156.2

BETA ANGLE 5 DEG		BETA ANGLE 5 DEG		BETA ANGLE 5 DEG		BETA ANGLE 8 DEG	
MACH NO.	ALPHA-DEG	MACH NO.	ALPHA-DEG	MACH NO.	ALPHA-DEG	MACH NO.	ALPHA-DEG
0.80	148.1	0.80	148.7	0.80	148.7	0.80	150.8
0.85	148.1	0.85	148.7	0.85	148.7	0.85	152.8
0.90	150.4	0.90	145.3	0.90	145.3	0.90	155.7
0.95	146.3	0.95	149.8	0.95	150.3	0.95	156.3
1.00	142.5	1.00	146.9	1.00	147.6	1.00	154.2
1.10	140.4	1.10	145.2	1.10	147.6	1.10	156.9
1.20	143.1	1.20	145.2	1.20	148.7	1.20	153.2
1.30	141.5	1.30	142.2	1.30	148.2	1.30	154.1
1.40	141.5	1.40	142.2	1.40	149.6	1.40	154.1

BETA ANGLE -5 DEG		BETA ANGLE -5 DEG		BETA ANGLE -5 DEG		BETA ANGLE 8 DEG	
MACH NO.	ALPHA-DEG	MACH NC.	ALPHA-DEG	MACH NC.	ALPHA-DEG	MACH NC.	ALPHA-DEG
0.80	146.8	0.80	148.1	0.80	148.1	0.80	150.8
0.85	146.8	0.85	148.1	0.85	148.1	0.85	152.8
0.90	147.0	0.90	150.3	0.90	150.3	0.90	156.3
0.95	151.6	0.95	151.8	0.95	151.8	0.95	156.9
1.00	145.4	1.00	144.3	1.00	144.3	1.00	152.8
1.10	145.4	1.10	144.3	1.10	144.3	1.10	152.8
1.20	140.6	1.20	140.6	1.20	140.6	1.20	151.8
1.30	140.6	1.30	140.6	1.30	140.6	1.30	151.8
1.40	140.6	1.40	140.6	1.40	140.6	1.40	151.8

AMES PRELIMINARY AERC-ACCUSTIC DATA
TEST CONDUCTED 17-28 JAN 72

CONFIGURATION NO. 44
TRANSDUCER NO. 5

ACCUSTIC LEVEL-DB

BETA ANGLE	0 DEG	4	8
MACH NO.	-8	-4	0
0.80	150.3	148.7	156.0
0.85	164.4	155.1	158.7
0.90	138.3	151.0	158.1
0.95	137.6	137.6	152.6
1.00	137.6	138.2	145.1
1.10	136.6	136.6	138.4
1.20	137.6	138.1	137.1
1.30	137.4	137.4	
1.40	135.8	136.6	

BETA ANGLE 5 DEG

BETA ANGLE	5 DEG	4	8
MACH NO.	-8	-4	0
0.80	150.8	156.0	156.0
0.85	146.8	145.5	158.1
0.90	146.3	145.5	152.6
0.95	139.5	138.8	145.1
1.00	140.4	135.3	138.4
1.10	139.5	136.6	137.1
1.20			
1.30			
1.40			

BETA ANGLE -5 DEG

BETA ANGLE	-5 DEG	4	8
MACH NO.	-8	-4	0
0.80	150.8	150.8	153.2
0.85	159.3	160.3	160.3
0.90	142.8	138.2	138.2
0.95	141.4	146.3	146.3
1.00	137.1	137.1	
1.10			
1.20			
1.30			
1.40			

AMES PRELIMINARY AERC-ACCUSTIC DATA
TEST CONDUCTED 17-28 JAN 72

CONFIGURATION NO. 5
TRANSDUCER NO. 8

ACCUSTIC LEVEL-DB

BETA ANGLE	0 DEG	-4	8
MACH NO.	-8	-4	0
0.80	142.0	142.0	142.4
0.85	141.7	140.6	142.5
0.90	142.7	141.2	142.8
0.95	143.5	140.5	143.7
1.00	143.9	142.1	144.5
1.10	144.1	144.1	144.5
1.20	144.7	143.5	146.2
1.30			
1.40			

BETA ANGLE 5 DEG

BETA ANGLE	5 DEG	4	8
MACH NO.	-8	-4	0
0.80	139.8	140.3	142.0
0.85	139.7	139.7	143.4
0.90	139.5	140.3	142.8
0.95	140.0	140.3	142.7
1.00	141.0	141.6	143.4
1.10	141.0	142.2	144.7
1.20	141.5	142.2	144.7
1.30			
1.40			

BETA ANGLE -5 DEG

BETA ANGLE	-5 DEG	4	8
MACH NO.	-8	-4	0
0.80	142.0	142.0	142.4
0.85	142.0	142.0	142.4
0.90	142.0	142.0	142.7
0.95	146.5	146.5	143.6
1.00	145.4	145.4	141.4
1.10	143.8	143.8	144.7
1.20			
1.30			
1.40			

AMES PRELIMINARY AERC-ACCUSTIC DATA
TEST CONDUCTED 17-28 JAN 72

CONFIGURATION NO. 9
TRANSDUCER NO. 5

ACCUSTIC LEVEL-DB

BETA ANGLE	0 DEG	-8	-4	0	4	8
MACH NO.				ALPHA-DEG		
0.80				150.3	151.2	
0.85				151.2		
0.90		150.7		151.5	152.1	
0.95		151.2		151.6	152.3	
1.00		150.7		152.3	153.0	
1.10				152.7		
1.20		152.2		153.2	153.9	
1.30				154.1		
1.40		151.7		152.8	154.1	

BETA ANGLE 5 DEG

BETA ANGLE	5 DEG	-8	-4	0	4	8
MACH NO.				ALPHA-DEG		
0.80	149.3		145.8	150.8	151.6	152.0
0.85						
0.90	150.3		149.2	151.7	152.7	152.8
0.95	150.8		151.2	151.6	152.7	152.7
1.00	150.6		151.1	151.5	153.3	153.6
1.10						
1.20	150.9		152.9	152.9	154.1	154.3
1.30						
1.40	151.5		151.7	152.2	152.9	156.2

BETA ANGLE -5 DEG

BETA ANGLE	-5 DEG	-8	-4	0	4	8
MACH NO.				ALPHA-DEG		
0.80					150.8	151.2
0.85						
0.90					152.7	152.7
0.95					157.3	153.3
1.00						
1.10						
1.20					155.8	151.6
1.30						
1.40						155.0

AMES PRELIMINARY AERC-ACCUSTIC DATA
TEST CONDUCTED 17-28 JAN 72

CONFIGURATION NO. 5
TRANSDUCER NO. 32

ACCUSTIC LEVEL-DB

BETA ANGLE	0 DEG	-8	-4	0	4	8
MACH NO.				ALPHA-DEG		
0.80				146.6	146.8	
0.85				146.7		
0.90		146.1		146.8	147.5	
0.95		148.3		149.3	149.5	
1.00		145.5		146.9	159.3	
1.10				147.2		
1.20		143.7		145.3	147.7	
1.30				142.5		
1.40		141.5		141.5	143.5	

BETA ANGLE 5 DEG

BETA ANGLE	5 DEG	-8	-4	0	4	8
MACH NO.				ALPHA-DEG		
0.80	145.3		146.8	146.8	146.8	147.5
0.85						
0.90	152.1		148.4	148.4	151.6	150.1
0.95	147.7		148.3	156.3	151.6	152.8
1.00	146.3		146.3	148.6	148.2	153.8
1.10						
1.20	145.3		142.9	143.0	143.4	145.9
1.30						
1.40	143.5		142.9	141.2	140.4	143.5

BETA ANGLE -5 DEG

BETA ANGLE	-5 DEG	-8	-4	0	4	8
MACH NO.				ALPHA-DEG		
0.80					147.5	147.5
0.85						
0.90					147.7	147.7
0.95					150.2	145.9
1.00						
1.10						
1.20					147.1	142.8
1.30						
1.40					142.9	142.9

AMES PRELIMINARY AERC-ACCUSTIC DATA
TEST CONDUCTED 17-28 JAN 72

CONFIGURATION NO. 5
TRANSDUCER NO. 33

ACCUSTIC LEVEL-DB

BETA ANGLE	0 DEG	5 DEG	8
MACH NO.	-8	-4	4
	0.80	151.2	149.8
	0.85	151.2	151.2
	0.90	145.7	152.7
	0.95	150.3	157.7
	1.00	151.9	161.9
	1.10	155.0	154.7
	1.20	151.3	158.9
	1.30	157.5	157.4
	1.40	156.6	157.1

BETA ANGLE	0 DEG	5 DEG	8
MACH NO.	-8	-4	4
	0.80	152.1	152.7
	0.85	155.9	155.9
	0.90	161.0	160.9
	0.95	160.3	160.3
	1.00	157.3	157.6
	1.10	152.2	152.2
	1.20	150.0	147.7
	1.30	146.7	146.7
	1.40	147.5	144.7

AMES PRELIMINARY AERC-ACCUSTIC DATA
TEST CONDUCTED 17-28 JAN 72

CONFIGURATION NO. 5
TRANSDUCER NO. 12

ACCUSTIC LEVEL-DB

BETA ANGLE	0 DEG	5 DEG	8
MACH NO.	-8	-4	4
	0.80	153.2	153.2
	0.85	160.0	159.2
	0.90	158.0	158.8
	0.95	156.9	162.6
	1.00	158.1	155.5
	1.10	147.8	154.3
	1.20	147.8	152.5
	1.30	146.2	152.5
	1.40	146.2	152.2

BETA ANGLE	0 DEG	5 DEG	8
MACH NO.	-8	-4	4
	0.80	153.2	153.2
	0.85	160.0	159.2
	0.90	158.0	158.8
	0.95	156.9	162.6
	1.00	158.1	155.5
	1.10	147.8	154.3
	1.20	147.8	152.5
	1.30	146.2	152.5
	1.40	146.2	152.2

BETA ANGLE	0 DEG	5 DEG	8
MACH NO.	-8	-4	4
	0.80	153.2	153.2
	0.85	160.0	159.2
	0.90	158.0	158.8
	0.95	156.9	162.6
	1.00	158.1	155.5
	1.10	147.8	154.3
	1.20	147.8	152.5
	1.30	146.2	152.5
	1.40	146.2	152.2

BETA ANGLE	0 DEG	5 DEG	8
MACH NO.	-8	-4	4
	0.80	153.2	153.2
	0.85	160.0	159.2
	0.90	158.0	158.8
	0.95	156.9	162.6
	1.00	158.1	155.5
	1.10	147.8	154.3
	1.20	147.8	152.5
	1.30	146.2	152.5
	1.40	146.2	152.2

AMES PRELIMINARY AERC-ACCUSTIC DATA
TEST CONDUCTED 17-28 JAN 72

CONFIGURACION NC. 34
TRANSDUCER NO. 5

ACCUSTIC LEVEL-DB

BETA ANGLE	0 DEG	4	8
MACH NO.	-8	-4	0
0.80	146.8	146.8	146.8
0.85	145.2	145.2	145.2
0.90	144.4	144.4	144.4
0.95	143.7	143.7	143.7
1.00	143.5	143.5	143.5
1.10	143.4	143.4	143.4
1.20	144.1	144.1	144.1
1.30	143.5	143.5	143.5
1.40	142.2	142.2	142.2

BETA ANGLE 5 DEG

BETA ANGLE	5 DEG	4	8
MACH NO.	-8	-4	0
0.80	144.7	146.3	146.8
0.85	145.5	146.1	147.1
0.90	145.1	145.5	147.7
0.95	145.0	144.8	147.6
1.00	146.0	148.7	146.4
1.10	143.5	143.1	144.1
1.20	143.5	143.1	144.1
1.30	143.5	143.1	144.1
1.40	143.5	143.1	144.1

BETA ANGLE -5 DEG

BETA ANGLE	-5 DEG	4	8
MACH NO.	-8	-4	0
0.80	147.5	147.5	148.7
0.85	144.2	144.2	144.2
0.90	149.7	149.7	144.5
0.95	148.2	148.2	142.6
1.00	142.6	142.6	142.6
1.10	142.6	142.6	142.6
1.20	142.6	142.6	142.6
1.30	142.6	142.6	142.6
1.40	142.6	142.6	142.6

AMES PRELIMINARY AERC-ACCUSTIC DATA
TEST CONDUCTED 17-28 JAN 72

CONFIGURACION NC. 35
TRANSDUCER NO. 5

ACCUSTIC LEVEL-DB

BETA ANGLE	0 DEG	-4	4
MACH NO.	-8	-4	0
0.80	153.8	151.4	153.8
0.85	154.2	154.2	154.2
0.90	153.7	153.7	153.7
0.95	154.7	154.7	154.7
1.00	152.6	152.6	152.6
1.10	148.5	148.5	148.5
1.20	148.5	148.5	148.5
1.30	145.7	145.7	145.7
1.40	144.7	144.7	144.7

BETA ANGLE 5 DEG

BETA ANGLE	5 DEG	-4	4
MACH NO.	-8	-4	0
0.80	145.2	146.0	152.7
0.85	143.5	144.7	152.9
0.90	143.3	144.7	153.8
0.95	146.6	147.9	153.8
1.00	148.9	148.5	153.9
1.10	146.6	144.7	145.2
1.20	146.6	146.2	144.7
1.30	146.6	146.2	144.7
1.40	146.6	146.2	144.7

BETA ANGLE -5 DEG

BETA ANGLE	-5 DEG	-4	4
MACH NO.	-8	-4	0
0.80	156.0	156.0	158.1
0.85	157.7	157.7	158.3
0.90	160.9	160.9	159.5
0.95	159.8	159.8	154.2
1.00	159.8	159.8	154.2
1.10	159.8	159.8	154.2
1.20	159.8	159.8	154.2
1.30	159.8	159.8	154.2
1.40	159.8	159.8	154.2

AMES PRELIMINARY AERC-ACCUSTIC DATA
TEST CONDUCTED 17-28 JAN 72

CONFIGURATION NO. 5
TRANSDUCER NO. 15

ACCUSTIC LEVEL-DB

BETA ANGLE	0 DEG	4	8
MACH NO.	-8	-4	0
0.80	151.2	150.8	151.2
0.85	146.0	146.0	146.0
0.90	144.4	144.4	144.4
0.95	142.5	142.5	142.5
1.00	142.3	142.3	142.3
1.10	142.7	142.7	142.7
1.20	141.3	141.3	141.3
1.30	141.0	141.0	141.0
1.40	139.5	139.5	139.5

BETA ANGLE 5 DEG

BETA ANGLE	5 DEG	4	8
MACH NO.	-8	-4	0
0.80	154.7	155.6	158.1
0.85	142.8	142.1	147.1
0.90	142.3	142.7	145.5
0.95	142.1	141.5	146.9
1.00	142.1	141.5	146.9
1.10	142.1	141.0	143.7
1.20	140.6	140.2	140.2
1.30			
1.40			

BETA ANGLE -5 DEG

BETA ANGLE	-5 DEG	4	8
MACH NO.	-8	-4	0
0.80	148.1	148.1	147.5
0.85	143.0	143.0	145.1
0.90	147.9	147.9	145.5
0.95	143.1	143.1	139.0
1.00	135.2	135.2	135.5
1.10			
1.20			
1.30			
1.40			

AMES PRELIMINARY AERC-ACCUSTIC DATA
TEST CONDUCTED 17-28 JAN 72

CONFIGURATION NO. 5
TRANSDUCER NO. 16

ACCUSTIC LEVEL-DB

BETA ANGLE	0 DEG	-4	4	8
MACH NO.	-8	-4	0	4
0.80	151.2	154.1	152.6	152.6
0.85	146.0	157.4	163.6	163.6
0.90	144.4	162.5	163.0	163.0
0.95	142.5	162.7	156.9	156.9
1.00	142.3	150.7	152.6	152.6
1.10	142.7	150.7	151.3	151.3
1.20	141.3	147.6	148.6	148.6
1.30	141.0	146.2	145.7	145.7
1.40	139.5	146.2	148.9	148.9

BETA ANGLE 5 DEG

BETA ANGLE	5 DEG	-4	4	8
MACH NO.	-8	-4	0	4
0.80	154.1	155.6	155.2	158.7
0.85	147.1	158.5	159.7	161.3
0.90	145.5	162.7	165.1	160.8
0.95	146.9	160.5	160.7	161.5
1.00	146.9	160.5	160.7	161.5
1.10	143.7	151.5	152.7	152.9
1.20	140.2	150.1	148.9	151.2
1.30				
1.40				

BETA ANGLE -5 DEG

BETA ANGLE	-5 DEG	4	8
MACH NO.	-8	-4	0
0.80	148.1	154.7	155.2
0.85	143.0	159.3	160.3
0.90	147.9	157.3	156.9
0.95	143.1	152.7	149.4
1.00	135.2	150.4	150.4
1.10			
1.20			
1.30			
1.40			

AMES PRELIMINARY AERC-ACCUSTIC DATA
TEST CONDUCTED 17-28 JAN 72

CONFIGURATION NC. 5
TRANSDUCER NC. 17

ACCUSTIC LEVEL-DB

BETA ANGLE	0 DEG	4	8
MACH NO.	-8	-4	0
0.80		145.6	146.0
0.85		144.5	
0.90	144.1	144.4	146.1
0.95	144.7	145.1	147.3
1.00	144.6	145.1	148.8
1.10		145.4	
1.20	144.5	145.2	148.9
1.30		142.5	
1.40	141.0	141.8	141.8

ACCUSTIC LEVEL-DB

BETA ANGLE	5 DEG	4	8
MACH NO.	-8	-4	0
0.80	145.6	146.4	146.0
0.85			
0.90	146.4	147.8	147.1
0.95	147.0	147.0	148.3
1.00	145.9	145.9	149.8
1.10			
1.20	144.1	145.2	147.7
1.30			
1.40	141.0	141.5	144.7

ACCUSTIC LEVEL-DB

BETA ANGLE	-5 DEG	-4	8
MACH NO.	-8	-4	0
0.80			146.0
0.85			
0.90			146.3
0.95			145.8
1.00			
1.10			147.5
1.20			153.2
1.30			
1.40			148.6

AMES PRELIMINARY AERC-ACCUSTIC DATA
TEST CONDUCTED 17-28 JAN 72

CONFIGURATION NC. 5
TRANSDUCER NC. 18

ACCUSTIC LEVEL-DB

BETA ANGLE	0 DEG	-4	4	8
MACH NO.	-8	-4	0	4
0.80			156.8	156.0
0.85			154.7	
0.90	151.3	151.3	152.1	153.8
0.95	152.0	152.0	151.6	152.8
1.00	151.8	151.8		152.6
1.10			151.9	
1.20	145.4	145.4	152.4	151.3
1.30			151.7	
1.40	152.2	152.2	151.2	152.5

ACCUSTIC LEVEL-DB

BETA ANGLE	5 DEG	-4	4	8
MACH NO.	-8	-4	0	4
0.80	154.1	154.7	153.8	154.1
0.85				
0.90	152.8	153.5	153.5	154.1
0.95	154.3	154.3	152.7	154.8
1.00	154.5	155.1	154.2	155.1
1.10				
1.20	151.0		153.6	155.5
1.30				
1.40	146.4	146.6	145.2	152.2

ACCUSTIC LEVEL-DB

BETA ANGLE	-5 DEG	-4	4	8
MACH NO.	-8	-4	0	4
0.80			154.0	154.7
0.85				
0.90			154.6	154.7
0.95			160.5	155.1
1.00				
1.10			155.8	152.8
1.20				
1.30			152.2	152.2
1.40				

AMES PRELIMINARY AERC-ACCUSTIC DATA
TEST CONDUCTED 17-28 JAN 72

CONFIGURATION NC. 15
TRANSDUCER NO. 5

AMES PRELIMINARY AERC-ACCUSTIC DATA
TEST CONDUCTED 17-28 JAN 72

CONFIGURATION NC. 20
TRANSDUCER NO. 5

ACCUSTIC LEVEL-DB

BETA ANGLE	0 DEG	8	4	8
MACH NC.	-8	-4	0	4
0.80	149.3	149.0	149.0	149.0
0.85	145.7	145.7	145.7	145.7
0.90	152.1	150.0	149.5	149.5
0.95	152.3	150.8	145.8	145.8
1.00	153.0	145.3	148.2	148.2
1.10	151.0	151.0	147.0	147.0
1.20	149.3	148.1	147.0	147.0
1.30	150.6	150.6	145.7	145.7
1.40	147.5	146.5	145.7	145.7

ACCUSTIC LEVEL-DB

BETA ANGLE	0 DEG	-4	0	4
MACH NC.	-8	-4	0	4
0.80	154.1	154.1	154.1	154.1
0.85	154.2	154.2	154.2	154.2
0.90	134.4	134.4	134.4	134.4
0.95	134.4	134.4	168.3	157.8
1.00	134.3	134.3	155.5	156.3
1.10	125.8	125.8	137.1	137.1
1.20	133.5	133.5	133.5	133.5
1.30	135.3	135.3	135.3	135.3
1.40	136.2	136.2	136.2	136.2

BETA ANGLE 5 DEG

MACH NC.	-8	-4	0	4	8
0.80	152.0	151.0	150.3	145.8	148.4
0.85	152.4	152.8	152.0	150.0	150.0
0.90	151.2	152.3	150.0	150.8	150.8
0.95	151.1	152.3	150.0	150.2	150.2
1.00	150.3	148.5	149.3	146.0	146.0
1.10	148.6	147.8	147.5	145.5	145.5
1.20	148.6	148.2	147.5	145.5	145.5
1.30	148.6	148.2	147.5	145.5	145.5
1.40	148.6	148.2	147.5	145.5	145.5

BETA ANGLE 5 DEG

MACH NO.	-8	-4	0	4	8
0.80	164.7	164.7	153.1	154.7	156.0
0.85	135.2	134.4	154.9	155.7	155.7
0.90	134.8	134.8	156.3	153.8	153.8
0.95	134.7	134.7	134.7	153.8	153.8
1.00	135.0	135.0	136.0	136.8	136.8
1.20	134.1	135.3	135.3	136.2	136.4
1.30	134.1	135.3	135.3	136.2	136.4
1.40	134.1	135.3	135.3	136.2	136.4

BETA ANGLE -5 DEG

MACH NO.	-8	-4	0	4	8
0.80	149.3	149.3	149.3	148.7	148.7
0.85	152.3	152.3	152.3	150.8	150.8
0.90	149.5	149.5	149.5	149.5	149.5
0.95	152.2	152.2	152.2	143.9	143.9
1.00	148.3	148.3	148.3	145.2	145.2
1.10	148.3	148.3	148.3	145.2	145.2
1.20	148.3	148.3	148.3	145.2	145.2
1.30	148.3	148.3	148.3	145.2	145.2
1.40	148.3	148.3	148.3	145.2	145.2

BETA ANGLE -5 DEG

MACH NC.	-8	-4	0	4	8
0.80	154.7	154.7	154.7	154.7	156.0
0.85	152.0	152.0	152.0	152.0	153.8
0.90	153.3	153.3	153.3	153.3	153.3
0.95	138.6	138.6	138.6	134.5	134.5
1.00	135.5	135.5	135.5	135.5	135.8
1.10	135.5	135.5	135.5	135.5	135.8
1.20	135.5	135.5	135.5	135.5	135.8
1.30	135.5	135.5	135.5	135.5	135.8
1.40	135.5	135.5	135.5	135.5	135.8

AMES PRELIMINARY AERC-ACCUSTIC DATA
TEST CCNCTEC 17-28 JAN 72

CONFIGURATION NO. 5
TRANSDUCER AC. 21

ACOLSTIC LEVEL-DB

BETA ANGLE	0 DEG	4	8
MACH NO.	-8	-4	0
0.80	148.4	148.4	148.4
0.85	152.0	152.0	152.0
0.90	156.5	156.5	156.5
0.95	162.7	162.7	162.7
1.00	161.0	161.0	161.0
1.10	161.3	161.3	161.3
1.20	158.9	158.9	158.9
1.30	157.9	157.9	157.9
1.40	158.1	158.1	158.1

BETA ANGLE 5 DEG

MACH NO.	-8	-4	0	4	8
0.80	141.2	142.0	146.0	146.7	145.8
0.85	140.8	141.3	146.4	146.4	156.8
0.90	141.0	141.4	154.3	157.3	159.1
0.95	141.5	142.1	145.5	153.8	160.2
1.00	145.2	152.4	154.7	154.7	157.2
1.10	154.4	157.1	155.9	155.9	155.2
1.20					
1.30					
1.40					

BETA ANGLE -5 DEG

MACH NO.	-8	-4	0	4	8
0.80	148.4	148.4	148.4	148.4	150.1
0.85	157.0	157.0	157.0	157.0	158.8
0.90	160.2	160.2	160.2	160.2	160.2
0.95	156.7	156.7	156.7	156.7	154.7
1.00	155.4	155.4	155.4	155.4	154.6
1.10					
1.20					
1.30					
1.40					

AMES PRELIMINARY AERC-ACCUSTIC DATA
TEST CONDUCTED 17-28 JAN 72

CONFIGURATION NO. 5
TRANSDUCER AC. 22

ACOLSTIC LEVEL-DB

BETA ANGLE	0 DEG	-4	4	8
MACH NO.	-8	-4	0	4
0.80	147.5	147.5	149.3	149.3
0.85	148.6	148.6	153.9	153.9
0.90	151.7	151.7	155.6	155.6
0.95	152.8	152.8	157.3	157.3
1.00	153.7	153.7	157.6	157.6
1.10	154.7	154.7	156.6	156.6
1.20	156.6	156.6	157.8	157.8
1.30	157.8	157.8		
1.40	158.2	158.2		

BETA ANGLE 5 DEG

MACH NO.	-8	-4	0	4	8
0.80	154.7	145.2	146.8	148.1	145.0
0.85	139.3	139.4	144.8	144.8	152.4
0.90	138.8	139.6	142.7	151.0	153.7
0.95	138.8	138.8	143.7	148.8	154.7
1.00	139.3	142.4	156.0	156.0	148.9
1.10	144.4	147.5	148.2	148.2	147.8
1.20					
1.30					
1.40					

BETA ANGLE -5 DEG

MACH NO.	-8	-4	0	4	8
0.80	147.8	147.8	147.8	147.8	145.0
0.85	151.2	151.2	151.2	151.2	154.0
0.90	153.9	153.9	153.9	153.9	155.1
0.95	148.1	148.1	148.1	148.1	146.0
1.00	148.1	148.1	148.1	148.1	146.0
1.10	148.1	148.1	148.1	148.1	148.2
1.20					
1.30					
1.40					

AMES PRELIMINARY AERC-ACCLSTIC DATA
TEST CONDUCTED 17-28 JAN 72

CONFIGURATICA NC. 23 5
TRANSEUCER NC.

ACCUSTIC LEVEL-DB

BETA ANGLE	0 DEG	8	4	8
MACH NO.	-8	-4	ALPHA-DEG C	ALPHA-DEG C
0.80			150.3	153.1
0.85			153.1	157.5
0.90		146.4	155.7	158.3
0.95		151.6	155.6	158.8
1.00		150.5	158.5	
1.10		149.7	156.4	157.6
1.20			155.5	
1.30			155.2	157.4
1.40				

BETA ANGLE 5 DEG

BETA ANGLE	5 DEG	8	4	8
MACH NC.	-8	-4	ALPHA-DEG C	ALPHA-DEG C
0.80	146.4	146.6	148.7	150.8
0.85				
0.90	146.8	147.1	149.5	154.1
0.95	145.6	150.1	149.8	154.7
1.00	146.9	148.8	150.0	155.1
1.10				
1.20	147.2		150.3	152.2
1.30				
1.40	149.7	151.4	152.5	155.5

BETA ANGLE -5 DEG

BETA ANGLE	-5 DEG	8	4	8
MACH NC.	-8	-4	ALPHA-DEG C	ALPHA-DEG C
0.80			148.1	151.0
0.85				
0.90				
0.95			138.8	161.0
1.00			153.9	162.7
1.10				
1.20			153.2	154.2
1.30				
1.40			154.1	157.1

AMES PRELIMINARY AERC-ACCUSTIC DATA
TEST CONDUCTED 17-28 JAN 72

CONFIGURATICA NC. 24 5
TRANSEUCER NC.

ACCUSTIC LEVEL-DB

BETA ANGLE	0 DEG	8	4	8
MACH NO.	-8	-4	ALPHA-DEG C	ALPHA-DEG C
0.80			156.0	155.2
0.85			155.9	
0.90		154.4	153.5	154.9
0.95		155.6	152.7	153.7
1.00		154.7		154.2
1.10			152.2	
1.20		150.7	151.9	151.6
1.30			151.8	
1.40		151.4	151.4	152.5

BETA ANGLE 5 DEG

BETA ANGLE	5 DEG	8	4	8
MACH NC.	-8	-4	ALPHA-DEG C	ALPHA-DEG C
0.80	153.2	153.1	153.1	154.3
0.85				
0.90	153.2	152.9	152.1	154.4
0.95	153.6	152.7	152.0	153.3
1.00	153.8	153.8	152.6	153.3
1.10				
1.20	150.7		152.4	153.6
1.30				
1.40	145.6	145.7	150.5	154.1

BETA ANGLE -5 DEG

BETA ANGLE	-5 DEG	8	4	8
MACH NC.	-8	-4	ALPHA-DEG C	ALPHA-DEG C
0.80			153.0	152.6
0.85				
0.90				
0.95			153.8	153.0
1.00			159.8	163.3
1.10				
1.20			156.3	151.1
1.30				
1.40			155.7	151.8

AMES PRELIMINARY AERC-ACCUSTIC DATA
TEST CONDUCTED 17-28 JAN 72

CONFIGURATICA NC. 36 5
TRANSDUCER NC.

ACCUSTIC LEVEL-DB

BETA ANGLE	0 DEG	4	8
MACH NO.	-8	-4	0
0.80		156.8	156.4
0.85		156.7	156.4
0.90		157.1	156.1
0.95		157.0	156.3
1.00		158.2	156.2
1.10		156.4	
1.20		155.2	154.9
1.30		154.7	
1.40		153.8	153.5

BETA ANGLE 5 DEG

MACH NC.	-8	-4	0	4	8
0.80	159.5	159.3	159.3	159.0	156.0
0.85		159.5	159.7		158.1
0.90	157.7	158.8	159.6	159.8	159.3
0.95	157.6	158.8	159.6	160.2	160.7
1.00					
1.10					
1.20	155.6		155.9	157.2	160.4
1.30					
1.40	152.5	152.5	152.7	154.7	157.4

BETA ANGLE -5 DEG

MACH NC.	-8	-4	0	4	8
0.80				158.1	155.6
0.85					
0.90					
0.95				159.1	158.8
1.00				164.1	159.5
1.10					
1.20				158.8	158.2
1.30					
1.40				154.1	157.1

AMES PRELIMINARY AERO-ACCUSTIC DATA
TEST CONDUCTED 17-28 JAN 72

CONFIGURATICA NC. 38 5
TRANSDUCER NC.

ACCUSTIC LEVEL-DB

BETA ANGLE	0 DEG	-4	4	8
MACH NO.	-8	-4	0	4
0.80			152.7	151.1
0.85			153.2	
0.90		154.4	153.9	152.9
0.95		154.7	154.7	153.8
1.00		155.5		153.3
1.10			155.4	
1.20		157.2	155.6	153.0
1.30			156.2	
1.40		154.7	155.7	153.5

BETA ANGLE 5 DEG

MACH NC.	-8	-4	0	4	8
0.80	155.6	155.2	154.3	153.2	153.2
0.85					
0.90	156.0	157.2	157.5	156.4	156.4
0.95	155.2	157.0	157.8	157.3	157.3
1.00	156.6	158.2	159.0	158.0	158.2
1.10					
1.20	157.6		159.3	158.5	146.7
1.30					
1.40	157.3	156.2	156.2	156.6	155.5

BETA ANGLE -5 DEG

MACH NC.	-8	-4	0	4	8
0.80				152.9	153.6
0.85					
0.90					
0.95				158.5	157.7
1.00				163.7	157.9
1.10					
1.20				160.2	154.2
1.30					
1.40				155.7	154.9

AMES PRELIMINARY AERC-ACCUSTIC DATA
TEST CONDUCTED 17-28 JAN 72

CONFIGURATION NC. 27
TRANSDUCER NC. 5

ACCUSTIC LEVEL-DB

BETA ANGLE	0 DEG	4	8
MACH NO.	-8	-4	0
		ALPHA-DEG C	
0.80		166.3	165.3
0.85		166.0	
0.90	164.7	165.0	
0.95	164.3	164.3	
1.00	144.5	162.3	
1.10		163.5	
1.20	161.8	160.1	159.0
1.30		155.6	
1.40	158.6	157.5	156.2

BETA ANGLE	5 DEG	4	8
MACH NO.	-8	-4	0
		ALPHA-DEG C	
0.80	162.8	162.8	163.2
0.85			
0.90	163.5	163.1	163.1
0.95	163.0	163.0	162.7
1.00	163.0	162.6	161.5
1.10			
1.20	162.7	161.9	161.5
1.30			
1.40	157.4	159.2	160.4

BETA ANGLE	-5 DEG	4	8
MACH NO.	-8	-4	0
		ALPHA-DEG C	
0.80		163.2	162.0
0.85			
0.90		161.6	161.6
0.95		164.4	158.6
1.00			
1.10		161.6	151.7
1.20			
1.30		156.4	154.9
1.40			

AMES PRELIMINARY AERC-ACCUSTIC DATA
TEST CONDUCTED 17-28 JAN 72

CONFIGURATION NC. 40
TRANSDUCER NC. 5

ACCUSTIC LEVEL-DB

BETA ANGLE	0 DEG	-4	4	8
MACH NO.	-8	-4	0	4
		ALPHA-DEG C		
0.80		150.3	149.8	
0.85		149.7		
0.90	150.4	149.5	149.2	
0.95	151.2	150.3	148.8	
1.00	151.9		148.2	
1.10		149.7		
1.20	150.7	148.5	147.9	
1.30		150.4		
1.40	149.7	149.5	146.6	

BETA ANGLE	5 DEG	-4	4	8
MACH NO.	-8	-4	0	4
		ALPHA-DEG C		
0.80	151.2	150.3	149.8	148.4
0.85				
0.90	152.8	152.1	152.1	149.2
0.95	151.6	152.6	151.6	150.3
1.00	152.3	152.3	150.2	151.1
1.10				
1.20	151.6	150.3	148.1	147.7
1.30				
1.40	149.2	149.6	148.2	146.8

BETA ANGLE	-5 DEG	-4	4	8
MACH NO.	-8	-4	0	4
		ALPHA-DEG C		
0.80			149.5	148.7
0.85				
0.90			151.4	150.3
0.95			154.9	150.7
1.00				
1.10			150.7	145.6
1.20				
1.30			147.5	146.2
1.40				

AMES PRELIMINARY AERC-ACCUSTIC DATA
TEST CONDUCTED 17-28 JAN 72

CONFIGURACION NO. 43
TRANSDUCER NC. 5

ACCUSTIC LEVEL-DB

BETA ANGLE	0 DEG	8	4	8
MACH NO.	-8	-4	4	8
0.80		146.8	146.4	
0.85		145.1		
0.90		145.7	145.3	
0.95		145.1	146.7	
1.00		144.6	144.2	
1.10		143.4		
1.20		146.0	144.5	
1.30		142.9		
1.40		141.5	142.9	

ALPHA-DEG
C

AMES PRELIMINARY AERC-ACCUSTIC DATA
TEST CONDUCTED 17-28 JAN 72

CONFIGURACION NO. 45
TRANSDUCER NC. 5

ACCUSTIC LEVEL-DB

BETA ANGLE	0 DEG	-4	4	8
MACH NO.	-8	-4	4	8
0.80			154.1	
0.85			155.9	
0.90		154.9	153.8	
0.95		152.3	151.2	
1.00		150.2	149.8	
1.10				
1.20		145.3	148.9	
1.30			144.9	
1.40		142.2	143.5	

ALPHA-DEG
C

BETA ANGLE 5 DEG

BETA ANGLE	5 DEG	8	4	8
MACH NO.	-8	-4	4	8
0.80	145.2	145.6	146.4	146.8
0.85				
0.90	147.5	147.5	146.4	147.5
0.95	146.0	148.6	147.7	147.3
1.00	149.0	146.3	145.1	145.5
1.10				
1.20	146.0	143.1	143.1	143.9
1.30				
1.40	142.2	141.5	140.6	142.6

ALPHA-DEG
C

BETA ANGLE 5 DEG

BETA ANGLE	5 DEG	-4	4	8
MACH NO.	-8	-4	4	8
0.80	153.5	153.1	152.0	153.1
0.85				
0.90	154.4	153.5	153.5	152.8
0.95	152.5	152.0	152.0	152.7
1.00	150.1	150.9	150.9	152.8
1.10				
1.20	150.0	147.3	147.9	148.9
1.30				
1.40	151.5	160.4	148.2	147.8

ALPHA-DEG
C

BETA ANGLE -5 DEG

BETA ANGLE	-5 DEG	-8	4	8
MACH NO.	-8	-4	4	8
0.80			145.0	146.0
0.85				
0.90			145.5	147.7
0.95			146.9	146.3
1.00				
1.10			144.4	140.9
1.20				
1.30			138.6	140.2
1.40				

ALPHA-DEG
C

BETA ANGLE -5 DEG

BETA ANGLE	-5 DEG	-4	4	8
MACH NO.	-8	-4	4	8
0.80			154.4	153.0
0.85				
0.90			146.3	146.7
0.95			150.5	147.9
1.00				
1.10			150.2	148.2
1.20				
1.30			149.9	147.0
1.40				

ALPHA-DEG
C

AMES PRELIMINARY AERC-ACCUSTIC DATA
TEST CONDUCTED 17-28 JAN 72

CONFIGURATION NC. 5
TRANSCUCER NC. 46

ACCUSTIC LEVEL-DB

BETA ANGLE	0 DEG				
MACH NO.	-8	-4	ALPHA-DEG C	4	8
0.80			153.1	151.4	
0.85			154.7		
0.90		157.8	156.4	153.8	
0.95		158.3	155.6	154.8	
1.00		157.3	134.3	154.2	
1.10			138.1		
1.20		158.1	155.3	154.5	
1.30			143.9		
1.40		158.6	153.8	153.5	

BETA ANGLE	5 DEG				
MACH NO.	-8	-4	ALPHA-DEG C	4	8
0.80	157.5	156.0	155.2	154.3	151.8
0.85					
0.90	160.3	158.4	156.8	156.7	154.9
0.95	161.2	159.3	157.7	155.5	155.2
1.00	163.5	159.3	156.9		155.5
1.10					
1.20	143.6		155.5	154.3	154.3
1.30					
1.40	162.2	161.7	147.1	155.5	142.8

BETA ANGLE	-5 DEG				
MACH NO.	-8	-4	ALPHA-DEG C	4	8
0.80				152.8	152.8
0.85					
0.90					
0.95				154.8	155.1
1.00				158.9	154.2
1.10					
1.20				153.2	148.2
1.30					
1.40				147.0	149.7

AMES PRELIMINARY AERC-ACCUSTIC DATA
TEST CONDUCTED 17-28 JAN 72

CONFIGURATION NO. 1
TRANSDUCER NO. 5

DELTA CPRMS

BETA ANGLE	0 DEG	4	8
MACH NO.	-8	-4	0
0.80	.0111	.0116	.0200
0.85	.0090	.0155	.0692
0.90	.0088	.0321	.0519
0.95	.0092	.0438	.1046
1.00	.0105	.0628	.0731
1.10	.0107	.0265	.1088
1.20		.0181	.0317
1.30		.0172	
1.40			

AMES PRELIMINARY AERC-ACCUSTIC DATA
TEST CONDUCTED 17-28 JAN 72

CONFIGURATION NO. 2
TRANSDUCER NO. 5

DELTA CPRMS

BETA ANGLE	0 DEG	-4	4
MACH NO.	-8	-4	0
0.80	.0200	.0127	.0238
0.85	.0692	.0171	.0554
0.90	.0519	.0360	.0701
0.95	.1046	.0354	.0860
1.00	.0731	.0502	.0614
1.10	.1088	.0370	.0805
1.20	.0317	.0389	.0556
1.30		.0254	
1.40			

BETA ANGLE 5 DEG

MACH NO.	-8	-4	0	4	8
0.80	.0106	.0116	.0116	.0158	.0284
0.85	.0092	.0102	.0162	.0397	.0692
0.90	.0096	.0056	.0131	.0438	.0831
0.95	.0098	.0056	.0146	.0419	.0875
1.00	.0112	.0106	.0109	.0134	.0318
1.10	.0100	.0100	.0055	.0107	.0136
1.20					
1.30					
1.40					

BETA ANGLE 5 DEG

MACH NO.	-8	-4	0	4	8
0.80	.0100	.0100	.0116	.0167	.0264
0.85	.0083	.0050	.0125	.0305	.0058
0.90	.0083	.0083	.0127	.0306	.0482
0.95	.0050	.0084	.0146	.0251	.0544
1.00	.0055	.0055	.0105	.0162	.0282
1.10	.0143	.0150	.0143	.0150	.0193
1.20					
1.30					
1.40					

BETA ANGLE -5 DEG

MACH NO.	-8	-4	0	4	8
0.80	.0167	.0317	.0317	.0167	.0238
0.85	.0394	.0692	.0692	.0285	.0525
0.90	.0544	.0711	.0711	.0430	.0502
0.95	.0165	.0278	.0278	.0229	.0199
1.00	.0053	.0150	.0150	.0158	.0215
1.10					
1.20					
1.30					
1.40					

BETA ANGLE -5 DEG

MACH NO.	-8	-4	0	4	8
0.80	.0167	.0317	.0317	.0167	.0238
0.85	.0394	.0692	.0692	.0285	.0525
0.90	.0544	.0711	.0711	.0430	.0502
0.95	.0165	.0278	.0278	.0229	.0199
1.00	.0053	.0150	.0150	.0158	.0215
1.10					
1.20					
1.30					
1.40					

AMES PRELIMINARY AERC-ACCUSTIC DATA
TEST CCNDUCTED 17-28 JAN 72

CONFIGURATION NO. 5
TRANSDUCER NO. 3

DELTA CPRMS

BETA ANGLE	0 DEG	5 DEG	8 DEG	ALPHA-DEG	4	8
MACH NO.				0		
0.80				.0150	.0250	
0.85				.0166		
0.90				.0305	.0508	
0.95				.0354	.0613	
1.00				.0419	.0753	
1.10				.0486		
1.20				.0370	.0809	
1.30				.0434		
1.40				.0521	.0854	

AMES PRELIMINARY AERC-ACCUSTIC DATA
TEST CCNDUCTED 17-28 JAN 72

CONFIGURATION NO. 5
TRANSDUCER NO. 4

DELTA CPRMS

BETA ANGLE	0 DEG	5 DEG	8 DEG	ALPHA-DEG	4	8
MACH NO.				0		
0.80				.0234	.0317	
0.85				.0270		
0.90				.0342	.0462	
0.95				.0394	.0482	
1.00				.0293	.0586	
1.10				.0256		
1.20				.0272	.0586	
1.30				.0320		
1.40				.0408	.0645	

AMES PRELIMINARY AERC-ACCUSTIC DATA
TEST CCNDUCTED 17-28 JAN 72

CONFIGURATION NO. 5
TRANSDUCER NO. 3

DELTA CPRMS

BETA ANGLE	0 DEG	5 DEG	8 DEG	ALPHA-DEG	4	8
MACH NO.				0		
0.80				.0250	.0250	
0.85				.0204	.0351	
0.90				.0263	.0306	
0.95				.0225	.0209	
1.00				.0081	.0184	
1.10				.0179		
1.20				.0172	.0143	
1.30						
1.40						

AMES PRELIMINARY AERC-ACCUSTIC DATA
TEST CCNDUCTED 17-28 JAN 72

CONFIGURATION NO. 5
TRANSDUCER NO. 4

DELTA CPRMS

BETA ANGLE	0 DEG	5 DEG	8 DEG	ALPHA-DEG	4	8
MACH NO.				0		
0.80				.0234	.0300	
0.85				.0153	.0360	
0.90				.0105	.0350	
0.95				.0086	.0251	
1.00				.0084	.0173	
1.10				.0086		
1.20				.0107	.0115	
1.30						
1.40						

AMES PRELIMINARY AERC-ACCUSTIC DATA
TEST CCNDUCTED 17-28 JAN 72

CONFIGURATION NO. 5
TRANSDUCER NO. 3

DELTA CPRMS

BETA ANGLE	0 DEG	5 DEG	8 DEG	ALPHA-DEG	4	8
MACH NO.				0		
0.80				.0264	.0264	
0.85						
0.90						
0.95						
1.00						
1.10						
1.20						
1.30						
1.40						

AMES PRELIMINARY AERC-ACCUSTIC DATA
TEST CCNDUCTED 17-28 JAN 72

CONFIGURATION NO. 5
TRANSDUCER NO. 4

DELTA CPRMS

BETA ANGLE	0 DEG	5 DEG	8 DEG	ALPHA-DEG	4	8
MACH NO.				0		
0.80				.0267	.0300	
0.85				.0219	.0360	
0.90				.0166	.0350	
0.95				.0152	.0251	
1.00				.0095	.0173	
1.10				.0115	.0115	
1.20						
1.30						
1.40						

AMES PRELIMINARY AERC-ACCUSTIC DATA
TEST CONDUCTED 17-28 JAN 72

CONFIGURATION NO. 5
TRANSDUCER NO. 5

DELTA CPRMS

BETA ANGLE	0 DEG	4	8
MACH NO.	-8	-4	0
0.80	.0250	.0267	.0267
0.85	.0248	.0270	.0270
0.90	.0270	.0270	.0270
0.95	.0300	.0290	.0290
1.00	.0272	.0272	.0272
1.10	.0213	.0213	.0213
1.20	.0152	.0152	.0152
1.30	.0183	.0183	.0183
1.40	.0204	.0204	.0204

AMES PRELIMINARY AERC-ACCUSTIC DATA
TEST CONDUCTED 17-28 JAN 72

CONFIGURATION NO. 5
TRANSDUCER NO. 6

DELTA CPRMS

BETA ANGLE	0 DEG	4	8
MACH NO.	-8	-4	0
0.80	.0300	.0300	.0300
0.85	.0357	.0357	.0357
0.90	.0482	.0482	.0482
0.95	.0249	.0249	.0249
1.00	.0192	.0192	.0192
1.10	.0537	.0537	.0537
1.20	.0476	.0476	.0476
1.30	.0480	.0480	.0480
1.40	.0521	.0521	.0521

AMES PRELIMINARY AERC-ACCUSTIC DATA
TEST CONDUCTED 17-28 JAN 72

CONFIGURATION NO. 5
TRANSDUCER NO. 5

DELTA CPRMS

BETA ANGLE	5 DEG	4	8
MACH NO.	-8	-4	0
0.80	.0234	.0234	.0234
0.85	.0277	.0277	.0277
0.90	.0166	.0166	.0166
0.95	.0096	.0096	.0096
1.00	.0084	.0084	.0084
1.10	.0073	.0073	.0073
1.20	.0079	.0079	.0079
1.30	.0075	.0075	.0075
1.40	.0072	.0072	.0072

AMES PRELIMINARY AERC-ACCUSTIC DATA
TEST CONDUCTED 17-28 JAN 72

CONFIGURATION NO. 5
TRANSDUCER NO. 6

DELTA CPRMS

BETA ANGLE	5 DEG	4	8
MACH NO.	-8	-4	0
0.80	.0250	.0250	.0250
0.85	.0234	.0234	.0234
0.90	.0285	.0285	.0285
0.95	.0249	.0249	.0249
1.00	.0225	.0225	.0225
1.10	.0073	.0073	.0073
1.20	.0100	.0100	.0100
1.30	.0100	.0100	.0100
1.40	.0086	.0086	.0086

AMES PRELIMINARY AERC-ACCUSTIC DATA
TEST CONDUCTED 17-28 JAN 72

CONFIGURATION NO. 5
TRANSDUCER NO. 8

DELTA CPRMS

MACH NO.	BETA ANGLE			ALPHA-DEG
	0 DEG	5 DEG	8 DEG	
0.80				0
0.85				4
0.90				8
0.95				4
1.00				8
1.10				4
1.20				8
1.30				4
1.40				8

AMES PRELIMINARY AERO-ACCUSTIC DATA
TEST CONDUCTED 17-28 JAN 72

CONFIGURATION NO. 44
TRANSDUCER NO. 5

DELTA CPRMS

MACH NO.	BETA ANGLE			ALPHA-DEG
	0 DEG	5 DEG	8 DEG	
0.80				0
0.85				4
0.90				8
0.95				4
1.00				8
1.10				4
1.20				8
1.30				4
1.40				8

MACH NO.	BETA ANGLE			ALPHA-DEG
	0 DEG	5 DEG	8 DEG	
0.80				0
0.85				4
0.90				8
0.95				4
1.00				8
1.10				4
1.20				8
1.30				4
1.40				8

MACH NO.	BETA ANGLE			ALPHA-DEG
	0 DEG	5 DEG	8 DEG	
0.80				0
0.85				4
0.90				8
0.95				4
1.00				8
1.10				4
1.20				8
1.30				4
1.40				8

MACH NO.	BETA ANGLE			ALPHA-DEG
	0 DEG	5 DEG	8 DEG	
0.80				0
0.85				4
0.90				8
0.95				4
1.00				8
1.10				4
1.20				8
1.30				4
1.40				8

MACH NO.	BETA ANGLE			ALPHA-DEG
	0 DEG	5 DEG	8 DEG	
0.80				0
0.85				4
0.90				8
0.95				4
1.00				8
1.10				4
1.20				8
1.30				4
1.40				8

AMES PRELIMINARY AERC-ACCUSTIC DATA
TEST CONDUCTED 17-28 JAN 72

CONFIGURATION NO. 5
TRANSDUCER NC. 9

DELTA CPRMS

BETA ANGLE	0 DEG	4	8
MACH NO.	-8	-4	0
0.80		.0300	.0334
0.85		.0311	
0.90		.0314	.0336
0.95	.0285	.0305	.0332
1.00	.0291	.0318	.0344
1.10	.0265	.0315	
1.20	.0282	.0318	.0344
1.30		.0343	
1.40	.0258	.0253	.0340

AMES PRELIMINARY AERC-ACCUSTIC DATA
TEST CONDUCTED 17-28 JAN 72

CONFIGURATION NO. 5
TRANSDUCER NC. 32

DELTA CPRMS

BETA ANGLE	0 DEG	-4	-8
MACH NO.	-8	-4	0
0.80		.0200	.0200
0.85		.0186	
0.90		.0182	.0197
0.95	.0168	.0208	.0241
1.00	.0146	.0172	.0711
1.10		.0167	
1.20	.0106	.0128	.0168
1.30		.0094	
1.40	.0079	.0075	.0100

BETA ANGLE	5 DEG	4	8
MACH NO.	-8	-4	0
0.8C	.0267	.0284	.0317
0.85			.0351
0.90	.0263	.0242	.0321
0.95	.0277	.0291	.0305
1.00	.0261	.0278	.0291
1.10			.0309
1.20	.0245	.0258	.0272
1.3C			.0296
1.40	.0251		

BETA ANGLE	5 DEG	-8	-4
MACH NO.	-8	-4	0
0.8C	.0267	.0200	.0200
0.85			
0.90	.0323	.0219	.0219
0.95	.0194	.0208	.0525
1.00	.0159	.0159	.0212
1.10			.0098
1.20	.0128	.0103	.0103
1.3C			.0077
1.40	.0100	.0093	.0070

BETA ANGLE	-5 DEG	4	8
MACH NO.	-8	-4	0
0.80		.0317	.0334
0.85			
0.90		.0346	.0346
0.95		.0566	.0357
1.00			.0265
1.10		.0430	
1.2C			.0374
1.3C			
1.40			

BETA ANGLE	-5 DEG	-8	-4
MACH NO.	-8	-4	0
0.80		.0217	.0217
0.85			
0.90		.0194	.0194
0.95		.0249	.0249
1.00		.0158	.0158
1.10		.0093	.0093
1.2C			.0093
1.3C			
1.40			

AMES PRELIMINARY AERC-ACCUSTIC DATA
TEST CCNDUCTEC 17-28 JAN 72

CONFIGURATION NO. 5
TRANSDUCER NO. 33

DELTA CPRMS

BETA ANGLE	0 DEG	4	8
MACH NO.	-8	-4	0
0.80	.0317	.0334	.0284
0.85	.0215	.0311	.0360
0.90	.0318	.0307	.0613
0.95	.0502	.0306	.0963
1.00	.0454	.0419	.0410
1.10	.0457	.0410	.0614
1.20	.0457	.0457	.0526
1.30	.0385	.0453	.0498
1.40			

DELTA CPRMS

BETA ANGLE	5 DEG	4	8
MACH NO.	-8	-4	0
0.80	.0317	.0334	.0351
0.85	.0215	.0277	.0877
0.90	.0318	.0415	.1108
0.95	.0502	.0795	.1456
1.00	.0454	.0362	.1116
1.10	.0385	.0317	.0566
1.20			
1.30			
1.40			

AMES PRELIMINARY AERC-ACCUSTIC DATA
TEST CCNDUCTEC 17-28 JAN 72

CONFIGURATION NO. 5
TRANSDUCER NO. 12

DELTA CPRMS

BETA ANGLE	0 DEG	-4	4
MACH NO.	-8	-4	0
0.80	.0284	.0370	.0356
0.85	.0311	.0540	.0923
0.90	.0360	.0831	.0832
0.95	.0613	.0569	.0586
1.00	.0963	.0544	.0168
1.10	.0410	.0296	.0185
1.20	.0614	.0221	.0145
1.30	.0526	.0158	.0115
1.40	.0498		

DELTA CPRMS

BETA ANGLE	5 DEG	-4	4
MACH NO.	-8	-4	0
0.80	.0422	.0422	.0528
0.85	.0876	.0831	.0762
0.90	.0635	.0657	.0701
0.95	.0544	.0502	.0544
1.00	.110		.0176
1.10	.0558		.0203
1.20	.0165	.0172	.0156
1.30			
1.40			

AMES PRELIMINARY AERC-ACCUSTIC DATA
TEST CONDUCTED 17-28 JAN 72

CONFIGURATION NO. 5
TRANSDUCER NO. 34

DELTA CPRMS

BETA ANGLE	0 DEG	4	8
MACH NO.	-8	-4	0
0.80	.0200	.0200	.0200
0.85	.0157	.0157	.0157
0.90	.0125	.0125	.0125
0.95	.0123	.0123	.0123
1.00	.0121	.0121	.0121
1.10	.0108	.0108	.0108
1.20	.0117	.0117	.0117
1.30	.0101	.0101	.0101
1.40	.0095	.0095	.0095

AMES PRELIMINARY AERC-ACCUSTIC DATA
TEST CONDUCTED 17-28 JAN 72

CONFIGURATION NO. 5
TRANSDUCER NO. 35

DELTA CPRMS

BETA ANGLE	0 DEG	4	8
MACH NO.	-8	-4	0
0.80	.0242	.0242	.0242
0.85	.0442	.0442	.0442
0.90	.0443	.0443	.0443
0.95	.0438	.0438	.0438
1.00	.0225	.0225	.0225
1.10	.0322	.0322	.0322
1.20	.0185	.0185	.0185
1.30	.0130	.0130	.0130
1.40	.0115	.0115	.0115

AMES PRELIMINARY AERC-ACCUSTIC DATA
TEST CONDUCTED 17-28 JAN 72

CONFIGURATION NO. 5
TRANSDUCER NO. 34

DELTA CPRMS

BETA ANGLE	5 DEG	4	8
MACH NO.	-8	-4	0
0.80	.0211	.0211	.0211
0.85	.0171	.0171	.0171
0.90	.0166	.0166	.0166
0.95	.0146	.0146	.0146
1.00	.0138	.0138	.0138
1.10	.0150	.0150	.0150
1.20	.0055	.0055	.0055
1.30	.0107	.0107	.0107
1.40	.0107	.0107	.0107

AMES PRELIMINARY AERC-ACCUSTIC DATA
TEST CONDUCTED 17-28 JAN 72

CONFIGURATION NO. 5
TRANSDUCER NO. 35

DELTA CPRMS

BETA ANGLE	5 DEG	4	8
MACH NO.	-8	-4	0
0.80	.0264	.0264	.0264
0.85	.0212	.0212	.0212
0.90	.0563	.0563	.0563
0.95	.0335	.0335	.0335
1.00	.0185	.0185	.0185
1.10	.0176	.0176	.0176
1.20	.0115	.0115	.0115
1.30	.0115	.0115	.0115
1.40	.0115	.0115	.0115

AMES PRELIMINARY AERC-ACCUSTIC DATA
TEST CONDUCTED 17-28 JAN 72

CONFIGURATION NO. 5
TRANSDUCER NO. 34

DELTA CPRMS

BETA ANGLE	-5 DEG	4	8
MACH NO.	-8	-4	0
0.80	.0217	.0217	.0217
0.85	.0131	.0131	.0131
0.90	.0236	.0236	.0236
0.95	.0094	.0094	.0094
1.00	.0175	.0175	.0175
1.10	.0090	.0090	.0090
1.20	.0090	.0090	.0090
1.30	.0090	.0090	.0090
1.40	.0090	.0090	.0090

AMES PRELIMINARY AERC-ACCUSTIC DATA
TEST CONDUCTED 17-28 JAN 72

CONFIGURATION NO. 5
TRANSDUCER NO. 35

DELTA CPRMS

BETA ANGLE	-5 DEG	4	8
MACH NO.	-8	-4	0
0.80	.0581	.0581	.0581
0.85	.0613	.0613	.0613
0.90	.0859	.0859	.0859
0.95	.0680	.0680	.0680
1.00	.0122	.0122	.0122
1.10	.0122	.0122	.0122
1.20	.0122	.0122	.0122
1.30	.0122	.0122	.0122
1.40	.0122	.0122	.0122

AMES PRELIMINARY AERO-ACCUSTIC DATA
TEST CONDUCTED 17-28 JAN 72

CONFIGURATION NO. 15
TRANSDUCER NO. 16

DELTA CPRMS

BETA ANGLE 0 DEG		BETA ANGLE 5 DEG		BETA ANGLE 0 DEG		BETA ANGLE 5 DEG	
MACH NC.	ALPHA-DEG	MACH NO.	ALPHA-DEG	MACH NO.	ALPHA-DEG	MACH NO.	ALPHA-DEG
0.80	.0317	0.80	.0334	0.80	.0467	0.80	.0467
0.85	.0171	0.85	.0138	0.85	.0551	0.85	.0638
0.90	.0138	0.90	.0144	0.90	.0739	0.90	.1108
0.95	.0166	0.95	.0278	0.95	.0646	0.95	.1095
1.00	.0172	1.00	.0078	1.00	.0563	1.00	.1055
1.10	.0117	1.10	.0063	1.10	.0774	1.10	.0331
1.20	.0086	1.20	.0063	1.20	.0441	1.20	.0250
1.30	.0066	1.30	.0063	1.30	.0317	1.30	.0229
1.40	.0063	1.40	.0063	1.40	.0093	1.40	.0181
							.0125

BETA ANGLE 0 DEG		BETA ANGLE 5 DEG		BETA ANGLE 0 DEG		BETA ANGLE 5 DEG	
MACH NC.	ALPHA-DEG	MACH NO.	ALPHA-DEG	MACH NO.	ALPHA-DEG	MACH NO.	ALPHA-DEG
0.80	.0334	0.80	.0801	0.80	.0517	0.80	.0392
0.85	.0171	0.85	.0190	0.85	.0739	0.85	.1269
0.90	.0138	0.90	.0152	0.90	.0646	0.90	.1138
0.95	.0166	0.95	.0172	0.95	.0563	0.95	.1095
1.00	.0172	1.00	.0106	1.00	.0774	1.00	.0344
1.10	.0117	1.10	.0068	1.10	.0441	1.10	.0256
1.20	.0086	1.20	.0063	1.20	.0317	1.20	.0186
1.30	.0066	1.30	.0063	1.30	.0093	1.30	.0186
1.40	.0063	1.40	.0063	1.40	.0093	1.40	.0186

BETA ANGLE 0 DEG		BETA ANGLE 5 DEG		BETA ANGLE 0 DEG		BETA ANGLE 5 DEG	
MACH NC.	ALPHA-DEG	MACH NO.	ALPHA-DEG	MACH NO.	ALPHA-DEG	MACH NO.	ALPHA-DEG
0.80	.0234	0.80	.0217	0.80	.0501	0.80	.0528
0.85	.0114	0.85	.0144	0.85	.0744	0.85	.0832
0.90	.0193	0.90	.0146	0.90	.0566	0.90	.0544
0.95	.0100	0.95	.0062	0.95	.0301	0.95	.0205
1.00	.0100	1.00	.0061	1.00	.0222	1.00	.0222
1.10	.0061	1.10	.0061	1.10	.0222	1.10	.0222
1.20	.0061	1.20	.0061	1.20	.0222	1.20	.0222
1.30	.0061	1.30	.0061	1.30	.0222	1.30	.0222
1.40	.0061	1.40	.0061	1.40	.0222	1.40	.0222

AMES PRELIMINARY AERO-ACCUSTIC DATA
TEST CCNDUCTED 17-28 JAN 72

CONFIGURATICA NC. 17
TRANSCUCER NC. 5

DELTA CPRMS

BETA ANGLE	0 DEG	4	8
MACH NO.	-8	-4	0
			ALPHA-DEG
0.8C		.C115	.0164
0.85		.0152	
0.90	.0134	.0139	.0168
0.95	.0138	.0145	.0187
1.00	.0132	.0139	.0212
1.10		.0135	
1.2C	.C117	.0126	.C154
1.3C		.0054	
1.40	.0075	.0082	.0082

AMES PRELIMINARY AERO-ACCUSTIC DATA
TEST CCNDUCTED 17-28 JAN 72

CONFIGURATICA NC. 18
TRANSCUCER NC. 5

DELTA CPRMS

BETA ANGLE	0 DEG	-4	0
MACH NO.	-8	-4	0
			ALPHA-DEG
0.8C			.0633
0.85			.0466
0.90	.0307	.0307	.0336
0.95	.0318	.0318	.0365
1.00	.C301	.C301	.0331
1.10			.0287
1.2C	.C206	.C206	.C251
1.3C			.0260
1.40	.0272	.0272	.0243

AMES PRELIMINARY AERO-ACCUSTIC DATA
TEST CCNDUCTED 17-28 JAN 72

CONFIGURATICA NC. 17
TRANSCUCER NC. 5

DELTA CPRMS

BETA ANGLE	5 DEG	8	4
MACH NO.	-8	-4	0
			ALPHA-DEG
0.8C	.0175	.0192	.0184
0.85			
C.5C	.0168	.C204	.0161
0.95	.0180	.0180	.0154
1.0C	.0152	.0152	.0159
1.10			
1.2C	.C112	.0126	.0134
1.3C			
1.40	.0075	.C075	.0107

AMES PRELIMINARY AERO-ACCUSTIC DATA
TEST CCNDUCTED 17-28 JAN 72

CONFIGURATICA NC. 18
TRANSCUCER NC. 5

DELTA CPRMS

BETA ANGLE	5 DEG	-4	0
MACH NO.	-8	-4	0
			ALPHA-DEG
0.8C	.0467	.0501	.0451
0.85			
C.5C	.0350	.0394	.0354
0.95	.0415	.0415	.0346
1.0C	.0410	.0439	.0358
1.10			
1.20	.C247	.0335	.0335
1.30			
1.40	.0175	.0179	.0153

AMES PRELIMINARY AERO-ACCUSTIC DATA
TEST CCNDUCTED 17-28 JAN 72

CONFIGURATICA NC. 17
TRANSCUCER NC. 5

DELTA CPRMS

BETA ANGLE	-5 DEG	-8	4
MACH NO.	-5	-8	0
			ALPHA-DEG
0.8C			.0184
0.85			
C.5C	.0144	.0144	.0166
0.95	.0146	.0146	.0238
1.0C			
1.1C	.0318	.0318	.0165
1.20			
1.3C	.0082	.0082	.0179
1.40			

AMES PRELIMINARY AERO-ACCUSTIC DATA
TEST CCNDUCTED 17-28 JAN 72

CONFIGURATICA NC. 18
TRANSCUCER NC. 5

DELTA CPRMS

BETA ANGLE	-5 DEG	-4	0
MACH NO.	-8	-4	0
			ALPHA-DEG
0.8C			.0459
0.85			
C.5C	.0429	.0429	.0436
0.95	.0824	.0824	.0435
1.0C			
1.1C	.0304	.0304	.0430
1.20			
1.3C	.0272	.0272	.0272
1.40			

AMES PRELIMINARY AERC-ACCUSTIC DATA
TEST CCNCLUDED 17-28 JAN 72

CONFIGURATICA NC. 5
TRANSDUCER NC. 19

DELTA CPRMS

BETA ANGLE	C DEG	ALPHA-DEG	4	8
MACH NO.	-8	0	4	8
0.80		.0267	.0259	
0.85		.0264		
0.90		.0263	.0248	
0.95		.0277	.0249	
1.00		.0225	.0155	
1.10		.0259		
1.20		.0176	.0156	
1.30		.0225		
1.40		.0186	.0129	

BETA ANGLE 5 DEG

BETA ANGLE	5 DEG	ALPHA-DEG	4	8
MACH NO.	-8	0	4	8
0.80		.0367	.0284	.0242
0.85		.0326		
0.90		.0409	.0318	.0263
0.95		.0291	.0245	.0277
1.00		.0278		.0251
1.10		.0154	.0203	.0135
1.20		.0179	.0155	.0132
1.30				
1.40				

BETA ANGLE -5 DEG

BETA ANGLE	-5 DEG	ALPHA-DEG	4	8
MACH NO.	-8	C	4	8
0.80			.0267	.0250
0.85				
0.90			.0332	.0277
0.95			.0430	.0232
1.00				
1.10			.0283	.0105
1.20				
1.30			.0173	.0122
1.40				

AMES PRELIMINARY AERC-ACCUSTIC DATA
TEST CCNCLUDED 17-28 JAN 72

CONFIGURATICA NC. 5
TRANSDUCER NC. 20

DELTA CPRMS

BETA ANGLE	0 DEG	ALPHA-DEG	4	8
MACH NO.	-8	0	4	8
0.80		.0467	.0528	
0.85		.0442		
0.90			.0646	
0.95		.2077	.0525	
1.00			.0460	
1.10				
1.20		.0048	.0050	
1.30		.0032		
1.40		.0041	.0043	

BETA ANGLE 5 DEG

BETA ANGLE	5 DEG	ALPHA-DEG	4	8
MACH NO.	-8	C	4	8
0.80		.1584	.0501	.0581
0.85				
0.90		.0046	.0462	.0508
0.95		.0044	.0525	.0394
1.00		.0042	.0042	.0377
1.10				
1.20		.0039	.0048	.0048
1.30				
1.40		.0034	.0043	.0044

BETA ANGLE -5 DEG

BETA ANGLE	-5 DEG	ALPHA-DEG	4	8
MACH NO.	-8	0	4	8
0.80			.0501	.0581
0.85				
0.90			.0318	.0394
0.95			.0487	.0357
1.00				
1.10			.0059	.0037
1.20				
1.30			.0040	.0041
1.40				

AMES PRELIMINARY AERC-ACCUSTIC DATA
TEST CONDUCTED 17-28 JAN 72

CONFIGURATICA NC. 5
TRANSDUCER NC. 21

AMES PRELIMINARY AERC-ACCUSTIC DATA
TEST CONDUCTED 17-28 JAN 72

CONFIGURATICA NC. 5
TRANSDUCER NC. 22

DELTA CPRMS

BETA ANGLE	0 DEG	4	8
MACH NO.	-8	-4	0
0.80		.0242	.0327
0.85		.0344	
0.90		.055E	.0715
0.95		.0172	.0832
1.00		.0115	.0864
1.10		.0848	
1.20		.0203	.0614
1.30		.0526	
1.40		.0272	.0537

BETA ANGLE 5 DEG

BETA ANGLE	5 DEG	4	8
MACH NC.	-8	-4	0
0.80	.0106	.0116	.0284
0.85			
0.90	.0088	.0097	.0577
0.95	.0050	.0054	.0722
1.00	.0092	.0098	.0795
1.10			
1.20	.0126	.0231	.0502
1.30			
1.40	.0351	.0476	.0385

BETA ANGLE -5 DEG

BETA ANGLE	-5 DEG	-4	0
MACH NC.	-8	-4	0
0.80			.0242
0.85			
0.90			.0569
0.95			.0788
1.00			
1.10			.0476
1.20			.0377
1.30			
1.40			.0354

DELTA CPRMS

BETA ANGLE	0 DEG	-4	4
MACH NO.	-8	-4	0
0.80			.0217
0.85			.0233
0.90		.0102	.0415
0.95		.0097	.0482
1.00		.0071	.0565
1.10			.0352
1.20		.0067	.0379
1.30			.0457
1.40		.0129	.0521

BETA ANGLE 5 DEG

BETA ANGLE	5 DEG	-4	4
MACH NC.	-8	-4	0
0.80	.0501	.0167	.0200
0.85			
0.90	.0074	.0078	.0146
0.95	.0070	.0077	.0109
1.00	.0067	.0067	.0119
1.10			
1.20	.0064		.0052
1.30			
1.40	.0111	.0159	.0183

BETA ANGLE -5 DEG

BETA ANGLE	-5 DEG	-4	0
MACH NO.	-8	-4	0
0.80			.0225
0.85			
0.90			.0291
0.95			.0385
1.00			
1.10			.0177
1.20			
1.30			.0170
1.40			

AMES PRELIMINARY AERC-ACCUSTIC DATA
TEST CONDUCTED 17-28 JAN 72

CONFIGURATION NC. 5
TRANSDUCER NC. 24

DELTA CPRMS

BETA ANGLE 0 DEG		BETA ANGLE 5 DEG		BETA ANGLE 0 DEG		BETA ANGLE 5 DEG	
MACH NO.	ALPHA-DEG C	MACH NO.	ALPHA-DEG C	MACH NO.	ALPHA-DEG C	MACH NO.	ALPHA-DEG C
0.80	.0300	0.80	.0581	0.80	.0581	0.80	.0581
0.85	.0388	0.85	.0540	0.85	.0540	0.85	.0540
0.90	.0511	0.90	.0415	0.90	.0415	0.90	.0415
0.95	.0305	0.95	.0482	0.95	.0482	0.95	.0482
1.00	.0256	1.00	.0419	1.00	.0419	1.00	.0419
1.10	.0611	1.10	.0296	1.10	.0296	1.10	.0296
1.20	.0459	1.20	.0273	1.20	.0273	1.20	.0273
1.30	.0400	1.30	.0263	1.30	.0263	1.30	.0263
1.40	.0365	1.40	.0245	1.40	.0245	1.40	.0245

AMES PRELIMINARY AERC-ACCUSTIC DATA
TEST CONDUCTED 17-28 JAN 72

CONFIGURATION NC. 5
TRANSDUCER NC. 23

DELTA CPRMS

BETA ANGLE 0 DEG		BETA ANGLE 5 DEG		BETA ANGLE -5 DEG		BETA ANGLE -5 DEG	
MACH NO.	ALPHA-DEG C	MACH NO.	ALPHA-DEG C	MACH NO.	ALPHA-DEG C	MACH NO.	ALPHA-DEG C
0.80	.0417	0.80	.0367	0.80	.0367	0.80	.0367
0.85	.0623	0.85	.0423	0.85	.0423	0.85	.0423
0.90	.0657	0.90	.0438	0.90	.0438	0.90	.0438
0.95	.0670	0.95	.0435	0.95	.0435	0.95	.0435
1.00	.0530	1.00	.0282	1.00	.0282	1.00	.0282
1.10	.0498	1.10	.0396	1.10	.0396	1.10	.0396
1.20	.0317	1.20	.0273	1.20	.0273	1.20	.0273
1.30	.0250	1.30	.0294	1.30	.0294	1.30	.0294
1.40	.0245	1.40	.0245	1.40	.0245	1.40	.0245

AMES PRELIMINARY AERC-ACCUSTIC DATA
TEST CONDUCTED 17-28 JAN 72

CONFIGURATION NC. 5
TRANSDUCER NC. 24

DELTA CPRMS

BETA ANGLE 0 DEG		BETA ANGLE 5 DEG		BETA ANGLE -5 DEG		BETA ANGLE -5 DEG	
MACH NO.	ALPHA-DEG C	MACH NO.	ALPHA-DEG C	MACH NO.	ALPHA-DEG C	MACH NO.	ALPHA-DEG C
0.80	.0528	0.80	.0475	0.80	.0475	0.80	.0475
0.85	.0462	0.85	.0475	0.85	.0475	0.85	.0475
0.90	.0388	0.90	.0369	0.90	.0369	0.90	.0369
0.95	.0358	0.95	.0385	0.95	.0385	0.95	.0385
1.00	.0296	1.00	.0377	1.00	.0377	1.00	.0377
1.10	.0265	1.10	.0238	1.10	.0238	1.10	.0238
1.20	.0283	1.20	.0201	1.20	.0201	1.20	.0201
1.30	.0309	1.30	.0235	1.30	.0235	1.30	.0235
1.40	.0340	1.40	.0204	1.40	.0204	1.40	.0204

AMES PRELIMINARY AERC-ACCUSTIC DATA
TEST CONDUCTED 17-28 JAN 72

CONFIGURATION NC. 36
TRANSCUCER NC. 5

DELTA CPRMS

BETA ANGLE	0 DEG	4	8
MACH NO.	-8	-4	0
0.80	.0633	.0607	.0607
0.85	.0589	.0531	.0531
0.90	.0600	.0525	.0525
0.95	.0565	.0502	.0502
1.00	.0628	.0481	.0481
1.10	.0418	.0388	.0388
1.20	.0366	.0317	.0317
1.30	.0328		
1.40			

AMES PRELIMINARY AERC-ACCUSTIC DATA
TEST CONDUCTED 17-28 JAN 72

CONFIGURATION NC. 38
TRANSCUCER NC. 5

DELTA CPRMS

BETA ANGLE	0 DEG	-4	8
MACH NO.	-8	-4	0
0.80	.0356	.0329	.0329
0.85	.0393	.0369	.0369
0.90	.0415	.0394	.0394
0.95	.0438	.0356	.0356
1.00	.0426	.0312	.0312
1.10	.0418	.0317	.0317
1.20	.0434		
1.30	.0432		
1.40			

AMES PRELIMINARY AERC-ACCUSTIC DATA
TEST CONDUCTED 17-28 JAN 72

CONFIGURATION NC. 36
TRANSCUCER NC. 5

DELTA CPRMS

BETA ANGLE	5 DEG	4	8
MACH NO.	-8	-4	0
0.80	.0871	.0845	.0818
0.85	.0739	.0785	.0665
0.90	.0613	.0701	.0744
0.95	.0586	.0670	.0637
1.00	.0418	.0435	.0725
1.10	.0283	.0254	.0498
1.20			
1.30			
1.40			

AMES PRELIMINARY AERC-ACCUSTIC DATA
TEST CONDUCTED 17-28 JAN 72

CONFIGURATION NC. 38
TRANSCUCER NC. 5

DELTA CPRMS

BETA ANGLE	5 DEG	-4	8
MACH NO.	-8	-4	0
0.80	.0554	.0528	.0475
0.85	.0508	.0606	.0623
0.90	.0460	.0565	.0623
0.95	.0523	.0628	.0651
1.00	.0530	.0642	.0586
1.10	.0487	.0430	.0453
1.20			
1.30			
1.40			

AMES PRELIMINARY AERC-ACCUSTIC DATA
TEST CONDUCTED 17-28 JAN 72

CONFIGURATION NC. 36
TRANSCUCER NC. 5

DELTA CPRMS

BETA ANGLE	-5 DEG	-4	8
MACH NO.	-8	-4	0
0.80	.0729	.0554	.0554
0.85	.0722	.0701	.0701
0.90	.1246	.0732	.0732
0.95	.0609	.0565	.0565
1.00	.0340	.0476	.0476
1.10			
1.20			
1.30			
1.40			

AMES PRELIMINARY AERC-ACCUSTIC DATA
TEST CONDUCTED 17-28 JAN 72

CONFIGURATION NC. 27 5
TRANSDUCER NC.

AMES PRELIMINARY AERC-ACCUSTIC DATA
TEST CONDUCTED 17-28 JAN 72

CONFIGURATION NC. 40 5
TRANSDUCER NC.

DELTA CPRMS

BETA ANGLE	0 DEG	4	8
MACH NO.	-8	-4	8
0.80		.1900	.1650
0.85		.1718	.1478
0.90	.1420	.1478	.1226
0.95	.1314	.1314	.1004
1.00	.0130	.1052	.0618
1.10	.0861	.0706	.0640
1.20		.0640	.0502
1.30		.0566	
1.40			.0430

DELTA CPRMS

BETA ANGLE	0 DEG	-4	4	8
MACH NO.	-8	-4	4	8
0.80			.0300	.0284
0.85			.0264	.0241
0.90	.0277	.0277	.0248	.0222
0.95	.0251	.0251	.0263	.0159
1.00	.0304	.0304	.0222	.0173
1.10	.0238	.0238	.0185	.0224
1.20		.0204	.0201	.0143
1.30				
1.40				

BETA ANGLE 5 DEG

BETA ANGLE	5 DEG	-8	8
MACH NO.	-8	-4	8
0.80	.1266	.1266	.1214
0.85	.1200	.1200	.1200
0.90	.1138	.1138	.1094
0.95	.1088	.1046	.0962
1.00	.0952	.0864	.0830
1.10	.0498	.0612	.0702
1.20			
1.30			
1.40			

BETA ANGLE 5 DEG

BETA ANGLE	5 DEG	-8	8
MACH NO.	-8	-4	8
0.80	.0334	.0317	.0284
0.85	.0350	.0350	.0336
0.90	.0306	.0332	.0342
0.95	.0318	.0344	.0318
1.00	.0265	.0229	.0229
1.10	.0192	.0201	.0176
1.20			.0168
1.30			.0147
1.40			

BETA ANGLE -5 DEG

BETA ANGLE	-5 DEG	-8	8
MACH NO.	-8	-4	8
0.80		.1320	.1162
0.85		.0964	.0964
0.90	.0964	.1290	.0662
0.95	.0838	.0838	.0268
1.00	.0444	.0444	.0372
1.10			
1.20			
1.30			
1.40			

BETA ANGLE -5 DEG

BETA ANGLE	-5 DEG	-8	8
MACH NO.	-8	-4	8
0.80		.0275	.0250
0.85		.0298	.0263
0.90	.0430	.0430	.0265
0.95	.0238	.0238	.0132
1.00	.0158	.0158	.0136
1.10			
1.20			
1.30			
1.40			

AMES PRELIMINARY AERC-ACCLUSTIC DATA
TEST CONDUCTED 17-28 JAN 72

CONFIGURATICN NC. 43 5
TRANSDUCER NC.

DELTA CPRMS

BETA ANGLE	0 DEG	4	8
MACH NO.	-8	.0152	.0194
0.80	.0200	.0152	.0194
0.85	.0155	.0153	.0194
0.90	.0161	.0173	.0194
0.95	.0613	.0126	.0194
1.00	.0132	.0108	.0194
1.10	.0176	.0139	.0194
1.20	.0094	.0094	.0194
1.30	.0079	.0093	.0194
1.40	.0079	.0093	.0194

AMES PRELIMINARY AERC-ACCUSTIC DATA
TEST CONDUCTED 17-28 JAN 72

CONFIGURATICN NC. 45 5
TRANSDUCER NC.

DELTA CPRMS

BETA ANGLE	0 DEG	-4	4	8
MACH NO.	-8	.0467	.0384	.0384
0.80	.0540	.0467	.0384	.0384
0.85	.0458	.0462	.0409	.0409
0.90	.0291	.0332	.0291	.0291
0.95	.0238	.0251	.0238	.0238
1.00	.0194	.0128	.0194	.0194
1.10	.0119	.0119	.0119	.0119
1.20	.0090	.0086	.0090	.0090
1.30	.0086	.0086	.0086	.0086
1.40	.0086	.0086	.0086	.0086

AMES PRELIMINARY AERC-ACCLUSTIC DATA
TEST CONDUCTED 17-28 JAN 72

CONFIGURATICN NC. 43 5
TRANSDUCER NC.

DELTA CPRMS

BETA ANGLE	5 DEG	4	8
MACH NO.	-8	.0194	.0200
0.80	.0167	.0194	.0200
0.85	.0197	.0194	.0197
0.90	.0201	.0194	.0187
0.95	.0218	.0139	.0146
1.00	.0139	.0100	.0109
1.10	.0086	.0072	.0090
1.20	.0086	.0072	.0090
1.30	.0086	.0072	.0090
1.40	.0086	.0072	.0090

AMES PRELIMINARY AERC-ACCUSTIC DATA
TEST CONDUCTED 17-28 JAN 72

CONFIGURATICN NC. 45 5
TRANSDUCER NC.

DELTA CPRMS

BETA ANGLE	5 DEG	-4	4	8
MACH NO.	-8	.0417	.0367	.0417
0.80	.0434	.0417	.0367	.0417
0.85	.0394	.0394	.0394	.0365
0.90	.0339	.0318	.0318	.0346
0.95	.0248	.0271	.0271	.0337
1.00	.0221	.0162	.0173	.0194
1.10	.0251	.0143	.0172	.0165
1.20	.0251	.0143	.0172	.0165
1.30	.0251	.0143	.0172	.0165
1.40	.0251	.0143	.0172	.0165

AMES PRELIMINARY AERC-ACCLUSTIC DATA
TEST CONDUCTED 17-28 JAN 72

CONFIGURATICN NC. 43 5
TRANSDUCER NC.

DELTA CPRMS

BETA ANGLE	-5 DEG	4	8
MACH NO.	-8	.0164	.0184
0.80	.0164	.0164	.0184
0.85	.0152	.0152	.0194
0.90	.0172	.0159	.0159
0.95	.0115	.0077	.0077
1.00	.0115	.0077	.0077
1.10	.0115	.0077	.0077
1.20	.0115	.0077	.0077
1.30	.0115	.0077	.0077
1.40	.0115	.0077	.0077

AMES PRELIMINARY AERC-ACCUSTIC DATA
TEST CONDUCTED 17-28 JAN 72

CONFIGURATICN NC. 45 5
TRANSDUCER NC.

DELTA CPRMS

BETA ANGLE	-5 DEG	-4	4	8
MACH NO.	-8	.0464	.0464	.0409
0.80	.0464	.0464	.0464	.0409
0.85	.0166	.0166	.0166	.0173
0.90	.0260	.0260	.0260	.0192
0.95	.0226	.0226	.0226	.0179
1.00	.0208	.0208	.0208	.0150
1.10	.0208	.0208	.0208	.0150
1.20	.0208	.0208	.0208	.0150
1.30	.0208	.0208	.0208	.0150
1.40	.0208	.0208	.0208	.0150

AMES PRELIMINARY AERC-ACCUSTIC DATA
TEST CONDUCTED 17-28 JAN 72

CONFIGURATION NO. 5
TRANSDUCER NO. 46

DELTA CPRMS

BETA ANGLE 0 DEG		ALPHA-DEG	
MACH NO.	-8	-4	4
0.80			.0342
0.85			.0466
0.90		.0646	.0409
0.95		.0657	.0443
1.00		.0565	.0397
1.10			.0663
1.20		.0558	.0370
1.30			.0104
1.40		.0566	.0317

BETA ANGLE 5 DEG		ALPHA-DEG	
MACH NO.	-8	-4	4
0.80	.0686	.0581	.0475
0.85			.0359
0.90	.0831	.0652	.0462
0.95	.0919	.0744	.0460
1.00	.1151	.0711	.0481
1.10			.0362
1.20	.0101	.0415	.0092
1.30		.0150	
1.40	.0861	.0815	

BETA ANGLE -5 DEG		ALPHA-DEG	
MACH NO.	-8	-4	4
0.80			.0401
0.85			.0457
0.90			.0397
0.95		.0443	.0457
1.00		.0679	.0397
1.10			.0175
1.20		.0317	.0175
1.30			.0150
1.40			.0204

AMES PRELIMINARY AERC-ACOUSTIC DATA
TEST CONDUCTED 17-28 JAN 72

CONFIGURATION NO. 6
RUN NC. 312
MACH NO. 1.60
CYN PRESSURE-Q (FLIGHT) 627 PSF

AMES PRELIMINARY AERC-ACCUSTIC DATA
TEST CONDUCTED 17-28 JAN 72

CONFIGURATION NO. 6
RUN NC. 313
MACH NO. 1.60
CYN PRESSURE-Q (FLIGHT) 627 PSF

ALPHA ANGLE -8 DEG
BETA ANGLE -5 DEG

ALPHA ANGLE -4 DEG
BETA ANGLE -5 DEG

TRANSDUCER NO	DELTA CPRMS	DB	TRANSDUCER NO	DELTA CPRMS	DB
1	0.0019	128.9	2	0.0137	146.3
2	0.0147	146.5	32	0.0066	140.0
32	0.0071	140.6	4	0.0147	146.9
4	0.0137	146.3	5	0.0082	141.8
5	0.0076	141.1	6	0.0265	152.0
6	0.0322	153.7	44	0.0033	133.9
44	0.0034	134.2	8	0.0137	146.3
8	0.0122	145.2	9	0.0214	150.1
9	0.0183	148.8	34	0.0071	140.6
34	0.0076	141.1	35	0.0117	144.9
35	0.0147	146.9	12	0.0055	143.0
12	0.0138	146.4	13	0.0082	141.8
13	0.0063	139.6	43	0.0046	136.7
43	0.0056	138.4	51	0.0057	143.2
51	0.0101	143.6	16	0.0210	150.0
16	0.0117	144.9	17	0.0063	139.6
17	0.0066	140.0	18	0.0233	150.9
18	0.0196	149.4	47	0.0058	138.9
47	0.0067	140.1	48	0.0114	144.7
48	0.0107	144.1	21	0.0354	154.5
21	0.0354	154.5	49	0.0225	150.6
49	0.0230	150.8	23	0.0354	154.5
23	0.0292	152.9	24	0.0282	152.5
24	0.0442	156.4	25	0.0418	156.0
25	0.0672	160.1	50	0.0092	142.8
50	0.0153	147.2	27	0.0595	159.0
27	0.0595	159.0	41	0.0082	141.8
41	0.0082	141.8	42	0.0030	133.1
42	0.0031	133.4	45	0.0169	148.1
45	0.0196	149.4	46	0.0057	143.2
46	0.0233	150.9			

AMES PRELIMINARY AERC-ACCUSTIC DATA
TEST CONDUCTED 17-28 JAN 72

CONFIGURATICN NO. 6
RUN NO. 314
MACH NC. 1.60
DYN PRESSURE-Q (FLIGHT) 627 PSF

ALPHA ANGLE 0 DEG
BETA ANGLE -5 DEG

TRANSDUCER NO	DELTACFRMS	CB
1	0.0024	131.3
2	0.0137	146.3
32	0.0063	139.6
4	0.0127	145.6
5	0.0074	140.9
6	0.0217	150.3
44	0.0030	133.1
8	0.0127	145.6
9	0.0210	150.0
34	0.0063	139.6
35	0.0112	144.5
12	0.0089	142.5
13	0.0097	143.2
43	0.0040	135.6
51	0.0101	143.6
16	0.0225	150.6
17	0.0056	138.4
18	0.0225	150.6
47	0.0058	138.9
48	0.0107	144.1
21	0.0354	154.5
49	0.0242	151.2
23	0.0651	159.8
24	0.0117	144.9
25	0.0330	153.9
50	0.0095	143.0
27	0.0548	158.3
41	0.0079	141.5
42	0.0029	132.9
45	0.0153	147.2
46	0.0112	144.5

AMES PRELIMINARY AERC-ACCUSTIC DATA
TEST CONDUCTED 17-28 JAN 72

CONFIGURATICN NO. 6
RUN NO. 315
MACH NC. 1.60
DYN PRESSURE-Q (FLIGHT) 627 PSF

ALPHA ANGLE 4 DEG
BETA ANGLE -5 DEG

TRANSDUCER NO	DELTACFRMS	CB
1	0.0142	146.6
2	0.0193	149.2
32	0.0061	139.3
4	0.0178	148.6
5	0.0092	142.8
6	0.0274	152.3
44	0.0028	132.6
8	0.0112	144.5
9	0.0188	149.0
34	0.0071	140.6
35	0.0183	148.8
12	0.0092	142.8
13	0.0101	143.6
43	0.0055	138.3
51	0.0092	142.8
16	0.0245	151.3
17	0.0049	137.3
18	0.0233	150.9
47	0.0056	138.4
48	0.0112	144.5
21	0.0354	154.5
49	0.0233	150.9
23	0.0386	155.3
24	0.0133	146.0
25	0.0346	154.3
50	0.0087	142.3
27	0.0455	157.5
41	0.0076	141.1
42	0.0033	133.9
45	0.0142	146.6
46	0.0150	147.1

AMES PRELIMINARY AERC-ACOUSTIC DATA
TEST CONDUCTED 17-28 JAN 72

CONFIGURACION NC. 6
RUN NO. 316
MACT NC. 1.60
DYN PRESSURE-Q (FLIGHT) 627 PSF

ALPHA ANGLE 8 DEG
BETA ANGLE -5 DEG

AMES PRELIMINARY AERO-ACOUSTIC DATA
TEST CONDUCTED 17-28 JAN 72

CONFIGURACION NC. 6
RUN NO. 317
MACT NC. 1.60
DYN PRESSURE-C (FLIGHT) 627 PSF

ALPHA ANGLE -8 DEG
BETA ANGLE 0 DEG

TRANSDUCER NO	DELTA CP RMS	DB	TRANSDUCER NC	DELTA CP RMS	DB
1	0.0201	145.6	1	0.0017	127.5
2	0.0370	154.9	2	0.0306	153.2
32	0.0058	138.9	32	0.0063	139.6
4	0.0257	151.7	4	0.0173	148.3
5	0.0122	145.2	5	0.0076	141.1
6	0.0610	155.2	6	0.0163	147.8
44	0.0034	134.2	44	0.0032	139.7
8	0.0117	144.9	8	0.0142	146.6
9	0.0177	148.5	9	0.0153	149.2
34	0.0066	140.0	34	0.0063	139.6
35	0.0274	152.3	35	0.0142	146.6
12	0.0087	142.3	12	0.0163	147.8
13	0.0112	144.5	13	0.0092	142.8
43	0.0079	141.5	43	0.0066	140.0
51	0.0153	149.2	51	0.0087	142.3
16	0.0204	149.7	16	0.0140	146.5
17	0.0050	137.5	17	0.0064	139.7
18	0.0314	153.5	18	0.0109	144.3
47	0.0066	140.0	47	0.0079	141.5
48	0.0056	143.1	48	0.0101	143.6
21	0.0327	153.8	21	0.0185	148.9
49	0.0210	150.0	49	0.0370	154.9
23	0.0814	161.7	23	0.0354	154.5
24	0.0322	153.7	24	0.0158	147.5
25	0.0354	155.4	25	0.0210	150.0
50	0.0109	144.3	50	0.0403	155.6
27	0.0450	156.6	27	0.0386	155.3
41	0.0079	141.5	41	0.0067	142.3
42	0.0031	133.4	42	0.0028	132.6
45	0.0145	146.8	45	0.0865	162.3
46	0.0153	147.2	46	0.0057	143.2

AMES PRELIMINARY AERC-ACCUSTIC DATA
TEST CCNDUCTED 17-28 JAN 72

CONFIGURATION NO. 6
RUN NC. 318
MACH NO. 1.60
DYN PRESSURE-Q (FLIGHT) 627 PSF

ALPHA ANGLE -4 DEG
BETA ANGLE 0 DEG

TRANSDUCER NO	DELTACPRMS	DB
1	0.0193	149.2
2	0.0177	148.5
32	0.0056	138.4
4	0.0282	152.5
5	0.0107	144.1
6	0.0338	154.1
44	0.0022	133.7
8	0.0161	147.7
9	0.0257	151.7
34	0.0063	139.6
35	0.0117	144.9
12	0.0142	146.6
13	0.0076	141.1
43	0.0061	139.3
51	0.0076	141.1
16	0.0122	145.2
17	0.0059	139.0
18	0.0233	150.9
47	0.0082	141.8
48	0.0150	147.1
21	0.0257	151.7
49	0.0354	154.5
23	0.0403	155.6
24	0.0169	148.1
25	0.0210	150.0
50	0.0089	142.5
27	0.0564	158.5
41	0.0084	142.0
42	0.0030	133.1
45	0.0403	155.6
46	0.0087	142.3

AMES PRELIMINARY AERC-ACCUSTIC DATA
TEST CCNDUCTED 17-28 JAN 72

CONFIGURATION NO. 6
RUN NC. 319
MACH NO. 1.60
DYN PRESSURE-Q (FLIGHT) 627 PSF

ALPHA ANGLE C DEG
BETA ANGLE 0 DEG

TRANSDUCER NO	DELTACPRMS	DB
1	0.0122	145.2
2	0.0274	152.3
32	0.0056	138.4
4	0.0509	157.7
5	0.0257	151.7
6	0.0643	159.7
44	0.0030	133.1
8	0.0137	146.3
9	0.0290	152.8
34	0.0046	136.7
35	0.0101	143.6
12	0.0133	146.0
13	0.0066	140.0
43	0.0058	138.9
51	0.0071	140.6
16	0.0122	145.2
17	0.0056	138.4
18	0.0418	156.0
47	0.0082	141.8
48	0.0124	145.4
21	0.0370	154.5
49	0.0120	145.1
23	0.0410	155.8
24	0.0225	150.6
25	0.0265	152.0
50	0.0122	145.2
27	0.0575	158.8
41	0.0092	142.8
42	0.0040	135.6
45	0.0330	153.9
46	0.0092	142.8

AMES PRELIMINARY AERC-ACCUSTIC DATA
TEST CONDUCTED 17-28 JAN 72

CONFIGURATICN NC. 6
RUN NO. 320
MACH NC. 1.60
DYN PRESSURE-Q (FLIGHT) 627 PSF

ALPHA ANGLE 4 DEG
BETA ANGLE C DEG

TRANSDUCER NG	DELTACFRMS	DB
1	0.0242	151.2
2	0.0366	155.3
32	0.0066	140.0
4	0.0662	159.9
5	0.0257	153.0
6	0.0763	161.2
44	0.0034	134.2
8	0.0147	146.9
9	0.0322	153.7
34	0.0066	140.0
35	0.0107	144.1
12	0.0101	143.6
13	0.0079	141.5
43	0.0063	139.6
51	0.0058	138.9
16	0.0183	148.8
17	0.0058	138.9
18	0.0425	156.3
47	0.0084	142.0
48	0.0144	146.7
21	0.0394	155.4
49	0.0161	147.7
23	0.0418	156.0
24	0.0265	152.0
25	0.0290	152.8
50	0.0137	146.3
27	0.0484	157.2
41	0.0140	146.5
42	0.0107	144.1
45	0.0297	153.0
46	0.0104	143.9

AMES PRELIMINARY AERC-ACCUSTIC DATA
TEST CONDUCTED 17-28 JAN 72

CONFIGURATICN NC. 6
RUN NO. 321
MACH NC. 1.60
DYN PRESSURE-Q (FLIGHT) 627 PSF

ALPHA ANGLE 8 DEG
BETA ANGLE C DEG

TRANSDUCER NC	DELTACFRMS	DB
1	0.0509	157.7
2	0.0509	157.7
32	0.0066	140.0
4	0.0713	160.6
5	0.0354	154.5
6	0.0916	162.8
44	0.0037	134.9
8	0.0165	148.1
9	0.0354	154.5
34	0.0068	140.2
35	0.0137	146.3
12	0.0089	142.5
13	0.0071	140.6
43	0.0066	140.0
51	0.0064	139.7
16	0.0199	149.5
17	0.0058	138.9
18	0.0410	155.8
47	0.0099	143.5
48	0.0140	146.5
21	0.0403	155.6
49	0.0165	148.1
23	0.0448	156.5
24	0.0242	151.2
25	0.0265	152.0
50	0.0122	145.2
27	0.0386	155.3
41	0.0104	143.9
42	0.0120	145.1
45	0.0274	152.3
46	0.0101	143.6

AMES PRELIMINARY AERO-ACCUSTIC DATA
TEST CCDUCTED 17-28 JAN 72

CONFIGURATICA NO. 6
RUN NC. 322
MACH NO. 1.60
CYN FRESSURE-C (FLIGHT) 627 PSF

ALPHA ANGLE -8 DEG
BETA ANGLE 5 DEG

TRANSDUCER NC	DELTA CP RMS	CB
1	0.0027	132.3
2	0.0127	145.6
32	0.0082	141.8
2	0.0133	146.0
32	0.0071	140.6
4	0.0274	152.3
5	0.0035	134.4
6	0.0112	144.5
44	0.0147	146.5
8	0.0076	141.1
9	0.0467	156.9
34	0.0161	147.7
35	0.0117	144.9
12	0.0087	142.3
13	0.0072	140.7
43	0.0322	153.7
51	0.0074	140.9
16	0.0180	148.7
17	0.0112	144.5
18	0.0136	146.2
47	0.0354	154.5
48	0.0133	146.0
21	0.0306	153.2
29	0.0151	145.2
23	0.0158	149.5
24	0.0087	142.3
25	0.0564	158.5
50	0.0499	157.5
27	0.0274	152.3
41	0.0636	159.6
42	0.0153	147.2

AMES PRELIMINARY AERC-ACCUSTIC DATA
TEST CONDUCTED 17-28 JAN 72

CONFIGURATICA NO. 6
RUN NC. 323
MACH NO. 1.60
DYN PRESSURE-Q (FLIGHT) 627 PSF

ALPHA ANGLE -4 DEG
BETA ANGLE 5 DEG

TRANSDUCER NO	DELTA CP RMS	DB
1	0.0025	131.6
2	0.0127	145.6
32	0.0074	140.9
4	0.0142	146.6
5	0.0074	140.9
6	0.0242	151.2
44	0.0037	134.9
8	0.0127	145.6
9	0.0183	148.8
34	0.0076	141.1
35	0.0386	155.3
12	0.0107	144.1
13	0.0107	144.1
43	0.0063	135.6
51	0.0058	138.9
16	0.0257	151.7
17	0.0079	141.5
18	0.0217	150.3
47	0.0117	144.5
48	0.0127	145.6
21	0.0354	154.5
49	0.0120	145.1
23	0.0354	154.5
24	0.0201	145.6
25	0.0210	150.0
50	0.0061	135.3
27	0.0555	159.0
41	0.0086	142.2
42	0.0107	144.1
45	0.0408	155.7
46	0.0117	144.9

AMES PRELIMINARY AERC-ACCUSTIC DATA
TEST CONDUCTED 17-28 JAN 72

CONFIGURATION NC. 6
RUN NC. 324
MACH NC. 1.60
DYN PRESSURE-Q (FLIGHT) 627 PSF

AMES PRELIMINARY AERO-ACCUSTIC DATA
TEST CONDUCTED 17-28 JAN 72

CONFIGURATION NC. 6
RUN NC. 325
MACH NC. 1.60
DYN PRESSURE-C (FLIGHT) 627 PSF

TRANSducer NO	DELTA C/FRMS	DB	ALPHA ANGLE BETA ANGLE	C DEG 5 DEG	TRANSducer NC	CELTAC/PRMS	4 DEG 5 DEG	DB
1	0.0024	131.2			1	0.0133		146.0
2	0.0122	145.2			2	0.0210		150.0
32	0.0058	138.9			32	0.0063		139.6
4	0.0122	145.2			4	0.0153		147.2
5	0.0066	140.0			5	0.0071		140.6
6	0.0210	150.0			6	0.0242		151.2
44	0.0037	134.9			44	0.0037		134.9
8	0.0122	145.2			8	0.0107		144.1
9	0.0122	145.2			9	0.0153		147.2
34	0.0071	140.6			34	0.0101		143.6
35	0.0306	153.2			35	0.0101		143.6
12	0.0057	143.2			12	0.0095		143.0
13	0.0107	144.1			13	0.0107		144.1
43	0.0058	138.9			43	0.0069		140.3
16	0.0153	145.2			16	0.0163		147.8
17	0.0089	142.5			17	0.0055		143.0
18	0.0210	150.0			18	0.0217		150.3
47	0.0112	144.5			47	0.0120		145.1
48	0.0127	145.6			48	0.0122		145.2
21	0.0354	154.5			21	0.0338		154.1
29	0.0145	146.8			29	0.0145		146.8
23	0.0443	156.4			23	0.0330		153.9
24	0.0225	150.6			24	0.0347		154.3
25	0.0233	150.9			25	0.0274		152.3
50	0.0054	138.1			50	0.0074		140.9
27	0.0612	159.3			27	0.0520		158.0
41	0.0169	148.1			41	0.0177		148.5
42	0.0087	142.3			42	0.0127		145.6
45	0.0250	152.8			45	0.0274		152.3
46	0.0101	143.6			46	0.0135		146.1

AMES PRELIMINARY AERC-ACCUSTIC DATA
TEST CONDUCTED 17-28 JAN 72

CONFIGURATION NO. 6
RUN NO. 326
MACH NO. 1.60
DYN PRESSURE-Q (FLIGHT) 627 PSF

ALPHA ANGLE 8 DEG
BETA ANGLE 5 DEG

TRANSDUCER NO	DELTACPRMS	DB
1	0.0225	150.6
2	0.0370	154.9
32	0.0122	145.2
4	0.0306	153.2
5	0.0112	144.5
6	0.0789	161.5
44	0.0040	135.6
8	0.0112	144.5
9	0.0163	147.8
34	0.0097	143.2
35	0.0193	149.2
12	0.0101	143.6
13	0.0153	147.2
43	0.0066	140.0
51	0.0242	151.2
16	0.0188	149.0
17	0.0134	146.0
18	0.0297	153.0
47	0.0161	147.7
48	0.0137	146.3
21	0.0322	153.7
29	0.0165	148.1
23	0.0068	140.2
24	0.0257	151.7
25	0.0306	153.2
50	0.0092	142.8
27	0.0548	158.3
41	0.0290	152.8
42	0.0117	144.9
45	0.0274	152.3
46	0.0125	145.5

AMES PRELIMINARY AERC-ACCUSTIC DATA
TEST CONDUCTED 17-28 JAN 72

CONFIGURATICA NC. 7
RUN NO. 328
MACH NC. 2.20
DYN PRESSURE-Q (FLIGHT) 528 PSF

ALPHA ANGLE -8 DEG
BETA ANGLE -5 DEG

TRANSDUCER NC	DELTACFRMS	CB
1	0.0012	123.8
2	0.0014	125.2
32	0.0075	139.6
4	0.0250	150.0
5	0.0172	146.7
6	0.0152	145.7
44	0.0028	130.9
8	0.0182	147.2
9	0.0435	154.8
34	0.0057	137.1
35	0.0154	145.8
12	0.0206	148.3
13	0.0048	135.6
43	0.0049	135.8
51	0.0070	138.9
16	0.0165	146.4
17	0.0057	137.1
18	0.0337	152.6
47	0.0040	134.1
48	0.0085	140.7
21	0.0349	152.9
29	0.0150	147.6
23	0.0963	161.7
24	0.0055	136.9
25	0.0359	153.1
50	0.0159	146.0
27	0.0331	152.4
41	0.0090	141.1
42	0.0023	129.4
45	0.0157	145.9
46	0.0043	134.8

AMES PRELIMINARY AERC-ACCUSTIC DATA
TEST CONDUCTED 17-28 JAN 72

CONFIGURATICA NC. 7
RUN NO. 329
MACH NC. 2.20
DYN PRESSURE-Q (FLIGHT) 528 PSF

ALPHA ANGLE -4 DEG
BETA ANGLE -5 DEG

TRANSDUCER NC	DELTACFRMS	CB
1	0.0014	125.2
2	0.0017	126.5
32	0.0062	138.1
4	0.0435	154.8
5	0.0148	145.4
6	0.0050	136.0
44	0.0026	130.2
8	0.0179	147.1
9	0.0424	154.6
34	0.0059	137.4
35	0.0196	147.9
12	0.0172	146.7
13	0.0058	137.2
43	0.0049	135.8
51	0.0061	137.7
16	0.0213	148.6
17	0.0048	135.6
18	0.0315	152.0
47	0.0043	134.8
48	0.0084	140.6
21	0.0229	149.2
29	0.0250	150.0
23	0.0791	160.0
24	0.0065	138.4
25	0.0349	152.9
50	0.0206	148.3
27	0.0337	152.6
41	0.0075	139.6
42	0.0018	127.0
45	0.0103	142.3
46	0.0041	134.3

AMES PRELIMINARY AERC-ACCUSTIC DATA
TEST CONDUCTED 17-28 JAN 72

CONFIGURATICN NC. 7
RUN NO. 330
MACF NC. 2.20
DYN PRESSURE-Q (FLIGHT) 528 PSF

ALPHA ANGLE -8 DEG
BETA ANGLE -5 DEG

TRANSDUCER NC	DELTA CF RMS	CB
1	0.0013	124.5
2	0.0017	126.5
32	0.0075	139.6
4	0.0294	151.4
5	0.0151	147.7
6	0.1262	164.1
44	0.0030	131.6
8	0.0153	147.8
9	0.0501	156.0
34	0.0063	138.1
35	0.0189	147.6
12	0.0349	152.9
13	0.0055	136.9
43	0.0043	134.8
51	0.0053	141.4
16	0.0134	144.6
17	0.0062	137.9
18	0.0237	152.6
47	0.0057	137.1
48	0.0097	141.7
21	0.0272	150.7
29	0.0254	151.4
23	0.0654	158.3
24	0.0065	138.4
25	0.0349	152.6
50	0.0079	140.0
27	0.0331	152.4
41	0.0082	140.3
42	0.0018	127.0
45	0.0157	145.6
46	0.0063	138.1

AMES PRELIMINARY AERC-ACCUSTIC DATA
TEST CONDUCTED 17-28 JAN 72

CONFIGURATICN NC. 7
RUN NO. 331
MACF NC. 2.20
DYN PRESSURE-Q (FLIGHT) 528 PSF

ALPHA ANGLE -4 DEG
BETA ANGLE -5 DEG

TRANSDUCER NC	DELTA CF RMS	CB
1	0.0014	125.2
2	0.0014	125.2
32	0.0063	138.1
4	0.0457	155.2
5	0.0171	146.7
6	0.0063	138.1
44	0.0026	130.2
8	0.0179	147.1
9	0.0435	154.8
34	0.0060	137.6
35	0.0193	147.8
12	0.0282	151.0
13	0.0060	137.6
43	0.0052	136.4
51	0.0065	138.4
16	0.0172	146.7
17	0.0047	135.4
18	0.0337	152.6
47	0.0046	135.2
48	0.0085	140.7
21	0.0213	148.6
29	0.0209	148.4
23	0.0791	160.0
24	0.0065	138.4
25	0.0381	153.6
50	0.0148	145.4
27	0.0285	151.2
41	0.0072	139.2
42	0.0018	127.0
45	0.0100	142.0
46	0.0043	134.8

AMES PRELIMINARY AERO-ACCUSTIC DATA
TEST CONDUCTED 17-28 JAN 72

CONFIGURATION NC. 7
RUN NO. 332
MACH NC. 2.20
DYN PRESSURE-Q (FLIGHT) 528 PSF

AMES PRELIMINARY AERO-ACCUSTIC DATA
TEST CONDUCTED 17-28 JAN 72

CONFIGURATION NC. 7
RUN NO. 333
MACH NC. 2.20
DYN PRESSURE-Q (FLIGHT) 528 PSF

ALPHA ANGLE 0 DEG
BETA ANGLE -5 DEG

ALPHA ANGLE 4 DEG
BETA ANGLE -5 DEG

TRANSDUCER NC	DELTACFRMS	DB	TRANSDUCER NC	DELTACFRMS	DB
1	0.0016	125.9	1	0.0017	126.5
2	0.0016	125.9	2	0.0250	150.0
32	0.0055	137.4	32	0.0043	134.8
4	0.0501	156.0	4	0.0566	157.1
5	0.0206	148.3	5	0.0240	149.6
6	0.0072	139.2	6	0.0100	142.0
44	0.0023	129.4	44	0.0020	128.0
8	0.0160	146.1	8	0.0145	145.3
9	0.0396	154.0	9	0.0304	151.7
34	0.0055	137.4	34	0.0059	137.4
35	0.0182	147.2	35	0.0151	145.6
12	0.0161	146.2	12	0.0138	144.8
13	0.0069	138.8	13	0.0098	141.8
43	0.0046	135.2	43	0.0061	137.7
51	0.0061	137.7	51	0.0041	134.3
16	0.0196	147.9	16	0.0169	146.6
17	0.0049	135.8	17	0.0044	135.0
18	0.0388	153.8	18	0.0413	154.4
47	0.0041	134.3	47	0.0037	133.3
48	0.0075	140.0	48	0.0075	139.6
21	0.0162	146.2	21	0.0229	149.2
29	0.0155	146.0	29	0.0107	142.6
23	0.0688	158.8	23	0.0512	156.2
24	0.0069	138.8	24	0.0457	155.2
25	0.0435	154.8	25	0.0675	158.6
50	0.0093	141.4	50	0.0107	142.6
27	0.0255	151.4	27	0.0249	149.9
41	0.0064	138.2	41	0.0061	137.7
42	0.0024	129.8	42	0.0042	134.5
45	0.0110	142.5	45	0.0107	142.6
46	0.0039	133.8	46	0.0049	135.8

AMES PRELIMINARY AERC-ACCUSTIC DATA
TEST CCNDUCTED 17-28 JAN 72

CCNF IGURATICN NO. 7
RUN NC. 334
MACH NO. 2.20
DYN PRESSURE-Q (FLIGHT) 528 PSF

ALPHA ANGLE 8 DEG
BETA ANGLE -5 DEG

TRANSDUCER NC	DELTACPRMS	CB
1	0.0326	152.3
2	0.0435	154.8
32	0.0048	135.6
4	0.0757	155.6
5	0.0315	152.0
6	0.0144	145.2
44	0.0019	127.6
8	0.0110	142.9
9	0.0244	145.8
34	0.0057	137.1
35	0.0138	144.8
12	0.0097	141.7
13	0.0069	138.8
43	0.0065	138.4
51	0.0027	130.5
16	0.0148	145.4
17	0.0072	139.2
18	0.0435	154.8
47	0.0037	133.3
48	0.0075	139.6
21	0.0261	150.4
29	0.0100	142.0
23	0.0478	155.6
24	0.0558	157.6
25	0.0757	159.6
50	0.0266	148.3
27	0.0351	152.9
41	0.0060	137.6
42	0.0053	141.4
45	0.0185	147.4
46	0.0100	142.0

AMES PRELIMINARY AERC-ACCUSTIC DATA
TEST CCNDUCTED 17-28 JAN 72

CCNF IGURATICN NO. 7
RUN NC. 335
MACH NO. 2.20
DYN PRESSURE-Q (FLIGHT) 528 PSF

ALPHA ANGLE -8 DEG
BETA ANGLE 0 DEG

TRANSDUCER NO	DELTACPRMS	DB
1	0.0012	123.8
2	0.0012	123.8
32	0.0103	142.3
4	0.0337	152.6
5	0.0240	145.6
6	0.0100	142.0
44	0.0031	131.9
8	0.0162	146.2
9	0.0457	155.2
34	0.0065	138.4
35	0.0162	146.2
12	0.0138	144.8
13	0.0079	140.0
43	0.0061	137.7
51	0.0050	136.0
16	0.0300	151.6
17	0.0079	140.0
18	0.0213	148.6
47	0.0054	136.7
48	0.0077	139.7
21	0.0059	137.4
29	0.0062	137.9
29	0.1101	162.9
24	0.0261	150.4
25	0.0241	149.7
50	0.0051	136.2
27	0.0309	151.8
41	0.0051	141.2
42	0.0049	135.8
45	0.0179	147.1
46	0.0041	134.3

AMES PRELIMINARY AERC-ACCUSTIC DATA
TEST CCNDUCTED 17-28 JAN 72

CONFIGURATION NO. 7
RUN NC. 336
MACH NO. 2.20
DYN PRESSURE-Q (FLIGHT) 528 PSF

ALPHA ANGLE -4 DEG
BETA ANGLE 0 DEG

TRANSDUCER NO	DELTACPRMS	DB
1	0.0013	124.5
2	0.0012	123.8
32	0.0064	138.2
4	0.0576	157.2
5	0.0272	150.7
6	0.0128	144.2
44	0.0022	122.2
8	0.0200	148.0
9	0.0566	157.1
34	0.0047	135.4
35	0.0138	144.8
12	0.0151	145.6
13	0.0094	141.5
43	0.0051	136.2
51	0.0046	135.2
16	0.0200	148.0
17	0.0049	135.8
18	0.0261	150.4
47	0.0050	136.0
48	0.0072	139.2
21	0.0172	146.7
29	0.0170	146.6
23	0.0915	161.3
24	0.0244	149.8
25	0.0231	149.3
50	0.0046	135.2
27	0.0282	151.0
41	0.0101	142.1
42	0.0051	136.2
45	0.0144	145.2
46	0.0052	136.4

AMES PRELIMINARY AERC-ACCUSTIC DATA
TEST CONDUCTED 17-28 JAN 72

CONFIGURATICN NO. 7
RUN NC. 337
MACH NC. 2.20
DYN PRESSURE-Q (FLIGHT) 528 PSF

ALPHA ANGLE 0 DEG
BETA ANGLE 0 DEG

TRANSDUCER NO	DELTACFRMS	DB
1	0.0013	124.5
2	0.0826	160.4
32	0.0059	137.4
4	0.0688	158.8
5	0.0544	156.7
6	0.0172	146.7
44	0.0034	132.8
8	0.0206	148.2
9	0.0544	156.7
34	0.0048	135.6
35	0.0093	141.4
12	0.0153	147.8
13	0.0057	141.7
43	0.0049	135.8
51	0.0032	132.2
16	0.0185	147.4
17	0.0051	136.2
18	0.0467	155.4
47	0.0048	135.6
48	0.0079	140.0
21	0.0294	151.4
29	0.0113	143.1
23	0.0576	157.2
24	0.0151	145.6
25	0.0212	148.6
50	0.0079	140.0
27	0.0255	150.2
41	0.0038	133.6
42	0.0042	134.5
45	0.0131	144.4
46	0.0050	141.1

AMES PRELIMINARY AERO-ACCUSTIC DATA
TEST CONDUCTED 17-28 JAN 72

CONFIGURATICN NC. 7
RUN NO. 338
MACF NC. 2.20
DYN PRESSURE-Q (FLIGHT) 528 PSF

ALPHA ANGLE 4 DEG
BETA ANGLE 0 DEG

TRANSDUCER NC	DELTA CP RMS	CB
1	0.0103	142.3
2	0.0352	153.9
32	0.0055	137.4
4	0.0958	162.0
5	0.0544	156.7
6	0.0182	147.2
44	0.0040	134.1
8	0.0437	154.9
9	0.0675	158.6
34	0.0062	137.9
35	0.0128	144.2
12	0.0185	147.4
13	0.0057	137.1
43	0.0043	134.8
51	0.0021	128.5
16	0.0131	144.4
17	0.0048	135.6
18	0.0512	156.2
47	0.0050	136.0
48	0.0093	141.4
21	0.0272	150.7
29	0.0100	142.0
23	0.0609	157.7
24	0.0182	147.2
25	0.0008	115.8
50	0.0054	136.7
27	0.0171	146.7
41	0.0075	139.6
42	0.0044	135.0
45	0.0050	141.1
46	0.0094	141.5

AMES PRELIMINARY AERO-ACCUSTIC DATA
TEST CONDUCTED 17-28 JAN 72

CONFIGURATICN NC. 7
RUN NO. 339
MACF NC. 2.20
DYN PRESSURE-Q (FLIGHT) 528 PSF

ALPHA ANGLE 4 DEG
BETA ANGLE 0 DEG

TRANSDUCER NC	DELTA CP RMS	CB
1	0.0575	161.5
2	0.0688	158.8
32	0.0061	137.7
4	0.1308	164.4
5	0.0512	156.2
6	0.0205	148.3
44	0.0020	128.0
8	0.0120	143.6
9	0.0250	150.0
34	0.0061	137.7
35	0.0128	144.2
12	0.0151	145.6
13	0.0065	138.4
43	0.0050	136.0
51	0.0017	126.5
16	0.0175	147.1
17	0.0067	138.5
18	0.0467	155.4
47	0.0058	137.3
48	0.0103	142.3
21	0.0206	148.3
29	0.0154	145.8
23	0.0544	156.7
24	0.0262	150.4
25	0.0283	151.1
50	0.0165	147.4
27	0.0186	147.4
41	0.0072	139.2
42	0.0046	135.2
45	0.0117	143.4
46	0.0144	145.2

AMES PRELIMINARY AERC-ACCUSTIC DATA
TEST CCNDUCTEC 17-28 JAN 72

CONFIGURATION NO. 7
RUN NC. 340
MACH NC. 2.20
DYN PRESSURE-Q (FLIGHT) 528 PSF

ALPHA ANGLE -8 DEG
BETA ANGLE 5 DEG

AMES PRELIMINARY AERC-ACCUSTIC DATA
TEST CCNDUCTEC 17-28 JAN 72

CONFIGURATION NO. 7
RUN NC. 341
MACH NC. 2.20
DYN PRESSURE-Q (FLIGHT) 528 PSF

ALPHA ANGLE -4 DEG
BETA ANGLE 5 DEG

TRANSDUCER NO	DELTA CP RMS	DB	TRANSDUCER NO	DELTA CP RMS	DB
1	0.0020	128.0	1	0.0019	127.6
2	0.0043	134.8	2	0.0049	135.8
32	0.0172	146.7	32	0.0131	144.4
4	0.0413	154.4	4	0.0512	156.2
5	0.0182	147.2	5	0.0165	146.4
6	0.0761	159.7	6	0.0551	156.9
44	0.0021	131.5	44	0.0027	130.5
8	0.0185	147.4	8	0.0179	147.1
9	0.0526	156.5	9	0.0446	155.0
34	0.0072	139.2	34	0.0068	138.6
35	0.0082	140.3	35	0.0069	138.8
12	0.0490	155.8	12	0.0403	154.1
13	0.0151	145.6	13	0.0151	145.6
43	0.0063	138.1	43	0.0065	138.8
51	0.0048	135.6	51	0.0043	134.8
16	0.0303	151.7	16	0.0185	147.4
17	0.0082	140.3	17	0.0100	142.0
18	0.0326	152.3	18	0.0337	152.6
47	0.0097	141.7	47	0.0110	142.9
48	0.0079	140.0	48	0.0090	141.1
21	0.0206	148.3	21	0.0240	149.6
29	0.0060	137.6	29	0.0022	129.0
23	0.0192	153.9	23	0.1956	168.0
24	0.0185	147.4	24	0.0082	140.3
25	0.0272	150.7	25	0.0587	157.4
50	0.0065	138.4	50	0.0028	130.9
27	0.0309	151.8	27	0.0220	148.9
41	0.0015	127.6	41	0.0043	134.8
42	0.0028	130.9	42	0.0018	127.0
45	0.0355	153.1	45	0.0250	150.0
46	0.0185	147.4	46	0.0097	141.7

AMES PRELIMINARY AERC-ACCUSTIC DATA
TEST CONDUCTED 17-28 JAN 72

CONFIGURATICA NC. 7
RUN NC. 342
MACH NC. 2.20
CYN PRESSURE-Q (FLIGHT) 528 PSF

AMES PRELIMINARY AERC-ACCUSTIC DATA
TEST CONDUCTED 17-28 JAN 72

CONFIGURATICA NC. 7
RUN NC. 343
MACH NC. 2.20
DYN PRESSURE-Q (FLIGHT) 528 PSF

TRANSDUCER NO	DELTA C PRMS	DB	ALPHA ANGLE BETA ANGLE	C S	DEG DEG
1	0.0019	127.6			
2	0.0057	137.1			
32	0.0079	140.0			
4	0.0501	156.0			
5	0.0229	145.2			
6	0.0072	135.2			
44	0.0026	130.2			
8	0.0179	147.1			
9	0.0413	154.4			
34	0.0063	138.1			
35	0.0069	138.8			
12	0.0155	146.0			
13	0.0131	144.4			
43	0.0075	135.6			
51	0.0020	131.6			
16	0.0193	147.8			
17	0.0072	135.2			
18	0.0413	154.4			
47	0.0053	141.4			
48	0.0082	140.3			
21	0.0159	146.0			
27	0.0069	138.8			
23	0.0352	153.9			
24	0.0218	148.8			
25	0.0294	151.4			
50	0.0039	133.8			
27	0.0275	150.8			
41	0.0020	128.0			
42	0.0025	131.2			
45	0.0195	147.9			
46	0.0057	141.7			

TRANSDUCER NO	DELTA C PRMS	DB	ALPHA ANGLE BETA ANGLE	4 5	DEG DEG
1	0.0018	127.0			
2	0.0261	150.4			
32	0.0069	138.8			
4	0.0619	157.9			
5	0.0283	151.1			
6	0.0100	142.0			
44	0.0021	128.5			
8	0.0151	145.6			
9	0.0294	151.4			
34	0.0065	138.4			
35	0.0072	139.2			
12	0.0138	144.8			
13	0.0100	142.0			
43	0.0065	138.4			
51	0.0024	125.8			
16	0.0172	146.7			
17	0.0075	135.6			
18	0.0435	154.8			
47	0.0103	142.3			
48	0.0125	144.0			
21	0.0229	149.2			
29	0.0075	135.6			
23	0.0435	154.8			
24	0.0261	150.4			
25	0.0283	151.1			
50	0.0050	136.0			
27	0.0357	153.1			
41	0.0030	131.6			
42	0.0041	134.3			
45	0.0174	146.9			
46	0.0103	142.3			

AMES PRELIMINARY AERC-ACCUSTIC DATA
TEST CONDUCTED 17-28 JAN 72

CONFIGURATION NC. 7
RUN NO. 344
MACH NC. 2.20
DYN PRESSURE-Q (FLIGHT) 528 FSF

ALPHA ANGLE 8 DEG
BETA ANGLE 5 DEG

TRANSDUCER NC	CELTACFRMS	CB
1	0.0218	148.8
2	0.0478	155.6
32	0.0069	138.8
4	0.0757	159.6
5	0.0326	152.3
6	0.0151	145.6
44	0.0019	127.6
8	0.0124	143.9
9	0.0213	148.6
34	0.0065	138.4
35	0.0097	141.7
12	0.0062	137.9
13	0.0057	141.7
43	0.0061	137.7
51	0.0011	122.9
16	0.0172	146.7
17	0.0079	140.0
18	0.0435	154.8
47	0.0172	146.7
48	0.0131	144.4
21	0.0261	150.4
29	0.0165	146.4
23	0.0413	154.4
24	0.0250	150.0
25	0.0261	150.4
50	0.0054	136.7
27	0.0260	150.3
41	0.0050	141.1
42	0.0034	132.8
45	0.0159	146.0
46	0.0110	142.9

AMES PRELIMINARY AERO-ACCUSTIC DATA
TEST CONDUCTED 17-28 JAN 72

CONFIGURATION NO. 6 AND 7
TRANSDUCER NO. 1

ACCUSTIC LEVEL-DB

BETA ANGLE	0 DEG	5 DEG	8	4	0	4	8
MACH NO.							
1.60	127.9	123.8	157.7	151.2	145.2	151.2	157.7
2.20	123.8	124.5	161.9	161.9	124.5	161.9	161.9
BETA ANGLE	5 DEG	5 DEG					
MACH NO.							
1.60	132.3	128.0	150.6	146.0	131.2	146.0	150.6
2.20	128.0	127.6	148.8	127.0	127.6	127.0	148.8
BETA ANGLE	-5 DEG	-5 DEG					
MACH NO.							
1.60	128.9	125.2	149.6	146.6	131.3	146.6	149.6
2.20	124.5	125.9	152.3	126.5	125.9	126.5	152.3

AMES PRELIMINARY AERC-ACCUSTIC DATA
TEST CONDUCTED 17-28 JAN 72

CONFIGURATION NO. 6 AND 7
TRANSDUCER NO. 2

ACCUSTIC LEVEL-DB

BETA ANGLE	0 DEG	5 DEG	-4	0	4	8
MACH NO.						
1.60	153.2	123.8	148.5	152.3	155.3	157.7
2.20	123.8	123.8	123.8	160.4	158.8	157.7
BETA ANGLE	5 DEG	5 DEG				
MACH NO.						
1.60	145.6	134.8	145.6	145.2	150.0	154.9
2.20	134.8	134.8	135.8	137.1	150.4	155.6
BETA ANGLE	-5 DEG	-5 DEG				
MACH NO.						
1.60	146.9	126.5	146.3	146.3	146.2	154.9
2.20	126.5	125.2	125.2	125.9	150.0	154.8

AMES PRELIMINARY AERC-ACCUSTIC DATA
TEST CONDUCTED 17-28 JAN 72

CONFIGURATION NO. 6 AND 7
TRANSDUCER NO. 32

ACCUSTIC LEVEL-DB

BETA ANGLE	0 DEG	5 DEG	8	4	ALPHA-DEG
MACH NO.					
1.60	135.6	142.3	140.0	140.0	138.4
2.20	142.3	138.2	137.7	137.7	137.4

BETA ANGLE	5 DEG	8	4	ALPHA-DEG
MACH NO.				
1.60	141.8	146.7	145.2	138.5
2.20	146.7	144.4	138.8	140.0

BETA ANGLE	-5 DEG	8	4	ALPHA-DEG
MACH NO.				
1.60	140.6	139.6	139.3	139.6
2.20	139.6	138.1	134.8	137.4

AMES PRELIMINARY AERC-ACCUSTIC DATA
TEST CONDUCTED 17-28 JAN 72

CONFIGURATION NO. 6 AND 7
TRANSDUCER NO. 4

ACCUSTIC LEVEL-DB

BETA ANGLE	0 DEG	5 DEG	8	4	ALPHA-DEG
MACH NO.					
1.60	148.3	152.5	152.0	157.7	157.7
2.20	152.6	157.2	152.0	158.8	158.8

BETA ANGLE	5 DEG	8	4	ALPHA-DEG
MACH NO.				
1.60	154.4	146.6	147.2	145.2
2.20	154.4	156.2	157.9	156.0

BETA ANGLE	-5 DEG	8	4	ALPHA-DEG
MACH NO.				
1.60	146.3	146.9	148.6	145.6
2.20	151.4	155.2	157.1	156.0

AMES PRELIMINARY AERC-ACCUSTIC DATA
TEST CONDUCTED 17-28 JAN 72

CONFIGURATION NO. 6 AND 7
TRANSDUCER NO. 5

ACOUSTIC LEVEL-CB

BETA ANGLE	0 DEG	5 DEG	8	4	8
MACH NO.	-8	-4	8	4	8
1.60	141.1	144.1	154.5	153.0	154.5
2.20	149.6	150.7	156.2	156.2	156.2
ALPHA-DEG					
BETA ANGLE	5 DEG				
MACH NO.	-8	-4	8	4	8
1.60	147.2	140.9	144.5	140.6	144.5
2.20	147.2	146.4	152.3	151.1	152.3
ALPHA-DEG					
BETA ANGLE	-5 DEG				
MACH NO.	-8	-4	8	4	8
1.60	141.1	141.8	145.2	142.8	145.2
2.20	147.7	146.7	152.0	149.6	152.0
ALPHA-DEG					

AMES PRELIMINARY AERC-ACCUSTIC DATA
TEST CONDUCTED 17-28 JAN 72

CONFIGURATION NO. 6 AND 7
TRANSDUCER NO. 6

ACOUSTIC LEVEL-DB

BETA ANGLE	0 DEG	5 DEG	8	4	8
MACH NO.	-8	-4	8	4	8
1.60	147.8	154.1	154.5	151.2	154.5
2.20	142.0	144.2	156.2	142.0	156.2
ALPHA-DEG					
BETA ANGLE	0 DEG				
MACH NO.	-8	-4	8	4	8
1.60	147.8	154.1	154.5	151.2	154.5
2.20	142.0	144.2	156.2	142.0	156.2
ALPHA-DEG					
BETA ANGLE	-5 DEG				
MACH NO.	-8	-4	8	4	8
1.60	152.7	152.0	145.2	152.3	145.2
2.20	164.1	138.1	152.0	142.0	152.0
ALPHA-DEG					

AMES PRELIMINARY AERO-ACCLUSTIC DATA
TEST CCNCLUDED 17-28 JAN 72

CONFIGURATION NO. 6 AND 7
TRANSDUCER NO. 44

ACCUSTIC LEVEL-DB

BETA ANGLE 0 DEG		BETA ANGLE 5 DEG	
MACH NO.	ALPHA-DEG C	MACH NO.	ALPHA-DEG C
1.60	133.7	1.60	134.9
2.20	131.9	2.20	127.6

BETA ANGLE 0 DEG		BETA ANGLE 5 DEG	
MACH NO.	ALPHA-DEG C	MACH NO.	ALPHA-DEG C
1.60	133.1	1.60	135.6
2.20	132.8	2.20	127.6

BETA ANGLE 0 DEG		BETA ANGLE 5 DEG	
MACH NO.	ALPHA-DEG C	MACH NO.	ALPHA-DEG C
1.60	133.9	1.60	134.2
2.20	130.2	2.20	127.6

AMES PRELIMINARY AERO-ACCUSTIC DATA
TEST CCNCLUDED 17-28 JAN 72

CONFIGURATION NO. 6 AND 7
TRANSDUCER NO. 8

ACCUSTIC LEVEL-DB

BETA ANGLE 0 DEG		BETA ANGLE 5 DEG	
MACH NO.	ALPHA-DEG C	MACH NO.	ALPHA-DEG C
1.60	146.6	1.60	146.3
2.20	146.2	2.20	148.3

BETA ANGLE 0 DEG		BETA ANGLE 5 DEG	
MACH NO.	ALPHA-DEG C	MACH NO.	ALPHA-DEG C
1.60	147.7	1.60	145.2
2.20	148.0	2.20	147.1

BETA ANGLE 0 DEG		BETA ANGLE 5 DEG	
MACH NO.	ALPHA-DEG C	MACH NO.	ALPHA-DEG C
1.60	146.3	1.60	145.6
2.20	143.6	2.20	145.6

AMES PRELIMINARY AERC-ACCUSTIC DATA
TEST CONDUCTED 17-28 JAN 72

AMES PRELIMINARY AERC-ACCUSTIC DATA
TEST CONDUCTED 17-28 JAN 72

CONFIGURATION NC. 6 AND 7
TRANSDUCER NC. 9

CONFIGURATION NC. 6 AND 7
TRANSDUCER NC. 34

ACCUSTIC LEVEL-DB

ACCUSTIC LEVEL-DB

BETA ANGLE 0 DEG		BETA ANGLE 5 DEG	
MACH NO.	ALPHA-DEG	MACH NO.	ALPHA-DEG
1.60	151.7	1.60	153.7
2.20	157.1	2.20	150.0
1.60	148.8	1.60	147.2
2.20	155.0	2.20	151.4
1.60	150.1	1.60	149.0
2.20	154.8	2.20	151.7

BETA ANGLE 0 DEG		BETA ANGLE 5 DEG	
MACH NO.	ALPHA-DEG	MACH NO.	ALPHA-DEG
1.60	135.6	1.60	136.7
2.20	138.4	2.20	135.6
1.60	141.1	1.60	140.6
2.20	138.6	2.20	138.1
1.60	140.6	1.60	143.6
2.20	137.6	2.20	138.4

BETA ANGLE -5 DEG		BETA ANGLE -5 DEG	
MACH NO.	ALPHA-DEG	MACH NO.	ALPHA-DEG
1.60	150.1	1.60	141.1
2.20	154.8	2.20	137.6
1.60	148.8	1.60	140.6
2.20	156.0	2.20	137.4
1.60	149.0	1.60	140.6
2.20	151.7	2.20	137.4

BETA ANGLE 0 DEG		BETA ANGLE 5 DEG	
MACH NO.	ALPHA-DEG	MACH NO.	ALPHA-DEG
1.60	135.6	1.60	136.7
2.20	138.4	2.20	135.6
1.60	141.1	1.60	140.6
2.20	138.6	2.20	138.1
1.60	140.6	1.60	143.6
2.20	137.6	2.20	138.4

AMES PRELIMINARY AERC-ACOUSTIC DATA
TEST CONDUCTED 17-28 JAN 72

CONFIGURATION NO. 6 AND 7
TRANSDUCER NO. 35

ACOUSTIC LEVEL-DB

BETA ANGLE 0 DEG		BETA ANGLE 5 DEG	
MACH NO.	ALPHA-DEG C	MACH NO.	ALPHA-DEG C
1.60	143.6	1.60	149.2
2.20	141.4	2.20	141.7
1.60	144.9	1.60	149.2
2.20	144.8	2.20	141.7

BETA ANGLE 0 DEG		BETA ANGLE 5 DEG	
MACH NO.	ALPHA-DEG C	MACH NO.	ALPHA-DEG C
1.60	146.6	1.60	153.2
2.20	146.2	2.20	138.8
1.60	144.9	1.60	144.5
2.20	144.8	2.20	147.2

AMES PRELIMINARY AERC-ACOUSTIC DATA
TEST CONDUCTED 17-28 JAN 72

CONFIGURATION NO. 6 AND 7
TRANSDUCER NO. 12

ACOUSTIC LEVEL-DB

BETA ANGLE 0 DEG		BETA ANGLE 5 DEG	
MACH NO.	ALPHA-DEG C	MACH NO.	ALPHA-DEG C
1.60	147.8	1.60	143.0
2.20	144.8	2.20	143.0
1.60	146.6	1.60	143.0
2.20	145.6	2.20	144.8

BETA ANGLE 0 DEG		BETA ANGLE 5 DEG	
MACH NO.	ALPHA-DEG C	MACH NO.	ALPHA-DEG C
1.60	146.6	1.60	143.0
2.20	144.8	2.20	146.0
1.60	144.9	1.60	143.0
2.20	144.8	2.20	146.2

AMES PRELIMINARY AERC-ACCUSTIC DATA
TEST CONDUCTED 17-28 JAN 72

CONFIGURATION NO. 6 AND 7
TRANSDUCER NO. 13

ACCUSTIC LEVEL-DB

BETA ANGLE	0 DEG	5 DEG	8	ALPHA-DEG C	4	8	BETA ANGLE	0 DEG	8	ALPHA-DEG 0	4	8
MACH NO.							MACH NO.					
1.60	142.8	141.1	141.5	140.0	141.5	140.6	1.60	140.0	139.2	138.9	139.6	140.0
2.20	140.0	141.5	141.7	137.7	138.4	137.7	2.20	137.7	136.2	135.8	136.0	140.0
BETA ANGLE	5 DEG						BETA ANGLE	5 DEG				
MACH NO.							MACH NO.					
1.60	144.1	144.1	144.1	147.2	144.1	147.2	1.60	139.6	138.6	138.9	140.3	140.0
2.20	145.6	144.4	144.4	141.7	142.0	141.7	2.20	138.8	138.8	135.8	138.4	137.7
BETA ANGLE	-5 DEG						BETA ANGLE	-5 DEG				
MACH NO.							MACH NO.					
1.60	135.6	141.8	142.2	144.5	143.6	144.5	1.60	136.4	136.7	135.6	138.3	141.5
2.20	136.9	137.6	138.8	138.8	141.8	138.8	2.20	134.8	136.4	135.2	137.7	138.4

AMES PRELIMINARY AERC-ACCUSTIC DATA
TEST CONDUCTED 17-28 JAN 72

CONFIGURATION NO. 6 AND 7
TRANSDUCER NO. 43

ACCUSTIC LEVEL-DB

AMES PRELIMINARY AERO-ACCLUSTIC DATA
TEST CCNDUCTED 17-28 JAN 72

CONFIGURATION NC. 6 AND 7
TRANSCUCER NC. 51

ACCUSTIC LEVEL-DB

BETA ANGLE 0 DEG		BETA ANGLE 5 DEG	
MACH NO.	ALPHA-DEG C	MACH NO.	ALPHA-DEG C
1.60	141.1	1.60	138.9
2.20	135.2	2.20	125.8
1.60	140.6	1.60	131.6
2.20	132.2	2.20	125.8
1.60	141.1	1.60	142.8
2.20	135.2	2.20	134.3
1.60	140.6	1.60	143.6
2.20	132.2	2.20	137.7

AMES PRELIMINARY AERO-ACCUSTIC DATA
TEST CCNDUCTED 17-28 JAN 72

CONFIGURATION NC. 6 AND 7
TRANSCUCER NC. 16

ACCUSTIC LEVEL-DB

BETA ANGLE 0 DEG		BETA ANGLE 5 DEG	
MACH NO.	ALPHA-DEG C	MACH NO.	ALPHA-DEG C
1.60	145.2	1.60	151.7
2.20	148.0	2.20	147.4
1.60	145.2	1.60	149.2
2.20	147.4	2.20	147.8
1.60	145.2	1.60	151.7
2.20	148.0	2.20	147.4
1.60	145.2	1.60	149.2
2.20	147.4	2.20	147.8

AMES PRELIMINARY AERO-ACCLUSTIC DATA
TEST CONDUCTED 17-28 JAN 72

CONFIGURATION NO. 6 AND 7
TRANSDUCER NO. 17

ACCUSTIC LEVEL-DB

BETA ANGLE 0 DEG		ALPHA-DEG		BETA ANGLE 5 DEG	
MACH NO.		C	4	MACH NO.	8
1.60	135.7	138.4	138.9	1.60	138.9
2.20	140.0	136.2	138.5	2.20	140.0
BETA ANGLE 5 DEG		ALPHA-DEG		BETA ANGLE -5 DEG	
MACH NO.		C	4	MACH NO.	8
1.60	141.5	142.5	143.0	1.60	146.0
2.20	142.0	135.2	139.6	2.20	140.0
BETA ANGLE 0 DEG		ALPHA-DEG		BETA ANGLE 5 DEG	
MACH NO.		C	4	MACH NO.	8
1.60	139.6	138.4	137.3	1.60	137.5
2.20	135.4	135.8	135.0	2.20	139.2

AMES PRELIMINARY AERO-ACCUSTIC DATA
TEST CONDUCTED 17-28 JAN 72

CONFIGURATION NO. 6 AND 7
TRANSDUCER NO. 18

ACCUSTIC LEVEL-DB

BETA ANGLE 0 DEG		ALPHA-DEG		BETA ANGLE 5 DEG	
MACH NO.		C	4	MACH NO.	8
1.60	144.3	156.0	156.3	1.60	156.3
2.20	148.6	155.4	155.4	2.20	155.4
BETA ANGLE 5 DEG		ALPHA-DEG		BETA ANGLE -5 DEG	
MACH NO.		C	4	MACH NO.	8
1.60	150.3	150.0	150.3	1.60	153.0
2.20	152.3	154.4	154.8	2.20	154.8
BETA ANGLE 0 DEG		ALPHA-DEG		BETA ANGLE 5 DEG	
MACH NO.		C	4	MACH NO.	8
1.60	149.4	150.6	150.9	1.60	153.5
2.20	152.6	153.8	154.4	2.20	154.8

AMES PRELIMINARY AERC-ACCUSTIC DATA
TEST CONDUCTED 17-28 JAN 72

CONFIGURACION NC. 6 AND 7
TRANSDUCER NO. 47

ACCUSTIC LEVEL-CB

BETA ANGLE 0 DEG		BETA ANGLE 5 DEG	
MACH NO.	ALPHA-DEG C	MACH NO.	ALPHA-DEG C
1.60	141.8	1.60	143.5
2.20	136.0	2.20	146.7
	141.8		147.7
	135.6		146.7
	142.0		140.0
	137.3		145.1
			142.3
BETA ANGLE 0 DEG		BETA ANGLE 5 DEG	
MACH NO.	ALPHA-DEG C	MACH NO.	ALPHA-DEG C
1.60	141.8	1.60	143.5
2.20	136.0	2.20	146.7
	141.8		147.7
	135.6		146.7
	142.0		140.0
	137.3		145.1
			142.3

AMES PRELIMINARY AERC-ACCUSTIC DATA
TEST CONDUCTED 17-28 JAN 72

CONFIGURACION NC. 6 AND 7
TRANSDUCER NO. 48

ACCUSTIC LEVEL-DB

BETA ANGLE 0 DEG		BETA ANGLE 5 DEG	
MACH NO.	ALPHA-DEG C	MACH NO.	ALPHA-DEG C
1.60	143.6	1.60	143.5
2.20	139.7	2.20	146.7
	147.1		147.7
	139.2		146.7
	145.4		140.0
	140.0		145.1
			142.3
BETA ANGLE 0 DEG		BETA ANGLE 5 DEG	
MACH NO.	ALPHA-DEG C	MACH NO.	ALPHA-DEG C
1.60	143.6	1.60	143.5
2.20	139.7	2.20	146.7
	147.1		147.7
	139.2		146.7
	145.4		140.0
	140.0		145.1
			142.3

BETA ANGLE -5 DEG	
MACH NO.	ALPHA-DEG C
1.60	144.1
2.20	141.7
	144.7
	140.7
	144.1
	140.0

BETA ANGLE 0 DEG	
MACH NO.	ALPHA-DEG C
1.60	144.1
2.20	139.6
	144.5
	139.6

AMES PRELIMINARY AERO-ACCUSTIC DATA
TEST CCNDUCTED 17-28 JAN 72

CONFIGURATION NO. 6 AND 7
TRANSDUCER NC. 21

ACCUSTIC LEVEL-DB

BETA ANGLE 0 DEG		BETA ANGLE 5 DEG	
MACH NO.	ALPHA-DEG 0	MACH NO.	ALPHA-DEG 0
1.60	151.7	1.60	155.4
2.20	146.7	2.20	148.3
BETA ANGLE -5 DEG		BETA ANGLE 5 DEG	
MACH NO.	ALPHA-DEG C	MACH NO.	ALPHA-DEG C
1.60	154.5	1.60	154.1
2.20	146.6	2.20	149.2
BETA ANGLE -8 DEG		BETA ANGLE -5 DEG	
MACH NO.	ALPHA-DEG C	MACH NO.	ALPHA-DEG C
1.60	154.5	1.60	154.5
2.20	146.6	2.20	149.2

BETA ANGLE 0 DEG		BETA ANGLE 5 DEG	
MACH NO.	ALPHA-DEG 0	MACH NO.	ALPHA-DEG 0
1.60	154.9	1.60	145.1
2.20	151.4	2.20	147.7
BETA ANGLE -4 DEG		BETA ANGLE 5 DEG	
MACH NO.	ALPHA-DEG C	MACH NO.	ALPHA-DEG C
1.60	155.6	1.60	145.1
2.20	153.7	2.20	145.1
BETA ANGLE -8 DEG		BETA ANGLE -5 DEG	
MACH NO.	ALPHA-DEG C	MACH NO.	ALPHA-DEG C
1.60	153.8	1.60	151.2
2.20	150.4	2.20	150.9

AMES PRELIMINARY AERO-ACCUSTIC DATA
TEST CCNDUCTED 17-28 JAN 72

CONFIGURATION NO. 6 AND 7
TRANSDUCER NC. 49

ACCUSTIC LEVEL-DB

AMES PRELIMINARY AERC-ACCUSTIC DATA
TEST CCNDUCTED 17-28 JAN 72

CONFIGURATION NO. 6 AND 7
TRANSDUCER NC. 23

ACCUSTIC LEVEL-DB

BETA ANGLE 0 DEG		BETA ANGLE 5 DEG	
MACH NO.	ALPHA-DEG C	MACH NO.	ALPHA-DEG C
1.60	155.8	1.60	153.9
2.20	157.2	2.20	154.8
	-4		-4
	155.6		154.5
	161.3		166.C
	156.5		158.8
	156.7		158.8
	8		8
	156.0		161.7
	156.7		155.6
	4		4
	156.0		155.3
	156.7		156.2

AMES PRELIMINARY AERC-ACCUSTIC DATA
TEST CCNDUCTED 17-28 JAN 72

CONFIGURATION NO. 6 AND 7
TRANSDUCER NC. 24

ACCUSTIC LEVEL-DB

BETA ANGLE 0 DEG		BETA ANGLE 5 DEG	
MACH NO.	ALPHA-DEG 0	MACH NO.	ALPHA-DEG 0
1.60	148.1	1.60	149.6
2.20	145.6	2.20	140.3
	-4		-4
	148.1		149.6
	145.6		140.3
	8		8
	152.0		150.6
	150.4		148.6
	4		4
	152.0		154.3
	150.4		150.4

BETA ANGLE -5 DEG		BETA ANGLE -8 DEG	
MACH NO.	ALPHA-DEG 0	MACH NO.	ALPHA-DEG 0
1.60	144.9	1.60	152.5
2.20	138.6	2.20	138.4
	-4		-4
	144.9		152.5
	138.6		138.4
	8		8
	146.0		156.4
	155.2		138.4
	4		4
	146.0		156.4
	155.2		138.4

AMES PRELIMINARY AERC-ACCUSTIC DATA
TEST CONDUCTED 17-28 JAN 72

CONFIGURATION NO. 6 AND 7
TRANSDUCER NO. 25

ACCUSTIC LEVEL-DB

BETA ANGLE	0 DEG	5 DEG	8 DEG	ALPHA-DEG	4	8
MACH NO.						
1.60	150.0	152.0	152.0	150.0	152.8	152.0
2.20	145.7	148.6	148.6	145.3	151.1	151.1

BETA ANGLE	0 DEG	5 DEG	8 DEG	ALPHA-DEG	4	8
MACH NO.						
1.60	150.0	152.0	152.0	150.0	152.8	152.0
2.20	145.7	148.6	148.6	145.3	151.1	151.1

BETA ANGLE	0 DEG	5 DEG	8 DEG	ALPHA-DEG	4	8
MACH NO.						
1.60	150.0	152.0	152.0	150.0	152.8	152.0
2.20	145.7	148.6	148.6	145.3	151.1	151.1

AMES PRELIMINARY AERC-ACCUSTIC DATA
TEST CONDUCTED 17-28 JAN 72

CONFIGURATION NO. 6 AND 7
TRANSDUCER NO. 50

ACCUSTIC LEVEL-DB

BETA ANGLE	0 DEG	5 DEG	8 DEG	ALPHA-DEG	4	8
MACH NO.						
1.60	155.6	136.2	142.5	145.2	146.3	145.2
2.20	136.2	135.2	135.2	140.0	147.4	147.4

BETA ANGLE	0 DEG	5 DEG	8 DEG	ALPHA-DEG	4	8
MACH NO.						
1.60	135.2	138.4	135.2	138.1	140.9	142.8
2.20	130.9	130.9	130.9	133.8	136.0	136.7

BETA ANGLE	0 DEG	5 DEG	8 DEG	ALPHA-DEG	4	8
MACH NO.						
1.60	142.8	140.0	142.8	143.0	142.3	144.3
2.20	145.4	141.4	145.4	141.4	142.6	148.3

AMES PRELIMINARY AERC-ACCUSTIC DATA
TEST CONDUCTED 17-28 JAN 72

CONFIGURATION NC. 6 AND 7
TRANSDUCER NC. 42

ACCUSTIC LEVEL-DB

BETA ANGLE 0 DEG		BETA ANGLE 5 DEG	
MACH NO.	ALPHA-DEG C	MACH NO.	ALPHA-DEG C
1.60	133.1	1.60	144.1
2.20	135.8	2.20	135.2
	-4		8
	133.1		145.1
	135.8		135.2
BETA ANGLE 0 DEG		BETA ANGLE 5 DEG	
MACH NO.	ALPHA-DEG C	MACH NO.	ALPHA-DEG C
1.60	144.1	1.60	145.6
2.20	127.0	2.20	134.3
	-4		8
	144.1		144.9
	127.0		132.8
BETA ANGLE -5 DEG		BETA ANGLE -5 DEG	
MACH NO.	ALPHA-DEG C	MACH NO.	ALPHA-DEG C
1.60	133.1	1.60	133.9
2.20	127.0	2.20	134.5
	-4		8
	133.1		133.4
	127.0		141.4

AMES PRELIMINARY AERC-ACCUSTIC DATA
TEST CONDUCTED 17-28 JAN 72

CONFIGURATION NC. 6 AND 7
TRANSDUCER NC. 45

ACCUSTIC LEVEL-DB

BETA ANGLE 0 DEG		BETA ANGLE 5 DEG	
MACH NO.	ALPHA-DEG C	MACH NO.	ALPHA-DEG C
1.60	162.3	1.60	153.0
2.20	147.1	2.20	143.4
	-4		8
	155.6		152.3
	145.2		146.9
BETA ANGLE 0 DEG		BETA ANGLE -5 DEG	
MACH NO.	ALPHA-DEG C	MACH NO.	ALPHA-DEG C
1.60	155.7	1.60	152.3
2.20	150.0	2.20	146.9
	-4		8
	155.7		152.3
	150.0		146.0
BETA ANGLE -5 DEG		BETA ANGLE -5 DEG	
MACH NO.	ALPHA-DEG C	MACH NO.	ALPHA-DEG C
1.60	148.1	1.60	146.6
2.20	142.0	2.20	142.6
	-4		8
	148.1		146.8
	142.0		147.4

AMES PRELIMINARY AERC-ACCUSTIC DATA
TEST CONDUCTED 17-28 JAN 72

CONFIGURATICN NC. 6 AND 7
TRANSDUCER NC. 46

ACOUSTIC LEVEL-DB

BETA ANGLE	0 DEG				
MACH NO.	-8				
1.60	143.2	-4	142.3	4	143.9
2.20	134.3		136.4		145.2
					8
					143.6
BETA ANGLE	5 DEG				
MACH NO.	-8				
1.60	147.4	-4	144.9	4	146.1
2.20			141.7		142.3
					8
					145.5
					142.9
BETA ANGLE	-5 DEG				
MACH NO.	-8				
1.60	150.9	-4	143.2	4	147.1
2.20	138.1		134.8		135.8
					8
					147.2
					142.0

AMES PRELIMINARY AERO-ACCUSTIC DATA
TEST CCNDUCTED 17-28 JAN 72

AMES PRELIMINARY AERC-ACCUSTIC DATA
TEST CCNDUCTED 17-28 JAN 72

CONFIGURATION NO. 6 AND 7
TRANSLUCER NC. 44

CONFIGURATION NO. 6 AND 7
TRANSLUCER NC. 8

DELTA CPRMS

DELTA CPRMS

BETA ANGLE 0 DEG		BETA ANGLE 5 DEG		BETA ANGLE 0 DEG		BETA ANGLE 5 DEG	
MACH NO.	ALPHA-DEG	MACH NO.	ALPHA-DEG	MACH NO.	ALPHA-DEG	MACH NO.	ALPHA-DEG
1.60	.0032	1.60	.0034	1.60	.0142	1.60	.0137
2.20	.0031	2.20	.0020	2.20	.0162	2.20	.0200
BETA ANGLE 0 DEG		BETA ANGLE 5 DEG		BETA ANGLE 0 DEG		BETA ANGLE 5 DEG	
MACH NO.	ALPHA-DEG	MACH NO.	ALPHA-DEG	MACH NO.	ALPHA-DEG	MACH NO.	ALPHA-DEG
1.60	.0037	1.60	.0037	1.60	.0127	1.60	.0122
2.20	.0027	2.20	.0021	2.20	.0179	2.20	.0179
BETA ANGLE -5 DEG		BETA ANGLE -5 DEG		BETA ANGLE -5 DEG		BETA ANGLE -5 DEG	
MACH NO.	ALPHA-DEG	MACH NO.	ALPHA-DEG	MACH NO.	ALPHA-DEG	MACH NO.	ALPHA-DEG
1.60	.0034	1.60	.0028	1.60	.0137	1.60	.0127
2.20	.0030	2.20	.0020	2.20	.0175	2.20	.0160

8
.0169

8
.0112
.0124

8
.0117
.0110

AMES PRELIMINARY AERC-ACCUSTIC DATA
TEST CONDUCTED 17-28 JAN 72

AMES PRELIMINARY AERC-ACCUSTIC DATA
TEST CONDUCTED 17-28 JAN 72

CONFIGURATION NC. 6 AND 7
TRANSDUCER NC. 5

CONFIGURATION NC. 6 AND 7
TRANSDUCER NC. 34

DELTA CPRMS

DELTA CPRMS

BETA ANGLE 0 DEG

ALPHA-DEG
C

ALPHA-DEG
C

BETA ANGLE 5 DEG

MACH NO.

MACH NO.

MACH NO.

MACH NO.

MACH NO.

MACH NO.

1.60
2.20

1.60
2.20

1.60
2.20

1.60
2.20

1.60
2.20

1.60
2.20

1.60
2.20

1.60
2.20

BETA ANGLE 0 DEG

ALPHA-DEG
C

ALPHA-DEG
C

BETA ANGLE 5 DEG

MACH NO.

MACH NO.

MACH NO.

MACH NO.

MACH NO.

MACH NO.

1.60
2.20

1.60
2.20

1.60
2.20

1.60
2.20

1.60
2.20

1.60
2.20

1.60
2.20

1.60
2.20

BETA ANGLE -5 DEG

ALPHA-DEG
C

ALPHA-DEG
C

BETA ANGLE -5 DEG

MACH NO.

MACH NO.

MACH NO.

MACH NO.

MACH NO.

MACH NO.

1.60
2.20

1.60
2.20

1.60
2.20

1.60
2.20

1.60
2.20

1.60
2.20

1.60
2.20

1.60
2.20

.0068
.0061

.0097
.0065

.0066
.0059

.0046
.0048

.0071
.0063

.0071
.0059

.0063
.0065

.0076
.0068

.0076
.0060

.0063
.0065

.0076
.0068

.0076
.0060

.0063
.0065

.0076
.0068

.0076
.0060

.0063
.0065

.0076
.0068

.0076
.0060

.0063
.0065

.0076
.0068

.0076
.0060

.0063
.0065

.0076
.0068

.0076
.0060

.0063
.0065

.0076
.0068

.0076
.0060

.0063
.0065

.0076
.0068

.0076
.0060

.0063
.0065

.0076
.0068

.0076
.0060

.0063
.0065

.0076
.0068

.0076
.0060

.0063
.0065

.0076
.0068

.0076
.0060

.0063
.0065

.0076
.0068

.0076
.0060

.0063
.0065

.0076
.0068

.0076
.0060

.0063
.0065

.0076
.0068

.0076
.0060

.0063
.0065

.0076
.0068

.0076
.0060

.0063
.0065

.0076
.0068

.0076
.0060

.0063
.0065

.0076
.0068

.0076
.0060

.0063
.0065

.0076
.0068

.0076
.0060

.0063
.0065

.0076
.0068

.0076
.0060

.0063
.0065

.0076
.0068

.0076
.0060

.0063
.0065

.0076
.0068

.0076
.0060

AMES PRELIMINARY AERO-ACCLUSTIC DATA
TEST CONDUCTED 17-28 JAN 72

CONFIGURATION NO. 6 AND 7
TRANSDUCER NO. 35

DELTA CPRMS

BETA ANGLE 0 DEG		ALPHA-DEG		BETA ANGLE 5 DEG		ALPHA-DEG	
MACH NO.			C				C
1.60	.0142	.0117	.0101	.0137	.0107	.0137	.0101
2.20	.0162	.0138	.0033	.0128	.0128	.0128	.0033
BETA ANGLE 5 DEG		ALPHA-DEG		BETA ANGLE -5 DEG		ALPHA-DEG	
MACH NO.			C				C
1.60	.0386	.0386	.0306	.0193	.0101	.0193	.0101
2.20	.0082	.0065	.0065	.0097	.0072	.0097	.0072
BETA ANGLE -5 DEG		ALPHA-DEG		BETA ANGLE 0 DEG		ALPHA-DEG	
MACH NO.			C				C
1.60	.0147	.0117	.0112	.0274	.0183	.0274	.0183
2.20	.0189	.0193	.0182	.0138	.0151	.0138	.0151

AMES PRELIMINARY AERO-ACCUUSTIC DATA
TEST CONDUCTED 17-28 JAN 72

CONFIGURATION NO. 6 AND 7
TRANSDUCER NO. 12

DELTA CPRMS

BETA ANGLE 0 DEG		ALPHA-DEG		BETA ANGLE 5 DEG		ALPHA-DEG	
MACH NO.			C				C
1.60	.0163	.0142	.0133	.0142	.0133	.0142	.0133
2.20	.0138	.0151	.0153	.0151	.0153	.0151	.0153
BETA ANGLE 5 DEG		ALPHA-DEG		BETA ANGLE -5 DEG		ALPHA-DEG	
MACH NO.			C				C
1.60	.0107	.0107	.0097	.0107	.0097	.0107	.0097
2.20	.0490	.0403	.0159	.0403	.0138	.0403	.0138
BETA ANGLE -5 DEG		ALPHA-DEG		BETA ANGLE 0 DEG		ALPHA-DEG	
MACH NO.			C				C
1.60	.0138	.0095	.0089	.0095	.0052	.0095	.0052
2.20	.0345	.0282	.0161	.0282	.0138	.0282	.0138

AMES PRELIMINARY AERC-ACCUSTIC DATA
TEST CONDUCTED 17-28 JAN 72

CONFIGURATICN NC. 6 AND 7
TRANSDUCER NC. 13

DELTA CPRMS

BETA ANGLE	0 DEG	5 DEG
MACH NO.	-8	-8
1.60	.0052	.0076
2.20	.0079	.0094

ALPHA-DEG	C	4	8
	.0066	.0075	.0071
	.0057	.0065	

BETA ANGLE	5 DEG	-5 DEG
MACH NO.	-8	-8
1.60	.0151	.0107
2.20		.0100

ALPHA-DEG	C	4	8
	.0107	.0131	.0153
	.0131		.0097

BETA ANGLE	-5 DEG	-8
MACH NO.	-8	-8
1.60	.0063	.0082
2.20	.0055	.0060

ALPHA-DEG	C	4	8
	.0057	.0101	.0112
	.0069	.0098	.0069

AMES PRELIMINARY AERC-ACCUSTIC DATA
TEST CONDUCTED 17-28 JAN 72

CONFIGURATICN NC. 6 AND 7
TRANSDUCER NC. 43

DELTA CPRMS

BETA ANGLE	0 DEG	-4
MACH NO.	-8	-4
1.60	.0066	.0061
2.20	.0061	.0051

ALPHA-DEG	C	4	8
	.0058	.0063	.0066
	.0045	.0050	

BETA ANGLE	5 DEG	-4
MACH NO.	-8	-4
1.60	.0063	.0063
2.20	.0063	.0065

ALPHA-DEG	C	4	8
	.0058	.0069	.0066
	.0075	.0065	.0061

BETA ANGLE	-5 DEG	-4
MACH NO.	-8	-4
1.60	.0056	.0046
2.20	.0043	.0052

ALPHA-DEG	C	4	8
	.0040	.0055	.0079
	.0046	.0061	.0065

AMES PRELIMINARY AERO-ACOUSTIC DATA
TEST CONDUCTED 17-28 JAN 72

AMES PRELIMINARY AERC-ACCUSTIC DATA
TEST CONDUCTED 17-28 JAN 72

CONFIGURATION NO. 6 AND 7
TRANSDUCER NO. 17

CONFIGURATION NO. 6 AND 7
TRANSDUCER NO. 18

DELTA CPRMS

DELTA CPRMS

BETA ANGLE	0 DEG	5 DEG
MACH NO.	-8	-8
1.60	.0064	.0059
2.20	.0075	.0045

ALPHA-DEG	0	4	8
	.0056	.0058	.0058
	.0051	.0067	

BETA ANGLE	5 DEG	-5 DEG
MACH NO.	-8	-8
1.60	.0082	.0075
2.20	.0100	.0075

ALPHA-DEG	0	4	8
	.0089	.0134	.0134
	.0072	.0079	.0079

BETA ANGLE	-5 DEG	-8
MACH NO.	-8	-8
1.60	.0066	.0063
2.20	.0062	.0047

ALPHA-DEG	0	4	8
	.0056	.0049	.0050
	.0045	.0044	.0072

BETA ANGLE	0 DEG	-4
MACH NO.	-8	-4
1.60	.0109	.0233
2.20	.0213	.0261

ALPHA-DEG	0	4	8
	.0418	.0435	.0410
	.0467	.0467	

BETA ANGLE	5 DEG	-8
MACH NO.	-8	-8
1.60	.0326	.0217
2.20	.0326	.0337

ALPHA-DEG	0	4	8
	.0210	.0217	.0297
	.0413	.0435	.0435

BETA ANGLE	-5 DEG	-4
MACH NO.	-8	-4
1.60	.0196	.0233
2.20	.0337	.0337

ALPHA-DEG	0	4	8
	.0225	.0333	.0314
	.0388	.0413	.0435

AMES PRELIMINARY AERC-ACCUSTIC DATA
TEST CCNDUCTED 17-28 JAN 72

AMES PRELIMINARY AERC-ACCUSTIC DATA
TEST CONDUCTED 17-28 JAN 72

CONFIGURATICN NC. 6 AND 7
TRANSDUCER NC. 47

CONFIGURATICN NC. 6 AND 7
TRANSDUCER NC. 48

DELTA CPRMS

DELTA CPRMS

BETA ANGLE 0 DEG		BETA ANGLE 5 DEG		BETA ANGLE 0 DEG		BETA ANGLE 5 DEG	
MACH NO.	ALPHA-DEG C	MACH NO.	ALPHA-DEG C	MACH NO.	ALPHA-DEG C	MACH NO.	ALPHA-DEG C
1.60	.0079	1.60	.0084	1.60	.0101	1.60	.0150
2.20	.0054	2.20	.0058	2.20	.0077	2.20	.0072
BETA ANGLE 5 DEG		BETA ANGLE 5 DEG		BETA ANGLE 5 DEG		BETA ANGLE 5 DEG	
MACH NO.	ALPHA-DEG C	MACH NO.	ALPHA-DEG C	MACH NO.	ALPHA-DEG C	MACH NO.	ALPHA-DEG C
1.60	.0117	1.60	.0120	1.60	.0127	1.60	.0127
2.20	.0097	2.20	.0103	2.20	.0079	2.20	.0090
BETA ANGLE -5 DEG		BETA ANGLE -5 DEG		BETA ANGLE -5 DEG		BETA ANGLE -5 DEG	
MACH NO.	ALPHA-DEG C	MACH NO.	ALPHA-DEG C	MACH NO.	ALPHA-DEG C	MACH NO.	ALPHA-DEG C
1.60	.0058	1.60	.0056	1.60	.0107	1.60	.0114
2.20	.0057	2.20	.0037	2.20	.0097	2.20	.0085

8
.0140

8
.0137
.0131

8
.0096
.0075

AMES PRELIMINARY AERC-ACCLUSTIC DATA
TEST CONDUCTED 17-28 JAN 72

AMES PRELIMINARY AERC-ACCLUSTIC DATA
TEST CONDUCTED 17-28 JAN 72

CONFIGURATION NO. 6 AND 7
TRANSCUCER NO. 21

CONFIGURATION NO. 6 AND 7
TRANSCUCER NO. 49

DELTA CPRMS

DELTA CPRMS

BETA ANGLE 0 DEG

BETA ANGLE 0 DEG

MACH NO.

MACH NO.

1.60
2.20

1.60
2.20

ALPHA-DEG
C

ALPHA-DEG
C

-.0257
.0172
-.0394
.0206

-.0354
.0120
-.0370
.0403

BETA ANGLE 5 DEG

BETA ANGLE 5 DEG

MACH NO.

MACH NO.

1.60
2.20

1.60
2.20

ALPHA-DEG
C

ALPHA-DEG
C

-.0354
.0240
-.0338
.0229

-.0120
-.0354
-.0120
.0261

BETA ANGLE -5 DEG

BETA ANGLE -5 DEG

MACH NO.

MACH NO.

1.60
2.20

1.60
2.20

ALPHA-DEG
C

ALPHA-DEG
C

-.0354
.0213
-.0354
.0162

-.0225
.0242
-.0230
.0261

.0210

AMES PRELIMINARY AERO-ACOUSTIC DATA
TEST CONDUCTED 17-28 JAN 72

CONFIGURATION NO. 6 AND 7
TRANSDUCER NO. 23

DELTA CPRMS

BETA ANGLE	0 DEG
MACH NO.	-8
1.60	.0354
2.20	

ALPHA-DEG	0	4	8
	.0410	.0418	.0448
	.0576	.0544	

BETA ANGLE	5 DEG
MACH NO.	-8
1.60	.0392
2.20	

ALPHA-DEG	0	4	8
	.0443	.0330	.0068
	.0392	.0435	.0413

BETA ANGLE	-5 DEG
MACH NO.	-8
1.60	.0292
2.20	.0654

ALPHA-DEG	0	4	8
	.0651	.0386	.0814
	.0688	.0512	.0478

AMES PRELIMINARY AERO-ACOUSTIC DATA
TEST CONDUCTED 17-28 JAN 72

CONFIGURATION NO. 6 AND 7
TRANSDUCER NO. 24

DELTA CPRMS

BETA ANGLE	0 DEG
MACH NO.	-8
1.60	.0158
2.20	.0261

ALPHA-DEG	0	4	8
	.0169	.0265	.0242
	.0244	.0151	.0262

BETA ANGLE	5 DEG
MACH NO.	-8
1.60	.0201
2.20	.0082

ALPHA-DEG	0	4	8
	.0201	.0347	.0257
	.0082	.0218	.0250

BETA ANGLE	-5 DEG
MACH NO.	-8
1.60	.0443
2.20	.0065

ALPHA-DEG	0	4	8
	.0282	.0133	.0322
	.0065	.0057	.0598

AMES PRELIMINARY AERC-ACCUSTIC DATA
TEST CCNUCTED 17-28 JAN 72

AMES PRELIMINARY AERC-ACCUSTIC DATA
TEST CONDUCTED 17-28 JAN 72

CONFIGURATION NC. 6 AND 7
TRANSDUCER NC. 25

CONFIGURATION NC. 6 AND 7
TRANSDUCER NO. 50

DELTA CPRMS

DELTA CPRMS

BETA ANGLE 0 DEG		BETA ANGLE 5 DEG		BETA ANGLE 0 DEG		BETA ANGLE 5 DEG	
MACH NC.	ALPHA-DEG	MACH NC.	ALPHA-DEG	MACH NC.	ALPHA-DEG	MACH NC.	ALPHA-DEG
1.60	.0210	1.60	.0265	1.60	.0290	1.60	.0265
2.20	.0241	2.20	.0283	2.20	.0283	2.20	.0283
BETA ANGLE 5 DEG		BETA ANGLE 5 DEG		BETA ANGLE 5 DEG		BETA ANGLE 5 DEG	
MACH NO.	ALPHA-DEG	MACH NO.	ALPHA-DEG	MACH NO.	ALPHA-DEG	MACH NO.	ALPHA-DEG
1.60	.0210	1.60	.0306	1.60	.0274	1.60	.0306
2.20	.0272	2.20	.0261	2.20	.0283	2.20	.0261
BETA ANGLE -5 DEG		BETA ANGLE -5 DEG		BETA ANGLE -5 DEG		BETA ANGLE -5 DEG	
MACH NC.	ALPHA-DEG	MACH NC.	ALPHA-DEG	MACH NC.	ALPHA-DEG	MACH NC.	ALPHA-DEG
1.60	.0672	1.60	.0394	1.60	.0346	1.60	.0394
2.20	.0245	2.20	.0757	2.20	.0675	2.20	.0757

BETA ANGLE 0 DEG		BETA ANGLE 5 DEG		BETA ANGLE 0 DEG		BETA ANGLE 5 DEG	
MACH NC.	ALPHA-DEG	MACH NC.	ALPHA-DEG	MACH NC.	ALPHA-DEG	MACH NC.	ALPHA-DEG
1.60	.0289	1.60	.0403	1.60	.0403	1.60	.0289
2.20	.0046	2.20	.0051	2.20	.0051	2.20	.0046
BETA ANGLE 5 DEG		BETA ANGLE 5 DEG		BETA ANGLE 5 DEG		BETA ANGLE 5 DEG	
MACH NO.	ALPHA-DEG	MACH NO.	ALPHA-DEG	MACH NO.	ALPHA-DEG	MACH NO.	ALPHA-DEG
1.60	.0061	1.60	.0065	1.60	.0061	1.60	.0061
2.20	.0028	2.20	.0065	2.20	.0028	2.20	.0028
BETA ANGLE -5 DEG		BETA ANGLE -5 DEG		BETA ANGLE -5 DEG		BETA ANGLE -5 DEG	
MACH NC.	ALPHA-DEG	MACH NC.	ALPHA-DEG	MACH NC.	ALPHA-DEG	MACH NC.	ALPHA-DEG
1.60	.0092	1.60	.0153	1.60	.0092	1.60	.0092
2.20	.0148	2.20	.0079	2.20	.0148	2.20	.0148

BETA ANGLE 0 DEG		BETA ANGLE 5 DEG		BETA ANGLE 0 DEG		BETA ANGLE 5 DEG	
MACH NC.	ALPHA-DEG	MACH NC.	ALPHA-DEG	MACH NC.	ALPHA-DEG	MACH NC.	ALPHA-DEG
1.60	.0122	1.60	.0137	1.60	.0122	1.60	.0122
2.20	.0079	2.20	.0185	2.20	.0079	2.20	.0185
BETA ANGLE 5 DEG		BETA ANGLE 5 DEG		BETA ANGLE 5 DEG		BETA ANGLE 5 DEG	
MACH NO.	ALPHA-DEG	MACH NO.	ALPHA-DEG	MACH NO.	ALPHA-DEG	MACH NO.	ALPHA-DEG
1.60	.0054	1.60	.0074	1.60	.0054	1.60	.0054
2.20	.0039	2.20	.0050	2.20	.0039	2.20	.0050
BETA ANGLE -5 DEG		BETA ANGLE -5 DEG		BETA ANGLE -5 DEG		BETA ANGLE -5 DEG	
MACH NC.	ALPHA-DEG	MACH NC.	ALPHA-DEG	MACH NC.	ALPHA-DEG	MACH NC.	ALPHA-DEG
1.60	.0055	1.60	.0087	1.60	.0055	1.60	.0055
2.20	.0093	2.20	.0107	2.20	.0093	2.20	.0107

AMES PRELIMINARY AERO-AcouSTIC DATA
TEST CONDUCTED 17-28 JAN 72

CONFIGURATION NO. 6 AND 7
TRANSDUCER NO. 46

DELTA CPRMS

BETA ANGLE 0 DEG		ALPHA-DEG		8	
MACH NO.	-8	C	4	4	8
1.60	.0097	.0092	.0104	.0104	.0101
2.20	.0041	.0052	.0144	.0144	

BETA ANGLE 5 DEG		ALPHA-DEG		8	
MACH NO.	-8	0	4	4	8
1.60	.0117	.0101	.0135	.0135	.0125
2.20	.0185	.0097	.0103	.0103	.0110

BETA ANGLE -5 DEG		ALPHA-DEG		8	
MACH NO.	-8	C	4	4	8
1.60	.0233	.0112	.0150	.0150	.0153
2.20	.0063	.0039	.0049	.0049	.0100