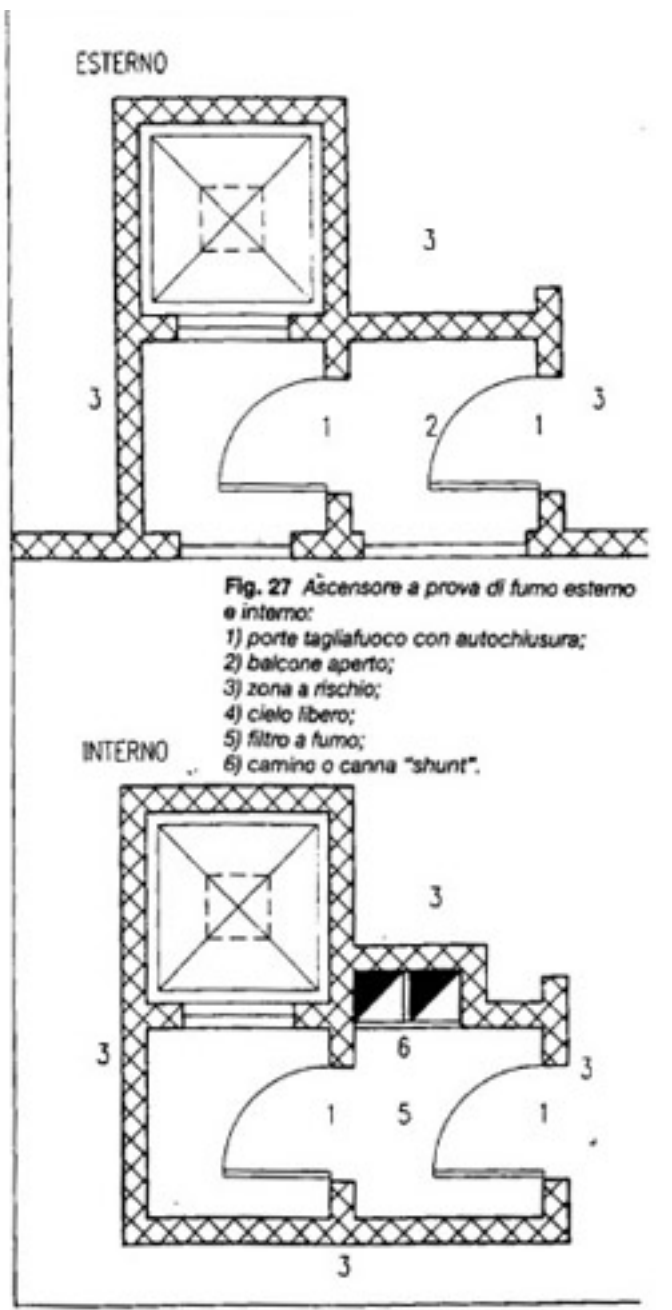
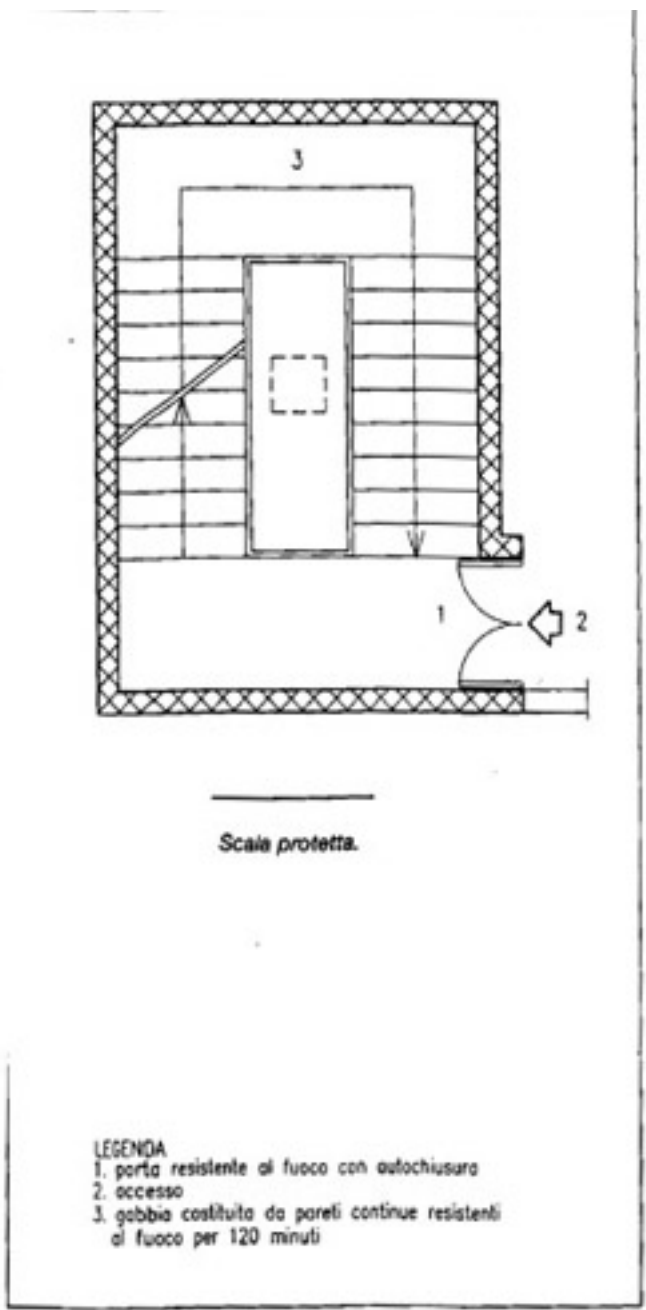
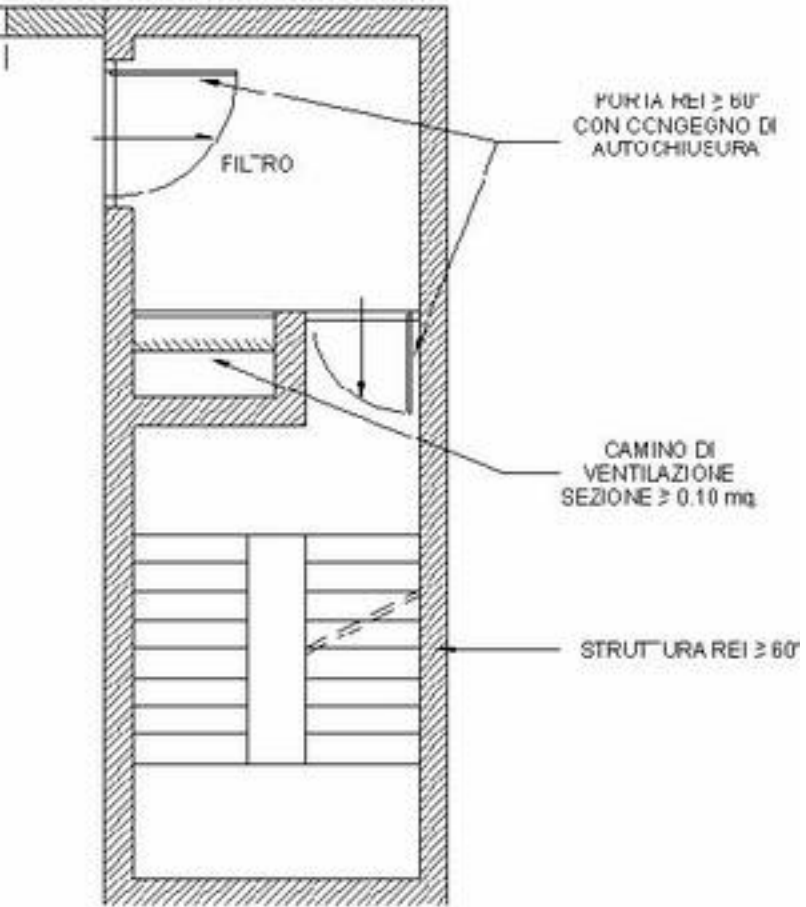


FIRE ESCAPE

EDIFICI STORICI – NORMATIVA DI PREVENZIONE INCENDI:
 -D.M. N. 569 DEL 20 MAGGIO 1992 “NORME DI SICUREZZA ANTINCENDIO PER GLI EDIFICI STORICI E ARTI-STICI DESTINATI A MUSEI, GALLERIE, ESPOSIZIONI E MOSTRE”
 - D.P.R. N. 418 DEL 30/6/1995 “NORME DI SICUREZZA ANTINCENDIO PER GLI EDIFICI DI INTERESSE STO-RICO-ARTISTICO DESTINATI A BIBLIOTECHE ED ARCHIVI”

**Scala
 protetta e
 ascensori
 a prova
 di fumo**



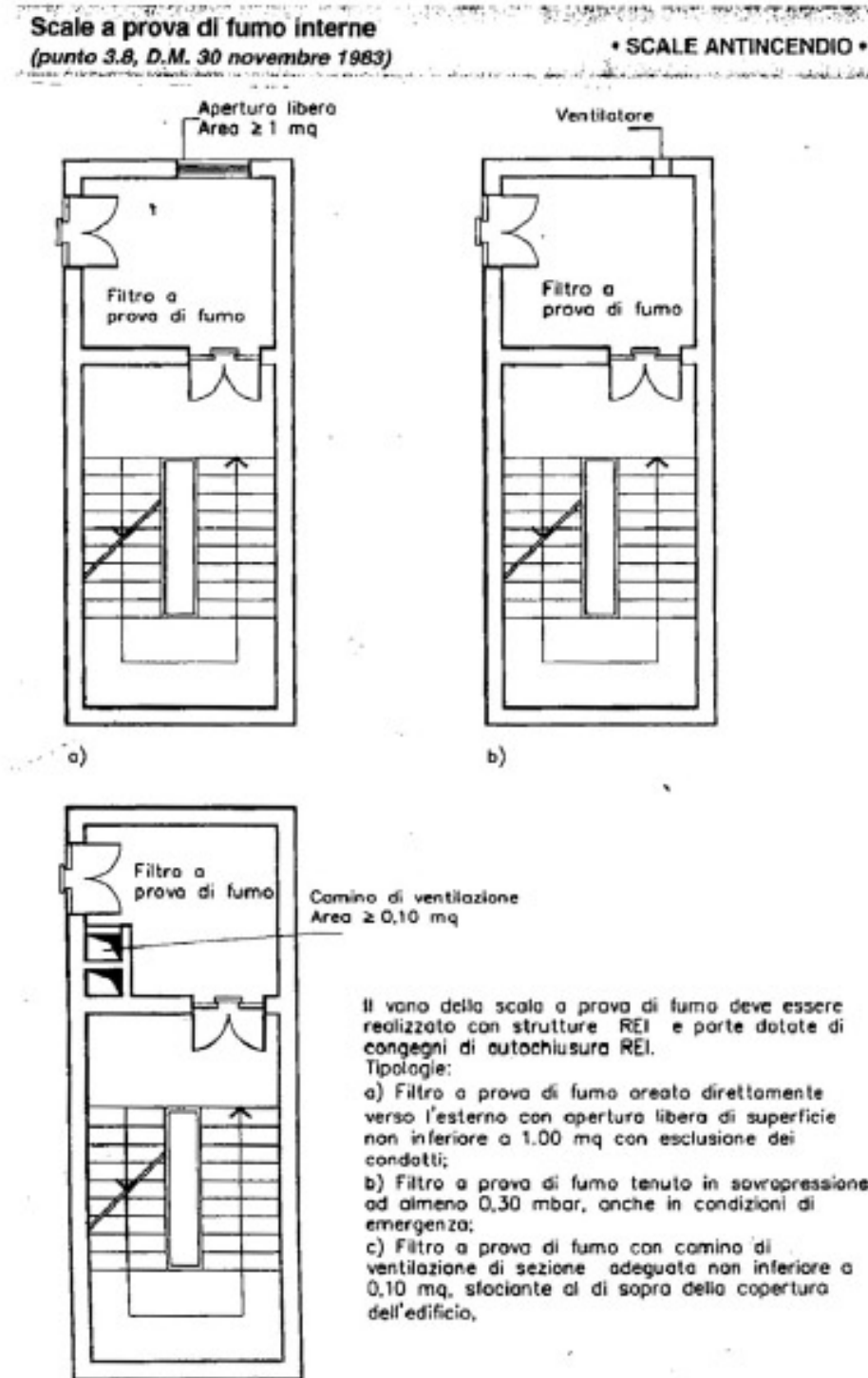
FIRE ESCAPE

Esterno

**Interno ventilato
0,10 mq**

**Interno in
sovrapressione**

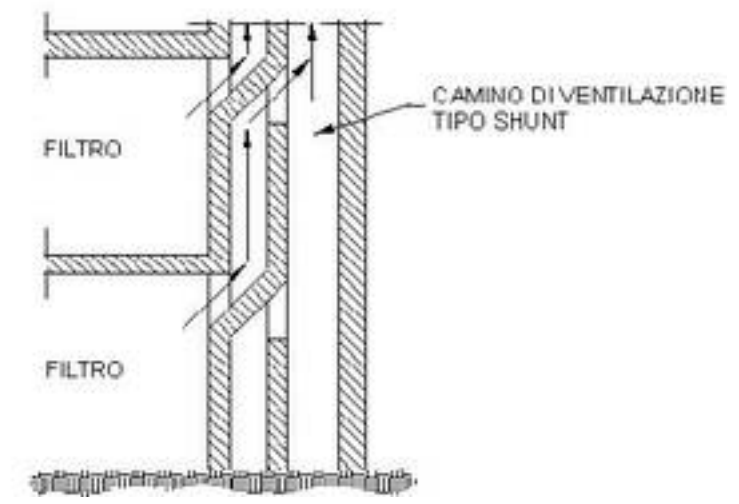
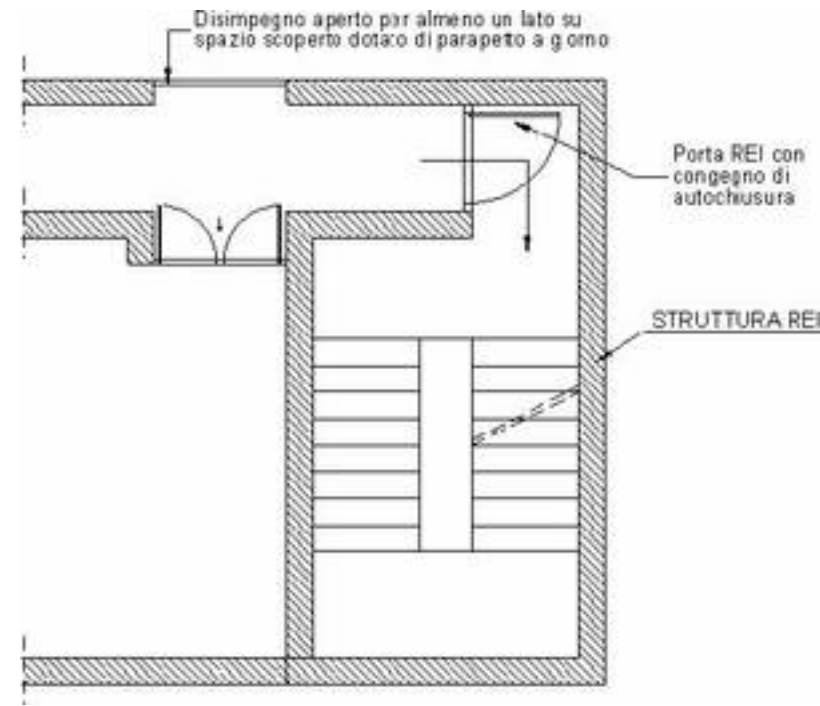
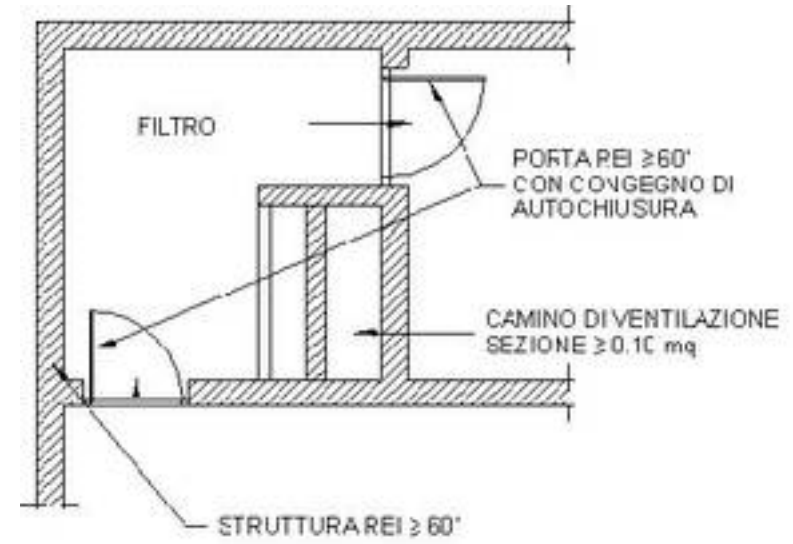
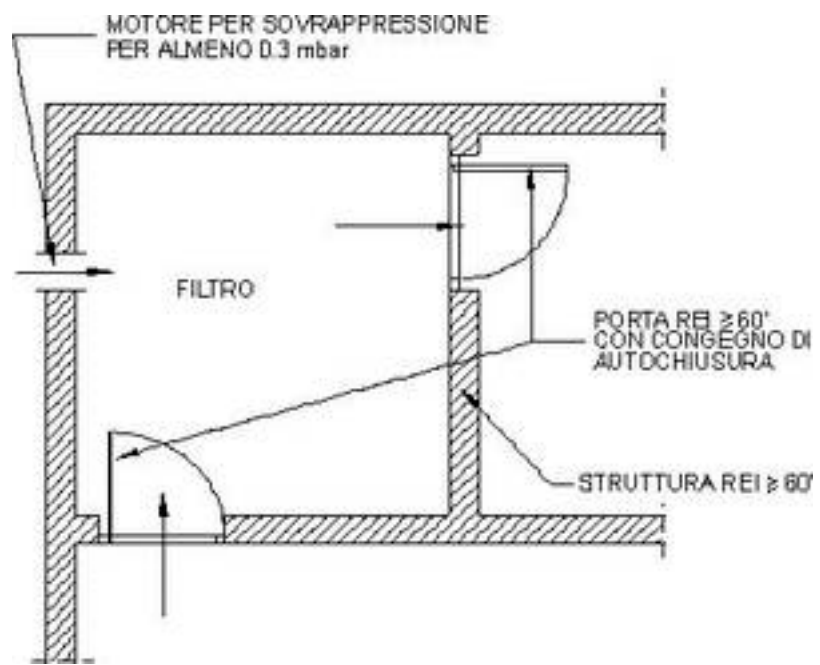
**Scale
con
filtri a
prova
di fumo**



FIRE ESCAPE

REI- RE - R
 R= Stability
 E= Resistance
 I = thermal
 Insulation

The stability is the attitude of a building element to preserve the mechanic resistance under fire;
 Resistance is the attitude of a building element to prevent the passage of fire , steam or gas on the other side;
 Thermal Insulation is Resistance is the attitude of a building element to reduce , the transmtion of heat in a certain period of time;



FIRE COMPARTMENT



It is possible to create some fire compartments inside a building, in such a way the stair can be free among two different compartments



Stair

Dimension of a flight of stairs in a public building :
m. 1,20

Maximum 10 steps x flight

The tread is cm. 30

The height of balustrade is m. 1,00, and it should have a vertical partition not horizontal partition because it is scalable

