



US009542531B2

(12) **United States Patent**
Chmiel et al.

(10) **Patent No.:** **US 9,542,531 B2**
(45) **Date of Patent:** **Jan. 10, 2017**

(54) **MODULAR BIOMETRIC MONITORING SYSTEM**

G06F 19/3431 (2013.01); *G06F 19/36* (2013.01); *A61B 5/0022* (2013.01); *A61B 5/0432* (2013.01);

(71) Applicant: **ZIN TECHNOLOGIES, INC.**,
Middleburg Heights, OH (US)

(Continued)

(72) Inventors: **Alan J. Chmiel**, Avon Lake, OH (US);
Bradley T. Humphreys, Lakewood,
OH (US)

(58) **Field of Classification Search**

None

See application file for complete search history.

(73) Assignee: **Ztech, Inc.**, Middleburg Heights, OH
(US)

(56) **References Cited**

U.S. PATENT DOCUMENTS

3,553,651 A 1/1971 Bird et al.

3,972,320 A 8/1976 Kalman

(Continued)

(*) Notice: Subject to any disclaimer, the term of this
patent is extended or adjusted under 35
U.S.C. 154(b) by 369 days.

FOREIGN PATENT DOCUMENTS

(21) Appl. No.: **14/319,768**

WO WO 94/24929 A1 11/1994

(22) Filed: **Jun. 30, 2014**

OTHER PUBLICATIONS

(65) **Prior Publication Data**

US 2014/0316713 A1 Oct. 23, 2014

International Search Report—2 pgs., Apr. 29, 2009, Zin Technolo-
gies, Inc.

(Continued)

Related U.S. Application Data

(63) Continuation of application No. 12/051,019, filed on
Mar. 19, 2008, now Pat. No. 8,764,654, which is a
(Continued)

Primary Examiner — William Thomson

Assistant Examiner — Marie Archer

(74) *Attorney, Agent, or Firm* — Tarolli, Sundheim,
Covell & Tummino LLP

(51) **Int. Cl.**

G06F 19/00 (2011.01)

A61B 5/00 (2006.01)

(Continued)

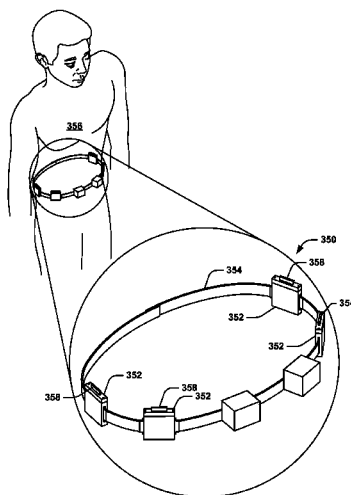
(57) **ABSTRACT**

A modular system for acquiring biometric data includes a plurality of data acquisition modules configured to sample biometric data from at least one respective input channel at a data acquisition rate. A representation of the sampled biometric data is stored in memory of each of the plurality of data acquisition modules. A central control system is in communication with each of the plurality of data acquisition modules through a bus. The central control system is configured to control communication of data, via the bus, with each of the plurality of data acquisition modules.

(52) **U.S. Cl.**

CPC *G06F 19/3418* (2013.01); *A61B 5/0002* (2013.01); *G06F 3/05* (2013.01); *G06F 5/12* (2013.01); *G06F 12/0623* (2013.01); *G06F 13/18* (2013.01); *G06F 13/26* (2013.01); *G06F 13/38* (2013.01); *G06F 13/4213* (2013.01); *G06F 13/4226* (2013.01); *G06F 13/4239* (2013.01); *G06F 19/3406* (2013.01);

20 Claims, 7 Drawing Sheets



Related U.S. Application Data

continuation-in-part of application No. 11/686,667, filed on Mar. 15, 2007, now Pat. No. 8,951,190, which is a continuation-in-part of application No. 11/236,899, filed on Sep. 28, 2005, now abandoned.

(51) **Int. Cl.**

- G06F 3/05** (2006.01)
- G06F 5/12** (2006.01)
- G06F 12/06** (2006.01)
- G06F 13/18** (2006.01)
- G06F 13/26** (2006.01)
- G06F 13/38** (2006.01)
- G06F 13/42** (2006.01)
- A61B 5/0432** (2006.01)

(52) **U.S. Cl.**

CPC *A61B 2505/01* (2013.01); *A61B 2505/07* (2013.01); *A61B 2560/0475* (2013.01); *Y10S 128/92* (2013.01)

(56)

References Cited

U.S. PATENT DOCUMENTS

4,053,951 A 10/1977 Hudspeth et al.
 4,138,732 A 2/1979 Suzuki et al.
 4,356,486 A 10/1982 Mount
 4,494,950 A 1/1985 Fischell
 4,695,955 A 9/1987 Faisandier
 4,847,812 A 7/1989 Lodhi
 4,889,131 A 12/1989 Salem et al.
 4,909,260 A 3/1990 Salem et al.
 4,934,372 A 6/1990 Corenman et al.
 4,958,645 A 9/1990 Cadell et al.
 4,995,005 A 2/1991 Lodhi
 5,014,698 A 5/1991 Cohen
 5,050,612 A 9/1991 Matsumura
 5,307,263 A 4/1994 Brown
 5,329,281 A 7/1994 Baumgartner et al.
 5,348,008 A 9/1994 Bornn et al.
 5,353,248 A 10/1994 Gupta
 5,417,222 A 5/1995 Dempsey et al.
 5,430,843 A 7/1995 Sato et al.
 5,458,123 A 10/1995 Unger
 5,464,012 A 11/1995 Falcone
 5,522,396 A 6/1996 Langer et al.
 5,590,648 A 1/1997 Mitchell et al.
 5,601,435 A 2/1997 Quy
 5,640,953 A 6/1997 Bishop et al.
 5,651,367 A 7/1997 Schloemer et al.
 5,701,894 A 12/1997 Cherry et al.
 5,718,234 A 2/1998 Warden et al.
 5,720,771 A 2/1998 Snell
 5,724,580 A 3/1998 Levin
 5,738,104 A 4/1998 Lot et al.
 5,759,199 A 6/1998 Snell et al.
 5,787,187 A 7/1998 Bouchard et al.
 5,832,448 A 11/1998 Brown
 5,857,967 A 1/1999 Frid et al.
 5,873,369 A 2/1999 Laniado et al.
 5,899,855 A 5/1999 Brown
 5,917,414 A 6/1999 Oppelt et al.
 5,944,659 A 8/1999 Flach et al.
 5,957,854 A 9/1999 Besson et al.
 5,959,529 A 9/1999 Kail, IV
 5,966,692 A 10/1999 Langer et al.
 6,117,077 A 9/2000 Del Mar et al.
 6,157,989 A 12/2000 Collins et al.
 6,161,095 A 12/2000 Brown
 6,166,673 A 12/2000 Odom
 6,168,563 B1 1/2001 Brown
 6,198,394 B1 3/2001 Jacobsen et al.
 6,213,942 B1 4/2001 Flach et al.
 6,221,012 B1 4/2001 Maschke et al.

6,238,338 B1 5/2001 DeLuca et al.
 6,246,992 B1 6/2001 Brown
 6,290,646 B1 9/2001 Cosentino et al.
 6,307,867 B1 10/2001 Roobol et al.
 6,334,073 B1 12/2001 Levine
 6,366,871 B1 4/2002 Geva
 6,381,577 B1 4/2002 Brown
 6,401,085 B1 6/2002 Gershman et al.
 6,405,269 B1 6/2002 Camilleri et al.
 6,424,525 B1 7/2002 MacLeod et al.
 6,443,891 B1 9/2002 Grevious
 6,450,955 B1 9/2002 Brown et al.
 6,454,708 B1 9/2002 Ferguson et al.
 6,466,125 B1 10/2002 Richards et al.
 6,477,424 B1 11/2002 Thompson et al.
 6,482,156 B2 11/2002 Iliff
 6,485,418 B2 11/2002 Yasushi et al.
 6,503,206 B1 1/2003 Li et al.
 6,516,289 B2 2/2003 David
 6,522,928 B2 2/2003 Whitehurst et al.
 6,532,434 B1 3/2003 West
 6,533,723 B1 3/2003 Lockery et al.
 6,540,672 B1 4/2003 Simonsen et al.
 6,551,252 B2 4/2003 Sackner et al.
 6,572,542 B1 6/2003 Houben et al.
 6,574,509 B1 6/2003 Kraus et al.
 6,579,231 B1 6/2003 Phipps
 6,599,241 B1 7/2003 Murphy
 6,606,993 B1 8/2003 Wiesmann
 6,612,984 B1 9/2003 Kerr, II
 6,612,985 B2 9/2003 Eiffert et al.
 6,615,067 B2 9/2003 Hoek et al.
 6,616,613 B1 9/2003 Goodman
 6,619,835 B2 9/2003 Kita
 6,619,836 B1 9/2003 Silvant et al.
 6,635,016 B2 10/2003 Finkelshteins
 6,641,533 B2 11/2003 Causey et al.
 6,647,298 B2 11/2003 Abrahamson et al.
 6,648,820 B1 11/2003 Sarel
 6,689,117 B2 2/2004 Sweeney et al.
 6,697,765 B2 2/2004 Kuth
 6,712,762 B1 3/2004 Lichter et al.
 6,720,887 B1 4/2004 Zunti
 6,730,025 B1 5/2004 Platt
 6,735,551 B2 5/2004 Voegeli et al.
 6,738,671 B2 5/2004 Christophersom et al.
 6,740,033 B1 5/2004 Olejniczak et al.
 6,748,250 B1 6/2004 Berman et al.
 6,768,920 B2 7/2004 Lange et al.
 6,773,396 B2 8/2004 Flach et al.
 6,773,397 B2 8/2004 Kelly
 6,779,066 B2 8/2004 Sakamoto
 6,780,156 B2 8/2004 Haueter et al.
 6,781,067 B2 8/2004 Montagnino et al.
 6,786,873 B2 9/2004 Zoth et al.
 6,790,178 B1 9/2004 Mault et al.
 6,820,057 B1 11/2004 Loch et al.
 6,847,892 B2 1/2005 Zhou et al.
 6,850,788 B2 2/2005 Al-Ali
 6,856,832 B1 2/2005 Matsumura et al.
 6,889,165 B2 5/2005 Lind et al.
 6,904,408 B1 6/2005 McCarthy et al.
 6,936,029 B2 8/2005 Mann et al.
 6,958,705 B2 10/2005 Lebel et al.
 6,970,827 B2 11/2005 Zeltzer et al.
 6,985,078 B2 1/2006 Suzuki et al.
 7,034,677 B2 4/2006 Steinthal et al.
 7,129,836 B2 10/2006 Lawson et al.
 7,215,991 B2 5/2007 Besson et al.
 7,223,235 B2 5/2007 Brown
 7,252,636 B2 8/2007 Brown
 7,258,666 B2 8/2007 Brown
 7,292,139 B2 11/2007 Mazar et al.
 7,294,105 B1 11/2007 Islam
 7,310,668 B2 12/2007 Brown
 7,320,030 B2 1/2008 Brown
 7,321,862 B2 1/2008 Rosenfeld et al.
 7,353,179 B2 4/2008 Ott et al.
 7,356,478 B1 4/2008 Kohli

(56)

References Cited

U.S. PATENT DOCUMENTS

7,363,398 B2 4/2008 Scott
 7,366,285 B2 4/2008 Parolkar et al.
 7,382,247 B2 6/2008 Welch et al.
 7,387,607 B2 6/2008 Holt et al.
 7,390,299 B2 6/2008 Weiner et al.
 7,618,260 B2 11/2009 Daniel et al.
 2001/0039373 A1 11/2001 Cunningham et al.
 2001/0056225 A1 12/2001 DeVito
 2002/0013518 A1 1/2002 West et al.
 2002/0049371 A1 4/2002 Lai et al.
 2002/0082665 A1 6/2002 Haller et al.
 2003/0004403 A1 1/2003 Drinan et al.
 2003/0053367 A1 3/2003 Condorelli et al.
 2003/0065536 A1 4/2003 Hansen et al.
 2003/0088160 A1 5/2003 Halleck et al.
 2003/0122677 A1 7/2003 Kail, IV
 2003/0144711 A1 7/2003 Pless et al.
 2003/0171789 A1 9/2003 Malek et al.
 2003/0177295 A1 9/2003 Hsu et al.
 2003/0181795 A1 9/2003 Suzuki et al.
 2003/0212441 A1 11/2003 Starkweather et al.
 2004/0002634 A1 1/2004 Nihtila
 2004/0015551 A1 1/2004 Thornton
 2004/0030226 A1 2/2004 Quy
 2004/0049246 A1 3/2004 Almendinger et al.
 2004/0059396 A1 3/2004 Reinke et al.
 2004/0078219 A1 4/2004 Kaylor et al.
 2004/0080526 A1 4/2004 Thornton
 2004/0082840 A1 4/2004 Chen
 2004/0083302 A1 4/2004 Thornton
 2004/0093239 A1 5/2004 Ott et al.
 2004/0116908 A1 6/2004 Birkenbach et al.
 2004/0147980 A1 7/2004 Bardy
 2004/0148199 A1 7/2004 Dixon, Jr.
 2004/0162466 A1 8/2004 Quy
 2004/0199056 A1 10/2004 Husemann et al.
 2004/0218789 A1 11/2004 Polcha et al.
 2004/0225203 A1 11/2004 Jemison et al.
 2004/0236189 A1 11/2004 Hawthorne et al.
 2005/0021370 A1 1/2005 Riff et al.
 2005/0043767 A1 2/2005 Belaclazar
 2005/0044327 A1 2/2005 Howard et al.
 2005/0054941 A1 3/2005 Ting et al.
 2005/0101841 A9 5/2005 Kaylor et al.
 2005/0101875 A1 5/2005 Semler et al.
 2005/0113703 A1 5/2005 Farrington et al.
 2005/0119581 A1 6/2005 Matsumura et al.

2005/0165323 A1 7/2005 Montgomery et al.
 2005/0171410 A1 8/2005 Hjelt et al.
 2005/0171444 A1 8/2005 Ono et al.
 2005/0182306 A1 8/2005 Sloan
 2005/0192488 A1 9/2005 Bryenton et al.
 2005/0203349 A1 9/2005 Nanikashvili
 2005/0206518 A1 9/2005 Welch et al.
 2005/0228234 A1 10/2005 Yang
 2005/0228245 A1 10/2005 Quy
 2005/0228301 A1 10/2005 Banet et al.
 2005/0234313 A1 10/2005 Rowlandson et al.
 2005/0245992 A1 11/2005 Persen et al.
 2005/0245995 A1 11/2005 Diebold
 2005/0249037 A1 11/2005 Kohn et al.
 2005/0250996 A1 11/2005 Shirai et al.
 2005/0251218 A1 11/2005 Markowitz et al.
 2005/0272984 A1 12/2005 Huiku
 2005/0273509 A1 12/2005 Brown
 2005/0277844 A1 12/2005 Strother et al.
 2005/0288563 A1 12/2005 Feliss et al.
 2006/0004266 A1 1/2006 Shirai et al.
 2006/0010090 A1 1/2006 Brockway et al.
 2006/0020178 A1 1/2006 Sotos et al.
 2006/0020301 A1 1/2006 Hanson et al.
 2006/0025663 A1 2/2006 Talbot et al.
 2006/0030759 A1 2/2006 Weiner et al.
 2006/0030760 A1 2/2006 Geiger
 2006/0030891 A1 2/2006 Saltzstein et al.
 2006/0031102 A1 2/2006 Teller et al.
 2006/0031378 A1 2/2006 Vallapureddy et al.
 2006/0031487 A1 2/2006 Noguchi et al.
 2006/0078171 A1 4/2006 Govindaraju et al.
 2006/0204047 A1 9/2006 Dave et al.
 2006/0252999 A1 11/2006 Devaul et al.
 2007/0055166 A1 3/2007 Patil
 2007/0073266 A1 3/2007 Chmiel et al.
 2008/0046627 A1 2/2008 Castro et al.
 2009/0055677 A1 2/2009 Chen

OTHER PUBLICATIONS

Written Opinion—5 pgs. Dated Apr. 29, 2009, Apr. 29, 2009, Zin Technologies, Inc.
 Supplementary European Search Report, Sep. 30, 2013, Zin Technologies, Inc.
 Intn'l Search Report Appl. No. PCT/US08/57037, Oct. 2, 2008, Zin Technologies, Inc.
 Written Opinion of the International Searching Authority for Appl. No. PCT/US08/57037, Date mailed Oct. 2, 2008.

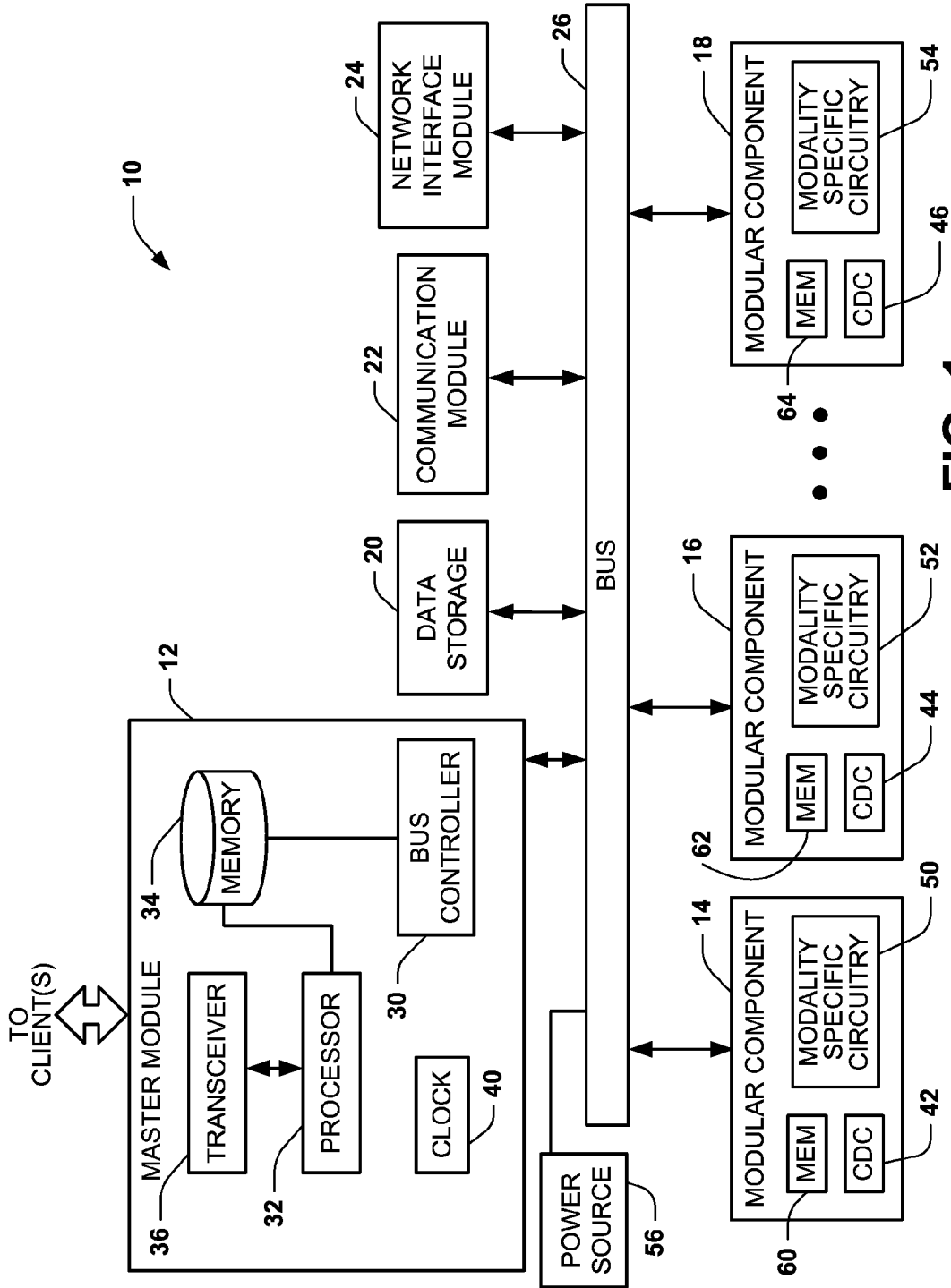


FIG. 1

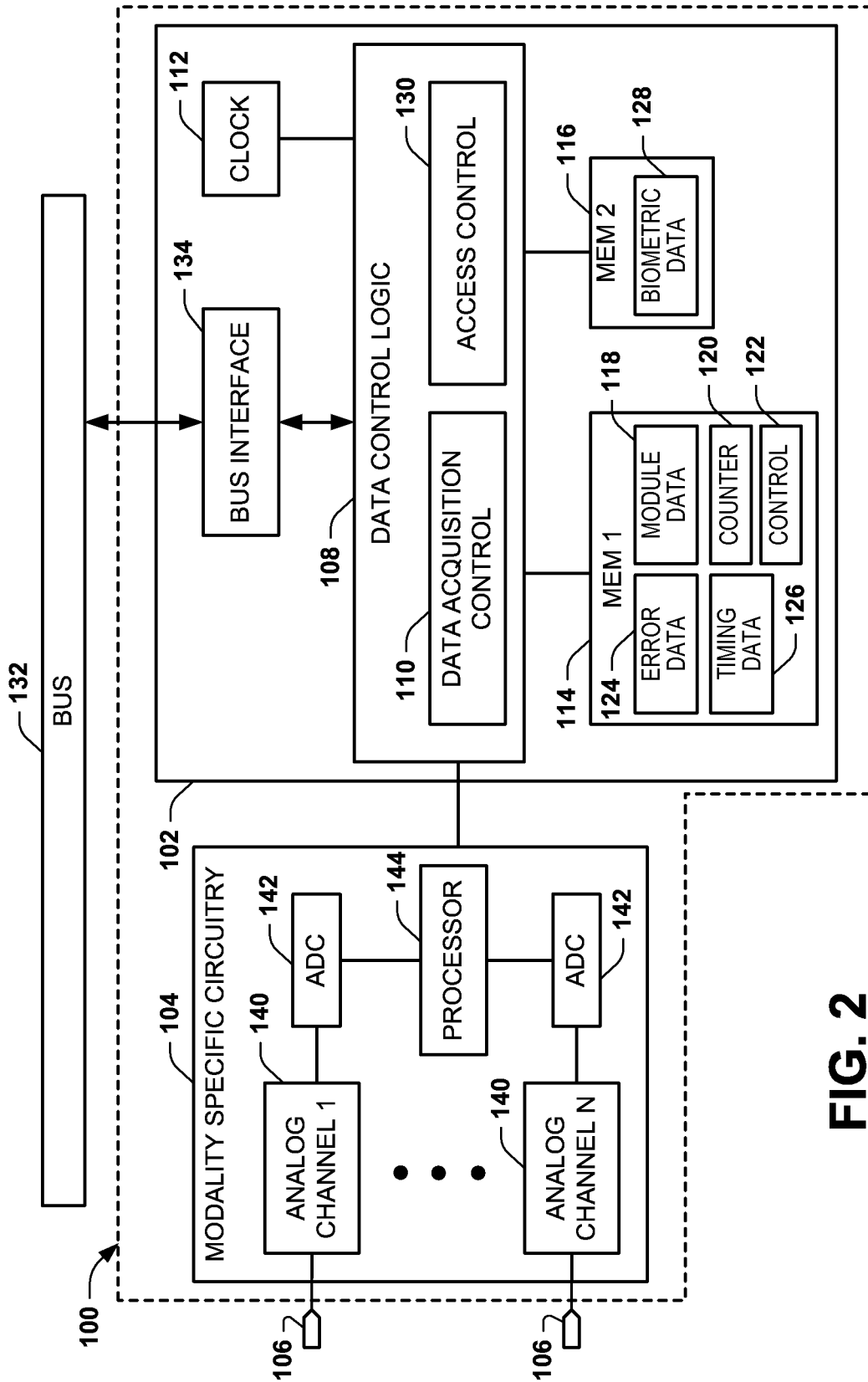


FIG. 2

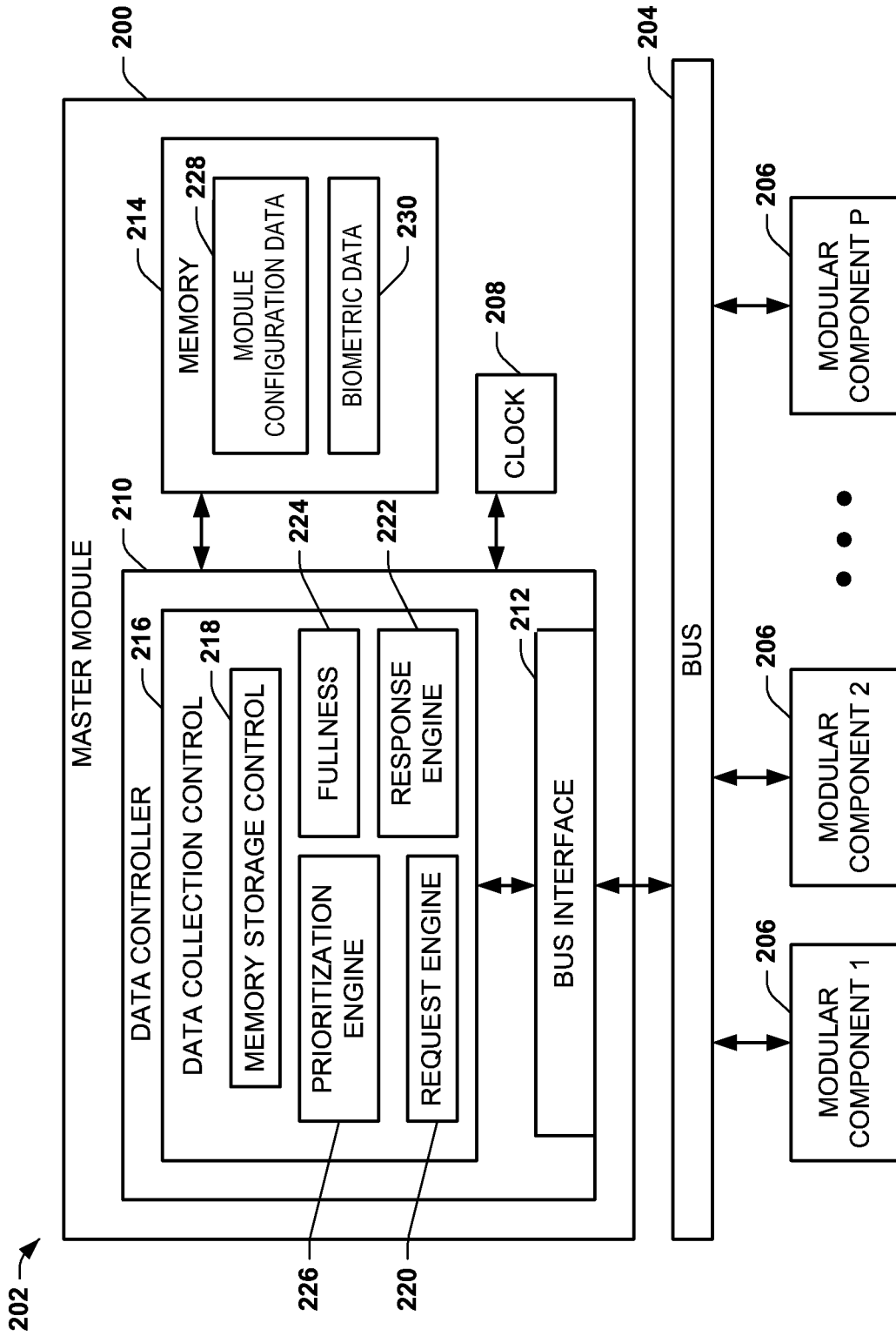


FIG. 3

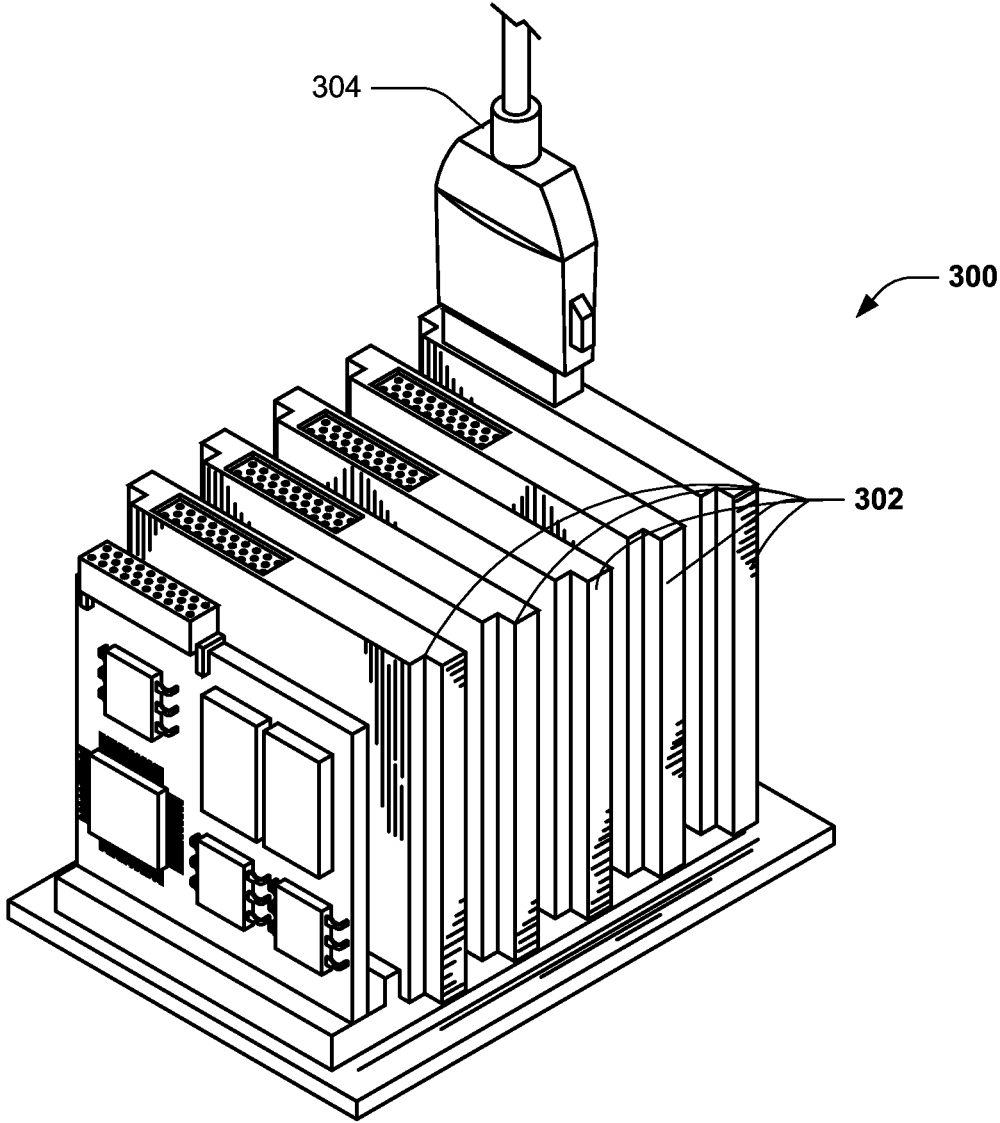


FIG. 4

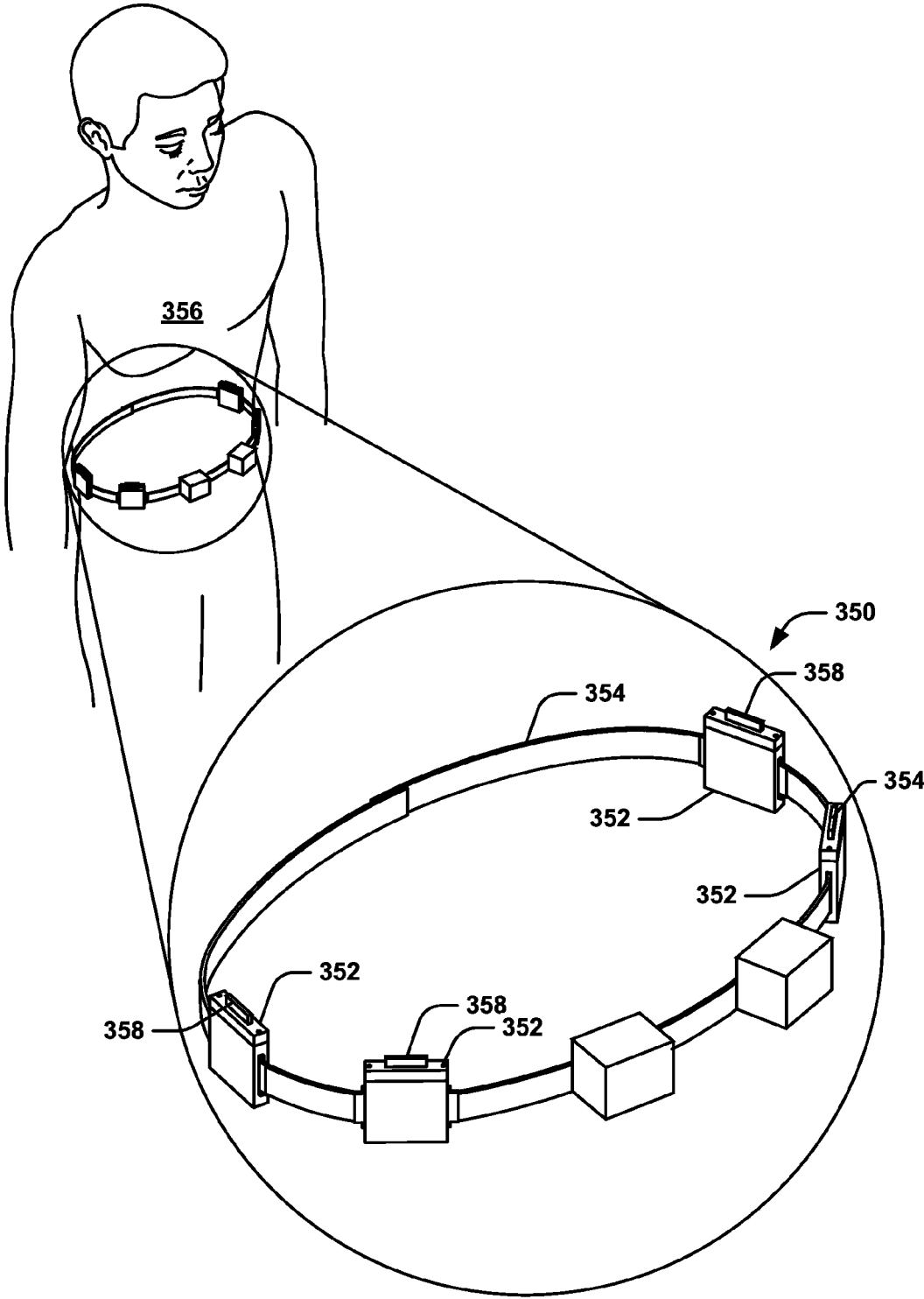


FIG. 5

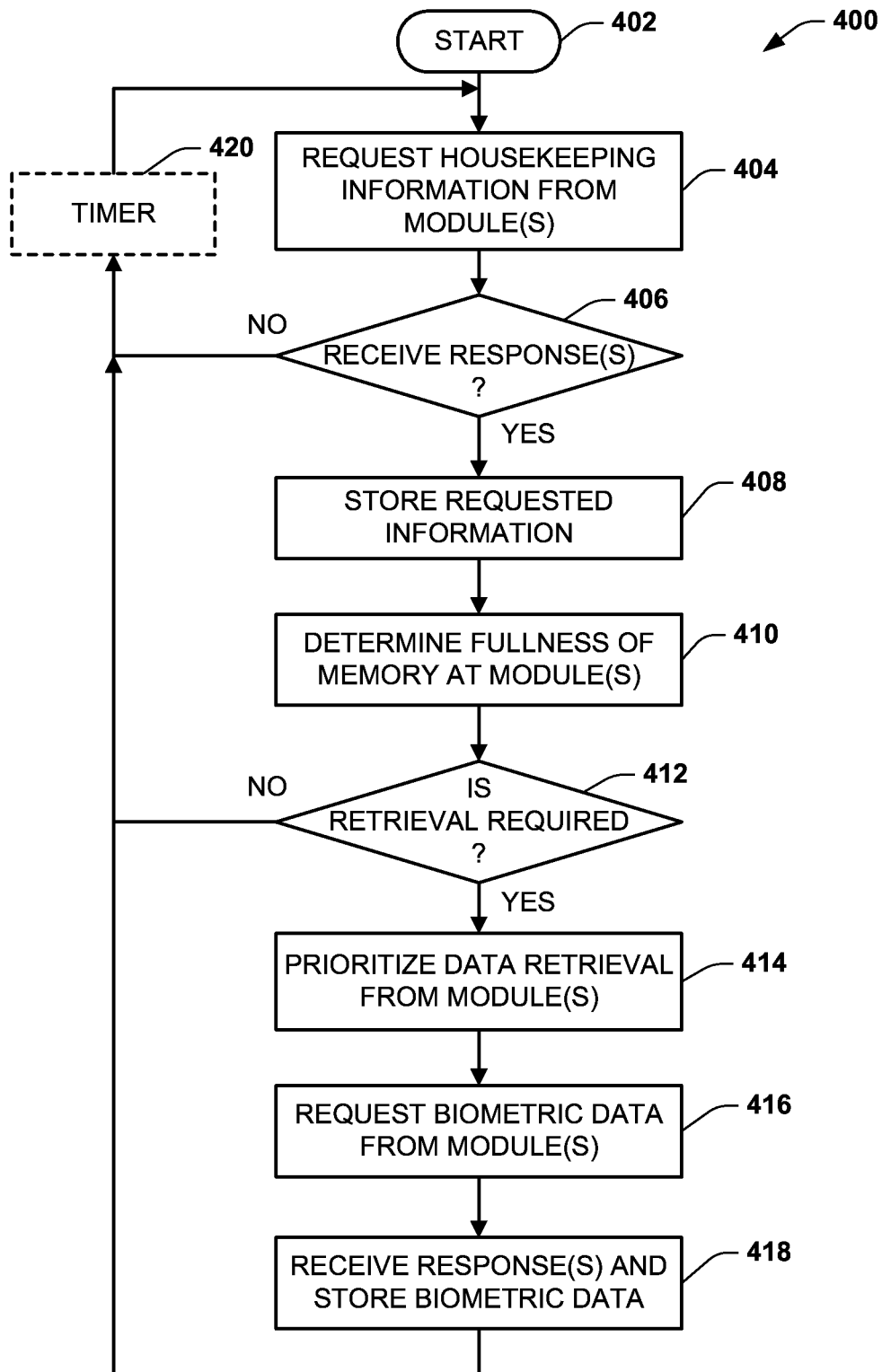


FIG. 6

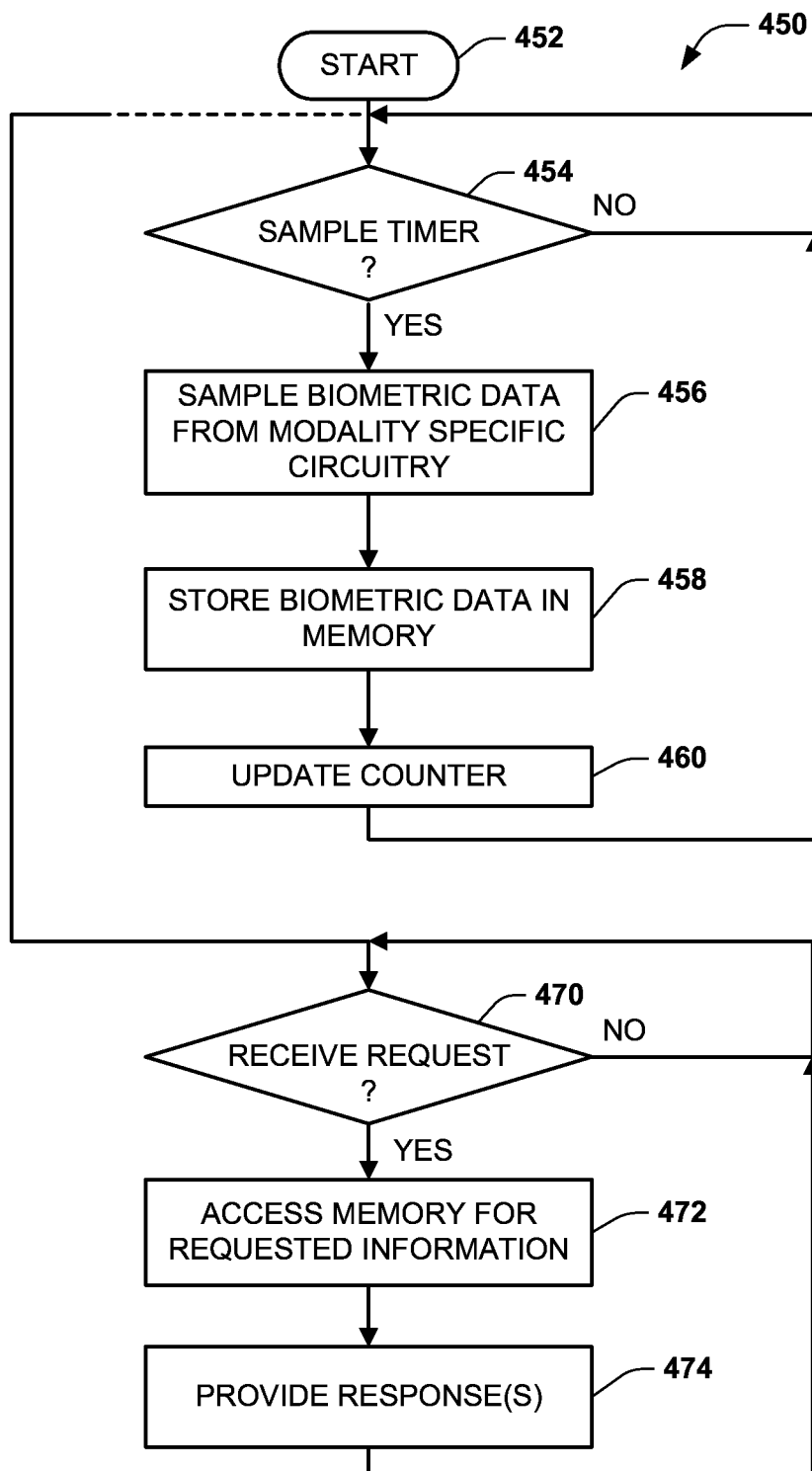


FIG. 7

1

MODULAR BIOMETRIC MONITORING SYSTEM

RELATED APPLICATION

This application is a continuation of U.S. application Ser. No. 12/051,019, which was filed on Mar. 19, 2008 and entitled DATA ACQUISITION FOR MODULAR BIOMETRIC MONITORING SYSTEM, and is a continuation-in-part of U.S. patent application Ser. No. 11/686,667, which was filed on Mar. 15, 2007 and entitled TRANSFER FUNCTION CONTROL FOR BIOMETRIC MONITORING SYSTEM AND RELATED METHOD, which is a continuation-in-part of U.S. patent application Ser. No. 11/236,899, which was filed on Sep. 28, 2005, and entitled COMPACT WIRELESS BIOMETRIC MONITORING AND REAL TIME PROCESSING SYSTEM. The entire contents of each of the above-identified application are incorporated herein by reference.

GOVERNMENT INTEREST

The subject innovation is being developed with government support under Contract No. NNC05CA65C awarded by NASA. The United States government may have certain rights in the invention.

BACKGROUND

Diagnosis of ailments and treatment of disease often requires an analysis of biological signs obtained from a patient in the course of normal activity over a period of time. Personal health monitors are commonly employed to gather data related to a patient's biometric data.

In general, a personal health monitor is a device used to measure and record one or more clinical parameters of a patient for later transmission to the patient's physician or other health care provider. The personal health monitor may be used in a hospital or clinical setting as an adjunct to existing care. Additionally, the personal health monitor may also be used by the patient outside care facilities (e.g., at a patient's home). When used by a patient at home, the patient operates the personal health monitor to record certain bodily clinical parameters. The personal health monitor can be used by the patient who has a condition requiring monitoring of one or more clinical parameters, but who otherwise may not require the level of care such as provided by a hospital. Accordingly, the personal health monitor provides potential savings in medical costs involved with a hospital stay.

For example, continuously monitoring cardiac patients immediately following coronary attacks is important. Such is normally accomplished effectively in the coronary care unit of most hospitals where the patients are continuously monitored following heart attacks to detect arrhythmias of the heart, for example monitoring and warning for ventricular arrhythmias, which may lead to ventricular fibrillation and death. Through prompt recognition and treatment of such warnings related to ventricular arrhythmias in coronary care units, the mortality rate of acute myocardial infarctions has been reduced considerably. In addition, many post myocardial infarction cardiac patients continue have frequent ventricular extra systoles after discharge from the hospital. Accordingly, it is desired to continuously monitor the patient over a certain period of time and under varying conditions of stress, to determine the effectiveness treatment which has been introduced, such as the proper dosage of medication.

2

Constant monitoring of such patients after release from the hospital may be difficult because of the logistics involved, and particularly since they can no longer be monitored closely as a group by direct wiring or close telemetry, as commonly implemented in hospital settings. As a result, various systems have been developed to attempt to monitor the ECG signals of out-patients to thereby provide a diagnostic tool for additional treatment or variation of treatment for the patients as may be required.

Nevertheless, many such mobile units are typically spacious and difficult to set up and maintain. Moreover, in general these units are not suitable for readily monitoring a plurality of biological conditions and indicators useful for many situations. In addition, such systems lack flexibility during usage as they typically have fixed sensor types and configurations.

SUMMARY

The invention relates to systems and methods for collecting data from a plurality of data acquisition modules. For example, the approach described herein enables data to be acquired at one or more modules synchronously and to be collected from such module(s) by a central control asynchronously, such as based on relative fullness of memory at the one or more modules.

One aspect of the invention relates to a modular system for acquiring biometric data. The system includes a plurality of data acquisition modules configured to sample biometric data from at least one respective input channel at a data acquisition rate. A representation of the sampled biometric data is stored in memory of each of the plurality of data acquisition modules. A central control system is in communication with each of the plurality of data acquisition modules through a bus. The central control system is configured to collect data asynchronously, via the bus, from the memory of the plurality of data acquisition modules according to a relative fullness of the memory of the plurality of data acquisition modules.

Another aspect of the invention relates to a biometric monitoring system that includes a plurality of modular components configured to sample biometric data received from at least one respective input channel according to a data acquisition rate. Each of the plurality of modular components includes a first memory structure for storing housekeeping information associated with operation of the modular component. Each of the plurality of modular components also includes a second memory structure for storing a representation of the sampled biometric data. The housekeeping information in the first memory structure is updated in response to storing the representation of the sampled biometric data in the second memory structure. A master module is configured to retrieve data asynchronously, via a bus to which each of the plurality modular components is connected, from the second memory of the plurality modular components according to a relative fullness of the second memory structure in each of the plurality modular components as determined by the master module based on the updated housekeeping information in the plurality of modular components.

Still another aspect of the invention relates to a method for acquiring biometric data. The method includes sampling biometric data for each of the plurality of modular components at a substantially synchronous data acquisition rate and storing the sampled biometric data in a first memory structure of each of the respective plurality of modular components. A counter in a second memory structure of each of the

plurality of modular components is updated in response to the storing of the sampled biometric data. A fullness of the first memory structure in each of the plurality of modular components is determined based at least in part on the updated counter in the second memory structure of each respective modular component and biometric data is retrieved from at least one of the plurality of modular components in response to the determined fullness of the first memory structure in the at least one of the plurality of modular components.

BRIEF DESCRIPTION OF THE DRAWINGS

FIG. 1 depicts an example of a biometric monitoring system that can be implemented according to an aspect of the invention.

FIG. 2 depicts an example of a modular component that can be implemented in a biometric monitoring system according to an aspect of the invention.

FIG. 3 depicts an example of a master module that can be implemented in a biometric monitoring system according to an aspect of the invention.

FIG. 4 depicts an example of a modular system that can be implemented according to an aspect of the present invention.

FIG. 5 depicts another example of a modular system that can be implemented according to an aspect of the present invention.

FIG. 6 is a flow diagram illustrating a method that can be utilized to collect data in a biometric monitoring system according to an aspect of the invention.

FIG. 7 is a flow diagram illustrating a method that can be utilized acquiring data as well as for communicating data in a biometric monitoring system according to an aspect of the invention.

DETAILED DESCRIPTION

The subject innovation relates to systems and methods to perform data acquisition in a modular system. For example, the approach described herein enables data to be acquired at one or more modules synchronously and to be collected from such module(s) by a central control asynchronously, such as based on relative fullness of memory at the one or more modules.

FIG. 1 depicts an example of a system 10 that can be utilized to acquire biometric data. As used herein, the term “biometric data” or related phrases (e.g., “biometric parameter” and “biometric information”) is intended to encompass biological or biomedical information, such as may be acquired from one or more sensors. Biometric data can also relate to information associated with controlling or monitoring the delivery of a therapy being delivered to a patient or it can also represent information associated with controlling drug delivery equipment or sensor equipment or operating parameters associated with sensor status and operation that may be employed in connection with the acquisition of data or control of therapy devices.

The system 10 includes a plurality of modules, which are also referred to herein as modular components. In the example of FIG. 1, the system 10 includes a master module 12 and a plurality of other modular components 14, 16, 18, 20, 22 and 24. Each of the respective modular components 12-24 can be programmed and/or configured according to the intended use of the system 10. At least some of modular components 14, 16, 18, 20, 22 and 24 can be replaced, inserted and/or swapped to achieve a desired aggregate

function, such as can include collection of biometric parameters, control delivery of a desired therapy, communication of data to and from the system 10 or any combination thereof.

For example, a clinician can determine a customized routine for acquisition of biometric data and or therapy. Based on the routine, the clinician can determine which types of modules should be inserted into the system as the modular components 12-24. For instance, the modular components 14 and 16 can be configured to acquire biometric data associated with a patient and the modular component 18 can deliver a desired type of therapy (e.g., electrical and/or chemical) to a patient.

By way of further example, the modular component 14 can measure one or more biometric parameters, and/or supply input that is representative of the status of a controlled process. The input can be provided to the master module 12 or another modular component 18, such as can be configured to change one or more outputs for effecting control of the therapy process. For instance, one or more of the modular components 12, 14 and 16 can supply activation commands to a glucose pump in a patient’s proximity, such as when acquired data that pertains to blood sugar of a patient indicates a critical level. Similarly, muscle tension can be employed as a biometric condition to be collected by a modular component, and employed for delivery of chemical or electrical therapy to perform muscle relaxation by the same or a different modular component to a patient. The inputs and outputs of each of the modular component 12-24 can be binary, (e.g., on or off), and/or analog assuming a continuous range of values.

Each of the respective modular components 12-24 can communicate over a data bus or backplane 26. For example, the bus 26 can enable communication between the master module 12 and any of the other modular components 14-24. Additionally or alternatively, each of the modules 12-24 can communicate with each other over the bus 26. Those skilled in the art will understand and appreciate various types of buses or communication links and communications protocols that can be utilized to provide for communication between the respective modules 12-24.

As a further example, each of the modular components 14-24 can be connected to the bus via a physical interface (e.g., a slot having a given form factor) having a predetermined physical address location in communication with the bus 26. The master module 12 can thus communicate with each module using this physical address, such as part of a configuration mode in which the master module 12 acquires information (e.g., hardware configuration) about each modular component 14-24 that is connected to the bus 26. The master module 12 can also assign each other modular component 14-24 a respective address that can be utilized to facilitate subsequent communication with the modular components over the bus 26, such as for sending requests and responses during normal operation.

The system 10 can be considered a distributed computing arrangement since certain processing functions can be distributed to the respective modules 14-24. In this way, computing power requirements of the master module 12 can be reduced based upon the portions of processing being implemented at the respective components 14-24. In this respect, the power usage of the system 10 can be scaled to the medically desired configuration of the system. By way of further example, each of the modules 14, 16 and 18 can correspond to a modular apparatus that can be utilized to acquire biometric data that can be transmitted to the master module 12 for aggregate communication to one or more

remote clients, such as a Personal Digital Assistant (PDA), computer, workstation, a server and the like.

In the example of FIG. 1, the master module 12 can include a bus controller 30 that can be utilized to control data communication over the bus 26. For instance, the bus controller 30 can transmit data (e.g., in the form of data requests) from the master module 12 to the respective modular components 14 through 24 via the bus 26, such as mentioned above. As one example, the master module 12 can provide respective program instructions to one or more of the modules 14 through 24 for controlling operation and the particular function being performed by the respective module(s). This can include setting one or more operating parameters sampling rates, configuration settings as well as defining the specific functions or tasks being performed by the respective components. The bus controller 30 can also be configured to control how and when each of the respective modules communicates data over the bus 26.

The master module 12 also includes a processor 32 that can execute program instructions stored in associated memory 34. The memory 34 can be implemented as including one or more different types of memory, such as volatile or nonvolatile memory. The memory 34 can be accessed by the processor 32 for storing executable instructions for controlling operation of the master module 12 and the system 10, more generally. The memory 34 can also be utilized to store data that is provided to the master module via the transceiver 36 or bus controller 30. For example, the memory 34 can be employed as a temporary data storage device for biometric data and control information that may be received from any of the other respective modules 14 through 24 via the bus 26.

According to one aspect of the invention, the memory 34 can store executable instructions that control high level functions of the bus controller 30 to facilitate and optimize traffic over the bus 26. For example, the processor 32 can control the bus controller 30 to collect data from each of the respective modules 14-18 asynchronously according to a relative fullness of memory in each of the respective modules. The master module 12 can determine the relative fullness of the modules in response to requesting certain housekeeping information from the modules. For instance, certain housekeeping information (e.g., corresponding to the type of module, sampling rate, memory storage capacity) can be obtained by the master module 12 during a configuration or set-up mode. The master module can employ the bus controller to request status information (e.g., intermittently or periodically) from the respective modules, which status information can be utilized in conjunction with the previously acquired housekeeping information to determine a relative fullness of the memory in each module. For example, a process running in the processor 32 can cause the bus controller to issue requests for data from one or more of the modular components 14, 16, and 18 based on the determined fullness of memory at each of the respective modules. In this way the master module 12 can acquire data from modules at different rates to reduce traffic on the bus 26. The relative fullness thus may vary according to the particular functions each module is performing, the rate data is sampled and stored and the capacity of the memory for storing such data at each module.

The processor 32 can also control other functions associated with the system 10 such as communication to one or more clients through the respective transceiver 36. The transceiver 36 can be implemented as a wired or wireless type of communication device. Those skilled in the art will understand and appreciate various types of transceivers that

can be utilized by the master module 12 to transmit and/or receive data. For instance, the processor 32 can transfer data from the memory 34 to the associated client via the transceiver 36. Alternatively, the client may be configured to access and download data from selected portions of the memory 34. For example, the client can run an appropriate user interface (not shown) to initiate or terminate or otherwise control one or more functions associated with operation of the system 10. The transceiver 36 further can be utilized for programming operation of the system 10 through an appropriate input/output port.

The master module 12 can also include a clock 40 that is used to control timing associated with operation of the master module 12 as well as to control the timing associated with data transfers over the bus 26 via the bus controller 30. The master module 12 can also employ the clock 40 to control internal operation of the master module, including communication via the transceiver 36.

The system 10 can further include a data storage module 20 that can be utilized for storing additional data that is transmitted over the bus 26. For example, the processor 32 can store data to the data storage module 20. Additionally or alternatively, the data storage module 20 can be implemented as a modular component similar to the other modules 12-18, 22 and 24 in the system 10. For example, a module having a desired memory capacity can be connected to the bus as the data storage module 20 to increase the overall storage capacity of the system 10. This would allow the data storage function of one or more of the other modular components 12-18, 22 and 24 to be distributed to the data storage module, further increasing the cost efficiency associated with such modules since such modules can be configured with reduced memory requirements. A client thus may be able to access and retrieve data from the data storage module 20 via the master module (through the transceiver 36, processor 32 and bus controller 30) and bus 26.

The client may also communicate with the data storage module 20 or other modules 12-18, 22 and 24 in the system 10 by other communication devices. For example, the system 10 can include addition means of communicating to one or more external devices, such as a communication module 22. For example, the communication module 22 can correspond to a wireless communication module. The communication module 22, for example, can transmit according to any one of a variety of known wireless protocols, such as an 802.11x standard (e.g., WiFi), 802.16x standard (e.g., WiMAX), Bluetooth, cellular communications (e.g., GSM, UMTS and PCS) and the like.

Additionally or alternatively, the system 10 can include a network interface module 24 that can be programmed and/or configured to connect to a computer network, such as a local area network (LAN) or a wide area network (WAN) such as including the internet. As one example, the network interface module 24 can be electrically connected to the network via a standard network connection. The network interface module 24 thus can provide an appropriate connection with the desired network. Thus, in the example of FIG. 1, communications can be implemented over the bus 26 via the bus controller 30, over the bus through the network interface module 24 and over the bus via the communication module 22. In this way data can be transmitted to and received from the system 10 via the network interface module 24.

In the example of FIG. 1, the modular components 14, 16 and 18 can be programmed and/or configured based on the requirements of the biometric condition(s) that is to be measured and/or other functions that are to be controlled,

such as including the administration of a desired therapy. Each of the respective components **14**, **16** and **18** can include a common architecture, which corresponds to circuitry referred to herein as being embodied in a common data controller (CDC) **42**, **44** and **46**. As one example, each of the CDCs **42**, **44** and **46** can be a common architecture that includes a processor or controller and other circuitry that is programmed and configured to control operation of the modular component as well as to facilitate communication to and from the respective modular component via the bus **26**.

Each of the modular components **14**, **16** and **18** also includes modality specific circuitry **50**, **52** and **54**. The modality specific circuitry can vary according to the type of biometric condition data that is to be acquired by a respective module and/or the type of therapy that might be delivered by the respective module. That is, the modality specific circuitry **50**, **52** and **54** of each of the modules **14**, **16** and **18** is programmed and/or configured to perform a predetermined biometric function (e.g., sensing or therapeutic function—a/k/a modality). For instance, one or more of the modules **14**, **16** and **18** can be configured to acquire a predetermined type of biometric condition data by sensing biometric or biological conditions of a patient. Thus, each modular component **14**, **16** and **18** can include a particular number of channels for acquiring biometric data from one or more sensors that can be arranged to detect corresponding biometric or biological conditions.

By way of further example, each of the modality specific circuitry **50**, **52** and **54** can be adapted to acquire data related to the modalities of electromyography (EMG), electrocardiography (ECG), electroencephalography (EEG), plantar pressure, joint angle, pulse oximetry, blood pressure, core body temperature, blood glucose, and the like. Additionally or alternatively, one or more other modules **14**, **16** and **18** can be configured to administer a desired therapy (e.g., electrical or chemical therapies) via corresponding delivery mechanisms.

Thus, each of the modality specific circuitry **50**, **52**, and **54** includes circuitry operative to provide one or more input signal indicative of a biometric condition. As mentioned above, the input signals can be received by the CDC **42**, **44**, and **46** over a set of channels that can be configured according to the particular modality. The signal for each channel further can be filtered and processed by the modality specific circuitry **50**, **52** and **54** to provide a digital representation of such signal, each of which individually or collectively corresponds to a sensed biometric condition of the patient. Alternatively, in other circumstances, the modality specific circuitry **50**, **52** and **54** can provide a signal (e.g., feedback signal) associated with a delivery of a therapy to the patient, such as may be in the form of chemical or electrical therapies.

Each modular component **14**, **16**, **18** further can be programmed to sample the input signal(s) for synchronously acquiring biometric data at a data acquisition rate. Sampling of the input signal can be performed in the analog or digital domain. The data acquisition rate can be set via the CDC or the modality specific circuitry of a respective modular component. According to one embodiment, each modular component **14**, **16**, **18** can sample a digital representation of the input signal at a respective data acquisition rate. The data acquisition rate for a given modular component **14**, **16**, **18** can be fixed or it can be variable, such as may vary depending on the operating mode (or state) of the given modular component or the particular monitoring function being performed. The sampled biometric data can be stored

in corresponding memory **60**, **62** and **64** of each modular component **14**, **16** and **18**. When the biometric data is stored, a counter (or an index) can be incremented in the memory **60**, **62** and **64**. The counter thus may store an indicator value commensurate with the amount of memory (e.g., bits or bytes or other units of memory) or location in memory that has been written with biometric data.

The master module **12** can retrieve the counter value from one or more of the modular components **14**, **16** and **18**. Since the amount of memory in each modular component is known by the master module **12** (e.g., by housekeeping information retrieved from the modular component), the master module further can control retrieval of the biometric data from each modular component **14**, **16** and **18** based on the indication of memory fullness determined for each respective modular component from the counter value. Additionally, or alternatively, the master module **12** can determine or estimate a rate at which the memory is being filled to further assist in coordinating retrieval of the biometric data from the modular components **14**, **16** and **18**. For example, the master module **12** can determine a change in the counter value for a given modular component over time (e.g., from a comparison of a preceding counter value of the counter relative to a subsequent counter value after a plurality of clock cycles or since a last retrieval of the counter value). The master module **12** can also obtain an indication of the sample rate and an indication of the number active channels to provide a basis for controlling retrieval of data from the modular components **14**, **16** and **18**. Those skilled in the art thus will appreciate that the bus controller **30** and instructions executed by the processor **32** in the master module **12** can operate as means for controlling retrieval of data from the modular components **14**, **16** and **18**.

As mentioned above, each of the modular components **12-24** can have a form factor, which may be a standard or proprietary form factor, which is dimensioned and configured for swappable connection into the system **10**. Thus, as the intended use of the system changes, different modular components can be replaced or swapped for other modules so that the aggregate system meets the needs for particular patient. The amount of memory for storing biometric data can further vary depending on the intended function of a given module. The master module **12** thus can retrieve data from a given modular component based on the relative fullness determined by the master module for the modular component' memory, such as based on the known configuration and the counter value for the respective modular component. The particular combination of data acquisition and/or therapy administration thus can be tailored on a patient-by-patient basis by interchanging or swapping various modular components, having different modality specific circuitry, into or out of the system **10**.

Additionally, the respective connections between the modules **12-24** and the bus are schematically represented as bi-directional arrows. Such connections enable data communication from a given one of the respective modules to one or more other modules over the bus **26**, such as under the control of the bus controller **30** in the master module **12**. Additionally, the connections can provide power to each of the respective modules **12-24**. For instance, a power source **56**, such as including a voltage regulator and one or more batteries) can distribute power to each of the respective modules via the bus **26** or other power distribution means. Alternative power systems can be utilized to provide power, such as may be implemented by separate power connections or in one or more of modules **12-24**.

FIG. 2 depicts an example of a modular component 100 that can be implemented according to an aspect of the invention. The modular component 100 includes a CDC 102 that is electrically coupled with modality specific circuitry 104. The modular component 100 can be self contained within a module housing having a preconfigured form factor, which can vary according to system requirements, such as including but not limited to the examples shown and described herein. The modality specific circuitry 104 includes one or more inputs or outputs, indicated at 106, that can be electrically coupled to respective sensors or therapy delivery devices (not shown). While for purposes of simplification of explanation a single modular component is depicted in FIG. 2, those skilled the art will understand and appreciate that a system can include any number or one or more modular component based on the teachings contained herein.

In the example of FIG. 2, the CDC 102 includes data control logic 108 that is programmed and configured to control data storage and retrieval for the modular component 100. For example, the data control logic 108 can include data acquisition control 110 that is programmed to control the data acquisition rate at which input signals from the modality specific circuitry 104 are sampled. For instance, the data acquisition control 110 can implement a sampling rate based on the type of modular component and its intended purpose, as well as based on a current operating mode. The sampling rate may also vary (e.g., it may be increased or decreased) in response to a biometric condition that is detected by the modality specific circuitry 104, in response to a condition detected by one or more other module or in response to control instructions from a master module (not shown). The data acquisition control 110 can control the sampling rate based on a clock signal provided by a clock 112. For instance, the data acquisition control 108 can employ a timer, counter or other time basis to periodically sample the input data from the modality specific circuitry 104 at the defined rate. While the data acquisition control 110 is depicted as being implemented in the CDC 102, such functionality could be performed by the modality specific circuitry 104 or through cooperation by both the CDC and the modality specific circuitry.

The CDC 102 also includes memory for storing data and executable instructions. In the example of FIG. 2, the memory includes a first memory structure 114 and a second memory structure 116. Each memory structure 114 and 116 can be implemented as non-volatile memory, volatile memory or a combination of different memory devices that is configured for storing data and executable instructions. The memory structures 114 and 116 can be different physical memory devices or they may correspond to separate blocks of memory allocated within a common memory device.

In the example of FIG. 2, the first memory structure 114 stores housekeeping data (e.g., data associated with the module's configuration and operation) and executable instructions for the modular component 100. Such housekeeping information can be utilized to determine the health or status of the modular component 100, such as by the master module (not shown). As one example, the first memory structure 114 can store module data 118, counter data 120, control data 122, error data 124 and timing data 126. The module data 118 can include module identification information (e.g., model number, serial number and the like). The module data 118 thus can be utilized (by the master module) to ascertain the intended purpose or function and operating parameters of the modular component 100. The control data 122 can include instructions and data that

define functions and parameters of the data control logic 108. The error data 124 may include information that identifies operating errors for the CDC 102 and/or modality specific circuitry 104, such as error flags, calibration errors, and timing errors to name a few. The timing data 126 can be utilized to store timing information associated with various aspects of operation of the CDC 102, including speed of the clock 112, a local relative time base (e.g., as may be measured from start-up or other predetermined events).

The second memory structure 116 stores biometric data 128 that is sampled from the modality specific circuitry 104. The counter data 120 of the first memory structure 114 has a value that is indicative of an amount of the biometric data 128 that is stored in the second memory structure 116. For example, the data in the counter 120 can correspond to an incremental count of the units of memory (e.g., bits or bytes) that are written to in the second memory structure 116. Alternatively or additionally, the counter data 120 can define a location or offset of the data that is written into the second memory structure 116. For instance, the counter data 120 can be utilized as an index (or indices) that define a block (or blocks) of biometric data stored in the memory structure 114. Such an index can be utilized to address corresponding memory locations in the second memory structure 116 for retrieving the biometric data 128. Errors associated with the biometric data 128 can be retrieved from the other memory structure 114, such as corresponding to the error data 124. Such errors can be utilized, for example, to diagnose and/or to repair malfunctioning circuitry and software at the modular component 100, such as by program instructions running on the master module or another modular component.

The data control logic 108 may also be programmed and configured to perform an access control function 130 (which may include separate access control functions) for accessing each of the respective memory structures 114 and 116. The access control function 130 can also update the counter data 120 in response to biometric data being stored in the second memory structure 116. The second memory structure 116 can be implemented as a FIFO data structure, such that a single address or index value can be utilized to define the biometric data 128 stored in such memory. For instance, the access control function 130 can increment the counter 120 by an amount commensurate with the amount of biometric data that is stored in the second memory structure 116. The access control function 130 can thus employ the counter data 120 (or other control instructions) as an index for accessing and retrieving the biometric data 128 from the second memory structure 116.

As a further example, a master module or another modular component (or process running in the system) that is in communication with the modular component 100 through a bus 132 can transmit a request to the modular component. The request, for instance, can be a request for data from the first memory structure 114, such as may include any of the data stored therein, individually or in combination. The request can be provided to the data control logic 108 via a bus interface 134. In response to the request, the data control logic 108 employs the access control function 130 to retrieve the requested data from the first memory structure 114, which in this example includes at least the counter data 120. The access control function 130 thus can provide a response, including the requested information, to the requesting module via the bus interface 134. The requesting module can also issue a subsequent request for biometric data from the modular component 100, which again is received by the bus interface 134 and processed by the data control logic 108. The request can include a counter value or other address

location that is utilized by the access control function **130** to locate the requested biometric data from the second memory structure **116**. The counter value or other location information can be derived from the information sent in a prior response, such as from the module **100** to a master module. The access control function **130** in turn provides a set of one or more responses that includes the requested biometric data **128**.

The bus interface **134** coordinates the sending of the response data over the bus **132** back to the requesting module. Additionally, after retrieving the requested data from the second memory structure **116**, the access control function **130** can reset the counter data **120** to its appropriate starting value, which starting value can indicate the absence of biometric data remaining in the second memory structure **116**. It will be appreciated that the master module or other requestor can request less than all the biometric data **128** from the second memory structure **116**, such as by specifying an offset or location that does not encompass all such biometric data. After the portion of requested biometric data is retrieved from the memory structure **116**, the access control function **130** can set the counter **120** to an appropriate value to indicate an offset or location for the remaining biometric data **128** in such memory.

The modality specific circuitry **104** includes corresponding analog circuitry **140** depicted as an analog channel **1** to analog channel **N**, where **N** is a positive integer denoting the number of available channels for sending or receiving information and commands. Each analog channel **140** is associated with a respective I/O port **106**, such as for providing isolation and analog pre-processing the respective input signal. While the modality specific circuitry **104** may have **N** available channels, it is to be understood that not every channel needs to be an active channel. The particular number of active channels **140** can be set in the module data **118** and or the control data **122** in the CDC **102**. Those skilled in the art will understand and appreciate various types of circuitry (e.g., isolation amplifiers, filters, gain scaling circuits and the like) that can be utilized to receive and process signals from appropriate sensors and provide corresponding input signals for each channel. The particular circuitry that forms each respective channel **140** and how it may be configured in the modality specific circuitry **104** thus can vary according to the modality and the biometric conditions intended to be monitored by the modular apparatus **100**. Alternatively, the analog channels **140** might correspond to output or control circuitry (e.g., drivers and logic) configured to control delivery of appropriate therapies, such as a chemical or electrical based therapies. The analog channels **140** further can provide for isolation between the leads and sensors connected at the ports **106** and the other processing performed by the modality specific circuitry **104**.

Each active analog channel **140** can provide an analog input signal to an analog-to-digital converter (ADC) **142** that provides corresponding digital channel representation. The ADC **142** provides the digital channel representation to a processor (e.g., digital signal processor) **144** that can be programmed to perform additional signal processing on each digital channel representation. The processor **144** can provide the processed data to the CDC **102**, which can be sampled by the data acquisition control **110** according to a defined sample rate, such as described above.

FIG. 3 depicts a functional block diagram of a master module **200** that can be implemented in a biometric monitoring system **202** according to an aspect of the invention. The biometric monitoring system **202** thus can include a data bus **204** over which communication between the master

module **200** and one or more modular components **206** can occur. In the example of FIG. 4, the modular components **206** are indicated at modular component **1**, modular component **2** through modular component **P**, where **P** is a positive integer denoting the number of modular components in the system **202**. At least a substantial portion of the modular components **206** can include modality specific circuitry that can be programmed and configured for monitoring a desired biometric condition as well as for delivering a therapy to a patient such as described herein.

In the example of FIG. 3, the master module **200** includes a data controller **210** that can be programmed and configured to control access and retrieval of data within the system **202**. For instance, the data controller **210** can be implemented as computer executable instructions running in a processor for controlling other circuitry including a bus interface **212** for sending and receiving requests and responses over the bus **204**. The data controller further can control access to associated memory **214** that can reside in the master module **200**. The memory **214** can be implemented as volatile or non volatile memory that can include the executable instructions for controlling operation of the master module as well as for storing data retrieved from one or more of the other modules **206**. It is to be understood and appreciated that while the memory **214** is depicted as residing within the master module **200**, additional memory can be implemented into the system **202**, such as being attached to the bus **204** as one of the other respective modular components **206**. Thus the amount of memory and storage capability of the system **202** is quite extensible.

The data controller **210** also includes a data collection control function **216**. The data collection control **216** can be a set of one or more program modules, functions or routines programmed to asynchronously retrieve data from the modules **206**. In particular, the data collection module **216** includes a memory storage control **218** that controls the overall scheme employed by the master module **200** for accessing the respective modules **206** and retrieving data therefrom. The memory storage control **218** can issue one or more requests to each of the respective modules **206** such as to obtain information from such modules, which can include housekeeping data, biometric data or a combination of data types. As described herein, each of the modules or components **206** may be programmed and configured to acquire different types of biometric data or to control delivery of a therapy. Consequently, each of the respective modules may acquire data at a different rate such that the available memory within each of the corresponding modules may fill at different respective rates. Since the master module can know the type of a given module **206** and based upon the type of modules the amount of available memory for storing biometric data, the master module can send requests for certain housekeeping data from each of the modules based on which it can determine the relative fullness of the modules. In order to issue these and other requests, the data collection control **216** includes a request engine **220** that is configured to employ the bus interface **212** for sending requests over the bus to one or more these modules **206**.

As an example, the request engine **220** can packetize a request to an address associated with a given module or a broadcast request to the set of modules connected to the bus **204**. A request may include data or instructions calling for certain information, such as housekeeping information that may be contained in a memory structure that is different from the memory structure stored in the biometric data for the given module **206**. As described herein, for example, the request can include a request for housekeeping information

13

that includes a counter value indicative of a location or an index associated with the biometric data stored in a corresponding memory at each respective module 206. Thus, in response to such request, each modular component 206 can send a response with the requested information, including a counter value indicative a location that can be utilized to ascertain an address or location for biometric data in a corresponding memory structure. The response is sent from the modular component 206 over the bus 204.

The bus interface 212 of the data controller 210 provides the responses to a response engine 222. The response engine 222 handles responses received from the modules such that the data collection control 216 can process the responses in a corresponding order. For example, the data collection control 216 can include a fullness calculation module 224 that is programmed to ascertain a relative fullness of the biometric data in a respective module based on the information contained in a response to the corresponding request. As described herein, for example, the response can include a counter value based on which the fullness calculator 224 can ascertain the relative fullness of the memory structure for storing biometric data in each of the respective modular components 206. The relative fullness may be an absolute fullness that depends on a predefined capacity of the memory in each module. The relative fullness calculator may also be programmed to determine a rate at which a respective memory structure is being filled such as can be determined based upon other response information including the number of active channels at a given modular component and the sampling rate of data at a given modular component. Those skilled in the art will understand and appreciate various ways and calculations that can be performed by the fullness calculator 224 based upon house-keeping data returned in a response from a given modular component.

The data collection control 216 further may include a prioritization engine 226. The prioritization engine 226 can be programmed to prioritize further requests for biometric data for each of the respective modular components 206. The prioritization can vary according to the intended purpose of the biometric monitoring system 202. The prioritization further may be performed based on the relative fullness of the memory structure storing the biometric data in each of the respective modular components 206. The prioritization engine may also (or additionally) determine the priority according to the type of each of the plurality of data acquisition modules and patient specific parameters (e.g., condition of the patient, purpose for the monitoring, as well as other variables associated with the patient). The priority can be a weighted priority that is set as a function of the type of module and the amount of data acquired per data acquisition sequence at the module and based on the patient specific parameters.

The prioritization engine 226 (or other process) can determine if a request for biometric data is necessary based upon the fullness determined by the fullness calculator 224 for each of the respective modular components 206, and if it is determined that a request for biometric data should be made, the prioritization engine can prioritize the request for biometric data so that requests are first sent out to higher priority modular components so that the resulting responses and associated data are received from such higher priority components. For example, certain biometric conditions being monitored may be considered high priority conditions such as pulse rate, brain activity, and the like where as other condition may be considered lowered priority, such as monitoring activation of muscular tissue. Thus, those skilled

14

in the art will understand and appreciate various routines and combinations of information that can be utilized to implement appropriate controls prioritizing requests and responses for biometric data.

As a further example, the memory 214 can store modular configuration data at 228 and biometric data 230 for each of the respective modular components. For example, during an initialization or calibration phase, the data collection control 216 can send a request to each of the physical locations or physical addresses at which each of the modular components are connected to the bus 204. Such requests can include data or instructions calling for return of modular configuration information for each modular component, which can result in corresponding responses being sent to the master module 200. The module configuration information can in turn be stored as the module configuration data 228 at the master module. The module configuration data 228 thus can be utilized to ascertain the type or function of the given module as well as the particular configuration thereof. For example, module configuration data for a given module may include (or the master module may derive the following information from the module configuration data): the memory available for storing biometric data, a level of priority associated with the module or component, data sampling rates, the number of active channels and other configuration information that may be useful in determining what information is stored in the modular component 206. Thus, the data collection control 216 can determine a relative fullness of memory in each modular component based on the configuration data 228 and updated indicator data (e.g., a counter value as described herein) retrieved from the modular component to asynchronously acquire biometric data from the modular components 206 in the system 202.

Biometric data received by the response engine 222 further can be stored by the data controller 210 into the memory 214 as the biometric data 230. Thus, the memory 214 in the master module can store a set of biometric data 230 for each of the respective modular components 206. Additionally, the master module 200 can process data from one or more modules and store processed sets of data in the memory. Since certain modules may acquire data at a greater rate than others, the amount of memory allocated for a given module can vary according to its intended purpose. It would further be appreciated as described herein, that one or more other modular components 206 can be memory modules for storing additional biometric data or other data associated with operation of the system 202.

As the available memory 214 in the master module 200 or associated modular component 206 is nearing its capacity, the master module can be programmed to transmit the data or indicate a signal (e.g., audible or visual or a combination thereof) that can be utilized for triggering a download of data from the biometric monitoring system 202 to another device. It should be understood and appreciated that the amount of memory available in the system 202 can be sufficient to allow use over an extended period of time for monitoring a number of biometric conditions. The download of information from the biometric monitoring system 202 to another device (e.g., a client or service) can be performed in a variety of ways, such as described herein.

FIG. 4 depicts a perspective view of one example embodiment of a modular system 300 that can be constructed in accordance with an aspect of the invention. The modular system 300 includes a plurality of modular apparatuses 302 configured for performing desired functions such as described herein. For example, by replacing, inserting, swapping a set of one or more modular apparatuses 302, the

modular system **300** can be configured to operate for acquisition of particular biometric data, control delivery of desired therapy and/or transmit data based on a particular transmission protocol. As one example, one or the modular apparatuses **302** in the modular system **300** can be adapted to acquire data related to electromyography (EMG, e.g., at frequency range 2-500 Hz), another can acquire electrocardiography data (ECG, e.g., at frequency range 0.05-100 Hz, and resolution of 24 bits), another may acquire electroencephalography data (EEG, e.g., frequency range 0.16-100 Hz), while another module may acquire blood pressure data, and other modules may acquire data indicative of joint angle, pulse oximetry and the like. Each of the modular apparatuses **302** can be connected to corresponding sensor(s) via an appropriate connector **304**.

Each of the modular apparatuses **302** further can include one or more channels for acquiring and processing input signals indicative of corresponding biometric conditions. Each channel of each modular apparatus, for example, provides data that can be sampled at an appropriate data acquisition rate. Due to the different types and functions of the modular apparatuses the sampling rates can vary significantly. The number of channels and sampling rates thus determine the rate of data storage for each respective modular apparatus **302**. The sampling rates further may change during normal operation depending on a variety of factors such as described herein. For instance, asynchronous data collection can be implemented across modular apparatuses **302**, while at the same time employing a synchronous clock within each modular apparatus to provide timing on module for local data collection functions. Due to the wide range of potential types of modular apparatuses that can be implemented and corresponding varying rates that data may be stored in the memory at such modules, the master module can collect data asynchronously from each of the modular apparatuses depending on a relative fullness of the respective memory for such modules.

FIG. **5** depicts another embodiment of a modular system **350** that can be implemented according to an aspect of the invention. In the example of FIG. **5**, the modular system **350** includes a plurality of modular apparatuses **352** spatially distributed along a common communication link (or bus) **354**, such as can be implemented as part of a belt or harness attached to or disposed around the body of a user. While the communication link **354** is depicted as a belt in the example of FIG. **6**, other types of harnesses (e.g., a chest harness, wrist band, arm band, a hat or the like) could be implemented. Certain modular apparatuses **352** can thus be located proximate to predetermined portions of a patient's body **356**. Data can be communicated with such modular components **352** over a common communication link, or network, wherein all modules on the network communicate via a standard communications protocol. At least some of the modular apparatuses **352** include a modular component **358**, which can be replaced, inserted or swapped for desired operation. Each modular component **358** has a form factor configured according to the requirements and interface provided at the apparatus **352**.

In such a distributed system, one or more I/O modules are provided for interfacing with a process, wherein the outputs derive their control or output values in the form of a message from a master controller over the bus **354**. For example, a modular component can receive a request or instruction a processor, via a communications network or a backplane communications bus. The desired output value for controlling a device associated with a given biometric condition can be generally sent to the output module in a message, such as

an I/O message (e.g., a request or a response). The modular component that receives such a request message can provide a corresponding output response (analog or digital) to the controlled process. The modular component can also measure a value of a process variable and report the input values to a master controller or peer modular component over the network or bus **354**. The master module can control data collection from the modular components to be asynchronous based on the fullness of determined for predetermined memory in each of the respective modular components. The input values may be used by the master module for performing control computations.

In view of the structural and functional features described above, certain methods will be better appreciated with reference to FIGS. **6** and **7**. It is to be understood and appreciated that the illustrated actions, in other embodiments, may occur in different orders or concurrently with other actions. Moreover, not all features illustrated in FIGS. **6** and **7** may be required to implement a method according to the subject invention. It is to be further understood that the following methodology can be implemented in hardware (e.g., one or more processors, such as in a computer or computers or in a biomedical device), software (e.g., stored in a computer readable medium or as executable instructions running on one or more processors), or as a combination of hardware and software.

FIG. **6** depicts a method **400** for asynchronously retrieving data from one or more modules, such as may form part of a biometric monitoring system according to an aspect of the invention. The method **400** may be implemented within a master module or other module that may be programmed to retrieve or collect biometric data from one or more modules. As described herein, the biometric data may include sensed data from one or more modules as well as feedback and other information associated with the control or delivery of a therapy to a patient.

The method begins at **402** such as in conjunction with power-up. Power-up can include initialization of program parameters and loading operating instructions, such as may be programmed to perform a particular task. The task may include a variety of one or more functions associated with monitoring one or more biometric conditions, delivering therapy to a patient or a combination thereof. The method proceeds to **404** in which housekeeping information is requested from one or more modules. The housekeeping information can include a variety of information including but not limited to module configuration information, module identification information, control information, sampling intervals, number of active channels and the like.

At **406** a determination is made as to whether a response to the request (at **404**) is received. If no response is received, the method may return to **404** for re-requesting such information. Alternatively, a timer or time up process may be implemented in which a request must receive a response within the predetermined time period or the request times out. If the request is timed out, it may be repeated or other action may be taken in the event of an error. If a response is received from **406** the method proceeds to **408**.

At **408**, the requested information from the received response is stored in memory. The memory can be local memory, such as in the master module or remote memory such as may be located in another module of a biometric monitoring system. At **410**, the fullness of the memory at the module is determined based upon the stored information. For example, the fullness of the memory can be determined based on a counter value (individually or in combination with other data) provided in the response received at **406**

from a remote module. The counter value can indicate a location in memory at the module relative to knowing the available amount of memory for storing such information. The fullness of the memory thus can be derived as an indication of how much biometric data has been stored in the available memory and/or a determination of how much memory space remains for storing biometric data at the respective module. The fullness determination can be made for one or more of the modules in the biometric monitoring system based on corresponding responses received at **406**.

At **412**, a determination is made as to whether retrieval of biometric data is required. If the determination at **412** is negative, indicating retrieval is not required the method may return to **404**. If it is determined that retrieval is required the method may proceed to **414**. At **414**, the data collection process from the respective modules can be prioritized. The prioritization can be based on a number of factors, including the relative fullness of memory at the modules, a predetermined relative importance of the type of biometric information being acquired at each of the respective modules as well as other criteria that may be associated with the intended purpose or function(s) being performed by the biometric monitoring system.

At **416**, biometric data can be requested from one or more modules for which it has been determined (at **412**) that retrieval is required. The request can be issued to the address of each module over a corresponding data bus such as described herein. At **418**, responses can be received from each of the respective modules including the requested biometric data. The corresponding biometric data can be extracted from the corresponding responses and stored in memory, such as local memory at the master module or at some other location at the biometric monitoring system. The master module can perform a variety of functions relative to the stored information which can be utilized to provide useful information about the condition of the patient as well as about the status or health of the respective modules. For example, can the master module can compute values based on biometric data received from one module or based on an aggregate set of such data received from multiple modules. From **418**, the method proceeds to **420** corresponding to a timer function that can be utilized to control the frequency at which the housekeeping information is requested from the respective modules. Similarly, each of the decisions at **406** and **412** may also return to **404** through the timer function **420** to control when housekeeping information may be requested from the modules. The timing between requests can be the same for all modules or it may vary depending on the type or configuration of the respective modules. Thus, it will be appreciated that the biometric data can be requested asynchronously from the modules where the modules may acquire data synchronously at various rates according to the type of information being acquired by each respective module.

FIG. 7 is a flow diagram depicting a method **450** for certain functionality that may be implemented at a given module in a biometric monitoring system according to an aspect of the invention. In a typical system, each module can thus implement a method similar to the method **450**, which further may vary in implementation according to the modality of such module. The method **450** begins at **452** such as may occur at power-up or upon attachment of a module to a backplane or bus in the biometric monitoring system. This can include registration with a master module, setting start parameters to their starting values and other initialization processes that may be implemented for the module.

At **454**, a determination is made as whether a sampling timer has expired. The sampling timer can be set to provide a data acquisition rate for the modality specific circuitry in the given module. The sample rate can be fixed for a given module or it may vary depending on an operating mode of the module and a module can have any number of operating modes. If the sample timer has not expired at **454**, the sampling can remain idle (e.g., and channel data can be buffered or discarded) during the operation of the modality specific portion of the module. Once the sampling timer expires, indicating data acquisition is required, the method proceeds to **456**. At **456**, the biometric data is sampled from the modality simple circuitry. As described herein, the sample data may include a digital representation of channel data from any number of one or more channels. The number of channels and amount of data stored for each channel may vary depending upon the type and configuration of the module and the purpose of monitoring system. Additionally, the biometric data may include information associated with the delivery of a given therapy or other conditions.

At **458**, the sampled biometric data is stored in memory of the biometric monitoring device. This memory can be a different structure form the memory structure employed to store housekeeping information. The housekeeping information can include information associated with the health of a given module, its configuration and other information such as described herein. At **460**, a counter is updated responsive to the storing of the biometric data in the memory. The counter can be part of the housekeeping information that is utilized to provide an index or other indication relating to the location in the memory where the biometric data has been stored. As a further example, another process running the biometric monitoring system (e.g., at a master module) may employ the counter value as an index or address provided in a request (or other message) to retrieve the stored biometric data from the module implementing the method **450**. From **460**, the method returns to **454** to continue the data acquisition process.

Also depicted in FIG. 7 is a basic process for handling a request and providing responses for data in the given module. This process may run in parallel with or in series with the data acquisition process described at **454** to **460**.

At **470**, a determination is made as to whether a request is received. The request can be received, for example, from a data bus to which the given module is connected through a bus interface. If no request is received, the module may loop at **470**. The module may periodically check for requests via the bus. If a request is received (Yes) the method proceeds from **470** to **472**. The requested information for example can include a request for information such as biometric data, housekeeping data, or other information that may be maintained at the given module. The data can be access from one or more memory structure residing in the given module and, at **474**, one or more responses can be provided. For example, certain information may be submitted in a single packet from the module to the requester, whereas other information may require multiple packets to be sent over the bus to complete a given response. Those skilled in the art will understand and appreciate that the number of packets and manner in which the data is sent over the bus can vary depending upon the configuration of the bus architecture and the protocol utilized for data transmission. From **474**, the method can return to **470** for processing additional requests.

Although the innovation has been shown and described with respect to certain illustrated aspects, it will be appreciated that equivalent alterations and modifications will

occur to others skilled in the art upon the reading and understanding of this specification and the annexed drawings. In particular regard to the various functions performed by the above described components (assemblies, devices, circuits, systems, etc.), the terms (including a reference to a “means”) used to describe such components are intended to correspond, unless otherwise indicated, to any component which performs the specified function of the described component (e.g., that is functionally equivalent), even though not structurally equivalent to the disclosed structure, which performs the function in the herein illustrated exemplary aspects of the innovation. Furthermore, to the extent that the terms “includes”, “including”, “has”, “having”, and variants thereof are used in either the detailed description or the claims, these terms are intended to be inclusive in a manner similar to the term “comprising.”

What is claimed is:

1. A biometric monitoring system, comprising:
 - a plurality of modular connections that each provides access for communication over an electrical communications bus;
 - a plurality of modular components configured as part of a distributed computing arrangement, and removably coupled with the bus via the plurality of modular connections, at least one of the plurality of modular components being a biometric monitoring modular component configured to perform a predetermined biometric monitoring functions by acquiring biometric data corresponding to at least one predetermined biometric parameter of a patient, each of the plurality of modular components being dimensioned and configured to couple to any of the plurality of modular connections to provide for being swappable with another different type of modular component into any of the plurality of connections to enable scaling of the system according to desired requirements for the patient, wherein each of the plurality of modular components further comprises:
 - modality specific circuitry that defines a predetermined biometric monitoring or delivery function of each respective modular component, the modality specific circuitry including a processor and at least one channel, the processor configured to control data acquisition or data delivery via the at least one channel according to the predetermined biometric monitoring or delivery function of the respective modular component; and
 - a common data controller coupled with the modality specific circuitry and the bus, the common data controller being configured to control data storage and retrieval for the respective modular component, including communication of data with respect to the modality specific circuitry and communication of data to and from the respective modular component via the bus;
 - a communications module configured as part of the distributed computing arrangement the communications module being configured to provide for communication between the system and a remote unit; and
 - a master module coupled with the bus, the master module configured to control access and retrieval of data within the system, the common data controller of each of the plurality of modular components controlling and coordinating its communication with the master module over the bus based on configuration thereof set by the master module.

2. The system of claim 1, wherein the modality specific circuitry of at least two respective modular components includes a different number of the at least one channel for acquiring and processing input signals, the common data controller of each respective modular component configured to control a data sampling rate for data received via each channel.

3. The system of claim 2, wherein the common data controller further in each respective modular component further comprises data control logic programmed to change the data sampling rate for at least one channel thereof the respective modular component in response to a predetermined biometric condition that is detected by the modality specific circuitry of the respective module.

4. The system of claim 2, wherein the common data controller further in each respective modular component further comprises data control logic programmed to change the data sampling rate for at least one channel thereof in response to a predetermined biometric condition that is detected by one or more other module.

5. The system of claim 2, wherein the common data controller further in each respective modular component further comprises data control logic programmed to change the data sampling rate for at least one channel thereof in response to control instructions received from the master module.

6. The system of claim 1, wherein the common data controller in each respective modular component further comprises:
 - a first memory structure configured to store housekeeping data associated with the configuration and operation for the respective modular component; and
 - a second memory structure configured to store the biometric data sampled from the modality specific circuitry of the respective modular component, the housekeeping data including information representing an amount of biometric data stored in the respective module.

7. The system of claim 6, wherein the master module is further configured to transmit a request to the first memory structure of at least one of the plurality of modular components for the information representing the amount of biometric data stored in the second memory structure of the respective modular component, wherein each of the plurality of modular components further comprises:
 - an access control function configured to retrieve the requested information from the first memory structure and provide a response that includes the requested information for the respective modular component,

- wherein the master module is configured to manage requests for data from the second memory structure of each of the plurality of modular components based on responses received to requests to the first memory structure of each respective modular component.

8. The system of claim 1, wherein each channel of the modality specific circuitry of each modular component further comprises:
 - circuitry to process an analog signal received from or provided to a corresponding port associated with each respective channel of the modality specific circuitry; and
 - an analog-to-digital converter configured to convert the processed analog signals to corresponding digital signals that are provided to the common data controller of the respective modular component.

9. The system of claim 1, wherein the communications module comprises a wireless communications module that is

21

configured to communicate aggregate data with a remote unit via a wireless communications link, the aggregate data comprising at least one of a set of data received from multiple of the plurality of modular components or values computed by the master module based on the biometric data received from one or more of the plurality of modular components.

10. The system of claim 1, wherein the master module further comprises a master processor operatively connected to communicate with each of the plurality of modular components via the bus, the processor of the modality specific circuitry in each biometric monitoring modular component being configured to obtain data from an associated sensor coupled to a given channel thereof at a predetermined programmable rate that is set by the master module according to module data stored at each biometric monitoring modular component that represents a timing and a type of biometric data which the modality specific circuitry containing each processor is configured to acquire.

11. The system of claim 1, wherein the at least one of the plurality of modular components further comprises a connector dimensioned and configured to connect at least one sensor to a corresponding channel of the respective modular component, the at least one sensor being configured to perform monitoring of the predetermined biometric parameter.

12. The system of claim 1, wherein each biometric monitoring modular component further comprises:

I/O functions configured to control operation of the modality specific circuitry to provide for asynchronous acquisition of the data; and

memory coupled to a bus interface to buffer data being communicated via the common data controller to enable the acquisition of data by the modality specific circuitry to be asynchronous relative to the communication of data via the common data controller.

13. A system for monitoring a patient, comprising:

a plurality of modality specific biometric modules configured as part of a distributed computing arrangement, each of the plurality of modality specific biometric modules being removably coupled with an electrical communications bus via a plurality of bus modular connections, each of the plurality of modality specific modules being insertable and replaceable into any of the plurality of bus modular connections to scale the system according to desired requirements for the patient, wherein each of the plurality of modality specific biometric modules further comprises:

modality specific circuitry configured to perform at least one predetermined function, the at least one predetermined function comprising at least one of (i) collecting biometric data from a sensor received via at least one input port associated with a particular biometric parameter of the patient asynchronously, and (ii) control delivery of a therapy via at least one output port; and

a common data controller that is configured to couple the respective modality specific biometric module with the bus via a respective one of the plurality of bus modular connections, the common data controller comprising a clock that provides the modality specific circuitry with a programmable data acquisition rate that is different from a data acquisition rate of the modality specific circuitry of another of the plurality of modality specific biometric modules, the common data controller controlling and coordinating transmission and receipt of data via the bus; and

22

a processor to control the collection of the biometric data by the modality specific circuitry at a sample rate based on timing from the clock, the timing from the clock enables each of the respective modality specific biometric modules to acquire the data asynchronously relative to each other depending on the predetermined function of the respective modality specific circuitry yet the data being synchronized in time relative to each other based on the timing from the clock;

a master controller coupled with the bus, the master controller configured to set configuration of the common data controller of each of the plurality of modality specific biometric modules controlling to coordinate and control communication between each of the modality specific biometric modules and the master controller over the bus.

14. The system of claim 13, wherein the master controller further comprises a master processor in communication with each processor of the plurality of modality specific biometric modules via the bus, each processor collects respective biometric data from at least one associated sensor at a predetermined programmable rate according to the timing from the clock and a type of the biometric data which each respective one of the plurality of modality specific biometric modules containing the respective processor is configured to acquire.

15. The system of claim 13, wherein the modality specific circuitry of each of the plurality of modality specific biometric modules further comprises at least one amplifier configured to amplify signals received via an input channel from at least one respective sensor via an interconnect associated with the input channel.

16. The system of claim 13, further comprising a data storage module configured to store data communicated over the bus from each of the plurality of modality specific biometric modules.

17. The system of claim 16, wherein the master controller is further configured to: control communications over the bus, control data transmission between the system for monitoring the patient and the remote unit, control user interfaces, monitor system status, and control data storage and retrieval from local memory of the master controller and the data storage module.

18. The system of claim 13, wherein the common data controller of each of the plurality of modality specific biometric modules further comprises a bus interface that coordinates transmittal of data to the master controller and receipt of control data from the master controller.

19. The system of claim 13, wherein the common data controller in each of the plurality of modality specific biometric modules further comprises:

a first memory structure configured to store housekeeping data associated with the configuration and operation of the respective biometric module; and

a second memory structure configured to store the biometric data sampled from the modality specific circuitry of the respective biometric module, the housekeeping data including information representing an amount of biometric data stored in the respective biometric module.

20. The system of claim 19, wherein the master controller is further configured to transmit a request to the first memory structure of at least one of the plurality of modality specific biometric modules further comprises for the information

representing the amount of biometric data stored in the second memory structure of the respective biometric modules,

wherein each of the plurality of modality specific biometric modules further comprises an access control function configured to retrieve the requested information from the first memory structure and provide a response that includes the requested information for the respective biometric module,

wherein the master controller is configured to manage requests for data from the second memory structure of each of the plurality of modality specific biometric modules based on responses received to requests to the first memory structure of the at least one modular component.

* * * * *