



Journal of Cellular Biochemistry

A Proximal Direct Repeat Motif Characterized as a Negative Regulatory Element in the Human Renin Gene

Journal:	<i>Journal of Cellular Biochemistry</i>
Manuscript ID:	JCB-06-0667
Wiley - Manuscript type:	Research Article
Date Submitted by the Author:	12-Oct-2006
Complete List of Authors:	KONOSHITA, Tadashi; Fukui University School of Medicine, Third Department of Internal Medicine Fuchs, Sebastien; Emory University, Pathology Makino, Yasukazu; Fukui University School of Medicine, Third Department of Internal Medicine Wakahara, Shigeyuki; Fukui University School of Medicine, Third Department of Internal Medicine Miyamori, Isamu; Fukui University School of Medicine, Third Department of Internal Medicine
Keywords:	renin, renin-angiotensin system, COUP-TFII, cis-element



1
2
3
4 A Proximal Direct Repeat Motif Characterized as a Negative Regulatory Element in the
5
6
7 Human Renin Gene
8
9

10
11
12 Short title: A Negative Regulatory Element in the Human Renin Gene
13
14
15

16
17 Tadashi Konoshita MD, PhD^a, Sébastien Fuchs MD, PhD^b, Yasukazu Makino MD^a,
18
19 Shigeyuki Wakahara MD^a, Isamu Miyamori MD, PhD^a
20
21

22
23
24 ^aThird Department of Internal Medicine, Fukui University School of Medicine, 23-3,
25
26 Shimoaizuki, Matsuoka, 910-1193, Japan
27

28
29 ^bDepartment of Pathology, Emory University, Atlanta, Georgia 30322
30
31
32

33
34 Conflict of interest: NONE
35
36
37

38
39 Correspondence: Tadashi Konoshita; Third Department of Internal Medicine, Fukui
40
41 University School of Medicine, 23-3, Matsuokashimoaizuki, Eiheiji, 910-1193, Japan;
42
43 Tel: 81-776-61-8353; Fax 81 -776-61-8111; E-mail: konosita@fmsrsa.fukui-med.ac.jp
44
45
46
47
48
49
50
51
52
53
54
55
56
57
58
59
60

Abstract:

The regulation of renin gene expression is thought to be fundamental to regulation of the total renin-angiotensin system. The human renin gene contains a direct repeat (DR) motif AGGGGTAC-AGGGCCA in the proximal region (-259/-245 bp), which contains nuclear receptor superfamily binding core motif, AGGTCA, and is the most similar to COUP-TFII consensus. The DR motif was evaluated as a functional *cis*-element with renal cortex and chorio-decidual cells by footprint assay, electromobility shift assay (EMSA) and reporter assay. The DR motif site was protected by footprint analysis with a clear hypersensitive and a minor hypersensitive region in good accordance with the DR of the consensus. One of the binding proteins was strongly suspected to be COUP-TFII-consensus-specific by EMSA. The DNA/protein complexes obtained with nuclear extract of renin producing cells could be completely blocked by homologous competitor and strongly blocked by the second-half mutant oligonucleotide of the DR motif but not by the first-half mutant oligonucleotide. Finally, the transcriptional activity of second-half mutant construct is slightly elevated and that first-half mutant construct is significantly stronger by 2-fold compared with wild type construct in reporter assay. These findings suggest that the DR motif site of the human renin gene functions as a negative regulatory element involved in a 2-fold repression of transcription and that member (s) of nucleic receptor superfamily bind the site and play important roles in the human renin gene expression with a possibility that one of the binding protein is COUP-TFII.

Key words: renin, renin-angiotensin system, COUP-TFII, trans-factor, *cis*-element

Introduction

The renin-angiotensin system (RAS) plays major roles in blood pressure regulation and electrolyte metabolism [Corvol *et al.* 1997]. The rate-limiting step of the system is the conversion of angiotensinogen to angiotensin I catalyzed by renin. Thus, the regulation of renin gene expression is thought to be fundamental to the regulation of the total system. Several human cell types have been used as models for renin-producing cells, one being human chorio-decidual cells [Pinet *et al.* 1988], as no human juxtaglomerular (JG) cell line currently exists, although a mouse line, As4.1, has been produced by transformation of JG cells with SV40 large T antigen [Sigmund *et al.* 1990]. Germain *et al.* showed that a 250-bp region located about 6 kb upstream from the transcription starting point of the human renin gene gave up to 57-fold higher transcription rates and is a distal enhancer with human chorio-decidual cells [Germain *et al.* 1998]. On the other hand, Fuchs *et al.* recently identified a negative calcium response element (nCaRE) about 1.7Kb upstream [Fuchs *et al.* 2003]. They also showed that 12 kb of 5' region of the human renin gene are needed for tissue-specific and regulated the human renin gene expression in transgenic mice [Fuchs *et al.* 2002]. These data indicate the importance of the distal enhancers for tissue-specific and regulated the human renin gene expression. Nevertheless, it is well known that proximal promoter regions of gene are indispensable for the regulation of the basic portion of gene expression. Recently, proximal promoters of mouse renin gene have been well investigated [Pan *et al.* 2001, Petrovic *et al.* 1996], whereas the human proximal promoter remains to be elucidated. Previously, we mapped 6 protein-binding sites in the proximal promoter region of the human renin gene (-336 to +16) by DNase I footprint assay with nuclear extract from human chorio-decidual cells or ischemic human renal cortex and designated these candidate *cis*-elements as footprint

1
2
3
4 A to F temporarily [Borensztein *et al.* 1994, Germain *et al.* 1996, Konoshita *et al.* 1996].
5
6
7 Human renal cortex does not consist of homogeneous cells, but, at least, the presence of
8
9 nuclear factors binding to the human renin promoter has been proven with this method.
10
11 Searching for similar sequences with the footprint A to F among known consensus as
12
13 *cis*-elements, we have hypothesized putative *cis*-elements: Ets motif like site (A: -29/-6)
14
15 [Wasylyk *et al.* 1993], CRE (D: -234/-214) [Montminy *et al.* 1986], COUP-TFII (ARP-
16
17 1) motif like direct repeat site (E: -259/-245) [Ladiaz *et al.* 1991]. The candidate human
18
19 renin CRE was proven to be a genuine CRE [Borensztein *et al.*, 1994, Smith *et al.* 1994].
20
21 Initially, footprint B (-79/-62) was regarded as containing Pit-1 motif like sequence
22
23 [Borensztein *et al.*, 1994] . We demonstrated that the CRE and footprint B are
24
25 implicated in the regulation of the human renin gene transcription by cAMP, but, at the
26
27 same time demonstrated that the protein from chorionic-decidual cell binding to this
28
29 region is distinct from Pit-1 [Germain *et al.*, 1996]. A recent report indicates that this
30
31 corresponding region of mouse *Ren-1^c* is HOX-PBX recognition sequence although
32
33 whether HOX and PBX proteins bind to the human proximal promoter element has not
34
35 been examined [Pan *et al.*, 2001]. Footprint C (-116 to -80) contains no known
36
37 consensus sequence. Footprint F (F: -293/-272) contains an AGE3 like site but the
38
39 corresponding factor has not been identified [Tamura *et al.* 1994]. Of these 6 genuine or
40
41 putative *cis*-elements of the human renin gene, we compared the DNA/nuclear protein
42
43 binding patterns between renin-producing cells and non-renin-producing cells by
44
45 electromobility shift assays (EMSA) and showed that the Footprint E, a direct repeat
46
47 motif site has a obvious heterogeneity, suggesting that the site is involved in cell type
48
49 specific renin production [Konoshita *et al.* 2004].
50
51
52
53
54
55
56
57
58
59
60

The aim of the present study was to characterize the direct repeat motif site

(AGGGGTCAC-AGGGCCA, -259/-245 bp), which contains steroid receptor superfamily binding core motif, AGGTCA [Giguere 1999] and is the most similar to the COUP-TFII consensus, as a functional *cis*-element of the human renin gene.

Materials and Methods

Preparation of COUP-TFII (ARP-1) containing cellular extract from COS-1 cells, nuclear extract from human renal cortex and chorio-decidual cells. COUP-TFII (ARP-1) containing cellular extracts and nuclear extracts from human renal cortex and human chorio-decidual cells were prepared as described previously [Konoshita et al., 2004].

DNase I footprint analysis. DNase I footprint analysis was performed as described previously [Konoshita et al., 1996]. Briefly; the -336 to +16 fragment of the renin gene was inserted in Bluescript. Primers were labeled with [γ - 32 P]ATP and T4 polynucleotide kinase before PCR amplification. Footprint analysis was performed in a 10 μ l reaction mixture. After 20 minutes of incubation at 4 °C, 2 μ l of DNase I (Boehringer Mannheim, 10 IU/ μ l) was added, and digestion was allowed to proceed for 1 minute at 20 °C. The reaction mixture was incubated for 45 minutes at 42 °C with stop solution for DNase inactivation.

Electromobility shift assays (EMSA). Table 1 summarizes the sequences of oligonucleotides used for EMSA. EMSA was performed as described previously [Konoshita et al., 2004]. Briefly, double-stranded oligonucleotides were synthesized (Applied Biosystems) and end-labeled with (γ - 32 P) ATP and T4 polynucleotide kinase. Binding reactions for COUP-TFII-REN ω were performed incubating COUP-TFII (ARP-1) transfected Cos-1 extract or each nuclear extract. These were incubated with labeled oligonucleotides with or without competitor oligonucleotides COUP-TFII-M1 mutated

1
2
3
4 at the latter half of the consensus and COUP-TFII-M2 mutated at the first half of the
5
6 consensus. (Table 1). To well characterize the direct repeat, the 2 oligonucleotides were
7
8 newly designed completely different from those of our previous study [Konoshita et al.,
9
10 2004].
11
12

13
14 *Plasmid constructions and site-directed mutagenesis.* The plasmid pGL₂582+ was
15
16 constructed as described previously [Germain et al., 1996]. The resulting plasmid
17
18 pGL₂582+ contained nucleotides (-582/+16) of the renin gene followed by the luciferase
19
20 coding sequence. For site-directed mutagenesis, the *Hind*III fragment (-582/+16) was
21
22 inserted into the polylinker of the M13mp18 vector (Boehringer Mannheim) to produce
23
24 single-stranded DNA. COUP-TFII-M1 oligonucleotide replaced the latter half of the
25
26 consensus, AGGG by GGTA (-249/-246) and COUP-TFII-M2 replaced the first half of
27
28 the consensus GGTC A by AGATC (-255/-251). *In vitro* mutagenesis was performed
29
30 with a Muta-Gene D kit (Bio-Rad), and the mutated sequences were confirmed by
31
32 sequencing on both strands. The mutated fragments were then subcloned into pGL₂basic
33
34 creating plasmid pGL₂582COUP-TFII-M1 in which the latter half of COUP-TFII
35
36 consensus was mutated, and pGL₂582COUP-TFII-M2 in which the first half of COUP-
37
38 TFII consensus was mutated (Fig. 1). All constructions were verified by the dideoxy
39
40 sequencing method (Sequenase Version 2.0 DNA Sequencing Kit, USB).
41
42
43
44
45
46
47

48
49 *Cell culture and transfections and reporter assays.* Primary and secondary cultures
50
51 of human chorio-decidual cells were prepared as described previously [Pinet et al.,
52
53 1988]. Transient DNA transfections of chorio-decidual cells were performed by calcium
54
55 phosphate precipitation as described previously [Borensztein et al., 1994]. Transfected
56
57 cells were washed three times with PBS, lysed by adding 150 µl of 1% Triton, 10 mM
58
59 MgCl₂, 1 mM EDTA, 25 mM Tris/phosphate, pH 7.8, 15% (w/v) glycerol, 1 mM
60

1
2
3
4
5 dithiothreitol and 0.2 mM PMSF, and harvested by scraping. The lysates were
6
7 centrifuged and the supernatant used immediately for the luciferase assay. Luciferase
8
9 activity was estimated by measuring luminescence for 10 s with a Bio.Orbit 1250
10
11 luminometer, 30 s after addition of 50 μ l of luciferase reporter buffer (Promega).
12
13 Quantitative determination of chloramphenicol acetyltransferase (CAT) was performed
14
15 by a sandwich immunoassay (Boehringer Mannheim).
16
17
18
19
20
21

22 Results

23
24 *Demonstration of the sequence-specific binding of nuclear protein(s) from human*
25
26 *renal cortex to the direct repeat motif site of the human renin gene promoter (-259/-245)*
27
28 *by DNase I footprint analysis and EMSA.* To characterize the direct repeat motif site of
29
30 the human renin gene promoter, which was designated as footprint E previously
31
32 [Borensztein et al., 1994], a DNase I footprint analysis was performed with human renal
33
34 cortex nuclear extracts. The direct repeat site (-259/-245) is protected by renal protein (s)
35
36 (Figure 2). As shown at the left side of the figure with nucleotides sequence, the
37
38 protected region is in good accordance with the nuclear receptor family binding
39
40 consensus (AGGTCA) [Giguere 1999], especially with COUP-TFII consensus sequence
41
42 (AGGGGTCAN-AGGGNTCA). The protected region showed a clear hypersensitive
43
44 region and a minor hypersensitive region inside, which are also in good accordance with
45
46 the direct repeat of the consensus, strongly indicating the binding of proteins in a
47
48 sequence-specific manner of the nuclear receptor family.
49
50
51
52
53
54

55
56 To more thoroughly characterize the sequence-specific binding of human renal
57
58 cortex nuclear extracts to the direct repeat motif site of the human renin gene,
59
60 electromobility shift assays (EMSA) were performed with COUP-TFII transfected Cos-1

1
2
3
4
5 cell extracts (COUP TFII protein) and human renal cortex nuclear extracts with a
6
7 labeled oligonucleotide (-269/-233) corresponding to the site of the human renin gene
8
9 (COUP-TFII-REN). Especially, to best characterize the direct repetitive sequence of the
10
11 consensus, besides the homologous competitor (COUP-TFII-REN) we synthesized 2
12
13 types of mutant competitors a second-half mutant oligonucleotide (COUP-TFII-M1) and
14
15 a first-half mutant oligonucleotide (COUP-TFII-M2). These 2 oligonucleotides were
16
17 newly designed completely different from those of our previous study [Konoshita et al.,
18
19 2004] to well characterize the direct repeat. As shown in the left panel of Figure 3, with
20
21 COUP-TFII protein, one specific high-affinity DNA/protein complex was formed with
22
23 the COUP-TFII consensus like site of the human renin gene. The complex could be
24
25 completely blocked by homologous competitor (COUP-TFII-REN) and strongly blocked
26
27 by the second-half mutant oligonucleotide (COUP-TFII-M1) but not by the first-half
28
29 mutant oligonucleotide (COUP-TFII-M2). With renal cortex nuclear extracts among
30
31 non-specific complexes, consensus-specific DNA/protein complex showing the same
32
33 migration and competition manner as COUP-TFII protein was observed, suggesting that
34
35 the nuclear protein from renal cortex is COUP-TFII itself or other members of the
36
37 nuclear receptor superfamily. Such DNA/protein complex was not observed with the
38
39 nuclear extracts from non-renin producing JGE3 cells or HepG2 cells [Konoshita et al.,
40
41 2004]. Before proceeding to functional evaluation of the consensus site, we had to
42
43 characterize the nuclear extracts of model culture cells. As human chorio-decidual cells
44
45 are well known as a good model for human renin-producing cells, EMSA was performed
46
47 with the nuclear extracts of these cells. As shown in the right panel of Figure 3, with
48
49 nuclear extracts from chorio-decidual cells, consensus-specific DNA/protein complex
50
51 showing the same migration and competition manner as COUP-TFII protein and renal
52
53
54
55
56
57
58
59
60

1
2
3
4 cortex nuclear extracts was observed, suggesting that the nuclear protein from renal
5
6
7 cortex is COUP-TFII itself or other members of the nuclear receptor superfamily.

8
9
10 *Demonstration of the direct repeat motif site in the human renin gene promoter as a*
11
12 *negative regulatory element.*

13
14
15 To characterize functionally the direct repeat motif site of the human renin gene which
16
17 was demonstrated as a sequence-specific nuclear protein binding site, a series of
18
19 chimeric genes was constructed in which the consensus site of the gene was mutated and
20
21 fused to a luciferase reporter gene (Figure 1). Two types of mutant were introduced to
22
23 the site, of which each direct repeat consensus (AGGGGTCAN-AGGGNTCA) was
24
25 replaced by non-specific nucleotides that were the same as the oligonucleotides designed
26
27 for EMSA (Fig. 2). The latter half of the consensus AGGG (-249/-246) of by GGTA of
28
29 pGL₂582+ was mutated to GGTA creating pGL₂582+COUP-TFII-M1, whereas the first
30
31 half of the consensus GGTC (-255/-251) was mutated to AGATC creating
32
33 pGL₂582+COUP-TFII-M2. These constructs were then transfected into human chorio-
34
35 decidual cells which express the renin gene. Transfection efficiency was controlled by
36
37 co-transfection with the pRSV-CAT plasmid. The results show that the promoter activity
38
39 of pGL₂582+COUP-TFII-M1 is slightly elevated and that pGL₂582+COUP-TFII-M2 is
40
41 significantly stronger compared with pGL₂582+ (Fig. 4). The transcription activities of
42
43 pGL₂582+, pGL₂582+COUP-TFII-M1 and pGL₂582+COUP-TFII-M2 were 100±14%,
44
45 110±24% and 203±41%, respectively. These results suggest that the direct repeat motif
46
47 site of the human renin gene functions as a negative regulatory element involved in an
48
49 about 2-fold repression of transcription. Furthermore, the activities are in good
50
51 accordance with the results obtained by EMSA. These results confirm that the sequence-
52
53
54
55
56
57
58
59
60

1
2
3
4 specific binding has an important significance and indicated that the first half of the
5
6
7 direct repeat is essential for the negative regulatory function.
8
9

10 11 12 13 Discussion

14
15
16 The main findings of the previous and present studies as summarized below strongly
17
18 indicate that the direct repeat motif in the human renin gene is a negative regulatory
19
20 element involved in an about 2-fold suppression in transcription: (a) The site is
21
22 consensus specific with renin producing cell nuclear extracts [Konoshita et al., 1996,
23
24 Konoshita et al., 2004]; (b) The site showed the protected region with 2 hypersensitive
25
26 regions in good accordance with the direct repeat of the consensus by DNase I footprint
27
28 analysis; (c) The DNA/protein complexes by EMSA is completely blocked by
29
30 homologous competitor and strongly blocked by the second-half mutant oligonucleotide
31
32 of the direct repeat motif but not by the first-half mutant oligonucleotide with renal
33
34 cortex nuclear extract and chorio-decidual cell nuclear extract; (d) Deletion of the site
35
36 showed an augmentation of transcript activity in a 5'-deletion mutant reporter assay by
37
38 about 1.5-fold [Borensztein et al., 1994]; and (e) Reporter assay showed that the
39
40 mutation of the first portion of the binding region results in a significant increase of the
41
42 transcriptional activity of the proximal promoter by 2-fold whereas the mutation of the
43
44 second portion has only minimal effects. These observations are in good accordance
45
46 with the results of the binding assay. Taken together, our results suggest that it is the
47
48 first half of the direct repeat that is essential for the protein binding and the negative
49
50 regulatory function.
51
52
53
54
55
56
57
58
59
60

1
2
3
4
5
6
7
8
9
10
11
12
13
14
15
16
17
18
19
20
21
22
23
24
25
26
27
28
29
30
31
32
33
34
35
36
37
38
39
40
41
42
43
44
45
46
47
48
49
50
51
52
53
54
55
56
57
58
59
60

In the present study, the nuclear protein binding to the direct repeat of the human renin gene in a sequence-specific manner might be COUP-TFII itself. Chicken ovalbumin upstream promoter-transcription factors (COUP-TFs) are orphan members of the steroid/thyroid hormone receptor superfamily [Pereira *et al.* 2000]. COUP-TFI was discovered as a transcription factor that bound a specific element, which regulates transcription of the ovalbumin gene [Wang *et al.* 1989]. Apolipoprotein regulating protein 1 (ARP-1) was cloned as a repressor for the apolipoprotein AI [Ladiaz *et al.*, 1991] and was proven to be identical with COUP-TFII, a homologue of COUP-TFI [Wang *et al.* 1991]. COUP-TFs are fundamentally regarded as negative regulators for a large number of genes, whereas they can also activate a growing number of gene promoters [Pereira *et al.*, 2000]. COUP-TFs are thought to exist as homodimers and as heterodimers with RXR with consensus motifs essentially composed of AGGTCA core direct repeats. Consensus for ARP-1 (COUP-TFII) was first identified and characterized as AGGGGTCAN-AGGGNTCA (TGANCCCT-NTGACCCCT) [Ladiaz *et al.*, 1991]. The human renin gene AGGGGTCAC-AGGGCCA (-259/-245) possesses a strong similarity with this motif. COUP-TFII is expressed in the salivary gland, atrium of the heart, mesonephros and kidney [Pereira *et al.* 1995]. Some important roles are suggested in the regulation of steroidogenesis in human adrenal cortex and its disorders [Shibata *et al.* 2001, Suzuki *et al.* 2000]. COUP-TFII null mutant mice die in utero due to defects in angiogenesis, vascular remodeling and heart development, indicating the important role for this sequence in the correct development of the vascular system [Pereira *et al.* 1999]. Considering these characteristics of COUP-TFII, the sequence-specific repression of the human renin gene via the COUP-TFII motif like site might play important roles in cardiovascular-renal development and regulation.

1
2
3
4
5 The murine *Ren-1^d* homologous promoter site of the human COUP-TFII motif site (-
6
7 259/-245) is thought to be located at about -700 bp from the transcription starting point
8
9 [Burt *et al.* 1989]. The sequence of the corresponding site is AGAGGTTGCGGGCCCA
10
11 and is considerably different from the human sequence AGGGGTCACAGGGCCA,
12
13 especially with respect to the fact that no AGGTCA core direct repeat is found, so that
14
15 the corresponding site does not seem to function as a *cis*-element for COUP-TFII. On
16
17 the other hand, recent reports revealed the pivotal functions of nuclear transcription
18
19 factors on murine renin gene promoter, consisting of LXR α [Tamura *et al.*
20
21 2000], retinoic acid [Shi *et al.* 2001], vitamin D3 [Li *et al.* 2002] and Ear2 [Liu *et al.*
22
23 2003]. The latter 3 ligands share the common *cis*-element containing AGGTCA motif at
24
25 about -2,000 bp. It is possible that the direct repeat motif site (-259/-245) of the human
26
27 renin gene that contains AGGTCA repeat is also involved in these other members of
28
29 nuclear receptor superfamily and that competitive occupation of the site or competitive
30
31 forming of homo- or hetero-dimers play some roles in the gene expression.
32
33
34
35
36
37

38
39 In conclusion, these findings suggest that the direct repeat motif site of the human
40
41 renin gene functions as a negative regulatory element involved in a 2-fold suppression of
42
43 transcription and that some corresponding nucleic receptors might play important roles
44
45 in the human renin gene expression. Further elucidation would be necessary to clarify
46
47 the role of the DR by the use of other human renin-producing cells, Calu6 cells [Lang *et*
48
49 *al.* 1995], and experiments with a mutated DR element within a longer promoter
50
51 fragment.
52
53
54
55
56
57
58
59
60

Acknowledgments

We are grateful to Mr. John S. Gelblum for a critical reading of the manuscript and to Miss Youko Hayashida for secretarial assistance.

References

- Borensztein P, Germain S, Fuchs S, Philippe J, Corvol P, Pinet F 1994. cis-regulatory elements and trans-acting factors directing basal and cAMP-stimulated human renin gene expression in chorionic cells. *Circ Res* 74:764-773.
- Burt DW, Nakamura N, Kelley P, Dzau VJ 1989. Identification of negative and positive regulatory elements in the human renin gene. *J Biol Chem* 264:7357-7362
- Corvol P, Soubrier F, Jeunemaitre X 1997. Molecular genetics of the renin-angiotensin-aldosterone system in human hypertension. *Pathol Biol (Paris)* 45:229-239.
- Fuchs S, Germain S, Philippe J, Corvol P, Pinet F 2002. Expression of renin in large arteries outside the kidney revealed by human renin promoter/LacZ transgenic mouse. *Am J Pathol* 161:717-725.
- Fuchs S, Philippe J, Corvol P, Pinet F 2003. Implication of Ref-1 in the repression of renin gene transcription by intracellular calcium. *J Hypertens* 21:327-335.
- Germain S, Bonnet F, Philippe J, Fuchs S, Corvol P, Pinet F 1998. A novel distal enhancer confers chorionic expression on the human renin gene. *J Biol Chem* 273:25292-25300.
- Germain S, Konoshita T, Philippe J, Corvol P, Pinet F 1996. Transcriptional induction of the human renin gene by cyclic AMP requires cyclic AMP response element-binding protein (CREB) and a factor binding a pituitary-specific trans-acting factor (Pit-1) motif. *Biochem J* 316:107-113
- Giguere V 1999. Orphan nuclear receptors: from gene to function. *Endocr Rev* 20:689-725
- Konoshita T, Germain S, Philippe J, Corvol P, Pinet F 1996. Evidence that renal and chorionic tissues contain similar nuclear binding proteins that recognize the human renin promoter. *Kidney Int* 50:1515-1524.
- Konoshita T, Makino Y, Wakahara S, Ido K, Yoshida M, Kawai Y, Miyamori I 2004. Candidate cis-elements for human renin gene expression in the promoter region. *J Cell Biochem* 93:327-336
- Ladias JA, Karathanasis SK 1991. Regulation of the apolipoprotein AI gene by ARP-1, a novel member of the steroid receptor superfamily. *Science* 251:561-565.
- Lang JA, Yang G, Kern JA, Sigmund CD 1995. Endogenous human renin expression and promoter activity in CALU-6, a pulmonary carcinoma cell line. *Hypertension* 25:704-710
- Li YC, Kong J, Wei M, Chen ZF, Liu SQ, Cao LP 2002. 1,25-Dihydroxyvitamin D(3) is a negative endocrine regulator of the renin-angiotensin system. *J Clin Invest* 110:229-238
- Liu X, Huang X, Sigmund CD 2003. Identification of a nuclear orphan receptor (Ear2) as a negative regulator of renin gene transcription. *Circ Res* 92:1033-1040
- Montminy MR, Sevarino KA, Wagner JA, Mandel G, Goodman RH 1986. Identification of a cyclic-AMP-responsive element within the rat somatostatin

- gene. *Proc Natl Acad Sci U S A* 83:6682-6686.
- Pan L, Xie Y, Black TA, Jones CA, Pruitt SC, Gross KW 2001. An Abd-B class HOX.PBX recognition sequence is required for expression from the mouse Ren-1c gene. *J Biol Chem* 276:32489-32494.
- Pereira FA, Qiu Y, Tsai MJ, Tsai SY 1995. Chicken ovalbumin upstream promoter transcription factor (COUP-TF): expression during mouse embryogenesis. *J Steroid Biochem Mol Biol* 53:503-508
- Pereira FA, Qiu Y, Zhou G, Tsai MJ, Tsai SY 1999. The orphan nuclear receptor COUP-TFII is required for angiogenesis and heart development. *Genes Dev* 13:1037-1049.
- Pereira FA, Tsai MJ, Tsai SY 2000. COUP-TF orphan nuclear receptors in development and differentiation. *Cell Mol Life Sci* 57:1388-1398
- Petrovic N, Black TA, Fabian JR, Kane C, Jones CA, Loudon JA, Abonia JP, Sigmund CD, Gross KW 1996. Role of proximal promoter elements in regulation of renin gene transcription. *J Biol Chem* 271:22499-22505.
- Pinet F, Corvol MT, Bourguignon J, Corvol P 1988. Isolation and characterization of renin-producing human chorionic cells in culture. *J Clin Endocrinol Metab* 67:1211-1220.
- Shi Q, Gross KW, Sigmund CD 2001. Retinoic acid-mediated activation of the mouse renin enhancer. *J Biol Chem* 276:3597-3603
- Shibata H, Ikeda Y, Mukai T, Morohashi K, Kurihara I, Ando T, Suzuki T, Kobayashi S, Murai M, Saito I, Saruta T 2001. Expression profiles of COUP-TF, DAX-1, and SF-1 in the human adrenal gland and adrenocortical tumors: possible implications in steroidogenesis. *Mol Genet Metab* 74:206-216.
- Sigmund CD, Okuyama K, Ingelfinger J, Jones CA, Mullins JJ, Kane C, Kim U, Wu CZ, Kenny L, Rustum Y, Dzau VJ, Gross KW 1990. Isolation and characterization of renin-expressing cell lines from transgenic mice containing a renin-promoter viral oncogene fusion construct. *J Biol Chem* 265:19916-19922
- Smith DL, Morris BJ, Do YS, Law RE, Shaw KJ, Hseuh WA 1994. Identification of cyclic AMP response element in the human renin gene. *Biochem Biophys Res Commun* 200:320-329
- Suzuki T, Takahashi K, Darnel AD, Moriya T, Murakami O, Narasaka T, Takeyama J, Sasano H 2000. Chicken ovalbumin upstream promoter transcription factor II in the human adrenal cortex and its disorders. *J Clin Endocrinol Metab* 85:2752-2757.
- Tamura K, Chen YE, Horiuchi M, Chen Q, Daviet L, Yang Z, Lopez-Illasaca M, Mu H, Pratt RE, Dzau VJ 2000. LXRalpha functions as a cAMP-responsive transcriptional regulator of gene expression. *Proc Natl Acad Sci U S A* 97:8513-8518
- Tamura K, Umemura S, Ishii M, Tanimoto K, Murakami K, Fukamizu A 1994. Molecular mechanism of transcriptional activation of angiotensinogen gene by proximal promoter. *J Clin Invest* 93:1370-1379.
- Wang LH, Ing NH, Tsai SY, O'Malley BW, Tsai MJ 1991. The COUP-TFs compose a family of functionally related transcription factors. *Gene Expr* 1:207-216
- Wang LH, Tsai SY, Cook RG, Beattie WG, Tsai MJ, O'Malley BW 1989. COUP transcription factor is a member of the steroid receptor superfamily. *Nature* 340:163-166

1
2
3
4
5
6
7
8
9
10
11
12
13
14
15
16
17
18
19
20
21
22
23
24
25
26
27
28
29
30
31
32
33
34
35
36
37
38
39
40
41
42
43
44
45
46
47
48
49
50
51
52
53
54
55
56
57
58
59
60

Wasylyk B, Hahn SL, Giovane A 1993. The Ets family of transcription factors. Eur J Biochem 211:7-18.

For Peer Review

Table 1. Alignment of oligonucleotide sequences used in this study

COUP-TFII CONSENSUS	AGGGGTCAN	AGGGNTCA
COUP-TFII-REN -269	TGCCTGCTCC AGGGGTCAC	AGGGC -CAAGCCAGATAG-233
COUP-TFII-M1	TGCCTGCTCC AGGGGTCAC	<u>GGTAC</u> -CAAGCCAGATAG
COUP-TFII-M2	TGCCTGCTCC AGG <u>AGATCC</u>	AGGGC -CAAGCCAGATAG

The direct repeat consensus sequence for COUP-TFII is indicated above the oligonucleotides in bold letters. N represents G, A, T or C. The sequences of all oligonucleotides used for EMSA or as competitors are shown. Top strands only are shown. Underlined and italicized letters in oligonucleotides indicate mutated sequences.

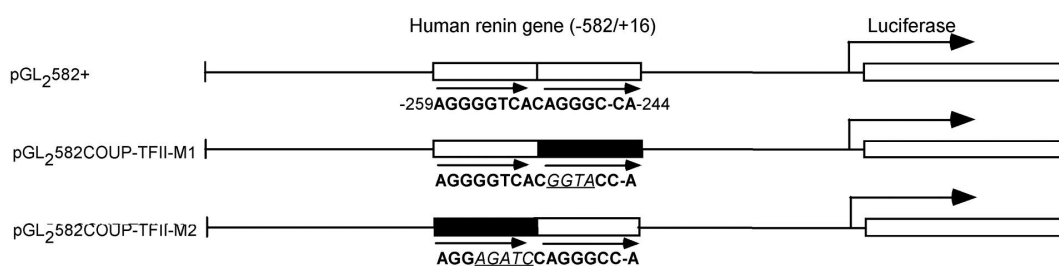


Figure 1. Schematic representation of pGL₂582+, pGL₂582COUP-TFII-M1 and pGL₂582COUP-TFII-M2. A 598 bp fragment of the human renin gene (-582/+16) was isolated by *Hind*III digestion of phrnCAT06 derived from the plasmid subclone λHRn88 and subcloned into the *Hind*III site of pGL₂basic. The resulting plasmid pGL₂582+ contained nucleotides (-582/+16) of the renin gene followed by the luciferase coding sequence. The *Hind*III fragment (-582/+16) was inserted into the polylinker of the M13mp18 vector to produce single-stranded DNA. *In vitro* mutagenesis was performed with a commercial kit and the mutated sequences were confirmed by sequencing on both strands. The mutated fragments were then subcloned into pGL₂basic creating plasmid pGL₂582COUP-TFII-M1 in which the latter half of COUP-TFII consensus was mutated and pGL₂582COUP-TFII-M2 in which the first half of COUP-TFII consensus was mutated. Boxes represent repetitive consensus for COUP-TFII. Closed boxes represent the mutated parts of the repetitive consensus sequences.

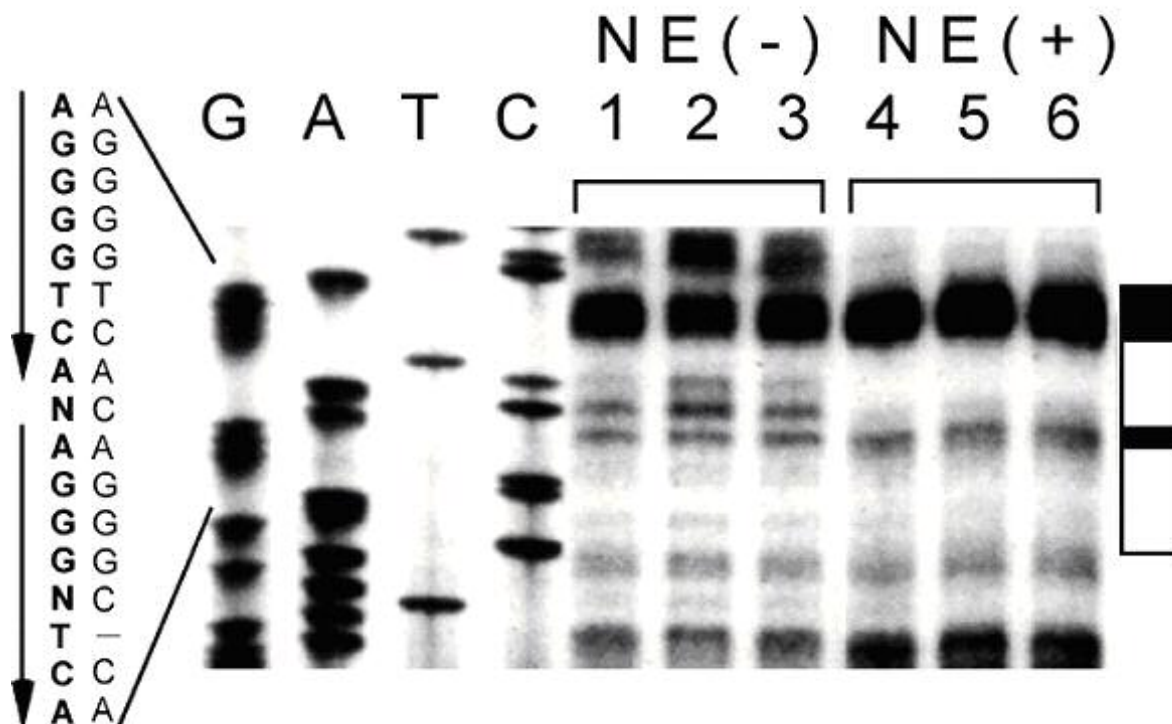


Figure 2. DNase I footprint analysis of the direct repeat motif site of the human renin gene (-259/-245). Footprint analysis was performed with human renal cortex nuclear extracts (NE). G, A, T, C represent the sequencing ladder. Lanes 1 to 3 represent the reaction performed in the absence of nuclear extracts (NE (-)) and decreasing amounts of DNase I (0.1 U, 0.05 U and 0.025 U, respectively). Lanes 4 to 6 represent the reaction performed with nuclear extracts (NE (+)) with decreasing amounts of DNase I (0.1 U, 0.05 U and 0.025 U, respectively). On the left of the figure, consensus sequences of direct repeat site and of the human renin gene are shown in bold and plain letters, respectively and two vertical arrows beside the consensus sequence represent the direct repeat of the consensus. On the right of the figure, the protected region of the direct repeat motif site and hypersensitive regions are represented as an open and a closed square, respectively.

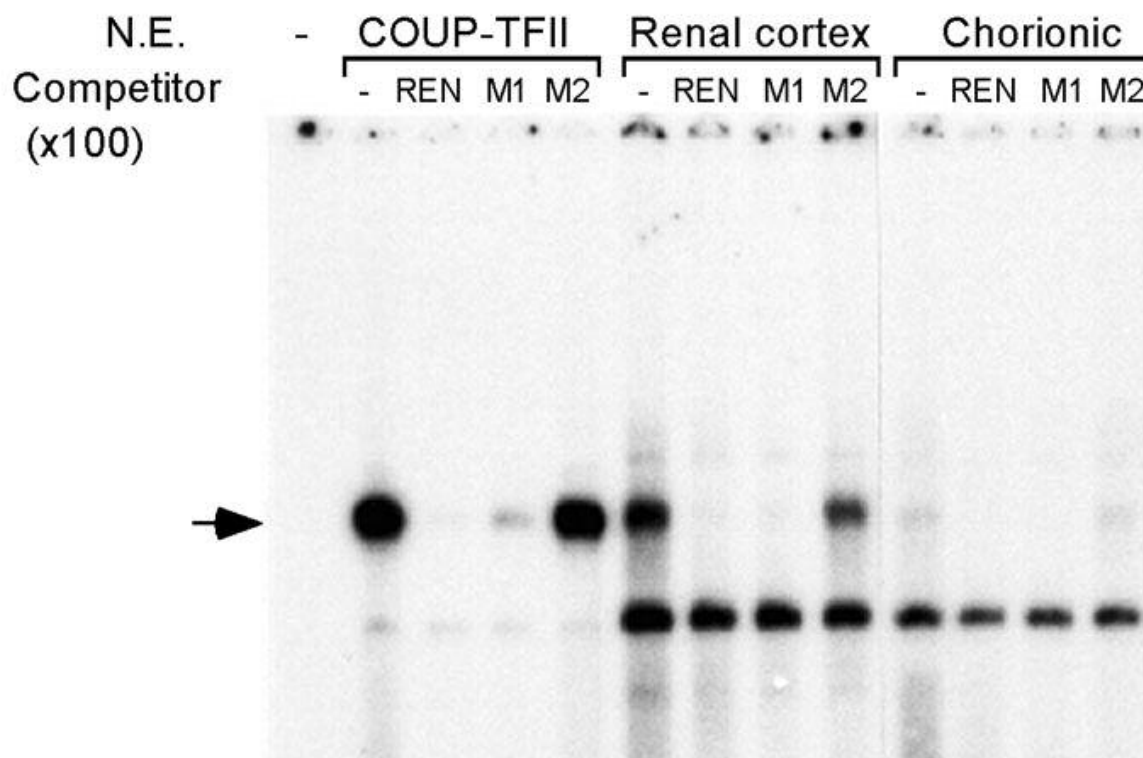


Figure 3. Electromobility shift assay of COUP-TFII transfected Cos-1 extracts and nuclear extracts from renal cortex and chorio-decidual cells (3 μ g protein in each reaction) with the direct repeat motif site of the human renin gene promoter (COUP-TFII-REN: -269/-233). A double-stranded labeled oligonucleotide containing the direct repeat motif site, COUP-TFII-REN (REN: -269TGCCTGCTCCAGGGGTCACAGGGCCAAGCCAGATAG-233), was used as a probe. Competitions were performed with a 100-fold molar excess of homologous DNA (COUP TFII-REN), mutated oligonucleotide, COUP-TFII-M1 (M1: TGCCTGCTCCAGGGGTCACGGTACCAAGCCAGATAG) or with mutated oligonucleotide COUP-TFII-M2 (M2: TGCCTGCTCCAGGAGATCCAGGGCCAAGCCAGATAG). These 2 oligonucleotides were newly designed completely different from those of our previous study [Konoshita et al., 2004] to well characterize the direct repeat. Underlined and

1
2
3
4 italicized letters in oligonucleotides indicate mutated sequence. The specific
5
6
7 DNA/protein complexes are indicated by the arrow.
8
9
10
11
12
13
14
15
16
17
18
19
20
21
22
23
24
25
26
27
28
29
30
31
32
33
34
35
36
37
38
39
40
41
42
43
44
45
46
47
48
49
50
51
52
53
54
55
56
57
58
59
60

For Peer Review

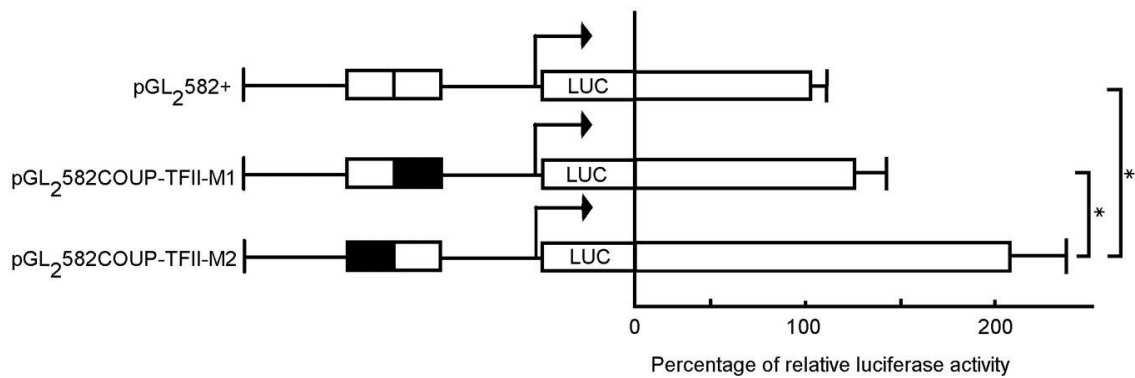
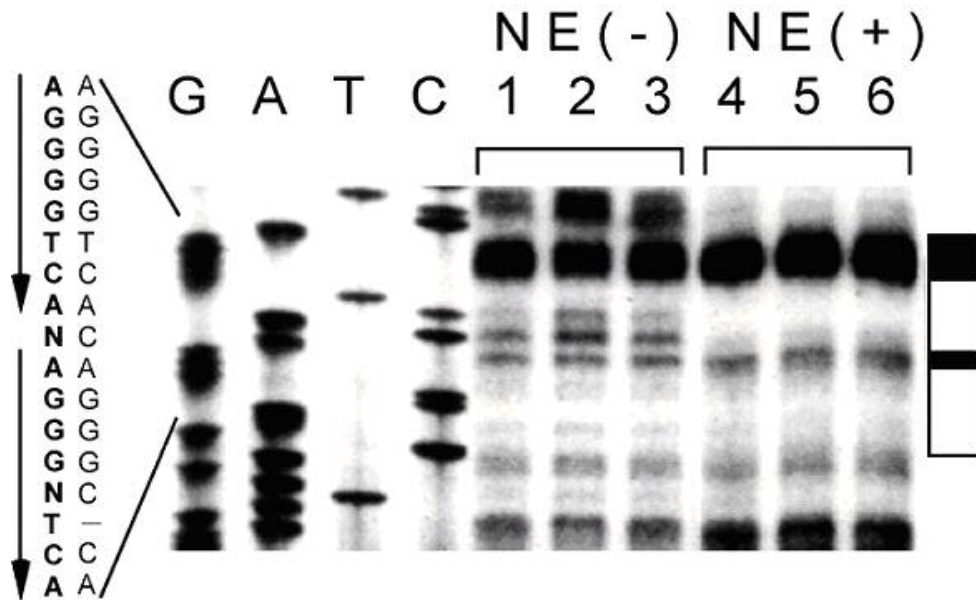


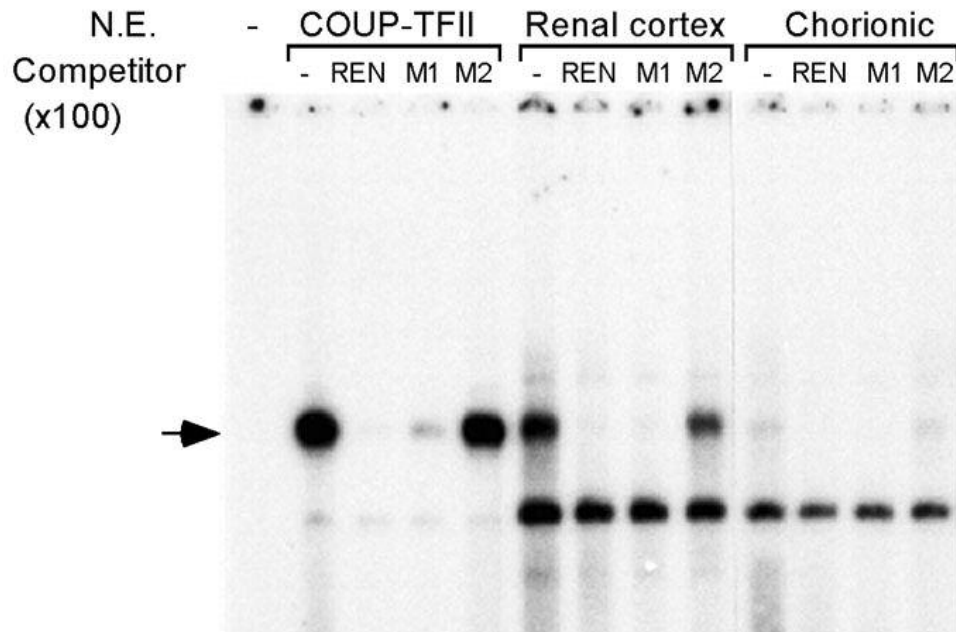
Figure 4. Normalized luciferase activity of different renin promoter/luciferase constructs transfected into chorio-decidual cells. Luciferase activity was normalized to co-transfected RSV-CAT activity and the values were expressed as relative percentage to that of pGL₂582. Each value represents the result of three independent transfection experiments performed in triplicate flasks. Levels of significance were calculated by Student's *t* test. Groups that are significantly different from each other are indicated by asterisks (pGL₂582 vs. pGL₂582COUP-TFII-M1, $p=0.28$; pGL₂582COUP-TFII-M1 vs. pGL₂582COUP-TFII-M2, $p<0.0001$; pGL₂582 vs. pGL₂582COUP-TFII-M2, $p<0.0001$). Boxes represent repetitive consensus. Closed boxes represent the mutated parts of the repetitive consensus sequences.



Schematic representation of pGL2582+, pGL2582COUP-TFII-M1 and pGL2582COUP-TFII-M2. A 598 bp fragment of the human renin gene (-582/+16) was isolated by HindIII digestion of phrnCAT06 derived from the plasmid subclone λ HRn88 and subcloned into the HindIII site of pGL2basic. The resulting plasmid pGL2582+ contained nucleotides (-582/+16) of the renin gene followed by the luciferase coding sequence. The HindIII fragment (-582/+16) was inserted into the polylinker of the M13mp18 vector to produce single-stranded DNA. In vitro mutagenesis was performed with a commercial kit and the mutated sequences were confirmed by sequencing on both strands. The mutated fragments were then subcloned into pGL2basic creating plasmid pGL2582COUP-TFII-M1 in which the latter half of COUP-TFII consensus was mutated and pGL2582COUP-TFII-M2 in which the first half of COUP-TFII consensus was mutated. Boxes represent repetitive consensus for COUP-TFII. Closed boxes represent the mutated parts of the repetitive consensus sequences.

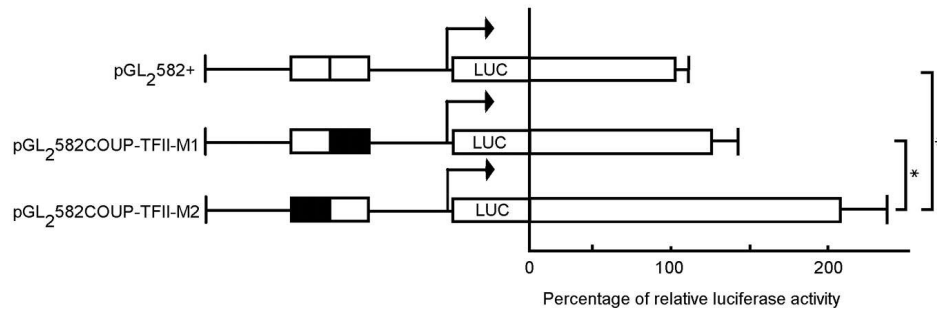


DNase I footprint analysis of the direct repeat motif site of the human renin gene (-259/-245). Footprint analysis was performed with human renal cortex nuclear extracts (NE). G, A, T, C represent the sequencing ladder. Lanes 1 to 3 represent the reaction performed in the absence of nuclear extracts (NE (-)) and decreasing amounts of DNase I (0.1 U, 0.05 U and 0.025 U, respectively). Lanes 4 to 6 represent the reaction performed with nuclear extracts (NE (+)) with decreasing amounts of DNase I (0.1 U, 0.05 U and 0.025 U, respectively). On the left of the figure, consensus sequences of direct repeat site and of the human renin gene are shown in bold and plain letters, respectively and two vertical arrows beside the consensus sequence represent the direct repeat of the consensus. On the right of the figure, the protected region of the direct repeat motif site and hypersensitive regions are represented as an open and a closed square, respectively.



31
32
33
34
35
36
37
38
39
40
41
42
43
44
45
46
47
48
49
50
51
52
53
54
55
56
57
58
59
60

Electromobility shift assay of COUP-TFII transfected Cos-1 extracts and nuclear extracts from renal cortex and chorio-decidual cells (3 μ g protein in each reaction) with the direct repeat motif site of the human renin gene promoter (COUP-TFII-REN: -269/-233). A double-stranded labeled oligonucleotide containing the direct repeat motif site, COUP-TFII-REN (REN: -269TGCCTGCTCCAGGGGTCACAGGGCCAAGCCAGATAG-233), was used as a probe. Competitions were performed with a 100-fold molar excess of homologous DNA (COUP-TFII-REN), mutated oligonucleotide, COUP-TFII-M1 (M1: TGCCTGCTCCAGGGGTCACGGTACCAAGCCAGATAG) or with mutated oligonucleotide COUP-TFII-M2 (M2: TGCCTGCTCCAGGAGATCCAGGGCCAAGCCAGATAG). These 2 oligonucleotides were newly designed completely different from those of our previous study [Konoshita et al., 2004] to well characterize the direct repeat. Underlined and italicized letters in oligonucleotides indicate mutated sequence. The specific DNA/protein complexes are indicated by the arrow.



Normalized luciferase activity of different renin promoter/luciferase constructs transfected into chorio-decidual cells. Luciferase activity was normalized to co-transfected RSV-CAT activity and the values were expressed as relative percentage to that of pGL2582. Each value represents the result of three independent transfection experiments performed in triplicate flasks. Levels of significance were calculated by Student's t test. Groups that are significantly different from each other are indicated by asterisks (pGL2582 vs. pGL2582COUP-TFII-M1, $p=0.28$; pGL2582COUP-TFII-M1 vs. pGL2582COUP-TFII-M2, $p<0.0001$; pGL2582 vs. pGL2582COUP-TFII-M2, $p<0.0001$). Boxes represent repetitive consensus. Closed boxes represent the mutated parts of the repetitive consensus sequences.

Table 1. Alignment of oligonucleotide sequences used in this study

COUP-TFII CONSENSUS	AGGGGTCAN	AGGGNTCA
COUP-TFII-REN -269	TGCCTGCTCC AGGGGTCAC	AGGGC -CAAGCCAGATAG-233
COUP-TFII-M1	TGCCTGCTCC AGGGGTCAC	<u>GGTAC</u> -CAAGCCAGATAG
COUP-TFII-M2	TGCCTGCTCC AGGAGATCC	AGGGC -CAAGCCAGATAG

The direct repeat consensus sequence for COUP-TFII is indicated above the oligonucleotides in bold letters. N represents G, A, T or C. The sequences of all oligonucleotides used for EMSA or as competitors are shown. Top strands only are shown. Underlined and italicized letters in oligonucleotides indicate mutated sequences.