



NLR-TP-2000-366

Semi-automatic domain decomposition based on potential theory

S.P. Spekreijse and J.C. Kok



NLR-TP-2000-366

Semi-automatic domain decomposition based on potential theory

S.P. Spekreijse and J.C. Kok

This investigation has been carried out under a contract awarded by Netherlands Agency for Aerospace Programmes, contract number 01105N.

The Netherlands Agency for Aerospace Programmes has granted NLR permission to publish this report.

This report is based on a presentation to be held at the 7th International Conference on Numerical Grid Generation in Computational Field Simulations, Whistler, Canada, 25-28 September 2000.

The contents of this report may be cited on condition that full credit is given to NLR and the author(s).

Division:	Informatics/Fluid Dynamics
Issued:	10 July 2000
Classification of title:	Unclassified



Summary

Decomposition of a flow domain into blocks, so-called domain decomposition, is the most challenging task in the process of multi-block grid generation. In this paper, a method is described to facilitate the construction of the blocks in exterior flow domains. Layers of blocks are automatically generated by solving the Laplace equation in a region between the configuration surface and a bounding box surface. A boundary element method based on simple-source distributions is used to solve the Laplace equation. After solving the Laplace equation, starting with a face decomposition of the configuration surface, blocks are generated by marching along the electrostatic field lines until a user specified potential is reached. The process may be repeated to generate a second layer of blocks. However, for configurations with a strongly non-convex shape, some blocks may need to be added manually to prevent deterioration of the block shapes in the second-layer. Therefore, the method is called semi-automatic.



Contents

1	Introduction	4
2	Methodology	6
3	The algorithm	8
4	Conclusions	11
5	References	12

19 Figures

(15 pages in total)

1 Introduction

Solving the Reynolds-Averaged Navier-Stokes (RANS) equations on continuous multi-block structured grids has important advantages compared to unstructured grids. Concerning efficiency, for the same computer memory, multi-block structured flow solvers may use more grid cells than unstructured flow solvers because no connectivity maps between the grid cells are needed. Furthermore, efficient vectorization and parallelization (on block level) of the flow solver can be rather easily obtained. Also multi-grid can be applied in a straightforward manner to speed up the convergence rate.

Concerning accuracy, a structured mesh of hexahedral cells is numerically preferable and especially suitable within the boundary layer where body-fitted cells of large aspect ratio's (of the order 10^5) are needed.

However, multi-block structured grids are considered to be difficult to construct. Especially for complicated configurations, the subdivision of a flow domain in non-overlapping blocks is a very labor-intensive task despite the use of advanced graphical interactive programs.

In this paper, a method is presented to facilitate the domain decomposition process. The method uses concepts as applied in marching grid generation techniques like for example presented in references 2, 3. However, many of the problems encountered in marching (hyperbolic) grid generation, like for example the control about the grid spacing, are of no concern because only blocks are generated and algebraic or elliptic grid generation methods are used to compute the grids in the blocks afterwards (Ref. 5).

The method has been implemented in the domain decomposer ENDOMO, which is a graphical interactive program for the domain decomposition of arbitrary flow domains in blocks (Ref. 4). ENDOMO is part of NLR's Euler/Navier-Stokes flow simulation system ENFLOW (see Fig. 1, Ref. 6). The system has been employed to simulate flows (both on the basis of the Euler equations and of the RANS equations) around a large variety of complex aerodynamic configurations, extending from civil and military aircraft to spacecraft. The grid generator ENGRID is used to compute C^0 -continuous structured grids for each block to obtain final multi-block grids. Given a C^0 -continuous grid, the flow solver ENSOLV computes the solution of the 3D flow equations based on Euler or RANS (Refs. 7, 8, 9).

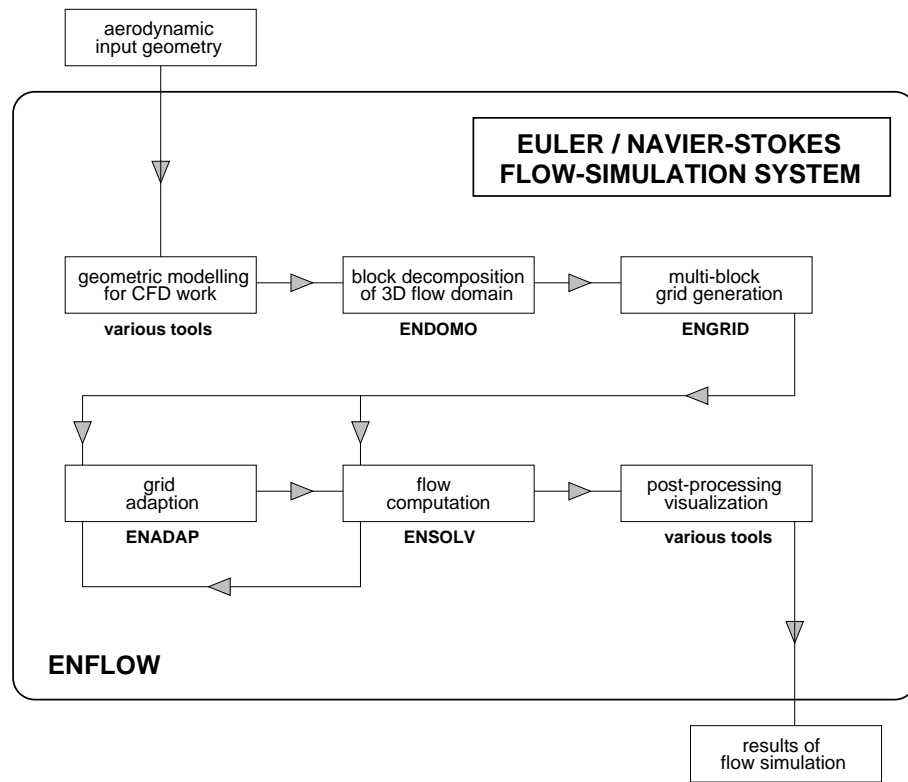


Fig. 1 The NLR multi-block flow-simulation system ENFLOW

2 Methodology

The present method for semi-automatic domain decomposition can probably be best understood by considering the electrostatic field that would be generated by two perfectly conducting closed surfaces set at different constant potential values (Ref. 2). One of the surfaces coincides with the configuration surface and the other surface is a bounding box (a cube), which entirely encloses the configuration. As an example, figure 2 shows a half-model of a generic space-capsule surrounded by a bounding box. Assume that the surface of the configuration is subdivided by a non-overlapping set of faces. Each face is topologically equivalent with a unit square and is bounded by four edges. The points on the edges of the faces can then be transferred along the electrostatic field lines until a user-defined potential is reached. In this way, for each face a tube-like block can be generated. Such a block will then be bounded by the face on the configuration, an opposite face on an equipotential surface, and four faces shaped according to the electrostatic field lines. In this way a layer of blocks is constructed around the configuration surface. Figure 4 shows the in this way created blocks around the space-capsule. This approach could be repeated by considering the outer side of the block layer as the new body shape and by enlarging the bounding box. Figure 5 shows the enlarged bounding box and figure 6 shows the corresponding far-field block-layer. The method works well for convex body-shapes like a space-capsule.

However, this is in general not true for a body with a strongly non-convex shape, like an aircraft, because then the shape of the blocks may deteriorate, leading to unacceptable grids within the blocks. The solution to this problem is to add a few blocks so that the outer side of the block layer around the configuration, together with the added blocks, define a more convex body shape. For this reason, the method is called semi-automatic. The process can then be repeated to construct a second layer of blocks and also a third far-field layer. All blocks together define a domain decomposition of the exterior flow domain.

Figure 8 shows a *generic* face decomposition of a wing-body configuration. Figure 14 shows a face-decomposition of an aircraft with T-tail. Figure 9 and figure 15 show the corresponding first layer of blocks around the configurations. The bounding boxes are not shown because again simple cubes are used. The points on the edges of the faces are transferred along the electrostatic field lines until a user-specified height is reached (instead of a user-specified potential value which is in general less suitable for the creation of the first layer of blocks). In this way the first layer of blocks will have a more or less uniform height. Only points along the edges of the blocks are stored (wire-frame). The blocks in the first layer will contain the grid boundary layer and are therefore called Navier-Stokes blocks. The first layer of blocks will contain C-type and O-type blocks. The user-

specified block height can not be taken to large because the shape of the blocks may then deteriorate leading to unacceptable grids within the blocks. This may for example occur near the junction of the trailing edge and the fuselage.

A few blocks are added such that the outer side of the Navier-Stokes blocks together with the added blocks define a more convex body shape. Figure 10 shows four added blocks for the wing-body configuration. Figure 16 shows the added blocks for the T-tail configuration. During the face-decomposition of the input configuration, the user should have already in mind that these blocks can be added. This makes the face-decomposition of a complicated configuration surface a non-trivial task.

Next, the process can be repeated to generate a second-layer of blocks. Of course, the bounding box must be enlarged. Figure 11 and figure 17 show the second layer for the wing-body and the T-tail configuration respectively. In both cases, the points along the edges of the faces are transferred along the electrostatic field lines until a user-specified potential value is reached. Thus the opposite faces will lie on an equipotential surface. The blocks in the second layer will contain no grid boundary layer and are only used to simulate non-viscous flow features. The blocks are therefore so-called Euler blocks.

In general, the outer-side of the second layer of Euler blocks defines a convex body shape so that the process can be easily repeated to generate the far-field Euler blocks. Figure 12 and figure 18 show the far-field blocks.

All blocks together define a non-overlapping domain decomposition of the flow domain. Figure 13 and figure 19 show the final domain decompositions. The total number of blocks for the wing-body configuration is 98 of which 4 blocks were created manually. The domain decomposition for the T-tail configuration contains 168 blocks of which 10 blocks were created manually.

The electric field can be computed by solving the Laplace equation in the space between the body surface and the bounding box. A boundary element method is used to solve the Laplace equation. Simple source distributions on the body surface and bounding box surface are used to represent the harmonic function. As an example, figure 3 shows the panel distribution on the surface of the space-capsule. The panel distribution on the bounding box surface is not shown. Details about the algorithm are described in the following section.

3 The algorithm

Consider a body of arbitrary shape and finite size in 3D. Construct a bounding box (a cube) around the body and assume that the interior region between the surface of the body and the surface of the bounding box is simply connected. Call this region V . Next define the following potential problem. Let ϕ be a harmonic function satisfying the Laplace equation in V . Define the Dirichlet boundary conditions $\phi \equiv 0$ on the surface of the body, and $\phi \equiv 1$ on the surface of the bounding box. Then ϕ is uniquely defined in V .

The harmonic function ϕ is represented by a simple-layer source distribution on the surface of the body and the bounding box, i.e.

$$\phi(\vec{p}) = \int_{\partial V} k(\vec{p}, \vec{q}) \lambda(\vec{q}) d\sigma(\vec{q}), \quad (1)$$

\vec{p} and \vec{q} are vector variables specifying points in space and on the surface ∂V respectively whilst $d\sigma(\vec{q})$ denotes the surface differential at \vec{q} (Ref. 1). The kernel function $k(\vec{p}, \vec{q})$ is defined as

$$k(\vec{p}, \vec{q}) = \frac{1}{\|\vec{p} - \vec{q}\|}, \quad (2)$$

and $\lambda(\vec{q})$ is the unknown source density.

For the purpose of numerical computation, we divide ∂V into n smooth quadrilateral elements (panels) Δ_j , $j = 1, \dots, n$ and approximate the function $\lambda(\vec{q})$, $\vec{q} \in \partial V$, by a step function

$$\lambda(\vec{q}) = \lambda_j, \quad \vec{q} \in \Delta_j; \quad j = 1, \dots, n, \quad (3)$$

where the λ_j are some constants.

Correspondingly, we approximate the integral in Eq. (1) by

$$\phi(\vec{p}) = \sum_{j=1}^n \lambda_j \int_{\Delta_j} \frac{1}{\|\vec{p} - \vec{q}\|} d\sigma(\vec{q}). \quad (4)$$

To obtain a system of equations for the unknown source densities λ_j , we use the method of collocation, applying this equation at the midpoint \vec{q}_i of each quadrilateral element Δ_i . We thus obtain

$$\sum_{j=1}^n \lambda_j \int_{\Delta_j} \frac{1}{\|\vec{q}_i - \vec{q}\|} d\sigma(\vec{q}) = \phi(\vec{q}_i) = \phi_i, \quad i = 1, \dots, n. \quad (5)$$

The potential value ϕ_i is equal 0 if Δ_i belongs to the surface of the body, and is equal 1 if Δ_i belongs to the surface of the bounding box.

Define the matrix element A_{ij} of matrix A as

$$A_{ij} = \int_{\Delta_j} \frac{1}{\|\vec{q}_i - \vec{q}\|} d\sigma(\vec{q}). \quad (6)$$

Then we obtain the system of linear equations

$$\sum_{j=1}^n A_{ij} \lambda_j = \phi_i, \quad i = 1, \dots, n, \quad (7)$$

or in matrix notation $A\lambda = \phi$.

For $j \neq i$, the simplest quadrature formula for integration is used:

$$A_{ij} = \frac{1}{\|\vec{q}_i - \vec{q}_j\|} \|\Delta_j\|, \quad j \neq i, \quad (8)$$

where $\|\Delta_j\|$ is the area of Δ_j .

For $j = i$, the integral in Eq. (6) has only a weak (integrable) singularity and can be integrated analytically using the result for a triangle. If T is a triangle of area $\|T\|$ and with side of lengths a, b and c then

$$\int_T \frac{1}{\|\vec{p} - \vec{q}\|} d\sigma(\vec{q}) = \frac{2\|T\|}{c} \log \left(\frac{a+b+c}{a+b-c} \right), \quad (9)$$



where it is assumed that \vec{p} is a vertex of T , and c is the length of the edge opposite \vec{p} (see Ref. 1, page 234). A_{ii} is computed by subdividing Δ_i in four triangles; each triangle is formed by an edge of the quadrilateral with \vec{q}_i as opposite vertex. Eq. (9) is applied for each triangle and A_{ii} is equal to the total sum of the contributions of the four triangles.

The singularity of the kernel ensures diagonal dominance in the matrix A and the problem is in general well conditioned (Ref. 1). The solution of the matrix equation $A\lambda = \phi$ is obtained using the subroutine SGESV from the package LAPACK retrieved from NETLIB which can be found at the Internet address <http://www.netlib.org/lapack/index.html>.

The solution of the matrix equation gives the source densities $\lambda_j, j = 1, \dots, n$. After that, the potential at a point $\vec{p} \in V$ may be computed as

$$\phi(\vec{p}) = \sum_{j=1}^n \lambda_j \frac{\|\Delta_j\|}{\|\vec{p} - \vec{q}_j\|}, \quad (10)$$

and the gradient of ϕ at \vec{p} as

$$\nabla\phi(\vec{p}) = \sum_{j=1}^n \lambda_j \frac{\|\Delta_j\|}{\|\vec{p} - \vec{q}_j\|^3} (\vec{q}_j - \vec{p}) \quad (11)$$

The electric field is defined as $\vec{E} = \nabla\phi$. Electric field lines are tangential everywhere to the electric field. Starting at a point \vec{p} at the boundary of the body, an electric field line may be computed by marching in the direction of the electric field. A second-order Runge-Kutta procedure is used to iteratively calculate the marching path (Ref. 2). A fixed user-specified step size is used to compute the marching points.

Any symmetry is of course taken into account. Symmetry with respect to a plane $x = \text{constant}$, $y = \text{constant}$, $z = \text{constant}$, or any combinations of that, is possible. For example, if there is symmetry to a plane, only the configuration surface of a half-model need to be panelized and also only five faces of the bounding box.

For complicated body shapes, the typical number of panels on the the body surface and bounding box surface is about 10000 and 1000 respectively, so that the matrix A contains about 10^8 elements. The matrix equation is solved on a SX5 supercomputer. The corresponding CPU time is about 5-10 minutes.



4 Conclusions

A method has been developed to compute block layers about arbitrary configurations. For strongly non-convex configurations, additional blocks must be added to prevent deterioration of the block shapes. After that, second or third layers of blocks are generated automatically, leading to a satisfactory domain decomposition of the whole flow domain. The method appears to be an important tool to reduce the human-time to generate multi-block grids for general 3D configurations. The user-time to complete the domain-decomposition for a simple geometry, like a space-capsule, takes a few hours. For a complicated geometry, like an aircraft with T-tail, it takes a few working days. In general, the time needed for domain decomposition has become comparable with the time needed for surface modelling (i.e. making a CAD geometry suitable for CFD computations).



5 References

1. Jaswon, M.A., Symm, G.T., *Integral Equation Methods in Potential Theory and Elastostatics*, Academic Press, 1977.
2. Sikora, J.S., Miranda, L.R., "Boundary Integral Grid Generation Technique". AIAA 3rd Applied Aerodynamics Conference, AIAA-85-4088, 1985.
3. Kim, B., Eberhardt, S., "Automatic Multi-Block Grid Generation for High-Lift Configuration Wings". In: *Surface Modeling, Grid Generation and Related Issues in Computational Fluid Dynamic (CFD) Solutions*, NASA-CP-3291, 1995.
4. Spekrijse, S.P. and Boerstoel, J.W., "Multi-Block Grid Generation", Von Karman Institute for Fluid Dynamics (VKI), 27th CFD Course, Lecture Series 1996-02, 1996. (NLR-TP-96338)
5. Spekrijse, S.P., "Elliptic Grid Generation Based on Laplace Equations and Algebraic Transformations". *Journal of Computational Physics* 118, 38-61, 1995. (NLR-TP-94102)
6. Boerstoel, J.W., Kassies, A., Kok, J.C., and Spekrijse, S.P., "ENFLOW, a Full-Functionality System of CFD Codes for Industrial Euler/Navier-Stokes Flow Computations", presented at the 2nd Int. Symp. on Aeron. Science and Techn., Jakarta, 1996. (NLR-TP-96286)
7. "A Robust Multi-Block Navier-Stokes Flow Solver for Industrial Applications", Third ECCOMAS CFD Conference, Paris, September 1996. (NLR-TP-96323)
8. Kok, J.C., *An Industrially Applicable Solver for Compressible, Turbulent Flows*, Ph.D. dissertation, Delft University of Technology, 1998.
9. Kok, J.C., Spekrijse, S.P., "Efficient and Accurate Implementation of the $k - \omega$ Turbulence Model in the NLR Multi-Block Navier-Stokes system", European Congress on Computational Methods in Applied Sciences and Engineering, ECCOMAS 2000, Barcelona, Spain, September 2000. (NLR-TP-2000-144)

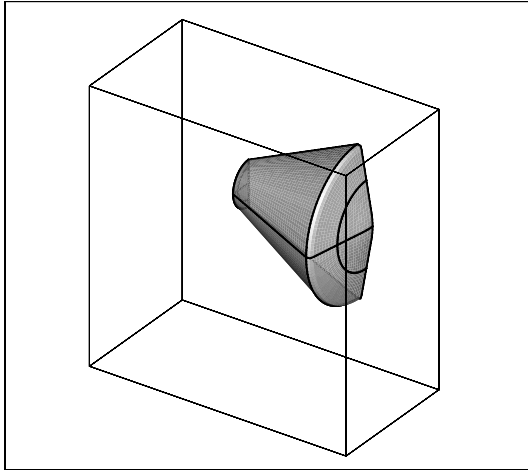


Fig. 2 Space-capsule enclosed by a bounding box

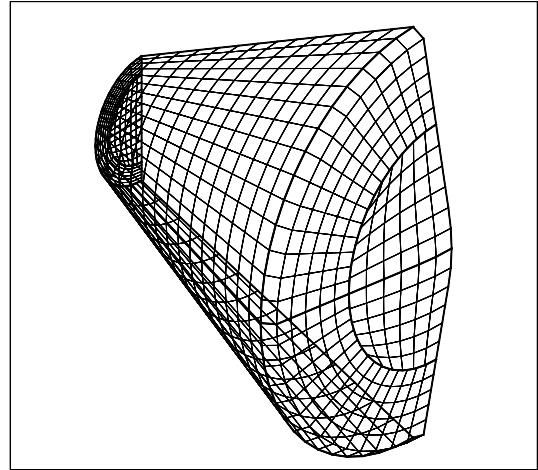


Fig. 3 Panel distribution on configuration surface to solve the Laplace equation

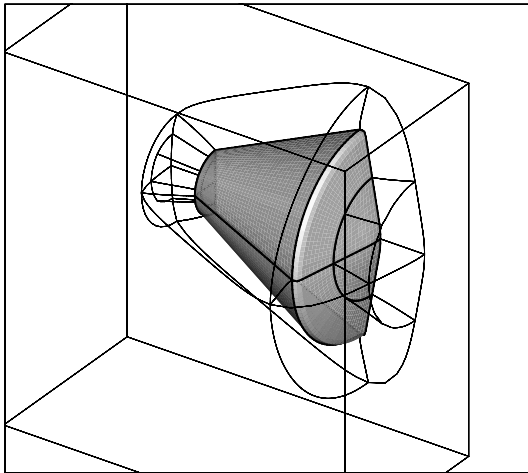


Fig. 4 Generated blocks along electrostatic field lines

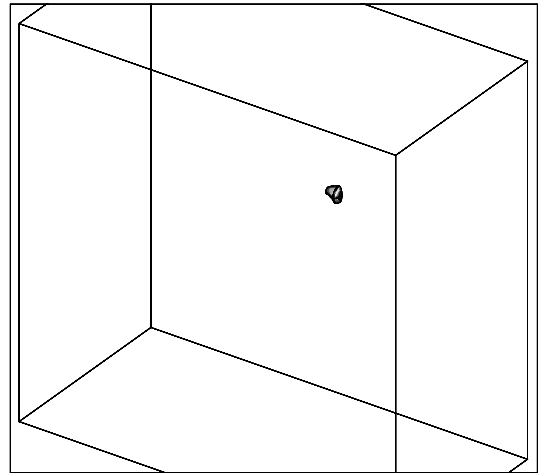


Fig. 5 Enlarged bounding box to create far-field blocks

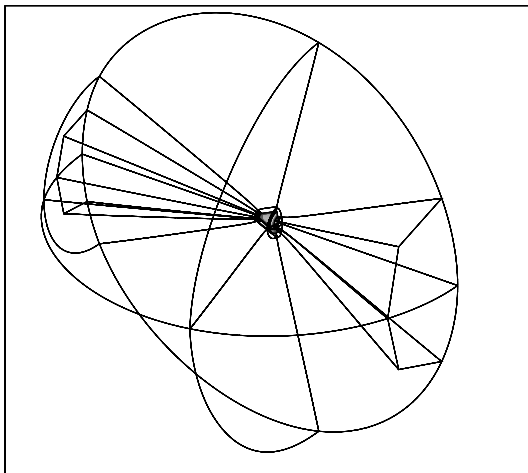


Fig. 6 Generated far-field blocks

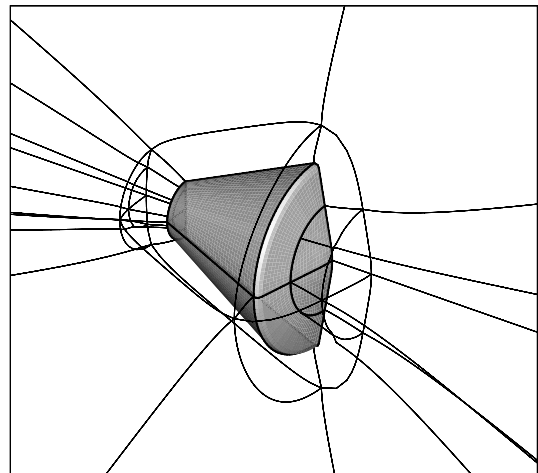


Fig. 7 Final result

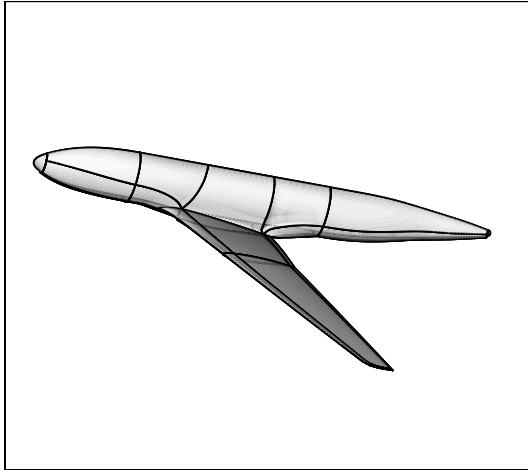


Fig. 8 Generic face-decomposition of wing-body configuration

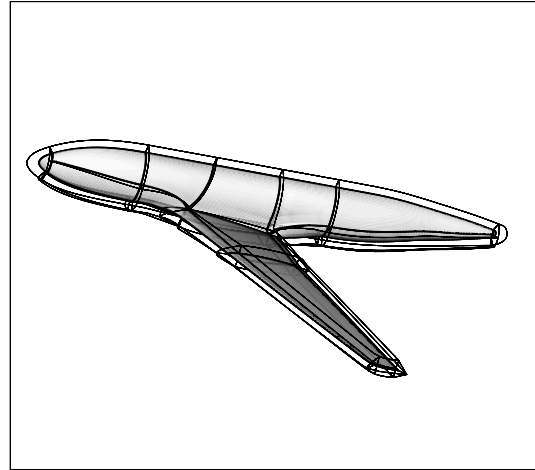


Fig. 9 First layer of automatically created blocks

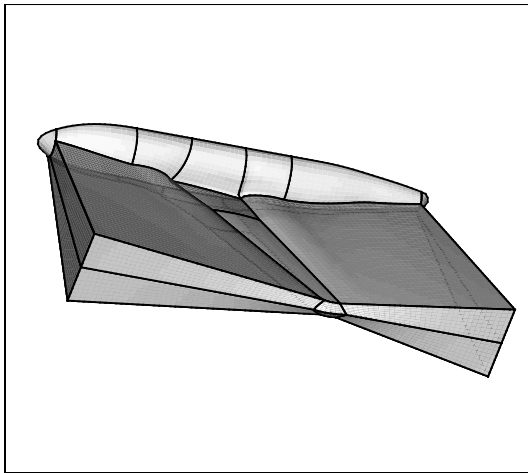


Fig. 10 Four blocks added to make outer shape more convex

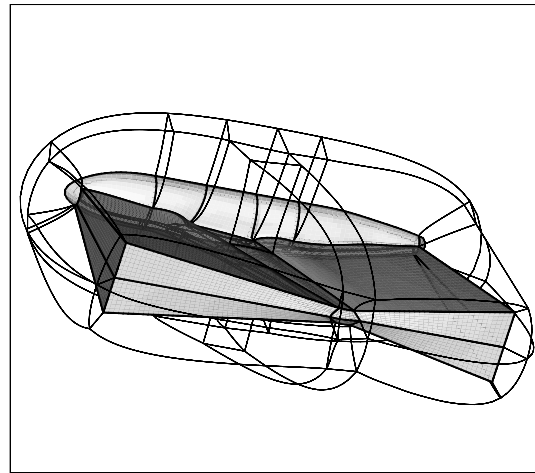


Fig. 11 Second layer of automatically created blocks

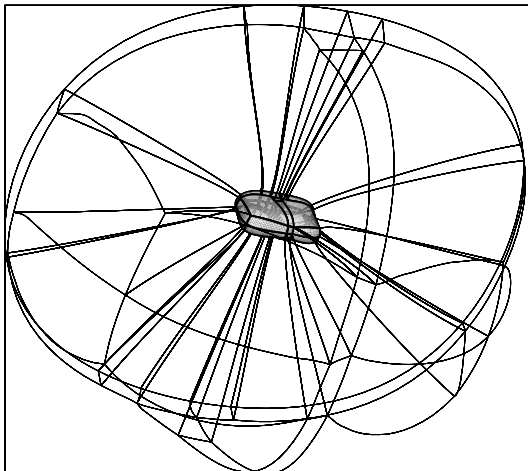


Fig. 12 Third layer of automatically created far-field blocks

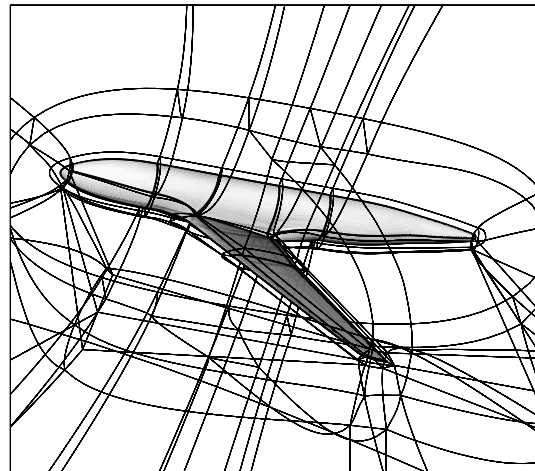


Fig. 13 Final domain decomposition

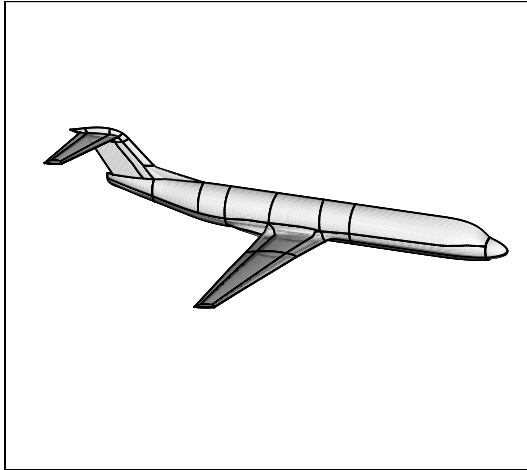


Fig. 14 Face decomposition of an aircraft with T-tail

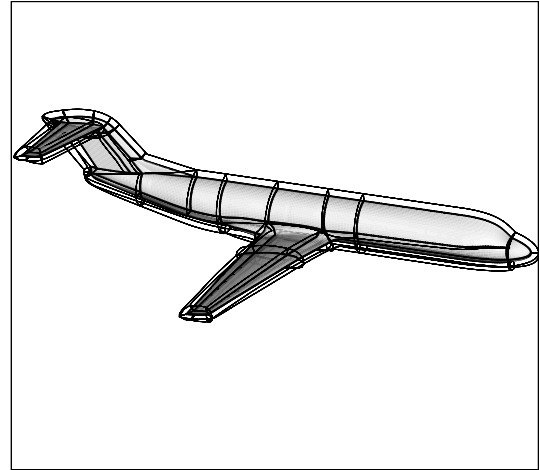


Fig. 15 First layer of automatically created blocks

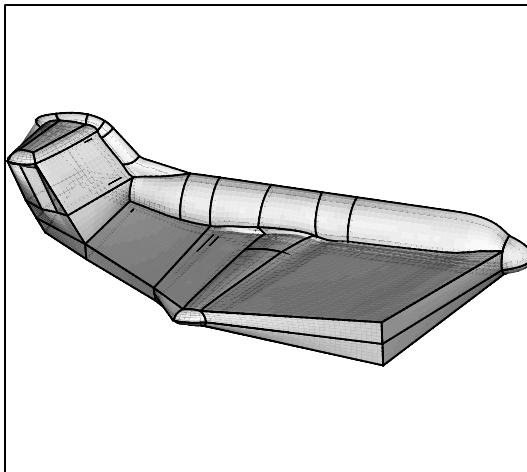


Fig. 16 Blocks added to make outer shape more convex

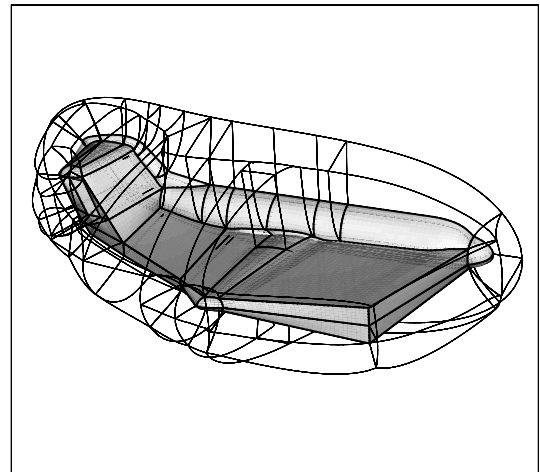


Fig. 17 Second layer of automatically created blocks

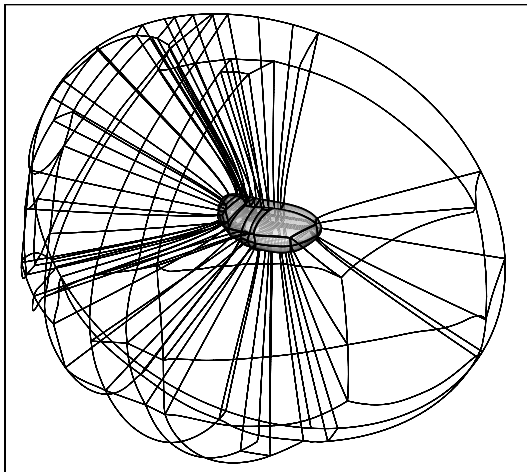


Fig. 18 Third layer of automatically created far-field blocks

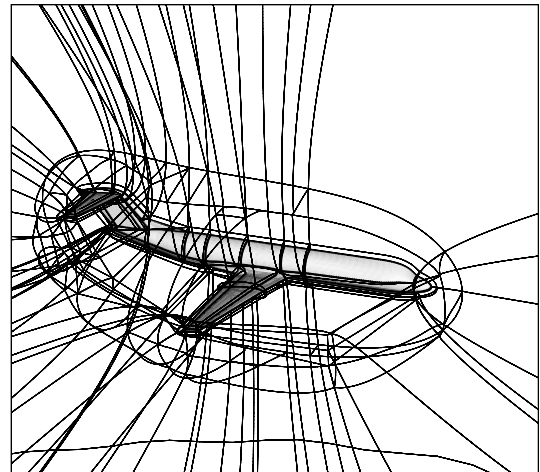


Fig. 19 Final domain decomposition