

1964 FLYING DUTCHMAN - NORTH AMERICAN CHAMPIONSHIP

INSTRUCTIONS

COURSES: All marks will be left to port. All courses will be olympic (triangle, windward, leeward, windward). Course signals will indicate the first two marks of the course the starting mark ~~is~~ the third mark of the triangle. Cards indicating the marks will be displayed by the starting boat.

MARKS: Marks will be described at Skippers meeting.

STAKE BOAT: A stake boat flying an orange flag will be stationed near each mark of the course.

STARTING LINE: The starting line is between the Bouy to port and the race committee flag on the committee's boat to starboard.

FINISHING LINE: The finishing line will be between the final mark of the course and the race committee flag on the committee boat.

STARTING TIMES AND SIGNALS: Two (2) races each day October 8, 9, 10. October 11 is reserved for postponed races if needed. Times are Central Standard Time.

Morning Races:	Afternoon Races:
9:50 - Warning Signal White Flag.	1:50 - Warning Signal White Flag.
9:55 - Preparatory Signal Blue Flag.	1:55 - Preparatory Signal Blue Flag.
10:00 - Starting Signal Red Flag.	2:00 - Starting Signal Red Flag.

SIGNALS: General Recall: First repeater, blue pennant with yellow triangle. Recalled for a fresh start. In case of general recall the first repeater will remain up until thirty (30) seconds before the Warning Signal.

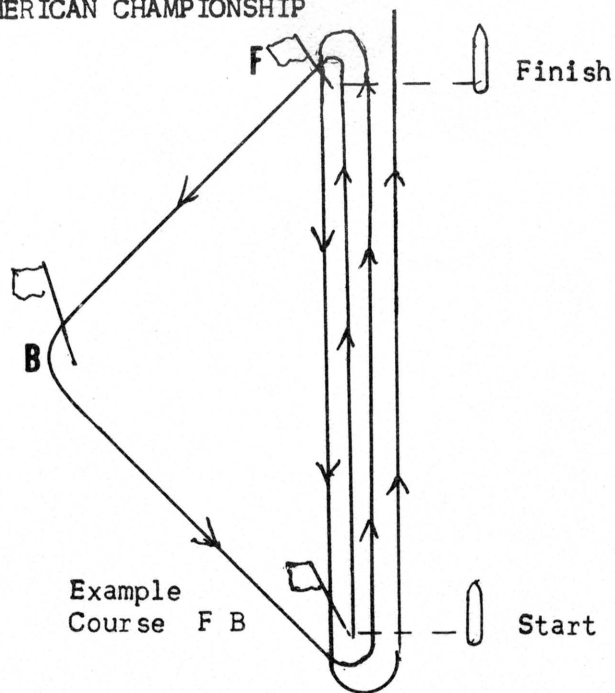
CANCELLATION: Off for the day "N". Blue and white checkered flag.

POSTPONMENT: Answering pennant - pennant with red and white vertical stripes. The first postponment shall be for fifteen minutes, further postponment at the race committee's discretion. All boats should stay in the starting area.

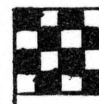
FINISHING SIGNALS: When displayed at the finish, blue flag indicates Committee boat is on station.

COME WITHIN HAIL: "L" - Black and yellow checkered flag.

MARK SIGNAL: "M" blue flag with white diagonal cross. When displayed on a bouy, vessel, or other object means: round or pass the object displaying this signal instead of the mark which it replaces.



N



A P



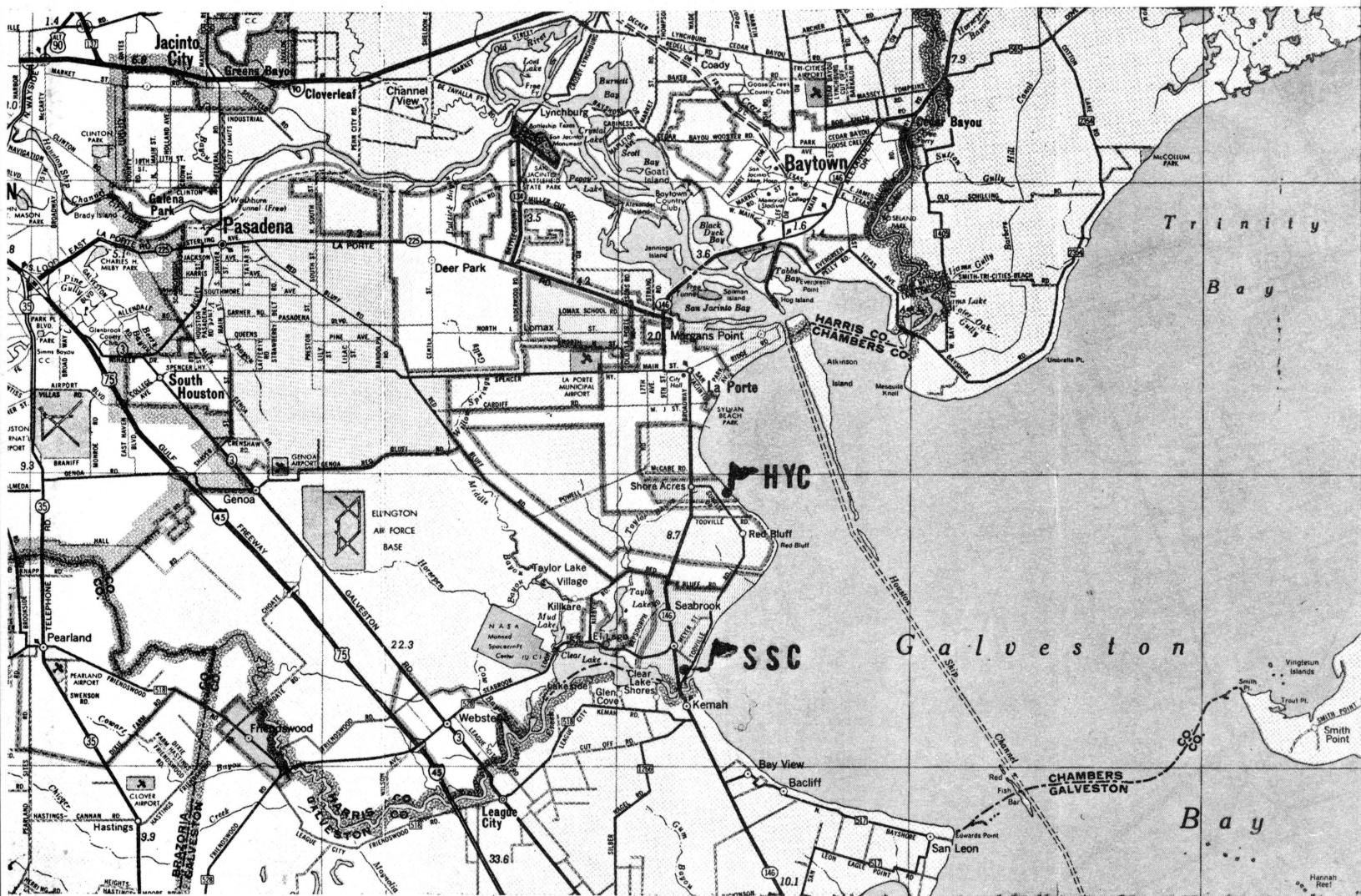
L



M



1964
**FLYING DUTCHMAN
NORTH AMERICAN
CHAMPIONSHIP**



OCTOBER 7-11

AT HOUSTON YACHT CLUB CO-SPONSORED WITH
SEABROOK SAILING CLUB