

# System Development Corporation

## IMAGE DATA PROCESSING SYSTEM (IDAPS)

(NASA-CR-150002) IMAGE DATA PROCESSING  
SYSTEM (IDAPS) SOFTWARE DOCUMENTATION, S-056  
EXPERIMENT. VOLUME 1: SYSTEM SOFTWARE  
DESCRIPTION (System Development Corp.)  
155 p HC \$6.75

N76-32878

Unclas  
05275

CSSL 09B G3/61

## SOFTWARE DOCUMENTATION

REPRODUCED BY  
NATIONAL TECHNICAL  
INFORMATION SERVICE  
U. S. DEPARTMENT OF COMMERCE  
SPRINGFIELD, VA. 22161

30 JUNE 1976

TM-HU-039/000/01

N O T I C E

THIS DOCUMENT HAS BEEN REPRODUCED FROM THE BEST COPY FURNISHED US BY THE SPONSORING AGENCY. ALTHOUGH IT IS RECOGNIZED THAT CERTAIN PORTIONS ARE ILLEGIBLE, IT IS BEING RELEASED IN THE INTEREST OF MAKING AVAILABLE AS MUCH INFORMATION AS POSSIBLE.

# System Development Corporation

IMAGE DATA PROCESSING SYSTEM  
(IDAPS)

SOFTWARE DOCUMENTATION

S-056 EXPERIMENT

SYSTEM SOFTWARE DESCRIPTION  
VOLUME I

INTERDATA-70 SOFTWARE LISTINGS  
VOLUME II

IBM-360 SOFTWARE LISTINGS  
VOLUME III

CONTRACT NO. NAS8-31667

30 JUNE 1976

TM-HU-039/000/01

## FOREWORD

The IDAPS facility is maintained by the Marshall Space Flight Center as a service to S-056 researchers for processing S-056 image data. The IDAPS facility became operational in November 1974. Since that time the facility has been in joint use by the S-056 researchers for data processing and by the system development contractor for continued facility development. As additional facility capabilities are incorporated, the IDAPS Software Document will be updated by the insertion of change pages.

# System Development Corporation

IMAGE DATA PROCESSING SYSTEM

(IDAPS)

SOFTWARE DOCUMENTATION

S-056 EXPERIMENT

SYSTEM SOFTWARE DESCRIPTION

VOLUME I

CONTRACT NO. NAS8-31667

30 JUNE 1976

TM-HU-039/000/01

TABLE OF CONTENTS  
SOFTWARE DESCRIPTION

<u>SECTION</u>	<u>PAGE</u>
Table of Contents . . . . .	ii
List of Figures . . . . .	vii
1.0 INTRODUCTION . . . . .	1-1
2.0 SYSTEM SOFTWARE DESCRIPTION . . . . .	2-1
2.1 INTERDATA-70 Major Components . . . . .	2-1
2.1.1 Real-Time Operating System - RTOS . . . . .	2-1
2.1.1.1 EXEC - RTOS Executive. . . . .	2-4
2.1.1.2 RLSTAB - Reentrant Subroutine Library Table. . . . .	2-4
2.1.1.3 LODER - RTOS Task Loader . . . . .	2-4
2.1.1.4 IDAPS - IDAPS System Monitor . . . . .	2-5
2.1.1.5 TCBTAB - Task Control Block Table . . . . .	2-5
2.1.1.6 ROLRTN - Roll-out/Roll-in Subroutine . . . . .	2-5
2.1.1.7 SUPV - RTOS Supervisor . . . . .	2-5
2.1.1.8 INIT - RTOS Initializer . . . . .	2-5
2.1.1.9 Drivers and Device Control Blocks . . . . .	2-6
2.1.2 Disk File Allocation and Usage . . . . .	2-7
2.1.3 IDAPS Task Organization . . . . .	2-10
2.1.3.1 Task Common . . . . .	2-12
2.1.3.2 Logical Unit Assignments . . . . .	2-14
2.1.4 IDAPS Subroutine Library . . . . .	2-14
2.1.5 Program Development Tools . . . . .	2-15
2.1.5.1 Extended Fortran Compiler - FTN . . . . .	2-15
2.1.5.2 Machine Language Assembler - ASM . . . . .	2-16

2.1.5.3	OS Library Loader - LD3 . . . . .	2-17
2.1.5.3.1	Production of IDAPS Subroutine Library . . . . .	2-18
2.1.5.3.2	Production of RTOS Object Code File . . . . .	2-20
2.1.5.3.3	Production of RTOS Load Module. . . . .	2-21
2.1.5.4	Task Establisher - TETC . . . . .	2-22
2.1.5.5	Task Utility - TUT . . . . .	2-25
2.2	IBM-360 Major Components . . . . .	2-27
2.2.1	Control Program . . . . .	2-27
2.2.1.1	Executive Module . . . . .	2-28
2.2.1.2	ID-70 Interface Module . . . . .	2-28
2.2.1.3	Command Interpretation Module . . . . .	2-28
2.2.1.4	Operator Initialization and Control Module . . . . .	2-28
2.2.1.5	Data Input and Interpretation Module. . . . .	2-30
2.2.1.6	File Management Module . . . . .	2-30
2.2.1.7	Disk Input/Output Module . . . . .	2-30
2.2.1.8	Tape Input/Output Module . . . . .	2-30
2.2.1.9	Error Handling Module . . . . .	2-31
2.2.2	COMMON Storage and Initialization . . . . .	2-31
2.2.3	Disk Space Allocation . . . . .	2-34
2.2.4	Overlay Structure . . . . .	2-36
2.2.5	System Libraries . . . . .	2-36
2.2.5.1	USER . . . . .	2-37
2.2.5.2	IDAPS.CONTROL . . . . .	2-37
2.2.5.3	IDAPS.APPLIC . . . . .	2-39
2.2.6	System Maintenance . . . . .	2-39
2.2.6.1	System Development Tools . . . . .	2-40
2.2.6.1.1	IDAPS Catalogued Procedure . . . . .	2-40
2.2.6.1.2	IDAPSI Catalogued Procedure . . . . .	2-40
2.2.6.1.3	IDAPSB Catalogued Procedure . . . . .	2-40
2.2.6.1.4	ASCLIDAP Catalogued Procedure . . . . .	2-41
2.2.6.1.5	FGCLIDAP and FHCLIDAP Catalogued Procedures . . . . .	2-41
2.2.6.1.6	USERMOD Catalogued Procedure . . . . .	2-42

2.2.6.2	Utility Programs . . . . .	2-42
2.2.6.3	Updating Load Module Libraries . . . . .	2-43
3.0	MODULE DESCRIPTION . . . . .	3-1
3.1	INTERDATA-70 Modules . . . . .	3-1
3.1.1	Real-Time Operating System - RTOS . . . . .	3-1
3.1.1.1	IDAPS - IDAPS System Monitor . . . . .	3-1
3.1.1.2	DGDVR, DGDCB - Display Generator Driver and DCB . . . . .	3-3
3.1.1.3	MXDVR, MXDCB - Keyboard/Trackball Multiplexor Driver and DCB . . . . .	3-3
3.1.1.4	DIDVR, SDCB, REDCB - Dicomed Driver and DCB's . . . . .	3-4
3.1.1.5	IFDVR, IFDCB - 360 Interface Driver and DCB . . . . .	3-4
3.1.1.5.1	DFDVR - SVC 1 Handling and Overall Control . . . . .	3-5
3.1.1.5.2	INTDEV - 360 Device Interrupt Handling . . . . .	3-7
3.1.1.5.3	INTINF - Interface Controller Interrupt Handling . . . . .	3-8
3.1.1.5.4	INTSC - Selector Channel Interrupt Handling . . . . .	3-8
3.1.2	IDAPS Tasks . . . . .	3-9
3.1.3	IDAPS Subroutines . . . . .	3-13
3.2	IBM-360 Modules . . . . .	3-18
3.2.1	Control Program Modules . . . . .	3-18
3.2.1.1	MAIN, BLOCK DATA, IEXEC - IDAPS Executive . . . . .	3-18
3.2.1.2	ITRANS, INTFAC, ECHO - ID-70 Interface . . . . .	3-19
3.2.1.3	CIR, INTPAR - Command Interpretation . . . . .	3-20
3.2.1.4	INIT - Operator Initialization and Control . . . . .	3-20
3.2.1.5	DATAIN - Data Input and Interpretation . . . . .	3-22
3.2.1.6	FMR, NEXTPK, DISKSP, FILNFO, FILNAM - File Management . . . . .	3-22
3.2.1.7	DISKIO, DISKW, DISKWF, DISKWP - Disk Input/Output . . . . .	3-23



3.2.1.8	OPENNL, WRITE9 - Tape Input/Output . . . . .	3-24
3.2.1.9	ERRMES, OPERR - Error Handling . . . . .	3-24
3.2.2	IDAPS Operators . . . . .	3-25
3.2.2.1	System Operators . . . . .	3-25
3.2.2.2	Application Operators . . . . .	3-25
3.2.3	Control Program Subroutines . . . . .	3-27
4.0 OPERATING SYSTEM MODIFICATIONS		
4.1	INTERDATA-70 RTOS Modifications . . . . .	4-1
4.1.1	EXEC - RTOS Executive . . . . .	4-1
4.1.2	RLSTAB - Reentrant Subroutine Library Table . . . . .	4-1
4.1.3	LODER - RTOS Task Loader . . . . .	4-1
4.1.4	TCBTAB - Task Control Block Table . . . . .	4-2
4.1.5	LFCDVR - Line Frequency Clock Driver . . . . .	4-4
4.1.6	TTYDVR - Teletype Driver . . . . .	4-4
4.1.7	CRDVR - Card Reader Driver . . . . .	4-4
4.1.8	DSC200 - Disk Driver . . . . .	4-5
4.1.9	DCBC6L - Disk DCB . . . . .	4-5
4.2	IBM-360 OS Modifications . . . . .	4-6
4.2.1	Attention Service Routine . . . . .	4-7
4.2.2	System Generation Inputs . . . . .	4-7
5.0 SYSTEM STARTUP AND RECOVERY		
5.1	INTERDATA-70 . . . . .	5-1
5.1.1	INTERDATA-70 Console . . . . .	5-1
5.1.1.1	Enter HALT mode . . . . .	5-1
5.1.1.2	Memory Read . . . . .	5-1
5.1.1.3	Memory Write . . . . .	5-2
5.1.1.4	Start Program Execution . . . . .	5-3
5.1.2	50 Sequence Bootstrap Loader . . . . .	5-4
5.1.3	RTOS Startup From Disk . . . . .	5-5

- 5.1.4 RTOS Startup From Load Module Tape . . . . . 5-6
- 5.1.5 Write RTOS to Disk . . . . . 5-9
- 5.1.6 Regeneration of System Task Library . . . . . 5-10
- 5.2 IBM-360 . . . . . 5-10
- 5.3 Interactive System Startup, Recovery and Shutdown . . . . . 5-11
  - 5.3.1 System Startup . . . . . 5-11
  - 5.3.2 System Recovery . . . . . 5-11
  - 5.3.3 System Shutdown . . . . . 5-13
  
- 6.0 ADDING OPERATORS
  - 6.1 IBM-360 System . . . . . 6-1
    - 6.1.1 Operator Restrictions . . . . . 6-1
    - 6.1.2 Using The Disk Input/Output Module . . . . . 6-3
    - 6.1.3 IDAPS System Modifications . . . . . 6-5
  - 6.2 Interdata-70 System . . . . . 6-12
    - 6.2.1 Adding An Interactive Operator To IDAPS . . . . . 6-12
    - 6.2.2 Designing The Parameter Specification Display . . . . . 6-13
    - 6.2.3 Modifying A Sub-Menu Task . . . . . 6-16
    - 6.2.4 Coding The Parameter Specification Task . . . . . 6-18
    - 6.2.5 Subordinate Subroutines . . . . . 6-24
    - 6.2.6 Default Parameters . . . . . 6-25
    - 6.2.7 Help Messages . . . . . 6-25
    - 6.2.8 Default Data Tables . . . . . 6-27

APPENDIX

IBM-360 SYSTEM DEVELOPMENT TOOLS . . . . . A-1

LIST OF FIGURES

<u>FIGURE</u>		<u>PAGE</u>
2-1	IDAPS System Block Diagram . . . . .	2-2
2-2	General Functional Block Diagram of ID-70 Tasks . . . . .	2-11
2-3	IBM-360 Control Program Block Diagram . . . . .	2-29
2-4	Types of IBM-360 System Disk Files . . . . .	2-35
3-1	Interface Messages . . . . .	3-21
6-1	Interactive IDAPS Coding Form . . . . .	6-14
6-2	Sample Parameter Specification Layout . . . . .	6-15
6-3	Sample Sub-menu Program . . . . .	6-17
6-4	Sample Parameter Specification Program . . . . .	6-19
6-5	Parameter List Initialization . . . . .	6-26

## 1.0 INTRODUCTION

The purpose of the Image Data Processing System (IDAPS) Software Document is to provide the necessary information for personnel with programming backgrounds to understand and follow the logic of the software which supports the IDAPS system hardware configuration. The reader should have some familiarity with image processing in general and the IDAPS system in particular. For a description of the IDAPS system, the reader is referred to the publication Image Data Processing System (IDAPS) User Manual, System Description, Volume I (TM-HU-037/000/00).

There are two major divisions of software in the IDAPS system; the Interdata-70 software and the IBM-360 software. The documentation is divided into three volumes:

- Volume I - System Software Description
- Volume II - Interdata-70 Software Listings
- Volume III - IBM-360 Software Listings

In order to minimize confusion of the two systems, each section of Volume I treats the two systems separately.

## 2.0 SYSTEM SOFTWARE DESCRIPTION

This section describes the major components of the Interdata-70 and the IBM-360 software systems which comprise the IDAPS system. The interactive relationship between the software of the two systems is illustrated in Figure 2-1.

### 2.1 INTERDATA-70 MAJOR COMPONENTS

#### 2.1.1 Real-Time Operating System-RTOS

RTOS is a fairly comprehensive multi-task operating system. A task is the basic operating unit of RTOS. It may consist of a single program, or it may include a main program and a number of subroutines. For the most part, the IDAPS Terminal system has been designed to make use of the features of RTOS. Those features which are particularly important to IDAPS are as follows:

- a) Two or more tasks may be active at a given time.
- b) A task may suspend itself for a particular length of time, thus a form of time-sharing may be accomplished.
- c) There is a centralized and consistent means of accessing peripheral devices through the Supervisor Call (SVC) instruction.
- d) Disk files may be accessed either sequentially or randomly. Disk file allocation may be easily changed as needed.
- e) One task may activate another task through the SVC 6 facility, thus there is no need for an overall control program.
- f) A Task Common area provides access to system-wide information.

RTOS is made up of several individual modules, each of which is a machine-language program. The RTOS modules are assembled separately and then linked

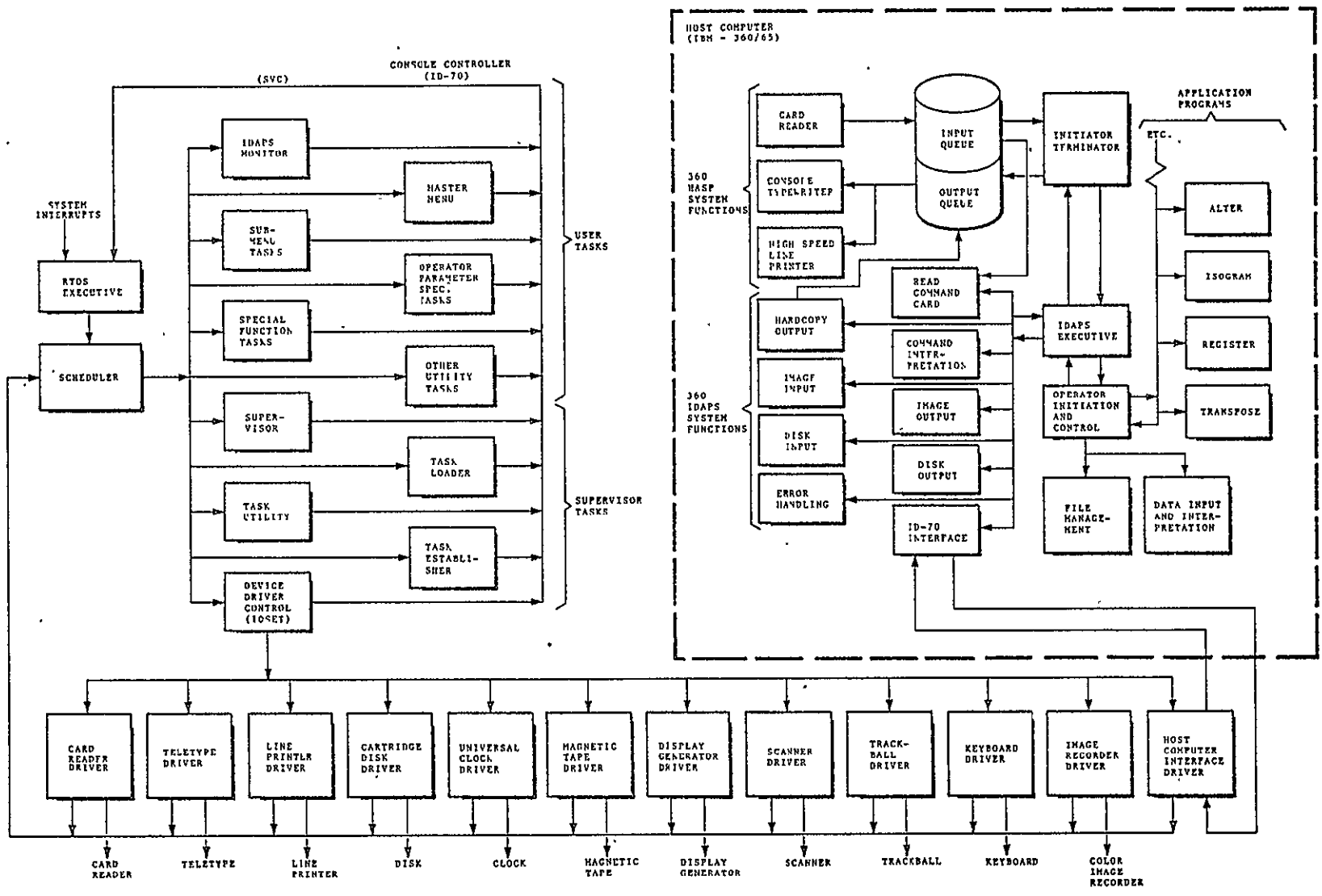


Figure 2-1. IDAPS System Block Diagram

REPRODUCIBILITY OF THE ORIGINAL PAGE IS POOR

together in a single core-load module as described in paragraph 2.1.5.3. The modules are listed here in the order in which they appear in core:

EXEC	-	RTOS Executive Program
RLSTAB	-	Reentrant Subroutine Library Table
LODER	-	RTOS Task Loader
IDAPS	-	IDAPS Monitor Program
TCBTAB	-	Task Control Block Table
DGDVR	-	Anagraph Display Generator Driver
DGDVCB	-	Anagraph Display Generator Device Control Block (DCB)
MXDVR	-	Anagraph Keyboard/Trackball Multiplexor Driver
MXDCB	-	Anagraph Keyboard/Trackball Multiplexor DCB
DIDVR	-	DICOMED Scanner/Recorder Driver
SCDCB	-	DICOMED Scanner DCB
REDCB	-	DICOMED Recorder DCB
IFDVR	-	360 Interface Driver
IFDCB	-	360 Interface DCB
LFDVR	-	Line Frequency Clock Driver
DCB6D	-	Line Frequency Clock DCB
PICDVR	-	Precision Interval Clock Driver
DCB6C	-	Precision Interval Clock DCB
MTDVR	-	Magnetic Tape Driver
TTYDVR	-	Teletype Driver
DCB02	-	Teletype DCB
CRDVR	-	Card Reader Driver
DCB04	-	Card Reader DCB
LPDVR	-	Line Printer Driver
DCB62	-	Line Printer DCB
ROLRTN	-	Roll-out/Roll-in Subroutine
WTDDVR	-	Dummy Watchdog Timer Driver
DSC200	-	Disk Driver

DCBC6L - Disk DCB  
DCB85 - Magnetic Tape '85' DCB  
DCB85 - Second copy, Magnetic Tape '95' DCB  
SUPV - RTOS Supervisor Program  
INIT - RTOS Initializer Program

The major modules and functional areas of RTOS are described briefly in the paragraphs which follow, with additional references as needed.

#### 2.1.1.1 EXEC - RTOS Executive

EXEC coordinates all activity within RTOS. It performs the task scheduling function, that is, it activates tasks according to the established rules of priority and status. EXEC senses and initiates action on all SVC's, and in some cases completes the action itself. EXEC contains the code for the various dedicated memory locations in low core. It is the first module in core and the only one which has an absolute starting point in core.

EXEC has been modified slightly for IDAPS, as described in Section 4.0.

#### 2.1.1.2 RLSTAB - Reentrant Subroutine Library Table

RLSTAB is designed to contain entry pointers to reentrant subroutines, of which there are none in IDAPS. However it also contains several critical parameters related to the system configuration. RLSTAB has been modified for IDAPS, as described in Section 4.0.

#### 2.1.1.3 LODER - RTOS Task Loader

LODER is a System Task whose task name is \*LODER. When there is a request to load a task into core, LODER finds space for the task and loads it into core with the necessary relocation adjustments. LODER has been modified for IDAPS as described in Section 4.0.

REPRODUCIBILITY OF AS  
ORIGINAL PAGE IS POOR



#### 2.1.1.4 IDAPS - IDAPS System Monitor

IDAPS is a System Task written especially for the IDAPS system. It performs certain functions which are unique to this system and which could not easily be performed by a non-system task. IDAPS is described in Section 3.1.1.

#### 2.1.1.5 TCBTAB - Task Control Block Table

TCBTAB is not an operating program, but rather a set of lists and tables. At any given time, TCBTAB describes the current state of the system in regards to which tasks are active, waiting for memory space, waiting for some event, etc. TCBTAB has been modified for IDAPS, as described in Section 4.0.

#### 2.1.1.6 ROLRTN - Roll-out/Roll-in Subroutine

ROLRTN is responsible for the roll-out and roll-in of "background" tasks such as the FORTRAN Compiler when this is necessary to service the IDAPS application tasks. Three disk files (13C6, 14C6, 15C6) are reserved for this purpose in the IDAPS configuration.

#### 2.1.1.7 SUPV - RTOS Supervisor

SUPV is a System Task whose task name is \*SUPER. SUPV is responsible for interpreting and processing RTOS commands entered through the Teletype console. SUPV also contains the queue (IOLIST) in which Teletype output messages are processed.

#### 2.1.1.8 INIT - RTOS Initializer

INIT performs the actions necessary to start or restart the system. It has entry points to handle the SYSG01, SYSG02, and SYSG03 startups (see RTOS Reference Manual, Section 2.2) as well as an entry to handle the power-fail recovery. INIT also contains the entry point (RTOP) which defines the uppermost cell in core used by RTOS, thus INIT must always be the last module in core.

#### 2.1.1.9 Drivers and Device Control Blocks

The Drivers and Device Control Blocks (DCB's) provide the means of access to all of the peripheral devices. In general, a driver interprets the SVC 1 call which requests an I/O operation, then executes the device commands and I/O instructions which cause that operation to take place. A DCB contains the control information for a particular device. There is a DCB for each physical device, but a single Driver can service several similar devices. In the IDAPS configuration, this feature is used in two cases:

- a) MTDVR handles both magnetic tape drives.
- b) DIDVR handles the DICOMED Scanner and Recorder.

The following drivers and DCB's were written especially for IDAPS and are described in Section 3.1.1:

DGDVR	-	Anagraph Display Generator Driver
DGD CB	-	Anagraph Display Generator DCB
MXDVR	-	Anagraph Keyboard/Trackball Multiplexor Driver
MXDCB	-	Anagraph Keyboard/Trackball Multiplexor DCB
DIDVR	-	DICOMED Driver
SCDCB	-	DICOMED Scanner DCB
REDCB	-	DICOMED Recorder DCB
IFDVR	-	360 Interface Driver
IFDCB	-	360 Interface DCB

The following drivers and DCB's have been modified for IDAPS, as described in Section 4.0:

LFCDVR	-	Line Frequency Clock Driver
TTYDVR	-	Teletype Driver

CRDVR - Card Reader Driver  
DSC200 - Disk Driver  
DCBC6L - Disk DCB

The remaining drivers and DCB's are in their standard form as supplied by INTERDATA, Inc.:

DCB6D - Line Frequency Clock DCB  
PICDVR - Precision Interval Clock Driver  
DCB6C - Precision Interval Clock DCB  
MTDVR - Magnetic Tape Driver  
DCB85 - Magnetic Tape '85' DCB  
DCB85 - Second copy, Magnetic Tape '95' DCB  
DCB02 - Teletype DCB  
DCB04 - Card Reader DCB  
LPDVR - Line Printer Driver  
DCB62 - Line Printer DCB

### 2.1.2 Disk File Allocation and Usage

The disk unit contains two physical disks whose device numbers are 'C6' and 'C7'. The disks are logically divided into several different files; and, with the RTOS disk file facilities, each file is treated as a separate device by the IDAPS and utility programs.

The basic addressable record on the disk is a sector, which contains 256 bytes. There are 24 sectors in each track. At a given position of the read/write heads, 2 tracks are accessible; and this quantity is called a cylinder. There are 408 cylinders on each of the two disks. In RTOS, the disk files are allocated in whole numbers of cylinders.

Disk file allocation is controlled by the Allocate (ALLO) and Release (RELE) commands (see INTERDATA RTOS Reference Manual, Publication No. 29-240,

Section 2.6). Three of the files (20C6, 21C6, and 22C6) have special meaning to RTOS and cannot be changed by ALLO and RELE. The current allocation of the disk files is as follows:

<u>File Name</u>	<u>Starting Cylinder</u>		<u>Ending Cylinder</u>	
	<u>Hexadecimal</u>	<u>Decimal</u>	<u>Hexadecimal</u>	<u>Decimal</u>
00C6	119	281	158	344
01C6	159	345	168	360
02C6	169	361	178	376
13C6	179	377	17B	379
14C6	17C	380	17E	382
15C6	17F	383	181	385
16C6	182	386	183	387
17C6	184	388	187	391
18C6	188	392	197	407
20C6	0	0	3	3
21C6	4	4	4	4
22C6	5	5	118	280
00C7	FF	255	FF	255
01C7	100	256	197	407
03C7	60	96	D8	216
04C7	D9	217	FE	254
10C7	0	0	5F	95

The usage of the various files or groups of files is as follows:

- a) File 00C6 is used by the utility tasks as a scratch file.
- b) File 01C6 is where the assembler and compiler normally place the object code which they produce.

- c) File 02C6 is normally used to contain a task generated by TETC.  
(See paragraph 2.1.5.4)
- d) Files 13C6, 14C6, and 15C6 are the roll-out/roll-in files used by the RTOS task loader, LODER.
- e) File 16C6 contains the current values of the IDAPS menu parameters.
- f) File 17C6 contains the HELP messages.
- g) File 18C6 contains the IDAPS Data Tables (current and default values).
- h) File 20C6 contains a core-image copy of RTOS for loading by the RTOS Disc Bootstrap Loader.
- i) File 21C6 contains the Task Library Index.
- j) File 22C6 contains the Task Library.
- k) File 00C7 is used as a scratch file by some of the IDAPS tasks.
- l) File 01C7 contains the current terminal display images.
- m) File 03C7 contains the IDAPS Subroutine Library.
- n) File 04C7 contains the FORTRAN Run-Time Library.
- o) File 10C7 contains the User Identification File, the User Utilization File, and a dynamic record of all 360 operations performed since the last LOG IN operation.

### 2.1.3 IDAPS Task Organization

The IDAPS tasks, of which there are approximately ninety, were written to operate under control of RTOS and to perform all the various functions needed to support the IDAPS terminal.

Most of the tasks are directly concerned with interacting with the IDAPS user to let him direct the activity of the system as he desires. The starting point for each operation is the Master Menu, which is handled by the task called MASTER. According to the option chosen, MASTER passes control to one of the Sub-menu Tasks. The Sub-menu Tasks are identifiable as those whose names end with the letters 'SM'. The Sub-menu Task, in turn, passes control to the appropriate Parameter Specification Task, whose names end with the letters 'PS'. When the Parameter Specification Task completes its operation, control is passed back to MASTER, where the process can start again. Figure 2-2 is a graphic illustration of the functional flow of IDAPS.

The mechanism for passing control from one task to another, as described above, is provided by the RTOS SVC 6 operation (RTOS Reference Manual, Section 3.10). This facility is available to FORTRAN programs through the LINK subroutine which is in the IDAPS Subroutine Library.

The other major category of IDAPS tasks are the Special Function Tasks, whose names end with the letters 'SF'. These tasks are called by the keyboard input subroutines as a result of one of the Special Function Keys being pressed.

There are several other IDAPS tasks which do not fall into one of the major categories. These tasks perform various miscellaneous functions. All of the IDAPS tasks are described in Section 3.1.2.

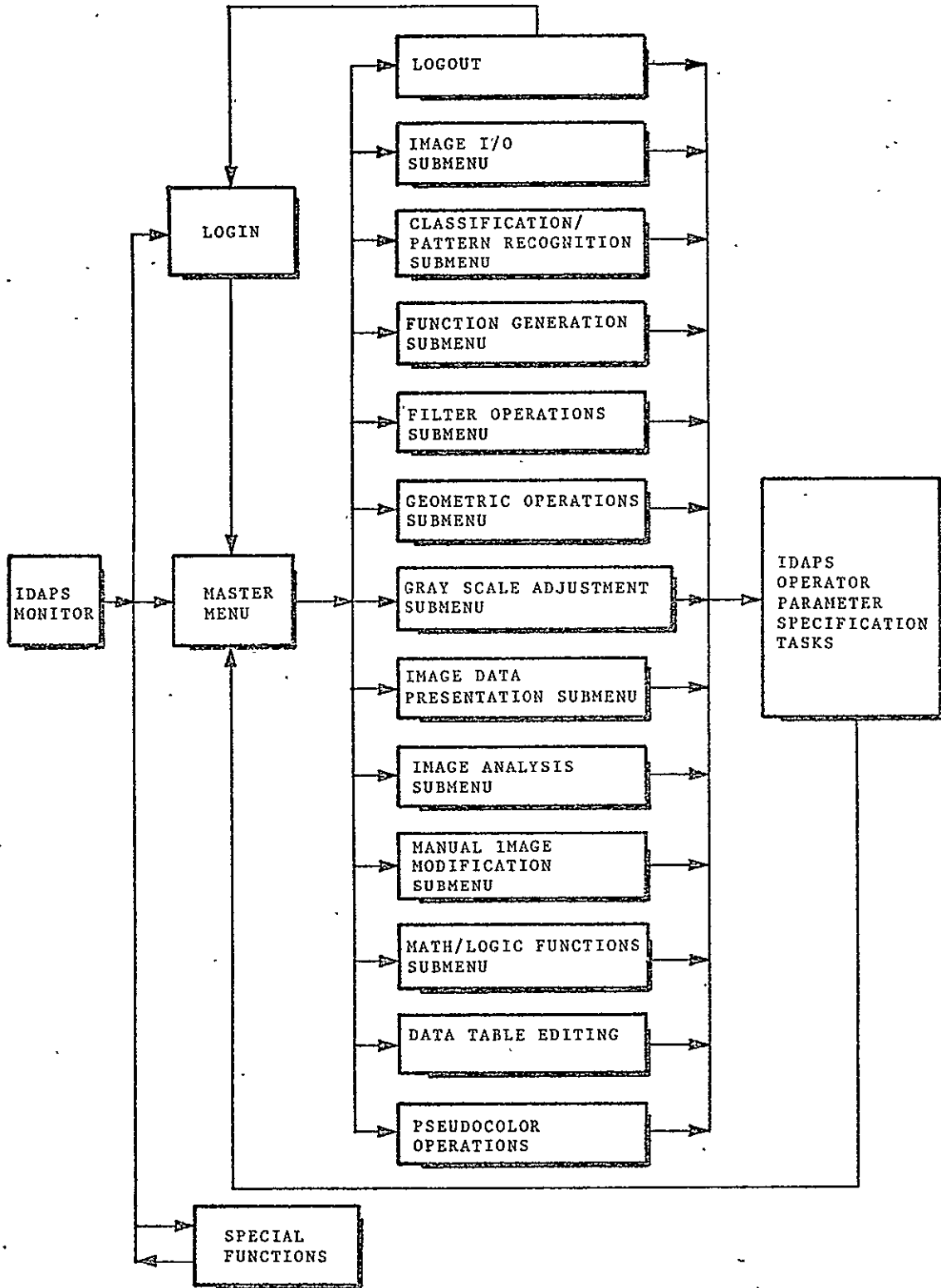


Figure 2-2. General Functional Block Diagram of ID-70 Tasks

### 2.1.3.1 Task Common

The IDAPS tasks make use of the RTOS facility for defining and using a Task Common area. The starting location of Task Common is contained in the RTOS entry point called TSKCOM. Thus, in a machine-language program, the value of TSKCOM is used as the base address for references to Task Common. In a FORTRAN program, TSKCOM is used as the name of a labeled common block. The elements within Task Common are defined in each program according to their relative location. The IDAPS Task Common area is allocated as follows:

Relative

Byte

Location

Name

Description

(Dec.)

0	KBCH	Keyboard input character. If non-zero, contains right-justified ASCII code.
2	TBFLAG	Trackball input flag. If non-zero, there is a trackball input.
4	TBX	Trackball X-coordinate (column).
6	TBY	Trackball Y-coordinate (line).
8	FLG360	Status of 360 interface. (0 = down, 1 = ready, 2 = busy, 3 = busy-wait).
10	FILNAM	Name of last-generated 360 file, 4 bytes ASCII.



14	UTIME	Minutes of elapsed time since last login.
16	TRSFLG	Interactive termination flag ( 0 = TRM360 termination, 1 = TRS360 termination).
18	LSAD	Pointer to next available sector on logout file (10C7).
20	LSTORE	Store/don't store log file (0 = store, 1 = don't store).
22	LU	Logical unit (1 or 2) for LOGOUT tape IO.
24	K1	Output option (1 or 2) for LOGOUT.
26	SCRATCH	Scratch area.
512	FILMSG	Start of File Directory Message.
516	FILTAB	Start of File Directory Data. Each entry occupies 10 bytes as follows:
	<u>Bytes</u>	<u>Contents</u>
	0-3	File name, ASCII
	4-5	No. of lines, binary
	6-7	No. of columns, binary
	8-9	File type (1 = integer, 2 = floating point)

The FORTRAN statements to produce this allocation could be as follows:

```
INTEGER*2 KBCH, TBFLAG, TBX, TBY, FLG360, FILNAM, UTIME, TRSFLG, LSAD, LSTORE,
LU, K1, SCRATCH, FILMSG, FILTAB
```

COMMON /TSKCOM/ KBCH, TBFLAG, TBX, TBY, FLG360, FILNAM(2), UTIME, TRSFLG, LSAD,  
LSTORE, LU, K1, SCRTCH(243), FILMSG(2), FILTAB(254)

### 2.1.3.2 Logical Unit Assignments

Under RTOS, all references to peripheral devices are in terms of logical unit numbers. The assignments used by the IDAPS tasks are as follows:

<u>Logical Unit</u>	<u>Physical Unit</u>	<u>Device Description</u>
0	0C7	Scratch File
1	1C7	Display Image File
2	02	Teletype
3	62	Line Printer
4	04	Card Reader
5	18C6	Data Table File
6	1F	Keyboard/Trackball Multiplexor
7	10C7	LOG File
8	85	Magnetic Tape #1
9	95	Magnetic Tape #2
A	8A	DICOMED Scanner
B	8B	DICOMED Recorder
C	36	360 Interface
D	FF	Anagraph Display Generator
E	16C6	Default Parameter File
F	17C6	HELP Message File

#### 2.1.4 IDAPS Subroutine Library

The IDAPS Subroutine Library consists of approximately 110 subroutines which have been produced to perform various functions for the IDAPS programs. These subroutines are described in Section 3.1.3.

The library is built and modified using the OS Library Loader, LDR3 (see Section 2.1.5.3). When a new library is produced, it is first made on a magnetic tape. This tape is then duplicated to file 3C7, which is the working location of the library.

When an IDAPS task is established using TETC (see Section 2.1.5.4), the "EDIT 3C7" card instructs TETC to use the library. The EDIT operation causes those subroutines called within the task to be retrieved from the library and made a part of that task.

#### 2.1.5 Program Development Tools

##### 2.1.5.1 Extended FORTRAN Compiler - FTN

The Extended FORTRAN Compiler, as supplied by INTERDATA Inc., has the task name FTN in the IDAPS configuration. The nominal logical unit assignments which may be of interest to the user are as follows:

<u>Logical Unit</u>	<u>Physical Unit</u>	<u>Description</u>
1	04	Source deck input, card reader
2	1C6	Object code output, file 1C6
3	62	Program listing, line printer
7	62	Error listing, line printer

The language and deck structure processed by FTN are described in the INTERDATA FORTRAN IV Reference Manual, Publication No. 29-220, and include the extended features indicated in the manual. All IDAPS FORTRAN program and subroutine decks begin with a card of the form "\$LAB= name". The general

REPRODUCIBILITY OF THE  
ORIGINAL PAGE IS POOR

deck structure is as follows:

\$LAB= name

```
SUBROUTINE name(parameters) "If this is a subroutine"  
  "declarative statements"  
  "executable statements"  
END
```

The general procedure for compiling a program is as follows:

- a) Place program deck in card reader, make card reader ready.
- b) Make line printer ready.
- c) Type in command: REWI 1C6  
If compilations and assemblies are being stacked on 1C6, omit this command for subsequent compilations.
- d) Type in command: STAR FTN  
Compiler will now execute.
- e) When message "FTN.....EOJ" is received, type  
in command: DELE FTN

Many of the FORTRAN language forms generate calls to run-time subroutines. These subroutines are contained in the FORTRAN Run-Time Library, which resides on file 4C7. The library is as supplied by INTERDATA Inc., and includes the RTOS extensions. The library is used in the operation of TETC, as the result of the "EDIT 4C7" card (see Section 2.1.5.4).

## 2.1.5.2 Machine Language Assembler - ASM

The Assembler, as supplied by INTERDATA, Inc., has the task name ASM. The nominal logical unit assignments which may be of interest to the user are as follows:

<u>Logical Unit</u>	<u>Physical Unit</u>	<u>Description</u>
1	04	Source deck input, card reader
2	1C6	Object code output, file 1C6
3	62	Program listing, line printer

The language and deck structure processed by ASM are described in the INTERDATA Model 70 User's Manual, Publication No. 29-261, Section 11.3 (Section 7.5 in Publication No. 29-261R01). The general deck structure is as follows:

<u>Column 1</u>	<u>Column 10</u>	<u>Column 16</u>
	OPT	SCRT,GO,LAB=name
	ENTRY	name
name	EQU	*
	program body	
	END	

The general procedure for assembling a program is as follows:

- a) Place program deck in card reader, make card reader ready.
- b) Make line printer ready.
- c) Type in command: REWI 1C6  
If compilations and assemblies are being stacked on 1C6, omit this command for subsequent assemblies.
- d) Type in command: STAR ASM  
Assembler will now execute.

- e) When message "ASM.....EOJ" is received, type  
in command: DELE ASM

### 2.1.5.3 OS Library Loader - LDR3

The OS Library Loader, as supplied by INTERDATA Inc., has the task name LDR3. The nominal logical unit assignments which may be of interest to the user are as follows:

<u>Logical Unit</u>	<u>Physical Unit</u>	<u>Description</u>
3	62	Line printer
8	85	Magnetic tape # 1
9	95	Magnetic tape # 2
A	0	Null device
B	106	Object code file
D	307	IDAPS Subroutine Library File
E	407	FTN Run-Time Library File

The operations of LDR3 are described in the INTERDATA Model 70 User's Manual, Publication No. 29-261, Section 11.4.3 (Section 7.9.4 in Publication No. 29-261R01). Care must be taken when using LDR3 to operate on disk files rather than tapes. Several of the LDR3 operations involve reading to a particular point in a file, then backspacing to achieve the desired positioning. These operations will not work properly on disk files.

In regards to IDAPS, the use of LDR3 fulfills three major purposes:

- a) Produce IDAPS Subroutine Library
- b) Produce RTOS Object Code File
- c) Produce RTOS Load Module

The procedures to accomplish each of these are described in the following paragraphs.

REPRODUCIBILITY OF THIS  
ORIGINAL PAGE IS POOR

#### 2.1.5.3.1 Production of IDAPS Subroutine Library

The first step in producing a new library is to compile and/or assemble the subroutines to be replaced or added (see Section 2.1.5.1 and 2.1.5.2). The object code for these subroutines should be stacked on file 1C6 in the order in which the subroutines are to appear in the library. The order of subroutines in a library must be such that a particular subroutine appears before any subroutines which it calls.

Next, mount a scratch tape (with write-ring) on tape drive #1 and the current Subroutine Library tape on tape drive #2.

At the teletype, enter command: STAR LDR3

When the message "LDR3 ENTER DATA:" is received, LDR3 is ready for commands, as follows:

- a) Enter command: RE B  
This "rewinds" the object code file (1C6).
  
- b) Enter command: EO 8  
This writes an EOF and initializes tape 1, where the new library is to be produced.
  
- c) Enter command: DU 908 name  
This duplicates subroutines from the current library (tape 2) to the new library (tape 1) up to, but not including, the subroutine specified by "name". The named subroutine will be in one of two categories:
  - 1) Subroutine being replaced by a new version.
  - 2) Subroutine before which a new subroutine is being added.

- d) If a subroutine is being replaced at this point,  
enter command: CO 90A  
This copies the subroutine from the current library to a null device which, in effect, skips past it. If a subroutine is being added at this point, leave out this step.
- e) Enter command: CO B08  
This copies the modified or new subroutine from the object code file (1C6) to the new library.
- f) Repeat steps c, d, and e for each subroutine on file 1C6.
- g) Enter command: DU 908  
This duplicates the remainder of the current library to the new library and completes the new library.
- h) Check to see that the line printer is ready and enter command:  
TA 803  
This "tables", i.e., lists the contents of the new library on the printer. Verify that all subroutines are present and in the proper order.
- i) Enter commands: RE 8, RE D, DU 80D  
This duplicates the new library to the Subroutine Library File (3C7), where it will subsequently be used in establishing tasks.
- j) Enter command: END  
This terminates the operation of LDR3.

The tape on tape drive #1 is now the current library tape and should be saved as such (remove write-ring).



### 2.1.5.3.2 Production of RTOS Object Code File

When one or more of the RTOS programs are to be modified, the first step is to assemble the modified programs in the proper order, with the object code being stacked on file 1C6. The order of the RTOS programs is as listed in Section 2.1.1.

Next, mount a scratch tape (with write-ring) on tape drive #1 and the current RTOS Object Code tape on tape drive #2.

At the teletype, enter command: STAR LDR3

When the message "LDR3 ENTER DATA:" is received, LDR3 is ready for commands.

Follow the procedures described in steps "a" through "h" of Section 2.1.5.3.1.

Enter command: END

This terminates the operation of LDR3.

The tape on tape drive #1 is the new RTOS Object Code tape and should be saved as such (remove write-ring).

### 2.1.5.3.3 Production of RTOS Load Module

When a new RTOS Object Code file has been produced, as described in Section 2.1.5.3.2, it must be converted into a Load Module before it can be loaded into core and activated.

Mount the current RTOS Object Code tape on tape drive #1 and a scratch tape (with write-ring) on tape drive #2.

At the teletype, enter command: STAR LDR3

When the message "LDR3 ENTER DATA:" is received, LDR3 is ready for commands

as follows:

- a) Enter command: EO 9  
This writes an EOF and initializes tape 2, where the new Load Module will be produced.
- b) Enter command: OUT 9  
This prepares LDR3 to produce a Load Module on tape 2.
- c) Enter command: BI 20  
This sets the core location bias to the value needed by RTOS.
- d) Enter Command: LO 8  
This causes the first program on tape 1 to be loaded and processed as the first segment of the Load Module. This program is EXEC, the RTOS Executive.
- e) For each remaining RTOS program, enter command: LI 8  
Each time this command is entered, the next program on tape 1 is linked into the Load Module, until on the last time, INIT, the RTOS Initializer, is linked in.
- f) See that the line printer is ready, and enter command: MA 3  
This causes the RTOS Load Map to be printed. The Load Map should be saved, as it is necessary for tracing problems and making temporary modifications to RTOS.
- g) Enter commands: XOUT, END  
These commands cause LDR3 to complete the Load Module tape and terminate operation.

The tape on tape drive #2 is the new RTOS Load Module tape and should be saved as such (remove write-ring). The procedure for loading the new version of RTOS into core and activating it is described in Section 5.1.4.

#### 2.1.5.4 Task Establisher - TETC

The Task Establisher, as supplied by INTERDATA Inc., usually has the task name TET. TETC is a copy of TET with its logical unit assignments set up to be convenient for the IDAPS configuration. The differences between TETC and TET are as follows:

- a) TETC reads commands from the card reader; TET reads them from the teletype.
- b) TETC prints messages on the line printer; TET prints them on the teletype.

The operations of TET/TETC are described in the INTERDATA RTOS Reference Manual, Publication No. 29-240, Section 2.7. The primary purpose of TETC is to build a task, as defined by RTOS, from the object code of a program and any subroutines that program may call. For the IDAPS tasks, a standard TETC control deck has been developed. The cards which make up the deck are as follows:

- a) ESTA name  
The "name" on this card determines the name of the task being established. This is the only card in the deck which changes for each individual task.
- b) OPTI 0100 1000 0100 0000  
This card determines the task's option configuration.
- c) GET 168  
This card causes working space to be allocated for certain FORTRAN-generated usage.
- d) EXCL TSKCOM  
This card causes linkage to the Task Common pointer.

- e) ASSI 0,0C7,1,1C7,2,02,3,62,4,04,5,18C6,6,1F,7,10C7  
ASSI 8,85,9,95,A,8A,B,8B,C,36,D,FF,E,16C6,F,17C6  
These cards determine the Logical Unit assignments.
- f) LOAD 1C6  
This card causes the object code of the program to be loaded as the first segment of the task.
- g) EDIT 3C7, EDIT 4C7  
These cards cause the IDAPS Subroutine Library and FORTRAN Run-Time Library to be used as sources of subroutines to be added into the task.
- h) MAP 62  
This card causes a load map of the task to be printed on the line printer.
- i) TASK 2C6  
This card causes a copy of the task to be stored on file 2C6.
- j) END  
This card causes TETC to terminate its operation.

Before operating TETC to establish a task, the object code of the program should be stored on file 1C6 by the FORTRAN Compiler or the Assembler (see Sections 2.1.5.1, 2.1.5.2). The following operations should then be performed:

- a) Place TETC control deck, as described above, in card reader; make card reader ready. Make line printer ready.
- b) Enter commands: REWI 1C6, REWI 2C6, STAR TETC

Operation of TETC requires one to three minutes. Completion is signalled by the teletype message "TETC.....EOJ". At this point, the resulting task is

on file 2C6. Incorporation of the task into the Task Library is described in Section 2.1.5.5.

#### 2.1.5.5 Task Utility - TUT

The Task Utility program, as supplied by INTERDATA Inc., has the task name TUT. The operations of TUT are described in the INTERDATA RTOS Reference Manual, Publication No. 29-240, Section 2.8. TUT is used to maintain the Task Library on which all of the IDAPS tasks and program development tasks reside.

The most common usage of TUT is the insertion of a task into the library. Before this can be done, the task must have been established, normally on file 2C6, as described in Section 2.1.5.4. The following operations should then be performed via the teletype:

```
REWI 2C6
STAR TUT
INSE 2C6
END
```

If a task of the same name already exists on the library, this operation accomplishes a replacement of the old version with the new.

A task may be deleted from the library by the following commands:

```
STAR TUT
DELE name
END
```

A list of the current contents of the library may be produced on the line printer by the following commands:

```
STAR TUT
INDE 62
END
```

Infrequently, a current copy of both the Task Library file and its Index should be dumped to mag tape. These backups are the only way to regenerate the Task Library in case of disk failure. The following operations create a backup:

- a) Mount two scratch tapes on tape drives #1 and #2

in TUF:

- b) COPY 21C6,85

- c) COPY 22C6,95

Note: This file is the Task Library file and takes several minutes to copy.

If an IO error of the form '8485' or '8495' occurs on a copy operation, try switching drives or a different scratch tape.

- d) Put labels including the current date on both tapes, and remove their write rings.

As the process of task replacement and deletion goes on, unused space is left in the Task Library file. If this is allowed to continue indefinitely, the file will fill up to the point that no more insertions can be made. A special compress operation is provided to repack the library and get rid of the unused space. This operation must be used very carefully, since any reference to the library by another task or any malfunction during the compress operation may result in a total loss of the library. The following steps should be performed:

- a) Make sure there are no tasks currently operating.

- b) To ensure that no operations are initiated through the IDAPS keyboard, disable the IDAPS Monitor Program with the following command: CANC IDAPS
  
- c) Enter commands: STAR TUT, COMP WARN  
The compress operation requires up to 10 minutes to complete.  
Be patient and leave the teletype alone. When the operation is complete, TUT outputs the new task index list on the teletype.
  
- d) When TUT requests another command, enter: END  
This terminates the operation of TUT.
  
- e) The IDAPS Monitor may now be restarted with the command: STAR IDAPS  
Normal operations may now be resumed.

## 2.2 IBM-360 MAJOR COMPONENTS

### 2.2.1 Control Program

The Control Program of the IBM-360 IDAPS system consists of all the software necessary to provide support for the applications programs (operators). The Control Program serves as the monitor for all processing requests, batch or interactive. In addition to overall control of the order of execution in the 360 IDAPS system, the Control Program performs the following tasks:

- a) Determine whether batch or interactive mode of operation.
  
- b) Open all disk files.
  
- c) Provide disk read/write capability.

- d) Provide tape read/write capability in batch mode.
- e) Interface with the ID-70 in interactive mode.
- f) Provide file management of disk files.
- g) Report error conditions.

The Control Program consists of several modules as illustrated in Figure 2-3 and discussed in the following sections.

#### 2.2.1.1 Executive Module

The Executive module of the Control Program provides executive control of the IDAPS system. This module determines the mode of operation, opens all disk files, reads commands and directs control to the other modules of the Control Program. In the interactive mode of operation, this module also monitors the ID-70 for commands and notifies the ID-70 upon completion of a command.

#### 2.2.1.2 ID-70 Interface Module

Interface between the IBM-360 and the ID-70 is handled on the 360 side by the ID70 Interface module. This module establishes and maintains synchronous operation between the two computers, provides the capability to transmit data and checks for and reports error conditions.

#### 2.2.1.3 Command Interpretation Module

Applications tasks on the 360 are initiated by 80 byte card images. In batch mode these are read by the card reader. In interactive mode they are read via the interface device. Interpretation of the command card images is performed by the Command Interpretation module. This module checks the card image for syntax errors, separates the command parameters and input file names, and interprets the command parameters.



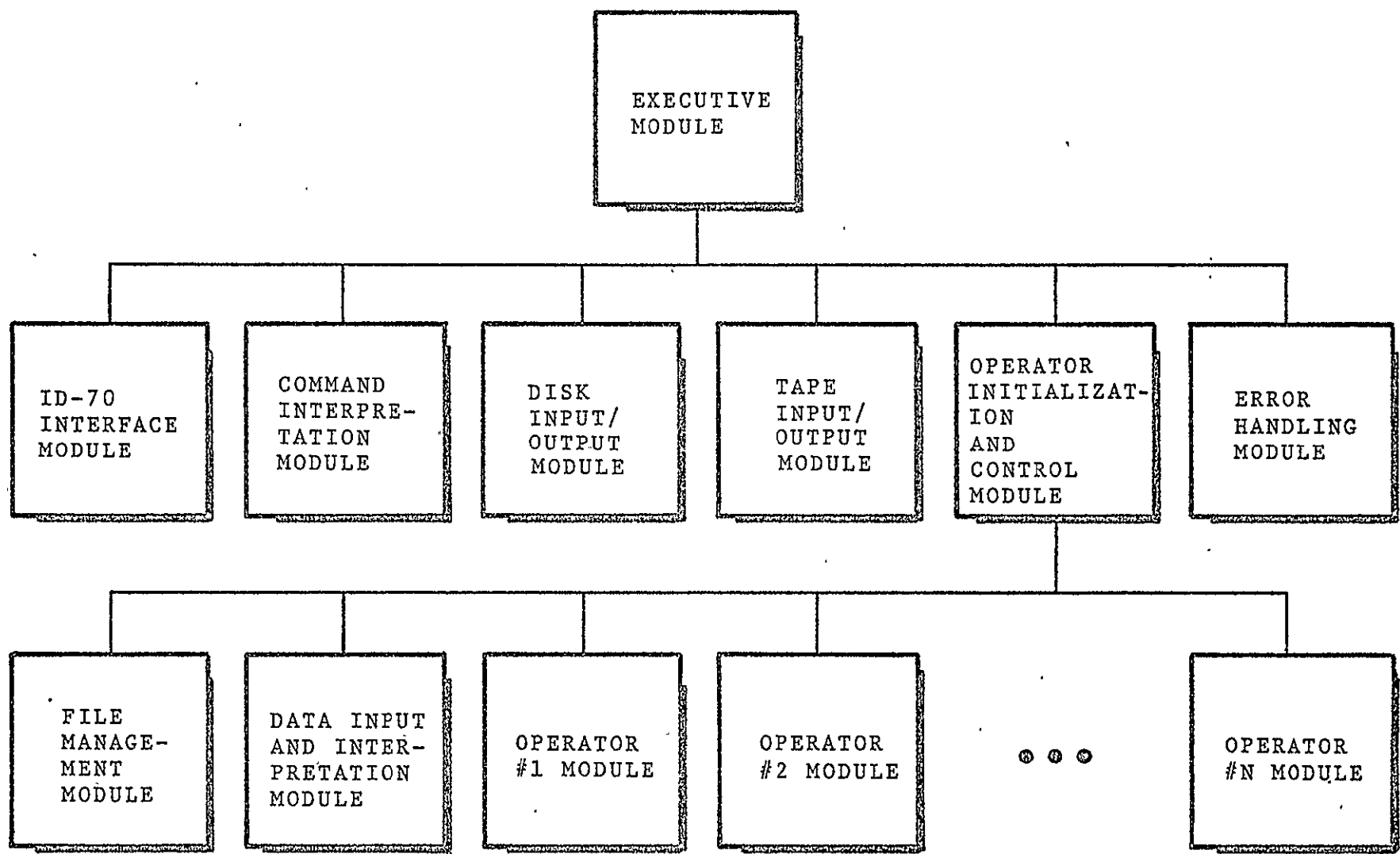


Figure 2-3. IBM-360 Control Program Block Diagram

#### 2.2.1.4 Operator Initialization and Control Module

The Operator Initialization and Control module is the application program executive. This module reads any additional data required by the operator, calls any preprocessing subroutine required, calls the file manager and passes input parameters to the operator through the calling sequence. This module checks for errors in the data input, file management or application programs and reports error conditions to the IDAPS Executive.

#### 2.2.1.5 Data Input and Interpretation Module

Non-image data required by the 360 operators is read and interpreted by the Data Input and Interpretation module. This data is in the form of 80 byte card images and this module checks the card images for syntax errors, interprets the card images and stores the data values. In batch mode these are read by the card reader. In interactive mode they are read via the interface device.

#### 2.2.1.6 File Management Module

The bookkeeping associated with naming, storing, indexing and retrieving the system image and floating point disk files is provided by the File Management module. This module maintains the file directories which contain the pertinent information relating to the active files, the scratch files, and the disk space available for use. This module also checks for and reports error conditions related to file specification, file deletion and space availability.

#### 2.2.1.7 Disk Input/Output Module

The image and floating point data generated by the operators are stored in the system disk files. The storage and retrieval of this data are handled by the Disk Input/Output module. Any errors that may occur are reported to the module which called the Disk Input/Output module and should then be reported to the Executive module.

#### 2.2.1.8 Tape Input/Output Module

In the batch mode input of images to be processed must be from magnetic tape. It is likely that these input tapes were generated on the ID-70 or in previous batch mode runs. It is also desirable to output processed images on magnetic tape for display on the ID-70 or subsequent batch processing. The capability to read and write magnetic tapes in a format compatible with the ID-70 tape devices is provided by the Tape Input/Output module. Any errors that may occur are reported to the module which called the Tape Input/Output module and should then be reported to the Executive module.

#### 2.2.1.9 Error Handling Module

Errors which are detected and reported to the Executive module are handled by the Error Handling module. In the interactive mode these conditions are reported to the ID-70. In the batch mode a hardcopy error message is provided for the user and the job is terminated.

#### 2.2.2 COMMON Storage and Initialization

Several arrays of variables are used by a number of control and application packages and are included in COMMON blocks. These variables have initial or default values which are set in the BLOCK DATA subroutine. These variables will be discussed on a COMMON block basis in the following paragraphs.

COMMON /OPER/ contains the IDAPS Operator directory IOP (3,100) and will handle up to 100 operators. There are three entries per operator: name, number of parameters and file requirement. These entries are stored as follows:

IOP(1,I) = Name (3 character operator acronym)  
IOP(2,I) = Number of parameters on command card  
IOP(3,I) = File requirement

The file requirement is entered as a six digit decimal number where each digit indicates how many of a particular type of file is required by the operator. The organization of the file requirement entry is illustrated below:

IOP(3,I) = UVWXYZ, where

U = number of input files

V = number of integer output files

W = number of floating point output files

X = number of secondary output files

Y = number of integer scratch files

Z = number of floating point scratch files

COMMON/FILEPR/ contains the file management control variables. The IDAPS file directory FD(6,164) handles the file information for the secondary output files and up to 160 active files. The file information entries are stored as follows:

FD(1,I) = Name (4 character file name)

FD(2,I) = File format (1 - integer, 2 - floating point)

FD(3,I) = Number of records (lines)

FD(4,I) = Number of bytes (columns)

FD(5,I) = Relative address of first line of file

FD(6,I) = Logical unit number

The number of active integer files (PCOUNT), active floating point files (DCOUNT) and the index of the next file directory entry (FCOUNT) are stored in the common block. The counter used to number the files created by each operator, FILNDX(100), and the array used to assign alternate packs, INP(3), are stored in this common block. KDELX(9) contains the number of files which have been deleted for each of the 9 logical units where active files are stored.

REPRODUCIBILITY OF THE  
ORIGINAL PAGE IS POOR

COMMON/FILEDR/ contains the input, output and scratch file directories which are provided for the operators. The input file directory, IFD(6,5), contains the file management information stored in the IDAPS file directory for up to 5 input files as required by the operator. The output file directory, OFD(6,5), provides the file management information for the output files required by the operator. The entries in the output file directory are organized as follows:

OFD(I,1) = First output file  
OFD(I,2) = Second output file  
OFD(I,3) = First secondary file  
OFD(I,4) = Second secondary file  
OFD(I,5) = Third secondary file

COMMON/SPACE/ contains the primary space directory PSPACE(2,3,3) and the deleted space directory DSPACE(2,3,3,50). The entries in these directories are organized as follows:

PSPACE(1,J,K) = Number of records (lines) available  
DSPACE(1,J,K,L) = Number of records (lines) available  
PSPACE(2,J,K) = Next relative block address  
DSPACE(2,J,K,L) = Next relative block address

where

J = 1, pack number 1  
= 2, pack number 2  
= 3, pack number 3  
K = 1, 512 byte line length  
= 2, 1024 byte line length  
= 3, 2048 byte line length  
L = index of deleted space entry.

COMMON /BUF/ contains the interface message buffer. MESS is the four byte binary message type code and LL(512) provides a 2048 byte area for the body of the message. COMMON /TIMER/ contains the timer option variable KTIME. For KTIME = 0, the CPU time for each operator is calculated. For KTIME = 1, the elapsed wall clock time for each operator is calculated. COMMON /CDBUF/ contains the computed data buffer. The variable NWORDS determines the number of values entered in the buffer and CD(300) provides a 1200 byte area permitting a maximum of 300 computed data values to be stored. CD is a floating point buffer; however, using EQUIVALENCE to set up an integer array which will share the buffer space, integer values may be stored. These three common blocks are not initialized by BLOCK DATA.

The common blocks and the initial values as set by BLOCK DATA are shown in Section 3.0 of the Appendix.

### 2.2.3 Disk Space Allocation

The operator output in the form of image files or floating point files is stored on disk. There are five types of data files as illustrated in Figure 2-4. Output files come in three lengths (512, 1024 or 2048 bytes). Output files are used to provide permanent storage for image or floating point data which can be subsequently processed by other operators. Scratch files provide temporary storage for intermediate data, image or floating point, which an operator may generate. Secondary output files provide temporary storage for image data which may be processed by other operators. Secondary output files differ from scratch files in that they may be accessed as input files by other operators. Any use of an operator which creates secondary output files will result in previous secondary output files being destroyed.

<u>Type of Data</u>	<u>Type of File</u>	<u>Length (Bytes)</u>	<u>No. of Records</u>
Output (image)	1	512	5120
Output (image)	2	1024	6144
Output (image or floating point)	3	2048	30720*
Scratch (image or floating point)	4	2048	8192
Secondary (image)	5	2048	2048

\*Batch pack number 1 has only 24576 records.

Figure 2-4. Types of IBM-360 System Disk Files

The five types of data files are allocated space on three disk packs. Each pack has one of each of the five file types, and the number of records available in each file type is given in Figure 2-4. Each of these 15 files is referenced internally by a logical unit index. This index is a two-digit decimal number where the first digit references the pack number and the second type of file. For example, if the logical unit index is 22, then space is assigned in the 1024 byte output file on pack number 2. The correlation between internal pack numbers and the external pack identification for batch and interactive IDAPS systems is given below:

<u>Disk Number</u>	<u>Batch Pack ID</u>	<u>Interactive Pack ID</u>
1	SDC001	SDC201
2	SDC002	SDC202
3	SDC003	SDC004

#### 2.2.4 Overlay Structure

One of the features of the IDAPS system is the facility to easily add new applications packages. In order to maintain a stable core requirement in a changing environment, the IDAPS system utilizes the overlay capability provided by the IBM software. Each applications package resides in an overlay segment and a copy is brought from disk into core at the time it is executed.

The overlay structure used by IDAPS consists of three major divisions; the Control Division, the Transient Division and the Region Division. The Control Division consists of Control Program subroutine load modules which are always core resident. The Transient Division consists of segments containing the application subroutine load modules and the Control Program subroutine load modules which do not have to be core resident. The Region Division consists of segments containing subroutine load modules which are used by the Control Division and/or Transient Division modules but do not always need to be core resident.

The Control Division requires 70,000 bytes of core storage. The longest segment of the Transient Division requires 164,000 bytes of core storage. The longest segment of the Region Division requires 16,000 bytes of core storage. Using this overlay structure the 360 IDAPS System requires a minimum of 250,000 bytes of core storage.

#### 2.2.5 System Libraries

The modules which comprise the IDAPS system reside in three libraries which are stored on the SDC001 disk pack. There are two types of libraries, load module and binary. There is one binary format library (USER) which is made up of subroutines which have been compiled and collected in binary format in a sequential data set. The load module libraries, IDAPS.CONTROL and IDAPS.APPLIC, are partitioned data sets, where each



member is a subroutine which has been compiled and link edited to generate a load module. The distinct advantage to this type of library is that in order to make a program change only the affected subroutine(s) must be recompiled. These libraries will be discussed separately with attention given to their content and purpose.

#### 2.2.5.1 USER

The binary format library USER contains the Control Program subroutines and the overlay control statements which must be changed when adding a new operator. The control program subroutines included in the USER library are listed below:

BLOCK DATA  
INIT  
INIT2  
INTPAR  
MAIN  
OPERR

Since it is necessary for the MAIN and BLOCK DATA subroutines to be included in the primary input to the linkage editor, the USER library is concatenated with OS linkage editor primary input data set &LOADSET. An additional attractive feature of this approach arises from the fact that the overlay structure control statements must also be included in the primary input to the linkage editor. The IDAPS system catalogued procedure USERMOD discussed in Paragraph 6.1 generates the binary modules for the five subroutines and merges these with the overlay structure control statements to produce the binary format library USER.

#### 2.2.5.2 IDAPS.CONTROL

The remaining control program subroutines reside in the load module library named IDAPS.CONTROL. This library is concatenated with the OS library SYS1.FORTLIB as secondary input to the linkage editor. The

IDAPS system provides three catalogued procedures (ASCLIDAP,FGCLIDAP and FHCLIDAP) discussed in Paragraph 2.2.6.1 which compile, link edit and add or replace members in IDAPS.CONTROL. The subroutines included in the IDAPS.CONTROL library are listed below (entry points in parentheses):

ALPIN (FLTIN,INTIN)  
ASCEBC  
CIR  
CORE  
DATAIN  
DISKIO (DIRREA,DIRWRT)  
DISKSP  
DISKW (DISKR)  
DISKWF (DISKRF)  
DISKSP (DISKRP)  
EBCASC  
ECHO  
ELTIME  
ERRMES  
ETIME  
FILNAM  
FILNFO  
FMR  
IANDF  
IEXEC  
INSERT  
INTFAC  
IORFU  
ITOD  
ITOP  
ITOT

ITRANS  
JGETB  
JPUTB  
LOGIN (STORE)  
MOVST  
NEXTPK  
OPENNL (READNL,ENDTFL)  
PACK  
PCKINT  
PCK608  
PL4  
SCD  
SIZFIL  
STIME  
STOI  
TTOI  
UNPACK  
UNPINT  
WRITE9 (ENDFIL)

### 2.2.5.3 IDAPS.APPLIC

The application package modules reside in the load module library named IDAPS.APPLIC. This library is concatenated with the OS library SYS1.FORTLIB (and IDAPS.CONTROL) as secondary input to the linkage editor. The modules included in the IDAPS.APPLIC library are discussed in paragraph 3.2.2. Adding or replacing members in IDAPS.APPLIC is accomplished by using the catalogued procedures discussed in paragraph 2.2.6.1.

### 2.2.6 System Maintenance

A number of tools are provided for maintaining the IDAPS system. In order to reduce the OS Job Control Language (JCL) statements required to perform the routine tasks of maintaining IDAPS, the most often used procedures have been catalogued. In addition a number of utility programs are available in deck form which provide necessary support functions for

the IDAPS system. These tools and the techniques for updating the existing libraries and adding new operators to the IDAPS system will be discussed in the following paragraphs.

#### 2.2.6.1 System Development Tools

The catalogued procedures are collections of JCL statements which provide OS with the instructions necessary to perform desired tasks on the IBM 360. The catalogued procedures reside in SYS1.PROCLIB and are listed in Section 1.0 of the Appendix. They will be discussed on an individual basis with attention given to their purpose and how they are to be used.

##### 2.2.6.1.1 IDAPS Catalogued Procedure

The catalogued procedure IDAPS provides the user with the capability to run IDAPS in batch mode. The JCL statements needed to invoke IDAPS are given in the publication, Image Data Processing System (IDAPS) User Manual, Batch IDAPS, Volume II (TM-HU-037/200/00).

##### 2.2.6.1.2 IDAPSI Catalogued Procedure

The catalogued procedure IDAPSI provides the user with the capability of readying the IDAPS IBM 360 system for an interactive session. The JCL statements needed to invoke IDAPSI are given in Paragraph 5.2.

##### 2.2.6.1.3 IDAPSB Catalogued Procedure

The catalogued procedure IDAPSB provides the user with the capability to compile new or changed subroutines and run IDAPS in batch mode for checkout purposes. The JCL statements needed to invoke IDAPSB are the same as for IDAPS with two exceptions. First, the EXEC card must reference IDAPSB instead of IDAPS and indicate the binary library to be used. A sample EXEC card using IDAPSB and the binary library BAT1 is given below:

```
//CHECKOUT EXEC IDAPSB,BIN=BAT1,TIME.GO=10
```

Second, following the EXEC card the user must include his FORTRAN source modules as illustrated below:

```
//FORT.SYSIN DD *  
.  
  (FORTRAN SOURCE MODULES)  
.  
/*
```

#### 2.2.6.1.4 ASCLIDAP Catalogued Procedure

The catalogued procedure ASCLIDAP provides the user with the capability to assemble and link edit a machine language source module into the load module library IDAPS.CONTROL. The JCL statements needed to invoke ASCLIDAP for a subroutine named ASEMBL are given below:

```
//ASEMBL EXEC ASCLIDAP, MEMNAME=ASEMBL  
//ASM.SYSIN DD *  
.  
  (ASSEMBLY LANGUAGE MODULE)  
.  
/*
```

#### 2.2.6.1.5 FGCLIDAP and FHCLIDAP Catalogued Procedures

The catalogued procedures FGCLIDAP and FHCLIDAP provide the user with the capability to compile and link edit FORTRAN source modules into the load module libraries IDAPS.CONTROL and IDAPS.APPLIC. FGCLIDAP employs the FORTRAN G compiler which requires 100K of core and does not optimize code. FHCLIDAP employs the FORTRAN H compiler with optimization level 2 which requires 250K of core and does optimize code. Either procedure is invoked in the same manner. An example of how the H compiler might be invoked to compile a subroutine named HOPT2 and then link the load module into the IDAPS.APPLIC library is given below:

```
//HOPT2 EXEC FHCLIDAP,PDSNAME=APPLIC,MEMNAME=HOPT2
//FORT.SYSIN DD *
.
. (FORTRAN SOURCE MODULE)
.
/*
```

#### 2.2.6.1.6 USERMOD Catalogued Procedure

The catalogued procedure USERMOD permits the user to recompile the subroutines in the binary library and update the overlay structure control statements. Use of the USERMOD procedure is discussed in detail in Paragraph 6.1.3.

#### 2.2.6.2 Utility Programs

The utility programs provide the user with the capability to execute tasks which are necessary to support the IDAPS system. Listings of the utility program decks are given in Section 2.0 of the Appendix. The purpose of each utility program will be discussed in the following paragraphs.

If a disk pack goes bad it will be necessary to replace the pack. Before using the new pack it will be necessary to scratch and structure the disk space on the batch or interactive disk packs. The utility program used for the batch disk packs is listed in Section 2.1 and the program for the interactive disk packs is listed in Section 2.2.

If using ASCLIDAP, FGCLIDAP, or FHCLIDAP results in an IBM System Completion Code of E37, then the space on the load module library being updated must be compressed. It is necessary to run the appropriate compress utility program to compress the library and free all available disk space. The utility program to compress the IDAPS.CONTROL library is listed in Section 2.3 and the program to compress the IDAPS.APPLIC library is listed in Section 2.4.

If the load module libraries become inoperable or are destroyed, it is necessary to run the appropriate utility deck to scratch and build a library. The utility program to scratch and build the IDAPS.CONTROL library is listed in Section 2.5 and the program to scratch and build the IDAPS.APPLIC library is listed in Section 2.6.

If a listing of the data sets which reside on the IDAPS disk packs is desired, then the utility program to list the disk packs should be run. This utility program will also calculate the available space on each pack and is listed in Section 2.7.

If a listing of one of the libraries is desired, the lister utility program should be run to generate a listing of the source code of the desired library (or portion of the library). This program is listed in Section 2.8.

#### 2.2.6.3 Updating Load Module Libraries

An existing module in one of the load module libraries IDAPS.CONTROL or IDAPS.APPLIC may be updated (replaced) by using one of the ASCLIDAP, FGCLIDAP or FHCLIDAP catalogued procedures. Repeated use of these procedures to replace existing modules may result in all the library space being exhausted. This will result in a System Completion Code of E37 and it will be necessary to run the compress utility program for that library.

### 3.0 MODULE DESCRIPTION

#### 3.1 INTERDATA-70 MODULES

##### 3.1.1 Real-Time Operating System-RTOS

This section describes the RTOS modules which have been produced especially for the IDAPS configuration. For a description of the standard RTOS modules, refer to the INTERDATA RTOS Reference Manual, Publication No. 29-240, Chapter 5. All of the RTOS modules are coded in Machine Language.

###### 3.1.1.1 IDAPS - IDAPS System Monitor

The IDAPS Monitor operates as a System Task, as defined by RTOS conventions. A general discussion of the characteristics of System Tasks is found in the RTOS Reference Manual, Section 6.6.

The Protected TCB for IDAPS is defined in the RTOS Module TCBTAB, as described in Section 4.0.

The first group of cells within IDAPS, starting at label IDAPS, make up the Unprotected TCB. These cells all initially contain zero, except for the Logical Unit assignments.

Labels IGO, IRE, and ID1000 share the same location at the first executable instruction in IDAPS. IGO and IRE are the startup and restart points, as contained in the Protected TCB. ID1000 is the internally-used label for the start of the monitor loop, which makes up the bulk of the program.

The first instruction in the monitor loop is an SVC 2 call for an Interval Wait of .1 second. This delay determines the basic monitoring rate of IDAPS, which is 10 cycles per second. As long as IDAPS is allowed to remain active, the program never terminates, but continues to execute the monitor loop at the rate of 10 times per second.



Every time through the loop, IDAPS reads the Keyboard/Trackball Multiplexor to sense any operator actions at the terminal. If no actions have been taken, control goes to label ID1500. Starting at label ID1300, the Multiplexor words are examined for keyboard input. If the "Return to Master" key has been pressed, subroutine RMSUB is called. RMSUB searches TCBTAB and, using SVC 10, cancels any tasks whose names end with "PS", "SF", or "SM". When this is complete, RMSUB starts MASTER and returns to the monitor loop. The value of any other key is stored in KBCH, if KBCH does not already contain a non-zero value. Before storing, lower-case letter codes are converted to upper-case. Starting at label ID1350 the Multiplexor words are examined for trackball input. If TBFLAG is not already non-zero and there are both x and y values available, then TBFLAG, TBX, and TBY are set appropriately.

At label ID1500, IDAPS begins actions related to the 360 interface. If the interface status, as indicated by FLG360, is not "down" or "ready", control goes to label ID2180. TIMR1 is a counter which controls the rate of "down" and "ready" processing and is currently set to take action at 15 second intervals. If the interface is "down" an attempt is made to initialize it, then send and receive a "HELLO" message. If the interface is "ready", an attempt is made to send and receive a "HELLO" message. In either case, if the actions are successful, FLG360 is set to "ready" and "360 STATUS: READY" is displayed at the console. If the actions are unsuccessful, FLG360 is set to "down" and "360 STATUS: DOWN" is displayed. Control goes to label ID3000. At label ID2180, "busy-wait" processing is done. TIMR3 controls the rate of this processing at three second intervals. An attempt is made to read an "Operation Complete" message. When this is successful, the End-of-Operation Handler, EOPS, is called with an SVC 6.

At label ID3000, the current time is sampled at .7 second intervals, using SVC 2. If the time is not the same as the previously displayed value and the value of seconds ends in zero or five, it is displayed at the console.

At label ID3500, if the value of seconds is zero, UTIME, the user's elapsed time in minutes, is incremented; and the current value is displayed.

At label ID4000, a branch is made back to label ID1000 to make the next pass through the monitor loop.

#### 3.1.1.2 DGDVR, DGDCB - Display Generator Driver and DCB

DGDVR and DGDCB handle write operations to the Anagraph Display Generator. See the RTOS Reference Manual, Section 6.5, for a general discussion of drivers and DCB's.

DGDVR checks the specified buffer limits for the 2048-byte maximum that the Display Generator can accept. If this is exceeded, the Illegal Function code "C000" is returned. If the Display Generator status indicates "device unavailable", code "A000" is returned. DGDVR then checks for "buffer empty" status from the Display Generator. If this is not indicated after 65,000 tries, the "unrecoverable error" code "8400" is returned.

When all tests are passed, DGDVR commands the Display Generator to be ready for data, then writes to the buffer with a Write Block instruction.

#### 3.1.1.3 MXDVR, MXDCB - Keyboard/Trackball Multiplexor Driver and DCB

MXDVR and MXDCB handle I/O operations to and from the Anagraph KB/TB Multiplexor. See the RTOS Reference Manual, Section 6.5, for a general discussion of drivers and DCB's.

Before any I/O operation, the Multiplexor is commanded to go into "Transfer Mode". This "shuts off" the keyboard and trackball and makes the multiplexor's buffer accessible to the program.

For the write operation, only a single halfword is sent to the Multiplexor.

For the read operation, the contents of the buffer (up to 16 halfwords) is read into core, and a count parameter is returned to the caller.

After each operation, the Multiplexor is commanded to go into "Normal Mode", so that the keyboard and trackball are enabled.

#### 3.1.1.4 DIDVR, SCDCB, REDCB - DICOMED Driver and DCB's

DIDVR, SCDCB, and REDCB handle I/O operations to and from the DICOMED Scanner and Recorder. See the RTOS Reference Manual, Section 6.5, for a general discussion of drivers and DCB's.

Since the Scanner and Recorder have identical controllers, except for their device numbers, a single driver handles the operations of both. The two devices share a Selector Channel, through which all data transfers pass.

In response to an "8000" function code, DIDVR senses the status of the Scanner or Recorder and returns the value to the caller. For a read or write request, DIDVR sets up the Selector Channel with the buffer limits, commands the Scanner or Recorder to prepare for a read or write, and commands the Selector Channel to start the transfer. If the Selector Channel has not terminated after an adequate length of time, a malfunction has occurred; and the "unrecoverable error" code "8400" is returned to the caller.

#### 3.1.1.5 IFDVR, IFDCB - 360 Interface Driver and DCB

IFDVR and IFDCB handle I/O operations to and from the 360 computer. See the RTOS Reference Manual, Section 6.5, for a general discussion of drivers and DCB's.

The 360 interface involves three separate devices, each of which produces interrupts under certain conditions. These devices are:

- a) Device "3F", the Interface Controller
- b) Device "60", the 360 Device
- c) Device "F2", the Interface Selector Channel

Access to the Interface, with SVC 1 calls, is made through a "pseudo-device" with the number "36", thus this is the device number defined in IFDCB. The driver is functionally divided into four major sections as follows:

<u>Device</u>	<u>Section Label</u>	<u>Description</u>
36	IFDVR	SVC 1 handling and overall control
60	INTDEV	360 Device interrupt handling
3F	INTINF	Interface controller interrupt handling
F2	INTSC	Selector channel interrupt handling

#### 3.1.1.5.1 IFDVR - SVC 1 Handling and Overall Control

As a result of an SVC 1 call, the driver is entered at label IFDVR. The action taken must be one of the following:

<u>Function Code</u>	<u>Description</u>
88	Initial setup of interface
98	Send attention signal to 360
38	Write to 360
58	Read from 360
F8	Clear out interface

At label DVR100, the function code is fetched and examined. If it is not '88', control goes to label DVR105. Commands are sent to the Interface to

set conditions to their nominal values, and control goes to label DVR265, where an Attention signal is sent to activate the 360 program. Control then goes to label DVR280.

At label DVR105, the function code is further examined. If the function code is 'F8', certain flags are cleared, and IFDVR terminates. If the function code is '98', control goes to label DVR265, which is described above. The only remaining functions are '38' (write) and '58' (read). At label DVR115, the buffer limits are fetched and checked for legality. If the function is '58', the Operation Flag is set for "read header", and control goes to label DVR200. For function '38', the Operation Flag is set for "write header", and the header words are set up in core. The format of the header is as follows:

<u>Bytes</u>	<u>Contents</u>
0, 1	Length of message, bytes, including header.
2	Unused.
3	Check byte, exclusive OR of all bytes in message body.

At label DVR200, certain flags are initialized for the coming operation, the Interface status is checked to make sure it is ready, and control goes to label DVR270. At label DVR270, a "Control Unit End" (CUE) status signal is sent to the Interface, and the Allow IS (Initial Selection) flag is set. The CUE status tells the 360 that the INTERDATA-70 is ready for a transfer. When the status has been accepted by the 360, an interrupt is generated, which is sensed and processed by the INTINF section of the driver. From this point, the phases of the transfer operation are interrupt-driven.

At label DVR280, the program goes into a loop, waiting for a flag (DONFL) to be set, indicating that the operation has been completed. When DONFL is set, by one of the interrupt-driven sections, the driver terminates.

### 3.1.1.5.2 INTDEV - 360 Device Interrupt Handling

The driver section starting at label INTDEV is entered when device '60', the 360 device, produces an interrupt. This happens as a result of the 360 doing an Initial Selection (IS). INTDEV reads from the interface the command which was issued by the 360. If status indications appear normal, control goes to label DEV150, where the command is examined. The following commands are recognized:

<u>Command</u> (Hex)	<u>Description</u>
00	Test I/O
01	Write from 360
02	Read to 360
13	Write done
23	Read done
53	Write done, error
63	Read done, error

At label DEV200, a reply is sent to a "done" command (13, 23, 53, or 63). This reply is a status signal with "device end" and "channel end" bits set. A flag (DONREP) is set to indicate that this is a "done reply", and the Allow IS flag is cleared. When the status signal is accepted by the 360, an interrupt is generated, which is sensed and processed by the INTINF section of the driver. INTDEV now restores the processor to pre-interrupt conditions.

At label DEV440 a read or write operation is initiated. The Selector Channel is set up to read or write the message header, then commanded to start the transfer. When the header transfer is complete, an interrupt is generated, which is sensed and processed by the INTSC section of the driver. INTDEV now restores the processor to pre-interrupt conditions.

### 3.1.1.5.3 INTINF - Interface Controller Interrupt Handling

The driver section starting at label INTINF is entered when device '3F', the Interface Controller, produces an interrupt. This happens as a result of the 360 accepting a status signal which the INTERDATA-70 has sent.

At label INF200, if the Allow IS (Initial Selection) flag is set, the Interface is commanded to allow IS. This clears the way for the 360 to issue a command, which will be sensed and acted on by the INTDEV section of the driver.

At label INF210, if the status signal sent was a "done reply", actions are taken to close up the completed operation. This involves setting Interface conditions back to their nominal values and setting DONFL to indicate to the IFDVR section that the operation is completed.

When INTINF completes its processing, it restores the processor to pre-interrupt conditions.

### 3.1.1.5.4 INTSC - Selector Channel Interrupt Handling

The driver section starting at label INTSC is entered when device 'F2', the Selector Channel, produces an interrupt. This happens as a result of a data transfer, as defined by the Selector Channel buffer limits, going to completion.

At label SC175, if a message header was just transferred, the Selector Channel is set up to transfer the body of the message, then commanded to start the transfer. The processor is then restored to pre-interrupt conditions.

At label SC300, the body of a message has completed transfer. If the transfer was a read to the INTERDATA-70, the Check Byte is checked against the Exclusive OR of all of the bytes of the message body. An ending status signal is sent to the 360. If the transfer was good, the status is "device end" and "channel end". If the transfer was bad, the status is "device end", "channel end", and "unit exception". The Allow IS flag is set. At this point, conditions

are such that the 360 can issue a "done" command, or request a repeat of the transfer if a problem was detected. In either case, the resulting interrupt will be sensed and processed by the INTDEV section of the driver. INTSC now restores the processor to pre-interrupt conditions.

### 3.1.2 IDAPS Tasks

Tasks are the basic operating entities of the IDAPS system. IDAPS tasks fall into four categories:

1. Operator parameter specification tasks.
2. Master menu and sub-menus.
3. Special function operations.
4. Subordinate tasks.

A task is made up of a main program and all subroutines called by that program. It is labelled, with specific information attached to it, such as load options, storage requirements, logical unit assignments, common blocks, etc.



## TASKS

NAME	DESCRIPTION
ALTPS	Alter operator parameter specification
AREPS	Area operator parameter specification
AUTPS	Auto Scale operator parameter specification
AVEPS	Average operator parameter specification
CENPS	Center/Radius operator parameter specification
CONPS	Convolutional Filter operator parameter specification
COORSF	Coordinates special function
CPRSM	Classification/Pattern Recognition Sub-menu
DEPPS	Dependent Alter operator parameter specification
DIFPS	Difference operator parameter specification
DISPS	Distance operator parameter specification
DPSPS	Feature Analysis subordinate task
DT85PS	Data Table output subordinate task
DTEPS	Data Table Edit operator parameter specification
DTIKPS	Integer data table edit subordinate task
DTRDPS	Real data table edit subordinate task
EOPS	End of operation task
ERASSF	Erase special function
EXTPS	Extract operator parameter specification
FDSPS	File Delete/Save/Dump operator parameter specification
FEAPS	Feature Analysis operator parameter specification
FFTPS	Fast Fourier Transform parameter specification
FGNSM	Function Generation Sub-menu
FGNPS	Filter Generation parameter specification
FOPSM	Filter Operators Sub-menu
FOUPS	Fourier Operator parameter specification
FRAPS	Frame operator parameter specification

## TASKS

NAME	DESCRIPTION
GOPSM	Geometric Operations Sub-menu
GSASM	Gray Scale Adjustment Sub-menu
HANPS	Hand-drawn shapes operator parameter specification
HDCPS	HDC operator parameter specification
HDC1PS	HDC subordinate task
HDC2PS	HDC subordinate task
HISTSF	Histogram special function
IDPSM	Image Data Presentation Sub-menu
IDT	Initialize data tables on disk
IFFPS	Inverse Fast Fourier Transform operator parameter specification
IHL	Initialize Help messages on disk
IIOSM	Image Input/Output Sub-menu
IMAPS	Image generation operator parameter specification
IMASM	Image Analysis Sub-menu
INSPS	Insert operator parameter specification
INTRPS	Interceptor data table subordinate task
INVPS	Invert operator parameter specification
IPL	Initialize default parameter list on disk
ISOPS	Isogram operator parameter specification
ITDPS	System to Display operator parameter specification
ITFPS	System to Recorder operator parameter specification
ITPPS	System to Printer operator parameter specification
ITTPS	System to Tape operator parameter specification
LABPS	Label operator parameter specification
LISTSF	List files special function
LOGIN	Login operator parameter specification
LOGPS	Logout operator parameter specification
LOGTAP	Output procedure for logout operator
MAGPS	Magnify operator parameter specification
MASTER	Master menu
MATPS	Math operator parameter specification

31 December 1976

3-12

System Development Corporation  
TM-HU-039/000/01A

TASKS

NAME DESCRIPTION

MIMSM	Manual Image Modification Sub-menu
MLFSM	Math/Logic Functions Sub-menu
OVEPS	Overlay operator parameter specification
PCTGPS	Pseudocolor color specification task
PGSVSF	Gray Scale Wedge special function
PIDPS	Pseudocolor System to Display operator parameter specification
PIFPS	Pseudocolor System to Recorder operator parameter specification
PITDPS	Pseudocolor subordinate task
PITFPS	Pseudocolor subordinate task
PSDPS	Pseudocolor Scanner to Display operator parameter specification
PSEPS	Pseudocolor Sub-menu
PSFPS	PSF Generator operator parameter specification
PSRPS	Pseudocolor subordinate task
PSTDPS	Pseudocolor subordinate task
PSTFPS	Pseudocolor Scanner to Recorder operator parameter specification
PTDPS	Pseudocolor Tape to Display operator parameter specification
PTFPS	Pseudocolor Tape to Recorder operator parameter specification
PTTDPS	Pseudocolor secondary task
PTTFPS	Pseudocolor subordinate task
QLKSF	Quick look scan special function
REGPS	Register operator parameter specification
RESTSF	Restore display special function
RIDT	Re-initialize data tables on disk
ROTPS	Rotate operator parameter specification
SIMPS	Similarity operator parameter specification
SLICSF	Slice special function
STDPS	Scanner to Display operator parameter specification
STFPS	Scanner to Recorder operator parameter specification
STIPS	Scanner to System operator parameter specification
STOPS	Stonyhurst operator parameter specification
STPPS	Scanner to Printer operator parameter specification
STTPS	Scanner to Tape operator parameter specification

30 June 1976

3-13

System Development Corporation  
TM-HU-039/000/01

TASKS

NAME	DESCRIPTION
TRAPS	Transpose operator parameter specification
TTDPS	Tape to Display operator parameter specification
TTFPS	Tape to Recorder operator parameter specification
TTIPS	Tape to System operator parameter specification
TTPPS	Tape to Printer operator parameter specification
TTTPS	Tape to Tape operator parameter specification
USEPS	User generator operator parameter specification

### 3.1.3 IDAPS Subroutines

The IDAPS subroutine library consists of both Fortran and assembly language programs which are used to provide support to the IDAPS tasks. The library is stored on disk file 3C7 with a backup on magnetic tape, and is built and edited by LDR3, the OS Library Loader (section 2.1.5.3.1).

## SUBROUTINES

NAME	LANG.	DESCRIPTION
BINHEX	M	Convert a binary number to its hexadecimal ASCII representation
CATOF8	F	Convert 8 ASCII characters to a floating point binary number
CATOFB	F	Convert an ASCII string to a floating point binary number
CBTOA	M	Convert a binary integer to its ASCII representation
CENDIA	F	Center/radius calculator
CFBTOA	F	Convert floating binary to its ASCII representation
CHSRCH	M	Check ASCII string for a specific character
CLEAR	M	Erase master monitor
COLOR	M	Establish display color for master monitor
CONVRT	M	Convert from ASCII to integer
CRDFLD	M	Card Field fetch
CTRANS	M	Transfer string of ASCII bytes
CURSOR	M	Write and erase cursor on master monitor
DISKIO	M	Disk I/O Control program
DISKR	M	Read record from disk
DISKW	M	Write record to disk
DISLIN	M	Display line of image data
DISTNC	F	Distance calculation
DOLCK	M	Look for dollar sign character in card image
DOT	F	Display dot and plus sign character for data table edit
DTGET	F	Get data table and store binary values
DTINC	F	Read data table from cards and store on disk
DTKBTB	F	Read either keyboard or trackball input for data table edit
DTPUT	F	Generate ASCII data table from binary array
DTRD	F	Read specified data table from disk
DTSRCH	F	Look for address specified data table name

## SUBROUTINES

NAME	LANG.	DESCRIPTION
DTWR	F	Write specified data table to disk
ENDFIL	M	Write end of file on tape
ERASE	M	Blank out a display monitor
ERRMSG	M	Error message and user interface handler
FILNFO	F	Get information about specified 360 file
GEOSIZ	F	Calculate geometric information
GOPUT	M	Display generator control
GPL	M	Get parameter list from disk
GRAPH	F	Display integer data table in graphic format
GRAPHF	F	Display real data table in graphic format
GUNINT	F	Color gun intensity for color chart
HELPMS	M	Display designated Help message
HISTOW	M	Display histogram
HLINE	F	Display horizontal line on master monitor
HOLD	F	Pause until 'EXEC' or down arrow received from kb
INCHST	M	Input character string from kb
INFP	M	Input floating point number from kb
INFPT	F	Control program for INFP - checks boundaries
ININ	M	Input image name from kb
ININT	M	Input integer from kb
INMNIN	M	Input monitor number or image name from kb
INOPT	M	Input alphabetic option from kb
INPUTS	M	General purpose kb input routine
INSDP	M	Insert decimal point in ASCII string if needed
INTERP	F	Interpolation routine
IPL	F	Initialize default parameter values
ITOD	F	System to display image transfer
ITOF	F	System to recorder image transfer
ITOP	F	System to printer image transfer
ITOT	F	System to tape image transfer
LABEL	M	Write alphanumeric string on master monitor

## SUBROUTINES

NAME	LANG.	DESCRIPTION
LHX	M	Hex constant function
LINK	M	Start up designated task
LND	M	Logical "AND" function
LOGRD	F	Read an 80 character record from log file
LOGWR	F	Write an 80 character record to log file
LOR	M	Logical "OR" function
LSH	M	Logical shift function
LXR	M	Logical "exclusive OR" function
MNINFO	F	Get information about image or specified monitor
MONITR	F	Change ASCII monitor designations to 1-5
MOVR	F	Move three last bytes in a 6 byte field to first three bytes
MREAD	M	Input special monitor buttons
NERASE	M	Selective monitor erase
NLABEL	M	Display ASCII string on specified monitor
NREC	M	Display rectangle on specified monitor
PCTGEN	F	Pseudocolor table input
PTTOD	F	Pseudocolor tape to display
RCMD	M	Recorder command output subroutine
REC	M	Display rectangle on master monitor
REERR	M	Recorder error handler
REGCOM	F	Compute information for Register operator
REWIND	M	Rewinds mag tape
RFILT	M	Recorder filter selection subroutine
RIDT	F	Reinitialize data table default values
RINIT	F	Initialize recorder
RTRANS	M	Recorder data transfer routine
SCERR	M	Scanner error handler
SCLEAR	M	Clear selective area on master monitor
SCMD	M	Scanner output command subroutine
SQUASH	F	Delete internal blanks from card image
SKIPF	M	Skip files on mag tape
SKIPR	M	Skip records on mag tape



## SUBROUTINES

NAME	LANG.	DESCRIPTION
SFILT	M	Scanner filter selection subroutine
SINIT	F	Initialize scanner
SLABEL	M	Display special character
SORT	F	Ascending sort
SPL	M	Store parameter list on disk
SPLINE	F	Spline interpolation routine
SQUASH	F	Delete all blanks from a string of characters
STOD	F	Scanner to display image transfer
STOF	F	Scanner to recorder image transfer
STOI	F	Scanner to 360 system image transfer
STOP	F	Scanner to printer image transfer
STOT	F	Scanner to tape image transfer
STRANS	M	Scanner data transfer subroutine
TAPEIO	M	Tape read/write handler
TAPEP	F	Position tape at specified file and record
TAPER	M	Tape read routine
TAPERL	F	Determine number of bytes in tape record
TAPEW	M	Tape write routine
TBKBIN	M	Input number pair from kb or trackball
TBLINK	F	Dummy routine
TPERR	M	Tape error message output
TRACE	F	Front end for trackball trace
TRACK	M	Trackball trace
TTOD	F	Tape to display image transfer
TTOF	F	Tape to recorder image transfer
TTOI	F	Tape to 360 system image transfer
TTOP	F	Tape to printer image transfer
TTOT	F	Tape to tape image transfer
UNPKLN	M	Unpack/pack line of image data
VLIN	F	Display vertical line on master monitor
W360	M	Write/Read/Terminate 360 routine
WAIT	M	Go into RTOS wait mode

## 3.2 IBM-360 MODULES

### 3.2.1 Control Program Modules

This section describes the Control Program modules of the IBM-360 IDAPS system. The relationship between the modules is illustrated in Figure 2-3. The subroutines which comprise the Control Program modules are given in paragraph 3.2.3:

#### 3.2.1.1 MAIN, BLOCK DATA, IEXEC, LOGIN - IDAPS Executive

The Executive module consists of four subroutines; MAIN, BLOCK DATA, LOGIN and IEXEC. This module directs the flow of execution to the remaining modules of the Control Program and continuously monitors all system and application software for any malfunctions.

The MAIN routine serves as the entry point for the 360 IDAPS system. Subroutine BLOCK DATA provides initialization of the Control Program buffers and system COMMON areas. For a description of the COMMON areas see paragraph 2.2.2.

The heart of the Executive module is the IEXEC subroutine which is called by MAIN and then exercises overall control of the 360 IDAPS system. IEXEC calls subroutine DISKIO to open all the system disk files. After successful opening of the disk files, IEXEC reads the card input to determine whether batch or interactive mode of operation is desired. If batch mode is selected, then all commands are read in from the card reader. If interactive mode is selected, then IEXEC calls subroutine INTFAC to monitor the ID-70 for all commands.

When IEXEC receives a command (batch or interactive), subroutine CIR is called to interpret the command card image. Upon successful interpretation of the card image, IEXEC calls subroutine INIT to direct execution of the desired operator. Upon completion of the operator, IEXEC provides hard copy output to indicate status of the operation and, in interactive mode, notifies the ID-70 of the completion of the operator.

If IEXEC determines that an error has occurred, subroutine ERRMES is called to provide hardcopy error messages. In the batch mode execution is aborted, but in the interactive mode the ID-70 is notified of the error by an error code. The error codes are given in the publication, Image Data Processing System (IDAPS) User Manual, Interactive IDAPS, Volume III (TM-HU-037/300/00).

LOGIN provides the capability to reinitialize IDAPS parameter to initial values or set them to values which were stored on disk by a call to entry point STORE after the last interactive operation.

#### 3.2.1.2 ITRANS, INTFAC, ECHO - ID-70 Interface

Interface between the IBM 360 and the ID-70 is handled on the 360 side by three subroutines. ITRANS is the assembler language routine which uses the EXCP (Execute Channel Program Access Method) to transmit and receive data via the Interdata IBM-360 Universal Interface. INTFAC is an assembler language routine which provides interface between the FORTRAN level routines and the ITRANS routine. In addition INTFAC monitors the ITRANS routine and reports error conditions. Subroutine ECHO is used to notify the ID-70 that the last transmitted data was successfully received.

The types of data transmitted between the two computers fall into five categories. Handshaking type of data is used to establish and maintain synchronous operation and continuous monitoring of the status of the other computer. Command type data is in the form of an 80 byte card image used to initiate an operator in the 360. Non-image type data (tables, labels, etc.) required by operators is sent to the 360 as card images. Image data is in the form of records containing gray values which are stored one byte per point. Status type data consists of 80 byte operation complete messages, file directory, and non-image computed data sent from the 360 to ID-70.

Data transmitted via the interface must be synchronized to avoid a condition where both computers are attempting to read or write, or one is trying to send more data than the other is expecting. For these reasons the types of data transmitted between the two computers are grouped into categories called message types. These message types and their attributes (code, length, initiator and function) are given in Figure 3-1. The messages consist of two parts, a 4-byte header containing the code and the body of the transmitted data.

Subroutine ITRANS opens the interface device, transmits and receives data from the ID-70 by reading and writing to the interface device and checks for and reports error conditions. Whenever either computer senses an error condition or encounters a synchronization problem, an attempt is made to return to the nominal handshaking condition of the ID-70 sending and the 360 echoing type-1 messages.

#### 3.2.1.3 CIR, INTPAR - Command Interpretation

The 80 byte command card images are interpreted, the file name(s) separated and the parameters isolated, interpreted and stored in the parameter array by this module. Subroutine CIR checks the command card image for syntax errors, assigns the operator name an index and stores the file name(s) in the input file array. CIR isolates the command card parameters, checks for correct number of parameters and calls subroutine INTPAR to interpret the parameters. These parameters are then stored in the parameter array and any errors reported to the IDAPS Executive.

Subroutine INTPAR branches to the appropriate logic based on the operator index assigned in CIR. The parameters are then interpreted as expected by the particular operator. Subroutine INTIN is called to interpret integer format parameters and subroutine FLTIN is called to interpret floating point format parameters. Subroutine ALPIN is called to interpret and convert alphabetic parameters. The alphabetic parameters are used to designate

Code	Length	Initiated By	Type	Function
1	32	360 or ID-70	Hello	Maintain handshaking
2	84	ID-70	Start operation	Issue 360 command
3	84	ID-70	Data input	Send non-image data to 360
4	32	360 or ID-70	Image file ready	Notify other computer that image file is to be transmitted.
5	$\leq 2052$	360 or ID-70	Image file record	Transmit line of image data
6	32	360 or ID-70	End-of-file	Notify other computer that all data has been transmitted.
7	32	360	Operation complete	Notify ID-70 that the 360 operation is complete.
8	32	360	Goodbye	Currently not used.
9	1644	360	File management	Send File Directory to ID-70.
10	$\leq 1204$	360	Computed data	Send non-image data to ID-70.

Figure 3-1. Interface Messages

options selected, and ALPIN converts an A to an integer value of one, B to an integer value of two, etc.

#### 3.2.1.4 INIT, INIT2 - Operator Initialization and Control

Subroutines INIT and INIT2 comprise this module which acts as the application program (operator) executive by providing input parameters and non-image data to the appropriate application subroutine. Subroutine INIT controls operators whose indices are less than 35 and subroutine INIT2 controls operators whose indices are 35 or greater. INIT (INIT2) branches to the appropriate logic based on the operator index. If non-image data is required by the operator, INIT (INIT2) reads the data from the card reader in batch mode or by calling subroutine INTFAC in interactive mode. If data tables are required by the operator, INIT (INIT2) calls subroutine DATAIN to read and interpret the data card images. If any preprocessing subroutines are required by the operator they are called by INIT (INIT2). Subroutine FMR is called to provide the file management required by the operator. If no errors are reported by the other modules, INIT (INIT2) calls the application program for the operator being executed and passes the input parameters and tables required through the calling sequence. All errors reported by the Control Program modules or the application program are reported to the IDAPS Executive.

#### 3.2.1.5 DATAIN - Data Input and Interpretation

The 80 byte data card images are read, interpreted and stored in the data table array by this module. DATAIN reads the card images from the card reader in batch mode or by calling subroutine INTFAC in the interactive mode. Subroutine INTIN is called to interpret integer format data, and subroutine FLTIN is called to interpret floating point format data. DATAIN checks the card images for syntax errors, stores the values in the table array and reports any errors to the operator executive INIT (INIT2).

### 3.2.1.6 FMR, NEXTPK, DISKSP, FILNFO, FILNAM - File Management

The File management module consists of the five subroutines FMR, NEXTPK, DISKSP, FILNFO and FILNAM. This module provides the bookkeeping associated with naming, storing, indexing and retrieving the system image files. Subroutine FMR is the executive routine of the File Management module and checks for and reports error conditions to the operator executive INIT (INIT2).

Subroutine FMR checks the IDAPS system file directory for the input image file(s) and sets up the input file directory. FMR calls subroutine NEXTPK which determines on which disk pack(s) the input file(s) are stored and assigns an alternate pack whenever possible to the output image file. FMR also assigns secondary output image files where required to alternate packs whenever possible and sets up the output file directory for the operators. In addition FMR assigns scratch files as required to alternate packs whenever possible and sets up the scratch file directory for the operators. The IDAPS system file directory is maintained by FMR, and deletion of files is handled by FMR. FMR checks for and reports error conditions related to file specification, file deletion and space availability.

Subroutine NEXTPK determines the disk pack(s) on which the input file(s) are stored and provides subroutine FMR with the alternate pack assignment array to use in assigning output and scratch files in order to reduce contention resulting from accessing two files on the same pack.

Subroutine DISKSP maintains a primary space directory and a deleted space directory which reflect the current disk space utilization. When a file is assigned storage from the primary space, that directory is updated by DISKSP. When a file is deleted, and its space is made available for reuse, DISKSP enters this information in the deleted space directory. Whenever all primary space has been exhausted, DISKSP assigns space from the deleted space directory and updates that directory. Any errors relating to disk space availability are reported to FMR.

Subroutines FILNFO and FILNAM provide support to the other routines in the File Management module. Given a file name, FILNFO searches the IDAPS system file directory and returns the size and format parameters for that file. Given an operator which has used all file names available, FILNAM searches the IDAPS system file directory and returns the name of a file which has been deleted.

#### 3.2.1.7 DISKIO, DISKW, DISKWF, DISKWP - Disk Input/Output

Storage and retrieval of image data from the disk storage is handled by the Disk Input/Output module. This module consists of an assembler language disk subroutine (DISKIO) which opens the disk files and provides read/write capability through DIRREA and DIRWRT entry points. There are also three FORTRAN subroutines which provide interface between the FORTRAN level operator subroutines and the DISKIO routine. DISKW (and its entry DISKR) permits writing and reading of image data in integer format. DISKWF (and its entry DISKRF) permits writing and reading of floating point format data. DISKWP (and its entry DISKRP) permits writing and reading of image data in packed integer format (4 pixels/word). Any input/output errors which occur while reading or writing data on disk storage are reported to the calling routine.

#### 3.2.1.8 OPENNL, WRITE9 - Tape Input/Output

The Tape Input/Output module provides the capability to input images from magnetic tapes and output images to magnetic tapes. This module is designed to provide compatibility between the ID-70 and the IBM-360 tape drives. Any input/output errors which occur while reading or writing data on magnetic tape are reported to the calling routine.

Subroutine OPENNL opens the magnetic tape file for input. Entry point READNL in the OPENNL subroutine permits sequential reading of the records in the file and indicates when an end-of-file has been sensed. Entry point ENDTPI closes the current file and spaces to the beginning of the next file on the magnetic tape.



Subroutine WRITE9 opens the magnetic tape for output and permits sequential writing of records on the tape. Entry point ENDFIL closes the current file, writes an end-of-file, and positions the tape for opening the next output file.

### 3.2.1.9 ERRMES, OPERR - Error Handling

The Error Handling module consists of the two subroutines ERRMES and OPERR. ERRMES handles all errors by providing hardcopy printout of the Control Program error messages and calling OPERR to handle the application program errors. OPERR uses the operator index to branch to the appropriate logic and there the hardcopy printout of the particular error message is provided. The IDAPS Executive notifies the ID-70 of the error code in interactive mode and terminates the run in batch mode.

### 3.2.2 IDAPS Operators

The IDAPS system is comprised of two types of operators: system operators and application operators.

#### 3.2.2.1 System Operators

The system operators provide the capabilities to input image data to the 360 IDAPS system, output image data from the 360 IDAPS system, delete system files, and transmit non-image data to the ID-70. The system operators, their three-character acronyms, and the subroutines which comprise the operators are given below.

Operator	Acronym	Subroutine
Input from magnetic tape	INP	TTOI
Input from scanner	SCA	STOI
Output to magnetic tape	OUT	ITOT
Output to hardcopy printer	PRI	ITOP

Operator	Acronym	Subroutine
Output to film recorder	FIL	ITOR
Display system file	DIS	ITOD
Delete system file	DEL	FMR
Send computed data to ID-70	SCD	SCD
Login	LOG	LOGIN

### 3.2.2.2 Application Operators

The application operators provide the capabilities to process images and consist of the image processing application programs. The application operators, their three-character acronyms, and the subroutines which comprise the operators are given below.

Operator	Acronym	Subroutine
Alter gray scale values	ALT	ALTER
Isogram	ISO	ISOGRM
Picture difference	DIF	DIF
Automatic scaling	AUT	SCAL
Extract subframe	EXT	EXT
Insert subframe	INS	INSURT
Label image	LAB	LABL, DSPLIN
Invert image (complement)	INV	INVERT, ALTER
Mathematical operations	MAT	ARITH
Stonyhurst grid	STO	STONYH, STONY1, LLGRID, LTLNGE, PLTA, DDPLT, SLBITS, LIN2
Matrix transposition	TRA	TRNPOS, TRNPS, FLIP
Frame an image	FRA	FRAME, DSPLN, FRAMWR, HISTOW
Average images	AVE	AVERGE

Operator	Acronym	Subroutine
H and D correction	HDC	HDC
Rotate and image	ROT	GEOTRN, SIZOUT, CORAV, PIXMAN, BILAT, IN, OUT
Register an image	REG	GEOTRN, SIZOUT, CORAV, PIXMAN, IN, OUT, REGCOM
Hand drawn shapes	HAN	HANS
Fast Fourier Transform	FFT	FRX2V, FRXFM, WINDOW
Inverse Fast Fourier	IFF	FRX2V, FRXFM, WINDOW
Fourier Filter	FOU	FFTFIL, FRX2V, FRXFM, WINDOW
Filter Generation	FGN	FGN, WTGEN, PROFIL, ADJUST, BESJ, ELIPSE, FIT, LAGRAN, PINV, PROT, SET
Window an image	WIN	WINDOW
Overlay an image	OVE	MASK
Feature analysis	FEA	SEGMNT
Area	ARE	AREA
Border	BOR	BORDER, LINE
PSF Generator	PSF	PSFGEN, LAGRAN, FRX2V, FRXFM
Convolutional filter	CON	CONFIL
Similarity	SIM	SIMIL
Dependent alter	DEP	DEPALT
Test Image Generation	IMA	IMAKER

### 3.2.3 Control Program Subroutines

The subroutines which comprise the IDAPS 360 Control Program are listed below in alphabetical order. Subroutine entry points are listed and their parent routine given. The language in which each module is written is given as FORTRAN (F) or machine language (M).

Name	Language	Description
ALPIN	F	Convert from EBCDIC to binary
ASCEBC	M	Convert from ASCII to EBCDIC
BLOCK DATA	F	Initialize COMMON
CIR	F	Command interpretation
CORE	M	Read/Write buffer with format conversion
DATAIN	F	Data input interpretation
DIRREA (Entry in DISKIO)	M	Direct access read
DIRWRT (Entry in DISKIO)	M	Direct access write
DISKIO	M	Direct access input/output for disk files
DISKR (Entry in DISKW)	F	Read integer format disk files
DISKRF (Entry in DISKWF)	F	Read floating point format disk files
DISKRP (Entry in DISKWP)	F	Read packed integer format disk files
DISKSP	F	Allocate disk space
DISKW	F	Write integer format disk files
DISKWF	F	Write floating point format disk files
DISKWP	F	Write packed integer format disk files
EBCASC	F	Convert from EBCDIC to ASCII
ECHO	F	Echo ID-70 messages
ELTIME	F	Determine elapsed time in timer intervals
ENDFIL (Entry in WRITE9)	M	Write end-of-file on output tape
ENDTPL (Entry in OPENNL)	M	Space to end-of-file on input tape

Name	Language	Description
ERRMES	F	Error analysis (system)
ETIME	F	Determine elapsed time in seconds
FILNAM	F	Reassign file names
FILNFO	F	Retrieve file information
FLTIN (Entry in ALPIN)	F	Convert from EBCDIC to floating point
FMR	F	File Manager
LANDF	M	Logical AND function
IEXEC	F	IDAPS Executive routine
INIT	F	Operator initialization (1-34)
INIT2	F	Operator initialization (35-up)
INSERT	F	Insert a character in a string
INTFAC	M	IBM-360/ID-70 interface control routine
INTIN (Entry in ALPIN)	F	Convert from EBCDIC to integer
INTPAR	F	Parameter interpretation
IORFU	M	Logical OR function
ITOD	F	360 System to display
ITOP	F	360 System to printer
ITOR	F	360 System to film recorder
ITOT	F	360 System to tape
ITRANS	F	IBM-360/ID-70 data transfer
JGETB	M	Get bits
JPUTB	M	Put bits
LOGIN	F	Reinitialize IDAPS parameters
MAIN	F	Control program entry routine
MOVST	F	Move string of characters
NEXTPK	F	Assign next pack to output file

Name	Language	Description
OPENNL	M	Open non-labeled tape file
OPERR	F	Error analysis (operator)
PACK	F	Pack characters
PCKINT	M	Pack bytes
PCK608	M	Pack six bits in one byte
PL4	F	Pack line of data (4 characters/ line)
READNL (Entry in OPENNL)	M	Read non-labeled tape file
SCD	F	Send computed data to ID-70
SIZFIL	F	Determine output file size
STIME	M	Initialize timer
STOI	F	Scanner to 360 system
STORE (Entry in LOGIN)	F	Save restart parameters on disk
TTOI	F	Tape to 360 system
UNPACK	F	Unpack characters
UNPINT	M	Unpack bytes
WRITE9	M	Write 9 track non-labeled tape

REPRODUCIBILITY OF  
ORIGINAL PAGE IS POOR

#### 4.0 OPERATING SYSTEM MODIFICATIONS

##### 4.1 INTERDATA-70 RTOS MODIFICATIONS

This section describes the modifications which have been made to certain standard RTOS modules to suit the requirements of IDAPS.

###### 4.1.1 EXEC - RTOS Executive

In the standard EXEC, processing of an SVC 10 (Cancel Task) request causes the message "name..... CANCELLED" to be output to the Teletype. This is not desirable for IDAPS, since the frequently-used "Return to Master" logic in the IDAPS Monitor uses SVC 10 to get rid of any IDAPS tasks which are active.

Following label CAN221 (location 1064 Hex.) in EXEC, this instruction causes the message to be printed:

```
BAL R1,LOGCAN
```

To disable the printing, the two halfwords of this instruction have been replaced by two NO-OP (0200 Hex.) instructions. The change was made in this way so that the subsequent code would remain in the same locations and so that the message could be easily enabled again if desired.

###### 4.1.2 RLSTAB - Reentrant Subroutine Library Table

The constant defined at label LIBSIZ (loc. 38 Hex.) must equal the number of disk cylinders allocated to the Task Library File. The current size of this file is 276 (114 Hex.) cylinders, thus the definition is as follows:

```
LIBSIZ DC X'114'
```

###### 4.1.3 LODER - RTOS Task Loader

The standard LODER prints the message "name LOADED" on the Teletype each time a task is successfully loaded into core. This is undesirable for

the IDAPS tasks, since in normal operations controlled from the terminal console, a great many task loads take place.

A means of deleting the message, without doing away with it entirely, has been added by making LODER sensitive to the "OPTIONS" bit which deletes the initiate (RDY) and terminate (EOJ) messages (see RTOS Reference Manual, Section 2.7). Thus, if the bit is set, as it is for all IDAPS tasks, the "LOADED" message will not appear.

The logic added to LODER fetches the OPTIONS word from the task's Protected TCB, tests for the "delete message" bit, and if it is set bypasses output of the "LOADED" message. The modified area starts at label N06 (loc. A14 Hex.) and is as follows:

```

N06      EQU      *
          LH       W1,TCBSAV          GET TCB ADDR.
          LH       W1,26(W1)         GET OPTIONS WORD
          THI      W1,X'0040'        TEST BIT
          BNZ      N07              BRANCH IF SET
          LM       W1,LOMSG          GET LOADED MSG
          STM      W1,MSG1
          BAL      RTN3,LOGMSG        PRINT IT
N07      EQU      *

```

#### 4.1.4 TCBTAB - Task Control Block Table

The modifications of TCBTAB have been made to accommodate the System Task definition of the IDAPS Monitor.

The first change is the addition of External Definitions of the IDAPS entry points as follows:

```
EXTRN IDAPS,IGO,IRE
```



The TCB list has been modified to remove TCB02 from the list of available TCB's. Its modified form is:

```

TCBLST  EQU  *
          DC  X'0505'
          DC  0
          DC  TCB03
          DC  TCB04
          DC  TCB05
          DC  TCB06
          DC  TCB07

```

TCB02 has been set up to be the Protected TCB for the IDAPS Monitor, as follows:

```

TCB02    EQU  *
IDPTCB   DC  C'IDAPS '      TASK NAME
          DC  X'8000'        CURRENT STATUS
          DC  0,0,0,0       MEM. PROTECT PATTERN
          DC  IDAPS         UNPROTECTED TCB ADDR.
          DC  X'7E00',IGO    INITIAL PSW
          DC  4              PRIORITY
          DC  X'FF00'        POINTERS
          DC  X'3018'        OPTIONS
          DC  0              FILLER
          DC  X'FFFF'        POINTERS
          DC  X'7E00',IGO    CURRENT PSW
          DC  X'FE00',IRE    RESTART PSW
          DC  0,0,0,0,0,0    FILLER

```

4.1.5 LFCDVR - Line Frequency Clock Driver

Some of the new drivers and the modified Card Reader Driver operate for appreciable lengths of time with interrupts locked out. Under heavy load conditions, especially when many decks of cards are being read, this causes a loss of some of the interrupts from the Line Frequency Clock. The result is a loss of time in the Time of Day processing in LFCDVR. To compensate for the loss of interrupts and make Time of Day more accurate, LFCDVR has been modified to work as though the Line Frequency Clock produced 119 interrupts per second rather than the usual 120. The Modified constant definition is as follows:

```
COUNT    EQU    119
```

4.1.6 TTYDVR - Teletype Driver

The modification to TTYDVR was made to incorporate a correction received informally from INTERDATA, relating to output of a line consisting of only a Carriage Return. The corrected area starts at label TTY220 (loc. 72 Hex.), and is as follows:

```
TTY220    EQU    *
          CLHR   R9,RA          IS IT CR ONLY
          BE     RD030          BRANCH IF YES
          SIS    R9,1          DONT INCLUDE CR
```

4.1.7 CRDVR - Card Reader Driver

The standard CRDVR reads successive bytes from the card under interrupt control, as the Card Reader produces an interrupt when each byte of data becomes available. However, some of the new drivers may keep interrupts locked out for a long enough time that bytes from the card reader could be lost and errors result. CRDVR has been modified to read the entire card, with interrupts locked out. This modification follows label SAVE, at location 134 Hex.:

B CRISR1 GO BACK FOR NEXT 2 BYTES

The standard CRDVR will loop indefinitely if the Card Reader becomes unavailable or remains busy after a read sequence has started. It has been modified to time-out and give an error indication for such an occurrence. The modified area starts at label BSY (loc. 112 Hex.) and is as follows:

BSY	EQU	*	
	LIS	R9,0	
BSY1	SSR	RD,R8	GET STATUS
	BTC	1,ERR	BRANCH IF UNAVAILABLE
	BNLS	BSY2	BRANCH IF NOT BUSY
	SIS	R9,1	
	BNZS	BSY1	TRY AGAIN
	B	ERR	TIME-OUT
BSY2	EQU	*	OK

#### 4.1.8 DSC200 - Disk Driver

The standard DSC200 produced a serious blow-up if the ending address of a random-access read or write was not specified to be an odd number. The situation was remedied by adding 1 to an even-numbered ending address. The modified area follows label RW at loc. 96 Hex.:

BNM	T3	BRANCH IF SEQUENTIAL
LH	RF,6(R3)	GET ENDING ADDR.
NHI	RF,X'FFFE'	CLEAR LAST BIT
AIS	RF,1	ADD ONE
STH	RF,6(R3)	STORE IT

#### 4.1.9 DCBC6L - Disk DCB

DCBC6L contains the definitions of the three disk files which are dedicated to RTOS usage:

<u>File</u>	<u>Description</u>
20C6	RTOS Core Image
21C6	Task Library Index
22C6	Task Library

The standard allocation of two cylinders for file 20C6 was too small for the IDAPS version of RTOS, so it was increased for four cylinders. This made it necessary to change the starting cylinders of files 21C6 and 22C6. The size of file 22C6 has been increased to accommodate the IDAPS tasks. These three files are defined at labels FILE20, FILE21, and FILE22 (loc. 148 Hex.) in DCBC6L as follows:

FILE20	DC	0	STARTING CYLINDER
	DC	3	ENDING CYLINDER
	DC	0	CURRENT POSITION
	DC	-1	KEYS
FILE21	DC	4	STARTING CYLINDER
	DC	4	ENDING CYLINDER
	DC	0	CURRENT POSITION
	DC	-1	KEYS
FILE22	DC	5	STARTING CYLINDER
	DC	X'118'	ENDING CYLINDER
	DC	0	CURRENT POSITION
	DC	-1	KEYS

#### 4.2 IBM-360 OS MODIFICATIONS

The ID-70 and IBM-360 are connected on-line via the INTERDATA UNIVERSAL 360 INTERFACE. The interface is a non-supported device to the 360 and several modifications to the IBM-360 Operating System (OS) must be made to effect the communication link between the two computers. The following paragraphs discuss these modifications.

#### 4.2.1 Attention Service Routine

The Attention Service Routine (IGC254) is a user-written type 1 transient SVC routine. This routine is invoked by the following call:

```
SVC      254
```

This results in the interface (front-end) being enabled. Upon receipt of an interrupt from the ID-70 (via the interface) OS gives control to the appropriate interrupt handling routine as specified by the attention table in the Input/Output (I/O) Supervisor. Entry FEOEORTN in IGC254 handles this interrupt and posts a "complete" in the event control block for the front-end. IGC254 must be linked into SYS1.SVCLIB.

#### 4.2.2 System Generation Inputs

At OS system generation (SYSGEN) time it is necessary to include a unit control block for the device address of the ID-70/IBM-360 interface device. This is done in Stage I of the SYSGEN by using the IODEVICE and UNITNAME macro instructions. The unit address assigned for this installation is 360, and the macros are coded as follows:

```
IODEVICE      UNIT=DUMMY,ADDRESS=360  
UNITNAME      NAME=360,UNIT=360
```

It is also necessary to incorporate the user-written SVC into OS. This is accomplished at SYSGEN time by using the SVCTABLE and SVCLIB macro instructions. The SVC code used for this installation is 254, and the macros are coded as follows:

```
SVCTABLE      SVC-254-TI-S0  
SVCLIB        PDS=SYS1.SVCLIB,MEMBERS=(IGC00254)
```

31 July 1975

4-8

System Development Corporation

TM-HU-039/000/00

In addition the attention table of the I/O Supervisor must be modified by entering a V-type address constant referencing the routine which is to handle the interrupt. The attention table resides in the IECIOS module, and the entry point FEOEORTN must be entered in the table. This is accomplished in Stage II of the I/O generation by coding the following instructions:

```
./ CHANGE NAME=IECIOS,LIST=ALL
DC V(FEOEORTN) INTERDATA TERMINAL
```

## 5.0 SYSTEM STARTUP AND RECOVERY

### 5.1 INTERDATA-70

#### 5.1.1 INTERDATA-70 Control Console

In order to accomplish the various phases of startup and recovery of the IDAPS Terminal, it is necessary to become familiar with the operations of the INTERDATA-70 Control Console. A complete description of the Control Console and its operations is contained in the INTERDATA-70 User's Manual, Publication No. 29-261, Chapter 7 (Chapter 6 in 29-261R01). For convenience, those operations which are generally sufficient to accomplish the procedures described in this document are summarized here.

The Console Lock must be in the ON position before any Control Console operations can be accomplished.

##### 5.1.1.1 Enter HALT Mode

To enter HALT Mode:

- a) Turn Rotary Switch to PSW.
- b) Put RUN Switch UP.
- c) Press EXE Switch.

Data Display Lights should change and WAIT Light should come on. If this does not happen, processor is hung; press INT Key to free it and enter HALT mode.

##### 5.1.1.2 Memory Read

To read contents of memory cells, first enter HALT Mode as described above, then:

- a) Set Rotary Switch to ADR/MRD.
- b) Put SGL Switch UP.

- c) Enter starting memory address in Data Switches.
- d) Press EXE Switch. Memory address will be echoed in lower Data Display Lights.
- e) Put SGL Switch DOWN.
- f) Press EXE switch. Data read from memory is displayed in lower Data Display Lights. Upper Data Display Lights show current memory address, plus two.

Step f may be repeated to display successive halfwords from memory. The referenced memory address is automatically incremented by two each time EXE is pressed.

#### 5.1.1.3 Memory Write

To write data into memory, first enter HALT Mode as described above, then:

- a) Set Rotary Switch to ADR/MRD.
- b) Put SGL Switch UP.
- c) Enter starting memory address in Data Switches.
- d) Press EXE Switch. Memory address will be echoed in lower Data Display lights.
- e) Set Rotary Switch to OFF/MWR.
- f) Put SGL Switch DOWN.
- g) Enter data to be written in Data Switches.



- h) Press EXE Switch. Data stored in memory is displayed in lower Data Display Lights. Upper Data Display Lights show address stored into, plus two.

Steps g and h may be repeated to store into successive halfwords of memory. The memory address to store into is automatically incremented by two each time EXE is pressed.

#### 5.1.1.4 Start Program Execution

To start program execution, first enter HALT Mode as described above, then:

- a) Set Rotary Switch to ADR/MRD.
- b) Put SGL Switch UP.
- c) Enter program starting address in Data Switches.
- d) Press EXE Switch. Memory address will be echoed in lower Data Display Lights.
- e) Set Rotary Switch to PSW.
- f) Put RUN Switch DOWN.
- g) Press EXE Switch. Program execution will begin.

Occasionally, due to particular combinations of Program Status (PSW) conditions and pending interrupts, an interrupt and unpredictable results will prevent normal startup of program execution. The condition may be cleared as follows:

- a) Starting at location  $32_x$ , store the following values:

<u>Location(Hex.)</u>	<u>Value</u>
32	0000
34	0000
36	Program starting address

- b) As described above, start execution at location  $32_x$ .

### 5.1.2 50 Sequence Bootstrap Loader

Most startup operations begin with the execution of a small loader program which is referred to as the 50 Sequence because of its starting location at  $50_x$ . The 50 Sequence for RTOS operation is as follows:

<u>Location(Hex.)</u>	<u>Value(Hex.)</u>
50	D500
52	00CF
54	4300
56	0080

In addition, the cells starting at location  $78_x$  must contain specific values. The usual values for RTOS operation are:

<u>Location(Hex.)</u>	<u>Value(Hex.)</u>
78	0294
7A	C600

Deviations from these values are noted under particular phases of startup and recovery.

### 5.1.3 RTOS Startup From Disk

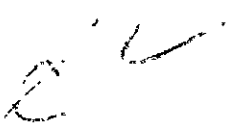
When it is desired to load RTOS into core from the disk and start its operation, the following steps should be performed:

- a) Verify that the 50 Sequence is in core and that locations  $78_x$  and  $7A_x$  contain the values  $0294_x$  and  $C600_x$ .
- b) Put the RTOS Disk Bootstrap paper tape in the Teletype Paper Tape Reader. Position the tape so that the blank section is over the read mechanism. Turn the Power Switch to the LINE position. Put the reader switch at the AUTO position.
- c) Start program execution at location  $50_x$ .
- d) Momentarily press the reader switch to the MANUAL START position. The tape will begin moving through the reader.
- e) When RTOS begins printing on the Teletype, move the reader switch to the MANUAL STOP position.
- f) Enter the current Time of Day and Date as follows:

TIME hhmmss

DATE mm/dd/yy

To obtain the current Time or Date, type RDTI or RDDA.

- g) Start operation of the IDAPS Monitor as follows:  
START IDAPS
  - h) Start normal IDAPS execution as follows:  
STAR LOGIN
- 

Note: Infrequently, the result of the above operations is a LOAD ERR condition upon the system's trying to load LOGIN. The following sequence of inputs should enable the system to recover:

LOAD	ASM
LOAD	FTN
DELE	FTN
DELE	ASM
STAR	LOGIN

#### 5.1.4 RTOS Startup From Load Module Tape

Startup from an RTOS Load Module magnetic tape, produced as described in Section 2.1.5.3.3, is accomplished as follows:

- a) Mount the Load Module tape on tape drive #1.
- b) Verify that the 50 Sequence is in core and that location  $78_x$  contains the value  $0294_x$ .
- c) Put the INTERDATA REL Loader paper tape in the Teletype Paper Tape Reader. Position the tape with the blank leader over the read mechanism. Turn the Power Switch to the LINE position. Put the reader switch at the AUTO position.
- d) Start program execution at location  $50_x$ .
- e) Momentarily press the reader switch to the MANUAL START position. The tape will begin moving through the reader and will require several minutes to read. At times a teletype reader inconsistency causes the reader to pause at each end of record gap, in which case the MANUAL START switch must be pressed to continue the read. This does not affect the accuracy of the read.

- f) When the paper tape reading is complete, set location 78<sub>x</sub> to the value 85A1<sub>x</sub>.
- g) Start program execution at address FC00<sub>x</sub>, as described in Section 5.1.1.4; however, before pressing the EXE switch to start execution, put all of the Data Switches UP. (Otherwise, REL Loader will attempt to skip past files on the magnetic tape.) REL Loader will now load RTOS into core from the magnetic tape.
- h) Start program execution at address 2D0<sub>x</sub>. This is the nominal startup point for RTOS.
- i) Using the RTOS REPL Command, restore locations 78<sub>x</sub> and 7A<sub>x</sub> to their normal values as follows:

```
REPL 78,294,C600
```

- j) If there are any in-core corrections or modifications to be made to RTOS, enter them using the REPL Command.

Currently the in-core modifications consist of the following commands:

```
REPL 25CA,2652
```

```
REPL 28F0,5053,2020
```

```
REPL 2F6E,24CF
```

```
REPL 2C60,4300,62BA
```

```
REPL 62BA,48AA,0000,98DA,DED0,2CAE,4300,2C66
```

- k) Allocate the disk files, using the ALLO Command, as follows:

```
ALLO 00C6,119,158
```

```
ALLO 01C6,159,168
```

ALLO 02C6,169,178  
ALLO 13C6,179,17B  
ALLO 14C6,17C,17E  
ALLO 15C6,17F,181  
ALLO 16C6,182,183,1600  
ALLO 17C6,184,187,1700  
ALLO 18C6,188,197,1800  
ALLO 00C7,OFF,OFF  
ALLO 01C7,100,197  
ALLO 03C7,060,0D8  
ALLO 04C7,0D9,0FE,0400  
ALLO 10C7,000,05F

- l) Verify proper file allocation with the following commands:

LIST C6  
LIST C7

- m) Assign the Roll-out files as follows:

ASSI \*LODER,3,13C6,4,14C6,5,15C6

- n) Establish the Task Common area as follows:

TCOM 3

If other than three blocks are to be allocated to Task Common, use the appropriate number.

If it is desirable at this point, the newly constructed version of RTOS in core may be written to the disk, as described in Section 5.1.5. Or, the

system may be allowed to go through a period of checkout before writing it to the disk.

Normal operation may be initiated as follows:

- a) Enter the current Time of Day and Date:

TIME hhmmss

DATE mm/dd/yy

- b) Start operation of the IDAPS Monitor:

STAR IDAPS

- c) Start normal IDAPS execution:

STAR LOGIN

See note in Section 5.1.3, paragraph h.

#### 5.1.5 Write RTOS to Disk

At any point, the currently operating version of RTOS in core may be written to the disk, such that subsequent use of the RTOS Disk Bootstrap (see Section 5.1.3) will bring in this version.

In general, RTOS should be written to the disk following checkout of a new version, or when in-core corrections have been made.

The procedure is as follows:

- a) Disable the IDAPS Monitor:

CANC IDAPS

Note: Do not DELE IDAPS

- b). With the MAP Command, determine what tasks, if any, are in core.
- c) Delete all tasks from core with the command:

DELE name

- d) As described in Section 5.1.1.4, start program execution at location 2D8<sub>x</sub>. This is the startup point from which RTOS writes itself to the disk.

Resume normal operation as follows:

- a) Start operation of the IDAPS Monitor:

STAR IDAPS

- b) Start normal IDAPS execution:

STAR LOGIN

See note in Section 5.1.3, paragraph h.

#### 5.1.6 Regeneration of Systems Task Library

The Systems Task Library and its Index may be regenerated from their backup copies (see Section 2.1.5.5) in the following manner:

- a) Start the paper tape established task version of TUT:

STAR TUT,102

See note in Section 5.1.4, paragraph e.



- b) Mount the Index mag tape on tape drive #1 and the Systems Task Library mag tape on tape drive #2.
- c) In TUT:

COPY 85,21C6

COPY 95,22C6

INDE 62

END

Note: If an IO error of the type '8485' or '8495' occurs during a COPY operation, mount the tape on the other tape drive, CONT TUT, and try the COPY on the other tape drive.

## 5.2 IBM-360

In order to activate the IBM-360 system for interactive IDAPS the INTERACTIVE control deck listed below must be submitted at the IBM-360 operations control desk.

```
// ALL,300,10),1HNTSVSE3000USERNAME,MSGLEVEL=(1,1),CLASS=L,TYPRUN=HOLD
//ID70 EXEC IDAPSI,TIME.GO=300
//FORT.SYSIN DD *
C MAIN ROUTINE FOR INTERACTIVE IDAPS
CALL IEXEC
STOP
END
/*
```

GO.SYSIN DD \*

/\*

There should only be one copy of this control deck in use, since submitting a copy while another is in the system will hang up the system.

### 5.3 INTERACTIVE SYSTEM STARTUP, RECOVERY AND SHUTDOWN.

#### 5.3.1 System Startup

In order to bring up the interactive IDAPS System the following steps are necessary:

- 1) Submit the INTERACTIVE control deck described in paragraph 5.2 at the IBM-360 control desk.
- 2) When the 360 operations personnel advise that the IDAPS 360 program is "UP", place the ID-70 on line to the IBM-360. This is accomplished by placing the two ID-70/IBM-360 interface switches in the "ON LINE" position. These switches are located in the lower rear of the ID-70 console cabinet.
- 3) The ID-70 Monitor should report a "READY" status for the 360. If the status continues to report a "DOWN" condition, it will be necessary to bootstrap the ID-70 Real Time Operating System (RTOS) into core as discussed in paragraph 5.1.3. If the Monitor continues to report a "DOWN" condition, contact IDAPS personnel.

#### 5.3.2 System Recovery

Certain conditions may require the user to invoke system recovery procedures. These conditions and the appropriate user response for each condition are discussed in this section.

Condition: ID-70 Monitor reports an error in an operation.

Response: Look up the error message in the table of message codes, correct any input errors and repeat the operation. If the error persists, save all applicable information such as the operator attempted, input file name(s), options selected, etc. and notify IDAPS personnel.

Condition: ID-70 Monitor reports a "DOWN" status for the 360.

Response: Wait two minutes to permit both computers to cycle through error checking and attempt to return to nominal status. This should result in a "READY" status for the 360 and an error message. Look up the error message in the table of message codes, correct any input errors and repeat the operation. If the error persists, save all applicable information such as the operator attempted, input file name(s), options selected, etc. and notify IDAPS personnel.

If the "DOWN" status remains more than two minutes, check with the 360 operations personnel to determine if the IDAPS 360 program is still executing. If the program has aborted, then the interactive IDAPS system must be restarted as described in paragraph 5.3.1. If, however, the IBM-360 system is down, then the ID-70/IBM-360 interface switches should be placed in the "OFF LINE" position until the 360 operations personnel advise that the IBM-360 system is running and the IDAPS 360 program is "UP".

Condition: ID-70 Monitor reports "BUSY" status for the 360 for an excessively long time for the operator being executed.

Response: Check with the 360 operations personnel to determine if the IDAPS 360 program is still executing. If the program has aborted, then the interactive IDAPS system must be restarted as described in paragraph 5.3.1. It will be necessary to place the ID-70/IBM-360 interface switches in the "OFF LINE" position until a "DOWN" status is reported for the 360. This must be done in order to reset the 360 status bit.

If, however, the IBM-360 system is down, then the ID-70/IBM-360 interface switches should be placed in the "OFF LINE" position until the 360 operations personnel advise that the IBM-360 interface system is running and the IDAPS 360 program is "UP".

### 5.3.3 System Shutdown

When the day's interactive operation of IDAPS is complete, the system should be shutdown by placing the ID-70/IBM-360 interface switches in the "OFF LINE" position and notifying the 360 operations personnel to take the IDAPS 360 program "DOWN".

## 6.0 ADDING OPERATORS

The IDAPS system is structured to permit new operators (application programs) to be added with a minimum of knowledge of the system software. However, certain restrictions and conventions must be followed when adding new operators. The purpose of this section is to acquaint someone considering adding a new operator with these restrictions and conventions. Each computer system will be discussed separately.

### 6.1 IBM-360 SYSTEM

#### 6.1.1 Operator Restrictions

The restrictions placed on new operators are given below:

- 1) All subroutines in an operator should be coded in IBM-360 compatible FORTRAN.
- 2) The total storage requirement for an operator must not exceed 164,000 bytes.
- 3) All input and output of image data must be handled through the IDAPS Input/Output module.
- 4) All input, output and scratch files must reside in the IDAPS disk storage.
- 5) An operator is limited to five input files, two output files, three secondary output files, and three scratch files.
- 6) Secondary files must be integer format and are destroyed by any subsequent operator which requires secondary files.

- 7) Integer data which is to be written into an integer (pixel) file must not lie outside the zero to 255 range.
- 8) Secondary and scratch files must be the same size as the output file(s).
- 9) All files are limited to a maximum of 2048 lines and 2048 columns.
- 10) All parameters required by an operator must be input via the command card image and, except for the input file names, passed to the operator through the calling sequence.
- 11) All parameters on the command card image are limited to a maximum field width of eight characters.
- 12) No more than two tables may be input to an operator and these must be input in IDAPS data table format via card images and passed through the calling sequence. (Reference Image Data Processing System (IDAPS) User Manual, Batch IDAPS, Volume II (TM-HU-037/200/00) Section 3.10)
- 13) Tables may be input in integer or floating point format, but they must be limited to a maximum of 256 values.
- 14) Non-image output data values may be returned to the ID-70 by storing the values in the computed data buffer (see Paragraph 2.2.2 for a description of the common block CDBUF) and calling the SCD operator to transmit the values.
- 15) All error conditions must be assigned a five digit error code (the first two digits must be the operator index) by the operator and returned to the IDAPS Executive module.

### 6.1.2 Using the Disk Input/Output Module

All image input and output must be handled through the Disk Input/Output module (see Paragraph 2.2.1.7). The routines in this module permit random access of the data in the system files. These routines handle two types of data; four-byte integer format and single precision floating point format. The calling sequence for each of these routines is the same and is illustrated by the call to DISKR given below:

```
CALL DISKR (IFD(1,1),LINE,IBUF,IERR)
IF(IERR .NE. 0) RETURN
```

where:

```
IFD(1,1) = File name
LINE     = Index of line
IBUF     = Buffer containing line of data
IERR     = Error condition returned by DISKR
```

The check on the error condition results in non-zero codes being returned to the IDAPS Executive module.

To write integer format data, use the DISKW routine. Since integer data is stored in packed format (four bytes or pixels per word), the calling program must assure that the input buffer, which must be in four-byte integer format, does not contain any values which are negative or greater than 255. To write floating point format data, use the DISKWF routine. Since floating point data is stored in single precision format, the calling program must assure that the input buffer is single precision format.

To read integer files, use the DISKR routine. A four-byte integer buffer must be provided because DISKR always returns data in this format. DISKR may be used to read a floating point file, but it will read, truncate and

return the values in four-byte integer format. To read a floating point file, use the DISKRF routine. A single precision floating point format buffer must be provided because DISKRF always returns data in this format. DISKRF may be used to read an integer file, but it will read, convert and return the values in single precision format. Since these two routines read a complete line of data, the buffers must provide space for 2048 values.

The file name in the calling sequence to these routines must be an integer variable. The file management module handles all the bookkeeping associated with naming and maintaining the system files. This module sets up the input (IFD), output (OFD) and scratch (SFD) file directories, and these are available to the new operator through the COMMON block FILEDR. These directories must be included in the new operator subroutine(s) by coding the following:

```
COMMON/FILEDR/IFD(6,5)OFD(6,5),SFD(6,3)
INTEGER IFD,OFD,SFD
```

The first index of each directory accesses the file parameters as illustrated for IFD:

IFD(1,I)	=	Name (4 character file name)
IFD(2,I)	=	File format (1 = integer, 2 = floating point)
IFD(3,I)	=	Number of records (lines)
IFD(4,I)	=	Number of columns per record
IFD(5,I)	=	Relative address of first line
IFD(6,I)	=	Logical unit number

The second index of each directory refers to the first, second, etc. file. The output file is organized as follows:

OFD(I,1)	=	First output file
OFD(I,2)	=	Second output file



OFD(I,3)       =     First secondary file  
OFD(I,4)       =     Second secondary file  
OFD(I,5)       =     Third secondary file

There are three scratch files and their parameters are organized as outlined above and stored in the SFD array.

### 6.1.3 IDAPS System Modifications

To add a new operator to the IDAPS IBM-360 system, entries must be made in five places in the source code and in the overlay control statements for the binary library. Each set of these entries will be discussed separately. For the purpose of illustration, it is assumed that the operator being added is named NEW, requires seven input parameters, one data table, two input files, creates a floating point output file and uses a floating point scratch file. Furthermore, it is assumed that the last operator entered in the directory is LAS.

The first set of entries is made in the Executive module in subroutine BLOCK DATA as illustrated below:

```
0    4HLAS ,2, 110000, 4HNEW ,7, 201001, 4H    ,0,0000000,
```

See Paragraph 2.2.2 for a discussion of the entries above. The NEW operator entries in BLOCK DATA are entered in IOP (I,44), so the NEW operator is assigned an operator index of 44. This index is used to branch to the appropriate parameter interpretation logic in INTPAR, the appropriate operator initialization logic in INIT and the appropriate error message in OPERR.

The second set of entries is made in the Command Interpretation module in subroutine INTPAR. These entries are based on the types of input parameters which the new operator expects. For this example, it is assumed that the first two parameters are integer values; the third, sixth and seventh are

alphabetic options; and the fourth and fifth are floating point values. The INTPAR entires for the new operator would be made as illustrated below:

```
44  CONTINUE
C---
C      NEW OPERATOR (NEW)
C---
      CALL INTIN (8,RL(1),PARM(1))
      CALL INTIN(8,RL(2),PARM(2))
      CALL ALPIN(RL(3),PARM(3))
      CALL FLTIN(9,RL(4),PARM(4))
      CALL FLTIN(8,RL(5),PARM(5))
      CALL ALPIN(RL(6),PARM(6))
      CALL ALPIN(RL(7),PARM(7))
      RETURN
```

The 44 CONTINUE statement corresponds to the address to which the computed GO TO will branch based on the operator index (in this case 44). The first two calls are to INTIN which interpret the first two parameters as integers values. The three calls to ALPIN result in the third, sixth and seventh parameters being interpreted as alphabetic options (A=1, B=2, etc.). The two calls to FLTIN result in the fourth and fifth parameters being interpreted as floating point values. In each of these calling sequences, RL(I) is the Ith parameter as passed from the CIR subroutine, and PARM(I) is the Ith parameter properly interpreted to be returned to the CIR subroutine. The value 8 in the INTIN and FLTIN calling sequences indicates the parameter to be interpreted is in an 8-byte field.

The third set of entries is made in the Operator Initialization and Control module in subroutine INIT (INIT2). These entries are based on the file and table requirements of the NEW operator and are made as illustrated below:

```
44 CONTINUE
C---
C      NEW OPERATOR (NEW)
C---
      NL = IPARM(1)
      NC = IPARM(2)
      CALL DATAIN(X,256,1,MODE,IERR)
      IF(IERR .NE. 0) RETURN
      CALL FMR(IFILE,NUMF,NOP,NAME,NL,NC,LAST,IERR)
      IF(IERR .NE. 0) RETURN
      CALL NEW(NL,NC,IPARM(3),PARM(4),PARM(5),IPARM(6),IPARM(7),X,IERR)
      RETURN
```

In this example, it is assumed that the input data table is floating point format and consists of 256 values. In the calling sequence to DATAIN, the fourth variable indicates batch or interactive mode of operation and is set by the Executive module. The first three variables must be set by the programmer. The first parameter is the array in which DATAIN returns the input table. INIT provides two arrays for floating point tables (X and Y) and two arrays for integer tables (IX and IY). The second parameter indicates the exact number of values in the table (256 in this case). The third parameter indicates in which format the table is input (0 for integer, 1 for floating point). If DATAIN returns a non-zero value in IERR, then the Data Input and Interpretation module has detected an error and a return from INIT (INIT2) will result in proper handling of the error.

In the calling sequence to FMR, all variables except the fifth and sixth (NL and NC) which give the output file size are set by INIT (INIT2). In this example, the first two parameters are integers (IPARM values) and represent the number of lines (NL) and number of columns (NC) in the output file generated by the NEW operator. The call to FMR invokes the file manager which assigns an output file for the operator NEW, updates the file directory

with this entry, and sets up the input, output and scratch file directories for the NEW operator. If FMR returns a non-zero value in IERR, then the file manager has detected an error and a return from INIT (INIT2) will result in proper handling of the error. The call to NEW passes the properly interpreted parameters (integer values for the alphabetic and integer inputs are stored in the IPARM array and floating point values are stored in the PARM array) to the subroutine NEW. An additional parameter IERR is passed to subroutine NEW to permit any error conditions which that subroutine may detect (or any error codes returned by calls to the disk read/write subroutines) to be flagged by a non-zero error code. The error handling logic will trap and report any errors so flagged.

The fourth set of entries is made in OPERR. These entries result in on-line printout of the error messages corresponding to the error codes returned by NEW. The entries for two error codes (44001 and 44002) flagged in NEW are given below:

```
44 CONTINUE
C---
C      NEW OPERATOR (NEW)
C---
      IF(IERR .EQ. 44001) WRITE(6,44001)
      IF(IERR .EQ. 44002) WRITE(6,44002)
44001 FORMAT('0  TYPE-1 ERROR IN NEW')
44002 FORMAT('0  TYPE-2 ERROR IN NEW')
      RETURN
```

In this example, it is assumed that there are two types of error conditions in the NEW operator. Whenever the first type is encountered, IERR is set to 44001. Similarly, the second type of error is denoted by setting IERR=44002.

The final set of entries is made in the overlay structure control statements. In this example, it is assumed that the NEW operator consists of three sub-routines. NEW is the control routine, SETUP provides initialization of data, and CALC performs some repetitive calculations. The entries for the NEW operator should be made after the LAST operator and before the REGION overlay as illustrated below:

```
      .  
      .  
OVERLAY A  
      INSERT LAST  
OVERLAY A  
      INSERT NEW  
      INSERT SETUP  
      INSERT CALC  
OVERLAY R(REGION)  
      INSERT DISKW  
      .  
      .  
      .
```

See Paragraph 2.2.4 for a complete discussion of the overlay structure for IDAPS.

In order to incorporate into the IDAPS system the entries which have been discussed, it is necessary to execute the USERMOD catalogued procedure. The JCL setup necessary to invoke the USERMOD procedure is illustrated below. The FORTRAN source modules and the overlay structure control statements are inserted as shown:

```
//ADDOPER EXEC USERMOD,BIN=USER
//SCRATCH.SYSIN DD *
    SCRATCH VOL=3300=SDC001,DSNAME=USER
/*
//FORT.SYSIN DD *
.
.
.
(FORTRAN source modules for MAIN, BLOCK DATA, INTPAR, INIT and OPERR)
.
.
.
/*
//OVERLAY.INPUT DD *
.
.
.
(Overlay structure control statements)
.
.
.
/*
```

In order to incorporate into the IDAPS system the new subroutines (NEW, SETUP and CALC) required by the NEW operator, it is necessary to use the appropriate catalogued procedure ASCLIDAP, FGCLIDAP or FHCLIDAP for each new subroutine. See Paragraph 2.2.6.1 for a discussion of these procedures and how they are invoked.

Caution must be exercised when adding new operators to avoid causing the interactive system to abnormally terminate. The following procedure is suggested in order to minimize the impact on the IDAPS system of adding an operator.

1. Compile and verify correct execution of the subroutine(s) included in the new operator on a stand-alone basis.
2. Make the necessary entries in the FORTRAN source modules and the overlay structure control statements as previously outlined.
3. Execute the USERMOD procedure as outlined above to incorporate the entries into a checkout binary library rather than the IDAPS system binary library USER. The two changes in the USERMOD JCL required to set up a checkout binary library are BIN=CHKOUT on the EXEC card and DSNAME=CHKOUT on the SCRATCH card.
4. Execute the ASCLIDAP, FGCLIDAP and/or FHCLIDAP procedures as required to incorporate the subroutines used by the new operator into the IDAPS.APPLIC load module library.
5. Execute the IDAPSB catalogued procedure to checkout the new operator under the IDAPS system.
6. Verify correct execution of the new operator. Repeat steps 3, 4 and 5 as needed to incorporate any corrections required to assure correct execution.
7. Execute the USERMOD catalogued procedure to incorporate the entries into the IDAPS system library USER.
8. Verify correct execution of the new operator in the interactive mode. Repeat steps 3, 4, 5, 6 and 7 as needed to incorporate any corrections required to assure correct execution.

## 6.2 INTERDATA-70 SYSTEM

### 6.2.1 Adding An Interactive Operator To IDAPS

Once an operator has been checked out under Batch IDAPS, it may be implemented as an interactive operator by the following steps:

- 1) Design the parameter specification display.
- 2) Modify the sub-menu task for the category under which the new operator falls.
- 3) Code and check out the parameter specification task and store it as part of the system task library.
- 4) Define default values for all parameters.
- 5) Enter appropriate HELP messages for all input parameters.
- 6) If data tables are used, enter default values for them, and modify the on-line editing task.
- 7) If any subordinate Interdata subroutines are developed as part of the tasks, add them to the systems library after they have been checked out.

In the following sections, when the term "add the task to the system" is used, the reference is to the following sequence of operations, input from the teletype:

- 1) REWInd 1C6
- 2) START FTN to compile the parameter specification task



- 3) If a subordinate subroutine not on the systems library is to be used:  
START FTN or START ASM to compile the subordinate subroutine
- 4) REWInd 1C6
- 5)\* START TETC
- 6) REWInd 2C6
- 7) START TUT
- 8) In TUT: INSErt 2C6
- 9) In TUT: END

\*The TETC card deck has a leading card in the form

ESTA TASKID

Where TASKID is the name of the parameter specification task as used in the sub-menu task (see paragraph 6.2.3). Also, if one or more subordinate subroutines were compiled to 1C6 in Step 3, a LINK 1C6 card should be inserted for each subroutine after the LOAD card in the TETC deck.

### 6.2.2 Designing The Parameter Specification Display

The form shown in Figure 6-1 may be used to design the parameter specification display. Note that the heading, INTERACTIVE IDAPS, always appears and need not be coded. The subheading is of the form:

CATEGORY - OPERATOR NAME (OPERATOR CODE)

The remainder of the display is generally free form, but should follow the general format of the sample parameter specification shown in Figure 6-2.

DISPLAY NAME \_\_\_\_\_

CODE

--	--	--	--	--

PROGRAMMER \_\_\_\_\_

0	16	32	48	64	80	96	112	128	144	160	176	192	208	224	240	256	272	288	304	320	336	352	368	384	400	416	432	448	464	480	496	512	528	544	560	576	592	608	624	639
0	INTERACTIVE IDAPS																																							
24																																								
48																																								
72																																								
96																																								
120																																								
144																																								
168																																								
192																																								
216																																								
240																																								
264																																								
288																																								
312																																								
336																																								
360																																								
384																																								
408																																								
432																																								
456																																								
479																																								

REPRODUCIBILITY OF THE ORIGINAL PAGE IS POOR

Figure 6-1. Interactive IDAPS Coding Form

31 July 1975

6-14

System Development Corporation  
TM-HU-039/000/00

DISPLAY NAME \_\_\_\_\_

CODE

--	--	--	--	--

PROGRAMMER \_\_\_\_\_

0	16	32	48	64	80	96	112	128	144	160	176	192	208	224	240	256	272	288	304	320	336	352	368	384	400	416	432	448	464	480	496	512	528	544	560	576	592	608	624	639
0	INTERACTIVE IDAPS																																							
24																																								
48	GRAY SCALE ADJUSTMENT -- ALTER (ALT)																																							
72																																								
72	OPTION	PARAMETER DESCRIPTION																																						
96		INPUT FILE NAME																																						
120		DATA SOURCE																																						
144		A - SYSTEM DEFAULT (ALT)																																						
168		B - CARDS																																						
192																																								
216																																								
240																																								
264																																								
288																																								
312																																								
336																																								
360																																								
384																																								
408																																								
432																																								
456																																								
479																																								

Figure 6-2. Sample Parameter Specification

### 6.2.3 Modifying A Sub-Menu Task

To add an operator name to a sub-menu display, it is necessary to modify the appropriate sub-menu task. The sub-menu task names are as follows:

<u>MASTER MENU CATEGORY</u>	<u>TASK NAME</u>
A-IMAGE INPUT/OUTPUT	IIOSM
B-FUNCTION GENERATION	FGNSM
C-GRAY SCALE ADJUSTMENT	GSASM
D-MANUAL IMAGE MODIFICATION	MIMSM
E-FILTER OPERATIONS	FOPSM
F-GEOMETRIC OPERATIONS	GOPSM
G-CLASSIFICATION/PATTERN RECOGNITION	CPRSM
H-MATH/LOGIC FUNCTION	MLFSM
I-IMAGE ANALYSIS	IMASM
J-PSEUDOCOLOR	PSEPS
K-IMAGE DATA PRESENTATION	IDPSM

An example of a sum-menu program for category GRAY SCALE ADJUSTMENT is shown in Figure 6-3. The sub-menu task must be modified as follows:

1. Increment by one the second dimension bounds of the array definition for PNAME (INTEGER PNAME (2,8) in Figure 6-3).
2. Add a DATA statement for the corresponding subscript of PNAME. The DATA statement should initialize the PNAME location to the name of the new parameter specification task, left justified. The name of the task is, by convention, the operator code followed by the letter PS.

## GRAY SCALE ADJUSTMENT SUBMENU (GSASH)

```
INTEGER PNAME(2,7)
```

```
DATA(PNAME(1,1), I=1,2) /SHALTPS /
```

```
DATA(PNAME(1,2), I=1,2) /SHDEEPS /
```

```
DATA(PNAME(1,3), I=1,2) /SHAUTPS /
```

```
DATA(PNAME(1,4), I=1,2) /SHINVPES /
```

```
DATA(PNAME(1,5), I=1,2) /SHMATPS /
```

```
DATA(PNAME(1,6), I=1,2) /SHHAPES /
```

```
DATA(PNAME(1,7), I=1,2) /SHHDCPS /
```

```
CALL CLEAR
```

```
CALL COLOR(3)
```

```
CALL LABEL(36,0,21,2,21HGRAY SCALE ADJUSTMENT)
```

```
CALL COLOR(2)
```

```
CALL LABEL(72,0,25,0,25HIMAGE PROCESSING OPERATOR)
```

```
CALL LABEL(-2,24,15,0,15HA - ALTER (ALT))
```

```
CALL LABEL(-2,24,25,0,25HD - DEPENDENT ALTER (DEP))
```

```
CALL LABEL(-2,24,25,0,25HC - AUTOMATIC SCALE (AUT))
```

```
CALL LABEL(-2,24,27,0,27HD - INVERT GRAY SCALE (INV))
```

```
CALL LABEL(-2,24,14,0,14HE - MATH (MAT))
```

```
CALL LABEL(-2,24,27,0,27HE - HAND DRAWN SHAPES (HAN))
```

```
CALL LABEL(-2,24,26,0,26HG - H-D CORRECTION (HDC) )
```

```
CALL LABEL(-2,0,0,0,0HOPTION =)
```

```
CALL INOPT(1HG,264,72,0,K,I,IFLAG,55)
```

```
CALL LINK(PNAME(1,K))
```

```
END
```

Figure 6-3 Sample Sub-menu Program

REPRODUCIBILITY OF THE  
ORIGINAL PAGE IS POOR

3. Add a call to Subroutine LABEL to display a description of the new operator and its code on the displayed menu. Be sure to use the next available alphabetic option (H, in Figure 6-3).
4. Change the first parameter (the legal option limit) in the call to INOPT to the alphabetic option used in 3 above. Also increment the second parameter (the line number of the echoed option) of the INOPT call by 24. (In Figure 6-3, the call would be changed to CALL INOPT (1HH, 288, 72, 0, K, I, IFLAG, 55))

When the submenu task has been changed, add the task to the system.

#### 6.2.4. Coding The Parameter Specification Task

Figure 6-4 shows a typical parameter specification task, which can be used to demonstrate the general format to be followed for parameter specification tasks. The general format can be divided into six parts:

- A. Default parameters. The default parameter(s) must have been previously stored on the default disk file as described in paragraph 6.2.6. In the parameter specification task, any default parameter must have local storage defined for it of length (maximum no. characters + 1) (IP1 and IP2) and a DATA statement which initializes the storage to blanks. The default values in ASCII are picked up by a call to GPL and displayed by calls to LABEL. After all new parameter values have been input, a call to SPL must be made in order to store them on the disk.
- B. Default file name. If it is desired for the input file name to be defaulted to the last generated 360 file, the name of that file is found by a call to FILNFO with parameter 6 set to 0. If the error



```

ALTER      <ALI>      PARAMETER SPECIFICATION TRACKS(ATES)      PAGE_0002
C.....ERROR ON START OPERATION
C
C      GO TO 800
400 CONTINUE
C
C.....DATA INPUT
C
C      GO TO (1, 15, 2, 3), K?
1 CONTINUE
C
C.....SYSTEM DEFAULT
C
C      KS = 800
C      DO 650 K=1, 300
C      CALL DTINC(4HAIT, K, JARD(3))
1001 FORMAT (400?)
C      WRITE (3, 2001) JARD(2), (JARD(J), J=3, 42)
2001 FORMAT (4X, 1X, 1X, 400?)
C      CALL DTINC(4S4, JARD, KS)
C      IF (KS, EQ 0) GO TO 600
C
C.....ERROR ON DATA TRANSFER
C
C      GO TO 600
15 CONTINUE
C
C.....CARD INPUT
C
C      KS=800
C      CALL DTINC(4HAIT, 0, J)
C      GO TO 1
600 CONTINUE
C
C.....CHECK FOR #
C
C      CALL DO, OF (JARD(3), KPOL)
C      IF (KPOL, EQ 1) GO TO 20
650 CONTINUE
C      KS = 300
C      GO TO 800
C      GO TO 20
2 CONTINUE
C
C.... KEYBOARD INPUT
C
C      KS = 300
C      GO TO 800
3 CONTINUE
C
C.... TRACKBALL INPUT
C
C      KS = 400

```

Figure 6-4 Sample Parameter Specification Program (Cont'd)



```
ALTER      <ALT>  PARAMETER SPECIFICATION TASK<AI TPS>      PAGE 0003
-----
      GO TO 800
20  CONTINUE
C
C.... RETURN TO MASTER MENU WHILE 360 PERFORMS AFTER OPERATION
C
      CALL TR1360 (NS)
C
C... PAUSE FOR CARD READER PROBLEM
C
700  CONTINUE
      PAUSE 4
      GO TO 1
C
C.... ERROR
C
800  CONTINUE
      HPITF (3,1000) KS
1000 FORMAT (1X,7#ERROR =,15)
      GO TO 20
9999 CONTINUE
      END
```

Figure 6-4 Sample Parameter Specification Program (Cont'd)

flag is returned non-zero, there are no 360 files and an appropriate message is displayed by a call to ERRMSG. The name of the default input file is displayed by a call to LABEL.

- C. Input parameters. A parameter value may be input from the keyboard in the form of an image file name, a character string, an alphabetic option, an integer, or a floating point number. Pairs of numbers representing coordinates on an image may be input from the keyboard or from the trackball. A file name is entered by a call to ININ and its validity is checked by a call to FILINFO. If the error flag is returned non-zero, an appropriate error message is displayed via the subroutine call to ERRMSG. The up arrow/down arrow/EXECUTE flag IFLAG is used to determine the next statement to execute. Care should be taken when writing a parameter specification task that the path the EXECUTE key takes does not leave any local parameter storage area blank.
- D. Card image generation. The card image (KARD), which is sent to the 360 to initiate execution of the 360 operator, is dimensioned 84 bytes and defined in a DATA statement. The first two halfwords must contain a 0 and a 2. The variable parameters must be stored in the card image separated by commas, and the input file name must be enclosed in parentheses. It is good practice to code a printout of the card image for checkout purposes.
- E. 360 Operation. To initiate 360 execution of the operator, the card image is sent to the 360 by a call to W360. The third parameter to W360 is checked for any 360 detected error and execution terminated if an error is detected. A call to TRM360 must be the last executed statement of the parameter specification task.
- F. Data table input. An operator may require one or more data tables to be sent to the 360. They may be input either from the default tables

stored on disk (see paragraph 6.2.8) or from punched cards. If card input is chosen by the user, a call to DTINC is used to input values from cards and store them on disk. Then repeated calls to DTRD will read the card images off disk into a buffer (JARD) set up previously in a DATA statement. These card images are sent to the 360 by calls to W360 until a dollar sign is recognized by subroutine DOLCK. If the default table option is chosen, the data table is read directly from the disk by calls to DTRD.

#### 6.2.5 Subordinate Subroutines

If a subordinate subroutine is required by the parameter specification program and it has not been previously stored on the systems library file, it may be advantageous to insert the subroutine on the systems library. Care should be taken that the subroutine is completely checked out, however, before it is permanently stored. The OS Library Loader LDR3 is used to add subroutines to the library (see paragraph 2.1.5.3.1). Put a scratch tape on tape drive #1 and the library tape on #2. A new subroutine is added to the library by the following commands:

```
STAR LDR3
In LDR3: RE B
        EO 8
        CO B08
        DU 908
        RE 8
        RE D
        DU 80D
        END
```

The tape on tape drive #1 should be saved as the current library tape.

### 6.2.6 Default Parameters

With the exception of file names, default values should be stored on the disk for all parameters to be input from the keyboard. The values are initialized by task IPL (Figure 6-5) which must be modified in the following manner:

1. Determine the next available operator number. In the parameter specification task this will be the index used in calls to GPL and SPL (see Paragraph 6.2.4, Part 1).
2. Change the DATA statement corresponding to the operator number to include the operator code and its default parameters in the format:

```
OPC  DP1,DP2,....,DPN,
```

NOTE: Several dummy data statements, indicated by the name "NON", are provided at the end of IPL for convenience in adding default parameters. Note also that the last default value must be followed by a comma.

3. Add task IPL to the system. The next time LOGIN is executed with a cold start option, the default parameters will be stored on the disk.

### 6.2.7 Help Messages

Help messages should be provided for all input parameters used in the parameter specification task. These messages are three-card (80 characters/card) definitions of each parameter. They must be punched and inserted in the data deck for task IHL. Their order in the deck determines the index used in the calls to the input routines in the parameter specification task (see paragraph 6.2.4, part C). After the new cards are inserted in the deck, start IHL from the teletype, with the printer on, and an up-to-date listing of all help messages will be produced.

IFL - INITIALIZE PARAMETER LISTS FOR IDAPS SYSTEM PAGE 0001

```

INTEGER(2) IPWF(60)
INTEGER(2) IPK(40,60)
DATA(IPAR(1,1),I=1,40)/ 'S-O A,A,C,E,A,64,64,8,0,8,2,
*
DATA(IPAR(1,2),I=1,40)/ 'S-T A,A,C,E,A,0,0,2047,2047,8,0,0,2,0,
*
DATA(IPAR(1,3),I=1,40)/ 'S-F A,A,C,E,A,0,0,2047,2047,8,0,0,0,A,
A,0,0,
DATA(IPAR(1,4),I=1,40)/ 'S-F A,A,C,E,A,0,0,0,0,3,0,8,32,32,
*
DATA(IPAR(1,5),I=1,40)/ 'SCA A,A,C,E,A,0,0,2047,2047,8,0,8,
*
DATA(IPAR(1,6),I=1,40)/ 'T-D 1,0,1,1,0,1,
*
DATA(IPAR(1,7),I=1,40)/ 'T-T 1,0,1,1,0,
*
DATA(IPAR(1,8),I=1,40)/ 'T-F 1,0,1,1,A,A,A,C,0,0,
*
DATA(IPAR(1,9),I=1,40)/ 'T-E 1,0,1,1,32,32,
*
DATA(IPAR(1,10),I=1,40)/ 'IMP 1,0,1,1,2042,2042,
*
DATA(IPAR(1,11),I=1,40)/ 'DIS 1,1,1,0,
*
DATA(IPAR(1,12),I=1,40)/ 'OUT 1,1,2,0,
*
DATA(IPAR(1,13),I=1,40)/ 'FIL 1,1,0,A,A,A,0,0,
*
DATA(IPAR(1,14),I=1,40)/ 'PRI 1,1,32,32,
*
DATA(IPAR(1,15),I=1,40)/ 'E-F B,8,0,
*
DATA(IPAR(1,16),I=1,40)/ 'BLT B,
*
DATA(IPAR(1,17),I=1,40)/ 'ISA 1,1,A,10,2,5,51,76,102,127,153,178,2
04,229,255,
DATA(IPAR(1,18),I=1,40)/ 'EJU A,1,0,1,1,1,
*

```



IFL - INITIALIZE PARAMETER LISTS FOR IDAPS SYSTEM PAGE 0003

```

DATA(IPAR(1,52),I=1,40)/ 'TGH A,A,0,0,0,A,0,0,0,1,0,0,A,128,A,5,
DATA(IPAR(1,53),I=1,40)/ 'FOM B,A,
*
DATA(IPAR(1,54),I=1,40)/ 'NON ,
*
DATA(IPAR(1,55),I=1,40)/ 'NON ,
*
DATA(IPAR(1,56),I=1,40)/ 'NON ,
*
DATA(IPAR(1,57),I=1,40)/ 'NON ,
*
DATA(IPAR(1,58),I=1,40)/ 'NON ,
*
DATA(IPAR(1,59),I=1,40)/ 'NON ,
*
DATA(IPAR(1,60),I=1,40)/ 'NON ,
*
R=50
DO 100 I=1,N
DO 200 J=1,40
IFOR(K)=IPARCK(I)
IFOR(K+40)=IPARCK(I)
200 CONTINUE
IFLAG=11
CALL DISK(1,IFOR,160,IFLAG)
100 CONTINUE
END

```

Figure 6-5 Parameter List Initialization

REPRODUCIBILITY OF THE ORIGINAL PAGE IS POOR

### 6.2.8 Default Data Tables

Any data table used by the operator must have default values stored on the disk. This is done by punching the values on 80 character cards in the format:

$$\text{NAM} = \text{Val1,Val2,Val3}, \dots, \text{ValN\$}$$

Floating point tables must have floating point values on the cards. They may be in E format, and the FORTRAN convention  $i*v$ , to indicate value  $v$  is to be repeated integer  $i$  times, is recognized. There is a maximum of 256 values per table. After the cards are inserted in the data deck, start IDT from the teletype.

In order to be able to use the data table editing features of IDAPS, the new table name should be entered in task DTEPS (see IDAPS TASKS listing). This is done by adding a call to LABEL to display the operator description, table name (the operator code is used by convention), and minimum and maximum number of values to be allowed in the table. When the change is in the deck, add DTEPS to the system.

APPENDIX

IBM-360 SYSTEM DEVELOPMENT TOOLS

1.0 CATALOGUED PROCEDURES

1.1 IDAPS

1.2 IDAPSI

1.3 IDAPSB

1.4 ASCLIDAP

1.5 FGCLIDAP

1.6 FHCLIDAP

1.7 USERMOD

2.0 UTILITY PROGRAMS

2.1 STRUCTURE BATCH PACKS

2.2 STRUCTURE INTERACTIVE PACKS

2.3 COMPRESS IDAPS.CONTROL LIBRARY

2.4 COMPRESS IDAPS.APPLIC LIBRARY

2.5 SCRATCH AND BUILD IDAPS.CONTROL LIBRARY

2.6 SCRATCH AND BUILD IDAPS.APPLIC LIBRARY

2.7 LIST DISK PACKS

2.8 LIST SOURCE LIBRARY

3.0 COMMON INITIALIZATION

3.1 BLOCK DATA

## 1.0. CATALOGUED PROCEDURES

## 1.1 IDAPS

```

//IDAPS      PROC BIN=USER
//LKED       EXEC PGM=IEWL,REGION=250K,PARM=(XREF,LET,LIST,OVLY)
//SYSLIB    DD DSN=SYS1.FORTLIB,DISP=SHR,UNIT=SYSDA
//          DD DSN=IDAPS.APPLIC,DISP=SHR
//          DD DSN=IDAPS.CONTRUL,DISP=SHR
//SYSLMOD   DD DSN=EGOSET(MAIN),UNIT=SYSDA,DISP=(NEW,PASS),
// SPACE=(1024,(30,10,1),RLSE)
//SYSPRINT  DD SYSOUT=A
//SYSUT1    DD DSN=&SYSUT1,UNIT=SYSDA,SPACE=(1024,(100,10),RLSE),
// DCB=BLKSIZE=1024
//SYSLIN    DD DSN=&BIN,DISP=SHR,UNIT=SYSDA,VOL=SER=SDC001
//          DD DDNAME=SYSIN
//GO        EXEC PGM=*.LKED.SYSLMOD,COND=(4,LT,LKED),REGION=250K
//FT05F001  DD DDNAME=SYSIN
//FT06F001  DD SYSOUT=A
//FT07F001  DD SYSOUT=B
//DISKF011  DD DSN=BT11,UNIT=SYSDA,DISP=(OLD,KEEP),VOL=SER=SDC001,
// SPACE=(512,(5120)),DCB=(DSORG=DA,BLKSIZE=512)
//DISKF012  DD DSN=BT12,UNIT=SYSDA,DISP=(OLD,KEEP),VOL=SER=SDC001,
// SPACE=(1024,(6144)),DCB=(DSORG=DA,BLKSIZE=1024)
//DISKF013  DD DSN=BT13,UNIT=SYSDA,DISP=(OLD,KEEP),VOL=SER=SDC001,
// SPACE=(2048,(24576)),DCB=(DSORG=DA,BLKSIZE=2048)
//DISKF014  DD DSN=BT14,UNIT=SYSDA,DISP=(OLD,KEEP),VOL=SER=SDC001,
// SPACE=(2048,(8192)),DCB=(DSORG=DA,BLKSIZE=2048)
//DISKF015  DD DSN=BT15,UNIT=SYSDA,DISP=(OLD,KEEP),VOL=SER=SDC001,
// SPACE=(2048,(2048)),DCB=(DSORG=DA,BLKSIZE=2048)
//DISKF021  DD DSN=BT21,UNIT=SYSDA,DISP=(OLD,KEEP),VOL=SER=SDC002,
// SPACE=(512,(5120)),DCB=(DSORG=DA,BLKSIZE=512)
//DISKF022  DD DSN=BT22,UNIT=SYSDA,DISP=(OLD,KEEP),VOL=SER=SDC002,
// SPACE=(1024,(6144)),DCB=(DSORG=DA,BLKSIZE=1024)
//DISKF023  DD DSN=BT23,UNIT=SYSDA,DISP=(OLD,KEEP),VOL=SER=SDC002,
// SPACE=(2048,(30720)),DCB=(DSORG=DA,BLKSIZE=2048)
//DISKF024  DD DSN=BT24,UNIT=SYSDA,DISP=(OLD,KEEP),VOL=SER=SDC002,
// SPACE=(2048,(8192)),DCB=(DSORG=DA,BLKSIZE=2048)
//DISKF025  DD DSN=BT25,UNIT=SYSDA,DISP=(OLD,KEEP),VOL=SER=SDC002,
// SPACE=(2048,(2048)),DCB=(DSORG=DA,BLKSIZE=2048)
//DISKF031  DD DSN=BT31,UNIT=SYSDA,DISP=(OLD,KEEP),VOL=SER=SDC003,
// SPACE=(512,(5120)),DCB=(DSORG=DA,BLKSIZE=512)
//DISKF032  DD DSN=BT32,UNIT=SYSDA,DISP=(OLD,KEEP),VOL=SER=SDC003,
// SPACE=(1024,(6144)),DCB=(DSORG=DA,BLKSIZE=1024)
//DISKF033  DD DSN=BT33,UNIT=SYSDA,DISP=(OLD,KEEP),VOL=SER=SDC003,
// SPACE=(2048,(30720)),DCB=(DSORG=DA,BLKSIZE=2048)
//DISKF034  DD DSN=BT34,UNIT=SYSDA,DISP=(OLD,KEEP),VOL=SER=SDC003,
// SPACE=(2048,(8192)),DCB=(DSORG=DA,BLKSIZE=2048)
//DISKF035  DD DSN=BT35,UNIT=SYSDA,DISP=(OLD,KEEP),VOL=SER=SDC003,
// SPACE=(2048,(2048)),DCB=(DSORG=DA,BLKSIZE=2048)
//SYSUDUMP  DD SYSOUT=A

```



## 1.2 IDAPSI

```

//IDAPSI   PROC BIN=USER
//FORT     EXEC PGM=IEYFORT,REGION=250K,PARM=LIST
//SYSPRINT DD SYSOUT=A
//SYSPUNCH DD SYSOUT=B
//SYSLIN   DD DSN=&LOADSET,UNIT=SYSDA,DISP=(MOD,PASS),
// SPACE=(80,(2000,100),RLSE),DCB=BLKSIZE=80
//LKED     EXEC PGM=IEWL,REGION=250K,PARM=(XREF,LET,LIST,OVLY),
// COND=(4,LT,FORT)
//SYSLIB   DD DSN=SYS1.FORTLIB,DISP=SHR,UNIT=SYSDA
//         DD DSN=IDAPS.APPLIC,DISP=SHR
//         DD DSN=IDAPS.CONTROL,DISP=SHR
//SYSLMOD  DD DSN=EGOSET(MAIN),UNIT=SYSDA,DISP=(NEW,PASS),
// SPACE=(1024,(30,10,1),RLSE)
//SYSPRINT DD SYSOUT=A
//SYSUT1   DD DSN=&SYSUT1,UNIT=SYSDA,SPACE=(1024,(100,10),RLSE),
// DCB=BLKSIZE=1024
//SYSLIN   DD DSN=&LOADSET,DISP=(OLD,DELETE)
//         DD DSN=&BIN,DISP=SHR,UNIT=SYSDA,VOL=SER=SDC001
//         DD DDNAME=SYSIN
//GO       EXEC PGM=*.LKED.SYSLMOD,COND=((4,LT,FORT),(4,LT,LKED)),
// REGION=250K
//FT05F001 DD DDNAME=SYSIN
//FT06F001 DD SYSOUT=A
//FT07F001 DD SYSOUT=B
//FT04F001   DD UNIT=SYSDA,DSN=&&LABL,DISP=(NEW,DELETE),
// SPACE=(80,(20,10)),DCB=(RECFM=F,BLKSIZE=80)
//DISKF011 DD DSN=IT11,UNIT=SYSDA,DISP=(OLD,KEEP),VOL=SER=SDC201,
// SPACE=(512,(5120)),DCB=(DSORG=DA,BLKSIZE=512)
//DISKF012 DD DSN=IT12,UNIT=SYSDA,DISP=(OLD,KEEP),VOL=SER=SDC201,
// SPACE=(1024,(6144)),DCB=(DSORG=DA,BLKSIZE=1024)
//DISKF013 DD DSN=IT13,UNIT=SYSDA,DISP=(OLD,KEEP),VOL=SER=SDC201,
// SPACE=(2048,(30720)),DCB=(DSORG=DA,BLKSIZE=2048)
//DISKF014 DD DSN=IT14,UNIT=SYSDA,DISP=(OLD,KEEP),VOL=SER=SDC201,
// SPACE=(2048,(8192)),DCB=(DSORG=DA,BLKSIZE=2048)
//DISKF015 DD DSN=IT15,UNIT=SYSDA,DISP=(OLD,KEEP),VOL=SER=SDC201,
// SPACE=(2048,(2048)),DCB=(DSORG=DA,BLKSIZE=2048)
//DISKF021 DD DSN=IT21,UNIT=SYSDA,DISP=(OLD,KEEP),VOL=SER=SDC202,
// SPACE=(512,(5120)),DCB=(DSORG=DA,BLKSIZE=512)
//DISKF022 DD DSN=IT22,UNIT=SYSDA,DISP=(OLD,KEEP),VOL=SER=SDC202,
// SPACE=(1024,(6144)),DCB=(DSORG=DA,BLKSIZE=1024)
//DISKF023 DD DSN=IT23,UNIT=SYSDA,DISP=(OLD,KEEP),VOL=SER=SDC202,
// SPACE=(2048,(30720)),DCB=(DSORG=DA,BLKSIZE=2048)
//DISKF024 DD DSN=IT24,UNIT=SYSDA,DISP=(OLD,KEEP),VOL=SER=SDC202,
// SPACE=(2048,(8192)),DCB=(DSORG=DA,BLKSIZE=2048)
//DISKF025 DD DSN=IT25,UNIT=SYSDA,DISP=(OLD,KEEP),VOL=SER=SDC202,
// SPACE=(2048,(2048)),DCB=(DSORG=DA,BLKSIZE=2048)
//DISKF031 DD DSN=IT31,UNIT=SYSDA,DISP=(OLD,KEEP),VOL=SER=SDC004,
// SPACE=(512,(5120)),DCB=(DSORG=DA,BLKSIZE=512)
//DISKF032 DD DSN=IT32,UNIT=SYSDA,DISP=(OLD,KEEP),VOL=SER=SDC004,
// SPACE=(1024,(6144)),DCB=(DSORG=DA,BLKSIZE=1024)
//DISKF033 DD DSN=IT33,UNIT=SYSDA,DISP=(OLD,KEEP),VOL=SER=SDC004,

```

31 July 1975

A-4

System Development Corporation  
TM-HU-039/000/00

```
// SPACE=(2048,(30720)),DCB=(DSORG=DA,BLKSIZE=2048)
//DISKF034 DD DSN=IT34,UNIT=SYSDA,DISP=(OLD,KEEP),VOL=SER=SDC004,
// SPACE=(2048,(8192)),DCB=(DSORG=DA,BLKSIZE=2048)
//DISKF035 DD DSN=IT35,UNIT=SYSDA,DISP=(OLD,KEEP),VOL=SER=SDC004,
// SPACE=(2048,(2048)),DCB=(DSORG=DA,BLKSIZE=2048)
//FRONT DD UNIT=360,DISP=OLD
//SYSSNAP DD SYSOUT=A
//SYSUDUMP DD SYSOUT=A
```

## 1.3 IDAPSB

```

//IDAPSB   PROC BIN=BAT1
//FORT     EXEC PGM=IEYF0RT,REGION=250K,PARM=L IST
//SYSPRINT DD SYSOUT=A
//SYSPUNCH DD SYSOUT=B
//SYSLIN   DD DSN=&LOADSET,UNIT=SYSDA,DISP=(MOD,PASS),
// SPACE=(80,(2000,100),RLSE),DCB=BLKSIZE=80
//LKED     EXEC PGM=IEWL,REGION=250K,PARM=(XREF,LET,LIST,OVLY),
// COND=(4,LT,FORT)
//SYSLIB   DD DSN=SYS1.FORTLIB,DISP=SHR,UNIT=SYSDA
//         DD DSN=IDAPS.APPLIC,DISP=SHR
//         DD DSN=IDAPS.CONTROL,DISP=SHR
//SYSLMOD  DD DSN=&G0SET(MAIN),UNIT=SYSDA,DISP=(NEW,PASS),
// SPACE=(1024,(30,10,1),RLSE)
//SYSPRINT DD SYSOUT=A
//SYSUT1   DD DSN=&SYSUT1,UNIT=SYSDA,SPACE=(1024,(100,10),RLSE),
// DCB=BLKSIZE=1024
//SYSLIN   DD DSN=&LOADSET,DISP=(OLD,DELETE)
//         DD DSN=&BIN,DISP=SHR,UNIT=SYSDA,VOL=SER=SDC001
//         DD DDNAME=SYSIN
//GO       EXEC PGM=*.LKED.SYSLMOD,COND=((4,LT,FORT),(4,LT,LKED)),
// REGION=250K
//FT05F001 DD DDNAME=SYSIN
//FT06F001 DD SYSOUT=A
//FT07F001 DD SYSOUT=B
//DISKF011 DD DSN=BT11,UNIT=SYSDA,DISP=(OLD,KEEP),VOL=SER=SDC001,
// SPACE=(512,(5120)),DCB=(DSORG=DA,BLKSIZE=512)
//DISKF012 DD DSN=BT12,UNIT=SYSDA,DISP=(OLD,KEEP),VOL=SER=SDC001,
// SPACE=(1024,(6144)),DCB=(DSORG=DA,BLKSIZE=1024)
//DISKF013 DD DSN=BT13,UNIT=SYSDA,DISP=(OLD,KEEP),VOL=SER=SDC001,
// SPACE=(2048,(24576)),DCB=(DSORG=DA,BLKSIZE=2048)
//DISKF014 DD DSN=BT14,UNIT=SYSDA,DISP=(OLD,KEEP),VOL=SER=SDC001,
// SPACE=(2048,(8192)),DCB=(DSORG=DA,BLKSIZE=2048)
//DISKF015 DD DSN=BT15,UNIT=SYSDA,DISP=(OLD,KEEP),VOL=SER=SDC001,
// SPACE=(2048,(2048)),DCB=(DSORG=DA,BLKSIZE=2048)
//DISKF021 DD DSN=BT21,UNIT=SYSDA,DISP=(OLD,KEEP),VOL=SER=SDC002,
// SPACE=(512,(5120)),DCB=(DSORG=DA,BLKSIZE=512)
//DISKF022 DD DSN=BT22,UNIT=SYSDA,DISP=(OLD,KEEP),VOL=SER=SDC002,
// SPACE=(1024,(6144)),DCB=(DSORG=DA,BLKSIZE=1024)
//DISKF023 DD DSN=BT23,UNIT=SYSDA,DISP=(OLD,KEEP),VOL=SER=SDC002,
// SPACE=(2048,(30720)),DCB=(DSORG=DA,BLKSIZE=2048)
//DISKF024 DD DSN=BT24,UNIT=SYSDA,DISP=(OLD,KEEP),VOL=SER=SDC002,
// SPACE=(2048,(8192)),DCB=(DSORG=DA,BLKSIZE=2048)
//DISKF025 DD DSN=BT25,UNIT=SYSDA,DISP=(OLD,KEEP),VOL=SER=SDC002,
// SPACE=(2048,(2048)),DCB=(DSORG=DA,BLKSIZE=2048)
//DISKF031 DD DSN=BT31,UNIT=SYSDA,DISP=(OLD,KEEP),VOL=SER=SDC003,
// SPACE=(512,(5120)),DCB=(DSORG=DA,BLKSIZE=512)
//DISKF032 DD DSN=BT32,UNIT=SYSDA,DISP=(OLD,KEEP),VOL=SER=SDC003,
// SPACE=(1024,(6144)),DCB=(DSORG=DA,BLKSIZE=1024)
//DISKF033 DD DSN=BT33,UNIT=SYSDA,DISP=(OLD,KEEP),VOL=SER=SDC003,
// SPACE=(2048,(30720)),DCB=(DSORG=DA,BLKSIZE=2048)
//DISKF034 DD DSN=BT34,UNIT=SYSDA,DISP=(OLD,KEEP),VOL=SER=SDC003,

```

31 July 1975

A-6

System Development Corporation  
TM-HU-039/000/00

```
// SPACE=(2048,(8192)),DCB=(DSORG=DA,BLKSIZE=2048)
//DISKF035 DD DSN=BT35,UNIT=SYSDA,DISP=(OLD,KEEP),VOL=SER=SDC003,
// SPACE=(2048,(2048)),DCB=(DSORG=DA,BLKSIZE=2048)
//SYSUDUMP DD SYSOUT=A
```

## 1.4 ASCLIDAP

```
//ASCLIDAP PROC PDSNAME=CONTROL
//ASM EXEC PGM=IEUASM,PARM=(LOAD,NODECK),REGION=50K
//SYSPRINT DD SYSOUT=A
//SYSPUNCH DD DUMMY
//SYSLIB DD DISP=SHR,DSN=SYS1.MACLIB
//SYSUT1 DD UNIT=SYSDA,DSN=&SYSUT1,SPACE=(1700,(400,50))
//SYSUT2 DD UNIT=SYSDA,DSN=&SYSUT2,SPACE=(1700,(400,50))
//SYSUT3 DD UNIT=SYSDA,DSN=&SYSUT3,SPACE=(1700,(400,50))
//SYSGO DD UNIT=SYSDA,DSN=&LOADSET,SPACE=(80,(200,50)),
// DISP=(MOD,PASS),DCB=BLKSIZE=80
//LKED EXEC PGM=IEWL,PARM=(XREF,LIST,NCAL),REGION=50K,
// COND=(8,LT,ASM)
//SYSPRINT DD SYSOUT=A
//SYSLIN DD DSNAME=&LOADSET,DISP=(OLD,DELETE)
// DD DDNAME=SYSIN
//SYSLMOD DD DISP=SHR,VOL=SER=SDCOO1,DSNAME=IDAPS.&PDSNAME(&MEMNAME),
// UNIT=SYSDA
//SYSUT1 DD DSNAME=&SYSUT1,UNIT=(SYSDA,SEP=(SYSLIN,SYSLMOD)),
// SPACE=(1024,(50,20))
```

REPRODUCIBILITY OF THE  
ORIGINAL PAGE IS POOR

## 1.5 FGCLIDAP

```
//FGCLIDAP      PRDC PDSNAME=APPLIC
//FORT         EXEC PGM=IEYFORT,REGION=100K,PARM=(LIST)
//SYSPRINT DD  SYSOUT=A
//SYSPUNCH DD  SYSOUT=B
//SYSLIN       DD  DSNNAME=&LOADSET,DISP=(MOD,PASS),UNIT=SYSDA,          X
//              SPACE=(80,(400,100),RLSE),DCB=BLKSIZE=80
//LKED         EXEC PGM=IEWL,REGION=96K,PARM=(XREF,LET,LIST),          X
//              COND=(4,LT,FORT)
//SYSPRINT DD  SYSOUT=A
//SYSLIB       DD  DSNNAME=SYS1.FORTLIB,DISP=SHR
//SYSLMOD      DD  DISP=SHR,VOL=SER=SDCO01,DSNNAME=IDAPS.&PDSNAME(&MEMNAME),
//              UNIT=SYSDA
//SYSUT1       DD  UNIT=SYSDA,SPACE=(1024,(100,10),RLSE),DCB=BLKSIZE=1024, X
//              DSNNAME=&SYSUT1
//SYSLIN       DD  DSNNAME=&LOADSET,DISP=(OLD,DELETE)
//              DD  DDNAME=SYSIN
```

## 1.6 FHCLIDAP

```
//FHCLIDAP      PROC PDSNAME=APPLIC
//FORT EXEC PGM=IEKAA00,REGION=250K,PARM='LIST,MAP,XREF,NOEDIT,OPT=2'
//SYSPRINT DD   SYSOUT=A
//SYSPUNCH DD   SYSOUT=B
//SYSLIN       DD   DSNAME=&LOADSET,DISP=(MOD,PASS),UNIT=SYSDA,           X
//              SPACE=(80,(400,100),RLSE),DCB=BLKSIZE=80
//SYSUT1 DD     SPACE=(CYL,2),UNIT=3330,DSNAME=&SYSUT1
//SYSUT2 DD     SPACE=(CYL,2),UNIT=3330,DSNAME=&SYSUT2
//LKED         EXEC PGM=IEWL,REGION=96K,PARM=(XREF,LET,LIST),           X
//              COND=(4,LT,FORT)
//SYSPRINT DD   SYSOUT=A
//SYSLIB       DD   DSNAME=SYS1.FORTLIB,DISP=SHR
//SYSLMOD      DD   DISP=SHR,VOL=SER=SDC001,DSNAME=IDAPS.&PDSNAME(&MEMNAME),
//              UNIT=SYSDA
//SYSUT1       DD   UNIT=SYSDA,SPACE=(1024,(100,10),RLSE),DCB=BLKSIZE=1024, X
//              DSNAME=&SYSUT1
//SYSLIN       DD   DSNAME=&LOADSET,DISP=(OLD,DELETE)
//              DD   DDNAME=SYSIN
```

## 1.7 USERMOD

```
//USERMOD PROC BIN=USER
//SCRATCH EXEC PGM=IEHPRGM
//SYSPRINT DD SYSOUT=A
//DD1 DD UNIT=3330,VOL=SER=NASA01,DISP=OLD
//DD2 DD UNIT=3330,VOL=SER=SDC001,DISP=OLD
//DD3 DD UNIT=3330,VOL=SER=SDC002,DISP=OLD
//FORT EXEC PGM=IEKAA00,REGION=250K,PARM='DECK,NOLIST,NOEDIT,OPT=2'
//SYSPRINT DD SYSOUT=A
//FORT.SYSPUNCH DD DSN=&BIN,UNIT=SYSDA,VOL=SER=SDC001,DISP=(NEW,KEEP),
// SPACE=(80,(200,100)),DCB=(RECFM=F,LRECL=80,BLKSIZE=80)
//SYSLIN DD DSNAME=ELOADSET,DISP=(MOD,PASS),UNIT=SYSDA,
// SPACE=(80,(400,100),RLSE),DCB=BLKSIZE=80
//SYSUT1 DD SPACE=(CYL,2),UNIT=3330,DSNAME=&SYSUT1
//SYSUT2 DD SPACE=(CYL,2),UNIT=3330,DSNAME=&SYSUT2
//OVERLAY EXEC PGM=IEBGENER
//SYSPRINT DD SYSOUT=A
//SYSIN DD DUMMY
//SYSUT2 DD VOL=REF=*.FORT.SYSPUNCH,DSN=&BIN,DISP=(MOD,PASS)
//SYSUT1 DD DDNAME=INPUT
```



2.0 UTILITY PROGRAMS  
-----

## 2.1 STRUCTURE INTERACTIVE PACKS

```
//SCRATCH EXEC PGM=IEHPRGDM
//SYSPRINT DD SYSOUT=A
//DD1 DD UNIT=3330,VOL=SER=NASA01,DISP=OLD
//DD2 DD UNIT=3330,VOL=SER=SDC201,DISP=OLD
//DD3 DD UNIT=3330,VOL=SER=SDC202,DISP=OLD
//DD4 DD UNIT=3330,VOL=SER=SDC004,DISP=OLD
//SYSIN DD *
    SCRATCH VOL=3330=SDC201,DSNAME=IT11
    SCRATCH VOL=3330=SDC201,DSNAME=IT12
    SCRATCH VOL=3330=SDC201,DSNAME=IT13
    SCRATCH VOL=3330=SDC201,DSNAME=IT14
    SCRATCH VOL=3330=SDC201,DSNAME=IT15
    SCRATCH VOL=3330=SDC202,DSNAME=IT21
    SCRATCH VOL=3330=SDC202,DSNAME=IT22
    SCRATCH VOL=3330=SDC202,DSNAME=IT23
    SCRATCH VOL=3330=SDC202,DSNAME=IT24
    SCRATCH VOL=3330=SDC202,DSNAME=IT25
    SCRATCH VOL=3330=SDC004,DSNAME=IT31
    SCRATCH VOL=3330=SDC004,DSNAME=IT32
    SCRATCH VOL=3330=SDC004,DSNAME=IT33
    SCRATCH VOL=3330=SDC004,DSNAME=IT34
    SCRATCH VOL=3330=SDC004,DSNAME=IT35
/*
//CONVRT EXEC FORTGCLG,REGION.GO=100K,TIME.GO=60
//FORT.SYSIN DD *
C      ROUTINE TO STRUCTURE DISK PACKS FOR DISKID PACKAGE
C      LEN(I) - LINE LENGTH FOR THE ITH FILE
C      INL(J) - NUMBER OF RECORDS IN THE JTH FILE
C---
C      DIRACC - THIS SUBROUTINE INITIALIZES THE DISK FILES
C---
    DIMENSION INL(5), IBUF(2048), LEN(5)
    DATA INL /5120,6144,30720,8192,2048/
    DATA IBUF /512*0/
    DATA LEN /512,1024,3*2048/
C      ROUTINE TO STRUCTURE DISK SPACE
    CALL DIRACC(IBUF,0,11,1,IERR)
    DO 30 J=1,5
    DO 20 I=1,3
    NL = INL(J)
    LU = I*10 + J
    IBUF(1) = LU
    CALL STIME(1)
    DO 10 K=1,NL
    KI = K-1
    IERR = 0
    CALL DIRACC(IBUF,KI,LU,0,IERR)
    IF(IERR .NE. 0) WRITE(6,40) IERR
```

```
10 CONTINUE
   CALL ETIME(TIME)
   WRITE(6,50) LU,K,TIME
50 FORMAT('0 DISK STRUCTURED FOR LU =',I3,' ', WITH ',16,
   A      ' RECORDS, TIME =',F10.4)
20 CONTINUE
30 CONTINUE
40 FORMAT('+',T50,'** ERROR **      ',Z8)
   STOP
   END

/*
//LKED.SYSLIB DD UNIT=SYSDA
//          DD DSN=IDAPS.CONTROL,DISP=SHR
//GO.DISKFO11 DD DSN=IT11,UNIT=SYSDA,DISP=(NEW,KEEP),VOL=SER=SDC201,
// SPACE=(512,(5120)),DCB=(DSORG=DA,BLKSIZE=512)
//GO.DISKFO12 DD DSN=IT12,UNIT=SYSDA,DISP=(NEW,KEEP),VOL=SER=SDC201,
// SPACE=(1024,(6144)),DCB=(DSORG=DA,BLKSIZE=1024)
//GO.DISKFO13 DD DSN=IT13,UNIT=SYSDA,DISP=(NEW,KEEP),VOL=SER=SDC201,
// SPACE=(2048,(30720)),DCB=(DSORG=DA,BLKSIZE=2048)
//GO.DISKFO14 DD DSN=IT14,UNIT=SYSDA,DISP=(NEW,KEEP),VOL=SER=SDC201,
// SPACE=(2048,(8192)),DCB=(DSORG=DA,BLKSIZE=2048)
//GO.DISKFO15 DD DSN=IT15,UNIT=SYSDA,DISP=(NEW,KEEP),VOL=SER=SDC201,
// SPACE=(2048,(2048)),DCB=(DSORG=DA,BLKSIZE=2048)
//GO.DISKFO21 DD DSN=IT21,UNIT=SYSDA,DISP=(NEW,KEEP),VOL=SER=SDC202,
// SPACE=(512,(5120)),DCB=(DSORG=DA,BLKSIZE=512)
//GO.DISKFO22 DD DSN=IT22,UNIT=SYSDA,DISP=(NEW,KEEP),VOL=SER=SDC202,
// SPACE=(1024,(6144)),DCB=(DSORG=DA,BLKSIZE=1024)
//GO.DISKFO23 DD DSN=IT23,UNIT=SYSDA,DISP=(NEW,KEEP),VOL=SER=SDC202,
// SPACE=(2048,(30720)),DCB=(DSORG=DA,BLKSIZE=2048)
//GO.DISKFO24 DD DSN=IT24,UNIT=SYSDA,DISP=(NEW,KEEP),VOL=SER=SDC202,
// SPACE=(2048,(8192)),DCB=(DSORG=DA,BLKSIZE=2048)
//GO.DISKFO25 DD DSN=IT25,UNIT=SYSDA,DISP=(NEW,KEEP),VOL=SER=SDC202,
// SPACE=(2048,(2048)),DCB=(DSORG=DA,BLKSIZE=2048)
//GO.DISKFO31 DD DSN=IT31,UNIT=SYSDA,DISP=(NEW,KEEP),VOL=SER=SDC004,
// SPACE=(512,(5120)),DCB=(DSORG=DA,BLKSIZE=512)
//GO.DISKFO32 DD DSN=IT32,UNIT=SYSDA,DISP=(NEW,KEEP),VOL=SER=SDC004,
// SPACE=(1024,(6144)),DCB=(DSORG=DA,BLKSIZE=1024)
//GO.DISKFO33 DD DSN=IT33,UNIT=SYSDA,DISP=(NEW,KEEP),VOL=SER=SDC004,
// SPACE=(2048,(30720)),DCB=(DSORG=DA,BLKSIZE=2048)
//GO.DISKFO34 DD DSN=IT34,UNIT=SYSDA,DISP=(NEW,KEEP),VOL=SER=SDC004,
// SPACE=(2048,(8192)),DCB=(DSORG=DA,BLKSIZE=2048)
//GO.DISKFO35 DD DSN=IT35,UNIT=SYSDA,DISP=(NEW,KEEP),VOL=SER=SDC004,
// SPACE=(2048,(2048)),DCB=(DSORG=DA,BLKSIZE=2048)
//GO.SYSABEND DD SYSOUT=A
/*
```

## 2.2 STRUCTURE BATCH PACKS

```

//SCRATCH EXEC PGM=IEHPRGM
//SYSPRINT DD SYSOUT=A
//DD1 DD UNIT=3330,VOL=SER=NASA01,DISP=OLD
//DD2 DD UNIT=3330,VOL=SER=SDC001,DISP=OLD
//DD3 DD UNIT=3330,VOL=SER=SDC002,DISP=OLD
//DD4 DD UNIT=3330,VOL=SER=SDC003,DISP=OLD
//SYSIN DD *
    SCRATCH VOL=3330=SDC001,DSNAME=BT11
    SCRATCH VOL=3330=SDC001,DSNAME=BT12
    SCRATCH VOL=3330=SDC001,DSNAME=BT13
    SCRATCH VOL=3330=SDC001,DSNAME=BT14
    SCRATCH VOL=3330=SDC001,DSNAME=BT15
    SCRATCH VOL=3330=SDC002,DSNAME=BT21
    SCRATCH VOL=3330=SDC002,DSNAME=BT22
    SCRATCH VOL=3330=SDC002,DSNAME=BT23
    SCRATCH VOL=3330=SDC002,DSNAME=BT24
    SCRATCH VOL=3330=SDC002,DSNAME=BT25
    SCRATCH VOL=3330=SDC003,DSNAME=BT31
    SCRATCH VOL=3330=SDC003,DSNAME=BT32
    SCRATCH VOL=3330=SDC003,DSNAME=BT33
    SCRATCH VOL=3330=SDC003,DSNAME=BT34
    SCRATCH VOL=3330=SDC003,DSNAME=BT35
/*
//CONVRT EXEC FORTGCLG,REGION.GD=100K,TIME.GD=60
//FORT.SYSIN DD *
C      ROUTINE TO STRUCTURE DISK PACKS FOR DISKID PACKAGE
C      LEN(I) - LINE LENGTH FOR THE ITH FILE
C      INL(J) - NUMBER OF RECORDS IN THE JTH FILE
C---
C      DIRACC - THIS SUBROUTINE INITIALIZES THE DISK FILES
C---
    DIMENSION INL(5), IBUF(2048), LEN(5)
    DATA INL /5120,6144,30720,8192,2048/
    DATA IBUF /512*0/
    DATA LEN /512,1024,3*2048/
C      ROUTINE TO STRUCTURE DISK SPACE
    CALL DIRACC(IBUF,0,11,1,IERR)
    DO 30 J=1,5
    DO 20 I=1,3
    NL = INL(J)
    LU = I*10 + J
    IF(LU .EQ 13) NL = 24576
    IBUF(1) = LU
    CALL STIME(1)
    DO 10 K=1,NL
    K1 = K-1
    IERR = 0
    CALL DIRACC(IBUF,K1,LU,0,IERR)
    IF(IERR .NE. 0) WRITE(6,40) IERR
10 CONTINUE
    CALL ETIME(TIME)

```

```

        WRITE(6,50) LU,K,TIME
50 FORMAT('O  DISK STRUCTURED FOR LU =',I3,' , WITH ',I6,
A         ' RECORDS, TIME =',F10.4)
20 CONTINUE
30 CONTINUE
40 FORMAT('+',T50,'** ERROR **      ',Z8)
        STOP
        END

/*
//LKED.SYSLIB DD UNIT=SYSDA
//          DD DSN=IDAPS.CONTROL,DISP=SHR
//GO.DISKFO11 DD DSN=BT11,UNIT=SYSDA,DISP=(NEW,KEEP),VOL=SER=SDC001,
// SPACE=(512,(5120)),DCB=(DSORG=DA,BLKSIZE=512)
//GO.DISKFO12 DD DSN=BT12,UNIT=SYSDA,DISP=(NEW,KEEP),VOL=SER=SDC001,
// SPACE=(1024,(6144)),DCB=(DSORG=DA,BLKSIZE=1024)
//GO.DISKFO13 DD DSN=BT13,UNIT=SYSDA,DISP=(NEW,KEEP),VOL=SER=SDC001,
// SPACE=(2048,(24576)),DCB=(DSORG=DA,BLKSIZE=2048)
//GO.DISKFO14 DD DSN=BT14,UNIT=SYSDA,DISP=(NEW,KEEP),VOL=SER=SDC001,
// SPACE=(2048,(8192)),DCB=(DSORG=DA,BLKSIZE=2048)
//GO.DISKFO15 DD DSN=BT15,UNIT=SYSDA,DISP=(NEW,KEEP),VOL=SER=SDC001,
// SPACE=(2048,(2048)),DCB=(DSORG=DA,BLKSIZE=2048)
//GO.DISKFO21 DD DSN=BT21,UNIT=SYSDA,DISP=(NEW,KEEP),VOL=SER=SDC002,
// SPACE=(512,(5120)),DCB=(DSORG=DA,BLKSIZE=512)
//GO.DISKFO22 DD DSN=BT22,UNIT=SYSDA,DISP=(NEW,KEEP),VOL=SER=SDC002,
// SPACE=(1024,(6144)),DCB=(DSORG=DA,BLKSIZE=1024)
//GO.DISKFO23 DD DSN=BT23,UNIT=SYSDA,DISP=(NEW,KEEP),VOL=SER=SDC002,
// SPACE=(2048,(30720)),DCB=(DSORG=DA,BLKSIZE=2048)
//GO.DISKFO24 DD DSN=BT24,UNIT=SYSDA,DISP=(NEW,KEEP),VOL=SER=SDC002,
// SPACE=(2048,(8192)),DCB=(DSORG=DA,BLKSIZE=2048)
//GO.DISKFO25 DD DSN=BT25,UNIT=SYSDA,DISP=(NEW,KEEP),VOL=SER=SDC002,
// SPACE=(2048,(2048)),DCB=(DSORG=DA,BLKSIZE=2048)
//GO.DISKFO31 DD DSN=BT31,UNIT=SYSDA,DISP=(NEW,KEEP),VOL=SER=SDC003,
// SPACE=(512,(5120)),DCB=(DSORG=DA,BLKSIZE=512)
//GO.DISKFO32 DD DSN=BT32,UNIT=SYSDA,DISP=(NEW,KEEP),VOL=SER=SDC003,
// SPACE=(1024,(6144)),DCB=(DSORG=DA,BLKSIZE=1024)
//GO.DISKFO33 DD DSN=BT33,UNIT=SYSDA,DISP=(NEW,KEEP),VOL=SER=SDC003,
// SPACE=(2048,(30720)),DCB=(DSORG=DA,BLKSIZE=2048)
//GO.DISKFO34 DD DSN=BT34,UNIT=SYSDA,DISP=(NEW,KEEP),VOL=SER=SDC003,
// SPACE=(2048,(8192)),DCB=(DSORG=DA,BLKSIZE=2048)
//GO.DISKFO35 DD DSN=BT35,UNIT=SYSDA,DISP=(NEW,KEEP),VOL=SER=SDC003,
// SPACE=(2048,(2048)),DCB=(DSORG=DA,BLKSIZE=2048)
//GO.SYSABEND DD SYSOUT=A
/*

```

REPRODUCIBILITY OF THE  
ORIGINAL PAGE IS POOR

31 July 1975

A-15

System Development Corporation  
TM-HU-039/000/00

### 2.3 COMPRESS IDAPS.CONTROL LIBRARY

```
//COMPRSCN EXEC PGM=IEBCOPY
//SYSPRINT DD SYSOUT=A
//LIBR DD DSN=IDAPS.CONTROL,UNIT=3330,VOL=SER=SDC001,DISP=(OLD,KEEP)
//SYSUT3 DD UNIT=3330,SPACE=(TRK,(1))
//SYSUT4 DD UNIT=3330,SPACE=(TRK,(1))
//SYSIN DD *
        COPY OUTDD=LIBR,INDD=LIBR
/*
```

31 July 1975

A-16

System Development Corporation  
TM-HU-039/000/00

#### 2.4 COMPRESS IDAPS.APPLIC LIBRARY

```
//COMPRSAP EXEC PGM=IEBCOPY
//SYSPRINT DD SYSOUT=A
//LIBR DD DSN=IDAPS.APPLIC,UNIT=3330,VOL=SER=SDC001,DISP=(OLD,KEEP)
//SYSUT3 DD UNIT=3330,SPACE=(TRK,(1))
//SYSUT4 DD UNIT=3330,SPACE=(TRK,(1))
//SYSIN DD *
        COPY OUTDD=LIBR,INDD=LIBR
/*
```

## 2.5 SCRATCH AND BUILD IDAPS.CONTROL LIBRARY

```
//SCRATCH EXEC PGM=IEHPRGM
//SYSPRINT DD SYSOUT=A
//DD1 DD UNIT=3330,VOL=SER=NASA01,DISP=OLD
//DD2 DD UNIT=3330,VOL=SER=SDC001,DISP=OLD
//SYSIN DD *
    SCRATCH VTDC,VOL=3330=SDC001,SYS
    SCRATCH DSNAME=IDAPS.CONTROL,VOL=3330=SDC001
    UNCATLG DSNAME=IDAPS.CONTROL
/*
//STEP1 EXEC FORTGCL,PARM.FORT=LIST,REGION.FORT=100K
//FORT.SYSLIN DD UNIT=SYSDA
//FORT.SYSIN DD *
    .
    .
    .
    (SUBROUTINE ALPIN FORTRAN SOURCE MODULE)
    .
    .
    .
/*
//LKED.SYSLIB DD UNIT=SYSDA
//LKED.SYSLMOD DD UNIT=SYSDA,VOL=SER=SDC001,DSN=IDAPS.CONTROL(ALP IN),
// DISP=(NEW,KEEP),SPACE=(CYL,(20,1,40))
/*
//CATLG EXEC PGM=IEHPRGM
//SYSPRINT DD SYSOUT=A
//DD1 DD UNIT=3330,VOL=SER=NASA01,DISP=OLD
//DD2 DD UNIT=3330,VOL=SER=SDC001,DISP=OLD
//SYSIN DD *
    CATLG DSNAME=IDAPS.CONTROL,VOL=3330=SDC001
/*
```

## 2.6 SCRATCH AND BUILD IDAPS.APPLIC LIBRARY

```
//SCRATCH EXEC PGM=IEHPRDGM
//SYSPRINT DD SYSOUT=A
//DD1 DD UNIT=3330,VOL=SER=NASA01,DISP=OLD
//DD2 DD UNIT=3330,VOL=SER=SDC001,DISP=OLD
//SYSIN DD *
        SCRATCH VTDC,VOL=3330=SDC001,SYS
        SCRATCH DSNAME=IDAPS.APPLIC,VOL=3330=SDC001
        UNCATLG DSNAME=IDAPS.APPLIC
/*
//STEP1 EXEC FORTGCL,PARM.FORT=LIST,REGION.FORT=100K
//FORT.SYSLIN DD UNIT=SYSDA
//FORT.SYSIN DD *
        .
        .
        .
        (SUBROUTINE ALTER FORTRAN SOURCE MODULE)
        .
        .
        .
/*
//LKED.SYSLIB DD UNIT=SYSDA
//LKED.SYSLMOD DD UNIT=SYSDA,VOL=SER=SDC001,DSN=IDAPS.APPLIC(ALTER),
// DISP=(NEW,KEEP),SPACE=(CYL,(20,1,40))
/*
//CATLG EXEC PGM=IEHPRDGM
//SYSPRINT DD SYSOUT=A
//DD1 DD UNIT=3330,VOL=SER=NASA01,DISP=OLD
//DD2 DD UNIT=3330,VOL=SER=SDC001,DISP=OLD
//SYSIN DD *
        CATLG DSNAME=IDAPS.APPLIC,VOL=3330=SDC001
/*
```



## 2.7 LIST DISK PACKS

```
//LISTCAT EXEC PGM=IEHLIST
//SYSPRINT DD SYSOUT=A
//DD2 DD UNIT=3330,VOL=SER=NASA01,DISP=OLD
//SYSIN DD *
    LISTCTLG VOL=3330=NASA01
/*
//LISTCT1 EXEC PGM=IEHLIST
//SYSPRINT DD SYSOUT=A
//DD2 DD UNIT=3330,VOL=SER=SDC001,DISP=OLD
//SYSIN DD *
    LISTCTLG VOL=3330=SDC001
    LISTVTDC FORMAT,VOL=3330=SDC001
/*
//LISTCT2 EXEC PGM=IEHLIST
//SYSPRINT DD SYSOUT=A
//DD2 DD UNIT=3330,VOL=SER=SDC002,DISP=OLD
//SYSIN DD *
    LISTCTLG VOL=3330=SDC002
    LISTVTDC FORMAT,VOL=3330=SDC002
/*
//LISTCT3 EXEC PGM=IEHLIST
//SYSPRINT DD SYSOUT=A
//DD2 DD UNIT=3330,VOL=SER=SDC201,DISP=OLD
//SYSIN DD *
    LISTCTLG VOL=3330=SDC201
    LISTVTDC FORMAT,VOL=3330=SDC201
/*
//LISTCT4 EXEC PGM=IEHLIST
//SYSPRINT DD SYSOUT=A
//DD2 DD UNIT=3330,VOL=SER=SDC202,DISP=OLD
//SYSIN DD *
    LISTCTLG VOL=3330=SDC202
    LISTVTDC FORMAT,VOL=3330=SDC202
/*
//LISTCT5 EXEC PGM=IEHLIST
//SYSPRINT DD SYSOUT=A
//DD2 DD UNIT=3330,VOL=SER=SDC003,DISP=OLD
//SYSIN DD *
    LISTCTLG VOL=3330=SDC003
    LISTVTDC FORMAT,VOL=3330=SDC003
/*
//LISTCT6 EXEC PGM=IEHLIST
//SYSPRINT DD SYSOUT=A
//DD2 DD UNIT=3330,VOL=SER=SDC004,DISP=OLD
//SYSIN DD *
    LISTCTLG VOL=3330=SDC004
    LISTVTDC FORMAT,VOL=3330=SDC004
/*
```

## 2.8 LIST LIBRARY

```
//LISTER EXEC FORTGCLG
//FORT.SYSIN DD *
```

```
C----
```

```
C      THIS PROGRAM LISTS A DECK OF SUBROUTINES.  IT TESTS FOR AN
C      END CARD AND THEN PAGE EJECTS.
```

```
C----
```

```
      DIMENSION N(20)
      INTEGER*2 IT3,IT4,LN(2)
      EQUIVALENCE (N(1),LN(1))
      DATA IT3,IT4 /2H//,2H*/
      DATA IT1,IT2 /4H EN,4HD /
      DATA IT5/4H END/
      DATA ITAPE,IPRI /4HTAPE,4HPRIN/
      IN = 5
      READ(5,5) INP,IOUT
      5  FORMAT(A4,4X,A4)
      IF(INP .EQ. ITAPE) IN = 3
      10 CONTINUE
      WRITE(6,12)
      12 FORMAT('1')
      DO 20 I=1,59
      READ(IN,14,END=100) N
      14 FORMAT(20A4)
      IF(LN(1) .EQ. IT3) GO TO 15
      IF(LN(1) .EQ. IT4) GO TO 15
      IF(IOUT .EQ. ITAPE) WRITE(4,18) N
      WRITE(6,16) N
      15 CONTINUE
      16 FORMAT(' ',20A4)
      18 FORMAT(20A4)
      IF(N(3) .EQ. IT5) GO TO 10
      IF(N(2) .NE. IT1) GO TO 20
      IF(N(3) .EQ. IT2) GO TO 10
      20 CONTINUE
      GO TO 10.
      100 CONTINUE
      STOP
      END
```

```
/*
```

```
//GO.SYSIN DD DATA,DLM=ZZ
CARD TO PRINT
```

```
      .
      .
      .
      (SOURCE DECK FOR LIBRARY TO BE LISTED)
      .
      .
      .
```

```
ZZ
```

3.0 COMMON INITIALIZATION  
-----

## 3.1 BLOCK DATA

## BLOCK DATA

C---

C SUBROUTINE BLOCK DATA

C---

C THIS ROUTINE INITIALIZES THE COMMON AREAS OF THE IDAPS  
C SYSTEM.

C---

COMMON /OPER/ IOP(3,100)  
DIMENSION KOP(3,50)  
EQUIVALENCE (IOP(1,51),KOP(1,1))

C---

C OPERATOR DIRECTORY

C NAME = IOP(1,NJP)

C NPAR = IOP(2,NOP)

C FILREQ = IOP(3,NOP) = UVWXYZ

C U = NJ. INPUT FILES

C V = NJ. OUTPUT FILES (PIXEL)

C W = NJ. OUTPUT FILES (FLOATING POINT)

C X = NJ. OUTPUT FILES (SECONDARY)

C Y = NJ. SCRATCH FILES (PIXEL)

C Z = NJ. SCRATCH FILES (FLOATING POINT)

C

C---

## DATA IOP

A	/4HSCA	,2,	010000,	4HINP	,4,	010000,	4HDIS	,6,	100000,
B	4HOUT	,4,	100000,	4HFIL	,5,	100000,	4HPRI	,4,	100000,
C	4HALT	,0,	110000,	4HISD	,5,	110000,	4HDIF	,6,	210201,
D	4HDEL	,0,	500000,	4HAUT	,8,	110000,	4HEXT	,4,	110000,
E	4HINS	,11,	210000,	4HIMA	,6,	010000,	4HLAB	,2,	110000,
F	4HINV	,0,	110000,	4HMAT	,2,	201000,	4HSTD	,6,	010000,
G	4HTRA	,5,	110000,	4HFRA	,9,	110000,	4HAVE	,0,	510000,
H	4HHDC	,5,	110000,	4HROT	,1,	110010,	4HLOG	,1,	000000,
I	4HREG	,8,	110010,	4HVR	,12,	210000,	4HSLR	,0,	010240,
J	4HFEA	,4,	110020,	4HSCD	,0,	0000000,	4HMAG	,1,	110010,
K	4HGEO	,6,	110010,	4HARE	,6,	200000,	4HBR	,2,	010000,
L	4HCON	,2,	301000,	4HSIM	,6,	200000,	4HDEP	,3,	101000,
M	4H	,0,	000000,	4HFFT	,4,	102303,	4HIFF	,1,	201303,
N	4HFOU	,2,	301303,	4HHAN	,3,	310000,	4HFGN	,13,	001000,
P	4HWIN	,1,	101000,	4HPSF	,3,	001000,	4H	,0,	0000000,
Q	4H	,0,	0000000,	4H	,0,	0000000/			

## DATA KOP

A	/4H	,0,	0000000,	4H	,0,	0000000,	4H	,0,	0000000,
B	4H	,0,	0000000,	4H	,0,	0000000,	4H	,0,	0000000,
C	4H	,0,	0000000,	4H	,0,	0000000,	4H	,0,	0000000,
D	4H	,0,	0000000,	4H	,0,	0000000,	4H	,0,	0000000,
E	4H	,0,	0000000,	4H	,0,	0000000,	4H	,0,	0000000,
F	4H	,0,	0000000,	4H	,0,	0000000,	4H	,0,	0000000,
G	4H	,0,	0000000,	4H	,0,	0000000,	4H	,0,	0000000,

```

H 4H ,0,0000000, 4H ,0,0000000, 4H ,0,0000000,
I 4H ,0,0000000, 4H ,0,0000000, 4H ,0,0000000,
J 4H ,0,0000000, 4H ,0,0000000, 4H ,0,0000000,
K 4H ,0,0000000, 4H ,0,0000000, 4H ,0,0000000,
L 4H ,0,0000000, 4H ,0,0000000, 4H ,0,0000000,
M 4H ,0,0000000, 4H ,0,0000000, 4H ,0,0000000,
N 4H ,0,0000000, 4H ,0,0000000, 4H ,0,0000000,
O 4H ,0,0000000, 4H ,0,0000000, 4H ,0,0000000,
P 4H ,0,0000000, 4H ,0,0000000, 4H ,0,0000000,
Q 4H ,0,0000000, 4H ,0,0000000/

```

C---

```

COMMON /FILEDR/ IFD(6,5), OFD(6,5), SFD(6,5)
COMMON /FILEPR/ FD(6,164), FCOUNT, PCDUNT, DCDUNT, FILNDX(100),
A INP(3), KDELX(9)
INTEGER FCOUNT, PCDUNT, DCDUNT, FILNDX
INTEGER FD
INTEGER SFD, OFD

```

C---

```

C FILE DIRECTORIES
C FD(FN,DF,NL,NC,RA,LU) - IMAGE FILE DIRECTORY -
C IFD(FN,DF,NL,NC,RA,LU) - INPUT FILE DIRECTORY -
C OFD(FN,DF,NL,NC,RA,LU) - OUTPUT FILE DIRECTORY -
C SFD(FN,DF,NL,NC,RA,LU) - SCRATCH FILE DIRECTORY -
C
C FN - FILE NAME
C DF - DATA FORMAT
C (1 - PIXEL, 2 - FLOATING POINT)
C NL - NUMBER OF RECORDS (LINES)
C NC - NUMBER OF PIXELS PER RECORD
C RA - RELATIVE ADDRESS OF LINE 1
C LU - LOGICAL UNIT NUMBER

```

C---

```

DATA IFD /30*0/
DATA OFD /12*0,4H1SEC,1,0,0,0,0,4H2SEC,1,0,0,0,0,
A 4H3SEC,1,0,0,0,0/
DATA FD /4H1SEC,1,0,0,0,0,4H2SEC,1,0,0,0,0,4H3SEC,1,0,0,0,0,
A 966*0/
DATA SFD /4H1SCR,4*0,14,4H2SCR,4*0,24,4H3SCR,4*0,34,12*0/

```

C---

```

C FILE PARAMETERS
C FCOUNT - FILE DIRECTORY INDEX
C PCDUNT - PIXEL FILE COUNTER
C DCDUNT - FLOATING POINT FILE COUNTER
C FILNDX - ARRAY OF FILE NAME PREFIXES
C INP - ALTERNATE PACK ARRAY
C KDELX - DELETED SPACE INDEX ARRAY

```

C---

```

DATA FILNDX /100*1/
DATA FCOUNT,PCDUNT,DCDUNT /4,1,1/
DATA INP /1,2,3/
DATA KDELX /9*0/

```

C---

```

COMMON /SPACE/ PSPACE(2,3,3), DSPACE(2,3,3,50)

```

```
      INTEGER PSPACE, DSPACE
C---
C      PRIMARY SPACE
C      PSPACE = (I, J, K)
C      DELETED SPACE
C      DSPACE = (I, J, K, L)
C      I = 1, NUMBER OF LINES AVAILABLE
C      = 2, RELATIVE BLOCK ADDRESS
C      J = 1, PACK NO. 1
C      = 2, PACK NO. 2
C      = 3, PACK NO. 3
C      K = 1, 512 BYTE LINE LENGTH
C      = 2, 1024 BYTE LINE LENGTH
C      = 3, 2048 BYTE LINE LENGTH
C      L = INDEX OF DELETED SPACE
C---
      DATA DSPACE /900*0/
      DATA PSPACE /5120,0,5120,0,5120,0,6144,0,6144,0,6144,0,
A      24576,0,30720,0,30720,0/
C---
      COMMON /BUF/ MESS, LL(512)
C---
C      INTERFACE MESSAGE BUFFER
C      MESS - 4-BYTE MESSAGE TYPE CODE
C      LL - 2048 BYTE BUFFER AREA
C---
C---
C      TIMER CONTROL
      COMMON /TIMER/ KTIME
C---
      COMMON /CDBUF/ NWORDS, CD(300)
C      COMPUTED DATA BUFFER
C      NWORDS - NUMBER OF VALUES IN BUFFER
C      CD - 1200-BYTE (300 VALUES) BUFFER AREA
      END
```

# BEST SELLERS



FROM NATIONAL TECHNICAL INFORMATION SERVICE

**An Inexpensive Economical Solar Heating System for Homes**  
N76-27671/PAT 59 p PC\$4.60/MF\$3.00

**Viking I: Early Results**  
N76-28296/PAT 76 p PC\$2.00/MF\$3.00

**Energy Fact Book 1976, Chapters 1 through 21**  
ADA-028 284/PAT 432 p PC\$11.75/MF\$3.00

**Security Analysis and Enhancements of Computer Operating Systems**  
PB-257 087/PAT 70 p PC\$4.50/MF\$3.00

**Evaluation of the Air-to-Air Heat Pump for Residential Space Conditioning**  
PB-255 652/PAT 293 p PC\$9.25/MF\$3.00

**Monitoring Groundwater Quality: Monitoring Methodology**  
PB-256 068/PAT 169 p PC\$6.75/MF\$3.00

**An Air Force Guide to Software Documentation Requirements**  
ADA-027 051/PAT 178 p PC\$7.50/MF\$3.00

**The Production of Oil from Intermountain West Tar Sands Deposits**  
PB-256 516/PAT 98 p PC\$5.00/MF\$3.00

**Analysis of Large Scale Non-Coal Underground Mining Methods**  
PB-234 555/PAT 581 p PC\$13.75/MF\$3.00

**Who's Who in the Interagency Energy/Environment R and D Program**  
PB-256 977/PAT 35 p PC\$4.00/MF\$3.00

**Local Area Personal Income, 1969-1974. Volume 2: Central and Northeastern States**  
PB-254 056/PAT 578 p PC\$13.75/MF\$3.00

**Feasibility of Considerably Expanded Use of Western Coal by Midwestern and Eastern Utilities in the Period 1978 and Beyond**  
PB-256 048/PAT 61 p PC\$4.50/MF\$3.00

**Availability of Potential Coal Supply Through 1985 by Quality Characteristics**  
PB-256 680/PAT 121 p PC\$5.50/MF\$3.00

**Flat-Plate Solar Collector Handbook: A Survey of Principles, Technical Data and Evaluation Results**  
UCID-17086/PAT 96 p PC\$5.00/MF\$3.00

## HOW TO ORDER

When you indicate the method of payment, please note if a purchase order is not accompanied by payment, you will be billed an additional \$5.00 *ship and bill* charge. And please include the card expiration date when using American Express.

Normal delivery time takes three to five weeks. It is vital that you order by number

or your order will be manually filled, insuring a delay. You can opt for *airmail delivery* for \$2.00 North American continent; \$3.00 outside North American continent charge per item. Just check the *Airmail Service* box. If you're really pressed for time, call the NTIS Rush Handling Service (703) 557-4700. For a \$10.00 charge per item, your order will be airmailed within 48 hours. Or, you can pick up your order in the Washington Information Center & Bookstore or at our Springfield Operations Center within 24 hours for a \$6.00 per item charge.

You may also place your order by telephone or if you have an NTIS Deposit Account or an American Express card order through TELEX. The order desk number is (703) 557-4650 and the TELEX number is 89-9405.

Thank you for your interest in NTIS. We appreciate your order.

### METHOD OF PAYMENT

- Charge my NTIS deposit account no. \_\_\_\_\_
- Purchase order no. \_\_\_\_\_
- Check enclosed for \$ \_\_\_\_\_
- Bill me. Add \$5.00 per order and sign below. (Not available outside North American continent.)
- Charge to my American Express Card account number

NAME \_\_\_\_\_

ADDRESS \_\_\_\_\_

CITY, STATE, ZIP \_\_\_\_\_

--	--	--	--	--	--	--	--	--	--	--	--	--	--	--	--	--	--	--	--

Card expiration date \_\_\_\_\_

Signature \_\_\_\_\_

- Airmail Services requested

Clip and mail to:



National Technical Information Service  
U.S. DEPARTMENT OF COMMERCE  
Springfield, Va. 22161  
(703) 557-4650 TELEX 89-9405

Item Number	Quantity		Unit Price*	Total Price
	Paper Copy (PC)	Microfiche (MF)		

All prices subject to change. The prices above are accurate as of 3/77.

Foreign Prices on Request.

Sub Total  
Additional Charge  
Enter Grand Total

A-24

EXTERNAL DISTRIBUTION

Mr. Douglas T. Thomas

(6)

EF33

George C. Marshall Space Flight Center  
National Aeronautics and Space Administration  
Marshall Space Flight Center, Alabama 35812

INTERNAL DISTRIBUTION

Huntsville

G. Cooper (6)  
Library (1)

Santa Monica

Document Distribution (1)



**System Development Corporation**  
**4810 Bradford Boulevard · Huntsville, Alabama 35805**