



3 1176 00135 0363

NASA CR-159066

NASA Contractor Report 159066

NASA-CR-159066

1981 0019291

MAIL LOG - PROGRAM SUMMARY AND SPECIFICATIONS

Danny K. Harris

VOUGHT CORPORATION
Hampton Technical Center
Hampton, Virginia 23666

NASA Contract NAS1-13500
May 1979

FOR EARLY DOMESTIC DISSEMINATION

~~Because of its significant early commercial potential, this information, which has been developed under a U.S. Government program, is being disseminated within the United States in advance of general publication. This information may be duplicated and used by the recipient with the express limitation that it not be published. Release of this information to other domestic parties by the recipient shall be made subject to these limitations.~~

LIBRARY COPY

~~Foreign release may be made only with prior NASA approval and appropriate export licenses. This legend shall be marked on any reproduction of this information in whole or in part.~~

MAY 1981

Date for general release May 1981

LANGLEY RESEARCH CENTER
HAMPTON, VIRGINIA



National Aeronautics and
Space Administration

Langley Research Center
Hampton, Virginia 23665



MAIL LOG
PROGRAM SUMMARY AND SPECIFICATIONS
NASA CONTRACTOR REPORT

DANNY K. HARRIS

May 1979

A summary of software specifications, generalized flowcharts, sample outputs, functional mode descriptions, and data base definition for computerization of an existing documentation control and filing system called Mail Log. Minimum requirements for this program consist of a 16 bit computer with a 64K dedicated memory, and accompanying peripherals for input, output, and storage.

N79-77061#



TABLE OF CONTENTS

	PAGE
PREFACE	
1.0 INTRODUCTION	1
2.0 DEFINITIONS	4
2.1 TERMS, ACRONYMS, AND ABBREVIATIONS	4
2.2 FLOWCHART CONVENTIONS	4
3.0 DATA BASE	6
3.1 CORRESPONDENCE DATA	6
3.2 DESIGN INFORMATION RELEASE AND REPORT DATA	6
3.3 DRAWING AND ENGINEERING ORDER DATA	6
4.0 PROGRAM REQUIREMENTS AND SPECIFICATIONS	8
5.0 SOFTWARE FUNCTIONAL DESCRIPTION	11
5.1 INPUT MODE	11
5.1.1 CORRESPONDENCE	11
5.1.2 DESIGN INFORMATION RELEASE/REPORT	12
5.1.3 DRAWING/ENGINEERING ORDER	12
5.2 REVISE MODE	14
5.2.1 CORRESPONDENCE	14
5.2.2 DESIGN INFORMATION RELEASE/REPORT	14
5.2.3 DRAWING/ENGINEERING ORDER	19
5.3 SEARCH MODE	20
5.3.1 CORRESPONDENCE	21
5.3.2 DESIGN INFORMATION RELEASE/REPORT	21
5.3.3 DRAWING/ENGINEERING ORDER	22

TABLE OF CONTENTS (Continued)

		PAGE
5.4	ARCHIVE MODE	30
5.4.1	CORRESPONDENCE	30
5.4.2	DESIGN INFORMATION RELEASE/REPORT	30
5.4.3	DRAWING/ENGINEERING ORDER	31
6.0	FLOWCHARTS	32
6.1	MAIL ENTRANCE	32
6.2	INPUT MODE	34
6.3	REVISE MODE	39
6.4	SEARCH MODE	43
6.5	ARCHIVE MODE	49
7.0	MAIL LOG OUTPUTS	54
7.1	CORRESPONDENCE - OUTPUT FORMATS	54
7.1.1	INPUT MODE FOR CORRESPONDENCE	54
7.1.2	SEARCH MODE FOR CORRESPONDENCE	62
7.2	DESIGN INFORMATION RELEASE/REPORT - OUTPUT FORMATS	87
7.2.1	SEARCH MODE FOR DIR	87
7.3	DRAWING/ENGINEERING ORDER - OUTPUT FORMATS	89
7.3.1	INPUT MODE FOR DRAWING/E.O.	89
7.3.2	SEARCH MODE FOR DRAWING/E.O.	91
	APPENDIX A	110

FIGURES

	PAGE	
1.1	SPADS MAIL LOG MODES OF OPERATION	2
1.2	SPADS MAIL LOG SUBFILED DATA BASE	3
5.1.1.1	CORRESPONDENCE RECORD DESCRIPTION	15
5.1.2.1	DIR/REPORT RECORD DESCRIPTION	16
5.1.3.1	DRAWING RECORD DESCRIPTION	17
5.1.3.2	ENGINEERING ORDER RECORD DESCRIPTION	18
5.3.1.1	CORRESPONDENCE SEARCHABLE DATA ITEMS	24
5.3.1.2	CORRESPONDENCE SEARCHES	25
5.3.2.1	DIR/REPORT SEARCHABLE DATA ITEMS	26
5.3.3.1	SEARCHABLE DRAWING DATA ITEMS	27
5.3.3.2	SEARCHABLE ENGINEERING ORDER DATA ITEMS	28
5.3.3.3	DRAWING/ENGINEERING ORDER SEARCHES	29
6.1	MAIL LOG MAIN ENTRANCE	33
6.2.1	INPUT MODE FOR MAIL CORRESPONDENCE	35
6.2.2	INPUT MODE FOR DESIGN INFORMATION RELEASE/REPORT	37
6.2.3	INPUT MODE FOR DRAWING/ENGINEERING ORDER	38
6.3.1	REVISE MODE FOR MAIL CORRESPONDENCE	40
6.3.2	REVISE MODE FOR DESIGN INFORMATION RELEASE/REPORT	41
6.3.3	REVISE MODE FOR DRAWING/ENGINEERING ORDER	42
6.4.1	SEARCH MODE FOR MAIL CORRESPONDENCE	44
6.4.2	SEARCH MODE FOR DESIGN INFORMATION RELEASE/REPORT	46
6.4.3	SEARCH MODE FOR DRAWING/ENGINEERING ORDER	47
6.5.1	ARCHIVE MODE FOR MAIL CORRESPONDENCE	50
6.5.2	ARCHIVE MODE FOR DESIGN INFORMATION RELEASE/REPORT	51
6.5.3	ARCHIVE MODE FOR DRAWING/ENGINEERING ORDER	52

FIGURES (Continued)

	PAGE	
7.1.1.1	CORRESPONDENCE INPUT: COMPLETE OUTPUT	55
7.1.1.2	CORRESPONDENCE INPUT: BRIEF OUTPUT	59
7.1.2.1	CORRESPONDENCE: PRINT ALL SEARCH: TERMINAL OUTPUT	63
7.1.2.2	CORRESPONDENCE: PRINT ALL SEARCH: PRINTER OUTPUT	64
7.1.2.3	CORRESPONDENCE: NASA RESPONSIBLE ENGINEER SEARCH: TERMINAL OUTPUT	65
7.1.2.4	CORRESPONDENCE: NASA RESPONSIBLE ENGINEER SEARCH: PRINTER OUTPUT	66
7.1.2.5	CORRESPONDENCE: WHO TO SEARCH: TERMINAL OUTPUT	67
7.1.2.6	CORRESPONDENCE: WHO TO SEARCH: PRINTER OUTPUT	68
7.1.2.7	CORRESPONDENCE: DOCUMENT DATE SEARCH: TERMINAL OUTPUT	69
7.1.2.8	CORRESPONDENCE: DOCUMENT DATE SEARCH: PRINTER OUTPUT	70
7.1.2.9	CORRESPONDENCE: CONTRACT NUMBER SEARCH: TERMINAL OUTPUT	71
7.1.2.10	CORRESPONDENCE: CONTRACT NUMBER SEARCH: PRINTER OUTPUT	72
7.1.2.11	CORRESPONDENCE: W.A. NUMBER/ID CODE SEARCH: TERMINAL OUTPUT	73
7.1.2.12	CORRESPONDENCE: W.A. NUMBER/ID CODE SEARCH: PRINTER OUTPUT	74
7.1.2.13	CORRESPONDENCE: AUTHOR/SOURCE SEARCH: TERMINAL OUTPUT	75
7.1.2.14	CORRESPONDENCE: AUTHOR/SOURCE SEARCH: PRINTER OUTPUT	76
7.1.2.15	CORRESPONDENCE: DOCUMENT/LETTER NUMBER SEARCH: TERMINAL OUTPUT	77
7.1.2.16	CORRESPONDENCE: DOCUMENT/LETTER NUMBER SEARCH: PRINTER OUTPUT	78

FIGURES (Continued)

	PAGE
7.1.2.17 CORRESPONDENCE: INPUT DATE SEARCH: TERMINAL OUTPUT	79
7.1.2.18 CORRESPONDENCE: INPUT DATE SEARCH: PRINTER OUTPUT	80
7.1.2.19 CORRESPONDENCE: SUBJECT SEARCH: TERMINAL OUTPUT	81
7.1.2.20 CORRESPONDENCE: SUBJECT SEARCH: PRINTER OUTPUT	82
7.1.2.21 CORRESPONDENCE: MAIL STATUS SEARCH: TERMINAL OUTPUT	83
7.1.2.22 CORRESPONDENCE: MAIL STATUS SEARCH: PRINTER OUTPUT	84
7.1.2.23 CORRESPONDENCE: ACTION DUE DATE SEARCH: TERMINAL OUTPUT	85
7.1.2.24 CORRESPONDENCE: ACTION DUE DATE SEARCH: PRINTER OUTPUT	86
7.2.1.1 DESIGN INFORMATION RELEASE/REPORT: TERMINAL AND PRINTER SEARCH OUTPUTS	88
7.3.1.1 DRAWING/ENGINEERING ORDER: E.O. INPUT: TERMINAL OUTPUT	90
7.3.2.1 DRAWING/ENGINEERING ORDER: DRAWING TERMINAL OUTPUT: DRAWING TITLE SEARCH: BRIEF OUTPUT	92
7.3.2.2 DRAWING/ENGINEERING ORDER: DRAWING TERMINAL OUTPUT: DRAWING TITLE SEARCH: COMPLETE OUTPUT	93
7.3.2.3 DRAWING/ENGINEERING ORDER: E.O. TERMINAL OUTPUT: PRINT ALL AND E.O. NUMBER SEARCHES	94
7.3.2.4 DRAWING/ENGINEERING ORDER: E.O. TERMINAL OUTPUT: VEHICLE SEARCH	95
7.3.2.5 DRAWING/ENGINEERING ORDER: DRAWING TITLE SEARCH: PRINTER OUTPUT BRIEF	96
7.3.2.6 DRAWING/ENGINEERING ORDER: DRAWING TITLE SEARCH: PRINTER OUTPUT COMPLETE	97

FIGURES (Continued)

	PAGE
7.3.2.7 DRAWING/ENGINEERING ORDER: DRAWING PRINT ALL SEARCH: PRINTER OUTPUT	98
7.3.2.8 DRAWING/ENGINEERING ORDER: ACTION DUE SEARCH: PRINTER OUTPUT	99
7.3.2.9 DRAWING/ENGINEERING ORDER: DRAWING NUMBER SEARCH: PRINTER OUTPUT	100
7.3.2.10 DRAWING/ENGINEERING ORDER: DRAWING DATE SEARCH: PRINTER OUTPUT	101
7.3.2.11 DRAWING/ENGINEERING ORDER: DRAWING SYSTEM SEARCH: PRINTER OUTPUT	102
7.3.2.12 DRAWING/ENGINEERING ORDER: DRAWING VEHICLE SEARCH: PRINTER OUTPUT	103
7.3.2.13 DRAWING/ENGINEERING ORDER: DRAWING SECTION SEARCH: PRINTER OUTPUT	104
7.3.2.14 DRAWING/ENGINEERING ORDER: DRAWING VENDOR CODE SEARCH: PRINTER OUTPUT	105
7.3.2.15 DRAWING/ENGINEERING ORDER: DRAWING E.O. NUMBER SEARCH: PRINTER OUTPUT	106
7.3.2.16 DRAWING/ENGINEERING ORDER: E.O. PRINT ALL SEARCH: PRINTER OUTPUT	107
7.3.2.17 DRAWING/ENGINEERING ORDER: E.O. NUMBER SEARCH: PRINTER OUTPUT	108
7.3.2.18 DRAWING/ENGINEERING ORDER: E.O. VEHICLE SEARCH: PRINTER OUTPUT	109

PREFACE

During the research development and operational phases of the Scout Project, large quantities of documentation are generated to describe analytical studies, and correspondence from mission definition through postflight analysis. These documents take the form of engineering reports, drawings, analyses, procedures, specifications, test results, and contractual reports.

Retrieval of these documents is based upon a Project Office assigned code number which denotes a file cabinet and approximate location within that cabinet. Therefore, knowledge of the filing system code number is necessary for retrieval.

The Scout Project Automatic Data System, SPADS, was developed as a single entry multiple cross-reference filing system. It was implemented to improve the overall management efficiency by:

- a) reducing the number of man hours required to retrieve data from the files
- b) providing for full data availability with quick retrieval during vehicle anomaly investigations
- c) answering inquiries from NASA Headquarters and outside agencies for information on a Scout vehicle
- d) helping alleviate a rapidly growing storage problem.

The MAIL LOG portion of this automated data system satisfies the above criteria. This program, with its multiple cross-reference capability, operates in conjunction with and amplification of the existing filing system.



1.0 INTRODUCTION

This document provides the summary and specifications to obtain the software package, MAIL LOG, developed for the Scout Project Automatic Data System, SPADS. The program is written in FORTRAN for the PRIME 300 computer system located in Building 1192-E at NASA, Langley Research Center, Hampton, Virginia. Further details of the Scout Project's computer configuration is given in Section 4.0.

The MAIL LOG program has four modes of operation as shown in Figure 1.1:

- 1) INPUT - putting new records into the data base
- 2) REVISE - changing or modifying existing records in the data base
- 3) SEARCH - finding special records existing in the data base
- 4) ARCHIVE - store or put away existing records in the data base.

The output includes special printouts of records in the data base and results from the INPUT and SEARCH modes.

Documentation of the MAIL LOG program consists of two other manuals:

- 1) Users Manual - 'MAIL LOG PROGRAM OPERATING INSTRUCTIONS'; CR
- 2) Programmers Manual - 'MAIL LOG PROGRAM THEORY'; CR

The MAIL LOG data base consists of three main subfiles (as shown in Figure 1.2):

- 1) Incoming and Outgoing Mail Correspondence
- 2) Design Information Releases (DIR) and Reports
- 3) Drawings and Engineering orders (E.O.)

SPADS
MAIL LOG
Modes of Operation

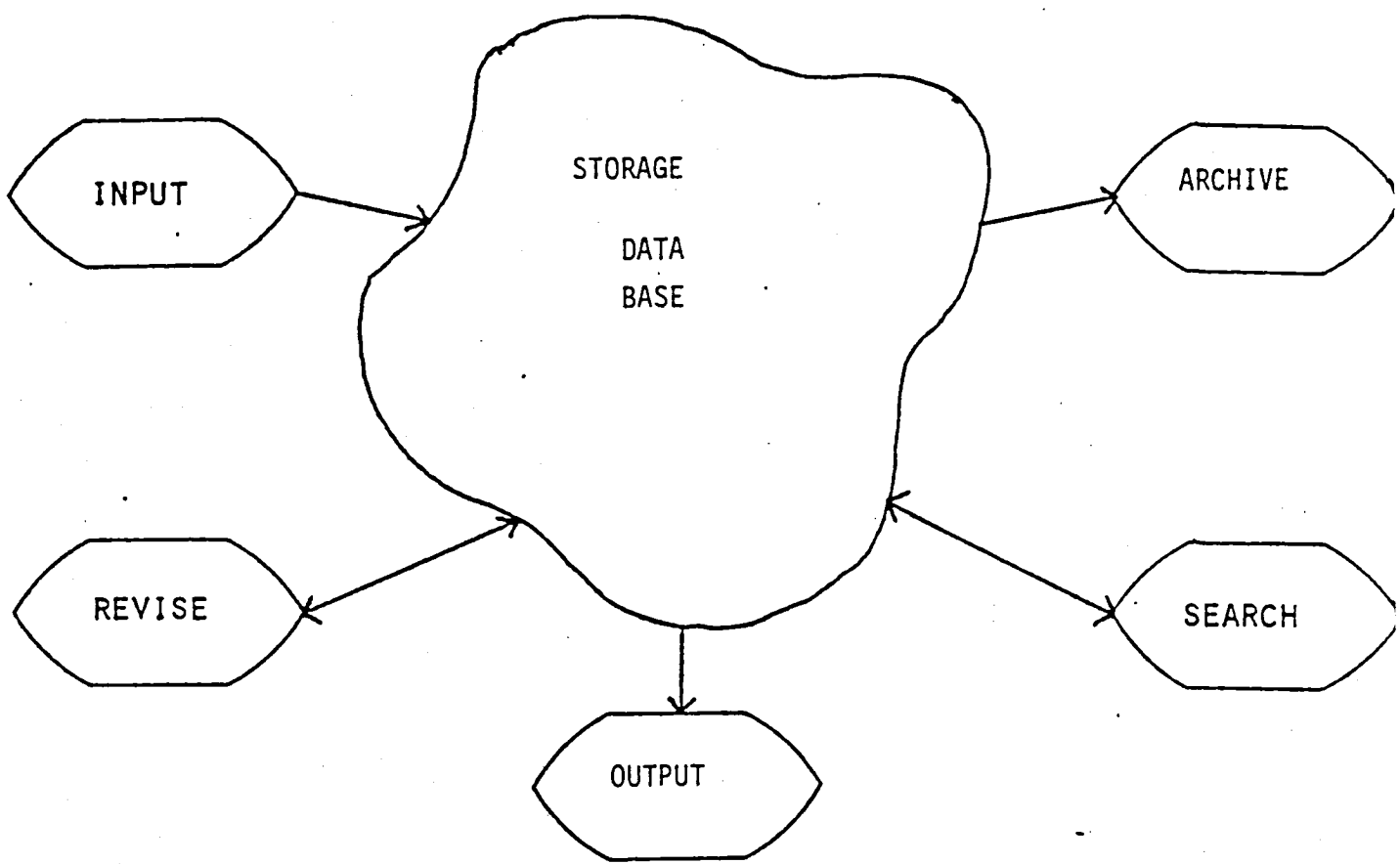


FIGURE 1.1

SPADS
MAIL LOG
Subfiled Data Base

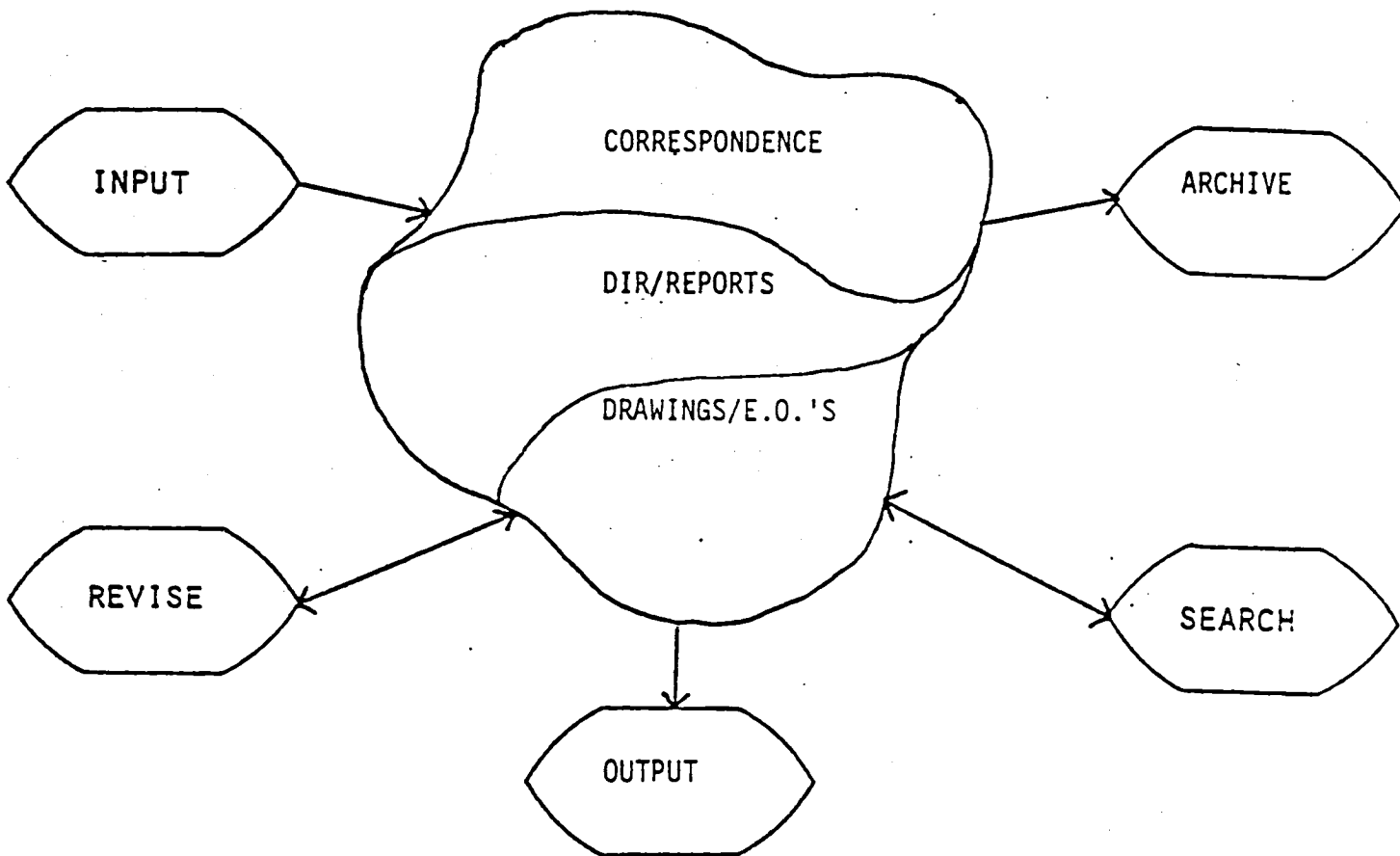


FIGURE 1.2

2.0 DEFINITIONS

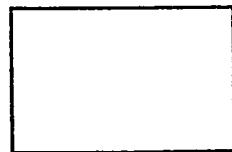
2.1 TERMS, ACRONYMS, AND ABBREVIATIONS

Terms, acronyms, and abbreviations used within these documents are defined in GLOSSARY OF TERMS, Appendix A.

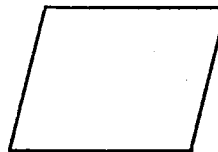
2.2 FLOWCHART CONVENTIONS

Flowcharting conventions for this manual consist of the following:

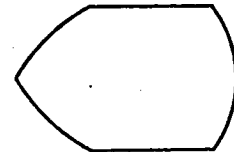
- (a) Standard IBM flowcharting symbols will be used for all diagrams.



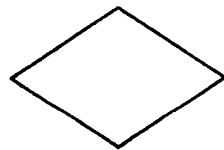
PROCESS



INPUT/OUTPUT



DISPLAY



DECISION

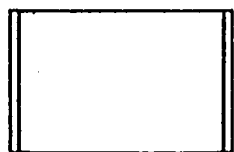


CONNECTOR

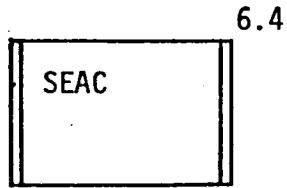


INTERRUPT

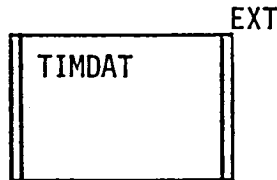
- (b) Logic always flows from top to bottom and from left to right on all pages.
- (c) All subroutines will be designated by a double sided procedure box.



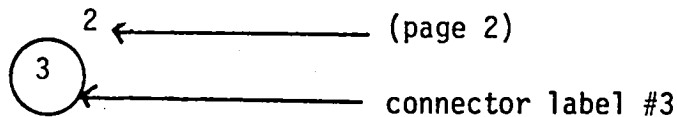
- (d) A figure number is utilized as the symbol identification for all subroutines within the set of flowcharts.



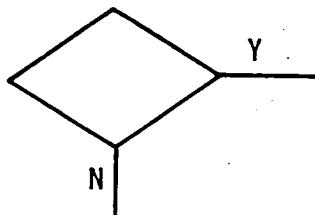
- (e) The abbreviation EXT. is utilized as the symbol identification for all predefined or system software routines external to the set of flowcharts.



- (f) Cross referencing connectors are accomplished at the outconnectors only. The page number to the upper right of the outconnector represents the page number of the flowchart where the associated inconnector is located.



- (g) Converging or branching connectors will be designated by a number. Continuation of in-line instructions will be designated with a letter.
- (h) All decisions will branch with the YES path to the right and the NO path down. Decision comments will be stated to the positive question; this is done even though the corresponding code is written to the negative.



- (i) Multiple decisions branching in sequence will be symbolized as one decision block commented SWITCH.

3.0 DATA BASE

The Mail Log Data Base is divided into three sections: Correspondence; Design Information Releases and other Engineering Reports; and information pertaining to Engineering Drawings used in the Scout Project.

3.1 CORRESPONDENCE DATA

The Mail Correspondence portion of the MAIL LOG data base is further subdivided into six (6) subfiles representing the six types of documents:

- TRANSMITTALS and SPECIFICATIONS
- MEMO's and LETTERS
- TWX's, MAGNAFAX's, and RAPIFAX's
- ANNOUNCEMENTS
- PURCHASE REQUESTS
- MISCELLANEOUS DOCUMENTS and REPORTS

There also exists a working stores file used for storage of special action due date items. This file provides fast and efficient access to data during the ACTION DUE DATE SEARCH, see Section 5.3.1, which is otherwise scattered throughout the six data subfiles listed above.

3.2 DESIGN INFORMATION RELEASE AND REPORTS DATA

The Design Information portion of the MAIL LOG data base consists of Design Information Releases (DIR's) and Reports.

3.3 DRAWINGS AND ENGINEERING ORDERS DATA

The Drawing portion of the Mail Log data base is further subdivided into three (3) subfiles:

- DRAWING
- SHEET
- ENGINEERING ORDERS (E.O.'s)

The DRAWING subfile contains all sheet one (1) information pertaining to a specific drawing. If the drawing has more than one sheet, additional information pertaining to each following sheet is contained in the SHEET subfile. Therefore, the DRAWING and SHEET subfiles together form all drawing data contained within the data base. The E.O. subfile contains pertinent information related to all Engineering Orders.

4.0 PROGRAM REQUIREMENTS AND SPECIFICATIONS

The purpose of this section is to provide a summary of program requirements, description of system specifications, and data base experience collected during operational use.

4.1 PROGRAM REQUIREMENTS

The Scout Office, SPO, is typical of many business offices in which correspondence, reports, and other documentation flow continuously between suppliers, customers, and government agencies. These documents must be filed such that they may be easily accessible for future reference. Many filing techniques are available, both manual and automated. The perferability of each is dependent upon a function of the number of documents and the amount of storage space available. To assist in the dissemination of information, most offices maintain an abbreviated list of documents as they flow through the file room. In the SPO this list is a chronological table, mail log, specifying the author, addressee, subject, date, and file code for each document.

The first requirement of the software package, MAIL LOG, described herein is to computerize the existing mail log process without increasing the workload of the current file room personnel. The second requirement is to decrease the time required to retrieve information from a central file. Thirdly, to establish a standard data base which is independent of personnel turnover by integrating mini-computer technology with generalized office operation. The fourth requirement of the program is to facilitate ease in software modification and management by using modular construction. This flexibility would allow changes in input and output formats to occur without affecting the data management and storage sections of the program. In addition, names and organization of input data is to be carefully selected for consistency with general office terminology to permit application to offices other than SPO.

The MAIL LOG program is required to generate a variety of sorted lists for incoming and outgoing mail, along with corresponding action due

reports. This process is to be accomplished without manual operator sorting, thus reducing the number of times a document is handled. All requirements are directed to satisfy the primary goal of improving overall efficiency within normal office operations.

4.2 SYSTEM SPECIFICATIONS

The software package is written in FORTRAN IV for execution on a PRIME 300 mini-computer. This 16 bit computer has a 64 K word virtual memory and a 256 K work physical memory. Peripherals of the SPO system include a single 60 megabyte moving head disk for data storage, a high speed line printer, and a 9 track tape deck for daily back-up and physical archiving of data files. To complete this computer configuration, three CRT terminals are available for user interaction on a time-sharing basis. The MAIL LOG program could function on a similar configuration with a minimum of 64K dedicated memory and a single terminal.

4.3 DATA BASE EXPERIENCE

Records are kept on the growth rate of all subfiles to assist in defining future hardware and data base management requirements. The following results were found based upon the first nine (9) months of operational user interaction:

- a) Correspondence subfiles: These subfiles contain the steadiest growth rate with an average of 18 documents per day. Fluctuations from 10 to 70 documents per day have been noted.
- b) Design Information Release and Report subfiles: These subfiles underwent an early growth rate of 20 records per day due to entry of all past reports on file. However, with a total of approximately 5500 records now on disk storage, the rate of entry is less than one per day.
- c) Drawings and Engineering Orders: These subfiles now contain approximately 6500 records and virtually no growth. All records

are entered once every four to six months from magnetic tape sent from an outside source.

Relative to a dedicated 60 megabyte disk and linear extrapolation of the current growth rate, full storage capacity of the disk would be reached in approximately four (4) years. This time period takes into account both system and program overhead, and no physical archiving. However, in the case of the SPO, this time period is cut approximately in half due to other SPADS programs and their associated file growths.

To facilitate a short term solution to this growth rate, the MAIL LOG program provides a means by which to archive outdated and other unused data files. This process consists of building a temporary archive file on disk which is copied to magnetic tape. The disk data file is then deleted to permit new data entries. A long range solution to the growth rate problem described above would be replacing the present disk with a larger (300 megabyte) disk, or expand to a multiple disk configuration.

Records are also kept on the search time as a function of subfile size. Through the first six (6) months of user operation, the Mail Log was delivering a record within the acceptable time frame of fifteen (15) seconds. However, as each subfile began to exceed the 2500 record range, the subfile search time increased significantly. The time frame now fluctuates between twelve seconds and two minutes. Typical time for all searches in all combinations is approximately one minute, thirteen seconds. Variations on retrieval time occur because of several factors: number of users on line, type of search being performed, number of subfiles open for search, system or execution, and the size of the data base being searched. The latter being the primary factor.

5.0 SOFTWARE FUNCTIONAL DESCRIPTION

The purpose of this section is to provide a functional description and special terminal interaction the user must perform in order to use the four modes of operation: INPUT; REVISE; SEARCH; and ARCHIVE. Outputs resulting from these modes will be discussed in Section 7.0.

5.1 INPUT MODE

The user must have clearance to execute within the INPUT MODE; otherwise, an invalid user message will be displayed at the terminal as follows:

SORRY, YOU ARE NOT VALIDATED TO USE THIS MODE. IF IT IS NECESSARY, PLEASE CONTACT SYSTEM OPERATOR AT EXT. 2621.

5.1.1 CORRESPONDENCE

The Correspondence data record for each document consists of up to sixteen data items as shown in Figure 5.1.1.1. Following each complete document entry, all items are displayed on the terminal to be checked for errors at this time. After a document record has been declared correct, the specific subfile must be designated in which this document is to be stored. If all documents can not be entered in one input session, the user has a WAIT option which allows the daily input to be continued at a later time. This continuation is declared upon re-entering the INPUT mode. If the WAIT option is taken by mistake and there are no other documents to be entered, recovery is accomplished by declaring this is NOT a continuation upon re-entry into the INPUT mode. When this has been done the user now has three (3) options from which to choose:

- a) Start a New Entry (NEW)
- b) Spool Last Output Again (LAST)
- c) Spool New Data Entered (DATA)

Option (c) DATA will spool to the high speed printer a sorted output of all documents entered for that daily input session.

When a daily input session is complete, this output is normally spooled to the printer in two formats: a complete record output and a brief or partial record output. If a computer or printer malfunction occurs during this output, another copy may be obtained by re-entering the INPUT MODE as previously described and selecting option (b) LAST. For a sample of the complete and brief outputs see Section 7.1.1. Flowchart Figure 6.2.1 depicts the INPUT MODE of the Correspondence subfile.

5.1.2 DESIGN INFORMATION RELEASE/REPORT

The DIR/REPORT data record for each document consists of up to nine data items. See Figure 5.1.2.1. The first item entered is the DIR/REPORT Number. The file is then checked for a previous entry containing this number. If the number is found, the user has the option to enter the REVISE MODE. Normally, changes are required only to two data items: (8) Revision and (9) Revision Date. Following each completed document entry, all items are displayed on the terminal. Flowchart Figure 6.2.2 depicts the INPUT MODE of the DIR/REPORT subfile.

5.1.3 DRAWING/ENGINEERING ORDER

The DRAWING subfile data record consists of eleven data items. If the drawing contains more than one sheet, an additional sheet record consisting of five data items is kept for each sheet in the SHEET subfile. See Figure 5.1.3.1. The ENGINEERING ORDER subfile data record consists of six data items. See Figure 5.1.3.2. The main body of data for these two subfiles are sent from Dallas rather than manually input. Unfortunately, vehicle system and section and engineering order titles are not available in the original Dallas Data Base. However, these fields may be entered in manually input drawings and E.O.'s.

The Input mode has two optional operations:

- (1) E.O. - input of new engineering orders
- (2) Drawings and E.O.'s - input of new drawings along with their referenced E.O.'s.

During option number 2, entry of referenced E.O.'s, option number 1 is automatically performed if the E.O.'s are new to the data base.

Entry of new engineering orders may result in one of three terminal messages if the drawing sheet already has three, four, or more E.O.'s referenced. See section 7.3.1 for more information concerning this output. Flowchart Figure 6.2.3 depicts the INPUT MODE of the DRAWING/E.O. subfile.

5.2 REVISE MODE

The user must have clearance to execute within the REVISE mode; otherwise, an invalid user message will be displayed at the terminal as follows:

```
SORRY, YOU ARE NOT VALIDATED TO USE THIS MODE.  
IF IT IS NECESSARY, PLEASE CONTACT SYSTEM OPERATOR  
AT EXT. 2621.
```

This restriction is deemed necessary because the REVISE mode allows a user to revise any part or all of the document items. In addition, the user also has the capability of deleting the entire document record from its specific data base subfile.

5.2.1 CORRESPONDENCE

To revise or delete a document, the input data and daily counter code is needed as the unique identifier for its location. Additional time can be saved if the user also knows in which of the six (6) correspondence data subfiles the document is stored. When the desired document record is found, it will be displayed on the terminal for verification. If not the correct record, search for the document will continue. After the revision has been made the document record is again displayed on the terminal for user reassurance that the revision has been made.

The REVISE MODE also can give the user manual revise or delete capability for documents in the Action Due file. Flowchart Figure 6.3.1 depicts the REVISE MODE of the Correspondence subfile.

5.2.2 DESIGN INFORMATION RELEASE/REPORT

The only information needed in order to revise or delete a DIR or Report is the DIR or REPORT Number. Note that the REVISE MODE may be entered in two ways: a direct REVISE command or thru an INPUT MODE option. If a DIR or Report is entered and found already to be in the file, the user may change to the REVISE MODE for modification of old data items.

CORRESPONDENCE
RECORD DESCRIPTION

ITEM NO.	DATA ITEM	ITEM FORMAT
(1)	MAIL STATUS	2 characters
(2)	AUTHOR/SOURCE	28 characters
(3)	DOCUMENT DATE	6 characters - MMDDYY
(4)	TO/ADDRESSEE	32 characters
(5)	DOCUMENT LETTER NUMBER	18 characters
(6)	SUBJECT	10 characters/words - 7 words
(7)	ROUTINE	3 characters - 6 entries
(8)	INPUT DATE	6 characters - MMDDYY
(9)	DAILY COUNTER	4 characters
(10)	WA NUMBER/ID CODE	8 characters
(11)	CONTRACT NUMBER	20 characters
(12)	ACTION DUE DATE	6 characters - MMDDYY
(13)	REFERENCED DOCUMENTS	18 characters - 6 entries
(14)	FILE SYSTEM CODE	10 characters - 2 entries
(15)	RESPONSIBLE ENGINEER	4 characters
(16)	* DESCRIPTION	10 characters/word - 7 words -30 entries

* ONLY USED IN TRANSMITTAL SUBFILE

FIGURE 5.1.1.1

DIR/REPORT
RECORD DESCRIPTION

ITEM NO	DATA ITEM	ITEM FORMAT
(1)	TITLE	10 characters/words - 7 words
(2)	DIR/REPORT NUMBER	14 characters
(3)	DATE	6 characters - MMDDYY
(4)	SYSTEM	4 characters - 3 entries
(5)	VEHICLE	4 characters - 2 entries
(6)	W.A. NUMBER/ID CODE	8 characters
(7)	* CONTRACT NUMBER	20 characters
(8)	REVISION	2 characters
(9)	REVISION DATE	6 characters - MMDDYY

* NOT STORED IN DATA BASE SUBFILE
CONTAINED IN WA/CONTRACT TABLE

FIGURE 5.1.2.1

DRAWING RECORD DESCRIPTION

ITEM NO	DATA ITEM	ITEM FORMAT
(1)	TITLE	10 characters/word - 7 words
(2)	DRAWING NUMBER	14 characters
	* VENDOR CODE	3 characters
(3)	DATE	6 characters - MMDDYY
(4)	** SYSTEM	4 characters - 3 entries
(5)	VEHICLE	4 characters - 2 entries
(6)	** SECTION	12 characters
(7)	NUMBER OF SHEETS	2 characters
(8)	SHEET NUMBER	2 characters
(8)	SHEET REVISION	2 characters
(9)	NUMBER OF E.O.'s	2 characters
(9)	E.O.'s REFERENCED	8 characters - 10 entries

SHEET SUBFILE

DRAWING NUMBER	14 characters
SHEET NUMBER	2 characters - 2 entries
REVISION	2 characters
NUMBER OF E.O.'s	2 characters
E.O.'s REFERENCED	8 characters - 10 entries

* CONTAINED WITHIN DRAWING NUMBER
 ** NOT CONTAINED IN DALLAS-DATA

FIGURE 5.1.3.1

ENGINEERING ORDER RECORD DESCRIPTION

ITEM NO.	DATA ITEM	ITEM FORMAT
(1)	* E.O. TITLE	10 characters/word - 7 words
(2)	E.O. NUMBER	8 characters
(3)	E.O. REVISION	2 characters
(4)	E.O. DATE	6 characters - MMDDYY
(5)	E.O. REVISION DATE	6 characters - MMDDYY
(6)	VEHICLE	4 characters - 2 entries

* NOT PRESENT IN DALLAS DATA

FIGURE 5.1.3.2

Otherwise, when the desired document record is found, it will be displayed on the terminal for verification. If it is not the correct record, search for the document will continue. After the revision has been made, the document record is again displayed on the terminal for user reassurance that the revision has been made. Flowchart Figure 6.3.2 depicts the REVISE MODE of the DIR/REPORT subfile.

5.2.3 DRAWING/ENGINEERING ORDER

The only information necessary in order to revise or delete a drawing or engineering order is the drawing number or E.O. number. When the desired record is found, it will be displayed on the terminal for verification. If it is not the correct record, search for the desired record will continue. After the revision has been made the entire record is again displayed on the terminal for user reassurance that the revision has been made.

The REVISE MODE may change the revision of a sheet. During this modification, all engineering orders referenced by that drawing sheet are automatically deleted. The REVISE MODE may also be used as an Input operation by adding a new sheet(s) to any existing drawing.

Flowchart Figure 6.3.3 depicts the REVISE MODE of the DRAWING/E.O. subfile.

5.3 SEARCH MODE

The SEARCH MODE is designed to find data records sharing some common characteristic of specific data item entry. For example, a search within the Mail Correspondence subfile may find all memo's and letters authored by R.J. Keynton during the months of November and December.

If more than 24 lines of data information are found during a search, it will be observed that data will disappear from the top of the screen. The user may temporarily stop terminal display by depressing the space bar. To restart the terminal display the 'Q' key is depressed. In case the user terminal does not possess a back scrolling capability and the display is not halted in time, the user may obtain a hardcopy of data information found at the end of the interactive session in SEARCH MODE.

5.3.1 CORRESPONDENCE

Of the sixteen (16) possible data items within a document record, eleven (11) are searchable. The resulting outputs from these searches vary from five (5) to eight (8) data items. See Figure 5.3.1.1. All searches except for the Action Due Date search have a multiple subfile selection capability in which any single or combination of the six subfiles may be used. The Action Due Date search automatically searches all six subfiles. There is a specialized ALL search which outputs all documents in a specified subfile or combination of subfiles. However, it is not recommended that the general user call for the search ALL option.

The searches may also be assigned for a particular time frame. If no time frame is selected, the first valid date becomes the earliest date in the data base and the last valid date defaults to 12-31-99. Of course, the Action Due Date, Document date, and Input Date searches do not use the time framing capability. However, the Document and Input Date searches can retrieve entire month's or an entire year's worth of data by entering 00. For example, entering 110078 would result in finding all the documents within the data base in the eleventh month, November, for the year 1978. Likewise, an entry of 000078 would retrieve all documents for the year 1978. See Figure 5.3.1.2.

Flowchart Figure 6.4.1 depicts the SEARCH MODE of the Correspondence subfile.

5.3.2 DESIGN INFORMATION RELEASE/REPORT

Of the nine (9) possible data items within a DIR/REPORT record, all but one, REVISION, are searchable. It should also be noted that the Revision Date is searched during a Date search. This allows the Date search to check only the most recent date associated with a document. See Figure 5.3.2.1. The Date search has the capability of retrieving an entire month's or year's worth of data by entering 00 for the day or month. For example, entering 110078 would result in finding all the documents within the data base in the eleventh month, November, for the year 1978. Likewise, an entry of 000078 would retrieve all documents for the year 1978.

There is a specialized ALL search which outputs all documents in the DIR/REPORT subfile. This ALL search has an optional output along with the normal output consisting of the entire nine item record. This optional output only displays the number of documents found on the terminal and automatically spools to the high speed printer the DIR number and Revision.

The Vehicle search also has a special quality. A group of vehicles may be found by using the first and last valid vehicle options. For example, if a user declares the first valid vehicle as 198 and is searching for vehicle number 200, not only would all documents containing vehicle 200 be found, but also those with numbers 198S, 199S, and 200S; where S represents all subsequent vehicles. Default for the first valid vehicle number is zero (0) whereas, the last valid vehicle number becomes 999.

Flowchart Figure 6.4.2 depicts the SEARCH MODE of the DIR/REPORT subfile.

5.3.3 DRAWING/ENGINEERING ORDER

Of the eleven (11) data items within the Drawing subfile, nine (9) are searchable. The resulting outputs from these searches always consists of six (6) data items. See Figure 5.3.3.1. The Engineering Order subfile consists of six (6) item records, of which only two are searchable. The resulting outputs from these two searches consists of up to all six (6) data items. It should be noted that Revision Date is output in place of the E.O. Date when an E.O. has a revision. This allows only the most recent date to be displayed. See Figure 5.3.3.2.

Due to the data base source for drawings coming from Dallas and manual input, three searches have limited capability: System, Section, and Date. The System and Section searches are only usable for those drawings which are manually input. However, some Dallas drawing data will contain this information within the title. Therefore, a title search can be used if either the system or section searches are found unsuccessful. The Date search is also limited in that all Dallas drawing data will have the same date. This date represents the latest information update received from Dallas. Nevertheless, the Date search has the capability of retrieving an entire

month's or year's worth of data by entering 00 for the day or month. For example, entering 110078 would result in finding all drawings within the data base in the eleventh month, November, for the year 1978. Likewise an entry of 000078 would retrieve all documents for the year 1978.

There are two specialized searches: Revision Action Due and Print All. Revision Action Due search finds all drawings containing sheets which reference five or more engineering orders. The Print All search has two options: (1) Output all drawings and their referenced E.O.'s or (2) Output all engineering orders in the data base.

The Vehicle search also has some special qualities. First, the user may search for all drawings related to a certain vehicle, or search for all engineering orders related to a certain vehicle. Secondly, a group of vehicles may be found by using the first and last valid vehicle options. For example, if a user declares the first valid vehicle as 198 and is searching for vehicle number 200. Not only would all records containing vehicle 200 be found, but also those with numbers 198S, 199S, and 200S; where S represents all subsequent vehicles. Default for the first valid vehicle number is zero (0); whereas, the last valid vehicle number becomes 999.

Another search also has the drawing and engineering order options. This is the E.O. number search. The user may search the Engineering Order subfile for a specific E.O. number or search the Drawing subfile for all drawings referencing a specific E.O. number. For an outline of all search capabilities see Figure 5.3.3.3.

Flowchart Figure 6.4.3 depicts the SEARCH MODE of the DRAWING/E.O. subfile.

CORRESPONDENCE
SEARCHABLE DATA ITEMS

	<u>SEARCHABLE</u>	<u>OUTPUT</u>
MAIL STATUS	*	
AUTHOR/SOURCE	*	
DOCUMENT DATE	*	
TO /ADDRESSEE	*	
DOCUMENT LETTER NUMBER	*	*
SUBJECT	*	*
ROUTING		
INPUT DATE	*	*
DAILY COUNTER		*
W.A. NUMBER/ID CODE	*	
CONTRACT NUMBER	*	
ACTION DUE DATE	*	**
REFERENCED DOCUMENTS		***
FILE SYSTEM CODE		*
RESPONSIBLE ENGINEER	*	**
*** DESCRIPTION		

- * OUTPUT IN ALL SEARCHES
- ** ONLY OUTPUT DURING AN ACTION DUE SEARCH
- *** OUTPUT IN ALL BUT AN ACTION DUE OR ALL SEARCH
- **** ONLY USED IN TRANSMITTAL SUBFILE

FIGURE 5.3.1.1

CORRESPONDENCE
SEARCHES

<u>PARAMETER</u>	<u>SUBFILE SELECTION</u>	<u>TIME FRAME</u>
MAIL STATUS	ANY 6	ANY
AUTHOR	ANY 6	ANY
DOCUMENT DATE	ANY 6	DAY/MONTH/YEAR
TO	ANY 6	ANY
DOCUMENT LETTER NUMBER	ANY 6	ANY
SUBJECT	ANY 6	ANY
INPUT DATE	ANY 6	DAY/MONTH/YEAR
W.A. NUMBER/ID CODE	ANY 6	ANY
CONTRACT NUMBER	ANY 6	ANY
ACTION DUE	ALL 6	NONE
RESPONSIBLE ENGINEER	ANY 6	ANY
ALL	ANY 6	ANY

FIGURE 5.3.1.2

DIR/REPORT
SEARCHABLE DATA ITEMS

	<u>SEARCHABLE</u>	<u>OUTPUT</u>
TITLE	*	*
DIR/REPORT NUMBER	*	*
DATE	*	*
SYSTEM	*	*
VEHICLE	*	*
W.A. NUMBER/ID CODE	*	*
*** CONTRACT NUMBER	*	*
REVISION		*
REVISION DATE	**	*

** INCLUDED WITHIN THE DATE SEARCH
*** NOT STORED IN DATA BASE SUBFILE
CONTAINED IN W.A./CONTRACT TABLE

FIGURE 5.3.2.1

SEARCHABLE DRAWING DATA ITEMS

<u>DRAWING SUBFILE</u>	<u>SEARCHABLE</u>	<u>OUTPUT</u>
DRAWING NUMBER	*	*
VENDOR CODE	*	
TITLE	*	*
DATE	*	*
SYSTEM	*	
VEHICLE	*	
SECTION	*	
NUMBER OF SHEETS		
SHEET NUMBER		*
SHEET REVISION		*
NUMBER OF E.O.'s	**	
E.O.'s REFERENCED	*	*
<u>SHEET SUBFILE</u>		
DRAWING NUMBER		
SHEET NUMBER		*
REVISION		*
NUMBER OF E.O.'s		
E.O.'S REFERENCED		*

** NUMBER OF E.O.'s CHECKED WHEN PERFORMING A REVISION ACTION DUE SEARCH

FIGURE 5.3.3.1

SEARCHABLE ENGINEERING ORDER DATA ITEMS

	<u>SEARCHABLE</u>	<u>OUTPUT</u>
E.O. NUMBER	*	*
E.O. TITLE		*
E.O. REVISION		*
E.O. DATE		*
E.O. REVISION DATE		*
VEHICLE	*	**

** NOT OUTPUT DURING A VEHICLE SEARCH

FIGURE 5.3.3.2

DRAWING/ENGINEERING ORDER SEARCHES

<u>PARAMETER</u>	<u>SPECIAL NOTATION</u>
DRAWING NUMBER	
DATE	DALLAS DATA ALL ONE DATE
SYSTEM	NOT APPLICABLE WITH DALLAS
SECTION	NOT APPLICABLE WITH DALLAS
VEHICLE	TWO OPTIONS: E.O.'s OR DRAWINGS
VENDOR CODE	
TITLE	**
REVISION ACTION DUE	FIVE (5) OR MORE E.O.'s
ALL	TWO OPTIONS: E.O.'s OR DRAWINGS
E.O. NUMBER	TWO OPTIONS: E.O.'s OR DRAWINGS

** DALLAS DATA TITLES SOMETIMES
CONTAIN SYSTEM AND/OR SECTION

FIGURE 5.3.3.3

5.4 ARCHIVE

The user must be validated to execute in the ARCHIVE mode. If not properly logged in, an invalid user message will be displayed on the terminal as follows:

```
SORRY, YOU ARE NOT VALIDATED TO USE THIS MODE.  
IF IT IS NECESSARY, PLEASE CONTACT SYSTEM OPERATOR AT EXT. 2621.
```

When the document or data record has been archived, the user is automatically returned to the program mode selection level as shown in Section 4.2 (Program Entry).

5.4.1 CORRESPONDENCE

To archive a document not only is the input date and daily counter code needed, but also the specific data subfile in which it is located. After these requirements have been satisfied, a pause of 15 to 50 seconds occurs for the system to update all files involved.

All archived document records are placed in a file called INACTS, except for those records stored in the TRANSMITTAL data subfile. These records are archived to a file called INACTL, because of their extra data item, DESCRIPTION. Flowchart Figure 6.5.1 depicts the ARCHIVE MODE of the Correspondence subfile.

5.4.2 DESIGN INFORMATION RELEASE/REPORT

The necessary information needed in order to archive a DIR or Report is the DIR number. The user may also designate how many documents to be archived at one session. The file in which all archived records are placed is called INACT. Flowchart Figure 6.5.2 depicts the ARCHIVE MODE of the DIR/REPORT subfile.

5.4.3 DRAWING/ENGINEERING ORDER

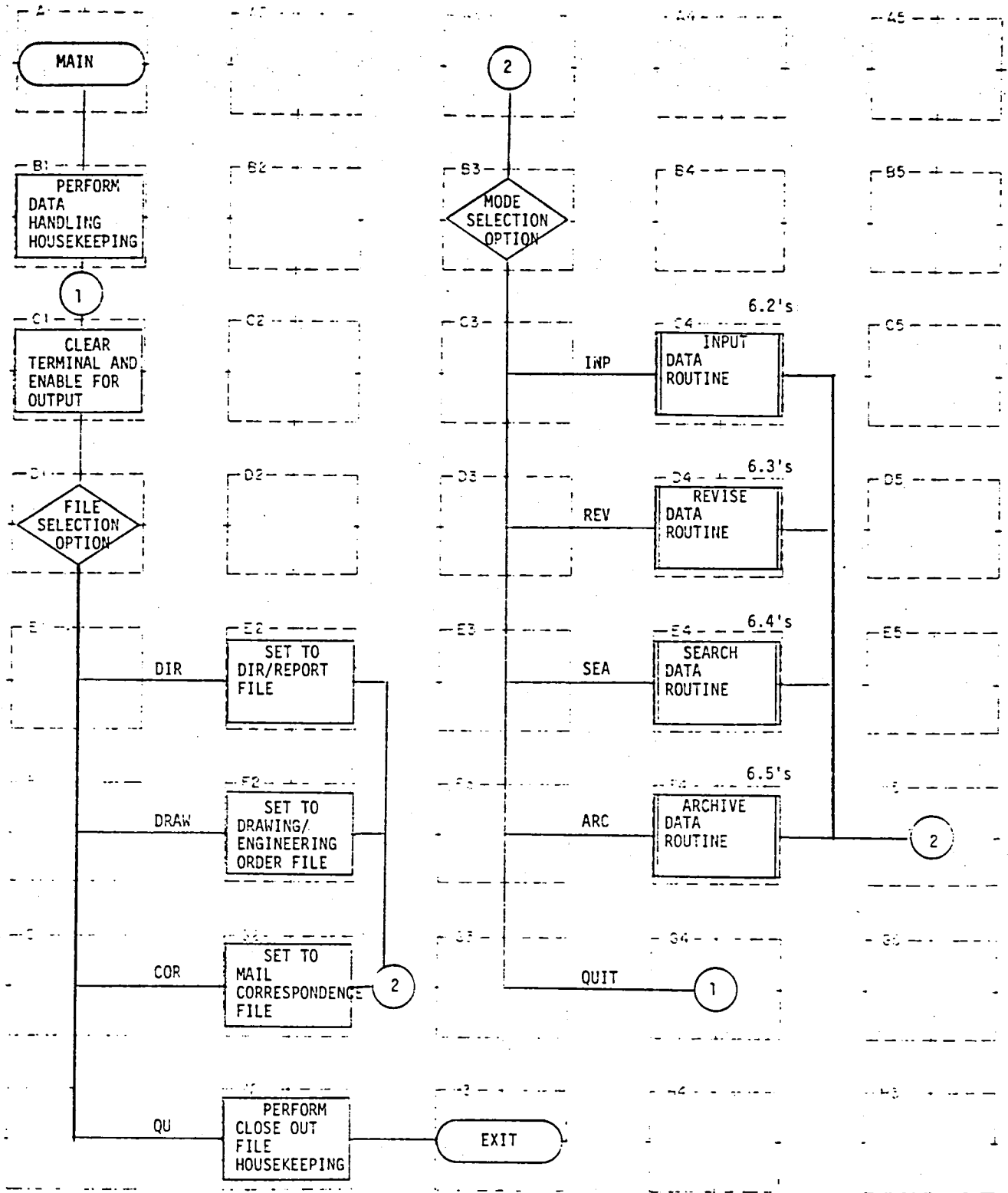
The only information needed in order to archive a drawing is the Drawing number. The user may designate how many drawings are to be archived at one session. Actual drawing data archived is placed in a file called INACTD. If the drawing contains more than one sheet, the SHEET subfile is automatically updated. Sheet drawing data is stored in a file called INACTS.

Engineering order data records are automatically archived. E.O.'s unreferenced by any drawings are placed in a file called INACTE. Flowchart Figure 6.5.3 depicts the ARCHIVE MODE of the DRAWING/E.O. subfile.

6.0 FLOWCHARTS

6.1 MAIL ENTRANCE

Figure 6.1 depicts the general logic flow during the main executive routine for the MAIL LOG program.



MAIL LOG MAIN ENTRANCE

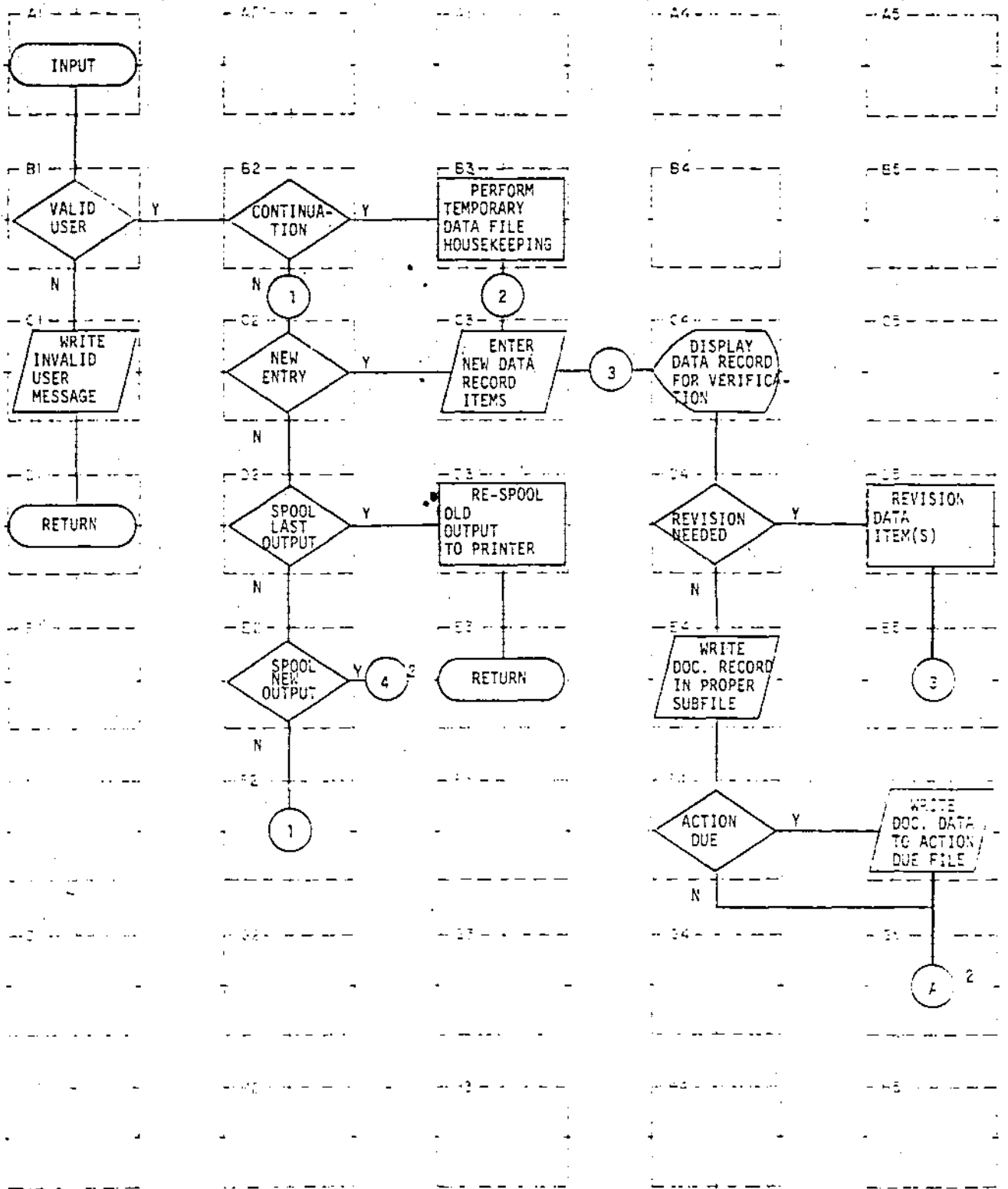
6.2 INPUT MODE

Figures in this section depict generalized logic flow during the INPUT MODE of operation for the MAIL LOG program.

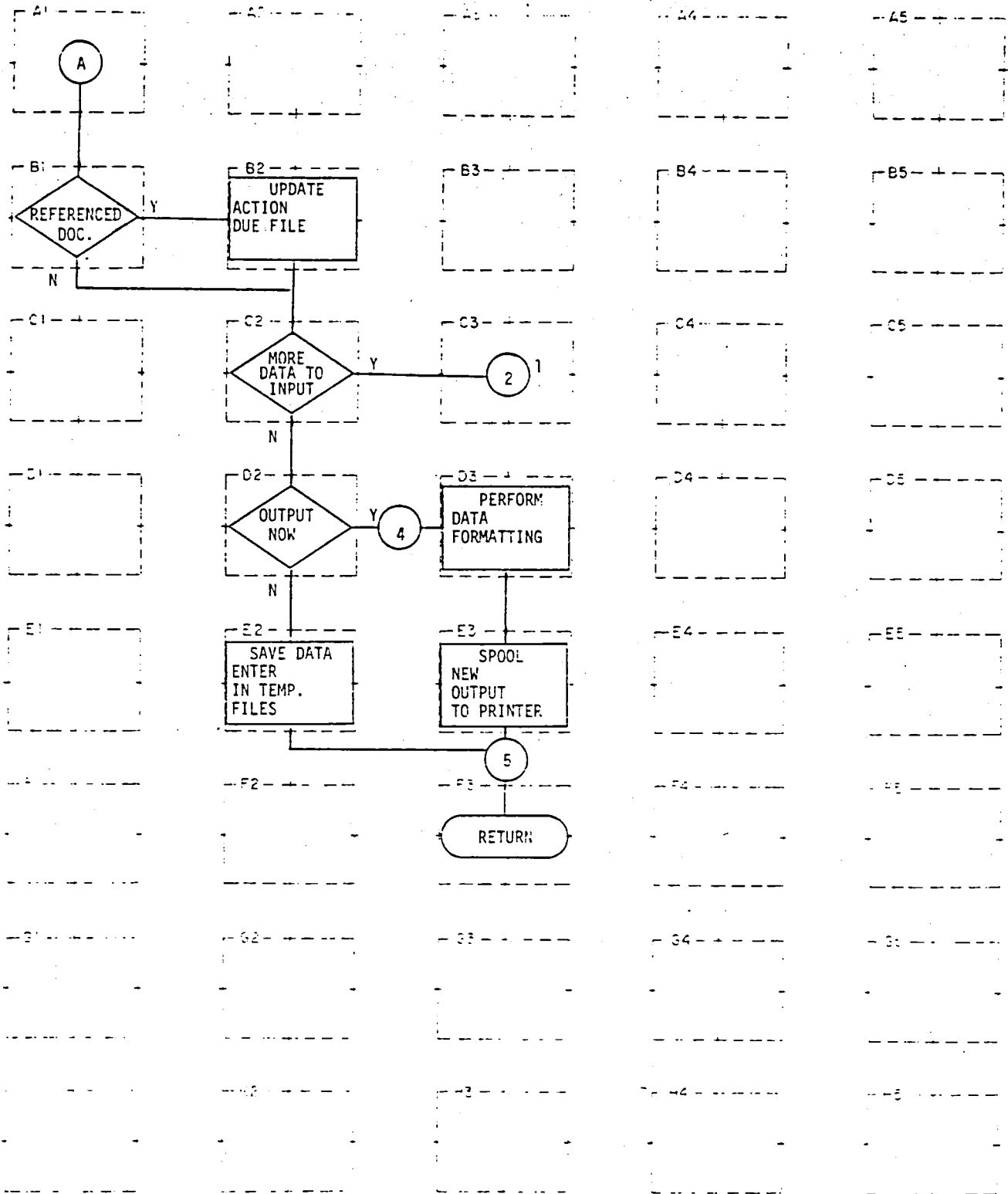
Figure 6.2.1 represents the general flow diagram for the MAIL CORRESPONDENCE subfile.

Figure 6.2.2 represents the general flow diagram for the DESIGN INFORMATION RELEASE/REPORT subfile.

Figure 6.2.3 represents the general flow diagram for the DRAWING/ENGINEERING ORDER subfile.

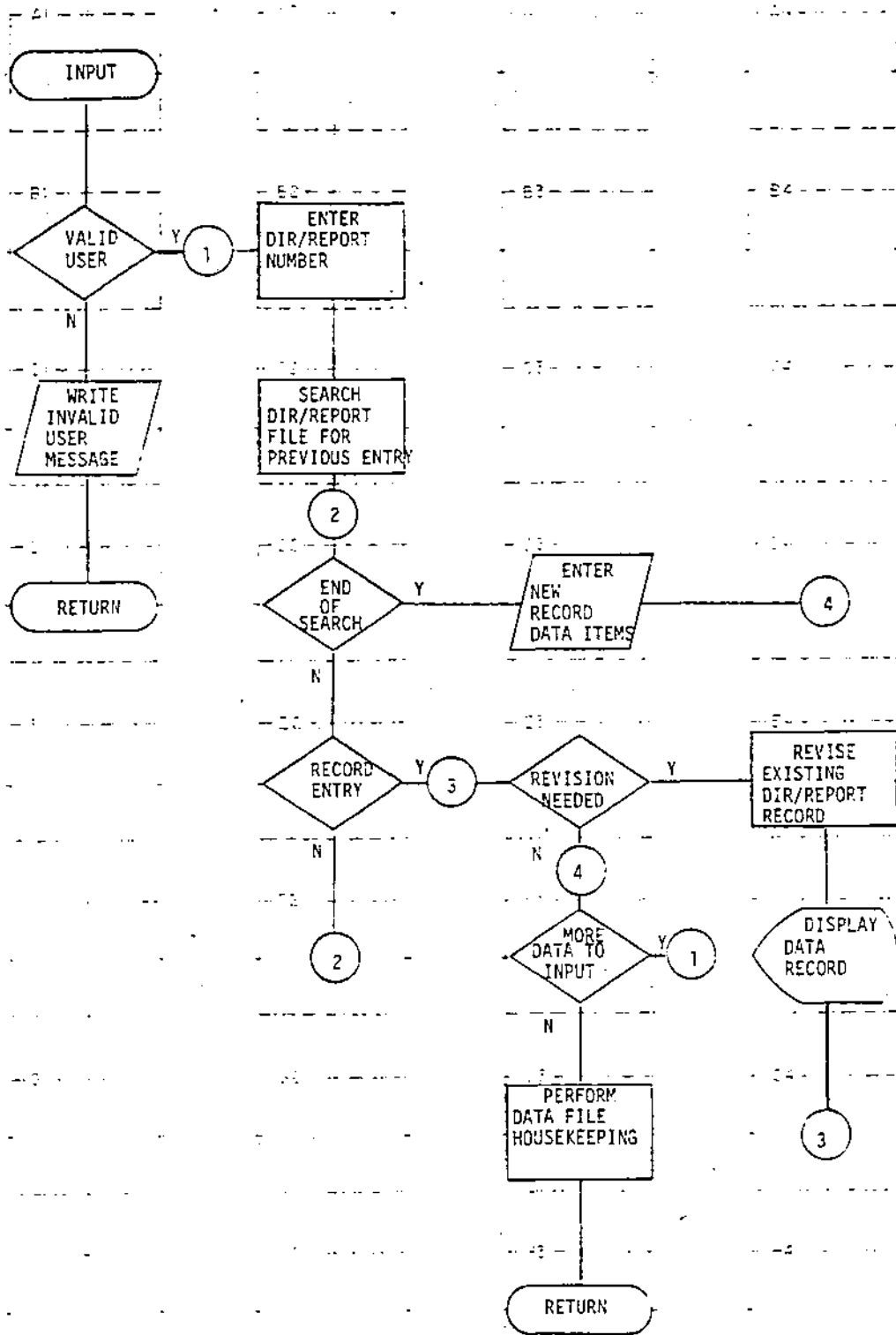


INPUT MODE FOR MAIL CORRESPONDENCE

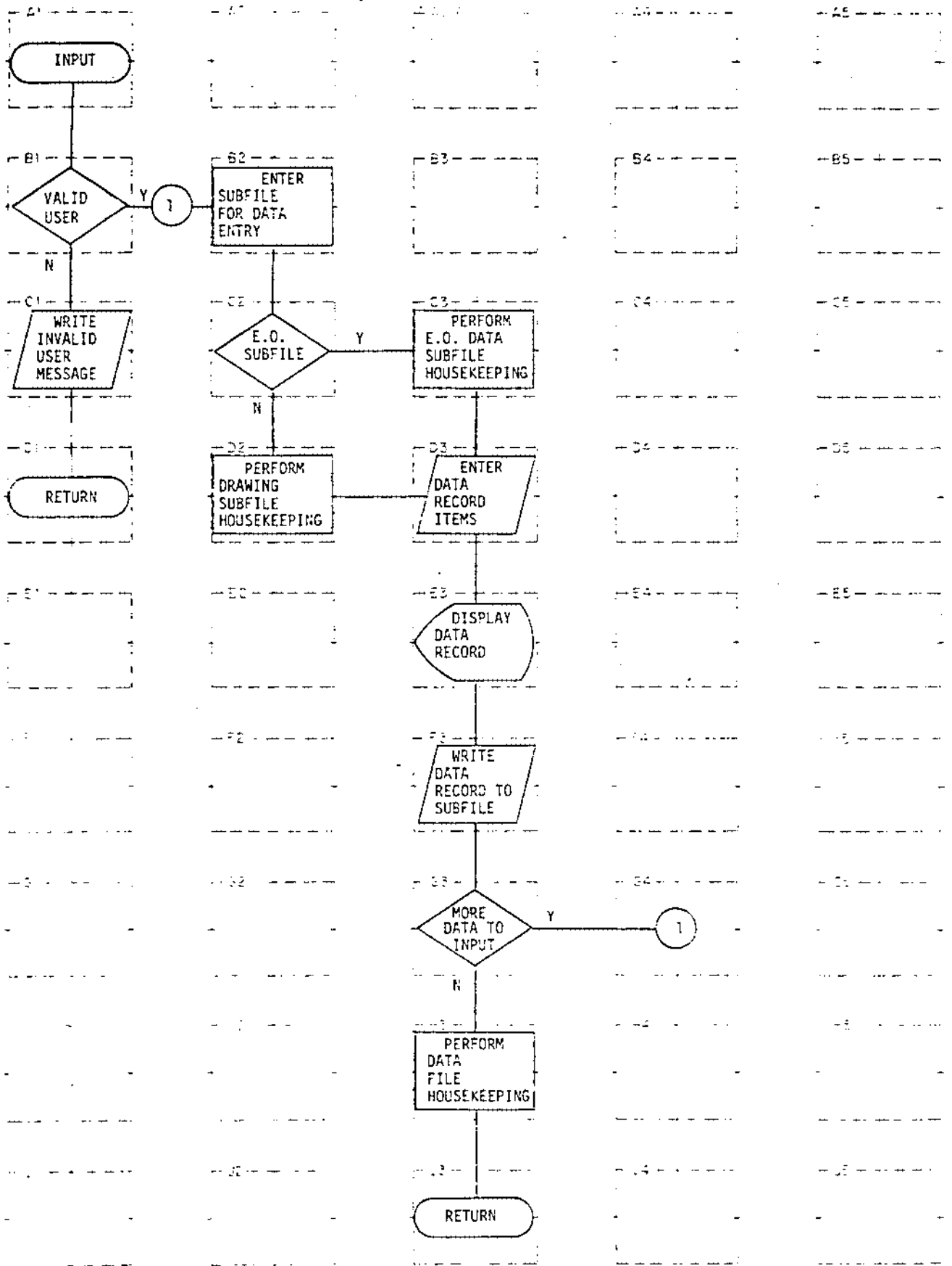


INPUT MODE FOR MAIL CORRESPONDENCE

Figure 6.2.1



INPUT MODE FOR DESIGN INFORMATION RELEASE/REPORT



INPUT MODE FOR DRAWING/ENGINEERING ORDER

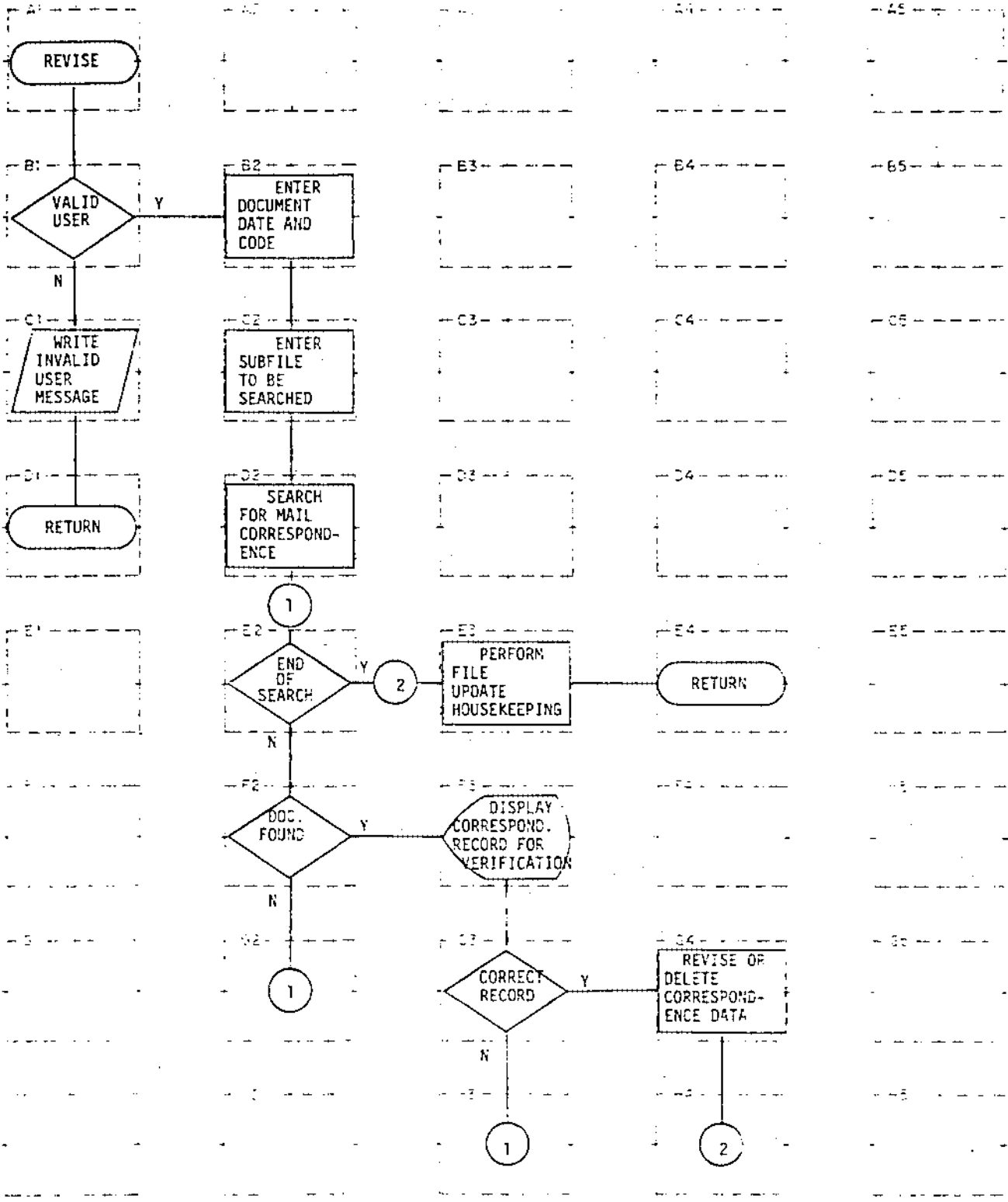
6.3 REVISE MODE

Figures in this section depict a generalized logic flow during the REVISE MODE of operation for the MAIL LOG program.

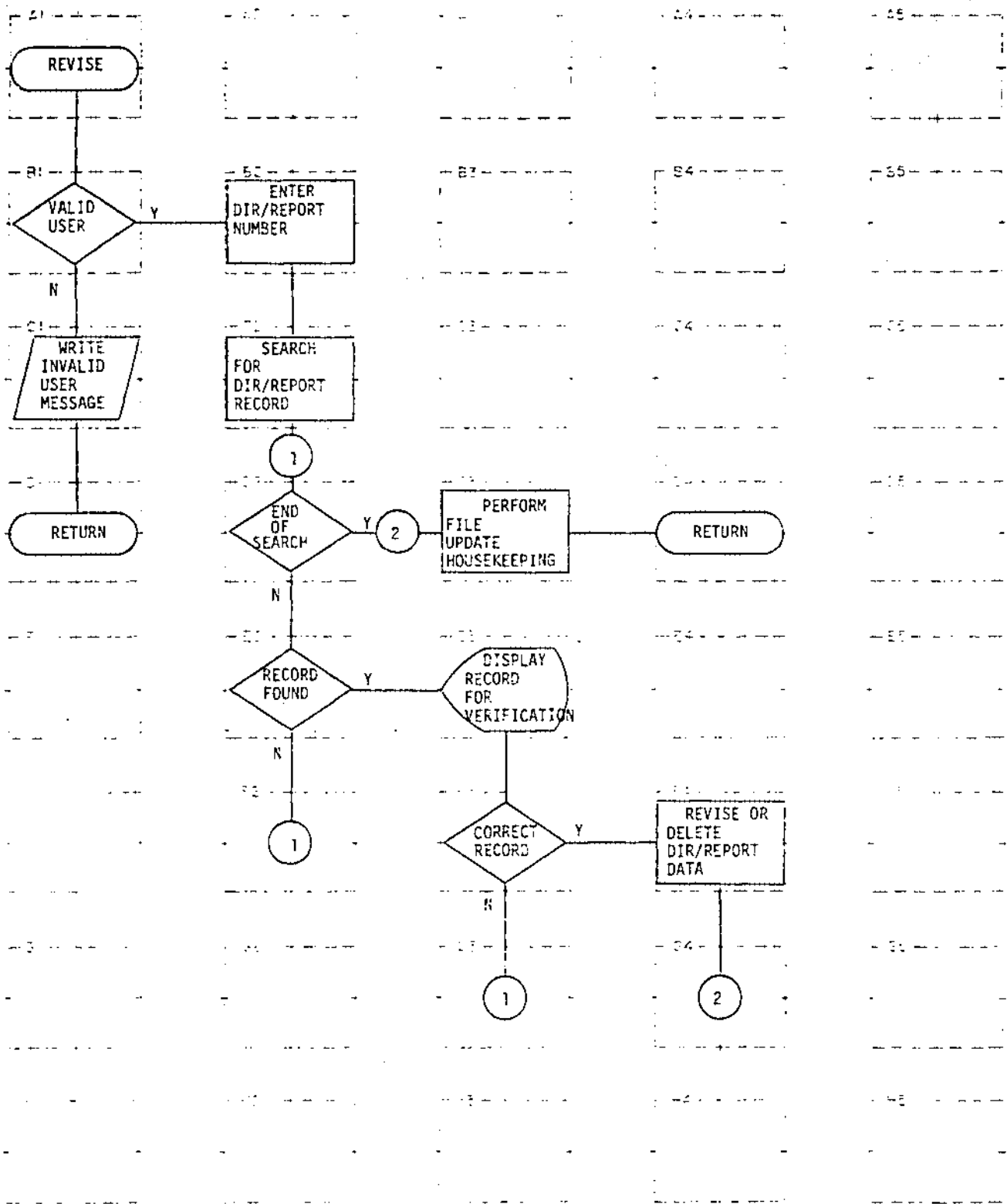
Figure 6.3.1 represents the general flow diagram for the MAIL CORRESPONDENCE subfile.

Figure 6.3.2 represents the general flow diagram for the DESIGN INFORMATION RELEASE/REPORT subfile.

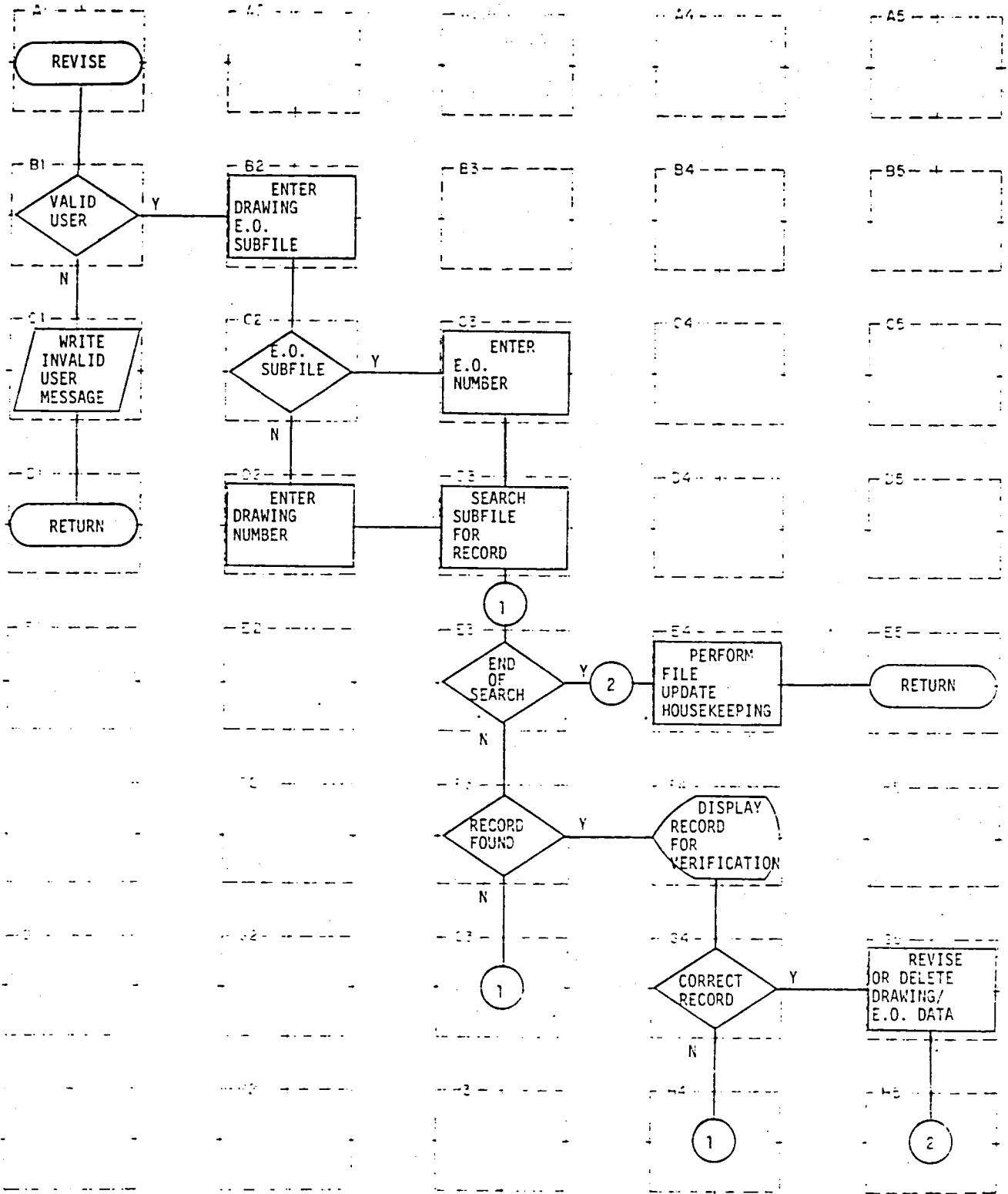
Figure 6.3.3 represents the general flow diagram for the DRAWING/ENGINEERING ORDER subfile.



REVISE MODE FOR MAIL CORRESPONDENCE



REVISE MODE FOR DESIGN INFORMATION RELEASE/REPORT



REVISE MODE FOR DRAWING/ENGINEERING ORDER

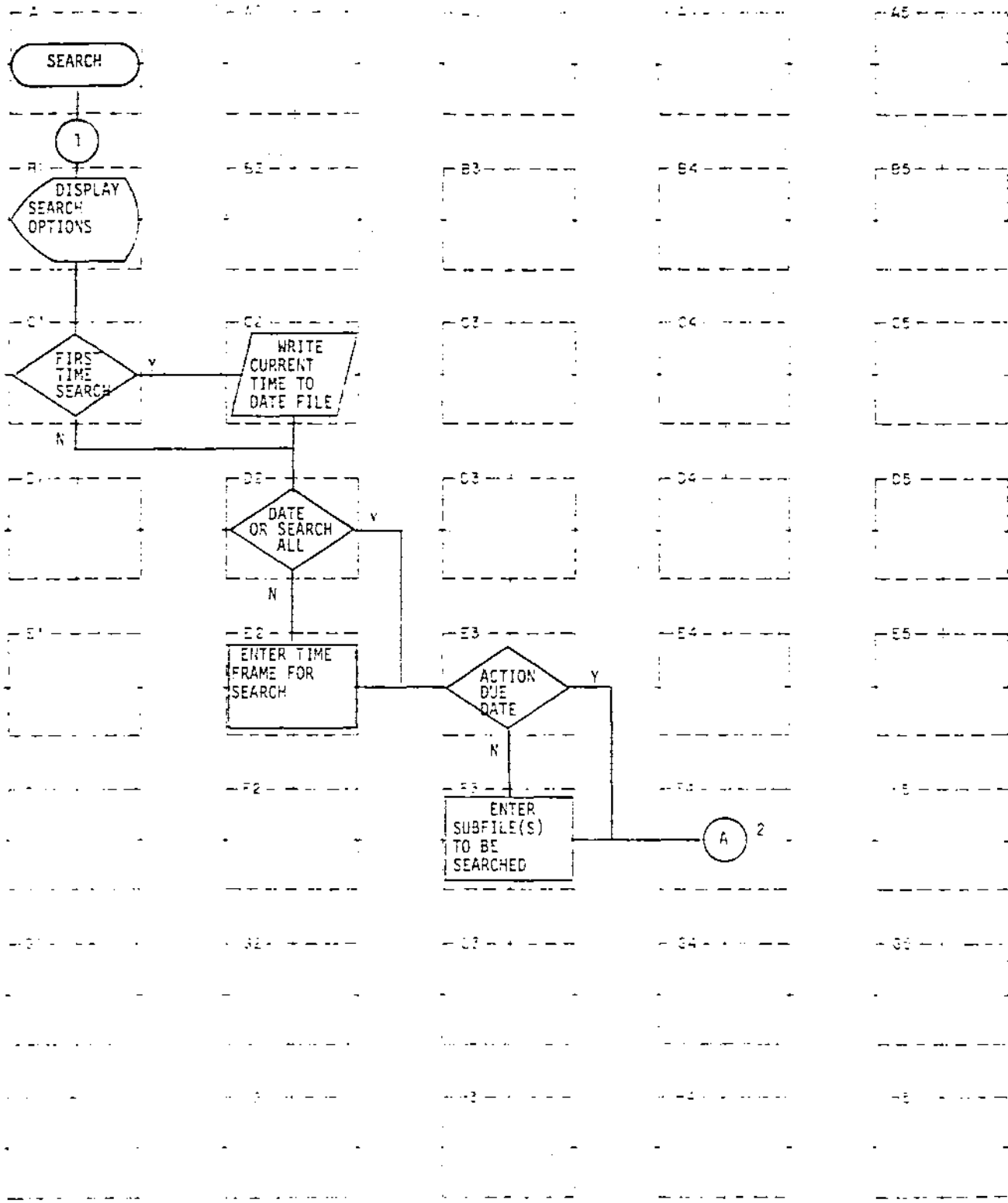
6.4 SEARCH MODE

Figures in this section depict a generalized logic flow during the SEARCH MODE of operation for the MAIL LOG program.

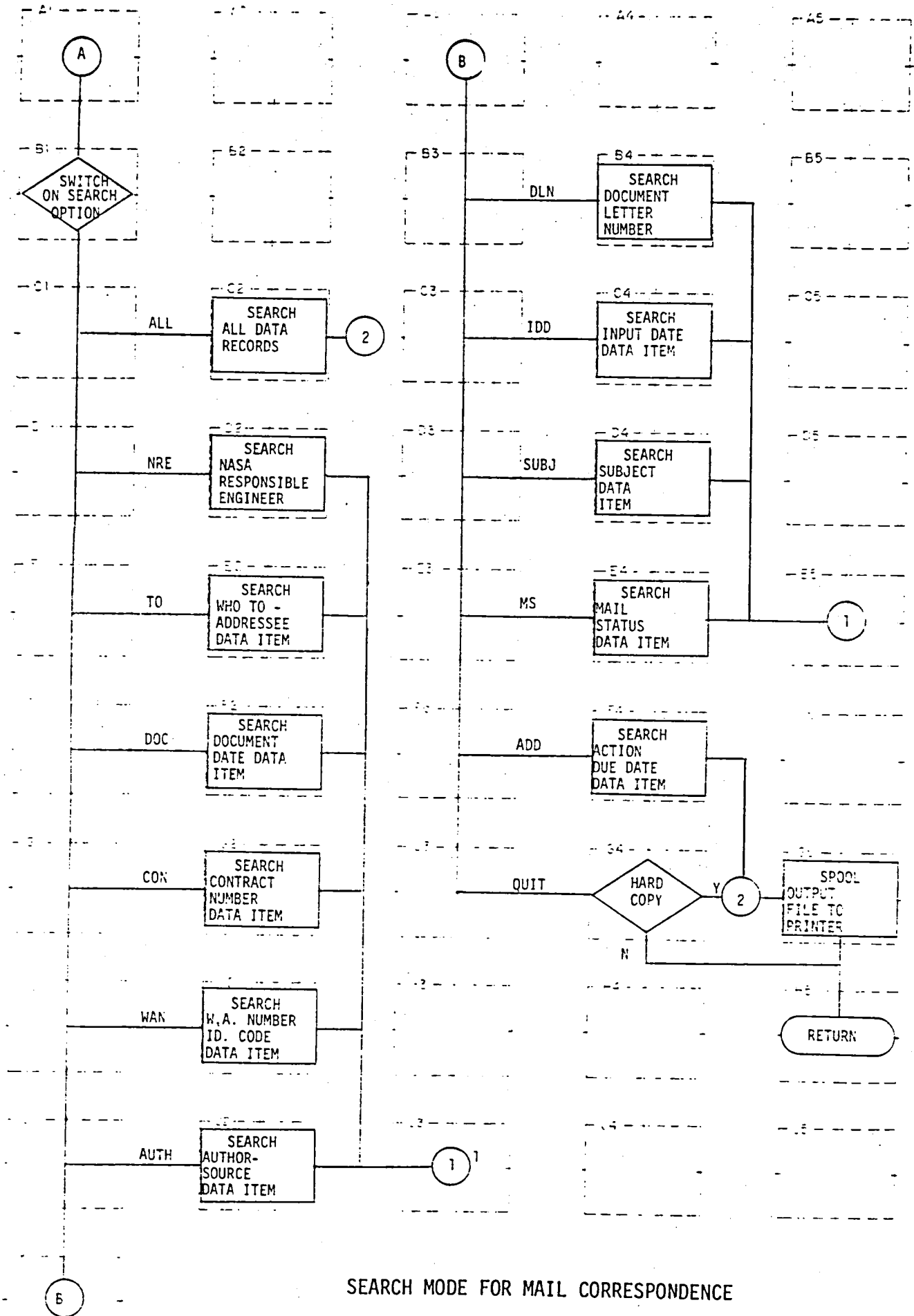
Figure 6.4.1 represents the general flow diagram for the MAIL CORRESPONDENCE subfile.

Figure 6.4.2 represents the general flow diagram for the DESIGN INFORMATION RELEASE/REPORT subfile.

Figure 6.4.3 represents the general flow diagram for the DRAWING/ENGINEERING ORDER subfile.

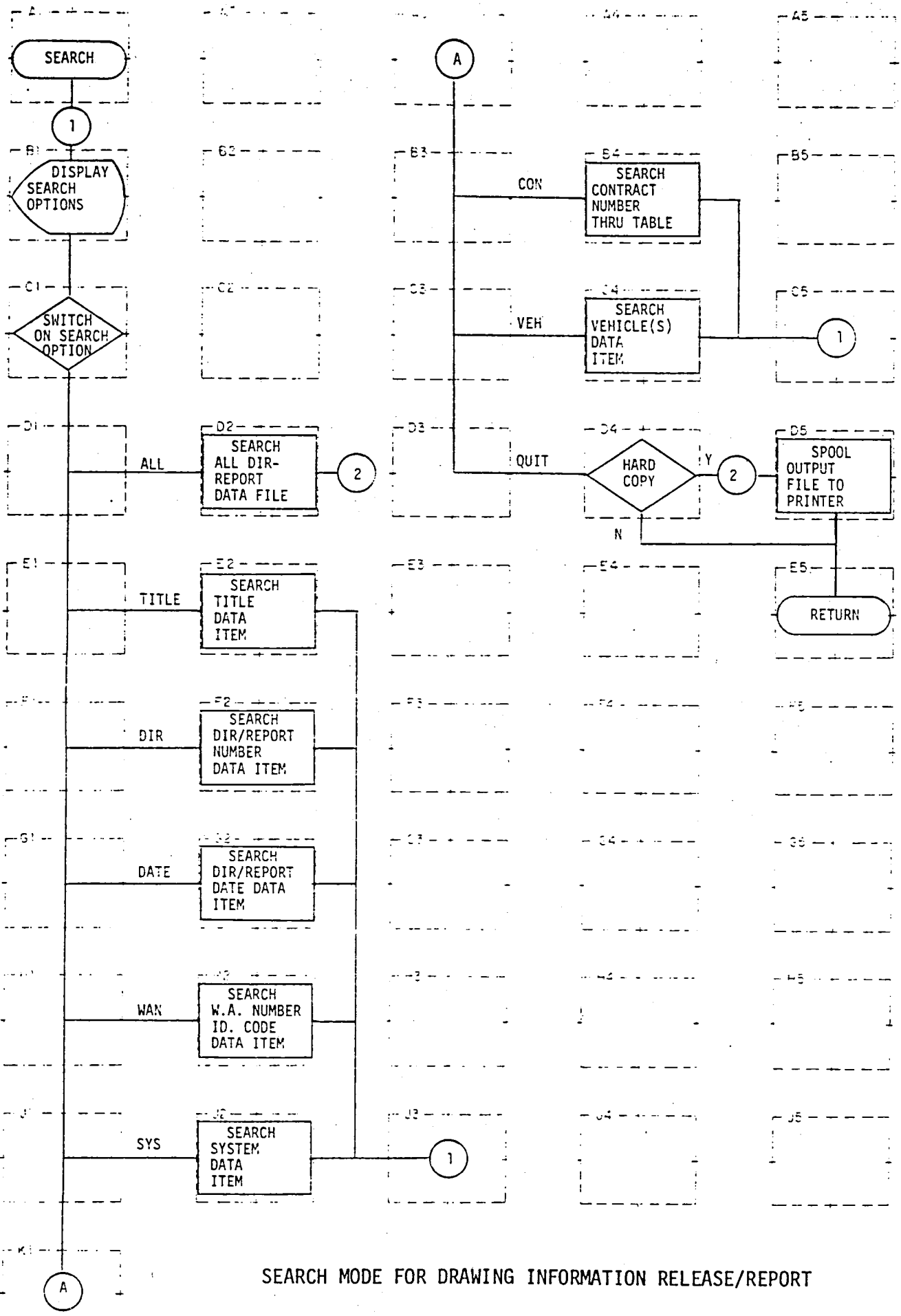


SEARCH MODE FOR MAIL CORRESPONDENCE



SEARCH MODE FOR MAIL CORRESPONDENCE

Figure 6.4.1



SEARCH MODE FOR DRAWING INFORMATION RELEASE/REPORT

FIGURE 6.4.2

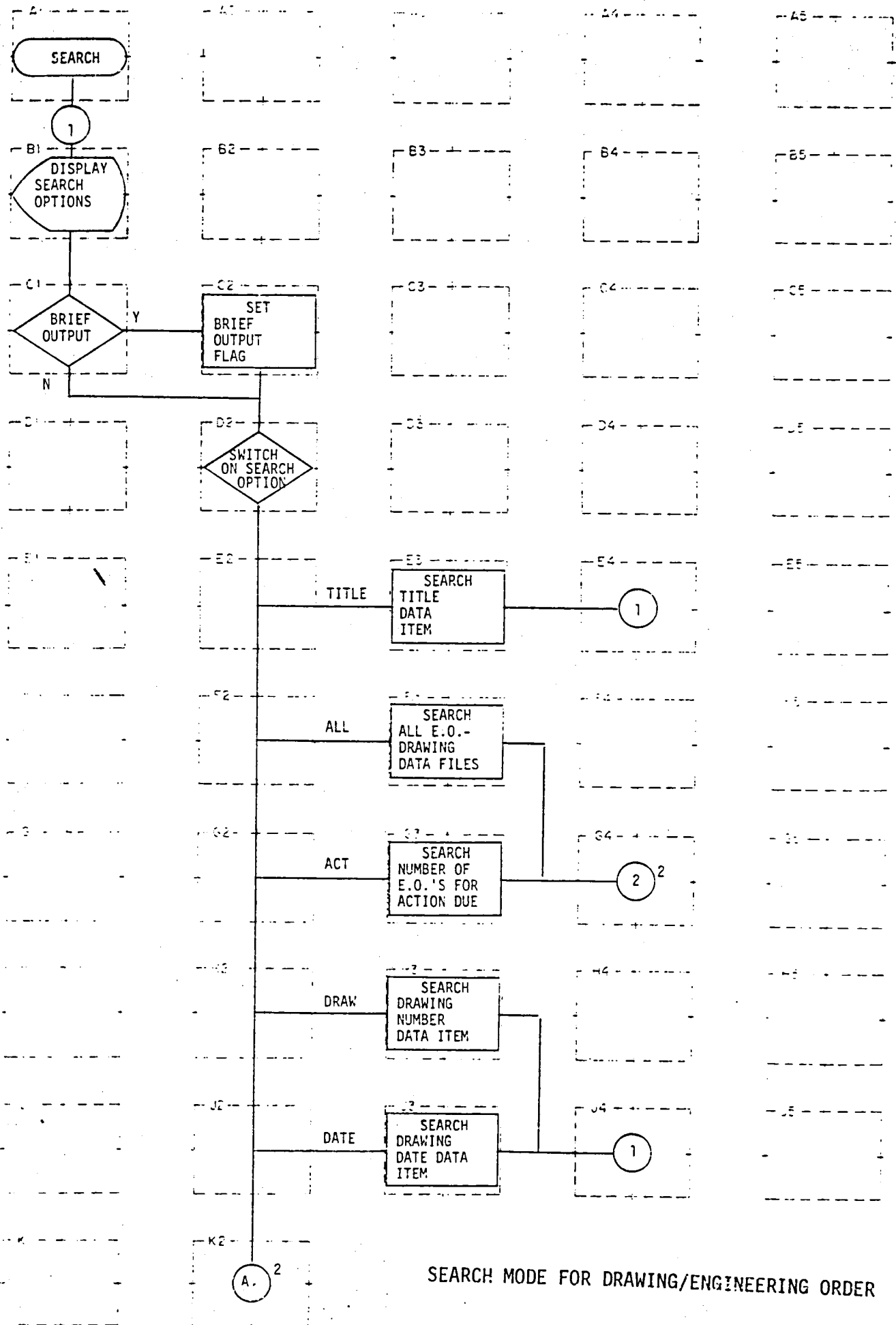
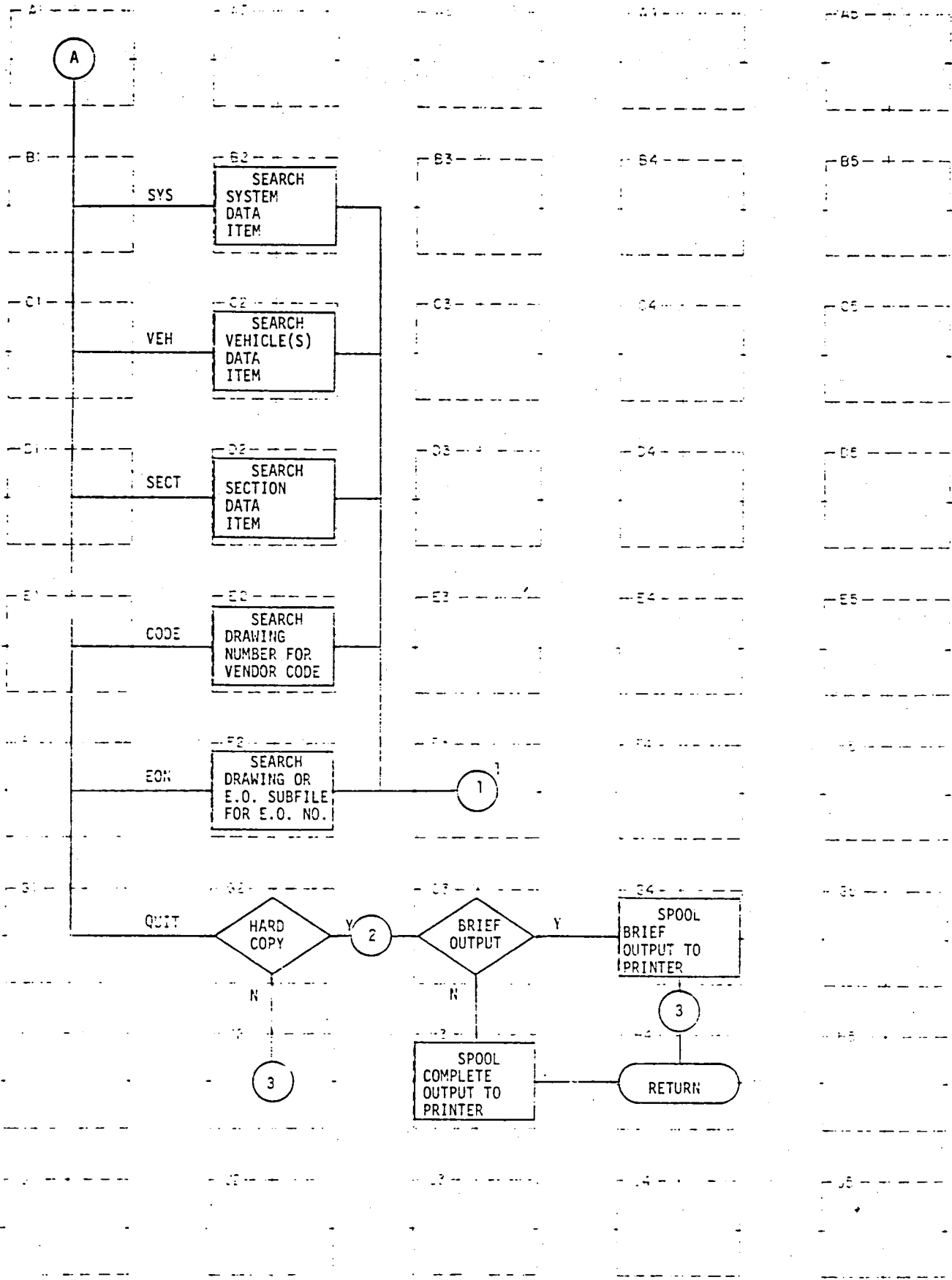


FIGURE 6.4.3

SEARCH MODE FOR DRAWING/ENGINEERING ORDER



SEARCH MODE FOR DRAWING/ENGINEERING ORDER

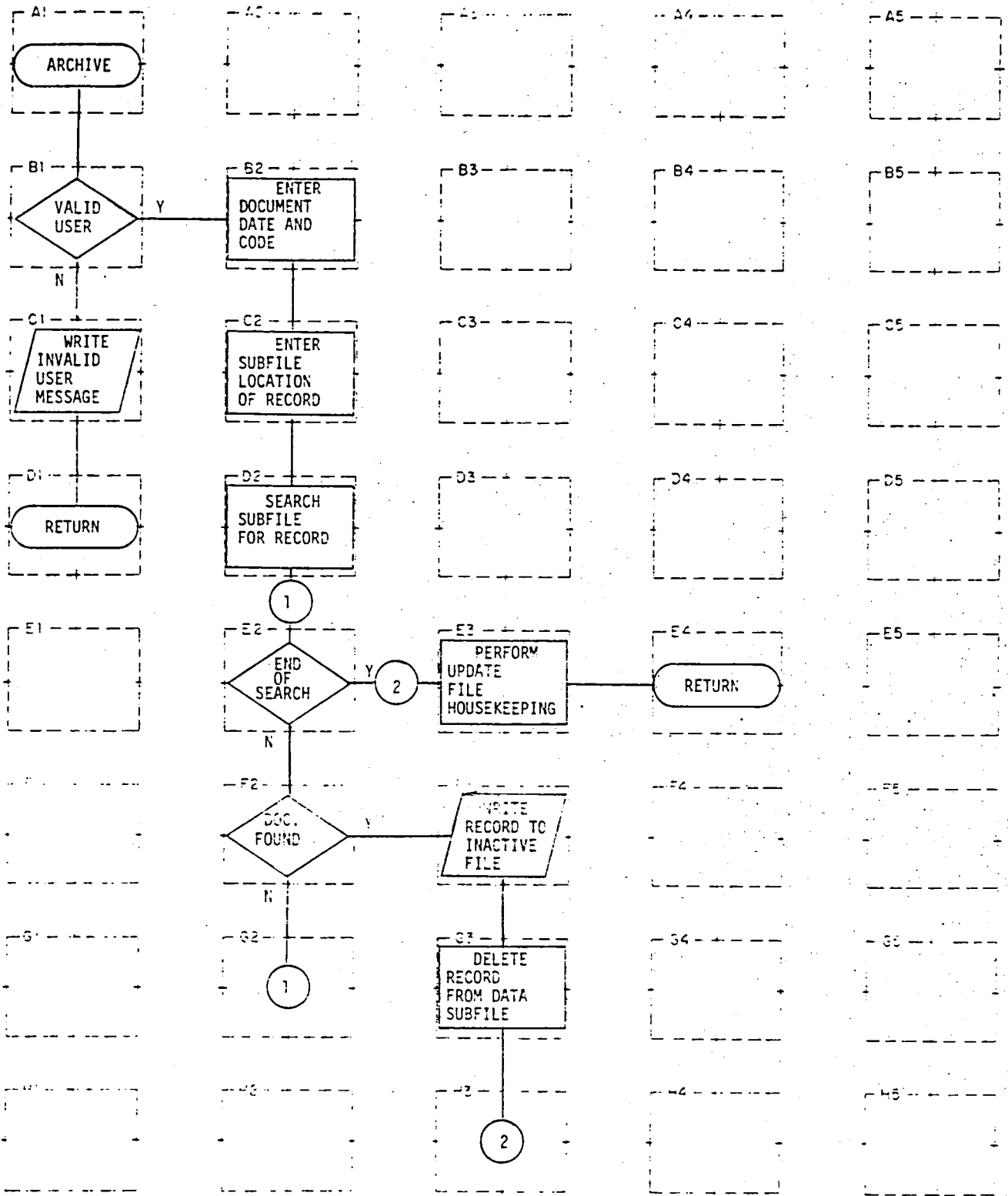
6.5 ARCHIVE MODE

Figures in this section depict a generalized logic flow during the ARCHIVE MODE of operation for the MAIL LOG program.

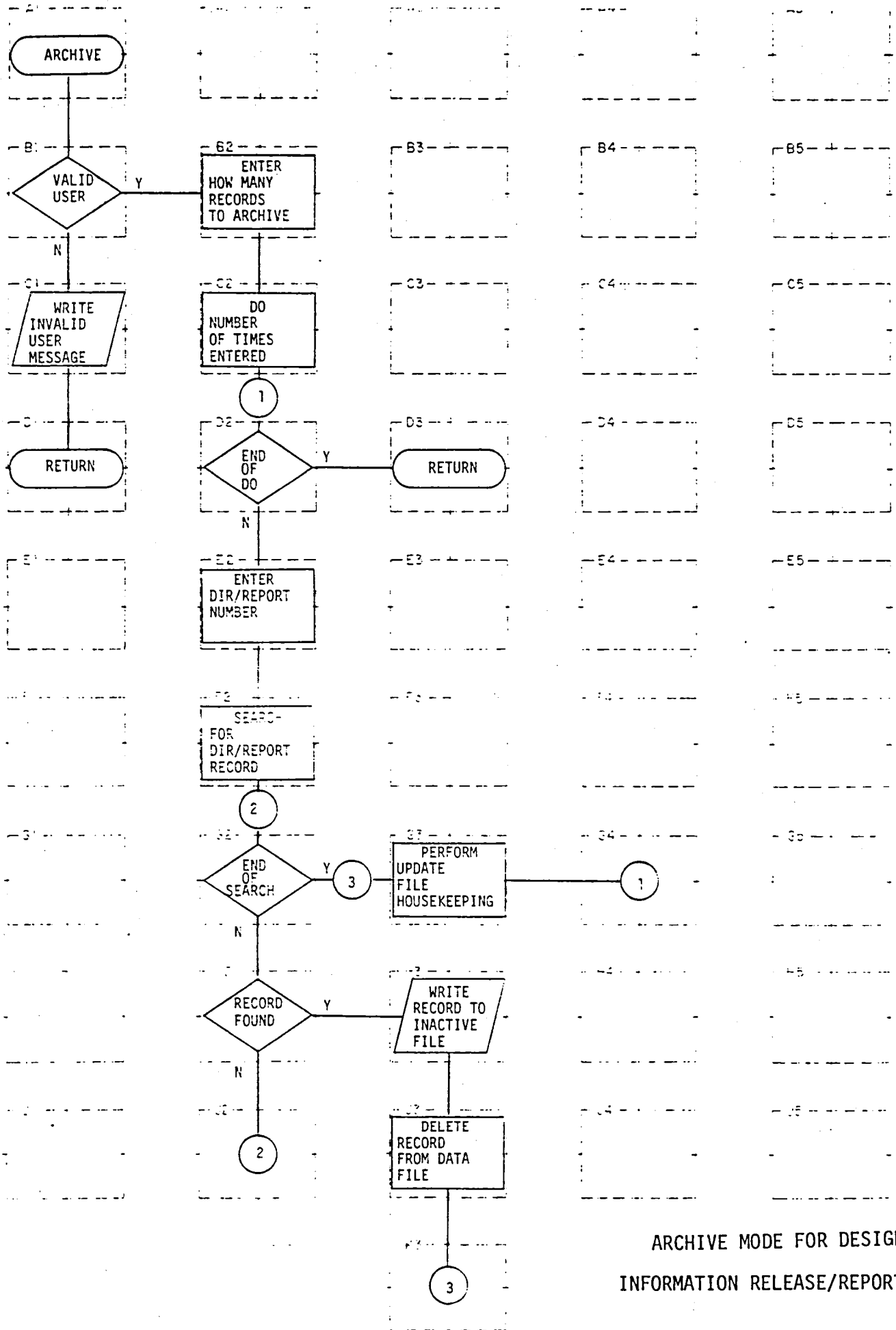
Figure 6.5.1 represents the general flow diagram for the MAIL CORRESPONDENCE subfile.

Figure 6.5.2 represents the general flow diagram for the DESIGN INFORMATION RELEASE/REPORT subfile.

Figure 6.5.3 represents the general flow diagram for the DRAWING/ENGINEERING ORDER subfile.

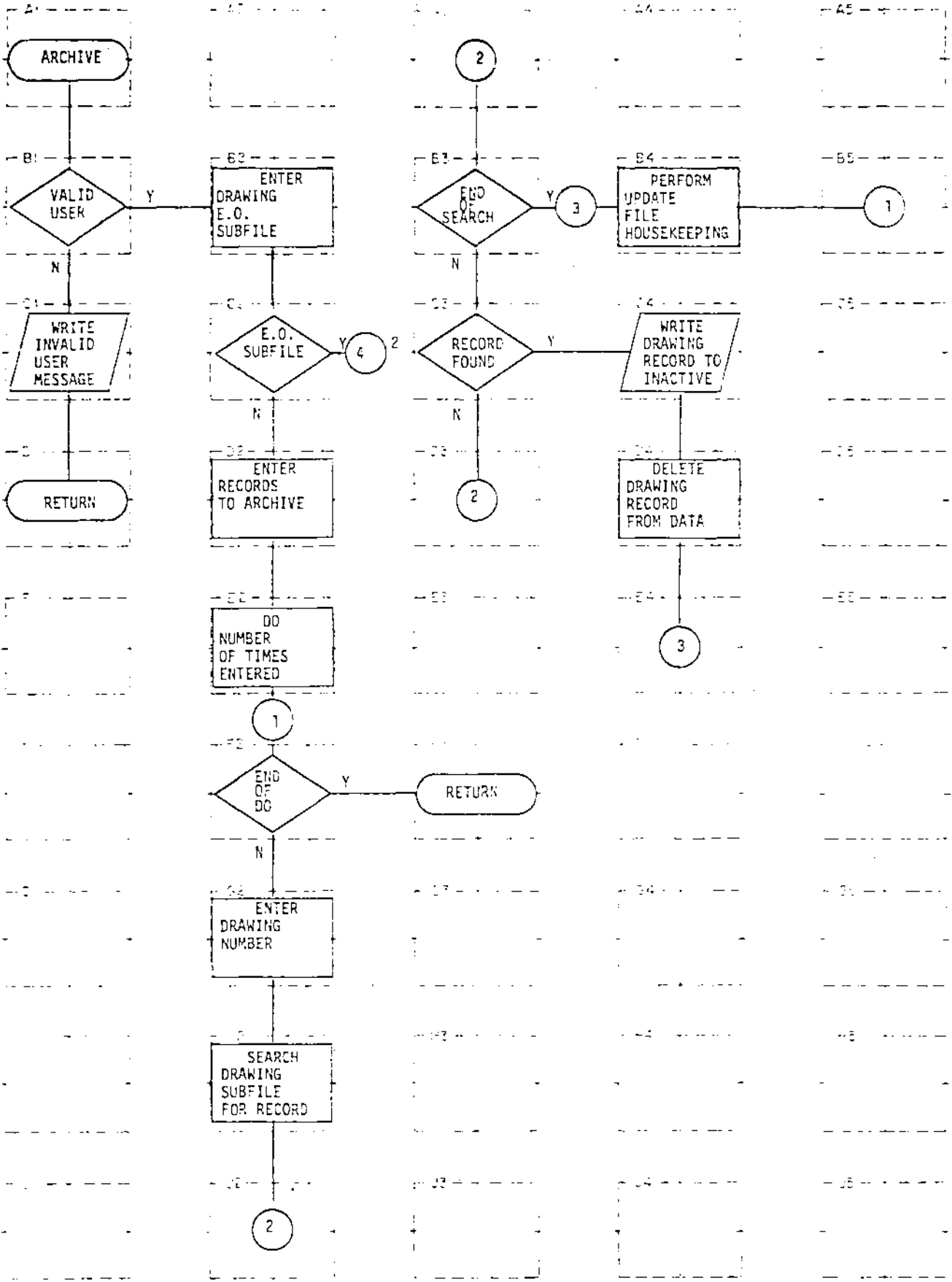


ARCHIVE MODE FOR MAIL CORRESPONDENCE

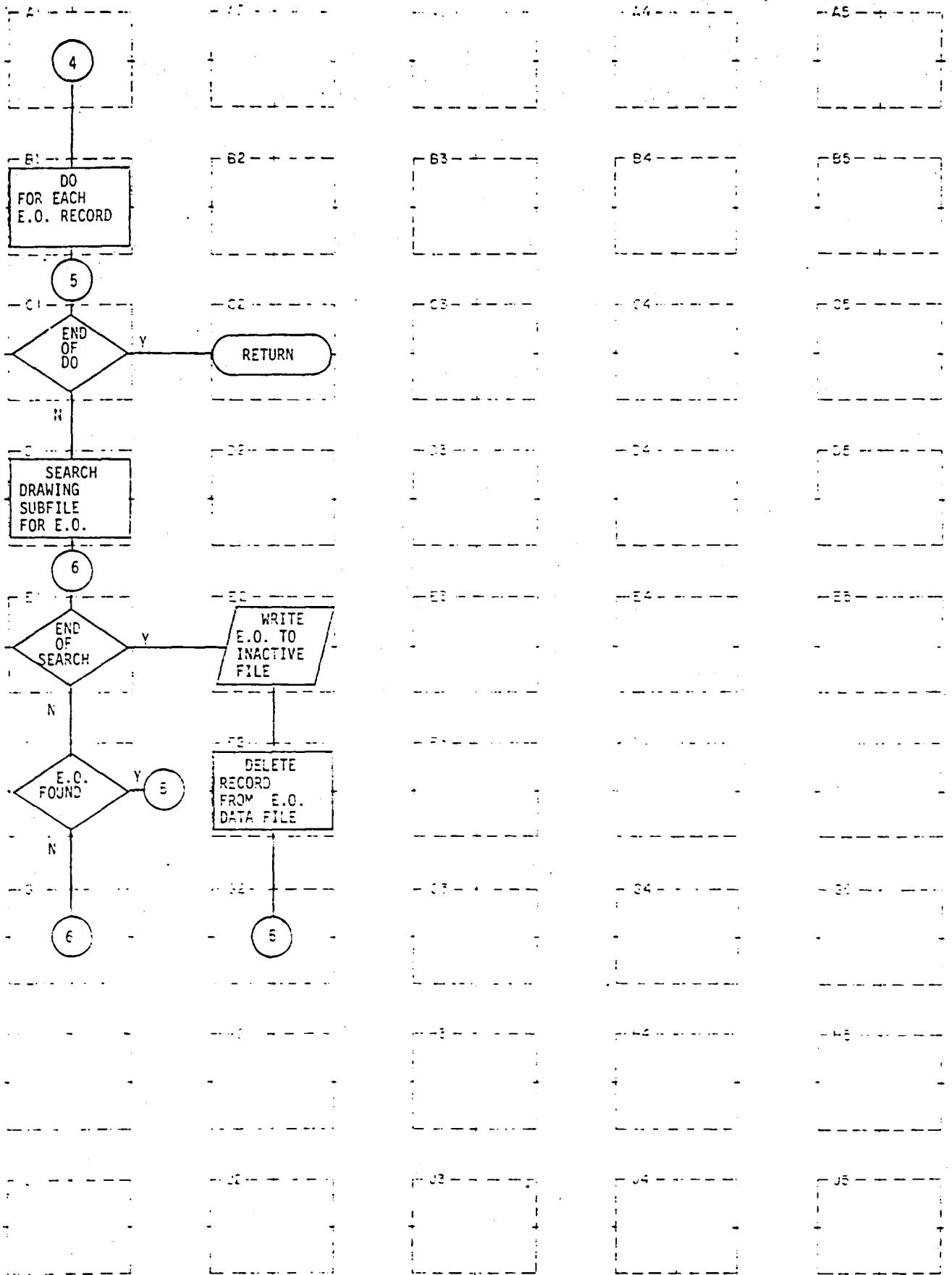


ARCHIVE MODE FOR DESIGN
 INFORMATION RELEASE/REPORT

FIGURE 6.5.2



ARCHIVE MODE FOR DRAWING/ENGINEERING ORDER



ARCHIVE MODE FOR DRAWING/ENGINEERING ORDER

Figure 6.5.3

7.0 MAIL LOG OUTPUTS

Outputs produced during operation in the MAIL LOG program can be placed into two categories: Terminal and Printer. Terminal and printer outputs may consist of special printed listings of data records found during the SEARCH modes. Terminal outputs may also consist of important status messages to the user during the INPUT MODE. Other printer outputs consist of special printed listings of data records entered during the INPUT MODE. Figures 7.1.1.1 thru 7.3.2.18 show all basic forms of MAIL LOG outputs.

7.1 CORRESPONDENCE - OUTPUT FORMATS

Outputs produced while operating within the correspondence subfile may result during two modes: INPUT and SEARCH.

7.1.1 INPUT MODE FOR CORRESPONDENCE

Output resulting from the INPUT MODE is a special listing of new document records entered during the daily input session. The high speed printer output documents are stored according to mail status. This output can be given in two optional forms:

- (1) A complete data record listing
See Figure 7.1.1.1.
- (2) A brief or partial data record listing
See Figure 7.1.1.2.

CORRESPONDENCE INPUT

COMPLETE OUTPUT

 SUBJECT VOUGHT/DALLAS CORRESPONDENCE INPUT DATE 12- 6-78
 AUTHOR/SOURCE TO DOCUMENT DATE FILE SYSTEM CODE
 ACTION DUE DATE WA NUMBER/ID CODE ROUTING TYPE/LETTER NUMBER
 NASA RESPONSIBLE ENGINEER(S)
 REFERENCE DOCUMENT NUMBER(S)
 DESCRIPTION OF TRANSMITTAL OR SPECIFICATION

- 1. AGENDA CCB MEETING 12/7/78
 BEAN, J. DEARING, J. D. JDD/ / / / / 12- 6-78 MFX D-1 /
 0- 0- 0
 JDD
 NONE

- 2. REVIEW SAI DOCUMENTATION
 MACHALA, C. F. GUTHRIE, D. E. SJA/DEG/JVC/ / / 12- 5-78 650.5 /
 0- 0- 0 MFX D-4
 DEG
 NONE

- 3. TASK-R-105 SPECIAL INSTRUMENTATION KITS ANTARES III
 YOUNG, H. G. OWENS, A. A. CSL/SJA/JBT/DMF/AAO/ 12- 5-78 682/R /
 0- 0- 0 3526 NAS1-15100 MFX

- 4. REQUEST CHANGE PACKAGE APPROVAL
 URASH, R. G. FOSTER, L. R.; WINTERS, C. W. CWW/JDD/RDS/ 12- 5-78 409.1 /
 12-20-78 3525GS NAS1-15000 2-94000/8T-203
 JDD
 2-94000/8T-192

- 5. APPROVAL MINUTES 55TH-SCOUT RELIABILITY REVIEW MEETING
 EVERHART, P. E. VC, NAVPRO, REMO, WTR, WFC PEE/AAO/JVC/SJA/RPP/ 12- 6-78 407.1 /
 0- 0- 0 3525FR NAS1-15000 S-4465/PEE
 PEE
 2-94000/8L-4299

-55-

FIGURE 7.1.1.1

CORRESPONDENCE INPUT

COMPLETE OUTPUT

```

*****
SUBJECT                INCOMING MAIL                INPUT DATE 12- 6-78
AUTHOR/SOURCE          TO                ROUTING        DOCUMENT DATE    FILE SYSTEM CODE
ACTION DUE DATE        WA NUMBER/ID CODE          CONTRACT NUMBER  TYPE/LETTER NUMBER
NASA RESPONSIBLE ENGINEER(S)
REFERENCE DOCUMENT NUMBER(S)
DESCRIPTION OF TRANSMITTAL OR SPECIFICATION
*****
1. SCOUT/WFC FIELD OPERATIONS DAILY WORK SCHEDULE 12/6/78                12- 6-78        405.10 /
   DAWSON, C. M.                WINTERS, C. W.; DUNCAN, DEARING          ALL / / / / / /        MFX
   0- 0- 0                3525FR                NAS1-15000
   CW
   NONE

2. VC/VAFB OPERATIONS DAILY WORK SCHEDULE 12/6/78                12- 6-78        403.9 /
   HALE, C. F.                WINTERS, C. W.; DEARING, J. D.          CWW/JDD/JBT / / / /        MFX
   0- 0- 0                3525FR                NAS1-15000
   JDD
   NONE

3. VC/WFC DAILY STATUS VEHICLE S-202C                12- 6-78        131-202 /
   DAWSON, C. M.                AILOR, S. J.                ALL / / / / / /        MFX 820/FDC
   0- 0- 0                3525FR                NAS1-15000
   JA
   NONE

4. RESEARCH & TECHNOLOGY ANNUAL REPORT                11- 7-78        405.1 /
   KRIEGER, R. L. WFC                NASA-HQDTS.; SPO          LRF / / / / / /        LETTER
   0- 0- 0
   LRF
   NONE

5. LIST JOB-ORDERS CLOSED EFFECTIVE PAY-PERIOD ENDING 12/2/78                12- 1-78        509.4.1 /
   WILSON, J. H.                SPO                NHT/AY /DEF / / / /        MEMO
   0- 0- 0
   LRF
   NONE

```

FIGURE 7.1.1.1

CORRESPONDENCE INPUT

COMPLETE OUTPUT

```

*****
SUBJECT                INCOMING MAIL                INPUT DATE 12- 6-78
AUTHOR/SOURCE          TO                DOCUMENT DATE      FILE SYSTEM CODE
ACTION DUE DATE        WA NUMBER/ID CODE          ROUTING            TYPE/LETTER NUMBER
NASA RESPONSIBLE ENGINEER(S)
REFERENCE DOCUMENT NUMBER(S)
DESCRIPTION OF TRANSMITTAL OR SPECIFICATION
*****
6. NAS1-11859 REQUEST MODIFICATION ESTIMATED COST $10692
   OCHS, F. I.   THIOKOL CORP.   SPO                AAO/JVC/BEG/      11-17-78          652.8 /
   0- 0- 0                                           NAS1-11859        /  /              CA-FO-1312-1410CCN
   AAO
   NONE

7. CSD PROPOSAL 78-8078 ENVIRONMENTAL CONTROL ALGOL-III ROCKET-MTS
   ROBERTS, E.   CSD                SPO                AAO/JVC/BEG/      11-30-78          652.6.1.8 /
   0- 0- 0                                           NAS1-14619        /  /              ER271-78
   AAO
   S-4439/PEE

8. SCOUT PROJECT MANAGEMENT REPORT
   OVERMAN, B. L.                SPO                ALL/ / /          11-30-78          576 /
   0- 0- 0                                           /  /              REPORT
   LRF
   NONE

9. AUTHORIZATION SHIPMENT REMOVAL BONDDED STORES GOVERNMENT PROPERTY
   YAMAMOTO, A.   REMO                NAVPRO, SPO        SJA/DCM/JDD/      12- 1-78          514.2.1 /
   0- 0- 0                                           NAS1-15000        /  /              MEMO
   SJA
   NONE
   SHIPMENT   BOLT           CUTTERS   SQUIBS

```

-57-

CORRESPONDENCE INPUT

COMPLETE OUTPUT

```
*****
CORRESPONDENCE INPUT                COMPLETE OUTPUT
*****
SUBJECT                            INPUT DATE  12- 5-78
AUTHOR/SOURCE                       TO        DOCUMENT DATE  FILE SYSTEM CODE
ACTION DUE DATE                       WA NUMBER/ID CODE  ROUTING       TYPE/LETTER NUMBER
NASA RESPONSIBLE ENGINEER(S)
REFERENCE DOCUMENT NUMBER(S)
DESCRIPTION OF TRANSMITTAL OR SPECIFICATION
*****
```

```
1. DATA PRINTER RIBBONS MODIFICATION PR 8300.0833           12- 5-78     115.2    /
   KEYNTON, R. J.          CANNON, L. PROC.          RJK/ / / / /     MEMO
   0- 0- 0
   RJK
   PR8300.0833
```

CORRESPONDENCE INPUT

BRIEF OUTPUT

VOUGHT/DALLAS CORRESPONDENCE		INPUT DATE	12- 6-78	DOCUMENT DATE	FILE SYSTEM CODE
SUBJECT	TO	ROUTING			TYPE/LETTER NUMBER
1. AGENDA CCB MEETING 12/7/78 BEAN, J.	DEARING, J. D.	JDD/ / /	12- 6-78		MFX 0-1 /
2. REVIEW SAI DOCUMENTATION MACHALA, C. F.	GUTHRIE, D. E.	SJA/DFG/JVC/	12- 5-78		650.5 / MFX 0-4
3. TASK-R-105 SPECIAL INSTRUMENTATION KITS ANTARES III YOUNG, H. G.	OWENS, A. A.	CSL/SJA/JBT/DMF/AAO/	12- 5-78		692/R / MFX
4. REQUEST CHANGE PACKAGE APPROVAL URASH, R. G.	FOSTER, L. R.; WINTERS, C. W.	CWW/JDD/RDS/	12- 5-78		409.1 / 2-94000/8T-203
5. APPROVAL MINUTES 55TH-SCOUT RELIABILITY REVIEW MEETING EVERHART, P. E.	VC, NAVPRO, REMO, WTR, WFC	PEE/AAO/JVC/SJA/RPP/	12- 6-78		407.1 / S-4465/PEE

-59-

FIGURE 7.1.1.2

CORRESPONDENCE INPUT

BRIEF OUTPUT

```

*****
SUBJECT                .INCOMING MAIL                INPUT DATE 12- 6-78
AUTHOR/SOURCE          TO                ROUTING      DOCUMENT DATE  FILE SYSTEM CODE
*****                *****                *****                *****
1. SCOUT/WFC FIELD OPERATIONS DAILY WORK SCHEDULE 12/6/78
   DAWSON, C. M.        WINTERS, C. W.; DUNCAN, DEARING   ALL/ / /      12- 6-78      405.10 /
                                                                / /          MFX

2. VC/VAFB OPERATIONS DAILY WORK SCHEDULE 12/6/78
   HALE, C. F.         WINTERS, C. W.; DEARING, J. D.   CWV/JDD/JBT/  12- 6-78      403.9 /
                                                                / /          MFX

3. VC/WFC DAILY STATUS VEHICLE S-202C
   DAWSON, C. M.      AILOR, S. J.                     ALL/ / /      12- 6-78      131-202 /
                                                                / /          MFX 820/FDC

4. RESEARCH & TECHNOLOGY ANNUAL REPORT
   KRIEGER, R. L.    WFC        NASA-HDQTS.; SPO                LRF/ / /      11- 7-78      405.1 /
                                                                / /          LETTER

5. LIST JOB-ORDERS CLOSED EFFECTIVE PAY-PERIOD ENDING 12/2/78
   WILSON, J. H.     SPO                -NHT/AY /DEF/  12- 1-78      509.4.1 /
                                                                / /          MEMO

6. NAS1-11859 REQUEST MODIFICATION ESTIMATED COST $10692
   OCHS, F. I.     THIOKOL CORP.  SPO                AAO/JVC/BEQ/  11-17-78      652.8 /
                                                                / /          CA-FO-1312-1410CCN

7. CSD PROPOSAL 78-8078 ENVIRONMENTAL CONTROL ALGOL-III ROCKET-MTS
   ROBERTS, E.     CSD                SPO                AAO/JVC/BEQ/  11-30-78      652.6.1.8 /
                                                                / /          ER271-78

8. SCOUT PROJECT MANAGEMENT REPORT
   OVERMAN, B. L.   SPO                ALL/ / /      11-30-78      576 /
                                                                / /          REPORT

9. AUTHORIZATION SHIPMENT REMOVAL BONDED STORES GOVERNMENT PROPERTY
   YAMAMOTO, A.     REMO                NAVPRO, SPO       SJA/DCM/JDD/  12- 1-78      514.2.1 /
                                                                / /          MEMO
*****

```


CORRESPONDENCE INPUT

BRIEF OUTPUT

SUBJECT . OUTGOING MAIL INPUT DATE 12- 6-78
AUTHOR/SOURCE TO DOCUMENT DATE FILE SYSTEM CODE
ROUTING TYPE/LETTER NUMBER

1. DATA PRINTER RIBBONS MODIFICATION PR 8300.0833
KEYNTON, R. J. CANNON, L. PROC.

RJK/ / / 12- 5-78 115.2 /
MEMO

7.1.2 SEARCH MODE FOR CORRESPONDENCE

Outputs resulting from the SEARCH MODE are a special listing of document records found containing a desired data item. These outputs are printed on the user terminal and on the high speed printer. All outputs contain a header indicating the data item being searched and a description of the other data items to be displayed.

The Print All search displays data items common to all search outputs: subject, document/letter number, file system code, input date, and the daily counter code. See Figures 7.1.2.1 and 7.1.2.2.

The Action Due search displays two additional data items in its outputs: responsible engineer and action due date. See Figures 7.1.2.23 and 7.1.2.24.

The remaining search outputs display one additional data item; the referenced documents. If there are no referenced documents, NONE is printed. See Figures 7.1.2.3 thru 7.1.2.22.

CORRESPONDENCE
 PRINT ALL SEARCH
 TERMINAL OUTPUT

```
*****
*                                     PRINT ALL
* SUBJECT
* TYPE/LETTER NUMBER      FILE SYSTEM CODE      INPUT DATE-CODE
*****
```

ESTABLISHM LAMINR FLOW-CONTR AIRFOIL EXPERIMENT OFFICE				
ANNOUNCE #29-78	545.2	/	8-21-78	20
FEDERAL WAGE SYSTEM REVISED REGULAR WAGE-RATE SCHEDULE				
ANNOUNCE #27-78	545.2	/	8-24-78	26
GATE TRAFFIC CHANGE				
ANNOUNCE 30-78	545.2	/	8-25-78	18
NEW-POSTAL SERVICE MAIL-SIZE STANDARDS				
ANNOUNCE #31-78	545.2	/	9- 1-78	19
PEDESTRIANCS RIGHT OF-WAY MARKED CROSSWALKS				
ANNOUNCE 32-78	545.2	/	9- 6-78	10
CHANGE PERSONNEL ASSIGNMENT SPACE SYSTEMS DIVISION				
ANNOUNCE #34-78	545.2	/	9-20-78	19
STATE CENTER ADDRESS				
ANNOUNCE #33-78	545.2	/	9-20-78	22
NASA-WIDE PROGRAM STANDARDIZE PAPER SIZE				
ANNOUNCE #35-78	545.2	/	9-22-78	11
ANNUAL HONOR AWARDS CEREMONY 11/9/78				
ANNOUNCE #36-78	545.2	/	9-28-78	9
CHANGES PERSONNEL ASSIGNMENTS PROJECTS DIRECTORATE				
ANNOUNCE #38-78	545.2	/	10- 3-78	19
PLANS CLOSING CENTER FACILITIES DURING THANKSGIVING CHRISTMAS				
ANNOUNCE #37-78	545.2	/	10- 3-78	20
CHANGE PERSONNEL ASSIGNMENT OFFICE DIRECTOR				
ANNOUNCE #40-78	545.2	/	10-31-78	16
GATE TRAFFIC CHANGE				
ANNOUNCE #41-78	545.2	/	11- 2-78	24
REPORTING FOREIGN GIFTS DECORATIONS INCLUDING TRAVEL NMI1030.1B				
ANNOUNCE #42-78	545.2	/	11- 8-78	17
CHANGES ORGANIZATION PERSONNEL ASSIGNMENTS WITHIN PROCUREMENT DIVISION				
ANNOUNCE # 44-78	545.2	/	11-16-78	8

FIGURE 7.1.2.1

CORRESPONDENCE: PRINT ALL SEARCH: PRINTER OUTPUT

11: 50 11/30/78

PRINT ALL

SUBJECT	TYPE/LETTR NUMBER	FILE SYSTEM CODE	DATE-CODE
1.ESTABLISHM LAMINR FLOW-CONTR AIRFOIL EXPERIMENT OFFICE	ANNOUNCE #29-78	545.2 /	02178 20
2.FEDERAL WAGL SYSTEM REVISED REGULAR WAGE-RATE SCHEDULE	ANNOUNCE #27-78	545.2 /	02478 26
3.GATE TRAFFIC CHANGE	ANNOUNCE 30-78	545.2 /	02578 18
4.NLM-POSTAL SERVICE MAIL-SIZE STANDARDS	ANNOUNCE #31-78	545.2 /	9 178 19
5.PEDESTRIANCS RIGHT OF-WAY MARKED CROSSWALKS	ANNOUNCE 32-78	545.2 /	9 678 10
6.CHANGE PERSONNFL ASSIGNMENT SPACE SYSTEMS DIVISION	ANNOUNCE #34-78	545.2 /	92078 19
7.STATE CENTER ADDRESS	ANNOUNCE #33-78	545.2 /	92078 22
8.NASA-WIDE PROGRAM STANDARDIZE PAPER SIZE	ANNOUNCE #35-78	545.2 /	92278 11
9.ANNUAL HONOR AWARDS CEREMONY 11/9/78	ANNOUNCE #36-78	545.2 /	92878 9
10.CHANGES PERSONNEL ASSIGNMENTS PROJECTS DIRECTORATE	ANNOUNCE #38-78	545.2 /	10 378 19
11.PLANC CLOSING CENTER FACILITIES DURING THANKSGIVING CHRISTMAS	ANNOUNCE #37-78	545.2 /	10 378 28
12.CHANGE PERSONNEL ASSIGNMENT OFFICE DIRECTOR	ANNOUNCE #40-78	545.2 /	103178 16
13.GATE TRAFFIC CHANGE	ANNOUNCE #41-78	545.2 /	11 278 24
14.REPORTING FOREIGN GIFTS DECORATIONS INCLUDING TRAVEL NMI1030.1B	ANNOUNCE #42-78	545.2 /	11 878 17
15.CHANGES ORGANIZATION PERSONNEL ASSIGNMENTS WITHIN PROCUREMENT DIVISION	ANNOUNCE # 44-78	545.2 /	111678 8

-64-

FIGURE 7.1.2.2

CORRESPONDENCE

NASA RESPONSIBLE ENGINEER SEARCH

TERMINAL OUTPUT

* NASA RESPONSIBLE ENGINEER: RJK *
* SUBJECT *
* TYPE/LETTER NUMBER FILE SYSTEM CODE INPUT DATE-CODE *
* REFERENCED DOCUMENTS *

PREPARE OPERATING INSTRUCTIO PROGRAMMER MANUAL ANALYSIS II
8300.0805 115.2 / 8- 3-78 31
NONE

MAINTENANCE SERVICE COMPUTER EQUIPMENT ONE-YEAR CONTRACT
8300.0815 115.2 / 9-18-78 52
NONE

TERMINAL RIBBONS SPADS PRINTER
8300.0816 115.2 / 9-18-78 53
NONE

PURCHASE SPACE MASTER MICROFICHE READER PRINTER 102610
8300.0825 523.3.1 / 10-10-78 34
NONE

PROVIDE ADDITIONAL FUNDS HTC
8300.0826 115.2 / 10-12-78 17
NONE

REPAIR DATAGRAPHIX TERMINAL
8300.0829 115.2 / 10-13-78 24
NONE

LINE PRINTER RIBBON DATA PRINTER
8300.0833 115.2 / 10-30-78 20
NONE

THERE ARE 7 DOCUMENTS WITH A RESPONSIBLE ENGINEER OF RJK

CORRESPONDENCE: NASA RESPONSIBLE ENGINEER SEARCH: PRINTER OUTPUT

12: 23 11/30/78

SUBJECT		NASA RESPONSIBLE ENGINEER:	RJK			
REFERENCED DOCUMENTS		TYPE/LETTER NUMBER	FILE SYSTEM CODE	DATE-CODE		
1.	PREPARE OPERATING INSTRUCTIO PROGRAMMER MANUAL ANALYSIS II NONE	8300.0805	115.2	/		8 378 31
2.	MAINTENANCE SERVICE COMPUTER EQUIPMENT ONE-YEAR CONTRACT NONE	8300.0815	115.2	/		91878 52
3.	TERMINAL RIBBONS SPADS PRINTER NONE	8300.0816	115.2	/		91878 53
4.	PURCHASE SPACE MASTER MICROFICHE READER PRINTER 102610 NONE	8300.0825	523.3.1	/		181878 34
5.	PROVIDE ADDITIONAL FUNDS HTC NONE	8300.0826	115.2	/		181278 17
6.	REPAIR DATAGRAPHIX TERMINAL NONE	8300.0829	115.2	/		181378 24
7.	LINE PRINTER RIBBON DATA PRINTER NONE	8300.0833	115.2	/		183878 28

-99-

FIGURE 7.1.2.4

CORRESPONDENCE

WHO TO SEARCH

TERMINAL OUTPUT

* WHO TO: REW, W. E. *
* SUBJECT *
* TYPE/LETTER NUMBER FILE SYSTEM CODE INPUT DATE-CODE *
* REFERENCED DOCUMENTS *

PROPOSED MODIFICATI 2 ADDITIONAL TECHNICAL SUPPORT
MEMO #454 652.6.1.8 / 8-30-78 7
CSI PRO 78-8062

PROPOSED MODIFICATION MANUFACTURING NOZZLE INSERT BILLETS
MEMO #455 621.6 / 9- 8-78 30
NONE

TASK-ASSGN #5 ADDITIONAL EFFORT PERIOD PERFORMANCE EXTENSION
MEMO #456 648.5.1 / 9-12-78 16
NONE

L-68203A HAAP STORAGE FACILITIES ROCKET MOTORS REQ-EXTEN
MEMO #457 1830 / 9-19-78 17
NONE

REVISED PROPOSAL CASTOR-IIA ROCKET MOTORS ASSOCIATED EFFORT
MEMO #458 683.6.1.8 / 9-19-78 18
V19000/8NAS-328

PROCUREMENT ADDITIONAL ALTAIR-III ROCKET MOTOR
MEMO #459 683.6.1.8 / 9-20-78 24
V19000/8NAS-327

SCOUT GUIDNACE SYSTEM
MEMO #460 681.6.1.8 / 9-20-78 25
2-65000/8L-113

THERE ARE 7 DOCUMENTS WITH AN ADDRESSEE OF
REW, W. E.

CORRESPONDENCE: WHO TO SEARCH: PRINTER OUTPUT

13: 9 11/30/78

SUBJECT REFERENCED DOCUMENTS	WHO TO: RFW, W. E.	TYPE/LETTER NUMBER	FILE SYSTEM CODE	DATE-CODE
1. PROPOSED MODIFICATION 2 ADDITIONAL TECHNICAL SUPPORT CSD PRO 78-R062		MEMO #454	652.6.1.0 /	83078 7
2. PROPOSED MODIFICATION MANUFACTURING NOZZLE INSERT BILLETS NONE		MEMO #455	621.6 /	9 878 30
3. TASK-ASSGN #5 ADDITIONAL EFFORT PERIOD PERFORMANCE EXTENSION NONE		MEMO #456	648.5.1 /	91278 16
4. L-48203A HAAP STORAGE FACILITIES ROCKET MOTORS REQ-EXTEN NONE		MEMO #457	1830 /	91978 17
5. REVISED PROPOSAL CASTOR-11A ROCKET MOTORS ASSOCIATED EFFORT V19000/RNAS-328		MEMO #458	683.6.1.0 /	91978 18
6. PROCUREMENT ADDITIONAL ALTAIR-III ROCKET MOTOR V19000/RNAS-327		MEMO #459	683.6.1.0 /	92078 24
7. SCOUT GUIDANCE SYSTEM 2-65000/BL-113		MEMO #460	681.6.1.0 /	92078 25

-68-

FIGURE 7.1.2.6

CORRESPONDENCE
DOCUMENT DATE SEARCH
TERMINAL OUTPUT

* DOCUMENT DATE: 11- 0-78
* SUBJECT
* TYPE/LETTER NUMBER FILE SYSTEM CODE INPUT DATE-CODE
* REFERENCED DOCUMENTS

SCOUT PROJECT MANAGEMENT REPORT				
REPORT	576	/	11- 7-78	13
NONE				
FLIGHT PROJECTS DIRECT MANPOWER				
REPORT	540.1	/	11-21-78	18
NONE				
RESOURCES AUTHORITY WARRANT LRC-MSO PERSONNEL VAFB FY-1979				
R. A. W. FORM506A	509.2	/	11-29-78	19
NONE				

THERE ARE 3 DOCUMENTS WITH A DOCUMENT DATE OF 11- 0-78

CORRESPONDENCE: DOCUMENT DATE SEARCH: PRINTER OUTPUT

12: 53 11/30/78

DOCUMENT DATE: 11- 0-78		TYPE/LETTER NUMBER	FILE SYSTEM CODE	DATE-CODE
SUBJECT REFERENCED DOCUMENTS				
1. SCOUT PROJLCT MANAGEMENT RLPORT NONE		REPORT	576 /	11 778 13
2. FLIGHT PROJECTS DIRECT MANPOWER NONE		REPORT	540.1 /	112178 18
3. RESOURCES AUTHORITY WARRANT LRC-MSO PERSONNEL VAFB FY-1979 NONE		R. A. W. FORM506A	509.2 /	112978 19

FIGURE 7.1.2.8

CORRESPONDENCE
CONTRACT NUMBER SEARCH
TERMINAL OUTPUT

```
*****  
* CONTRACT NUMBER: NAS1-15100  
* SUBJECT  
* TYPE/LETTER NUMBER FILE SYSTEM CODE INPUT DATE-CODE  
* REFERENCED DOCUMENTS  
*****
```

```
TRANSMITTAL EO-51158 (EGSE) REL-SPEC 305-459 APPROVAL  
2-94000/8L-4190 682.4.2 / 11- 2-78 14  
NONE
```

```
FINANCIAL MANAGEMENT REPORT REFLECTING EXPENDITURES THROUGH 10/1/78  
2-65000/8L-150 682.11.5 / 11- 2-78 19  
NONE
```

```
TASK-R-120 ALGOL-IIC MOTOR SHELF-LIFE EXTENSION FLIGHT WORTHINESS  
SL-3660/AAO 682/R / 11- 2-78 5  
NONE
```

```
TASK-R-18 APPROVAL SEI-4278 STORAGE BASE-10 PCM-SIGNAL CONDITIONING  
S-4422/CSL 302.7 / 11- 2-78 7  
2-94000/8L-4117
```

```
TASK-R-90 APPROVAL TASK SUMMARY BURST COUPON TEST  
S-4425/DEG 682.5.1 / 11- 2-78 8  
2-94000/8L-4140
```

```
TASK-R-44 APPROVAL THIOKOL ANTARES III DOCUMENT TEST-PLAN  
S-4426/DEG 682.15.3 / 11- 2-78 9  
2-94000/8L-4139
```

```
TASK-R-90 APPROVAL 23DIR2071 RESULTS BURST COUPON TESTS  
S-4427/DEG 302.2 / 11- 2-78 10  
2-94000/8L-4136
```

THERE ARE 7 DOCUMENTS WITH A CONTRACT NUMBER OF NAS1-15100

CORRESPONDENCE: CONTRACT NUMBER SEARCH: PRINTER OUTPUT

12: 27 11/30/78

```

.....
SUBJECT                                CONTRACT NUMBER:  NAS1-15100
REFERENCED DOCUMENTS                  TYPE/LETTER NUMBER  FILE SYSTEM CODE   DATE-CODE
.....
1. TRANSMITTAL FO-51158 (EGSE) REL-SPEC 305-459 APPROVAL
   NONE                                2-94000/8L-4190    682.4.2 /          11 278 14
2. FINANCIAL MANAGMENT REPORT REFLECTING EXPENDITURES THROUGH 10/1/78
   NONE                                2-65000/8L-150    682.11.5 /         11 278 19
3. TASK-R-120 ALGOL-IIC MOTOR SHELF-LIFE EXTENSION FLIGHT WORTHINESS
   NONE                                SL-3660/AA0       682/R /            11 278 5
4. TASK-R-18 APPROVAL SEI-4278 STORAGE BASE-10 PCM-SIGNAL CONDITIONING
   2-94000/8L-4117                      S-4422/CSL       302.7 /            11 278 7
5. TASK-R-90 APPROVAL TASK SUMMARY BURST COUPON TEST
   2-94000/8L-4140                      S-4425/DEG       682.5.1 /          11 278 8
6. TASK-R-44 APPROVAL THIOKOL ANTARES III DOCUMENT TEST-PLAN
   2-94000/8L-4139                      S-4426/DEG       682.15.3 /         11 278 9
7. TASK-R-90 APPROVAL 23DIR2071 RESULTS BURST COUPON TESTS
   2-94000/8L-4136                      S-4427/DEG       302.2 /            11 278 10

```

-72-

FIGURE 7.1.2.10

CORRESPONDENCE

W.A. NUMBER/ID CODE SEARCH

TERMINAL OUTPUT

* W.A. NUMBER/ID CODE: 3525 *
* SUBJECT *
* TYPE/LETTER NUMBER FILE SYSTEM CODE INPUT DATE-CODE *
* REFERENCED DOCUMENTS *

TRANSMITTAL SOP-INTERIM CHANGES ICN#-1-202
2-94000/8L-4214 / 11- 8-78 2
NONE

GIDEP ALERT STATUS WORK SHEETS REVISED PAGES ONLY
2-94000/8L-4215 / 11- 8-78 3
NONE

23DIR2001 PRE-FLIGHT SEQUENCE EVENTS GUIDANCE PROGRAM S-202C
2-94000/8L-4216 302.2 / 11- 8-78 4
NONE

CHANGE REQUEST MONTHLY STATUS REPORT ENDING 10/31/78
2-94000/8L-4218 / 11- 9-78 6
NONE

TRANSMITTAL DEO-50733 (ELED) AGNST-DWG 23-002085 REV-Y
2-94000/8L-4219 681.22 / 11- 9-78 7
NONE

SEI-4127 25-SERIES E-SECTION PRE-SHIPING SPECIAL INSPECTION 10/27/78
2-94000/8L-4220 302.7 / 11- 9-78 8
NONE

2-94000 8R-26 SEMI-MONTHLY NARRATIVE STATUS PRESENTATION
2-94000/8L-4165 681.11.1 / 11- 9-78 13
NONE

THERE ARE 7 DOCUMENTS WITH A W.A. NUMBER/ID. CODE OF 3525

CORRESPONDENCE: W.A. NUMBER/ID CODE SEARCH: PRINTER OUTPUT

12: 49 11/30/78

.....			
SUBJECT		W.A. NUMBER/ID CODE: 3525	
REFERENCED DOCUMENTS	TYPE/LETTER NUMBER	FILE SYSTEM CODE	DATE-CODE
.....			
1. TRANSMITTAL SOP-INTERIM CHANGES ICNH-1-202 NONE	2-94000/8L-4214	/	11 878 2
2. GIDIP ALERT STATUS WORK SHEETS REVISED PAGES ONLY NONE	2-94000/8L-4215	/	11 878 3
3. 23DIR2001 PRE-FLIGHT SEQUENCE EVENTS GUIDANCE PROGRAM S-202C NONE	2-94000/8L-4216	302.2 /	11 878 4
4. CHANGE REQUEST MONTHLY STATUS REPORT ENDING 10/31/78 NONE	2-94000/8L-4218	/	11 978 6
5. TRANSMITTAL DEU-50733 (ELEC) AGNST-DWG 23-002085 REV-Y NONE	2-94000/8L-4219	681.22 /	11 978 7
6. SEI-4127 25-SERIES E-SECTION PRE-SHIPPING SPECIAL INSPECTION 10/27/78 NONE	2-94000/8L-4220	302.7 /	11 978 8
7. 2-94000 BR-26 SEMI-MONTHLY NARRATIVE STATUS PRESENTATION NONE	2-94000/8L-4165	681.11.1 /	11 978 13

-74-

FIGURE 7.1.2.12

CORRESPONDENCE
 AUTHOR/SOURCE SEARCH
 TERMINAL OUTPUT

 * AUTHOR/SOURCE: KEYNTON, R. J.
 * SUBJECT
 * TYPE/LETTER NUMBER FILE SYSTEM CODE INPUT DATE-CODE
 * REFERENCED DOCUMENTS.

PURCHASE ORDER-SCOU	ANALYSIS	II-FINAN	REPORTING PROGRAM	WYLE-LAB
MEMO	115.2	/	8- 3-78	11
NONE				

SELECTION MICROFICHE READER PRINTER SPO				
MEMO	535.7	/	10-10-78	29
NONE				

FLIGHT SCOUT S-201C HCMH				
MEMO	131-201	/	10-17-78	11
AWARD PLAN 71277				

TASK-D LATE SUBMISSION S-201 FINAL FLIGHT REPORT				
S-4238/RJK	131-201	/	8-30-78	10
2-94000/BT-152				

TASK-D APPROVAL S-201 FINAL FLIGHT REPORT				
S-4356/RJK	131-201	/	10-16-78	3
2-94000/BL-4024				

THERE ARE 5 DOCUMENTS WITH A AUTHOR/SOURCE OF
 KEYNTON, R. J.

CORRESPONDENCE: AUTHOR/SOURCE SEARCH: PRINTER OUTPUT

12: 20 11/30/78

```

*****
AUTHOR/SOURCE:  KEYNTON, R. J.
SUBJECT
REFERENCED DOCUMENTS
*****
1.PURCHASE ORDER-SCOU ANALYSIS II-FINAN REPORTING PROGRAM WYLE-LAB      MEMO      115.2    /      8 378 11
   NONE
2.SELECTION MICROFICHE READER PRINTER SPO                                MEMO      535.7    /      101078 29
   NONE
3.FLIGHT SCOUT S-201C HCMH                                              MEMO      131-201  /      101778 11
   AWARD PLAN 71277
4.TASK-D LATE SUBMISSION S-201 FINAL FLIGHT REPORT                      S-4238/RJK 131-201  /      83078 10
   2-94000/8T-152
5.TASK-D APPROVAL S-201 FINAL FLIGHT REPORT                              S-4356/RJK 131-201  /      101678 3
   2-94000/8L-4024

```

FIGURE 7.1.2.14

CORRESPONDENCE

DOCUMENT/LETTER NUMBER SEARCH

TERMINAL OUTPUT

```
*****  
* DOCUMENT/LETTER NUMBER: 2-94000/8L-4270 *  
* SUBJECT *  
* TYPE/LETTER NUMBER FILE SYSTEM CODE INPUT DATE-CODE *  
* REFERENCED DOCUMENTS *  
*****
```

```
TASK SUMMARY SAGE SPACECRAFT RELATED EFFORT 11/21/78  
2-94000/8L-4270 682.5.1 / 11-27-78 13  
NONE
```

THERE ARE 1 DOCUMENTS WITH DOCUMENT / LETTER NUMBER OF 2-94000/8L-4270

CORRESPONDENCE: DOCUMENT/LETTER NUMBER SEARCH: PRINTER OUTPUT

13: 48 11/30/78

```
.....  
DOCUMENT/LETTER NUMBER: 2-94000/8L-4270  
SUBJECT TYPE/LETTER NUMBER FILE SYSTEM CODE DATE-CODE  
REFERENCED DOCUMENTS  
.....  
1. TASK SUMMARY SAGE SPACECRAFT RELATED EFFORT 11/21/78 2-94000/8L-4270 682.5.1 / 112778 13  
NONE
```

CORRESPONDENCE
INPUT DATE SEARCH
TERMINAL OUTPUT

* INPUT DATE: 10-31-78 *
* SUBJECT *
* TYPE/LETTER NUMBER FILE SYSTEM CODE INPUT DATE-CODE *
* REFERENCED DOCUMENTS *

NASA-DEFENSE PURCHASE REQUEST 11-BRISTOL SEVEN-DAY TEMPERATURE RECORDING
L-68203A 800.1 / 10-31-78 17
NONE

NASA-DEFENSE PURCHASE REQUEST RANGE SERVICE FY-1979
L-86492A 800.1 / 10-31-78 18
NONE

NASA-DEFENSE PURCHASE REQUEST MAGSAT RANGE SERVICE FY-1979
L-86493A 800.1 / 10-31-78 19
NONE

NASA-DEFENSE PURCHASE REQUEST FUNDING FY-1979 UTILITY REQUIREMENTS
L-86494A 800.1 / 10-31-78 20
NONE

THERE ARE 4 DOCUMENTS WITH A DATE OF 10-31-78

CORRESPONDENCE: INPUT DATE SEARCH: PRINTER OUTPUT

12: 51 11/30/78

.....

INPUT DATE: 10-31-78

SUBJECT REFERENCED DOCUMENTS	TYPE/LETTER NUMBER	FILE SYSTEM CODE	DATE-CODE
1. NASA-DEFENSE PURCHASE REQUEST 11-BRISTOL SEVEN-DAY TEMPERATURE RECORDING NONE	L-68203A	800.1 /	103178 17
2. NASA-DEFENSE PURCHASE REQUEST RANGE SERVICE FY-1979 NONE	L-86492A	800.1 /	103178 18
3. NASA-DEFENSE PURCHASE REQUEST MAGSAT RANGE SERVICE FY-1979 NONE	L-86493A	800.1 /	103178 19
4. NASA-DEFENSE PURCHASE REQUEST FUNDING FY-1979 UTILITY REQUIREMENTS NONE	L-86494A	800.1 /	103178 20

.....

-80-

FIGURE 7.1.2.18

CORRESPONDENCE
 SUBJECT SEARCH
 TERMINAL OUTPUT

```

*****
*                SUBJECT:  WFC                INCORPORAT                *
* SUBJECT                                                *
* TYPE/LETTER NUMBER      FILE SYSTEM CODE      INPUT DATE-CODE      *
* REFERENCED DOCUMENTS                                         *
*****
  
```

```

WFC INCORPORATION EO-51380 S-202
TWX #2088          .131-202 /                11-22-78      2
NONE
  
```

```

WFC INCORPORATION SEI&EO S-202
TWX #2087          131-202 /                11-22-78      3
NONE
  
```

```

WFC INCORPORATION EO-50655 S-202
TWX #2096          131-202 /                11-22-78      4
NONE
  
```

```

WFC INCORPORATION EO-50200 50201 51498 ON-S-202
2102              131-202 /                11-27-78     32
NONE
  
```

CORRESPONDENCE: SUBJECT SEARCH: PRINTER OUTPUT

13: 54 11/30/78

SUBJECT		SUBJECT:	WFC	INCORPORAT	TYPE/LETTER NUMBER	FILE SYSTEM CODE	DATE-CODE
REFERENCED DOCUMENTS							
1.	WFC INCORPORATION EO-51380 S-202 NONE				TX #2080	131-202 /	112278 2
2.	WFC INCORPORATION SFI&EO S-202 NONE				TX #2087	131-202 /	112278 3
3.	WFC INCORPORATION EO-50655 S-202 NONE				TX #2096	131-202 /	112278 4
4.	WFC INCORPORATION EO-50200 50201 51498 ON-S-202 NONE				2102	131-202 /	112778 32

-82-

FIGURE 7.1.2.20

CORRESPONDENCE
MAIL STATUS SEARCH
TERMINAL OUTPUT

```
*****
*                                     MAIL STATUS:  VC                                     *
* SUBJECT                                                                    *
* TYPE/LETTER NUMBER      FILE SYSTEM CODE      INPUT DATE-CODE      *
* REFERENCED DOCUMENTS                                          *
*****
```

```
TASK-R-121 ALTAIR IIIA EXIT CONE INVESTIGATION
TWX          682/R      /      11- 1-78      1
NONE
```

```
MAGSAT HEATSHIELD CLEARANCE
S-4367/LRT   243.3    /      11- 1-78      2
NONE
```

```
L-68203A SHIPMENT ALGOL-II ROCKET MOTORS
S-4423/PEE   1830    /      11- 1-78      3
NONE
```

```
TASK-R-45 ANTARES III-CASE STRUCTURAL TEST
S-4424/EEH   682//R  /      11- 1-78      4
2-51100/8R-23063
```

```
TRANSMITTAL VOUGHT WORK AUTHORIZATIONS
2-94000/8L-4185 /      11- 1-78      5
NONE
```

```
TASK-R-18E FCM TELEMETRY PACKAGE DEVELOPMENT
SL-3654/AAO   682/R      /      11- 1-78      11
SL-3716/AAO   2-94000/8T-181  2-94000/8T-171
```

```
VC/VAFB OPERATIONS DAILY WORK SCHEDULE 11/1/78
TWX          403.9    /      11- 1-78      16
NONE
```

THERE ARE 7 DOCUMENTS WITH A MAIL STATUS OF VC

CORRESPONDENCE: MAIL STATUS SEARCH: PRINTER OUTPUT

12: 11 11/30/78

SUBJECT REFERENCED DOCUMENTS	MAIL STATUS: VC	TYPE/LETTER NUMBER	FILE SYSTEM CODE	DATE-CODE
1. TASK-R-1.1 ALTAIR IIIA EXIT CONE INVESTIGATION NONE		TWX	682/R /	11 178 1
2. MAGSAT HEATSHIELD CLEARANCE NONE		S-4367/LRT	243.3 /	11 178 2
3. L-68203A SHIPMENT ALGOL-II ROCKET MOTORS NONE		S-4423/PEE	1830 /	11 178 3
4. TASK-R-45 ANTARES III-CASE STRUCTURAL TEST 2-51100/BR-23063		S-4424/EEH	682//R /	11 178 4
5. TRANSMITTAL VOUGHT WORK AUTHORIZATIONS NONE		2-94000/BL-4185	/	11 178 5
6. TASK-R-18F PCM TELEMETRY PACKAGE DEVELOPMENT SL-3716/AAO 2-94000/RT-181 2-94000/RT-171		SL-3654/AAO	682/R /	11 178 11
7. VC/VAFB OPERATIONS DAILY WORK SCHEDULE 11/1/78 NONE		TWX	403.9 /	11 178 16

-84-

FIGURE 7.1.2.22

CORRESPONDENCE

ACTION DUE DATE SEARCH

TERMINAL OUTPUT

```
*****
*                                     ACTION DUE DATE
* SUBJECT
* TYPE/LETTER NUMBER      FILE SYSTEM CODE      INPUT DATE-CODE
* AUTHOR / SOURCE        RESPONSIBLE ENGINEER    DUE DATE
*****
```

```
TRANSMITTAL VOUGHT-SOP MARK-UPS #MS18-15 PROCEDURE #6-3-13
2-94000/8L-4217          409.1      /          11- 9-78      5
HORNE, R. C.              TLO                12- 4-78

23DIR1996 PRE-FLIGHT WEIGHT REPORT S-202 PAYLOAD SAGE
2-94000/8L-4227          302.2      /          11-15-78      2
URASH, R. G.              RJK                12-11-78

23DIR2079 PRE-FLIGHT WIND RESTRICTIONS S-202-SAGE MISSION 11/6/78
2-94000/8L-4228          302.2      /          11-15-78      3
URASH, R. G.              RJK                12-11-78

23DIR2080 PRE-FLIGHT CONTROL SYSTEM SETTINGS HYDROGEN PEROXIDE
2-94000/8L-4229          302.2      /          11-15-78      4
URASH, R. G.              RJK                12-11-78

TRANSMITTAL EO-51169 (GUID) REL-SPECS APPROVAL
2-94000/8L-4233          681.4      /          11-15-78      5
HORNE, R. C.              DMF                12-11-78

SCOUT SYSTEMS R&D TECHNICAL MANAGEMENT
2-65000/8T-3             682/R-120 /          11-16-78      5
URASH, R. G.              JVC                11-30-78

EO-51157 (RCS) REL-SPEC 304-600A AMEND#2 FOR APPROVAL
2-94000/8L-4243          681.4.1    /          11-21-78      6
HORNE, R. C.              TLO                12-11-78

3-15000/5R 240 CONFIGURATION MANAGEMENT PLAN 11/1/78
2-94000/8L-4245          681.22     /          11-21-78      7
URASH, R. G.              CWW                12-12-78

EO-51377 (PROP) AGNST-DWGS FOR APPROVAL
2-94000/8L-4247          681.22     /          11-21-78      9
HORNE, R. C.              RPF                12-12-78

TASK-PLAN MAGSAT SPFCECRAFT RELATED EFFORT
2-94000/8L-4256          682.5.1    /          11-22-78     15
HORNE, R. C.              TLO                12-15-78

TRANSMITTAL EO'S-AGNST DRAWING FOR APPROVAL
2-94000/8L-4260          682.22     /          11-27-78      8
HORNE, R. C.              DMF                12-20-78
```

FIGURE 7.1.2.23

CORRESPONDENCE: ACTION DUE DATE SEARCH: PRINTER OUTPUT

12: 23 12/04/78

SUBJECT AUTHOR / SOURCE	ACTION DUE DATE	TYPE/LETTER NUMBER RESPONSIBLE ENGINEER	FILE SYSTEM CODE	DATE-CODE DATE-DUE
1. TRANSMITTAL VOUGHT-SOP MARK-UPS #MB18-15 PROCEDURE #6-3-13 HORNE, R. C.		2-94000/8L-4217 TLO	409.1 /	11 978 5 12 478
2. 23DIR1996 PRE-FLIGHT WEIGHT REPORT S-202 PAYLOAD SAGE URASH, R. G.		2-94000/8L-4227 RJK	302.2 /	111578 2 121178
3. 23DIR2079 PRE-FLIGHT WIND RESTRICTIONS S-202-SAGE MISSION 11/6/78 URASH, R. G.		2-94000/8L-4228 RJK	302.2 /	111578 3 121178
4. 23DIR2080 PRE-FLIGHT CONTROL SYSTEM SETTINGS HYDROGEN PEROXIDE URASH, R. G.		2-94000/8L-4229 RJK	302.2 /	111578 4 121178
5. TRANSMITTAL EO-51169 (GUID) REL-SPECS APPROVAL HORNE, R. C.		2-94000/8L-4233 DMF	681.4 /	111578 5 121178
6. SCOUT SYSTEMS R&D TECHNICAL MANAGEMENT URASH, R. G.		2-65000/8T-3 JVC	682/R-120 /	111678 5 113078
7. EO-51157 (RCS) REL-SPEC 304-600A AMEND#2 FOR APPROVAL HORNE, R. C.		2-94000/8L-4243 TLO	681.4.1 /	112178 6 121178
8. J-15000/SR 240 CONFIGURATION MANAGEMENT PLAN 11/1/78 URASH, R. G.		2-94000/8L-4245 CMW	681.22 /	112178 7 121278
9. EO-51377 (PROP) AGNST-DW6S FOR APPROVAL HORNE, R. C.		2-94000/8L-4247 RPP	681.22 /	112178 9 121278
10. TASK-PLAN MAGSAT SPPCECRAFT RELATED EFFORT HORNE, R. C.		2-94000/8L-4256 TLO	682.5.1 /	112278 15 121578
11. TRANSMITTAL EO'S-AGNST DRAWING FOR APPROVAL HORNE, R. C.		2-94000/8L-4260 DMF	682.22 /	112778 8 122078

-96-

FIGURE 7.1.2.24

7.2 DESIGN INFORMATION RELEASE/REPORT - OUTPUT FORMATS

Outputs produced while operating within the DIR/REPORT subfile can only result during the SEARCH mode.

7.2.1 SEARCH MODE FOR DIR

Outputs resulting from the SEARCH MODE are a special listing of document records found containing a desired data item. These outputs are printed on the user terminal and on the high speed printer. All outputs are identical regardless of where the records are displayed. All outputs display the entire nine items within the DIR/REPORT document record. See Figure 7.2.1.1.

DESIGN INFORMATION RELEASE/REPORT
TERMINAL AND PRINTER SEARCH OUTPUTS

(1) TITLE
SCOUT TRAJECTORY DATA ILLUSTRATI QUATERNION GUIDANCE EFFECTS
(2) DIR/REPORT NUMBER (8) REVISION
23DIR1992 REV A
(3) DOCUMENT DATE (9) REVISION DATE
1-19-78 1-19-78
(4) SYSTEM
GUID TRAJ PERF
(5) W.A. NUMBER/ID CODE
3526RGAE
(6) CONTRACT NUMBER
NAS1-15100
(7) VEHICLE
0 0

(1) TITLE
PRELIMINAR WEIGHT DATA ADVANCED SCOUT CONFIGURAT
(2) DIR/REPORT NUMBER (8) REVISION
23DIR1099
(3) DOCUMENT DATE (9) REVISION DATE
8-19-70 0-0-0
(4) SYSTEM
MECH
(5) W.A. NUMBER/ID CODE
3262EAAC
(6) CONTRACT NUMBER
NAS1-7256
(7) VEHICLE
0 0

7.3 DRAWING/ENGINEERING ORDER - OUTPUT FORMATS

Outputs produced while operating within the drawing or engineering order subfile may result during two modes: INPUT and SEARCH.

7.3.1 INPUT MODE FOR DRAWING/E.O.

Output resulting from the INPUT MODE is a special message displayed on the user terminal regarding the status of a particular drawing sheet. This occurs while inputting a new engineering order on a drawing sheet. If the sheet has three or more E.O.'s already assigned, one of three possible messages will be displayed to the user. See Figure 7.3.1.1.

DRAWING/ENGINEERING ORDER

E.O. INPUT

TERMINAL OUTPUT

MESSAGE #1

```
*****  
WARNING!!! SHEET# 2. 0 FOR DRAWING 23 000087  
NOW HAS FOUR E.O.'S  
*****
```

MESSAGE #2

```
*****  
ATTENTION!!! SHEET# 2. 0 FOR DRAWING 23 000087  
NOW HAS THE MAXIMUM ALLOWABLE OF FIVE E.O.'S  
*****
```

MESSAGE #3

```
*****  
ATTENTION!!! IMPORTANT!!!, REVISION PASTDUE!! IMMEDIATE ACTION REQUIRED!!  
SHEET# 1. 0 FOR DRAWING 23 000469 NOW HAS 7 E.O.'S  
*****
```

7.3.2 SEARCH MODE FOR DRAWING/E.O.

Outputs resulting from the SEARCH MODE are a special listing of drawing or drawing related records found containing a desired data item. These outputs are printed on the user terminal and on the high speed printer. All printer outputs contain a header indicating the data item being searched and a description of the other data items to be displayed. All drawing terminal outputs are displayed the same way with no headers using two options: Brief and Complete. The brief output only lists the E.O.'s for a drawing sheet whereas the complete output also gives additional information about each E.O. See Figure 7.3.2.1 for brief sample. See Figure 7.3.2.2 for complete sample. Terminal outputs for engineering order searches vary in the display of one field, VEHICLE NUMBER(S). The PRINT ALL and E.O. number searches do display the vehicle number. See Figure 7.3.2.3. The E.O. vehicle search does not display the vehicle number because it does not need to be repeated. See Figure 7.3.2.4.

The high speed printer drawing output also has the same two options: Brief and Complete. Figure 7.3.2.5 exhibits a drawing title search with the brief option and Figure 7.3.2.6 shows the same search with the complete option. Figures 7.3.2.7 through 7.3.2.15 show all other printer outputs using the brief option.

The high speed printer E.O. outputs all display the same data items. See Figure 7.3.2.16 through 7.3.2.18.

DRAWING/ENGINEERING ORDER

DRAWING TERMINAL OUTPUT

DRAWING TITLE SEARCH

BRIEF OUTPUT

1. DRAWING TITLE
ADAPT RING TRANS SECT B
DRAWING NUMBER 23 000039 DATE 10-27-78
SHEET# 1 REV D
1. V24818

2. DRAWING TITLE
BUSHING HOIST RING TRAN SECT B
DRAWING NUMBER 23 000119 DATE 10-27-78
SHEET# 1 REV D
1. V31123

3. DRAWING TITLE
STUD HOIST RING TRANS SECT B
DRAWING NUMBER 23 000121 DATE 10-27-78
SHEET# 1 REV C

4. DRAWING TITLE
RING AFT ATTACH TRANS SECT B
DRAWING NUMBER 23 000122 DATE 10-27-78
SHEET# 1 REV C
1. V40081

FIGURE 7.3.2.1

DRAWING/ENGINEERING ORDER

DRAWING TERMINAL OUTPUT

DRAWING TITLE SEARCH

COMPLETE OUTPUT

1. DRAWING TITLE
ADAPT RING TRANS SECT B
DRAWING NUMBER 23 000039 DATE 10-27-78
SHEET# 1 REV D
1. V24818 REV NC 10-27-78

2. DRAWING TITLE
BUSHING HOIST RING TRAN SECT B
DRAWING NUMBER 23 000119 DATE 10-27-78
SHEET# 1 REV D
1. V31123 REV A 10-27-78

3. DRAWING TITLE
STUD HOIST RING TRANS SECT B
DRAWING NUMBER 23 000121 DATE 10-27-78
SHEET# 1 REV C

4. DRAWING TITLE
RING AFT ATTACH TRANS SECT B
DRAWING NUMBER 23 000122 DATE 10-27-78
SHEET# 1 REV C
1. V40081 REV NC 10-27-78

DRAWING/ENGINEERING ORDER

E.O. TERMINAL OUTPUT

PRINT ALL AND E.O. NUMBER SEARCHES

1. V40081 REV NC 10-27-78 193S 0

DRAWING/ENGINEERING ORDER

E.O. TERMINAL OUTPUT

VEHICLE SEARCH

1.	E.O. NUMBER: V40044	E.O. REV NC	DATE 10-27-78
2.	E.O. NUMBER: V39092	E.O. REV NC	DATE 10-27-78
3.	E.O. NUMBER: V50505	E.O. REV NC	DATE 10-27-78
4.	E.O. NUMBER: V39091	E.O. REV NC	DATE 10-27-78
5.	E.O. NUMBER: V51311	E.O. REV NC	DATE 10-27-78

THERE ARE

5 E.O.'S RELATED TO VEHICLE 201

DRAWING/ENGINEERING ORDER: DRAWING TITLE SEARCH: PRINTER OUTPUT BRIEF

14: 15 11/30/78

.....
 DRAWING TITLE SEARCH : SECT B RING
 DRAWING NUMBER DATE
 SHEET NUMBER
 I.O. NUMBER

- | | | |
|--|-----------|----------|
| 1. ADAPT RING TRANS SECT B
SHEET# 1 REV D
1. V24818 | 23 000039 | 10-27-78 |
| 2. BUSHING HOIST RING TRAN SECT B
SHEET# 1 REV D
1. V31123 | 23 000119 | 10-27-78 |
| 3. STUD HOIST RING TRANS SECT B
SHEET# 1 REV C | 23 000121 | 10-27-78 |
| 4. RING AFT ATTACH TRANS SECT B
SHEET# 1 REV C
1. V40081 | 23 000122 | 10-27-78 |

DRAWING/ENGINEERING ORDER: DRAWING TITLE SEARCH: PRINTER OUTPUT COMPLETE

15: 7 11/30/78

DRAWING TITLE		DRAWING TITLE SEARCH :		RING	SECT	B	DRAWING NUMBER	DATE
SHEET NUMBER	F.O. NUMBER	DATE	F.O. TITLE					
1.	ADAPT RING TRANS SECT B SHEET# 1 REV D 1. V24818 REV NC	10-27-78					23 000039	10-27-78
2.	PUSHING HOIST RING TRAN SECT B SHEET# 1 REV D 1. V31123 REV A	10-27-78					23 000119	10-27-78
3.	STUD HOIST RING TRANS SECT B SHEET# 1 REV C						23 000121	10-27-78
4.	RING AFT ATTACH TRANS SECT B SHEET# 1 REV C 1. V40081 REV NC	10-27-78					23 000122	10-27-78

-97-

FIGURE 7.3.2.6

DRAWING/ENGINEERING ORDER: DRAWING PRINT ALL SEARCH: PRINTER OUTPUT

13: 16 12/01/78

PRINT ALL DRAWINGS

DRAWING TITLE
SHEET NUMBER
P.O. NUMBER

DRAWING NUMBER

DATE

1. FIN ASSY BASE SECT A

23 000021

10-27-78

SHEET# 1 REV S

- 1. V34535
- 2. D37280
- 3. V39621
- 4. V50313
- 5. V51265
- 6. V51001

SHEET# 2 REV S

- 1. V34535
- 2. V50313

SHEET# 3 REV S

- 1. V34535
- 2. V50313

SHEET# 4 REV S

- 1. V34535
- 2. V50313

SHEET# 5 REV S

- 1. V34535
- 2. V50313

2. STRUCT ASSY TRANS LWR D

23 000026

10-27-78

SHEET# 1 REV U

- 1. V36559
- 2. V34519

SHEET# 2 REV U

- 1. V36559

SHEET# 3 REV U

- 1. V36559

SHEET# 4 REV U

- 1. V36559

FIGURE 7.3.2.7

DRAWING/ENGINEERING ORDER: ACTION DUE SEARCH: PRINTER OUTPUT

11: 28 11/30/78

DRAWING TITLE SHEET NUMBER E.O. NUMBER	REVISION ACTION DUE SEARCH	DRAWING NUMBER	DATE
1. FIN ASSY HASE SECT A SHEET# 1 1. V34534 2. C37288 3. V39621 4. V50313 5. V51265 6. V51001	REV S	23 000021	10-27-78
2. COMPONENTS INST TLM HASE SECT A SHEET# 1 1. V27229 2. V24391 3. V37787 4. D20245 5. D24285 6. V51354	REV J	23 000097	10-27-78
3. SYS INST 2ND ST RCS TRAN B UPR SHEET# 1 1. V40048 2. D40041 3. D40038 4. D50311 5. D40010 6. D39482 7. D37800 8. D24141 9. V50415 10. D50429	REV AA	23 000469	10-27-78

-66-

FIGURE 7.3.2.8

DRAWING/ENGINEERING ORDER: DRAWING NUMBER SEARCH: PRINTER OUTPUT

14: 58 11/30/78

.....
 DRAWING NUMBER SEARCH : 23 000472

 DRAWING NUMBER DATE

 DRAWING TITLE SHEET NUMBER E.O. NUMBER

1. INSTRUMENTATION INST SRD ST RCS	23 000472	10-27-78
SHEET# 1 REV V		
1. V4004H		
2. D24391		
SHEET# 1. 1 REV V		
1. V4004H		
SHEET# 2 REV V		
1. V4004H		
SHEET# 2. 1 REV V		
1. V4004H		
SHEET# 3. 2 REV V		
1. V4004H		
SHEET# 7 REV V		
1. V4004H		
SHEET# 10 REV V		
1. V4004H		

-100-

FIGURE 7.3.2.9

DRAWING/ENGINEERING ORDER: DRAWING DATE SEARCH: PRINTER OUTPUT

9: 25 12/14/78

.....

DRAWING DATE SEARCH : 12- 1-78

DRAWING TITLE SHEET NUMBER E.O. NUMBER	DRAWING NUMBER	DATE
.....		
1. SAMPLE DRAWING USING SECTION AND SYSTEM SHEET# 1 REV	401 00001	12- 1-78
2. SAMPLE DRAWING USING SYSTEM :MANUEL INPUT SHEET# 1 REV B 1. V000001	401 00002	12- 1-78

FIGURE 7.3.2.10

DRAWING/ENGINEERING ORDER: DRAWING SYSTEM SEARCH: PRINTER OUTPUT

13: 47 12/01/78

SYSTEM SEARCH : ELEC

DRAWING TITLE SHEET NUMBER P.D. NUMBER	DRAWING NUMBER	DATE
1. SAMPLE DRAWING USING SECTION AND SYSTEM SHEET# 1 RLV	401 00001	12- 1-78
2. SAMPLE DRAWING USING SYSTEM :MANUFL INPUT SHEET# 1 REV B 1. V000001	401 000002	12- 1-78

FIGURE 7.3.2.11

DRAWING/ENGINEERING ORDER: DRAWING VEHICLE SEARCH: PRINTER OUTPUT

14: 46 11/30/78

.....
 VEHICLE SEARCH : 202

DRAWING TITLE SHEET NUMBER I.O. NUMBER	DRAWING NUMBER	DATE
1. SECT ASSY P/L INTERFACE SHEET# 1 REV A 1. V51363	23 003082	10-27-78
SHEET# 2 REV A 1. V51365		
2. MOD INSTL 25 SERIES SAGE P/L SHEET# 1 REV NC 1. V50591	23 004523	10-27-78
3. UMB CABLI ASSY-HCMM/SAGE SC SHEET# 1 REV A 1. V51457	331 39724	10-27-78
4. SAGE P/L TEST CABLES SHEET# 1 REV NC 1. V51477	331 39734	10-27-78

-103-

FIGURE 7.3.2.12

DRAWING/ENGINEERING ORDER: DRAWING SECTION SEARCH: PRINTER OUTPUT

13: 12 12/01/78

SECTION SEARCH : CASTOR IIA

DRAWING TITLE
SHEET NUMBER
E.O. NUMBER

DRAWING NUMBER

DATE

1. SAMPLE DRAWING USING SECTION AND SYSTEM
SHEET# 1 REV

401 00001

12- 1-78

DRAWING/ENGINEERING ORDER: DRAWING VENDOR CODE SEARCH: PRINTER OUTPUT

9: 30 12/14/78

DRAWING TITLE SHEET NUMBER E.O. NUMBER		VENDOR CODE SEARCH : 401	DRAWING NUMBER	DATE
1.	RADAR BEAC ASSY S RADAR B KIT SHEET# 1 REV NC		401 00411	10-27-78
2.	BEAC RADAR CVRT 6B,61B,61C SHEET# 1 REV A		401 01331	10-27-78
3.	COMP ASSY TLM PKG INSTR SHEET# 1 REV G 1. V27964		401 01500	10-27-78
4.	SCHEM COMP ASSY TLM PKG SHEET# 1 REV B SHEET# 2 REV C SHEET# 3 REV B 1. V19033		401 01501	10-27-78
5.	RADAR BEACON ASSY SHEET# 1 REV A		401 01861	10-27-78
6.	BATT CASE RADAR BEAC KIT SHEET# 1 REV A		401 01862	10-27-78
7.	RACK SCO MTG REWORK SHEET# 1 REV B 1. V07150		401 03354	10-27-78

-105-

FIGURE 7.3.2.14

DRAWING/ENGINEERING ORDER: DRAWING E.O. NUMBER SEARCH: PRINTER OUTPUT

15: 9 11/30/78

DRAWING - E.O. NUMBER SEARCH V39049		DRAWING NUMBER	DATE
DRAWING TITLE			
SHEET NUMBER			
E.O. NUMBER			
1. BATTERY SIMULATOR C SECT		321 00076	10-27-78
SHEET# 1	REV C		
1. V39099			
2. V39049			
SHEET# 2	REV B		
1. V39049			
2. TEST BATTERIES TRANS D		321 00077	10-27-78
SHEET# 1	REV E		
1. V39099			
2. V39049			
SHEET# 2	REV E		
1. V39099			
2. V39049			
SHEET# 3	REV E		
1. V39099			
2. V39049			

-106-

FIGURE 7.3.2.15

DRAWING/ENGINEERING ORDER: E.O. PRINT ALL SEARCH: PRINTER OUTPUT

13: 57 12/01/78

E.O. SEARCH - PRINT ALL

E.O. NUMBER

DATE

E.O. TITLE

1.	V34509	REV NC	10-27-78
2.	D37208	REV NC	10-27-78
3.	V39611	REV NC	10-27-78
4.	V50313	REV NC	10-27-78
5.	V51265	REV NC	10-27-78
6.	V51001	REV NC	10-27-78
7.	V36559	REV NC	10-27-78
8.	V34519	REV NC	10-27-78
9.	V24815	REV NC	10-27-78
10.	V24818	REV NC	10-27-78
11.	V40080	REV NC	10-27-78
12.	V32206	REV NC	10-27-78
13.	V37467	REV NC	10-27-78
14.	V50363	REV NC	10-27-78
15.	V50419	REV NC	10-27-78
16.	V51362	REV NC	10-27-78
17.	V39784	REV NC	10-27-78
18.	V30984	REV A	10-27-78

FIGURE 7.3.2.16

DRAWING/ENGINEERING ORDER: E.O. NUMBER SEARCH: PRINTER OUTPUT

14: 17 11/30/78

.....			
E.O. SEARCH			
E.O. NUMBER	DATE	E.O. TITLE	
.....			
1. V400P1	REV NC	10-27-78	

-108-

FIGURE 7.3.2.17

DRAWING/ENGINEERING ORDER: E.O. VEHICLE SEARCH: PRINTER OUTPUT

14: 23 11/30/78

.....
F.O. VEHICLE SEARCH 201
.....
F.O. NUMBER DATE F.O. TITLE
.....

- 1. V40044 REV NC 10-27-78
- 2. V39092 REV NC 10-27-78
- 3. V50505 REV NC 10-27-78
- 4. V39091 REV NC 10-27-78
- 5. V51311 REV NC 10-27-78

FIGURE 7.3.2.18

APPENDIX A

GLOSSARY OF TERMS

ARCHIVE	To save or put away data no longer needed or used
DATA BASE	A collection or set of data files; records.
DATA ITEM	A subdivision of a data record; for example, author and contract number are data items or fields of a memo record.
DIR	Design Information Release
EGS	Electrical ground support equipment
ELEC	Electrical
E.O.	Engineering Order
FIELDS	See Data Item
FILE	Storage area to place and keep data for later use
FORTTRAN	Special language used to give instructions to the computer
GSE	Ground support equipment
GUID	Guidance

HOUSEKEEPING	Process by which the computer performs program instructions in order to permit smooth operation - for example, opening, closing, and deleting files.
H/S	Heatshield
ID	Identification
INPUT	To place data into a file
LOGIN	User process of being identified to the computer for further operation
MECH	Mechanical
MESSAGE	A special note displayed on the terminal to the user by the computer program
MGS	Mechanical ground support equipment
MODE	A type of task for a specific job.
OUTPUT	To show or display data
PERF	Performance
PRINTOUT	A special listing of data provided to the user by the computer for later reference or use.
PROP	Propulsion

RECORD A subdivision of a file consisting of a set of data items from a document.

REVISE To change or modify data.

RF Radio frequency for telemetry system

SEARCH To find or locate a specific set of data; records.

SOFTWARE A group or set of fixed computer instructions designed to perform special tasks

SOP Standard operating procedure

SPADS Scout Project Automatic Data System

SPO Scout Project Office

SPOOLED Process by which the computer transfers a special output file to the printer for a printout.

SUBFILE A part or subdivision of a file

TERMINAL A device with typewriter keys used to communicate with the computer.

USER Any person initiating interaction with the computer

W.A. Work authorization.



