



National Aeronautics and
Space Administration

Lyndon B. Johnson Space Center
Houston, Texas 77058

DMS-DR 2464
NASA-CR 160,830
VOLUME 3 OF 6

RESULTS OF HEAT TRANSFER TESTS IN THE
ARNOLD ENGINEERING DEVELOPMENT CENTER -
VON KARMAN FACILITY TUNNELS A AND B UTILIZING
SPACE SHUTTLE ORBITER THIN SKIN THERMOCOUPLE MODEL
56-0, 60-0 AND 83-0

TESTS: OH-84B, OH-105, IH-102

SPACE SHUTTLE AEROTHERMODYNAMIC DATA REPORT

*255 960002
D100332S
#29*

Data Management SERVICES

HUNTSVILLE ELECTRONICS DIVISION



CHRYSLER
CORPORATION

PUBLICATION CHANGE

THE FOLLOWING CHANGES APPLY TO PUBLICATION: Space Shuttle Report

TITLE: Results of Heat Transfer Tests in the Arnold Engineering Development Center - Von Karman Facility Tunnels A and B Utilizing Space Shuttle Orbiter Thin Skin Thermocouple Models 56-0, 60-0, and 83-0.

Tests OH84B, OH-105, IH102 (Volume 3 of 6)
 NUMBER: DMS-DR-2464 DATE: May 1981 BRANCH: Chrysler/DMS
 NASA CR No. 160,830

REASON FOR CHANGE:

Revise Yo geometry label for thermocouples 87A, 88A and 89A as follows:

Thermocouple No.	X0	Yo	
		Original	Revised
87A	9.799	1.709	1.101
88A	9.705	1.101	0.672
89A	9.717	0.672	1.709

Data replacements have been generated and a publication change effected to Table V for all volumes and for data tabulations for all affected volumes.

This page is an errata sheet and is to remain a permanent part of DR-2464. Replace page 85 of the text material.

Prepared by: Liaison ---- S. R. Houlihan
 Operations - G. W. Klug

Approved by: J. J. Glynn
 J. L. Glynn, Manager
 Data Operations

Concurrence: N. D. Kemp
 N. D. Kemp, Manager
 Data Management Services

PAGE 1 OF 1

DISTRIBUTION SAME AS FOR
 ABOVE PUBLICATION

DATA MANAGEMENT services

SPACE DIVISION



CHRYSLER
 CORPORATION

(THIS PAGE INTENTIONALLY LEFT BLANK)

May 1981

DMS-DR 2464
NASA-CR 160,830
VOLUME 3 OF 6

RESULTS OF HEAT TRANSFER TESTS IN THE
ARNOLD ENGINEERING DEVELOPMENT CENTER -
VON KARMAN FACILITY TUNNELS A AND B UTILIZING
SPACE SHUTTLE ORBITER THIN SKIN THERMOCOUPLE MODELS
56-0, 60-0 AND 83-0

TESTS: OH-84B, OH-105, IH-102

by

J. W. Foust
Rockwell International
Space Transportation System Development and Production Division

Prepared under NASA Contract Number NAS9-16283

by

Data Management Services
Chrysler Huntsville Electronics Division
Slidell Engineering Office
New Orleans, La. 70189

for

Engineering Analysis Division
- Johnson Space Center
National Aeronautics and Space Administration
Houston, Texas

WIND TUNNEL TEST SPECIFICS:

Test Number: V41A-67 (Tunnel A), V41B-67 (Tunnel B)
NASA Series Number: IH102 (Tunnel A), OH84B, OH105 (Tunnel B)
Model Number: 56-0, 60-OTS, 83-0
Test Dates: May 2 thru May 23, 1979
Occupancy Hours: OH84B: 58.3
OH105: 12.8
IH102: 39.6
TOTAL: 110.7

FACILITY COORDINATOR:

L. L. Trimmer
VKFADP, AEDC
Arnold Air Force Station
Tullahoma, Tennessee 37389
Phone: (615) 455-2611, Ext.555

PROJECT ENGINEERS:

A. C. Mansfield
Rockwell International
Suite 143 Holiday Office Center
3322 South Memorial Parkway
Huntsville, Alabama 35801
Phone: (205) 883-9580

PROJECT ENGINEERS:

J. W. Foust
Mail Code AD38
Rockwell International
Space Systems Group
12214 Lakewood Blvd.
Downey, CA. 90241
Phone: (213) 922-1451

K. W. Nutt
VKFADP, AEDC
Arnold Air Force Station
Tullahoma, Tennessee 37389
Phone: (615) 455-2611, Ext. 575

DATA MANAGEMENT SERVICES:

Prepared by: Liaison -- S. R. Houlihan
Operations - G. W. Klug, Jr.

Approved: _____

J. L. Glynn, Manager
Data Operations

Concurrence: _____

N. D. Kemp, Manager
Data Management Services

Chrysler Huntsville Electronics Division/Slidell Engineering Office assumes no responsibility for the data presented other than display characteristics.

RESULTS OF HEAT TRANSFER TESTS IN THE
ARNOLD ENGINEERING DEVELOPMENT CENTER -
VON KARMAN FACILITY TUNNELS A AND B UTILIZING
SPACE SHUTTLE ORBITER THIN SKIN THERMOCOUPLE MODELS
56-0, 60-0 AND 83-0

TESTS: OH-84B, OH-105, IH-102

by

J. W. Foust
Rockwell International
Space Transportation System Development and Production Division

ABSTRACT

A series of thin-skin thermocouple heat transfer tests were conducted using scaled Space Shuttle models in the Arnold Engineering Development Center, von Karman facility (AEDC-VKF) Supersonic Wind Tunnel A and Hypersonic Wind Tunnel B to determine aerodynamic heating on the Space Shuttle orbiter where data extrapolation or analytical predictions were not feasible and where previous data did not exist. Secondary test objectives were to obtain limited yaw data and to obtain contingency abort trajectory data. The test series consisted of NASA tests OH84B and OH105 in Tunnel B and IH102 in Tunnel A with Space Shuttle orbiter models 56-0 (0.0175 scale), 60-0 (0.0175 scale), and 83-0 (0.040 scale) configured into ten different model installations. Included in the ten installations tested were each orbiter model and the two 0.0175 scale models integrated with the 0.0175 scale external tank and solid rocket boosters.

Data were recorded at Mach numbers 3 and 4 in Tunnel A with simulated Reynolds numbers of $1.0 \times 10^6/\text{ft}$ to $4.0 \times 10^6/\text{ft}$ and at Mach 8 in Tunnel B with simulated Reynolds numbers of $0.5 \times 10^6/\text{ft}$ to $3.7 \times 10^6/\text{ft}$. Model angle of attack varied from -40 to $+40$ degrees. Model yaw angle varied from -15 to $+10$ degrees. The high negative angle of attack was a contingency abort trajectory simulation.

All objectives of the test series were fulfilled. Six hundred and eight (608) data runs were obtained to support the test objectives, 383 for test OH84B, 78 for test OH105, and 147 for test IH102.

The model configurations, instrumentation, test procedures, and data reduction are described in this report.

Tabulated heat transfer data are presented in the Appendix. Volumes 1-4 contain OH84B tabulations; likewise, Volume 5 contains OH105, and Volume 6 contains IH102.

TABLE OF CONTENTS

	<u>Page</u>
ABSTRACT	iii
INDEX OF MODEL FIGURES	3
INTRODUCTION	5
NOMENCLATURE	6
REMARKS	10
CONFIGURATIONS INVESTIGATED	11
INSTRUMENTATION	15
TEST FACILITY DESCRIPTION	18
TEST PROCEDURES	20
DATA REDUCTION	22
DISCUSSION OF RESULTS	26
REFERENCES	30
TABLES	
I. TEST CONDITIONS	31
II. RUN NUMBER/DATASET COLLATION SUMMARY	32
III. MODEL DIMENSIONAL DATA	
A. Model 56-0 Orbiter	48
B. Model 60-0 Orbiter	55
C. Model 60-0 External Tank and SRBs	63
D. Model 83-0 Orbiter	65
IV. CONFIGURATION CODES	67
V. 60-0 MODEL THERMOCOUPLE LOCATIONS	68

TABLE OF CONTENTS (Continued)

	<u>Page</u>
VI. 56-0 MODEL THERMOCOUPLE LOCATIONS	86
VII. 83-0 MODEL THERMOCOUPLE LOCATIONS	87
VIII. THERMOCOUPLE CONSTANT SETS	96
IX. 60-0 MODEL LOCAL SURFACE DEFLECTION ANGLES	113
X. 83-0 MODEL LOCAL SURFACE DEFLECTION ANGLES	115
XI. PLOTTED THERMOCOUPLES	116
MODEL FIGURES	124
APPENDIX - TABULATED SOURCE DATA	155
OH84B (Volumes 1-4)	
OH105 (Volume 5)	
IH102 (Volume 6)	

INDEX OF MODEL FIGURES

<u>Figure</u>	<u>Title</u>	<u>Page</u>
1.	Model 60-0 Installed in VKF Tunnel B (Model Shown Inverted)	124
2.	Sketch of the 0.0175-Scale Space Shuttle Orbiter Models	125
3.	Model 56-0 Installed in VKF Tunnel A	126
4.	Model 83-0 Installed in VKF Tunnel B (Model Shown Inverted)	127
5.	Sketch of 83-0 Model Coordinate System	128
6.	Installation Sketches of Model Configurations	
	a. Configuration Code 10	129
	b. Configuration Code 20	130
	c. Configuration Codes 30 and 60	131
	d. Configuration Codes 31 and 50	132
	e. Configuration Code 40	133
	f. Configuration Code 51	134
	g. Configuration Code 70	135
	h. Configuration Code 80	136
7.	Thermocouple Locations on 60-0 Model	
	a. Nose and Canopy	137
	b. Upper Surface Thermocouples	139
	c. Lower Surface Thermocouples	140
	d. OMS Pod	141
	e. Aft Fuselage	142
	f. Vertical Tail	143
	g. Upper Right Wing	144
	h. Nozzle Base Heat Shield	145
	i. Lower Right SSME Nozzle	146
8.	Thermocouple Locations on 56-0 Model	147
9.	Thermocouple Locations on 83-0 Model	
	a. T/C Locations on Fuselage Right Side	148
	b. Canopy T/C Locations	149

INDEX OF MODEL FIGURES (Continued)

<u>Figure</u>	<u>Title</u>	<u>Page</u>
	c. Radial Locations	150
	d. Upper Nose T/C Locations	151
10.	Tunnel A	
	a. Tunnel Assembly	152
	b. Tunnel Test Section	152
11.	Tunnel B	
	a. Tunnel Assembly	153
	b. Tunnel Test Section	153
12.	Comparison of Current and Previous Test Results	154

INTRODUCTION

Aerodynamic heating can be complex during the Space Shuttle flight cycle due to the exposure of the somewhat conventional airplane-shaped orbiter to the launch and reentry environments. A test series was conducted in the Arnold Engineering Development Center, von Karman Facility 40-inch Supersonic Wind Tunnel A and 50-inch Hypersonic Wind Tunnel B during the period May 2-23, 1979 to obtain heat transfer data in regions of the Space Shuttle orbiter where data extrapolation or analytical prediction are not feasible and where previous data did not exist. Additional objectives were to obtain limited yaw data and to obtain contingency abort trajectory data. The test series combined three NASA tests, OH84B, OH105, and IH102, using three Space Shuttle orbiter scaled models, 56-0 (0.0175 scale), 60-0 (0.0175 scale), and 83-0 (0.040 scale), installed in ten different configurations.

Data were recorded from the orbiter models at Mach numbers 3 and 4 in Tunnel A for nominal Reynolds numbers ranging from $1.0 \times 10^6/\text{ft}$ to $4.0 \times 10^6/\text{ft}$ and at Mach number 8 in Tunnel B for nominal Reynolds numbers ranging from $0.5 \times 10^6/\text{ft}$ to $3.7 \times 10^6/\text{ft}$. Model angle of attack ranged from -40 to +40 degrees with model angle of sideslip varying from -15 to +10 degrees.

Results of the test series are presented in this report.

NOMENCLATURE

<u>SYMBOL</u>	<u>MNEMONIC</u>	<u>DEFINITION</u>
a_1, a_2, a_3		Constants used to calculate R
α	ALPHA	Model angle of attack, degrees
AEDC		Arnold Engineering Development Center
b		Model skin thickness, inches
β	BETA	Model sideslip angle, degrees
Con.Set		Set of thermocouples recorded together
COORD1		First thermocouple location coordinate
COORD2		Second thermocouple location coordinate
C_p		Model skin material specific heat, Btu/lbm- $^{\circ}$ R
C.R.		Center of Rotation
DTWDT	DTWDT	Time rate of change of wall temperature, $^{\circ}$ R/sec.
δ_{BF}	BDFLAP	Body flap deflection angle, degrees
δ_e	ELEVON	Elevon deflection angle, degrees
δ_{SB}	SPDBRK	Speedbrake deflection angle, degrees
ϵ		Incidence angle of local model surface, degrees
HREF	HREF HREF-FR	Reference heat transfer coefficient based on Fay and Riddell theory, Btu/ft 2 - sec - $^{\circ}$ R
H(RTO)	H(RTO)	Heat transfer coefficient based on RTO, Btu/ft 2 - sec - $^{\circ}$ R
	H(TAW)	Heat transfer coefficient based on TAW, Btu/ft 2 - sec - $^{\circ}$ R

NOMENCLATURE (Continued)

<u>SYMBOL</u>	<u>MNEMONIC</u>	<u>DEFINITION</u>
L		Reference length, inches
MACH NO	MACH	Mach number
μ	MU	Freestream viscosity, lbf-sec/ft ²
MUO		Viscosity based on stagnation temperature, lbf-sec/ft ²
PO	PO	Tunnel stilling chamber pressure, psia
P-INF	P	Freestream static pressure
PO2		Stagnation pressure downstream of normal shock, psia
q	Q-INF	Tunnel freestream dynamic pressure, psi
Q-INF	Q	
	QDOT	Heat transfer rate, Btu/ft ² -sec
RE/FT	RN/L	Reynolds number per unit length
RN		
R	TAW/TO	Analytical temperature ratio
RTO		Tunnel stilling chamber pressure adjusted for theoretical recovery factor, °R
RHO-INF	RHO	Free stream density, lbm/ft ³ .
STFR	STN NO	Stanton number based on HREF
SW.Pos		Switch position
t _i		Time when initial model wall temperature was recorded before model injection, seconds
t		Time from start of model injection cycle, seconds

NOMENCLATURE (Continued)

<u>SYMBOL</u>	<u>MNEMONIC</u>	<u>DEFINITION</u>
TAW	TAW	Computed adiabatic wall temperature, °R
T/C	T/CNO.	Thermocouple number
	T	Tunnel freestream static temperature, °R
TO	TO	Tunnel stilling chamber temperature, °R
TW		Model wall temperature at midpoint of data interval, °R
TW _i		Initial model wall temperature before injection, °R
V-INF	V	Tunnel freestream velocity, ft/sec
VKF		Von Karmen Facility
w		Model skin material density, lbm/ft ³
	WINDOW	Window number where specific thermocouples are located
X	XO MS	Model scale axial coordinate from model nose or leading edge of wing or vertical tail, inches
X _o		Model scale axial coordinate from a point 235 inches (FS) ahead of the orbiter nose, inches
X/C	XV/CV	Percent of vertical tail chord
X/L		Thermocouple axial location from model nose as a ratio to model length
X _n		Model scale axial coordinate of nozzle, inches
Y	YO MS	Model scale lateral coordinate, inches
Y _o		Full scale lateral coordinate, inches

NOMENCLATURE (Concluded)

<u>SYMBOL</u>	<u>MNEMONIC</u>	<u>DEFINITION</u>
Z	ZO: MS	Model scale vertical coordinate, inches
Z _o		Full scale vertical coordinate, inches
Z/B	ZV/BV	Percent of vertical tail span
2Y/B	2Y/B	Ratio of thermocouple distance from model centerline to model semispan
ϕ	PHI	Radial angle of thermocouple in model coordinates, degrees
ϕ_n		Radial angle of thermocouple on nozzle, degrees

REMARKS

In presenting heat-transfer coefficient results, it is convenient to use reference coefficients to normalize the data. Equilibrium stagnation point values derived from the work of Fay and Riddell (Reference 6) were used to normalize the data obtained in this test. These reference coefficients are given by:

$$HREF = \frac{8.17173(PO2)^{0.5} (MUO)^{0.4} \left[1 - \frac{(P-INF)}{PO2}\right]^{0.25} \left[0.2235 + (1.35 \times 10^{-5})(TO+560)\right]}{(RN)^{0.5} (TO)^{0.15}}$$

$$STFR = \frac{HREF}{(RHO-INF) (V-INF) \left[0.2235 + 1.35 \times 10^{-5} (TO + 560)\right]}$$

CONFIGURATIONS INVESTIGATED

Three Space Shuttle orbiter models were used to obtain the thin-skin thermocouple data for this test. Two of the test articles were 0.0175 scale models of the full orbiter and were designated as the 60-Ø and 56-Ø models. The third model was a 0.04 scale, 50 percent forebody model of the orbiter, and was identified as the 83-Ø model. All of the models were supplied by Rockwell International.

The 60-Ø model was a 0.0175 scale thin-skin thermocouple model of the Rockwell International Vehicle 5 configuration. The model was constructed of 17-4 PH stainless steel with a nominal skin thickness of 0.030 in. at the instrumented areas. All thermocouples were spot welded to the thin-skin inner surface.

A photograph of the 60-Ø model injected in the Tunnel B test section is shown in Figure 1. The basic dimensions and coordinate definitions for the 0.0175 scale model are shown in the sketch presented in Figure 2. The deflection angles of the speedbrake, body flap and elevons were varied during these tests and recorded on the tabulated data.

The 56-Ø model was a 0.0175 scale phase change paint model with the same external contour as the 60-Ø model except for the vertical tail. The vertical tail used was a slab tail of extended span used for previous oil flow tests to determine flow orientation at the leading edge. The pilot side

CONFIGURATIONS INVESTIGATED (Continued)

(left) of the fuselage has been replaced with a thin-skin thermocouple insert contoured to the vehicle lines. This insert was constructed of 17-4 PH stainless steel with a nominal skin thickness of 0.020 in. at the thermocouple locations. A photograph of the 56- \emptyset model injected in Tunnel A is shown in Figure 3. The dimensions and coordinate system presented in Figure 2 also apply to the 0.0175 scale 56- \emptyset model.

The 83- \emptyset model was a 0.04 scale model of the forward 50 percent of the orbiter. This model was also constructed of 17-4 PH stainless steel with a nominal skin thickness of 0.030 in. A photograph of the 83- \emptyset model injected in Tunnel B is shown in Figure 4. The coordinate system and basic dimensions for the 83- \emptyset model are presented in Figure 5.

Each of the orbiter models was installed in more than one configuration to fulfill the test requirements of Mach number (Tunnel selection), angle of attack, and yaw. Both the 56- \emptyset and the 60- \emptyset models were tested as the orbiter alone and were also mated with the external tank and both solid rocket boosters, designated as the OTS configuration. Installation sketches of each of the ten configurations are presented in Figure 6. The installations illustrated in Figures 6c and 6d each represent two configurations by interchanging the 56- \emptyset and 60- \emptyset models. Each installation was identified with a configuration code that is listed in Table 4.

CONFIGURATIONS INVESTIGATED (Continued)

Model Nomenclature

Nomenclature used to describe the various components of the three models used for these tests are:

Model 56-0 Orbiter (Vehicle 5 Configuration, VL70-00140C Lines)

B ₆₂	Fuselage
C ₁₂	Canopy
E ₅₂	Elevon
F ₁₀	Body Flap
M ₁₆	OMS Pod
V ₃₀	Vertical Tail
W ₁₂₇	Wing

Model 60-0 Orbiter (Vehicle 5 Configuration, VL70-00140C Lines)

B ₆₂	Fuselage
C ₁₂	Canopy
E ₅₂	Elevon
F ₁₀	Body Flap
M ₁₆	OMS Pods
R ₁₈	Rudder
V ₈	Vertical Tail
W ₁₁₆	Wing

CONFIGURATIONS INVESTIGATED (Concluded)

Model 60-0 External Tank and SRB's (Vehicle 5 Configuration, VC72-000002F Shuttle Configuration Control)

T ₃₈	External Tank (Spike Nose), VC78-000002E Lines
S ₂₆	Solid Rocket Booster, VC77-000002G and VC77-000003F Lines

Model 83-0 Orbiter (VL70-000140C Lines)

B ₆₀	Fuselage
C ₁₀	Canopy

Full scale and model scale dimensional data for the various components of the three models can be found in Table III.

Further model description, including some model drawings, can be found in References 1-3.

INSTRUMENTATION

Test Conditions

Tunnel A stilling chamber pressure was measured with a 15-, 60-, 150-, or a 300-psid transducer referenced to a near vacuum. Based on periodic comparisons with secondary standards, the accuracy (a bandwidth which includes 95 percent of the residuals, i.e. 2σ deviation) of these transducers is estimated to be within ± 0.2 percent of pressure or ± 0.015 psi, whichever is greater. Stilling chamber temperature was measured with a copper-constantan thermocouple with an accuracy of $\pm 3^{\circ}\text{F}$.

Tunnel B stilling chamber pressure was measured with a 200- or 1000-psid transducer referenced to a near vacuum. Based on periodic comparisons with secondary standards, the accuracy of the transducers is estimated to be within ± 0.25 percent of pressure or ± 0.3 psi, whichever is greater for the 200-psid range and ± 0.25 percent of pressure or ± 0.8 psi, whichever is greater for the 1000-psid range. Stilling chamber temperature measurements were made with Chromel[®]-Alumel[®] thermocouples which have an uncertainty of $\pm(1.5\text{F} + 0.375 \text{ percent of reading in } ^{\circ}\text{F})$.

Test Data

The 60- \emptyset model instrumentation consisted of 600 thirty gauge iron-constantan and chromel-constantan thermocouples. Thermocouple locations for this model are illustrated in Figure 7; the dimensional locations and

INSTRUMENTATION (Continued)

skin thickness are listed in Table V. The thermocouples identified by a number only are iron-constantan. The thermocouples identified by a number followed by the letter A or C are chromel-constantan. The letter A designates a new thermocouple location added specifically for this test. The letter C designates the location of a previously existing thermocouple which has been repaired with chromel-constantan wire.

The 56- \emptyset model instrumentation consisted of 80 thirty gauge chromel-constantan thermocouples located on the thin-skin insert. The thermocouple locations for this model are illustrated in Figure 8. The dimensional locations and skin thicknesses are listed in Table VI.

The 83- \emptyset model was instrumented with 482 thirty gauge chromel-constantan thermocouples as illustrated in Figure 9. The dimensional locations and skin thicknesses for the thermocouples on this model are listed in Table VII.

Data from a maximum of 97 thermocouples in Tunnel B and 96 thermocouples in Tunnel A could be recorded during each tunnel injection. Seventeen sets of thermocouples were required to accommodate the large number of thermocouples on this test. These sets are called Constant Sets in Table II. A listing of the seventeen Constant Sets is given in Table VIII. This listing includes all of the thermocouples that were installed for the test. Some of the listed thermocouples were determined

INSTRUMENTATION (Concluded)

to be inoperative and these have been deleted from the tabulated data. A total of three Constant Sets could be connected at one time. A three position selector switch was used to select the desired Constant Set for each injection. The last digit of the Constant Set number usually indicates the selector switch position number. The specific Constant Sets that were connected for each model configuration are listed in Table IV.

TEST FACILITY DESCRIPTION

The von Karmen Gas Dynamics Facility (VKF) consists of multiple wind tunnels, ranges and chambers and is located within the Arnold Engineering Development Center (AEDC) in Tullahoma, Tennessee. The supersonic Tunnel A and hypersonic Tunnel B are part of this complex.

Tunnels A and B (Figures 10 and 11) are continuous, closed-circuit, variable density wind tunnels. Tunnel A has an automatically driven flexible-plate-type nozzle and a 40- by 40-in. test section. The tunnel can be operated at Mach numbers from 1.5 to 6 at maximum stagnation pressures from 29 to 200 psia, respectively, and stagnation temperatures up to 750°R at Mach number 6. Minimum operating pressures range from about one-tenth to one-twentieth of the maximum at each Mach number.

Tunnel B has a 50-in.-diam test section and two interchangeable axisymmetric contoured nozzles to provide Mach numbers of 6 and 8. The tunnel can be operated continuously over a range of pressure levels from 20 to 300 psia at Mach number 6, and 50 to 900 psia at Mach number 8, with air supplied by the VKF main compressor plant. Stagnation temperatures sufficient to avoid air liquefaction in the test section (up to 1350°R) are obtained through the use of a natural gas fired combustion heater. The entire tunnel (throat, nozzle, test section, and diffuser) is cooled by integral, external water jackets. Each tunnel is equipped with a model injection system which allows removal of the model from the test section

TEST FACILITY DESCRIPTION (Concluded)

while the tunnel remains in operation. A description of the tunnels may be found in Reference 4.

TEST PROCEDURES

The test was conducted at a nominal Mach number of 8 in Tunnel B and nominal Mach numbers of 3 and 4 in Tunnel A. A summary of the specific test conditions is given in Table I. A more detailed test summary showing all configurations tested and the variables for each is presented in Table II.

In the VKF continuous flow wind tunnels (A and B), the model is mounted on a sting support mechanism in an installation tank directly underneath the tunnel test section. The tank is separated from the tunnel by a pair of fairing doors and a safety door. When closed, the fairing doors, except for a slot for the pitch sector, cover the opening to the tank, and the safety door seals the tunnel from the tank area. After the model is prepared for a data run, the personnel access door to the installation tank is closed, the tank is vented to the tunnel flow, the safety and fairing doors are closed. After the data are obtained, the model is retracted into the tank, and the sequence is reversed with the tank being vented to atmosphere to allow access to the model in preparation for the next run, if necessary. The sequence is repeated for each configuration change.

The initial step prior to recording the test data in each tunnel was to cool the model uniformly to approximately 80°F with high pressure air. Once the cooling cycle was complete, the desired model attitude was

TEST PROCEDURES (Concluded)

established in the tank prior to injection. With the desired tunnel free stream conditions established, the model was then injected into the tunnel. At lift-off, the initial temperature, TW_i , for each thermocouple on the selected Constant Set was recorded. In Tunnel A, the data acquisition sequence was started prior to the model reaching the airstream. When the model reached tunnel centerline, it was translated to the forward test section to clear an area of tank induced shock impingement. The data acquisition sequence continued until the model reached the full forward position, approximately 8 seconds after lift-off. In Tunnel B, the model was injected directly into the test section. Therefore, the data acquisition sequence was initiated at lift-off and continued for approximately 3 seconds after the model reached the tunnel centerline. After each injection the model was retracted, and the cycle was repeated to cool the model to an isothermal state.

A Beckman[®] 210 analog-to-digital converter was used in conjunction with a Digital Equipment Corp.[®] (DEC) PDP-11 computer and a DEC-10 computer to record the temperature data. The Beckman[®] converter sampled the output of each thermocouple approximately 15 times per second (0.068 seconds per sample).

DATA REDUCTION

The reduction of thin-skin thermocouple data normally involves only the calorimetric heat balance, which, in coefficient form is

$$H(TO) = wbc_p \frac{DTWDT}{TO-TW} \quad (1)$$

Radiation and conduction losses are neglected in this heat balance, and data reduction simply requires evaluation of DTWDT from the temperature-time data and determination of model material properties. For the present tests, radiation effects were negligible; however, conduction effects were potentially significant in several regions of the model. To permit identification of these regions and improve evaluation of the data, the following procedure was used.

Separation of variables and integration of Eq. (1) assuming constant w , b , c_p , and TO yields

$$\frac{H(TO)}{wbc_p} (t - t_i) = \ln \frac{TO-TW_i}{TO-TW} \quad (2)$$

Since $H(TO)/wbc_p$ is a constant, plotting $\ln [(TO-TW_i)/(TO-TW)]$ versus time will give a straight line if conduction is negligible. Thus, deviations from a straight line can be interpreted as conduction effects.

The data were evaluated in this manner and, generally, a reasonably linear portion of the curve could be found for all thermocouples. A linear

DATA REDUCTION (Continued)

least-squares curve fit of $\ln |(T_0 - T_{W1}) / (T_0 - T_W)|$ versus time was applied to the data. In Tunnel A the data reduction time was delayed for all thermocouples that were influenced by the tank induced shock until they had cleared this region. The data reduction time for Tunnel B was typically started at centerline. However, the data for Runs 5-239 were reduced starting 0.4 seconds after centerline to obtain a linear portion of the curve. The curve fit extended for a time span which was a function of the heating rate, as shown on the following list.

<u>Range</u>	<u>Number of Points</u>	<u>Time Span, sec.</u>
DTWDT > 32	5	0.27
16 < DTWDT ≤ 32	7	0.41
8 < DTWDT ≤ 16	9	0.54
4 < DTWDT ≤ 8	13	0.82
2 < DTWDT ≤ 4	17	1.09
1 < DTWDT ≤ 2	25	1.63
DTWDT ≤ 1	41	2.72

In general, the time spans given above were adequate to keep the evaluation of the right-hand side of Eq. (2) within the linear region. The value of c_p was not constant, as assumed, and the relation

$$c_p = 0.0797 + (5.556 \times 10^{-5}) TW, \text{ (17-4 PH stainless steel)} \quad (3)$$

was used with the computed value of TW at the midpoint of the curve fit. The maximum variation of c_p over any curve fit was less than 1.5 percent.

DATA REDUCTION (Continued)

Thus, the assumption of constant c_p was reasonable. The value of density used for the 17-4 PH stainless steel skin was, $w = 490 \text{ lbm/ft}^3$, and the skin thickness, b , for each thermocouple is listed in Tables V, VI and VII. The four thermocouples (T/C No. 428, 429, 430, and 431) on the base of the 60- \emptyset model, see Figure 7i, were attached to 15-5 PH stainless steel. The value of density for the 15-5 PH stainless steel was 490.75 lbm/ft^3 , and the value of c_p was

$$c_p = 0.0645 + (5.8 \times 10^{-5}) \text{ TW, Btu/lbm-}^\circ\text{R.} \quad (4)$$

The heat-transfer coefficient calculated from Eq. 2 was normalized using the Fay-Riddell stagnation point coefficient, H_{REF} , based on a nose radius of 1.0 ft full scale (see Remarks section).

In addition to computing heat-transfer coefficient using T_0 as the assumed adiabatic wall temperature, T_{AW} , coefficients were computed using an assumed T_{AW} of $0.95 T_0$ and a computed value of $R T_0$ for the data in Tunnel A and $0.9 T_0$ and $R T_0$ for the data in Tunnel B. The value of R is defined as T_{AW}/T_0 . The value of R was computed by the following equation supplied by Rockwell International (Reference 5).

$$k = a_1 + (a_2)(\sin(\alpha + \epsilon))^{a_3} \quad (5)$$

where α is the model angle of attack and ϵ is the local model surface deflection angle at a selected thermocouple location. The values of a_1 , a_2 , and a_3 for each Mach number are:

DATA REDUCTION (Concluded)

<u>MACH NO.</u>	<u>a₁</u>	<u>a₂</u>	<u>a₃</u>
3.0	0.9345	0.1004	2.165
4.0	0.922	0.1004	1.965
8.0	0.867	0.133	1.55

The local model surface angles, ϵ , for the appropriate thermocouples used in this test on the 60- \emptyset model are presented in Table IX. The local surface angles on the 83- \emptyset model are presented in Table X. For those thermocouples where ϵ is not given, an R value of 0.95 was used for Mach numbers 3 and 4 and a value of 0.9 was used for Mach 8.

The method used to calculate the analytical temperature ratio, R, has been applied to all the tabulated data. However, in regions of separated flow or complex interaction, the basic assumptions no longer apply, and the computed values of R should be used with care.

The use of three assumed values of TAW provides an indication of the sensitivity of the heat-transfer coefficients to the value of TAW assumed. As can be noted in the tabulated data, there are large percentage differences in the values of the heat-transfer coefficients calculated from the three assumed values of TAW. Therefore, if the data are to be used for flight predictions, the value selected for TAW/TO is obviously very important.

Equations and methods documented in this section and used to reduce the resulting data from this test series were extracted directly from Reference 7.

DISCUSSION OF RESULTS

The results of this test series, OH-84B, OH-105, and IH-102, were normalized heat transfer coefficients evaluated at the three assumed values of adiabatic wall temperature, TAW, for selected thermocouple locations on the 56-0, 60-0, and 83-0 models of the Space Shuttle orbiter. Data quality was determined by two factors: (1) the linear least squares curve fit of the log ratio versus time (see Data Reduction) and (2) comparison with previous data. Data quality for Tests OH-84B and OH-105 in Tunnel B were judged to be very good. Representative data from the lower centerline of the 60-0 model for Mach number 8 in Tunnel B are presented in Figure 12. The figure also shows data from a previous test of the same model which compares very well with the present data. Data quality for Test IH-102 in Tunnel A was not nearly as good as data from Tunnel B. The log ratio plots indicated that the thermocouples were strongly influenced by shocks emanating from the model installation tank and fairing doors as the model traversed forward on centerline. For runs where sideslip angles were required, data from thermocouples oriented toward the top of the test section would be significantly different than data from the same thermocouples oriented toward the bottom of the test section where the model installation tank was. In some cases where a pure sideslip angle was required, runs were repeated to orient the thermocouple toward the top of the test section. Therefore, although the Tunnel A data was completely reviewed at the facility before the final results were published, caution is required when using the data.

DISCUSSION OF RESULTS (Continued)

Two types of heat transfer data resulted from this test series, tabulated and plotted. Tabulated data are presented in the Appendix; ØH84B in Vol. 1-4; ØH105 in Vol. 5 and IH102 in Vol. 6. The plotted data are data received by Rockwell while on-site. These data are not included in this report but Table XI delineates those thermocouples selected from each constant set to be plotted. The three NASA tests completed during this program were intermingled for running efficiency and are reported in this document as a group. The data presented in the Appendix are listed in consecutive order of the test data sets as outlined in Table II. The following will help separate the data by NASA test number and by model number.

<u>Runs</u>	<u>NASA Test No.</u>	<u>Model No.</u>	<u>Thermocouple Constant Sets</u>
5-203	OH-84B	60-0 (Base Sting)	111, 122, 133
204-239	OH-105	60-0	711, 722, 733
240-372	AFFDL*	60-0	-
373-385	OH-105	60-0	811
386-414	IH-102	56-0	311
415-443	OH-105	83-0	911, 922
444-555	IH-102	60-0	511, 522, 533
556-575	IH-102	83-0	411, 422
577-768	OH-84B	60-0 (Offset Sting)	211, 222

*These tests were completed for the Air Force Flight Dynamics Laboratory using Model 60-0; data are not included in the Appendix.

DISCUSSION OF RESULTS (Continued)

DATA UNCERTAINTY

An evaluation of the influence of random measurement errors is presented in this section to provide a partial measure of the uncertainty of the final test results presented in this report. Although evaluation of the systematic measurement error (bias) is not included, it should be noted that the instrumentation accuracy values (see Instrumentation) used in this evaluation represent a total uncertainty combination of both systematic and two-sigma random error contributions.

Accuracy of the basic tunnel parameters P_0 and T_0 and the two-sigma deviation in Mach number determined from test section flow calibrations were used to estimate uncertainties in the other freestream properties, using the Taylor series method of error propagation; i.e.,

$$(\Delta F)^2 = \frac{\partial F}{\partial X_1} \Delta X_1^2 + \frac{\partial F}{\partial X_2} \Delta X_2^2 + \frac{\partial F}{\partial X_3} \Delta X_3^2 + \dots + \frac{\partial F}{\partial X_n} \Delta X_n^2$$

where ΔF is the absolute uncertainty in the dependent parameter $F = f(X_1, X_2, X_3 \dots X_n)$; $X_1, X_2, X_3 \dots X_n$ are the independent measurements; and $\Delta X_1, \Delta X_2, \Delta X_3 \dots \Delta X_n$ are the errors in the independent measurements.

DISCUSSION OF RESULTS (Concluded)

<u>MACH NO.</u>	<u>MACH NO.</u>	<u>Uncertainty (\pm), percent</u>				
		<u>PO</u>	<u>TO</u>	<u>P-INF</u>	<u>Q-INF</u>	<u>RE/FT</u>
3.01	0.6	0.2	0.5	2.6	1.4	1.2
4.01	0.4	0.2	0.5	2.4	1.5	1.2
4.02	0.4	0.2	0.5	2.4	1.5	1.2
7.90	0.4	0.27	0.4	2.5	1.7	1.2
7.94	0.4	0.25	0.4	2.5	1.7	1.2
7.98	0.3	0.25	0.4	1.6	1.2	0.9
7.99	0.3	0.25	0.4	1.6	1.2	0.9
8.00	0.3	0.25	0.4	1.6	1.2	0.9

Reduced Data

Estimated uncertainties for the individual terms in Eq. (2) were used in the Taylor series method of error propagation to obtain uncertainty values of heat-transfer coefficient as represented typically by the ranges listed below:

<u>Range of H(TO)</u>	<u>Uncertainty (\pm), percent</u>	
	<u>Tunnel A</u>	<u>Tunnel B</u>
10^{-4}	15	10
10^{-3}	13	7
10^{-2}	10	5

These values assume that the uncertainty for the density, skin thickness, and specific heat of the thin skin material, as supplied by Rockwell are within ± 1 , ± 3 , and ± 5 percent, respectively.

REFERENCES

1. W. F. Braddock, "Information for Testing the 0.0175-Scale Thin-Skin Thermocouple Model 60-0 in the AEDC VKF "B" Hypersonic Wind Tunnel, Test OH-84B," STS79-0248, May 11, 1979.
2. W. F. Braddock, "Information for Thin-Skin Heat Transfer Tests of Space Shuttle Orbiter Models 60-0 (0.0175-Scale) and 83-0 (0.04-Scale Forebody) in the AEDC VKF "B" Hypersonic Wind Tunnel, Test OH-105," STS79-0249, April 30, 1979.
3. W. F. Braddock, "Information for Thin Skin Heat Transfer Tests of the Space Shuttle 0.0175-Scale Launch Vehicle Model 56-0/60-TS, 0.04-Scale Orbiter Forebody Model 83-0, 0.0175-Scale Orbiter Model 60-0, and 0.0175-Scale Launch Vehicle Model 60-OTS in the AEDC VKF "A" Supersonic Wind Tunnel, Text IH-102", STS79-0239, April 30, 1979.
4. Test Facilities Handbook (Tenth Edition), "Von Karman Gas Dynamics Facility, Vol. 3," Arnold Engineering Development Center, May 1974.
5. Dr. Serge-Albert Waite, "Determination of Temperature Efficiency $R = TAW/TO$ in Low Temperature Wind Tunnels (An Engineering Attempt)," NA-77-299, Prepared for the 47th Semi-Annual Meeting of the Supersonic Tunnel Association, April 1977.
6. J. A. Fay and F. R. Riddell, "Theory of Stagnation Point Heat Transfer in Dissociated Air;" Journal of the Aeronautical Sciences, Vol. 25, No. 2, February 1958.
7. K. W. Nutt, G. L. Dommerman, and A. C. Mansfield, "Test Results from the NASA/Rockwell International Space Shuttle Orbiter Tests (OH-84B, IH-102, and OH-105)," AEDC-TSR-79-V42, August 1979.

TABLE I. TEST CONDITIONS

Mach Number	Stagnation Pressure	Stagnation Temperature	Dynamic Pressure	Static Pressure	Reynolds Number
<u>MACH NO.</u>	<u>PO, psia</u>	<u>TO, °R</u>	<u>Q-INF, psia</u>	<u>P-INF, psia</u>	<u>RE/FT x 10⁻⁶</u>
3.01	10	710	1.7	0.27	1.0
3.01	34		5.8	0.91	3.5
3.01	37		6.3	0.99	3.8
4.01	17		1.2	0.11	1.0
4.02	33		2.4	0.21	2.0
4.02	58		4.2	0.37	3.5
4.02	66	710	4.8	0.42	4.0
7.9	100	1250	0.5	0.01	0.5
7.94	205	1260	1.0	0.02	1.0
7.98	435	1300	2.0	0.05	2.0
7.99	670	1320	3.1	0.07	3.0
8.0	850	1350	3.9	0.09	3.7

TABLE II.

SHEET 1 of 7

JEV

TEST: ϕ H84B (V41B-67)		DATA SET/RUN NUMBER COLLATION SUMMARY										DATE: 6/20/79				
DATA SET IDENTIFIER	CONFIGURATION	PARAMETERS									REYNOLDS NUMBER $\times 10^6$ / FT					
		α	β	δ_e	δ_{RF}	δ_{SB}	M	CONC. CODE	SW. POS.	COMP. SET	0.5	1.0	2.0	3.0	3.7	
** R4U#01	60- ϕ	25	0	0	0	49	8.0	10	3	133					5	
		25	0			49			1	111		9	8	7	6	
	02	30	-4			0			1	111			155	116	129	
									2	122				117	130	
									3	132			157	118	131	
	03		-2						1	111			152	113	126	
									2	122			153	114	127	
									3	133			154	115	128	
	04		-1						1	111			149	110	122	
									2	122			150	111	123	
									3	133			151	112	125	
	06		0						1	111	10		47	76	119	
									2	122	11		48	77	120	
									3	133	12		49	78	121	
	07								3	133			140			
	08		+1						1	111			50			
									2	122			51			
									3	133			52			

32

TEST RUN NUMBERS

α OR β
SCHEDULES

** In the tabulated data, thermocouples numbered ###A appear as 2### and ###C appear as 1###.

TABLE II (Continued)

SHEET 2 of 7

JEV

TEST: ϕ H84B (V41B-67)		DATA SET/RUN NUMBER COLLATION SUMMARY										DATE: 6/20/79				
DATA SET IDENTIFIER	CONFIGURATION	PARAMETERS								REYNOLDS NUMBER $\times 10^6 / FT$						
		α	β	δ_e	δ_{RF}	δ_{SB}	M	CONG. CODE	SW. POS.	CON. SET.	0.5	1.0	2.0	3.0	3.7	
R4U*09	60- ϕ	30	+2	0	0	0	8.0	10	1	III			53			
									1	III			54			
									2	122			55			
									3	133			56			
									1	III			164	107	141	
									2	122			165	108	142	
									3	133			166	109	143	
									1	III			161	104	138	
									2	122			162	105	139	
									3	133			163	106	140	
									1	III			158	101	135	
									2	122			159	102	136	
									3	133			160	103	137	
									1	III	13		60	79	132	
									2	122	14		61	80	133	
									3	133	15		62	81	134	

33

TEST RUN NUMBERS

α OR β
SCHEDULES

TABLE II (Continued)

TEST: ϕ H84B (V41B-67)		DATA SET/RUN NUMBER COLLATION SUMMARY										DATE: 6/20/79				
DATA SET IDENTIFIER	CONFIGURATION	PARAMETERS										REYNOLDS NUMBER $\times 10^6$ / FT				
		α	β	δ_e	δ_{BF}	δ_{SB}	M	COMP. CODE	SW. POS.	Cor. SET	0.5	1.0	2.0	3.0	3.7	
R4U*15	60- ϕ	40	-10	0	0	0	8.0	10	1	111	201	188	170	98		
									2	122	202	189	171	99		
									3	133	203	190	172	100		
									1	111	198	185	176	97		
									2	122	199	186	177	95		
									3	133	200	187	178	96		
17			-4						1	111	195	182	173	89		
									2	122	196	183	174	90		
									3	133	197	184	175	93		
									1	111	**191					
20			-1						1	111	192	179	167	85		
									2	122	193	180	168	86		
									3	133	194	181	169	88		
									1	111	16	32	73	82	145	
22			0						2	122	17	33	74	83	146	
									3	133	18	34	75	84	147	

LIST RUN NUMBERS

34

α OR β
SCHEDULES

** NO DATA AVAILABLE

TABLE II (Continued)

SHEET 4 of 7

JEV

TEST: ϕ H84B (V41B-67)		DATA SET/RUN NUMBER COLLATION SUMMARY										DATE: 6/20/79				
DATA SET IDENTIFIER	CONFIGURATION	PARAMETERS									REYNOLDS NUMBER $\times 10^6 / FT$					
		α	β	δ_e	δ_{RF}	δ_{SB}	M	CONK CODE	SW. POS.		0.5	1.0	2.0	3.0	3.7	
R4U* 24	60- ϕ	40	0	0	0	0	8.0	10	3	133				87		
25			+1						1	111	20	35	70			
									2	122	21	36	71			
									3	133	22	37	72			
26			+2						1	111	23	38	67			
									2	122	24	39	68			
									3	133	25	40	69			
27			+4						1	111	26	41	63			
									2	122	27	42	66			
									3	133	28	43	65			
28			+10						1	111	29	44	57			
									2	122	30	45	58			
									3	133	31	46	59			
29			0	-15	-12.5			20	1	211	717	715	709	707		
					-12.5				2	222	718	716	710	708		
30					0				1	211	719	713	711	705		
					0				2	222	720	714	712	706		

35

TEST RUN NUMBERS

α OR β
SCHEDULES

TABLE II (Continued)

SHEET 5 of 7

JEV

TEST: ϕ H84B (V41B-67)		DATA SET/RUN NUMBER COLLATION SUMMARY								DATE: 6/20/79					
DATA SET IDENTIFIER	CONFIGURATION	PARAMETERS								REYNOLDS NUMBER $\times 10^6 / FT$					
		α	β	δ_e	δ_{RF}	δ_{SB}	M	CONK. CODE	SW. POS.	CON. SET	0.5	1.0	2.0	3.0	3.7
R4U* 31	60- ϕ	40	0	-12.5	-12.5	0	8.0	20	1	211	725	739	737	727	
									2	222	726	740	738	728	
					-5.0				1	211	723	741	735	729	
									2	222	724	742	736	730	
					0.0				1	211	721	743	733	731	
									2	222	722	744	734	732	
					-5	-12.5			1	211	633	659	647	649	
									2	222	634	660	648	650	
									1	211	635	657	645	655	
									2	222	636	658	646	656	
									1	211	637	663	643	653	
									2	222	638	664	644	654	
									1	211	639	661	641	651	
									2	222	640	662	642	652	
					0	-12.5			1	211	631	605	603	581	
									2	222	632	606	604	582	
									1	211	621	615	593	579	
									2	222	622	616	594	580	

LIST RUN NUMBERS

36

α OR β _____
SCHEDULES _____

TABLE II (Continued)

SHEET 6 of 7

JEV

TEST: ϕ H84B (V41B-67)

DATA SET/RUN NUMBER COLLATION SUMMARY

DATE: 6/20/79

DATA SET IDENTIFIER	CONFIGURATION	PARAMETERS								REYNOLDS NUMBER $\times 10^6$ / FT					
		α	β	δ_e	δ_{RF}	δ_{SB}	M	CONK CODE	SW. POS.	COM. SET	0.5	1.0	2.0	3.0	3.7
R4U*40	60- ϕ	40	0	0	0	0	8.0	20	1	211	623	613	595	577	
↓									2	222	624	614	596	578	
41					5				1	211	625	611	597	583	
↓									2	222	626	612	598	584	
42					8				1	211	619	617	591	589	
↓									2	222	620	618	592	590	
43					15				1	211	627	609	599	585	
↓									2	222	628	610	600	586	
44					23.5				1	211	629	607	601	587	
↓									2	222	630	608	602	588	
45				5	-5				1	211	681	667	687	701	
↓									2	222	682	668	688	702	
46					0				1	211	679	665	689	699	
↓									2	222	680	666	690	700	
47					8				1	211	683	669	685	703	
↓									2	222	684	670	686	704	
48					15				1	211	675	673	691	697	
↓									2	222	676	674	692	698	

TEST RUN NUMBERS

37

α OR β
SCHEDULES

TABLE II (Continued)

TEST: ϕ H84B (VA1B-67)	DATA SET/RUN NUMBER COLLATION SUMMARY	DATE: 6/20/79
-----------------------------	---------------------------------------	---------------

DATA SET IDENTIFIER	CONFIGURATION	PARAMETERS									REYNOLDS NUMBER $\times 10^6 / FT$				
		α	β	δ_e	δ_{RF}	δ_{SB}	M	CONK CODE	SW. POS.	CON. ST.	0.5	1.0	2.0	3.0	3.7
R4U*49	60- ϕ	40	0	5	23.5	0	8.0	20	1	211	677	671	693	695	
				5	↓				2	222	678	672	694	696	
50				7.5	0				1	211	767	757	755	745	
					↓				2	222	768	758	756	746	
51					15				1	211	765	759	753	747	
					↓				2	222	766	760	754	748	
52					23.5				1	211	763	761	751	749	
					↓				2	222	764	762	752	750	

TEST RUN NUMBERS

38

α OR β _____
 SCHEDULES _____

TABLE II (Continued)

SHEET 1 of 2

JEV

TEST: ϕ H105 (V41B-67) DATA SET/RUN NUMBER COLLATION SUMMARY DATE: 6/20/79

DATA SET IDENTIFIER	CONFIGURATION	PARAMETERS								REYNOLDS NUMBER $\times 10^6$ / FT					
		α	β	δ_e	δ_{RF}	δ_{SB}	M	COMP. CODE	SW. POS.	CON. SET	0.5	1.0	2.0	3.0	3.7
R4V*01	60- ϕ	0	0	0	0	0	8.0	70	1	711		204		216	228
									2	722		205		217	229
									3	733		206		218	230
									4	811		382		378	373
02									4	811					377
03		10							1	711		207		219	231
									2	722		208		220	232
									3	733		209		221	233
									4	811		383		379	374
04		15							1	711		210		222	237
									2	722		211		223	238
									3	733		212		224	239
									4	811		384		380	375
05		20							1	711		213		225	234
									2	722		215		226	235
									3	733		214		227	236
									4	811		385		381	376

LIST RUN NUMBERS

39

α OR β
SCHEDULES

TABLE II (Continued)

TEST: ϕ H105 (V41B-67)		DATA SET/RUN NUMBER COLLATION SUMMARY								DATE: 6/20/79					
DATA SET IDENTIFIER	CONFIGURATION	PARAMETERS								REYNOLDS NUMBER $\times 10^6$ / FT					
		α	β	δ_e	δ_{RF}	δ_{SB}	M	CONK. CODE	SW. POS.	CON.	0.5	1.0	2.0	3.0	3.7
R4V#06	83- ϕ	0	0	-	-	-	8.0	80	1	911					415
									2	922			440		
07									1	911		424	432	416	
									2	922		425	433	417	
08		10							1	911		426	434	418	
									2	922		427	435	419	
09									1	911			441		
									2	922			442		
10		15							1	911			443		
11									1	911		428	436	420	
									2	922		429	437	421	
12		20							1	911		430	438	422	
									2	922		431	439	423	

40

TEST RUN NUMBERS

α OR β _____
 SCHEDULES _____

TABLE II (Continued)

TEST: IH102 (Y41B-67)		DATA SET/RUN NUMBER COLLATION SUMMARY										DATE: 6/20/79					
DATA SET IDENTIFIER	CONFIGURATION	PARAMETERS									REYNOLDS NUMBER $\times 10^6$ / FT						
		α	β	δ_c	δ_{RF}	δ_{SS}	M	CONK CODE	S.W. POS.	WATER SET	0.5	1.0	2.0	3.0	3.5	4.0	
R4W*01	56- ϕ	0	-15	0	0	0	3.0	31	1	311						414	
02		0	-15				4.0	31								413	
03	56- ϕ / 60-TS	-5	-11				3.0	30				389				394	
04		-5	-6													393	
05		-5	0									387				392	
06		0	-11									388				395	
07		0	-6													396	
08		0	-3													397	
09		0	0									386				391	
10		0	0									390					
11		5	0													398	
12		-5	-11				4.0					402		411			
13			-6													405	
14			0									400				404	
15		0	-11									401				409	
16			-6													408	
17			-3													407	
18			0									399				403	
19			0													410	
20		5	0													406	

LIST RUN NUMBERS

α OR β
SCHEDULES

TABLE II (Continued)

SHEET 2 of 7

JEV

TEST: IH102 (V41B-67)		DATA SET/RUN NUMBER COLLATION SUMMARY								DATE: 6/20/79						
DATA SET IDENTIFIER	CONFIGURATION	PARAMETERS									REYNOLDS NUMBER $\times 10^6$ / FT					
		α	β	δ_e	δ_{RF}	δ_{SB}	M	CONK CODE	SW. POS.	CON. SEC.	0.5	1.0	2.0	3.0	3.5	4.0
R4W*21	60- ϕ	-40	0	0	0	0	3.0	51	1	511					546	
		↓	↓						2	522					547	
		↓	↓						3	533					548	
22		-15	0					50	1	511					528	
		↓	↓						2	522					529	
		↓	↓						3	533					530	
23		0	-19						1	511					525	
		↓	↓						2	522					526	
		↓	↓						3	533					527	
24			0						1	511		531			522	
		↓	↓						2	522		532			523	
		↓	↓						3	533		533			524	
25		-40	0				4.0	51	1	511			553		550	
		↓	↓						2	522			554		551	
		↓	↓						3	533			555		552	
26		-30	0						1	511					549	
27		-15	0					50	1	511					540	
		↓	↓						2	522					541	
		↓	↓						3	533					542	

LIST RUN NUMBERS

42

α OR β
SCHEDULES

TABLE II (Continued)

SHEET 3 of 7

JEV

TEST: IH102 (V41B-67)

DATA SET/RUN NUMBER COLLATION SUMMARY

DATE: 6/20/79

DATA SET IDENTIFIER	CONFIGURATION	PARAMETERS								REYNOLDS NUMBER $\times 10^6$ / FT						
		α	β	δ_e	δ_{RE}	δ_{SB}	M	CONK CODE	SW. POS.	Cor. Set	0.5	1.0	2.0	3.0	3.5	4.0
R4W*28	60- ϕ	0	-15	0	0	0	4.0	50	1	511					537	
									2	522					538	
									3	533					539	
29			0						1	511		543			534	
									2	522		544			535	
									3	533		545			536	
30	60- ϕ TS	-5	-11				3.0	60	1	511					489	
									2	522					490	
									3	533					491	
31			-6						1	511		500			482	
									2	522		501			483	
									3	533		502			484	
32			0						1	511		497			471	
									2	522		498			472	
									3	533		499			473	
33			0	-11					1	511					488	
									2	522					486	
									3	533					487	

LIST RUN NUMBERS

43

α OR β
SCHEDULES

TABLE II (Continued)

SHEET 4 of 7

JEV

TEST: IH102 (V41B-67)		DATA SET/RUN NUMBER COLLATION SUMMARY										DATE: 6/20/79					
DATA SET IDENTIFIER	CONFIGURATION	PARAMETERS								REYNOLDS NUMBER $\times 10^6 / FT$							
		α	β	δ_c	δ_{RE}	δ_{SR}	M	CONK CODE	3W. POS.	Cor. Set	0.5	1.0	2.0	3.0	3.5	4.0	
R4W*36	60- ϕ TS	0	-6	0	0	0	3.0	60	1	511						492	
									2	522						480	
									3	533						481	
38			-3						1	511						493	
									2	522						475	
									3	533						476	
39			0						1	511		494				465	
									2	522		495				466	
									3	533		496				467	
40		5	0						1	511						468	
									2	522						469	
									3	533						470	
41		-5	-11				4.0		1	511						508	
									2	522						511	
									3	533						510	

LIST RUN NUMBERS

α OR β
SCHEDULES

TABLE II (Continued)

SHEET 5 of 7

JEV

TEST: IH102 (V41B-67)		DATA SET/RUN NUMBER COLLATION SUMMARY									DATE: 6/20/79					
DATA SET IDENTIFIER	CONFIGURATION	PARAMETERS									REYNOLDS NUMBER $\times 10^6$ / FT					
		α	β	δ_e	δ_{RF}	δ_{SB}	M	CONK. CODE	SW. POS.	CON. SET	0.5	1.0	2.0	3.0	3.5	4.0
R4W*42	60- ϕ TS	-5	-6	0	0	0	4.0	60	1	511					459	
									2	522					460	
									3	533					461	
43			0						1	511					450	
									2	522					451	
									3	533					452	
45		0	-11						1	511					507	
									2	522					503	
									3	533					504	
															506	
47			-6						1	511					-	
									2	522					457	
									3	533					458	
															505	
49			-3						1	511					505	
									2	522					454	
									3	533					455	

TEST RUN NUMBERS

α OR β
SCHEDULES

TABLE II (Continued)

SHEET 6 of 7

JEV

TEST: IH102 (VH1B-67)		DATA SET/RUN NUMBER COLLATION SUMMARY								DATE: 6/20/79						
DATA SET IDENTIFIER	CONFIGURATION	PARAMETERS								REYNOLDS NUMBER $\times 10^6$ / FT						
		α	β	δ_e	δ_{RF}	δ_{SB}	M	CONK CODE	SW. POS.	CONK SET	0.5	1.0	2.0	3.0	3.5	4.0
R4W*50	60- ϕ TS	0	0	0	0	0	4.0	60	1	511		512			444	
										2	522				445	
										3	533				446	
51		5	0							1	511				447	
										2	522				448	
										3	533				449	
52	83- ϕ	-5	0				3.0	40	1	411		566			558	
										2	422				559	
53			6							1	411				562	
										2	422				563	
54		0	0							1	411		564		556	
										2	422				557	
55			6							1	411				560	
										2	422				561	
56		-5	0				4.0			1	411				570	
										2	422				571	
57			6							1	411				574	
										2	422				575	

46

TEST RUN NUMBERS

α OR β
SCHEDULES

TABLE II (Continued)

TEST: IH102 (V41B-67) DATA SET/RUN NUMBER COLLATION SUMMARY DATE: 6/20/79

DATA SET IDENTIFIER	CONFIGURATION	PARAMETERS								REYNOLDS NUMBER x 10 ⁶ / FT						
		α	β	δ_e	δ_{RF}	δ_{SB}	M	CONK COND	SW. POS.	Con. Set	0.5	1.0	2.0	3.0	3.5	4.0
R4W*58	83 - ϕ	0	0	0	0	0	4.0	40	1	411					568	
		↓	↓	↓	↓	↓	↓	↓	2	422					569	
		↓	6	↓	↓	↓	↓	↓	1	411					572	
		↓	↓	↓	↓	↓	↓	↓	2	422					573	

LIST RUN NUMBERS

47

α OR β _____
 SCHEDULES _____

MODEL DIMENSIONAL DATA

MODEL COMPONENT : BODY - B₆₂

GENERAL DESCRIPTION : Configuration 140C orbiter fuselage, MCR 200-R4

Similar to 140A/B fuselage except aft body revised and improved
midbody-wing-boot fairing, X₀ = 940 to X₀ = 1040.

MODEL SCALE: 0.0175

DRAWING NUMBER; VL70-000140C, -000202C, -000205A
VL70-000200B, -000203

DIMENSIONS :	FULL SCALE	MODEL SCALE
Length (IML: FWD Sta X ₀ =238), In.	1290.3	22.58
Length (OML: Fwd Sta X ₀ =235), In.	1293.3	22.63
Max Width (At X ₀ = 1528.3), In.	264.0	4.62
Max Depth (At X ₀ = 1464), In.	250.0	4.38
Fineness Ratio	4.899	4.899
Area - Ft ²		
Max. Cross-Sectional	340.885	0.104
Planform		
Wetted		
Base		

TABLE IIIA - (Continued)

MODEL DIMENSIONAL DATA

MODEL COMPONENT : CANOPY - C₁₂

GENERAL DESCRIPTION : Configuration 140C orbiter canopy. Vehicle cabin No. 31 updated to MCR 200-R4. Used with fuselage B₆₂.

MODEL SCALE: 0.0175

DRAWING NUMBER: VL70-000140C, -000202B, -000204

DIMENSIONS :	FULL SCALE	MODEL SCALE
Length ($X_o = 434.643$ to 578), In.	<u>143.357</u>	<u>2.508</u>
Max Width (At $X_o = 513.127$), In.	<u>152.412</u>	<u>2.667</u>
Max Depth ($Z_o = 501$ to 449.39), In.	<u>51.61</u>	<u>0.903</u>
Fineness Ratio	<u> </u>	<u> </u>
Area	<u> </u>	<u> </u>
Max. Cross-Sectional	<u> </u>	<u> </u>
Planform	<u> </u>	<u> </u>
Wetted	<u> </u>	<u> </u>
Base	<u> </u>	<u> </u>

TABLE IIIA (Continued)

MODEL DIMENSIONAL DATA

MODEL COMPONENT: ELEVON - E₅₂GENERAL DESCRIPTION: Elevon for configuration 140C. Hingeline at X_o = 1387, elevon split line X_w = 312.5, 6.0", beveled edges, and centerbodies.MODEL SCALE: 0.0175DRAWING NUMBER: VL70-000140C, -006089, -006092

<u>DIMENSIONS:</u>	<u>FULL-SCALE</u>	<u>MODEL SCALE</u>
Area - Ft ²	<u>210.0</u>	<u>0.064</u>
Span (equivalent) - In.	<u>349.2</u>	<u>6.111</u>
Inb'd equivalent chord- In.	<u>118.0</u>	<u>2.065</u>
Outb'd equivalent chord	<u>55.19</u>	<u>0.966</u>
Ratio movable surface chord/ total surface chord		
At Inb'd equiv. chord	<u>0.2096</u>	<u>0.2096</u>
At Outb'd equiv. chord	<u>0.4004</u>	<u>0.4004</u>
Sweep Back Angles, degrees		
Leading Edge	<u>0.0</u>	<u>0.0</u>
Tailing Edge	<u>- 10.056</u>	<u>- 10.056</u>
Hingeline	<u>0.0</u>	<u>0.0</u>
(Product of area & c)		
Area Moment (normal to hinge line) Ft ³	<u>1587.25</u>	<u>0.008</u>
Mean Aerodynamic Chord, In.	<u>90.7</u>	<u>1.587</u>
Hingeline dihedral (origin at Z _o = 261.3509), deg.	<u>5.229</u>	<u>5.229</u>

TABLE IIIA (Continued)

MODEL DIMENSIONAL DATA

MODEL COMPONENT : BODY FLAP - F₁₀

GENERAL DESCRIPTION : Configuration 140C body flap. Hingeline located at X_o = 1532, Z_o = 287.

MODEL SCALE: 0.0175

DRAWING NUMBER: VL70-000140C, -355114

DIMENSIONS :	FULL SCALE	MODEL SCALE
Length (X _o = 1525.5 to X _o = 1613), In.	87.50	1.531
Max Width (At L. E., X _o = 1525.5), In.	256.00	4.480
Max Depth (X _o = 1532), In.	19.798	0.346
Fineness Ratio		
Area - Ft ²		
Max. Cross-Sectional (At H. L.)	35.196	0.011
Planform	135.00	0.041
Wetted		
Base (X _o = 1613)	4.89	0.0015

TABLE IIIA (Continued)

MODEL DIMENSIONAL DATA

MODEL COMPONENT : OMS POD - M₁₆

GENERAL DESCRIPTION : Configuration 140C orbiter OMS Pod - short pod.

MODEL SCALE: 0.0175

DRAWING NUMBER: VL70-008401, -008410

DIMENSIONS :	FULL SCALE	MODEL SCALE
Length (O _{MS} Fwd Sta X _o = 1310.5), In.	<u>258.50</u>	<u>4.524</u>
Max Width (At X _o = 1511), In.	<u>136.8</u>	<u>2.394</u>
Max Depth (At X _o = 1511), In.	<u>74.70</u>	<u>1.307</u>
Fineness Ratio	<u>2.484</u>	<u>2.484</u>
Area = Ft ²	_____	_____
Max. Cross-Sectional	<u>58.864</u>	<u>0.018</u>
Planform	_____	_____
Wetted	_____	_____
Base	_____	_____

TABLE IIIA (Continued)

MODEL DIMENSIONAL DATA

MODEL COMPONENT: VERTICAL - V₃₀

GENERAL DESCRIPTION: Slab sided vertical tail with extended span

MODEL SCALE: 0.0175

DIMENSIONS:	FULL SCALE	MODEL SCALE
TOTAL DATA		
Area (Theo) : Ft ² Planform	442.299	0.135
Span - In.	358.57	6.275
Aspect Ratio	2.019	2.019
Rate of Taper	0.507	0.507
Taper Ratio	0.323	0.323
Sweep-Back Angles, Degrees		
Leading Edge	45.000	45.000
Trailing Edge	26.25	26.25
0.25 Element Line	41.13	41.13
Chords:		
Root (Theo) WP	268.50	4.699
Tip (Theo) WP	86.75	1.513
MAC	193.12	3.380
Fus. Sta. of .25 MAC	1474.87	25.201
W.P. of .25 MAC	648.71	11.352
B.L. of .25 MAC	0.0	0.0
Airfoil Section		
Leading Wedge Angle - Deg.	11.75	11.75
Trailing Wedge Angle - Deg	0.0	0.0
Leading Edge Radius	0.0	0.0
Void Area	0.0	0.0
Blanketed Area	0.0	0.0

TABLE IIIA (Concluded)

MODEL DIMENSIONAL DATA

MODEL COMPONENT: WING-W₁₂₇

GENERAL DESCRIPTION: Configuration 140C orbiter wing, MCR 200-R4. Similar to 140A/B wing W₁₁₆ but with refinements: improved wing-boot-midbody fairing (X₀ = 940 to X₀ = 1040). Elevon split line relocated from Y₀ = 281 to Y₀ = 312.5).

MODEL SCALE: 0.0175

TEST NO.

DWG. NO. VL70-000140C, -0002001DIMENSIONS:FULL-SCALEMODEL SCALETOTAL DATAArea (theo.) Ft²

Planform

Span (Theo) In.

Aspect Ratio

Rate of Taper

Taper Ratio

Dihedral Angle, degrees

Incidence Angle, degrees

Aerodynamic Twist, degrees

Sweep Back Angles, degrees

Leading Edge

Trailing Edge

0.25 Element Line

Chords:

Root (Theo) B.P.O.O.

Tip, (Theo) B.P.

MAC

Fus. Sta. of .25 MAC

W.P. of .25 MAC

B.L. of .25 MAC

EXPOSED DATAArea (theo) Ft²

Span, (Theo) In. BP108

Aspect Ratio

Taper Ratio

Chords

Root BP108

Tip 1.00 $\frac{b}{2}$

MAC

Fus. Sta. of .25 MAC

W.P. of .25 MAC

B.L. of .25 MAC

Airfoil Section (Rockwell Mod NASA)
XXXX-64Root $\frac{b}{2}$ =Tip $\frac{b}{2}$ =

Data for (1) of (2) Sides

Leading Edge Cuff

Planform Area Ft²

Leading Edge Intersects Fus M. L. @ Sta

Leading Edge Intersects Wing @ Sta

54

2690.00	0.824
936.68	16.392
2.265	2.265
1.177	1.177
0.200	0.200
3.500	3.500
0.500	0.500
3.000	3.000
45.000	45.000
- 10.065	- 10.065
35.209	35.209
689.24	12.062
137.85	2.412
474.81	8.309
1136.83	19.895
290.58	5.085
182.18	3.187
1751.50	0.536
720.68	12.612
2.059	2.059
0.245	0.245
562.09	9.837
137.85	2.412
392.83	6.875
1185.98	20.755
294.30	5.500
251.77	4.406
0.113	0.113
0.120	0.120
115.16	0.035
500.00	8.750
1024.0	17.920

TABLE III-B MODEL 60-0 ORBITER

MODEL DIMENSIONAL DATA

MODEL COMPONENT : BODY - B₆₂

GENERAL DESCRIPTION : Configuration 140C orbiter fuselage, MCR 200-R4

Similar to 140A/B fuselage except aft body revised and improved
midbody-wing-boot fairing, X_o = 940 to X_o = 1040.

MODEL SCALE: 0.0175

DRAWING NUMBER : VL70-000140C, -000202C, -000205A
VL70-000200B, -000203

DIMENSIONS :	FULL SCALE	MODEL SCALE
Length (IML: FWD Sta X _o =238), In.	1290.3	22.58
Length (OML: Fwd Sta X _o =235), In.	1293.3	22.63
Max Width (At X _o = 1528.3), In.	264.0	4.62
Max Depth (At X _o = 1464), In.	250.0	4.38
Fineness Ratio	4.899	4.899
Area - Ft ²		
Max. Cross-Sectional	340.885	0.104
Planform		
Wetted		
Base		

TABLE III-B (Continued)

MODEL DIMENSIONAL DATA

MODEL COMPONENT : CANOPY - C₁₂

GENERAL DESCRIPTION : Configuration 140C orbiter canopy. Vehicle cabin No. 31 updated to MCR 200-R4. Used with fuselage B₆₂.

MODEL SCALE: 0.0175

DRAWING NUMBER: VL70-000140C, -000202B, -000204

DIMENSIONS :	FULL SCALE	MODEL SCALE
Length ($X_o = 434.643$ to 578), In.	<u>143.357</u>	<u>2.508</u>
Max Width (At $X_o = 513.127$), In.	<u>152.412</u>	<u>2.667</u>
Max Depth ($Z_o = 501$ to 449.39), In.	<u>51.61</u>	<u>0.903</u>
Fineness Ratio	<u> </u>	<u> </u>
Area	<u> </u>	<u> </u>
Max. Cross-Sectional	<u> </u>	<u> </u>
Planform	<u> </u>	<u> </u>
Wetted	<u> </u>	<u> </u>
Base	<u> </u>	<u> </u>

TABLE III-B (Continued)

MODEL DIMENSIONAL DATA

MODEL COMPONENT: ELEVON - E₅₂GENERAL DESCRIPTION: Elevon for configuration 140C. Hingeline at X_o = 1387, elevon split line X_w = 312.5, 6.0", beveled edges, and centerbodies.MODEL SCALE: 0.0175DRAWING NUMBER: VL70-000140C, -006089, -006092

<u>DIMENSIONS:</u>	<u>FULL-SCALE</u>	<u>MODEL SCALE</u>
Area - Ft ²	<u>210.0</u>	<u>0.064</u>
Span (equivalent) - In.	<u>349.2</u>	<u>6.111</u>
Inb'd equivalent chord - In.	<u>118.0</u>	<u>2.065</u>
Outb'd equivalent chord	<u>55.19</u>	<u>0.966</u>
Ratio movable surface chord/ total surface chord		
At Inb'd equiv. chord	<u>0.2096</u>	<u>0.2096</u>
At Outb'd equiv. chord	<u>0.4004</u>	<u>0.4004</u>
Sweep Back Angles, degrees		
Leading Edge	<u>0.0</u>	<u>0.0</u>
Trailing Edge	<u>- 10.056</u>	<u>- 10.056</u>
Hingeline	<u>0.0</u>	<u>0.0</u>
(Product of area & c)		
Area Moment (Normal to hinge line) Ft ³	<u>1587.25</u>	<u>0.008</u>
Mean Aerodynamic Chord, In.	<u>90.7</u>	<u>1.587</u>
Hingeline dihedral (origin at Z _o = 261.3509), deg.	<u>5.229</u>	<u>5.229</u>

TABLE III-B (Continued)

MODEL DIMENSIONAL DATA

MODEL COMPONENT : BODY FLAP - F₁₀

GENERAL DESCRIPTION : Configuration 140C body flap. Hingeline located at X_o = 1532, Z_o = 287.

MODEL SCALE: 0.0175

DRAWING NUMBER: VL70-000140C, -355114

DIMENSIONS :	FULL SCALE	MODEL SCALE
Length (X _o = 1525.5 to X _o = 1613), In.	<u>87.50</u>	<u>1.531</u>
Max Width (At L. E., X _o = 1525.5), In.	<u>256.00</u>	<u>4.480</u>
Max Depth (X _o = 1532), In.	<u>19.798</u>	<u>0.346</u>
Fineness Ratio	<u> </u>	<u> </u>
Area - Ft ²	<u> </u>	<u> </u>
Max. Cross-Sectional (At H. L.)	<u>35.196</u>	<u>0.011</u>
Planform	<u>135.00</u>	<u>0.041</u>
Wetted	<u> </u>	<u> </u>
Base (X _o = 1613)	<u>4.89</u>	<u>0.0015</u>

TABLE III-B (Continued)

MODEL DIMENSIONAL DATA

MODEL COMPONENT : OMS POD - M₁₆

GENERAL DESCRIPTION : Configuration 140C orbiter OMS Pod - short pod.

MODEL SCALE: 0.0175

DRAWING NUMBER: VL70-008401, -008410

DIMENSIONS :	FULL SCALE	MODEL SCALE
Length (OMS Fwd Sta $X_0 = 1310.5$), In.	<u>258.50</u>	<u>4.524</u>
Max Width (At $X_0 = 1511$), In.	<u>136.8</u>	<u>2.394</u>
Max Depth (At $X_0 = 1511$), In.	<u>74.70</u>	<u>1.307</u>
Fineness Ratio	<u>2.484</u>	<u>2.484</u>
Area = Ft ²		
Max. Cross-Sectional	<u>58.864</u>	<u>0.018</u>
Planform	<u> </u>	<u> </u>
Wetted	<u> </u>	<u> </u>
Base	<u> </u>	<u> </u>

TABLE III-B (Continued)

MODEL DIMENSIONAL DATA

MODEL COMPONENT: RUDDER - R₁₈

GENERAL DESCRIPTION: The rudder is a secondary movable airfoil at the trailing edge of the vertical fin that imparts yaw forces. This dimensional data was calculated from the OML master dimensions.

MODEL SCALE: 0.0175

DRAWING NUMBER: Vehicle 5 Configuration MCR 200, Rev. 7

<u>DIMENSIONS:</u>	<u>FULL-SCALE</u>	<u>MODEL SCALE</u>
Area - Ft ²	<u>97.84</u>	<u>0.030</u>
Span (equivalent) - In.	<u>198.614</u>	<u>3.476</u>
Inb'd equivalent chord - In.	<u>91.07</u>	<u>1.699</u>
Outb'd equivalent chord - In.	<u>50.80</u>	<u>0.889</u>
Ratio movable surface chord/ total surface chord		
At Inb'd equiv. chord	<u>0.400</u>	<u>0.400</u>
At Outb'd equiv. chord	<u>0.400</u>	<u>0.400</u>
Sweep Back Angles, degrees		
Leading Edge	<u>34.833</u>	<u>34.833</u>
Trailing Edge	<u>26.249</u>	<u>26.249</u>
Hingeline	<u>34.833</u>	<u>34.833</u>
Area Moment (Normal to hingeline (Product of Area & \bar{c}), Ft ³)	<u>593.889</u>	<u>0.032</u>
Mean Aerodynamic Chord, In.	<u>72.840</u>	<u>1.275</u>

TABLE III-B (Continued)

MODEL DIMENSIONAL DATA

MODEL COMPONENT: VERTICAL - V₈

GENERAL DESCRIPTION: Configuration 140C orbiter vertical tail (identical to configuration 140A/B vertical tail).

MODEL SCALE: 0.0175

DRAWING NUMBER: VL70-000140C, -000146B

DIMENSIONS:

TOTAL DATA

	<u>FULL SCALE</u>	<u>MODEL SCALE</u>
Area (Theo) - Ft²		
Planform	413.253	0.127
Span (Theo) - In.		
Aspect Ratio	1.675	1.675
Rate of Taper	0.507	0.507
Taper Ratio	0.404	0.404
Sweep-Back Angles, Degrees.		
Leading Edge	45.000	45.000
Trailing Edge	26.25	26.25
0.25 Element Line	41.13	41.13
Chords:		
Root (Theo) WP	268.50	4.699
Tip (Theo) WP	108.47	1.898
MAC	199.81	3.497
Fus. Sta. of .25 MAC	1463.35	25.609
W.P. of .25 MAC	635.52	11.122
B.L. of .25 MAC	0.0	0.0
Airfoil Section		
Leading Wedge angle - Deg.	10.00	10.00
Trailing Wedge Angle - Deg.	14.92	14.92
Leading Edge Radius	2.00	2.00
Void Area		
	13.17	0.0040
Blanketed Area		
	0.0	0.0

TABLE III-B (Concluded)
MODEL DIMENSIONAL DATA

MODEL COMPONENT: WING-W₁₁₆

GENERAL DESCRIPTION: Configuration 5

NOTE: Identical to W₁₁₆ except airfoil thickness. Dihedral angle is along trailing edge of wing. Geometric twist = 0.

MODEL SCALE: 0.0175

TEST NO.

DWG. NO. VL70-000140A, -000200

DIMENSIONS:

FULL-SCALE

MODEL SCALE

TOTAL DATA

Area (Ineo.) Ft²

Planform

Span (Theo) In.

Aspect Ratio

Rate of Taper

Taper Ratio

Dihedral Angle, degrees

Incidence Angle, degrees

Aerodynamic Twist, degrees

Sweep Back Angles, degrees

Leading Edge

Trailing Edge

0.25 Element Line

Chords:

Root (Theo) B.P.O.O.

Tip, (Theo) B.P.

MAC

Fus. Sta. of .25 MAC

W.P. of .25 MAC

B.L. of .25 MAC

EXPOSED DATA

Area (Ineo) Ft²

Span, (Theo) In. BP108

Aspect Ratio

Taper Ratio

Chords

Root BP108

Tip 1.00 $\frac{b}{2}$

MAC

Fus. Sta. of .25 MAC

W.P. of .25 MAC

B.L. of .25 MAC

Airfoil Section (Rockwell Mod NASA)

XXXX-64

Root $\frac{b}{2}$ =

Tip $\frac{b}{2}$ =

Data for (1) of (2) Sides

Leading Edge Cuff

Planform Area Ft²

Leading Edge Intersects Fus M. L. @ Sta

Leading Edge Intersects Wing @ Sta

2690.0	0.824
936.68	16.392
2.265	2.265
1.177	1.177
0.200	0.200
3.500	3.500
0.500	0.500
45.000	45.000
- 10.056	- 10.056
35.209	35.209
689.24	12.062
137.85	2.412
474.81	8.309
1136.83	19.895
290.58	5.085
182.13	3.187
1751.50	0.536
720.68	12.612
2.059	2.059
0.245	0.245
562.09	9.837
137.85	2.412
392.83	6.875
1185.98	20.755
294.30	5.150
251.77	4.406
0.113	0.113
0.120	0.120
115.18	0.035
500.00	8.750
1024.00	17.920

TABLE III-C MODEL 60-0 TANK AND SRB'S.

MODEL DIMENSIONAL DATA

MODEL COMPONENT : EXTERNAL TANK - T₃₈

GENERAL DESCRIPTION : Spike nose configuration.

MODEL SCALE: 0.0175

DRAWING NUMBER: VC78-0000023 (ET DRAWING)
VC72-0000024 (SHUTTLE CONFIG. DRAWING)

(Dimensions are to tank structural OML, TPS not included).

DIMENSIONS :	FULL SCALE	MODEL SCALE
Length	<u>1850.525</u>	<u>32.384</u>
Max Width	<u>331.00</u>	<u>5.792</u>
Max Depth	<u> </u>	<u> </u>
Fineness Ratio	<u>5.687</u>	<u>5.687</u>
Area - Ft ²	<u> </u>	<u> </u>
Max. Cross-Sectional	<u>594.678</u>	<u>0.1821</u>
Planform	<u> </u>	<u> </u>
Wetted	<u> </u>	<u> </u>
Base	<u> </u>	<u> </u>

TABLE III-C (Concluded)
 MODEL DIMENSIONAL DATA

MODEL COMPONENT : BOOSTER SOLID ROCKET MOTOR - S26

GENERAL DESCRIPTION : The BSRM is an external propulsion system which is jettisoned and recoverable after burnout. The BSRM's can be refurbished and reused after recovery.

MODEL SCALE: 0.0175

DRAWING NUMBER : SRB DRAWING - VCT7-000002G, VCT7-000003F
SHUTTLE CONFIG. - VCT2-000002F

DIMENSIONS :	FULL SCALE	MODEL SCALE
Length	<u>1789.60</u>	<u>31.318</u>
Max Width tank dia., In.	<u>146.00</u>	<u>2.555</u>
Max Depth, aft shroud dia., In.	<u>208.20</u>	<u>3.643</u>
Fineness Ratio	<u>8.596</u>	<u>8.596</u>
Area	<u> </u>	<u> </u>
Max. Cross-Sectional	<u> </u>	<u> </u>
Planform	<u> </u>	<u> </u>
Wetted	<u> </u>	<u> </u>
Base	<u> </u>	<u> </u>
W.P. of BSRM centerline	<u>400.0</u>	
F.S. of BSRM nose	<u>743.0</u>	
B.P. of BSRM centerline	<u>250.5</u>	

TABLE III-D MODEL 83-Ø ORBITER

MODEL DIMENSIONAL DATA

MODEL COMPONENT : BODY - B₆₀

GENERAL DESCRIPTION : 50% orbiter forebody, vehicle 140C.

NOTE: This body includes a small portion of the wing glove.

MODEL SCALE: 0.040

DRAWING NUMBER: VL70-000140C

DIMENSIONS :	FULL SCALE	MODEL SCALE
Length	<u>645.15</u>	<u>25.80</u>
Max Width	<u>330.00</u>	<u>13.20</u>
Max Depth	<u> </u>	<u> </u>
Fineness Ratio	<u> </u>	<u> </u>
Area	<u> </u>	<u> </u>
Max. Cross-Sectional	<u> </u>	<u> </u>
Planform	<u> </u>	<u> </u>
Wetted	<u> </u>	<u> </u>
Base	<u> </u>	<u> </u>

TABLE III-D (Concluded)

MODEL DIMENSIONAL DATA

MODEL COMPONENT : CANOPY - C₁₀

GENERAL DESCRIPTION : Configuration 4 canopy and windshield as used
with B₂₅, six glass panes in windshield.

MODEL SCALE: 0.040

DRAWING NUMBER: VL70-000140B, 140C, 202B

DIMENSIONS :	FULL SCALE	MODEL SCALE
Length ($X_o = 434.643$ to 670), In.	<u>235.357</u>	<u>9.414</u>
Max Width	<u> </u>	<u> </u>
Max Depth (Glass, In.	<u>28.00</u>	<u>1.12</u>
Fineness Ratio	<u> </u>	<u> </u>
Area	<u> </u>	<u> </u>
Max. Cross-Sectional	<u> </u>	<u> </u>
Planform	<u> </u>	<u> </u>
Wetted	<u> </u>	<u> </u>
Base	<u> </u>	<u> </u>
Nose/windshield intersection, $X_o =$	<u>434.643</u>	<u>17.386</u>

TABLE IV. CONFIGURATION CODES

<u>NASA TEST CODE</u>	<u>MODEL CONFIGURATION CODE</u>	<u>MODEL CONFIGURATION</u>	<u>TUNNEL</u>	<u>THERMOCOUPLE CONSTANT SETS</u>
	(See Figure 6)			
OH-84B	10	60-Ø BASE STING	B	111, 122, 133
OH-84B	20	60-Ø OFFSET STING	B	211, 222
IH-102	30	56-ØTS	A	311
IH-102	31	56-Ø	A	311
IH-102	40	83-Ø	A	411, 422
IH-102	50	60-Ø	A	511, 522, 533
IH-102	51	60-Ø	A	511, 522, 533
IH-102	60	60-ØTS	A	511, 522, 533
OH-105	70	60-Ø	B	711, 722, 733, 811
OH-105	80	83-Ø	B	911, 922

TABLE V. 60-Ø MODEL THERMOCOUPLE LOCATIONS

T/C No.	X/L	Full Scale			Model Scale			ϕ	Skin Thickness	Mat'l	Remarks
		X ₀	Y ₀	Z ₀	X _{from nose}	Y	Z _{from FRL}				
1	0	235.0	0	-	0	0	-	0	.040	17-4	Bottom ϕ
2	.005	241.47			.113				.032		
3	.01	247.93			.226				.033		
4	.02	260.87			.453				.040		
5	.03	273.80			.679				.040		
6	.04	286.73			.905				.040		
7	.05	299.67			1.132				.033		
8	.06	312.60			1.358				.035		
9	.07	325.53			1.584				.032		
10	.08	338.46			1.811				.032		
11	.09	351.40			2.037				.035		
12	.10	364.32			2.263				.037		
13	.12	390.20			2.716				.040		
14	.13	403.13			2.942				.038		
15	.14	416.06			3.169				.035		
16	.15	429.00			3.395				.036		
17	.16	441.93			3.621				.036		
18	.17	454.86			3.848				.035		
19	.18	467.79			4.074				.035		
20	.19	480.73			4.300				.035		
21	.20	493.66			4.527				.035		
22 C	.225	525.99			5.092				.035		
23	.25	558.32			5.658				.035		
24	.30	622.99			6.790				.035		
25	.35	687.66			7.922				.035		
26	.40	752.32			9.053				.034		
27 C	.45	816.99			10.185				.033		
28 C	.50	881.65			11.315				.032		
29 C	.55	946.32			12.448				.030		
30 C	.60	1010.9			13.580				.030		
31 C	.65	1075.6			14.711				.030		
32 C	.70	1140.3			15.843				.029		
33 C	.75	1204.9			16.975				.030		
34 C	.80	1269.6			18.106				.030		

TABLE V. Continued

T/C No.	X/L	Full Scale			Model Scale			Skin Thickness	Mat'l	Remarks
		X ₀	Y ₀	Z ₀	X _{front nose}	Y	Z _{front FRL}			
35C	.85	1324.3	0	-	19.063	0	0	.029	17-4	Bottom ξ
36C	.90	1398.9			20.369			.031		
37C	.925	1431.3			20.935			.027		
38C	.950	1463.6			21.50			.027		
39C	.975	1495.9			22.067			.023		
40	1.015	1547.7			22.972			.030		
41	1.03	1567.1			23.312			.030		
42	1.045	1586.5			23.651			.028		
43	1.06	1605.0			23.977			.0265		
44	.05	299.67	25.0		1.132	.438	14	.032		Fuselage Bottom
45	.10	364.33	20.0		2.263	.350	10	.036		Surface
46	.15	429.0	24.0		3.395	.420	10	.035		
48	.20	493.66	50.0		4.527	.875	24	.025		
50C	.50	881.65	46.8		11.316	.819	-	.028		
51C	.60	1010.9			13.580			.025		
52C	.70	1140.3			15.843			.030		
53C	.80	1269.6			18.106			.030		
54C	.90	1398.6			20.369			.028		
55C	.95	1463.6			21.50			.025		
56C	.975	1495.9			22.067			.028		
57	1.015	1547.7			22.972			.030		
58	1.03	1567.1			23.312			.030		
59	1.045	1586.5			23.651			.030		
60	1.060	1605.0			23.977			.031		
61C	.40	752.32	93.60		9.053	1.638		.032		
62C	.50	881.65			11.316			.031		
63C	.60	1010.9			13.580			.033		
64C	.70	1140.3			15.843			.029		
65C	.80	1269.6			18.106			.031		
66C	.90	1398.6			20.369			.030		
67C	.95	1463.6			21.50			.029		
68C	.975	1495.9			22.067			.028		

TABLE V. Continued

T/C No.	X/L	Full Scale			Model Scale			ϕ	Skin Thickness	Mat'l	Remarks
		X ₀	Y ₀	Z ₀	X _{from nose}	Y	Z _{from FRL}				
69	1.015	1547.7	93.6	-	22.972	1.638	-	-	.0275	17-4	Fus. Bottom Sur.
70	1.03	1567.1			23.312				.0285		
71	1.045	1586.5			23.651				.029		
72	1.06	1605.0			23.977				.027		
169	.01	247.93	0		.226	0		180	.033		Top ϕ
170	.025	267.33			.565				.031		
171	.050	299.67			1.129				.035		
172	.075	332.0			1.694				.035		
173	.100	364.33			2.258				.034		
174	.125	396.66			2.283				.032		
175	.150	429.0			3.387				.032		
176	.160	441.93			3.613				.040		
177	.170	459.86			3.839				.040		
178	.180	467.79			4.064				.033		
179	.200	493.66			4.516				.036		
180	.25	556.33			5.058				.036		
181	.30	619.0			5.600				.036		
182	.40	752.32			9.053				.026		
183	.45	816.99			10.185				.026		
184	.50	881.65			11.316				.025		
185	.55	946.32			12.448				.026		
186	.60	1010.9			13.580				.025		
187	.65	1075.6			14.711				.024		
188	.70	1140.3			15.843				.025		
189	.75	1204.9			16.975				.0255		
190	.80	1269.6			18.106				.023		
191	-	-	6.00	452.0	-	.105	.910	-	.031		Window #1 Bott. Right
192			12.80	478.0		.224	1.365		.031		Top Right
193			21.20	464.9		.371	1.136		.030		Center
194			29.60	478.0		.518	1.365		.028		Top Left
195			34.30	452.0		.602	.910		.030		Bottom Right
196			40.40	452.0		.707	.910		.030		Window #2 Bottom Right
197			34.80	478.0		.609	1.365		.030		Top Right
198			44.80	464.9		.784	1.136		.030		Center

TABLE V. Continued

T/C No.	X/L	Full Scale			Model Scale			φ	Skin Thickness	Mat'l	Remarks
		X ₀	Y ₀	Z ₀	X _{from nose}	Y	Z _{from FRL}				
199	-	-	43.20	478.0	-	.756	1.365	-	.030	17-4	Window #2 Top LT
200			59.20	452.0		1.036	.910		.029		Bottom Left
201			82.40	464.9	↓	1.092	1.136		.029		Window #3 Center
202	.05	299.6	-	303.6	1.132	-	-1.687	22	.040		Fus. Side CCL
203				325.6			-1.302	35	.035		MHB
204				342.4			-1.008	42.5	.033		UT
205				378.4	↓		-0.378	60	.033		45T
206	.076	332.2	↓	350.0	1.720	↓	-0.875	-	.035		RCS
207	.10	364.2	39.20	-	2.263	.686	-	20	.038		
208			52.00			.910	-	24.5	.035		CCL
209			-	317.6		-	-1.448	39	.035		MHB
210				410.0	↓		0.175	119	.037		
211	.15	429.0	40.80	-	3.395	.714	-	20	.035		
212			62.00	-		1.085	-	25.5	.025		CCL
213			79.20	304.8		1.386	-1.666	40	.030		CCL
214			83.60	314.4	↓	1.463	-1.498	45.5	.038		MHB
215	.20	493.6	65.80	287.20	4.527	1.148	-1.972	31.5	.022		CCL
216			75.60	292.0		1.323	-1.800	35	.022		CCL
217			85.20	298.8		1.491	-1.771	40	.020		CCL
218			-	320.0		-	-1.400	51	.035		MHB
219			-	360.0			-0.700	67.5	.030		UT
220C			-	410.0	↓		0.175	96.5	.031		Upper Fuselage
<hr/>											
223	.40	752.32	-	-	9.053	-	-	157.5	.034		Upper Fuselage
224	.45	816.99			10.185				.034		
225	.50	881.65			11.316				.034		
226	.55	946.32			12.448				.035		
227	.60	1010.9			13.580				.034		
228	.65	1075.6			14.711				.0325		
229	.70	1140.3			15.843				.030		
230	.75	1204.9			16.975				.030		
231	.80	1269.5			18.106				.032		

TABLE V. Continued

T/C No.	X/L	Full Scale			Model Scale			ϕ	Skin Thickness	Mat'l	Remarks
		X ₀	Y ₀	Z ₀	X _{from nose}	Y	Z _{from FRL}				
233	.40	752.32	-	-	9.053	-	-	135	.030	17-4	Upper Fuselage
234	.40	752.32	-	-	9.053	-	-	135	.030		
235	.45	816.99			10.185				.030		
236	.50	881.65			11.315				.036		
237	.55	946.32			12.448				.035		
238	.60	1010.9			13.580				.031		
239	.65	1075.6			14.711				.032		
240	.70	1140.3			15.843				.030		
241	.75	1204.9			16.975				.032		
242	.80	1269.6	↓	↓	18.105			↓	.032		↓
288 C	.975	1496.0	-	381.2	22.068	-	0.329	-	0.030		Aft Fuselage Side
388	.40	752.32	-	445.0	9.053		0.788	114	.031		Upper Fuselage Side
389	.45	816.99			10.185				.033		
390	.50	881.65			11.315				.036		
391	.55	946.32			12.448				.0345		
392	.60	1010.9			13.580				.0335		
393	.65	1075.6			14.711				.0345		
394	.70	1140.3			15.843				.034		
395	.75	1204.9			16.975				.036		
396	.80	1269.6	↓	↓	18.105	↓		↓	.034	↓	↓

TABLE V. Continued

Wing T/C Locations

T/C No.	$\frac{2Y}{B}$	Full Scale			Model Scale			Elevon T/C	Skin Thickness	Mat'l	Remarks
		x/c	x_0	$\frac{y}{b}$	$X_{\text{from L.E.}}$	Y					
73C	.30	0		140.5	0	2.459		.020	17-4	Wing Lower Sur.	
74C		.05			.670			.020			
75C		.10			1.340			.026			
76C		.20			2.680			.031			
77C		.30			4.020			.030			
78C		.40			5.360			.031			
79C		.50			6.700			.030			
80C		.60			8.040			.030			
81C		.70			9.380			.031			
82C		.80			10.720			.030			
83		.90			12.060		X	.0305			
84		.95		Y	12.730	Y	X	.031			
86C	.40	0		187.3	0	3.277		.022			
87C		.05			.438			.031			
88C		.10			.876			.031			
89C		.20			1.753			.030			
90C		.30			2.629			.031			
91C		.40			3.506			.029			
92C		.60			5.258			.033			
93C		.70			6.135			.033			
94C		.75			6.573			.030			
95		.85			7.449			.0295			
96		.90			7.888		X	.026			
97	Y	.95		Y	8.326	Y	X	.0275			
98C	.45	0		210.73	0	3.687	X	.030			
99C	.50	0		234.1	0	4.098		.027			
100C		.05			.364			.029			
101C		.10			.727			.030			
102C		.20			1.454			.031			
103C		.30			2.181			.031			
104C		.40			2.908			.031			
105C		.60			4.362			.032			
106C	V	.70		Y	5.089	Y		.031	V	V	

TABLE V. Continued

Wing T/C Locations

T/C No.	$\frac{2Y}{B}$	Full Scale			Model Scale		Elevo. T/C	Skin Thickness	Hat'l	Remarks
		X/C	X ₀	Y ₀	X from L.E.	Y				
107	.50	.90		234.1	6.543	4.098		X	.0285	17-4 Wing Lower Sur.
108C	.55	0		257.6	0	4.508			.026	
109C	.60	0		281.0	0	4.918			.024	
110C		.025			.157				.029	
111C		.05			.314				.028	
112C		.075			.470				.030	
113C		.10			.627				.031	
114C		.20			1.254				.031	
115C		.30			1.882				.033	
116C		.40			2.509				.032	
117C		.50			3.136				.032	
118C		.60			3.763				.032	
119C		.70			4.390				.031	
120		.80			5.018			X	.030	
121		.85			5.331			X	.0305	
122		.90			5.645			X	.0295	
123		.95			5.958			X	.0295	
124C	.65	0		309.4	0	5.327			.026	
125C	.70	0		327.8	0	5.737			.017	
126C		.025			.133				.024	
127C		.10			.531				.032	
128C		.20			1.061				.036	
129C		.30			1.592				.036	
130C		.40			2.123				.035	
131		.60			3.184				.035	
132		.90			4.776			X	.031	
133	.75	0		352.8	0	6.174			.028	
134		.025			.121				.028	
135		.05			.241				.030	
136		.10			.483				.032	
137		.20			.965				.032	
138		.30			1.448				.035	
139		.40			1.930				.034	
140		.60			2.895				.033	

TABLE V. Continued

Wing T/C Locations

T/C No.	$\frac{2Y}{B}$	Full Scale			Model Scale		Elevon T/C	Skin Thickness	Mat'l	Remarks
		X/C	X ₀	Y ₀	X _{from L.E}	Y				
141C	.75	.70		352.83	3.378	6.174		.031	17-4	Wing Lower Surf.
142		.80			3.860		X	.027		
143		.90			4.343		X	.0305		
144	↓	.95		↓	4.584	↓	X	.0295		
145	.80	0		374.6	0	6.557		.024		
146		.20		↓	.868			.032		
147		.40		↓	1.737			.031		
148	↓	.90		↓	3.908	↓	X	.0305		
149	.85	0		398.1	0	6.967		.028		
150		.20		↓	.772			.031		
151	↓	.40		↓	1.544	↓		.030		
152	.90	0		421.4	0	7.376		.028		
153		.10		↓	.338			.030		
154		.20		↓	.675			.031		
155C		.30		↓	1.013			.031		
156		.50		↓	1.689			.031		
157C		.60		↓	2.026			.032		
158		.80		↓	2.702		X	.0285		
159	↓	.90		↓	3.039	↓	X	.028		
160	.95	0		444.9	0	7.786		.030		
161		.05		↓	.138			.031		
162		.10		↓	.276			.030		
163		.20		↓	.552			.032		
164		.30		↓	.827			.031		
165		.50		↓	1.379			.030		
166		.70		↓	1.931		X	.0295		
167	↓	.80		↓	2.206	↓	X	.030		
168	↓	.90		↓	2.482	↓	X	.0295		↓
246	.400	.05		187.3	.438	3.278		.024		Wing Upper Surface
247		.20		↓	1.753	↓		.028		
248	↓	.40		↓	3.506	↓		.024		↓

TABLE V. Continued

WING T/C LOCATIONS

T/C No.	$\frac{2Y}{B}$	X/C	Full Scale		Model Scale		Elevation T/C	Skin Thickness	Mat'l	Remarks
			Xo	Yo	X From LE	Y				
249	.40	.60		187.3	5.258	3.278		.020	17-4	Wing Upper Surf.
250		.75			6.573			.030		
251		.80			7.011		x	.029		
252	↓	.95			8.326	↓	x	.025		
253	.60	.025		281.0	.157	4.918		.009		
254		.05			.314			.011		
255		.10			.627			.021		
256		.20			1.254			.025		
257		.40			2.509			.027		
258		.60			3.763			.024		
259		.75			4.703			.025		
260		.85			5.331		x	.027		
261	↓	.95			5.958	↓	x	.020		
262	.70	.20		327.83	1.061	5.737		.024		
263		.40			2.123			.025		
264	↓	.90			4.776	↓	x	.028		
265	.75	.10		352.25	.483	6.147		.023		
266		.20			.965			.023		
267		.40			1.930			.025		
268		.60			2.895			.022		
269		.80			3.860		x	.024		
270	↓	.90			4.430	↓	x	.028		
271	.80	.90		374.65	3.908	6.557	x	.029		
272	.90	.20		421.95	.675	7.376		.025		
273		.40			1.351			.025		
274	↓	.60			2.026	↓		.030		
275	.95	.20		444.91	.552	7.786		.023		
276		.40			1.103			.030		
277		.50			1.379			.025		
278		.70			1.930		x	.028		
279		.80			2.206		x	.029		
280	↓	.90			2.421	↓	x	.028	↓	↓

TABLE V. Continued

CMS Pod T/C Locations

T/C No.	X/L	Full Scale			Model Scale			Skin Thickness	Mat'l	Remarks
		X ₀	Y ₀	Z ₀	X _{from Pod LE}	Z _{from FRL}				
293		1311						17-4		
294										
295										
296										
297										
298		1325	106.9	428.6			.030			
299			98.77	489.2			.033			
300			67.73	511.3			.030			
301			48.78	506.7			.028			
302		1350	123.6	440.4			.024			
303			132.0	458.6			.030			
304			108.9	498.5			.032			
305			69.5	524.4			.029			
306			47.3	515.5			.031			
307										
308		1375	111.6	421.6			.016			
309			130.0	440.0			.023			
310			139.6	460.0			.035			
311			113.8	503.4			.028			
312			72.4	531.0			.031			
313		1400	48.28	523.4			.027			
314										
315		1425	115.0	415.1			.031			
316			133.7	437.7			.030			
317			147.7	466.3			.038			
318			119.7	508.6			.027			
319			77.34	536.5			.030			
320		1450	117.48	418.20			.023			
321			134.5	436.0			.029			
322			149.8	468.2			.033			
323			122.2	511.1			.025			
324										
325			48.3	526.6			.027			
326										

TABLE V. Continued

OAS Pod T/C Locations

T/C No.	X/L	Full Scale			Model Scale			Skin Thickness	Mat'l	Remarks
		X ₀	Y ₀	Z ₀	X from Pod LE	Y	Z from PRL			
327		1500	136.7	437.0				.029	17-4	
328		↓	151.2	470.4				.036		
329		↓	125.6	514.0				.031		
330		↓	89.5	539.4				.031		
331		↓	55.7	532.3				.034		
332		1525	-	424.0				.029		Downward Firing RCS
333		↓	-	431.0				.034		
334		↓		440.0				.035		
335		↓	↓	493.0				.029		
336		↓	133.0	-				.030		Upward Firing RCS
337		1545	-	428.0				.022		Downwd Firing RCS
338		↓	↓	434.0				.027		
339		↓	↓	443.0				.039	Y	

TABLE V. Continued

VERTICAL TAIL T/C LOCATIONS

T/C No.	Z/BV	X/C	Full Scale		Model Scale		Rudder T/C	Skin Thickness	Mat'l	Remarks
			Xo	Zo	X from L.E.	Z from FRL				
340	.10	.10						.0315	17-9	External Surface
341		.30						.0305		
342	↓	.50						.0295		
343	.20	.10						.031		
344		.20						.0302		
345		.40						.0313		
346		.60						.031		
347	↓	.80						.0315		
348	.30	.05						.0297		
349		.20						.031		
350		.40						.031		
351		.50						.0318		
352	↓	.90					x	.030		
353	.40	.10						.0305		
354		.20						.0315		
355		.40						.0315		
356		.50						.0308		
357		.70					x	.029		
358	↓	.90					x	.0298		
359	.50	.05						.0285		
360		.70					x	.028		
361	↓	.90					x	.0315		
362	.60	.05						.029		
363		.10						.0295		
364		.20						.0303		
365		.40						.0318		
366		.50						.0315		
367		.70					x	.028		
368	↓	.90					x	.030		
369	.70	.05						.0275		
370		.70					x	.0275		
371	↓	.90					x	.029		
372	.80	.05						.029		
373	↓	.10						.0293	↓	↓

TABLE V. Continued

VERTICAL TAIL T/C LOCATIONS

T/C No.	Z/BV	Full Scale			Model Scale			Rudder T/C	Skin Thickness	Mat'l	Remarks
		X/C	X ₀	Z ₀	X _{from L.E.}	Z _{from FRL}					
374	.80	.40						.031	17-4	External Surface	
375		.50						.0325			
376		.70					X	.028			
377	γ	.90					X	.029			
378	.90	.10						.031			
379		.30						.0305			
380		.50						.032			
381		.70						.0308			
382	∇	.90						.0298			
383	.95	.30						.0313			
384		.50						.0315			
385	∇	.90						.033	↓	↓	
397C								.0318	17-4	Speed Brake Cavity	
398C								.0312	↓	↓	
399C								.0312	↓	↓	
400C								.0312	↓	↓	

Table V. (Continued)

BASE HEATSHIELD THERMOCOUPLE LOCATIONS

T/C NO.	FULL SCALE		MODEL SCALE		MAT'L	SKIN THICK- NESS	REMARKS
	Y ₀	Z ₀	Y	Z FROM			
428	0	430	0	0.525	15-5	.032	
429	-70	430	-1.225	0.525		.031	
430	0	320	0	-1.400		.0315	
431	-110	320	-1.925	-1.400		.0305	

Table V. (CONTINUED)

Lower Left SSM Nozzle T/C Locations
(Note Material)

T/C NO.	X FROM EXIT PLANE F.S.	X FROM EXIT PLANE M. S.	ϕ_n deg	MAT'L	SKIN THICKNESS, in.	REMARKS
408	5.0	0.088	315	15-5	.030	Smooth Nozzle
409	↓	↓	0	↓	.031	
411	↓	↓	45	↓	.0315	
412	↓	↓	65	↓	.032	
413	↓	↓	90	↓	.032	
414	↓	↓	135	↓	.0325	
415	10.0	0.175	0	↓	.0305	
418	↓	↓	65	↓	.0315	
419	↓	↓	90	↓	.032	
420	15.0	0.263	0	↓	.029	
421	↓	↓	45	↓	.0295	
422	↓	↓	90	↓	.030	
423	25.0	0.438	0	↓	.0255	
424	↓	↓	45	↓	.026	
425	↓	↓	65	↓	.026	
426	↓	↓	90	↓	.026	
427	45.0	0.788	45	15.5	.027	

(428 thru 431 on heat shield)

Table V. (CONTINUED)

Lower Right SSM Nozzle T/C Locations
(Note Material)

432	5.0	0.088	315	17-4	.0289	Nozzle W/Hat Bands
433	↓	↓	0	↓	.0298	
434	↓	↓	25	↓	.0285	
435	↓	↓	45	↓	.0297	
436	↓	↓	65	↓	.0298	
437	↓	↓	90	↓	.0292	
438	↓	↓	135	↓	.0307	
439	10.0	0.175	0	↓	.0299	
440	↓	↓	25	↓	.0285	
441	↓	↓	45	↓	.0292	
442	↓	↓	65	↓	.0296	
443	↓	↓	90	↓	.0288	
444	15.42	0.270	0	↓	.0274	
445	↓	↓	25	↓	.0290	
446	↓	↓	45	↓	.0280	
447	↓	↓	65	↓	.0278	
448	↓	↓	90	↓	.0292	
449	25.0	0.438	0	↓	.0288	
450	↓	↓	25	↓	.0291	
451	↓	↓	45	↓	.0286	
452	↓	↓	65	↓	.0295	
453	↓	↓	90	↓	.0291	

TABLE V. Continued

Upper Wing T/C Locations

T/C No.	2Y/B	FULL SCALE		MODEL SCALE		SKIN THICKNESS /IN.	MAT'L	REMARKS
		X _o	Y _o	X _o	Y _o			
460	.500	1373.54	234.17	24.036	4.097	.0280	17-4	Wing Upper Surf.
461	.550		257.587		4.507			
462	.600		281.004		4.917			
463	.650		304.421		5.327			
464	.700		327.838		5.737			
465	.725		339.546		5.942			
466	.750		351.255		6.146			
467	.775		362.963		6.351			
468	.800		374.672		6.556			
469	.825		386.380		6.761			
470	.850		398.089		6.966			
471	.875		409.797		7.171			
472	.925		433.214		7.581			
477	.950		444.923		7.786			
473	.975		456.631		7.991			

* SPAN = 936.68 in full scale

** T/C 274 REF. 2Y/B = .900

T/C NO.	2Y/B	FULL SCALE		MODEL SCALE		Elevon T/C	SKIN THICK.	MAT'L	REMARKS
		X/C	Y _o	X _{FRGM} LE	Y _o				
476	.700	.60	327.83	3.125	5.737		.0300	17-4	Wing Upper Surf.
477	.750	.50	351.25	2.411	6.147		.0280		
478	.800	.10	374.69	.435	6.557		.0310		
479	↓	.30	↓	1.305	↓		.0320		
480	↓	.40	↓	1.740	↓		.0320		
481	↓	.50	↓	2.171	↓		.0320		
482	↓	-	↓	24.33	↓	X	.0250		
483	.825	-	386.00	24.33	6.756	X	.0280		
484	↓	.85	↓	3.485	↓	X	.0250		
485	↓	.90	↓	3.690	↓	X	.0290		
486	.850	.10	397.94	.356	6.964		.0320		
487	↓	.30	↓	1.155	↓		.0300		
488	↓	.40	↓	1.544	↓		.0300		
489	↓	.50	↓	2.000	↓		.0300		
490	↓	-	↓	24.33	↓	X	.0290		
491	.900	.90	421.50	3.033	7.376	X	.0290		

TABLE V. Continued

T/C NO.	MODEL SCALE			SKIN THICKNESS	MATERIAL	LOCATION		
	X ₀	Y ₀	Z ₀					
37A	4.553	0.252	-	.032	17-4	Lower Nose (LH)		
38A	4.541	0.428	5.524	.033				
39A	4.515	-	5.696	.036				
41A	5.626	-	6.002	.031				
45A	6.361	1.041	5.266	.028				
46A	-	-	5.470	.030				
47A	-	1.230	5.673	.031				
65A	8.610	0.388	4.893	.030				
70A	8.610	1.681	5.388	.030				
107A	13.170	0.780	4.809	.024				Lower Mid Fuselage (LH)
114A	13.207	1.782	4.977	.031				
115A	13.107	1.962	-	.024				
116A	-	2.142	-	.020				
117A	-	2.322	-	.017				
118A	-	2.448	-	.025				
130A	15.356	1.837	4.882	.023				
131A	-	2.046	-	.029				
132A	-	2.250	-	.028				
133A	-	2.453	-	.026				
134A	-	2.663	-	.023				
135A	-	2.816	5.226	.027				
186A	24.329	1.819	4.681	.030		Lower Aft Fuselage		
187A	24.925	1.883	-	.031				
188A	25.476	1.911	-	.028				
189A	25.923	1.981	-	.025				
196A	24.015	2.128	-	.028				
197A	24.480	2.459	-	.032				
320A	24.576	-	5.565	.0295		Aft Fuselage & Elevon Split Line (LH)		
321A	24.913	-	-	.0265				
322A	25.476	-	-	.027				
323A	26.038	-	-	.029				
336A	24.576	-	4.902	.030				
337A	24.913	-	-	.031				
338A	25.575	-	-	.028				
339A	26.138	-	-	.026				
341A	24.576	-	4.692	.030				
342A	24.913	-	4.692	.032				
343A	25.475	-	4.722	.031				
344A	26.038	-	4.759	.031				
249A	10.859	1.988	-	.030*				Upper Wing (RH)
250A	11.983	-	-	.028				
251A	13.107	-	-	.030				
252A	14.195	-	-	.022				
253A	17.545	1.970	-	.026				
254A	19.941	2.049	-	.018				
255A	22.330	2.047	-	.029				
256A	14.195	2.459	-	.020				

TABLE V. Concluded

ADDITIONAL T/C LOCATIONS

T/C NO.	MODEL SCALE			SKIN THICKNESS	MATERIAL	LOCATION	
	X ₀	Y ₀	Z ₀				
257A	15.535	2.459	4.759	.027	17-4	Upper Wing (RH)	
258A	16.875	-	-	.020			
259A	18.215	-	-	.016			
260A	19.555	-	-	.028			
261A	20.895	-	-	.025			
262A	22.235	-	-	.030			
263A	23.576	-	-	.029			
279A	24.080	5.138	-	.030*			
113A	27.268	0.928	-	.030			Lower Body Flap
191A	27.268	1.819	-	.028			
314A	27.274	0	5.122	.0255		Upper Body Flap	
315A	28.017	0	-	.019			
316A	27.275	0.875	5.224	.0295			
317A	28.017	0.875	-	.028			
318A	27.275	1.837	5.122	.0295			
319A	28.017	1.697	-	.0295			
192A	26.994	-	5.064	.031			Body Flap, Edge
193A	27.265	-	5.092	.0305			
194A	27.639	-	5.106	.031			
368A	26.091	0	9.303	.0305		Vertical Tail	
87A	9.799	1.101	7.781	.031			
86A	9.705	0.672	8.431	.026	Upper Mid Fuselage (LH)		
89A	9.717	1.709	6.654	.031			
102A	10.806	1.638	8.089	.023			
103A	10.806	0.867	8.523	.015			
122A	13.077	1.684	-	.0252			
124A	13.107	1.128	-	.0308	Upper Mid Fuselage (LH)		
125A	13.077	0.868	-	.029			
126A	13.107	0.560	-	.0285			
127A	13.107	0.280	-	.0245			
139A	15.347	1.584	-	.0337			
140A	15.347	0.868	-	.0291			
404A	17.574	1.572	-	.0301			
405A	17.549	1.120	-	.0322			
406A	17.574	0.868	-	.0285			
407A		0.560	-	.0284			
408A		0.280	-	.0260			
410A	19.845	1.572	-	.0334			
155A	22.000	1.572	-	.0307			
156A	22.000	0.868	-	.0264			
157A	22.640	1.582	-	.0395			
158A		1.218	-	.0248			
159A		0.868	-	.0264			
150A		0.308	-	.0306			
35A	22.610	0.014	-	.0278			

*Normal Value; Skin Thickness Not Measured

TABLE VI. 56-Ø MODEL THERMOCOUPLE LOCATIONS

T/C No.	b, in.	X/L	Z _o
1	0.0215	0.275	437.5
2	0.0210	0.300	442.0
3	0.0217	0.325	445.0
4	0.0215	0.350	
5	0.0212	0.375	
6	0.0217	0.400	
7	0.0215	0.425	
8	0.0218	0.450	
9	0.0219	0.475	
10	0.0220	0.500	
11	0.0220	0.525	
12	0.0222	0.550	
13	0.0220	0.600	
14	0.0220	0.650	
15	0.0228	0.700	
16	0.0220	0.750	▼
17	0.0230	0.800	445.0
18	0.0190	0.285	420.0
19	0.0189	0.337	
20	0.0189	0.390	
21	0.0190	0.426	
22	0.0200	0.478	
23	0.0200	0.530	
24	0.0205	0.567	
25	0.0205	0.620	
26	0.0205	0.670	▼
27	0.0207	0.705	420.0

T/C No.	b, in.	X/L	Z _o
28	0.0203	0.750	420.0
29	0.0202	0.800	420.0
30	0.0160	0.824	420.0
31	0.0210	0.200	400.0
32	0.0199	0.225	
33	0.0199	0.250	
34	0.0186	0.275	
35	0.0180	0.300	
36	0.0190	0.325	
37	0.0192	0.350	
38	0.0190	0.375	
39	0.0189	0.400	
40	0.0188	0.425	
41	0.0195	0.450	
42	0.0200	0.475	
43	0.0200	0.500	
44	0.0190	0.525	
45	0.0200	0.550	
46	0.0205	0.600	
47	0.0210	0.650	
48	0.0202	0.700	
49	0.0205	0.750	
50	0.0208	0.800	
51	0.0180	0.850	
52	0.0180	0.875	
53	0.0160	0.900	▼
54	0.0170	0.925	400.0

T/C No.	b, in.	X/L	Z _o
55	0.0220	0.950	400.0
56	0.0170	0.300	372.5
57	0.0170	0.325	
58	0.0170	0.350	
59	0.0170	0.375	
60	0.0170	0.400	
61	0.0170	0.425	
62	0.0172	0.450	
63	0.0175	0.475	
64	0.0180	0.500	
65	0.0180	0.525	
66	0.0190	0.550	
67	0.0198	0.600	
68	0.0190	0.650	
69	0.0200	0.700	▼
70	0.0200	0.750	372.5
71	0.0195	0.200	355.0
72	0.0190	0.225	
73	0.0190	0.250	
74	0.0180	0.275	
75	0.0185	0.800	
76	0.0188	0.850	
77	0.0170	0.875	
78	0.0172	0.900	
79	0.0180	0.925	▼
80	0.0190	0.950	355.0

TABLE VII. 83-Ø MODEL THERMOCOUPLE LOCATIONS

T/C NO.	LOCATION	Z _o (INCHES)	X _o (INCHES)	X/ L			SKIN THICKNESS (INCHES)	
	UPPER RCS NOZZLES							
161	↓	-7.5	315.0	0.0619			0.0265	
162		-7.5	326.7	0.0709			0.0212	
163		-7.5	339.3	0.0807			0.0275	
164		-7.5	357.0	0.0943			0.0292	
165		-7.5	361.5	0.0978			0.0282	
166		-7.5	366.0	0.1013			0.0287	
167		-15.0	315.0	0.0619			0.0303	
168		-15.0	326.7	0.0709			0.0235	
169		-15.0	339.3	0.0807			0.0272	
170		-15.0	357.0	0.0943			0.0280	
171		-15.0	361.5	0.0978			0.0270	
172		-15.0	366.0	0.1013			0.0292	
173		-22.5	339.3	0.0807			0.0299	
174		-22.5	357.0	0.0943			0.0255	
175		-22.5	361.5	0.0978			0.0321	
176		-22.5	366.0	0.1013			0.0305	

TABLE VII. Continued

T/C NO.	LOCATION	RAY	LINE	SKIN THICKNESS (INCHES)	
177	CANOPY	1	4	0.0308	
178	↓	1	6	0.0440	
179		2	6	0.0469	
180		3	3	0.0292	
181		3	4	0.0304	
182		3	5	0.0319	
183		4	1	0.0281	
184		↓	2	2	0.0306
185			3	3	0.0269
186			4	4	0.0281
187			5	5	0.0298
188			↓	6	0.0592
189			5	3	0.0319
190			5	4	0.0322
191			5	5	0.0342
192			6	2	0.0316
193			6	6	0.0431
194		7	3	0.0289	
195		7	4	0.0276	
196		7	5	0.0294	
197	8	1	0.0222		
198	↓	2	2	0.0260	
199		3	3	0.0301	
200			4	0.0319	

TABLE VII. Continued

T/C NO.	LOCATION	RAY	LINE	SKIN THICKNESS (INCHES)	
201	CANOPY	8	5	0.0316	
202	↓	8	6	0.0283	
203		9	3	0.0278	
204		9	4	0.0348	
205		9	5	0.0349	
206		10	2	0.0297	
207		10	6	0.0300	
208		11	3	0.0301	
209		11	4	0.0308	
210		11	5	0.0299	
211		12	1	0.0272	
212		↓	2	2	0.0302
213			3	3	0.0297
214			4	4	0.0314
215			5	5	0.0318
216			6	6	0.0318
217			7	7	0.0319
218			13	3	0.0309
219			4	4	0.0315
220			5	5	0.0308
221			14	1	0.0271
222		↓	2	2	0.0276
223			6	6	0.0304

TABLE VII. CONTINUED

T/C NO.	LOCATION	X _o (INCHES)	Y _o (INCHES)	X/L	SKIN THICKNESS (INCHES)
	ESCAPE HATCH & WINDOW				
224		485.0	-7.6	0.1933	0.0233
225		490.0	-7.6	0.1972	0.0268
226		485.0	-18.0	0.1933	0.0236
227		490.0	-18.0	0.1972	0.0328
228		485.0	-30.6	0.1933	0.0288
229		490.0	-30.6	0.1972	0.0288
230		547.9	-10.8	0.2425	0.0314
231		560.0	-10.6	0.2519	0.0324
232		567.0	-11.0	0.2567	0.0303
233		572.0	-11.0	0.2606	0.0340
234		547.5	-23.0	0.2416	0.0305
235		559.5	-23.0	0.2509	0.0305
236		567.0	-23.0	0.2567	0.0328
237		572.0	-23.0	0.2606	0.0315

TABLE VII. Continued

T/C No.	Z _o	X _o	X/L	Skin Thickness	T/C No.	Z _o	X _o	X/L	Skin Thickness
					MHB LINE				
					300		396.663	0.125	0.0252
					301		428.995	0.150	0.0280
					302		461.3275	0.175	0.0306
					303		493.660	0.200	0.0280
					304		525.993	0.225	0.0205
					305		558.325	0.250	0.0283
					306		590.658	0.275	0.0340
					307		655.323	0.325	0.0245
					308		719.988	0.375	0.0290
					309		784.318	0.425	0.0298
					310		849.318	0.475	0.0272
					311	355.0	493.66	0.200	0.0230
					312		525.993	0.225	0.0250
					313		558.325	0.250	0.0296
					314		590.658	0.275	0.0279
					315		622.990	0.300	0.0308
					316		655.323	0.325	0.0279
					317		687.655	0.350	0.0311
					318		719.988	0.375	0.0302
					319		752.320	0.400	0.0278
					320		784.653	0.425	0.0285
					321		816.985	0.450	0.0270
					322	355.0	849.318	0.475	0.0260
					323	378.0	493.660	0.200	0.0259
					324		525.993	0.225	0.0268
					325		558.325	0.250	0.0279
					326		590.658	0.275	0.0261
					327		622.990	0.300	0.0286
					328		655.323	0.325	0.0249
					329		687.655	0.350	0.0300
					330		719.988	0.375	0.0282
					331		752.320	0.400	0.0269
					332		784.653	0.425	0.0276
					333	378.0	816.985	0.450	0.0273
					334	400.0	525.993	0.225	0.0255
					335		558.325	0.250	0.0289
					336		590.658	0.275	0.0262
					337		622.990	0.300	0.0308
					338		655.323	0.325	0.0269
					339		687.655	0.350	0.0302
BOTTOM CENTERLINE									
273	236.25	0.0010	0.0269						
274	237.37	0.0018	0.0272						
275	240.25	0.0041	0.0277						
276	244.00	0.0070	0.0280						
277	248.28	0.0103	0.0279						
278	254.40	0.0150	0.0283						
279	260.75	0.0199	0.0232						
280	265.00	0.0232	0.0210						
281	269.00	0.0263	0.0190						
282	273.63	0.0299	0.0230						
283	278.75	0.0338	0.0231						
284	284.25	0.0381	0.0230						
285	288.50	0.0414	0.0230						
286	293.5	0.0452	0.0240						
287	300.00	0.0503	0.0230						
288	364.330	0.100	0.0280						
289	428.995	0.150	0.0300						
290	493.660	0.200	0.0260						
291	558.325	0.250	0.0273						
292	622.990	0.300	0.0275						
293	687.655	0.350	0.0261						
294	752.320	0.400	0.0276						
295	816.985	0.450	0.0292						
MHB LINE									
296	267.333	0.025	0.0292						
297	299.665	0.050	0.0268						
298	331.998	0.075	0.0270						
299	364.330	0.100	0.0278						

TABLE VII. Continued

T/C No.	Z ₀	X ₀	X/L	Skin Thickness	T/C No.	Z ₀	X ₀	X/L	Skin Thickness
MHB LINE (CONT'D)					TOP CENTERLINE (CONT'D)				
340	400.0	719.988	0.375	0.0300	374	254.50		0.0151	0.0293
341	↑	752.320	0.400	0.0279	375	258.50		0.0182	0.0306
342	↓	784.653	0.425	0.0270	376	262.75		0.0215	0.0295
343	400.0	816.985	0.450	0.0276	377	266.75		0.0246	0.0288
344	425.0	655.335	0.325	0.031	378	271.00		0.0278	0.0261
345		687.655	0.350	0.030	379	313.75		0.0609	0.0275
346	↑	719.988	0.375	0.030	380	318.50		0.0646	0.023
347	↑	752.320	0.400	0.030	381	323.50		0.0684	0.029
348	↓	784.653	0.425	0.032	382	328.25		0.0721	0.0293
349	↓	816.985	0.450	0.031	383	333.25		0.0760	0.030
350	425.0	850.600	0.4760	0.033	384	338.00		0.0796	0.0312
CCL LINE					385	358.00		0.0953	0.0288
					386	362.60		0.0989	0.0265
					387	366.75		0.1019	0.0275
351		299.665	0.050	0.0271	388	385.00		0.1160	0.0213
352		331.998	0.075	0.0269	389	389.50		0.1195	0.0325
353		364.330	0.100	0.0263	390	394.25		0.1231	0.0353
354		396.663	0.125	0.0268	391	399.00		0.1268	0.0357
355		428.995	0.150	0.0273	392	403.75		0.1305	0.0384
356		461.328	0.175	0.0311	393	408.00		0.1338	0.0379
357		493.660	0.200	0.0262	394	413.00		0.1376	0.0376
358		590.658	0.275	0.032	395	417.50		0.1411	0.0335
359		622.990	0.300	0.0310	396	422.25		0.1448	0.0332
360		655.323	0.325	0.030	397	426.75		0.1483	0.0332
361		687.655	0.350	0.0305	398	431.50		0.1519	0.0315
362		719.988	0.375	0.030	399	436.25		0.1556	0.0299
363		752.320	0.400	0.032	400	439.63		0.1582	0.0302
364		784.653	0.425	0.032	401	443.00		0.1608	0.0290
365		816.985	0.450	0.032	402	446.50		0.1635	0.0279
366		850.600	0.4760	0.0315	403	450.25		0.1664	0.0272
TOP CENTERLINE					404	453.75		0.1691	0.0271
					405	457.50		0.1720	0.0271
					406	461.00		0.1748	0.0271
367		235.000	0.000	0.0263	407	463.75		0.1769	0.0289
368		236.000	0.0008	0.0284	408	466.75		0.1800	0.0328
369		237.500	0.0019	0.0262	409	471.75		0.1831	0.0322
370		239.750	0.0037	0.0273	410	476.00		0.1863	0.0322
371		242.500	0.0058	0.0219	411	480.00		0.1894	0.0336
372		246.250	0.0087	0.0268	412	474.75		0.1931	0.0312
373		250.250	0.0118	0.0293					

TABLE VII Continued

T/C NO.	LOCATION	Z_0 (INCHES)	X_0 (INCHES)	X/L	θ (DEGREES)	SKIN THICKNESS (INCHES)
413	TOP CENTERLINE		490.00	0.1972		0.0300
414			500.00	0.2049		0.0300
415			525.993	0.2250		0.0221
416			558.325	0.250		0.0262
417			590.658	.275		0.0330
418			622.990	.300		0.0350
419			655.323	.325		0.0330
420			687.655	.350		0.0322
421			719.988	.375		0.0329
422			752.320	.400		0.0328
423			784.652	.425		0.0316
424			816.985	.450		0.0335
425			849.318	.475		0.034
426	PILOT RIGHT (Cross Section)		270	.027	350	0.0206
427					343	0.0219
428					335	0.0239
429					324	0.0259
430					320	0.0279
431					310	0.0285
432					303	0.0288
433					295	0.0288
434					287.5	0.0292
435					280	0.0293
436					273	0.0295
437			300	.050	352.5	0.025
438					347	0.0258
439					339	0.0249
440					334	0.024

TABLE VII. Continued

T/C NO.	LOCATION	Z_0 (INCHES)	X_0 (INCHES)	X/L	θ (DEGREES)	SKIN THICKNESS (INCHES)	
441	PILOT RIGTH (Cross Section) ↓		300	.050	327.5	0.024	
442			↓	↓	321.5	0.028	
443			↓	↓	318	0.0283	
444			↓	↓	311	0.0270	
445			↓	↓	306	0.026	
446			↓	↓	300	0.0245	
447			↓	↓	295	0.0225	
448			↓	↓	289	0.0278	
449			↓	↓	284	0.0258	
450			↓	↓	274	0.0190	
451			↓	500	.2049	355	0.025
452			↓	↓	↓	351	0.023
453			↓	↓	↓	346	0.023
454			↓	↓	↓	342	0.023
455			↓	↓	↓	338	0.023
456			↓	↓	↓	333	0.023
457			↓	↓	↓	330	0.023
458			↓	↓	↓	326	0.024
459			↓	↓	↓	322	0.026
460			↓	↓	↓	320	0.026
461			↓	↓	↓	317	0.027
462			↓	↓	↓	313.5	0.027
463			↓	↓	↓	310.5	0.026
464			↓	↓	↓	307	0.025
465			↓	↓	↓	305	0.0263
466			↓	↓	↓	303	0.027
467			↓	↓	↓	300.5	0.0265
468			↓	↓	↓	298	0.025

TABLE VII. Concluded

T/C NO.	LOCATION	Z ₀ (INCHES)	X ₀ (INCHES)	X/L	θ (DEGREES)	SKIN THICKNESS (INCHES)	
469	PILOT RIGT (Cross Section) ↓		500	.2049	295	0.028	
470			↓	↓	292	0.023	
471					290	0.023	
472					287	0.021	
473					284	0.0275	
474					278	0.023	
475					275.5	0.023	
476					273	0.024	
477					270	0.0253	
501				260.75	.0200	348.5	0.022
502				↓	↓	338.2	0.021
503						328.7	0.025
504						320.5	0.028
505						312.3	0.027
506						303.5	0.025
507						296.5	0.021
508						287	0.019
509						278.6	0.023
510						270.0	0.023
511						262	0.026

TABLE VIII. THERMOCOUPLE CONSTANT SETS

CONSTANT SET 111
MODEL: 60-Ø, OH-84B

Ch No.	TC No.	COORD1	COORD2	Ch No.	TC No.	COORD1	COORD2	Ch No.	TC No.	COORD1	COORD2
1	340	X/C	Z/BV	34	373	X/C	Z/BV	67	320	X ₀	Y ₀
2	341			35	374			68	321		
3	342			36	375			69	322		
4	343			37	376			70	323		
5	344			38	377			71	325		
6	345			39	378			72	327		
7	346			40	379			73	328		
8	347			41	380			74	329		
9	348			42	381			75	330		Y
10	349			43	382			76	331		Y ₀
11	350			44	383			77	332		Z ₀
12	351			45	384	∇	∇	78	333		
13	352			46	385	X/C	Z/BV	79	334		Y
14	353			47	298	X ₀	Y ₀	80	335		Z ₀
15	354			48	299			81	336		Y ₀
16	355			49	300			82	337		Z ₀
17	356			50	301			83	338	∇	
18	357			51	302			84	339	X ₀	Y
19	358			52	303			85	368A	X/L	Z ₀
20	359			53	304			86	397C	-	-
21	360			54	305			87	398C	-	-
22	361			55	306			88	399C	-	-
23	362			56	308			89	400C	-	-
24	363			57	309			90	110C	X/C	Y ₀
25	364			58	310			91	111C		
26	365			59	311			92	112C		
27	366			60	312			93	113C		
28	367			61	313			94	114C		
29	368			62	315			95	115C		
30	369			63	316			96	116C	∇	∇
31	370			64	317			97	117C	X/C	Y ₀
32	371	∇	∇	65	318	∇	∇				
33	372	X/C	Z/BV	66	319	X ₀	Y ₀				

TABLE VIII. (Continued)
 CONSTANT SET 122
 MODEL: 60-0, 0H-84B

Ch No.	TC No.	COORD1	COORD2	Ch No.	TC No.	COORD1	COORD2	Ch No.	TC No.	COORD1	COORD2
1	1	X/L	φ	34	182	X/L	φ	67	88A	X/L	Y
2	2	↓	↓	35	223	↓	↓	68	89A	↓	↓
3	3	↓	↓	36	234	↓	↓	69	103A	↓	↓
4	4	X/L	φ	37	388	↓	↓	70	102A	↓	↓
5	120	X/C	Y	38	184	↓	↓	71	127A	↓	↓
6	121	↓	↓	39	225	↓	↓	72	126A	↓	↓
7	122	↓	↓	40	236	↓	↓	73	125A	↓	↓
8	123	↓	↓	41	390	↓	↓	74	124A	↓	↓
9	253	↓	↓	42	186	↓	↓	75	122A	↓	↓
10	254	↓	↓	43	188	↓	↓	76	140A	↓	↓
11	255	↓	↓	44	229	↓	↓	77	139A	↓	↓
12	256	↓	↓	45	240	↓	↓	78	408A	↓	↓
13	257	↓	↓	46	394	↓	↓	79	407A	↓	↓
14	258	↓	↓	47	190	↓	↓	80	406A	↓	↓
15	259	↓	↓	48	231	↓	↓	81	405A	↓	↓
16	260	↓	↓	49	242	↓	↓	82	404A	↓	↓
17	261	X/C	Y	50	279A	↓	↓	83	410A	↓	↓
18	460	2Y/B	X ₀	51	249A	↓	↓	84	156A	↓	↓
19	461	↓	↓	52	250A	↓	↓	85	155A	↓	↓
20	462	↓	↓	53	251A	↓	↓	86	36A	↓	↓
21	463	↓	↓	54	252A	↓	↓	87	160A	↓	↓
22	464	↓	↓	55	253A	↓	↓	88	159A	↓	↓
23	465	↓	↓	56	254A	↓	↓	89	158A	↓	↓
24	466	↓	↓	57	255A	↓	↓	90	157A	↓	↓
25	467	↓	↓	58	256A	↓	↓	91	320A	↓	↓
26	468	↓	↓	59	257A	↓	↓	92	321A	↓	↓
27	469	↓	↓	60	258A	↓	↓	93	322A	↓	↓
28	470	↓	↓	61	259A	↓	↓	94	323A	X/L	Z
29	471	↓	↓	62	260A	↓	↓	95	118C	X/C	Y
30	274	↓	↓	63	261A	↓	↓	96	119C	X/C	Y
31	472	↓	↓	64	262A	↓	↓	97	288C	X/L	Z
32	277	↓	↓	65	263A	↓	↓				
33	473	2Y/B	X ₀	66	87A	X/L	Y				

TABLE VIII. (Continued)

CONSTANT SET 133
 MODEL: 60-0, OH-84B

Ch No.	TC No.	COORD1	COORD2	Ch No.	TC No.	COORD1	COORD2	Ch No.	TC No.	COORD1	COORD2
1	5	X/L	φ	34	218	X/L	Z	67	70A	X/L	Y
2	6	↓	φ	35	219	↓	Z	68	107A	↓	↓
3	7	↓	φ	36	23	↓	φ	69	114A	↓	↓
4	44	↓	Y	37	24	↓	↓	70	115A	↓	↓
5	202	↓	Z	38	25	↓	↓	71	116A	↓	↓
6	203	↓	↓	39	26	X/L	φ	72	117A	↓	↓
7	204	↓	↓	40	191	Y	Z	73	118A	↓	↓
8	205	↓	Z	41	192	↓	↓	74	130A	↓	↓
9	8	↓	φ	42	193	↓	↓	75	131A	↓	↓
10	206	↓	Z	43	194	↓	↓	76	132A	↓	↓
11	9	↓	φ	44	195	↓	↓	77	133A	↓	↓
12	10	↓	↓	45	196	↓	↓	78	134A	↓	↓
13	11	↓	↓	46	197	↓	↓	79	135A	↓	↓
14	12	↓	φ	47	198	↓	↓	80	220C	↓	Z
15	45	↓	Y	48	199	↓	↓	81	27C	↓	φ
16	207	↓	Y	49	200	↓	↓	82	28C	↓	φ
17	208	↓	Y	50	201	Y	Z	83	50C	↓	Y
18	209	↓	Z	51	164	X/C	Y	84	62C	↓	Y
19	13	↓	φ	52	165	↓	↓	85	29C	↓	φ
20	14	↓	↓	53	166	↓	↓	86	30C	↓	φ
21	15	↓	↓	54	167	↓	↓	87	51C	↓	Y
22	16	↓	φ	55	168	X/C	Y	88	63C	↓	Y
23	211	↓	Y	56	18	X/L	φ	89	31C	↓	φ
24	212	↓	↓	57	278	X/C	Y	90	32C	↓	φ
25	213	↓	↓	58	279	X/C	↓	91	52C	↓	Y
26	214	↓	Y	59	280	X/C	↓	92	64C	↓	Y
27	21	↓	φ	60	37A	X/L	↓	93	33C	↓	φ
28	17	↓	φ	61	38A	↓	Y	94	34C	↓	φ
29	48	↓	Y	62	39A	↓	Z	95	53C	↓	Y
30	19	↓	φ	63	45A	↓	Y	96	65C	↓	Y
31	215	↓	Y	64	46A	↓	Z	97	35C	X/L	φ
32	216	↓	Y	65	47A	↓	Y				
33	217	X/L	Y	66	65A	X/L	Y				

TABLE VIII. (Continued)

CONSTANT SET 211
 MODEL: 60-0 OH84B

Ch No.	TC No.	COORD1	COORD2	Ch No.	TC No.	COORD1	COORD2	Ch No.	TC No.	COORD1	COORD2
1	432	XN	ϕ_N	34	60	X/L	Y_0	67	188A	X/L	Y_0
2	433			35	69			68	189A		Y_0
3	434			36	70			69	196A		Y_0
4	435			37	71	∇		70	320A		Z_0
5	436			38	72	X/L		71	321A		
6	437			39	164	X/C		72	322A		
7	438			40	165			73	323A		
8	439			41	166			74	336A		
9	440			42	167			75	337A		
10	441			43	168			76	338A		
11	442			44	156			77	339A		
12	443			45	158			78	341A		
13	444			46	159			79	342A		
14	445			47	146			80	343A		∇
15	446			48	147			81	344A		Z_0
16	447			49	148			82	34C		ϕ
17	448			50	138			83	35C		
18	449			51	139			84	36C		
19	450			52	140	∇		85	37C		
20	451			53	142	X/C		86	38C		∇
21	452	∇	∇	54	314A	X/L		87	39C		ϕ
22	453	XN	ϕ_N	55	315A			88	54C		Y_0
23	428	Y_0	Z_0	56	316A			89	55C		
24	429			57	317A			90	56C		
25	430	∇	∇	58	318A			91	66C		
26	431	Y_0	Z_0	59	319A			92	67C		∇
27	40	X/L	ϕ	60	113A		∇	93	68C	∇	Y_0
28	41			61	191A		Y_0	94	288C	X/L	Z_0
29	42		∇	62	192A		Z_0	95	155C	X/C	Y_0
30	43		ϕ	63	193A		Z_0	96	157C	X/C	Y_0
31	57		Y_0	64	194A		Z_0	97	141C	X/C	Y_0
32	58	∇	Y_0	65	186A	∇	Y_0				
33	59	X/L	Y_0	66	187A	X/L	Y_0				

TABLE VIII. (Continued)

CONSTANT SET 222
 MODEL: 60-0, OH-84B

Ch No.	TC No.	COORD1	COORD2	Ch No.	TC No.	COORD1	COORD2	Ch No.	TC No.	COORD1	COORD2
1	143	X/C	Y ₀	34	464	2Y/B	X ₀	67	491	2Y/B	X/C
2	144	↓	↓	35	264	X/C	Y ₀	68	472	2Y/B	X ₀
3	131	↓	↓	36	465	2Y/B	X ₀	69	275	X/C	Y ₀
4	132	↓	↓	37	265	X/C	Y ₀	70	276	X/C	Y ₀
5	120	↓	↓	38	266	X/C	Y ₀	71	277	2Y/B	X ₀
6	121	↓	↓	39	267	X/C	Y ₀	72	278	X/C	Y ₀
7	122	↓	↓	40	477	2Y/B	X ₀	73	279	X/C	Y ₀
8	123	↓	↓	41	268	X/C	Y ₀	74	280	X/C	Y ₀
9	107	↓	↓	42	466	2Y/B	X ₀	75	473	2Y/B	X ₀
10	95	↓	↓	43	269	X/C	Y ₀	76	253	X/C	Y ₀
11	96	↓	↓	44	270	X/C	Y ₀	77	254	X/C	↓
12	97	↓	↓	45	467	2Y/B	X ₀	78	255	X/C	↓
13	83	↓	↓	46	478	↓	X/C	79	197A	X/L	↓
14	84	↓	↓	47	479	↓	↓	80	279A	X/L	↓
15	247	↓	↓	48	480	↓	↓	81	130C	X/C	↓
16	248	↓	↓	49	481	↓	X/C	82	116C	↓	↓
17	249	↓	↓	50	468	↓	X ₀	83	117C	↓	↓
18	250	↓	↓	51	482	2Y/B	X	84	118C	↓	↓
19	251	↓	↓	52	271	X/C	Y ₀	85	119C	↓	↓
20	252	X/C	Y ₀	53	469	2Y/B	X ₀	86	104C	↓	↓
21	460	2Y/B	X ₀	54	483	↓	X	87	105C	↓	↓
22	461	2Y/B	X ₀	55	484	↓	X/C	88	106C	↓	↓
23	256	X/C	Y ₀	56	485	↓	↓	89	92C	↓	↓
24	257	↓	↓	57	486	↓	↓	90	93C	↓	↓
25	258	↓	↓	58	487	↓	↓	91	94C	↓	↓
26	259	X/C	Y ₀	59	488	↓	↓	92	78C	↓	↓
27	462	2Y/B	X ₀	60	489	↓	X/C	93	79C	↓	↓
28	260	X/C	Y ₀	61	470	↓	X ₀	94	80C	↓	↓
29	261	X/C	Y ₀	62	490	↓	X	95	81C	↓	↓
30	463	2Y/B	X ₀	63	471	2Y/B	X ₀	96	82C	X/C	Y ₀
31	262	X/C	Y ₀	64	272	X/C	Y ₀	97			
32	263	X/C	Y ₀	65	273	X/C	Y ₀				
33	476	2Y/B	X/C	66	274	2Y/B	X ₀				

TABLE VIII. (Continued)

CONSTANT SET 311
 MODEL: 56-0, IH-102

Ch No.	TC No.	COORD1	COORD2	Ch No.	TC No.	COORD1	COORD2	Ch No.	TC No.	COORD1	COORD2
1	1	X/L	Z	34	34	X/L	Z	67	67	X/L	Z
2	2	↓	↓	35	35	↓	↓	68	68	↓	↓
3	3	↓	↓	36	36	↓	↓	69	69	↓	↓
4	4	↓	↓	37	37	↓	↓	70	70	↓	↓
5	5	↓	↓	38	38	↓	↓	71	71	↓	↓
6	6	↓	↓	39	39	↓	↓	72	72	↓	↓
7	7	↓	↓	40	40	↓	↓	73	73	↓	↓
8	8	↓	↓	41	41	↓	↓	74	74	↓	↓
9	9	↓	↓	42	42	↓	↓	75	75	↓	↓
10	10	↓	↓	43	43	↓	↓	76	76	↓	↓
11	11	↓	↓	44	44	↓	↓	77	77	↓	↓
12	12	↓	↓	45	45	↓	↓	78	78	↓	↓
13	13	↓	↓	46	46	↓	↓	79	79	↓	↓
14	14	↓	↓	47	47	↓	↓	80	80	↓	↓
15	15	↓	↓	48	48	↓	↓	81		↓	↓
16	16	↓	↓	49	49	↓	↓	82		↓	↓
17	17	↓	↓	50	50	↓	↓	83		↓	↓
18	18	↓	↓	51	51	↓	↓	84		↓	↓
19	19	↓	↓	52	52	↓	↓	85		↓	↓
20	20	↓	↓	53	53	↓	↓	86		↓	↓
21	21	↓	↓	54	54	↓	↓	87		↓	↓
22	22	↓	↓	55	55	↓	↓	88		↓	↓
23	23	↓	↓	56	56	↓	↓	89		↓	↓
24	24	↓	↓	57	57	↓	↓	90		↓	↓
25	25	↓	↓	58	58	↓	↓	91		↓	↓
26	26	↓	↓	59	59	↓	↓	92		↓	↓
27	27	↓	↓	60	60	↓	↓	93		↓	↓
28	28	↓	↓	61	61	↓	↓	94		↓	↓
29	29	↓	↓	62	62	↓	↓	95		↓	↓
30	30	↓	↓	63	63	↓	↓	96		↓	↓
31	31	↓	↓	64	64	↓	↓	97		↓	↓
32	32	↓	↓	65	65	↓	↓			↓	↓
33	33	X/L	Z	66	66	X/L	Z				

TABLE VIII. (Continued)

CONSTANT SET 411
 MODEL: 83-0, IH-102

Ch No.	TC No.	COORD1	COORD2	Ch No.	TC No.	COORD1	COORD2	Ch No.	TC No.	COORD1	COORD2
1	273	X/L	φ	34	307	X/L	Z	67	345	X/L	Z
2	274	↓	↓	35	308	↓	↓	68	346	↓	↓
3	275	↓	↓	36	309	↓	↓	69	347	↓	↓
4	276	↓	↓	37	311	↓	↓	70	348	↓	↓
5	277	↓	↓	38	312	↓	↓	71	351	↓	↓
6	278	↓	↓	39	313	↓	↓	72	352	↓	↓
7	279	↓	↓	40	314	↓	↓	73	353	↓	↓
8	280	↓	↓	41	315	↓	↓	74	354	↓	↓
9	281	↓	↓	42	316	↓	↓	75	355	↓	↓
10	282	↓	↓	43	317	↓	↓	76	356	↓	↓
11	283	↓	↓	44	318	↓	↓	77	357	↓	↓
12	284	↓	↓	45	319	↓	↓	78	358	↓	↓
13	285	↓	↓	46	320	↓	↓	79	359	↓	↓
14	286	↓	↓	47	323	↓	↓	80	360	↓	↓
15	287	↓	↓	48	324	↓	↓	81	361	↓	↓
16	288	↓	↓	49	325	↓	↓	82	362	↓	↓
17	289	↓	↓	50	326	↓	↓	83	363	↓	↓
18	290	↓	↓	51	327	↓	↓	84	364	↓	Z
19	291	↓	↓	52	328	↓	↓	85	427	↓	φ
20	292	↓	↓	53	329	↓	↓	86	428	↓	↓
21	293	↓	↓	54	330	↓	↓	87	429	↓	↓
22	294	↓	φ	55	331	↓	↓	88	430	↓	↓
23	296	↓	Z	56	332	↓	↓	89	431	↓	↓
24	297	↓	↓	57	334	↓	↓	90	432	↓	↓
25	298	↓	↓	58	335	↓	↓	91	433	↓	↓
26	299	↓	↓	59	336	↓	↓	92	434	↓	↓
27	300	↓	↓	60	337	↓	↓	93	435	↓	↓
28	301	↓	↓	61	338	↓	↓	94	436	↓	↓
29	302	↓	↓	62	339	↓	↓	95	437	↓	↓
30	303	↓	↓	63	340	↓	↓	96	438	X/L	φ
31	304	↓	↓	64	341	↓	↓	97			
32	305	↓	↓	65	342	↓	↓				
33	306	X/L	Z	66	344	X/L	Z				

TABLE VIII. (Continued)

CONSTANT SET 422
 MODEL: 83-0, IH-102

Cb No.	TC No.	COORD1	COORD2	Ch No.	TC No.	COORD1	COORD2	Ch No.	TC No.	COORD1	COORD2
1	439	X/L	φ	34	472	X/L	φ	67	394	X/L	φ
2	440	↓	↓	35	473	↓	↓	68	395	↓	↓
3	441	↓	↓	36	474	↓	↓	69	396	↓	↓
4	442	↓	↓	37	475	↓	↓	70	397	↓	↓
5	443	↓	↓	38	476	↓	↓	71	398	↓	↓
6	444	↓	↓	39	477	↓	↓	72	399	↓	↓
7	445	↓	↓	40	367	↓	↓	73	400	↓	↓
8	446	↓	↓	41	368	↓	↓	74	401	↓	↓
9	447	↓	↓	42	369	↓	↓	75	402	↓	↓
10	448	↓	↓	43	370	↓	↓	76	403	↓	↓
11	449	↓	↓	44	371	↓	↓	77	404	↓	↓
12	450	↓	↓	45	372	↓	↓	78	405	↓	↓
13	451	↓	↓	46	373	↓	↓	79	406	↓	↓
14	452	↓	↓	47	374	↓	↓	80	407	↓	↓
15	453	↓	↓	48	375	↓	↓	81	408	↓	↓
16	454	↓	↓	49	376	↓	↓	82	409	↓	↓
17	455	↓	↓	50	377	↓	↓	83	410	↓	↓
18	456	↓	↓	51	378	↓	↓	84	411	↓	↓
19	457	↓	↓	52	379	↓	↓	85	412	↓	↓
20	458	↓	↓	53	380	↓	↓	86	413	↓	↓
21	459	↓	↓	54	381	↓	↓	87	414	↓	↓
22	460	↓	↓	55	382	↓	↓	88	415	↓	↓
23	461	↓	↓	56	383	↓	↓	89	416	↓	↓
24	462	↓	↓	57	384	↓	↓	90	417	↓	↓
25	463	↓	↓	58	385	↓	↓	91	418	↓	↓
26	464	↓	↓	59	386	↓	↓	92	419	↓	↓
27	465	↓	↓	60	387	↓	↓	93	420	↓	↓
28	466	↓	↓	61	388	↓	↓	94	421	↓	↓
29	467	↓	↓	62	389	↓	↓	95	422	↓	↓
30	468	↓	↓	63	390	↓	↓	96	423	X/L	φ
31	469	↓	↓	64	391	↓	↓	97		↓	↓
32	470	↓	↓	65	392	↓	↓			↓	↓
33	471	X/L	φ	66	393	X/L	φ				

TABLE VIII. (Continued)

CONSTANT SET 511
 MODEL: 60-0, IH-102

Ch No.	TC No.	COORD1	COORD2	Ch No.	TC No.	COORD1	COORD2	Ch No.	TC No.	COORD1	COORD2
1	340	X/C	Z/BV	34	373	X/C	Z/BV	67	320	X ₀	Y ₀
2	341	↓	↓	35	374	↓	↓	68	321	↓	↓
3	342	↓	↓	36	375	↓	↓	69	322	↓	↓
4	343	↓	↓	37	376	↓	↓	70	323	↓	↓
5	344	↓	↓	38	377	↓	↓	71	325	↓	↓
6	345	↓	↓	39	378	↓	↓	72	327	↓	↓
7	346	↓	↓	40	379	↓	↓	73	328	↓	↓
8	347	↓	↓	41	380	↓	↓	74	329	↓	↓
9	348	↓	↓	42	381	↓	↓	75	330	↓	↓
10	349	↓	↓	43	382	↓	↓	76	331	↓	Y ₀
11	350	↓	↓	44	383	↓	↓	77	332	↓	Z ₀
12	351	↓	↓	45	384	↓	↓	78	333	↓	Z ₀
13	352	↓	↓	46	385	X/C	Z/BV	79	334	↓	Z ₀
14	353	↓	↓	47	298	X ₀	Y ₀	80	336	↓	Y ₀
15	354	↓	↓	48	299	↓	↓	81	337	↓	Z ₀
16	355	↓	↓	49	300	↓	↓	82	338	↓	Z ₀
17	356	↓	↓	50	301	↓	↓	83	339	X ₀	Z ₀
18	357	↓	↓	51	302	↓	↓	84	249A	X/L	Y ₀
19	358	↓	↓	52	303	↓	↓	85	250A	↓	↓
20	359	↓	↓	53	304	↓	↓	86	251A	↓	↓
21	360	↓	↓	54	305	↓	↓	87	252A	↓	↓
22	361	↓	↓	55	306	↓	↓	88	253A	↓	↓
23	362	↓	↓	56	308	↓	↓	89	254A	↓	↓
24	363	↓	↓	57	309	↓	↓	90	255A	↓	↓
25	364	↓	↓	58	310	↓	↓	91	256A	↓	↓
26	365	↓	↓	59	311	↓	↓	92	257A	↓	↓
27	366	↓	↓	60	312	↓	↓	93	258A	↓	↓
28	367	↓	↓	61	313	↓	↓	94	259A	↓	↓
29	368	↓	↓	62	315	↓	↓	95	260A	↓	Y ₀
30	369	↓	↓	63	316	↓	↓	96	368A	X/L	Z ₀
31	370	↓	↓	64	317	↓	↓	97		↓	↓
32	371	↓	↓	65	318	↓	↓			↓	↓
33	372	X/C	Z/BV	66	319	X ₀	Y ₀				

TABLE VIII. (Continued)

CONSTANT SET 522
 MODEL: 60-0, IH-102

Ch No.	TC No.	COORD1	COORD2	Ch No.	TC No.	COORD1	COORD2	Ch No.	TC No.	COORD1	COORD2
1	4	X/L	φ	34	268	X/C	Y ₀	67	280	X/C	Y ₀
2	7	X/L	φ	35	466	2Y/B	X ₀	68	473	2Y/B	X ₀
3	227	X/L	φ	36	269	X/C	Y ₀	69	169	X/L	φ
4	246	X/C	Y	37	270	X/C	Y ₀	70	170		
5	247			38	467	2Y/B	X ₀	71	171		
6	248			39	478		X/C	72	172		
7	249			40	479			73	173		
8	250			41	480			74	174		
9	251	↓	↓	42	481		X/C	75	175		
10	252	X/C	Y	43	468	↓	X ₀	76	176		
11	460	2Y/B	X ₀	44	482	2Y/B	X/C	77	177		
12	461	2Y/B	X ₀	45	271	X/C	Y ₀	78	178		
13	253	X/C	Y ₀	46	469	2Y/B	X ₀	79	179		
14	254			47	483		X/C	80	182		
15	255			48	484			81	183		
16	256			49	485			82	184		
17	257			50	486			83	185		
18	258	↓	↓	51	487			84	186		
19	259	X/C	Y ₀	52	488			85	187		
20	462	2Y/B	X ₀	53	489		X/C	86	188		
21	260	X/C	Y ₀	54	470		X ₀	87	189		↓
22	261	X/C	Y ₀	55	490	↓	X ₀	88	190		φ
23	463	2Y/B	X ₀	56	471	2Y/B	X ₀	89	87A		Y ₀
24	262	X/C	Y ₀	57	272	X/C	Y ₀	90	88A		
25	263	X/C	Y ₀	58	273	X/C	Y ₀	91	89A		
26	476	2Y/B	X/C	59	274	X/C	Y ₀	92	103A		
27	464	2Y/B	X/C	60	491	2Y/B	X/C	93	102A		
28	264	X/C	Y ₀	61	472	2Y/B	X ₀	94	261A		
29	465	2Y/B	X/C	62	275	X/C	Y ₀	95	262A	↓	↓
30	265	X/C	Y ₀	63	276			96	263A	X/L	Y ₀
31	266	X/C	Y ₀	64	277			97			
32	267	X/C	Y ₀	65	278	↓	↓				
33	477	2Y/B	X/C	66	279	X/C	Y ₀				

TABLE VIII. (Continued)
 CONSTANT SET 533
 MODEL: 60-0, IH-102

Ch No.	TC No.	COORD1	COORD2	Ch No.	TC No.	COORD1	COORD2	Ch No.	TC No.	COORD1	COORD2
1	223	X/L	ϕ	34	198	Y_0	Z_0	67	404A	X/L	Y_0
2	234	↓	ϕ	35	199	↓	↓	68	410A	↓	↓
3	388	↓	Z_0	36	200	↓	↓	69	156A	↓	↓
4	224	↓	ϕ	37	201	Y_0	↓	70	155A	↓	↓
5	235	↓	ϕ	38	202	X/L	↓	71	36A	↓	↓
6	389	↓	Z_0	39	203	↓	↓	72	160A	↓	↓
7	225	↓	ϕ	40	204	↓	↓	73	159A	↓	↓
8	236	↓	ϕ	41	205	↓	↓	74	158A	↓	↓
9	390	↓	Z_0	42	206	↓	Z_0	75	157A	↓	Y_0
10	226	↓	ϕ	43	207	↓	Y_0	76	320A	↓	Z_0
11	237	↓	ϕ	44	208	↓	Y_0	77	321A	↓	↓
12	391	↓	Z_0	45	209	↓	Z_0	78	322A	↓	↓
13	238	↓	ϕ	46	210	↓	Z_0	79	323A	↓	↓
14	392	↓	Z_0	47	211	↓	Y_0	80	336A	↓	↓
15	228	↓	ϕ	48	212	↓	↓	81	337A	↓	↓
16	239	↓	ϕ	49	213	↓	↓	82	338A	↓	↓
17	393	↓	Z_0	50	214	↓	↓	83	339A	↓	↓
18	229	↓	ϕ	51	215	↓	↓	84	341A	↓	↓
19	240	↓	ϕ	52	216	↓	↓	85	342A	↓	↓
20	394	↓	Z_0	53	217	↓	Y_0	86	343A	↓	↓
21	230	↓	ϕ	54	218	↓	Z_0	87	344A	↓	Z_0
22	241	↓	ϕ	55	219	↓	Z_0	88	37A	↓	Y_0
23	395	↓	Z_0	56	127A	↓	Y_0	89	38A	↓	Y_0
24	231	↓	ϕ	57	126A	↓	↓	90	39A	↓	Z_0
25	242	↓	ϕ	58	125A	↓	↓	91	45A	↓	Y_0
26	396	X/L	Z_0	59	124A	↓	↓	92	46A	↓	Z_0
27	191	Y_0	Z_0	60	122A	↓	↓	93	47A	↓	Y_0
28	192	↓	↓	61	140A	↓	↓	94	70A	↓	Y_0
29	193	↓	↓	62	139A	↓	↓	95	220C	↓	Z_0
30	194	↓	↓	63	408A	↓	↓	96	288C	X/L	Z_0
31	195	↓	↓	64	407A	↓	↓	97			
32	196	↓	↓	65	406A	X/L	↓				
33	197	Y_0	Z_0	66	405A	X/L	Y_0				

TABLE VIII. (Continued)

CONSTANT SET 711
MODEL: 60-0, OH-105

Ch No.	TC No.	COORD1	COORD2	Ch No.	TC No.	COORD1	COORD2	Ch No.	TC No.	COORD1	COORD2
1	340	X/C	Z/BV	34	373	X/C	Z/BV	67	320	X ₀	Y ₀
2	341			35	374			68	321		
3	342			36	375			69	322		
4	343			37	376			70	323		
5	344			38	377			71	325		
6	345			39	378			72	327		
7	346			40	379			73	328		
8	347			41	380			74	329		
9	348			42	381			75	330		
10	349			43	382			76	331		Y ₀
11	350			44	383			77	332		Z ₀
12	351			45	384	↓	↓	78	333		
13	352			46	385	X/C	Z/BV	79	334		
14	353			47	298	X ₀	Y ₀	80	335		Z ₀
15	354			48	299			81	336		Y ₀
16	355			49	300			82	337		Z ₀
17	356			50	301			83	338	↓	
18	357			51	302			84	339	X ₀	↓
19	358			52	303			85	368A	X/L	Z ₀
20	359			53	304			86	397C	-	-
21	360			54	305			87	398C	-	-
22	361			55	306			88	399C	-	-
23	362			56	308			89	400C	-	-
24	363			57	309			90	110C	X/C	Y ₀
25	364			58	310			91	111C		
26	365			59	311			92	112C		
27	366			60	312			93	113C		
28	367			61	313			94	114C		
29	368			62	315			95	115C		
30	369			63	316			96	116C	↓	↓
31	370			64	317			97	117C	X/C	Y ₀
32	371	↓	↓	65	318	↓	↓				
33	372	X/C	Z/BV	66	319	X ₀	Y ₀				

TABLE VIII. (Continued)

CONSTANT SET 722

MODEL: 60-0, OH-105

Ch No.	TC No.	COORD1	COORD2	Ch No.	TC No.	COORD1	COORD2	Ch No.	TC No.	COORD1	COORD2
1	1	X/L	φ	34	182	X/L	φ	67	88A	X/L	Y
2	2	↓	↓	35	223	↓	↓	68	89A	↓	↓
3	3	↓	↓	36	234	↓	↓	69	103A	↓	↓
4	4	X/L	φ	37	388	↓	↓	70	102A	↓	↓
5	120	X/C	Y	38	184	↓	↓	71	127A	↓	↓
6	121	↓	↓	39	225	↓	↓	72	126A	↓	↓
7	122	↓	↓	40	236	↓	↓	73	125A	↓	↓
8	123	↓	↓	41	390	↓	↓	74	124A	↓	↓
9	253	↓	↓	42	186	↓	↓	75	122A	↓	↓
10	254	↓	↓	43	188	↓	↓	76	140A	↓	↓
11	255	↓	↓	44	229	↓	↓	77	139A	↓	↓
12	256	↓	↓	45	240	↓	↓	78	408A	↓	↓
13	257	↓	↓	46	394	↓	↓	79	407A	↓	↓
14	258	↓	↓	47	190	↓	↓	80	406A	↓	↓
15	259	↓	↓	48	231	↓	↓	81	405A	↓	↓
16	260	↓	↓	49	242	↓	↓	82	404A	↓	↓
17	261	X/C	Y	50	279A	↓	φ	83	410A	↓	↓
18	460	2Y/B	X ₀	51	249A	↓	Y	84	156A	↓	↓
19	461	↓	↓	52	250A	↓	↓	85	155A	↓	↓
20	462	↓	↓	53	251A	↓	↓	86	36A	↓	↓
21	463	↓	↓	54	252A	↓	↓	87	160A	↓	↓
22	464	↓	↓	55	253A	↓	↓	88	159A	↓	↓
23	465	↓	↓	56	254A	↓	↓	89	158A	↓	↓
24	466	↓	↓	57	255A	↓	↓	90	157A	↓	Y
25	467	↓	↓	58	256A	↓	↓	91	320A	↓	Z
26	468	↓	↓	59	257A	↓	↓	92	321A	↓	↓
27	469	↓	↓	60	258A	↓	↓	93	322A	↓	↓
28	470	↓	↓	61	259A	↓	↓	94	323A	X/L	Y
29	471	↓	↓	62	260A	↓	↓	95	118C	X/C	Y
30	274	↓	↓	63	261A	↓	↓	96	119C	X/C	Y
31	472	↓	↓	64	262A	↓	↓	97	288C	X/L	Z
32	277	↓	↓	65	263A	↓	↓				
33	473	2Y/B	X ₀	66	87A	X/L	Y				

TABLE VIII. (Continued)
 CONSTANT SET 733
 MODEL: 60-0, 0H-105

Ch No.	TC No.	COORD1	COORD2	Ch No.	TC No.	COORD1	COORD2	Ch No.	TC No.	COORD1	COORD2
1	5	X/L	φ	34	218	X/L	Z	67	70A	X/L	Y
2	6	↓	φ	35	219	↓	Z	68	107A	↓	↓
3	7	↓	φ	36	23	↓	φ	69	114A	↓	↓
4	44	↓	Y	37	24	↓	↓	70	115A	↓	↓
5	202	↓	Z	38	25	↓	↓	71	116A	↓	↓
6	203	↓	↓	39	26	X/L	φ	72	117A	↓	↓
7	204	↓	↓	40	191	Y	Z	73	118A	↓	↓
8	205	↓	Z	41	192	↓	↓	74	130A	↓	↓
9	8	↓	φ	42	193	↓	↓	75	131A	↓	↓
10	206	↓	Z	43	194	↓	↓	76	132A	↓	↓
11	9	↓	φ	44	195	↓	↓	77	133A	↓	↓
12	10	↓	↓	45	196	↓	↓	78	134A	↓	↓
13	11	↓	↓	46	197	↓	↓	79	135A	↓	↓
14	12	↓	φ	47	198	↓	↓	80	220C	↓	↓
15	45	↓	Y	48	199	↓	↓	81	27C	↓	↓
16	207	↓	Y	49	200	↓	↓	82	28C	↓	↓
17	208	↓	Y	50	201	Y	Z	83	50C	↓	↓
18	209	↓	Z	51	164	X/C	Y	84	62C	↓	↓
19	13	↓	φ	52	165	↓	↓	85	29C	↓	↓
20	14	↓	↓	53	166	↓	↓	86	30C	↓	↓
21	15	↓	↓	54	167	↓	↓	87	51C	↓	↓
22	16	↓	φ	55	168	X/C	Y	88	63C	↓	↓
23	211	↓	Y	56	18	X/L	φ	89	31C	↓	↓
24	212	↓	↓	57	278	X/C	Y	90	32C	↓	↓
25	213	↓	↓	58	279	X/C	↓	91	52C	↓	↓
26	214	↓	Y	59	280	X/C	↓	92	64C	↓	↓
27	21	↓	φ	60	37A	X/L	↓	93	33C	↓	↓
28	17	↓	φ	61	38A	↓	Y	94	34C	↓	↓
29	48	↓	Y	62	39A	↓	Z	95	53C	↓	↓
30	19	↓	φ	63	45A	↓	Y	96	65C	↓	↓
31	215	↓	Y	64	46A	↓	Z	97	35C	X/L	φ
32	216	↓	Y	65	47A	↓	Y				
33	217	X/L	Y	66	65A	X/L	Y				

TABLE VIII. (Continued)

CONSTANT SET 811
 MODEL: 60-0, OH-105

Cb No.	TC No.	COORD1	COORD2	Ch No.	TC No.	COORD1	COORD2	Ch No.	TC No.	COORD1	COORD2
1	276	X/C	Y ₀	34	132	X/C	Y ₀	67	191A	X/L	Y ₀
2	40	X/L	φ	35	139	↓	↓	68	192A	↓	Z ₀
3	41	↓	↓	36	140	↓	↓	69	193A	↓	Z ₀
4	42	↓	↓	37	142	↓	↓	70	194A	↓	Z ₀
5	43	↓	φ ₀	38	143	↓	↓	71	22C	↓	φ
6	57	↓	Y ₀	39	144	↓	↓	72	36C	↓	↓
7	58	↓	↓	40	147	↓	↓	73	37C	↓	↓
8	59	↓	↓	41	148	↓	↓	74	38C	↓	↓
9	60	↓	↓	42	150	↓	↓	75	39C	↓	φ
10	69	↓	↓	43	151	↓	↓	76	54C	↓	Y ₀
11	70	↓	↓	44	152	↓	↓	77	55C	↓	↓
12	71	↓	↓	45	153	↓	↓	78	56C	↓	↓
13	72	↓	Y ₀	46	154	↓	↓	79	66C	↓	↓
14	20	X/L	φ	47	156	↓	↓	80	67C	↓	↓
15	251	X/C	Y ₀	48	158	↓	↓	81	68C	X/L	↓
16	252	↓	↓	49	159	↓	↓	82	77C	X/C	↓
17	264	↓	↓	50	162	↓	↓	83	78C	↓	↓
18	269	↓	↓	51	163	X/C	Y ₀	84	79C	↓	↓
19	270	X/C	Y ₀	52	41A	X/L	Z ₀	85	80C	↓	↓
20	482	2Y/B	X ₀	53	186A	↓	Y ₀	86	81C	↓	↓
21	271	X/C	Y ₀	54	187A	↓	↓	87	82C	↓	↓
22	483	2Y/B	X ₀	55	188A	↓	↓	88	90C	↓	↓
23	484	↓	X/C	56	189A	↓	↓	89	91C	↓	↓
24	485	↓	X/C	57	196A	↓	Y ₀	90	92C	↓	↓
25	490	↓	X ₀	58	336A	↓	Z ₀	91	93C	↓	↓
26	491	2Y/B	X/C	59	337A	↓	↓	92	94C	↓	↓
27	83	X/C	Y ₀	60	338A	↓	↓	93	105C	↓	↓
28	84	↓	↓	61	339A	↓	↓	94	106C	↓	↓
29	95	↓	↓	62	341A	↓	↓	95	141C	↓	↓
30	96	↓	↓	63	342A	↓	↓	96	155C	↓	↓
31	97	↓	↓	64	343A	↓	↓	97	157C	X/C	↓
32	107	↓	↓	65	344A	↓	Z ₀				↓
33	131	X/C	Y ₀	66	113A	X/L	Y ₀				Y ₀

TABLE VIII. (Continued)

CONSTANT SET 911
 MODEL: 83-Ø, OH-105

Ch No.	TC No.	COORD1	COORD2	Ch No.	TC No.	COORD1	COORD2	Ch No.	TC No.	COORD1	COORD2
1	177	RAY	LINE	34	210	RAY	LINE	67	166	X/L	Z ₀
2	178	↓	↓	35	211	↓	↓	68	167	↓	↓
3	179	↓	↓	36	212	↓	↓	69	168	↓	↓
4	180	↓	↓	37	213	↓	↓	70	169	↓	↓
5	181	↓	↓	38	214	↓	↓	71	170	↓	↓
6	182	↓	↓	39	215	↓	↓	72	171	↓	↓
7	183	↓	↓	40	216	↓	↓	73	172	↓	↓
8	184	↓	↓	41	217	↓	↓	74	173	↓	↓
9	185	↓	↓	42	218	↓	↓	75	174	↓	↓
10	186	↓	↓	43	219	↓	↓	76	175	↓	↓
11	187	↓	↓	44	220	↓	↓	77	176	↓	↓
12	188	↓	↓	45	221	↓	↓	78	379	↓	Z ₀ φ
13	189	↓	↓	46	222	↓	↓	79	380	↓	↓
14	190	↓	↓	47	223	RAY	LINE	80	381	↓	↓
15	191	↓	↓	48	224	X/L	Y ₀	81	382	↓	↓
16	192	↓	↓	49	225	↓	↓	82	383	↓	↓
17	193	↓	↓	50	226	↓	↓	83	384	↓	↓
18	194	↓	↓	51	227	↓	↓	84	385	↓	↓
19	195	↓	↓	52	228	↓	↓	85	386	↓	↓
20	196	↓	↓	53	229	↓	↓	86	387	↓	↓
21	197	↓	↓	54	230	↓	↓	87	388	↓	↓
22	198	↓	↓	55	231	↓	↓	88	389	↓	↓
23	199	↓	↓	56	232	↓	↓	89	390	↓	↓
24	200	↓	↓	57	233	↓	↓	90	391	↓	↓
25	201	↓	↓	58	234	↓	↓	91	392	↓	↓
26	202	↓	↓	59	235	↓	↓	92	393	↓	↓
27	203	↓	↓	60	236	↓	↓	93	394	↓	↓
28	204	↓	↓	61	237	↓	↓	94	395	↓	↓
29	205	↓	↓	62	161	↓	↓	95	396	↓	↓
30	206	↓	↓	63	162	↓	↓	96	397	↓	↓
31	207	↓	↓	64	163	↓	↓	97	398	X/L	φ
32	208	↓	↓	65	164	↓	↓			↓	↓
33	209	RAY	LINE	66	165	X/L	Z ₀			↓	↓

TABLE VIII. (Concluded)

CONSTANT SET 922

MODEL: 83-0, 0H-105

Ch No.	TC No.	COORD1	COORD2	Ch No.	TC No.	COORD1	COORD2	Ch No.	TC No.	COORD1	COORD2
1	399	X/L	φ	34	288	X/L	φ	67	451	X/L	φ
2	400			35	289			68	452		
3	401			36	290			69	453		
4	402			37	291			70	454		
5	403			38	292			71	455		
6	404			39	293			72	456		
7	405			40	294			73	457		
8	406			41	426			74	458		
9	407			42	427			75	459		
10	408			43	428			76	460		
11	409			44	429			77	461		
12	410			45	430			78	462		
13	411			46	431			79	463		
14	412			47	432			80	464		
15	413			48	433			81	465		
16	414			49	434			82	466		
17	415			50	435			83	467		
18	416			51	436			84	468		
19	273			52	437			85	469		
20	274			53	438			86	470		
21	275			54	439			87	471		
22	276			55	440			88	472		↓
23	277			56	441			89	473		φ
24	278			57	442			90	303		-
25	279			58	443			91	474		φ
26	280			59	444			92	475		φ
27	281			60	445			93	476		φ
28	282			61	446			94	296		-
29	283			62	447			95	298		
30	284			63	448		↓	96	299	↓	↓
31	285			64	449		φ	97	300	X/L	-
32	286	↓	↓	65	297	↓	-				
33	287	X/L	φ	66	450	X/L	φ				

TABLE IX. 60-Ø MODEL LOCAL SURFACE DEFLECTION ANGLES

T/c NO	ϵ , DEG	T/c NO	ϵ , DEG	T/c NO	ϵ , DEG	T/c NO	ϵ , DEG	
1	90	21	2.0	41	-4.5	70	-4.5	
2	50	22C	1.4	42	-4.5	71	-4.5	
3	35.5	23	1.0	43	-4.5	72	-4.5	
4	23.0	24						
5	17.7	25		50 C	1.0	73C	90.0	
6	14.4	26		51 C		74C	8.0	
7	12.0	27C		52 C		75C	6.75	
8	10.3	28C		53 C		76C	4.6	
9	8.6	29C		54 C		77C	3.25	
10	7.3	30C		55 C		78C	2.75	
11	6.4	31C				79C	1.0	
12	5.5	32C		61 C	1.0	80C	1.1	
13	4.3	33C		62 C		81C	0.75	
14	3.9	34C		1.0	63 C		82C	-0.5
15	3.6	35C		-1.5	64 C		83	-5.7
16	3.4	36C		-2.0	65 C		84	-8.0
17	3.1	37C	-2.6	66 C	-2.0			
18	2.8	38C	-3.2	67 C	-3.2			
19	2.6	39C	-3.8	68 C	-3.8			
20	2.3	40	-4.5	69	-4.5			

TABLE IX. Concluded

T/c NO	E, DEG	T/c NO	E, DEG	T/c NO	E, DEG	T/c NO	E, DEG
86 C	90.0	106 C	0.6	127 C	4.5	148	-7.25
87 C	12.5	108 C	90.0	128 C	2.25	149	90.0
88 C	6.9	109 C	90.0	129 C	1.2	150	2.5
89 C	2.5	110 C	16.75	130 C	1.2	151	2.0
90 C	1.1	111 C	10.5	131	1.0	152	90.0
91 C	1.0	112 C	6.25	132	-7.5	153	3.75
92 C	1.6	113 C	4.0	133	90.0	154	3.0
93 C	1.1	114 C	1.5	134	18.0	155 C	2.25
94 C	0.2	115 C	1.5	135	9.0	157 C	1.75
95	-3.5	116 C	1.75	136	4.5	158	-3.0
96	-7.5	117 C	1.1	137	2.1	159	-7.75
97	-9.25	118 C	1.0	138	1.6	160	90.0
98 C	90.0	119 C	-0.5	139	1.5	161	8.5
99 C	90.0	120	-3.5	141 C	1.0	162	5.0
100 C	11.2	121	-4.6	142	-3.4	163	2.5
101 C	5.0	122	-8.0	143	-7.4	164	2.0
102 C	2.0	123	-9.25	144	-8.9	165	1.5
103 C	1.5	124 C	90.0	145	90.0	166	-0.5
104 C	1.25	125 C	90.0	146	2.0	167	-4.5
105 C	1.0	126 C	17.5	147	1.75	168	-7.5

TABLE X.
83-Ø MODEL LOCAL SURFACE DEFLECTION ANGLES

T/C NO	E, DEG	T/C NO	E, DEG
273	89.0	294	1.0
274	85.0	295	1.0
275	75.0		
276	43.0		
277	35.5		
279	23.0		
280	21.0		
281	20.0		
282	17.7		
283	16.5		
284	15.1		
285	14.1		
286	13.5		
287	12.0		
288	5.0		
289	3.4		
290	2.0		
291	1.0		
292	1.0		
293	1.0		

TABLE XI. PLOTTED THERMOCOUPLES

Test: OH-84B, OH-105 Model: 60-0 (Base Sting)

Con. Set 111, 711			Con. Set 122, 722			Con. Set 133, 733		
DMS PAD - SW. POS. 1			WING UPPER SURF. - SW. POS. 2			FUS. LOWER - SW. POS. 3		
T/C NO.	X/L	TRACE	T/C NO.	27/6	X ₀	T/C NO.	X/L	
298	0.843	1	460	0.50	1373.54	5	0.03	
308	.881		461	.55		6	.04	
315	.920		462	.60		7	.05	
320	.939	↓	463	.65		8	.06	
			464	.70		9	.07	
302	0.862	2	465	.725		10	.08	
309	.881		466	.75		11	.09	
316	.920		467	.775		12	.10	
321	.939		468	.80		13	.12	
327	.978	↓	469	.825		14	.13	
			470	.85		15	.14	
303	0.862	3	471	.875		16	.15	
310	.881		274	.90		18	.17	
317	.920		472	.925		21	.20	
322	.939		277	.95		23	.25	
328	.978	↓	473	.975		24	.30	
						25	.35	
299	0.843	4				26	.40	
304	.862					27C	.45	
311	.881					28C	.50	
318	.920					29C	.55	
323	.939					30C	.60	
329	.978	↓				31C	.65	
						32C	.70	
300	0.843	5				33C	.75	
305	.862					34C	.80	
312	.881					35C	.90	
319	.920							
330	.978	↓				19	.18	
						17	.16	
301	0.843	6						
306	.862							
313	.901							
325	.939							
331	.978	↓						

TABLE XI. Continued

Test: OH-84B

Model: 60-0 (0-fset Sting)

Cor. Set 211

Cor. Set 222

BODY FLAP - SW. POS. 1

LOWER WING - SW. POS. 2

T/C NO.	X/C	Y ₀	T/C NO.	X/C	2g/b	T/C No.			
35C	0.85	0	104C	0.40	0.50				
36C	.90		105C	.60					
37C	.925		106C	.70					
38C	.95		107	.90					
39C	.975								
40	1.015		116C	0.40	0.60				
41	1.03		117C	.50					
42	1.045		118C	.60					
43	1.06		119C	.70					
			120	.80					
54C	0.90	46.8	121	.85					
55C	.95		122	.90					
56C	.975		123	.95					
57	1.015								
58	1.03		130C	0.40	0.70				
59	1.045		131	.60					
60	1.06		132	.90					
66C	0.90	93.6	143	0.90	0.75				
67C	.95		144	.95					
68C	.975								
69	1.015								
70	1.03								
71	1.045								
72	1.06								

TABLE XI. Continued

Test: IH-102

Model: 56-0

Con. Set 311

TRACE NO.	FUSELAGE SIDE			TRACE NO.	FUSELAGE SIDE		
	T/C	X/L	Z ₀		T/C	X/L	Z ₀
1	1	.275	437.5	3	31	.200	400.0
	2	.300	442.0		32	.225	
	3	.325	445.0		33	.250	
	4	.350			34	.275	
	5	.375			35	.300	
	6	.40			36	.325	
	7	.425			37	.350	
	8	.45			38	.375	
	9	.475			39	.400	
	10	.50			40	.425	
	11	.525			41	.450	
	12	.550			42	.475	
	13	.600			43	.500	
	14	.650			44	.525	
	15	.700			45	.550	
	16	.750			46	.600	
	17	.800			47	.650	
2	18	.285	420.0	48	.700		
	19	.337		49	.750		
	20	.390		50	.800		
	21	.426		51	.850		
	22	.478		52	.875		
	23	.530		53	.900		
	24	.567		54	.925		
	25	.620		55	.950		
	26	.670					
	27	.705					
	28	.750					
	29	.800					
	30	.824					

TABLE XI. Continued

Test: IH-102 Model: 56-0

Con. Set 311

TRACE NO.	FUSELAGE SIDE		
	T/C	X/L	Z ₀
4 ↓ Y	56	.300	372.5 ↓ Y
	57	.325	
	58	.350	
	59	.375	
	60	.400	
	61	.425	
	62	.450	
	63	.475	
	64	.500	
	65	.525	
	66	.550	
5 ↓	67	.600	355.0 ↓
	68	.650	
	69	.700	
	70	.750	
	71	.200	
	72	.225	
	73	.250	
	74	.275	
	75	.800	
	76	.850	
	77	.875	
	78	.900	
	79	.925	
	80	.950	

TABLE XI. Continued

Test: IH-102

Model: P3-0

Con. Set 411			Con. Set 422			
X ₀ =270 X-SECTION - SW. POS. 1			UPPER E - SW. POS. 2		UPPER E CONT. - SW. POS. 2	
T/C NO.	θ (DEG.)		T/C NO.	X/L	T/C NO.	X/L
427	343		367	0.000	404	0.170
428	335		368	.001	405	.172
429	324		369	.002	406	.175
430	320		370	.004	407	.177
431	310		371	.006	408	.180
432	303		372	.009	409	.183
433	295		373	.012	410	.187
434	287.5		374	.015	411	.190
435	280		375	.018	412	.194
436	273		376	.022	413	.198
			377	.025	414	.205
			378	.028	415	.226
			379	.061	416	.251
			380	.065	417	.276
			381	.069	418	.301
			382	.072	419	.326
			383	.076	420	.351
			384	.080	421	.376
			385	.095	422	.401
			386	.099	423	.426
			387	.102		
			388	.116		
			389	.120		
			390	.123		
			391	.127		
			392	.131		
			393	.134		
			394	.138		
			395	.141		
			396	.145		
			397	.149		
			398	.152		
			399	.156		
			400	.159		
			401	.161		
			402	.164		
			403	.167		

TABLE XI. Continued

Test: IH-102

Model: 60-0

Con. Set 511			Con. Set 522			Con. Set 533		
OMS POD - SW. POS. 1			TOP \bar{Q} - SW. POS. 2			LOWER SIDE AT ELEVON GAP - SW. POS. 3		
T/C NO.	X/L	TRACE	T/C NO.	X/L		T/C NO.	X/L	Z.
298	0.843	1	169	0.010		320A	0.906	318.0
308	.881		170	.025		321A	.921	
315	.920		171	.050		322A	.946	
320	.939	↓	172	.075		323A	.971	↓
			173	.100				
302	0.862	2	174	.125		336A	0.906	280
309	.881		175	.150		337A	.921	
316	.920		176	.160		338A	.948	
321	.939		177	.170		339A	.973	↓
327	.978	↓	178	.180				
			179	.200		341A	0.906	268
303	0.862	3	182	.40		342A	.921	↓
310	.881		183	.45		343A	.946	270
317	.920		184	.50		344A	.973	272
322	.939		185	.55				
328	.978	↓	186	.60				
			187	.65				
299	0.843	4	188	.70				
304	.862		189	.75				
311	.881		190	.80				
318	.920							
323	.939							
329	.978	↓						
300	.843	5						
305	.862							
312	.881							
319	.920							
330	.978	↓						
301	0.843	6						
306	.862							
313	.901							
325	.939							
331	.978	↓						

TABLE XI. Continued

Test: OH-105

Model: 60-0 (Base String)

Con. Set 811

LOWER SFT. FUS. BODY FLAP - SW. POS. 4

T/C NO.	X/L	Y ₀	T/C NO.	T/C NO.
36C	0.90	0		
37C	.925			
38C	.950			
39C	.975			
40	1.015			
41	1.03			
42	1.045			
43	1.06			
54C	0.90	46.8		
55C	.95			
56C	.975			
57	1.015			
58	1.03			
59	1.045			
60	1.06			
66C	0.90	93.6		
67C	.95			
68C	.975			
69	1.015			
70	1.03			
71	1.045			
72	1.06			
186A	0.893	103.94		
187A	.920	107.6		
188A	.944	109.2		
189A	.964	113.2		

TABLE VI. Concluded

Test: OH-105

Model: 83-0

Con. Set 911

Con. Set 922

UPPER ξ - SW. POS. 1

LOWER ξ - SW. POS. 2

T/C NO.	X/L	T/C NO.	X/L	T/C NO.
379	0.061	273	0.0010	
380	.065	274	.0018	
381	.069	275	.0041	
382	.072	276	.0070	
383	.076	277	.0103	
384	.080	278	.015	
385	.095	279	.0199	
386	.099	280	.0232	
387	.102	281	.0263	
388	.116	282	.0299	
389	.120	283	.0338	
390	.123	284	.0381	
391	.127	285	.0414	
392	.131	286	.0452	
393	.134	287	.0503	
394	.138	288	.100	
395	.141	289	.150	
396	.145	290	.200	
397	.149	291	.250	
398	.152	292	.300	
		293	.350	
		294	.400	

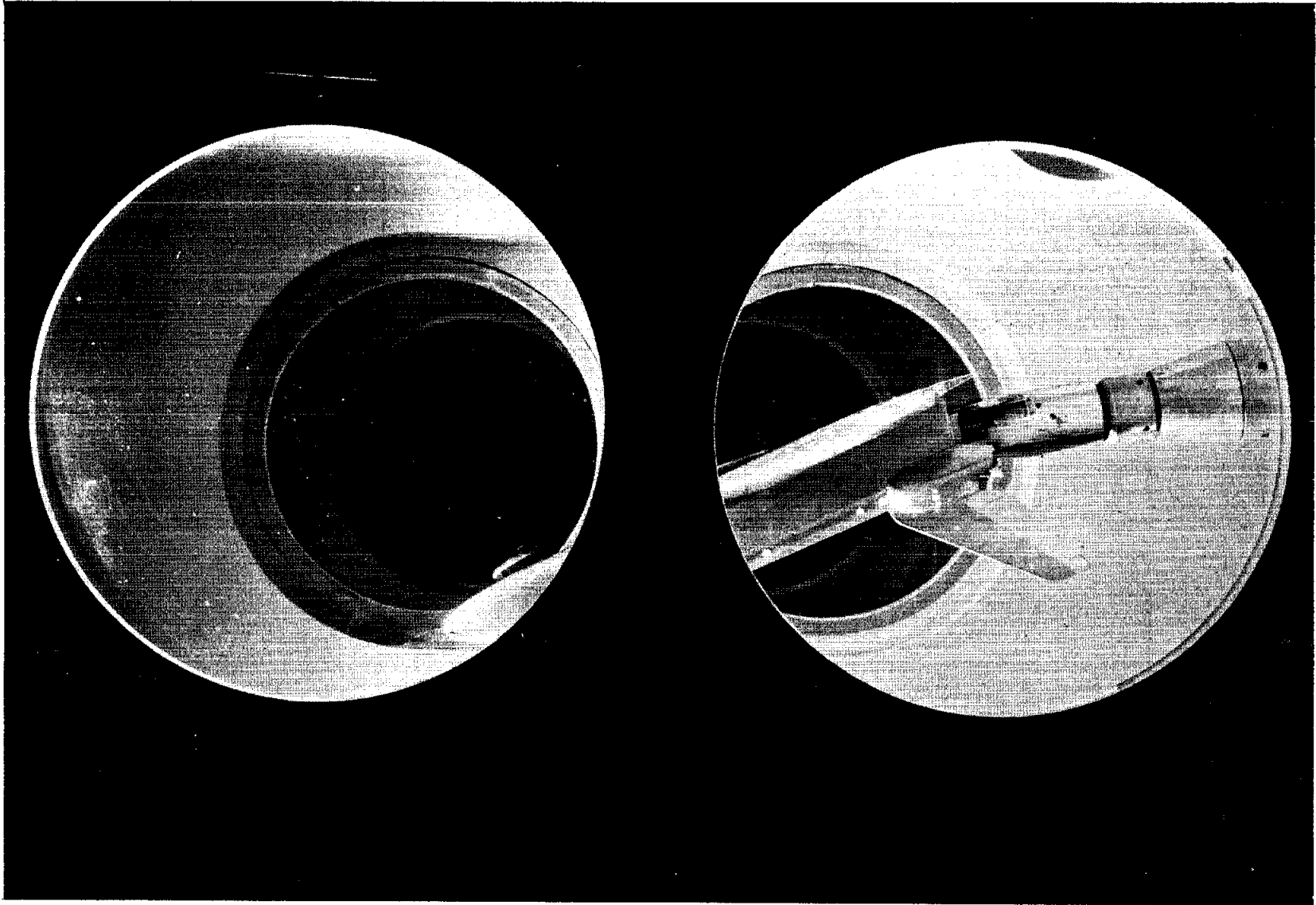


Figure 1. Model 60-0 Installed in VKF Tunnel B
(Model Shown Inverted)

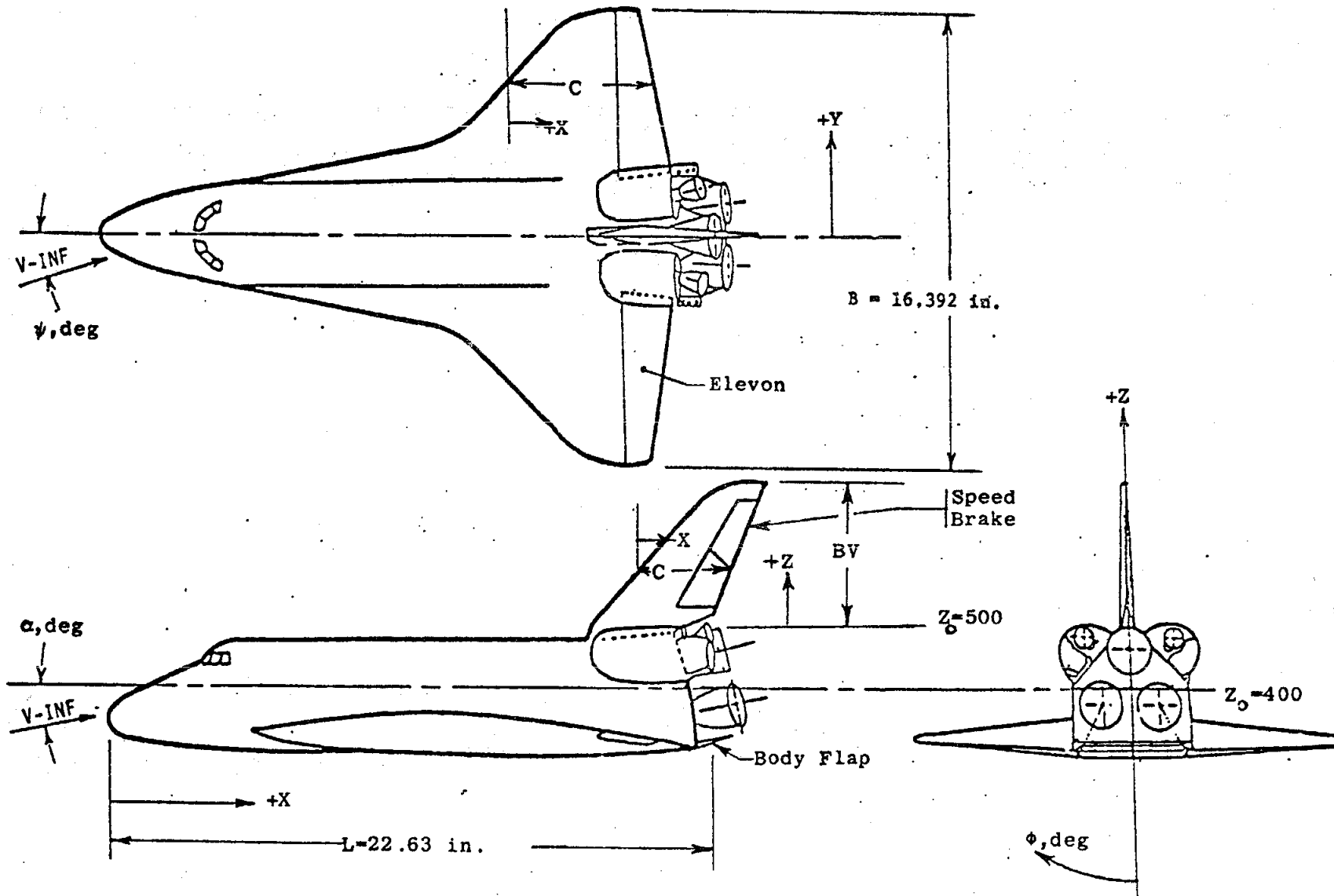


Figure 2. Sketch of the 0.0175-Scale Space Shuttle Orbiter Models

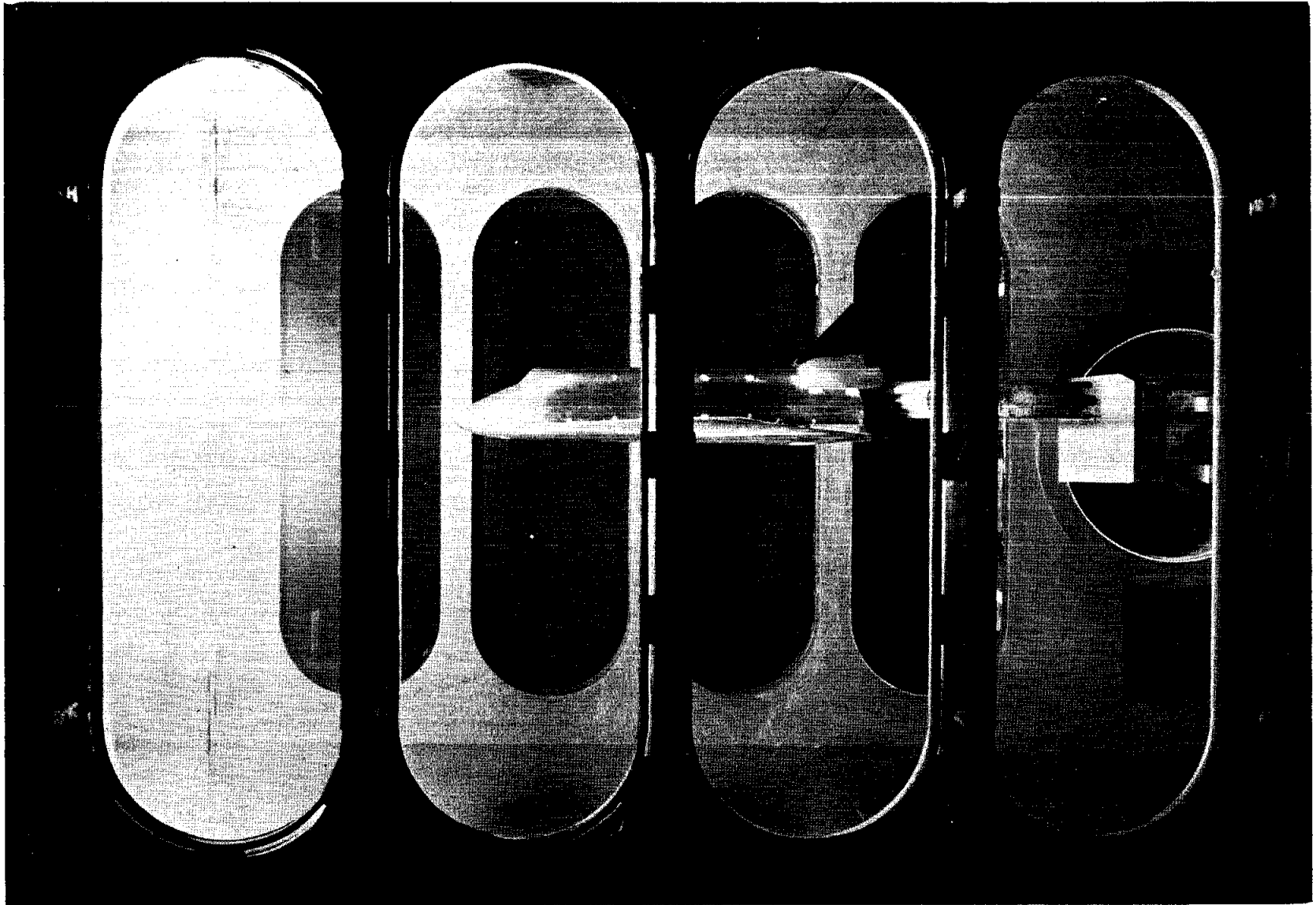


Figure 3. Model 56-0 Installed in VKF Tunnel A

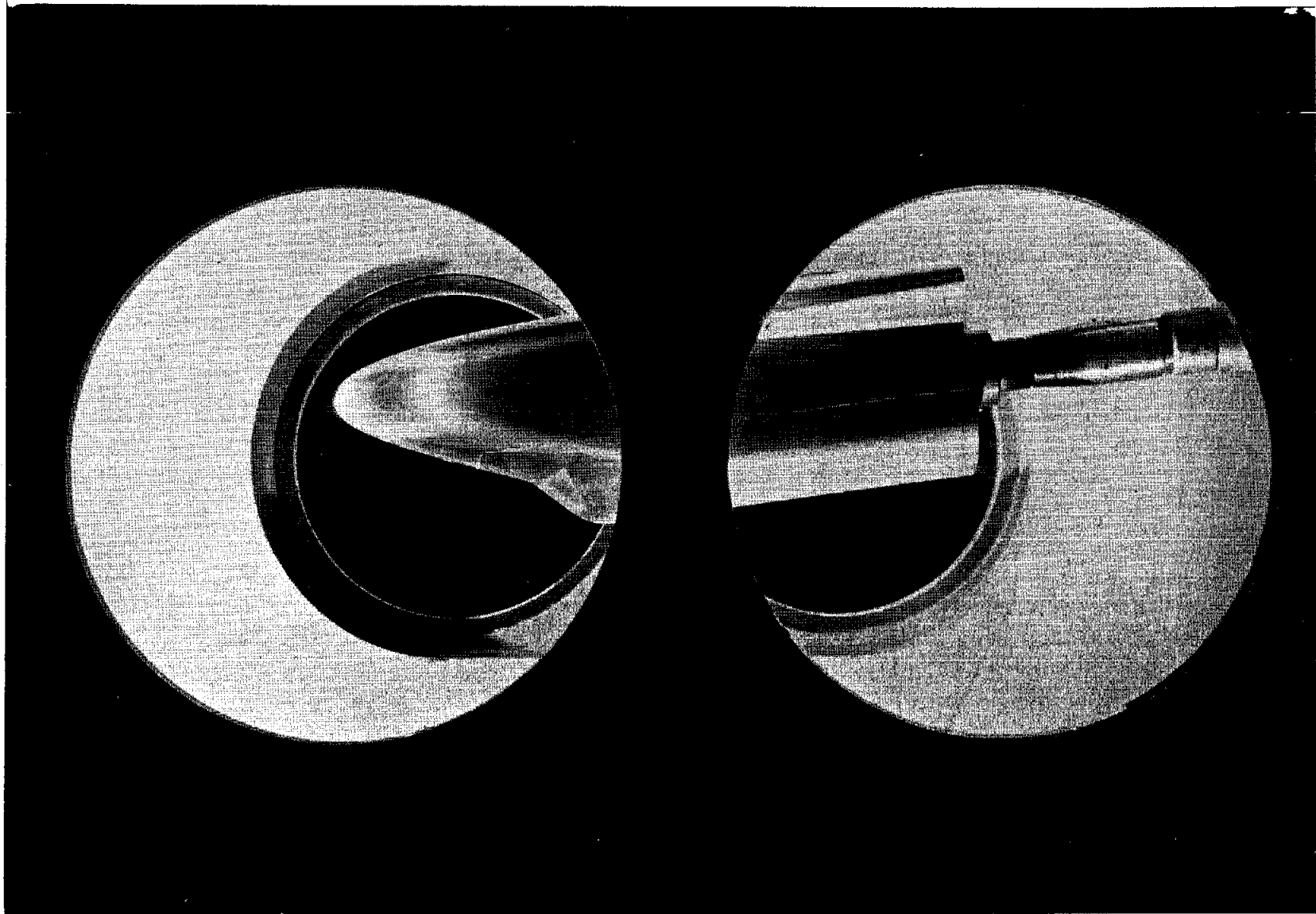


Figure 4. Model 83-0 Installed in VKF Tunnel B
(Model Shown Inverted)

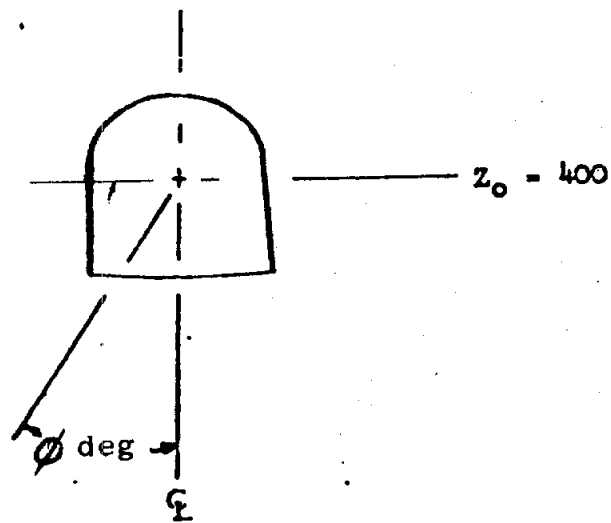
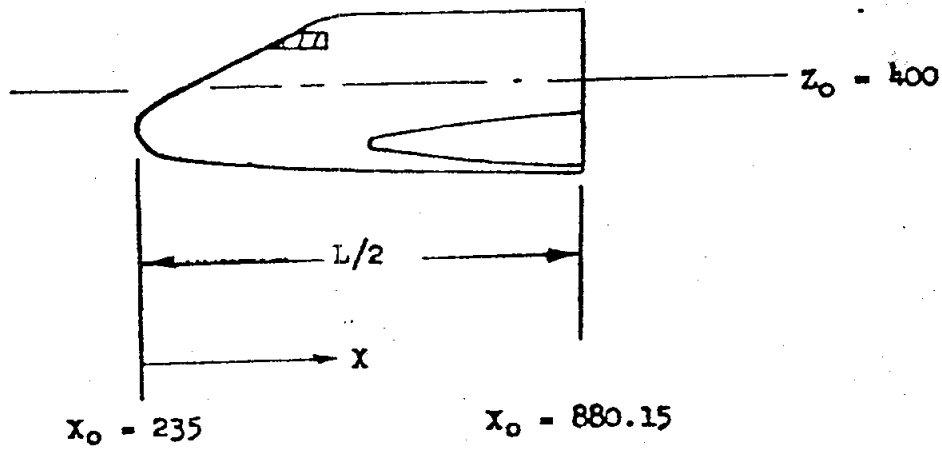


Figure 5. Sketch of 83-0 Model Coordinate System

50-INCH HYPERSONIC TUNNELS B&C

SCALE-1/3

TUNNEL WALL

MAX. FWD PT
STA. 69 673

FWD C.R.
STA. 59 673

STA. 55.923

NOM C.R.
STA. 45 673

STA. 35.423

AFT. C.R.
STA. 29 673

ROLL HUB
STA. 0 00

1.06-2-11-052

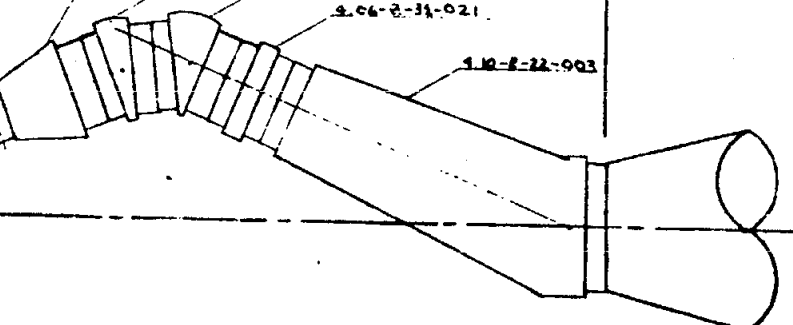
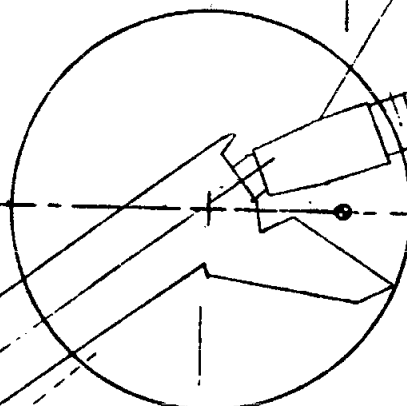
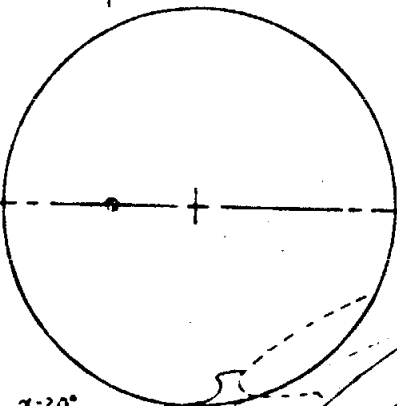
1.06-2-02-008

1.06-2-32-010

1.06-2-32-008

1.06-2-34-021

1.10-2-22-003



$\alpha = 20^\circ$

$\alpha = 40^\circ$

CR=6.0

129

$\alpha_0 = -37^\circ$

NASA/RI OH-81 B (V91B-67)

BASE STING
60- ϕ MODEL

TUNNEL WALL

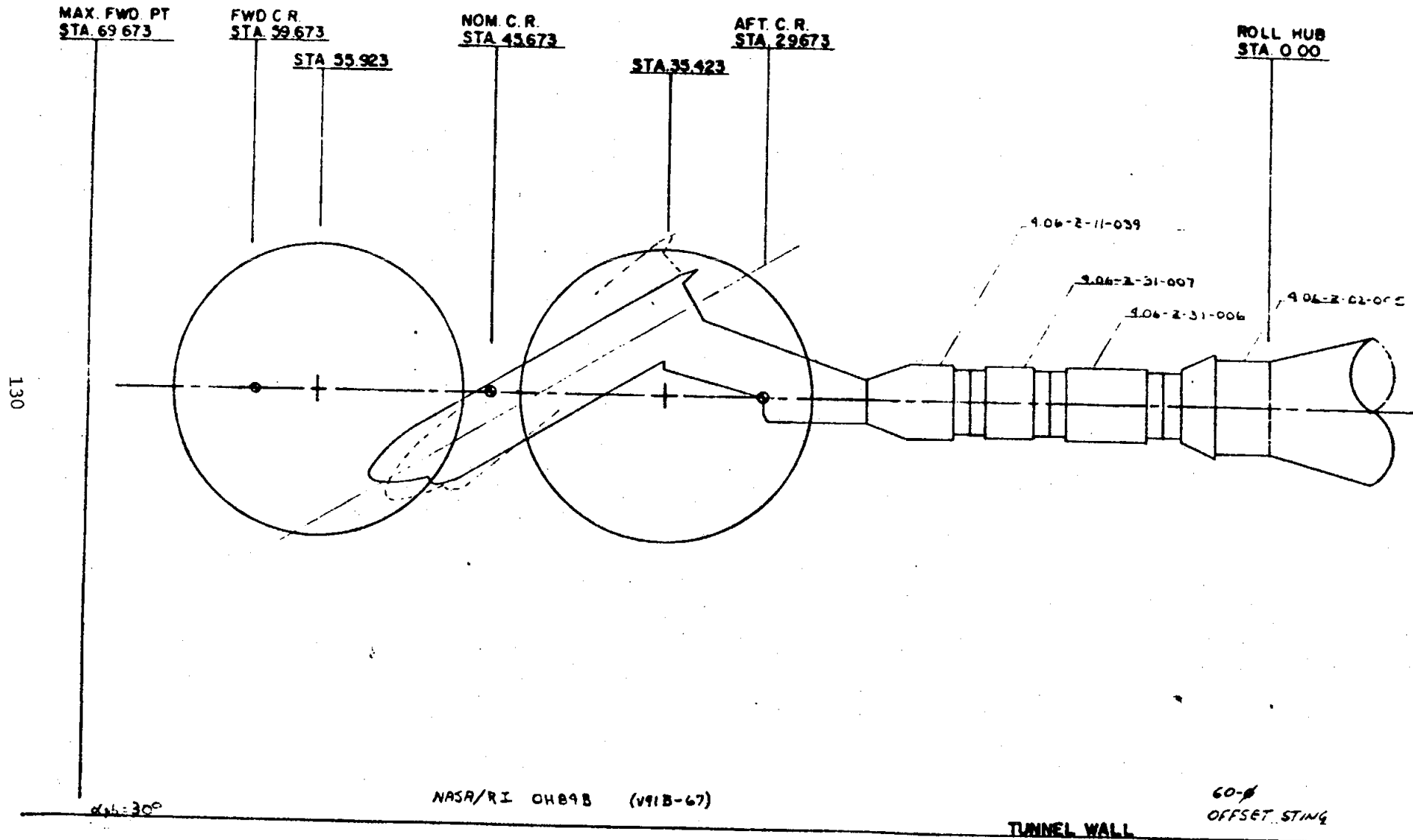
a. Configuration Code 10

Fig. 6 Installation Sketches of Model Configurations

50-INCH HYPERSONIC TUNNELS B&C

SCALE-1/3

TUNNEL WALL

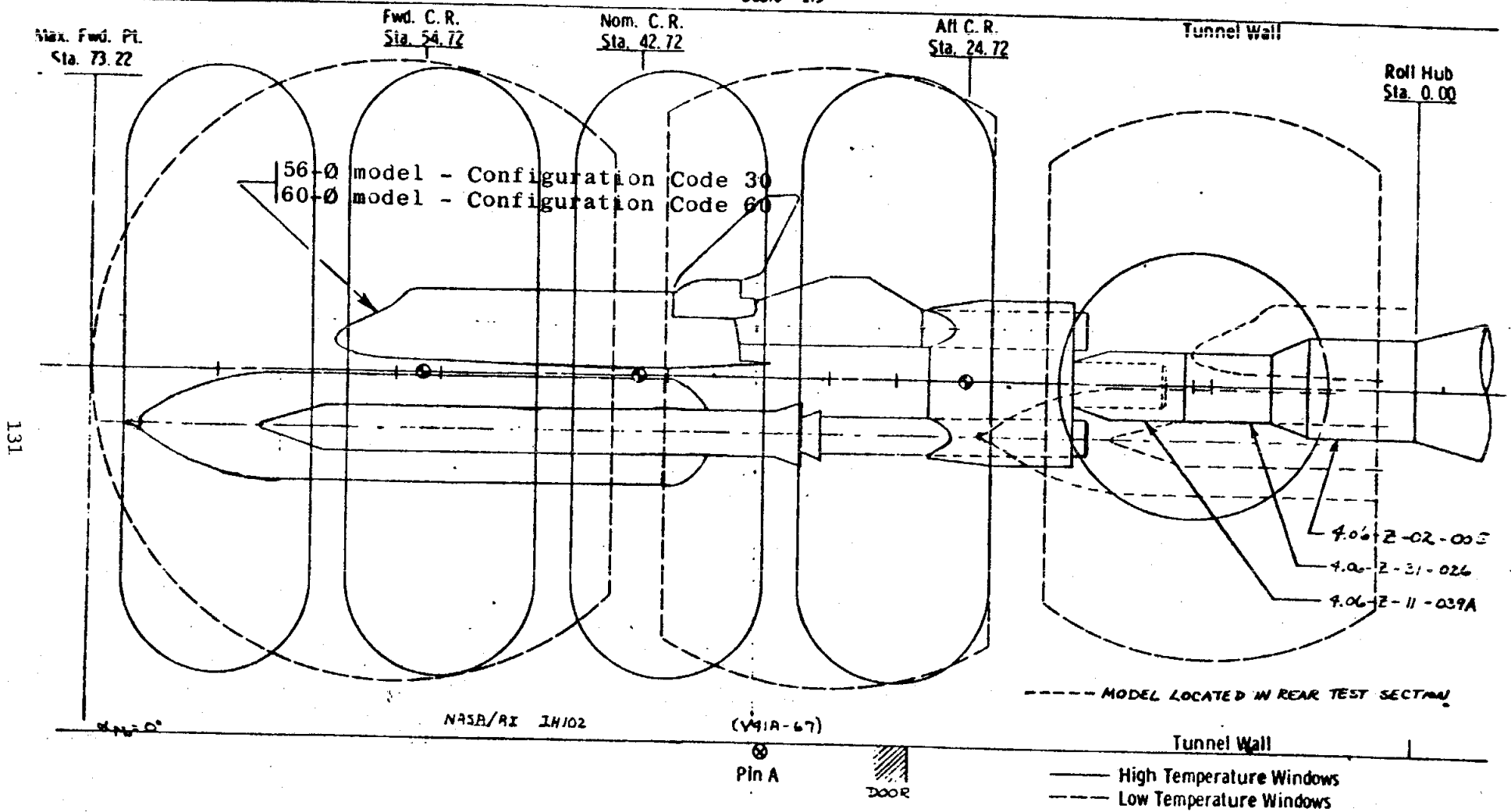


b. Configuration Code 20

Fig. 6 Continued

40-INCH SUPERSONIC TUNNEL A

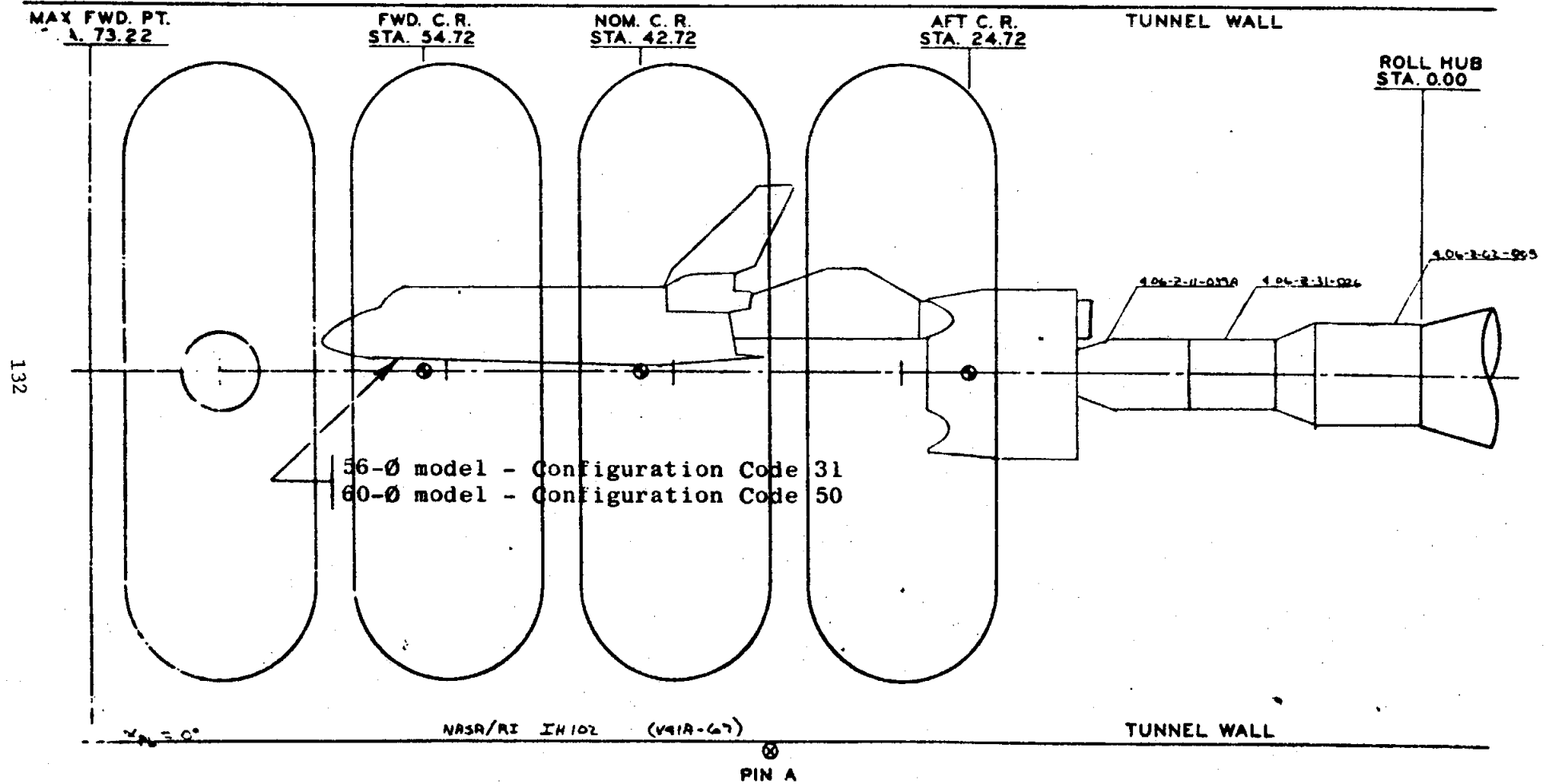
Scale - 1/5



c. Configuration Codes 30 and 60
Fig. 6 Continued

40-INCH SUPERSONIC TUNNEL A

SCALE - 1/5

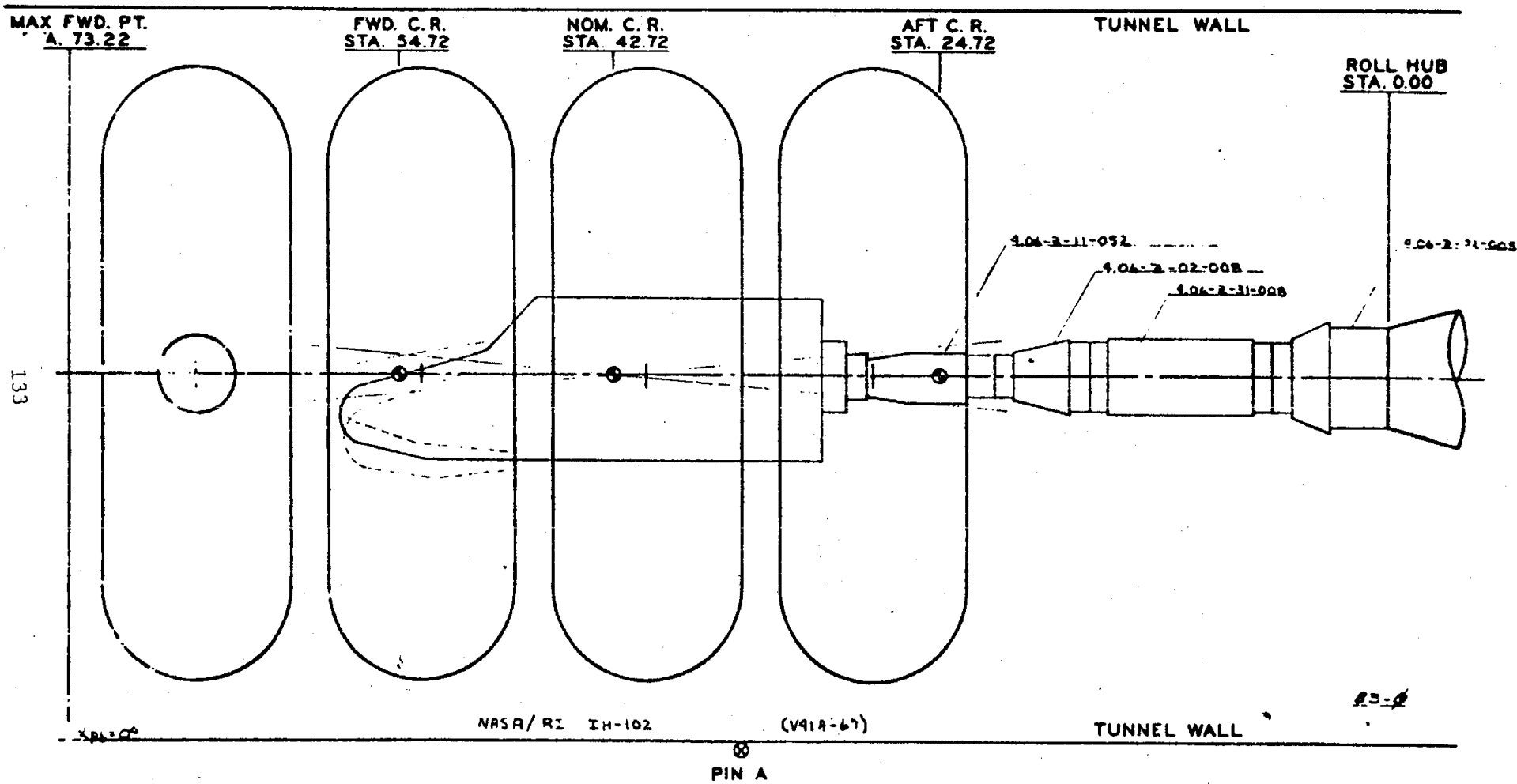


d. Configuration Codes 31 and 50

Fig. 6 Continued

40-INCH SUPERSONIC TUNNEL A

SCALE - 1/5

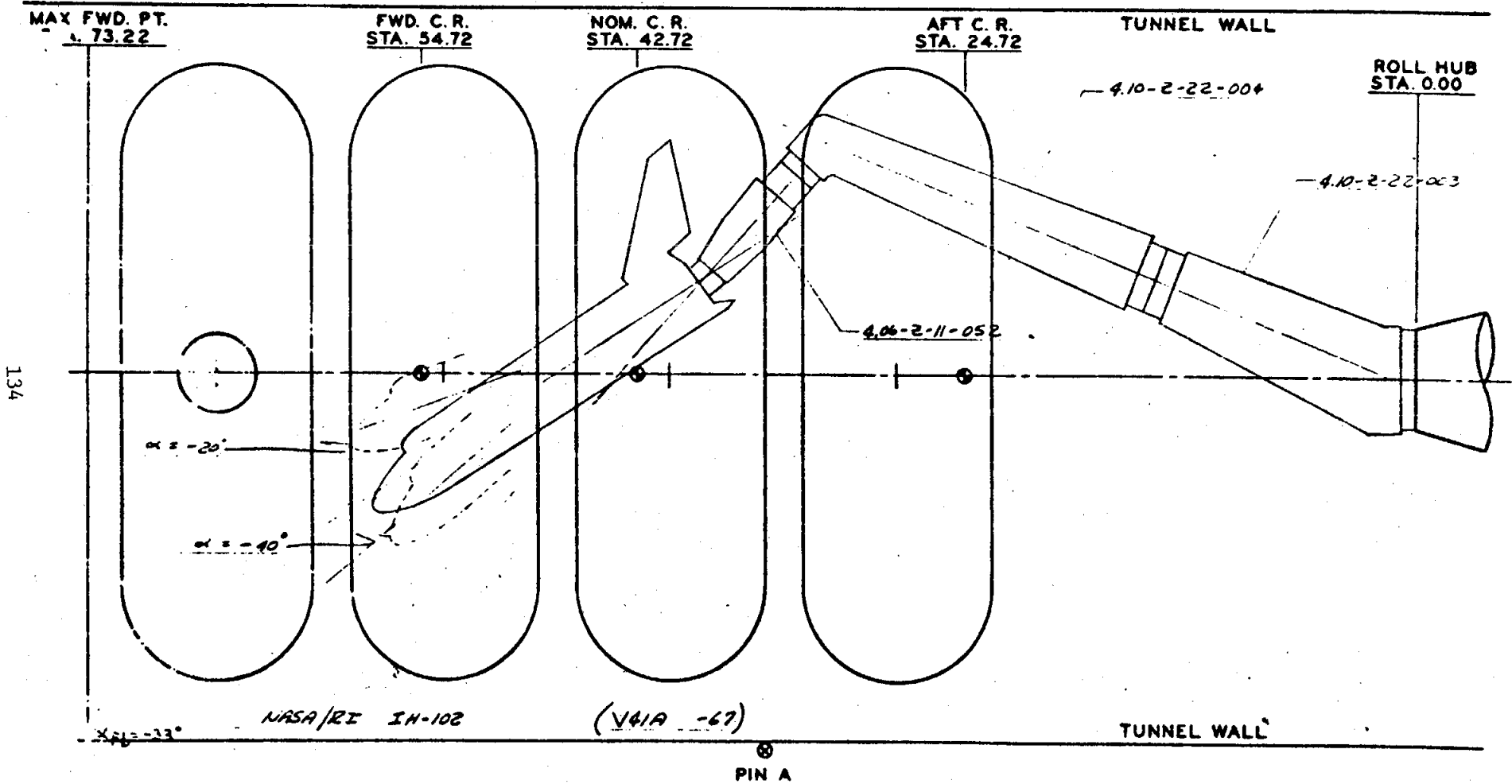


e. Configuration Code 40

Fig. 6 Continued

40-INCH SUPERSONIC TUNNEL A

SCALE - 1/5



f. Configuration Code 51

Fig. 6 Continued

50-INCH HYPERSONIC TUNNELS B & C

SCALE-1/3

TUNNEL WALL

MAX. FWD PT
STA 69 673

FWD C.R.
STA 59 673

STA 55 923

NOM C.R.
STA 45 673

STA 35 423

AFT. C.R.
STA 29 673

ROLL HUB
STA 0 00

$\alpha = 0^\circ$

$\alpha = 20^\circ$

4.06-2-11-052

4.06-2-02-008

4.06-2-32-010

4.06-2-32-008

4.06-2-31-021

4.10-2-22-003

C.R.

135

NASA/RI OH-105 (V41B-67)

60-# MODEL

TUNNEL WALL

g. Configuration Code 70

Fig. 6 Continued

50-INCH HYPERSONIC TUNNELS B & C

SCALE-1/3

TUNNEL WALL

MAX. FWD PT
STA 69 673

FWD C.R.
STA 59 673

STA 55 923

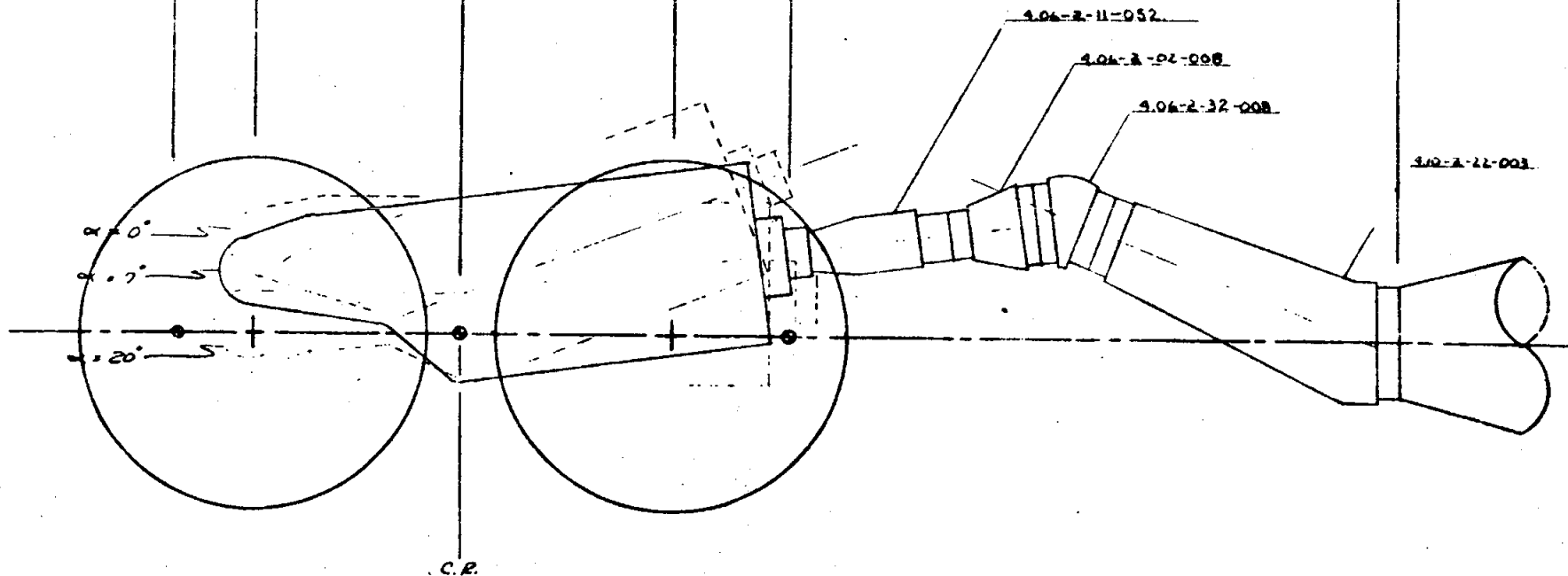
NOM C.R.
STA 45 673

STA 35 423

AFT C.R.
STA 29 673

ROLL HUB
STA 0 00

136



$\alpha_{\text{max}} = -7^\circ$

NASA/RI IH 102

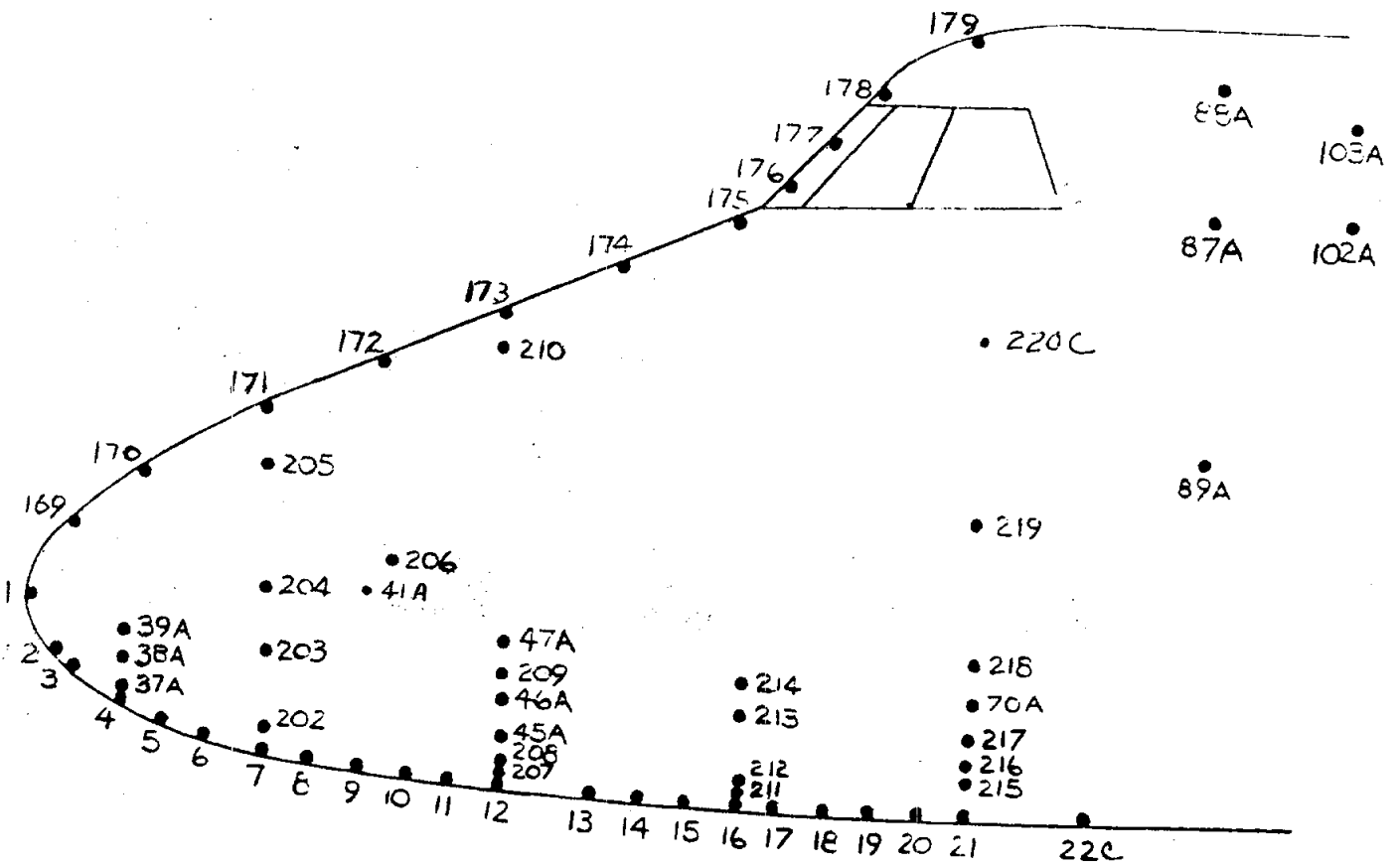
(V41B-67)

TUNNEL WALL

03-0

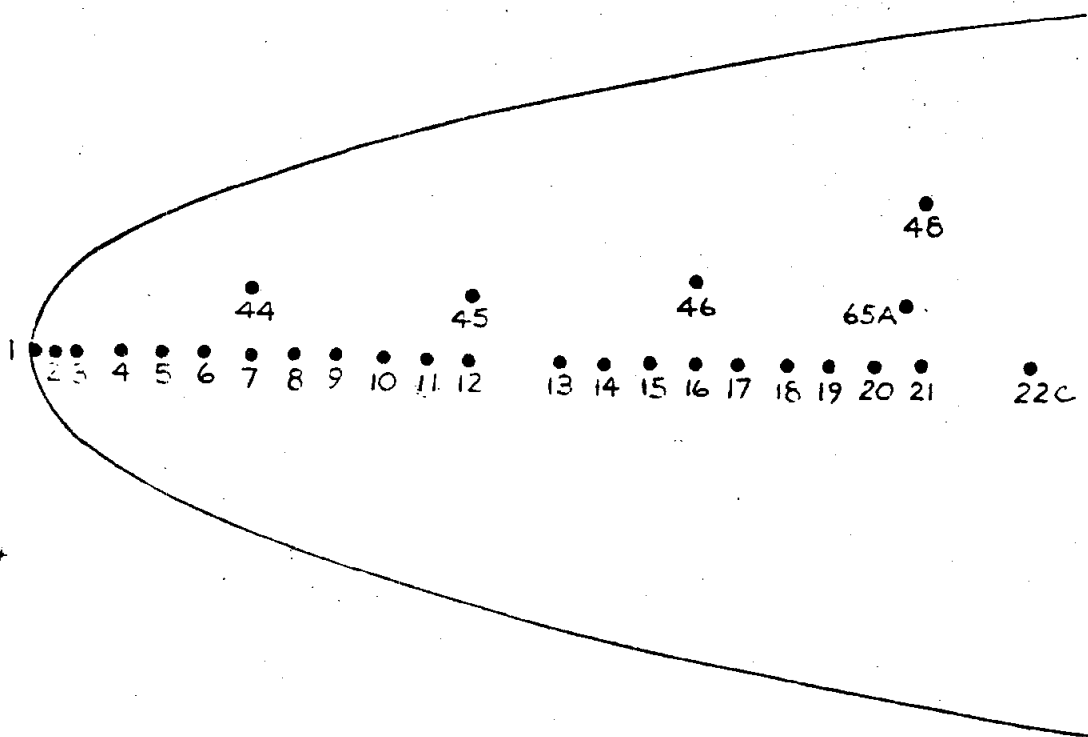
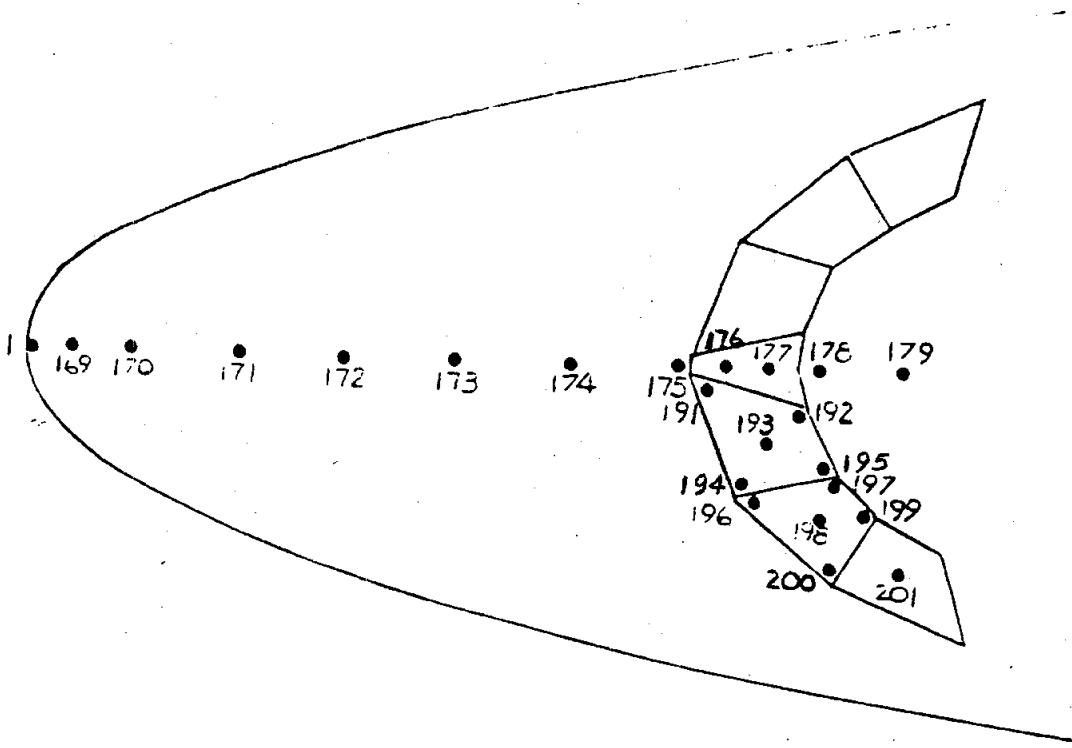
h. Configuration Code 80

Fig. 6 Concluded

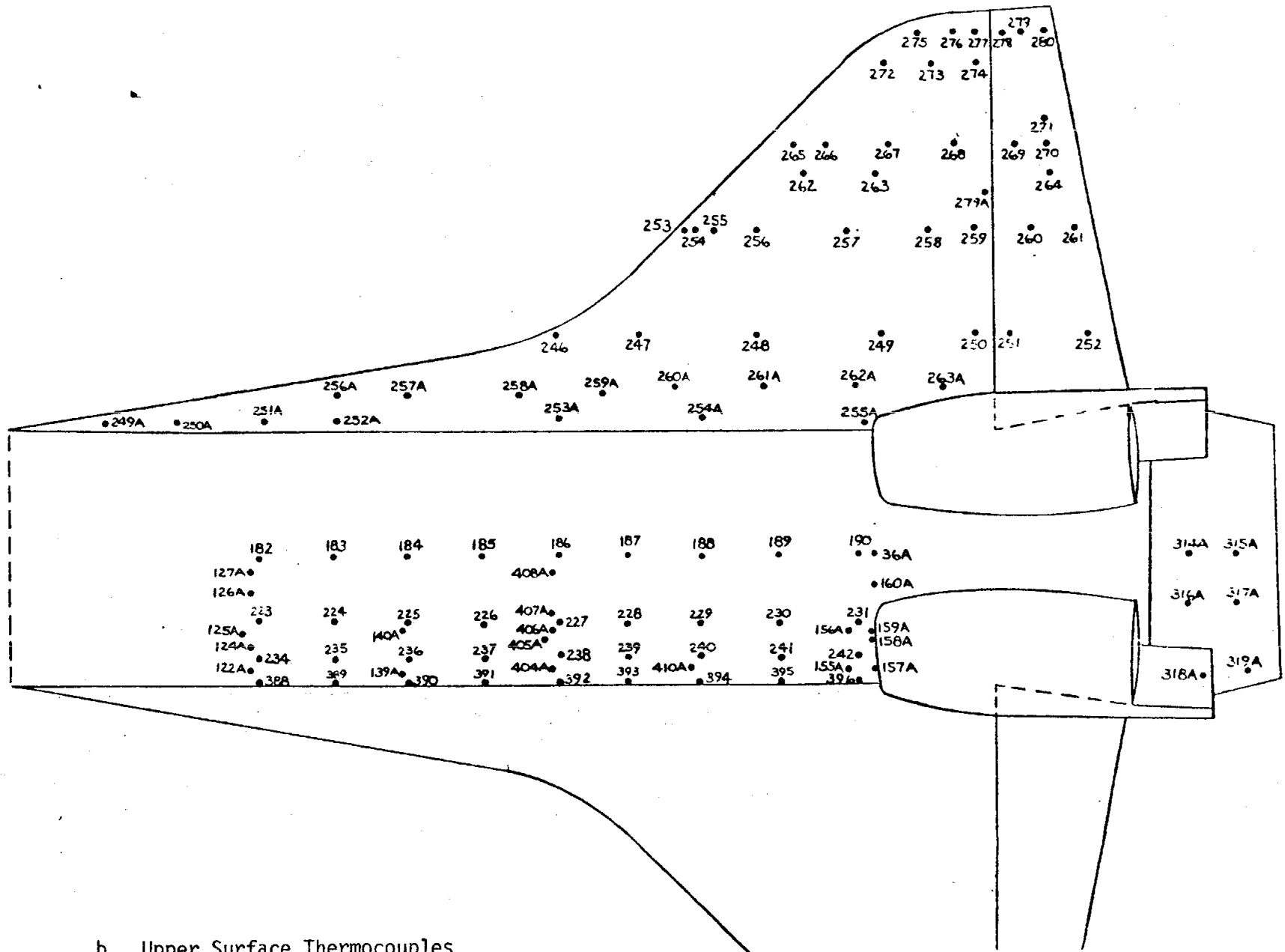


a. Nose and Canopy

Fig. 7 Thermocouple Locations on 60-Ø Model

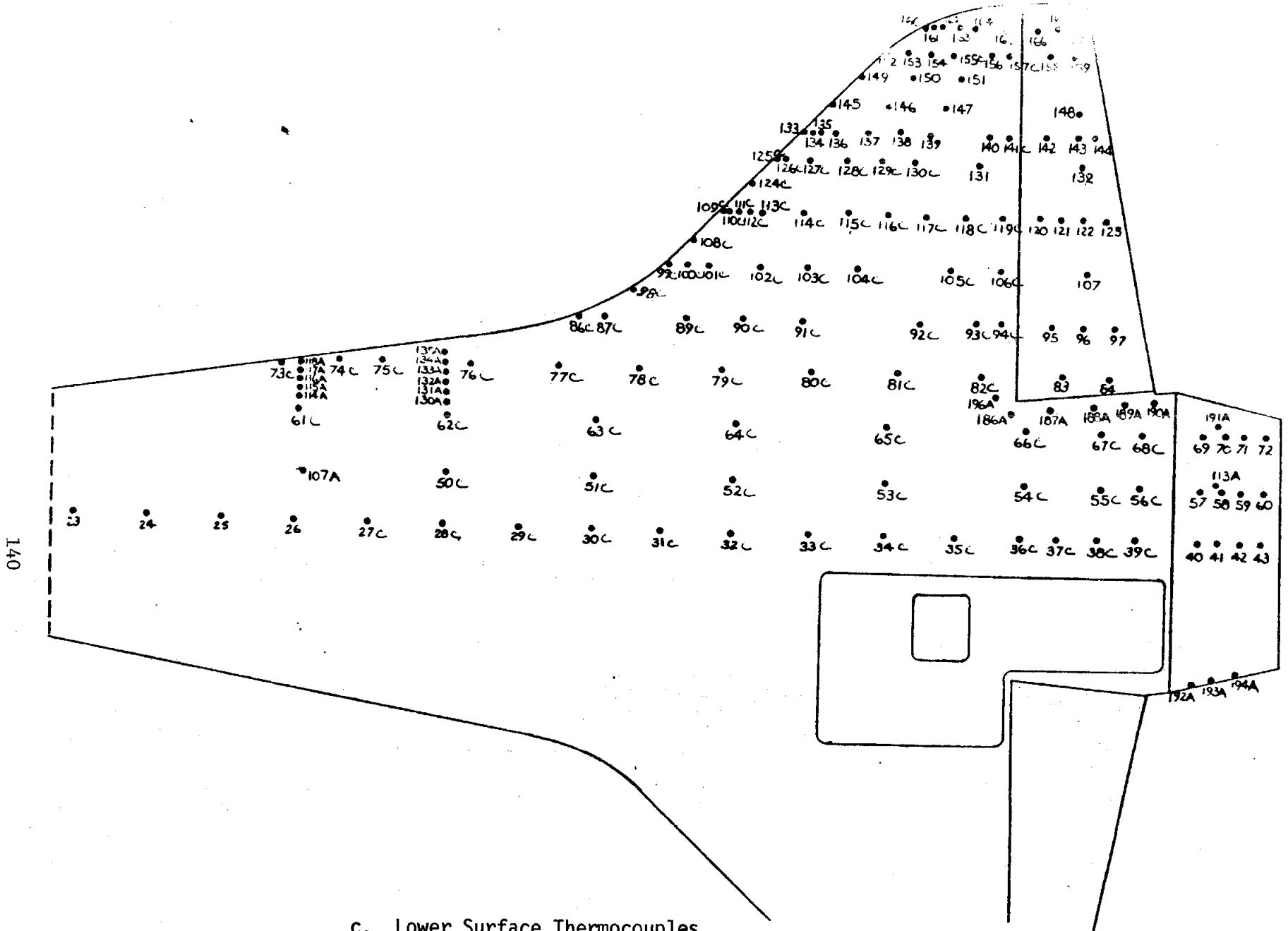


a. Nose and Canopy (Concluded)



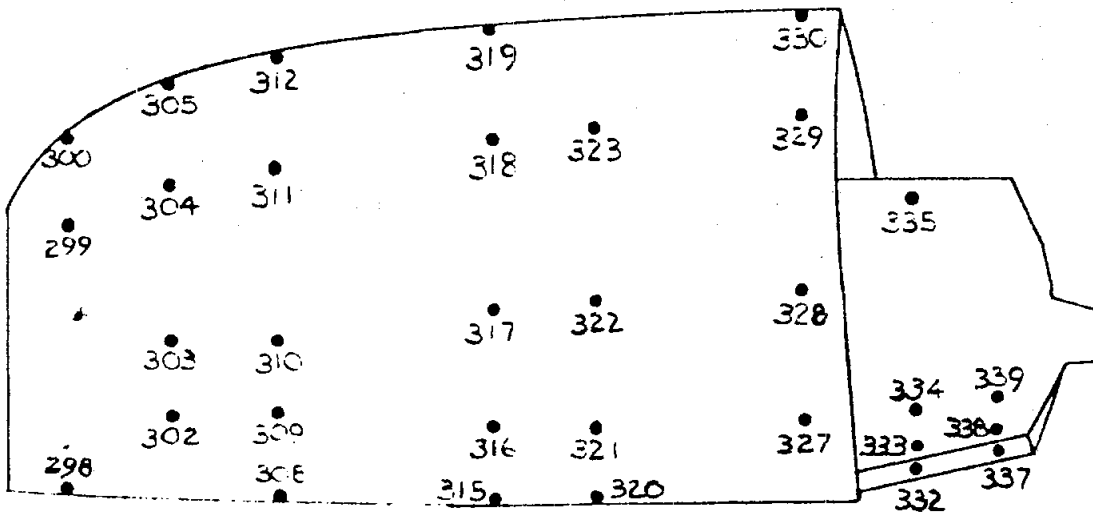
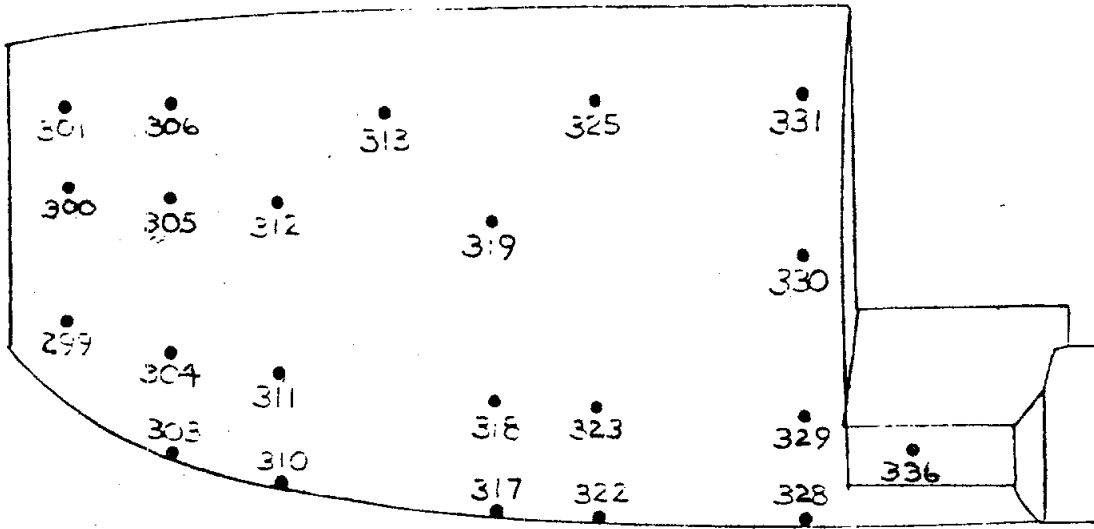
b. Upper Surface Thermocouples

Fig. 7. Continued

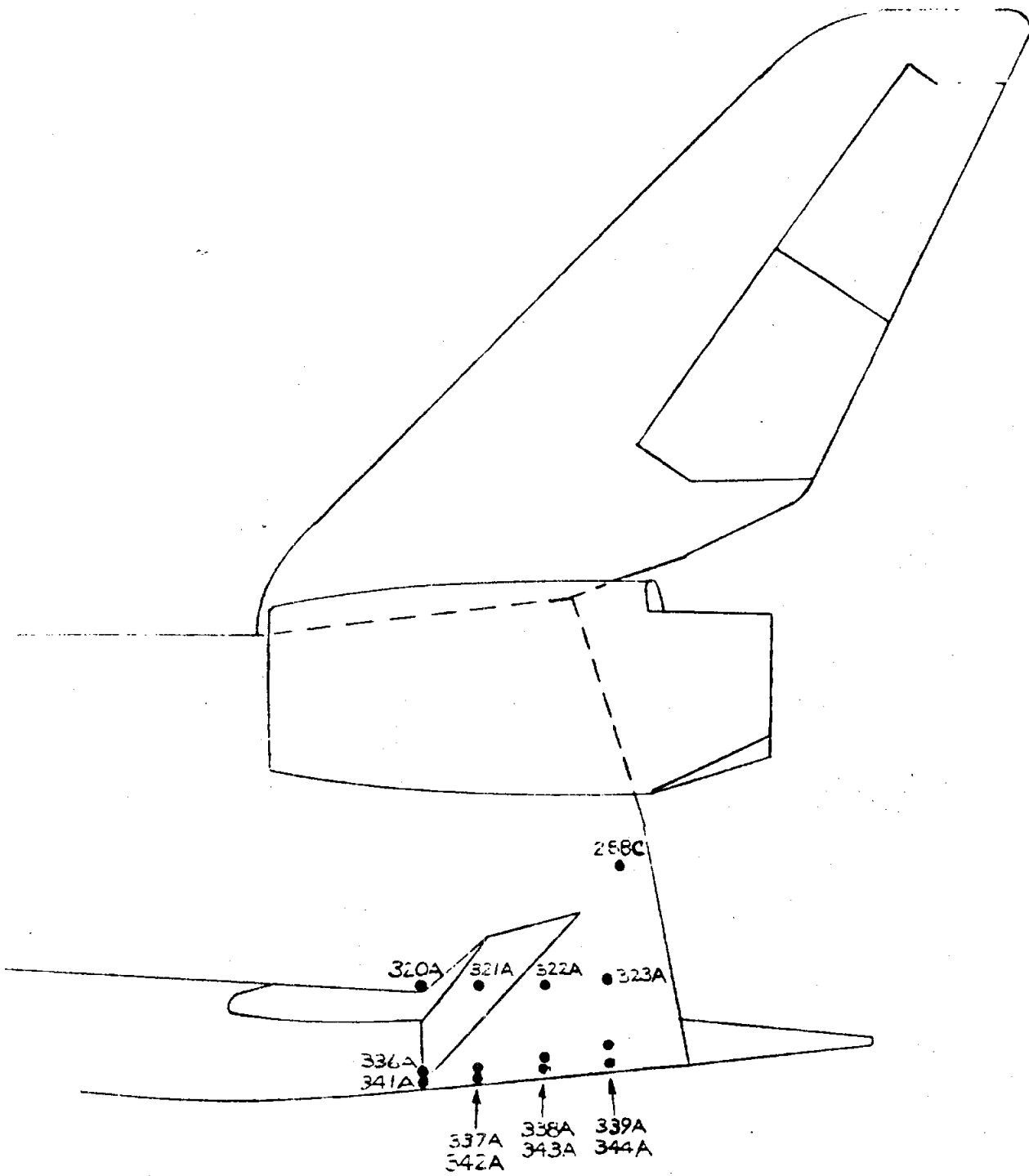


c. Lower Surface Thermocouples

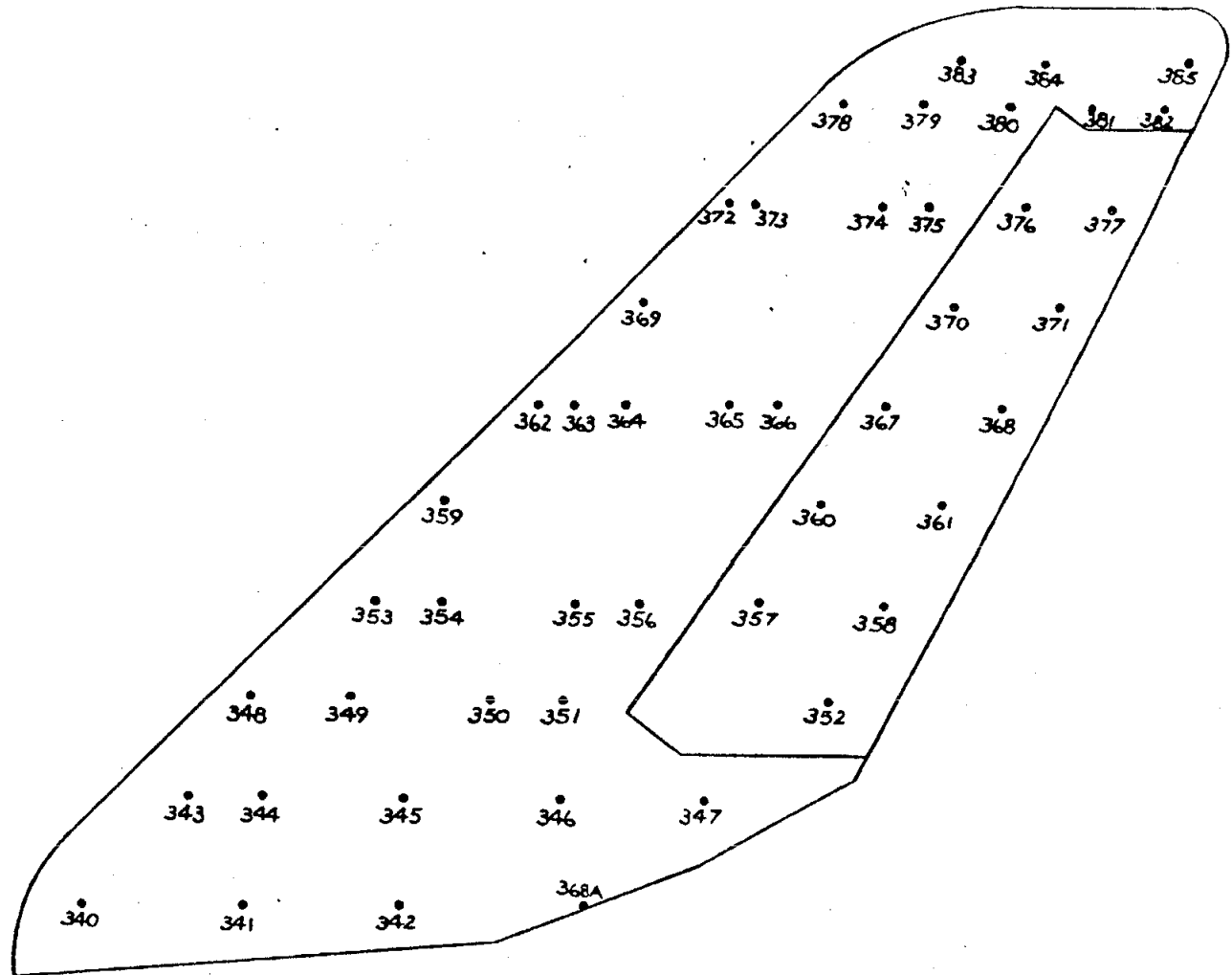
Fig. 7 Continued



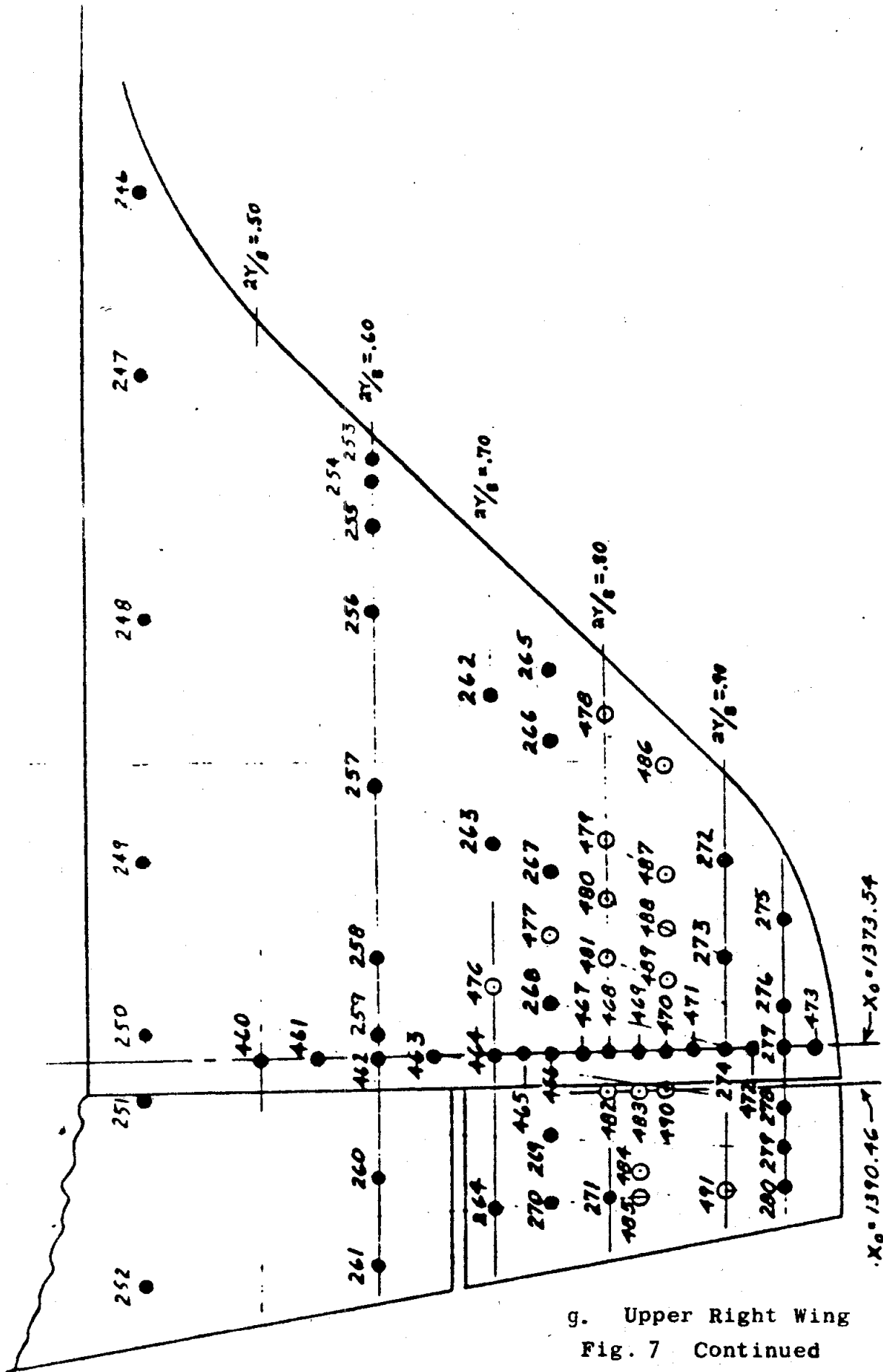
d. OMS Pod
 Fig. 7 Continued
 141



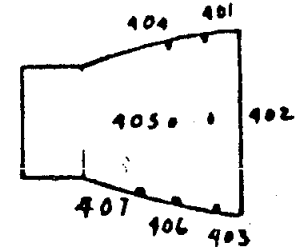
e. Aft Fuselage
 Fig. 7 Continued



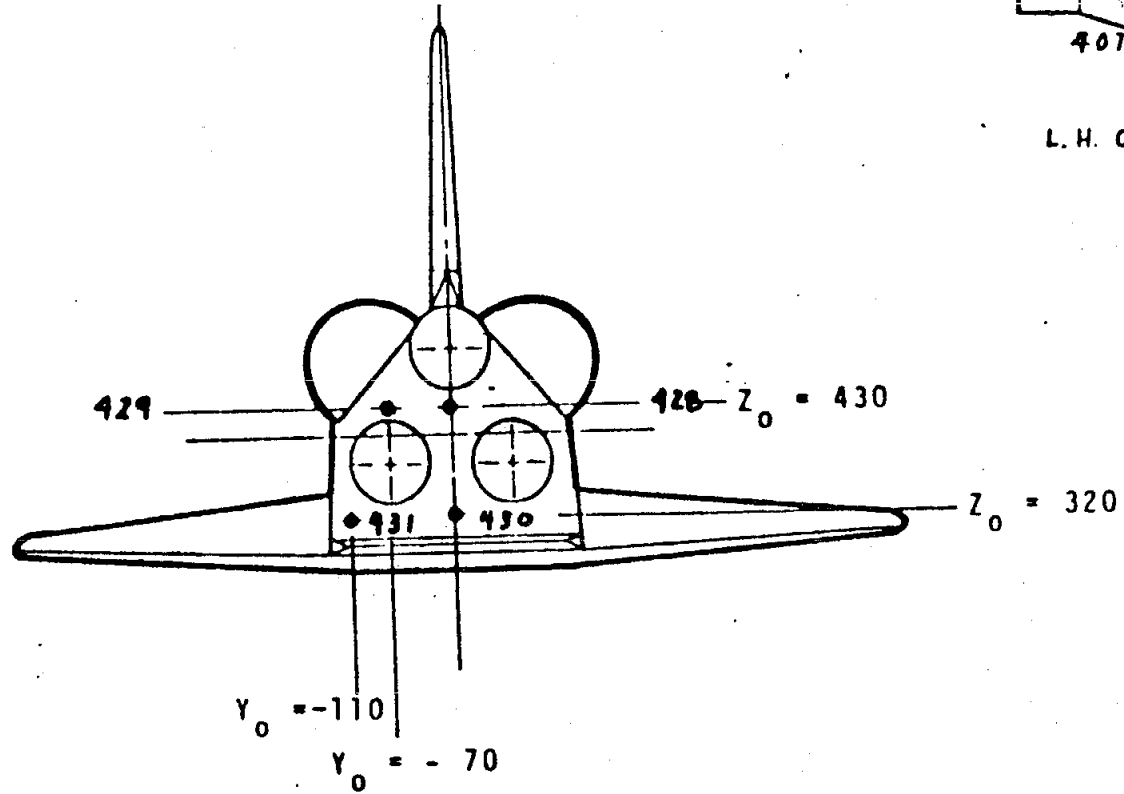
f. Vertical Tail
Fig. 7 Continued



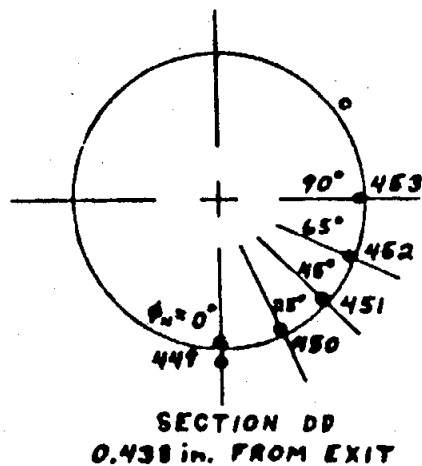
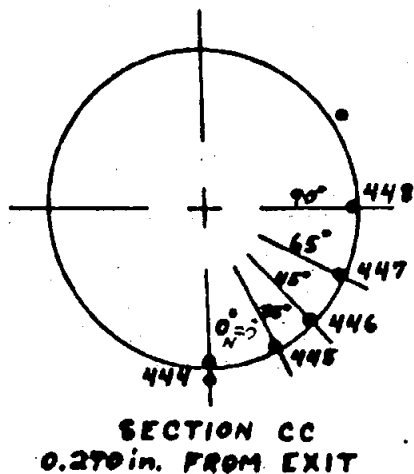
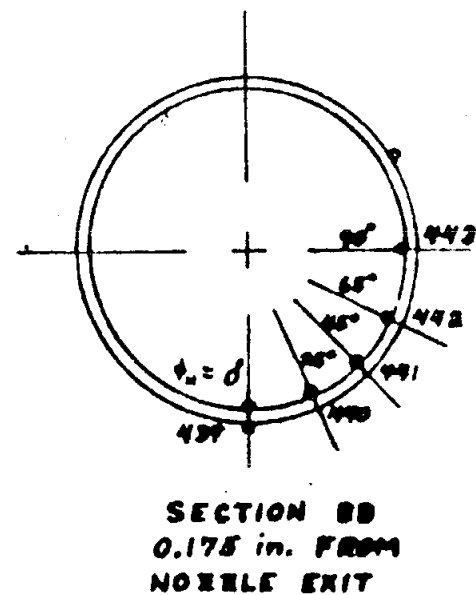
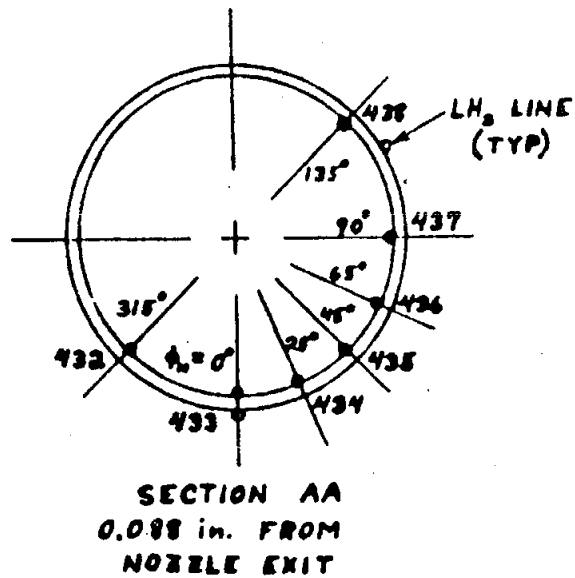
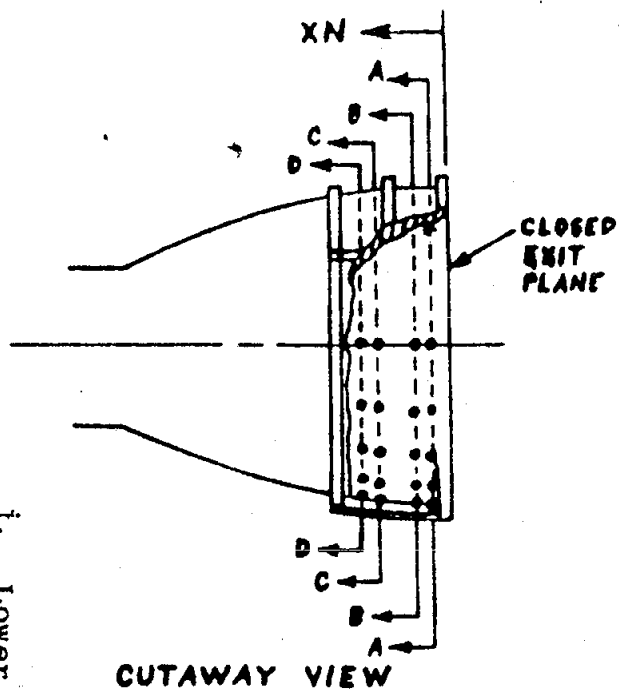
g. Upper Right Wing
Fig. 7 Continued



L.H. OMS NOZZLE



h. Nozzle Base Plate
FIG. 7 Continued



ALL DIMENSIONS IN INCHES (MODEL SCALE)

i. Lower Right SSME Nozzle
FIG. 7 Concluded

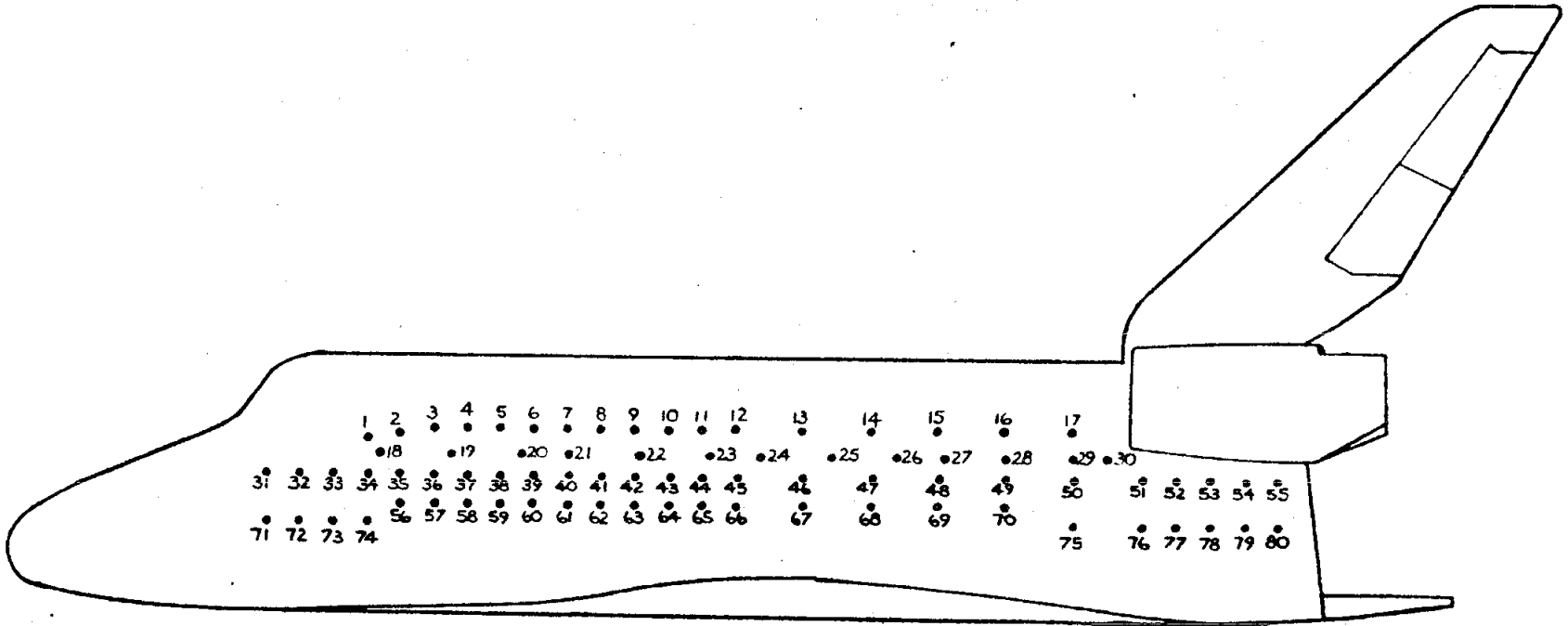
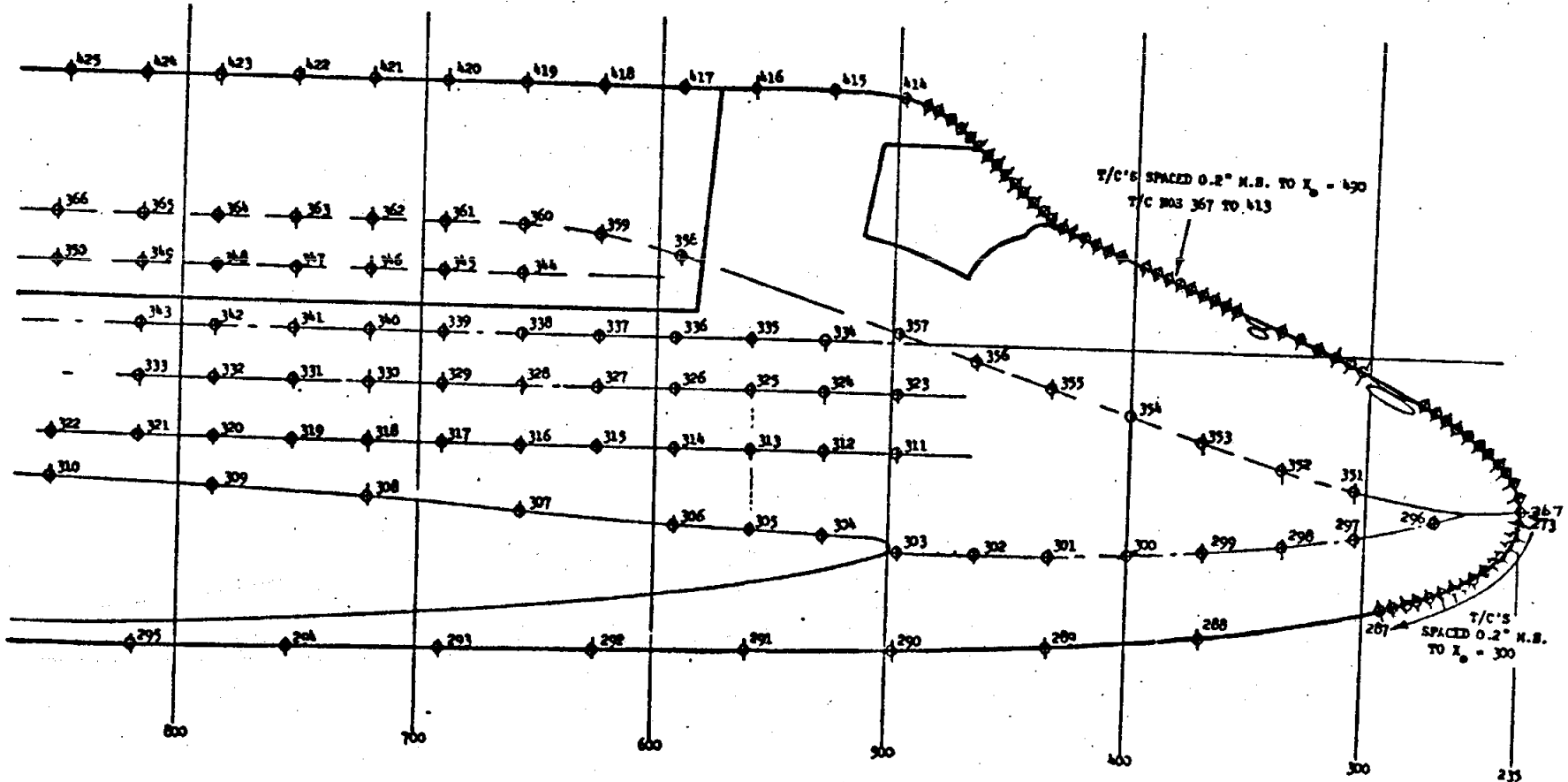
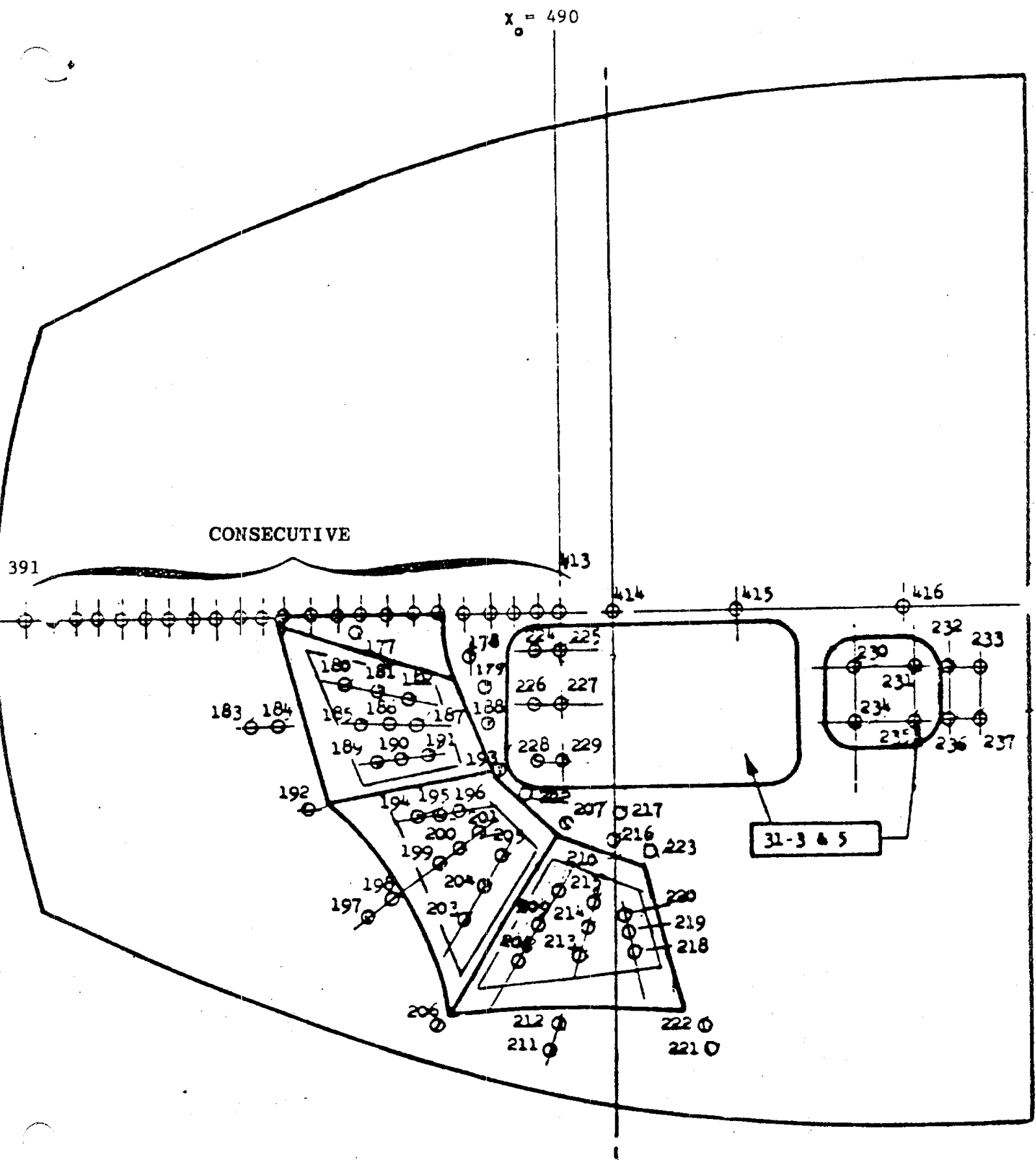


Fig. 8. Thermocouple Locations on 56-Ø Model

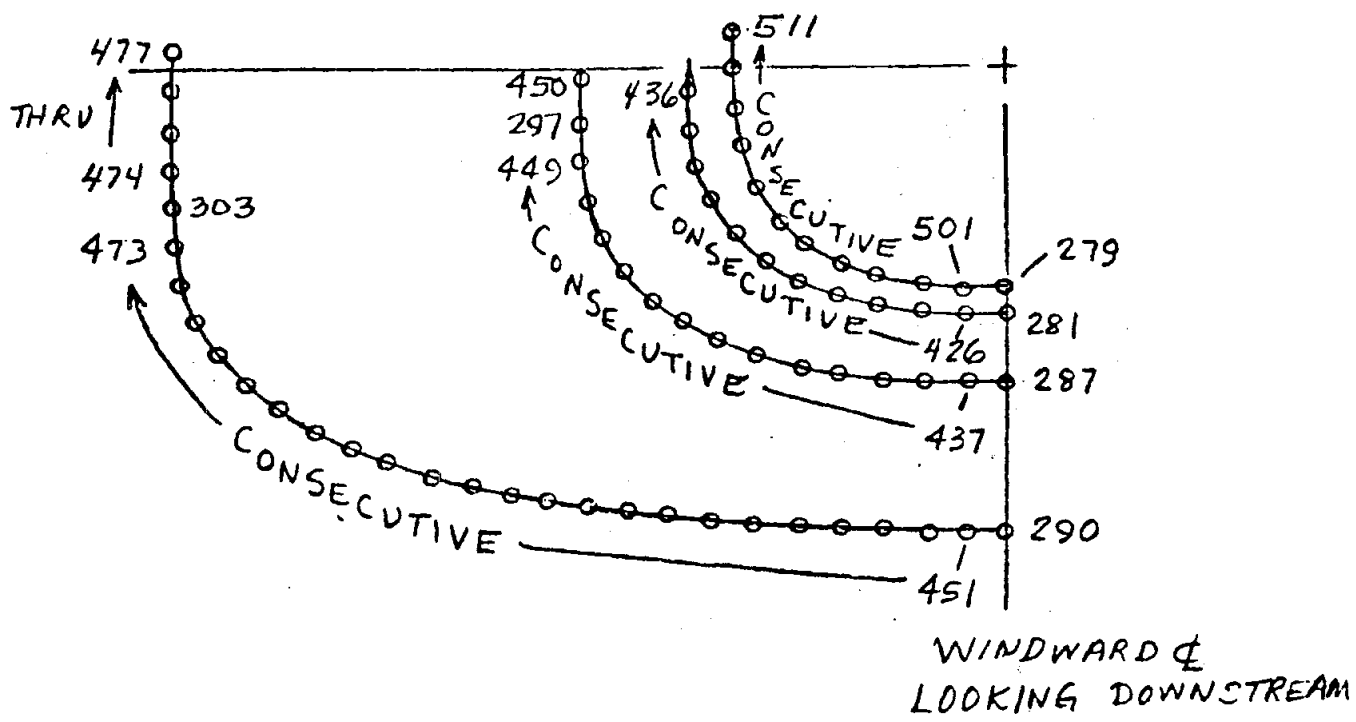
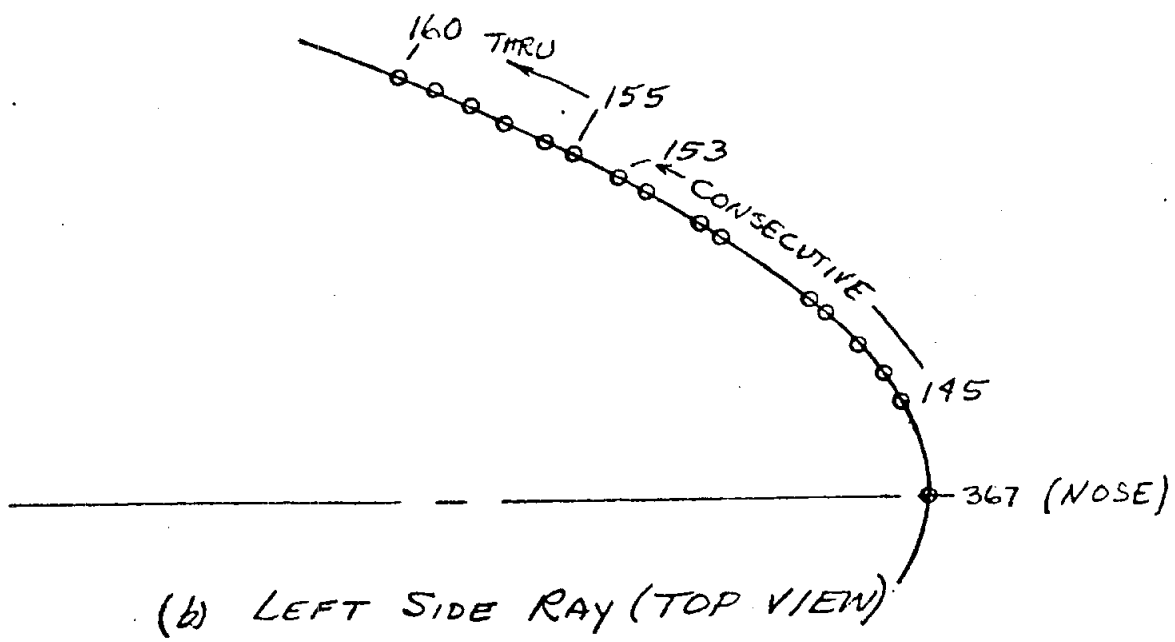


a. T/C Locations on Fuselage Right Side
 Fig. 9 Thermocouple Locations on 83-Ø Model

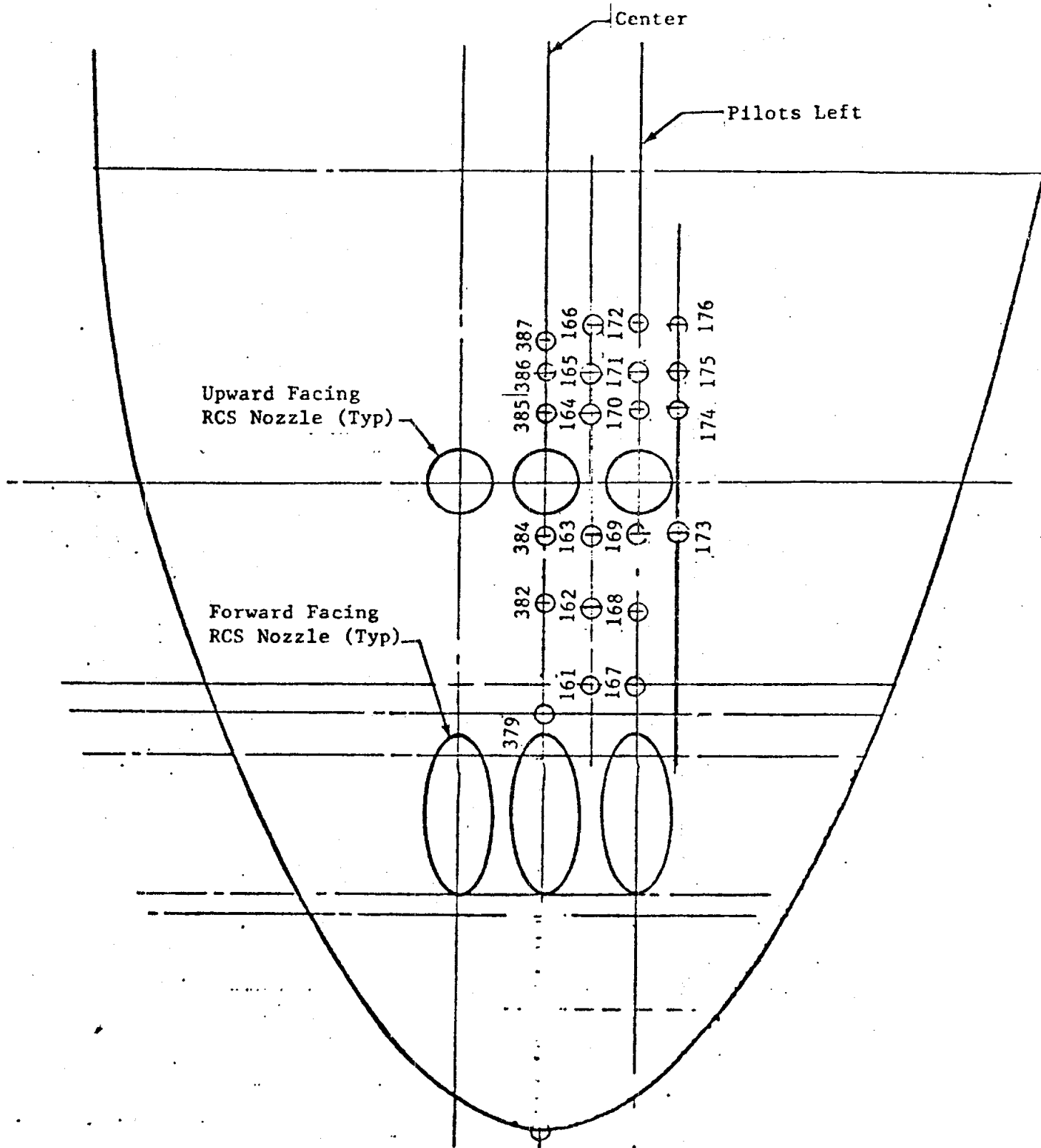
$x_0 = 490$



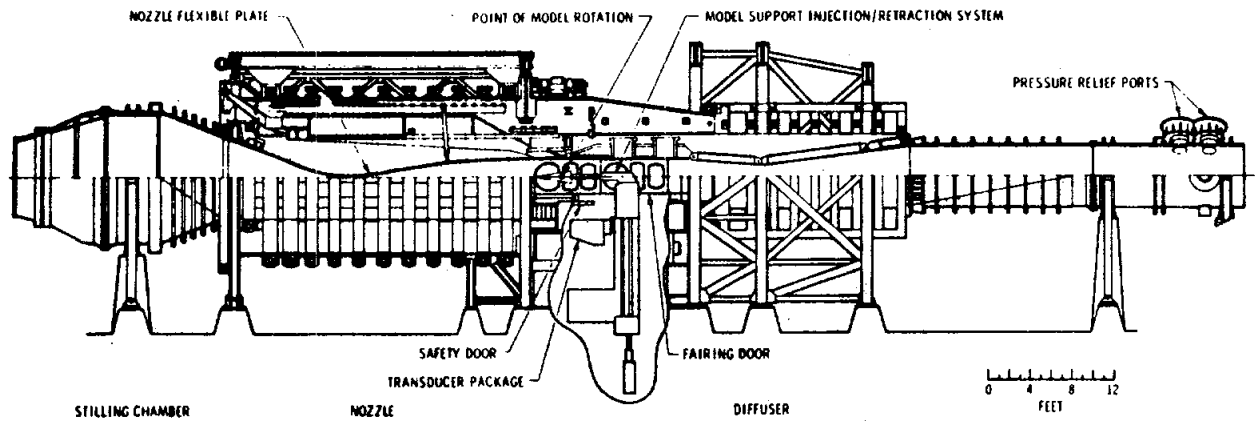
b. Canopy T/C Locations
Fig. 9 Continued



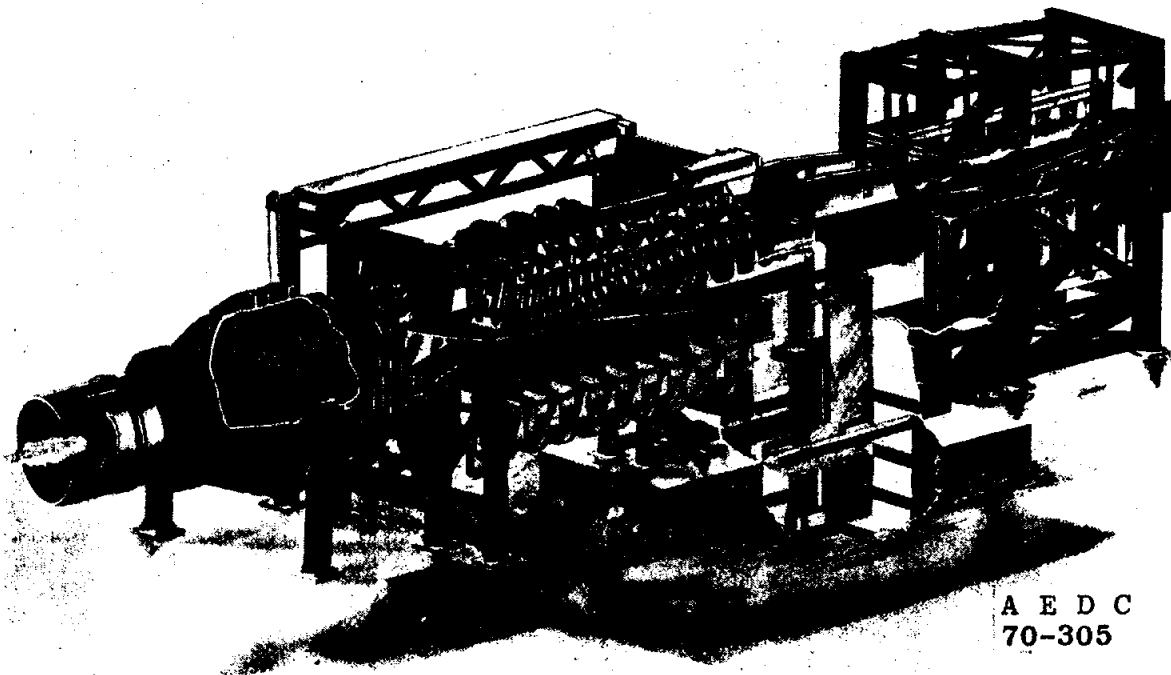
c. Radial Locations
 Fig. 9 Continued



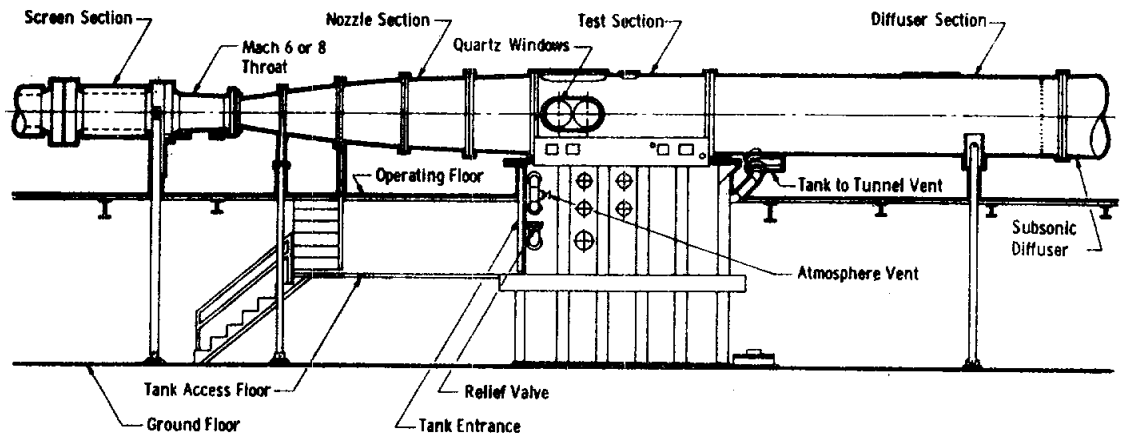
d. Upper Nose T/C Locations
 Fig. 9 Concluded



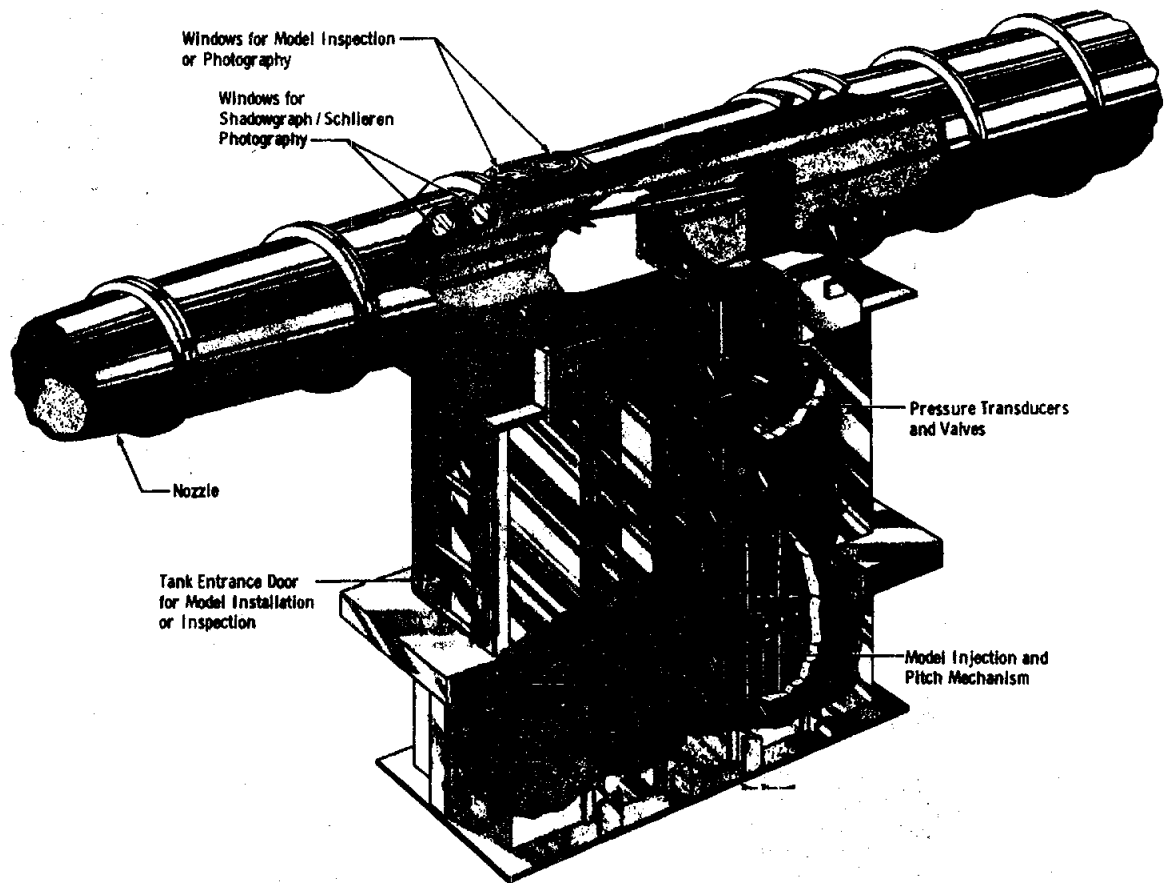
a. Tunnel assembly



b. Tunnel test section
Fig. 10 Tunnel A



a. Tunnel assembly



b. Tunnel test section
Fig. 11 Tunnel B

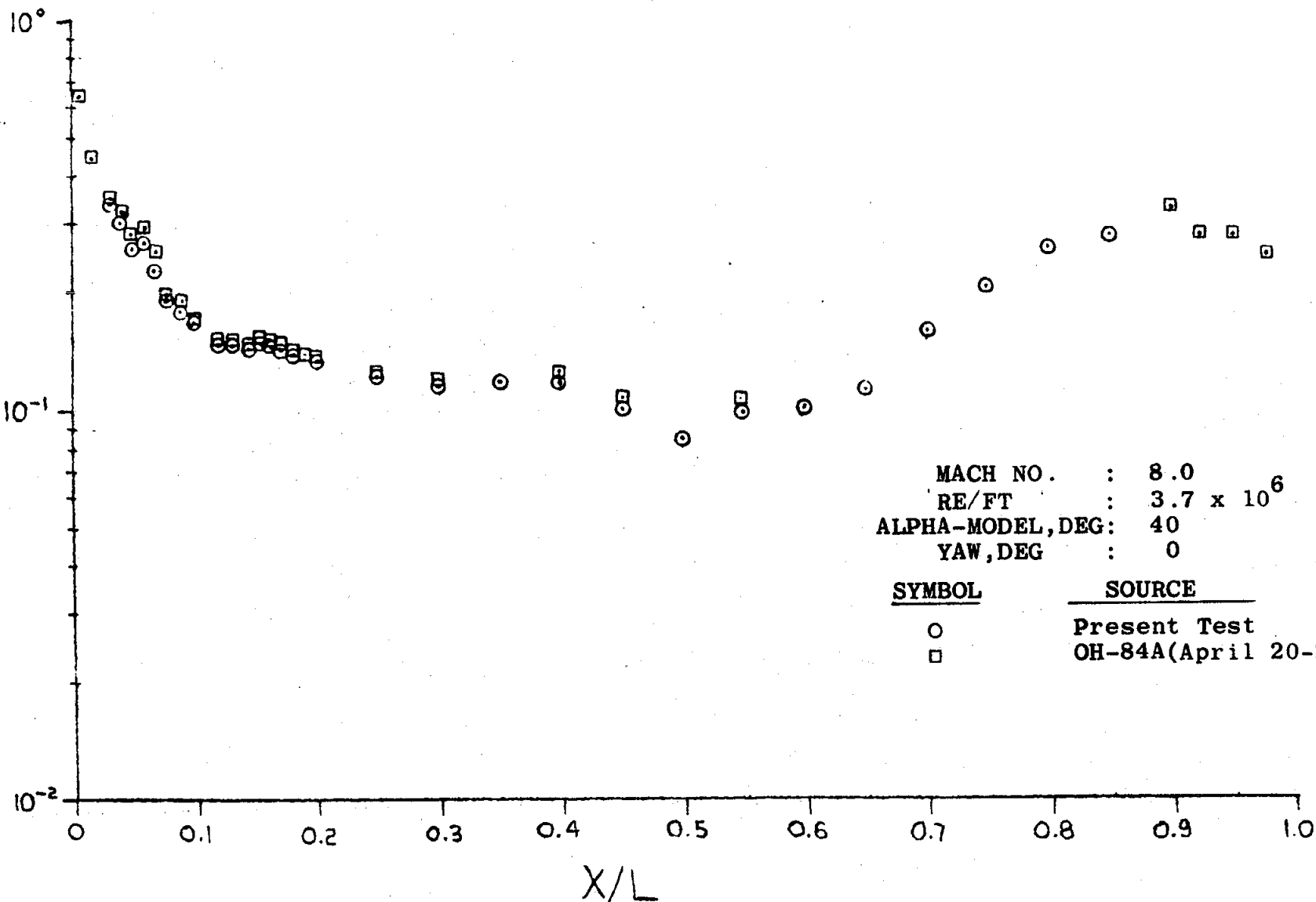
751
154 $H(0.9T_0)/H_{REF}$ 

Fig. 12 Comparison of Current and Previous Test Results

APPENDIX

TABULATED SOURCE DATA

MODEL	DATASET		TEST IDENTIFICATION					
	4TH CHARACTER*	COMPONENT DESCRIPTION	OH84B		OH105		IH102	
			VOL.	PAGES	VOL.	PAGES	VOL.	PAGES
60 ↓ 60 56 60 ↓ 60 ↓ 60 ↓ 60 83 ↓ 83	A	FUSELAGE	1	1-284	5	1-37	6	1-89
	B	FUSELAGE		285-444		38-62		-
	C	FUSELAGE		445-586		63-74		90-122
	D	LOWER NOSE		587-650		75-86		123-155
	E	LOWER NOSE		651-714		87-99		156-188
	F	LOWER MID FUSELAGE		715-778		100-111		-
	G	LOWER AFT FUSELAGE	2	779-874		112-124		-
	H	LOWER ELEVON FUSELAGE		875-970		-		-
	I	AFT FUSELAGE/ELEVON SPLITLINE		971-1126		125-137		189-221
	J	UPPER RH WING		1127-1281		138-149		222-252
	K	LOWER BODY FLAP		1282-1377		150-162		-
	L	BODYFLAP EDGE		1378-1473		163-175		-
	M	VERTICAL TAIL		1474-1535		176-187		253-257
	N	UPPER MID FUSELAGE		1536-1655		188-211		258-320
	O	UPPER RH WING	3	1656-1811		212-223		321-353
	P	WING MISC		1812-1907		224-236		354-386
	Q	WING LOWER SURFACE		1908-2228		237-274		-
	R	WING UPPER SURFACE		2229-2484		275-299		387-450
	S	OMS POD	4	2485-2618		300-323		451-516
	T	VERTICAL TAIL		2619-2752		324-347		550-615
U	SPEEDBRAKE CAVITY		2753-2756		-		-	
V	FUSELAGE		-		-		649-731	
W	WINDOWS		2757-2820		348-359		616-648	
X	OMS POD		2821-2887		360-371		517-549	
Y	SSME NOZZLE		2888-3079		-		-	
X	UPPER BODY FLAP		3080-3175		-		-	
1	ORBITER BASE		3176-3269		-		-	
2	CCL LINE		-		-		776-785	
3	FUSELAGE		-		-		756-775	
4	PILOT RT (X-SECT)		-		387-414		806-825	
5	TOP CENTERLINE		-		415-443		786-805	
6	MHB LINE		-		444-457		746-755	
7	BOTTOM CENTERLINE		-		458-471		732-745	
8	CANOPY		-		472-501		-	
9	UPPER RCS NOZZLES		-		502-516		-	
0	ESC HTCH + WINDOWS		-		372-386		-	

- *1. Some components are collated into separate groups due to different geometric descriptions of the thermocouples groupings.
2. In the tabulated data, the thermocouples numbered ###A appear as 2### and ###C appear as 1###.

OH84B 60-O UPPER RH WING

(R4U002)

UPPER RH WING

PARAMETRIC DATA

MACH = 8.000 ALPHA = 30.00 BETA = -4.000 ELEVON = .0000
 BDFLAP = .0000 SPDBRK = .0000

TEST CONDITIONS

RUN NUMBER	RN/L /FT X10 6	MACH	ALPHA DEG.	BETA DEG.	PO PSIA	TO DEG. R	T DEG. R	P PSIA	Q PSI	V FT/SEC	RHO SLUGS /FT3	MU LB-SEC /FT2
117	3.002	7.990	29.96	-4.030	671.8	1325.	96.21	.6938-01	3.100	3842.	.1946-02	.7742-07
RUN NUMBER	HREF BTU/ R FT2SEC	STN NO REF (R)										
117	.4356-01	.2340-01										

TEST DATA

RUN NUMBER	XO MS	2Y/BW	T/C NO	H/HREF R=1.0	H/HREF R=0.9	H/HREF R= TAW/TO	TAW/TO	H(TO) BTU/R FT2SEC	H(TAW) BTU/R FT2SEC	QDOT BTU/ FT2SEC	DTWDT DEG. R /SEC	TW DEG. R
117	24.036	.50000	460.00	.1674-02	.2018-02	.2018-02	.9000	.7292-04	.8789-04	.5672-01	.4506	546.9
117	24.036	.55000	461.00	.4066-02	.4903-02	.4903-02	.9000	.1771-03	.2136-03	.1375	1.002	548.4
117	24.036	.60000	462.00	.6991-02	.8298-02	.8298-02	.9000	.2997-03	.3615-03	.2325	1.781	549.1
117	24.036	.65000	463.00	.8625-02	.1040-01	.1040-01	.9000	.3757-03	.4529-03	.2919	2.239	547.6
117	24.036	.70000	464.00	.1234-01	.1489-01	.1489-01	.9000	.5375-03	.6495-03	.4159	3.078	550.9
117	24.036	.72500	465.00	.1362-01	.1642-01	.1642-01	.9000	.5933-03	.7153-03	.4608	3.533	548.1
117	24.036	.75000	466.00	.1551-01	.1870-01	.1870-01	.9000	.6755-03	.8144-03	.5244	4.318	548.3
117	24.036	.77500	467.00	.1697-01	.2047-01	.2047-01	.9000	.7390-03	.8915-03	.5722	5.295	550.3
117	24.036	.80000	468.00	.1844-01	.2224-01	.2224-01	.9000	.8031-03	.9686-03	.6227	5.764	549.3
117	24.036	.82500	469.00	.2090-01	.2521-01	.2521-01	.9000	.9104-03	.1098-02	.7054	6.529	549.8
117	24.036	.85000	470.00	.2355-01	.2853-01	.2853-01	.9000	.1030-02	.1243-02	.7984	7.095	549.7
117	24.036	.87500	471.00	.3691-01	.4457-01	.4457-01	.9000	.1608-02	.1941-02	1.238	10.56	554.3
117	24.036	.92500	472.00	.6888-01	.8368-01	.8368-01	.9000	.3001-02	.3645-02	2.248	18.26	575.6
117	24.036	.95000	277.00	.5810-01	.7056-01	.7056-01	.9000	.2531-02	.3073-02	1.899	16.67	574.3
117	24.036	.97500	473.00	.7934-01	.9687-01	.9687-01	.9000	.3456-02	.4220-02	2.529	27.49	592.9

DATE 23 FEB 80

OH84B MODEL 60-0 IN THE AEDC VKF HYPERSONIC TUNNEL

PAGE 1657

OH84B 60-0 UPPER RH WING

(R4U002)

UPPER RH WING

PARAMETRIC DATA

MACH = 8.000 ALPHA = 30.00 BETA = -4.000 ELEVON = .0000
 BDFLAP = .0000 SPDBRK = .0000

TEST CONDITIONS

RUN NUMBER	RN/L /FT X10 6	MACH	ALPHA DEG.	BETA DEG.	PO PSIA	TO DEG. R	T DEG. R	P PSIA	Q PSI	V FT/SEC	RHO SLUGS /FT3	MU LB-SEC /FT2
130	3.691	8.000	29.96	-4.050	853.4	1351.	97.87	.8742-01	3.916	3880.	.2411-02	.7876-07

RUN NUMBER	HREF BTU/ R FT2SEC	STN NO REF (R)
130	.4912-01	.2107-01

TEST DATA

RUN NUMBER	XO MS	2Y/BW	T/C NO	H/HREF R=1.0	H/HREF R=0.9	H/HREF R=TAW/TO	TAW/TO	H(TO) BTU/R FT2SEC	H(TAW) BTU/R FT2SEC	QDOT BTU/ FT2SEC	DTWDT DEG. R /SEC	TW DEG. R
130	24.036	.50000	460.00	.3294-02	.3969-02	.3969-02	.9000	.1618-03	.1950-03	.1284	1.015	557.1
130	24.036	.55000	461.00	.5687-02	.6856-02	.6856-02	.9000	.2794-03	.3368-03	.2214	1.606	558.2
130	24.036	.60000	462.00	.1092-01	.1317-01	.1317-01	.9000	.5366-03	.6472-03	.4241	3.232	560.2
130	24.036	.65000	463.00	.1269-01	.1530-01	.1530-01	.9000	.6234-03	.7516-03	.4935	3.762	559.0
130	24.036	.70000	464.00	.1906-01	.2301-01	.2301-01	.9000	.9363-03	.1130-02	.7375	5.424	563.0
130	24.036	.72500	465.00	.2090-01	.2520-01	.2520-01	.9000	.1027-02	.1238-02	.8121	6.190	559.6
130	24.036	.75000	466.00	.2108-01	.2542-01	.2542-01	.9000	.1036-02	.1249-02	.8190	6.704	559.8
130	24.036	.77500	467.00	.2176-01	.2625-01	.2625-01	.9000	.1069-02	.1289-02	.8430	7.756	561.8
130	24.036	.80000	468.00	.2346-01	.2830-01	.2830-01	.9000	.1152-02	.1390-02	.9099	8.374	561.1
130	24.036	.82500	469.00	.2747-01	.3314-01	.3314-01	.9000	.1349-02	.1628-02	1.064	9.786	562.1
130	24.036	.85000	470.00	.3036-01	.3663-01	.3663-01	.9000	.1491-02	.1799-02	1.176	10.38	562.0
130	24.036	.87500	471.00	.4833-01	.5844-01	.5844-01	.9000	.2374-02	.2871-02	1.853	15.67	570.0
130	24.036	.92500	472.00	.8008-01	.9766-01	.9766-01	.9000	.3934-02	.4797-02	2.952	23.69	600.2
130	24.036	.95000	277.00	.5907-01	.7190-01	.7190-01	.9000	.2902-02	.3532-02	2.197	19.10	593.6
130	24.036	.97500	473.00	.9032-01	.1107	.1107	.9000	.4437-02	.5436-02	3.258	35.02	616.3

DATE 23 FEB 80

OH84B MODEL 60-0 IN THE AEDC VKF HYPERSONIC TUNNEL

PAGE 1658

OH84B 60-0 UPPER RH WING

(R4U003)

UPPER RH WING

PARAMETRIC DATA

MACH = 8.000 ALPHA = 30.00 BETA = -2.000 ELEVON = .0000
 BDFLAP = .0000 SPDBRK = .0000

TEST CONDITIONS

RUN NUMBER	RN/L /FT X10 6	MACH	ALPHA DEG.	BETA DEG.	PO PSIA	TO DEG. R	T DEG. R	P PSIA	Q PSI	V FT/SEC	RHO SLUGS /FT3	MU LB-SEC /FT2
153	1.989	7.980	29.95	-2.020	434.7	1307.	95.13	.4526-01	2.017	3815.	.1284-02	.7655-07

RUN NUMBER	HREF BTU/ R FT2SEC	STN NO REF(R) = .0175
153	.3505-01	.2877-01

TEST DATA

RUN NUMBER	XO MS	ZY/BW	T/C NO	H/HREF R=1.0	H/HREF R=0.9	H/HREF R= TAW/TO	TAW/TO	H(TO) BTU/R FT2SEC	H(TAW) BTU/R FT2SEC	QDOT BTU/ FT2SEC	DTWDT DEG. R /SEC	TW DEG. R
153	24.036	.50000	460.00	.1031-02	.1245-02	.1245-02	.9000	.3613-04	.4363-04	.2748-01	.2184	546.1
153	24.036	.55000	461.00	.2437-02	.2944-02	.2944-02	.9000	.8544-04	.1032-03	.6489-01	.4732	547.2
153	24.036	.60000	462.00	.4231-02	.5111-02	.5111-02	.9000	.1483-03	.1791-03	.1125	.8627	547.9
153	24.036	.65000	463.00	.5220-02	.6304-02	.6304-02	.9000	.1830-03	.2210-03	.1390	1.066	546.9
153	24.036	.70000	464.00	.8341-02	.1008-01	.1008-01	.9000	.2924-03	.3534-03	.2214	1.639	549.5
153	24.036	.72500	465.00	.9740-02	.1177-01	.1177-01	.9000	.3414-03	.4124-03	.2592	1.987	547.6
153	24.036	.75000	466.00	.1126-01	.1360-01	.1360-01	.9000	.3947-03	.4768-03	.2995	2.466	547.9
153	24.036	.77500	467.00	.1352-01	.1634-01	.1634-01	.9000	.4740-03	.5729-03	.3587	3.320	549.9
153	24.036	.80000	468.00	.1507-01	.1822-01	.1822-01	.9000	.5283-03	.6385-03	.3998	3.701	549.9
153	24.036	.82500	469.00	.1646-01	.1989-01	.1989-01	.9000	.5769-03	.6974-03	.4364	4.038	550.3
153	24.036	.85000	470.00	.1619-01	.1957-01	.1957-01	.9000	.5674-03	.6859-03	.4294	3.815	550.0
153	24.036	.87500	471.00	.1991-01	.2407-01	.2407-01	.9000	.6979-03	.8436-03	.5280	4.511	550.1
153	24.036	.92500	472.00	.4837-01	.5871-01	.5871-01	.9000	.1696-02	.2058-02	1.258	10.27	564.9
153	24.036	.95000	277.00	.4482-01	.5440-01	.5440-01	.9000	.1571-02	.1907-02	1.166	10.28	564.7
153	24.036	.97500	473.00	.6194-01	.7540-01	.7540-01	.9000	.2171-02	.2643-02	1.590	17.44	574.5

DATE 23 FEB 80

OH84B MODEL 60-0 IN THE AEDC VKF HYPERSONIC TUNNEL

PAGE 1659

OH84B 60-0 UPPER RH WING

(R4U003)

UPPER RH WING

PARAMETRIC DATA

MACH = 8.000 ALPHA = 30.00 BETA = -2.000 ELEVON = .0000
 BDFLAP = .0000 SPDBRK = .0000

TEST CONDITIONS

RUN NUMBER	RN/L /FT	MACH	ALPHA DEG.	BETA DEG.	PO PSIA	TO DEG. R	T DEG. R	P PSIA	Q PSI	V FT/SEC	RHO SLUGS /FT3	MU LB-SEC /FT2
114	X10 6 3.016	7.990	29.95	-2.018	673.4	1323.	96.07	.6954-01	3.108	3839.	.1954-02	.7731-07
RUN NUMBER	HREF BTU/ R FT2SEC	STN NO REF (R)										
114	.4360-01	.2335-01	= .0175									

TEST DATA

RUN NUMBER	XO MS	2Y/BW	T/C NO	H/HREF R=1.0	H/HREF R=0.9	H/HREF R=TAW/TO	TAW/TO	H(TO) BTU/R FT2SEC	H(TAW) BTU/R FT2SEC	QDOT BTU/ FT2SEC	DTWDT DEG. R /SEC	TW DEG. R
114	24.036	.50000	460.00	.2258-02	.2721-02	.2721-02	.9000	.9846-04	.1186-03	.7657-01	.6089	545.0
114	24.036	.55000	461.00	.4238-02	.5107-02	.5107-02	.9000	.1848-03	.2227-03	.1435	1.047	545.9
114	24.036	.60000	462.00	.7981-02	.9622-02	.9622-02	.9000	.3480-03	.4195-03	.2700	2.071	546.8
114	24.036	.65000	463.00	.8532-02	.1028-01	.1028-01	.9000	.3720-03	.4482-03	.2893	2.222	544.9
114	24.036	.70000	464.00	.1309-01	.1579-01	.1579-01	.9000	.5709-03	.6885-03	.4421	3.276	548.2
114	24.036	.72500	465.00	.1441-01	.1736-01	.1736-01	.9000	.6281-03	.7568-03	.4885	3.751	545.0
114	24.036	.75000	466.00	.1631-01	.1965-01	.1965-01	.9000	.7111-03	.8568-03	.5530	4.561	545.0
114	24.036	.77500	467.00	.1930-01	.2327-01	.2327-01	.9000	.8416-03	.1015-02	.6523	6.045	547.5
114	24.036	.80000	468.00	.2163-01	.2607-01	.2607-01	.9000	.9430-03	.1137-02	.7318	6.784	546.7
114	24.036	.82500	469.00	.2329-01	.2808-01	.2808-01	.9000	.1015-02	.1224-02	.7868	7.290	547.8
114	24.036	.85000	470.00	.2451-01	.2955-01	.2955-01	.9000	.1068-02	.1288-02	.8277	7.362	548.0
114	24.036	.87500	471.00	.3082-01	.3717-01	.3717-01	.9000	.1344-02	.1621-02	1.041	8.902	548.0
114	24.036	.92500	472.00	.7018-01	.8523-01	.8523-01	.9000	.3060-02	.3716-02	2.293	18.65	573.2
114	24.036	.95000	277.00	.6414-01	.7789-01	.7789-01	.9000	.2796-02	.3396-02	2.095	18.39	573.6
114	24.036	.97500	473.00	.7345-01	.8958-01	.8958-01	.9000	.3202-02	.3905-02	2.353	25.65	587.8

OH84B 60-0 UPPER RH WING

(R4U003)

UPPER RH WING

PARAMETRIC DATA

MACH = 8.000 ALPHA = 30.00 BETA = -2.000 ELEVON = .0000
 BDFLAP = .0000 SPDBRK = .0000

TEST CONDITIONS

RUN NUMBER	RN/L /FT X10 6	MACH	ALPHA DEG.	BETA DEG.	PO PSIA	TO DEG. R	T DEG. R	P PSIA	Q PSI	V FT/SEC	RHO SLUGS /FT3	MU LB-SEC /FT2
127	3.689	8.000	29.96	-2.010	854.0	1352.	97.95	.8748-01	3.919	3881.	.2411-02	.7882-07
RUN NUMBER	HREF BTU/ R FT2SEC	STN NO REF (R)										
127	.4915-01	.2107-01										

TEST DATA

RUN NUMBER	XO MS	ZY/BW	T/C NO	H/HREF R=1.0	H/HREF R=0.9	H/HREF R=TAW/TO	TAW/TO	H(TO) BTU/R FT2SEC	H(TAW) BTU/R FT2SEC	QDOT BTU/ FT2SEC	DTWOT DEG. R /SEC	TW DEG. R
127	24.036	.50000	460.00	.3798-02	.4576-02	.4576-02	.9000	.1866-03	.2249-03	.1483	1.172	557.0
127	24.036	.55000	461.00	.6352-02	.7656-02	.7656-02	.9000	.3122-03	.3763-03	.2477	1.796	558.3
127	24.036	.60000	462.00	.1181-01	.1425-01	.1425-01	.9000	.5806-03	.7002-03	.4593	3.499	560.6
127	24.036	.65000	463.00	.1218-01	.1468-01	.1468-01	.9000	.5984-03	.7214-03	.4742	3.616	559.1
127	24.036	.70000	464.00	.1807-01	.2181-01	.2181-01	.9000	.8880-03	.1072-02	.7001	5.149	563.3
127	24.036	.72500	465.00	.2155-01	.2599-01	.2599-01	.9000	.1059-02	.1278-02	.8374	6.378	561.0
127	24.036	.75000	466.00	.2229-01	.2688-01	.2688-01	.9000	.1096-02	.1321-02	.8668	7.093	560.5
127	24.036	.77500	467.00	.2642-01	.3189-01	.3189-01	.9000	.1298-02	.1567-02	1.023	9.400	563.9
127	24.036	.80000	468.00	.2983-01	.3600-01	.3600-01	.9000	.1466-02	.1769-02	1.156	10.63	563.2
127	24.036	.82500	469.00	.3112-01	.3757-01	.3757-01	.9000	.1529-02	.1846-02	1.204	11.07	564.1
127	24.036	.85000	470.00	.3157-01	.3812-01	.3812-01	.9000	.1551-02	.1873-02	1.220	10.76	565.1
127	24.036	.87500	471.00	.4072-01	.4919-01	.4919-01	.9000	.2001-02	.2417-02	1.571	13.30	566.8
127	24.036	.92500	472.00	.7812-01	.9523-01	.9523-01	.9000	.3839-02	.4680-02	2.888	23.18	599.5
127	24.036	.95000	277.00	.6273-01	.7645-01	.7645-01	.9000	.3083-02	.3757-02	2.322	20.14	598.4
127	24.036	.97500	473.00	.8703-01	.1064	.1064	.9000	.4277-02	.5229-02	3.177	34.27	608.9

DATE 23 FEB 80

OH84B MODEL 60-0 IN THE AEDC VKF HYPERSONIC TUNNEL
OH84B 60-0 UPPER RH WING

PAGE 1661

(R4U004)

UPPER RH WING

PARAMETRIC DATA

MACH = 8.000 ALPHA = 30.00 BETA = -1.000 ELEVON = .0000
BDFLAP = .0000 SPDBRK = .0000

TEST CONDITIONS

RUN NUMBER	RN/L /FT X10 6	MACH	ALPHA DEG.	BETA DEG.	PO PSIA	TO DEG. R	T DEG. R	P PSIA	Q PSI	V FT/SEC	RHO SLUGS /FT3	MU LB-SEC /FT2
150	1.973	7.980	29.94	-1.005	435.5	1316.	95.78	.4534-01	2.021	3829.	.1278-02	.7708-07
RUN NUMBER	HREF BTU/ R FT2SEC	STN NO REF(R) =.0175										
150	.3513-01	.2886-01										

TEST DATA

RUN NUMBER	XO MS	2Y/BW	T/C NO	H/HREF R=1.0	H/HREF R=0.9	H/HREF R= TAW/TO	TAW/TO	H(TO) BTU/R FT2SEC	H(TAW) BTU/R FT2SEC	QDOT BTU/ FT2SEC	DTWDT DEG. R /SEC	TW DEG. R
150	24.036	.50000	460.00	.8205-03	.9885-03	.9885-03	.9000	.2882-04	.3472-04	.2232-01	.1778	541.4
150	24.036	.55000	461.00	.1812-02	.2183-02	.2183-02	.9000	.6365-04	.7669-04	.4924-01	.3600	542.0
150	24.036	.60000	462.00	.3665-02	.4417-02	.4417-02	.9000	.1288-03	.1552-03	.9958-01	.7856	542.3
150	24.036	.65000	463.00	.4550-02	.5481-02	.5481-02	.9000	.1598-03	.1925-03	.1239	.9532	540.7
150	24.036	.70000	464.00	.7554-02	.9105-02	.9105-02	.9000	.2654-03	.3198-03	.2050	1.523	543.2
150	24.036	.72500	465.00	.9091-02	.1095-01	.1095-01	.9000	.3194-03	.3848-03	.2472	1.901	541.6
150	24.036	.75000	466.00	.1104-01	.1331-01	.1331-01	.9000	.3880-03	.4675-03	.3002	2.480	541.9
150	24.036	.77500	467.00	.1371-01	.1652-01	.1652-01	.9000	.4815-03	.5804-03	.3716	3.450	543.8
150	24.036	.80000	468.00	.1495-01	.1802-01	.1802-01	.9000	.5251-03	.6330-03	.4055	3.764	543.6
150	24.036	.82500	469.00	.1563-01	.1884-01	.1884-01	.9000	.5491-03	.6619-03	.4240	3.936	543.6
150	24.036	.85000	470.00	.1433-01	.1727-01	.1727-01	.9000	.5033-03	.6066-03	.3891	3.470	542.6
150	24.036	.87500	471.00	.1775-01	.2140-01	.2140-01	.9000	.6237-03	.7516-03	.4822	4.135	542.5
150	24.036	.92500	472.00	.4608-01	.5573-01	.5573-01	.9000	.1619-02	.1958-02	1.230	10.08	556.0
150	24.036	.95000	477.00	.4333-01	.5241-01	.5241-01	.9000	.1522-02	.1841-02	1.156	10.24	556.4
150	24.036	.97500	473.00	.5793-01	.7028-01	.7028-01	.9000	.2035-02	.2469-02	1.524	16.78	567.0

OH84B 60-0 UPPER RH WING

(R4U004)

UPPER RH WING

PARAMETRIC DATA

MACH = 8.000 ALPHA = 30.00 BETA = -1.000 ELEVON = .0000
 BDFLAP = .0000 SPDBRK = .0000

TEST CONDITIONS

RUN NUMBER	RN/L /FT X10 6	MACH	ALPHA DEG.	BETA DEG.	PO PSIA	TO DEG. R	T DEG. R	P PSIA	Q PSI	V FT/SEC	RHO SLUGS /FT3	MU LB-SEC /FT2
111	2.999	7.990	29.94	-.9974	671.3	1325.	96.21	.6932-01	3.098	3842.	.1945-02	.7742-07
RUN NUMBER	HREF BTU/ R FT2SEC	STN NO REF (R)										
111	.4354-01	.2341-01										

TEST DATA

RUN NUMBER	XO MS	ZY/BW	T/C NO	H/HREF R=1.0	H/HREF R=0.9	H/HREF R= TAW/TO	TAW/TO	H(TO) BTU/R FT2SEC	H(TAW) BTU/R FT2SEC	QDOT BTU/ FT2SEC	DTWDT DEG. R /SEC	TW DEG. R
111	24.036	.50000	460.00	.2380-02	.2868-02	.2868-02	.9000	.1036-03	.1249-03	.8070-01	.6414	546.1
111	24.036	.55000	461.00	.4355-02	.5249-02	.5249-02	.9000	.1896-03	.2286-03	.1474	1.075	547.1
111	24.036	.60000	462.00	.7430-02	.8957-02	.8957-02	.9000	.3235-03	.3900-03	.2514	1.928	547.6
111	24.036	.65000	463.00	.8092-02	.9751-02	.9751-02	.9000	.3523-03	.4246-03	.2743	2.105	546.0
111	24.036	.70000	464.00	.1311-01	.1581-01	.1581-01	.9000	.5706-03	.6882-03	.4423	3.276	549.5
111	24.036	.72500	465.00	.1383-01	.1667-01	.1667-01	.9000	.6022-03	.7258-03	.4684	3.593	546.9
111	24.036	.75000	466.00	.1641-01	.1977-01	.1977-01	.9000	.7144-03	.8610-03	.5557	4.579	546.7
111	24.036	.77500	467.00	.2008-01	.2421-01	.2421-01	.9000	.8741-03	.1054-02	.6774	6.270	549.7
111	24.036	.80000	468.00	.2221-01	.2679-01	.2679-01	.9000	.9672-03	.1166-02	.7502	6.947	549.0
111	24.036	.82500	469.00	.2347-01	.2832-01	.2832-01	.9000	.1022-02	.1233-02	.7913	7.322	550.4
111	24.036	.85000	470.00	.2216-01	.2672-01	.2672-01	.9000	.9649-03	.1163-02	.7491	6.661	548.4
111	24.036	.87500	471.00	.2913-01	.3513-01	.3513-01	.9000	.1268-02	.1529-02	.9834	8.405	549.2
111	24.036	.92500	472.00	.6726-01	.8165-01	.8165-01	.9000	.2929-02	.3555-02	2.200	17.89	573.3
111	24.036	.95000	277.00	.5924-01	.7191-01	.7191-01	.9000	.2579-02	.3131-02	1.939	17.03	573.0
111	24.036	.97500	473.00	.7425-01	.9045-01	.9045-01	.9000	.3233-02	.3939-02	2.391	26.09	585.1

OH84B 60-0 UPPER RH WING

(R4U004)

UPPER RH WING

PARAMETRIC DATA

MACH = 8.000 ALPHA = 30.00 BETA = -1.000 ELEVON = .0000
 BDFLAP = .0000 SPOBRK = .0000

TEST CONDITIONS

RUN NUMBER	RN/L /FT X10 6	MACH	ALPHA DEG.	BETA DEG.	PO PSIA	TO DEG. R	T DEG. R	P PSIA	Q PSI	V FT/SEC	RHO SLUGS /FT3	MU LB-SEC /FT2
123	3.686	8.000	29.95	-.9857	853.2	1352.	97.95	.8740-01	3.915	3881.	.2408-02	.7882-07
RUN NUMBER	HREF BTU/ R FT2SEC	STN NO REF(R)										
123	.4912-01	.2108-01										

TEST DATA

RUN NUMBER	XO MS	ZY/BW	T/C NO	H/HREF R=1.0	H/HREF R=0.9	H/HREF R= TAW/TO	TAW/TO	H(TO) BTU/R FT2SEC	H(TAW) BTU/R FT2SEC	QDOT BTU/ FT2SEC	DTWDT DEG. R /SEC	TW DEG. R
123	24.036	.50000	460.00	.3575-02	.4303-02	.4303-02	.9000	.1756-03	.2114-03	.1404	1.112	552.3
123	24.036	.55000	461.00	.6788-02	.8172-02	.8172-02	.9000	.3334-03	.4014-03	.2660	1.933	553.9
123	24.036	.60000	462.00	.1238-01	.1492-01	.1492-01	.9000	.6084-03	.7328-03	.4845	3.701	555.3
123	24.036	.65000	463.00	.1231-01	.1481-01	.1481-01	.9000	.6045-03	.7277-03	.4828	3.692	553.0
123	24.036	.70000	464.00	.1814-01	.2186-01	.2186-01	.9000	.8913-03	.1074-02	.7083	5.225	557.0
123	24.036	.72500	465.00	.2197-01	.2646-01	.2646-01	.9000	.1079-02	.1300-02	.8598	6.569	555.1
123	24.036	.75000	466.00	.2359-01	.2841-01	.2841-01	.9000	.1159-02	.1396-02	.9245	7.590	554.1
123	24.036	.77500	467.00	.2912-01	.3510-01	.3510-01	.9000	.1431-02	.1724-02	1.135	10.46	558.2
123	24.036	.80000	468.00	.3323-01	.4005-01	.4005-01	.9000	.1632-02	.1967-02	1.296	11.94	558.0
123	24.036	.82500	469.00	.3302-01	.3981-01	.3981-01	.9000	.1622-02	.1956-02	1.286	11.84	559.2
123	24.036	.85000	470.00	.3021-01	.3641-01	.3641-01	.9000	.1484-02	.1788-02	1.180	10.44	556.9
123	24.036	.87500	471.00	.4027-01	.4857-01	.4857-01	.9000	.1978-02	.2386-02	1.566	13.30	560.4
123	24.036	.92500	472.00	.7779-01	.9465-01	.9465-01	.9000	.3821-02	.4650-02	2.899	23.34	593.0
123	24.036	.95000	277.00	.6210-01	.7554-01	.7554-01	.9000	.3050-02	.3711-02	2.317	20.16	592.0
123	24.036	.97500	473.00	.8609-01	.1051	.1051	.9000	.4229-02	.5163-02	3.161	34.18	604.1

OH848 60-0 UPPER RH WING

(R4U006)

UPPER RH WING

PARAMETRIC DATA

MACH = 8.000 ALPHA = 30.00 BETA = .0000 ELEVON = .0000
 BDFLAP = .0000 SPDBRK = .0000

TEST CONDITIONS

RUN NUMBER	RN/L /FT X10 6	MACH	ALPHA DEG.	BETA DEG.	PO PSIA	TO DEG. R	T DEG. R	P PSIA	Q PSI	V FT/SEC	RHO SLUGS /FT3	MU LB-SEC /FT2
11	.5125	7.900	29.95	.4910-02	100.6	1239.	91.88	.1118-01	.4884	3712.	.3284-03	.7393-07
RUN NUMBER	HREF BTU/ R FT2SEC	STN NO REF (R) = .0175										
11	.1709-01	.5657-01										

TEST DATA

RUN NUMBER	XO MS	ZY/BW	T/C NO	H/HREF R=1.0	H/HREF R=0.9	H/HREF R= TAW/TO	TAW/TO	H(TO) BTU/R FT2SEC	H(TAW) BTU/R FT2SEC	QDOT BTU/ FT2SEC	DTWDT DEG. R /SEC	TW DEG. R
11	24.036	.50000	460.00	.7309-03	.8887-03	.8887-03	.9000	.1249-04	.1519-04	.8713-02	.6943-01	541.1
11	24.036	.55000	461.00	.9400-03	.1143-02	.1143-02	.9000	.1606-04	.1954-04	.1119-01	.8186-01	541.8
11	24.036	.60000	462.00	.9211-03	.1120-02	.1120-02	.9000	.1574-04	.1914-04	.1097-01	.8435-01	541.9
11	24.036	.65000	463.00	.8793-03	.1069-02	.1069-02	.9000	.1503-04	.1827-04	.1049-01	.8076-01	540.4
11	24.036	.70000	464.00	.1859-02	.2262-02	.2262-02	.9000	.3176-04	.3865-04	.2206-01	.1638	544.2
11	24.036	.72500	465.00	.3345-02	.4069-02	.4069-02	.9000	.5716-04	.6953-04	.3978-01	.3058	542.7
11	24.036	.75000	466.00	.4866-02	.5921-02	.5921-02	.9000	.8315-04	.1012-03	.5778-01	.4768	543.8
11	24.036	.77500	467.00	.5932-02	.7222-02	.7222-02	.9000	.1014-03	.1234-03	.7033-01	.6525	545.0
11	24.036	.80000	468.00	.6618-02	.8056-02	.8056-02	.9000	.1131-03	.1377-03	.7845-01	.7278	545.0
11	24.036	.82500	469.00	.6705-02	.8163-02	.8163-02	.9000	.1146-03	.1395-03	.7946-01	.7372	545.2
11	24.036	.85000	470.00	.4227-02	.5146-02	.5146-02	.9000	.7224-04	.8794-04	.5011-01	.4463	545.0
11	24.036	.87500	471.00	.2651-02	.3226-02	.3226-02	.9000	.4530-04	.5514-04	.3144-01	.2693	544.6
11	24.036	.92500	472.00	.7543-02	.9187-02	.9187-02	.9000	.1289-03	.1570-03	.8927-01	.7358	546.2
11	24.036	.95000	277.00	.9919-02	.1208-01	.1208-01	.9000	.1695-03	.2065-03	.1172	1.043	547.3
11	24.036	.97500	473.00	.2030-01	.2475-01	.2475-01	.9000	.3470-03	.4230-03	.2392	2.657	549.4

DATE 23 FEB 80

OH84B MODEL 60-0 IN THE AEDC VKF HYPERSONIC TUNNEL

PAGE 1665

OH84B 60-0 UPPER RH WING

(R4U006)

UPPER RH WING

PARAMETRIC DATA

MACH = 8.000 ALPHA = 30.00° BETA = .0000 ELEVON = .0000
 BDFLAP = .0000 SPDBRK = .0000

TEST CONDITIONS

RUN NUMBER	RN/L /FT X10 6	MACH	ALPHA DEG.	BETA DEG.	PO PSIA	TO DEG. R	T DEG. R	P PSIA	Q PSI	V FT/SEC	RHO SLUGS /FT3	MU LB-SEC /FT2
48	1.981	7.980	29.96	.2453-02	434.4	1310.	95.35	.4522-01	2.016	3820.	.1280-02	.7672-07

RUN NUMBER	HREF BTU/ R FT2SEC	STN NO REF (P) = .0175
48	.3505-01	.2882-01

TEST DATA

RUN NUMBER	XO MS	ZY/BW	T/C NO	H/HREF R=1.0	H/HREF R=0.9	H/HREF R= TAW/TO	TAW/TO	H(TO) BTU/R FT2SEC	H(TAW) BTU/R FT2SEC	QDOT BTU/ FT2SEC	DTWDT DEG. R /SEC	TW DEG. R
48	24.036	.50000	460.00	.8607-03	.1038-02	.1038-02	.9000	.3017-04	.3638-04	.2316-01	.1844	542.2
48	24.036	.55000	461.00	.1503-02	.1813-02	.1813-02	.9000	.5269-04	.6354-04	.4040-01	.2952	543.0
48	24.036	.60000	462.00	.2326-02	.2806-02	.2806-02	.9000	.8155-04	.9836-04	.6251-01	.4804	543.2
48	24.036	.65000	463.00	.4354-02	.5249-02	.5249-02	.9000	.1526-03	.1840-03	.1172	.9015	541.7
48	24.036	.70000	464.00	.6167-02	.7440-02	.7440-02	.9000	.2162-03	.2608-03	.1656	1.230	543.8
48	24.036	.72500	465.00	.8803-02	.1062-01	.1062-01	.9000	.3086-03	.3721-03	.2366	1.819	542.8
48	24.036	.75000	466.00	.1054-01	.1271-01	.1271-01	.9000	.3694-03	.4455-03	.2832	2.338	543.0
48	24.036	.77500	467.00	.1252-01	.1486-01	.1486-01	.9000	.4318-03	.5211-03	.3303	3.065	544.8
48	24.036	.80000	468.00	.1347-01	.1626-01	.1626-01	.9000	.4723-03	.5699-03	.3613	3.352	544.7
48	24.036	.82500	469.00	.1342-01	.1620-01	.1620-01	.9000	.4705-03	.5677-03	.3601	3.342	544.5
48	24.036	.85000	470.00	.1080-01	.1302-01	.1302-01	.9000	.3786-03	.4566-03	.2903	2.589	540.9
48	24.036	.87500	471.00	.1327-01	.1600-01	.1600-01	.9000	.4651-03	.5609-03	.3565	3.056	543.1
48	24.036	.92500	472.00	.3437-01	.4153-01	.4153-01	.9000	.1205-02	.1456-02	.9149	7.525	550.3
48	24.036	.95000	277.00	.3324-01	.4019-01	.4019-01	.9000	.1165-02	.1409-02	.8827	7.834	552.2
48	24.036	.97500	473.00	.5525-01	.6710-01	.6710-01	.9000	.1937-02	.2352-02	1.437	15.82	567.8

DATE 23 FEB 80

OH84B MODEL 60-0 IN THE AEDC VKF HYPERSONIC TUNNEL

PAGE 1666

OH84B 60-0 UPPER RH WING

(R4U006)

UPPER RH WING

PARAMETRIC DATA

MACH = 8.000 ALPHA = 30.00 BETA = .0000 ELEVON = .0000
 BDFLAP = .0000 SPDBRK = .0000

TEST CONDITIONS

RUN NUMBER	RN/L /F1 X10 6	MACH	ALPHA DEG.	BETA DEG.	PO PSIA	TO DEG. R	T DEG. R	P PSIA	Q PSI	V FT/SEC	RHO SLUGS /FT3	MU LB-SEC /FT2
77	3.028	7.990	29.98	-.2446-02	670.1	1315.	95.49	.6920-01	3.092	3827.	.1956-02	.7684-07
RUN NUMBER	HREF BTU/ R FT2SEC	STN NO REF (R) =.0175										
77	.4345-01	.2332-01										

TEST DATA

RUN NUMBER	XO MS	2Y/BW	T/C NO	H/HREF R=1.0	H/HREF R=0.9	H/HREF R= TAW/TO	TAW/TO	H(TO) BTU/R FT2SEC	H(TAW) BTU/R FT2SEC	QDCT BTU/ FT2SEC	DTWDT DEG. R /SEC	TH DEG. R
77	24.036	.50000	460.00	.1995-02	.2407-02	.2407-02	.9000	.8668-04	.1046-03	.6661-01	.5294	546.2
77	24.036	.55000	461.00	.4183-02	.5048-02	.5048-02	.9000	.1817-03	.2193-03	.1394	1.016	547.6
77	24.036	.60000	462.00	.6652-02	.8030-02	.8030-02	.9000	.2890-03	.3489-03	.2215	1.698	548.2
77	24.036	.65000	463.00	.7472-02	.9013-02	.9013-02	.9000	.3246-03	.3916-03	.2495	1.915	546.0
77	24.036	.70000	464.00	.1117-01	.1349-01	.1349-01	.9000	.4854-03	.5861-03	.3715	2.751	549.4
77	24.036	.72500	465.00	.1413-01	.1706-01	.1706-01	.9000	.6139-03	.7412-03	.4701	3.602	548.9
77	24.036	.75000	466.00	.1532-01	.1849-01	.1849-01	.9000	.6654-03	.8033-03	.5096	4.195	548.8
77	24.036	.77500	467.00	.1867-01	.2255-01	.2255-01	.9000	.8109-03	.9797-03	.6188	5.722	551.6
77	24.036	.80000	468.00	.2040-01	.2464-01	.2464-01	.9000	.8861-03	.1070-02	.6765	6.257	551.2
77	24.036	.82500	469.00	.2138-01	.2584-01	.2584-01	.9000	.9291-03	.1123-02	.7082	6.546	552.4
77	24.036	.85000	470.00	.1985-01	.2397-01	.2397-01	.9000	.8623-03	.1041-02	.6590	5.854	550.4
77	24.036	.87500	471.00	.2525-01	.3050-01	.3050-01	.9000	.1097-02	.1325-02	.8376	7.151	551.1
77	24.036	.92500	472.00	.5907-01	.7170-01	.7170-01	.9000	.2566-02	.3115-02	1.916	15.62	568.3
77	24.036	.95000	277.00	.5170-01	.6272-01	.6272-01	.9000	.2246-02	.2725-02	1.680	14.80	566.6
77	24.036	.97500	473.00	.5089-01	.6194-01	.6194-01	.9000	.2211-02	.2691-02	1.629	17.84	577.8

DATE 23 FEB 80

OH84B MODEL 60-0 IN THE AEDC VKF HYPERSONIC TUNNEL

PAGE 1667

OH84B 60-0 UPPER RH WING

(R40005)

UPPER RH WING

PARAMETRIC DATA

MACH = 8.000 ALPHA = 30.00 BETA = .0000 ELEVON = .0000
 BDFLAP = .0000 SPDBRK = .0000

TEST CONDITIONS

RUN NUMBER	RN/L /FT X10 6	MACH	ALPHA DEG.	BETA DEG.	PO PSIA	TO DEG. R	T DEG. R	P PSIA	Q PSI	V FT/SEC	RHO SLUGS /FT3	MU LB-SEC /FT2
120	3.698	8.000	29.97	.7342-02	853.1	1349	97.73	.8738-01	3.915	3877.	.2413-02	.7864-07

RUN NUMBER	HREF BTU/ R FT2SEC	STN NO REF (R)
120	.4910-01	.2105-01

TEST DATA

RUN NUMBER	XO MS	ZY/BW	T/C NO	H/HREF R=1.0	H/HREF R=0.9	H/HREF R=TAW/TO	TAW/TO	H(TO) BTU/R FT2SEC	H(TAW) BTU/R FT2SEC	QDOT BTU/ FT2SEC	DTHOT DEG. R /SEC	TW DEG. R
120	24.036	.50000	460.00	.4052-02	.4879-02	.4879-02	.9000	.1990-03	.2395-03	.1584	1.255	552.6
120	24.036	.55000	461.00	.7272-02	.8759-02	.8759-02	.9000	.3571-03	.4301-03	.2837	2.061	554.2
120	24.036	.60000	462.00	.1253-01	.1510-01	.1510-01	.9000	.6153-03	.7414-03	.4879	3.726	555.7
120	24.036	.65000	463.00	.1277-01	.1537-01	.1537-01	.9000	.6268-03	.7549-03	.4983	3.809	553.7
120	24.036	.70000	464.00	.1846-01	.2225-01	.2225-01	.9000	.9064-03	.1093-02	.7170	5.288	557.7
120	24.036	.72500	465.00	.2096-01	.2525-01	.2525-01	.9000	.1029-02	.1240-02	.8160	6.233	555.6
120	24.036	.75000	466.00	.1901-01	.2290-01	.2290-01	.9000	.9336-03	.1124-02	.7421	6.093	553.8
120	24.036	.77500	467.00	.2849-01	.3436-01	.3436-01	.9000	.1399-02	.1687-02	1.105	10.18	558.9
120	24.036	.80000	468.00	.3254-01	.3924-01	.3924-01	.9000	.1598-02	.1927-02	1.262	11.62	559.0
120	24.036	.82500	469.00	.2935-01	.3539-01	.3539-01	.9000	.1441-02	.1738-02	1.139	10.50	558.4
120	24.036	.85000	470.00	.2712-01	.3269-01	.3269-01	.9000	.1332-02	.1605-02	1.056	9.349	556.1
120	24.036	.87500	471.00	.3881-01	.4683-01	.4683-01	.9000	.1906-02	.2299-02	1.502	12.76	560.6
120	24.036	.92500	472.00	.7509-01	.9128-01	.9128-01	.9000	.3687-02	.4482-02	2.803	22.62	588.4
120	24.036	.95000	277.00	.6062-01	.7366-01	.7366-01	.9000	.2976-02	.3617-02	2.267	19.78	586.9
120	24.036	.97500	473.00	.8099-01	.9885-01	.9885-01	.9000	.3977-02	.4854-02	2.968	32.11	602.3

OH84B 60-0 UPPER RH WING

(R4U008)

UPPER RH WING

PARAMETRIC DATA

MACH = 8.000 ALPHA = 30.00 BETA = 1.000 ELEVON = .0000
 BDFLAP = .0000 SPDBRK = .0000

TEST CONDITIONS

RUN NUMBER	RN/L /FT X10 6	MACH	ALPHA DEG.	BETA DEG.	PO PSIA	TO DEG. R	T DEG. R	P PSIA	Q PSI	V FT/SEC	RHO SLUGS /FT3	MU LB-SEC /FT2
51	2.021	7.980	29.94	1.035	434.5	1293.	94.11	.4523-01	2.016	3795.	.1297-02	.7573-07
RUN NUMBER	HREF BTU/ R FT2SEC	STN NO REF(R) = .0175										
51	.3498-01	.2859-01										

TEST DATA

RUN NUMBER	XO MS	2Y/BW	T/C NO	H/HREF R=1.0	H/HREF R=0.9	H/HREF R= TAW/TO	TAW/TO	H(TO) BTU/R FT2SEC	H(TAW) BTU/R FT2SEC	QDOT BTU/ FT2SEC	DTWDT DEG. R /SEC	TW DEG. R
51	24.036	.50000	460.00	.9829-03	.1187-02	.1187-02	.9000	.3438-04	.4153-04	.2582-01	.2057	541.5
51	24.036	.55000	461.00	.1831-02	.2211-02	.2211-02	.9000	.6403-04	.7736-04	.4806-01	.3514	542.1
51	24.036	.60000	462.00	.2488-02	.3006-02	.3006-02	.9000	.8703-04	.1051-03	.6533-01	.5024	542.0
51	24.036	.65000	463.00	.4347-02	.5248-02	.5248-02	.9000	.1520-03	.1836-03	.1144	.8808	540.1
51	24.036	.70000	464.00	.6754-02	.8160-02	.8160-02	.9000	.2363-03	.2854-03	.1773	1.318	542.3
51	24.036	.72500	465.00	.9589-02	.1158-01	.1158-01	.9000	.3354-03	.4051-03	.2521	1.940	541.1
51	24.036	.75000	466.00	.1096-01	.1323-01	.1323-01	.9000	.3833-03	.4629-03	.2881	2.380	541.1
51	24.036	.77500	467.00	.1457-01	.1760-01	.1760-01	.9000	.5096-03	.6157-03	.3820	3.548	543.0
51	24.036	.80000	468.00	.1445-01	.1745-01	.1745-01	.9000	.5053-03	.6104-03	.3792	3.523	542.2
51	24.036	.82500	469.00	.1202-01	.1451-01	.1451-01	.9000	.4203-03	.5075-03	.3161	2.940	540.5
51	24.036	.85000	470.00	.1028-01	.1241-01	.1241-01	.9000	.3596-03	.4341-03	.2708	2.419	539.6
51	24.036	.87500	471.00	.1309-01	.1580-01	.1580-01	.9000	.4580-03	.5528-03	.3450	2.963	539.4
51	24.036	.92500	472.00	.3495-01	.4227-01	.4227-01	.9000	.1222-02	.1479-02	.9115	7.510	547.0
51	24.036	.95000	277.00	.3375-01	.4085-01	.4085-01	.9000	.1181-02	.1429-02	.8779	7.804	549.0
51	24.036	.97500	473.00	.5882-01	.7155-01	.7155-01	.9000	.2057-02	.2503-02	1.494	16.46	566.4

DATE 23 FEB 80

OH84B MODEL 60-0 IN THE AEDC VKF HYPERSONIC TUNNEL

PAGE 1689

OH84B 60-0 UPPER RH WING

(R4U010)

UPPER RH WING

PARAMETRIC DATA

MACH = 8.000 ALPHA = 30.00 BETA = 2.000 ELEVON = .0000
 BDFLAP = .0000 SPDBRK = .0000

TEST CONDITIONS

RUN NUMBER	RN/L /FT X10 6	MACH	ALPHA DEG.	BETA DEG.	PO PSIA	TO DEG. R	T DEG. R	P PSIA	Q PSI	V FT/SEC	RHO SLUGS /FT3	MU LB-SEC /FT2
55	2.000	7.980	29.95	2.036	435.1	1303.	94.84	.4530-01	2.019	3810.	.1289-02	.7631-07
RUN NUMBER	HREF BTU/ R FT2SEC	STN NO REF (R)										
55	.3505-01	.2870-01										

TEST DATA

RUN NUMBER	XO MS	ZY/BW	T/C NO	H/HREF R=1.0	H/HREF R=0.9	H/HREF R= TAW/TO	TAW/TO	H(TO) BTU/R FT2SEC	H(TAW) BTU/R FT2SEC	QDOT BTU/ FT2SEC	DTWDT DEG. R /SEC	TW DEG. R
55	24.036	.50000	460.00	.1478-02	.1782-02	.1782-02	.9000	.5180-04	.6247-04	.3951-01	.3150	539.9
55	24.036	.55000	461.00	.2119-02	.2557-02	.2557-02	.9000	.7429-04	.8961-04	.5659-01	.4140	540.9
55	24.036	.60000	462.00	.2968-02	.3580-02	.3580-02	.9000	.1040-03	.1255-03	.7919-01	.6092	541.3
55	24.036	.65000	463.00	.4907-02	.5919-02	.5919-02	.9000	.1720-03	.2075-03	.1311	1.009	540.3
55	24.036	.70000	464.00	.7422-02	.8960-02	.8960-02	.9000	.2601-03	.3141-03	.1974	1.466	543.9
55	24.036	.72500	465.00	.9850-02	.1189-01	.1189-01	.9000	.3453-03	.4166-03	.2625	2.019	542.3
55	24.036	.75000	466.00	.1349-01	.1628-01	.1628-01	.9000	.4727-03	.5706-03	.3587	2.960	543.8
55	24.036	.77500	467.00	.1543-01	.1864-01	.1864-01	.9000	.5408-03	.6532-03	.4095	3.798	545.6
55	24.036	.80000	468.00	.1442-01	.1741-01	.1741-01	.9000	.5053-03	.6101-03	.3831	3.555	544.5
55	24.036	.82500	469.00	.1237-01	.1493-01	.1493-01	.9000	.4334-03	.5232-03	.3289	3.054	543.7
55	24.036	.85000	470.00	.1093-01	.1320-01	.1320-01	.9000	.3833-03	.4626-03	.2911	2.596	543.0
55	24.036	.87500	471.00	.1359-01	.1640-01	.1640-01	.9000	.4764-03	.5750-03	.3619	3.103	543.0
55	24.036	.92500	472.00	.3538-01	.4279-01	.4279-01	.9000	.1240-02	.1500-02	.9323	7.666	550.9
55	24.036	.95000	277.00	.3333-01	.4035-01	.4035-01	.9000	.1168-02	.1414-02	.8755	7.765	553.3
55	24.036	.97500	473.00	.6175-01	.7514-01	.7514-01	.9000	.2164-02	.2634-02	1.581	17.37	572.0

DATE 23 FEB 80

OH84B MODEL 60-0 IN THE AEDC VKF HYPERSONIC TUNNEL

PAGE 1670

OH84B 60-0 UPPER RH WING

(R4U011)

UPPER RH WING

PARAMETRIC DATA

MACH = 8.000 ALPHA = 35.00 BETA = -4.000 ELEVON = .0000
 BDFLAP = .0000 SPOBRK = .0000

TEST CONDITIONS

RUN NUMBER	RN/L /FT X10 6	MACH	ALPHA DEG.	BETA DEG.	PO PSIA	TO DEG. R	T DEG. R	P PSIA	Q PSI	V FT/SEC	RHO SLUGS /FT3	MU LB-SEC /FT2
165	2.002	7.980	34.98	-4.052	435.0	1302.	94.76	.4529-01	2.019	3908.	.1290-02	.7626-07
RUN NUMBER	HREF BTU/ R FT2SEC	STN NO REF(R) = .0175										
165	.3504-01	.2869-01										

TEST DATA

RUN NUMBER	XO MS	ZY/BW	T/C NO	H/HREF R=1.0	H/HREF R=0.9	H/HREF R= TAW/TO	TAW/TO	H(TO) BTU/R FT2SEC	H(TAW) BTU/R FT2SEC	QDOT BTU/ FT2SEC	DTWDT DEG. R /SEC	TW DEG. R
165	24.036	.50000	460.00	.1033-02	.1251-02	.1251-02	.9000	.3620-04	.4382-04	.2709-01	.2145	553.3
165	24.036	.55000	461.00	.2773-02	.3358-02	.3358-02	.9000	.9716-04	.1177-03	.7253-01	.5268	555.1
165	24.036	.60000	462.00	.6061-02	.7344-02	.7344-02	.9000	.2124-03	.2574-03	.1582	1.207	556.9
165	24.036	.65000	463.00	.8662-02	.1050-01	.1050-01	.9000	.3035-03	.3679-03	.2260	1.725	557.2
165	24.036	.70000	464.00	.1247-01	.1512-01	.1512-01	.9000	.4368-03	.5300-03	.3234	2.381	561.3
165	24.036	.72500	465.00	.1490-01	.1806-01	.1806-01	.9000	.5220-03	.6330-03	.3875	2.954	559.4
165	24.036	.75000	466.00	.1717-01	.2083-01	.2083-01	.9000	.6018-03	.7301-03	.4457	3.646	561.0
165	24.036	.77500	467.00	.1669-01	.2025-01	.2025-01	.9000	.5948-03	.7097-03	.4323	3.976	562.4
165	24.036	.80000	468.00	.1909-01	.2316-01	.2316-01	.9000	.6688-03	.8116-03	.4948	4.552	561.9
165	24.036	.82500	469.00	.2008-01	.2437-01	.2437-01	.9000	.7037-03	.8540-03	.5205	4.788	562.0
165	24.036	.85000	470.00	.2262-01	.2744-01	.2744-01	.9000	.7925-03	.9617-03	.5865	5.181	561.6
165	24.036	.87500	471.00	.3375-01	.4101-01	.4101-01	.9000	.1183-02	.1437-02	.8697	7.369	566.3
165	24.036	.92500	472.00	.7273-01	.8894-01	.8894-01	.9000	.2549-02	.3117-02	1.820	14.69	587.5
165	24.036	.95000	277.00	.5306-01	.6480-01	.6480-01	.9000	.1859-02	.2271-02	1.336	11.67	583.2
165	24.036	.97500	473.00	.7763-01	.9564-01	.9564-01	.9000	.2720-02	.3351-02	1.881	20.27	610.4

DATE 23 FEB 80

OH84B MODEL 60-0 IN THE AEDC VKF HYPERSONIC TUNNEL

PAGE 1671

OH84B 60-0 UPPER RH WING

(R4U011)

UPPER RH WING

PARAMETRIC DATA

MACH = 8.000 ALPHA = 35.00 BETA = -4.000 ELEVON = .0000
 BDFLAP = .0000 SPDBRK = .0000

TEST CONDITIONS

RUN NUMBER	RN/L /FT X10 6	MACH	ALPHA DEG.	BETA DEG.	PO PSIA	TO DEG. R	T DEG. R	P PSIA	Q PSI	V FT/SEC	RHO SLUGS /FT3	MU LB-SEC /FT2
108	2.984	7.990	34.98	-4.050	670.1	1328.	96.43	.6920-01	3.092	3846.	.1937-02	.7760-07

RUN NUMBER	HREF BTU/ R FT2SEC	STN NO REF (R) = .0175
108	.4352-01	.2346-01

TEST DATA

RUN NUMBER	XO MS	2Y/BW	T/C NO	H/HREF R=1.0	H/HREF R=0.9	H/HREF R= TAW/TO	TAW/TO	H(TO) BTU/R FT2SEC	H(TAW) BTU/R FT2SEC	QDOT BTU/ FT2SEC	DTWOT DEG. R /SEC	TW DEG. R
108	24.036	.50000	460.00	.2982-02	.3474-02	.3474-02	.9000	.1254-03	.1512-03	.9762-01	.7746	549.3
108	24.036	.55000	461.00	.5288-02	.6378-02	.6378-02	.9000	.2301-03	.2776-03	.1788	1.301	550.8
108	24.036	.60000	462.00	.9695-02	.1170-01	.1170-01	.9000	.4219-03	.5090-03	.3273	2.504	552.0
108	24.036	.65000	463.00	.1310-01	.1580-01	.1580-01	.9000	.5703-03	.6878-03	.4429	3.390	551.0
108	24.036	.70000	464.00	.1957-01	.2363-01	.2363-01	.9000	.8518-03	.1029-02	.6580	4.859	555.2
108	24.036	.72500	465.00	.2004-01	.2418-01	.2418-01	.9000	.8722-03	.1052-02	.6762	5.173	552.4
108	24.036	.75000	466.00	.2133-01	.2573-01	.2573-01	.9000	.9281-03	.1120-02	.7196	5.913	552.3
108	24.036	.77500	467.00	.2172-01	.2623-01	.2623-01	.9000	.9454-03	.1142-02	.7307	6.746	554.9
108	24.036	.80000	468.00	.2245-01	.2709-01	.2709-01	.9000	.9770-03	.1179-02	.7566	6.991	553.2
108	24.036	.82500	469.00	.2364-01	.2852-01	.2852-01	.9000	.1029-02	.1241-02	.7978	7.375	552.3
108	24.036	.85000	470.00	.2542-01	.3066-01	.3066-01	.9000	.1106-02	.1335-02	.8587	7.624	551.4
108	24.036	.87500	471.00	.4007-01	.4841-01	.4841-01	.9000	.1744-02	.2107-02	1.343	11.43	557.3
108	24.036	.92500	472.00	.8927-01	.1088	.1088	.9000	.3885-02	.4734-02	2.876	23.22	587.4
108	24.036	.95000	277.00	.6674-01	.8116-01	.8116-01	.9000	.2904-02	.3532-02	2.169	18.98	580.7
108	24.036	.97500	473.00	.9216-01	.1131	.1131	.9000	.4011-02	.4921-02	2.879	31.03	609.9

DATE 23 FEB 80

OH84B MODEL 60-0 IN THE AEDC VKF HYPERSONIC TUNNEL

PAGE 1672

OH84B 60-0 UPPER RH WING

(R4U011)

UPPER RH WING

PARAMETRIC DATA

MACH = 8.000 ALPHA = 35.00 BETA = -4.000 ELEVON = .0000
 BDFLAP = .0000 SPDBRK = .0000

TEST CONDITIONS

RUN NUMBER	RN/L /FT X10 6	MACH	ALPHA DEG.	BETA DEG.	PO PSIA	TO DEG. R	T DEG. R	P PSIA	Q PSI	V FT/SEC	RHO SLUGS /FT3	MU LB-SEC /FT2
142	3.684	8.000	35.01	-4.001	853.7	1353.	98.02	.8745-01	3.918	3883.	.2408-02	.7888-07

RUN NUMBER	HREF BTU/ R FT2SEC	STN NO REF (R) = .0175
142	.4914-01	.2108-01

TEST DATA

RUN NUMBER	XO MS	ZY/BW	T/C NO	H/HREF R=1.0	H/HREF R=0.9	H/HREF R= TAW/TO	TAW/TO	H(TO) BTU/R FT2SEC	H(TAW) BTU/R FT2SEC	QDOT BTU/ FT2SEC	DTWDT DEG. R /SEC	TH DEG. R
142	24.036	.50000	460.00	.3718-02	.4480-02	.4480-02	.9000	.1827-03	.2202-03	.1451	1.147	558.2
142	24.036	.55000	461.00	.7186-02	.8665-02	.8665-02	.9000	.3532-03	.4258-03	.2800	2.029	559.9
142	24.036	.60000	462.00	.1316-01	.1587-01	.1587-01	.9000	.6466-03	.7801-03	.5110	3.890	562.3
142	24.036	.65000	463.00	.1664-01	.2007-01	.2007-01	.9000	.8180-03	.9865-03	.6475	4.932	561.0
142	24.036	.70000	464.00	.2524-01	.3049-01	.3049-01	.9000	.1241-02	.1498-02	.9755	7.164	566.3
142	24.036	.72500	465.00	.2451-01	.2957-01	.2957-01	.9000	.1204-02	.1453-02	.9520	7.247	562.3
142	24.036	.75000	466.00	.2445-01	.2949-01	.2949-01	.9000	.1202-02	.1449-02	.9514	7.784	560.9
142	24.036	.77500	467.00	.2391-01	.2886-01	.2886-01	.9000	.1175-02	.1418-02	.9265	8.513	564.2
142	24.036	.80000	468.00	.2437-01	.2940-01	.2940-01	.9000	.1198-02	.1445-02	.9466	8.706	562.3
142	24.036	.82500	469.00	.2793-01	.3370-01	.3370-01	.9000	.1373-02	.1656-02	1.085	9.979	562.4
142	24.036	.85000	470.00	.2894-01	.3491-01	.3491-01	.9000	.1422-02	.1716-02	1.125	9.941	561.5
142	24.036	.87500	471.00	.4455-01	.5383-01	.5383-01	.9000	.2190-02	.2645-02	1.719	14.56	567.5
142	24.036	.92500	472.00	.1063	.1298	.1298	.9000	.5223-02	.6378-02	3.903	31.23	605.5
142	24.036	.95000	277.00	.7827-01	.9531	.9531-01	.9000	.3847-02	.4684-02	2.911	25.28	596.0
142	24.036	.97500	473.00	.1027	.1260	.1260	.9000	.5048-02	.6192-02	3.693	39.60	621.0

DATE 23 FEB 80

OH84B MODEL 60-0 IN THE AEDC VKF HYPERSONIC TUNNEL

PAGE 1873

OH84B 60-0 UPPER RH WING

(R4U012)

UPPER RH WING

PARAMETRIC DATA

MACH = 8.000 ALPHA = 35.00 BETA = -2.000 ELEVON = .0000
BOFLAP = .0000 SPDBRK = .0000

TEST CONDITIONS

RUN NUMBER	RN/L /FT X10 6	MACH	ALPHA DEG.	BETA DEG.	PO PSIA	TO DEG. R	T DEG. R	P PSIA	Q PSI	V FT/SEC	RHO SLUGS /FT3	MJ LB-SEC /FT2
162	2.007	7.980	35.00	-1.998	435.0	1300.	94.62	.4529-01	2.019	3805.	.1292-02	.7614-07
RUN NUMBER	HREF BTU/ R FT2SEC	STN NO REF (R) = .0175										
162	.3503-01	.2867-01										

TEST DATA

RUN NUMBER	X0 MS	2Y/BW	T/C NO	H/HREF R=1.0	H/HREF R=0.9	H/HREF R= TAW/TO	TAW/TO	H(TO) BTU/R FT2SEC	H(TAW) BTU/R FT2SEC	QDOT BTU/ FT2SEC	DTWOT DEG. R /SEC	TH DEG. R
162	24.036	.50000	460.00	.1298-02	.1570-02	.1570-02	.9000	.4547-04	.5501-04	.3408-01	.2704	550.1
162	24.036	.55000	461.00	.3364-02	.4071-02	.4071-02	.9000	.1178-03	.1426-03	.8815-01	.6414	551.6
162	24.036	.60000	462.00	.5937-02	.7186-02	.7186-02	.9000	.2080-03	.2518-03	.1555	1.189	552.2
162	24.036	.65000	463.00	.8067-02	.9764-02	.9764-02	.9000	.2826-03	.3421-03	.2114	1.618	551.7
162	24.036	.70000	464.00	.1178-01	.1426-01	.1426-01	.9000	.4125-03	.4997-03	.3073	2.270	554.7
162	24.036	.72500	465.00	.1294-01	.1567-01	.1567-01	.9000	.4534-03	.5489-03	.3389	2.591	552.5
162	24.036	.75000	466.00	.1562-01	.1891-01	.1891-01	.9000	.5472-03	.6626-03	.4083	3.353	553.5
162	24.036	.77500	467.00	.1625-01	.1968-01	.1968-01	.9000	.5691-03	.6894-03	.4240	3.915	554.6
162	24.036	.80000	468.00	.1724-01	.2088-01	.2088-01	.9000	.6040-03	.7315-03	.4503	4.159	554.1
162	24.036	.82500	469.00	.1875-01	.2271-01	.2271-01	.9000	.6569-03	.7957-03	.4896	4.521	554.4
162	24.036	.85000	470.00	.2142-01	.2595-01	.2595-01	.9000	.7505-03	.9091-03	.5594	4.959	554.4
162	24.036	.87500	471.00	.3089-01	.3745-01	.3745-01	.9000	.1082-02	.1312-02	.8036	6.841	557.1
162	24.036	.92500	472.00	.6448-01	.7851-01	.7851-01	.9000	.2259-02	.2751-02	1.643	13.36	572.4
162	24.036	.95000	277.00	.4795-01	.5833-01	.5833-01	.9000	.1680-02	.2044-02	1.226	10.78	569.8
162	24.036	.97500	473.00	.7451-01	.9120-01	.9120-01	.9000	.2610-02	.3195-02	1.854	20.18	589.6

OH4B 60-0 UPPER RH WING

(R4U012)

UPPER RH WING

PARAMETRIC DATA

MACH = 8.000 ALPHA = 35.00 BETA = -2.000 ELEVON = .0000
 BDFLAP = .0000 SPDBRK = .0000

TEST CONDITIONS

RUN NUMBER	RN/L /FT X10 6	MACH	ALPHA DEG.	BETA DEG.	PO PSIA	TO DEG. R	T DEG. R	P PSIA	Q PSI	V FT/SEC	RHO SLUGS /FT3	MU LB-SEC /FT2
105	3.010	7.990	35.02	-1.985	670.5	1321.	95.92	.6924-01	3.094	3836.	.1948-02	.7719-07
RUN NUMBER	HREF BTU/ R FT2SEC	STN NO REF (R)										
105	.4349-01	.2338-01										

TEST DATA

RUN NUMBER	XO MS	2Y/BW	T/C NO	H/HREF R=1.0	H/HREF R=0.9	H/HREF R= TAW/TO	TAW/TO	H(TO) BTU/R FT2SEC	H(TAW) BTU/R FT2SEC	QDOT BTU/ FT2SEC	DTWDT DEG. R /SEC	TW DEG. R
105	24.036	.50000	460.00	.2952-02	.3561-02	.3561-02	.9000	.1284-03	.1549-03	.9926-01	.7884	547.7
105	24.036	.55000	461.00	.5377-02	.6488-02	.6488-02	.9000	.2339-03	.2822-03	.1805	1.315	548.8
105	24.036	.60000	462.00	.1050-01	.1267-01	.1267-01	.9000	.4567-03	.5511-03	.3521	2.697	549.8
105	24.036	.65000	463.00	.1426-01	.1720-01	.1720-01	.9000	.6200-03	.7480-03	.4786	3.667	548.8
105	24.036	.70000	464.00	.1956-01	.2361-01	.2361-01	.9000	.8506-03	.1027-02	.6542	4.840	551.6
105	24.036	.72500	465.00	.1962-01	.2367-01	.2367-01	.9000	.8532-03	.1029-02	.6586	5.048	548.7
105	24.036	.75000	466.00	.2171-01	.2619-01	.2619-01	.9000	.9443-03	.1139-02	.7291	6.002	548.6
105	24.036	.77500	467.00	.2257-01	.2725-01	.2725-01	.9000	.9816-03	.1185-02	.7553	6.986	551.2
105	24.036	.80000	468.00	.2289-01	.2762-01	.2762-01	.9000	.9956-03	.1201-02	.7685	7.117	548.8
105	24.036	.82500	469.00	.2527-01	.3049-01	.3049-01	.9000	.1099-02	.1326-02	.8482	7.854	549.0
105	24.036	.85000	470.00	.2837-01	.3422-01	.3422-01	.9000	.1234-02	.1488-02	.9523	8.466	548.8
105	24.036	.87500	471.00	.4266-01	.5155-01	.5155-01	.9000	.1856-02	.2242-02	1.422	12.12	554.2
105	24.036	.92500	472.00	.8920-01	.1086	.1086	.9000	.3880-02	.4725-02	2.866	23.20	582.0
105	24.036	.95000	277.00	.6454-01	.7844-01	.7844-01	.9000	.2807-02	.3412-02	2.092	18.35	575.5
105	24.036	.97500	473.00	.9189-01	.1126	.1126	.9000	.3996-02	.4896-02	2.872	31.07	602.2

DATE 23 FEB 80

OH84B MODEL 60-0 IN THE AEDC VKF HYPERSONIC TUNNEL

PAGE 1675

OH84B 60-0 UPPER RH WING

(R4U012)

UPPER RH WING

PARAMETRIC DATA

MACH = 8.000 ALPHA = 35.00 BETA = -2.000 ELEVON = .0000
 BDFLAP = .0000 SPDBRK = .0000

TEST CONDITIONS

RUN NUMBER	RN/L /FT X10 6	MACH	ALPHA DEG.	BETA DEG.	PO PSIA	TO DEG. R	T DEG. R	P PSIA	Q PSI	V FT/SEC	RHO SLUGS /FT3	MU LB-SEC /FT2
139	3.682	8.000	35.03	-1.973	853.3	1353.	98.02	.8741-01	3.916	3883.	.2407-02	.7888-07

RUN NUMBER	HREF BTU/ R FT2SEC	STN NO REF(R) =.0175
139	.4913-01	.2109-01

TEST DATA

RUN NUMBER	XO MS	ZY/BW	T/C NO	H/HREF R=1.0	H/HREF R=0.9	H/HREF R= TAW/TO	TAW/TO	H(TO) BTU/R FT2SEC	H(TAW) BTU/R FT2SEC	QDOT BTU/ FT2SEC	DTWDT DEG. R /SEC	TW DEG. R
139	24.036	.50000	460.00	.4037-02	.4868-02	.4868-02	.9000	.1983-03	.2392-03	.1570	1.238	561.1
139	24.036	.55000	461.00	.7681-02	.9267-02	.9267-02	.9000	.3774-03	.4553-03	.2981	2.158	562.6
139	24.036	.60000	462.00	.1490-01	.1800-01	.1800-01	.9000	.7322-03	.8842-03	.5764	4.381	565.5
139	24.036	.65000	463.00	.1841-01	.2222-01	.2222-01	.9000	.9043-03	.1092-02	.7129	5.421	564.3
139	24.036	.70000	464.00	.2590-01	.3131-01	.3131-01	.9000	.1273-02	.1538-02	.9975	7.316	568.9
139	24.036	.72500	465.00	.2465-01	.2976-01	.2976-01	.9000	.1211-02	.1462-02	.9556	7.268	563.8
139	24.036	.75000	466.00	.2622-01	.3165-01	.3165-01	.9000	.1288-02	.1555-02	1.016	8.305	563.7
139	24.036	.77500	467.00	.2716-01	.3281-01	.3281-01	.9000	.1334-02	.1612-02	1.048	9.621	567.0
139	24.036	.80000	468.00	.2774-01	.3349-01	.3349-01	.9000	.1363-02	.1646-02	1.072	9.845	565.8
139	24.036	.82500	469.00	.3191-01	.3854-01	.3854-01	.9000	.1568-02	.1894-02	1.233	11.31	566.5
139	24.036	.85000	470.00	.3420-01	.4130-01	.4130-01	.9000	.1680-02	.2029-02	1.321	11.64	566.3
139	24.036	.87500	471.00	.5032-01	.6088-01	.6088-01	.9000	.2472-02	.2991-02	1.928	16.28	572.8
139	24.036	.92500	472.00	.1103	.1349	.1349	.9000	.5420-02	.6629-02	4.023	32.11	610.5
139	24.036	.95000	277.00	.7982-01	.9732-01	.9732-01	.9000	.3922-02	.4782-02	2.949	25.55	600.7
139	24.036	.97500	473.00	.9767-01	.1200	.1200	.9000	.4799-02	.5895-02	3.493	37.38	624.9

DATE 23 FEB 80

OH84B MODEL 60-0 IN THE AEDC VKF HYPERSONIC TUNNEL

PAGE 1676

OH84B 60-0 UPPER RH WING

(R4U013)

UPPER RH WING

PARAMETRIC DATA

MACH = 8.000 ALPHA = 35.00 BETA = -1.000 ELEVON = .0000
 BDFLAP = .0000 SPDBRK = .0000

TEST CONDITIONS

RUN NUMBER	RN/L /FT X10 6	MACH	ALPHA DEG.	BETA DEG.	PO PSIA	TO DEG. R	T DEG. R	P PSIA	Q PSI	V FT/SEC	RHO SLUGS /FT3	MU LB-SEC /FT2
159	2.024	7.980	35.01	-.9963	436.7	1296.	94.33	.4547-01	2.027	3799.	.1301-02	.7590-07

RUN NUMBER	HREF BTU/ R FT2SEC	STN NO REF(R)
159	.3508-01	.2856-01

TEST DATA

RUN NUMBER	XO MS	2Y/BW	T/C NO	H/HREF R=1.0	H/HREF R=0.9	H/HREF R= TAW/TO	TAW/TO	H(TO) BTU/R FT2SEC	H(TAW) BTU/R FT2SEC	QDOT BTU/ FT2SEC	DTWDT DEG. R /SEC	TW DEG. R
159	24.036	.50000	460.00	.1234-02	.1552-02	.1552-02	.9000	.4504-04	.5443-04	.3383-01	.2691	544.5
159	24.036	.55000	461.00	.3502-02	.4234-02	.4234-02	.9000	.1229-03	.1485-03	.9214-01	.6724	545.8
159	24.036	.60000	462.00	.6382-02	.7715-02	.7715-02	.9000	.2239-03	.2707-03	.1679	1.288	546.0
159	24.036	.65000	463.00	.7602-02	.9187-02	.9187-02	.9000	.2667-03	.3223-03	.2002	1.538	544.8
159	24.036	.70000	464.00	.1086-01	.1314-01	.1314-01	.9000	.3811-03	.4610-03	.2851	2.113	547.7
159	24.036	.72500	465.00	.1183-01	.1430-01	.1430-01	.9000	.4150-03	.5017-03	.3112	2.389	545.8
159	24.036	.75000	466.00	.1481-01	.1791-01	.1791-01	.9000	.5196-03	.6283-03	.3892	3.207	546.7
159	24.036	.77500	467.00	.1537-01	.1859-01	.1859-01	.9000	.5392-03	.6523-03	.4031	3.735	548.0
159	24.036	.80000	468.00	.1642-01	.1986-01	.1986-01	.9000	.5761-03	.6968-03	.4309	3.993	547.7
159	24.036	.82500	469.00	.1860-01	.2250-01	.2250-01	.9000	.6525-03	.7893-03	.4877	4.518	548.2
159	24.036	.85000	470.00	.2023-01	.2448-01	.2448-01	.9000	.7099-03	.8587-03	.5307	4.719	548.1
159	24.036	.87500	471.00	.2796-01	.3385-01	.3385-01	.9000	.9811-03	.1187-02	.7315	6.249	550.0
159	24.036	.92500	472.00	.6304-01	.7661-01	.7661-01	.9000	.2211-02	.2688-02	1.618	13.21	564.2
159	24.036	.95000	277.00	.5009-01	.6085-01	.6085-01	.9000	.1757-02	.2135-02	1.289	11.38	562.5
159	24.036	.97500	473.00	.7337-01	.8953-01	.8953-01	.9000	.2574-02	.3141-02	1.847	20.23	578.1

DATE 23 FEB 80

OH84B MODEL 60-0 IN THE AEDC VKF HYPERSONIC TUNNEL

PAGE 1677

OH84B 60-0 UPPER RH WING

(R4U013)

UPPER RH WING

PARAMETRIC DATA

MACH = 8.000 ALPHA = 35.00 BETA = -1.000 ELEVON = .0000
 BDFLAP = .0000 SPDBRK = .0000

TEST CONDITIONS

RUN NUMBER	RN/L /FT X10 6	MACH	ALPHA DEG.	BETA DEG.	PO PSIA	TO DEG. R	T DEG. R	P PSIA	Q PSI	V FT/SEC	RHO SLUGS /FT3	MU LB-SEC /FT2
102	3.006	7.990	35.02	-.9887	672.7	1325.	96.21	.6947-01	3.104	3842.	.1949-02	.7742-07
RUN NUMBER	HREF BTU/ R FT2SEC	STN NO REF(R) = .0175										
102	.4359-01	.2339-01										

TEST DATA

RUN NUMBER	XO MS	2Y/BW	T/C NO	H/HREF R=1.0	H/HREF R=0.9	H/HREF R= TAW/TO	TAW/TO	H(TO) BTU/R FT2SEC	H(TAW) BTU/R FT2SEC	QDOT BTU/ FT2SEC	DTWDT DEG. R /SEC	TH DEG. R
102	24.036	.50000	460.00	.2891-02	.3487-02	.3487-02	.9000	.1260-03	.1520-03	.9775-01	.7758	549.1
102	24.036	.55000	461.00	.5350-02	.6453-02	.6453-02	.9000	.2332-03	.2813-03	.1807	1.316	549.8
102	24.036	.60000	462.00	.1025-01	.1236-01	.1236-01	.9000	.4466-03	.5388-03	.3459	2.649	550.2
102	24.036	.65000	463.00	.1246-01	.1502-01	.1502-01	.9000	.5429-03	.6547-03	.4214	3.230	548.5
102	24.036	.70000	464.00	.1871-01	.2257-01	.2257-01	.9000	.8154-03	.9839-03	.6308	4.668	551.1
102	24.036	.72500	465.00	.1898-01	.2288-01	.2288-01	.9000	.8273-03	.9974-03	.6426	4.927	547.9
102	24.036	.75000	466.00	.2034-01	.2452-01	.2452-01	.9000	.8865-03	.1069-02	.6890	5.675	547.5
102	24.036	.77500	467.00	.2227-01	.2686-01	.2686-01	.9000	.9707-03	.1171-02	.7520	6.959	550.0
102	24.036	.80000	468.00	.2263-01	.2728-01	.2728-01	.9000	.9864-03	.1189-02	.7667	7.105	547.4
102	24.036	.82500	469.00	.2608-01	.3144-01	.3144-01	.9000	.1137-02	.1371-02	.8830	8.181	547.9
102	24.036	.85000	470.00	.2845-01	.3430-01	.3430-01	.9000	.1240-02	.1495-02	.9637	8.573	547.5
102	24.036	.87500	471.00	.4216-01	.5089-01	.5089-01	.9000	.1838-02	.2218-02	1.420	12.12	551.9
102	24.036	.92500	472.00	.8609-01	.1047	.1047	.9000	.3753-02	.4561-02	2.803	22.74	577.7
102	24.036	.95000	277.00	.6240-01	.7574-01	.7574-01	.9000	.2720-02	.3301-02	2.044	17.95	573.0
102	24.036	.97500	473.00	.9300-01	.1136	.1136	.9000	.4054-02	.4953-02	2.957	32.11	595.2

DATE 23 FEB 80

OH84B MODEL 60-0 IN THE AEDC VKF HYPERSONIC TUNNEL

PAGE 1678

OH84B 60-0 UPPER RH WING

(R4U013)

UPPER RH WING

PARAMETRIC DATA

MACH = 8.000 ALPHA = 35.00 BETA = -1.000 ELEVON = .0000
 BOFLAP = .0000 SPDBRK = .0000

TEST CONDITIONS

RUN NUMBER	RN/L /FT X10 6	MACH	ALPHA DEG.	BETA DEG.	PO PSIA	TO DEG. R	T DEG. R	P PSIA	Q PSI	V FT/SEC	RHO SLUGS /FT3	MU LB-SEC /FT2
136	3.699	8.000	35.06	- .9697	856.1	1352.	97.95	.8769-01	3.929	3981.	.2416-02	.7882-07

RUN NUMBER	HREF BTU/ R FT2SEC	STN NO REF(R) = .0175
136	.4921-01	.2104-01

TEST DATA

RUN NUMBER	XO MS	2Y/BW	T/C NO	H/HREF R=1.0	H/HREF R=0.9	H/HREF R= TAW/TO	TAW/TO	H(TO) BTU/R FT2SEC	H(TAW) BTU/R FT2SEC	QDOT BTU/ FT2SEC	DTWDT DEG. R /SEC	TW DEG. R
136	24.036	.50000	460.00	.4345-02	.5237-02	.5237-02	.9000	.2138-03	.2577-03	.1695	1.339	558.7
136	24.036	.55000	461.00	.7843-02	.9457-02	.9457-02	.9000	.3859-03	.4654-03	.3055	2.213	560.1
136	24.036	.60000	462.00	.1508-01	.1820-01	.1820-01	.9000	.7422-03	.8956-03	.5855	4.456	562.8
136	24.036	.65000	463.00	.1790-01	.2159-01	.2159-01	.9000	.8808-03	.1062-02	.6964	5.304	561.0
136	24.036	.70000	464.00	.2659-01	.3211-01	.3211-01	.9000	.1308-02	.1580-02	1.028	7.547	566.2
136	24.036	.72500	465.00	.2532-01	.3054-01	.3054-01	.9000	.1246-02	.1503-02	.9854	7.506	560.8
136	24.036	.75000	466.00	.2649-01	.3194-01	.3194-01	.9000	.1303-02	.1572-02	1.032	8.445	560.0
136	24.036	.77500	467.00	.2782-01	.3358-01	.3358-01	.9000	.1369-02	.1652-02	1.079	9.913	563.8
136	24.036	.80000	468.00	.2956-01	.3567-01	.3567-01	.9000	.1454-02	.1755-02	1.148	10.56	562.3
136	24.036	.82500	469.00	.3386-01	.4086-01	.4086-01	.9000	.1666-02	.2010-02	1.314	12.08	562.9
136	24.036	.85000	470.00	.3575-01	.4314-01	.4314-01	.9000	.1759-02	.2123-02	1.388	12.25	562.7
136	24.036	.87500	471.00	.5199-01	.6284-01	.6284-01	.9000	.2558-02	.3092-02	2.002	16.94	568.9
136	24.036	.92500	472.00	.1089	.1330	.1330	.9000	.5357-02	.6543-02	3.996	31.97	605.8
136	24.036	.95000	477.00	.7959-01	.9696-01	.9696-01	.9000	.3916-02	.4771-02	2.956	25.66	596.9
136	24.036	.97500	473.00	.9987-01	.1225	.1225	.9000	.4914-02	.6029-02	3.592	38.51	620.8

DATE 23 FEB 80

OH84B MODEL 60-0 IN THE AEDC VKI HYPERSONIC TUNNEL

PAGE 1679

OH84B 60-0 UPPER RH WING

(R4U014)

UPPER RH WING

PARAMETRIC DATA

MACH = 8.000 ALPHA = 35.00 BETA = .0000 ELEVON = .0000
 BDFLAP = .0000 SPDBRK = .0000

TEST CONDITIONS

RUN NUMBER	RN/L /FT X10 6	MACH	ALPHA DEG.	BETA DEG.	PO PSIA	TO DEG. R	T DEG. R	P PSIA	Q PSI	V FT/SEC	RHO SLUGS /FT3	MU LB-SEC /FT2
14	.5200	7.900	34.96	.2136-02	102.3	1241.	92.02	.1137-01	.4968	3715.	.3335-03	.7405-07
RUN NUMBER	HREF BTU/ R FT2SEC	STN NO REF (R) = .0175										
14	.1724-01	.5615-01										

TEST DATA

RUN NUMBER	XO MS	ZY/BW	T/C NO	H/HREF R=1.0	H/HREF R=0.9	H/HREF R= TAN/TO	TAW/TO	H(TO) BTU/R FT2SEC	H(TAW) BTU/R FT2SEC	QDOT BTU/ FT2SEC	DTWDT DEG. R /SEC	TH DEG. R
14	24.036	.50000	460.00	.7788-03	.9469-03	.9469-03	.9000	.1343-04	.1632-04	.9383-02	.7474-01	541.8
14	24.036	.55000	461.00	.1620-02	.1970-02	.1970-02	.9000	.2793-04	.3397-04	.1950-01	.1426	542.4
14	24.036	.60000	462.00	.1973-02	.2399-02	.2399-02	.9000	.3402-04	.4136-04	.2376-01	.1827	542.1
14	24.036	.65000	463.00	.1625-02	.1975-02	.1975-02	.9000	.2801-04	.3405-04	.1962-01	.1510	540.3
14	24.036	.70000	464.00	.2290-02	.2785-02	.2785-02	.9000	.3948-04	.4802-04	.2754-01	.2046	543.1
14	24.036	.72500	465.00	.2918-02	.3547-02	.3547-02	.9000	.5030-04	.6115-04	.3517-01	.2705	541.4
14	24.036	.75000	466.00	.3788-02	.4606-02	.4606-02	.9000	.6531-04	.7940-04	.4565-01	.3771	541.6
14	24.036	.77500	467.00	.4520-02	.5496-02	.5496-02	.9000	.7792-04	.9475-04	.5441-01	.5055	542.3
14	24.036	.80000	468.00	.5555-02	.6755-02	.6755-02	.9000	.9575-04	.1164-03	.6686-01	.6212	542.4
14	24.036	.82500	469.00	.6479-02	.7879-02	.7879-02	.9000	.1117-03	.1358-03	.7797-01	.7243	542.6
14	24.036	.85000	470.00	.4924-02	.5988-02	.5988-02	.9000	.8488-04	.1032-03	.5928-01	.5288	542.3
14	24.036	.87500	471.00	.3601-02	.4378-02	.4378-02	.9000	.6208-04	.7548-04	.4341-01	.3724	541.5
14	24.036	.92500	472.00	.1078-01	.1311-01	.1311-01	.9000	.1859-03	.2260-03	.1298	1.072	542.3
14	24.036	.95000	277.00	.1524-01	.1854-01	.1854-01	.9000	.2627-03	.3196-03	.1831	1.632	543.7
14	24.036	.97500	473.00	.2239-01	.2725-01	.2725-01	.9000	.3860-03	.4698-03	.2683	2.987	545.4

DATE 23 FEB 80

OH84B MODEL 60-0 IN THE AEDC VKF HYPERSONIC TUNNEL

PAGE 1690

OH84B 60-0 UPPER RH WING

(R4U014)

UPPER RH WING

PARAMETRIC DATA

MACH = 8.000 ALPHA = 35.00 BETA = .0000 ELEVON = .0000
 BDFLAP = .0000 SPDBRK = .0000

TEST CONDITIONS

RUN NUMBER	RN/L /FT	MACH	ALPHA DEG.	BETA DEG.	PO PSIA	TO DEG. R	T DEG. R	P PSIA	Q PSI	V FT/SEC	RHO SLUGS /FT3	MU LB-SEC /FT2
61	X10 6 2.001	7.980	34.99	.9426-07	435.2	1303.	94.84	.4531-01	2.020	3810.	.1289-02	.7631-07

RUN NUMBER	HREF BTU/ R FT2SEC	STN NO REF(R) = .0175
61	.3505-01	.2870-01

TEST DATA

RUN NUMBER	XO MS	2Y/BW	T/C NO	H/HREF R=1.0	H/HREF R=0.9	H/HREF R= TAW/TO	TAW/TO	H(TO) BTU/R FT2SEC	H(TAW) BTU/R FT2SEC	QDOT BTU/ FT2SEC	DTWDT DEG. R /SEC	TW DEG. R
61	24.036	.50000	460.00	.9625-03	.1165-02	.1165-02	.9000	.3374-04	.4084-04	.2528-01	.2002	553.3
61	24.036	.55000	461.00	.2394-02	.2899-02	.2899-02	.9000	.8392-04	.1016-03	.6280-01	.4563	554.4
61	24.036	.60000	462.00	.5147-02	.6233-02	.6233-02	.9000	.1804-03	.2185-03	.1348	1.030	555.3
61	24.036	.65000	463.00	.5637-02	.6823-02	.6823-02	.9000	.1976-03	.2392-03	.1482	1.133	552.9
61	24.036	.70000	464.00	.8558-02	.1037-01	.1037-01	.9000	.3000-03	.3634-03	.2241	1.654	555.8
61	24.036	.72500	465.00	.1030-01	.1247-01	.1247-01	.9000	.3610-03	.4372-03	.2700	2.063	554.8
61	24.036	.75000	466.00	.1164-01	.1409-01	.1409-01	.9000	.4079-03	.4939-03	.3051	2.504	554.6
61	24.036	.77500	467.00	.1313-01	.1591-01	.1591-01	.9000	.4604-03	.5577-03	.3437	3.171	556.1
61	24.036	.80000	468.00	.1454-01	.1761-01	.1761-01	.9000	.5097-03	.6173-03	.3807	3.514	555.6
61	24.036	.82500	469.00	.1674-01	.2028-01	.2028-01	.9000	.5869-03	.7109-03	.4385	4.047	555.5
61	24.036	.85000	470.00	.1663-01	.2014-01	.2014-01	.9000	.5829-03	.7058-03	.4360	3.865	554.7
61	24.036	.87500	471.00	.2268-01	.2747-01	.2747-01	.9000	.7952-03	.9630-03	.5942	5.062	555.4
61	24.036	.92500	472.00	.6235-01	.7586-01	.7586-01	.9000	.2186-02	.2659-02	1.599	13.02	570.9
61	24.036	.95000	277.00	.5251-01	.6383-01	.6383-01	.9000	.1841-02	.2237-02	1.353	11.91	567.8
61	24.036	.97500	473.00	.5450-01	.6631-01	.6631-01	.9000	.1910-02	.2324-02	1.398	15.36	571.0

DATE 23 FEB 80

OH84B MODEL 60-0 IN THE AEDC VKF HYPERSONIC TUNNEL

PAGE 1691

OH84B 60-0 UPPER RH WING

(R4U014)

UPPER RH WING

PARAMETRIC DATA

MACH = 8.000 ALPHA = 35.00 BETA = .0000 ELEVON = .0000
 BDFLAP = .0000 SPDBRK = .0000

TEST CONDITIONS

RUN NUMBER	RN/L /FT X10 6	MACH	ALPHA DEG.	BETA DEG.	PO PSIA	TO DEG. R	T DEG. R	P PSIA	Q PSI	V FT/SEC	RHO SLUGS /FT3	MU LB-SEC /FT2
80	3.039	7.990	35.01	- .6938-03	670.1	1312.	95.27	.6920-01	3.092	3823.	.1960-02	.7666-07
RUN NUMBER	HREF BTU/ R FT2SEC	STN NO REF(R)										
80	.4343-01	.2329-01										

TEST DATA

RUN NUMBER	X0 MS	ZY/BW	T/C NO	H/HREF R=1.0	H/HREF R=0.9	H/HREF R= TAW/TO	TAW/TO	H(TO) BTU/R FT2SEC	H(TAW) BTU/R FT2SEC	QDOT BTU/ FT2SEC	DTWDT DEG. R /SEC	TW DEG. R
80	24.036	.50000	460.00	.2373-02	.2868-02	.2868-02	.9000	.1031-03	.1246-03	.7836-01	.6212	551.4
80	24.036	.55000	461.00	.4519-02	.5462-02	.5462-02	.9000	.1962-03	.2372-03	.1490	1.084	552.3
80	24.036	.60000	462.00	.7472-02	.9033-02	.9033-02	.9000	.3245-03	.3923-03	.2462	1.883	553.0
80	24.036	.65000	463.00	.9893-02	.1195-01	.1195-01	.9000	.4296-03	.5192-03	.3268	2.501	551.1
80	24.036	.70000	464.00	.1725-01	.2087-01	.2087-01	.9000	.7493-03	.9064-03	.5673	4.190	554.6
80	24.036	.72500	465.00	.1744-01	.2109-01	.2109-01	.9000	.7573-03	.9158-03	.5743	4.391	553.4
80	24.036	.75000	466.00	.1783-01	.2155-01	.2155-01	.9000	.7742-03	.9360-03	.5877	4.828	552.6
80	24.036	.77500	467.00	.1875-01	.2268-01	.2268-01	.9000	.8143-03	.9851-03	.6161	5.687	555.1
80	24.036	.80000	468.00	.2063-01	.2495-01	.2495-01	.9000	.8961-03	.1084-02	.6786	6.267	554.3
80	24.036	.82500	469.00	.2410-01	.2916-01	.2916-01	.9000	.1047-02	.1266-02	.7919	7.310	555.1
80	24.036	.85000	470.00	.2425-01	.2932-01	.2932-01	.9000	.1053-02	.1273-02	.7984	7.081	553.5
80	24.036	.87500	471.00	.3614-01	.4374-01	.4374-01	.9000	.1570-02	.1900-02	1.185	10.09	556.7
80	24.036	.92500	472.00	.8217-01	.1001	.1001	.9000	.3569-02	.4349-02	2.610	21.14	580.4
80	24.036	.95000	277.00	.6629-01	.8067-01	.8067-01	.9000	.2879-02	.3504-02	2.118	18.58	575.8
80	24.036	.97500	473.00	.6449-01	.7852-01	.7852-01	.9000	.2801-02	.3410-02	2.056	22.51	577.7

DATE 23 FEB 80

OH848 MODEL 60-0 IN THE AEDC VKF HYPERSONIC TUNNEL

PAGE 1682

OH848 60-0 UPPER RH WING

(R4U014)

UPPER RH WING

PARAMETRIC DATA

MACH = 8.000 ALPHA = 35.00 BETA = .0000 ELEVON = .0000
BDFLAP = .0000 SPDBRK = .0000

TEST CONDITIONS

RUN NUMBER	RN/L /FT X10 6	MACH	ALPHA DEG.	BETA DEG.	PO PSIA	TO DEG. R	T DEG. R	P PSIA	Q PSI	V FT/SEC	RHO SLUGS /FT3	MU LB-SEC /FT2
133	3.692	8.000	35.03	-.6868-03	854.7	1352.	97.95	.8755-01	3.922	3881.	.2413-02	.7882-07

RUN NUMBER	HREF BTU/ R FT2SEC	STN NO REF(R) =.0175
133	.4917-01	.2106-01

TEST DATA

RUN NUMBER	XO MS	2Y/BW	T/C NO	H/HREF R=1.0	H/HREF R=0.9	H/HREF R= TAW/TO	TAW/TO	H(TO) BTU/R FT2SEC	H(TAW) BTU/R FT2SEC	QDOT BTU/ FT2SEC	DTWDT DEG. R /SEC	TW DEG. R
133	24.036	.50000	460.00	.5249-02	.6331-02	.6331-02	.9000	.2581-03	.3113-03	.2041	1.610	560.9
133	24.036	.55000	461.00	.9399-02	.1134-01	.1134-01	.9000	.4621-03	.5576-03	.3648	2.640	562.4
133	24.036	.60000	462.00	.1622-01	.1958-01	.1958-01	.9000	.7975-03	.9629-03	.6275	4.771	564.8
133	24.036	.65000	463.00	.1789-01	.2159-01	.2159-01	.9000	.8795-03	.1061-02	.6936	5.277	563.1
133	24.036	.70000	464.00	.2652-01	.3205-01	.3205-01	.9000	.1304-02	.1576-02	1.021	7.492	568.4
133	24.036	.72500	465.00	.2544-01	.3071-01	.3071-01	.9000	.1251-02	.1510-02	.9866	7.507	563.0
133	24.036	.75000	466.00	.2603-01	.3140-01	.3140-01	.9000	.1280-02	.1544-02	1.011	8.271	561.5
133	24.036	.77500	467.00	.2898-01	.3501-01	.3501-01	.9000	.1425-02	.1721-02	1.119	10.27	566.3
133	24.036	.80000	468.00	.3201-01	.3866-01	.3866-01	.9000	.1574-02	.1901-02	1.237	11.36	565.5
133	24.036	.82500	469.00	.3532-01	.4267-01	.4267-01	.9000	.1737-02	.2098-02	1.364	12.52	566.4
133	24.036	.85000	470.00	.3681-01	.4446-01	.4446-01	.9000	.1810-02	.2186-02	1.422	12.54	565.8
133	24.036	.87500	471.00	.5306-01	.6493-01	.6493-01	.9000	.2638-02	.3192-02	2.056	17.37	572.5
133	24.036	.92500	472.00	.1020	.1246	.1246	.9000	.5013-02	.6125-02	3.730	29.82	607.5
133	24.036	.95000	277.00	.7411-01	.9033-01	.9033-01	.9000	.3644-02	.4441-02	2.743	23.79	598.8
133	24.036	.97500	473.00	.9950-01	.1220	.1220	.9000	.4892-02	.6000-02	3.582	38.43	619.5

DATE 23 FEB 80

OH84B MODEL 60-0 IN THE AEDC VKF HYPERSONIC TUNNEL

PAGE 1683

OH84B 60-0 UPPER RH WING

(R4U015)

UPPER RH WING

PARAMETRIC DATA

MACH = 8.000 ALPHA = 40.00 BETA = -10.00 ELEVON = .0000
 BDFLAP = .0000 SPDBRK = .0000

TEST CONDITIONS

RUN NUMBER	RN/L /FT X10 6	MACH	ALPHA DEG.	BETA DEG.	PO PSIA	TO DEG. R	T DEG. R	P PSIA	Q PSI	V FT/SEC	RHO SLUGS /FT3	HU LB-SEC /FT2
202	.5125	7.900	39.95	-10.04	103.5	1263.	93.66	.1151-01	.5026	3748.	.3316-03	.7536-07

RUN NUMBER	HREF BTU/ R FT2SEC	STN NO REF (R)
202	.1739-01	.5641-01

TEST DATA

RUN NUMBER	XO MS	2Y/BW	T/C NO	H/HREF R=1.0	H/HREF R=0.9	H/HREF R= TAW/TO	TAW/TO	H(TO) BTU/R FT2SEC	H(TAW) BTU/R FT2SEC	QDOT BTU/ FT2SEC	DTWDT DEG. R /SEC	TW DEG. R
202	24.036	.50000	460.00	.1952-02	.2361-02	.2361-02	.9000	.3394-04	.4106-04	.2472-01	.1976	534.4
202	24.036	.55000	461.00	.3570-02	.4320-02	.4320-02	.9000	.6210-04	.7514-04	.4518-01	.3315	535.2
202	24.036	.60000	462.00	.3837-02	.4642-02	.4642-02	.9000	.6674-04	.8075-04	.4858-01	.3749	534.8
202	24.036	.65000	463.00	.2787-02	.3370-02	.3370-02	.9000	.4848-04	.5861-04	.3540-01	.2736	532.4
202	24.036	.70000	464.00	.2081-02	.2517-02	.2517-02	.9000	.3619-04	.4378-04	.2634-01	.1965	534.8
202	24.036	.72500	465.00	.1960-02	.2370-02	.2370-02	.9000	.3409-04	.4123-04	.2485-01	.1919	533.7
202	24.036	.75000	466.00	.1821-02	.2202-02	.2202-02	.9000	.3167-04	.3830-04	.2308-01	.1915	533.7
202	24.036	.77500	467.00	.1662-02	.2011-02	.2011-02	.9000	.2891-04	.3497-04	.2107-01	.1966	533.9
202	24.036	.80000	468.00	.1468-02	.1775-02	.1775-02	.9000	.2553-04	.3088-04	.1862-01	.1738	533.3
202	24.036	.82500	469.00	.1309-02	.1583-02	.1583-02	.9000	.2278-04	.2754-04	.1662-01	.1552	532.9
202	24.036	.85000	470.00	.1132-02	.1369-02	.1369-02	.9000	.1969-04	.2382-04	.1437-01	.1288	532.9
202	24.036	.87500	471.00	.1443-02	.1745-02	.1745-02	.9000	.2510-04	.3035-04	.1833-01	.1580	532.4
202	24.036	.92500	472.00	.3825-02	.4626-02	.4626-02	.9000	.6654-04	.8046-04	.4855-01	.4028	533.1
202	24.036	.95000	477.00	.7061-02	.8542-02	.8542-02	.9000	.1228-03	.1486-03	.8943-01	.8008	534.4
202	24.036	.97500	473.00	.9783-02	.1184-01	.1184-01	.9000	.1702-03	.2059-03	.1237	1.384	535.5

DATE 23 FEB 80

OH84B MODEL 60-0 IN THE AEDC VKF HYPERSONIC TUNNEL

PAGE 1684

OH84B 60-0 UPPER RH WING

(R4U019)

UPPER RH WING

PARAMETRIC DATA

MACH = 8.000 ALPHA = 40.00 BETA = -10.00 ELEVON = .0000
 BDFLAP = .0000 SPDBRK = .0000

TEST CONDITIONS

RUN NUMBER	RN/L /FT X10 6	MACH	ALPHA DEG.	BETA DEG.	PO PSIA	TO DEG. R	T DEG. R	P PSIA	Q PSI	V FT/SEC	RHO SLUGS /FT3	MU LB-SEC /FT2
189	1.002	7.940	39.96	-10.05	203.7	1257.	92.34	.2191-01	.9670	3740.	.6404-03	.7431-07

RUN NUMBER	HREF BTU/ R FT2SEC	STN NO REF (R) = .0175
189	.2410-01	.4057-01

TEST DATA

RUN NUMBER	XO MS	ZY/BW	T/C NO	H/HREF R=1.0	H/HREF R=0.9	H/HREF R= TAW/TO	TAW/TO	H(TO) BTU/R FT2SEC	H(TAW) BTU/R FT2SEC	QDOT BTU/ FT2SEC	DTWDT DEG. R /SEC	TW DEG. R
189	24.036	.50000	460.00	.1918-02	.2321-02	.2321-02	.9000	.4624-04	.5594-04	.3352-01	.2684	531.8
189	24.036	.55000	461.00	.2517-02	.3045-02	.3045-02	.9000	.6066-04	.7339-04	.4395-01	.3270	532.2
189	24.036	.60000	462.00	.2827-02	.3419-02	.3419-02	.9000	.6814-04	.8242-04	.4941-01	.3820	531.5
189	24.036	.65000	463.00	.2926-02	.3537-02	.3537-02	.9000	.7054-04	.8527-04	.5131-01	.3972	529.2
189	24.036	.70000	464.00	.4741-02	.5736-02	.5736-02	.9000	.1143-03	.1383-03	.8277-01	.6183	532.4
189	24.036	.72500	465.00	.6668-02	.8066-02	.8066-02	.9000	.1607-03	.1944-03	.1165	.9010	531.6
189	24.036	.75000	466.00	.8325-02	.1007-01	.1007-01	.9000	.2007-03	.2428-03	.1454	1.207	531.9
189	24.036	.77500	467.00	.9288-02	.1124-01	.1124-01	.9000	.2239-03	.2709-03	.1622	1.514	532.3
189	24.036	.80000	468.00	.9246-02	.1118-01	.1118-01	.9000	.2229-03	.2696-03	.1616	1.510	531.5
189	24.036	.82500	469.00	.9353-02	.1131-01	.1131-01	.9000	.2255-03	.2727-03	.1635	1.527	531.5
189	24.036	.85000	470.00	.7636-02	.9234-02	.9234-02	.9000	.1841-03	.2226-03	.1337	1.199	530.6
189	24.036	.87500	471.00	.7630-02	.9225-02	.9225-02	.9000	.1839-03	.2224-03	.1336	1.153	530.0
189	24.036	.92500	472.00	.1708-01	.2067-01	.2067-01	.9000	.4117-03	.4983-03	.2980	2.473	532.9
189	24.036	.95000	277.00	.2295-01	.2781-01	.2781-01	.9000	.5533-03	.6704-03	.3982	3.561	537.1
189	24.036	.97500	473.00	.4219-01	.5125-01	.5125-01	.9000	.1017-02	.1235-02	.7233	8.051	545.5

DATE 23 FEB 80

OH84B MODEL 60-0 IN THE AEDC VKF HYPERSONIC TUNNEL

PAGE 1695

OH84B 60-0 UPPER RH WING

(R4U015)

UPPER RH WING

PARAMETRIC DATA

MACH = 8.000 ALPHA = 40.00 BETA = -10.00 ELEVON = .0000
 BOFLAP = .0000 SPDBRK = .0000

TEST CONDITIONS

RUN NUMBER	RN/L /FT X10 6	MACH	ALPHA DEG.	BETA DEG.	PO PSIA	TO DEG. R	T DEG. R	P PSIA	Q PSI	V FT/SEC	RHO SLUGS /FT3	MU LB-SEC /FT2
171	2.002	7.980	39.98	-10.09	434.9	1302.	94.76	.4528-01	2.018	3808.	.1290-02	.7626-07

RUN NUMBER	HREF BTU/ R FT2SEC	STN NO REF (R)
171	.3504-01	.2970-01

TEST DATA

RUN NUMBER	XO MS	2Y/BW	T/C NO	H/HREF R=1.0	H/HREF R=0.9	H/HREF R=TAW/TO	TAW/TO	H(TO) BTU/R FT2SEC	H(TAW) BTU/R FT2SEC	QDOT BTU/ FT2SEC	DTWOT DEG. R /SEC	TW DEG. R
171	24.036	.50000	460.00	.3471-02	.4201-02	.4201-02	.9000	.1216-03	.1472-03	.9107-01	.7214	552.8
171	24.036	.55000	461.00	.5913-02	.7159-02	.7159-02	.9000	.2072-03	.2509-03	.1550	1.126	553.8
171	24.036	.60000	462.00	.8459-02	.1024-01	.1024-01	.9000	.2964-03	.3589-03	.2215	1.692	554.5
171	24.036	.65000	463.00	.8304-02	.1005-01	.1005-01	.9000	.2910-03	.3522-03	.2179	1.667	552.6
171	24.036	.70000	464.00	.1154-01	.1398-01	.1398-01	.9000	.4043-03	.4898-03	.3014	2.225	556.1
171	24.036	.72500	465.00	.1268-01	.1536-01	.1536-01	.9000	.4444-03	.5382-03	.3321	2.538	554.4
171	24.036	.75000	466.00	.1565-01	.1895-01	.1895-01	.9000	.5482-03	.6640-03	.4092	3.358	555.2
171	24.036	.77500	467.00	.1599-01	.1937-01	.1937-01	.9000	.5602-03	.6787-03	.4177	3.854	556.0
171	24.036	.80000	468.00	.1601-01	.1939-01	.1939-01	.9000	.5609-03	.6793-03	.4189	3.867	554.9
171	24.036	.82500	469.00	.1628-01	.1972-01	.1972-01	.9000	.5705-03	.6909-03	.4261	3.934	554.7
171	24.036	.85000	470.00	.1611-01	.1951-01	.1951-01	.9000	.5646-03	.6836-03	.4222	3.744	553.9
171	24.036	.87500	471.00	.2451-01	.2969-01	.2969-01	.9000	.8588-03	.1040-02	.6407	5.457	555.7
171	24.036	.92500	472.00	.5786-01	.7037-01	.7037-01	.9000	.2027-02	.2466-02	1.485	12.10	569.3
171	24.036	.95000	277.00	.4895-01	.5951-01	.5951-01	.9000	.1715-02	.2085-02	1.257	11.07	568.5
171	24.036	.97500	473.00	.8093-01	.9895-01	.9895-01	.9000	.2836-02	.3467-02	2.027	22.10	586.9

DATE 23 FEB 80

OH84B MODEL 60-0 IN THE AEDC VKF HYPERSONIC TUNNEL

PAGE 1686

OH84B 60-0 UPPER RH WING

(R4U015)

UPPER RH WING

PARAMETRIC DATA

MACH = 8.000 ALPHA = 40.00 BETA = -10.00 ELEVON = .0000
 BDFLAP = .0000 SPDBRK = .0000

TEST CONDITIONS

RUN NUMBER	RN/L /FT X10 6	MACH	ALPHA DEG.	BETA DEG.	PO PSIA	TO DEG. R	T DEG. R	P PSIA	Q PSI	V FT/SEC	RHO SLUGS /FT3	MU LB-SEC /FT2
99	2.993	7.990	40.02	-10.10	670.6	1326.	96.29	.6925-01	3.095	3843.	.1941-02	.7748-07
RUN NUMBER	HREF BTU/ R	STN NO REF (R)										
99	.4353-01	.2343-01	=.0175									

TEST DATA

RUN NUMBER	XO MS	ZY/BW	T/C NO	H/HREF R=1.0	H/HREF R=0.9	H/HREF R= TAW/TO	TAW/TO	H(TO) BTU/R FT2SEC	H(TAW) BTU/R FT2SEC	QDOT BTU/ FT2SEC	DTWDT DEG. R /SEC	TW DEG. R
99	24.036	.50000	460.00	.5546-02	.6712-02	.6712-02	.9000	.2414-03	.2922-03	.1842	1.452	562.8
99	24.036	.55000	461.00	.8847-02	.1071-01	.1071-01	.9000	.3851-03	.4662-03	.2933	2.121	563.9
99	24.036	.60000	462.00	.1206-01	.1460-01	.1460-01	.9000	.5248-03	.6355-03	.3993	3.035	564.8
99	24.036	.65000	463.00	.1359-01	.1645-01	.1645-01	.9000	.5915-03	.7161-03	.4507	3.428	563.7
99	24.036	.70000	464.00	.1871-01	.2268-01	.2268-01	.9000	.8143-03	.9870-03	.6172	4.529	567.8
99	24.036	.72500	465.00	.1886-01	.2284-01	.2284-01	.9000	.8211-03	.9943-03	.6250	4.752	564.5
99	24.036	.75000	466.00	.1816-01	.2197-01	.2197-01	.9000	.7904-03	.9564-03	.6036	4.936	562.0
99	24.036	.77500	467.00	.2160-01	.2616-01	.2616-01	.9000	.9400-03	.1139-02	.7140	6.555	566.1
99	24.036	.80000	468.00	.2210-01	.2676-01	.2676-01	.9000	.9621-03	.1165-02	.7327	6.733	564.1
99	24.036	.82500	469.00	.2239-01	.2711-01	.2711-01	.9000	.9746-03	.1180-02	.7423	6.822	564.0
99	24.036	.85000	470.00	.2286-01	.2767-01	.2767-01	.9000	.9950-03	.1204-02	.7591	6.701	562.8
99	24.036	.87500	471.00	.3411-01	.4130-01	.4130-01	.9000	.1484-02	.1798-02	1.130	9.579	564.7
99	24.036	.92500	472.00	.7575-01	.9227-01	.9227-01	.9000	.3297-02	.4016-02	2.442	19.74	585.1
99	24.036	.95000	277.00	.6363-01	.7748-01	.7748-01	.9000	.2770-02	.3372-02	2.054	17.94	584.1
99	24.036	.97500	473.00	.9858-01	.1207	.1207	.9000	.4291-02	.5255-02	3.101	33.55	602.9

DATE 23 FEB 80

OH84B MODEL 60-0 IN THE AEDC VKF HYPERSONIC TUNNEL
OH84B 60-0 UPPER RH WING

PAGE 1687

(R4U017)

UPPER RH WING

PARAMETRIC DATA

MACH = 8.000 ALPHA = 40.00 BETA = -4.000 ELEVON = .0000
BDFLAP = .0000 SPDBRK = .0000

TEST CONDITIONS

RUN NUMBER	RN/L /FT X10 6	MACH	ALPHA DEG.	BETA DEG.	PO PSIA	TO DEG. R	T DEG. R	P PSIA	Q PSI	V FT/SEC	RHO SLUGS /FT3	MU LB-SEC /FT2
199	.4996	7.900	39.96	-3.996	99.13	1248.	92.54	.1102-01	.4813	3726.	.3213-03	.7447-07

RUN NUMBER	HREF BTU/ R FT2SEC	STN NO REF(R) = .0175
199	.1699-01	.5724-01

TEST DATA

RUN NUMBER	X0 MS	2Y/BW	T/C NO	H/HREF R=1.0	H/HREF R=0.9	H/HREF R= TAW/TO	TAW/TO	H(TO) BTU/R FT2SEC	H(TAW) BTU/R FT2SEC	QDOT BTU/ FT2SEC	DTWDT DEG. R /SEC	TW DEG. R
199	24.036	.50000	460.00	.1311-02	.1585-02	.1585-02	.9000	.2227-04	.2692-04	.1608-01	.1292	525.4
199	24.036	.55000	461.00	.1641-02	.1983-02	.1983-02	.9000	.2787-04	.3369-04	.2012-01	.1484	525.6
199	24.036	.60000	462.00	.6776-03	.8189-03	.8189-03	.9000	.1151-04	.1391-04	.8322-02	.6457-04	524.6
199	24.036	.65000	463.00	.3315-03	.4003-03	.4003-03	.9000	.5631-05	.6800-05	.4086-02	.3174-01	522.0
199	24.036	.70000	464.00	.1436-02	.1735-02	.1735-02	.9000	.2438-04	.2947-04	.1762-01	.1322	524.9
199	24.036	.72500	465.00	.1625-02	.1964-02	.1964-02	.9000	.2761-04	.3336-04	.1999-01	.1552	523.6
199	24.036	.75000	466.00	.1647-02	.1990-02	.1990-02	.9000	.2797-04	.3379-04	.2025-01	.1688	523.7
199	24.036	.77500	467.00	.1598-02	.1930-02	.1930-02	.9000	.2714-04	.3279-04	.1965-01	.1843	523.7
199	24.036	.80000	468.00	.1409-02	.1701-02	.1701-02	.9000	.2392-04	.2890-04	.1734-01	.1627	522.9
199	24.036	.82500	469.00	.1484-02	.1792-02	.1792-02	.9000	.2520-04	.3044-04	.1828-01	.1715	522.5
199	24.036	.85000	470.00	.1638-02	.1979-02	.1979-02	.9000	.2783-04	.3361-04	.2018-01	.1818	522.6
199	24.036	.87500	471.00	.1598-02	.1930-02	.1930-02	.9000	.2714-04	.3278-04	.1970-01	.1707	522.0
199	24.036	.92500	472.00	.3486-02	.4211-02	.4211-02	.9000	.5921-04	.7153-04	.4291-01	.3579	523.0
199	24.036	.95000	277.00	.7350-02	.8883-02	.8883-02	.9000	.1248-03	.1509-03	.9025-01	.8122	524.7
199	24.036	.97500	473.00	.1089-01	.1316-01	.1316-01	.9000	.1850-03	.2236-03	.1337	1.503	525.1

OH84B 60-0 UPPER RH WING

(R4U017)

UPPER RH WING

PARAMETRIC DATA

MACH = 8.000 ALPHA = 40.00 BETA = -4.000 ELEVON = .0000
 BDFLAP = .0000 SPDBRK = .0000

TEST CONDITIONS

RUN NUMBER	RN/L /FT X10 6	MACH	ALPHA DEG.	BETA DEG.	PO PSIA	TO DEG. R	T DEG. R	P PSIA	Q PSI	V FT/SEC	RHO SLUGS /FT3	MU LB-SEC /FT2
186	9941	7.940	39.96	-3.989	203.8	1264.	92.86	.2192-01	.9674	3751.	.6372-03	.7472-07

RUN NUMBER	HREF BTU/ R FT2SEC	STN NO REF (R) = .0175
186	.2413-01	.4070-01

TEST DATA

RUN NUMBER	XO MS	2Y/BW	T/C NO	H/HREF R=1.0	H/HREF R=0.9	H/HREF R= TAW/TO	TAW/TO	H(TO) BTU/R FT2SEC	H(TAW) BTU/R FT2SEC	QDOT BTU/ FT2SEC	DTWDT DEG. R /SEC	TW DEG. R
186	24.036	.50000	460.00	.8348-04	.1009-03	.1009-03	.9000	.2015-05	.2435-05	.1474-02	.1180-01	531.9
186	24.036	.55000	461.00	.4624-03	.5590-03	.5590-03	.9000	.1116-04	.1349-04	.8164-02	.5999-01	532.1
186	24.036	.60000	462.00	.1469-02	.1775-02	.1775-02	.9000	.3544-04	.4284-04	.2595-01	.2006	531.5
186	24.036	.65000	463.00	.2501-02	.3021-02	.3021-02	.9000	.6037-04	.7292-04	.4432-01	.3430	529.4
186	24.036	.70000	464.00	.5541-02	.6699-02	.6699-02	.9000	.1337-03	.1617-03	.9776-01	.7301	532.7
186	24.036	.72500	465.00	.7393-02	.8936-02	.8936-02	.9000	.1784-03	.2157-03	.1306	1.009	531.8
186	24.036	.75000	466.00	.9090-02	.1099-01	.1099-01	.9000	.2194-03	.2652-03	.1605	1.333	532.0
186	24.036	.77500	467.00	.1019-01	.1232-01	.1232-01	.9000	.2460-03	.2973-03	.1799	1.680	532.3
186	24.036	.80000	468.00	.9939-02	.1201-01	.1201-01	.9000	.2399-03	.2899-03	.1757	1.641	531.4
186	24.036	.82500	469.00	.1040-01	.1257-01	.1257-01	.9000	.2510-03	.3033-03	.1838	1.717	531.3
186	24.036	.85000	470.00	.8266-02	.9987-02	.9987-02	.9000	.1995-03	.2410-03	.1463	1.313	530.1
186	24.036	.87500	471.00	.9126-02	.1102-01	.1102-01	.9000	.2202-03	.2661-03	.1616	1.395	529.8
186	24.036	.92500	472.00	.1754-01	.2120-01	.2120-01	.9000	.4233-03	.5116-03	.3099	2.573	531.5
186	24.036	.95000	277.00	.2322-01	.2809-01	.2809-01	.9000	.5605-03	.6780-03	.4086	3.658	534.6
186	24.036	.97500	473.00	.4485-01	.5438-01	.5438-01	.9000	.1082-02	.1312-02	.7808	8.706	542.3

DATE 23 FEB 80

OH84B MODEL 60-0 IN THE AEDC VKF HYPERSONIC TUNNEL

PAGE 1689

OH84B 60-0 UPPER RH WING

(R4U017)

UPPER RH WING

PARAMETRIC DATA

MACH = 8.000 ALPHA = 40.00 BETA = -4.000 ELEVON = .0000
 BDFLAP = .0000 SPDBRK = .0000

TEST CONDITIONS

RUN NUMBER	RN/L /FT X10 6	MACH	ALPHA DEG.	BETA DEG.	PO PSIA	TO DEG. R	T DEG. R	P PSIA	Q PSI	V FT/SEC	RHO SLUGS /FT3	MU LB-SEC /FT2
177	1.998	7.980	39.98	-4.010	434.6	1303.	94.84	.4525-01	2.017	3810.	.1288-02	.7631-07

RUN NUMBER	HREF BTU/ R FT2SEC	STN NO REF (R) *.0175
177	.3503-01	.2872-01

TEST DATA

RUN NUMBER	X0 MS	ZY/BW	T/C NO	H/HREF R=1.0	H/HREF R=0.9	H/HREF R= TAW/TO	TAW/TO	H(TO) BTU/R FT2SEC	H(TAW) BTU/R FT2SEC	QDOT BTU/ FT2SEC	DTWDT DEG. R /SEC	TW DEG. R
177	24.036	.50000	460.00	.1502-02	.1813-02	.1813-02	.9000	.5260-04	.6351-04	.3989-01	.3173	544.3
177	24.036	.55000	461.00	.3624-02	.4376-02	.4376-02	.9000	.1269-03	.1533-03	.9614-01	.7018	545.3
177	24.036	.60000	462.00	.7096-02	.8571-02	.8571-02	.9000	.2486-03	.3002-03	.1882	1.445	545.6
177	24.036	.65000	463.00	.9850-02	.1189-01	.1189-01	.9000	.3450-03	.4166-03	.2616	2.010	544.4
177	24.036	.70000	464.00	.1363-01	.1647-01	.1647-01	.9000	.4776-03	.5770-03	.3612	2.679	546.5
177	24.036	.72500	465.00	.1540-01	.1860-01	.1860-01	.9000	.5396-03	.6516-03	.4089	3.140	544.9
177	24.036	.75000	466.00	.1786-01	.2157-01	.2157-01	.9000	.6258-03	.7557-03	.4742	3.911	544.8
177	24.036	.77500	467.00	.1867-01	.2255-01	.2255-01	.9000	.6539-03	.7899-03	.4949	4.590	545.8
177	24.036	.80000	468.00	.1856-01	.2241-01	.2241-01	.9000	.6501-03	.7850-03	.4928	4.573	544.6
177	24.036	.82500	469.00	.1805-01	.2178-01	.2178-01	.9000	.6321-03	.7631-03	.4798	4.455	543.6
177	24.036	.85000	470.00	.1852-01	.2235-01	.2235-01	.9000	.6488-03	.7830-03	.4929	4.395	542.9
177	24.036	.87500	471.00	.2710-01	.3272-01	.3272-01	.9000	.9493-03	.1146-02	.7194	6.161	544.9
177	24.036	.92500	472.00	.5314-01	.6436-01	.6436-01	.9000	.1862-02	.2255-02	1.391	11.42	555.3
177	24.036	.95000	277.00	.4683-01	.5671-01	.5671-01	.9000	.1641-02	.1987-02	1.227	10.88	554.6
177	24.036	.97500	473.00	.5665-01	.6879-01	.6879-01	.9000	.1985-02	.2410-02	1.465	16.15	564.7

OH84B 60-0 UPPER RH WING

(R4U017)

UPPER RH WING

PARAMETRIC DATA

MACH = 8.000 ALPHA = 40.00 BETA = -4.000 ELEVON = .0000
 BOFLAP = .0000 SPDBRK = .0000

TEST CONDITIONS

RUN NUMBER	RN/L /FT	MACH	ALPHA DEG.	BETA DEG.	PO PSIA	TO DEG. R	T DEG. R	P PSIA	Q PSI	V FT/SEC	RHO SLUGS /FT3	MU LB-SEC /FT2
95	X10 6 2.992	7.990	39.99	-4.021	670.3	1326.	96.29	.6922-01	3.093	3843.	.1940-02	.7748-07
RUN NUMBER	HREF BTU/ R FT2SEC	STN NO REF (R)										
95	.4352-01	.2344-01										

TEST DATA

RUN NUMBER	XO MS	2Y/BW	T/C NO	H/HREF R=1.0	H/HREF R=0.9	H/HREF R= TAW/TO	TAW/TO	H(TO) BTU/R FT2SEC	H(TAW) BTU/R FT2SEC	QDOT BTU/ FT2SEC	DTWDT DEG. R /SEC	TW DEG. R
95	24.036	.50000	460.00	.3940-02	.4750-02	.4750-02	.9000	.1714-03	.2067-03	.1332	1.058	548.6
95	24.036	.55000	461.00	.7258-02	.8754-02	.8754-02	.9000	.3158-03	.3809-03	.2450	1.784	549.9
95	24.036	.60000	462.00	.1134-01	.1368-01	.1368-01	.9000	.4934-03	.5952-03	.3825	2.929	550.5
95	24.036	.65000	463.00	.1457-01	.1757-01	.1757-01	.9000	.6341-03	.7647-03	.4922	3.771	549.4
95	24.036	.70000	464.00	.2308-01	.2788-01	.2788-01	.9000	.1005-02	.1213-02	.7743	5.719	554.9
95	24.036	.72500	465.00	.2303-01	.2779-01	.2779-01	.9000	.1002-02	.1209-02	.7751	5.930	552.2
95	24.036	.75000	466.00	.2372-01	.2862-01	.2862-01	.9000	.1032-02	.1245-02	.7994	6.573	551.2
95	24.036	.77500	467.00	.2342-01	.2827-01	.2827-01	.9000	.1019-02	.1230-02	.7878	7.281	552.7
95	24.036	.80000	468.00	.2431-01	.2933-01	.2933-01	.9000	.1058-02	.1276-02	.8199	7.585	550.7
95	24.036	.82500	469.00	.2557-01	.3085-01	.3085-01	.9000	.1113-02	.1342-02	.8620	7.974	551.0
95	24.036	.85000	470.00	.2659-01	.3207-01	.3207-01	.9000	.1157-02	.1396-02	.8970	7.967	550.5
95	24.036	.87500	471.00	.4030-01	.4866-01	.4866-01	.9000	.1754-02	.2117-02	1.353	11.53	554.3
95	24.036	.92500	472.00	.8736-01	.1062	.1062	.9000	.3801-02	.4621-02	2.843	23.06	577.8
95	24.036	.95000	277.00	.7298-01	.8868-01	.8868-01	.9000	.3176-02	.3859-02	2.378	20.85	576.8
95	24.036	.97500	473.00	.1102	.1347	.1347	.9000	.4797-02	.5862-02	3.503	38.03	595.5

DATE 23 FEB 80

OH84B MODEL 60-0 IN THE AEDC VKF HYPERSONIC TUNNEL

PAGE 1691

OH84B 60-0 UPPER RH WING

(R4U018)

UPPER RH WING

PARAMETRIC DATA

MACH = 8.000 ALPHA = 40.00 BETA = -2.000 ELEVON = .0000
 BOFLAP = .0000 SPDBRK = .0000

TEST CONDITIONS

RUN NUMBER	RN/L /FT	MACH	ALPHA DEG.	BETA DEG.	PO PSIA	TO DEG. R	T DEG. R	P PSIA	Q PSI	V FT/SEC	RHO SLUGS /FT3	MU LB-SEC /FT2
196	X10 6 .5017	7.900	39.96	-1.993	100.6	1257.	93.21	.1118-01	.4886	3739.	.3238-03	.7501-07

RUN NUMBER	HREF BTU/ R FT2SEC	STN NO REF (R)
196	.1713-01	.5706-01

TEST DATA

RUN NUMBER	X0 MS	2Y/BW	T/C NO	H/HREF R=1.0	H/HREF R=0.9	H/HREF R=TAW/TO	TAW/TO	H(TO) BTU/R FT2SEC	H(TAW) BTU/R FT2SEC	QDOT BTU/ FT2SEC	DTWDT DEG. R /SEC	TW DEG. R
196	24.036	.50000	460.00	.1801-03	.2179-03	.2179-03	.9000	.3085-05	.3733-05	.2235-02	.1789-01	532.3
196	24.036	.55000	461.00	.7780-03	.9414-03	.9414-03	.9000	.1333-04	.1613-04	.9651-02	.7090-01	532.7
196	24.036	.60000	462.00	.8285-03	.1002-02	.1002-02	.9000	.1420-04	.1717-04	.1029-01	.7952-01	531.9
196	24.036	.65000	463.00	.5378-03	.6502-03	.6502-03	.9000	.9215-05	.1114-04	.6701-02	.5186-01	529.5
196	24.036	.70000	464.00	.1889-02	.2285-02	.2285-02	.9000	.3236-04	.3915-04	.2345-01	.1752	532.0
196	24.036	.72500	465.00	.1503-02	.1817-02	.1817-02	.9000	.2575-04	.3114-04	.1869-01	.1445	530.7
196	24.036	.75000	466.00	.1532-02	.1853-02	.1853-02	.9000	.2626-04	.3175-04	.1906-01	.1583	530.7
196	24.036	.77500	467.00	.1633-02	.1975-02	.1975-02	.9000	.2798-04	.3384-04	.2031-01	.1898	530.8
196	24.036	.80000	468.00	.1655-02	.2001-02	.2001-02	.9000	.2836-04	.3429-04	.2061-01	.1927	530.0
196	24.036	.82500	469.00	.1598-02	.1931-02	.1931-02	.9000	.2737-04	.3309-04	.1990-01	.1861	529.6
196	24.036	.85000	470.00	.1644-02	.1988-02	.1988-02	.9000	.2817-04	.3406-04	.2048-01	.1839	529.6
196	24.036	.87500	471.00	.1644-02	.1987-02	.1987-02	.9000	.2817-04	.3405-04	.2050-01	.1770	528.9
196	24.036	.92500	472.00	.3452-02	.4173-02	.4173-02	.9000	.5914-04	.7149-04	.4302-01	.3577	529.2
196	24.036	.95000	277.00	.7179-02	.8682-02	.8682-02	.9000	.1230-03	.1488-03	.8929-01	.8011	530.8
196	24.036	.97500	473.00	.9222-02	.1116-01	.1116-01	.9000	.1560-03	.1912-03	.1143	1.280	533.4

DATE 23 FEB 80

OH84B MODEL 60-0 IN THE AEDC VKF HYPERSONIC TUNNEL

PAGE 1692

OH84B 60-0 UPPER RH WING

(R4U018)

UPPER RH WING

PARAMETRIC DATA

MACH = 8.000 ALPHA = 40.00 BETA = -2.000 ELEVON = .0000
 BDFLAP = .0000 SPDBRK = .0000

TEST CONDITIONS

RUN NUMBER	RN/L /FT X10 6	MACH	ALPHA DEG.	BETA DEG.	PO PSIA	TO DEG. R	T DEG. R	P PSIA	Q PSI	V FT/SEC	RHO SLUGS /FT3	MU LB-SEC /FT2
183	1.005	7.940	39.96	-2.000	205.1	1260.	92.56	.2206-01	.9736	3745.	.6433-03	.7449-07
RUN NUMBER	HREF BTU/ R FT2SEC	STN NO REF(R) = .0175										
183	.2420-01	.4049-01										

TEST DATA

RUN NUMBER	XO MS	2Y/BW	T/C NO	H/HREF R=1.0	H/HREF R=0.9	H/HREF R= TAW/TO	TAW/TO	H(T) BTU/R FT2SEC	H(TAW) BTU/R FT2SEC	QDOT BTU/ FT2SEC	DTWDT DEG. R /SEC	TW DEG. R
183	24.036	.50000	460.00	.1584-03	.1916-03	.1916-03	.9000	.3832-05	.4637-05	.2781-02	.2224-01	533.9
183	24.036	.55000	461.00	.7769-03	.9400-03	.9400-03	.9000	.7189-04	.92275-04	.1364-01	.1001	534.0
183	24.036	.60000	462.00	.1327-02	.1605-02	.1605-02	.9000	.3210-04	.3883-04	.2332-01	.1802	533.1
183	24.036	.65000	463.00	.2628-02	.3177-02	.3177-02	.9000	.6358-04	.7687-04	.4635-01	.3585	530.8
183	24.036	.70000	464.00	.5788-02	.7003-02	.7003-02	.9000	.1401-03	.1695-03	.1017	.7591	533.7
183	24.036	.72500	465.00	.6789-02	.8211-02	.8211-02	.9000	.1643-03	.1987-03	.1195	.9236	532.2
183	24.036	.75000	466.00	.1205-01	.1458-01	.1458-01	.9000	.2917-03	.3528-03	.2121	1.761	532.4
183	24.036	.77500	467.00	.7727-02	.9346-02	.9346-02	.9000	.1870-03	.2261-03	.1360	1.270	532.3
183	24.036	.80000	468.00	.9115-02	.1102-01	.1102-01	.9000	.2206-03	.2667-03	.1606	1.500	531.5
183	24.036	.82500	469.00	.8987-02	.1087-01	.1087-01	.9000	.2175-03	.2629-03	.1584	1.480	531.2
183	24.036	.85000	470.00	.6668-02	.8059-02	.8059-02	.9000	.1613-03	.1950-03	.1177	1.056	530.1
183	24.036	.87500	471.00	.7419-02	.8966-02	.8966-02	.9000	.1795-03	.2170-03	.1310	1.131	529.8
183	24.036	.92500	472.00	.1606-01	.1941-01	.1941-01	.9000	.3886-03	.4697-03	.2832	2.353	530.7
183	24.036	.95000	277.00	.2298-01	.2781-01	.2781-01	.9000	.5560-03	.6728-03	.4035	3.614	533.9
183	24.036	.97500	473.00	.3639-01	.4414-01	.4414-01	.9000	.8805-03	.1068-02	.6316	7.042	542.4

DATE 23 FEB 80

OH84B MODEL 60-0 IN THE AEDC VKF HYPERSONIC TUNNEL

PAGE 1693

OH84B 60-0 UPPER RH WING

(R4U018)

UPPER RH WING

PARAMETRIC DATA

MACH = 8.000 ALPHA = 40.00 BETA = -2.000 ELEVON = .0000
 BDFLAP = .0000 SPDBRK = .0000

TEST CONDITIONS

RUN NUMBER	RN/L /FT X10 6	MACH	ALPHA DEG.	BETA DEG.	PO PSIA	TO DEG. R	T DEG. R	P PSIA	Q PSI	V FT/SEC	RHO SLUGS /FT3	MU LB-SEC /FT2
174	1.998	7.980	39.98	-2.000	435.7	1305.	94.98	.4536-01	2.022	3813.	.1289-02	.7643-07

RUN NUMBER	HREF BTU/ R FT2SEC	STN NO REF (R) = .0175
174	.3508-01	.2871-01

TEST DATA

RUN NUMBER	XO MS	ZY/BW	T/C NO	H/HREF R=1.0	H/HREF R=0.9	H/HREF R= TAW/TO	TAW/TO	H(TO) BTU/R FT2SEC	H(TAW) BTU/R FT2SEC	QDOT BTU/ FT2SEC	DTWDT DEG. R /SEC	TH DEG. R
174	24.036	.50000	460.00	.1570-02	.1893-02	.1893-02	.9000	.5507-04	.6642-04	.4204-01	.3350	541.2
174	24.036	.55000	461.00	.3966-02	.4784-02	.4784-02	.9000	.1391-03	.1679-03	.1061	.7754	542.3
174	24.036	.60000	462.00	.7120-02	.8590-02	.8590-02	.9000	.2498-03	.3014-03	.1904	1.464	542.5
174	24.036	.65000	463.00	.8554-02	.1032-01	.1032-01	.9000	.3001-03	.3619-03	.2292	1.764	540.9
174	24.036	.70000	464.00	.1414-01	.1707-01	.1707-01	.9000	.4961-03	.5988-03	.3775	2.804	543.7
174	24.036	.72500	465.00	.1666-01	.2011-01	.2011-01	.9000	.5847-03	.7054-03	.4457	3.426	542.5
174	24.036	.75000	466.00	.1794-01	.2164-01	.2164-01	.9000	.6293-03	.7593-03	.4797	3.961	542.4
174	24.036	.77500	467.00	.1877-01	.2265-01	.2265-01	.9000	.6584-03	.7947-03	.5010	4.651	543.8
174	24.036	.80000	468.00	.1959-01	.2364-01	.2364-01	.9000	.6875-03	.8295-03	.5239	4.867	542.6
174	24.036	.82500	469.00	.1903-01	.2296-01	.2296-01	.9000	.6677-03	.8055-03	.5094	4.734	541.8
174	24.036	.85000	470.00	.2076-01	.2504-01	.2504-01	.9000	.7284-03	.8786-03	.5558	4.959	541.6
174	24.036	.87500	471.00	.3125-01	.3773-01	.3773-01	.9000	.1097-02	.1324-02	.8336	7.141	544.5
174	24.036	.92500	472.00	.5825-01	.7056-01	.7056-01	.9000	.2044-02	.2475-02	1.529	12.53	556.7
174	24.036	.95000	277.00	.4349-01	.5258-01	.5258-01	.9000	.1526-02	.1845-02	1.152	10.23	549.8
174	24.036	.97500	473.00	.5322-01	.6460-01	.6460-01	.9000	.1867-02	.2266-02	1.383	15.25	564.0

DATE 23 FEB 80

OH84B MODEL 60-0 IN THE AEDC VKF HYPERSONIC TUNNEL

PAGE 1694

OH84B 60-0 UPPER RH WING

(R4U018)

UPPER RH WING

PARAMETRIC DATA

MACH = 8.000 ALPHA = 40.00 BETA = -2.000 ELEVON = .0000
 BOFLAP = .0000 SPDBRK = .0000

TEST CONDITIONS

RUN NUMBER	RN/L /FT X10 6	MACH	ALPHA DEG.	BETA DEG.	PO PSIA	TO DEG. R	T DEG. R	P PSIA	Q PSI	V FT/SEC	RHO SLUGS /FT3	MU LB-SEC /FT2
90	3.013	7.990	40.02	-2.028	670.6	1320.	95.85	.6925-01	3.095	3835.	.1950-02	.7713-07

RUN NUMBER	HREF BTU/ R FT2SEC	STN NO REF(R) *.0175
90	.4349-01	.2337-01

TEST DATA

RUN NUMBER	XO MS	2Y/BW	T/C NO	H/HREF R=1.0	H/HREF R=0.9	H/HREF R= TAW/TO	TAW/TO	H(TO) BTU/R FT2SEC	H(TAW) BTU/R FT2SEC	QDOT BTU/ FT2SEC	DTWDT DEG. R /SEC	TW DEG. R
90	24.036	.50000	460.00	.3712-02	.4496-02	.4496-02	.9000	.1614-03	.1956-03	.1221	.9620	563.4
90	24.036	.55000	461.00	.6784-02	.8222-02	.8222-02	.9000	.2951-03	.3576-03	.2227	1.610	564.8
90	24.036	.60000	462.00	.1058-01	.1282-01	.1282-01	.9000	.4601-03	.5577-03	.3469	2.636	565.6
90	24.036	.65000	463.00	.1518-01	.1839-01	.1839-01	.9000	.6600-03	.7998-03	.4984	3.789	564.6
90	24.036	.70000	464.00	.2405-01	.2918-01	.2918-01	.9000	.1046-02	.1269-02	.7854	5.760	568.9
90	24.036	.72500	465.00	.2304-01	.2793-01	.2793-01	.9000	.1002-02	.1215-02	.7555	5.741	565.7
90	24.036	.75000	466.00	.2316-01	.2807-01	.2807-01	.9000	.1007-02	.1221-02	.7612	6.217	564.1
90	24.036	.77500	467.00	.2395-01	.2904-01	.2904-01	.9000	.1041-02	.1263-02	.7839	7.194	566.9
90	24.036	.80000	468.00	.2340-01	.2835-01	.2835-01	.9000	.1018-02	.1233-02	.7690	7.067	564.0
90	24.036	.82500	469.00	.2367-01	.2868-01	.2868-01	.9000	.1029-02	.1247-02	.7782	7.152	563.8
90	24.036	.85000	470.00	.2588-01	.3135-01	.3135-01	.9000	.1125-02	.1363-02	.8507	7.506	563.7
90	24.036	.87500	471.00	.3985-01	.4834-01	.4834-01	.9000	.1733-02	.2102-02	1.302	11.02	568.4
90	24.036	.92500	472.00	.8091-01	.9870-01	.9870-01	.9000	.3519-02	.4293-02	2.577	20.81	587.4
90	24.036	.95000	277.00	.6361-01	.7746-01	.7746-01	.9000	.2766-02	.3369-02	2.041	17.85	581.8
90	24.036	.97500	473.00	.7030-01	.8572-01	.8572-01	.9000	.3057-02	.3728-02	2.243	24.47	586.0

DATE 23 FEB 80

OH84B MODEL 60-0 IN THE AEDC VKF HYPERSONIC TUNNEL

PAGE 1595

OH84B 60-0 UPPER RH WING

(R4U021)

UPPER RH WING

PARAMETRIC DATA

MACH = 8.000 ALPHA = 40.00 BETA = -1.000 ELEVON = .0000
 BDFLAP = .0000 SPOBRK = .0000

TEST CONDITIONS

RUN NUMBER	RN/L /FT X10 6	MACH	ALPHA DEG.	BETA DEG.	PO PSIA	TO DEG. R	T DEG. R	P PSIA	Q PSI	V FT/SEC	RHO SLUGS /FT3	MU LB-SEC /FT2
193	.5035	7.900	39.99	-1.006	99.91	1248.	92.54	.1110-01	.4851	3726.	.3238-03	.7447-07

RUN NUMBER	HREF BTU/ R FT2SEC	STN NO REF(R) = .0175
193	.1705-01	.5701-01

TEST DATA

RUN NUMBER	XO MS	ZY/BW	T/C NO	H/HREF R=1.0	H/HREF R=0.9	H/HREF R= TAW/TO	TAW/TO	H(TO) BTU/R FT2SEC	H(TAW) BTU/R FT2SEC	QDOT BTU/ FT2SEC	DTWDT DEG. R /SEC	TW DEG. R
193	24.036	.50000	460.00	.2902-03	.3515-03	.3515-03	.9000	.4949-05	.5994-05	.3541-02	.2835-01	532.1
193	24.036	.55000	461.00	.7642-03	.9257-03	.9257-03	.9000	.1303-04	.1578-04	.9320-02	.6848-01	532.4
193	24.036	.60000	462.00	.5731-03	.6940-03	.6940-03	.9000	.9773-05	.1183-04	.6999-02	.5411-01	531.5
193	24.036	.65000	463.00	.5673-03	.6864-03	.6864-03	.9000	.9673-05	.1171-04	.6953-02	.5383-01	528.8
193	24.036	.70000	464.00	.1093-02	.1323-02	.1323-02	.9000	.1863-04	.2256-04	.1335-01	.9974-01	531.4
193	24.036	.72500	465.00	.9228-03	.1117-02	.1117-02	.9000	.1574-04	.1905-04	.1129-01	.8736-01	530.1
193	24.036	.75000	466.00	.1235-02	.1495-02	.1495-02	.9000	.2106-04	.2549-04	.1511-01	.1256	530.0
193	24.036	.77500	467.00	.9724-03	.1177-02	.1177-02	.9000	.1658-04	.2007-04	.1190-01	.1113	529.9
193	24.036	.80000	468.00	.1796-02	.2173-02	.2173-02	.9000	.3062-04	.3705-04	.2200-01	.2058	529.1
193	24.036	.82500	469.00	.1823-02	.2206-02	.2206-02	.9000	.3109-04	.3762-04	.2236-01	.2092	528.6
193	24.036	.85000	470.00	.1806-02	.2185-02	.2185-02	.9000	.3079-04	.3725-04	.2214-01	.1989	528.5
193	24.036	.87500	471.00	.1529-02	.1849-02	.1849-02	.9000	.2606-04	.3153-04	.1876-01	.1621	527.7
193	24.036	.92500	472.00	.3298-02	.3990-02	.3990-02	.9000	.5623-04	.6803-04	.4045-01	.3364	528.4
193	24.036	.95000	277.00	.7812-02	.9457-02	.9457-02	.9000	.1332-03	.1613-03	.9555-01	.8574	530.4
193	24.036	.97500	473.00	.1121-01	.1358-01	.1358-01	.9000	.1912-03	.2316-03	.1368	.1.534	532.1

DATE 23 FEB 80

OH84B MODEL 60-0 IN THE AEDC VKF HYPERSONIC TUNNEL

PAGE 1696

OH84B 60-0 UPPER RH WING

(R4U021)

UPPER RH WING

PARAMETRIC DATA

MACH = 8.000 ALPHA = 40.00 BETA = -1.000 ELEVON = .0000
 BDFLAP = .0000 SPDBRK = .0000

TEST CONDITIONS

RUN NUMBER	RN/L /FT	MACH	ALPHA DEG.	BETA DEG.	FJ PSIA	TO DEG. R	T DEG. R	P PSIA	Q PSI	V FT/SEC	RHO SLUGS /FT3	MU LB-SEC /FT2
180	X10 6 1.002	7.940	39.98	-1.002	205.1	1263.	92.78	.2206-01	.9736	3749.	.6418-03	.7466-07

RUN NUMBER	HREF BTU/ R FT2SEC	STN NO REF (R) = .0175
180	.2421-01	.4055-01

TEST DATA

RUN NUMBER	XO MS	ZY/BW	T/C NO	H/HREF R=1.0	H/HREF R=0.9	H/HREF R= TAW/TO	TAW/TO	H(TO) BTU/R FT2SEC	H(TAW) BTU/R FT2SEC	QDOT BTU/ FT2SEC	DTWDT DEG. R /SEC	TW DEG. R
180	24.036	.50000	460.00	.3508-03	.4248-03	.4248-03	.9000	.8492-05	.1028-04	.6155-02	.4912-01	537.9
180	24.036	.55000	461.00	.9581-03	.1160-02	.1160-02	.9000	.2319-04	.2809-04	.1680-01	.1231	538.2
180	24.036	.60000	462.00	.1277-02	.1547-02	.1547-02	.9000	.3092-04	.3744-04	.2242-01	.1728	537.6
180	24.036	.65000	463.00	.1985-02	.2402-02	.2402-02	.9000	.4805-04	.5814-04	.3495-01	.2697	535.3
180	24.036	.70000	464.00	.4965-02	.6013-02	.6013-02	.9000	.1202-03	.1456-03	.8707-01	.6485	538.2
180	24.036	.72500	465.00	.5923-02	.7171-02	.7171-02	.9000	.1434-03	.1736-03	.1041	.8022	537.0
180	24.036	.75000	466.00	.7324-02	.8866-02	.8866-02	.9000	.1773-03	.2146-03	.1286	1.065	537.0
180	24.036	.77500	467.00	.8226-02	.9960-02	.9960-02	.9000	.1991-03	.2411-03	.1444	1.345	537.4
180	24.036	.80000	468.00	.9254-02	.1120-01	.1120-01	.9000	.2240-03	.2712-03	.1626	1.515	536.7
180	24.036	.82500	469.00	.1007-01	.1219-01	.1219-01	.9000	.2439-03	.2952-03	.1770	1.650	536.6
180	24.036	.85000	470.00	.7736-02	.9362-02	.9362-02	.9000	.1873-03	.2266-03	.1362	1.219	535.4
180	24.036	.87500	471.00	.8204-02	.9926-02	.9926-02	.9000	.1986-03	.2403-03	.1445	1.244	534.8
180	24.036	.92500	472.00	.1816-01	.2199-01	.2199-01	.9000	.4396-03	.5323-03	.3188	2.640	537.4
180	24.036	.95000	277.00	.2175-01	.2635-01	.2635-01	.9000	.5265-03	.6379-03	.3807	3.400	539.7
180	24.036	.97500	473.00	.3920-01	.4760-01	.4760-01	.9000	.9490-03	.1152-02	.6790	7.551	547.2

DATE 23 FEB 80

OH84B MODEL 60-0 IN THE AEDC VKF HYPERSONIC TUNNEL

PAGE 1697

OH84B 60-0 UPPER RH WING

(R4U021)

UPPER RH WING

PARAMETRIC DATA

MACH = 8.000 ALPHA = 40.00 BETA = -1.000 ELEVON = .0000
 BDFLAP = .0000 SPDBRK = .0000

TEST CONDITIONS

RUN NUMBER	RN/L /FT X10 6	MACH	ALPHA DEG.	BETA DEG.	PO PSIA	TO DEG. R	T DEG. R	P PSIA	Q PSI	V FT/SEC	RHO SLUGS /FT3	MU LB-SEC /FT2
168	2.006	7.980	40.02	-1.016	435.8	1302.	94.76	.4537-01	2.023	3808.	.1292-02	.7626-07

RUN NUMBER	HREF BTU/ R FT2SEC	STN NO REF (R) = .0175
168	.3507-01	.2867-01

TEST DATA

RUN NUMBER	XO MS	2Y/BW	T/C NO	H/HREF R=1.0	H/HREF R=0.9	H/HREF R= TAW/TO	TAW/TO	H(TO) BTU/R FT2SEC	H(TAW) BTU/R FT2SEC	QDOT BTU/ FT2SEC	DTWOT DEG. R /SEC	TW DEG. R
168	24.036	.50000	460.00	.2183-02	.2640-02	.2640-02	.9000	.7658-04	.9260-04	.5760-01	.4571	549.4
168	24.036	.55000	461.00	.4867-02	.5889-02	.5889-02	.9000	.1707-03	.2065-03	.1281	.9328	551.0
168	24.036	.60000	462.00	.8135-02	.9842-02	.9842-02	.9000	.2853-03	.3452-03	.2141	1.638	551.5
168	24.036	.65000	463.00	.1076-01	.1301-01	.1301-01	.9000	.3774-03	.4564-03	.2836	2.172	550.2
168	24.036	.70000	464.00	.1553-01	.1881-01	.1881-01	.9000	.5447-03	.6598-03	.4068	3.004	554.9
168	24.036	.72500	465.00	.1697-01	.2053-01	.2053-01	.9000	.5951-03	.7202-03	.4458	3.410	552.5
168	24.036	.75000	466.00	.1871-01	.2265-01	.2265-01	.9000	.6562-03	.7943-03	.4913	4.036	553.0
168	24.036	.77500	467.00	.1969-01	.2384-01	.2384-01	.9000	.6905-03	.8363-03	.5156	4.760	554.9
168	24.036	.80000	468.00	.2038-01	.2468-01	.2468-01	.9000	.7149-03	.8656-03	.5347	4.939	553.8
168	24.036	.82500	469.00	.2125-01	.2573-01	.2573-01	.9000	.7453-03	.9024-03	.5573	5.148	553.8
168	24.036	.85000	470.00	.2374-01	.2875-01	.2875-01	.9000	.8328-03	.1008-02	.6228	5.522	553.8
168	24.036	.87500	471.00	.3220-01	.3901-01	.3901-01	.9000	.1130-02	.1368-02	.8426	7.178	555.7
168	24.036	.92500	472.00	.7401-01	.9014-01	.9014-01	.9000	.2596-02	.3162-02	1.889	15.35	574.2
168	24.036	.95000	277.00	.5388-01	.6556-01	.6556-01	.9000	.1890-02	.2299-02	1.381	12.14	571.0
168	24.036	.97500	473.00	.8654-01	.1058	.1058	.9000	.3035-02	.3712-02	2.166	23.61	587.9

DATE 23 FEB 80

OHS4B MODEL 60-0 IN THE AEDC VKF HYPERSONIC TUNNEL

PAGE 1698

OHS4B 60-0 UPPER RH WING

(R4U021)

UPPER RH WING

PARAMETRIC DATA

MACH = 8.000 ALPHA = 40.00 BETA = -1.000 ELEVON = .0000
 BOFLAP = .0000 SPDBRK = .0000

TEST CONDITIONS

RUN NUMBER	RN/L /FT X10 6	MACH	ALPHA DEG.	BETA DEG.	PO PSIA	TO DEG. R	T DEG. R	P PSIA	Q PSI	V FT/SEC	RHO SLUGS /FT3	MU LB-SEC /FT2
86	3.010	7.990	40.08	-1.034	669.1	1319.	95.78	.6910-01	3.088	3833.	.1947-02	.7707-07
RUN NUMBER	HREF BTU/ R FT2SEC	STN NO REF (R)										
86	.4344-01	.2338-01										

TEST DATA

RUN NUMBER	XO MS	ZY/BW	T/C NO	H/HREF R=1.0	H/HREF R=0.9	H/HREF R= TAW/TO	TAW/TO	H(TO) BTU/R FT2SEC	H(TAW) BTU/R FT2SEC	QDOT BTU/ FT2SEC	DTWDT DEG. R /SEC	TW DEG. R
86	24.036	.50000	460.00	.3747-02	.4534-02	.4534-02	.9000	.1627-03	.1970-03	.1235	.9754	559.5
86	24.036	.55000	461.00	.6941-02	.8404-02	.8404-02	.9000	.3015-03	.3651-03	.2284	1.654	561.2
86	24.036	.60000	462.00	.1088-01	.1317-01	.1317-01	.9000	.4725-03	.5722-03	.3576	2.722	561.9
86	24.036	.65000	463.00	.1558-01	.1886-01	.1886-01	.9000	.6766-03	.8191-03	.5127	3.906	560.8
86	24.036	.70000	464.00	.2418-01	.2931-01	.2931-01	.9000	.1050-02	.1273-02	.7908	5.809	565.6
86	24.036	.72500	465.00	.2407-01	.2915-01	.2915-01	.9000	.1045-02	.1266-02	.7906	6.018	562.4
86	24.036	.75000	466.00	.2412-01	.2920-01	.2920-01	.9000	.1048-02	.1268-02	.7938	6.495	560.9
86	24.036	.77500	467.00	.2375-01	.2876-01	.2876-01	.9000	.1031-02	.1249-02	.7798	7.171	562.6
86	24.036	.80000	468.00	.2420-01	.2929-01	.2929-01	.9000	.1051-02	.1272-02	.7971	7.339	560.3
86	24.036	.82500	469.00	.2477-01	.2998-01	.2998-01	.9000	.1076-02	.1302-02	.8164	7.518	559.8
86	24.036	.85000	470.00	.2693-01	.3259-01	.3259-01	.9000	.1170-02	.1416-02	.8876	7.847	559.8
86	24.036	.87500	471.00	.4056-01	.4916-01	.4916-01	.9000	.1762-02	.2135-02	1.328	11.26	564.7
86	24.036	.92500	472.00	.8326-01	.1015	.1015	.9000	.3616-02	.4409-02	2.652	21.43	585.4
86	24.036	.95000	277.00	.6547-01	.7971-01	.7971-01	.9000	.2844-02	.3462-02	2.098	18.36	580.7
86	24.036	.97500	473.00	.7294-01	.8894-01	.8894-01	.9000	.3168-02	.3863-02	2.322	25.33	585.8

DATE 23 FEB 80

OH84B MODEL 60-0 IN THE AEDC VKF HYPERSONIC TUNNEL

PAGE 1699

OH84B 60-0 UPPER RH WING

(R4U022)

UPPER RH WING

PARAMETRIC DATA

MACH = 8.000 ALPHA = 40.00 BETA = .0000 ELEVON = .0000
 BDFLAP = .0000 SPOBRK = .0000

TEST CONDITIONS

RUN NUMBER	RN/L /FT X10 6	MACH	ALPHA DEG.	BETA DEG.	PO PSIA	TO DEG. R	T DEG. R	P PSIA	Q PSI	V FT/SEC	RHO SLUGS /FT3	MU LB-SEC /FT2
17	.5042	7.900	40.02	-.3159-02	99.80	1246.	92.40	.1109-01	.4846	3723.	.3240-03	.7435-07

RUN NUMBER	HREF BTU/ R FT2SEC	STN NO REF(R) = .0175
17	.1704-01	.5699-01

TEST DATA

RUN NUMBER	XO MS	ZY/BW	T/C NO	H/HREF R=1.0	H/HREF R=0.9	H/HREF R= TAW/TO	TAW/TO	H(TO) BTU/R FT2SEC	H(TAW) BTU/R FT2SEC	QDOT BTU/ FT2SEC	DTWDT DEG. R /SEC	TW DEG. R
17	24.036	.50000	460.00	.7771-03	.9437-03	.9437-03	.9000	.1324-04	.1608-04	.9338-02	.7444-01	540.3
17	24.036	.55000	461.00	.1230-02	.1494-02	.1494-02	.9000	.2096-04	.2546-04	.1477-01	.1081	540.9
17	24.036	.60000	462.00	.7289-03	.8853-03	.8853-03	.9000	.1242-04	.1508-04	.8757-02	.6739-01	540.5
17	24.036	.65000	463.00	.5627-03	.6830-03	.6830-03	.9000	.9587-05	.1164-04	.6779-02	.5222-01	538.6
17	24.036	.70000	464.00	.1684-02	.2046-02	.2046-02	.9000	.2869-04	.3486-04	.2021-01	.1503	541.2
17	24.036	.72500	465.00	.2525-02	.3065-02	.3065-02	.9000	.4301-04	.5223-04	.3038-01	.2339	539.4
17	24.036	.75000	466.00	.3218-02	.3907-02	.3907-02	.9000	.5482-04	.6657-04	.3871-01	.3201	539.6
17	24.036	.77500	467.00	.3202-02	.3888-02	.3888-02	.9000	.5455-04	.6624-04	.3850-01	.3581	539.9
17	24.036	.80000	468.00	.4002-02	.4860-02	.4860-02	.9000	.6819-04	.8280-04	.4815-01	.4480	539.6
17	24.036	.82500	469.00	.4693-02	.5698-02	.5698-02	.9000	.7996-04	.9709-04	.5647-01	.5254	539.5
17	24.036	.85000	470.00	.2812-02	.3414-02	.3414-02	.9000	.4791-04	.5816-04	.3386-01	.3025	539.0
17	24.036	.87500	471.00	.3065-02	.3721-02	.3721-02	.9000	.5223-04	.6339-04	.3695-01	.3175	538.3
17	24.036	.92500	472.00	.1154-01	.1401-01	.1401-01	.9000	.1967-03	.2388-03	.1389	1.149	539.3
17	24.036	.95000	477.00	.1787-01	.2170-01	.2170-01	.9000	.3044-03	.3697-03	.2145	1.914	541.0
17	24.036	.97500	473.00	.3304-01	.4017-01	.4017-01	.9000	.5630-03	.6845-03	.3951	4.401	543.9

DATE 23 FEB 80

OH84B MODEL 60-0 IN THE AEDC VKF HYPERSONIC TUNNEL

PAGE 1700

OH84B 60-0 UPPER RH WING

(R4U022)

UPPER RH WING

PARAMETRIC DATA

MACH = 8.000 ALPHA = 40.00 BETA = .0000 ELEVON = .0000
 BDFLAP = .0000 SPDBRK = .0000

TEST CONDITIONS

RUN NUMBER	RN/L /FT X10 6	MACH	ALPHA DEG.	BETA DEG.	PO PSIA	TO DEG. R	T DEG. R	P PSIA	Q PSI	V FT/SEC	RHO SLUGS /FT3	MU LB-SEC /FT2
33	1.016	7.940	40.01	.1050-02	206.6	1257.	92.34	.2223-01	.9808	3740.	.6496-03	.7431-07
RUN NUMBER	HREF BTU/ R FT2SEC	STN NO REF (R)										
33	.2428-01	.4028-01										

TEST DATA

RUN NUMBER	X0 MS	2Y/BW	T/C NO	H/HREF R=1.0	H/HREF R=0.9	H/HREF R= TAW/TO	TAW/TO	H(TO) BTU/R FT2SEC	H(TAW) BTU/R FT2SEC	QDOT BTU/ FT2SEC	DTWDT DEG. R /SEC	TW DEG. R
33	24.036	.50000	460.00	.9045-03	.1096-02	.1096-02	.9000	.2196-04	.2661-04	.1580-01	.1261	537.4
33	24.036	.55000	461.00	.1105-02	.1339-02	.1339-02	.9000	.2682-04	.3250-04	.1928-01	.1412	537.9
33	24.036	.60000	462.00	.6004-03	.7276-03	.7276-03	.9000	.1458-04	.1766-04	.1048-01	.8079-01	537.6
33	24.036	.65000	463.00	.1774-02	.2149-02	.2149-02	.9000	.4307-04	.5217-04	.3103-01	.2393	536.2
33	24.036	.70000	464.00	.4128-02	.5006-02	.5006-02	.9000	.1002-03	.1215-03	.7184-01	.5346	539.9
33	24.036	.72500	465.00	.4798-02	.5814-02	.5814-02	.9000	.1165-03	.1411-03	.8377-01	.6457	537.5
33	24.036	.75000	466.00	.6580-02	.7976-02	.7976-02	.9000	.1598-03	.1936-03	.1147	.9495	538.4
33	24.036	.77500	467.00	.7643-02	.9266-02	.9266-02	.9000	.1856-03	.2250-03	.1331	1.239	539.3
33	24.036	.80000	468.00	.6948-02	.8420-02	.8420-02	.9000	.1687-03	.2044-03	.1212	1.129	538.0
33	24.036	.82500	469.00	.7051-02	.8545-02	.8545-02	.9000	.1712-03	.2074-03	.1230	1.146	537.9
33	24.036	.85000	470.00	.6757-02	.8187-02	.8187-02	.9000	.1640-03	.1988-03	.1179	1.054	537.6
33	24.036	.87500	471.00	.1098-01	.1330-01	.1330-01	.9000	.2665-03	.3230-03	.1915	1.646	538.1
33	24.036	.92500	472.00	.3063-01	.3717-01	.3717-01	.9000	.7435-03	.9025-03	.5306	4.380	543.1
33	24.036	.95000	277.00	.3055-01	.3709-01	.3709-01	.9000	.7417-03	.9005-03	.5284	4.709	544.2
33	24.036	.97500	473.00	.5202-01	.6333-01	.6333-01	.9000	.1263-02	.1537-02	.8885	9.852	553.1

DATE 23 FEB 80

OH84B MODEL 60-0 IN THE AEDC VKF HYPERSONIC TUNNEL

PAGE 1701

OH84B 60-0 UPPER RH WING

(R4U022)

UPPER RH WING

PARAMETRIC DATA

MACH = 8.000 ALPHA = 40.00 BETA = .0000 ELEVON = .0000
 BDFLAP = .0000 SPDBRK = .0000

TEST CONDITIONS

RUN NUMBER	RN/L /FT X10 6	MACH	ALPHA DEG.	BETA DEG.	PO PSIA	TO DEG. R	T DEG. R	P PSIA	Q PSI	V FT/SEC	RHO SLUGS /FT3	MU LB-SEC /FT2
74	2.011	7.980	40.05	-.1426-06	436.5	1301.	94.69	.4544-01	2.026	3807.	.1295-02	.7620-07

RUN NUMBER	HREF BTU/ R FT2SEC	STN NO REF (R) = .0175
74	.3510-01	.2863-01

TEST DATA

RUN NUMBER	XO MS	2Y/BW	T/C NO	H/HREF R=1.0	H/HREF R=0.9	H/HREF R= TAW/TO	TAW/TO	H(TO) BTU/R FT2SEC	H(TAW) BTU/R FT2SEC	QDOT BTU/ FT2SEC	DTWDT DEG. R /SEC	TW DEG. R
74	24.036	.50000	460.00	.1459-02	.1766-02	.1766-02	.9000	.5121-04	.6198-04	.3835-01	.3040	551.8
74	24.036	.55000	461.00	.3017-02	.3652-02	.3652-02	.9000	.1059-03	.1282-03	.7921-01	.5761	552.6
74	24.036	.60000	462.00	.6054-02	.7330-02	.7330-02	.9000	.2125-03	.2572-03	.1588	1.214	553.3
74	24.036	.65000	463.00	.7899-02	.9545-02	.9545-02	.9000	.2769-03	.3350-03	.2075	1.588	551.2
74	24.036	.70000	464.00	.1230-01	.1489-01	.1489-01	.9000	.4316-03	.5225-03	.3225	2.383	553.5
74	24.036	.72500	465.00	.1337-01	.1618-01	.1618-01	.9000	.4691-03	.5678-03	.3511	2.686	552.2
74	24.036	.75000	466.00	.1463-01	.1771-01	.1771-01	.9000	.5136-03	.6216-03	.3846	3.161	551.8
74	24.036	.77500	467.00	.1593-01	.1929-01	.1929-01	.9000	.5591-03	.6771-03	.4175	3.856	554.0
74	24.036	.80000	468.00	.1582-01	.1915-01	.1915-01	.9000	.5553-03	.6721-03	.4156	3.841	552.3
74	24.036	.82500	469.00	.1697-01	.2054-01	.2054-01	.9000	.5955-03	.7208-03	.4457	4.121	552.2
74	24.036	.85000	470.00	.1846-01	.2235-01	.2235-01	.9000	.6481-03	.7843-03	.4854	4.309	551.7
74	24.036	.87500	471.00	.2795-01	.3384-01	.3384-01	.9000	.9810-03	.1188-02	.7329	6.250	553.5
74	24.036	.92500	472.00	.6538-01	.7951-01	.7951-01	.9000	.2295-02	.2791-02	1.680	13.69	568.7
74	24.036	.95000	277.00	.5310-01	.6451-01	.6451-01	.9000	.1864-02	.2264-02	1.370	12.08	565.6
74	24.036	.97500	473.00	.5836-01	.7103-01	.7103-01	.9000	.2048-02	.2493-02	1.494	16.42	571.1

DATE 23 FEB 80

OH84B MODEL 60-0 IN THE AEDC VKF HYPERSONIC TUNNEL

PAGE 1702

OH84B 60-0 UPPER RH WING

(R4U022)

UPPER RH WING

PARAMETRIC DATA

MACH = 8.000 ALPHA = 40.00 BETA = .0000 ELEVON = 0000
 BDFLAP = .0000 SPOBRK = .0000

TEST CONDITIONS

RUN NUMBER	RN/L /FT X10 6	MACH	ALPHA DEG.	BETA DEG.	PO PSIA	TO DEG. R	T DEG. R	P PSIA	Q PSI	V FT/SEC	RHO SLUGS /FT3	MU LB-SEC /FT2
83	3.029	7.990	40.06	-1.1434-06	670.3	1315.	95.49	.6922-01	3.093	3827.	.1957-02	.7684-07

RUN NUMBER	HREF BTU/ R FT2SEC	STN NO REF(R) =.0175
83	.4345-01	.2332-01

TEST DATA

RUN NUMBER	XO MS	2Y/BW	T/C NO	H/HREF R=1.0	H/HREF R=0.9	H/HREF R= TAW/TO	TAW/TO	H(TO) BTU/R FT2SEC	H(TAW) BTU/R FT2SEC	QDOT BTU/ FT2SEC	DTWDT DEG. R /SEC	TW DEG. R
83	24.036	.50000	460.00	.3321-02	.4015-02	.4015-02	.9000	.1443-03	.1744-03	.1098	.8697	553.6
83	24.036	.55000	461.00	.5917-02	.7155-02	.7155-02	.9000	.2571-03	.3109-03	.1954	1.419	554.8
83	24.036	.60000	462.00	.9270-02	.1121-01	.1121-01	.9000	.4028-03	.4871-03	.3059	2.337	555.2
83	24.036	.65000	463.00	.1343-01	.1624-01	.1624-01	.9000	.5838-03	.7057-03	.4441	3.395	553.9
83	24.036	.70000	464.00	.2374-01	.2874-01	.2874-01	.9000	.1032-02	.1249-02	.7804	5.754	558.2
83	24.036	.72500	465.00	.2441-01	.2953-01	.2953-01	.9000	.1061-02	.1283-02	.8036	6.134	556.9
83	24.036	.75000	466.00	.2434-01	.2944-01	.2944-01	.9000	.1057-02	.1279-02	.8022	6.579	556.0
83	24.036	.77500	467.00	.2370-01	.2869-01	.2869-01	.9000	.1030-02	.1247-02	.7790	7.179	558.3
83	24.036	.80000	468.00	.2423-01	.2931-01	.2931-01	.9000	.1053-02	.1273-02	.7998	7.383	555.2
83	24.036	.82500	469.00	.2582-01	.3122-01	.3122-01	.9000	.1122-02	.1357-02	.8520	7.864	555.2
83	24.036	.85000	470.00	.2747-01	.3322-01	.3322-01	.9000	.1194-02	.1443-02	.9066	8.034	555.1
83	24.036	.87500	471.00	.4096-01	.4960-01	.4960-01	.9000	.1780-02	.2155-02	1.344	11.43	559.6
83	24.036	.92500	472.00	.8960-01	.1093	.1093	.9000	.3893-02	.4748-02	2.844	23.00	544.1
83	24.036	.95000	277.00	.7151-01	.8710-01	.8710-01	.9000	.3107-02	.3785-02	2.283	19.98	580.1
83	24.036	.97500	473.00	.7444-01	.9087-01	.9087-01	.9000	.3235-02	.3948-02	2.353	25.65	587.3

DATE 23 FEB 80

OH84B MODEL 60-0 IN THE AEDC VKF HYPERSONIC TUNNEL

PAGE 1703

OH84B 60-0 UPPER RH WING

(R4U022)

UPPER RH WING

PARAMETRIC DATA

MACH = 8.000 ALPHA = 40.00 BETA = .0000 ELEVON = .0000
 BDFLAP = .0000 SPDBRK = .0000

TEST CONDITIONS

RUN NUMBER	RN/L /FT X10 6	MACH	ALPHA DEG.	BETA DEG.	PO PSIA	TO DEG. R	T DEG. R	P PSIA	Q PSI	V FT/SEC	RHO SLUGS /FT3	MU LB-SEC /FT2
146	3.671	8.000	40.07	-1.1071-02	851.7	1354.	98.09	.8724-01	3.908	3884.	.2400-02	.7893-07

RUN NUMBER	HREF BTU/ R FT2SEC	STN NO REF(R) =.0175
146	.4909-01	.2112-01

TEST DATA

RUN NUMBER	XO MS	2Y/BW	T/C NO	H/HREF R=1.0	H/HREF R=0.9	H/HREF R= TAW/TO	TAW/TO	H(TO) BTU/R FT2SEC	H(TAW) BTU/R FT2SEC	QDOT BTU/ FT2SEC	DTWDT DEG. R /SEC	TW DEG. R
146	24.036	.50000	460.00	.6702-02	.8096-02	.8096-02	.9000	.3290-03	.3975-03	.2587	2.034	567.5
146	24.036	.55000	461.00	.1266-01	.1531-01	.1531-01	.9000	.6217-03	.7515-03	.4872	3.512	570.0
146	24.036	.60000	462.00	.2109-01	.2551-01	.2551-01	.9000	.1035-02	.1252-02	.8089	6.126	572.4
146	24.036	.65000	463.00	.2543-01	.3075-01	.3075-01	.9000	.1249-02	.1510-02	.9780	7.414	570.4
146	24.036	.70000	464.00	.3794-01	.4595-01	.4595-01	.9000	.1862-02	.2256-02	1.447	10.57	577.0
146	24.036	.72500	465.00	.3416-01	.4130-01	.4130-01	.9000	.1677-02	.2027-02	1.314	9.959	570.3
146	24.036	.75000	466.00	.3190-01	.3854-01	.3854-01	.9000	.1566-02	.1892-02	1.231	10.04	567.5
146	24.036	.77500	467.00	.3455-01	.4179-01	.4179-01	.9000	.1696-02	.2052-02	1.325	12.12	572.6
146	24.036	.80000	468.00	.3530-01	.4267-01	.4267-01	.9000	.1733-02	.2095-02	1.358	12.44	570.3
146	24.036	.82500	469.00	.3674-01	.4441-01	.4441-01	.9000	.1803-02	.2180-02	1.413	12.94	570.4
146	24.036	.85000	470.00	.3951-01	.4778-01	.4778-01	.9000	.1939-02	.2346-02	1.516	13.33	571.8
146	24.036	.87500	471.00	.5764-01	.6984-01	.6984-01	.9000	.2830-02	.3428-02	2.193	18.47	578.7
146	24.036	.92500	472.00	.1066	.1302	.1302	.9000	.5231-02	.6392-02	3.897	31.14	608.6
146	24.036	.95000	277.00	.7756-01	.9456-01	.9456-01	.9000	.3808-02	.4642-02	2.867	24.84	600.7
146	24.036	.97500	473.00	.9771-01	.1198	.1198	.9000	.4797-02	.5882-02	3.518	37.73	620.3

OHB4B 60-0 UPPER RH WING

(R4U025)

UPPER RH WING

PARAMETRIC DATA

MACH = 8.000 ALPHA = 40.00 BETA = 1.000 ELEVON = .0000
 BDFLAP = .0000 SPDBRK = .0000

TEST CONDITIONS

RUN NUMBER	RN/L /FT	MACH	ALPHA DEG.	BETA DEG.	PO PSIA	TO DEG. R	T DEG. R	P PSIA	Q PSI	V FT/SEC	RHO SLUGS /FT3	MU LB-SEC /FT2
21	X10 6 5073	7.900	40.03	1.042	101.1	1252.	92.84	.1124-01	.4910	3732.	.3268-03	.7471-07
RUN NUMBER	HREF BTU/ R FT2SEC	STN NO REF (R)										
21	.1717-01	.5677-01										

TEST DATA

RUN NUMBER	XO MS	2Y/BW	T/C NO	H/HREF R=1.0	H/HREF R=0.9	H/HREF R= TAW/TO	TAW/TO	H(TO) BTU/R FT2SEC	H(TAW) BTU/R FT2SEC	QDOT BTU/ FT2SEC	DTWOT DEG. R /SEC	TW DEG. R
21	24.036	.50000	460.00	.9389-03	.1138-02	.1138-02	.9000	.1612-04	.1954-04	.1152-01	.9195-01	537.1
21	24.036	.55000	461.00	.1001-02	.1213-02	.1213-02	.9000	.1718-04	.2083-04	.1226-01	.8988-01	537.6
21	24.036	.60000	462.00	.7827-03	.9489-03	.9489-03	.9000	.1344-04	.1629-04	.9602-02	.7403-01	537.0
21	24.036	.65000	463.00	.4154-03	.5033-03	.5033-03	.9000	.7131-05	.8639-05	.5113-02	.3947-01	534.7
21	24.036	.70000	464.00	.1541-02	.1868-02	.1868-02	.9000	.2645-04	.3206-04	.1891-01	.1409	536.7
21	24.036	.72500	465.00	.2327-02	.2818-02	.2818-02	.9000	.3994-04	.4838-04	.2865-01	.2211	534.4
21	24.036	.75000	466.00	.2992-02	.3625-02	.3625-02	.9000	.5136-04	.6222-04	.3684-01	.3054	534.4
21	24.036	.77500	467.00	.3343-02	.4050-02	.4050-02	.9000	.5738-04	.6951-04	.4115-01	.3838	534.5
21	24.036	.80000	468.00	.4449-02	.5388-02	.5388-02	.9000	.7636-04	.9249-04	.5481-01	.5113	534.0
21	24.036	.82500	469.00	.4701-02	.5693-02	.5693-02	.9000	.8069-04	.9773-04	.5794-01	.5406	533.6
21	24.036	.85000	470.00	.3289-02	.3983-02	.3983-02	.9000	.5647-04	.6837-04	.4058-01	.3637	532.9
21	24.036	.87500	471.00	.3630-02	.4395-02	.4395-02	.9000	.6231-04	.7544-04	.4483-01	.3865	532.2
21	24.036	.92500	472.00	.1225-01	.1483-01	.1483-01	.9000	.2102-03	.2546-03	.1510	1.252	533.5
21	24.036	.95000	277.00	.1835-01	.2224-01	.2224-01	.9000	.3150-03	.3817-03	.2256	2.019	535.7
21	24.036	.97500	473.00	.3103-01	.3764-01	.3764-01	.9000	.5326-03	.6461-03	.3797	4.241	538.8

DATE 23 FEB 80

OH84B MODEL 60-0 IN THE AEDC VKF HYPERSONIC TUNNEL

PAGE 1705

OH84B 60-0 UPPER RH WING

(R4U025)

UPPER RH WING

PARAMETRIC DATA

MACH = 8.000 ALPHA = 40.00 BETA = 1.000 ELEVON = .0000
 BDFLAP = .0000 SPDBRK = .0000

TEST CONDITIONS

RUN NUMBER	RN/L /FT X10.6	MACH	ALPHA DEG.	BETA DEG.	PO PSIA	TO DEG. R	T DEG. R	P PSIA	Q PSI	V FT/SEC	RHO SLUGS /FT3	MU LB-SEC /FT2
36	1.022	7.940	40.06	1.017	207.1	1254.	92.12	.2228-01	.9832	3736.	.6528-03	.7413-07

RUN NUMBER	HREF BTU/ R FT2SEC	STN NO REF(R) = .0175
36	.2430-01	.4018-01

TEST DATA

RUN NUMBER	XO MS	ZY/BW	T/C NO	H/HREF R=1.0	H/HREF R=0.9	H/HREF R= TAW/TO	TAW/TO	H(TO) BTU/R FT2SEC	H(TAW) BTU/R FT2SEC	QDOT BTU/ FT2SEC	DTWDT DEG. R /SEC	TW DEG. R
36	24.036	.50000	460.00	.6356-03	.7718-03	.7718-03	.9000	.1544-04	.1875-04	.1097-01	.8730-01	543.4
36	24.036	.55000	461.00	.1144-02	.1389-02	.1389-02	.9000	.2779-04	.3375-04	.1971-01	.1440	544.3
36	24.036	.60000	462.00	.7807-03	.9483-03	.9483-03	.9000	.1897-04	.2304-04	.1346-01	.1034	544.3
36	24.036	.65000	463.00	.2158-02	.2620-02	.2620-02	.9000	.5242-04	.6365-04	.3725-01	.2863	543.0
36	24.036	.70000	464.00	.4375-02	.5319-02	.5319-02	.9000	.1063-03	.1292-03	.7514-01	.5572	546.8
36	24.036	.72500	465.00	.4950-02	.6013-02	.6013-02	.9000	.1203-03	.1461-03	.8528-01	.6549	544.6
36	24.036	.75000	466.00	.7166-02	.8707-02	.8707-02	.9000	.1741-03	.2116-03	.1233	1.017	545.4
36	24.036	.77500	467.00	.7502-02	.9117-02	.9117-02	.9000	.1823-03	.2215-03	.1290	1.197	545.8
36	24.036	.80000	468.00	.7681-02	.9333-02	.9333-02	.9000	.1866-03	.2268-03	.1322	1.226	545.5
36	24.036	.82500	469.00	.7597-02	.9231-02	.9231-02	.9000	.1846-03	.2243-03	.1308	1.213	545.3
36	24.036	.85000	470.00	.7342-02	.8920-02	.8920-02	.9000	.1784-03	.2167-03	.1264	1.126	544.9
36	24.036	.87500	471.00	.1132-01	.1375-01	.1375-01	.9000	.2750-03	.3341-03	.1949	1.669	545.1
36	24.036	.92500	472.00	.3073-01	.3738-01	.3738-01	.9000	.7465-03	.9083-03	.5256	4.324	549.7
36	24.036	.95000	477.00	.3189-01	.3880-01	.3880-01	.9000	.7747-03	.9428-03	.5448	4.840	550.4
36	24.036	.97500	473.00	.5385-01	.6571-01	.6571-01	.9000	.1308-02	.1596-02	.9086	10.04	559.2

DATE 23 FEB 80

OHS4B MODEL 60-0 IN THE AEDC VKF HYPERSONIC TUNNEL

PAGE 1706

OHS4B 60-0 UPPER RH WING

(R4U025)

UPPER RH WING

PARAMETRIC DATA

MACH = 8.000 ALPHA = 40.00 BETA = 1.000 ELEVON = .0000
 BDFLAP = .0000 SPDBRK = .0000

TEST CONDITIONS

RUN NUMBER	RN/L /FT X10 6	MACH	ALPHA DEG.	BETA DEG.	P0 PSIA	T0 DEG. R	T DEG. R	P PSIA	Q PSI	V FT/SEC	RHO SLUGS /FT3	MU LB-SEC /FT2
71	1.998	7.980	40.08	1.028	434.2	1302.	94.76	.4520-01	2.015	3808.	.1287-02	.7626-07

RUN NUMBER	HREF BTU/ R FT2SEC	STN NO REF (R)
71	.3501-01	.2872-01

TEST DATA

RUN NUMBER	X0 MS	ZY/BW	T/C NO	H/HREF R=1.0	H/HREF R=0.9	H/HREF R= TAW/TO	TAW/TO	H(T0) BTU/R FT2SEC	H(TAW) BTU/R FT2SEC	QDOT BTU/ FT2SEC	DTWDT DEG. R /SEC	TW DEG. R
71	24.036	.50000	460.00	.1484-02	.1795-02	.1795-02	.9000	.5194-04	.6284-04	.3897-01	.3089	551.4
71	24.036	.55000	461.00	.3086-02	.3735-02	.3735-02	.9000	.1080-03	.1307-03	.8097-01	.5890	552.2
71	24.036	.60000	462.00	.6294-02	.7618-02	.7618-02	.9000	.2204-03	.2667-03	.1650	1.262	552.8
71	24.036	.65000	463.00	.7755-02	.9380-02	.9380-02	.9000	.2715-03	.3284-03	.2039	1.562	550.5
71	24.036	.70000	464.00	.1053-01	.1274-01	.1274-01	.9000	.3686-03	.4462-03	.2760	2.040	552.9
71	24.036	.72500	465.00	.1378-01	.1668-01	.1668-01	.9000	.4825-03	.5839-03	.3619	2.769	551.7
71	24.036	.75000	466.00	.1423-01	.1722-01	.1722-01	.9000	.4983-03	.6028-03	.3740	3.075	551.0
71	24.036	.77500	467.00	.1641-01	.1987-01	.1987-01	.9000	.5746-03	.6956-03	.4301	3.974	553.2
71	24.036	.80000	468.00	.1716-01	.2076-01	.2076-01	.9000	.6006-03	.7268-03	.4503	4.163	552.0
71	24.036	.82500	469.00	.1829-01	.2213-01	.2213-01	.9000	.6403-03	.7748-03	.4802	4.440	551.8
71	24.036	.85000	470.00	.1997-01	.2416-01	.2416-01	.9000	.6991-03	.8458-03	.5247	4.659	551.2
71	24.036	.87500	471.00	.2907-01	.3519-01	.3519-01	.9000	.1018-02	.1232-02	.7620	6.500	553.1
71	24.036	.92500	472.00	.6812-01	.8285-01	.8285-01	.9000	.2385-02	.2901-02	1.746	14.22	589.6
71	24.036	.95000	277.00	.5654-01	.6872-01	.6872-01	.9000	.1980-02	.2406-02	1.454	12.81	567.1
71	24.036	.97500	473.00	.5764-01	.7016-01	.7016-01	.9000	.2018-02	.2456-02	1.472	16.16	572.3

DATE 23 FEB 60

OH84B MODEL 60-0 IN THE AEDC VKF HYPERSONIC TUNNEL

PAGE 1707

OH84B 60-0 UPPER RH WING

(R4U026)

UPPER RH WING

PARAMETRIC DATA

MACH = 8.000 ALPHA = 40.00 BETA = 2.000 ELEVON = .0000
 BDFLAP = .0000 SPDBRK = .0000

TEST CONDITIONS

RUN NUMBER	RN/L /FT X10 6	MACH	ALPHA DEG.	BETA DEG.	PO PSIA	TO DEG. R	T DEG. R	P PSIA	Q PSI	V FT/SEC	RHO SLUGS /FT3	MU LB-SEC /FT2
24	.5075	7.900	39.99	2.018	101.2	1252.	92.84	.1124-01	.4912	3732.	.3269-03	.7471-07
RUN NUMBER	HREF BTU/ R FT2SEC	STN NO REF(R) = .0175										
24	.1717-01	.5676-01										

TEST DATA

RUN NUMBER	XO MS	ZY/BW	T/C NO	H/HREF R=1.0	H/HREF R=0.9	H/HREF R= TAW/TO	TAW/TO	H(TO) BTU/R FT2SEC	H(TAW) BTU/R FT2SEC	QDOT BTU/ FT2SEC	DTWOT DEG. R /SEC	TH DEG. R
24	24.036	.50000	460.00	.4755-03	.5768-03	.5768-03	.9000	.8165-05	.9904-05	.5819-02	.4642-01	538.9
24	24.036	.55000	461.00	.3623-03	.4396-03	.4396-03	.9000	.6221-05	.7548-05	.4429-02	.3242-01	539.7
24	24.036	.60000	462.00	.2678-03	.3249-03	.3249-03	.9000	.4598-05	.5579-05	.3274-02	.2521-01	539.6
24	24.036	.65000	463.00	.2313-03	.2805-03	.2805-03	.9000	.3971-05	.4815-05	.2834-02	.2184-01	537.9
24	24.036	.70000	464.00	.1382-02	.1677-02	.1677-02	.9000	.2373-04	.2880-04	.1687-01	.1255	540.6
24	24.036	.72500	465.00	.2193-02	.2660-02	.2660-02	.9000	.3765-04	.4567-04	.2685-01	.2068	538.5
24	24.036	.75000	466.00	.3373-02	.4092-02	.4092-02	.9000	.5792-04	.7026-04	.4129-01	.3415	538.9
24	24.036	.77500	467.00	.4325-02	.5247-02	.5247-02	.9000	.7426-04	.9009-04	.5291-01	.4923	539.2
24	24.036	.80000	468.00	.4438-02	.5383-02	.5383-02	.9000	.7619-04	.9241-04	.5433-01	.5057	538.6
24	24.036	.82500	469.00	.4695-02	.5694-02	.5694-02	.9000	.8060-04	.9776-04	.5749-01	.5352	538.4
24	24.036	.85000	470.00	.2981-02	.3615-02	.3615-02	.9000	.5119-04	.6207-04	.3654-01	.3267	537.8
24	24.036	.87500	471.00	.3204-02	.3885-02	.3885-02	.9000	.5502-04	.6670-04	.3931-01	.3380	537.1
24	24.036	.92500	472.00	.1232-01	.1495-01	.1495-01	.9000	.2116-03	.2566-03	.1509	1.248	538.7
24	24.036	.95000	277.00	.1825-01	.2215-01	.2215-01	.9000	.3133-03	.3803-03	.2227	1.988	541.0
24	24.036	.97500	473.00	.3048-01	.3704-01	.3704-01	.9000	.5234-03	.6360-03	.3699	4.119	544.9

OH84B 60-0 UPPER RH WING

(R4U026)

UPPER RH WING

PARAMETRIC DATA

MACH = 8.000 ALPHA = 40.00 BETA = 2.000 ELEVON = .0000
 BOFLAP = .0000 SPDBRK = .0000

TEST CONDITIONS

RUN NUMBER	RN/L /FT X10 6	MACH	ALPHA DEG.	BETA DEG.	PO PSIA	TO DEG. R	T DEG. R	P PSIA	Q PSI	V FT/SEC	RHO SLUGS /FT3	MU LB-SEC /FT2
39	1.016	7.940	40.02	2.015	206.2	1256.	92.27	.2218-01	.9789	3739.	.6489-03	.7425-07

RUN NUMBER	HREF BTU/ R FT2SEC	STN NO REF (R) = .0175
39	.2425-01	.4030-01

TEST DATA

RUN NUMBER	XO MS	2Y/BW	T/C NO	H/HREF R=1.0	H/HREF R=0.9	H/HREF R= TAW/TO	TAW/TO	H(TO) BTU/R FT2SEC	H(TAW) BTU/R FT2SEC	QDOT BTU/ FT2SEC	DTWOT DEG. R /SEC	TW DEG. R
39	24.036	.50000	460.00	.6101-03	.7407-03	.7407-03	.9000	.1480-04	.1796-04	.1053-01	.8382-01	543.7
39	24.036	.55000	461.00	.7788-03	.9458-03	.9458-03	.9000	.1889-04	.2294-04	.1343-01	.9811-01	544.4
39	24.036	.60000	462.00	.6961-03	.8453-03	.8453-03	.9000	.1688-04	.2050-04	.1201-01	.9225-01	544.2
39	24.036	.65000	463.00	.2264-02	.2748-02	.2748-02	.9000	.5489-04	.6664-04	.3912-01	.3006	543.1
39	24.036	.70000	464.00	.4268-02	.5186-02	.5186-02	.9000	.1035-03	.1258-03	.7341-01	.5445	546.3
39	24.036	.72500	465.00	.5395-02	.6552-02	.6552-02	.9000	.1308-03	.1589-03	.9306-01	.7148	544.4
39	24.036	.75000	466.00	.7830-02	.9511-02	.9511-02	.9000	.1899-03	.2306-03	.1349	1.112	545.2
39	24.036	.77500	467.00	.8947-02	.1087-01	.1087-01	.9000	.2170-03	.2636-03	.1541	1.429	545.6
39	24.036	.80000	468.00	.8303-02	.1008-01	.1008-01	.9000	.2013-03	.2446-03	.1431	1.327	545.1
39	24.036	.82500	469.00	.8042-02	.9767-02	.9767-02	.9000	.1950-03	.2369-03	.1386	1.286	544.8
39	24.036	.85000	470.00	.7904-02	.9598-02	.9598-02	.9000	.1917-03	.2328-03	.1364	1.215	544.3
39	24.036	.87500	471.00	.1141-01	.1386-01	.1386-01	.9000	.2768-03	.3362-03	.1969	1.687	544.3
39	24.036	.92500	472.00	.3204-01	.3897-01	.3897-01	.9000	.7770-03	.9450-03	.5488	4.516	549.4
39	24.036	.95000	277.00	.3350-01	.4075-01	.4075-01	.9000	.8124-03	.9883-03	.5730	5.090	550.4
39	24.036	.97500	473.00	.5411-01	.6603-01	.6603-01	.9000	.1312-02	.1601-02	.9126	10.08	560.1

DATE 23 FEB 80

OH84B MODEL 60-0 IN THE AEDC VKF HYPERSONIC TUNNEL

PAGE 1709

OH84B 60-0 UPPER RH WING

(R4U026)

UPPER RH WING

PARAMETRIC DATA

MACH = 8.000 ALPHA = 40.00 BETA = 2.000 ELEVON = .0000
 BDFLAP = .0000 SPDBRK = .0000

TEST CONDITIONS

RUN NUMBER	RN/L /FT X10 6	MACH	ALPHA DEG.	BETA DEG.	PO PSIA	TO DEG. R	T DEG. R	P PSIA	Q PSI	V FT/SEC	RHO SLUGS /FT3	MU LB-SEC /FT2
68	2.002	7.980	40.01	2.012	434.5	1301.	94.69	.4523-01	2.016	3807.	.1289-02	.7620-07

RUN NUMBER	HREF BTU/ R FT2SEC	STN NO REF(R) = .0175
68	.3502-01	.2870-01

TEST DATA

RUN NUMBER	XO MS	ZY/BW	T/C NO	H/HREF R=1.0	H/HREF R=0.9	H/HREF R= TAW/TO	TAW/TO	H(TO) BTU/R FT2SEC	H(TAW) BTU/R FT2SEC	QDOT BTU/ FT2SEC	DTWDT DEG. R /SEC	TW DEG. R
68	24.036	.50000	460.00	.1415-02	.1711-02	.1711-02	.9000	.4954-04	.5992-04	.3718-01	.2949	550.1
68	24.036	.55000	461.00	.3090-02	.3738-02	.3738-02	.9000	.1082-03	.1309-03	.8113-01	.5906	550.8
68	24.036	.60000	462.00	.6344-02	.7677-02	.7677-02	.9000	.2222-03	.2688-03	.1665	1.274	551.2
68	24.036	.65000	463.00	.7277-02	.8797-02	.8797-02	.9000	.2548-03	.3081-03	.1917	1.469	548.3
68	24.036	.70000	464.00	.1145-01	.1385-01	.1385-01	.9000	.4008-03	.4850-03	.3006	2.225	550.7
68	24.036	.72500	465.00	.1385-01	.1676-01	.1676-01	.9000	.4851-03	.5867-03	.3644	2.791	549.6
68	24.036	.75000	466.00	.1646-01	.1991-01	.1991-01	.9000	.5763-03	.6970-03	.4326	3.559	550.0
68	24.036	.77500	467.00	.1760-01	.2129-01	.2129-01	.9000	.6162-03	.7456-03	.4619	4.272	551.1
68	24.036	.80000	468.00	.1846-01	.2232-01	.2232-01	.9000	.6463-03	.7817-03	.4854	4.493	549.6
68	24.036	.82500	469.00	.1919-01	.2320-01	.2320-01	.9000	.6718-03	.8125-03	.5047	4.673	549.4
68	24.036	.85000	470.00	.2050-01	.2479-01	.2479-01	.9000	.7179-03	.8681-03	.5399	4.800	548.6
68	24.036	.87500	471.00	.2971-01	.3594-01	.3594-01	.9000	.1040-02	.1258-02	.7805	6.666	550.4
68	24.036	.92500	472.00	.7030-01	.8549-01	.8549-01	.9000	.2462-02	.2993-02	1.803	14.69	568.3
68	24.036	.95000	277.00	.5931-01	.7207-01	.7207-01	.9000	.2077-02	.2524-02	1.525	13.44	566.4
68	24.036	.97500	473.00	.5426-01	.6605-01	.6605-01	.9000	.1900-02	.2313-02	1.385	15.21	571.8

DATE 23 FEB 80

OH84B MODEL 60-0 IN THE AEDC VKF HYPERSONIC TUNNEL

PAGE 1710

OH84B 60-0 UPPER RH WING

(R4U027)

UPPER RH WING

PARAMETRIC DATA

MACH = 8.000 ALPHA = 40.00 BETA = 4.000 ELEVON = .0000
 BDFLAP = .0000 SPDBRK = .0000

TEST CONDITIONS

RUN NUMBER	RN/L /FT	MACH	ALPHA DEG.	BETA DEG.	PO PSIA	TO DEG. R	T DEG. R	P PSIA	Q PSI	V FT/SEC	RHO SLUGS /FT3	MU LB-SEC /FT2
27	X10 6 .5107	7.900	40.02	4.000	101.5	1249.	92.62	.1128-01	.4926	3727.	.3286-03	.7453-07

RUN NUMBER	HREF BTU/ R FT2SEC	STN NO REF (R) = .0175
27	.1719-01	.5660-01

TEST DATA

RUN NUMBER	XO MS	ZY/BW	T/C NO	H/HREF R=1.0	H/HREF R=0.9	H/HREF R= TAW/TO	TAW/TO	H(TO) BTU/R FT2SEC	H(TAW) BTU/R FT2SEC	QDOT BTU/ FT2SEC	DTWDT DEG. R /SEC	TH DEG. R
27	24.036	.50000	460.00	.4552-03	.5525-03	.5525-03	.9000	.7824-05	.9495-05	.5551-02	.4428-01	539.1
27	24.036	.55000	461.00	.8161-03	.9906-03	.9906-03	.9000	.1403-04	.1702-04	.9941-02	.7276-01	539.9
27	24.036	.60000	462.00	.3494-03	.4241-03	.4241-03	.9000	.6005-05	.7289-05	.4258-02	.3278-01	539.7
27	24.036	.65000	463.00	.1127-03	.1367-03	.1367-03	.9000	.1936-05	.2349-05	.1377-02	.1061-01	537.8
27	24.036	.70000	464.00	.1802-02	.2198-02	.2198-02	.9000	.3097-04	.3760-04	.2194-01	.1632	540.3
27	24.036	.72500	465.00	.2966-02	.3598-02	.3598-02	.9000	.5097-04	.6184-04	.3621-01	.2790	538.2
27	24.036	.75000	466.00	.4058-02	.4923-02	.4923-02	.9000	.6973-04	.8460-04	.4953-01	.4098	538.4
27	24.036	.77500	467.00	.4349-02	.5277-02	.5277-02	.9000	.7474-04	.9069-04	.5307-01	.4940	538.6
27	24.036	.80000	468.00	.4659-02	.5652-02	.5652-02	.9000	.8007-04	.9713-04	.5691-01	.5300	537.9
27	24.036	.82500	469.00	.4525-02	.5489-02	.5489-02	.9000	.7776-04	.9432-04	.5530-01	.5151	537.5
27	24.036	.85000	470.00	.2981-02	.3615-02	.3615-02	.9000	.5122-04	.6212-04	.3646-01	.3261	536.8
27	24.036	.87500	471.00	.3498-02	.4241-02	.4241-02	.9000	.6011-04	.7288-04	.4283-01	.3685	536.1
27	24.036	.92500	472.00	.1141-01	.1384-01	.1384-01	.9000	.1961-03	.2379-03	.1394	1.154	537.7
27	24.036	.95000	277.00	.1887-01	.2290-01	.2290-01	.9000	.3243-03	.3936-03	.2299	2.053	539.8
27	24.036	.97500	473.00	.3314-01	.4028-01	.4028-01	.9000	.5695-03	.6922-03	.4009	4.465	544.6

DATE 23 FEB 80

OH84B MODEL 60-0 IN THE AEDC VKF HYPERSONIC TUNNEL

PAGE 1711

OH84B 60-0 UPPER RH WING

(R4U027)

UPPER RH WING

PARAMETRIC DATA

MACH = 8.000 ALPHA = 40.00 BETA = 4.000 ELEVON = .0000
 BDFLAP = .0000 SPDBRK = .0000

TEST CONDITIONS

RUN NUMBER	RN/L /FT X10 6	MACH	ALPHA DEG.	BETA DEG.	PO PSIA	TO DEG. R	T DEG. R	P PSIA	Q PSI	V FT/SEC	RHO SLUGS /FT3	MU LB-SEC /FT2
42	1.017	7.940	39.99	4.011	205.6	1252.	91.98	.2212-01	.9761	3733.	.6491-03	.7401-07
RUN NUMBER	HREF BTU/ R FT2SEC	STN NO REF (R) =.0175										
42	.2420-01	.4028-01										

TEST DATA

RUN NUMBER	XO MS	2Y/BW	T/C NO	H/HREF R=1.0	H/HREF R=0.9	H/HREF R= TAW/TO	TAW/TO	H(TO) BTU/R FT2SEC	H(TAW) BTU/R FT2SEC	QDOT BTU/ FT2SEC	DTWDT DEG. R /SEC	TW DEG. R
42	24.036	.50000	460.00	.6571-03	.7983-03	.7983-03	.9000	.1590-04	.1932-04	.1126-01	.8960-01	543.7
42	24.036	.55000	461.00	.6212-03	.7547-03	.7547-03	.9000	.1503-04	.1827-04	.1063-01	.7767-01	544.3
42	24.036	.60000	462.00	.6000-03	.7289-03	.7289-03	.9000	.1452-04	.1764-04	.1027-01	.7892-01	544.1
42	24.036	.65000	463.00	.2143-02	.2602-02	.2602-02	.9000	.5186-04	.6298-04	.3676-01	.2825	542.9
42	24.036	.70000	464.00	.4836-02	.5879-02	.5879-02	.9000	.1170-03	.1423-03	.8255-01	.6123	546.4
42	24.036	.72500	465.00	.6482-02	.7875-02	.7875-02	.9000	.1569-03	.1906-03	.1110	.8522	544.4
42	24.036	.75000	466.00	.8278-02	.1006-01	.1006-01	.9000	.2003-03	.2434-03	.1417	1.169	544.5
42	24.036	.77500	467.00	.9922-02	.1206-01	.1206-01	.9000	.2401-03	.2918-03	.1696	1.573	545.3
42	24.036	.80000	468.00	.9383-02	.1140-01	.1140-01	.9000	.2271-03	.2759-03	.1606	1.491	544.4
42	24.036	.82500	469.00	.8334-02	.1012-01	.1012-01	.9000	.2017-03	.2450-03	.1428	1.326	543.7
42	24.036	.85000	470.00	.7970-02	.9679-02	.9679-02	.9000	.1929-03	.2343-03	.1367	1.219	542.8
42	24.036	.87500	471.00	.1189-01	.1444-01	.1444-01	.9000	.2878-03	.3495-03	.2039	1.748	543.1
42	24.036	.92500	472.00	.3151-01	.3833-01	.3833-01	.9000	.7626-03	.9277-03	.5364	4.417	548.3
42	24.036	.95000	277.00	.3300-01	.4017-01	.4017-01	.9000	.7986-03	.9721-03	.5599	4.973	550.5
42	24.036	.97500	473.00	.5593-01	.6830-01	.6830-01	.9000	.1354-02	.1653-02	.9354	10.33	560.6

DATE 23 FEB 80

OH84B MODEL 60-0 IN THE AEDC VKF HYPERSONIC TUNNEL

PAGE 1712

OH84B 60-0 UPPER RH WING

(R4U027)

UPPER RH WING

PARAMETRIC DATA

MACH = 8.000 ALPHA = 40.00 BETA = 4.000 ELEVON = .0000
 BDFLAP = .0000 SPDBRK = .0000

TEST CONDITIONS

RUN NUMBER	RN/L /FT X10 6	MACH	ALPHA DEG.	BETA DEG.	PO PSIA	TO DEG. R	T DEG. R	P PSIA	Q PSI	V FT/SEC	RHO SLUGS /FT3	MU LB-SEC /FT2
66	2.012	7.980	40.01	4.024	435.7	1299.	94.54	.4536-01	2.022	3804.	.1295-02	.7608-07
RUN NUMBER	HREF BTU/ R FT2SEC	STN NO REF (R)										
66	.3506-01	.2863-01										

TEST DATA

RUN NUMBER	XO MS	2Y/BW	T/C NO	H/HREF R=1.0	H/HREF R=0.9	H/HREF R= TAW/TO	TAW/TO	H(TO) BTU/R FT2SEC	H(TAW) BTU/R FT2SEC	QDOT BTU/ FT2SEC	DTWDT DEG. R /SEC	TW DEG. R
66	24.036	.50000	460.00	.1929-02	.2337-02	.2337-02	.9000	.6762-04	.8192-04	.5030-01	.3980	554.8
66	24.036	.55000	461.00	.3892-02	.4717-02	.4717-02	.9000	.1364-03	.1653-03	.1013	.7358	555.9
66	24.036	.60000	462.00	.6271-02	.7601-02	.7601-02	.9000	.2198-03	.2665-03	.1632	1.246	556.5
66	24.036	.65000	463.00	.8389-02	.1016-01	.1016-01	.9000	.2941-03	.3563-03	.2187	1.670	555.1
66	24.036	.70000	464.00	.1223-01	.1483-01	.1483-01	.9000	.4288-03	.5199-03	.3175	2.342	558.0
66	24.036	.72500	465.00	.1553-01	.1882-01	.1882-01	.9000	.5443-03	.6599-03	.4035	3.079	557.3
66	24.036	.75000	466.00	.1779-01	.2157-01	.2157-01	.9000	.6238-03	.7563-03	.4623	3.789	557.5
66	24.036	.77500	467.00	.1979-01	.2400-01	.2400-01	.9000	.6937-03	.8415-03	.5128	4.723	559.4
66	24.036	.80000	468.00	.2013-01	.2441-01	.2441-01	.9000	.7056-03	.8557-03	.5225	4.815	558.2
66	24.036	.82500	469.00	.2013-01	.2441-01	.2441-01	.9000	.7055-03	.8556-03	.5225	4.815	558.1
66	24.036	.85000	470.00	.2150-01	.2606-01	.2606-01	.9000	.7535-03	.9136-03	.5587	4.946	557.2
66	24.036	.87500	471.00	.2918-01	.3539-01	.3539-01	.9000	.1023-02	.1241-02	.7569	6.437	558.7
66	24.036	.92500	472.00	.7042-01	.8590-01	.8590-01	.9000	.2469-02	.3011-02	1.780	14.44	577.7
66	24.036	.95000	277.00	.6001-01	.7316-01	.7316-01	.9000	.2104-02	.2565-02	1.520	13.33	576.2
66	24.036	.97500	473.00	.5816-01	.7109-01	.7109-01	.9000	.2039-02	.2492-02	1.456	15.90	584.4

DATE 23 FEB 80

OH84B MODEL 60-0 IN THE AEDC VKF HYPERSONIC TUNNEL

PAGE 1713

OH84B 60-0 UPPER RH WING

(R4U028)

UPPER RH WING

PARAMETRIC DATA

MACH = 8.000 ALPHA = 40.00 BETA = 10.00 ELEVON = .0000
 BDFLAP = .0000 SPDBRK = .0000

TEST CONDITIONS

RUN NUMBER	RN/L /FT X10 6	MACH	ALPHA DEG.	BETA DEG.	PO PSIA	TO DEG. R	T DEG. R	P PSIA	Q PSI	V FT/SEC	RHO SLUGS /FT3	MU LB-SEC /FT2
30	.5116	7.900	40.08	9.969	101.8	1250.	92.69	.1131-01	.4940	3729.	.3293-03	.7459-07
RUN NUMBER	HREF BTU/ R FT2SEC	STN NO REF (R)										
30	.1721-01	.5655-01										

TEST DATA

RUN NUMBER	XO MS	2Y/BW	T/C NO	H/HREF R=1.0	H/HREF R=0.9	H/HREF R= TAW/TO	TAW/TO	H(TO) BTU/R FT2SEC	H(TAW) BTU/R FT2SEC	QDOT BTU/ FT2SEC	DTWDT DEG. R /SEC	TW DEG. R
30	24.036	.50000	460.00	.2012-02	.2444-02	.2444-02	.9000	.3463-04	.4206-04	.2451-01	.1952	542.1
30	24.036	.55000	461.00	.1972-02	.2396-02	.2396-02	.9000	.3394-04	.4123-04	.2399-01	.1754	542.8
30	24.036	.60000	462.00	.1163-02	.1412-02	.1412-02	.9000	.2001-04	.2431-04	.1415-01	.1089	542.7
30	24.036	.65000	463.00	.1484-02	.1802-02	.1802-02	.9000	.2554-04	.3102-04	.1809-01	.1392	541.4
30	24.036	.70000	464.00	.2125-02	.2583-02	.2583-02	.9000	.3658-04	.4446-04	.2579-01	.1915	544.7
30	24.036	.72500	465.00	.3566-02	.4332-02	.4332-02	.9000	.6138-04	.7456-04	.4338-01	.3335	542.9
30	24.036	.75000	466.00	.4742-02	.5762-02	.5762-02	.9000	.8163-04	.9918-04	.5765-01	.4758	543.4
30	24.036	.77500	467.00	.5276-02	.6411-02	.6411-02	.9000	.9082-04	.1104-03	.6409-01	.5950	544.0
30	24.036	.80000	468.00	.5435-02	.6603-02	.6603-02	.9000	.9355-04	.1137-03	.6606-01	.6134	543.4
30	24.036	.82500	469.00	.6842-02	.8313-02	.8313-02	.9000	.1178-03	.1431-03	.8316-01	.7722	543.5
30	24.036	.85000	470.00	.4424-02	.5374-02	.5374-02	.9000	.7615-04	.9250-04	.5382-01	.4798	542.9
30	24.036	.87500	471.00	.3494-02	.4243-02	.4243-02	.9000	.6014-04	.7304-04	.4255-01	.3649	542.2
30	24.036	.92500	472.00	.1340-01	.1629-01	.1629-01	.9000	.2307-03	.2804-03	.1628	1.344	543.9
30	24.036	.95000	277.00	.2134-01	.2595-01	.2595-01	.9000	.3673-03	.4467-03	.2582	2.298	546.7
30	24.036	.97500	473.00	.3808-01	.4638-01	.4638-01	.9000	.6555-03	.7983-03	.4578	5.081	551.3

OH848 60-0 UPPER RH WING

(R4U028)

UPPER RH WING

PARAMETRIC DATA

MACH = 8.000 ALPHA = 40.00 BETA = 10.00 ELEVON = .0000
 BDFLAP = .0000 SPDBRK = .0000

TEST CONDITIONS

RUN NUMBER	RN/L /FT X10 6	MACH	ALPHA DEG.	BETA DEG.	P0 PSIA	T0 DEG. R	T DEG. R	P PSIA	Q PSI	V FT/SEC	RHO SLUGS /FT3	MU LB-SEC /FT2
45	1.021	7.940	39.96	10.01	208.6	1261.	92.64	.2244-01	.9903	3746.	.6538-03	.7454-07
RUN NUMBER	HREF BTU/ R FT2SEC	STN NO REF(R) = .0175										
45	.2441-01	.4017-01										

TEST DATA

RUN NUMBER	X0 MS	ZY/BW	T/C NO	H/HREF R=1.0	H/HREF R=0.9	H/HREF R= TAW/TO	TAW/TO	H(T0) BTU/R FT2SEC	H(TAW) BTU/R FT2SEC	QDOT BTU/ FT2SEC	DTWOT DEG. R /SEC	TW DEG. R
45	24.036	.50000	460.00	.2448-02	.2971-02	.2971-02	.9000	.5976-04	.7253-04	.4280-01	.3405	544.5
45	24.036	.55000	461.00	.3492-02	.4238-02	.4238-02	.9000	.8523-04	.1034-03	.6100-01	.4453	545.0
45	24.036	.60000	462.00	.3353-02	.4070-02	.4070-02	.9000	.8185-04	.9934-04	.5860-01	.4500	544.7
45	24.036	.65000	463.00	.4843-02	.5876-02	.5876-02	.9000	.1182-03	.1434-03	.8477-01	.6514	543.5
45	24.036	.70000	464.00	.6998-02	.8500-02	.8500-02	.9000	.1708-03	.2075-03	.1219	.9040	547.0
45	24.036	.72500	465.00	.7354-02	.8924-02	.8924-02	.9000	.1795-03	.2178-03	.1286	.9880	544.1
45	24.036	.75000	466.00	.7857-02	.9533-02	.9533-02	.9000	.1918-03	.2327-03	.1375	1.134	543.8
45	24.036	.77500	467.00	.8616-02	.1046-01	.1046-01	.9000	.2103-03	.2552-03	.1506	1.398	544.3
45	24.036	.80000	468.00	.9766-02	.1185-01	.1185-01	.9000	.2384-03	.2892-03	.1709	1.587	543.7
45	24.036	.82500	469.00	.1068-01	.1295-01	.1295-01	.9000	.2606-03	.3161-03	.1868	1.735	543.6
45	24.036	.85000	470.00	.7760-02	.9411-02	.9411-02	.9000	.1894-03	.2297-03	.1361	1.214	542.2
45	24.036	.87500	471.00	.1007-01	.1221-01	.1221-01	.9000	.2458-03	.2981-03	.1766	1.515	542.1
45	24.036	.92500	472.00	.3031-01	.3680-01	.3680-01	.9000	.7397-03	.8983-03	.5283	4.353	546.6
45	24.036	.95000	277.00	.4086-01	.4974-01	.4974-01	.9000	.9974-03	.1214-02	.7044	6.244	554.4
45	24.036	.97500	473.00	.5626-01	.6868-01	.6868-01	.9000	.1373-02	.1676-02	.9576	10.56	563.4

DATE 23 FEB 80

OHB4B MODEL 60-0 IN THE AEDC VKF HYPERSONIC TUNNEL

PAGE 1715

OHB4B 60-0 UPPER RH WING

(R4U028)

UPPER RH WING

PARAMETRIC DATA

MACH = 8.000 ALPHA = 40.00 BETA = 10.00 ELEVON = .0000
BDFLAP = .0000 SPDBRK = .0000

TEST CONDITIONS

RUN NUMBER	RN/L /FT X10.6	MACH	ALPHA DEG.	BETA DEG.	PO PSIA	TO DEG. R	T DEG. R	P PSIA	Q PSI	V FT/SEC	RHO SLUGS /FT3	MU LB-SEC /FT2
58	1.996	7.980	40.01	10.01	434.6	1304.	94.91	.4524-01	2.017	3811.	.1287-02	.7637-07

RUN NUMBER	HREF BTU/ R FT2SEC	STN NO REF (R)
58	.3503-01	.2873-01

TEST DATA

RUN NUMBER	XO MS	ZY/BW	T/C NO	H/HREF R=1.0	H/HREF R=0.8	H/HREF R=TAW/TO	TAW/TO	H(TO) BTU/R FT2SEC	H(TAW) BTU/R FT2SEC	QDOT BTU/ FT2SEC	DTWOT DEG. R /SEC	TW DEG. R
58	24.036	.50000	460.00	.4433-02	.5358-02	.5358-02	.9000	.1553-03	.1877-03	.1173	.9309	548.6
58	24.036	.55000	461.00	.6355-02	.7682-02	.7682-02	.9000	.2227-03	.2691-03	.1680	1.224	549.0
58	24.036	.60000	462.00	.9543-02	.1154-01	.1154-01	.9000	.3343-03	.4042-03	.2521	1.931	549.6
58	24.036	.65000	463.00	.1178-01	.1424-01	.1424-01	.9000	.4127-03	.4987-03	.3118	2.390	548.2
58	24.036	.70000	464.00	.1869-01	.2261-01	.2261-01	.9000	.6547-03	.7923-03	.4917	3.635	552.7
58	24.036	.72000	465.00	.2140-01	.2588-01	.2588-01	.9000	.7497-03	.9068-03	.5640	4.317	551.3
58	24.036	.75000	466.00	.2513-01	.3041-01	.3041-01	.9000	.8804-03	.1065-02	.6614	5.434	552.4
58	24.036	.77500	467.00	.2773-01	.3358-01	.3358-01	.9000	.9715-03	.1176-02	.7275	6.717	554.8
58	24.036	.80000	468.00	.2714-01	.3285-01	.3285-01	.9000	.9509-03	.1151-02	.7136	6.594	553.2
58	24.036	.82500	469.00	.2774-01	.3357-01	.3357-01	.9000	.9718-03	.1176-02	.7296	6.743	552.9
58	24.036	.85000	470.00	.2113-01	.2556-01	.2556-01	.9000	.7403-03	.8954-03	.5570	4.946	551.2
58	24.036	.87500	471.00	.2650-01	.3206-01	.3206-01	.9000	.9283-03	.1123-02	.6978	5.955	552.0
58	24.036	.92500	472.00	.5180-01	.6290-01	.6290-01	.9000	.1815-02	.2204-02	1.340	10.94	565.3
58	24.036	.95000	277.00	.4955-01	.6038-01	.6038-01	.9000	.1736-02	.2115-02	1.261	11.06	577.0
58	24.036	.97500	473.00	.8899-01	.1092	.1092	.9000	.3118-02	.3825-02	2.198	23.82	598.9

OH848 60-0 UPPER RH WING

(R4U029)

UPPER RH WING

PARAMETRIC DATA

MACH = 8.000 ALPHA = 40.00 BETA = .0000 ELEVON = -15.00
 BDFLAP = -12.50 SPOBRK = .0000

TEST CONDITIONS

RUN NUMBER	RN/L /FT X10 6	MACH	ALPHA DEG.	BETA DEG.	PO PSIA	TO DEG. R	T DEG. R	P PSIA	Q PSI	V FT/SEC	RHO SLUGS /FT3	MU LB-SEC /FT2
718	.5143	7.900	39.98	.3466-02	101.8	1246.	92.40	.1131-01	.4942	3723.	.3305-03	.7435-07
RUN NUMBER	HREF BTU/ R FT2SEC	STN NO REF (R) = .0175										
718	.1721-01	.5643-01										

TEST DATA

RUN NUMBER	XO MS	2Y/BW	T/C NO	H/HREF R=1.0	H/HREF R=0.9	H/HREF R= TAW/TO	TAW/TO	H(TO) BTU/R FT2SEC	H(TAW) BTU/R FT2SEC	QDOT BTU/ FT2SEC	DTWDT DEG. R /SEC	TW DEG. R
718	24.036	.50000	460.00	.7719-03	.9323-03	.9323-03	.9000	.1328-04	.1604-04	.9615-02	.7738-01	521.7
718	24.036	.55000	461.00	.1900-02	.2297-02	.2297-02	.9000	.3269-04	.3952-04	.2355-01	.1737	525.1
718	24.036	.60000	462.00	.9889-03	.1194-02	.1194-02	.9000	.1702-04	.2054-04	.1236-01	.9613-01	519.4
718	24.036	.65000	463.00	.1020-02	.1232-02	.1232-02	.9000	.1756-04	.2119-04	.1274-01	.9909-01	519.9
718	24.036	.70000	464.00	.1984-02	.2395-02	.2395-02	.9000	.3414-04	.4122-04	.2476-01	.1861	520.3
718	24.036	.72500	465.00	.2485-02	.2999-02	.2999-02	.9000	.4275-04	.5161-04	.3103-01	.2413	519.8
718	24.036	.75000	466.00	.2914-02	.3520-02	.3520-02	.9000	.5014-04	.6056-04	.3632-01	.3031	521.4
718	24.036	.77500	467.00	.2135-02	.2577-02	.2577-02	.9000	.3674-04	.4434-04	.2668-01	.2507	519.5
718	24.036	.80000	468.00	.2357-02	.2846-02	.2846-02	.9000	.4056-04	.4896-04	.2946-01	.2769	519.4
718	24.036	.82500	469.00	.2419-02	.2920-02	.2920-02	.9000	.4162-04	.5024-04	.3019-01	.2837	520.2
718	24.036	.85000	470.00	.2396-02	.2893-02	.2893-02	.9000	.4122-04	.4977-04	.2989-01	.2695	520.6
718	24.036	.87500	471.00	.1885-02	.2276-02	.2276-02	.9000	.3244-04	.3917-04	.2354-01	.2042	520.1
718	24.036	.92500	472.00	.4325-02	.5222-02	.5222-02	.9000	.7443-04	.8985-04	.5401-01	.4511	520.0
718	24.036	.95000	277.00	.8790-02	.1061-01	.1061-01	.9000	.1513-03	.1826-03	.1097	.9893	520.4
718	24.036	.97500	473.00	.2801-01	.3386-01	.3386-01	.9000	.4820-03	.5826-03	.3478	3.914	524.1

DATE 23 FEB 80

OH84B MODEL 60-0 IN THE AEDC VKF HYPERSONIC TUNNEL

PAGE 1717

OH84B 60-0 UPPER RH WING

(R4U029)

UPPER RH WING

PARAMETRIC DATA

MACH = 8.000 ALPHA = 40.00 BETA = .0000 ELEVON = -15.00
 BDFLAP = -12.50 SPDBRK = .0000

TEST CONDITIONS

RUN NUMBER	RN/L /FT X10 6	MACH	ALPHA DEG.	BETA DEG.	PO PSIA	TO DEG. R	T DEG. R	P PSIA	Q PSI	V FT/SEC	RHO SLUGS /FT3	MU LB-SEC /FT2
716	1.024	7.940	39.99	.3470-02	208.1	1257.	92.34	.2239-01	.9879	3740.	.6543-03	.7431-07
RUN NUMBER	HREF BTU/ R FT2SEC	STN NO REF (R)										
716	.2437-01	.4014-01										

TEST DATA

RUN NUMBER	XO MS	2Y/BW	T/C NO	H/HREF R=1.0	H/HREF R=0.9	H/HREF R= TAW/TO	TAW/TO	H(TO) BTU/R FT2SEC	H(TAW) BTU/R FT2SEC	QDOT BTU/ FT2SEC	DTWDT DEC. R /SEC	TW DEG. R
716	24.036	.50000	460.00	.4044-03	.4886-03	.4886-03	.9000	.9853-05	.1190-04	.7184-02	.5764-01	527.6
716	24.036	.55000	461.00	.2317-02	.2802-02	.2802-02	.9000	.5645-04	.6827-04	.4098-01	.3013	530.7
716	24.036	.60000	462.00	.1746-02	.2108-02	.2108-02	.9000	.4254-04	.5137-04	.3111-01	.2413	525.3
716	24.036	.65000	463.00	.1129-02	.1363-02	.1363-02	.9000	.2751-04	.3322-04	.2011-01	.1560	525.5
716	24.036	.70000	464.00	.2368-02	.2859-02	.2859-02	.9000	.5769-04	.6966-04	.4218-01	.3162	525.5
716	24.036	.72500	465.00	.2263-02	.2732-02	.2732-02	.9000	.5515-04	.6657-04	.4038-01	.3133	524.4
716	24.036	.75000	466.00	.2611-02	.3153-02	.3153-02	.9000	.6362-04	.7683-04	.4651-01	.3873	525.7
716	24.036	.77500	467.00	.2133-02	.2574-02	.2574-02	.9000	.5197-04	.6272-04	.3810-01	.3574	523.6
716	24.036	.80000	468.00	.2517-02	.3038-02	.3038-02	.9000	.6134-04	.7403-04	.4497-01	.4218	523.5
716	24.036	.82500	469.00	.4058-02	.4899-02	.4899-02	.9000	.9887-04	.1194-03	.7238-01	.6785	524.6
716	24.036	.85000	470.00	.3171-02	.3828-02	.3828-02	.9000	.7725-04	.9326-04	.5655-01	.5089	524.7
716	24.036	.87500	471.00	.2438-02	.2943-02	.2943-02	.9000	.5941-04	.7171-04	.4353-01	.3768	524.0
716	24.036	.92500	472.00	.6225-02	.7513-02	.7513-02	.9000	.1517-03	.1831-03	.1112	.9268	523.7
716	24.036	.95000	277.00	.8580-02	.1035-01	.1035-01	.9000	.2090-03	.2523-03	.1533	1.381	523.1
716	24.036	.97500	473.00	.3547-01	.4291-01	.4291-01	.9000	.8643-03	.1045-02	.6266	7.024	531.7

DATE 23 FEB 80

OH84B MODEL 60-0 IN THE AEDC VKF HYPERSONIC TUNNEL

PAGE 1718

OH84B 60-0 UPPER RH WING

(R4U029)

UPPER RH WING

PARAMETRIC DATA

MACH = 8.000 ALPHA = 40.00 BETA = .0000 ELEVON = -15.00
 BDFLAP = -12.50 SPDBRK = .0000

TEST CONDITIONS

RUN NUMBER	RN/L /FT X10 6	MACH	ALPHA DEG.	BETA DEG.	PO PSIA	TO DEG. R	T DEG. R	P PSIA	Q PSI	V FT/SEC	RHO SLUGS /FT3	MU LB-SEC /FT2
710	2.005	7.980	40.03	.1045-01	436.6	1304.	94.91	.4546-01	2.026	3811.	.1293-02	.7637-07
RUN NUMBER	HREF BTU/ R FT2SEC	STN NO REF (R)										
710	.3512-01	.2867-01										

TEST DATA

RUN NUMBER	XO MS	ZY/BW	T/C NO	H/HREF R=1.0	H/HREF R=0.9	H/HREF R= TAW/TO	TAW/TO	H(TO) BTU/R FT2SEC	H(TAW) BTU/R FT2SEC	QDOT BTU/ FT2SEC	DTWOT DEG. R /SEC	TW DEG. R
710	24.036	.50000	460.00	.9458-03	.1138-02	.1138-02	.9000	.3321-04	.3995-04	.2568-01	.2058	530.3
710	24.036	.55000	461.00	.2103-02	.2532-02	.2532-02	.9000	.7387-04	.8893-04	.5685-01	.4174	534.0
710	24.036	.60000	462.00	.6252-02	.7518-02	.7518-02	.9000	.2196-03	.2640-03	.1700	1.316	529.4
710	24.036	.65000	463.00	.7999-02	.9622-02	.9622-02	.9000	.2809-03	.3379-03	.2171	1.679	530.8
710	24.036	.70000	464.00	.1179-01	.1419-01	.1419-01	.9000	.4142-03	.4982-03	.3200	2.392	531.0
710	24.036	.72500	465.00	.1677-01	.2017-01	.2017-01	.9000	.5888-03	.7084-03	.4547	3.515	531.4
710	24.036	.75000	466.00	.2163-01	.2604-01	.2604-01	.9000	.7596-03	.9145-03	.5846	4.848	534.1
710	24.036	.77500	467.00	.2222-01	.2675-01	.2675-01	.9000	.7803-03	.9392-03	.6013	5.613	533.1
710	24.036	.80000	468.00	.2341-01	.2818-01	.2818-01	.9000	.8223-03	.9897-03	.6337	5.915	533.0
710	24.036	.82500	469.00	.2736-01	.3296-01	.3296-01	.9000	.9610-03	.1158-02	.7377	6.876	536.0
710	24.036	.85000	470.00	.1961-01	.2360-01	.2360-01	.9000	.6886-03	.8288-03	.5308	4.757	532.8
710	24.036	.87500	471.00	.1673-01	.2013-01	.2013-01	.9000	.5877-03	.7070-03	.4539	3.915	531.2
710	24.036	.92500	472.00	.6771-01	.8179-01	.8179-01	.9000	.2378-02	.2872-02	1.801	14.85	546.2
710	24.036	.95000	277.00	.6374-01	.7701-01	.7701-01	.9000	.2238-02	.2704-02	1.694	15.08	546.7
710	24.036	.97500	473.00	.1235	.1498	.1498	.9000	.4336-02	.5261-02	3.214	35.48	562.3

DATE 23 FEB 80

OH848 MODEL 60-0 IN THE AEDC VKF HYPERSONIC TUNNEL

PAGE 1719

OH848 60-0 UPPER RH WING

(R4U029)

UPPER RH WING

PARAMETRIC DATA

MACH = 8.000 ALPHA = 40.00 BETA = .0000 ELEVON = -15.00
 BDFLAP = -12.50 SPDBRK = .0000

TEST CONDITIONS

RUN NUMBER	RN/L /FT X10 6	MACH	ALPHA DEG.	BETA DEG.	PO PSIA	TO DEG. R	T DEG. R	P PSIA	Q PSI	V FT/SEC	RHO SLUGS /FT3	MU LB-SEC /FT2
708	2.986	7.990	40.06	.1048-01	669.0	1326.	96.29	.6909-01	3.087	3843.	.1937-02	.7748-07
RUN NUMBER	HREF BTU/ R FT2SEC	STN NO REF (R)										
708	.4347-01	.2346-01										

TEST DATA

RUN NUMBER	XO MS	2Y/BW	T/C NO	H/HREF R=1.0	H/HREF R=0.9	H/HREF R= TAW/TO	TAW/TO	H(TO) BTU/R FT2SEC	H(TAW) BTU/R FT2SEC	QDOT BTU/ FT2SEC	DTWDT DEG. R /SEC	TW DEG. R
708	24.036	.50000	460.00	.2533-02	.3046-02	.3046-02	.9000	.1101-03	.1324-03	.8655-01	.6902	539.5
708	24.036	.55000	461.00	.4781-02	.5756-02	.5756-02	.9000	.2079-03	.2502-03	.1627	1.189	543.0
708	24.036	.60000	462.00	.1008-01	.1212-01	.1212-01	.9000	.4381-03	.5268-03	.3449	2.657	538.4
708	24.036	.65000	463.00	.1206-01	.1450-01	.1450-01	.9000	.5241-03	.6304-03	.4124	3.176	538.9
708	24.036	.70000	464.00	.1512-01	.1818-01	.1818-01	.9000	.6574-03	.7905-03	.5175	3.854	538.5
708	24.036	.72500	465.00	.2039-01	.2452-01	.2452-01	.9000	.8865-03	.1066-02	.6979	5.377	538.3
708	24.036	.75000	466.00	.2564-01	.3084-01	.3084-01	.9000	.1115-02	.1341-02	.8753	7.235	540.4
708	24.036	.77500	467.00	.2545-01	.3060-01	.3060-01	.9000	.1106-02	.1330-02	.8708	8.106	538.5
708	24.036	.80000	468.00	.2530-01	.3041-01	.3041-01	.9000	.1100-02	.1322-02	.8669	8.074	537.4
708	24.036	.82500	469.00	.3057-01	.3677-01	.3677-01	.9000	.1329-02	.1599-02	1.044	9.705	540.4
708	24.036	.85000	470.00	.2456-01	.2952-01	.2952-01	.9000	.1068-02	.1284-02	.8420	7.529	537.1
708	24.036	.87500	471.00	.2532-01	.3044-01	.3044-01	.9000	.1101-02	.1323-02	.8667	7.448	538.2
708	24.036	.92500	472.00	.8461-01	.1025	.1025	.9000	.3678-02	.4454-02	2.800	22.87	564.4
708	24.036	.95000	277.00	.8080-01	.9774-01	.9774-01	.9000	.3512-02	.4249-02	2.686	23.73	561.1
708	24.036	.97500	473.00	.1304	.1585	.1585	.9000	.5669-02	.6892-02	4.234	46.35	578.7

DATE 23 FEB 80

OH84B MODEL 60-0 IN THE AEDC VKF HYPERSONIC TUNNEL

PAGE 1720

OH84B 60-0 UPPER RH WING

(R4U030)

UPPER RH WING

PARAMETRIC DATA

MACH = 8.000 ALPHA = 40.00 BETA = .0000 ELEVON = -15.00
 BDFLAP = .0000 SPDBRK = .0000

TEST CONDITIONS

RUN NUMBER	RN/L /FT X10 6	MACH	ALPHA DEG.	BETA DEG.	PO PSIA	TO DEG. R	T DEG. R	P PSIA	Q PSI	V FT/SEC	RHO SLUGS /FT3	MU LB-SEC /FT2
720	.5013	7.900	39.98	.3465-02	100.8	1259.	93.36	.1120-01	.4894	3742.	.3238-03	.7513-07
RUN NUMBER	HREF BTU/ R FT2SEC	STN NO REF (R)										
720	.1715-01	.5706-01										

TEST DATA

RUN NUMBER	XO MS	ZY/BW	T/C NO	H/HREF R=1.0	H/HREF R=0.9	H/HREF R= TAW/TO	TAW/TO	H(TO) BTU/R FT2SEC	H(TAW) BTU/R FT2SEC	QDOT BTU/ FT2SEC	DTWDT DEG. R /SEC	TW DEG. R
720	24.036	.50000	460.00	.6844-03	.8259-03	.8259-03	.9000	.1174-04	.1417-04	.8622-02	.6930-01	524.2
720	24.036	.55000	461.00	.1780-02	.2150-02	.2150-02	.9000	.3054-04	.3689-04	.2233-01	.1645	527.5
720	24.036	.60000	462.00	.1295-02	.1562-02	.1562-02	.9000	.2222-04	.2680-04	.1637-01	.1272	522.1
720	24.036	.65000	463.00	.1305-02	.1574-02	.1574-02	.9000	.2238-04	.2700-04	.1648-01	.1280	522.4
720	24.036	.70000	464.00	.2548-02	.3073-02	.3073-02	.9000	.4370-04	.5272-04	.3217-01	.2416	522.5
720	24.036	.72500	465.00	.2965-02	.3575-02	.3575-02	.9000	.5085-04	.6132-04	.3748-01	.2912	521.6
720	24.036	.75000	466.00	.3606-02	.4350-02	.4350-02	.9000	.6185-04	.7461-04	.4550-01	.3795	522.9
720	24.036	.77500	467.00	.2604-02	.3139-02	.3139-02	.9000	.4466-04	.5385-04	.3294-01	.3094	521.1
720	24.036	.80000	468.00	.2620-02	.3159-02	.3159-02	.9000	.4494-04	.5419-04	.3315-01	.3114	521.0
720	24.036	.82500	469.00	.2608-02	.3145-02	.3145-02	.9000	.4473-04	.5395-04	.3296-01	.3095	521.8
720	24.036	.85000	470.00	.2600-02	.3136-02	.3136-02	.9000	.4461-04	.5380-04	.3286-01	.2962	521.9
720	24.036	.87500	471.00	.1944-02	.2344-02	.2344-02	.9000	.3334-04	.4020-04	.2457-01	.2130	521.5
720	24.036	.92500	472.00	.2933-02	.3536-02	.3536-02	.9000	.5031-04	.6065-04	.3712-01	.3099	520.8
720	24.036	.95000	277.00	.5746-02	.6928-02	.6928-02	.9000	.9857-04	.1188-03	.7276-01	.6562	520.5
720	24.036	.97500	473.00	.2022-01	.2439-01	.2439-01	.9000	.3468-03	.4184-03	.2551	2.871	523.2

DATE 23 FEB 80

OH84B MODEL 60-0 IN THE AEDC VKI HYPERSONIC TUNNEL

PAGE 1721

OH84B 60-0 UPPER RH WING

(R4U030)

UPPER RH WING

PARAMETRIC DATA

MACH = 8.000 ALPHA = 40.00 BETA = .0000 ELEVON = -15.00
 BOFLAP = .0000 SPDBRK = .0000

TEST CONDITIONS

RUN NUMBER	RN/L /FT X10 6	MACH	ALPHA DEG.	BETA DEG.	PO PSIA	TO DEG. R	T DEG. R	P PSIA	Q PSI	V FT/SEC	RHO SLUGS /FT3	MU LB-SEC /FT2
714	.9986	7.940	40.00	.1042-01	205.2	1266.	93.00	.2207-01	.9741	3754.	.6406-03	.7484-07
RUN NUMBER	HREF BTU/ R FT2SEC	STN NO REF (R) = .0175										
714	.2422-01	.4060-01										

TEST DATA

RUN NUMBER	XO MS	ZY/BW	T/C NO	H/HREF R=1.0	H/HREF R=0.9	H/HREF R= TAW/TO	TAW/TO	H(TO) BTU/R FT2SEC	H(TAW) BTU/R FT2SEC	QDOT BTU/ FT2SEC	DTWDT DEG. R /SEC	TW DEG. R
714	24.036	.50000	460.00	.2783-03	.3355-03	.3355-03	.9000	.6743-05	.8128-05	.5008-02	.4027-01	523.0
714	24.036	.55000	461.00	.8375-03	.1010-02	.1010-02	.9000	.2029-04	.2448-04	.1500-01	.1105	526.4
714	24.036	.60000	462.00	.9007-03	.1085-02	.1085-02	.9000	.2182-04	.2628-04	.1626-01	.1264	520.3
714	24.036	.65000	463.00	.1221-02	.1471-02	.1471-02	.9000	.2958-04	.3563-04	.2203-01	.1712	520.8
714	24.036	.70000	464.00	.1567-02	.1888-02	.1888-02	.9000	.3796-04	.4574-04	.2826-01	.2123	521.2
714	24.036	.72500	465.00	.1853-02	.2232-02	.2232-02	.9000	.4489-04	.5407-04	.3344-01	.2599	520.7
714	24.036	.75000	466.00	.2945-02	.3550-02	.3550-02	.9000	.7134-04	.8599-04	.5299-01	.4419	522.9
714	24.036	.77500	467.00	.2717-02	.3273-02	.3273-02	.9000	.6581-04	.7928-04	.4904-01	.4607	520.5
714	24.036	.80000	468.00	.2617-02	.3152-02	.3152-02	.9000	.6340-04	.7636-04	.4727-01	.4441	520.1
714	24.036	.82500	469.00	.2839-02	.3420-02	.3420-02	.9000	.6876-04	.8284-04	.5121-01	.4810	520.9
714	24.036	.85000	470.00	.3188-02	.3841-02	.3841-02	.9000	.7723-04	.9305-04	.5749-01	.5183	521.2
714	24.036	.87500	471.00	.7434-02	.8959-02	.8959-02	.9000	.1801-03	.2170-03	.1339	1.161	521.9
714	24.036	.92500	472.00	.3360-01	.4055-01	.4055-01	.9000	.8140-03	.9822-03	.6017	5.010	526.4
714	24.036	.95000	277.00	.3625-01	.4376-01	.4376-01	.9000	.8780-03	.1060-02	.6473	5.814	528.4
714	24.036	.97500	473.00	.6546-01	.7918-01	.7918-01	.9000	.1586-02	.1918-02	1.159	12.96	535.1

DATE 23 FEB 80

OH84B MODEL 60-0 IN THE AEDC VKF HYPERSONIC TUNNEL

PAGE 1722

OH84B 60-0 UPPER RH WING

(R4U030)

UPPER RH WING

PARAMETRIC DATA

MACH = 8.000 ALPHA = 40.00 BETA = .0000 ELEVON = -15.00
 BDFLAP = .0000 SPDBRK = .0000

TEST CONDITIONS

RUN NUMBER	RN/L /FT X10 6	MACH	ALPHA DEG.	BETA DEG.	PO PSIA	TO DEG. R	T DEG. R	P PSIA	Q PSI	V FT/SEC	RHO SLUGS /FT3	MU LB-SEC /FT2
712	1.997	7.980	40.05	.1047-01	433.8	1302.	94.76	.4516-01	2.013	3808.	.1286-02	.7626-07

RUN NUMBER	HREF BTU/ R FT2SEC	STN NO REF(R) = .0175
712	.3499-01	.2873-01

TEST DATA

RUN NUMBER	XO MS	2Y/BW	T/C NO	H/HREF R=1.0	H/HREF R=0.9	H/HREF R= TAW/TO	TAW/TO	H(TO) BTU/R FT2SEC	H(TAW) BTU/R FT2SEC	QDOT BTU/ FT2SEC	DTWDT DEG. R /SEC	TW DEG. R
712	24.036	.50000	460.00	.6912-03	.8316-03	.8316-03	.9000	.2419-04	.2910-04	.1864-01	.1493	531.0
712	24.036	.55000	461.00	.1126-02	.1356-02	.1356-02	.9000	.3939-04	.4744-04	.3022-01	.2218	534.4
712	24.036	.60000	462.00	.8522-03	.1025-02	.1025-02	.9000	.2982-04	.3585-04	.2307-01	.1787	527.9
712	24.036	.65000	463.00	.2186-02	.2629-02	.2629-02	.9000	.7651-04	.9200-04	.5914-01	.4579	528.6
712	24.036	.70000	464.00	.4946-02	.5948-02	.5948-02	.9000	.1731-03	.2081-03	.1337	1.001	529.0
712	24.036	.72500	465.00	.5491-02	.6602-02	.6602-02	.9000	.1922-03	.2310-03	.1486	1.151	528.2
712	24.036	.75000	466.00	.6604-02	.7944-02	.7944-02	.9000	.2311-03	.2780-03	.1783	1.481	530.3
712	24.036	.77500	467.00	.6678-02	.8027-02	.8027-02	.9000	.2337-03	.2809-03	.1809	1.694	527.4
712	24.036	.80000	468.00	.5282-02	.6348-02	.6348-02	.9000	.1848-03	.2221-03	.1433	1.343	526.2
712	24.036	.82500	469.00	.6852-02	.8236-02	.8236-02	.9000	.2398-03	.2882-03	.1857	1.738	527.3
712	24.036	.85000	470.00	.6578-02	.7908-02	.7908-02	.9000	.2302-03	.2767-03	.1782	1.602	527.4
712	24.036	.87500	471.00	.8814-02	.1059-01	.1059-01	.9000	.3084-03	.3707-03	.2389	2.065	527.1
712	24.036	.92500	472.00	.5514-01	.6649-01	.6649-01	.9000	.1930-02	.2327-02	1.472	12.18	538.8
712	24.036	.95000	277.00	.6568-01	.7928-01	.7928-01	.9000	.2298-02	.2774-02	1.743	15.54	543.1
712	24.036	.97500	473.00	.1252	.1518	.1518	.9000	.4381-02	.5312-02	3.252	35.95	559.2

DATE 23 FEB 80

OH84B MODEL 60-0 IN THE AEDC VKF HYPERSONIC TUNNEL

PAGE 1723

OH84B 60-0 UPPER RH WING

(R4U030)

UPPER RH WING

PARAMETRIC DATA

MACH = 8.000 ALPHA = 40.00 BETA = .0000 ELEVON = -15.00
 BDFLAP = .0000 SPDBRK = .0000

TEST CONDITIONS

RUN NUMBER	RN/L /FT	MACH	ALPHA DEG.	BETA DEG.	PO PSIA	TO DEG. R	T DEG. R	P PSIA	Q PSI	V FT/SEC	RHO SLUGS /FT3	MU LB-SEC /FT2
706	X10 6 3.002	7.990	40.06	.6989-02	668.9	1321.	95.92	.6908-01	3.087	3836.	.1944-02	.7719-07

RUN NUMBER	HREF BTU/ R FT2SEC	STN NO REF (R)
706	.4344-01	.2341-01

TEST DATA

RUN NUMBER	XO MS	ZY/BW	T/C NO	H/HREF R=1.0	H/HREF R=0.9	H/HREF R= TAW/TO	TAW/TO	H(TO) BTU/R FT2SEC	H(TAW) BTU/R FT2SEC	QDOT BTU/ FT2SEC	DTWDT DEG. R /SEC	TW DEG. R
706	24.036	.50000	460.00	.9516-03	.1144-02	.1144-02	.9000	.4134-04	.4969-04	.3249-01	.2597	534.8
706	24.036	.55000	461.00	.2000-02	.2406-02	.2406-02	.9000	.8688-04	.1045-03	.6803-01	.4986	537.6
706	24.036	.60000	462.00	.2404-02	.2887-02	.2887-02	.9000	.1044-03	.1254-03	.8246-01	.6376	531.1
706	24.036	.65000	463.00	.5296-02	.6361-02	.6361-02	.9000	.2301-03	.2764-03	.1815	1.403	532.0
706	24.036	.70000	464.00	.7769-02	.9330-02	.9330-02	.9000	.3375-03	.4053-03	.2664	1.991	531.4
706	24.036	.72500	465.00	.9158-02	.1100-01	.1100-01	.9000	.3979-03	.4777-03	.3144	2.432	530.5
706	24.036	.75000	466.00	.1092-01	.1312-01	.1312-01	.9000	.4744-03	.5699-03	.3740	3.104	532.4
706	24.036	.77500	467.00	.9343-02	.1122-01	.1122-01	.9000	.4059-03	.4873-03	.3210	3.001	529.9
706	24.036	.80000	468.00	.8189-02	.9827-02	.9827-02	.9000	.3557-03	.4269-03	.2819	2.638	528.2
706	24.036	.82500	469.00	.1088-01	.1306-01	.1306-01	.9000	.4725-03	.5672-03	.3735	3.491	530.1
706	24.036	.85000	470.00	.9535-02	.1145-01	.1145-01	.9000	.4142-03	.4973-03	.3276	2.941	529.7
706	24.036	.87500	471.00	.1199-01	.1439-01	.1439-01	.9000	.5209-03	.6252-03	.4123	3.559	529.2
706	24.036	.92500	472.00	.7681-01	.9275-01	.9275-01	.9000	.3337-02	.4029-02	2.564	21.07	522.3
706	24.036	.95000	277.00	.1187	.1440	.1440	.9000	.5155-02	.6255-02	3.872	34.06	509.6
706	24.036	.97500	473.00	.1760	.2149	.2149	.9000	.7646-02	.9335-02	5.581	60.73	500.8

DATE 23 FEB 80

OH84B MODEL 60-0 IN THE AEDC VKF HYPERSONIC TUNNEL

PAGE 1724

OH84B 60-0 UPPER RH WING

(R4U031)

UPPER RH WING

PARAMETRIC DATA

MACH = 8.000 ALPHA = 40.00 BETA = .0000 ELEVON = -12.50
 BDFLAP = -12.50 SPDBRK = .0000

TEST CONDITIONS

RUN NUMBER	RN/L /FT X10 6	MACH	ALPHA DEG.	BETA DEG.	PO PSIA	TO DEG. R	T DEG. R	P PSIA	Q PSI	V FT/SEC	RHO SLUGS /FT3	MU LB-SEC /FT2
726	.5101	7.900	39.98	-.1733-01	102.3	1257.	93.21	.1137-01	.4967	3739.	.3292-03	.7501-07
RUN NUMBER	HREF BTU/ R FT2SEC	STN NO REF (R)										
726	.1728-01	.5658-01	.0175									

TEST DATA

RUN NUMBER	XO MS	2Y/BW	T/C NO	H/HREF R=1.0	H/HREF R=0.9	H/HREF R= TAW/TO	TAW/TO	H(T) BTU/R FT2SEC	H(TAW) BTU/R FT2SEC	QDOT BTU/ FT2SEC	DTWOT DEG. R /SEC	TW DEG. R
726	24.036	.50000	460.00	.9661-03	.1168-02	.1168-02	.9000	.1669-04	.2018-04	.1215-01	.9740-01	528.9
726	24.036	.55000	461.00	.6489-03	.7850-03	.7850-03	.9000	.1121-04	.1356-04	.8128-02	.5974-01	531.8
726	24.036	.60000	462.00	.1166-02	.1408-02	.1408-02	.9000	.2015-04	.2433-04	.1472-01	.1141	525.9
726	24.036	.65000	463.00	.1055-02	.1274-02	.1274-02	.9000	.1823-04	.2202-04	.1332-01	.1033	526.0
726	24.036	.70000	464.00	.2363-02	.2853-02	.2853-02	.9000	.4082-04	.4930-04	.2984-01	.2237	525.7
726	24.036	.72500	465.00	.3002-02	.3624-02	.3624-02	.9000	.5187-04	.6261-04	.3797-01	.2946	524.6
726	24.036	.75000	466.00	.3217-02	.3885-02	.3885-02	.9000	.5559-04	.6713-04	.4063-01	.3384	525.8
726	24.036	.77500	467.00	.2434-02	.2938-02	.2938-02	.9000	.4206-04	.5076-04	.3083-01	.2891	523.7
726	24.036	.80000	468.00	.2610-02	.3150-02	.3150-02	.9000	.4509-04	.5442-04	.3306-01	.3101	523.5
726	24.036	.82500	469.00	.2726-02	.3291-02	.3291-02	.9000	.4710-04	.5685-04	.3450-01	.3235	524.2
726	24.036	.85000	470.00	.2601-02	.3139-02	.3139-02	.9000	.4493-04	.5424-04	.3290-01	.2962	524.4
726	24.036	.87500	471.00	.1829-02	.2207-02	.2207-02	.9000	.3160-04	.3814-04	.2316-01	.2005	523.8
726	24.036	.92500	472.00	.2241-02	.2704-02	.2704-02	.9000	.3872-04	.4672-04	.2842-01	.2371	522.6
726	24.036	.95000	277.00	.2897-02	.3495-02	.3495-02	.9000	.5006-04	.6038-04	.3677-01	.3314	522.0
726	24.036	.97500	473.00	.7177-02	.8658-02	.8658-02	.9000	.1240-03	.1496-03	.9108-01	1.026	522.1

DATE 23 FEB 80

OH84B MODEL 60-0 IN THE AEDC VKF HYPERSONIC TUNNEL

PAGE 1725

OH84B 60-0 UPPER RH WING

(R4U031)

UPPER RH WING

PARAMETRIC DATA

MACH = 8.000 ALPHA = 40.00 BETA = .0000 ELEVON = -12.50
 BDFLAP = -12.50 SPDBRK = .0000

TEST CONDITIONS

RUN NUMBER	RN/L /FT X10 6	MACH	ALPHA DEG.	BETA DEG.	PO PSIA	TO DEG. R	T DEG. R	P PSIA	Q PSI	V FT/SEC	RHO SLUGS /FT3	MU LB-SEC /FT2
740	1.019	7.940	39.99	-.2081-01	209.3	1266.	93.00	.2252-01	.9937	3754.	.6534-03	.7484-07
RUN NUMBER	HREF BTU/ R FT2SEC	STN NO REF (R) = .0175										
740	.2447-01	.4020-01										

TEST DATA

RUN NUMBER	XO MS	2Y/BW	T/C NO	H/HREF R=1.0	H/HREF R=0.9	H/HREF R= TAW/TO	TAW/TO	H(TO) BTU/R FT2SEC	H(TAW) BTU/R FT2SEC	QDOT BTU/ FT2SEC	DTWDT DEG. R /SEC	TH DEG. R
740	24.036	.50000	460.00	.1073-02	.1297-02	.1297-02	.9000	.2626-04	.3174-04	.1927-01	.1542	532.0
740	24.036	.55000	461.00	.1865-02	.2256-02	.2256-02	.9000	.4562-04	.5518-04	.3333-01	.2445	535.1
740	24.036	.60000	462.00	.1052-02	.1270-02	.1270-02	.9000	.2573-04	.3107-04	.1893-01	.1465	529.8
740	24.036	.65000	463.00	.1519-02	.1835-02	.1835-02	.9000	.3717-04	.4490-04	.2731-01	.2112	530.9
740	24.036	.70000	464.00	.2210-02	.2670-02	.2670-02	.9000	.5407-04	.6533-04	.3973-01	.2970	530.9
740	24.036	.72500	465.00	.2925-02	.3533-02	.3533-02	.9000	.7157-04	.8644-04	.5265-01	.4074	530.0
740	24.036	.75000	466.00	.4193-02	.5067-02	.5067-02	.9000	.1026-03	.1240-03	.7530-01	.6252	531.6
740	24.036	.77500	467.00	.4341-02	.5243-02	.5243-02	.9000	.1062-03	.1283-03	.7810-01	.7300	530.3
740	24.036	.80000	468.00	.4067-02	.4913-02	.4913-02	.9000	.9950-04	.1202-03	.7315-01	.6836	530.5
740	24.036	.82500	469.00	.5777-02	.6981-02	.6981-02	.9000	.1413-03	.1708-03	.1037	.9687	531.9
740	24.036	.85000	470.00	.4498-02	.5436-02	.5436-02	.9000	.1100-03	.1330-03	.8070-01	.7234	532.3
740	24.036	.87500	471.00	.3889-02	.4699-02	.4699-02	.9000	.9514-04	.1150-03	.6982-01	.6020	531.8
740	24.036	.92500	472.00	.7030-02	.8494-02	.8494-02	.9000	.1720-03	.2078-03	.1263	1.048	531.3
740	24.036	.95000	277.00	.1180-01	.1425-01	.1425-01	.9000	.2886-03	.3487-03	.2118	1.899	531.7
740	24.036	.97500	473.00	.1056-01	.1276-01	.1276-01	.9000	.2585-03	.3122-03	.1902	2.134	529.9

DATE 23 FEB 80

OH84B MODEL 60-0 IN THE AEDC VKF HYPERSONIC TUNNEL

PAGE 1726

OH84B 60-0 UPPER RH WING

(R4U031)

UPPER RH WING

PARAMETRIC DATA

MACH = 8.000 ALPHA = 40.00 BETA = .0000 ELEVON = -12.50
 BDFLAP = -12.50 SPDBRK = .0000

TEST CONDITIONS

RUN NUMBER	RN/L /FT X10 6	MACH	ALPHA DEG.	BETA DEG.	PO PSIA	TO DEG. R	T DEG. R	P PSIA	Q PSI	V FT/SEC	RHO SLUGS /FT3	MU LB-SEC /FT2
738	1.994	7.980	40.04	-2.093-01	434.8	1305.	94.98	.4527-01	2.018	3813.	.1286-02	.7643-07
RUN NUMBER	HREF BTU/ R FT2SEC	STN NO REF (R) = .0175										
738	.3505-01	.2874-01										

TEST DATA

RUN NUMBER	XO MS	ZY/BW	T/C NO	H/HREF R=1.0	H/HREF R=0.9	H/HREF R= TAW/TO	TAW/TO	H(TO) BTU/R FT2SEC	H(TAW) BTU/R FT2SEC	QDOT BTU/ FT2SEC	DTWOT DEG. R /SEC	TW DEG. R
738	24.036	.50000	460.00	.7995-03	.9633-03	.9633-03	.9000	.2802-04	.3376-04	.2150-01	.1716	537.4
738	24.036	.55000	461.00	.1753-02	.2113-02	.2113-02	.9000	.6143-04	.7407-04	.4696-01	.3437	540.2
738	24.036	.60000	462.00	.2193-02	.2641-02	.2641-02	.9000	.7687-04	.9256-04	.5915-01	.4564	535.2
738	24.036	.65000	463.00	.3041-02	.3663-02	.3663-02	.9000	.1066-03	.1284-03	.8186-01	.6312	536.6
738	24.036	.70000	464.00	.5954-02	.7171-02	.7171-02	.9000	.2087-03	.2513-03	.1604	1.196	536.2
738	24.036	.72500	465.00	.6680-02	.8042-02	.8042-02	.9000	.2341-03	.2819-03	.1804	1.393	534.3
738	24.036	.75000	466.00	.8210-02	.9887-02	.9887-02	.9000	.2877-03	.3465-03	.2212	1.833	535.8
738	24.036	.77500	467.00	.7254-02	.8732-02	.8732-02	.9000	.2542-03	.3061-03	.1959	1.828	534.0
738	24.036	.80000	468.00	.5514-02	.6637-02	.6637-02	.9000	.1933-03	.2326-03	.1490	1.390	533.9
738	24.036	.82500	469.00	.6699-02	.8067-02	.8067-02	.9000	.2348-03	.2828-03	.1806	1.684	535.4
738	24.036	.85000	470.00	.7723-02	.9304-02	.9304-02	.9000	.2707-03	.3261-03	.2079	1.860	536.6
738	24.036	.87500	471.00	.8466-02	.1020-01	.1020-01	.9000	.2967-03	.3574-03	.2290	1.962	536.2
738	24.036	.92500	472.00	.1411-01	.1699-01	.1699-01	.9000	.4945-03	.5954-03	.3807	3.156	534.6
738	24.036	.95000	277.00	.2019-01	.2432-01	.2432-01	.9000	.7077-03	.8525-03	.5434	4.861	536.8
738	24.036	.97500	473.00	.1810-01	.2178-01	.2178-01	.9000	.6343-03	.7635-03	.4890	5.476	533.7

DATE 23 FEB 80

OH84B MODEL 60-0 IN THE AEDC VKF HYPERSONIC TUNNEL

PAGE 17

OH84B 60-0 UPPER RH WING

(R4U0311)

UPPER RH WING

PARAMETRIC DATA

MACH = 8.000 ALPHA = 40.00 BETA = .0000 ELEVON = -12.50
 BDFLAP = -12.50 SPDBRK = .0000

TEST CONDITIONS

RUN NUMBER	RN/L /FT X10 6	MACH	ALPHA DEG.	BETA DEG.	PO PSIA	TO DEG. R	T DEG. R	P PSIA	Q PSI	V FT/SEC	RHO SLUGS /FT3	MU LB-SEC /FT2
728	2.981	7.990	40.06	-.2097-01	667.2	1325.	96.21	.6890-01	3.079	3842.	.1933-02	.7742-01

RUN NUMBER	HREF BTU/ R FT2SEC	STN NO REF (R) = .0175
728	.4341-01	.2348-01

TEST DATA

RUN NUMBER	XO MS	2Y/BW	T/C NO	H/HREF R=1.0	H/HREF R=0.9	H/HREF R= TAW/TO	TAW/TO	H(TO) BTU/R FT2SEC	H(TAW) BTU/R FT2SEC	QDOT BTU/ FT2SEC	DTHOT DEG. R /SEC	TW DEG. R
728	24.036	.50000	460.00	.7944-03	.9542-03	.9542-03	.9000	.3448-04	.4142-04	.2728-01	.2182	533.6
728	24.036	.55000	461.00	.2185-02	.2627-02	.2627-02	.9000	.9485-04	.1140-03	.7469-01	.5474	537.3
728	24.036	.60000	462.00	.4039-02	.4851-02	.4851-02	.9000	.1753-03	.2106-03	.1388	1.072	533.3
728	24.036	.65000	463.00	.4931-02	.5925-02	.5925-02	.9000	.2140-03	.2572-03	.1690	1.304	535.0
728	24.036	.70000	464.00	.7161-02	.8604-02	.8604-02	.9000	.3109-03	.3735-03	.2456	1.832	534.7
728	24.036	.72500	465.00	.8535-02	.1025-01	.1025-01	.9000	.3705-03	.4450-03	.2931	2.264	533.6
728	24.036	.75000	466.00	.8963-02	.1077-01	.1077-01	.9000	.3891-03	.4676-03	.3071	2.545	535.4
728	24.036	.77500	467.00	.7305-02	.8774-02	.8774-02	.9000	.3171-03	.3809-03	.2508	2.341	533.6
728	24.036	.80000	468.00	.6841-02	.8216-02	.8216-02	.9000	.2969-03	.3566-03	.2351	2.194	533.1
728	24.036	.82500	469.00	.9418-02	.1132-01	.1132-01	.9000	.4088-03	.4913-03	.3227	3.009	535.3
728	24.036	.85000	470.00	.1112-01	.1337-01	.1337-01	.9000	.4828-03	.5803-03	.3805	3.404	536.4
728	24.036	.87500	471.00	.1317-01	.1583-01	.1583-01	.9000	.5717-03	.6872-03	.4506	3.876	536.4
728	24.036	.92500	472.00	.3936-01	.4740-01	.4740-01	.9000	.1708-02	.2057-02	1.334	11.01	543.9
728	24.036	.95000	277.00	.4186-01	.5043-01	.5043-01	.9000	.1817-02	.2189-02	1.416	12.61	545.3
728	24.036	.97500	473.00	.4997-01	.6024-01	.6024-01	.9000	.2169-02	.2615-02	1.685	18.74	547.7

DATE 23 FEB 80

OH848 MODEL 60-0 IN THE AEDC VKF HYPERSONIC TUNNEL

PAGE 1728

OH848 60-0 UPPER RH WING

(R4U032)

UPPER RH WING

PARAMETRIC DATA

MACH = 8.000 ALPHA = 40.00 BETA = .0000 ELEVON = -12.50
 BDFLAP = -5.000 SPDBRK = .0000

TEST CONDITIONS

RUN NUMBER	RN/L /FT X10 ⁶	MACH	ALPHA DEG.	BETA DEG.	PO PSIA	TO DEG. R	T DEG. R	P PSIA	Q PSI	V FT/SEC	RHO SLUGS /FT ³	MU LB-SEC /FT ²
724	.4963	7.900	39.97	-.1732-01	100.2	1263.	93.66	.1114-01	.4867	3748.	.3211-03	.7535-07
RUN NUMBER	HREF BTU/ R FT2SEC	STN NO REF (R)										
724	.1712-01	.5733-01										

TEST DATA

RUN NUMBER	XO MS	2Y/BW	T/C NO	H/HREF R=1.0	H/HREF R=0.9	H/HREF R= TAW/TO	TAW/TO	H(TO) BTU/R FT2SEC	H(TAW) BTU/R FT2SEC	QDOT BTU/ FT2SEC	DTWDT DEG. R /SEC	TW DEG. R
724	24.036	.50000	460.00	.1075-02	.1299-02	.1299-02	.9000	.1840-04	.2224-04	.1349-01	.1081	529.9
724	24.036	.55000	461.00	.2518-02	.3044-02	.3044-02	.9000	.4309-04	.5211-04	.3147-01	.2312	532.5
724	24.036	.60000	462.00	.1518-02	.1833-02	.1833-02	.9000	.2598-04	.3137-04	.1912-01	.1482	526.7
724	24.036	.65000	463.00	.1047-02	.1263-02	.1263-02	.9000	.1791-04	.2162-04	.1318-01	.1021	527.0
724	24.036	.70000	464.00	.2594-02	.3130-02	.3130-02	.9000	.4439-04	.5358-04	.3268-01	.2448	526.6
724	24.036	.72500	465.00	.3374-02	.4071-02	.4071-02	.9000	.5774-04	.6968-04	.4258-01	.3302	525.3
724	24.036	.75000	466.00	.3310-02	.3995-02	.3995-02	.9000	.5665-04	.6837-04	.4171-01	.3473	526.3
724	24.036	.77500	467.00	.2858-02	.3423-02	.3423-02	.9000	.4857-04	.5859-04	.3586-01	.3362	524.3
724	24.036	.80000	468.00	.3017-02	.3639-02	.3639-02	.9000	.5164-04	.6229-04	.3814-01	.3576	524.1
724	24.036	.82500	469.00	.2957-02	.3568-02	.3568-02	.9000	.5062-04	.6107-04	.3734-01	.3500	524.9
724	24.036	.85000	470.00	.2857-02	.3447-02	.3447-02	.9000	.4889-04	.5899-04	.3606-01	.3249	524.1
724	24.036	.87500	471.00	.2134-02	.2574-02	.2574-02	.9000	.3653-04	.4406-04	.2696-01	.2333	524.5
724	24.036	.92500	472.00	.2120-02	.2556-02	.2556-02	.9000	.3628-04	.4375-04	.2683-01	.2237	523.2
724	24.036	.95000	277.00	.2924-02	.3525-02	.3525-02	.9000	.5005-04	.6034-04	.3704-01	.3337	522.8
724	24.036	.97500	473.00	.7005-02	.8446-02	.8446-02	.9000	.1199-03	.1446-03	.8875-01	.9994	522.9

DATE 23 FEB 80

OH84B MODEL 60-0 IN THE AEDC VKF HYPERSONIC TUNNEL

PAGE 17

OH84B 60-0 UPPER RH WING

(R4U03)

UPPER RH WING

PARAMETRIC DATA

MACH = 8.000 ALPHA = 40.00 BETA = .0000 ELEVON = -12.50
 SOFLAP = -5.000 SPDBRK = .0000

TEST CONDITIONS

RUN NUMBER	RN/L /FT X10 6	MACH	ALPHA DEG.	BETA DEG.	PO PSIA	TO DEG. R	T DEG. R	P PSIA	Q PSI	V FT/SEC	RHO SLUGS /FT3	MU LB-SEC /FT2
742	1.010	7.940	39.99	-.2082-01	207.8	1267.	93.08	.2235-01	.9865	3755.	.6482-03	.7490-07
RUN NUMBER	HREF BTU/ R FT2SEC	STN NO REF(R) =										
742	.2438-01	.4036-01										

TEST DATA

RUN NUMBER	XO MS	ZY/BW	T/C NO	H/HREF R=1.0	H/HREF R=0.9	H/HREF R= TAW/TO	TAW/TO	H(TO) BTU/R FT2SEC	H(TAW) BTU/R FT2SEC	QDOT BTU/ FT2SEC	DTWOT DEG. R /SEC	TH DEG. R
742	24.036	.50000	460.00	.1159-02	.1402-02	.1402-02	.9000	.2826-04	.3418-04	.2068-01	.1653	535.0
742	24.036	.55000	461.00	.8905-03	.1078-02	.1078-02	.9000	.2171-04	.2628-04	.1581-01	.1158	538.3
742	24.036	.60000	462.00	.1290-02	.1559-02	.1559-02	.9000	.3146-04	.3802-04	.2309-01	.1784	532.7
742	24.036	.65000	463.00	.1434-02	.1734-02	.1734-02	.9000	.3497-04	.4227-04	.2564-01	.1980	533.5
742	24.036	.70000	464.00	.2740-02	.3312-02	.3312-02	.9000	.6680-04	.8075-04	.4899-01	.3658	533.3
742	24.036	.72500	465.00	.2911-02	.3517-02	.3517-02	.9000	.7097-04	.8575-04	.5215-01	.4031	531.8
742	24.036	.75000	466.00	.3413-02	.4125-02	.4125-02	.9000	.8321-04	.1006-03	.6106-01	.5067	532.9
742	24.036	.77500	467.00	.3075-02	.3715-02	.3715-02	.9000	.7497-04	.9057-04	.5513-01	.5150	531.3
742	24.036	.80000	468.00	.3714-02	.4488-02	.4488-02	.9000	.9056-04	.1094-03	.6656-01	.6217	531.7
742	24.036	.82500	469.00	.5448-02	.6586-02	.6586-02	.9000	.1328-03	.1606-03	.9742-01	.9093	533.3
742	24.036	.85000	470.00	.5002-02	.6046-02	.6046-02	.9000	.1219-03	.1474-03	.8941-01	.8010	533.5
742	24.036	.87500	471.00	.3691-02	.4461-02	.4461-02	.9000	.9000-04	.1088-03	.6605-01	.5692	532.8
742	24.036	.92500	472.00	.4167-02	.5034-02	.5034-02	.9000	.1016-03	.1227-03	.7474-01	.6207	531.1
742	24.036	.95000	277.00	.5640-02	.6812-02	.6812-02	.9000	.1375-03	.1661-03	.1012	.9081	530.6
742	24.036	.97500	473.00	.7714-02	.9314-02	.9314-02	.9000	.1881-03	.2271-03	.1387	1.557	529.3

OH84B 60-0 UPPER RH WING

IRV0301

UPPER RH WING

PARAMETRIC DATA

MACH = 8.000 ALPHA = 40.00 BETA = .0000 ELEVON = -12.50
 BOFLAP = -5.000 SPDBRK = .0000

TEST CONDITIONS

RUN NUMBER	RN/L /FT X10 6	MACH	ALPHA DEG.	BETA DEG.	PO PSIA	TO DEG. R	T DEG. R	P PSIA	Q PSI	V FT/SEC	RHO SLUGS /FT3	MU LB-SEC /FT2
736	2.005	7.980	40.05	-.2095-01	437.2	1305.	94.98	.4552-01	2.029	3813.	.1293-02	.7643-07
RUN NUMBER	HREF BTU/ R FT2SEC	STN NO REF (R)										
736	.3515-01	.2866-01										

TEST DATA

RUN NUMBER	XO MS	ZY/BW	T/C NO	H/HREF R=1.0	H/HREF R=0.9	H/HREF R= TAW/TO	TAW/TO	H(TO) BTU/R FT2SEC	H(TAW) BTU/R FT2SEC	QDOT BTU/ FT2SEC	DTWDT DEG. R /SEC	TW DEG. R
736	24.036	.50000	460.00	.7850-03	.9454-03	.9454-03	.9000	.2759-04	.3323-04	.2121-01	.1695	535.8
736	24.036	.55000	461.00	.5863-03	.7066-03	.7066-03	.9000	.2061-04	.2484-04	.1579-01	.1156	538.6
736	24.036	.60000	462.00	.2014-02	.2424-02	.2424-02	.9000	.7079-04	.8520-04	.5460-01	.4217	533.4
736	24.036	.65000	463.00	.3717-02	.4475-02	.4475-02	.9000	.1306-03	.1573-03	.1006	.7762	534.8
736	24.036	.70000	464.00	.6468-02	.7787-02	.7787-02	.9000	.2273-03	.2737-03	.1751	1.307	534.5
736	24.036	.72500	465.00	.6387-02	.7686-02	.7686-02	.9000	.2245-03	.2701-03	.1734	1.340	532.5
736	24.036	.75000	466.00	.7010-02	.8439-02	.8439-02	.9000	.2464-03	.2966-03	.1899	1.575	533.9
736	24.036	.77500	467.00	.5996-02	.7214-02	.7214-02	.9000	.2107-03	.2535-03	.1628	1.521	531.9
736	24.036	.80000	468.00	.5178-02	.6230-02	.6230-02	.9000	.1820-03	.2190-03	.1407	1.314	531.8
736	24.036	.82500	469.00	.7208-02	.8675-02	.8675-02	.9000	.2533-03	.3049-03	.1954	1.824	533.2
736	24.036	.85000	470.00	.8352-02	.1005-01	.1005-01	.9000	.2935-03	.3534-03	.2261	2.025	534.3
736	24.036	.87500	471.00	.1029-01	.1238-01	.1238-01	.9000	.3616-03	.4353-03	.2786	2.399	534.1
736	24.036	.92500	472.00	.2451-01	.2953-01	.2953-01	.9000	.8614-03	.1038-02	.6614	5.477	536.9
736	24.036	.95000	277.00	.2228-01	.2682-01	.2682-01	.9000	.7829-03	.9427-03	.6027	5.396	534.9
736	24.036	.97500	473.00	.2703-01	.3255-01	.3255-01	.9000	.9500-03	.1144-02	.7315	8.187	534.7

OH84B 60-0 UPPER RH WING

(R4U032)

UPPER RH WING

PARAMETRIC DATA

MACH = 8.000 ALPHA = 40.00 BETA = .0000 ELEVON = -12.50
 BDFLAP = -5.000 SPDBRK = .0000

TEST CONDITIONS

RUN NUMBER	RN/L /FT X10 6	MACH	ALPHA DEG.	BETA DEG.	PO PSIA	TO DEG. R	T DEG. R	P PSIA	Q PSI	V FT/SEC	RHO SLUGS /FT3	MU LB-SEC /FT2
730	3.012	7.990	40.06	-.2097-01	668.8	1318.	95.71	.6907-01	3.086	3832.	.1948-02	.7701-07

RUN NUMBER	HREF BTU/ R FT2SEC	STN NO REF (R) = .0175
730	.4342-01	.2338-01

TEST DATA

RUN NUMBER	XO MS	2Y/BW	T/C NO	H/HREF R=1.0	H/HREF R=0.9	H/HREF R= TAW/TO	TAW/TO	H(TO) BTU/R FT2SEC	H(TAW) BTU/R FT2SEC	QDOT BTU/ FT2SEC	OTWOT DEG. R /SEC	TW DEG. R
730	24.036	.50000	460.00	.6253-03	.7515-03	.7515-03	.9000	.2715-04	.3263-04	.2131-01	.1705	532.9
730	24.036	.55000	461.00	.2416-02	.2905-02	.2905-02	.9000	.1049-03	.1262-03	.8202-01	.6016	535.7
730	24.036	.60000	462.00	.4050-02	.4864-02	.4864-02	.9000	.1759-03	.2112-03	.1385	1.071	530.2
730	24.036	.65000	463.00	.5418-02	.6508-02	.6508-02	.9000	.2353-03	.2826-03	.1851	1.432	530.8
730	24.036	.70000	464.00	.8484-02	.1019-01	.1019-01	.9000	.3684-03	.4424-03	.2903	2.172	529.5
730	24.036	.72500	465.00	.1175-01	.1411-01	.1411-01	.9000	.5103-03	.6127-03	.4023	3.114	529.2
730	24.036	.75000	466.00	.1237-01	.1486-01	.1486-01	.9000	.5373-03	.6452-03	.4230	3.515	530.3
730	24.036	.77500	467.00	.9745-02	.1170-01	.1170-01	.9000	.4232-03	.5079-03	.3341	3.126	528.2
730	24.036	.80000	468.00	.9573-02	.1149-01	.1149-01	.9000	.4157-03	.4988-03	.3288	3.080	526.6
730	24.036	.82500	469.00	.1156-01	.1387-01	.1387-01	.9000	.5019-03	.6024-03	.3964	3.710	527.8
730	24.036	.85000	470.00	.1223-01	.1468-01	.1468-01	.9000	.5309-03	.6374-03	.4189	3.762	528.7
730	24.036	.87500	471.00	.1454-01	.1746-01	.1746-01	.9000	.6313-03	.7581-03	.4976	4.295	529.5
730	24.036	.92500	472.00	.3997-01	.4808-01	.4808-01	.9000	.1736-02	.2088-02	1.356	11.23	536.4
730	24.036	.95000	277.00	.6828-01	.8237-01	.8237-01	.9000	.2965-02	.3577-02	2.283	20.31	547.6
730	24.036	.97500	473.00	.5394-01	.6494-01	.6494-01	.9000	.2342-02	.2820-02	1.822	20.34	539.8

DATE 23 FEB 80

OH84B MODEL 60-0 IN THE AEDC VKF HYPERSONIC TUNNEL

PAGE 1732

OH84B 60-0 UPPER RH WING

(R4U033)

UPPER RH WING

PARAMETRIC DATA

MACH = 8.000 ALPHA = 40.00 BETA = .0000 ELEVON = -12.50
 BDFLAP = .0000 SPDBRK = .0000

TEST CONDITIONS

RUN NUMBER	RN/L /FT X10 6	MACH	ALPHA DEG.	BETA DEG.	PO PSIA	TO DEG. R	T DEG. R	P PSIA	Q PSI	V FT/SEC	RHO SLUGS /FT3	MU LB-SEC /FT2
722	.5002	7.900	39.98	-.1387-01	100.2	1256.	93.14	.1114-01	.4865	3737.	.3227-03	.7495-07

RUN NUMBER	HREF BTU/ R FT2SEC	STN NO REF (R) = .0175
722	.1710-01	.5715-01

TEST DATA

RUN NUMBER	XO MS	ZY/BW	T/C NO	H/HREF R=1.0	H/HREF R=0.9	H/HREF R= TAW/TO	TAW/TO	H(TO) BTU/R FT2SEC	H(TAW) BTU/R FT2SEC	QDOT BTU/ FT2SEC	DTWDT DEG. R /SEC	TW DEG. R
722	24.036	.50000	460.00	.1073-02	.1296-02	.1296-02	.9000	.1834-04	.2216-04	.1335-01	.1071	527.7
722	24.036	.55000	461.00	.1093-02	.1310-02	.1310-02	.9000	.1852-04	.2240-04	.1343-01	.9877-01	530.6
722	24.036	.60000	462.00	.1105-02	.1334-02	.1334-02	.9000	.1889-04	.2280-04	.1380-01	.1071	524.8
722	24.036	.65000	463.00	.9112-03	.1100-02	.1100-02	.9000	.1558-04	.1881-04	.1138-01	.8826-01	525.2
722	24.036	.70000	464.00	.2349-02	.2837-02	.2837-02	.9000	.4017-04	.4851-04	.2934-01	.2200	525.3
722	24.036	.72500	465.00	.2799-02	.3379-02	.3379-02	.9000	.4784-04	.5776-04	.3498-01	.2714	524.5
722	24.036	.75000	466.00	.3059-02	.3695-02	.3695-02	.9000	.5230-04	.6317-04	.3816-01	.3177	526.1
722	24.036	.77500	467.00	.2487-02	.3002-02	.3002-02	.9000	.4252-04	.5133-04	.3111-01	.2918	524.0
722	24.036	.80000	468.00	.2633-02	.3178-02	.3178-02	.9000	.4501-04	.5433-04	.3294-01	.3089	523.8
722	24.036	.82500	469.00	.2568-02	.3101-02	.3101-02	.9000	.4391-04	.5301-04	.3210-01	.3009	524.6
722	24.036	.85000	470.00	.2593-02	.3131-02	.3131-02	.9000	.4433-04	.5353-04	.3240-01	.2915	524.8
722	24.036	.87500	471.00	.2088-02	.2521-02	.2521-02	.9000	.3570-04	.4310-04	.2611-01	.2260	524.3
722	24.036	.92500	472.00	.1859-02	.2244-02	.2244-02	.9000	.3178-04	.3836-04	.2327-01	.1940	523.4
722	24.036	.95000	277.00	.1829-02	.2207-02	.2207-02	.9000	.3127-04	.3773-04	.2291-01	.2064	522.9
722	24.036	.97500	473.00	.6640-02	.8013-02	.8013-02	.9000	.1135-03	.1370-03	.8321-01	.9370	522.7

DATE 23 FEB 80

OH84B MODEL 60-0 IN THE AEDC VKF HYPERSONIC TUNNEL

PAGE 1733

OH84B 60-0 UPPER RH WING

(R4U033)

UPPER RH WING

PARAMETRIC DATA

MACH = 8.000 ALPHA = 40.00 BETA = .0000 ELEVON = -12.50
 BDFLAP = .0000 SPDBRK = .0000

TEST CONDITIONS

RUN NUMBER	RN/L /FT X10 6	MACH	ALPHA DEG.	BETA DEG.	PO PSIA	TO DEG. R	T DEG. R	P PSIA	Q PSI	V FT/SEC	RHO SLUGS /FT3	MU LB-SEC /FT2
744	1.009	7.940	39.98	-.2081-01	207.3	1266.	93.00	.2230-01	.9841	3754.	.6472-03	.7484-07
RUN NUMBER	HREF BTU/ R FT2SEC	STN NO REF (R)										
744	.2435-01	.4039-01										

TEST DATA

RUN NUMBER	XO MS	2Y/BW	T/C NO	H/HREF R=1.0	H/HREF R=0.9	H/HREF R= TAW/TO	TAW/TO	H(TO) BTU/R FT2SEC	H(TAW) BTU/R FT2SEC	QDOT BTU/ FT2SEC	DTWDT DEG. R /SEC	TW DEG. R
744	24.036	.50000	460.00	.8912-03	.1078-02	.1078-02	.9000	.2170-04	.2624-04	.1586-01	.1268	534.6
744	24.036	.55000	461.00	.7973-03	.9651-03	.9651-03	.9000	.1941-04	.2350-04	.1413-01	.1035	537.8
744	24.036	.60000	462.00	.1158-02	.1399-02	.1399-02	.9000	.2820-04	.3407-04	.2069-01	.1599	531.8
744	24.036	.65000	463.00	.1451-02	.1754-02	.1754-02	.9000	.3533-04	.4270-04	.2590-01	.2002	532.5
744	24.036	.70000	464.00	.2533-02	.3061-02	.3061-02	.9000	.6168-04	.7454-04	.4525-01	.3381	532.0
744	24.036	.72500	465.00	.2529-02	.3055-02	.3055-02	.9000	.6158-04	.7439-04	.4527-01	.3502	530.5
744	24.036	.75000	465.00	.3062-02	.3699-02	.3699-02	.9000	.7454-04	.9007-04	.5472-01	.4544	531.5
744	24.036	.77500	467.00	.2880-02	.3479-02	.3479-02	.9000	.7013-04	.8470-04	.5160-01	.4825	529.8
744	24.036	.80000	468.00	.3853-02	.4653-02	.4653-02	.9000	.9381-04	.1133-03	.6901-01	.6451	530.1
744	24.036	.82500	469.00	.5246-02	.6339-02	.6339-02	.9000	.1277-03	.1543-03	.9378-01	.8761	531.5
744	24.036	.85000	470.00	.4789-02	.5787-02	.5787-02	.9000	.1166-03	.1409-03	.8561-01	.7677	531.6
744	24.036	.87500	471.00	.3550-02	.4289-02	.4289-02	.9000	.8645-04	.1044-03	.6353-01	.5480	530.8
744	24.036	.92500	472.00	.4504-02	.5439-02	.5439-02	.9000	.1097-03	.1324-03	.8076-01	.6714	529.3
744	24.036	.95000	277.00	.5891-02	.7112-02	.7112-02	.9000	.1434-03	.1732-03	.1057	.9492	528.7
744	24.036	.97500	473.00	.8215-02	.9916-02	.9916-02	.9000	.2000-03	.2414-03	.1476	1.658	527.7

OH84B 60-0 UPPER RH WING

(R4U033)

UPPER RH WING

PARAMETRIC DATA

MACH = 8.000 ALPHA = 40.00 BETA = .0000 ELEVON = -12.50
 3DFLAP = .0000 SPDBRK = .0000

TEST CONDITIONS

RUN NUMBER	RN/L /FT X10 6	MACH	ALPHA DEG.	BETA DEG.	PO PSIA	TO DEG. R	T DEG. R	P PSIA	Q PSI	V FT/SEC	RHO SLUGS /FT3	MU LB-SEC /FT2
734	2.024	7.980	40.04	-.2091-01	437.2	1297.	94.40	.4552-01	2.029	3801.	.1301-02	.7596-07
RUN NUMBER	HREF BTU/ R FT2SEC	STN NO REF (R) =.0175										
734	.3511-01	.2855-01										

TEST DATA

RUN NUMBER	X0 MS	ZY/BW	T/C NO	H/HREF R=1.0	H/HREF R=0.9	H/HREF R= TAW/TO	TAW/TO	H(TO) BTU/R FT2SEC	H(TAW) BTU/R FT2SEC	QDOT BTU/ FT2SEC	DTWDT DEG. R /SEC	TW DEG. R
734	24.036	.50000	460.00	.7872-03	.9485-03	.9485-03	.9000	.2764-04	.3330-04	.2108-01	.1686	533.9
734	24.036	.55000	461.00	.1153-02	.1301-02	.1391-02	.9000	.4049-04	.4882-04	.3077-01	.2255	536.8
734	24.036	.60000	462.00	.1718-02	.2069-02	.2069-02	.9000	.6033-04	.7265-04	.4612-01	.3565	532.2
734	24.036	.65000	463.00	.3790-02	.4567-02	.4567-02	.9000	.1331-03	.1603-03	.1014	.7831	534.3
734	24.036	.70000	464.00	.5761-02	.6941-02	.6941-02	.9000	.2023-03	.2437-03	.1543	1.152	533.9
734	24.036	.72500	465.00	.7968-02	.9598-02	.9598-02	.9000	.2797-03	.3370-03	.2135	1.649	533.3
734	24.036	.75000	466.00	.9247-02	.1114-01	.1114-01	.9000	.3246-03	.3913-03	.2472	2.049	535.1
734	24.036	.77500	467.00	.7054-02	.8497-02	.8497-02	.9000	.2476-03	.2983-03	.1890	1.764	533.3
734	24.036	.80000	468.00	.6499-02	.7829-02	.7829-02	.9000	.2282-03	.2749-03	.1741	1.625	533.5
734	24.036	.82500	469.00	.8346-02	.1006-01	.1006-01	.9000	.2930-03	.3531-03	.2232	2.081	535.0
734	24.036	.85000	470.00	.8371-02	.1009-01	.1009-01	.9000	.2939-03	.3543-03	.2235	2.000	536.1
734	24.036	.87500	471.00	.9255-02	.1117-01	.1117-01	.9000	.3253-03	.3921-03	.2474	2.129	535.9
734	24.036	.92500	472.00	.3037-01	.3667-01	.3667-01	.9000	.1066-02	.1287-02	.8053	6.653	541.4
734	24.036	.95000	277.00	.3163-01	.3818-01	.3818-01	.9000	.1111-02	.1341-02	.8391	7.489	541.1
734	24.036	.97500	473.00	.3931-01	.4743-01	.4743-01	.9000	.1380-02	.1665-02	1.045	11.66	539.7

DATE 23 FEB 80

OH84B MODEL 60-0 IN THE AEDC VKF HYPERSONIC TUNNEL

PAGE 1735

OH84B 60-0 UPPER RH WING

(R4U033)

UPPER RH WING

PARAMETRIC DATA

MACH = 8.000 ALPHA = 40.00 BETA = .0000 ELEVON = -12.50
 BDFLAP = .0000 SPDBRK = .0000

TEST CONDITIONS

RUN NUMBER	RN/L /FT X10 6	MACH	ALPHA DEG.	BETA DEG.	PO PSIA	TO DEG. R	T DEG. R	P PSIA	Q PSI	V FT/SEC	RHO SLUGS /FT3	MU LB-SEC /FT2
732	3.029	7.990	40.06	-2096-01	672.6	1318.	95.71	.6946-01	3.104	3832.	.1959-02	.7701-07
RUN NUMBER	HREF BTU/ R FT2SEC	STN NO REF (R) = .0175										
732	.4354-01	.2331-01										

TEST DATA

RUN NUMBER	XO MS	2Y/BW	T/C NO	H/HREF R=1.0	H/HREF R=0.9	H/HREF R= TAW/TO	TAW/TO	H(TO) BTU/R FT2SEC	H(TAW) BTU/R FT2SEC	QDOT BTU/ FT2SEC	DTWDT DEG. R /SEC	TW DEG. R
732	24.036	.50000	460.00	.6894-03	.8285-03	.8285-03	.9000	.3002-04	.3608-04	.2355-01	.1885	533.1
732	24.036	.55000	461.00	.1994-02	.2398-02	.2398-02	.9000	.8684-04	.1044-03	.6791-01	.4982	535.6
732	24.036	.60000	462.00	.4639-02	.5572-02	.5572-02	.9000	.2020-03	.2426-03	.1590	1.230	530.4
732	24.036	.65000	463.00	.4504-02	.5410-02	.5410-02	.9000	.1961-03	.2356-03	.1544	1.195	530.3
732	24.036	.70000	464.00	.8108-02	.9736-02	.9736-02	.9000	.3531-03	.4239-03	.2783	2.082	529.4
732	24.036	.72500	465.00	.1093-01	.1312-01	.1312-01	.9000	.4760-03	.5714-03	.3757	2.909	528.4
732	24.036	.75000	466.00	.1275-01	.1531-01	.1531-01	.9000	.5552-03	.6667-03	.4376	3.637	529.5
732	24.036	.77500	467.00	.1016-01	.1219-01	.1219-01	.9000	.4422-03	.5306-03	.3497	3.275	526.9
732	24.036	.80000	468.00	.7622-02	.9144-02	.9144-02	.9000	.3319-03	.3982-03	.2627	2.461	526.2
732	24.036	.82500	469.00	.1129-01	.1355-01	.1355-01	.9000	.4918-03	.5902-03	.3886	3.638	527.4
732	24.036	.85000	470.00	.1131-01	.1358-01	.1358-01	.9000	.4926-03	.5913-03	.3890	3.495	528.0
732	24.036	.87500	471.00	.1230-01	.1477-01	.1477-01	.9000	.5357-03	.6430-03	.4230	3.654	528.0
732	24.036	.92500	472.00	.3985-01	.4795-01	.4795-01	.9000	.1735-02	.2088-02	1.355	11.22	537.1
732	24.036	.95000	277.00	.4275-01	.5144-01	.5144-01	.9000	.1862-02	.2240-02	1.452	12.99	537.5
732	24.036	.97500	473.00	.4528-01	.5446-01	.5446-01	.9000	.1972-02	.2372-02	1.541	17.24	536.1

DATE 23 FEB 80

OH84B MODEL 60-0 IN THE AEDC VKF HYPERSONIC TUNNEL

PAGE 1736

OH84B 60-0 UPPER RH WING

(R4U034)

UPPER RH WING

PARAMETRIC DATA

MACH = 8.000 ALPHA = 40.00 BETA = .0000 ELEVON = -5.000
 BDFLAP = -12.50 SPDBRK = .0000

TEST CONDITIONS

RUN NUMBER	RN/L /FT X10 6	MACH	ALPHA DEG.	BETA DEG.	PO PSIA	TO DEG. R	T DEG. R	P PSIA	Q PSI	V FT/SEC	RHO SLUGS /FT3	MU LB-SEC /FT2
634	.5013	7.900	39.93	-.3449-02	100.1	1253.	92.91	.1112-01	.4859	3733.	.3231-03	.7477-07
RUN NUMBER	HREF BTU/ R FT2SEC	STN NO REF (R) = .0175										
634	.1708-01	.5710-01										

TEST DATA

RUN NUMBER	XO MS	ZY/8W	T/C NO	H/HREF R=1.0	H/HREF R=0.9	H/HREF R= TAW/TO	TAW/TO	H(TO) BTU/R FT2SEC	H(TAW) BTU/R FT2SEC	QDOT BTU/ FT2SEC	DTWDT DEG. R /SEC	TW DEG. R
634	24.036	.50000	460.00	.4981-03	.6024-03	.6024-03	.9000	.8506-05	.1029-04	.6155-02	.4934-01	529.1
634	24.036	.55000	461.00	.1043-02	.1263-02	.1263-02	.9000	.1782-04	.2157-04	.1284-01	.9439-01	531.9
634	24.036	.60000	462.00	.4711-03	.5692-03	.5692-03	.9000	.8046-05	.9720-05	.5851-02	.4538-01	525.4
634	24.036	.65000	463.00	.4215-03	.5092-03	.5092-03	.9000	.7198-05	.8696-05	.5233-02	.4058-01	525.6
634	24.036	.70000	464.00	.1056-02	.1276-02	.1276-02	.9000	.1804-04	.2179-04	.1311-01	.9828-01	525.8
634	24.036	.72500	465.00	.2159-02	.2609-02	.2609-02	.9000	.3688-04	.4455-04	.2682-01	.2080	525.3
634	24.036	.75000	466.00	.2917-02	.3526-02	.3526-02	.9000	.4982-04	.6021-04	.3616-01	.3010	526.9
634	24.036	.77500	467.00	.2469-02	.2982-02	.2982-02	.9000	.4216-04	.5092-04	.3069-01	.2877	524.7
634	24.036	.80000	468.00	.2681-02	.3238-02	.3238-02	.9000	.4579-04	.5530-04	.3335-01	.3127	524.4
634	24.036	.82500	469.00	.3674-02	.4438-02	.4438-02	.9000	.6274-04	.7579-04	.4563-01	.4277	525.3
634	24.036	.85000	470.00	.3258-02	.3935-02	.3935-02	.9000	.5563-04	.6720-04	.4047-01	.3642	525.1
634	24.036	.87500	471.00	.1794-02	.2166-02	.2166-02	.9000	.3063-04	.3699-04	.2231-01	.1931	524.4
634	24.036	.92500	472.00	.1744-02	.2106-02	.2106-02	.9000	.2978-04	.3596-04	.2171-01	.1810	523.6
634	24.036	.95000	277.00	.4104-02	.4955-02	.4955-02	.9000	.7008-04	.8461-04	.5110-01	.4602	523.4
634	24.036	.97500	473.00	.1020-01	.1232-01	.1232-01	.9000	.1742-03	.2105-03	.1268	1.426	524.9

DATE 23 FEB 80

OH84B MODEL 60-0 IN THE AEDC VKF HYPERSONIC TUNNEL
OH84B 60-0 UPPER RH WING

PAGE 1737

(R4U034)

UPPER RH WING

PARAMETRIC DATA

MACH = 8.000 ALPHA = 40.00 BETA = .0000 ELEVON = -5.000
BDFLAP = -12.50 SPOBRK = .0000

TEST CONDITIONS

RUN NUMBER	RN/L /FT X10 ⁶	MACH	ALPHA DEG.	BETA DEG.	PO PSIA	TO DEG. R	T DEG. R	P PSIA	Q PSI	V FT/SEC	RHO SLUGS /FT ³	MU LB-SEC /FT ²
660	1.010	7.940	39.98	-4647-06	207.9	1267.	93.08	.2236-01	.9868	3755.	.6484-03	.7490-07

RUN NUMBER	HREF BTU/ R FT2SEC	STN NO REF (R) = .0175
660	.2438-01	.4035-01

TEST DATA

RUN NUMBER	XO MS	ZY/BW	T/C NO	H/HREF R=1.0	H/HREF R=0.9	H/HREF R= TAW/TO	TAW/TO	H(TO) BTU/R FT2SEC	H(TAW) BTU/R FT2SEC	QDOT BTU/ FT2SEC	DTWDT DEG. R /SEC	TW DEG. R
660	24.036	.50000	460.00	.5814-03	.7019-03	.7019-03	.9000	.1418-04	.1712-04	.1046-01	.8390-01	528.7
660	24.036	.55000	461.00	.2108-02	.2547-02	.2547-02	.9000	.5141-04	.6212-04	.3778-01	.2777	531.8
660	24.036	.60000	462.00	.1650-02	.1991-02	.1991-02	.9000	.4023-04	.4854-04	.2979-01	.2309	526.3
660	24.036	.65000	463.00	.1260-02	.1521-02	.1521-02	.9000	.3073-04	.3708-04	.2275-01	.1763	526.6
660	24.036	.70000	464.00	.2508-02	.3026-02	.3026-02	.9000	.6115-04	.7378-04	.4526-01	.3391	526.6
660	24.036	.72500	465.00	.3607-02	.4351-02	.4351-02	.9000	.8795-04	.1061-03	.6516-01	.5052	525.8
660	24.036	.75000	466.00	.4771-02	.5758-02	.5758-02	.9000	.1163-03	.1404-03	.8598-01	.7154	527.6
660	24.036	.77500	467.00	.5031-02	.6068-02	.6068-02	.9000	.1227-03	.1480-03	.9088-01	.8514	525.8
660	24.036	.80000	468.00	.5529-02	.6670-02	.6670-02	.9000	.1348-03	.1626-03	.9989-01	.9359	525.8
660	24.036	.82500	469.00	.6599-02	.7963-02	.7963-02	.9000	.1609-03	.1942-03	.1191	1.115	526.8
660	24.036	.85000	470.00	.4171-02	.5032-02	.5032-02	.9000	.1017-03	.1227-03	.7528-01	.6769	526.5
660	24.036	.87500	471.00	.2762-02	.3331-02	.3331-02	.9000	.6735-04	.8123-04	.4993-01	.4319	525.3
660	24.036	.92500	472.00	.2992-02	.3608-02	.3608-02	.9000	.7296-04	.8797-04	.5418-01	.4516	524.1
660	24.036	.95000	277.00	.5821-02	.7019-02	.7019-02	.9000	.1420-03	.1711-03	.1054	.9487	524.2
660	24.036	.97500	473.00	.1040-01	.1255-01	.1255-01	.9000	.2537-03	.3059-03	.1882	2.117	524.8

DATE 23 FEB 80

OH84B MODEL 60-0 IN THE AEDC VKF HYPERSONIC TUNNEL

PAGE 1738

OH84B 60-0 UPPER RH WING

(R4U034)

UPPER RH WING

PARAMETRIC DATA

MACH = 8.000 ALPHA = 40.00 BETA = .0000 ELEVON = -5.000
 BDFLAP = -12.50 SPDBRK = .0000

TEST CONDITIONS

RUN NUMBER	RN/L /FT X10 6	MACH	ALPHA DEG.	BETA DEG.	PO PSIA	TO DEG. R	T DEG. R	P PSIA	Q PSI	V FT/SEC	RHO SLUGS /FT3	MU LB-SEC /FT2
648	1.995	7.980	39.99	.3470-02	436.1	1307.	95.13	.4540-01	2.024	3815.	.1288-02	.7655-07
RUN NUMBER	HREF BTU/ R FT2SEC	STN NO REF(R)										
648	.3511-01	.2872-01	=.0175									

TEST DATA

RUN NUMBER	XO MS	ZY/BW	T/C NO	H/HREF R=1.0	H/HREF R=0.9	H/HREF R= TAW/TO	TAW/TO	H(TO) BTU/R FT2SEC	H(TAW) BTU/R FT2SEC	QDOT BTU/ FT2SEC	OTWDT DEG. R /SEC	TW DEG. R
648	24.036	.50000	460.00	.9299-03	.1119-02	.1119-02	.9000	.3265-04	.3930-04	.2522-01	.2017	534.2
648	24.036	.55000	461.00	.2415-02	.2909-02	.2909-02	.9000	.8479-04	.1021-03	.6525-01	.4783	537.1
648	24.036	.60000	462.00	.4244-02	.5104-02	.5104-02	.9000	.1490-03	.1792-03	.1156	.8940	530.9
648	24.036	.65000	463.00	.5092-02	.6123-02	.6123-02	.9000	.1788-03	.2150-03	.1387	1.073	530.8
648	24.036	.70000	464.00	.5857-02	.7041-02	.7041-02	.9000	.2056-03	.2472-03	.1598	1.195	529.7
648	24.036	.72500	465.00	.7052-02	.8475-02	.8475-02	.9000	.2476-03	.2975-03	.1926	1.492	528.6
648	24.036	.75000	466.00	.7884-02	.9479-02	.9479-02	.9000	.2768-03	.3328-03	.2149	1.786	530.1
648	24.036	.77500	467.00	.7967-02	.9574-02	.9574-02	.9000	.2797-03	.3361-03	.2178	2.038	528.1
648	24.036	.80000	468.00	.7942-02	.9540-02	.9540-02	.9000	.2788-03	.3349-03	.2174	2.035	527.0
648	24.036	.82500	469.00	.9969-02	.1198-01	.1198-01	.9000	.3500-03	.4206-03	.2723	2.548	528.6
648	24.036	.85000	470.00	.7984-02	.9592-02	.9592-02	.9000	.2803-03	.3368-03	.2184	1.963	527.4
648	24.036	.87500	471.00	.8083-02	.9710-02	.9710-02	.9000	.2838-03	.3409-03	.2212	1.912	527.0
648	24.036	.92500	472.00	.1996-01	.2399-01	.2399-01	.9000	.7007-03	.8421-03	.5451	4.533	528.7
648	24.036	.95000	277.00	.1989-01	.2390-01	.2390-01	.9000	.6983-03	.8392-03	.5434	4.881	528.4
648	24.036	.97500	473.00	.2218-01	.2667-01	.2667-01	.9000	.7787-03	.9362-03	.6051	6.789	529.7

DATE 23 FEB 80

OH84B MODEL 60-0 IN THE AEDC VKF HYPERSONIC TUNNEL

PAGE 1739

OH84B 60-0 UPPER RH WING

(R4U034)

UPPER RH WING

PARAMETRIC DATA

MACH = 8.000 ALPHA = 40.00 BETA = .0000 ELEVON = -5.000
 BOFLAP = -12.50 SPDBRK = .0000

TEST CONDITIONS

RUN NUMBER	RN/L /FT X10 6	MACH	ALPHA DEG.	BETA DEG.	PO PSIA	TO DEG. R	T DEG. R	P PSIA	Q PSI	V FT/SEC	RHO SLUGS /FT3	MU LB-SEC /FT2
650	3.009	7.990	40.05	.6980-02	670.4	1321.	95.92	.6923-01	3.094	3836.	.1948-02	.7719-07

RUN NUMBER	HREF BTU/ P FT2SEC	STN NO REF (R) = .0175
650	.4349-01	.2338-01

TEST DATA

RUN NUMBER	XO MS	ZY/BW	T/C NO	H/HREF R=1.0	H/HREF R=0.9	H/HREF R= TAW/TO	TAW/TO	H(TO) BTU/R FT2SEC	H(TAW) BTU/R FT2SEC	QDOT BTU/ FT2SEC	DTWDT DEG. R /SEC	TW DEG. R
650	24.036	.50000	460.00	.2202-02	.2647-02	.2647-02	.9000	.9576-04	.1151-03	.7520-01	.6010	535.4
650	24.036	.55000	461.00	.4712-02	.5669-02	.5669-02	.9000	.2049-03	.2466-03	.1603	1.174	538.6
650	24.036	.60000	462.00	.7362-02	.8846-02	.8846-02	.9000	.3202-03	.3847-03	.2520	1.946	533.7
650	24.036	.65000	463.00	.6978-02	.8386-02	.8386-02	.9000	.3035-03	.3647-03	.2387	1.843	534.1
650	24.036	.70000	464.00	.1073-01	.1290-01	.1290-01	.9000	.4668-03	.5610-03	.3674	2.743	533.6
650	24.036	.72500	465.00	.1410-01	.1695-01	.1695-01	.9000	.6134-03	.7371-03	.4828	3.729	533.6
650	24.036	.75000	466.00	.1659-01	.1994-01	.1994-01	.9000	.7213-03	.8671-03	.5667	4.697	535.1
650	24.036	.77500	467.00	.1559-01	.1874-01	.1874-01	.9000	.6782-03	.8149-03	.5339	4.983	533.4
650	24.036	.80000	468.00	.1500-01	.1802-01	.1802-01	.9000	.6525-03	.7838-03	.5141	4.799	532.8
650	24.036	.82500	469.00	.1712-01	.2058-01	.2058-01	.9000	.7447-03	.8952-03	.5851	5.456	535.0
650	24.036	.85000	470.00	.1394-01	.1674-01	.1674-01	.9000	.6062-03	.7282-03	.4778	4.283	532.5
650	24.036	.87500	471.00	.1436-01	.1725-01	.1725-01	.9000	.6246-03	.7501-03	.4929	4.250	531.5
650	24.036	.92500	472.00	.4551-01	.5480-01	.5480-01	.9000	.1979-02	.2383-02	1.541	12.73	541.9
650	24.036	.95000	277.00	.3048-01	.3666-01	.3666-01	.9000	.1326-02	.1594-02	1.040	9.302	536.3
650	24.036	.97500	473.00	.3447-01	.4147-01	.4147-01	.9000	.1499-02	.1803-02	1.174	13.12	537.7

DATE 23 FEB 80

OH84B MODEL 60-0 IN THE AEDC VKF HYPERSONIC TUNNEL

PAGE 1740

OH84B 60-0 UPPER RH WING

(R4U035)

UPPER RH WING

PARAMETRIC DATA

MACH = 8.000 ALPHA = 40.00 BETA = .0000 ELEVON = -5.000
 BDFLAP = -5.000 SPDBRK = .0000

TEST CONDITIONS

RUN NUMBER	RN/L /FT X10 6	MACH	ALPHA DEG.	BETA DEG.	PO PSIA	TO DEG. R	T DEG. R	P PSIA	Q PSI	V FT/SEC	RHO SLUGS /FT3	MU LB-SEC /FT2
636	.5020	7.900	39.95	-.3458-02	99.73	1249.	92.62	.1108-01	.4842	3727.	.3230-03	.7453-07
RUN NUMBER	HREF BTU/ R FT2SEC	STN NO REF (R) =.0175										
636	.1704-01	.5709-01										

TEST DATA

RUN NUMBER	XO MS	ZY/BW	T/C NO	H/HREF R=1.0	H/HREF R=0.9	F/HREF R=	TAW/TO	H(TO) BTU/R FT2SEC	H(TAW) BTU/R FT2SEC	QDOT BTU/ FT2SEC	DTWOT DEG. R /SEC	TW DEG. R
636	24.036	.50000	460.00	.9246-03	.1118-02	.1118-02	.9000	.1575-04	.1905-04	.1137-01	.9121-01	527.2
636	24.036	.55000	461.00	.1972-02	.2386-02	.2386-02	.9000	.3360-04	.4066-04	.2416-01	.1778	529.5
636	24.036	.60000	462.00	.1307-02	.1579-02	.1579-02	.9000	.2227-04	.2690-04	.1616-01	.1255	523.0
636	24.036	.65000	463.00	.2410-03	.2911-03	.2911-03	.9000	.4107-05	.4960-05	.2981-02	.2315-01	522.9
636	24.036	.70000	464.00	.1808-02	.2183-02	.2183-02	.9000	.3080-04	.3719-04	.2236-01	.1679	522.6
636	24.036	.72500	465.00	.2726-02	.3291-02	.3291-02	.9000	.4645-04	.5608-04	.3376-01	.2623	521.8
636	24.036	.75000	466.00	.3481-02	.4205-02	.4205-02	.9000	.5932-04	.7165-04	.4305-01	.3590	523.0
636	24.036	.77500	467.00	.3103-02	.3746-02	.3746-02	.9000	.5287-04	.6383-04	.3847-01	.3613	521.1
636	24.036	.80000	468.00	.3192-02	.3853-02	.3853-02	.9000	.5438-04	.6564-04	.3957-01	.3717	520.9
636	24.036	.82500	469.00	.3527-02	.4258-02	.4258-02	.9000	.6009-04	.7256-04	.4368-01	.4101	521.8
636	24.036	.85000	470.00	.2796-02	.3375-02	.3375-02	.9000	.4763-04	.5751-04	.3463-01	.3121	521.7
636	24.036	.87500	471.00	.2077-02	.2507-02	.2507-02	.9000	.3538-04	.4272-04	.2574-01	.2231	521.3
636	24.036	.92500	472.00	.2101-02	.2535-02	.2535-02	.9000	.3579-04	.4320-04	.2606-01	.2176	520.5
636	24.036	.95000	277.00	.4449-02	.5370-02	.5370-02	.9000	.7581-04	.9149-04	.5521-01	.4979	520.4
636	24.036	.97500	473.00	.9382-02	.1133-01	.1133-01	.9000	.1599-03	.1930-03	.1162	1.310	521.6

DATE 23 FEB 80

OH84B MODEL 60-0 IN THE AEDC VKF HYPERSONIC TUNNEL

PAGE 1741

OH84B 60-0 UPPER RH WING

(R4U035)

UPPER RH WING

PARAMETRIC DATA

MACH = 8.000 ALPHA = 40.00 BETA = .0000 ELEVON = -5.000
 BDFLAP = -5.000 SPOBRK = .0000

TEST CONDITIONS

RUN NUMBER	RN/L /FT X10 6	MACH	ALPHA DEG.	BETA DEG.	PO PSIA	TO DEG. R	T DEG. R	P PSIA	Q PSI	V FT/SEC	RHO SLUGS /FT3	MU LB-SEC /FT2
658	1.007	7.940	39.98	-4647-06	207.2	1267.	93.08	.2229-01	.9835	3755.	.6462-03	.7490-07

RUN NUMBER	HREF BTU/ R FT2SEC	STN NO REF (R) = .0175
658	.2434-01	.4042-01

TEST DATA

RUN NUMBER	XO MS	2Y/BW	T/C NO	H/HREF R=1.0	H/HREF R=0.9	H/HREF R= TAW/TO	TAW/TO	H(TO) BTU/R FT2SEC	H(TAW) BTU/R FT2SEC	QDOT BTU/ FT2SEC	DTWOT DEG. R /SEC	TW DEG. R
658	24.036	.50000	460.00	.6225-03	.7515-03	.7515-03	.9000	.1515-04	.1830-04	.1118-01	.8963-01	529.0
658	24.036	.55000	461.00	.1497-02	.1809-02	.1809-02	.9000	.3645-04	.4404-04	.2677-01	.1967	532.3
658	24.036	.60000	462.00	.1597-02	.1927-02	.1927-02	.9000	.3888-04	.4692-04	.2877-01	.2229	526.9
658	24.036	.65000	463.00	.1951-02	.2354-02	.2354-02	.9000	.4749-04	.5731-04	.3510-01	.2719	527.6
658	24.036	.70000	464.00	.3782-02	.4565-02	.4565-02	.9000	.9207-04	.1111-03	.6801-01	.5092	528.0
658	24.036	.72500	465.00	.4777-02	.5765-02	.5765-02	.9000	.1163-03	.1403-03	.8594-01	.6658	527.6
658	24.036	.75000	466.00	.5548-02	.6699-02	.6699-02	.9000	.1351-03	.1631-03	.9955-01	.8275	529.5
658	24.036	.77500	467.00	.4212-02	.5084-02	.5084-02	.9000	.1025-03	.1238-03	.7580-01	.7095	527.5
658	24.036	.80000	468.00	.5277-02	.6368-02	.6368-02	.9000	.1285-03	.1550-03	.9495-01	.8889	527.5
658	24.036	.82500	469.00	.6424-02	.7754-02	.7754-02	.9000	.1564-03	.1888-03	.1154	1.080	528.5
658	24.036	.85000	470.00	.5379-02	.6493-02	.6493-02	.9000	.1309-03	.1581-03	.9663-01	.8679	528.6
658	24.036	.87500	471.00	.4218-02	.5091-02	.5091-02	.9000	.1027-03	.1239-03	.7589-01	.6557	527.6
658	24.036	.92500	472.00	.7217-02	.8710-02	.8710-02	.9000	.1757-03	.2120-03	.1299	1.080	527.6
658	24.036	.95000	277.00	.1184-01	.1429-01	.1429-01	.9000	.2882-03	.3478-03	.2132	1.917	526.9
658	24.036	.97500	473.00	.1777-01	.2145-01	.2145-01	.9000	.4326-03	.5223-03	.3192	3.583	528.9

DATE 23 FEB 80

OH84B MODEL 60-0 IN THE AEDC VKF HYPERSONIC TUNNEL

PAGE 1742

OH84B 60-0 UPPER RH WING

(R4U035)

UPPER RH WING

PARAMETRIC DATA

MACH = 8.000 ALPHA = 40.00 BETA = .0000 ELEVON = -5.000
 BDFLAP = -5.000 SPDBRK = .0000

TEST CONDITIONS

RUN NUMBER	RN/L /FT X10 6	MACH	ALPHA DEG.	BETA DEG.	PO PSIA	TO DEG. R	T DEG. R	P PSIA	Q PSI	V FT/SEC	RHO SLUGS /FT3	MU LB-SEC /FT2
646	2.016	7.980	39.99	-4655-06	436.5	1299.	94.54	.4544-01	2.025	3804.	.1297-02	.7608-07
RUN NUMBER	HREF BTU/ R FT2SEC	STN NO REF (R)										
646	.3509-01	.2860-01										

TEST DATA

RUN NUMBER	XO MS	2Y/BW	T/C NO	H/HREF R=1.0	H/HREF R=0.9	H/HREF R=TAW/TO	TAW/TO	H(TO) BTU/R FT2SEC	H(TAW) BTU/R FT2SEC	QDOT BTU/ FT2SEC	DTWDT DEG. R /SEC	TW DEG. R
646	24.036	.50000	460.00	.8583-03	.1036-02	.1036-02	.9000	.3012-04	.3634-04	.2282-01	.1819	540.9
646	24.036	.55000	461.00	.2050-02	.2477-02	.2477-02	.9000	.7194-04	.8690-04	.5429-01	.3965	544.1
646	24.036	.60000	462.00	.3998-02	.4821-02	.4821-02	.9000	.1403-03	.1692-03	.1067	.8219	538.3
646	24.036	.65000	463.00	.4713-02	.5684-02	.5684-02	.9000	.1654-03	.1994-03	.1257	.9681	538.6
646	24.036	.70000	464.00	.6578-02	.7934-02	.7934-02	.9000	.2308-03	.2784-03	.1754	1.306	538.8
646	24.036	.72500	465.00	.6061-02	.7307-02	.7307-02	.9000	.2126-03	.2564-03	.1619	1.248	537.2
646	24.036	.75000	466.00	.7535-02	.9089-02	.9089-02	.9000	.2644-03	.3189-03	.2009	1.662	539.0
646	24.036	.77500	467.00	.7803-02	.9407-02	.9407-02	.9000	.2738-03	.3301-03	.2086	1.943	536.9
646	24.036	.80000	468.00	.7173-02	.8647-02	.8647-02	.9000	.2517-03	.3034-03	.1918	1.787	536.5
646	24.036	.82500	469.00	.8014-02	.9663-02	.9663-02	.9000	.2812-03	.3390-03	.2140	1.993	537.6
646	24.036	.85000	470.00	.8763-02	.1056-01	.1056-01	.9000	.3075-03	.3707-03	.2341	2.094	537.2
646	24.036	.87500	471.00	.1014-01	.1222-01	.1222-01	.9000	.3557-03	.4288-03	.2711	2.331	536.7
646	24.036	.92500	472.00	.2686-01	.3241-01	.3241-01	.9000	.9426-03	.1137-02	.7157	5.920	539.3
646	24.036	.95000	277.00	.2304-01	.2779-01	.2779-01	.9000	.8084-03	.9749-03	.6148	5.495	538.2
646	24.036	.97500	473.00	.3099-01	.3739-01	.3739-01	.9000	.1087-02	.1312-02	.8238	9.191	540.9

DATE 23 FEB 80

OH84B MODEL 60-0 IN THE AEDC VKF HYPERSONIC TUNNEL

PAGE 1743

OH84B 60-0 UPPER RH WING

(R4U035)

UPPER RH WING

PARAMETRIC DATA

MACH = 8.000 ALPHA = 40.00 BETA = .0000 ELEVON = -5.000
 BDFLAP = -5.000 SPDBRK = .0000

TEST CONDITIONS

RUN NUMBER	RN/L /FT X10 6	MACH	ALPHA DEG.	BETA DEG.	PO PSIA	TO DEG. R	T DEG. R	P PSIA	Q PSI	V FT/SEC	RHO SLUGS /FT3	MU LB-SEC /FT2
656	3.001	7.990	40.02	.6961-02	672.3	1326.	96.29	.6943-01	3.103	3843.	.1946-02	.7748-07
RUN NUMBER	HREF BTU/ R FT2SEC	STN NO REF(R)										
656	.4358-01	.2340-01										

TEST DATA

RUN NUMBER	XO MS	2Y/BW	T/C NO	H/HREF R=1.0	H/HREF R=0.9	H/HREF R= TAW/TO	TAW/TO	H(TO) BTU/R FT2SEC	H(TAW) BTU/R FT2SEC	QDOT BTU/ FT2SEC	DTWDT DEG. R /SEC	TW DEG. R
656	24.036	.50000	460.00	.2692-02	.3236-02	.3236-02	.9000	.1173-03	.1410-03	.9238-01	.7372	538.1
656	24.036	.55000	461.00	.5566-02	.6698-02	.6698-02	.9000	.2426-03	.2919-03	.1903	1.392	541.1
656	24.036	.60000	462.00	.8200-02	.9853-02	.9853-02	.9000	.3574-03	.4294-03	.2823	2.178	535.6
656	24.036	.65000	463.00	.7598-02	.9130-02	.9130-02	.9000	.3311-03	.3979-03	.2616	2.018	535.7
656	24.036	.70000	464.00	.1153-01	.1385-01	.1385-01	.9000	.5024-03	.6036-03	.3975	2.967	534.5
656	24.036	.72500	465.00	.1452-01	.1743-01	.1743-01	.9000	.6327-03	.7598-03	.5015	3.874	533.1
656	24.036	.75000	466.00	.1607-01	.1931-01	.1931-01	.9000	.7004-03	.8414-03	.5541	4.594	534.5
656	24.036	.77500	467.00	.1694-01	.2033-01	.2033-01	.9000	.7381-03	.8862-03	.5854	5.466	532.5
656	24.036	.80000	468.00	.1643-01	.1973-01	.1973-01	.9000	.7161-03	.8597-03	.5685	5.310	531.8
656	24.036	.82500	469.00	.1870-01	.2245-01	.2245-01	.9000	.8149-03	.9786-03	.6457	6.027	533.2
656	24.036	.85000	470.00	.1504-01	.1806-01	.1806-01	.9000	.6556-03	.7870-03	.5203	4.665	532.1
656	24.036	.87500	471.00	.1895-01	.2276-01	.2276-01	.9000	.8259-03	.9917-03	.6551	5.647	532.5
656	24.036	.92500	472.00	.4170-01	.5014-01	.5014-01	.9000	.1817-02	.2185-02	1.431	11.84	538.3
656	24.036	.95000	277.00	.4019-01	.4835-01	.4835-01	.9000	.1752-02	.2107-02	1.377	12.30	539.6
656	24.036	.97500	473.00	.4802-01	.5777-01	.5777-01	.9000	.2093-02	.2518-02	1.642	18.32	540.9

DATE 23 FEB 80

OH84B MODEL 60-0 IN THE AEDC VKF HYPERSONIC TUNNEL

PAGE 1744

OH84B 60-0 UPPER RH WING

(R4U036)

UPPER RH WING

PARAMETRIC DATA

MACH = 8.000 ALPHA = 40.00 BETA = .0000 ELEVON = -5.000
 BDFLAP = .0000 SPDBRK = .0000

TEST CONDITIONS

RUN NUMBER	RN/L /FT X10 6	MACH	ALPHA DEG.	BETA DEG.	PO PSIA	TO DEG. R	T DEG. R	P PSIA	Q PSI	V FT/SEC	RHO SLUGS /FT3	MU LB-SEC /FT2
638	.5027	7.900	39.93	-.1035-01	99.87	1249.	92.62	.1110-01	.4849	3727.	.3235-03	.7453-07
RUN NUMBER	HREF BTU/ R FT2SEC	STN NO REF (R) = .0175										
638	.1705-01	.5705-01										

TEST DATA

RUN NUMBER	XO MS	2Y/BW	T/C NO	H/HREF R=1.0	H/HREF R=0.9	H/HREF R= TAW/TO	TAW/TO	H(TO) BTU/R FT2SEC	H(TAW) BTU/R FT2SEC	QDOT BTU/ FT2SEC	DTWDT DEG. R /SEC	TW DEG. R
638	24.036	.50000	460.00	.4932-03	.5968-03	.5968-03	.9000	.8410-05	.1018-04	.6053-02	.4853-01	528.9
638	24.036	.55000	461.00	.1085-02	.1314-02	.1314-02	.9000	.1850-04	.2240-04	.1326-01	.9749-01	531.6
638	24.036	.60000	462.00	.4508-03	.5448-03	.5448-03	.9000	.7686-05	.9289-05	.5560-02	.4312-01	525.3
638	24.036	.65000	463.00	.2979-03	.3601-03	.3601-03	.9000	.5079-05	.6139-05	.3672-02	.2848-01	525.6
638	24.036	.70000	464.00	.1459-02	.1764-02	.1764-02	.9000	.2488-04	.3008-04	.1799-01	.1348	525.8
638	24.036	.72500	465.00	.2653-02	.3207-02	.3207-02	.9000	.4524-04	.5467-04	.3272-01	.2538	525.3
638	24.036	.75000	466.00	.3685-02	.4456-02	.4456-02	.9000	.6284-04	.7598-04	.4535-01	.3775	526.9
638	24.036	.77500	467.00	.3117-02	.3767-02	.3767-02	.9000	.5315-04	.6423-04	.3847-01	.3606	524.9
638	24.036	.80000	468.00	.3108-02	.3756-02	.3756-02	.9000	.5300-04	.6404-04	.3836-01	.3596	524.8
638	24.036	.82500	469.00	.3888-02	.4700-02	.4700-02	.9000	.6630-04	.8014-04	.4793-01	.4491	525.7
638	24.036	.85000	470.00	.3046-02	.3682-02	.3682-02	.9000	.5194-04	.6278-04	.3756-01	.3379	525.6
638	24.036	.87500	471.00	.2191-02	.2648-02	.2648-02	.9000	.3736-04	.4515-04	.2704-01	.2340	524.9
638	24.036	.92500	472.00	.2507-02	.3028-02	.3028-02	.9000	.4274-04	.5164-04	.3098-01	.2582	523.9
638	24.036	.95000	277.00	.4807-02	.5807-02	.5807-02	.9000	.8196-04	.9901-04	.5942-01	.5350	523.6
638	24.036	.97500	473.00	.7752-02	.9366-02	.9366-02	.9000	.1322-03	.1597-03	.9579-01	1.078	524.0

OH84B 60-0 UPPER RH WING

(R4U036)

UPPER RH WING

PARAMETRIC DATA

MACH = 8.000 ALPHA = 40.00 BETA = .0000 ELEVON = -5.000
 BDFLAP = .0000 SPDBRK = .0000

TEST CONDITIONS

RUN NUMBER	RN/L /FT X10 6	MACH	ALPHA DEG.	BETA DEG.	PO PSIA	TO DEG. R	T DEG. R	P PSIA	Q PSI	V FT/SEC	RHO SLUGS /FT3	MU LB-SEC /FT2
664	1.016	7.940	39.97	-.4646-06	207.5	1261.	92.64	.2232-01	.9849	3746.	.6503-03	.7454-07
RUN NUMBER	HREF BTU/ R FT2SEC	STN NO REF (R)										
664	.2434-01	.4028-01	= .0175									

TEST DATA

RUN NUMBER	XO MS	2Y/BW	T/C NO	H/HREF R=1.0	H/HREF R=0.9	H/HREF R= TAW/TO	TAW/TO	H(TO) BTU/R FT2SEC	H(TAW) BTU/R FT2SEC	QDOT BTU/ FT2SEC	DTWDT DEG. R /SEC	TW DEG. R
664	24.036	.50000	460.00	.7181-03	.8677-03	.8677-03	.9000	.1748-04	.2112-04	.1278-01	.1025	529.4
664	24.036	.55000	461.00	.2058-02	.2489-02	.2489-02	.9000	.5009-04	.6058-04	.3647-01	.2680	532.6
664	24.036	.60000	462.00	.1728-02	.2086-02	.2086-02	.9000	.4205-04	.5077-04	.3087-01	.2393	526.5
664	24.036	.65000	463.00	.1464-02	.1768-02	.1768-02	.9000	.3564-04	.4303-04	.2616-01	.2027	526.7
664	24.036	.70000	464.00	.2990-02	.3609-02	.3609-02	.9000	.7277-04	.8786-04	.5343-01	.4003	526.4
664	24.036	.72500	465.00	.4132-02	.4987-02	.4987-02	.9000	.1006-03	.1214-03	.7394-01	.5734	525.5
664	24.036	.75000	466.00	.5387-02	.6505-02	.6505-02	.9000	.1311-03	.1583-03	.9611-01	.7996	527.7
664	24.036	.77500	467.00	.5328-02	.6431-02	.6431-02	.9000	.1297-03	.1565-03	.9535-01	.8934	525.5
664	24.036	.80000	468.00	.5602-02	.6762-02	.6762-02	.9000	.1364-03	.1646-03	.1002	.9393	525.5
664	24.036	.82500	469.00	.6295-02	.7600-02	.7600-02	.9000	.1532-03	.1850-03	.1125	1.054	526.4
664	24.036	.85000	470.00	.4222-02	.5096-02	.5096-02	.9000	.1028-03	.1240-03	.7549-01	.6789	526.1
664	24.036	.87500	471.00	.2737-02	.3303-02	.3303-02	.9000	.6663-04	.8041-04	.4903-01	.4242	524.9
664	24.036	.92500	472.00	.4110-02	.4959-02	.4959-02	.9000	.1000-03	.1207-03	.7371-01	.6144	523.9
664	24.036	.95000	277.00	.6790-02	.8192-02	.8192-02	.9000	.1653-03	.1994-03	.1218	1.096	523.9
664	24.036	.97500	473.00	.1305-01	.1575-01	.1575-01	.9000	.3177-03	.3834-03	.2339	2.631	524.6

DATE 23 FEB 80

OH84B MODEL 60-0 IN THE AEDC VKF HYPERSONIC TUNNEL

PAGE 1746

OH84B 60-0 UPPER RH WING

(R4U036)

UPPER RH WING

PARAMETRIC DATA

MACH = 8.000 ALPHA = 40.00 BETA = .0000 ELEVON = -5.000
 BDFLAP = .0000 SPOBRK = .0000

TEST CONDITIONS

RUN NUMBER	RN/L /FT X10 6	MACH	ALPHA DEG.	BETA DEG.	PO PSIA	TO DEG. R	T DEG. R	P PSIA	Q PSI	V FT/SEC	RHO SLUGS /FT3	MU LB-SEC /FT2
644	2.002	7.980	39.98	-.1040-01	434.5	1301.	94.69	.4523-01	2.016	3807.	.1289-02	.7620-07
RUN NUMBER	HREF BTU/ R FT2SEC	STN NO REF (R)										
644	.3502-01	.2870-01										

TEST DATA

RUN NUMBER	XO MS	2Y/BW	T/C NO	H/HREF R=1.0	H/HREF R=0.9	H/HREF R= TAW/TO	TAW/TO	H(TO) BTU/R FT2SEC	H(TAW) BTU/R FT2SEC	QDOT BTU/ FT2SEC	DTWOT DEG. R /SEC	TW DEG. R
644	24.036	.50000	460.00	.8927-03	.1075-02	.1075-02	.9000	.3126-04	.3763-04	.2401-01	.1921	532.6
644	24.036	.55000	461.00	.2525-02	.3043-02	.3043-02	.9000	.8842-04	.1066-03	.6758-01	.4955	536.4
644	24.036	.60000	462.00	.3400-02	.4090-02	.4090-02	.9000	.1190-03	.1432-03	.9169-01	.7093	530.4
644	24.036	.65000	463.00	.5166-02	.6218-02	.6218-02	.9000	.1809-03	.2177-03	.1391	1.076	531.5
644	24.036	.70000	464.00	.6055-02	.7287-02	.7287-02	.9000	.2120-03	.2551-03	.1631	1.219	531.4
644	24.036	.72500	465.00	.5755-02	.6924-02	.6924-02	.9000	.2015-03	.2425-03	.1552	1.201	530.5
644	24.036	.75000	466.00	.6906-02	.8313-02	.8313-02	.9000	.2418-03	.2911-03	.1858	1.542	532.4
644	24.036	.77500	467.00	.7474-02	.8992-02	.8992-02	.9000	.2617-03	.3148-03	.2016	1.885	530.2
644	24.036	.80000	468.00	.6780-02	.8157-02	.8157-02	.9000	.2374-03	.2856-03	.1829	1.710	530.2
644	24.036	.82500	469.00	.6477-02	.7793-02	.7793-02	.9000	.2268-03	.2729-03	.1746	1.631	530.9
644	24.036	.85000	470.00	.5873-02	.7065-02	.7065-02	.9000	.2056-03	.2474-03	.1585	1.422	530.1
644	24.036	.87500	471.00	.8382-02	.1008-01	.1008-01	.9000	.2935-03	.3530-03	.2263	1.953	529.7
644	24.036	.92500	472.00	.2668-01	.3214-01	.3214-01	.9000	.9342-03	.1125-02	.7154	5.930	534.9
644	24.036	.95000	277.00	.2491-01	.3000-01	.3000-01	.9000	.8721-03	.1051-02	.6678	5.978	535.0
644	24.036	.97500	473.00	.2973-01	.3581-01	.3581-01	.9000	.1041-02	.1254-02	.7971	8.920	534.9

DATE 23 FEB 80

OH84B MODEL 60-0 IN THE AEDC VKF HYPERSONIC TUNNEL

PAGE 1747

OH84B 60-0 UPPER RH WING

(R4U036)

UPPER RH WING

PARAMETRIC DATA

MACH = 8.000 ALPHA = 40.00 BETA = .0000 ELEVON = -5.000
 BDFLAP = .0000 SPDBRK = .0000

TEST CONDITIONS

RUN NUMBER	RN/L /FT X10 6	MACH	ALPHA DEG.	BETA DEG.	PO PSIA	TO DEG. R	T DEG. R	P PSIA	Q PSI	V FT/SEC	RHO SLUGS /FT3	MU LB-SEC /FT2
654	2.991	7.990	40.02	.6962-02	669.5	1325.	96.21	.6914-01	3.090	3842.	.1940-02	.7742-07
RUN NUMBER	HREF BTU/ R FT2SEC	STN NO REF (R) = .0175										
654	.4348-01	.2344-01										

TEST DATA

RUN NUMBER	XO MS	2Y/BW	T/C NO	H/HREF R=1.0	H/HREF R=0.9	H/HREF R= TAW/TO	TAW/TO	H(TO) BTU/R FT2SEC	H(TAW) BTU/R FT2SEC	QDOT BTU/ FT2SEC	DTWDT DEG. R /SEC	TW DEG. R
654	24.036	.50000	460.00	.2713-02	.3261-02	.3261-02	.9000	.1180-03	.1418-03	.9292-01	.7419	537.0
654	24.036	.55000	461.00	.5284-02	.6358-02	.6358-02	.9000	.2298-03	.2765-03	.1803	1.319	540.2
654	24.036	.60000	462.00	.8756-02	.1052-01	.1052-01	.9000	.3808-03	.4575-03	.3007	2.320	535.1
654	24.036	.65000	463.00	.7860-02	.9445-02	.9445-02	.9000	.3418-03	.4107-03	.2699	2.082	535.1
654	24.036	.70000	464.00	.1192-01	.1431-01	.1431-01	.9000	.5181-03	.6224-03	.4096	3.057	534.2
654	24.036	.72500	465.00	.1619-01	.1944-01	.1944-01	.9000	.7038-03	.8454-03	.5567	4.300	533.6
654	24.036	.75000	466.00	.1777-01	.2136-01	.2136-01	.9000	.7728-03	.9287-03	.6099	5.054	535.5
654	24.036	.77500	467.00	.1736-01	.2086-01	.2086-01	.9000	.7551-03	.9069-03	.5976	5.577	533.3
654	24.036	.80000	468.00	.1597-01	.1918-01	.1918-01	.9000	.6946-03	.8340-03	.5502	5.138	532.5
654	24.036	.82500	469.00	.1956-01	.2350-01	.2350-01	.9000	.8508-03	.1022-02	.6728	6.277	533.9
654	24.036	.85000	470.00	.1545-01	.1855-01	.1855-01	.9000	.6718-03	.8067-03	.5322	4.771	532.5
654	24.036	.87500	471.00	.1771-01	.2126-01	.2126-01	.9000	.7699-03	.9245-03	.6099	5.256	532.5
654	24.036	.92500	472.00	.5334-01	.6419-01	.6419-01	.9000	.2319-02	.2791-02	1.817	15.01	541.4
654	24.036	.95000	277.00	.7136-01	.8597-01	.8597-01	.9000	.3103-02	.3738-02	2.418	21.53	545.4
654	24.036	.97500	473.00	.1000	.1211	.1211	.9000	.4350-02	.5268-02	3.308	36.48	564.2

DATE 23 FEB 80

OH84B MODEL 60-0 IN THE AEDC VKF HYPERSONIC TUNNEL

PAGE 1748

OH84B 60-0 UPPER RH WING

(R4U037)

UPPER RH WING

PARAMETRIC DATA

MACH = 8.000 ALPHA = 40.00 BETA = .0000 ELEVON = -5.000
 BDFLAP = 5.000 SPDBRK = .0000

TEST CONDITIONS

RUN NUMBER	RN/L /FT X10 6	MACH	ALPHA DEG.	BETA DEG.	PO PSIA	TO DEG. R	T DEG. R	P PSIA	Q PSI	V FT/SEC	RHO SLUGS /FT3	MU LB-SEC /FT2
640	.5043	7.900	39.93	-.1035-01	99.93	1247.	92.47	.1111-01	.4852	3724.	.3242-03	.7441-07

RUN NUMBER	HREF BTU/ R FT2SEC	STN NO REF(R) = .0175
640	.1705-01	.5698-01

TEST DATA

RUN NUMBER	XO MS	2Y/BW	T/C NO	H/HREF R=1.0	H/HREF R=0.9	H/HREF R= TAW/TO	TAW/TO	H(TO) BTU/R FT2SEC	H(TAW) BTU/R FT2SEC	QDOT BTU/ FT2SEC	DTWOT DEG. R /SEC	TW DEG. R
640	24.036	.50000	460.00	.7416-03	.8964-03	.8964-03	.9000	.1264-04	.1528-04	.9127-02	.7333-01	524.9
640	24.036	.55000	461.00	.2170-02	.2625-02	.2625-02	.9000	.3700-04	.4476-04	.2661-01	.1960	527.5
640	24.036	.60000	462.00	.1105-02	.1334-02	.1334-02	.9000	.1884-04	.2274-04	.1367-01	.1063	520.8
640	24.036	.65000	463.00	.6230-03	.7522-03	.7522-03	.9000	.1062-04	.1283-04	.7712-02	.5996-01	520.7
640	24.036	.70000	464.00	.1460-02	.1763-02	.1763-02	.9000	.2490-04	.3007-04	.1808-01	.1359	520.7
640	24.036	.72500	465.00	.2687-02	.3243-02	.3243-02	.9000	.4581-04	.5530-04	.3329-01	.2588	520.1
640	24.036	.75000	466.00	.3559-02	.4298-02	.4298-02	.9000	.6068-04	.7328-04	.4400-01	.3673	521.5
640	24.036	.77500	467.00	.2770-02	.3344-02	.3344-02	.9000	.4724-04	.5701-04	.3435-01	.3229	519.5
640	24.036	.80000	468.00	.2554-02	.3083-02	.3083-02	.9000	.4355-04	.5256-04	.3168-01	.2979	519.2
640	24.036	.82500	469.00	.2967-02	.3581-02	.3581-02	.9000	.5058-04	.6106-04	.3676-01	.3454	520.0
640	24.036	.85000	470.00	.2447-02	.2954-02	.2954-02	.9000	.4172-04	.5036-04	.3033-01	.2736	519.8
640	24.036	.87500	471.00	.1640-02	.1979-02	.1979-02	.9000	.2797-04	.3375-04	.2034-01	.1765	519.4
640	24.036	.92500	472.00	.1444-02	.1742-02	.1742-02	.9000	.2462-04	.2970-04	.1793-01	.1499	518.4
640	24.036	.95000	277.00	.3302-02	.3983-02	.3983-02	.9000	.5630-04	.6792-04	.4103-01	.3705	518.0
640	24.036	.97500	473.00	.6454-02	.7785-02	.7785-02	.9000	.1100-03	.1327-03	.8025-01	.9062	517.4

DATE 23 FEB 80

OHB4B MODEL 60-0 IN THE AEDC VKF HYPERSONIC TUNNEL

PAGE 1749

OHB4B 60-0 UPPER RH WING

(R4U037)

UPPER RH WING

PARAMETRIC DATA

MACH = 8.000 ALPHA = 40.00 BETA = .0000 ELEVON = -5.000
 BDFLAP = 5.000 SPDBRK = .0000

TEST CONDITIONS

RUN NUMBER	RN/L /FT X10 6	MACH	ALPHA DEG.	BETA DEG.	PO PSIA	TO DEG. R	T DEG. R	P PSIA	Q PSI	V FT/SEC	RHO SLUGS /FT3	MU LB-SEC /FT2
662	1.024	7.940	39.97	-4645-06	207.3	1253.	92.05	.2230-01	.9840	3734.	.6538-03	.7407-07
RUN NUMBER	HREF BTU/ R FT2SEC	STN NO REF (R)										
662	.2430-01	.4014-01										

TEST DATA

RUN NUMBER	XO MS	2Y/BW	T/C NO	H/HREF R=1.0	H/HREF R=0.9	H/HREF R= TAW/TO	TAW/TO	H(TO) BTU/R FT2SEC	H(TAW) BTU/R FT2SEC	QDOT BTU/ FT2SEC	DTWDT DEG. R /SEC	TW DEG. R
662	24.036	.50000	460.00	.7389-03	.8938-03	.8938-03	.9000	.1796-04	.2172-04	.1298-01	.1040	530.0
662	24.036	.55000	461.00	.1312-02	.1588-02	.1588-02	.9000	.3188-04	.3860-04	.2294-01	.1685	533.1
662	24.036	.60000	462.00	.1682-02	.2034-02	.2034-02	.9000	.4089-04	.4942-04	.2965-01	.2297	527.4
662	24.036	.65000	463.00	.1409-02	.1703-02	.1703-02	.9000	.3425-04	.4140-04	.2483-01	.1923	527.6
662	24.036	.70000	464.00	.3167-02	.3829-02	.3829-02	.9000	.7697-04	.9305-04	.5582-01	.4180	527.5
662	24.036	.72500	465.00	.4105-02	.4961-02	.4961-02	.9000	.9977-04	.1206-03	.7243-01	.5613	526.7
662	24.036	.75000	466.00	.6092-02	.7366-02	.7366-02	.9000	.1480-03	.1790-03	.1072	.8914	528.6
662	24.036	.77500	467.00	.5253-02	.6348-02	.6348-02	.9000	.1276-03	.1543-03	.9265-01	.8675	526.9
662	24.036	.80000	468.00	.6025-02	.7282-02	.7282-02	.9000	.1464-03	.1770-03	.1063	.9953	526.8
662	24.036	.82500	469.00	.6974-02	.8431-02	.8431-02	.9000	.1695-03	.2049-03	.1229	1.150	527.8
662	24.036	.85000	470.00	.4537-02	.5483-02	.5483-02	.9000	.1103-03	.1333-03	.8001-01	.7191	527.0
662	24.036	.87500	471.00	.3033-02	.3665-02	.3665-02	.9000	.7371-04	.8906-04	.5357-01	.4633	525.9
662	24.036	.92500	472.00	.4844-02	.5851-02	.5851-02	.9000	.1177-03	.1422-03	.8564-01	.7135	525.1
662	24.036	.95000	277.00	.7271-02	.8784-02	.8784-02	.9000	.1767-03	.2135-03	.1286	1.157	525.1
662	24.036	.97500	473.00	.1061-01	.1282-01	.1282-01	.9000	.2579-03	.3116-03	.1876	2.110	525.4

OH84B 60-0 UPPER RH WING

(R4U037)

UPPER RH WING

PARAMETRIC DATA

MACH = 8.000 ALPHA = 40.00 BETA = .0000 ELEVON = -5.000
 BDFLAP = 5.000 SPDBRK = .0000

TEST CONDITIONS

RUN NUMBER	RN/L /FT X10 6	MACH	ALPHA DEG.	BETA DEG.	PO PSIA	TO DEG. R	T DEG. R	P PSIA	Q PSI	V FT/SEC	RHO SLUGS /FT3	MU LB-SEC /FT2
642	2.013	7.980	39.98	-.1040-01	434.8	1297.	94.40	.4526-01	2.018	3801.	.1294-02	.7596-07
RUN NUMBER	HREF BTU/ R FT2SEC	STN NO REF (R)										
642	.3501-01	.2863-01										

TEST DATA

RUN NUMBER	XO MS	2Y/BW	T/C NO	H/HREF R=1.0	H/HREF R=0.9	H/HREF R= TAW/TO	TAW/TO	H(TO) BTU/R FT2SEC	H(TAW) BTU/R FT2SEC	QDOT BTU/ FT2SEC	DTWDT DEG. R /SEC	TW DEG. R
642	24.036	.50000	460.00	.1049-02	.1262-02	.1262-02	.9000	.3672-04	.4417-04	.2822-01	.2263	528.1
642	24.036	.55000	461.00	.3159-02	.3804-02	.3804-02	.9000	.1106-03	.1332-03	.8458-01	.6216	531.8
642	24.036	.60000	462.00	.4904-02	.5896-02	.5896-02	.9000	.1717-03	.2064-03	.1323	1.025	526.3
642	24.036	.65000	463.00	.5548-02	.6672-02	.6672-02	.9000	.1942-03	.2336-03	.1495	1.158	527.2
642	24.036	.70000	464.00	.6035-02	.7258-02	.7258-02	.9000	.2113-03	.2541-03	.1626	1.218	527.1
642	24.036	.72500	465.00	.7255-02	.8724-02	.8724-02	.9000	.2540-03	.3054-03	.1956	1.516	526.7
642	24.036	.75000	466.00	.6678-02	.8035-02	.8035-02	.9000	.2338-03	.2813-03	.1796	1.493	528.6
642	24.036	.77500	467.00	.6365-02	.7653-02	.7653-02	.9000	.2228-03	.2679-03	.1717	1.608	526.3
642	24.036	.80000	468.00	.6949-02	.8355-02	.8355-02	.9000	.2433-03	.2925-03	.1874	1.755	526.3
642	24.036	.82500	469.00	.7468-02	.8982-02	.8982-02	.9000	.2614-03	.3145-03	.2011	1.882	527.5
642	24.036	.85000	470.00	.7506-02	.9027-02	.9027-02	.9000	.2628-03	.3160-03	.2021	1.817	527.4
642	24.036	.87500	471.00	.9763-02	.1174-01	.1174-01	.9000	.3418-03	.4110-03	.2631	2.274	526.9
642	24.036	.92500	472.00	.5164-01	.6229-01	.6229-01	.9000	.1808-02	.2181-02	1.371	11.35	538.1
642	24.036	.95000	477.00	.8202-01	.9913-01	.9913-01	.9000	.2871-02	.3470-02	2.157	19.21	545.4
642	24.036	.97500	473.00	.1016	.1231	.1231	.9000	.3557-02	.4309-02	2.644	29.31	553.5

DATE 23 FEB 80

OH84B MODEL 60-0 IN THE AEDC VKF HYPERSONIC TUNNEL

PAGE 1751

OH84B 60-0 UPPER RH WING

(R4U037)

UPPER RH WING

PARAMETRIC DATA

MACH = 8.000 ALPHA = 40.00 BETA = .0000 ELEVON = -5.000
 BOFLAP = 5.000 SPDBRK = .0000

TEST CONDITIONS

RUN NUMBER	RN/L /FT X10 6	MACH	ALPHA DEG.	BETA DEG.	PO PSIA	TO DEG. R	T DEG. R	P PSIA	Q PSI	V FT/SEC	RHO SLUGS /FT3	MU LB-SEC /FT2
652	2.983	7.990	40.04	.6976-02	671.4	1330.	96.58	.6934-01	3.098	3849.	.1938-02	.7772-07
RUN NUMBER	HREF BTU/ R FT2SEC	STN NO REF(R) = .0175										
652	.4357-01	.2346-01										

TEST DATA

RUN NUMBER	XO MS	2Y/BW	T/C NO	H/HREF R=1.0	H/HREF R=0.9	H/HREF R= TAW/TO	TAW/TO	H(TO) BTU/R FT2SEC	H(TAW) BTU/R FT2SEC	QDOT BTU/ FT2SEC	DTWDT DEG. R /SEC	TW DEG. R
652	24.036	.50000	460.00	.2509-02	.3016-02	.3016-02	.9000	.1093-03	.1314-03	.8646-01	.6897	538.9
652	24.036	.55000	461.00	.5262-02	.6331-02	.6331-02	.9000	.2293-03	.2759-03	.1806	1.321	542.0
652	24.036	.60000	462.00	.8401-02	.1009-01	.1009-01	.9000	.3661-03	.4399-03	.2902	2.238	536.9
652	24.036	.65000	463.00	.7992-02	.9604-02	.9604-02	.9000	.3483-03	.4185-03	.2759	2.127	537.4
652	24.036	.70000	464.00	.1258-01	.1511-01	.1511-01	.9000	.5481-03	.6584-03	.4349	3.242	536.2
652	24.036	.72500	465.00	.1499-01	.1800-01	.1800-01	.9000	.6531-03	.7843-03	.5191	4.007	534.8
652	24.036	.75000	466.00	.1652-01	.1985-01	.1985-01	.9000	.7198-03	.8648-03	.5710	4.729	536.4
652	24.036	.77500	467.00	.1659-01	.1992-01	.1992-01	.9000	.7228-03	.8679-03	.5749	5.363	534.2
652	24.036	.80000	468.00	.1607-01	.1929-01	.1929-01	.9000	.7001-03	.8405-03	.5574	5.202	533.5
652	24.036	.82500	469.00	.1901-01	.2283-01	.2283-01	.9000	.8285-03	.9950-03	.6581	6.136	535.3
652	24.036	.85000	470.00	.1414-01	.1697-01	.1697-01	.9000	.6160-03	.7396-03	.4903	4.392	533.8
652	24.036	.87500	471.00	.1577-01	.1893-01	.1893-01	.9000	.6871-03	.8247-03	.5472	4.714	533.2
652	24.036	.92500	472.00	.5353-01	.6447-01	.6447-01	.9000	.2333-02	.2809-02	1.828	15.07	545.9
652	24.036	.95000	277.00	.6254-01	.7533-01	.7533-01	.9000	.2725-02	.3283-02	2.134	18.99	546.7
652	24.036	.97500	473.00	.8145-01	.9848-01	.9848-01	.9000	.3549-02	.4291-02	2.730	30.15	560.6

DATE 23 FEB 80

OHB4B MODEL 60-0 IN THE AEDC VKF HYPERSONIC TUNNEL

PAGE 1752

OHB4B 60-0 UPPER RH WING

(R4U038)

UPPER RH WING

PARAMETRIC DATA

MACH = 8.000 ALPHA = 40.00 BETA = .0000 ELEVON = .0000
 BDFLAP = -12.50 SPOBRK = .0000

TEST CONDITIONS

RUN NUMBER	RN/L /FT	MACH	ALPHA DEG.	BETA DEG.	PO PSIA	TO DEG. R	T DEG. R	P PSIA	Q PSI	V FT/SEC	RHO SLUGS /FT3	MU LB-SEC /FT2
632	X10 6 .5132	7.900	39.95	.1729-01	101.7	1247.	92.47	.1130-01	.4938	3724.	.3299-03	.7441-07
RUN NUMBER	HREF BTU/ R FT2SEC	STN NO REF (R)										
632	.1720-01	.5648-01										

TEST DATA

RUN NUMBER	XO MS	2Y/BW	T/C NO	H/HREF R=1.0	H/HREF R=0.9	H/HREF R= TAW/TO	TAW/TO	H(TO) BTU/R FT2SEC	H(TAW) BTU/R FT2SEC	QDOT BTU/ FT2SEC	DTWOT DEG. R /SEC	TW DEG. R
632	24.036	.50000	460.00	.3517-03	.4255-03	.4255-03	.9000	.6051-05	.7320-05	.4351-02	.3491-01	527.5
632	24.036	.55000	461.00	.1190-02	.1440-02	.1440-02	.9000	.2047-04	.2478-04	.1466-01	.1079	530.3
632	24.036	.60000	462.00	.4485-03	.5420-03	.5420-03	.9000	.7716-05	.9324-05	.5576-02	.4328-01	524.0
632	24.036	.65000	463.00	.3706-03	.4479-03	.4479-03	.9000	.6376-05	.7706-05	.4606-02	.3574-01	524.2
632	24.036	.70000	464.00	.1151-02	.1392-02	.1392-02	.9000	.1981-04	.2394-04	.1430-01	.1073	524.5
632	24.036	.72500	465.00	.1995-02	.2411-02	.2411-02	.9000	.3432-04	.4148-04	.2480-01	.1925	524.0
632	24.036	.75000	466.00	.2452-02	.2964-02	.2964-02	.9000	.4218-04	.5099-04	.3042-01	.2534	525.5
632	24.036	.77500	467.00	.2405-02	.2906-02	.2906-02	.9000	.4138-04	.5000-04	.2992-01	.2806	523.6
632	24.036	.80000	468.00	.2562-02	.3096-02	.3096-02	.9000	.4408-04	.5326-04	.3188-01	.2991	523.3
632	24.036	.82500	469.00	.3089-02	.3734-02	.3734-02	.9000	.5315-04	.6423-04	.3840-01	.3600	524.2
632	24.036	.85000	470.00	.2393-02	.2892-02	.2892-02	.9000	.4116-04	.4974-04	.2974-01	.2677	524.2
632	24.036	.87500	471.00	.1445-02	.1746-02	.1746-02	.9000	.2485-04	.3003-04	.1797-01	.1555	523.7
632	24.036	.92500	472.00	.2765-02	.3341-02	.3341-02	.9000	.4756-04	.5747-04	.3439-01	.2867	523.7
632	24.036	.95000	277.00	.1147-01	.1386-01	.1386-01	.9000	.1974-03	.2385-03	.1427	1.285	523.7
632	24.036	.97500	473.00	.1149-01	.1389-01	.1389-01	.9000	.1977-03	.2389-03	.1427	1.606	524.7

DATE 23 FEB 60

OH84B MODEL 60-0 IN THE AEDC VKF HYPERSONIC TUNNEL

PAGE 1753

OH84B 60-0 UPPER RH WING

(R4U038)

UPPER PH WING

PARAMETRIC DATA

MACH = 8.000 ALPHA = 40.00 BETA = .0000 ELEVON = .0000
 BDFLAP = -12.50 SPDBRK = .0000

TEST CONDITIONS

RUN NUMBER	RN/L /FT X10 6	MACH	ALPHA DEG.	BETA DEG.	PO PSIA	TO DEG. R	T DEG. R	P PSIA	Q PSI	V FT/SEC	RHO SLUGS /FT3	MU LB-SEC /FT2
606	.9965	7.940	39.96	.1384-01	204.8	1266.	93.00	.2203-01	.9721	3754.	.6392-03	.7484-07

RUN NUMBER	HREF BTU/ R FT2SEC	STN NO REF (R) = .0175
606	.2420-01	.4064-01

TEST DATA

RUN NUMBER	XO MS	ZY/BW	T/C NO	H/HREF R=1.0	H/HREF R=0.9	H/HREF R= TAW/TO	TAW/TO	H(TO) BTU/R FT2SEC	H(TAW) BTU/R FT2SEC	QDOT BTU/ FT2SEC	DTWDT DEG. R /SEC	TW DEG. R
606	24.036	.50000	460.00	.1187-02	.1432-02	.1432-02	.9000	.2873-04	.3466-04	.2124-01	.1705	526.2
606	24.036	.60000	462.00	.3135-03	.3779-03	.3779-03	.9000	.7586-05	.9144-05	.5636-02	.4377-01	522.7
606	24.036	.65000	463.00	.3824-03	.4610-03	.4610-03	.9000	.9255-05	.1116-04	.6873-02	.5337-01	523.0
606	24.036	.70000	464.00	.1212-02	.1461-02	.1461-02	.9000	.2933-04	.3535-04	.2176-01	.1633	523.5
606	24.036	.72500	465.00	.1736-02	.2093-02	.2093-02	.9000	.4202-04	.5065-04	.3119-01	.2421	523.4
606	24.036	.75000	466.00	.2564-02	.3092-02	.3092-02	.9000	.6203-04	.7481-04	.4598-01	.3832	524.5
606	24.036	.77500	467.00	.2773-02	.3343-02	.3343-02	.9000	.6711-04	.8090-04	.4984-01	.4676	523.1
606	24.036	.80000	468.00	.3241-02	.3907-02	.3907-02	.9000	.7843-04	.9453-04	.5827-01	.5468	522.7
606	24.036	.82500	469.00	.3688-02	.4446-02	.4446-02	.9000	.8924-04	.1076-03	.6624-01	.6213	523.4
606	24.036	.85000	470.00	.1951-02	.2352-02	.2352-02	.9000	.4721-04	.5691-04	.3507-01	.3159	522.9
606	24.036	.87500	471.00	.2262-02	.2727-02	.2727-02	.9000	.5474-04	.6598-04	.4067-01	.3523	522.7
606	24.036	.92500	472.00	.1254-01	.1513-01	.1513-01	.9000	.3035-03	.3661-03	.2250	1.875	524.6
606	24.036	.95000	277.00	.3857-01	.4663-01	.4663-01	.9000	.9334-03	.1128-02	.6834	6.123	533.5
606	24.036	.97500	473.00	.2155-01	.2600-01	.2600-01	.9000	.5215-03	.6292-03	.3858	4.338	525.8

DATE 23 FEB 80

OH84B MODEL 60-O IN THE AEDC VKF HYPERSONIC TUNNEL

PAGE 1754

OH84B 60-O UPPER RH WING

(R4U038)

UPPER RH WING

PARAMETRIC DATA

MACH = 8.000 ALPHA = 40.00 BETA = .0000 ELEVON = .0000
 BDFLAP = -12.50 SPOBRK = .0000

TEST CONDITIONS

RUN NUMBER	RN/L /FT X10 6	MACH	ALPHA DEG.	BETA DEG.	PO PSIA	TO DEG. R	T DEG. R	P PSIA	Q PSI	V FT/SEC	RHO SLUGS /FT3	MU LB-SEC /FT2
604	2.022	7.980	40.00	.1389-01	434.9	1293.	94.11	.4527-01	2.018	3795.	.1298-02	.7573-07
RUN NUMBER	HREF BTU/ R FT2SEC	STN NO REF (R)										
604	.3499-01	.2858-01										

TEST DATA

RUN NUMBER	XO MS	2Y/BW	T/C NO	H/HREF R=1.0	H/HREF R=0.9	H/HREF R= TAW/TO	TAW/TO	H(TO) BTU/R FT2SEC	H(TAW) BTU/R FT2SEC	QDOT BTU/ FT2SEC	DTWDT DEG. R /SEC	TW DEG. R
604	24.036	.50000	460.00	.1064-02	.1282-02	.1282-02	.9000	.3723-04	.4486-04	.2830-01	.2265	532.4
604	24.036	.55000	461.00	.1670-02	.2014-02	.2014-02	.9000	.5845-04	.7047-04	.4432-01	.3253	534.4
604	24.036	.60000	462.00	.2311-02	.2782-02	.2782-02	.9000	.8087-04	.9735-04	.6178-01	.4783	528.8
604	24.036	.65000	463.00	.3877-02	.4668-02	.4668-02	.9000	.1357-03	.1634-03	.1035	.8012	529.6
604	24.036	.70000	464.00	.5559-02	.6692-02	.6692-02	.9000	.1945-03	.2342-03	.1484	1.110	529.6
604	24.036	.72500	465.00	.6549-02	.7883-02	.7883-02	.9000	.2292-03	.2759-03	.1751	1.356	528.7
604	24.036	.75000	466.00	.6455-02	.7769-02	.7769-02	.9000	.2259-03	.2719-03	.1726	1.435	528.7
604	24.036	.77500	467.00	.7021-02	.8449-02	.8449-02	.9000	.2457-03	.2957-03	.1879	1.750	528.0
604	24.036	.80000	468.00	.8187-02	.9851-02	.9851-02	.9000	.2865-03	.3447-03	.2191	2.051	527.8
604	24.036	.82500	469.00	.7619-02	.9171-02	.9171-02	.9000	.2666-03	.3209-03	.2036	1.905	528.8
604	24.036	.85000	470.00	.6077-02	.7313-02	.7313-02	.9000	.2127-03	.2559-03	.1627	1.462	527.7
604	24.036	.87500	471.00	.7180-02	.8640-02	.8640-02	.9000	.2512-03	.3024-03	.1921	1.660	528.0
604	24.036	.92500	472.00	.2524-01	.3041-01	.3041-01	.9000	.8834-03	.1064-02	.6719	5.577	532.1
604	24.036	.95000	277.00	.6058-01	.7331-01	.7331-01	.9000	.2120-02	.2565-02	1.578	14.03	548.4
604	24.036	.97500	473.00	.6087-01	.7350-01	.7350-01	.9000	.2130-02	.2572-02	1.603	17.88	540.4

DATE 23 FEB 80

OH84B MODEL 60-0 IN THE AEDC VKF HYPERSONIC TUNNEL

PAGE 1755

OH84B 60-0 UPPER RH WING

(R4U038)

UPPER RH WING

PARAMETRIC DATA

MACH = 8.000 ALPHA = 40.00 BETA = .0000 ELEVON = .0000
 BOFLAP = -12.50 SPDBRK = .0000

TEST CONDITIONS

RUN NUMBER	RN/L /FT X10 6	MACH	ALPHA DEG.	BETA DEG.	PO PSIA	TO DEG. R	T DEG. R	P PSIA	Q PSI	V FT/SEC	RHO SLUGS /FT3	MU LB-SEC /FT2
582	2.997	7.990	40.06	.1397-01	671.5	1326.	96.29	.6935-01	3.099	3843.	.1944-02	.7748-07
RUN NUMBER	HREF BTU/ R FT2SEC	STN NO REF (R)										
582	.4355-01	.2342-01										

TEST DATA

RUN NUMBER	XO MS	2Y/BW	T/C NO	H/HREF R=1.0	H/HREF R=0.9	H/HREF R= TAW/TO	TAW/TO	H(TO) BTU/R FT2SEC	H(TAW) BTU/R FT2SEC	QDOT BTU/ FT2SEC	DTWOT DEG. R /SEC	TW DEG. R
582	24.036	.50000	460.00	.5143-02	.6186-02	.6186-02	.9000	.2240-03	.2694-03	.1762	1.405	539.1
582	24.036	.55000	461.00	.8982-02	.1081-01	.1081-01	.9000	.3912-03	.4709-03	.3063	2.239	542.7
582	24.036	.60000	462.00	.1790-01	.2152-01	.2152-01	.9000	.7796-03	.9375-03	.6135	4.725	538.7
582	24.036	.65000	463.00	.1971-01	.2370-01	.2370-01	.9000	.8584-03	.1032-02	.6751	5.199	539.1
582	24.036	.70000	464.00	.2849-01	.3427-01	.3427-01	.9000	.1241-02	.1493-02	.9746	7.252	540.2
582	24.036	.72500	465.00	.3172-01	.3814-01	.3814-01	.9000	.1381-02	.1661-02	1.088	8.380	538.3
582	24.036	.75000	466.00	.3932-01	.4732-01	.4732-01	.9000	.1712-02	.2061-02	1.342	11.09	541.7
582	24.036	.77500	467.00	.3867-01	.4655-01	.4655-01	.9000	.1684-02	.2027-02	1.320	12.27	541.9
582	24.036	.80000	468.00	.4157-01	.5003-01	.5003-01	.9000	.1811-02	.2179-02	1.420	13.20	541.3
582	24.036	.82500	469.00	.4285-01	.5158-01	.5158-01	.9000	.1866-02	.2246-02	1.462	13.58	542.5
582	24.036	.85000	470.00	.2766-01	.3324-01	.3324-01	.9000	.1205-02	.1448-02	.9517	8.517	535.7
582	24.036	.87500	471.00	.2289-01	.2749-01	.2749-01	.9000	.9970-03	.1197-02	.7902	6.809	533.0
582	24.036	.92500	472.00	.7618-01	.9200-01	.9200-01	.9000	.3318-02	.4007-02	2.557	20.99	554.9
582	24.036	.95000	277.00	.8644-01	.1049	.1049	.9000	.3765-02	.4569-02	2.835	24.90	572.7
582	24.036	.97500	473.00	.1380	.1682	.1682	.9000	.6011-02	.7326-02	4.437	48.36	587.5

DATE 23 FEB 80

OH84B MODEL 60-0 IN THE AEDC VKF HYPERSONIC TUNNEL

PAGE 1756

OH84B 60-0 UPPER RH WING

(R4U039)

UPPER RH WING

PARAMETRIC DATA

MACH = 8.000 ALPHA = 40.00 BETA = .0000 ELEVON = .0000
 BDFLAP = -5.000 SPDBRK = .0000

TEST CONDITIONS

RUN NUMBER	RN/L /FT X10 6	MACH	ALPHA DEG.	BETA DEG.	PO PSIA	TO DEG. R	T DEG. R	P PSIA	Q PSI	V FT/SEC	RHO SLUGS /FT3	MU LB-SEC /FT2
622	.5001	7.900	39.93	.1380-01	99.35	1249.	92.62	.1104-01	.4824	3727.	.3218-03	.7453-07
RUN NUMBER	HREF BTU/ R FT2SEC	STN NO REF (R)										
622	.1701-01	.5720-01	=.0175									

TEST DATA

RUN NUMBER	XO MS	2Y/BW	T/C NO	H/HREF R=1.0	H/HREF R=0.9	H/HREF R= TAW/TO	TAW/TO	H(TO) BTU/R FT2SEC	H(TAW) BTU/R FT2SEC	QDOT BTU/ FT2SEC	DTWDT DEG. R /SEC	TW DEG. R
622	24.036	.50000	460.00	.7190-03	.8681-03	.8681-03	.9000	.1223-04	.1476-04	.8890-02	.7155-01	521.6
622	24.036	.60000	462.00	.2560-03	.3089-03	.3089-03	.9000	.4354-05	.5253-05	.3178-02	.2473-01	518.7
622	24.036	.65000	463.00	.1633-03	.1971-03	.1971-03	.9000	.2778-05	.3351-05	.2027-02	.1577-01	519.0
622	24.036	.70000	464.00	.7391-03	.8918-03	.8918-03	.9000	.1257-04	.1517-04	.9162-02	.6888-01	519.7
622	24.036	.72500	465.00	.1360-02	.1641-02	.1641-02	.9000	.2312-04	.2790-04	.1685-01	.1311	519.7
622	24.036	.75000	466.00	.1589-02	.1918-02	.1918-02	.9000	.2702-04	.3262-04	.1965-01	.1640	521.3
622	24.036	.77500	467.00	.1728-02	.2085-02	.2085-02	.9000	.2939-04	.3546-04	.2144-01	.2015	519.2
622	24.036	.80000	468.00	.2291-02	.2763-02	.2763-02	.9000	.3896-04	.4700-04	.2844-01	.2674	518.7
622	24.036	.82500	469.00	.2741-02	.3308-02	.3308-02	.9000	.4662-04	.5625-04	.3399-01	.3194	519.6
622	24.036	.85000	470.00	.1968-02	.2375-02	.2375-02	.9000	.3347-04	.4039-04	.2440-01	.2202	519.6
622	24.036	.87500	471.00	.1099-02	.1326-02	.1326-02	.9000	.1869-04	.2255-04	.1364-01	.1184	518.9
622	24.036	.87500	471.00	.1099-02	.1326-02	.1326-02	.9000	.1869-04	.2255-04	.1364-01	.1184	518.9
622	24.036	.92500	472.00	.1021-02	.1232-02	.1232-02	.9000	.1737-04	.2095-04	.1267-01	.1059	519.0
622	24.036	.95000	477.00	.2777-02	.3351-02	.3351-02	.9000	.4723-04	.5699-04	.3445-01	.3109	519.2
622	24.036	.97500	473.00	.5510-02	.6649-02	.6649-02	.9000	.9371-04	.1131-03	.6829-01	.7701	519.9

DATE 23 FEB 80

OH84B MODEL 60-0 IN THE AEDC VKF HYPERSONIC TUNNEL

PAGE 1757

OH84B 60-0 UPPER RH WING

(R4U030)

UPPER RH WING

PARAMETRIC DATA

MACH = 8.000 ALPHA = 40.00 BETA = .0000 ELEVON = .0000
 BDFLAP = -5.000 SPDBRK = .0000

TEST CONDITIONS

RUN NUMBER	RN/L /FT X10 6	MACH	ALPHA DEG.	BETA DEG.	PO PSIA	TO DEG. R	T DEG. R	P PSIA	Q PSI	V FT/SEC	RHO SLUGS /FT3	MU LB-SEC /FT2
616	.9964	7.940	39.97	.1731-01	204.3	1264.	92.86	.2197-01	.9697	3751.	.6387-03	.7472-07

RUN NUMBER	HREF BTU/ R FT2SEC	STN NO REF(R) *.0175
616	.2416-01	.4065-01

TEST DATA

RUN NUMBER	XO MS	ZY/BW	T/C NO	H/HREF R=1.0	H/HREF R=0.9	H/HREF R= TAW/TO	TAW/TO	H(TO) BTU/R FT2SEC	H(TAW) BTU/R FT2SEC	QDOT BTU/ FT2SEC	DTWDT DEG. R /SEC	TW DEG. R
616	24.036	.50000	460.00	.1194-02	.1441-02	.1441-02	.9000	.2884-04	.3481-04	.2126-01	.1706	526.7
616	24.036	.55000	461.00	.1259-02	.1520-02	.1520-02	.9000	.3041-04	.3674-04	.2233-01	.1643	529.5
616	24.036	.60000	462.00	.3310-03	.3991-03	.3991-03	.9000	.7998-05	.9643-05	.5924-02	.4600-01	523.0
616	24.036	.65000	463.00	.3065-03	.3696-03	.3696-03	.9000	.7406-05	.8930-05	.5485-02	.4259-01	523.1
616	24.036	.70000	464.00	.1192-02	.1437-02	.1437-02	.9000	.2880-04	.3473-04	.2132-01	.1600	523.5
616	24.036	.72500	465.00	.1946-02	.2346-02	.2346-02	.9000	.4701-04	.5668-04	.3480-01	.2702	523.3
616	24.036	.75000	466.00	.2907-02	.3507-02	.3507-02	.9000	.7023-04	.8473-04	.5188-01	.4322	525.0
616	24.036	.77500	467.00	.3252-02	.3921-02	.3921-02	.9000	.7858-04	.9474-04	.5820-01	.5460	523.0
616	24.036	.80000	468.00	.4242-02	.5114-02	.5114-02	.9000	.1025-03	.1236-03	.7594-01	.7126	522.7
616	24.036	.82500	469.00	.4470-02	.5390-02	.5390-02	.9000	.1080-03	.1302-03	.7994-01	.7499	523.4
616	24.036	.85000	470.00	.2260-02	.2725-02	.2725-02	.9000	.5461-04	.6585-04	.4046-01	.3645	522.8
616	24.036	.87500	471.00	.1777-02	.2142-02	.2142-02	.9000	.4293-04	.5175-04	.3183-01	.2758	522.2
616	24.036	.92500	472.00	.3144-02	.3790-02	.3790-02	.9000	.7597-04	.9158-04	.5633-01	.4700	522.2
616	24.036	.95000	277.00	.4817-02	.5808-02	.5808-02	.9000	.1164-03	.1403-03	.8624-01	.7768	522.8
616	24.036	.97500	473.00	.5747-02	.6929-02	.6929-02	.9000	.1389-03	.1674-03	.1029	1.159	522.6

DATE 23 FEB 80

OH84B MODEL 60-0 IN THE AEDC VKF HYPERSONIC TUNNEL

PAGE 1758

OH84B 60-0 UPPER RH WING

(R4U039)

UPPER RH WING

PARAMETRIC DATA

MACH = 8.000 ALPHA = 40.00 BETA = .0000 ELEVON = .0000
 BDFLAP = -5.000 SPDBRK = .0000

TEST CONDITIONS

RUN NUMBER	RN/L /FT X10 6	MACH	ALPHA DEG.	BETA DEG.	PO PSIA	TO DEG. R	T DEG. R	P PSIA	Q PSI	V FT/SEC	RHO SLUGS /FT3	MU LB-SEC /FT2
594	2.010	7.980	39.99	.1735-01	435.8	1300.	94.62	.4537-01	2.022	3805.	.1294-02	.7614-07

RUN NUMBER	HREF BTU/ R FT2SEC	STN NO REF (R) = .0175
594	.3506-01	.2864-01

TEST DATA

RUN NUMBER	XO MS	ZY/BW	T/C NO	H/HREF R=1.0	H/HREF R=0.9	H/HREF R= TAW/TO	TAW/TO	H(TO) BTU/R FT2SEC	H(TAW) BTU/R FT2SEC	QDOT BTU/ FT2SEC	DTWDT DEG. R /SEC	TW DEG. R
594	24.036	.50000	460.00	.2286-02	.2754-02	.2754-02	.9000	.8014-04	.9655-04	.6131-01	.4902	534.7
594	24.036	.55000	461.00	.5890-02	.7103-02	.7103-02	.9000	.2065-03	.2491-03	.1572	1.152	538.5
594	24.036	.60000	462.00	.7981-02	.9609-02	.9609-02	.9000	.2798-03	.3369-03	.2147	1.659	532.5
594	24.036	.65000	463.00	.1044-01	.1257-01	.1257-01	.9000	.3661-03	.4408-03	.2805	2.166	533.5
594	24.036	.70000	464.00	.1539-01	.1854-01	.1854-01	.9000	.5397-03	.6502-03	.4127	3.079	534.9
594	24.036	.72500	465.00	.1570-01	.1890-01	.1890-01	.9000	.5504-03	.6627-03	.4221	3.261	532.8
594	24.036	.75000	466.00	.1710-01	.2059-01	.2059-01	.9000	.5995-03	.7221-03	.4590	3.807	534.0
594	24.036	.77500	467.00	.1720-01	.2071-01	.2071-01	.9000	.6030-03	.7262-03	.4621	4.313	533.3
594	24.036	.80000	468.00	.1733-01	.2086-01	.2086-01	.9000	.6076-03	.7316-03	.4659	4.349	532.9
594	24.036	.82500	469.00	.1747-01	.2104-01	.2104-01	.9000	.6126-03	.7378-03	.4693	4.379	533.7
594	24.036	.85000	470.00	.1660-01	.1998-01	.1998-01	.9000	.5819-03	.7007-03	.4461	3.998	533.0
594	24.036	.87500	471.00	.1852-01	.2230-01	.2230-01	.9000	.6494-03	.7820-03	.4976	4.286	533.5
594	24.036	.92500	472.00	.5057-01	.6105-01	.6105-01	.9000	.1773-02	.2141-02	1.343	11.09	542.2
594	24.036	.95000	477.00	.6363-01	.7696-01	.7696-01	.9000	.2231-02	.2698-02	1.674	14.88	549.2
594	24.036	.97500	473.00	.1169	.1422	.1422	.9000	.4098-02	.4987-02	2.985	32.81	571.1

DATE 23 FEB 80

OH84B MODEL 60-0 IN THE AEDC VKF HYPERSONIC TUNNEL

PAGE 1759

OH84B 60-0 UPPER RH WING

(R4U039)

UPPER RH WING

PARAMETRIC DATA

MACH = 8.000 ALPHA = 40.00 BETA = .0000 ELEVON = .0000
 BDFLAP = -5.000 SPOBRK = .0000

TEST CONDITIONS

RUN NUMBER	RN/L /FT X10 6	MACH	ALPHA DEG.	BETA DEG.	PO PSIA	TO DEG. R	T DEG. R	P PSIA	Q PSI	V FT/SEC	RHO SLUGS /FT3	MU LB-SEC /FT2
580	2.988	7.990	39.99	.1041-01	669.5	1326.	96.29	.6914-01	3.090	3843.	.1938-02	.7748-07
RUN NUMBER	HREF BTU/ R FT2SEC	STN NO REF (R) = .0175										
580	.4349-01	.2345-01										

TEST DATA

RUN NUMBER	XO MS	2Y/BW	T/C NO	H/HREF R=1.0	H/HREF R=0.9	H/HREF R= TAW/TO	TAW/TO	H(TO) BTU/R FT2SEC	H(TAW) BTU/R FT2SEC	QDOT BTU/ FT2SEC	DTWDT DEG. R /SEC	TW DEG. R
580	24.036	.50000	460.00	.4374-02	.5269-02	.5269-02	.9000	.1902-03	.2291-03	.1485	1.181	545.2
580	24.036	.55000	461.00	.7021-02	.8464-02	.8464-02	.9000	.3053-03	.3681-03	.2374	1.730	548.2
580	24.036	.60000	462.00	.1274-01	.1534-01	.1534-01	.9000	.5540-03	.6671-03	.4335	3.332	543.2
580	24.036	.65000	463.00	.1488-01	.1791-01	.1791-01	.9000	.6469-03	.7788-03	.5064	3.892	542.9
580	24.036	.70000	464.00	.2200-01	.2650-01	.2650-01	.9000	.9567-03	.1152-02	.7468	5.543	545.1
580	24.036	.72500	465.00	.1890-01	.2274-01	.2274-01	.9000	.8219-03	.9891-03	.6444	4.957	541.6
580	24.036	.75000	466.00	.2004-01	.2413-01	.2413-01	.9000	.8715-03	.1049-02	.6822	5.632	542.9
580	24.036	.77500	467.00	.2217-01	.2669-01	.2669-01	.9000	.9642-03	.1161-02	.7548	7.011	542.8
580	24.036	.80000	468.00	.2165-01	.2605-01	.2605-01	.9000	.9415-03	.1133-02	.7391	6.873	540.6
580	24.036	.82500	469.00	.2130-01	.2564-01	.2564-01	.9000	.9264-03	.1115-02	.7263	6.750	541.6
580	24.036	.85000	470.00	.2063-01	.2482-01	.2482-01	.9000	.8971-03	.1079-02	.7043	6.287	540.6
580	24.036	.87500	471.00	.3360-01	.4047-01	.4047-01	.9000	.1461-02	.1760-02	1.142	9.787	544.1
580	24.036	.92500	472.00	.1002	.1214	.1214	.9000	.4357-02	.5281-02	3.301	26.91	568.2
580	24.036	.95000	277.00	.9034-01	.1095	.1095	.9000	.3929-02	.4763-02	2.975	26.19	568.4
580	24.036	.97500	473.00	.1277	.1558	.1558	.9000	.5552-02	.6775-02	4.075	44.32	591.7

DATE 23 FEB 80

OHB4B MODEL 60-0 IN THE AEDC VKF HYPERSONIC TUNNEL

PAGE 1760

OHB4B 60-0 UPPER RH WING

(R4U040)

UPPER RH WING

PARAMETRIC DATA

MACH = 8.000 ALPHA = 40.00 BETA = .0000 ELEVON = .0000
 BOFLAP = .0000 SPDBRK = .0000

TEST CONDITIONS

RUN NUMBER	RN/L /FT X10 6 5083	MACH	ALPHA DEG.	BETA DEG.	PO PSIA	TO DEG. R	T DEG. R	P PSIA	Q PSI	V FT/SEC	RHO SLUGS /FT3	MU LB-SEC /FT2
624		7.900	39.94	.1381-01	101.7	1255.	93.06	.1130-01	.4938	3736.	.3278-03	.7489-07
RUN NUMBER	HREF BTU/ R FT2SEC	STN NO REF (R) =.0175										
624	.1722-01	.5670-01										

TEST DATA

RUN NUMBER	XO MS	2Y/BW	T/C NO	H/HREF R=1.0	H/HREF R=0.9	H/HREF R= TAW/TO	TAW/TO	H(TO) BTU/R FT2SEC	H(TAW) BTU/R FT2SEC	QDOT BTU/ FT2SEC	DTWDT DEG. R /SEC	TW DEG. R
624	24.036	.50000	460.00	.5147-03	.6217-03	.6217-03	.9000	.8864-05	.1071-04	.6462-02	.5189-01	525.7
624	24.036	.55000	461.00	.1540-02	.1862-02	.1862-02	.9000	.2652-04	.3206-04	.1926-01	.1418	528.5
624	24.036	.60000	462.00	.4380-03	.5286-03	.5286-03	.9000	.7543-05	.9103-05	.5524-02	.4291-01	522.3
624	24.036	.65000	463.00	.2412-03	.2911-03	.2911-03	.9000	.4153-05	.5013-05	.3040-02	.2361-01	522.6
624	24.036	.70000	464.00	.1078-02	.1301-02	.1301-02	.9000	.1856-04	.2240-04	.1358-01	.1019	523.0
624	24.036	.72500	465.00	.1823-02	.2200-02	.2200-02	.9000	.3140-04	.3789-04	.2298-01	.1785	522.7
624	24.036	.75000	466.00	.2425-02	.2927-02	.2927-02	.9000	.4176-04	.5041-04	.3050-01	.2543	524.1
624	24.036	.77500	467.00	.2354-02	.2840-02	.2840-02	.9000	.4053-04	.4891-04	.2969-01	.2786	522.2
624	24.036	.80000	468.00	.2696-02	.3253-02	.3253-02	.9000	.4642-04	.5602-04	.3402-01	.3193	521.9
624	24.036	.82500	469.00	.3280-02	.3959-02	.3959-02	.9000	.5648-04	.6817-04	.4133-01	.3878	522.9
624	24.036	.85000	470.00	.2208-02	.2665-02	.2665-02	.9000	.3803-04	.4590-04	.2783-01	.2507	522.8
624	24.036	.87500	471.00	.1063-02	.1283-02	.1283-02	.9000	.1831-04	.2209-04	.1341-01	.1162	522.2
624	24.036	.92500	472.00	.2012-02	.2428-02	.2428-02	.9000	.3466-04	.4182-04	.2539-01	.2118	522.1
624	24.036	.95000	277.00	.5920-02	.7145-02	.7145-02	.9000	.1020-03	.1230-03	.7463-01	.6723	522.7
624	24.036	.97500	473.00	.7785-02	.9395-02	.9395-02	.9000	.1341-03	.1618-03	.9811-01	1.105	522.8

DATE 23 FEB 80

OH84B MODEL 60-0 IN THE AEDC VKF HYPERSONIC TUNNEL

PAGE 1761

OH84B 60-0 UPPER RH WING

(R4U040)

UPPER RH WING

PARAMETRIC DATA

MACH = 8.000 ALPHA = 40.00 BETA = .0000 ELEVON = .0000
 BDFLAP = .0000 SPOBRK = .0000

TEST CONDITIONS

RUN NUMBER	RN/L /FT X10 6	MACH	ALPHA DEG.	BETA DEG.	PO PSIA	TO DEG. R	T DEG. R	P PSIA	Q PSI	V FT/SEC	RHO SLUGS /FT3	MU LB-SEC /FT2
614	1.020	7.940	39.96	.1384-01	207.9	1259.	92.49	.2236-01	.9868	3743.	.6525-03	.7443-07
RUN NUMBER	HREF BTU/ R FT2SEC	STN NO REF (R)										
614	.2436-01	.4020-01										

TEST DATA

RUN NUMBER	XO MS	ZY/BW	T/C NO	H/HREF R=1.0	H/HREF R=0.9	H/HREF R= TAW/TO	TAW/TO	H(TO) BTU/R FT2SEC	H(TAW) BTU/R FT2SEC	QDOT BTU/ FT2SEC	DTWDT DEG. R /SEC	TW DEG. R
614	24.036	.50000	460.00	.1589-02	.1920-02	.1920-02	.9000	.3871-04	.4677-04	.2826-01	.2267	528.5
614	24.036	.55000	461.00	.1542-02	.1865-02	.1865-02	.9000	.3757-04	.4543-04	.2732-01	.2009	531.4
614	24.036	.60000	462.00	.5674-03	.6850-03	.6850-03	.9000	.1382-04	.1668-04	.1014-01	.7863-01	525.2
614	24.036	.65000	463.00	.4010-03	.4842-03	.4842-03	.9000	.9769-05	.1179-04	.7162-02	.5554-01	525.5
614	24.036	.70000	464.00	.1506-02	.1818-02	.1818-02	.9000	.3668-04	.4429-04	.2688-01	.2015	525.9
614	24.036	.72500	465.00	.2092-02	.2526-02	.2526-02	.9000	.5096-04	.6153-04	.3737-01	.2898	525.4
614	24.036	.75000	466.00	.3057-02	.3692-02	.3692-02	.9000	.7445-04	.8992-04	.5447-01	.4534	527.0
614	24.036	.77500	467.00	.3255-02	.3930-02	.3930-02	.9000	.7929-04	.9572-04	.5815-01	.5449	525.3
614	24.036	.80000	468.00	.3940-02	.4757-02	.4757-02	.9000	.9598-04	.1159-03	.7040-01	.6598	525.2
614	24.036	.82500	469.00	.5074-02	.6127-02	.6127-02	.9000	.1236-03	.1492-03	.9052-01	.8479	526.3
614	24.036	.85000	470.00	.2750-02	.3320-02	.3320-02	.9000	.6699-04	.8088-04	.4911-01	.4418	525.6
614	24.036	.87500	471.00	.2059-02	.2486-02	.2486-02	.9000	.5016-04	.6055-04	.3680-01	.3183	525.1
614	24.036	.92500	472.00	.3107-02	.3750-02	.3750-02	.9000	.7567-04	.9134-04	.5554-01	.4627	524.8
614	24.036	.95000	277.00	.5513-02	.6655-02	.6655-02	.9000	.1343-03	.1621-03	.9850-01	.8862	525.1
614	24.036	.97500	473.00	.6139-02	.7410-02	.7410-02	.9000	.1495-03	.1805-03	.1098	1.235	524.6

DATE 23 FEB 80

OH84B MODEL 60-0 IN THE AEDC VKF HYPERSONIC TUNNEL
OH84B 60-0 UPPER RH WING

PAGE 1762

(R4U040)

UPPER RH WING

PARAMETRIC DATA

MACH = 8.000 ALPHA = 40.00 BETA = .0000 ELEVON = .0000
BDFLAP = .0000 SPDBRK = .0000

TEST CONDITIONS

RUN NUMBER	RN/L /FT X10 6	MACH	ALPHA DEG.	BETA DEG.	PO PSIA	TO DEG. R	T DEG. R	P PSIA	Q PSI	V FT/SEC	RHO SLUGS /FT3	MU LB-SEC /FT2
596	2.000	7.980	40.02	.1392-01	434.7	1302.	94.76	.4525-01	2.017	3808.	.1289-02	.7626-07

RUN NUMBER	HREF BTU/ R FT2SEC	STN NO REF(R) = .0175
596	.3503-01	.2870-01

TEST DATA

RUN NUMBER	XO MS	2Y/BW	T/C NO	H/HREF R=1.0	H/HREF R=0.9	H/HREF R= TAW/TO	TAW/TO	H(TO) BTU/R FT2SEC	H(TAW) BTU/R FT2SEC	QDOT BTU/ FT2SEC	DTWOT DEG. R /SEC	TW DEG. R
596	24.036	.50000	460.00	.7324-03	.8823-03	.8823-03	.9000	.2565-04	.3090-04	.1966-01	.1571	535.4
596	24.036	.55000	461.00	.6339-03	.7641-03	.7641-03	.9000	.2220-04	.2677-04	.1696-01	.1243	537.9
596	24.036	.60000	462.00	.1563-02	.1880-02	.1880-02	.9000	.5473-04	.6586-04	.4219-01	.3262	530.9
596	24.036	.65000	463.00	.3207-02	.3860-02	.3860-02	.9000	.1123-03	.1352-03	.8646-01	.6683	532.0
596	24.036	.70000	464.00	.5228-02	.6293-02	.6293-02	.9000	.1831-03	.2204-03	.1408	1.052	532.5
596	24.036	.72500	465.00	.5180-02	.6233-02	.6233-02	.9000	.1815-03	.2183-03	.1398	1.081	531.1
596	24.036	.75000	466.00	.8162-02	.9826-02	.9826-02	.9000	.2859-03	.3442-03	.2198	1.824	532.8
596	24.036	.77500	467.00	.7708-02	.9274-02	.9274-02	.9000	.2700-03	.3248-03	.2082	1.946	530.6
596	24.036	.80000	468.00	.7769-02	.9347-02	.9347-02	.9000	.2721-03	.3274-03	.2098	1.960	530.9
596	24.036	.82500	469.00	.8433-02	.1015-01	.1015-01	.9000	.2954-03	.3554-03	.2275	2.126	531.4
596	24.036	.85000	470.00	.8067-02	.9708-02	.9708-02	.9000	.2826-03	.3400-03	.2177	1.952	531.3
596	24.036	.87500	471.00	.1030-01	.1239-01	.1239-01	.9000	.3608-03	.4341-03	.2780	2.398	531.2
596	24.036	.92500	472.00	.9361-02	.1126-01	.1126-01	.9000	.3279-03	.3944-03	.2530	2.102	530.1
596	24.036	.95000	477.00	.1295-01	.1558-01	.1558-01	.9000	.4536-03	.5458-03	.3496	3.137	530.9
596	24.036	.97500	473.00	.1514-01	.1822-01	.1822-01	.9000	.5303-03	.6381-03	.4025	4.580	531.3

DATE 23 FEB 80

OH84B MODEL 60-0 IN THE AEDC VKF HYPERSONIC TUNNEL

PAGE 1763

OH84B 60-0 UPPER RH WING

(R4U040)

UPPER RH WING

PARAMETRIC DATA

MACH = 8.000 ALPHA = 40.00 BETA = .0000 ELEVON = .0000
 BDFLAP = .0000 SPDBRK = .0000

TEST CONDITIONS

RUN NUMBER	RN/L /FT X10 6	MACH	ALPHA DEG.	BETA DEG.	PO PSIA	TO DEG. R	T DEG. R	P PSIA	Q PSI	V FT/SEC	RHO SLUGS /FT3	MU LB-SEC /FT2
578	3.027	7.990	40.06	.6985-02	669.7	1315.	95.49	.6916-01	3.091	3827.	.1955-02	.7684-07

RUN NUMBER	HREF BTU/ R FT2SEC	STN NO REF (R)
578	.4343-01	.2333-01

TEST DATA

RUN NUMBER	XO MS	2Y/BW	T/C NO	H/HREF R=1.0	H/HREF R=0.9	H/HREF R=TAW/TO	TAW/TO	H(TO) BTU/R FT2SEC	H(TAW) BTU/R FT2SEC	QDOT BTU/ FT2SEC	DTWOT DEG. R /SEC	TW DEG. R
578	24.036	.50000	460.00	.3315-02	.3999-02	.3999-02	.9000	.1440-03	.1737-03	.1106	.8785	546.7
578	24.036	.55000	461.00	.4739-02	.5721-02	.5721-02	.9000	.2059-03	.2485-03	.1577	1.149	548.6
578	24.036	.60000	462.00	.8812-02	.1063-01	.1063-01	.9000	.3828-03	.4615-03	.2949	2.266	544.1
578	24.036	.65000	463.00	.1302-01	.1571-01	.1571-01	.9000	.5656-03	.6822-03	.4350	3.339	545.6
578	24.036	.70000	464.00	.2038-01	.2459-01	.2459-01	.9000	.8852-03	.1068-02	.6800	5.044	546.5
578	24.036	.72500	465.00	.2194-01	.2647-01	.2647-01	.9000	.9529-03	.1150-02	.7326	5.623	545.9
578	24.036	.75000	466.00	.2488-01	.3002-01	.3002-01	.9000	.1081-02	.1304-02	.8292	6.831	547.3
578	24.036	.77500	467.00	.2467-01	.2976-01	.2976-01	.9000	.1071-02	.1292-02	.8239	7.641	545.7
578	24.036	.80000	468.00	.2289-01	.2759-01	.2759-01	.9000	.9940-03	.1198-02	.7662	7.113	543.9
578	24.036	.82500	469.00	.2326-01	.2805-01	.2805-01	.9000	.1010-02	.1218-02	.7785	7.226	544.2
578	24.036	.85000	470.00	.2067-01	.2491-01	.2491-01	.9000	.8976-03	.1082-02	.6923	6.171	543.4
578	24.036	.87500	471.00	.2275-01	.2742-01	.2742-01	.9000	.9880-03	.1191-02	.7627	6.539	542.7
578	24.036	.92500	472.00	.7949-01	.9634-01	.9634-01	.9000	.3452-02	.4184-02	2.595	21.21	562.9
578	24.036	.95000	277.00	.1001	.1219	.1219	.9000	.4350-02	.5294-02	3.204	28.07	578.0
578	24.036	.97500	473.00	.1328	.1620	.1620	.9000	.5770-02	.7038-02	4.209	45.93	585.2

DATE 23 FEB 80

OH84B MODEL 60-0 IN THE AEDC VKF HYPERSONIC TUNNEL

PAGE 1784

OH84B 60-0 UPPER RH WING

(R4U041)

UPPER RH WING

PARAMETRIC DATA

MACH = 8.000 ALPHA = 40.00 BETA = .0000 ELEVON = .0000
 BDFLAP = 5.000 SPDBRK = .0000

TEST CONDITIONS

RUN NUMBER	RN/L /FT	MACH	ALPHA DEG.	BETA DEG.	PO PSIA	TO DEG. R	T DEG. R	P PSIA	Q PSI	V FT/SEC	RHO SLUGS /FT3	MU LB-SEC /FT2
626	X10.6 .5125	7.900	39.93	.1380-01	101.2	1244.	92.25	.1125-01	.4913	3720.	.3290-03	.7423-07
RUN NUMBER	HREF BTU/ R FT2SEC	STN NO REF(R) = .0175										
626	.1715-01	.5654-01										

TEST DATA

RUN NUMBER	XO MS	ZY/BW	T/C NO	H/HREF R=1.0	H/HREF R=0.9	H/HREF R= TAW/TO	TAW/TO	H(TO) BTU/R FT2SEC	H(TAW) BTU/R FT2SEC	QDOT BTU/ FT2SEC	DTWDT DEG. R /SEC	TW DEG. R
626	24.036	.50000	460.00	.8813-03	.1066-02	.1066-02	.9000	.1512-04	.1829-04	.1083-01	.8695-01	526.9
626	24.036	.55000	461.00	.2397-02	.2902-02	.2902-02	.9000	.4110-04	.4977-04	.2935-01	.2160	529.6
626	24.036	.60000	462.00	.7254-03	.8769-03	.8769-03	.9000	.1244-04	.1504-04	.8959-02	.6954-01	523.7
626	24.036	.65000	463.00	.3102-03	.3751-03	.3751-03	.9000	.5321-05	.6433-05	.3829-02	.2971-01	524.2
626	24.036	.70000	464.00	.1355-02	.1638-02	.1638-02	.9000	.2324-04	.2810-04	.1672-01	.1254	524.4
626	24.036	.72500	465.00	.2322-02	.2807-02	.2807-02	.9000	.3982-04	.4814-04	.2867-01	.2225	523.8
626	24.036	.75000	466.00	.2605-02	.3150-02	.3150-02	.9000	.4468-04	.5403-04	.3211-01	.2675	525.0
626	24.036	.77500	467.00	.2645-02	.3198-02	.3198-02	.9000	.4537-04	.5485-04	.3267-01	.3064	523.6
626	24.036	.80000	468.00	.3000-02	.3626-02	.3626-02	.9000	.5145-04	.6219-04	.3705-01	.3475	523.5
626	24.036	.82500	469.00	.3050-02	.3688-02	.3688-02	.9000	.5232-04	.6326-04	.3762-01	.3527	524.6
626	24.036	.85000	470.00	.2342-02	.2831-02	.2831-02	.9000	.4016-04	.4856-04	.2888-01	.2599	524.7
626	24.036	.87500	471.00	.1346-02	.1627-02	.1627-02	.9000	.2308-04	.2790-04	.1660-01	.1437	524.3
626	24.036	.92500	472.00	.2147-02	.2596-02	.2596-02	.9000	.3682-04	.4452-04	.2650-01	.2209	524.0
626	24.036	.95000	277.00	.7646-02	.9245-02	.9245-02	.9000	.1311-03	.1586-03	.9429-01	.8485	524.7
626	24.036	.97500	473.00	.9463-02	.1144-01	.1144-01	.9000	.1623-03	.1963-03	.1167	1.313	524.6

DATE 23 FEB 80

OH84B MODEL 60-0 IN THE AEDC VKF HYPERSONIC TUNNEL

PAGE 1765

OH84B 60-0 UPPER RH WING

(R4U041)

UPPER RH WING

PARAMETRIC DATA

MACH = 8.000 ALPHA = 40.00 BETA = .0000 ELEVON = .0000
 BDFLAP = 5.000 SPOBRK = .0000

TEST CONDITIONS

RUN NUMBER	RN/L /FT X10 6	MACH	ALPHA DEG.	BETA DEG.	PO PSIA	TO DEG. R	T DEG. R	P PSIA	Q PSI	V FT/SEC	RHO SLUGS /FT3	MU LB-SEC /FT2
612	1.002	7.940	39.96	.1384-01	206.0	1266.	93.00	.2216-01	.9778	3754.	.6430-03	.7484+07
RUN NUMBER	HREF BTU/ R FT2SEC	STN NO REF (R)										
612	.2427-01	.4052-01										

TEST DATA

RUN NUMBER	XO MS	2Y/BW	T/C NO	H/HREF R=1.0	H/HREF R=0.9	H/HREF R=TAW/TO	TAW/TO	H(TO) BTU/R FT2SEC	H(TAW) BTU/R FT2SEC	QDOT BTU/ FT2SEC	DTWDT DEG. R /SEC	TW DEG. R
612	24.036	.50000	460.00	.1386-02	.1672-02	.1672-02	.9000	.3363-04	.4058-04	.2485-01	.1995	526.7
612	24.036	.55000	461.00	.1535-02	.1854-02	.1854-02	.9000	.3726-04	.4499-04	.2744-01	.2019	529.2
612	24.036	.60000	462.00	.6405-03	.7720-03	.7720-03	.9000	.1554-04	.1873-04	.1155-01	.8968-01	522.7
612	24.036	.65000	463.00	.2822-03	.3402-03	.3402-03	.9000	.6849-05	.8255-05	.5087-02	.3950-01	522.9
612	24.036	.70000	464.00	.1488-02	.1794-02	.1794-02	.9000	.3611-04	.4353-04	.2681-01	.2013	523.1
612	24.036	.72500	465.00	.2180-02	.2628-02	.2628-02	.9000	.5292-04	.6378-04	.3932-01	.3054	522.6
612	24.036	.75000	466.00	.3543-02	.4272-02	.4272-02	.9000	.8599-04	.1037-03	.6377-01	.5315	524.1
612	24.036	.77500	467.00	.3923-02	.4728-02	.4728-02	.9000	.9520-04	.1147-03	.7075-01	.6639	522.5
612	24.036	.80000	468.00	.4801-02	.5786-02	.5786-02	.9000	.1165-03	.1404-03	.8658-01	.8125	522.6
612	24.036	.82500	469.00	.5293-02	.6381-02	.6381-02	.9000	.1285-03	.1549-03	.9533-01	.8942	523.5
612	24.036	.85000	470.00	.2845-02	.3429-02	.3429-02	.9000	.6904-04	.8322-04	.5130-01	.4621	522.7
612	24.036	.87500	471.00	.2214-02	.2669-02	.2669-02	.9000	.5374-04	.6476-04	.3995-01	.3461	522.2
612	24.036	.92500	472.00	.2897-02	.3491-02	.3491-02	.9000	.7030-04	.8472-04	.5228-01	.4362	522.0
612	24.036	.95000	277.00	.5340-02	.6435-02	.6435-02	.9000	.1296-03	.1562-03	.9633-01	.8679	522.3
612	24.036	.97500	473.00	.8099-02	.9762-02	.9762-02	.9000	.1966-03	.2369-03	.1460	1.644	522.8

DATE 23 FEB 80

OH84B MODEL 60-0 IN THE AEDC VKF HYPERSONIC TUNNEL

PAGE 1766

OH84B 60-0 UPPER RH WING

(R4U041)

UPPER RH WING

PARAMETRIC DATA

MACH = 8.000 ALPHA = 40.00 BETA = .0000 ELEVON = .0000
 BDFLAP = 5.000 SPDBRK = .0000

TEST CONDITIONS

RUN NUMBER	RN/L /FT X10 6	MACH	ALPHA DEG.	BETA DEG.	PO PSIA	TO DEG. R	T DEG. R	P PSIA	Q PSI	V FT/SEC	RHO SLUGS /FT3	MU LB-SEC /FT2
598	2.004	7.980	40.02	.1392-01	434.4	1300.	94.62	.4522-01	2.016	3805.	.1290-02	.7614-07
RUN NUMBER	HREF BTU/ R FT2SEC	STN NO REF (R) = .0175										
598	.3501-01	.2869-01										

TEST DATA

RUN NUMBER	XO MS	2Y/BW	T/C NO	H/HREF R=1.0	H/HREF R=0.9	H/HREF R= TAW/TO	TAW/TO	H(TO) BTU/R FT2SEC	H(TAW) BTU/R FT2SEC	ODOT BTU/ FT2SEC	DTWDT DEG. R /SEC	TW DEG. R
598	24.036	.50000	460.00	.8485-03	.1022-02	.1022-02	.9000	.2970-04	.3576-04	.2278-01	.1823	532.7
598	24.036	.55000	461.00	.2148-02	.2588-02	.2588-02	.9000	.7519-04	.9060-04	.5746-01	.4215	535.5
598	24.036	.60000	462.00	.1655-02	.1991-02	.1991-02	.9000	.5794-04	.6968-04	.4467-01	.3459	528.6
598	24.036	.65000	463.00	.2920-02	.3513-02	.3513-02	.9000	.1022-03	.1230-03	.7870-01	.6090	529.7
598	24.036	.70000	464.00	.5514-02	.6635-02	.6635-02	.9000	.1930-03	.2323-03	.1485	1.110	530.4
598	24.036	.72500	465.00	.5919-02	.7119-02	.7119-02	.9000	.2072-03	.2492-03	.1597	1.236	529.0
598	24.036	.75000	466.00	.6055-02	.7285-02	.7285-02	.9000	.2120-03	.2550-03	.1632	1.356	529.8
598	24.036	.77500	467.00	.6081-02	.7313-02	.7313-02	.9000	.2129-03	.2560-03	.1642	1.537	528.1
598	24.036	.80000	468.00	.6384-02	.7678-02	.7678-02	.9000	.2235-03	.2688-03	.1725	1.614	528.0
598	24.036	.82500	469.00	.6460-02	.7770-02	.7770-02	.9000	.2261-03	.2720-03	.1743	1.630	529.1
598	24.036	.85000	470.00	.5671-02	.6821-02	.6821-02	.9000	.1985-03	.2388-03	.1531	1.375	528.5
598	24.036	.87500	471.00	.6773-02	.8146-02	.8146-02	.9000	.2371-03	.2852-03	.1827	1.578	528.9
598	24.036	.92500	472.00	.4802-02	.5774-02	.5774-02	.9000	.1681-03	.2021-03	.1299	1.081	527.2
598	24.036	.95000	277.00	.8592-02	.1033-01	.1033-01	.9000	.3008-03	.3617-03	.2320	2.085	528.2
598	24.036	.97500	473.00	.1007-01	.1210-01	.1210-01	.9000	.3524-03	.4237-03	.2720	3.054	527.9

DATE 23 FEB 80

OH84B MODEL 60-0 IN THE AEDC VKF HYPERSONIC TUNNEL

PAGE 1767

OH84B 60-0 UPPER RH WING

(R4U041)

UPPER RH WING

PARAMETRIC DATA

MACH = 8.000 ALPHA = 40.00 BETA = .0000 ELEVON = .0000
 BDFLAP = 5.000 SPDBRK = .0000

TEST CONDITIONS

RUN NUMBER	RN/L /FT X10 6	MACH	ALPHA DEG.	BETA DEG.	PO PSIA	TO DEG. R	T DEG. R	P PSIA	Q PSI	V FT/SEC	RHO SLUGS /FT3	MU LB-SEC /FT2
584	2.991	7.990	40.06	.1397-01	669.5	1325.	96.21	.6914-01	3.090	3842.	.1940-02	.7742-07
RUN NUMBER	HREF BTU/ R FT2SEC	STN NO REF (R)										
584	.4348-01	.2344-01										

TEST DATA

RUN NUMBER	XO MS	ZY/BW	T/C NO	H/HREF R=1.0	H/HREF R=0.9	H/HREF R=TAW/TO	TAW/TO	H(TO) BTU/R FT2SEC	H(TAW) BTU/R FT2SEC	QDOT BTU/ FT2SEC	DTWDT DEG. R /SEC	TW DEG. R
584	24.036	.50000	460.00	.4787-02	.5758-02	.5758-02	.9000	.2081-03	.2504-03	.1634	1.303	539.5
584	24.036	.55000	461.00	.8818-02	.1062-01	.1062-01	.9000	.3835-03	.4617-03	.2998	2.191	542.8
584	24.036	.60000	462.00	.1564-01	.1881-01	.1881-01	.9000	.6801-03	.8179-03	.5348	4.121	538.3
584	24.036	.65000	463.00	.1800-01	.2165-01	.2165-01	.9000	.7826-03	.9412-03	.6151	4.738	538.7
584	24.036	.70000	464.00	.2730-01	.3285-01	.3285-01	.9000	.1187-02	.1429-02	.9299	6.915	541.3
584	24.036	.72500	465.00	.2478-01	.2980-01	.2980-01	.9000	.2477-02	.1296-02	.8467	6.522	538.8
584	24.036	.75000	466.00	.2559-01	.3079-01	.3079-01	.9000	.1113-02	.1339-02	.8738	7.227	539.5
584	24.036	.77500	467.00	.2571-01	.3092-01	.3092-01	.9000	.1118-02	.1344-02	.8788	8.180	538.5
584	24.036	.80000	468.00	.2626-01	.3157-01	.3157-01	.9000	.1142-02	.1373-02	.8990	8.374	537.4
584	24.036	.82500	469.00	.2727-01	.3280-01	.3280-01	.9000	.1186-02	.1426-02	.9323	8.679	538.5
584	24.036	.85000	470.00	.2579-01	.3101-01	.3101-01	.9000	.1122-02	.1348-02	.8838	7.905	536.7
584	24.036	.87500	471.00	.4401-01	.5299-01	.5299-01	.9000	.1914-02	.2304-02	1.495	12.82	543.2
584	24.036	.92500	472.00	.9084-01	.1099	.1099	.9000	.3950-02	.4778-02	3.020	24.72	560.1
584	24.036	.95000	277.00	.9576-01	.1161	.1161	.9000	.4164-02	.5051-02	3.143	27.65	569.9
584	24.036	.97500	473.00	.1203	.1461	.1461	.9000	.5231-02	.6352-02	3.927	43.09	574.1

DATE 23 FEB 80

OH84B MODEL 60-0 IN THE AEDC VKF HYPERSONIC TUNNEL

PAGE 1768

OH84B 60-0 UPPER RH WING

(R4U042)

UPPER RH WING

PARAMETRIC DATA

MACH = 8.000 ALPHA = 40.00 BETA = .0000 ELEVON = .0000
 BDFLAP = 8.000 SPDBRK = .0000

TEST CONDITIONS

RUN NUMBER	RN/L /FT X10 6	MACH	ALPHA DEG.	BETA DEG.	PO PSIA	TO DEG. R	T DEG. R	P PSIA	Q PSI	V FT/SEC	RHO SLUGS /FT3	MU LB-SEC /FT2
620	.5135	7.900	39.96	.1383-01	100.1	1233.	91.43	.1112-01	.4858	3703.	.3282-03	.7357-07
RUN NUMBER	HREF BTU/ R FT2SEC	STN NO REF (R)										
620	.1703-01	.5656-01	= .0175									

TEST DATA

RUN NUMBER	XO MS	2Y/BW	T/C NO	H/HREF R=1.0	H/HREF R=0.9	H/HREF R= TAW/TO	TAW/TO	H(TO) BTU/R FT2SEC	H(TAW) BTU/R FT2SEC	QDOT BTU/ FT2SEC	DTWDT DEG. R /SEC	TW DEG. R
620	24.036	.50000	460.00	.4362-03	.5286-03	.5286-03	.9000	.7428-05	.9002-05	.5236-02	.4201-01	527.7
620	24.036	.55000	461.00	.1006-02	.1220-02	.1220-02	.9000	.1713-04	.2077-04	.1205-01	.8866-01	529.4
620	24.036	.60000	462.00	.4051-03	.4903-03	.4903-03	.9000	.6897-05	.8348-05	.4892-02	.3798-01	523.4
620	24.036	.70000	464.00	.1118-02	.1354-02	.1354-02	.9000	.1905-04	.2305-04	.1350-01	.1013	523.8
620	24.036	.72500	465.00	.2015-02	.2439-02	.2439-02	.9000	.3431-04	.4153-04	.2434-01	.1890	523.3
620	24.036	.75000	466.00	.2528-02	.3061-02	.3061-02	.9000	.4305-04	.5212-04	.3051-01	.2543	524.1
620	24.036	.77500	467.00	.2426-02	.2936-02	.2936-02	.9000	.4131-04	.4999-04	.2932-01	.2751	522.8
620	24.036	.80000	468.00	.2610-02	.3158-02	.3158-02	.9000	.4445-04	.5378-04	.3156-01	.2961	522.6
620	24.036	.82500	469.00	.2716-02	.3287-02	.3287-02	.9000	.4624-04	.5597-04	.3279-01	.3076	523.6
620	24.036	.85000	470.00	.1950-02	.2360-02	.2360-02	.9000	.3321-04	.4019-04	.2355-01	.2121	523.5
620	24.036	.87500	471.00	.1470-02	.1779-02	.1779-02	.9000	.2504-04	.3030-04	.1776-01	.1538	523.1
620	24.036	.92500	472.00	.2342-02	.2834-02	.2834-02	.9000	.3988-04	.4826-04	.2830-01	.2360	523.0
620	24.036	.95000	277.00	.8636-02	.1045-01	.1045-01	.9000	.1471-03	.1780-03	.1042	.9385	523.8
620	24.036	.97500	473.00	.1016-01	.1230-01	.1230-01	.9000	.1730-03	.2095-03	.1226	1.380	524.0

DATE 23 FEB 80

OH84B MODEL 60-0 IN THE AEDC VKF HYPERSONIC TUNNEL

PAGE 1769

OH84B 60-0 UPPER RH WING

(R4U042)

UPPER RH WING

PARAMETRIC DATA

MACH = 8.000 ALPHA = 40.00 BETA = .0000 ELEVON = .0000
 BOFLAP = 8.000 SPDBRK = .0000

TEST CONDITIONS

RUN NUMBER	RN/L /FT X10 6	MACH	ALPHA DEG.	BETA DEG.	PO PSIA	TO DEG. R	T DEG. R	P PSIA	Q PSI	V FT/SEC	RHO SLUGS /FT3	MU LB-SEC /FT2
618	.9977	7.940	39.97	.1384-01	204.8	1265.	92.93	.2203-01	.9721	3752.	.6397-03	.7478-07
RUN NUMBER	HREF BTU/ R FT2SEC	STN NO REF (R)										
618	.2419-01	.4062-01										

TEST DATA

RUN NUMBER	XO MS	ZY/BW	T/C NO	H/HREF R=1.0	H/HREF R=0.9	H/HREF R=TAW/TO	TAW/TO	H(TO) BTU/R FT2SEC	H(TAW) BTU/R FT2SEC	QDOT BTU/ FT2SEC	DTWDT DEG. R /SEC	TW DEG. R
618	24.036	.50000	460.00	.1348-02	.1628-02	.1628-02	.9000	.3262-04	.3940-04	.2399-01	.1923	529.3
618	24.036	.55000	461.00	.1884-02	.2277-02	.2277-02	.9000	.4559-04	.5509-04	.3344-01	.2458	531.3
618	24.036	.60000	462.00	.6579-03	.7935-03	.7935-03	.9000	.1592-04	.1920-04	.1178-01	.9135-01	524.8
618	24.036	.65000	463.00	.7843-03	.9461-03	.9461-03	.9000	.1898-04	.2289-04	.1403-01	.1089	525.1
618	24.036	.70000	464.00	.1702-02	.2053-02	.2053-02	.9000	.4117-04	.4966-04	.3044-01	.2283	525.2
618	24.036	.72500	465.00	.2241-02	.2703-02	.2703-02	.9000	.5422-04	.6539-04	.4012-01	.3113	524.7
618	24.036	.75000	466.00	.3087-02	.3724-02	.3724-02	.9000	.7468-04	.9010-04	.5517-01	.4594	525.9
618	24.036	.77500	467.00	.2980-02	.3594-02	.3594-02	.9000	.7210-04	.8695-04	.5338-01	.5005	524.3
618	24.036	.80000	468.00	.3651-02	.4403-02	.4403-02	.9000	.8834-04	.1065-03	.6540-01	.6132	524.3
618	24.036	.82500	469.00	.4058-02	.4896-02	.4896-02	.9000	.9819-04	.1184-03	.7260-01	.6804	525.3
618	24.036	.85000	470.00	.2521-02	.3041-02	.3041-02	.9000	.6099-04	.7357-04	.4512-01	.4060	524.9
618	24.036	.87500	471.00	.1887-02	.2275-02	.2275-02	.9000	.4565-04	.5505-04	.3379-01	.2924	524.4
618	24.036	.92500	472.00	.2535-02	.3056-02	.3056-02	.9000	.6132-04	.7395-04	.4543-01	.3787	523.9
618	24.036	.95000	277.00	.4998-02	.6027-02	.6027-02	.9000	.1209-03	.1458-03	.8956-01	.8062	524.1
618	24.036	.97500	473.00	.8257-02	.9959-02	.9959-02	.9000	.1998-03	.2410-03	.1479	1.664	524.5

OH84B 60-0 UPPER RH WING

(R4U042)

UPPER RH WING

PARAMETRIC DATA

MACH = 8.000 ALPHA = 40.00 BETA = .0000 ELEVON = .0000
 BDFLAP = 8.000 SPDBRK = .0000

TEST CONDITIONS

RUN NUMBER	RN/L /FT X10 6	MACH	ALPHA DEG.	BETA DEG.	PO PSIA	TO DEG. R	T DEG. R	P PSIA	Q PSI	V FT/SEC	RHO SLUGS /FT3	MU LB-SEC /FT2
592	2.010	7.980	40.00	.1736-01	434.8	1298.	94.47	.4526-01	2.018	3802.	.1293-02	.7602-07
RUN NUMBER	HREF BTU/ R FT2SEC	STN NO REF (R) = .0175										
592	.3501-01	.2865-01										

TEST DATA

RUN NUMBER	XO MS	2Y/BW	T/C NO	H/HREF R=1.0	H/HREF R=0.9	H/HREF R= TAW/TO	TAW/TO	H(TO) BTU/R FT2SEC	H(TAW) BTU/R FT2SEC	QDOT BTU/ FT2SEC	DTWDT DEG. R /SEC	TW DEG. R
592	24.036	.50000	460.00	.2798-02	.3369-02	.3369-02	.9000	.9796-04	.1180-03	.7495-01	.5999	532.5
592	24.036	.55000	461.00	.5570-02	.6713-02	.6713-02	.9000	.1950-03	.2350-03	.1486	1.090	535.6
592	24.036	.60000	462.00	.8121-02	.9773-02	.9773-02	.9000	.2843-03	.3422-03	.2183	1.689	529.9
592	24.036	.65000	463.00	.1026-01	.1235-01	.1235-01	.9000	.3591-03	.4323-03	.2755	2.130	530.7
592	24.036	.70000	464.00	.1576-01	.1898-01	.1898-01	.9000	.5519-03	.6646-03	.4224	3.155	532.4
592	24.036	.72500	465.00	.1626-01	.1958-01	.1958-01	.9000	.5694-03	.6854-03	.4367	3.377	530.8
592	24.036	.75000	466.00	.1824-01	.2197-01	.2197-01	.9000	.6387-03	.7691-03	.4891	4.060	532.0
592	24.036	.77500	467.00	.1862-01	.2242-01	.2242-01	.9000	.6519-03	.7849-03	.4993	4.663	531.9
592	24.036	.80000	468.00	.1919-01	.2311-01	.2311-01	.9000	.6720-03	.8091-03	.5147	4.807	531.8
592	24.036	.82500	469.00	.1971-01	.2374-01	.2374-01	.9000	.6901-03	.8311-03	.5278	4.927	532.9
592	24.036	.85000	470.00	.1973-01	.2376-01	.2376-01	.9000	.6907-03	.8318-03	.5287	4.740	532.2
592	24.036	.87500	471.00	.2712-01	.3268-01	.3268-01	.9000	.9495-03	.1144-02	.7243	6.235	534.9
592	24.036	.92500	472.00	.5543-01	.6693-01	.6693-01	.9000	.1941-02	.2343-02	1.467	12.11	542.1
592	24.036	.95000	277.00	.6362-01	.7697-01	.7697-01	.9000	.2228-02	.2695-02	1.667	14.82	549.3
592	24.036	.97500	473.00	.7898-01	.9561-01	.9561-01	.9000	.2765-02	.3348-02	2.063	22.89	551.6

DATE 23 FEB 80

OH84B MODEL 60-0 IN THE AEDC VKF HYPERSONIC TUNNEL

PAGE 1771

OH84B 60-0 UPPER RH WING

(R4U042)

UPPER RH WING

PARAMETRIC DATA

MACH = 8.000 ALPHA = 40.00 BETA = .0000 ELEVON = .0000
 BDFLAP = 8.000 SPDBRK = .0000

TEST CONDITIONS

RUN NUMBER	RN/L /FT X10 6	MACH	ALPHA DEG.	BETA DEG.	PO PSIA	TO DEG. R	T DEG. R	P PSIA	Q PSI	V FT/SEC	RHO SLUGS /FT3	MU LB-SEC /FT2
590	2.993	7.990	40.06	.1397-01	671.4	1327.	96.36	.6934-01	3.098	3845.	.1942-02	.7754-07

RUN NUMBER	HREF BTU/ R FT2SEC	STN NO REF(R) = .0175
590	.4356-01	.2343-01

TEST DATA

RUN NUMBER	XO MS	ZY/BW	T/C NO	H/HREF R=1.0	H/HREF R=0.9	H/HREF R= TAW/TO	TAW/TO	H(TO) BTU/R FT2SEC	H(TAW) BTU/R FT2SEC	QDOT BTU/ FT2SEC	DTWDT DEG. R /SEC	TW DEG. R
590	24.036	.50000	460.00	.4533-02	.5452-02	.5452-02	.9000	.1975-03	.2375-03	.1554	1.240	539.5
590	24.036	.55000	461.00	.9304-02	.1120-01	.1120-01	.9000	.4053-03	.4879-03	.3175	2.320	543.2
590	24.036	.60000	462.00	.1472-01	.1769-01	.1769-01	.9000	.6412-03	.7707-03	.5059	3.899	537.7
590	24.036	.65000	463.00	.1653-01	.1987-01	.1987-01	.9000	.7201-03	.8657-03	.5681	4.378	537.8
590	24.036	.70000	464.00	.2679-01	.3223-01	.3223-01	.9000	.1167-02	.1404-02	.9168	6.818	541.0
590	24.036	.72500	465.00	.2387-01	.2869-01	.2869-01	.9000	.1040-02	.1250-02	.8199	6.318	538.0
590	24.036	.75000	466.00	.2331-01	.2803-01	.2803-01	.9000	.1015-02	.1221-02	.7992	6.610	539.5
590	24.036	.77500	467.00	.2329-01	.2801-01	.2801-01	.9000	.1015-02	.1220-02	.8000	7.448	538.2
590	24.036	.80000	468.00	.2150-01	.2584-01	.2584-01	.9000	.9367-03	.1125-02	.7409	6.907	535.7
590	24.036	.82500	469.00	.2429-01	.2919-01	.2919-01	.9000	.1058-02	.1271-02	.8356	7.785	536.8
590	24.036	.85000	470.00	.2535-01	.3047-01	.3047-01	.9000	.1104-02	.1327-02	.8717	7.795	537.2
590	24.036	.87500	471.00	.3341-01	.4018-01	.4018-01	.9000	.1455-02	.1750-02	1.146	9.840	539.4
590	24.036	.92500	472.00	.8491-01	.1026	.1026	.9000	.3698-02	.4470-02	2.842	23.28	558.2
590	24.036	.95000	277.00	.8727-01	.1056	.1056	.9000	.3801-02	.4602-02	2.899	25.58	564.0
590	24.036	.97500	473.00	.1462	.1780	.1780	.9000	.6368-02	.7755-02	4.723	51.54	585.0

DATE 23 FEB 80

OH84B MODEL 60-0 IN THE AEDC VKF HYPERSONIC TUNNEL

PAGE 1772

OH84B 60-0 UPPER RH WING

(R4U043)

UPPER RH WING

PARAMETRIC DATA

MACH = 8.000 ALPHA = 40.00 BETA = .0000 ELEVON = .0000
 BDFLAP = 15.00 SPDBRK = .0000

TEST CONDITIONS

RUN NUMBER	RN/L /FT X10 6	MACH	ALPHA DEG.	BETA DEG.	PO PSIA	TO DEG. R	T DEG. R	P PSIA	Q PSI	V FT/SEC	RHO SLUGS /FT3	MU LB-SEC /FT2
628	.5138	7.900	39.96	.1730-01	101.2	1242.	92.10	.1125-01	.4914	3717.	.3296-03	.7411-07
RUN NUMBER	HREF BTU/ R FT2SEC	STN NO REF (R)										
628	.1715-01	.5648-01										

TEST DATA

RUN NUMBER	XO MS	2Y/BW	T/C NO	H/HREF R=1.0	H/HREF R=0.9	H/HREF R= TAW/TO	TAW/TO	H(TO) BTU/R FT2SEC	H(TAW) BTU/R FT2SEC	QDOT BTU/ FT2SEC	DTWDT DEG. R /SEC	TW DEG. R
628	24.036	.50000	460.00	.7953-03	.9621-03	.9621-03	.9000	.1364-04	.1650-04	.9770-02	.7848-01	525.3
628	24.036	.55000	461.00	.1332-02	.1613-02	.1613-02	.9000	.2284-04	.2765-04	.1631-01	.1201	527.8
628	24.036	.60000	462.00	.5570-03	.6731-03	.6731-03	.9000	.9552-05	.1154-04	.6878-02	.5345-01	521.6
628	24.036	.65000	463.00	.2845-03	.3438-03	.3438-03	.9000	.4879-05	.5896-05	.3512-02	.2729-01	521.8
628	24.036	.70000	464.00	.1344-02	.1624-02	.1624-02	.9000	.2304-04	.2784-04	.1658-01	.1245	521.9
628	24.036	.72500	465.00	.1910-02	.2308-02	.2308-02	.9000	.3276-04	.3958-04	.2359-01	.1834	521.3
628	24.036	.75000	466.00	.2980-02	.3603-02	.3603-02	.9000	.5111-04	.6178-04	.3675-01	.3065	522.6
628	24.036	.77500	467.00	.2285-02	.2760-02	.2760-02	.9000	.3918-04	.4733-04	.2824-01	.2652	520.9
628	24.036	.80000	468.00	.2429-02	.2934-02	.2934-02	.9000	.4165-04	.5032-04	.3003-01	.2821	520.6
628	24.036	.82500	469.00	.3070-02	.3709-02	.3709-02	.9000	.5264-04	.6360-04	.3791-01	.3560	521.4
628	24.036	.85000	470.00	.2232-02	.2697-02	.2697-02	.9000	.3828-04	.4625-04	.2757-01	.2485	521.4
628	24.036	.87500	471.00	.1698-02	.2051-02	.2051-02	.9000	.2912-04	.3518-04	.2098-01	.1819	521.0
628	24.036	.92500	472.00	.2755-02	.3329-02	.3329-02	.9000	.4725-04	.5708-04	.3406-01	.2844	520.9
628	24.036	.95000	277.00	.8277-02	.1000-01	.1000-01	.9000	.1419-03	.1715-03	.1022	.9212	521.6
628	24.036	.97500	473.00	.1043-01	.1260-01	.1260-01	.9000	.1788-03	.2160-03	.1287	1.450	521.6

DATE 23 FEB 80

OH84B MODEL 60-0 IN THE AEDC VKF HYPERSONIC TUNNEL

PAGE 1773

OH84B 60-0 UPPER RH WING

(R4U043)

UPPER RH WING

PARAMETRIC DATA

MACH = 8.000 ALPHA = 40.00 BETA = .0000 ELEVON = .0000
 BDFLAP = 15.00 SPDBRK = .0000

TEST CONDITIONS

RUN NUMBER	RN/L /FT X10 6	MACH	ALPHA DEG.	BETA DEG.	PO PSIA	TO DEG. R	T DEG. R	P PSIA	Q PSI	V FT/SEC	RHO SLUGS /FT3	MU LB-SEC /FT2
610	1.015	7.940	39.97	.1038-01	207.4	1261.	92.64	.2231-01	.9844	3746.	.6499-03	.7454-07
RUN NUMBER	HREF BTU/ R FT2SEC	STN NO REF (R)										
610	.2434-01	.4029-01										

TEST DATA

RUN NUMBER	XO MS	2Y/BW	T/C NO	H/HREF R=1.0	H/HREF R=0.9	H/HREF R= TAW/TO	TAW/TO	H(TO) BTU/R FT2SEC	H(TAW) BTU/R FT2SEC	QDOT BTU/ FT2SEC	DTWDT DEG. R /SEC	TW DEG. R
610	24.036	.50000	460.00	.9372-03	.1132-02	.1132-02	.9000	.2281-04	.2754-04	.1672-01	.1342	527.4
610	24.036	.55000	461.00	.1197-02	.1446-02	.1446-02	.9000	.2912-04	.3519-04	.2130-01	.1567	529.4
610	24.036	.60000	462.00	.4194-03	.5058-03	.5058-03	.9000	.1021-04	.1231-04	.7530-02	.5847-01	522.9
610	24.036	.65000	463.00	.5345-03	.6446-03	.6446-03	.9000	.1301-04	.1569-04	.9594-02	.7449-01	523.0
610	24.036	.70000	464.00	.1574-02	.1899-02	.1899-02	.9000	.3832-04	.4621-04	.2826-01	.2121	523.0
610	24.036	.72500	465.00	.2239-02	.2700-02	.2700-02	.9000	.5448-04	.6570-04	.4022-01	.3124	522.4
610	24.036	.75000	466.00	.3592-02	.4332-02	.4332-02	.9000	.8740-04	.1054-03	.6443-01	.5372	523.5
610	24.036	.77500	467.00	.4086-02	.4927-02	.4927-02	.9000	.9943-04	.1199-03	.7343-01	.6892	522.2
610	24.036	.80000	468.00	.5034-02	.6070-02	.6070-02	.9000	.1225-03	.1477-03	.9047-01	.8492	522.2
610	24.036	.82500	469.00	.5464-02	.6591-02	.6591-02	.9000	.1330-03	.1604-03	.9806-01	.9199	523.2
610	24.036	.85000	470.00	.3000-02	.3618-02	.3618-02	.9000	.7301-04	.8804-04	.5390-01	.4857	522.3
610	24.036	.87500	471.00	.2104-02	.2537-02	.2537-02	.9000	.5121-04	.6174-04	.3783-01	.3278	521.9
610	24.036	.92500	472.00	.2437-02	.2938-02	.2938-02	.9000	.5929-04	.7149-04	.4383-01	.3658	521.5
610	24.036	.95000	277.00	.4829-02	.5822-02	.5822-02	.9000	.1175-03	.1417-03	.8681-01	.7824	521.9
610	24.036	.97500	473.00	.7786-02	.9388-02	.9388-02	.9000	.1895-03	.2285-03	.1399	1.576	522.2

OH84B 60-0 UPPER RH WING

(R4U043)

UPPER RH WING

PARAMETRIC DATA

MACH = 8.000 ALPHA = 40.00 BETA = .0000 ELEVON = .0000
 BDFLAP = 15.00 SPDBRK = .0000

TEST CONDITIONS

RUN NUMBER	RN/L /FT X10 6	MACH	ALPHA DEG.	BETA DEG.	PO PSIA	TO DEG. R	T DEG. R	P PSIA	Q PSI	V FT/SEC	RHO SLUGS /FT3	MU LB-SEC /FT2
600	1.993	7.980	39.99	.1388-01	435.6	1307.	95.13	.4534-01	2.021	3815.	.1287-02	.7655-07
RUN NUMBER	HREF BTU/ R FT2SEC	STN NO REF (R)										
600	.3509-01	.2874-01										

TEST DATA

RUN NUMBER	XO MS	2Y/BW	T/C NO	H/HREF R=1.0	H/HREF R=0.9	H/HREF R= TAW/TO	TAW/TO	H(TO) BTU/R FT2SEC	H(TAW) BTU/R FT2SEC	QDOT BTU/ FT2SEC	DTWDT DEG. R /SEC	TW DEG. R
600	24.036	.50000	460.00	.8578-03	.1031-02	.1031-02	.9000	.3010-04	.3618-04	.2338-01	.1873	530.0
600	24.036	.55000	461.00	.9511-03	.1144-02	.1144-02	.9000	.3337-04	.4015-04	.2583-01	.1898	532.6
600	24.036	.60000	462.00	.2941-02	.2451-02	.2451-02	.9000	.7160-04	.8600-04	.5588-01	.4331	526.3
600	24.036	.65000	463.00	.3968-02	.4768-02	.4768-02	.9000	.1392-03	.1673-03	.1085	.8405	527.4
600	24.036	.70000	464.00	.5264-02	.6326-02	.6326-02	.9000	.1847-03	.2220-03	.1438	1.077	528.0
600	24.036	.72500	465.00	.5928-02	.7123-02	.7123-02	.9000	.2080-03	.2499-03	.1620	1.255	527.8
600	24.036	.75000	466.00	.7087-02	.8519-02	.8519-02	.9000	.2487-03	.2989-03	.1933	1.607	529.3
600	24.036	.77500	467.00	.8158-02	.9803-02	.9803-02	.9000	.2862-03	.3440-03	.2229	2.087	527.8
600	24.036	.80000	468.00	.8183-02	.9829-02	.9829-02	.9000	.2871-03	.3449-03	.2239	2.097	526.7
600	24.036	.82500	469.00	.7431-02	.8929-02	.8929-02	.9000	.2607-03	.3133-03	.2032	1.902	527.5
600	24.036	.85000	470.00	.6345-02	.7622-02	.7622-02	.9000	.2226-03	.2674-03	.1736	1.561	526.7
600	24.036	.87500	471.00	.8540-02	.1026-01	.1026-01	.9000	.2997-03	.3600-03	.2337	2.020	527.0
600	24.036	.92500	472.00	.2248-01	.2704-01	.2704-01	.9000	.7889-03	.9487-03	.6121	5.084	530.8
600	24.036	.95000	277.00	.5284-01	.6374-01	.6374-01	.9000	.1854-02	.2236-02	1.417	12.63	542.5
600	24.036	.97500	473.00	.6261-01	.7555-01	.7555-01	.9000	.2197-02	.2651-02	1.675	18.66	544.0

DATE 23 FEB 80

OH84B MODEL 60-0 IN THE AEDC VKI HYPERSONIC TUNNEL

PAGE 1775

OH84B 60-0 UPPER RH WING

(R4U043)

UPPER RH WING

PARAMETRIC DATA

MACH = 8.000 ALPHA = 40.00 BETA = .0000 ELEVON = .0000
 BDFLAP = 15.00 SPOBRK = .0000

TEST CONDITIONS

RUN NUMBER	RN/L /FT X10 6	MACH	ALPHA DEG.	BETA DEG.	PO PSIA	TO DEG. R	T DEG. R	P PSIA	Q PSI	V FT/SEC	RHO SLUGS /FT3	MU LB-SEC /FT2
586	2.987	7.990	40.06	.1397-01	669.2	1326.	96.29	.6911-01	3.088	3843.	.1937-02	.7748-07
RUN NUMBER	HREF BTU/ R FT2SEC	STN NO REF(R)										
586	.4348-01	.2346-01										

TEST DATA

RUN NUMBER	XO MS	2Y/BW	T/C NO	H/HREF R=1.0	H/HREF R=0.9	H/HREF R= TAW/TO	TAW/TO	H(TO) BTU/R FT2SEC	H(TAW) BTU/R FT2SEC	QDOT BTU/ FT2SEC	DTWDT DEG. R /SEC	TW DEG. R
586	24.036	.50000	460.00	.4444-02	.5347-02	.5347-02	.9000	.1932-03	.2325-03	.1517	1.209	540.6
586	24.036	.55000	461.00	.7971-02	.9599-02	.9599-02	.9000	.3466-03	.4174-03	.2710	1.979	543.9
586	24.036	.60000	462.00	.1456-01	.1751-01	.1751-01	.9000	.6329-03	.7612-03	.4978	3.834	539.1
586	24.036	.65000	463.00	.1920-01	.2310-01	.2310-01	.9000	.8347-03	.1004-02	.6555	5.045	540.4
586	24.036	.70000	464.00	.2597-01	.3126-01	.3126-01	.9000	.1129-02	.1359-02	.8845	6.575	542.3
586	24.036	.72500	465.00	.2314-01	.2784-01	.2784-01	.9000	.1006-02	.1210-02	.7916	6.096	539.1
586	24.036	.75000	466.00	.2343-01	.2819-01	.2819-01	.9000	.1019-02	.1226-02	.8002	6.615	540.2
586	24.036	.77500	467.00	.2292-01	.2757-01	.2757-01	.9000	.9967-03	.1199-02	.7833	7.287	539.8
586	24.036	.80000	468.00	.2286-01	.2749-01	.2749-01	.9000	.9942-03	.1195-02	.7832	7.293	537.9
586	24.036	.82500	469.00	.2503-01	.3010-01	.3010-01	.9000	.1088-02	.1309-02	.8566	7.973	538.7
586	24.036	.85000	470.00	.2535-01	.3047-01	.3047-01	.9000	.1102-02	.1325-02	.8679	7.757	538.1
586	24.036	.87500	471.00	.3507-01	.4220-01	.4220-01	.9000	.1525-02	.1835-02	1.196	10.26	541.3
586	24.036	.92500	472.00	.8924-01	.1080	.1080	.9000	.3880-02	.4695-02	2.965	24.25	561.6
586	24.036	.95000	277.00	.1040	.1262	.1262	.9000	.4524-02	.5489-02	3.409	29.96	572.0
586	24.036	.97500	473.00	.1043	.1264	.1264	.9000	.4533-02	.5495-02	3.435	37.80	568.0

OH84B 60-0 UPPER RH WING

(R4U044)

UPPER RH WING

PARAMETRIC DATA

MACH = 8.000 ALPHA = 40.00 BETA = .0000 ELEVON = .0000
 BDFLAP = 23.50 SPOBRK = .0000

TEST CONDITIONS

RUN NUMBER	RN/L /FT X10 6	MACH	ALPHA DEG.	BETA DEG.	PO PSIA	TO DEG. R	T DEG. R	P PSIA	Q PSI	V FT/SEC	RHO SLUGS /FT3	MU LB-SEC /FT2
630	.5170	7.900	39.96	.1729-01	102.2	1245.	92.32	.1136-01	.4963	3721.	.3321-03	.7429-07
RUN NUMBER	HREF BTU/ R FT2SEC	STN NO REF (R)										
630	.1724-01	.5628-01										

TEST DATA

RUN NUMBER	XO MS	ZY/BW	T/C NO	H/HREF R=1.0	H/HREF R=0.9	H/HREF R= TAW/TO	TAW/TO	H(TO) BTU/R FT2SEC	H(TAW) BTU/R FT2SEC	QDOT BTU/ FT2SEC	DTWDT DEG. R /SEC	TW DEG. R
630	24.036	.50000	460.00	.8601-03	.1041-02	.1041-02	.9000	.1483-04	.1795-04	.1063-01	.8524-01	528.1
630	24.036	.55000	461.00	.1218-02	.1475-02	.1475-02	.9000	.2099-04	.2542-04	.1499-01	.1102	530.7
630	24.036	.60000	462.00	.7033-03	.8503-03	.8503-03	.9000	.1212-04	.1466-04	.8730-02	.6772-01	524.7
630	24.036	.65000	463.00	.2671-03	.3229-03	.3229-03	.9000	.4604-05	.5567-05	.3313-02	.2570-01	525.1
630	24.036	.70000	464.00	.1316-02	.1591-02	.1591-02	.9000	.2268-04	.2743-04	.1631-01	.1223	525.4
630	24.036	.72500	465.00	.1794-02	.2170-02	.2170-02	.9000	.3094-04	.3741-04	.2226-01	.1727	525.0
630	24.036	.75000	466.00	.2704-02	.3271-02	.3271-02	.9000	.4662-04	.5639-04	.3348-01	.2788	526.4
630	24.036	.77500	467.00	.2422-02	.2929-02	.2929-02	.9000	.4176-04	.5049-04	.3007-01	.2819	524.7
630	24.036	.80000	468.00	.2938-02	.3552-02	.3552-02	.9000	.5065-04	.6124-04	.3648-01	.3420	524.5
630	24.036	.82500	469.00	.3646-02	.4409-02	.4409-02	.9000	.6285-04	.7600-04	.4519-01	.4235	525.6
630	24.036	.85000	470.00	.2698-02	.3263-02	.3263-02	.9000	.4651-04	.5625-04	.3345-01	.3009	525.5
630	24.036	.87500	471.00	.1708-02	.2065-02	.2065-02	.9000	.2944-04	.3559-04	.2119-01	.1833	524.9
630	24.036	.92500	472.00	.2100-02	.2539-02	.2539-02	.9000	.3620-04	.4377-04	.2607-01	.2173	524.5
630	24.036	.95000	277.00	.5083-02	.6145-02	.6145-02	.9000	.8763-04	.1059-03	.6309-01	.5678	524.6
630	24.036	.97500	473.00	.8692-02	.1051-01	.1051-01	.9000	.1499-03	.1812-03	.1078	1.213	525.0

DATE 23 FEB 80

OHB4B MODEL 60-O IN THE AEDC VKF HYPERSONIC TUNNEL

PAGE 1777

OHB4B 60-O UPPER RH WING

(R4U044)

UPPER RH WING

PARAMETRIC DATA

MACH = 8.000 ALPHA = 40.00 BETA = .0000 ELEVON = .0000
 BOFLAP = 23.50 SPDBRK = .0000

TEST CONDITIONS

RUN NUMBER	RN/L /FT X10 6	MACH	ALPHA DEG.	BETA DEG.	PO PSIA	TO DEG. R	T DEG. R	P PSIA	Q PSI	V FT/SEC	RHO SLUGS /FT3	MU LB-SEC /FT2
608	.9985	7.940	39.95	.1383-01	207.4	1275.	93.67	.2231-01	.9844	3767.	.6428-03	.7537-07
RUN NUMBER	HREF BTU/ R FT2SEC	STN NO REF (R) = .0175										
608	.2438-01	.4056-01										

TEST DATA

RUN NUMBER	XO MS	2Y/BW	T/C NO	H/HREF R=1.0	H/HREF R=0.9	H/HREF R= TAW/TO	TAW/TO	H(TO) BTU/R FT2SEC	H(TAW) BTU/R FT2SEC	QDOT BTU/ FT2SEC	DTWDT DEG. R /SEC	TW DEG. R
608	24.036	.50000	460.00	.7612-03	.9174-03	.9174-03	.9000	.1856-04	.2237-04	.1390-01	.1116	526.0
608	24.036	.55000	461.00	.3814-03	.4600-03	.4600-03	.9000	.9298-05	.1122-04	.6932-02	.5102-01	529.1
608	24.036	.60000	462.00	.2553-03	.3075-03	.3075-03	.9000	.6225-05	.7497-05	.4677-02	.3631-01	523.3
608	24.036	.65000	463.00	.5770-03	.6949-03	.6949-03	.9000	.1407-04	.1694-04	.1056-01	.8201-01	523.7
608	24.036	.70000	464.00	.1720-02	.2071-02	.2071-02	.9000	.4193-04	.5050-04	.3148-01	.2362	523.9
608	24.036	.72500	465.00	.2270-02	.2734-02	.2734-02	.9000	.5536-04	.6667-04	.4159-01	.3228	523.4
608	24.036	.75000	466.00	.3384-02	.4076-02	.4076-02	.9000	.8250-04	.9939-04	.6190-01	.5159	524.4
608	24.036	.77500	467.00	.3782-02	.4555-02	.4555-02	.9000	.9222-04	.1111-03	.6929-01	.6500	523.3
608	24.036	.80000	468.00	.4802-02	.5784-02	.5784-02	.9000	.1171-03	.1410-03	.8798-01	.8253	523.3
608	24.036	.82500	469.00	.5576-02	.6717-02	.6717-02	.9000	.1360-03	.1638-03	.1020	.9567	524.2
608	24.036	.85000	470.00	.2789-02	.3358-02	.3358-02	.9000	.6799-04	.8188-04	.5108-01	.4600	523.3
608	24.036	.87500	471.00	.1911-02	.2301-02	.2301-02	.9000	.4659-04	.5610-04	.3502-01	.3033	523.0
608	24.036	.92500	472.00	.1670-02	.2010-02	.2010-02	.9000	.4071-04	.4902-04	.3063-01	.2555	522.3
608	24.036	.95000	277.00	.4340-02	.5226-02	.5226-02	.9000	.1058-03	.1274-03	.7956-01	.7167	522.8
608	24.036	.97500	473.00	.5549-02	.6682-02	.6682-02	.9000	.1353-03	.1629-03	.1018	1.146	522.6

OH84B 60-0 UPPER RH WING

(R4U044)

UPPER RH WING

PARAMETRIC DATA

MACH = 8.000 ALPHA = 40.00 BETA = .0000 ELEVON = .0000
 BDFLAP = 23.50 SPDBRK = .0000

TEST CONDITIONS

RUN NUMBER	RN/L /FT X10 6	MACH	ALPHA DEG.	BETA DEG.	PO PSIA	TO DEG. R	T DEG. R	P PSIA	Q PSI	V FT/SEC	RHO SLUGS /FT3	MU LB-SEC /FT2
602	1.989	7.980	39.99	.1735-01	434.8	1307.	95.13	.4526-01	2.018	3815.	.1284-02	.7655-07
RUN NUMBER	HREF BTU/ R FT2SEC	STN NO REF (R) = .0175										
602	.3506-01	.2877-01										

TEST DATA

RUN NUMBER	XO MS	2Y/BW	T/C NO	H/HREF R=1.0	H/HREF R=0.9	H/HREF R* TAW/TO	TAW/TO	H(TO) BTU/R FT2SEC	H(TAW) BTU/R FT2SEC	QDOT BTU/ FT2SEC	DTWDT DEG. R /SEC	TW DEG. R
602	24.036	.50000	460.00	.1067-02	.1285-02	.1285-02	.9000	.3742-04	.4506-04	.2883-01	.2303	536.2
602	24.036	.55000	461.00	.1380-02	.1663-02	.1663-02	.9000	.4837-04	.5829-04	.3714-01	.2720	538.9
602	24.036	.60000	462.00	.2301-02	.2768-02	.2768-02	.9000	.8065-04	.9705-04	.6236-01	.4816	533.5
602	24.036	.65000	463.00	.4370-02	.5261-02	.5261-02	.9000	.1532-03	.1844-03	.1182	.9121	535.1
602	24.036	.70000	464.00	.5611-02	.6755-02	.6755-02	.9000	.1967-03	.2368-03	.1518	1.132	535.2
602	24.036	.75000	465.00	.6247-02	.7519-02	.7519-02	.9000	.2190-03	.2636-03	.1692	1.306	534.1
602	24.036	.80000	466.00	.7680-02	.9246-02	.9246-02	.9000	.2692-03	.3241-03	.2077	1.722	535.2
602	24.036	.85000	467.00	.7409-02	.8918-02	.8918-02	.9000	.2597-03	.3126-03	.2006	1.871	534.3
602	24.036	.90000	468.00	.7640-02	.9197-02	.9197-02	.9000	.2678-03	.3224-03	.2067	1.928	534.8
602	24.036	.82500	469.00	.7797-02	.9388-02	.9388-02	.9000	.2733-03	.3291-03	.2107	1.963	535.9
602	24.036	.85000	470.00	.6576-02	.7917-02	.7917-02	.9000	.2305-03	.2775-03	.1779	1.592	535.1
602	24.036	.87500	471.00	.8568-02	.1032-01	.1032-01	.9000	.3004-03	.3616-03	.2316	1.993	535.7
602	24.036	.92500	472.00	.2244-01	.2704-01	.2704-01	.9000	.7866-03	.9478-03	.6045	5.002	538.2
602	24.036	.95000	277.00	.4948-01	.5379-01	.5979-01	.9000	.1734-02	.2096-02	1.314	11.68	549.2
602	24.036	.97500	473.00	.5183-01	.6260-01	.6260-01	.9000	.1817-02	.2195-02	1.379	15.34	547.4

OH84B 60-0 UPPER RH WING

(R4U044)

UPPER RH WING

PARAMETRIC DATA

MACH = 8.000 ALPHA = 40.00 BETA = .0000 ELEVON = .0000
 BDFLAP = 23.50 SPDBRK = .0000

TEST CONDITIONS

RUN NUMBER	RN/L /FT X10 6	MACH	ALPHA DEG.	BETA DEG.	PO PSIA	TO DEG. R	T DEG. R	P PSIA	Q PSI	V FT/SEC	RHO SLUGS /FT3	MU LB-SEC /FT2
588	3.015	7.990	40.06	.1397-01	672.4	1322.	96.00	.6944-01	3.103	3838.	.1952-02	.7725-07
RUN NUMBER	HREF BTU/ R FT2SEC	STN NO REF (R)										
588	.4356-01	.2336-01	=.0175									

TEST DATA

RUN NUMBER	XO MS	2Y/BW	T/C NO	H/HREF R=1.0	H/HREF R=0.9	H/HREF R= TAW/TO	TAW/TO	H(TO) BTU/R FT2SEC	H(TAW) BTU/R FT2SEC	QDOT BTU/ FT2SEC	DTWDT DEG. R /SEC	TW DEG. R
588	24.036	.50000	460.00	.4604-02	.5540-02	.5540-02	.9000	.2005-03	.2413-03	.1568	1.250	539.8
588	24.036	.55000	461.00	.8647-02	.1042-01	.1042-01	.9000	.3767-03	.4537-03	.2933	2.143	543.1
588	24.036	.60000	462.00	.1556-01	.1872-01	.1872-01	.9000	.6779-03	.8154-03	.5312	4.093	538.1
588	24.036	.65000	463.00	.1949-01	.2346-01	.2346-01	.9000	.8492-03	.1022-02	.6645	5.117	539.2
588	24.036	.70000	464.00	.2849-01	.3430-01	.3430-01	.9000	.1241-02	.1494-02	.9685	7.202	541.3
588	24.036	.72500	465.00	.2580-01	.3104-01	.3104-01	.9000	.1124-02	.1352-02	.8805	6.783	538.4
588	24.036	.75000	466.00	.2699-01	.3247-01	.3247-01	.9000	.1176-02	.1414-02	.9203	7.614	538.8
588	24.036	.77500	467.00	.2723-01	.3276-01	.3276-01	.9000	.1186-02	.1427-02	.9290	8.648	538.4
588	24.036	.80000	468.00	.2839-01	.3414-01	.3414-01	.9000	.1237-02	.1487-02	.9698	9.032	537.4
588	24.036	.82500	469.00	.2932-01	.3528-01	.3528-01	.9000	.1277-02	.1537-02	1.000	9.309	538.7
588	24.036	.85000	470.00	.3116-01	.3743-01	.3748-01	.9000	.1357-02	.1633-02	1.064	9.509	538.0
588	24.036	.87500	471.00	.4647-01	.5599-01	.5599-01	.9000	.2024-02	.2439-02	1.574	13.48	544.3
588	24.036	.92500	472.00	.8046-01	.9729-01	.9729-01	.9000	.3505-02	.4238-02	2.678	21.94	557.7
588	24.036	.95000	477.00	.7776-01	.9408-01	.9408-01	.9000	.3387-02	.4098-02	2.581	22.82	559.6
588	24.036	.97500	473.00	.1364	.1658	.1658	.9000	.5943-02	.7223-02	4.434	48.61	575.7

DATE 23 FEB 80

OH84B MODEL 60-0 IN THE AEDC VKF HYPERSONIC TUNNEL

PAGE 1780

OH84B 60-0 UPPER RH WING

(R4U045)

UPPER RH WING

PARAMETRIC DATA

MACH = 8.000 ALPHA = 40.00 BETA = .0000 ELEVON = 5.000
 BDFLAP = -5.000 SPDBRK = .0000

TEST CONDITIONS

RUN NUMBER	RN/L /FT X10 6	MACH	ALPHA DEG.	BETA DEG.	PO PSIA	TO DEG. R	T DEG. R	P PSIA	Q PSI	V FT/SEC	RHO SLUGS /FT3	MU LB-SEC /FT2
682	.5028	7.900	39.95	-.1036-01	100.6	1255.	93.06	.1118-01	.4884	3736.	.3242-03	.7489-07

RUN NUMBER	HREF BTU/ R FT2SEC	STN NO REF (R)
682	.1713-01	.5701-01

TEST DATA

RUN NUMBER	XO MS	ZY/BW	T/C NO	H/HREF R=1.0	H/HREF R=0.9	H/HREF R= TAW/TO	TAW/TO	H(TO) BTU/R FT2SEC	H(TAW) BTU/R FT2SEC	QDOT BTU/ FT2SEC	DTWOT DEG. R /SEC	TW DEG. R
682	24.036	.50000	460.00	.6866-03	.8299-03	.8299-03	.9000	.1176-04	.1421-04	.8549-02	.6858-01	527.7
682	24.036	.55000	461.00	.2849-03	.3446-03	.3446-03	.9000	.4879-05	.5902-05	.3531-02	.2596-01	530.9
682	24.036	.60000	462.00	.4105-03	.4957-03	.4957-03	.9000	.7030-05	.8489-05	.5131-02	.3980-01	524.8
682	24.036	.70000	464.00	.1115-02	.1347-02	.1347-02	.9000	.1910-04	.2307-04	.1393-01	.1045	525.1
682	24.036	.72500	465.00	.2116-02	.2555-02	.2555-02	.9000	.3624-04	.4376-04	.2345-01	.2052	524.8
682	24.036	.75000	466.00	.3138-02	.3792-02	.3792-02	.9000	.5374-04	.6494-04	.3910-01	.3254	527.2
682	24.036	.77500	467.00	.3528-02	.4260-02	.4260-02	.9000	.6043-04	.7297-04	.4412-01	.4136	524.6
682	24.036	.80000	468.00	.3769-02	.4551-02	.4551-02	.9000	.6455-04	.7794-04	.4716-01	.4423	524.1
682	24.036	.82500	469.00	.4281-02	.5170-02	.5170-02	.9000	.7333-04	.8855-04	.5351-01	.5016	524.9
682	24.036	.85000	470.00	.3260-02	.3936-02	.3936-02	.9000	.5583-04	.6742-04	.4074-01	.3666	524.9
682	24.036	.87500	471.00	.2145-02	.2589-02	.2589-02	.9000	.3673-04	.4434-04	.2684-01	.2324	523.9
682	24.036	.92500	472.00	.1639-02	.1978-02	.1978-02	.9000	.2806-04	.3388-04	.2052-01	.1711	523.4
682	24.036	.95000	277.00	.2901-02	.3501-02	.3501-02	.9000	.4968-04	.5997-04	.3634-01	.3273	523.1
682	24.036	.97500	473.00	.7099-02	.8570-02	.8570-02	.9000	.1216-03	.1468-03	.8883-01	.9996	524.0

OH84B 60-0 UPPER RH WING

(R4U045)

UPPER RH WING

PARAMETRIC DATA

MACH = 8.000 ALPHA = 40.00 BETA = .0000 ELEVON = 5.000
 BDFLAP = -5.000 SPDBRK = .0000

TEST CONDITIONS

RUN NUMBER	RN/L /FT X10 6	MACH	ALPHA DEG.	BETA DEG.	PO PSIA	TO DEG. R	T DEG. R	P PSIA	Q PSI	V FT/SEC	RHO SLUGS /FT3	MU LB-SEC /FT2
668	1.013	7.940	39.97	-.1038-01	207.0	1261.	92.64	.2226-01	.9825	3746.	.6487-03	.7454-07
RUN NUMBER	HREF BTU/ R FT2SEC	STN NO REF(R) = .0175										
668	.2431-01	.4033-01										

TEST DATA

RUN NUMBER	XO MS	2Y/BW	T/C NO	H/HREF R=1.0	H/HREF R=0.9	H/HREF R= TAW/TO	TAW/TO	H(TO) BTU/R FT2SEC	H(TAW) BTU/R FT2SEC	QDOT BTU/ FT2SEC	DTWDT DEG. R /SEC	TW DEG. R
668	24.036	.50000	460.00	.1224-02	.1480-02	.1480-02	.9000	.2976-04	.3598-04	.2168-01	.1736	532.0
668	24.036	.55000	461.00	.2016-02	.2440-02	.2440-02	.9000	.4902-04	.5932-04	.3559-01	.2612	534.6
668	24.036	.60000	462.00	.2123-02	.2566-02	.2566-02	.9000	.5163-04	.6238-04	.3774-01	.2921	529.6
668	24.036	.65000	463.00	.3122-02	.3773-02	.3773-02	.9000	.7589-04	.9173-04	.5542-01	.4287	530.4
668	24.036	.70000	464.00	.4433-02	.5358-02	.5358-02	.9000	.1078-03	.1303-03	.7869-01	.5883	530.6
668	24.036	.72500	465.00	.5539-02	.6694-02	.6694-02	.9000	.1347-03	.1627-03	.9840-01	.7613	530.0
668	24.036	.75000	466.00	.6645-02	.8035-02	.8035-02	.9000	.1615-03	.1953-03	.1177	.9774	531.9
668	24.036	.77500	467.00	.5430-02	.6563-02	.6563-02	.9000	.1320-03	.1595-03	.9646-01	.9018	530.0
668	24.036	.80000	468.00	.5369-02	.6488-02	.6488-02	.9000	.1305-03	.1577-03	.9538-01	.8917	529.9
668	24.036	.82500	469.00	.5481-02	.6625-02	.6625-02	.9000	.1332-03	.1611-03	.9725-01	.9088	530.8
668	24.036	.85000	470.00	.4302-02	.5200-02	.5200-02	.9000	.1046-03	.1264-03	.7634-01	.6849	530.7
668	24.036	.87500	471.00	.6219-02	.7518-02	.7518-02	.9000	.1512-03	.1828-03	.1103	.9515	531.0
668	24.036	.92500	472.00	.3066-01	.3710-01	.3710-01	.9000	.7455-03	.9020-03	.5416	4.491	534.1
668	24.036	.95000	277.00	.3623-01	.4386-01	.4386-01	.9000	.8809-03	.1066-02	.6386	5.714	535.8
668	24.036	.97500	473.00	.7100-01	.8613-01	.8613-01	.9000	.1726-02	.2094-02	1.239	13.80	543.1

OH84B 60-0 UPPER RH WING

(R4U045)

UPPER RH WING

PARAMETRIC DATA

MACH = 8.000 ALPHA = 40.00 BETA = .0000 ELEVON = 5.000
 BDFLAP = -5.000 SPDBRK = .0000

TEST CONDITIONS

RUN NUMBER	RN/L /FT X10 6	MACH	ALPHA DEG.	BETA DEG.	PO PSIA	TO DEG. R	T DEG. R	P PSIA	Q PSI	V FT/SEC	RHO SLUGS /FT3	MU LB-SEC /FT2
688	1.999	7.980	40.00	-.6947-02	434.9	1303.	94.84	.4527-01	2.018	3810.	.1288-02	.7631-07
RUN NUMBER	HREF BTU/ R FT2SEC	STN NO REF (R) =.0175										
688	.3504-01	.2871-01										

TEST DATA

RUN NUMBER	XO MS	2Y/BW	T/C NO	H/HREF R=1.0	H/HREF R=0.9	H/HREF R= TAW/TO	TAW/TO	H(TO) BTU/R FT2SEC	H(TAW) BTU/R FT2SEC	QDOT BTU/ FT2SEC	DTWDT DEG. R /SEC	TW DEG. R
688	24.036	.50000	460.00	.1107-02	.1332-02	.1332-02	.9000	.3879-04	.4666-04	.2996-01	.2400	530.3
688	24.036	.55000	461.00	.2434-02	.2930-02	.2930-02	.9000	.8530-04	.1027-03	.6564-01	.4821	533.1
688	24.036	.60000	462.00	.5489-02	.6600-02	.6600-02	.9000	.1924-03	.2313-03	.1489	1.153	528.4
688	24.036	.65000	463.00	.5489-02	.6598-02	.6598-02	.9000	.1923-03	.2312-03	.1490	1.154	528.1
688	24.036	.70000	464.00	.6000-02	.7212-02	.7212-02	.9000	.2102-03	.2527-03	.1629	1.220	527.6
688	24.036	.72500	465.00	.7053-02	.8477-02	.8477-02	.9000	.2471-03	.2970-03	.1917	1.485	527.1
688	24.036	.75000	466.00	.8892-02	.1069-01	.1069-01	.9000	.3116-03	.3747-03	.2410	2.003	529.3
688	24.036	.77500	467.00	.7680-02	.9230-02	.9230-02	.9000	.2691-03	.3234-03	.2088	1.956	526.7
688	24.036	.80000	468.00	.7658-02	.9201-02	.9201-02	.9000	.2683-03	.3224-03	.2084	1.952	526.1
688	24.036	.82500	469.00	.7631-02	.9171-02	.9171-02	.9000	.2674-03	.3214-03	.2074	1.942	527.0
688	24.036	.85000	470.00	.6291-02	.7560-02	.7560-02	.9000	.2204-03	.2649-03	.1711	1.538	526.6
688	24.036	.87500	471.00	.6812-02	.8186-02	.8186-02	.9000	.2387-03	.2868-03	.1853	1.602	526.4
688	24.036	.92500	472.00	.1514-01	.1820-01	.1820-01	.9000	.5305-03	.6377-03	.4110	3.419	527.9
688	24.036	.95000	277.00	.1962-01	.2360-01	.2360-01	.9000	.6875-03	.8268-03	.5316	4.773	529.4
688	24.036	.97500	473.00	.1798-01	.2162-01	.2162-01	.9000	.6301-03	.7574-03	.4880	5.481	528.1

DATE 23 FEB 80

OH84B MODEL 60-0 IN THE AEDC VKF HYPERSONIC TUNNEL

PAGE 1783

OH84B 60-0 UPPER RH WING

(R4U045)

UPPER RH WING

PARAMETRIC DATA

MACH = 8.000 ALPHA = 40.00- BETA = .0000 ELEVON = 5.000
 BDFLAP = -5.000 SPDBRK = .0000

TEST CONDITIONS

RUN NUMBER	RN/L /FT X10 6	MACH	ALPHA DEG.	BETA DEG.	PO PSIA	TO DEG. R	T DEG. R	P PSIA	Q PSI	V FT/SEC	RHO SLUGS /FT3	MU LB-SEC /FT2
702	2.996	7.990	40.05	-.6978-02	668.9	1323.	96.07	.6908-01	3.087	3839.	.1941-02	.7731-07
RUN NUMBER	HREF BTU/ R	STN NO REF (R)										
702	.4345-01	.2343-01										

TEST DATA

RUN NUMBER	XO MS	2Y/BW	T/C NO	H/HREF R=1.0	H/HREF R=0.9	H/HREF R= TAW/TO	TAW/TO	H(TO) BTU/R FT2SEC	H(TAW) BTU/R FT2SEC	QDOT BTU/ FT2SEC	DTWDT DEG. R /SEC	TW DEG. R
702	24.036	.50000	460.00	.4538-02	.5461-02	.5461-02	.9000	.1972-03	.2373-03	.1543	1.230	540.4
702	24.036	.55000	461.00	.8258-02	.9946-02	.9946-02	.9000	.3589-03	.4322-03	.2797	2.044	543.1
702	24.036	.60000	462.00	.1202-01	.1447-01	.1447-01	.9000	.5225-03	.6286-03	.4093	3.152	539.3
702	24.036	.65000	463.00	.1240-01	.1492-01	.1492-01	.9000	.5389-03	.6484-03	.4224	3.254	538.9
702	24.036	.70000	464.00	.1489-01	.1791-01	.1791-01	.9000	.6472-03	.7784-03	.5079	3.783	537.9
702	24.036	.72500	465.00	.1703-01	.2047-01	.2047-01	.9000	.7398-03	.8895-03	.5813	4.482	536.9
702	24.036	.75000	466.00	.1659-01	.1995-01	.1995-01	.9000	.7209-03	.8669-03	.5661	4.686	537.5
702	24.036	.77500	467.00	.1585-01	.1905-01	.1905-01	.9000	.6887-03	.8277-03	.5422	5.055	535.4
702	24.036	.80000	468.00	.1542-01	.1853-01	.1853-01	.9000	.6700-03	.8052-03	.5279	4.923	534.8
702	24.036	.82500	469.00	.1460-01	.1754-01	.1754-01	.9000	.6343-03	.7624-03	.4994	4.656	535.3
702	24.036	.85000	470.00	.1647-01	.1979-01	.1979-01	.9000	.7155-03	.8600-03	.5633	5.042	535.4
702	24.036	.87500	471.00	.2330-01	.2803-01	.2803-01	.9000	.1013-02	.1218-02	.7942	6.824	538.4
702	24.036	.92500	472.00	.6922-01	.8360-01	.8360-01	.9000	.3008-02	.3633-02	2.312	18.98	554.0
702	24.036	.95000	277.00	.8419-01	.1021	.1021	.9000	.3658-02	.4438-02	2.753	24.21	570.1
702	24.036	.97500	473.00	.1526	.1861	.1861	.9000	.6631-02	.8088-02	4.867	53.03	588.6

DATE 23 FEB 80

OH84B MODEL 60-0 IN THE AEDC VKF HYPERSONIC TUNNEL

PAGE 1784

OH84B 60-0 UPPER RH WING

(R4U046)

UPPER RH WING

PARAMETRIC DATA

MACH = 8.000 ALPHA = 40.00 BETA = .0000 ELEVON = 5.000
 BDFLAP = .0000 SPOBRK = .0000

TEST CONDITIONS

RUN NUMBER	RN/L /FT X10 6	MACH	ALPHA DEG.	BETA DEG.	PO PSIA	TO DEG. R	T DEG. R	P PSIA	Q PSI	V FT/SEC	RHO SLUGS /FT3	MU LB-SEC /FT2
680	.5032	7.900	39.93	-.1034-01	100.7	1255.	93.06	.1119-01	.4888	3736.	.3245-03	.7489-07

RUN NUMBER	HREF BTU/ R FT2SEC	STN NO REF (R) = .0175
680	.1713-01	.5699-01

TEST DATA

RUN NUMBER	XO MS	2Y/BW	T/C NO	H/HREF R=1.0	H/HREF R=0.9	H/HREF R= TAW/TO	TAW/TO	H(TO) BTU/R FT2SEC	H(TAW) BTU/R FT2SEC	QDOT BTU/ FT2SEC	DTWDT DEG. R /SEC	TW DEG. R
680	24.036	.50000	460.00	.1243-02	.1504-02	.1504-02	.9000	.2130-04	.2577-04	.1543-01	.1236	530.4
680	24.036	.55000	461.00	.2383-02	.2885-02	.2885-02	.9000	.4083-04	.4943-04	.2946-01	.2164	533.2
680	24.036	.60000	462.00	.1352-02	.1634-02	.1634-02	.9000	.2316-04	.2799-04	.1684-01	.1304	527.8
680	24.036	.65000	463.00	.2385-03	.2883-03	.2883-03	.9000	.4087-05	.4940-05	.2969-02	.2299-01	528.3
680	24.036	.70000	464.00	.1376-02	.1663-02	.1663-02	.9000	.2357-04	.2849-04	.1712-01	.1281	528.5
680	24.036	.72500	465.00	.2756-02	.3331-02	.3331-02	.9000	.4722-04	.5707-04	.3433-01	.2659	527.7
680	24.036	.75000	466.00	.3807-02	.4603-02	.4603-02	.9000	.6523-04	.7887-04	.4729-01	.3931	529.6
680	24.036	.77500	467.00	.3560-02	.4303-02	.4303-02	.9000	.6100-04	.7372-04	.4434-01	.4151	527.7
680	24.036	.80000	468.00	.3678-02	.4446-02	.4446-02	.9000	.6302-04	.7617-04	.4582-01	.4289	527.6
680	24.036	.82500	469.00	.4030-02	.4871-02	.4871-02	.9000	.6904-04	.8346-04	.5012-01	.4689	528.7
680	24.036	.85000	470.00	.3389-02	.4098-02	.4098-02	.9000	.5807-04	.7021-04	.4214-01	.3784	529.1
680	24.036	.87500	471.00	.2302-02	.2782-02	.2782-02	.9000	.3944-04	.4767-04	.2864-01	.2474	528.4
680	24.036	.92500	472.00	.1824-02	.2204-02	.2204-02	.9000	.3124-04	.3776-04	.2273-01	.1891	527.2
680	24.036	.95000	477.00	.3241-02	.3915-02	.3915-02	.9000	.5552-04	.6708-04	.4043-01	.3635	526.5
680	24.036	.97500	473.00	.7345-02	.8872-02	.8872-02	.9000	.1258-03	.1520-03	.9170-01	1.031	526.0

DATE 23 FEB 80

OHS4B MODEL 60-0 IN THE AEDC VKF HYPERSONIC TUNNEL

PAGE 1785

OHS4B 60-0 UPPER RH WING

(R41046)

UPPER RH WING

PARAMETRIC DATA

MACH = 8.000 ALPHA = 40.00 BETA = .0000 ELEVON = 5.000
 BDFLAP = .0000 SPDBRK = .0000

TEST CONDITIONS

RUN NUMBER	RN/L /FT X10 6	MACH	ALPHA DEG.	BETA DEG.	PO PSIA	TO DEG. R	T DEG. R	P PSIA	Q PSI	V FT/SEC	RHO SLUGS /FT3	MU LB-SEC /FT2
666	1.005	7.940	39.97	-.6927-02	206.0	1264.	92.86	.2216-01	.9778	3751.	.6440-03	.7472-07

RUN NUMBER	HREF BTU/ R FT2SEC	STN NO REF (R)
666	.2426-01	.4048-01

TEST DATA

RUN NUMBER	XO MS	2Y/BW	T/C NO	H/HREF R=1.0	H/HREF R=0.9	H/HREF R= TAW/TO	TAW/TO	H(TO) BTU/R FT2SEC	H(TAW) BTU/R FT2SEC	QDOT BTU/ FT2SEC	DTWDT DEG. R /SEC	TW DEG. R
666	24.036	.50000	460.00	.9705-03	.1174-02	.1174-02	.9000	.2355-04	.2848-04	.1718-01	.1374	533.9
666	24.036	.55000	461.00	.8682-03	.1051-02	.1051-02	.9000	.2107-04	.2550-04	.1532-01	.1123	536.6
666	24.036	.60000	462.00	.1204-02	.1455-02	.1455-02	.9000	.2921-04	.3530-04	.2141-01	.1655	530.9
666	24.036	.65000	463.00	.1480-02	.1788-02	.1788-02	.9000	.3590-04	.4338-04	.2629-01	.2033	531.3
666	24.036	.70000	464.00	.2751-02	.3325-02	.3325-02	.9000	.6675-04	.8068-04	.4887-01	.3652	531.6
666	24.036	.72500	465.00	.4209-02	.5087-02	.5087-02	.9000	.1021-03	.1234-03	.7480-01	.5784	531.2
666	24.036	.75000	466.00	.5769-02	.6976-02	.6976-02	.9000	.1400-03	.1693-03	.1022	.8479	533.4
666	24.036	.77500	467.00	.5219-02	.6308-02	.6308-02	.9000	.1266-03	.1530-03	.9273-01	.8662	531.4
666	24.036	.80000	468.00	.5508-02	.6656-02	.6656-02	.9000	.1336-03	.1615-03	.9789-01	.9146	531.1
666	24.036	.82500	469.00	.5777-02	.6983-02	.6983-02	.9000	.1402-03	.1694-03	.1026	.9578	532.0
666	24.036	.85000	470.00	.4265-02	.5155-02	.5155-02	.9000	.1035-03	.1251-03	.7577-01	.6795	531.5
666	24.036	.87500	471.00	.3924-02	.4741-02	.4741-02	.9000	.9520-04	.1150-03	.6976-01	.6017	530.9
666	24.036	.92500	472.00	.1421-01	.1718-01	.1718-01	.9000	.3447-03	.4167-03	.2521	2.092	532.4
666	24.036	.95000	277.00	.2376-01	.2878-01	.2878-01	.9000	.5765-03	.6982-03	.4181	3.736	538.6
666	24.036	.97500	473.00	.2631-01	.3185-01	.3185-01	.9000	.6384-03	.7726-03	.4644	5.194	536.2

OH84B 60-0 UPPER RH WING

(R4U046)

UPPER RH WING

PARAMETRIC DATA

MACH = 8.000 ALPHA = 40.00 BETA = .0000 ELEVON = 5.000
 BDFLAP = .0000 SPDBRK = .0000

TEST CONDITIONS

RUN NUMBER	RN/L /FT X10 6	MACH	ALPHA DEG.	BETA DEG.	PO PSIA	TO DEG. R	T DEG. R	P PSIA	Q PSI	V FT/SEC	RHO SLUGS /FT3	MU LB-SEC /FT2
690	2.005	7.980	40.00	-.6947-02	436.2	1303.	94.84	.4541-01	2.024	3810.	.1292-02	.7631-07
RUN NUMBER	HREF BTU/ R FT2SEC	STN NO REF (R)										
690	.3509-01	.2867-01										

TEST DATA

RUN NUMBER	XO MS	2Y/BW	T/C NO	H/HREF R=1.0	H/HREF R=0.9	H/HREF R= TAW/TO	TAW/TO	H(TO) BTU/R FT2SEC	H(TAW) BTU/R FT2SEC	QDOT BTU/ FT2SEC	DTWDT DEG. R /SEC	TW DEG. R
690	24.036	.50000	460.00	.1323-02	.1593-02	.1593-02	.9000	.4641-04	.5590-04	.3561-01	.2845	535.5
690	24.036	.55000	461.00	.3170-02	.3821-02	.3821-02	.9000	.1112-03	.1341-03	.8500-01	.6226	538.5
690	24.036	.60000	462.00	.6035-02	.7267-02	.7267-02	.9000	.2118-03	.2550-03	.1627	1.256	534.5
690	24.036	.65000	463.00	.6077-02	.7320-02	.7320-02	.9000	.2133-03	.2569-03	.1637	1.263	535.1
690	24.036	.70000	464.00	.6590-02	.7936-02	.7936-02	.9000	.2313-03	.2785-03	.1776	1.325	534.7
690	24.036	.72500	465.00	.6645-02	.8000-02	.8000-02	.9000	.2332-03	.2807-03	.1794	1.386	533.3
690	24.036	.75000	466.00	.7795-02	.9389-02	.9389-02	.9000	.2735-03	.3295-03	.2099	1.739	535.4
690	24.036	.77500	467.00	.7271-02	.8753-02	.8753-02	.9000	.2552-03	.3072-03	.1963	1.832	533.3
690	24.036	.80000	468.00	.7681-02	.9245-02	.9245-02	.9000	.2696-03	.3245-03	.2075	1.937	533.0
690	24.036	.82500	469.00	.7394-02	.8902-02	.8902-02	.9000	.2595-03	.3124-03	.1995	1.862	533.8
690	24.036	.85000	470.00	.5847-02	.7039-02	.7039-02	.9000	.2052-03	.2470-03	.1578	1.414	533.5
690	24.036	.87500	471.00	.6313-02	.7600-02	.7600-02	.9000	.2215-03	.2667-03	.1704	1.468	533.3
690	24.036	.92500	472.00	.1174-01	.1413-01	.1413-01	.9000	.4119-03	.4959-03	.3167	2.627	533.7
690	24.036	.95000	277.00	.1469-01	.1769-01	.1769-01	.9000	.5155-03	.6208-03	.3959	3.545	534.6
690	24.036	.97500	473.00	.2113-01	.2545-01	.2545-01	.9000	.7415-03	.8932-03	.5685	6.359	535.9

DATE 23 FEB 80

OH84B MODEL 60-0 IN THE AEDC VKF HYPERSONIC TUNNEL

PAGE 1787

OH84B 60-0 UPPER RH WING

(R4U046)

UPPER RH WING

PARAMETRIC DATA

MACH = 8.000 ALPHA = 40.00 BETA = .0000 ELEVON = 5.000
 BOFLAP = .0000 SPDBRK = .0000

TEST CONDITIONS

RUN NUMBER	RN/L /FT X10 6	MACH	ALPHA DEG.	BETA DEG.	PO PSIA	TO DEG. R	T DEG. R	P PSIA	Q PSI	V FT/SEC	RHO SLUGS /FT3	MU LB-SEC /FT2
700	2.995	7.990	40.04	-.6974-02	668.7	1323.	96.07	.6906-01	3.086	3839.	.1940-02	.7731-07

RUN NUMBER	HREF BTU/ R FT2SEC	STN NO REF (R) = .0175
700	.4345-01	.2343-01

TEST DATA

RUN NUMBER	XO MS	2Y/BW	T/C NO	H/HREF R=1.0	H/HREF R=0.9	H/HREF R= TAW/TO	TAW/TO	H(T) BTU/R FT2SEC	H(TAW) BTU/R FT2SEC	QDOT BTU/ FT2SEC	DTWOT DEG. R /SEC	TW DEG. R
700	24.036	.50000	460.00	.4023-02	.4841-02	.4841-02	.9000	.1748-03	.2103-03	.1367	1.090	540.5
700	24.036	.55000	461.00	.6814-02	.8206-02	.8206-02	.9000	.2960-03	.3565-03	.2308	1.687	543.0
700	24.036	.60000	462.00	.1076-01	.1294-01	.1294-01	.9000	.4674-03	.5623-03	.3663	2.821	539.9
700	24.036	.65000	463.00	.1148-01	.1381-01	.1381-01	.9000	.4988-03	.6001-03	.3910	3.011	539.0
700	24.036	.70000	464.00	.1461-01	.1757-01	.1757-01	.9000	.6347-03	.7634-03	.4977	3.706	538.5
700	24.036	.72500	465.00	.1534-01	.1844-01	.1844-01	.9000	.6665-03	.8012-03	.5242	4.043	536.1
700	24.036	.75000	466.00	.1671-01	.2009-01	.2009-01	.9000	.7258-03	.8729-03	.5697	4.715	537.8
700	24.036	.77500	467.00	.1539-01	.1850-01	.1850-01	.9000	.6688-03	.8040-03	.5260	4.903	536.1
700	24.036	.80000	468.00	.1427-01	.1715-01	.1715-01	.9000	.6201-03	.7452-03	.4884	4.554	535.1
700	24.036	.82500	469.00	.1476-01	.1774-01	.1774-01	.9000	.6413-03	.7707-03	.5050	4.709	535.2
700	24.036	.85000	470.00	.1361-01	.1636-01	.1636-01	.9000	.5915-03	.7108-03	.4661	4.173	534.7
700	24.036	.87500	471.00	.1468-01	.1764-01	.1764-01	.9000	.6379-03	.7666-03	.5025	4.326	534.8
700	24.036	.92500	472.00	.4117-01	.4956-01	.4956-01	.9000	.1789-02	.2153-02	1.398	11.95	541.2
700	24.036	.95000	277.00	.6987-01	.8431-01	.8431-01	.9000	.3036-02	.3663-02	2.344	20.82	550.6
700	24.036	.97500	473.00	.1391	.1690	.1690	.9000	.6042-02	.7344-02	4.506	49.37	576.9

OH84B 60-0 UPPER RH WING

(R4U047)

UPPER RH WING

PARAMETRIC DATA

MACH = 8.000 ALPHA = 40.00 BETA = .0000 ELEVON = 5.000
 BDFLAP = 8.000 SPDBRK = .0000

TEST CONDITIONS

RUN NUMBER	RN/L /FT X10 6	MACH	ALPHA DEG.	BETA DEG.	PO PSIA	TO DEG. R	T DEG. R	P PSIA	Q PSI	V FT/SEC	RHO SLUGS /FT3	MU LB-SEC /FT2
684	.5058	7.900	39.94	-.6904-02	101.0	1253.	92.91	.1122-01	.4902	3733.	.3259-03	.7477-07
RUN NUMBER	HREF BTU/ R FT2SEC	STN NO REF (R)										
684	.1715-01	.5685-01										

TEST DATA

RUN NUMBER	XO MS	2Y/BW	T/C NO	H/HREF R=1.0	H/HREF R=0.9	H/HREF R= TAW/TO	TAW/TO	H(TO) BTU/R FT2SEC	H(TAW) BTU/R FT2SEC	QDOT BTU/ FT2SEC	DTWOT DEG. R /SEC	TW DEG. R
684	24.036	.50000	460.00	.1056-02	.1277-02	.1277-02	.9000	.1811-04	.2190-04	.1310-01	.1050	529.4
684	24.036	.55000	461.00	.2414-02	.2923-02	.2923-02	.9000	.4141-04	.5013-04	.2982-01	.2191	532.4
684	24.036	.60000	462.00	.1536-02	.1857-02	.1857-02	.9000	.2636-04	.3185-04	.1913-01	.1483	526.7
684	24.036	.65000	463.00	.7577-03	.9158-03	.9158-03	.9000	.1300-04	.1571-04	.9429-02	.7306-01	527.1
684	24.036	.70000	464.00	.1354-02	.1637-02	.1637-02	.9000	.2323-04	.2808-04	.1685-01	.1262	527.2
684	24.036	.72500	465.00	.2323-02	.2807-02	.2807-02	.9000	.3984-04	.4814-04	.2893-01	.2242	526.5
684	24.036	.75000	466.00	.3394-02	.4104-02	.4104-02	.9000	.5822-04	.7039-04	.4218-01	.3508	528.2
684	24.036	.77500	467.00	.2702-02	.3265-02	.3265-02	.9000	.4635-04	.5600-04	.3367-01	.3153	526.3
684	24.036	.80000	468.00	.2806-02	.3391-02	.3391-02	.9000	.4813-04	.5816-04	.3497-01	.3276	526.1
684	24.036	.82500	469.00	.3220-02	.3892-02	.3892-02	.9000	.5523-04	.6675-04	.4007-01	.3752	527.1
684	24.036	.85000	470.00	.3267-02	.3949-02	.3949-02	.9000	.5604-04	.6774-04	.4064-01	.3652	527.5
684	24.036	.87500	471.00	.2364-02	.2857-02	.2857-02	.9000	.4054-04	.4900-04	.2942-01	.2543	526.9
684	24.036	.92500	472.00	.2268-02	.2740-02	.2740-02	.9000	.3890-04	.4700-04	.2827-01	.2354	526.0
684	24.036	.95000	277.00	.3718-02	.4491-02	.4491-02	.9000	.6377-04	.7704-04	.4639-01	.4173	525.3
684	24.036	.97500	473.00	.8092-02	.9776-02	.9776-02	.9000	.1388-03	.1677-03	.1010	1.136	525.2

DATE 23 FEB 80

OHS4B MODEL 60-0 IN THE AEDC VKF HYPERSONIC TUNNEL

PAGE 1789

OHS4B 60-0 UPPER RH WING

(R4U047)

UPPER RH WING

PARAMETRIC DATA

MACH = 8.000 ALPHA = 40.00 BETA = .0000 ELEVON = 5.000
 BDFLAP = 8.000 SPDBRK = .0000

TEST CONDITIONS

RUN NUMBER	RN/L /FT X10 6	MACH	ALPHA DEG.	BETA DEG.	PO PSIA	TO DEG. R	T DEG. R	P PSIA	Q PSI	V FT/SEC	RHO SLUGS /FT3	MU LB-SEC /FT2
670	1.020	7.940	39.97	-.1039-01	207.6	1258.	92.42	.2233-01	.9854	3742.	.6521-03	.7437-07

RUN NUMBER	HREF BTU/ R FT2SEC	STN NO REF(R) = .0175
670	.2434-01	.4021-01

TEST DATA

RUN NUMBER	XO MS	2Y/BW	T/C NO	H/HREF R=1.0	H/HREF R=0.9	H/HREF R= TAW/TO	TAW/TO	H(TO) BTU/R FT2SEC	H(TAW) BTU/R FT2SEC	QDOT BTU/ FT2SEC	DTWOT DEG. R /SEC	TW DEG. R
670	24.036	.50000	460.00	.1327-02	.1605-02	.1605-02	.9000	.3231-04	.3906-04	.2351-01	.1884	530.0
670	24.036	.55000	461.00	.1824-02	.2207-02	.2207-02	.9000	.4438-04	.5371-04	.3216-01	.2362	533.1
670	24.036	.60000	462.00	.9952-03	.1202-02	.1202-02	.9000	.2422-04	.2925-04	.1770-01	.1372	526.8
670	24.036	.65000	463.00	.4879-03	.5892-03	.5892-03	.9000	.1187-04	.1434-04	.8680-02	.6727-01	526.6
670	24.036	.70000	464.00	.1459-02	.1762-02	.1762-02	.9000	.3552-04	.4289-04	.2597-01	.1946	526.4
670	24.036	.72500	465.00	.2732-02	.3299-02	.3299-02	.9000	.6650-04	.8030-04	.4867-01	.3774	525.7
670	24.036	.75000	466.00	.4147-02	.5010-02	.5010-02	.9000	.1009-03	.1219-03	.7366-01	.6128	527.8
670	24.036	.77500	467.00	.3896-02	.4704-02	.4704-02	.9000	.9482-04	.1145-03	.6941-01	.6504	525.6
670	24.036	.80000	468.00	.3585-02	.4327-02	.4327-02	.9000	.8724-04	.1053-03	.6391-01	.5990	525.1
670	24.036	.82500	469.00	.3582-02	.4325-02	.4325-02	.9000	.8718-04	.1053-03	.6382-01	.5979	525.7
670	24.036	.85000	470.00	.2338-02	.2823-02	.2823-02	.9000	.5690-04	.6870-04	.4167-01	.3749	525.3
670	24.036	.87500	471.00	.2035-02	.2456-02	.2456-02	.9000	.4952-04	.5978-04	.3630-01	.3141	524.7
670	24.036	.92500	472.00	.3851-02	.4648-02	.4648-02	.9000	.9372-04	.1131-03	.6874-01	.5729	524.3
670	24.036	.95000	277.00	.8113-02	.9793-02	.9793-02	.9000	.1974-03	.2383-03	.1447	1.302	524.8
670	24.036	.97500	473.00	.9141-02	.1103-01	.1103-01	.9000	.2225-03	.2685-03	.1632	1.837	524.0

DATE 23 FEB 80

OH84B MODEL 60-0 IN THE AEDC VKF HYPERSONIC TUNNEL

PAGE 1790

OH84B 60-0 UPPER RH WING

(R4U047)

UPPER RH WING

PARAMETRIC DATA

MACH = 8.000 ALPHA = 40.00 BETA = .0000 ELEVON = 5.000
 BDFLAP = 8.000 SPDBRK = .0000

TEST CONDITIONS

RUN NUMBER	RN/L /FT X10 6	MACH	ALPHA DEG.	BETA DEG.	PO PSIA	TO DEG. R	T DEG. R	P PSIA	Q PSI	V FT/SEC	RHO SLUGS /FT3	MU LB-SEC /FT2
686	1.998	7.980	39.98	- .6934-02	434.7	1303.	94.84	.4525-01	2.017	3810.	.1288-02	.7631-07
RUN NUMBER	HREF BTU/ R FT2SEC	STN NO REF (R)										
686	.3503-01	.2872-01										

TEST DATA

RUN NUMBER	XO MS	2Y/BW	T/C NO	H/HREF R=1.0	H/HREF R=0.9	H/HREF R= TAW/TO	TAW/TO	H(TO) BTU/R FT2SEC	H(TAW) BTU/R FT2SEC	QDOT BTU/ FT2SEC	DTWDT DEG. R /SEC	TW DEG. R
686	24.036	.50000	460.00	.8902-03	.1071-02	.1071-02	.9000	.3119-04	.3752-04	.2406-01	.1926	531.3
686	24.036	.55000	461.00	.2147-02	.2586-02	.2586-02	.9000	.7523-04	.9059-04	.5778-01	.4241	534.5
686	24.036	.60000	462.00	.5741-02	.6905-02	.6905-02	.9000	.2011-03	.2419-03	.1554	1.202	530.2
686	24.036	.65000	463.00	.5205-02	.6261-02	.6261-02	.9000	.1824-03	.2193-03	.1409	1.090	530.1
686	24.036	.70000	464.00	.6330-02	.7615-02	.7615-02	.9000	.2217-03	.2668-03	.1712	1.280	530.7
686	24.036	.72500	465.00	.6543-02	.7869-02	.7869-02	.9000	.2292-03	.2757-03	.1772	1.371	529.6
686	24.036	.75000	466.00	.6836-02	.8226-02	.8226-02	.9000	.2395-03	.2882-03	.1847	1.534	531.4
686	24.036	.77500	467.00	.6357-02	.7644-02	.7644-02	.9000	.2227-03	.2678-03	.1723	1.611	529.1
686	24.036	.80000	468.00	.6294-02	.7567-02	.7567-02	.9000	.2205-03	.2651-03	.1707	1.597	528.5
686	24.036	.82500	469.00	.6291-02	.7565-02	.7565-02	.9000	.2204-03	.2650-03	.1705	1.595	529.1
686	24.036	.85000	470.00	.6295-02	.7570-02	.7570-02	.9000	.2205-03	.2652-03	.1705	1.531	529.4
686	24.036	.87500	471.00	.8185-02	.9843-02	.9843-02	.9000	.2867-03	.3448-03	.2217	1.913	529.6
686	24.036	.92500	472.00	.2830-01	.3409-01	.3409-01	.9000	.9914-03	.1194-02	.7604	6.300	535.7
686	24.036	.95000	277.00	.3362-01	.4058-01	.4058-01	.9000	.1178-02	.1422-02	.8949	7.979	542.9
686	24.036	.97500	473.00	.4339-01	.5239-01	.5239-01	.9000	.1520-02	.1835-02	1.153	12.84	544.3

DATE 23 FEB 80

OHS4B MODEL 60-0 IN THE AEDC VKF HYPERSONIC TUNNEL

PAGE 1791

OHS4B 60-0 UPPER RH WING

(R4U047)

UPPER RH WING

PARAMETRIC DATA

MACH = 8.000 ALPHA = 40.00 BETA = .0000 ELEVON = 5.000
 BDFLAP = 8.000 SPDBRK = .0000

TEST CONDITIONS

RUN NUMBER	RN/L /FT X10 6	MACH	ALPHA DEG.	BETA DEG.	PO PSIA	TO DEG. R	T DEG. R	P PSIA	Q PSI	V FT/SEC	RHO SLUGS /FT3	MU LB-SEC /FT2
704	2.994	7.990	40.01	-.6953-02	669.4	1324.	96.14	.6913-01	3.089	3841.	.1941-02	.7736-07
RUN NUMBER	HREF BTU/ R FT2SEC	STN NO REF(R) *.0175										
704	.4348-01	.2343-01										

TEST DATA

RUN NUMBER	XO MS	ZY/BW	T/C NO	H/HREF R=1.0	H/HREF R=0.9	H/HREF R= TAW/TO	TAW/TO	H(TO) BTU/R FT2SEC	H(TAW) BTU/R FT2SEC	QDOT BTU/ FT2SEC	DTWDT DEG. R /SEC	TH DEG. R
704	24.036	.50000	460.00	.3445-02	.4142-02	.4142-02	.9000	.1498-03	.1801-03	.1178	.9402	537.4
704	24.036	.55000	461.00	.6534-02	.7861-02	.7861-02	.9000	.2841-03	.3418-03	.2227	1.630	539.7
704	24.036	.60000	462.00	.9444-02	.1135-01	.1135-01	.9000	.4106-03	.4934-03	.3238	2.499	535.1
704	24.036	.65000	463.00	.9854-02	.1184-01	.1184-01	.9000	.4284-03	.5148-03	.3380	2.609	534.7
704	24.036	.70000	464.00	.1293-01	.1553-01	.1553-01	.9000	.5620-03	.6753-03	.4435	3.309	534.6
704	24.036	.72500	465.00	.1274-01	.1531-01	.1531-01	.9000	.5541-03	.6654-03	.4382	3.386	532.7
704	24.036	.75000	466.00	.1134-01	.1362-01	.1362-01	.9000	.4929-03	.5921-03	.3894	3.230	533.7
704	24.036	.77500	467.00	.1033-01	.1241-01	.1241-01	.9000	.4493-03	.5393-03	.3560	3.327	531.1
704	24.036	.80000	468.00	.9480-02	.1138-01	.1138-01	.9000	.4122-03	.4947-03	.3271	3.058	530.1
704	24.036	.82500	469.00	.9225-02	.1107-01	.1107-01	.9000	.4010-03	.4814-03	.3181	2.973	530.5
704	24.036	.85000	470.00	.8542-02	.1025-01	.1025-01	.9000	.3714-03	.4457-03	.2948	2.646	529.9
704	24.036	.87500	471.00	.1117-01	.1341-01	.1341-01	.9000	.4857-03	.5830-03	.3854	3.325	530.3
704	24.036	.92500	472.00	.3196-01	.3841-01	.3841-01	.9000	.1389-02	.1670-02	1.095	9.069	536.9
704	24.036	.95000	277.00	.6590-01	.7946-01	.7946-01	.9000	.2865-02	.3454-02	2.222	19.75	548.2
704	24.036	.97500	473.00	.9144-01	.1106	.1106	.9000	.3975-02	.4809-02	3.037	33.56	559.8

DATE 23 FEB 80

OH84B MODEL 60-0 IN THE AEDC VKF HYPERSONIC TUNNEL

PAGE 1792

OH84B 60-0 UPPER RH WING

(R4U048)

UPPER RH WING

PARAMETRIC DATA

MACH = 8.000 ALPHA = 40.00 BETA = .0000 ELEVON = 5.000
 BDFLAP = 15.00 SPDBRK = .0000

TEST CONDITIONS

RUN NUMBER	RN/L /FT X10 6	MACH	ALPHA DEG.	BETA DEG.	PO PSIA	TO DEG. R	T DEG. R	P PSIA	Q PSI	V FT/SEC	RHO SLUGS /FT3	MU LB-SEC /FT2
676	.5094	7.900	39.93	-.6898-02	101.6	1252.	92.84	.1129-01	.4931	3732.	.3281-03	.7471-07
RUN NUMBER	HREF BTU/ R FT2SEC	STN NO REF (R)										
676	.1720-01	.5666-01										

TEST DATA

RUN NUMBER	XO MS	2Y/BW	T/C NO	H/HREF R=1.0	H/HREF R=0.9	H/HREF R= TAW/TO	TAW/TO	H(TO) BTU/R FT2SEC	H(TAW) BTU/R FT2SEC	QOOT BTU/ FT2SEC	DTWOT DEG. R /SEC	TW DEG. R
676	24.036	.50000	460.00	.1029-02	.1245-02	.1245-02	.9000	.1770-04	.2141-04	.1278-01	.1025	529.4
676	24.036	.55000	461.00	.1006-02	.1218-02	.1218-02	.9000	.1730-04	.2095-04	.1244-01	.9141-01	532.6
676	24.036	.60000	462.00	.1434-02	.1733-02	.1733-02	.9000	.2466-04	.2981-04	.1786-01	.1384	527.4
676	24.036	.65000	463.00	.9002-03	.9676-03	.9676-03	.9000	.1376-04	.1664-04	.9956-02	.7710-01	528.3
676	24.036	.70000	464.00	.1879-02	.2273-02	.2273-02	.9000	.3233-04	.3910-04	.2336-01	.1748	529.0
676	24.036	.72500	465.00	.2689-02	.3252-02	.3252-02	.9000	.4625-04	.5594-04	.3344-01	.2589	528.7
676	24.036	.75000	466.00	.3306-02	.4001-02	.4001-02	.9000	.5687-04	.6883-04	.4100-01	.3406	530.8
676	24.036	.77500	467.00	.2785-02	.3369-02	.3369-02	.9000	.4791-04	.5795-04	.3463-01	.3239	528.9
676	24.036	.80000	468.00	.2852-02	.3450-02	.3450-02	.9000	.4906-04	.5934-04	.3546-01	.3316	529.0
676	24.036	.82500	469.00	.2727-02	.3299-02	.3299-02	.9000	.4691-04	.5675-04	.3384-01	.3163	530.2
676	24.036	.85000	470.00	.2706-02	.3274-02	.3274-02	.9000	.4654-04	.5633-04	.3354-01	.3008	531.1
676	24.036	.87500	471.00	.2106-02	.2549-02	.2549-02	.9000	.3623-04	.4384-04	.2613-01	.2254	530.6
676	24.036	.92500	472.00	.6168-02	.7464-02	.7464-02	.9000	.1061-03	.1284-03	.7649-01	.6354	530.7
676	24.036	.95000	277.00	.1038-01	.1256-01	.1256-01	.9000	.1785-03	.2160-03	.1287	1.155	530.5
676	24.036	.97500	473.00	.1839-01	.2226-01	.2226-01	.9000	.3163-03	.3829-03	.2278	2.553	531.6

OH84B 60-0 UPPER RH WING

(R4008)

UPPER RH WING

PARAMETRIC DATA

MACH = 8.000 ALPHA = 40.00 BETA = .0000 ELEVON = 5.000
 BDFLAP = 15.00 SPDBRK = .0000

TEST CONDITIONS

RUN NUMBER	RN/L /FT X10 6	MACH	ALPHA DEG.	BETA DEG.	PO PSIA	TO DEG. R	T DEG. R	P PSIA	Q PSI	V FT/SEC	RHO SLUGS /FT3	MU LB-SEC /FT2
674	1.007	7.940	39.97	-.1039-01	206.5	1264.	92.86	.2221-01	.9801	3751.	.6456-03	.7472-07
RUN NUMBER	HREF BTU/ R FT2SEC	STN NO REF (R)										
674	.2429-01	.4043-01										

TEST DATA

RUN NUMBER	XO MS	2Y/BW	T/C NO	H/HREF R=1.0	H/HREF R=0.9	H/HREF R= TAW/TO	TAW/TO	H(TO) BTU/R FT2SEC	H(TAW) BTU/R FT2SEC	QDOT BTU/ FT2SEC	DTWDT DEG. R /SEC	TW DEG. R
674	24.036	.50000	460.00	.1172-02	.1415-02	.1415-02	.9000	.2847-04	.3438-04	.2090-01	.1676	529.3
674	24.036	.55000	461.00	.1790-02	.2164-02	.2164-02	.9000	.4349-04	.5257-04	.3183-01	.2340	531.8
674	24.036	.60000	462.00	.9223-03	.1113-02	.1113-02	.9000	.2241-04	.2704-04	.1652-01	.1281	526.3
674	24.036	.65000	463.00	.8604-03	.1038-02	.1038-02	.9000	.2090-04	.2523-04	.1541-01	.1194	526.5
674	24.036	.70000	464.00	.1650-02	.1992-02	.1992-02	.9000	.4008-04	.4838-04	.2955-01	.2214	526.5
674	24.036	.72500	465.00	.2882-02	.3477-02	.3477-02	.9000	.7000-04	.8447-04	.5164-01	.4004	526.0
674	24.036	.75000	466.00	.3790-02	.4576-02	.4576-02	.9000	.9207-04	.1112-03	.6775-01	.5637	527.8
674	24.036	.77500	467.00	.3252-02	.3924-02	.3924-02	.9000	.7899-04	.9531-04	.5829-01	.5461	525.8
674	24.036	.80000	468.00	.3286-02	.3965-02	.3965-02	.9000	.7983-04	.9632-04	.5894-01	.5523	525.4
674	24.036	.82500	469.00	.3501-02	.4226-02	.4226-02	.9000	.8505-04	.1026-03	.6271-01	.5874	526.4
674	24.036	.85000	470.00	.2596-02	.3133-02	.3133-02	.9000	.6306-04	.7611-04	.4650-01	.4181	526.3
674	24.036	.87500	471.00	.2418-02	.2918-02	.2918-02	.9000	.5874-04	.7087-04	.4334-01	.3749	525.7
674	24.036	.92500	472.00	.6171-02	.7446-02	.7446-02	.9000	.1499-03	.1809-03	.1106	.9216	525.6
674	24.036	.95000	277.00	.1198-01	.1446-01	.1446-01	.9000	.2910-03	.3512-03	.2147	1.930	526.1
674	24.036	.97500	473.00	.1734-01	.2093-01	.2093-01	.9000	.4213-03	.5085-03	.3105	3.489	526.8

OH84B 60-0 UPPER RH WING

(R4U048)

UPPER RH WING

PARAMETRIC DATA

MACH = 8.000 ALPHA = 40.00 BETA = .0000 ELEVON = 5.000
 BDFLAP = 15.00 SPDBRK = .0000

TEST CONDITIONS

RUN NUMBER	RN/L /FT X10 6	MACH	ALPHA DEG.	BETA DEG.	PO PSIA	TO DEG. R	T DEG. R	P PSIA	Q PSI	V FT/SEC	RHO SLUGS /FT3	MU LB-SEC /FT2
692	2.004	7.980	40.00	-.6947-02	436.0	1303.	94.84	.4539-01	2.023	3810.	.1292-02	.7631-07

RUN NUMBER	HREF BTU/ R FT2SEC	STN NO REF(R) =.0175
692	.3509-01	.2867-01

TEST DATA

RUN NUMBER	XO MS	2Y/BW	T/C NO	H/HREF R=1.0	H/HREF R=0.9	H/HREF R= TAW/TO	TAW/TO	H(TO) BTU/R FT2SEC	H(TAW) BTU/R FT2SEC	QDOT BTU/ FT2SEC	DTWDT DEG. R /SEC	TW DEG. R
692	24.036	.50000	460.00	.1294-02	.1558-02	.1558-02	.9000	.4539-04	.5465-04	.3487-01	.2788	534.4
692	24.036	.55000	461.00	.2965-02	.3573-02	.3573-02	.9000	.1040-03	.1254-03	.7964-01	.5837	537.2
692	24.036	.60000	462.00	.6384-02	.7685-02	.7685-02	.9000	.2240-03	.2696-03	.1724	1.331	533.1
692	24.036	.65000	463.00	.5471-02	.6585-02	.6585-02	.9000	.1920-03	.2310-03	.1478	1.142	532.6
692	24.036	.70000	464.00	.8282-02	.9969-02	.9969-02	.9000	.2906-03	.3498-03	.2237	1.671	532.8
692	24.036	.72500	465.00	.7321-02	.8809-02	.8809-02	.9000	.2569-03	.3091-03	.1981	1.532	531.3
692	24.036	.75000	466.00	.8442-02	.1016-01	.1016-01	.9000	.2962-03	.3565-03	.2280	1.892	532.8
692	24.036	.77500	467.00	.7679-02	.9238-02	.9238-02	.9000	.2694-03	.3241-03	.2079	1.943	530.9
692	24.036	.80000	468.00	.7691-02	.9252-02	.9252-02	.9000	.2698-03	.3246-03	.2084	1.947	530.6
692	24.036	.82500	469.00	.7478-02	.8997-02	.8997-02	.9000	.2624-03	.3157-03	.2025	1.892	530.9
692	24.036	.85000	470.00	.6487-02	.7803-02	.7803-02	.9000	.2276-03	.2738-03	.1757	1.577	530.6
692	24.036	.87500	471.00	.7498-02	.9020-02	.9020-02	.9000	.2631-03	.3165-03	.2030	1.752	530.8
692	24.036	.92500	472.00	.1177-01	.1416-01	.1416-01	.9000	.4130-03	.4968-03	.3188	2.649	530.6
692	24.036	.95000	277.00	.1688-01	.2031-01	.2031-01	.9000	.5923-03	.7127-03	.4566	4.094	531.8
692	24.036	.97500	473.00	.2581-01	.3110-01	.3110-01	.9000	.9054-03	.1091-02	.6931	7.748	537.1

OH84B 60-0 UPPER RH WING

(R4U048)

UPPER RH WING

PARAMETRIC DATA

MACH = 8.000 ALPHA = 40.00 BETA = .0000 ELEVON = 5.000
 BDFLAP = 15.00 SPOBRK = .0000

TEST CONDITIONS

RUN NUMBER	RN/L /FT X10 6	MACH	ALPHA DEG.	BETA DEG.	PO PSIA	TO DEG. R	T DEG. R	P PSIA	Q PSI	V FT/SEC	RHO SLUGS /FT3	MU LB-SEC /FT2
698	2.999	7.990	40.02	-.6958-02	669.0	1322.	96.00	.6909-01	3.087	3838.	.1942-02	.7725-07
RUN NUMBER	HREF BTU/ R FT2SEC	STN NO REF (R)										
698	.4345-01	.2342-01										

TEST DATA

RUN NUMBER	XO MS	2Y/BW	T/C NO	H/HREF R=1.0	H/HREF R=0.9	H/HREF R= TAW/TO	TAW/TO	H(TO) BTU/R FT2SEC	H(TAW) BTU/R FT2SEC	QDOT BTU/ FT2SEC	DTWDT DEG. R /SEC	TW DEG. R
698	24.036	.50000	460.00	.3457-02	.4158-02	.4158-02	.9000	.1502-03	.1807-03	.1176	.9385	538.5
698	24.036	.55000	461.00	.6067-02	.7304-02	.7304-02	.9000	.2636-03	.3174-03	.2058	1.506	541.0
698	24.036	.60000	462.00	.9593-02	.1154-01	.1154-01	.9000	.4168-03	.5012-03	.3272	2.523	536.7
698	24.036	.65000	463.00	.1003-01	.1206-01	.1206-01	.9000	.4356-03	.5238-03	.3420	2.637	536.6
698	24.036	.70000	464.00	.1207-01	.1452-01	.1452-01	.9000	.5246-03	.6307-03	.4120	3.071	536.3
698	24.036	.72500	465.00	.1736-01	.2087-01	.2087-01	.9000	.7544-03	.9068-03	.5930	4.575	535.5
698	24.036	.75000	466.00	.2071-01	.2491-01	.2491-01	.9000	.9001-03	.1083-02	.7057	5.841	537.7
698	24.036	.77500	467.00	.1922-01	.2310-01	.2310-01	.9000	.8350-03	.1004-02	.6561	6.116	535.9
698	24.036	.80000	468.00	.1884-01	.2264-01	.2264-01	.9000	.8186-03	.9838-03	.6440	6.006	534.9
698	24.036	.82500	469.00	.1771-01	.2129-01	.2129-01	.9000	.7696-03	.9249-03	.6055	5.647	534.8
698	24.036	.85000	470.00	.9466-02	.1137-01	.1137-01	.9000	.4113-03	.4940-03	.3247	2.911	532.3
698	24.036	.87500	471.00	.7292-02	.8757-02	.8757-02	.9000	.3169-03	.3805-03	.2504	2.159	531.5
698	24.036	.92500	472.00	.3155-01	.3795-01	.3795-01	.9000	.1371-02	.1649-02	1.075	8.902	537.4
698	24.036	.95000	277.00	.3225-01	.3885-01	.3885-01	.9000	.1401-02	.1688-02	1.090	9.718	543.6
698	24.036	.97500	473.00	.5885-01	.7098-01	.7098-01	.9000	.2557-02	.3084-02	1.979	22.00	547.8

OH84B 60-0 UPPER RH WING

(R4U049)

UPPER RH WING

PARAMETRIC DATA

MACH = 8.000 ALPHA = 40.00 BETA = .0000 ELEVON = 5.000
 BDFLAP = 23.50 SPDBRK = .0000

TEST CONDITIONS

RUN NUMBER	RN/L /FT X10 6	MACH	ALPHA DEG.	BETA DEG.	PO PSIA	TO DEG. R	T DEG. R	P PSIA	Q PSI	V FT/SEC	RHO SLUGS /FT3	MU LB-SEC /FT2
678	.5076	7.900	39.96	-.1038-01	101.4	1254.	92.99	.1127-01	.4925	3735.	.3272-03	.7483-07

RUN NUMBER	HREF BTU/ R FT2SEC	STN NO REF(R) =.0175
678	.1720-01	.5675-01

TEST DATA

RUN NUMBER	XO MS	2Y/BW	T/C NO	H/HREF R=1.0	H/HREF R=0.9	H/HREF R= TAW/TO	TAW/TO	H(TO) BTU/R FT2SEC	H(TAW) BTU/R FT2SEC	QDOT BTU/ FT2SEC	DTWDT DEG. R /SEC	TW DEG. R
678	24.036	.50000	460.00	.1214-02	.1468-02	.1468-02	.9000	.2087-04	.2525-04	.1507-01	.1207	531.5
678	24.036	.55000	461.00	.5258-03	.6368-03	.6368-03	.9000	.9041-05	.1095-04	.6499-02	.4769-01	534.8
678	24.036	.60000	462.00	.1256-02	.1519-02	.1519-02	.9000	.2160-04	.2612-04	.1565-01	.1211	529.2
678	24.036	.65000	463.00	.6694-03	.8096-03	.8096-03	.9000	.1151-04	.1392-04	.8333-02	.6448-01	529.7
678	24.036	.70000	464.00	.1637-02	.1980-02	.1980-02	.9000	.2815-04	.3405-04	.2037-01	.1524	530.0
678	24.036	.72500	465.00	.2420-02	.2927-02	.2927-02	.9000	.4162-04	.5034-04	.3014-01	.2333	529.5
678	24.036	.75000	466.00	.3370-02	.4077-02	.4077-02	.9000	.5794-04	.7011-04	.4185-01	.3475	531.5
678	24.036	.77500	467.00	.2607-02	.3153-02	.3153-02	.9000	.4484-04	.5422-04	.3248-01	.3037	529.3
678	24.036	.80000	468.00	.2527-02	.3056-02	.3056-02	.9000	.4345-04	.5254-04	.3148-01	.2944	529.2
678	24.036	.82500	469.00	.2748-02	.3324-02	.3324-02	.9000	.4726-04	.5716-04	.3420-01	.3197	530.1
678	24.036	.85000	470.00	.2711-02	.3280-02	.3280-02	.9000	.4662-04	.5640-04	.3371-01	.3025	530.6
678	24.036	.87500	471.00	.2434-02	.2944-02	.2944-02	.9000	.4185-04	.5062-04	.3029-01	.2614	530.0
678	24.036	.92500	472.00	.7639-02	.9241-02	.9241-02	.9000	.1314-03	.1589-03	.9501-01	.7894	530.4
678	24.036	.95000	277.00	.9955-02	.1204-01	.1204-01	.9000	.1712-03	.2070-03	.1240	1.114	529.2
678	24.036	.97500	473.00	.1963-01	.2375-01	.2375-01	.9000	.3375-03	.4084-03	.2438	2.733	531.4

OH84B 60-0 UPPER RH WING

(R4U049)

UPPER RH WING

PARAMETRIC DATA

MACH = 8.000 ALPHA = 40.00 BETA = .0000 ELEVON = 5.000
 BDFLAP = 23.50 SPOBRK = .0000

TEST CONDITIONS

RUN NUMBER	RN/L /FT X10 6	MACH	ALPHA DEG.	BETA DEG.	PJ PSIA	TO DEG. R	T DEG. R	P PSIA	Q PSI	V FT/SEC	RHO SLUGS /FT3	MU LB-SEC /FT2
672	1.016	7.940	39.97	-.6925-02	206.9	1258.	92.42	.2225-01	.9821	3742.	.6499-03	.7437-07
RUN NUMBER	HREF BTU/ R .2430-01	STN NO REF(R) =.0175 .4028-01										
672	.2430-01	.4028-01										

TEST DATA

RUN NUMBER	XO MS	2Y/BW	T/C NO	H/HREF R=1.0	H/HREF R=0.9	H/HREF R= TAW/TO	TAW/TO	H(TO) BTU/R FT2SEC	H(TAW) BTU/R FT2SEC	QDOT BTU/ FT2SEC	DTWOT DEG. R /SEC	TW DEG. R
672	24.036	.50000	460.00	.9241-03	.1117-02	.1117-02	.9000	.2245-04	.2714-04	.1636-01	.1312	528.9
672	24.036	.55000	461.00	.1416-02	.1712-02	.1712-02	.9000	.3440-04	.4160-04	.2499-01	.1838	531.1
672	24.036	.60000	462.00	.9075-03	.1096-02	.1096-02	.9000	.2205-04	.2662-04	.1614-01	.1252	525.4
672	24.036	.65000	463.00	.8691-03	.1049-02	.1049-02	.9000	.2112-04	.2549-04	.1546-01	.1199	525.4
672	24.036	.70000	464.00	.1805-02	.2180-02	.2180-02	.9000	.4386-04	.5295-04	.3213-01	.2409	525.2
672	24.036	.72500	465.00	.2887-02	.3484-02	.3484-02	.9000	.7014-04	.8466-04	.5142-01	.3990	524.5
672	24.036	.75000	466.00	.3900-02	.4710-02	.4710-02	.9000	.9476-04	.1144-03	.6931-01	.5770	526.3
672	24.036	.77500	467.00	.3323-02	.4010-02	.4010-02	.9000	.8073-04	.9743-04	.5922-01	.5553	524.1
672	24.036	.80000	468.00	.3400-02	.4103-02	.4103-02	.9000	.8260-04	.9969-04	.6063-01	.5687	523.7
672	24.036	.82500	469.00	.3521-02	.4249-02	.4249-02	.9000	.8553-04	.1032-03	.6271-01	.5879	524.5
672	24.036	.85000	470.00	.2598-02	.3136-02	.3136-02	.9000	.6313-04	.7620-04	.4629-01	.4166	524.5
672	24.036	.87500	471.00	.2259-02	.2726-02	.2726-02	.9000	.5488-04	.6624-04	.4027-01	.3486	523.9
672	24.036	.92500	472.00	.5139-02	.6202-02	.6202-02	.9000	.1249-03	.1507-03	.9166-01	.7642	523.6
672	24.036	.95000	277.00	.7346-02	.8864-02	.8864-02	.9000	.1785-03	.2154-03	.1311	1.180	523.3
672	24.036	.97500	473.00	.1036-01	.1250-01	.1250-01	.9000	.2516-03	.3036-03	.1847	2.079	523.5

OH84B 60-0 UPPER RH WING

(R4U049)

UPPER RH WING

PARAMETRIC DATA

MACH = 8.000 ALPHA = 40.00 BETA = .0000 ELEVON = 5.000
 BDFLAP = 23.50 SPDBRK = .0000

TEST CONDITIONS

RUN NUMBER	RN/L /FT X10 6	MACH	ALPHA DEG.	BETA DEG.	PO PSIA	TO DEG. R	T DEG. R	P PSIA	Q PSI	V FT/SEC	RHO SLUGS /FT3	MU LB-SEC /FT2
694	1.988	7.980	39.99	-.6937-02	433.4	1305.	94.98	.4512-01	2.011	3813.	.1282-02	.7643-07
RUN NUMBER	HREF BTU/ R FT2SEC	STN NO REF (R) = .0175										
694	.3499-01	.2879-01										

TEST DATA

RUN NUMBER	XO MS	2Y/BW	T/C NO	H/HREF R=1.0	H/HREF R=0.9	H/HREF R= TAW/TO	TAW/TO	H(TO) BTU/R FT2SEC	H(TAW) BTU/R FT2SEC	QDOT BTU/ FT2SEC	DTWDT DEG. R /SEC	TW DEG. R
694	24.036	.50000	460.00	.1115-02	.1341-02	.1341-02	.9000	.3901-04	.4691-04	.3020-01	.2419	530.5
694	24.036	.55000	461.00	.3161-02	.3804-02	.3804-02	.9000	.1106-03	.1331-03	.8537-01	.6272	532.7
694	24.036	.60000	462.00	.5711-02	.6866-02	.6866-02	.9000	.1998-03	.2402-03	.1551	1.201	528.7
694	24.036	.65000	463.00	.6493-02	.7806-02	.7806-02	.9000	.2272-03	.2731-03	.1763	1.365	528.8
694	24.036	.70000	464.00	.6439-02	.7740-02	.7740-02	.9000	.2253-03	.2708-03	.1749	1.310	528.2
694	24.036	.72500	465.00	.7366-02	.8851-02	.8851-02	.9000	.2577-03	.3097-03	.2004	1.553	527.2
694	24.036	.75000	466.00	.8797-02	.1057-01	.1057-01	.9000	.3078-03	.3700-03	.2389	1.987	528.5
694	24.036	.77500	467.00	.7821-02	.9396-02	.9396-02	.9000	.2736-03	.3288-03	.2129	1.994	526.6
694	24.036	.80000	468.00	.7598-02	.9128-02	.9128-02	.9000	.2658-03	.3194-03	.2069	1.939	526.2
694	24.036	.82500	469.00	.8081-02	.9710-02	.9710-02	.9000	.2828-03	.3397-03	.2199	2.060	526.8
694	24.036	.85000	470.00	.6331-02	.7606-02	.7606-02	.9000	.2215-03	.2661-03	.1724	1.551	526.3
694	24.036	.87500	471.00	.7410-02	.8903-02	.8903-02	.9000	.2593-03	.3115-03	.2017	1.744	526.6
694	24.036	.92500	472.00	.1893-01	.2276-01	.2276-01	.9000	.6624-03	.7965-03	.5130	4.263	530.2
694	24.036	.95000	277.00	.1724-01	.2072-01	.2072-01	.9000	.6033-03	.7251-03	.4683	4.206	528.5
694	24.036	.97500	473.00	.2017-01	.2425-01	.2425-01	.9000	.7056-03	.8485-03	.5465	6.131	530.1

DATE 23 FEB 80

OH84B MODEL 60-0 IN THE AEDC VKF HYPERSONIC TUNNEL

PAGE 1799

OH84B 60-0 UPPER RH WING

(R4U049)

UPPER RH WING

PARAMETRIC DATA

MACH = 8.000 ALPHA = 40.00 BETA = .0000 ELEVON = 5.000
 BDFLAP = 23.50 SPDBRK = .0000

TEST CONDITIONS

RUN NUMBER	RN/L /FT X10 6	MACH	ALPHA DEG.	BETA DEG.	PO PSIA	TO DEG. R	T DEG. R	P PSIA	Q PSI	V FT/SEC	RHO SLUGS /FT3	MU LB-SEC /FT2
696	3.000	7.990	40.03	-.6964-02	669.2	1322.	96.00	.6911-01	3.088	3838.	.1943-02	.7725-07

RUN NUMBER	HREF BTU/ R FT2SEC	STN NO REF(R) =.0175
696	.4346-01	.2341-01

TEST DATA

RUN NUMBER	XO MS	2Y/BW	T/C NO	H/HREF R=1.0	H/HREF R=0.9	H/HREF R= TAW/TO	TAW/TO	H(TO) BTU/R FT2SEC	H(TAW) BTU/R FT2SEC	QDOT BTU/ FT2SEC	DTWDT DEG. R /SEC	TW DEG. R
696	24.036	.50000	460.00	.3763-02	.4529-02	.4529-02	.9000	.1635-03	.1968-03	.1278	1.019	540.0
696	24.036	.55000	461.00	.6522-02	.7855-02	.7855-02	.9000	.2834-03	.3413-03	.2207	1.613	542.8
696	24.036	.60000	462.00	.1060-01	.1276-01	.1276-01	.9000	.4607-03	.5543-03	.3604	2.775	539.4
696	24.036	.65000	463.00	.1015-01	.1222-01	.1222-01	.9000	.4412-03	.5309-03	.3451	2.657	539.5
696	24.036	.70000	464.00	.1161-01	.1398-01	.1398-01	.9000	.5047-03	.6074-03	.3945	2.936	540.0
696	24.036	.72500	465.00	.1445-01	.1738-01	.1738-01	.9000	.6277-03	.7552-03	.4916	3.787	538.5
696	24.036	.75000	466.00	.1765-01	.2125-01	.2125-01	.9000	.7670-03	.9233-03	.5987	4.948	541.0
696	24.036	.77500	467.00	.1632-01	.1964-01	.1964-01	.9000	.7093-03	.8533-03	.5556	5.172	538.4
696	24.036	.80000	468.00	.1559-01	.1875-01	.1875-01	.9000	.6776-03	.8149-03	.5314	4.950	537.4
696	24.036	.82500	469.00	.1422-01	.1711-01	.1711-01	.9000	.6181-03	.7434-03	.4847	4.514	537.5
696	24.036	.85000	470.00	.1104-01	.1328-01	.1328-01	.9000	.4798-03	.5771-03	.3762	3.363	537.7
696	24.036	.87500	471.00	.1284-01	.1544-01	.1544-01	.9000	.5579-03	.6711-03	.4370	3.755	538.4
696	24.036	.92500	472.00	.4877-01	.5884-01	.5884-01	.9000	.2120-02	.2557-02	1.638	13.48	549.1
696	24.036	.95000	277.00	.6968-01	.8422-01	.8422-01	.9000	.3028-02	.3660-02	2.317	20.52	556.3
696	24.036	.97500	473.00	.1071	.1302	.1302	.9000	.4654-02	.5658-02	3.465	37.96	577.1

OH84B 60-0 UPPER RH WING

(R4U050)

UPPER RH WING

PARAMETRIC DATA

MACH = 8.000 ALPHA = 40.00 BETA = .0000 ELEVON = 7.500
 BDFLAP = .0000 SPDBRK = .0000

TEST CONDITIONS

RUN NUMBER	RN/L /FT X10 6	MACH	ALPHA DEG.	BETA DEG.	PO PSIA	TO DEG. R	T DEG. R	P PSIA	Q PSI	V FT/SEC	RHO SLUGS /FT3	MU LB-SEC /FT2
768	.5101	7.900	39.98	-.3466-02	101.6	1251.	92.77	.1129-01	.4932	3730.	.3284-03	.7465-07

RUN NUMBER	HREF BTU/ R FT2SEC	STN NO REF (R)
768	.1720-01	.5663-01

TEST DATA

RUN NUMBER	XO MS	ZY/BW	T/C NO	H/HREF R=1.0	H/HREF R=0.9	H/HREF R= TAW/TO	TAW/TO	H(TO) BTU/R FT2SEC	H(TAW) BTU/R FT2SEC	QDOT BTU/ FT2SEC	DTWDT DEG. R /SEC	TW DEG. R
768	24.036	.50000	460.00	.7155-03	.8663-03	.8663-03	.9000	.1231-04	.1490-04	.8843-02	.7078-01	532.2
768	24.036	.55000	461.00	.2540-02	.3078-02	.3078-02	.9000	.4369-04	.5295-04	.3125-01	.2293	535.3
768	24.036	.60000	462.00	.1525-02	.1845-02	.1845-02	.9000	.2623-04	.3174-04	.1891-01	.1463	529.7
768	24.036	.65000	463.00	.7982-03	.9658-03	.9658-03	.9000	.1373-04	.1661-04	.9890-02	.7651-01	530.3
768	24.036	.70000	464.00	.2044-02	.2473-02	.2473-02	.9000	.3515-04	.4253-04	.2533-01	.1894	530.1
768	24.036	.72500	465.00	.2856-02	.3455-02	.3455-02	.9000	.4913-04	.5943-04	.3545-01	.2745	529.0
768	24.036	.75000	466.00	.3098-02	.3749-02	.3749-02	.9000	.5329-04	.6448-04	.3840-01	.3191	530.1
768	24.036	.77500	467.00	.2968-02	.3590-02	.3590-02	.9000	.5106-04	.6175-04	.3689-01	.3452	528.2
768	24.036	.80000	468.00	.3283-02	.3970-02	.3970-02	.9000	.5647-04	.6829-04	.4081-01	.3820	528.0
768	24.036	.82500	469.00	.3690-02	.4464-02	.4464-02	.9000	.6347-04	.7678-04	.4579-01	.4282	529.3
768	24.036	.85000	470.00	.2913-02	.3524-02	.3524-02	.9000	.5010-04	.6061-04	.3612-01	.3242	529.7
768	24.036	.87500	471.00	.2284-02	.2763-02	.2763-02	.9000	.3928-04	.4752-04	.2833-01	.2445	529.4
768	24.036	.92500	472.00	.1572-02	.1901-02	.1901-02	.9000	.2703-04	.3269-04	.1953-01	.1624	528.2
768	24.036	.95000	277.00	.3826-02	.4626-02	.4626-02	.9000	.6580-04	.7957-04	.4757-01	.4275	527.7
768	24.036	.97500	473.00	.7510-02	.9080-02	.9080-02	.9000	.1292-03	.1562-03	.9340-01	1.049	527.6

OH84B 60-0 UPPER RH WING

(R4U050)

UPPER RH WING

PARAMETRIC DATA

MACH = 8.000 ALPHA = 40.00 BETA = .0000 ELEVON = 7.500
 BDFLAP = .0000 SPDBRK = .0000

TEST CONDITIONS

RUN NUMBER	RN/L /FT X10 6	MACH	ALPHA DEG.	BETA DEG.	PO PSIA	TO DEG. R	T DEG. R	P PSIA	Q PSI	V FT/SEC	RHO SLUGS /FT3	MU LB-SEC /FT2
758	1.014	7.940	39.99	-4.651-06	208.4	1266.	93.00	.2242-01	.9894	3754.	.6506-03	.7484-07

RUN NUMBER	HREF BTU/ R FT2SEC	STN NO REF (R) =.0175
758	.2441-01	.4028-01

TEST DATA

RUN NUMBER	XO MS	2Y/BW	T/C NO	H/HREF R=1.0	H/HREF R=0.9	H/HREF R= TAW/TO	TAW/TO	H(TO) BTU/R FT2SEC	H(TAW) BTU/R FT2SEC	QDOT BTU/ FT2SEC	DTWOT DEG. R /SEC	TW DEG. R
758	24.036	.50000	460.00	.2283-02	.2762-02	.2762-02	.9000	.5572-04	.6743-04	.4064-01	.3246	536.3
758	24.036	.55000	461.00	.2679-02	.3244-02	.3244-02	.9000	.6540-04	.7919-04	.4754-01	.3482	538.8
758	24.036	.60000	462.00	.1720-02	.2080-02	.2080-02	.9000	.4200-04	.5078-04	.3074-01	.2374	533.8
758	24.036	.65000	463.00	.2021-02	.2444-02	.2444-02	.9000	.4934-04	.5967-04	.3604-01	.2782	535.1
758	24.036	.70000	464.00	.3593-02	.4346-02	.4346-02	.9000	.8771-04	.1061-03	.6407-01	.4779	535.2
758	24.036	.72500	465.00	.3677-02	.4446-02	.4446-02	.9000	.8977-04	.1085-03	.6570-01	.5074	533.8
758	24.036	.75000	466.00	.3991-02	.4826-02	.4826-02	.9000	.9743-04	.1178-03	.7123-01	.5906	534.5
758	24.036	.77500	467.00	.5000-02	.6045-02	.6045-02	.9000	.1221-03	.1476-03	.8937-01	.8340	533.5
758	24.036	.80000	468.00	.5934-02	.7176-02	.7176-02	.9000	.1449-03	.1752-03	.1060	.9889	534.1
758	24.036	.82500	469.00	.6915-02	.8365-02	.8365-02	.9000	.1688-03	.2042-03	.1232	1.149	535.6
758	24.036	.85000	470.00	.5560-02	.6727-02	.6727-02	.9000	.1357-03	.1642-03	.9901-01	.8859	536.2
758	24.036	.87500	471.00	.6897-02	.8346-02	.8346-02	.9000	.1684-03	.2038-03	.1227	1.055	536.9
758	24.036	.92500	472.00	.8492-02	.1027-01	.1027-01	.9000	.2073-03	.2508-03	.1513	1.254	535.8
758	24.036	.95000	277.00	.1040-01	.1259-01	.1259-01	.9000	.2540-03	.3072-03	.1856	1.661	535.2
758	24.036	.97500	473.00	.1016-01	.1228-01	.1228-01	.9000	.2480-03	.2997-03	.1819	2.039	532.2

OH84B 60-0 UPPER RH WING

(R4U050)

UPPER RH WING

PARAMETRIC DATA

MACH = 8.000 ALPHA = 40.00 BETA = .0000 ELEVON = 7.500
 BDFLAP = .0000 SPDBRK = .0000

TEST CONDITIONS

RUN NUMBER	RN/L /FT X10 6	MACH	ALPHA DEG.	BETA DEG.	PO PSIA	TO DEG. R	T DEG. R	P PSIA	Q PSI	V FT/SEC	RHO SLUGS /FT3	MU LB-SEC /FT2
756	2.005	7.980	40.03	-1.4673-06	434.6	1300.	94.62	.4525-01	2.017	3805.	.1291-02	.7614-07

RUN NUMBER	HREF BTU/ R FT2SEC	STN NO REF (R)
756	.3502-01	.2868-01

TEST DATA

RUN NUMBER	XO MS	2Y/BW	T/C NO	H/HREF R=1.0	H/HREF R=0.9	H/HREF R=TAW/TO	TAW/TO	H(TO) BTU/R FT2SEC	H(TAW) BTU/R FT2SEC	QDOT BTU/ FT2SEC	DTWDT DEG. R /SEC	TW DEG. R
756	24.036	.50000	460.00	.1090-02	.1314-02	.1314-02	.9000	.3816-04	.4600-04	.2910-01	.2324	537.1
756	24.036	.55000	461.00	.1812-02	.2186-02	.2186-02	.9000	.6344-04	.7654-04	.4817-01	.3525	540.3
756	24.036	.60000	462.00	.3598-02	.4336-02	.4336-02	.9000	.1260-03	.1518-03	.9625-01	.7425	535.8
756	24.036	.65000	463.00	.4310-02	.5195-02	.5195-02	.9000	.1509-03	.1819-03	.1151	.8878	536.8
756	24.036	.70000	464.00	.5185-02	.6250-02	.6250-02	.9000	.1816-03	.2189-03	.1385	1.033	536.8
756	24.036	.72500	465.00	.5632-02	.6785-02	.6785-02	.9000	.1972-03	.2376-03	.1507	1.163	535.3
756	24.036	.75000	466.00	.7687-02	.9264-02	.9264-02	.9000	.2692-03	.3244-03	.2054	1.702	536.4
756	24.036	.77500	467.00	.8316-02	.1002-01	.1002-01	.9000	.2912-03	.3508-03	.2226	2.076	535.1
756	24.036	.80000	468.00	.8839-02	.1065-01	.1065-01	.9000	.3095-03	.3728-03	.2368	2.209	534.5
756	24.036	.82500	469.00	.1065-01	.1284-01	.1284-01	.9000	.3731-03	.4496-03	.2848	2.655	536.1
756	24.036	.85000	470.00	.9190-02	.1107-01	.1107-01	.9000	.3218-03	.3877-03	.2459	2.201	535.4
756	24.036	.87500	471.00	.1275-01	.1537-01	.1537-01	.9000	.4465-03	.5381-03	.3408	2.931	536.5
756	24.036	.92500	472.00	.2858-01	.3448-01	.3448-01	.9000	.1001-02	.1207-02	.7607	6.291	539.6
756	24.036	.95000	277.00	.2468-01	.2977-01	.2977-01	.9000	.8643-03	.1042-02	.6571	5.870	539.3
756	24.036	.97500	473.00	.2875-01	.3467-01	.3467-01	.9000	.1007-02	.1214-02	.7664	8.561	538.4

DATE 23 FEB 80

OH84B MODEL 60-0 IN THE AEDC VKF HYPERSONIC TUNNEL

PAGE 1803

OH84B 60-0 UPPER RH WING

(R4U050)

UPPER RH WING

PARAMETRIC DATA

MACH = 8.000 ALPHA = 40.00 BETA = .0000 ELEVON = 7.500
 BDFLAP = .0000 SPDBRK = .0000

TEST CONDITIONS

RUN NUMBER	RN/L /FT X10 6	MACH	ALPHA DEG.	BETA DEG.	PO PSIA	TO DEG. R	T DEG. R	P PSIA	Q PSI	V FT/SEC	RHO SLUGS /FT3	MU LB-SEC /FT2
746	3.012	7.990	40.06	-.3495-02	670.4	1320.	95.85	.6923-01	3.094	3835.	.1950-02	.7713-07
RUN NUMBER	HREF BTU/ R FT2SEC	STN NO REF (R)										
746	.4348-01	.2337-01										

TEST DATA

RUN NUMBER	XO MS	2Y/BW	T/C NO	H/HREF R=1.0	H/HREF R=0.9	H/HREF R=TAW/TO	TAW/TO	H(TO) BTU/R FT2SEC	H(TAW) BTU/R FT2SEC	QDOT BTU/ FT2SEC	DTWDT DEG. R /SEC	TW DEG. R
746	24.036	.50000	460.00	.3005-02	.3618-02	.3618-02	.9000	.1307-03	.1573-03	.1018	.8108	541.0
746	24.036	.55000	461.00	.4968-02	.5985-02	.5985-02	.9000	.2160-03	.2602-03	.1678	1.226	543.0
746	24.036	.60000	462.00	.6120-02	.7362-02	.7362-02	.9000	.2661-03	.3201-03	.2082	1.604	537.5
746	24.036	.65000	463.00	.6143-02	.7390-02	.7390-02	.9000	.2671-03	.3214-03	.2089	1.610	537.6
746	24.036	.70000	464.00	.7386-02	.8883-02	.8883-02	.9000	.3212-03	.3863-03	.2516	1.876	536.4
746	24.036	.72500	465.00	.8091-02	.9726-02	.9726-02	.9000	.3518-03	.4229-03	.2761	2.131	534.9
746	24.036	.75000	466.00	.8542-02	.1027-01	.1027-01	.9000	.3715-03	.4466-03	.2913	2.414	535.5
746	24.036	.77500	467.00	.7650-02	.9192-02	.9192-02	.9000	.3326-03	.3997-03	.2617	2.443	533.0
746	24.036	.80000	468.00	.7942-02	.9542-02	.9542-02	.9000	.3454-03	.4149-03	.2719	2.539	532.3
746	24.036	.82500	469.00	.8341-02	.1002-01	.1002-01	.9000	.3627-03	.4358-03	.2852	2.661	533.4
746	24.036	.85000	470.00	.8680-02	.1043-01	.1043-01	.9000	.3774-03	.4536-03	.2968	2.659	533.3
746	24.036	.87500	471.00	.1239-01	.1489-01	.1489-01	.9000	.5386-03	.6473-03	.4233	3.646	533.7
746	24.036	.92500	472.00	.4038-01	.4864-01	.4864-01	.9000	.1756-02	.2115-02	1.365	11.27	542.2
746	24.036	.95000	277.00	.3470-01	.4184-01	.4184-01	.9000	.1509-02	.1819-02	1.168	10.40	545.7
746	24.036	.97500	473.00	.2437-01	.2931-01	.2931-01	.9000	.1060-02	.1275-02	.8288	9.263	537.5

DATE 23 FEB 80

OH84B MODEL 60-0 IN THE AEDC VKF HYPERSONIC TUNNEL

PAGE 1804

OH84B 60-0 UPPER RH WING

(R4U051)

UPPER RH WING

PARAMETRIC DATA

MACH = 8.000 ALPHA = 40.00 BETA = .0000 ELEVON = 7.500
 BDFLAP = 15.00 SPDBRK = .0000

TEST CONDITIONS

RUN NUMBER	RN/L /FT X10 6	MACH	ALPHA DEG.	BETA DEG.	PO PSIA	TO DEG. R	T DEG. R	P PSIA	Q PSI	V FT/SEC	RHO SLUGS /FT3	MU LB-SEC /FT2
766	.5080	7.900	39.98	-.3466-02	101.0	1250.	92.69	.1123-01	.4905	3729.	.3269-03	.7459-07

RUN NUMBER	HREF BTU/ R FT2SEC	STN NO REF (R)
766	.1715-01	.5675-01

TEST DATA

RUN NUMBER	XO MS	2Y/BW	T/C NO	H/HREF R=1.0	H/HREF R=0.9	H/HREF R= TAW/TO	TAW/TO	H(TO) BTU/R FT2SEC	H(TAW) BTU/R FT2SEC	QDOT BTU/ FT2SEC	DTWDT DEG. R /SEC	TW DEG. R
766	24.036	.50000	460.00	.1448-02	.1753-02	.1753-02	.9000	.2483-04	.3008-04	.1780-01	.1424	533.0
766	24.036	.55000	461.00	.1662-02	.2015-02	.2015-02	.9000	.2850-04	.3455-04	.2033-01	.1490	536.5
766	24.036	.60000	462.00	.1511-02	.1829-02	.1829-02	.9000	.2592-04	.3137-04	.1863-01	.1441	530.9
766	24.036	.65000	463.00	.8465-03	.1025-02	.1025-02	.9000	.1452-04	.1758-04	.1043-01	.8061-01	531.6
766	24.036	.70000	464.00	.2099-02	.2541-02	.2541-02	.9000	.3600-04	.4359-04	.2585-01	.1932	531.7
766	24.036	.72500	465.00	.2793-02	.3381-02	.3381-02	.9000	.4790-04	.5798-04	.3444-01	.2664	530.7
766	24.036	.75000	466.00	.3519-02	.4261-02	.4261-02	.9000	.6036-04	.7309-04	.4332-01	.3597	531.9
766	24.036	.77500	467.00	.2773-02	.3356-02	.3356-02	.9000	.4757-04	.5757-04	.3423-01	.3200	530.1
766	24.036	.80000	468.00	.2780-02	.3364-02	.3364-02	.9000	.4769-04	.5771-04	.3432-01	.3209	529.9
766	24.036	.82500	469.00	.3593-02	.4350-02	.4350-02	.9000	.6163-04	.7461-04	.4429-01	.4138	531.1
766	24.036	.85000	470.00	.2835-02	.3493-02	.3493-02	.9000	.4949-04	.5991-04	.3554-01	.3188	531.5
766	24.036	.87500	471.00	.2309-02	.2795-02	.2795-02	.9000	.3960-04	.4794-04	.2845-01	.2454	531.2
766	24.036	.92500	472.00	.1426-02	.1726-02	.1726-02	.9000	.2446-04	.2960-04	.1761-01	.1464	529.6
766	24.036	.95000	277.00	.3948-02	.4777-02	.4777-02	.9000	.6772-04	.8193-04	.4879-01	.4381	529.2
766	24.036	.97500	473.00	.8135-02	.9839-02	.9839-02	.9000	.1395-03	.1688-03	.1007	1.131	527.9

DATE 23 FEB 80

OH84B MODEL 60-0 IN THE AEDC VKF HYPERSONIC TUNNEL

PAGE 1805

OH84B 60-0 UPPER RH WING

(R4U051)

UPPER RH WING

PARAMETRIC DATA

MACH = 8.000 ALPHA = 40.00 BETA = .0000 ELEVON = 7.500
 BDFLAP = 15.00 SPDBRK = .0000

TEST CONDITIONS

RUN NUMBER	RN/L /FT X10 6	MACH	ALPHA DEG.	BETA DEG.	PO PSIA	TO DEG. R	T DEG. R	P PSIA	Q PSI	V FT/SEC	RHO SLUGS /FT3	MU LB-SEC /FT2
760	1.001	7.940	39.99	-4.651-06	206.5	1269.	93.22	.2221-01	.9803	3758.	.6431-03	.7502-07

RUN NUMBER	HREF BTU/ R FT2SEC	STN NO REF(R) =.0175
760	.2431-01	.4053-01

TEST DATA

RUN NUMBER	XO MS	2Y/BW	T/C NO	H/HREF R=1.0	H/HREF R=0.9	H/HREF R= TAW/TO	TAW/TO	H(TO) BTU/R FT2SEC	H(TAW) BTU/R FT2SEC	QDOT BTU/ FT2SEC	DTWDT DEG. R /SEC	TW DEG. R
760	24.036	.50000	460.00	.1886-02	.2282-02	.2282-02	.9000	.4585-04	.5547-04	.3354-01	.2678	537.1
760	24.036	.55000	461.00	.2378-02	.2880-02	.2880-02	.9000	.5782-04	.7002-04	.4209-01	.3080	540.7
760	24.036	.60000	462.00	.1507-02	.1822-02	.1822-02	.9000	.3664-04	.4430-04	.2688-01	.2075	535.0
760	24.036	.65000	463.00	.1426-02	.1724-02	.1724-02	.9000	.3466-04	.4192-04	.2539-01	.1959	536.0
760	24.036	.70000	464.00	.3085-02	.3731-02	.3731-02	.9000	.7499-04	.9070-04	.5493-01	.4095	536.2
760	24.036	.72500	465.00	.3217-02	.3890-02	.3890-02	.9000	.7822-04	.9457-04	.5740-01	.4430	534.8
760	24.036	.75000	466.00	.3819-02	.4619-02	.4619-02	.9000	.9284-04	.1123-03	.6803-01	.5636	536.0
760	24.036	.77500	467.00	.4454-02	.5385-02	.5385-02	.9000	.1083-03	.1309-03	.7952-01	.7418	534.3
760	24.036	.80000	468.00	.5482-02	.6628-02	.6628-02	.9000	.1333-03	.1611-03	.9782-01	.9123	534.7
760	24.036	.82500	469.00	.6602-02	.7984-02	.7984-02	.9000	.1605-03	.1941-03	.1176	1.096	535.9
760	24.036	.85000	470.00	.4713-02	.5701-02	.5701-02	.9000	.1146-03	.1386-03	.8390-01	.7505	536.5
760	24.036	.87500	471.00	.5843-02	.7068-02	.7068-02	.9000	.1420-03	.1718-03	.1039	.8936	537.1
760	24.036	.92500	472.00	.8086-02	.9778-02	.9778-02	.9000	.1966-03	.2377-03	.1441	1.194	535.7
760	24.036	.95000	277.00	.1040-01	.1258-01	.1258-01	.9000	.2529-03	.3059-03	.1854	1.660	535.5
760	24.036	.97500	473.00	.9451-02	.1142-01	.1142-01	.9000	.2298-03	.2776-03	.1691	1.894	532.8

OH84B 60-0 UPPER RH WING

(R4U051)

UPPER RH WING

PARAMETRIC DATA

MACH = 8.000 ALPHA = 40.00 BETA = .0000 ELEVON = 7.500
 BDFLAP = 15.00 SPDBRK = .0000

TEST CONDITIONS

RUN NUMBER	RN/L /FT X10 6	MACH	ALPHA DEG.	BETA DEG.	PO PSIA	TO DEG. R	T DEG. R	P PSIA	Q PSI	V FT/SEC	RHO SLUGS /FT3	MU LB-SEC /FT2
754	2.004	7.980	40.06	-.4686-06	437.0	1305.	94.98	.4550-01	2.028	3813.	.1293-02	.7643-07

RUN NUMBER	HREF BTU/ R FT2SEC	STN NO REF (R)
754	.3514-01	.2867-01

TEST DATA

RUN NUMBER	XO MS	2Y/BW	T/C NO	H/HREF R=1.0	H/HREF R=0.9	H/HREF R= TAW/TO	TAW/TO	H(TO) BTU/R FT2SEC	H(TAW) BTU/R FT2SEC	QDOT BTU/ FT2SEC	DTWOT DEG. R /SEC	TW DEG. R
754	24.036	.50000	460.00	.1603-02	.1930-02	.1930-02	.9000	.5632-04	.6780-04	.4337-01	.3467	534.6
754	24.036	.55000	461.00	.3266-02	.3936-02	.3936-02	.9000	.1148-03	.1383-03	.8807-01	.6454	537.4
754	24.036	.60000	462.00	.4750-02	.5715-02	.5715-02	.9000	.1669-03	.2008-03	.1290	.9968	532.0
754	24.036	.65000	463.00	.5167-02	.6217-02	.6217-02	.9000	.1816-03	.2184-03	.1403	1.084	532.1
754	24.036	.70000	464.00	.6817-02	.8200-02	.8200-02	.9000	.2395-03	.2881-03	.1853	1.385	531.2
754	24.036	.72500	465.00	.5319-02	.6394-02	.6394-02	.9000	.1869-03	.2247-03	.1450	1.123	528.7
754	24.036	.75000	466.00	.8431-02	.1014-01	.1014-01	.9000	.2963-03	.3563-03	.2294	1.906	530.3
754	24.036	.77500	467.00	.8151-02	.9797-02	.9797-02	.9000	.2864-03	.3442-03	.2224	2.082	528.0
754	24.036	.80000	468.00	.9653-02	.1160-01	.1160-01	.9000	.3392-03	.4076-03	.2636	2.468	527.4
754	24.036	.82500	469.00	.1229-01	.1478-01	.1478-01	.9000	.4319-03	.5193-03	.3346	3.129	529.8
754	24.036	.85000	470.00	.1041-01	.1251-01	.1251-01	.9000	.3656-03	.4395-03	.2838	2.549	528.5
754	24.036	.87500	471.00	.1171-01	.1408-01	.1408-01	.9000	.4115-03	.4948-03	.3190	2.753	529.6
754	24.036	.92500	472.00	.1611-01	.1937-01	.1937-01	.9000	.5662-03	.6805-03	.4396	3.657	528.2
754	24.036	.95000	277.00	.2625-01	.3158-01	.3158-01	.9000	.9223-03	.1110-02	.7127	6.391	531.9
754	24.036	.97500	473.00	.2245-01	.2698-01	.2698-01	.9000	.7888-03	.9482-03	.6121	6.872	528.6

DATE 23 FEB 80

OH84B MODEL 60-0 IN THE AEDC VKF HYPERSONIC TUNNEL

PAGE 1807

OH84B 60-0 UPPER RH WING

(R4U051)

UPPER RH WING

PARAMETRIC DATA

MACH = 8.000 ALPHA = 40.00 BETA = .0000 ELEVON = 7.500
 BOFLAP = 15.00 SPOBRK = .0000

TEST CONDITIONS

RUN NUMBER	RN/L /FT X10 6	MACH	ALPHA DEG.	BETA DEG.	PO PSIA	TO DEG. R	T DEG. R	P PSIA	Q PSI	V FT/SEC	RHO SLUGS /FT3	MU LB-SEC /FT2
748	2.974	7.990	40.07	-.4689-06	661.9	1320.	95.85	.6835-01	3.055	3835.	.1925-02	.7713-07

RUN NUMBER	HREF BTU/ R FT2SEC	STN NO REF (R) = .0175
748	.4321-01	.2352-01

TEST DATA

RUN NUMBER	XO MS	2Y/BW	T/C NO	H/HREF R=1.0	H/HREF R=0.9	H/HREF R= TAW/TO	TAW/TO	H(TO) BTU/R FT2SEC	H(TAW) BTU/R FT2SEC	QDOT BTU/ FT2SEC	DTWDT DEG. R /SEC	TW DEG. R
748	24.036	.50000	460.00	.3071-02	.3692-02	.3692-02	.9000	.1327-03	.1595-03	.1040	.8314	535.5
748	24.036	.55000	461.00	.5370-02	.6461-02	.6461-02	.9000	.2320-03	.2791-03	.1813	1.328	538.2
748	24.036	.60000	462.00	.6657-02	.7997-02	.7997-02	.9000	.2876-03	.3455-03	.2266	1.751	532.0
748	24.036	.65000	463.00	.7257-02	.8717-02	.8717-02	.9000	.3136-03	.3766-03	.2470	1.910	531.8
748	24.036	.70000	464.00	.8673-02	.1041-01	.1041-01	.9000	.3747-03	.4500-03	.2957	2.211	530.4
748	24.036	.72500	465.00	.9307-02	.1117-01	.1117-01	.9000	.4021-03	.4827-03	.3180	2.462	528.9
748	24.036	.75000	466.00	.1147-01	.1377-01	.1377-01	.9000	.4955-03	.5951-03	.3910	3.249	530.5
748	24.036	.77500	467.00	.1174-01	.1409-01	.1409-01	.9000	.5073-03	.6088-03	.4015	3.756	528.3
748	24.036	.80000	468.00	.1298-01	.1557-01	.1557-01	.9000	.5607-03	.6728-03	.4441	4.156	527.7
748	24.036	.82500	469.00	.1331-01	.1597-01	.1597-01	.9000	.5750-03	.6901-03	.4549	4.256	528.6
748	24.036	.85000	470.00	.1543-01	.1852-01	.1852-01	.9000	.6667-03	.8002-03	.5270	4.732	529.1
748	24.036	.87500	471.00	.2136-01	.2566-01	.2566-01	.9000	.9230-03	.1109-02	.7277	6.276	531.2
748	24.036	.92500	472.00	.3955-01	.4754-01	.4754-01	.9000	.1709-02	.2054-02	1.341	11.11	535.1
748	24.036	.95000	277.00	.3315-01	.3984-01	.3984-01	.9000	.1432-02	.1721-02	1.126	10.09	533.3
748	24.036	.97500	473.00	.8093-01	.9765-01	.9765-01	.9000	.3497-02	.4219-02	2.696	29.96	548.7

OH84B 60-0 UPPER RH WING

(R4U052)

UPPER RH WING

PARAMETRIC DATA

MACH = 8.000 ALPHA = 40.00 BETA = .0000 ELEVON = 7.500
 BOFLAP = 23.50 SPDBRK = .0000

TEST CONDITIONS

RUN NUMBER	RN/L /FT X10 6	MACH	ALPHA DEG.	BETA DEG.	PO PSIA	TO DEG. R	T DEG. R	P PSIA	Q PSI	V FT/SEC	RHO SLUGS /FT3	MU LB-SEC /FT2
764	.5066	7.900	39.98	-.4647-06	100.9	1251.	92.77	.1121-01	.4898	3730.	.3262-03	.7465-07
RUN NUMBER	HREF BTU/ R FT2SEC	STN NO REF (R) = .0175										
764	.1714-01	.5682-01										

TEST DATA

RUN NUMBER	XO MS	2Y/BW	T/C NO	H/HREF R=1.0	H/HREF R=0.9	H/HREF R= TAW/TO	TAW/TO	H(TO) BTU/R FT2SEC	H(TAW) BTU/R FT2SEC	QDOT BTU/ FT2SEC	DTWDT DEG. R /SEC	TW DEG. R
764	24.036	.50000	460.00	.1918-02	.2322-02	.2322-02	.9000	.3288-04	.3981-04	.2363-01	.1892	532.0
764	24.036	.55000	461.00	.3122-02	.3782-02	.3782-02	.9000	.5351-04	.6483-04	.3831-01	.2811	534.7
764	24.036	.60000	462.00	.2029-02	.2454-02	.2454-02	.9000	.3477-04	.4207-04	.2508-01	.1941	529.5
764	24.036	.65000	463.00	.1150-02	.1391-02	.1391-02	.9000	.1970-04	.2384-04	.1420-01	.1098	530.1
764	24.036	.70000	464.00	.2432-02	.2942-02	.2942-02	.9000	.4168-04	.5043-04	.3004-01	.2246	530.1
764	24.036	.72500	465.00	.3301-02	.3993-02	.3993-02	.9000	.5658-04	.6844-04	.4083-01	.3161	529.0
764	24.036	.75000	466.00	.3461-02	.4188-02	.4188-02	.9000	.5933-04	.7178-04	.4277-01	.3554	529.8
764	24.036	.77500	467.00	.3319-02	.4014-02	.4014-02	.9000	.5690-04	.6881-04	.4110-01	.3846	528.3
764	24.036	.80000	468.00	.2911-02	.3521-02	.3521-02	.9000	.4990-04	.6035-04	.3606-01	.3375	528.1
764	24.036	.82500	469.00	.3592-02	.4345-02	.4345-02	.9000	.6156-04	.7448-04	.4440-01	.4153	529.4
764	24.036	.85000	470.00	.3118-02	.3773-02	.3773-02	.9000	.5345-04	.6467-04	.3853-01	.3458	529.8
764	24.036	.87500	471.00	.2682-02	.3245-02	.3245-02	.9000	.4597-04	.5562-04	.3315-01	.2861	529.6
764	24.036	.92500	472.00	.1824-02	.2206-02	.2206-02	.9000	.3127-04	.3761-04	.2259-01	.1879	528.3
764	24.036	.95000	277.00	.4235-02	.5121-02	.5121-02	.9000	.7259-04	.8778-04	.5247-01	.4715	527.8
764	24.036	.97500	473.00	.8182-02	.9892-02	.9892-02	.9000	.1402-03	.1696-03	.1014	1.139	527.4

DATE 23 FEB 80

OH84B MODEL 60-0 IN THE AEDC VKF HYPERSONIC TUNNEL

PAGE 1809

OH84B 60-0 UPPER RH WING

(R4U052)

UPPER RH WING

PARAMETRIC DATA

MACH = 8.000 ALPHA = 40.00 BETA = .0000 ELEVON = 7.500
 BDFLAP = 23.50 SPDBRK = .0000

TEST CONDITIONS

RUN NUMBER	RN/L /FT X10 6	MACH	ALPHA DEG.	BETA DEG.	PO PSIA	TO DEG. R	T DEG. R	P PSIA	Q PSI	V FT/SEC	RHO SLUGS /FT3	MU LB-SEC /FT2
762	1.002	7.940	39.99	-.4654-06	205.6	1265.	92.93	.2212-01	.9760	3752.	.6424-03	.7478-07

RUN NUMBER	HREF BTU/ R FT2SEC	STN NO REF (R)
762	.2424-01	.4054-01

TEST DATA

RUN NUMBER	XO MS	2Y/BW	T/C NO	H/HREF R=1.0	H/HREF R=0.9	H/HREF R= TAW/TO	TAW/TO	H(TO) BTU/R FT2SEC	H(TAW) BTU/R FT2SEC	QDOT BTU/ FT2SEC	DTWOT DEG. R /SEC	TW DEG. R
762	24.036	.50000	460.00	.9338-03	.1129-02	.1129-02	.9000	.2264-04	.2737-04	.1655-01	.1324	533.4
762	24.036	.55000	461.00	.1062-02	.1285-02	.1285-02	.9000	.2575-04	.3116-04	.1876-01	.1376	536.1
762	24.036	.60000	462.00	.1233-02	.1489-02	.1489-02	.9000	.2999-04	.3610-04	.2194-01	.1697	530.4
762	24.036	.65000	463.00	.1226-02	.1482-02	.1482-02	.9000	.2973-04	.3592-04	.2182-01	.1687	530.8
762	24.036	.70000	464.00	.2863-02	.3458-02	.3458-02	.9000	.6941-04	.8385-04	.5097-01	.3811	530.3
762	24.036	.72500	465.00	.3323-02	.4012-02	.4012-02	.9000	.8056-04	.9727-04	.5929-01	.4590	528.7
762	24.036	.75000	466.00	.4231-02	.5110-02	.5110-02	.9000	.1026-03	.1239-03	.7540-01	.6267	529.6
762	24.036	.77500	467.00	.4691-02	.5663-02	.5663-02	.9000	.1137-03	.1373-03	.8383-01	.7847	527.6
762	24.036	.80000	468.00	.5741-02	.6930-02	.6930-02	.9000	.1392-03	.1680-03	.1026	.9603	527.6
762	24.036	.82500	469.00	.6816-02	.8230-02	.8230-02	.9000	.1652-03	.1995-03	.1216	1.138	528.7
762	24.036	.85000	470.00	.5045-02	.6091-02	.6091-02	.9000	.1223-03	.1477-03	.9002-01	.8085	528.6
762	24.036	.87500	471.00	.6393-02	.7720-02	.7720-02	.9000	.1550-03	.1872-03	.1141	.9849	528.8
762	24.036	.92500	472.00	.6212-02	.7497-02	.7497-02	.9000	.1506-03	.1818-03	.1111	.9246	527.0
762	24.036	.95000	277.00	.1060-01	.1279-01	.1279-01	.9000	.2569-03	.3101-03	.1894	1.702	527.5
762	24.036	.97500	473.00	.9514-02	.1147-01	.1147-01	.9000	.2307-03	.2782-03	.1707	1.920	524.7

OH84B 60-0 UPPER RH WING

(R4U052)

UPPER RH WING

PARAMETRIC DATA

MACH = 8.000 ALPHA = 40.00 BETA = .0000 ELEVON = 7.500
 BDFLAP = 23.50 SPDBRK = .0000

TEST CONDITIONS

RUN NUMBER	RN/L /FT X10 6	MACH	ALPHA DEG.	BETA DEG.	PO PSIA	TO DEG. R	T DEG. R	P PSIA	Q PSI	V FT/SEC	RHO SLUGS /FT3	MU LB-SEC /FT2
752	2.017	7.980	40.06	-4.685-06	436.2	1298.	94.47	.4541-01	2.024	3802.	.1297-02	.7602-07
RUN NUMBER	HREF BTU/ R FT2SEC	STN NO REF (R) =.0175										
752	.3507-01	.2860-01										

TEST DATA

RUN NUMBER	XO MS	2Y/BW	T/C NO	H/HREF R=1.0	H/HREF R=0.9	H/HREF R= TAW/TO	TAW/TO	H(TO) BTU/R FT2SEC	H(TAW) BTU/R FT2SEC	QDOT BTU/ FT2SEC	DTWDT DEG. R /SEC	TW DEG. R
752	24.036	.50000	460.00	.2224-02	.2681-02	.2681-02	.9000	.7801-04	.9404-04	.5939-01	.4744	536.4
752	24.036	.55000	461.00	.4582-02	.5527-02	.5527-02	.9000	.1607-03	.1938-03	.1219	.8927	539.0
752	24.036	.60000	462.00	.6107-02	.7359-02	.7359-02	.9000	.2142-03	.2581-03	.1634	1.261	534.9
752	24.036	.65000	463.00	.6285-02	.7575-02	.7575-02	.9000	.2204-03	.2657-03	.1680	1.296	535.7
752	24.036	.70000	464.00	.6222-02	.7498-02	.7498-02	.9000	.2182-03	.2630-03	.1664	1.242	535.0
752	24.036	.72500	465.00	.6682-02	.8049-02	.8049-02	.9000	.2344-03	.2823-03	.1791	1.384	533.4
752	24.036	.75000	466.00	.9462-02	.1140-01	.1140-01	.9000	.3319-03	.4000-03	.2530	2.096	535.4
752	24.036	.77500	467.00	.9169-02	.1104-01	.1104-01	.9000	.3216-03	.3873-03	.2458	2.294	533.3
752	24.036	.80000	468.00	.1035-01	.1246-01	.1246-01	.9000	.3629-03	.4371-03	.2774	2.589	533.3
752	24.036	.82500	469.00	.1159-01	.1397-01	.1397-01	.9000	.4066-03	.4900-03	.3101	2.891	535.1
752	24.036	.85000	470.00	.1012-01	.1219-01	.1219-01	.9000	.3549-03	.4276-03	.2707	2.423	534.9
752	24.036	.87500	471.00	.1173-01	.1413-01	.1413-01	.9000	.4114-03	.4958-03	.3136	2.699	535.4
752	24.036	.92500	472.00	.3103-01	.3744-01	.3744-01	.9000	.1088-02	.1313-02	.8249	6.822	539.7
752	24.036	.95000	277.00	.3499-01	.4223-01	.4223-01	.9000	.1227-02	.1481-02	.9283	8.285	541.1
752	24.036	.97500	473.00	.4502-01	.5436-01	.5436-01	.9000	.1579-02	.1906-02	1.194	13.31	541.7

DATE 23 FEB 80

OH84B MODEL 60-0 IN THE AEDC VKF HYPERSONIC TUNNEL

PAGE 1811

OH84B 60-0 UPPER RH WING

(R4U052)

UPPER RH WING

PARAMETRIC DATA

MACH = 8.000 ALPHA = 40.00 BETA = .0000 ELEVON = 7.500
 BDFLAP = 23.50 SPOBRK = .0000

TEST CONDITIONS

RUN NUMBER	RN/L /FT X10 6	MACH	ALPHA DEG.	BETA DEG.	PO PSIA	TO DEG. R	T DEG. R	P PSIA	Q PSI	V FT/SEC	RHO SLUGS /FT3	MU LB-SEC /FT2
750	3.008	7.990	40.07	-.3496-02	673.1	1325.	96.21	.6951-01	3.106	3842.	.1950-02	.7742-07

RUN NUMBER	HREF BTU/ R FT2SEC	STN NO REF (R) = .0175
750	.4360-01	.2338-01

TEST DATA

RUN NUMBER	XO MS	ZY/BW	T/C NO	H/HREF R=1.0	H/HREF R=0.9	H/HREF R= TAW/TO	TAW/TO	H(TO) BTU/R FT2SEC	H(TAW) BTU/R FT2SEC	QDOT BTU/ FT2SEC	DTWDT DEG. R /SEC	TW DEG. R
750	24.036	.50000	460.00	.3747-02	.4508-02	.4508-02	.9000	.1634-03	.1965-03	.1281	1.022	540.2
750	24.036	.55000	461.00	.6923-02	.8336-02	.8336-02	.9000	.3019-03	.3634-03	.2360	1.725	542.8
750	24.036	.60000	462.00	.7333-02	.8816-02	.8816-02	.9000	.3197-03	.3844-03	.2519	1.942	536.8
750	24.036	.65000	463.00	.7058-02	.8484-02	.8484-02	.9000	.3077-03	.3699-03	.2426	1.871	536.3
750	24.036	.70000	464.00	.9364-02	.1125-01	.1125-01	.9000	.4083-03	.4906-03	.3223	2.404	535.2
750	24.036	.72500	465.00	.1037-01	.1246-01	.1246-01	.9000	.4522-03	.5431-03	.3577	2.763	533.5
750	24.036	.75000	466.00	.1285-01	.1544-01	.1544-01	.9000	.5602-03	.6731-03	.4424	3.667	535.0
750	24.036	.77500	467.00	.1372-01	.1648-01	.1648-01	.9000	.5984-03	.7186-03	.4738	4.424	532.8
750	24.036	.80000	468.00	.1248-01	.1498-01	.1498-01	.9000	.5441-03	.6532-03	.4315	4.031	531.6
750	24.036	.82500	469.00	.1195-01	.1435-01	.1435-01	.9000	.5211-03	.6257-03	.4130	3.857	532.1
750	24.036	.85000	470.00	.1228-01	.1474-01	.1474-01	.9000	.5353-03	.6427-03	.4241	3.802	532.3
750	24.036	.87500	471.00	.1715-01	.2060-01	.2060-01	.9000	.7476-03	.8980-03	.5915	5.096	533.5
750	24.036	.92500	472.00	.4348-01	.5233-01	.5233-01	.9000	.1896-02	.2281-02	1.485	12.27	541.2
750	24.036	.95000	277.00	.4416-01	.5327-01	.5327-01	.9000	.1925-02	.2323-02	1.492	13.25	549.9
750	24.036	.97500	473.00	.5119-01	.6164-01	.6164-01	.9000	.2232-02	.2688-02	1.744	19.43	543.4

OH84B 60-0 WING MISC.

(R4UP29)

WING MISC.

PARAMETRIC DATA

MACH = 8.000 ALPHA = 40.00 BETA = .0000 ELEVON = -15.00
 BDFLAP = -12.50 SPDBRK = .0000

TEST CONDITIONS

RUN NUMBER	RN/L /FT	MACH	ALPHA DEG.	BETA DEG.	PO PSIA	TO DEG. R	T DEG. R	P PSIA	Q PSI	V FT/SEC	RHO SLUGS /FT3	MU LB-SEC /FT2
718	X10 6 5143	7.900	39.98	.3466-02	101.8	1246.	92.40	.1131-01	.4942	3723.	.3305-03	.7435-07

RUN NUMBER	HREF BTU/ R FT2SEC	STN NO REF (R)
718	.1721-01	.5643-01

TEST DATA

RUN NUMBER	DUMMY	T/C NO	H/HREF R=1.0	H/HREF R=0.9	H/HREF R= TAW/TO	TAW/TO	H(TO) BTU/R FT2SEC	H(TAW) BTU/R FT2SEC	QDOT BTU/ FT2SEC	DTWDT DEG. R /SEC	TW DEG. R
718	1.0000	476.00	.10753-02	.1298-02	.1298-02	.9000	.1850-04	.2234-04	.1342-01	.1009	520.3
718	1.0000	477.00	.33497-02	.4044-02	.4044-02	.9000	.5764-04	.6958-04	.4182-01	.3368	520.1
718	1.0000	478.00	.30522-01	.3685-01	.3685-01	.9000	.5252-03	.6340-03	.3811	2.773	520.0
718	1.0000	479.00	.68102-02	.8222-02	.8222-02	.9000	.1172-03	.1415-03	.8503-01	.5993	520.0
718	1.0000	480.00	.53168-02	.6418-02	.6418-02	.9000	.9149-04	.1104-03	.6640-01	.4680	519.8
718	1.0000	481.00	.42866-02	.5176-02	.5176-02	.9000	.7376-04	.8905-04	.5349-01	.3769	520.4
718	1.0000	484.00	.19999-02	.2413-02	.2413-02	.9000	.3441-04	.4152-04	.2503-01	.2260	518.3
718	1.0000	485.00	.50906-02	.6143-02	.6143-02	.9000	.8759-04	.1057-03	.6369-01	.4957	518.5
718	1.0000	486.00	.25402-01	.3067-01	.3067-01	.9000	.4371-03	.5278-03	.3168	2.231	521.0
718	1.0000	487.00	.62864-02	.7589-02	.7589-02	.9000	.1082-03	.1306-03	.7850-01	.5901	520.0
718	1.0000	488.00	.43794-02	.5287-02	.5287-02	.9000	.7536-04	.9097-04	.5468-01	.4111	520.0
718	1.0000	489.00	.33798-02	.4081-02	.4081-02	.9000	.5816-04	.7022-04	.4217-01	.3169	520.5
718	1.0000	491.00	.40077-02	.4837-02	.4837-02	.9000	.6896-04	.8322-04	.5012-01	.3899	518.9

OH84B 60-0 WING MISC.

(R4UP29)

WING MISC.

PARAMETRIC DATA

MACH = 8.000 ALPHA = 40.00 BETA = .0000 ELEVON = -15.00
 BDFLAP = -12.50 SPDBRK = .0000

TEST CONDITIONS

RUN NUMBER	RN/L /FT X10 6	MACH	ALPHA DEG.	BETA DEG.	PO PSIA	TO DEG. R	T DEG. R	P PSIA	Q PSI	V FT/SEC	RHO SLUGS /FT3	MU LB-SEC /FT2
716	1.024	7.940	39.99	.3470-02	208.1	1257.	92.34	.2239-01	.9879	3740.	.6543-03	.7431-07
RUN NUMBER	HREF BTU/ R FT2SEC	STN NO REF (R)										
716	.2437-01	.4014-01										

TEST DATA

RUN NUMBER	DUMMY	T/C NO	H/HREF R=1.0	H/HREF R=0.9	H/HREF R= TAW/TO	TAW/TO	H(TO) BTU/R FT2SEC	H(TAW) BTU/R FT2SEC	QDOT BTU/ FT2SEC	DTWDT DEG. R /SEC	TW DEG. R
716	1.0000	476.00	.11409-02	.1378-02	.1378-02	.9000	.2780-04	.3357-04	.2032-01	.1523	525.9
716	1.0000	477.00	.28067-02	.3388-02	.3388-02	.9000	.6839-04	.8255-04	.5008-01	.4024	524.4
716	1.0000	478.00	.29038-01	.3505-01	.3505-01	.9000	.7075-03	.8539-03	.5185	3.765	523.7
716	1.0000	479.00	.73246-02	.8843-02	.8843-02	.9000	.1785-03	.2155-03	.1306	.9185	524.7
716	1.0000	480.00	.57132-02	.6896-02	.6896-02	.9000	.1392-03	.1680-03	.1020	.7171	524.1
716	1.0000	481.00	.39047-02	.4714-02	.4714-02	.9000	.9514-04	.1149-03	.6962-01	.4895	524.8
716	1.0000	482.00	.74437-03	.8977-03	.8977-03	.9000	.1814-04	.2187-04	.1335-01	.1204	520.8
716	1.0000	483.00	.17341-02	.2092-02	.2092-02	.9000	.4225-04	.5096-04	.3107-01	.2501	521.2
716	1.0000	484.00	.12615-02	.1521-02	.1521-02	.9000	.3074-04	.3706-04	.2263-01	.2041	520.4
716	1.0000	485.00	.43282-02	.5219-02	.5219-02	.9000	.1055-03	.1272-03	.7762-01	.6035	520.6
716	1.0000	486.00	.29210-01	.3528-01	.3528-01	.9000	.7117-03	.8595-03	.5200	3.654	526.0
716	1.0000	487.00	.68154-02	.8226-02	.8226-02	.9000	.1661-03	.2004-03	.1217	.9128	523.9
716	1.0000	488.00	.50733-02	.6124-02	.6124-02	.9000	.1236-03	.1492-03	.9056-01	.6794	524.0
716	1.0000	489.00	.41130-02	.4966-02	.4966-02	.9000	.1002-03	.1210-03	.7334-01	.5500	524.8
716	1.0000	490.00	.12815-02	.1546-02	.1546-02	.9000	.3122-04	.3767-04	.2292-01	.1780	522.6
716	1.0000	491.00	.51329-02	.6191-02	.6191-02	.9000	.1251-03	.1509-03	.9194-01	.7144	521.6

WING MISC.

PARAMETRIC DATA

MACH = 8.000 ALPHA = 40.00 BETA = .0000 ELEVON = -15.00
BDFLAP = -12.50 SPOBRK = .0000

TEST CONDITIONS

RUN NUMBER	RN/L /FT X10 6	MACH	ALPHA DEG.	BETA DEG.	PO PSIA	TO DEG. R	T DEG. R	P PSIA	Q PSI	V FT/SEC	RHO SLUGS /FT3	MU LB-SEC /FT2
710	2.005	7.980	40.03	.1045-01	436.6	1304.	94.91	.4546-01	2.026	3811.	.1293-02	.7637-07

RUN NUMBER	HREF BTU/ R FT2SEC	STN NO REF (R)
710	.3512-01	.2867-01

TEST DATA

RUN NUMBER	DUMMY	T/C NO	H/HREF R=1.0	H/HREF R=0.9	H/HREF R=TAW/TO	TAW/TO	H(TO) BTU/R FT2SEC	H(TAW) BTU/R FT2SEC	QDOT BTU/ FT2SEC	DTWDT DEG. R /SEC	TW DEG. R
710	1.0000	476.00	.58335-02	.7018-02	.7018-02	.9000	.2049-03	.2465-03	.1582	1.183	531.3
710	1.0000	477.00	.16176-01	.1947-01	.1947-01	.9000	.5681-03	.6836-03	.4382	3.508	532.2
710	1.0000	478.00	.30532-01	.3671-01	.3671-01	.9000	.1072-02	.1289-02	.8309	6.018	528.7
710	1.0000	479.00	.81074-02	.9745-02	.9745-02	.9000	.2847-03	.3422-03	.2209	1.550	527.8
710	1.0000	480.00	.13419-01	.1613-01	.1613-01	.9000	.4712-03	.5665-03	.3652	2.562	528.7
710	1.0000	481.00	.21974-01	.2644-01	.2644-01	.9000	.7717-03	.9286-03	.5953	4.169	532.3
710	1.0000	482.00	.12411-01	.1491-01	.1491-01	.9000	.4358-03	.5237-03	.3387	3.046	526.4
710	1.0000	483.00	.13180-01	.1584-01	.1584-01	.9000	.4628-03	.5561-03	.3597	2.888	526.5
710	1.0000	484.00	.18072-02	.2170-02	.2170-02	.9000	.6346-04	.7619-04	.4954-01	.4462	523.1
710	1.0000	485.00	.47816-02	.5741-02	.5741-02	.9000	.1679-03	.2016-03	.1310	1.017	523.4
710	1.0000	486.00	.67065-01	.8085-01	.8085-01	.9000	.2355-02	.2839-02	1.801	12.57	538.9
710	1.0000	487.00	.15389-01	.1850-01	.1850-01	.9000	.5404-03	.6498-03	.4185	3.131	529.3
710	1.0000	488.00	.34303-01	.4132-01	.4132-01	.9000	.1205-02	.1451-02	.9248	6.895	536.0
710	1.0000	489.00	.33779-01	.4070-01	.4070-01	.9000	.1186-02	.1429-02	.9096	6.780	536.9
710	1.0000	490.00	.12237-01	.1471-01	.1471-01	.9000	.4297-03	.5165-03	.3335	2.583	527.7
710	1.0000	491.00	.65586-02	.7876-02	.7876-02	.9000	.2303-03	.2766-03	.1795	1.393	524.3

DATE 23 FEB 80

OH84B MODEL 60-0 IN THE AEDC VKF HYPERSONIC TUNNEL

PAGE 1815

OH84B 60-0 WING MISC.

(R4UP29)

WING MISC.

PARAMETRIC DATA

MACH = 8.000 ALPHA = 40.00 BETA = .0000 ELEVON = -15.00
 BDFLAP = -12.50 SPDBRK = .0000

TEST CONDITIONS

RUN NUMBER	RN/L /FT	MACH	ALPHA DEG.	BETA DEG.	PO PSIA	TO DEG. R	T DEG. R	P PSIA	Q PSI	V FT/SEC	RHO SLUGS /FT3	MU LB-SEC /FT2
708	X10 6 2.986	7.990	40.06	.1048-01	669.0	1326.	96.29	.6909-01	3.087	3843.	.1937-02	.7748-07
RUN NUMBER	HREF BTU/ R FT2SEC	STN NO REF (R)										
708	.4347-01	.2346-01										

TEST DATA

RUN NUMBER	DUMMY	T/C NO	H/HREF R=1.0	H/HREF R=0.9	H/HREF R=TAW/TO	TAW/TO	H(TO) BTU/R FT2SEC	H(TAW) BTU/R FT2SEC	QDOT BTU/ FT2SEC	DTWDT DEG. R /SEC	TW DEG. R
708	1.0000	476.00	.79254-02	.9529-02	.9529-02	.9000	.3445-03	.4143-03	.2714	2.021	538.1
708	1.0000	477.00	.25407-01	.3056-01	.3056-01	.9000	.1105-02	.1329-02	.8676	6.917	540.1
708	1.0000	478.00	.31746-01	.3812-01	.3812-01	.9000	.1380-02	.1657-02	1.094	7.907	533.0
708	1.0000	479.00	.85770-02	.1030-01	.1030-01	.9000	.3729-03	.4476-03	.2960	2.074	531.8
708	1.0000	480.00	.17676-01	.2123-01	.2123-01	.9000	.7684-03	.9230-03	.6084	4.258	533.9
708	1.0000	481.00	.30092-01	.3619-01	.3619-01	.9000	.1308-02	.1573-02	1.029	7.182	539.1
708	1.0000	482.00	.13661-01	.1640-01	.1640-01	.9000	.5939-03	.7127-03	.4722	4.237	530.6
708	1.0000	483.00	.17974-01	.2158-01	.2158-01	.9000	.7814-03	.9380-03	.6205	4.968	531.6
708	1.0000	484.00	.23248-02	.2787-02	.2787-02	.9000	.1011-03	.1212-03	.8082-01	.7268	526.0
708	1.0000	485.00	.48689-02	.5836-02	.5836-02	.9000	.2117-03	.2537-03	.1693	1.313	525.7
708	1.0000	486.00	.80937-01	.9760-01	.9760-01	.9000	.3519-02	.4243-02	2.732	18.97	549.1
708	1.0000	487.00	.19706-01	.2367-01	.2367-01	.9000	.8567-03	.1029-02	.6783	5.063	533.9
708	1.0000	488.00	.44133-01	.5312-01	.5312-01	.9000	.1919-02	.2309-02	1.503	11.17	542.2
708	1.0000	489.00	.41083-01	.4944-01	.4944-01	.9000	.1786-02	.2149-02	1.400	10.41	541.7
708	1.0000	490.00	.20985-01	.2520-01	.2520-01	.9000	.9123-03	.1095-02	.7223	5.578	533.9
708	1.0000	491.00	.73769-02	.8845-02	.8845-02	.9000	.3207-03	.3845-03	.2561	1.985	527.0

WING MISC.

PARAMETRIC DATA

MACH = 8.000 ALPHA = 40.00 BETA = .0000 ELEVON = -15.00
 BDFLAP = .0000 SPDBRK = .0000

TEST CONDITIONS

RUN NUMBER	RN/L /FT X10 6	MACH	ALPHA DEG.	BETA DEG.	PO PSIA	TO DEG. R	T DEG. R	P PSIA	Q PSI	V FT/SEC	RHO SLUGS /FT3	MU LB-SEC /FT2
720	.5013	7.900	39.98	.3465-02	100.8	1259.	93.36	.1120-01	.4894	3742.	.3238-03	.7513-07
RUN NUMBER	HREF BTU/ R FT2SEC	STN NO REF (R)										
720	.1715-01	.5706-01	= .0175									

TEST DATA

RUN NUMBER	DUMMY	T/C NO	H/HREF R=1.0	H/HREF R=0.9	H/HREF R= TAW/TO	TAW/TO	H(TO) BTU/R FT2SEC	H(TAW) BTU/R FT2SEC	QDOT BTU/ FT2SEC	DTWDT DEG. R /SEC	TW DEG. R
720	1.0000	476.00	.13472-02	.1625-02	.1625-02	.9000	.2311-04	.2788-04	.1700-01	.1276	522.8
720	1.0000	477.00	.41800-02	.5041-02	.5041-02	.9000	.7170-04	.8647-04	.5284-01	.4252	521.7
720	1.0000	478.00	.27560-01	.3323-01	.3323-01	.9000	.4727-03	.5700-03	.3488	2.536	520.9
720	1.0000	479.00	.72775-02	.8776-02	.8776-02	.9000	.1248-03	.1505-03	.9200-01	.6478	521.7
720	1.0000	480.00	.58864-02	.7098-02	.7098-02	.9000	.1010-03	.1218-03	.7444-01	.5242	521.4
720	1.0000	481.00	.46304-02	.5585-02	.5585-02	.9000	.7942-04	.9580-04	.5849-01	.4118	522.2
720	1.0000	484.00	.21685-02	.2613-02	.2613-02	.9000	.3720-04	.4483-04	.2750-01	.2482	519.3
720	1.0000	485.00	.51332-02	.6186-02	.6186-02	.9000	.8805-04	.1061-03	.6510-01	.5064	519.3
720	1.0000	486.00	.24104-01	.2907-01	.2907-01	.9000	.4134-03	.4987-03	.3045	2.144	522.1
720	1.0000	487.00	.64581-02	.7787-02	.7787-02	.9000	.1108-03	.1336-03	.8169-01	.6137	521.2
720	1.0000	488.00	.44923-02	.5417-02	.5417-02	.9000	.7705-04	.9292-04	.5681-01	.4268	521.3
720	1.0000	489.00	.35298-02	.4257-02	.4257-02	.9000	.6055-04	.7302-04	.4460-01	.3349	522.1
720	1.0000	490.00	.18720-03	.2257-03	.2257-03	.9000	.3211-05	.3871-05	.2370-02	.1843-01	520.5
720	1.0000	491.00	.40628-02	.4897-02	.4897-02	.9000	.6969-04	.8400-04	.5149-01	.4005	519.8

DATE 23 FEB 80

OH84B MODEL 60-0 IN THE AEDC VKF HYPERSONIC TUNNEL

PAGE 1817

OH84B 60-0 WING MISC.

(R4UP30)

WING MISC.

PARAMETRIC DATA

MACH = 8.000 ALPHA = 40.00 BETA = .0000 ELEVON = -15.00
 BDFLAP = .0000 SPOBRK = .0000

TEST CONDITIONS

RUN NUMBER	RN/L /FT X10 6	MACH	ALPHA DEG.	BETA DEG.	PO PSIA	TO DEG. R	T DEG. R	P PSIA	Q PSI	V FT/SEC	RHO SLUGS /FT3	MU LB-SEC /FT2
714	.9986	7.940	40.00	.1042-01	205.2	1266.	93.00	.2207-01	.9741	3754.	.6406-03	.7484-07

RUN NUMBER	HREF BTU/ R FT2SEC	STN NO REF(R) = .0175
714	.2422-01	.4060-01

TEST DATA

RUN NUMBER	DUMMY	T/C NO	H/HREF R=1.0	H/HREF R=0.9	H/HREF R= TAW/TO	TAW/TO	H(TO) BTU/R FT2SEC	H(TAW) BTU/R FT2SEC	QDOT BTU/ FT2SEC	DTWDT DEG. R /SEC	TW DEG. R
714	1.0000	476.00	.88344-03	.1064-02	.1064-02	.9000	.2140-04	.2578-04	.1593-01	.1197	521.1
714	1.0000	477.00	.29119-02	.3508-02	.3508-02	.9000	.7054-04	.8499-04	.5252-01	.4227	521.2
714	1.0000	478.00	.28571-01	.3443-01	.3443-01	.9000	.6921-03	.8341-03	.5146	3.739	522.2
714	1.0000	479.00	.66572-02	.8021-02	.8021-02	.9000	.1613-03	.1943-03	.1201	.8458	521.1
714	1.0000	480.00	.50640-02	.6101-02	.6101-02	.9000	.1227-03	.1478-03	.9137-01	.6437	520.8
714	1.0000	481.00	.46478-02	.5600-02	.5600-02	.9000	.1126-03	.1356-03	.8383-01	.5904	521.1
714	1.0000	482.00	.28436-03	.3423-03	.3423-03	.9000	.6888-05	.8292-05	.5152-02	.4652-01	517.8
714	1.0000	484.00	.92462-03	.1113-02	.1113-02	.9000	.2240-04	.2696-04	.1675-01	.1513	517.7
714	1.0000	485.00	.38184-02	.4597-02	.4597-02	.9000	.9250-04	.1114-03	.6914-01	.5382	518.2
714	1.0000	486.00	.27937-01	.3368-01	.3368-01	.9000	.6768-03	.8158-03	.5026	3.536	523.1
714	1.0000	487.00	.80053-02	.9645-02	.9645-02	.9000	.1939-03	.2336-03	.1444	1.085	521.0
714	1.0000	488.00	.62729-02	.7557-02	.7557-02	.9000	.1520-03	.1831-03	.1132	.8505	520.8
714	1.0000	489.00	.41311-02	.4977-02	.4977-02	.9000	.1001-03	.1206-03	.7453-01	.5600	520.9
714	1.0000	491.00	.45043-02	.5423-02	.5423-02	.9000	.1091-03	.1314-03	.8148-01	.6340	518.9

DATE 23 FEB 80

OH84B MODEL 60-0 IN THE AEDC VKF HYPERSONIC TUNNEL

PAGE 1818

OH84B 60-0 WING MISC.

(R4UP30)

WING MISC.

PARAMETRIC DATA

MACH = 8.000 ALPHA = 40.00 BETA = .0000 ELEVON = -15.00
 BDFLAP = .0000 SPDBRK = .0000

TEST CONDITIONS

RUN NUMBER	RN/L /FT X10 6	MACH	ALPHA DEG.	BETA DEG.	PO PSIA	TO DEG. R	T DEG. R	P PSIA	Q PSI	V FT/SEC	RHO SLUGS /FT3	MU LB-SEC /FT2
712	1.997	7.980	40.05	.1047-01	433.8	1302.	94.76	.4516-01	2.013	3808.	.1286-02	.7626-07
RUN NUMBER	HREF BTU/ R FT2SEC	STN NO REF(R)										
712	.3499-01	.2873-01										

TEST DATA

RUN NUMBER	DUMMY	T/C NO	H/HREF R=1.0	H/HREF R=0.9	H/HREF R= TAW/TO	TAW/TO	H(TO) BTU/R FT2SEC	H(TAW) BTU/R FT2SEC	QDOT BTU/ FT2SEC	DTWDT DEG. R /SEC	TW DEG. R
712	1.0000	476.00	.14952-02	.1798-02	.1798-02	.9000	.5232-04	.6292-04	.4045-01	.3027	528.6
712	1.0000	477.00	.35169-02	.4228-02	.4228-02	.9000	.1231-03	.1480-03	.9521-01	.7637	528.1
712	1.0000	478.00	.28495-01	.3427-01	.3427-01	.9000	.9972-03	.1199-02	.7703	5.578	529.2
712	1.0000	479.00	.72191-02	.8677-02	.8677-02	.9000	.2526-03	.3037-03	.1957	1.374	527.1
712	1.0000	480.00	.60124-02	.7227-02	.7227-02	.9000	.2104-03	.2529-03	.1630	1.145	527.0
712	1.0000	481.00	.82641-02	.9935-02	.9935-02	.9000	.2892-03	.3477-03	.2238	1.571	527.7
712	1.0000	482.00	.52359-02	.6288-02	.6288-02	.9000	.1832-03	.2200-03	.1426	1.284	523.5
712	1.0000	483.00	.53872-02	.6469-02	.6469-02	.9000	.1885-03	.2264-03	.1467	1.180	523.5
712	1.0000	484.00	.18442-02	.2214-02	.2214-02	.9000	.6454-04	.7747-04	.5031-01	.4533	522.1
712	1.0000	485.00	.51414-02	.6173-02	.6173-02	.9000	.1799-03	.2160-03	.1401	1.088	522.8
712	1.0000	486.00	.27028-01	.3251-01	.3251-01	.9000	.9458-03	.1138-02	.7300	5.119	529.8
712	1.0000	487.00	.10218-01	.1228-01	.1228-01	.9000	.3576-03	.4297-03	.2772	2.077	526.5
712	1.0000	488.00	.11413-01	.1372-01	.1372-01	.9000	.3994-03	.4800-03	.3094	2.318	526.9
712	1.0000	489.00	.98523-02	.1184-01	.1184-01	.9000	.3448-03	.4145-03	.2669	1.998	527.6
712	1.0000	490.00	.54667-02	.6567-02	.6567-02	.9000	.1913-03	.2298-03	.1486	1.153	524.8
712	1.0000	491.00	.56253-02	.6754-02	.6754-02	.9000	.1969-03	.2364-03	.1533	1.190	523.0

OH84B 60-0 WING MISC.

(R4UP30)

WING MISC.

PARAMETRIC DATA

MACH = 8.000 ALPHA = 40.00 BETA = .0000 ELEVON = -15.00
 BDFLAP = .0000 SPDBRK = .0000

TEST CONDITIONS

RUN NUMBER	RN/L /FT X10 6	MACH	ALPHA DEG.	BETA DEG.	PO PSIA	TO DEG. R	T DEG. R	P PSIA	Q PSI	V FT/SEC	RHO SLUGS /FT3	MU LB-SEC /FT2
706	3.002	7.990	40.06	.6989-02	668.9	1321.	95.92	.6908-01	3.087	3836.	.1944-02	.7719-07
RUN NUMBER	HREF BTU/ R FT2SEC	STN NO REF(R) =										
706	.4344-01	.2341-01										

TEST DATA

RUN NUMBER	DUMMY	T/C NO	H/HREF R=1.0	H/HREF R=0.9	H/HREF R= TAW/TO	TAW/TO	H(TO) BTU/R FT2SEC	H(TAW) BTU/R FT2SEC	QDOT BTU/ FT2SEC	DTWDT DEG. R /SEC	TW DEG. R
706	1.0000	476.00	.28910-02	.3472-02	.3472-02	.9000	.1256-03	.1508-03	.9917-01	.7413	531.0
706	1.0000	477.00	.46378-02	.5567-02	.5567-02	.9000	.2015-03	.2418-03	.1594	1.278	529.4
706	1.0000	478.00	.39211-01	.4711-01	.4711-01	.9000	.1703-02	.2047-02	1.341	9.692	533.3
706	1.0000	479.00	.81655-02	.9801-02	.9801-02	.9000	.3547-03	.4258-03	.2808	1.969	529.2
706	1.0000	480.00	.58081-02	.6969-02	.6969-02	.9000	.2523-03	.3027-03	.2000	1.404	527.9
706	1.0000	481.00	.10384-01	.1246-01	.1246-01	.9000	.4511-03	.5415-03	.3569	2.503	529.4
706	1.0000	482.00	.61731-02	.7402-02	.7402-02	.9000	.2682-03	.3216-03	.2133	1.919	525.3
706	1.0000	483.00	.79005-02	.9475-02	.9475-02	.9000	.3432-03	.4116-03	.2728	2.191	525.8
706	1.0000	484.00	.20476-02	.2455-02	.2455-02	.9000	.8895-04	.1066-03	.7086-01	.6379	524.1
706	1.0000	485.00	.52013-02	.6235-02	.6235-02	.9000	.2260-03	.2709-03	.1799	1.396	524.4
706	1.0000	486.00	.30149-01	.3622-01	.3622-01	.9000	.1310-02	.1573-02	1.032	7.229	532.5
706	1.0000	487.00	.16828-01	.2021-01	.2021-01	.9000	.7311-03	.8778-03	.5775	4.317	530.7
706	1.0000	488.00	.11446-01	.1374-01	.1374-01	.9000	.4972-03	.5968-03	.3938	2.947	528.8
706	1.0000	489.00	.98735-02	.1185-01	.1185-01	.9000	.4289-03	.5149-03	.3394	2.539	529.5
706	1.0000	490.00	.77639-02	.9312-02	.9312-02	.9000	.3373-03	.4045-03	.2679	2.077	526.3
706	1.0000	491.00	.61593-02	.7385-02	.7385-02	.9000	.2676-03	.3208-03	.2129	1.652	525.0

OH84B 60-0 WING MISC.

(R4UP31)

WING MISC.

PARAMETRIC DATA

MACH = 8.000 ALPHA = 40.00 BETA = .0000 ELEVON = -12.50
 BDFLAP = -12.50 SPDBRK = .0000

TEST CONDITIONS

RUN NUMBER	RN/L /FT X10 6	MACH	ALPHA DEG.	BETA DEG.	PO PSIA	TO DEG. R	T DEG. R	P PSIA	Q PSI	V FT/SEC	RHO SLUGS /FT3	MU LB-SEC /FT2
726	.5101	7.900	39.98	-.1733-01	102.3	1257.	93.21	.1137-01	.4967	3739.	.3292-03	.7501-07
RUN NUMBER	HREF BTU/ R FT2SEC	STN NO REF (R)										
726	.1728-01	.5658-01										

TEST DATA

RUN NUMBER	DUMMY	T/C NO	H/HREF R=1.0	H/HREF R=0.9	H/HREF R= TAW/TO	TAW/TO	H(TO) BTU/R FT2SEC	H(TAW) BTU/R FT2SEC	QDOT BTU/ FT2SEC	DTWDT DEG. R /SEC	TW DEG. R
726	1.0000	476.00	.14002-02	.1691-02	.1691-02	.9000	.2419-04	.2922-04	.1767-01	.1324	526.2
726	1.0000	477.00	.39422-02	.4759-02	.4759-02	.9000	.6811-04	.8222-04	.4986-01	.4007	524.6
726	1.0000	478.00	.28171-01	.3399-01	.3399-01	.9000	.4867-03	.5873-03	.3572	2.595	522.8
726	1.0000	479.00	.71971-02	.8687-02	.8687-02	.9000	.1243-03	.1501-03	.9112-01	.6409	523.9
726	1.0000	480.00	.58812-02	.7098-02	.7098-02	.9000	.1016-03	.1226-03	.7447-01	.5239	523.7
726	1.0000	481.00	.46994-02	.5673-02	.5673-02	.9000	.8119-04	.9802-04	.5943-01	.4178	524.7
726	1.0000	484.00	.19876-02	.2397-02	.2397-02	.9000	.3434-04	.4142-04	.2526-01	.2277	521.2
726	1.0000	485.00	.51208-02	.6176-02	.6176-02	.9000	.8847-04	.1067-03	.6508-01	.5058	521.1
726	1.0000	486.00	.24966-01	.3013-01	.3013-01	.9000	.4313-03	.5206-03	.3160	2.223	524.0
726	1.0000	487.00	.62816-02	.7581-02	.7581-02	.9000	.1085-03	.1310-03	.7959-01	.5973	523.3
726	1.0000	488.00	.44123-02	.5325-02	.5325-02	.9000	.7623-04	.9200-04	.5589-01	.4193	523.6
726	1.0000	489.00	.35437-02	.4278-02	.4278-02	.9000	.6122-04	.7391-04	.4483-01	.3362	524.5
726	1.0000	491.00	.47499-02	.5730-02	.5730-02	.9000	.8206-04	.9899-04	.6032-01	.4687	521.7

OH84B 60-0 WING MISC.

(R4UP31)

WING MISC.

PARAMETRIC DATA

MACH = 8.000 ALPHA = 40.00 BETA = .0000 ELEVON = -12.50
 BDFLAP = -12.50 SPDBRK = .0000

TEST CONDITIONS

RUN NUMBER	RN/L /FT X10 6	MACH	ALPHA DEG.	BETA DEG.	PO PSIA	TO DEG. R	T DEG. R	P PSIA	Q PSI	V FT/SEC	RHO SLUGS /FT3	MU LB-SEC /FT2
740	1.019	7.940	39.99	-.2081-01	209.3	1266.	93.00	.2252-01	.9937	3754.	.6534-03	.7484-07
RUN NUMBER	HREF BTU/ R FT2SEC	STN NO REF (R)										
740	.2447-01	.4020-01										

TEST DATA

RUN NUMBER	DUMMY	T/C NO	H/HREF R=1.0	H/HREF R=0.9	H/HREF R= TAW/TO	H(TO) BTU/R FT2SEC	H(TAW) BTU/R FT2SEC	QDOT BTU/ FT2SEC	DTWDT DEG. R /SEC	TW DEG. R	
740	1.0000	476.00	.13063-02	.1578-02	.1578-02	.9000	.3196-04	.3862-04	.2347-01	.1754	531.4
740	1.0000	477.00	.35113-02	.4241-02	.4241-02	.9000	.8591-04	.1038-03	.6316-01	.5060	530.4
740	1.0000	478.00	.32567-01	.3933-01	.3933-01	.9000	.7968-03	.9622-03	.5865	4.246	529.6
740	1.0000	479.00	.71602-02	.8651-02	.8651-02	.9000	.1752-03	.2116-03	.1287	.9017	531.2
740	1.0000	480.00	.58359-02	.7050-02	.7050-02	.9000	.1428-03	.1725-03	.1050	.7359	530.5
740	1.0000	481.00	.77653-02	.9384-02	.9384-02	.9000	.1900-03	.2296-03	.1394	.9762	532.1
740	1.0000	482.00	.45101-02	.5445-02	.5445-02	.9000	.1103-03	.1332-03	.8136-01	.7309	528.3
740	1.0000	483.00	.53670-02	.6480-02	.6480-02	.9000	.1313-03	.1585-03	.9674-01	.7756	528.9
740	1.0000	484.00	.14727-02	.1777-02	.1777-02	.9000	.3603-04	.4348-04	.2661-01	.2392	527.1
740	1.0000	485.00	.45393-02	.5478-02	.5478-02	.9000	.1111-03	.1340-03	.8203-01	.6356	527.0
740	1.0000	486.00	.25317-01	.3060-01	.3060-01	.9000	.6194-03	.7486-03	.4543	3.182	532.2
740	1.0000	487.00	.92158-02	.1113-01	.1113-01	.9000	.2255-03	.2724-03	.1656	1.238	531.3
740	1.0000	488.00	.88172-02	.1065-01	.1065-01	.9000	.2157-03	.2606-03	.1584	1.184	531.4
740	1.0000	489.00	.74965-02	.9062-02	.9062-02	.9000	.1834-03	.2217-03	.1344	1.003	533.1
740	1.0000	490.00	.34136-02	.4123-02	.4123-02	.9000	.8352-04	.1009-03	.6147-01	.4756	529.7
740	1.0000	491.00	.52560-02	.6345-02	.6345-02	.9000	.1286-03	.1552-03	.9483-01	.7343	528.2

OH84B 60-0 WING MISC.

(R4UP31)

WING MISC.

PARAMETRIC DATA

MACH = 8.000 ALPHA = 40.00 BETA = .0000 ELEVON = -12.50
 BDFLAP = -12.50 SPDBRK = .0000

TEST CONDITIONS

RUN NUMBER	RN/L /FT X10 6	MACH	ALPHA DEG.	BETA DEG.	PO PSIA	TO DEG. R	T DEG. R	P PSIA	Q PSI	V FT/SEC	RHO SLUGS /FT3	MU LB-SEC /FT2
738	1.994	7.980	40.04	-.2093-01	434.8	1305.	94.98	.4527-01	2.018	3813.	.1286-02	.7643-07

RUN NUMBER	HREF BTU/ R FT2SEC	STN NO REF(R)
738	.3505-01	.2874-01

TEST DATA

RUN NUMBER	DUMMY	T/C NO	H/HREF R=1.0	H/HREF R=0.9	H/HREF R= TAW/TO	TAW/TO	H(TO) BTU/R FT2SEC	H(TAW) BTU/R FT2SEC	QDOT BTU/ FT2SEC	DTWDT DEG. R /SEC	TW DEG. R
738	1.0000	476.00	.20332-02	.2450-02	.2450-02	.9000	.7126-04	.8585-04	.5470-01	.4077	537.1
738	1.0000	477.00	.45369-02	.5463-02	.5463-02	.9000	.1590-03	.1915-03	.1224	.9787	534.7
738	1.0000	478.00	.34687-01	.4175-01	.4175-01	.9000	.1216-02	.1463-02	.9377	6.775	533.4
738	1.0000	479.00	.76320-02	.9187-02	.9187-02	.9000	.2675-03	.3220-03	.2062	1.443	533.8
738	1.0000	480.00	.60318-02	.7259-02	.7259-02	.9000	.2114-03	.2544-03	.1632	1.142	532.9
738	1.0000	481.00	.10528-01	.1268-01	.1268-01	.9000	.3690-03	.4444-03	.2837	1.984	535.7
738	1.0000	482.00	.65878-02	.7923-02	.7923-02	.9000	.2309-03	.2777-03	.1787	1.603	530.7
738	1.0000	483.00	.58453-02	.7030-02	.7030-02	.9000	.2049-03	.2464-03	.1586	1.271	530.4
738	1.0000	484.00	.23434-02	.2817-02	.2817-02	.9000	.8213-04	.9872-04	.6377-01	.5728	528.3
738	1.0000	485.00	.53314-02	.6408-02	.6408-02	.9000	.1869-03	.2246-03	.1451	1.124	528.2
738	1.0000	486.00	.25483-01	.3068-01	.3068-01	.9000	.8932-03	.1075-02	.6876	4.810	534.8
738	1.0000	487.00	.97753-02	.1176-01	.1176-01	.9000	.3426-03	.4123-03	.2643	1.974	533.2
738	1.0000	488.00	.94147-02	.1134-01	.1134-01	.9000	.3300-03	.3973-03	.2541	1.896	534.6
738	1.0000	489.00	.78550-02	.9466-02	.9466-02	.9000	.2753-03	.3318-03	.2111	1.573	537.9
738	1.0000	490.00	.72633-02	.8740-02	.8740-02	.9000	.2546-03	.3063-03	.1966	1.519	532.3
738	1.0000	491.00	.52931-02	.6364-02	.6364-02	.9000	.1855-03	.2230-03	.1439	1.113	529.3

OH84B 60-0 WING MISC.

(R4UP31)

WING MISC.

PARAMETRIC DATA

MACH = 8.000 ALPHA = 40.00 BETA = .0000 ELEVON = -12.50
 BDFLAP = -12.50 SPOBRK = .0000

TEST CONDITIONS

RUN NUMBER	RN/L /FT	MACH	ALPHA DEG.	BETA DEG.	PO PSIA	TO DEG. R	T DEG. R	P PSIA	Q PSI	V FT/SEC	RHO SLUGS /FT3	MU LB-SEC /FT2
728	2.981	7.990	40.06	-.2097-01	667.2	1325.	96.21	.6890-01	3.079	3842.	.1933-02	.7742-07

RUN NUMBER	HREF BTU/ R FT2SEC	STN NO REF (R)
728	.4341-01	.2348-01

TEST DATA

RUN NUMBER	DUMMY	T/C NO	H/HREF R=1.0	H/HREF R=0.9	H/HREF R= TAW/TO	TAW/TO	H(TO) BTU/R FT2SEC	H(TAW) BTU/R FT2SEC	QDOT BTU/ FT2SEC	DTWDT DEG. R /SEC	TW DEG. R
728	1.0000	476.00	.27079-02	.3254-02	.3254-02	.9000	.1175-03	.1412-03	.9284-01	.6927	534.8
728	1.0000	477.00	.51940-02	.6238-02	.6238-02	.9000	.2255-03	.2708-03	.1785	1.428	533.1
728	1.0000	478.00	.36784-01	.4419-01	.4419-01	.9000	.1597-02	.1918-02	1.262	9.112	534.5
728	1.0000	479.00	.78433-02	.9419-02	.9419-02	.9000	.3405-03	.4089-03	.2695	1.887	533.0
728	1.0000	480.00	.64665-02	.7763-02	.7763-02	.9000	.2807-03	.3370-03	.2226	1.559	531.8
728	1.0000	481.00	.13793-01	.1657-01	.1657-01	.9000	.5987-03	.7194-03	.4728	3.307	535.0
728	1.0000	482.00	.63135-02	.7575-02	.7575-02	.9000	.2741-03	.3288-03	.2179	1.956	529.5
728	1.0000	483.00	.92898-02	.1115-01	.1115-01	.9000	.4033-03	.4840-03	.3202	2.565	530.7
728	1.0000	484.00	.26193-02	.3142-02	.3142-02	.9000	.1137-03	.1364-03	.9060-01	.8140	527.9
728	1.0000	485.00	.50655-02	.6075-02	.6075-02	.9000	.2199-03	.2637-03	.1753	1.358	527.4
728	1.0000	486.00	.26208-01	.3149-01	.3149-01	.9000	.1138-02	.1367-02	.8987	6.286	534.8
728	1.0000	487.00	.96259-02	.1156-01	.1156-01	.9000	.4179-03	.5017-03	.3313	2.475	531.9
728	1.0000	488.00	.15757-01	.1893-01	.1893-01	.9000	.6840-03	.8217-03	.5407	4.035	534.2
728	1.0000	489.00	.10591-01	.1274-01	.1274-01	.9000	.4598-03	.5530-03	.3613	2.690	538.8
728	1.0000	490.00	.96075-02	.1154-01	.1154-01	.9000	.4171-03	.5008-03	.3304	2.553	532.5
728	1.0000	491.00	.61082-02	.7328-02	.7328-02	.9000	.2652-03	.3181-03	.2110	1.634	528.8

WING MISC.

PARAMETRIC DATA

MACH = 8.000 ALPHA = 40.00 BETA = .0000 ELEVON = -12.50
 BDFLAP = -5.000 SPDBRK = .0000

TEST CONDITIONS

RUN NUMBER	RN/L /FT X10 6	MACH	ALPHA DEG.	BETA DEG.	PO PSIA	TO DEG. R	T DEG. R	P PSIA	Q PSI	V FT/SEC	RHO SLUGS /FT3	MU LB-SEC /FT2
724	.4963	7.900	39.97	-.1732-01	100.2	1263.	93.66	.1114-01	.4867	3748.	.3211-03	.7536-07

RUN NUMBER	HREF BTU/ R FT2SEC	STN NO REF(R) =.0175
724	.1712-01	.5733-01

TEST DATA

RUN NUMBER	DUMMY	T/C NO	H/HREF R=1.0	H/HREF R=0.9	H/HREF R= TAW/TO	TAW/TO	H(TO) BTU/R FT2SEC	H(TAW) BTU/R FT2SEC	QDOT BTU/ FT2SEC	DTWDT DEG. R /SEC	TW DEG. R
724	1.0000	476.00	.15104-02	.1824-02	.1824-02	.9000	.2585-04	.3121-04	.1901-01	.1424	527.4
724	1.0000	477.00	.45738-02	.5520-02	.5520-02	.9000	.7829-04	.9447-04	.5769-01	.4633	525.8
724	1.0000	478.00	.29447-01	.3552-01	.3552-01	.9000	.5040-03	.6079-03	.3724	2.704	523.8
724	1.0000	479.00	.76356-02	.9213-02	.9213-02	.9000	.1307-03	.1577-03	.9637-01	.6773	525.3
724	1.0000	480.00	.62988-02	.7599-02	.7599-02	.9000	.1078-03	.1301-03	.7954-01	.5592	524.9
724	1.0000	481.00	.49616-02	.5988-02	.5988-02	.9000	.8492-04	.1025-03	.6257-01	.4397	525.8
724	1.0000	482.00	.91223-04	.1100-03	.1100-03	.9000	.1561-05	.1882-05	.1157-02	.1043-01	521.6
724	1.0000	483.00	.29671-03	.3577-03	.3577-03	.9000	.5079-05	.6122-05	.3763-02	.3028-01	521.7
724	1.0000	484.00	.19617-02	.2364-02	.2364-02	.9000	.3358-04	.4047-04	.2489-01	.2244	521.4
724	1.0000	485.00	.51602-02	.6219-02	.6219-02	.9000	.8832-04	.1065-03	.6548-01	.5089	521.3
724	1.0000	486.00	.25249-01	.3047-01	.3047-01	.9000	.4322-03	.5215-03	.3186	2.239	525.5
724	1.0000	487.00	.65878-02	.7947-02	.7947-02	.9000	.1128-03	.1360-03	.8322-01	.6241	524.6
724	1.0000	488.00	.46415-02	.5600-02	.5600-02	.9000	.7944-04	.9585-04	.5862-01	.4395	524.8
724	1.0000	489.00	.35595-02	.4295-02	.4295-02	.9000	.6093-04	.7352-04	.4491-01	.3366	525.6
724	1.0000	490.00	.16055-03	.1936-03	.1936-03	.9000	.2748-05	.3314-05	.2033-02	.1578-01	523.0
724	1.0000	491.00	.46276-02	.5578-02	.5578-02	.9000	.7921-04	.9548-04	.5868-01	.4559	521.8

DATE 23 FEB 80

OH84B MODEL 60-0 IN THE AEDC VKF HYPERSONIC TUNNEL

PAGE 1825

OH84B 60-0 WING MISC.

(R4UP32)

WING MISC.

PARAMETRIC DATA

MACH = 8.000 ALPHA = 40.00 BETA = .0000 ELEVON = -12.50
 BDFLAP = -5.000 SPD BRK = .0000

TEST CONDITIONS

RUN NUMBER	RN/L /FT X10 6	MACH	ALPHA DEG.	BETA DEG.	PO PSIA	TO DEG. R	T DEG. R	P PSIA	Q PSI	V FT/SEC	RHC SLUGS /FT3	MU LB-SEC /FT2
742	1.010	7.940	39.99	-.2082-01	207.8	1267.	93.08	.2235-01	.9865	3755.	.6482-03	.7490-07

RUN NUMBER	HREF BTU/ R FT2SEC	STN NO REF (R) =.0175
742	.2438-01	.4036-01

TEST DATA

RUN NUMBER	DUMMY	T/C NO	H/HREF R=1.0	H/HREF R=0.9	H/HREF R= TAW/TO	TAW/TO	H(TO) BTU/R FT2SEC	H(TAW) BTU/R FT2SEC	QDOT BTU/ FT2SEC	DTWDT DEG. R /SEC	TW DEG. R
742	1.0000	476.00	.13283-02	.1606-02	.1606-02	.9000	.3238-04	.3915-04	.2373-01	.1771	534.0
742	1.0000	477.00	.33895-02	.4096-02	.4096-02	.9000	.8264-04	.9986-04	.6071-01	.4860	532.1
742	1.0000	478.00	.30736-01	.3713-01	.3713-01	.9000	.7494-03	.9053-03	.5512	3.987	531.1
742	1.0000	479.00	.76410-02	.9236-02	.9236-02	.9000	.1863-03	.2252-03	.1367	.9567	533.1
742	1.0000	480.00	.60257-02	.7281-02	.7281-02	.9000	.1469-03	.1775-03	.1079	.7558	532.1
742	1.0000	481.00	.43697-02	.5282-02	.5282-02	.9000	.1065-03	.1288-03	.7813-01	.5469	533.3
742	1.0000	482.00	.43791-02	.5287-02	.5287-02	.9000	.1068-03	.1289-03	.7872-01	.7068	529.3
742	1.0000	483.00	.41796-02	.5047-02	.5047-02	.9000	.1019-03	.1231-03	.7508-01	.6016	529.9
742	1.0000	484.00	.14426-02	.1741-02	.1741-02	.9000	.3517-04	.4245-04	.2599-01	.2335	527.9
742	1.0000	485.00	.48377-02	.5839-02	.5839-02	.9000	.1179-03	.1424-03	.8714-01	.6749	527.9
742	1.0000	486.00	.29637-01	.3583-01	.3583-01	.9000	.7226-03	.8737-03	.5292	3.703	534.3
742	1.0000	487.00	.65811-02	.7952-02	.7952-02	.9000	.1605-03	.1939-03	.1179	.8805	532.1
742	1.0000	488.00	.53839-02	.6506-02	.6506-02	.9000	.1313-03	.1586-03	.9637-01	.7199	532.5
742	1.0000	489.00	.55422-02	.6701-02	.6701-02	.9000	.1351-03	.1634-03	.9899-01	.7389	534.1
742	1.0000	490.00	.26054-02	.3147-02	.3147-02	.9000	.6352-04	.7672-04	.4676-01	.3617	530.6
742	1.0000	491.00	.57217-02	.6908-02	.6908-02	.9000	.1395-03	.1684-03	.1029	.7965	529.1

OH84B 60-0 WING MISC.

(R4UP32)

WING MISC.

PARAMETRIC DATA

MACH = 8.000 ALPHA = 40.00 BETA = .0000 ELEVON = -12.50
 BDFLAP = -5.000 SPDBRK = .0000

TEST CONDITIONS

RUN NUMBER	RN/L /FT X10 6	MACH	ALPHA DEG.	BETA DEG.	PO PSIA	TO DEG. R	T DEG. R	P PSIA	Q PSI	V FT/SEC	RHO SLUGS /FT3	MU LB-SEC /FT2
736	2.005	7.980	40.05	- .2095-01	437.2	1305.	94.98	.4552-01	2.029	3813.	.1293-02	.7643-07
RUN NUMBER	HREF BTU/ R FT2SEC	STN NO REF(R)										
736	.3515-01	.2866-01										

TEST DATA

RUN NUMBER	DUMMY	T/C NO	H/HREF R=1.0	H/HREF R=0.9	H/HREF R= TAW/TO	TAW/TO	H(TO) BTU/R FT2SEC	H(TAW) BTU/R FT2SEC	QDOT BTU/ FT2SEC	DTWOT DEG. R /SEC	TW DEG. R
736	1.0000	476.00	.19372-02	.2332-02	.2332-02	.9000	.6808-04	.8199-04	.5241-01	.3911	534.8
736	1.0000	477.00	.44573-02	.5364-02	.5364-02	.9000	.1567-03	.1885-03	.1209	.9678	532.7
736	1.0000	478.00	.34743-01	.4180-01	.4180-01	.9000	.1221-02	.1469-02	.9438	6.825	531.7
736	1.0000	479.00	.74501-02	.8961-02	.8961-02	.9000	.2618-03	.3150-03	.2026	1.420	531.0
736	1.0000	480.00	.63395-02	.7625-02	.7625-02	.9000	.2228-03	.2680-03	.1724	1.209	530.8
736	1.0000	481.00	.10174-01	.1225-01	.1225-01	.9000	.3576-03	.4304-03	.2758	1.930	533.5
736	1.0000	482.00	.46570-02	.5598-02	.5598-02	.9000	.1637-03	.1967-03	.1271	1.142	528.2
736	1.0000	483.00	.60672-02	.7294-02	.7294-02	.9000	.2132-03	.2564-03	.1654	1.326	529.0
736	1.0000	484.00	.16457-02	.1977-02	.1977-02	.9000	.5784-04	.6949-04	.4500-01	.4045	526.7
736	1.0000	485.00	.46973-02	.5644-02	.5644-02	.9000	.1651-03	.1984-03	.1284	.9955	526.7
736	1.0000	486.00	.24530-01	.2952-01	.2952-01	.9000	.8621-03	.1037-02	.6658	4.663	532.3
736	1.0000	487.00	.81321-02	.9781-02	.9781-02	.9000	.2858-03	.3438-03	.2212	1.654	530.7
736	1.0000	488.00	.98901-02	.1190-01	.1190-01	.9000	.3476-03	.4182-03	.2685	2.006	532.3
736	1.0000	489.00	.94808-02	.1142-01	.1142-01	.9000	.3332-03	.4012-03	.2565	1.913	535.0
736	1.0000	490.00	.65579-02	.7888-02	.7888-02	.9000	.2305-03	.2772-03	.1784	1.380	530.8
736	1.0000	491.00	.60132-02	.7227-02	.7227-02	.9000	.2113-03	.2540-03	.1641	1.271	528.1

DATE 23 FEB 80

OH84B MODEL 60-0 IN THE AEDC VKF HYPERSONIC TUNNEL

PAGE 1827

OH84B 60-0 WING MISC.

(R4UP32)

WING MISC.

PARAMETRIC DATA

MACH = 8.000 ALPHA = 40.00 BETA = .0000 ELEVON = -12.50
 BDFLAP = -5.000 SPDBRK = .0000

TEST CONDITIONS

RUN NUMBER	RN/L /FT X10 6	MACH	ALPHA DEG.	BETA DEG.	PO PSIA	TO DEG. R	T DEG. R	P PSIA	Q PSI	V FT/SEC	RHO SLUGS /FT3	MU LB-SEC /FT2
730	3.012	7.990	40.06	-.2097-01	668.8	1318.	95.71	.6907-01	3.086	3832.	.1948-02	.7701-07
RUN NUMBER	HREF BTU/ R FT2SEC	STN NO REF (R)										
730	.4342-01	.2338-01	=.0175									

TEST DATA

RUN NUMBER	DUMMY	T/C NO	H/HREF R=1.0	H/HREF R=0.9	H/HREF R= TAW/TO	TAW/TO	H(TO) BTU/R FT2SEC	H(TAW) BTU/R FT2SEC	QDOT BTU/ FT2SEC	DTWDT DEG. R /SEC	TW DEG. R
730	1.0000	476.00	.29073-02	.3491-02	.3491-02	.9000	.1262-03	.1516-03	.9944-01	.7438	529.9
730	1.0000	477.00	.57388-02	.6888-02	.6888-02	.9000	.2492-03	.2991-03	.1968	1.579	527.8
730	1.0000	478.00	.33431-01	.4014-01	.4014-01	.9000	.1452-02	.1743-02	1.145	8.290	529.0
730	1.0000	479.00	.77716-02	.9324-02	.9324-02	.9000	.3375-03	.4049-03	.2671	1.876	526.2
730	1.0000	480.00	.73401-02	.8805-02	.8805-02	.9000	.3187-03	.3823-03	.2524	1.773	525.8
730	1.0000	481.00	.15128-01	.1817-01	.1817-01	.9000	.6569-03	.7888-03	.5177	3.630	529.6
730	1.0000	482.00	.97536-02	.1169-01	.1169-01	.9000	.4235-03	.5077-03	.3364	3.029	523.4
730	1.0000	483.00	.12738-01	.1527-01	.1527-01	.9000	.5531-03	.6632-03	.4388	3.526	524.3
730	1.0000	484.00	.36639-02	.4391-02	.4391-02	.9000	.1591-03	.1907-03	.1266	1.141	521.7
730	1.0000	485.00	.68469-02	.8205-02	.8205-02	.9000	.2973-03	.3563-03	.2366	1.839	521.8
730	1.0000	486.00	.27586-01	.3311-01	.3311-01	.9000	.1198-02	.1438-02	.9466	6.646	527.4
730	1.0000	487.00	.15205-01	.1824-01	.1824-01	.9000	.6602-03	.7920-03	.5229	3.919	525.7
730	1.0000	488.00	.17175-01	.2061-01	.2061-01	.9000	.7458-03	.8950-03	.5893	4.414	527.4
730	1.0000	489.00	.13329-01	.1601-01	.1601-01	.9000	.5788-03	.6951-03	.4557	3.408	530.3
730	1.0000	490.00	.11967-01	.1436-01	.1436-01	.9000	.5196-03	.6235-03	.4111	3.186	526.6
730	1.0000	491.00	.66517-02	.7973-02	.7973-02	.9000	.2888-03	.3462-03	.2297	1.784	522.4

OH84B 60-0 WING MISC.

(R4UP33)

WING MISC.

PARAMETRIC DATA

MACH = 8.000 ALPHA = 40.00 BETA = .0000 ELEVON = -12.50
 BOFLAP = .0000 SPDBRK = .0000

TEST CONDITIONS

RUN NUMBER	RN/L /FT X10 6	MACH	ALPHA DEG.	BETA DEG.	PO PSIA	TO DEG. R	T DEG. R	P PSIA	Q PSI	V FT/SEC	RHO SLUGS /FT3	MU LB-SEC /FT2
722	.5002	7.900	39.98	-.1387-01	100.2	1256.	93.14	.1114-01	.4865	3737.	.3227-03	.7495-07

RUN NUMBER	HREF BTU/ R FT2SEC	STN NO REF (R) = .0175
722	.1710-01	.5715-01

TEST DATA

RUN NUMBER	DUMMY	T/C NO	H/HREF R=1.0	H/HREF R=0.9	H/HREF R= TAW/TO	TAW/TO	H(TO) BTU/R FT2SEC	H(TAW) BTU/R FT2SEC	ODOT BTU/ FT2SEC	DTWDT DEG. R /SEC	TW DEG. R
722	1.0000	476.00	.12053-02	.1456-02	.1456-02	.9000	.2061-04	.2489-04	.1504-01	.1128	525.6
722	1.0000	477.00	.40564-02	.4898-02	.4898-02	.9000	.6935-04	.8374-04	.5069-01	.4072	524.8
722	1.0000	478.00	.28545-01	.3446-01	.3446-01	.9000	.4880-03	.5891-03	.3570	2.592	524.1
722	1.0000	479.00	.71594-02	.8645-02	.8645-02	.9000	.1224-03	.1478-03	.8945-01	.6289	524.8
722	1.0000	480.00	.57439-02	.6935-02	.6935-02	.9000	.9820-04	.1186-03	.7180-01	.5049	524.5
722	1.0000	481.00	.46153-02	.5573-02	.5573-02	.9000	.7890-04	.9528-04	.5764-01	.4052	525.1
722	1.0000	484.00	.19093-02	.2304-02	.2304-02	.9000	.3264-04	.3938-04	.2394-01	.2157	522.2
722	1.0000	485.00	.50936-02	.6146-02	.6146-02	.9000	.8708-04	.1051-03	.6387-01	.4962	522.2
722	1.0000	486.00	.24324-01	.2937-01	.2937-01	.9000	.4159-03	.5022-03	.3037	2.135	525.3
722	1.0000	487.00	.62492-02	.7544-02	.7544-02	.9000	.1068-03	.1290-03	.7814-01	.5861	524.3
722	1.0000	488.00	.44151-02	.5330-02	.5330-02	.9000	.7548-04	.9113-04	.5520-01	.4141	524.3
722	1.0000	489.00	.33173-02	.4005-02	.4005-02	.9000	.5671-04	.6848-04	.4145-01	.3108	524.9
722	1.0000	490.00	.15217-03	.1837-03	.1837-03	.9000	.2602-05	.3140-05	.1905-02	.1479-01	523.5
722	1.0000	491.00	.46574-02	.5620-02	.5620-02	.9000	.7962-04	.9608-04	.5837-01	.4533	522.6

OH84B 60-0 WING MISC.

(R4UP33)

WING MISC.

PARAMETRIC DATA

MACH = 8.000 ALPHA = 40.00 BETA = .0000 ELEVON = -12.50
 BDFLAP = .0000 SPDBRK = .0000

TEST CONDITIONS

RUN NUMBER	RN/L /FT X10 6	MACH	ALPHA DEG.	BETA DEG.	PO PSIA	TO DEG. R	T DEG. R	P PSIA	Q PSI	V FT/SEC	RHO SLUGS /FT3	MU LB-SEC /FT2
744	1.009	7.940	39.98	-.2081-01	207.3	1266.	93.00	.2230-01	.9841	3754.	.6472-03	.7484-07
RUN NUMBER	HREF BTU/ R FT2SEC	STN NO REF (R)										
744	.2435-01	.4039-01										

TEST DATA

RUN NUMBER	DUMMY	T/C NO	H/HREF R=1.0	H/HREF R=0.9	H/HREF R= TAW/TO	TAW/TO	H(TO) BTU/R FT2SEC	H(TAW) BTU/R FT2SEC	QDOT BTU/ FT2SEC	DTWDT DEG. R /SEC	TW DEG. R
744	1.0000	476.00	.14721-02	.1779-02	.1779-02	.9000	.3584-04	.4332-04	.2626-01	.1962	532.9
744	1.0000	477.00	.33535-02	.4051-02	.4051-02	.9000	.8165-04	.9864-04	.6001-01	.4807	530.7
744	1.0000	478.00	.29568-01	.3570-01	.3570-01	.9000	.7199-03	.8693-03	.5303	3.840	529.0
744	1.0000	479.00	.76827-02	.9282-02	.9282-02	.9000	.1871-03	.2260-03	.1374	.9630	531.0
744	1.0000	480.00	.60627-02	.7323-02	.7323-02	.9000	.1476-03	.1783-03	.1086	.7610	530.3
744	1.0000	481.00	.43758-02	.5287-02	.5287-02	.9000	.1065-03	.1287-03	.7823-01	.5481	531.4
744	1.0000	482.00	.42461-02	.5125-02	.5125-02	.9000	.1034-03	.1248-03	.7630-01	.6856	527.7
744	1.0000	483.00	.36632-02	.4422-02	.4422-02	.9000	.8919-04	.1077-03	.6581-01	.5279	527.8
744	1.0000	484.00	.14110-02	.1702-02	.1702-02	.9000	.3435-04	.4145-04	.2541-01	.2285	526.0
744	1.0000	485.00	.47617-02	.5745-02	.5745-02	.9000	.1159-03	.1399-03	.8576-01	.6649	526.0
744	1.0000	486.00	.28162-01	.3403-01	.3403-01	.9000	.6857-03	.8286-03	.5032	3.525	531.8
744	1.0000	487.00	.65436-02	.7903-02	.7903-02	.9000	.1593-03	.1924-03	.1172	.8765	530.1
744	1.0000	488.00	.51719-02	.6247-02	.6247-02	.9000	.1259-03	.1521-03	.9258-01	.6922	530.5
744	1.0000	489.00	.57738-02	.6978-02	.6978-02	.9000	.1406-03	.1699-03	.1031	.7705	532.1
744	1.0000	490.00	.18173-02	.2194-02	.2194-02	.9000	.4425-04	.5342-04	.3262-01	.2525	528.5
744	1.0000	491.00	.54459-02	.6572-02	.6572-02	.9000	.1326-03	.1600-03	.9793-01	.7588	527.2

WING MISC.

PARAMETRIC DATA

MACH = 8.000 ALPHA = 40.00 BETA = .0000 ELEVON = -12.50
BDFLAP = .0000 SPDBRK = .0000

TEST CONDITIONS

RUN NUMBER	RN/L /FT X10 6	MACH	ALPHA DEG.	BETA DEG.	PO PSIA	TO DEG. R	T DEG. R	P PSIA	Q PSI	V FT/SEC	RHO SLUGS /FT3	MU LB-SEC /FT2
734	2.024	7.980	40.04	-.2091-01	437.2	1297.	94.40	.4552-01	2.029	3801.	.1301-02	.7596-07

RUN NUMBER	HREF BTU/ R FT2SEC	STN NO REF(R) = .0175
734	.3511-01	.2855-01

TEST DATA

RUN NUMBER	DUMMY	T/C NO	H/HREF R=1.0	H/HREF R=0.9	H/HREF R= TAW/TO	TAW/TO	H(TO) BTU/R FT2SEC	H(TAW) BTU/R FT2SEC	QDOT BTU/ FT2SEC	DTWDT DEG. R /SEC	TW DEG. R
734	1.0000	476.00	.20468-02	.2466-02	.2466-02	.9000	.7186-04	.8659-04	.5477-01	.4087	534.6
734	1.0000	477.00	.46668-02	.5622-02	.5622-02	.9000	.1638-03	.1974-03	.1251	1.001	533.3
734	1.0000	478.00	.35640-01	.4293-01	.4293-01	.9000	.1251-02	.1507-02	.9558	6.908	532.8
734	1.0000	479.00	.73693-02	.8876-02	.8876-02	.9000	.2587-03	.3116-03	.1976	1.384	532.8
734	1.0000	480.00	.66153-02	.7967-02	.7967-02	.9000	.2323-03	.2797-03	.1776	1.244	532.2
734	1.0000	481.00	.11976-01	.1443-01	.1443-01	.9000	.4205-03	.5068-03	.3201	2.238	535.3
734	1.0000	482.00	.69295-02	.8340-02	.8340-02	.9000	.2433-03	.2928-03	.1865	1.674	529.9
734	1.0000	483.00	.78471-02	.9446-02	.9446-02	.9000	.2755-03	.3316-03	.2111	1.691	530.6
734	1.0000	484.00	.23388-02	.2814-02	.2814-02	.9000	.8211-04	.9878-04	.6310-01	.5668	528.2
734	1.0000	485.00	.50100-02	.6026-02	.6026-02	.9000	.1759-03	.2116-03	.1352	1.047	527.9
734	1.0000	486.00	.23101-01	.2783-01	.2783-01	.9000	.8110-03	.9771-03	.6188	4.331	533.7
734	1.0000	487.00	.10387-01	.1251-01	.1251-01	.9000	.3647-03	.4393-03	.2785	2.079	533.1
734	1.0000	488.00	.11650-01	.1404-01	.1404-01	.9000	.4090-03	.4929-03	.3115	2.324	535.1
734	1.0000	489.00	.10831-01	.1306-01	.1306-01	.9000	.3802-03	.4585-03	.2888	2.153	537.0
734	1.0000	490.00	.65067-02	.7836-02	.7836-02	.9000	.2284-03	.2751-03	.1746	1.349	532.3
734	1.0000	491.00	.54491-02	.6557-02	.6557-02	.9000	.1913-03	.2302-03	.1468	1.136	529.3

OH848 60-0 WING MISC.

(R4UP33)

WING MISC.

PARAMETRIC DATA

MACH = 8.000 ALPHA = 40.00 BETA = .0000 ELEVON = -12.50
 BDFLAP = .0000 SPOBRK = .0000

TEST CONDITIONS

RUN NUMBER	RN/L /FT X10 6	MACH	ALPHA DEG.	BETA DEG.	PO PSIA	TO DEG. R	T DEG. R	P PSIA	Q PSI	V FT/SEC	RHO SLUGS /FT3	MU LB-SEC /FT2
732	3.029	7.990	40.06	-.2096-01	672.6	1318.	95.71	.6946-01	3.104	3832.	.1959-02	.7701-07
RUN NUMBER	HREF BTU/ R FT2SEC	STN NO REF(R)										
732	.4354-01	.2331-01										

TEST DATA

RUN NUMBER	DUMMY	T/C NO	H/HREF R=1.0	H/HREF R=0.9	H/HREF R= TAW/TO	H(TO) BTU/R FT2SEC	H(TAW) BTU/R FT2SEC	QDOT BTU/ FT2SEC	DTWOT DEG. R /SEC	TW DEG. R	
732	1.0000	476.00	.34397-02	.4131-02	.4131-02	.9000	.1498-03	.1799-03	.1180	.8822	530.1
732	1.0000	477.00	.71589-02	.8593-02	.8593-02	.9000	.3117-03	.3742-03	.2461	1.974	528.1
732	1.0000	478.00	.36426-01	.4373-01	.4373-01	.9000	.1586-02	.1904-02	1.251	9.057	529.1
732	1.0000	479.00	.79634-02	.9555-02	.9555-02	.9000	.3468-03	.4160-03	.2744	1.927	526.4
732	1.0000	480.00	.69708-02	.8362-02	.8362-02	.9000	.3035-03	.3641-03	.2404	1.690	525.6
732	1.0000	481.00	.14382-01	.1726-01	.1726-01	.9000	.6263-03	.7516-03	.4951	3.476	527.2
732	1.0000	482.00	.93496-02	.1121-01	.1121-01	.9000	.4071-03	.4881-03	.3235	2.913	523.2
732	1.0000	483.00	.12922-01	.1550-01	.1550-01	.9000	.5627-03	.6748-03	.4464	3.588	524.3
732	1.0000	484.00	.33002-02	.3955-02	.3955-02	.9000	.1437-03	.1722-03	.1144	1.032	521.4
732	1.0000	485.00	.54212-02	.6495-02	.6495-02	.9000	.2361-03	.2828-03	.1881	1.463	520.7
732	1.0000	486.00	.28733-01	.3449-01	.3449-01	.9000	.1251-02	.1502-02	.9882	6.936	527.9
732	1.0000	487.00	.90556-02	.1086-01	.1086-01	.9000	.3943-03	.4729-03	.3126	2.344	525.0
732	1.0000	488.00	.15533-01	.1864-01	.1864-01	.9000	.6764-03	.8116-03	.5350	4.008	526.7
732	1.0000	489.00	.13445-01	.1614-01	.1614-01	.9000	.5854-03	.7029-03	.4615	3.453	529.4
732	1.0000	490.00	.12460-01	.1495-01	.1495-01	.9000	.5426-03	.6508-03	.4299	3.334	525.4
732	1.0000	491.00	.68232-02	.8178-02	.8178-02	.9000	.2971-03	.3561-03	.2364	1.836	522.1

OH84B 60-0 WING MISC.

(R4UP34)

WING MISC.

PARAMETRIC DATA

MACH = 8.000 ALPHA = 40.00 BETA = .0000 ELEVON = -5.000
 BDFLAP = -12.50 SPDBRK = .0000

TEST CONDITIONS

RUN NUMBER	RN/L /FT X10 ⁶	MACH	ALPHA DEG.	BETA DEG.	PO PSIA	TO DEG. R	T DEG. R	P PSIA	Q PSI	V FT/SEC	RHO SLUGS /FT ³	MU LB-SEC /FT ²
634	.5013	7.900	39.93	-.3449-02	100.1	1253.	92.91	.1112-01	.4859	3733.	.3231-03	.7477-07
RUN NUMBER	HREF BTU/ R FT2SEC	STN NO REF (R)										
634	.1708-01	.5710-01										

TEST DATA

RUN NUMBER	DUMMY	T/C NO	H/HREF R=1.0	H/HREF R=0.9	H/HREF R= TAW/TO	TAW/TO	H(TO) BTU/R FT2SEC	H(TAW) BTU/R FT2SEC	QDOT BTU/ FT2SEC	DTWDT DEG. R /SEC	TW DEG. R
634	1.0000	476.00	.98526-03	.1190-02	.1190-02	.9000	.1683-04	.2033-04	.1223-01	.9164-01	526.0
634	1.0000	477.00	.34459-02	.4163-02	.4163-02	.9000	.5885-04	.7110-04	.4278-01	.3436	525.6
634	1.0000	478.00	.30166-01	.3643-01	.3643-01	.9000	.5152-03	.6221-03	.3754	2.726	523.9
634	1.0000	479.00	.73178-02	.8838-02	.8838-02	.9000	.1250-03	.1509-03	.9102-01	.6400	524.3
634	1.0000	480.00	.56684-02	.6846-02	.6846-02	.9000	.9680-04	.1169-03	.7050-01	.4958	524.3
634	1.0000	481.00	.43050-02	.5200-02	.5200-02	.9000	.7352-04	.8881-04	.5349-01	.3760	525.1
634	1.0000	482.00	.11189-02	.1351-02	.1351-02	.9000	.1911-04	.2307-04	.1395-01	.1257	522.7
634	1.0000	483.00	.17520-02	.2115-02	.2115-02	.9000	.2992-04	.3612-04	.2184-01	.1756	522.8
634	1.0000	484.00	.26418-02	.3189-02	.3189-02	.9000	.4511-04	.5445-04	.3295-01	.2968	522.4
634	1.0000	485.00	.71887-02	.8678-02	.8678-02	.9000	.1228-03	.1482-03	.8962-01	.6959	522.7
634	1.0000	486.00	.29648-01	.3581-01	.3581-01	.9000	.5063-03	.6116-03	.3684	2.590	525.1
634	1.0000	487.00	.74112-02	.8951-02	.8951-02	.9000	.1266-03	.1529-03	.9218-01	.6914	524.3
634	1.0000	488.00	.47538-02	.5741-02	.5741-02	.9000	.8118-04	.9804-04	.5913-01	.4435	524.3
634	1.0000	489.00	.38151-02	.4608-02	.4608-02	.9000	.6515-04	.7869-04	.4742-01	.3556	524.8
634	1.0000	490.00	.13456-02	.1625-02	.1625-02	.9000	.2298-04	.2775-04	.1675-01	.1300	523.8
634	1.0000	491.00	.66191-02	.7991-02	.7991-02	.9000	.1130-03	.1365-03	.8248-01	.6404	523.0

OH84B 60-0 WING MISC.

(R4UP34)

WING MISC.

PARAMETRIC DATA

MACH = 8.000 ALPHA = 40.00 BETA = .0000 ELEVON = -5.000
 BDFLAP = -12.50 SPDBRK = .0000

TEST CONDITIONS

RUN NUMBER	RN/L /FT X10 6	MACH	ALPHA DEG.	BETA DEG.	PO PSIA	TO DEG. R	T DEG. R	P PSIA	Q PSI	V FT/SEC	RHO SLUGS /FT3	MU LB-SEC /FT2
660	1.010	7.940	39.98	-4647-06	207.9	1267.	93.08	.2236-01	.9869	3755.	.6484-03	.7490-07
RUN NUMBER	HREF BTU/ R FT2SEC	STN NO REF(R) =.0175										
660	.2438-01	.4035-01										

TEST DATA

RUN NUMBER	DUMMY	T/C NO	H/HREF R=1.0	H/HREF R=0.9	H/HREF R= TAW/TO	TAW/TO	H(TO) BTU/R FT2SEC	H(TAW) BTU/R FT2SEC	QDOT BTU/ FT2SEC	DTWDT DEG. R /SEC	TW DEG. R
660	1.0000	476.00	.11709-02	.1413-02	.1413-02	.9000	.2855-04	.3445-04	.2113-01	.1583	526.8
660	1.0000	477.00	.32849-02	.3962-02	.3962-02	.9000	.8010-04	.9661-04	.5938-01	.4770	525.3
660	1.0000	478.00	.28708-01	.3462-01	.3462-01	.9000	.7000-03	.8441-03	.5194	3.770	524.7
660	1.0000	479.00	.69962-02	.8438-02	.8438-02	.9000	.1706-03	.2058-03	.1265	.8888	525.4
660	1.0000	480.00	.59706-02	.7200-02	.7200-02	.9000	.1456-03	.1756-03	.1080	.7589	525.1
660	1.0000	481.00	.60095-02	.7250-02	.7250-02	.9000	.1465-03	.1768-03	.1085	.7620	526.4
660	1.0000	482.00	.41889-02	.5050-02	.5050-02	.9000	.1021-03	.1231-03	.7590-01	.6834	523.6
660	1.0000	483.00	.40081-02	.4832-02	.4832-02	.9000	.9774-04	.1178-03	.7261-01	.5837	523.7
660	1.0000	484.00	.22730-02	.2739-02	.2739-02	.9000	.5543-04	.6679-04	.4125-01	.3717	522.4
660	1.0000	485.00	.73350-02	.8841-02	.8841-02	.9000	.1789-03	.2156-03	.1330	1.033	523.0
660	1.0000	486.00	.29424-01	.3550-01	.3550-01	.9000	.7175-03	.8657-03	.5309	3.729	526.7
660	1.0000	487.00	.81092-02	.9779-02	.9779-02	.9000	.1977-03	.2385-03	.1467	1.100	525.0
660	1.0000	488.00	.72619-02	.8759-02	.8759-02	.9000	.1771-03	.2136-03	.1312	.9839	525.5
660	1.0000	489.00	.79065-02	.9542-02	.9542-02	.9000	.1928-03	.2327-03	.1425	1.067	527.5
660	1.0000	490.00	.19073-02	.2300-02	.2300-02	.9000	.4651-04	.5608-04	.3453-01	.2679	524.3
660	1.0000	491.00	.70529-02	.8502-02	.8502-02	.9000	.1720-03	.2073-03	.1278	.9922	523.5

OH84B 60-0 WING MISC.

(R4UP34)

WING MISC.

PARAMETRIC DATA

MACH = 8.000 ALPHA = 40.00 BETA = .0000 ELEVON = -5.000
 BOFLAP = -12.50 SPOBRK = .0000

TEST CONDITIONS

RUN NUMBER	RN/L /FT X10 6	MACH	ALPHA DEG.	BETA DEG.	PO PSIA	TO DEG. R	T DEG. R	P PSIA	Q PSI	V FT/SEC	RHO SLUGS /FT3	MU LB-SEC /FT2
648	1.995	7.980	39.99	.3470-02	436.1	1307.	95.13	.4540-01	2.024	3815.	.1288-02	.7655-07

RUN NUMBER	HREF BTU/ R FT2SEC	STN NO REF(R)
648	.3511-01	.2872-01

TEST DATA

RUN NUMBER	DUMMY	T/C NO	H/HREF R=1.0	H/HREF R=0.9	H/HREF R= TAW/TO	TAW/TO	H(TO) BTU/R FT2SEC	H(TAW) BTU/R FT2SEC	QDOT BTU/ FT2SEC	DTWDT DEG. R /SEC	TW DEG. R
648	1.0000	476.00	.55676-02	.6695-02	.6695-02	.9000	.1955-03	.2350-03	.1517	1.134	530.5
648	1.0000	477.00	.12911-01	.1552-01	.1552-01	.9000	.4533-03	.5448-03	.3526	2.827	528.9
648	1.0000	478.00	.26336-01	.3164-01	.3164-01	.9000	.9246-03	.1111-02	.7211	5.227	526.8
648	1.0000	479.00	.61980-02	.7444-02	.7444-02	.9000	.2176-03	.2613-03	.1699	1.193	526.1
648	1.0000	480.00	.83231-02	.9998-02	.9998-02	.9000	.2922-03	.3510-03	.2279	1.601	526.6
648	1.0000	481.00	.11658-01	.1401-01	.1401-01	.9000	.4093-03	.4919-03	.3184	2.234	528.7
648	1.0000	482.00	.54781-02	.6577-02	.6577-02	.9000	.1923-03	.2309-03	.1505	1.354	524.4
648	1.0000	483.00	.70416-02	.8455-02	.8455-02	.9000	.2472-03	.2968-03	.1933	1.553	524.8
648	1.0000	484.00	.24140-02	.2897-02	.2897-02	.9000	.8475-04	.1017-03	.6642-01	.5982	523.0
648	1.0000	485.00	.62129-02	.7456-02	.7456-02	.9000	.2181-03	.2618-03	.1710	1.328	522.9
648	1.0000	486.00	.34803-01	.4184-01	.4184-01	.9000	.1222-02	.1469-02	.9491	6.656	529.9
648	1.0000	487.00	.10142-01	.1218-01	.1218-01	.9000	.3561-03	.4277-03	.2778	2.081	526.4
648	1.0000	488.00	.21862-01	.2628-01	.2628-01	.9000	.7675-03	.9227-03	.5965	4.462	529.5
648	1.0000	489.00	.13503-01	.1623-01	.1623-01	.9000	.4740-03	.5698-03	.3687	2.759	529.0
648	1.0000	490.00	.56096-02	.6736-02	.6736-02	.9000	.1969-03	.2365-03	.1539	1.194	525.3
648	1.0000	491.00	.64854-02	.7784-02	.7784-02	.9000	.2277-03	.2733-03	.1783	1.384	523.4

OH84B 60-0 WING MISC.

(R4UP34)

WING MISC.

PARAMETRIC DATA

MACH = 8.000 ALPHA = 40.00 BETA = .0000 ELEVON = -5.000
 BDFLAP = -12.50 SPOBRK = .0000

TEST CONDITIONS

RUN NUMBER	RN/L /FT X10 6	MACH	ALPHA DEG.	BETA DEG.	PO PSIA	TO DEG. R	T DEG. R	P PSIA	Q PSI	V FT/SEC	RHO SLUGS /FT3	MU LB-SEC /FT2
650	3.009	7.990	40.05	.6980-02	670.4	1321.	95.92	.6923-01	3.094	3836.	.1948-02	.7719-07
RUN NUMBER	HREF BTU/ R FT2SEC	STN NO REF (R) =.0175										
650	.4349-01	.2338-01										

TEST DATA

RUN NUMBER	DUMMY	T/C NO	H/HREF R=1.0	H/HREF R=0.9	H/HREF R= TAW/TO	TAW/TO	H(TO) BTU/R FT2SEC	H(TAW) BTU/R FT2SEC	QDOT BTU/ FT2SEC	DTWDT DEG. R /SEC	TW DEG. R
650	1.0000	476.00	.78228-02	.9400-02	.9400-02	.9000	.3402-03	.4088-03	.2677	1.999	533.7
650	1.0000	477.00	.18054-01	.2169-01	.2169-01	.9000	.7852-03	.9434-03	.6183	4.946	533.2
650	1.0000	478.00	.28251-01	.3391-01	.3391-01	.9000	.1229-02	.1475-02	.9716	7.033	529.9
650	1.0000	479.00	.67930-02	.8152-02	.8152-02	.9000	.2954-03	.3545-03	.2340	1.642	528.6
650	1.0000	480.00	.12163-01	.1460-01	.1460-01	.9000	.5290-03	.6350-03	.4186	2.936	529.3
650	1.0000	481.00	.14739-01	.1770-01	.1770-01	.9000	.6410-03	.7700-03	.5054	3.539	532.3
650	1.0000	482.00	.10220-01	.1226-01	.1226-01	.9000	.4445-03	.5334-03	.3523	3.164	528.2
650	1.0000	483.00	.13163-01	.1580-01	.1580-01	.9000	.5725-03	.6870-03	.4534	3.635	528.7
650	1.0000	484.00	.40404-02	.4846-02	.4846-02	.9000	.1757-03	.2107-03	.1397	1.256	525.9
650	1.0000	485.00	.97967-02	.1175-01	.1175-01	.9000	.4261-03	.5109-03	.3387	2.626	525.7
650	1.0000	486.00	.38703-01	.4650-01	.4650-01	.9000	.1693-02	.2022-02	1.325	9.276	533.4
650	1.0000	487.00	.14271-01	.1713-01	.1713-01	.9000	.6207-03	.7450-03	.4910	3.673	529.5
650	1.0000	488.00	.30801-01	.3701-01	.3701-01	.9000	.1340-02	.1610-02	1.054	7.868	533.8
650	1.0000	489.00	.27799-01	.3343-01	.3343-01	.9000	.1209-02	.1454-02	.9476	7.063	536.9
650	1.0000	490.00	.10508-01	.1261-01	.1261-01	.9000	.4570-03	.5483-03	.3623	2.806	527.8
650	1.0000	491.00	.93819-02	.1125-01	.1125-01	.9000	.4080-03	.4893-03	.3243	2.515	525.8

OH84B 60-0 WING MISC.

(R4UP35)

WING MISC.

PARAMETRIC DATA

MACH = 8.000 ALPHA = 40.00 BETA = .0000 ELEVON = -5.000
 BDFLAP = -5.000 SPOBRK = .0000

TEST CONDITIONS

RUN NUMBER	RN/L /FT X10 6	MACH	ALPHA DEG.	BETA DEG.	PO PSIA	TO DEG. R	T DEG. R	P PSIA	Q PSI	V FT/SEC	RHO SLUGS /FT3	MU LB-SEC /FT2
636	.5020	7.900	39.95	-.3458-02	99.73	1249.	92.62	.1108-01	.4842	3727.	.3230-03	.7453-07

RUN NUMBER	HREF BTU/ R FT2SEC	STN NO REF (R)
636	.1704-01	.5709-01

TEST DATA

RUN NUMBER	DUMMY	T/C NO	H/HREF R=1.0	H/HREF R=0.9	H/HREF R= TAW/TO	TAW/TO	H(TO) BTU/R FT2SEC	H(TAW) BTU/R FT2SEC	QDOT BTU/ FT2SEC	DTWDT DEG. R /SEC	TW DEG. R
636	1.0000	476.00	.11750-02	.1419-02	.1419-02	.9000	.2002-04	.2418-04	.1457-01	.1091	523.0
636	1.0000	477.00	.41643-02	.5028-02	.5028-02	.9000	.7095-04	.8567-04	.5158-01	.4150	521.8
636	1.0000	478.00	.27569-01	.3327-01	.3327-01	.9000	.4697-03	.5668-03	.3425	2.492	519.5
636	1.0000	479.00	.71245-02	.8599-02	.8599-02	.9000	.1214-03	.1465-03	.8840-01	.6228	520.5
636	1.0000	480.00	.59522-02	.7184-02	.7184-02	.9000	.1014-03	.1224-03	.7385-01	.5203	520.5
636	1.0000	481.00	.50262-02	.6068-02	.6068-02	.9000	.8564-04	.1034-03	.6227-01	.4385	521.5
636	1.0000	482.00	.63081-03	.7611-03	.7611-03	.9000	.1075-04	.1297-04	.7840-02	.7075-01	519.2
636	1.0000	483.00	.55371-03	.6681-03	.6681-03	.9000	.9435-05	.1138-04	.6881-02	.5544-01	519.3
636	1.0000	484.00	.20678-02	.2495-02	.2495-02	.9000	.3523-04	.4251-04	.2570-01	.2319	519.3
636	1.0000	485.00	.65133-02	.7859-02	.7859-02	.9000	.1110-03	.1339-03	.8092-01	.6295	519.5
636	1.0000	486.00	.29554-01	.3568-01	.3568-01	.9000	.5036-03	.6079-03	.3663	2.580	521.2
636	1.0000	487.00	.82465-02	.9954-02	.9954-02	.9000	.1405-03	.1696-03	.1023	.7685	520.8
636	1.0000	488.00	.52412-02	.6327-02	.6327-02	.9000	.8930-04	.1078-03	.6500-01	.4884	520.9
636	1.0000	489.00	.37629-02	.4543-02	.4543-02	.9000	.6411-04	.7741-04	.4662-01	.3502	521.6
636	1.0000	490.00	.29516-03	.3563-03	.3563-03	.9000	.5029-05	.6070-05	.3662-02	.2847-01	520.5
636	1.0000	491.00	.62046-02	.7488-02	.7488-02	.9000	.1057-03	.1276-03	.7703-01	.5990	520.1

OH84B 60-0 WING MISC.

(R4UP35)

WING MISC.

PARAMETRIC DATA

MACH = 8.000 ALPHA = 40.00 BETA = .0000 ELEVON = -5.000
 BDFLAP = -5.000 SPDBRK = .0000

TEST CONDITIONS

RUN NUMBER	RN/L /FT X10 6	MACH	ALPHA DEG.	BETA DEG.	PO PSIA	TO DEG. R	T DEG. R	P PSIA	Q PSI	V FT/SEC	RHO SLUGS /FT3	MU LB-SEC /FT2
658	1.007	7.940	39.98	-4.647-06	207.2	1267.	93.08	.2229-01	.9835	3755.	.6462-03	.7490-07
RUN NUMBER	HREF BTU/ R FT2SEC	STN NO REF (R)										
658	.2434-01	.4042-01										

TEST DATA

RUN NUMBER	DUMMY	T/C NO	H/HREF R=1.0	H/HREF R=0.9	H/HREF R= TAW/TO	TAW/TO	H(TO) BTU/R FT2SEC	H(TAW) BTU/R FT2SEC	QDOT BTU/ FT2SEC	DTWOT DEG. R /SEC	TW DEG. R
658	1.0000	476.00	.17233-02	.2080-02	.2080-02	.9000	.4195-04	.5063-04	.3100-01	.2321	527.8
658	1.0000	477.00	.73614-02	.8884-02	.8884-02	.9000	.1792-03	.2163-03	.1325	1.063	527.5
658	1.0000	478.00	.28381-01	.3424-01	.3424-01	.9000	.6909-03	.8335-03	.5115	3.709	526.3
658	1.0000	479.00	.67150-02	.8102-02	.8102-02	.9000	.1635-03	.1972-03	.1210	.8495	526.7
658	1.0000	480.00	.73010-02	.8809-02	.8809-02	.9000	.1777-03	.2144-03	.1315	.9233	526.9
658	1.0000	481.00	.91985-02	.1110-01	.1110-01	.9000	.2239-03	.2703-03	.1653	1.160	528.5
658	1.0000	482.00	.25918-02	.3125-02	.3125-02	.9000	.6309-04	.7608-04	.4680-01	.4212	524.9
658	1.0000	483.00	.41575-02	.5014-02	.5014-02	.9000	.1012-03	.1221-03	.7503-01	.6027	525.3
658	1.0000	484.00	.18235-02	.2199-02	.2199-02	.9000	.4439-04	.5352-04	.3296-01	.2967	524.2
658	1.0000	485.00	.64945-02	.7831-02	.7831-02	.9000	.1581-03	.1906-03	.1173	.9101	524.7
658	1.0000	486.00	.32149-01	.3881-01	.3881-01	.9000	.7826-03	.9447-03	.5778	4.054	528.4
658	1.0000	487.00	.84538-02	.1020-01	.1020-01	.9000	.2058-03	.2483-03	.1523	1.141	526.7
658	1.0000	488.00	.13494-01	.1629-01	.1629-01	.9000	.3285-03	.3965-03	.2424	1.814	528.6
658	1.0000	489.00	.10516-01	.1270-01	.1270-01	.9000	.2560-03	.3091-03	.1888	1.412	529.3
658	1.0000	490.00	.24977-02	.3013-02	.3013-02	.9000	.6080-04	.7335-04	.4503-01	.3491	526.0
658	1.0000	491.00	.69553-02	.8389-02	.8389-02	.9000	.1693-03	.2042-03	.1255	.9734	525.4

OH84B 60-0 WING MISC.

(R4UP35)

WING MISC.

PARAMETRIC DATA

MACH = 8.000 ALPHA = 40.00 BETA = .0000 ELEVON = -5.000
 BDFLAP = -5.000 SPD BRK = .0000

TEST CONDITIONS

RUN NUMBER	RN/L /FT X10 6	MACH	ALPHA DEG.	BETA DEG.	PO PSIA	TO DEG. R	T DEG. R	P PSIA	Q PSI	V FT/SEC	RHO SLUGS /FT3	MU LB-SEC /FT2
646	2.016	7.980	39.99	-.4655-06	436.5	1299.	94.54	.4544-01	2.025	3804.	.1297-02	.7608-07
RUN NUMBER	HREF BTU/ R FT2SEC	STN NO REF (R)										
646	.3509-01	.2860-01										

TEST DATA

RUN NUMBER	DUMMY	T/C NO	H/HREF R=1.0	H/HREF R=0.9	H/HREF R= TAW/TO	TAW/TO	H(TO) BTU/R FT2SEC	H(TAW) BTU/R FT2SEC	QDOT BTU/ FT2SEC	DTWDT DEG. R /SEC	TW DEG. R
646	1.0000	476.00	.50723-02	.6118-02	.6118-02	.9000	.1780-03	.2146-03	.1353	1.007	538.7
646	1.0000	477.00	.10686-01	.1288-01	.1288-01	.9000	.3749-03	.4521-03	.2854	2.278	537.5
646	1.0000	478.00	.26021-01	.3136-01	.3136-01	.9000	.9130-03	.1100-02	.6965	5.027	535.7
646	1.0000	479.00	.61566-02	.7418-02	.7418-02	.9000	.2160-03	.2603-03	.1649	1.153	535.2
646	1.0000	480.00	.84913-02	.1023-01	.1023-01	.9000	.2979-03	.3590-03	.2273	1.589	535.7
646	1.0000	481.00	.10518-01	.1268-01	.1268-01	.9000	.3690-03	.4450-03	.2809	1.962	537.5
646	1.0000	482.00	.40931-02	.4930-02	.4930-02	.9000	.1436-03	.1730-03	.1099	.9841	533.7
646	1.0000	483.00	.48884-02	.5888-02	.5888-02	.9000	.1715-03	.2066-03	.1312	1.049	533.7
646	1.0000	484.00	.22949-02	.2763-02	.2763-02	.9000	.8052-04	.9695-04	.6171-01	.5532	532.3
646	1.0000	485.00	.61205-02	.7369-02	.7369-02	.9000	.2147-03	.2586-03	.1646	1.272	532.3
646	1.0000	486.00	.34035-01	.4105-01	.4105-01	.9000	.1194-02	.1440-02	.9076	6.336	538.6
646	1.0000	487.00	.11871-01	.1431-01	.1431-01	.9000	.4165-03	.5020-03	.3176	2.368	536.1
646	1.0000	488.00	.20514-01	.2474-01	.2474-01	.9000	.7198-03	.8680-03	.5473	4.076	538.3
646	1.0000	489.00	.11374-01	.1371-01	.1371-01	.9000	.3991-03	.4812-03	.3037	2.263	537.7
646	1.0000	490.00	.45159-02	.5440-02	.5440-02	.9000	.1584-03	.1909-03	.1211	.9350	534.3
646	1.0000	491.00	.59450-02	.7158-02	.7158-02	.9000	.2086-03	.2512-03	.1598	1.235	532.5

OH84B 60-0 WING MISC.

(R4UP35)

WING MISC.

PARAMETRIC DATA

MACH = 8.000 ALPHA = 40.00 BETA = .0000 ELEVON = -5.000
 BDFLAP = -5.000 SPDBRK = .0000

TEST CONDITIONS

RUN NUMBER	RN/L /FT X10 6	MACH	ALPHA DEG.	BETA DEG.	P0 PSIA	T0 DEG. R	T DEG. R	P PSIA	Q PSI	V FT/SEC	RHO SLUGS /FT3	MU LB-SEC /FT2
656	3.001	7.990	40.02	.6961-02	672.3	1326.	96.29	.6943-01	3.103	3843.	.1946-02	.7748-07
RUN NUMBER	HREF BTU/ R FT2SEC	STN NO REF (R)										
656	.4358-01	.2340-01										

TEST DATA

RUN NUMBER	DUMMY	T/C NO	H/HREF R=1.0	H/HREF R=0.9	H/HREF R= TAW/TO	TAW/TO	H(TO) BTU/R FT2SEC	H(TAW) BTU/R FT2SEC	QDOT BTU/ FT2SEC	DTWOT DEG. R /SEC	TW DEG. R
656	1.0000	476.00	.63272-02	.7602-02	.7602-02	.9000	.2757-03	.3313-03	.2180	1.627	535.0
656	1.0000	477.00	.17237-01	.2071-01	.2071-01	.9000	.7512-03	.9026-03	.5936	4.744	535.4
656	1.0000	478.00	.26420-01	.3170-01	.3170-01	.9000	.1151-02	.1381-02	.9170	6.640	529.2
656	1.0000	479.00	.87292-02	.1047-01	.1047-01	.9000	.3804-03	.4563-03	.3033	2.129	528.4
656	1.0000	480.00	.14310-01	.1717-01	.1717-01	.9000	.6236-03	.7483-03	.4962	3.479	530.0
656	1.0000	481.00	.18933-01	.2274-01	.2274-01	.9000	.8251-03	.9910-03	.6535	4.573	533.7
656	1.0000	482.00	.84902-02	.1018-01	.1018-01	.9000	.3700-03	.4436-03	.2957	2.659	526.5
656	1.0000	483.00	.11304-01	.1355-01	.1355-01	.9000	.4926-03	.5907-03	.3935	3.158	527.0
656	1.0000	484.00	.35733-02	.4292-02	.4292-02	.9000	.1557-03	.1866-03	.1247	1.122	525.0
656	1.0000	485.00	.89028-02	.1067-01	.1067-01	.9000	.3880-03	.4649-03	.3108	2.411	524.6
656	1.0000	486.00	.34337-01	.4122-01	.4122-01	.9000	.1496-02	.1796-02	1.188	8.321	531.9
656	1.0000	487.00	.10900-01	.1308-01	.1308-01	.9000	.4750-03	.5699-03	.3783	2.830	529.3
656	1.0000	488.00	.27946-01	.3359-01	.3359-01	.9000	.1218-02	.1464-02	.9613	7.167	536.4
656	1.0000	489.00	.26752-01	.3213-01	.3213-01	.9000	.1166-02	.1400-02	.9230	6.890	534.0
656	1.0000	490.00	.10534-01	.1263-01	.1263-01	.9000	.4591-03	.5505-03	.3663	2.837	527.8
656	1.0000	491.00	.78527-02	.9410-02	.9410-02	.9000	.3422-03	.4101-03	.2741	2.126	524.8

OH84B 60-0 WING MISC.

(R4UP36)

WING MISC.

PARAMETRIC DATA

MACH = 8.000 ALPHA = 40.00 BETA = .0000 ELEVON = -5.000
 BDFLAP = .0000 SPOBRK = .0000

TEST CONDITIONS

RUN NUMBER	RN/L /FT X10 6	MACH	ALPHA DEG.	BETA DEG.	PO PSIA	TO DEG. R	T DEG. R	P PSIA	Q PSI	V FT/SEC	RHO SLUGS /FT3	MU LB-SEC /FT2
638	.5027	7.900	39.93	-.1035-01	99.87	1249.	92.62	.1110-01	.4849	3727.	.3235-03	.7453-07

RUN NUMBER	HREF BTU/ R FT2SEC	STN NO REF(R) * .0175
638	.1705-01	.5705-01

TEST DATA

RUN NUMBER	DUMMY	T/C NO	H/HREF R=1.0	H/HREF R=0.9	H/HREF R=TAW/TO	TAW/TO	H(TO) BTU/R FT2SEC	H(TAW) BTU/R FT2SEC	QDOT BTU/ FT2SEC	DTWOT DEG. R /SEC	TW DEG. R
638	1.0000	476.00	.10850-02	.1312-02	.1312-02	.9000	.1850-04	.2236-04	.1337-01	.1002	525.9
638	1.0000	477.00	.37356-02	.4515-02	.4515-02	.9000	.6369-04	.7698-04	.4607-01	.3701	525.4
638	1.0000	478.00	.29705-01	.3588-01	.3588-01	.9000	.5065-03	.6118-03	.3675	2.669	523.1
638	1.0000	479.00	.71987-02	.8698-02	.8698-02	.9000	.1227-03	.1483-03	.8894-01	.6255	524.1
638	1.0000	480.00	.58767-02	.7100-02	.7100-02	.9000	.1002-03	.1211-03	.7260-01	.5106	524.1
638	1.0000	481.00	.47903-02	.5790-02	.5790-02	.9000	.8168-04	.9872-04	.5909-01	.4153	525.3
638	1.0000	482.00	.11272-02	.1361-02	.1361-02	.9000	.1922-04	.2321-04	.1395-01	.1257	522.7
638	1.0000	483.00	.77892-03	.9407-03	.9407-03	.9000	.1328-04	.1604-04	.9641-02	.7755-01	522.7
638	1.0000	484.00	.25276-02	.3052-02	.3052-02	.9000	.4310-04	.5204-04	.3130-01	.2821	522.3
638	1.0000	485.00	.71965-02	.8691-02	.8691-02	.9000	.1227-03	.1482-03	.8911-01	.6921	522.4
638	1.0000	486.00	.30434-01	.3678-01	.3678-01	.9000	.5189-03	.6271-03	.3757	2.641	524.8
638	1.0000	487.00	.81086-02	.9798-02	.9798-02	.9000	.1383-03	.1671-03	.1002	.7512	524.3
638	1.0000	488.00	.54224-02	.6552-02	.6552-02	.9000	.9246-04	.1117-03	.6695-01	.5021	524.5
638	1.0000	489.00	.41113-02	.4969-02	.4969-02	.9000	.7010-04	.8473-04	.5070-01	.3801	525.4
638	1.0000	490.00	.73881-03	.8926-03	.8926-03	.9000	.1260-04	.1522-04	.9130-02	.7086-01	523.9
638	1.0000	491.00	.67424-02	.8144-02	.8144-02	.9000	.1150-03	.1389-03	.8343-01	.6478	523.0

OH84B 60-0 WING MISC.

(R4UP36)

WING MISC.

PARAMETRIC DATA

MACH = 8.000 ALPHA = 40.00 BETA = .0000 ELEVON = -5.000
 BDFLAP = .0000 SPDBRK = .0000

TEST CONDITIONS

RUN NUMBER	RN/L /FT X10 6	MACH	ALPHA DEG.	BETA DEG.	PO PSIA	TO DEG. R	T DEG. R	P PSIA	Q PSI	V FT/SEC	RHO SLUGS /FT3	MU LB-SEC /FT2
664	1.016	7.940	39.97	-.4645-06	207.5	1261.	92.64	.2232-01	.9849	3746.	.6503-03	.7454-07
RUN NUMBER	HREF BTU/ R FT2SEC	STN NO REF(R) =.0175										
664	.2434-01	.4028-01										

TEST DATA

RUN NUMBER	DUMMY	T/C NO	H/HREF R=1.0	H/HREF R=0.9	H/HREF R= TAW/TO	TAW/TO	H(TO) BTU/R FT2SEC	H(TAW) BTU/R FT2SEC	QDOT BTU/ FT2SEC	DTWDT DEG. R /SEC	TW DEG. R
664	1.0000	476.00	.12676-02	.1531-02	.1531-02	.9000	.3086-04	.3726-04	.2264-01	.1696	526.8
664	1.0000	477.00	.40718-02	.4914-02	.4914-02	.9000	.9911-04	.1196-03	.7293-01	.5860	524.8
664	1.0000	478.00	.27736-01	.3345-01	.3345-01	.9000	.6751-03	.8143-03	.4981	3.618	522.9
664	1.0000	479.00	.68010-02	.8206-02	.8206-02	.9000	.1655-03	.1997-03	.1219	.8573	524.3
664	1.0000	480.00	.64015-02	.7724-02	.7724-02	.9000	.1558-03	.1880-03	.1148	.8070	524.2
664	1.0000	481.00	.86693-02	.1047-01	.1047-01	.9000	.2110-03	.2547-03	.1550	1.089	526.3
664	1.0000	482.00	.37023-02	.4465-02	.4465-02	.9000	.9012-04	.1087-03	.6648-01	.5988	522.9
664	1.0000	483.00	.31271-02	.3771-02	.3771-02	.9000	.7612-04	.9180-04	.5617-01	.4518	522.8
664	1.0000	484.00	.20703-02	.2496-02	.2496-02	.9000	.5039-04	.6076-04	.3724-01	.3356	521.8
664	1.0000	485.00	.70028-02	.8444-02	.8444-02	.9000	.1705-03	.2055-03	.1259	.9780	522.1
664	1.0000	486.00	.31325-01	.3781-01	.3781-01	.9000	.7625-03	.9203-03	.5607	3.941	525.3
664	1.0000	487.00	.90345-02	.1090-01	.1090-01	.9000	.2199-03	.2653-03	.1619	1.215	524.3
664	1.0000	488.00	.94648-02	.1142-01	.1142-01	.9000	.2304-03	.2780-03	.1694	1.270	525.3
664	1.0000	489.00	.85563-02	.1033-01	.1033-01	.9000	.2083-03	.2515-03	.1527	1.144	527.4
664	1.0000	490.00	.68296-03	.8239-03	.8239-03	.9000	.1662-04	.2006-04	.1225-01	.9507-01	523.8
664	1.0000	491.00	.66269-02	.7992-02	.7992-02	.9000	.1613-03	.1945-03	.1190	.9243	522.8

OH84B 60-0 WING MISC.

(R4UP36)

WING MISC.

PARAMETRIC DATA

MACH = 8.000 ALPHA = 40.00 BETA = .0000 ELEVON = -5.000
 BDFLAP = .0000 SPDBRK = .0000

TEST CONDITIONS

RUN NUMBER	RN/L /FT X10 6	MACH	ALPHA DEG.	BETA DEG.	PO PSIA	TO DEG. R	T DEG. R	P PSIA	Q PSI	V FT/SEC	RHO SLUGS /FT3	MU LB-SEC /FT2
644	2.002	7.980	39.98	-.1040-01	434.5	1301.	94.69	.4523-01	2.016	3807.	.1289-02	.7620-07

RUN NUMBER	HREF BTU/ R FT2SEC	STN NO REF (R) = .0175
644	.3502-01	.2870-01

TEST DATA

RUN NUMBER	DUMMY	T/C NO	H/HREF R=1.0	H/HREF R=0.9	H/HREF R= TAW/TO	H(TO) BTU/R FT2SEC	H(TAW) BTU/R FT2SEC	QDOT BTU/ FT2SEC	DTWDT DEG. R /SEC	TW DEG. R	
644	1.0000	476.00	.65254-02	.7854-02	.7854-02	.9000	.2285-03	.2750-03	.1756	1.312	532.0
644	1.0000	477.00	.13648-01	.1643-01	.1643-01	.9000	.4779-03	.5751-03	.3676	2.943	531.5
644	1.0000	478.00	.28005-01	.3367-01	.3367-01	.9000	.9806-03	.1179-02	.7576	5.489	528.1
644	1.0000	479.00	.63123-02	.7589-02	.7589-02	.9000	.2210-03	.2657-03	.1709	1.199	527.6
644	1.0000	480.00	.97686-02	.1175-01	.1175-01	.9000	.3421-03	.4114-03	.2640	1.852	528.8
644	1.0000	481.00	.10769-01	.1296-01	.1296-01	.9000	.3771-03	.4538-03	.2902	2.034	531.1
644	1.0000	482.00	.35532-02	.4270-02	.4270-02	.9000	.1244-03	.1495-03	.9641-01	.8672	525.8
644	1.0000	483.00	.43805-02	.5265-02	.5265-02	.9000	.1534-03	.1843-03	.1188	.9538	526.2
644	1.0000	484.00	.34051-02	.4091-02	.4091-02	.9000	.1192-03	.1433-03	.9246-01	.8319	525.2
644	1.0000	485.00	.80448-02	.9665-02	.9665-02	.9000	.2817-03	.3384-03	.2186	1.696	524.6
644	1.0000	486.00	.33214-01	.3997-01	.3997-01	.9000	.1163-02	.1399-02	.8953	6.275	530.8
644	1.0000	487.00	.11317-01	.1361-01	.1361-01	.9000	.3963-03	.4765-03	.3060	2.290	528.5
644	1.0000	488.00	.20958-01	.2522-01	.2522-01	.9000	.7338-03	.8832-03	.5643	4.217	531.7
644	1.0000	489.00	.95635-02	.1151-01	.1151-01	.9000	.3349-03	.4030-03	.2578	1.927	530.9
644	1.0000	490.00	.38082-02	.4578-02	.4578-02	.9000	.1333-03	.1603-03	.1031	.7992	527.1
644	1.0000	491.00	.87330-02	.1049-01	.1049-01	.9000	.3058-03	.3675-03	.2369	1.837	525.9

OH84B 60-0 WING MISC.

(R41P36)

WING MISC.

PARAMETRIC DATA

MACH = 8.000 ALPHA = 40.00 BETA = .0000 ELEVON = -5.000
 BDFLAP = .0000 SPDBRK = .0000

TEST CONDITIONS

RUN NUMBER	RN/L /FT X10 6	MACH	ALPHA DEG.	BETA DEG.	PO PSIA	TO DEG. R	T DEG. R	P PSIA	Q PSI	V FT/SEC	RHO SLUGS /FT3	MU LB-SEC /FT2
654	2.991	7.990	40.02	.6962-02	669.5	1325.	96.21	.6914-01	3.090	3842.	.1940-02	.7742-07
RUN NUMBER	HREF BTU/ R FT2SEC	STN NO REF (R)										
654	.4348-01	.2344-01	= .0175									

TEST DATA

RUN NUMBER	DUMMY	T/C NO	H/HREF R=1.0	H/HREF R=0.9	H/HREF R= TAW/TO	TAW/TO	H(TO) BTU/R FT2SEC	H(TAW) BTU/R FT2SEC	QDOT BTU/ FT2SEC	DTWDT DEG. R /SEC	TW DEG. R
654	1.0000	476.00	.69363-02	.8333-02	.8333-02	.9000	.3016-03	.3623-03	.2384	1.779	534.2
654	1.0000	477.00	.18730-01	.2251-01	.2251-01	.9000	.8145-03	.9790-03	.6421	5.129	536.3
654	1.0000	478.00	.28149-01	.3379-01	.3379-01	.9000	.1224-02	.1470-02	.9706	7.019	531.7
654	1.0000	479.00	.80731-02	.9685-02	.9685-02	.9000	.3511-03	.4212-03	.2794	1.960	528.8
654	1.0000	480.00	.13826-01	.1659-01	.1659-01	.9000	.6012-03	.7216-03	.4773	3.345	530.8
654	1.0000	481.00	.19834-01	.2382-01	.2382-01	.9000	.8625-03	.1036-02	.6821	4.773	533.8
654	1.0000	482.00	.95504-02	.1145-01	.1145-01	.9000	.4153-03	.4980-03	.3312	2.977	527.1
654	1.0000	483.00	.12039-01	.1444-01	.1444-01	.9000	.5235-03	.6278-03	.4173	3.348	527.6
654	1.0000	484.00	.36412-02	.4364-02	.4364-02	.9000	.1583-03	.1898-03	.1266	1.140	524.9
654	1.0000	485.00	.96424-02	.1156-01	.1156-01	.9000	.4193-03	.5025-03	.3354	2.601	524.9
654	1.0000	486.00	.37690-01	.4527-01	.4527-01	.9000	.1639-02	.1969-02	1.296	9.071	533.8
654	1.0000	487.00	.15469-01	.1857-01	.1857-01	.9000	.6727-03	.8073-03	.5342	3.994	530.5
654	1.0000	488.00	.31137-01	.3743-01	.3743-01	.9000	.1354-02	.1628-02	1.067	7.951	536.8
654	1.0000	489.00	.31463-01	.3780-01	.3780-01	.9000	.1368-02	.1644-02	1.081	8.065	534.6
654	1.0000	490.00	.10775-01	.1292-01	.1292-01	.9000	.4685-03	.5619-03	.3734	2.893	527.7
654	1.0000	491.00	.91843-02	.1101-01	.1101-01	.9000	.3994-03	.4787-03	.3194	2.477	525.0

OH84B 60-0 WING MISC.

(R4UP37)

WING MISC.

PARAMETRIC DATA

MACH = 8.000 ALPHA = 40.00 BETA = .0000 ELEVON = -5.000
 BDFLAP = 5.000 SPDBRK = .0000

TEST CONDITIONS

RUN NUMBER	RN/L /FT X10 6	MACH	ALPHA DEG.	BETA DEG.	PO PSIA	TO DEG. R	T DEG. R	P PSIA	Q PSI	V FT/SEC	RHO SLUGS /FT3	MU LB-SEC /FT2
640	.5043	7.900	39.93	-.1035-01	99.93	1247.	92.47	.1111-01	.4852	3724.	.3242-03	.7441-07
RUN NUMBER	HREF BTU/ R FT2SEC	STN NO REF (R) =.0175										
640	.1705-01	.5698-01										

TEST DATA

RUN NUMBER	DUMMY	T/C NO	H/HREF R=1.0	H/HREF R=0.9	H/HREF R= TAW/TO	TAW/TO	H(TO) BTU/R FT2SEC	H(TAW) BTU/R FT2SEC	QDOT BTU/ FT2SEC	DTWDT DEG. R /SEC	TW DEG. R
640	1.0000	476.00	.11674-02	.1410-02	.1410-02	.9000	.1991-04	.2403-04	.1445-01	.1086	520.9
640	1.0000	477.00	.38162-02	.4607-02	.4607-02	.9000	.6507-04	.7855-04	.4728-01	.3808	520.1
640	1.0000	478.00	.29337-01	.3540-01	.3540-01	.9000	.5002-03	.6035-03	.3643	2.653	518.4
640	1.0000	479.00	.72750-02	.8779-02	.8779-02	.9000	.1240-03	.1497-03	.9027-01	.6366	518.9
640	1.0000	480.00	.59722-02	.7207-02	.7207-02	.9000	.1018-03	.1229-03	.7410-01	.5225	519.0
640	1.0000	481.00	.52525-02	.6340-02	.6340-02	.9000	.8956-04	.1081-03	.6509-01	.4587	519.9
640	1.0000	482.00	.14178-03	.1710-03	.1710-03	.9000	.2417-05	.2916-05	.1763-02	.1592-01	517.5
640	1.0000	483.00	.10471-03	.1263-03	.1263-03	.9000	.1785-05	.2154-05	.1302-02	.1050-01	517.6
640	1.0000	484.00	.21217-02	.2559-02	.2559-02	.9000	.3618-04	.4364-04	.2638-01	.2382	517.6
640	1.0000	485.00	.66709-02	.8048-02	.8048-02	.9000	.1137-03	.1372-03	.8290-01	.6454	517.9
640	1.0000	486.00	.28536-01	.3444-01	.3444-01	.9000	.4866-03	.5873-03	.3537	2.493	519.7
640	1.0000	487.00	.82133-02	.9912-02	.9912-02	.9000	.1400-03	.1690-03	.1019	.7662	519.2
640	1.0000	488.00	.58141-02	.7017-02	.7017-02	.9000	.9914-04	.1196-03	.7211-01	.5422	519.3
640	1.0000	489.00	.38330-02	.4626-02	.4626-02	.9000	.6536-04	.7889-04	.4751-01	.3572	519.7
640	1.0000	490.00	.25712-03	.3103-03	.3103-03	.9000	.4384-05	.5290-05	.3191-02	.2483-01	518.7
640	1.0000	491.00	.63332-02	.7641-02	.7641-02	.9000	.1080-03	.1303-03	.7864-01	.6121	518.4

OH84B 60-0 WING MISC.

(R4UP37)

WING MISC.

PARAMETRIC DATA

MACH = 8.000 ALPHA = 40.00 BETA = .0000 ELEVON = -5.000
 BOFLAP = 5.000 SPDBRK = .0000

TEST CONDITIONS

RUN NUMBER	RN/L /FT X10 6	MACH	ALPHA DEG.	BETA DEG.	PO PSIA	TO DEG. R	T DEG. R	P PSIA	Q PSI	V FT/SEC	RHO SLUGS /FT3	MU LB-SEC /FT2
662	1.024	7.940	39.97	-.4645-06	207.3	1253.	92.05	.2230-01	.9840	3734.	.6538-03	.7407-07
RUN NUMBER	HREF BTU/ R FT2SEC	STN NO REF(R)										
662	.2430-01	.4014-01										

TEST DATA

RUN NUMBER	DUMMY	T/C NO	H/HREF R=1.0	H/HREF R=0.9	H/HREF R= TAW/TO	H(TO) BTU/R FT2SEC	H(TAW) BTU/R FT2SEC	QDOT BTU/ FT2SEC	DTWDT DEG. R /SEC	TW DEG. R	
662	1.0000	476.00	.13071-02	.1580-02	.1580-02	.9000	.3177-04	.3840-04	.2303-01	.1724	527.8
662	1.0000	477.00	.41780-02	.5049-02	.5049-02	.9000	.1015-03	.1227-03	.7376-01	.5922	526.2
662	1.0000	478.00	.30159-01	.3643-01	.3643-01	.9000	.7329-03	.8854-03	.5332	3.868	525.2
662	1.0000	479.00	.70022-02	.8460-02	.8460-02	.9000	.1702-03	.2056-03	.1237	.8690	525.9
662	1.0000	480.00	.64312-02	.7770-02	.7770-02	.9000	.1563-03	.1888-03	.1136	.7984	525.7
662	1.0000	481.00	.84730-02	.1024-01	.1024-01	.9000	.2059-03	.2489-03	.1493	1.048	527.5
662	1.0000	482.00	.37533-02	.4533-02	.4533-02	.9000	.9121-04	.1102-03	.6646-01	.5983	524.0
662	1.0000	483.00	.34790-02	.4201-02	.4201-02	.9000	.8455-04	.1021-03	.6162-01	.4954	523.8
662	1.0000	484.00	.24498-02	.2957-02	.2957-02	.9000	.5954-04	.7187-04	.4345-01	.3914	522.9
662	1.0000	485.00	.74625-02	.9010-02	.9010-02	.9000	.1814-03	.2190-03	.1322	1.027	523.5
662	1.0000	486.00	.33158-01	.4008-01	.4008-01	.9000	.8058-03	.9741-03	.5842	4.101	527.7
662	1.0000	487.00	.93415-02	.1129-01	.1129-01	.9000	.2270-03	.2743-03	.1650	1.237	525.8
662	1.0000	488.00	.95411-02	.1153-01	.1153-01	.9000	.2319-03	.2802-03	.1684	1.261	526.6
662	1.0000	489.00	.81379-02	.9838-02	.9838-02	.9000	.1978-03	.2391-03	.1434	1.073	527.8
662	1.0000	490.00	.91650-03	.1107-02	.1107-02	.9000	.2227-04	.2690-04	.1622-01	.1258	524.5
662	1.0000	491.00	.71156-02	.8593-02	.8593-02	.9000	.1729-03	.2088-03	.1260	.9780	524.0

OH84B 60-0 WING MISC.

(R4UP37)

WING MISC.

PARAMETRIC DATA

MACH = 8.000 ALPHA = 40.00 BETA = .0000 ELEVON = -5.000
 BDFLAP = 5.000 SPDBRK = .0000

TEST CONDITIONS

RUN NUMBER	RN/L /FT X10 6	MACH	ALPHA DEG.	BETA DEG.	PO PSIA	TO DEG. R	T DEG. R	P PSIA	Q PSI	V FT/SEC	RHO SLUGS /FT3	MU LB-SEC /FT2
642	2.013	7.980	39.98	- .1040-01	434.8	1297.	94.40	.4526-01	2.018	3801.	.1294-02	.7596-07
RUN NUMBER	HREF BTU/ R FT2SEC	STN NO REF (R)										
642	.3501-01	.2863-01										

TEST DATA

RUN NUMBER	DUMMY	T/C NO	H/HREF R=1.0	H/HREF R=0.9	H/HREF R= TAW/TO	TAW/TO	H(TO) BTU/R FT2SEC	H(TAW) BTU/R FT2SEC	QDOT BTU/ FT2SEC	DTWDT DEG. R /SEC	TW DEG. R
642	1.0000	476.00	.53350-02	.6416-02	.6416-02	.9000	.1868-03	.2246-03	.1438	1.077	527.0
642	1.0000	477.00	.14818-01	.1783-01	.1783-01	.9000	.5188-03	.6241-03	.3984	3.195	528.7
642	1.0000	478.00	.27225-01	.3272-01	.3272-01	.9000	.9531-03	.1146-02	.7357	5.339	524.8
642	1.0000	479.00	.60095-02	.7222-02	.7222-02	.9000	.2104-03	.2528-03	.1625	1.143	524.1
642	1.0000	480.00	.95239-02	.1145-01	.1145-01	.9000	.3334-03	.4008-03	.2572	1.808	525.2
642	1.0000	481.00	.11256-01	.1354-01	.1354-01	.9000	.3940-03	.4739-03	.3031	2.128	527.5
642	1.0000	482.00	.44998-02	.5406-02	.5406-02	.9000	.1575-03	.1892-03	.1219	1.098	522.9
642	1.0000	483.00	.58234-02	.6997-02	.6997-02	.9000	.2039-03	.2450-03	.1576	1.267	523.6
642	1.0000	484.00	.30675-02	.3685-02	.3685-02	.9000	.1074-03	.1290-03	.8313-01	.7489	522.6
642	1.0000	485.00	.79477-02	.9546-02	.9546-02	.9000	.2782-03	.3342-03	.2155	1.674	522.2
642	1.0000	486.00	.31448-01	.3782-01	.3782-01	.9000	.1101-02	.1324-02	.8470	5.947	527.3
642	1.0000	487.00	.12273-01	.1476-01	.1476-01	.9000	.4297-03	.5166-03	.3312	2.482	525.8
642	1.0000	488.00	.18669-01	.2246-01	.2246-01	.9000	.6536-03	.7863-03	.5020	3.758	528.5
642	1.0000	489.00	.10727-01	.1290-01	.1290-01	.9000	.3756-03	.4517-03	.2888	2.163	527.6
642	1.0000	490.00	.56964-02	.6847-02	.6847-02	.9000	.1994-03	.2397-03	.1539	1.194	525.0
642	1.0000	491.00	.84205-02	.1012-01	.1012-01	.9000	.2948-03	.3542-03	.2280	1.770	523.3

DATE 23 FEB 80

OH84B MODEL 60-0 IN THE AEDC VKF HYPERSONIC TUNNEL

PAGE 1847

OH84B 60-0 WING MISC.

(R4UP37)

WING MISC.

PARAMETRIC DATA

MACH = 8.000 ALPHA = 40.00 BETA = .0000 ELEVON = -5.000
 BDFLAP = 5.000 SPDBRK = .0000

TEST CONDITIONS

RUN NUMBER	RN/L /FT X10 6	MACH	ALPHA DEG.	BETA DEG.	PO PSIA	TO DEG. R	T DEG. R	P PSIA	Q PSI	V FT/SEC	RHO SLUGS /FT3	MU LB-SEC /FT2
652	2.983	7.990	40.04	.6976-02	671.4	1330.	96.58	.6934-01	3.098	3849.	.1938-02	.7772-07
RUN NUMBER	HREF BTU/ R FT2SEC	STN NO REF(R)										
652	.4357-01	.2346-01										

TEST DATA

RUN NUMBER	DUMMY	T/C NO	H/HREF R=1.0	H/HREF R=0.9	H/HREF R= TAW/TO	TAW/TO	H(TO) BTU/R FT2SEC	H(TAW) BTU/R FT2SEC	QDOT BTU/ FT2SEC	DTWOT DEG. R /SEC	TW DEG. R
652	1.0000	476.00	.64115-02	.7703-02	.7703-02	.9000	.2794-03	.3356-03	.2216	1.652	536.4
652	1.0000	477.00	.18415-01	.2213-01	.2213-01	.9000	.8024-03	.9642-03	.6358	5.076	537.3
652	1.0000	478.00	.28516-01	.3421-01	.3421-01	.9000	.1243-02	.1491-02	.9922	7.178	531.1
652	1.0000	479.00	.80004-02	.9597-02	.9597-02	.9000	.3486-03	.4182-03	.2786	1.953	530.4
652	1.0000	480.00	.14350-01	.1722-01	.1722-01	.9000	.6253-03	.7503-03	.4990	3.496	531.7
652	1.0000	481.00	.17438-01	.2095-01	.2095-01	.9000	.7599-03	.9127-03	.6035	4.219	535.5
652	1.0000	482.00	.90311-02	.1083-01	.1083-01	.9000	.3935-03	.4718-03	.3154	2.834	528.1
652	1.0000	483.00	.10525-01	.1262-01	.1262-01	.9000	.4586-03	.5499-03	.3675	2.948	528.3
652	1.0000	484.00	.36039-02	.4319-02	.4319-02	.9000	.1570-03	.1882-03	.1262	1.134	526.3
652	1.0000	485.00	.92919-02	.1113-01	.1113-01	.9000	.4049-03	.4852-03	.3254	2.523	526.0
652	1.0000	486.00	.36991-01	.4441-01	.4441-01	.9000	.1612-02	.1935-02	1.282	8.972	534.1
652	1.0000	487.00	.12510-01	.1501-01	.1501-01	.9000	.5451-03	.6540-03	.4354	3.254	531.0
652	1.0000	488.00	.31437-01	.3778-01	.3778-01	.9000	.1370-02	.1646-02	1.084	8.078	538.0
652	1.0000	489.00	.28449-01	.3417-01	.3417-01	.9000	.1240-02	.1489-02	.9841	7.339	535.8
652	1.0000	490.00	.89423-02	.1072-01	.1072-01	.9000	.3897-03	.4672-03	.3121	2.417	528.6
652	1.0000	491.00	.80467-02	.9642-02	.9642-02	.9000	.3506-03	.4202-03	.2817	2.184	526.1

OH84B 60-0 WING MISC.

(R4UP38)

WING MISC.

PARAMETRIC DATA

MACH = 8.000 ALPHA = 40.00 BETA = .0000 ELEVON = .0000
 BDFLAP = -12.50 SPOBRK = .0000

TEST CONDITIONS

RUN NUMBER	RN/L /FT X10 6	MACH	ALPHA DEG.	BETA DEG.	PO PSIA	TO DEG. R	T DEG. R	P PSIA	Q PSI	V FT/SEC	RHO SLUGS /FT3	MU LB-SEC /FT2
632	.5132	7.900	39.95	.1729-01	101.7	1247.	92.47	.1130-01	.4938	3724.	.3299-03	.7441-07

RUN NUMBER	HREF BTU/ R FT2SEC	STN NO REF(R) = .0175
632	.1720-01	.5648-01

TEST DATA

RUN NUMBER	DUMMY	T/C NO	H/HREF R=1.0	H/HREF R=0.9	H/HREF R= TAW/TO	H(TO) BTU/R FT2SEC	H(TAW) BTU/R FT2SEC	QDOT BTU/ FT2SEC	DTWOT DEG. R /SEC	TW DEG. R	
632	1.0000	476.00	.10532-02	.1273-02	.1273-02	.9000	.1812-04	.2190-04	.1308-01	.9814-01	524.5
632	1.0000	477.00	.35162-02	.4249-02	.4249-02	.9000	.6049-04	.7310-04	.4371-01	.3514	524.0
632	1.0000	478.00	.32510-01	.3927-01	.3927-01	.9000	.5592-03	.6756-03	.4049	2.941	522.7
632	1.0000	479.00	.73988-02	.8939-02	.8939-02	.9000	.1273-03	.1538-03	.9210-01	.6481	523.1
632	1.0000	480.00	.59347-02	.7170-02	.7170-02	.9000	.1021-03	.1233-03	.7387-01	.5198	523.1
632	1.0000	481.00	.49038-02	.5926-02	.5926-02	.9000	.8436-04	.1019-03	.6096-01	.4288	524.0
632	1.0000	484.00	.25418-02	.3070-02	.3070-02	.9000	.4372-04	.5281-04	.3169-01	.2856	521.9
632	1.0000	485.00	.81278-02	.9817-02	.9817-02	.9000	.1398-03	.1689-03	.1013	.7869	522.2
632	1.0000	486.00	.30867-01	.3730-01	.3730-01	.9000	.5310-03	.6417-03	.3837	2.699	524.1
632	1.0000	487.00	.91866-02	.1110-01	.1110-01	.9000	.1580-03	.1910-03	.1143	.8575	523.5
632	1.0000	488.00	.47194-02	.5702-02	.5702-02	.9000	.8118-04	.9809-04	.5872-01	.4407	523.3
632	1.0000	489.00	.37360-02	.4515-02	.4515-02	.9000	.6427-04	.7767-04	.4645-01	.3485	523.9
632	1.0000	491.00	.78397-02	.9471-02	.9471-02	.9000	.1349-03	.1629-03	.9763-01	.7581	522.8

OH84B 60-0 WING MISC.

(R4UP38)

WING MISC.

PARAMETRIC DATA

MACH = 8.000 ALPHA = 40.00 BETA = .0000 ELEVON = .0000
 SDFLAP = -12.50 SPDBRK = .0000

TEST CONDITIONS

RUN NUMBER	RN/L /FT X10 6	MACH	ALPHA DEG.	BETA DEG.	PO PSIA	TO DEG. R	T DEG. R	P PSIA	Q PSI	V F./SEC	RHO SLUGS /FT3	MU LB-SEC /FT2
606	.9965	7.940	39.96	.1384-01	204.8	1266.	93.00	.2203-01	.9721	3754.	.6392-03	.7484-07
RUN NUMBER	HREF BTU/ R FT2SEC	STN NO REF (R)										
606	.2420-01	.4064-01										

TEST DATA

RUN NUMBER	DUMMY	T/C NO	H/HREF R=1.0	H/HREF R=0.9	H/HREF R= TAW/TO	TAW/TO	H(TO) BTU/R FT2SEC	H(TAW) BTU/R FT2SEC	QDOT BTU/ FT2SEC	DTWDT DEG. R /SEC	TW DEG. R
606	1.0000	476.00	.94456-03	.1139-02	.1139-02	.9000	.2286-04	.2756-04	.1696-01	.1273	523.5
606	1.0000	477.00	.32100-02	.3870-02	.3970-02	.9000	.7768-04	.9365-04	.5764-01	.4634	523.6
606	1.0000	478.00	.26258-01	.3166-01	.3166-01	.9000	.6354-03	.7662-03	.4710	3.419	524.4
606	1.0000	479.00	.71719-02	.8646-02	.8646-02	.9000	.1735-03	.2092-03	.1288	.9064	523.3
606	1.0000	480.00	.55386-02	.6677-02	.6677-02	.9000	.1340-03	.1616-03	.9952-01	.7003	523.1
606	1.0000	481.00	.71770-02	.8654-02	.8654-02	.9000	.1737-03	.2094-03	.1288	.9060	524.0
606	1.0000	482.00	.21399-03	.2578-03	.2578-03	.9000	.5178-05	.6238-05	.3857-02	.3478-01	520.8
606	1.0000	484.00	.26908-02	.3242-02	.3242-02	.9000	.6511-04	.7845-04	.4848-01	.4371	521.1
606	1.0000	485.00	.83706-02	.1009-01	.1009-01	.9000	.2026-03	.2441-03	.1507	1.170	521.9
606	1.0000	486.00	.30418-01	.3669-01	.3669-01	.9000	.7361-03	.8879-03	.5448	3.829	525.5
606	1.0000	487.00	.12886-01	.1554-01	.1554-01	.9000	.3118-03	.3760-03	.2312	1.734	524.3
606	1.0000	488.00	.82436-02	.9939-02	.9939-02	.9000	.1995-03	.2405-03	.1480	1.111	523.7
606	1.0000	489.00	.50838-02	.6128-02	.6128-02	.9000	.1230-03	.1483-03	.9133-01	.6855	523.2
606	1.0000	491.00	.82165-02	.9902-02	.9902-02	.9000	.1988-03	.2396-03	.1478	1.148	522.3

OH84B 60-0 WING MISC.

(R4UP38)

WING MISC.

PARAMETRIC DATA

MACH = 8.000 ALPHA = 40.00 BETA = .0000 ELEVON = .0000
 BDFLAP = -12.50 SPDBRK = .0000

TEST CONDITIONS

RUN NUMBER	RN/L /FT X10 6	MACH	ALPHA DEG.	BETA DEG.	PO PSIA	TO DEG. R	T DEG. R	P PSIA	Q PSI	V FT/SEC	RHO SLUGS /FT3	MU LB-SEC /FT2
604	2.022	7.980	40.00	.1389-01	434.9	1293.	94.11	.4527-01	2.018	3795.	.1298-02	.7573-07

RUN NUMBER	HREF BTU/ R FT2SEC	STN NO REF (R) =.0175
604	.3499-01	.2858-01

TEST DATA

RUN NUMBER	DUMMY	T/C NO	H/HREF R=1.0	H/HREF R=0.9	H/HREF R= TAW/TO	TAW/TO	H(TO) BTU/R FT2SEC	H(TAW) BTU/R FT2SEC	QDOT BTU/ FT2SEC	DTWOT DEG. R /SEC	TW DEG. R
604	1.0000	476.00	.37852-02	.4557-02	.4557-02	.9000	.1325-03	.1595-03	.1011	.7562	529.6
604	1.0000	477.00	.10037-01	.1208-01	.1208-01	.9000	.3512-03	.4227-03	.2684	2.153	528.5
604	1.0000	478.00	.27321-01	.3287-01	.3287-01	.9000	.9561-03	.1150-02	.7320	5.306	527.1
604	1.0000	479.00	.66250-02	.7969-02	.7969-02	.9000	.2318-03	.2789-03	.1777	1.248	526.4
604	1.0000	480.00	.78817-02	.9482-02	.9482-02	.9000	.2758-03	.3318-03	.2113	1.484	526.6
604	1.0000	481.00	.10549-01	.1270-01	.1270-01	.9000	.3691-03	.4443-03	.2820	1.979	528.7
604	1.0000	482.00	.44992-02	.5410-02	.5410-02	.9000	.1574-03	.1893-03	.1209	1.087	525.1
604	1.0000	483.00	.46571-02	.5601-02	.5601-02	.9000	.1630-03	.1960-03	.1251	1.004	525.3
604	1.0000	484.00	.35768-02	.4301-02	.4301-02	.9000	.1252-03	.1505-03	.9614-01	.8653	524.5
604	1.0000	485.00	.86173-02	.1036-01	.1036-01	.9000	.3016-03	.3626-03	.2316	1.796	524.7
604	1.0000	486.00	.33491-01	.4033-01	.4033-01	.9000	.1172-02	.1411-02	.8933	6.262	530.5
604	1.0000	487.00	.12101-01	.1456-01	.1456-01	.9000	.4235-03	.5096-03	.3238	2.424	528.1
604	1.0000	488.00	.14750-01	.1776-01	.1776-01	.9000	.5162-03	.6213-03	.3942	2.949	529.0
604	1.0000	489.00	.10120-01	.1218-01	.1218-01	.9000	.3541-03	.4263-03	.2704	2.023	529.1
604	1.0000	490.00	.33443-02	.4022-02	.4022-02	.9000	.1170-03	.1408-03	.8976-01	.6960	525.7
604	1.0000	491.00	.93374-02	.1123-01	.1123-01	.9000	.3268-03	.3929-03	.2507	1.945	525.3

OH84B 60-0 WING MISC.

(R4UP38)

WING MISC.

PARAMETRIC DATA

MACH = 6.000 ALPHA = 40.00 BETA = .0000 ELEVON = .0000
 BDFLAP = -12.50 SPDBRK = .0000

TEST CONDITIONS

RUN NUMBER	RN/L /FT X10 6	MACH	ALPHA DEG.	BETA DEG.	PO PSIA	TO DEG. R	T DEG. R	P PSIA	Q PSI	V FT/SEC	RHO SLUGS /FT3	MU LB-SEC /FT2
582	2.997	7.990	40.06	.1397-01	671.5	1326.	96.29	.6935-01	3.099	3843.	.1944-02	.7748-07
RUN NUMBER	HREF BTU/ R FT2SEC	STN NO REF (R)										
582	.4355-01	.2342-01										

TEST DATA

RUN NUMBER	DUMMY	T/C NO	H/HREF R=1.0	H/HREF R=0.9	H/HREF R= TAW/TO	TAW/TO	H(TO) BTU/R FT2SEC	H(TAW) BTU/R FT2SEC	QDOT BTU/ FT2SEC	DTWDT DEG. R /SEC	TW DEG. R
582	1.0000	476.00	.36652-01	.4419-01	.4419-01	.9000	.1596-02	.1925-02	1.240	9.187	548.8
582	1.0000	477.00	.30333-01	.3648-01	.3648-01	.9000	.1321-02	.1589-02	1.040	8.203	538.5
582	1.0000	478.00	.30417-01	.3650-01	.3650-01	.9000	.1325-02	.1590-02	1.054	7.628	530.1
582	1.0000	479.00	.13368-01	.1604-01	.1604-01	.9000	.5823-03	.6986-03	.4634	3.250	529.7
582	1.0000	480.00	.19420-01	.2332-01	.2332-01	.9000	.8458-03	.1016-02	.6710	4.699	532.4
582	1.0000	481.00	.54463-01	.6556-01	.6556-01	.9000	.2372-02	.2855-02	1.858	12.95	542.4
582	1.0000	482.00	.20842-01	.2502-01	.2502-01	.9000	.9078-03	.1090-02	.7202	6.456	532.3
582	1.0000	483.00	.16761-01	.2011-01	.2011-01	.9000	.7300-03	.8758-03	.5814	4.661	529.2
582	1.0000	484.00	.49271-02	.5906-02	.5906-02	.9000	.2146-03	.2572-03	.1716	1.544	525.9
582	1.0000	485.00	.10099-01	.1211-01	.1211-01	.9000	.4399-03	.5272-03	.3519	2.728	525.7
582	1.0000	486.00	.40977-01	.4922-01	.4922-01	.9000	.1785-02	.2144-02	1.412	9.879	534.4
582	1.0000	487.00	.35708-01	.4291-01	.4291-01	.9000	.1555-02	.1869-02	1.229	9.165	535.5
582	1.0000	488.00	.43608-01	.5244-01	.5244-01	.9000	.1899-02	.2284-02	1.496	11.14	538.3
582	1.0000	489.00	.65840-01	.7935-01	.7935-01	.9000	.2868-02	.3456-02	2.233	16.56	546.9
582	1.0000	490.00	.11467-01	.1375-01	.1375-01	.9000	.4995-03	.5990-03	.3984	3.086	527.9
582	1.0000	491.00	.10537-01	.1263-01	.1263-01	.9000	.4590-03	.5501-03	.3671	2.847	525.7

OH84B 60-0 WING MISC.

(R4UP39)

WING MISC.

PARAMETRIC DATA

MACH = 8.000 ALPHA = 40.00 BETA = .0000 ELEVON = .0000
 BDFLAP = -5.000 SPOBRK = .0000

TEST CONDITIONS

RUN NUMBER	RN/L /FT X10 6	MACH	ALPHA DEG.	BETA DEG.	PO PSIA	TO DEG. R	T DEG. R	P PSIA	Q PS1	V FT/SEC	RHO SLUGS /FT3	MU LB-SEC /FT2
622	.5001	7.900	39.93	.1380-01	99.35	1249.	92.62	.1104-01	.4824	3727.	.3218-03	.7453-07
RUN NUMBER	HREF BTU/ R FT2SEC	STN NO REF (R)										
622	.1701-01	.5720-01										

TEST DATA

RUN NUMBER	DUMMY	T/C NO	H/HREF R=1.0	H/HREF R=0.9	H/HREF R= TAW/TO	TAW/TO	H(TO) BTU/R FT2SEC	H(TAW) BTU/R FT2SEC	QDOT BTU/ FT2SEC	DTWDT DEG. R /SEC	TW DEG. R
622	1.0000	476.00	.94433-03	.1139-02	.1139-02	.9000	.1606-04	.1938-04	.1171-01	.8807-01	519.4
622	1.0000	477.00	.30668-02	.3701-02	.3701-02	.9000	.5215-04	.6294-04	.3800-01	.3061	520.1
622	1.0000	478.00	.29481-01	.3559-01	.3559-01	.9000	.5014-03	.6052-03	.3648	2.652	521.0
622	1.0000	479.00	.66815-02	.8062-02	.8062-02	.9000	.1136-03	.1371-03	.8286-01	.5841	519.5
622	1.0000	480.00	.53404-02	.6444-02	.6444-02	.9000	.9082-04	.1096-03	.6623-01	.4669	519.5
622	1.0000	481.00	.42121-02	.5082-02	.5082-02	.9000	.7163-04	.8643-04	.5223-01	.3682	519.5
622	1.0000	484.00	.21344-02	.2574-02	.2574-02	.9000	.3630-04	.4378-04	.2651-01	.2394	518.3
622	1.0000	485.00	.74451-02	.8982-02	.8982-02	.9000	.1266-03	.1527-03	.9240-01	.7190	518.9
622	1.0000	486.00	.28199-01	.3404-01	.3404-01	.9000	.4796-03	.5790-03	.3488	2.456	521.4
622	1.0000	487.00	.82551-02	.9963-02	.9963-02	.9000	.1404-03	.1694-03	.1023	.7689	520.1
622	1.0000	488.00	.44363-02	.5353-02	.5353-02	.9000	.7545-04	.9103-04	.5501-01	.4137	519.5
622	1.0000	489.00	.34535-02	.4167-02	.4167-02	.9000	.5873-04	.7086-04	.4284-01	.3222	519.2
622	1.0000	491.00	.71395-02	.8614-02	.8614-02	.9000	.1214-03	.1465-03	.8857-01	.6890	519.2

OH84B 60-0 WING MISC.

(R4UP39)

WING MISC.

PARAMETRIC DATA

MACH = 8.000 ALPHA = 40.00 BETA = .0000 ELEVON = .0000
 SDFLAP = -5.000 SPDBRK = .0000

TEST CONDITIONS

RUN NUMBER	RN/L /FT X10 6	MACH	ALPHA DEG.	BETA DEG.	PO PSIA	TO DEG. R	T DEG. R	P PA	Q PSI	V FT/SEC	RHO SLUGS /FT3	MU LB-SEC /FT2
616	.9964	7.940	39.97	.1731-01	204.3	1264.	92.86	.2197-01	.9697	3751.	.6387-03	.7472-07
RUN NUMBER	HREF BTU/ R FT2SEC	STN NO REF (R) =.0175										
616	.2416-01	.4065-01										

TEST DATA

RUN NUMBER	DUMMY	T/C NO	H/HREF R=1.0	H/HREF R=0.9	H/HREF R= TAW/TO	TAW/TO	H(TO) BTU/R FT2SEC	H(TAW) BTU/R FT2SEC	QDOT BTU/ FT2SEC	DTWDY DEG. R /SEC	TW DEG. R
616	1.0000	476.00	.89267-03	.1076-02	.1076-02	.9000	.2157-04	.2601-04	.1597-01	.1198	523.5
616	1.0000	477.00	.29965-02	.3613-02	.3613-02	.9000	.7240-04	.8731-04	.5359-01	.4309	523.5
616	1.0000	478.00	.27380-01	.3302-01	.3302-01	.9000	.6616-03	.7979-03	.4893	3.552	524.1
616	1.0000	479.00	.65248-02	.7866-02	.7866-02	.9000	.1577-03	.1901-03	.1168	.8220	522.8
616	1.0000	480.00	.59879-02	.7219-02	.7219-02	.9000	.1447-03	.1744-03	.1072	.7543	522.8
616	1.0000	481.00	.86384-02	.1042-01	.1042-01	.9000	.2087-03	.2517-03	.1544	1.086	523.9
616	1.0000	482.00	.19225-02	.2317-02	.2317-02	.9000	.4645-04	.5597-04	.3451-01	.3112	520.8
616	1.0000	483.00	.13744-02	.1656-02	.1656-02	.9000	.3321-04	.4001-04	.2467-01	.1987	520.7
616	1.0000	484.00	.28422-02	.3425-02	.3425-02	.9000	.6867-04	.8275-04	.5103-01	.4602	520.6
616	1.0000	485.00	.84008-02	.1012-01	.1012-01	.9000	.2030-03	.2446-03	.1507	1.171	521.4
616	1.0000	486.00	.33548-01	.4047-01	.4047-01	.9000	.8106-03	.9779-03	.5987	4.209	525.0
616	1.0000	487.00	.11919-01	.1437-01	.1437-01	.9000	.2880-03	.3473-03	.2131	1.599	523.7
616	1.0000	488.00	.89111-02	.1075-01	.1075-01	.9000	.2153-03	.2596-03	.1594	1.196	523.5
616	1.0000	489.00	.64479-02	.7775-02	.7775-02	.9000	.1558-03	.1879-03	.1154	.8659	523.2
616	1.0000	491.00	.85107-02	.1026-01	.1026-01	.9000	.2056-03	.2479-03	.1525	1.185	521.8

OH84B 60-0 WING MISC.

(R4UP39)

WING MISC.

PARAMETRIC DATA

MACH = 8.000 ALPHA = 40.00 BETA = .0000 ELEVON = .0000
 BDFLAP = -5.000 SPDBRK = .0000

TEST CONDITIONS

RUN NUMBER	RN/L /FT X10 6	MACH	ALPHA DEG.	BETA DEG.	PO PSIA	TO DEG. R	T DEG. R	P PSIA	Q PSI	V FT/SEC	RHO SLUGS /FT3	MU LB-SEC /FT2
594	2.010	7.980	39.99	.1735-01	435.8	1300.	94.62	.4537-01	2.022	3805.	.1294-02	.7614-07
RUN NUMBER	HREF BTU/ R FT2SEC	STN NO REF(R)										
594	.3506-01	.2864-01										

TEST DATA

RUN NUMBER	DUMMY	T/C NO	H/HREF R=1.0	H/HREF R=0.9	H/HREF R= TAW/TO	TAW/TO	H(TO) BTU/R FT2SEC	H(TAW) BTU/R FT2SEC	QDOT BTU/ FT2SEC	DTWOT DEG. R /SEC	TW DEG. R
594	1.0000	476.00	.14584-01	.1758-01	.1758-01	.9000	.5114-03	.6166-03	.3896	2.902	537.8
594	1.0000	477.00	.22439-01	.2704-01	.2704-01	.9000	.7868-03	.9481-03	.6011	4.803	535.7
594	1.0000	478.00	.29957-01	.3603-01	.3603-01	.9000	.1050-02	.1263-02	.8100	5.868	528.5
594	1.0000	479.00	.10681-01	.1285-01	.1285-01	.9000	.3745-03	.4504-03	.2887	2.026	528.7
594	1.0000	480.00	.19875-01	.2392-01	.2392-01	.9000	.6969-03	.8388-03	.5354	3.752	531.4
594	1.0000	481.00	.24838-01	.2992-01	.2992-01	.9000	.8709-03	.1049-02	.6667	4.665	534.2
594	1.0000	482.00	.85633-02	.1030-01	.1030-01	.9000	.3003-03	.3610-03	.2318	2.083	527.5
594	1.0000	483.00	.10724-01	.1290-01	.1290-01	.9000	.3760-03	.4522-03	.2900	2.326	528.3
594	1.0000	484.00	.40649-02	.4886-02	.4886-02	.9000	.1425-03	.1713-03	.1103	.9917	526.0
594	1.0000	485.00	.96839-02	.1164-01	.1164-01	.9000	.3395-03	.4081-03	.2626	2.036	526.3
594	1.0000	486.00	.54353-01	.6547-01	.6547-01	.9000	.1906-02	.2296-02	1.459	10.20	534.4
594	1.0000	487.00	.30367-01	.3658-01	.3658-01	.9000	.1065-02	.1283-02	.8149	6.081	534.4
594	1.0000	488.00	.42449-01	.5118-01	.5118-01	.9000	.1488-02	.1794-02	1.134	8.450	537.6
594	1.0000	489.00	.27473-01	.3310-01	.3310-01	.9000	.9633-03	.1161-02	.7360	5.489	535.6
594	1.0000	490.00	.94605-02	.1138-01	.1138-01	.9000	.3317-03	.3990-03	.2556	1.978	529.2
594	1.0000	491.00	.94125-02	.1131-01	.1131-01	.9000	.3300-03	.3967-03	.2552	1.978	526.3

OH84B 60-0 WING MISC.

(R4UP39)

WING MISC.

PARAMETRIC DATA

MACH = 8.000 ALPHA = 40.00 BETA = .0000 ELEVON = .0000
 BOFLAP = -5.000 SPDBRK = .0000

TEST CONDITIONS

RUN NUMBER	RN/L /FT X10 6	MACH	ALPHA DEG.	BETA DEG.	PO PSIA	TO DEG. R	T DEG. R	P PSIA	Q PSI	V FT/SEC	RHO SLUGS /FT3	MJ LB-SEC /FT2
580	2.988	7.990	39.99	.1041-01	669.5	1326.	96.29	.6914-01	3.090	3843.	.1938-02	.7748-07
RUN NUMBER	HREF BTU/ R FT2SEC	STN NO REF (R)										
580	.4349-01	.2345-01	=.0175									

TEST DATA

RUN NUMBER	DUMMY	T/C NO	H/HREF R=1.0	H/HREF R=0.9	H/HREF R= TAW/TO	TAW/TO	H(TO) BTU/R FT2SEC	H(TAW) BTU/R FT2SEC	QDOT BTU/ FT2SEC	DTWDT DEG. R /SEC	TW DEG. R
580	1.0000	476.00	.15819-01	.1906-01	.1906-01	.9000	.6879-03	.8291-03	.5358	3.973	546.9
580	1.0000	477.00	.13781-01	.1658-01	.1658-01	.9000	.5993-03	.7211-03	.4706	3.751	540.5
580	1.0000	478.00	.28429-01	.3416-01	.3416-01	.9000	.1236-02	.1486-02	.9765	7.047	535.9
580	1.0000	479.00	.18744-01	.2254-01	.2254-01	.9000	.8152-03	.9801-03	.6423	4.486	537.7
580	1.0000	480.00	.14557-01	.1750-01	.1750-01	.9000	.6331-03	.7610-03	.4993	3.489	537.0
580	1.0000	481.00	.37240-01	.4483-01	.4483-01	.9000	.1620-02	.1950-02	1.267	8.828	543.1
580	1.0000	482.00	.82367-02	.9892-02	.9892-02	.9000	.3582-03	.4302-03	.2838	2.543	533.3
580	1.0000	483.00	.11359-01	.1365-01	.1365-01	.9000	.4940-03	.5934-03	.3909	3.126	534.3
580	1.0000	484.00	.43425-02	.5212-02	.5212-02	.9000	.1889-03	.2267-03	.1500	1.345	531.4
580	1.0000	485.00	.93508-02	.1122-01	.1122-01	.9000	.4067-03	.4881-03	.3231	2.498	531.2
580	1.0000	486.00	.46142-01	.5553-01	.5553-01	.9000	.2007-02	.2415-02	1.574	10.97	541.5
580	1.0000	487.00	.26714-01	.3214-01	.3214-01	.9000	.1162-02	.1398-02	.9129	6.793	539.9
580	1.0000	488.00	.26969-01	.3245-01	.3245-01	.9000	.1173-02	.1411-02	.9201	6.843	541.2
580	1.0000	489.00	.36712-01	.4423-01	.4423-01	.9000	.1597-02	.1924-02	1.245	9.233	546.1
580	1.0000	490.00	.14575-01	.1751-01	.1751-01	.9000	.6338-03	.7617-03	.5006	3.862	535.9
580	1.0000	491.00	.11668-01	.1401-01	.1401-01	.9000	.5074-03	.6091-03	.4029	3.114	531.7

OH84B 60-0 WING MISC.

(R4UP40)

WING MISC.

PARAMETRIC DATA

MACH = 8.000 ALPHA = 40.00 BETA = .0000 ELEVON = .0000
 BOFLAP = .0000 SPDBRK = .0000

TEST CONDITIONS

RUN NUMBER	RN/L /FT X10 6	MACH	ALPHA DEG.	BETA DEG.	PO PSIA	TO DEG. R	T DEG. R	P PSIA	Q PSI	V FT/SEC	RHO SLUGS /FT3	MU LB-SEC /FT2
624	.5083	7.900	39.9+	.1381-01	101.7	1255.	93.06	.1130-01	.4938	3736.	.3278-03	.7489-07

RUN NUMBER	HREF BTU/ R FT2SEC	STN NO REF (R)
624	.1722-01	.5670-01

TEST DATA

RUN NUMBER	DUMMY	T/C NO	H/HREF R=1.0	H/HREF R=0.9	H/HREF R=TAW/TO	TAW/TO	H(TO) BTU/R FT2SEC	H(TAW) BTU/R FT2SEC	QDOT BTU/ FT2SEC	DTWDT DEG. R /SEC	TW DEG. R
624	1.0000	476.00	.95916-03	.1158-02	.1158-02	.9000	.1652-04	.1994-04	.1209-01	.9073-01	522.9
624	1.0000	477.00	.32032-02	.3866-02	.3866-02	.9000	.5516-04	.6657-04	.4038-01	.3248	522.7
624	1.0000	478.00	.30468-01	.3676-01	.3676-01	.9000	.5247-03	.6331-03	.3845	2.795	521.8
624	1.0000	479.00	.74151-02	.8947-02	.8947-02	.9000	.1277-03	.1541-03	.9360-01	.6590	521.7
624	1.0000	480.00	.57245-02	.6907-02	.6907-02	.9000	.9858-04	.1189-03	.7225-01	.5087	521.8
624	1.0000	481.00	.46809-02	.5649-02	.5649-02	.9000	.8061-04	.9729-04	.5902-01	.4154	522.6
624	1.0000	484.00	.25806-02	.3113-02	.3113-02	.9000	.4444-04	.5361-04	.3262-01	.2941	520.7
624	1.0000	485.00	.81940-02	.9885-02	.9885-02	.9000	.1411-03	.1702-03	.1035	.8046	521.1
624	1.0000	486.00	.30475-01	.3678-01	.3678-01	.9000	.5248-03	.6334-03	.3840	2.702	523.0
624	1.0000	487.00	.90065-02	.1087-01	.1087-01	.9000	.1551-03	.1872-03	.1136	.8530	522.3
624	1.0000	488.00	.49004-02	.5913-02	.5913-02	.9000	.8439-04	.1018-03	.6183-01	.4644	522.0
624	1.0000	489.00	.38893-02	.4694-02	.4694-02	.9000	.6698-04	.8083-04	.4904-01	.3682	522.5
624	1.0000	491.00	.84005-02	.1014-01	.1014-01	.9000	.1447-03	.1745-03	.1060	.8240	521.7

OH84B 60-0 WING MISC.

(R4UP40)

WING MISC.

PARAMETRIC DATA

MACH = 8.000 ALPHA = 40.00 BETA = .0000 ELEVON = .0000
 BDFLAP = .0000 SPDBRK = .0000

TEST CONDITIONS

RUN NUMBER	RN/L /FT X10 6	MACH	ALPHA DEG.	BETA DEG.	PO PSIA	TO DEG. R	T DEG. R	P PSIA	Q PSI	V FT/SEC	RHO SLUGS /FT3	MU LB-SEC /FT2
614	1.020	7.940	39.96	.1384-01	207.9	1259.	92.49	.2236-01	.9868	3743.	.6525-03	.7443-07
RUN NUMBER	HREF BTU/ R FT2SEC	STN NO REF (R) * .0175										
614	.2435-01	.4020-01										

TEST DATA

RUN NUMBER	DUMMY	T/C NO	H/HREF R=1.0	H/HREF R=0.9	H/HREF R= TAW/TO	TAW/TO	H(TO) BTU/R FT2SEC	H(TAW) BTU/R FT2SEC	QDOT BTU/ FT2SEC	DTWDT DEG. R /SEC	TW DEG. R
614	1.0000	476.00	.11233-02	.1356-02	.1356-02	.9000	.2736-04	.3304-04	.2005-01	.1503	526.0
614	1.0000	477.00	.34552-02	.4171-02	.4171-02	.9000	.8416-04	.1016-03	.6170-01	.4956	525.6
614	1.0000	478.00	.29049-01	.3507-01	.3507-01	.9000	.7076-03	.8542-03	.5189	3.764	525.4
614	1.0000	479.00	.66474-02	.8024-02	.8024-02	.9000	.1619-03	.1954-03	.1188	.8350	525.0
614	1.0000	480.00	.62189-02	.7507-02	.7507-02	.9000	.1515-03	.1828-03	.1111	.7812	525.0
614	1.0000	481.00	.68884-02	.1073-01	.1073-01	.9000	.2165-03	.2615-03	.1585	1.113	526.7
614	1.0000	482.00	.12851-02	.1550-02	.1550-02	.9000	.3130-04	.3776-04	.2303-01	.2074	523.1
614	1.0000	483.00	.12249-02	.1478-02	.1478-02	.9000	.2984-04	.3600-04	.2194-01	.1765	523.2
614	1.0000	484.00	.29045-02	.3504-02	.3504-02	.9000	.7075-04	.8535-04	.5204-01	.4687	523.1
614	1.0000	485.00	.86518-02	.1044-01	.1044-01	.9000	.2107-03	.2543-03	.1549	1.202	523.7
614	1.0000	486.00	.32405-01	.3914-01	.3914-01	.9000	.7893-03	.9533-03	.5775	4.055	527.0
614	1.0000	487.00	.10804-01	.1304-01	.1304-01	.9000	.2632-03	.3177-03	.1929	1.445	525.8
614	1.0000	488.00	.82364-02	.9943-02	.9943-02	.9000	.2006-03	.2422-03	.1471	1.103	525.2
614	1.0000	489.00	.73188-02	.8838-02	.8838-02	.9000	.1783-03	.2153-03	.1306	.9783	526.3
614	1.0000	490.00	.13599-03	.1641-03	.1641-03	.9000	.3312-05	.3997-05	.2433-02	.1888-01	524.0
614	1.0000	491.00	.87828-02	.1060-01	.1060-01	.9000	.2139-03	.2582-03	.1571	1.219	524.2

DATE 23 FEB 80

OH84B MODEL 60-0 IN THE AEDC VKF HYPERSONIC TUNNEL
OH84B 60-0 WING MISC.

PAGE 1858
(R4UP40)

WING MISC.

PARAMETRIC DATA

MACH = 8.000 ALPHA = 40.00 BETA = .0000 ELEVON = .0000
BDFLAP = .0000 SPDBRK = .0000

TEST CONDITIONS

RUN NUMBER	RN/L /FT X10 6	MACH	ALPHA DEG.	BETA DEG.	PO PSIA	TO DEG. R	T DEG. R	P PSIA	Q PSI	V FT/SEC	RHO SLUGS /FT3	MU LB-SEC /FT2
596	2.000	7.980	40.02	.1392-01	434.7	1302.	94.76	.4525-01	2.017	3808.	.1289-02	.7626-07
RUN NUMBER	HREF BTU/ R FT2SEC	STN NO REF (R)										
596	.3503-01	.2870-01										

TEST DATA

RUN NUMBER	DUMMY	T/C NO	H/HREF R=1.0	H/HREF R=0.9	H/HREF R= TAW/TO	TAW/TO	H(TO) BTU/R FT2SEC	H(TAW) BTU/R FT2SEC	QDOT BTU/ FT2SEC	DTWDT DEG. R /SEC	TW DEG. R
596	1.0000	476.00	.36303-02	.4369-02	.4369-02	.9000	.1272-03	.1530-03	.9787-01	.7312	532.0
596	1.0000	477.00	.67681-02	.8143-02	.8143-02	.9000	.2371-03	.2852-03	.1828	1.464	530.7
596	1.0000	478.00	.30216-01	.3635-01	.3635-01	.9000	.1058-02	.1273-02	.8164	5.908	530.3
596	1.0000	479.00	.68652-02	.8255-02	.8255-02	.9000	.2405-03	.2892-03	.1859	1.304	528.7
596	1.0000	480.00	.69710-02	.8383-02	.8383-02	.9000	.2442-03	.2936-03	.1897	1.324	528.9
596	1.0000	481.00	.11207-01	.1349-01	.1349-01	.9000	.3926-03	.4724-03	.3022	2.117	531.7
596	1.0000	482.00	.56204-02	.6757-02	.6757-02	.9000	.1969-03	.2367-03	.1524	1.369	527.8
596	1.0000	483.00	.50015-02	.6014-02	.6014-02	.9000	.1752-03	.2107-03	.1355	1.087	528.4
596	1.0000	484.00	.41728-02	.5015-02	.5015-02	.9000	.1462-03	.1757-03	.1133	1.018	526.9
596	1.0000	484.00	.97221-02	.1169-01	.1169-01	.9000	.3405-03	.4093-03	.2638	2.044	527.1
596	1.0000	485.00	.37627-01	.4530-01	.4530-01	.9000	.1318-02	.1587-02	1.013	7.088	533.3
596	1.0000	486.00	.75381-02	.9065-02	.9065-02	.9000	.2640-03	.3175-03	.2040	1.527	528.9
596	1.0000	487.00	.13173-01	.1585-01	.1585-01	.9000	.4614-03	.5552-03	.3556	2.658	531.0
596	1.0000	488.00	.11863-01	.1428-01	.1428-01	.9000	.4155-03	.5002-03	.3197	2.388	532.4
596	1.0000	489.00	.48409-02	.5822-02	.5822-02	.9000	.1696-03	.2039-03	.1310	1.014	529.1
596	1.0000	490.00	.97875-02	.1176-01	.1176-01	.9000	.3428-03	.4121-03	.2655	2.058	527.1

DATE 23 FEB 80

OH84B MODEL 60-0 IN THE AEDC VKF HYPERSONIC TUNNEL

PAGE 1859

OH84B 60-0 WING MISC.

(R4UP40)

WING MISC.

PARAMETRIC DATA

MACH = 8.000 ALPHA = 40.00 BETA = .0000 ELEVON = .0000
 BDFLAP = .0000 SPDBRK = .0000

TEST CONDITIONS

RUN NUMBER	RN/L /FT X10 6	MACH	ALPHA DEG.	BETA DEG.	PO PSIA	TO DEG. R	T DEG. R	P PSIA	Q PSI	V FT/SEC	RHO SLUGS /FT3	MU LB-SEC /FT2
578	3.027	7.990	40.06	.6985-02	669.7	1315.	95.49	.6916-01	3.091	3827.	.1955-02	.7684-07

RUN NUMBER	HREF BTU/ R FT2SEC	STN NO REF(R) = .0175
578	.4343-01	.2333-01

TEST DATA

RUN NUMBER	DUMMY	T/C NO	H/HREF R=1.0	H/HREF R=0.9	H/HREF R= TAW/TO	TAW/TO	H(TO) BTU/R FT2SEC	H(TAW) BTU/R FT2SEC	QDOT BTU/ FT2SEC	DTWDT DEG. R /SEC	TW DEG. R
578	1.0000	476.00	.12336-01	.1488-01	.1488-01	.9000	.5358-03	.6462-03	.4125	3.062	544.9
578	1.0000	477.00	.14583-01	.1758-01	.1758-01	.9000	.6334-03	.7636-03	.4883	3.885	543.8
578	1.0000	478.00	.60210-01	.7271-01	.7271-01	.9000	.2615-02	.3158-02	2.000	14.33	550.0
578	1.0000	479.00	.14022-01	.1689-01	.1689-01	.9000	.6090-03	.7336-03	.4716	3.289	540.3
578	1.0000	480.00	.15086-01	.1817-01	.1817-01	.9000	.6552-03	.7893-03	.5073	3.538	540.5
578	1.0000	481.00	.34763-01	.4193-01	.4193-01	.9000	.1510-02	.1821-02	1.162	8.081	545.4
578	1.0000	482.00	.11393-01	.1371-01	.1371-01	.9000	.4948-03	.5956-03	.3844	3.437	537.8
578	1.0000	483.00	.12400-01	.1493-01	.1493-01	.9000	.5386-03	.6482-03	.4185	3.341	537.6
578	1.0000	484.00	.43072-02	.5180-02	.5180-02	.9000	.1871-03	.2250-03	.1459	1.307	534.5
578	1.0000	485.00	.94953-02	.1142-01	.1142-01	.9000	.4124-03	.4960-03	.3217	2.484	534.5
578	1.0000	486.00	.17734	.2160	.2160	.9000	.7702-02	.9381-02	5.658	38.69	580.1
578	1.0000	487.00	.29617-01	.3572-01	.3572-01	.9000	.1286-02	.1551-02	.9898	7.346	545.2
578	1.0000	488.00	.26827-01	.3234-01	.3234-01	.9000	.1165-02	.1405-02	.8988	6.677	543.3
578	1.0000	489.00	.39662-01	.4788-01	.4788-01	.9000	.1723-02	.2080-02	1.319	9.772	548.9
578	1.0000	490.00	.10223-01	.1230-01	.1230-01	.9000	.4440-03	.5344-03	.3453	2.662	537.1
578	1.0000	491.00	.94307-02	.1134-01	.1134-01	.9000	.4096-03	.4926-03	.3196	2.467	534.4

DATE 23 FEB 80

OH84B MODEL 60-0 IN THE AEDC VKF HYPERSONIC TUNNEL

PAGE 1860

OH84B 60-0 WING MISC.

(R4UP41)

WING MISC.

PARAMETRIC DATA

MACH = 8.000 ALPHA = 40.00 BETA = .0000 ELEVON = .0000
 BDFLAP = 5.000 SPDBRK = .0000

TEST CONDITIONS

RUN NUMBER	RN/L /FT X10 6	MACH	ALPHA DEG.	BETA DEG.	PO PSIA	TO DEG. R	T DEG. R	P PSIA	Q PSI	V FT/SEC	RHO SLUGS /FT3	MU LB-SEC /FT2
626	.5125	7.900	39.93	.1380-01	101.2	1244.	92.25	.1125-01	.4913	3720.	.3290-03	.7423-07

RUN NUMBER	HREF BTU/ R FT2SEC	STN NO REF(R) =.0175
626	.1715-01	.5654-01

TEST DATA

RUN NUMBER	DUMMY	T/C NO	H/HREF R=1.0	H/HREF R=0.9	H/HREF R= TAW/TO	TAW/TO	H(TO) BTU/R FT2SEC	H(TAW) BTU/R FT2SEC	QDOT BTU/ FT2SEC	DTNOT DEG. R /SEC	TW DEG. R
626	1.0000	476.00	.11920-02	.1441-02	.1441-02	.9000	.2044-04	.2472-04	.1471-01	.1103	524.4
626	1.0000	477.00	.40615-02	.4910-02	.4910-02	.9000	.6966-04	.8421-04	.5015-01	.4032	523.7
626	1.0000	478.00	.31411-01	.3795-01	.3795-01	.9000	.5387-03	.6509-03	.3887	2.824	522.2
626	1.0000	479.00	.75422-02	.9116-02	.9116-02	.9000	.1294-03	.1563-03	.9321-01	.6558	523.1
626	1.0000	480.00	.59203-02	.7155-02	.7155-02	.9000	.1015-03	.1227-03	.7317-01	.5148	523.1
626	1.0000	481.00	.49056-02	.5931-02	.5931-02	.9000	.8414-04	.1017-03	.6053-01	.4257	524.2
626	1.0000	484.00	.24662-02	.2980-02	.2980-02	.9000	.4230-04	.5111-04	.3050-01	.2748	522.5
626	1.0000	485.00	.79120-02	.9561-02	.9561-02	.9000	.1357-03	.1640-03	.9783-01	.7597	522.7
626	1.0000	486.00	.29804-01	.3603-01	.3603-01	.9000	.5112-03	.6180-03	.3678	2.586	524.2
626	1.0000	487.00	.88245-02	.1067-01	.1067-01	.9000	.1514-03	.1830-03	.1090	.8176	523.7
626	1.0000	488.00	.48285-02	.5837-02	.5837-02	.9000	.8282-04	.1001-03	.5963-01	.4474	523.7
626	1.0000	489.00	.34635-02	.4188-02	.4188-02	.9000	.5940-04	.7182-04	.4272-01	.3204	524.5
626	1.0000	491.00	.77472-02	.9364-02	.9364-02	.9000	.1329-03	.1606-03	.9571-01	.7431	523.3

OH84B 60-0 WING MISC.

(R4UP41)

WING MISC.

PARAMETRIC DATA

MACH = 8.000 ALPHA = 40.00 BETA = .0000 ELEVON = .0000
 BDFLAP = 5.000 SPDBRK = .0000

TEST CONDITIONS

RUN NUMBER	RN/L /FT X10 6	MACH	ALPHA DEG.	BETA DEG.	PO PSIA	TO DEG. R	T DEG. R	P PSIA	Q PSI	V FT/SEC	RHO SLUGS /FT3	MU LB-SEC /FT2
612	1.002	7.940	39.96	.1384-01	206.0	1266.	93.00	.2216-01	.9778	3754.	.6430-03	.7484-07
RUN NUMBER	HREF BTU/ R FT2SEC	STN NO REF(R)										
612	.2427-01	.4052-01										

TEST DATA

RUN NUMBER	DUMMY	T/C NO	H/HREF R=1.0	H/HREF R=0.9	H/HREF R= TAW/TO	TAW/TO	H(TO) BTU/R FT2SEC	H(TAW) BTU/R FT2SEC	QDOT BTU/ FT2SEC	DTWDT DEG. R /SEC	TW DEG. R
612	1.0000	476.00	.10538-02	.1270-02	.1270-02	.9000	.2558-04	.3083-04	.1899-01	.1425	523.3
612	1.0000	477.00	.29517-02	.3558-02	.3558-02	.9000	.7164-04	.8635-04	.5322-01	.4280	522.7
612	1.0000	478.00	.27741-01	.3343-01	.3343-01	.9000	.6733-03	.8113-03	.5007	3.639	522.0
612	1.0000	479.00	.67280-02	.8108-02	.8108-02	.9000	.1633-03	.1968-03	.1214	.8548	522.0
612	1.0000	480.00	.59971-02	.7227-02	.7227-02	.9000	.1455-03	.1754-03	.1082	.7620	522.0
612	1.0000	481.00	.84258-02	.1016-01	.1016-01	.9000	.2045-03	.2465-03	.1518	1.068	523.6
612	1.0000	482.00	.22149-02	.2668-02	.2668-02	.9000	.5375-04	.6476-04	.4005-01	.3612	520.6
612	1.0000	483.00	.15285-02	.1841-02	.1841-02	.9000	.3710-04	.4469-04	.2764-01	.2225	520.6
612	1.0000	484.00	.30028-02	.3617-02	.3617-02	.9000	.7287-04	.8779-04	.5429-01	.4896	520.6
612	1.0000	485.00	.87237-02	.1051-01	.1051-01	.9000	.2117-03	.2551-03	.1576	1.225	521.4
612	1.0000	486.00	.33594-01	.4051-01	.4051-01	.9000	.8153-03	.9832-03	.6044	4.250	524.4
612	1.0000	487.00	.10225-01	.1232-01	.1232-01	.9000	.2481-03	.2991-03	.1844	1.384	522.7
612	1.0000	488.00	.75973-02	.9157-02	.9157-02	.9000	.1844-03	.2222-03	.1370	1.029	522.6
612	1.0000	489.00	.67272-02	.8110-02	.8110-02	.9000	.1633-03	.1968-03	.1212	.9093	523.5
612	1.0000	490.00	.12912-03	.1556-03	.1556-03	.9000	.3134-05	.3776-05	.2332-02	.1812-01	521.4
612	1.0000	491.00	.88434-02	.1066-01	.1066-01	.9000	.2146-03	.2586-03	.1596	1.240	521.8

OH84B 60-0 WING MISC.

(R4UP41)

WING MISC.

PARAMETRIC DATA

MACH = 8.000 ALPHA = 40.00 BETA = .0000 ELEVON = .0000
 BDFLAP = 5.000 SPDBRK = .0000

TEST CONDITIONS

RUN NUMBER	RN/L /FT X10 6	MACH	ALPHA DEG.	BETA DEG.	PO PSIA	TO DEG. R	T DEG. R	P PSIA	Q PSI	V FT/SEC	RHO SLUGS /FT3	MU LB-SEC /FT2
598	2.004	7.980	40.02	.1392-01	434.4	1300.	94.62	.4522-01	2.016	3805.	.1290-02	.7614-07
RUN NUMBER	HRFF BTU/ R FT2SEC	STN NO REF (R)										
598	.3501-01	.2869-01										

TEST DATA

RUN NUMBER	DUMMY	T/C NO	H/HREF R=1.0	H/HREF R=0.9	H/HREF R= TAW/TO	TAW/TO	H(TO) BTU/R FT2SEC	H(TAW) BTU/R FT2SEC	QDOT BTU/ FT2SEC	DTWDT DEG. R /SEC	TW DEG. R
598	1.0000	476.00	.29827-02	.3589-02	.3589-02	.9000	.1044-03	.1256-03	.8038-01	.6012	529.8
598	1.0000	477.00	.60139-02	.7234-02	.7234-02	.9000	.2105-03	.2532-03	.1623	1.301	528.9
598	1.0000	478.00	.23841-01	.2865-01	.2865-01	.9000	.8346-03	.1003-02	.6460	4.686	525.6
598	1.0000	479.00	.57559-02	.6918-02	.6918-02	.9000	.2015-03	.2422-03	.1559	1.095	526.1
598	1.0000	480.00	.65536-02	.7878-02	.7878-02	.9000	.2294-03	.2758-03	.1773	1.246	526.6
598	1.0000	481.00	.14238-01	.1713-01	.1713-01	.9000	.4984-03	.5997-03	.3836	2.689	530.1
598	1.0000	482.00	.46419-02	.5579-02	.5579-02	.9000	.1625-03	.1953-03	.1258	1.131	525.8
598	1.0000	483.00	.47987-02	.5768-02	.5768-02	.9000	.1680-03	.2019-03	.1300	1.044	525.9
598	1.0000	484.00	.55630-02	.6686-02	.6686-02	.9000	.1947-03	.2340-03	.1507	1.356	525.6
598	1.0000	485.00	.11397-01	.1369-01	.1369-01	.9000	.3990-03	.4794-03	.3090	2.397	525.1
598	1.0000	486.00	.29039-01	.3493-01	.3493-01	.9000	.1017-02	.1223-02	.7833	5.495	529.1
598	1.0000	487.00	.85495-02	.1028-01	.1028-01	.9000	.2993-03	.3598-03	.2312	1.731	527.3
598	1.0000	488.00	.87233-02	.1049-01	.1049-01	.9000	.3054-03	.3672-03	.2356	1.764	528.1
598	1.0000	489.00	.11683-01	.1406-01	.1406-01	.9000	.4090-03	.4922-03	.3145	2.351	530.8
598	1.0000	490.00	.53283-02	.6406-02	.6406-02	.9000	.1865-03	.2243-03	.1441	1.116	527.3
598	1.0000	491.00	.11689-01	.1405-01	.1405-01	.9000	.4092-03	.4918-03	.3167	2.455	525.8

DATE 23 FEB 80

OH84B MODEL 60-0 IN THE AEDC VKI HYPERSONIC TUNNEL

PAGE 1983

OH84B 60-0 WING MISC.

(R4UP41)

WING MISC.

PARAMETRIC DATA

MACH = 8.000 ALPHA = 40.00 BETA = .0000 ELEVON = .0000
 BDFLAP = 5.000 SPDBRK = .0000

TEST CONDITIONS

RUN NUMBER	RN/L /FT X10 6	MACH	ALPHA DEG.	BETA DEG.	PO PSIA	TO DEG. R	T DEG. R	P PSIA	Q PSI	V FT/SEC	RHO SLUGS /FT3	MU LB-SEC /FT2
584	2.991	7.990	40.06	.1397-01	669.5	1325.	96.21	.6914-01	3.090	3842.	.1940-02	.7742-07

RUN NUMBER	HREF BTU/ R FT2SEC	STN NO REF (R) = .0175
584	.4348-01	.2344-01

TEST DATA

RUN NUMBER	DUMMY	T/C NO	H/HREF R=1.0	H/HREF R=0.9	H/HREF R= TAW/TO	TAW/TO	H(TO) BTU/R FT2SEC	H(TAW) BTU/R FT2SEC	QDOT BTU/ FT2SEC	DTWDT DEG. R /SEC	TW DEG. R
584	1.0000	476.00	.26551-01	.3202-01	.3202-01	.9000	.1155-02	.1392-02	.8957	6.636	548.9
584	1.0000	477.00	.20068-01	.2413-01	.2413-01	.9000	.8727-03	.1049-02	.6865	5.478	538.0
584	1.0000	478.00	.30145-01	.3618-01	.3618-01	.9000	.1311-02	.1573-02	1.040	7.526	531.0
584	1.0000	479.00	.13217-01	.1587-01	.1587-01	.9000	.5747-03	.6899-03	.4561	3.197	531.0
584	1.0000	480.00	.23987-01	.2882-01	.2882-01	.9000	.1043-02	.1253-02	.8235	5.759	535.1
584	1.0000	481.00	.51934-01	.6253-01	.6253-01	.9000	.2258-02	.2719-02	1.765	12.29	543.2
584	1.0000	482.00	.96321-02	.1156-01	.1156-01	.9000	.4188-03	.5025-03	.3331	2.991	529.3
584	1.0000	483.00	.14774-01	.1773-01	.1773-01	.9000	.6425-03	.7711-03	.510	4.086	530.7
584	1.0000	484.00	.36892-02	.4423-02	.4423-02	.9000	.1604-03	.1923-03	.1281	1.152	526.4
584	1.0000	485.00	.10098-01	.1211-01	.1211-01	.9000	.4391-03	.5265-03	.3503	2.715	526.9
584	1.0000	486.00	.38053-01	.4572-01	.4572-01	.9000	.1655-02	.1988-02	1.308	9.149	534.4
584	1.0000	487.00	.23497-01	.2822-01	.2822-01	.9000	.1022-02	.1227-02	.8086	6.037	533.3
584	1.0000	488.00	.47888-01	.5765-01	.5765-01	.9000	.2082-02	.2507-02	1.629	12.10	542.6
584	1.0000	489.00	.45685-01	.5500-01	.5500-01	.9000	.1987-02	.2392-02	1.553	11.54	542.7
584	1.0000	490.00	.22432-01	.2695-01	.2695-01	.9000	.9754-03	.1172-02	.7712	5.954	534.1
584	1.0000	491.00	.13239-01	.1588-01	.1588-01	.9000	.5757-03	.6905-03	.4599	3.555	527.6

DATE 23 FEB 80

OH84B MODEL 60-0 IN THE AEDC VKF HYPERSONIC TUNNEL

PAGE 1864

OH84B 60-0 WING MISC.

(R4UP42)

WING MISC.

PARAMETRIC DATA

MACH = 8.000 ALPHA = 40.00 BETA = .0000 ELEVON = .0000
 BOFLAP = 8.000 SPDBRK = .0000

TEST CONDITIONS

RUN NUMBER	RN/L /FT	MACH	ALPHA DEG.	BETA DEG.	PO PSIA	TO DEG. R	T DEG. R	P PSIA	Q PSI	V FT/SEC	RHO SLUGS /FT3	MU LB-SEC /FT2
620	.5135	7.900	39.95	.1383-01	100.1	1233.	91.43	.1112-01	.4858	3703.	.3282-03	.7357-07

RUN NUMBER	HREF BTU/ R FT2SEC	STN NO REF (R)
620	.1703-01	.5656-01

TEST DATA

RUN NUMBER	DUMMY	T/C NO	H/HREF R=1.0	H/HREF R=0.9	H/HREF R= TAW/TO	TAW/TO	H(TO) BTU/R FT2SEC	H(TAW) BTU/R FT2SEC	QDOT BTU/ FT2SEC	DTWOT DEG. R /SEC	TW DEG. R
620	1.0000	476.00	.10042-02	.1216-02	.1216-02	.9000	.1710-04	.2070-04	.1212-01	.9094-01	523.8
620	1.0000	477.00	.37774-02	.4572-02	.4572-02	.9000	.6432-04	.7785-04	.4564-01	.3670	523.1
620	1.0000	478.00	.31501-01	.3811-01	.3811-01	.9000	.5364-03	.6489-03	.3813	2.771	521.9
620	1.0000	479.00	.74796-02	.9050-02	.9050-02	.9000	.1274-03	.1541-03	.9046-01	.6367	522.4
620	1.0000	480.00	.60801-02	.7357-02	.7357-02	.9000	.1035-03	.1253-03	.7353-01	.5176	522.4
620	1.0000	481.00	.48732-02	.5898-02	.5898-02	.9000	.8298-04	.1004-03	.5886-01	.4141	523.4
620	1.0000	484.00	.22388-02	.2708-02	.2708-02	.9000	.3812-04	.4612-04	.2710-01	.2443	521.7
620	1.0000	485.00	.76905-02	.9304-02	.9304-02	.9000	.1310-03	.1584-03	.9306-01	.7230	522.0
620	1.0000	486.00	.27498-01	.3328-01	.3328-01	.9000	.4682-03	.5668-03	.3320	2.336	523.6
620	1.0000	487.00	.89927-02	.1088-01	.1088-01	.9000	.1531-03	.1853-03	.1086	.8152	523.3
620	1.0000	488.00	.49532-02	.5994-02	.5994-02	.9000	.8434-04	.1021-03	.5986-01	.4493	523.0
620	1.0000	489.00	.33048-02	.4000-02	.4000-02	.9000	.5628-04	.6811-04	.4091-01	.2995	523.5
620	1.0000	491.00	.76333-02	.9236-02	.9236-02	.9000	.1300-03	.1573-03	.9233-01	.7171	522.4

DATE 23 FEB 80

OH84B MODEL 60-0 IN THE AEDC VKF HYPERSONIC TUNNEL

PAGE 1855

OH84B 60-0 WING MISC.

(R4UP42)

WING MISC.

PARAMETRIC DATA

MACH = 8.000 ALPHA = 40.00 BETA = .0000 ELEVON = .0000
 BDFLAP = 8.000 SPDBRK = .0000

TEST CONDITIONS

RUN NUMBER	RN/L /FT X10 6	MACH	ALPHA DEG.	BETA DEG.	PO PSIA	TO DEG. R	T DEG. R	P PSIA	Q PSI	V FT/SEC	RHO SLUGS /FT3	MU LB-SEC /FT2
618	.9977	7.940	39.97	.1384-01	204.8	1265.	92.93	.2203-01	.9721	3752.	.6397-03	.7478-07

RUN NUMBER	HREF BTU/ R FT2SEC	STN NO REF (R) = .0175
618	.2419-01	.4062-01

TEST DATA

RUN NUMBER	DUMMY	T/C NO	H/HREF R=1.0	H/HREF R=0.9	H/HREF R= TAW/TO	TAW/TO	H(TO) BTU/R FT2SEC	H(TAW) BTU/R FT2SEC	QDOT BTU/ FT2SEC	DTWDT DEG. R /SEC	TW DEG. R
618	1.0000	476.00	.10177-02	.1228-02	.1228-02	.9000	.2462-04	.2970-04	.1820-01	.1385	525.4
618	1.0000	477.00	.33069-02	.3988-02	.3988-02	.9000	.8001-04	.9650-04	.5921-01	.4758	524.6
618	1.0000	478.00	.29368-01	.3541-01	.3541-01	.9000	.7106-03	.8568-03	.5266	3.824	523.6
618	1.0000	479.00	.67542-02	.8145-02	.8145-02	.9000	.1634-03	.1971-03	.1211	.8514	523.9
618	1.0000	480.00	.56692-02	.6835-02	.6835-02	.9000	.1371-03	.1654-03	.1016	.7147	523.8
618	1.0000	481.00	.78344-02	.9451-02	.9451-02	.9000	.1896-03	.2287-03	.1401	.9848	525.4
618	1.0000	482.00	.86514-03	.1043-02	.1043-02	.9000	.2093-04	.2523-04	.1554-01	.1400	522.2
618	1.0000	483.00	.78996-03	.9522-03	.9522-03	.9000	.1911-04	.2304-04	.1419-01	.1141	522.5
618	1.0000	484.00	.30931-02	.3728-02	.3728-02	.9000	.7484-04	.9021-04	.5555-01	.5005	522.4
618	1.0000	485.00	.86720-02	.1045-01	.1045-01	.9000	.2098-03	.2529-03	.1556	1.208	523.0
618	1.0000	486.00	.32515-01	.3923-01	.3923-01	.9000	.7867-03	.9491-03	.5814	4.086	525.6
618	1.0000	487.00	.91178-02	.1100-01	.1100-01	.9000	.2206-03	.2661-03	.1633	1.225	524.3
618	1.0000	488.00	.65690-02	.7923-02	.7923-02	.9000	.1589-03	.1917-03	.1176	.8818	524.8
618	1.0000	489.00	.56539-02	.6821-02	.6821-02	.9000	.1368-03	.1650-03	.1011	.7582	525.3
618	1.0000	491.00	.88985-02	.1073-01	.1073-01	.9000	.2153-03	.2596-03	.1596	1.239	523.4

DATE 23 FEB 80

OH84B MODEL 60-0 IN THE AEDC VKF HYPERSONIC TUNNEL

PAGE 1866

OH84B 60-0 WING MISC.

(R4UP42)

WING MISC.

PARAMETRIC DATA

MACH = 8.000 ALPHA = 40.00 BETA = .0000 ELEVON = .0000
 BDFLAP = 8.000 SPDBRK = .0000

TEST CONDITIONS

RUN NUMBER	RN/L /FT X10 6	MACH	ALPHA DEG.	BETA DEG.	PO PSIA	TO DEG. R	T DEG. R	P PSIA	Q PSI	V FT/SEC	RHO SLUGS /FT3	MU LB-SEC /FT2
592	2.010	7.980	40.00	.1736-01	434.8	1298.	94.47	.4526-01	2.018	3802.	.1293-02	.7602-07
RUN NUMBER	HREF BTU/ R FT2SEC	STN NO REF (R)										
592	.3501-01	.2865-01										

TEST DATA

RUN NUMBER	DUMMY	T/C NO	H/HREF R=1.0	H/HREF R=0.9	H/HREF R= TAW/TO	H(TO) BTU/R FT2SEC	H(TAW) BTU/R FT2SEC	QDOT BTU/ FT2SEC	DTWDT DEG. R /SEC	TW DEG. R	
592	1.0000	476.00	.14003-01	.1687-01	.1687-01	.9000	.4903-03	.5908-03	.3741	2.791	534.7
592	1.0000	477.00	.21677-01	.2610-01	.2610-01	.9000	.7590-03	.9140-03	.5808	4.648	532.5
592	1.0000	478.00	.28811-01	.3464-01	.3464-01	.9000	.1009-02	.1213-02	.7777	5.639	526.7
592	1.0000	479.00	.10572-01	.1271-01	.1271-01	.9000	.3702-03	.4451-03	.2854	2.004	526.8
592	1.0000	480.00	.20194-01	.2430-01	.2430-01	.9000	.7071-03	.8508-03	.5431	3.809	529.5
592	1.0000	481.00	.30581-01	.3683-01	.3683-01	.9000	.1071-02	.1290-02	.8184	5.728	533.4
592	1.0000	482.00	.73718-02	.8863-02	.8863-02	.9000	.2581-03	.3103-03	.1991	1.791	526.2
592	1.0000	483.00	.93272-02	.1122-01	.1122-01	.9000	.3266-03	.3927-03	.2516	2.019	527.2
592	1.0000	484.00	.39243-02	.4717-02	.4717-02	.9000	.1374-03	.1651-03	.1062	.9551	525.1
592	1.0000	485.00	.93165-02	.1120-01	.1120-01	.9000	.3262-03	.3921-03	.2520	1.954	525.2
592	1.0000	486.00	.43323-01	.5214-01	.5214-01	.9000	.1517-02	.1826-02	1.164	8.157	530.6
592	1.0000	487.00	.12800-01	.1539-01	.1539-01	.9000	.4482-03	.5389-03	.3452	2.585	527.3
592	1.0000	488.00	.38274-01	.4614-01	.4614-01	.9000	.1340-02	.1616-02	1.020	7.604	536.5
592	1.0000	489.00	.30340-01	.3656-01	.3656-01	.9000	.1062-02	.1280-02	.8105	6.047	534.7
592	1.0000	490.00	.10446-01	.1257-01	.1257-01	.9000	.3658-03	.4399-03	.2815	2.180	528.1
592	1.0000	491.00	.94384-02	.1134-01	.1134-01	.9000	.3305-03	.3972-03	.2552	1.979	525.5

DATE 23 FEB 80

OH84B MODEL 60-0 IN THE AEDC VKF HYPERSONIC TUNNEL

PAGE 1867

OH84B 60-0 WING MISC.

(R4UP42)

WING MISC.

PARAMETRIC DATA

MACH = 8.000 ALPHA = 40.00 BETA = .0000 ELEVON = .0000
 BDFLAP = 8.000 SPDBRK = .0000

TEST CONDITIONS

RUN NUMBER	RN/L /FT X10 6	MACH	ALPHA DEG.	BETA DEG.	PO PSIA	TO DEG. R	T DEG. R	P PSIA	Q PSI	V FT/SEC	RHO SLUGS /FT3	MU LB-SEC /FT2
590	2.993	7.990	40.06	.1397-01	671.4	1327.	96.36	.6934-01	3.098	3845.	.1942-02	.7754-07

RUN NUMBER	HREF BTU/ R FT2SEC	STN NO REF (R)
590	.4356-01	.2343-01

TEST DATA

RUN NUMBER	DUMMY	T/C NO	H/HREF R=1.0	H/HREF R=0.9	H/HREF R= TAW/TO	TAW/TO	H(TO) BTU/R FT2SEC	H(TAW) BTU/R FT2SEC	QDOT BTU/ FT2SEC	DTWDT DEG. R /SEC	TW DEG. R
590	1.0000	476.00	.26915-01	.3243-01	.3243-01	.9000	.1172-02	.1412-02	.9148	6.786	546.3
590	1.0000	477.00	.22155-01	.2664-01	.2664-01	.9000	.9650-03	.1160-02	.7603	6.066	538.8
590	1.0000	478.00	.30081-01	.3610-01	.3610-01	.9000	.1310-02	.1572-02	1.043	7.545	530.7
590	1.0000	479.00	.11118-01	.1334-01	.1334-01	.9000	.4843-03	.5810-03	.3858	2.705	530.1
590	1.0000	480.00	.22937-01	.2755-01	.2755-01	.9000	.9991-03	.1200-02	.7917	5.539	534.2
590	1.0000	481.00	.44885-01	.5400-01	.5400-01	.9000	.1955-02	.2352-02	1.537	10.72	540.5
590	1.0000	482.00	.99678-02	.1196-01	.1196-01	.9000	.4342-03	.5208-03	.3463	3.110	529.0
590	1.0000	483.00	.13727-01	.1647-01	.1647-01	.9000	.5979-03	.7174-03	.4761	3.815	530.4
590	1.0000	484.00	.47449-02	.5689-02	.5689-02	.9000	.2067-03	.2478-03	.1653	1.486	526.9
590	1.0000	485.00	.98459-02	.1180-01	.1180-01	.9000	.4289-03	.5141-03	.3431	2.659	526.7
590	1.0000	486.00	.38779-01	.4658-01	.4658-01	.9000	.1689-02	.2029-02	1.339	9.366	534.2
590	1.0000	487.00	.28350-01	.3406-01	.3406-01	.9000	.1235-02	.1483-02	.9777	7.294	534.9
590	1.0000	488.00	.55618-01	.6700-01	.6700-01	.9000	.2423-02	.2918-02	1.892	14.04	545.7
590	1.0000	489.00	.35874-01	.4316-01	.4316-01	.9000	.1563-02	.1880-02	1.229	9.142	540.3
590	1.0000	490.00	.17088-01	.2051-01	.2051-01	.9000	.7443-03	.8935-03	.5912	4.569	532.3
590	1.0000	491.00	.12470-01	.1495-01	.1495-01	.9000	.5432-03	.6513-03	.4341	3.363	527.4

DATE 23 FEB 80

OH848 MODEL 60-0 IN THE AEDC VKF HYPERSONIC TUNNEL

PAGE 1868

OH848 60-0 WING MISC.

(R4UP43)

WING MISC.

PARAMETRIC DATA

MACH = 8.000 ALPHA = 40.00 BETA = .0000 ELEVON = .0000
 BDFLAP = 15.00 SPDBRK = .0000

TEST CONDITIONS

RUN NUMBER	RN/L /FT X10 6	MACH	ALPHA DEG.	BETA DEG.	PO PSIA	TO DEG. R	T DEG. R	P PSIA	Q PSI	V FT/SEC	RHO SLUGS /FT3	MU LB-SEC /FT2
628	.5138	7.900	39.96	.1730-01	101.2	1242.	92.10	.1125-01	.4914	3717.	.3296-03	.7411-07

RUN NUMBER	HREF BTU/ R FT2SEC	STN NO REF (R) = .0175
628	.1715-01	.5648-01

TEST DATA

RUN NUMBER	DUMMY	T/C NO	H/HREF R=1.0	H/HREF R=0.9	H/HREF R= TAW/TO	TAW/TO	H(TO) BTU/R FT2SEC	H(TAW) BTU/R FT2SEC	QDOT BTU/ FT2SEC	DTWDT DEG. R /SEC	TW DEG. R
628	1.0000	476.00	.13031-02	.1575-02	.1575-02	.9000	.2235-04	.2701-04	.1608-01	.1208	522.0
628	1.0000	477.00	.34557-02	.4175-02	.4175-02	.9000	.5926-04	.7160-04	.4269-01	.3436	521.3
628	1.0000	478.00	.29786-01	.3598-01	.3598-01	.9000	.5108-03	.6170-03	.3684	2.680	520.4
628	1.0000	479.00	.72330-02	.8737-02	.8737-02	.9000	.1240-03	.1498-03	.8945-01	.6302	520.5
628	1.0000	480.00	.57197-02	.6909-02	.6909-02	.9000	.9808-04	.1185-03	.7073-01	.4983	520.5
628	1.0000	481.00	.48231-02	.5828-02	.5828-02	.9000	.8271-04	.9993-04	.5958-01	.4196	521.3
628	1.0000	484.00	.23564-02	.2846-02	.2846-02	.9000	.4041-04	.4880-04	.2918-01	.2633	519.5
628	1.0000	485.00	.78326-02	.9460-02	.9460-02	.9000	.1343-03	.1622-03	.9695-01	.7540	519.8
628	1.0000	486.00	.30671-01	.3706-01	.3706-01	.9000	.5259-03	.6356-03	.3787	2.667	521.7
628	1.0000	487.00	.90072-02	.1088-01	.1088-01	.9000	.1545-03	.1866-03	.1113	.8364	521.0
628	1.0000	488.00	.49606-02	.5993-02	.5993-02	.9000	.8507-04	.1028-03	.6133-01	.4609	520.7
628	1.0000	489.00	.35953-02	.4344-02	.4344-02	.9000	.6165-04	.7449-04	.4442-01	.3337	521.2
628	1.0000	491.00	.76228-02	.9208-02	.9208-02	.9000	.1307-03	.1579-03	.9429-01	.7331	520.4

DATE 23 FEB 80

OH84B MODEL 60-0 IN THE AEDC VKF HYPERSONIC TUNNEL

PAGE 1869

OH84B 60-0 WING MISC.

(R4UP43)

WING MISC.

PARAMETRIC DATA

MACH = 8.000 ALPHA = 40.00 BETA = .0000 ELEVON = .0000
 BDFLAP = 15.00 SPDBRK = .0000

TEST CONDITIONS

RUN NUMBER	RN/L /FT X10 6	MACH	ALPHA DEG.	BETA DEG.	PO PSIA	TO DEG. R	T DEG. R	P PSIA	Q PSI	V FT/SEC	RHO SLUGS /FT3	MU LB-SEC /FT2
610	1.015	7.340	39.97	.1038-01	207.4	1261.	92.64	.2231-01	.9844	3746.	.6499-03	.7454-07

RUN NUMBER	HREF BTU/ R FT2SEC	STN NO REF (R) = .0175
610	.2434-01	.4029-01

TEST DATA

RUN NUMBER	DUMMY	T/C NO	H/HREF R=1.0	H/HREF R=0.9	H/HREF R= TAW/TO	TAW/TO	H(TO) BTU/R FT2SEC	H(TAW) BTU/R FT2SEC	QDOT BTU/ FT2SEC	DTWDT DEG. R /SEC	TW DEG. R
610	1.0000	476.00	.10291-02	.1241-02	.1241-02	.9000	.2504-04	.3021-04	.1847-01	.1386	523.2
610	1.0000	477.00	.32911-02	.3969-02	.3969-02	.9000	.8009-04	.9658-04	.5913-01	.4756	522.4
610	1.0000	478.00	.27858-01	.3359-01	.3359-01	.9000	.6779-03	.8174-03	.5008	3.640	521.9
610	1.0000	479.00	.66018-02	.7960-02	.7960-02	.9000	.1607-03	.1937-03	.1187	.8360	521.7
610	1.0000	480.00	.60797-02	.7330-02	.7330-02	.9000	.1479-03	.1784-03	.1093	.7699	521.7
610	1.0000	481.00	.82976-02	.1001-01	.1001-01	.9000	.2019-03	.2436-03	.1489	1.048	523.2
610	1.0000	482.00	.20243-02	.2440-02	.2440-02	.9000	.4926-04	.5937-04	.3647-01	.3290	520.3
610	1.0000	483.00	.16074-02	.1937-02	.1937-02	.9000	.3912-04	.4714-04	.2896-01	.2332	520.4
610	1.0000	484.00	.28858-02	.3478-02	.3478-02	.9000	.7023-04	.8464-04	.5198-01	.4688	520.4
610	1.0000	485.00	.86354-02	.1041-01	.1041-01	.9000	.2101-03	.2533-03	.1554	1.208	521.2
610	1.0000	486.00	.32382-01	.3907-01	.3907-01	.9000	.7880-03	.9507-03	.5805	4.083	524.0
610	1.0000	487.00	.10753-01	.1297-01	.1297-01	.9000	.2617-03	.3156-03	.1932	1.450	522.4
610	1.0000	488.00	.88566-02	.1068-01	.1068-01	.9000	.2155-03	.2599-03	.1591	1.194	522.5
610	1.0000	489.00	.67915-02	.8192-02	.8192-02	.9000	.1653-03	.1994-03	.1219	.9147	523.2
610	1.0000	490.00	.50764-03	.6119-03	.6119-03	.9000	.1235-04	.1489-04	.9137-02	.7101-01	521.1
610	1.0000	491.00	.89464-02	.1079-01	.1079-01	.9000	.2177-03	.2625-03	.1609	1.250	521.6

DATE 23 FEB 80

OHB4B MODEL 60-0 IN THE AEDC VKF HYPERSONIC TUNNEL

PAGE 1870

OHB4B 60-0 WING MISC.

(R4UP43)

WING MISC.

PARAMETRIC DATA

MACH = 8.000 ALPHA = 40.00 BETA = .0000 ELEVON = .0000
 BOFLAP = 15.00 SPOBRK = .0000

TEST CONDITIONS

RUN NUMBER	RN/L /FT X10 6	MACH	ALPHA DEG.	BETA DEG.	PO PSIA	TO DEG. R	T DEG. R	P PSIA	Q PSI	V FT/SEC	RHO SLUGS /FT3	MU LB-SEC /FT2
600	1.993	7.980	39.99	.1388-01	435.6	1307.	95.13	.4534-01	2.021	3815.	.1287-02	.7655-07

RUN NUMBER	HREF BTU/ R FT2SEC	STN NO REF (R) = .0175
600	.3509-01	.2874-01

TEST DATA

RUN NUMBER	DUMMY	T/C NO	H/HREF R=1.0	H/HREF R=0.9	H/HREF R= TAW/TO	TAW/TO	H(TO) BTU/R FT2SEC	H(TAW) BTU/R FT2SEC	QDOT BTU/ FT2SEC	DTWDT DEG. R /SEC	TW DEG. R
600	1.0000	476.00	.41332-02	.4966-02	.4966-02	.9000	.1450-03	.1743-03	.1130	.8458	527.8
600	1.0000	477.00	.70796-02	.8510-02	.8510-02	.9000	.2484-03	.2986-03	.1931	1.548	529.2
600	1.0000	478.00	.24342-01	.2926-01	.2926-01	.9000	.8541-03	.1027-02	.6637	4.804	529.7
600	1.0000	479.00	.57559-02	.6914-02	.6914-02	.9000	.2020-03	.2426-03	.1576	1.107	526.4
600	1.0000	480.00	.71860-02	.8632-02	.8632-02	.9000	.2521-03	.3029-03	.1967	1.381	526.7
600	1.0000	481.00	.11727-01	.1409-01	.1409-01	.9000	.4115-03	.4944-03	.3205	2.249	527.9
600	1.0000	482.00	.39476-02	.4739-02	.4739-02	.9000	.1385-03	.1663-03	.1084	.9758	524.1
600	1.0000	483.00	.35550-02	.4267-02	.4267-02	.9000	.1247-03	.1497-03	.9763-01	.7848	524.0
600	1.0000	484.00	.34757-02	.4172-02	.4172-02	.9000	.1220-03	.1464-03	.9548-01	.8597	523.7
600	1.0000	485.00	.86653-02	.1040-01	.1040-01	.9000	.3040-03	.3650-03	.2378	1.846	524.4
600	1.0000	486.00	.24374-01	.2930-01	.2930-01	.9000	.8552-03	.1028-02	.6646	4.661	529.6
600	1.0000	487.00	.81679-02	.9812-02	.9812-02	.9000	.2866-03	.3443-03	.2235	1.674	527.0
600	1.0000	488.00	.14538-01	.1747-01	.1747-01	.9000	.5101-03	.6130-03	.3970	2.972	528.4
600	1.0000	489.00	.10589-01	.1272-01	.1272-01	.9000	.3715-03	.4464-03	.2896	2.169	527.3
600	1.0000	490.00	.29566-02	.3549-02	.3549-02	.9000	.1037-03	.1245-03	.8116-01	.6298	524.3
600	1.0000	491.00	.93128-02	.1118-01	.1118-01	.9000	.3268-03	.3923-03	.2555	1.982	524.8

DATE 23 FEB 80

OH84B MODEL 60-0 IN THE AEDC VKF HYPERSONIC TUNNEL

PAGE 1871

OH84B 60-0 WING MISC.

(R4UP43)

WING MISC.

PARAMETRIC DATA

MACH = 8.000 ALPHA = 40.00 BETA = .0000 ELEVON = .0000
 BDFLAP = 15.00 SPOBRK = .0000

TEST CONDITIONS

RUN NUMBER	RN/L /FT X10 6	MACH	ALPHA DEG.	BETA DEG.	PO PSIA	TO DEG. R	T DEG. R	P PSIA	Q PSI	V FT/SEC	RHO SLUGS /FT3	MU LB-SEC /FT2
586	2.987	7.990	40.06	.1397-01	669.2	1326.	96.29	.6911-01	3.088	3843.	.1937-02	.7748-07

RUN NUMBER	HREF BTU/ R FT2SEC	STN NO REF (R) =.0175
586	.4348-01	.2346-01

TEST DATA

RUN NUMBER	DUMMY	T/C NO	H/HREF R=1.0	H/HREF R=0.9	H/HREF R= TAW/TO	TAW/TO	H(TO) BTU/R FT2SEC	H(TAW) BTU/R FT2SEC	QDOT BTU/ FT2SEC	DTWDT DEG. R /SEC	TW DEG. R
586	1.0000	476.00	.26298-01	.3170-01	.3170-01	.9000	.1143-02	.1378-02	.8889	6.587	548.3
586	1.0000	477.00	.25217-01	.3034-01	.3034-01	.9000	.1096-02	.1319-02	.8614	6.868	540.0
586	1.0000	478.00	.30623-01	.3677-01	.3677-01	.9000	.1331-02	.1599-02	1.056	7.638	532.2
586	1.0000	479.00	.10415-01	.1250-01	.1250-01	.9000	.4528-03	.5436-03	.3597	2.521	531.3
586	1.0000	480.00	.24640-01	.2961-01	.2961-01	.9000	.1071-02	.1288-02	.8457	5.911	536.3
586	1.0000	481.00	.50513-01	.6083-01	.6083-01	.9000	.2196-02	.2645-02	1.717	11.95	543.9
586	1.0000	482.00	.10941-01	.1313-01	.1313-01	.9000	.4757-03	.5709-03	.3782	3.393	530.7
586	1.0000	483.00	.14326-01	.1720-01	.1720-01	.9000	.6229-03	.7477-03	.4946	3.960	531.7
586	1.0000	484.00	.50299-02	.6033-02	.6033-02	.9000	.2187-03	.2623-03	.1744	1.567	528.3
586	1.0000	485.00	.99982-02	.1199-01	.1199-01	.9000	.4347-03	.5214-03	.3468	2.686	527.9
586	1.0000	486.00	.38399-01	.4614-01	.4614-01	.9000	.1670-02	.2006-02	1.319	9.220	535.8
586	1.0000	487.00	.20161-01	.2421-01	.2421-01	.9000	.8766-03	.1053-02	.6947	5.188	533.2
586	1.0000	488.00	.54079-01	.6516-01	.6516-01	.9000	.2351-02	.2833-02	1.833	13.60	546.1
586	1.0000	489.00	.38591-01	.4645-01	.4645-01	.9000	.1678-02	.2019-02	1.315	9.778	541.8
586	1.0000	490.00	.18882-01	.2268-01	.2268-01	.9000	.8210-03	.9861-03	.6500	5.019	533.9
586	1.0000	491.00	.13698-01	.1643-01	.1643-01	.9000	.5956-03	.7145-03	.4745	3.674	528.9

OH84B 60-0 WING MISC.

(R4UP44)

WING MISC.

PARAMETRIC DATA

MACH = 8.000 ALPHA = 40.00 BETA = .0000 ELEVON = .0000
 BDFLAP = 23.50 SPDBRK = .0000

TEST CONDITIONS

RUN NUMBER	RN/L /FT X10 6	MACH	ALPHA DEG.	BETA DEG.	PO PSIA	TO DEG. R	T DEG. R	P PSIA	Q PSI	V FT/SEC	RHO SLUGS /FT3	MU LB-SEC /FT2
630	.5170	7.900	39.96	.1729-01	102.2	1245.	92.32	.1136-01	.4963	3721.	.3321-03	.7429-07

RUN NUMBER	HREF BTU/ R FT2SEC	STN NO REF(R) = .0175
630	.1724-01	.5628-01

TEST DATA

RUN NUMBER	DUMMY	T/C NO	H/HREF R=1.0	H/HREF R=0.9	H/HREF R= TAW/TO	TAW/TO	H(TO) BTU/R FT2SEC	H(TAW) BTU/R FT2SEC	QDOT BTU/ FT2SEC	DTWOT DEG. R /SEC	TW DEG. R
630	1.0000	476.00	.11530-02	.1394-02	.1394-02	.9000	.1988-04	.2404-04	.1430-01	.1072	525.4
630	1.0000	477.00	.37914-02	.4584-02	.4584-02	.9000	.6536-04	.7903-04	.4704-01	.3779	525.0
630	1.0000	478.00	.32426-01	.3920-01	.3920-01	.9000	.5590-03	.6758-03	.4027	2.923	524.3
630	1.0000	479.00	.73761-02	.8917-02	.8917-02	.9000	.1272-03	.1537-03	.9161-01	.6443	524.2
630	1.0000	480.00	.58835-02	.7112-02	.7112-02	.9000	.1014-03	.1226-03	.7307-01	.5139	524.2
630	1.0000	481.00	.48126-02	.5819-02	.5819-02	.9000	.8297-04	.1003-03	.5970-01	.4196	525.2
630	1.0000	482.00	.47521-03	.5742-03	.5742-03	.9000	.8193-05	.9900-05	.5913-02	.5326-01	522.9
630	1.0000	483.00	.36611-03	.4424-03	.4424-03	.9000	.6312-05	.7628-05	.4554-02	.3662-01	523.2
630	1.0000	484.00	.27710-02	.3349-02	.3349-02	.9000	.4777-04	.5773-04	.3447-01	.3105	523.0
630	1.0000	485.00	.85064-02	.1028-01	.1028-01	.9000	.1466-03	.1772-03	.1058	.8212	523.3
630	1.0000	486.00	.32200-01	.3894-01	.3894-01	.9000	.5551-03	.6713-03	.3991	2.805	525.7
630	1.0000	487.00	.93248-02	.1127-01	.1127-01	.9000	.1608-03	.1944-03	.1157	.8680	524.7
630	1.0000	488.00	.50555-02	.6112-02	.6112-02	.9000	.8716-04	.1054-03	.6277-01	.4708	524.5
630	1.0000	489.00	.40706-02	.4922-02	.4922-02	.9000	.7018-04	.8486-04	.5049-01	.3785	525.2
630	1.0000	491.00	.85489-02	.1033-01	.1033-01	.9000	.1474-03	.1781-03	.1062	.8244	523.9

DATE 23 FEB 80

OH84B MODEL 60-0 IN THE AEDC VKF HYPERSONIC TUNNEL

PAGE 1873

OH84B 60-0 WING MISC.

(R4UP44)

WING MISC.

PARAMETRIC DATA

MACH = 8.000 ALPHA = 40.00 BETA = .0000 ELEVON = .0000
 BDFLAP = 23.50 SPOBRK = .0000

TEST CONDITIONS

RUN NUMBER	RN/L /FT X10 6	MACH	ALPHA DEG.	BETA DEG.	PO PSIA	TO DEG. R	T DEG. R	P PSIA	Q PSI	V FT/SEC	RHO SLUGS /FT3	MU LB-SEC /FT2
608	.9985	7.940	39.95	.1383-01	207.4	1275.	93.67	.2231-01	.9844	3767.	.6428-03	.7537-07
RUN NUMBER	HREF BTU/ R FT2SEC	STN NO REF (R)										
608	.2438-01	.4056-01										

TEST DATA

RUN NUMBER	DUMMY	T/C NO	H/HREF R=1.0	H/HREF R=0.9	H/HREF R= TAW/TO	TAW/TO	H(TO) BTU/R FT2SEC	H(TAW) BTU/R FT2SEC	QDOT BTU/ FT2SEC	DTWDT DEG. R /SEC	TW DEG. R
608	1.0000	476.00	.93786-03	.1130-02	.1130-02	.9000	.2287-04	.2754-04	.1717-01	.1288	523.9
608	1.0000	477.00	.29352-02	.3535-02	.3535-02	.9000	.7156-04	.8619-04	.5377-01	.4324	523.3
608	1.0000	478.00	.28049-01	.3378-01	.3378-01	.9000	.6839-03	.8235-03	.5141	3.734	522.9
608	1.0000	479.00	.66072-02	.7956-02	.7956-02	.9000	.1611-03	.1940-03	.1211	.8523	522.9
608	1.0000	480.00	.58380-02	.7030-02	.7030-02	.9000	.1423-03	.1714-03	.1070	.7531	522.8
608	1.0000	481.00	.77701-02	.9360-02	.9360-02	.9000	.1894-03	.2282-03	.1422	.9998	524.2
608	1.0000	482.00	.25090-02	.3020-02	.3020-02	.9000	.6117-04	.7363-04	.4609-01	.4155	521.3
608	1.0000	483.00	.23401-02	.2817-02	.2817-02	.9000	.5706-04	.6867-04	.4299-01	.3460	521.2
608	1.0000	484.00	.30423-02	.3662-02	.3662-02	.9000	.7418-04	.8928-04	.5589-01	.5039	521.2
608	1.0000	485.00	.75357-02	.9070-02	.9070-02	.9000	.1837-03	.2211-03	.1384	1.076	521.3
608	1.0000	486.00	.32749-01	.3946-01	.3946-01	.9000	.7985-03	.9621-03	.5985	4.207	525.2
608	1.0000	487.00	.10001-01	.1205-01	.1205-01	.9000	.2439-03	.2937-03	.1832	1.374	523.6
608	1.0000	488.00	.84916-02	.1023-01	.1023-01	.9000	.2070-03	.2494-03	.1555	1.167	523.6
608	1.0000	489.00	.68857-02	.8294-02	.8294-02	.9000	.1679-03	.2022-03	.1260	.9453	524.1
608	1.0000	490.00	.57752-03	.6952-03	.6952-03	.9000	.1408-04	.1695-04	.1060-01	.8235-01	521.9
608	1.0000	491.00	.76471-02	.9205-02	.9205-02	.9000	.1864-03	.2244-03	.1404	1.091	521.7

WING MISC.

PARAMETRIC DATA

MACH = 8.000 ALPHA = 40.00 BETA = .0000 ELEVON = .0000
BDFLAP = 23.50 SPDBRK = .0000

TEST CONDITIONS

RUN NUMBER	RN/L /FT X10 6	MACH	ALPHA DEG.	BETA DEG.	PO PSIA	TO DEG. R	T DEG. R	P PSIA	Q PSI	V FT/SEC	RHO SLUGS /FT3	MU LB-SEC /FT2
602	1.989	7.980	39.99	.1735-01	434.8	1307.	95.13	.4526-01	2.018	3815.	.1284-02	.7655-07
RUN NUMBER	HREF BTU/ R FT2SEC	STN NO REF (R) = .0175										
602	.3506-01	.2877-01										

TEST DATA

RUN NUMBER	DUMMY	T/C NO	H/HREF R=1.0	H/HREF R=0.9	H/HREF R= TAW/TO	TAW/TO	H(TO) BTU/R FT2SEC	H(TAW) BTU/R FT2SEC	QDOT BTU/ FT2SEC	DTWDT DEG. R /SEC	TW DEG. R
602	1.0000	476.00	.44287-02	.5332-02	.5332-02	.9000	.1552-03	.1869-03	.1198	.8933	535.3
602	1.0000	477.00	.83668-02	.1007-01	.1007-01	.9000	.2933-03	.3530-03	.2265	1.811	534.3
602	1.0000	478.00	.26057-01	.3134-01	.3134-01	.9000	.9134-03	.1099-02	.7082	5.122	531.4
602	1.0000	479.00	.61753-02	.7428-02	.7428-02	.9000	.2165-03	.2604-03	.1677	1.175	531.9
602	1.0000	480.00	.70670-02	.8501-02	.8501-02	.9000	.2477-03	.2980-03	.1919	1.344	532.1
602	1.0000	481.00	.10336-01	.1244-01	.1244-01	.9000	.3623-03	.4362-03	.2794	1.954	535.4
602	1.0000	482.00	.51486-02	.6192-02	.6192-02	.9000	.1805-03	.2171-03	.1399	1.255	531.4
602	1.0000	483.00	.51204-02	.6159-02	.6159-02	.9000	.1795-03	.2159-03	.1391	1.113	531.9
602	1.0000	484.00	.37788-02	.4544-02	.4544-02	.9000	.1325-03	.1593-03	.1028	.9227	530.4
602	1.0000	485.00	.92848-02	.1116-01	.1116-01	.9000	.3255-03	.3913-03	.2527	1.955	530.3
602	1.0000	486.00	.30774-01	.3705-01	.3705-01	.9000	.1079-02	.1299-02	.8322	5.820	535.2
602	1.0000	487.00	.11283-01	.1358-01	.1358-01	.9000	.3955-03	.4760-03	.3057	2.282	533.9
602	1.0000	488.00	.10185-01	.1226-01	.1226-01	.9000	.3571-03	.4297-03	.2760	2.060	533.8
602	1.0000	489.00	.98095-02	.1181-01	.1181-01	.9000	.3439-03	.4141-03	.2650	1.976	536.1
602	1.0000	490.00	.41384-02	.4979-02	.4979-02	.9000	.1451-03	.1745-03	.1123	.8677	532.6
602	1.0000	491.00	.90171-02	.1084-01	.1084-01	.9000	.3161-03	.3801-03	.2453	1.897	530.7

DATE 23 FEB 80

OH84B MODEL 60-0 IN THE AEDC VKI HYPERSONIC TUNNEL

PAGE 1675

OH84B 60-0 WING MISC.

(R4UP44)

WING MISC.

PARAMETRIC DATA

MACH = 8.000 ALPHA = 40.00 BETA = .0000 ELEVON = .0000
 BDFLAP = 23.50 SPDBRK = .0000

TEST CONDITIONS

RUN NUMBER	RN/L /FT X10 6	MACH	ALPHA DEG.	BETA DEG.	PO PSIA	TO DEG. R	T DEG. R	P PSIA	Q PSI	V FT/SEC	RHO SLUGS /FT3	MU LB-SEC /FT2
588	3.015	7.990	40.06	.1397-01	672.4	1322.	96.00	.6944-01	3.103	3838.	.1952-02	.7725-07
RUN NUMBER	HREF BTU/ R FT2SEC	STN NO REF (R)										
588	.4356-01	.2336-01	= .0175									

TEST DATA

RUN NUMBER	DUMMY	T/C NO	H/HREF R=1.0	H/HREF R=0.9	H/HREF R= TAW/TO	TAW/TO	H(TO) BTU/R FT2SEC	H(TAW) BTU/R FT2SEC	QDOT BTU/ FT2SEC	DTWDT DEG. R /SEC	TW DEG. R
588	1.0000	476.00	.27953-01	.3372-01	.3372-01	.9000	.1218-02	.1469-02	.9407	6.968	549.1
588	1.0000	477.00	.23033-01	.2771-01	.2771-01	.9000	.1003-02	.1207-02	.7860	6.272	538.3
588	1.0000	478.00	.29809-01	.3579-01	.3579-01	.9000	.1299-02	.1559-02	1.027	7.435	530.4
588	1.0000	479.00	.15099-C	.1813-01	.1813-01	.9000	.6577-03	.7898-03	.5200	3.644	531.1
588	1.0000	480.00	.28295-01	.3402-01	.3402-01	.9000	.1233-02	.1482-02	.9685	6.771	535.9
588	1.0000	481.00	.56058-01	.6754-01	.6754-01	.9000	.2442-02	.2942-02	1.898	13.21	544.3
588	1.0000	482.00	.10583-01	.1270-01	.1270-01	.9000	.4610-03	.5533-03	.3654	3.281	529.0
588	1.0000	483.00	.13918-01	.1671-01	.1671-01	.9000	.6063-03	.7278-03	.4801	3.848	529.8
588	1.0000	484.00	.38062-02	.4564-02	.4564-02	.9000	.1658-03	.1988-03	.1319	1.186	526.0
588	1.0000	485.00	.10224-01	.1226-01	.1226-01	.9000	.4454-03	.5342-03	.3541	2.744	526.7
588	1.0000	486.00	.37862-01	.4550-01	.4550-01	.9000	.1649-02	.1982-02	1.299	9.089	534.1
588	1.0000	487.00	.21755-01	.2613-01	.2613-01	.9000	.9477-03	.1138-02	.7479	5.587	532.5
588	1.0000	488.00	.53030-01	.6388-01	.6388-01	.9000	.2310-02	.2783-02	1.797	13.35	543.6
588	1.0000	489.00	.47197-01	.5684-01	.5684-01	.9000	.2056-02	.2476-02	1.602	11.91	542.4
588	1.0000	490.00	.19378-01	.2327-01	.2327-01	.9000	.8441-03	.1014-02	.6665	5.151	532.1
588	1.0000	491.00	.12756-01	.1530-01	.1530-01	.9000	.5557-03	.6666-03	.4414	3.420	527.3

DATE 23 FEB 80

OH84B MODEL 60-0 IN THE AEDC VKF HYPERSONIC TUNNEL

PAGE 1876

OH84B 60-0 WING MISC.

(R4UP45)

WING MISC.

PARAMETRIC DATA

MACH = 8.000 ALPHA = 40.00 BETA = .0000 ELEVON = 5.000
 BOFLAP = -5.000 SPOBRK = .0000

TEST CONDITIONS

RUN NUMBER	RN/L /FT X10 6	MACH	ALPHA DEG.	BETA DEG.	PO PSIA	TO DEG. R	T DEG. R	P PSIA	Q PSI	V FT/SEC	RHO SLUGS /FT3	MU LB-SEC /FT2
682	.5028	7.900	39.95	-.1036-01	100.6	1255.	93.06	.1118-01	.4884	3736.	.3242-03	.7489-07
RUN NUMBER	HREF RTU/ R FT2SEC	STN NO REF (R)										
682	.1713-01	.5701-01										

TEST DATA

RUN NUMBER	DUMMY	T/C NO	H/HREF R=1.0	H/HREF R=0.9	H/HREF R= TAW/TO	TAW/TO	H(TO) BTU/R FT2SEC	H(TAW) BTU/R FT2SEC	QDOT BTU/ FT2SEC	DTWDT DEG. R /SEC	TW DEG. R
682	1.0000	476.00	.99179-03	.1198-02	.1198-02	.9000	.1699-04	.2051-04	.1239-01	.9293-01	525.0
682	1.0000	477.00	.32861-02	.3968-02	.3968-02	.9000	.5628-04	.6796-04	.4108-01	.3300	524.8
682	1.0000	478.00	.30180-01	.3644-01	.3644-01	.9000	.5169-03	.6241-03	.3774	2.739	524.6
682	1.0000	479.00	.72701-02	.8777-02	.8777-02	.9000	.1245-03	.1503-03	.9098-01	.6399	524.0
682	1.0000	480.00	.55629-02	.6716-02	.6716-02	.9000	.9527-04	.1150-03	.6961-01	.4896	524.0
682	1.0000	481.00	.51762-02	.6250-02	.6250-02	.9000	.8865-04	.1071-03	.6472-01	.4550	524.6
682	1.0000	482.00	.12819-02	.1547-02	.1547-02	.9000	.2195-04	.2649-04	.1608-01	.1449	522.3
682	1.0000	483.00	.10534-02	.1271-02	.1271-02	.9000	.1804-04	.2177-04	.1321-01	.1063	522.2
682	1.0000	484.00	.33370-02	.4026-02	.4026-02	.9000	.5715-04	.6896-04	.4189-01	.3775	521.8
682	1.0000	485.00	.10416-01	.1257-01	.1257-01	.9000	.1784-03	.2153-03	.1306	1.015	522.4
682	1.0000	486.00	.33451-01	.4040-01	.4040-01	.9000	.5729-03	.6920-03	.4178	2.936	525.4
682	1.0000	487.00	.82777-02	.9994-02	.9994-02	.9000	.1418-03	.1712-03	.1036	.7771	524.0
682	1.0000	488.00	.57180-02	.6903-02	.6903-02	.9000	.9793-04	.1182-03	.7157-01	.5370	523.8
682	1.0000	489.00	.52296-02	.6315-02	.6315-02	.9000	.8957-04	.1082-03	.6539-01	.4905	524.5
682	1.0000	490.00	.80226-03	.9684-03	.9684-03	.9000	.1374-04	.1659-04	.1005-01	.7799-01	523.5
682	1.0000	491.00	.98659-02	.1191-01	.1191-01	.9000	.1690-03	.2039-03	.1237	.9605	522.7

DATE 23 FEB 80

OH84B MODEL 60-0 IN THE AEDC VKF HYPERSONIC TUNNEL

PAGE 1877

OH84B 60-0 WING MISC.

(R4UP45)

WING MISC.

PARAMETRIC DATA

MACH = 8.000 ALPHA = 40.00 BETA = .0000 ELEVON = 5.000
 BDFLAP = -5.000 SPDBRK = .0000

TEST CONDITIONS

RUN NUMBER	RN/L /FT	MACH	ALPHA DEG.	BETA DEG.	PO PSIA	TO DEG. R	T DEG. R	P PSIA	Q PSI	V FT/SEC	RHO SLUGS /FT3	MU LB-SEC /FT2
668	X10.6 1.013	7.940	39.97	-.1038-01	207.0	1261.	92.64	.2226-01	.9825	3746.	.6487-03	.7454-07
RUN NUMBER	HREF BTU/ R FT2SEC	STN NO REF (R)										
668	.2431-01	.4033-01	=.0175									

TEST DATA

RUN NUMBER	DUMMY	T/C NO	H/HREF R=1.0	H/HREF R=0.9	H/HREF R* TAW/TO	TAW/TO	H(TO) BTU/R FT2SEC	H(TAW) BTU/R FT2SEC	QDOT BTU/ FT2SEC	DTWDT DEG. R /SEC	TW DEG. R
668	1.0000	476.00	.32661-02	.3948-02	.3948-02	.9000	.7940-04	.9598-04	.5797-01	.4334	530.7
668	1.0000	477.00	.91721-02	.1108-01	.1108-01	.9000	.2230-03	.2695-03	.1629	1.305	530.1
668	1.0000	478.00	.26014-01	.3142-01	.3142-01	.9000	.6324-03	.7638-03	.4636	3.360	527.6
668	1.0000	479.00	.77425-02	.9354-02	.9354-02	.9000	.1882-03	.2274-03	.1377	.9663	528.9
668	1.0000	480.00	.82311-02	.9945-02	.9945-02	.9000	.2001-03	.2418-03	.1464	1.027	529.1
668	1.0000	481.00	.10324-01	.1248-01	.1248-01	.9000	.2510-03	.3034-03	.1832	1.284	530.9
668	1.0000	482.00	.74081-03	.8944-03	.8944-03	.9000	.1801-04	.2174-04	.1322-01	.1189	526.5
668	1.0000	483.00	.80469-03	.9716-03	.9716-03	.9000	.1956-04	.2362-04	.1436-01	.1153	526.6
668	1.0000	484.00	.59447-02	.7180-02	.7180-02	.9000	.1445-03	.1746-03	.1059	.9516	527.9
668	1.0000	485.00	.98449-02	.1189-01	.1189-01	.9000	.2393-03	.2889-03	.1758	1.363	526.3
668	1.0000	486.00	.32811-01	.3965-01	.3965-01	.9000	.7977-03	.9640-03	.5829	4.088	529.9
668	1.0000	487.00	.15366-01	.1857-01	.1857-01	.9000	.3736-03	.4515-03	.2729	2.041	530.1
668	1.0000	488.00	.11073-01	.1338-01	.1338-01	.9000	.2692-03	.3254-03	.1967	1.471	530.1
668	1.0000	489.00	.94618-02	.1144-01	.1144-01	.9000	.2300-03	.2781-03	.1678	1.254	531.3
668	1.0000	490.00	.73987-03	.8937-03	.8937-03	.9000	.1799-04	.2173-04	.1318-01	.1021	528.1
668	1.0000	491.00	.81883-02	.9887-02	.9887-02	.9000	.1991-03	.2404-03	.1461	1.132	526.8

DATE 23 FEB 80

OH84B MODEL 60-0 IN THE AEDC VKF HYPERSONIC TUNNEL

PAGE 1878

OH84B 60-0 WING MISC.

(R4UP45)

WING MISC.

PARAMETRIC DATA

MACH = 8.000 ALPHA = 40.00 BETA = .0000 ELEVON = 5.000
 BOFLAP = -5.000 SPDBRK = .0000

TEST CONDITIONS

RUN NUMBER	RN/L /FT X10 6	MACH	ALPHA DEG.	BETA DEG.	PO PSIA	TO DEG. R	T DEG. R	P PSIA	Q PSI	V FT/SEC	RHO SLUGS /FT3	MU LB-SEC /FT2
688	1.999	7.980	40.00	-6947-02	434.9	1303.	94.84	.4527-01	2.018	3810.	.1288-02	.7631-07

RUN NUMBER	HREF BTU/ R FT2SEC	STN NO REF (R) = .0175
688	.3504-01	.2871-01

TEST DATA

RUN NUMBER	DUMMY	T/C NO	H/HREF R=1.0	H/HREF R=0.9	H/HREF R= TAW/TO	TAW/TO	H(TO) BTU/R FT2SEC	H(TAW) BTU/R FT2SEC	QDOT BTU/ FT2SEC	DTWDT DEG. R /SEC	TW DEG. R
688	1.0000	476.00	.38464-02	.4624-02	.4624-02	.9000	.1348-03	.1620-03	.1044	.7820	527.8
688	1.0000	477.00	.94454-02	.1135-01	.1135-01	.9000	.3310-03	.3978-03	.2567	2.060	527.2
688	1.0000	478.00	.28115-01	.3379-01	.3379-01	.9000	.9852-03	.1184-02	.7645	5.543	526.6
688	1.0000	479.00	.59616-02	.7161-02	.7161-02	.9000	.2089-03	.2509-03	.1625	1.142	524.8
688	1.0000	480.00	.79874-02	.9595-02	.9595-02	.9000	.2799-03	.3362-03	.2176	1.529	525.3
688	1.0000	481.00	.11092-01	.1333-01	.1333-01	.9000	.3887-03	.4672-03	.3014	2.116	527.3
688	1.0000	482.00	.41411-02	.4972-02	.4972-02	.9000	.1451-03	.1742-03	.1131	1.018	527.4
688	1.0000	483.00	.41865-02	.5026-02	.5026-02	.9000	.1467-03	.1761-03	.1144	.9196	523.1
688	1.0000	484.00	.49734-02	.5970-02	.5970-02	.9000	.1743-03	.2092-03	.1360	1.225	522.6
688	1.0000	485.00	.11238-01	.1349-01	.1349-01	.9000	.3938-03	.4727-03	.3071	2.385	522.8
688	1.0000	486.00	.35832-01	.4309-01	.4309-01	.9000	.1256-02	.1510-02	.9709	6.810	529.4
688	1.0000	487.00	.89487-02	.1075-01	.1075-01	.9000	.3136-03	.3767-03	.2438	1.828	525.0
688	1.0000	488.00	.17377-01	.2089-01	.2089-01	.9000	.6089-03	.7321-03	.4715	3.529	528.4
688	1.0000	489.00	.12028-01	.1446-01	.1446-01	.9000	.4215-03	.5066-03	.3268	2.448	527.2
688	1.0000	490.00	.34952-02	.4197-02	.4197-02	.9000	.1225-03	.1471-03	.9537-01	.7402	524.0
688	1.0000	491.00	.12598-01	.1513-01	.1513-01	.9000	.4414-03	.5301-03	.3437	2.667	524.1

OH84B 60-0 WING MISC.

(R4UP45)

WING MISC.

PARAMETRIC DATA

MACH = 8.000 ALPHA = 40.00 BETA = .0000 ELEVON = 5.000
 GDFLAP = -5.000 SPDBRK = .0000

TEST CONDITIONS

RUN NUMBER	RN/L /FT X10 6	MACH	ALPHA DEG.	BETA DEG.	PO PSIA	TO DEG. R	T DEG. R	P PSIA	Q PSI	V FT/SEC	RHO SLUGS /FT3	MU LB-SEC /FT2
702	2.996	7.990	40.05	-.6978-02	668.9	1323.	96.07	.6908-01	3.087	3839.	.1941-02	.7731-07
RUN NUMBER	HREF BTU/ R FT2SEC	STN NO REF (R)										
702	.4345-01	.2343-01										

TEST DATA

RUN NUMBER	DUMMY	T/C NO	H/HREF R=1.0	H/HREF R=0.9	H/HREF R= TAW/TO	TAW/TO	H(TO) BTU/R FT2SEC	H(TAW) BTU/R FT2SEC	QDOT BTU/ FT2SEC	DTWDT DEG. R /SEC	TW DEG. R
702	1.0000	476.00	.12123-01	.1459-01	.1459-01	.9000	.5268-03	.6338-03	.4127	3.072	539.3
702	1.0000	477.00	.32536-01	.3921-01	.3921-01	.9000	.1414-02	.1704-02	1.099	8.734	545.6
702	1.0000	478.00	.28309-01	.3402-01	.3402-01	.9000	.1230-02	.1478-02	.9695	7.001	534.5
702	1.0000	479.00	.93352-02	.1121-01	.1121-01	.9000	.4056-03	.4871-03	.3209	2.248	531.7
702	1.0000	480.00	.19798-01	.2379-01	.2379-01	.9000	.8603-03	.1034-02	.6784	4.747	534.0
702	1.0000	481.00	.27350-01	.3290-01	.3290-01	.9000	.1188-02	.1429-02	.9322	6.509	538.3
702	1.0000	482.00	.72498-02	.8699-02	.8699-02	.9000	.3150-03	.3780-03	.2501	2.246	528.8
702	1.0000	483.00	.98671-02	.1184-01	.1184-01	.9000	.4288-03	.5146-03	.3400	2.725	529.7
702	1.0000	484.00	.80275-02	.9631-02	.9631-02	.9000	.3488-03	.4185-03	.2771	2.489	528.2
702	1.0000	485.00	.17488-01	.2098-01	.2098-01	.9000	.7599-03	.9117-03	.6034	4.672	528.6
702	1.0000	486.00	.34675-01	.4169-01	.4169-01	.9000	.1507-02	.1811-02	1.185	8.280	536.4
702	1.0000	487.00	.20719-01	.2490-01	.2490-01	.9000	.9003-03	.1082-02	.7090	5.288	535.2
702	1.0000	488.00	.42335-01	.5098-01	.5098-01	.9000	.1840-02	.2215-02	1.434	10.66	543.1
702	1.0000	489.00	.25053-01	.3013-01	.3013-01	.9000	.1089-02	.1309-02	.8547	6.367	537.6
702	1.0000	490.00	.13061-01	.1568-01	.1568-01	.9000	.5675-03	.6815-03	.4488	3.469	531.8
702	1.0000	491.00	.16887-01	.2027-01	.2027-01	.9000	.7338-03	.8806-03	.5822	4.506	529.3

DATE 23 FEB 80

OH84B MODEL 60-0 IN THE AEDC VKF HYPERSONIC TUNNEL

PAGE 1880

OH84B 60-0 WING MISC.

(R4UP46)

WING MISC.

PARAMETRIC DATA

MACH = 8.000 ALPHA = 40.00 BETA = .0000 ELEVON = 5.000
 BDFLAP = .0000 SPDBRK = .0000

TEST CONDITIONS

RUN NUMBER	RN/L /FT X10 6	MACH	ALPHA DEG.	BETA DEG.	PO PSIA	TO DEG. R	T DEG. R	P PSIA	Q PSI	V FT/SEC	RHO SLUGS /FT3	MU LB-SEC /FT2
680	.5032	7.900	39.93	-.1034-01	100.7	1255.	93.06	.1119-01	.4888	3736.	.3245-03	.7489-07
RUN NUMBER	HREF BTU/ R FT2SEC	STN NO REF (R)										
680	.1713-01	.5699-01										

TEST DATA

RUN NUMBER	DUMMY	T/C NO	H/HREF R=1.0	H/HREF R=0.9	H/HREF R= TAW/TO	TAW/TO	H(TO) BTU/R FT2SEC	H(TAW) BTU/R FT2SEC	QDOT BTU/ FT2SEC	DTWDT DEG. R /SEC	TW DEG. R
680	1.0000	476.00	.13778-02	.1666-02	.1666-02	.9000	.2361-04	.2854-04	.1714-01	.1283	528.6
680	1.0000	477.00	.36039-02	.4355-02	.4355-02	.9000	.6175-04	.7462-04	.4491-01	.3604	527.4
680	1.0000	478.00	.31294-01	.3780-01	.3780-01	.9000	.5362-03	.6477-03	.3906	2.833	526.1
680	1.0000	479.00	.73828-02	.8921-02	.8921-02	.9000	.1265-03	.1529-03	.9203-01	.6462	527.1
680	1.0000	480.00	.61376-02	.7416-02	.7416-02	.9000	.1052-03	.1271-03	.7653-01	.5375	526.9
680	1.0000	481.00	.55485-02	.6707-02	.6707-02	.9000	.9507-04	.1149-03	.6906-01	.4847	528.2
680	1.0000	482.00	.11994-02	.1449-02	.1449-02	.9000	.2055-04	.2483-04	.1497-01	.1346	526.2
680	1.0000	483.00	.12728-02	.1538-02	.1538-02	.9000	.2181-04	.2635-04	.1589-01	.1275	526.2
680	1.0000	484.00	.34072-02	.4116-02	.4116-02	.9000	.5838-04	.7052-04	.4254-01	.3826	525.9
680	1.0000	485.00	.10451-01	.1263-01	.1263-01	.9000	.1791-03	.2163-03	.1304	1.011	526.5
680	1.0000	486.00	.31160-01	.3767-01	.3767-01	.9000	.5339-03	.6454-03	.3877	2.721	528.4
680	1.0000	487.00	.79509-02	.9608-02	.9608-02	.9000	.1362-03	.1646-03	.9908-01	.7421	527.3
680	1.0000	488.00	.59791-02	.7226-02	.7226-02	.9000	.1024-03	.1238-03	.7448-01	.5578	527.6
680	1.0000	489.00	.47889-02	.5790-02	.5790-02	.9000	.8205-04	.9920-04	.5955-01	.4456	528.9
680	1.0000	490.00	.10818-02	.1307-02	.1307-02	.9000	.1854-04	.2240-04	.1348-01	.1044	527.5
680	1.0000	491.00	.10172-01	.1229-01	.1229-01	.9000	.1743-03	.2106-03	.1269	.9832	526.7

OH84B 60-0 WING MISC.

(R4UP46)

WING MISC.

PARAMETRIC DATA

MACH = 8.000 ALPHA = 40.00 BETA = .0000 ELEVON = 5.000
 BDFLAP = .0000 SPDBRK = .0000

TEST CONDITIONS

RUN NUMBER	RN/L /FT X10 6	MACH	ALPHA DEG.	BETA DEG.	PO PSIA	TO DEG. R	T DEG. R	P PSIA	Q PSI	V FT/SEC	RHO SLUGS /FT3	MU LB-SEC /FT2
666	1.005	7.940	39.97	-.6927-02	206.0	1264.	92.86	.2216-01	.9778	3751.	.6440-03	.7472-07
RUN NUMBER	HREF BTU/ R FT2SEC	STN NO REF (R)										
666	.2426-01	.4048-01										

TEST DATA

RUN NUMBER	DUMMY	T/C NO	H/HREF R=1.0	H/HREF R=0.9	H/HREF R= TAW/TO	TAW/TO	H(TO) BTU/R FT2SEC	H(TAW) BTU/R FT2SEC	QDOT BTU/ FT2SEC	DTWOT DEG. R /SEC	TW DEG. R
666	1.0000	476.00	.23479-02	.2838-02	.2838-02	.9000	.5697-04	.6885-04	.4170-01	.3116	531.7
666	1.0000	477.00	.74298-02	.8979-02	.8979-02	.9000	.1803-03	.2178-03	.1321	1.058	531.1
666	1.0000	478.00	.27699-01	.3347-01	.3347-01	.9000	.6721-03	.8120-03	.4929	3.567	530.3
666	1.0000	479.00	.69488-02	.8395-02	.8395-02	.9000	.1686-03	.2037-03	.1237	.8669	530.2
666	1.0000	480.00	.72076-02	.8708-02	.8708-02	.9000	.1749-03	.2113-03	.1282	.8989	530.4
666	1.0000	481.00	.89168-02	.1078-01	.1078-01	.9000	.2163-03	.2615-03	.1584	1.110	531.5
666	1.0000	482.00	.59464-03	.7179-03	.7179-03	.9000	.1443-04	.1742-04	.1062-01	.9539-01	527.8
666	1.0000	483.00	.45166-03	.5453-03	.5453-03	.9000	.1096-04	.1323-04	.8064-02	.6469-01	527.8
666	1.0000	484.00	.55521-02	.6706-02	.6706-02	.9000	.1347-03	.1627-03	.9895-01	.8885	529.1
666	1.0000	485.00	.10382-01	.1253-01	.1253-01	.9000	.2519-03	.3041-03	.1853	1.436	527.9
666	1.0000	486.00	.34130-01	.4125-01	.4125-01	.9000	.8281-03	.1001-02	.6060	4.245	531.9
666	1.0000	487.00	.10718-01	.1295-01	.1295-01	.9000	.2600-03	.3142-03	.1907	1.426	530.4
666	1.0000	488.00	.11173-01	.1350-01	.1350-01	.9000	.2711-03	.3276-03	.1986	1.485	530.9
666	1.0000	489.00	.99935-02	.1208-01	.1208-01	.9000	.2425-03	.2931-03	.1773	1.324	532.4
666	1.0000	490.00	.37016-03	.4471-03	.4471-03	.9000	.8981-05	.1085-04	.6598-02	.5108-01	529.0
666	1.0000	491.00	.92858-02	.1121-01	.1121-01	.9000	.2253-03	.2720-03	.1657	1.283	528.3

WING MISC.

PARAMETRIC DATA

MACH = 8.000 ALPHA = 40.00 BETA = .0000 ELEVON = 5.000
 BDFLAP = .0000 SPDBRK = .0000

TEST CONDITIONS

RUN NUMBER	RN/L /FT X10 6	MACH	ALPHA DEG.	BETA DEG.	PO PSIA	TO DEG. R	T DEG. R	P PSIA	Q PSI	V FT/SEC	RHO SLUGS /FT3	MU LB-SEC /FT2
690	2.005	7.980	40.00	-.6947-02	436.2	1303.	94.84	.4541-01	2.024	3810.	.1292-02	.7631-07

RUN NUMBER	HREF BTU/ R FT2SEC	STN NO REF (R)
690	.3509-01	.2867-01

TEST DATA

RUN NUMBER	DUMMY	T/C NO	H/HREF R=1.0	H/HREF R=0.9	H/HREF R=TAW/TO	TAW/TO	H(TO) BTU/R FT2SEC	H(TAW) BTU/R FT2SEC	QDOT BTU/ FT2SEC	DTWDT DEG. R /SEC	TW DEG. R
690	1.0000	476.00	.42175-02	.5079-02	.5079-02	.9000	.1480-03	.1782-03	.1136	.8479	534.8
690	1.0000	477.00	.10183-01	.1226-01	.1226-01	.9000	.3573-03	.4302-03	.2748	2.198	533.8
690	1.0000	478.00	.28147-01	.3387-01	.3387-01	.9000	.9878-03	.1189-02	.7612	5.504	532.0
690	1.0000	479.00	.63054-02	.7586-02	.7586-02	.9000	.2213-03	.2662-03	.1707	1.197	531.1
690	1.0000	480.00	.84857-02	.1021-01	.1021-01	.9000	.2978-03	.3583-03	.2296	1.609	531.6
690	1.0000	481.00	.12318-01	.1483-01	.1483-01	.9000	.4323-03	.5205-03	.3321	2.324	534.3
690	1.0000	482.00	.40726-02	.4897-02	.4897-02	.9000	.1429-03	.1719-03	.1105	.9926	529.2
690	1.0000	483.00	.41751-02	.5020-02	.5020-02	.9000	.1465-03	.1762-03	.1134	.9088	529.0
690	1.0000	484.00	.52927-02	.6363-02	.6363-02	.9000	.1857-03	.2233-03	.1439	1.292	528.2
690	1.0000	485.00	.11672-01	.1403-01	.1403-01	.9000	.4096-03	.4924-03	.3173	2.457	528.2
690	1.0000	486.00	.36713-01	.4422-01	.4422-01	.9000	.1288-02	.1552-02	.9886	6.913	535.3
690	1.0000	487.00	.97944-02	.1178-01	.1178-01	.9000	.3437-03	.4136-03	.2651	1.981	531.4
690	1.0000	488.00	.18840-01	.2269-01	.2269-01	.9000	.6612-03	.7963-03	.5075	3.785	535.1
690	1.0000	489.00	.11321-01	.1363-01	.1363-01	.9000	.3973-03	.4784-03	.3053	2.278	534.2
690	1.0000	490.00	.31085-02	.3739-02	.3739-02	.9000	.1091-03	.1312-03	.8428-01	.6521	530.1
690	1.0000	491.00	.12660-01	.1523-01	.1523-01	.9000	.4443-03	.5343-03	.3435	2.658	529.6

OH84B 60-0 WING MISC.

(R4UP46)

WING MISC.

PARAMETRIC DATA

MACH = 8.000 ALPHA = 40.00 BETA = .0000 ELEVON = 5.000
 BDFLAP = .0000 SPDBRK = .0000

TEST CONDITIONS

RUN NUMBER	RN/L /FT X10 6	MACH	ALPHA DEG.	BETA DEG.	PO PSIA	TO DEG. R	T DEG. R	P PSIA	Q PSI	V FT/SEC	RHO SLUGS /FT3	MU LB-SEC /FT2
700	2.995	7.990	40.04	- .6974-02	668.7	1323.	96.07	.6906-01	3.086	3839.	.1940-02	.7731-07
RUN NUMBER	HREF BTU/ R FT2SEC	STN NO REF (R)										
700	.4345-01	.2343-01										

TEST DATA

RUN NUMBER	DUMMY	T/C NO	H/HREF R=1.0	H/HREF R=0.9	H/HREF R= TAW/TO	TAW/TO	H(TO) BTU/R FT2SEC	H(TAW) BTU/R FT2SEC	QDOT BTU/ FT2SEC	DTWDT DEG. R /SEC	TW DEG. R
700	1.0000	476.00	.12109-01	.1457-01	.1457-01	.9000	.5261-03	.6329-03	.4122	3.068	539.2
700	1.0000	477.00	.29604-01	.3566-01	.3566-01	.9000	.1286-02	.1549-02	1.002	7.972	543.8
700	1.0000	478.00	.27319-01	.3282-01	.3282-01	.9000	.1187-02	.1426-02	.9369	6.770	533.3
700	1.0000	479.00	.85224-02	.1023-01	.1023-01	.9000	.3703-03	.4447-03	.2928	2.051	532.0
700	1.0000	480.00	.17298-01	.2078-01	.2078-01	.9000	.7516-03	.9029-03	.5930	4.150	533.6
700	1.0000	481.00	.26627-01	.3203-01	.3203-01	.9000	.1157-02	.1392-02	.9069	6.331	538.7
700	1.0000	482.00	.76690-02	.9203-02	.9203-02	.9000	.3332-03	.3999-03	.2643	2.373	529.3
700	1.0000	483.00	.97562-02	.1171-01	.1171-01	.9000	.4239-03	.5087-03	.3361	2.694	529.7
700	1.0000	484.00	.72331-02	.8678-02	.8678-02	.9000	.3143-03	.3770-03	.2496	2.243	528.2
700	1.0000	485.00	.15621-01	.1874-01	.1874-01	.9000	.6787-03	.8142-03	.5392	4.175	528.2
700	1.0000	486.00	.34985-01	.4205-01	.4205-01	.9000	.1520-02	.1827-02	1.196	8.360	535.9
700	1.0000	487.00	.26553-01	.3192-01	.3192-01	.9000	.1154-02	.1387-02	.9073	6.764	536.2
700	1.0000	488.00	.46431-01	.5593-01	.5593-01	.9000	.2017-02	.2430-02	1.571	11.66	544.1
700	1.0000	489.00	.27297-01	.3283-01	.3283-01	.9000	.1186-02	.1426-02	.9309	6.935	537.7
700	1.0000	490.00	.99334-02	.1193-01	.1193-01	.9000	.4316-03	.5181-03	.3417	2.643	530.8
700	1.0000	491.00	.13780-01	.1654-01	.1654-01	.9000	.5987-03	.7184-03	.4752	3.679	528.9

OH84B 60-0 WING MISC.

(R4UP47)

WING MISC.

PARAMETRIC DATA

MACH = 8.000 ALPHA = 40.00 BETA = .0000 ELEVON = 5.000
 BDFLAP = 8.000 SPDBRK = .0000

TEST CONDITIONS

RUN NUMBER	RN/L /FT	MACH	ALPHA DEG.	BETA DEG.	PO PSIA	TO DEG. R	T DEG. R	P PSIA	Q PSI	V FT/SEC	RHO SLUGS /FT3	MU LB-SEC /FT2
684	X10 6 .5058	7.900	39.94	-.6904-02	101.0	1253.	92.91	.1122-01	.4902	3733.	.3259-03	.7477-07
RUN NUMBER	HREF BTU/ R FT2SEC	STN NO REF (R)										
684	.1715-01	.5685-01	=.0175									

TEST DATA

RUN NUMBER	DUMMY	T/C NO	H/HREF R=1.0	H/HREF R=0.9	H/HREF R=TAW/TO	TAW/TO	H(TO) BTU/R FT2SEC	H(TAW) BTU/R FT2SEC	QDOT BTU/ FT2SEC	DTWDT DEG. R /SEC	TW DEG. R
684	1.0000	476.00	.15497-02	.1873-02	.1873-02	.9000	.2658-04	.3213-04	.1928-01	.1444	527.3
684	1.0000	477.00	.29679-02	.3586-02	.3586-02	.9000	.5091-04	.6152-04	.3698-01	.2969	526.3
684	1.0000	478.00	.28842-01	.3484-01	.3484-01	.9000	.4947-03	.5976-03	.3601	2.614	524.7
684	1.0000	479.00	.74180-02	.8962-02	.8962-02	.9000	.1272-03	.1537-03	.9251-01	.6501	525.6
684	1.0000	480.00	.62312-02	.7528-02	.7528-02	.9000	.1069-03	.1291-03	.7771-01	.5461	525.6
684	1.0000	481.00	.43133-02	.5213-02	.5213-02	.9000	.7399-04	.8941-04	.5371-01	.3772	526.7
684	1.0000	482.00	.10795-02	.1304-02	.1304-02	.9000	.1852-04	.2236-04	.1348-01	.1214	524.5
684	1.0000	483.00	.13465-02	.1626-02	.1626-02	.9000	.2310-04	.2790-04	.1682-01	.1351	524.6
684	1.0000	484.00	.34876-02	.4212-02	.4212-02	.9000	.5992-04	.7224-04	.4358-01	.3924	524.1
684	1.0000	485.00	.10664-01	.1288-01	.1288-01	.9000	.1829-03	.2209-03	.1332	1.033	524.6
684	1.0000	486.00	.26844-01	.3244-01	.3244-01	.9000	.4604-03	.5564-03	.3345	2.350	526.2
684	1.0000	487.00	.71569-02	.8646-02	.8646-02	.9000	.1228-03	.1483-03	.8927-01	.6692	525.5
684	1.0000	488.00	.52856-02	.6386-02	.6386-02	.9000	.9066-04	.1095-03	.6589-01	.4939	525.9
684	1.0000	489.00	.37635-02	.4549-02	.4549-02	.9000	.6455-04	.7803-04	.4684-01	.3508	527.1
684	1.0000	490.00	.12950-02	.1565-02	.1565-02	.9000	.2221-04	.2684-04	.1614-01	.1251	526.0
684	1.0000	491.00	.10364-01	.1252-01	.1252-01	.9000	.1778-03	.2147-03	.1294	1.003	525.0

OH84B 60-0 WING MISC.

(R4UP47)

WING MISC.

PARAMETRIC DATA

MACH = 8.000 ALPHA = 40.00 BETA = .0000 ELEVON = 5.000
 SDFLAP = 8.000 SPDBRK = .0000

TEST CONDITIONS

RUN NUMBER	RN/L /FT X10 6	MACH	ALPHA DEG.	BETA DEG.	PO PSIA	TO DEG. R	T DEG. R	P PSIA	Q PSI	V FT/SEC	RHO SLUGS /FT3	MU LB-SEC /FT2
670	1.020	7.940	39.97	-.1039-01	207.6	1258.	92.42	.2233-01	.9854	3742.	.6521-03	.7437-07

RUN NUMBER	HREF BTU/ R FT2SEC	STN NO REF (R) = .0175
670	.2434-01	.4021-01

TEST DATA

RUN NUMBER	DUMMY	T/C NO	H/HREF R=1.0	H/HREF R=0.9	H/HREF R= TAW/TO	TAW/TO	H(TO) BTU/R FT2SEC	H(TAW) BTU/R FT2SEC	QDOT BTU/ FT2SEC	DTWDT DEG. R /SEC	TW DEG. R
670	1.0000	476.00	.16635-02	.2009-02	.2009-02	.9000	.4048-04	.4890-04	.2958-01	.2216	526.9
670	1.0000	477.00	.37072-02	.4476-02	.4476-02	.9000	.9022-04	.1089-03	.6609-01	.5309	525.2
670	1.0000	478.00	.28560-01	.3448-01	.3448-01	.9000	.6951-03	.8391-03	.5094	3.697	524.8
670	1.0000	479.00	.67016-02	.8090-02	.8090-02	.9000	.1631-03	.1969-03	.1195	.8403	524.8
670	1.0000	480.00	.58309-02	.7039-02	.7039-02	.9000	.1419-03	.1713-03	.1040	.7313	524.7
670	1.0000	481.00	.69769-02	.8425-02	.8425-02	.9000	.1698-03	.2050-03	.1242	.8728	526.1
670	1.0000	482.00	.32555-03	.3927-03	.3927-03	.9000	.7923-05	.9558-05	.5825-02	.5248-01	522.4
670	1.0000	484.00	.33913-02	.4091-02	.4091-02	.9000	.8253-04	.9956-04	.6070-01	.5470	522.2
670	1.0000	485.00	.94482-02	.1140-01	.1140-01	.9000	.2299-03	.2774-03	.1691	1.313	522.3
670	1.0000	486.00	.32157-01	.3883-01	.3883-01	.9000	.7826-03	.9450-03	.5726	4.023	526.0
670	1.0000	487.00	.78981-02	.9534-02	.9534-02	.9000	.1922-03	.2320-03	.1409	1.057	524.6
670	1.0000	488.00	.70301-02	.8487-02	.8487-02	.9000	.1711-03	.2065-03	.1253	.9399	525.0
670	1.0000	489.00	.57667-02	.6963-02	.6963-02	.9000	.1403-03	.1695-03	.1027	.7698	525.8
670	1.0000	490.00	.11979-03	.1446-03	.1446-03	.9000	.2915-05	.3518-05	.2140-02	.1662-01	523.5
670	1.0000	491.00	.95226-02	.1149-01	.1149-01	.9000	.2318-03	.2796-03	.1702	1.322	523.1

DATE 23 FEB 80

OH84B MODEL 60-0 IN THE AEDC VKF HYPERSONIC TUNNEL

PAGE 1886

OH84B 60-0 WING MISC.

(R4UP47)

WING MISC.

PARAMETRIC DATA

MACH = 8.000 ALPHA = 40.00 BETA = .0000 ELEVON = 5.000
 BDFLAP = 8.000 SPDBRK = .0000

TEST CONDITIONS

RUN NUMBER	RN/L /FT X10 6	MACH	ALPHA DEG.	BETA DEG.	PO PSIA	TO DEG. R	T DEG. R	P PSIA	Q PSI	V FT/SEC	RHO SLUGS /FT3	MU LB-SEC /FT2
686	1.998	7.980	39.98	-.6934-02	434.7	1303.	94.84	.4525-01	2.017	3810.	.1288-02	.7631-07

RUN NUMBER	HREF BTU/ R FT2SEC	STN NO REF (R)
686	.3503-01	.2872-01

TEST DATA

RUN NUMBER	DUMMY	T/C NO	H/HREF R=1.0	H/HREF R=0.9	H/HREF R= TAW/TO	TAW/TO	H(TO) BTU/R FT2SEC	H(TAW) BTU/R FT2SEC	QDOT BTU/ FT2SEC	DTWDT DEG. R /SEC	TW DEG. R
686	1.0000	476.00	.41600-02	.5004-02	.5004-02	.9000	.1457-03	.1753-03	.1126	.8421	530.0
686	1.0000	477.00	.10942-01	.1316-01	.1316-01	.9000	.3833-03	.4611-03	.2961	2.373	530.1
686	1.0000	478.00	.27327-01	.3286-01	.3286-01	.9000	.9573-03	.1151-02	.7404	5.361	529.2
686	1.0000	479.00	.58928-02	.7083-02	.7083-02	.9000	.2064-03	.2481-03	.1601	1.124	527.2
686	1.0000	480.00	.78868-02	.9481-02	.9481-02	.9000	.2763-03	.3321-03	.2141	1.502	528.0
686	1.0000	481.00	.11357-01	.1366-01	.1366-01	.9000	.3979-03	.4786-03	.3074	2.156	530.0
686	1.0000	482.00	.32353-02	.3887-02	.3887-02	.9000	.1133-03	.1362-03	.8807-01	.7921	525.7
686	1.0000	483.00	.38872-02	.4670-02	.4670-02	.9000	.1362-03	.1636-03	.1058	.8497	525.7
686	1.0000	484.00	.52048-02	.6253-02	.6253-02	.9000	.1823-03	.2190-03	.1417	1.275	525.4
686	1.0000	485.00	.11896-01	.1429-01	.1429-01	.9000	.4167-03	.5007-03	.3238	2.511	525.8
686	1.0000	486.00	.37275-01	.4486-01	.4486-01	.9000	.1306-02	.1572-02	1.006	7.048	532.1
686	1.0000	487.00	.10422-01	.1253-01	.1253-01	.9000	.3651-03	.4389-03	.2829	2.118	527.9
686	1.0000	488.00	.15303-01	.1841-01	.1841-01	.9000	.5361-03	.6448-03	.4143	3.098	530.0
686	1.0000	489.00	.10251-01	.1233-01	.1233-01	.9000	.3591-03	.4319-03	.2777	2.077	529.5
686	1.0000	490.00	.42573-02	.5117-02	.5117-02	.9000	.1491-03	.1792-03	.1157	.8964	527.0
686	1.0000	491.00	.11502-01	.1382-01	.1382-01	.9000	.4029-03	.4842-03	.3127	2.424	526.6

DATE 23 FEB 80

OH84B MODEL 60-0 IN THE AEDC VKF HYPERSONIC TUNNEL

PAGE 1887

OH84B 60-0 WING MISC.

(R4UP47)

WING MISC.

PARAMETRIC DATA

MACH = 8.000 ALPHA = 40.00 BETA = .0000 ELEVON = 5.000
 BOFLAP = 8.000 SPDBRK = .0000

TEST CONDITIONS

RUN NUMBER	RN/L /FT X10 6	MACH	ALPHA DEG.	BETA DEG.	PO PSIA	TO DEG. R	T DEG. R	P PSIA	Q PSI	V FT/SEC	RHO SLUGS /FT3	MU LB-SEC /FT2
704	2.994	7.990	40.01	-.6953-02	669.4	1324.	96.14	.6913-01	3.089	3841.	.1941-02	.7736-07
RUN NUMBER	HREF BTU/ R FT2SEC	STN NO REF (R) = .0175										
704	.4348-01	.2343-01										

TEST DATA

RUN NUMBER	DUMMY	T/C NO	H/HREF R=1.0	H/HREF R=0.9	H/HREF R= TAW/TO	TAW/TO	H(TO) BTU/R FT2SEC	H(TAW) BTU/R FT2SEC	QDOT BTU/ FT2SEC	DTWDT DEG. R /SEC	TW DEG. R
704	1.0000	476.00	.11356-01	.1365-01	.1365-01	.9000	.4937-03	.5933-03	.3894	2.905	535.0
704	1.0000	477.00	.29113-01	.3501-01	.3501-01	.9000	.1266-02	.1522-02	.9943	7.935	538.1
704	1.0000	478.00	.26873-01	.3226-01	.3226-01	.9000	.1168-02	.1402-02	.9267	6.706	530.5
704	1.0000	479.00	.78874-02	.9463-02	.9463-02	.9000	.3429-03	.4114-03	.2726	1.912	528.8
704	1.0000	480.00	.15447-01	.1854-01	.1854-01	.9000	.6716-03	.8060-03	.5328	3.735	530.3
704	1.0000	481.00	.21107-01	.2536-01	.2536-01	.9000	.9176-03	.1102-02	.7250	5.074	533.6
704	1.0000	482.00	.54707-02	.6559-02	.6559-02	.9000	.2378-03	.2852-03	.1897	1.706	525.9
704	1.0000	483.00	.63316-02	.7591-02	.7591-02	.9000	.2753-03	.3300-03	.2196	1.764	525.8
704	1.0000	484.00	.78517-02	.9413-02	.9413-02	.9000	.3414-03	.4092-03	.2724	2.450	525.7
704	1.0000	485.00	.15653-01	.1877-01	.1877-01	.9000	.6805-03	.8158-03	.5432	4.212	525.5
704	1.0000	486.00	.34328-01	.4123-01	.4123-01	.9000	.1492-02	.1792-02	1.180	8.263	532.9
704	1.0000	487.00	.16510-01	.1982-01	.1982-01	.9000	.7178-03	.8615-03	.5694	4.258	530.4
704	1.0000	488.00	.35981-01	.4326-01	.4326-01	.9000	.1564-02	.1881-02	1.230	9.169	537.1
704	1.0000	489.00	.18480-01	.2219-01	.2219-01	.9000	.8034-03	.9649-03	.6356	4.747	532.6
704	1.0000	490.00	.67874-02	.8140-02	.8140-02	.9000	.2951-03	.3539-03	.2350	1.821	527.2
704	1.0000	491.00	.14382-01	.1724-01	.1724-01	.9000	.6252-03	.7497-03	.4985	3.864	526.4

DATE 23 FEB 80

OH84B MODEL 60-0 IN THE AEDC VKF HYPERSONIC TUNNEL

PAGE 1888

OH84B 60-0 WING MISC.

(R4UP48)

WING MISC.

PARAMETRIC DATA

MACH = 8.000 ALPHA = 40.00 BETA = .0000 ELEVON = 5.000
 BDFLAP = 15.00 SPDBRK = .0000

TEST CONDITIONS

RUN NUMBER	RN/L /FT X10 6	MACH	ALPHA DEG.	BETA DEG.	PO PSIA	TO DEG. R	T DEG. R	P PSIA	Q PSI	V FT/SEC	RHO SLUGS /FT3	MU LB-SEC /FT2
676	.5094	7.900	39.93	-.6898-02	101.6	1252.	92.84	.1129-01	.4931	3732.	.3281-03	.7471-07
RUN NUMBER	HREF BTU/ R FT2SEC	STN NO REF (R) = .0175										
676	.1720-01	.5666-01										

TEST DATA

RUN NUMBER	DUMMY	T/C NO	H/HREF R=1.0	H/HREF R=0.9	H/HREF R= TAW/TO	TAW/TO	H(TO) BTU/R FT2SEC	H(TAW) BTU/R FT2SEC	QDOT BTU/ FT2SEC	DTWDT DEG. R /SEC	TW DEG. R
676	1.0000	476.00	.13787-02	.1667-02	.1667-02	.9000	.2372-04	.2868-04	.1715-01	.1283	528.6
676	1.0000	477.00	.36306-02	.4390-02	.4390-02	.9000	.6245-04	.7552-04	.4517-01	.3623	528.3
676	1.0000	478.00	.29471-01	.3563-01	.3563-01	.9000	.5069-03	.6129-03	.3670	2.659	527.7
676	1.0000	479.00	.75088-02	.9081-02	.9081-02	.9000	.1292-03	.1562-03	.9340-01	.6554	528.5
676	1.0000	480.00	.62495-02	.7557-02	.7557-02	.9000	.1075-03	.1300-03	.7776-01	.5457	528.3
676	1.0000	481.00	.55737-02	.6743-02	.6743-02	.9000	.9588-04	.1160-03	.6923-01	.4855	529.6
676	1.0000	482.00	.43284-03	.5234-03	.5234-03	.9000	.7445-05	.9003-05	.5388-02	.4840-01	528.0
676	1.0000	483.00	.78853-03	.9535-03	.9535-03	.9000	.1356-04	.1640-04	.9812-02	.7869-01	528.3
676	1.0000	484.00	.30208-02	.3653-02	.3653-02	.9000	.5196-04	.6283-04	.3760-01	.3378	528.1
676	1.0000	485.00	.10336-01	.1250-01	.1250-01	.9000	.1778-03	.2150-03	.1285	.9950	528.8
676	1.0000	486.00	.30353-01	.3672-01	.3672-01	.9000	.5221-03	.6317-03	.3767	2.641	530.2
676	1.0000	487.00	.86669-02	.1048-01	.1048-01	.9000	.1491-03	.1803-03	.1077	.8056	529.4
676	1.0000	488.00	.66463-02	.8040-02	.8040-02	.9000	.1143-03	.1383-03	.8255-01	.6175	529.6
676	1.0000	489.00	.39634-02	.4796-02	.4796-02	.9000	.6818-04	.8250-04	.4915-01	.3675	530.7
676	1.0000	490.00	.69346-03	.8389-03	.8389-03	.9000	.1193-04	.1443-04	.8611-02	.6663-01	529.8
676	1.0000	491.00	.98363-02	.1190-01	.1190-01	.9000	.1692-03	.2046-03	.1222	.9463	529.1

DATE 23 FEB 80

OHB4B MODEL 60-O IN THE AEDC VKF HYPERSONIC TUNNEL

PAGE 1889

OHB4B 60-O WING MISC.

(R4UP48)

WING MISC.

PARAMETRIC DATA

MACH = 8.000 ALPHA = 40.00 BETA = .0000 ELEVON = 5.000
 BOFLAP = 15.00 SPDBRK = .0000

TEST CONDITIONS

RUN NUMBER	RN/L /FT X10 6	MACH	ALPHA DEG.	BETA DEG.	PO PSIA	TO DEG. R	T DEG. R	P PSIA	Q PSI	V FT/SEC	RHO SLUGS /FT3	MU LB-SEC /FT2
674	1.007	7.940	39.97	-.1039-01	206.5	1264.	92.86	.2221-01	.9801	3751.	.6456-03	.7472-07

RUN NUMBER	HREF BTU/ R FT2SEC	STN NO REF (R)
674	.2429-01	.4043-01

TEST DATA

RUN NUMBER	DUMMY	T/C NO	H/HREF R=1.0	H/HREF R=0.9	H/HREF R= TAW/TO	TAW/TO	H(TO) BTU/R FT2SEC	H(TAW) BTU/R FT2SEC	QDOT BTU/ FT2SEC	DTWDT DEG. R /SEC	TW DEG. R
674	1.0000	476.00	.15732-02	.1899-02	.1899-02	.9000	.3822-04	.4613-04	.2816-01	.2109	526.9
574	1.0000	477.00	.34180-02	.4124-02	.4124-02	.9000	.8303-04	.1002-03	.6129-01	.4923	525.5
674	1.0000	478.00	.28187-01	.3400-01	.3400-01	.9000	.6847-03	.8260-03	.5059	3.671	524.8
674	1.0000	479.00	.66421-02	.8013-02	.8013-02	.9000	.1614-03	.1947-03	.1192	.8378	525.0
674	1.0000	480.00	.61330-02	.7399-02	.7399-02	.9000	.1490-03	.1797-03	.1100	.7735	525.1
674	1.0000	481.00	.73598-02	.8883-02	.8883-02	.9000	.1788-03	.2158-03	.1317	.9250	526.9
674	1.0000	482.00	.19190-03	.2314-03	.2314-03	.9000	.4662-05	.5621-05	.3453-02	.3110-01	523.0
674	1.0000	484.00	.39148-02	.4720-02	.4720-02	.9000	.9510-04	.1147-03	.7042-01	.6343	523.1
674	1.0000	485.00	.12418-01	.1497-01	.1497-01	.9000	.3017-03	.3638-03	.2233	1.733	523.5
674	1.0000	486.00	.31253-01	.3772-01	.3772-01	.9000	.7592-03	.9162-03	.5598	3.933	526.3
674	1.0000	487.00	.98033-02	.1183-01	.1183-01	.9000	.2381-03	.2873-03	.1759	1.319	525.0
674	1.0000	488.00	.69130-02	.8341-02	.8341-02	.9000	.1679-03	.2026-03	.1239	.9288	525.8
674	1.0000	489.00	.65189-02	.7869-02	.7869-02	.9000	.1584-03	.1911-03	.1167	.8739	527.0
674	1.0000	490.00	.12105-03	.1460-03	.1460-03	.9000	.2940-05	.3547-05	.2174-02	.1687-01	524.3
674	1.0000	491.00	.10094-01	.1217-01	.1217-01	.9000	.2452-03	.2957-03	.1814	1.407	524.0

OH84B 60-0 WING MISC.

(R4UP48)

WING MISC.

PARAMETRIC DATA

MACH = 8.000 ALPHA = 40.00 BETA = .0000 ELEVON = 5.000
 BDFLAP = 15.00 SPDBRK = .0000

TEST CONDITIONS

RUN NUMBER	RN/L /FT X10 6	MACH	ALPHA DEG.	BETA DEG.	PO PSIA	TO DEG. R	T DEG. R	P PSIA	Q PSI	V FT/SEC	RHO SLUGS /FT3	MU LB-SEC /FT2
692	2.004	7.980	40.00	-.6947-02	436.0	1303.	94.84	.4539-01	2.023	3810.	.1292-02	.7631-07
RUN NUMBER	HREF BTU/ R FT2SEC	STN NO REF (R)										
692	.3509-01	.2867-01										

TEST DATA

RUN NUMBER	DUMMY	T/C NO	H/HREF R=1.0	H/HREF R=0.9	H/HREF R= TAW/TO	TAW/TO	H(TO) BTU/R FT2SEC	H(TAW) BTU/R FT2SEC	ODOT BTU/ FT2SEC	DTWDT DEG. R /SEC	TW DEG. R
692	1.0000	476.00	.50770-02	.6112-02	.6112-02	.9000	.1781-03	.2144-03	.1371	1.024	533.1
692	1.0000	477.00	.13234-01	.1593-01	.1593-01	.9000	.4643-03	.5589-03	.3575	2.861	532.6
692	1.0000	478.00	.28419-01	.3419-01	.3419-01	.9000	.9971-03	.1200-02	.7691	5.563	531.3
692	1.0000	479.00	.61977-02	.7453-02	.7453-02	.9000	.2174-03	.2615-03	.1682	1.180	529.1
692	1.0000	480.00	.85069-02	.1023-01	.1023-01	.9000	.2985-03	.3590-03	.2307	1.618	529.6
692	1.0000	481.00	.12620-01	.1519-01	.1519-01	.9000	.4428-03	.5328-03	.3412	2.390	532.0
692	1.0000	482.00	.46591-02	.5600-02	.5600-02	.9000	.1635-03	.1965-03	.1268	1.140	527.0
692	1.0000	483.00	.48811-02	.5866-02	.5866-02	.9000	.1713-03	.2058-03	.1329	1.066	526.9
692	1.0000	484.00	.53356-02	.6411-02	.6411-02	.9000	.1872-03	.2249-03	.1454	1.307	526.2
692	1.0000	485.00	.12305-01	.1479-01	.1479-01	.9000	.4317-03	.5188-03	.3351	2.597	526.5
692	1.0000	486.00	.38254-01	.4606-01	.4606-01	.9000	.1342-02	.1616-02	1.031	7.215	534.3
692	1.0000	487.00	.12051-01	.1449-01	.1449-01	.9000	.4228-03	.5085-03	.3268	2.445	529.7
692	1.0000	488.00	.18918-01	.2278-01	.2278-01	.9000	.6638-03	.7992-03	.5103	3.809	533.8
692	1.0000	489.00	.10936-01	.1316-01	.1316-01	.9000	.3837-03	.4616-03	.2960	2.212	531.2
692	1.0000	490.00	.43348-02	.5211-02	.5211-02	.9000	.1521-03	.1828-03	.1178	.9127	527.8
692	1.0000	491.00	.13223-01	.1589-01	.1589-01	.9000	.4639-03	.5576-03	.3596	2.786	527.6

DATE 23 FEB 80

OH84B MODEL 60-0 IN THE AEDC VKF HYPERSONIC TUNNEL

PAGE 1891

OH84B 60-0 WING MISC.

(R4UP48)

WING MISC.

PARAMETRIC DATA

MACH = 8.000 ALPHA = 40.00 BETA = .0000 ELEVON = 5.000
 BDFLAP = 15.00 SPDBRK = .0000

TEST CONDITIONS

RUN NUMBER	RN/L /FT X10 6	MACH	ALPHA DEG.	BETA DEG.	PO PSIA	TO DEG. R	T DEG. R	P PSIA	Q PSI	V FT/SEC	RHO SLUGS /FT3	MU LB-SEC /FT2
698	2.999	7.990	40.02	-.6958-02	669.0	1322.	96.00	.6909-01	3.087	3838.	.1942-02	.7725-07

RUN NUMBER	HREF BTU/ R FT2SEC	STN NO REF (R)
698	.4345-01	.2342-01

TEST DATA

RUN NUMBER	DUMMY	T/C NO	H/HREF R=1.0	H/HREF R=0.9	H/HREF R= TAW/TO	TAW/TO	H(TO) BTU/R FT2SEC	H(TAW) BTU/R FT2SEC	QDOT BTU/ FT2SEC	DTWDT DEG. R /SEC	TW DEG. R
698	1.0000	476.00	.68051-02	.8181-02	.8181-02	.9000	.2957-03	.3555-03	.2323	1.732	535.9
698	1.0000	477.00	.16244-01	.1953-01	.1953-01	.9000	.7058-03	.8488-03	.5539	4.423	537.0
698	1.0000	478.00	.26867-01	.3228-01	.3228-01	.9000	.1167-02	.1402-02	.9204	6.651	533.2
698	1.0000	479.00	.74980-02	.9003-02	.9003-02	.9000	.3258-03	.3912-03	.2576	1.806	530.8
698	1.0000	480.00	.12301-01	.1477-01	.1477-01	.9000	.5345-03	.6420-03	.4221	2.957	532.0
698	1.0000	481.00	.21250-01	.2555-01	.2555-01	.9000	.9233-03	.1110-02	.7252	5.069	536.2
698	1.0000	482.00	.71332-02	.8559-02	.8559-02	.9000	.3099-03	.3719-03	.2459	2.208	528.4
698	1.0000	483.00	.73381-02	.8805-02	.8805-02	.9000	.3188-03	.3826-03	.2530	2.029	528.2
698	1.0000	484.00	.70560-02	.8465-02	.8465-02	.9000	.3066-03	.3678-03	.2434	2.187	527.8
698	1.0000	485.00	.15009-01	.1801-01	.1801-01	.9000	.6522-03	.7824-03	.5178	4.011	527.7
698	1.0000	486.00	.37767-01	.4540-01	.4540-01	.9000	.1641-02	.1973-02	1.289	9.014	535.9
698	1.0000	487.00	.14061-01	.1688-01	.1688-01	.9000	.6110-03	.7336-03	.4831	3.611	531.0
698	1.0000	488.00	.28498-01	.3428-01	.3428-01	.9000	.1238-02	.1489-02	.9708	7.232	537.7
698	1.0000	489.00	.29316-01	.3525-01	.3525-01	.9000	.1274-02	.1532-02	.9999	7.453	536.7
698	1.0000	490.00	.57595-02	.6912-02	.6912-02	.9000	.2503-03	.3003-03	.1984	1.536	529.0
698	1.0000	491.00	.13681-01	.1642-01	.1642-01	.9000	.5945-03	.7134-03	.4714	3.649	528.7

DATE 23 FEB 80

OH84B MODEL 60-0 IN THE AEDC VKF HYPERSONIC TUNNEL

PAGE 1892

OH84B 60-0 WING MISC.

(R4UP49)

WING MISC.

PARAMETRIC DATA

MACH = 8.000 ALPHA = 40.00 BETA = .0000 ELEVON = 5.000
BOFLAP = 23.50 SPDBRK = .0000

TEST CONDITIONS

Table with 13 columns: RUN NUMBER, RN/L /FT, MACH, ALPHA DEG., BETA DEG., PO PSIA, TO DEG. R, T DEG. R, P PSIA, Q PSI, V FT/SEC, RHO SLUGS /FT3, MU LB-SEC /FT2. Includes data for run 678.

TEST DATA

Table with 12 columns: RUN NUMBER, DUMMY, T/C NO, H/HREF R=1.0, H/HREF R=0.9, H/HREF R= TAW/TO, H(TO) BTU/R FT2SEC, H(TAW) BTU/R FT2SEC, QDOT BTU/ FT2SEC, DTWDT DEG. R /SEC, TW DEG. R. Lists multiple test data points for run 678.

DATE 23 FEB 80

OH84B MODEL 60-0 IN THE AEDC VKF HYPERSONIC TUNNEL

PAGE 1893

OH84B 60-0 WING MISC.

(R4UP49)

WING MISC.

PARAMETRIC DATA

MACH = 8.000 ALPHA = 40.00 BETA = .0000 ELEVON = 5.000
 BDFLAP = 23.50 SPDBRK = .0000

TEST CONDITIONS

RUN NUMBER	RN/L /FT X10 6	MACH	ALPHA DEG.	BETA DEG.	PO PSIA	TO DEG. R	T DEG. R	P PSIA	Q PSI	V FT/SEC	RHO SLUGS /FT3	MU LB-SEC /FT2
672	1.016	7.940	39.97	-.6925-02	206.9	1258.	92.42	.2225-01	.9821	3742.	.6499-03	.7437-07

RUN NUMBER	HREF BTU/ R FT2SEC	STN NO REF (R)
672	.2430-01	.4028-01

TEST DATA

RUN NUMBER	DUMMY	T/C NO	H/HREF R=1.0	H/HREF R=0.9	H/HREF R= TAW/TO	TAW/TO	H(TO) BTU/R FT2SEC	H(TAW) BTU/R FT2SEC	QDOT BTU/ FT2SEC	DTWDT DEG. R /SEC	TW DEG. R
672	1.0000	476.00	.18643-02	.2251-02	.2251-02	.9000	.4529-04	.5469-04	.3315-01	.2485	525.7
672	1.0000	477.00	.34454-02	.4158-02	.4158-02	.9000	.8371-04	.1010-03	.6141-01	.4936	524.0
672	1.0000	478.00	.27053-01	.3264-01	.3264-01	.9000	.6573-03	.7931-03	.4827	3.506	523.2
672	1.0000	479.00	.65613-02	.7917-02	.7917-02	.9000	.1594-03	.1924-03	.1171	.8235	523.4
672	1.0000	480.00	.60399-02	.7288-02	.7288-02	.9000	.1467-03	.1771-03	.1077	.7580	523.4
672	1.0000	481.00	.80686-02	.9741-02	.9741-02	.9000	.1960-03	.2367-03	.1436	1.009	525.3
672	1.0000	482.00	.13365-03	.1612-03	.1612-03	.9000	.3247-05	.3916-05	.2392-02	.2156-01	521.1
672	1.0000	484.00	.31885-02	.3845-02	.3845-02	.9000	.7747-04	.9342-04	.5705-01	.5144	521.2
672	1.0000	485.00	.88454-02	.1067-01	.1067-01	.9000	.2149-03	.2592-03	.1583	1.230	521.3
672	1.0000	486.00	.31296-01	.3778-01	.3778-01	.9000	.7604-03	.9179-03	.5573	3.918	524.8
672	1.0000	487.00	.84811-02	.1023-01	.1023-01	.9000	.2061-03	.2486-03	.1514	1.136	523.0
672	1.0000	488.00	.67852-02	.8189-02	.8189-02	.9000	.1649-03	.1990-03	.1209	.9069	524.2
672	1.0000	489.00	.68034-02	.8214-02	.8214-02	.9000	.1653-03	.1996-03	.1211	.9077	525.2
672	1.0000	490.00	.24022-03	.2898-03	.2898-03	.9000	.5836-05	.7041-05	.4291-02	.3333-01	522.5
672	1.0000	491.00	.93473-02	.1127-01	.1127-01	.9000	.2271-03	.2739-03	.1671	1.298	522.0

DATE 23 FEB 80

OH84B MODEL 60-0 IN THE AEDC VKF HYPERSONIC TUNNEL

PAGE 1894

OH84B 60-0 WING MISC.

(R4UP49)

WING MISC.

PARAMETRIC DATA

MACH = 8.000 ALPHA = 40.00 BETA = .0000 ELEVON = 5.000
 BDFLAP = 23.50 SPDBRK = .0000

TEST CONDITIONS

RUN NUMBER	RN/L /FT X10 6	MACH	ALPHA DEG.	BETA DEG.	PO PSIA	TO DEG. R	T DEG. R	P PSIA	Q PSI	V FT/SEC	RHO SLUGS /FT3	MU LB-SEC /FT2
694	1.986	7.980	39.99	-.6937-02	433.4	1305.	94.98	.4512-01	2.011	3813.	.1282-02	.7643-07

RUN NUMBER	HREF BTU/ R FT2SEC	STN NO REF (R) = 0175
694	.3499-01	.2879-01

TEST DATA

RUN NUMBER	DUMMY	T/C NO	H/HREF R=1.0	H/HREF R=0.9	H/HREF R= TAW/TO	TAW/TO	H(TO) BTU/R FT2SEC	H(TAW) BTU/R FT2SEC	QDOT BTU/ FT2SEC	DTWDT DEG. R /SEC	TW DEG. R
694	1.0000	476.00	.45120-02	.5424-02	.5424-02	.9000	.1579-03	.1898-03	.1225	.9171	528.6
694	1.0000	477.00	.97474-02	.1172-01	.1172-01	.9000	.3411-03	.4099-03	.2649	2.125	527.9
694	1.0000	478.00	.28545-01	.3431-01	.3431-01	.9000	.9988-03	.1200-02	.7756	5.619	528.1
694	1.0000	479.00	.63639-02	.7644-02	.7644-02	.9000	.2227-03	.2674-03	.1735	1.220	525.4
694	1.0000	480.00	.94857-02	.1140-01	.1140-01	.9000	.3319-03	.3987-03	.2584	1.816	526.0
694	1.0000	481.00	.13869-01	.1667-01	.1667-01	.9000	.4853-03	.5833-03	.3766	2.643	528.5
694	1.0000	482.00	.40024-02	.4804-02	.4804-02	.9000	.1400-03	.1681-03	.1094	.9857	523.2
694	1.0000	483.00	.43075-02	.5171-02	.5171-02	.9000	.1507-03	.1809-03	.1178	.9473	523.1
694	1.0000	484.00	.53523-02	.6425-02	.6425-02	.9000	.1873-03	.2248-03	.1464	1.319	522.9
694	1.0000	485.00	.12190-01	.1463-01	.1463-01	.9000	.4265-03	.5120-03	.3332	2.587	523.4
694	1.0000	486.00	.39024-01	.4694-01	.4694-01	.9000	.1365-02	.1642-02	1.056	7.404	531.0
694	1.0000	487.00	.10299-01	.1237-01	.1237-01	.9000	.3604-03	.4328-03	.2808	2.105	525.5
694	1.0000	488.00	.17278-01	.2077-01	.2077-01	.9000	.6046-03	.7267-03	.4692	3.511	528.6
694	1.0000	489.00	.13389-01	.1609-01	.1609-01	.9000	.4685-03	.5629-03	.3643	2.729	527.1
694	1.0000	490.00	.37839-02	.4543-02	.4543-02	.9000	.1324-03	.1590-03	.1034	.8021	524.0
694	1.0000	491.00	.12912-01	.1550-01	.1550-01	.9000	.4518-03	.5425-03	.3525	2.735	524.4

DATE 23 FEB 80

OH84B MODEL 60-0 IN THE AEDC VKF HYPERSONIC TUNNEL

PAGE 1895

OH84B 60-0 WING MISC.

(R4UP49)

WING MISC.

PARAMETRIC DATA

MACH = 8.000 ALPHA = 40.00 BETA = .0000 ELEVON = 5.000
 BDFLAP = 23.50 SPOBRK = .0000

TEST CONDITIONS

RUN NUMBER	RN/L /FT X10 6	MACH	ALPHA DEG.	BETA DEG.	PO PSIA	TO DEG. R	T DEG. R	P PSIA	Q PSI	V FT/SEC	RHO SLUGS /FT3	MU LB-SEC /FT2
696	3.000	7.990	40.03	-6.964-02	669.2	1322.	96.00	.6911-01	3.088	3838.	.1943-02	.7725-02

RUN NUMBER	HREF BTU/ R FT2SEC	STN NO REF (R)
696	.4346-01	.2341-01

TEST DATA

RUN NUMBER	DUMMY	T/C NO	H/HREF R=1.0	H/HREF R=0.9	H/HREF R= TAW/TO	TAW/TO	H(TO) BTU/R FT2SEC	H(TAW) BTU/R FT2SEC	QDOT BTU/ FT2SEC	DTWDT DEG. R /SEC	TW DEG. R
696	1.0000	476.00	.84945-02	.1022-01	.1022-01	.9000	.3691-03	.4441-03	.2890	2.152	538.8
696	1.0000	477.00	.21391-01	.2576-01	.2576-01	.9000	.9296-03	.1120-02	.7242	5.766	542.6
696	1.0000	478.00	.28363-01	.3412-01	.3412-01	.9000	.1233-02	.1483-02	.9660	6.964	537.9
696	1.0000	479.00	.73624-02	.8848-02	.8848-02	.9000	.3199-03	.3845-03	.2519	1.762	534.5
696	1.0000	480.00	.14474-01	.1740-01	.1740-01	.9000	.6290-03	.7562-03	.4942	3.454	536.1
696	1.0000	481.00	.24095-01	.2901-01	.2901-01	.9000	.1047-02	.1261-02	.8174	5.699	541.1
696	1.0000	482.00	.57244-02	.6875-02	.6875-02	.9000	.2488-03	.2988-03	.1965	1.762	531.9
696	1.0000	483.00	.71350-02	.8570-02	.8570-02	.9000	.3101-03	.3724-03	.2448	1.960	532.1
696	1.0000	484.00	.70685-02	.8488-02	.8488-02	.9000	.3072-03	.3689-03	.2428	2.177	531.3
696	1.0000	485.00	.17003-01	.2042-01	.2042-01	.9000	.7389-03	.8874-03	.5836	4.511	531.9
696	1.0000	486.00	.39826-01	.4794-01	.4794-01	.9000	.1731-02	.2083-02	1.351	9.423	540.9
696	1.0000	487.00	.19028-01	.2288-01	.2288-01	.9000	.8269-03	.9945-03	.6485	4.832	537.4
696	1.0000	488.00	.33876-01	.4081-01	.4081-01	.9000	.1472-02	.1773-02	1.145	8.507	543.7
696	1.0000	489.00	.24538-01	.2953-01	.2953-01	.9000	.1066-02	.1283-02	.8341	6.208	539.5
696	1.0000	490.00	.71294-02	.8566-02	.8566-02	.9000	.3098-03	.3722-03	.2442	1.886	533.5
696	1.0000	491.00	.15095-01	.1813-01	.1813-01	.9000	.6560-03	.7880-03	.5175	3.998	532.8

DATE 23 FEB 80

OH84B MODEL 60-0 IN THE AEDC VKF HYPERSONIC TUNNEL

PAGE 1896

OH84B 60-0 WING MISC.

(R4UP50)

WING MISC.

PARAMETRIC DATA

MACH = 8.000 ALPHA = 40.00 BETA = .0000 ELEVON = 7.500
 BDFLAP = .0000 SPDBRK = .0000

TEST CONDITIONS

RUN NUMBER	RN/L /FT	MACH	ALPHA DEG.	BETA DEG.	PO PSIA	TO DEG. R	T DEG. R	P PSIA	Q PSI	V FT/SEC	RHO SLUGS /FT3	MU LB-SEC /FT2
768	X10 6 .5101	7.900	39.98	-.3466-02	101.6	1251.	92.77	.1129-01	.4932	3730.	.3284-03	.7465-07
RUN NUMBER	HREF BTU/ R FT2SEC	STN NO REF (R)										
768	.1720-01	.5663-01										

TEST DATA

RUN NUMBER	DUMMY	T/C NO	H/HREF R=1.0	H/HREF R=0.9	H/HREF R= TAW/TO	TAW/TO	H(TO) BTU/R FT2SEC	H(TAW) BTU/R FT2SEC	QDOT BTU/ FT2SEC	DTWDT DEG. R /SEC	TW DEG. R
768	1.0000	476.00	.15035-02	.1819-02	.1819-02	.9000	.2586-04	.3129-04	.1863-01	.1393	530.4
768	1.0000	477.00	.40054-02	.4844-02	.4844-02	.9000	.6889-04	.8332-04	.4975-01	.3990	528.5
768	1.0000	478.00	.34797-01	.4207-01	.4207-01	.9000	.5985-03	.7235-03	.4332	3.140	526.9
768	1.0000	479.00	.80527-02	.9739-02	.9739-02	.9000	.1385-03	.1675-03	.1000	.7020	528.4
768	1.0000	480.00	.66515-02	.8044-02	.8044-02	.9000	.1144-03	.1384-03	.8267-01	.5803	528.0
768	1.0000	481.00	.50052-02	.6055-02	.6055-02	.9000	.8609-04	.1041-03	.6210-01	.4356	529.3
768	1.0000	482.00	.69758-03	.8434-03	.8434-03	.9000	.1200-04	.1451-04	.8678-02	.7799-01	527.4
768	1.0000	483.00	.32219-03	.3896-03	.3896-03	.9000	.5542-05	.6701-05	.4008-02	.3216-01	527.5
768	1.0000	484.00	.40109-02	.4850-02	.4850-02	.9000	.6899-04	.8342-04	.4988-01	.4482	527.6
768	1.0000	485.00	.11726-01	.1418-01	.1418-01	.9000	.2017-03	.2439-03	.1457	1.128	528.2
768	1.0000	486.00	.30328-01	.3669-01	.3669-01	.9000	.5216-03	.6310-03	.3763	2.640	529.2
768	1.0000	487.00	.91990-02	.1113-01	.1113-01	.9000	.1582-03	.1914-03	.1143	.8554	528.4
768	1.0000	488.00	.61757-02	.7470-02	.7470-02	.9000	.1062-03	.1285-03	.7668-01	.5739	528.8
768	1.0000	489.00	.37591-02	.4548-02	.4548-02	.9000	.6466-04	.7823-04	.4662-01	.3487	529.6
768	1.0000	491.00	.10811-01	.1308-01	.1308-01	.9000	.1859-03	.2249-03	.1342	1.039	528.7

DATE 23 FEB 80

OHS4B MODEL 60-0 IN THE AEDC VKF HYPERSONIC TUNNEL

PAGE 1897

OHS4B 60-0 WING MISC.

(R4UP50)

WING MISC.

PARAMETRIC DATA

MACH = 8.000 ALPHA = 40.00 BETA = .0000 ELEVON = 7.500
 BDFLAP = .0000 SPDBRK = .0000

TEST CONDITIONS

RUN NUMBER	RN/L /FT X10 6	MACH	ALPHA DEG.	BETA DEG.	PO PSIA	TO DEG. R	T DEG. R	P PSIA	Q PSI	V FT/SEC	RHO SLUGS /FT3	MU LB-SEC /FT2
758	1.014	7.940	39.99	-4.651-06	208.4	1266.	93.00	.2242-01	.9894	3754.	.6506-03	.7484-07
RUN NUMBER	HREF BTU/ R FT2SEC	STN NO REF.(R)										
758	.2441-01	.4028-01										

TEST DATA

RUN NUMBER	DUMMY	T/C NO	H/HREF R=1.0	H/HREF R=0.9	H/HREF R= TAW/TO	TAW/TO	H(TO) BTU/R FT2SEC	H(TAW) BTU/R FT2SEC	QDOT BTU/ FT2SEC	DTWDT DEG. R /SEC	TW DEG. R
758	1.0000	476.00	.16135-02	.1952-02	.1952-02	.9000	.3939-04	.4765-04	.2877-01	.2146	535.2
758	1.0000	477.00	.59229-02	.7161-02	.7161-02	.9000	.1446-03	.1748-03	.1058	.8466	533.7
758	1.0000	478.00	.36164-01	.4372-01	.4372-01	.9000	.8829-03	.1067-02	.6467	4.673	533.1
758	1.0000	479.00	.72504-02	.8768-02	.8768-02	.9000	.1770-03	.2141-03	.1294	.9053	534.6
758	1.0000	480.00	.70001-02	.8464-02	.8464-02	.9000	.1709-03	.2066-03	.1251	.8753	533.8
758	1.0000	481.00	.57877-02	.7001-02	.7001-02	.9000	.1413-03	.1709-03	.1032	.7217	535.3
758	1.0000	482.00	.33877-02	.4096-02	.4096-02	.9000	.8270-04	.9999-04	.6056-01	.5425	533.5
758	1.0000	483.00	.41255-02	.4988-02	.4988-02	.9000	.1007-03	.1218-03	.7369-01	.5893	534.0
758	1.0000	484.00	.43393-02	.5246-02	.5246-02	.9000	.1059-03	.1281-03	.7756-01	.6949	533.5
758	1.0000	485.00	.10740-01	.1299-01	.1299-01	.9000	.2622-03	.3170-03	.1919	1.482	533.6
758	1.0000	486.00	.30460-01	.3686-01	.3686-01	.9000	.7436-03	.8998-03	.5421	3.788	536.7
758	1.0000	487.00	.84748-02	.1025-01	.1025-01	.9000	.2069-03	.2502-03	.1513	1.129	534.4
758	1.0000	488.00	.72805-02	.8807-02	.8807-02	.9000	.1777-03	.2150-03	.1298	.9677	535.6
758	1.0000	489.00	.58662-02	.7099-02	.7099-02	.9000	.1432-03	.1733-03	.1044	.7782	536.7
758	1.0000	490.00	.21807-02	.2638-02	.2638-02	.9000	.5324-04	.6439-04	.3890-01	.3002	535.0
758	1.0000	491.00	.10141-01	.1226-01	.1226-01	.9000	.2476-03	.2994-03	.1811	1.399	534.0

DATE 23 FEB 80

OH84B MODEL 60-0 IN THE AEDC VKF HYPERSONIC TUNNEL
OH84B 60-0 WING MISC.

PAGE 1898

(R4UP50)

WING MISC.

PARAMETRIC DATA

MACH = 8.000 ALPHA = 40.00 BETA = .0000 ELEVON = 7.500
BDFLAP = .0000 SPDBRK = .0000

TEST CONDITIONS

RUN NUMBER	RN/L /FT X10 6	MACH	ALPHA DEG.	BETA DEG.	PO PSIA	TO DEG. R	T DEG. R	P PSIA	Q PSI	V FT/SEC	RHO SLUGS /FT3	MU LB-SEC /FT2
756	2.005	7.980	40.03	-.4673-06	434.6	1300.	94.62	.4525-01	2.017	3805.	.1291-02	.7614-07
RUN NUMBER	HREF BTU/ R FT2SEC	STN NO REF(R)										
756	3502-01	.2868-01										

TEST DATA

RUN NUMBER	DUMMY	T/C NO	H/HREF R=1.0	H/HREF R=0.9	H/HREF R= TAW/TO	TAW/TO	H(TO) BTU/R FT2SEC	H(TAW) BTU/R FT2SEC	QDOT BTU/ FT2SEC	DTWDT DEG. R /SEC	TW DEG. R
756	1.0000	476.00	.32944-02	.3971-02	.3971-02	.9000	.1154-03	.1390-03	.8804-01	.6563	536.5
756	1.0000	477.00	.59674-02	.7189-02	.7189-02	.9000	.2090-03	.2517-03	.1599	1.278	534.7
756	1.0000	478.00	.36447-01	.4391-01	.4391-01	.9000	.1276-02	.1537-02	.9765	7.051	534.6
756	1.0000	479.00	.68180-02	.8209-02	.8209-02	.9000	.2388-03	.2875-03	.1831	1.282	532.7
756	1.0000	480.00	.67123-02	.8082-02	.8082-02	.9000	.2350-03	.2830-03	.1802	1.262	533.0
756	1.0000	481.00	.10176-01	.1226-01	.1226-01	.9000	.3563-03	.4294-03	.2723	1.904	535.4
756	1.0000	482.00	.56764-02	.6833-02	.6833-02	.9000	.1988-03	.2393-03	.1526	1.368	532.1
756	1.0000	483.00	.60458-02	.7279-02	.7279-02	.9000	.2117-03	.2549-03	.1624	1.300	532.3
756	1.0000	484.00	.50388-02	.6063-02	.6063-02	.9000	.1764-03	.2123-03	.1357	1.218	530.5
756	1.0000	485.00	.12956-01	.1559-01	.1559-01	.9000	.4537-03	.5460-03	.3488	2.698	530.8
756	1.0000	486.00	.31168-01	.3755-01	.3755-01	.9000	.1091-02	.1315-02	.8346	5.837	535.0
756	1.0000	487.00	.96450-02	.1161-01	.1161-01	.9000	.3377-03	.4066-03	.2591	1.935	532.6
756	1.0000	488.00	.10355-01	.1247-01	.1247-01	.9000	.3626-03	.4368-03	.2775	2.071	534.4
756	1.0000	489.00	.11010-01	.1327-01	.1327-01	.9000	.3855-03	.4646-03	.2946	2.197	535.6
756	1.0000	490.00	.63549-02	.7654-02	.7654-02	.9000	.2225-03	.2680-03	.1704	1.316	534.0
756	1.0000	491.00	.12349-01	.1486-01	.1486-01	.9000	.4324-03	.5205-03	.3322	2.568	531.5

OH84B 60-0 WING MISC.

(R4UP50)

WING MISC.

PARAMETRIC DATA

MACH = 8.000 ALPHA = 40.00 BETA = .0000 ELEVON = 7.500
 BDFLAP = .0000 SPDBRK = .0000

TEST CONDITIONS

RUN NUMBER	RN/L /FT X10 6	MACH	ALPHA DEG.	BETA DEG.	PO PSIA	TO DEG. R	T DEG. R	P PSIA	Q PSI	V FT/SEC	RHO SLUGS /FT3	MU LB-SEC /FT2
746	3.012	7.990	40.06	-.3495-02	670.4	1320.	95.85	.6923-01	3.094	3635.	.1950-02	.7713-07
RUN NUMBER	HREF BTU/ R FT2SEC	STN NO REF(R) =.0175										
746	.4348-01	.2337-01										

TEST DATA

RUN NUMBER	DUMMY	T/C NO	H/HREF R=1.0	H/HREF R=0.9	H/HREF R= TAW/TO	TAW/TO	H(TO) BTU/R FT2SEC	H(TAW) BTU/R FT2SEC	QDOT BTU/ FT2SEC	DTWDT DEG. R /SEC	TW DEG. R
746	1.0000	476.00	.64741-02	.7788-02	.7788-02	.9000	.2815-03	.3386-03	.2203	1.641	537.2
746	1.0000	477.00	.12399-01	.1491-01	.1491-01	.9000	.5392-03	.6481-03	.4232	3.383	534.7
746	1.0000	478.00	.33886-01	.4073-01	.4073-01	.9000	.1474-02	.1771-02	1.158	8.362	534.0
746	1.0000	479.00	.63031-02	.7570-02	.7570-02	.9000	.2741-03	.3292-03	.2161	1.514	531.4
746	1.0000	480.00	.81382-02	.9776-02	.9776-02	.9000	.3539-03	.4251-03	.2787	1.953	532.0
746	1.0000	481.00	.11853-01	.1425-01	.1425-01	.9000	.5154-03	.6196-03	.4046	2.830	534.7
746	1.0000	482.00	.46763-02	.5615-02	.5615-02	.9000	.2034-03	.2442-03	.1606	1.441	530.1
746	1.0000	483.00	.65724-02	.7893-02	.7893-02	.9000	.2858-03	.3432-03	.2255	1.806	530.7
746	1.0000	484.00	.54120-02	.6497-02	.6497-02	.9000	.2353-03	.2825-03	.1859	1.669	529.6
746	1.0000	485.00	.15602-01	.1873-01	.1873-01	.9000	.6785-03	.8147-03	.5355	4.142	530.4
746	1.0000	486.00	.27681-01	.3327-01	.3327-01	.9000	.1204-02	.1447-02	.9459	6.619	533.9
746	1.0000	487.00	.12330-01	.1481-01	.1481-01	.9000	.5362-03	.6440-03	.4225	3.157	531.7
746	1.0000	488.00	.13123-01	.1577-01	.1577-01	.9000	.5707-03	.6858-03	.4485	3.348	533.7
746	1.0000	489.00	.96915-02	.1165-01	.1165-01	.9000	.4214-03	.5064-03	.3313	2.474	533.5
746	1.0000	490.00	.77677-02	.9331-02	.9331-02	.9000	.3378-03	.4057-03	.2661	2.057	531.8
746	1.0000	491.00	.12798-01	.1537-01	.1537-01	.9000	.5565-03	.6682-03	.4395	3.401	529.9

OH84B 60-0 WING MISC.

(R4UP51)

WING MISC.

PARAMETRIC DATA

MACH = 8.000 ALPHA = 40.00 BETA = .0000 ELEVON = 7.500
 BDFLAP = 15.00 SPDBRK = .0000

TEST CONDITIONS

RUN NUMBER	RN/L /FT X10 ⁶	MACH	ALPHA DEG.	BETA DEG.	PO PSIA	TO DEG. R	T DEG. R	P PSIA	Q PSI	V FT/SEC	RHO SLUGS /FT ³	MU LB-SEC /FT ²
766	.5080	7.900	39.98	-.3466-02	101.0	1250.	92.69	.1123-01	.4905	3729.	.3269-03	.7459-07
RUN NUMBER	HREF BTU/ R FT2SEC	STN NO REF(R)										
766	.1715-01	.5675-01										

TEST DATA

RUN NUMBER	DUMMY	T/C NO	H/HREF R=1.0	H/HREF R=0.9	H/HREF R= TAW/TO	TAW/TO	H(TO) BTU/R FT2SEC	H(TAW) BTU/R FT2SEC	QDOT BTU/ FT2SEC	DTWDT DEG. R /SEC	TW DEG. R
766	1.0000	476.00	.15554-02	.1883-02	.1883-02	.9000	.2668-04	.3230-04	.1915-01	.1431	531.7
766	1.0000	477.00	.30087-02	.3641-02	.3641-02	.9000	.5160-04	.6245-04	.3712-01	.2974	530.3
766	1.0000	478.00	.35064-01	.4243-01	.4243-01	.9000	.6014-03	.7277-03	.4330	3.134	529.8
766	1.0000	479.00	.74781-02	.9051-02	.9051-02	.9000	.1283-03	.1552-03	.9222-01	.6464	530.7
766	1.0000	480.00	.66964-02	.8104-02	.8104-02	.9000	.1149-03	.1390-03	.8263-01	.5793	530.2
766	1.0000	481.00	.46111-02	.5582-02	.5582-02	.9000	.7909-04	.9574-04	.5682-01	.3982	531.2
766	1.0000	482.00	.14185-03	.1716-03	.1716-03	.9000	.2433-05	.2944-05	.1752-02	.1572-01	529.7
766	1.0000	484.00	.35020-02	.4238-02	.4238-02	.9000	.6007-04	.7269-04	.4324-01	.3881	529.9
766	1.0000	485.00	.11276-01	.1365-01	.1365-01	.9000	.1934-03	.2341-03	.1391	1.076	530.5
766	1.0000	486.00	.28458-01	.3445-01	.3445-01	.9000	.4881-03	.5910-03	.3505	2.456	531.6
766	1.0000	487.00	.94809-02	.1148-01	.1148-01	.9000	.1626-03	.1968-03	.1169	.8739	530.8
766	1.0000	488.00	.61526-02	.7447-02	.7447-02	.9000	.1055-03	.1277-03	.7585-01	.5671	530.9
766	1.0000	489.00	.37681-02	.4562-02	.4562-02	.9000	.6463-04	.7824-04	.4642-01	.3469	531.4
766	1.0000	491.00	.10622-01	.1286-01	.1286-01	.9000	.1822-03	.2205-03	.1310	1.013	530.8

DATE 23 FEB 80

OHB4B MODEL 60-0 IN THE AEDC VKF HYPERSONIC TUNNEL

PAGE 1901

OHB4B 60-0 WING MISC.

(R4UP51)

WING MISC.

PARAMETRIC DATA

MACH = 8.000 ALPHA = 40.00 BETA = .0000 ELEVON = 7.500
BDFLAP = 15.00 SPDBRK = .0000

TEST CONDITIONS

RUN NUMBER	RN/L /FT X10 6	MACH	ALPHA DEG.	BETA DEG.	PO PSIA	TO DEG. R	T DEG. R	P PSIA	Q PSI	V FT/SEC	RHO SLUGS /FT3	MU LB-SEC /FT2
760	1.001	7.940	39.99	-.4651-06	206.5	1269.	93.22	.2221-01	.9803	3758.	.6431-03	.7502-07
RUN NUMBER	HREF BTU/ R FT2SEC	STN NO REF (R)										
760	.2431-01	.4053-01										

TEST DATA

RUN NUMBER	DUMMY	T/C NO	H/HREF R=1.0	H/HREF R=0.9	H/HREF R= TAW/TO	TAW/TO	H(TO) BTU/R FT2SEC	H(TAW) BTU/R FT2SEC	QDOT BTU/ FT2SEC	DTWDT DEG. R /SEC	TW DEG. R
760	1.0000	476.00	.15585-02	.1885-02	.1885-02	.9000	.3789-04	.4582-04	.2775-01	.2069	536.2
760	1.0000	477.00	.38086-02	.4604-02	.4604-02	.9000	.9259-04	.1119-03	.6799-01	.5436	534.3
760	1.0000	478.00	.36311-01	.4389-01	.4389-01	.9000	.8828-03	.1067-02	.6485	4.684	534.1
760	1.0000	479.00	.70720-02	.8551-02	.8551-02	.9000	.1719-03	.2079-03	.1261	.8818	535.2
760	1.0000	480.00	.60034-02	.7257-02	.7257-02	.9000	.1459-03	.1764-03	.1072	.7497	534.4
760	1.0000	481.00	.61107-02	.7391-02	.7391-02	.9000	.1486-03	.1797-03	.1088	.7607	536.1
760	1.0000	482.00	.34084-02	.4120-02	.4120-02	.9000	.8286-04	.1002-03	.6085-01	.5450	534.3
760	1.0000	483.00	.39229-02	.4742-02	.4742-02	.9000	.9537-04	.1153-03	.7001-01	.5597	534.6
760	1.0000	484.00	.44195-02	.5342-02	.5342-02	.9000	.1074-03	.1299-03	.7896-01	.7073	533.8
760	1.0000	485.00	.10628-01	.1285-01	.1285-01	.9000	.2584-03	.3123-03	.1899	1.466	533.8
760	1.0000	486.00	.30720-01	.3716-01	.3716-01	.9000	.7468-03	.9034-03	.5468	3.821	536.6
760	1.0000	487.00	.88645-02	.1072-01	.1072-01	.9000	.2155-03	.2605-03	.1581	1.180	534.9
760	1.0000	488.00	.86136-02	.1042-01	.1042-01	.9000	.2094-03	.2533-03	.1534	1.144	535.9
760	1.0000	489.00	.61192-02	.7403-02	.7403-02	.9000	.1488-03	.1800-03	.1089	.8113	536.9
760	1.0000	490.00	.16815-02	.2033-02	.2033-02	.9000	.4088-04	.4943-04	.2997-01	.2312	535.6
760	1.0000	491.00	.93393-02	.1129-01	.1129-01	.9000	.2270-03	.2745-03	.1668	1.288	534.2

OH84B 60-0 WING MISC.

(R4UP51)

WING MISC.

PARAMETRIC DATA

MACH = 8.000 ALPHA = 40.00 BETA = .0000 ELEVON = 7.500
 BDFLAP = 15.00 SPDBRK = .0000

TEST CONDITIONS

RUN NUMBER	RN/L /FT X10 6	MACH	ALPHA DEG.	BETA DEG.	PO PSIA	TO DEG. R	T DEG. R	P PSIA	Q PSI	V FT/SEC	RHO SLUGS /FT3	MU LB-SEC /FT2
754	2.004	7.980	40.06	-4.686-06	437.0	1305.	94.98	.4550-01	2.028	3813.	.1293-02	.7643-07

RUN NUMBER	HREF BTU/ R FT2SEC	STN NO REF (R)
754	.3514-01	.2067 01

TEST DATA

RUN NUMBER	DUMMY	T/C NO	H/HREF R=1.0	H/HREF R=0.9	H/HREF R= TAW/TO	TAW/TO	H(TO) BTU/R FT2SEC	H(TAW) BTU/R FT2SEC	QDOT BTU/ FT2SEC	DTWDT DEG. R /SEC	TW DEG. R
754	1.0000	476.00	.38329-02	.4611-02	.4611-02	.9000	.1347-03	.1620-03	.1042	.7785	531.3
754	1.0000	477.00	.83184-02	.9999-02	.9999-02	.9000	.2923-03	.3513-03	.2269	1.820	528.4
754	1.0000	478.00	.37578-01	.4516-01	.4516-01	.9000	.1320-02	.1587-02	1.026	7.435	527.6
754	1.0000	479.00	.67617-02	.8123-02	.8123-02	.9000	.2376-03	.2854-03	.1850	1.300	526.0
754	1.0000	480.00	.64021-02	.7691-02	.7691-02	.9000	.2250-03	.2702-03	.1751	1.230	526.2
754	1.0000	481.00	.95935-02	.1153-01	.1153-01	.9000	.3371-03	.4052-03	.2617	1.837	528.3
754	1.0000	482.00	.77412-02	.9299-02	.9299-02	.9000	.2720-03	.3267-03	.2118	1.905	525.9
754	1.0000	483.00	.87253-02	.1048-01	.1048-01	.9000	.3066-03	.3683-03	.2386	1.916	526.3
754	1.0000	484.00	.53941-02	.6477-02	.6477-02	.9000	.1895-03	.2276-03	.1479	1.331	524.4
754	1.0000	485.00	.13783-01	.1655-01	.1655-01	.9000	.4843-03	.5816-03	.3776	2.929	525.0
754	1.0000	486.00	.31953-01	.3841-01	.3841-01	.9000	.1123-02	.1350-02	.8713	6.113	528.7
754	1.0000	487.00	.10332-01	.1241-01	.1241-01	.9000	.3631-03	.4361-03	.2827	2.118	526.1
754	1.0000	488.00	.15022-01	.1806-01	.1806-01	.9000	.5278-03	.6345-03	.4098	3.068	528.2
754	1.0000	489.00	.11981-01	.1440-01	.1440-01	.9000	.4210-03	.5061-03	.3267	2.445	528.7
754	1.0000	490.00	.65314-02	.7848-02	.7848-02	.9000	.2295-03	.2758-03	.1785	1.383	526.8
754	1.0000	491.00	.12924-01	.1552-01	.1552-01	.9000	.4541-03	.5454-03	.3539	2.745	525.2

OH84B 60-0 WING MISC.

(R4UP51)

WING MISC.

PARAMETRIC DATA

MACH = 8.000 ALPHA = 40.00 BETA = .0000 ELEVON = 7.500
 BDFLAP = 15.00 SPDBRK = .0000

TEST CONDITIONS

RUN NUMBER	RN/L /FT X10 6	MACH	ALPHA DEG.	BETA DEG.	PO PSIA	TO DEG. R	T DEG. R	P PSIA	Q PSI	V FT/SEC	RHO SLUGS /FT3	MU LB-SEC /FT2
748	2.974	7.990	40.07	-4689-06	661.9	1320.	95.85	.6835-01	3.055	3835.	.1925-02	.7713-07
RUN NUMBER	HREF BTU/ R FT2SEC	STN NO REF (R) = .0175										
748	.4321-01	.2352-01										

TEST DATA

RUN NUMBER	DUMMY	T/C NO	H/HREF R=1.0	H/HREF R=0.9	H/HREF R= TAW/TO	TAW/TO	H(TO) BTU/R FT2SEC	H(TAW) BTU/R FT2SEC	QDOT BTU/ FT2SEC	DTWDT DEG. R /SEC	TW DEG. R
748	1.0000	476.00	.55488-02	.6663-02	.6663-02	.9000	.2398-03	.2879-03	.1892	1.414	530.7
748	1.0000	477.00	.21997-01	.2642-01	.2642-01	.9000	.9505-03	.1142-02	.7488	5.994	531.9
748	1.0000	478.00	.35844-01	.4302-01	.4302-01	.9000	.1549-02	.1859-02	1.225	8.873	528.7
748	1.0000	479.00	.61749-02	.7405-02	.7405-02	.9000	.2668-03	.3199-03	.2120	1.490	525.0
748	1.0000	480.00	.82287-02	.9869-02	.9869-02	.9000	.3555-03	.4264-03	.2823	1.984	525.7
748	1.0000	481.00	.12033-01	.1444-01	.1444-01	.9000	.5199-03	.6238-03	.4118	2.891	527.6
748	1.0000	482.00	.65977-02	.7911-02	.7911-02	.9000	.2851-03	.3418-03	.2267	2.040	524.5
748	1.0000	483.00	.77114-02	.9245-02	.9245-02	.9000	.3332-03	.3995-03	.2650	2.130	524.3
748	1.0000	484.00	.64669-02	.7751-02	.7751-02	.9000	.2794-03	.3349-03	.2225	2.004	523.3
748	1.0000	485.00	.17537-01	.2102-01	.2102-01	.9000	.7577-03	.9084-03	.6028	4.678	524.1
748	1.0000	486.00	.28374-01	.3405-01	.3405-01	.9000	.1226-02	.1471-02	.9702	6.809	528.3
748	1.0000	487.00	.17169-01	.2060-01	.2060-01	.9000	.7418-03	.8899-03	.5883	4.408	526.6
748	1.0000	488.00	.23235-01	.2790-01	.2790-01	.9000	.1004-02	.1205-02	.7928	5.930	530.0
748	1.0000	489.00	.13368-01	.1604-01	.1604-01	.9000	.5776-03	.6930-03	.4576	3.427	527.3
748	1.0000	490.00	.90103-02	.1081-01	.1081-01	.9000	.3893-03	.4669-03	.3092	2.397	525.5
748	1.0000	491.00	.14192-01	.1701-01	.1701-01	.9000	.6132-03	.7351-03	.4882	3.790	523.5

OH84B 60-0 WING MISC.

(R4UP52)

WING MISC.

PARAMETRIC DATA

MACH = 8.000 ALPHA = 40.00 BETA = .0000 ELEVON = 7.500
 BDFLAP = 23.50 SPOBRK = .0000

TEST CONDITIONS

RUN NUMBER	RN/L /FT X10 6	MACH	ALPHA DEG.	BETA DEG.	PO PSIA	TO DEG. R	T DEG. R	P PSIA	Q PSI	V FT/SEC	RHO SLUGS /FT3	MU LB-SEC /FT2
764	.5066	7.900	39.98	-.4647-06	100.9	1251.	92.77	.1121-01	.4898	3730.	.3262-03	.7465-07

RUN NUMBER	HREF BTU/ R FT2SEC	STN NO REF (R)
764	.1714-01	.5682-01

TEST DATA

RUN NUMBER	DUMMY	T/C NO	H/HREF R=1.0	H/HREF R=0.9	H/HREF R= TAW/TO	TAW/TO	H(TO) BTU/R FT2SEC	H(TAW) BTU/R FT2SEC	QDOT BTU/ FT2SEC	DTWDT DEG. R /SEC	TW DEG. R
764	1.0000	476.00	.12968-02	.1569-02	.1569-02	.9000	.2223-04	.2690-04	.1601-01	.1198	530.2
764	1.0000	477.00	.37673-02	.4556-02	.4556-02	.9000	.6457-04	.7810-04	.4663-01	.3739	528.6
764	1.0000	478.00	.34242-01	.4141-01	.4141-01	.9000	.5869-03	.7097-03	.4242	3.074	527.9
764	1.0000	479.00	.76080-02	.9203-02	.9203-02	.9000	.1304-03	.1577-03	.9411-01	.6602	529.0
764	1.0000	480.00	.67479-02	.8161-02	.8161-02	.9000	.1157-03	.1399-03	.8354-01	.5862	528.4
764	1.0000	481.00	.48480-02	.5865-02	.5865-02	.9000	.8310-04	.1005-03	.5993-01	.4203	529.5
764	1.0000	482.00	.58287-03	.7048-03	.7048-03	.9000	.9991-05	.1208-04	.7222-02	.6489-01	527.8
764	1.0000	483.00	.75884-03	.9177-03	.9177-03	.9000	.1301-04	.1573-04	.9400-02	.7540-01	528.0
764	1.0000	484.00	.33184-02	.4013-02	.4013-02	.9000	.5688-04	.6879-04	.4110-01	.3692	528.1
764	1.0000	485.00	.11069-01	.1339-01	.1339-01	.9000	.1897-03	.2295-03	.1370	1.060	528.8
764	1.0000	486.00	.27953-01	.3383-01	.3383-01	.9000	.4791-03	.5798-03	.3452	2.420	530.3
764	1.0000	487.00	.95219-02	.1152-01	.1152-01	.9000	.1632-03	.1974-03	.1177	.8808	529.3
764	1.0000	488.00	.64791-02	.7839-02	.7839-02	.9000	.1111-03	.1344-03	.8008-01	.5991	529.6
764	1.0000	489.00	.38285-02	.4633-02	.4633-02	.9000	.6562-04	.7940-04	.4729-01	.3537	530.1
764	1.0000	490.00	.24411-03	.2953-03	.2953-03	.9000	.4184-05	.5062-05	.3019-02	.2337-01	529.1
764	1.0000	491.00	.10233-01	.1238-01	.1238-01	.9000	.1754-03	.2122-03	.1266	.9800	528.9

DATE 23 FEB 80

OH84B MODEL 60-0 IN THE AEDC VKF HYPERSONIC TUNNEL

PAGE 1905

OH84B 60-0 WING MISC.

(R4UP52)

WING MISC.

PARAMETRIC DATA

MACH = 8.000 ALPHA = 40.00 BETA = .0000 ELEVON = 7.500
 BOFLAP = 23.50 SPDBRK = .0000

TEST CONDITIONS

RUN NUMBER	RN/L /FT X10 6	MACH	ALPHA DEG.	BETA DEG.	PO PSIA	TO DEG. R	T DEG. R	P PSIA	Q PSI	V FT/SEC	RHO SLUGS /FT3	MU LB-SEC /FT2
762	1.002	7.940	39.99	-.4654-06	205.6	1265.	92.93	.2212-01	.9760	3752.	.6424-03	.7478-07
RUN NUMBER	HREF BTU/ R FT2SEC	STN NO REF (R)										
762	.2424-01	.4054-01										

TEST DATA

RUN NUMBER	DUMMY	T/C NO	H/HREF R=1.0	H/HREF R=0.9	H/HREF R= TAW/TO	TAW/TO	H(TO) BTU/R FT2SEC	H(TAW) BTU/R FT2SEC	QDOT BTU/ FT2SEC	DTWDT DEG. R /SEC	TW DEG. R
762	1.0000	476.00	.14445-02	.1745-02	.1745-02	.9000	.3502-04	.4231-04	.2570-01	.1921	530.8
762	1.0000	477.00	.40464-02	.4885-02	.4885-02	.9000	.9810-04	.1184-03	.7227-01	.5798	528.0
762	1.0000	478.00	.37855-01	.4567-01	.4567-01	.9000	.9178-03	.1107-02	.6781	4.918	525.8
762	1.0000	479.00	.68843-02	.8309-02	.8309-02	.9000	.1669-03	.2014-03	.1231	.8645	527.0
762	1.0000	480.00	.60397-02	.7289-02	.7289-02	.9000	.1464-03	.1767-03	.1080	.7598	526.8
762	1.0000	481.00	.62594-02	.7558-02	.7558-02	.9000	.1518-03	.1832-03	.1117	.7835	526.8
762	1.0000	482.00	.39389-02	.4753-02	.4753-02	.9000	.9550-04	.1152-03	.7053-01	.6342	526.1
762	1.0000	483.00	.41742-02	.5037-02	.5037-02	.9000	.1012-03	.1221-03	.7470-01	.5997	526.5
762	1.0000	484.00	.43589-02	.5259-02	.5259-02	.9000	.1057-03	.1275-03	.7811-01	.7026	525.5
762	1.0000	485.00	.10536-01	.1271-01	.1271-01	.9000	.2554-03	.3082-03	.1888	1.464	525.5
762	1.0000	486.00	.30388-01	.3668-01	.3668-01	.9000	.7367-03	.8893-03	.5431	3.813	527.5
762	1.0000	487.00	.91874-02	.1109-01	.1109-01	.9000	.2227-03	.2688-03	.1644	1.232	526.4
762	1.0000	488.00	.89454-02	.1080-01	.1080-01	.9000	.2169-03	.2618-03	.1598	1.197	527.8
762	1.0000	489.00	.62065-02	.7495-02	.7495-02	.9000	.1505-03	.1817-03	.1107	.8285	528.9
762	1.0000	490.00	.19707-02	.2379-02	.2379-02	.9000	.4778-04	.5767-04	.3522-01	.2729	527.5
762	1.0000	491.00	.96069-02	.1159-01	.1159-01	.9000	.2329-03	.2810-03	.1720	1.334	526.1

OH84B 60-0 WING MISC.

(R4UP52)

WING MISC.

PARAMETRIC DATA

MACH = 8.000 ALPHA = 40.00 BETA = .0000 ELEVON = 7.500
 BDFLAP = 23.50 SPDBRK = .0000

TEST CONDITIONS

RUN NUMBER	RN/L /FT X10 6	MACH	ALPHA DEG.	BETA DEG.	PO PSIA	TO DEG. R	T DEG. R	P PSIA	Q PSI	V FT/SEC	RHO SLUGS /FT3	MU LB-SEC /FT2
752	2.017	7.980	40.06	-1.4685-06	436.2	1298.	94.47	.4541-01	2.024	3802.	.1297-02	.7602-07

RUN NUMBER	HREF BTU/ R FT2SEC	STN NO REF (R) = .0175
752	.3507-01	.2860-01

TEST DATA

RUN NUMBER	DUMMY	T/C NO	H/HREF R=1.0	H/HREF R=0.9	H/HREF R= TAW/TO	TAW/TO	H(TO) BTU/R FT2SEC	H(TAW) BTU/R FT2SEC	QDOT BTU/ FT2SEC	DTWDT DEG. R /SEC	TW DEG. R
752	1.0000	476.00	.47771-02	.5757-02	.5757-02	.9000	.1675-03	.2019-03	.1277	.9526	535.4
752	1.0000	477.00	.97817-02	.1178-01	.1178-01	.9000	.3431-03	.4132-03	.2623	2.099	533.1
752	1.0000	478.00	.35943-01	.4328-01	.4328-01	.9000	.1261-02	.1518-02	.9653	6.980	531.9
752	1.0000	479.00	.72368-02	.8712-02	.8712-02	.9000	.2538-03	.3055-03	.1945	1.363	531.3
752	1.0000	480.00	.10145-01	.1221-01	.1221-01	.9000	.3558-03	.4284-03	.2725	1.909	531.9
752	1.0000	481.00	.13444-01	.1620-01	.1620-01	.9000	.4715-03	.5682-03	.3596	2.515	535.0
752	1.0000	482.00	.66910-02	.8055-02	.8055-02	.9000	.2347-03	.2825-03	.1798	1.612	531.6
752	1.0000	483.00	.63483-02	.7643-02	.7643-02	.9000	.2227-03	.2681-03	.1706	1.366	531.6
752	1.0000	484.00	.53070-02	.6387-02	.6387-02	.9000	.1861-03	.2240-03	.1428	1.281	530.4
752	1.0000	485.00	.13698-01	.1649-01	.1649-01	.9000	.4804-03	.5783-03	.3684	2.849	530.8
752	1.0000	486.00	.28868-01	.3477-01	.3477-01	.9000	.1012-02	.1220-02	.7738	5.417	533.4
752	1.0000	487.00	.15514-01	.1869-01	.1869-01	.9000	.5441-03	.6554-03	.4158	3.105	533.4
752	1.0000	488.00	.23531-01	.2837-01	.2837-01	.9000	.8253-03	.9951-03	.6276	4.677	537.2
752	1.0000	489.00	.16763-01	.2021-01	.2021-01	.9000	.5879-03	.7088-03	.4474	3.334	536.8
752	1.0000	490.00	.47275-02	.5693-02	.5693-02	.9000	.1658-03	.1997-03	.1268	.9801	532.6
752	1.0000	491.00	.12114-01	.1458-01	.1458-01	.9000	.4249-03	.5115-03	.3256	2.517	531.3

DATE 23 FEB 80

OH84B MODEL 60-0 IN THE AEDC VKF HYPERSONIC TUNNEL

PAGE 1907

OH84B 60-0 WING MISC.

(R4UP52)

WING MISC.

PARAMETRIC DATA

MACH = 8.000 ALPHA = 40.00 BETA = .0000 ELEVON = 7.500
 BDFLAP = 23.50 SPOBRK = .0000

TEST CONDITIONS

RUN NUMBER	RN/L /FT X10 6	MACH	ALPHA DEG.	BETA DEG.	PO PSIA	TO DEG. R	T DEG. R	P PSIA	Q PSI	V FT/SEC	RHO SLUGS /FT3	MU LB-SEC /FT2
750	3.008	7.990	40.07	-.3496-02	673.1	1325.	96.21	.6951-01	3.106	3842.	.1950-02	.7742-07

RUN NUMBER	HREF BTU/ R FT2SEC	STN NO REF (R)
750	.4360-01	.2338-01

TEST DATA

RUN NUMBER	DUMMY	T/C NO	H/HREF R=1.0	H/HREF R=0.9	H/HREF R= TAW/TO	TAW/TO	H(TO) BTU/R FT2SEC	H(TAW) BTU/R FT2SEC	QDOT BTU/ FT2SEC	DTWDT DEG. R /SEC	TW DEG. R
750	1.0000	476.00	.71645-02	.8609-02	.8609-02	.9000	.3124-03	.3754-03	.2466	1.840	535.2
750	1.0000	477.00	.18065-01	.2170-01	.2170-01	.9000	.7877-03	.9463-03	.6224	4.976	534.5
750	1.0000	478.00	.34440-01	.4133-01	.4133-01	.9000	.1502-02	.1802-02	1.193	8.632	530.3
750	1.0000	479.00	.66249-02	.7947-02	.7947-02	.9000	.2889-03	.3465-03	.2299	1.613	528.6
750	1.0000	480.00	.87987-02	.1056-01	.1056-01	.9000	.3836-03	.4603-03	.3051	2.140	529.4
750	1.0000	481.00	.14309-01	.1718-01	.1718-01	.9000	.6239-03	.7490-03	.4947	3.465	531.8
750	1.0000	482.00	.52196-02	.6260-02	.6260-02	.9000	.2276-03	.2729-03	.1814	1.630	527.7
750	1.0000	483.00	.69045-02	.8281-02	.8281-02	.9000	.3010-03	.3611-03	.2399	1.924	527.9
750	1.0000	484.00	.59636-02	.7150-02	.7150-02	.9000	.2600-03	.3118-03	.2075	1.866	526.5
750	1.0000	485.00	.16895-01	.2026-01	.2026-01	.9000	.7366-03	.8834-03	.5875	4.552	527.1
750	1.0000	486.00	.33509-01	.4023-01	.4023-01	.9000	.1461-02	.1754-02	1.159	8.120	531.5
750	1.0000	487.00	.12601-01	.1512-01	.1512-01	.9000	.5494-03	.6591-03	.4373	3.272	528.8
750	1.0000	488.00	.27223-01	.3271-01	.3271-01	.9000	.1187-02	.1426-02	.9380	6.999	534.4
750	1.0000	489.00	.15824-01	.1900-01	.1900-01	.9000	.6899-03	.8285-03	.5466	4.083	532.5
750	1.0000	490.00	.79788-02	.9572-02	.9572-02	.9000	.3479-03	.4174-03	.2768	2.143	529.0
750	1.0000	491.00	.14616-01	.1753-01	.1753-01	.9000	.6373-03	.7642-03	.5082	3.938	527.2

DATE 23 FEB 80

OH84B MODEL 60-0 IN THE AEDC VKF HYPERSONIC TUNNEL

PAGE 1908

OH84B 60-0 WING LOWER SURFACE

(R4U001)

WING LOWER SURF

PARAMETRIC DATA

MACH = 8.000 ALPHA = 25.00 BETA = .0000 ELEVON = .0000
 BDFLAP = .0000 SPOBRK = 49.00

TEST CONDITIONS

RUN NUMBER	RN/L /FT X10 6	MACH	ALPHA DEG.	BETA DEG.	PO PSIA	TO DEG. R	T DEG. R	P PSIA	Q PSI	V FT/SEC	RHO SLUGS /FT3	MU LB-SEC /FT2
9	1.019	7.940	24.97	.5591-06	205.0	1248.	91.68	.2205-01	.9732	3727.	.6492-03	.7378-07
RUN NUMBER	HREF BTU/ R FT2SEC	STN NO REF (R)										
9	.2415-01	.4026-01										

TEST DATA

RUN NUMBER	2Y/BW	XW/CW	T/C NO	H/HREF R=1.0	H/HREF R=0.9	H/HREF R= TAW/TO	TAW/TO	H(TO) BTU/R FT2SEC	H(TAW) BTU/R FT2SEC	QDOT BTU/ FT2SEC	DTWDT DEG. R /SEC	TW DEG. R
9	.60000	.25000-01	1110.0	.3157	.3919	.3592	.9377	.7625-02	.8676-02	4.891	36.43	606.2
9	.60000	.50000-01	1111.0	.2433	.3000	.2840	.9242	.5876-02	.6859-02	3.876	30.17	588.0
9	.60000	.75000-01	1112.0	.1831	.2246	.2172	.9150	.4422-02	.5246-02	2.988	21.88	572.1
9	.60000	.10000+00	1113.0	.1419	.1736	.1697	.9102	.3428-02	.4099-02	2.345	16.69	563.5
9	.60000	.20000	1114.0	.8144-01	.9932-01	.9824-01	.9050	.1967-02	.2373-02	1.363	9.743	554.7
9	.60000	.30000	1115.0	.7431-01	.9061-01	.8963-01	.9050	.1795-02	.2165-02	1.245	8.366	553.9
9	.60000	.40000	1116.0	.6946-01	.8468-01	.8366-01	.9055	.1678-02	.2021-02	1.164	8.068	553.6
9	.60000	.50000	1117.0	.6637-01	.8093-01	.8020-01	.9042	.1603-02	.1937-02	1.111	7.696	554.4

DATE 23 FEB 80

OH84B MODEL 60-0 IN THE AEDC VKF HYPERSONIC TUNNEL

PAGE 1909

OH84B 60-0 WING LOWER SURFACE

(R4U001)

WING LOWER SURF

PARAMETRIC DATA

MACH = 8.000 ALPHA = 25.00 BETA = .0000 ELEVON = .0000
 BDFLAP = .0000 SPDBRK = 49.00

TEST CONDITIONS

RUN NUMBER	RN/L /FT X10 6	MACH	ALPHA DEG.	BETA DEG.	PO PSIA	TO DEG. R	T DEG. R	P PSIA	Q PSI	V FT/SEC	RHO SLUGS /FT3	MU LB-SEC /FT2
8	1.994	7.980	24.96	.5594-06	433.2	1302.	94.76	.4510-01	2.010	3808.	.1284-02	.7626-07
RUN NUMBER	HREF BTU/ R FT2SEC	STN NO REF(R)										
8	.3497-01	.2875-01										

TEST DATA

RUN NUMBER	ZY/BW	XW/CW	T/C NO	H/HREF R=1.0	H/HREF R=0.9	H/HREF R= TAW/TO	TAW/TO	H(TO) BTU/R FT2SEC	H(TAW) BTU/R FT2SEC	QDOT BTU/ FT2SEC	DTWDT DEG. R /SEC	TW DEG. R
8	.60000	.25000-01	1110.0	.3113	.3895	.3558	.9377	.1088-01	.1244-01	7.051	51.32	653.9
8	.60000	.50000-01	1111.0	.2459	.3044	.2878	.9242	.8599-02	.1006-01	5.827	44.56	624.0
8	.60000	.75000-01	1112.0	.1863	.2288	.2212	.9150	.6515-02	.7735-02	4.570	33.00	600.2
8	.60000	.10000+00	1113.0	.1468	.1796	.1756	.9102	.5134-02	.6140-02	3.659	25.72	589.9
8	.60000	.20000	1114.0	.8111-01	.9881-01	.9775-01	.9050	.2836-02	.3418-02	2.061	14.58	575.0
8	.60000	.30000	1115.0	.7176-01	.8740-01	.8646-01	.9050	.2509-02	.3023-02	1.825	12.13	574.4
8	.60000	.40000	1116.0	.6654-01	.8103-01	.8007-01	.9055	.2327-02	.2800-02	1.694	11.62	573.5
8	.60000	.50000	1117.0	.6505-01	.7919-01	.7848-01	.9042	.2275-02	.2744-02	1.658	11.38	572.8

DATE 23 FEB 80

OH84B MODEL 60-0 IN THE AEDC VKF HYPERSONIC TUNNEL

PAGE 1910

OH84B 60-0 WING LOWER SURFACE

(R4U001)

WING LOWER SURF

PARAMETRIC DATA

MACH = 8.000 ALPHA = 25.00 BETA = .0000 ELEVON = .0000
 BDFLAP = .0000 SPOBRK = 49.00

TEST CONDITIONS

RUN NUMBER	RN/L /FT X10 6	MACH	ALPHA DEG.	BETA DEG.	PO PSIA	TO DEG. R	T DEG. R	P PSIA	Q PSI	V FT/SEC	RHO SLUGS /FT3	MU LB-SEC /FT2
7	2.996	7.990	24.92	.5613-06	666.7	1320.	95.85	.6885-01	3.077	3835.	.1939-02	.7713-07
RUN NUMBER	HREF BTU/ R FT2SEC	STN NO REF (R) =.0175										
7	.4336-01	.2344-01										

TEST DATA

RUN NUMBER	2Y/BW	XW/CW	T/C NO	H/HREF R=1.0	H/HREF R=0.9	H/HREF R= TAW/TO	TAW/TO	H(TO) BTU/R FT2SEC	H(TAW) BTU/R FT2SEC	QDOT BTU/ FT2SEC	DTWDT DEG. R /SEC	TW DEG. R
7	.60000	.25000-01	1110.0	.3046	.3859	.3507	.9376	.1321-01	.1521-01	8.278	59.14	693.0
7	.60000	.50000-01	1111.0	.2437	.3045	.2872	.9241	.1057-01	.1245-01	6.990	52.58	658.3
7	.60000	.75000-01	1112.0	.1880	.2325	.2245	.9149	.8154-02	.9737-02	5.631	40.10	629.1
7	.60000	.10000+00	1113.0	.1475	.1813	.1772	.9101	.6395-02	.7683-02	4.525	31.44	612.1
7	.60000	.20000	1114.0	.9177-01	.1121	.1109	.9049	.3980-02	.4810-02	2.892	20.28	592.9
7	.60000	.30000	1115.0	.1609	.1977	.1955	.9049	.6977-02	.8479-02	4.944	32.28	611.1
7	.60000	.40000	1116.0	.1482	.1815	.1793	.9054	.6427-02	.7776-02	4.626	31.32	600.0
7	.60000	.50000	1117.0	.1893	.2328	.2307	.9041	.8210-02	.1000-01	5.800	39.01	613.3

DATE 23 FEB 80

OH84B MODEL 60-0 IN THE AEDC VKF HYPERSONIC TUNNEL

PAGE 1911

OH84B 60-0 WING LOWER SURFACE

(R4UQ01)

WING LOWER SURF

PARAMETRIC DATA

MACH = 8.000 ALPHA = 25.00 BETA = .0000 ELEVON = .0000
 BDFLAP = .0000 SPOBRK = 49.00

TEST CONDITIONS

RUN NUMBER	RN/L /FT	MACH	ALPHA DEG.	BETA DEG.	PO PSIA	TO DEG. R	T DEG. R	P PSIA	Q PSI	V FT/SEC	RHO SLUGS /FT3	MU LB-SEC /FT2
5	X10 6 3.644	8.000	24.96	.8346-02	847.3	1356.	98.24	.8678-01	3.888	3887.	.2384-02	.7905-07
6	3.633	8.000	24.95	.1253-01	846.7	1358.	98.38	.8672-01	3.885	3890.	.2379-02	.7917-07

RUN NUMBER	HREF BTU/ R FT2SEC	STN NO REF (R) = .0175
5	.4898-01	.2119-01
6	.4897-01	.2122-01

TEST DATA

RUN NUMBER	ZY/BW	XW/CW	T/C NO	H/HREF R=1.0	H/HREF R=0.9	H/HREF R= TAW/TO	TAW/TO	H(TO) BTU/R FT2SEC	H(TAW) BTU/R FT2SEC	QDOT BTU/ FT2SEC	DTWDT DEG. R /SEC	TW DEG. R
6	.60000	.25000-01	1110.0	.3038	.3859	.3502	.9377	.1488-01	.1715-01	9.489	66.95	719.8
6	.60000	.50000-01	1111.0	.2442	.3054	.2880	.9242	.1196-01	.1410-01	8.103	60.32	680.1
6	.60000	.75000-01	1112.0	.1911	.2361	.2281	.9150	.9367-02	.1117-01	6.659	47.03	646.0
6	.60000	.10000+00	1113.0	.1530	.1878	.1835	.9102	.7491-02	.8989-02	5.482	37.83	625.8
6	.60000	.20000	1114.0	.1616	.1979	.1958	.9050	.7912-02	.9586-02	5.844	40.46	619.0
6	.60000	.30000	1115.0	.2757	.3420	.3379	.9050	.1350-01	.1655-01	9.453	60.36	657.4
6	.60000	.40000	1116.0	.2994	.3709	.3661	.9055	.1466-01	.1793-01	10.32	68.04	654.0
6	.60000	.50000	1117.0	.2863	.3550	.3515	.9041	.1402-01	.1722-01	9.830	64.75	656.5
5	.95000	.30000	164.00	.1170	.1431	.1412	.9060	.5730-02	.6917-02	4.255	29.55	613.0
5	.95000	.50000	165.00	.9160-01	.1118	.1106	.9050	.4486-02	.5417-02	3.363	24.22	605.9
5	.95000	.70000	166.00	.1124	.1379	.1376	.9009	.5503-02	.6740-02	4.028	29.25	623.6
5	.95000	.80000	167.00	.1195	.1463	.1486	.8931	.5853-02	.7278-02	4.334	31.06	615.3
5	.95000	.90000	168.00	.8503-01	.1036	.1065	.8876	.4164-02	.5218-02	3.143	23.08	600.9

OH84B 60-0 WING LOWER SURFACE

(R4U002)

WING LOWER SURF

PARAMETRIC DATA

MACH = 8.000 ALPHA = 30.00 BETA = -4.000 ELEVON = .0000
 BDFLAP = .0000 SPDBRK = .0000

TEST CONDITIONS

RUN NUMBER	RN/L /FT X10 6	MACH	ALPHA DEG.	BETA DEG.	PO PSIA	TO DEG. R	T DEG. R	P PSIA	Q PSI	V FT/SEC	RHO SLUGS /FT3	MU LB-SEC /FT2
155	2.001	7.980	29.94	-4.041	434.3	1301.	94.69	.4522-01	2.016	3807.	.1289-02	.7620-07
157	2.008	7.980	29.94	-4.034	434.8	1299.	94.54	.4527-01	2.018	3804.	.1292-02	.7608-07

RUN NUMBER	HREF BTU/ R FT2SEC	STN NO REF (R) = .0175
155	.3501-01	.2870-01
157	.3502-01	.2866-01

TEST DATA

RUN NUMBER	2Y/BW	XW/CW	T/C NO	H/HREF R=1.0	H/HREF R=0.9	H/HREF R= TAW/TO	TAW/TO	H(TO) BTU/R FT2SEC	H(TAW) BTU/R FT2SEC	QDOT BTU/ FT2SEC	OTWDT DEG. R /SEC	TW DEG. R
155	.60000	.25000-01	1110.0	.3845	.4830	.4299	.9482	.1346-01	.1505-01	8.584	62.21	662.9
155	.60000	.50000-01	1111.0	.3030	.3760	.3468	.9350	.1061-01	.1214-01	7.108	54.18	630.6
155	.60000	.75000-01	1112.0	.2393	.2946	.2780	.9258	.8379-02	.9734-02	5.813	41.84	606.9
155	.60000	.10000+00	1113.0	.1941	.2378	.2271	.9209	.6796-02	.7952-02	4.812	33.75	592.7
155	.60000	.20000	1114.0	.1187	.1447	.1399	.9155	.4155-02	.4898-02	3.010	21.28	576.2
155	.60000	.30000	1115.0	.9988-01	.1216	.1177	.9155	.3497-02	.4120-02	2.542	16.91	573.6
155	.60000	.40000	1116.0	.8830-01	.1075	.1039	.9160	.3091-02	.3637-02	2.252	15.46	572.1
155	.60000	.50000	1117.0	.8356-01	.1017	.9858-01	.9146	.2925-02	.3451-02	2.132	14.63	572.0
157	.95000	.30000	164.00	.1375	.1677	.1618	.9166	.4816-02	.5666-02	3.477	24.58	576.6
157	.95000	.50000	165.00	.9381-01	.1141	.1104	.9155	.3285-02	.3866-02	2.399	17.59	568.6
157	.95000	.70000	166.00	.8127-01	.9888-01	.9653-01	.9112	.2846-02	.3381-02	2.076	15.48	569.2
157	.95000	.80000	167.00	.8328-01	.1012	.1005	.9029	.2916-02	.3521-02	2.143	15.76	563.8
157	.95000	.90000	168.00	.5975-01	.7244-01	.7292-01	.8969	.2093-02	.2554-02	1.552	11.64	557.1

OH848 60-0 WING LOWER SURFACE

(R4U002)

WING LOWER SURF

PARAMETRIC DATA

MACH = 8.000 ALPHA = 30.00 BETA = -4.000 ELEVON = .0000
 BDFLAP = .0000 SPDBRK = .0000

TEST CONDITIONS

RUN NUMBER	RN/L /FT X10 6	MACH	ALPHA DEG.	BETA DEG.	PO PSIA	TO DEG. R	T DEG. R	P PSIA	Q PSI	V FT/SEC	RHO SLUGS /FT3	MU LB-SEC /FT2
116	2.983	7.990	29.94	-4.039	669.2	1327.	96.36	.6911-01	3.088	3845.	.1936-02	.7754-07
117	3.002	7.990	29.96	-4.030	671.8	1325.	96.21	.6938-01	3.100	3842.	.1946-02	.7742-07
118	3.023	7.990	29.94	-4.046	673.4	1321.	95.92	.6954-01	3.108	3836.	.1957-02	.7719-07

RUN NUMBER	HREF BTU/ R FT2SEC	STN NO REF (R) = .0175
116	.4349-01	.2347-01
117	.4356-01	.2340-01
118	.4359-01	.2333-01

TEST DATA

RUN NUMBER	2Y/BW	XW/CW	T/C NO	H/HREF R=1.0	H/HREF R=0.9	H/HREF R= TAW/TO	TAW/TO	H(TO) BTU/R FT2SEC	H(TAW) BTU/R FT2SEC	QDOT BTU/ FT2SEC	DTMDT DEG. R /SEC	TH DEG. R
116	.60000	.25000-01	1110.0	.3646	.4663	.4110	.9483	.1586-01	.1787-01	9.649	68.13	718.1
116	.60000	.50000-01	1111.0	.2959	.3722	.3414	.9350	.1287-01	.1485-01	8.331	62.04	679.4
116	.60000	.75000-01	1112.0	.2403	.2988	.2811	.9258	.1045-01	.1222-01	7.080	49.93	649.0
116	.60000	.10000+00	1113.0	.1973	.2437	.2323	.9209	.8579-02	.1010-01	5.976	41.16	630.1
116	.60000	.20000	1114.0	.1253	.1536	.1484	.9155	.5448-02	.6452-02	3.922	27.32	606.7
116	.60000	.30000	1115.0	.1098	.1343	.1298	.9155	.4774-02	.5645-02	3.469	22.77	600.2
116	.60000	.40000	1116.0	.9588-01	.1171	.1131	.9160	.4170-02	.4919-02	3.050	20.70	595.2
116	.60000	.50000	1117.0	.9679-01	.1183	.1146	.9146	.4209-02	.4983-02	3.070	20.81	597.3
117	.60000	.60000	1118.0	.1061	.1294	.1254	.9145	.4620-02	.5462-02	3.395	23.10	589.8
117	.60000	.70000	1119.0	.1036	.1262	.1232	.9113	.4513-02	.5367-02	3.335	23.47	585.8
117	.60000	.80000	120.00	.7669-01	.9329-01	.9230-01	.9050	.3340-02	.4020-02	2.486	18.13	580.4
117	.60000	.85000	121.00	.8240-01	.1001	.9951-01	.9027	.3589-02	.4335-02	2.689	19.34	575.4
117	.60000	.90000	122.00	.7073-01	.8582-01	.8657-01	.8959	.3081-02	.3771-02	2.320	17.28	571.5
117	.60000	.95000	123.00	.5043-01	.6105-01	.6189-01	.8935	.2197-02	.2696-02	1.673	12.51	563.2
118	.95000	.30000	164.00	.1370	.1674	.1615	.9166	.5973-02	.7039-02	4.345	30.47	593.2
118	.95000	.50000	165.00	.9439-01	.1150	.1112	.9155	.4114-02	.4848-02	3.035	22.10	583.1
118	.95000	.70000	166.00	.9966-01	.1216	.1187	.9112	.4344-02	.5172-02	3.181	23.49	588.5

DATE 23 FEB 80

OH84B MODEL 60-0 IN THE AEDC VKF HYPERSONIC TUNNEL

PAGE 1914

OH84B 60-0 WING LOWER SURFACE

(R4U002)

RUN NUMBER	2Y/BW	XW/CW	T/C NO	H/HREF R=1.0	H/HREF R=0.9	H/HREF R= TAW/TO	TAW/TO	H(TO) BTU/R FT2SEC	H(TAW) BTU/R FT2SEC	QDOT BTU/ FT2SEC	DTWDT DEG. R /SEC	TW DEG. R
118	.95000	.80000	167.00	.1096	.1335	.1326	.9029	.4776-02	.5781-02	3.521	25.64	583.4
118	.95000	.90000	168.00	.8554-01	.1040	.1047	.8969	.3728-02	.4562-02	2.780	20.67	575.1

DATE 23 FEB 80

OH848 MODEL 60-0 IN THE AEDC VKF HYPERSONIC TUNNEL

PAGE 1915

OH848 30-0 WING LOWER SURFACE

(R4UQ02)

WING LOWER SURF

PARAMETRIC DATA

MACH = 8.000 ALPHA = 30.00 BETA = -4.000 ELEVON = .0000
 BDFLAP = .0000 SPOBRK = .0000

TEST CONDITIONS

RUN NUMBER	RN/L /FT X10 6	MACH	ALPHA DEG.	BETA DEG.	PO PSIA	TO DEG. R	T DEG. R	P PSIA	Q PSI	V FT/SEC	RHO SLUGS /FT3	MU LB-SEC /FT2
129	3.686	8.000	29.95	-4.052	853.2	1352.	97.95	.8740-01	3.915	3881.	.2408-02	.7882-07
130	3.691	8.000	29.96	-4.050	853.4	1351.	97.87	.8742-01	3.916	3880.	.2411-02	.7876-07
131	3.694	8.000	29.96	-4.050	855.1	1352.	97.95	.8759-01	3.924	3881.	.2414-02	.7882-07

RUN NUMBER	HREF BTU/ R FT2SEC	STN NO REF (R) = .0175
129	.4912-01	.2108-01
130	.4912-01	.2107-01
131	.4918-01	.2106-01

TEST DATA

RUN NUMBER	ZY/BW	XW/CW	T/C NO	H/HREF R=1.0	H/HREF R=0.9	H/HREF R= TAW/TO	TAW/TO	H(TO) BTU/R FT2SEC	H(TAW) BTU/R FT2SEC	QDOT BTU/ FT2SEC	DTWOT DEG. R /SEC	TW DEG. R
129	.60000	.25000-01	1110.0	.3477	.4511	.3944	.9483	.1708-01	.1938-01	10.07	69.68	762.1
129	.60000	.50000-01	1111.0	.2908	.3697	.3376	.9350	.1429-01	.1658-01	9.050	66.19	718.1
129	.60000	.75000-01	1112.0	.2418	.3029	.2844	.9258	.1188-01	.1397-01	7.963	55.29	681.4
129	.60000	.10000+30	1113.0	.2004	.2488	.2368	.9209	.9842-02	.1163-01	6.831	46.43	657.6
129	.60000	.20000	1114.0	.1316	.1617	.1561	.9155	.6462-02	.7670-02	4.685	32.32	626.7
129	.60000	.30000	1115.0	.1238	.1520	.1468	.9155	.6081-02	.7210-02	4.431	28.77	622.9
129	.60000	.40000	1116.0	.1213	.1487	.1435	.9161	.5957-02	.7049-02	4.361	29.25	619.6
129	.60000	.50000	1117.0	.11708	.12105	.12035	.9147	.8389-02	.9998-02	6.010	40.00	635.2
130	.60000	.60000	1118.0	.2159	.2671	.2583	.9145	.1061-01	.1269-01	7.475	49.49	645.9
130	.60000	.70000	1119.0	.2083	.2572	.2506	.9113	.1023-01	.1231-01	7.275	49.87	639.8
130	.60000	.80000	120.00	.1312	.1609	.1591	.9050	.6444-02	.7814-02	4.715	33.74	618.9
130	.60000	.85000	121.00	.1454	.1781	.1770	.9027	.7144-02	.8695-02	5.262	37.12	614.1
130	.60000	.90000	122.00	.1308	.1599	.1613	.8959	.6427-02	.7924-02	4.780	34.99	606.9
130	.60000	.95000	123.00	.9978-01	.1215	.1232	.8935	.4901-02	.6052-02	3.707	27.30	594.3
131	.95000	.30000	164.00	.1373	.1678	.1618	.9166	.6752-02	.7959-02	5.017	34.91	608.7
131	.95000	.50000	165.00	.9833-01	.1199	.1160	.9155	.4836-02	.5702-02	3.632	26.22	600.6
131	.95000	.70000	166.00	.1284	.1573	.1534	.9113	.6316-02	.7544-02	4.654	33.93	614.9

DATE 23 FEB 80

OH84B MODEL 60-0 IN THE AEDC VKF HYPERSONIC TUNNEL

PAGE 1916

OH84B 60-0 WING LOWER SURFACE

(R4U002)

RUN NUMBER	2Y/BW	XW/CW	T/C NO	H/HREF	H/HREF	H/HREF	TAW/TO	H(TO)	H(TAW)	QDOT	DTWOT	TW
				R=1.0	R=0.9	R=		BTU/R	BTU/R	BTU/ FT2SEC	DEG. R	DEG. R
						TAW/TO		FT2SEC	FT2SEC	FT2SEC	/SEC	
131	.95000	.80000	167.00	.1392	.1700	.1689	.9029	.684E-02	.8304-02	5.115	36.86	604.5
131	.95000	.90000	168.00	.1044	.1270	.1279	.8969	.513E-02	.6289-02	3.893	28.69	593.3

OHB4B 60-0 WING LOWER SURFACE

(R4UQ03)

WING LOWER SURF

PARAMETRIC DATA

MACH = 8.000 ALPHA = 30.00 BETA = -2.000 ELEVON = .0000
 BDFLAP = .0000 SPDBRK = .0000

TEST CONDITIONS

RUN NUMBER	RN/L /FT X10 6	MACH	ALPHA DEG.	BETA DEG.	PO PSIA	TO DEG. R	T DEG. R	P PSIA	Q PSI	V FT/SEC	RHO SLUGS /FT3	MU LB-SEC /FT2
152	1.983	7.980	29.96	-2.027	434.4	1309.	95.27	.4523-01	2.016	3818.	.1281-02	.7667-07
153	1.989	7.980	29.95	-2.020	434.7	1307.	95.13	.4526-01	2.017	3815.	.1284-02	.7655-07
154	2.002	7.980	29.96	-2.027	435.4	1303.	94.84	.4533-01	2.021	3810.	.1290-02	.7631-07

RUN NUMBER	HREF BTU/ R FT2SEC	STN NO REF (R) = .0175
152	.3505-01	.2881-01
153	.3505-01	.2877-01
154	.3506-01	.2869-01

TEST DATA

RUN NUMBER	2Y/BW	XW/CW	T/C NO	H/HREF R=1.0	H/HREF R=0.9	H/HREF R= TAW/TO	TAW/TO	H(TO) BTU/R FT2SEC	H(TAW) BTU/R FT2SEC	QDOT BTU/ FT2SEC	DTWDT DEG. R /SEC	TW DEG. R
152	.60000	.25000-01	1110.0	.3397	.4285	.3804	.9483	.1191-01	.1334-01	7.517	54.10	677.3
152	.60000	.50000-01	1111.0	.2765	.3443	.3171	.9350	.9692-02	.1111-01	6.439	48.76	644.3
152	.60000	.75000-01	1112.0	.2255	.2781	.2623	.9258	.7904-02	.9195-02	5.464	39.13	617.3
152	.60000	.10000+00	1113.0	.1820	.2233	.2131	.9209	.6378-02	.7471-02	4.514	31.53	601.0
152	.60000	.20000	1114.0	.1080	.1318	.1274	.9156	.3785-02	.4467-02	2.742	19.31	584.4
152	.60000	.30000	1115.0	.9367-01	.1143	.1105	.9156	.3283-02	.3873-02	2.381	15.76	583.4
152	.60000	.40000	1116.0	.8294-01	.1011	.9769-01	.9161	.2907-02	.3424-02	2.114	14.45	581.4
152	.60000	.50000	1117.0	.7846-01	.9567-01	.9268-01	.9147	.2750-02	.3249-02	2.000	13.67	581.4
153	.60000	.60000	1118.0	.7397-01	.9006-01	.8731-01	.9145	.2593-02	.3061-02	1.897	13.00	575.2
153	.60000	.70000	1119.0	.6267-01	.7619-01	.7438-01	.9113	.2197-02	.2607-02	1.618	11.47	570.2
153	.60000	.80000	120.00	.4792-01	.5826-01	.5764-01	.9050	.1680-02	.2020-02	1.237	9.070	570.1
153	.60000	.85000	121.00	.5799-01	.7044-01	.7003-01	.9027	.2033-02	.2455-02	1.502	10.85	567.5
153	.60000	.90000	122.00	.4975-01	.6033-01	.6086-01	.8959	.1744-02	.2133-02	1.299	9.719	562.0
153	.60000	.95000	123.00	.3666-01	.4439-01	.4500-01	.8935	.1285-02	.1577-02	.9645	7.239	556.2
154	.95000	.30000	164.00	.1335	.1631	.1573	.9166	.4680-02	.5515-02	3.357	23.63	585.3
154	.95000	.50000	165.00	.9552-01	.1164	.1126	.9155	.3349-02	.3948-02	2.429	17.74	577.4
154	.95000	.70000	166.00	.1041	.1271	.1241	.9113	.3649-02	.4350-02	2.619	19.38	584.9

DATE 23 FEB 80

OH84B MODEL 60-0 IN THE AEDC VKF HYPERSONIC TUNNEL

PAGE 1918

OH84B 60-0 WING LOWER SURFACE

(R4UQ03)

RUN NUMBER	2Y/BW	XW/CW	T/C NO	H/HREF R=1.0	H/HREF R=0.9	H/HREF R= TAW/TO	TAW/TO	H(TO) BTU/R FT2SEC	H(TAW) BTU/R FT2SEC	QDOT BTU/ FT2SEC	DTWDT DEG. R /SEC	TW DEG. R
154	.95000	.80000	167.00	.1153	.1407	.1398	.9029	.4043-02	.4900-02	2.923	21.32	579.7
154	.95000	.90000	168.00	.8454-01	.1028	.1035	.8969	.2964-02	.3628-02	2.175	16.22	568.9

DATE 23 FEB 80

OH84B MODEL 60-0 IN THE AEDC VKF HYPERSONIC TUNNEL

PAGE 1919

OH84B 60-0 WING LOWER SURFACE

(R4UQ03)

WING LOWER SURF

PARAMETRIC DATA

MACH = 8.000 ALPHA = 30.00 BETA = -2.000 ELEVON = .0000
 BDFLAP = .0000 SPOBRK = .0000

TEST CONDITIONS

RUN NUMBER	RN/L /FT X10 6	MACH	ALPHA DEG.	BETA DEG.	PO PSIA	TO DEG. R	T DEG. R	P PSIA	Q PSI	V FT/SEC	RHO SLUGS /FT3	MU LB-SEC /FT2
113	2.997	7.990	29.95	-2.021	672.2	1327.	96.36	.6942-01	3.102	3845.	.1944-02	.7754-07
114	3.016	7.990	29.95	-2.018	673.4	1323.	96.07	.6954-01	3.108	3839.	.1954-02	.7731-07
115	3.006	7.990	29.95	-2.017	672.0	1324.	96.14	.6940-01	3.101	3841.	.1948-02	.7736-07

RUN NUMBER	HREF BTU/ R FT2SEC	STN NO REF (R) = .0175
113	.4358-01	.2342-01
114	.4360-01	.2335-01
115	.4356-01	.2339-01

TEST DATA

RUN NUMBER	ZY/BW	XW/CW	T/C NO	H/HREF R=1.0	H/HREF R=0.9	H/HREF R= TAW/TO	TAW/TO	H(T) BTU/R FT2SEC	H(TAW) BTU/R FT2SEC	QDOT BTU/ FT2SEC	DTWOT DEG. R /SEC	TW DEG. R
113	.60000	.25000-01	1110.0	.3431	.4371	.3860	.9483	.1495-01	.1682-01	9.226	65.41	709.6
113	.60000	.50000-01	1111.0	.2786	.3495	.3209	.9350	.1214-01	.1398-01	7.942	59.33	672.6
113	.60000	.75000-01	1112.0	.2237	.2776	.2613	.9258	.9751-02	.1139-01	6.672	47.20	642.5
113	.60000	.10000+00	1113.0	.1809	.2230	.2126	.9209	.7882-02	.9266-02	5.539	38.26	624.0
113	.60000	.20000	1114.0	.1128	.1381	.1334	.9155	.4916-02	.5815-02	3.564	24.89	601.6
113	.60000	.30000	1115.0	.1002	.1225	.1184	.9155	.4369-02	.5161-02	3.188	20.96	596.9
113	.60000	.40000	1116.0	.9228-01	.1127	.1088	.9161	.4022-02	.4743-02	2.946	20.00	594.2
113	.60000	.50000	1117.0	.1014	.1240	.1201	.9147	.4420-02	.5233-02	3.221	21.83	597.9
114	.60000	.60000	1118.0	.1113	.1358	.1316	.9145	.4852-02	.5740-02	3.549	24.13	591.3
114	.60000	.70000	1119.0	.9882-01	.1204	.1175	.9113	.4309-02	.5123-02	3.182	22.41	584.2
114	.60000	.80000	120.00	.7053-01	.8578-01	.8485-01	.9050	.3075-02	.3700-02	2.288	16.70	578.6
114	.60000	.85000	121.00	.7543-01	.9151-01	.9108-01	.9027	.3289-02	.3971-02	2.463	17.73	573.7
114	.60000	.90000	122.00	.6471-01	.7849-01	.7918-01	.8959	.2821-02	.3452-02	2.125	15.85	569.3
114	.60000	.95000	123.00	.4655-01	.5634-01	.5711-01	.8935	.2030-02	.2490-02	1.546	11.57	561.1
115	.95000	.30000	164.00	.1398	.1711	.1649	.9166	.6090-02	.7184-02	4.411	30.84	599.3
115	.95000	.50000	165.00	.1331	.1631	.1576	.9155	.5799-02	.6866-02	4.175	30.09	603.8
115	.95000	.70000	166.00	.1340	.1643	.1602	.9113	.5837-02	.6979-02	4.191	30.69	605.7

DATE 23 FEB 80

OH84B MODEL 60-0 IN THE AEDC VKF HYPERSONIC TUNNEL

PAGE 1920

OH84B 60-0 WING LOWER SURFACE

(R4UQ03)

RUN NUMBER	2Y/BW	XW/CW	T/C NO	H/HREF R=1.0	H/HREF R=0.9	H/HREF R= TAW/TO	TAW/TO	H(TO) BTU/R FT2SEC	H(TAW) BTU/R FT2SEC	QDOT BTU/ FT2SEC	DTWDT DEG. R /SEC	TW DEG. R
115	.95000	.80000	167.00	.1337	.1634	.1623	.9029	.5823-02	.7070-02	4.243	30.71	595.1
115	.95000	.90000	168.00	.9626-01	.1172	.1179	.8969	.4193-02	.5138-02	3.112	23.06	581.6

DATE 23 FEB 80

OH84B MODEL 60-0 IN THE AEDC VKF HYPERSONIC TUNNEL

PAGE 1921

OH84B 60-0 WING LOWER SURFACE

(R4U003)

WING LOWER SURF

PARAMETRIC DATA

MACH = 8.000 ALPHA = 30.00 BETA = -2.000 ELEVON = .0000
 BDFLAP = .0000 SPDBRK = .0000

TEST CONDITIONS

RUN NUMBER	RN/L /FT X10 6	MACH	ALPHA DEG.	BETA DEG.	PO PSIA	TO DEG. R	T DEG. R	P PSIA	Q PSI	V FT/SEC	RHO SLUGS /FT3	MU LB-SEC /FT2
126	3.688	8.000	29.95	-2.013	853.6	1352.	97.95	.8744-01	3.917	3881.	.2409-02	.7882-07
127	3.689	8.000	29.96	-2.010	854.0	1352.	97.95	.8748-01	3.919	3881.	.2411-02	.7882-07
128	3.686	8.000	29.95	-2.016	854.2	1353.	98.02	.8750-01	3.920	3883.	.2409-02	.7888-07

RUN NUMBER	HREF BTU/ R FT2SEC	STN NO REF (R) = .0175
126	.4913-01	.2107-01
127	.4915-01	.2107-01
128	.4916-01	.2108-01

TEST DATA

RUN NUMBER	ZY/BW	XW/CW	T/C NO	H/HREF R=1.0	H/HREF R=0.9	H/HREF R= TAW/TO	TAW/TO	H(TO) BTU/R FT2SEC	H(TAW) BTU/R FT2SEC	QDOT BTU/ FT2SEC	DTWOT DEG. R /SEC	TW DEG. R
126	.60000	.25000-01	1110.0	.3378	.4336	.3814	.9483	.1660-01	.1874-01	10.15	70.97	740.0
126	.60000	.50000-01	1111.0	.2771	.3494	.3201	.9350	.1361-01	.1573-01	8.887	65.58	698.8
126	.60000	.75000-01	1112.0	.2252	.2803	.2636	.9258	.1106-01	.1295-01	7.607	53.26	664.1
126	.60000	.10000+30	1113.0	.1829	.2260	.2154	.9209	.8988-02	.1058-01	6.377	43.67	642.1
126	.60000	.20000	1114.0	.1194	.1463	.1413	.9155	.5865-02	.6943-02	4.310	29.88	616.7
126	.60000	.30000	1115.0	.1141	.1397	.1350	.9155	.5607-02	.6633-02	4.141	27.01	613.2
126	.60000	.40000	1116.0	.1355	.1660	.1602	.9161	.6657-02	.7870-02	4.901	32.93	615.4
126	.60000	.50000	1117.0	.2083	.2569	.2484	.9147	.1023-01	.1220-01	7.315	48.65	636.8
126	.60000	.60000	1118.0	.2292	.2837	.2742	.9145	.1127-01	.1348-01	7.936	52.51	647.3
127	.60000	.70000	1119.0	.2087	.2574	.2508	.9113	.1026-01	.1232-01	7.330	50.31	637.0
127	.60000	.80000	120.00	.1342	.1645	.1627	.9050	.6597-02	.7995-02	4.847	34.71	617.0
127	.60000	.85000	121.00	.1508	.1847	.1836	.9027	.7412-02	.9024-02	5.455	38.45	615.7
127	.60000	.90000	122.00	.1346	.1645	.1660	.8960	.6614-02	.8160-02	4.911	35.91	609.2
127	.60000	.95000	123.00	.1049	.1279	.1297	.8936	.5157-02	.6374-02	3.887	28.57	598.0
128	.95000	.30000	164.00	.1602	.1965	.1894	.9166	.7877-02	.9309-02	5.780	40.02	618.9
128	.95000	.50000	165.00	.1858	.2292	.2212	.9155	.9135-02	.1087-01	6.525	46.25	638.4
128	.95000	.70000	166.00	.1434	.1758	.1714	.9112	.7048-02	.8426-02	5.174	37.66	618.6

DATE 23 FEB 80

OH84B MODEL 60-0 IN THE AEDC VKF HYPERSONIC TUNNEL

PAGE 1922

OH84B 60-0 WING LOWER SURFACE

(R4U003)

RUN NUMBER	ZY/BW	XW/CW	T/C NO	H/HREF	H/HREF	H/HREF	TAW/TO	H(TO)	H(TAW)	QDOT	DTWDT	TW
				R=1.0	R=0.9	R=		BTU/R	BTU/R	BTU/ FT2SEC	DEG. R	DEG. R
128	.95000	.80000	167.00	.1429	.1746	.1734	.9029	.7025-02	.8526-02	5.240	37.72	606.7
128	.95000	.90000	168.00	.1046	.1273	.1282	.8969	.5142-02	.6300-02	3.901	28.73	594.0

DATE 23 FEB 80

OH84B MODEL 60-0 IN THE AEDC VKF HYPERSONIC TUNNEL

PAGE 1923

OH84B 60-0 WING LOWER SURFACE

(R4UQ04)

WING LOWER SURF

PARAMETRIC DATA

MACH = 8.000 ALPHA = 30.00 BETA = -1.000 ELEVON = .0000
 BDFLAP = .0000 SPDBRK = .0000

TEST CONDITIONS

RUN NUMBER	RN/L /FT X10 6	MACH	ALPHA DEG.	BETA DEG.	PO PSIA	TO DEG. R	T DEG. R	P PSIA	Q PSI	V FT/SEC	RHO SLUGS /FT3	MU LB-SEC /FT2
149	2.015	7.980	29.95	-1.011	435.2	1297.	94.40	.4531-01	2.020	3801.	.1295-02	.7596-07
150	1.973	7.980	29.94	-1.005	435.5	1316.	95.78	.4534-01	2.021	3829.	.1278-02	.7708-07
151	1.981	7.980	29.94	-1.004	435.3	1312.	95.49	.4532-01	2.020	3823.	.1281-02	.7684-07

RUN NUMBER	HREF BTU/ R FT2SEC	STN NO REF (R) = .0175
149	.3503-01	.2862-01
150	.3513-01	.2886-01
151	.3510-01	.2882-01

TEST DATA

RUN NUMBER	2Y/BW	XW/CW	T/C NO	H/HREF R=1.0	H/HREF R=0.9	H/HREF R= TAW/TO	TAW/TO	H(TO) BTU/R FT2SEC	H(TAW) BTU/R FT2SEC	QDOT BTU/ FT2SEC	DTWDT DEG. R /SEC	TW DEG. R
149	.60000	.25000-01	1110.0	.3514	.4392	.3919	.9483	.1231-01	.1373-01	7.986	58.30	647.8
149	.60000	.50000-01	1111.0	.2725	.3368	.3111	.9350	.29545-02	.1090-01	6.481	49.72	617.7
149	.60000	.75000-01	1112.0	.2142	.2628	.2482	.9258	.7501-02	.8695-02	5.257	38.04	595.9
149	.60000	.10000+00	1113.0	.1756	.2148	.2052	.9209	.6151-02	.7188-02	4.376	30.80	585.3
149	.60000	.20000	1114.0	.1097	.1336	.1292	.9155	.3841-02	.4525-02	2.781	19.70	572.6
149	.60000	.30000	1115.0	.9832-01	.1197	.1158	.9155	.3444-02	.4056-02	2.501	16.66	570.6
149	.60000	.40000	1116.0	.8762-01	.1066	.1030	.9161	.3069-02	.3609-02	2.234	15.36	569.0
149	.60000	.50000	1117.0	.7985-01	.9714-01	.9415-01	.9147	.2797-02	.3298-02	2.037	14.01	568.3
150	.60000	.60000	1118.0	.7296-01	.8857-01	.8592-01	.9144	.2563-02	.3018-02	1.913	13.15	569.1
150	.60000	.70000	1119.0	.6106-01	.7402-01	.7230-01	.9112	.2145-02	.2540-02	1.612	11.47	564.2
150	.60000	.80000	120.00	.4765-01	.5778-01	.5718-01	.9049	.1674-02	.2009-02	1.257	9.234	565.0
150	.60000	.85000	121.00	.5639-01	.6833-01	.6795-01	.9027	.1981-02	.2387-02	1.492	10.79	562.7
150	.60000	.90000	122.00	.4840-01	.5857-01	.5908-01	.8959	.1700-02	.2075-02	1.288	9.661	557.9
150	.60000	.95000	123.00	.3593-01	.4342-01	.4401-01	.8935	.1262-02	.1546-02	.9629	7.240	552.7
151	.95000	.30000	164.00	.1332	.1623	.1567	.9166	.4675-02	.5499-02	3.412	24.06	581.7
151	.95000	.50000	165.00	.1123	.1368	.1324	.9155	.3943-02	.4646-02	2.886	21.06	579.6
151	.95000	.70000	166.00	.1221	.1490	.1454	.9112	.4285-02	.5103-02	3.110	23.00	585.8

DATE 23 FEB 80

OH84B MODEL 60-0 IN THE AEDC VKF HYPERSONIC TUNNEL

PAGE 1924

OH84B 60-0 WING LOWER SURFACE

(R4UQ04)

RUN NUMBER	ZY/BW	XW/CW	T/C NO	H/HREF R=1.0	H/HREF R=0.9	H/HREF R= TAW/TO	TAW/TO	H(TO) BTU/R FT2SEC	H(TAW) BTU/R FT2SEC	QDOT BTU/ FT2SEC	DTWDT DEG. R /SEC	TH DEG. R
151	.95000	.80000	167.00	.1242	.1513	.1503	.9029	.4360-02	.5277-02	3.198	23.35	578.2
151	.95000	.90000	168.00	.8703-01	.1057	.1064	.8969	.3055-02	.3734-02	2.272	16.95	568.1

OH84B 60-0 WING LOWER SURFACE

(R4U004)

WING LOWER SURF

PARAMETRIC DATA

MACH = 8.000 ALPHA = 30.00 BETA = -1.000 ELEVON = .0000
 BDFLAP = .0000 SPDBRK = .0000

TEST CONDITIONS

RUN NUMBER	RN/L /FT X10 6	MACH	ALPHA DEG.	BETA DEG.	PO PSIA	TO DEG. R	T DEG. R	P PSIA	Q PSI	V FT/SEC	RHO SLUGS /FT3	MU LB-SEC /FT2
110	3.010	7.990	29.96	-.9974	670.7	1321.	95.92	.6926-01	3.095	3836.	.1949-02	.7719-07
111	2.999	7.990	29.94	-.9974	671.3	1325.	96.21	.6932-01	3.098	3842.	.1945-02	.7742-07
112	2.995	7.990	29.94	-1.000	673.3	1329.	96.50	.6953-01	3.107	3848.	.1945-02	.7766-07

RUN NUMBER	HREF BTU/ R FT2SEC	STN NO REF (R) = .0175
110	.4350-01	.2338-01
111	.4354-01	.2341-01
112	.4363-01	.2342-01

TEST DATA

RUN NUMBER	2Y/BW	XW/CW	T/C NO	H/HREF R=1.0	H/HREF R=0.9	H/HREF R= TAW/TO	TAW/TO	H(TO) BTU/R FT2SEC	H(TAW) BTU/R FT2SEC	QDOT BTU/ FT2SEC	DTWDT DEG. R /SEC	TW DEG. R
110	.60000	.25000-01	1110.0	.3348	.4256	.3763	.9483	.1457-01	.1637-01	9.022	64.21	701.3
110	.60000	.50000-01	1111.0	.2677	.3353	.3081	.9350	.1165-01	.1340-01	7.629	57.19	665.5
110	.60000	.75000-01	1112.0	.2151	.2666	.2511	.9258	.9356-02	.1092-01	6.391	45.32	637.6
110	.60000	.10000+00	1113.0	.1738	.2142	.2043	.9209	.7560-02	.8886-02	5.294	36.63	620.5
110	.60000	.20000	1114.0	.1165	.1427	.1379	.9155	.5066-02	.5998-02	3.638	25.40	602.5
110	.60000	.30000	1115.0	.1061	.1298	.1255	.9155	.4617-02	.5459-02	3.340	21.96	597.3
110	.60000	.40000	1116.0	.9751-01	.1191	.1150	.9161	.4242-02	.5004-02	3.086	20.96	593.2
110	.60000	.50000	1117.0	.1170	.1432	.1386	.9147	.5090-02	.6031-02	3.677	24.92	598.2
111	.60000	.60000	1118.0	.1201	.1468	.1422	.9144	.5231-02	.6192-02	3.821	25.95	594.2
111	.60000	.70000	1119.0	.9943-01	.1211	.1182	.9112	.4329-02	.5148-02	3.203	22.55	584.9
111	.60000	.80000	120.00	.6718-01	.8171-01	.8084-01	.9049	.2925-02	.3520-02	2.179	15.90	579.7
111	.60000	.85000	121.00	.7245-01	.8798-01	.8747-01	.9027	.3155-02	.3809-02	2.368	17.04	574.0
111	.60000	.90000	122.00	.6299-01	.7640-01	.7707-01	.8959	.2743-02	.3356-02	2.070	15.43	570.0
111	.60000	.95000	123.00	.4457-01	.5393-01	.5468-01	.8935	.1941-02	.2381-02	1.480	11.08	561.8
112	.95000	.30000	164.00	.1582	.1936	.1867	.9166	.6901-02	.8144-02	5.014	35.00	602.2
112	.95000	.50000	165.00	.1835	.2256	.2179	.9155	.8005-02	.9506-02	5.692	40.75	617.6
112	.95000	.70000	166.00	.1360	.1665	.1624	.9112	.5932-02	.7084-02	4.301	31.53	603.6

DATE 23 FEB 80

OH84B MODEL 60-0 IN THE AEDC VKF HYPERSONIC TUNNEL

PAGE 1926

OH84B 60-0 WING LOWER SURFACE

(R4U004)

RUN NUMBER	2Y/BW	XW/CW	T/C NO	H/HREF R=1.0	H/HREF R=0.9	H/HREF R= TAW/TO	TAW/TO	H(TO) BTU/R FT2SEC	H(TAW) BTU/R FT2SEC	QDOT BTU/ FT2SEC	DTWOT DEG. R /SEC	TW DEG. R
112	.95000	.80000	167.00	.1369	.1672	.1661	.9029	.5974-02	.7247-02	4.387	31.77	594.2
112	.95000	.90000	168.00	.1001	.1218	.1226	.8969	.4367-02	.5349-02	3.258	24.13	582.6

DATE 23 FEB 80

OH84B MODEL 60-0 IN THE AEDC VKF HYPERSONIC TUNNEL

PAGE 1927

OH84B 60-0 WING LOWER SURFACE

(R4U004)

WING LOWER SURF

PARAMETRIC DATA

MACH = 8.000 ALPHA = 30.00 BETA = -1.000 ELEVON = .0000
 BDFLAP = .0000 SPDBRK = .0000

TEST CONDITIONS

RUN NUMBER	RN/L /FT X10 6	MACH	ALPHA DEG.	BETA DEG.	PO PSIA	TO DEG. R	T DEG. R	P PSIA	Q PSI	V FT/SEC	RHO SLUGS /FT3	MU LB-SEC /FT2
122	3.694	8.000	30.04	-.9752	852.2	1349.	97.73	.8729-01	3.911	3877.	.2411-02	.7864-07
123	3.686	8.000	29.95	-.9857	853.2	1352.	97.95	.8740-01	3.915	3881.	.2408-02	.7882-07
125	3.687	8.000	29.96	-.9824	854.5	1353.	98.02	.8753-01	3.921	3883.	.2410-02	.7888-07

RUN NUMBER	HREF BTU/ R FT2SEC	STN NO REF (R) = .0175
122	.4907-01	.2106-01
123	.4912-01	.2108-01
125	.4917-01	.2107-01

TEST DATA

RUN NUMBER	2Y/BW	XW/CW	T/C NO	H/HREF R=1.0	H/HREF R=0.9	H/HREF R=TAW/TO	TAW/TO	H(TO) BTU/R FT2SEC	H(TAW) BTU/R FT2SEC	QDOT BTU/ FT2SEC	DTWDT DEG. R /SEC	TH DEG. R
122	.60000	.25000-01	1110.0	.3244	.4163	.3660	.9485	.1592-01	.1796-01	9.719	67.99	738.1
122	.60000	.50000-01	1111.0	.2670	.3367	.3083	.9352	.1310-01	.1513-01	8.541	63.09	696.8
122	.60000	.75000-01	1112.0	.2173	.2705	.2543	.9260	.1066-01	.1248-01	7.312	51.22	663.1
122	.60000	.10000+30	1113.0	.1787	.2208	.2103	.9211	.8769-02	.1032-01	6.198	42.44	641.9
122	.60000	.20000	1114.0	.1291	.1584	.1530	.9157	.6336-02	.7506-02	4.621	31.99	619.3
122	.60000	.30000	1115.0	.1386	.1699	.1641	.9157	.6800-02	.8052-02	4.972	32.36	617.6
122	.60000	.40000	1116.0	.1693	.2078	.2004	.9163	.8307-02	.9834-02	6.041	40.47	621.5
122	.60000	.50000	1117.0	.2425	.3002	.2899	.9149	.1190-01	.1423-01	8.342	55.19	647.6
123	.60000	.60000	1118.0	.2422	.3002	.2901	.9144	.1190-01	.1425-01	8.323	54.95	652.0
123	.60000	.70000	1119.0	.2037	.2510	.2446	.9113	.1000-01	.1202-01	7.168	49.24	635.2
123	.60000	.80000	120.00	.1199	.1467	.1451	.9050	.5888-02	.7126-02	4.354	31.26	612.2
123	.60000	.85000	121.00	.1321	.1613	.1604	.9027	.6487-02	.7878-02	4.830	34.19	607.1
123	.60000	.90000	122.00	.1190	.1452	.1465	.8959	.5847-02	.7195-02	4.390	32.23	600.8
123	.60000	.95000	123.00	.8910-01	.1083	.1098	.8935	.4377-02	.5395-02	3.338	24.65	589.0
125	.95000	.30000	164.00	.2162	.2671	.2571	.9166	.1063-01	.1264-01	7.550	51.68	642.5
125	.95000	.50000	165.00	.2156	.2666	.2571	.9155	.1060-01	.1264-01	7.491	52.91	645.9
125	.95000	.70000	166.00	.1450	.1777	.1733	.9113	.7127-02	.8522-02	5.229	38.04	619.1

DATE 23 FEB 80

OH84B MODEL 60-0 IN THE AEDC VKF HYPERSONIC TUNNEL

PAGE 1928

OH84B 60-0 WING LOWER SURFACE

(R4UQ04)

RUN NUMBER	2Y/BW	XW/CW	T/C NO.	H/HREF R=1.0	H/HREF R=0.9	H/HREF R= TAW/TO	TAW/TO	H(TO) BTU/R FT2SEC	H(TAW) BTU/R FT2SEC	QDOT BTU/ FT2SEC	DTWDT DEG. R /SEC	TW DEG. R
125	.95000	.80000	167.00	.1472	.1799	.1787	.9029	.7235-02	.8787-02	5.379	38.68	609.1
125	.95000	.90000	168.00	.1114	.1357	.1366	.8969	.5475-02	.6718-02	4.125	30.31	599.2

DATE 23 FEB 80

OH84B MODEL 60-0 IN THE AEDC VKF HYPERSONIC TUNNEL

PAGE 1929

OH84B 60-0 WING LOWER SURFACE

(R4U006)

WING LOWER SURF

PARAMETRIC DATA

MACH = 8.000 ALPHA = 30.00 BETA = .0000 ELEVON = .0000
 BDFLAP = .0000 SPDBRK = .0000

TEST CONDITIONS

RUN NUMBER	RN/L /FT X10 6	MACH	ALPHA DEG.	BETA DEG.	PO PSIA	TO DEG. R	T DEG. R	P PSIA	Q PSI	V FT/SEC	RHO SLUGS /FT3	MU LB-SEC /FT2
10	.5027	7.900	29.95	.4910-02	98.66	1239.	91.88	.1097-01	.4790	3712.	.3221-03	.7393-07
11	.5125	7.900	29.95	.4910-02	100.6	1239.	91.88	.1118-01	.4884	3712.	.3284-03	.7393-07
12	.5316	7.900	29.95	.7364-02	104.3	1239.	91.88	.1159-01	.5065	3712.	.3406-03	.7393-07

RUN NUMBER	HREF BTU/ R FT2SEC	STN NO REF (R) = .0175
10	.1692-01	.5712-01
11	.1709-01	.5657-01
12	.1740-01	.5555-01

TEST DATA

RUN NUMBER	2Y/BW	XW/CW	T/C NO	H/HREF R=1.0	H/HREF R=0.9	H/HREF R= TAW/TO	TAW/TO	H(TO) BTU/R FT2SEC	H(TAW) BTU/R FT2SEC	QDOT BTU/ FT2SEC	DTWDT DEG. R /SEC	TW DEG. R
10	.60000	.25000-01	1110.0	.3584	.4435	.3979	.9483	.6066-02	.6734-02	3.915	29.35	593.2
10	.60000	.50000-01	1111.0	.2735	.3325	.3114	.9350	.4629-02	.5270-02	3.064	23.98	576.8
10	.60000	.75000-01	1112.0	.2162	.2650	.2504	.9258	.3658-02	.4237-02	2.461	18.08	565.9
10	.60000	.10000+00	1113.0	.1770	.2166	.2069	.9209	.2995-02	.3501-02	2.030	14.47	560.9
10	.60000	.20000	1114.0	.1176	.1435	.1388	.9155	.1990-02	.2349-02	1.363	9.752	553.5
10	.60000	.30000	1115.0	.1080	.1318	.1275	.9155	.1828-02	.2157-02	1.256	8.442	552.0
10	.60000	.40000	1116.0	.9641-01	.1176	.1136	.9161	.1632-02	.1923-02	1.120	7.767	552.1
10	.60000	.50000	1117.0	.8857-01	.1080	.1047	.9147	.1499-02	.1771-02	1.030	7.144	551.5
11	.60000	.60000	1118.0	.7633-01	.9322-01	.9033-01	.9144	.1304-02	.1544-02	.8919	6.175	554.9
11	.60000	.70000	1119.0	.6271-01	.7653-01	.7468-01	.9113	.1072-02	.1276-02	.7353	5.262	552.5
11	.60000	.80000	120.00	.4543-01	.5538-01	.5478-01	.9050	.7763-03	.9361-03	.5352	3.964	549.2
11	.60000	.85000	121.00	.5412-01	.6595-01	.6557-01	.9027	.9248-03	.1120-02	.6383	4.652	548.4
11	.60000	.90000	122.00	.4592-01	.5594-01	.5644-01	.8959	.7847-03	.9645-03	.5424	4.089	547.4
11	.60000	.95000	123.00	.3473-01	.4229-01	.4289-01	.8935	.5935-03	.7330-03	.4112	3.102	545.9
12	.95000	.30000	164.00	.1317	.1608	.1551	.9166	.2292-02	.2700-02	1.566	11.19	555.5
12	.95000	.50000	165.00	.8891-01	.1085	.1049	.9155	.1547-02	.1826-02	1.061	7.849	552.6
12	.95000	.70000	166.00	.5177-01	.6309-01	.6157-01	.9113	.9010-03	.1072-02	.6221	4.688	548.2

DATE 23 FEB 80

OH84B MODEL 60-0 IN THE AEDC VKF HYPERSONIC TUNNEL

PAGE 1930

OH84B 60-0 WING LOWER SURFACE

(R4U006)

RUN NUMBER	ZY/BW	XW/CW	T/C NO	H/HREF	H/HREF	H/HREF	TAW/TO	H(TO)	H(TAW)	QDOT	DTWOT	TW
				R=1.0	R=0.9	R=		BTU/R	BTU/R	BTU/ FT2SEC	DEG. R	DEG. R
12	.95000	.80000	167.00	.5559-01	.6771-01	.6728-01	.9029	.9674-03	.1171-02	.6692	4.963	546.9
12	.95000	.90000	168.00	.4129-01	.5027-01	.5061-01	.8969	.7186-03	.8807-03	.4987	3.765	544.7

DATE 23 FEB 80

OH848 MODEL 60-O IN THE AEDC VKF HYPERSONIC TUNNEL

PAGE 1931

OH848 60-O WING LOWER SURFACE

(R4UQ06)

WING LOWER SURF

PARAMETRIC DATA

MACH = 8.000 ALPHA = 30.00 BETA = .0000 ELEVON = .0000
 BDFLAP = .0000 SPDBRK = .0000

TEST CONDITIONS

RUN NUMBER	RN/L /FT X10 6	MACH	ALPHA DEG.	BETA DEG.	PO PSIA	TO DEG. R	T DEG. R	P PSIA	Q PSI	V FT/SEC	RHO SLUGS /FT3	MU LB-SEC /FT2
47	2.016	7.980	29.96	.2452-02	435.5	1297.	94.40	.4534-01	2.021	3801.	.1296-02	.7596-07
48	1.991	7.980	29.96	.2453-02	434.4	1310.	95.35	.4522-01	2.016	3820.	.1280-02	.7672-07
49	2.016	7.980	29.96	-.2452-02	435.6	1297.	94.40	.4535-01	2.021	3801.	.1297-02	.7596-07

RUN NUMBER	HREF BTU/ R FT2SEC	STN NO REF (R) = .0175
47	.3504-01	.2861-01
48	.3505-01	.2882-01
49	.3504-01	.2861-01

TEST DATA

RUN NUMBER	2Y/BW	XW/CW	T/C NO	H/HREF R=1.0	H/HREF R=0.9	H/HREF R= TAW/TO	TAW/TO	H(TO) BTU/R FT2SEC	H(TAW) BTU/R FT2SEC	QDOT BTU/ FT2SEC	DTWDT DEG. R /SEC	TH DEG. R
47	.60000	.25000-01	1110.0	.3513	.4415	.3928	.9483	.1231-01	.1376-01	7.809	56.61	662.1
47	.60000	.50000-01	1111.0	.2713	.3369	.3106	.9350	.9506-02	.1088-01	6.332	48.27	630.5
47	.60000	.75000-01	1112.0	.2156	.2657	.2506	.9258	.7554-02	.8782-02	5.197	37.37	608.7
47	.60000	.10000+30	1113.0	.1770	.2174	.2075	.9209	.6203-02	.7270-02	4.334	30.32	598.0
47	.60000	.20000	1114.0	.1158	.1416	.1369	.9155	.4058-02	.4796-02	2.886	20.31	585.5
47	.60000	.30000	1115.0	.1052	.1285	.1243	.9155	.3686-02	.4354-02	2.630	17.41	583.1
47	.60000	.40000	1116.0	.9508-01	.1161	.1121	.9161	.3331-02	.3927-02	2.389	16.33	579.7
47	.60000	.50000	1117.0	.8725-01	.1065	.1031	.9147	.3057-02	.3613-02	2.197	15.03	578.1
48	.60000	.60000	1118.0	.7615-01	.9266-01	.8984-01	.9145	.2669-02	.3149-02	1.962	13.45	574.7
48	.60000	.70000	1119.0	.6031-01	.7328-01	.7155-01	.9113	.2114-02	.2508-02	1.564	11.09	570.0
48	.60000	.80000	120.00	.4682-01	.5674-01	.5615-01	.9050	.1641-02	.1968-02	1.229	9.049	560.8
48	.60000	.85000	121.00	.5453-01	.6605-01	.6567-01	.9027	.1912-02	.2302-02	1.436	10.41	558.6
48	.60000	.90000	122.00	.4678-01	.5661-01	.5710-01	.8959	.1640-02	.2001-02	1.238	9.294	555.1
48	.60000	.95000	123.00	.3463-01	.4185-01	.4242-01	.8935	.1214-02	.1487-02	.9217	6.938	550.4
49	.95000	.30000	164.00	.1390	.1698	.1638	.9166	.4871-02	.5739-02	3.481	24.54	582.0
49	.95000	.50000	165.00	.1411	.1728	.1670	.9155	.4946-02	.5852-02	3.498	25.39	589.4
49	.95000	.70000	166.00	.1264	.1546	.1509	.9113	.4430-02	.5286-02	3.147	23.26	586.4

DATE 23 FEB 80

OH84B MODEL 60-0 IN THE AEDC VKF HYPERSONIC TUNNEL

PAGE 1932

OH84B 60-0 WING LOWER SURFACE

(R4U006)

RUN NUMBER	2Y/BW	XW/CW	T/C NO	H/HREF	H/HREF	H/HREF	TAW/TO	H(TO)	H(TAW)	QDOT	DTWDT	TW
				R=1.0	R=0.9	R=		BTU/R	BTU/R	BTU/ FT2SEC	DEG. R	DEG. R
						TAW/TO		FT2SEC	FT2SEC	FT2SEC	/SEC	
49	.95000	.80000	167.00	.1301	.1588	.1578	.9029	.4558-02	.5528-02	3.267	23.83	579.8
49	.95000	.90000	168.00	.9417-01	.1146	.1154	.8969	.3300-02	.4043-02	2.400	17.89	569.5

DATE 23 FEB 80

OH848 MODEL 60-0 IN THE AEDC VKF HYPERSONIC TUNNEL

PAGE 1933

OH848 60-0 WING LOWER SURFACE

(R4U006)

WING LOWER SURF

PARAMETRIC DATA

MACH = 8.000 ALPHA = 30.00 BETA = .0000 ELEVON = .0000
 3DFLAP = .0000 SPDBRK = .0000

TEST CONDITIONS

RUN NUMBER	RN/L /FT X10 6	MACH	ALPHA DEG.	BETA DEG.	PO PSIA	TO DEG. R	T DEG. R	P PSIA	Q PSI	V FT/SEC	RHO SLUGS /FT3	MU LB-SEC /FT2
76	3.039	7.990	29.97	.3283-06	671.6	1314.	95.41	.6936-01	3.099	3826.	.1962-02	.7678-07
77	3.028	7.990	29.98	-.2446-02	670.1	1315.	95.49	.6920-01	3.092	3827.	.1956-02	.7684-07
78	3.052	7.990	29.97	-.2449-02	670.0	1308.	94.98	.6919-01	3.092	3817.	.1966-02	.7643-07

RUN NUMBER	HREF BTU/ R FT2SEC	STN NO REF (R) #.0175
76	.4349-01	.2329-01
77	.4345-01	.2332-01
78	.4340-01	.2325-01

TEST DATA

RUN NUMBER	2Y/BW	XW/CW	T/C NO	H/HREF R=1.0	H/HREF R=0.9	H/HREF R= TAW/TO	TAW/TO	H(TO) BTU/R FT2SEC	H(TAW) BTU/R FT2SEC	QDOT BTU/ FT2SEC	DTWDT DEG. R /SEC	TW DEG. R
76	.60000	.25000-01	1110.0	.3345	.4254	.3760	.9483	.1455-01	.1635-01	8.952	63.79	698.4
76	.60000	.50000-01	1111.0	.2646	.3313	.3044	.9351	.1151-01	.1324-01	7.510	56.41	661.2
76	.60000	.75000-01	1112.0	.2124	.2633	.2479	.9258	.9238-02	.1078-01	6.280	44.61	633.8
76	.60000	.10000+00	1113.0	.1736	.2140	.2040	.9210	.7550-02	.8873-02	5.258	36.44	617.2
76	.60000	.20000	1114.0	.1229	.1508	.1456	.9156	.5347-02	.6333-02	3.808	26.59	601.5
76	.60000	.30000	1115.0	.1157	.1416	.1368	.9156	.5030-02	.5951-02	3.604	23.70	597.1
76	.60000	.40000	1116.0	.1076	.1315	.1269	.9161	.4678-02	.5520-02	3.379	22.97	591.4
76	.60000	.50000	1117.0	.1280	.1567	.1517	.9147	.5567-02	.6597-02	3.998	27.13	595.5
77	.60000	.60000	1118.0	.1286	.1573	.1524	.9145	.5586-02	.6621-02	4.016	27.24	595.7
77	.60000	.70000	1119.0	.1005	.1225	.1196	.9113	.4365-02	.5195-02	3.187	22.44	584.7
77	.60000	.80000	120.00	.6462-01	.7866-01	.7781-01	.9050	.2808-02	.3380-02	2.069	15.11	577.8
77	.60000	.85000	121.00	.6950-01	.8450-01	.8400-01	.9028	.3020-02	.3649-02	2.237	16.10	573.9
77	.60000	.90000	122.00	.6199-01	.7530-01	.7595-01	.8960	.2693-02	.3300-02	2.002	14.92	571.2
77	.60000	.95000	123.00	.4317-01	.5231-01	.5303-01	.8936	.1876-02	.2304-02	1.411	10.56	562.3
78	.95000	.30000	164.00	.1946	.2403	.2313	.9166	.8448-02	.1004-01	5.816	40.27	619.2
78	.95000	.50000	165.00	.2017	.2495	.2406	.9158	.8755-02	.1044-01	5.978	42.65	624.8
78	.95000	.70000	166.00	.1385	.1703	.1660	.9113	.6013-02	.7206-02	4.211	30.82	607.3

DATE 23 FEB 80

OH84B MODEL 60-0 IN THE AEDC VKF HYPERSONIC TUNNEL

PAGE 1934

OH84B 60-0 WING LOWER SURFACE

(R4UQ06)

RUN NUMBER	2Y/BW	XW/CW	T/C NO	H/HREF R=1.0	H/HREF R=0.9	H/HREF R= TAW/TO	TAW/TO	H(TO) BTU/R FT2SEC	H(TAW) BTU/R FT2SEC	QDOT BTU/ FT2SEC	DTWDT DEG. R /SEC	TW DEG. R
78	.95000	.80000	167.00	.1441	.1768	.1756	.9029	.6256-02	.7623-02	4.429	31.99	599.7
78	.95000	.90000	168.00	.1060	.1296	.1305	.8969	.4602-02	.5663-02	3.311	24.46	588.2

DATE 23 FEB 80

OH84B MODEL 60-0 IN THE AEDC VKF HYPERSONIC TUNNEL

PAGE 1935

OH84B 60-0 WING LOWER SURFACE

(R4UQ06)

WING LOWER SURF

PARAMETRIC DATA

MACH = 8.000 ALPHA = 30.00 BETA = .0000 ELEVON = .0000
 BDFLAP = .0000 SPDBRK = .0000

TEST CONDITIONS

RUN NUMBER	RN/L /FT X10 6	MACH	ALPHA DEG.	BETA DEG.	PO PSIA	TO DEG. R	T DEG. R	P PSIA	Q PSI	V FT/SEC	RHO SLUGS /FT3	MU LB-SEC /FT2
119	3.691	8.000	29.96	.4900-02	862.0	1360.	98.53	.8830-01	3.956	3893.	.2419-02	.7928-07
120	3.698	8.000	29.97	.7342-02	853.1	1349.	97.73	.8738-01	3.915	3877.	.2413-02	.7864-07
121	3.693	8.000	29.97	.4899-02	853.8	1351.	97.87	.8746-01	3.918	3880.	.2412-02	.7876-07

RUN NUMBER	HREF BTU/ R FT2SEC	STN NO REF (R) = .0175
119	.4943-01	.2105-01
120	.4910-01	.2105-01
121	.4913-01	.2106-01

TEST DATA

RUN NUMBER	2Y/BW	XW/CW	T/C NO	H/HREF R=1.0	H/HREF R=0.9	H/HREF R= TAW/TO	TAW/TO	H(TO) BTU/R FT2SEC	H(TAW) BTU/R FT2SEC	QDOT BTU/ FT2SEC	DTWDT DEG. R /SEC	TW DEG. R
119	.60000	.25000-01	1110.0	.3209	.4136	.3629	.9483	.1586-01	.1794-01	9.617	66.82	753.2
119	.60000	.50000-01	1111.0	.2638	.3335	.3052	.9350	.1304-01	.1509-01	8.490	62.36	708.6
119	.60000	.75000-01	1112.0	.2169	.2706	.2543	.9258	.1072-01	.1257-01	7.343	51.16	674.6
119	.60000	.10000+00	1113.0	.1804	.2234	.2128	.9209	.8917-02	.1052-01	6.300	42.90	653.2
119	.60000	.20000	1114.0	.1463	.1801	.1738	.9156	.7232-02	.8592-02	5.247	36.06	634.2
119	.60000	.30000	1115.0	.1775	.2187	.2111	.9156	.8775-02	.1043-01	6.343	40.90	636.8
119	.60000	.40000	1116.0	.1850	.2274	.2193	.9161	.9143-02	.1084-01	6.669	44.49	630.2
119	.60000	.50000	1117.0	.2451	.3035	.2932	.9147	.1211-01	.1449-01	8.551	56.40	653.7
120	.60000	.60000	1118.0	.2380	.2945	.2847	.9145	.1169-01	.1398-01	8.221	54.45	645.3
120	.60000	.70000	1119.0	.1932	.2375	.2315	.9113	.9488-02	.1137-01	6.863	47.37	625.3
120	.60000	.80000	120.00	.1135	.1386	.1371	.9050	.5571-02	.6733-02	4.137	29.78	606.2
120	.60000	.85000	121.00	.1224	.1493	.1484	.9028	.6012-02	.7285-02	4.510	32.06	598.4
120	.60000	.90000	122.00	.1122	.1367	.1379	.8960	.5507-02	.6772-02	4.137	30.42	597.5
120	.60000	.95000	123.00	.8267-01	.1004	.1018	.8936	.4059-02	.4997-02	3.105	22.99	583.8
121	.95000	.30000	164.00	.2669	.3314	.3186	.9166	.1311-01	.1565-01	9.089	61.77	657.5
121	.95000	.50000	165.00	.2170	.2682	.2587	.9156	.1066-01	.1271-01	7.537	53.28	643.8
121	.95000	.70000	166.00	.1505	.1845	.1799	.9113	.7394-02	.8841-02	5.412	39.38	618.7

DATE 23 FEB 80

OH84B MODEL 60-0 IN THE AEDC VKF HYPERSONIC TUNNEL

PAGE 1936

OH84B 60-0 WING LOWER SURFACE

(R4U006)

RUN NUMBER	2Y/BW	XW/CW	T/C NO	H/HREF R=1.0	H/HREF R=0.9	H/HREF R= TAW/TO	TAW/TO	H(TO) BTU/R FT2SEC	H(TAW) BTU/R FT2SEC	QDOT BTU/ FT2SEC	DTWDT DEG. R /SEC	TW DEG. R
121	.95000	.80000	167.00	.1575	.1927	.1915	.9029	.7741-02	.9408-02	5.726	41.13	611.0
121	.95000	.90000	168.00	.1195	.1457	.1467	.8969	.5870-02	.7209-02	4.402	32.31	600.8

DATE 23 FEB 80

OH84B MODEL 60-0 IN THE AEDC VKF HYPERSONIC TUNNEL

PAGE 1937

OH84B 60-0 WING LOWER SURFACE

(R4UG07)

WING LOWER SURF

PARAMETRIC DATA

MACH = 8.000 ALPHA = 30.00 BETA = .0000 ELEVON = .0000
 BDFLAP = .0000 SPDBRK = .0000

TEST CONDITIONS

RUN NUMBER	RN/L /FT X10 6	MACH	ALPHA DEG.	BETA DEG.	PO PSIA	TO DEG. R	T DEG. R	P PSIA	Q PSI	V FT/SEC	RHO SLUGS /FT3	MU LB-SEC /FT2
148	2.006	7.980	29.97	-.4892-02	434.9	1300.	94.62	.4528-01	2.018	3805.	.1292-02	.7614-07
RUN NUMBER	HREF BTU/ R FT2SEC	STN NO REF(R) = .0175										
148	.3503-01	.2867-01										

TEST DATA

RUN NUMBER	2Y/BW	XW/CW	T/C NO	H/HREF R=1.0	H/HREF R=0.9	H/HREF R= TAW/TO	TAW/TO	H(TO) BTU/R FT2SEC	H(TAW) BTU/R FT2SEC	QDOT BTU/ FT2SEC	DTWDT DEG. R /SEC	TW DEG. R
148	.95000	.30000	164.00	.1402	.1712	.1651	.9166	.4911-02	.5783-02	3.526	24.87	581.6
148	.95000	.50000	165.00	.1485	.1818	.1757	.9156	.5201-02	.6153-02	3.690	26.78	590.2
148	.95000	.70000	166.00	.1306	.1597	.1558	.9113	.4575-02	.5456-02	3.267	24.17	585.6
148	.95000	.80000	167.00	.1316	.1606	.1596	.9030	.4611-02	.5590-02	3.321	24.23	579.4
148	.95000	.90000	168.00	.9424-01	.1147	.1154	.8970	.3301-02	.4044-02	2.407	17.94	570.5

DATE 23 FEB 80

OHB4B MODEL 60-0 IN THE AEDC VKF HYPERSONIC TUNNEL

PAGE 1936

OHB4B 60-0 WING LOWER SURFACE

(R4U008)

WING LOWER SURF

PARAMETRIC DATA

MACH = 8.000 ALPHA = 30.00 BETA = 1.000 ELEVON = .0000
 BDFLAP = .0000 SPDBRK = .0000

TEST CONDITIONS

RUN NUMBER	RN/L /FT X10 6	MACH	ALPHA DEG.	BETA DEG.	PO PSIA	TO DEG. R	T DEG. R	P PSIA	Q PSI	V FT/SEC	RHO SLUGS /FT3	MU LB-SEC /FT2
50	2.048	7.980	29.94	1.035	434.8	1282.	93.31	.4526-01	2.018	3779.	.1309-02	.7508-07
51	2.021	7.980	29.94	1.035	434.5	1293.	94.11	.4523-01	2.016	3795.	.1297-02	.7573-07
52	1.990	7.980	29.94	1.035	434.8	1307.	95.13	.4526-01	2.018	3815.	.1284-02	.7655-07

RUN NUMBER	HREF BTU/ R FT2SEC	STN NO REF (R) = .0175
50	.3494-01	.2843-01
51	.3498-01	.2859-01
52	.3506-01	.2877-01

TEST DATA

RUN NUMBER	2Y/BW	XW/CW	T/C NO	H/HREF R=1.0	H/HREF R=0.9	H/HREF R= TAW/TO	TAW/TO	H(TO) BTU/R FT2SEC	H(TAW) BTU/R FT2SEC	QDOT BTU/ FT2SEC	DTWDT DEG. R /SEC	TW DEG. R
50	.60000	.25000-01	1110.0	.3717	.4693	.4166	.9483	.1299-01	.1455-01	8.005	57.94	665.4
50	.60000	.50000-01	1111.0	.2739	.3410	.3141	.9350	.9570-02	.1097-01	6.233	47.52	630.4
50	.60000	.75000-01	1112.0	.2190	.2706	.2551	.9258	.7653-02	.8913-02	5.149	37.03	608.8
50	.60000	.10000+30	1113.0	.1808	.2226	.2123	.9209	.6317-02	.7418-02	4.316	30.19	598.4
50	.60000	.20000	1114.0	.1204	.1476	.1426	.9155	.4206-02	.4981-02	2.926	20.59	586.0
50	.60000	.30000	1115.0	.1098	.1346	.1300	.9155	.3837-02	.4543-02	2.676	17.71	584.3
50	.60000	.40000	1116.0	.9890-01	.1211	.1169	.9160	.3455-02	.4084-02	2.415	16.49	582.8
50	.60000	.50000	1117.0	.9400-01	.1151	.1115	.9146	.3284-02	.3894-02	2.294	15.66	583.3
51	.60000	.60000	1118.0	.8399-01	.1025	.9937-01	.9144	.2938-02	.3476-02	2.100	14.38	577.8
51	.60000	.70000	1119.0	.6564-01	.7997-01	.7806-01	.9112	.2296-02	.2730-02	1.655	11.73	571.7
51	.60000	.80000	120.00	.4831-01	.5867-01	.5806-01	.9050	.1690-02	.2031-02	1.237	9.109	560.7
51	.60000	.85000	121.00	.5552-01	.6738-01	.6700-01	.9027	.1942-02	.2343-02	1.426	10.34	558.3
51	.60000	.90000	122.00	.4582-01	.5554-01	.5602-01	.8959	.1603-02	.1960-02	1.183	8.892	554.2
51	.60000	.95000	123.00	.3383-01	.4095-01	.4151-01	.8935	.1183-02	.1452-02	.8797	6.626	549.2
52	.95000	.30000	164.00	.1566	.1913	.1845	.9166	.5489-02	.6468-02	3.952	27.80	586.7
52	.95000	.50000	165.00	.1781	.2184	.2110	.9155	.6243-02	.7396-02	4.421	31.95	598.5
52	.95000	.70000	166.00	.1354	.1656	.1610	.9112	.4748-02	.5663-02	3.406	25.15	589.3

DATE 23 FEB 80

OH84B MODEL 60-0 IN THE AEDC VKF HYPERSONIC TUNNEL

PAGE 1939

OH84B 60-0 WING LOWER SURFACE

(R4UQ08)

RUN NUMBER	ZY/BW	XW/CW	T/C NO	H/HREF R=1.0	H/HREF R=0.9	H/HREF R= TAW/TO	TAW/TO	H(TO) BTU/R FT2SEC	H(TAW) BTU/R FT2SEC	QDOT BTU/ FT2SEC	DTWDT DEG. R /SEC	TW DEG. R
52	.95000	.80000	167.00	.1418	.1730	.1719	.9029	.4971-02	.6027-02	3.600	26.22	582.5
52	.95000	.90000	168.00	.1022	.1243	.1251	.8969	.3581-02	.4385-02	2.632	19.60	571.8

DATE 23 FEB 80

OH84B MODEL 60-0 IN THE AEDC VKF HYPERSONIC TUNNEL

PAGE 1940

OH84B 60-0 WING LOWER SURFACE

(R4UQ09)

WING LOWER SURF

PARAMETRIC DATA

MACH = 8.000 ALPHA = 30.00 BETA = 2.000 ELEVON = .0000
BDFLAP = .0000 SPDBRK = .0000

TEST CONDITIONS

RUN NUMBER	RN/L /FT X10 6	MACH	ALPHA DEG.	BETA DEG.	PO PSIA	TO DEG. R	T DEG. R	P PSIA	Q PSI	V FT/SEC	RHO SLUGS /FT3	MU LB-SEC /FT2
53	1.993	7.980	29.95	2.037	434.6	1305.	94.98	.4524-01	2.017	3813.	.1286-02	.7643-07

RUN NUMBER	HREF BTU/ R FT2SEC	STN NO REF (R) = .0175
53	.3504-01	.2875-01

TEST DATA

RUN NUMBER	2Y/BW	XW/CW	T/C NO	H/HREF R=1.0	H/HREF R=0.9	H/HREF R= TAW/TO	TAW/TO	H(TO) BTU/R FT2SEC	H(TAW) BTU/R FT2SEC	QDOT BTU/ FT2SEC	DTWOT DEG. R /SEC	TW DEG. R
53	.60000	.25000-01	1110.0	.4184	.5316	.4702	.9483	.1466-01	.1647-01	8.980	64.18	692.1
53	.60000	.50000-01	1111.0	.3000	.3740	.3443	.9350	.1051-01	.1206-01	6.931	52.47	645.2
53	.60000	.75000-01	1112.0	.2341	.2891	.2726	.9258	.8203-02	.9552-02	5.624	40.24	619.0
53	.60000	.10000+00	1113.0	.1891	.2324	.2218	.9209	.6627-02	.7772-02	4.643	32.39	604.1
53	.60000	.20000	1114.0	.1236	.1512	.1461	.9155	.4330-02	.5120-02	3.095	21.73	590.0
53	.60000	.30000	1115.0	.1090	.1331	.1287	.9155	.3818-02	.4510-02	2.741	18.11	586.7
53	.60000	.40000	1116.0	.9606-01	.1173	.1133	.9161	.3366-02	.3970-02	2.423	16.53	584.7
53	.60000	.50000	1117.0	.9013-01	.1101	.1066	.9147	.3158-02	.3736-02	2.274	15.51	584.7

OH84B 60-0 WING LOWER SURFACE

(RW010)

WING LOWER SURF

PARAMETRIC DATA

MACH = 8.000 ALPHA = 30.00 BETA = 2.000 ELEVON = .0000
 BDFLAP = .0000 SPDBRK = .0000

TEST CONDITIONS

RUN NUMBER	RN/L /FT X10 6	MACH	ALPHA DEG.	BETA DEG.	PO PSIA	TO DEG. R	T DEG. R	P PSIA	Q PSI	V FT/SEC	RHO SLUGS /FT3	MU LB-SEC /FT2
54	1.990	7.980	29.95	2.038	434.8	1307.	95.13	.4526-01	2.018	3815.	.1284-02	.7655-07
55	2.000	7.980	29.95	2.036	435.1	1303.	94.84	.4530-01	2.019	3810.	.1289-02	.7631-07
56	1.998	7.980	29.94	2.039	435.1	1304.	94.91	.4530-01	2.019	3811.	.1288-02	.7637-07

RUN NUMBER	HREF BTU/ R FT2SEC	STN NO REF (R) = .0175
54	.3506-01	.2877-01
55	.3505-01	.2870-01
56	.3505-01	.2872-01

TEST DATA

RUN NUMBER	ZY/BW	XW/CW	T/C NO	H/HREF R=1.0	H/HREF R=0.9	H/HREF R= TAW/TO	TAW/TO	H(TO) BTU/R FT2SEC	H(TAW) BTU/R FT2SEC	QDOT BTU/ FT2SEC	DTWDT DEG. R /SEC	TW DEG. R
54	.60000	.25000-01	1110.0	.4142	.5233	.4643	.9483	.1452-01	.1628-01	9.101	65.42	679.9
54	.60000	.50000-01	1111.0	.2968	.3681	.3396	.9350	.1041-01	.1190-01	7.021	53.49	632.0
54	.60000	.75000-01	1112.0	.2319	.2849	.2691	.9258	.8128-02	.9432-02	5.702	41.07	605.2
54	.60000	.10000+00	1113.0	.1874	.2292	.2190	.9209	.6569-02	.7676-02	4.709	33.08	589.9
54	.60000	.20000	1114.0	.1215	.1479	.1431	.9155	.4260-02	.5017-02	3.115	22.04	575.4
54	.60000	.30000	1115.0	.1080	.1313	.1271	.9155	.3785-02	.4454-02	2.781	18.51	572.0
54	.60000	.40000	1116.0	.9487-01	.1153	.1114	.9161	.3326-02	.3907-02	2.453	16.86	569.1
54	.60000	.50000	1117.0	.8981-01	.1092	.1058	.9147	.3148-02	.3709-02	2.321	15.95	569.5
55	.60000	.60000	1118.0	.8167-01	.9931-01	.9630-01	.9145	.2862-02	.3375-02	2.099	14.43	569.4
55	.60000	.70000	1119.0	.6751-01	.8197-01	.8004-01	.9113	.2366-02	.2805-02	1.748	12.44	563.8
55	.60000	.80000	120.00	.5128-01	.6223-01	.6158-01	.9050	.1797-02	.2158-02	1.330	9.782	562.8
55	.60000	.85000	121.00	.5940-01	.7204-01	.7163-01	.9027	.2082-02	.2510-02	1.545	11.19	560.5
55	.60000	.90000	122.00	.4921-01	.5962-01	.6014-01	.8959	.1725-02	.2108-02	1.287	9.660	556.5
55	.60000	.95000	123.00	.3593-01	.4346-01	.4406-01	.8935	.1259-02	.1544-02	.9458	7.116	551.5
56	.95000	.30000	164.00	.1895	.2324	.2240	.9166	.6643-02	.7853-02	4.691	32.82	597.6
56	.95000	.50000	165.00	.1957	.2404	.2322	.9155	.6861-02	.8140-02	4.810	34.69	602.6
56	.95000	.70000	166.00	.1379	.1689	.1648	.9112	.4836-02	.5776-02	3.438	25.34	592.7

DATE 23 FEB 80

OH84B MODEL 60-0 IN THE AEDC VKF HYPERSONIC TUNNEL

PAGE 1942

OH84B 60-0 WING LOWER SURFACE

(R4UQ10)

RUN NUMBER	2Y/BW	XW/CW	T/C NO	H/HREF R=1.0	H/HREF R=0.9	H/HREF R= TAW/TO	TAW/TO	H(TO) BTU/R FT2SEC	H(TAW) BTU/R FT2SEC	QDOT BTU/ FT2SEC	DTWDT DEG. R /SEC	TW DEG. R
56	.95000	.80000	167.00	.1386	.1693	.1682	.9029	.4858-02	.5896-02	3.494	25.43	504.5
56	.95000	.90000	168.00	.9179-01	.1116	.1124	.8969	.3218-02	.3940-02	2.359	17.58	570.6

DATE 23 FEB 80

OH84B MODEL 60-0 IN THE AEDC VKF HYPERSONIC TUNNEL
OH84B 60-0 WING LOWER SURFACE

PAGE 1943

(R4UQ11)

WING LOWER SURF

PARAMETRIC DATA

MACH = 8.000 ALPHA = 35.00 BETA = -4.000 ELEVON = .0000
 BDFLAP = .0000 SPDBRK = .0000

TEST CONDITIONS

RUN NUMBER	RN/L /FT X10 6	MACH	ALPHA DEG.	BETA DEG.	PO PSIA	TO DEG. R	T DEG. R	P PSIA	Q PSI	V FT/SEC	RHO SLUGS /FT3	MU LB-SEC /FT2
164	2.005	7.980	34.98	-4.049	435.7	1302.	94.76	.4536-01	2.022	3808.	.1292-02	.7626-07
165	2.002	7.980	34.98	-4.052	435.0	1302.	94.76	.4529-01	2.019	3808.	.1290-02	.7626-07
166	2.007	7.980	34.98	-4.060	435.1	1300.	94.62	.4530-01	2.019	3805.	.1292-02	.7614-07

RUN NUMBER	HREF BTU/ R FT2SEC	STN NO REF (R) =.0175
164	.3507-01	.2867-01
165	.3504-01	.2869-01
166	.3504-01	.2866-01

TEST DATA

RUN NUMBER	2Y/BW	XW/CW	T/C NO	H/HREF R=1.0	H/HREF R=0.9	H/HREF R= TAW/TO	TAW/TO	H(TO) BTU/R FT2SEC	H(TAW) BTU/R FT2SEC	QDOT BTU/ FT2SEC	DTWDT DEG. R /SEC	TW DEG. R
164	.60000	.25000-01	1110.0	.3714	.4740	.4081	.9584	.1303-01	.1431-01	7.834	55.78	700.2
164	.60000	.50000-01	1111.0	.3077	.3871	.3462	.9457	.1079-01	.1214-01	6.849	51.31	667.0
164	.60000	.75000-01	1112.0	.2560	.3186	.2923	.9367	.8976-02	.1025-01	5.943	42.10	639.6
164	.60000	.10000+30	1113.0	.2110	.2610	.2427	.9318	.7400-02	.8512-02	5.027	34.75	622.4
164	.60000	.20000	1114.0	.1338	.1643	.1549	.9264	.4691-02	.5434-02	3.289	22.97	600.7
164	.60000	.30000	1115.0	.1123	.1376	.1299	.9264	.3939-02	.4555-02	2.788	18.36	593.8
164	.60000	.40000	1116.0	.9721-01	.1190	.1122	.9270	.3409-02	.3936-02	2.422	16.47	591.3
164	.60000	.50000	1117.0	.8990-01	.1101	.1041	.9255	.3153-02	.3651-02	2.239	15.23	591.4
164	.60000	.60000	1118.0	.8023-01	.9830-01	.9300-01	.9253	.2812-02	.3259-02	1.991	13.52	593.7
165	.60000	.70000	1119.0	.6643-01	.8125-01	.7744-01	.9221	.2328-02	.2714-02	1.661	11.68	588.2
165	.60000	.80000	120.00	.5441-01	.6650-01	.6427-01	.9156	.1907-02	.2252-02	1.366	9.935	585.4
165	.60000	.85000	121.00	.6843-01	.8361-01	.8123-01	.9132	.2398-02	.2846-02	1.720	12.31	584.6
165	.60000	.90000	122.00	.6086-01	.7424-01	.7326-01	.9061	.2133-02	.2567-02	1.540	11.42	579.6
165	.60000	.95000	123.00	.4412-01	.5369-01	.5328-01	.9035	.1546-02	.1867-02	1.130	8.420	570.8
166	.95000	.30000	164.00	.1447	.1771	.1668	.9275	.5071-02	.5845-02	3.609	25.38	587.9
166	.95000	.50000	165.00	.1131	.1382	.1305	.9264	.3964-02	.4574-02	2.843	20.71	582.5
166	.95000	.70000	166.00	.1305	.1597	.1522	.9221	.4572-02	.5333-02	3.244	23.94	590.1

DATE 23 FEB 80

OH84B MODEL 60-0 IN THE AEDC VKF HYPERSONIC TUNNEL

PAGE 1944

OH84B 60-0 WING LOWER SURFACE

(R4UQ11)

RUN NUMBER	2Y/BW	XW/CW	T/C NO	H/HREF R=1.0	H/HREF R=0.9	H/HREF R= TAW/TO	TAW/TO	H(TO) BTU/R FT2SEC	H(TAW) BTU/R FT2SEC	QDOT BTU/ FT2SEC	DTWOT DEG. R /SEC	TW DEG. R
166	.95000	.80000	167.00	.1398	.1709	.1659	.9134	.4899-02	.5813-02	3.504	25.50	584.4
166	.95000	.90000	168.00	.1049	.1278	.1259	.9071	.3674-02	.4410-02	2.659	19.76	576.0

DATE 23 FEB 80

OH84B MODEL 60-0 IN THE AEDC VKF HYPERSONIC TUNNEL

PAGE 1945

OH84B 60-0 WING LOWER SURFACE

(R4UQ11)

WING LOWER SURF

PARAMETRIC DATA

MACH = 8.000 ALPHA = 35.00 BETA = -4.000 ELEVON = .0000
 BDFLAP = .0000 SPDBRK = .0000

TEST CONDITIONS

RUN NUMBER	RN/L /FT X10 6	MACH	ALPHA DEG.	BETA DEG.	PO PSIA	TO DEG. R	T DEG. R	P PSIA	Q PSI	V FT/SEC	RHO SLUGS /FT3	MU LB-SEC /FT2
107	3.001	7.990	34.98	-4.050	670.2	1323.	96.07	.6921-01	3.093	3839.	.1944-02	.7731-07
108	2.984	7.990	34.98	-4.050	670.1	1328.	96.43	.6920-01	3.092	3846.	.1937-02	.7760-07
109	3.001	7.990	34.99	-4.047	671.6	1325.	96.21	.6936-01	3.099	3842.	.1946-02	.7742-07

RUN NUMBER	HREF BTU/ R FT2SEC	STN NO REF(R) = .0175
107	.4350-01	.2341-01
108	.4352-01	.2346-01
109	.4355-01	.2340-01

TEST DATA

RUN NUMBER	ZY/BW	XW/CW	T/C NO	H/HREF R=1.0	H/HREF R=0.9	H/HREF R= TAW/TO	TAW/TO	H(TO) BTU/R FT2SEC	H(TAW) BTU/R FT2SEC	QDOT BTU/ FT2SEC	DTWDT DEG. R /SEC	TW DEG. R
107	.60000	.25000-01	1110.0	.3907	.4992	.4295	.9584	.1699-01	.1868-01	10.34	73.12	714.3
107	.60000	.50000-01	1111.0	.3176	.3991	.3572	.9457	.1381-01	.1554-01	8.937	66.68	675.6
107	.60000	.75000-01	1112.0	.2590	.3218	.2955	.9367	.1127-01	.1285-01	7.633	53.92	645.1
107	.60000	.10000+00	1113.0	.2126	.2624	.2442	.9318	.9248-02	.1062-01	6.444	44.47	625.9
107	.60000	.20000	1114.0	.1377	.1686	.1592	.9264	.5988-02	.6923-02	4.314	30.12	602.2
107	.60000	.30000	1115.0	.1184	.1448	.1367	.9264	.5151-02	.5948-02	3.747	24.65	595.4
107	.60000	.40000	1116.0	.1043	.1274	.1202	.9269	.4538-02	.5229-02	3.319	22.56	591.4
107	.60000	.50000	1117.0	.9819-01	.1199	.1135	.9255	.4271-02	.4936-02	3.122	21.22	591.7
108	.60000	.60000	1118.0	.9049-01	.1103	.1045	.9253	.3938-02	.4548-02	2.911	19.82	588.4
108	.60000	.70000	1119.0	.7724-01	.9397-01	.8969-01	.9221	.3362-02	.3903-02	2.507	17.68	581.9
108	.60000	.80000	120.00	.8403-01	.1024	.9902-01	.9156	.3657-02	.4309-02	2.708	19.68	587.2
108	.60000	.85000	121.00	.1056	.1287	.1251	.9132	.4597-02	.5443-02	3.408	24.38	586.2
108	.60000	.90000	122.00	.1059	.1290	.1273	.9061	.4609-02	.5541-02	3.415	25.25	586.6
108	.60000	.95000	123.00	.8948-01	.1088	.1080	.9035	.3894-02	.4700-02	2.913	21.61	579.7
109	.95000	.30000	164.00	.1610	.1975	.1859	.9275	.7010-02	.8095-02	5.024	34.97	608.0
109	.95000	.50000	165.00	.1879	.2314	.2180	.9264	.8183-02	.9496-02	5.767	41.24	619.9
109	.95000	.70000	166.00	.1699	.2088	.1987	.9221	.7401-02	.8656-02	5.272	38.48	612.4

DATE 23 FEB 80

OH84B MODEL 60-0 IN THE AEDC VKF HYPERSONIC TUNNEL

PAGE 1946

OH84B 60-0 WING LOWER SURFACE

(R4UQ11)

RUN NUMBER	2Y/BW	XW/CW	T/C NO	H/HREF R=1.0	H/HREF R=0.9	H/HREF R= TAW/TO	TAW/TO	H(TO) BTU/R FT2SEC	H(TAW) BTU/R FT2SEC	QDOT BTU/ FT2SEC	DTWDT DEG. R /SEC	TW DEG. R
109	.95000	.80000	167.00	.1773	.2174	.2110	.9135	.7723-02	.9188-02	5.550	39.96	606.0
109	.95000	.90000	168.00	.1354	.1655	.1630	.9071	.5895-02	.7097-02	4.284	31.50	597.9

DATE 23 FEB 80

OH84B MODEL 60-0 IN THE AEDC VKF HYPERSONIC TUNNEL

PAGE 1947

OH84B 60-0 WING LOWER SURFACE

(R4UQ11)

WING LOWER SURF

PARAMETRIC DATA

MACH = 8.000 ALPHA = 35.00 BETA = -4.000 ELEVON = .0000
 BDFLAP = .0000 SPDBRK = .0000

TEST CONDITIONS

RUN NUMBER	RN/L /FT X10 6	MACH	ALPHA DEG.	BETA DEG.	PO PSIA	TO DEG. R	T DEG. R	P PSIA	Q PSI	V FT/SEC	RHO SLUGS /FT3	MU LB-SEC /FT2
141	3.698	8.000	35.01	-3.996	856.0	1352.	97.95	.8768-01	3.928	3881.	.2416-02	.7882-07
142	3.684	8.000	35.01	-4.001	853.7	1353.	98.02	.8745-01	3.918	3883.	.2408-02	.7888-07
143	3.686	8.000	34.98	-4.043	854.1	1353.	98.02	.8749-01	3.919	3883.	.2409-02	.7888-07

RUN NUMBER	HREF BTU/ R FT2SEC	STN NO REF (R) = .0175
141	.4920-01	.2105-01
142	.4914-01	.2108-01
143	.4915-01	.2108-01

TEST DATA

RUN NUMBER	ZY/BW	XW/CW	T/C NO	H/HREF R=1.0	H/HREF R=0.9	H/HREF R= TAW/TO	TAW/TO	H(TO) BTU/R FT2SEC	H(TAW) BTU/R FT2SEC	QDOT BTU/ FT2SEC	DTWDT DEG. R /SEC	TW DEG. R
141	.60000	.25000-01	1110.0	.3982	.5106	.4383	.9585	.1959-01	.2156-01	12.03	84.20	737.6
141	.60000	.50000-01	1111.0	.3202	.4031	.3604	.9458	.1575-01	.1773-01	10.35	76.53	694.7
141	.60000	.75000-01	1112.0	.2614	.3250	.2983	.9368	.1286-01	.1468-01	8.882	62.28	661.0
141	.60000	.10000+00	1113.0	.2165	.2672	.2486	.9319	.1065-01	.1223-01	7.585	52.00	639.6
141	.60000	.20000	1114.0	.1380	.1688	.1593	.9265	.6788-02	.7840-02	5.028	34.95	611.0
141	.60000	.30000	1115.0	.1228	.1500	.1417	.9265	.6041-02	.6970-02	4.504	29.49	606.0
141	.60000	.40000	1116.0	.1103	.1345	.1269	.9270	.5425-02	.6246-02	4.069	27.53	601.6
141	.60000	.50000	1117.0	.1130	.1380	.1306	.9256	.5562-02	.6426-02	4.163	28.14	603.3
142	.60000	.60000	1118.0	.1135	.1386	.1312	.9254	.5579-02	.6450-02	4.169	28.15	605.4
142	.60000	.70000	1119.0	.9945-01	.1212	.1156	.9221	.4887-02	.5681-02	3.688	25.80	598.1
142	.60000	.80000	120.00	.1237	.1513	.1462	.9156	.6077-02	.7183-02	4.506	32.36	611.2
142	.60000	.85000	121.00	.1642	.2010	.1952	.9133	.8070-02	.9594-02	5.957	42.01	614.5
142	.60000	.90000	122.00	.1716	.2101	.2073	.9061	.8433-02	.1019-01	6.223	45.38	614.7
142	.60000	.95000	123.00	.1451	.1772	.1758	.9035	.7132-02	.8640-02	5.334	39.09	604.7
143	.95000	.30000	164.00	.2084	.2563	.2410	.9275	.1024-01	.1185-01	7.411	51.06	629.1
143	.95000	.50000	165.00	.2388	.2949	.2776	.9264	.1174-01	.1365-01	8.345	59.05	641.7
143	.95000	.70000	166.00	.1871	.2300	.2189	.9221	.9197-02	.1076-01	6.676	48.39	626.8

DATE 23 FEB 80

OH84B MODEL 60-0 IN THE AEDC VKF HYPERSONIC TUNNEL

PAGE 1948

OH84B 60-0 WING LOWER SURFACE

(R4UQ11)

RUN NUMBER	2Y/BW	XW/CW	T/C NO	H/HREF R=1.0	H/HREF R=0.9	H/HREF R= TAW/TO	TAW/TO	H(TO) BTU/R FT2SEC	H(TAW) BTU/R FT2SEC	QDOT BTU/ FT2SEC	DTWDT DEG. R /SEC	TW DEG. R
143	.95000	.80000	167.00	.1940	.2379	.2309	.9134	.9536-02	.1135-01	6.989	49.99	619.8
143	.95000	.90000	168.00	.1515	.1852	.1823	.9071	.7445-02	.8960-02	5.534	40.46	609.4

DATE 23 FEB 80

OH84B MODEL 60-0 IN THE AEDC VKF HYPERSONIC TUNNEL

PAGE 1949

OH84B 60-0 WING LOWER SURFACE

(R4UQ12)

WING LOWER SURF

PARAMETRIC DATA

MACH = 8.000 ALPHA = 35.00 BETA = -2.000 ELEVON = .0000
 BDFLAP = .0000 SPDBRK = .0000

TEST CONDITIONS

RUN NUMBER	RN/L /FT X10 6	MACH	ALPHA DEG.	BETA DEG.	PO PSIA	TO DEG. R	T DEG. R	P PSIA	Q PSI	V FT/SEC	RHO SLUGS /FT3	MU LB-SEC /FT2
161	2.002	7.980	34.99	-2.012	436.0	1304.	94.91	.4539-01	2.023	3811.	.1291-02	.7637-07
162	2.007	7.980	35.00	-1.998	435.0	1300.	94.62	.4529-01	2.019	3805.	.1292-02	.7614-07
163	2.006	7.980	35.01	-1.994	434.8	1300.	94.62	.4527-01	2.018	3805.	.1291-02	.7614-07

RUN NUMBER	HREF BTU/ R FT2SEC	STN NO REF (R) = .0175
161	.3509-01	.2869-01
162	.3503-01	.2867-01
163	.3503-01	.2867-01

TEST DATA

RUN NUMBER	2Y/BW	XW/CW	T/C NO	H/HREF R=1.0	H/HREF R=0.9	H/HREF R= TAW/TO	TAW/TO	H(TO) BTU/R FT2SEC	H(TAW) BTU/R FT2SEC	QDOT BTU/ FT2SEC	DTWDT DEG. R /SEC	TW DEG. R
161	.60000	.25000-01	1110.0	.4030	.5083	.4409	.9584	.1414-01	.1547-01	8.896	64.11	674.6
161	.60000	.50000-01	1111.0	.3131	.3898	.3505	.9458	.1099-01	.1230-01	7.285	55.27	640.7
161	.60000	.75000-01	1112.0	.2510	.3098	.2852	.9367	.8808-02	.1001-01	6.053	43.36	616.4
161	.60000	.10000+00	1113.0	.2051	.2519	.2349	.9319	.7199-02	.8242-02	5.051	35.27	601.9
161	.60000	.20000	1114.0	.1315	.1607	.1518	.9264	.4615-02	.5327-02	3.309	23.28	586.6
161	.60000	.30000	1115.0	.1164	.1421	.1343	.9264	.4085-02	.4712-02	2.944	19.49	582.9
161	.60000	.40000	1116.0	.1018	.1242	.1173	.9270	.3574-02	.4115-02	2.586	17.68	580.0
161	.60000	.50000	1117.0	.9235-01	.1126	.1066	.9256	.3241-02	.3741-02	2.351	16.09	578.3
162	.60000	.60000	1118.0	.8193-01	.9987-01	.9461-01	.9254	.2870-02	.3315-02	2.076	14.22	576.3
162	.60000	.70000	1119.0	.6811-01	.8293-01	.7912-01	.9221	.2386-02	.2772-02	1.736	12.30	572.1
162	.60000	.80000	120.00	.6036-01	.7351-01	.7109-01	.9156	.2115-02	.2491-02	1.537	11.25	573.0
162	.60000	.85000	121.00	.7006-01	.8525-01	.8286-01	.9133	.2454-02	.2903-02	1.790	12.91	570.2
162	.60000	.90000	122.00	.6091-01	.7401-01	.7305-01	.9061	.2134-02	.2559-02	1.567	11.71	565.4
162	.60000	.95000	123.00	.4550-01	.5518-01	.5477-01	.9035	.1594-02	.1919-02	1.181	8.856	558.6
163	.95000	.30000	164.00	.1500	.1837	.1730	.9275	.5252-02	.6058-02	3.720	26.10	591.5
163	.95000	.50000	165.00	.1491	.1828	.1725	.9265	.5222-02	.6042-02	3.679	26.64	595.1
163	.95000	.70000	166.00	.1105	.1351	.1288	.9221	.3871-02	.4510-02	2.762	20.43	586.0

DATE 23 FEB 80

OH84B MODEL 60-0 IN THE AEDC VKF HYPERSONIC TUNNEL

PAGE 1950

OH84B 60-0 WING LOWER SURFACE

(R4UQ12)

RUN NUMBER	2Y/BW	XW/CW	T/C NO	H/HREF R=1.0	H/HREF R=0.9	H/HREF R= TAW/TO	TAW/TO	H(TO) BTU/R FT2SEC	H(TAW) BTU/R FT2SEC	QDOT BTU/ FT2SEC	DTWDT DEG. R /SEC	TW DEG. R
163	.95000	.80000	167.00	.1103	.1345	.1306	.9135	.3862-02	.4575-02	2.785	20.33	578.4
163	.95000	.90000	168.00	.7476-01	.9094-01	.8955-01	.9072	.2618-02	.3136-02	1.913	14.27	569.1

OH84B 60-0 WING LOWER SURFACE

(R4UQ12)

WING LOWER SURF

PARAMETRIC DATA

MACH = 8.000 ALPHA = 35.00 BETA = -2.000 ELEVON = .0000
 BDFLAP = .0000 SPOBRK = .0000

TEST CONDITIONS

RUN NUMBER	RN/L /FT X10 6	MACH	ALPHA DEG.	BETA DEG.	PO PSIA	TO DEG. R	T DEG. R	P PSIA	Q PSI	V FT/SEC	RHO SLUGS /FT3	MU LB-SEC /FT2
104	3.010	7.990	35.01	-1.989	670.6	1321.	95.92	.6925-01	3.095	3836.	.1949-02	.7719-07
105	3.010	7.990	35.02	-1.985	670.5	1321.	95.92	.6924-01	3.094	3836.	.1948-02	.7719-07
106	3.013	7.990	35.02	-1.984	670.6	1320.	95.85	.6925-01	3.095	3835.	.1950-02	.7713-07

RUN NUMBER	HREF BTU/ R FT2SEC	STN NO REF (R) = .0175
104	.4350-01	.2338-01
105	.4349-01	.2338-01
106	.4349-01	.2337-01

TEST DATA

RUN NUMBER	2Y/BW	XW/CW	T/C NO	H/HREF R=1.0	H/HREF R=0.9	H/HREF R= TAW/TO	TAW/TO	H(TO) BTU/R FT2SEC	H(TAW) BTU/R FT2SEC	QDOT BTU/ FT2SEC	DTWOT DEG. R /SEC	TW DEG. R
104	.60000	.25000-01	1110.0	.3983	.5088	.4378	.9585	.1732-01	.1904-01	10.53	74.57	712.6
104	.60000	.50000-01	1111.0	.3148	.3955	.3540	.9458	.1369-01	.1540-01	8.868	66.24	673.1
104	.60000	.75000-01	1112.0	.2525	.3138	.2881	.9368	.1098-01	.1253-01	7.431	52.52	644.2
104	.60000	.10000+00	1113.0	.2067	.2553	.2375	.9319	.8992-02	.1033-01	6.244	43.08	626.3
104	.60000	.20000	1114.0	.1365	.1674	.1579	.9265	.5936-02	.6870-02	4.243	29.57	605.9
104	.60000	.30000	1115.0	.1200	.1469	.1386	.9265	.5217-02	.6030-02	3.761	24.69	599.9
104	.60000	.40000	1116.0	.1068	.1306	.1232	.9270	.4645-02	.5358-02	3.368	22.85	595.7
104	.60000	.50000	1117.0	.9617-01	.1176	.1112	.9256	.4183-02	.4838-02	3.037	20.62	594.6
105	.60000	.60000	1118.0	.8563-01	.1044	.9888-01	.9254	.3724-02	.4301-02	2.739	18.68	585.3
105	.60000	.70000	1119.0	.7400-01	.9004-01	.8592-01	.9221	.3219-02	.3737-02	2.386	16.85	579.3
105	.60000	.80000	120.00	.8436-01	.1028	.9940-01	.9157	.3669-02	.4323-02	2.701	19.65	584.6
105	.60000	.85000	121.00	.1067	.1300	.1263	.9133	.4640-02	.5493-02	3.420	24.49	583.6
105	.60000	.90000	122.00	.1084	.1321	.1304	.9061	.4715-02	.5669-02	3.470	25.68	584.7
105	.60000	.95000	123.00	.9179-01	.1116	.1108	.9036	.3992-02	.4818-02	2.966	22.02	577.8
106	.95000	.30000	164.00	.2553	.3154	.2962	.9276	.1110-01	.1288-01	7.681	52.96	627.8
106	.95000	.50000	165.00	.2480	.3066	.2886	.9265	.1078-01	.1255-01	7.436	52.91	630.2
106	.95000	.70000	166.00	.1788	.2198	.2092	.9221	.7777-02	.9096-02	5.508	40.23	611.4

DATE 23 FEB 80

OH84B MODEL 60-0 IN THE AEDC VKF HYPERSONIC TUNNEL

PAGE 1952

OH84B 60-0 WING LOWER SURFACE

(R4UQ12)

RUN NUMBER	2Y/BW	XW/CW	T/C NO	H/HREF R=1.0	H/HREF R=0.9	H/HREF R= TAW/TO	TAW/TO	H(TO) BTU/R FT2SEC	H(TAW) BTU/R FT2SEC	QDOT BTU/ FT2SEC	DTWDT DEG. R /SEC	TW DEG. R
106	.95000	.80000	167.00	.1935	.2374	.2304	.9135	.8415-02	.1002-01	5.998	43.17	606.9
106	.95000	.90000	168.00	.1512	.1850	.1821	.9072	.6578-02	.7920-02	4.754	34.97	596.9

DATE 23 FEB 80

OH84B MODEL 60-0 IN THE AEDC VKF HYPERSONIC TUNNEL

PAGE 1953

OH84B 60-0 WING LOWER SURFACE

(R4UQ12)

WING LOWER SURF

PARAMETRIC DATA

MACH = 8.000 ALPHA = 35.00 BETA = -2.000 ELEVON = .0000
 BDFLAP = .0000 SPDBRK = .0000

TEST CONDITIONS

RUN NUMBER	RN/L /FT X10 6	MACH	ALPHA DEG.	BETA DEG.	PO PSIA	TO DEG. R	T DEG. R	P PSIA	Q PSI	V FT/SEC	RHO SLUGS /FT3	MU LB-SEC /FT2
138	3.668	8.000	35.03	-1.972	849.0	1352.	97.95	.8696-01	3.896	3881.	.2396-02	.7882-07
139	3.682	8.000	35.03	-1.973	853.3	1353.	98.02	.8741-01	3.916	3883.	.2407-02	.7888-07
140	3.683	8.000	35.02	-1.979	853.5	1353.	98.02	.8743-01	3.917	3883.	.2407-02	.7888-07

RUN NUMBER	HREF BTU/ R FT2SEC	STN NO REF (R)
138	.4900-01	.2113-01
139	.4913-01	.2109-01
140	.4914-01	.2109-01

TEST DATA

RUN NUMBER	2Y/BW	XW/CW	T/C NO	H/HREF R=1.0	H/HREF R=0.9	H/HREF R= TAW/TO	TAW/TO	H(TO) BTU/R FT2SEC	H(TAW) BTU/R FT2SEC	QDOT BTU/ FT2SEC	DTWDT DEG. R /SEC	TW DEG. R
138	.60000	.25000-01	1110.0	.3860	.5005	.4265	.9585	.1892-01	.2090-01	11.18	77.39	760.8
138	.60000	.50000-01	1111.0	.3109	.3948	.3514	.9458	.1524-01	.1722-01	9.688	70.93	715.8
138	.60000	.75000-01	1112.0	.2552	.3196	.2924	.9368	.1251-01	.1433-01	8.389	58.27	680.8
138	.60000	.10000+00	1113.0	.2110	.2621	.2433	.9319	.1034-01	.1192-01	7.167	48.69	658.5
138	.60000	.20000	1114.0	.1400	.1723	.1623	.9265	.6860-02	.7955-02	4.949	34.08	630.2
138	.60000	.30000	1115.0	.1274	.1565	.1475	.9265	.6242-02	.7230-02	4.539	29.44	624.5
138	.60000	.40000	1116.0	.1163	.1426	.1344	.9271	.5700-02	.6586-02	4.178	28.03	618.7
138	.60000	.50000	1117.0	.1079	.1321	.1249	.9256	.5285-02	.6122-02	3.886	26.10	616.4
139	.60000	.60000	1118.0	.9947-01	.1216	.1151	.9254	.4887-02	.5655-02	3.630	24.46	609.9
139	.60000	.70000	1119.0	.8873-01	.1083	.1032	.9222	.4359-02	.5072-02	3.265	22.78	603.7
139	.60000	.80000	120.00	.1169	.1431	.1382	.9157	.5742-02	.6791-02	4.237	30.38	614.7
139	.60000	.85000	121.00	.1583	.1940	.1883	.9133	.7776-02	.9254-02	5.707	40.17	618.7
139	.60000	.90000	122.00	.1658	.2033	.2005	.9062	.8148-02	.9850-02	5.982	43.54	618.5
139	.60000	.95000	123.00	.1390	.1698	.1684	.9036	.6829-02	.8276-02	5.092	37.27	607.0
140	.95000	.30000	164.00	.3157	.3930	.3681	.9276	.1551-01	.1809-01	10.67	72.23	665.0
140	.95000	.50000	165.00	.2787	.3463	.3254	.9265	.1369-01	.1599-01	9.488	66.57	659.8
140	.95000	.70000	166.00	.2027	.2499	.2377	.9222	.9960-02	.1168-01	7.129	51.43	636.9

DATE 23 FEB 80

OH84B MODEL 60-0 IN THE AEDC VKF HYPERSONIC TUNNEL

PAGE 1954

OH84B 60-0 WING LOWER SURFACE

(R4UQ12)

RUN NUMBER	ZY/BW	XW/CW	T/C NO	H/HREF R=1.0	H/HREF R=0.9	H/HREF R= TAW/TO	TAW/TO	H(TO) BTU/R FT2SEC	H(TAW) BTU/R FT2SEC	QDOT BTU/ FT2SEC	DTWOT DEG. R /SEC	TW DEG. R
140	.95000	.80000	167.00	.2229	.2745	.2662	.9135	.1095-01	.1308-01	7.870	55.90	634.0
140	.95000	.90000	168.00	.1716	.2105	.2072	.9072	.8434-02	.1018-01	6.174	44.89	620.6

DATE 23 FEB 80

OH84B MODEL 60-0 IN THE AEDC VKF HYPERSONIC TUNNEL

PAGE 1955

OH84B 60-0 WING LOWER SURFACE

(R4UQ13)

WING LOWER SURF

PARAMETRIC DATA

MACH = 8.000 ALPHA = 35.00 BETA = -1.000 ELEVON = .0000
 BDFLAP = .0000 SPDBRK = .0000

TEST CONDITIONS

RUN NUMBER	RN/L /FT X10 6	MACH	ALPHA DEG.	BETA DEG.	PO PSIA	TO DEG. R	T DEG. R	P PSIA	Q PSI	V FT/SEC	RHO SLUGS /FT3	MU LB-SEC /FT2
158	2.023	7.980	35.02	-.9923	435.0	1293.	94.11	.4529-01	2.019	3795.	.1299-02	.7573-07
159	2.024	7.980	35.01	-.9963	436.7	1296.	94.33	.4547-01	2.027	3799.	.1301-02	.7590-07
160	2.003	7.980	35.01	-.9963	435.2	1302.	94.76	.4531-01	2.020	3808.	.1290-02	.7626-07

RUN NUMBER	HREF BTU/ R FT2SEC	STN NO REF (R) = .0175
158	.3500-01	.2857-01
159	.3508-01	.2856-01
160	.3505-01	.2869-01

TEST DATA

RUN NUMBER	2Y/BW	XW/CW	T/C NO	H/HREF R=1.0	H/HREF R=0.9	H/HREF R=TAW/TO	TAW/TO	H(TO) BTU/R FT2SEC	H(TAW) BTU/R FT2SEC	QDOT BTU/ FT2SEC	DTWDT DEG. R /SEC	TW DEG. R
158	.60000	.25000-01	1110.0	.4203	.5305	.4600	.9585	.1471-01	.1610-01	9.159	66.15	670.1
158	.60000	.50000-01	1111.0	.3189	.3967	.3568	.9458	.1116-01	.1249-01	7.356	55.99	633.7
158	.60000	.75000-01	1112.0	.2529	.3119	.2872	.9358	.0850-02	.1005-01	6.048	43.48	609.3
158	.60000	.10000+00	1113.0	.2051	.2518	.2347	.9319	.7179-02	.8216-02	5.008	35.09	595.1
158	.60000	.20000	1114.0	.1306	.1596	.1507	.9265	.4571-02	.5276-02	3.253	22.95	581.1
158	.60000	.30000	1115.0	.1150	.1404	.1326	.9265	.4025-02	.4641-02	2.879	19.11	577.4
158	.60000	.40000	1116.0	.1027	.1253	.1183	.9270	.3595-02	.4139-02	2.578	17.67	575.4
158	.60000	.50000	1117.0	.9384-01	.1144	.1083	.9256	.3284-02	.3792-02	2.360	16.19	574.0
159	.60000	.60000	1118.0	.8457-01	.1029	.9755-01	.9254	.2967-02	.3422-02	2.155	14.81	569.4
159	.60000	.70000	1119.0	.6993-01	.8501-01	.8114-01	.9221	.2453-02	.2847-02	1.792	12.74	565.4
159	.60000	.80000	120.00	.6210-01	.7556-01	.7308-01	.9157	.2179-02	.2564-02	1.586	11.63	567.9
159	.60000	.85000	121.00	.6979-01	.8484-01	.8248-01	.9133	.2449-02	.2894-02	1.789	12.93	565.1
159	.60000	.90000	122.00	.6004-01	.7289-01	.7194-01	.9061	.2106-02	.2524-02	1.547	11.59	561.0
159	.60000	.95000	123.00	.4495-01	.5448-01	.5407-01	.9036	.1577-02	.1897-02	1.168	8.769	555.1
160	.95000	.30000	164.00	.1625	.1991	.1875	.9276	.5696-02	.6572-02	4.030	28.25	594.1
160	.95000	.50000	165.00	.1391	.1702	.1607	.9265	.4875-02	.5633-02	3.471	25.20	589.7
160	.95000	.70000	166.00	.9660-01	.1178	.1124	.9221	.3386-02	.3939-02	2.445	18.13	579.7

DATE 23 FEB 80

OH84B MODEL 60-0 IN THE AEDC VKF HYPERSONIC TUNNEL

PAGE 1956

OH84B 60-0 WING LOWER SURFACE

(R4UQ13)

RUN NUMBER	2Y/BW	XW/CW	T/C NO	H/HREF R=1.0	H/HREF R=0.9	H/HREF R= TAW/TO	TAW/TO	H(TO) BTU/R FT2SEC	H(TAW) BTU/R FT2SEC	QDOT BTU/ FT2SEC	DTWDT DEG. R /SEC	TW DEG. R
160	.95000	.80000	167.00	.9582-01	.1166	.1133	.9135	.3358-02	.3972-02	2.448	17.92	572.7
160	.95000	.90000	168.00	.6673-01	.8104-01	.7982-01	.9072	.2339-02	.2798-02	1.723	12.88	564.8

OH84B 60-0 WING LOWER SURFACE

(R4UG13)

WING LOWER SURF

PARAMETRIC DATA

MACH = 8.000 ALPHA = 35.00 BETA = -1.000 ELEVON = .0000
 BDFLAP = .0000 SPDBRK = .0000

TEST CONDITIONS

RUN NUMBER	RN/L /FT X10 6	MACH	ALPHA DEG.	BETA DEG.	PO PSIA	TO DEG. R	T DEG. R	P PSIA	Q PSI	V FT/SEC	RHO SLUGS /FT3	MU LB-SEC /FT2
101	2.984	7.990	35.02	-.9871	670.0	1328.	96.43	.6919-01	3.092	3846.	.1937-02	.7760-07
102	3.006	7.990	35.02	-.9887	672.7	1325.	96.21	.6947-01	3.104	3842.	.1949-02	.7742-07
103	3.014	7.990	35.03	-.9919	669.2	1318.	95.71	.6911-01	3.088	3832.	.1949-02	.7701-07

RUN NUMBER	HREF BTU/ R FT2SEC	STN NO REF(R) = .0175
101	.4352-01	.2346-01
102	.4359-01	.2339-01
103	.4343-01	.2337-01

TEST DATA

RUN NUMBER	2Y/BW	XW/CW	T/C NO	H/HREF R=1.0	H/HREF R=0.9	H/HREF R= TAW/TO	TAW/TO	H(TO) BTU/R FT2SEC	H(TAW) BTU/R FT2SEC	QDOT BTU/ FT2SEC	DTWDT DEG. R /SEC	TW DEG. R
101	.60000	.25000-01	1110.0	.4081	.5242	.4494	.9585	.1776-01	.1956-01	10.65	74.89	727.8
101	.60000	.50000-01	1111.0	.3134	.3952	.3529	.9458	.1364-01	.1536-01	8.744	64.90	686.4
101	.60000	.75000-01	1112.0	.2501	.3120	.2860	.9368	.1089-01	.1245-01	7.289	51.18	658.1
101	.60000	.10000+00	1113.0	.2041	.2529	.2350	.9319	.8880-02	.1023-01	6.100	41.80	640.7
101	.60000	.20000	1114.0	.1354	.1667	.1571	.9265	.5892-02	.6837-02	4.162	28.79	621.3
101	.60000	.30000	1115.0	.1202	.1477	.1393	.9265	.5229-02	.6060-02	3.721	24.24	616.1
101	.60000	.40000	1116.0	.1077	.1322	.1245	.9270	.4686-02	.5420-02	3.351	22.55	612.5
101	.60000	.50000	1117.0	.9769-01	.1199	.1133	.9256	.4251-02	.4931-02	3.044	20.49	611.7
102	.60000	.60000	1118.0	.8805-01	.1075	.1018	.9254	.3838-02	.4435-02	2.815	19.15	591.1
102	.60000	.70000	1119.0	.7475-01	.9105-01	.8685-01	.9222	.3258-02	.3786-02	2.410	16.97	584.9
102	.60000	.80000	120.00	.8269-01	.1008	.9746-01	.9157	.3604-02	.4248-02	2.657	19.31	587.6
102	.60000	.85000	121.00	.1037	.1264	.1228	.9133	.4521-02	.5353-02	3.341	23.90	585.8
102	.60000	.90000	122.00	.1041	.1269	.1252	.9062	.4539-02	.5457-02	3.354	24.81	585.7
102	.60000	.95000	123.00	.8558-01	.1040	.1032	.9036	.3730-02	.4500-02	2.787	20.70	577.5
103	.95000	.30000	164.00	.2934	.3638	.3412	.9276	.1274-01	.1482-01	8.673	59.53	637.1
103	.95000	.50000	165.00	.2436	.3011	.2834	.9265	.1058-01	.1231-01	7.308	52.08	627.1
103	.95000	.70000	166.00	.1584	.1945	.1851	.9222	.6881-02	.8041-02	4.893	35.82	606.6

DATE 23 FEB 80

OH84B MODEL 60-0 IN THE AEDC VKF HYPERSONIC TUNNEL

PAGE 1958

OH84B 60-0 WING LOWER SURFACE

(R4UQ13)

RUN NUMBER	2Y/BW	XW/CW	T/C NO	H/HREF R=1.0	H/HREF R=0.9	H/HREF R= TAW/TO	TAW/TO	H(TO) BTU/R FT2SEC	H(TAW) BTU/R FT2SEC	QDOT BTU/ FT2SEC	DTWDT DEG. R /SEC	TW DEG. R
103	.95000	.80000	167.00	.1772	.2172	.2108	.9135	.7698-02	.9155-02	5.513	39.78	601.6
103	.95000	.90000	168.00	.1434	.1755	.1727	.9072	.6227-02	.7500-02	4.485	32.98	597.5

OH84B 60-0 WING LOWER SURFACE

(R4UQ13)

WING LOWER SURF

PARAMETRIC DATA

MACH = 8.000 ALPHA = 35.00 BETA = -1.000 ELEVON = .0000
 BDFLAP = .0000 SPDBRK = .0000

TEST CONDITIONS

RUN NUMBER	RN/L /FT X10 6	MACH	ALPHA DEG.	BETA DEG.	PO PSIA	TO DEG. R	T DEG. R	P PSIA	Q PSI	V FT/SEC	RHO SLUGS /FT3	MU LB-SEC /FT2
135	3.683	8.000	35.07	-.9652	852.5	1352.	97.95	.8732-01	3.912	3881.	.2406-02	.7882-07
136	3.699	8.000	35.06	-.9697	856.1	1352.	97.95	.8769-01	3.929	3881.	.2416-02	.7882-07
137	3.676	8.000	35.07	-.9690	851.9	1353.	98.02	.8726-01	3.909	3883.	.2403-02	.7888-07

RUN NUMBER	HREF BTU/ R FT2SEC	STN NO REF(R) = .0175
135	.4910-01	.2109-01
136	.4921-01	.2104-01
137	.4909-01	.2111-01

TEST DATA

RUN NUMBER	ZY/BW	XW/CW	T/C NO	H/HREF R=1.0	H/HREF R=0.9	H/HREF R= TAW/TO	TAW/TO	H(TO) BTU/R FT2SEC	H(TAW) BTU/R FT2SEC	QDOT BTU/ FT2SEC	DTWDT DEG. R /SEC	TW DEG. R
135	.60000	.25000-01	1110.0	.3951	.5128	.4366	.9586	.1940-01	.2144-01	11.42	78.98	763.0
135	.60000	.50000-01	1111.0	.3112	.3952	.3517	.9459	.1528-01	.1727-01	9.715	71.12	715.9
135	.60000	.75000-01	1112.0	.2539	.3180	.2909	.9369	.1247-01	.1429-01	8.362	58.08	681.0
135	.60000	.10000+00	1113.0	.2101	.2610	.2422	.9320	.1032-01	.1189-01	7.151	48.58	658.5
135	.60000	.20000	1114.0	.1403	.1727	.1627	.9266	.6889-02	.7989-02	4.968	34.21	630.6
135	.60000	.30000	1115.0	.1267	.1557	.1467	.9266	.6220-02	.7206-02	4.512	29.25	626.2
135	.60000	.40000	1116.0	.1167	.1432	.1349	.9271	.5728-02	.6623-02	4.176	27.96	622.6
135	.60000	.50000	1117.0	.1083	.1329	.1256	.9257	.5318-02	.6166-02	3.883	26.01	621.5
136	.60000	.60000	1118.0	.9963-01	.1220	.1154	.9255	.4902-02	.5679-02	3.610	24.26	615.2
136	.60000	.70000	1119.0	.8771-01	.1072	.1022	.9222	.4316-02	.5026-02	3.209	22.34	608.1
136	.60000	.80000	120.00	.1130	.1385	.1337	.9158	.5562-02	.6580-02	4.094	29.35	615.5
136	.60000	.85000	121.00	.1526	.1872	.1816	.9134	.7509-02	.8938-02	5.497	38.68	619.6
136	.60000	.90000	122.00	.1587	.1946	.1919	.9062	.7807-02	.9441-02	5.718	41.60	619.3
136	.60000	.95000	123.00	.1314	.1605	.1593	.9037	.6466-02	.7836-02	4.814	35.23	607.2
137	.95000	.30000	164.00	.3304	.4135	.3866	.9277	.1622-01	.1898-01	10.92	73.41	679.8
137	.95000	.50000	165.00	.2688	.3349	.3143	.9266	.1319-01	.1543-01	9.039	63.18	667.6
137	.95000	.70000	166.00	.1904	.2351	.2234	.9223	.9349-02	.1097-01	6.657	47.93	640.6

DATE 23 FEB 80

OH84B MODEL 60-0 IN THE AEDC VKF HYPERSONIC TUNNEL

PAGE 1960

OH84B 60-0 WING LOWER SURFACE

(R4UQ13)

RUN NUMBER	2Y/BW	XW/CW	T/C NO	H/HREF R=1.0	H/HREF R=0.9	H/HREF R= TAW/TO	TAW/TO	H(TO) BTU/R FT2SEC	H(TAW) BTU/R FT2SEC	QDOT BTU/ FT2SEC	DTWOT DEG. R /SEC	TW DEG. R
137	.95000	.80000	167.00	.2211	.2730	.2645	.9136	.1085-01	.1298-01	7.727	54.70	640.8
137	.95000	.90000	168.00	.1719	.2113	.2078	.9073	.8440-02	.1020-01	6.131	44.46	626.2

DATE 23 FEB 80

OH84B MODEL 60-0 IN THE AEDC VKF HYPERSONIC TUNNEL

PAGE 1961

OH84B 60-0 WING LOWER SURFACE

(R4UQ14)

WING LOWER SURF

PARAMETRIC DATA

MACH = 8.000 ALPHA = 35.00 BETA = .0000 ELEVON = .0000
 BDFLAP = .0000 SPDBRK = .0000

TEST CONDITIONS

RUN NUMBER	RN/L /FT X10 6	MACH	ALPHA DEG.	BETA DEG.	PO PSIA	TO DEG. R	T DEG. R	P PSIA	Q PSI	V FT/SEC	RHO SLUGS /FT3	MU LB-SEC /FT2
13	.5302	7.900	34.97	.2130-02	104.2	1240.	91.95	.1158-01	.5059	3714.	.3399-03	.7399-07
14	.5200	7.900	34.96	.2136-02	102.3	1241.	92.02	.1137-01	.4968	3715.	.3335-03	.7405-07
15	.5155	7.900	34.95	.2148-02	101.7	1243.	92.17	.1130-01	.4937	3718.	.3309-03	.7417-07

RUN NUMBER	HREF BTU/ R FT2SEC	STN NO REF (R) = .0175
13	.1739-01	.5561-01
14	.1724-01	.5615-01
15	.1719-01	.5638-01

TEST DATA

RUN NUMBER	ZY/BW	XW/CW	T/C NO	H/HREF R=1.0	H/HREF R=0.9	H/HREF R= TAW/TO	TAW/TO	H(TO) BTU/R FT2SEC	H(TAW) BTU/R FT2SEC	QDOT BTU/ FT2SEC	DTWDT DEG. R /SEC	TW DEG. R
13	.60000	.25000-01	1110.0	.4615	.5739	.5025	.9584	.8028-02	.8740-02	5.084	37.86	606.4
13	.60000	.50000-01	1111.0	.3321	.4102	.3704	.9457	.5777-02	.6443-02	3.764	29.30	588.1
13	.60000	.75000-01	1112.0	.2614	.3213	.2964	.9367	.4546-02	.5155-02	3.021	22.08	575.2
13	.60000	.10000+00	1113.0	.2091	.2564	.2392	.9318	.3637-02	.4161-02	2.443	17.35	568.0
13	.60000	.20000	1114.0	.1333	.1630	.1539	.9264	.2318-02	.2677-02	1.576	11.24	559.8
13	.60000	.30000	1115.0	.1180	.1442	.1362	.9264	.2052-02	.2370-02	1.400	9.384	557.7
13	.60000	.40000	1116.0	.1028	.1256	.1185	.9269	.1788-02	.2061-02	1.221	8.444	556.9
13	.60000	.50000	1117.0	.9699-01	.1185	.1122	.9255	.1687-02	.1951-02	1.150	7.954	557.7
14	.60000	.60000	1118.0	.8700-01	.1063	.1006	.9253	.1500-02	.1735-02	1.025	7.093	556.9
14	.60000	.70000	1119.0	.7245-01	.8945-01	.8434-01	.9220	.1249-02	.1454-02	.8566	6.123	554.8
14	.60000	.80000	120.00	.5524-01	.6735-01	.6513-01	.9155	.9523-03	.1123-02	.6570	4.862	550.8
14	.60000	.85000	121.00	.6450-01	.7861-01	.7641-01	.9132	.1112-02	.1317-02	.7685	5.598	549.6
14	.60000	.90000	122.00	.5681-01	.6920-01	.6830-01	.9060	.9794-03	.1177-02	.6790	5.119	547.4
14	.60000	.95000	123.00	.4281-01	.5210-01	.5171-01	.9034	.7380-03	.8915-03	.5135	3.876	544.8
15	.95000	.30000	164.00	.1293	.1579	.1489	.9274	.2223-02	.2559-02	1.527	10.90	556.0
15	.95000	.50000	165.00	.9487-01	.1157	.1094	.9263	.1631-02	.1880-02	1.126	8.323	552.4
15	.95000	.70000	166.00	.7318-01	.8923-01	.8512-01	.9220	.1258-02	.1463-02	.8693	6.540	551.6

DATE 23 FEB 80

OH84B MODEL 60-0 IN THE AEDC VKF HYPERSONIC TUNNEL

PAGE 1962

OH84B 60-0 WING LOWER SURFACE

(R4UQ14)

RUN NUMBER	2Y/BW	XW/CW	T/C NO	H/HREF R=1.0	H/HREF R=0.9	H/HREF R= TAW/TO	TAW/TO	H(TO) BTU/R FT2SEC	H(TAW) BTU/R FT2SEC	QDOT BTU/ FT2SEC	DTWDT DEG. R /SEC	TW DEG. R
15	.95000	.80000	167.00	.7896-01	.9621-01	.9348-01	.9134	.1357-02	.1607-02	.9407	6.966	549.6
15	.95000	.90000	168.00	.5603-01	.6819-01	.6716-01	.9070	.9631-03	.1154-02	.6711	5.063	545.9

DATE 23 FEB 80

OH84B MODEL 60-0 IN THE AEDC VKF HYPERSONIC TUNNEL

PAGE 1963

OH84B 60-0 WING LOWER SURFACE

(R4UQ14)

WING LOWER SURF

PARAMETRIC DATA

MACH = 8.000 ALPHA = 35.00 BETA = .0000 ELEVON = .0000
 BDFLAP = .0000 SPOBRK = .0000

TEST CONDITIONS

RUN NUMBER	RN/L /FT X10 6	MACH	ALPHA DEG.	BETA DEG.	PO PSIA	TO DEG. R	T DEG. R	P PSIA	Q PSI	V FT/SEC	RHO SLUGS /FT3	MU LB-SEC /FT2
60	2.004	7.980	34.98	.7044-03	434.5	1300.	94.62	.4523-01	2.016	3805.	.1290-02	.7614-07
61	2.001	7.980	34.99	.9426-07	435.2	1303.	94.84	.4531-01	2.020	3810.	.1289-02	.7631-07
62	1.995	7.980	34.99	-.1400-02	434.9	1305.	94.98	.4527-01	2.018	3813.	.1287-02	.7643-07

RUN NUMBER	HREF BTU/ R FT2SEC	STN NO REF (R) = .0175
60	.3501-01	.2868-01
61	.3505-01	.2870-01
62	.3505-01	.2874-01

TEST DATA

RUN NUMBER	2Y/BW	XW/CW	T/C NO	H/HREF R=1.0	H/HREF R=0.9	H/HREF R= TAW/TO	TAW/TO	H(TO) BTU/R FT2SEC	H(TAW) BTU/R FT2SEC	QDOT 3TU/ FT2SEC	DTWDT DEG. R /SEC	TW DEG. R
60	.60000	.25000-01	1110.0	.4279	.5426	.4691	.9584	.1498-01	.1642-01	9.207	66.02	685.1
60	.60000	.50000-01	1111.0	.3240	.4046	.3633	.9457	.1134-01	.1272-01	7.406	56.01	646.9
60	.60000	.75000-01	1112.0	.2559	.3166	.2913	.9367	.8960-02	.1020-01	6.074	43.40	621.7
60	.60000	.10000+00	1113.0	.2079	.2560	.2384	.9318	.7280-02	.8347-02	5.041	35.11	607.2
60	.60000	.20000	1114.0	.1306	.1600	.1510	.9264	.4572-02	.5288-02	3.231	22.66	592.9
60	.60000	.30000	1115.0	.1147	.1403	.1325	.9264	.4015-02	.4639-02	2.854	18.84	588.9
60	.60000	.40000	1116.0	.1024	.1251	.1181	.9270	.3584-02	.4134-02	2.561	17.46	585.3
60	.60000	.50000	1117.0	.9551-01	.1167	.1105	.9255	.3344-02	.3868-02	2.390	16.30	584.9
61	.60000	.60000	1118.0	.8553-01	.1043	.9883-01	.9253	.2998-02	.3464-02	2.167	14.82	579.8
61	.60000	.70000	1119.0	.6861-01	.8355-01	.7972-01	.9221	.2405-02	.2795-02	1.752	12.40	574.1
61	.60000	.80000	120.00	.5894-01	.7176-01	.6941-01	.9156	.2066-02	.2433-02	1.506	11.02	573.8
61	.60000	.85000	121.00	.6819-01	.8296-01	.8065-01	.9132	.2390-02	.2827-02	1.749	12.60	571.2
61	.60000	.90000	122.00	.5897-01	.7166-01	.7074-01	.9061	.2067-02	.2480-02	1.521	11.35	567.0
61	.60000	.95000	123.00	.4283-01	.5194-01	.5156-01	.9035	.1501-02	.1807-02	1.115	8.352	560.0
62	.95000	.30000	164.00	.1620	.1986	.1870	.9275	.5677-02	.6553-02	4.014	28.09	597.6
62	.95000	.50000	165.00	.1225	.1498	.1414	.9264	.4293-02	.4958-02	3.073	22.31	588.9
62	.95000	.70000	166.00	.8524-01	.1040	.9917-01	.9221	.2988-02	.3476-02	2.162	16.03	581.0

DATE 23 FEB 80

OH84B MODEL 60-0 IN THE AEDC VKF HYPERSONIC TUNNEL

PAGE 1964

OH84B 60-0 WING LOWER SURFACE

(R4UQ14)

RUN NUMBER	2Y/BW	XW/CW	T/C NO	H/HREF R=1.0	H/HREF R=0.9	H/HREF R= TAW/TO	TAW/TO	H(TO) BTU/R FT2SEC	H(TAW) BTU/R FT2SEC	QDOT BTU/ FT2SEC	DTWDT DEG. R /SEC	TW DEG. R
62	.95000	.80000	167.00	.8731-01	.1063	.1033	.9135	.3060-02	.3620-02	2.235	16.34	574.4
62	.95000	.90000	168.00	.5996-01	.7280-01	.7170-01	.9071	.2102-02	.2513-02	1.554	11.62	565.0

OH84B 60-0 WING LOWER SURFACE

(R4UQ14)

WING LOWER SURF

PARAMETRIC DATA

MACH = 8.000 ALPHA = 35.00 BETA = .0000 ELEVON = .0000
 BDFLAP = .0000 SPDBRK = .0000

TEST CONDITIONS

RUN NUMBER	RN/L /FT X10 E	MACH	ALPHA DEG.	BETA DEG.	PO PSIA	TO DEG. R	T DEG. R	P PSIA	Q PSI	V FT/SEC	RHO SLUGS /FT3	MU LB-SEC /FT2
79	3.047	7.990	35.01	-.6951-03	670.5	1310.	95.12	.6924-01	3.094	3820.	.1965-02	.7655-07
80	3.039	7.990	35.01	-.6938-03	670.1	1312.	95.27	.6920-01	3.092	3823.	.1960-02	.7666-07
81	3.030	7.990	35.02	-.6903-03	670.5	1315.	95.49	.6924-01	3.094	3827.	.1957-02	.7684-07

RUN NUMBER	HREF BTU/ R FT2SEC	STN NO REF (R) = .0175
79	.4343-01	.2326-01
80	.4343-01	.2329-01
81	.4346-01	.2332-01

TEST DATA

RUN NUMBER	ZY/BW	XW/CW	T/C NO	H/HREF R=1.0	H/HREF R=0.9	H/HREF R= TAW/TO	TAW/TO	H(TO) BTU/R FT2SEC	H(TAW) BTU/R FT2SEC	QDOT BTU/ FT2SEC	DTWDT DEG. R /SEC	TW DEG. R
79	.60000	.25000-01	1110.0	.4116	.5314	.4541	.9585	.1788-01	.1972-01	10.39	73.03	728.4
79	.60000	.50000-01	1111.0	.3167	.4005	.3572	.9458	.1375-01	.1551-01	8.606	63.95	684.0
79	.60000	.75000-01	1112.0	.2533	.3164	.2898	.9368	.1100-01	.1259-01	7.220	50.81	653.3
79	.60000	.10000+30	1113.0	.2071	.2569	.2386	.9319	.8995-02	.1036-01	6.076	41.76	634.2
79	.60000	.20000	1114.0	.1372	.1690	.1592	.9265	.5960-02	.6915-02	4.155	28.86	612.4
79	.60000	.30000	1115.0	.1200	.1474	.1390	.9265	.5210-02	.6037-02	3.663	23.97	606.5
79	.60000	.40000	1116.0	.1066	.1308	.1232	.9270	.4628-02	.5352-02	3.268	22.09	603.4
79	.60000	.50000	1117.0	.9930-01	.1219	.1152	.9256	.4312-02	.5002-02	3.046	20.59	603.3
80	.60000	.60000	1118.0	.8961-01	.1097	.1038	.9254	.3892-02	.4509-02	2.783	18.87	596.6
80	.60000	.70000	1119.0	.7548-01	.9225-01	.8792-01	.9221	.3278-02	.3818-02	2.366	16.62	589.8
80	.60000	.80000	120.00	.7828-01	.9562-01	.9242-01	.9157	.3400-02	.4014-02	2.458	17.85	588.6
80	.60000	.85000	121.00	.9390-01	.1147	.1115	.9133	.4078-02	.4840-02	2.945	21.03	589.6
80	.60000	.90000	122.00	.9033-01	.1103	.1088	.9061	.3923-02	.4725-02	2.845	21.03	586.5
80	.60000	.95000	123.00	.6962-01	.8474-01	.8409-01	.9036	.3023-02	.3652-02	2.222	16.51	576.8
81	.95000	.30000	164.00	.2815	.3505	.3283	.9276	.1223-01	.1427-01	8.166	55.78	647.2
81	.95000	.50000	165.00	.1954	.2416	.2273	.9265	.8491-02	.9880-02	5.835	41.58	627.4
81	.95000	.70000	166.00	.1221	.1499	.1427	.9222	.5304-02	.6200-02	3.758	27.51	606.3

DATE 23 FEB 80

OH84B MODEL 60-0 IN THE AEDC VKF HYPERSONIC TUNNEL

PAGE 1966

OH84B 60-0 WING LOWER SURFACE

(R4UQ14)

RUN NUMBER	2Y/BW	XW/CW	T/C NO	H/HREF R=1.0	H/HREF R=0.9	H/HREF R= TAW/TO	TAW/TO	H(TO) BTU/R FT2SEC	H(TAW) BTU/R FT2SEC	QDOT BTU/ FT2SEC	DTWDT DEG. R /SEC	TW DEG. R
81	.95000	.80000	167.00	.1457	.1789	.1736	.9135	.6333-02	.7543-02	4.489	32.32	606.0
81	.95000	.90000	168.00	.1216	.1490	.1466	.9072	.5285-02	.6372-02	3.779	27.76	599.6

DATE 23 FEB 80

OH84B MODEL 60-0 IN THE AEDC VKF HYPERSONIC TUNNEL

PAGE 1967

OH84B 60-0 WING LOWER SURFACE

(R4UQ14)

WING LOWER SURF

PARAMETRIC DATA

MACH = 8.000 ALPHA = 35.00 BETA = .0000 ELEVON = .0000
 BDFLAP = .0000 SPDBRK = .0000

TEST CONDITIONS

RUN NUMBER	RN/L /FT X10 6	MACH	ALPHA DEG.	BETA DEC.	PO PSIA	TO DEG. R	T DEG. R	P PSIA	Q PSI	V FT/SEC	RHO SLUGS /FT3	MU LB-SEC /FT2
132	3.694	8.000	35.03	.6883-03	854.1	1351.	97.87	.8749-01	3.919	3880.	.2413-02	.7876-07
133	3.692	8.000	35.03	-.6868-03	854.7	1352.	97.95	.8755-01	3.922	3881.	.2413-02	.7882-07
134	3.680	8.000	35.02	-.6917-03	852.8	1353.	98.02	.8735-01	3.913	3883.	.2405-02	.7888-07

RUN NUMBER	HREF BTU/ R FT2SEC	STN NO REF (R) = .0175
132	.4914-01	.2106-01
133	.4917-01	.2106-01
134	.4912-01	.2109-01

TEST DATA

RUN NUMBER	2Y/BW	XW/CW	T/C NO	H/HREF R=1.0	H/HREF R=0.9	H/HREF R= TAW/TO	TAW/TO	H(TO) BTU/R FT2SEC	H(TAW) BTU/R FT2SEC	QDOT BTU/ FT2SEC	DTWOT DEG. R /SEC	TW DEG. R
132	.60000	.25000-01	1110.0	.4219	.5473	.4662	.9585	.2073-01	.2291-01	12.22	84.62	761.1
132	.60000	.25000-01	1111.0	.3247	.4115	.3666	.9458	.1596-01	.1802-01	10.22	75.00	710.3
132	.60000	.75000-01	1112.0	.2599	.3248	.2975	.9368	.1277-01	.1462-01	8.637	60.17	674.4
132	.60000	.10000-01	1113.0	.2135	.2647	.2459	.9319	.1049-01	.1208-01	7.331	49.96	652.0
132	.60000	.30000-01	1114.0	.1423	.1748	.1648	.9265	.6992-02	.8099-02	5.076	35.05	624.6
132	.60000	.30000-01	1115.0	.1270	.1559	.1470	.9265	.6243-02	.7225-02	4.561	29.65	620.1
132	.60000	.40000-01	1116.0	.1157	.1418	.1336	.9271	.5684-02	.6566-02	4.171	28.00	616.9
132	.60000	.50000-01	1117.0	.1092	.1338	.1265	.9256	.5365-02	.6216-02	3.936	26.43	617.0
133	.60000	.60000-01	1118.0	.1028	.1264	.1195	.9254	.5054-02	.5873-02	3.651	24.37	629.2
133	.60000	.70000-01	1119.0	.9056-01	.1111	.1058	.9222	.4452-02	.5202-02	3.250	22.47	621.7
133	.60000	.80000-01	120.00	.9993-01	.1226	.1184	.9157	.4913-02	.5821-02	3.589	25.66	621.1
133	.60000	.85000-01	121.00	.1310	.1609	.1562	.9133	.6441-02	.7679-02	4.680	32.84	625.0
133	.60000	.90000-01	122.00	.1332	.1634	.1612	.9062	.6550-02	.7924-02	4.788	34.81	620.6
133	.60000	.95000-01	123.00	.1079	.1320	.1309	.9036	.5306-02	.6436-02	3.938	28.79	609.4
134	.95000	.30000-01	164.00	.3069	.3852	.3599	.9276	.1507-01	.1768-01	10.04	67.29	686.8
134	.95000	.50000-01	165.00	.1908	.2368	.2226	.9265	.9374-02	.1093-01	6.533	45.92	655.7
134	.95000	.70000-01	166.00	.1574	.1941	.1846	.9221	.7729-02	.9066-02	5.517	39.76	638.8

DATE 23 FEB 80

OH84B MODEL 60-0 IN THE AEDC VKF HYPERSONIC TUNNEL

PAGE 1968

OH84B 60-0 WING LOWER SURFACE

(R4UQ14)

RUN NUMBER	ZY/BW	XW/CW	T/C NO	H/HREF R=1.0	H/HREF R=0.9	H/HREF R= TAW/TO	TAW/TO	H(TO) BTU/R FT2SEC	H(TAW) BTU/R FT2SEC	QDOT BTU/ FT2SEC	DTWDT DEG. R /SEC	TW DEG. R
134	.95000	.80000	167.00	.2108	.2607	.2526	.9135	.1036-01	.1241-01	7.318	51.68	646.0
134	.95000	.90000	168.00	.1737	.2138	.2103	.9072	.8531-02	.1033-01	6.144	44.41	632.4

DATE 23 FEB 80

OH84B MODEL 60-0 IN THE AEDC VKF HYPERSONIC TUNNEL

PAGE 1969

OH84B 60-0 WING LOWER SURFACE

(R40015)

WING LOWER SURF

PARAMETRIC DATA

MACH = 8.000 ALPHA = 40.00 BETA = -10.00 ELEVON = .0000
 BDFLAP = .0000 SPDBRK = .0000

TEST CONDITIONS

RUN NUMBER	RN/L /FT X10 6	MACH	ALPHA DEG.	BETA DEG.	PO PSIA	TO DEG. R	T DEG. R	P PSIA	Q PSI	V FT/SEC	RHO SLUGS /FT3	MU LB-SEC /FT2
201	.4945	7.900	39.95	-10.05	100.2	1266.	93.88	.1114-01	.4867	3752.	.3203-03	.7554-07
202	.5125	7.900	39.95	-10.04	103.5	1263.	93.66	.1151-01	.5026	3748.	.3316-03	.7536-07
203	.4973	7.900	39.90	-10.06	99.51	1255.	93.06	.1106-01	.4831	3736.	.3207-03	.7489-07

RUN NUMBER	HREF BTU/ R FT2SEC	STN NO REF (R) = .0175
201	.1712-01	.5741-01
202	.1739-01	.5641-01
203	.1703-01	.5732-01

TEST DATA

RUN NUMBER	2Y/BW	XW/CW	T/C NO	H/HREF R=1.0	H/HREF R=0.9	H/HREF R= TAW/TO	TAW/TO	H(TO) BTU/R FT2SEC	H(TAW) BTU/R FT2SEC	QDOT BTU/ FT2SEC	DTWDT DEG. R /SEC	TW DEG. R
201	.60000	.25000-01	1110.0	.4080	.5093	.4360	.9677	.6986-02	.7466-02	4.444	32.72	629.6
201	.60000	.50000-01	1111.0	.3482	.4314	.3806	.9559	.5962-02	.6516-02	3.914	30.15	609.2
201	.60000	.75000-01	1112.0	.2971	.3658	.3297	.9472	.5087-02	.5646-02	3.428	24.86	591.8
201	.60000	.10000+00	1113.0	.2464	.3023	.2757	.9425	.4219-02	.4721-02	2.890	20.39	580.8
201	.60000	.20000	1114.0	.1575	.1924	.1778	.9372	.2697-02	.3044-02	1.895	13.39	566.9
201	.60000	.30000	1115.0	.1357	.1655	.1530	.9372	.2324-02	.2620-02	1.633	10.92	562.9
201	.60000	.40000	1116.0	.1176	.1433	.1324	.9377	.2013-02	.2266-02	1.419	9.799	560.6
201	.60000	.50000	1117.0	.1097	.1337	.1238	.9363	.1878-02	.2121-02	1.326	9.160	559.7
202	.60000	.60000	1118.0	.9875-01	.1203	.1115	.9361	.1718-02	.1940-02	1.211	8.372	557.7
202	.60000	.70000	1119.0	.8236-01	.1003	.9360-01	.9328	.1433-02	.1628-02	1.012	7.228	556.3
202	.60000	.80000	120.00	.6443-01	.7834-01	.7413-01	.9263	.1121-02	.1289-02	.7965	5.891	551.9
202	.60000	.85000	121.00	.8000-01	.9726-01	.9248-01	.9239	.1391-02	.1609-02	.9898	7.203	551.3
202	.60000	.90000	122.00	.7341-01	.8919-01	.8612-01	.9166	.1277-02	.1498-02	.9109	6.861	549.2
202	.60000	.95000	123.00	.5700-01	.6918-01	.6719-01	.9139	.9915-03	.1169-02	.7111	5.367	545.4
203	.95000	.30000	164.00	.1691	.2062	.1903	.9381	.2880-02	.3241-02	2.006	14.31	558.3
203	.95000	.50000	165.00	.1181	.1438	.1330	.9371	.2011-02	.2266-02	1.412	10.44	552.6
203	.95000	.70000	166.00	.9169-01	.1116	.1042	.9328	.1562-02	.1775-02	1.098	8.256	551.9

DATE 23 FEB 80

OHB4B MODEL 60-0 IN THE AEDC VKF HYPERSONIC TUNNEL

PAGE 1970

OHB4B 60-0 WING LOWER SURFACE

(R4U015)

RUN NUMBER	2Y/BW	XW/CW	T/C NO	H/HREF R=1.0	H/HREF R=0.9	H/HREF R= TAW/TO	TAW/TO	H(TO) BTU/R FT2SEC	H(TAW) BTU/R FT2SEC	QDOT BTU/ FT2SEC	DTWOT DEG. R /SEC	TW DEG. R
203	.95000	.80000	167.00	.9891-01	.1203	.1143	.9241	.1685-02	.1948-02	1.190	8.817	548.4
203	.95000	.90000	168.00	.7030-01	.8538-01	.8228-01	.9176	.1197-02	.1402-02	.8503	6.419	544.6

OH84B 60-0 WING LOWER SURFACE

(R4UQ15)

WING LOWER SURF

PARAMETRIC DATA

MACH = 8.000 ALPHA = 40.00 BETA = -10.00 ELEVON = .0000
 BDFLAP = .0000 SPDBRK = .0000

TEST CONDITIONS

RUN NUMBER	RN/L /FT X10 6	MACH	ALPHA DEG.	BETA DEG.	PO PSIA	TO DEG. R	T DEG. R	P PSIA	Q PSI	V FT/SEC	RHO SLUGS /FT3	MU LB-SEC /FT2
188	1.010	7.940	39.95	-10.05	204.4	1253.	92.05	.2199-01	.9703	3734.	.6447-03	.7407-07
189	1.002	7.940	39.95	-10.05	203.7	1257.	92.34	.2191-01	.9670	3740.	.6404-03	.7431-07
190	1.004	7.940	39.95	-10.04	205.0	1261.	92.64	.2205-01	.9731	3746.	.6425-03	.7454-07

RUN NUMBER	HREF BTU/ R FT2SEC	STN NO REF (R) = .0175
188	.2413-01	.4042-01
189	.2410-01	.4057-01
190	.2419-01	.4052-01

TEST DATA

RUN NUMBER	2Y/BW	XW/CW	T/C NO	H/HREF R=1.0	H/HREF R=0.9	H/HREF R= TAW/TO	TAW/TO	H(TO) BTU/R FT2SEC	H(TAW) BTU/R FT2SEC	QDOT BTU/ FT2SEC	DTWDT DEG. R /SEC	TW DEG. R
188	.60000	.25000-01	1110.0	.4199	.5298	.4501	.9677	.1013-01	.1086-01	6.125	44.69	648.3
188	.60000	.50000-01	1111.0	.3477	.4341	.3811	.9559	.8390-02	.9198-02	5.279	40.38	623.4
188	.60000	.75000-01	1112.0	.2932	.3633	.3264	.9472	.7076-02	.7878-02	4.596	33.14	603.2
188	.60000	.10000+00	1113.0	.2463	.3039	.2764	.9425	.5943-02	.6670-02	3.923	27.52	592.5
188	.60000	.20000	1114.0	.1562	.1916	.1767	.9372	.3769-02	.4265-02	2.552	18.05	575.6
188	.60000	.30000	1115.0	.1370	.1679	.1549	.9372	.3305-02	.3738-02	2.247	14.95	572.9
188	.60000	.40000	1116.0	.1195	.1465	.1350	.9377	.2884-02	.3258-02	1.965	13.49	571.5
188	.60000	.50000	1117.0	.1106	.1356	.1253	.9363	.2670-02	.3024-02	1.819	12.49	571.4
189	.60000	.60000	1118.0	.9659-01	.1187	.1096	.9361	.2328-02	.2642-02	1.574	10.76	580.7
189	.60000	.70000	1119.0	.7579-01	.9293-01	.8650-01	.9329	.1827-02	.2085-02	1.245	8.807	575.3
189	.60000	.80000	120.00	.5745-01	.7023-01	.6634-01	.9264	.1385-02	.1599-02	.9567	7.027	565.9
189	.60000	.85000	121.00	.7896-01	.9650-01	.9162-01	.9240	.1903-02	.2209-02	1.315	9.505	565.5
189	.60000	.90000	122.00	.7371-01	.9001-01	.8682-01	.9166	.1777-02	.2093-02	1.233	9.222	562.8
189	.60000	.95000	123.00	.5713-01	.6964-01	.6758-01	.9139	.1377-02	.1629-02	.9627	7.221	557.5
190	.95000	.30000	164.00	.1657	.2030	.1869	.9383	.4009-02	.4522-02	2.748	19.45	575.1
190	.95000	.50000	165.00	.1148	.1403	.1296	.9372	.2777-02	.3135-02	1.925	14.12	567.5
190	.95000	.70000	166.00	.9283-01	.1134	.1057	.9329	.2246-02	.2558-02	1.559	11.64	566.5

DATE 23 FEB 80

OH84B MODEL 60-0 IN THE AEDC VKF HYPERSONIC TUNNEL

PAGE 1972

OH84B 60-0 WING LOWER SURFACE

(R4UQ15)

RUN NUMBER	2Y/BW	XW/CW	T/C NO	H/HREF R=1.0	H/HREF R=0.9	H/HREF R= TAW/TO	TAW/TO	H(TO) BTU/R FT2SEC	H(TAW) BTU/R FT2SEC	QDOT BTU/ FT2SEC	DTWDT DEG. R /SEC	TW DEG. R
190	.95000	.80000	167.00	.9716-01	.1185	.1126	.9242	.2351-02	.2723-02	1.642	12.09	562.0
190	.95000	.90000	168.00	.6646-01	.8088-01	.7789-01	.9177	.1608-02	.1885-02	1.137	8.548	553.4

DATE 23 FEB 80

OH84B MODEL 60-0 IN THE AEDC VKF HYPERSONIC TUNNEL

PAGE 1973

OH84B 60-0 WING LOWER SURFACE

(R4UQ15)

WING LOWER SURF

PARAMETRIC DATA

MACH = 8.000 ALPHA = 40.00 BETA = -10.00 ELEVON = .0000
 BDFLAP = .0000 SPDBRK = .0000

TEST CONDITIONS

RUN NUMBER	RN/L /FT X10 6	MACH	ALPHA DEG.	BETA DEG.	PO PSIA	TO DEG. R	T DEG. R	P PSIA	Q PSI	V FT/SEC	RHO SLUGS /FT3	MU LB-SEC /FT2
170	1.999	7.980	39.98	-10.08	434.3	1302.	94.76	.4522-01	2.016	3808.	.1288-02	.7626-07
171	2.002	7.980	39.98	-10.09	434.9	1302.	94.76	.4528-01	2.018	3808.	.1290-02	.7626-07
172	2.004	7.980	39.98	-10.09	434.9	1301.	94.69	.4528-01	2.018	3807.	.1291-02	.7620-07

RUN NUMBER	HREF BTU/ R FT2SEC	STN NO REF(R) = .0175
170	.3501-01	.2872-01
171	.3504-01	.2870-01
172	.3503-01	.2868-01

TEST DATA

RUN NUMBER	2Y/BW	XW/CW	T/C NO	H/HREF R=1.0	H/HREF R=0.9	H/HREF R= TAW/TO	TAW/TO	H(TO) BTU/R FT2SEC	H(TAW) BTU/R FT2SEC	QDOT BTU/ FT2SEC	DTWOT DEG. R /SEC	TW DEG. R
170	.60000	.25000-01	1110.0	.4040	.5179	.4348	.9678	.1414-01	.1522-01	8.369	59.32	710.0
170	.60000	.50000-01	1111.0	.3395	.4288	.3738	.9559	.1189-01	.1309-01	7.429	55.39	676.7
170	.60000	.75000-01	1112.0	.2898	.3619	.3238	.9473	.1015-01	.1134-01	6.625	46.72	648.8
170	.60000	.10000+00	1113.0	.2417	.2999	.2721	.9426	.8464-02	.9526-02	5.678	39.09	630.8
170	.60000	.20000	1114.0	.1560	.1922	.1770	.9372	.5464-02	.6196-02	3.776	26.26	610.5
170	.60000	.30000	1115.0	.1313	.1616	.1488	.9372	.4597-02	.5210-02	3.195	20.91	606.7
170	.60000	.40000	1116.0	.1161	.1427	.1314	.9378	.4065-02	.4599-02	2.835	19.15	604.3
170	.60000	.50000	1117.0	.1078	.1325	.1223	.9364	.3775-02	.4283-02	2.635	17.81	603.5
170	.60000	.60000	1118.0	.9752-01	.1199	.1107	.9362	.3417-02	.3879-02	2.386	16.13	603.3
171	.60000	.70000	1119.0	.7979-01	.9787-01	.9108-01	.9329	.2796-02	.3191-02	1.969	13.78	597.3
171	.60000	.80000	120.00	.7950-01	.9751-01	.9201-01	.9264	.2786-02	.3224-02	1.963	14.20	597.0
171	.60000	.85000	121.00	.9859-01	.1208	.1146	.9240	.3454-02	.4016-02	2.443	17.40	594.5
171	.60000	.90000	122.00	.8993-01	.1101	.1061	.9167	.3151-02	.3719-02	2.239	16.51	591.2
171	.60000	.95000	123.00	.7165-01	.8753-01	.8490-01	.9140	.2511-02	.2975-02	1.801	13.33	584.3
172	.95000	.30000	164.00	.1670	.2062	.1892	.9383	.5850-02	.6628-02	4.002	27.75	616.5
172	.95000	.50000	165.00	.1121	.1380	.1271	.9372	.3929-02	.4453-02	2.724	19.60	607.4
172	.95000	.70000	166.00	.1005	.1238	.1150	.9329	.3521-02	.4030-02	2.432	17.77	610.0

DATE 23 FEB 80

OH84B MODEL 60-0 IN THE AEDC VKF HYPERSONIC TUNNEL

PAGE 1974

OH84B 60-0 WING LOWER SURFACE

(R4UQ15)

RUN NUMBER	2Y/BW	XW/CW	T/C NO	H/HREF R=1.0	H/HREF R=0.9	H/HREF R= TAW/TO	TAW/TO	H(TO) BTU/R FT2SEC	H(TAW) BTU/R FT2SEC	QDOT BTU/ FT2SEC	DTWDT DEG. R /SEC	TW DEG. R
172	.95000	.80000	167.00	.1099	.1351	.1280	.9242	.3850-02	.4483-02	2.688	19.39	602.6
172	.95000	.90000	168.00	.8154-01	.9988-01	.9605-01	.9177	.2857-02	.3365-02	2.023	14.91	592.5

OHB4B 60-0 WING LOWER SURFACE

(R4UQ15)

WING LOWER SURF

PARAMETRIC DATA

MACH = 8.000 ALPHA = 40.00 BETA = -10.00 ELEVON = .0000
 BDFLAP = .0000 SPOBRK = .0000

TEST CONDITIONS

RUN NUMBER	RN/L /FT X10 6	MACH	ALPHA DEG.	BETA DEG.	PO PSIA	TO DEG. R	T DEG. R	P PSIA	Q PSI	V FT/SEC	RHO SLUGS /FT3	MU LB-SEC /FT2
98	2.982	7.990	40.02	-10.11	669.7	1328.	96.43	.6916-01	3.091	3846.	.1936-02	.7760-07
99	2.993	7.990	40.02	-10.10	670.6	1326.	95.29	.6925-01	3.095	3843.	.1941-02	.7748-07
100	3.008	7.990	40.00	-10.10	673.1	1325.	96.21	.6951-01	3.106	3842.	.1950-02	.7742-07

RUN NUMBER	HREF BTU/ R FT2SEC	STN NO REF (R) = .0175
98	.4351-01	.2347-01
99	.4353-01	.2343-01
100	.4360-01	.2338-01

TEST DATA

RUN NUMBER	ZY/BW	XW/CW	T/C NO	H/HREF R=1.0	H/HREF R=0.9	H/HREF R= TAW/TO	TAW/TO	H(TO) BTU/R FT2SEC	H(TAW) BTU/R FT2SEC	QDOT BTU/ FT2SEC	DTWDT DEG. R /SEC	TW DEG. R
98	.60000	.25000-01	1110.0	.4007	.5211	.4328	.9678	.1743-01	.1893-01	10.01	69.56	753.3
98	.60000	.50000-01	1111.0	.3362	.4293	.3716	.9560	.1463-01	.1617-01	8.951	65.53	715.7
98	.60000	.75000-01	1112.0	.2845	.3585	.3192	.9474	.1238-01	.1389-01	7.960	55.20	684.5
98	.60000	.10000+00	1113.0	.2389	.2987	.2699	.9426	.1039-01	.1174-01	6.894	46.70	664.4
98	.60000	.20000	1114.0	.1550	.1922	.1764	.9373	.6744-02	.7676-02	4.624	31.66	642.0
98	.60000	.30000	1115.0	.1342	.1660	.1525	.9373	.5837-02	.6634-02	4.045	26.11	634.7
98	.60000	.40000	1116.0	.1178	.1455	.1336	.9378	.5126-02	.5814-02	3.577	23.87	629.9
98	.60000	.50000	1117.0	.1101	.1359	.1252	.9365	.4789-02	.5448-02	3.344	22.32	629.5
99	.60000	.60000	1118.0	.1021	.1261	.1162	.9362	.4446-02	.5058-02	3.106	20.75	627.1
99	.60000	.70000	1119.0	.8615-01	.1060	.9853-01	.9330	.3750-02	.4289-02	2.650	18.35	619.0
99	.60000	.80000	120.00	.1271	.1568	.1476	.9265	.5531-02	.6426-02	3.871	27.60	625.8
99	.60000	.85000	121.00	.1745	.2152	.2037	.9241	.7593-02	.8867-02	5.319	37.32	625.1
99	.60000	.90000	122.00	.1804	.2227	.2143	.9167	.7851-02	.9328-02	5.474	39.65	628.5
99	.60000	.95000	123.00	.1537	.1891	.1831	.9141	.6689-02	.7971-02	4.739	34.51	617.3
100	.95000	.30000	164.00	.1606	.1992	.1824	.9384	.7001-02	.7953-02	4.777	32.71	642.3
100	.95000	.50000	165.00	.1099	.1359	.1249	.9373	.4791-02	.5445-02	3.314	23.55	632.9
100	.95000	.70000	166.00	.1421	.1763	.1633	.9330	.6195-02	.7122-02	4.226	30.40	642.5

DATE 23 FEB 80

OH84B MODEL 60-0 IN THE AEDC VKF HYPERSONIC TUNNEL

PAGE 1976

OH84B 60-0 WING LOWER SURFACE

(R4UQ15)

RUN NUMBER	2Y/BW	XW/CW	T/C NO	H/HREF R=1.0	H/HREF R=0.9	H/HREF R= TAW/TO	TAW/TO	H(TO) BTU/R FT2SEC	H(TAW) BTU/R FT2SEC	QDOT BTU/ FT2SEC	DTWDT DEG. R /SEC	TW DEG. R
100	.95000	.80000	167.00	.1616	.1999	.1890	.9243	.7048-02	.8242-02	4.878	34.68	632.5
100	.95000	.90000	168.00	.1243	.1530	.1470	.9178	.5419-02	.6408-02	3.824	27.83	618.9

DATE 23 FEB 80

OH84B MODEL 60-0 IN THE AEDC VKF HYPERSONIC TUNNEL

PAGE 1977

OH84B 60-0 WING LOWER SURFACE

(R4UQ17)

WING LOWER SURF

PARAMETRIC DATA

MACH = 8.000 ALPHA = 40.00 BETA = -4.000 ELEVON = .0000
 BDFLAP = .0000 SPDBRK = .0000

TEST CONDITIONS

RUN NUMBER	RN/L /FT X10 6	MACH	ALPHA DEG.	BETA DEG.	PO PSIA	TO DEG. R	T DEG. R	P PSIA	Q PSI	V FT/SEC	RHO SLUGS /FT3	MU LB-SEC /FT2
198	.4952	7.900	39.96	-3.985	99.19	1256.	93.14	.1102-01	.4816	3737.	.3195-03	.7495-07
199	.4996	7.900	39.96	-3.996	99.13	1248.	92.54	.1102-01	.4813	3726.	.3213-03	.7447-07
200	.5083	7.900	39.97	-3.996	100.7	1247.	92.47	.1119-01	.4891	3724.	.3268-03	.7441-07

RUN NUMBER	HREF BTU/ R FT2SEC	STN NO REF (R) = .0175
198	.1701-01	.5744-01
199	.1699-01	.5724-01
200	.1712-01	.5675-01

TEST DATA

RUN NUMBER	2Y/BW	XW/CW	T/C NO	H/HREF R=1.0	H/HREF R=0.9	H/HREF R= TAW/TO	H(TO) BTU/R FT2SEC	H(TAW) BTU/R FT2SEC	QDOT BTU/ FT2SEC	DTWOT DEG. R /SEC	TW DEG. R
198	.60000	.25000-01	1110.0	.4056	.5085	.4339 .9677	.6899-02	.7381-02	4.282	31.45	635.0
198	.60000	.50000-01	1111.0	.3389	.4214	.3709 .9559	.5765-02	.6309-02	3.698	28.42	614.2
198	.60000	.75000-01	1112.0	.2858	.3531	.3177 .9473	.4861-02	.5404-02	3.203	23.17	596.8
198	.60000	.10000+30	1113.0	.2357	.2901	.2642 .9425	.4009-02	.4494-02	2.684	18.89	586.1
198	.60000	.20000	1114.0	.1487	.1822	.1681 .9372	.2528-02	.2859-02	1.726	12.23	572.9
198	.60000	.30000	1115.0	.1268	.1552	.1432 .9372	.2156-02	.2436-02	1.481	9.871	569.1
198	.60000	.40000	1116.0	.1096	.1340	.1236 .9377	.1864-02	.2103-02	1.284	8.836	566.9
198	.60000	.50000	1117.0	.09960-01	.1218	.1127 .9363	.1694-02	.1916-02	1.168	8.044	566.1
199	.60000	.60000	1118.0	.9358-01	.1139	.1056 .9361	.1589-02	.1794-02	1.112	7.726	548.1
199	.60000	.70000	1119.0	.7917-01	.9629-01	.8989-01 .9329	.1345-02	.1527-02	.9442	6.780	545.5
199	.60000	.80000	120.00	.6205-01	.7535-01	.7132-01 .9264	.1054-02	.1211-02	.7447	5.538	541.1
199	.60000	.85000	121.00	.7672-01	.9317-01	.8861-01 .9240	.1303-02	.1505-02	.9206	6.734	541.2
199	.60000	.90000	122.00	.6915-01	.8395-01	.8107-01 .9166	.1175-02	.1377-02	.8314	6.292	539.9
199	.60000	.95000	123.00	.5285-01	.6410-01	.6225-01 .9139	.8976-03	.1057-02	.6380	4.836	536.9
200	.95000	.30000	164.00	.1424	.1738	.1603 .9383	.2437-02	.2744-02	1.679	11.99	557.7
200	.95000	.50000	165.00	.1002	.1221	.1129 .9372	.1715-02	.1933-02	1.190	8.796	552.9
200	.95000	.70000	166.00	.7860-01	.9578-01	.8935-01 .9329	.1346-02	.1530-02	.9350	7.034	551.8

DATE 23 FEB 80

OH84B MODEL 60-0 IN THE AEDC VKF HYPERSONIC TUNNEL

PAGE 1978

OH84B 60-0 WING LOWER SURFACE

(R4UQ17)

RUN NUMBER	2Y/BW	XW/CW	T/C NO	H/HREF R=1.0	H/HREF R=0.9	H/HREF R= TAW/TO	TAW/TO	H(TO) BTU/R FT2SEC	H(TAW) BTU/R FT2SEC	QDOT BTU/ FT2SEC	DTWDT DEG. R /SEC	TW DEG. R
200	.95000	.80000	167.00	.8949-01	.1090	.1035	.9242	.1532-02	.1772-02	1.067	7.900	550.1
200	.95000	.90000	168.00	.6394-01	.7776-01	.7490-01	.9177	.1095-02	.1282-02	.7679	5.796	545.1

OH84B 60-0 WING LOWER SURFACE

(R4UQ17)

WING LOWER SURF

PARAMETRIC DATA

MACH = 8.000 ALPHA = 40.00 BETA = -4.000 ELEVON = .0000
 BDFLAP = .0000 SPDBRK = .0000

TEST CONDITIONS

RUN NUMBER	RN/L /FT X10 6	MACH	ALPHA DEG.	BETA DEG.	PO PSIA	TO DEG. R	T DEG. R	P PSIA	Q PSI	V FT/SEC	RHO SLUGS /FT3	MU LB-SEC /FT2
185	.9852	7.940	39.97	-3.981	202.7	1267.	93.08	.2180-01	.9622	3755.	.6323-03	.7490-07
186	.9941	7.940	39.96	-3.989	203.8	1264.	92.86	.2192-01	.9674	3751.	.6372-03	.7472-07
187	1.008	7.940	39.96	-3.991	205.0	1257.	92.34	.2205-01	.9731	3740.	.6445-03	.7431-07

RUN NUMBER	HREF BTU/ R FT2SEC	STN NO REF(R) = .0175
185	.2408-01	.4087-01
186	.2413-01	.4070-01
187	.2418-01	.4044-01

TEST DATA

RUN NUMBER	ZY/BW	XW/CW	T/C NO	H/HREF R=1.0	H/HREF R=0.9	H/HREF R= TAW/TO	TAW/TO	H(TO) BTU/R FT2SEC	H(TAW) BTU/R FT2SEC	QDOT BTU/ FT2SEC	DTWDT DEG. R /SEC	TW DEG. R
185	.60000	.25000-01	1110.0	.4249	.5347	.4550	.9678	.1023-01	.1096-01	6.314	46.05	649.5
185	.60000	.50000-01	1111.0	.3403	.4237	.3726	.9559	.8193-02	.8972-02	5.268	40.30	623.6
185	.60000	.75000-01	1112.0	.2814	.3479	.3129	.9473	.6776-02	.7535-02	4.492	32.38	603.7
185	.60000	.10000+30	1113.0	.2730	.2870	.2613	.9425	.5611-02	.6291-02	3.777	26.48	593.5
185	.60000	.20000	1114.0	.1488	.1823	.1682	.9372	.3583-02	.4051-02	2.468	17.44	577.9
185	.60000	.30000	1115.0	.1289	.1578	.1456	.9372	.3103-02	.3507-02	2.143	14.23	576.1
185	.60000	.40000	1116.0	.1113	.1363	.1256	.9377	.2680-02	.3025-02	1.853	12.70	575.2
185	.60000	.50000	1117.0	.1023	.1252	.1158	.9363	.2464-02	.2788-02	1.705	11.69	574.5
185	.60000	.60000	1118.0	.9348-01	.1142	.1058	.9361	.2256-02	.2552-02	1.570	10.80	567.9
186	.60000	.70000	1119.0	.7763-01	.9475-01	.8835-01	.9329	.1874-02	.2132-02	1.311	9.324	564.2
186	.60000	.80000	120.00	.6340-01	.7722-01	.7302-01	.9264	.1530-02	.1762-02	1.081	7.970	557.5
186	.60000	.85000	121.00	.7917-01	.9637-01	.9160-01	.9240	.1911-02	.2211-02	1.353	9.824	555.6
186	.60000	.90000	122.00	.7045-01	.8569-01	.8272-01	.9166	.1700-02	.1996-02	1.208	9.083	553.1
186	.60000	.95000	123.00	.5482-01	.6660-01	.6467-01	.9139	.1323-02	.1561-02	.9454	7.121	549.1
187	.95000	.30000	164.00	.1400	.1717	.1580	.9383	.3386-02	.3821-02	2.309	16.34	574.8
187	.95000	.50000	165.00	.9593-01	.1173	.1083	.9372	.2320-02	.2620-02	1.597	11.72	568.2
187	.95000	.70000	166.00	.7982-01	.9756-01	.9091-01	.9329	.1930-02	.2198-02	1.334	9.963	565.7

DATE 23 FEB 80

OH84B MODEL 60-0 IN THE AEDC VKF HYPERSONIC TUNNEL

PAGE 1980

OH84B 60-0 WING LOWER SURFACE

(R4UQ17)

RUN NUMBER	2Y/BW	XW/CW	T/C NO	H/HREF R=1.0	H/HREF R=0.9	H/HREF R= TAW/TO	TAW/TO	H(TO) BTU/R FT2SEC	H(TAW) BTU/R FT2SEC	QDOT BTU/ FT2SEC	DTWDT DEG. R /SEC	TW DEG. R
187	.95000	.80000	167.00	.9001-01	.1099	.1043	.9242	.2177-02	.2523-02	1.512	11.13	562.1
187	.95000	.90000	168.00	.6497-01	.7910-01	.7617-01	.9177	.1571-02	.1842-02	1.105	8.302	553.5

OH84B 60-0 WING LOWER SURFACE

(R4UQ17)

WING LOWER SURF

PARAMETRIC DATA

MACH = 8.000 ALPHA = 40.00 BETA = -4.000 ELEVON = .0000
 BOFLAP = .0000 SPDBRK = .0000

TEST CONDITIONS

RUN NUMBER	RN/L /FT X10 6	MACH	ALPHA DEG.	BETA DEG.	PO PSIA	TO DEG. R	T DEG. R	P PSIA	Q PSI	V FT/SEC	RHO SLUGS /FT3	MU LB-SEC /FT2
176	1.997	7.980	39.97	-3.999	436.5	1307.	95.13	.4544-01	2.026	3815.	.1289-02	.7655-07
177	1.998	7.980	39.98	-4.010	434.6	1303.	94.84	.4525-01	2.017	3810.	.1288-02	.7631-07
178	2.003	7.980	39.97	-4.003	435.3	1302.	94.76	.4532-01	2.020	3808.	.1291-02	.7626-07

RUN NUMBER	HREF BTU/ R FT2SEC	STN NO REF (R) = .0175
176	.3513-01	.2871-01
177	.3503-01	.2872-01
178	.3505-01	.2868-01

TEST DATA

RUN NUMBER	2Y/BW	XW/CW	T/C NO	H/HREF R=1.0	H/HREF R=0.9	H/HREF R= TAW/TO	TAW/TO	H(TO) BTU/R FT2SEC	H(TAW) BTU/R FT2SEC	QDOT BTU/ FT2SEC	OTWOT DEG. R /SEC	TH DEG. R
176	.60000	.25000-01	1110.0	.4097	.5234	.4405	.9678	.1439-01	.1547-01	8.651	61.45	705.4
176	.60000	.50000-01	1111.0	.3316	.4175	.3647	.9559	.1165-01	.1281-01	7.401	55.33	671.3
176	.60000	.75000-01	1112.0	.2733	.3405	.3050	.9473	.9599-02	.1071-01	6.356	44.92	644.5
176	.60000	.10000+00	1113.0	.2264	.2804	.2546	.9425	.7952-02	.8941-02	5.397	37.21	628.0
176	.60000	.20000	1114.0	.1426	.1756	.1617	.9372	.5010-02	.5679-02	3.489	24.26	610.3
176	.60000	.30000	1115.0	.1257	.1545	.1424	.9372	.4417-02	.5002-02	3.101	20.31	604.7
176	.60000	.40000	1116.0	.1114	.1367	.1259	.9377	.3914-02	.4423-02	2.767	18.73	599.8
176	.60000	.50000	1117.0	.1015	.1244	.1150	.9364	.3564-02	.4039-02	2.524	17.10	598.6
177	.60000	.60000	1118.0	.9266-01	.1134	.1049	.9361	.3246-02	.3674-02	2.316	15.76	589.2
177	.60000	.70000	1119.0	.7882-01	.9625-01	.8972-01	.9329	.2761-02	.3143-02	1.986	14.00	583.3
177	.60000	.80000	120.00	.8029-01	.9802-01	.9262-01	.9264	.2813-02	.3245-02	2.026	14.76	582.4
177	.60000	.85000	121.00	.9554-01	.1165	.1107	.9240	.3347-02	.3878-02	2.420	17.36	579.6
177	.60000	.90000	122.00	.8604-01	.1048	.1011	.9166	.3014-02	.3543-02	2.190	16.29	575.9
177	.60000	.95000	123.00	.6688-01	.8132-01	.7894-01	.9140	.2343-02	.2765-02	1.719	12.82	568.9
178	.95000	.30000	164.00	.1386	.1701	.1565	.9383	.4859-02	.5486-02	3.412	23.85	599.4
178	.95000	.50000	165.00	.9610-01	.1176	.1086	.9372	.3369-02	.3806-02	2.397	17.39	590.2
178	.95000	.70000	166.00	.9761-01	.1194	.1113	.9329	.3422-02	.3900-02	2.437	17.99	589.5

DATE 23 FEB 80

OH84B MODEL 60-0 IN THE AEDC VKF HYPERSONIC TUNNEL

PAGE 1982

OH84B 60-0 WING LOWER SURFACE

(R4UQ17)

RUN NUMBER	2Y/BW	XW/CW	T/C NO	H/HREF R=1.0	H/HREF R=0.9	H/HREF R= TAW/TO	TAW/TO	H(TO) BTU/R FT2SEC	H(TAW) BTU/R FT2SEC	QDOT BTU/ FT2SEC	DTWDT DEG. R /SEC	TW DEG. R
178	.95000	.80000	167.00	.1094	.1336	.1268	.9242	.3835-02	.4446-02	2.752	20.03	584.0
178	.95000	.90000	168.00	.8260-01	.1006	.9688-01	.9177	.2896-02	.3396-02	2.104	15.64	575.0

DATE 23 FEB 80

OH84B MODEL 60-0 IN THE AEDC VKF HYPERSONIC TUNNEL

PAGE 1983

OH84B 60-0 WING LOWER SURFACE

(R4U017)

WING LOWER SURF

PARAMETRIC DATA

MACH = 8.000 ALPHA = 40.00 BETA = -4.000 ELEVON = .0000
 BDFLAP = .0000 SPDBRK = .0000

TEST CONDITIONS

RUN NUMBER	RN/L /FT	MACH	ALPHA DEG.	BETA DEG.	PO PSIA	TO DEG. R	T DEG. R	P PSIA	Q PSI	V FT/SEC	RHO SLUGS /FT3	MU LB-SEC /FT2
	X10 6											
95	2.992	7.990	39.99	-4.021	670.3	1326.	96.29	.6922-01	3.093	3843.	.1940-02	.7748-07
96	2.988	7.990	40.00	-4.027	670.3	1327.	96.36	.6922-01	3.093	3845.	.1939-02	.7754-07
97	2.987	7.990	40.01	-4.020	670.8	1328.	96.43	.6927-01	3.096	3846.	.1939-02	.7760-07

RUN NUMBER	HREF BTU/ R FT2SEC	STN NO REF (R) = .0175
95	.4352-01	.2344-01
96	.4352-01	.2345-01
97	.4354-01	.2345-01

TEST DATA

RUN NUMBER	2Y/BW	XW/CW	T/C NO	H/HREF R=1.0	H/HREF R=0.9	H/HREF R= TAW/TO	TAW/TO	H(TO) BTU/R FT2SEC	H(TAW) BTU/R FT2SEC	QDOT BTU/ FT2SEC	DTWOT DEG. R /SEC	TW DEG. R
97	.60000	.25000-01	1110.0	.4096	.5312	.4422	.9678	.1784-01	.1925-01	10.35	72.10	747.4
97	.60000	.50000-01	1111.0	.3330	.4241	.3678	.9560	.1450-01	.1601-01	8.968	65.86	709.2
97	.60000	.75000-01	1112.0	.2709	.3406	.3036	.9473	.1179-01	.1322-01	7.654	53.21	678.8
97	.60000	.10000+30	1113.0	.2251	.2808	.2540	.9426	.9800-02	.1106-01	6.552	44.50	659.1
97	.60000	.20000	1114.0	.1466	.1814	.1667	.9373	.6385-02	.7257-02	4.422	30.38	635.0
97	.60000	.30000	1115.0	.1269	.1566	.1440	.9373	.5524-02	.6271-02	3.864	25.02	628.3
97	.60000	.40000	1116.0	.1121	.1382	.1270	.9378	.4881-02	.5530-02	3.435	22.98	624.0
97	.60000	.50000	1117.0	.1035	.1275	.1175	.9364	.4505-02	.5118-02	3.171	21.22	623.7
95	.60000	.60000	1118.0	.9707-01	.1191	.1101	.9362	.4224-02	.4791-02	3.021	20.35	610.4
95	.60000	.70000	1119.0	.8407-01	.1030	.9587-01	.9329	.3658-02	.4172-02	2.642	18.43	603.6
95	.60000	.80000	120.00	.1239	.1521	.1434	.9264	.5392-02	.6242-02	3.860	27.74	609.8
95	.60000	.85000	121.00	.1687	.2070	.1962	.9240	.7340-02	.8540-02	5.259	37.19	609.2
95	.60000	.90000	122.00	.1746	.2145	.2066	.9167	.7597-02	.8991-02	5.414	39.51	613.0
95	.60000	.95000	123.00	.1488	.1823	.1767	.9140	.6475-02	.7689-02	4.676	34.29	603.5
96	.95000	.30000	164.00	.1328	.1649	.1509	.9384	.5781-02	.6568-02	3.948	27.01	643.8
96	.95000	.50000	165.00	.9003-01	.1112	.1022	.9373	.3918-02	.4450-02	2.730	19.43	630.0
96	.95000	.70000	166.00	.1182	.1461	.1355	.9330	.5142-02	.5899-02	3.565	25.76	633.3

DATE 23 FEB 80

OHB4B MODEL 60-0 IN THE AEDC VKI HYPERSONIC TUNNEL

PAGE 1984

OHB4B 60-0 WING LOWER SURFACE

(R4UQ17)

RUN NUMBER	ZY/BW	XW/CW	T/C NO	H/HREF R=1.0	H/HREF R=0.9	H/HREF R= TAW/TO	TAW/TO	H(TO) BTU/R FT2SEC	H(TAW) BTU/R FT2SEC	QDOT BTU/ FT2SEC	DTWDT DEG. R /SEC	TW DEG. R
95	.95000	.80000	167.00	.1610	.1992	.1884	.9243	.7005-02	.8197-02	4.839	34.34	635.9
96	.95000	.90000	168.00	.1451	.1792	.1720	.9178	.6315-02	.7485-02	4.406	31.90	629.0

OH84B 60-0 WING LOWER SURFACE

(R4U018)

WING LOWER SURF

PARAMETRIC DATA

MACH = 8.000 ALPHA = 40.00 BETA = -2.000 ELEVON = .0000
 BDFLAP = .0000 SPDBRK = .0000

TEST CONDITIONS

RUN NUMBER	RN/L /FT X10 6	MACH	ALPHA DEG.	BETA DEG.	PO PSIA	TO DEG. R	T DEG. R	P PSIA	Q PSI	V FT/SEC	RHO SLUGS /FT3	MU LB-SEC /FT2
195	.4938	7.900	39.96	-1.991	98.69	1254.	92.99	.1097-01	.4792	3735.	.3184-03	.7483-07
196	.5017	7.900	39.96	-1.993	100.6	1257.	93.21	.1118-01	.4886	3739.	.3238-03	.7501-07
197	.4998	7.900	39.96	-1.991	100.2	1257.	93.21	.1114-01	.4867	3739.	.3226-03	.7501-07

RUN NUMBER	HREF BTU/ R FT2SEC	STN NO REF (R) = .0175
195	.1696-01	.5753-01
196	.1713-01	.5706-01
197	.1710-01	.5716-01

TEST DATA

RUN NUMBER	2Y/BW	XW/CW	T/C NO	H/HREF R=1.0	H/HREF R=0.9	H/HREF R= TAW/TO	TAW/TO	H(TO) BTU/R FT2SEC	H(TAW) BTU/R FT2SEC	QDOT BTU/ FT2SEC	DTWDT DEG. R /SEC	TW DEG. R
195	.60000	.25000-01	1110.0	.4264	.5328	.4558	.9677	.7233-02	.7731-02	4.540	33.49	626.0
195	.60000	.50000-01	1111.0	.3428	.4249	.3747	.9559	.5814-02	.6355-02	3.772	29.11	604.9
195	.60000	.75000-01	1112.0	.2826	.3482	.3138	.9473	.4794-02	.5323-02	3.190	23.17	588.3
195	.60000	.10000+00	1113.0	.2312	.2839	.2588	.9425	.3921-02	.4389-02	2.648	18.71	578.3
195	.60000	.20000	1114.0	.1440	.1761	.1626	.9372	.2442-02	.2758-02	1.679	11.93	566.2
195	.60000	.30000	1115.0	.1246	.1523	.1407	.9372	.2114-02	.2386-02	1.460	9.759	563.2
195	.60000	.40000	1116.0	.1082	.1322	.1220	.9377	.1836-02	.2069-02	1.270	8.764	561.7
195	.60000	.50000	1117.0	.9994-01	.1220	.1130	.9363	.1695-02	.1916-02	1.174	8.101	561.3
196	.60000	.60000	1118.0	.9121-01	.1111	.1030	.9361	.1563-02	.1765-02	1.097	7.598	554.6
196	.60000	.70000	1119.0	.7578-01	.9223-01	.8608-01	.9329	.1298-02	.1475-02	.9146	6.546	552.2
196	.60000	.80000	120.00	.5871-01	.7135-01	.6752-01	.9264	.1006-02	.1157-02	.7134	5.289	547.5
196	.60000	.85000	121.00	.7411-01	.9006-01	.8564-01	.9240	.1270-02	.1467-02	.9011	6.572	547.1
196	.60000	.90000	122.00	.6677-01	.8108-01	.7829-01	.9166	.1144-02	.1342-02	.8143	6.147	544.9
196	.60000	.95000	123.00	.5150-01	.6248-01	.6068-01	.9139	.8825-03	.1040-02	.6313	4.775	541.3
197	.95000	.30000	164.00	.1438	.1754	.1618	.9383	.2459-02	.2767-02	1.717	12.25	558.4
197	.95000	.50000	165.00	.1018	.1240	.1147	.9372	.1742-02	.1962-02	1.225	9.057	553.2
197	.95000	.70000	166.00	.7966-01	.9696-01	.9050-01	.9329	.1362-02	.1548-02	.9599	7.220	552.1

DATE 23 FEB 80

OH84B MODEL 60-0 IN THE AEDC VKF HYPERSONIC TUNNEL

PAGE 1986

OH84B 60-0 WING LOWER SURFACE

(R4UQ18)

RUN NUMBER	2Y/BW	XW/CW	T/C NO	H/HREF R=1.0	H/HREF R=0.9	H/HREF R= TAW/TO	TAW/TO	H(TO) BTU/R FT2SEC	H(TAW) BTU/R FT2SEC	QDOT BTU/ FT2SEC	DTWDT DEG. R /SEC	TW DEG. R
197	.95000	.80000	167.00	.9042-01	.1100	.1045	.9242	.1546-02	.1787-02	1.092	8.087	550.2
197	.95000	.90000	168.00	.6455-01	.7840-01	.7553-01	.9177	.1104-02	.1292-02	.7858	5.931	544.9

DATE 23 FEB 80

OH84B MODEL 60-0 IN THE AEDC VKF HYPERSONIC TUNNEL

PAGE 1987

OH84B 60-0 WING LOWER SURFACE

(R4UQ18)

WING LOWER SURF

PARAMETRIC DATA

MACH = 8.000 ALPHA = 40.00 BETA = -2.000 ELEVON = .0000
 BDFLAP = .0000 SPDBRK = .0000

TEST CONDITIONS

RUN NUMBER	RN/L /FT X10 6	MACH	ALPHA DEG.	BETA DEG.	PO PSIA	TO DEG. R	T DEG. R	P PSIA	Q PSI	V FT/SEC	RHO SLUGS /FT3	MU LB-SEC /FT2
182	1.011	7.940	39.97	-1.995	206.3	1260.	92.56	.2219-01	.9793	3745.	.6470-03	.7449-07
183	1.005	7.940	39.96	-2.000	205.1	1260.	92.56	.2206-01	.9736	3745.	.6433-03	.7449-07
184	.9995	7.940	39.97	-2.001	204.9	1264.	92.86	.2204-01	.9726	3751.	.6406-03	.7472-07

RUN NUMBER	HREF BTU/ R FT2SEC	STN NO REF(R) = .0175
182	.2427-01	.4037-01
183	.2420-01	.4049-01
184	.2420-01	.4059-01

TEST DATA

RUN NUMBER	ZY/BW	XW/CW	T/C NO	H/HREF R=1.0	H/HREF R=0.9	H/HREF R= TAW/TO	TAW/TO	H(TO) BTU/R FT2SEC	H(TAW) BTU/R FT2SEC	QDOT BTU/ FT2SEC	DTWDT DEG. R /SEC	TW DEG. R
182	.60000	.25000-01	1110.0	.4398	.5528	.4709	.9678	.1067-01	.1143-01	6.579	48.13	643.3
182	.60000	.50000-01	1111.0	.3453	.4295	.3780	.9559	.8380-02	.9172-02	5.383	41.30	617.3
182	.60000	.75000-01	1112.0	.2759	.3408	.3067	.9473	.6697-02	.7444-02	4.431	32.03	598.0
182	.60000	.10000+00	1113.0	.2259	.2781	.2532	.9426	.5483-02	.6145-02	3.680	25.87	588.4
182	.60000	.20000	1114.0	.1419	.1739	.1604	.9372	.3444-02	.3893-02	2.362	16.72	574.0
182	.60000	.30000	1115.0	.1240	.1519	.1402	.9372	.3010-02	.3401-02	2.067	13.75	572.9
182	.60000	.40000	1116.0	.1090	.1334	.1230	.9378	.2645-02	.2985-02	1.818	12.48	572.1
182	.60000	.50000	1117.0	.1019	.1247	.1153	.9364	.2472-02	.2798-02	1.701	11.68	571.6
182	.60000	.60000	1118.0	.9059-01	.1107	.1025	.9361	.2192-02	.2479-02	1.522	10.48	565.3
183	.60000	.70000	1119.0	.7629-01	.9310-01	.8681-01	.9329	.1846-02	.2101-02	1.288	9.174	561.9
183	.60000	.80000	120.00	.6225-01	.7583-01	.7170-01	.9264	.1506-02	.1735-02	1.060	7.822	556.1
183	.60000	.85000	121.00	.7674-01	.9340-01	.8878-01	.9240	.1857-02	.2148-02	1.311	9.529	553.7
183	.60000	.90000	122.00	.6975-01	.8482-01	.8188-01	.9166	.1688-02	.1981-02	1.197	9.009	550.5
183	.60000	.95000	123.00	.5271-01	.6402-01	.6216-01	.9139	.1275-02	.1504-02	.9097	6.862	546.4
184	.95000	.30000	164.00	.1421	.1736	.1600	.9383	.3438-02	.3872-02	2.392	16.99	567.9
184	.95000	.50000	165.00	.1019	.1244	.1150	.9372	.2467-02	.2782-02	1.728	12.71	563.1
184	.95000	.70000	166.00	.8783-01	.1071	.9991-01	.9329	.2125-02	.2418-02	1.491	11.16	562.1

DATE 23 FEB 80

OH84B MODEL 60-0 IN THE AEDC VKF HYPERSONIC TUNNEL

PAGE 1988

OH84B 60-0 WING LOWER SURFACE

(R4UQ18)

RUN NUMBER	2Y/BW	XW/CW	T/C NO	H/HREF R=1.0	H/HREF R=0.9	H/HREF R= TAW/TO	TAW/TO	H(TO) BTU/R FT2SEC	H(TAW) BTU/R FT2SEC	QDOT BTU/ FT2SEC	DTWDT DEG. R /SEC	TW DEG. R
184	.95000	.80000	167.00	.9369-01	.1141	.1084	.9242	.2267-02	.2623-02	1.600	11.80	558.0
184	.95000	.90000	168.00	.6747-01	.8200-01	.7899-01	.9177	.1633-02	.1911-02	1.164	8.763	550.6

DATE 23 FEB 80

OH84B MODEL 60-0 IN THE AEDC VKF HYPERSONIC TUNNEL

PAGE 1989

OH84B 60-0 WING LOWER SURFACE

(R4UQ18)

WING LOWER SURF

PARAMETRIC DATA

MACH = 8.000 ALPHA = 40.00 BETA = -2.000 ELEVON = .0000
 BDFLAP = .0000 SPDBRK = .0000

TEST CONDITIONS

RUN NUMBER	RN/L /FT X10 6	MACH	ALPHA DEG.	BETA DEG.	PO PSIA	TO DEG. R	T DEG. R	P PSIA	Q PSI	V FT/SEC	RHO SLUGS /FT3	MU LB-SEC /FT2
173	2.017	7.980	39.99	-2.004	436.3	1298.	94.47	.4542-01	2.025	3802.	.1298-02	.7602-07
174	1.998	7.980	39.98	-2.000	437.7	1305.	94.98	.4536-01	2.022	3813.	.1289-02	.7643-07
175	1.988	7.980	39.99	-2.005	434.9	1308.	95.20	.4528-01	2.018	3817.	.1284-02	.7661-07

RUN NUMBER	HREF BTU/ R FT2SEC	STN NO REF (R) = .0175
173	.3508-01	.2860-01
174	.3508-01	.2871-01
175	.3507-01	.2878-01

TEST DATA

RUN NUMBER	ZY/BW	XW/CW	T/C NO	H/HREF R=1.0	H/HREF R=0.9	H/HREF R= TAW/TO	TAW/TO	H(TO) BTU/R FT2SEC	H(TAW) BTU/R FT2SEC	QDOT BTU/ FT2SEC	DTWDT DEG. R /SEC	TW DEG. R
173	.60000	.25000-01	1110.0	.4173	.5333	.4487	.9678	.1464-01	.1574-01	8.729	62.12	701.3
173	.60000	.50000-01	1111.0	.3333	.4195	.3665	.9560	.1169-01	.1285-01	7.384	55.34	666.1
173	.60000	.75000-01	1112.0	.2728	.3398	.3045	.9473	.9570-02	.1068-01	6.303	44.67	639.0
173	.60000	.10000+00	1113.0	.2231	.2761	.2507	.9426	.7824-02	.8794-02	5.283	36.52	622.4
173	.60000	.20000	1114.0	.1387	.1706	.1571	.9372	.4865-02	.5511-02	3.375	23.54	604.0
173	.60000	.30000	1115.0	.1195	.1467	.1352	.9372	.4191-02	.4742-02	2.934	19.28	597.6
173	.60000	.40000	1116.0	.1054	.1292	.1191	.9378	.3697-02	.4176-02	2.604	17.69	593.5
173	.60000	.50000	1117.0	.9634-01	.1181	.1091	.9364	.3379-02	.3827-02	2.382	16.18	592.8
173	.60000	.60000	1118.0	.8892-01	.1087	.1006	.9362	.3120-02	.3529-02	2.241	15.27	586.5
174	.60000	.70000	1119.0	.7409-01	.9039-01	.8429-01	.9329	.2600-02	.2957-02	1.881	13.27	581.0
174	.60000	.80000	120.00	.7521-01	.9174-01	.8671-01	.9264	.2639-02	.3042-02	1.911	13.94	580.5
174	.60000	.85000	121.00	.9056-01	.1104	.1049	.9240	.3177-02	.3680-02	2.307	16.57	578.4
174	.60000	.90000	122.00	.8235-01	.1003	.3680-01	.9167	.2888-02	.3396-02	2.104	15.64	576.4
174	.60000	.95000	123.00	.6237-01	.7580-01	.7358-01	.9140	.2188-02	.2582-02	1.611	12.02	568.4
175	.95000	.30000	164.00	.1374	.1686	.1551	.9383	.4819-02	.5440-02	3.410	23.83	600.2
175	.95000	.50000	165.00	.9594-01	.1174	.1084	.9372	.3364-02	.3800-02	2.407	17.45	592.2
175	.95000	.70000	166.00	.1001	.1225	.1141	.9329	.3511-02	.4002-02	2.512	18.52	592.2

DATE 23 FEB 80

OH84B MODEL 60-0 IN THE AEDC VKF HYPERSONIC TUNNEL

PAGE 1990

OH84B 60-0 WING LOWER SURFACE

(R4UQ18)

RUN NUMBER	2Y/BW	XW/CW	T/C NO	H/HREF R=1.0	H/HREF R=0.9	H/HREF R= TAW/TO	TAW/TO	H(TO) BTU/R FT2SEC	H(TAW) BTU/R FT2SEC	QDOT BTU/ FT2SEC	DTWDT DEG. R /SEC	TW DEG. R
175	.95000	.80000	167.00	.1115	.1362	.1293	.9242	.3911-02	.4534-02	2.821	20.51	586.3
175	.95000	.90000	168.00	.8439-01	.1028	.9897-01	.9177	.2959-02	.3470-02	2.161	16.05	577.5

DATE 23 FEB 80

OH84B MODEL 60-0 IN THE AEDC VKF HYPERSONIC TUNNEL

PAGE 1991

OH84B 60-0 WING LOWER SURFACE

(R4UQ18)

WING LOWER SURF

PARAMETRIC DATA

MACH = 8.000 ALPHA = 40.00 BETA = -2.000 ELEVON = .0000
 BDFLAP = .0000 SPDBRK = .0000

TEST CONDITIONS

RUN NUMBER	RN/L /FT X10 6	MACH	ALPHA DEG.	BETA DEG.	PO PSIA	TO DEG. R	T DEG. R	P PSIA	Q PSI	V FT/SEC	RHO SLUGS /FT3	MU LB-SEC /FT2
89	3.018	7.990	40.02	-2.030	669.3	1317.	95.63	.6912-01	3.089	3830.	.1951-02	.7696-07
90	3.013	7.990	40.02	-2.028	670.6	1320.	95.85	.6925-01	3.095	3835.	.1950-02	.7713-07
93	2.993	7.990	40.02	-2.035	672.1	1328.	96.43	.6941-01	3.102	3846.	.1943-02	.7760-07

RUN NUMBER	HREF BTU/R FT2SEC	STN NO REF(R) = .0175
89	.4343-01	.2336-01
90	.4349-01	.2337-01
93	.4359-01	.2343-01

TEST DATA

RUN NUMBER	2Y/BW	XW/CW	T/C NO	H/HREF R=1.0	H/HREF R=0.9	H/HREF R= TAW/TO	TAW/TO	H(TO) BTU/R FT2SEC	H(TAW) BTU/R FT2SEC	QDOT BTU/ FT2SEC	DTWDT DEG. R /SEC	TW DEG. R
89	.60000	.25000-01	1110.0	.4116	.5362	.4448	.9679	.1788-01	.1932-01	10.13	70.45	750.2
89	.60000	.50000-01	1111.0	.3319	.4241	.3670	.9560	.1442-01	.1594-01	8.730	64.05	711.1
89	.60000	.75000-01	1112.0	.2706	.3411	.3036	.9474	.1175-01	.1319-01	7.489	52.05	679.5
89	.60000	.10000+30	1113.0	.2242	.2803	.2533	.9427	.9738-02	.1100-01	6.405	43.50	659.0
89	.60000	.20000	1114.0	.1458	.1806	.1658	.9373	.6333-02	.7203-02	4.326	29.74	633.6
89	.60000	.30000	1115.0	.1257	.1554	.1428	.9373	.5461-02	.6203-02	3.765	24.39	627.2
89	.60000	.40000	1116.0	.1107	.1367	.1255	.9379	.4808-02	.5453-02	3.329	22.27	624.4
89	.60000	.50000	1117.0	.1040	.1285	.1183	.9365	.4518-02	.5140-02	3.125	20.90	625.1
90	.60000	.60000	1118.0	.9870-01	.1217	.1122	.9362	.4293-02	.4880-02	3.001	20.12	620.5
90	.60000	.70000	1119.0	.8632-01	.1062	.9870-01	.9330	.3754-02	.4292-02	2.647	18.37	614.6
90	.60000	.80000	120.00	.1174	.1445	.1362	.9265	.5104-02	.5922-02	3.585	25.67	617.3
90	.60000	.85000	121.00	.1533	.1891	.1790	.9241	.6665-02	.7784-02	4.644	32.62	623.0
90	.60000	.90000	122.00	.1585	.1953	.1880	.9167	.6894-02	.8177-02	4.828	35.12	619.4
90	.60000	.95000	123.00	.1343	.1650	.1598	.9141	.5839-02	.6951-02	4.138	30.22	611.0
93	.95000	.30000	164.00	.1329	.1640	.1505	.9384	.5792-02	.6558-02	4.055	27.96	627.6
93	.95000	.50000	165.00	.9248-01	.1136	.1047	.9373	.4031-02	.4563-02	2.875	20.62	614.5
93	.95000	.70000	166.00	.1191	.1464	.1361	.9330	.5191-02	.5932-02	3.697	26.95	615.5

DATE 23 FEB 80

OH84B MODEL 60-0 IN THE AEDC VKI HYPERSONIC TUNNEL

PAGE 1992

OH84B 60-0 WING LOWER SURFACE

(R4UQ18)

RUN NUMBER	2Y/BW	XW/CW	T/C NO	H/HREF	H/HREF	H/HREF	TAW/TO	H(TO)	H(TAW)	QDOT	DTWDT	TW
				R=1.0	R=0.9	R=		BTU/R	BTU/R	BTU/	DEG. R	DEG. R
						TAW/TO	FT2SEC	FT2SEC	FT2SEC	/SEC		
93	.95000	.80000	167.00	.1623	.1997	.1891	.9243	.7074-02	.8243-02	5.011	35.85	619.2
93	.95000	.90000	168.00	.1477	.1815	.1744	.9178	.6440-02	.7601-02	4.597	33.53	613.8

DATE 23 FEB 80

OH84B MODEL 60-0 IN THE AEDC VKF HYPERSONIC TUNNEL

PAGE 1993

OH84B 60-0 WING LOWER SURFACE

(R4UQ20)

WING LOWER SURF

PARAMETRIC DATA

MACH = 8.000 ALPHA = 40.00 BETA = -1.000 ELEVON = .0000
BDFLAP = .0000 SPDBRK = .0000

TEST CONDITIONS

RUN NUMBER	RN/L /FT X10.6	MACH	ALPHA DEG.	BETA DEG.	PO PSIA	TO DEG. R	T DEG. R	P PSIA	Q PSI	V FT/SEC	RHO SLUGS /FT3	MU LB-SEC /FT2
191	.5026	7.900	39.96	-.9984	99.61	1247.	92.47	.1107-01	.4836	3724.	.3231-03	.7441-07
RUN NUMBER	HREF BTU/ R FT2SEC	STN NO REF (R)										
191	.1702-01	.5707-01										

TEST DATA

RUN NUMBER	2Y/BW	XW/CW	T/C NO	H/HREF R=1.0	H/HREF R=0.9	H/HREF R= TAW/TO	TAW/TO	H(TO) BTU/R FT2SEC	H(TAW) BTU/R FT2SEC	QDOT BTU/ FT2SEC	DTWDT DEG. R /SEC	TW DEG. R
191	.60000	.25000-01	1110.0	.4289	.5367	.4586	.9677	.7301-02	.7808-02	4.530	33.41	626.2
191	.60000	.50000-01	1111.0	.3488	.4330	.3815	.9559	.5938-02	.6495-02	3.807	29.38	605.5
191	.60000	.75000-01	1112.0	.2822	.3482	.3135	.9473	.4804-02	.5337-02	3.159	22.93	589.1
191	.60000	.10000+00	1113.0	.2293	.2820	.2569	.9425	.3904-02	.4374-02	2.605	18.39	579.4
191	.60000	.20000	1114.0	.1434	.1756	.1621	.9372	.2441-02	.2759-02	1.657	11.77	567.8
191	.60000	.30000	1115.0	.1212	.1483	.1369	.9372	.2063-02	.2331-02	1.407	9.398	564.9
191	.60000	.40000	1116.0	.1053	.1288	.1188	.9377	.1793-02	.2023-02	1.225	8.447	563.3
191	.60000	.50000	1117.0	.9759-01	.1194	.1104	.9363	.1661-02	.1880-02	1.134	7.818	564.0

DATE 23 FEB 80

OH84B MODEL 60-0 IN THE AEDC VKF HYPERSONIC TUNNEL

PAGE 1994

OH84B 60-0 WING LOWER SURFACE

(R4UQ21)

WING LOWER SURF

PARAMETRIC DATA

MACH = 8.000 ALPHA = 40.00 BETA = -1.000 ELEVON = .0000
 BDFLAP = .0000 SPDBRK = .0000

TEST CONDITIONS

RUN NUMBER	RN/L /FT	MACH	ALPHA DEG.	BETA DEG.	PO PSIA	TO DEG. R	T DEG. R	P PSIA	Q PSI	V FT/SEC	RHO SLUGS /FT3	MU LB-SEC /FT2
192	X10 6 .5105	7.900	39.99	-1.007	101.0	1246.	92.40	.1123-01	.4906	3723.	.3281-03	.7435-07
193	.5035	7.900	39.99	-1.006	99.91	1248.	92.54	.1110-01	.4851	3726.	.3238-03	.7447-07
194	.5043	7.900	39.98	-1.003	100.4	1251.	92.77	.1116-01	.4876	3730.	.3247-03	.7465-07

RUN NUMBER	HREF BTU/ R FT2SEC	STN NO REF (R) = .0175
192	.1714-01	.5663-01
193	.1705-01	.5701-01
194	.1710-01	.5695-01

TEST DATA

RUN NUMBER	ZY/BW	XW/CW	T/C NO	H/HREF R=1.0	H/HREF R=0.9	H/HREF R= TAW/TO	TAW/TO	H(TO) BTU/R FT2SEC	H(TAW) BTU/R FT2SEC	QDOT BTU/ FT2SEC	DTWDT DEG. R /SEC	TW DEG. R
192	.60000	.25000-01	1110.0	.4499	.5596	.4803	.9678	.7714-02	.8233-02	4.903	36.45	610.1
192	.60000	.50000-01	1111.0	.3525	.4356	.3848	.9560	.6043-02	.6597-02	3.946	30.65	592.6
192	.60000	.75000-01	1112.0	.2826	.3474	.3134	.9473	.4845-02	.5373-02	3.236	23.63	577.7
192	.60000	.10000+00	1113.0	.2292	.2809	.2563	.9426	.3929-02	.4394-02	2.659	18.87	568.9
192	.60000	.20000	1114.0	.1432	.1749	.1616	.9372	.2455-02	.2771-02	1.687	12.04	558.4
192	.60000	.30000	1115.0	.1244	.1519	.1403	.9372	.2133-02	.2406-02	1.471	9.868	556.2
192	.60000	.40000	1116.0	.1071	.1307	.1207	.9378	.1836-02	.2069-02	1.267	8.766	555.9
192	.60000	.50000	1117.0	.9965-01	.1216	.1126	.9364	.1708-02	.1930-02	1.178	8.152	556.1
192	.60000	.60000	1118.0	.8688-01	.1062	.9827-01	.9362	.1482-02	.1676-02	1.018	7.028	560.6
193	.60000	.70000	1119.0	.6960-01	.8496-01	.7920-01	.9329	.1187-02	.1351-02	.8192	5.848	557.4
193	.60000	.80000	120.00	.4912-01	.5983-01	.5657-01	.9264	.8376-03	.9647-03	.5840	4.322	550.5
193	.60000	.85000	121.00	.6934-01	.8447-01	.8026-01	.9240	.1182-02	.1369-02	.8236	5.994	551.1
193	.60000	.90000	122.00	.6453-01	.7855-01	.7581-01	.9167	.1100-02	.1293-02	.7691	5.794	548.7
193	.60000	.95000	123.00	.4830-01	.5871-01	.5699-01	.9140	.8235-03	.9718-03	.5794	4.375	544.2
194	.95000	.30000	164.00	.1461	.1781	.1643	.9383	.2499-02	.2811-02	1.741	12.45	554.2
194	.95000	.50000	165.00	.1042	.1269	.1174	.9372	.1782-02	.2007-02	1.249	9.250	549.8
194	.95000	.70000	166.00	.8334-01	.1014	.9467-01	.9329	.1425-02	.1619-02	.9996	7.528	549.4

DATE 23 FEB 80

OH84B MODEL 60-0 IN THE AEDC VKF HYPERSONIC TUNNEL

PAGE 1995

OH84B 60-0 WING LOWER SURFACE

(R4UQ21)

RUN NUMBER	ZY/BW	XW/CW	T/C NO	H/HREF R=1.0	H/HREF R=0.9	H/HREF R= TAW/TO	TAW/TO	H(TO) BTU/R FT2SEC	H(TAW) BTU/R FT2SEC	QDOT BTU/ FT2SEC	DTWDT DEG. R /SEC	TW DEG. R
194	.95000	.80000	167.00	.9191-01	.1118	.1062	.9242	.1572-02	.1816-02	1.107	8.212	546.3
194	.95000	.90000	168.00	.6550-01	.7955-01	.7664-01	.9177	.1120-02	.1311-02	.7932	5.994	542.7

OH84B 60-0 WING LOWER SURFACE

(R4UQ21)

WING LOWER SURF

PARAMETRIC DATA

MACH = 8.000 ALPHA = 40.00 BETA = -1.000 ELEVON = .0000
 BDFLAP = .0000 SPDBRK = .0000

TEST CONDITIONS

RUN NUMBER	RN/L /FT X10 6	MACH	ALPHA DEG.	BETA DEG.	PO PSIA	TO DEG. R	T DEG. R	P PSIA	Q PSI	V FT/SEC	RHO SLUGS /FT3	MU LB-SEC /FT2
179	1.009	7.940	39.99	-1.007	205.6	1259.	92.49	.2212-01	.9760	3743.	.6454-03	.7443-07
180	1.002	7.940	39.98	-1.002	205.1	1203.	92.70	.2205-01	.9736	3740.	.6410-03	.7400-07
181	.9960	7.940	39.97	-1.003	203.7	1262.	92.71	.2191-01	.9670	3748.	.6379-03	.7460-07

RUN NUMBER	HREF BTU/ R FT2SEC	STN NO REF (R) = .0175
179	.2422-01	.4042-01
180	.2421-01	.4055-01
181	.2412-01	.4067-01

TEST DATA

RUN NUMBER	2Y/BW	XW/CW	T/C NO	H/HREF R=1.0	H/HREF R=0.9	H/HREF R= TAW/TO	TAW/TO	H(TO) BTU/R FT2SEC	H(TAW) BTU/R FT2SEC	QDOT BTU/ FT2SEC	DTWDT DEG. R /SEC	TW DEG. R
179	.60000	.25000-01	1110.0	.4515	.5665	.4831	.9678	.1094-01	.1170-01	6.776	49.67	639.1
179	.60000	.50000-01	1111.0	.3483	.4329	.3811	.9560	.8438-02	.9232-02	5.440	41.80	614.0
179	.60000	.75000-01	1112.0	.2758	.3404	.3064	.9473	.6680-02	.7423-02	4.427	32.03	596.0
179	.60000	.10000+00	1113.0	.2257	.2778	.2529	.9426	.5468-02	.6127-02	3.671	25.82	587.2
179	.60000	.20000	1114.0	.1412	.1730	.1596	.9372	.3421-02	.3867-02	2.343	16.59	573.7
179	.60000	.30000	1115.0	.1218	.1491	.1376	.9372	.2950-02	.3334-02	2.025	13.48	572.2
179	.60000	.40000	1116.0	.1068	.1307	.1205	.9378	.2586-02	.2918-02	1.781	12.23	570.2
179	.60000	.50000	1117.0	.9820-01	.1201	.1111	.9364	.2379-02	.2691-02	1.640	11.27	569.4
180	.60000	.60000	1118.0	.9009-01	.1101	.1019	.9361	.2181-02	.2467-02	1.518	10.45	566.7
180	.60000	.70000	1119.0	.7534-01	.9195-01	.8573-01	.9329	.1824-02	.2075-02	1.275	9.072	563.6
180	.60000	.80000	120.00	.6183-01	.7534-01	.7123-01	.9264	.1497-02	.1724-02	1.054	7.771	558.4
180	.60000	.85000	121.00	.7495-01	.9125-01	.8672-01	.9240	.1814-02	.2099-02	1.282	9.306	556.1
180	.60000	.90000	122.00	.6669-01	.8113-01	.7831-01	.9167	.1614-02	.1896-02	1.145	8.608	553.3
180	.60000	.95000	123.00	.5098-01	.6195-01	.6014-01	.9140	.1234-02	.1456-02	.8801	6.628	549.5
181	.95000	.30000	164.00	.1413	.1727	.1592	.9383	.3409-02	.3839-02	2.367	16.81	567.4
181	.95000	.50000	165.00	.1033	.1261	.1165	.9372	.2492-02	.2811-02	1.742	12.82	562.7
181	.95000	.70000	166.00	.9034-01	.1102	.1028	.9329	.2179-02	.2479-02	1.525	11.41	561.9

DATE 23 FEB 80

CH84B MODEL 60-0 IN THE AEDC VKI HYPERSONIC TUNNEL

PAGE 1997

CH84B 60-0 WING LOWER SURFACE

(R4UQ21)

RUN NUMBER	2Y/BW	XW/CW	T/C NO	H/HREF R=1.0	H/HREF R=0.9	H/HREF R= TAW/TO	TAW/TO	H(TO) BTU/R FT2SEC	H(TAW) BTU/R FT2SEC	QDOT BTU/ FT2SEC	OTWDT DEG. R /SEC	TW DEG. R
181	.95000	.80000	167.00	.9513-01	.1159	.1101	.9242	.2295-02	.2655-02	1.615	11.91	557.9
181	.95000	.90000	168.00	.6726-01	.8178-01	.7877-01	.9177	.1622-02	.1900-02	1.153	8.676	551.0

DATE 23 FEB 80

OH84B MODEL 60-0 IN THE AEDC VKF HYPERSONIC TUNNEL

PAGE 1998

OH84B 60-0 WING LOWER SURFACE

(R4UQ21)

WING LOWER SURF

PARAMETRIC DATA

MACH = 8.000 ALPHA = 40.00 BETA = -1.000 ELEVON = .0000
 BDFLAP = .0000 SPDBRK = .0000

TEST CONDITIONS

RUN NUMBER	RN/L /FT X10 6	MACH	ALPHA DEG.	BETA DEG.	PO PSIA	TO DEG. R	T DEG. R	P PSIA	Q PSI	V FT/SEC	RHO SLUGS /FT3	MU LB-SEC /FT2
167	2.003	7.990	40.01	-1.009	434.6	1301.	94.69	.4525-01	2.017	3807.	.1290-02	.7620-07
168	2.006	7.980	40.02	-1.016	435.8	1302.	94.76	.4537-01	2.023	3808.	.1292-02	.7626-07
169	2.008	7.980	40.02	-1.013	435.3	1300.	94.62	.4532-01	2.020	3805.	.1293-02	.7614-07

RUN NUMBER	HREF BTU/ R FT2SEC	STN NO REF (R) = .0175
167	.3502-01	.2869-01
168	.3507-01	.2867-01
169	.3505-01	.2866-01

TEST DATA

RUN NUMBER	2Y/BW	XW/CW	T/C NO	H/HREF R=1.0	H/HREF R=0.9	H/HREF R= TAW/TO	TAW/TO	H(TO) BTU/R FT2SEC	H(TAW) BTU/R FT2SEC	QDOT BTU/ FT2SEC	DTWDT DEG. R /SEC	TW DEG. R
167	.60000	.25000-01	1110.0	.4085	.5259	.4401	.9678	.1431-01	.1541-01	8.338	58.88	717.9
167	.60000	.50000-01	1111.0	.3332	.4221	.3672	.9560	.1167-01	.1286-01	7.211	53.61	682.8
167	.60000	.75000-01	1112.0	.2727	.3414	.3050	.9474	.9552-02	.1068-01	6.177	43.45	654.0
167	.60000	.10000+30	1113.0	.2235	.2779	.2518	.9426	.7829-02	.8819-02	5.202	35.72	636.2
167	.60000	.20000	1114.0	.1385	.1710	.1572	.9373	.4851-02	.5507-02	3.321	23.03	616.0
167	.60000	.30000	1115.0	.1177	.1450	.1334	.9373	.4121-02	.4673-02	2.847	18.61	609.7
167	.60000	.40000	1116.0	.1011	.1245	.1145	.9378	.3542-02	.4009-02	2.459	16.60	606.3
167	.60000	.50000	1117.0	.9272-01	.1141	.1053	.9364	.3247-02	.3686-02	2.255	15.22	606.1
168	.60000	.60000	1118.0	.8607-01	.1055	.9752-01	.9362	.3019-02	.3420-02	2.134	14.48	594.9
168	.60000	.70000	1119.0	.7171-01	.8774-01	.8171-01	.9330	.2515-02	.2866-02	1.792	12.59	589.2
168	.60000	.80000	120.00	.6932-01	.8482-01	.8008-01	.9265	.2431-02	.2809-02	1.732	12.58	589.3
168	.60000	.85000	121.00	.8620-01	.1054	.1001	.9241	.3023-02	.3510-02	2.156	15.40	588.5
168	.60000	.90000	122.00	.7773-01	.9499-01	.9158-01	.9167	.2726-02	.3212-02	1.953	14.45	585.3
168	.60000	.95000	123.00	.5806-01	.7079-01	.6867-01	.9141	.2037-02	.2409-02	1.474	10.95	577.7
169	.95000	.30000	164.00	.1352	.1667	.1530	.9384	.4738-02	.5363-02	3.257	22.62	612.3
169	.95000	.50000	165.00	.9266-01	.1139	.1049	.9373	.3247-02	.3677-02	2.262	16.31	603.1
169	.95000	.70000	166.00	.9041-01	.1111	.1033	.9330	.3168-02	.3620-02	2.210	16.22	602.1

DATE 23 FEB 80

OH84B MODEL 60-0 IN THE AEDC VKF HYPERSONIC TUNNEL

PAGE 1999

OH84B 60-0 WING LOWER SURFACE

(R4UQ21)

RUN NUMBER	2Y/BW	XW/CW	T/C NO	H/HREF R=1.0	H/HREF R=0.9	H/HREF R= TAW/TO	TAW/TO	H(TO) BTU/R FT2SEC	H(TAW) BTU/R FT2SEC	QDOT BTU/ FT2SEC	DTWDT DEG. R /SEC	TW DEG. R
169	.95000	.80000	167.00	.1042	.1278	.1212	.9243	.3653-02	.4247-02	2.570	18.60	596.0
169	.95000	.90000	168.00	.7854-01	.9601-01	.9235-01	.9178	.2752-02	.3236-02	1.966	14.54	585.5

DATE 23 FEB 80

OH84B MODEL 60-0 IN THE AEDC VKF HYPERSONIC TUNNEL

PAGE 2000

OH84B 60-0 WING LOWER SURFACE

(R4UQ21)

WING LOWER SURF

PARAMETRIC DATA

MACH = 8.000 ALPHA = 40.00 BETA = -1.000 ELEVON = .0000
 BDFLAP = .0000 SPDBRK = .0000

TEST CONDITIONS

RUN NUMBER	RN/L /FT X10 6	MACH	ALPHA DEG.	BETA DEG.	PO PSIA	TO DEG. R	T DEG. R	P PSIA	Q PSI	V FT/SEC	RHO SLUGS /FT3	MU LB-SEC /FT2
85	3.028	7.990	40.08	-1.034	670.0	1315.	95.49	.6919-01	3.092	3827.	.1956-02	.7684-07
86	3.010	7.990	40.08	-1.034	669.1	1319.	95.78	.6910-01	3.088	3833.	.1947-02	.7707-07
88	3.008	7.990	40.09	-1.038	670.2	1321.	95.92	.6921-01	3.093	3836.	.1947-02	.7719-07

RUN NUMBER	HREF BTU/ R FT2SEC	STN NO REF(R) = .0175
85	.4344-01	.2333-01
86	.4344-01	.2338-01
88	.4348-01	.2339-01

TEST DATA

RUN NUMBER	ZY/BW	XW/CW	T/C NO	H/HREF R=1.0	H/HREF R=0.9	H/HREF R= TAW/TO	TAW/TO	H(TO) BTU/R FT2SEC	H(TAW) BTU/R FT2SEC	QDOT BTU/ FT2SEC	DTWDT DEG. R /SEC	TW DEG. R
85	.60000	.25000-01	1110.0	.4185	.5446	.4520	.9679	.1818-01	.1964-01	10.32	71.92	746.9
85	.60000	.50000-01	1111.0	.3363	.4293	.3716	.9561	.1461-01	.1614-01	8.858	65.08	708.3
85	.60000	.75000-01	1112.0	.2724	.3431	.3055	.9475	.1183-01	.1327-01	7.548	52.53	676.8
85	.60000	.10000+30	1113.0	.2262	.2827	.2554	.9428	.9826-02	.1109-01	6.466	43.97	656.7
85	.60000	.20000	1114.0	.1465	.1814	.1666	.9374	.6365-02	.7236-02	4.347	29.91	631.7
85	.60000	.30000	1115.0	.1276	.1576	.1448	.9374	.5542-02	.6292-02	3.823	24.79	624.8
85	.60000	.40000	1116.0	.1131	.1396	.1282	.9380	.4913-02	.5568-02	3.407	22.83	621.2
85	.60000	.50000	1117.0	.1087	.1341	.1236	.9366	.4722-02	.5368-02	3.273	21.92	621.6
86	.60000	.60000	1118.0	.1003	.1235	.1139	.9364	.4355-02	.4947-02	3.055	20.51	617.2
86	.60000	.70000	1119.0	.8701-01	.1069	.9940-01	.9331	.3779-02	.4317-02	2.674	18.59	611.1
86	.60000	.80000	120.00	.1153	.1418	.1337	.9266	.5009-02	.5805-02	3.534	25.36	613.2
86	.60000	.85000	121.00	.1491	.1837	.1739	.9242	.6477-02	.7555-02	4.535	31.93	618.4
86	.60000	.90000	122.00	.1534	.1888	.1818	.9169	.6664-02	.7895-02	4.683	34.13	615.8
86	.60000	.95000	123.00	.1280	.1571	.1522	.9142	.5559-02	.6611-02	3.952	28.92	607.7
88	.95000	.30000	164.00	.1347	.1668	.1528	.9385	.5856-02	.6643-02	4.014	27.57	635.3
88	.95000	.50000	165.00	.9548-01	.1177	.1083	.9375	.4152-02	.4709-02	2.899	20.71	622.4
88	.95000	.70000	166.00	.1300	.1605	.1489	.9332	.5652-02	.6475-02	3.928	28.48	625.8

DATE 23 FEB 80

OH84B MODEL 60-0 IN THE AEDC VKF HYPERSONIC TUNNEL

PAGE 2001

OH84B 60-0 WING LOWER SURFACE

(R4UQ21)

RUN NUMBER	ZY/BW	XW/CW	T/C NO	H/HREF R=1.0	H/HREF R=0.9	H/HREF R= TAW/TO	TAW/TO	H(TO) BTU/R FT2SEC	H(TAW) BTU/R FT2SEC	QDOT BTU/ FT2SEC	DTWDT DEG. R /SEC	TW DEG. R
88	.95000	.80000	167.00	.1734	.2141	.2025	.9245	.7541-02	.8804-02	5.245	37.42	625.2
88	.95000	.90000	168.00	.1539	.1897	.1821	.9180	.6693-02	.7919-02	4.686	34.07	620.6

DATE 23 FEB 80

OH84B MODEL 60-0 IN THE AEDC VKF HYPERSONIC TUNNEL

PAGE 2002

OH84B 60-0 WING LOWER SURFACE

(R4UQ22)

WING LOWER SURF

PARAMETRIC DATA

MACH = 8.000 ALPHA = 40.00 BETA = .0000 ELEVON = .0000
 BDFLAP = .0000 SPOBRK = .0000

TEST CONDITIONS

RUN NUMBER	RN/L /FT X10 6	MACH	ALPHA DEG.	BETA DEG.	PO PSIA	TO DEG. R	T DEG. R	P PSIA	Q PSI	V FT/SEC	RHO SLUGS /FT3	MU LB-SEC /FT2
16	.5159	7.900	40.01	-.3149-02	102.0	1245.	92.32	.1134-01	.4952	3721.	.3314-03	.7429-07
17	.5042	7.900	40.02	-.3159-02	99.80	1246.	92.40	.1109-01	.4846	3723.	.3240-03	.7435-07
18	.5054	7.900	40.00	-.3140-02	100.3	1248.	92.54	.1114-01	.4869	3726.	.3250-03	.7447-07

RUN NUMBER	HREF BTU/ R FT2SEC	STN NO REF(R) = .0175
16	.1722-01	.5634-01
17	.1704-01	.5699-01
18	.1708-01	.5691-01

TEST DATA

RUN NUMBER	ZY/BW	XW/CW	T/C NO	H/HREF R=1.0	H/HREF R=0.9	H/HREF R= TAW/TO	TAW/TO	H(TO) BTU/R FT2SEC	H(TAW) BTU/R FT2SEC	QDOT BTU/ FT2SEC	DTWDT DEG. R /SEC	TW DEG. R
16	.60000	.25000-01	1110.0	.4704	.5837	.5018	.9678	.8102-02	.8641-02	5.196	39.76	603.3
16	.60000	.50000-01	1111.0	.3601	.4443	.3929	.9560	.6202-02	.6766-02	4.074	31.71	587.8
16	.60000	.75000-01	1112.0	.2816	.3459	.3121	.9474	.4850-02	.5375-02	3.249	23.76	574.7
16	.60000	.10000+00	1113.0	.2269	.2780	.2537	.9426	.3908-02	.4368-02	2.648	18.81	567.1
16	.60000	.20000	1114.0	.1429	.1745	.1612	.9373	.2460-02	.2776-02	1.688	12.05	558.4
16	.60000	.30000	1115.0	.1220	.1489	.1376	.9373	.2100-02	.2369-02	1.445	9.693	556.7
16	.60000	.40000	1116.0	.1060	.1294	.1194	.9378	.1825-02	.2056-02	1.256	8.691	556.4
16	.60000	.50000	1117.0	.9699-01	.1184	.1096	.9364	.1670-02	.1888-02	1.149	7.938	557.5
17	.60000	.60000	1118.0	.8781-01	.1072	.9924-01	.9362	.1496-02	.1691-02	1.031	7.137	556.2
17	.60000	.70000	1119.0	.7512-01	.9163-01	.8543-01	.9330	.1280-02	.1456-02	.8847	6.325	554.4
17	.60000	.80000	120.00	.6027-01	.7343-01	.6941-01	.9265	.1027-02	.1183-02	.7134	5.280	550.9
17	.60000	.85000	121.00	.7185-01	.8751-01	.8315-01	.9241	.1224-02	.1417-02	.8520	6.205	549.7
17	.60000	.90000	122.00	.6391-01	.7779-01	.7506-01	.9167	.1089-02	.1279-02	.7602	5.731	547.6
17	.60000	.95000	123.00	.4945-01	.6013-01	.5835-01	.9141	.8425-03	.9942-03	.5909	4.462	544.3
18	.95000	.30000	164.00	.1472	.1795	.1656	.9383	.2514-02	.2828-02	1.740	12.43	555.6
18	.95000	.50000	165.00	.1090	.1329	.1229	.9373	.1863-02	.2099-02	1.295	9.580	552.3
18	.95000	.70000	166.00	.8791-01	.1071	.9993-01	.9330	.1502-02	.1707-02	1.044	7.851	552.5

DATE 23 FEB 80

OH84B MODEL 60-0 IN THE AEDC VKI HYPERSONIC TUNNEL

PAGE 2003

OH84B 60-0 WING LOWER SURFACE

(R4UQ22)

RUN NUMBER	ZY/BW	XW/CW	T/C NO	H/HREF R=1.0	H/HREF R=0.9	H/HREF R= TAW/TO	TAW/TO	H(TO) BTU/R FT2SEC	H(TAW) BTU/R FT2SEC	QDOT BTU/ FT2SEC	DTWDT DEG. R /SEC	TW DEG. R
18	.95000	.80000	167.00	.9413-01	.1146	.1089	.9243	.1608-02	.1860-02	1.124	8.322	549.0
18	.95000	.90000	168.00	.6806-01	.8278-01	.7971-01	.9178	.1163-02	.1362-02	.8160	6.157	545.8

OH84B 60-0 WING LOWER SURFACE

(R4U022)

WING LOWER SURF

PARAMETRIC DATA

MACH = 8.000 ALPHA = 40.00 BETA = .0000 ELEVON = .0000
 BDFLAP = .0000 SPDBRK = .0000

TEST CONDITIONS

RUN NUMBER	RN/L /FT X10 6	MACH	ALPHA DEG.	BETA DEG.	PO PSIA	TO DEG. R	T DEG. R	P PSIA	Q PSI	V FT/SEC	RHO SLUGS /FT3	MU LB-SEC /FT2
32	1.002	7.940	40.01	- .1050-02	205.9	1266.	93.00	.2215-01	.9775	3754.	.6428-03	.7484-07
33	1.016	7.940	40.01	.1050-02	206.6	1257.	92.34	.2223-01	.9808	3740.	.6496-03	.7431-07
34	1.029	7.940	39.99	.1042-02	208.4	1254.	92.12	.2242-01	.9894	3736.	.6568-03	.7413-07

RUN NUMBER	HREF BTU/ R FT2SEC	STN NO REF (R) = .0175
32	.2427-01	.4053-01
33	.2422-01	.4028-01
34	.2437-01	.4005-01

TEST DATA

RUN NUMBER	2Y/BW	XW/CW	T/C NO	H/HREF R=1.0	H/HREF R=0.9	H/HREF R= TAW/TO	TAW/TO	H(TO) BTU/R FT2SEC	H(TAW) BTU/R FT2SEC	QDOT BTU/ FT2SEC	DTWDT DEG. R /SEC	TW DEG. R
32	.60000	.25000-01	1110.0	.4544	.5662	.4857	.9678	.1103-01	.1179-01	6.966	51.19	633.9
32	.60000	.50000-01	1111.0	.3494	.4327	.3817	.9560	.8478-02	.9263-02	5.571	42.92	608.6
32	.60000	.75000-01	1112.0	.2768	.3407	.3071	.9474	.6718-02	.7453-02	4.538	32.93	590.2
32	.60000	.10000+30	1113.0	.2260	.2773	.2528	.9426	.5484-02	.6135-02	3.754	26.48	581.2
32	.60000	.20000	1114.0	.1407	.1718	.1587	.9373	.3414-02	.3852-02	2.384	16.93	567.4
32	.60000	.30000	1115.0	.1209	.1475	.1363	.9373	.2933-02	.3308-02	2.053	13.71	565.7
32	.60000	.40000	1116.0	.1038	.1266	.1169	.9378	.2519-02	.2837-02	1.769	12.20	563.4
32	.60000	.50000	1117.0	.9513-01	.1160	.1074	.9364	.2308-02	.2606-02	1.624	11.20	562.2
33	.60000	.60000	1118.0	.8605-01	.1051	.9727-01	.9362	.2089-02	.2361-02	1.451	10.01	562.1
33	.60000	.70000	1119.0	.7352-01	.8969-01	.8362-01	.9330	.1785-02	.2030-02	1.244	8.872	559.5
33	.60000	.80000	120.00	.6140-01	.7482-01	.7073-01	.9265	.1491-02	.1717-02	1.045	7.713	555.8
33	.60000	.85000	121.00	.7284-01	.8870-01	.8428-01	.9241	.1768-02	.2046-02	1.243	9.036	553.7
33	.60000	.90000	122.00	.6357-01	.7737-01	.7466-01	.9167	.1543-02	.1812-02	1.087	8.178	552.1
33	.60000	.95000	123.00	.4907-01	.5967-01	.5791-01	.9140	.1191-02	.1406-02	.8427	6.347	549.2
34	.95000	.30000	164.00	.1417	.1735	.1598	.9383	.3453-02	.3894-02	2.356	16.70	571.4
34	.95000	.50000	165.00	.1038	.1270	.1173	.9373	.2531-02	.2858-02	1.737	12.75	567.4
34	.95000	.70000	166.00	.8945-01	.1094	.1019	.9329	.2180-02	.2484-02	1.498	11.18	566.7

DATE 23 FEB 80

OH84B MODEL 60-0 IN THE AEDC VKF HYPERSONIC TUNNEL

PAGE 2005

OH84B 60-0 WING LOWER SURFACE

(R4UQ22)

RUN NUMBER	2Y/BW	XW/CW	T/C NO	H/HREF R=1.0	H/HREF R=0.9	H/HREF R= TAW/TO	TAW/TO	H(TO) BTU/R FT2SEC	H(TAW) BTU/R FT2SEC	QDOT BTU/ FT2SEC	DTWDT DEG. R /SEC	TW DEG. R
34	.95000	.80000	167.00	.9421-01	.1151	.1092	.9243	.2296-02	.2662-02	1.586	11.67	562.9
34	.95000	.90000	168.00	.6728-01	.8204-01	.7897-01	.9178	.1640-02	.1925-02	1.143	8.577	556.7

OH84B 60-0 WING LOWER SURFACE

(R4UQ22)

WING LOWER SURF

PARAMETRIC DATA

MACH = 8.000 ALPHA = 40.00 BETA = .0000 ELEVON = .0000
 BDFLAP = .0000 SPDBRK = .0000

TEST CONDITIONS

RUN NUMBER	RN/L /FT	MACH	ALPHA DEG.	BETA DEG.	PO PSIA	TO DEG. R	T DEG. R	P PSIA	Q PSI	V FT/SEC	RHO SLUGS /FT3	MU LB-SEC /FT2
73	2.006	7.980	40.03	-1.056-02	434.9	1300.	94.62	.4527-01	2.018	3805.	.1291-02	.7614-07
74	2.011	7.980	40.05	-1.426-06	436.5	1301.	94.69	.4544-01	2.026	3807.	.1295-02	.7620-07
75	2.004	7.980	40.04	-1.1423-06	434.9	1301.	94.69	.4527-01	2.018	3807.	.1291-02	.7620-07

RUN NUMBER	HREF BTU/ R FT2SEC	STN NO REF (R) = .0175
73	.3503-01	.2867-01
74	.3510-01	.2863-01
75	.3503-01	.2868-01

TEST DATA

RUN NUMBER	2Y/BW	XW/CW	T/C NO	H/HREF R=1.0	H/HREF R=0.9	H/HREF R= TAW/TO	TAW/TO	H(TO) BTU/R FT2SEC	H(TAW) BTU/R FT2SEC	QDOT BTU/ FT2SEC	DTWDT DEG. R /SEC	TW DEG. R
73	.60000	.25000-01	1110.0	.4440	.5631	.4764	.9679	.1555-01	.1669-01	9.559	68.55	685.1
73	.60000	.50000-01	1111.0	.3455	.4321	.3789	.9560	.1210-01	.1327-01	7.844	59.20	651.4
73	.60000	.75000-01	1112.0	.2766	.3428	.3079	.9474	.9689-02	.1078-01	6.522	46.50	626.5
73	.60000	.10000-00	1113.0	.2245	.2768	.2518	.9427	.7865-02	.8821-02	5.411	37.60	611.7
73	.60000	.20000	1114.0	.1403	.1721	.1587	.9373	.4916-02	.5559-02	3.462	24.25	595.5
73	.60000	.30000	1115.0	.1216	.1489	.1374	.9373	.4260-02	.4813-02	3.019	19.91	591.0
73	.60000	.40000	1116.0	.1044	.1277	.1178	.9379	.3657-02	.4125-02	2.602	17.72	588.1
73	.60000	.50000	1117.0	.9540-01	.1168	.1079	.9365	.3342-02	.3781-02	2.374	16.16	589.3
74	.60000	.60000	1118.0	.8734-01	.1067	.9877-01	.9363	.3065-02	.3467-02	2.195	14.97	584.6
74	.60000	.70000	1119.0	.7550-01	.9214-01	.8588-01	.9331	.2650-02	.3014-02	1.909	13.47	580.2
74	.60000	.80000	120.00	.7556-01	.9224-01	.8713-01	.9266	.2652-02	.3058-02	1.907	13.89	581.7
74	.60000	.85000	121.00	.8818-01	.1076	.1021	.9242	.3095-02	.3585-02	2.233	16.03	579.2
74	.60000	.90000	122.00	.7721-01	.9408-01	.9074-01	.9168	.2710-02	.3185-02	1.965	14.61	575.3
74	.60000	.95000	123.00	.5871-01	.7138-01	.6927-01	.9141	.2061-02	.2431-02	1.511	11.27	567.6
75	.95000	.30000	164.00	.1385	.1699	.1562	.9384	.4850-02	.5474-02	3.411	23.87	597.3
75	.95000	.50000	165.00	.9878-01	.1209	.1116	.9374	.3460-02	.3909-02	2.458	17.84	590.2
75	.95000	.70000	166.00	.9544-01	.1168	.1088	.9331	.3344-02	.3810-02	2.376	17.54	590.0

DATE 23 FEB 80

OH84B MODEL 60-0 IN THE AEDC VKF HYPERSONIC TUNNEL

PAGE 2007

OH84B 60-0 WING LOWER SURFACE

(R4UQ22)

RUN NUMBER	2Y/BW	XW/CW	T/C NO	H/HREF	H/HREF	H/HREF	TAW/TO	H(TO)	H(TAW)	QDOT	DTWDT DEG. R	TW DEG. R
				R=1.0	R=0.9	R=		BTU/R	BTU/R	BTU/ FT2SEC		
75	.95000	.80000	167.00	.1059	.1294	.1227	.9244	.3709-02	.4299-02	2.656	19.33	584.5
75	.95000	.90000	168.00	.7752-01	.9447-01	.9092-01	.9179	.2716-02	.3185-02	1.969	14.63	575.7

DATE 23 FEB 80

OH84B MODEL 60-0 IN THE AEDC VKF HYPERSONIC TUNNEL

PAGE 2008

OH84B 60-0 WING LOWER SURFACE

(R4UQ22)

WING LOWER SURF

PARAMETRIC DATA

MACH = 8.000 ALPHA = 40.00 BETA = .0000 ELEVON = .0000
 BDFLAP = .0000 SPOBRK = .0000

TEST CONDITIONS

RUN NUMBER	RN/L /FT X10 6	MACH	ALPHA DEG.	BETA DEG.	PO PSIA	TO DEG. R	T DEG. R	P PSIA	Q PSI	V FT/SEC	RHO SLUGS /FT3	MU LB-SEC /FT2
82	3.020	7.990	40.06	-1.1434-06	669.7	1317.	95.63	.6916-01	3.091	3830.	.1952-02	.7696-07
83	3.029	7.990	40.06	-1.1434-06	670.3	1315.	95.49	.6922-01	3.093	3827.	.1957-02	.7691-07
84	3.017	7.990	40.07	-1.2139-02	669.8	1318.	95.71	.6917-01	3.091	3832.	.1951-02	.7701-07

RUN NUMBER	HREF BTU/ R FT2SEC	STN NO REF (R) = .0175
82	.4344-01	.2335-01
83	.4345-01	.2332-01
84	.4345-01	.2336-01

TEST DATA

RUN NUMBER	2Y/BW	XW/CW	T/C NO	H/HREF R=1.0	H/HREF R=0.9	H/HREF R= TAW/TO	TAW/TO	H(TO) BTU/R FT2SEC	H(TAW) BTU/R FT2SEC	QDOT BTU/ FT2SEC	DTWDT DEG. R /SEC	TW DEG. R
82	.60000	.25000-01	1110.0	.4224	.5458	.4554	.9679	.1835-01	.1979-01	10.68	74.87	734.5
82	.60000	.50000-01	1111.0	.3381	.4292	.3728	.9561	.1469-01	.1620-01	9.120	67.39	695.9
82	.60000	.75000-01	1112.0	.2721	.3410	.3044	.9475	.1182-01	.1323-01	7.706	53.93	664.9
82	.60000	.10000+30	1113.0	.2240	.2786	.2523	.9427	.9730-02	.1096-01	6.536	44.69	645.0
82	.60000	.20000	1114.0	.1455	.1794	.1650	.9374	.6322-02	.7170-02	4.403	30.47	620.2
82	.60000	.30000	1115.0	.1254	.1543	.1421	.9374	.5448-02	.6172-02	3.831	24.98	613.6
82	.60000	.40000	1116.0	.1108	.1361	.1253	.9380	.4813-02	.5442-02	3.401	22.92	609.9
82	.60000	.50000	1117.0	.1064	.1308	.1207	.9366	.4625-02	.5245-02	3.266	22.00	610.4
83	.60000	.60000	1118.0	.1033	.1269	.1172	.9363	.4487-02	.5091-02	3.165	21.33	609.2
83	.60000	.70000	1119.0	.9434-01	.1157	.1077	.9331	.4099-02	.4678-02	2.915	20.34	603.5
83	.60000	.80000	120.00	.1154	.1417	.1336	.9266	.5014-02	.5804-02	3.555	25.60	605.6
83	.60000	.85000	121.00	.1454	.1788	.1694	.9242	.6319-02	.7360-02	4.453	31.48	610.0
83	.60000	.90000	122.00	.1474	.1812	.1745	.9168	.6405-02	.7580-02	4.517	33.02	609.4
83	.60000	.95000	123.00	.1234	.1512	.1465	.9142	.5360-02	.6365-02	3.833	28.15	599.7
84	.95000	.30000	164.00	.1370	.1694	.1553	.9385	.5952-02	.6747-02	4.097	28.22	629.4
84	.95000	.50000	165.00	.9869-01	.1216	.1119	.9374	.4288-02	.4861-02	3.003	21.51	617.3
84	.95000	.70000	166.00	.1345	.1659	.1540	.9331	.5844-02	.6692-02	4.064	29.52	622.2

DATE 23 FEB 80

OH84B MODEL 60-0 IN THE AEDC VKF HYPERSONIC TUNNEL

PAGE 2009

OH84B 60-0 WING LOWER SURFACE

(R4UQ22)

RUN NUMBER	ZY/BW	XW/CW	T/C NO	H/HREF R=1.0	H/HREF R=0.9	H/HREF R= TAW/TO	TAW/TO	H(TO) BTU/R FT2SEC	H(TAW) BTU/R FT2SEC	QDOT BTU/ FT2SEC	DTWDT DEG. R /SEC	TW DEG. R
84	.95000	.80000	167.00	.1769	.2183	.2065	.9244	.7689-02	.8974-02	5.347	38.20	622.2
84	.95000	.90000	168.00	.1548	.1907	.1831	.9179	.6725-02	.7954-02	4.706	34.26	617.8

DATE 23 FEB 80

OH84B MODEL 60-0 IN THE AEDC VKF HYPERSONIC TUNNEL

PAGE 2010

OH84B 60-0 WING LOWER SURFACE

(R4UQ22)

WING LOWER SURF

PARAMETRIC DATA

MACH = 8.000 ALPHA = 40.00 BETA = .0000 ELEVON = .0000
 BDFLAP = .0000 SPDBRK = .0000

TEST CONDITIONS

RUN NUMBER	RN/L /FT X10 6	MACH	ALPHA DEG.	BETA DEG.	PO PSIA	TO DEG. R	T DEG. R	P PSIA	Q PSI	V FT/SEC	RHO SLUGS /FT3	MU LB-SEC /FT2
145	3.684	8.000	40.10	-.1083-02	853.6	1353.	98.02	.8744-01	3.917	3883.	.2408-02	.7888-07
146	3.671	8.000	40.07	-.1071-02	851.7	1354.	98.09	.8724-01	3.908	3884.	.2400-02	.7893-07
147	3.672	8.000	40.10	-.2161-02	850.9	1353.	98.02	.8715-01	3.904	3883.	.2400-02	.7888-07

RUN NUMBER	HREF BTU/ R FT2SEC	STN NO REF(R) = .0175
145	.4914-01	.2108-01
146	.4909-01	.2112-01
147	.4906-01	.2112-01

TEST DATA

RUN NUMBER	ZY/BW	XW/CW	T/C NO	H/HREF R=1.0	H/HREF R=0.9	H/HREF R= TAW/TO	TAW/TO	H(TO) BTU/R FT2SEC	H(TAW) BTU/R FT2SEC	QDOT BTU/ FT2SEC	DTWOT DEG. R /SEC	TW DEG. R
145	.60000	.25000-01	1110.0	.4325	.5594	.4664	.9680	.2126-01	.2292-01	12.68	87.96	756.2
145	.60000	.50000-01	1111.0	.3447	.4375	.3800	.9562	.1694-01	.1867-01	10.81	79.16	714.7
145	.60000	.75000-01	1112.0	.2810	.3519	.3142	.9476	.1381-01	.1544-01	9.279	64.45	680.8
145	.60000	.10000+30	1113.0	.2328	.2892	.2620	.9428	.1144-01	.1287-01	7.938	53.92	658.7
145	.60000	.20000	1114.0	.1530	.1882	.1732	.9375	.7517-02	.8513-02	5.433	37.42	629.9
145	.60000	.30000	1115.0	.1398	.1718	.1582	.9375	.6869-02	.7775-02	4.987	32.32	626.6
145	.60000	.40000	1116.0	.1306	.1603	.1476	.9380	.6418-02	.7251-02	4.680	31.32	623.5
145	.60000	.50000	1117.0	.1342	.1648	.1521	.9366	.6592-02	.7474-02	4.789	32.01	626.2
146	.60000	.60000	1118.0	.1372	.1689	.1558	.9364	.6733-02	.7648-02	4.850	32.31	633.3
146	.60000	.70000	1119.0	.1369	.1682	.1564	.9331	.6720-02	.7676-02	4.886	33.71	626.5
146	.60000	.80000	120.00	.1552	.1906	.1797	.9266	.7618-02	.8823-02	5.544	39.53	626.0
146	.60000	.85000	121.00	.1908	.2349	.2225	.9242	.9367-02	.1092-01	6.754	47.22	632.7
146	.60000	.90000	122.00	.1871	.2301	.2215	.9169	.9187-02	.1088-01	6.658	48.21	629.0
146	.60000	.95000	123.00	.1526	.1869	.1811	.9142	.7491-02	.8890-02	5.531	40.32	615.3
147	.95000	.30000	164.00	.1450	.1796	.1644	.9386	.7113-02	.8068-02	4.993	34.05	650.6
147	.95000	.50000	165.00	.1095	.1352	.1242	.9375	.5371-02	.6095-02	3.823	27.06	640.9
147	.95000	.70000	166.00	.1860	.2308	.2137	.9332	.9127-02	.1049-01	6.365	45.51	655.3

DATE 23 FEB 80

OH84B MODEL 60-0 IN THE AEDC VKF HYPERSONIC TUNNEL

PAGE 2011

OH84B 60-0 WING LOWER SURFACE

(R4UQ22)

RUN NUMBER	2Y/BW	XW/CW	T/C NO	H/HREF R=1.0	H/HREF R=0.9	H/HREF R= TAW/TO	TAW/TO	H(TO) BTU/R FT2SEC	H(TAW) BTU/R FT2SEC	QDOT BTU/ FT2SEC	DTWOT DEG. R /SEC	TW DEG. R
147	.95000	.80000	167.00	.2450	.3045	.2874	.9245	.1202-01	.1410-01	8.326	58.40	660.0
147	.95000	.90000	168.00	.1938	.2394	.2297	.9180	.9506-02	.1127-01	6.739	48.45	643.7

DATE 23 FEB 80

OH84B MODEL 60-0 IN THE AEDC VKF HYPERSONIC TUNNEL

PAGE 2012

OH84B 60-0 WING LOWER SURFACE

(R4UQ24)

WING LOWER SURF

PARAMETRIC DATA

MACH = 8.000 ALPHA = 40.00 BETA = .0000 ELEVON = .0000
 BDFLAP = .0000 SPDBRK = .0000

TEST CONDITIONS

RUN NUMBER	RN/L /FT X10 6	MACH	ALPHA DEG.	BETA DEG.	PO PSIA	TO DEG. R	T DEG. R	P PSIA	Q PSI	V FT/SEC	RHO SLUGS /FT3	MU LB-SEC /FT2
87	3.025	7.000	40.25	.9099-02	670.1	1316.	95.56	6920-01	3.092	3829.	.1955-02	.7690-07

RUN NUMBER	HREF BTU/ R FT2SEC	STN NO REF(R) =.0175
87	.4345-01	.2333-01

TEST DATA

RUN NUMBER	2Y/BW	XW/CW	T/C NO	H/HREF R=1.0	H/HREF R=0.9	H/HREF R= TAW/TO	TAW/TO	H(TO) BTU/R FT2SEC	H(TAW) BTU/R FT2SEC	QDOT BTU/ FT2SEC	DTWDT DEG. R /SEC	TW DEG. R
87	.95000	.30000	164.00	.1380	.1707	.1563	.9389	.5995-02	.6791-02	4.110	28.30	630.1
87	.95000	.50000	165.00	.1005	.1238	.1138	.9378	.4366-02	.4946-02	3.045	21.80	618.1
87	.95000	.70000	166.00	.1384	.1708	.1584	.9335	.6012-02	.6882-02	4.159	30.19	623.8
87	.95000	.80000	167.00	.1816	.2242	.2118	.9248	.7889-02	.9204-02	5.459	38.97	623.7
87	.95000	.90000	168.00	.1581	.1949	.1869	.9183	.6869-02	.8123-02	4.783	34.79	619.4

DATE 23 FEB 80

OH84B MODEL 60-0 IN THE AEDC VKF HYPERSONIC TUNNEL

PAGE 2013

OH84B 60-0 WING LOWER SURFACE

(R4UQ25)

WING LOWER SURF

PARAMETRIC DATA

MACH = 8.000 ALPHA = 40.00 BETA = 1.000 ELEVON = .0000
 BDFLAP = .0000 SPOBRK = .0000

TEST CONDITIONS

RUN NUMBER	RN/L /FT	MACH	ALPHA DEG.	BETA DEG.	PO PSIA	TO DEG. R	T DEG. R	P PSIA	Q PSI	V FT/SEC	RHO SLUGS /FT3	MU LB-SEC /FT2
20	.5050	7.900	40.03	1.041	100.6	1251.	92.77	.1118-01	.4882	3730.	.3252-03	.7465-07
21	.5073	7.900	40.03	1.042	101.1	1252.	92.84	.1124-01	.4910	3732.	.3268-03	.7471-07
22	.5090	7.900	40.03	1.039	101.5	1252.	92.84	.1128-01	.4927	3732.	.3279-03	.7471-07
RUN NUMBER	HREF BTU/ R FT2SEC	STN NO REF (R)										
20	.1711-01	.5691-01	=.0175									
21	.1717-01	.5677-01										
22	.1719-01	.5668-01										

TEST DATA

RUN NUMBER	2Y/BW	XW/CW	T/C NO	H/HREF R=1.0	H/HREF R=0.9	H/HREF R= TAW/TO	TAW/TO	H(TO) BTU/R FT2SEC	H(TAW) BTU/R FT2SEC	QDOT BTU/ FT2SEC	DTWDT DEG. R /SEC	TW DEG. R
20	.60000	.25000-01	1110.0	.4610	.5716	.4916	.9679	.7889-02	.8413-02	5.100	38.02	604.2
20	.60000	.50000-01	1111.0	.3527	.4348	.3846	.9560	.6035-02	.6582-02	3.996	31.09	588.7
20	.60000	.75000-01	1112.0	.2800	.3436	.3102	.9474	.4791-02	.5308-02	3.235	23.65	575.5
20	.60000	.10000+30	1113.0	.2266	.2774	.2532	.9427	.3878-02	.4333-02	2.648	18.81	567.8
20	.60000	.20000	1114.0	.1399	.1707	.1578	.9373	.2394-02	.2700-02	1.656	11.82	558.8
20	.60000	.30000	1115.0	.1211	.1478	.1366	.9373	.2073-02	.2337-02	1.439	9.650	556.8
20	.60000	.40000	1116.0	.1022	.1247	.1151	.9379	.1750-02	.1970-02	1.215	8.408	556.2
20	.60000	.50000	1117.0	.9217-01	.1124	.1041	.9365	.1577-02	.1781-02	1.094	7.569	557.0
21	.60000	.60000	1118.0	.8223-01	.1001	.9281-01	.9363	.1412-02	.1593-02	.9883	6.854	551.6
21	.60000	.70000	1119.0	.7078-01	.8615-01	.8038-01	.9330	.1215-02	.1380-02	.8529	6.112	549.7
21	.60000	.80000	120.00	.5689-01	.6916-01	.6541-01	.9265	.9765-03	.1123-02	.6888	5.110	546.2
21	.60000	.85000	121.00	.6850-01	.8325-01	.7914-01	.9241	.1176-02	.1358-02	.8308	6.065	545.1
21	.60000	.90000	122.00	.6202-01	.7532-01	.7271-01	.9168	.1065-02	.1248-02	.7546	5.702	542.9
21	.60000	.95000	123.00	.4731-01	.5740-01	.5572-01	.9141	.8120-03	.9565-03	.5783	4.377	539.6
22	.95000	.30000	164.00	.1458	.1778	.1640	.9384	.2507-02	.2819-02	1.745	12.47	555.5
22	.95000	.50000	165.00	.1085	.1322	.1222	.9373	.1866-02	.2102-02	1.305	9.654	552.2
22	.95000	.70000	166.00	.8782-01	.1069	.9977-01	.9330	.1510-02	.1715-02	1.057	7.949	551.8

DATE 23 FEB 80

OH84B MODEL 60-0 IN THE AEDC VKF HYPERSONIC TUNNEL

PAGE 2014

OH84B 60-0 WING LOWER SURFACE

(R4UQ25)

RUN NUMBER	ZY/BW	XW/CW	T/C NO	H/HREF R=1.0	H/HREF R=0.9	H/HREF R= TAW/TO	TAW/TO	H(TO) BTU/R FT2SEC	H(TAW) BTU/R FT2SEC	QDOT BTU/ FT2SEC	DTWOT DEG. R /SEC	TW DEG. R
22	.95000	.80000	167.00	.9437-01	.1148	.1091	.9243	.1623-02	.1875-02	1.142	8.460	548.2
22	.95000	.90000	168.00	.6811-01	.8277-01	.7971-01	.9178	.1171-02	.1371-02	.8277	6.248	544.9

OH84B 60-0 WING LOWER SURFACE

(R4UQ25)

WING LOWER SURF

PARAMETRIC DATA

MACH = 8.000 ALPHA = 40.00 BETA = 1.000 ELEVON = .0000
 BDFLAP = .0000 SPDBRK = .0000

TEST CONDITIONS

RUN NUMBER	RN/L /FT X10 6	MACH	ALPHA DEG.	BETA DEG.	PO PSIA	TO DEG. R	T DEG. R	P PSIA	Q PSI	V FT/SEC	RHO SLUGS /FT3	MU LB-SEC /FT2
35	1.011	7.940	40.05	1.018	204.7	1254.	92.12	.2202-01	.9718	3736.	.6452-03	.7413-07
36	1.022	7.940	40.06	1.017	207.1	1254.	92.12	.2228-01	.9832	3736.	.6528-03	.7413-07
37	1.021	7.940	40.06	1.019	207.3	1256.	92.27	.2230-01	.9842	3739.	.6523-03	.7425-07

RUN NUMBER	HREF BTU/ R FT2SEC	STN NO REF(R) =.0175
35	.2416-01	.4041-01
36	.2430-01	.4018-01
37	.2432-01	.4020-01

TEST DATA

RUN NUMBER	ZY/BW	XW/CW	T/C NO	H/HREF R=1.0	H/HREF R=0.9	H/HREF R= TAW/TO	TAW/TO	H(TO) BTU/R FT2SEC	H(TAW) BTU/R FT2SEC	QDOT BTU/ FT2SEC	DTWOT DEG. R /SEC	TW DEG. R
35	.60000	.25000-01	1110.0	.4479	.5615	.4790	.9679	.1082-01	.1157-01	6.702	49.24	634.2
35	.60000	.50000-01	1111.0	.3491	.4336	.3818	.9561	.8432-02	.9221-02	5.424	41.76	610.4
35	.60000	.75000-01	1112.0	.2750	.3394	.3055	.9474	.6643-02	.7379-02	4.391	31.83	592.7
35	.60000	.10000+00	1113.0	.2243	.2760	.2513	.9427	.5418-02	.6069-02	3.628	25.56	584.0
35	.60000	.20000	1114.0	.1385	.1697	.1565	.9374	.3346-02	.3781-02	2.285	16.20	570.7
35	.60000	.30000	1115.0	.1198	.1467	.1353	.9374	.2894-02	.3269-02	1.980	13.20	569.3
35	.60000	.40000	1116.0	.1014	.1241	.1144	.9379	.2449-02	.2763-02	1.680	11.56	567.8
35	.60000	.50000	1117.0	.9191-01	.1124	.1040	.9365	.2220-02	.2511-02	1.524	10.49	567.0
36	.60000	.60000	1118.0	.8218-01	.1005	.9294-01	.9363	.1997-02	.2258-02	1.376	9.479	564.6
36	.60000	.70000	1119.0	.6975-01	.8521-01	.7939-01	.9331	.1695-02	.1929-02	1.171	8.341	562.5
36	.60000	.80000	120.00	.5906-01	.7207-01	.6808-01	.9266	.1435-02	.1654-02	.9971	7.350	558.8
36	.60000	.85000	121.00	.7034-01	.8576-01	.8144-01	.9242	.1709-02	.1979-02	1.192	8.655	556.1
36	.60000	.90000	122.00	.6248-01	.7610-01	.7341-01	.9168	.1518-02	.1784-02	1.063	7.989	553.4
36	.60000	.95000	123.00	.4808-01	.5850-01	.5676-01	.9141	.1168-02	.1379-02	.8222	6.191	549.8
37	.95000	.30000	164.00	.1415	.1731	.1594	.9385	.3440-02	.3875-02	2.364	16.79	568.3
37	.95000	.50000	165.00	.1064	.1300	.1200	.9374	.2587-02	.2919-02	1.787	13.13	564.9
37	.95000	.70000	166.00	.9299-01	.1136	.1059	.9331	.2261-02	.2574-02	1.562	11.68	564.7

DATE 23 FEB 80

OH84B MODEL 60-0 IN THE AEDC VKF HYPERSONIC TUNNEL

PAGE 2018

OH84B 60-0 WING LOWER SURFACE

(R4UQ25)

RUN NUMBER	2Y/BW	XW/CW	T/C NO	H/HREF R=1.0	H/HREF R=0.9	H/HREF R= TAW/TO	TAW/TO	H(TO) BTU/R FT2SEC	H(TAW) BTU/R FT2SEC	QDOT BTU/ FT2SEC	DTWDT DEG. R /SEC	TW DEG. R
37	.95000	.80000	167.00	.9539-01	.1164	.1105	.9244	.2319-02	.2686-02	1.613	11.88	560.4
37	.95000	.90000	168.00	.6871-01	.8368-01	.8054-01	.9179	.1671-02	.1958-02	1.172	8.808	554.0

DATE 23 FEB 80

OH84B MODEL 60-0 IN THE AEDC VKF HYPERSONIC TUNNEL

PAGE 2017

OH84B 60-0 WING LOWER SURFACE

(R4UQ25)

WING LOWER SURF

PARAMETRIC DATA

MACH = 8.000 ALPHA = 40.00 BETA = 1.000 ELEVON = .0000
 BDFLAP = .0000 SPDBRK = .0000

TEST CONDITIONS

RUN NUMBER	RN/L /FT X10 6	MACH	ALPHA DEG.	BETA DEG.	PO PSIA	TO DEG. R	T DEG. R	P PSIA	Q PSI	V FT/SEC	RHO SLUGS /FT3	MU LB-SEC /FT2
70	2.009	7.980	40.07	1.025	435.0	1299.	94.54	.4529-01	2.019	3804.	.1293-02	.7608-07
71	1.998	7.980	40.08	1.028	434.2	1302.	94.76	.4520-01	2.015	3808.	.1287-02	.7626-07
72	2.004	7.980	40.09	1.028	435.4	1302.	94.76	.4533-01	2.021	3808.	.1291-02	.7626-07

RUN NUMBER	HREF BTU/ R FT2SEC	STN NO REF(R) = .0175
70	.3503-01	.2865-01
71	.3501-01	.2872-01
72	.3506-01	.2868-01

TEST DATA

RUN NUMBER	ZY/BW	XW/CW	T/C NO	H/HREF R=1.0	H/HREF R=0.9	H/HREF R=TAW/TO	TAW/TO	H(TO) BTU/R FT2SEC	H(TAW) BTU/R FT2SEC	QDOT BTU/ FT2SEC	DTWDT DEG. R /SEC	TW DEG. R
70	.60000	.25000-01	1110.0	.4341	.5508	.4657	.9679	.1521-01	.1631-01	9.320	66.81	685.7
70	.60000	.50000-01	1111.0	.3407	.4265	.3737	.9561	.1193-01	.1309-01	7.705	58.10	653.0
70	.60000	.75000-01	1112.0	.2727	.3382	.3036	.9475	.9552-02	.1063-01	6.406	45.64	628.0
70	.60000	.10000+30	1113.0	.2213	.2730	.2482	.9428	.7751-02	.8693-02	5.315	36.91	612.9
70	.60000	.20000	1114.0	.1389	.1704	.1571	.9374	.4866-02	.5502-02	3.424	23.99	595.1
70	.60000	.30000	1115.0	.1207	.1478	.1363	.9374	.4228-02	.4775-02	2.998	19.78	589.7
70	.60000	.40000	1116.0	.1027	.1256	.1158	.9380	.3597-02	.4055-02	2.565	17.49	585.7
70	.60000	.50000	1117.0	.9367-01	.1146	.1059	.9366	.3281-02	.3710-02	2.338	15.94	586.1
71	.60000	.60000	1118.0	.8636-01	.1054	.9755-01	.9364	.3023-02	.3415-02	2.183	14.93	579.8
71	.60000	.70000	1119.0	.7525-01	.9169-01	.8550-01	.9331	.2635-02	.2993-02	1.913	13.53	575.6
71	.60000	.80000	120.00	.7693-01	.9380-01	.8863-01	.9266	.2693-02	.3103-02	1.950	14.24	577.8
71	.60000	.85000	121.00	.8765-01	.1068	.1014	.9242	.3069-02	.3551-02	2.229	16.03	575.3
71	.60000	.90000	122.00	.7765-01	.9452-01	.9118-01	.9169	.2719-02	.3192-02	1.984	14.78	571.8
71	.60000	.95000	123.00	.5893-01	.7156-01	.6945-01	.9142	.2063-02	.2431-02	1.521	11.37	564.6
72	.95000	.30000	164.00	.1392	.1705	.1569	.9385	.4881-02	.5502-02	3.463	24.30	592.2
72	.95000	.50000	165.00	.1023	.1250	.1154	.9375	.3586-02	.4046-02	2.566	18.66	586.1
72	.95000	.70000	166.00	.1025	.1253	.1167	.9331	.3593-02	.4091-02	2.569	18.99	586.7

DATE 23 FEB 80

OH84B MODEL 60-0 IN THE AEDC VKF HYPERSONIC TUNNEL

PAGE 2018

OH84B 60-0 WING LOWER SURFACE

(R4UQ25)

RUN NUMBER	2Y/BW	XW/CW	T/C NO	H/HREF R=1.0	H/HREF R=0.9	H/HREF R= TAW/TO	TAW/TO	H(TO) BTU/R FT2SEC	H(TAW) BTU/R FT2SEC	QDOT BTU/ FT2SEC	DTWDT DEG. R /SEC	TW DEG. R
72	.95000	.80000	167.00	.1087	.1327	.1259	.9245	.3811-02	.4413-02	2.747	20.02	581.0
72	.95000	.90000	168.00	.7951-01	.9681-01	.9317-01	.9180	.2787-02	.3266-02	2.030	15.11	573.4

DATE 23 FEB 80

OH84B MODEL 60-0 IN THE AEDC VKI HYPERSONIC TUNNEL

PAGE 2019

OH84B 60-0 WING LOWER SURFACE

(R4UQ26)

WING LOWER SURF

PARAMETRIC DATA

MACH = 8.000 ALPHA = 40.00 BETA = 2.000 ELEVON = .0000
 BDFLAP = .0000 SPOBRK = .0000

TEST CONDITIONS

RUN NUMBER	RN/L /FT X10 6	MACH	ALPHA DEG.	BETA DEG.	PO PSIA	TO DEG. R	T DEG. R	P PSIA	Q PSI	V FT/SEC	RHO SLUGS /FT3	MU LB-SEC /FT2
23	.5076	7.900	40.00	2.019	101.2	1252.	92.84	.1125-01	.4913	3732.	.3270-03	.7471-07
24	.5075	7.900	39.99	2.018	101.2	1252.	92.84	.1124-01	.4912	3732.	.3269-03	.7471-07
25	.5071	7.900	39.99	2.019	101.0	1251.	92.77	.1122-01	.4903	3730.	.3265-03	.7465-07

RUN NUMBER	HREF BTU/ R FT2SEC	STN NO REF(R) = .0175
23	.1717-01	.5676-01
24	.1717-01	.5676-01
25	.1715-01	.5679-01

TEST DATA

RUN NUMBER	2Y/BW	XW/CW	T/C NO	H/HREF R=1.0	H/HREF R=0.9	H/HREF R= TAW/TO	TAW/TO	H(TO) BTU/R FT2SEC	H(TAW) BTU/R FT2SEC	QDOT BTU/ FT2SEC	DTWDT DEG. R /SEC	TW DEG. R
23	.60000	.25000-01	1110.0	.4526	.5604	.4825	.9678	.7771-02	.8284-02	5.054	37.73	601.3
23	.60000	.50000-01	1111.0	.3494	.4303	.3809	.9560	.5999-02	.6541-02	3.992	31.10	586.2
23	.60000	.75000-01	1112.0	.2780	.3409	.3079	.9473	.4774-02	.5288-02	3.238	23.70	573.3
23	.60000	.10000+00	1113.0	.2240	.2740	.2502	.9426	.3846-02	.4296-02	2.638	18.75	565.8
23	.60000	.20000	1114.0	.1389	.1694	.1566	.9373	.2385-02	.2688-02	1.657	11.83	556.7
23	.60000	.30000	1115.0	.1179	.1438	.1329	.9373	.2025-02	.2282-02	1.411	9.477	554.8
23	.60000	.40000	1116.0	.9923-01	.1209	.1117	.9378	.1704-02	.1918-02	1.189	8.233	554.1
23	.60000	.50000	1117.0	.8872-01	.1081	.1002	.9364	.1523-02	.1720-02	1.062	7.353	554.7
24	.60000	.60000	1118.0	.7747-01	.9434-01	.8745-01	.9362	.1330-02	.1501-02	.9313	6.459	551.5
24	.60000	.70000	1119.0	.6662-01	.8108-01	.7567-01	.9329	.1144-02	.1299-02	.8029	5.754	549.7
24	.60000	.80000	120.00	.5453-01	.6629-01	.6271-01	.9264	.9362-03	.1077-02	.6602	4.896	546.5
24	.60000	.85000	121.00	.6496-01	.7895-01	.7507-01	.9240	.1115-02	.1289-02	.7874	5.747	545.6
24	.60000	.90000	122.00	.5870-01	.7131-01	.6885-01	.9167	.1008-02	.1182-02	.7134	5.388	543.9
24	.60000	.95000	123.00	.4538-01	.5509-01	.5348-01	.9140	.7792-03	.9183-03	.5538	4.188	541.0
25	.95000	.30000	164.00	.1448	.1765	.1628	.9383	.2483-02	.2793-02	1.729	12.36	554.5
25	.95000	.50000	165.00	.1095	.1333	.1233	.9373	.1877-02	.2115-02	1.313	9.718	551.1
25	.95000	.70000	166.00	.8783-01	.1069	.9979-01	.9329	.1506-02	.1711-02	1.054	7.930	551.1

DATE 23 FEB 80

OH84B MODEL 60-0 IN THE AEDC VKF HYPERSONIC TUNNEL

PAGE 2020

OH84B 60-0 WING LOWER SURFACE

(R4UQ26)

RUN NUMBER	2Y/BW	XW/CW	T/C NO	H/HREF R=1.0	H/HREF R=0.9	H/HREF R= TAW/TO	TAW/TO	H(TO) BTU/R FT2SEC	H(TAW) BTU/R FT2SEC	QDOT BTU/ FT2SEC	DTWDT DEG. R /SEC	TW DEG. R
25	.95000	.80000	167.00	.9399-01	.1143	.1086	.9243	.1612-02	.1863-02	1.134	8.403	547.4
25	.95000	.90000	168.00	.6797-01	.8259-01	.7955-01	.9178	.1166-02	.1364-02	.8236	6.219	544.2

DATE 23 FEB 80

OH84B MODEL 60-0 IN THE AEDC VKF HYPERSONIC TUNNEL

PAGE 2021

OH84B 60-0 WING LOWER SURFACE

(R4UQ26)

WING LOWER SURF

PARAMETRIC DATA

MACH = 8.000 ALPHA = 40.00 BETA = 2.000 ELEVON = .0000
 BOFLAP = .0000 SPDBRK = .0000

TEST CONDITIONS

RUN NUMBER	RN/L /FT X10 6	MACH	ALPHA DEG.	BETA DEG.	PO PSIA	TO DEG. R	T DEG. R	P PSIA	Q PSI	V FT/SEC	RHO SLUGS /FT3	MU LB-SEC /FT2
38	1.003	7.940	40.02	2.013	203.6	1256.	92.27	.2190-01	.9666	3739.	.6407-03	.7425-07
39	1.016	7.940	40.02	2.015	206.2	1256.	92.27	.2218-01	.9789	3739.	.6489-03	.7425-07
40	1.021	7.940	40.02	2.016	206.8	1254.	92.12	.2225-01	.9818	3736.	.6518-03	.7413-07

RUN NUMBER	HREF BTU/ R FT2SEC	STN NO REF (R) = .0175
38	.2410-01	.4056-01
39	.2425-01	.4030-01
40	.2428-01	.4021-01

TEST DATA

RUN NUMBER	2Y/BW	XW/CW	T/C NO	H/HREF R=1.0	H/HREF R=0.9	H/HREF R= TAW/TO	TAW/TO	H(TO) BTU/R FT2SEC	H(TAW) BTU/R FT2SEC	QDOT BTU/ FT2SEC	DTWDT DEG. R /SEC	TW DEG. R
38	.60000	.25000-01	1110.0	.4427	.5537	.4732	.9678	.1067-01	.1140-01	6.687	49.26	628.9
38	.60000	.50000-01	1111.0	.3458	.4286	.3779	.9560	.8332-02	.9106-02	5.413	41.76	606.0
38	.60000	.75000-01	1112.0	.2735	.3370	.3036	.9474	.6592-02	.7317-02	4.394	31.90	589.1
38	.60000	.10000+00	1113.0	.2230	.2740	.2496	.9427	.5374-02	.6016-02	3.625	25.58	581.0
38	.60000	.20000	1114.0	.1366	.1671	.1543	.9373	.3292-02	.3717-02	2.262	16.06	568.3
38	.60000	.30000	1115.0	.1175	.1437	.1326	.9373	.2830-02	.3196-02	1.949	13.00	567.1
38	.60000	.40000	1116.0	.9865-01	.1206	.1112	.9379	.2377-02	.2680-02	1.640	11.30	565.6
38	.60000	.50000	1117.0	.8684-01	.1061	.9818-01	.9365	.2093-02	.2366-02	1.446	9.960	564.8
39	.60000	.60000	1118.0	.7657-01	.9350-01	.8656-01	.9362	.1857-02	.2099-02	1.288	8.883	562.2
39	.60000	.70000	1119.0	.6538-01	.7981-01	.7439-01	.9330	.1586-02	.1804-02	1.101	7.849	561.0
39	.60000	.80000	120.00	.5565-01	.6783-01	.6411-01	.9265	.1350-02	.1555-02	.9437	6.964	556.4
39	.60000	.85000	121.00	.6594-01	.8030-01	.7629-01	.9241	.1599-02	.1850-02	1.123	8.160	553.6
39	.60000	.90000	122.00	.6020-01	.7328-01	.7071-01	.9167	.1460-02	.1715-02	1.027	7.728	552.0
39	.60000	.95000	123.00	.4554-01	.5536-01	.5373-01	.9141	.1104-02	.1303-02	.7823	5.897	547.4
40	.95000	.30000	164.00	.1415	.1730	.1594	.9384	.3435-02	.3870-02	2.361	16.78	566.2
40	.95000	.50000	165.00	.1067	.1303	.1203	.9373	.2589-02	.2922-02	1.789	13.17	562.6
40	.95000	.70000	166.00	.9346-01	.1142	.1064	.9330	.2269-02	.2583-02	1.569	11.74	562.2

DATE 23 FEB 80

OH84B MODEL 60-0 IN THE AEDC VKF HYPERSONIC TUNNEL

PAGE 2022

OH84B 60-0 WING LOWER SURFACE

(R4UQ26)

RUN NUMBER	ZY/BW	XW/CW	T/C NO	H/HREF	H/HREF	H/HREF	TAW/TO	H(TO)	H(TAW)	QDOT	DTWDT	TW
				R=1.0	R=0.9	R=		BTU/R	BTU/R	BTU/ FT2SEC	DEG. R	DEG. R
40	.95000	.80000	167.00	.9600-01	.1171	.1112	.9243	.2331-02	.2699-02	1.622	11.96	557.9
40	.95000	.90000	168.00	.6793-01	.8269-01	.7961-01	.9178	.1649-02	.1933-02	1.158	8.713	551.5

DATE 23 FEB 80

OH84B MODEL 60-0 IN THE AEDC VKF HYPERSONIC TUNNEL

PAGE 2023

OH84B 60-0 WING LOWER SURFACE

(R4UQ26)

WING LOWER SURF

PARAMETRIC DATA

MACH = 8.000 ALPHA = 40.00 BETA = 2.000 ELEVON = .0000
 BDFLAP = .0000 SPDBRK = .0000

TEST CONDITIONS

RUN NUMBER	RN/L /FT X10 6	MACH	ALPHA DEG.	BETA DEG.	PO PSIA	TO DEG. R	T DEG. R	P PSIA	Q PSI	V FT/SEC	RHO SLUGS /FT3	MU LB-SEC /FT2
67	2.005	7.980	40.04	2.021	434.1	1299.	94.54	.4519-01	2.014	3804.	.1290-02	.7608-07
68	2.002	7.980	40.01	2.012	434.5	1301.	94.69	.4523-01	2.016	3807.	.1289-02	.7620-07
69	2.003	7.980	40.01	2.011	433.8	1299.	94.54	.4516-01	2.013	3804.	.1289-02	.7608-07

RUN NUMBER	HREF BTU/ R FT2SEC	STN NO REF (R) = .0175
67	.3499-01	.2868-01
68	.3502-01	.2870-01
69	.3498-01	.2869-01

TEST DATA

RUN NUMBER	2Y/BW	XW/CW	T/C NO	H/HREF R=1.0	H/HREF R=0.9	H/HREF R= TAW/TO	TAW/TO	H(TO) BTU/R FT2SEC	H(TAW) BTU/R FT2SEC	QDOT BTU/ FT2SEC	DTWOT DEG. R /SEC	TW DEG. R
67	.60000	.25000-01	1110.0	.4291	.5429	.4601	.9679	.1502-01	.1610-01	9.305	66.92	679.0
67	.60000	.50000-01	1111.0	.3397	.4242	.3723	.9561	.1189-01	.1303-01	7.743	58.55	647.2
67	.60000	.75000-01	1112.0	.2689	.3329	.2991	.9474	.9408-02	.1047-01	6.354	45.36	623.3
67	.60000	.10000*00	1113.0	.2174	.2678	.2436	.9427	.7606-02	.8525-02	5.247	36.51	608.8
67	.60000	.20000	1114.0	.1371	.1680	.1550	.9374	.4799-02	.5423-02	3.393	23.81	591.6
67	.60000	.30000	1115.0	.1173	.1435	.1324	.9374	.4105-02	.4634-02	2.923	19.32	586.5
67	.60000	.40000	1116.0	.1005	.1228	.1133	.9379	.3517-02	.3963-02	2.518	17.20	582.6
67	.60000	.50000	1117.0	.9080-01	.1109	.1026	.9365	.3177-02	.3591-02	2.275	15.53	582.7
68	.60000	.60000	1118.0	.8163-01	.9943-01	.9215-01	.9362	.2858-02	.3227-02	2.076	14.24	574.3
68	.60000	.70000	1119.0	.7175-01	.8729-01	.8147-01	.9330	.2512-02	.2853-02	1.835	13.02	570.2
68	.60000	.80000	120.00	.7465-01	.9090-01	.8595-01	.9265	.2614-02	.3010-02	1.902	13.92	573.2
68	.60000	.85000	121.00	.8515-01	.1036	.9847-01	.9241	.2982-02	.3448-02	2.175	15.68	571.0
68	.60000	.90000	122.00	.7605-01	.9247-01	.8925-01	.9167	.2663-02	.3125-02	1.951	14.55	568.2
68	.60000	.95000	123.00	.5895-01	.7154-01	.6945-01	.9141	.2064-02	.2432-02	1.525	11.42	561.7
69	.95000	.30000	164.00	.1393	.1705	.1570	.9384	.4872-02	.5491-02	3.460	24.31	588.6
69	.95000	.50000	165.00	.1038	.1267	.1171	.9373	.3629-02	.4095-02	2.599	18.94	582.4
69	.95000	.70000	166.00	.1033	.1262	.1176	.9330	.3615-02	.4115-02	2.590	19.19	582.2

DATE 23 FEB 80

OH84B MODEL 60-0 IN THE AEDC VKF HYPERSONIC TUNNEL

PAGE 2024

OH84B 60-0 WING LOWER SURFACE

(R4UQ26)

RUN NUMBER	ZY/BW	XW/CW	T/C NO	H/HREF R=1.0	H/HREF R=0.9	H/HREF R= TAW/TO	TAW/TO	H(TO) BTU/R FT2SEC	H(TAW) BTU/R FT2SEC	QDOT BTU/ FT2SEC	DTWDT DEG. R /SEC	TW DEG. R
69	.95000	.80000	167.00	.1087	.1325	.1258	.9243	.3801-02	.4400-02	2.743	20.04	576.8
69	.95000	.90000	168.00	.7875-01	.9583-01	.9227-01	.9178	.2755-02	.3227-02	2.008	14.97	569.9

DATE 23 FEB 80

OH84B MODEL 60-0 IN THE AEDC VKF HYPERSONIC TUNNEL

PAGE 2025

OH84B 60-0 WING LOWER SURFACE

(R4UQ27)

WING LOWER SURF

PARAMETRIC DATA

MACH = 8.000 ALPHA = 40.00 BETA = 4.000 ELEVON = .0000
 BDFLAP = .0000 SPDBRK = .0000

TEST CONDITIONS

RUN NUMBER	RN/L /FT X10 6	MACH	ALPHA DEG.	BETA DEG.	PO PSIA	TO DEG. R	T DEG. R	P FSIA	Q PSI	V FT/SEC	RHO SLUGS /FT3	MU LB-SEC /FT2
26	.5059	7.900	40.02	4.008	100.6	1250.	92.69	.1118-01	.4885	3729.	.3256-03	.7459-07
27	.5107	7.900	40.02	4.000	101.5	1249.	92.62	.1128-01	.4926	3727.	.3286-03	.7453-07
28	.5063	7.900	40.02	4.000	100.5	1248.	92.54	.1116-01	.4878	3726.	.3256-03	.7447-07

RUN NUMBER	HREF BTU/ R FT2SEC	STN NO REF (R) = .0175
26	.1712-01	.5687-01
27	.1719-01	.5660-01
28	.1710-01	.5686-01

TEST DATA

RUN NUMBER	2Y/BW	XW/CW	T/C NO	H/HREF R=1.0	H/HREF R=0.9	H/HREF R= TAW/TO	TAW/TO	H(TO) BTU/R FT2SEC	H(TAW) BTU/R FT2SEC	QDOT BTU/ FT2SEC	DTWDT DEG. R /SEC	TW DEG. R
26	.60000	.25000-01	1110.0	.4255	.5264	.4535	.9679	.7284-02	.7762-02	4.752	35.54	597.3
26	.60000	.50000-01	1111.0	.3321	.4088	.3619	.9560	.5684-02	.6195-02	3.766	29.53	583.6
26	.60000	.75000-01	1112.0	.2647	.3246	.2931	.9474	.4531-02	.5018-02	3.071	22.49	571.9
26	.60000	.10000+30	1113.0	.2143	.2621	.2393	.9427	.3668-02	.4096-02	2.511	17.86	565.0
26	.60000	.20000	1114.0	.1318	.1608	.1486	.9373	.2256-02	.2544-02	1.564	11.17	556.4
26	.60000	.30000	1115.0	.1096	.1336	.1235	.9373	.1876-02	.2114-02	1.305	8.767	554.0
26	.60000	.40000	1116.0	.8932-01	.1089	.1005	.9379	.1529-02	.1721-02	1.064	7.370	553.9
26	.60000	.50000	1117.0	.7821-01	.9531-01	.8827-01	.9365	.1339-02	.1511-02	.9326	6.463	553.0
26	.60000	.60000	1118.0	.6914-01	.8415-01	.7801-01	.9362	.1188-02	.1341-02	.8317	5.777	548.7
27	.60000	.70000	1119.0	.5926-01	.7210-01	.6729-01	.9330	.1018-02	.1156-02	.7144	5.126	547.2
27	.60000	.80000	120.00	.4933-01	.5995-01	.5672-01	.9265	.8477-03	.9747-03	.5973	4.435	544.1
27	.60000	.85000	121.00	.5974-01	.7259-01	.6901-01	.9241	.1027-02	.1186-02	.7243	5.293	543.2
27	.60000	.90000	122.00	.5451-01	.6619-01	.6390-01	.9167	.9368-03	.1098-02	.6627	5.012	541.3
27	.60000	.95000	123.00	.4228-01	.5131-01	.4981-01	.9141	.7266-03	.8561-03	.5157	3.904	539.0
28	.95000	.30000	164.00	.1440	.1756	.1620	.9384	.2462-02	.2769-02	1.706	12.20	554.6
28	.95000	.50000	165.00	.1083	.1319	.1220	.9373	.1851-02	.2086-02	1.289	9.540	551.3
28	.95000	.70000	166.00	.8750-01	.1066	.9943-01	.9330	.1496-02	.1700-02	1.043	7.851	550.6

DATE 23 FEB 80

OH84B MODEL 60-0 IN THE AEDC VKF HYPERSONIC TUNNEL

PAGE 2026

OH84B 60-0 WING LOWER SURFACE

(R4U027)

RUN NUMBER	2Y/BW	XW/CW	T/C NO	H/HREF R=1.0	H/HREF R=0.9	H/HREF R= TAW/TO	TAW/TO	H(TO) BTU/R FT2SEC	H(TAW) BTU/R FT2SEC	QDOT BTU/ FT2SEC	DTWDT DEG. R /SEC	TW DEG. R
28	.95000	.80000	167.00	.9329-01	.1135	.1078	.9243	.1595-02	.1844-02	1.117	8.286	547.1
28	.95000	.90000	168.00	.6584-01	.8004-01	.7708-01	.9178	.1126-02	.1318-02	.7921	5.981	544.1

DATE 23 FEB 80

OH84B MODEL 60-0 IN THE AEDC VKF HYPERSONIC TUNNEL

PAGE 2027

OH84B 60-0 WING LOWER SURFACE

(R4UQ27)

WING LOWER SURF

PARAMETRIC DATA

MACH = 8.000 ALPHA = 40.00 BETA = 4.000 ELEVON = .0000
 BDFLAP = .0000 SPDBRK = .0000

TEST CONDITIONS

RUN NUMBER	RN/L /FT X10 6	MACH	ALPHA DEG.	BETA DEG.	PO PSIA	TO DEG. R	T DEG. R	P PSIA	Q PSI	V FT/SEC	RHO SLUGS /FT3	MU LB-SEC /FT2
41	1.011	7.940	40.00	4.013	204.3	1252.	91.98	.2198-01	.9699	3733.	.6450-03	.7401-07
42	1.017	7.940	39.99	4.011	205.6	1252.	91.98	.2212-01	.9761	3733.	.6491-03	.7401-07
43	1.018	7.940	40.00	4.023	206.3	1254.	92.12	.2219-01	.9794	3736.	.6502-03	.7413-07

RUN NUMBER	HREF BTU/ R FT2SEC	STN NO REF (R) = .0175
41	.2413-01	.4041-01
42	.2420-01	.4028-01
43	.2425-01	.4025-01

TEST DATA

RUN NUMBER	ZY/BW	XW/CW	T/C NO	H/HREF R=1.0	H/HREF R=0.9	H/HREF R= TAW/TO	TAW/TO	H(TO) BTU/R FT2SEC	H(TAW) BTU/R FT2SEC	QDOT BTU/ FT2SEC	DTWDT DEG. R /SEC	TW DEG. R
41	.60000	.25000-01	1110.0	.4167	.5209	.4454	.9678	.1005-01	.1075-01	6.288	46.38	626.2
41	.60000	.50000-01	1111.0	.3263	.4046	.3567	.9560	.7872-02	.8605-02	5.092	39.31	604.8
41	.60000	.75000-01	1112.0	.2632	.3247	.2924	.9473	.6350-02	.7054-02	4.195	30.43	591.1
41	.60000	.10000+00	1113.0	.2139	.2630	.2395	.9426	.5160-02	.5779-02	3.459	24.40	581.4
41	.60000	.20000	1114.0	.1317	.1613	.1489	.9373	.3178-02	.3591-02	2.167	15.37	569.8
41	.60000	.30000	1115.0	.1080	.1322	.1220	.9373	.2606-02	.2944-02	1.785	11.91	566.7
41	.60000	.40000	1116.0	.8737-01	.1068	.9854-01	.9378	.2108-02	.2377-02	1.448	9.974	564.9
41	.60000	.50000	1117.0	.7427-01	.9079-01	.8399-01	.9364	.1792-02	.2026-02	1.233	8.496	563.8
42	.60000	.60000	1118.0	.6569-01	.8023-01	.7428-01	.9362	.1590-02	.1798-02	1.099	7.586	560.6
42	.60000	.70000	1119.0	.5564-01	.6789-01	.6330-01	.9329	.1347-02	.1532-02	.9338	6.664	558.2
42	.60000	.80000	120.00	.4967-01	.6052-01	.5721-01	.9264	.1202-02	.1385-02	.8392	6.202	553.5
42	.60000	.85000	121.00	.5987-01	.7291-01	.6928-01	.9240	.1449-02	.1677-02	1.014	7.373	552.1
42	.60000	.90000	122.00	.5321-01	.6475-01	.6249-01	.9167	.1288-02	.1512-02	.9042	6.810	549.5
42	.60000	.95000	123.00	.4065-01	.4941-01	.4796-01	.9140	.9938-03	.1161-02	.6948	5.244	545.4
43	.95000	.30000	164.00	.1414	.1728	.1592	.9384	.3428-02	.3861-02	2.364	16.82	564.1
43	.95000	.50000	165.00	.1072	.1309	.1209	.9373	.2600-02	.2932-02	1.802	13.27	560.6
43	.95000	.70000	166.00	.9416-01	.1149	.1071	.9330	.2283-02	.2598-02	1.585	11.87	559.7

DATE 23 FEB 80

OH84B MODEL 60-0 IN THE AEDC VKF HYPERSONIC TUNNEL

PAGE 2028

OH84B 60-0 WING LOWER SURFACE

(R4UQ27)

RUN NUMBER	ZY/BW	XW/CW	T/C NO	H/HREF R=1.0	H/HREF R=0.9	H/HREF R= TAW/TO	TAW/TO	H(TO) BTU/R FT2SEC	H(TAW) BTU/R FT2SEC	QDOT BTU/ FT2SEC	DTWDT DEG. R /SEC	TW DEG. R
43	.95000	.80000	167.00	.9585-01	.1168	.1109	.9243	.2324-02	.2690-02	1.623	11.98	555.5
43	.95000	.90000	168.00	.6773-01	.8241-01	.7935-01	.9178	.1642-02	.1924-02	1.156	8.708	549.7

DATE 23 FEB 80

OH84B MODEL 60-0 IN THE AEDC VKF HYPERSONIC TUNNEL

PAGE 2029

OH84B 60-0 WING LOWER SURFACE

(R4UQ27)

WING LOWER SURF

PARAMETRIC DATA

MACH = 8.000 ALPHA = 40.00 BETA = 4.000 ELEVON = .0000
 BDFLAP = .0000 SPDBRK = .0000

TEST CONDITIONS

RUN NUMBER	RN/L /FT X10 6	MACH	ALPHA DEG.	BETA DEG.	PO PSIA	TO DEG. R	T DEG. R	P PSIA	Q PSI	V FT/SEC	RHO SLUGS /FT3	MU LB-SEC /FT2
63	1.994	7.980	39.99	4.049	433.3	1302.	94.76	.4511-01	2.011	3808.	.1285-02	.7626-07
65	1.997	7.980	40.03	4.032	434.4	1303.	94.84	.4522-01	2.016	3810.	.1287-02	.7631-07
66	2.012	7.980	40.01	4.024	435.7	1299.	94.54	.4536-01	2.022	3804.	.1295-02	.7608-07

RUN NUMBER	HREF BTU/ R FT2SEC	STN NO REF (R) = .0175
63	.3497-01	.2875-01
65	.3502-01	.2873-01
66	.3506-01	.2853-01

TEST DATA

RUN NUMBER	ZY/BW	XW/CW	T/C NO	H/HREF R=1.0	H/HREF R=0.9	H/HREF R= TAW/TO	TAW/TO	H(TO) BTU/R FT2SEC	H(TAW) BTU/R FT2SEC	QDOT BTU/ FT2SEC	DTWDT DEG. R /SEC	TW DEG. R
63	.60000	.25000-01	1110.0	.4015	.5077	.4305	.9678	.1404-01	.1506-01	8.741	62.85	679.2
63	.60000	.50000-01	1111.0	.3227	.4030	.3537	.9560	.1129-01	.1237-01	7.372	55.71	648.5
63	.60000	.75000-01	1112.0	.2606	.3226	.2900	.9473	.9114-02	.1014-01	6.170	44.02	624.7
63	.60000	.10000+00	1113.0	.2105	.2594	.2360	.9426	.7363-02	.8255-02	5.092	35.41	610.1
63	.60000	.20000	1114.0	.1298	.1590	.1467	.9373	.4541-02	.5131-02	3.224	22.62	591.8
63	.60000	.30000	1115.0	.1071	.1309	.1209	.9373	.3745-02	.4227-02	2.680	17.72	585.9
63	.60000	.40000	1116.0	.8941-01	.1092	.1008	.9378	.3127-02	.3524-02	2.248	15.35	582.7
63	.60000	.50000	1117.0	.7955-01	.9710-01	.8988-01	.9364	.2782-02	.3143-02	2.004	13.69	581.4
66	.60000	.60000	1118.0	.7121-01	.8676-01	.8040-01	.9362	.2496-02	.2818-02	1.809	12.40	574.1
66	.60000	.70000	1119.0	.6483-01	.7890-01	.7363-01	.9330	.2273-02	.2581-02	1.655	11.74	570.5
66	.60000	.80000	120.00	.7046-01	.8585-01	.8116-01	.9265	.2470-02	.2845-02	1.789	13.09	574.4
66	.60000	.85000	121.00	.8231-01	.1002	.9524-01	.9241	.2885-02	.3339-02	2.095	15.09	572.6
66	.60000	.90000	122.00	.7508-01	.9136-01	.8816-01	.9167	.2632-02	.3090-02	1.918	14.30	569.9
66	.60000	.95000	123.00	.5919-01	.7189-01	.6979-01	.9141	.2075-02	.2447-02	1.525	11.40	563.7
65	.95000	.30000	164.00	.1399	.1712	.1576	.9384	.4899-02	.5520-02	3.491	24.51	590.1
65	.95000	.50000	165.00	.1056	.1289	.1191	.9373	.3697-02	.4171-02	2.656	19.33	584.2
65	.95000	.70000	166.00	.1065	.1301	.1212	.9330	.3729-02	.4245-02	2.680	19.83	584.2

DATE 23 FEB 80

OH84B MODEL 60-0 IN THE AEDC VKF HYPERSONIC TUNNEL

PAGE 2030

OH84B 60-0 WING LOWER SURFACE

(R4UQ27)

RUN NUMBER	2Y/BW	XW/CW	T/C NO	H/HREF R=1.0	H/HREF R=0.9	H/HREF R= TAW/TO	TAW/TO	H(TO) BTU/R FT2SEC	H(TAW) BTU/R FT2SEC	QDOT BTU/ FT2SEC	DTWDT DEG. R /SEC	TW DEG. R
65	.95000	.80000	167.00	.1088	.1326	.1259	.9243	.3810-02	.4410-02	2.758	20.13	578.6
65	.95000	.90000	168.00	.7839-01	.9541-01	.9185-01	.9178	.2745-02	.3217-02	2.006	14.93	572.1

DATE 23 FEB 80

OH84B MODEL 60-0 IN THE AEDC VKF HYPERSONIC TUNNEL

PAGE 2031

OH84B 60-0 WING LOWER SURFACE

(R4UQ28)

WING LOWER SURF

PARAMETRIC DATA

MACH = 8.000 ALPHA = 40.00 BETA = 10.00 ELEVON = .0000
 BDFLAP = .0000 SPOBRK = .0000

TEST CONDITIONS

RUN NUMBER	RN/L /FT X10 6	MACH	ALPHA DEG.	BETA DEG.	PO PSIA	TO DEG. R	T DEG. R	P PSIA	Q PSI	V FT/SEC	RHO SLUGS /FT3	MU LB-SEC /FT2
29	.5059	7.900	40.08	9.969	100.5	1249.	92.62	.1117-01	.4879	3727.	.3255-03	.7453-07
30	.5116	7.900	40.08	9.969	101.8	1250.	92.69	.1131-01	.4940	3729.	.3293-03	.7459-07
31	.5055	7.900	40.08	9.971	100.7	1251.	92.77	.1119-01	.4887	3730.	.3255-03	.7465-07

RUN NUMBER	HREF BTU/ R FT2SEC	STN NO REF (R) = .0175
29	.1710-01	.5687-01
30	.1721-01	.5655-01
31	.1712-01	.5688-01

TEST DATA

RUN NUMBER	ZY/BW	XW/CW	T/C NO	H/HREF R=1.0	H/HREF R=0.9	H/HREF R= TAW/TO	TAW/TO	H(TO) BTU/R FT2SEC	H(TAW) BTU/R FT2SEC	QDOT BTU/ FT2SEC	DTWDT DEG. R /SEC	TW DEG. R
29	.60000	.25000-01	1110.0	.3437	.4244	.3660	.9679	.5879-02	.6260-02	3.861	28.96	591.8
29	.60000	.50000-01	1111.0	.2716	.3338	.2958	.9561	.4646-02	.5059-02	3.114	24.36	578.3
29	.60000	.75000-01	1112.0	.2148	.2630	.2377	.9475	.3674-02	.4065-02	2.501	18.35	567.9
29	.60000	.10000+30	1113.0	.1733	.2118	.1934	.9428	.2964-02	.3308-02	2.033	14.47	562.7
29	.60000	.20000	1114.0	.9358-01	.1141	.1054	.9374	.1601-02	.1803-02	1.113	7.962	553.3
29	.60000	.30000	1115.0	.7456-01	.9084-01	.8397-01	.9374	.1275-02	.1436-02	.8883	5.973	552.1
29	.60000	.40000	1116.0	.6331-01	.7713-01	.7122-01	.9380	.1083-02	.1218-02	.7548	5.235	551.6
29	.60000	.50000	1117.0	.5880-01	.7164-01	.6634-01	.9366	.1006-02	.1135-02	.7012	4.863	551.6
30	.60000	.60000	1118.0	.5439-01	.6620-01	.6135-01	.9364	.9361-03	.1056-02	.6555	4.551	549.5
30	.60000	.70000	1119.0	.4900-01	.5963-01	.5563-01	.9331	.8435-03	.9576-03	.5913	4.240	548.6
30	.60000	.80000	120.00	.4057-01	.4934-01	.4665-01	.9266	.6983-03	.8030-03	.4910	3.641	546.6
30	.60000	.85000	121.00	.5186-01	.6305-01	.5991-01	.9242	.8926-03	.1031-02	.6286	4.588	545.5
30	.60000	.90000	122.00	.4812-01	.5848-01	.5643-01	.9169	.8284-03	.9714-03	.5846	4.415	544.0
30	.60000	.95000	123.00	.3661-01	.4447-01	.4315-01	.9142	.6303-03	.7428-03	.4460	3.372	542.0
31	.95000	.30000	164.00	.1368	.1667	.1537	.9385	.2342-02	.2633-02	1.633	11.68	553.5
31	.95000	.50000	165.00	.1021	.1243	.1150	.9374	.1749-02	.1969-02	1.225	9.070	550.2
31	.95000	.70000	166.00	.8116-01	.9879-01	.9216-01	.9331	.1390-02	.1578-02	.9743	7.338	549.6

DATE 23 FEB 80

OH84B MODEL 60-0 IN THE AEDC VKF HYPERSONIC TUNNEL

PAGE 2032

OH84B 60-0 WING LOWER SURFACE

(R4UQ28)

RUN NUMBER	2Y/BW	YW/CW	T/C NO	H/HREF	H/HREF	H/HREF	TAW/TO	H(TO)	H(TAW)	QDOT	DTWDT	TW
				R=1.0	R=0.9	R=		BTU/R	BTU/R	BTU/ FT2SEC	DEG. R	DEG. R
				TAW/TO				FT2SEC	FT2SEC	FT2SEC	/SEC	
31	.95000	.80000	167.00	.8796-01	.1070	.1016	.9244	.1506-02	.1740-02	1.060	7.856	547.2
31	.95000	.90000	168.00	.6175-01	.7501-01	.7222-01	.9179	.1057-02	.1237-02	.7482	5.654	543.0

OH84B 60-0 WING LOWER SURFACE

(R4UQ28)

WING LOWER SURF

PARAMETRIC DATA

MACH = 8.000 ALPHA = 40.00 BETA = 10.00 ELEVON = .0000
 BDFLAP = .0000 SPDBRK = .0000

TEST CONDITIONS

RUN NUMBER	RN/L /FT X10 6	MACH	ALPHA DEG.	BETA DEG.	PO PSIA	TO DEG. R	T DEG. R	P PSIA	Q PSI	V FT/SEC	RHO SLUGS /FT3	MU LB-SEC /FT2
44	1.020	7.940	39.96	10.01	207.3	1257.	92.34	.2230-01	.9842	3740.	.6518-03	.7431-07
45	1.021	7.940	39.96	10.01	208.6	1261.	92.64	.2244-01	.9903	3746.	.6538-03	.7454-07
46	1.011	7.940	40.01	10.10	207.3	1264.	92.86	.2230-01	.9842	3751.	.6482-03	.7472-07

RUN NUMBER	HREF BTU/ R FT2SEC	STN NO REF (R) = .0175
44	.2432-01	.4022-01
45	.2441-01	.4017-01
46	.2434-01	.4035-01

TEST DATA

RUN NUMBER	2Y/BW	XW/CW	T/C NO	H/HREF R=1.0	H/HREF R=0.9	H/HREF R= TAW/TO	TAW/TO	H(TO) BTU/R FT2SEC	H(TAW) BTU/R FT2SEC	QDOT BTU/ FT2SEC	DTWOT DEG. R /SEC	TW DEG. R
44	.60000	.25000-01	1110.0	.3401	.4229	.3631	.9677	.8271-02	.8829-02	5.310	39.39	614.7
44	.60000	.50000-01	1111.0	.2681	.3311	.2927	.9559	.6521-02	.7118-02	4.307	33.39	596.2
44	.60000	.75000-01	1112.0	.2139	.2630	.2372	.9473	.5201-02	.5769-02	3.500	25.48	583.7
44	.60000	.10000+00	1113.0	.1727	.2117	.1932	.9425	.4200-02	.4697-02	2.865	20.27	574.6
44	.60000	.20000	1114.0	.9324-01	.1138	.1052	.9372	.2268-02	.2558-02	1.575	11.22	562.1
44	.60000	.30000	1115.0	.7045-01	.8597-01	.7946-01	.9372	.1713-02	.1932-02	1.193	7.988	560.3
44	.60000	.40000	1116.0	.5862-01	.7153-01	.6604-01	.9377	.1426-02	.1606-02	.9928	6.855	560.3
44	.60000	.50000	1117.0	.5329-01	.6503-01	.6021-01	.9363	.1296-02	.1464-02	.9025	6.232	560.3
45	.60000	.60000	1118.0	.4947-01	.6026-01	.5586-01	.9361	.1208-02	.1364-02	.8503	5.883	556.5
45	.60000	.70000	1119.0	.4509-01	.5491-01	.5124-01	.9329	.1101-02	.1251-02	.7764	5.548	555.2
45	.60000	.80000	120.00	.4132-01	.5025-01	.4754-01	.9264	.1009-02	.1160-02	.7157	5.296	551.1
45	.60000	.85000	121.00	.5203-01	.6325-01	.6014-01	.9240	.1270-02	.1468-02	.9022	6.570	550.2
45	.60000	.90000	122.00	.4785-01	.5812-01	.5612-01	.9166	.1168-02	.1370-02	.8325	6.276	547.8
45	.60000	.95000	123.00	.3670-01	.4453-01	.4325-01	.9139	.8958-03	.1056-02	.6421	4.850	543.9
46	.95000	.30000	164.00	.1351	.1647	.1519	.9384	.3288-02	.3698-02	2.309	16.45	561.4
46	.95000	.50000	165.00	.1021	.1243	.1150	.9373	.2485-02	.2799-02	1.754	12.94	557.7
46	.95000	.70000	166.00	.8833-01	.1075	.1003	.9330	.2150-02	.2443-02	1.521	11.42	556.3

DATE 23 FEB 80

OH84B MODEL 60-0 IN THE AEDC VKF HYPERSONIC TUNNEL

PAGE 2034

OH84B 60-0 WING LOWER SURFACE

(R4UQ28)

RUN NUMBER	ZY/BW	XW/CW	T/C NO	H/HREF R=1.0	H/HREF R=0.9	H/HREF R= TAW/TO	TAW/TO	H(TO) BTU/R FT2SEC	H(TAW) BTU/R FT2SEC	QDOT BTU/ FT2SEC	DTWDT DEG. R /SEC	TW DEG. R
46	.95000	.80000	167.00	.9017-01	.1096	.1042	.9243	.2195-02	.2536-02	1.561	11.55	552.2
46	.95000	.90000	168.00	.6208-01	.7536-01	.7259-01	.9178	.1511-02	.1767-02	1.084	8.173	546.6

OH84B 60-0 WING LOWER SURFACE

(R4UQ28)

WING LOWER SURF

PARAMETRIC DATA

MACH = 8.000 ALPHA = 40.00 BETA = 10.00 ELEVON = .0000
 BDFLAP = .0000 SPDBRK = .0000

TEST CONDITIONS

RUN NUMBER	RN/L /FT X10 6	MACH	ALPHA DEG.	BETA DEG.	PO PSIA	TO DEG. R	T DEG. R	P PSIA	Q PSI	V FT/SEC	RHO SLUGS /FT3	MU LB-SEC /FT2
57	1.996	7.980	40.01	10.01	434.1	1303.	94.84	.4519-01	2.014	3810.	.1286-02	.7631-07
58	1.996	7.980	40.01	10.01	434.6	1304.	94.91	.4524-01	2.017	3811.	.1287-02	.7637-07
59	1.995	7.980	40.01	10.00	433.9	1303.	94.84	.4517-01	2.014	3810.	.1286-02	.7631-07

RUN NUMBER	HREF BTU/ R FT2SEC	STN NO REF (R) = .0175
57	.3501-01	.2874-01
58	.3503-01	.2873-01
59	.3500-01	.2874-01

TEST DATA

RUN NUMBER	2Y/BW	XW/CW	T/C NO	H/HREF R=1.0	H/HREF R=0.9	H/HREF R= TAW/TO	TAW/TO	H(TO) BTU/R FT2SEC	H(TAW) BTU/R FT2SEC	QDOT BTU/ FT2SEC	DTWDT DEG. R /SEC	TW DEG. R
57	.60000	.25000-01	1110.0	.3302	.4125	.3528	.9678	.1156-01	.1235-01	7.546	55.03	649.9
57	.60000	.50000-01	1111.0	.2641	.3268	.2885	.9560	.9246-02	.1010-01	6.281	48.04	623.4
57	.60000	.75000-01	1112.0	.2093	.2571	.2320	.9474	.7328-02	.8123-02	5.133	37.03	602.2
57	.60000	.10000+00	1113.0	.1693	.2073	.1892	.9426	.5928-02	.6624-02	4.219	29.62	590.9
57	.60000	.20000	1114.0	.9042-01	.1100	.1018	.9373	.3165-02	.3563-02	2.317	16.43	570.7
57	.60000	.30000	1115.0	.6991-01	.8495-01	.7864-01	.9373	.2447-02	.2753-02	1.801	12.02	566.9
57	.60000	.40000	1116.0	.6048-01	.7347-01	.6794-01	.9378	.2117-02	.2379-02	1.560	10.74	565.9
57	.60000	.50000	1117.0	.6080-01	.7389-01	.6852-01	.9364	.2129-02	.2399-02	1.565	10.77	567.3
58	.60000	.60000	1118.0	.6532-01	.7937-01	.7363-01	.9362	.2288-02	.2580-02	1.685	11.60	567.2
58	.60000	.70000	1119.0	.6931-01	.8420-01	.7863-01	.9330	.2428-02	.2755-02	1.790	12.72	566.5
58	.60000	.80000	120.00	.7388-01	.8987-01	.8500-01	.9265	.2588-02	.2978-02	1.896	13.89	571.1
58	.60000	.85000	121.00	.8593-01	.1045	.9933-01	.9241	.3011-02	.3480-02	2.208	15.92	570.1
58	.60000	.90000	122.00	.7752-01	.9420-01	.9093-01	.9167	.2716-02	.3186-02	1.999	14.92	567.5
58	.60000	.95000	123.00	.5934-01	.7197-01	.6988-01	.9140	.2079-02	.2448-02	1.545	11.57	560.6
59	.95000	.30000	164.00	.1356	.1657	.1527	.9384	.4747-02	.5344-02	3.413	24.04	583.8
59	.95000	.50000	165.00	.1013	.1235	.1142	.9373	.3546-02	.3996-02	2.572	18.78	577.5
59	.95000	.70000	166.00	.1012	.1234	.1151	.9330	.3544-02	.4029-02	2.570	19.08	577.5

DATE 23 FEB 80

OH84B MODEL 60-0 IN THE AEDC VKI HYPERSONIC TUNNEL

PAGE 2036

OH84B 60-0 WING LOWER SURFACE

(R4U028)

RUN NUMBER	2Y/BW	XW/CW	T/C NO	H/HREF R=1.0	H/HREF R=0.9	H/HREF R= TAW/TO	TAW/TO	H(TO) BTU/R FT2SEC	H(TAW) BTU/R FT2SEC	QDOT BTU/ FT2SEC	DTWDT DEG. R /SEC	TW DEG. R
59	.95000	.80000	167.00	.1024	.1246	.1184	.9243	.3584-02	.4143-02	2.620	19.19	571.7
59	.95000	.90000	168.00	.7225-01	.8774-01	.8452-01	.9178	.2529-02	.2958-02	1.866	13.95	564.7

DATE 23 FEB 80

OH84B MODEL 60-0 IN THE AEDC VKF HYPERSONIC TUNNEL

PAGE 2037

OH84B 60-0 WING LOWER SURFACE

(R4U029)

WING LOWER SURF

PARAMETRIC DATA

MACH = 8.000 ALPHA = 40.00 BETA = .0000 ELEVON = -15.00
 BDFLAP = -12.50 SPDBRK = .0000

TEST CONDITIONS

RUN NUMBER	RN/L /FT X10 6	MACH	ALPHA DEG.	BETA DEG.	PO PSIA	TO DEG. R	T DEG. R	P PSIA	Q PSI	V FT/SEC	RHO SLUGS /FT3	MU LB-SEC /FT2
717	.5091	7.900	39.99	.3469-02	100.3	1242.	92.10	.1115-01	.4869	3717.	.3266-03	.7411-07
718	.5143	7.900	39.98	.3466-02	101.8	1246.	92.40	.1131-01	.4942	3723.	.3305-03	.7435-07

RUN NUMBER	HREF BTU/ R FT2SEC	STN NO. REF (R) = .0175
717	.1707-01	.5674-01
718	.1721-01	.5643-01

TEST DATA

RUN NUMBER	2Y/BW	XW/CW	T/C NO	H/HREF R=1.0	H/HREF R=0.9	H/HREF R= TAW/TO	TAW/TO	H(TO) BTU/R FT2SEC	H(TAW) BTU/R FT2SEC	QDOT BTU/ FT2SEC	DTWDT DEG. R /SEC	TW DEG. R
718	.30000	.40000	1078.0	.6940-01	.8398-01	.7748-01	.9399	.1194-02	.1333-02	.8564	6.204	528.4
718	.30000	.50000	1079.0	.5323-01	.6442-01	.5987-01	.9362	.9159-03	.1030-02	.6567	4.914	528.7
718	.30000	.60000	1080.0	.4968-01	.6016-01	.5587-01	.9364	.8549-03	.9614-03	.6115	4.573	530.4
718	.30000	.70000	1081.0	.4968-01	.6016-01	.5595-01	.9356	.8549-03	.9628-03	.6117	4.427	530.2
718	.30000	.80000	1082.0	.5845-01	.7078-01	.6619-01	.9329	.1006-02	.1139-02	.7195	5.381	530.3
718	.30000	.90000	83.000	.2374-01	.2865-01	.2743-01	.9216	.4086-03	.4719-03	.2970	2.197	518.8
718	.30000	.95000	84.000	.3317-01	.4004-01	.3870-01	.9167	.5708-03	.6660-03	.4145	3.016	519.5
718	.40000	.60000	1092.0	.6466-01	.7835-01	.7259-01	.9374	.1113-02	.1249-02	.7934	5.387	532.6
718	.40000	.70000	1093.0	.6653-01	.8058-01	.7483-01	.9364	.1145-02	.1288-02	.8178	5.557	531.3
718	.40000	.75000	1094.0	.6570-01	.7959-01	.7419-01	.9344	.1130-02	.1277-02	.8067	6.027	532.1
718	.40000	.85000	95.000	.3750-01	.4529-01	.4293-01	.9264	.6452-03	.7387-03	.4672	3.569	521.6
718	.40000	.90000	96.000	.2799-01	.3377-01	.3258-01	.9177	.4816-03	.5606-03	.3503	3.041	518.4
718	.40000	.95000	97.000	.2086-01	.2516-01	.2446-01	.9140	.3590-03	.4208-03	.2617	2.150	516.6
718	.50000	.40000	1104.0	.7751-01	.9394-01	.8716-01	.9367	.1334-02	.1500-02	.9501	6.865	533.3
718	.50000	.60000	1105.0	.6639-01	.8043-01	.7471-01	.9362	.1142-02	.1286-02	.8143	5.701	532.8
718	.50000	.70000	1106.0	.3779-01	.4577-01	.4259-01	.9353	.6503-03	.7329-03	.4648	3.363	530.8
718	.50000	.90000	107.000	.2588-01	.3123-01	.3123-01	.9000	.4453-03	.5374-03	.3240	2.566	518.1
718	.60000	.40000	1116.0	.1107	.1342	.1242	.9378	.1905-02	.2138-02	1.356	9.488	533.9
718	.60000	.50000	1117.0	.1008	.1222	.1134	.9364	.1735-02	.1952-02	1.235	8.641	533.9

DATE 23 FEB 80

OH84B MODEL 60-0 IN THE AEDC VKF HYPERSONIC TUNNEL

PAGE 2038

OH84B 60-0 WING LOWER SURFACE

(R4UQ29)

RUN NUMBER	2Y/BW	XW/CW	T/C NO	H/HREF R=1.0	H/HREF R=0.9	H/HREF R= TAW/TO	TAW/TO	H(TO) BTU/R FT2SEC	H(TAW) BTU/R FT2SEC	QDOT BTU/ FT2SEC	DTWDT DEG. R /SEC	TW DEG. R
718	.60000	.60000	1118.0	.8719-01	.1057	.9815-01	.9362	.1500-02	.1689-02	1.069	7.482	533.3
718	.60000	.70000	1119.0	.7354-01	.8911-01	.8330-01	.9329	.1265-02	.1433-02	.9022	6.522	532.6
718	.60000	.80000	120.00	.3526-01	.4260-01	.4038-01	.9264	.6067-03	.6948-03	.4388	3.295	522.4
718	.60000	.85000	121.00	.3682-01	.4447-01	.4235-01	.9240	.6336-03	.7288-03	.4592	3.394	520.9
718	.60000	.90000	122.00	.3158-01	.3811-01	.3684-01	.9167	.5433-03	.6339-03	.3950	3.022	518.7
718	.60000	.95000	123.00	.2297-01	.2771-01	.2693-01	.9140	.3953-03	.4634-03	.2881	2.206	516.9
718	.70000	.40000	1130.0	.1193	.1445	.1341	.9366	.2053-02	.2308-02	1.464	9.378	532.2
718	.70000	.60000	131.00	.1116	.1351	.1256	.9362	.1920-02	.2160-02	1.373	8.796	530.7
718	.70000	.90000	132.00	.7658-01	.9250-01	.8921-01	.9177	.1318-02	.1535-02	.9533	6.927	522.2
717	.75000	.30000	138.00	.1426	.1729	.1602	.9375	.2435-02	.2734-02	1.727	11.06	532.4
717	.75000	.40000	139.00	.1222	.1481	.1373	.9373	.2086-02	.2343-02	1.481	9.766	531.6
717	.75000	.50000	140.00	.1064	.1289	.1289	.9000	.1816-02	.2200-02	1.290	8.769	531.0
717	.75000	.70000	1141.0	.9295-01	.1128	.1047	.9362	.1587-02	.1787-02	1.122	8.098	534.8
717	.75000	.80000	142.00	.4389-01	.5310-01	.5029-01	.9266	.7492-03	.8584-03	.5364	4.467	525.7
718	.75000	.90000	143.00	.3584-01	.4327-01	.4171-01	.9180	.6167-03	.7178-03	.4477	3.311	519.7
718	.75000	.95000	144.00	.2312-01	.2788-01	.2706-01	.9147	.3979-03	.4656-03	.2907	2.228	514.9
717	.80000	.20000	146.00	.1716	.2083	.1925	.9383	.2929-02	.3286-02	2.064	14.42	536.9
717	.80000	.40000	147.00	.1255	.1522	.1409	.9378	.2143-02	.2405-02	1.516	10.95	534.2
717	.80000	.90000	148.00	.3645-01	.4407-01	.4245-01	.9183	.6222-03	.7246-03	.4467	3.297	523.8
717	.90000	.30000	1155.0	.1625	.1975	.1823	.9389	.2775-02	.3112-02	1.946	14.01	540.4
717	.90000	.50000	156.00	.1378	.1672	.1672	.9000	.2352-02	.2854-02	1.659	11.97	536.0
717	.90000	.60000	1157.0	.1272	.1544	.1429	.9378	.2172-02	.2439-02	1.531	10.70	536.5
717	.90000	.80000	158.00	.5250-01	.6353-01	.6006-01	.9275	.8962-03	.1025-02	.6413	5.059	526.1
717	.90000	.90000	159.00	.3472-01	.4199-01	.4053-01	.9172	.5927-03	.6919-03	.4249	3.414	524.8
717	.95000	.30000	164.00	.1568	.1903	.1759	.9393	.2677-02	.3003-02	1.889	13.63	536.1
717	.95000	.50000	165.00	.1174	.1423	.1319	.9373	.2004-02	.2252-02	1.420	10.60	533.3
717	.95000	.70000	166.00	.5599-01	.6776-01	.6337-01	.9329	.9557-03	.1082-02	.6830	5.202	527.0
717	.95000	.80000	167.00	.5263-01	.6368-01	.6059-01	.9243	.8984-03	.1034-02	.6429	4.818	526.1
717	.95000	.90000	168.00	.3645-01	.4409-01	.4251-01	.9178	.6222-03	.7256-03	.4458	3.399	525.2

OH84B 60-0 WING LOWER SURFACE

(R4U029)

WING LOWER SURF

PARAMETRIC DATA

MACH = 8.000 ALPHA = 40.00 BETA = .0000 ELEVON = -15.00
 BDFLAP = -12.50 SPDBRK = .0000

TEST CONDITIONS

RUN NUMBER	RN/L /FT X10 6	MACH	ALPHA DEG.	BETA DEG.	PO PSIA	TO DEG. R	T DEG. R	P PSIA	Q PSI	- V FT/SEC	RHO SLUGS /FT3	MU LB-SEC /FT2
715	1.013	7.940	39.99	.3469-02	207.7	1264.	92.86	.2234-01	.9860	3751.	.6495-03	.7472-07
716	1.024	7.940	39.99	.3470-02	208.1	1257.	92.34	.2239-01	.9879	3740.	.6543-03	.7431-07

RUN NUMBER	HREF BTU/ R FT2SEC	STN NO REF (R) = .0175
715	.2436-01	.4031-01
716	.2437-01	.4014-01

TEST DATA

RUN NUMBER	2Y/BW	XW/CW	T/C NO	H/HREF R=1.0	H/HREF R=0.9	H/HREF R= TAW/TO	TAW/TO	H(TO) BTU/R FT2SEC	H(TAW) BTU/R FT2SEC	QDOT BTU/ FT2SEC	DTWDT DEG. R /SEC	TW DEG. R
716	.30000	.40000	1078.0	.6363-01	.7718-01	.7113-01	.9399	.1550-02	.1733-02	1.110	7.991	540.7
716	.30000	.50000	1079.0	.4809-01	.5833-01	.5416-01	.9362	.1172-02	.1320-02	.8383	6.234	541.2
716	.30000	.60000	1080.0	.4618-01	.5606-01	.5201-01	.9364	.1125-02	.1267-02	.8018	5.955	544.0
716	.30000	.70000	1081.0	.4620-01	.5609-01	.5212-01	.9356	.1126-02	.1270-02	.8026	5.768	543.8
716	.30000	.80000	1082.0	.4967-01	.6032-01	.5634-01	.9329	.1210-02	.1373-02	.8620	6.400	544.5
716	.30000	.90000	83.000	.2593-01	.3129-01	.2995-01	.9217	.6317-03	.7298-03	.4631	3.417	523.7
716	.30000	.95000	84.000	.3726-01	.4497-01	.4347-01	.9167	.9078-03	.1059-02	.6649	4.827	524.2
716	.40000	.60000	1092.0	.6600-01	.8021-01	.7422-01	.9375	.1608-02	.1808-02	1.141	7.688	547.3
716	.40000	.70000	1093.0	.6847-01	.8316-01	.7714-01	.9364	.1668-02	.1879-02	1.186	8.004	545.5
716	.40000	.75000	1094.0	.7425-01	.9021-01	.8399-01	.9345	.1809-02	.2046-02	1.285	9.532	546.3
716	.40000	.85000	95.000	.4088-01	.4940-01	.4682-01	.9264	.9959-03	.1141-02	.7254	5.523	528.3
716	.40000	.90000	96.000	.3117-01	.3762-01	.3629-01	.9178	.7596-03	.8841-03	.5572	4.825	523.1
716	.40000	.95000	97.000	.2205-01	.2659-01	.2584-01	.9140	.5373-03	.6297-03	.3956	3.244	520.3
716	.50000	.40000	1104.0	.8155-01	.9908-01	.9183-01	.9367	.1997-02	.2238-02	1.411	10.13	546.4
716	.50000	.60000	1105.0	.6310-01	.7667-01	.7113-01	.9362	.1537-02	.1733-02	1.091	7.587	546.8
716	.50000	.70000	1106.0	.3791-01	.4600-01	.4278-01	.9353	.9236-03	.1042-02	.6597	4.744	542.5
716	.50000	.90000	107.00	.2715-01	.3276-01	.3276-01	.9000	.6615-03	.7982-03	.4854	3.836	522.9
716	.60000	.40000	1116.0	.1118	.1360	.1257	.9378	.2724-02	.3063-02	1.924	13.35	550.3
716	.60000	.50000	1117.0	.1034	.1258	.1166	.9364	.2520-02	.2841-02	1.781	12.36	549.8

OH84B 60-0 WING LOWER SURFACE

(R4UQ29)

RUN NUMBER	ZY/BW	XW/CW	T/C NO	H/HREF R=1.0	H/HREF R=0.9	H/HREF R= TAW/TO	TAW/TO	H(TO) BTU/R FT2SEC	H(TAW) BTU/R FT2SEC	QDOT BTU/ FT2SEC	DTWDT DEG. R /SEC	TW DEG. R
716	.60000	.60000	1118.0	.9227-01	.1121	.1040	.9362	.2248-02	.2535-02	1.595	11.09	547.1
716	.60000	.70000	1119.0	.8139-01	.9888-01	.9234-01	.9329	.1983-02	.2250-02	1.409	10.11	546.2
716	.60000	.80000	120.00	.3795-01	.4588-01	.4348-01	.9264	.9246-03	.1059-02	.6722	5.029	529.6
716	.60000	.85000	121.00	.3950-01	.4771-01	.4544-01	.9240	.9623-03	.1107-02	.7023	5.174	526.9
716	.60000	.90000	122.00	.3350-01	.4043-01	.3908-01	.9167	.8163-03	.9522-03	.5987	4.570	523.2
716	.60000	.95000	123.00	.2438-01	.2940-01	.2858-01	.9140	.5941-03	.6964-03	.4373	3.342	520.6
716	.70000	.40000	1130.0	.1195	.1452	.1346	.9366	.2912-02	.3280-02	2.067	13.14	546.8
716	.70000	.60000	131.00	.1113	.1352	.1255	.9362	.2712-02	.3057-02	1.927	12.25	546.2
716	.70000	.90000	132.00	.8548-01	.1033	.9962-01	.9178	.2083-02	.2427-02	1.517	10.99	528.3
715	.75000	.30000	138.00	.1403	.1701	.1575	.9375	.3418-02	.3839-02	2.465	15.71	542.4
715	.75000	.40000	139.00	.1211	.1469	.1361	.9373	.2950-02	.3315-02	2.124	13.92	543.6
715	.75000	.60000	140.00	.1055	.1279	.1279	.9000	.2569-02	.3117-02	1.847	12.47	544.7
715	.75000	.70000	1141.0	.9789-01	.1189	.1103	.9362	.2385-02	.2688-02	1.706	12.24	548.3
715	.75000	.80000	142.00	.4528-01	.5476-01	.5187-01	.9266	.1103-02	.1264-02	.8053	6.680	533.7
716	.75000	.90000	143.00	.3649-01	.4405-01	.4247-01	.9180	.8891-03	.1035-02	.6510	4.803	524.4
716	.75000	.95000	144.00	.2348-01	.2830-01	.2747-01	.9148	.5721-03	.6693-03	.4222	3.229	518.8
715	.80000	.20000	146.00	.1783	.2164	.2000	.9383	.4344-02	.4873-02	3.119	21.69	545.8
715	.80000	.40000	147.00	.1248	.1515	.1402	.9378	.3042-02	.3416-02	2.183	15.68	545.9
715	.80000	.90000	148.00	.3796-01	.4582-01	.4415-01	.9183	.9248-03	.1076-02	.6812	5.018	527.1
715	.90000	.30000	1155.0	.1662	.2020	.1864	.9389	.4050-02	.4543-02	2.888	20.69	550.6
715	.90000	.50000	156.00	.1364	.1657	.1657	.9000	.3324-02	.4037-02	2.378	17.06	548.2
715	.90000	.60000	1157.0	.1238	.1504	.1391	.9378	.3016-02	.3389-02	2.157	14.99	548.5
715	.90000	.80000	158.00	.5332-01	.6448-01	.6097-01	.9275	.1299-02	.1485-02	.9490	7.459	533.2
715	.90000	.90000	159.00	.3734-01	.4509-01	.4353-01	.9172	.9097-03	.1061-02	.5688	5.364	528.5
715	.95000	.30000	164.00	.1617	.1962	.1814	.9383	.3939-02	.4419-02	2.826	20.29	546.3
715	.95000	.50000	165.00	.1157	.1404	.1301	.9373	.2820-02	.3169-02	2.028	15.06	544.4
715	.95000	.70000	166.00	.5678-01	.6867-01	.6424-01	.9329	.1383-02	.1565-02	1.010	7.663	534.0
715	.95000	.80000	167.00	.5250-01	.6345-01	.6040-01	.9243	.1279-02	.1472-02	.9369	7.003	531.3
715	.95000	.90000	168.00	.3707-01	.4476-01	.4317-01	.9178	.9032-03	.1052-02	.6646	5.060	527.9

DATE 23 FEB 80

OH84B MODEL 60-0 IN THE AEDC VKF HYPERSONIC TUNNEL

PAGE 2041

OH84B 60-0 WING LOWER SURFACE

(R4UQ29)

WING LOWER SURF

PARAMETRIC DATA

MACH = 8.000 ALPHA = 40.00 BETA = .0000 ELEVON = -15.00
 BDFLAP = -12.50 SPDBRK = .0000

TEST CONDITIONS

RUN NUMBER	RN/L /FT	MACH	ALPHA DEG.	BETA DEG.	PO PSIA	TO DEG. R	T DEG. R	P PSIA	Q PSI	V FT/SEC	RHO SLUGS /FT3	MU LB-SEC /FT2
709	2.011	7.980	40.04	.1046-01	432.9	1294.	94.18	.4507-01	2.009	3796.	.1292-02	.7579-07
710	2.005	7.980	40.03	.1045-01	436.6	1304.	94.91	.4546-01	2.026	3811.	.1293-02	.7637-07

RUN NUMBER	HREF BTU/ R FT2SEC	STN NO REF (R) = .0175
709	.3492-01	.2865-01
710	.3512-01	.2867-01

TEST DATA

RUN NUMBER	ZY/BW	XW/CW	T/C NO	H/HREF R=1.0	H/HREF R=0.9	H/HREF R= TAW/TO	TAW/TO	H(TO) BTU/R FT2SEC	H(TAW) BTU/R FT2SEC	QDOT BTU/ FT2SEC	DTWDT DEG. R /SEC	TW DEG. R
710	.30000	.40000	1078.0	.6067-01	.7348-01	.6776-01	.9400	.2131-02	.2379-02	1.593	11.38	556.0
710	.30000	.50000	1079.0	.4632-01	.5613-01	.5213-01	.9363	.1627-02	.1831-02	1.214	8.956	557.3
710	.30000	.60000	1080.0	.5146-01	.6246-01	.5794-01	.9365	.1807-02	.2035-02	1.339	9.846	563.0
710	.30000	.70000	1081.0	.6504-01	.7898-01	.7336-01	.9357	.2284-02	.2576-02	1.687	12.00	564.8
710	.30000	.80000	1082.0	.9035-01	.1099	.1026	.9330	.3173-02	.3601-02	2.329	17.08	569.6
710	.30000	.90000	83.000	.3311-01	.3981-01	.3813-01	.9217	.1163-02	.1339-02	.8998	6.621	529.7
710	.30000	.95000	84.000	.4681-01	.5630-01	.5445-01	.9168	.1644-02	.1912-02	1.271	9.197	530.5
710	.40000	.60000	1092.0	.8276-01	.1006	.9306-01	.9376	.2906-02	.3268-02	2.138	14.26	568.1
710	.40000	.70000	1093.0	.9755-01	.1185	.1099	.9365	.3426-02	.3860-02	2.522	16.82	567.6
710	.40000	.75000	1094.0	.1098	.1335	.1242	.9345	.3855-02	.4363-02	2.822	20.67	571.5
710	.40000	.85000	95.000	.5188-01	.6249-01	.5928-01	.9265	.1822-02	.2082-02	1.399	10.61	535.6
710	.40000	.90000	96.000	.3767-01	.4530-01	.4372-01	.9178	.1323-02	.1535-02	1.025	8.847	529.1
710	.40000	.95000	97.000	.2701-01	.3244-01	.3155-01	.9141	.9483-03	.1108-02	.7380	6.036	525.4
710	.50000	.40000	1104.0	.8060-01	.9789-01	.9073-01	.9368	.2831-02	.3186-02	2.090	14.86	565.4
710	.50000	.60000	1105.0	.7161-01	.8697-01	.8070-01	.9363	.2515-02	.2834-02	1.856	12.79	565.5
710	.50000	.70000	1106.0	.4003-01	.4855-01	.4515-01	.9354	.1406-02	.1585-02	1.044	7.440	560.9
710	.50000	.90000	107.00	.3087-01	.3711-01	.3711-01	.9000	.1084-02	.1303-02	.8410	6.628	527.9
710	.60000	.40000	1116.0	.1181	.1436	.1327	.9379	.4147-02	.4662-02	3.040	20.89	570.5
710	.60000	.50000	1117.0	.1085	.1319	.1223	.9365	.3810-02	.4295-02	2.795	19.21	570.0

DATE 23 FEB 80

OH84B MODEL 60-0 IN THE AEOC VKF HYPERSONIC TUNNEL

PAGE 2042

OH84B 60-0 WING LOWER SURFACE

(R4UQ29)

RUN NUMBER	2Y/BW	XW/CW	T/C NO	H/HREF R=1.0	H/HREF R=0.9	H/HREF R= TAW/TO	TAW/TO	H(TO) BTU/' FT2SEC	H(TAW) BTU/R FT2SEC	QDOT BTU/ FT2SEC	DTWDT DEG. R /SEC	TW DEG. R
710	.60000	.60000	1118.0	.1020	.1240	.1150	.9363	.3583-02	.4039-02	2.642	18.19	566.3
710	.60000	.70000	1119.0	.8457-01	.1027	.9592-01	.9330	.2970-02	.3368-02	2.191	15.57	566.0
710	.60000	.80000	120.00	.4579-01	.5515-01	.5232-01	.9265	.1608-02	.1837-02	1.235	9.206	535.9
710	.60000	.85000	121.00	.4512-01	.5430-01	.5176-01	.9241	.1585-02	.1818-02	1.222	8.983	532.2
710	.60000	.90000	122.00	.3666-01	.4407-01	.4263-01	.9168	.1287-02	.1497-02	.9982	7.599	528.3
710	.60000	.95000	123.00	.2695-01	.3236-01	.3147-01	.9141	.9463-03	.1105-02	.7377	5.628	524.1
710	.70000	.40000	1130.0	.1255	.1525	.1413	.9367	.4406-02	.4962-02	3.245	20.42	567.2
710	.70000	.60000	131.00	.1184	.1437	.1334	.9363	.4157-02	.4683-02	3.072	19.36	564.5
710	.70000	.90000	132.00	.9209-01	.1199	.1070	.9178	.3234-02	.3757-02	2.489	17.97	534.1
709	.75000	.30000	138.00	.1414	.1720	.1591	.9376	.4937-02	.5555-02	3.585	22.55	567.5
709	.75000	.40000	139.00	.1239	.1507	.1394	.9374	.4326-02	.4859-02	3.144	20.37	566.9
709	.75000	.60000	140.00	.1106	.1345	.1345	.9000	.3862-02	.4696-02	2.816	18.81	564.6
709	.75000	.70000	1141.0	.1112	.1355	.1255	.9363	.3883-02	.4383-02	2.804	19.87	571.6
709	.75000	.80000	142.00	.5226-01	.6310-01	.5978-01	.9267	.1825-02	.2088-02	1.374	11.36	540.7
710	.75000	.90000	143.00	.3925-01	.4791-01	.4622-01	.9181	.1399-02	.1623-02	1.084	7.975	529.2
710	.75000	.95000	144.00	.2608-01	.3130-01	.3040-01	.9148	.9159-03	.1068-02	.7159	5.467	522.0
709	.80000	.20000	146.00	.1776	.2165	.1997	.9384	.6203-02	.6973-02	4.471	30.68	572.9
709	.80000	.40000	147.00	.1277	.1556	.1437	.9379	.4460-02	.5019-02	3.217	22.79	572.5
709	.80000	.90000	148.00	.4657-01	.5611-01	.5407-01	.9184	.1626-02	.1888-02	1.237	9.084	533.1
709	.90000	.30000	1155.0	.1630	.1990	.1833	.9390	.5693-02	.6400-02	4.072	28.77	578.4
709	.90000	.50000	156.00	.1389	.1693	.1693	.9000	.4849-02	.5914-02	3.485	24.66	575.0
709	.90000	.60000	1157.0	.1311	.1599	.1476	.9379	.4579-02	.5154-02	3.295	22.60	574.0
709	.90000	.80000	158.00	.5815-01	.7020-01	.6640-01	.9276	.2031-02	.2319-02	1.531	11.99	539.8
709	.90000	.90000	159.00	.4074-01	.4910-01	.4742-01	.9173	.1423-02	.1655-02	1.081	8.644	534.0
709	.95000	.30000	164.00	.1577	.1920	.1772	.9384	.5505-02	.6187-02	3.981	28.23	570.6
709	.95000	.50000	165.00	.1141	.1388	.1284	.9374	.3985-02	.4485-02	2.897	21.27	566.6
709	.95000	.70000	166.00	.6520-01	.7877-01	.7370-01	.9330	.2277-02	.2574-02	1.710	12.93	542.5
709	.95000	.80000	167.00	.5952-01	.7183-01	.6838-01	.9244	.2079-02	.2388-02	1.570	11.69	538.5
709	.95000	.90000	168.00	.3947-01	.4758-01	.4589-01	.9179	.1378-02	.1603-02	1.046	7.933	534.9

OH848 60-0 WING LOWER SURFACE

(R4UG29)

WING LOWER SURF

PARAMETRIC DATA

MACH = 8.000 ALPHA = 40.00 BETA = .0000 ELEVON = -15.00
 BDFLAP = -12.50 SPOBRK = .0000

TEST CONDITIONS

RUN NUMBER	RN/L /FT X10 6	MACH	ALPHA DEG.	BETA DEG.	PO PSIA	TO DEG. R	T DEG. R	P PSIA	Q PSI	V FT/SEC	RHO SLUGS /FT3	MU LB-SEC /FT2
707	3.005	7.990	40.06	.6989-02	671.7	1324.	96.14	.6937-01	3.100	3841.	.1947-02	.7736-07
708	2.986	7.990	40.06	.1048-01	669.0	1326.	96.29	.6909-01	3.087	3843.	.1937-02	.7748-07

RUN NUMBER	HREF BTU/ R FT2SEC	STN NO REF (R) = .0175
707	.4355-01	.2339-01
708	.4347-01	.2346-01

TEST DATA

RUN NUMBER	2Y/BW	XW/CW	T/C NO	H/HREF R=1.0	H/HREF R=0.9	H/HREF R=TAW/TO	TAW/TO	H(TO) BTU/R FT2SEC	H(TAW) BTU/R FT2SEC	QDOT BTU/ FT2SEC	DTWDT DEG. R /SEC	TW DEG. R
708	.30000	.40000	1078.0	.6491-01	.7880-01	.7257-01	.9401	.2822-02	.3155-02	2.122	15.03	573.6
708	.30000	.50000	1079.0	.6503-01	.7906-01	.7331-01	.9363	.2827-02	.3187-02	2.112	15.41	578.6
708	.30000	.60000	1080.0	.1053	.1285	.1189	.9366	.4577-02	.5169-02	3.361	24.37	591.5
708	.30000	.70000	1081.0	.1573	.1925	.1792	.9358	.6837-02	.7748-02	4.952	34.59	601.4
708	.30000	.80000	1082.0	.2169	.2663	.2476	.9331	.9431-02	.1077-01	6.744	48.46	610.5
708	.30000	.90000	83.000	.4570-01	.5496-01	.5264-01	.9218	.1987-02	.2288-02	1.563	11.44	539.1
708	.30000	.95000	84.000	.5530-01	.6653-01	.6433-01	.9168	.2404-02	.2797-02	1.888	13.60	540.2
708	.40000	.60000	1092.0	.1720	.2106	.1942	.9376	.7478-02	.8443-02	5.408	35.46	602.5
708	.40000	.70000	1093.0	.2207	.2703	.2498	.9366	.9594-02	.1086-01	6.928	45.41	603.5
708	.40000	.75000	1094.0	.2289	.2812	.2606	.9346	.9953-02	.1133-01	7.104	51.00	611.9
708	.40000	.85000	95.000	.6662-01	.8032-01	.7816-01	.9266	.2896-02	.3311-02	2.251	16.96	548.5
708	.40000	.90000	96.000	.4679-01	.5628-01	.5431-01	.9179	.2034-02	.2361-02	1.599	13.73	539.8
708	.40000	.95000	97.000	.3491-01	.4193-01	.4077-01	.9142	.1518-02	.1772-02	1.202	9.785	533.9
708	.50000	.40000	1104.0	.1070	.1304	.1207	.9369	.4651-02	.5247-02	3.431	24.12	588.1
708	.50000	.60000	1105.0	.1272	.1553	.1438	.9363	.5530-02	.6251-02	4.045	27.47	594.1
708	.50000	.70000	1106.0	.1041	.1269	.1178	.9355	.4524-02	.5120-02	3.327	23.37	590.2
708	.50000	.90000	107.00	.4152-01	.4991-01	.4991-01	.9000	.1805-02	.2170-02	1.424	11.17	536.8
708	.60000	.40000	1116.0	.1329	.1623	.1498	.9380	.5779-02	.6510-02	4.228	28.71	594.0
708	.60000	.50000	1117.0	.1280	.1563	.1446	.9366	.5563-02	.6286-02	4.068	27.62	594.4

DATE 23 FEB 80

OH84B MODEL 60-0 IN THE AEDC VKF HYPERSONIC TUNNEL

PAGE 2044

OH84B 60-0 WING LOWER SURFACE

(R4UQ29)

RUN NUMBER	2Y/BW	XW/CW	T/C NO	H/HREF R=1.0	H/HREF R=0.9	H/HREF R= TAW/TO	TAW/TO	H(TO) BTU/R FT2SEC	H(TAW) BTU/R FT2SEC	QDOT BTU/ FT2SEC	DTWDT DEG. R /SEC	TW DEG. R
708	.60000	.60000	1118.0	.1279	.1560	.1445	.9363	.5559-02	.6281-02	4.084	27.77	591.1
708	.60000	.70000	1119.0	.1228	.1499	.1397	.9331	.5340-02	.6073-02	3.923	27.54	591.1
708	.60000	.80000	120.00	.6064-01	.7311-01	.6932-01	.9266	.2636-02	.3013-02	2.049	15.18	548.3
708	.60000	.85000	121.00	.5629-01	.6849-01	.6527-01	.9242	.2473-02	.2838-02	1.935	14.14	543.2
708	.60000	.90000	122.00	.4573-01	.5496-01	.5316-01	.9168	.1988-02	.2311-02	1.569	11.89	536.6
708	.60000	.95000	123.00	.3313-01	.3977-01	.3867-01	.9142	.1440-02	.1681-02	1.145	8.701	531.1
708	.70000	.40000	1130.0	.1357	.1654	.1530	.9368	.5897-02	.6653-02	4.349	27.08	588.2
708	.70000	.60000	131.00	.1348	.1643	.1522	.9363	.5862-02	.6618-02	4.334	27.01	586.3
708	.70000	.90000	132.00	.9788-01	.1179	.1137	.9179	.4255-02	.4943-02	3.328	23.92	543.6
707	.75000	.30000	138.00	.1497	.1825	.1686	.9376	.6520-02	.7343-02	4.798	29.88	587.7
707	.75000	.40000	139.00	.1328	.1620	.1497	.9374	.5785-02	.6519-02	4.255	27.28	588.1
707	.75000	.60000	140.00	.1247	.1520	.1520	.9000	.5431-02	.6621-02	4.000	26.43	587.2
707	.75000	.70000	1141.0	.1329	.1625	.1503	.9363	.5786-02	.6547-02	4.196	29.35	598.4
707	.75000	.80000	142.00	.7633-01	.9232-01	.8741-01	.9268	.3324-02	.3807-02	2.540	20.80	559.5
708	.75000	.90000	143.00	.5567-01	.6694-01	.6457-01	.9181	.2420-02	.2807-02	1.906	13.95	538.2
708	.75000	.95000	144.00	.3607-01	.4328-01	.4202-01	.9149	.1568-02	.1827-02	1.249	9.499	529.5
707	.80000	.20000	146.00	.1913	.2340	.2155	.9385	.8332-02	.9384-02	6.053	41.04	597.2
707	.80000	.40000	147.00	.1369	.1673	.1543	.9380	.5960-02	.6718-02	4.341	30.40	595.4
707	.80000	.90000	148.00	.6270-01	.7556-01	.7281-01	.9185	.2730-02	.3171-02	2.122	15.48	546.4
707	.90000	.30000	1155.0	.1791	.2195	.2017	.9390	.7798-02	.8786-02	5.600	39.03	605.6
707	.90000	.50000	156.00	.1497	.1833	.1833	.9000	.6518-02	.7982-02	4.705	32.85	601.9
707	.90000	.60000	1157.0	.1438	.1760	.1622	.9380	.6264-02	.7065-02	4.539	30.74	599.1
707	.90000	.80000	158.00	.6165-01	.7447-01	.7042-01	.9277	.2685-02	.3067-02	2.066	16.07	554.3
707	.90000	.90000	159.00	.4435-01	.5344-01	.5160-01	.9174	.1932-02	.2247-02	1.504	11.96	545.1
707	.95000	.30000	164.00	.1610	.1970	.1814	.9385	.7012-02	.7899-02	5.086	35.57	598.4
707	.95000	.50000	165.00	.1202	.1467	.1355	.9374	.5233-02	.5902-02	3.826	27.73	592.6
707	.95000	.70000	166.00	.7006-01	.8470-01	.7922-01	.9331	.3051-02	.3450-02	2.337	17.53	557.6
707	.95000	.80000	167.00	.6245-01	.7536-01	.7174-01	.9244	.2720-02	.3124-02	2.100	15.54	551.3
707	.95000	.90000	168.00	.4321-01	.5205-01	.5021-01	.9179	.1882-02	.2187-02	1.467	11.08	544.3

OH84B 60-0 WING LOWER SURFACE

(R4UQ30)

WING LOWER SURF

PARAMETRIC DATA

MACH = 8.000 ALPHA = 40.00 BETA = .0000 ELEVON = -15.00
 BDFLAP = .0000 SPOBRK = .0000

TEST CONDITIONS

RUN NUMBER	RN/L /FT	MACH	ALPHA DEG.	BETA DEG.	PO PSIA	TO DEG. R	T DEG. R	P PSIA	Q PSI	V FT/SEC	RHO SLUGS /FT3	MU LB-SEC /FT2
719	.5000	7.900	39.98	.3465-02	100.3	1257.	93.21	.1115-01	.4869	3739.	.3227-03	.7501-07
720	.5013	7.900	39.98	.3465-02	100.8	1259.	93.36	.1120-01	.4894	3742.	.3238-03	.7513-07

RUN NUMBER	HREF BTU/ R FT2SEC	STN NO REF (R) =.0175
719	.1711-01	.5715-01
720	.1715-01	.5706-01

TEST DATA

RUN NUMBER	2Y/BW	XW/CW	T/C NO	H/HREF R=1.0	H/HREF R=0.9	H/HREF R= TAW/TO	TAW/TO	H(TO) BTU/R FT2SEC	H(TAW) BTU/R FT2SEC	QDOT BTU/ FT2SEC	DTWOT DEG. R /SEC	TW DEG. R
720	.30000	.40000	1078.0	.7142-01	.8632-01	.7968-01	.9399	.1225-02	.1367-02	.8935	6.469	529.3
720	.30000	.50000	1079.0	.5596-01	.6764-01	.6289-01	.9362	.9598-03	.1079-02	.6995	5.232	529.9
720	.30000	.60000	1080.0	.5385-01	.6512-01	.6051-01	.9364	.9237-03	.1038-02	.6716	5.019	531.6
720	.30000	.70000	1081.0	.5259-01	.6359-01	.5918-01	.9356	.9021-03	.1015-02	.6563	4.747	531.1
720	.30000	.80000	1082.0	.5430-01	.6565-01	.6143-01	.9329	.9314-03	.1054-02	.6777	5.066	531.0
720	.30000	.90000	83.000	.2339-01	.2818-01	.2698-01	.9216	.4011-03	.4628-03	.2967	2.195	519.0
720	.30000	.95000	84.000	.3359-01	.4049-01	.3915-01	.9167	.5762-03	.6715-03	.4261	3.102	519.2
720	.40000	.60000	1092.0	.7034-01	.8511-01	.7891-01	.9374	.1206-02	.1353-02	.8746	5.936	533.7
720	.40000	.70000	1093.0	.6890-01	.8334-01	.7744-01	.9364	.1182-02	.1328-02	.8590	5.835	531.9
720	.40000	.75000	1094.0	.6725-01	.8135-01	.7587-01	.9344	.1153-02	.1301-02	.8377	6.258	532.4
720	.40000	.85000	95.000	.3778-01	.4557-01	.4322-01	.9264	.6481-03	.7413-03	.4774	3.646	522.0
720	.40000	.90000	96.000	.2870-01	.3457-01	.3336-01	.9177	.4922-03	.5722-03	.3646	3.165	518.0
720	.40000	.95000	97.000	.2078-01	.2502-01	.2433-01	.9140	.3564-03	.4173-03	.2647	2.175	516.0
720	.50000	.40000	1104.0	.8074-01	.9772-01	.9072-01	.9367	.1385-02	.1556-02	1.003	7.248	534.1
720	.50000	.60000	1105.0	.6926-01	.8382-01	.7790-01	.9362	.1188-02	.1336-02	.8612	6.027	533.8
720	.50000	.70000	1106.0	.4784-01	.5785-01	.5388-01	.9353	.8206-03	.9241-03	.5969	4.317	531.3
720	.50000	.90000	107.00	.2653-01	.3197-01	.3197-01	.9000	.4551-03	.5483-03	.3371	2.670	518.0
720	.60000	.40000	1116.0	.1159	.1402	.1299	.9378	.1987-02	.2229-02	1.439	10.07	534.6
720	.60000	.50000	1117.0	.1002	.1212	.1126	.9364	.1718-02	.1932-02	1.244	8.702	534.6

DATE 23 FEB 80

OH84B MODEL 60-0 IN THE AEDC VKF HYPERSONIC TUNNEL

PAGE 2046

OH84B 60-0 WING LOWER SURFACE

(R4UQ30)

RUN NUMBER	2Y/BW	XW/CW	T/C NO	H/HREF R=1.0	H/HREF R=0.9	H/HREF R= TAW/TO	TAW/TO	H(TO) BTU/R FT2SEC	H(TAW) BTU/R FT2SEC	QDOT BTU/ FT2SEC	DTWOT DEG. R /SEC	TW DEG. R
720	.60000	.60000	1118.0	.8872-01	.1074	.9978-01	.9362	.1522-02	.1712-02	1.103	7.717	534.0
720	.60000	.70000	1119.0	.7740-01	.9366-01	.8760-01	.9329	.1328-02	.1503-02	.9628	6.956	533.5
720	.60000	.80000	120.00	.3620-01	.4368-01	.4142-01	.9264	.6209-03	.7104-03	.4565	3.426	523.5
720	.60000	.95000	121.00	.3736-01	.4505-01	.4293-01	.9240	.6408-03	.7363-03	.4724	3.491	521.4
720	.60000	.90000	122.00	.3208-01	.3865-01	.3738-01	.9167	.5502-03	.6411-03	.4072	3.115	518.6
720	.60000	.95000	123.00	.2337-01	.2814-01	.2736-01	.9140	.4009-03	.4693-03	.2975	2.278	516.6
720	.70000	.40000	1130.0	.1227	.1104	.1379	.9366	.2104-02	.2364-02	1.528	9.779	532.8
720	.70000	.60000	131.00	.1119	.1353	.1258	.9362	.1919-02	.2157-02	1.395	8.939	531.5
720	.70000	.90000	132.00	.7552-01	.9109-01	.8788-01	.9177	.1295-02	.1507-02	.9543	6.935	522.0
719	.75000	.30000	138.00	.1434	.1734	.1608	.9374	.2453-02	.2751-02	1.779	11.39	531.5
719	.75000	.40000	139.00	.1228	.1486	.1378	.9372	.2101-02	.2358-02	1.521	10.03	532.6
719	.75000	.60000	140.00	.1075	.1302	.1302	.9000	.1840-02	.2227-02	1.332	9.045	532.8
719	.75000	.70000	141.0	.9641-01	.1167	.1085	.9362	.1649-02	.1855-02	1.190	8.592	535.0
719	.75000	.80000	142.00	.4455-01	.5382-01	.5099-01	.9266	.7620-03	.8723-03	.5559	4.626	527.2
720	.75000	.90000	143.00	.3600-01	.4340-01	.4186-01	.9179	.6176-03	.7180-03	.4562	3.373	520.0
720	.75000	.95000	144.00	.2352-01	.2832-01	.2750-01	.9147	.4035-03	.4716-03	.2999	2.298	515.4
719	.80000	.20000	146.00	.1733	.2098	.1941	.9383	.2964-02	.3321-02	2.140	14.97	534.7
719	.80000	.40000	147.00	.1267	.1534	.1421	.9378	.2167-02	.2430-02	1.566	11.31	534.2
719	.80000	.90000	148.00	.3773-01	.4553-01	.4387-01	.9183	.6454-03	.7505-03	.4733	3.494	523.3
719	.90000	.30000	1155.0	.1617	.1960	.1811	.9388	.2766-02	.3098-02	1.986	14.31	538.8
719	.90000	.50000	156.00	.1382	.1674	.1674	.9000	.2364-02	.2863-02	1.703	12.29	536.3
719	.90000	.60000	1157.0	.1230	.1491	.1381	.9378	.2105-02	.2361-02	1.514	10.57	537.4
719	.90000	.80000	158.00	.5254-01	.6348-01	.6004-01	.9275	.8987-03	.1027-02	.6553	5.165	527.6
719	.90000	.90000	159.00	.3922-01	.4614-01	.4456-01	.9172	.6538-03	.7621-03	.4787	3.846	524.6
719	.95000	.30000	164.00	.1575	.1908	.1765	.9383	.2695-02	.3019-02	1.943	14.02	535.7
719	.95000	.50000	165.00	.1160	.1404	.1302	.9372	.1984-02	.2227-02	1.433	10.70	534.2
719	.95000	.70000	166.00	.5689-01	.6876-01	.6434-01	.9329	.9732-03	.1101-02	.7086	5.394	528.5
719	.95000	.80000	167.00	.5259-01	.6352-01	.6047-01	.9242	.8995-03	.1034-02	.6567	4.920	526.6
719	.95000	.90000	168.00	.3745-01	.4522-01	.4361-01	.9177	.6407-03	.7460-03	.4689	3.576	524.7

DATE 23 FEB 80

OH84B MODEL 60-0 IN THE AEDC VKF HYPERSONIC TUNNEL

PAGE 2047

OH84B 60-0 WING LOWER SURFACE

(R4UQ30)

WING LOWER SURF

PARAMETRIC DATA

MACH = 8.000 ALPHA = 40.00 BETA = .0000 ELEVON = -15.00
 BDFLAP = .0000 SPDBRK = .0000

TEST CONDITIONS

RUN NUMBER	RN/L /FI X10 6	MACH	ALPHA DEG.	BETA DEG.	PO PSIA	TO DEG. R	T DEG. R	P PSIA	Q PSI	V FT/SEC	RHO SLUGS /FT3	MU LB-SEC /FT2
713	.9943	7.940	39.99	.6941-02	204.3	1266.	93.00	.2198-01	.9699	3754.	.6378-03	.7484-07
714	.9986	7.940	40.00	.1042-01	205.2	1266.	93.00	.2207-01	.9741	3754.	.6406-03	.7484-07

RUN NUMBER	HREF BTU/ R FT2SEC	STN NO REF (R) = .0175
713	.2417-01	.4069-01
714	.2422-01	.4060-01

TEST DATA

RUN NUMBER	2Y/BW	XW/CW	T/C NO	H/HREF R=1.0	H/HREF R=0.9	H/HREF R= TAW/TO	TAW/TO	H(TO) BTU/R FT2SEC	H(TAW) BTU/R FT2SEC	QDOT BTU/ FT2SEC	DTWDT DEG. R /SEC	TW DEG. R
714	.30000	.40000	1078.0	.6388-01	.7731-01	.7132-01	.9399	.1547-02	.1728-02	1.127	8.129	537.2
714	.30000	.50000	1079.0	.4820-01	.5835-01	.5422-01	.9362	.1168-02	.1313-02	.8500	6.333	537.7
714	.30000	.60000	1080.0	.4619-01	.5596-01	.5196-01	.9364	.1119-02	.1259-02	.8116	6.038	540.4
714	.30000	.70000	1081.0	.4626-01	.5604-01	.5211-01	.9357	.1121-02	.1262-02	.8128	5.852	540.3
714	.30000	.80000	1082.0	.4677-01	.5667-01	.5297-01	.9330	.1133-02	.1283-02	.8207	6.103	541.3
714	.30000	.90000	83.000	.2573-01	.3100-01	.2968-01	.9217	.6233-03	.7190-03	.4641	3.430	521.0
714	.30000	.95000	84.000	.3775-01	.4549-01	.4398-01	.9167	.9144-03	.1065-02	.6799	4.941	522.1
714	.40000	.60000	1092.0	.6511-01	.7894-01	.7312-01	.9375	.1577-02	.1771-02	1.140	7.697	543.1
714	.40000	.70000	1093.0	.6785-01	.8224-01	.7634-01	.9364	.1644-02	.1849-02	1.189	8.036	542.2
714	.40000	.75000	1094.0	.7320-01	.8875-01	.8269-01	.9345	.1773-02	.2003-02	1.281	9.520	543.1
714	.40000	.85000	95.000	.4071-01	.4910-01	.4656-01	.9264	.9861-03	.1128-02	.7301	5.566	525.3
714	.40000	.90000	96.000	.2995-01	.3608-01	.3481-01	.9178	.7254-03	.8434-03	.5398	4.679	521.5
714	.40000	.95000	97.000	.2159-01	.2600-01	.2527-01	.9140	.5230-03	.6122-03	.3905	3.204	518.9
714	.50000	.40000	1104.0	.7780-01	.9432-01	.8750-01	.9367	.1885-02	.2120-02	1.362	9.797	542.8
714	.50000	.60000	1105.0	.6259-01	.7588-01	.7046-01	.9362	.1516-02	.1707-02	1.096	7.633	543.0
714	.50000	.70000	1106.0	.3463-01	.4193-01	.3903-01	.9353	.8389-03	.9454-03	.6098	4.394	538.8
714	.50000	.90000	107.000	.2636-01	.3176-01	.3176-01	.9000	.6386-03	.7693-03	.4757	3.763	520.7
714	.60000	.40000	1116.0	.1126	.1366	.1264	.9378	.2727-02	.3062-02	1.961	13.64	546.4
714	.60000	.50000	1117.0	.1000	.1214	.1126	.9364	.2423-02	.2728-02	1.744	12.13	546.0

DATE 23 FEB 80

OH84B MODEL 60-O IN THE AEDC VKF HYPERSONIC TUNNEL

PAGE 2048

OH84B 60-O WING LOWER SURFACE

(R4UQ30)

RUN NUMBER	2Y/BW	XW/CW	T/C NO	H/HREF R=1.0	H/HREF R=0.9	H/HREF R= TAW/TO	TAW/TO	H(TO) BTU/R FT2SEC	H(TAW) BTU/R FT2SEC	QDOT BTU/ FT2SEC	DTWDT DEG. R /SEC	TW DEG. R
714	.60000	.60000	1118.0	.9093-01	.1102	.1024	.9362	.2203-02	.2480-02	1.591	11.08	543.5
714	.60000	.70000	1119.0	.7730-01	.9369-01	.8757-01	.9330	.1873-02	.2121-02	1.355	9.747	542.1
714	.60000	.80000	120.00	.3883-01	.4683-01	.4441-01	.9264	.9406-03	.1076-02	.6965	5.222	525.2
714	.60000	.85000	121.00	.3952-01	.4764-01	.4539-01	.9241	.9572-03	.1100-02	.7105	5.245	523.4
714	.60000	.90000	122.00	.3285-01	.3957-01	.3827-01	.9167	.7958-03	.9270-03	.5929	4.531	520.6
714	.60000	.95000	123.00	.2404-01	.2894-01	.2813-01	.9140	.5823-03	.6815-03	.4351	3.328	518.5
714	.70000	.40000	1130.0	.1192	.1445	.1341	.9366	.2887-02	.3247-02	2.000	13.30	542.5
714	.70000	.60000	131.00	.1115	.1351	.1255	.9362	.2701-02	.3040-02	1.956	12.46	541.6
714	.70000	.90000	132.00	.8407-01	.1014	.9781-01	.9178	.2036-02	.2369-02	1.508	10.94	525.1
713	.75000	.30000	138.00	.1425	.1726	.1599	.9375	.3444-02	.3866-02	2.496	15.91	540.9
713	.75000	.40000	139.00	.1218	.1475	.1368	.9373	.2944-02	.3306-02	2.136	14.02	540.1
713	.75000	.60000	140.00	.1054	.1277	.1277	.9000	.2548-02	.3087-02	1.848	12.50	540.3
713	.75000	.70000	141.0	.9798-01	.1188	.1103	.9362	.2368-02	.2667-02	1.708	12.27	544.6
713	.75000	.80000	142.00	.4494-01	.5427-01	.5142-01	.9267	.1086-02	.1243-02	.8000	6.651	529.2
714	.75000	.90000	143.00	.3619-01	.4360-01	.4205-01	.9180	.8766-03	.1019-02	.6524	4.821	521.4
714	.75000	.95000	144.00	.2388-01	.2873-01	.2790-01	.9148	.5786-03	.6758-03	.4339	3.324	515.8
713	.80000	.20000	146.00	.1776	.2155	.1992	.9383	.4293-02	.4815-02	3.092	21.51	545.5
713	.80000	.40000	147.00	.1249	.1514	.1402	.9378	.3019-02	.3388-02	2.181	15.68	543.3
713	.80000	.90000	148.00	.3711-01	.4476-01	.4313-01	.9183	.8970-03	.1042-02	.6647	4.903	524.7
713	.90000	.30000	1155.0	.1665	.2022	.1866	.9389	.4023-02	.4511-02	2.881	20.64	549.7
713	.90000	.50000	156.00	.1369	.1661	.1661	.9000	.3308-02	.4014-02	2.382	17.11	545.5
713	.90000	.60000	1157.0	.1201	.1458	.1349	.9378	.2904-02	.3261-02	2.091	14.54	545.7
713	.90000	.80000	158.00	.5304-01	.6404-01	.6058-01	.9275	.1282-02	.1464-02	.9441	7.436	529.2
713	.90000	.90000	159.00	.3736-01	.4507-01	.4353-01	.9172	.9031-03	.1052-02	.6682	5.366	525.8
713	.95000	.30000	164.00	.1616	.1960	.1812	.9383	.3906-02	.4379-02	2.818	20.25	544.2
713	.95000	.50000	165.00	.1163	.1409	.1306	.9373	.2811-02	.3157-02	2.035	15.13	541.6
713	.95000	.70000	166.00	.5842-01	.7057-01	.6604-01	.9329	.1412-02	.1596-02	1.038	7.891	530.7
713	.95000	.80000	167.00	.5287-01	.6383-01	.6077-01	.9243	.1278-02	.1469-02	.9415	7.046	528.9
713	.95000	.90000	168.00	.3775-01	.4555-01	.4394-01	.9178	.9125-03	.1062-02	.6748	5.142	526.2

DATE 23 FEB 80

OH84B MODEL 60-0 IN THE AEDC VKF HYPERSONIC TUNNEL

PAGE 2049

OH84B 60-0 WING LOWER SURFACE

(R4UQ30)

WING LOWER SURF

PARAMETRIC DATA

MACH = 8.000 ALPHA = 40.00 BETA = .0000 ELEVON = -15.00
 BDFLAP = .0000 SPDBRK = .0000

TEST CONDITIONS

RUN NUMEER	RN/L /FT X10 6	MACH	ALPHA DEG.	BETA DEG.	PO PSIA	TO DEG. R	T DEG. R	P PSIA	Q PSI	V FT/SEC	RHO SLUGS /FT3	MU LB-SEC /FT2
711	1.999	7.990	40.06	.1048-01	436.8	1307.	95.13	.4548-01	2.027	3815.	.1290-02	.7655-07
712	1.997	7.980	40.05	.1047-01	433.8	1302.	94.76	.4516-01	2.013	3808.	.1286-02	.7626-07

RUN NUMBER	HREF BTU/ R FT2SEC	STN NO REF (R) =.0175
711	.3514-01	.2870-01
712	.3499-01	.2873-01

TEST DATA

RUN NUMBER	2Y/BW	XW/CW	T/C NO	H/HREF R=1.0	H/HREF R=0.9	H/HREF R= TAW/TO	TAW/TO	H(TO) BTU/R FT2SEC	H(TAW) BTU/R FT2SEC	QDOT BTU/ FT2SEC	DTWDT DEG. R /SEC	TW DEG. R
712	.30000	.40000	1078.0	.5985-01	.7253-01	.6685-01	.9401	.2094-02	.2340-02	1.560	11.14	556.8
712	.30000	.50000	1079.0	.4344-01	.5267-01	.4890-01	.9363	.1520-02	.1711-02	1.129	8.322	559.0
712	.30000	.60000	1080.0	.5093-01	.6183-01	.5735-01	.9365	.1782-02	.2007-02	1.316	9.678	563.3
712	.30000	.70000	1081.0	.6467-01	.7856-01	.7296-01	.9358	.2263-02	.2553-02	1.667	11.85	565.3
712	.30000	.80000	1082.0	.8952-01	.1089	.1016	.9331	.3133-02	.3556-02	2.292	16.80	570.0
712	.30000	.90000	83.000	.3286-01	.3953-01	.3785-01	.9218	.1150-02	.1325-02	.8868	6.522	530.4
712	.30000	.95000	84.000	.4638-01	.5582-01	.5397-01	.9168	.1623-02	.1889-02	1.250	9.038	531.7
712	.40000	.60000	1092.0	.8238-01	.1002	.9265-01	.9376	.2883-02	.3242-02	2.113	14.09	568.8
712	.40000	.70000	1093.0	.9837-01	.1196	.1109	.9365	.3442-02	.3880-02	2.523	16.83	568.7
712	.40000	.75000	1094.0	.1111	.1352	.1258	.9346	.3888-02	.4402-02	2.834	20.74	572.8
712	.40000	.85000	95.000	.5171-01	.6232-01	.5910-01	.9266	.1810-02	.2068-02	1.384	10.49	537.0
712	.40000	.90000	96.000	.3730-01	.4489-01	.4331-01	.9179	.1305-02	.1516-02	1.006	8.674	531.2
712	.40000	.95000	97.000	.2684-01	.3226-01	.3137-01	.9141	.9392-03	.1098-02	.7272	5.941	527.3
712	.50000	.40000	1104.0	.7963-01	.9678-01	.8966-01	.9368	.2787-02	.3138-02	2.047	14.54	567.2
712	.50000	.60000	1105.0	.6973-01	.8474-01	.7860-01	.9363	.2440-02	.2751-02	1.793	12.34	566.8
712	.50000	.70000	1106.0	.3804-01	.4616-01	.4291-01	.9354	.1331-02	.1502-02	.9847	7.014	561.9
712	.50000	.90000	107.00	.3009-01	.3619-01	.3619-01	.9000	.1053-02	.1266-02	.8131	6.403	529.5
712	.60000	.40000	1116.0	.1175	.1430	.1321	.9379	.4112-02	.4624-02	2.999	20.58	572.4
712	.60000	.50000	1117.0	.1082	.1317	.1220	.9365	.3787-02	.4270-02	2.764	18.98	571.8

DATE 23 FEB 80

OH84B MODEL 60-0 IN THE AEDC VKF HYPERSONIC TUNNEL

PAGE 2050

OH84B 60-0 WING LOWER SURFACE

(R4UQ30)

RUN NUMBER	2Y/BW	XW/CW	T/C NO	H/HREF R=1.0	H/HREF R=0.9	H/HREF R= TAW/TO	TAW/TO	H(TO) BTU/R FT2SEC	H(TAW) BTU/R FT2SEC	QDOT BTU/ FT2SEC	DTWDT DEG. R /SEC	TW DEG. R
712	.60000	.60000	1118.0	.9660-01	.1175	.1089	.9363	.3381-02	.3812-02	2.477	17.03	569.1
712	.60000	.70000	1119.0	.8335-01	.1013	.9457-01	.9331	.2917-02	.3309-02	2.142	15.21	567.4
712	.60000	.80000	120.00	.4557-01	.5491-01	.5207-01	.9266	.1595-02	.1822-02	1.220	9.095	536.6
712	.60000	.85000	121.00	.4507-01	.5426-01	.5171-01	.9242	.1577-02	.1810-02	1.212	8.898	533.4
712	.60000	.90000	122.00	.3550-01	.4270-01	.4129-01	.9168	.1242-02	.1445-02	.9585	7.290	530.1
712	.60000	.95000	123.00	.2652-01	.3187-01	.3098-01	.9141	.9280-03	.1084-02	.7199	5.487	525.9
712	.70000	.40000	1130.0	.1269	.1543	.1430	.9367	.4442-02	.5004-02	3.256	20.47	568.6
712	.70000	.60000	131.00	.1183	.1437	.1333	.9363	.4140-02	.4666-02	3.045	19.17	566.2
712	.70000	.90000	132.00	.9238-01	.1113	.1074	.9179	.3233-02	.3757-02	2.475	17.86	536.0
711	.75000	.30000	138.00	.1427	.1735	.1605	.9376	.5016-02	.5639-02	3.700	23.26	569.0
711	.75000	.40000	139.00	.1233	.1499	.1387	.9374	.4331-02	.4872-02	3.188	20.61	570.6
711	.75000	.60000	140.00	.1107	.1346	.1346	.9000	.3890-02	.4729-02	2.868	19.11	569.5
711	.75000	.70000	1141.0	.1101	.1341	.1243	.9363	.3869-02	.4366-02	2.827	20.00	575.9
711	.75000	.80000	142.00	.5216-01	.6298-01	.5966-01	.9268	.1833-02	.2096-02	1.395	11.50	545.8
712	.75000	.90000	143.00	.3975-01	.4783-01	.4613-01	.9181	.1391-02	.1614-02	1.072	7.886	530.8
712	.75000	.95000	144.00	.2616-01	.3141-01	.3050-01	.9149	.9153-03	.1067-02	.7128	5.441	523.0
711	.80000	.20000	146.00	.1786	.2174	.2007	.9385	.6278-02	.7051-02	4.600	31.55	573.8
711	.80000	.40000	147.00	.1278	.1556	.1438	.9379	.4491-02	.5052-02	3.284	23.23	575.6
711	.80000	.90000	148.00	.4701-01	.5661-01	.5455-01	.9184	.1652-02	.1917-02	1.273	9.336	536.0
711	.90000	.30000	1155.0	.1630	.1987	.1831	.9390	.5727-02	.6432-02	4.160	29.35	580.3
711	.90000	.50000	156.00	.1383	.1695	.1685	.9000	.4858-02	.5921-02	3.537	24.98	578.6
711	.90000	.60000	1157.0	.1266	.1543	.1425	.9379	.4449-02	.5007-02	3.242	22.19	578.1
711	.90000	.80000	158.00	.5764-01	.6956-01	.6580-01	.9277	.2025-02	.2312-02	1.544	12.06	544.5
711	.90000	.90000	159.00	.4154-01	.5004-01	.4832-01	.9174	.1460-02	.1698-02	1.124	8.973	536.9
711	.95000	.30000	164.00	.1577	.1919	.1771	.9385	.5540-02	.6223-02	4.060	28.75	573.8
711	.95000	.50000	165.00	.1124	.1367	.1265	.9374	.3950-02	.4443-02	2.909	21.32	570.2
711	.95000	.70000	166.00	.6258-01	.7557-01	.7072-01	.9331	.2199-02	.2485-02	1.672	12.61	546.4
711	.95000	.80000	167.00	.5829-01	.7030-01	.6694-01	.9244	.2048-02	.2352-02	1.567	11.65	541.8
711	.95000	.90000	168.00	.3957-01	.4766-01	.4598-01	.9179	.1390-02	.1616-02	1.070	8.107	537.2

DATE 23 FEB 80

OH84B MODEL 60-0 IN THE AEDC VKF HYPERSONIC TUNNEL

PAGE 2051

OH84B 60-0 WING LOWER SURFACE

(R4UQ30)

WING LOWER SURF

PARAMETRIC DATA

MACH = 8.000 ALPHA = 40.00 BETA = .0000 ELEVON = -15.00
 BDFLAP = .0000 SPOBRK = .0000

TEST CONDITIONS

RUN NUMBER	RN/L /FT X10 6	MACH	ALPHA DEG.	BETA DEG.	PO PSIA	TO DEG. R	T DEG. R	P PSIA	Q PSI	V FT/SEC	RHO SLUGS /FT3	MU LB-SEC /FT2
705	3.029	7.990	40.07	.3498-02	670.2	1315.	95.49	.6921-01	3.093	3827.	.1956-02	.7684-07
706	3.002	7.990	40.06	.6989-02	668.9	1321.	95.92	.6908-01	3.087	3836.	.1944-02	.7719-07

RUN NUMBER	HREF BTU/ R FT2SEC	STN NO REF(R) = .0175
705	.4345-01	.2332-01
706	.4344-01	.2341-01

TEST DATA

RUN NUMBER	2Y/BW	XW/CW	T/C NO	H/HREF R=1.0	H/HREF R=0.9	H/HREF R= TAW/TO	TAW/TO	H(TO) BTU/R FT2SEC	H(TAW) BTU/R FT2SEC	QDOT BTU/ FT2SEC	DTWDT DEG. R /SEC	TW DEG. R
706	.30000	.40000	1078.0	.6626-01	.8047-01	.7410-01	.9401	.2879-02	.3219-02	2.154	15.26	572.5
706	.30000	.50000	1079.0	.6715-01	.8165-01	.7571-01	.9363	.2917-02	.3289-02	2.170	15.85	576.9
706	.30000	.60000	1080.0	.1087	.1326	.1227	.9366	.4721-02	.5331-02	3.455	25.09	588.8
706	.30000	.70000	1081.0	.1613	.1974	.1828	.9358	.7008-02	.7939-02	5.063	35.42	598.1
706	.30000	.80000	1082.0	.2221	.2726	.2535	.9331	.9648-02	.1101-01	6.883	49.53	607.3
706	.30000	.90000	83.000	.4544-01	.5468-01	.5236-01	.9218	.1974-02	.2275-02	1.542	11.29	539.3
706	.30000	.95000	84.000	.5534-01	.6663-01	.6442-01	.9168	.2404-02	.2798-02	1.874	13.49	541.1
706	.40000	.60000	1092.0	.1768	.2165	.1996	.9376	.7682-02	.8672-02	5.544	36.41	599.0
706	.40000	.70000	1093.0	.2275	.2787	.2575	.9366	.9885-02	.1119-01	7.118	46.72	600.6
706	.40000	.75000	1094.0	.2360	.2898	.2686	.9346	.1025-01	.1167-01	7.297	52.47	609.0
706	.40000	.85000	95.000	.6713-01	.8096-01	.7676-01	.9266	.2916-02	.3334-02	2.255	17.00	547.5
706	.40000	.90000	96.000	.4689-01	.5644-01	.5445-01	.9179	.2037-02	.2365-02	1.590	13.65	540.2
706	.40000	.95000	97.000	.3539-01	.4254-01	.4136-01	.9142	.1537-02	.1797-02	1.207	9.824	535.3
706	.50000	.40000	1104.0	.1058	.1289	.1193	.9369	.4594-02	.5181-02	3.378	23.78	585.3
706	.50000	.60000	1105.0	.1307	.1596	.1478	.9363	.5679-02	.6419-02	4.144	28.18	591.0
706	.50000	.70000	1106.0	.1094	.1335	.1238	.9355	.4754-02	.5380-02	3.484	24.49	587.9
706	.50000	.90000	107.00	.4156-01	.4999-01	.4999-01	.9000	.1806-02	.2172-02	1.415	11.10	537.2
706	.600	.40000	1116.0	.1333	.1627	.1501	.9380	.5789-02	.6522-02	4.222	28.71	591.3
706	.600	.50000	1117.0	.1280	.1563	.1446	.9366	.5562-02	.6284-02	4.057	27.58	591.3

DATE 23 FEB 80

OH84B MODEL 60-0 IN THE AEDC VKF HYPERSONIC TUNNEL

PAGE 2052

OH84B 60-0 WING LOWER SURFACE

(R4UQ30)

RUN NUMBER	ZY/BW	XW/CW	T/C NO	H/HREF R=1.0	H/HREF R=0.9	H/HREF R= TAW/TO	TAW/TO	H(ITO) BTU/R FT2SEC	H(TAW) BTU/R FT2SEC	QDOT BTU/ FT2SEC	DTWDT DEG. R /SEC	TW DEG. R
706	.60000	.60000	1118.0	.1291	.1575	.1458	.9363	.5607-02	.6334-02	4.107	27.97	588.1
706	.60000	.70000	1119.0	.1231	.1502	.1400	.9331	.5349-02	.6082-02	3.919	27.56	587.9
706	.60000	.80000	120.00	.6159-01	.7427-01	.7042-01	.9266	.2676-02	.3059-02	2.070	15.35	546.9
706	.60000	.85000	121.00	.5683-01	.6845-01	.6522-01	.9242	.2469-02	.2833-02	1.921	14.04	542.5
706	.60000	.90000	122.00	.4539-01	.5459-01	.5279-01	.9168	.1972-02	.2293-02	1.545	11.71	537.0
706	.60000	.95000	123.00	.3352-01	.4027-01	.3915-01	.9142	.1456-02	.1701-02	1.148	8.723	532.2
706	.70000	.40000	1130.0	.1380	.1682	.1557	.9368	.5995-02	.6764-02	4.405	27.46	585.9
706	.70000	.60000	131.00	.1362	.1659	.1537	.9363	.5916-02	.6677-02	4.363	27.23	583.2
706	.70000	.90000	132.00	.9550-01	.1150	.1110	.9179	.4149-02	.4821-02	3.220	23.20	543.1
705	.75000	.30000	138.00	.1495	.1827	.1686	.9377	.6498-02	.7327-02	4.708	29.28	590.2
705	.75000	.40000	139.00	.1328	.1622	.1498	.9374	.5770-02	.6508-02	4.188	26.84	588.8
705	.75000	.60000	140.00	.1249	.1525	.1525	.9000	.5428-02	.6625-02	3.951	26.11	586.9
705	.75000	.70000	1141.0	.1340	.1641	.1517	.9364	.5823-02	.6592-02	4.173	29.19	598.0
705	.75000	.80000	142.00	.7670-01	.9286-01	.8789-01	.9268	.3333-02	.3819-02	2.518	20.62	559.2
706	.75000	.90000	143.00	.5571-01	.6703-01	.6465-01	.9181	.2420-02	.2808-02	1.893	13.86	538.5
706	.75000	.95000	144.00	.3552-01	.4383-01	.4256-01	.9149	.1586-02	.1849-02	1.255	9.544	529.7
705	.80000	.20000	146.00	.1909	.2339	.2152	.9385	.8292-02	.9351-02	5.923	40.09	600.4
705	.80000	.40000	147.00	.1372	.1680	.1548	.9380	.5961-02	.6725-02	4.280	29.96	596.8
705	.80000	.90000	148.00	.6183-01	.7464-01	.7189-01	.9185	.2687-02	.3124-02	2.058	15.00	548.6
705	.90000	.30000	1155.0	.1796	.2207	.2026	.9390	.7800-02	.8803-02	5.515	38.39	608.1
705	.90000	.50000	156.00	.1505	.1845	.1845	.9000	.6537-02	.8018-02	4.656	32.50	602.5
705	.90000	.60000	1157.0	.1399	.1714	.1579	.9380	.6080-02	.6862-02	4.349	29.45	599.4
705	.90000	.80000	158.00	.6162-01	.7450-01	.7043-01	.9277	.2677-02	.3060-02	2.036	15.83	554.3
705	.90000	.90000	159.00	.4360-01	.5261-01	.5079-01	.9174	.1894-02	.2207-02	1.454	11.55	547.1
705	.95000	.30000	164.00	.1611	.1974	.1816	.9385	.6998-02	.7890-02	5.004	34.98	599.6
705	.95000	.50000	165.00	.1205	.1474	.1360	.9374	.5237-02	.5910-02	3.781	27.40	592.7
705	.95000	.70000	166.00	.7005-01	.8478-01	.7926-01	.9331	.3044-02	.3444-02	2.304	17.28	557.7
705	.95000	.80000	167.00	.6232-01	.7531-01	.7166-01	.9244	.2708-02	.3113-02	2.064	15.26	552.4
705	.95000	.90000	168.00	.4281-01	.5165-01	.4980-01	.9179	.1860-02	.2164-02	1.428	10.77	546.7

DATE 23 FEB 80

OH84B MODEL 60-0 IN THE AEDC VKF HYPERSONIC TUNNEL

PAGE 2053

OH84B 60-0 WING LOWER SURFACE

(R4UQ31)

WING LOWER SURF

PARAMETRIC DATA

MACH = 8.000 ALPHA = 40.00 BETA = .0000 ELEVON = -12.50
BDFLAP = -12.50 SPDBRK = .0000

TEST CONDITIONS

RUN NUMBER	RN/L /FT X10 6	MACH	ALPHA DEG.	BETA DEG.	PO PSIA	TO DEG. R	T DEG. R	P PSIA	Q PSI	V FT/SEC	RHO SLUGS /FT3	MU LB-SEC /FT2
725	.4997	7.900	39.98	-.1733-01	100.5	1259.	93.36	.1117-01	.4878	3742.	.3228-03	.7513-07
726	.5101	7.900	39.98	-.1733-01	102.3	1257.	93.21	.1137-01	.4967	3739.	.3292-03	.7501-07

RUN NUMBER	HREF BTU/ R FT2SEC	STN NO REF (R) = .0175
725	.1713-01	.5716-01
726	.1728-01	.5658-01

TEST DATA

RUN NUMBER	2Y/BW	XW/CW	T/C NO	H/HREF R=1.0	H/HREF R=0.9	H/HREF R= TAW/TO	TAW/TO	H(TO) BTU/R FT2SEC	H(TAW) BTU/R FT2SEC	QDOT BTU/ FT2SEC	DTWDT DEG. R /SEC	TW DEG. R
726	.30000	.40000	1078.0	.7025-01	.8503-01	.7844-01	.9399	.1214-02	.1355-02	.8776	6.340	533.6
726	.30000	.50000	1079.0	.5465-01	.6616-01	.6148-01	.9362	.9442-03	.1062-02	.6820	5.089	534.4
726	.30000	.60000	1080.0	.5111-01	.6190-01	.5748-01	.9364	.8830-03	.9932-03	.6361	4.743	536.2
726	.30000	.70000	1081.0	.5096-01	.6171-01	.5740-01	.9356	.8804-03	.9916-03	.6349	4.583	535.5
726	.30000	.80000	1082.0	.5672-01	.6867-01	.6422-01	.9329	.9799-03	.1109-02	.7073	5.277	534.8
726	.30000	.90000	83.000	.2634-01	.3178-01	.3043-01	.9216	.4552-03	.5257-03	.3342	2.468	522.4
726	.30000	.95000	84.000	.4167-01	.5028-01	.4860-01	.9167	.7199-03	.8397-03	.5284	3.839	522.6
726	.40000	.60000	1092.0	.6537-01	.7923-01	.7340-01	.9375	.1129-02	.1268-02	.8117	5.497	538.0
726	.40000	.70000	1093.0	.6833-01	.8275-01	.7685-01	.9364	.1181-02	.1328-02	.8512	5.771	535.6
726	.40000	.75000	1094.0	.6646-01	.8049-01	.7504-01	.9344	.1148-02	.1296-02	.8278	6.174	535.7
726	.40000	.85000	95.000	.3950-01	.4771-01	.4522-01	.9264	.6824-03	.7813-03	.4984	3.797	526.4
726	.40000	.90000	96.000	.3118-01	.3761-01	.3628-01	.9177	.5387-03	.6269-03	.3958	3.429	522.0
726	.40000	.95000	97.000	.2358-01	.2843-01	.2764-01	.9140	.4075-03	.4775-03	.3005	2.465	519.3
726	.50000	.40000	1104.0	.7915-01	.9591-01	.8899-01	.9367	.1367-02	.1538-02	.9835	7.091	537.5
726	.50000	.60000	1105.0	.6864-01	.8316-01	.7725-01	.9362	.1186-02	.1335-02	.8531	5.960	537.3
726	.50000	.70000	1106.0	.3933-01	.4763-01	.4433-01	.9353	.6795-03	.7658-03	.4902	3.538	535.3
726	.50000	.90000	107.00	.3007-01	.3628-01	.3628-01	.9000	.5195-03	.6267-03	.3817	3.018	521.9
726	.60000	.40000	1116.0	.1111	.1346	.1247	.9378	.1920-02	.2154-02	1.381	9.650	537.1
726	.60000	.50000	1117.0	.1039	.1259	.1169	.9364	.1795-02	.2020-02	1.291	9.019	537.5

DATE 23 FEB 80

OH84B MODEL 60-0 IN THE AEDC VKF HYPERSONIC TUNNEL

PAGE 2054

OH84B 60-0 WING LOWER SURFACE

(R4UQ31)

RUN NUMBER	2Y/BW	XW/CW	T/C NO	H/HREF R=1.0	H/HREF R=0.9	H/HREF R= TAW/TO	TAW/TO	H(TO) BTU/R FT2SEC	H(TAW) BTU/R FT2SEC	QDOT BTU/ FT2SEC	DTWDT DEG. R /SEC	TW DEG. R
726	.60000	.60000	1118.0	.8949-01	.1084	.1007	.9362	.1546-02	.1740-02	1.113	7.777	536.8
726	.60000	.70000	1119.0	.7442-01	.9015-01	.8429-01	.9329	.1286-02	.1456-02	.9260	6.681	536.5
726	.60000	.80000	120.00	.4057-01	.4902-01	.4647-01	.9264	.7010-03	.8028-03	.5112	3.828	527.4
726	.60000	.85000	121.00	.4411-01	.5326-01	.5073-01	.9240	.7621-03	.8765-03	.5577	4.114	524.8
726	.60000	.90000	122.00	.3750-01	.4524-01	.4373-01	.9167	.6478-03	.7556-03	.4757	3.633	522.3
726	.60000	.95000	123.00	.2789-01	.3362-01	.3268-01	.9140	.4818-03	.5647-03	.3550	2.714	519.8
726	.70000	.40000	1130.0	.1250	.1511	.1405	.9366	.2150-02	.2429-02	1.559	9.966	535.2
726	.70000	.60000	131.00	.1119	.1355	.1259	.9362	.1933-02	.2175-02	1.397	8.934	534.3
726	.70000	.90000	132.00	.9177-01	.1108	.1069	.9177	.1586-02	.1846-02	1.161	8.428	524.4
725	.75000	.30000	138.00	.1417	.1718	.1592	.9374	.2427-02	.2726-02	1.741	11.10	541.1
725	.75000	.40000	139.00	.1218	.1477	.1369	.9372	.2086-02	.2345-02	1.497	9.823	541.2
725	.75000	.60000	140.00	.1070	.1297	.1297	.9000	.1832-02	.2221-02	1.315	8.890	540.9
725	.75000	.70000	1141.0	.9072-01	.1101	.1022	.9362	.1554-02	.1751-02	1.110	7.977	544.2
725	.75000	.80000	142.00	.5033-01	.6096-01	.5772-01	.9266	.8619-03	.9884-03	.6216	5.146	537.4
726	.75000	.90000	143.00	.4224-01	.5097-01	.4915-01	.9180	.7298-03	.8492-03	.5355	3.954	522.9
726	.75000	.95000	144.00	.2707-01	.3262-01	.3166-01	.9147	.4677-03	.5471-03	.3454	2.643	518.1
725	.80000	.20000	146.00	.1717	.2085	.1927	.9383	.2941-02	.3300-02	2.099	14.61	544.8
725	.80000	.40000	147.00	.1254	.1522	.1408	.9378	.2148-02	.2412-02	1.537	11.05	543.1
725	.80000	.90000	148.00	.4267-01	.5164-01	.4973-01	.9183	.7307-03	.8516-03	.5294	3.886	534.2
725	.90000	.30000	1155.0	.1607	.1953	.1803	.9388	.2753-02	.3087-02	1.955	14.02	548.3
725	.90000	.50000	156.00	.1380	.1675	.1675	.9000	.2363-02	.2869-02	1.688	12.12	544.6
725	.90000	.60000	1157.0	.1267	.1538	.1423	.9378	.2169-02	.2437-02	1.548	10.77	545.1
725	.90000	.80000	158.00	.5799-01	.7023-01	.6638-01	.9275	.9931-03	.1137-02	.7171	5.627	536.5
725	.90000	.90000	159.00	.4317-01	.5224-01	.5042-01	.9172	.7392-03	.8634-03	.5356	4.283	534.1
725	.95000	.30000	164.00	.1565	.1900	.1756	.9383	.2681-02	.3008-02	1.915	13.76	544.4
725	.95000	.50000	165.00	.1163	.1410	.1307	.9372	.1991-02	.2238-02	1.428	10.62	541.6
725	.95000	.70000	166.00	.5994-01	.7258-01	.6787-01	.9329	.1026-02	.1162-02	.7414	5.621	536.4
725	.95000	.80000	167.00	.5933-01	.7183-01	.6834-01	.9242	.1016-02	.1170-02	.7346	5.479	535.6
725	.95000	.90000	168.00	.4278-01	.5178-01	.4992-01	.9177	.7326-03	.8549-03	.5305	4.026	534.5

DATE 23 FEB 80

OH84B MODEL 60-0 IN THE AEDC VKF HYPERSONIC TUNNEL

PAGE 2055

OH84B 60-0 WING LOWER SURFACE

(R4UQ31)

WING LOWER SURF

PARAMETRIC DATA

MACH = 8.000 ALPHA = 40.00 BETA = .0000 ELEVON = -12.50
 BDFLAP = -12.50 SPDBRK = .0000

TEST CONDITIONS

RUN NUMBER	RN/L /FT X10 6	MACH	ALPHA DEG.	BETA DEG.	PO PSIA	TO DEG. R	T DEG. R	P PSIA	Q PSI	V FT/SEC	RHO SLUGS /FT3	MU LB-SEC /FT2
739	.9893	7.940	39.98	-.2427-01	204.0	1269.	93.22	.2194-01	.9684	3758.	.6353-03	.7502-07
740	1.019	7.940	39.99	-.2081-01	209.3	1266.	93.00	.2252-01	.9937	3754.	.6534-03	.7484-07

RUN NUMBER	HREF BTU/ R FT2SEC	STN NO REF(R) =.0175
739	.2416-01	.4077-01
740	.2447-01	.4020-01

TEST DATA

RUN NUMBER	2Y/BW	XW/CW	T/C NO	H/HREF R=1.0	H/HREF R=0.9	H/HREF R= TAW/TO	TAW/TO	H(TO) BTU/R FT2SEC	H(TAW) BTU/R FT2SEC	QDOT BTU/ FT2SEC	DTWDT DEG. R /SEC	TW DEG. R
740	.30000	.40000	1078.0	.6883-01	.8344-01	.7692-01	.9399	.1684-02	.1882-02	1.217	8.754	542.8
740	.30000	.50000	1079.0	.5028-01	.6098-01	.5662-01	.9362	.1230-02	.1385-02	.8872	6.588	544.4
740	.30000	.60000	1080.0	.4825-01	.5856-01	.5434-01	.9364	.1181-02	.1329-02	.8490	6.297	546.5
740	.30000	.70000	1081.0	.4811-01	.5837-01	.5425-01	.9356	.1177-02	.1327-02	.8472	6.083	545.9
740	.30000	.80000	1082.0	.5357-01	.6500-01	.6074-01	.9329	.1311-02	.1486-02	.9437	7.002	545.7
740	.30000	.90000	83.000	.2671-01	.3226-01	.3087-01	.9216	.6535-03	.7553-03	.4808	3.538	529.9
740	.30000	.95000	84.000	.4313-01	.5209-01	.5035-01	.9167	.1055-02	.1232-02	.7760	5.616	530.2
740	.40000	.60000	1092.0	.6686-01	.8121-01	.7516-01	.9375	.1636-02	.1839-02	1.171	7.884	549.6
740	.40000	.70000	1093.0	.7273-01	.8826-01	.8190-01	.9364	.1780-02	.2004-02	1.280	8.635	546.1
740	.40000	.75000	1094.0	.7377-01	.8954-01	.8340-01	.9344	.1585-02	.2040-02	1.297	9.616	547.1
740	.40000	.85000	95.000	.4263-01	.5155-01	.4885-01	.9264	.1043-02	.1195-02	.7628	5.790	534.2
740	.40000	.90000	96.000	.3302-01	.3987-01	.3846-01	.9177	.8080-03	.9409-03	.5952	5.140	528.9
740	.40000	.95000	97.000	.2482-01	.2994-01	.2910-01	.9140	.6072-03	.7120-03	.4490	3.671	526.1
740	.50000	.40000	1104.0	.8183-01	.9938-01	.9212-01	.9367	.2002-02	.2254-02	1.435	10.28	549.1
740	.50000	.60000	1105.0	.6468-01	.7856-01	.7290-01	.9362	.1582-02	.1784-02	1.134	7.874	548.2
740	.50000	.70000	1106.0	.3738-01	.4536-01	.4218-01	.9353	.9146-03	.1032-02	.6584	4.728	545.7
740	.50000	.90000	107.00	.3013-01	.3638-01	.3638-01	.9000	.7372-03	.8901-03	.5433	4.281	528.7
740	.60000	.40000	1116.0	.1110	.1349	.1248	.9378	.2715-02	.3053-02	1.935	13.41	552.9
740	.60000	.50000	1117.0	.1037	.1260	.1169	.9364	.2536-02	.2859-02	1.809	12.54	552.3

DATE 23 FEB 80

OH84B MODEL 60-0 IN THE AEDC VKF HYPERSONIC TUNNEL

PAGE 2056

OH84B 50-0 WING LOWER SURFACE

(R4UQ31)

RUN NUMBER	ZY/BW	XW/CW	T/C NO	H/HREF R=1.0	H/HREF R=0.9	H/HREF R= TAW/TO	TAW/TO	H(TO) BTU/R FT2SEC	H(TAW) BTU/R FT2SEC	QDOT BTU/ FT2SEC	DTWDT DEG. R /SEC	TW DEG. R
740	.60000	.60000	1118.0	.9468-01	.1150	.1067	.9362	.2316-02	.2611-02	1.659	11.52	549.4
740	.60000	.70000	1119.0	.8056-01	.9783-01	.9138-01	.9329	.1971-02	.2236-02	1.413	10.13	548.7
740	.60000	.80000	120.00	.4374-01	.5293-01	.5015-01	.9264	.1070-02	.1227-02	.7801	5.814	536.8
740	.60000	.85000	121.00	.4578-01	.5535-01	.5270-01	.9240	.1120-02	.1289-02	.8198	6.019	533.7
740	.60000	.90000	122.00	.3833-01	.4629-01	.4474-01	.9167	.9377-03	.1094-02	.6901	5.250	529.7
740	.60000	.95000	123.00	.2918-01	.3521-01	.3422-01	.9140	.7139-03	.8373-03	.5274	4.018	526.9
740	.70000	.40000	1130.0	.1233	.1498	.1389	.9366	.3017-02	.3398-02	2.159	13.70	549.9
740	.70000	.60000	131.00	.1121	.1361	.1263	.9362	.2742-02	.3091-02	1.965	12.40	540.1
740	.70000	.90000	132.00	.9760-01	.1180	.1138	.9177	.2388-02	.2784-02	1.747	12.62	533.9
739	.75000	.30000	138.00	.1430	.1738	.1608	.9375	.3456-02	.3886-02	2.480	15.73	551.2
739	.75000	.40000	139.00	.1216	.1477	.1368	.9372	.2939-02	.3306-02	2.111	13.78	550.6
739	.75000	.60000	140.00	.1066	.1294	.1294	.9000	.2575-02	.3128-02	1.847	12.43	551.1
739	.75000	.70000	1141.0	.9579-01	.1165	.1080	.9362	.2314-02	.2611-02	1.653	11.81	554.6
739	.75000	.80000	142.00	.5142-01	.6231-01	.5899-01	.9266	.1242-02	.1425-02	.9014	7.441	543.2
740	.75000	.90000	143.00	.4295-01	.5188-01	.5001-01	.9180	.1051-02	.1224-02	.7727	5.683	530.4
740	.75000	.95000	144.00	.2769-01	.3339-01	.3241-01	.9147	.6774-03	.7929-03	.5017	3.826	525.0
739	.80000	.20000	146.00	.1780	.2165	.2000	.9383	.4301-02	.4832-02	3.067	21.23	555.7
739	.80000	.40000	147.00	.1249	.1518	.1404	.9378	.3018-02	.3392-02	2.157	15.43	553.8
739	.80000	.90000	148.00	.4381-01	.5301-01	.5105-01	.9183	.1059-02	.1233-02	.7737	5.669	537.8
739	.90000	.30000	1155.0	.1656	.2017	.1859	.9389	.4001-02	.4493-02	2.837	20.23	559.7
739	.90000	.50000	156.00	.1363	.1658	.1658	.9000	.3293-02	.4006-02	2.346	16.76	556.2
739	.90000	.60000	1157.0	.1179	.1435	.1326	.9378	.2849-02	.3204-02	2.031	14.05	556.0
739	.90000	.80000	158.00	.6288-01	.7617-01	.7199-01	.9275	.1519-02	.1739-02	1.105	8.645	541.6
739	.90000	.90000	159.00	.4471-01	.5412-01	.5223-01	.9172	.1080-02	.1262-02	.7883	6.288	539.0
739	.95000	.30000	164.00	.1609	.1956	.1807	.9383	.3887-02	.4365-02	2.775	19.84	554.7
739	.95000	.50000	165.00	.1139	.1383	.1280	.9372	.2750-02	.3093-02	1.970	14.57	552.2
739	.95000	.70000	166.00	.6128-01	.7427-01	.6943-01	.9329	.1481-02	.1678-02	1.074	8.110	543.6
739	.95000	.80000	167.00	.6024-01	.7298-01	.6942-01	.9242	.1455-02	.1677-02	1.058	7.861	542.1
739	.95000	.90000	168.00	.4398-01	.5323-01	.5132-01	.9177	.1063-02	.1240-02	.7755	5.872	538.9

OH84B 60-0 WING LOWER SURFACE

(R4UQ31)

WING LOWER SURF

PARAMETRIC DATA

MACH = 8.000 ALPHA = 40.00 BETA = .0000 ELEVON = -12.50
 BDFLAP = -12.50 SPOBRK = .0000

TEST CONDITIONS

RUN NUMBER	RN/L /FT	MACH	ALPHA DEG.	BETA DEG.	PO PSIA	TO DEG. R	T DEG. R	P PSIA	Q PSI	V FT/SEC	RHO SLUGS /FT3	MU LB-SEC /FT2
737	2.003	7.980	40.04	- .2093-01	434.1	1300.	94.62	.4520-01	2.015	3805.	.1289-02	.7614-07
738	1.994	7.980	40.04	- .2093-01	434.8	1305.	94.98	.4527-01	2.018	3813.	.1286-02	.7643-07

RUN NUMBER	HREF BTU/ R FT2SEC	STN NO REF (R) = .0175
737	.3500-01	.2870-01
738	.3505-01	.2874-01

TEST DATA

RUN NUMBER	2Y/BW	XW/CW	T/C NO	H/HREF R=1.0	H/HREF R=0.9	H/HREF R= TAW/TO	TAW/TO	H(TO) BTU/R FT2SEC	H(TAW) BTU/R FT2SEC	QDOT BTU/ FT2SEC	DTWDT DEG. R /SEC	TW DEG. R
738	.30000	.40000	1078.0	.6283-01	.7610-01	.7016-01	.9400	.2202-02	.2459-02	1.648	11.77	556.4
738	.30000	.50000	1079.0	.5013-01	.6075-01	.5641-01	.9363	.1757-02	.1977-02	1.311	9.669	558.3
738	.30000	.60000	1080.0	.5559-01	.6745-01	.6258-01	.9365	.1948-02	.2193-02	1.444	10.62	563.4
738	.30000	.70000	1081.0	.6917-01	.8398-01	.7801-01	.9358	.2424-02	.2734-02	1.793	12.75	565.0
738	.30000	.80000	1082.0	.9052-01	.1100	.1027	.9331	.3173-02	.3600-02	2.336	17.13	568.4
738	.30000	.90000	83.000	.3498-01	.4211-01	.4032-01	.9218	.1226-02	.1413-02	.9439	6.927	534.7
738	.30000	.95000	84.000	.5124-01	.6169-01	.5965-01	.9168	.1796-02	.2091-02	1.383	9.985	534.6
738	.40000	.60000	1092.0	.8772-01	.1066	.9854-01	.9376	.3074-02	.3457-02	2.260	15.07	569.4
738	.40000	.70000	1093.0	.1002	.1217	.1129	.9365	.3511-02	.3956-02	2.587	17.26	567.8
738	.40000	.75000	1094.0	.1063	.1292	.1202	.9346	.3725-02	.4215-02	2.738	20.08	569.6
738	.40000	.85000	95.000	.5511-01	.6649-01	.6303-01	.9265	.1932-02	.2209-02	1.473	11.14	542.0
738	.40000	.90000	96.000	.4177-01	.5029-01	.4852-01	.9179	.1464-02	.1701-02	1.128	9.714	534.2
738	.40000	.95000	97.000	.3048-01	.3665-01	.3563-01	.9141	.1068-02	.1249-02	.8273	6.749	530.2
738	.50000	.40000	1104.0	.8300-01	.1008	.9343-01	.9368	.2909-02	.3274-02	2.147	15.26	566.5
738	.50000	.60000	1105.0	.7330-01	.8905-01	.8261-01	.9363	.2569-02	.2895-02	1.895	13.04	567.0
738	.50000	.70000	1106.0	.4594-01	.5573-01	.5182-01	.9354	.1610-02	.1816-02	1.196	8.515	562.1
738	.50000	.90000	107.00	.3436-01	.4136-01	.4136-01	.9000	.1204-02	.1450-02	.9286	7.297	533.7
738	.60000	.40000	1116.0	.1214	.1476	.1364	.9379	.4254-02	.4782-02	3.121	21.44	571.0
738	.60000	.50000	1117.0	.1096	.1333	.1236	.9365	.3842-02	.4331-02	2.820	19.37	570.8

DATE 23 FEB 80

OH84B MODEL 60-0 IN THE AEDC VKF HYPERSONIC TUNNEL

PAGE 2058

OH84B 60-0 WING LOWER SURFACE

(R4UQ31)

RUN NUMBER	2Y/BW	XW/CW	T/C NO	H/HREF R=1.0	H/HREF R=0.9	H/HREF R= TAW/TO	TAW/TO	H(TO) BTU/R FT2SEC	H(TAW) BTU/R FT2SEC	QDOT BTU/ FT2SEC	DTWOT DEG. R /SEC	TW DEG. R
738	.60000	.60000	1118.0	.1026	.1247	.1157	.9363	.3598-02	.4055-02	2.653	18.26	567.2
738	.60000	.70000	1119.0	.8652-01	.1051	.9815-01	.9331	.3033-02	.3440-02	2.236	15.88	567.3
738	.60000	.80000	120.00	.5671-01	.6847-01	.6489-01	.9265	.1988-02	.2274-02	1.510	11.21	544.9
738	.60000	.85000	121.00	.5559-01	.6702-01	.6385-01	.9242	.1948-02	.2238-02	1.490	10.91	539.9
738	.60000	.90000	122.00	.4617-01	.5558-01	.5374-01	.9158	.1618-02	.1883-02	1.247	9.467	533.9
738	.60000	.95000	123.00	.3265-01	.3926-01	.3816-01	.9141	.1144-02	.1338-02	.8865	6.743	529.9
738	.70000	.40000	1130.0	.1258	.1529	.1417	.9367	.4409-02	.4966-02	3.248	20.42	568.1
738	.70000	.60000	131.00	.1197	.1454	.1349	.9363	.4196-02	.4729-02	3.098	19.50	566.1
738	.70000	.90000	132.00	.1053	.1270	.1225	.9179	.3691-02	.4292-02	2.823	20.33	539.7
737	.75000	.30000	138.00	.1410	.1717	.1587	.9376	.4934-02	.5555-02	3.585	22.49	573.1
737	.75000	.40000	139.00	.1244	.1515	.1401	.9374	.4355-02	.4904-02	3.163	20.43	573.2
737	.75000	.60000	140.00	.1113	.1355	.1355	.9000	.3896-02	.4743-02	2.835	18.87	572.1
737	.75000	.70000	1141.0	.1053	.1284	.1189	.9363	.3685-02	.4162-02	2.662	18.82	577.2
737	.75000	.80000	142.00	.5835-01	.7068-01	.6690-01	.9268	.2042-02	.2341-02	1.520	12.47	555.2
738	.75000	.90000	143.00	.4785-01	.5759-01	.5555-01	.9181	.1677-02	.1947-02	1.293	9.492	533.7
738	.75000	.95000	144.00	.2956-01	.3552-01	.3448-01	.9149	.1036-02	.1209-02	.8052	6.132	527.4
737	.80000	.20000	146.00	.1772	.2162	.1993	.9384	.6203-02	.6976-02	4.475	30.62	578.2
737	.80000	.40000	147.00	.1276	.1556	.1436	.9379	.4465-02	.5027-02	3.220	22.74	578.5
737	.80000	.90000	148.00	.4840-01	.5849-01	.5633-01	.9184	.1694-02	.1971-02	1.277	9.315	546.1
737	.90000	.30000	1155.0	.1623	.1984	.1826	.9390	.5681-02	.6389-02	4.063	28.61	584.5
737	.90000	.50000	156.00	.1394	.1703	.1703	.9000	.4880-02	.5958-02	3.505	24.73	581.4
737	.90000	.60000	1157.0	.1259	.1536	.1418	.9379	.4405-02	.4961-02	3.167	21.65	580.6
737	.90000	.80000	158.00	.6596-01	.7990-01	.7549-01	.9276	.2308-02	.2642-02	1.720	13.37	554.7
737	.90000	.90000	159.00	.4836-01	.5847-01	.5643-01	.9173	.1693-02	.1975-02	1.272	10.10	548.1
737	.95000	.30000	164.00	.1583	.1931	.1781	.9384	.5542-02	.6232-02	4.003	28.29	577.3
737	.95000	.50000	165.00	.1142	.1391	.1286	.9374	.3996-02	.4501-02	2.900	21.22	573.9
737	.95000	.70000	166.00	.6791-01	.8231-01	.7692-01	.9331	.2377-02	.2692-02	1.766	13.25	556.7
737	.95000	.80000	167.00	.6784-01	.8214-01	.7813-01	.9244	.2374-02	.2734-02	1.773	13.11	552.9
737	.95000	.90000	168.00	.4755-01	.5749-01	.5542-01	.9179	.1664-02	.1940-02	1.251	9.431	547.8

OH84B 60-0 WING LOWER SURFACE

(R4UQ31)

WING LOWER SURF

PARAMETRIC DATA

MACH = 8.000 ALPHA = 40.00 BETA = .0000 ELEVON = -12.50
 BDFLAP = -12.50 SPDBRK = .0000

TEST CONDITIONS

RUN NUMBER	RN/L /FT X10 ⁶	MACH	ALPHA DEG.	BETA DEG.	PO PSIA	TO DEG. R	T DEG. R	P PSIA	Q PSI	V FT/SEC	RHO SLUGS /FT ³	MU LB-SEC /FT ²
727	3.035	7.990	40.06	-.2097-01	670.9	1314.	95.41	.6928-01	3.096	3826.	.1960-02	.7678-07
728	2.981	7.990	40.06	-.2097-01	667.2	1325.	96.21	.6890-01	3.079	3842.	.1933-02	.7742-07

RUN NUMBER	HREF BTU/ R FT2SEC	STN NO REF(R) = .0175
727	.4347-01	.2330-01
728	.4341-01	.2348-01

TEST DATA

RUN NUMBER	ZY/BW	XW/CW	T/C NO	H/HREF R=1.0	H/HREF R=0.9	H/HREF R= TAW/TO	TAW/TO	H(TO) BTU/R FT2SEC	H(TAW) BTU/R FT2SEC	QDOT BTU/ FT2SEC	DTWDT DEG. R /SEC	TW DEG. R
728	.30000	.40000	1078.0	.6559-01	.7947-01	.7325-01	.9401	.2847-02	.3180-02	2.159	15.34	566.3
728	.30000	.50000	1079.0	.6620-01	.8031-01	.7454-01	.9363	.2874-02	.3236-02	2.167	15.88	570.6
728	.30000	.60000	1080.0	.1037	.1262	.1170	.9365	.4502-02	.5077-02	3.341	24.33	582.6
728	.30000	.70000	1081.0	.1558	.1903	.1763	.9358	.6765-02	.7654-02	4.952	34.73	592.7
728	.30000	.80000	1082.0	.2186	.2676	.2492	.9331	.9491-02	.1082-01	6.868	49.57	601.1
728	.30000	.90000	83.000	.5021-01	.6041-01	.5785-01	.9218	.2180-02	.2511-02	1.710	12.52	540.1
728	.30000	.95000	84.000	.6339-01	.7632-01	.7378-01	.9168	.2751-02	.3203-02	2.151	15.46	543.1
728	.40000	.60000	1092.0	.1703	.2080	.1920	.9376	.7392-02	.8335-02	5.401	35.56	594.0
728	.40000	.70000	1093.0	.2183	.2667	.2467	.9365	.9475-02	.1071-01	6.908	45.45	595.6
728	.40000	.75000	1094.0	.2237	.2739	.2542	.9346	.9709-02	.1103-01	7.009	50.55	602.8
728	.40000	.85000	95.000	.7555-01	.9110-01	.8637-01	.9266	.3279-02	.3749-02	2.545	19.17	548.6
728	.40000	.90000	96.000	.5327-01	.6413-01	.6187-01	.9179	.2312-02	.2686-02	1.808	15.50	542.7
728	.40000	.95000	97.000	.4199-01	.5049-01	.4909-01	.9142	.1823-02	.2131-02	1.434	11.65	537.9
728	.50000	.40000	1104.0	.1087	.1323	.1225	.9369	.4717-02	.5316-02	3.502	24.69	582.2
728	.50000	.60000	1105.0	.1273	.1552	.1437	.9363	.5526-02	.6239-02	4.074	27.76	587.3
728	.50000	.70000	1106.0	.1081	.1317	.1223	.9355	.4694-02	.5308-02	3.473	24.45	584.9
728	.50000	.90000	107.00	.4858-01	.5845-01	.5845-01	.9000	.2109-02	.2537-02	1.654	12.95	540.4
728	.60000	.40000	1116.0	.1320	.1610	.1486	.9379	.5732-02	.6452-02	4.219	28.72	588.6
728	.60000	.50000	1117.0	.1314	.1603	.1484	.9365	.5705-02	.6441-02	4.201	28.60	588.4

DATE, 23 FEB 80

OH84B MODEL 60-0 IN THE AEDC VKF HYPERSONIC TUNNEL

PAGE 2060

OH84B 60-0 WING LOWER SURFACE

(R4UQ31)

RUN NUMBER	2Y/BW	XW/CW	T/C NO	H/HREF R=1.0	H/HREF R=0.9	H/HREF R= TAW/TO	TAW/TO	H(TO) BTU/R FT2SEC	H(TAW) BTU/R FT2SEC	QDOT BTU/ FT2SEC	DTWOT DEG. R /SEC	TW DEG. R
728	.60000	.60000	1118.0	.1295	.1577	.1461	.9363	.5619-02	.6343-02	4.155	28.34	585.2
728	.60000	.70000	1119.0	.1224	.1491	.1391	.9331	.5313-02	.6036-02	3.930	27.67	585.0
728	.60000	.80000	120.00	.6777-01	.8176-01	.7751-01	.9266	.2942-02	.3364-02	2.279	16.87	550.2
728	.60000	.85000	121.00	.6515-01	.7850-01	.7479-01	.9242	.2828-02	.3247-02	2.202	16.07	546.0
728	.60000	.90000	122.00	.5339-01	.6424-01	.6212-01	.9168	.2318-02	.2696-02	1.817	13.75	540.6
728	.60000	.95000	123.00	.4029-01	.4842-01	.4707-01	.9142	.1749-02	.2043-02	1.380	10.47	535.4
728	.70000	.40000	1130.0	.1382	.1682	.1558	.9368	.5998-02	.6762-02	4.445	27.74	583.6
728	.70000	.60000	131.00	.1349	.1641	.1522	.9353	.5956-02	.6605-02	4.353	27.20	581.2
728	.70000	.90000	132.00	.1126	.1357	.1309	.9179	.4888-02	.5683-02	3.801	27.27	547.2
727	.75000	.30000	138.00	.1519	.1853	.1712	.9376	.6604-02	.7440-02	4.817	30.05	584.4
727	.75000	.40000	139.00	.1351	.1647	.1522	.9374	.5871-02	.6616-02	4.292	27.59	582.6
727	.75000	.60000	140.00	.1262	.1538	.1538	.9000	.5487-02	.6686-02	4.020	26.64	581.0
727	.75000	.70000	1141.0	.1242	.1517	.1404	.9363	.5398-02	.6102-02	3.910	27.47	589.2
727	.75000	.80000	142.00	.7719-01	.9339-01	.8842-01	.9268	.3355-02	.3843-02	2.540	20.83	556.6
728	.75000	.90000	143.00	.5805-01	.6984-01	.6736-01	.9181	.2520-02	.2924-02	1.978	14.48	539.9
728	.75000	.95000	144.00	.3711-01	.4455-01	.4325-01	.9149	.1611-02	.1878-02	1.278	9.711	531.4
727	.80000	.20000	146.00	.1907	.2333	.2149	.9385	.8290-02	.9339-02	5.963	40.49	594.3
727	.80000	.40000	147.00	.1376	.1682	.1551	.9379	.5982-02	.6743-02	4.321	30.33	591.3
727	.80000	.90000	148.00	.5825-01	.7025-01	.6767-01	.9185	.2532-02	.2942-02	1.947	14.21	544.7
727	.90000	.30000	1155.0	.1793	.2199	.2021	.9390	.7792-02	.8783-02	5.535	38.62	603.3
727	.90000	.50000	156.00	.1508	.1847	.1847	.9000	.6556-02	.8029-02	4.694	32.84	597.7
727	.90000	.60000	1157.0	.1396	.1708	.1575	.9379	.6070-02	.6845-02	4.369	29.67	593.8
727	.90000	.80000	158.00	.7601-01	.9191-01	.8688-01	.9277	.3304-02	.3776-02	2.507	19.50	554.7
727	.90000	.90000	159.00	.5203-01	.6278-01	.6061-01	.9174	.2261-02	.2634-02	1.734	13.77	547.0
727	.95000	.30000	164.00	.1599	.1957	.1802	.9385	.6951-02	.7832-02	4.996	35.01	594.9
727	.95000	.50000	165.00	.1197	.1462	.1350	.9374	.5205-02	.5869-02	3.779	27.46	587.6
727	.95000	.70000	166.00	.8141-01	.9855-01	.9213-01	.9331	.3538-02	.4004-02	2.673	20.04	558.4
727	.95000	.80000	167.00	.7728-01	.9341-01	.8888-01	.9244	.3359-02	.3863-02	2.556	18.89	552.9
727	.95000	.90000	168.00	.5141-01	.6203-01	.5982-01	.9179	.2234-02	.2600-02	1.714	12.93	546.7

OH84B 60-0 WING LOWER SURFACE

(R4UQ32)

WING LOWER SURF

PARAMETRIC DATA

MACH = 8.000 ALPHA = 40.00 BETA = .0000 ELEVON = -12.50
 BDFLAP = -5.000 SPDBRK = .0000

TEST CONDITIONS

RUN NUMBER	RN/L /FT X10 6	MACH	ALPHA DEG.	BETA DEG.	PO PSIA	TO DEG. R	T DEG. R	P PSIA	Q PSI	V FT/SEC	RHO SLUGS /FT3	MU LB-SEC /FT2
723	.4957	7.900	39.97	-.1731-01	100.1	1263.	93.66	.1113-01	.4862	3748.	.3207-03	.7536-07
724	.4963	7.900	39.97	-.1732-01	100.2	1263.	93.66	.1114-01	.4867	3748.	.3211-03	.7536-07

RUN NUMBER	HREF BTU/ R FT2SEC	STN NO REF(R) = .0175
723	.1711-01	.5736-01
724	.1712-01	.5733-01

TEST DATA

RUN NUMBER	2Y/BW	XW/CW	T/C NO	H/HREF R=1.0	H/HREF R=0.9	H/HREF R= TAW/TO	TAW/TO	H(TO) BTU/R FT2SEC	H(TAW) BTU/R FT2SEC	QDOT BTU/ FT2SEC	DTWDT DEG. R /SEC	TW DEG. R
724	.30000	.40000	1078.0	.6977-01	.8440-01	.7789-01	.9399	.1194-02	.1333-02	.8698	6.282	534.3
724	.30000	.50000	1079.0	.5573-01	.6743-01	.6268-01	.9361	.9539-03	.1073-02	.6942	5.179	535.0
724	.30000	.60000	1080.0	.5223-01	.6322-01	.5873-01	.9364	.8939-03	.1005-02	.6490	4.837	536.7
724	.30000	.70000	1081.0	.5210-01	.6305-01	.5866-01	.9356	.8918-03	.1004-02	.6482	4.678	535.8
724	.30000	.80000	1082.0	.5194-01	.6284-01	.5878-01	.9329	.8890-03	.1006-02	.6471	4.828	534.8
724	.30000	.90000	83.000	.2657-01	.3204-01	.3067-01	.9216	.4548-03	.5250-03	.3367	2.487	522.3
724	.30000	.95000	84.000	.4158-01	.5013-01	.4847-01	.9166	.7116-03	.8296-03	.5268	3.827	522.5
724	.40000	.60000	1092.0	.6705-01	.8120-01	.7526-01	.9374	.1148-02	.1288-02	.8315	5.630	538.1
724	.40000	.70000	1093.0	.6944-01	.8403-01	.7807-01	.9364	.1189-02	.1336-02	.8642	5.859	535.6
724	.40000	.75000	1094.0	.6721-01	.8133-01	.7585-01	.9344	.1150-02	.1298-02	.8364	6.238	535.6
724	.40000	.85000	95.000	.3994-01	.4821-01	.4571-01	.9264	.6837-03	.7824-03	.5035	3.837	526.2
724	.40000	.90000	96.000	.3168-01	.3819-01	.3684-01	.9177	.5422-03	.6306-03	.4018	3.482	521.7
724	.40000	.95000	97.000	.2383-01	.2870-01	.2790-01	.9140	.4078-03	.4776-03	.3033	2.488	519.0
724	.50000	.40000	1104.0	.7979-01	.9662-01	.8968-01	.9367	.1366-02	.1535-02	.9901	7.138	537.7
724	.50000	.60000	1105.0	.6866-01	.8313-01	.7725-01	.9361	.1175-02	.1322-02	.8521	5.952	537.5
724	.50000	.70000	1106.0	.4171-01	.5048-01	.4699-01	.9353	.7139-03	.8044-03	.5191	3.746	535.6
724	.50000	.90000	107.00	.3077-01	.3709-01	.3709-01	.9000	.5266-03	.6348-03	.3902	3.085	521.8
724	.60000	.40000	1116.0	.1114	.1349	.1249	.9378	.1907-02	.2139-02	1.383	9.659	537.5
724	.60000	.50000	1117.0	.1039	.1259	.1169	.9364	.1779-02	.2001-02	1.290	9.006	537.8

DATE 23 FEB 80

OH84B MODEL 60-0 IN THE AEDC VKF HYPERSONIC TUNNEL

PAGE 2062

OH84B 60-0 WING LOWER SURFACE

(R4UQ32)

RUN NUMBER	2Y/BW	XW/CW	T/C NO	H/HREF R=1.0	H/HREF R=0.9	H/HREF R= TAW/TO	TAW/TO	H(TO) BTU/R FT2SEC	H(TAW) BTU/R FT2SEC	QDOT BTU/ FT2SEC	DTWDT DEG. R /SEC	TW DEG. R
724	.60000	.60000	1118.0	.8983-01	.1088	.1011	.9361	.1538-02	.1730-02	1.116	7.795	537.0
724	.60000	.70000	1119.0	.7533-01	.9119-01	.8529-01	.9329	.1289-02	.1460-02	.9361	6.752	536.7
724	.60000	.80000	120.00	.4097-01	.4947-01	.4690-01	.9264	.7013-03	.8028-03	.5155	3.860	527.6
724	.60000	.85000	121.00	.4433-01	.5348-01	.5096-01	.9240	.7587-03	.8722-03	.5598	4.129	524.9
724	.60000	.90000	122.00	.3910-01	.4594-01	.4442-01	.9166	.6522-03	.7602-03	.4829	3.687	522.3
724	.60000	.95000	123.00	.2852-01	.3436-01	.3340-01	.9140	.4881-03	.5717-03	.3626	2.772	519.8
724	.70000	.40000	1130.0	.1225	.1482	.1370	.9366	.2995-02	.2356-02	1.524	9.742	535.7
724	.70000	.60000	131.00	.1123	.1359	.1263	.9361	.1923-02	.2162-02	1.400	8.951	534.7
724	.70000	.90000	132.00	.9040-01	.1090	.1052	.9177	.1547-02	.1801-02	1.142	8.293	524.3
723	.75000	.30000	138.00	.1449	.1752	.1625	.9374	.2478-02	.2779-02	1.809	11.57	533.2
723	.75000	.40000	139.00	.1228	.1487	.1379	.9372	.2101-02	.2358-02	1.528	10.06	535.5
723	.75000	.60000	140.00	.1090	.1319	.1319	.9000	.1864-02	.2256-02	1.355	9.181	536.1
723	.75000	.70000	1141.0	.9574-01	.1159	.1077	.9361	.1638-02	.1843-02	1.187	8.553	538.1
723	.75000	.80000	142.00	.5190-01	.6272-01	.5942-01	.9266	.8878-03	.1016-02	.6500	5.400	530.5
724	.75000	.90000	143.00	.4244-01	.5117-01	.4935-01	.9179	.7263-03	.8447-03	.5372	3.966	523.0
724	.75000	.95000	144.00	.2740-01	.3300-01	.3204-01	.9147	.4690-03	.5484-03	.3492	2.672	518.2
723	.80000	.20000	146.00	.1735	.2100	.1943	.9383	.2968-02	.3324-02	2.157	15.08	535.7
723	.80000	.40000	147.00	.1268	.1535	.1422	.9377	.2170-02	.2433-02	1.576	11.37	536.3
723	.80000	.90000	148.00	.4462-01	.5383-01	.5187-01	.9183	.7633-03	.8874-03	.5634	4.156	524.6
723	.90000	.30000	1155.0	.1616	.1958	.1809	.9388	.2764-02	.3095-02	1.996	14.37	540.3
723	.90000	.50000	156.00	.1397	.1692	.1692	.9000	.2389-02	.2894-02	1.730	12.47	538.5
723	.90000	.60000	1157.0	.1178	.1427	.1321	.9377	.2014-02	.2260-02	1.457	10.16	539.5
723	.90000	.80000	158.00	.5998-01	.7247-01	.6855-01	.9275	.1026-02	.1173-02	.7515	5.915	530.3
723	.90000	.90000	159.00	.4467-01	.5391-01	.5206-01	.9172	.7642-03	.8906-03	.5632	4.523	525.7
723	.95000	.30000	164.00	.1573	.1904	.1762	.9383	.2690-02	.3014-02	1.951	14.07	537.4
723	.95000	.50000	165.00	.1150	.1392	.1291	.9372	.1967-02	.2208-02	1.430	10.66	536.0
723	.95000	.70000	166.00	.6072-01	.7337-01	.6856-01	.9329	.1039-02	.1175-02	.7602	5.780	530.7
723	.95000	.80000	167.00	.6037-01	.7291-01	.6942-01	.9242	.1033-02	.1187-02	.7579	5.672	528.7
723	.95000	.90000	168.00	.4458-01	.5379-01	.5189-01	.9177	.7625-03	.8877-03	.5620	4.284	525.7

DATE 23 FEB 80

OH84B MODEL 60-0 IN THE AEDC VKF HYPERSONIC TUNNEL

PAGE 2063

OH84B 60-0 WING LOWER SURFACE

(R4UQ32)

WING LOWER SURF

PARAMETRIC DATA

MACH = 8.000 ALPHA = 40.00 BETA = .0000 ELEVON = -12.50
 BDFLAP = -5.000 SPDBRK = .0000

TEST CONDITIONS

RUN NUMBER	RN/L /FT X10 6	MACH	ALPHA DEG.	BETA DEG.	PO PSIA	TO DEG. R	T DEG. R	P PSIA	Q PSI	V FT/SEC	RHO SLUGS /FT3	MU LB-SEC /FT2
741	.9943	7.940	39.99	-.2082-01	204.3	1266.	93.00	.2198-01	.9699	3754.	.6378-03	.7484-07
742	1.010	7.940	39.99	-.2082-01	207.8	1267.	93.08	.2235-01	.9865	3755.	.6482-03	.7490-07

RUN NUMBER	HREF BTU/ R FT2SEC	STN NO REF (R)
741	.2417-01	.4069-01
742	.2438-01	.4036-01

TEST DATA

RUN NUMBER	2Y/BW	XW/CW	T/C NO	H/HREF R=1.0	H/HREF R=0.9	H/HREF R= TAW/TO	TAW/TO	H(TO) BTU/R FT2SEC	H(TAW) BTU/R FT2SEC	QDOT BTU/ FT2SEC	DTWDT DEG. R /SEC	TW DEG. R
742	.30000	.40000	1078.0	.6848-01	.8304-01	.7654-01	.9399	.1670-02	.1866-02	1.206	8.669	544.2
742	.30000	.50000	1079.0	.5067-01	.6146-01	.5706-01	.9362	.1235-02	.1391-02	.8906	6.608	545.7
742	.30000	.60000	1080.0	.4802-01	.5830-01	.5409-01	.9364	.1171-02	.1319-02	.8415	6.237	547.9
742	.30000	.70000	1081.0	.4831-01	.5863-01	.5449-01	.9356	.1178-02	.1328-02	.8474	6.080	547.2
742	.30000	.80000	1082.0	.5416-01	.6572-01	.6140-01	.9329	.1320-02	.1497-02	.9502	7.046	547.0
742	.30000	.90000	83.000	.2665-01	.3219-01	.3080-01	.9217	.6497-03	.7510-03	.4783	3.517	530.6
742	.30000	.95000	84.000	.4305-01	.5200-01	.5026-01	.9167	.1050-02	.1225-02	.7723	5.588	530.8
742	.40000	.60000	1092.0	.6619-01	.8042-01	.7443-01	.9375	.1614-02	.1815-02	1.155	7.769	551.1
742	.40000	.70000	1093.0	.7330-01	.8897-01	.8254-01	.9364	.1787-02	.2013-02	1.285	8.663	547.4
742	.40000	.75000	1094.0	.7404-01	.8989-01	.8371-01	.9345	.1805-02	.2041-02	1.297	9.608	548.4
742	.40000	.85000	95.000	.4250-01	.5140-01	.4871-01	.9264	.1036-02	.1188-02	.7580	5.750	535.2
742	.40000	.90000	96.000	.3307-01	.3993-01	.3851-01	.9178	.8062-03	.9389-03	.5940	5.127	529.8
742	.40000	.95000	97.000	.2495-01	.3011-01	.2926-01	.9140	.6083-03	.7134-03	.4500	3.677	526.9
742	.50000	.40000	1104.0	.8181-01	.9939-01	.9212-01	.9367	.1995-02	.2246-02	1.428	10.23	550.5
742	.50000	.60000	1105.0	.6497-01	.7894-01	.7324-01	.9362	.1584-02	.1786-02	1.134	7.869	550.7
742	.50000	.70000	1106.0	.3649-01	.4429-01	.4118-01	.9353	.8897-03	.1004-02	.6400	4.592	547.3
742	.50000	.90000	107.000	.3060-01	.3695-01	.3695-01	.9000	.7460-03	.9008-03	.5498	4.329	529.7
742	.60000	.40000	1116.0	.1108	.1348	.1246	.9378	.2701-02	.3037-02	1.924	13.33	554.3
742	.60000	.50000	1117.0	.1043	.1268	.1176	.9364	.2543-02	.2867-02	1.813	12.56	553.8

DATE 23 FEB 80

OH84B MODEL 60-0 IN THE AEDC VKF HYPERSONIC TUNNEL

PAGE 2064

OH84B 60-0 WING LOWER SURFACE

(R4UQ32)

RUN NUMBER	ZY/BW	XW/CW	T/C NO	H/HREF R=1.0	H/HREF R=0.9	H/HREF R= TAW/TO	TAW/TO	H(TO) BTU/R FT2SEC	H(TAW) BTU/R FT2SEC	QDOT BTU/ FT2SEC	DTWDT DEG. R /SEC	TW DEG. R
742	.60000	.60000	1118.0	.9504-01	.1155	.1071	.9362	.2317-02	.2612-02	1.659	11.51	550.9
742	.60000	.70000	1119.0	.8095-01	.9833-01	.9183-01	.9329	.1974-02	.2239-02	1.414	10.13	550.2
742	.60000	.80000	120.00	.4407-01	.5335-01	.5054-01	.9264	.1075-02	.1232-02	.7830	5.832	538.1
742	.60000	.85000	121.00	.4584-01	.5543-01	.5278-01	.9240	.1118-02	.1287-02	.8178	6.002	534.9
742	.60000	.90000	122.00	.3860-01	.4662-01	.4506-01	.9167	.9410-03	.1099-02	.6926	5.267	530.6
742	.60000	.95000	123.00	.2897-01	.3497-01	.3398-01	.9140	.7064-03	.8285-03	.5219	3.974	527.8
742	.70000	.40000	1130.0	.1256	.1527	.1415	.9366	.3063-02	.3451-02	2.190	13.89	551.6
742	.70000	.60000	131.00	.1123	.1384	.1200	.9352	.2737-02	.3086-02	1.959	12.43	550.9
742	.70000	.90000	132.00	.9778-01	.1183	.1140	.9178	.2384-02	.2780-02	1.744	12.59	535.2
741	.75000	.30000	138.00	.1415	.1720	.1592	.9375	.3421-02	.3847-02	2.444	15.50	551.3
741	.75000	.40000	139.00	.1211	.1472	.1363	.9373	.2928-02	.3295-02	2.091	13.65	551.7
741	.75000	.60000	140.00	.1060	.1289	.1289	.9000	.2562-02	.3116-02	1.827	12.28	552.7
741	.75000	.70000	141.00	.9461-01	.1151	.1068	.9362	.2287-02	.2580-02	1.623	11.59	556.0
741	.75000	.80000	142.00	.5160-01	.6261-01	.5924-01	.9266	.1247-02	.1432-02	.8980	7.404	545.7
742	.75000	.90000	143.00	.4320-01	.5219-01	.5031-01	.9180	.1053-02	.1227-02	.7736	5.685	532.1
742	.75000	.95000	144.00	.2765-01	.3336-01	.3238-01	.9147	.6741-03	.7894-03	.4986	3.798	527.0
741	.80000	.20000	146.00	.1774	.2159	.1993	.9383	.4288-02	.4818-02	3.046	21.09	555.3
741	.80000	.40000	147.00	.1247	.1516	.1402	.9378	.3013-02	.3388-02	2.143	15.32	554.4
741	.80000	.90000	148.00	.4393-01	.5320-01	.5122-01	.9183	.1062-02	.1238-02	.7711	5.645	539.4
741	.90000	.30000	1155.0	.1636	.1994	.1838	.9389	.3955-02	.4442-02	2.792	19.91	559.7
741	.90000	.50000	156.00	.1353	.1648	.1648	.9000	.3271-02	.3982-02	2.318	16.55	556.9
741	.90000	.60000	1157.0	.1189	.1448	.1338	.9378	.2875-02	.3234-02	2.036	14.08	557.3
741	.90000	.80000	158.00	.6286-01	.7622-01	.7201-01	.9275	.1519-02	.1741-02	1.097	8.580	543.5
741	.90000	.90000	159.00	.4533-01	.5492-01	.5299-01	.9172	.1096-02	.1281-02	.7950	6.337	540.2
741	.95000	.30000	164.00	.1605	.1953	.1803	.9383	.3880-02	.4359-02	2.756	19.69	555.3
741	.95000	.50000	165.00	.1129	.1373	.1270	.9373	.2728-02	.3070-02	1.942	14.35	553.6
741	.95000	.70000	166.00	.6128-01	.7434-01	.6946-01	.9329	.1481-02	.1679-02	1.067	8.053	545.3
741	.95000	.80000	167.00	.6077-01	.7368-01	.7007-01	.9243	.1469-02	.1694-02	1.061	7.881	543.4
741	.95000	.90000	168.00	.4427-01	.5363-01	.5169-01	.9178	.1070-02	.1249-02	.7768	5.879	539.8

OH84B 60-0 WING LOWER SURFACE

(R4UQ32)

WING LOWER SURF

PARAMETRIC DATA

MACH = 8.000 ALPHA = 40.00 BETA = .0000 ELEVON = -12.50
 BDFLAP = -5.000 SPDBRK = .0000

TEST CONDITIONS

RUN NUMBER	RN/L /FT X10 6	MACH	ALPHA DEG.	BETA DEG.	PO PSIA	TO DEG. R	T DEG. R	P PSIA	Q PSI	V FT/SEC	RHO SLUGS /FT3	MU LB-SEC /FT2
735	1.997	7.980	40.06	-.2095-01	434.8	1304.	94.91	.4527-01	2.018	3811.	.1287-02	.7637-07
736	2.005	7.980	40.05	-.2095-01	437.2	1305.	94.98	.4552-01	2.029	3813.	.1293-02	.7643-07

RUN NUMBER	HREF BTU/ R FT2SEC	STN NO REF (R) = .0175
735	.3504-01	.2873-01
736	.3515-01	.2866-01

TEST DATA

RUN NUMBER	2Y/BW	XW/CW	T/C NO	H/HREF R=1.0	H/HREF R=0.9	H/HREF R= TAW/TO	TAW/TO	H(TO) BTU/R FT2SEC	H(TAW) BTU/R FT2SEC	QDOT BTU/ FT2SEC	DTWDT DEG. R /SEC	TW DEG. R
736	.30000	.40000	1078.0	.6234-01	.7550-01	.6961-01	.9401	.2191-02	.2447-02	1.641	11.72	555.8
736	.30000	.50000	1079.0	.4969-01	.6018-01	.5589-01	.9363	.1746-02	.1964-02	1.305	9.623	557.4
736	.30000	.60000	1080.0	.5562-01	.6748-01	.6261-01	.9365	.1955-02	.2200-02	1.451	10.68	562.4
736	.30000	.70000	1081.0	.6916-01	.8395-01	.7799-01	.9358	.2431-02	.2741-02	1.801	12.81	563.9
736	.30000	.80000	1082.0	.8752-01	.1063	.9928-01	.9331	.3076-02	.3489-02	2.268	16.65	567.2
736	.30000	.90000	83.000	.3465-01	.4171-01	.3994-01	.9218	.1218-02	.1404-02	.9387	6.892	533.9
736	.30000	.95000	84.000	.5082-01	.6117-01	.5915-01	.9168	.1786-02	.2079-02	1.376	9.939	534.2
736	.40000	.60000	1092.0	.8904-01	.1082	.1001	.9376	.3129-02	.3518-02	2.305	15.38	568.1
736	.40000	.70000	1093.0	.1052	.1278	.1185	.9365	.3697-02	.4164-02	2.732	18.24	565.8
736	.40000	.75000	1094.0	.1067	.1297	.1207	.9346	.3750-02	.4242-02	2.760	20.24	568.7
736	.40000	.85000	95.000	.5494-01	.6626-01	.6282-01	.9266	.1931-02	.2208-02	1.475	11.16	540.7
736	.40000	.90000	96.000	.4085-01	.4918-01	.4745-01	.9179	.1436-02	.1668-02	1.107	9.536	533.7
736	.40000	.95000	97.000	.2991-01	.3597-01	.3497-01	.9141	.1051-02	.1229-02	.8143	6.644	530.0
736	.50000	.40000	1104.0	.8304-01	.1008	.9346-01	.9369	.2918-02	.3285-02	2.156	15.33	565.8
736	.50000	.60000	1105.0	.7374-01	.8955-01	.8308-01	.9363	.2591-02	.2920-02	1.914	13.18	566.0
736	.50000	.70000	1106.0	.4865-01	.5901-01	.5487-01	.9355	.1710-02	.1928-02	1.271	9.057	561.2
736	.50000	.90000	107.00	.3428-01	.4125-01	.4125-01	.9000	.1205-02	.1450-02	.9294	7.305	533.2
736	.60000	.40000	1116.0	.1211	.1473	.1361	.9379	.4257-02	.4784-02	3.126	21.48	570.3
736	.60000	.50000	1117.0	.1098	.1336	.1238	.9365	.3860-02	.4351-02	2.837	19.50	569.8

DATE 23 FEB 80

OH84B MODEL 60-0 IN THE AEDC VKF HYPERSONIC TUNNEL

PAGE 2066

OH84B 60-0 WING LOWER SURFACE

(R4UQ32)

RUN NUMBER	2Y/BW	XW/CW	T/C NO	H/HREF R=1.0	H/HREF R=0.9	H/HREF R= TAW/TO	TAW/TO	H(TO) BTU/R FT2SEC	H(TAW) BTU/R FT2SEC	QDOT BTU/ FT2SEC	DTWDT DEG. R /SEC	TW DEG. R
736	.60000	.60000	1118.0	.1016	.1234	.1145	.9363	.3570-02	.4023-02	2.636	18.15	566.3
736	.60000	.70000	1119.0	.8641-01	.1050	.9800-01	.9331	.3037-02	.3444-02	2.242	15.94	566.3
736	.60000	.80000	120.00	.5184-01	.6254-01	.5929-01	.9266	.1822-02	.2084-02	1.389	10.32	542.3
736	.60000	.85000	121.00	.5248-01	.6325-01	.6026-01	.9242	.1845-02	.2118-02	1.414	10.36	538.2
736	.60000	.90000	122.00	.4430-01	.5331-01	.5155-01	.9168	.1557-02	.1812-02	1.202	9.127	532.9
736	.60000	.95000	123.00	.3176-01	.3818-01	.3712-01	.9141	.1116-02	.1305-02	.8653	6.583	529.4
736	.70000	.40000	1130.0	.1264	.1536	.1424	.9367	.4444-02	.5004-02	3.277	20.62	567.2
736	.70000	.60000	131.00	.1199	.1456	.1351	.9363	.4215-02	.4748-02	3.117	19.63	565.2
736	.70000	.90000	132.00	.1059	.1277	.1231	.9179	.3723-02	.4329-02	2.951	20.54	538.9
735	.75000	.30000	138.00	.1451	.1762	.1631	.9376	.5085-02	.5714-02	3.758	23.68	564.6
735	.75000	.40000	139.00	.1247	.1515	.1402	.9374	.4371-02	.4914-02	3.224	20.89	566.0
735	.75000	.60000	140.00	.1122	.1362	.1362	.9000	.3932-02	.4775-02	2.903	19.39	565.4
735	.75000	.70000	1141.0	.1055	.1284	.1190	.9363	.3699-02	.4171-02	2.713	19.24	570.2
735	.75000	.80000	142.00	.5991-01	.7239-01	.6857-01	.9268	.2100-02	.2403-02	1.587	13.07	547.7
736	.75000	.90000	143.00	.4817-01	.5797-01	.5591-01	.9181	.1693-02	.1965-02	1.306	9.596	533.0
736	.75000	.95000	144.00	.2984-01	.3586-01	.3481-01	.9149	.1049-02	.1224-02	.8159	6.216	526.8
735	.80000	.20000	146.00	.1779	.2182	.1996	.9395	.6234-02	.6996-02	4.590	31.58	567.5
735	.80000	.40000	147.00	.1287	.1566	.1447	.9379	.4511-02	.5070-02	3.306	23.45	570.6
735	.80000	.90000	148.00	.4923-01	.5931-01	.5716-01	.9184	.1725-02	.2003-02	1.323	9.704	536.6
735	.90000	.30000	1155.0	.1645	.2004	.1847	.9390	.5765-02	.6472-02	4.195	29.67	575.9
735	.90000	.50000	156.00	.1392	.1695	.1695	.9000	.4879-02	.5940-02	3.560	25.20	574.0
735	.90000	.60000	1157.0	.1240	.1509	.1394	.9379	.4345-02	.4886-02	3.174	21.78	573.1
735	.90000	.80000	158.00	.6629-01	.8009-01	.7573-01	.9277	.2323-02	.2654-02	1.758	13.72	547.0
735	.90000	.90000	159.00	.4909-01	.5918-01	.5714-01	.9174	.1720-02	.2003-02	1.315	10.49	539.1
735	.95000	.30000	164.00	.1578	.1919	.1772	.9385	.5531-02	.6209-02	4.062	28.82	569.3
735	.95000	.50000	165.00	.1162	.1411	.1306	.9374	.4071-02	.4578-02	3.002	22.05	566.2
735	.95000	.70000	166.00	.6822-01	.8246-01	.7713-01	.9331	.2391-02	.2703-02	1.804	13.59	549.0
735	.95000	.80000	167.00	.6694-01	.8082-01	.7693-01	.9244	.2346-02	.2696-02	1.781	13.22	544.5
735	.95000	.90000	168.00	.4811-01	.5799-01	.5594-01	.9179	.1686-02	.1960-02	1.290	9.768	538.6

DATE 23 FEB 80

OHS4B MODEL 60-0 IN THE AEDC VKF HYPERSONIC TUNNEL

PAGE 2067

OHS4B 60-0 WING LOWER SURFACE

(R4UQ32)

WING LOWER SURF

PARAMETRIC DATA

MACH = 8.000 ALPHA = 40.00 BETA = .0000 ELEVON = -12.50
 BDFLAP = -5.000 SPDBRK = .0000

TEST CONDITIONS

RUN NUMBER	RN/L /FT X10 6	MACH	ALPHA DEG.	BETA DEG.	PO PSIA	TO DEG. R	T DEG. R	P PSIA	Q PSI	V FT/SEC	RHO SLUGS /FT3	MU LB-SEC /FT2
729	3.003	7.990	40.07	-.2097-01	668.3	1320.	95.85	.6901-01	3.084	3835.	.1943-02	.7713-07
730	3.012	7.990	40.06	-.2097-01	668.8	1318.	95.71	.6907-01	3.086	3832.	.1948-02	.7701-07

RUN NUMBER	HREF BTU/ R FT2SEC	STN NO REF (R) = .0175
729	.4342-01	.2341-01
730	.4342-01	.2338-01

TEST DATA

RUN NUMBER	2Y/BW	XW/CW	T/C NO	H/HREF R=1.0	H/HREF R=0.9	H/HREF R= TAW/TO	TAW/TO	H(TO) BTU/R FT2SEC	H(TAW) BTU/R FT2SEC	QDOT BTU/ FT2SEC	DTWDT DEG. R /SEC	TW DEG. R
730	.30000	.40000	1078.0	.6625-01	.8036-01	.7404-01	.9401	.2877-02	.3215-02	2.159	15.34	567.2
730	.30000	.50000	1079.0	.6724-01	.8168-01	.7577-01	.9363	.2920-02	.3290-02	2.177	15.94	572.0
730	.30000	.60000	1080.0	.1072	.1307	.1210	.9365	.4654-02	.5253-02	3.412	24.93	584.5
730	.30000	.70000	1081.0	.1595	.1950	.1806	.9358	.6927-02	.7843-02	5.015	35.16	593.7
730	.30000	.80000	1082.0	.2206	.2703	.2515	.9331	.9578-02	.1092-01	6.863	49.53	601.2
730	.30000	.90000	83.000	.5035-01	.6058-01	.5801-01	.9218	.2186-02	.2519-02	1.707	12.51	537.0
730	.30000	.95000	84.000	.6285-01	.7566-01	.7315-01	.9168	.2729-02	.3176-02	2.124	15.30	539.3
730	.40000	.60000	1092.0	.1756	.2148	.1981	.9376	.7625-02	.8604-02	5.512	36.28	594.8
730	.40000	.70000	1093.0	.2273	.2779	.2570	.9365	.9872-02	.1116-01	7.150	47.10	593.4
730	.40000	.75000	1094.0	.2312	.2834	.2629	.9346	.1004-01	.1141-01	7.183	51.82	602.2
730	.40000	.85000	95.000	.7673-01	.9253-01	.8773-01	.9266	.3332-02	.3809-02	2.572	19.40	545.8
730	.40000	.90000	96.000	.5391-01	.6489-01	.6261-01	.9179	.2341-02	.2718-02	1.823	15.66	539.1
730	.40000	.95000	97.000	.4274-01	.5138-01	.4995-01	.9142	.1856-02	.2169-02	1.454	11.84	534.0
730	.50000	.40000	1104.0	.1094	.1332	.1233	.9369	.4749-02	.5354-02	3.498	24.68	581.0
730	.50000	.60000	1105.0	.1315	.1605	.1486	.9363	.5711-02	.6452-02	4.174	28.44	586.8
730	.50000	.70000	1106.0	.1122	.1368	.1269	.9355	.4872-02	.5511-02	3.572	25.16	584.4
730	.50000	.90000	107.00	.4975-01	.5985-01	.5985-01	.9000	.2160-02	.2599-02	1.687	13.23	536.9
730	.60000	.40000	1116.0	.1313	.1602	.1479	.9379	.5703-02	.6421-02	4.171	28.43	586.4
730	.60000	.50000	1117.0	.1309	.1597	.1478	.9365	.5684-02	.6417-02	4.156	28.33	586.5

DATE 23 FEB 80

OH84B MODEL 60-0 IN THE AEDC VKF HYPERSONIC TUNNEL

PAGE 2068

OH84B 60-0 WING LOWER SURFACE

(R4UQ32)

RUN NUMBER	2Y/BW	XW/CW	T/C NO	H/HREF R=1.0	H/HREF R=0.9	H/HREF R= TAW/TO	TAW/TO	H(TO) BTU/R FT2SEC	H(TAW) BTU/R FT2SEC	QDOT BTU/ FT2SEC	DTWDT DEG. R /SEC	TW DEG. R
730	.60000	.60000	1118.0	.1298	.1582	.1465	.9363	.5635-02	.6362-02	4.138	28.25	583.3
730	.60000	.70000	1119.0	.1233	.1503	.1402	.9331	.5356-02	.6086-02	3.934	27.72	583.2
730	.60000	.80000	120.00	.6933-01	.8363-01	.7929-01	.9266	.3010-02	.3443-02	2.319	17.20	547.2
730	.60000	.85000	121.00	.6668-01	.8034-01	.7654-01	.9242	.2895-02	.3324-02	2.244	16.40	542.7
730	.60000	.90000	122.00	.5442-01	.6547-01	.6331-01	.9168	.2363-02	.2749-02	1.845	13.98	536.9
730	.60000	.95000	123.00	.4098-01	.4923-01	.4787-01	.9142	.1779-02	.2079-02	1.399	10.63	531.5
730	.70000	.40000	1130.0	.1380	.1680	.1556	.9368	.5991-02	.6755-02	4.411	27.56	581.3
730	.70000	.60000	131.00	.1341	.1632	.1513	.9363	.5824-02	.6578-02	4.303	26.02	579.9
730	.70000	.90000	132.00	.1135	.1368	.1320	.9179	.4930-02	.5730-02	3.817	27.44	543.3
729	.75000	.30000	138.00	.1501	.1830	.1699	.9376	.6516-02	.7339-02	4.779	29.78	586.3
729	.75000	.40000	139.00	.1330	.1622	.1499	.9374	.5774-02	.6507-02	4.233	27.15	586.5
729	.75000	.60000	140.00	.1242	.1515	.1515	.9000	.5394-02	.6577-02	3.959	26.18	585.7
729	.75000	.70000	1141.0	.1208	.1476	.1366	.9363	.5244-02	.5929-02	3.809	26.71	593.3
729	.75000	.80000	142.00	.8287-01	.1004	.9499-01	.9268	.3598-02	.4124-02	2.723	22.26	562.8
730	.75000	.90000	143.00	.5993-01	.7209-01	.6953-01	.9181	.2602-02	.3019-02	2.033	14.91	536.4
730	.75000	.95000	144.00	.3806-01	.4568-01	.4436-01	.9149	.1653-02	.1926-02	1.305	9.938	527.9
729	.80000	.20000	146.00	.1946	.2379	.2191	.9385	.8449-02	.9513-02	6.131	41.63	594.0
729	.80000	.40000	147.00	.1364	.1667	.1538	.9380	.5923-02	.6677-02	4.299	30.14	593.9
729	.80000	.90000	148.00	.5920-01	.7141-01	.6879-01	.9185	.2570-02	.2987-02	1.984	14.47	547.7
729	.90000	.30000	1155.0	.1784	.2188	.2010	.9390	.7746-02	.8728-02	5.542	38.65	604.3
729	.90000	.50000	156.00	.1489	.1823	.1823	.9000	.6463-02	.7916-02	4.649	32.48	600.4
729	.90000	.60000	1157.0	.1366	.1671	.1541	.9380	.5931-02	.6689-02	4.285	29.05	597.1
729	.90000	.80000	158.00	.7643-01	.9248-01	.8740-01	.9277	.3319-02	.3795-02	2.524	19.58	559.2
729	.90000	.90000	159.00	.5370-01	.6481-01	.6256-01	.9174	.2331-02	.2716-02	1.794	14.23	550.1
729	.95000	.30000	164.00	.1595	.1951	.1796	.9385	.6924-02	.7800-02	5.003	35.02	597.0
729	.95000	.50000	165.00	.1173	.1432	.1322	.9374	.5091-02	.5742-02	3.709	26.91	591.0
729	.95000	.70000	166.00	.8133-01	.9850-01	.9207-01	.9331	.3531-02	.3997-02	2.673	20.00	562.7
729	.95000	.80000	167.00	.7846-01	.9486-01	.9026-01	.9244	.3407-02	.3919-02	2.601	19.19	556.2
729	.95000	.90000	168.00	.5173-01	.6243-01	.6020-01	.9179	.2246-02	.2613-02	1.731	13.04	549.2

OH84B 60-0 WING LOWER SURFACE

(R4UQ33)

WING LOWER SURF

PARAMETRIC DATA

MACH = 8.000 ALPHA = 40.00 BETA = .0000 ELEVON = -12.50
 BDFLAP = .0000 SPOBRK = .0000

TEST CONDITIONS

RUN NUMBER	RN/L /FT X10 6	MACH	ALPHA DEG.	BETA DEG.	PO PSIA	TO DEG. R	T DEG. R	P PSIA	Q PSI	V FT/SEC	RHO SLUGS /FT3	MU LB-SEC /FT2
721	.5028	7.900	39.98	-.1386-01	100.9	1257.	93.21	.1121-01	.4897	3739.	.3245-03	.7501-07
722	.5002	7.900	39.98	-.1387-01	100.2	1256.	93.14	.1114-01	.4865	3737.	.3227-03	.7495-07

RUN NUMBER	HREF BTU/ R FT2SEC	STN NO REF (R) = .0175
721	.1715-01	.5699-01
722	.1710-01	.5715-01

TEST DATA

RUN NUMBER	2Y/BW	XW/CW	T/C NO	H/HREF R=1.0	H/HREF R=0.9	H/HREF R= TAW/TO	TAW/TO	H(TO) BTU/R FT2SEC	H(TAW) BTU/R FT2SEC	QDOT BTU/ FT2SEC	DTWOT DEG. R /SEC	TW DEG. R
722	.30000	.40000	1078.0	.7005-01	.8485-01	.7825-01	.9399	.1198-02	.1338-02	.8624	6.224	535.6
722	.30000	.50000	1079.0	.5457-01	.6611-01	.6141-01	.9362	.9330-03	.1050-02	.6715	5.007	536.0
722	.30000	.60000	1080.0	.5235-01	.6344-01	.5890-01	.9364	.8950-03	.1007-02	.6428	4.790	537.4
722	.30000	.70000	1081.0	.5150-01	.6240-01	.5803-01	.9356	.8805-03	.9921-03	.6330	4.566	536.8
722	.30000	.80000	1082.0	.4993-01	.6049-01	.5655-01	.9329	.8537-03	.9668-03	.6144	4.581	536.0
722	.30000	.90000	83.000	.2541-01	.3189-01	.3052-01	.9216	.4515-03	.5217-03	.3303	2.437	524.2
722	.30000	.95000	84.000	.4109-01	.4961-01	.4795-01	.9167	.7025-03	.8198-03	.5134	3.726	524.8
722	.40000	.60000	1092.0	.6846-01	.8300-01	.7689-01	.9375	.1170-02	.1314-02	.8387	5.676	539.1
722	.40000	.70000	1093.0	.6777-01	.8211-01	.7624-01	.9364	.1159-02	.1303-02	.8327	5.641	537.0
722	.40000	.75000	1094.0	.6443-01	.7807-01	.7276-01	.9344	.1101-02	.1244-02	.7916	5.899	537.0
722	.40000	.85000	95.000	.3961-01	.4786-01	.4536-01	.9264	.6771-03	.7755-03	.4931	3.755	527.5
722	.40000	.90000	96.000	.3107-01	.3751-01	.3618-01	.9177	.5312-03	.6185-03	.3889	3.367	523.6
722	.40000	.95000	97.000	.2292-01	.2765-01	.2687-01	.9140	.3919-03	.4594-03	.2878	2.358	521.3
722	.50000	.40000	1104.0	.7942-01	.9629-01	.8933-01	.9367	.1358-02	.1527-02	.9730	7.010	539.1
722	.50000	.60000	1105.0	.6770-01	.8207-01	.7622-01	.9362	.1157-02	.1303-02	.8300	5.794	538.6
722	.50000	.70000	1106.0	.4279-01	.5184-01	.4824-01	.9353	.7315-03	.8247-03	.5262	3.796	536.4
722	.50000	.90000	107.00	.3008-01	.3631-01	.3631-01	.9000	.5143-03	.6208-03	.3765	2.974	523.6
722	.60000	.40000	1116.0	.1147	.1390	.1287	.9378	.1960-02	.2200-02	1.404	9.801	539.2
722	.60000	.50000	1117.0	.9812-01	.1190	.1104	.9364	.1677-02	.1888-02	1.202	8.388	539.2

DATE 23 FEB 80

OH84B MODEL 60-0 IN THE AEDC VKF HYPERSONIC TUNNEL

PAGE 2070

OH84B 60-0 WING LOWER SURFACE

(R4UQ33)

RUN NUMBER	ZY/BW	XW/CW	T/C NO.	H/HREF R=1.0	H/HREF R=0.9	H/HREF R= TAW/TO	TAW/TO	H(TO) BTU/R FT2SEC	H(TAW) BTU/R FT2SEC	QDOT BTU/ FT2SEC	DTWDT DEG. R /SEC	TW DEG. R
722	.60000	.60000	1118.0	.8730-01	.1058	.9828-01	.9362	.1492-02	.1680-02	1.071	7.474	538.4
722	.60000	.70000	1119.0	.7538-01	.9136-01	.8540-01	.9329	.1289-02	.1460-02	.9252	6.671	537.7
722	.60000	.80000	120.00	.4106-01	.4963-01	.4704-01	.9264	.7020-03	.8042-03	.5106	3.822	528.4
722	.60000	.85000	121.00	.4350-01	.5254-01	.5004-01	.9240	.7436-03	.8556-03	.5422	3.995	526.6
722	.60000	.90000	122.00	.3800-01	.4587-01	.4434-01	.9167	.6497-03	.7581-03	.4754	3.627	523.9
722	.60000	.95000	123.00	.2826-01	.3409-01	.3313-01	.9140	.4831-03	.5665-03	.3546	2.708	521.7
722	.70000	.40000	1130.0	.1195	.1448	.1343	.9366	.2042-02	.2297-02	1.467	9.373	537.2
722	.70000	.60000	131.00	.1121	.1357	.1261	.9362	.1916-02	.2156-02	1.379	8.817	535.8
722	.70000	.90000	132.00	.8998-01	.1087	.1048	.9177	.1538-02	.1792-02	1.123	8.141	526.0
721	.75000	.30000	138.00	.1447	.1752	.1624	.9374	.2482-02	.2785-02	1.793	11.47	534.5
721	.75000	.40000	139.00	.1230	.1490	.1382	.9372	.2111-02	.2370-02	1.521	10.01	535.9
721	.75000	.60000	140.00	.1085	.1315	.1315	.9000	.1862-02	.2255-02	1.341	9.093	536.1
721	.75000	.70000	1141.0	.9172-01	.1112	.1033	.9362	.1573-02	.1771-02	1.129	8.134	539.1
721	.75000	.80000	142.00	.5134-01	.6206-01	.5879-01	.9266	.8806-03	.1008-02	.6402	5.321	529.7
722	.75000	.90000	143.00	.4230-01	.5107-01	.4924-01	.9180	.7232-03	.8418-03	.5287	3.900	524.7
722	.75000	.95000	144.00	.2672-01	.3222-01	.3129-01	.9147	.4569-03	.5347-03	.3361	2.568	520.1
721	.80000	.20000	145.00	.1734	.2101	.1943	.9383	.2974-02	.3333-02	2.140	14.95	537.2
721	.80000	.40000	147.00	.1267	.1535	.1422	.9378	.2174-02	.2439-02	1.564	11.28	537.0
721	.80000	.90000	148.00	.4403-01	.5316-01	.5122-01	.9183	.7552-03	.8785-03	.5523	4.072	525.3
721	.90000	.30000	1155.0	.1629	.1976	.1825	.9388	.2794-02	.3130-02	1.999	14.38	541.2
721	.90000	.50000	156.00	.1386	.1680	.1680	.9000	.2378-02	.2883-02	1.708	12.31	538.6
721	.90000	.60000	1157.0	.1198	.1453	.1345	.9378	.2055-02	.2307-02	1.474	10.29	539.2
721	.90000	.80000	158.00	.5888-01	.7119-01	.6732-01	.9275	.1010-02	.1155-02	.7338	5.777	530.1
721	.90000	.90000	159.00	.4725-01	.5707-01	.5510-01	.9172	.8104-03	.9451-03	.5915	4.748	526.7
721	.95000	.30000	164.00	.1579	.1913	.1770	.9383	.2708-02	.3035-02	1.946	14.03	538.1
721	.95000	.50000	165.00	.1187	.1438	.1333	.9372	.2036-02	.2287-02	1.467	10.94	536.2
721	.95000	.70000	166.00	.6000-01	.7255-01	.6788-01	.9329	.1029-02	.1164-02	.7473	5.682	530.6
721	.95000	.80000	167.00	.5865-01	.7090-01	.6748-01	.9242	.1006-02	.1158-02	.7319	5.476	529.2
721	.95000	.90000	168.00	.4386-01	.5299-01	.5110-01	.9177	.7524-03	.8766-03	.5491	4.183	526.8

DATE 23 FEB 80

OH84B MODEL 60-0 IN THE AEDC VKF HYPERSONIC TUNNEL

PAGE 2071

OH84B 60-0 WING LOWER SURFACE

(R4U033)

WING LOWER SURF

PARAMETRIC DATA

MACH = 8.000 ALPHA = 40.00 BETA = .0000 ELEVON = -12.50
 BDFLAP = .0000 SPDBRK = .0000

TEST CONDITIONS

RUN NUMBER	RN/L /FT X10 6	MACH	ALPHA DEG.	BETA DEG.	PO PSIA	TO DEG. R	T DEG. R	P PSIA	Q PSI	V FT/SEC	RHO SLUGS /FT3	MU LB-SEC /FT2
743	1.018	7.940	39.99	-.2081-01	209.4	1267.	93.08	.2253-01	.9941	3755.	.6532-03	.7490-07
744	1.009	7.940	39.98	-.2081-01	207.3	1266.	93.00	.2230-01	.9841	3754.	.6472-03	.7484-07

RUN NUMBER	HREF BTU/ R FT2SEC	STN NO REF (R) = .0175
743	.2447-01	.4021-01
744	.2435-01	.4039-01

TEST DATA

RUN NUMBER	2Y/BW	XW/CW	T/C NO	H/HREF R=1.0	H/HREF R=0.9	H/HREF R=TAW/TO	TAW/TO	H(TO) BTU/R FT2SEC	H(TAW) BTU/R FT2SEC	QDOT BTU/ FT2SEC	DTWDT DEG. R /SEC	TW DEG. R
744	.30000	.40000	1078.0	.6839-01	.8292-01	.7644-01	.9399	.1665-02	.1861-02	1.203	8.648	543.3
744	.30000	.50000	1079.0	.5018-01	.6087-01	.5652-01	.9362	.1222-02	.1376-02	.8805	6.536	545.0
744	.30000	.60000	1080.0	.4880-01	.5924-01	.5496-01	.9364	.1188-02	.1338-02	.8536	6.328	547.3
744	.30000	.70000	1081.0	.4935-01	.5989-01	.5565-01	.9356	.1202-02	.1355-02	.8640	6.201	546.6
744	.30000	.80000	1082.0	.5066-01	.6148-01	.5744-01	.9329	.1234-02	.1399-02	.8874	6.583	546.2
744	.30000	.90000	83.000	.2652-01	.3214-01	.3076-01	.9216	.6482-03	.7490-03	.4775	3.515	528.9
744	.30000	.95000	84.000	.4259-01	.5142-01	.4970-01	.9167	.1037-02	.1210-02	.7639	5.532	529.0
744	.40000	.60000	1092.0	.6782-01	.8239-01	.7625-01	.9375	.1651-02	.1857-02	1.182	7.953	550.1
744	.40000	.70000	1093.0	.7304-01	.8863-01	.8224-01	.9364	.1778-02	.2002-02	1.279	8.625	546.4
744	.40000	.75000	1094.0	.7149-01	.8678-01	.8083-01	.9344	.1741-02	.1968-02	1.250	9.270	547.3
744	.40000	.85000	95.000	.4254-01	.5143-01	.4874-01	.9264	.1036-02	.1187-02	.7580	5.754	533.8
744	.40000	.90000	96.000	.3298-01	.3982-01	.3840-01	.9177	.8030-03	.9351-03	.5921	5.114	528.3
744	.40000	.95000	97.000	.2481-01	.2993-01	.2909-01	.9140	.6041-03	.7083-03	.4473	3.658	525.3
744	.50000	.40000	1104.0	.7960-01	.9667-01	.8962-01	.9367	.1938-02	.2182-02	1.389	9.957	549.0
744	.50000	.60000	1105.0	.6493-01	.7887-01	.7319-01	.9362	.1581-02	.1782-02	1.132	7.860	549.6
744	.50000	.70000	1106.0	.3787-01	.4595-01	.4273-01	.9353	.9221-03	.1040-02	.6637	4.765	545.9
744	.50000	.90000	107.00	.3063-01	.3697-01	.3697-01	.9000	.7457-03	.9002-03	.5500	4.334	528.1
744	.60000	.40000	1116.0	.1134	.1379	.1275	.9378	.2762-02	.3105-02	1.971	13.67	552.1
744	.60000	.50000	1117.0	.1009	.1227	.1138	.9364	.2457-02	.2770-02	1.754	12.16	552.0

OH84B 60-0 WING LOWER SURFACE

(R4UQ33)

RUN NUMBER	ZY/BW	XW/CW	T/C NO	H/HREF	H/HREF	H/HREF	TAW/TO	H(TO)	H(TAW)	QDOT	DTWOT	TW
				R=1.0	R=0.9	R=		BTU/R	BTU/R	BTU/ FT2SEC	DEG. R	DEG. R
				TAW/TO				FT2SEC	FT2SEC	FT2SEC	/SEC	
744	.60000	.60000	1118.0	.9255-01	.1124	.1043	.9362	.2253-02	.2540-02	1.615	11.21	549.1
744	.60000	.70000	1119.0	.7900-01	.9593-01	.8961-01	.9329	.1924-02	.2182-02	1.380	9.892	548.5
744	.60000	.80000	120.00	.4439-01	.5371-01	.5088-01	.9264	.1081-02	.1239-02	.7885	5.879	536.1
744	.60000	.85000	121.00	.4605-01	.5567-01	.5301-01	.9240	.1121-02	.1291-02	.8215	6.034	533.0
744	.60000	.90000	122.00	.3960-01	.4781-01	.4621-01	.9167	.9641-03	.1125-02	.7104	5.406	528.8
744	.60000	.95000	123.00	.2919-01	.3521-01	.3423-01	.9140	.7107-03	.8333-03	.5257	4.006	526.0
744	.70000	.40000	1130.0	.1188	.1443	.1338	.9366	.2893-02	.3258-02	2.073	13.16	549.2
744	.70000	.60000	131.00	.1117	.1356	.1259	.9362	.2720-02	.3065-02	1.950	12.39	548.6
744	.70000	.90000	132.00	.9671-01	.1169	.1127	.9177	.2355-02	.2745-02	1.725	12.47	532.9
743	.75000	.30000	138.00	.1412	.1716	.1588	.9375	.3455-02	.3886-02	2.470	15.66	551.8
743	.75000	.40000	139.00	.1210	.1471	.1362	.9372	.2963-02	.3334-02	2.116	13.81	552.3
743	.75000	.60000	140.00	.1058	.1286	.1286	.9000	.2589-02	.3148-02	1.847	12.41	553.3
743	.75000	.70000	1141.0	.9583-01	.1166	.1081	.9362	.2345-02	.2647-02	1.665	11.89	556.6
743	.75000	.80000	142.00	.5154-01	.6253-01	.5917-01	.9266	.1261-02	.1448-02	.9095	7.498	545.7
744	.75000	.90000	143.00	.4326-01	.5225-01	.5037-01	.9180	.1053-02	.1226-02	.7750	5.702	529.9
744	.75000	.95000	144.00	.2822-01	.3403-01	.3303-01	.9147	.6871-03	.8042-03	.5093	3.885	524.5
743	.80000	.20000	146.00	.1777	.2162	.1996	.9383	.4349-02	.4886-02	3.092	21.40	555.7
743	.80000	.40000	147.00	.1252	.1523	.1408	.9378	.3064-02	.3446-02	2.181	15.59	554.8
743	.80000	.90000	148.00	.4408-01	.5337-01	.5139-01	.9183	.1079-02	.1258-02	.7847	5.745	539.3
743	.90000	.30000	1155.0	.1641	.2000	.1843	.9389	.4017-02	.4511-02	2.839	20.24	560.0
743	.90000	.50000	156.00	.1355	.1650	.1650	.9000	.3316-02	.4037-02	2.353	16.80	557.2
743	.90000	.60000	1157.0	.1206	.1468	.1357	.9378	.2952-02	.3321-02	2.094	14.48	557.4
743	.90000	.80000	158.00	.6321-01	.7663-01	.7240-01	.9275	.1547-02	.1772-02	1.119	8.748	543.4
743	.90000	.90000	159.00	.4427-01	.5362-01	.5174-01	.9172	.1084-02	.1266-02	.7872	6.276	540.2
743	.95000	.30000	164.00	.1606	.1954	.1804	.9383	.3930-02	.4415-02	2.795	19.97	555.6
743	.95000	.50000	165.00	.1119	.1361	.1260	.9372	.2739-02	.3083-02	1.953	14.43	553.8
743	.95000	.70000	166.00	.6174-01	.7489-01	.6998-01	.9329	.1511-02	.1713-02	1.090	8.226	545.4
743	.95000	.80000	167.00	.6144-01	.7449-01	.7084-01	.9242	.1504-02	.1734-02	1.088	8.080	543.4
743	.95000	.90000	168.00	.4425-01	.5358-01	.5165-01	.9177	.1083-02	.1264-02	.7872	5.957	539.8

OH84B 60-0 WING LOWER SURFACE

(R4UQ33)

WING LOWER SURF

PARAMETRIC DATA

MACH = 8.000 ALPHA = 40.00 BETA = .0000 ELEVON = -12.50
 BOFLAP = .0000 SPDBRK = .0000

TEST CONDITIONS

RUN NUMBER	RN/L /FT X10 6	MACH	ALPHA DEG.	BETA DEG.	PO PSIA	TO DEG. R	T DEG. R	P PSIA	Q PSI	V FT/SEC	RHO SLUGS /FT3	MU LB-SEC /FT2
733	1.990	7.980	40.04	-.2091-01	433.8	1305.	94.98	.4516-01	2.013	3813.	.1283-02	.7643-07
734	2.024	7.980	40.04	-.2091-01	437.2	1297.	94.40	.4552-01	2.029	3801.	.1301-02	.7596-07

RUN NUMBER	HREF BTU/ R FT2SEC	STN NO REF (R) = .0175
733	.3501-01	.2877-01
734	.3511-01	.2855-01

TEST DATA

RUN NUMBER	2Y/BW	XW/CW	T/C NO	H/HREF R=1.0	H/HREF R=0.9	H/HREF R= TAW/TO	TAW/TO	H(TO) BTU/R FT2SEC	H(TAW) BTU/R FT2SEC	QDOT BTU/ FT2SEC	DTWDT DEG. R /SEC	TW DEG. R
734	.30000	.40000	1078.0	.6224-01	.7543-01	.6953-01	.9400	.2185-02	.2441-02	1.621	11.59	554.7
734	.30000	.50000	1079.0	.4922-01	.5967-01	.5540-01	.9363	.1728-02	.1945-02	1.280	9.445	556.1
734	.30000	.60000	1080.0	.5455-01	.6622-01	.6142-01	.9365	.1915-02	.2156-02	1.408	10.37	561.3
734	.30000	.70000	1081.0	.6836-01	.8304-01	.7712-01	.9357	.2400-02	.2708-02	1.761	12.54	562.9
734	.30000	.80000	1082.0	.9062-01	.1102	.1029	.9330	.3182-02	.3611-02	2.322	17.05	566.7
734	.30000	.90000	83.000	.3453-01	.4161-01	.3983-01	.9218	.1212-02	.1398-02	.9248	6.790	533.9
734	.30000	.95000	84.000	.5104-01	.6150-01	.5946-01	.9168	.1792-02	.2087-02	1.366	9.867	534.3
734	.40000	.60000	1092.0	.8826-01	.1073	.9928-01	.9376	.3099-02	.3485-02	2.262	15.09	566.8
734	.40000	.70000	1093.0	.1012	.1230	.1140	.9365	.3551-02	.4002-02	2.596	17.33	565.8
734	.40000	.75000	1094.0	.1078	.1311	.1220	.9346	.3784-02	.4282-02	2.758	20.24	567.8
734	.40000	.85000	95.000	.5435-01	.6560-01	.6218-01	.9265	.1908-02	.2183-02	1.443	10.92	540.2
734	.40000	.90000	96.000	.4117-01	.4959-01	.4784-01	.9179	.1445-02	.1680-02	1.103	9.502	533.5
734	.40000	.95000	97.000	.3023-01	.3639-01	.3537-01	.9141	.1061-02	.1242-02	.8137	6.639	530.0
734	.50000	.40000	1104.0	.8223-01	.9993-01	.9259-01	.9368	.2887-02	.3251-02	2.114	15.03	564.5
734	.50000	.60000	1105.0	.7348-01	.8930-01	.8283-01	.9363	.2580-02	.2908-02	1.889	13.01	564.6
734	.50000	.70000	1106.0	.4497-01	.5458-01	.5074-01	.9354	.1579-02	.1781-02	1.163	8.291	560.0
734	.50000	.90000	107.00	.3417-01	.4116-01	.4116-01	.9000	.1200-02	.1445-02	.9162	7.202	533.0
734	.60000	.40000	1116.0	.1209	.1472	.1360	.9379	.4245-02	.4774-02	3.089	21.23	569.2
734	.60000	.50000	1117.0	.1075	.1308	.1212	.9365	.3775-02	.4256-02	2.748	18.89	568.7

DATE 23 FEB 80

OH84B MODEL 60-0 IN THE AEDC VKF HYPERSONIC TUNNEL

PAGE 2074

OH84B 60-0 WING LOWER SURFACE

(R4UQ33)

RUN NUMBER	ZY/BW	XW/CW	T/C NO	H/HREF R=1.0	H/HREF R=0.9	H/HREF R= TAW/TO	TAW/TO	H(TO) BTU/R FT2SEC	H(TAW) BTU/R FT2SEC	QDOT BTU/ FT2SEC	DTWDT DEG. R /SEC	TW DEG. R
734	.60000	.60000	1118.0	.1019	.1239	.1149	.9363	.3579-02	.4034-02	2.618	18.03	565.1
734	.60000	.70000	1119.0	.8610-01	.1046	.9769-01	.9330	.3023-02	.3430-02	2.212	15.73	565.0
734	.60000	.80000	120.00	.5204-01	.6284-01	.5956-01	.9265	.1827-02	.2091-02	1.379	10.25	541.9
734	.60000	.85000	121.00	.5224-01	.6301-01	.6002-01	.9241	.1834-02	.2107-02	1.392	10.20	537.8
734	.60000	.90000	122.00	.4420-01	.5323-01	.5147-01	.9168	.1552-02	.1807-02	1.185	9.003	532.7
734	.60000	.95000	123.00	.3169-01	.3814-01	.3707-01	.9141	.1113-02	.1302-02	.8537	6.495	529.4
734	.70000	.40000	1130.0	.1258	.1529	.1417	.9367	.4416-02	.4975-02	3.225	20.30	566.3
734	.70000	.50000	131.00	.1196	.1457	.1348	.9363	.4198-02	.4732-02	3.076	19.38	564.1
734	.70000	.90000	132.00	.1043	.1259	.1214	.9179	.3663-02	.4262-02	2.777	20.01	538.6
733	.75000	.30000	138.00	.1446	.1758	.1626	.9376	.5061-02	.5692-02	3.716	23.34	570.4
733	.75000	.40000	139.00	.1247	.1516	.1403	.9374	.4364-02	.4910-02	3.207	20.75	569.8
733	.75000	.60000	140.00	.1121	.1362	.1362	.9000	.3923-02	.4767-02	2.890	19.27	568.1
733	.75000	.70000	141.00	.1058	.1288	.1194	.9363	.3705-02	.4180-02	2.711	19.20	573.0
733	.75000	.80000	142.00	.5923-01	.7161-01	.6782-01	.9267	.2073-02	.2374-02	1.564	12.87	550.2
734	.75000	.90000	143.00	.4793-01	.5773-01	.5568-01	.9181	.1683-02	.1955-02	1.285	9.441	532.9
734	.75000	.95000	144.00	.2991-01	.3597-01	.3492-01	.9148	.1050-02	.1226-02	.8083	6.158	526.8
733	.80000	.20000	146.00	.1782	.2170	.2002	.9384	.6237-02	.7010-02	4.544	31.13	576.2
733	.80000	.40000	147.00	.1277	.1555	.1437	.9379	.4470-02	.5029-02	3.260	23.06	575.4
733	.80000	.90000	148.00	.4852-01	.5852-01	.5638-01	.9184	.1699-02	.1974-02	1.297	9.489	541.1
733	.90000	.30000	1155.0	.1637	.1998	.1840	.9390	.5731-02	.6440-02	4.143	29.22	581.8
733	.90000	.50000	156.00	.1391	.1695	.1695	.9000	.4869-02	.5935-02	3.537	24.99	578.2
733	.90000	.60000	1157.0	.1287	.1568	.1448	.9379	.4504-02	.5069-02	3.276	22.43	577.3
733	.90000	.80000	158.00	.6599-01	.7978-01	.7543-01	.9276	.2310-02	.2641-02	1.744	13.59	549.9
733	.90000	.90000	159.00	.4684-01	.5653-01	.5458-01	.9173	.1640-02	.1911-02	1.248	9.936	543.4
733	.95000	.30000	164.00	.1583	.1928	.1779	.9384	.5543-02	.6228-02	4.048	28.66	574.3
733	.95000	.50000	165.00	.1146	.1394	.1290	.9374	.4014-02	.4516-02	2.948	21.61	570.1
733	.95000	.70000	166.00	.6720-01	.8129-01	.7602-01	.9330	.2353-02	.2651-02	1.771	13.32	552.0
733	.95000	.80000	167.00	.6596-01	.7971-01	.7586-01	.9244	.2309-02	.2656-02	1.746	12.94	548.4
733	.95000	.90000	168.00	.4739-01	.5719-01	.5515-01	.9179	.1659-02	.1931-02	1.264	9.547	543.0

DATE 23 FEB 80

OH84B MODEL 60-0 IN THE AEDC VKF HYPERSONIC TUNNEL

PAGE 2075

OH84B 60-0 WING LOWER SURFACE

(R4UQ33)

WING LOWER SURF

PARAMETRIC DATA

MACH = 8.000 ALPHA = 40.00 BETA = .0000 ELEVON = -12.50
 BDFLAP = .0000 SPDBRK = .0000

TEST CONDITIONS

RUN NUMBER	RN/L /FT X10 6	MACH	ALPHA DEG.	BETA DEG.	PO PSIA	TO DEG. R	T DEG. R	P PSIA	Q PSI	V FT/SEC	RHO SLUGS /FT3	MU LB-SEC /FT2
731	3.017	7.990	40.06	-.2096-01	671.5	1320.	95.85	.6935-01	3.099	3835.	.1953-02	.7713-07
732	3.029	7.990	40.06	-.2096-01	672.6	1318.	95.71	.6946-01	3.104	3832.	.1959-02	.7701-07

RUN NUMBER	HREF BTU/ R FT2SEC	STN NO REF (R) = .0175
731	.4352-01	.2335-01
732	.4354-01	.2331-01

TEST DATA

RUN NUMBER	ZY/BW	XW/CW	T/C NO	H/HREF R=1.0	H/HREF R=0.9	H/HREF R= TAW/TO	TAW/TO	H(TO) BTU/R FT2SEC	H(TAW) BTU/R FT2SEC	QDOT BTU/ FT2SEC	DTWDT DEG. R /SEC	TW DEG. R
732	.30000	.40000	1078.0	.6642-01	.8056-01	.7423-01	.9401	.2892-02	.3232-02	2.171	15.42	567.0
732	.30000	.50000	1079.0	.6770-01	.8224-01	.7629-01	.9363	.2948-02	.3322-02	2.197	16.09	572.3
732	.30000	.60000	1080.0	.1091	.1330	.1231	.9365	.4750-02	.5362-02	3.479	25.31	585.2
732	.30000	.70000	1081.0	.1599	.1956	.1811	.9358	.6964-02	.7887-02	5.036	35.29	594.6
732	.30000	.80000	1082.0	.2190	.2685	.2498	.9331	.9538-02	.1088-01	6.824	49.23	602.2
732	.30000	.90000	83.000	.5087-01	.6119-01	.5860-01	.9218	.2215-02	.2552-02	1.729	12.68	536.9
732	.30000	.95000	84.000	.6301-01	.7585-01	.7333-01	.9168	.2744-02	.3193-02	2.136	15.39	539.3
732	.40000	.60000	1092.0	.1770	.2164	.1997	.9376	.7706-02	.8695-02	5.567	36.63	595.3
732	.40000	.70000	1093.0	.2228	.2726	.2521	.9365	.9703-02	.1098-01	6.998	46.02	596.5
732	.40000	.75000	1094.0	.2271	.2785	.2583	.9346	.9890-02	.1125-01	7.070	50.98	602.9
732	.40000	.85000	95.000	.7696-01	.9280-01	.8799-01	.9266	.3351-02	.3831-02	2.587	19.52	545.7
732	.40000	.90000	96.000	.5393-01	.6491-01	.6262-01	.9179	.2348-02	.2727-02	1.829	15.71	538.8
732	.40000	.95000	97.000	.4188-01	.5035-01	.4895-01	.9141	.1824-02	.2131-02	1.430	11.64	533.7
732	.50000	.40000	1104.0	.1107	.1349	.1249	.9369	.4822-02	.5437-02	3.552	25.06	581.1
732	.50000	.60000	1105.0	.1307	.1594	.1476	.9363	.5690-02	.6428-02	4.160	28.35	586.6
732	.50000	.70000	1106.0	.1159	.1413	.1311	.9355	.5048-02	.5710-02	3.704	26.09	584.0
732	.50000	.90000	107.000	.4992-01	.6005-01	.6005-01	.9000	.2174-02	.2615-02	1.698	13.33	536.4
732	.60000	.40000	1116.0	.1347	.1643	.1517	.9379	.5867-02	.6605-02	4.289	29.24	586.5
732	.60000	.50000	1117.0	.1322	.1612	.1493	.9365	.5756-02	.6499-02	4.209	28.68	586.5

DATE 23 FEB 80

OH84B MODEL 60-0 IN THE AEDC VKF HYPERSONIC TUNNEL

PAGE 2076

OH84B 60-0 WING LOWER SURFACE

(R4UQ33)

RUN NUMBER	2Y/BW	XW/CW	T/C NO	H/HREF	H/HREF	H/HREF	TAW/TO	H(TO)	H(TAW)	QDOT	DTWDT	TW
				R=1.0	R=0.9	R=		BTU/R	BTU/R	BTU/	DEG. R	DEG. R
						TAW/TO		FT2SEC	FT2SEC	FT2SEC	/SEC	
732	.60000	.60000	1118.0	.1301	.1585	.1469	.9363	.5664-02	.6395-02	4.160	28.40	583.3
732	.60000	.70000	1119.0	.1250	.1523	.1420	.9331	.5442-02	.6185-02	3.997	28.17	583.2
732	.60000	.80000	120.00	.7020-01	.8467-01	.8027-01	.9266	.3057-02	.3496-02	2.356	17.47	546.9
732	.60000	.85000	121.00	.6763-01	.8148-01	.7763-01	.9242	.2945-02	.3381-02	2.284	16.70	542.2
732	.60000	.90000	122.00	.5570-01	.6700-01	.6478-01	.9168	.2425-02	.2821-02	1.895	14.36	536.4
732	.60000	.95000	123.00	.4110-01	.4937-01	.4800-01	.9141	.1790-02	.2090-02	1.408	10.70	530.9
732	.70000	.40000	1130.0	.1388	.1690	.1565	.9368	.6043-02	.6814-02	4.451	27.81	581.1
732	.70000	.60000	131.00	.1369	.1666	.1544	.9363	.5961-02	.6725-02	4.404	27.55	578.8
732	.70000	.90000	132.00	.1143	.1377	.1329	.9179	.4978-02	.5785-02	3.858	27.74	542.7
731	.75000	.30000	138.00	.1509	.1838	.1699	.9376	.6567-02	.7393-02	4.840	30.22	582.6
731	.75000	.40000	139.00	.1333	.1624	.1501	.9374	.5800-02	.6533-02	4.271	27.44	583.3
731	.75000	.60000	140.00	.1257	.1531	.1531	.9000	.5472-02	.6665-02	4.033	26.71	582.5
731	.75000	.70000	141.00	.1219	.1488	.1378	.9363	.5305-02	.5995-02	3.871	27.18	590.1
731	.75000	.80000	142.00	.8220-01	.9944-01	.9415-01	.9268	.3577-02	.4097-02	2.723	22.31	558.4
732	.75000	.90000	143.00	.5946-01	.7150-01	.6897-01	.9181	.2589-02	.3003-02	2.025	14.86	535.4
732	.75000	.95000	144.00	.3771-01	.4526-01	.4395-01	.9149	.1642-02	.1914-02	1.298	9.887	527.2
731	.80000	.20000	146.00	.1903	.2325	.2142	.9385	.8281-02	.9322-02	6.024	40.94	592.2
731	.80000	.40000	147.00	.1367	.1669	.1540	.9379	.5950-02	.6703-02	4.339	30.47	590.5
731	.80000	.90000	148.00	.5965-01	.7186-01	.6924-01	.9184	.2596-02	.3013-02	2.018	14.75	542.5
731	.90000	.30000	1155.0	.1788	.2190	.2013	.9390	.7781-02	.8761-02	5.596	39.10	600.5
731	.90000	.50000	156.00	.1487	.1819	.1819	.9000	.6471-02	.7917-02	4.676	32.73	597.1
731	.90000	.60000	1157.0	.1376	.1682	.1551	.9379	.5988-02	.6750-02	4.346	29.51	593.9
731	.90000	.80000	158.00	.7681-01	.9284-01	.8777-01	.9277	.3343-02	.3820-02	2.556	19.87	555.0
731	.90000	.90000	159.00	.5341-01	.6438-01	.6217-01	.9174	.2325-02	.2705-02	1.800	14.32	545.2
731	.95000	.30000	164.00	.1592	.1946	.1793	.9385	.6930-02	.7802-02	5.033	35.29	593.4
731	.95000	.50000	165.00	.1163	.1419	.1311	.9374	.5061-02	.5705-02	3.706	26.93	587.5
731	.95000	.70000	166.00	.8156-01	.9867-01	.9226-01	.9331	.3550-02	.4015-02	2.701	20.25	558.6
731	.95000	.80000	167.00	.7868-01	.9500-01	.9042-01	.9244	.3424-02	.3935-02	2.630	19.45	551.7
731	.95000	.90000	168.00	.5198-01	.6264-01	.6042-01	.9179	.2262-02	.2629-02	1.754	13.25	544.2

DATE 23 FEB 80

OH84B MODEL 60-0 IN THE AEDC VKF HYPERSONIC TUNNEL
OH84B 60-0 WING LOWER SURFACE

PAGE 2077

(R4UQ34)

WING LOWER SURF

PARAMETRIC DATA

MACH = 8.000 ALPHA = 40.00 BETA = .0000 ELEVON = -5.000
BDFLAP = -12.50 SPDBRK = .0000

TEST CONDITIONS

RUN NUMBER	RN/L /FT X10 6	MACH	ALPHA DEG.	BETA DEG.	PO PSIA	TO DEG. R	T DEG. R	P PSIA	Q PSI	V FT/SEC	RHO SLUGS /FT3	MU LB-SEC /FT2
633	.5017	7.900	39.93	-.3449-02	100.0	1252.	92.84	.1112-01	.4857	3732.	.3232-03	.7471-07
634	.5013	7.900	39.93	-.3449-02	100.1	1253.	92.91	.1112-01	.4859	3733.	.3231-03	.7477-07

RUN NUMBER	HREF BTU/ R FT2SEC	STN NO REF (R) *.0175
633	.1707-01	.5709-01
634	.1708-01	.5710-01

TEST DATA

RUN NUMBER	2Y/BW	XW/CW	T/C NO	H/HREF R=1.0	H/HREF R=0.9	H/HREF R= TAW/TO	TAW/TO	H(TO) BTU/R FT2SEC	H(TAW) BTU/R FT2SEC	QDOT BTU/ FT2SEC	DTWDT DEG. R /SEC	TW DEG. R
634	.30000	.40000	1078.0	.7101-01	.8604-01	.7935-01	.9398	.1213-02	.1355-02	.8695	6.275	535.6
634	.30000	.50000	1079.0	.5533-01	.6706-01	.6230-01	.9360	.9449-03	.1064-02	.6771	5.049	536.1
634	.30000	.60000	1080.0	.5073-01	.5151-01	.5711-01	.9363	.8664-03	.9753-03	.6193	4.614	537.8
634	.30000	.70000	1081.0	.5047-01	.6119-01	.5690-01	.9355	.8619-03	.9716-03	.6166	4.447	537.2
634	.30000	.80000	1082.0	.5397-01	.6541-01	.6115-01	.9328	.9216-03	.1044-02	.6599	4.919	536.6
634	.30000	.90000	83.000	.3421-01	.4134-01	.3957-01	.9215	.5843-03	.6757-03	.4243	3.127	526.4
634	.30000	.95000	84.000	.5820-01	.7033-01	.6799-01	.9165	.9939-03	.1161-02	.7215	5.231	526.7
634	.40000	.60000	1092.0	.6629-01	.8041-01	.7449-01	.9373	.1132-02	.1272-02	.8075	5.465	539.3
634	.40000	.70000	1093.0	.6899-01	.8364-01	.7766-01	.9363	.1178-02	.1326-02	.8428	5.709	537.3
634	.40000	.75000	1094.0	.6586-01	.7983-01	.7441-01	.9343	.1125-02	.1271-02	.8048	5.997	537.1
634	.40000	.85000	95.000	.5126-01	.6202-01	.5877-01	.9263	.8753-03	.1004-02	.6319	4.805	530.7
634	.40000	.90000	96.000	.4276-01	.5169-01	.4986-01	.9176	.7303-03	.8514-03	.5296	4.576	527.5
634	.40000	.95000	97.000	.3382-01	.4086-01	.3971-01	.9139	.5776-03	.6782-03	.4201	3.436	525.3
634	.50000	.40000	1104.0	.7899-01	.9581-01	.8889-01	.9366	.1349-02	.1518-02	.9627	6.936	539.0
634	.50000	.60000	1105.0	.6825-01	.8277-01	.7687-01	.9360	.1165-02	.1313-02	.8320	5.808	538.8
634	.50000	.70000	1106.0	.3981-01	.4825-01	.4490-01	.9352	.6798-03	.7667-03	.4867	3.511	536.7
634	.50000	.90000	107.00	.4176-01	.5048-01	.5048-01	.9000	.7132-03	.8620-03	.5174	4.079	527.2
634	.60000	.40000	1116.0	.1107	.1342	.1247	.9377	.1890-02	.2122-02	1.349	9.420	538.6
634	.60000	.50000	1117.0	.1037	.1257	.1167	.9363	.1770-02	.1993-02	1.263	8.819	538.9

DATE 23 FEB 80

OH84B MODEL 60-0 IN THE AEDC VKF HYPERSONIC TUNNEL

PAGE 2078

OH84B 60-0 WING LOWER SURFACE

(R4UQ34)

RUN NUMBER	2Y/BW	XW/CW	T/C NO	H/HREF R=1.0	H/HREF R=0.9	H/HREF R= TAW/TO	TAW/TO	H(TO) BTU/R FT2SEC	H(TAW) BTU/R FT2SEC	QDOT BTU/ FT2SEC	DTWDT DEG. R /SEC	TW DEG. R
634	.60000	.60000	1118.0	.8970-01	.1088	.1010	.9360	.1532-02	.1725-02	1.094	7.640	538.3
634	.60000	.70000	1119.0	.7558-01	.9165-01	.8567-01	.9328	.1291-02	.1463-02	.9224	6.649	538.0
634	.60000	.80000	120.00	.5695-01	.6994-01	.6532-01	.9263	.9726-03	.1116-02	.7006	5.234	532.3
634	.60000	.85000	121.00	.6060-01	.7331-01	.6981-01	.9239	.1035-02	.1192-02	.7476	5.499	530.3
634	.60000	.90000	122.00	.5194-01	.6279-01	.6069-01	.9165	.8870-03	.1036-02	.6432	4.898	527.5
634	.60000	.95000	123.00	.3997-01	.4829-01	.4694-01	.9139	.6826-03	.8015-03	.4964	3.784	525.5
634	.70000	.40000	1130.0	.1268	.1537	.1427	.9365	.2166-02	.2437-02	1.552	9.919	536.2
634	.70000	.60000	131.00	.1110	.1345	.1250	.9360	.1896-02	.2134-02	1.360	8.696	535.3
634	.70000	.90000	132.00	.1277	.1515	.1490	.9176	.2181-02	.2544-02	1.576	11.40	530.1
633	.75000	.30000	138.00	.1394	.1692	.1567	.9373	.2380-02	.2675-02	1.694	10.80	540.1
633	.75000	.40000	139.00	.1223	.1485	.1376	.9371	.2089-02	.2349-02	1.484	9.737	541.2
633	.75000	.60000	140.00	.1076	.1306	.1306	.9000	.1837-02	.2230-02	1.305	8.819	541.5
633	.75000	.70000	1141.0	.8346-01	.1014	.9410-01	.9360	.1425-02	.1606-02	1.009	7.249	543.8
633	.75000	.80000	142.00	.5772-01	.7002-01	.6628-01	.9265	.9854-03	.1131-02	.7021	5.807	539.2
634	.75000	.90000	143.00	.5230-01	.6319-01	.6092-01	.9178	.8931-03	.1040-02	.6492	4.786	525.8
634	.75000	.95000	144.00	.3431-01	.4141-01	.4020-01	.9146	.5860-03	.6864-03	.4282	3.271	521.8
633	.80000	.20000	146.00	.1732	.2103	.1944	.9382	.2956-02	.3319-02	2.095	14.60	543.0
633	.80000	.40000	147.00	.1267	.1539	.1424	.9377	.2163-02	.2430-02	1.534	11.03	542.6
633	.80000	.90000	148.00	.5567-01	.6745-01	.6495-01	.9182	.9503-03	.1109-02	.6809	4.996	535.1
633	.90000	.30000	1155.0	.1614	.1962	.1811	.9387	.2755-02	.3091-02	1.940	13.92	547.5
633	.90000	.50000	156.00	.1390	.1689	.1689	.9000	.2373-02	.2883-02	1.679	12.06	544.4
633	.90000	.60000	1157.0	.1249	.1517	.1404	.9377	.2131-02	.2396-02	1.505	10.47	545.4
633	.90000	.80000	158.00	.7350-01	.8918-01	.8426-01	.9274	.1255-02	.1438-02	.8934	6.999	539.7
633	.90000	.90000	159.00	.5593-01	.6780-01	.6543-01	.9171	.9549-03	.1117-02	.6830	5.455	536.4
633	.95000	.30000	164.00	.1583	.1922	.1777	.9382	.2702-02	.3033-02	1.913	13.75	543.7
633	.95000	.50000	165.00	.1166	.1416	.1311	.9371	.1990-02	.2239-02	1.412	10.50	542.2
633	.95000	.70000	166.00	.7594-01	.9215-01	.8612-01	.9328	.1296-02	.1470-02	.9223	6.978	540.2
633	.95000	.80000	167.00	.7818-01	.9484-01	.9020-01	.9241	.1335-02	.1540-02	.9513	7.082	539.0
633	.95000	.90000	168.00	.5673-01	.6877-01	.6629-01	.9176	.9685-03	.1132-02	.6929	5.253	536.3

DATE 23 FEB 80

OH84B MODEL 60-0 IN THE AEDC VKF HYPERSONIC TUNNEL

PAGE 2079

OH84B 60-0 WING LOWER SURFACE

(R4UQ34)

WING LOWER SURF

PARAMETRIC DATA

MACH = 8.000 ALPHA = 40.00 BETA = .0000 ELEVON = -5.000
 BDFLAP = -12.50 SPOBRK = .0000

TEST CONDITIONS

RUN NUMBER	RN/L /FT X10 6	MACH	ALPHA DEG.	BETA DEG.	PO PSIA	TO DEG. R	T DEG. R	P PSIA	Q PSI	V FT/SEC	RHO SLUGS /FT3	MU LB-SEC /FT2
659	1.001	7.940	39.97	-.4645-06	206.7	1270.	93.30	.2223-01	.9811	3760.	.6431-03	.7508-07
660	1.010	7.940	39.98	-.4647-06	207.9	1267.	93.08	.2236-01	.9868	3755.	.6484-03	.7490-07

RUN NUMBER	HREF BTU/ R FT2SEC	STN NO REF (R) = .0175
659	.2432-01	.4053-01
660	.2438-01	.4035-01

TEST DATA

RUN NUMBER	2Y/BW	XW/CW	T/C NO	H/HREF R=1.0	H/HREF R=0.9	H/HREF R= TAW/TO	TAW/TO	H(TO) BTU/R FT2SEC	H(TAW) BTU/R FT2SEC	QDOT BTU/ FT2SEC	DTWDT DEG. R /SEC	TW DEG. R
660	.30000	.40000	1078.0	.6441-01	.7802-01	.7195-01	.9399	.1571-02	.1755-02	1.140	8.206	540.8
660	.30000	.50000	1079.0	.4881-01	.5914-01	.5493-01	.9361	.1190-02	.1340-02	.8631	6.418	541.4
660	.30000	.60000	1080.0	.4726-01	.5730-01	.5319-01	.9364	.1152-02	.1297-02	.8328	6.185	544.0
660	.30000	.70000	1081.0	.4741-01	.5748-01	.5344-01	.9356	.1156-02	.1303-02	.8361	6.010	543.5
660	.30000	.80000	1082.0	.4760-01	.5771-01	.5394-01	.9329	.1161-02	.1315-02	.8387	6.228	544.0
660	.30000	.90000	83.000	.3621-01	.4372-01	.4184-01	.9216	.8829-03	.1020-02	.6510	4.790	529.4
660	.30000	.95000	84.000	.5725-01	.6916-01	.6685-01	.9167	.1396-02	.1630-02	1.027	7.426	531.3
660	.40000	.60000	1092.0	.6560-01	.7961-01	.7371-01	.9374	.1600-02	.1797-02	1.151	7.757	547.2
660	.40000	.70000	1093.0	.6855-01	.8315-01	.7717-01	.9364	.1672-02	.1882-02	1.206	8.135	545.3
660	.40000	.75000	1094.0	.7104-01	.8617-01	.8029-01	.9344	.1732-02	.1958-02	1.250	9.280	545.0
660	.40000	.85000	95.000	.5632-01	.6814-01	.6456-01	.9264	.1373-02	.1574-02	1.003	7.602	536.5
660	.40000	.90000	96.000	.4525-01	.5468-01	.5273-01	.9177	.1103-02	.1286-02	.8103	6.985	532.3
660	.40000	.95000	97.000	.3615-01	.4364-01	.4241-01	.9140	.8815-03	.1034-02	.6506	5.312	528.6
660	.50000	.40000	1104.0	.7966-01	.9667-01	.8964-01	.9367	.1942-02	.2186-02	1.398	10.04	546.7
660	.50000	.60000	1105.0	.6337-01	.7690-01	.7139-01	.9361	.1545-02	.1741-02	1.112	7.730	547.0
660	.50000	.70000	1106.0	.3289-01	.3987-01	.3709-01	.9353	.8019-03	.9044-03	.5802	4.172	543.2
660	.50000	.90000	107.00	.4255-01	.5140-01	.5140-01	.9000	.1037-02	.1253-02	.7627	6.000	531.5
660	.60000	.40000	1116.0	.1120	.1361	.1258	.9378	.2731-02	.3069-02	1.955	13.57	550.7
660	.60000	.50000	1117.0	.1028	.1248	.1158	.9364	.2506-02	.2824-02	1.796	12.46	550.2

DATE 23 FEB 80

OH84B MODEL 60-0 IN THE AEDC VKF HYPERSONIC TUNNEL

PAGE 2080

OH84B 60-0 WING LOWER SURFACE

(R4UQ34)

RUN NUMBER	ZY/BW	XW/CW	T/C NO	H/HREF	H/HREF	H/HREF	TAW/TO	H(TO)	H(TAW)	QDOT	DTWDT	TW
				R=1.0	R=0.9	R=		BTU/R	BTU/R	BTU/ FT2SEC	DEG. R	DEG. R
660	.60000	.60000	1118.0	.9329-01	.1132	.1051	.9361	.2275-02	.2563-02	1.636	11.37	547.5
660	.60000	.70000	1119.0	.8012-01	.9723-01	.9084-01	.9329	.1954-02	.2215-02	1.406	10.09	546.9
660	.60000	.80000	120.00	.6034-01	.7304-01	.6920-01	.9264	.1471-02	.1687-02	1.071	7.976	538.6
660	.60000	.85000	121.00	.6722-01	.8130-01	.7741-01	.9240	.1639-02	.1888-02	1.199	8.794	535.4
660	.60000	.90000	122.00	.5618-01	.6790-01	.6562-01	.9167	.1370-02	.1600-02	1.006	7.640	532.6
660	.60000	.95000	123.00	.4174-01	.5038-01	.4997-01	.9140	.1018-02	.1194-02	.7515	5.721	528.3
660	.70000	.40000	1130.0	.1188	.1442	.1338	.9366	.2898-02	.3262-02	2.085	13.25	547.0
660	.70000	.60000	131.00	.1105	.1340	.1244	.9361	.2693-02	.3034-02	1.940	12.34	546.3
660	.70000	.90000	132.00	.1438	.1740	.1678	.9177	.3507-02	.4091-02	2.557	18.44	537.5
659	.75000	.30000	138.00	.1431	.1735	.1607	.9374	.3401-02	.3900-02	2.527	18.09	543.7
659	.75000	.40000	139.00	.1213	.1470	.1363	.9372	.2950-02	.3314-02	2.139	14.01	544.7
659	.75000	.60000	140.00	.1053	.1277	.1277	.9000	.2562-02	.3107-02	1.854	12.51	545.8
659	.75000	.70000	1141.0	.8736-01	.1060	.9840-01	.9361	.2125-02	.2394-02	1.536	11.02	546.9
659	.75000	.80000	142.00	.6184-01	.7484-01	.7087-01	.9266	.1504-02	.1724-02	1.099	9.095	538.8
660	.75000	.90000	143.00	.5446-01	.6579-01	.6342-01	.9179	.1328-02	.1546-02	.9767	7.181	531.1
660	.75000	.95000	144.00	.3546-01	.4276-01	.4150-01	.9147	.8647-03	.1012-02	.6417	4.895	524.5
659	.80000	.20000	146.00	.1791	.2174	.2009	.9383	.4357-02	.4888-02	3.146	21.86	547.7
659	.80000	.40000	147.00	.1255	.1522	.1409	.9378	.3052-02	.3427-02	2.205	15.82	547.2
659	.80000	.90000	148.00	.5702-01	.6888-01	.6636-01	.9183	.1387-02	.1614-02	1.022	7.508	532.7
659	.90000	.30000	1155.0	.1666	.2024	.1868	.9388	.4052-02	.4544-02	2.906	20.79	552.5
659	.90000	.50000	156.00	.1421	.1725	.1725	.9000	.3456-02	.4195-02	2.492	17.87	548.7
659	.90000	.60000	1157.0	.1198	.1454	.1345	.9378	.2913-02	.3272-02	2.098	14.57	549.4
659	.90000	.80000	158.00	.8119-01	.9825-01	.9289-01	.9275	.1975-02	.2259-02	1.444	11.32	538.4
659	.90000	.90000	159.00	.5863-01	.7087-01	.6842-01	.9172	.1426-02	.1664-02	1.048	8.383	534.5
659	.95000	.30000	164.00	.1616	.1961	.1813	.9383	.3931-02	.4409-02	2.838	20.36	547.7
659	.95000	.50000	165.00	.1165	.1412	.1309	.9372	.2833-02	.3183-02	2.052	15.23	545.4
659	.95000	.70000	166.00	.8893-01	.1077	.1007	.9329	.2163-02	.2449-02	1.578	11.94	540.1
659	.95000	.80000	167.00	.8417-01	.1018	.9690-01	.9242	.2047-02	.2357-02	1.499	11.17	537.4
659	.95000	.90000	168.00	.5808-01	.7020-01	.6769-01	.9177	.1413-02	.1647-02	1.039	7.886	534.2

DATE 23 FEB 80

OH84B MODEL 60-0 IN THE AEDC VKF HYPERSONIC TUNNEL

PAGE 2081

OH84B 60-0 WING LOWER SURFACE

(R4U034)

WING LOWER SURF

PARAMETRIC DATA

MACH = 8.000 ALPHA = 40.00 BETA = .0000 ELEVON = -5.000
 BDFLAP = -12.50 SPDBRK = .0000

TEST CONDITIONS

RUN NUMBER	RN/L /FT	MACH	ALPHA DEG.	BETA DEG.	PO PSIA	TO DEG. R	T DEG. R	P PSIA	Q PSI	V FT/SEC	RHO SLUGS /FT3	MU LB-SEC /FT2
647	1.985	7.980	40.00	.3471-02	436.3	1312.	95.49	.4542-01	2.025	3823.	.1284-02	.7684-07
648	1.995	7.980	39.99	.3470-02	436.1	1307.	95.13	.4540-01	2.024	3815.	.1288-02	.7655-07

RUN NUMBER	HREF BTU/ R FT2SEC	STN NO REF (R) = .0175
647	.3514-01	.2878-01
648	.3511-01	.2872-01

TEST DATA

RUN NUMBER	2Y/BW	XW/CW	T/C NO	H/HREF R=1.0	H/HREF R=0.9	H/HREF R=TAW/TO	TAW/TO	H(TO) BTU/R FT2SEC	H(TAW) BTU/R FT2SEC	QDOT BTU/ FT2SEC	DTWDT DEG. R /SEC	TW DEG. R
648	.30000	.40000	1078.0	.6245-01	.7563-01	.6976-01	.9399	.2193-02	.2449-02	1.644	11.74	556.8
648	.30000	.50000	1079.0	.5076-01	.6150-01	.5713-01	.9362	.1782-02	.2006-02	1.333	9.830	558.4
648	.30000	.60000	1080.0	.5669-01	.6878-01	.6382-01	.9364	.1990-02	.2241-02	1.479	10.88	563.3
648	.30000	.70000	1081.0	.7062-01	.8571-01	.7965-01	.9356	.2479-02	.2796-02	1.840	13.09	564.5
648	.30000	.80000	1082.0	.9469-01	.1150	.1074	.9329	.3324-02	.3771-02	2.461	18.07	566.4
648	.30000	.90000	83.000	.5121-01	.6172-01	.5909-01	.9217	.1798-02	.2075-02	1.379	10.10	539.5
648	.30000	.95000	84.000	.7221-01	.8709-01	.8419-01	.9167	.2535-02	.2956-02	1.939	13.95	541.9
648	.40000	.60000	1092.0	.9039-01	.1098	.1016	.9375	.3173-02	.3568-02	2.345	15.65	567.6
648	.40000	.70000	1093.0	.1058	.1284	.1191	.9364	.3713-02	.4182-02	2.753	18.38	565.4
648	.40000	.75000	1094.0	.1070	.1300	.1210	.9345	.3757-02	.4250-02	2.777	20.38	567.5
648	.40000	.85000	95.000	.7574-01	.9153-01	.8675-01	.9264	.2659-02	.3045-02	2.014	15.17	549.1
648	.40000	.90000	96.000	.6095-01	.7355-01	.7095-01	.9178	.2140-02	.2491-02	1.632	13.98	544.1
648	.40000	.95000	97.000	.5101-01	.6149-01	.5977-01	.9140	.1791-02	.2098-02	1.374	11.15	539.7
648	.50000	.40000	1104.0	.8413-01	.1021	.9469-01	.9367	.2954-02	.3324-02	2.190	15.58	565.1
648	.50000	.60000	1105.0	.7303-01	.8865-01	.8228-01	.9362	.2564-02	.2889-02	1.902	13.10	565.0
648	.50000	.70000	1106.0	.5057-01	.6130-01	.5703-01	.9353	.1775-02	.2002-02	1.325	9.441	560.5
648	.50000	.90000	107.00	.5264-01	.6348-01	.6348-01	.9000	.1848-02	.2229-02	1.414	11.07	541.6
648	.60000	.40000	1116.0	.1215	.1477	.1366	.9378	.4267-02	.4795-02	3.147	21.63	569.2
648	.60000	.50000	1117.0	.1110	.1348	.1251	.9364	.3896-02	.4390-02	2.876	19.77	568.6

DATE 23 FEB 80

OH84B MODEL 60-0 IN THE AEDC VKF HYPERSONIC TUNNEL

PAGE 2082

OH84B 60-0 WING LOWER SURFACE

(R4UQ34)

RUN NUMBER	2Y/BW	XW/CW	T/C NO	H/HREF R=1.0	H/HREF R=0.9	H/HREF R= TAW/TO	TAW/TO	H(TO) BTU/R FT2SEC	H(TAW) BTU/R FT2SEC	QDOT BTU/ FT2SEC	DTWDT DEG. R /SEC	TW DEG. R
648	.60000	.60000	1118.0	.1025	.1244	.1155	.9362	.3597-02	.4053-02	2.667	18.37	565.3
648	.60000	.70000	1119.0	.9178-01	.1114	.1041	.9329	.3222-02	.3654-02	2.386	16.96	566.0
648	.60000	.80000	120.00	.7646-01	.9240-01	.8757-01	.9264	.2684-02	.3075-02	2.033	15.06	549.3
648	.60000	.85000	121.00	.7641-01	.9227-01	.8788-01	.9240	.2682-02	.3085-02	2.039	14.87	546.6
648	.60000	.90000	122.00	.6538-01	.7886-01	.7624-01	.9167	.2295-02	.2677-02	1.755	13.27	542.0
648	.60000	.95000	123.00	.4881-01	.5878-01	.5715-01	.9140	.1714-02	.2006-02	1.320	10.00	536.6
648	.70000	.40000	1130.0	.1274	.1546	.1434	.9366	.4472-02	.5035-02	3.315	20.88	565.3
648	.70000	.60000	131.00	.1189	.1443	.1339	.9362	.4176-02	.4703-02	3.108	19.60	562.4
648	.70000	.90000	132.00	.1439	.1738	.1676	.9178	.5052-02	.5886-02	3.835	21.51	541.1
647	.75000	.30000	138.00	.1460	.1773	.1641	.9375	.5131-02	.5767-02	3.811	23.96	568.8
647	.75000	.40000	139.00	.1254	.1524	.1411	.9373	.4407-02	.4958-02	3.264	21.10	570.9
647	.75000	.60000	140.00	.1123	.1365	.1365	.9000	.3947-02	.4796-02	2.926	19.50	570.3
647	.75000	.70000	1141.0	.9076-01	.1103	.1023	.9362	.3189-02	.3596-02	2.359	16.72	572.1
647	.75000	.80000	142.00	.6461-01	.7826-01	.7409-01	.9267	.2270-02	.2603-02	1.707	13.97	559.8
648	.75000	.90000	143.00	.5982-01	.7209-01	.6953-01	.9180	.2100-02	.2441-02	1.612	11.81	538.9
648	.75000	.95000	144.00	.3638-01	.4377-01	.4250-01	.9148	.1277-02	.1492-02	.9891	7.514	532.3
647	.80000	.20000	146.00	.1791	.2178	.2011	.9383	.6294-02	.7068-02	4.650	31.91	572.9
647	.80000	.40000	147.00	.1288	.1567	.1449	.9378	.4527-02	.5091-02	3.335	23.60	574.9
647	.80000	.90000	148.00	.6310-01	.7619-01	.7340-01	.9183	.2217-02	.2579-02	1.693	12.34	548.3
647	.90000	.30000	1155.0	.1660	.2023	.1865	.9389	.5834-02	.6552-02	4.270	30.14	579.8
647	.90000	.50000	156.00	.1403	.1708	.1708	.9000	.4930-02	.6003-02	3.616	25.55	578.1
647	.90000	.60000	1157.0	.1248	.1520	.1404	.9378	.4387-02	.4935-02	3.221	22.05	577.5
647	.90000	.80000	158.00	.8373-01	.1014	.9585-01	.9275	.2942-02	.3368-02	2.212	17.16	559.8
647	.90000	.90000	159.00	.6321-01	.7638-01	.7373-01	.9172	.2221-02	.2591-02	1.689	13.39	551.1
647	.95000	.30000	164.00	.1605	.1952	.1802	.9383	.5639-02	.6333-02	4.163	29.48	573.4
647	.95000	.50000	165.00	.1183	.1438	.1331	.9373	.4157-02	.4677-02	3.080	22.56	570.9
647	.95000	.70000	166.00	.9984-01	.1210	.1131	.9330	.3508-02	.3974-02	2.633	19.72	561.1
647	.95000	.80000	167.00	.9301-01	.1126	.1071	.9243	.3268-02	.3763-02	2.470	18.23	556.1
647	.95000	.90000	168.00	.6219-01	.7512-01	.7245-01	.9178	.2185-02	.2546-02	1.666	12.54	549.5

DATE 23 FEB 80

OH84B MODEL 60-0 IN THE AEDC VKF HYPERSONIC TUNNEL
OH84B 60-0 WING LOWER SURFACE

PAGE 2083

(R4UQ34)

WING LOWER SURF

PARAMETRIC DATA

MACH = 8.000 ALPHA = 40.00 BETA = .0000 ELEVON = -5.000
BDFLAP = -12.50 SPOBRK = .0000

TEST CONDITIONS

RUN NUMBER	RN/L /FT X10 6	MACH	ALPHA DEG.	BETA DEG.	P0 PSIA	TO DEG. R	T DEG. R	P PSIA	Q PSI	V FT/SEC	RHO SLUGS /FT3	MU LB-SEC /FT2
649	3.013	7.990	40.03	.6967-02	670.5	1320.	95.85	.6924-01	3.094	3835.	.1950-02	.7713-07
650	3.009	7.990	40.05	.6980-02	670.4	1321.	95.92	.6923-01	3.094	3836.	.1948-02	.7719-07

RUN NUMBER	HREF BTU/ R FT2SEC	STN NO REF (R) = .0175
649	.4349-01	.2337-01
650	.4349-01	.2338-01

TEST DATA

RUN NUMBER	2Y/BW	XW/CW	T/C NO	H/HREF R=1.0	H/HREF R=0.9	H/HREF R= TAW/TO	TAW/TO	H(TO) BTU/R FT2SEC	H(TAW) BTU/R FT2SEC	QDOT BTU/ FT2SEC	DTWDT DEG. R /SEC	TW DEG. R
650	.30000	.40000	1078.0	.6648-01	.8064-01	.7430-01	.9401	.2891-02	.3231-02	2.175	15.44	568.5
650	.30000	.50000	1079.0	.6787-01	.8244-01	.7648-01	.9363	.2952-02	.3326-02	2.206	16.14	573.3
650	.30000	.60000	1080.0	.1094	.1333	.1234	.9365	.4756-02	.5368-02	3.496	25.42	585.6
650	.30000	.70000	1081.0	.1625	.1987	.1841	.9358	.7069-02	.8005-02	5.126	35.90	595.6
650	.30000	.80000	1082.0	.2201	.2698	.2510	.9331	.9572-02	.1092-01	6.863	49.47	603.7
650	.30000	.90000	83.000	.9106-01	.1100	.1053	.9218	.3960-02	.4577-02	3.034	22.04	554.6
650	.30000	.95000	84.000	.1167	.1413	.1364	.9168	.5077-02	.5934-02	3.865	27.56	559.5
650	.40000	.60000	1092.0	.1788	.2187	.2017	.9376	.7775-02	.8773-02	5.629	37.02	596.6
650	.40000	.70000	1093.0	.2246	.2748	.2541	.9365	.9768-02	.1105-01	7.055	46.35	598.4
650	.40000	.75000	1094.0	.2238	.2744	.2545	.9346	.9734-02	.1107-01	6.979	50.31	603.7
650	.40000	.85000	95.000	.1190	.1442	.1365	.9266	.5174-02	.5937-02	3.904	29.15	566.2
650	.40000	.90000	96.000	.1047	.1268	.1221	.9179	.4552-02	.5312-02	3.447	29.26	563.2
650	.40000	.95000	97.000	.9721-01	.1176	.1142	.9141	.4228-02	.4968-02	3.217	25.86	559.7
650	.50000	.40000	1104.0	.1110	.1352	.1252	.9368	.4828-02	.5443-02	3.560	25.09	583.1
650	.50000	.60000	1105.0	.1309	.1597	.1478	.9363	.5691-02	.6430-02	4.167	28.37	588.5
650	.50000	.70000	1106.0	.1138	.1388	.1288	.9354	.4950-02	.5600-02	3.636	25.58	586.2
650	.50000	.90000	107.00	.9136-01	.1105	.1105	.9000	.3973-02	.4805-02	3.030	23.52	558.0
650	.60000	.40000	1116.0	.1365	.1666	.1538	.9379	.5938-02	.6687-02	4.347	29.60	588.6
650	.60000	.50000	1117.0	.1322	.1613	.1493	.9365	.5749-02	.6492-02	4.209	28.66	588.5

DATE 23 FEB 80

OH84B MODEL 60-0 IN THE AEDC VKF HYPERSONIC TUNNEL

PAGE 2084

OH84B 60-0 WING LOWER SURFACE

(R4UQ34)

RUN NUMBER	ZY/BW	XW/CW	T/C NO	H/HREF R=1.0	H/HREF R=0.9	H/HREF R= TAW/TO	TAW/TO	H(TO) BTU/R FT2SEC	H(TAW) BTU/R FT2SEC	QDOT BTU/ FT2SEC	DTWDT DEG. R /SEC	TW DEG. R
650	.60000	.60000	1118.0	.1310	.1597	.1479	.9363	.5696-02	.6432-02	4.186	28.54	505.8
650	.60000	.70000	1119.0	.1308	.1595	.1487	.9331	.5689-02	.6468-02	4.175	29.37	506.7
650	.60000	.80000	120.00	.9941-01	.1203	.1140	.9266	.4323-02	.4956-02	3.285	24.19	560.9
650	.60000	.85000	121.00	.1011	.1224	.1164	.9242	.4398-02	.5064-02	3.349	24.27	559.3
650	.60000	.90000	122.00	.8989-01	.1086	.1049	.9168	.3909-02	.4564-02	2.993	22.48	555.1
650	.60000	.95000	123.00	.6816-01	.8224-01	.7991-01	.9141	.2964-02	.3475-02	2.286	17.21	549.6
650	.70000	.40000	1130.0	.1375	.1674	.1550	.9367	.5978-02	.6741-02	4.410	27.53	582.9
650	.70000	.60000	131.00	.1351	.1644	.1524	.9363	.5875-02	.6627-02	4.353	27.21	579.8
650	.70000	.80000	132.00	.1746	.2114	.2037	.9179	.7593-02	.8861-02	5.757	40.99	562.5
649	.75000	.30000	138.00	.1526	.1862	.1720	.9376	.6638-02	.7479-02	4.863	30.30	587.0
649	.75000	.40000	139.00	.1346	.1641	.1517	.9373	.5854-02	.6596-02	4.301	27.61	585.0
649	.75000	.60000	140.00	.1251	.1524	.1524	.9000	.5442-02	.6629-02	4.009	26.55	582.9
649	.75000	.70000	1141.0	.1069	.1302	.1207	.9363	.4647-02	.5247-02	3.416	24.06	584.5
649	.75000	.80000	142.00	.8414-01	.1021	.9659-01	.9267	.3659-02	.4201-02	2.743	22.34	569.9
650	.75000	.90000	143.00	.8787-01	.1061	.1022	.9181	.3821-02	.4447-02	2.939	21.38	551.6
650	.75000	.95000	144.00	.5745-01	.6922-01	.6717-01	.9149	.2499-02	.2921-02	1.941	14.66	543.7
649	.80000	.20000	146.00	.1917	.2345	.2160	.9384	.8335-02	.9392-02	6.020	40.81	597.4
649	.80000	.40000	147.00	.1376	.1681	.1551	.9379	.5982-02	.6743-02	4.345	30.46	593.4
649	.80000	.90000	148.00	.9184-01	.1111	.1070	.9184	.3994-02	.4654-02	3.034	21.99	560.0
649	.90000	.30000	1155.0	.1798	.2205	.2026	.9390	.7817-02	.8811-02	5.586	38.94	605.2
649	.90000	.50000	156.00	.1518	.1859	.1859	.9000	.6601-02	.8082-02	4.753	33.22	599.6
649	.90000	.60000	1157.0	.1378	.1684	.1553	.9379	.5991-02	.6755-02	4.339	29.44	595.4
649	.90000	.80000	158.00	.1062	.1290	.1218	.9276	.4619-02	.5295-02	3.456	26.65	571.4
649	.90000	.90000	159.00	.8696-01	.1054	.1016	.9173	.3782-02	.4420-02	2.857	22.50	564.2
649	.95000	.30000	164.00	.1621	.1983	.1826	.9384	.7048-02	.7941-02	5.094	35.65	597.0
649	.95000	.50000	165.00	.1194	.1457	.1346	.9373	.5192-02	.5856-02	3.790	27.51	589.7
649	.95000	.70000	166.00	.1188	.1444	.1348	.9330	.5168-02	.5862-02	3.857	28.70	573.3
649	.95000	.80000	167.00	.1143	.1387	.1318	.9243	.4970-02	.5734-02	3.728	27.33	569.7
649	.95000	.90000	168.00	.8085-01	.9790-01	.9435-01	.9178	.3516-02	.4103-02	2.664	19.93	562.1

DATE 23 FEB 80

OH84B MODEL 60-0 IN THE AEDC VKF HYPERSONIC TUNNEL

PAGE 2085

OH84B 60-0 WING LOWER SURFACE

(R4UQ35)

WING LOWER SURF

PARAMETRIC DATA

MACH = 8.000 ALPHA = 40.00 BETA = .0000 ELEVON = -5.000
 BDFLAP = -5.000 SPDBRK = .0000

TEST CONDITIONS

RUN NUMBER	RN/L /FT X10 6	MACH	ALPHA DEG.	BETA DEG.	PO PSIA	TO DEG. R	T DEG. R	P PSIA	Q PSI	V FT/SEC	RHO SLUGS /FT3	MU LB-SEC /FT2
635	.4992	7.900	39.96	-.3458-02	99.17	1249.	92.62	.1102-01	.4815	3727.	.3212-03	.7453-07
636	.5020	7.900	39.95	-.3458-02	99.73	1249.	92.62	.1108-01	.4842	3727.	.3230-03	.7453-07

RUN NUMBER	HREF BTU/ R FT2SEC	STN NO REF (R) = .0175
635	.1699-01	.5725-01
636	.1704-01	.5709-01

TEST DATA

RUN NUMBER	2Y/BW	XW/CW	T/C NO	H/HREF R=1.0	H/HREF R=0.9	H/HREF R= TAW/TO	TAW/TO	H(TO) BTU/R FT2SEC	H(TAW) BTU/R FT2SEC	QDOT BTU/ FT2SEC	DTWDT DEG. R /SEC	TW DEG. R
636	.30000	.40000	1078.0	.7290-01	.8823-01	.8141-01	.9399	.1242-02	.1387-02	.8928	6.463	529.9
636	.30000	.50000	1079.0	.5680-01	.6877-01	.6391-01	.9361	.9677-03	.1089-02	.6940	5.187	531.5
636	.30000	.60000	1080.0	.5404-01	.6546-01	.6080-01	.9363	.9208-03	.1036-02	.6589	4.920	533.1
636	.30000	.70000	1081.0	.5337-01	.6463-01	.6012-01	.9356	.9093-03	.1024-02	.6515	4.710	532.2
636	.30000	.80000	1082.0	.5995-01	.7260-01	.6789-01	.9329	.1022-02	.1157-02	.7324	5.473	531.7
636	.30000	.90000	83.000	.3480-01	.4203-01	.4023-01	.9216	.5930-03	.6854-03	.4307	3.181	522.3
636	.30000	.95000	84.000	.5890-01	.7112-01	.6875-01	.9166	.1004-02	.1171-02	.7294	5.301	521.9
636	.40000	.60000	1092.0	.6837-01	.8286-01	.7678-01	.9374	.1165-02	.1308-02	.8319	5.643	534.6
636	.40000	.70000	1093.0	.6928-01	.8463-01	.7860-01	.9363	.1191-02	.1339-02	.8533	5.796	532.0
636	.40000	.75000	1094.0	.6623-01	.8020-01	.7478-01	.9344	.1129-02	.1274-02	.8090	6.046	531.8
636	.40000	.85000	95.000	.5318-01	.6429-01	.6093-01	.9263	.9060-03	.1038-02	.6546	4.988	526.2
636	.40000	.90000	96.000	.4365-01	.5271-01	.5085-01	.9177	.7438-03	.8664-03	.5404	4.682	522.1
636	.40000	.95000	97.000	.3404-01	.4107-01	.3992-01	.9139	.5799-03	.6802-03	.4226	3.466	519.9
636	.50000	.40000	1104.0	.8037-01	.9737-01	.9037-01	.9366	.1369-02	.1540-02	.9793	7.075	533.5
636	.50000	.60000	1105.0	.6964-01	.8437-01	.7838-01	.9361	.1187-02	.1336-02	.8485	5.938	533.6
636	.50000	.70000	1106.0	.4027-01	.4876-01	.4539-01	.9352	.6861-03	.7734-03	.4917	3.556	532.0
636	.50000	.90000	107.00	.4299-01	.5191-01	.5191-01	.9000	.7324-03	.8844-03	.5322	4.207	522.1
636	.60000	.40000	1116.0	.1121	.1358	.1257	.9377	.1910-02	.2142-02	1.366	9.562	533.3
636	.60000	.50000	1117.0	.1052	.1275	.1184	.9363	.1793-02	.2018-02	1.282	8.976	533.5

DATE 23 FEB 80

OH84B MODEL 60-0 IN THE AEDC VKF HYPERSONIC TUNNEL

PAGE 2086

OH84B 60-0 WING LOWER SURFACE

(R4UQ35)

RUN NUMBER	2Y/BW	XW/CW	T/C NO	H/HREF R=1.0	H/HREF R=0.9	H/HREF R= TAW/TO	TAW/TO	H(TO) BTU/R FT2SEC	H(TAW) BTU/R FT2SEC	QDOT BTU/ FT2SEC	DTWDT DEG. R /SEC	TW DEG. R
636	.60000	.60000	1118.0	.8986-01	.1088	.1011	.9361	.1531-02	.1723-02	1.096	7.673	532.9
636	.60000	.70000	1119.0	.7672-01	.9294-01	.8690-01	.9329	.1307-02	.1481-02	.9357	6.762	532.9
636	.60000	.80000	120.00	.5780-01	.6992-01	.6626-01	.9263	.9849-03	.1129-02	.7095	5.311	528.2
636	.60000	.85000	121.00	.6223-01	.7522-01	.7163-01	.9240	.1060-02	.1221-02	.7667	5.653	525.5
636	.60000	.90000	122.00	.5413-01	.6537-01	.6319-01	.9166	.9224-03	.1077-02	.6700	5.116	522.3
636	.60000	.95000	123.00	.4007-01	.4836-01	.4701-01	.9139	.6828-03	.8010-03	.4975	3.803	520.0
636	.70000	.40000	1130.0	.1241	.1503	.1395	.9365	.2115-02	.2377-02	1.517	9.715	531.5
636	.70000	.60000	131.00	.1125	.1361	.1265	.9361	.1916-02	.2155-02	1.377	8.824	530.2
636	.70000	.80000	132.00	.1308	.1580	.1524	.9177	.2228-02	.2596-02	1.614	11.72	524.2
635	.75000	.30000	138.00	.1444	.1751	.1622	.9374	.2454-02	.2756-02	1.748	11.17	536.3
635	.75000	.40000	139.00	.1228	.1490	.1380	.9372	.2087-02	.2345-02	1.484	9.752	537.6
635	.75000	.60000	140.00	.1083	.1314	.1314	.9000	.1841-02	.2233-02	1.308	8.858	538.1
635	.75000	.70000	1141.0	.8448-01	.1026	.9520-01	.9361	.1435-02	.1618-02	1.017	7.321	540.3
635	.75000	.80000	142.00	.5788-01	.7018-01	.6643-01	.9266	.9835-03	.1129-02	.7010	5.808	535.9
636	.75000	.90000	143.00	.5401-01	.6519-01	.6286-01	.9179	.9204-03	.1071-02	.6703	4.955	520.4
636	.75000	.95000	144.00	.3472-01	.4193-01	.4070-01	.9147	.5926-03	.6935-03	.4338	3.322	516.7
635	.80000	.20000	146.00	.1727	.2096	.1938	.9383	.2934-02	.3292-02	2.082	14.53	539.1
635	.80000	.40000	147.00	.1261	.1530	.1416	.9377	.2142-02	.2405-02	1.520	10.95	539.0
635	.80000	.90000	148.00	.5576-01	.6752-01	.6502-01	.9182	.9475-03	.1105-02	.6797	4.996	531.3
635	.90000	.30000	1155.0	.1641	.1994	.1841	.9388	.2788-02	.3127-02	1.966	14.13	543.6
635	.90000	.50000	156.00	.1396	.1695	.1695	.9000	.2372-02	.2881-02	1.679	12.08	540.9
635	.90000	.60000	1157.0	.1227	.1491	.1379	.9377	.2086-02	.2344-02	1.474	10.27	542.1
635	.90000	.80000	158.00	.7474-01	.9062-01	.8563-01	.9274	.1270-02	.1455-02	.9048	7.100	536.2
635	.90000	.90000	159.00	.5592-01	.6774-01	.6537-01	.9171	.9502-03	.1111-02	.6802	5.443	532.7
635	.95000	.30000	164.00	.1590	.1930	.1784	.9383	.2702-02	.3032-02	1.914	13.78	540.3
635	.95000	.50000	165.00	.1200	.1456	.1349	.9372	.2039-02	.2293-02	1.447	10.77	539.1
635	.95000	.70000	166.00	.7667-01	.9298-01	.8691-01	.9329	.1303-02	.1477-02	.9272	7.027	536.9
635	.95000	.80000	167.00	.7844-01	.9509-01	.9045-01	.9242	.1333-02	.1537-02	.9506	7.090	535.4
635	.95000	.90000	168.00	.5646-01	.6839-01	.6593-01	.9177	.9593-03	.1120-02	.6869	5.217	532.7

DATE 23 FEB 80

OH84B MODEL 60-0 IN THE AEDC VKF HYPERSONIC TUNNEL

PAGE 2087

OH84B 60-0 WING LOWER SURFACE

(R4UQ35)

WING LOWER SURF

PARAMETRIC DATA

MACH = 8.000 ALPHA = 40.00 BETA = .0000 ELEVON = -5.000
 BOFLAP = -5.000 SPDBRK = .0000

TEST CONDITIONS

RUN NUMBER	RN/L /FT X10 6	MACH	ALPHA DEG.	BETA DEG.	P0 PSIA	T0 DEG. R	T DEG. R	P PSIA	Q PSI	V FT/SEC	RHO SLUGS /FT3	MU LB-SEC /FT2
657	.9860	7.940	39.99	-.4654-06	202.4	1265.	92.93	.2177-01	.9606	3752.	.6322-03	.7478-07
658	1.007	7.940	39.98	-.4647-06	207.2	1267.	93.08	.2229-01	.9835	3755.	.6462-03	.7490-07

RUN NUMBER	HREF BTU/ R FT2SEC	STN NO REF (R) = .0175
657	.2405-01	.4086-01
658	.2434-01	.4042-01

TEST DATA

RUN NUMBER	2Y/BW	XW/CW	T/C NO	H/HREF R=1.0	H/HREF R=0.9	H/HREF R= TAW/TO	TAW/TO	H(T0) BTU/R FT2SEC	H(TAW) BTU/R FT2SEC	QDOT BTU/ FT2SEC	DTWOT DEG. R /SEC	TW DEG. R
658	.30000	.40000	1078.0	.6744-01	.8165-01	.7532-01	.9399	.1642-02	.1833-02	1.195	8.611	538.8
658	.30000	.50000	1079.0	.4951-01	.5997-01	.5572-01	.9361	.1205-02	.1356-02	.8754	6.513	540.4
658	.30000	.60000	1080.0	.4815-01	.5836-01	.5418-01	.9364	.1172-02	.1319-02	.8484	6.304	542.9
658	.30000	.70000	1081.0	.4813-01	.5834-01	.5424-01	.9356	.1172-02	.1320-02	.8483	6.100	542.7
658	.30000	.80000	1082.0	.5043-01	.6113-01	.5714-01	.9329	.1228-02	.1391-02	.8880	6.596	543.4
658	.30000	.90000	83.000	.3573-01	.4316-01	.4130-01	.9216	.8699-03	.1005-02	.6407	4.713	530.1
658	.30000	.95000	84.000	.5782-01	.6986-01	.6752-01	.9167	.1407-02	.1644-02	1.034	7.477	531.9
658	.40000	.60000	1092.0	.6824-01	.8279-01	.7667-01	.9374	.1661-02	.1866-02	1.197	8.076	545.9
658	.40000	.70000	1093.0	.6859-01	.8317-01	.7720-01	.9364	.1670-02	.1879-02	1.206	8.141	544.3
658	.40000	.75000	1094.0	.6854-01	.8311-01	.7744-01	.9344	.1669-02	.1885-02	1.206	8.955	544.0
658	.40000	.85000	95.000	.5693-01	.6889-01	.6527-01	.9264	.1386-02	.1589-02	1.012	7.671	536.5
658	.40000	.90000	96.000	.4528-01	.5472-01	.5277-01	.9177	.1102-02	.1285-02	.8090	6.972	532.7
658	.40000	.95000	97.000	.3557-01	.4295-01	.4174-01	.9140	.8659-03	.1016-02	.6383	5.209	529.5
658	.50000	.40000	1104.0	.7997-01	.9700-01	.8997-01	.9367	.1947-02	.2190-02	1.405	10.09	545.2
658	.50000	.60000	1105.0	.6404-01	.7769-01	.7213-01	.9361	.1559-02	.1756-02	1.124	7.820	545.6
658	.50000	.70000	1106.0	.3991-01	.4837-01	.4501-01	.9353	.9717-03	.1096-02	.7039	5.063	542.2
658	.50000	.90000	107.00	.4278-01	.5169-01	.5169-01	.9000	.1041-02	.1258-02	.7651	6.017	532.0
658	.60000	.40000	1116.0	.1136	.1380	.1277	.9378	.2766-02	.3108-02	1.986	13.80	548.7
658	.60000	.50000	1117.0	.9996-01	.1213	.1126	.9364	.2433-02	.2741-02	1.748	12.15	548.1

OH84B 60-0 WING LOWER SURFACE

(R4UQ35)

RUN NUMBER	ZY/BW	XW/CW	T/C NO	H/HREF R=1.0	H/HREF R=0.9	H/HREF R= TAW/TO	TAW/TO	H(TO) BTU/R FT2SEC	H(TAW) BTU/R FT2SEC	QDOT BTU/ FT2SEC	DTWDT DEG. R /SEC	TW DEG. R
658	.60000	.60000	1118.0	.9105-01	.1105	.1026	.9361	.2216-02	.2496-02	1.598	11.11	545.8
658	.60000	.70000	1119.0	.8136-01	.9869-01	.9222-01	.9329	.1980-02	.2245-02	1.429	10.26	545.3
658	.60000	.80000	120.00	.6229-01	.7540-01	.7143-01	.9264	.1516-02	.1739-02	1.104	8.225	538.3
658	.60000	.85000	121.00	.6778-01	.8198-01	.7806-01	.9240	.1650-02	.1900-02	1.207	8.855	535.2
658	.60000	.90000	122.00	.5701-01	.6890-01	.6659-01	.9167	.1388-02	.1621-02	1.018	7.733	532.9
658	.60000	.95000	123.00	.4174-01	.5040-01	.4898-01	.9140	.1016-02	.1192-02	.7494	5.702	529.2
658	.70000	.40000	1130.0	.1179	.1430	.1327	.9366	.2370-02	.3230-02	2.070	13.17	545.3
658	.70000	.60000	131.00	.1107	.1342	.1246	.9361	.2694-02	.3034-02	1.945	12.37	544.8
658	.70000	.90000	132.00	.1397	.1631	.1630	.9177	.3401-02	.3069-02	2.493	17.01	536.7
657	.75000	.30000	138.00	.1402	.1702	.1575	.9375	.3372-02	.3789-02	2.419	15.37	547.2
657	.75000	.40000	139.00	.1216	.1476	.1368	.9373	.2926-02	.3269-02	2.102	13.75	546.4
657	.75000	.60000	140.00	.1055	.1280	.1280	.9000	.2537-02	.3079-02	1.822	12.28	546.5
657	.75000	.70000	141.00	.8790-01	.1067	.9906-01	.9362	.2114-02	.2393-02	1.515	10.87	548.0
657	.75000	.80000	142.00	.6261-01	.7587-01	.7182-01	.9267	.1506-02	.1727-02	1.089	9.001	541.3
658	.75000	.90000	143.00	.5438-01	.6570-01	.6333-01	.9179	.1324-02	.1542-02	.9735	7.157	531.3
658	.75000	.95000	144.00	.3557-01	.4290-01	.4163-01	.9147	.8658-03	.1013-02	.6420	4.895	525.2
657	.80000	.20000	146.00	.1789	.2175	.2009	.9383	.4303-02	.4832-02	3.068	21.27	551.8
657	.80000	.40000	147.00	.1251	.1519	.1405	.9378	.3008-02	.3380-02	2.151	15.41	549.6
657	.80000	.90000	148.00	.5692-01	.6889-01	.6634-01	.9183	.1369-02	.1596-02	.9963	7.303	536.9
657	.90000	.30000	1155.0	.1642	.1998	.1843	.9389	.3948-02	.4432-02	2.798	19.99	555.9
657	.90000	.50000	156.00	.1358	.1651	.1651	.9000	.3267-02	.3972-02	2.328	16.66	552.0
657	.90000	.60000	1157.0	.1232	.1497	.1385	.9378	.2963-02	.3330-02	2.113	14.65	551.6
657	.90000	.80000	158.00	.8127-01	.9849-01	.9306-01	.9275	.1955-02	.2238-02	1.414	11.07	541.3
657	.90000	.90000	159.00	.6197-01	.7502-01	.7239-01	.9172	.1491-02	.1741-02	1.084	8.655	537.4
657	.95000	.30000	164.00	.1620	.1968	.1818	.9383	.3896-02	.4374-02	2.782	19.93	550.6
657	.95000	.50000	165.00	.1163	.1412	.1308	.9373	.2797-02	.3146-02	2.005	14.86	548.0
657	.95000	.70000	166.00	.8971-01	.1088	.1017	.9329	.2158-02	.2445-02	1.557	11.76	543.2
657	.95000	.80000	167.00	.8581-01	.1040	.9890-01	.9243	.2064-02	.2379-02	1.494	11.11	541.0
657	.95000	.90000	168.00	.5765-01	.6981-01	.6729-01	.9178	.1387-02	.1618-02	1.007	7.627	538.4

DATE 23 FEB 80

OH84B MODEL 60-0 IN THE AEDC VKF HYPERSONIC TUNNEL

PAGE 2089

OH84B 60-0 WING LOWER SURFACE

(R4UQ35)

WING LOWER SURF

PARAMETRIC DATA

MACH = 8.000 ALPHA = 40.00 BETA = .0000 ELEVON = -5.000
 BDFLAP = -5.000 SPDBRK = .0000

TEST CONDITIONS

RUN NUMBER	RN/L /FT X10 6	MACH	ALPHA DEG.	BETA DEG.	PO PSIA	TO DEG. R	T DEG. R	P PSIA	Q PSI	V FT/SEC	RHO SLUGS /FT3	MU LB-SEC /FT2
645	1.997	7.980	40.01	-.4664-06	434.4	1303.	94.84	.4522-01	2.016	3810.	.1287-02	.7631-07
646	2.016	7.980	39.99	-.4655-06	436.5	1299.	94.54	.4544-01	2.025	3804.	.1297-02	.7608-07

RUN NUMBER	HREF BTU/R FT2SEC	STN NO REF (R) = .0175
645	.3502-01	.2873-01
646	.3509-01	.2860-01

TEST DATA

RUN NUMBER	2Y/BW	XW/CW	T/C NO	H/HREF R=1.0	H/HREF R=0.9	H/HREF R= TAW/TO	TAW/TO	H(TO) BTU/R FT2SEC	H(TAW) BTU/R FT2SEC	QDOT BTU/ FT2SEC	DTWDT DEG. R /SEC	TW DEG. R
646	.30000	.40000	1078.0	.6161-01	.7489-01	.6895-01	.9399	.2162-02	.2419-02	1.583	11.25	566.3
646	.30000	.50000	1079.0	.4956-01	.6025-01	.5589-01	.9362	.1739-02	.1961-02	1.273	9.343	566.8
646	.30000	.60000	1080.0	.5559-01	.6766-01	.6270-01	.9364	.1950-02	.2200-02	1.420	10.40	570.7
646	.30000	.70000	1081.0	.6929-01	.8436-01	.7829-01	.9356	.2431-02	.2747-02	1.767	12.52	571.9
646	.30000	.80000	1082.0	.8935-01	.1089	.1016	.9329	.3135-02	.3564-02	2.268	16.58	575.2
646	.30000	.90000	83.000	.5060-01	.6122-01	.5856-01	.9217	.1775-02	.2055-02	1.328	9.672	550.4
646	.30000	.95000	84.000	.7264-01	.8797-01	.8498-01	.9167	.2549-02	.2982-02	1.900	13.59	553.3
646	.40000	.60000	1092.0	.9117-01	.1111	.1027	.9375	.3199-02	.3604-02	2.311	15.36	576.1
646	.40000	.70000	1093.0	.1013	.1234	.1143	.9364	.3553-02	.4011-02	2.570	17.08	575.4
646	.40000	.75000	1094.0	.1067	.1301	.1210	.9345	.3745-02	.4245-02	2.703	19.75	576.7
646	.40000	.85000	95.000	.7527-01	.9131-01	.8644-01	.9264	.2641-02	.3033-02	1.952	14.63	559.6
646	.40000	.90000	96.000	.6096-01	.7387-01	.7119-01	.9178	.2139-02	.2498-02	1.590	13.55	555.3
646	.40000	.95000	97.000	.5089-01	.6160-01	.5984-01	.9140	.1786-02	.2099-02	1.334	10.77	551.4
646	.50000	.40000	1104.0	.8393-01	.1023	.9467-01	.9367	.2945-02	.3322-02	2.133	15.09	574.5
646	.50000	.60000	1105.0	.7379-01	.8990-01	.8332-01	.9362	.2589-02	.2923-02	1.876	12.86	574.1
646	.50000	.70000	1106.0	.5054-01	.6150-01	.5713-01	.9353	.1773-02	.2004-02	1.292	9.164	570.1
646	.50000	.90000	107.00	.5246-01	.6353-01	.6353-01	.9000	.1841-02	.2229-02	1.372	10.68	553.1
646	.60000	.40000	1116.0	.1213	.1480	.1366	.9378	.4257-02	.4794-02	3.065	20.97	578.7
646	.60000	.50000	1117.0	.1106	.1349	.1249	.9364	.3880-02	.4383-02	2.797	19.14	577.9

DATE 23 FEB 80

OH84B MODEL 60-0 IN THE AEDC VKF HYPERSONIC TUNNEL

PAGE 2090

OH84B 60-0 WING LOWER SURFACE

(R4UQ35)

RUN NUMBER	2Y/BW	XW/CW	T/C NO	H/HREF R=1.0	H/HREF R=0.9	H/HREF R= TAW/TO	TAW/TO	H(TO) BTU/R FT2SEC	H(TAW) BTU/R FT2SEC	QDOT BTU/ FT2SEC	DTWDT DEG. R /SEC	TW DEG. R
646	.60000	.60000	1118.0	.9883-01	.1205	.1116	.9362	.3468-02	.3917-02	2.506	17.17	575.9
646	.60000	.70000	1119.0	.9181-01	.1119	.1044	.9329	.3221-02	.3662-02	2.329	16.47	575.7
646	.60000	.80000	120.00	.7640-01	.9271-01	.8776-01	.9264	.2681-02	.3079-02	1.980	14.58	560.1
646	.60000	.85000	121.00	.7598-01	.9213-01	.8765-01	.9240	.2666-02	.3075-02	1.975	14.33	557.7
646	.60000	.90000	122.00	.6550-01	.7932-01	.7663-01	.9167	.2298-02	.2689-02	1.713	12.87	553.4
646	.60000	.95000	123.00	.4900-01	.5926-01	.5757-01	.9140	.1719-02	.2020-02	1.290	9.720	548.4
646	.70000	.40000	1130.0	.1267	.1545	.1430	.9366	.4447-02	.5017-02	3.217	20.16	575.2
646	.70000	.60000	131.00	.1187	.1445	.1339	.9362	.4163-02	.4700-02	3.024	18.99	572.3
646	.70000	.90000	132.00	.1440	.1745	.1683	.9178	.5052-02	.5904-02	3.737	26.66	558.9
645	.75000	.30000	138.00	.1446	.1762	.1629	.9375	.5065-02	.5704-02	3.680	23.05	576.1
645	.75000	.40000	139.00	.1250	.1523	.1408	.9373	.4378-02	.4932-02	3.183	20.53	575.7
645	.75000	.60000	140.00	.1118	.1361	.1361	.9000	.3916-02	.4768-02	2.853	18.97	574.0
645	.75000	.70000	1141.0	.8933-01	.1088	.1008	.9362	.3128-02	.3532-02	2.274	16.09	575.6
645	.75000	.80000	142.00	.6286-01	.7630-01	.7218-01	.9267	.2201-02	.2528-02	1.627	13.29	563.6
646	.75000	.90000	143.00	.5953-01	.7204-01	.6942-01	.9180	.2089-02	.2436-02	1.563	11.38	550.5
646	.75000	.95000	144.00	.3631-01	.4385-01	.4254-01	.9148	.1274-02	.1493-02	.9616	7.263	543.8
645	.80000	.20000	146.00	.1779	.2171	.2001	.9384	.6229-02	.7009-02	4.494	30.71	581.3
645	.80000	.40000	147.00	.1277	.1558	.1439	.9378	.4473-02	.5038-02	3.229	22.78	580.8
645	.80000	.90000	148.00	.6093-01	.7377-01	.7102-01	.9183	.2134-02	.2487-02	1.597	11.60	554.3
645	.90000	.30000	1155.0	.1643	.2009	.1849	.9389	.5755-02	.6476-02	4.117	28.95	587.4
645	.90000	.50000	156.00	.1409	.1721	.1721	.9000	.4934-02	.6025-02	3.547	24.99	583.7
645	.90000	.60000	1157.0	.1237	.1510	.1394	.9378	.4333-02	.4882-02	3.122	21.33	582.1
645	.90000	.80000	158.00	.8167-01	.9916-01	.9363-01	.9276	.2860-02	.3279-02	2.113	16.35	564.0
645	.90000	.90000	159.00	.6272-01	.7599-01	.7331-01	.9173	.2196-02	.2568-02	1.638	12.95	557.0
645	.95000	.30000	164.00	.1592	.1943	.1791	.9384	.5577-02	.6274-02	4.029	28.44	580.2
645	.95000	.50000	165.00	.1175	.1432	.1324	.9373	.4115-02	.4636-02	2.988	21.83	576.5
645	.95000	.70000	166.00	.9122-01	.1108	.1035	.9330	.3195-02	.3624-02	2.352	17.56	566.4
645	.95000	.80000	167.00	.8750-01	.1062	.1009	.9243	.3064-02	.3535-02	2.269	16.69	562.3
645	.95000	.90000	168.00	.6054-01	.7334-01	.7068-01	.9178	.2120-02	.2475-02	1.583	11.89	555.9

OH84B 60-0 WING LOWER SURFACE

(R4UQ35)

WING LOWER SURF

PARAMETRIC DATA

MACH = 8.000 ALPHA = 40.00 BETA = .0000 ELEVON = -5.000
 BDFLAP = -5.000 SPDBRK = .0000

TEST CONDITIONS

RUN NUMBER	RN/L /FT X10 6	MACH	ALPHA DEG.	BETA DEG.	PO PSIA	TO DEG. R	T DEG. R	P PSIA	Q PSI	V FT/SEC	RHO SLUGS /FT3	MU LB-SEC /FT2
655	2.999	7.990	40.01	.6952-02	675.0	1330.	96.58	.6970-01	3.115	3849.	.1948-02	.7772-07
656	3.001	7.990	40.02	.6961-02	672.3	1326.	96.29	.6943-01	3.103	3843.	.1946-02	.7748-07

RUN NUMBER	HREF BTU/ R FT2SEC	STN NO REF (R) = .0175
655	.4369-01	.2340-01
656	.4358-01	.2340-01

TEST DATA

RUN NUMBER	2Y/BW	XW/CW	T/C NO	H/HREF R=1.0	H/HREF R=0.9	H/HREF R= TAW/TO	TAW/TO	H(TO) BTU/R FT2SEC	H(TAW) BTU/R FT2SEC	QDOT BTU/ FT2SEC	DTWDT DEG. R /SEC	TW DEG. R
656	.30000	.40000	1078.0	.6762-01	.8191-01	.7552-01	.9400	.2947-02	.3291-02	2.238	15.91	566.1
656	.30000	.50000	1079.0	.6990-01	.8481-01	.7873-01	.9362	.3046-02	.3431-02	2.297	16.83	571.5
656	.30000	.60000	1080.0	.1093	.1331	.1233	.9365	.4764-02	.5374-02	3.535	25.74	583.7
656	.30000	.70000	1081.0	.1616	.1973	.1829	.9357	.7044-02	.7972-02	5.161	36.19	593.0
656	.30000	.80000	1082.0	.2220	.2717	.2530	.9330	.9677-02	.1103-01	7.019	50.68	600.3
656	.30000	.90000	83.000	.9089-01	.1097	.1050	.9217	.3961-02	.4576-02	3.060	22.25	553.2
656	.30000	.95000	84.000	.1171	.1415	.1368	.9167	.5105-02	.5961-02	3.923	28.01	557.1
656	.40000	.60000	1092.0	.1757	.2145	.1981	.9375	.7655-02	.8632-02	5.599	36.86	594.3
656	.40000	.70000	1093.0	.2244	.2741	.2536	.9365	.9778-02	.1105-01	7.144	47.02	595.0
656	.40000	.75000	1094.0	.2235	.2735	.2539	.9345	.9741-02	.1107-01	7.068	51.04	600.1
656	.40000	.85000	95.000	.1187	.1437	.1361	.9265	.5173-02	.5932-02	3.936	29.42	564.7
656	.40000	.90000	96.000	.1045	.1264	.1218	.9178	.4552-02	.5308-02	3.481	29.58	560.9
656	.40000	.95000	97.000	.9773-01	.1181	.1147	.9141	.4259-02	.5000-02	3.274	26.35	557.1
656	.50000	.40000	1104.0	.1081	.1316	.1218	.9368	.4712-02	.5310-02	3.506	24.73	581.6
656	.50000	.60000	1105.0	.1290	.1573	.1457	.9362	.5623-02	.6350-02	4.153	28.30	587.1
656	.50000	.70000	1106.0	.1091	.1329	.1234	.9354	.4756-02	.5378-02	3.524	24.81	584.8
656	.50000	.90000	107.000	.9130-01	.1103	.1103	.9000	.3979-02	.4807-02	3.062	23.79	556.2
656	.60000	.40000	1116.0	.1350	.1645	.1520	.9379	.5883-02	.6622-02	4.341	29.57	587.7
656	.60000	.50000	1117.0	.1309	.1595	.1477	.9365	.5704-02	.6439-02	4.208	28.66	587.9

DATE 23 FEB 80

OH84B MODEL 60-0 IN THE AEDC VKF HYPERSONIC TUNNEL

PAGE 2092

OH84B 60-0 WING LOWER SURFACE

(R4UQ35)

RUN NUMBER	2Y/BW	XW/CW	T/C NO	H/HREF R=1.0	H/HREF R=0.9	H/HREF R= TAW/TO	TAW/TO	H(TO) BTU/R FT2SEC	H(TAW) BTU/R FT2SEC	QDOT BTU/ FT2SEC	DTWDT DEG. R /SEC	TW DEG. R
656	.60000	.60000	1118.0	.1296	.1578	.1463	.9362	.5647-02	.6374-02	4.184	28.54	504.8
656	.60000	.70000	1119.0	.1269	.1546	.1443	.9330	.5532-02	.6287-02	4.094	28.82	585.6
656	.60000	.80000	120.00	.9939-01	.1202	.1139	.9265	.4331-02	.4963-02	3.315	24.42	560.2
656	.60000	.85000	121.00	.1006	.1216	.1157	.9241	.4383-02	.5044-02	3.363	24.39	558.2
656	.60000	.90000	122.00	.8909-01	.1076	.1040	.9167	.3983-02	.4530-02	2.998	22.53	553.5
656	.60000	.95000	123.00	.7072-01	.8523-01	.8284-01	.9141	.3082-02	.3610-02	2.400	18.10	546.8
656	.70000	.40000	1130.0	.1377	.1676	.1552	.9367	.6002-02	.6766-02	4.464	27.88	582.0
656	.70000	.60000	131.00	.1343	.1633	.1515	.9362	.5853-02	.6601-02	4.369	27.32	579.3
656	.70000	.90000	132.00	.1775	.2147	.2070	.9178	.7736-02	.9020-02	5.919	42.18	560.5
655	.75000	.30000	138.00	.1509	.1839	.1699	.9375	.6592-02	.7424-02	4.887	30.43	588.3
655	.75000	.40000	139.00	.1306	.1592	.1472	.9373	.5707-02	.6431-02	4.228	27.09	588.9
655	.75000	.60000	140.00	.1231	.1500	.1500	.9000	.5379-02	.6555-02	3.989	26.34	588.2
655	.75000	.70000	1141.0	.1081	.1317	.1221	.9362	.4721-02	.5333-02	3.494	24.54	589.7
655	.75000	.80000	142.00	.9026-01	.1096	.1036	.9267	.3943-02	.4528-02	2.976	24.18	575.0
656	.75000	.90000	143.00	.9173-01	.1107	.1067	.9180	.3998-02	.4649-02	3.099	22.56	550.5
656	.75000	.95000	144.00	.6154-01	.7408-01	.7191-01	.9148	.2682-02	.3134-02	2.100	15.87	542.5
655	.80000	.20000	146.00	.1917	.2344	.2159	.9384	.8377-02	.9434-02	6.126	41.51	598.3
655	.80000	.40000	147.00	.1362	.1663	.1535	.9378	.5949-02	.6705-02	4.362	30.54	596.5
655	.80000	.90000	148.00	.1108	.1341	.1291	.9183	.4839-02	.5639-02	3.705	26.79	564.0
655	.90000	.30000	1155.0	.1796	.2201	.2023	.9389	.7846-02	.8840-02	5.668	39.47	607.3
655	.90000	.50000	156.00	.1491	.1826	.1826	.9000	.6516-02	.7976-02	4.732	33.01	603.5
655	.90000	.60000	1157.0	.1361	.1665	.1535	.9378	.5948-02	.6707-02	4.342	29.40	599.6
655	.90000	.80000	158.00	.1127	.1369	.1292	.9276	.4925-02	.5646-02	3.713	28.57	575.8
655	.90000	.90000	159.00	.9725-01	.1178	.1137	.9173	.4249-02	.4966-02	3.237	25.45	567.9
655	.95000	.30000	164.00	.1606	.1964	.1809	.9384	.7016-02	.7904-02	5.120	35.79	599.9
655	.95000	.50000	165.00	.1189	.1451	.1341	.9373	.5195-02	.5858-02	3.825	27.71	593.3
655	.95000	.70000	166.00	.1236	.1502	.1403	.9330	.5402-02	.6127-02	4.065	30.19	577.2
655	.95000	.80000	167.00	.1222	.1483	.1410	.9243	.5340-02	.6159-02	4.040	29.57	573.0
655	.95000	.90000	168.00	.8974-01	.1086	.1047	.9178	.3920-02	.4574-02	3.000	22.43	564.4

DATE 23 FEB 80

OH84B MODEL 60-0 IN THE AEDC VKF HYPERSONIC TUNNEL

PAGE 2093

OH84B 60-0 WING LOWER SURFACE

(R4UQ36)

WING LOWER SURF

PARAMETRIC DATA

MACH = 8.000 ALPHA = 40.00 BETA = .0000 ELEVON = -5.000
 BDFLAP = .0000 SPDBRK = .0000

TEST CONDITIONS

RUN NUMBER	RN/L /FT X10 6	MACH	ALPHA DEG.	BETA DEG.	PO PSIA	TO DEG. R	T DEG. R	P PSIA	Q PSI	V FT/SEC	RHO SLUGS /FT3	MU LB-SEC /FT2
637	.5033	7.900	39.93	-.6897-02	99.99	1249.	92.62	.1111-01	.4855	3727.	.3238-03	.7453-07
638	.5027	7.900	39.93	-.1035-01	99.87	1249.	92.62	.1110-01	.4849	3727.	.3235-03	.7453-07

RUN NUMBER	HREF BTU/ R FT2SEC	STN NO REF (R) = .0175
637	.1706-01	.5702-01
638	.1705-01	.5705-01

TEST DATA

RUN NUMBER	ZY/BW	XW/CW	T/C NO	H/HREF R=1.0	H/HREF R=0.9	H/HREF R= TAW/TO	TAW/TO	H(TO) BTU/R FT2SEC	H(TAW) BTU/R FT2SEC	QDOT BTU/ FT2SEC	DTWDT DEG. R /SEC	TW DEG. R
638	.30000	.40000	1078.0	.7069-01	.8565-01	.7899-01	.9398	.1205-02	.1347-02	.8619	6.226	533.6
638	.30000	.50000	1079.0	.5480-01	.6641-01	.6170-01	.9360	.9344-03	.1052-02	.6675	4.982	534.3
638	.30000	.60000	1080.0	.5180-01	.6280-01	.5831-01	.9363	.8832-03	.9942-03	.6292	4.691	536.2
638	.30000	.70000	1081.0	.5099-01	.6182-01	.5749-01	.9355	.8695-03	.9802-03	.6198	4.473	535.8
638	.30000	.80000	1082.0	.5176-01	.6274-01	.5865-01	.9328	.8825-03	.1000-02	.6295	4.695	535.4
638	.30000	.90000	83.000	.3477-01	.4202-01	.4022-01	.9215	.5928-03	.6857-03	.4288	3.162	525.3
638	.30000	.95000	84.000	.5800-01	.7010-01	.6776-01	.9166	.9889-03	.1155-02	.7151	5.188	525.5
638	.40000	.60000	1092.0	.6900-01	.8371-01	.7754-01	.9373	.1177-02	.1322-02	.8362	5.663	538.0
638	.40000	.70000	1093.0	.6882-01	.8344-01	.7748-01	.9363	.1174-02	.1321-02	.8364	5.669	536.0
638	.40000	.75000	1094.0	.6637-01	.8046-01	.7500-01	.9343	.1132-02	.1279-02	.8067	6.016	535.8
638	.40000	.85000	95.000	.5181-01	.6270-01	.5941-01	.9263	.8833-03	.1013-02	.6349	4.830	529.9
638	.40000	.90000	96.000	.4303-01	.5203-01	.5018-01	.9176	.7337-03	.8556-03	.5300	4.582	526.3
638	.40000	.95000	97.000	.3381-01	.4085-01	.3970-01	.9139	.5765-03	.6769-03	.4178	3.419	524.0
638	.50000	.40000	1104.0	.8116-01	.9845-01	.9133-01	.9366	.1384-02	.1557-02	.9840	7.095	537.6
638	.50000	.60000	1105.0	.6925-01	.8399-01	.7800-01	.9360	.1181-02	.1330-02	.8399	5.868	537.3
638	.50000	.70000	1106.0	.4411-01	.5346-01	.4975-01	.9352	.7520-03	.8483-03	.5365	3.873	535.3
638	.50000	.90000	107.000	.4152-01	.5020-01	.5020-01	.9000	.7079-03	.8560-03	.5112	4.031	526.6
638	.60000	.40000	1116.0	.1132	.1373	.1272	.9377	.1931-02	.2168-02	1.373	9.594	537.4
638	.60000	.50000	1117.0	.1056	.1281	.1189	.9363	.1801-02	.2028-02	1.281	8.945	537.5

DATE 23 FEB 80

OH84B MODEL 60-0 IN THE AEDC VKF HYPERSONIC TUNNEL

PAGE 2094

OH84B 60-0 WING LOWER SURFACE

(R4UQ36)

RUN NUMBER	2Y/BW	XW/CW	T/C NO	H/HREF R=1.0	H/HREF R=0.9	H/HREF R= TAW/TO	TAW/TO	H(TO) BTU/R FT2SEC	H(TAW) BTU/R FT2SEC	QDOT BTU/ FT2SEC	DTWDT DEG. R /SEC	TW DEG. R
638	.60000	.60000	1118.0	.8988-01	.1090	.1012	.9360	.1532-02	.1726-02	1.091	7.620	537.0
638	.60000	.70000	1119.0	.7751-01	.9400-01	.8786-01	.9328	.1322-02	.1498-02	.9407	6.785	536.8
638	.60000	.80000	120.00	.5697-01	.6899-01	.6536-01	.9263	.9714-03	.1114-02	.6966	5.206	531.6
638	.60000	.85000	121.00	.6121-01	.7407-01	.7053-01	.9239	.1044-02	.1203-02	.7506	5.524	529.4
638	.60000	.90000	122.00	.5358-01	.6478-01	.6262-01	.9166	.9136-03	.1068-02	.6597	5.027	526.6
638	.60000	.95000	123.00	.4017-01	.4854-01	.4717-01	.9139	.6849-03	.8044-03	.4962	3.785	524.3
638	.70000	.40000	1130.0	.1214	.1471	.1365	.9365	.2069-02	.2328-02	1.476	9.439	535.2
638	.70000	.50000	131.00	.1111	.1347	.1251	.9360	.1895-02	.2133-02	1.354	8.659	534.3
638	.70000	.60000	132.00	.1295	.1567	.1511	.9176	.2208-02	.2577-02	1.588	11.50	529.4
638	.70000	.90000	132.00	.1295	.1567	.1511	.9176	.2208-02	.2577-02	1.588	11.50	529.4
637	.75000	.30000	138.00	.1399	.1697	.1572	.9373	.2386-02	.2682-02	1.696	10.83	538.1
637	.75000	.40000	139.00	.1222	.1463	.1371	.9371	.2085-02	.2344-02	1.480	9.727	538.6
637	.75000	.60000	140.00	.1078	.1308	.1308	.9000	.1839-02	.2231-02	1.305	8.836	538.8
637	.75000	.70000	1141.0	.8329-01	.1011	.9389-01	.9360	.1421-02	.1602-02	1.006	7.238	541.1
637	.75000	.80000	142.00	.5725-01	.6942-01	.6572-01	.9265	.9768-03	.1121-02	.6962	5.768	535.9
637	.75000	.90000	143.00	.5173-01	.6251-01	.6027-01	.9178	.8820-03	.1028-02	.6383	4.708	525.0
638	.75000	.90000	143.00	.5173-01	.6251-01	.6027-01	.9178	.8820-03	.1028-02	.6383	4.708	525.0
638	.75000	.95000	144.00	.3436-01	.4147-01	.4025-01	.9146	.5859-03	.6864-03	.4266	3.260	520.6
637	.80000	.20000	146.00	.1727	.2098	.1939	.9382	.2947-02	.3308-02	2.083	14.52	541.7
637	.80000	.40000	147.00	.1259	.1528	.1414	.9377	.2147-02	.2412-02	1.520	10.95	540.6
637	.80000	.90000	148.00	.5471-01	.6625-01	.6381-01	.9182	.9334-03	.1089-02	.6689	4.916	532.0
637	.90000	.30000	1155.0	.1606	.1953	.1802	.9387	.2740-02	.3075-02	1.925	13.82	546.2
637	.90000	.50000	156.00	.1376	.1672	.1672	.9000	.2348-02	.2853-02	1.659	11.93	542.4
637	.90000	.60000	1157.0	.1254	.1523	.1409	.9377	.2139-02	.2404-02	1.509	10.51	543.0
637	.90000	.80000	158.00	.7313-01	.8867-01	.8380-01	.9274	.1248-02	.1430-02	.8892	6.979	536.0
637	.90000	.90000	159.00	.5672-01	.6871-01	.6632-01	.9171	.9677-03	.1131-02	.6923	5.538	533.3
637	.95000	.30000	164.00	.1573	.1911	.1766	.9382	.2684-02	.3013-02	1.897	13.64	542.1
637	.95000	.50000	165.00	.1152	.1399	.1296	.9371	.1966-02	.2211-02	1.394	10.37	539.7
637	.95000	.70000	166.00	.7572-01	.9183-01	.8584-01	.9328	.1292-02	.1464-02	.9198	6.973	536.7
637	.95000	.80000	167.00	.7734-01	.9376-01	.8919-01	.9241	.1320-02	.1522-02	.9408	7.016	535.7
637	.95000	.90000	168.00	.5617-01	.6805-01	.6561-01	.9176	.9583-03	.1119-02	.6854	5.204	533.4

DATE 23 FEB 80

OH84B MODEL 60-0 IN THE AEDC VKF HYPERSONIC TUNNEL

PAGE 2095

OH84B 60-0 WING LOWER SURFACE

(R4UQ36)

WING LOWER SURF

PARAMETRIC DATA

MACH = 8.000 ALPHA = 40.00 BETA = .0000 ELEVON = -5.000
 BDFLAP = .0000 SPDBRK = .0000

TEST CONDITIONS

RUN NUMBER	RN/L /FT X10 6	MACH	ALPHA DEG.	BETA DEG.	PO PSIA	TO DEG. R	T DEG. R	P PSIA	Q PSI	V FT/SEC	RHO SLUGS /FT3	MU LB-SEC /FT2
663	1.016	7.940	39.97	-.4643-06	207.3	1260.	92.56	.2230-01	.9840	3745.	.6501-03	.7449-07
664	1.016	7.940	39.97	-.4646-06	207.5	1261.	92.64	.2232-01	.9849	3746.	.6503-03	.7454-07

RUN NUMBER	HREF BTU/ R FT2SEC	STN NO REF (R) = .0175
663	.2433-01	.4028-01
664	.2434-01	.4028-01

TEST DATA

RUN NUMBER	2Y/BW	XW/CW	T/C NO	H/HREF R=1.0	H/HREF R=0.9	H/HREF R= TAW/TO	TAW/TO	H(TO) BTU/R FT2SEC	H(TAW) BTU/R FT2SEC	QDOT BTU/ FT2SEC	DTWOT DEG. R /SEC	TW DEG. R
664	.30000	.40000	1078.0	.7105-01	.8590-01	.7929-01	.9399	.1729-02	.1930-02	1.261	9.117	531.7
664	.30000	.50000	1079.0	.5127-01	.6207-01	.5768-01	.9361	.1248-02	.1404-02	.9034	6.734	536.7
664	.30000	.60000	1080.0	.4913-01	.5955-01	.5529-01	.9364	.1196-02	.1346-02	.8619	6.414	540.0
664	.30000	.70000	1081.0	.5025-01	.6087-01	.5651-01	.9356	.1223-02	.1378-02	.8836	6.369	538.2
664	.30000	.80000	1082.0	.5490-01	.6651-01	.6219-01	.9329	.1336-02	.1514-02	.9650	7.187	538.5
664	.30000	.90000	83.000	.3629-01	.4381-01	.4194-01	.9216	.8834-03	.1021-02	.6485	4.779	526.5
664	.30000	.95000	84.000	.5848-01	.7062-01	.6826-01	.9166	.1424-02	.1662-02	1.044	7.571	527.0
664	.40000	.60000	1092.0	.6979-01	.8463-01	.7839-01	.9374	.1699-02	.1908-02	1.221	8.251	542.0
664	.40000	.70000	1093.0	.7297-01	.8839-01	.8209-01	.9364	.1776-02	.1998-02	1.284	8.694	537.8
664	.40000	.75000	1094.0	.7097-01	.8598-01	.8015-01	.9344	.1728-02	.1951-02	1.248	9.292	538.4
664	.40000	.85000	95.000	.5717-01	.6915-01	.6553-01	.9264	.1392-02	.1595-02	1.012	7.687	533.2
664	.40000	.90000	96.000	.4580-01	.5531-01	.5335-01	.9177	.1115-02	.1299-02	.8168	7.056	528.0
664	.40000	.95000	97.000	.3661-01	.4416-01	.4292-01	.9140	.8910-03	.1045-02	.6564	5.373	523.9
664	.50000	.40000	1104.0	.8225-01	.9969-01	.9250-01	.9367	.2002-02	.2251-02	1.442	10.38	540.3
664	.50000	.60000	1105.0	.6547-01	.7938-01	.7372-01	.9361	.1594-02	.1794-02	1.146	7.992	541.3
664	.50000	.70000	1106.0	.4048-01	.4904-01	.4563-01	.9353	.9853-03	.1111-02	.7116	5.129	538.4
664	.50000	.90000	107.00	.4352-01	.5256-01	.5256-01	.9000	.1059-02	.1279-02	.7765	6.120	527.7
664	.60000	.40000	1116.0	.1130	.1371	.1269	.9378	.2750-02	.3088-02	1.970	13.71	544.3
664	.60000	.50000	1117.0	.1025	.1244	.1155	.9364	.2496-02	.2810-02	1.790	12.46	543.7

DATE 23 FEB 80

OH84B MODEL 60-0 IN THE AEDC VKF HYPERSONIC TUNNEL

PAGE 2096

OH84B 60-0 WING LOWER SURFACE

(R4UQ36)

RUN NUMBER	2Y/BW	XW/CW	T/C NO	H/HREF R=1.0	H/HREF R=0.9	H/HREF R= TAW/TO	TAW/TO	H(TO) BTU/R FT2SEC	H(TAW) BTU/R FT2SEC	QDOT BTU/ FT2SEC	DTWOT DEG. R /SEC	TW DEG. R
664	.60000	.60000	1118.0	.9252-01	.1122	.1042	.9361	.2252-02	.2536-02	1.621	11.30	541.0
664	.60000	.70000	1119.0	.8343-01	.1012	.9455-01	.9329	.2031-02	.2301-02	1.461	10.51	541.4
664	.60000	.80000	120.00	.6225-01	.7536-01	.7139-01	.9264	.1515-02	.1738-02	1.098	8.190	535.8
664	.60000	.85000	121.00	.6805-01	.8228-01	.7835-01	.9240	.1656-02	.1907-02	1.208	8.875	531.7
664	.60000	.90000	122.00	.5632-01	.6804-01	.6576-01	.9166	.1371-02	.1601-02	1.004	7.644	528.3
664	.60000	.95000	123.00	.4324-01	.5217-01	.5071-01	.9140	.1053-02	.1234-02	.7754	5.916	524.0
664	.70000	.40000	1130.0	.1195	.1449	.1344	.9366	.2908-02	.3272-02	2.089	13.31	542.2
664	.70000	.60000	131.00	.1112	.1349	.1253	.9361	.2708-02	.3049-02	1.948	12.41	541.4
664	.70000	.90000	132.00	.1415	.1711	.1650	.9177	.3445-02	.4017-02	2.512	18.17	531.5
663	.75000	.30000	138.00	.1388	.1684	.1560	.9374	.3377-02	.3794-02	2.418	15.40	543.5
663	.75000	.40000	139.00	.1209	.1468	.1359	.9372	.2941-02	.3307-02	2.102	13.77	544.9
663	.75000	.60000	140.00	.1054	.1279	.1279	.9000	.2563-02	.3112-02	1.828	12.33	546.2
663	.75000	.70000	1141.0	.8715-01	.1059	.9824-01	.9361	.2120-02	.2390-02	1.510	10.84	547.3
663	.75000	.80000	142.00	.6172-01	.7481-01	.7082-01	.9266	.1501-02	.1723-02	1.080	8.932	540.1
664	.75000	.90000	143.00	.5470-01	.6605-01	.6368-01	.9179	.1332-02	.1550-02	.9771	7.200	526.8
664	.75000	.95000	144.00	.3590-01	.4327-01	.4200-01	.9147	.8739-03	.1022-02	.6470	4.945	520.3
663	.80000	.20000	146.00	.1784	.2167	.2002	.9383	.4339-02	.4871-02	3.093	21.50	547.0
663	.80000	.40000	147.00	.1248	.1516	.1402	.9377	.3036-02	.3412-02	2.164	15.52	547.1
663	.80000	.90000	148.00	.5677-01	.6869-01	.6616-01	.9183	.1381-02	.1609-02	1.003	7.361	533.8
663	.90000	.30000	1155.0	.1644	.2000	.1845	.9388	.4000-02	.4488-02	2.832	20.27	551.7
663	.90000	.50000	156.00	.1359	.1652	.1652	.9000	.3306-02	.4019-02	2.347	16.82	549.7
663	.90000	.60000	1157.0	.1253	.1524	.1409	.9377	.3049-02	.3428-02	2.164	15.02	549.9
663	.90000	.80000	158.00	.8106-01	.9826-01	.9285-01	.9275	.1972-02	.2259-02	1.419	11.12	539.9
663	.90000	.90000	159.00	.5800-01	.7021-01	.6776-01	.9172	.1411-02	.1648-02	1.022	8.165	535.5
663	.95000	.30000	164.00	.1610	.1956	.1808	.9383	.3917-02	.4397-02	2.789	20.01	547.6
663	.95000	.50000	165.00	.1144	.1389	.1287	.9372	.2783-02	.3130-02	1.985	14.73	546.3
663	.95000	.70000	166.00	.8855-01	.1074	.1004	.9329	.2154-02	.2442-02	1.547	11.69	541.7
663	.95000	.80000	167.00	.8587-01	.1040	.9897-01	.9242	.2089-02	.2408-02	1.506	11.22	538.6
663	.95000	.90000	168.00	.5814-01	.7037-01	.6785-01	.9177	.1414-02	.1650-02	1.025	7.775	535.1

DATE 23 FEB 80

OH84B MODEL 60-0 IN THE AEDC VKF HYPERSONIC TUNNEL

PAGE 2097

OH84B 60-0 WING LOWER SURFACE

(R4UQ36)

WING LOWER SURF

PARAMETRIC DATA

MACH = 8.000 ALPHA = 40.00 BETA = .0000 ELEVON = -5.000
 BDFLAP = .0000 SPOBRK = .0000

TEST CONDITIONS

RUN NUMBER	RN/L /FT X10 6	MACH	ALPHA DEG.	BETA DEG.	PO PSIA	TO DEG. R	T DEG. R	P PSIA	Q PSI	V FT/SEC	RHO SLUGS /FT3	MU LB-SEC /FT2
643	2.006	7.980	39.98	-.1040-01	434.5	1299.	94.54	.4523-01	2.016	3804.	.1291-02	.7608-07
644	2.002	7.980	39.98	-.1040-01	434.5	1301.	94.69	.4523-01	2.016	3807.	.1289-02	.7620-07

RUN NUMBER	HREF BTU/ R FT2SEC	STN NO REF (R) = .0175
643	.3501-01	.2867-01
644	.3502-01	.2870-01

TEST DATA

RUN NUMBER	2Y/BW	XW/CW	T/C NO	H/HREF R=1.0	H/HREF R=0.9	H/HREF R= TAW/TO	TAW/TO	H(TO) BTU/R FT2SEC	H(TAW) BTU/R FT2SEC	QDOT BTU/ FT2SEC	DTWDT DEG. R /SEC	TW DEG. R
644	.30000	.40000	1078.0	.6010-01	.7280-01	.6714-01	.9399	.2104-02	.2351-02	1.569	11.21	555.2
644	.30000	.50000	1079.0	.4731-01	.5734-01	.5325-01	.9362	.1657-02	.1865-02	1.232	9.093	556.7
644	.30000	.60000	1080.0	.5308-01	.6443-01	.5978-01	.9364	.1859-02	.2093-02	1.372	10.09	562.5
644	.30000	.70000	1081.0	.6743-01	.8191-01	.7609-01	.9356	.2361-02	.2664-02	1.738	12.36	564.8
644	.30000	.80000	1082.0	.8573-01	.1043	.9734-01	.9329	.3002-02	.3408-02	2.197	16.11	568.9
644	.30000	.90000	83.000	.5160-01	.6223-01	.5957-01	.9216	.1807-02	.2086-02	1.376	10.08	538.9
644	.30000	.95000	84.000	.7214-01	.8707-01	.8417-01	.9167	.2526-02	.2947-02	1.916	13.78	542.1
644	.40000	.60000	1092.0	.8811-01	.1072	.9913-01	.9375	.3085-02	.3471-02	2.258	15.06	568.8
644	.40000	.70000	1093.0	.9995-01	.1215	.1127	.9364	.3500-02	.3946-02	2.562	17.08	568.6
644	.40000	.75000	1094.0	.1056	.1285	.1196	.9344	.3698-02	.4187-02	2.701	19.80	570.2
644	.40000	.85000	95.000	.7536-01	.9116-01	.8637-01	.9264	.2639-02	.3024-02	1.981	14.92	550.0
644	.40000	.90000	96.000	.6062-01	.7323-01	.7062-01	.9177	.2123-02	.2473-02	1.604	13.73	545.2
644	.40000	.95000	97.000	.5040-01	.6080-01	.5909-01	.9140	.1765-02	.2069-02	1.342	10.89	540.2
644	.50000	.40000	1104.0	.8249-01	.1003	.9291-01	.9367	.2888-02	.3253-02	2.120	15.06	566.8
644	.50000	.60000	1105.0	.7095-01	.8623-01	.8000-01	.9362	.2484-02	.2801-02	1.824	12.55	566.7
644	.50000	.70000	1106.0	.4305-01	.5225-01	.4858-01	.9353	.1507-02	.1701-02	1.113	7.923	562.4
644	.50000	.90000	107.00	.5221-01	.6301-01	.6301-01	.9000	.1828-02	.2206-02	1.386	10.84	542.4
644	.60000	.40000	1116.0	.1213	.1477	.1365	.9378	.4247-02	.4778-02	3.093	21.23	572.4
644	.60000	.50000	1117.0	.1098	.1337	.1239	.9364	.3846-02	.4338-02	2.803	19.25	571.7

DATE 23 FEB 80

OH84B MODEL 60-0 IN THE AEDC VKF HYPERSONIC TUNNEL

PAGE 2098

OH84B 60-0 WING LOWER SURFACE

(R4UQ36)

RUN NUMBER	ZY/BW	XW/CW	T/C NO	H/HREF R=1.0	H/HREF R=0.9	H/HREF R= TAW/TO	TAW/TO	H(TO) BTU/R FT2SEC	H(TAW) BTU/R FT2SEC	QDOT BTU/ FT2SEC	DTWDT DEG. R /SEC	TW DEG. R
644	.60000	.60000	1118.0	.1022	.1242	.1152	.9362	.3578-02	.4035-02	2.620	18.02	568.4
644	.60000	.70000	1119.0	.8967-01	.1090	.1018	.9329	.3140-02	.3565-02	2.298	16.31	568.8
644	.60000	.80000	120.00	.7276-01	.8805-01	.8342-01	.9264	.2548-02	.2921-02	1.908	14.11	551.8
644	.60000	.85000	121.00	.7573-01	.9155-01	.8718-01	.9240	.2652-02	.3052-02	1.996	14.55	548.1
644	.60000	.90000	122.00	.6530-01	.7884-01	.7621-01	.9167	.2287-02	.2668-02	1.732	13.08	543.3
644	.60000	.95000	123.00	.4844-01	.5839-01	.5676-01	.9140	.1696-02	.1988-02	1.295	9.812	537.3
644	.70000	.40000	1130.0	.1263	.1536	.1424	.9366	.4424-02	.4986-02	3.239	20.36	568.6
644	.70000	.60000	131.00	.1182	.1436	.1333	.9362	.4139-02	.4667-02	3.041	19.14	566.1
644	.70000	.90000	132.00	.1475	.1785	.1721	.9177	.5164-02	.6024-02	3.867	27.68	551.8
643	.75000	.30000	138.00	.1428	.1738	.1608	.9374	.5000-02	.5628-02	3.640	22.86	570.6
643	.75000	.40000	139.00	.1236	.1504	.1391	.9372	.4326-02	.4871-02	3.149	20.36	570.7
643	.75000	.60000	140.00	.1102	.1341	.1341	.9000	.3859-02	.4696-02	2.814	18.76	569.5
643	.75000	.70000	1141.0	.8802-01	.1071	.9934-01	.9362	.3081-02	.3477-02	2.242	15.90	570.9
643	.75000	.80000	142.00	.6127-01	.7434-01	.7035-01	.9266	.2145-02	.2463-02	1.585	12.97	559.9
644	.75000	.90000	143.00	.5927-01	.7151-01	.6896-01	.9180	.2076-02	.2415-02	1.577	11.54	540.7
644	.75000	.95000	144.00	.3557-01	.4403-01	.4275-01	.9147	.1281-02	.1497-02	.9832	7.467	532.9
643	.80000	.20000	146.00	.1780	.2170	.2002	.9383	.6232-02	.7009-02	4.503	30.85	576.0
643	.80000	.40000	147.00	.1269	.1547	.1429	.9378	.4443-02	.5002-02	3.210	22.70	576.1
643	.80000	.90000	148.00	.6021-01	.7286-01	.7017-01	.9183	.2108-02	.2456-02	1.577	11.48	550.4
643	.90000	.30000	1155.0	.1631	.1992	.1834	.9388	.5709-02	.6421-02	4.089	28.83	582.4
643	.90000	.50000	156.00	.1395	.1703	.1703	.9000	.4884-02	.5961-02	3.511	24.79	579.8
643	.90000	.60000	1157.0	.1277	.1558	.1438	.9378	.4470-02	.5035-02	3.220	22.03	578.4
643	.90000	.80000	158.00	.8065-01	.9787-01	.9244-01	.9275	.2823-02	.3236-02	2.084	16.16	560.5
643	.90000	.90000	159.00	.6012-01	.7279-01	.7025-01	.9172	.2104-02	.2459-02	1.569	12.43	553.0
643	.95000	.30000	164.00	.1591	.1940	.1790	.9383	.5571-02	.6265-02	4.027	28.48	575.8
643	.95000	.50000	165.00	.1138	.1385	.1281	.9372	.3982-02	.4486-02	2.891	21.16	572.6
643	.95000	.70000	166.00	.8860-01	.1076	.1005	.9329	.3101-02	.3518-02	2.283	17.08	562.6
643	.95000	.80000	167.00	.8661-01	.1050	.9989-01	.9242	.3032-02	.3497-02	2.244	16.55	558.4
643	.95000	.90000	168.00	.5975-01	.7231-01	.6971-01	.9177	.2092-02	.2440-02	1.563	11.76	551.3

DATE 23 FEB 80

OH84B MODEL 60-0 IN THE AEDC VKF HYPERSONIC TUNNEL

PAGE 2099

OH84B 60-0 WING LOWER SURFACE

(R4UQ36)

WING LOWER SURF

PARAMETRIC DATA

MACH = 8.000 ALPHA = 40.00 BETA = .0000 ELEVON = -5.000
BDFLAP = .0000 SPDBRK = .0000

TEST CONDITIONS

RUN NUMBER	RN/L /FT X10 6	MACH	ALPHA DEG.	BETA DEG.	PO PSIA	TO DEG. R	T DEG. R	P PSIA	Q PSI	V FT/SEC	RHO SLUGS /FT3	MU LB-SEC /FT2
653	2.998	7.990	40.02	.6962-02	672.4	1327.	96.36	.6944-01	3.103	3845.	.1945-02	.7754-07
654	2.991	7.990	40.02	.6962-02	669.5	1325.	96.21	.6914-01	3.090	3842.	.1940-02	.7742-07

RUN NUMBER	HREF BTU/ R FT2SEC	STN NO REF (R) = .0175
653	.4359-01	.2341-01
654	.4348-01	.2344-01

TEST DATA

RUN NUMBER	2Y/BW	XW/CW	T/C NO	H/HREF R=1.0	H/HREF R=0.9	H/HREF R= TAW/TO	TAW/TO	H(TO) BTU/R FT2SEC	H(TAW) BTU/R FT2SEC	QDOT BTU/ FT2SEC	DTWOT DEG. R /SEC	TW DEG. R
654	.30000	.40000	1078.0	.6565-01	.7966-01	.7339-01	.9400	.2855-02	.3191-02	2.150	15.24	571.6
654	.30000	.50000	1079.0	.6681-01	.8120-01	.7532-01	.9363	.2905-02	.3275-02	2.173	15.87	576.8
654	.30000	.60000	1080.0	.1067	.1302	.1205	.9365	.4639-02	.5239-02	3.408	24.73	590.1
654	.30000	.70000	1081.0	.1591	.1947	.1803	.9357	.6918-02	.7839-02	5.013	35.03	600.1
654	.30000	.80000	1082.0	.2183	.2678	.2492	.9330	.9492-02	.1083-01	6.799	48.90	608.4
654	.30000	.90000	83.000	.9066-01	.1096	.1048	.9217	.3942-02	.4558-02	3.026	21.96	557.1
654	.30000	.95000	84.000	.1162	.1406	.1358	.9168	.5052-02	.5906-02	3.851	27.42	562.3
654	.40000	.60000	1092.0	.1757	.2151	.1984	.9375	.7640-02	.8627-02	5.528	36.27	601.2
654	.40000	.70000	1093.0	.2221	.2720	.2514	.9365	.9656-02	.1093-01	6.970	45.70	602.8
654	.40000	.75000	1094.0	.2228	.2734	.2535	.9345	.9690-02	.1102-01	6.943	49.94	608.2
654	.40000	.85000	95.000	.1334	.1621	.1534	.9265	.5800-02	.6669-02	4.331	32.16	577.8
654	.40000	.90000	96.000	.1166	.1414	.1362	.9178	.5068-02	.5924-02	3.819	32.28	571.2
654	.40000	.95000	97.000	.1054	.1277	.1240	.9141	.4585-02	.5394-02	3.481	27.90	565.5
654	.50000	.40000	1104.0	.1099	.1340	.1240	.9368	.4778-02	.5391-02	3.515	24.70	589.0
654	.50000	.60000	1105.0	.1279	.1562	.1446	.9363	.5562-02	.6289-02	4.065	27.60	593.9
654	.50000	.70000	1106.0	.1116	.1362	.1264	.9354	.4855-02	.5495-02	3.565	25.03	590.4
654	.50000	.90000	107.00	.8987-01	.1087	.1087	.9000	.3908-02	.4728-02	2.985	23.14	560.8
654	.60000	.40000	1116.0	.1332	.1627	.1501	.9379	.5791-02	.6527-02	4.223	28.65	595.5
654	.60000	.50000	1117.0	.1308	.1598	.1479	.9365	.5688-02	.6430-02	4.148	28.14	595.5

DATE 23 FEB 80

OH84B MODEL 60-0 IN THE AEDC VKF HYPERSONIC TUNNEL

PAGE 2100

OH84B 60-0 WING LOWER SURFACE

(R4UQ36)

RUN NUMBER	2Y/BW	XW/CW	T/C NO	H/HREF R=1.0	H/HREF R=0.9	H/HREF R= TAW/TO	TAW/TO	H(TO) BTU/R FT2SEC	H(TAW) BTU/R FT2SEC	QDOT BTU/ FT2SEC	DTWDT DEG. R /SEC	TW DEG. R
654	.60000	.60000	1118.0	.1301	.1589	.1471	.9363	.5659-02	.6396-02	4.145	28.18	592.1
654	.60000	.70000	1119.0	.1286	.1570	.1463	.9330	.5592-02	.6364-02	4.095	28.73	592.4
654	.60000	.80000	120.00	.9707-01	.1175	.1113	.9265	.4221-02	.4840-02	3.212	23.62	563.7
654	.60000	.85000	121.00	.1000	.1211	.1152	.9241	.4350-02	.5011-02	3.315	23.99	562.6
654	.60000	.90000	122.00	.8908-01	.1077	.1041	.9168	.3874-02	.4525-02	2.968	22.25	558.5
654	.60000	.95000	123.00	.6729-01	.8122-01	.7692-01	.9141	.2926-02	.3432-02	2.260	16.99	552.4
654	.70000	.40000	1130.0	.1397	.1692	.1566	.9367	.6033-02	.6809-02	4.439	27.63	588.8
654	.70000	.60000	131.00	.1338	.1630	.1510	.9363	.5816-02	.6567-02	4.295	26.77	586.2
654	.70000	.90000	132.00	.1731	.2098	.2022	.9178	.7529-02	.8791-02	5.707	40.55	566.6
653	.75000	.30000	138.00	.1514	.1645	.1705	.9375	.6590-02	.7432-02	4.977	30.39	597.6
653	.75000	.40000	139.00	.1329	.1619	.1497	.9373	.5791-02	.6526-02	4.278	27.42	588.0
653	.75000	.60000	140.00	.1242	.1513	.1513	.9000	.5412-02	.6596-02	4.000	26.42	587.6
653	.75000	.70000	1141.0	.1097	.1325	.1228	.9363	.4738-02	.5352-02	3.494	24.55	589.2
653	.75000	.80000	142.00	.8991-01	.1092	.1033	.9267	.3919-02	.4502-02	2.942	23.89	575.9
654	.75000	.90000	143.00	.8732-01	.1055	.1017	.9180	.3797-02	.4420-02	2.922	21.22	555.1
654	.75000	.95000	144.00	.5748-01	.6927-01	.6723-01	.9148	.2500-02	.2923-02	1.946	14.68	546.3
653	.80000	.20000	146.00	.1918	.2344	.2159	.9384	.8358-02	.9413-02	6.097	41.34	597.2
653	.80000	.40000	147.00	.1375	.1679	.1549	.9379	.5992-02	.6754-02	4.382	30.69	595.4
653	.80000	.90000	148.00	.1081	.1309	.1260	.9184	.4712-02	.5493-02	3.588	25.93	565.2
653	.90000	.30000	1155.0	.1797	.2202	.2025	.9389	.7834-02	.8825-02	5.651	39.39	605.3
653	.90000	.50000	156.00	.1506	.1844	.1844	.9000	.6566-02	.8037-02	4.760	33.24	601.7
653	.90000	.60000	1157.0	.1397	.1708	.1575	.9379	.6089-02	.6865-02	4.437	30.07	597.9
653	.90000	.80000	158.00	.1128	.1370	.1294	.9276	.4918-02	.5639-02	3.692	28.40	576.0
653	.90000	.90000	159.00	.9724-01	.1179	.1137	.9173	.4239-02	.4957-02	3.211	25.23	569.0
653	.95000	.30000	164.00	.1620	.1980	.1824	.9384	.7061-02	.7953-02	5.144	35.98	598.2
653	.95000	.50000	165.00	.1206	.1472	.1360	.9373	.5259-02	.5929-02	3.865	28.03	591.6
653	.95000	.70000	166.00	.1240	.1507	.1407	.9330	.5407-02	.6134-02	4.053	30.11	577.0
653	.95000	.80000	167.00	.1224	.1486	.1412	.9243	.5337-02	.6157-02	4.021	29.43	573.2
653	.95000	.90000	168.00	.8969-01	.1086	.1047	.9178	.3909-02	.4563-02	2.977	22.25	565.1

DATE 23 FEB 80

OH84B MODEL 60-0 IN THE AEDC VKF HYPERSONIC TUNNEL

PAGE 2101

OH84B 60-0 WING LOWER SURFACE

(R4UQ37)

WING LOWER SURF

PARAMETRIC DATA

MACH = 8.000 ALPHA = 40.00 BETA = .0000 ELEVON = -5.000
 BDFLAP = 5.000 SPDBRK = .0000

TEST CONDITIONS

RUN NUMBER	RN/L /FT X10 6	MACH	ALPHA DEG.	BETA DEG.	PO PSIA	TO DEG. R	T DEG. R	P PSIA	Q PSI	V FT/SEC	RHO SLUGS /FT3	MU LB-SEC /FT2
639	.5035	7.900	39.95	-.1383-01	99.79	1247.	92.47	.1109-01	.4845	3724.	.3237-03	.7441-07
640	.5043	7.900	39.93	-.1035-01	99.93	1247.	92.47	.1111-01	.4852	3724.	.3242-03	.7441-07
RUN NUMBER	HREF BTU/ R FT2SEC	STN NO REF (R)										
639	.1704-01	.5702-01	=.0175									
640	.1705-01	.5698-01										

TEST DATA

RUN NUMBER	2Y/BW	XW/CW	T/C NO	H/HREF R=1.0	H/HREF R=0.9	H/HREF R=TAW/TO	TAW/TO	H(TO) BTU/R FT2SEC	H(TAW) BTU/R FT2SEC	QDOT BTU/ FT2SEC	DTWDT DEG. R /SEC	TW DEG. R
640	.30000	.40000	1078.0	.7001-01	.8471-01	.7818-01	.9398	.1194-02	.1333-02	.8576	6.213	528.3
640	.30000	.50000	1079.0	.5533-01	.6697-01	.6225-01	.9361	.9434-03	.1061-02	.6768	5.063	529.3
640	.30000	.60000	1080.0	.5190-01	.6286-01	.5839-01	.9363	.8850-03	.9956-03	.6330	4.731	531.4
640	.30000	.70000	1081.0	.5088-01	.6161-01	.5732-01	.9355	.8675-03	.9773-03	.6209	4.492	531.0
640	.30000	.80000	1082.0	.5629-01	.6815-01	.6374-01	.9328	.9599-03	.1087-02	.6876	5.142	530.3
640	.30000	.90000	83.000	.3456-01	.4172-01	.3994-01	.9215	.5892-03	.6810-03	.4278	3.163	520.6
640	.30000	.95000	84.000	.5840-01	.7051-01	.6817-01	.9166	.9958-03	.1162-02	.7229	5.257	520.7
640	.40000	.60000	1092.0	.6826-01	.8270-01	.7664-01	.9373	.1164-02	.1307-02	.8307	5.640	532.9
640	.40000	.70000	1093.0	.6814-01	.8252-01	.7665-01	.9363	.1162-02	.1307-02	.8317	5.653	530.9
640	.40000	.75000	1094.0	.6574-01	.7960-01	.7423-01	.9343	.1121-02	.1266-02	.8026	6.001	530.7
640	.40000	.85000	95.000	.5256-01	.6353-01	.6023-01	.9263	.8963-03	.1027-02	.6472	4.936	524.6
640	.40000	.90000	96.000	.4292-01	.5183-01	.5000-01	.9176	.7319-03	.8525-03	.5310	4.604	521.1
640	.40000	.95000	97.000	.3376-01	.4075-01	.3961-01	.9139	.5757-03	.6754-03	.4189	3.437	519.1
640	.50000	.40000	1104.0	.8021-01	.9716-01	.9019-01	.9366	.1368-02	.1538-02	.9771	7.064	532.2
640	.50000	.60000	1105.0	.6890-01	.8346-01	.7755-01	.9361	.1175-02	.1322-02	.8395	5.880	532.1
640	.50000	.70000	1106.0	.4175-01	.5055-01	.4706-01	.9352	.7119-03	.8024-03	.5099	3.690	530.4
640	.50000	.90000	107.00	.4211-01	.5085-01	.5085-01	.9000	.7181-03	.8670-03	.5212	4.122	520.9
640	.60000	.40000	1116.0	.1118	.1355	.1255	.9377	.1907-02	.2140-02	1.363	9.549	531.9
640	.60000	.50000	1117.0	.1045	.1266	.1176	.9363	.1782-02	.2005-02	1.273	8.919	532.2

OH84B 60-0 WING LOWER SURFACE

(R4UQ37)

RUN NUMBER	ZY/BW	XW/CW	T/C NO	H/HREF	H/HREF	H/HREF	TAW/TO	H(TO)	H(TAW)	QDOT	DTWDT	TW
				R=1.0	R=0.9	R=		BTU/R	BTU/R	BTU/ FT2SEC	DEG. R	DEG. R
640	.60000	.60000	1118.0	.8961-01	.1085	.1009	.9361	.1528-02	.1720-02	1.093	7.655	531.6
640	.50000	.70000	1119.0	.7610-01	.9217-01	.8619-01	.9328	.1298-02	.1470-02	.9281	6.712	531.5
640	.60000	.80000	120.00	.5806-01	.7021-01	.6655-01	.9263	.9900-03	.1135-02	.7134	5.346	526.1
640	.60000	.95000	121.00	.6152-01	.7434-01	.7081-01	.9239	.1049-02	.1207-02	.7581	5.595	523.9
640	.60000	.90000	122.00	.5283-01	.6380-01	.6168-01	.9166	.9009-03	.1052-02	.6535	4.993	521.2
640	.60000	.95000	123.00	.4007-01	.4836-01	.4701-01	.9139	.6833-03	.8016-03	.4971	3.801	519.2
640	.70000	.40000	1130.0	.1240	.1500	.1393	.9365	.2114-02	.2376-02	1.516	9.716	529.7
640	.70000	.60000	131.00	.1116	.1350	.1255	.9361	.1903-02	.2140-02	1.366	8.765	528.6
640	.70000	.90000	132.00	.1284	.1552	.1497	.9176	.2190-02	.2552-02	1.584	11.50	523.4
639	.75000	.30000	138.00	.1433	.1737	.1609	.9374	.2442-02	.2742-02	1.745	11.16	532.9
639	.75000	.40000	139.00	.1220	.1479	.1371	.9372	.2080-02	.2337-02	1.481	9.752	534.5
639	.75000	.60000	140.00	.1078	.1307	.1307	.9000	.1837-02	.2227-02	1.307	8.864	535.0
639	.75000	.70000	1141.0	.8445-01	.1024	.9513-01	.9361	.1439-02	.1621-02	1.021	7.364	537.1
639	.75000	.80000	142.00	.5741-01	.6955-01	.6585-01	.9266	.9782-03	.1122-02	.6985	5.797	532.6
640	.75000	.90000	143.00	.5314-01	.6414-01	.6185-01	.9178	.9061-03	.1055-02	.6585	4.869	519.9
640	.75000	.95000	144.00	.3493-01	.4211-01	.4088-01	.9146	.5955-03	.6971-03	.4350	3.332	516.2
639	.80000	.20000	146.00	.1723	.2089	.1932	.9382	.2935-02	.3292-02	2.086	14.58	536.0
639	.80000	.40000	147.00	.1272	.1543	.1428	.9377	.2167-02	.2433-02	1.541	11.12	535.8
639	.80000	.90000	148.00	.5565-01	.6733-01	.6485-01	.9182	.9483-03	.1105-02	.6817	5.020	527.8
639	.90000	.30000	1155.0	.1615	.1962	.1811	.9388	.2753-02	.3086-02	1.944	13.99	540.5
639	.90000	.50000	156.00	.1386	.1682	.1682	.9000	.2362-02	.2866-02	1.674	12.07	537.9
639	.90000	.60000	1157.0	.1166	.1415	.1309	.9377	.1986-02	.2231-02	1.405	9.809	539.1
639	.90000	.80000	158.00	.7312-01	.8860-01	.8374-01	.9274	.1246-02	.1427-02	.8893	6.991	532.9
639	.90000	.90000	159.00	.5723-01	.6926-01	.6685-01	.9171	.9751-03	.1139-02	.6996	5.608	529.2
639	.95000	.30000	164.00	.1576	.1912	.1768	.9382	.2686-02	.3013-02	1.906	13.74	537.2
639	.95000	.50000	165.00	.1129	.1369	.1269	.9372	.1924-02	.2162-02	1.367	10.19	536.0
639	.95000	.70000	166.00	.7583-01	.9190-01	.8592-01	.9329	.1292-02	.1464-02	.9213	6.994	533.7
639	.95000	.80000	167.00	.7805-01	.9454-01	.8995-01	.9242	.1330-02	.1533-02	.9502	7.099	532.2
639	.95000	.90000	168.00	.5629-01	.6813-01	.6569-01	.9177	.9592-03	.1119-02	.6882	5.236	529.2

DATE 23 FEB 80

OH84B MODEL 60-0 IN THE AEDC VKF HYPERSONIC TUNNEL

PAGE 2103

OH84B 60-0 WING LOWER SURFACE

(R4UQ37)

WING LOWER SURF

PARAMETRIC DATA

MACH = 8.000 ALPHA = 40.00 BETA = .0000 ELEVON = -5.000
 BDFLAP = 5.000 SPDBRK = .0000

TEST CONDITIONS

RUN NUMBER	RN/L /FT	MACH	ALPHA DEG.	BETA DEG.	PO PSIA	TO DEG. R	T DEG. R	P PSIA	Q PSI	V FT/SEC	RHO SLUGS /FT3	MU LB-SEC /FT2
661	1.021	7.940	39.97	-.4644-06	206.8	1254.	92.12	.2224-01	.9816	3736.	.6517-03	.7413-07
662	1.024	7.940	39.97	-.4645-06	207.3	1253.	92.05	.2230-01	.9840	3734.	.6538-03	.7407-07

RUN NUMBER	HREF BTU/ R FT2SEC	STN NO REF (R) = .0175
661	.2428-01	.4021-01
662	.2430-01	.4014-01

TEST DATA

RUN NUMBER	2Y/BW	XW/CW	T/C NO	H/HREF R=1.0	H/HREF R=0.9	H/HREF R= TAW/TO	TAW/TO	H(TO) BTU/R FT2SEC	H(TAW) BTU/R FT2SEC	QDOT BTU/ FT2SEC	DTWDT DEG. R /SEC	TW DEG. R
662	.30000	.40000	1078.0	.6377-01	.7741-01	.7132-01	.9399	.1550-02	.1733-02	1.102	7.925	541.8
662	.30000	.50000	1079.0	.4757-01	.5776-01	.5361-01	.9361	.1156-02	.1303-02	.8207	6.099	542.7
662	.30000	.60000	1080.0	.4572-01	.5556-01	.5152-01	.9364	.1111-02	.1252-02	.7857	5.831	545.4
662	.30000	.70000	1081.0	.4626-01	.5621-01	.5221-01	.9356	.1124-02	.1269-02	.7956	5.715	545.0
662	.30000	.80000	1082.0	.5229-01	.6355-01	.5934-01	.9329	.1271-02	.1442-02	.8989	6.670	545.4
662	.30000	.90000	83.000	.3622-01	.4382-01	.4192-01	.9216	.8803-03	.1019-02	.6361	4.679	530.1
662	.30000	.95000	84.000	.5779-01	.6994-01	.6758-01	.9166	.1404-02	.1642-02	1.012	7.318	531.9
662	.40000	.60000	1092.0	.6547-01	.7964-01	.7367-01	.9374	.1591-02	.1790-02	1.120	7.543	548.7
662	.40000	.70000	1093.0	.6752-01	.8208-01	.7611-01	.9364	.1641-02	.1850-02	1.158	7.811	546.7
662	.40000	.75000	1094.0	.6978-01	.8481-01	.7896-01	.9344	.1696-02	.1919-02	1.198	8.886	546.2
662	.40000	.85000	95.000	.5610-01	.6801-01	.6440-01	.9264	.1363-02	.1565-02	.9750	7.387	537.5
662	.40000	.90000	96.000	.4520-01	.5472-01	.5275-01	.9177	.1098-02	.1282-02	.7904	6.811	533.0
662	.40000	.95000	97.000	.3557-01	.4301-01	.4179-01	.9140	.8644-03	.1016-02	.6255	5.106	529.1
662	.50000	.40000	1104.0	.8137-01	.9896-01	.9169-01	.9367	.1977-02	.2228-02	1.393	9.994	548.0
662	.50000	.60000	1105.0	.6200-01	.7541-01	.6994-01	.9361	.1507-02	.1700-02	1.061	7.373	548.3
662	.50000	.70000	1106.0	.3617-01	.4394-01	.4084-01	.9353	.8791-03	.9926-03	.6230	4.477	544.0
662	.50000	.90000	107.00	.4253-01	.5148-01	.5148-01	.9000	.1034-02	.1251-02	.7447	5.856	532.2
662	.60000	.40000	1116.0	.1117	.1360	.1257	.9378	.2715-02	.3055-02	1.902	13.19	552.2
662	.60000	.50000	1117.0	.1025	.1248	.1156	.9364	.2490-02	.2810-02	1.746	12.11	551.5

OH84B 60-0 WING LOWER SURFACE

(R4UQ37)

RUN NUMBER	ZY/BW	XW/CW	T/C NO	H/HREF	H/HREF	H/HREF	TAW/TO	H(TO)	H(TAW)	QDOT	DTWDT	TW
				R=1.0	R=0.9	R=		BTU/R	BTU/R	BTU/ FT2SEC	DEG. R /SEC	DEG. R
662	.60000	.60000	1118.0	.9204-01	.1120	.1038	.9361	.2237-02	.2523-02	1.574	10.94	548.7
662	.60000	.70000	1119.0	.8213-01	.9990-01	.9326-01	.9329	.1996-02	.2266-02	1.406	10.08	548.2
662	.60000	.80000	120.00	.5953-01	.7222-01	.6837-01	.9264	.1447-02	.1662-02	1.032	7.677	539.7
662	.60000	.85000	121.00	.6754-01	.8185-01	.7789-01	.9240	.1641-02	.1893-02	1.176	8.622	536.3
662	.60000	.90000	122.00	.5625-01	.6811-01	.6580-01	.9166	.1367-02	.1599-02	.9834	7.467	533.3
662	.60000	.95000	123.00	.4158-01	.5028-01	.4885-01	.9140	.1010-02	.1187-02	.7314	5.566	528.8
662	.70000	.40000	1130.0	.1197	.1456	.1349	.9366	.2908-02	.3278-02	2.048	13.01	548.3
662	.70000	.60000	131.00	.1103	.1342	.1245	.9361	.2682-02	.3025-02	1.890	12.00	548.0
662	.70000	.90000	132.00	.1452	.1761	.1697	.9177	.3530-02	.4125-02	2.521	18.16	538.6
661	.75000	.50000	138.00	.1413	.1716	.1569	.9374	.3430-02	.3857-02	2.431	15.47	544.9
661	.75000	.40000	139.00	.1207	.1467	.1358	.9372	.2930-02	.3297-02	2.072	13.56	546.3
661	.75000	.60000	140.00	.1057	.1285	.1285	.9000	.2566-02	.3120-02	1.811	12.21	547.7
661	.75000	.70000	141.0	.8758-01	.1065	.9880-01	.9361	.2126-02	.2398-02	1.499	10.75	548.6
661	.75000	.80000	142.00	.5849-01	.7101-01	.6719-01	.9266	.1420-02	.1631-02	1.010	8.337	542.6
662	.75000	.90000	143.00	.5444-01	.6589-01	.6350-01	.9179	.1323-02	.1543-02	.9536	7.009	531.9
662	.75000	.95000	144.00	.3523-01	.4256-01	.4130-01	.9147	.8563-03	.1004-02	.6230	4.751	525.0
661	.80000	.20000	146.00	.1788	.2175	.2009	.9383	.4341-02	.4876-02	3.051	21.26	548.5
661	.80000	.40000	147.00	.1247	.1517	.1402	.9377	.3027-02	.3404-02	2.135	15.31	548.6
661	.80000	.90000	148.00	.5730-01	.6941-01	.6683-01	.9183	.1391-02	.1622-02	.9994	7.333	535.2
661	.90000	.30000	1155.0	.1671	.2035	.1876	.9388	.4055-02	.4554-02	2.842	20.33	553.0
661	.90000	.50000	156.00	.1363	.1660	.1660	.9000	.3310-02	.4029-02	2.325	16.65	551.2
661	.90000	.60000	1157.0	.1232	.1500	.1386	.9377	.2992-02	.3366-02	2.101	14.57	551.5
661	.90000	.80000	158.00	.8131-01	.9867-01	.9320-01	.9275	.1974-02	.2263-02	1.426	11.01	541.2
661	.90000	.90000	159.00	.6044-01	.7325-01	.7068-01	.9172	.1467-02	.1716-02	1.052	8.401	536.8
661	.95000	.30000	164.00	.1616	.1966	.1815	.9383	.3923-02	.4407-02	2.764	19.81	549.1
661	.95000	.50000	165.00	.1142	.1389	.1286	.9372	.2773-02	.3121-02	1.958	14.52	547.5
661	.95000	.70000	166.00	.8861-01	.1076	.1005	.9329	.2151-02	.2440-02	1.529	11.56	542.8
661	.95000	.80000	167.00	.8388-01	.1017	.9675-01	.9242	.2036-02	.2349-02	1.454	10.82	539.8
661	.95000	.90000	168.00	.5841-01	.7077-01	.6821-01	.9177	.1418-02	.1656-02	1.017	7.714	536.2

DATE 23 FEB 80

OH84B MODEL 60-0 IN THE AEDC VKF HYPERSONIC TUNNEL

PAGE 2105

OH84B 60-0 WING LOWER SURFACE

(R4UQ37)

WING LOWER SURF

PARAMETRIC DATA

MACH = 8.000 ALPHA = 40.00 BETA = .0000 ELEVON = -5.000
 BDFLAP = 5.000 SPDBRK = .0000

TEST CONDITIONS

RUN NUMBER	RN/L /FT X10 6	MACH	ALPHA DEG.	BETA DEG.	PO PSIA	TO DEG. R	T DEG. R	P PSIA	Q PSI	V FT/SEC	RHO SLUGS /FT3	MU LB-SEC /FT2
641	2.028	7.980	39.99	-.6938-02	435.7	1292.	94.03	.4536-01	2.022	3794.	.1302-02	.7567-07
642	2.013	7.980	39.98	-.1040-01	434.8	1297.	94.40	.4526-01	2.018	3801.	.1294-02	.7596-07

RUN NUMBER	HREF BTU/ R FT2SEC	STN NO REF (R) = .0175
641	.3502-01	.2854-01
642	.3501-01	.2863-01

TEST DATA

RUN NUMBER	2Y/BW	XW/CW	T/C NO	H/HREF R=1.0	H/HREF R=0.9	H/HREF R= TAW/TO	TAW/TO	H(TO) BTU/R FT2SEC	H(TAW) BTU/R FT2SEC	QDOT BTU/ FT2SEC	DTWDT DEG. R /SEC	TW DEG. R
642	.30000	.40000	1078.0	.6098-01	.7379-01	.6808-01	.9399	.2135-02	.2383-02	1.594	11.42	549.8
642	.30000	.50000	1079.0	.4872-01	.5997-01	.5480-01	.9362	.1706-02	.1919-02	1.272	9.410	551.1
642	.30000	.60000	1080.0	.5309-01	.6436-01	.5975-01	.9364	.1859-02	.2092-02	1.376	10.15	556.4
642	.30000	.70000	1081.0	.6728-01	.8162-01	.7586-01	.9356	.2355-02	.2656-02	1.738	12.40	558.7
642	.30000	.80000	1082.0	.9152-01	.1112	.1038	.9329	.3204-02	.3635-02	2.352	17.30	562.7
642	.30000	.90000	83.000	.5165-01	.6225-01	.5960-01	.9216	.1808-02	.2087-02	1.376	10.10	535.4
642	.30000	.95000	84.000	.7251-01	.8748-01	.8457-01	.9167	.2539-02	.2961-02	1.924	13.86	538.8
642	.40000	.60000	1092.0	.8540-01	.1037	.9600-01	.9375	.2990-02	.3361-02	2.196	14.69	562.1
642	.40000	.70000	1093.0	.9981-01	.1212	.1124	.9364	.3494-02	.3936-02	2.567	17.18	561.9
642	.40000	.75000	1094.0	.1077	.1308	.1218	.9344	.3770-02	.4265-02	2.764	20.32	563.6
642	.40000	.85000	95.000	.7514-01	.9080-01	.8606-01	.9264	.2631-02	.3013-02	1.977	14.93	545.0
642	.40000	.90000	96.000	.6058-01	.7312-01	.7053-01	.9177	.2121-02	.2469-02	1.603	13.76	540.8
642	.40000	.95000	97.000	.5160-01	.6221-01	.6047-01	.9140	.1806-02	.2117-02	1.373	11.16	536.6
642	.50000	.40000	1104.0	.8220-01	.9977-01	.9251-01	.9367	.2878-02	.3239-02	2.118	15.10	560.5
642	.50000	.60000	1105.0	.7261-01	.8813-01	.8181-01	.9362	.2542-02	.2864-02	1.872	12.93	560.1
642	.50000	.70000	1106.0	.4239-01	.5140-01	.4781-01	.9353	.1484-02	.1674-02	1.098	7.841	556.7
642	.50000	.90000	107.00	.5231-01	.6310-01	.6310-01	.9000	.1831-02	.2209-02	1.389	10.89	538.2
642	.60000	.40000	1116.0	.1185	.1440	.1331	.9378	.4147-02	.4661-02	3.032	20.88	565.5
642	.60000	.50000	1117.0	.1120	.1361	.1262	.9364	.3921-02	.4419-02	2.870	19.77	564.8

DATE 23 FEB 80

OH84B MODEL 60-0 IN THE AEDC VKF HYPERSONIC TUNNEL

PAGE 2106

OH84B 60-0 WING LOWER SURFACE

(R4UQ37)

RUN NUMBER	2Y/BW	XW/CW	T/C NO	H/HREF R=1.0	H/HREF R=0.9	H/HREF R= TAW/TO	TAW/TO	H(TO) BTU/R FT2SEC	H(TAW) BTU/R FT2SEC	QDOT BTU/R FT2SEC	DTWDT DEG. R /SEC	TW DEG. R
642	.60000	.60000	1118.0	.1040	.1263	.1172	.9362	.3641-02	.4103-02	2.676	18.46	561.7
642	.60000	.70000	1119.0	.8933-01	.1085	.1013	.9329	.3127-02	.3548-02	2.297	16.36	562.2
642	.60000	.80000	120.00	.7416-01	.8966-01	.8497-01	.9264	.2596-02	.2975-02	1.947	14.44	546.8
642	.60000	.85000	121.00	.7586-01	.9163-01	.8727-01	.9240	.2656-02	.3055-02	2.001	14.62	543.3
642	.60000	.90000	122.00	.6414-01	.7739-01	.7482-01	.9167	.2246-02	.2619-02	1.701	12.88	539.2
642	.60000	.95000	123.00	.4640-01	.5831-01	.5669-01	.9140	.1694-02	.1985-02	1.292	9.810	533.9
642	.70000	.40000	1130.0	.1269	.1541	.1429	.9366	.4441-02	.5001-02	3.262	20.57	562.3
642	.70000	.60000	131.00	.1179	.1430	.1328	.9362	.4126-02	.4648-02	3.043	19.22	559.3
642	.70000	.90000	132.00	.1452	.1755	.1692	.9177	.5082-02	.5924-02	3.812	27.36	546.5
641	.75000	.30000	138.00	.1449	.1761	.1620	.9375	.5074-02	.5706-02	3.698	23.32	562.8
641	.75000	.40000	139.00	.1236	.1503	.1391	.9373	.4330-02	.4872-02	3.155	20.48	563.0
641	.75000	.60000	140.00	.1112	.1352	.1352	.9000	.3896-02	.4734-02	2.843	19.02	562.0
641	.75000	.70000	1141.0	.8816-01	.1071	.9940-01	.9362	.3088-02	.3481-02	2.251	16.03	562.6
641	.75000	.80000	142.00	.6045-01	.7322-01	.6932-01	.9266	.2117-02	.2428-02	1.569	12.90	550.7
642	.75000	.90000	143.00	.5863-01	.7068-01	.6817-01	.9180	.2052-02	.2386-02	1.560	11.44	536.4
642	.75000	.95000	144.00	.3607-01	.4341-01	.4215-01	.9147	.1263-02	.1476-02	.9691	7.373	529.3
641	.80000	.20000	146.00	.1779	.2165	.1999	.9383	.6230-02	.7000-02	4.508	31.01	568.0
641	.80000	.40000	147.00	.1270	.1547	.1429	.9378	.4449-02	.5006-02	3.218	22.85	568.4
641	.80000	.90000	148.00	.5994-01	.7241-01	.6975-01	.9183	.2099-02	.2443-02	1.575	11.52	541.3
641	.90000	.30000	1155.0	.1659	.2024	.1865	.9389	.5811-02	.6530-02	4.166	29.48	574.7
641	.90000	.50000	156.00	.1400	.1706	.1706	.9000	.4902-02	.5974-02	3.527	24.99	572.1
641	.90000	.60000	1157.0	.1205	.1468	.1356	.9378	.4221-02	.4750-02	3.045	20.92	570.4
641	.90000	.80000	158.00	.7900-01	.9572-01	.9045-01	.9275	.2767-02	.3168-02	2.046	15.93	552.1
641	.90000	.90000	159.00	.5986-01	.7237-01	.6986-01	.9172	.2096-02	.2446-02	1.566	12.46	544.6
641	.95000	.30000	164.00	.1587	.1931	.1783	.9383	.5556-02	.6243-02	4.023	28.57	567.6
641	.95000	.50000	165.00	.1149	.1397	.1293	.9373	.4024-02	.4528-02	2.927	21.52	564.2
641	.95000	.70000	166.00	.8352-01	.1012	.9463-01	.9329	.2925-02	.3314-02	2.158	16.22	553.8
641	.95000	.80000	167.00	.8368-01	.1013	.9640-01	.9243	.2931-02	.3376-02	2.173	16.09	550.2
641	.95000	.90000	168.00	.5844-01	.7063-01	.6811-01	.9178	.2047-02	.2385-02	1.532	11.58	543.1

DATE 23 FEB 80

OH84B MODEL 60-0 IN THE AEDC VKF HYPERSONIC TUNNEL

PAGE 2107

OH84B 60-0 WING LOWER SURFACE

(R4UQ37)

WING LOWER SURF

PARAMETRIC DATA

MACH = 8.000 ALPHA = 40.00 BETA = .0000 ELEVON = -5.000
 BOFLAP = 5.000 SPDBRK = .0000

TEST CONDITIONS

RUN NUMBER	RN/L /FT X10 6	MACH	ALPHA DEG.	BETA DEG.	PO PSIA	TO DEG. R	T DEG. R	P PSIA	Q PSI	V FT/SEC	RHO SLUGS /FT3	MU LB-SEC /FT2
651	2.990	7.990	40.05	.3490-02	671.4	1328.	96.43	.6934-01	3.098	3846.	.1941-02	.7770-07
652	2.983	7.990	40.04	.6976-02	671.4	1330.	96.58	.6934-01	3.098	3849.	.1938-02	.7772-07

RUN NUMBER	HREF BTU/ R FT2SEC	STN NO REF (R) = .0175
651	.4355-01	.2344-01
652	.4357-01	.2346-01

TEST DATA

RUN NUMBER	2Y/BW	XW/CW	T/C NO	H/HREF R=1.0	H/HREF R=0.9	H/HREF R= TAW/TO	TAW/TO	H(TO) BTU/R FT2SEC	H(TAW) BTU/R FT2SEC	QDOT BTU/ FT2SEC	DTWDT DEG. R /SEC	TW DEG. R
652	.30000	.40000	1078.0	.6578-01	.7975-01	.7349-01	.9400	.2866-02	.3202-02	2.175	15.42	570.7
652	.30000	.50000	1079.0	.6770-01	.8221-01	.7628-01	.9363	.2950-02	.3324-02	2.224	16.25	576.0
652	.30000	.60000	1080.0	.1082	.1319	.1221	.9365	.4715-02	.5321-02	3.495	25.39	588.4
652	.30000	.70000	1081.0	.1603	.1960	.1815	.9358	.6987-02	.7911-02	5.111	35.75	598.2
652	.30000	.80000	1082.0	.2185	.2678	.2492	.9331	.9523-02	.1086-01	6.889	49.59	606.3
652	.30000	.90000	83.000	.8994-01	.1085	.1038	.9218	.3915-02	.4523-02	3.028	21.98	556.1
652	.30000	.95000	84.000	.1156	.1398	.1351	.9168	.5039-02	.5885-02	3.874	27.61	560.7
652	.40000	.60000	1092.0	.1740	.2127	.1963	.9376	.7581-02	.8553-02	5.538	36.38	599.2
652	.40000	.70000	1093.0	.2213	.2707	.2503	.9365	.9644-02	.1091-01	7.032	46.15	600.5
652	.40000	.75000	1094.0	.2209	.2706	.2510	.9346	.9624-02	.1094-01	6.965	50.15	606.0
652	.40000	.85000	95.000	.1179	.1429	.1353	.9265	.5139-02	.5896-02	3.912	29.19	568.4
652	.40000	.90000	96.000	.1035	.1252	.1207	.9179	.4508-02	.5260-02	3.448	29.23	565.0
652	.40000	.95000	97.000	.9705-01	.1173	.1140	.9141	.4229-02	.4967-02	3.251	26.11	560.9
652	.50000	.40000	1104.0	.1091	.1328	.1229	.9368	.4752-02	.5357-02	3.533	24.86	586.2
652	.50000	.60000	1105.0	.1284	.1566	.1450	.9363	.5593-02	.6319-02	4.128	28.07	591.6
652	.50000	.70000	1106.0	.1070	.1304	.1210	.9354	.4663-02	.5273-02	3.455	24.29	588.6
652	.50000	.90000	107.00	.8991-01	.1087	.1087	.9000	.3918-02	.4735-02	3.017	23.40	559.5
652	.60000	.40000	1116.0	.1348	.1645	.1518	.9379	.5875-02	.6616-02	4.333	29.45	592.1
652	.60000	.50000	1117.0	.1297	.1582	.1464	.9365	.5650-02	.6380-02	4.166	28.31	592.3

DATE 23 FEB 80

OH84B MODEL 60-0 IN THE AEDC VKF HYPERSONIC TUNNEL

PAGE 2108

OH84B 60-0 WING LOWER SURFACE

(R4UQ37)

RUN NUMBER	2Y/BW	XW/CW	T/C NO	H/HREF R=1.0	H/HREF R=0.9	H/HREF R= TAW/TO	TAW/TO	H(TO) BTU/R FT2SEC	H(TAW) BTU/R FT2SEC	QDOT BTU/ FT2SEC	DTWOT DEG. R /SEC	TW DEG. R
652	.60000	.60000	1118.0	.1296	.1579	.1463	.9363	.5645-02	.6374-02	4.182	28.47	589.0
652	.60000	.70000	1119.0	.1274	.1554	.1449	.9331	.5553-02	.6312-02	4.109	28.86	589.8
652	.60000	.80000	120.00	.9784-01	.1184	.1121	.9265	.4263-02	.4886-02	3.268	24.04	563.1
652	.60000	.85000	121.00	.1002	.1212	.1154	.9242	.4367-02	.5026-02	3.355	24.29	561.4
652	.60000	.90000	122.00	.8869-01	.1071	.1035	.9168	.3865-02	.4510-02	2.987	22.42	556.7
652	.60000	.95000	123.00	.6705-01	.8085-01	.7856-01	.9141	.2922-02	.3423-02	2.276	17.13	550.7
652	.70000	.40000	1130.0	.1373	.1672	.1548	.9367	.5984-02	.6747-02	4.448	27.72	586.3
652	.70000	.60000	131.00	.1339	.1629	.1510	.9363	.5834-02	.6581-02	4.354	27.17	583.4
652	.70000	.90000	132.00	.1745	.2112	.2035	.9179	.7603-02	.8869-02	5.817	41.38	564.5
651	.75000	.30000	138.00	.1529	.1862	.1721	.9376	.6660-02	.7496-02	4.945	30.84	585.1
651	.75000	.40000	139.00	.1322	.1610	.1489	.9374	.5750-02	.6406-02	4.273	27.42	585.7
651	.75000	.60000	140.00	.1242	.1512	.1512	.9000	.5409-02	.6587-02	4.017	26.57	585.0
651	.75000	.70000	1141.0	.1076	.1311	.1215	.9363	.4689-02	.5293-02	3.474	24.44	586.6
651	.75000	.80000	142.00	.8832-01	.1071	.1014	.9268	.3848-02	.4415-02	2.908	23.66	571.9
652	.75000	.90000	143.00	.8790-01	.1061	.1022	.9181	.3830-02	.4455-02	2.973	21.62	553.4
652	.75000	.95000	144.00	.5789-01	.6969-01	.6764-01	.9149	.2522-02	.2947-02	1.979	14.94	544.9
651	.80000	.20000	146.00	.1908	.2330	.2147	.9385	.8310-02	.9353-02	6.089	41.33	594.9
651	.80000	.40000	147.00	.1359	.1659	.1530	.9379	.5919-02	.6667-02	4.348	30.49	593.2
651	.80000	.90000	148.00	.1055	.1276	.1228	.9184	.4595-02	.5351-02	3.524	25.52	560.9
651	.90000	.30000	1155.0	.1803	.2207	.2030	.9390	.7853-02	.8842-02	5.684	39.65	603.9
651	.90000	.50000	156.00	.1498	.1833	.1833	.9000	.6527-02	.7983-02	4.750	33.19	600.0
651	.90000	.60000	1157.0	.1366	.1670	.1540	.9379	.5953-02	.6709-02	4.352	29.51	596.6
651	.90000	.80000	158.00	.1090	.1322	.1248	.9276	.4747-02	.5438-02	3.585	27.63	572.3
651	.90000	.90000	159.00	.9122-01	.1104	.1065	.9173	.3974-02	.4641-02	3.032	23.88	564.6
651	.95000	.30000	164.00	.1612	.1969	.1814	.9385	.7021-02	.7904-02	5.133	35.94	596.5
651	.95000	.50000	165.00	.1190	.1452	.1342	.9374	.5186-02	.5845-02	3.825	27.76	590.1
651	.95000	.70000	166.00	.1216	.1476	.1379	.9331	.5298-02	.6006-02	3.991	29.69	574.3
651	.95000	.80000	167.00	.1182	.1433	.1363	.9244	.5149-02	.5936-02	3.901	28.59	570.2
651	.95000	.90000	168.00	.8654-01	.1047	.1009	.9179	.3770-02	.4396-02	2.888	21.62	561.7

DATE 23 FEB 80

OH84B MODEL 60-0 IN THE AEDC VKF HYPERSONIC TUNNEL

PAGE 2109

OH84B 60-0 WING LOWER SURFACE

(R4UQ38)

WING LOWER SURF

PARAMETRIC DATA

MACH = 8.000 ALPHA = 40.00 BETA = .0000 ELEVON = .0000
 BDFLAP = -12.50 SPOBRK = .0000

TEST CONDITIONS

RUN NUMBER	RN/L /FT X10 6	MACH	ALPHA DEG.	BETA DEG.	PO PSIA	TO DEG. R	T DEG. R	P PSIA	Q PSI	V FT/SEC	RHO SLUGS /FT3	MU LB-SEC /FT2
631	.5096	7.900	39.97	.1384-01	101.0	1247.	92.47	.1122-01	.4903	3724.	.3276-03	.7441-07
632	.5132	7.900	39.95	.1729-01	101.7	1247.	92.47	.1130-01	.4938	3724.	.3299-03	.7441-07

RUN NUMBER	HREF BTU/ R FT2SEC	STN NO REF (R) = .0175
631	.1714-01	.5668-01
632	.1720-01	.5648-01

TEST DATA

RUN NUMBER	2Y/BW	XW/CW	T/C NO	H/HREF R=1.0	H/HREF R=0.9	H/HREF R= TAW/TO	TAW/TO	H(TO) BTU/R FT2SEC	H(TAW) BTU/R FT2SEC	QDOT BTU/ FT2SEC	DTWDT DEG. R /SEC	TW DEG. R
632	.30000	.40000	1078.0	.6920-01	.8382-01	.7731-01	.9399	.1190-02	.1330-02	.8513	6.156	531.6
632	.30000	.50000	1079.0	.5369-01	.6504-01	.6042-01	.9361	.9235-03	.1039-02	.6598	4.929	532.3
632	.30000	.60000	1080.0	.4989-01	.6048-01	.5615-01	.9363	.8583-03	.9659-03	.6114	4.563	534.3
632	.30000	.70000	1081.0	.4920-01	.5963-01	.5545-01	.9356	.8463-03	.9539-03	.6030	4.355	534.2
632	.30000	.80000	1082.0	.5398-01	.6542-01	.6116-01	.9329	.9286-03	.1052-02	.6619	4.941	533.9
632	.30000	.90000	83.000	.4228-01	.5114-01	.4893-01	.9216	.7273-03	.8417-03	.5234	3.856	527.0
632	.30000	.95000	84.000	.5312-01	.6422-01	.6207-01	.9166	.9138-03	.1068-02	.6592	4.783	525.2
632	.40000	.60000	1092.0	.6511-01	.7897-01	.7315-01	.9374	.1120-02	.1258-02	.7956	5.392	536.4
632	.40000	.70000	1093.0	.6777-01	.8217-01	.7628-01	.9363	.1166-02	.1312-02	.8298	5.628	534.9
632	.40000	.75000	1094.0	.6374-01	.7728-01	.7202-01	.9344	.1097-02	.1239-02	.7807	5.825	534.7
632	.40000	.85000	95.000	.5979-01	.7241-01	.6860-01	.9263	.1029-02	.1180-02	.7358	5.592	531.4
632	.40000	.90000	96.000	.5101-01	.6173-01	.5952-01	.9177	.8775-03	.1024-02	.6298	5.438	529.0
632	.40000	.95000	97.000	.4359-01	.5272-01	.5123-01	.9139	.7499-03	.8812-03	.5402	4.415	526.4
632	.50000	.40000	1104.0	.7928-01	.9616-01	.8920-01	.9366	.1364-02	.1534-02	.9684	6.985	536.6
632	.50000	.60000	1105.0	.6727-01	.8159-01	.7577-01	.9361	.1157-02	.1303-02	.8220	5.745	536.4
632	.50000	.70000	1106.0	.3915-01	.4745-01	.4415-01	.9352	.6734-03	.7595-03	.4796	3.464	534.4
632	.50000	.90000	107.00	.5013-01	.6066-01	.6066-01	.9000	.8623-03	.1043-02	.6192	4.878	528.6
632	.60000	.40000	1116.0	.1099	.1334	.1234	.9377	.1891-02	.2123-02	1.342	9.378	537.0
632	.60000	.50000	1117.0	.1037	.1258	.1167	.9363	.1784-02	.2008-02	1.265	8.838	537.3

OH84B 60-0 WING LOWER SURFACE

(R4UQ38)

RUN NUMBER	ZY/BW	XW/CW	T/C NO	H/HREF R=1.0	H/HREF R=0.9	H/HREF R= TAW/TO	TAW/TO	H(TO) BTU/R FT2SEC	H(TAW) BTU/R FT2SEC	QDOT BTU/ FT2SEC	DTWDT DEG. R /SEC	TW DEG. R
632	.60000	.60000	1118.0	.8936-01	.1084	.1007	.9361	.1537-02	.1732-02	1.091	7.625	536.8
632	.60000	.70000	1119.0	.7470-01	.9061-01	.8468-01	.9329	.1285-02	.1457-02	.9128	6.586	536.3
632	.60000	.80000	120.00	.5938-01	.7194-01	.6814-01	.9263	.1021-02	.1172-02	.7290	5.444	533.0
632	.60000	.85000	121.00	.7115-01	.8618-01	.8203-01	.9240	.1224-02	.1411-02	.8750	6.431	531.8
632	.60000	.90000	122.00	.6295-01	.7619-01	.7362-01	.9166	.1083-02	.1266-02	.7768	5.910	529.4
632	.60000	.95000	123.00	.4880-01	.5901-01	.5734-01	.9139	.8395-03	.9864-03	.6047	4.608	526.4
632	.70000	.40000	1130.0	.1254	.1520	.1410	.9365	.2157-02	.2426-02	1.535	9.820	534.7
632	.70000	.60000	131.00	.1109	.1344	.1249	.9361	.1908-02	.2148-02	1.360	8.699	533.9
632	.70000	.90000	132.00	.1732	.2099	.2023	.9177	.2979-02	.3481-02	2.121	15.31	534.7
631	.75000	.30000	138.00	.1436	.1740	.1612	.9374	.2461-02	.2763-02	1.757	11.24	532.9
631	.75000	.40000	139.00	.1229	.1490	.1381	.9372	.2107-02	.2367-02	1.501	9.885	534.2
631	.75000	.60000	140.00	.1100	.1334	.1334	.9000	.1886-02	.2286-02	1.342	9.103	534.8
631	.75000	.70000	1141.0	.9835-01	.1193	.1108	.9361	.1686-02	.1899-02	1.196	8.622	537.4
631	.75000	.80000	142.00	.8731-01	.1059	.1002	.9266	.1497-02	.1718-02	1.064	9.911	535.0
632	.75000	.90000	143.00	.7121-01	.8616-01	.8304-01	.9179	.1225-02	.1429-02	.8799	6.479	528.3
632	.75000	.95000	144.00	.4737-01	.5723-01	.5553-01	.9147	.8148-03	.9553-03	.5894	4.498	523.4
631	.80000	.20000	146.00	.1723	.2089	.1932	.9383	.2953-02	.3311-02	2.099	14.68	535.8
631	.80000	.40000	147.00	.1265	.1534	.1421	.9377	.2169-02	.2435-02	1.542	11.13	535.6
631	.80000	.90000	148.00	.7625-01	.9233-01	.8891-01	.9182	.1307-02	.1524-02	.9354	6.878	531.0
631	.90000	.30000	1155.0	.1625	.1973	.1821	.9388	.2785-02	.3122-02	1.967	14.16	540.2
631	.90000	.50000	156.00	.1377	.1671	.1671	.9000	.2361-02	.2864-02	1.674	12.07	537.6
631	.90000	.60000	1157.0	.1208	.1467	.1357	.9377	.2071-02	.2326-02	1.466	10.23	539.1
631	.90000	.80000	158.00	.9862-01	.1196	.1130	.9275	.1691-02	.1937-02	1.203	9.447	535.0
631	.90000	.90000	159.00	.7525-01	.9115-01	.8796-01	.9172	.1290-02	.1508-02	.9216	7.377	532.2
631	.95000	.30000	164.00	.1579	.1915	.1771	.9383	.2707-02	.3036-02	1.921	13.86	536.8
631	.95000	.50000	165.00	.1168	.1417	.1313	.9372	.2003-02	.2251-02	1.424	10.62	535.5
631	.95000	.70000	166.00	.1030	.1249	.1168	.9329	.1766-02	.2001-02	1.256	9.525	535.5
631	.95000	.80000	167.00	.1004	.1217	.1158	.9242	.1721-02	.1985-02	1.227	9.158	533.9
631	.95000	.90000	168.00	.7031-01	.8517-01	.8210-01	.9177	.1205-02	.1407-02	.8615	6.546	531.9

DATE 23 FEB 80

OH84B MODEL 60-0 IN THE AEDC VKF HYPERSONIC TUNNEL

PAGE 2111

OH84B 60-0 WING LOWER SURFACE

(R4UQ38)

WING LOWER SURF

PARAMETRIC DATA

MACH = 8.000 ALPHA = 40.00 BETA = .0000 ELEVON = .0000
 BDFLAP = -12.50 SPDBRK = .0000

TEST CONDITIONS

RUN NUMBER	RN/L /FT	MACH	ALPHA DEG.	BETA DEG.	PO PSIA	TO DEG. R	T DEG. R	P PSIA	Q PSI	V FT/SEC	RHO SLUGS /FT3	MU LB-SEC /FT2
605	1.013	7.940	39.97	.1385-01	206.2	1258.	92.42	.2218-01	.9787	3742.	.6477-03	.7437-07
606	.9965	7.940	39.96	.1384-01	204.8	1266.	93.00	.2203-01	.9721	3754.	.6392-03	.7484-07

RUN NUMBER	HREF BTU/ R FT2SEC	STN NO REF (R) = .0175
605	.2425-01	.4035-01
606	.2420-01	.4064-01

TEST DATA

RUN NUMBER	2Y/BW	XW/CW	T/C NO	H/HREF R=1.0	H/HREF R=0.9	H/HREF R= TAW/TO	TAW/TO	H(TO) BTU/R FT2SEC	H(TAW) BTU/R FT2SEC	QDOT BTU/ FT2SEC	DTWDT DEG. R /SEC	TW DEG. R
606	.30000	.40000	1078.0	.6428-01	.7782-01	.7179-01	.9399	.1556-02	.1737-02	1.132	8.159	538.0
606	.30000	.50000	1079.0	.4855-01	.5878-01	.5462-01	.9361	.1175-02	.1322-02	.8544	6.363	538.4
606	.30000	.60000	1080.0	.4746-01	.5751-01	.5340-01	.9363	.1149-02	.1292-02	.8323	6.190	541.0
606	.30000	.70000	1081.0	.4718-01	.5716-01	.5316-01	.9356	.1142-02	.1286-02	.8272	5.953	541.1
606	.30000	.80000	1082.0	.5134-01	.6222-01	.5817-01	.9329	.1242-02	.1408-02	.8996	6.689	541.6
606	.30000	.90000	83.000	.4368-01	.5276-01	.5049-01	.9216	.1057-02	.1222-02	.7769	5.713	530.6
606	.30000	.95000	84.000	.5072-01	.6125-01	.5921-01	.9166	.1227-02	.1433-02	.9035	6.541	529.6
606	.40000	.60000	1092.0	.6721-01	.8149-01	.7549-01	.9374	.1626-02	.1827-02	1.175	7.934	543.3
606	.40000	.70000	1093.0	.6706-01	.8129-01	.7547-01	.9363	.1623-02	.1826-02	1.173	7.927	542.6
606	.40000	.75000	1094.0	.6561-01	.7951-01	.7411-01	.9344	.1588-02	.1793-02	1.149	8.546	541.7
606	.40000	.85000	95.000	.6545-01	.7918-01	.7503-01	.9264	.1584-02	.1816-02	1.156	8.769	535.6
606	.40000	.90000	96.000	.5276-01	.6382-01	.6153-01	.9177	.1277-02	.1489-02	.9332	8.034	534.8
606	.40000	.95000	97.000	.4456-01	.5385-01	.5233-01	.9139	.1078-02	.1266-02	.7914	6.451	531.8
606	.50000	.40000	1104.0	.7914-01	.9594-01	.8901-01	.9367	.1915-02	.2154-02	1.384	9.955	542.8
606	.50000	.60000	1105.0	.6380-01	.7735-01	.7184-01	.9361	.1544-02	.1738-02	1.115	7.768	543.2
606	.50000	.70000	1106.0	.3778-01	.4576-01	.4259-01	.9353	.9143-03	.1031-02	.6639	4.782	539.6
606	.50000	.90000	107.00	.5041-01	.6094-01	.6094-01	.9000	.1220-02	.1475-02	.8934	7.022	533.2
606	.60000	.40000	1116.0	.1131	.1373	.1270	.9377	.2738-02	.3074-02	1.970	13.70	546.1
606	.60000	.50000	1117.0	.9987-01	.1212	.1125	.9363	.2417-02	.2721-02	1.740	12.10	545.8

DATE 23 FEB 80

OH84B MODEL 60-0 IN THE AEDC VKF HYPERSONIC TUNNEL

PAGE 2112

OH84B 60-0 WING LOWER SURFACE

(R4UQ38)

RUN NUMBER	2Y/BW	XW/CW	T/C NO	H/HREF R=1.0	H/HREF R=0.9	H/HREF R= TAW/TO	TAW/TO	H(TO) BTU/R FT2SEC	H(TAW) BTU/R FT2SEC	QDOT BTU/ FT2SEC	DTWDT DEG. R /SEC	TW DEG. R
606	.60000	.60000	1118.0	.9129-01	.1107	.1028	.9361	.2209-02	.2488-02	1.595	11.10	543.7
606	.60000	.70000	1119.0	.7923-01	.9604-01	.8978-01	.9329	.1917-02	.2172-02	1.387	9.973	542.5
606	.60000	.80000	120.00	.6904-01	.8355-01	.7917-01	.9264	.1671-02	.1916-02	1.217	9.067	537.3
606	.60000	.85000	121.00	.7725-01	.9346-01	.8898-01	.9240	.1869-02	.2153-02	1.364	10.01	535.7
606	.60000	.90000	122.00	.6821-01	.8247-01	.7970-01	.9166	.1651-02	.1929-02	1.209	9.180	533.3
606	.60000	.95000	123.00	.5014-01	.6057-01	.5886-01	.9139	.1213-02	.1424-02	.8916	6.779	530.7
606	.70000	.40000	1130.0	.1208	.1464	.1359	.9365	.2922-02	.3287-02	2.113	13.46	542.5
606	.70000	.60000	131.00	.1118	.1355	.1259	.9361	.2706-02	.3046-02	1.960	12.49	541.6
606	.70000	.90000	132.00	.1847	.2238	.2157	.9177	.4470-02	.5220-02	3.238	23.31	541.1
605	.75000	.30000	138.00	.1409	.1708	.1583	.9374	.3417-02	.3838-02	2.450	15.62	540.7
605	.75000	.40000	139.00	.1219	.1479	.1370	.9372	.2956-02	.3323-02	2.117	13.89	541.5
605	.75000	.60000	140.00	.1072	.1301	.1301	.9000	.2601-02	.3156-02	1.860	12.56	542.8
605	.75000	.70000	1141.0	.1013	.1231	.1142	.9361	.2458-02	.2770-02	1.748	12.55	546.3
605	.75000	.80000	142.00	.9022-01	.1095	.1036	.9266	.2188-02	.2513-02	1.564	12.92	542.8
606	.75000	.90000	143.00	.7653-01	.9246-01	.8914-01	.9179	.1862-02	.2157-02	1.301	10.01	550.8
606	.75000	.95000	144.00	.4937-01	.5835-01	.5663-01	.9147	.1170-02	.1370-02	.8660	6.601	525.8
605	.80000	.20000	146.00	.1788	.2171	.2006	.9383	.4336-02	.4866-02	3.092	21.52	544.6
605	.80000	.40000	147.00	.1252	.1519	.1406	.9377	.3036-02	.3410-02	2.166	15.57	544.1
605	.80000	.90000	148.00	.8300-01	.1005	.9675-01	.9183	.2013-02	.2347-02	1.456	10.69	534.3
605	.90000	.30000	1155.0	.1660	.2019	.1862	.9388	.4026-02	.4517-02	2.852	20.44	549.3
605	.90000	.50000	156.00	.1356	.1647	.1647	.9000	.3289-02	.3995-02	2.339	16.79	546.5
605	.90000	.60000	1157.0	.1236	.1502	.1389	.9377	.2998-02	.3370-02	2.131	14.81	547.0
605	.90000	.80000	158.00	.1027	.1246	.1177	.9275	.2491-02	.2854-02	1.785	13.98	541.0
605	.90000	.90000	159.00	.7701-01	.9324-01	.8999-01	.9172	.1868-02	.2183-02	1.349	10.78	535.3
605	.95000	.30000	164.00	.1615	.1961	.1813	.9383	.3918-02	.4397-02	2.794	20.08	544.5
605	.95000	.50000	165.00	.1166	.1415	.1311	.9372	.2828-02	.3179-02	2.022	15.03	542.6
605	.95000	.70000	166.00	.1063	.1290	.1206	.9329	.2579-02	.2924-02	1.846	13.95	542.0
605	.95000	.80000	167.00	.1022	.1239	.1179	.9242	.2479-02	.2859-02	1.781	13.26	539.2
605	.95000	.90000	168.00	.7321-01	.8862-01	.8544-01	.9177	.1776-02	.2072-02	1.284	9.748	534.4

DATE 23 FEB 80

OH84B MODEL 60-0 IN THE AEDC VKF HYPERSONIC TUNNEL

PAGE 2113

OH84B 60-0 WING LOWER SURFACE

(R4UQ38)

WING LOWER SURF

PARAMETRIC DATA

MACH = 8.000 ALPHA = 40.00 BETA = .0000 ELEVON = .0000
 BDFLAP = -12.50 SPDBRK = .0000

TEST CONDITIONS

RUN NUMBER	RN/L /FT X10 6	MACH	ALPHA DEG.	BETA DEG.	PO PSIA	TO DEG. R	T DEG. R	P PSIA	Q PSI	V FT/SEC	RHO SLUGS /FT3	MU LB-SEC /FT2
603	2.009	7.980	39.99	.1734-01	434.1	1297.	94.40	.4519-01	2.014	3801.	.1292-02	.7596-07
604	2.022	7.980	40.00	.1389-01	434.9	1293.	94.11	.4527-01	2.018	3795.	.1298-02	.7573-07

RUN NUMBER	HREF BTU/ R FT2SEC	STN NO REF(R) = .0175
603	.3498-01	.2866-01
604	.3499-01	.2858-01

TEST DATA

RUN NUMBER	2Y/BW	XW/CW	T/C NO	H/HREF R=1.0	H/HREF R=0.9	H/HREF R= TAW/TO	TAW/TO	H(TO) BTU/R FT2SEC	H(TAW) BTU/R FT2SEC	QDOT BTU/ FT2SEC	DTWDT DEG. R /SEC	TW DEG. R
604	.30000	.40000	1078.0	.6097-01	.7391-01	.6813-01	.9399	.2133-02	.2384-02	1.574	11.25	554.8
604	.30000	.50000	1079.0	.4909-01	.5954-01	.5528-01	.9362	.1718-02	.1935-02	1.265	9.340	556.1
604	.30000	.60000	1080.0	.5449-01	.6619-01	.6139-01	.9364	.1907-02	.2148-02	1.394	10.26	551.7
604	.30000	.70000	1081.0	.6987-01	.8494-01	.7887-01	.9357	.2445-02	.2760-02	1.782	12.68	563.9
604	.30000	.80000	1082.0	.9329-01	.1135	.1060	.9330	.3265-02	.3708-02	2.365	17.35	568.1
604	.30000	.90000	83.000	.7030-01	.8506-01	.8136-01	.9217	.2460-02	.2847-02	1.833	13.36	547.7
604	.30000	.95000	84.000	.7690-01	.9301-01	.8986-01	.9167	.2691-02	.3145-02	2.009	14.42	546.3
604	.40000	.60000	1092.0	.8689-01	.1057	.9778-01	.9375	.3041-02	.3422-02	2.206	14.72	567.0
604	.40000	.70000	1093.0	.1021	.1243	.1152	.9364	.3574-02	.4031-02	2.594	17.31	567.0
604	.40000	.75000	1094.0	.1070	.1302	.1212	.9345	.3745-02	.4241-02	2.715	19.92	567.7
604	.40000	.85000	95.000	.9883-01	.1199	.1135	.9264	.3458-02	.3972-02	2.543	19.08	557.2
604	.40000	.90000	96.000	.8752-01	.1061	.1022	.9178	.3063-02	.3578-02	2.261	19.27	554.5
604	.40000	.95000	97.000	.7519-01	.9105-01	.8844-01	.9140	.2631-02	.3095-02	1.951	15.75	551.0
604	.50000	.40000	1104.0	.8262-01	.1005	.9309-01	.9367	.2891-02	.3257-02	2.104	14.96	565.1
604	.50000	.60000	1105.0	.7241-01	.8806-01	.8167-01	.9362	.2534-02	.2858-02	1.844	12.70	565.0
604	.50000	.70000	1106.0	.4081-01	.4957-01	.4608-01	.9353	.1428-02	.1612-02	1.044	7.438	561.5
604	.50000	.90000	107.00	.7020-01	.8503-01	.8503-01	.9000	.2457-02	.2976-02	1.821	14.18	551.5
604	.60000	.40000	1116.0	.1194	.1454	.1344	.9378	.4179-02	.4702-02	3.022	20.77	569.6
604	.60000	.50000	1117.0	.1124	.1369	.1268	.9364	.3934-02	.4438-02	2.846	19.57	569.1

OH84B 60-0 WING LOWER SURFACE

(R4UQ38)

RUN NUMBER	ZY/BW	XW/CW	T/C NO	H/HREF R=1.0	H/HREF R=0.9	H/HREF R= TAW/TO	TAW/TO	H(TO) BTU/R FT2SEC	H(TAW) BTU/R FT2SEC	QDOT BTU/ FT2SEC	DTWOT DEG. R /SEC	TW DEG. R
604	.60000	.60000	1118.0	.9918-01	.1207	.1119	.9362	.3471-02	.3916-02	2.519	17.34	566.8
604	.60000	.70000	1119.0	.8512-01	.1035	.9663-01	.9330	.2979-02	.3382-02	2.166	15.40	565.6
604	.60000	.80000	120.00	.8588-01	.1042	.9865-01	.9264	.3005-02	.3452-02	2.208	16.28	558.0
604	.60000	.85000	121.00	.1008	.1222	.1163	.9241	.3527-02	.4068-02	2.603	18.92	554.5
604	.60000	.90000	122.00	.8535-01	.1034	.9986-01	.9167	.2987-02	.3494-02	2.213	16.65	551.6
604	.60000	.95000	123.00	.6586-01	.7964-01	.7737-01	.9140	.2305-02	.2707-02	1.722	12.99	545.5
604	.70000	.40000	1130.0	.1283	.1560	.1446	.9366	.4488-02	.5059-02	3.261	20.53	566.2
604	.70000	.60000	131.00	.1190	.1446	.1342	.9362	.4163-02	.4695-02	3.035	19.13	563.7
604	.70000	.90000	132.00	.2296	.2791	.2688	.9178	.8034-02	.9408-02	5.851	41.62	564.4
603	.75000	.30000	138.00	.1429	.1734	.1605	.9375	.4994-02	.5613-02	3.668	23.14	562.1
607	.75000	.40000	139.00	.1243	.1510	.1398	.9373	.4346-02	.4889-02	3.186	20.67	563.7
603	.75000	.60000	140.00	.1128	.1371	.1371	.9000	.3947-02	.4795-02	2.894	19.35	563.4
603	.75000	.70000	1141.0	.1115	.1356	.1258	.9362	.3899-02	.4399-02	2.839	20.15	568.7
603	.75000	.80000	142.00	.1425	.1733	.1638	.9266	.4983-02	.5731-02	3.632	29.61	567.9
604	.75000	.90000	143.00	.1336	.1618	.1559	.9180	.4674-02	.5455-02	3.461	25.19	552.2
604	.75000	.95000	144.00	.9249-01	.1118	.1085	.9148	.3237-02	.3795-02	2.424	18.30	543.9
603	.80000	.20000	146.00	.1781	.2165	.1999	.9383	.6228-02	.6994-02	4.549	31.32	566.3
603	.80000	.40000	147.00	.1281	.1559	.1441	.9378	.4482-02	.5040-02	3.264	23.17	568.3
603	.80000	.90000	148.00	.1553	.1882	.1811	.9183	.5431-02	.6336-02	4.027	29.25	555.1
603	.90000	.30000	1155.0	.1644	.2004	.1847	.9389	.5752-02	.6460-02	4.160	29.46	573.4
603	.90000	.50000	156.00	.1400	.1705	.1705	.9000	.4898-02	.5965-02	3.551	25.16	571.8
603	.90000	.60000	1157.0	.1307	.1591	.1470	.9378	.4571-02	.5144-02	3.315	22.76	571.5
603	.90000	.80000	158.00	.1446	.1758	.1659	.9275	.5058-02	.5804-02	3.699	29.61	565.3
603	.90000	.90000	159.00	.1312	.1592	.1535	.9172	.4590-02	.5371-02	3.388	26.76	568.5
603	.95000	.30000	164.00	.1585	.1927	.1780	.9383	.5545-02	.6227-02	4.048	28.76	566.6
603	.95000	.50000	165.00	.1168	.1419	.1314	.9373	.4086-02	.4597-02	2.994	22.01	563.9
603	.95000	.70000	166.00	.1288	.1565	.1462	.9329	.4507-02	.5113-02	3.307	24.74	562.9
603	.95000	.80000	167.00	.1309	.1589	.1511	.9243	.4581-02	.5284-02	3.378	24.89	559.3
603	.95000	.90000	168.00	.1017	.1231	.1187	.9178	.3557-02	.4152-02	2.647	19.90	552.5

OH84B 60-0 WING LOWER SURFACE

(R4UQ38)

WING LOWER SURF

PARAMETRIC DATA

MACH = 8.000 ALPHA = 40.00 BETA = .0000 ELEVON = .0000
 BDFLAP = -12.50 SPDBRK = .0000

TEST CONDITIONS

RUN NUMBER	RN/L /FT X10 6	MACH	ALPHA DEG.	BETA DEG.	PO PSIA	TO DEG. R	T DEG. R	P PSIA	Q PSI	V FT/SEC	RHO SLUGS /FT3	MU LB-SEC /FT2
581	2.994	7.990	40.05	.1047-01	671.7	1327.	96.36	.6937-01	3.100	3845.	.1943-02	.7754-07
582	2.997	7.990	40.06	.1397-01	671.5	1326.	96.23	.6935-01	3.099	3843.	.1944-02	.7748-07

RUN NUMBER	HREF BTU/ R FT2SEC	STN NO REF (R) = .0175
581	.4357-01	.2342-01
582	.4355-01	.2342-01

TEST DATA

RUN NUMBER	2Y/BW	XW/CW	T/C NO	H/HREF R=1.0	H/HREF R=0.9	H/HREF R= TAW/TO	TAW/TO	H(TO) BTU/R FT2SEC	H(TAW) BTU/R FT2SEC	QDOT BTU/ FT2SEC	DTWDT DEG. R /SEC	TW DEG. R
582	.30000	.40000	1078.0	.6583-01	.7992-01	.7360-01	.9401	.2867-02	.3206-02	2.156	15.26	573.8
582	.30000	.50000	1079.0	.6681-01	.8121-01	.7531-01	.9363	.2910-02	.3280-02	2.174	15.87	578.5
582	.30000	.60000	1080.0	.1062	.1295	.1199	.9365	.4623-02	.5221-02	3.398	24.65	590.7
582	.30000	.70000	1081.0	.1576	.1928	.1785	.9358	.6864-02	.7776-02	4.980	34.80	600.2
582	.30000	.80000	1082.0	.2131	.2614	.2431	.9331	.9281-02	.1059-01	6.662	47.93	607.8
582	.30000	.90000	83.000	.1297	.1574	.1504	.9218	.5648-02	.6549-02	4.256	30.65	572.1
582	.30000	.95000	84.000	.1398	.1625	.1637	.9168	.6088-02	.7130-02	4.594	32.57	571.1
582	.40000	.60000	1092.0	.1752	.2145	.1978	.9376	.7633-02	.8616-02	5.530	36.29	601.1
582	.40000	.70000	1093.0	.2203	.2697	.2492	.9365	.9593-02	.1086-01	6.940	45.51	602.2
582	.40000	.75000	1094.0	.2136	.2617	.2428	.9346	.9302-02	.1057-01	6.702	48.27	605.2
582	.40000	.85000	95.000	.1808	.2202	.2081	.9266	.7874-02	.9066-02	5.828	43.11	585.5
582	.40000	.90000	95.000	.1616	.1966	.1893	.9179	.7036-02	.8244-02	5.229	43.95	582.5
582	.40000	.95000	97.000	.1399	.1701	.1650	.9141	.6092-02	.7187-02	4.548	36.20	579.1
582	.50000	.40000	1104.0	.1095	.1335	.1235	.9369	.4770-02	.5380-02	3.520	24.75	587.6
582	.50000	.60000	1105.0	.1280	.1562	.1446	.9363	.5574-02	.6299-02	4.084	27.75	592.9
582	.50000	.70000	1106.0	.1100	.1342	.1245	.9355	.4792-02	.5423-02	3.526	24.77	589.9
582	.50000	.90000	107.00	.1818	.2213	.2213	.9000	.7918-02	.9639-02	5.881	45.08	583.0
582	.60000	.40000	1116.0	.1344	.1640	.1514	.9379	.5852-02	.6592-02	4.287	29.12	593.1
582	.60000	.50000	1117.0	.1292	.1577	.1459	.9365	.5627-02	.6357-02	4.122	28.00	593.1

OH84B 60-0 WING LOWER SURFACE

(R4UQ38)

RUN NUMBER	2Y/BW	X*/CW	T/C NO	H/HREF R=1.0	H/HREF R=0.9	H/HREF R= TAW/TO	TAW/TO	H(TO) BTU/R FT2SEC	H(TAW) BTU/R FT2SEC	QDOT BTU/ FT2SEC	DTWDT DEG. R /SEC	TW DEG. R
582	.60000	.60000	1118.0	.1287	.1569	.1453	.9363	.5603-02	.6329-02	4.123	28.06	509.8
582	.60000	.70000	1119.0	.1225	.1494	.1393	.9331	.5337-02	.6068-02	3.929	27.60	589.4
582	.60000	.80000	120.00	.1420	.1727	.1633	.9266	.6184-02	.7114-02	4.605	33.57	581.1
582	.60000	.85000	121.00	.1792	.2179	.2071	.9242	.7804-02	.9019-02	5.822	41.77	579.7
582	.60000	.90000	122.00	.1823	.2216	.2138	.9168	.7939-02	.9314-02	5.931	44.02	578.6
582	.60000	.95000	123.00	.1484	.1802	.1749	.9141	.6465-02	.7618-02	4.662	36.18	573.6
582	.70000	.40000	1130.0	.1360	.1657	.1534	.9368	.5922-02	.6681-02	4.373	27.24	587.3
582	.70000	.60000	131.00	.1351	.1645	.1525	.9363	.5884-02	.6641-02	4.361	27.20	584.5
582	.70000	.90000	132.00	.2692	.3530	.3396	.9179	.1260-01	.1479-01	9.239	64.82	592.2
581	.75000	.30000	138.00	.1524	.1858	.1717	.9376	.6639-02	.7479-02	4.896	30.47	589.2
581	.75000	.40000	139.00	.1327	.1618	.1495	.9374	.5780-02	.6515-02	4.258	27.26	590.0
581	.75000	.60000	140.00	.1250	.1525	.1525	.9000	.5446-02	.6642-02	4.014	26.48	589.7
581	.75000	.70000	1141.0	.1265	.1546	.1431	.9363	.5511-02	.6234-02	4.020	28.13	597.3
581	.75000	.80000	142.00	.2202	.2698	.2545	.9268	.9595-02	.1109-01	6.934	55.53	604.0
582	.75000	.90000	143.00	.2240	.2724	.2621	.9181	.9756-02	.1142-01	7.283	52.27	579.1
582	.75000	.95000	144.00	.1650	.2001	.1939	.9149	.7188-02	.8447-02	5.441	40.58	568.7
581	.80000	.20000	146.00	.1912	.2338	.2154	.9384	.8330-02	.9383-02	6.063	41.07	598.8
581	.80000	.40000	147.00	.1383	.1691	.1560	.9379	.6027-02	.6794-02	4.395	30.76	597.4
581	.80000	.90000	149.00	.2446	.2980	.2865	.9184	.1066-01	.1248-01	7.887	56.40	586.5
581	.90000	.30000	1155.0	.1794	.2200	.2021	.9390	.7815-02	.8807-02	5.621	39.14	607.5
581	.90000	.50000	156.00	.1488	.1822	.1822	.9000	.6481-02	.7938-02	4.685	32.68	603.8
581	.90000	.60000	1157.0	.1420	.1738	.1602	.9379	.6188-02	.6981-02	4.488	30.36	601.5
581	.90000	.80000	158.00	.2633	.3228	.3038	.9276	.1147-01	.1324-01	8.264	62.62	606.4
581	.90000	.90000	159.00	.2519	.3079	.2965	.9173	.1097-01	.1292-01	8.003	62.00	597.4
581	.95000	.30000	164.00	.1598	.1954	.1800	.9384	.6960-02	.7842-02	5.058	35.35	600.0
581	.95000	.50000	165.00	.1202	.1468	.1356	.9374	.5239-02	.5909-02	3.840	27.81	593.7
581	.95000	.70000	166.00	.1931	.2358	.2197	.9331	.8411-02	.9571-02	6.163	45.40	593.9
581	.95000	.80000	157.00	.2302	.2813	.2669	.9244	.1003-01	.1163-01	7.319	52.94	596.9
581	.95000	.90000	168.00	.2070	.2526	.2430	.9179	.9019-02	.1059-01	6.633	48.92	591.3

DATE 23 FEB 80

OH84B MODEL 60-O IN THE AEDC VKF HYPERSONIC TUNNEL

PAGE 2117

OH84B 60-O WING LOWER SURFACE

(R4UQ39)

WING LOWER SURF

PARAMETRIC DATA

MACH = 8.000 ALPHA = 40.00 BETA = .0000 ELEVON = .0000
 BDFLAP = -5.000 SPDBRK = .0000

TEST CONDITIONS

RUN NUMBER	RN/L /FT X10 6	MACH	ALPHA DEG.	BETA DEG.	PO PSIA	TO DEG. R	T DEG. R	P PSIA	Q PSI	V FT/SEC	RHO SLUGS /FT3	MU LB-SEC /FT2
621	.4994	7.900	39.93	.1380-01	97.55	1235.	91.58	.1084-01	.4736	3706.	.3195-03	.7369-07
622	.5001	7.900	39.93	.1380-01	99.35	1249.	92.62	.1104-01	.4824	3727.	.3218-03	.7453-07

RUN NUMBER	HREF BTU/ R FT2SEC	STN NO REF (R) = .0175
621	.1682-01	.5733-01
622	.1701-01	.5720-01

TEST DATA

RUN NUMBER	2Y/BW	XW/CW	T/C NO	H/HREF R=1.0	H/HREF R=0.9	H/HREF R= TAW/TO	TAW/TO	H(TO) BTU/R FT2SEC	H(TAW) BTU/R FT2SEC	QDOT BTU/ FT2SEC	DTWDT DEG. R /SEC	TW DEG. R
622	.30000	.40000	1078.0	.7065-01	.8544-01	.7886-01	.9398	.1201-02	.1341-02	.8666	6.281	527.3
622	.30000	.50000	1079.0	.5445-01	.6586-01	.6124-01	.9361	.9261-03	.1041-02	.6676	4.999	527.7
622	.30000	.60000	1080.0	.5152-01	.6235-01	.5793-01	.9363	.8762-03	.9852-03	.6301	4.714	529.6
622	.30000	.70000	1081.0	.5004-01	.6056-01	.5635-01	.9355	.8510-03	.9584-03	.6118	4.428	529.8
622	.30000	.80000	1082.0	.5132-01	.6212-01	.5811-01	.9328	.8728-03	.9882-03	.6271	4.690	530.2
622	.30000	.90000	83.000	.4221-01	.5100-01	.4881-01	.9215	.7179-03	.8301-03	.5203	3.840	523.9
622	.30000	.95000	84.000	.5317-01	.6422-01	.6208-01	.9166	.9042-03	.1056-02	.6561	4.766	523.0
622	.40000	.60000	1092.0	.6663-01	.8068-01	.7479-01	.9373	.1133-02	.1272-02	.8128	5.523	531.4
622	.40000	.70000	1093.0	.6671-01	.8076-01	.7503-01	.9363	.1134-02	.1276-02	.8141	5.532	531.1
622	.40000	.75000	1094.0	.6138-01	.7431-01	.6930-01	.9343	.1044-02	.1178-02	.7490	5.599	531.1
622	.40000	.85000	95.000	.6118-01	.7398-01	.7012-01	.9263	.1040-02	.1193-02	.7507	5.718	527.2
622	.40000	.90000	96.000	.5104-01	.6170-01	.5951-01	.9176	.8680-03	.1012-02	.6272	5.424	526.1
622	.40000	.95000	97.000	.4323-01	.5224-01	.5077-01	.9139	.7353-03	.8635-03	.5326	4.358	524.4
622	.50000	.40000	1104.0	.7851-01	.9507-01	.8826-01	.9366	.1335-02	.1501-02	.9570	6.920	531.9
622	.50000	.60000	1105.0	.6753-01	.8177-01	.7599-01	.9361	.1148-02	.1292-02	.8234	5.769	531.7
622	.50000	.70000	1106.0	.4105-01	.4968-01	.4626-01	.9352	.6981-03	.7867-03	.5018	3.632	529.9
622	.50000	.90000	107.00	.5084-01	.6145-01	.6145-01	.9000	.8646-03	.1045-02	.6255	4.936	525.3
622	.60000	.40000	1116.0	.1123	.1360	.1260	.9377	.1910-02	.2142-02	1.368	9.577	532.5
622	.60000	.50000	1117.0	.9970-01	.1208	.1122	.9363	.1696-02	.1908-02	1.214	8.503	532.6

OH84B 60-0 WING LOWER SURFACE

(R4UQ39)

RUN NUMBER	2Y/BW	XW/CW	T/C NO	H/HREF R=1.0	H/HREF R=0.9	H/HREF R= TAW/TO	TAW/TO	H(TO) BTU/R FT2SEC	H(TAW) BTU/R FT2SEC	QDOT BTU/ FT2SEC	DTWDT DEG. R /SEC	TW DEG. R
622	.60000	.60000	1118.0	.8654-01	.1048	.9740-01	.9361	.1472-02	.1656-02	1.054	7.382	532.4
622	.60000	.70000	1119.0	.7457-01	.9030-01	.8445-01	.9328	.1268-02	.1436-02	.9094	6.577	531.6
622	.60000	.80000	120.00	.6193-01	.7490-01	.7099-01	.9263	.1053-02	.1207-02	.7593	5.685	527.7
622	.60000	.85000	121.00	.7130-01	.8623-01	.8212-01	.9239	.1213-02	.1396-02	.8747	6.444	527.3
622	.60000	.90000	122.00	.6308-01	.7625-01	.7371-01	.9166	.1073-02	.1253-02	.7754	5.910	525.9
622	.60000	.95000	123.00	.4929-01	.5955-01	.5788-01	.9139	.8382-03	.9843-03	.6076	4.635	523.9
622	.70000	.40000	1130.0	.1205	.1458	.1354	.9365	.2049-02	.2303-02	1.471	9.428	530.7
622	.70000	.60000	131.00	.1116	.1351	.1256	.9361	.1899-02	.2136-02	1.367	8.766	528.9
622	.70000	.90000	132.00	.1723	.2085	.2011	.9176	.2930-02	.3419-02	2.104	15.23	530.4
621	.75000	.30000	138.00	.1408	.1708	.1582	.9373	.2367-02	.2661-02	1.661	10.63	533.2
621	.75000	.40000	139.00	.1236	.1499	.1389	.9371	.2078-02	.2337-02	1.460	9.620	532.4
621	.75000	.60000	140.00	.1082	.1313	.1313	.9000	.1820-02	.2208-02	1.279	8.688	532.0
621	.75000	.70000	1141.0	.9407-01	.1142	.1060	.9361	.1582-02	.1783-02	1.106	7.987	535.3
621	.75000	.80000	142.00	.8277-01	.1005	.9508-01	.9265	.1392-02	.1599-02	.9755	8.090	533.9
622	.75000	.90000	143.00	.7147-01	.8635-01	.8325-01	.9178	.1215-02	.1416-02	.8807	6.499	524.1
622	.75000	.95000	144.00	.4791-01	.5780-01	.5611-01	.9146	.8147-03	.9542-03	.5942	4.544	519.3
621	.80000	.20000	146.00	.1722	.2092	.1933	.9382	.2895-02	.3251-02	2.019	14.10	537.3
621	.80000	.40000	147.00	.1253	.1521	.1407	.9377	.2107-02	.2367-02	1.474	10.65	534.8
621	.80000	.90000	148.00	.7550-01	.9153-01	.8813-01	.9182	.1270-02	.1482-02	.8951	6.586	529.8
621	.90000	.30000	1155.0	.1602	.1949	.1798	.9387	.2695-02	.3024-02	1.870	13.46	540.7
621	.90000	.50000	156.00	.1376	.1672	.1672	.9000	.2315-02	.2812-02	1.616	11.66	536.4
621	.90000	.60000	1157.0	.1213	.1473	.1363	.9377	.2040-02	.2292-02	1.423	9.946	536.8
621	.90000	.80000	158.00	.9860-01	.1196	.1130	.9274	.1658-02	.1901-02	1.165	9.157	532.4
621	.90000	.90000	159.00	.7059-01	.8561-01	.8260-01	.9171	.1187-02	.1389-02	.8355	6.692	530.9
621	.95000	.30000	164.00	.1574	.1912	.1767	.9382	.2648-02	.2972-02	1.848	13.33	536.5
621	.95000	.50000	165.00	.1174	.1425	.1320	.9371	.1974-02	.2220-02	1.383	10.32	534.1
621	.95000	.70000	166.00	.9497-01	.1153	.1077	.9328	.1597-02	.1812-02	1.119	8.493	534.1
621	.95000	.80000	167.00	.1003	.1217	.1158	.9241	.1687-02	.1947-02	1.186	8.858	532.1
621	.95000	.90000	168.00	.6829-01	.8282-01	.7982-01	.9176	.1149-02	.1343-02	.8084	6.146	530.8

OH84B 60-0 WING LOWER SURFACE

(R40Q39)

WING LOWER SURF

PARAMETRIC DATA

MACH = 8.000 ALPHA = 40.00 BETA = .0000 ELEVON = .0000
 BDFLAP = -5.000 SPDBRK = .0000

TEST CONDITIONS

RUN NUMBER	RN/L /FT X10 6	MACH	ALPHA DEG.	BETA DEG.	PO PSIA	TO DEG. R	T DEG. R	P PSIA	Q PSI	V FT/SEC	RHO SLUGS /FT3	MU LB-SEC /FT2
615	1.002	7.940	39.97	.1384-01	204.7	1261.	92.64	.2202-01	.9716	3746.	.6415-03	.7454-07
616	.9964	7.940	39.97	.1731-01	204.3	1264.	92.86	.2197-01	.9697	3751.	.6387-03	.7472-07

RUN NUMBER	HREF BTU/ R FT2SEC	STN NO REF(R) = .0175
615	.2418-01	.4055-01
616	.2416-01	.4065-01

TEST DATA

RUN NUMBER	ZY/BW	XW/CW	T/C NO	H/HREF R=1.0	H/HREF R=0.9	H/HREF R= TAW/TO	TAW/TO	H(TO) BTU/R FT2SEC	H(TAW) BTU/R FT2SEC	QDOT BTU/ FT2SEC	DTWDT DEG. R /SEC	TW DEG. R
616	.30000	.40000	1078.0	.6446-01	.7804-01	.7199-01	.9399	.1558-02	.1739-02	1.132	8.160	537.2
616	.30000	.50000	1079.0	.4971-01	.6019-01	.5593-01	.9361	.1201-02	.1351-02	.8718	6.494	537.8
616	.30000	.60000	1080.0	.4696-01	.5690-01	.5284-01	.9363	.1135-02	.1277-02	.8207	6.106	540.4
616	.30000	.70000	1081.0	.4702-01	.5697-01	.5298-01	.9356	.1136-02	.1280-02	.8217	5.916	540.3
616	.30000	.80000	1082.0	.5252-01	.6364-01	.5949-01	.9329	.1269-02	.1438-02	.9173	6.823	540.8
616	.30000	.90000	83.000	.4387-01	.5299-01	.5071-01	.9216	.1060-02	.1225-02	.7778	5.723	529.8
616	.30000	.95000	84.000	.5116-01	.6178-01	.5971-01	.9166	.1236-02	.1443-02	.9087	6.582	528.5
616	.40000	.60000	1092.0	.6512-01	.7896-01	.7314-01	.9374	.1573-02	.1767-02	1.134	7.661	542.9
616	.40000	.70000	1093.0	.6779-01	.8217-01	.7628-01	.9363	.1638-02	.1843-02	1.182	7.991	541.8
616	.40000	.75000	1094.0	.6899-01	.8361-01	.7793-01	.9344	.1667-02	.1883-02	1.205	8.961	540.9
616	.40000	.85000	95.000	.6541-01	.7914-01	.7499-01	.9264	.1581-02	.1812-02	1.152	8.735	535.1
616	.40000	.90000	96.000	.5334-01	.6452-01	.6221-01	.9177	.1289-02	.1503-02	.9405	8.100	534.0
616	.40000	.95000	97.000	.4537-01	.5483-01	.5328-01	.9140	.1096-02	.1287-02	.8035	6.553	530.8
616	.50000	.40000	1104.0	.8065-01	.9777-01	.9071-01	.9367	.1949-02	.2192-02	1.406	10.11	542.2
616	.50000	.60000	1105.0	.6388-01	.7745-01	.7193-01	.9361	.1543-02	.1738-02	1.113	7.753	542.7
616	.50000	.70000	1106.0	.3603-01	.4365-01	.4062-01	.9353	.8706-03	.9814-03	.6307	4.544	539.2
616	.50000	.90000	107.00	.5057-01	.6114-01	.6114-01	.9000	.1222-02	.1477-02	.8934	7.025	532.5
616	.60000	.40000	1116.0	.1106	.1343	.1242	.9377	.2673-02	.3002-02	1.919	13.34	545.9
616	.60000	.50000	1117.0	.1037	.1259	.1168	.9363	.2506-02	.2822-02	1.800	12.52	545.4

OH84B 60-0 WING LOWER SURFACE

(R4U039)

RUN NUMBER	ZY/BW	XW/CW	T/C NO	H/HREF	H/HREF	H/HREF	TAW/TO	H(TO)	H(TAW)	QDOT	DTWDT	TW
				R=1.0	R=0.9	R=		BTU/R	BTU/R	BTU/ FT2SEC	DEG. R	DEG. R
616	.60000	.60000	1118.0	.9388-01	.1138	.1057	.9361	.2268-02	.2554-02	1.634	11.38	543.2
616	.60000	.70000	1119.0	.7987-01	.9683-01	.9051-01	.9329	.1930-02	.2187-02	1.393	10.02	542.1
616	.60000	.80000	120.00	.6930-01	.8389-01	.7948-01	.9264	.1675-02	.1920-02	1.217	9.069	537.0
616	.60000	.95000	121.00	.7790-01	.9425-01	.8973-01	.9240	.1882-02	.2168-02	1.371	10.06	535.4
616	.60000	.90000	122.00	.6710-01	.8112-01	.7839-01	.9166	.1621-02	.1894-02	1.185	9.000	532.7
616	.60000	.95000	123.00	.4989-01	.6027-01	.5857-01	.9140	.1205-02	.1415-02	.8843	6.725	530.1
616	.70000	.40000	1130.0	.1237	.1500	.1392	.9366	.2990-02	.3364-02	2.156	13.74	542.5
616	.70000	.60000	131.00	.1111	.1347	.1251	.9361	.2685-02	.3022-02	1.939	12.36	541.3
616	.70000	.90000	132.00	.1851	.2242	.2161	.9177	.4471-02	.5222-02	3.233	23.27	540.7
615	.75000	.30000	138.00	.1430	.1734	.1606	.9374	.3457-02	.3883-02	2.490	15.87	540.6
615	.75000	.40000	139.00	.1217	.1477	.1368	.9372	.2943-02	.3308-02	2.115	13.87	542.2
615	.75000	.60000	140.00	.1079	.1309	.1309	.9000	.2609-02	.3165-02	1.869	12.62	543.8
615	.75000	.70000	1141.0	.1015	.1233	.1145	.9361	.2454-02	.2767-02	1.750	12.55	547.7
615	.75000	.80000	142.00	.9036-01	.1097	.1038	.9266	.2185-02	.2509-02	1.564	12.90	544.6
616	.75000	.90000	143.00	.7684-01	.9284-01	.8950-01	.9179	.1857-02	.2163-02	1.361	10.01	530.6
616	.75000	.95000	144.00	.4856-01	.5860-01	.5687-01	.9147	.1175-02	.1374-02	.8655	6.597	526.0
615	.80000	.20000	146.00	.1789	.2171	.2007	.9383	.4324-02	.4851-02	3.100	21.58	543.9
615	.80000	.40000	147.00	.1254	.1522	.1408	.9377	.3031-02	.3404-02	2.171	15.60	544.4
615	.80000	.90000	148.00	.8346-01	.1010	.9728-01	.9182	.2018-02	.2352-02	1.463	10.74	535.4
615	.90000	.30000	1155.0	.1663	.2021	.1865	.9388	.4020-02	.4509-02	2.860	20.50	549.3
615	.90000	.50000	156.00	.1361	.1654	.1654	.9000	.3291-02	.3998-02	2.349	16.85	547.1
615	.90000	.60000	1157.0	.1262	.1533	.1418	.9377	.3050-02	.3427-02	2.174	15.10	548.0
615	.90000	.80000	158.00	.1025	.1243	.1174	.9275	.2477-02	.2838-02	1.778	13.91	542.8
615	.90000	.90000	159.00	.7889-01	.9552-01	.9218-01	.9172	.1907-02	.2229-02	1.381	11.03	536.6
615	.95000	.30000	164.00	.1617	.1963	.1814	.9383	.3909-02	.4386-02	2.798	20.10	544.9
615	.95000	.50000	165.00	.1153	.1399	.1296	.9372	.2788-02	.3134-02	1.999	14.84	543.8
615	.95000	.70000	166.00	.1060	.1286	.1202	.9329	.2563-02	.2906-02	1.837	13.88	543.8
615	.95000	.80000	167.00	.1017	.1233	.1172	.9242	.2458-02	.2834-02	1.770	13.17	540.6
615	.95000	.90000	168.00	.7385-01	.8938-01	.8617-01	.9177	.1785-02	.2083-02	1.295	9.821	535.4

DATE 23 FEB 80

OH84B MODEL 60-0 IN THE AEDC VKF HYPERSONIC TUNNEL

PAGE 2121

OH84B 60-0 WING LOWER SURFACE

(R4UQ39)

WING LOWER SURF

PARAMETRIC DATA

MACH = 8.000 ALPHA = 40.00 BETA = .0000 ELEVON = .0000
 BDFLAP = -5.000 SPDBRK = .0000

TEST CONDITIONS

RUN NUMBER	RN/L /FT X10 6	MACH	ALPHA DEG.	BETA DEG.	PO PSIA	TO DEG. R	T DEG. R	P PSIA	Q PSI	V FT/SEC	RHO SLUGS /FT3	MU LB-SEC /FT2
593	2.004	7.980	40.00	.1389-01	436.0	1303.	94.84	.4539-01	2.023	3810.	.1292-02	.7631-07
594	2.010	7.980	39.99	.1735-01	435.8	1300.	94.62	.4537-01	2.022	3805.	.1294-02	.7614-07

RUN NUMBER	HREF BTU/ R FT2SEC	STN NO REF (R)
593	.3509-01	.2867-01
594	.3506-01	.2864-01

TEST DATA

RUN NUMBER	2Y/BW	XW/CW	T/C NO	H/HREF R=1.0	H/HREF R=0.9	H/HREF R=	TAW/TO	H(TO) BTU/R FT2SEC	H(TAW) BTU/R FT2SEC	QDOT BTU/ FT2SEC	DTWDT DEG. R /SEC	TW DEG. R
594	.30000	.40000	1078.0	.5945-01	.7205-01	.6643-01	.9399	.2084-02	.2329-02	1.549	11.06	556.7
594	.30000	.50000	1079.0	.4693-01	.5690-01	.5284-01	.9362	.1645-02	.1853-02	1.220	8.996	558.2
594	.30000	.60000	1080.0	.5156-01	.6263-01	.5809-01	.9364	.1808-02	.2037-02	1.330	9.779	564.0
594	.30000	.70000	1081.0	.6535-01	.7943-01	.7376-01	.9356	.2291-02	.2586-02	1.681	11.95	566.1
594	.30000	.80000	1082.0	.8626-01	.1050	.9797-01	.9329	.3025-02	.3435-02	2.205	16.16	570.5
594	.30000	.90000	83.000	.6763-01	.8179-01	.7824-01	.9217	.2371-02	.2743-02	1.780	12.97	548.9
594	.30000	.95000	84.000	.7488-01	.9052-01	.8747-01	.9167	.2626-02	.3067-02	1.975	14.17	547.5
594	.40000	.60000	1092.0	.8357-01	.1017	.9404-01	.9375	.2930-02	.3297-02	2.139	14.25	569.8
594	.40000	.70000	1093.0	.9815-01	.1194	.1107	.9364	.3441-02	.3881-02	2.513	16.75	569.5
594	.40000	.75000	1094.0	.1030	.1253	.1166	.9345	.3612-02	.4089-02	2.634	19.31	570.3
594	.40000	.85000	95.000	.9501-01	.1152	.1091	.9264	.3331-02	.3825-02	2.466	18.48	559.4
594	.40000	.90000	96.000	.8388-01	.1017	.9797-01	.9178	.2941-02	.3435-02	2.186	18.61	556.5
594	.40000	.95000	97.000	.7192-01	.8706-01	.8457-01	.9140	.2522-02	.2965-02	1.884	15.20	552.4
594	.50000	.40000	1104.0	.8086-01	.9833-01	.9110-01	.9367	.2835-02	.3194-02	2.074	14.73	568.0
594	.50000	.60000	1105.0	.7055-01	.8578-01	.7956-01	.9362	.2474-02	.2790-02	1.811	12.46	567.7
594	.50000	.70000	1106.0	.3956-01	.4804-01	.4466-01	.9353	.1387-02	.1566-02	1.021	7.270	563.3
594	.50000	.90000	107.00	.6816-01	.8253-01	.8253-01	.9000	.2390-02	.2894-02	1.784	13.88	553.4
594	.60000	.40000	1116.0	.1186	.1444	.1334	.9378	.4158-02	.4678-02	3.020	20.72	573.3
594	.60000	.50000	1117.0	.1093	.1331	.1233	.9364	.3832-02	.4323-02	2.785	19.11	572.8

OH84B 60-0 WING LOWER SURFACE

(R4UQ39)

RUN NUMBER	2Y/BW	XW/CW	T/C NO	H/HREF R=1.0	H/HREF R=0.9	H/HREF R= TAW/TO	TAW/TO	H(TO) BTU/R FT2SEC	H(TAW) BTU/R FT2SEC	QDOT BTU/ FT2SEC	DTWDT DEG. R /SEC	TW DEG. R
594	.60000	.60000	1118.0	.9722-01	.1183	.1097	.9362	.3409-02	.3846-02	2.487	17.09	570.0
594	.60000	.70000	1119.0	.8288-01	.1008	.9409-01	.9329	.2906-02	.3299-02	2.125	15.08	568.4
594	.60000	.80000	120.00	.8264-01	.1003	.9491-01	.9264	.2898-02	.3328-02	2.142	15.78	560.3
594	.60000	.85000	121.00	.9900-01	.1200	.1142	.9240	.3471-02	.4003-02	2.578	18.71	557.0
594	.60000	.90000	122.00	.8511-01	.1031	.9956-01	.9167	.2984-02	.3491-02	2.226	16.73	553.7
594	.60000	.95000	123.00	.6478-01	.7831-01	.7608-01	.9140	.2272-02	.2668-02	1.710	12.89	547.0
594	.70000	.40000	1130.0	.1267	.1541	.1428	.9366	.4442-02	.5007-02	3.242	20.37	569.7
594	.70000	.60000	131.00	.1182	.1437	.1333	.9362	.4143-02	.4672-02	3.035	19.09	567.2
594	.70000	.90000	132.00	.2317	.2819	.2714	.9178	.8125-02	.9517-02	5.938	42.14	568.9
593	.75000	.30000	138.00	.1423	.1730	.1600	.9375	.4992-02	.5614-02	3.667	23.06	568.1
593	.75000	.40000	139.00	.1226	.1492	.1380	.9373	.4303-02	.4843-02	3.154	20.40	569.7
593	.75000	.60000	140.00	.1112	.1352	.1352	.9000	.3900-02	.4742-02	2.860	19.07	569.2
593	.75000	.70000	1141.0	.1093	.1331	.1233	.9362	.3833-02	.4327-02	2.792	19.76	574.3
593	.75000	.80000	142.00	.1376	.1676	.1584	.9267	.4828-02	.5557-02	3.518	28.59	574.1
594	.75000	.90000	143.00	.1319	.1598	.1540	.9180	.4626-02	.5399-02	3.445	25.02	555.0
594	.75000	.95000	144.00	.9149-01	.1106	.1073	.9148	.3208-02	.3761-02	2.418	18.25	545.8
593	.80000	.20000	146.00	.1777	.2163	.1997	.9383	.6235-02	.7006-02	4.549	31.21	573.1
593	.80000	.40000	147.00	.1276	.1554	.1436	.9378	.4476-02	.5037-02	3.258	23.06	574.8
593	.80000	.90000	148.00	.1554	.1886	.1815	.9183	.5454-02	.6367-02	4.044	29.28	561.2
593	.90000	.30000	1155.0	.1627	.1985	.1828	.9389	.5708-02	.6415-02	4.124	29.11	580.1
593	.90000	.50000	156.00	.1375	.1676	.1676	.9000	.4823-02	.5881-02	3.491	24.65	578.8
593	.90000	.60000	1157.0	.1257	.1533	.1416	.9378	.4411-02	.4967-02	3.197	21.89	577.9
593	.90000	.80000	158.00	.1383	.1683	.1588	.9275	.4853-02	.5573-02	3.547	27.34	571.8
593	.90000	.90000	159.00	.1222	.1484	.1431	.9172	.4288-02	.5020-02	3.168	24.96	563.9
593	.95000	.30000	164.00	.1562	.1902	.1756	.9383	.5481-02	.6159-02	3.996	28.30	573.6
593	.95000	.50000	165.00	.1128	.1372	.1270	.9373	.3958-02	.4455-02	2.898	21.23	570.5
593	.95000	.70000	166.00	.1222	.1487	.1388	.9330	.4289-02	.4869-02	3.145	23.45	569.5
593	.95000	.80000	167.00	.1263	.1533	.1458	.9243	.4430-02	.5114-02	3.266	24.00	565.3
593	.95000	.90000	168.00	.9675-01	.1172	.1130	.9178	.3395-02	.3964-02	2.530	18.98	557.4

DATE 23 FEB 80

OH84B MODEL 60-0 IN THE AEDC VKF HYPERSONIC TUNNEL

PAGE 2123

OH84B 60-0 WING LOWER SURFACE

(R4UQ39)

WING LOWER SURF

PARAMETRIC DATA

MACH = 8.000 ALPHA = 40.00 BETA = .0000 ELEVON = .0000
 BDFLAP = -5.000 SPDBRK = .0000

TEST CONDITIONS

RUN NUMBER	RN/L /FT X10 6	MACH	ALPHA DEG.	BETA DEG.	PO PSIA	TO DEG. R	T DEG. R	P PSIA	Q PSI	V FT/SEC	RHO SLUGS /FT3	MU LB-SEC /FT2
579	2.997	7.990	40.02	.1044-01	670.8	1325.	96.21	.6927-01	3.096	3842.	.1943-02	.7742-07
580	2.988	7.990	39.99	.1041-01	669.5	1326.	96.29	.6914-01	3.090	3843.	.1938-02	.7748-07

RUN NUMBER	HREF BTU/ R FT2SEC	STN NO REF (R) = .0175
579	.4353-01	.2342-01
580	.4349-01	.2345-01

TEST DATA

RUN NUMBER	2Y/BW	XW/CW	T/C NO	H/HREF R=1.0	H/HREF R=0.9	H/HREF R= TAW/TO	TAW/TO	H(TO) BTU/R FT2SEC	H(TAW) BTU/R FT2SEC	QDOT BTU/ FT2SEC	DTWOT DEG. R /SEC	TW DEG. R
580	.30000	.40000	1078.0	.6656-01	.8095-01	.7451-01	.9399	.2895-02	.3241-02	2.159	15.24	579.8
580	.30000	.50000	1079.0	.6828-01	.8314-01	.7707-01	.9362	.2970-02	.3352-02	2.203	16.03	583.9
580	.30000	.60000	1080.0	.1085	.1326	.1227	.9364	.4721-02	.5337-02	3.447	24.95	595.4
580	.30000	.70000	1081.0	.1608	.1970	.1824	.9356	.6992-02	.7930-02	5.043	35.17	604.4
580	.30000	.80000	1082.0	.2190	.2689	.2501	.9329	.9525-02	.1088-01	6.808	48.90	610.9
580	.30000	.90000	83.000	.1307	.1588	.1517	.9217	.5683-02	.6598-02	4.257	30.59	576.7
580	.30000	.95000	84.000	.1406	.1708	.1649	.9167	.6114-02	.7169-02	4.586	32.44	575.5
580	.40000	.60000	1092.0	.1762	.2159	.1991	.9375	.7661-02	.8657-02	5.521	36.16	605.0
580	.40000	.70000	1093.0	.2229	.2732	.2525	.9364	.9695-02	.1098-01	6.979	45.69	605.8
580	.40000	.75000	1094.0	.2167	.2659	.2466	.9345	.9424-02	.1072-01	6.757	48.59	608.7
580	.40000	.85000	95.000	.1803	.2199	.2078	.9264	.7842-02	.9039-02	5.773	42.62	589.5
580	.40000	.90000	96.000	.1627	.1983	.1909	.9178	.7077-02	.8301-02	5.231	43.88	586.6
580	.40000	.95000	97.000	.1416	.1724	.1673	.9140	.6159-02	.7276-02	4.572	36.32	583.3
580	.50000	.40000	1104.0	.1092	.1333	.1233	.9367	.4749-02	.5363-02	3.484	24.45	592.1
580	.50000	.60000	1105.0	.1300	.1589	.1471	.9362	.5653-02	.6396-02	4.119	27.93	597.0
580	.50000	.70000	1106.0	.1086	.1327	.1230	.9353	.4724-02	.5351-02	3.455	24.21	594.3
580	.50000	.90000	107.00	.1816	.2213	.2213	.9000	.7897-02	.9623-02	5.836	44.65	586.7
580	.60000	.40000	1116.0	.1345	.1644	.1516	.9378	.5848-02	.6594-02	4.260	28.89	597.2
580	.60000	.50000	1117.0	.1300	.1590	.1471	.9364	.5655-02	.6396-02	4.117	27.90	597.7

OH84B 60-0 WING LOWER SURFACE

(R4UQ39)

RUN NUMBER	2Y/BW	XW/CW	T/C NO	H/HREF	H/HREF	H/HREF	TAW/TO	H(TO)	H(TAW)	QDOT	DTWDT	TW
				R=1.0	R=0.9	R=		BTU/R	BTU/R	BTU/ FT2SEC	DEG. R	DEG. R
580	.60000	.60000	1118.0	.1299	.1587	.1469	.9362	.5651-02	.6391-02	4.132	28.06	594.4
580	.60000	.70000	1119.0	.1226	.1498	.1396	.9329	.5333-02	.6070-02	3.903	27.36	593.9
580	.60000	.80000	120.00	.1417	.1726	.1632	.9264	.6161-02	.7096-02	4.561	33.18	585.4
580	.60000	.85000	121.00	.1776	.2162	.2055	.9240	.7723-02	.8935-02	5.731	41.04	583.6
580	.60000	.90000	122.00	.1782	.2169	.2094	.9167	.7752-02	.9105-02	5.762	42.69	582.4
580	.60000	.95000	123.00	.1471	.1788	.1736	.9140	.6398-02	.7548-02	4.786	35.54	577.6
580	.70000	.40000	1130.0	.1384	.1689	.1563	.9366	.6019-02	.6797-02	4.419	27.47	591.6
580	.70000	.60000	131.00	.1357	.1654	.1533	.9362	.5900-02	.6665-02	4.346	27.05	589.0
580	.70000	.90000	132.00	.2877	.3515	.3381	.9178	.1251-01	.1471-01	9.139	64.03	595.2
579	.75000	.30000	138.00	.1508	.1843	.1701	.9375	.6566-02	.7405-02	4.790	29.72	595.1
579	.75000	.40000	139.00	.1324	.1618	.1494	.9373	.5765-02	.6505-02	4.205	26.86	595.2
579	.75000	.60000	140.00	.1238	.1513	.1513	.9000	.5390-02	.6584-02	3.935	25.91	594.5
579	.75000	.70000	1141.0	.1264	.1547	.1431	.9362	.5501-02	.6229-02	3.976	27.76	601.9
579	.75000	.80000	142.00	.2181	.2677	.2524	.9267	.9494-02	.1099-01	6.789	54.22	609.5
580	.75000	.90000	143.00	.2222	.2705	.2603	.9180	.9665-02	.1132-01	7.184	51.48	582.4
580	.75000	.95000	144.00	.1550	.1883	.1825	.9148	.6742-02	.7937-02	5.062	37.64	574.8
579	.80000	.20000	146.00	.1908	.2339	.2152	.9384	.8306-02	.9368-02	5.979	40.38	604.8
579	.80000	.40000	147.00	.1372	.1680	.1548	.9379	.5971-02	.6740-02	4.312	30.10	602.6
579	.80000	.90000	148.00	.2437	.2975	.2859	.9184	.1061-01	.1245-01	7.757	55.29	593.2
579	.90000	.30000	1155.0	.1789	.2198	.2018	.9389	.7787-02	.8785-02	5.544	38.50	612.7
579	.90000	.50000	156.00	.1475	.1810	.1810	.9000	.6421-02	.7878-02	4.598	32.00	608.6
579	.90000	.60000	1157.0	.1404	.1722	.1586	.9379	.6113-02	.6904-02	4.391	29.63	606.4
579	.90000	.80000	158.00	.2589	.3180	.2991	.9276	.1127-01	.1302-01	8.033	60.72	611.8
579	.90000	.90000	159.00	.2484	.3043	.2929	.9173	.1081-01	.1275-01	7.792	60.18	603.8
579	.95000	.30000	164.00	.1591	.1951	.1795	.9384	.6926-02	.7813-02	4.981	34.72	605.5
579	.95000	.50000	165.00	.1188	.1453	.1341	.9373	.5170-02	.5838-02	3.751	27.10	599.2
579	.95000	.70000	166.00	.1910	.2337	.2176	.9330	.8312-02	.9471-02	6.028	44.29	599.5
579	.95000	.80000	167.00	.2283	.2795	.2651	.9243	.9935-02	.1154-01	7.174	51.74	602.6
579	.95000	.90000	168.00	.2045	.2501	.2405	.9178	.8902-02	.1047-01	6.474	47.61	597.4

DATE 23 FEB 80

OH84B MODEL 60-0 IN THE AEDC VKF HYPERSONIC TUNNEL

PAGE 2125

OH84B 60-0 WING LOWER SURFACE

(R4U040)

WING LOWER SURF

PARAMETRIC DATA

MACH = 8.000 ALPHA = 40.00 BETA = .0000 ELEVON = .0000
 BDFLAP = .0000 SPDBRK = .0000

TEST CONDITIONS

RUN NUMBER	RN/L /FT X10 6	MACH	ALPHA DEG.	BETA DEG.	PO PSIA	TO DEG. R	T DEG. R	P PSIA	Q PSI	V FT/SEC	RHO SLUGS /FT3	MU LB-SEC /FT2
623	.4983	7.900	39.97	.1384-01	99.83	1256.	93.14	.1109-01	.4847	3737.	.3215-03	.7495-07
624	.5083	7.900	39.94	.1381-01	101.7	1255.	93.06	.1130-01	.4938	3736.	.3278-03	.7489-07

RUN NUMBER	HREF BTU/ R FT2SEC	STN NO REF (R) = .0175
623	.1705-01	.5726-01
624	.1722-01	.5670-01

TEST DATA

RUN NUMBER	2Y/BW	XW/CW	T/C NO	H/HREF R=1.0	H/HREF R=0.9	H/HREF R= TAW/TO	TAW/TO	H(TO) BTU/R FT2SEC	H(TAW) BTU/R FT2SEC	QDOT BTU/ FT2SEC	DTWDT DEG. R /SEC	TW DEG. R
624	.30000	.40000	1078.0	.6941-01	.8394-01	.7748-01	.9398	.1195-02	.1334-02	.8666	6.274	529.7
624	.30000	.50000	1079.0	.5364-01	.6487-01	.6032-01	.9361	.9237-03	.1039-02	.6691	5.004	530.3
624	.30000	.60000	1080.0	.4991-01	.6040-01	.5612-01	.9363	.8595-03	.9665-03	.6208	4.637	532.5
624	.30000	.70000	1081.0	.4938-01	.5976-01	.5561-01	.9355	.8504-03	.9576-03	.6141	4.439	532.5
624	.30000	.80000	1082.0	.5545-01	.6711-01	.6277-01	.9328	.9549-03	.1081-02	.6897	5.152	532.4
624	.30000	.90000	83.000	.4234-01	.5114-01	.4895-01	.9216	.7291-03	.8429-03	.5316	3.919	525.6
624	.30000	.95000	84.000	.5350-01	.6459-01	.6245-01	.9166	.9214-03	.1075-02	.6731	4.886	524.2
624	.40000	.60000	1092.0	.6477-01	.7844-01	.7271-01	.9374	.1115-02	.1252-02	.8031	5.447	534.8
624	.40000	.70000	1093.0	.6714-01	.8128-01	.7550-01	.9363	.1156-02	.1300-02	.8338	5.659	533.5
624	.40000	.75000	1094.0	.6308-01	.7637-01	.7122-01	.9344	.1086-02	.1226-02	.7836	5.850	533.4
624	.40000	.85000	95.000	.6057-01	.7325-01	.6943-01	.9263	.1043-02	.1196-02	.7561	5.751	529.9
624	.40000	.90000	96.000	.5110-01	.6177-01	.5957-01	.9177	.8801-03	.1026-02	.6397	5.527	527.8
624	.40000	.95000	97.000	.4362-01	.5268-01	.5120-01	.9139	.7511-03	.8818-03	.5478	4.480	525.4
624	.50000	.40000	1104.0	.7844-01	.9501-01	.8819-01	.9366	.1351-02	.1519-02	.9721	7.017	535.1
624	.50000	.60000	1105.0	.6701-01	.8116-01	.7541-01	.9361	.1154-02	.1299-02	.8306	5.810	534.9
624	.50000	.70000	1106.0	.3820-01	.4623-01	.4304-01	.9352	.6578-03	.7413-03	.4748	3.431	532.9
624	.50000	.90000	107.00	.5017-01	.6063-01	.6063-01	.9000	.8640-03	.1044-02	.6283	4.953	527.4
624	.60000	.40000	1116.0	.1096	.1328	.1230	.9377	.1887-02	.2118-02	1.357	9.488	535.6
624	.60000	.50000	1117.0	.1030	.1248	.1159	.9363	.1774-02	.1996-02	1.275	8.913	535.8

OH84B 60-0 WING LOWER SURFACE

(R4U040)

RUN NUMBER	2Y/BW	XW/CW	T/C NO	H/HREF R=1.0	H/HREF R=0.9	H/HREF R= TAW/TO	TAW/TO	H(10) BTU/R FT2SEC	H(TAW) BTU/R FT2SEC	QDOT BTU/ FT2SEC	DTWDT DEG. R /SEC	TW DEG. R
624	.60000	.60000	1118.0	.8853-01	.1072	.9964-01	.9361	.1525-02	.1716-02	1.096	7.666	535.5
624	.60000	.70000	1119.0	.7476-01	.9055-01	.8468-01	.9328	.1288-02	.1458-02	.9266	6.690	535.0
624	.60000	.80000	120.00	.5906-01	.7145-01	.6771-01	.9263	.1017-02	.1166-02	.7357	5.498	531.3
624	.60000	.85000	121.00	.7026-01	.8499-01	.8093-01	.9239	.1210-02	.1394-02	.8764	6.446	530.4
624	.60000	.90000	122.00	.6290-01	.7603-01	.7349-01	.9166	.1083-02	.1266-02	.7870	5.991	528.2
624	.60000	.95000	123.00	.4849-01	.5856-01	.5692-01	.9139	.8350-03	.9802-03	.6090	4.643	525.4
624	.70000	.40000	1130.0	.1251	.1514	.1406	.9365	.2154-02	.2421-02	1.553	9.939	533.5
624	.70000	.60000	131.00	.1106	.1338	.1244	.9361	.1904-02	.2142-02	1.375	8.802	532.5
624	.70000	.90000	132.00	.1748	.2117	.2041	.9177	.3011-02	.3514-02	2.170	15.68	533.8
623	.75000	.30000	138.00	.1412	.1710	.1585	.9374	.2410-02	.2704-02	1.739	11.13	533.9
623	.75000	.40000	139.00	.1233	.1493	.1384	.9372	.2103-02	.2362-02	1.516	9.982	534.8
623	.75000	.60000	140.00	.1087	.1316	.1316	.9000	.1854-02	.2246-02	1.336	9.057	535.4
623	.75000	.70000	1141.0	.9715-01	.1177	.1094	.9361	.1658-02	.1866-02	1.190	8.576	538.0
623	.75000	.80000	142.00	.8681-01	.1052	.9959-01	.9266	.1481-02	.1699-02	1.064	8.810	537.3
624	.75000	.90000	143.00	.7233-01	.8740-01	.8427-01	.9179	.1246-02	.1451-02	.9066	6.680	526.9
624	.75000	.95000	144.00	.4660-01	.5623-01	.5457-01	.9147	.8024-03	.9398-03	.5878	4.488	522.2
623	.80000	.20000	146.00	.1735	.2102	.1944	.9383	.2960-02	.3318-02	2.126	14.85	537.3
623	.80000	.40000	147.00	.1263	.1530	.1417	.9377	.2155-02	.2418-02	1.549	11.18	536.6
623	.80000	.90000	148.00	.7668-01	.9280-01	.8937-01	.9182	.1309-02	.1525-02	.9461	6.951	532.6
623	.90000	.30000	1155.0	.1607	.1950	.1801	.9388	.2742-02	.3073-02	1.957	14.08	542.1
623	.90000	.50000	156.00	.1377	.1669	.1669	.9000	.2349-02	.2849-02	1.683	12.12	539.3
623	.90000	.60000	1157.0	.1240	.1504	.1392	.9377	.2116-02	.2375-02	1.513	10.55	540.6
623	.90000	.80000	158.00	.9881-01	.1197	.1131	.9275	.1686-02	.1931-02	1.212	9.509	536.8
623	.90000	.90000	159.00	.7332-01	.8877-01	.8567-01	.9172	.1251-02	.1462-02	.9029	7.220	534.1
623	.95000	.30000	164.00	.1570	.1903	.1760	.9383	.2678-02	.3003-02	1.920	13.83	538.9
623	.95000	.50000	165.00	.1155	.1400	.1298	.9372	.1972-02	.2215-02	1.416	10.55	537.5
623	.95000	.70000	166.00	.1004	.1217	.1137	.9329	.1713-02	.1941-02	1.230	9.322	537.4
623	.95000	.80000	167.00	.1002	.1213	.1154	.9242	.1709-02	.1970-02	1.230	9.175	535.9
623	.95000	.90000	168.00	.6988-01	.8460-01	.8156-01	.9177	.1192-02	.1392-02	.8608	6.535	533.8

DATE 23 FEB 80

OH84B MODEL 60-0 IN THE AEDC VKF HYPERSONIC TUNNEL

PAGE 2127

OH84B 60-0 WING LOWER SURFACE

(R4UQ40)

WING LOWER SURF

PARAMETRIC DATA

MACH = 8.000 ALPHA = 40.00 BETA = .0000 ELEVON = .0000
 BDFLAP = .0000 SPDBRK = .0000

TEST CONDITIONS

RUN NUMBER	RN/L /FT X10 6	MACH	ALPHA DEG.	BETA DEG.	PO PSIA	TO DEG. R	T DEG. R	P PSIA	Q PSI	V FT/SEC	RHO SLUGS /FT3	MU LB-SEC /FT2
613	1.004	7.940	39.97	.1731-01	204.8	1260.	92.56	.2203-01	.9721	3745.	.6423-03	.7449-07
614	1.020	7.940	39.96	.1384-01	207.9	1259.	92.49	.2236-01	.9868	3743.	.6525-03	.7443-07

RUN NUMBER	HREF BTU/ R FT2SEC	STN NO REF(R) = .0175
613	.2418-01	.4052-01
614	.2436-01	.4020-01

TEST DATA

RUN NUMBER	ZY/BW	XW/CW	T/C NO	H/HREF R=1.0	H/HREF R=0.9	H/HREF R= TAW/TO	TAW/TO	H(TO) BTU/R FT2SEC	H(TAW) BTU/R FT2SEC	QDOT BTU/ FT2SEC	DTWDT DEG. R /SEC	TW DEG. R
614	.30000	.40000	1078.0	.6366-01	.7717-01	.7115-01	.9399	.1551-02	.1733-02	1.115	8.033	539.5
614	.30000	.50000	1079.0	.4832-01	.5857-01	.5440-01	.9361	.1177-02	.1325-02	.8460	6.296	539.8
614	.30000	.60000	1080.0	.4699-01	.5701-01	.5291-01	.9363	.1145-02	.1289-02	.8197	6.092	542.5
614	.30000	.70000	1081.0	.4701-01	.5704-01	.5301-01	.9356	.1145-02	.1291-02	.8201	5.896	542.5
614	.30000	.80000	1082.0	.5009-01	.6078-01	.5680-01	.9329	.1220-02	.1383-02	.8731	6.487	543.1
614	.30000	.90000	83.000	.4368-01	.5284-01	.5055-01	.9216	.1064-02	.1231-02	.7726	5.677	532.4
614	.30000	.95000	84.000	.5064-01	.6124-01	.5918-01	.9166	.1234-02	.1442-02	.8974	6.491	531.2
614	.40000	.60000	1092.0	.6689-01	.8122-01	.7519-01	.9374	.1629-02	.1831-02	1.162	7.842	545.3
614	.40000	.70000	1093.0	.6739-01	.8180-01	.7590-01	.9363	.1641-02	.1849-02	1.173	7.917	544.2
614	.40000	.75000	1094.0	.6541-01	.7938-01	.7395-01	.9344	.1593-02	.1801-02	1.140	8.466	543.4
614	.40000	.85000	95.000	.6613-01	.8013-01	.7589-01	.9264	.1611-02	.1849-02	1.161	8.796	537.9
614	.40000	.90000	96.000	.5347-01	.6476-01	.6243-01	.9177	.1302-02	.1521-02	.9405	8.089	536.6
614	.40000	.95000	97.000	.4460-01	.5397-01	.5243-01	.9139	.1086-02	.1277-02	.7880	6.418	533.4
614	.50000	.40000	1104.0	.7980-01	.9689-01	.8984-01	.9367	.1944-02	.2188-02	1.387	9.962	545.1
614	.50000	.60000	1105.0	.6303-01	.7653-01	.7103-01	.9361	.1535-02	.1730-02	1.095	7.616	545.6
614	.50000	.70000	1106.0	.3824-01	.4638-01	.4314-01	.9353	.9313-03	.1051-02	.6678	4.805	541.7
614	.50000	.90000	107.00	.4989-01	.6040-01	.6040-01	.9000	.1215-02	.1471-02	.8790	6.902	535.3
614	.60000	.40000	1116.0	.1135	.1379	.1275	.9377	.2764-02	.3107-02	1.961	13.62	549.1
614	.60000	.50000	1117.0	.9983-01	.1213	.1125	.9363	.2432-02	.2741-02	1.727	11.99	548.7

OH84B 60-0 WING LOWER SURFACE

(R4UQ40)

RUN NUMBER	2Y/BW	XW/CW	T/C NO	H/HREF R=1.0	H/HREF R=0.9	H/HREF R= TAW/TO	TAW/TO	H(TO) BTU/R FT2SEC	H(TAW) BTU/R FT2SEC	QDOT BTU/ FT2SEC	DTWOT DEG. R /SEC	TW DEG. R
614	.60000	.60000	1118.0	.9121-01	.1108	.1028	.9361	.2222-02	.2504-02	1.582	11.00	546.4
614	.60000	.70000	1119.0	.7873-01	.9559-01	.8930-01	.9329	.1918-02	.2175-02	1.368	9.825	545.3
614	.60000	.80000	120.00	.6343-01	.7693-01	.7284-01	.9264	.1545-02	.1774-02	1.108	8.241	541.3
614	.60000	.85000	121.00	.7755-01	.9397-01	.8943-01	.9240	.1889-02	.2178-02	1.360	9.964	538.5
614	.60000	.90000	122.00	.6848-01	.8292-01	.8011-01	.9166	.1668-02	.1951-02	1.206	9.149	535.6
614	.60000	.95000	123.00	.4983-01	.6028-01	.5857-01	.9139	.1214-02	.1427-02	.8814	6.695	532.5
614	.70000	.40000	1130.0	.1188	.1443	.1338	.9366	.2894-02	.3258-02	2.064	13.13	545.5
614	.70000	.60000	131.00	.1109	.1346	.1250	.9361	.2701-02	.3044-02	1.928	12.27	544.7
614	.70000	.90000	132.00	.1870	.2270	.2187	.9177	.4555-02	.5327-02	3.253	23.37	544.4
613	.75000	.30000	138.00	.1398	.1695	.1570	.9374	.3380-02	.3796-02	2.428	15.47	541.4
613	.75000	.40000	139.00	.1212	.1470	.1362	.9372	.2931-02	.3294-02	2.102	13.78	542.6
613	.75000	.60000	140.00	.1072	.1301	.1301	.9000	.2591-02	.3145-02	1.854	12.51	544.2
613	.75000	.70000	141.0	.1008	.1225	.1137	.9361	.2438-02	.2748-02	1.735	12.45	547.8
613	.75000	.80000	142.00	.9061-01	.1100	.1041	.9266	.2191-02	.2516-02	1.566	12.92	544.9
614	.75000	.90000	143.00	.7700-01	.9318-01	.8980-01	.9179	.1878-02	.2187-02	1.360	9.985	533.8
614	.75000	.95000	144.00	.4800-01	.5800-01	.5628-01	.9147	.1169-02	.1371-02	.8537	6.498	528.6
613	.80000	.20000	146.00	.1792	.2176	.2011	.9383	.4334-02	.4862-02	3.097	21.55	544.9
613	.80000	.40000	147.00	.1252	.1519	.1406	.9377	.3026-02	.3399-02	2.163	15.54	545.0
613	.80000	.90000	148.00	.8303-01	.1005	.9681-01	.9183	.2008-02	.2341-02	1.453	10.65	536.0
613	.90000	.30000	1155.0	.1648	.2004	.1849	.9388	.3985-02	.4471-02	2.828	20.27	550.0
613	.90000	.50000	156.00	.1355	.1647	.1647	.9000	.3277-02	.3981-02	2.334	16.74	547.6
613	.90000	.60000	1157.0	.1228	.1492	.1380	.9377	.2969-02	.3337-02	2.112	14.68	548.2
613	.90000	.80000	158.00	.1031	.1251	.1182	.9275	.2493-02	.2857-02	1.786	13.97	543.1
613	.90000	.90000	159.00	.7837-01	.9492-01	.9160-01	.9172	.1895-02	.2215-02	1.369	10.93	537.2
613	.95000	.30000	164.00	.1615	.1960	.1812	.9383	.3904-02	.4381-02	2.788	20.02	545.6
613	.95000	.50000	165.00	.1149	.1395	.1292	.9372	.2779-02	.3125-02	1.988	14.76	544.3
613	.95000	.70000	166.00	.1068	.1297	.1211	.9329	.2583-02	.2929-02	1.848	13.96	544.1
613	.95000	.80000	167.00	.1032	.1252	.1191	.9242	.2496-02	.2879-02	1.794	13.34	541.1
613	.95000	.90000	168.00	.7322-01	.8866-01	.8547-01	.9177	.1770-02	.2066-02	1.281	9.712	536.1

DATE 23 FEB 80

OH84B MODEL 60-0 IN THE AEDC VKF HYPERSONIC TUNNEL

PAGE 2129

OH84B 60-0 WING LOWER SURFACE

(R4UQ40)

WING LOWER SURF

PARAMETRIC DATA

MACH = 8.000 ALPHA = 40.00 BETA = .0000 ELEVON = .0000
 BDFLAP = .0000 SPDBRK = .0000

TEST CONDITIONS

RUN NUMBER	RN/L /FT X10 6	MACH	ALPHA DEG.	BETA DEG.	PO PSIA	TO DEG. R	T DEG. R	P PSIA	Q PSI	V FT/SEC	RHO SLUGS /FT3	MU LB-SEC /FT2
595	2.001	7.980	40.02	.1392-01	435.8	1304.	94.91	.4537-01	2.022	3811.	.1290-02	.7637-07
596	2.000	7.980	40.02	.1392-01	434.7	1302.	94.76	.4525-01	2.017	3808.	.1289-02	.7626-07

PUN NUMBER	HREF BTU/ R FT2SEC	STN NO REF (R)
595	.3508-01	.2869-01
596	.3503-01	.2870-01

TEST DATA

RUN NUMBER	2Y/BW	XW/CW	T/C NO	H/HREF R=1.0	H/HREF R=0.9	H/HREF R=TAW/TO	TAW/TO	H(TO) BTU/R FT2SEC	H(TAW) BTU/R FT2SEC	QDOT BTU/ FT2SEC	DTWOT DEG. R /SEC	TW DEG. R
596	.30000	.40000	1078.0	.5873-01	.7121-01	.6563-01	.9400	.2057-02	.2299-02	1.528	10.90	558.8
596	.30000	.50000	1079.0	.4353-01	.5281-01	.4902-01	.9362	.1525-02	.1717-02	1.129	8.313	561.1
596	.30000	.60000	1080.0	.5193-01	.6309-01	.5850-01	.9365	.1819-02	.2049-02	1.338	9.831	565.8
596	.30000	.70000	1081.0	.6594-01	.8017-01	.7443-01	.9357	.2310-02	.2607-02	1.695	12.03	568.0
596	.30000	.80000	1082.0	.8769-01	.1067	.9960-01	.9330	.3072-02	.3489-02	2.241	16.41	572.2
596	.30000	.90000	83.000	.6832-01	.8264-01	.7904-01	.9217	.2393-02	.2769-02	1.797	13.09	550.6
596	.30000	.95000	84.000	.7508-01	.9079-01	.8772-01	.9167	.2630-02	.3073-02	1.979	14.18	549.2
596	.40000	.60000	1092.0	.8609-01	.1048	.9687-01	.9375	.3015-02	.3393-02	2.203	14.67	571.3
596	.40000	.70000	1093.0	.9794-01	.1192	.1105	.9365	.3431-02	.3869-02	2.506	16.68	571.4
596	.40000	.75000	1094.0	.1021	.1243	.1156	.9345	.3577-02	.4050-02	2.610	19.11	572.0
596	.40000	.85000	95.000	.9671-01	.1173	.1111	.9265	.3388-02	.3890-02	2.508	18.78	561.3
596	.40000	.90000	96.000	.8472-01	.1027	.9896-01	.9178	.2968-02	.3466-02	2.206	18.77	558.3
596	.40000	.95000	97.000	.7158-01	.8668-01	.8418-01	.9141	.2507-02	.2949-02	1.874	15.11	554.1
596	.50000	.40000	1104.0	.8333-01	.1013	.9387-01	.9368	.2919-02	.3288-02	2.137	15.17	569.3
596	.50000	.60000	1105.0	.7089-01	.8621-01	.7995-01	.9362	.2483-02	.2800-02	1.819	12.51	569.1
596	.50000	.70000	1106.0	.4187-01	.5085-01	.4726-01	.9354	.1467-02	.1655-02	1.081	7.687	564.7
596	.50000	.90000	107.00	.7561-01	.9161-01	.9161-01	.9000	.2649-02	.3209-02	1.974	15.33	556.5
596	.60000	.40000	1116.0	.1194	.1455	.1344	.9379	.4183-02	.4707-02	3.040	20.84	574.9
596	.60000	.50000	1117.0	.1106	.1347	.1248	.9365	.3873-02	.4370-02	2.818	19.32	574.2

OH84B 60-0 WING LOWER SURFACE

(R4UQ40)

RUN NUMBER	ZY/BW	XW/CW	T/C NO	H/HREF R=1.0	H/HREF R=0.9	H/HREF R= TAW/TO	TAW/TO	H(TO) BTU/R FT2SEC	H(TAW) BTU/R FT2SEC	QDOT BTU/ FT2SEC	DTWDT DEG. R /SEC	TW DEG. R
596	.60000	.60000	1118.0	.9790-01	.1191	.1105	.9362	.3429-02	.3869-02	2.504	17.19	571.6
596	.60000	.70000	1119.0	.8606-01	.1047	.9771-01	.9330	.3014-02	.3422-02	2.205	15.64	570.1
596	.60000	.80000	120.00	.8263-01	.1003	.9490-01	.9265	.2894-02	.3324-02	2.141	15.76	561.9
596	.60000	.85000	121.00	.9943-01	.1205	.1147	.9241	.3483-02	.4017-02	2.588	18.76	558.6
596	.60000	.90000	122.00	.8526-01	.1033	.9974-01	.9167	.2986-02	.3494-02	2.229	16.73	555.4
596	.60000	.95000	123.00	.6435-01	.7779-01	.7557-01	.9141	.2254-02	.2647-02	1.697	12.79	548.6
596	.70000	.40000	1130.0	.1276	.1553	.1438	.9367	.4469-02	.5038-02	3.264	20.49	571.4
596	.70000	.60000	131.00	.1182	.1437	.1333	.9362	.4140-02	.4669-02	3.034	19.07	568.9
596	.70000	.90000	132.00	.2313	.2814	.2710	.9178	.8102-02	.9491-02	5.921	41.98	570.8
595	.75000	.30000	138.00	.1418	.1724	.1595	.9375	.4976-02	.5596-02	3.658	23.00	568.4
595	.75000	.40000	139.00	.1234	.1501	.1389	.9373	.4331-02	.4873-02	3.178	20.55	569.9
595	.75000	.60000	140.00	.1117	.1358	.1358	.9000	.3919-02	.4765-02	2.877	19.17	569.5
595	.75000	.70000	1141.0	.1099	.1338	.1241	.9362	.3856-02	.4352-02	2.810	19.88	574.9
595	.75000	.80000	142.00	.1387	.1689	.1597	.9267	.4868-02	.5601-02	3.551	28.86	574.2
595	.75000	.90000	143.00	.1313	.1590	.1532	.9180	.4598-02	.5366-02	3.426	24.86	566.6
596	.75000	.95000	144.00	.8578-01	.1049	.1017	.9148	.3040-02	.3564-02	2.291	17.27	548.0
595	.80000	.20000	146.00	.1778	.2164	.1997	.9384	.6237-02	.7007-02	4.555	31.25	573.4
595	.80000	.40000	147.00	.1274	.1551	.1433	.9379	.4468-02	.5027-02	3.256	23.04	575.0
595	.80000	.90000	148.00	.1547	.1877	.1806	.9184	.5427-02	.6335-02	4.027	29.16	561.6
595	.90000	.30000	1155.0	.1626	.1984	.1827	.9389	.5705-02	.6411-02	4.127	29.12	580.4
595	.90000	.50000	156.00	.1380	.1683	.1683	.9000	.4842-02	.5905-02	3.509	24.78	579.0
595	.90000	.60000	1157.0	.1282	.1563	.1443	.9379	.4498-02	.5064-02	3.261	22.31	578.7
595	.90000	.80000	158.00	.1400	.1703	.1607	.9276	.4910-02	.5638-02	3.592	27.69	572.1
595	.90000	.90000	159.00	.1246	.1513	.1459	.9173	.4371-02	.5118-02	3.231	25.45	564.5
595	.95000	.30000	164.00	.1563	.1903	.1756	.9384	.5483-02	.6161-02	4.002	28.34	573.7
595	.95000	.50000	165.00	.1116	.1357	.1256	.9373	.3914-02	.4405-02	2.868	21.01	570.9
595	.95000	.70000	166.00	.1238	.1505	.1405	.9330	.4343-02	.4930-02	3.187	23.76	569.9
595	.95000	.80000	167.00	.1274	.1547	.1471	.9243	.4469-02	.5159-02	3.297	24.22	565.9
595	.95000	.90000	168.00	.9818-01	.1190	.1147	.9178	.3444-02	.4022-02	2.567	19.25	558.3

DATE 23 FEB 80

OH848 MODEL 60-0 IN THE AEDC VKI HYPERSONIC TUNNEL

PAGE 2131

OH848 60-0 WING LOWER SURFACE

(R4UQ40)

WING LOWER SURF

PARAMETRIC DATA

MACH = 8.000 ALPHA = 40.00 BETA = .0000 ELEVON = .0000
 BDFLAP = .0000 SPDBRK = .0000

TEST CONDITIONS

RUN NUMBER	RN/L /FT X10 6	MACH	ALPHA DEG.	BETA DEG.	PO PSIA	TO DEG. R	T DEG. R	P PSIA	Q PSI	V FT/SEC	RHO SLUGS /FT3	MU LB-SEC /FT2
577	3.019	7.990	40.06	.6989-02	670.3	1318.	95.71	.6922-01	3.093	3832.	.1952-02	.7701-07
578	3.027	7.990	40.06	.6985-02	669.7	1315.	95.49	.6916-01	3.091	3827.	.1955-02	.7684-07

RUN NUMBER	HREF BTU/ R FT2SEC	STN NO REF (R) = .0175
577	.4347-01	.2335-01
578	.4343-01	.2333-01

TEST DATA

RUN NUMBER	2Y/BW	XW/CW	T/C NO	H/HREF R=1.0	H/HREF R=0.9	H/HREF R= TAW/TO	TAW/TO	H(TO) BTU/R FT2SEC	H(TAW) BTU/R FT2SEC	QDOT BTU/ FT2SEC	DTWOT DEG. R /SEC	TW DEG. R
578	.30000	.40000	1078.0	.6664-01	.8123-01	.7467-01	.9401	.2894-02	.3243-02	2.118	14.93	582.8
578	.30000	.50000	1079.0	.6948-01	.8480-01	.7851-01	.9363	.3018-02	.3410-02	2.196	15.96	587.1
578	.30000	.60000	1080.0	.1129	.1383	.1278	.9365	.4905-02	.5552-02	3.512	25.38	598.7
578	.30000	.70000	1081.0	.1648	.2025	.1871	.9358	.7157-02	.8128-02	5.057	35.20	608.1
578	.30000	.80000	1082.0	.2217	.2730	.2536	.9331	.9630-02	.1101-01	6.739	48.32	614.9
578	.30000	.90000	83.000	.1313	.1600	.1527	.9218	.5701-02	.6634-02	4.168	29.85	583.5
578	.30000	.95000	84.000	.1415	.1724	.1663	.9168	.6144-02	.7223-02	4.496	31.69	582.9
578	.40000	.60000	1092.0	.1797	.2208	.2033	.9376	.7803-02	.8830-02	5.503	35.97	609.4
578	.40000	.70000	1093.0	.2264	.2785	.2569	.9365	.9834-02	.1116-01	6.916	45.16	611.4
578	.40000	.75000	1094.0	.2182	.2687	.2488	.9346	.9479-02	.1081-01	6.638	47.60	614.4
578	.40000	.85000	95.000	.1815	.2222	.2097	.9266	.7885-02	.9107-02	5.669	41.72	595.7
578	.40000	.90000	96.000	.1627	.1990	.1913	.9179	.7067-02	.8311-02	5.096	42.60	593.6
578	.40000	.95000	97.000	.1417	.1731	.1678	.9141	.6153-02	.7289-02	4.455	35.26	590.6
578	.50000	.40000	1104.0	.1094	.1339	.1237	.9369	.4751-02	.5373-02	3.406	23.83	597.7
578	.50000	.60000	1105.0	.1313	.1610	.1487	.9363	.5701-02	.6461-02	4.056	27.42	603.1
578	.50000	.70000	1106.0	.1116	.1368	.1266	.9355	.4846-02	.5500-02	3.458	24.15	601.1
578	.50000	.90000	107.00	.1764	.2157	.2157	.9000	.7663-02	.9370-02	5.530	42.19	593.0
578	.60000	.40000	1116.0	.1349	.1655	.1524	.9379	.5861-02	.6621-02	4.166	28.15	603.9
578	.60000	.50000	1117.0	.1308	.1605	.1482	.9365	.5682-02	.6438-02	4.036	27.27	604.3

OH84B 60-0 WING LOWER SURFACE

(R4UQ40)

RUN NUMBER	2Y/BW	XW/CW	T/C NO	H/HREF R=1.0	H/HREF R=0.9	H/HREF R= TAW/TO	TAW/TO	H(TO) BTU/R FT2SEC	H(TAW) BTU/R FT2SEC	QDOT BTU/ FT2SEC	DTWDT DEG. R /SEC	TW DEG. R
578	.60000	.60000	1118.0	.1310	.1607	.1485	.9363	.5691-02	.6448-02	4.059	27.46	601.6
578	.60000	.70000	1119.0	.1249	.1530	.1424	.9331	.5423-02	.6185-02	3.870	27.03	601.0
578	.60000	.80000	120.00	.1415	.1729	.1633	.9266	.6144-02	.7091-02	4.440	32.19	592.0
578	.60000	.85000	121.00	.1758	.2148	.2039	.9242	.7637-02	.8856-02	5.531	39.48	590.4
578	.60000	.90000	122.00	.1765	.2156	.2079	.9168	.7668-02	.9029-02	5.560	41.05	589.5
578	.60000	.95000	123.00	.1458	.1779	.1725	.9141	.6334-02	.7493-02	4.621	34.19	585.0
578	.70000	.40000	1130.0	.1394	.1708	.1577	.9368	.6055-02	.6851-02	4.332	26.83	599.2
578	.70000	.60000	131.00	.1349	.1651	.1527	.9363	.5858-02	.6630-02	4.207	26.09	596.4
578	.70000	.90000	132.00	.2870	.3520	.3383	.9179	.1247-01	.1469-01	8.882	62.01	602.2
577	.75000	.30000	138.00	.1506	.1841	.1699	.9376	.6546-02	.7384-02	4.742	29.45	593.3
577	.75000	.40000	139.00	.1324	.1618	.1494	.9374	.5757-02	.6496-02	4.178	26.73	592.0
577	.75000	.60000	140.00	.1239	.1513	.1513	.9000	.5386-02	.6578-02	3.915	25.82	590.7
577	.75000	.70000	1141.0	.1264	.1547	.1431	.9363	.5494-02	.6219-02	3.956	27.68	597.6
577	.75000	.80000	142.00	.2202	.2700	.2546	.9268	.9571-02	.1107-01	6.830	54.69	604.1
578	.75000	.90000	143.00	.2214	.2704	.2600	.9181	.9616-02	.1129-01	6.974	49.80	589.4
578	.75000	.95000	144.00	.1548	.1887	.1827	.9149	.6725-02	.7937-02	4.928	36.52	581.9
577	.80000	.20000	146.00	.1902	.2332	.2145	.9385	.8268-02	.9326-02	5.907	39.93	603.2
577	.80000	.40000	147.00	.1373	.1682	.1550	.9380	.5969-02	.6736-02	4.284	29.94	599.9
577	.80000	.90000	148.00	.2485	.3035	.2916	.9185	.1080-01	.1267-01	7.864	56.15	589.8
577	.90000	.30000	1155.0	.1803	.2216	.2035	.9390	.7839-02	.8844-02	5.543	38.54	610.6
577	.90000	.50000	156.00	.1495	.1835	.1835	.9000	.6500-02	.7976-02	4.628	32.25	605.7
577	.90000	.60000	1157.0	.1409	.1727	.1590	.9380	.6123-02	.6913-02	4.380	29.62	602.4
577	.90000	.80000	158.00	.2474	.3036	.2857	.9277	.1076-01	.1242-01	7.658	58.05	605.7
577	.90000	.90000	159.00	.2512	.3078	.2962	.9174	.1092-01	.1288-01	7.835	60.62	600.3
577	.95000	.30000	164.00	.1608	.1972	.1814	.9385	.6991-02	.7885-02	4.997	34.87	602.9
577	.95000	.50000	165.00	.1226	.1500	.1384	.9374	.5328-02	.6016-02	3.842	27.79	596.6
577	.95000	.70000	166.00	.1692	.2070	.1928	.9331	.7356-02	.8379-02	5.310	39.08	595.8
577	.95000	.80000	167.00	.2169	.2654	.2516	.9244	.9427-02	.1094-01	6.790	49.10	597.3
577	.95000	.90000	168.00	.2005	.2451	.2357	.9179	.8715-02	.1025-01	6.309	46.48	593.7

OH84B 60-0 WING LOWER SURFACE

(R4UQ41)

WING LOWER SURF

PARAMETRIC DATA

MACH = 8.000 ALPHA = 40.00 BETA = .0000 ELEVON = .0000
 BDFLAP = 5.000 SPDBRK = .0000

TEST CONDITIONS

RUN NUMBER	RN/L /FT X10 6	MACH	ALPHA DEG.	BETA DEG.	PO PSIA	TO DEG. R	T DEG. R	P PSIA	Q PSI	V FT/SEC	RHO SLUGS /FT3	MU LB-SEC /FT2
625	.5056	7.900	39.96	.1729-01	100.1	1246.	92.40	.1112-01	.4859	3723.	.3249-03	.7435-07
626	.5125	7.900	39.93	.1380-01	101.2	1244.	92.25	.1125-01	.4913	3720.	.3290-03	.7423-07

RUN NUMBER	HREF BTU/ R FT2SEC	STN NO REF (R) =.0175
625	.1706-01	.5691-01
626	.1715-01	.5654-01

TEST DATA

RUN NUMBER	2Y/BW	XW/CW	T/C NO	H/HREF R=1.0	H/HREF R=0.9	H/HREF R= TAW/TO	TAW/TO	H(TO) BTU/R FT2SEC	H(TAW) BTU/R FT2SEC	QDOT BTU/ FT2SEC	DTWDT DEG. R /SEC	TW DEG. R
626	.30000	.40000	1078.0	.7079-01	.8573-01	.7909-01	.9398	.1214-02	.1356-02	.8669	6.275	529.7
626	.30000	.50000	1079.0	.5441-01	.6590-01	.6124-01	.9361	.9332-03	.1050-02	.6656	4.977	530.4
626	.30000	.60000	1080.0	.5117-01	.6201-01	.5759-01	.9363	.8777-03	.9877-03	.6243	4.664	532.3
626	.30000	.70000	1081.0	.5118-01	.6202-01	.5768-01	.9355	.8778-03	.9893-03	.6246	4.516	532.1
626	.30000	.80000	1082.0	.5232-01	.6340-01	.5928-01	.9328	.8974-03	.1017-02	.6388	4.773	531.9
626	.30000	.90000	83.000	.4252-01	.5119-01	.4898-01	.9215	.7259-03	.8401-03	.5210	3.841	525.9
626	.30000	.95000	84.000	.5365-01	.6486-01	.6269-01	.9166	.9201-03	.1075-02	.6620	4.806	524.2
626	.40000	.60000	1092.0	.6591-01	.7992-01	.7404-01	.9373	.1130-02	.1270-02	.9015	5.437	534.6
626	.40000	.70000	1093.0	.6795-01	.8236-01	.7648-01	.9363	.1165-02	.1312-02	.8283	5.624	532.9
626	.40000	.75000	1094.0	.6276-01	.7607-01	.7091-01	.9343	.1076-02	.1216-02	.7652	5.715	532.8
626	.40000	.85000	95.000	.5974-01	.7234-01	.6854-01	.9263	.1025-02	.1176-02	.7313	5.563	529.9
626	.40000	.90000	96.000	.5176-01	.6263-01	.6039-01	.9176	.8877-03	.1036-02	.6358	5.495	527.4
626	.40000	.95000	97.000	.4433-01	.5361-01	.5210-01	.9139	.7603-03	.8935-03	.5463	4.468	525.2
626	.50000	.40000	1104.0	.7860-01	.9533-01	.8844-01	.9366	.1348-02	.1517-02	.9553	6.896	535.0
626	.50000	.60000	1105.0	.6757-01	.8194-01	.7610-01	.9361	.1159-02	.1305-02	.8217	5.748	534.6
626	.50000	.70000	1106.0	.3869-01	.4689-01	.4364-01	.9352	.6635-03	.7484-03	.4717	3.409	532.8
626	.50000	.90000	107.000	.5098-01	.6168-01	.6168-01	.9000	.8743-03	.1058-02	.6264	4.938	527.2
626	.60000	.40000	1116.0	.1118	.1356	.1255	.9377	.1917-02	.2152-02	1.358	9.492	535.4
626	.60000	.50000	1117.0	.1030	.1249	.1160	.9363	.1766-02	.1989-02	1.251	8.745	535.5

OH84B 60-0 WING LOWER SURFACE

(R4UQ41)

RUN NUMBER	2Y/BW	XW/CW	T/C NO	H/HREF R=1.0	H/HREF R=0.9	H/HREF R= TAW/TO	TAW/TO	H(TO) BTU/R FT2SEC	H(TAW) BTU/R FT2SEC	QDOT BTU/ FT2SEC	DTWDT DEG. R /SEC	TW DEG. R
626	.60000	.60000	1118.0	.8865-01	.1075	.9985-01	.9361	.1520-02	.1713-02	1.078	7.536	535.0
626	.60000	.70000	1119.0	.7418-01	.8996-01	.8409-01	.9328	.1272-02	.1442-02	.9021	6.514	534.6
626	.60000	.80000	120.00	.5980-01	.7246-01	.6864-01	.9263	.1026-02	.1177-02	.7300	5.455	531.9
626	.60000	.85000	121.00	.7096-01	.8595-01	.8181-01	.9239	.1217-02	.1403-02	.8680	6.384	530.5
626	.60000	.90000	122.00	.6284-01	.7605-01	.7349-01	.9166	.1078-02	.1260-02	.7714	5.873	527.9
626	.60000	.95000	123.00	.4940-01	.5974-01	.5806-01	.9139	.8473-03	.9957-03	.6089	4.643	525.1
626	.70000	.40000	1130.0	.1208	.1465	.1360	.9365	.2072-02	.2332-02	1.472	9.416	533.6
626	.70000	.60000	131.00	.1113	.1349	.1253	.9361	.1908-02	.2149-02	1.357	8.691	532.4
626	.70000	.90000	132.00	.1722	.2087	.2012	.9176	.2953-02	.3450-02	2.098	15.16	533.2
625	.75000	.30000	138.00	.1394	.1689	.1565	.9374	.2378-02	.2670-02	1.694	10.84	533.2
625	.75000	.40000	139.00	.1228	.1488	.1379	.9372	.2095-02	.2353-02	1.490	9.816	534.1
625	.75000	.60000	140.00	.1085	.1316	.1316	.9000	.1851-02	.2245-02	1.316	8.929	534.6
625	.75000	.70000	1141.0	.9804-01	.1189	.1104	.9361	.1673-02	.1884-02	1.185	8.549	537.0
625	.75000	.80000	142.00	.8265-01	.1003	.9490-01	.9266	.1410-02	.1619-02	.9991	8.273	537.1
626	.75000	.90000	143.00	.7213-01	.8728-01	.8413-01	.9179	.1237-02	.1443-02	.8863	6.530	527.2
626	.75000	.95000	144.00	.4691-01	.5669-01	.5502-01	.9146	.8046-03	.9436-03	.5800	4.428	522.8
625	.80000	.20000	146.00	.1722	.2089	.1932	.9383	.2939-02	.3296-02	2.085	14.57	536.3
625	.80000	.40000	147.00	.1260	.1528	.1414	.9377	.2149-02	.2413-02	1.526	11.01	535.7
625	.80000	.90000	148.00	.7629-01	.9241-01	.8898-01	.9182	.1302-02	.1518-02	.9298	6.836	531.3
625	.90000	.30000	1155.0	.1593	.1935	.1786	.9388	.2718-02	.3047-02	1.916	13.79	540.7
625	.90000	.50000	156.00	.1373	.1667	.1667	.9000	.2343-02	.2843-02	1.658	11.96	537.9
625	.90000	.60000	1157.0	.1264	.1535	.1420	.9377	.2157-02	.2423-02	1.524	10.64	538.9
625	.90000	.80000	158.00	.9913-01	.1202	.1136	.9274	.1691-02	.1938-02	1.202	9.435	535.2
625	.90000	.90000	159.00	.7258-01	.8794-01	.8486-01	.9171	.1238-02	.1448-02	.8830	7.067	532.5
625	.95000	.30000	164.00	.1571	.1906	.1762	.9383	.2679-02	.3006-02	1.898	13.69	537.3
625	.95000	.50000	165.00	.1178	.1428	.1324	.9372	.2009-02	.2258-02	1.426	10.63	535.9
625	.95000	.70000	166.00	.1020	.1237	.1156	.9329	.1740-02	.1973-02	1.236	9.370	535.8
625	.95000	.80000	167.00	.1005	.1218	.1159	.9242	.1714-02	.1977-02	1.220	9.102	534.3
625	.95000	.90000	168.00	.6949-01	.8419-01	.8115-01	.9177	.1186-02	.1385-02	.8456	6.424	532.3

DATE 23 FEB 80

OH84B MODEL 60-0 IN THE AEDC VKF HYPERSONIC TUNNEL

PAGE 2135

OH84B 60-0 WING LOWER SURFACE

(R4UQ41)

WING LOWER SURF

PARAMETRIC DATA

MACH = 8.000 ALPHA = 40.00 BETA = .0000 ELEVON = .0000
 BOFLAP = 5.000 SPDBRK = .0000

TEST CONDITIONS

RUN NUMBER	RN/L /FT X10 6	MACH	ALPHA DEG.	BETA DEG.	PO PSIA	TO DEG. R	T DEG. R	P PSIA	Q PSI	V FT/SEC	RHO SLUGS /FT3	MU LB-SEC /FT2
611	.9967	7.940	39.96	.1384-01	204.6	1265.	92.93	.2201-01	.9711	3752.	.6391-03	.7478-07
612	1.002	7.940	39.96	.1384-01	206.0	1266.	93.00	.2216-01	.9778	3754.	.6430-03	.7484-07

RUN NUMBER	HREF BTU/ R FT2SEC	STN NO REF (R) = .0175
611	.2418-01	.4064-01
612	.2427-01	.4052-01

TEST DATA

RUN NUMBER	2Y/BW	XW/CW	T/C NO	H/HREF R=1.0	H/HREF R=0.9	H/HREF R= TAW/TO	TAW/TO	H(TO) BTU/R FT2SEC	H(TAW) BTU/R FT2SEC	QDOT BTU/ FT2SEC	DTWOT DEG. R /SEC	TW DEG. R
612	.30000	.40000	1078.0	.6441-01	.7797-01	.7193-01	.9399	.1563-02	.1746-02	1.138	8.202	537.8
612	.30000	.50000	1079.0	.4832-01	.5850-01	.5436-01	.9361	.1173-02	.1319-02	.8529	6.352	538.3
612	.30000	.60000	1080.0	.4590-01	.5562-01	.5165-01	.9363	.1114-02	.1253-02	.8072	6.003	541.1
612	.30000	.70000	1081.0	.4584-01	.5554-01	.5165-01	.9356	.1113-02	.1254-02	.8063	5.803	541.0
612	.30000	.80000	1082.0	.5112-01	.6194-01	.5791-01	.9329	.1241-02	.1405-02	.8987	6.683	541.3
612	.30000	.90000	83.000	.4392-01	.5305-01	.5077-01	.9216	.1066-02	.1232-02	.7835	5.762	530.6
612	.30000	.95000	84.000	.5074-01	.6128-01	.5923-01	.9166	.1231-02	.1438-02	.9068	6.566	529.3
612	.40000	.60000	1092.0	.6571-01	.7969-01	.7381-01	.9374	.1595-02	.1791-02	1.151	7.771	543.9
612	.40000	.70000	1093.0	.6739-01	.8168-01	.7583-01	.9363	.1635-02	.1840-02	1.183	7.992	542.4
612	.40000	.75000	1094.0	.6806-01	.8248-01	.7688-01	.9344	.1652-02	.1866-02	1.196	8.893	541.5
612	.40000	.85000	95.000	.6514-01	.7881-01	.7467-01	.9264	.1581-02	.1812-02	1.153	8.745	536.1
612	.40000	.90000	96.000	.5330-01	.6445-01	.6215-01	.9177	.1293-02	.1508-02	.9456	8.141	534.6
612	.40000	.95000	97.000	.4482-01	.5416-01	.5263-01	.9139	.1088-02	.1277-02	.7987	6.512	531.4
612	.50000	.40000	1104.0	.8158-01	.9903-01	.9188-01	.9367	.1982-02	.2230-02	1.432	10.30	543.2
612	.50000	.60000	1105.0	.6330-01	.7676-01	.7128-01	.9361	.1536-02	.1730-02	1.109	7.725	543.6
612	.50000	.70000	1106.0	.3736-01	.4525-01	.4212-01	.9353	.9068-03	.1022-02	.6581	4.739	539.9
612	.50000	.90000	107.000	.5000-01	.6045-01	.6045-01	.9000	.1214-02	.1467-02	.8887	6.985	533.3
612	.60000	.40000	1116.0	.1107	.1344	.1243	.9377	.2687-02	.3018-02	1.930	13.42	547.1
612	.60000	.50000	1117.0	.1036	.1257	.1166	.9363	.2514-02	.2831-02	1.808	12.57	546.5

OH84B 60-0 WING LOWER SURFACE

(R4UQ41)

RUN NUMBER	ZY/BW	XW/CW	T/C NO	H/HREF R=1.0	H/HREF R=0.9	H/HREF R= TAW/TO	TAW/TO	H(TO) BTU/R FT2SEC	H(TAW) BTU/R FT2SEC	QDOT BTU/ FT2SEC	DTWDT DEG. R /SEC	TW DEG. R
612	.60000	.60000	1118.0	.9341-01	.1133	.1052	.9361	.2267-02	.2553-02	1.636	11.39	544.0
612	.60000	.70000	1119.0	.8152-01	.9884-01	.9239-01	.9329	.1978-02	.2242-02	1.430	10.28	543.1
612	.60000	.80000	120.00	.6378-01	.7724-01	.7317-01	.9264	.1548-02	.1776-02	1.124	8.368	539.4
612	.60000	.85000	121.00	.7759-01	.9389-01	.8939-01	.9240	.1883-02	.2169-02	1.373	10.07	536.4
612	.60000	.90000	122.00	.6824-01	.8250-01	.7974-01	.9166	.1656-02	.1935-02	1.213	9.208	533.4
612	.60000	.95000	123.00	.4998-01	.6037-01	.5867-01	.9139	.1213-02	.1424-02	.8917	6.781	530.4
612	.70000	.40000	1130.0	.1208	.1464	.1359	.9365	.2931-02	.3298-02	2.117	13.48	543.6
612	.70000	.60000	131.00	.1113	.1349	.1253	.9361	.2701-02	.3041-02	1.953	12.44	542.6
612	.70000	.90000	132.00	.1882	.2281	.2199	.9177	.4568-02	.5336-02	3.304	23.77	542.3
611	.75000	.30000	138.00	.1426	.1728	.1601	.9374	.3450-02	.3872-02	2.502	15.96	539.5
611	.75000	.40000	139.00	.1223	.1482	.1373	.9372	.2957-02	.3321-02	2.141	14.05	540.7
611	.75000	.60000	140.00	.1075	.1303	.1303	.9000	.2600-02	.3152-02	1.878	12.69	542.3
611	.75000	.70000	141.00	.1013	.1230	.1142	.9361	.2450-02	.2761-02	1.760	12.63	546.4
611	.75000	.80000	142.00	.9017-01	.1093	.1035	.9266	.2181-02	.2503-02	1.573	12.99	543.1
612	.75000	.90000	143.00	.7679-01	.9280-01	.8946-01	.9179	.1864-02	.2171-02	1.367	10.05	532.1
612	.75000	.95000	144.00	.4756-01	.5759-01	.5570-01	.9147	.1154-02	.1352-02	.8551	6.499	526.7
611	.80000	.20000	146.00	.1796	.2178	.2014	.9383	.4344-02	.4871-02	3.135	21.83	543.1
611	.80000	.40000	147.00	.1260	.1528	.1415	.9377	.3047-02	.3421-02	2.199	15.81	543.1
611	.80000	.90000	148.00	.8308-01	.1005	.9677-01	.9182	.2009-02	.2340-02	1.468	10.78	534.0
611	.90000	.30000	155.0	.1666	.2024	.1868	.9388	.4030-02	.4518-02	2.886	20.70	548.4
611	.90000	.50000	156.00	.1364	.1655	.1655	.9000	.3298-02	.4002-02	2.371	17.02	545.8
611	.90000	.60000	157.00	.1260	.1529	.1415	.9377	.3046-02	.3421-02	2.186	15.20	546.9
611	.90000	.80000	158.00	.1026	.1243	.1175	.9275	.2480-02	.2841-02	1.794	14.04	541.5
611	.90000	.90000	159.00	.7766-01	.9394-01	.9068-01	.9172	.1878-02	.2193-02	1.370	10.95	535.1
611	.95000	.30000	164.00	.1616	.1959	.1812	.9383	.3907-02	.4382-02	2.816	20.24	543.9
611	.95000	.50000	165.00	.1157	.1402	.1300	.9372	.2797-02	.3143-02	2.020	15.01	542.7
611	.95000	.70000	166.00	.1063	.1289	.1205	.9329	.2571-02	.2913-02	1.856	14.03	542.6
611	.95000	.80000	167.00	.1021	.1237	.1177	.9242	.2470-02	.2846-02	1.791	13.33	539.4
611	.95000	.90000	168.00	.7356-01	.8896-01	.8578-01	.9177	.1779-02	.2075-02	1.300	9.865	534.1

DATE 23 FEB 80

OH84B MODEL 60-0 IN THE AEDC VKF HYPERSONIC TUNNEL

PAGE 2137

OH84B 60-0 WING LOWER SURFACE

(R4UQ41)

WING LOWER SURF

PARAMETRIC DATA

MACH = 8.000 ALPHA = 40.00 BETA = .0000 ELEVON = .0000
 BDFLAP = 5.000 SPDBRK = .0000

TEST CONDITIONS

RUN NUMBER	RN/L /FT X10 6	MACH	ALPHA DEG.	BETA DEG.	PO PSIA	TO DEG. R	T DEG. R	P PSIA	Q PSI	V FT/SEC	RHO SLUGS /FT3	MU LB-SEC /FT2
597	2.013	7.980	40.02	.1392-01	434.8	1297.	94.40	.4526-01	2.018	3801.	.1294-02	.7596-07
598	2.004	7.980	40.02	.1392-01	434.4	1300.	94.62	.4522-01	2.016	3805.	.1290-02	.7614-07

RUN NUMBER	HREF BTU/ R FT2SEC	STN NO REF (R) = .0175
597	.3501-01	.2863-01
598	.3501-01	.2869-01

TEST DATA

RUN NUMBER	2Y/BW	XW/CW	T/C NO	H/HREF R=1.0	H/HREF R=0.9	H/HREF R= TAW/TO	TAW/TO	H(TO) BTU/R FT2SEC	H(TAW) BTU/R FT2SEC	QDOT BTU/ FT2SEC	DTWDT DEG. R /SEC	TW DEG. R
598	.30000	.40000	1078.0	.6201-01	.7504-01	.6922-01	.9400	.2171-02	.2423-02	1.624	11.62	551.7
598	.30000	.50000	1079.0	.5023-01	.6082-01	.5650-01	.9362	.1758-02	.1978-02	1.312	9.699	553.4
598	.30000	.60000	1080.0	.5480-01	.6646-01	.6167-01	.9365	.1918-02	.2159-02	1.421	10.47	558.9
598	.30000	.70000	1081.0	.6898-01	.8370-01	.7778-01	.9357	.2415-02	.2723-02	1.784	12.71	560.9
598	.30000	.80000	1082.0	.9337-01	.1134	.1059	.9330	.3268-02	.3708-02	2.403	17.66	564.5
598	.30000	.90000	83.000	.6954-01	.8400-01	.8037-01	.9217	.2434-02	.2814-02	1.837	13.41	545.0
598	.30000	.95000	84.000	.7625-01	.9207-01	.8898-01	.9167	.2669-02	.3115-02	2.018	14.51	543.5
598	.40000	.60000	1092.0	.8846-01	.1074	.9943-01	.9375	.3097-02	.3481-02	2.280	15.24	563.6
598	.40000	.70000	1093.0	.1068	.1297	.1203	.9365	.3739-02	.4210-02	2.757	18.45	562.2
598	.40000	.75000	1094.0	.1071	.1301	.1211	.9345	.3750-02	.4240-02	2.759	20.29	563.8
598	.40000	.85000	95.000	.9720-01	.1177	.1115	.9265	.3403-02	.3903-02	2.538	19.08	553.7
598	.40000	.90000	96.000	.8515-01	.1030	.9931-01	.9178	.2981-02	.3477-02	2.232	19.06	550.8
598	.40000	.95000	97.000	.7364-01	.8902-01	.8648-01	.9141	.2578-02	.3077-02	1.939	15.68	547.4
598	.50000	.40000	1104.0	.8401-01	.1020	.9453-01	.9368	.2941-02	.3309-02	2.171	15.47	561.4
598	.50000	.60000	1105.0	.7414-01	.8998-01	.8351-01	.9362	.2595-02	.2924-02	1.917	13.23	561.3
598	.50000	.70000	1106.0	.4394-01	.5328-01	.4955-01	.9354	.1538-02	.1735-02	1.141	8.138	558.2
598	.50000	.90000	107.00	.7531-01	.9108-01	.9108-01	.9000	.2636-02	.3188-02	1.979	15.43	549.0
598	.60000	.40000	1116.0	.1192	.1449	.1340	.9379	.4174-02	.4691-02	3.062	21.08	566.1
598	.60000	.50000	1117.0	.1137	.1381	.1281	.9365	.3980-02	.4484-02	2.922	20.12	565.5

OH84B 60-0 WING LOWER SURFACE

(R4UQ41)

RUN NUMBER	2Y/BW	XW/CW	T/C NO	H/HREF	H/HREF	H/HREF	TAW/TO	H(TO)	-H(TAW)	QDOT	DTWOT	TW
				R=1.0	R=0.9	R=		BTU/R	BTU/R	BTU/ FT2SEC	DEG. R	DEG. R
				TAW/TO								
598	.60000	.60000	1118.0	.1047	.1270	.1179	.9362	.3664-02	.4128-02	2.702	18.64	562.1
598	.60000	.70000	1119.0	.8711-01	.1057	.9877-01	.9330	.3049-02	.3457-02	2.250	16.02	562.0
598	.60000	.80000	120.00	.8775-01	.1063	.1007	.9265	.3072-02	.3524-02	2.288	16.90	554.8
598	.60000	.85000	121.00	.1014	.1228	.1168	.9241	.3551-02	.4090-02	2.659	19.35	551.0
598	.60000	.90000	122.00	.8556-01	.1035	.9995-01	.9167	.2995-02	.3499-02	2.251	16.97	548.1
598	.60000	.95000	123.00	.6602-01	.7970-01	.7744-01	.9141	.2311-02	.2711-02	1.750	13.23	542.3
598	.70000	.40000	1130.0	.1317	.1598	.1482	.9367	.4609-02	.5188-02	3.397	21.42	562.6
598	.70000	.60000	131.00	.1203	.1459	.1354	.9362	.4210-02	.4742-02	3.114	19.66	560.1
598	.70000	.90000	132.00	.2279	.2765	.2664	.9178	.7978-02	.9325-02	5.902	42.07	560.0
597	.75000	.30000	138.00	.1434	.1741	.1612	.9375	.5019-02	.5642-02	3.682	23.21	563.0
597	.75000	.40000	139.00	.1245	.1513	.1400	.9373	.4357-02	.4902-02	3.189	20.68	564.8
597	.75000	.60000	140.00	.1131	.1374	.1374	.9000	.3960-02	.4812-02	2.900	19.38	564.3
597	.75000	.70000	1141.0	.1119	.1362	.1263	.9362	.3918-02	.4420-02	2.849	20.21	569.6
597	.75000	.80000	142.00	.1421	.1730	.1635	.9267	.4976-02	.5724-02	3.619	25.49	569.4
598	.75000	.90000	143.00	.1329	.1607	.1548	.9180	.4651-02	.5420-02	3.493	25.46	548.6
598	.75000	.95000	144.00	.9206-01	.1111	.1078	.9148	.3223-02	.3773-02	2.446	18.51	540.6
597	.80000	.20000	146.00	.1790	.2177	.2010	.9384	.6267-02	.7038-02	4.568	31.42	567.8
597	.80000	.40000	147.00	.1283	.1562	.1443	.9379	.4493-02	.5053-02	3.267	23.18	569.5
597	.80000	.90000	148.00	.1579	.1914	.1842	.9184	.5527-02	.6449-02	4.091	29.69	556.5
597	.90000	.30000	1155.0	.1647	.2007	.1850	.9389	.5766-02	.6476-02	4.164	29.47	574.5
597	.90000	.50000	156.00	.1392	.1696	.1696	.9000	.4874-02	.5938-02	3.527	24.98	573.0
597	.90000	.60000	1157.0	.1307	.1592	.1470	.9379	.4575-02	.5148-02	3.313	22.74	572.5
597	.90000	.80000	158.00	.1425	.1732	.1635	.9276	.4988-02	.5724-02	3.641	28.14	566.7
597	.90000	.90000	159.00	.1281	.1555	.1499	.9173	.4485-02	.5249-02	3.307	26.11	569.4
597	.95000	.30000	164.00	.1583	.1925	.1777	.9384	.5540-02	.6223-02	4.037	28.66	568.1
597	.95000	.50000	165.00	.1140	.1385	.1282	.9373	.3989-02	.4488-02	2.918	21.44	565.2
597	.95000	.70000	166.00	.1273	.1547	.1444	.9330	.4456-02	.5056-02	3.262	24.38	564.6
597	.95000	.80000	167.00	.1300	.1578	.1500	.9243	.4550-02	.5250-02	3.349	24.66	560.7
597	.95000	.90000	168.00	.1003	.1215	.1171	.9178	.3512-02	.4100-02	2.610	19.62	553.5

DATE 23 FEB 80

OH84B MODEL 60-0 IN THE AEDC VKF HYPERSONIC TUNNEL

PAGE 2139

OH84B 60-0 WING LOWER SURFACE

(R4UQ41)

WING LOWER SURF

PARAMETRIC DATA

MACH = 8.000 ALPHA = 40.00 BETA = .0000 ELEVON = .0000
 BDFLAP = 5.000 SPDBRK = .0000

TEST CONDITIONS

RUN NUMBER	RN/L /FT X10 6	MACH	ALPHA DEG.	BETA DEG.	PO PSIA	TO DEG. R	T DEG. R	P PSIA	Q PSI	V FT/SEC	RHO SLUGS /FT3	MU LB-SEC /FT2
583	2.999	7.990	40.05	.1396-01	671.1	1325.	96.21	.6930-01	3.097	3842.	.1944-02	.7742-07
584	2.991	7.990	40.06	.1397-01	669.5	1325.	96.21	.6914-01	3.090	3842.	.1940-02	.7742-07

RUN NUMBER	HREF BTU/ R FT2SEC	STN NO REF (R) = .0175
583	.4354-01	.2341-01
584	.4348-01	.2344-01

TEST DATA

RUN NUMBER	2Y/BW	XW/CW	T/C NO	H/HREF R=1.0	H/HREF R=0.9	H/HREF R= TAW/TO	TAW/TO	H(TO) BTU/R FT2SEC	H(TAW) BTU/R FT2SEC	QDOT BTU/ FT2SEC	DTWDT DEG. R /SEC	TW DEG. R
584	.30000	.40000	1078.0	.6654-01	.8073-01	.7437-01	.9401	.2893-02	.3234-02	2.181	15.46	570.9
584	.30000	.50000	1079.0	.6836-01	.8305-01	.7704-01	.9363	.2973-02	.3350-02	2.226	16.27	575.9
584	.30000	.60000	1080.0	.1091	.1330	.1232	.9365	.4744-02	.5356-02	3.492	25.36	588.6
584	.30000	.70000	1081.0	.1610	.1968	.1823	.9358	.6999-02	.7927-02	5.085	35.57	598.2
584	.30000	.80000	1082.0	.2157	.2645	.2461	.9331	.9381-02	.1070-01	6.745	48.57	605.7
584	.30000	.90000	83.000	.1311	.1591	.1520	.9218	.5701-02	.6610-02	4.296	30.95	571.2
584	.30000	.95000	84.000	.1403	.1702	.1643	.9168	.6101-02	.7145-02	4.602	32.64	570.3
584	.40000	.60000	1092.0	.1776	.2172	.2004	.9376	.7722-02	.8714-02	5.606	36.83	598.7
584	.40000	.70000	1093.0	.2219	.2716	.2511	.9365	.9651-02	.1092-01	6.993	45.91	600.1
584	.40000	.75000	1094.0	.2169	.2657	.2465	.9346	.9432-02	.1072-01	6.804	49.06	603.3
584	.40000	.85000	95.000	.1812	.2207	.2087	.9266	.7881-02	.9073-02	5.836	43.20	584.2
584	.40000	.90000	96.000	.1622	.1974	.1900	.9179	.7054-02	.8263-02	5.243	44.09	581.4
584	.40000	.95000	97.000	.1408	.1712	.1661	.9141	.6123-02	.7223-02	4.571	36.41	578.1
584	.50000	.40000	1104.0	.1096	.1336	.1236	.9369	.4767-02	.5375-02	3.523	24.80	585.6
584	.50000	.60000	1105.0	.1271	.1550	.1435	.9363	.5525-02	.6242-02	4.055	27.58	590.7
584	.50000	.70000	1106.0	.1127	.1374	.1275	.9355	.4900-02	.5544-02	3.608	25.36	588.4
584	.50000	.90000	107.00	.1799	.2190	.2190	.9000	.7823-02	.9522-02	5.810	44.56	582.0
584	.60000	.40000	1116.0	.1327	.1619	.1494	.9379	.5768-02	.6497-02	4.229	28.75	591.5
584	.60000	.50000	1117.0	.1307	.1595	.1476	.9365	.5683-02	.6419-02	4.165	28.32	591.7

OH84B 60-0 WING LOWER SURFACE

(R4UQ41)

RUN NUMBER	2Y/BW	XW/CW	T/C NO	H/HREF	H/HREF	H/HREF	TAW/TO	H(TO)	H(TAW)	QDOT	DTWDT	TW
				R=1.0	R=0.9	R=		BTU/R	BTU/R	BTU/ FT2SEC	DEG. R	DEG. R
584	.60000	.60000	1118.0	.1296	.1580	.1464	.9363	.5635-02	.6364-02	4.149	28.25	588.4
584	.60000	.70000	1119.0	.1231	.1501	.1400	.9331	.5354-02	.6086-02	3.943	27.72	588.1
584	.60000	.80000	120.00	.1416	.1722	.1628	.9266	.6156-02	.7081-02	4.582	33.42	580.3
584	.60000	.85000	121.00	.1795	.2183	.2075	.9242	.7807-02	.9023-02	5.822	41.78	579.0
584	.60000	.90000	122.00	.1817	.2209	.2132	.9168	.7902-02	.9270-02	5.899	43.79	578.2
584	.60000	.95000	123.00	.1483	.1801	.1748	.9141	.6449-02	.7599-02	4.846	36.06	573.3
584	.70000	.40000	1130.0	.1390	.1693	.1567	.9368	.6043-02	.6816-02	4.463	27.82	586.1
584	.70000	.60000	131.00	.1351	.1645	.1525	.9363	.5875-02	.6629-02	4.354	29.17	583.5
584	.70000	.90000	132.00	.2893	.3532	.3397	.9179	.1258-01	.1477-01	9.222	64.71	591.7
583	.75000	.30000	138.00	.1528	.1862	.1721	.9376	.6653-02	.7492-02	4.914	30.62	586.1
583	.75000	.40000	139.00	.1319	.1607	.1486	.9374	.5741-02	.6468-02	4.236	27.17	586.8
583	.75000	.60000	140.00	.1252	.1526	.1526	.9000	.5452-02	.6645-02	4.025	26.60	586.5
583	.75000	.70000	1141.0	.1263	.1543	.1429	.9363	.5501-02	.6219-02	4.017	28.15	594.4
583	.75000	.80000	142.00	.2197	.2689	.2537	.9268	.9564-02	.1104-01	6.917	55.46	601.4
584	.75000	.90000	143.00	.2242	.2726	.2624	.9181	.9748-02	.1141-01	7.267	52.15	579.2
584	.75000	.95000	144.00	.1636	.1984	.1923	.9149	.7114-02	.8362-02	5.376	40.09	569.0
583	.80000	.20000	146.00	.1905	.2329	.2145	.9385	.8295-02	.9340-02	6.044	41.00	596.1
583	.80000	.40000	147.00	.1363	.1665	.1536	.9379	.5934-02	.6687-02	4.334	30.38	594.3
583	.80000	.90000	148.00	.2446	.2979	.2864	.9184	.1065-01	.1247-01	7.886	56.46	584.2
583	.90000	.30000	1155.0	.1794	.2198	.2021	.9390	.7809-02	.8797-02	5.622	39.20	604.7
583	.90000	.50000	156.00	.1484	.1816	.1816	.9000	.6460-02	.7906-02	4.678	32.68	600.6
583	.90000	.60000	1157.0	.1390	.1700	.1567	.9379	.6050-02	.6823-02	4.394	29.77	598.4
583	.90000	.80000	158.00	.2637	.3231	.3042	.9276	.1148-01	.1324-01	8.270	62.73	604.3
583	.90000	.90000	159.00	.2491	.3043	.2930	.9174	.1084-01	.1276-01	7.909	61.34	595.3
583	.95000	.30000	164.00	.1585	.1938	.1785	.9385	.6902-02	.7773-02	5.023	35.16	596.9
583	.95000	.50000	165.00	.1192	.1454	.1344	.9374	.5190-02	.5851-02	3.810	27.64	590.6
583	.95000	.70000	166.00	.1909	.2330	.2172	.9331	.8312-02	.9454-02	6.097	44.97	591.2
583	.95000	.80000	167.00	.2297	.2806	.2662	.9244	.1000-01	.1159-01	7.301	52.86	594.6
583	.95000	.90000	168.00	.2071	.2525	.2430	.9179	.9015-02	.1058-01	6.631	48.97	589.1

DATE 23 FEB 80

OH84B MODEL 60-0 IN THE AEDC VKF HYPERSONIC TUNNEL

PAGE 2141

OH84B 60-0 WING LOWER SURFACE

(R4UQ42)

WING LOWER SURF

PARAMETRIC DATA

MACH = 8.000 ALPHA = 40.00 BETA = .0000 ELEVON = .0000
 BDFLAP = 8.000 SPDBRK = .0000

TEST CONDITIONS

RUN NUMBER	RN/L /FT X10 6	MACH	ALPHA DEG.	BETA DEG.	PO PSIA	TO DEG. R	T DEG. R	P PSIA	Q PSI	V FT/SEC	RHO SLUGS /FT3	MU LB-SEC /FT2
619	.5067	7.900	39.95	.1383-01	99.45	1239.	91.88	.1105-01	.4829	3712.	.3247-03	.7393-07
620	.5135	7.900	39.96	.1383-01	100.1	1233.	91.43	.1112-01	.4858	3703.	.3282-03	.7357-07

RUN NUMBER	HREF BTU/ R FT2SEC	STN NO REF(R) = .0175
619	.1699-01	.5689-01
620	.1703-01	.5656-01

TEST DATA

RUN NUMBER	2Y/BW	XW/CW	T/C NO	H/HREF R=1.0	H/HREF R=0.9	H/HREF TAW/TO R=	TAW/TO	H(TO) BTU/R FT2SEC	H(TAW) BTU/R FT2SEC	QDOT BTU/ FT2SEC	DTWDT DEG. R /SEC	TW DEG. R
620	.30000	.40000	1078.0	.6998-01	.8488-01	.7824-01	.9399	.1192-02	.1332-02	.8368	6.056	530.4
620	.30000	.50000	1079.0	.5454-01	.6617-01	.6144-01	.9361	.9288-03	.1046-02	.6518	4.872	530.9
620	.30000	.60000	1080.0	.5278-01	.6406-01	.5944-01	.9363	.8987-03	.1012-02	.6291	4.699	532.7
620	.30000	.70000	1081.0	.5200-01	.6311-01	.5865-01	.9356	.8854-03	.9987-03	.6200	4.482	532.5
620	.30000	.80000	1082.0	.5326-01	.6464-01	.6040-01	.9329	.9070-03	.1028-02	.6355	4.748	532.0
620	.30000	.90000	83.000	.4218-01	.5109-01	.4886-01	.9216	.7183-03	.8320-03	.5078	3.744	525.6
620	.30000	.95000	84.000	.5325-01	.6447-01	.6229-01	.9166	.9068-03	.1061-02	.6428	4.667	523.9
620	.40000	.60000	1092.0	.6931-01	.8417-01	.7792-01	.9374	.1180-02	.1327-02	.8243	5.593	534.3
620	.40000	.70000	1093.0	.6831-01	.8292-01	.7694-01	.9363	.1163-02	.1310-02	.8139	5.526	532.9
620	.40000	.75000	1094.0	.6221-01	.7550-01	.7033-01	.9344	.1059-02	.1198-02	.7414	5.537	532.7
620	.40000	.85000	95.000	.6096-01	.7392-01	.7000-01	.9264	.1038-02	.1192-02	.7299	5.553	529.5
620	.40000	.90000	96.000	.5109-01	.6190-01	.5967-01	.9177	.8699-03	.1016-02	.6136	5.303	527.3
620	.40000	.95000	97.000	.4302-01	.5209-01	.5061-01	.9139	.7325-03	.8617-03	.5183	4.239	525.1
620	.50000	.40000	1104.0	.8027-01	.9747-01	.9037-01	.9366	.1367-02	.1539-02	.9545	6.893	534.3
620	.50000	.60000	1105.0	.6801-01	.8258-01	.7665-01	.9361	.1158-02	.1305-02	.8092	5.663	534.0
620	.50000	.70000	1106.0	.4345-01	.5273-01	.4904-01	.9352	.7400-03	.8351-03	.5183	3.747	532.2
620	.50000	.90000	107.00	.5045-01	.6113-01	.6113-01	.9000	.8591-03	.1041-02	.6063	4.781	526.9
620	.60000	.40000	1116.0	.1154	.1401	.1296	.9377	.1964-02	.2207-02	1.372	9.596	534.4
620	.60000	.50000	1117.0	.9645-01	.1172	.1087	.9363	.1642-02	.1851-02	1.145	8.007	535.5

DATE 23 FEB 80

OH84B MODEL 60-0 IN THE AEDC VKF HYPERSONIC TUNNEL

PAGE 2142

OH84B 60-0 WING LOWER SURFACE

(R4UQ42)

RUN NUMBER	ZY/BW	XW/CW	T/C NO	H/HREF R=1.0	H/HREF R=0.9	H/HREF R= TAW/TO	TAW/TO	H(TO) BTU/R FT2SEC	H(TAW) BTU/R FT2SEC	QDOT BTU/ FT2SEC	DTWDT DEG. R /SEC	TW DEG. R
620	.60000	.60000	1118.0	.8775-01	.1066	.9890-01	.9361	.1494-02	.1684-02	1.044	7.305	534.0
620	.60000	.70000	1119.0	.7612-01	.9242-01	.8634-01	.9329	.1296-02	.1470-02	.9061	6.546	533.7
620	.60000	.80000	120.00	.6116-01	.7419-01	.7025-01	.9264	.1041-02	.1196-02	.7308	5.463	530.9
620	.60000	.85000	121.00	.7137-01	.8655-01	.8235-01	.9240	.1215-02	.1402-02	.8543	6.286	529.7
620	.60000	.90000	122.00	.6563-01	.7953-01	.7683-01	.9166	.1118-02	.1308-02	.7881	6.002	527.5
620	.60000	.95000	123.00	.4938-01	.5980-01	.5809-01	.9139	.8409-03	.9892-03	.5951	4.538	525.0
620	.70000	.40000	1130.0	.1222	.1483	.1376	.9365	.2081-02	.2343-02	1.458	9.334	532.3
620	.70000	.60000	131.00	.1118	.1357	.1260	.9361	.1904-02	.2145-02	1.336	8.557	531.3
620	.70000	.90000	132.00	.1701	.2065	.1989	.9177	.2897-02	.3388-02	2.030	14.68	531.9
619	.75000	.30000	138.00	.1426	.1730	.1602	.9374	.2423-02	.2723-02	1.709	10.94	533.4
619	.75000	.40000	139.00	.1225	.1487	.1378	.9372	.2082-02	.2341-02	1.467	9.658	534.2
619	.75000	.60000	140.00	.1081	.1312	.1312	.9000	.1837-02	.2229-02	1.293	8.771	534.7
619	.75000	.70000	1141.0	.9482-01	.1152	.1069	.9361	.1611-02	.1817-02	1.128	8.128	538.6
619	.75000	.80000	142.00	.8244-01	.1001	.9472-01	.9266	.1401-02	.1609-02	.9830	8.141	536.9
620	.75000	.90000	143.00	.7170-01	.8686-01	.8369-01	.9179	.1221-02	.1425-02	.8622	6.354	526.5
620	.75000	.95000	144.00	.4709-01	.5697-01	.5527-01	.9147	.8019-03	.9411-03	.5701	4.354	521.8
619	.80000	.20000	146.00	.1722	.2090	.1932	.9383	.2925-02	.3283-02	2.054	14.35	536.5
619	.80000	.40000	147.00	.1263	.1533	.1418	.9377	.2145-02	.2410-02	1.508	10.88	535.9
619	.80000	.90000	148.00	.7605-01	.9219-01	.8875-01	.9182	.1292-02	.1508-02	.9141	6.720	531.2
619	.90000	.30000	1155.0	.1616	.1965	.1813	.9388	.2746-02	.3081-02	1.916	13.79	541.0
619	.90000	.50000	156.00	.1367	.1661	.1661	.9000	.2323-02	.2822-02	1.628	11.74	537.9
619	.90000	.60000	1157.0	.1258	.1529	.1414	.9377	.2137-02	.2402-02	1.494	10.43	539.5
619	.90000	.80000	158.00	.9830-01	.1193	.1127	.9274	.1670-02	.1915-02	1.175	9.227	535.1
619	.90000	.90000	159.00	.7221-01	.8757-01	.8449-01	.9171	.1227-02	.1436-02	.8665	6.935	532.4
619	.95000	.30000	164.00	.1568	.1904	.1760	.9383	.2664-02	.2990-02	1.869	13.48	537.1
619	.95000	.50000	165.00	.1151	.1397	.1294	.9372	.1955-02	.2199-02	1.375	10.25	535.6
619	.95000	.70000	166.00	.1003	.1218	.1138	.9329	.1705-02	.1933-02	1.198	9.088	535.7
619	.95000	.80000	167.00	.9973-01	.1210	.1151	.9242	.1694-02	.1955-02	1.194	8.909	534.2
619	.95000	.90000	168.00	.6947-01	.8424-01	.8119-01	.9177	.1180-02	.1379-02	.8340	6.337	532.1

DATE 23 FEB 80

OHB4B MODEL 60-0 IN THE AEDC VKF HYPERSONIC TUNNEL

PAGE 2143

OHB4B 60-0 WING LOWER SURFACE

(R4UQ42)

WING LOWER SURF

PARAMETRIC DATA

MACH = 8.000 ALPHA = 40.00 BETA = .0000 ELEVON = .0000
 BDFLAP = 8.000 SPDBRK = .0000

TEST CONDITIONS

RUN NUMBER	RN/L /FT X10 6	MACH	ALPHA DEG.	BETA DEG.	PO PSIA	TO DEG. R	T DEG. R	P PSIA	Q PSI	V FT/SEC	RHO SLUGS /FT3	MU LB-SEC /FT2
617	1.002	7.940	39.97	.1731-01	206.2	1267.	93.08	.2218-01	.9787	3755.	.6431-03	.7490-07
618	.9977	7.940	39.97	.1384-01	204.8	1265.	92.93	.2203-01	.9721	3752.	.6397-03	.7478-07

RUN NUMBER	HREF BTU/ R FT2SEC	STN NO REF (R) = .0175
617	.2428-01	.4052-01
618	.2419-01	.4062-01

TEST DATA

RUN NUMBER	2Y/BW	XW/CW	T/C NO	H/HREF R=1.0	H/HREF R=0.9	H/HREF R= TAW/TO	TAW/TO	H(TO) BTU/R FT2SEC	H(TAW) BTU/R FT2SEC	QDOT BTU/ FT2SEC	DTWDT DEG. R /SEC	TH DEG. R
618	.30000	.40000	1078.0	.6814-01	.8247-01	.7609-01	.9399	.1649-02	.1841-02	1.200	8.651	537.0
618	.30000	.50000	1079.0	.4962-01	.6009-01	.5583-01	.9361	.1201-02	.1351-02	.8713	6.487	538.9
618	.30000	.60000	1080.0	.4716-01	.5716-01	.5307-01	.9363	.1141-02	.1294-02	.8252	6.136	541.5
618	.30000	.70000	1081.0	.4770-01	.5781-01	.5376-01	.9356	.1154-02	.1301-02	.8350	6.009	541.2
618	.30000	.80000	1082.0	.5297-01	.6419-01	.6001-01	.9329	.1282-02	.1452-02	.9272	6.895	541.2
618	.30000	.90000	83.000	.4386-01	.5298-01	.5070-01	.9216	.1061-02	.1227-02	.7790	5.730	530.5
618	.30000	.95000	84.000	.5066-01	.6117-01	.5913-01	.9166	.1226-02	.1431-02	.9019	6.532	528.8
618	.40000	.60000	1092.0	.6538-01	.7930-01	.7345-01	.9374	.1582-02	.1777-02	1.140	7.694	544.2
618	.40000	.70000	1093.0	.6848-01	.8301-01	.7707-01	.9363	.1657-02	.1865-02	1.197	8.086	542.4
618	.40000	.75000	1094.0	.6896-01	.8357-01	.7789-01	.9344	.1668-02	.1885-02	1.206	8.971	541.5
618	.40000	.85000	95.000	.6559-01	.7937-01	.7520-01	.9264	.1587-02	.1820-02	1.156	8.764	536.3
618	.40000	.90000	96.000	.5602-01	.6773-01	.6531-01	.9177	.1355-02	.1580-02	.9912	8.540	533.3
618	.40000	.95000	97.000	.4564-01	.5515-01	.5359-01	.9139	.1104-02	.1297-02	.8101	6.607	531.0
618	.50000	.40000	1104.0	.8050-01	.9761-01	.9055-01	.9367	.1948-02	.2191-02	1.405	10.10	543.3
618	.50000	.60000	1105.0	.6427-01	.7794-01	.7238-01	.9361	.1555-02	.1751-02	1.121	7.803	543.9
618	.50000	.70000	1106.0	.3536-01	.4284-01	.3987-01	.9353	.8556-03	.9646-03	.6196	4.461	540.4
618	.50000	.90000	107.00	.5023-01	.6074-01	.6074-01	.9000	.1215-02	.1470-02	.8886	6.983	533.6
618	.60000	.40000	1116.0	.1118	.1357	.1256	.9377	.2705-02	.3038-02	1.942	13.50	546.8
618	.60000	.50000	1117.0	.1042	.1264	.1173	.9363	.2521-02	.2839-02	1.811	12.59	546.4

OH84B 60-0 WING LOWER SURFACE

(R4U042)

RUN NUMBER	2Y/BW	XW/CW	T/C NO	H/HREF R=1.0	H/HREF R=0.9	H/HREF R= TAW/TO	TAW/TO	H(TO) BTU/R FT2SEC	H(TAW) BTU/R FT2SEC	QDOT BTU/ FT2SEC	DTWDT DEG. R /SEC	TW DEG. R
618	.60000	.60000	1118.0	.9457-01	.1147	.1065	.9361	.2288-02	.2577-02	1.649	11.48	544.0
618	.60000	.70000	1119.0	.7909-01	.9591-01	.8964-01	.9329	.1914-02	.2169-02	1.380	9.921	543.4
618	.60000	.80000	120.00	.6450-01	.7817-01	.7402-01	.9264	.1561-02	.1791-02	1.131	8.412	540.2
618	.60000	.85000	121.00	.7790-01	.9428-01	.8975-01	.9240	.1885-02	.2172-02	1.371	10.05	537.0
618	.60000	.90000	122.00	.6845-01	.8278-01	.7999-01	.9166	.1656-02	.1935-02	1.211	9.190	533.7
618	.60000	.95000	123.00	.5031-01	.6078-01	.5906-01	.9139	.1217-02	.1429-02	.8935	6.793	530.6
618	.70000	.40000	1130.0	.1249	.1514	.1405	.9366	.3022-02	.3400-02	2.180	13.88	543.4
618	.70000	.60000	131.00	.1111	.1347	.1251	.9361	.2687-02	.3026-02	1.940	12.36	542.7
618	.70000	.90000	132.00	.1857	.2251	.2170	.9177	.4494-02	.5250-02	3.249	23.38	541.7
617	.75000	.30000	138.00	.1393	.1687	.1563	.9374	.3382-02	.3797-02	2.453	15.64	541.2
617	.75000	.40000	139.00	.1216	.1474	.1366	.9372	.2954-02	.3318-02	2.139	14.02	542.6
617	.75000	.60000	140.00	.1073	.1302	.1302	.9000	.2607-02	.3161-02	1.883	12.71	544.2
617	.75000	.70000	1141.0	.1009	.1225	.1137	.9361	.2450-02	.2761-02	1.761	12.63	548.1
617	.75000	.80000	142.00	.6979-01	.1009	.1031	.9255	.2101-02	.2503-02	1.573	12.07	545.3
618	.75000	.90000	143.00	.7711-01	.9319-01	.8983-01	.9179	.1866-02	.2174-02	1.367	10.04	532.1
618	.75000	.95000	144.00	.4785-01	.5774-01	.5604-01	.9147	.1158-02	.1356-02	.8540	6.506	526.9
617	.80000	.20000	146.00	.1791	.2172	.2008	.9383	.4349-02	.4877-02	3.140	21.85	544.8
617	.80000	.40000	147.00	.1252	.1519	.1406	.9377	.3041-02	.3414-02	2.195	15.77	544.9
617	.80000	.90000	148.00	.8333-01	.1008	.9709-01	.9182	.2024-02	.2358-02	1.479	10.85	535.9
617	.90000	.30000	1155.0	.1646	.1999	.1846	.9388	.3997-02	.4482-02	2.864	20.52	550.1
617	.90000	.50000	156.00	.1354	.1643	.1643	.9000	.3287-02	.3990-02	2.363	16.95	547.8
617	.90000	.60000	1157.0	.1280	.1554	.1438	.9377	.3109-02	.3492-02	2.232	15.51	548.6
617	.90000	.80000	158.00	.1024	.1241	.1173	.9275	.2486-02	.2848-02	1.797	14.05	543.6
617	.90000	.90000	159.00	.7849-01	.9498-01	.9167-01	.9172	.1906-02	.2226-02	1.390	11.10	537.2
617	.95000	.30000	164.00	.1613	.1956	.1809	.9383	.3916-02	.4392-02	2.823	20.27	545.8
617	.95000	.50000	165.00	.1139	.1381	.1280	.9372	.2766-02	.3108-02	1.997	14.82	544.8
617	.95000	.70000	166.00	.1057	.1282	.1198	.9329	.2567-02	.2909-02	1.853	13.99	544.7
617	.95000	.80000	167.00	.1026	.1244	.1183	.9242	.2492-02	.2873-02	1.807	13.44	541.5
617	.95000	.90000	168.00	.7319-01	.8854-01	.8537-01	.9177	.1777-02	.2073-02	1.299	9.847	536.0

DATE 23 FEB 80

OH84B MODEL 60-0 IN THE AEDC VKF HYPERSONIC TUNNEL

PAGE 2145

OH84B 60-0 WING LOWER SURFACE

(R4UQ42)

WING LOWER SURF

PARAMETRIC DATA

MACH = 8.000 ALPHA = 40.00 BETA = .0000 ELEVON = .0000
 BDFLAP = 8.000 SPDBRK = .0000

TEST CONDITIONS

RUN NUMBER	RN/L /FT X10 6	MACH	ALPHA DEG.	BETA DEG.	PO PSIA	TO DEG. R	T DEG. R	P PSIA	Q PSI	V FT/SEC	RHO SLUGS /FT3	MU LB-SEC /FT2
591	1.988	7.980	40.01	.1391-01	433.9	1306.	95.05	.4517-01	2.013	3814.	.1283-02	.7649-07
592	2.010	7.990	40.00	.1736-01	434.8	1298.	94.47	.4526-01	2.018	3802.	.1293-02	.7602-07

RUN NUMBER	HREF BTU/ R FT2SEC	STN NO REF (R) = .0175
591	.3501-01	.2878-01
592	.3501-01	.2865-01

TEST DATA

RUN NUMBER	2Y/BW	XW/CW	T/C NO	H/HREF R=1.0	H/HREF R=0.9	H/HREF R= TAW/TO	TAW/TO	H(TO) BTU/R FT2SEC	H(TAW) BTU/R FT2SEC	QDOT BTU/ FT2SEC	DTWDT DEG. R /SEC	TW DEG. R
592	.30000	.40000	1078.0	.6122-01	.7413-01	.6837-01	.9399	.2144-02	.2394-02	1.598	11.44	552.2
592	.30000	.50000	1079.0	.4851-01	.5875-01	.5458-01	.9362	.1698-02	.1911-02	1.264	9.342	553.4
592	.30000	.60000	1080.0	.5493-01	.6663-01	.6183-01	.9364	.1923-02	.2165-02	1.421	10.48	558.7
592	.30000	.70000	1081.0	.6948-01	.8433-01	.7836-01	.9357	.2433-02	.2743-02	1.793	12.78	560.7
592	.30000	.80000	1082.0	.8932-01	.1085	.1014	.9330	.3127-02	.3549-02	2.292	16.84	564.8
592	.30000	.90000	83.000	.6868-01	.8300-01	.7942-01	.9217	.2405-02	.2781-02	1.809	13.20	545.4
592	.30000	.95000	84.000	.7573-01	.9148-01	.8841-01	.9167	.2651-02	.3096-02	1.997	14.35	544.3
592	.40000	.60000	1092.0	.8836-01	.1073	.9934-01	.9375	.3094-02	.3478-02	2.271	15.18	563.7
592	.40000	.70000	1093.0	.9917-01	.1205	.1117	.9364	.3472-02	.3912-02	2.548	17.03	563.8
592	.40000	.75000	1094.0	.1025	.1245	.1159	.9345	.3587-02	.4058-02	2.630	19.33	564.4
592	.40000	.85000	95.000	.9716-01	.1177	.1115	.9264	.3402-02	.3903-02	2.528	18.99	554.6
592	.40000	.90000	96.000	.8421-01	.1020	.9828-01	.9178	.2949-02	.3441-02	2.199	18.76	552.0
592	.40000	.95000	97.000	.7275-01	.8800-01	.8549-01	.9140	.2547-02	.2993-02	1.907	15.42	548.8
592	.50000	.40000	1104.0	.8210-01	.9969-01	.9242-01	.9367	.2875-02	.3236-02	2.115	15.06	562.1
592	.50000	.60000	1105.0	.7286-01	.8846-01	.8210-01	.9362	.2551-02	.2875-02	1.877	12.95	561.9
592	.50000	.70000	1106.0	.4721-01	.5725-01	.5325-01	.9353	.1653-02	.1864-02	1.224	8.737	557.3
592	.50000	.90000	107.00	.6891-01	.8336-01	.8336-01	.9000	.2413-02	.2919-02	1.806	14.08	549.0
592	.60000	.40000	1116.0	.1206	.1467	.1356	.9378	.4224-02	.4748-02	3.086	21.23	567.1
592	.60000	.50000	1117.0	.1092	.1328	.1231	.9364	.3825-02	.4311-02	2.797	19.25	566.5

OH84B 60-0 WING LOWER SURFACE

(R4U042)

RUN NUMBER	2Y/BW	XW/CW	T/C NO	H/HREF	H/HREF	H/HREF	TAW/TO	H(TO)	-H(TAW)	QOOT	DTWDT	TW
				R=1.0	R=0.9	R=		BTU/R FT2SEC	BTU/R FT2SEC	BTU/ FT2SEC	DEG. R /SEC	DEG. R
592	.60000	.60000	1118.0	.1010	.1227	.1138	.9362	.3536-02	.3985-02	2.597	17.91	563.2
592	.60000	.70000	1119.0	.8556-01	.1039	.9705-01	.9330	.2996-02	.3398-02	2.202	15.67	562.7
592	.60000	.80000	120.00	.8623-01	.1045	.9896-01	.9264	.3019-02	.3465-02	2.240	16.54	555.7
592	.60000	.85000	121.00	.1007	.1219	.1160	.9241	.3525-02	.4062-02	2.628	19.11	552.2
592	.60000	.90000	122.00	.8576-01	.1038	.1002	.9167	.3003-02	.3510-02	2.247	16.92	549.5
592	.60000	.95000	123.00	.6533-01	.7891-01	.7667-01	.9140	.2287-02	.2685-02	1.725	13.03	543.6
592	.70000	.40000	1130.0	.1263	.1534	.1422	.9356	.4421-02	.4979-02	3.246	20.46	563.5
592	.70000	.60000	131.00	.1189	.1444	.1340	.9362	.4164-02	.4691-02	3.068	19.37	560.8
592	.70000	.90000	132.00	.2299	.2792	.2690	.9178	.8051-02	.9418-02	5.919	42.15	562.5
591	.75000	.30000	138.00	.1433	.1741	.1611	.9375	.5018-02	.5641-02	3.705	23.31	567.3
591	.75000	.40000	139.00	.1238	.1504	.1392	.9373	.4335-02	.4874-02	3.203	20.75	566.6
591	.75000	.60000	140.00	.1120	.1359	.1359	.9000	.3920-02	.4759-02	2.905	19.41	564.7
591	.75000	.70000	1141.0	.1104	.1342	.1245	.9362	.3864-02	.4358-02	2.841	20.15	570.5
591	.75000	.90000	142.00	.1394	.1694	.1502	.9267	.4979-02	.5609-02	3.505	20.30	560.0
592	.75000	.90000	143.00	.1323	.1601	.1543	.9180	.4633-02	.5402-02	3.460	25.19	550.8
592	.75000	.95000	144.00	.9373-01	.1132	.1098	.9148	.3282-02	.3845-02	2.477	18.72	542.8
591	.80000	.20000	146.00	.1781	.2168	.2001	.9384	.6237-02	.7007-02	4.569	31.35	573.1
591	.80000	.40000	147.00	.1280	.1557	.1439	.9378	.4481-02	.5039-02	3.286	23.28	572.4
591	.80000	.90000	148.00	.1539	.1864	.1795	.9183	.5388-02	.6284-02	4.029	29.22	557.9
591	.90000	.30000	1155.0	.1641	.2000	.1843	.9389	.5744-02	.6453-02	4.174	29.47	579.1
591	.90000	.50000	156.00	.1386	.1688	.1688	.9000	.4853-02	.5909-02	3.545	25.08	575.2
591	.90000	.60000	1157.0	.1297	.1580	.1459	.9379	.4543-02	.5110-02	3.322	22.78	574.5
591	.90000	.80000	158.00	.1389	.1687	.1593	.9276	.4864-02	.5577-02	3.594	27.77	566.8
591	.90000	.90000	159.00	.1220	.1479	.1427	.9173	.4271-02	.4995-02	3.182	25.11	560.6
591	.95000	.30000	164.00	.1571	.1911	.1764	.9384	.5501-02	.6177-02	4.042	28.66	570.9
591	.95000	.50000	165.00	.1158	.1407	.1302	.9373	.4055-02	.4560-02	2.995	21.98	567.1
591	.95000	.70000	166.00	.1248	.1515	.1415	.9330	.4370-02	.4955-02	3.236	24.20	564.8
591	.95000	.80000	167.00	.1269	.1539	.1464	.9243	.4444-02	.5125-02	3.307	24.34	561.5
591	.95000	.90000	168.00	.9673-01	.1171	.1129	.9178	.3387-02	.3952-02	2.543	19.10	555.0

DATE 23 FEB 80

OH84B MODEL 60-0 IN THE AEDC VKF HYPERSONIC TUNNEL

PAGE 2147

OH84B 60-0 WING LOWER SURFACE

(R4U042)

WING LOWER SURF

PARAMETRIC DATA

MACH = 8.000 ALPHA = 40.00 BETA = .0000 ELEVON = .0000
 BDFLAP = 8.000 SPDBRK = .0000

TEST CONDITIONS

RUN NUMBER	RN/L /FT X10 6	MACH	ALPHA DEG.	BETA DEG.	PO PSIA	TO DEG. R	T DEG. R	P PSIA	Q PSI	V FT/SEC	RHO SLUGS /FT3	MU LB-SEC /FT2
589	3.003	7.990	40.07	.1748-01	673.7	1327.	96.36	.6957-01	3.109	3845.	.1949-02	.7754-07
590	2.993	7.990	40.06	.1397-01	671.4	1327.	96.36	.6934-01	3.098	3845.	.1942-02	.7754-07

RUN NUMBER	HREF BTU/ R FT2SEC	STN NO REF (R) = .0175
589	.4363-01	.2339-01
590	.4356-01	.2343-01

TEST DATA

RUN NUMBER	2Y/BW	XW/CW	T/C NO	H/HREF R=1.0	H/HREF R=0.9	H/HREF R= TAW/TO	TAW/TO	H(TO) BTU/R FT2SEC	H(TAW) BTU/R FT2SEC	QDOT BTU/ FT2SEC	DTWDT DEG. R /SEC	TW DEG. R
590	.30000	.40000	1078.0	.6739-01	.8172-01	.7530-01	.9401	.2935-02	.3280-02	2.221	15.75	570.2
590	.30000	.50000	1079.0	.6898-01	.8377-01	.7772-01	.9363	.3005-02	.3385-02	2.258	16.51	575.2
590	.30000	.60000	1080.0	.1081	.1317	.1220	.9365	.4707-02	.5313-02	3.476	25.25	588.2
590	.30000	.70000	1081.0	.1594	.1949	.1805	.9358	.6942-02	.7861-02	5.058	35.38	598.1
590	.30000	.80000	1082.0	.2152	.2638	.2455	.9331	.9375-02	.1069-01	6.758	48.66	605.8
590	.30000	.90000	83.000	.1303	.1581	.1511	.9218	.5678-02	.6580-02	4.293	30.94	570.5
590	.30000	.95000	84.000	.1399	.1696	.1637	.9168	.6093-02	.7132-02	4.614	32.74	569.4
590	.40000	.60000	1092.0	.1770	.2165	.1997	.9376	.7711-02	.8700-02	5.616	36.90	598.4
590	.40000	.70000	1093.0	.2248	.2750	.2542	.9365	.9790-02	.1107-01	7.113	46.70	600.1
590	.40000	.75000	1094.0	.2192	.2685	.2491	.9346	.9549-02	.1085-01	6.906	49.79	603.5
590	.40000	.85000	95.000	.1824	.2220	.2099	.9266	.7944-02	.9143-02	5.901	43.68	583.9
590	.40000	.90000	96.000	.1636	.1990	.1916	.9179	.7127-02	.8346-02	5.314	44.70	591.0
590	.40000	.95000	97.000	.1412	.1716	.1665	.9141	.6151-02	.7254-02	4.608	36.71	577.5
590	.50000	.40000	1104.0	.1099	.1339	.1239	.9369	.4788-02	.5398-02	3.550	24.99	585.2
590	.50000	.60000	1105.0	.1295	.1580	.1463	.9363	.5641-02	.6372-02	4.155	28.26	590.2
590	.50000	.70000	1106.0	.1129	.1376	.1277	.9355	.4917-02	.5562-02	3.631	25.53	588.1
590	.50000	.90000	107.00	.1819	.2213	.2213	.9000	.7922-02	.9638-02	5.904	45.29	581.4
590	.60000	.40000	1116.0	.1325	.1616	.1492	.9379	.5771-02	.6498-02	4.247	28.88	590.8
590	.60000	.50000	1117.0	.1320	.1611	.1491	.9365	.5751-02	.6494-02	4.232	28.78	590.9

OH84B 60-0 WING LOWER SURFACE

(R4UQ42)

RUN NUMBER	2Y/BW	XW/CW	T/C NO	H/HREF	H/HREF	H/HREF	TAW/TO	H(TO)	H(TAW)	QDOT	DTWDT	TW
				R=1.0	R=0.9	R=		BTU/R	BTU/R	BTU/ FT2SEC	DEG. R	DEG. R
				TAW/TO								
590	.60000	.60000	1118.0	.1301	.1585	.1468	.9363	.5665-02	.6396-02	4.186	28.51	587.7
590	.60000	.70000	1119.0	.1234	.1504	.1402	.9331	.5374-02	.6107-02	3.972	27.93	587.5
590	.60000	.80000	120.00	.1426	.1734	.1640	.9266	.6212-02	.7143-02	4.641	33.86	579.5
590	.60000	.85000	121.00	.1804	.2193	.2084	.9242	.7857-02	.9077-02	5.880	42.22	578.3
590	.60000	.90000	122.00	.1823	.2215	.2137	.9168	.7938-02	.9310-02	5.947	44.16	577.5
590	.60000	.95000	123.00	.1496	.1815	.1762	.9141	.6515-02	.7674-02	4.913	36.58	572.6
590	.70000	.40000	1130.0	.1380	.1681	.1557	.9368	.6013-02	.6780-02	4.459	27.80	585.2
590	.70000	.60000	131.00	.1352	.1646	.1525	.9363	.5890-02	.6644-02	4.383	27.37	582.5
590	.70000	.90000	132.00	.2878	.3511	.3378	.9179	.1254-01	.1471-01	9.230	64.81	590.5
589	.75000	.30000	138.00	.1519	.1853	.1711	.9376	.6630-02	.7467-02	4.890	30.43	589.1
589	.75000	.40000	139.00	.1312	.1600	.1479	.9374	.5726-02	.6453-02	4.222	27.04	589.4
589	.75000	.60000	140.00	.1239	.1510	.1510	.9000	.5405-02	.6590-02	3.989	26.33	588.8
589	.75000	.70000	1141.0	.1250	.1528	.1414	.9363	.5455-02	.6169-02	3.982	27.87	596.8
589	.75000	.80000	142.00	.2188	.2680	.2527	.9268	.9545-02	.1103-01	6.894	55.20	604.4
590	.75000	.90000	143.00	.2244	.2727	.2624	.9181	.9774-02	.1143-01	7.325	52.62	577.3
590	.75000	.95000	144.00	.1638	.1984	.1923	.9149	.7133-02	.8376-02	5.424	40.51	566.2
589	.80000	.20000	146.00	.1913	.2340	.2155	.9385	.8347-02	.9403-02	6.066	41.07	600.0
589	.80000	.40000	147.00	.1370	.1674	.1544	.9380	.5976-02	.6737-02	4.358	30.49	597.5
589	.80000	.90000	148.00	.2454	.2990	.2874	.9185	.1071-01	.1254-01	7.918	56.61	587.0
589	.90000	.30000	1155.0	.1790	.2196	.2017	.9390	.7810-02	.8802-02	5.605	39.00	608.9
589	.90000	.50000	156.00	.1480	.1813	.1813	.9000	.6457-02	.7910-02	4.665	32.53	604.3
589	.90000	.60000	1157.0	.1378	.1687	.1555	.9380	.6014-02	.6784-02	4.360	29.49	601.7
589	.90000	.80000	158.00	.2644	.3243	.3051	.9277	.1154-01	.1331-01	8.288	62.75	608.3
589	.90000	.90000	159.00	.2493	.3048	.2934	.9174	.1088-01	.1280-01	7.918	61.31	598.6
589	.95000	.30000	164.00	.1580	.1933	.1780	.9385	.6894-02	.7767-02	5.005	34.97	600.7
589	.95000	.50000	165.00	.1175	.1434	.1325	.9374	.5125-02	.5780-02	3.758	27.23	593.4
589	.95000	.70000	166.00	.1883	.2299	.2142	.9331	.8215-02	.9347-02	6.020	44.34	593.9
589	.95000	.80000	167.00	.2316	.2832	.2686	.9244	.1011-01	.1172-01	7.365	53.24	598.0
589	.95000	.90000	168.00	.2065	.2520	.2424	.9179	.9009-02	.1058-01	6.620	48.82	591.8

DATE 23 FEB 80

OH84B MODEL 60-0 IN THE AEDC VKF HYPERSONIC TUNNEL

PAGE 2149

OH84B 60-0 WING LOWER SURFACE

(R4UQ43)

WING LOWER SURF

PARAMETRIC DATA

MACH = 8.000 ALPHA = 40.00 BETA = .0000 ELEVON = .0000
 BDFLAP = 15.00 SPDBRK = .0000

TEST CONDITIONS

RUN NUMBER	RN/L /FT X10 6	MACH	ALPHA DEG.	BETA DEG.	PO PSIA	TO DEG. R	T DEG. R	P PSIA	Q PSI	V FT/SEC	RHO SLUGS /FT3	MU LB-SEC /FT2
627	.5147	7.900	39.95	.1383-01	101.4	1242.	92.10	.1127-01	.4923	3717.	.3302-03	.7411-07
628	.5138	7.900	39.96	.1730-01	101.2	1242.	92.10	.1125-01	.4914	3717.	.3296-03	.7411-07

RUN NUMBER	HREF BTU/ R FT2SEC	STN NO REF (R)
627	.1716-01	.5643-01
628	.1715-01	.5648-01

TEST DATA

RUN NUMBER	2Y/BW	XW/CW	T/C NO	H/HREF R=1.0	H/HREF R=0.9	H/HREF R= TAW/TO	TAW/TO	H(TO) BTU/R FT2SEC	H(TAW) BTU/R FT2SEC	QDOT BTU/ FT2SEC	DTWDT DEG. R /SEC	TW DEG. R
628	.30000	.40000	1078.0	.6885-01	.8338-01	.7690-01	.9399	.1181-02	.1319-02	.8410	6.089	529.3
628	.30000	.50000	1079.0	.5364-01	.6498-01	.6037-01	.9361	.9199-03	.1035-02	.6547	4.897	530.0
628	.30000	.60000	1080.0	.5036-01	.6104-01	.5667-01	.9363	.8636-03	.9718-03	.6129	4.579	532.0
628	.30000	.70000	1081.0	.4975-01	.6030-01	.5607-01	.9356	.8531-03	.9614-03	.6055	4.378	531.9
628	.30000	.80000	1082.0	.5200-01	.6302-01	.5892-01	.9329	.8918-03	.1010-02	.6333	4.733	531.5
628	.30000	.90000	83.000	.4242-01	.5131-01	.4908-01	.9216	.7274-03	.8417-03	.5213	3.845	524.9
628	.30000	.95000	84.000	.5384-01	.6510-01	.6291-01	.9166	.9233-03	.1079-02	.6632	4.817	529.0
628	.40000	.60000	1092.0	.6699-01	.8124-01	.7525-01	.9374	.1149-02	.1290-02	.8129	5.516	534.0
628	.40000	.70000	1093.0	.6738-01	.8168-01	.7583-01	.9363	.1155-02	.1300-02	.8193	5.564	532.5
628	.40000	.75000	1094.0	.6334-01	.7678-01	.7156-01	.9344	.1086-02	.1227-02	.7704	5.755	532.4
628	.40000	.85000	95.000	.5987-01	.7251-01	.6868-01	.9264	.1027-02	.1178-02	.7317	5.568	529.0
628	.40000	.90000	96.000	.5143-01	.6224-01	.6001-01	.9177	.8820-03	.1029-02	.6306	5.451	526.7
628	.40000	.95000	97.000	.4299-01	.5200-01	.5052-01	.9139	.7373-03	.8663-03	.5288	4.327	524.4
628	.50000	.40000	1104.0	.7997-01	.9699-01	.8997-01	.9367	.1371-02	.1543-02	.9703	7.008	534.1
628	.50000	.60000	1105.0	.6766-01	.8205-01	.7620-01	.9361	.1160-02	.1307-02	.8213	5.748	533.8
628	.50000	.70000	1106.0	.4062-01	.4923-01	.4581-01	.9353	.6965-03	.7855-03	.4944	3.575	531.8
628	.50000	.90000	107.00	.5031-01	.6088-01	.6088-01	.9000	.8628-03	.1044-02	.6172	4.869	526.3
628	.60000	.40000	1116.0	.1118	.1356	.1255	.9377	.1917-02	.2152-02	1.356	9.484	534.4
628	.60000	.50000	1117.0	.1047	.1270	.1179	.9363	.1795-02	.2021-02	1.270	8.881	534.5

OH84B 60-0 WING LOWER SURFACE

(R4UQ43)

RUN NUMBER	ZY/BW	XW/CW	T/C NO	H/HREF	H/HREF	H/HREF	TAW/TO	H(TO)	H(TAW)	QDOT	DTWDT	TW
				R=1.0	R=0.9	R=		BTU/R	BTU/R	BTU/ FT2SEC	DEG. R	DEG. R
628	.60000	.60000	1118.0	.8934-01	.1084	.1006	.9361	.1532-02	.1725-02	1.084	7.586	534.0
628	.60000	.70000	1119.0	.7645-01	.9271-01	.8665-01	.9329	.1311-02	.1486-02	.9285	6.708	533.5
628	.60000	.80000	120.00	.5980-01	.7245-01	.6862-01	.9264	.1025-02	.1177-02	.7296	5.456	530.2
628	.60000	.85000	121.00	.7143-01	.8650-01	.8233-01	.9240	.1225-02	.1412-02	.8728	6.424	529.1
628	.60000	.90000	122.00	.6365-01	.7703-01	.7443-01	.9166	.1092-02	.1276-02	.7803	5.945	526.8
628	.60000	.95000	123.00	.4837-01	.5849-01	.5684-01	.9139	.8295-03	.9746-03	.5954	4.543	523.9
628	.70000	.40000	1130.0	.1201	.1456	.1351	.9366	.2059-02	.2317-02	1.461	9.357	532.1
628	.70000	.60000	131.00	.1119	.1356	.1260	.9361	.1920-02	.2161-02	1.364	8.740	531.0
628	.70000	.90000	132.00	.1740	.2109	.2033	.9177	.2984-02	.3486-02	2.118	15.32	531.8
627	.75000	.30000	138.00	.1436	.1742	.1613	.9374	.2465-02	.2769-02	1.744	11.16	534.1
627	.75000	.40000	139.00	.1222	.1482	.1373	.9372	.2097-02	.2357-02	1.482	9.759	534.7
627	.75000	.60000	140.00	.1085	.1316	.1316	.9000	.1862-02	.2259-02	1.315	8.919	535.2
627	.75000	.70000	1141.0	.9351-01	.1136	.1054	.9361	.1605-02	.1809-02	1.128	8.130	538.7
627	.75000	.80000	142.00	.8090-01	.9821-01	.9292-01	.9266	.1388-02	.1595-02	.9780	8.097	537.3
628	.75000	.90000	143.00	.7179-01	.8684-01	.8370-01	.9179	.1231-02	.1435-02	.8816	6.501	525.5
628	.75000	.95000	144.00	.4724-01	.5707-01	.5538-01	.9147	.8100-03	.9496-03	.5837	4.460	521.0
627	.80000	.20000	146.00	.1729	.2100	.1941	.9383	.2968-02	.3331-02	2.089	14.59	537.8
627	.80000	.40000	147.00	.1266	.1536	.1422	.9377	.2172-02	.2440-02	1.532	11.05	536.7
627	.80000	.90000	148.00	.7571-01	.9175-01	.8834-01	.9182	.1299-02	.1516-02	.9230	6.786	531.3
627	.90000	.30000	1155.0	.1621	.1971	.1819	.9388	.2782-02	.3121-02	1.946	14.00	542.1
627	.90000	.50000	156.00	.1378	.1673	.1673	.9000	.2365-02	.2872-02	1.662	11.98	538.8
627	.90000	.60000	1157.0	.1250	.1519	.1405	.9377	.2146-02	.2412-02	1.506	10.51	539.7
627	.90000	.80000	158.00	.9792-01	.1188	.1122	.9274	.1681-02	.1926-02	1.187	9.321	535.3
627	.90000	.90000	159.00	.7272-01	.8815-01	.8506-01	.9171	.1248-02	.1460-02	.8852	7.084	532.5
627	.95000	.30000	164.00	.1564	.1899	.1755	.9383	.2684-02	.3013-02	1.888	13.60	538.4
627	.95000	.50000	165.00	.1171	.1421	.1317	.9372	.2010-02	.2260-02	1.418	10.57	536.2
627	.95000	.70000	166.00	.9306-01	.1130	.1055	.9329	.1597-02	.1811-02	1.126	8.532	536.9
627	.95000	.80000	167.00	.9765-01	.1184	.1126	.9242	.1676-02	.1933-02	1.186	8.847	534.3
627	.95000	.90000	168.00	.6852-01	.8305-01	.8005-01	.9177	.1176-02	.1374-02	.8345	6.340	532.1

DATE 23 FEB 80

OH84B MODEL 60-0 IN THE AEDC VKI HYPERSONIC TUNNEL

PAGE 2151

OH84B 60-0 WING LOWER SURFACE

(R4UQ43)

WING LOWER SURF

PARAMETRIC DATA

MACH = 8.000 ALPHA = 40.00 BETA = .0000 ELEVON = .0000
 BDFLAP = 15.00 SPDBRK = .0000

TEST CONDITIONS

RUN NUMBER	RN/L /FT X10 6	MACH	ALPHA DEG.	BETA DEG.	PO PSIA	TO DEG. R	T DEG. R	P PSIA	Q PSI	V FT/SEC	RHO SLUGS /FT3	MU LB-SEC /FT2
609	1.024	7.940	39.98	.1386-01	209.1	1261.	92.64	.2249-01	.9925	3746.	.6553-03	.7454-07
610	1.015	7.940	39.97	.1038-01	207.4	1261.	92.64	.2231-01	.9844	3746.	.6499-03	.7454-07

RUN NUMBER	HREF BTU/ R FT2SEC	STN NO REF (R) = .0175
609	.2443-01	.4012-01
610	.2434-01	.4029-01

TEST DATA

RUN NUMBER	2Y/BW	XW/CW	T/C NO	H/HREF R=1.0	H/HREF R=0.9	H/HREF R= TAW/TO	TAW/TO	H(TO) BTU/R FT2SEC	H(TAW) BTU/R FT2SEC	QDOT BTU/ FT2SEC	DTWDT DEG. R /SEC	TW DEG. R
610	.30000	.40000	1078.0	.6429-01	.7787-01	.7182-01	.9399	.1565-02	.1748-02	1.131	8.156	537.6
610	.30000	.50000	1079.0	.4865-01	.5894-01	.5476-01	.9361	.1184-02	.1333-02	.8553	6.370	538.3
610	.30000	.60000	1080.0	.4735-01	.5740-01	.5329-01	.9363	.1152-02	.1297-02	.8293	6.168	541.0
610	.30000	.70000	1081.0	.4752-01	.5761-01	.5357-01	.9356	.1156-02	.1304-02	.8325	5.993	540.8
610	.30000	.80000	1082.0	.5199-01	.6303-01	.5892-01	.9329	.1265-02	.1434-02	.9103	6.770	541.1
610	.30000	.90000	83.000	.4369-01	.5281-01	.5053-01	.9216	.1063-02	.1230-02	.7766	5.713	530.2
610	.30000	.95000	84.000	.5058-01	.6111-01	.5907-01	.9166	.1231-02	.1437-02	.9009	6.525	528.8
610	.40000	.60000	1092.0	.6734-01	.8170-01	.7566-01	.9374	.1639-02	.1841-02	1.175	7.935	543.6
610	.40000	.70000	1093.0	.6733-01	.8165-01	.7579-01	.9363	.1638-02	.1844-02	1.177	7.957	542.1
610	.40000	.75000	1094.0	.6675-01	.8093-01	.7542-01	.9344	.1624-02	.1835-02	1.169	8.692	541.2
610	.40000	.85000	95.000	.6650-01	.8049-01	.7626-01	.9264	.1618-02	.1856-02	1.173	8.899	535.6
610	.40000	.90000	96.000	.5617-01	.6794-01	.6551-01	.9177	.1367-02	.1594-02	.9947	8.572	532.9
610	.40000	.95000	97.000	.4468-01	.5401-01	.5248-01	.9139	.1087-02	.1277-02	.7936	6.472	530.8
610	.50000	.40000	1104.0	.8019-01	.9726-01	.9022-01	.9367	.1951-02	.2195-02	1.401	10.08	542.7
610	.50000	.60000	1105.0	.6431-01	.7802-01	.7244-01	.9361	.1565-02	.1763-02	1.123	7.822	543.1
610	.50000	.70000	1106.0	.3937-01	.4771-01	.4439-01	.9353	.9581-03	.1080-02	.6911	4.978	539.4
610	.50000	.90000	107.00	.5017-01	.6068-01	.6068-01	.9000	.1221-02	.1477-02	.8888	6.987	532.8
610	.60000	.40000	1116.0	.1143	.1387	.1284	.9377	.2780-02	.3123-02	1.987	13.82	546.1
610	.60000	.50000	1117.0	.1003	.1218	.1130	.9363	.2441-02	.2749-02	1.745	12.14	545.6

OH84B 60-0 WING LOWER SURFACE

(R4UQ43)

RUN NUMBER	ZY/BW	XW/CW	T/C NO	H/HREF R=1.0	H/HREF R=0.9	H/HREF R= TAW/TO	TAW/TO	H(TO) BTU/R FT2SEC	H(TAW) BTU/R FT2SEC	QDOT BTU/ FT2SEC	DTWDT DEG. R /SEC	TW DEG. R
610	.60000	.60000	1118.0	.9182-01	.1114	.1034	.9361	.2234-02	.2517-02	1.603	11.17	513.2
610	.60000	.70000	1119.0	.8038-01	.9748-01	.9111-01	.9329	.1956-02	.2217-02	1.405	10.11	542.3
610	.60000	.80000	120.00	.6441-01	.7804-01	.7392-01	.9264	.1567-02	.1799-02	1.131	8.423	538.9
610	.60000	.85000	121.00	.7785-01	.9424-01	.8971-01	.9240	.1894-02	.2183-02	1.373	10.07	535.8
610	.60000	.90000	122.00	.6956-01	.8413-01	.8130-01	.9166	.1693-02	.1978-02	1.232	9.358	532.8
610	.60000	.95000	123.00	.5019-01	.6065-01	.5894-01	.9139	.1221-02	.1434-02	.8926	6.789	529.9
610	.70000	.40000	1130.0	.1198	.1453	.1348	.9366	.2914-02	.3280-02	2.092	13.33	542.7
610	.70000	.60000	131.00	.1116	.1354	.1257	.9361	.2716-02	.3059-02	1.953	12.44	541.8
610	.70000	.90000	132.00	.1863	.2259	.2177	.9177	.4534-02	.5297-02	3.263	23.49	540.9
609	.75000	.30000	138.00	.1420	.1723	.1595	.9374	.3470-02	.3898-02	2.491	15.87	542.8
609	.75000	.40000	139.00	.1222	.1482	.1373	.9372	.2985-02	.3355-02	2.139	14.01	544.2
609	.75000	.60000	140.00	.1072	.1302	.1302	.9000	.2620-02	.3182-02	1.873	12.64	545.8
609	.75000	.70000	141.00	.1022	.1242	.1152	.9362	.2496-02	.2815-02	1.774	12.72	549.8
609	.75000	.80000	142.00	.9035-01	.1097	.1038	.9266	.2208-02	.2536-02	1.576	12.99	546.6
610	.75000	.90000	143.00	.7750-01	.9369-01	.9030-01	.9179	.1886-02	.2198-02	1.376	10.12	531.1
610	.75000	.95000	144.00	.4794-01	.5788-01	.5617-01	.9147	.1167-02	.1367-02	.8571	6.532	526.1
609	.80000	.20000	146.00	.1795	.2180	.2014	.9383	.4386-02	.4922-02	3.133	21.79	546.3
609	.80000	.40000	147.00	.1255	.1524	.1410	.9378	.3067-02	.3445-02	2.190	15.72	546.5
609	.80000	.90000	148.00	.8367-01	.1013	.9757-01	.9183	.2044-02	.2384-02	1.478	10.83	537.6
609	.90000	.30000	1155.0	.1670	.2031	.1874	.9388	.4081-02	.4579-02	2.893	20.71	551.8
609	.90000	.50000	156.00	.1355	.1647	.1647	.9000	.3312-02	.4025-02	2.356	16.88	549.4
609	.90000	.60000	1157.0	.1255	.1526	.1411	.9378	.3068-02	.3449-02	2.179	15.12	550.4
609	.90000	.80000	158.00	.1026	.1246	.1177	.9275	.2508-02	.2875-02	1.795	14.02	545.0
609	.90000	.90000	159.00	.7872-01	.9538-01	.9203-01	.9172	.1924-02	.2249-02	1.389	11.08	538.8
609	.95000	.30000	164.00	.1618	.1965	.1815	.9383	.3952-02	.4436-02	2.820	20.23	547.2
609	.95000	.50000	165.00	.1167	.1417	.1312	.9372	.2851-02	.3206-02	2.038	15.12	545.9
609	.95000	.70000	166.00	.1070	.1299	.1213	.9329	.2614-02	.2965-02	1.868	14.09	546.0
609	.95000	.80000	167.00	.1023	.1241	.1180	.9242	.2500-02	.2884-02	1.795	13.34	542.9
609	.95000	.90000	168.00	.7358-01	.8912-01	.8590-01	.9177	.1798-02	.2099-02	1.300	9.846	537.8

DATE 23 FEB 80

OH84B MODEL 60-0 IN THE AEDC VKF HYPERSONIC TUNNEL

PAGE 2153

OH84B 60-0 WING LOWER SURFACE

(R4U043)

WING LOWER SURF

PARAMETRIC DATA

MACH = 8.000 ALPHA = 40.00 BETA = .0000 ELEVON = .0000
 BDFLAP = 15.00 SPDBRK = .0000

TEST CONDITIONS

RUN NUMBER	RN/L /FT X10 6	MACH	ALPHA DEG.	BETA DEG.	PO PSIA	TO DEG. R	T DEG. R	P PSIA	Q PSI	V FT/SEC	RHO SLUGS /FT3	MU LB-SEC /FT2
599	1.990	7.980	40.04	.1744-01	435.0	1307.	95.13	.4528-01	2.019	3815.	.1285-02	.7655-07
600	1.993	7.980	39.99	.1388-01	435.6	1307.	95.13	.4534-01	2.021	3815.	.1287-02	.7655-07

RUN NUMBER	HREF BTU/ R FT2SEC	STN NO REF(R) = .0175
599	.3506-01	.2876-01
600	.3509-01	.2874-01

TEST DATA

RUN NUMBER	2Y/BW	XW/CW	T/C NO	H/HREF R=1.0	H/HREF R=0.9	H/HREF R= TAW/TO	TAW/TO	H(TO) BTU/R FT2SEC	H(TAW) BTU/R FT2SEC	QDOT BTU/ FT2SEC	DTWDT DEG. R /SEC	TW DEG. R
600	.30000	.40000	1078.0	.6138-01	.7425-01	.6851-01	.9399	.2154-02	.2404-02	1.624	11.62	552.8
600	.30000	.50000	1079.0	.4920-01	.5953-01	.5533-01	.9362	.1726-02	.1941-02	1.299	9.601	554.0
600	.30000	.60000	1080.0	.5346-01	.6478-01	.6014-01	.9364	.1876-02	.2110-02	1.402	10.33	559.1
600	.30000	.70000	1081.0	.6732-01	.8164-01	.7599-01	.9356	.2362-02	.2663-02	1.760	12.54	561.5
600	.30000	.80000	1082.0	.9016-01	.1095	.1023	.9329	.3164-02	.3589-02	2.344	17.21	566.0
600	.30000	.90000	83.000	.6865-01	.8290-01	.7933-01	.9217	.2409-02	.2784-02	1.832	13.37	546.2
600	.30000	.95000	84.000	.7481-01	.9032-01	.8730-01	.9167	.2625-02	.3063-02	1.997	14.34	545.9
600	.40000	.60000	1092.0	.8521-01	.1034	.9574-01	.9375	.2990-02	.3359-02	2.221	14.84	563.9
600	.40000	.70000	1093.0	.9862-01	.1197	.1111	.9364	.3461-02	.3897-02	2.567	17.15	564.8
600	.40000	.75000	1094.0	.1045	.1268	.1181	.9345	.3666-02	.4145-02	2.716	19.95	565.7
600	.40000	.85000	95.000	.9625-01	.1165	.1104	.9264	.3377-02	.3872-02	2.541	19.09	554.4
600	.40000	.90000	95.000	.8421-01	.1019	.9821-01	.9178	.2955-02	.3446-02	2.227	19.00	553.0
600	.40000	.95000	97.000	.7284-01	.8805-01	.8555-01	.9140	.2556-02	.3002-02	1.933	15.61	550.2
600	.50000	.40000	1104.0	.8268-01	.1003	.9302-01	.9367	.2901-02	.3264-02	2.158	15.36	562.9
600	.50000	.60000	1105.0	.7198-01	.8732-01	.8107-01	.9362	.2526-02	.2845-02	1.879	12.96	562.6
600	.50000	.70000	1106.0	.4161-01	.5043-01	.4692-01	.9353	.1460-02	.1646-02	1.091	7.780	559.4
600	.50000	.90000	107.00	.6778-01	.8192-01	.8192-01	.9000	.2378-02	.2874-02	1.800	14.03	549.7
600	.60000	.40000	1116.0	.1190	.1446	.1337	.9378	.4176-02	.4692-02	3.084	21.21	568.1
600	.60000	.50000	1117.0	.1135	.1379	.1279	.9364	.3983-02	.4488-02	2.946	20.27	567.2

OH84B 60-0 WING LOWER SURFACE

(R4UQ43)

RUN NUMBER	2Y/BW	XW/CW	T/C NO	H/HREF R=1.0	H/HREF R=0.9	H/HREF R= TAW/TO	TAW/TO	H(TO) BTU/R FT2SEC	H(TAW) BTU/R FT2SEC	QDOT BTU/ FT2SEC	DTWDT DEG. R /SEC	TW DEG. R
600	.60000	.60000	1118.0	.1039	.1261	.1170	.9362	.3645-02	.4106-02	2.706	18.65	564.2
600	.60000	.70000	1119.0	.8607-01	.1044	.9757-01	.9329	.3020-02	.3424-02	2.245	15.98	563.4
600	.60000	.80000	120.00	.8722-01	.1056	.1000	.9264	.3060-02	.3509-02	2.301	16.99	554.9
600	.60000	.85000	121.00	.9993-01	.1209	.1151	.9240	.3506-02	.4037-02	2.646	19.25	552.0
600	.60000	.90000	122.00	.8394-01	.1015	.9806-01	.9167	.2945-02	.3441-02	2.228	16.77	550.3
600	.60000	.95000	123.00	.6509-01	.7857-01	.7635-01	.9140	.2284-02	.2679-02	1.739	13.13	545.1
600	.70000	.40000	1130.0	.1295	.1572	.1458	.9366	.4545-02	.5116-02	3.371	21.23	564.9
600	.70000	.60000	131.00	.1193	.1446	.1343	.9362	.4185-02	.4713-02	3.119	19.68	561.3
600	.70000	.90000	132.00	.2256	.2737	.2637	.9178	.7917-02	.9253-02	5.893	41.97	562.3
599	.75000	.30000	138.00	.1425	.1730	.1601	.9376	.4997-02	.5614-02	3.709	23.37	564.4
599	.75000	.40000	139.00	.1244	.1510	.1398	.9374	.4360-02	.4902-02	3.230	20.93	565.8
599	.75000	.60000	140.00	.1128	.1369	.1369	.9000	.3954-02	.4800-02	2.931	19.57	565.4
599	.75000	.70000	1141.0	.1108	.1348	.1250	.9363	.3887-02	.4383-02	2.859	20.27	571.0
599	.75000	.80000	142.00	.1402	.1704	.1611	.9268	.4914-02	.5649-02	3.616	29.43	570.9
600	.75000	.90000	143.00	.1311	.1584	.1527	.9180	.4599-02	.5358-02	3.479	25.34	550.1
600	.75000	.95000	144.00	.9178-01	.1107	.1074	.9147	.3220-02	.3770-02	2.462	18.61	542.1
599	.80000	.20000	146.00	.1788	.2173	.2007	.9384	.6270-02	.7038-02	4.623	31.78	569.3
599	.80000	.40000	147.00	.1284	.1561	.1443	.9379	.4501-02	.5059-02	3.312	23.49	570.8
599	.80000	.90000	148.00	.1556	.1885	.1815	.9184	.5456-02	.6363-02	4.094	29.62	569.2
599	.90000	.30000	1155.0	.1639	.1996	.1840	.9390	.5748-02	.6452-02	4.198	29.69	576.2
599	.90000	.50000	156.00	.1387	.1688	.1688	.9000	.4863-02	.5920-02	3.560	25.20	574.6
599	.90000	.60000	1157.0	.1294	.1575	.1456	.9379	.4538-02	.5104-02	3.323	22.79	574.4
599	.90000	.80000	158.00	.1407	.1710	.1614	.9276	.4935-02	.5660-02	3.643	28.13	568.6
599	.90000	.90000	159.00	.1262	.1531	.1476	.9173	.4427-02	.5177-02	3.299	26.02	561.3
599	.95000	.30000	164.00	.1575	.1915	.1768	.9384	.5524-02	.6201-02	4.071	28.88	569.7
599	.95000	.50000	165.00	.1138	.1382	.1279	.9374	.3989-02	.4485-02	2.951	21.66	566.9
599	.95000	.70000	166.00	.1262	.1532	.1431	.9331	.4424-02	.5017-02	3.275	24.45	566.5
599	.95000	.80000	167.00	.1283	.1556	.1479	.9244	.4498-02	.5186-02	3.347	24.62	562.5
599	.95000	.90000	168.00	.9875-01	.1195	.1152	.9179	.3463-02	.4040-02	2.602	19.54	555.3

DATE 23 FEB 80

OH84B MODEL 60-0 IN THE AEDC VKF HYPERSONIC TUNNEL
OH84B 60-0 WING LOWER SURFACE

PAGE 2155

(R4UQ43)

WING LOWER SURF

PARAMETRIC DATA

MACH = 8.000 ALPHA = 40.00 BETA = .0000 ELEVON = .0000
BDFLAP = 15.00 SPDBRK = .0000

TEST CONDITIONS

RUN NUMBER	RN/L /FT X10 6	MACH	ALPHA DEG.	BETA DEG.	PO PSIA	TO DEG. R	T DEG. R	P PSIA	Q PSI	V FT/SEC	RHO SLUGS /FT3	MU LB-SEC /FT2
585	2.982	7.990	40.06	.1397-01	669.7	1328.	96.43	.6916-01	3.091	3846.	.1936-02	.7760-07
586	2.987	7.990	40.06	.1397-01	669.2	1326.	96.29	.6911-01	3.088	3843.	.1937-02	.7748-07

RUN NUMBER	HREF BTU/ R FT2SEC	STN NO REF(R) = .0175
585	.4351-01	.2347-01
586	.4348-01	.2346-01

TEST DATA

RUN NUMBER	2Y/BW	XW/CW	T/C NO	H/HREF R=1.0	H/HREF R=0.9	H/HREF R= TAW/TO	TAW/TO	H(TO) BTU/R FT2SEC	H(TAW) BTU/R FT2SEC	QDOT BTU/ FT2SEC	DTWDT DEG. R /SEC	TW DEG. R
586	.30000	.40000	1078.0	.6594-01	.8003-01	.7372-01	.9401	.2867-02	.3205-02	2.160	15.30	572.4
586	.30000	.50000	1079.0	.6770-01	.8228-01	.7631-01	.9363	.2944-02	.3318-02	2.202	16.08	577.5
586	.30000	.60000	1080.0	.1085	.1323	.1225	.9365	.4716-02	.5325-02	3.467	25.16	590.4
586	.30000	.70000	1081.0	.1614	.1975	.1829	.9358	.7018-02	.7951-02	5.092	35.58	600.2
586	.30000	.80000	1082.0	.2138	.2622	.2439	.9331	.9296-02	.1061-01	6.674	48.02	607.7
586	.30000	.90000	83.000	.1300	.1578	.1507	.9218	.5652-02	.6554-02	4.256	30.65	572.6
586	.30000	.95000	84.000	.1404	.1704	.1645	.9168	.6105-02	.7151-02	4.603	32.62	571.7
586	.40000	.60000	1092.0	.1761	.2155	.1987	.9376	.7656-02	.8641-02	5.549	36.42	600.8
586	.40000	.70000	1093.0	.2216	.2713	.2507	.9365	.9633-02	.1090-01	6.968	45.69	602.3
586	.40000	.75000	1094.0	.2152	.2637	.2446	.9346	.9357-02	.1064-01	6.740	48.55	605.4
586	.40000	.85000	95.000	.1799	.2192	.2071	.9266	.7821-02	.9006-02	5.786	42.79	585.9
586	.40000	.90000	96.000	.1617	.1968	.1894	.9179	.7029-02	.8236-02	5.220	43.86	583.1
586	.40000	.95000	97.000	.1407	.1711	.1660	.9141	.6116-02	.7217-02	4.563	36.31	579.6
586	.50000	.40000	1104.0	.1104	.1346	.1245	.9369	.4800-02	.5415-02	3.541	24.89	588.1
586	.50000	.60000	1105.0	.1288	.1573	.1456	.9363	.5601-02	.6331-02	4.104	27.89	592.9
586	.50000	.70000	1106.0	.1094	.1335	.1238	.9355	.4758-02	.5384-02	3.500	24.59	589.9
586	.50000	.90000	107.00	.1790	.2179	.2179	.9000	.7782-02	.9474-02	5.777	44.28	583.3
586	.60000	.40000	1116.0	.1363	.1665	.1536	.9379	.5928-02	.6679-02	4.339	29.46	593.8
586	.60000	.50000	1117.0	.1313	.1604	.1484	.9365	.5710-02	.6452-02	4.179	28.38	593.8

OH84B 60-0 WING LOWER SURFACE

(R4U043)

RUN NUMBER	ZY/BW	XW/CW	T/C NO	H/HREF	H/HREF	H/HREF	TAW/TO	H(TO)	H(TAW)	QDOT	DTWDT	TW
				R=1.0	R=0.9	R= TAW/TO		BTU/R FT2SEC	BTU/R FT2SEC	BTU/ FT2SEC	DEG. R /SEC	DEG. R
586	.60000	.60000	1118.0	.1305	.1592	.1474	.9363	.5674-02	.6410-02	4.170	28.36	590.7
586	.60000	.70000	1119.0	.1242	.1515	.1413	.9331	.5401-02	.6142-02	3.972	27.90	590.2
586	.60000	.80000	120.00	.1414	.1721	.1627	.9266	.6150-02	.7075-02	4.575	33.34	581.7
586	.60000	.85000	121.00	.1781	.2166	.2058	.9242	.7742-02	.8949-02	5.770	41.39	580.4
586	.60000	.90000	122.00	.1795	.2182	.2106	.9168	.7803-02	.9155-02	5.824	43.21	579.3
586	.60000	.95000	123.00	.1472	.1787	.1735	.9141	.6400-02	.7543-02	4.809	35.77	574.3
586	.70000	.40000	1130.0	.1373	.1674	.1550	.9368	.5972-02	.6737-02	4.405	27.43	588.1
586	.70000	.60000	131.00	.1362	.1660	.1538	.9363	.5924-02	.6686-02	4.384	27.33	585.6
586	.70000	.90000	132.00	.2885	.3522	.3388	.9179	.1254-01	.1473-01	9.189	64.44	593.0
585	.75000	.30000	138.00	.1511	.1841	.1701	.9376	.6574-02	.7402-02	4.864	30.29	587.8
585	.75000	.40000	139.00	.1322	.1611	.1489	.9374	.5752-02	.6480-02	4.253	27.26	588.3
585	.75000	.60000	140.00	.1250	.1523	.1523	.9000	.5437-02	.6626-02	4.022	26.57	587.8
585	.75000	.70000	1141.0	.1261	.1540	.1425	.9363	.5485-02	.6201-02	4.016	28.13	595.5
585	.75000	.80000	142.00	.2172	.2560	.2510	.9268	.6455-02	.7002-02	5.055	34.94	602.0
586	.75000	.90000	143.00	.2233	.2716	.2614	.9181	.9709-02	.1136-01	7.238	51.92	580.2
586	.75000	.95000	144.00	.1549	.1880	.1822	.9149	.6736-02	.7922-02	5.078	37.81	571.9
585	.80000	.20000	146.00	.1923	.2351	.2166	.9385	.6368-02	.9422-02	6.108	41.40	597.7
585	.80000	.40000	147.00	.1374	.1679	.1549	.9379	.5979-02	.6738-02	4.376	30.64	595.8
585	.80000	.90000	148.00	.2450	.2984	.2869	.9184	.1066-01	.1248-01	7.909	56.58	585.7
585	.90000	.30000	1155.0	.1802	.2208	.2030	.9390	.7839-02	.8831-02	5.653	39.38	606.5
585	.90000	.50000	156.00	.1483	.1816	.1816	.9000	.6454-02	.7900-02	4.681	32.68	602.4
585	.90000	.60000	1157.0	.1424	.1742	.1606	.9379	.6197-02	.6988-02	4.510	30.53	599.9
585	.90000	.80000	158.00	.2628	.3221	.3032	.9277	.1144-01	.1319-01	8.254	62.56	605.9
585	.90000	.90000	159.00	.2502	.3058	.2945	.9174	.1089-01	.1281-01	7.955	61.64	597.0
585	.95000	.30000	164.00	.1594	.1949	.1795	.9385	.6935-02	.7810-02	5.055	35.35	598.7
585	.95000	.50000	165.00	.1203	.1468	.1356	.9374	.5232-02	.5899-02	3.846	27.88	592.6
585	.95000	.70000	166.00	.1895	.2312	.2155	.9331	.8243-02	.9376-02	6.060	44.67	592.5
585	.95000	.90000	167.00	.2290	.2798	.2654	.9244	.9964-02	.1155-01	7.290	52.75	596.1
585	.95000	.90000	168.00	.2054	.2505	.2410	.9179	.8935-02	.1048-01	6.587	48.61	590.4

OHS4B 60-0 WING LOWER SURFACE

(R4UQ44)

WING LOWER SURF

PARAMETRIC DATA

MACH = 8.000 ALPHA = 40.00 BETA = .0000 ELEVON = .0000
 BDFLAP = 23.50 SPDBRK = .0000

TEST CONDITIONS

RUN NUMBER	RN/L /FT X10 6	MACH	ALPHA DEG.	BETA DEG.	PO PSIA	TO DEG. R	T DEG. R	P PSIA	Q PSI	V FT/SEC	RHO SLUGS /FT3	MU LB-SEC /FT2
629	.5153	7.900	39.96	.1729-01	101.8	1244.	92.25	.1131-01	.4940	3720.	.3309-03	.7423-07
630	.5170	7.900	39.96	.1729-01	102.2	1245.	92.32	.1135-01	.4963	3721.	.3321-03	.7429-07

RUN NUMBER	HREF BTU/ R FT2SEC	STN NO REF (R) = .0175
629	.1720-01	.5638-01
630	.1724-01	.5628-01

TEST DATA

RUN NUMBER	2Y/BW	XW/CW	T/C NO	H/HREF R=1.0	H/HREF R=0.9	H/HREF R= TAW/TO	TAW/TO	H(TO) BTU/R FT2SEC	H(TAW) BTU/R FT2SEC	QDOT BTU/ FT2SEC	DTWDT DEG. R /SEC	TW DEG. R
630	.30000	.40000	1078.0	.6835-01	.8284-01	.7638-01	.9399	.1178-02	.1317-02	.8384	6.059	533.1
630	.30000	.50000	1079.0	.5207-01	.6312-01	.5863-01	.9361	.8977-03	.1011-02	.6383	4.765	533.6
630	.30000	.60000	1080.0	.4975-01	.6035-01	.5601-01	.9363	.8577-03	.9657-03	.6080	4.534	535.8
630	.30000	.70000	1081.0	.4971-01	.6030-01	.5605-01	.9356	.8570-03	.9663-03	.6075	4.384	535.8
630	.30000	.80000	1082.0	.4677-01	.5673-01	.5302-01	.9329	.8062-03	.9140-03	.5714	4.261	535.9
630	.30000	.90000	83.000	.4196-01	.5079-01	.4858-01	.9216	.7234-03	.8375-03	.5179	3.813	528.7
630	.30000	.95000	84.000	.5923-01	.7167-01	.6926-01	.9166	.1021-02	.1194-02	.7322	5.306	527.6
630	.40000	.60000	1092.0	.6584-01	.7992-01	.7401-01	.9374	.1135-02	.1276-02	.8019	5.430	538.2
630	.40000	.70000	1093.0	.6610-01	.8021-01	.7444-01	.9363	.1140-02	.1283-02	.8064	5.463	537.1
630	.40000	.75000	1094.0	.6083-01	.7381-01	.6876-01	.9344	.1049-02	.1185-02	.7422	5.531	536.9
630	.40000	.85000	95.000	.5911-01	.7165-01	.6786-01	.9264	.1019-02	.1170-02	.7248	5.504	533.4
630	.40000	.90000	96.000	.5104-01	.6183-01	.5960-01	.9177	.8800-03	.1027-02	.6279	5.416	531.1
630	.40000	.95000	97.000	.4203-01	.5087-01	.4942-01	.9139	.7245-03	.8520-03	.5190	4.238	528.4
630	.50000	.40000	1104.0	.7856-01	.9538-01	.8844-01	.9366	.1354-02	.1525-02	.9560	6.889	538.8
630	.50000	.60000	1105.0	.6513-01	.7906-01	.7339-01	.9361	.1123-02	.1265-02	.7930	5.536	538.5
630	.50000	.70000	1106.0	.3922-01	.4757-01	.4425-01	.9352	.6761-03	.7628-03	.4793	3.459	535.8
630	.50000	.90000	107.00	.4940-01	.5983-01	.5983-01	.9000	.8516-03	.1031-02	.6081	4.786	530.6
630	.60000	.40000	1116.0	.1142	.1387	.1283	.9377	.1969-02	.2212-02	1.388	9.688	539.6
630	.60000	.50000	1117.0	.9477-01	.1151	.1068	.9363	.1634-02	.1841-02	1.150	8.016	541.0

OH84B 60-0 WING LOWER SURFACE

(R4UQ44)

RUN NUMBER	ZY/BW	XW/CW	T/C NO	H/HREF	H/HREF	H/HREF	TAW/TO	H(TO)	H(TAW)	QDOT	DTWDT	TW
				R=1.0	R=0.9	R=		BTU/R	BTU/R	BTU/ FT2SEC	DEG. R	DEG. R
630	.60000	.60000	1118.0	.8648-01	.1050	.9747-01	.9361	.1491-02	.1680-02	1.052	7.338	539.4
630	.60000	.70000	1119.0	.7274-01	.8831-01	.8250-01	.9329	.1254-02	.1422-02	.8854	6.381	538.6
630	.60000	.80000	120.00	.5679-01	.6886-01	.6521-01	.9264	.9790-03	.1124-02	.6949	5.184	534.9
630	.60000	.85000	121.00	.7025-01	.8517-01	.8104-01	.9240	.1211-02	.1397-02	.8607	6.319	534.0
630	.60000	.90000	122.00	.6421-01	.7779-01	.7515-01	.9166	.1107-02	.1296-02	.7896	6.001	531.4
630	.60000	.95000	123.00	.4794-01	.5802-01	.5637-01	.9139	.8265-03	.9718-03	.5922	4.509	528.1
630	.70000	.40000	1130.0	.1189	.1443	.1339	.9365	.2050-02	.2308-02	1.450	9.260	537.4
630	.70000	.60000	131.00	.1110	.1346	.1250	.9361	.1913-02	.2155-02	1.355	8.657	536.5
630	.70000	.90000	132.00	.1777	.2157	.2078	.9177	.3063-02	.3582-02	2.163	15.59	538.5
629	.75000	.30000	138.00	.1432	.1736	.1608	.9374	.2462-02	.2766-02	1.746	11.17	534.4
629	.75000	.40000	139.00	.1220	.1490	.1371	.9372	.2099-02	.2358-02	1.486	9.782	535.3
629	.75000	.60000	140.00	.1093	.1326	.1326	.9000	.1879-02	.2280-02	1.330	9.018	535.9
629	.75000	.70000	1141.0	.9857-01	.1197	.1111	.9361	.1695-02	.1910-02	1.196	8.618	538.3
629	.75000	.80000	142.00	.8160-01	.9907-01	.9374-01	.9268	.1403-02	.1612-02	.9699	6.191	538.4
630	.75000	.90000	143.00	.7199-01	.8719-01	.8401-01	.9179	.1241-02	.1448-02	.8864	6.519	530.5
630	.75000	.95000	144.00	.4711-01	.5697-01	.5527-01	.9147	.8122-03	.9528-03	.5842	4.454	525.3
629	.80000	.20000	146.00	.1722	.2090	.1932	.9383	.2962-02	.3323-02	2.091	14.61	537.5
629	.80000	.40000	147.00	.1263	.1533	.1418	.9377	.2172-02	.2439-02	1.535	11.07	537.0
629	.80000	.90000	148.00	.7582-01	.9188-01	.8846-01	.9182	.1304-02	.1521-02	.9278	6.818	532.1
629	.90000	.30000	1155.0	.1619	.1968	.1816	.9388	.2785-02	.3123-02	1.954	14.06	542.0
629	.90000	.50000	156.00	.1375	.1670	.1670	.9000	.2365-02	.2872-02	1.666	12.00	539.2
629	.90000	.60000	1157.0	.1236	.1501	.1389	.9377	.2125-02	.2388-02	1.495	10.43	540.3
629	.90000	.80000	158.00	.9817-01	.1191	.1125	.9274	.1688-02	.1935-02	1.194	9.371	536.4
629	.90000	.90000	159.00	.7369-01	.8933-01	.8619-01	.9171	.1267-02	.1482-02	.9002	7.202	533.3
629	.95000	.30000	164.00	.1567	.1903	.1759	.9383	.2695-02	.3025-02	1.901	13.70	538.6
629	.95000	.50000	165.00	.1185	.1438	.1332	.9372	.2038-02	.2291-02	1.440	10.73	537.1
629	.95000	.70000	166.00	.9982-01	.1211	.1132	.9329	.1717-02	.1947-02	1.213	9.196	537.0
629	.95000	.80000	167.00	.9851-01	.1195	.1136	.9242	.1694-02	.1954-02	1.200	8.953	535.2
629	.95000	.90000	168.00	.6909-01	.8374-01	.8072-01	.9177	.1188-02	.1388-02	.8448	6.416	532.8

DATE 23 FEB 80

OH84B MODEL 60-0 IN THE AEDC VKI HYPERSONIC TUNNEL

PAGE 2159

OH84B 60-0 WING LOWER SURFACE

(R4UQ44)

WING LOWER SURF

PARAMETRIC DATA

MACH = 8.000 ALPHA = 40.00 BETA = .0000 ELEVON = .0000
 BDFLAP = 23.50 SPDBRK = .0000

TEST CONDITIONS

RUN NUMBER	RN/L /FT X10 6	MACH	ALPHA DEG.	BETA DEG.	PO PSIA	TO DEG. R	T DEG. R	P PSIA	Q PSI	V FT/SEC	RHO SLUGS /FT3	MU LB-SEC /FT2
607	.9872	7.940	39.96	.1383-01	205.3	1276.	93.74	.2208-01	.9744	3769.	.6358-03	.7543-07
608	.9985	7.940	39.95	.1383-01	207.4	1275.	93.67	.2231-01	.9844	3767.	.6428-03	.7537-07

RUN NUMBER	HREF BTU/ R FT2SEC	STN NO REF (R) = .0175
607	.2426-01	.4078-01
608	.2438-01	.4056-01

TEST DATA

RUN NUMBER	2Y/BW	XW/CW	T/C NO	H/HREF R=1.0	H/HREF R=0.9	H/HREF R= TAW/TO	TAW/TO	H(TO) BTU/R FT2SEC	H(TAW) BTU/R FT2SEC	QDOT BTU/ FT2SEC	DTWDT DEG. R /SEC	TW DEG. R
608	.30000	.40000	1078.0	.6770-01	.8185-01	.7556-01	.9399	.1651-02	.1842-02	1.216	8.771	537.7
608	.30000	.50000	1079.0	.4857-01	.5876-01	.5462-01	.9361	.1184-02	.1332-02	.8710	6.484	539.2
608	.30000	.60000	1080.0	.4588-01	.5554-01	.5159-01	.9363	.1119-02	.1258-02	.8193	6.090	542.2
608	.30000	.70000	1081.0	.4603-01	.5573-01	.5184-01	.9356	.1122-02	.1264-02	.8219	5.912	542.3
608	.30000	.80000	1082.0	.4808-01	.5823-01	.5445-01	.9329	.1172-02	.1328-02	.8578	6.373	543.0
608	.30000	.90000	83.000	.4337-01	.5235-01	.5011-01	.9216	.1057-02	.1222-02	.7854	5.773	531.8
608	.30000	.95000	84.000	.5115-01	.6172-01	.5967-01	.9166	.1247-02	.1455-02	.9279	6.714	530.6
608	.40000	.60000	1092.0	.6430-01	.7791-01	.7220-01	.9374	.1568-02	.1760-02	1.143	7.713	545.4
608	.40000	.70000	1093.0	.6705-01	.8122-01	.7543-01	.9363	.1635-02	.1839-02	1.194	8.062	544.2
608	.40000	.75000	1094.0	.6757-01	.8184-01	.7630-01	.9344	.1648-02	.1860-02	1.205	8.950	543.4
608	.40000	.85000	95.000	.6533-01	.7899-01	.7486-01	.9263	.1593-02	.1825-02	1.174	8.896	537.5
608	.40000	.90000	96.000	.5505-01	.6652-01	.6416-01	.9177	.1342-02	.1564-02	.9927	8.544	535.1
608	.40000	.95000	97.000	.4484-01	.5415-01	.5263-01	.9139	.1093-02	.1283-02	.8110	6.607	532.9
608	.50000	.40000	1104.0	.8042-01	.9744-01	.9043-01	.9366	.1961-02	.2205-02	1.431	10.28	544.8
608	.50000	.60000	1105.0	.6312-01	.7648-01	.7105-01	.9361	.1539-02	.1732-02	1.123	7.810	545.2
608	.50000	.70000	1106.0	.3327-01	.4027-01	.3749-01	.9352	.8111-03	.9140-03	.5947	4.279	541.5
608	.50000	.90000	107.000	.4998-01	.6038-01	.6038-01	.9000	.1219-02	.1472-02	.9017	7.082	534.7
608	.60000	.40000	1116.0	.1105	.1340	.1241	.9377	.2694-02	.3025-02	1.957	13.59	548.4
608	.60000	.50000	1117.0	.1039	.1260	.1170	.9363	.2533-02	.2852-02	1.841	12.79	547.9

DATE 23 FEB 80

OH84B MODEL 60-0 IN THE AEDC VKF HYPERSONIC TUNNEL

PAGE 2160

OH84B 60-0 WING LOWER SURFACE

(R4UQ44)

RUN NUMBER	2Y/BW	XW/CW	T/C NO	H/HREF R=1.0	H/HREF R=0.9	H/HREF R= TAW/TO	TAW/TO	H(TO) BTU/R FT2SEC	H(TAW) BTU/R FT2SEC	QDOT BTU/ FT2SEC	DTWDT DEG. R /SEC	TW DEG. R
608	.60000	.60000	1118.0	.9352-01	.1133	.1053	.9361	.2280-02	.2567-02	1.662	11.56	545.6
608	.60000	.70000	1119.0	.7940-01	.9620-01	.8995-01	.9329	.1936-02	.2193-02	1.413	10.15	544.6
608	.60000	.80000	120.00	.6316-01	.7643-01	.7242-01	.9263	.1540-02	.1766-02	1.131	8.411	540.5
608	.60000	.85000	121.00	.7725-01	.9340-01	.8894-01	.9240	.1883-02	.2169-02	1.388	10.17	537.6
608	.60000	.90000	122.00	.6770-01	.8178-01	.7905-01	.9166	.1651-02	.1927-02	1.221	9.269	534.6
608	.60000	.95000	123.00	.4966-01	.5994-01	.5826-01	.9139	.1211-02	.1421-02	.8998	6.839	531.5
608	.70000	.40000	1130.0	.1222	.1480	.1374	.9365	.2979-02	.3350-02	2.175	13.84	544.6
608	.70000	.60000	131.00	.1113	.1349	.1253	.9361	.2715-02	.3055-02	1.984	12.63	543.8
608	.70000	.90000	132.00	.1967	.2261	.2180	.9177	.4552-02	.5315-02	3.328	23.92	543.6
607	.75000	.30000	138.00	.1392	.1684	.1562	.9374	.3377-02	.3788-02	2.480	15.81	541.2
607	.75000	.40000	139.00	.1215	.1471	.1364	.9372	.2948-02	.3309-02	2.162	14.18	542.3
607	.75000	.60000	140.00	.1065	.1289	.1289	.9000	.2583-02	.3128-02	1.890	12.76	543.9
607	.75000	.70000	141.00	.1005	.1218	.1132	.9361	.2438-02	.2746-02	1.775	12.73	547.6
607	.75000	.80000	142.00	.8977-01	.1087	.1030	.9266	.2178-02	.2498-02	1.592	13.14	544.5
608	.75000	.90000	143.00	.7668-01	.9256-01	.8925-01	.9179	.1870-02	.2176-02	1.389	10.21	531.9
608	.75000	.95000	144.00	.4796-01	.5782-01	.5613-01	.9147	.1169-02	.1369-02	.8740	6.657	527.3
607	.80000	.20000	146.00	.1783	.2160	.1998	.9383	.4326-02	.4848-02	3.161	21.99	545.0
607	.80000	.40000	147.00	.1250	.1514	.1402	.9377	.3032-02	.3402-02	2.216	15.92	544.9
607	.80000	.90000	148.00	.8306-01	.1004	.9668-01	.9182	.2015-02	.2346-02	1.492	10.95	535.3
607	.90000	.30000	1155.0	.1649	.2000	.1847	.9388	.4000-02	.4482-02	2.902	20.79	550.1
607	.90000	.50000	156.00	.1407	.1706	.1706	.9000	.3414-02	.4138-02	2.489	17.86	546.6
607	.90000	.60000	1157.0	.1246	.1511	.1399	.9377	.3023-02	.3393-02	2.199	15.28	548.2
607	.90000	.80000	158.00	.1028	.1245	.1177	.9274	.2494-02	.2854-02	1.829	14.30	542.5
607	.90000	.90000	159.00	.7664-01	.9262-01	.8942-01	.9171	.1859-02	.2169-02	1.375	10.98	536.1
607	.95000	.30000	164.00	.1614	.1955	.1809	.9383	.3915-02	.4388-02	2.858	20.52	545.6
607	.95000	.50000	165.00	.1126	.1363	.1264	.9372	.2731-02	.3067-02	1.998	14.84	544.0
607	.95000	.70000	166.00	.1061	.1285	.1202	.9329	.2574-02	.2915-02	1.885	14.24	543.4
607	.95000	.80000	167.00	.1036	.1254	.1193	.9242	.2514-02	.2895-02	1.849	13.76	540.1
607	.95000	.90000	168.00	.7291-01	.8807-01	.8495-01	.9177	.1769-02	.2061-02	1.310	9.943	534.8

DATE 23 FEB 80

OH84B MODEL 60-0 IN THE AEDC VKF HYPERSONIC TUNNEL

PAGE 2161

OH84B 60-0 WING LOWER SURFACE

(R4U044)

WING LOWER SURF

PARAMETRIC DATA

MACH = 8.000 ALPHA = 40.00 BETA = .0000 ELEVON = .0000
 BDFLAP = 23.50 SPDBRK = .0000

TEST CONDITIONS

RUN NUMBER	RN/L /FT X10 6	MACH	ALPHA DEG.	BETA DEG.	PO PSIA	TO DEG. R	T DEG. R	P PSIA	Q PSI	V FT/SEC	RHO SLUGS /FT3	MU LB-SEC /FT2
601	1.999	7.980	39.99	.1388-01	435.3	1304.	94.91	.4531-01	2.020	3811.	.1289-02	.7637-07
602	1.989	7.980	39.99	.1735-01	434.8	1307.	95.13	.4526-01	2.018	3815.	.1284-02	.7655-07

RUN NUMBER	HREF BTU/ R FT2SEC	STN NO REF (R) = .0175
601	.3506-01	.2871-01
602	.3506-01	.2877-01

TEST DATA

RUN NUMBER	2Y/BW	XW/CW	T/C NO	H/HREF R=1.0	H/HREF R=0.9	H/HREF R= TAW/TO	TAW/TO	H(TO) BTU/R FT2SEC	H(TAW) BTU/R FT2SEC	QDOT BTU/ FT2SEC	DTWDT DEG. R /SEC	TW DEG. R
602	.30000	.40000	1078.0	.6074-01	.7357-01	.6784-01	.9399	.2129-02	.2378-02	1.595	11.39	557.4
602	.30000	.50000	1079.0	.4797-01	.5812-01	.5399-01	.9362	.1682-02	.1893-02	1.258	9.274	558.6
602	.30000	.60000	1080.0	.5316-01	.6452-01	.5986-01	.9364	.1864-02	.2098-02	1.383	10.17	564.4
602	.30000	.70000	1081.0	.6699-01	.8136-01	.7558-01	.9356	.2348-02	.2649-02	1.738	12.35	566.6
602	.30000	.80000	1082.0	.8909-01	.1083	.1011	.9329	.3123-02	.3545-02	2.298	16.84	570.8
602	.30000	.90000	83.000	.6805-01	.8227-01	.7871-01	.9217	.2385-02	.2759-02	1.802	13.12	551.1
602	.30000	.95000	84.000	.7492-01	.9055-01	.8750-01	.9167	.2626-02	.3067-02	1.988	14.25	549.7
602	.40000	.60000	1092.0	.8699-01	.1057	.9784-01	.9375	.3049-02	.3430-02	2.246	14.97	570.0
602	.40000	.70000	1093.0	.9797-01	.1191	.1104	.9364	.3434-02	.3871-02	2.531	16.86	569.9
602	.40000	.75000	1094.0	.1024	.1245	.1159	.9345	.3589-02	.4062-02	2.641	19.35	570.7
602	.40000	.85000	95.000	.9488-01	.1150	.1089	.9264	.3326-02	.3818-02	2.480	18.57	561.1
602	.40000	.90000	96.000	.8300-01	.1005	.9691-01	.9178	.2910-02	.3397-02	2.178	18.53	558.0
602	.40000	.95000	97.000	.7084-01	.8572-01	.8327-01	.9140	.2483-02	.2919-02	1.869	15.06	554.1
602	.50000	.40000	1104.0	.8389-01	.1019	.9447-01	.9367	.2941-02	.3312-02	2.170	15.41	568.6
602	.50000	.60000	1105.0	.7223-01	.8777-01	.8143-01	.9362	.2532-02	.2855-02	1.869	12.85	568.5
602	.50000	.70000	1106.0	.4303-01	.5224-01	.4857-01	.9353	.1509-02	.1703-02	1.119	7.958	564.9
602	.50000	.90000	107.00	.6696-01	.8105-01	.8105-01	.9000	.2347-02	.2841-02	1.765	13.72	554.9
602	.60000	.40000	1116.0	.1202	.1463	.1352	.9378	.4213-02	.4739-02	3.037	21.17	574.0
602	.60000	.50000	1117.0	.1120	.1363	.1263	.9364	.3926-02	.4428-02	2.878	19.74	573.5

OH84B 60-0 WING LOWER SURFACE

(R4UQ44)

RUN NUMBER	ZY/BW	XW/CW	T/C NO	H/HREF R=1.0	H/HREF R=0.9	H/HREF R= TAW/TO	TAW/TO	H(TO) BTU/R FT2SEC	H(TAW) BTU/R FT2SEC	QDOT BTU/ FT2SEC	DTWOT DEG. R /SEC	TW DEG. R
602	.60000	.60000	1118.0	.1029	.1251	.1160	.9362	.3606-02	.4067-02	2.657	18.25	570.0
602	.60000	.70000	1119.0	.8716-01	.1060	.9893-01	.9329	.3056-02	.3468-02	2.251	15.97	569.9
602	.60000	.80000	120.00	.8379-01	.1016	.9623-01	.9264	.2937-02	.3373-02	2.185	16.08	562.7
602	.60000	.85000	121.00	.9947-01	.1205	.1147	.9240	.3487-02	.4021-02	2.607	18.90	559.1
602	.60000	.90000	122.00	.8528-01	.1033	.9975-01	.9167	.2990-02	.3497-02	2.245	16.85	555.9
602	.60000	.95000	123.00	.6481-01	.7832-01	.7610-01	.9140	.2272-02	.2668-02	1.721	12.96	549.2
602	.70000	.40000	1130.0	.1284	.1560	.1446	.9366	.4500-02	.5070-02	3.313	20.81	570.4
602	.70000	.60000	131.00	.1194	.1451	.1346	.9362	.4186-02	.4719-02	3.091	19.44	568.3
602	.70000	.90000	132.00	.2293	.2787	.2685	.9178	.8038-02	.9411-02	5.921	42.00	570.1
601	.75000	.30000	138.00	.1430	.1738	.1608	.9375	.5013-02	.5637-02	3.687	23.18	568.2
601	.75000	.40000	139.00	.1229	.1495	.1384	.9373	.4311-02	.4851-02	3.164	20.47	569.7
601	.75000	.60000	140.00	.1117	.1358	.1358	.9000	.3916-02	.4761-02	2.876	19.17	569.3
601	.75000	.70000	1141.0	.1103	.1343	.1245	.9362	.3866-02	.4365-02	2.817	19.94	575.0
601	.75000	.80000	142.00	.1384	.1686	.1594	.9267	.4854-02	.5587-02	3.538	28.75	574.8
602	.75000	.90000	143.00	.1311	.1587	.1529	.9180	.4594-02	.5360-02	3.445	25.00	556.8
601	.75000	.95000	144.00	.8659-01	.1046	.1015	.9148	.3036-02	.3559-02	2.300	17.33	548.9
601	.80000	.20000	146.00	.1783	.2171	.2004	.9383	.6253-02	.7026-02	4.567	31.33	573.3
601	.80000	.40000	147.00	.1275	.1553	.1434	.9378	.4470-02	.5030-02	3.258	23.06	574.8
601	.80000	.90000	148.00	.1550	.1880	.1810	.9183	.5434-02	.6346-02	4.030	29.17	562.1
601	.90000	.30000	1155.0	.1633	.1992	.1835	.9389	.5725-02	.6434-02	4.140	29.22	580.5
601	.90000	.50000	156.00	.1378	.1680	.1680	.9000	.4832-02	.5891-02	3.503	24.74	578.8
601	.90000	.60000	1157.0	.1283	.1564	.1444	.9378	.4497-02	.5063-02	3.262	22.32	578.3
601	.90000	.80000	158.00	.1387	.1688	.1593	.9275	.4863-02	.5584-02	3.555	27.39	572.6
601	.90000	.90000	159.00	.1228	.1491	.1438	.9172	.4306-02	.5042-02	3.181	25.04	564.9
601	.95000	.30000	164.00	.1565	.1905	.1758	.9383	.5486-02	.6165-02	4.005	28.35	573.7
601	.95000	.50000	165.00	.1140	.1387	.1283	.9373	.3998-02	.4500-02	2.931	21.48	570.5
601	.95000	.70000	166.00	.1223	.1487	.1388	.9329	.4287-02	.4866-02	3.145	23.44	570.1
601	.95000	.80000	167.00	.1264	.1536	.1460	.9243	.4432-02	.5117-02	3.269	24.01	566.1
601	.95000	.90000	168.00	.9724-01	.1179	.1136	.9178	.3410-02	.3982-02	2.541	19.05	558.3

DATE 23 FEB 80

OH84B MODEL 60-0 IN THE AEDC VKF HYPERSONIC TUNNEL

PAGE 2163

OH84B 60-0 WING LOWER SURFACE

(R4UQ44)

WING LOWER SURF

PARAMETRIC DATA

MACH = 8.000 ALPHA = 40.00 BETA = .0000 ELEVON = .0000
BDFLAP = 23.50 SPOBRK = .0000

TEST CONDITIONS

Table with 13 columns: RUN NUMBER, RN/L /FT, MACH, ALPHA DEG., BETA DEG., PO PSIA, TO DEG. R, T DEG. R, P PSIA, Q PSI, V FT/SEC, RHO SLUGS /FT3, MU LB-SEC /FT2. Rows 587 and 588.

Table with 3 columns: RUN NUMBER, HREF BTU/ R FT2SEC, STN NO REF (R). Rows 587 and 588.

TEST DATA

Table with 13 columns: RUN NUMBER, 2Y/BW, XW/CW, T/C NO, H/HREF R=1.0, H/HREF R=0.9, H/HREF R= TAW/TO, TAW/TO, H(TO) BTU/R FT2SEC, H(TAW) BTU/R FT2SEC, QDOT BTU/ FT2SEC, DTWDT DEG. R /SEC, TW DEG. R. Rows 588-878.

OH84B 60-0 WING LOWER SURFACE

(R4UQ44)

RUN NUMBER	2Y/BW	XW/CW	T/C NO	H/HREF R=1.0	H/HREF R=0.9	H/HREF R= TAW/TO	TAW/TO	H(TO) BTU/R FT2SEC	H(TAW) BTU/R FT2SEC	QDOT BTU/ FT2SEC	DTWDT DEG. R /SEC	TW DEG. R
588	.60000	.60000	1118.0	.1291	.1574	.1458	.9363	.5625-02	.6352-02	4.132	28.15	587.1
588	.60000	.70000	1119.0	.1237	.1508	.1406	.9331	.5389-02	.6126-02	3.959	27.85	586.9
588	.60000	.80000	120.00	.1437	.1749	.1653	.9266	.6261-02	.7203-02	4.644	33.87	579.9
588	.60000	.85000	121.00	.1816	.2209	.2099	.9242	.7913-02	.9146-02	5.880	42.22	578.5
588	.60000	.90000	122.00	.1835	.2231	.2153	.9168	.7993-02	.9379-02	5.947	44.16	577.6
588	.60000	.95000	123.00	.1500	.1821	.1767	.9141	.6533-02	.7699-02	4.893	36.42	572.7
588	.70000	.40000	1130.0	.1378	.1679	.1554	.9368	.6003-02	.6771-02	4.422	27.58	585.0
588	.70000	.60000	131.00	.1352	.1646	.1525	.9363	.5889-02	.6645-02	4.354	27.19	582.2
588	.70000	.90000	132.00	.2910	.3553	.3418	.9179	.1268-01	.1489-01	9.264	65.03	590.9
587	.75000	.30000	138.00	.1525	.1858	.1716	.9376	.6637-02	.7472-02	4.897	30.54	584.8
587	.75000	.40000	139.00	.1328	.1619	.1496	.9374	.5782-02	.6514-02	4.262	27.35	585.6
587	.75000	.60000	140.00	.1255	.1529	.1529	.9000	.5462-02	.6656-02	4.028	26.64	585.2
587	.75000	.70000	1141.0	.1266	.1547	.1431	.9363	.5512-02	.6231-02	4.023	28.21	592.9
587	.75000	.80000	142.00	.2205	.2699	.2546	.9268	.9597-02	.1108-01	6.931	55.60	600.4
588	.75000	.90000	143.00	.2263	.2752	.2648	.9181	.9857-02	.1154-01	7.325	52.59	578.5
588	.75000	.95000	144.00	.1654	.2006	.1945	.9149	.7207-02	.8471-02	5.432	40.54	567.9
587	.80000	.20000	146.00	.1898	.2319	.2136	.9385	.8260-02	.9299-02	6.017	40.85	594.3
587	.80000	.40000	147.00	.1371	.1674	.1544	.9379	.5966-02	.6722-02	4.354	30.54	592.8
587	.80000	.90000	148.00	.2460	.2996	.2880	.9185	.1071-01	.1254-01	7.919	56.72	583.2
587	.90000	.30000	1155.0	.1791	.2194	.2017	.9390	.7797-02	.8781-02	5.611	39.15	603.0
587	.90000	.50000	156.00	.1490	.1823	.1823	.9000	.6486-02	.7937-02	4.692	32.81	599.2
587	.90000	.60000	1157.0	.1410	.1725	.1590	.9379	.6138-02	.6921-02	4.451	30.17	597.5
587	.90000	.80000	158.00	.2664	.3265	.3073	.9277	.1160-01	.1338-01	8.340	63.29	603.6
587	.90000	.90000	159.00	.2514	.3072	.2958	.9174	.1094-01	.1288-01	7.970	61.84	594.5
587	.95000	.30000	164.00	.1588	.1941	.1788	.9385	.6913-02	.7785-02	5.026	35.20	595.7
587	.95000	.50000	165.00	.1190	.1452	.1341	.9374	.5180-02	.5839-02	3.795	27.54	590.0
587	.95000	.70000	166.00	.1939	.2367	.2206	.9331	.8441-02	.9602-02	6.178	45.58	590.8
587	.95000	.80000	167.00	.2330	.2847	.2701	.9244	.1014-01	.1176-01	7.391	53.53	594.0
587	.95000	.90000	168.00	.2092	.2552	.2455	.9179	.9108-02	.1069-01	6.688	49.40	588.4

DATE 23 FEB 80

OH84B MODEL 60-0 IN THE AEDC VKF HYPERSONIC TUNNEL

PAGE 2165

OH84B 60-0 WING LOWER SURFACE

(R4UQ45)

WING LOWER SURF

PARAMETRIC DATA

MACH = 8.000 ALPHA = 40.00 BETA = .0000 ELEVON = 5.000
 BDFLAP = -5.000 SPDBRK = .0000

TEST CONDITIONS

RUN NUMBER	RN/L /FT X10 6	MACH	ALPHA DEG.	BETA DEG.	PO PSIA	TO DEG. R	T DEG. R	P PSIA	Q PSI	V FT/SEC	RHO SLUGS /FT3	MU LB-SEC /FT2
681	.5058	7.900	39.93	-.1034-01	101.2	1255.	93.06	.1125-01	.4913	3736.	.3262-03	.7489-07
682	.5028	7.900	39.95	-.1036-01	100.6	1255.	93.06	.1118-01	.4884	3736.	.3242-03	.7489-07

RUN NUMBER	HREF BTU/ R FT2SEC	STN NO REF(R) = .0175
681	.1718-01	.5684-01
682	.1713-01	.5701-01

TEST DATA

RUN NUMBER	2Y/BW	XW/CW	T/C NO	H/HREF R=1.0	H/HREF R=0.9	H/HREF R= TAW/TO	TAW/TO	H(TO) BTU/R FT2SEC	H(TAW) BTU/R FT2SEC	QDOT BTU/ FT2SEC	DTWDT DEG. R /SEC	TW DEG. R
682	.30000	.40000	1078.0	.6991-01	.8461-01	.7807-01	.9398	.1197-02	.1337-02	.8650	6.253	532.3
682	.30000	.50000	1079.0	.5450-01	.6597-01	.6131-01	.9361	.9334-03	.1050-02	.6738	5.032	532.8
682	.30000	.60000	1080.0	.5173-01	.6265-01	.5819-01	.9363	.8860-03	.9966-03	.6379	4.759	534.7
682	.30000	.70000	1081.0	.5076-01	.6147-01	.5718-01	.9355	.8693-03	.9793-03	.6259	4.520	534.6
682	.30000	.80000	1082.0	.5221-01	.6323-01	.5913-01	.9328	.8942-03	.1013-02	.6438	4.804	534.7
682	.30000	.90000	83.000	.5469-01	.6614-01	.6328-01	.9216	.9366-03	.1084-02	.6789	4.995	529.8
682	.30000	.95000	84.000	.5291-01	.6394-01	.6180-01	.9166	.9061-03	.1058-02	.6589	4.775	527.5
682	.40000	.60000	1092.0	.6872-01	.8326-01	.7716-01	.9374	.1177-02	.1321-02	.8452	5.728	536.5
682	.40000	.70000	1093.0	.6756-01	.8184-01	.7601-01	.9363	.1157-02	.1302-02	.8321	5.642	535.5
682	.40000	.75000	1094.0	.6388-01	.7737-01	.7214-01	.9344	.1094-02	.1235-02	.7870	5.870	535.3
682	.40000	.85000	95.000	.7349-01	.8901-01	.8432-01	.9263	.1259-02	.1444-02	.9058	6.872	535.0
682	.40000	.90000	96.000	.6453-01	.7812-01	.7532-01	.9177	.1105-02	.1290-02	.7973	6.869	533.3
682	.40000	.95000	97.000	.5491-01	.6642-01	.6454-01	.9139	.9404-03	.1105-02	.6808	5.553	530.7
682	.50000	.40000	1104.0	.8102-01	.9817-01	.9111-01	.9366	.1388-02	.1560-02	.9962	7.186	536.7
682	.50000	.60000	1105.0	.6811-01	.8253-01	.7667-01	.9361	.1167-02	.1313-02	.8378	5.855	536.5
682	.50000	.70000	1106.0	.4423-01	.5357-01	.4986-01	.9352	.7576-03	.8540-03	.5455	3.939	534.6
682	.50000	.90000	107.00	.6180-01	.7479-01	.7479-01	.9000	.1058-02	.1281-02	.7645	6.011	532.4
682	.60000	.40000	1116.0	.1136	.1377	.1275	.9377	.1946-02	.2183-02	1.396	9.753	537.2
682	.60000	.50000	1117.0	.1040	.1260	.1170	.9363	.1781-02	.2004-02	1.278	8.928	537.1

OH84B 60-0 WING LOWER SURFACE

(R4U045)

RUN NUMBER	2Y/BW	XW/CW	T/C NO	H/HREF R=1.0	H/HREF R=0.9	H/HREF R= TAW/TO	TAW/TO	H(TO) BTU/R FT2SEC	H(TAW) BTU/R FT2SEC	QDOT BTU/ FT2SEC	DTWDT DEG. R /SEC	TW DEG. R
682	.60000	.60000	1118.0	.8888-01	.1077	.1001	.9361	.1522-02	.1714-02	1.092	7.633	537.0
682	.60000	.70000	1119.0	.7533-01	.9126-01	.8533-01	.9328	.1290-02	.1461-02	.9269	6.688	536.2
682	.60000	.80000	120.00	.6169-01	.7471-01	.7078-01	.9263	.1057-02	.1212-02	.7607	5.676	534.7
682	.60000	.85000	121.00	.8296-01	.1005	.9565-01	.9239	.1421-02	.1638-02	1.022	7.500	535.2
682	.60000	.90000	122.00	.7686-01	.9304-01	.8990-01	.9166	.1316-02	.1540-02	.9497	7.211	533.2
682	.60000	.95000	123.00	.5949-01	.7195-01	.6991-01	.9139	.1019-02	.1197-02	.7384	5.616	530.0
682	.70000	.40000	1130.0	.1221	.1479	.1373	.9365	.2091-02	.2352-02	1.505	9.626	534.9
682	.70000	.60000	131.00	.1116	.1352	.1256	.9361	.1912-02	.2151-02	1.378	8.813	534.1
682	.70000	.90000	132.00	.2210	.2680	.2583	.9177	.3785-02	.4424-02	2.710	19.53	538.6
681	.75000	.30000	138.00	.1435	.1738	.1611	.9373	.2465-02	.2757-02	1.776	11.36	534.1
681	.75000	.40000	139.00	.1228	.1488	.1380	.9371	.2110-02	.2370-02	1.518	9.987	535.4
681	.75000	.60000	140.00	.1086	.1315	.1315	.9000	.1865-02	.2260-02	1.340	9.086	536.0
681	.75000	.70000	141.00	.9232-01	.1120	.1040	.9300	.1500-02	.1700-02	1.134	8.170	539.0
681	.75000	.80000	142.00	.1030	.1249	.1182	.9265	.1768-02	.2031-02	1.262	10.43	540.8
682	.75000	.90000	143.00	.9317-01	.1127	.1086	.9179	.1596-02	.1861-02	1.154	8.486	531.3
682	.75000	.95000	144.00	.5901-01	.7128-01	.6918-01	.9147	.1011-02	.1185-02	.7368	5.616	525.7
681	.80000	.20000	146.00	.1727	.2093	.1936	.9382	.2966-02	.3326-02	2.129	14.87	537.1
681	.80000	.40000	147.00	.1267	.1535	.1422	.9377	.2176-02	.2442-02	1.562	11.27	536.8
681	.80000	.90000	148.00	.9897-01	.1198	.1154	.9182	.1700-02	.1983-02	1.226	8.999	533.8
681	.90000	.30000	1155.0	.1623	.1970	.1820	.9387	.2789-02	.3126-02	1.990	14.32	541.2
681	.90000	.50000	156.00	.1383	.1677	.1677	.9000	.2375-02	.2880-02	1.700	12.25	538.9
681	.90000	.60000	1157.0	.1171	.1420	.1315	.9377	.2011-02	.2258-02	1.438	10.03	539.6
681	.90000	.80000	158.00	.1150	.1395	.1318	.9274	.1976-02	.2264-02	1.414	11.08	539.1
681	.90000	.90000	159.00	.9166-01	.1110	.1071	.9171	.1574-02	.1840-02	1.133	9.059	534.9
681	.95000	.30000	164.00	.1579	.1914	.1770	.9382	.2712-02	.3041-02	1.943	14.01	538.1
681	.95000	.50000	165.00	.1189	.1440	.1335	.9371	.2042-02	.2294-02	1.466	10.93	536.7
681	.95000	.70000	166.00	.1079	.1308	.1223	.9328	.1853-02	.2100-02	1.327	10.05	538.6
681	.95000	.80000	167.00	.1156	.1401	.1333	.9241	.1986-02	.2290-02	1.424	10.61	537.7
681	.95000	.90000	168.00	.8235-01	.9975-01	.9617-01	.9176	.1415-02	.1652-02	1.018	7.722	535.1

OH84B 60-0 WING LOWER SURFACE

(R4UQ45)

WING LOWER SURF

PARAMETRIC DATA

MACH = 8.000 ALPHA = 40.00 BETA = .0000 ELEVON = 5.000
 BDFLAP = -5.000 SPDBRK = .0000

TEST CONDITIONS

RUN NUMBER	RN/L /FT X10 6	MACH	ALPHA DEG.	BETA DEG.	PO PSIA	TO DEG. R	T DEG. R	P PSIA	Q PSI	V FT/SEC	RHO SLUGS /FT3	MU LB-SEC /FT2
667	1.005	7.940	39.96	-.6922-02	205.3	1261.	92.64	.2208-01	.9744	3746.	.6433-03	.7454-07
668	1.013	7.940	39.97	-.1038-01	207.0	1261.	92.64	.2226-01	.9825	3746.	.6487-03	.7454-07

RUN NUMBER	HREF BTU/ R FT2SEC	STN NO REF (R) = .0175
667	.2421-01	.4049-01
668	.2431-01	.4033-01

TEST DATA

RUN NUMBER	ZY/BW	XW/CW	T/C NO	H/HREF R=1.0	H/HREF R=0.9	H/HREF R= TAW/TO	TAW/TO	H(TO) BTU/R FT2SEC	H(TAW) BTU/R FT2SEC	QDOT BTU/ FT2SEC	DTWDT DEG. R /SEC	TW DEG. R
668	.30000	.40000	1078.0	.6474-01	.7852-01	.7238-01	.9399	.1574-02	.1760-02	1.131	8.135	542.2
668	.30000	.50000	1079.0	.4983-01	.6044-01	.5613-01	.9361	.1212-02	.1365-02	.8700	6.466	542.6
668	.30000	.60000	1080.0	.4783-01	.5806-01	.5387-01	.9363	.1163-02	.1310-02	.9323	6.178	545.0
668	.30000	.70000	1081.0	.4719-01	.5727-01	.5322-01	.9356	.1147-02	.1294-02	.8217	5.904	544.4
668	.30000	.80000	1082.0	.5057-01	.6137-01	.5734-01	.9329	.1229-02	.1394-02	.8806	6.538	544.4
668	.30000	.90000	83.000	.5685-01	.6888-01	.6587-01	.9216	.1382-02	.1601-02	.9971	7.301	539.2
668	.30000	.95000	84.000	.5066-01	.6133-01	.5925-01	.9166	.1232-02	.1440-02	.8930	6.445	535.6
668	.40000	.60000	1092.0	.6658-01	.8087-01	.7486-01	.9374	.1619-02	.1820-02	1.155	7.783	547.3
668	.40000	.70000	1093.0	.6843-01	.8307-01	.7708-01	.9363	.1664-02	.1874-02	1.190	8.029	545.3
668	.40000	.75000	1094.0	.6843-01	.8305-01	.7736-01	.9344	.1664-02	.1881-02	1.192	8.848	544.4
668	.40000	.85000	95.000	.8146-01	.9888-01	.9360-01	.9264	.1980-02	.2276-02	1.417	10.70	544.9
668	.40000	.90000	96.000	.6995-01	.8484-01	.8176-01	.9177	.1701-02	.1988-02	1.222	10.48	542.2
668	.40000	.95000	97.000	.6013-01	.7286-01	.7077-01	.9139	.1462-02	.1721-02	1.055	8.566	539.1
668	.50000	.40000	1104.0	.8153-01	.9900-01	.9179-01	.9367	.1982-02	.2231-02	1.416	10.16	546.3
668	.50000	.60000	1105.0	.6439-01	.7820-01	.7258-01	.9361	.1565-02	.1764-02	1.117	7.768	546.9
668	.50000	.70000	1106.0	.3918-01	.4754-01	.4421-01	.9353	.9525-03	.1075-02	.6828	4.907	543.9
668	.50000	.90000	107.00	.9855-01	.1196	.1196	.9000	.2396-02	.2908-02	1.715	13.40	545.0
668	.60000	.40000	1116.0	.1110	.1349	.1248	.9377	.2698-02	.3033-02	1.919	13.32	549.5
668	.60000	.50000	1117.0	.1036	.1259	.1168	.9363	.2518-02	.2838-02	1.792	12.44	549.2

OH84B 60-0 WING LOWER SURFACE

(R4UQ45)

RUN NUMBER	ZY/BW	XW/CW	T/C NO	H/HREF	H/HREF	H/HREF	TAW/TO	H(TO)	H(TAW)	QDOT	DTWDT	TW
				R=1.0	R=0.9	R=		BTU/R	BTU/R	BTU/ FT2SEC	DEG. R	DEG. R
				TAW/TO			FT2SEC		FT2SEC			
668	.60000	.60000	1118.0	.9347-01	.1135	.1054	.9361	.227 -02	.2561-02	1.622	11.28	546.8
668	.60000	.70000	1119.0	.7917-01	.9614-01	.8981-01	.9329	.1925-02	.2183-02	1.375	9.869	546.4
668	.60000	.80000	120.00	.8168-01	.9923-01	.9391-01	.9264	.1986-02	.2283-02	1.415	10.49	547.9
668	.60000	.85000	121.00	.9835-01	.1194	.1136	.9240	.2391-02	.2762-02	1.707	12.45	546.7
668	.60000	.90000	122.00	.8922-01	.1082	.1045	.9166	.2169-02	.2541-02	1.557	11.76	542.9
668	.60000	.95000	123.00	.6872-01	.8325-01	.8086-01	.9139	.1671-02	.1966-02	1.207	9.138	538.4
668	.70000	.40000	1130.0	.1193	.1448	.1343	.9366	.2899-02	.3265-02	2.072	13.18	546.0
668	.70000	.60000	131.00	.1117	.1356	.1258	.9361	.2715-02	.3059-02	1.940	12.34	546.0
668	.70000	.90000	132.00	.2286	.2780	.2678	.9177	.5557-02	.6510-02	3.936	28.17	552.3
667	.75000	.30000	138.00	.1416	.1718	.1591	.9374	.3428-02	.3852-02	2.459	15.65	543.5
667	.75000	.40000	139.00	.1215	.1475	.1366	.9372	.2942-02	.3307-02	2.106	13.79	544.8
667	.75000	.60000	140.00	.1070	.1300	.1300	.9000	.2592-02	.3147-02	1.852	12.49	546.2
667	.75000	.70000	1141.0	.1004	.1220	.1132	.9361	.2431-02	.2741-02	1.728	12.38	549.8
667	.75000	.80000	142.00	.1098	.1336	.1263	.9266	.2657-02	.3058-02	1.878	15.42	553.9
668	.75000	.90000	143.00	.1000	.1213	.1169	.9179	.2432-02	.2841-02	1.746	12.76	542.8
668	.75000	.95000	144.00	.6431-01	.7783-01	.7550-01	.9147	.1564-02	.1835-02	1.135	8.609	534.9
667	.80000	.20000	146.00	.1791	.2175	.2010	.9383	.4336-02	.4867-02	3.095	21.51	547.0
667	.80000	.40000	147.00	.1254	.1523	.1409	.9377	.3036-02	.3412-02	2.166	15.54	547.1
667	.80000	.90000	148.00	.1038	.1259	.1212	.9182	.2512-02	.2933-02	1.803	13.18	542.9
667	.90000	.30000	1155.0	.1671	.2032	.1875	.9388	.4045-02	.4539-02	2.867	20.52	551.9
667	.90000	.50000	156.00	.1364	.1659	.1659	.9000	.3304-02	.4016-02	2.349	16.83	549.7
667	.90000	.60000	1157.0	.1228	.1493	.1380	.9377	.2973-02	.3342-02	2.111	14.65	550.4
667	.90000	.80000	158.00	.1197	.1455	.1374	.9275	.2898-02	.3326-02	2.060	16.05	550.1
667	.90000	.90000	159.00	.9291-01	.1127	.1087	.9172	.2249-02	.2632-02	1.614	12.85	543.1
667	.95000	.30000	164.00	.1622	.1970	.1821	.9383	.3927-02	.4408-02	2.800	20.09	547.6
667	.95000	.50000	165.00	.1159	.1407	.1304	.9372	.2806-02	.3156-02	2.004	14.87	546.4
667	.95000	.70000	166.00	.1116	.1356	.1266	.9329	.2701-02	.3066-02	1.921	14.47	549.5
667	.95000	.80000	167.00	.1192	.1447	.1376	.9242	.2885-02	.3331-02	2.058	15.26	547.2
667	.95000	.90000	168.00	.8581-01	.1040	.1003	.9177	.2078-02	.2428-02	1.495	11.31	541.1

DATE 23 FEB 80

OH84B MODEL 60-0 IN THE AEDC VKI HYPERSONIC TUNNEL

PAGE 2169

OH84B 60-0 WING LOWER SURFACE

(R4U045)

WING LOWER SURF

PARAMETRIC DATA

MACH = 8.000 ALPHA = 40.00 BETA = .0000 ELEVON = 5.000
 BDFLAP = -5.000 SPDBRK = .0000

TEST CONDITIONS

RUN NUMBER	RN/L /FT X10 6	MACH	ALPHA DEG.	BETA DEG.	PO PSIA	TO DEG. R	T DEG. R	P PSIA	Q PSI	V FT/SEC	RHO SLUGS /FT3	MU LB-SEC /FT2
687	1.992	7.980	40.00	-.6947-02	434.9	1306.	95.05	.4527-01	2.018	3814.	.1285-02	.7649-07
688	1.999	7.980	40.00	-.6947-02	434.9	1303.	94.84	.4527-01	2.018	3810.	.1288-02	.7631-07

RUN NUMBER	HREF BTU/ R FT2SEC	STN NO REF (R) = .0175
687	.3505-01	.2875-01
688	.3504-01	.2871-01

TEST DATA

RUN NUMBER	2Y/BW	XW/CW	T/C NO	H/HREF R=1.0	H/HREF R=0.9	H/HREF R= TAW/TO	TAW/TO	H(TO) BTU/R FT2SEC	H(TAW) BTU/R FT2SEC	QDOT BTU/ FT2SEC	DTWOT DEG. R /SEC	TW DEG. R
688	.30000	.40000	1078.0	.6145-01	.7439-01	.6861-01	.9400	.2153-02	.2404-02	1.612	11.53	553.9
688	.30000	.50000	1079.0	.4858-01	.5884-01	.5466-01	.9362	.1702-02	.1915-02	1.273	9.397	555.1
688	.30000	.60000	1080.0	.5459-01	.6621-01	.6145-01	.9364	.1913-02	.2153-02	1.420	10.46	560.2
688	.30000	.70000	1081.0	.6722-01	.8157-01	.7580-01	.9357	.2356-02	.2656-02	1.745	12.43	561.9
688	.30000	.80000	1082.0	.8648-01	.1050	.9810-01	.9330	.3030-02	.3438-02	2.234	16.41	565.6
688	.30000	.90000	83.000	.9876-01	.1196	.1144	.9217	.3461-02	.4007-02	2.589	18.81	554.5
688	.30000	.95000	84.000	.9885-01	.1196	.1155	.9167	.3464-02	.4048-02	2.606	18.67	550.4
688	.40000	.60000	1092.0	.8592-01	.1044	.9658-01	.9375	.3011-02	.3384-02	2.220	14.83	565.3
688	.40000	.70000	1093.0	.9747-01	.1184	.1098	.9364	.3415-02	.3847-02	2.520	16.83	564.9
688	.40000	.75000	1094.0	.9894-01	.1202	.1119	.9345	.3467-02	.3921-02	2.557	18.79	565.2
688	.40000	.85000	95.000	.1385	.1684	.1593	.9264	.4855-02	.5583-02	3.566	26.61	568.1
688	.40000	.90000	96.000	.1296	.1574	.1516	.9178	.4540-02	.5313-02	3.341	28.30	566.8
688	.40000	.95000	97.000	.1258	.1527	.1483	.9140	.4409-02	.5196-02	3.259	26.14	563.5
688	.50000	.40000	1104.0	.8179-01	.9930-01	.9206-01	.9367	.2866-02	.3226-02	2.117	15.06	564.0
688	.50000	.60000	1105.0	.7150-01	.8680-01	.8056-01	.9362	.2505-02	.2823-02	1.851	12.76	563.8
688	.50000	.70000	1106.0	.4372-01	.5301-01	.4931-01	.9353	.1532-02	.1728-02	1.138	8.113	559.9
688	.50000	.90000	107.00	.2380	.2901	.2901	.9000	.8340-02	.1016-01	6.056	46.58	576.5
688	.60000	.40000	1116.0	.1209	.1469	.1359	.9378	.4235-02	.4760-02	3.107	21.36	568.9
688	.60000	.50000	1117.0	.1089	.1324	.1228	.9364	.3817-02	.4302-02	2.803	19.28	568.2

OH84B 60-0 WING LOWER SURFACE

(R4UQ45)

RUN NUMBER	2Y/BW	XW/CW	T/C NO	H/HREF R=1.0	H/HREF R=0.9	H/HREF R= TAW/TO	TAW/TO	H(TO) BTU/R FT2SEC	H(TAW) BTU/R FT2SEC	QDOT BTU/ FT2SEC	DTWDT DEG. R /SEC	TW DEG. R
688	.60000	.60000	1118.0	.1011	.1228	.1139	.9362	.3542-02	.3992-02	2.614	18.01	564.8
688	.60000	.70000	1119.0	.8304-01	.1008	.9418-01	.9330	.2910-02	.3300-02	2.149	15.29	564.0
688	.60000	.80000	120.00	.1880	.2291	.2166	.9264	.6586-02	.7588-02	4.778	34.90	577.2
688	.60000	.85000	121.00	.2643	.3224	.3062	.9241	.9261-02	.1073-01	6.692	48.01	580.1
688	.60000	.90000	122.00	.2579	.3143	.3032	.9167	.9037-02	.1062-01	6.561	48.74	576.6
688	.60000	.95000	123.00	.2108	.2562	.2487	.9140	.7387-02	.8714-02	5.431	40.54	567.4
688	.70000	.40000	1130.0	.1253	.1522	.1411	.9366	.4391-02	.4944-02	3.239	20.40	565.0
688	.70000	.60000	131.00	.1184	.1437	.1334	.9362	.4150-02	.4675-02	3.071	19.36	562.7
688	.70000	.90000	132.00	.3036	.3702	.3563	.9178	.1064-01	.1248-01	7.697	54.35	579.1
687	.75000	.30000	138.00	.1442	.1752	.1622	.9375	.5056-02	.5685-02	3.732	23.48	567.6
687	.75000	.40000	139.00	.1234	.1500	.1389	.9373	.4327-02	.4869-02	3.188	20.63	569.0
687	.75000	.60000	140.00	.1120	.1361	.1361	.9000	.3925-02	.4771-02	2.893	19.29	568.7
687	.75000	.70000	1141.0	.1093	.1331	.1234	.9362	.3833-02	.4325-02	2.806	19.87	573.5
687	.75000	.80000	142.00	.2486	.3046	.2873	.9267	.8714-02	.1007-01	6.185	49.73	595.9
688	.75000	.90000	143.00	.2537	.3086	.2970	.9180	.8891-02	.1041-01	6.513	46.95	570.1
688	.75000	.95000	144.00	.1743	.2114	.2049	.9148	.6107-02	.7181-02	4.533	33.95	560.4
687	.80000	.20000	146.00	.1784	.2171	.2004	.9383	.6254-02	.7025-02	4.585	31.47	572.5
687	.80000	.40000	147.00	.1278	.1555	.1437	.9378	.4479-02	.5038-02	3.277	23.20	573.9
687	.80000	.90000	148.00	.2913	.3553	.3415	.9183	.1021-01	.1197-01	7.405	53.11	580.5
687	.90000	.30000	1155.0	.1650	.2012	.1854	.9389	.5785-02	.6498-02	4.203	29.68	579.1
687	.90000	.50000	156.00	.1392	.1697	.1697	.9000	.4881-02	.5948-02	3.554	25.12	577.6
687	.90000	.60000	1157.0	.1280	.1559	.1440	.9378	.4486-02	.5049-02	3.267	22.37	577.4
687	.90000	.80000	158.00	.2002	.2448	.2307	.9275	.7017-02	.8086-02	5.023	38.38	589.9
687	.90000	.90000	159.00	.2287	.2792	.2689	.9172	.8017-02	.9428-02	5.791	45.19	583.4
687	.95000	.30000	164.00	.1586	.1930	.1782	.9383	.5560-02	.6246-02	4.074	28.86	572.9
687	.95000	.50000	165.00	.1171	.1423	.1317	.9373	.4103-02	.4618-02	3.018	22.12	570.1
687	.95000	.70000	166.00	.1464	.1786	.1665	.9330	.5131-02	.5837-02	3.717	27.55	581.4
687	.95000	.80000	167.00	.1757	.2143	.2035	.9243	.6159-02	.7132-02	4.465	32.55	580.7
687	.95000	.90000	168.00	.1471	.1791	.1724	.9178	.5158-02	.6044-02	3.776	28.09	573.7

DATE 23 FEB 80

OH84B MODEL 60-0 IN THE AEDC VKF HYPERSONIC TUNNEL

PAGE 2171

OH84B 60-0 WING LOWER SURFACE

(R4UQ45)

WING LOWER SURF

PARAMETRIC DATA

MACH = 8.000 ALPHA = 40.00 BETA = .0000 ELEVON = 5.000
 BDFLAP = -5.000 SPDBRK = .0000

TEST CONDITIONS

RUN NUMBER	RN/L /FT X10 6	MACH	ALPHA DEG.	BETA DEG.	PO PSIA	TO DEG. R	T DEG. R	P PSIA	Q PSI	V FT/SEC	RHO SLUGS /FT3	MU LB-SEC /FT2
701	2.998	7.990	40.05	- .6978-02	669.5	1323.	96.07	.6914-01	3.090	3839.	.1942-02	.7731-07
702	2.996	7.990	40.05	- .6978-02	668.9	1323.	96.07	.6908-01	3.087	3839.	.1941-02	.7731-07

RUN NUMBER	HREF BTU/ R FT2SEC	STN NO REF (R) = .0175
701	.4347-01	.2342-01
702	.4345-01	.2343-01

TEST DATA

RUN NUMBER	2Y/BW	XW/CW	T/C NO	H/HREF R=1.0	H/HREF R=0.9	H/HREF R= TAW/TO	TAW/TO	H(TO) BTU/R FT2SEC	H(TAW) BTU/R FT2SEC	QDOT BTU/ FT2SEC	DTWDT DEG. R /SEC	TH DEG. R
702	.30000	.40000	1078.0	.6331-01	.7698-01	.7085-01	.9401	.2751-02	.3079-02	2.049	14.48	577.8
702	.30000	.50000	1079.0	.6189-01	.7535-01	.6984-01	.9363	.2689-02	.3035-02	1.990	14.50	582.6
702	.30000	.60000	1080.0	.1002	.1225	.1133	.9365	.4354-02	.4922-02	3.164	22.90	595.9
702	.30000	.70000	1081.0	.1494	.1832	.1695	.9358	.6492-02	.7365-02	4.651	32.41	606.2
702	.30000	.80000	1082.0	.2056	.2528	.2350	.9331	.8935-02	.1021-01	6.326	45.36	614.6
702	.30000	.90000	1093.0	.1861	.2273	.2169	.9218	.8089-02	.9425-02	5.903	42.08	592.8
702	.30000	.95000	84.000	.1825	.2224	.2145	.9168	.7929-02	.9323-02	5.835	41.05	586.7
702	.40000	.60000	1092.0	.1660	.2036	.1876	.9376	.7213-02	.8153-02	5.161	33.77	607.1
702	.40000	.70000	1093.0	.2114	.2596	.2397	.9365	.9188-02	.1041-01	6.554	42.83	609.3
702	.40000	.75000	1094.0	.2058	.2529	.2343	.9346	.8942-02	.1018-01	6.350	45.58	612.5
702	.40000	.85000	95.000	.2719	.3348	.3154	.9266	.1182-01	.1371-01	8.320	60.55	618.5
702	.40000	.90000	96.000	.2432	.2992	.2874	.9179	.1057-01	.1249-01	7.474	61.81	615.6
702	.40000	.95000	97.000	.2189	.2687	.2603	.9141	.9514-02	.1131-01	6.797	53.33	608.2
702	.50000	.40000	1104.0	.1068	.1305	.1206	.9368	.4641-02	.5242-02	3.382	23.71	593.9
702	.50000	.60000	1105.0	.1215	.1487	.1375	.9363	.5280-02	.5976-02	3.819	25.87	599.3
702	.50000	.70000	1106.0	.1034	.1264	.1171	.9354	.4492-02	.5090-02	3.266	22.87	595.7
702	.50000	.90000	107.00	.2553	.3136	.3136	.9000	.1109-01	.1363-01	7.889	59.64	611.4
702	.60000	.40000	1116.0	.1312	.1606	.1480	.9379	.5702-02	.6433-02	4.120	27.89	600.1
702	.60000	.50000	1117.0	.1283	.1571	.1452	.9365	.5577-02	.6310-02	4.029	27.28	600.2

DATE 23 FEB 80

OH84B MODEL 60-0 IN THE AEDC VKF HYPERSONIC TUNNEL

PAGE 2172

OH84B 60-0 WING LOWER SURFACE

(R4U045)

RUN NUMBER	2Y/BW	XW/CW	T/C NO	H/HREF R=1.0	H/HREF R=0.9	H/HREF R= TAW/TO	TAW/TO	H(TO) BTU/R FT2SEC	H(TAW) BTU/R FT2SEC	QDOT BTU/ FT2SEC	DTWOT DEG. R /SEC	TW DEG. R
702	.60000	.60000	1118.0	.1259	.1539	.1424	.9363	.5469-02	.6187-02	3.970	26.93	596.7
702	.60000	.70000	1119.0	.1168	.1428	.1330	.9331	.5076-02	.5780-02	3.690	25.84	595.8
702	.60000	.80000	120.00	.3048	.3756	.3537	.9266	.1324-01	.1537-01	9.293	66.43	620.9
702	.60000	.85000	121.00	.3368	.4152	.3931	.9242	.1463-01	.1708-01	10.25	72.04	622.1
702	.60000	.90000	122.00	.2933	.3605	.3471	.9168	.1274-01	.1508-01	9.048	66.03	612.8
702	.60000	.95000	123.00	.2296	.2808	.2722	.9141	.9975-02	.1183-01	7.226	53.12	598.2
702	.70000	.40000	1130.0	.1352	.1652	.1528	.9367	.5876-02	.6638-02	4.281	26.58	594.1
702	.70000	.60000	131.00	.1313	.1603	.1484	.9363	.5704-02	.6448-02	4.166	25.89	592.3
702	.70000	.90000	132.00	.3681	.4538	.4357	.9179	.1599-01	.1893-01	11.19	77.36	622.8
701	.75000	.30000	138.00	.1474	.1803	.1664	.9376	.6410-02	.7232-02	4.655	28.86	596.5
701	.75000	.40000	139.00	.1298	.1587	.1465	.9374	.5643-02	.6368-02	4.102	26.19	595.7
701	.75000	.60000	140.00	.1213	.1483	.1483	.9000	.5275-02	.6446-02	3.838	25.26	594.9
701	.75000	.70000	1141.0	.1231	.1508	.1394	.9363	.5353-02	.6062-02	3.857	26.93	602.1
701	.75000	.80000	142.00	.3243	.4018	.3776	.9268	.1410-01	.1642-01	9.664	76.16	637.1
702	.75000	.90000	143.00	.3052	.3745	.3598	.9181	.1326-01	.1563-01	9.475	67.04	608.2
702	.75000	.95000	144.00	.2120	.2588	.2506	.9149	.9213-02	.1089-01	6.742	49.73	591.0
701	.80000	.20000	146.00	.1898	.2328	.2142	.9384	.8250-02	.9310-02	5.901	39.81	607.4
701	.80000	.40000	147.00	.1355	.1660	.1529	.9379	.5889-02	.6649-02	4.233	29.53	603.9
701	.80000	.90000	148.00	.3254	.3996	.3835	.9184	.1414-01	.1667-01	10.08	71.21	610.4
701	.90000	.30000	1155.0	.1693	.2083	.1911	.9390	.7358-02	.8309-02	5.190	35.97	617.3
701	.90000	.50000	156.00	.1472	.1808	.1808	.9000	.6399-02	.7858-02	4.557	31.69	610.5
701	.90000	.60000	1157.0	.1395	.1711	.1575	.9379	.6062-02	.6848-02	4.337	29.26	607.2
701	.90000	.80000	158.00	.3872	.4805	.4505	.9276	.1683-01	.1958-01	11.46	85.41	641.5
701	.90000	.90000	159.00	.3144	.3874	.3724	.9173	.1367-01	.1619-01	9.594	73.49	620.8
701	.95000	.30000	164.00	.1587	.1948	.1791	.9384	.6900-02	.7787-02	4.933	34.34	607.8
701	.95000	.50000	165.00	.1188	.1454	.1341	.9374	.5163-02	.5832-02	3.727	26.91	600.7
701	.95000	.70000	166.00	.2622	.3231	.3001	.9331	.1140-01	.1304-01	7.999	58.15	620.9
701	.95000	.80000	167.00	.3455	.4270	.4038	.9244	.1502-01	.1755-01	10.41	74.10	629.7
701	.95000	.90000	168.00	.2762	.3398	.3264	.9179	.1201-01	.1419-01	8.490	61.87	615.7

DATE 23 FEB 80

OH84B MODEL 60-0 IN THE AEDC VKF HYPERSONIC TUNNEL

PAGE 2173

OH84B 60-0 WING LOWER SURFACE

(R4UQ46)

WING LOWER SURF

PARAMETRIC DATA

MACH = 8.000 ALPHA = 40.00 BETA = .0000 ELEVON = 5.000
 BDFLAP = .0000 SPDBRK = .0000

TEST CONDITIONS

RUN NUMBER	RN/L /FT X10 6	MACH	ALPHA DEG.	BETA DEG.	PO PSIA	TO DEG. R	T DEG. R	P PSIA	Q PSI	V FT/SEC	RHO SLUGS /FT3	MU LB-SEC /FT2
679	.5025	7.900	39.97	-.6923-02	100.5	1255.	93.06	.1117-01	.4881	3736.	.3241-03	.7489-07
680	.5032	7.900	39.93	-.1034-01	100.7	1255.	93.06	.1119-01	.4888	3736.	.3245-03	.7489-07

RUN NUMBER	HREF BTU/ R FT2SEC	STN NO REF (R) = .0175
679	.1712-01	.5703-01
680	.1713-01	.5699-01

TEST DATA

RUN NUMBER	2Y/BW	XW/CW	T/C NO	H/HREF R=1.0	H/HREF R=0.9	H/HREF R= TAW/TO	TAW/TO	H(TO) BTU/R FT2SEC	H(TAW) BTU/R FT2SEC	QDOT BTU/ FT2SEC	DTWDT DEG. R /SEC	TW DEG. R
680	.30000	.40000	1078.0	.7151-01	.8656-01	.7987-01	.9398	.1225-02	.1368-02	.8839	6.387	533.3
680	.30000	.50000	1079.0	.5552-01	.6723-01	.6248-01	.9360	.9512-03	.1070-02	.6851	5.113	534.4
680	.30000	.60000	1080.0	.5167-01	.6260-01	.5814-01	.9363	.8853-03	.9961-03	.6361	4.742	536.2
680	.30000	.70000	1081.0	.5113-01	.6193-01	.5761-01	.9355	.8760-03	.9870-03	.6299	4.546	535.6
680	.30000	.80000	1082.0	.4991-01	.6045-01	.5653-01	.9328	.8551-03	.9686-03	.6150	4.587	535.4
680	.30000	.90000	83.000	.5459-01	.6608-01	.6322-01	.9215	.9354-03	.1083-02	.6753	4.961	532.7
680	.30000	.95000	84.000	.5295-01	.6404-01	.6190-01	.9165	.9073-03	.1061-02	.6574	4.758	530.0
680	.40000	.60000	1092.0	.6658-01	.8072-01	.7479-01	.9373	.1141-02	.1281-02	.8170	5.531	538.4
680	.40000	.70000	1093.0	.6947-01	.8417-01	.7817-01	.9363	.1190-02	.1339-02	.8551	5.796	536.3
680	.40000	.75000	1094.0	.6533-01	.7916-01	.7380-01	.9343	.1119-02	.1264-02	.8041	5.995	536.3
680	.40000	.85000	95.000	.7466-01	.9049-01	.8571-01	.9263	.1279-02	.1469-02	.9171	6.949	537.7
680	.40000	.90000	96.000	.6592-01	.7983-01	.7697-01	.9176	.1129-02	.1319-02	.8131	7.000	534.7
680	.40000	.95000	97.000	.5692-01	.6888-01	.6693-01	.9139	.9752-03	.1147-02	.7043	5.739	532.4
680	.50000	.40000	1104.0	.8000-01	.9700-01	.9000-01	.9366	.1371-02	.1542-02	.9813	7.071	538.8
680	.50000	.60000	1105.0	.6820-01	.8268-01	.7680-01	.9360	.1169-02	.1316-02	.8370	5.844	538.4
680	.50000	.70000	1106.0	.3774-01	.4573-01	.4256-01	.9352	.6466-03	.7293-03	.4642	3.348	536.9
680	.50000	.90000	107.00	.6226-01	.7540-01	.7540-01	.9000	.1067-02	.1292-02	.7680	6.032	534.7
680	.60000	.40000	1116.0	.1111	.1348	.1248	.9377	.1904-02	.2138-02	1.361	9.498	539.7
680	.60000	.50000	1117.0	.1046	.1269	.1178	.9363	.1793-02	.2018-02	1.282	8.946	539.5

OH84B 60-0 WING LOWER SURFACE

(R4U046)

RUN NUMBER	2Y/BW	XW/CW	T/C NO	H/HREF R=1.0	H/HREF R=0.9	H/HREF R= TAW/TO	TAW/TO	H(TO) BTU/R FT2SEC	H(TAW) BTU/R FT2SEC	QDOT BTU/ FT2SEC	DTWDT DEG. R /SEC	TW DEG. R
680	.60000	.60000	1118.0	.9011-01	.1093	.1015	.9360	.1544-02	.1739-02	1.105	7.717	538.7
680	.60000	.70000	1119.0	.7295-01	.8845-01	.8268-01	.9328	.1250-02	.1417-02	.8948	6.448	538.7
680	.60000	.80000	120.00	.5866-01	.7113-01	.6737-01	.9263	.1005-02	.1154-02	.7191	5.353	539.2
680	.60000	.85000	121.00	.9277-01	.1004	.9551-01	.9239	.1418-02	.1636-02	1.015	7.436	538.7
680	.60000	.90000	122.00	.7770-01	.9413-01	.9095-01	.9165	.1331-02	.1558-02	.9571	7.258	535.8
680	.60000	.95000	123.00	.5998-01	.7259-01	.7053-01	.9139	.1028-02	.1208-02	.7425	5.641	532.2
680	.70000	.40000	1130.0	.1254	.1520	.1411	.9365	.2148-02	.2417-02	1.539	9.824	538.2
680	.70000	.60000	131.00	.1122	.1360	.1264	.9360	.1923-02	.2165-02	1.390	8.815	537.1
680	.70000	.90000	132.00	.2251	.2733	.2633	.9176	.3857-02	.4512-02	2.745	19.74	542.8
679	.75000	.30000	138.00	.1390	.1684	.1561	.9374	.2380-02	.2672-02	1.712	10.94	535.5
679	.75000	.40000	139.00	.1223	.1482	.1374	.9372	.2094-02	.2352-02	1.504	9.692	536.5
679	.75000	.60000	140.00	.1082	.1311	.1311	.9000	.1852-02	.2245-02	1.330	9.008	536.9
679	.75000	.70000	1141.0	.9089-01	.1103	.1024	.9361	.1556-02	.1753-02	1.112	8.003	540.4
679	.75000	.80000	142.00	.1030	.1250	.1103	.9266	.1764-02	.2026-02	1.257	10.30	541.0
680	.75000	.90000	143.00	.9347-01	.1132	.1091	.9178	.1602-02	.1869-02	1.153	8.459	534.9
680	.75000	.95000	144.00	.5837-01	.7058-01	.6849-01	.9146	.1000-02	.1173-02	.7254	5.519	529.4
679	.80000	.20000	146.00	.1724	.2091	.1934	.9383	.2952-02	.3310-02	2.114	14.76	538.5
679	.80000	.40000	147.00	.1252	.1518	.1406	.9377	.2144-02	.2407-02	1.537	11.08	538.1
679	.80000	.90000	148.00	.9901-01	.1199	.1155	.9182	.1695-02	.1977-02	1.220	8.948	535.2
679	.90000	.30000	1155.0	.1585	.1924	.1777	.9388	.2714-02	.3042-02	1.933	13.90	542.5
679	.90000	.50000	156.00	.1386	.1681	.1681	.9000	.2372-02	.2878-02	1.696	12.21	540.0
679	.90000	.60000	1157.0	.1241	.1505	.1393	.9377	.2124-02	.2386-02	1.517	10.58	540.8
679	.90000	.80000	158.00	.1144	.1387	.1310	.9275	.1958-02	.2244-02	1.399	10.96	540.0
679	.90000	.90000	159.00	.9324-01	.1130	.1090	.9172	.1596-02	.1866-02	1.147	9.163	536.2
679	.95000	.30000	164.00	.1576	.1912	.1768	.9383	.2699-02	.3027-02	1.931	13.91	539.3
679	.95000	.50000	165.00	.1161	.1407	.1304	.9372	.1987-02	.2233-02	1.424	10.61	537.9
679	.95000	.70000	166.00	.1089	.1321	.1235	.9329	.1865-02	.2114-02	1.334	10.10	539.6
679	.95000	.80000	167.00	.1184	.1436	.1365	.9242	.2027-02	.2338-02	1.451	10.80	538.9
679	.95000	.90000	168.00	.8261-01	.1001	.9648-01	.9177	.1414-02	.1652-02	1.016	7.700	536.5

DATE 23 FEB 80

OH84B MODEL 60-0 IN THE AEDC VKF HYPERSONIC TUNNEL

PAGE 2175

OH84B 60-0 WING LOWER SURFACE

(R4UQ46)

WING LOWER SURF

PARAMETRIC DATA

MACH = 8.000 ALPHA = 40.00 BETA = .0000 ELEVON = 5.000
 BDFLAP = .0000 SPOBRK = .0000

TEST CONDITIONS

RUN NUMBER	RN/L /FT X10 6	MACH	ALPHA DEG.	BETA DEG.	PO PSIA	TO DEG. R	T DEG. R	P PSIA	Q PSI	V FT/SEC	RHO SLUGS /FT3	MU LB-SEC /FT2
665	1.003	7.940	39.97	-.1732-01	205.8	1265.	92.93	.2213-01	.9768	3752.	.6429-03	.7478-07
666	1.005	7.940	39.97	-.6927-02	206.0	1264.	92.86	.2216-01	.9778	3751.	.6440-03	.7472-07

RUN NUMBER	HREF BTU/ R FT2SEC	STN NO REF(R) = .0175
665	.2425-01	.4052-01
666	.2426-01	.4048-01

TEST DATA

RUN NUMBER	2Y/BW	XW/CW	T/C NO	H/HREF R=1.0	H/HREF R=0.9	H/HREF R= TAW/TO	TAW/TO	H(TO) BTU/R FT2SEC	H(TAW) BTU/R FT2SEC	QDOT BTU/ FT2SEC	DTWDT DEG. R /SEC	TW DEG. R
666	.30000	.40000	1078.0	.6487-01	.7879-01	.7258-01	.9399	.1574-02	.1761-02	1.126	8.071	548.5
666	.30000	.50000	1079.0	.4899-01	.5951-01	.5522-01	.9361	.1189-02	.1340-02	.8499	6.297	548.6
666	.30000	.60000	1080.0	.4711-01	.5726-01	.5310-01	.9364	.1143-02	.1288-02	.8146	6.028	551.0
666	.30000	.70000	1081.0	.4677-01	.5685-01	.5280-01	.9356	.1135-02	.1281-02	.8094	5.798	550.4
666	.30000	.80000	1082.0	.5132-01	.6238-01	.5825-01	.9329	.1245-02	.1413-02	.8877	6.570	550.8
666	.30000	.90000	83.000	.5567-01	.6753-01	.6456-01	.9216	.1351-02	.1566-02	.9720	7.100	544.1
666	.30000	.95000	84.000	.5025-01	.6090-01	.5882-01	.9166	.1219-02	.1427-02	.8816	6.347	540.6
666	.40000	.60000	1092.0	.6619-01	.8052-01	.7448-01	.9374	.1606-02	.1807-02	1.140	7.658	553.8
666	.40000	.70000	1093.0	.6757-01	.8216-01	.7618-01	.9364	.1639-02	.1848-02	1.166	7.841	552.2
666	.40000	.75000	1094.0	.6780-01	.8242-01	.7673-01	.9344	.1645-02	.1862-02	1.172	8.674	551.1
666	.40000	.85000	95.000	.8005-01	.9731-01	.9207-01	.9264	.1942-02	.2234-02	1.384	10.41	551.1
666	.40000	.90000	96.000	.6939-01	.8430-01	.8121-01	.9177	.1684-02	.1970-02	1.204	10.29	548.9
666	.40000	.95000	97.000	.5683-01	.6899-01	.6699-01	.9140	.1379-02	.1625-02	.9891	8.003	546.4
666	.50000	.40000	1104.0	.8192-01	.9964-01	.9231-01	.9367	.1988-02	.2240-02	1.412	10.10	553.0
666	.50000	.60000	1105.0	.6342-01	.7715-01	.7155-01	.9361	.1539-02	.1736-02	1.093	7.569	553.6
666	.50000	.70000	1106.0	.3778-01	.4590-01	.4266-01	.9353	.9165-03	.1035-02	.6544	4.690	549.7
666	.50000	.90000	107.00	.9542-01	.1160	.1160	.9000	.2315-02	.2814-02	1.649	12.85	551.2
666	.60000	.40000	1116.0	.1125	.1370	.1266	.9378	.2730-02	.3071-02	1.931	13.36	556.2
666	.60000	.50000	1117.0	.1031	.1255	.1163	.9364	.2501-02	.2821-02	1.770	12.25	555.8

OHB4B 60-0 WING LOWER SURFACE

(R4UQ46)

RUN NUMBER	ZY/BW	XW/CW	T/C NO	H/HREF R=1.0	H/HREF R=0.9	H/HREF R= TAW/TO	TAW/TO	H(TO) BTU/R FT2SEC	H(TAW) BTU/R FT2SEC	QDOT BTU/ FT2SEC	DTWDT DEG. R /SEC	TW DEG. R
666	.60000	.60000	1118.0	.9305-01	.1132	.1050	.9361	.2258-02	.2547-02	1.603	11.11	553.6
666	.60000	.70000	1119.0	.7899-01	.9606-01	.8968-01	.9329	.1916-02	.2176-02	1.363	9.752	552.6
666	.60000	.80000	120.00	.7501-01	.9124-01	.8631-01	.9264	.1820-02	.2094-02	1.293	9.556	553.3
666	.60000	.85000	121.00	.9580-01	.1165	.1108	.9240	.2324-02	.2687-02	1.653	12.02	552.6
666	.60000	.90000	122.00	.8696-01	.1056	.1020	.9166	.2110-02	.2475-02	1.508	11.36	548.9
666	.60000	.95000	123.00	.6641-01	.8054-01	.7822-01	.9140	.1611-02	.1898-02	1.160	8.759	543.8
666	.70000	.40000	1130.0	.1212	.1474	.1366	.9366	.2940-02	.3314-02	2.092	13.26	552.1
666	.70000	.60000	131.00	.1111	.1350	.1253	.9361	.2695-02	.3039-02	1.918	12.16	552.1
666	.70000	.90000	132.00	.2311	.2816	.2711	.9177	.5607-02	.6578-02	3.951	28.18	559.1
665	.75000	.30000	138.00	.1402	.1707	.1579	.9374	.3401-02	.3829-02	2.407	15.23	556.8
665	.75000	.40000	139.00	.1201	.1463	.1353	.9372	.2914-02	.3282-02	2.063	13.43	556.7
665	.75000	.60000	140.00	.1060	.1290	.1290	.9000	.2570-02	.3129-02	1.818	12.19	557.2
665	.75000	.70000	1141.0	.9741-01	.1187	.1100	.9361	.2362-02	.2668-02	1.664	11.87	560.1
665	.75000	.80000	142.00	.1052	.1283	.1212	.9266	.2551-02	.2940-02	1.790	14.63	563.0
666	.75000	.90000	143.00	.1001	.1215	.1170	.9179	.2428-02	.2840-02	1.738	12.67	547.8
666	.75000	.95000	144.00	.6105-01	.7397-01	.7173-01	.9147	.1481-02	.1740-02	1.072	8.108	540.2
665	.80000	.20000	146.00	.1778	.2167	.2000	.9383	.4312-02	.4850-02	3.032	20.93	561.4
665	.80000	.40000	147.00	.1238	.1509	.1394	.9378	.3004-02	.3381-02	2.118	15.10	559.7
665	.80000	.90000	148.00	.1009	.1227	.1180	.9183	.2447-02	.2863-02	1.740	12.65	553.5
665	.90000	.30000	1155.0	.1658	.2024	.1864	.9388	.4021-02	.4521-02	2.810	19.98	565.7
665	.90000	.50000	156.00	.1353	.1650	.1650	.9000	.3282-02	.4002-02	2.308	16.44	561.5
665	.90000	.60000	1157.0	.1213	.1479	.1366	.9378	.2943-02	.3314-02	2.071	14.30	560.9
665	.90000	.80000	158.00	.1165	.1420	.1340	.9275	.2827-02	.3249-02	1.994	15.47	559.2
665	.90000	.90000	159.00	.9012-01	.1096	.1057	.9172	.2186-02	.2563-02	1.555	12.31	553.4
665	.95000	.30000	164.00	.1605	.1956	.1805	.9383	.3893-02	.4378-02	2.742	19.55	560.3
665	.95000	.50000	165.00	.1152	.1403	.1297	.9372	.2794-02	.3147-02	1.977	14.58	557.2
665	.95000	.70000	166.00	.1071	.1305	.1217	.9329	.2598-02	.2953-02	1.836	13.77	557.9
665	.95000	.80000	167.00	.1167	.1421	.1350	.9242	.2830-02	.3273-02	2.004	14.79	556.7
665	.95000	.90000	168.00	.8435-01	.1025	.9875-01	.9177	.2046-02	.2395-02	1.460	10.99	551.1

DATE 23 FEB 80

OH84B MODEL 60-0 IN THE AEDC VKF HYPERSONIC TUNNEL

PAGE 2177

OH84B 60-0 WING LOWER SURFACE

(R4UQ46)

WING LOWER SURF

PARAMETRIC DATA

MACH = 8.000 ALPHA = 40.00 BETA = .0000 ELEVON = 5.000
 BDFLAP = .0000 SPDBRK = .0000

TEST CONDITIONS

RUN NUMBER	RN/L /FT X10 6	MACH	ALPHA DEG.	BETA DEG.	PO PSIA	TO DEG. R	T DEG. R	P PSIA	Q PSI	V FT/SEC	RHO SLUGS /FT3	MU LB-SEC /FT2
689	1.996	7.980	39.99	-.1041-01	434.3	1303.	94.84	.4521-01	2.015	3810.	.1287-02	.7631-07
690	2.005	7.980	40.00	-.6947-02	436.2	1303.	94.84	.4541-01	2.024	3810.	.1292-02	.7631-07

RUN NUMBER	HREF BTU/ R FT2SEC	STN NO REF (R) = .0175
689	.3502-01	.2873-01
690	.3509-01	.2867-01

TEST DATA

RUN NUMBER	2Y/BW	XW/CW	T/C NO	H/HREF R=1.0	H/HREF R=0.9	H/HREF R= TAW/TO	TAW/TO	H(TO) BTU/R FT2SEC	H(TAW) BTU/R FT2SEC	QDOT BTU/ FT2SEC	DTWDT DEG. R /SEC	TW DEG. R
690	.30000	.40000	1078.0	.6011-01	.7286-01	.6717-01	.9400	.2110-02	.2357-02	1.571	11.21	557.8
690	.30000	.50000	1079.0	.4702-01	.5700-01	.5294-01	.9362	.1650-02	.1858-02	1.228	9.049	558.8
690	.30000	.60000	1080.0	.5124-01	.6221-01	.5771-01	.9364	.1798-02	.2025-02	1.329	9.768	563.9
690	.30000	.70000	1081.0	.6402-01	.7776-01	.7223-01	.9357	.2247-02	.2535-02	1.656	11.77	565.7
690	.30000	.80000	1082.0	.8649-01	.1052	.9820-01	.9330	.3035-02	.3446-02	2.224	16.30	570.0
690	.30000	.90000	83.000	.9802-01	.1189	.1136	.9217	.3440-02	.3988-02	2.554	18.50	560.3
690	.30000	.95000	84.000	.9885-01	.1197	.1157	.9167	.3469-02	.4059-02	2.590	18.50	556.1
690	.40000	.60000	1092.0	.8372-01	.1018	.9418-01	.9375	.2938-02	.3305-02	2.153	14.35	569.9
690	.40000	.70000	1093.0	.9821-01	.1194	.1107	.9364	.3447-02	.3886-02	2.526	16.83	569.8
690	.40000	.75000	1094.0	.1013	.1232	.1147	.9345	.3555-02	.4024-02	2.604	19.08	570.3
690	.40000	.83000	95.000	.1471	.1792	.1694	.9264	.5161-02	.5945-02	3.750	27.87	576.0
690	.40000	.90000	96.000	.1399	.1704	.1640	.9178	.4910-02	.5757-02	3.574	30.16	574.7
690	.40000	.95000	97.000	.1378	.1677	.1627	.9140	.4836-02	.5711-02	3.537	28.26	571.3
690	.50000	.40000	1104.0	.8104-01	.9852-01	.9129-01	.9367	.2844-02	.3204-02	2.088	14.82	568.4
690	.50000	.60000	1105.0	.7101-01	.8633-01	.8007-01	.9362	.2492-02	.2810-02	1.829	12.58	568.5
690	.50000	.70000	1106.0	.3911-01	.4750-01	.4415-01	.9353	.1373-02	.1550-02	1.012	7.196	565.3
690	.50000	.90000	107.00	.2387	.2914	.2914	.9000	.8377-02	.1023-01	6.035	46.28	582.2
690	.60000	.40000	1116.0	.1176	.1432	.1323	.9378	.4128-02	.4644-02	3.008	20.63	573.9
690	.60000	.50000	1117.0	.1114	.1356	.1257	.9364	.3909-02	.4410-02	2.851	19.56	573.4

OH84B 60-0 WING LOWER SURFACE

(R4UQ46)

RUN NUMBER	2Y/8W	XW/CW	T/C NO	H/HREF	H/HREF	H/HREF	TAW/TO	H(TO)	H(TAW)	QDOT	DTWDT	TW
				R=1.0	R=0.9	R=		BTU/R	BTU/R	BTU/ FT2SEC	DEG. R	DEG. R
690	.60000	.60000	1118.0	.9802-01	.1192	.1106	.9362	.3440-02	.3881-02	2.516	17.28	571.1
690	.60000	.70000	1119.0	.8216-01	.9993-01	.9328-01	.9330	.2883-02	.3273-02	2.113	14.99	569.8
690	.60000	.80000	120.00	.1867	.2281	.2155	.9264	.6554-02	.7561-02	4.712	34.31	583.6
690	.60000	.85000	121.00	.2639	.3225	.3062	.9241	.9261-02	.1074-01	6.637	47.47	586.1
690	.60000	.90000	122.00	.2574	.3142	.3030	.9167	.9032-02	.1063-01	6.507	48.21	582.3
690	.60000	.95000	123.00	.2099	.2555	.2479	.9140	.7365-02	.8701-02	5.376	40.02	572.8
690	.70000	.40000	1130.0	.1281	.1558	.1444	.9366	.4495-02	.5067-02	3.291	20.67	570.6
690	.70000	.60000	131.00	.1181	.1436	.1332	.9362	.4145-02	.4674-02	3.043	19.13	568.5
690	.70000	.90000	132.00	.3039	.3714	.3573	.9178	.1067-01	.1254-01	7.649	53.85	585.5
689	.75000	.30000	138.00	.1420	.1727	.1598	.9375	.4973-02	.5595-02	3.644	22.89	569.9
689	.75000	.40000	139.00	.1237	.1504	.1392	.9373	.4330-02	.4874-02	3.172	20.52	570.1
689	.75000	.60000	140.00	.1112	.1352	.1352	.9000	.3894-02	.4735-02	2.855	19.03	569.4
689	.75000	.70000	1141.0	.1086	.1323	.1227	.9362	.3804-02	.4295-02	2.770	19.61	574.5
689	.75000	.80000	142.00	.2522	.3093	.2917	.9266	.8832-02	.1022-01	6.230	50.06	597.3
690	.75000	.90000	143.00	.2550	.3107	.2990	.9180	.8948-02	.1049-01	6.498	46.70	576.5
690	.75000	.95000	144.00	.1736	.2109	.2044	.9148	.6092-02	.7174-02	4.484	33.48	566.6
689	.80000	.20000	146.00	.1778	.2167	.2000	.9383	.6227-02	.7002-02	4.525	31.00	576.0
689	.80000	.40000	147.00	.1277	.1556	.1438	.9378	.4473-02	.5035-02	3.251	22.99	575.9
689	.80000	.90000	148.00	.2906	.3548	.3410	.9183	.1017-01	.1194-01	7.323	52.46	583.0
689	.90000	.30000	1155.0	.1634	.1995	.1837	.9389	.5722-02	.6434-02	4.117	29.01	583.2
689	.90000	.50000	156.00	.1391	.1697	.1697	.9000	.4871-02	.5942-02	3.520	24.84	580.1
689	.90000	.60000	1157.0	.1277	.1558	.1439	.9378	.4473-02	.5038-02	3.235	22.12	579.5
689	.90000	.80000	158.00	.2019	.2473	.2329	.9275	.7071-02	.8155-02	5.027	38.37	591.8
689	.90000	.90000	159.00	.2309	.2822	.2718	.9172	.8084-02	.9516-02	5.792	45.12	586.2
689	.95000	.30000	164.00	.1581	.1926	.1777	.9383	.5535-02	.6223-02	4.020	28.42	576.4
689	.95000	.50000	165.00	.1142	.1390	.1286	.9373	.3998-02	.4502-02	2.917	21.35	573.1
689	.95000	.70000	166.00	.1488	.1817	.1693	.9329	.5209-02	.5930-02	3.745	27.72	583.8
689	.95000	.80000	167.00	.1792	.2189	.2077	.9243	.6275-02	.7274-02	4.511	32.84	583.8
689	.95000	.90000	168.00	.1484	.1810	.1742	.9178	.5198-02	.6099-02	3.769	27.99	577.6

OH84B 60-0 WING LOWER SURFACE

(R4UQ46)

WING LOWER SURF

PARAMETRIC DATA

MACH = 8.000 ALPHA = 40.00 BETA = .0000 ELEVON = 5.000
 BDFLAP = .0000 SPDBRK = .0000

TEST CONDITIONS

RUN NUMBER	RN/L /FT X10 6	MACH	ALPHA DEG.	BETA DEG.	PO PSIA	TO DEG. R	T DEG. R	P PSIA	Q PSI	V FT/SEC	RHO SLUGS /FT3	MU LB-SEC /FT2
699	2.999	7.990	40.05	-.6984-02	670.4	1324.	98.14	.6923-01	3.094	3841.	.1944-02	.7736-07
700	2.995	7.990	40.04	-.6974-02	668.7	1323.	96.07	.6906-01	3.086	3839.	.1940-02	.7731-07

RUN NUMBER	HREF BTU/ R FT2SEC	STN NO REF (R) = .0175
699	.4351-01	.2341-01
700	.4345-01	.2343-01

TEST DATA

RUN NUMBER	2Y/BW	XW/CW	T/C NO	H/HREF R=1.0	H/HREF R=0.9	H/HREF R= TAW/TO	TAW/TO	H(TO) BTU/R FT2SEC	H(TAW) BTU/R FT2SEC	QDOT BTU/ FT2SEC	DTWDT DEG. R /SEC	TW DEG. R
700	.30000	.40000	1078.0	.6569-01	.7976-01	.7346-01	.9400	.2854-02	.3192-02	2.141	15.16	572.7
700	.30000	.50000	1079.0	.6713-01	.8161-01	.7568-01	.9363	.2916-02	.3288-02	2.174	15.88	577.3
700	.30000	.60000	1080.0	.1059	.1292	.1196	.9365	.4600-02	.5195-02	3.373	24.48	589.4
700	.30000	.70000	1081.0	.1563	.1912	.1770	.9357	.6789-02	.7691-02	4.916	34.38	598.6
700	.30000	.80000	1082.0	.2142	.2627	.2444	.9330	.9308-02	.1062-01	6.673	48.05	605.8
700	.30000	.90000	83.000	.1917	.2337	.2230	.9218	.8329-02	.9690-02	6.135	43.88	586.0
700	.30000	.95000	84.000	.1853	.2255	.2176	.9168	.8052-02	.9453-02	5.977	42.18	580.3
700	.40000	.60000	1092.0	.1748	.2139	.1973	.9376	.7593-02	.8571-02	5.493	36.07	599.3
700	.40000	.70000	1093.0	.2191	.2682	.2480	.9365	.9520-02	.1077-01	6.875	45.12	600.5
700	.40000	.75000	1094.0	.2125	.2604	.2416	.9346	.9234-02	.1050-01	6.643	47.90	603.3
700	.40000	.85000	95.000	.2770	.3400	.3207	.9265	.1204-01	.1393-01	8.595	62.86	608.6
700	.40000	.90000	96.000	.2442	.2994	.2877	.9179	.1061-01	.1250-01	7.608	63.23	605.4
700	.40000	.95000	97.000	.2209	.2703	.2620	.9141	.9597-02	.1138-01	6.942	54.71	599.3
700	.50000	.40000	1104.0	.1088	.1326	.1227	.9368	.4727-02	.5331-02	3.483	24.52	585.7
700	.50000	.60000	1105.0	.1265	.1545	.1431	.9363	.5500-02	.6216-02	4.023	27.36	591.1
700	.50000	.70000	1106.0	.1128	.1376	.1277	.9354	.4901-02	.5547-02	3.594	25.25	589.3
700	.50000	.90000	107.00	.2574	.3152	.3152	.9000	.1118-01	.1370-01	8.062	61.23	601.8
700	.60000	.40000	1116.0	.1322	.1614	.1489	.9379	.5743-02	.6470-02	4.201	28.57	591.2
700	.60000	.50000	1117.0	.1301	.1588	.1470	.9365	.5652-02	.6385-02	4.132	28.09	591.5

DATE 23 FEB 80

OH84B MODEL 60-0 IN THE AEDC VKF HYPERSONIC TUNNEL

PAGE 2180

OH84B 60-0 WING LOWER SURFACE

(R4UQ46)

RUN NUMBER	ZY/BW	XW/CW	T/C NO	H/HREF R=1.0	H/HREF R=0.9	H/HREF R= TAW/TO	TAW/TO	H(TO) BTU/R FT2SEC	H(TAW) BTU/R FT2SEC	QDOT BTU/ FT2SEC	DTWDY DEG. R /SEC	TW DEG. R
700	.60000	.60000	1118.0	.1274	.1554	.1439	.9363	.5535-02	.6252-02	4.066	27.69	588.1
700	.60000	.70000	1119.0	.1192	.1453	.1355	.9330	.5177-02	.5886-02	3.804	26.75	587.8
700	.60000	.80000	120.00	.3170	.3893	.3671	.9265	.1377-01	.1595-01	9.804	70.43	610.8
700	.60000	.85000	121.00	.3399	.4175	.3957	.9241	.1477-01	.1719-01	10.51	74.23	611.2
700	.60000	.90000	122.00	.2949	.3612	.3481	.9168	.1281-01	.1512-01	9.224	67.66	602.6
700	.60000	.95000	123.00	.2322	.2834	.2748	.9141	.1009-01	.1194-01	7.392	54.55	590.0
700	.70000	.40000	1130.0	.1368	.1668	.1544	.9367	.5946-02	.6708-02	4.381	27.31	585.9
700	.70000	.60000	131.00	.1343	.1636	.1516	.9363	.5835-02	.6587-02	4.308	26.87	584.4
700	.70000	.90000	132.00	.3663	.4499	.4322	.9179	.1591-01	.1878-01	11.33	78.77	610.7
699	.75000	.30000	138.00	.1492	.1825	.1684	.9376	.6493-02	.7326-02	4.721	29.27	596.6
699	.75000	.40000	139.00	.1311	.1602	.1479	.9374	.5703-02	.6435-02	4.153	26.52	595.4
699	.75000	.60000	140.00	.1224	.1496	.1496	.9000	.5327-02	.6509-02	3.885	25.58	594.4
699	.75000	.70000	1141.0	.1244	.1523	.1408	.9363	.5411-02	.6126-02	3.909	27.30	601.3
699	.75000	.80000	142.00	.3246	.4023	.3781	.9268	.1412-01	.1645-01	9.681	76.25	638.2
700	.75000	.90000	143.00	.3048	.3728	.3584	.9181	.1324-01	.1557-01	9.592	68.19	598.3
700	.75000	.95000	144.00	.2164	.2636	.2553	.9149	.9402-02	.1109-01	6.949	51.45	583.5
699	.80000	.20000	146.00	.1898	.2328	.2141	.9385	.8256-02	.9316-02	5.910	39.86	607.8
699	.80000	.40000	147.00	.1365	.1672	.1541	.9379	.5937-02	.6702-02	4.274	29.82	603.8
699	.80000	.90000	148.00	.3252	.3994	.3833	.9184	.1415-01	.1668-01	10.08	71.18	611.4
699	.90000	.30000	1155.0	.1789	.2199	.2019	.9390	.7782-02	.8783-02	5.514	38.25	615.1
699	.90000	.50000	156.00	.1488	.1827	.1827	.9000	.6475-02	.7950-02	4.619	32.12	610.3
699	.90000	.60000	1157.0	.1402	.1719	.1583	.9379	.6098-02	.6888-02	4.372	29.51	606.7
699	.90000	.80000	158.00	.3866	.4799	.4499	.9277	.1682-01	.1957-01	11.45	85.26	642.9
699	.90000	.90000	159.00	.3156	.3890	.3739	.9174	.1373-01	.1627-01	9.635	73.75	622.0
699	.95000	.30000	164.00	.1600	.1964	.1806	.9385	.6963-02	.7857-02	4.985	34.71	607.7
699	.95000	.50000	165.00	.1188	.1454	.1341	.9374	.5167-02	.5836-02	3.737	26.98	600.5
699	.95000	.70000	166.00	.2622	.3231	.3000	.9331	.1141-01	.1305-01	8.008	58.19	621.6
699	.95000	.80000	167.00	.3463	.4281	.4048	.9244	.1507-01	.1761-01	10.44	74.24	631.0
699	.95000	.90000	168.00	.2758	.3393	.3259	.9179	.1200-01	.1418-01	8.483	61.79	616.7

DATE 23 FEB 80

OH84B MODEL 60-0 IN THE AEDC VKF HYPERSONIC TUNNEL

PAGE 2181

OH84B 60-0 WING LOWER SURFACE

(R4UQ47)

WING LOWER SURF

PARAMETRIC DATA

MACH = 8.000 ALPHA = 40.00 BETA = .0000 ELEVON = 5.000
 BDFLAP = 8.000 SPOBRK = .0000

TEST CONDITIONS

RUN NUMBER	RN/L /FT X10 6	MACH	ALPHA DEG.	BETA DEG.	PO PSIA	TO DEG. R	T DEG. R	P PSIA	Q PSI	V FT/SEC	RHO SLUGS /FT3	MU LB-SEC /FT2
683	.5030	7.900	39.93	-.6895-02	100.5	1254.	92.99	.1117-01	.4880	3735.	.3242-03	.7483-07
684	.5058	7.900	39.94	-.6904-02	101.0	1253.	92.91	.1122-01	.4902	3733.	.3259-03	.7477-07

RUN NUMBER	HREF BTU/ R FT2SEC	STN NO REF (R) = .0175
683	.1712-01	.5700-01
684	.1715-01	.5685-01

TEST DATA

RUN NUMBER	2Y/BW	XW/CW	T/C NO	H/HREF R=1.0	H/HREF R=0.9	H/HREF R= TAW/TO	TAW/TO	H(TO) BTU/R FT2SEC	H(TAW) BTU/R FT2SEC	QDOT BTU/ FT2SEC	DTWDT DEG. R /SEC	TW DEG. R
684	.30000	.40000	1078.0	.7053-01	.8538-01	.7878-01	.9398	.1210-02	.1351-02	.8710	6.296	532.7
684	.30000	.50000	1079.0	.5455-01	.6605-01	.6138-01	.9361	.9356-03	.1053-02	.6731	5.026	533.2
684	.30000	.60000	1080.0	.5105-01	.6184-01	.5743-01	.9363	.8756-03	.9852-03	.6283	4.687	535.1
684	.30000	.70000	1081.0	.5010-01	.6069-01	.5645-01	.9355	.8594-03	.9683-03	.6169	4.454	534.8
684	.30000	.80000	1082.0	.5311-01	.6433-01	.6016-01	.9328	.9109-03	.1032-02	.6539	4.879	534.8
684	.30000	.90000	83.000	.5391-01	.6524-01	.6242-01	.9215	.9247-03	.1071-02	.6667	4.901	531.7
684	.30000	.95000	84.000	.5222-01	.6315-01	.6103-01	.9166	.8956-03	.1047-02	.6481	4.693	529.1
684	.40000	.60000	1092.0	.6557-01	.7949-01	.7365-01	.9374	.1125-02	.1263-02	.8045	5.450	537.3
684	.40000	.70000	1093.0	.6843-01	.8292-01	.7700-01	.9363	.1174-02	.1321-02	.8416	5.706	535.7
684	.40000	.75000	1094.0	.6439-01	.7802-01	.7273-01	.9343	.1104-02	.1248-02	.7918	5.905	535.7
684	.40000	.85000	95.000	.7369-01	.8932-01	.8460-01	.9263	.1264-02	.1451-02	.9050	6.860	536.7
684	.40000	.90000	96.000	.6518-01	.7895-01	.7612-01	.9176	.1118-02	.1306-02	.8030	6.914	534.4
684	.40000	.95000	97.000	.5652-01	.6841-01	.6647-01	.9139	.9695-03	.1140-02	.6988	5.696	531.9
684	.50000	.40000	1104.0	.7932-01	.9616-01	.8923-01	.9366	.1361-02	.1530-02	.9730	7.016	537.5
684	.50000	.60000	1105.0	.6797-01	.8240-01	.7654-01	.9361	.1166-02	.1313-02	.8341	5.827	537.3
684	.50000	.70000	1106.0	.3809-01	.4615-01	.4295-01	.9352	.6533-03	.7367-03	.4683	3.380	535.7
684	.50000	.90000	107.00	.6188-01	.7494-01	.7494-01	.9000	.1061-02	.1285-02	.7629	5.994	533.9
684	.60000	.40000	1116.0	.1103	.1338	.1239	.9377	.1892-02	.2124-02	1.352	9.445	538.0
684	.60000	.50000	1117.0	.1029	.1247	.1158	.9363	.1764-02	.1980-02	1.261	8.804	538.1

DATE 23 FEB 80

OH84B MODEL 60-0 IN THE AEDC VKF HYPERSONIC TUNNEL

PAGE 2182

OH84B 60-0 WING LOWER SURFACE

(R4UQ47)

RUN NUMBER	2Y/BW	XW/CW	T/C NO	H/HREF	H/HREF	H/HREF	TAW/TO	H(TO)	H(TAW)	QDOT	DTWDT	TW
				R=1.0	R=0.9	R=		BTU/R	BTU/R	BTU/ FT2SEC	DEG. R	DEG. R
684	.60000	.60000	1118.0	.8958-01	.1086	.1009	.9361	.1537-02	.1730-02	1.099	7.674	537.6
684	.60000	.70000	1119.0	.7273-01	.8818-01	.8243-01	.9328	.1248-02	.1414-02	.8924	6.435	537.4
684	.60000	.80000	120.00	.6034-01	.7314-01	.6927-01	.9263	.1035-02	.1188-02	.7404	5.518	537.2
684	.60000	.85000	121.00	.8237-01	.9985-01	.9503-01	.9239	.1413-02	.1630-02	1.011	7.409	537.2
684	.60000	.90000	122.00	.7651-01	.9268-01	.8955-01	.9166	.1312-02	.1536-02	.9424	7.151	534.6
684	.60000	.95000	123.00	.5940-01	.7188-01	.6984-01	.9139	.1019-02	.1198-02	.7351	5.588	531.1
684	.70000	.40000	1130.0	.1227	.1487	.1380	.9365	.2104-02	.2367-02	1.508	9.637	536.1
684	.70000	.60000	131.00	.1112	.1348	.1252	.9361	.1908-02	.2148-02	1.368	8.746	535.6
684	.70000	.90000	132.00	.2213	.2686	.2588	.9176	.3796-02	.4439-02	2.702	19.45	540.8
683	.75000	.30000	138.00	.1447	.1753	.1625	.9373	.2476-02	.2781-02	1.777	11.35	536.2
683	.75000	.40000	139.00	.1218	.1476	.1368	.9371	.2085-02	.2342-02	1.494	9.826	536.9
683	.75000	.60000	140.00	.1074	.1302	.1302	.9000	.1838-02	.2228-02	1.317	8.923	537.2
683	.75000	.70000	1141.0	.9295-01	.1128	.1047	.9360	.1591-02	.1793-02	1.135	8.169	540.6
683	.75000	.80000	142.00	.1010	.1226	.1160	.9265	.1729-02	.1986-02	1.229	10.15	542.6
684	.75000	.90000	143.00	.9342-01	.1131	.1090	.9179	.1602-02	.1870-02	1.153	8.466	533.3
684	.75000	.95000	144.00	.5933-01	.7052-01	.6842-01	.9146	.1001-02	.1174-02	.7254	5.524	527.7
683	.80000	.20000	146.00	.1726	.2093	.1936	.9382	.2954-02	.3314-02	2.109	14.72	539.7
683	.80000	.40000	147.00	.1265	.1534	.1421	.9377	.2166-02	.2432-02	1.549	11.16	538.6
683	.80000	.90000	148.00	.9825-01	.1190	.1146	.9182	.1682-02	.1962-02	1.207	8.854	535.9
683	.90000	.30000	1155.0	.1635	.1986	.1834	.9387	.2799-02	.3139-02	1.988	14.29	543.6
683	.90000	.50000	156.00	.1380	.1675	.1675	.9000	.2363-02	.2867-02	1.684	12.12	540.9
683	.90000	.60000	1157.0	.1158	.1406	.1301	.9377	.1983-02	.2227-02	1.412	9.847	541.3
683	.90000	.80000	158.00	.1138	.1380	.1304	.9274	.1947-02	.2233-02	1.388	10.86	541.0
683	.90000	.90000	159.00	.9376-01	.1136	.1097	.9171	.1605-02	.1877-02	1.150	9.185	537.0
683	.95000	.30000	164.00	.1567	.1901	.1758	.9382	.2682-02	.3009-02	1.913	13.77	540.5
683	.95000	.50000	165.00	.1159	.1405	.1302	.9371	.1984-02	.2229-02	1.418	10.56	538.6
683	.95000	.70000	166.00	.1055	.1280	.1197	.9328	.1806-02	.2048-02	1.288	9.745	540.5
683	.95000	.80000	167.00	.1161	.1408	.1340	.9241	.1988-02	.2293-02	1.419	10.56	539.8
683	.95000	.90000	168.00	.8168-01	.9899-01	.9543-01	.9176	.1398-02	.1634-02	1.002	7.593	537.0

OH84B 60-0 WING LOWER SURFACE

(R4UQ47)

WING LOWER SURF

PARAMETRIC DATA

MACH = 8.000 ALPHA = 40.00 BETA = .0000 ELEVON = 5.000
 BDFLAP = 8.000 SPDBRK = .0000

TEST CONDITIONS

RUN NUMBER	RN/L /FT X10 6	MACH	ALPHA DEG.	BETA DEG.	PO PSIA	TO DEG. R	T DEG. R	P PSIA	Q PSI	V FT/SEC	RHO SLUGS /FT3	MU LB-SEC /FT2
669	1.010	7.940	39.95	-.1037-01	205.9	1259.	92.49	.2215-01	.9773	3743.	.6482-03	.7443-07
670	1.020	7.940	39.97	-.1039-01	207.6	1258.	92.42	.2233-01	.9854	3742.	.6521-03	.7437-07

RUN NUMBER	HREF BTU/ R FT2SEC	STN NO REF (R)
669	.2424-01	.4040-01
670	.2434-01	.4021-01

TEST DATA

RUN NUMBER	2Y/BW	XW/CW	T/C NO	H/HREF R=1.0	H/HREF R=0.9	H/HREF R= TAW/TO	TAW/TO	H(TO) BTU/R FT2SEC	H(TAW) BTU/R FT2SEC	QDOT BTU/ FT2SEC	DTWDT DEG. R /SEC	TW DEG. R
670	.30000	.40000	1078.0	.6525-01	.7911-01	.7293-01	.9399	.1588-02	.1775-02	1.139	8.204	540.2
670	.30000	.50000	1079.0	.5043-01	.6116-01	.5679-01	.9361	.1227-02	.1382-02	.8798	6.545	540.8
670	.30000	.60000	1080.0	.4883-01	.5926-01	.5499-01	.9364	.1188-02	.1338-02	.8489	6.307	543.3
670	.30000	.70000	1081.0	.4813-01	.5841-01	.5429-01	.9356	.1171-02	.1321-02	.8373	6.021	542.9
670	.30000	.80000	1082.0	.5064-01	.6145-01	.5742-01	.9329	.1232-02	.1397-02	.8810	6.547	542.8
670	.30000	.90000	83.000	.5692-01	.6895-01	.6594-01	.9216	.1385-02	.1605-02	.9989	7.324	536.6
670	.30000	.95000	84.000	.5041-01	.6100-01	.5894-01	.9166	.1227-02	.1434-02	.8891	6.425	533.0
670	.40000	.60000	1092.0	.6821-01	.8284-01	.7668-01	.9374	.1660-02	.1866-02	1.182	7.972	545.7
670	.40000	.70000	1093.0	.6881-01	.8353-01	.7751-01	.9364	.1675-02	.1886-02	1.195	8.070	543.9
670	.40000	.75000	1094.0	.6810-01	.8264-01	.7698-01	.9344	.1657-02	.1874-02	1.185	8.801	542.9
670	.40000	.85000	95.000	.8163-01	.9905-01	.9377-01	.9264	.1987-02	.2282-02	1.421	10.74	542.6
670	.40000	.90000	96.000	.7037-01	.8532-01	.8223-01	.9177	.1713-02	.2001-02	1.229	10.55	540.0
670	.40000	.95000	97.000	.6013-01	.7283-01	.7075-01	.9140	.1463-02	.1722-02	1.055	8.576	536.8
670	.50000	.40000	1104.0	.8106-01	.9842-01	.9125-01	.9367	.1973-02	.2221-02	1.407	10.11	544.6
670	.50000	.60000	1105.0	.6466-01	.7852-01	.7287-01	.9361	.1574-02	.1773-02	1.121	7.798	545.3
670	.50000	.70000	1106.0	.4081-01	.4951-01	.4605-01	.9353	.9933-03	.1121-02	.7111	5.116	541.8
670	.50000	.90000	107.00	.9980-01	.1211	.1211	.9000	.2429-02	.2947-02	1.736	13.58	542.8
670	.60000	.40000	1116.0	.1144	.1390	.1286	.9377	.2784-02	.3129-02	1.977	13.74	547.7
670	.60000	.50000	1117.0	.1012	.1230	.1141	.9364	.2464-02	.2777-02	1.750	12.16	547.4

DATE 23 FEB 80

OH84B MODEL 50-0 IN THE AEDC VKF HYPERSONIC TUNNEL

PAGE 2184

OH84B 60-0 WING LOWER SURFACE

(R4UQ47)

RUN NUMBER	2Y/BW	XW/CW	T/C NO	H/HREF R=1.0	H/HREF R=0.9	H/HREF R= TAW/TO	TAW/TO	H(TO) BTU/R FT2SEC	H(TAW) BTU/R FT2SEC	QDOT BTU/ FT2SEC	DTWDT DEG. R /SEC	TW DEG. R
670	.60000	.60000	1118.0	.9187-01	.1116	.1035	.9361	.2236-02	.2520-02	1.593	11.08	545.2
670	.60000	.70000	1119.0	.7956-01	.9659-01	.9024-01	.9329	.1936-02	.2196-02	1.381	9.926	544.3
670	.60000	.80000	120.00	.8112-01	.9851-01	.9324-01	.9264	.1974-02	.2269-02	1.407	10.44	545.1
670	.60000	.85000	121.00	.9829-01	.1193	.1135	.9240	.2392-02	.2762-02	1.707	12.47	544.1
670	.60000	.90000	122.00	.9013-01	.1093	.1056	.9166	.2193-02	.2569-02	1.573	11.90	540.5
670	.60000	.95000	123.00	.6930-01	.8392-01	.8152-01	.9140	.1687-02	.1984-02	1.217	9.231	535.9
670	.70000	.40000	1130.0	.1219	.1480	.1373	.9366	.2967-02	.3341-02	2.118	13.48	544.0
670	.70000	.60000	131.00	.1109	.1346	.1249	.9361	.2699-02	.3041-02	1.927	12.26	543.8
670	.70000	.90000	132.00	.2297	.2794	.2691	.9177	.5591-02	.6548-02	3.958	28.36	549.7
669	.75000	.30000	138.00	.1418	.1721	.1593	.9374	.3437-02	.3862-02	2.458	15.65	543.4
669	.75000	.40000	139.00	.1213	.1473	.1364	.9372	.2940-02	.3307-02	2.098	13.74	545.1
669	.75000	.60000	140.00	.1073	.1304	.1304	.9000	.2602-02	.3161-02	1.852	12.49	546.8
669	.75000	.70000	1141.0	.9996-01	.1216	.1128	.9361	.2423-02	.2733-02	1.717	12.30	550.1
669	.75000	.80000	142.00	.1100	.1340	.1266	.9266	.2667-02	.3070-02	1.878	15.41	554.6
670	.75000	.90000	143.00	.9966-01	.1208	.1164	.9179	.2426-02	.2832-02	1.743	12.76	539.2
670	.75000	.95000	144.00	.6442-01	.7792-01	.7559-01	.9147	.1568-02	.1840-02	1.138	8.650	531.6
669	.80000	.20000	146.00	.1785	.2169	.2004	.9382	.4328-02	.4858-02	3.082	21.43	546.6
669	.80000	.40000	147.00	.1255	.1524	.1410	.9377	.3041-02	.3418-02	2.164	15.53	547.0
669	.80000	.90000	148.00	.1040	.1262	.1214	.9182	.2520-02	.2944-02	1.803	13.17	543.4
669	.90000	.30000	1155.0	.1664	.2025	.1868	.9388	.4035-02	.4528-02	2.853	20.43	551.5
669	.90000	.50000	156.00	.1359	.1652	.1652	.9000	.3294-02	.4005-02	2.335	16.73	549.8
669	.90000	.60000	1157.0	.1221	.1485	.1373	.9377	.2959-02	.3327-02	2.095	14.54	550.7
669	.90000	.80000	158.00	.1192	.1450	.1369	.9274	.2890-02	.3318-02	2.046	15.94	550.8
669	.90000	.90000	159.00	.9227-01	.1120	.1080	.9171	.2237-02	.2619-02	1.599	12.73	543.7
669	.95000	.30000	164.00	.1621	.1970	.1820	.9382	.3930-02	.4412-02	2.794	20.04	547.7
669	.95000	.50000	165.00	.1164	.1414	.1310	.9372	.2822-02	.3175-02	2.009	14.90	546.9
669	.95000	.70000	166.00	.1119	.1360	.1270	.9328	.2711-02	.3079-02	1.921	14.46	550.3
669	.95000	.80000	167.00	.1187	.1443	.1371	.9242	.2878-02	.3324-02	2.045	15.16	547.9
669	.95000	.90000	168.00	.8612-01	.1045	.1007	.9177	.2088-02	.2440-02	1.497	11.32	541.7

DATE 23 FEB 80

OH84B MODEL 60-0 IN THE AEDC VKF HYPERSONIC TUNNEL

PAGE 2185

OH84B 60-0 WING LOWER SURFACE

(R4UQ47)

WING LOWER SURF

PARAMETRIC DATA

MACH = 8.000 ALPHA = 40.00 BETA = .0000 ELEVON = 5.000
 BDFLAP = 8.000 SPDBRK = .0000

TEST CONDITIONS

RUN NUMBER	RN/L /FT X10 6	MACH	ALPHA DEG.	BETA DEG.	PO PSIA	TO DEG. R	T DEG. R	P PSIA	Q PSI	V FT/SEC	RHO SLUGS /FT3	MU LB-SEC /FT2
685	2.023	7.980	39.98	-.6930-02	434.5	1292.	94.03	.4523-01	2.016	3794.	.1298-02	.7567-07
686	1.998	7.980	39.98	-.6934-02	434.7	1303.	94.84	.4525-01	2.017	3810.	.1288-02	.7631-07

RUN NUMBER	HREF BTU/ R FT2SEC	STN NO REF (R) = .0175
685	.3497-01	.2858-01
686	.3503-01	.2872-01

TEST DATA

RUN NUMBER	2Y/BW	XW/CW	T/C NO	H/HREF R=1.0	H/HREF R=0.9	H/HREF R= TAW/TO	TAW/TO	H(TO) BTU/R FT2SEC	H(TAW) BTU/R FT2SEC	QDOT BTU/ FT2SEC	DTWOT DEG. R /SEC	TW DEG. R
686	.30000	.40000	1078.0	.6051-01	.7328-01	.6759-01	.9399	.2120-02	.2368-02	1.584	11.32	555.3
686	.30000	.50000	1079.0	.4771-01	.5779-01	.5369-01	.9362	.1671-02	.1881-02	1.248	9.212	556.0
686	.30000	.60000	1080.0	.5217-01	.6328-01	.5873-01	.9364	.1828-02	.2057-02	1.356	9.983	560.9
686	.30000	.70000	1081.0	.6617-01	.8030-01	.7463-01	.9356	.2318-02	.2614-02	1.715	12.21	562.6
686	.30000	.80000	1082.0	.8947-01	.1087	.1015	.9329	.3134-02	.3556-02	2.308	16.95	566.4
686	.30000	.90000	83.000	.9930-01	.1203	.1150	.9216	.3479-02	.4030-02	2.594	18.82	557.0
686	.30000	.95000	84.000	.9930-01	.1202	.1161	.9167	.3479-02	.4068-02	2.608	18.66	553.1
686	.40000	.60000	1092.0	.8286-01	.1007	.9318-01	.9375	.2903-02	.3264-02	2.136	14.26	566.7
686	.40000	.70000	1093.0	.9671-01	.1175	.1090	.9364	.3388-02	.3818-02	2.492	16.63	567.0
686	.40000	.75000	1094.0	.9992-01	.1214	.1131	.9344	.3501-02	.3961-02	2.574	18.89	567.4
686	.40000	.85000	95.000	.1329	.1617	.1529	.9264	.4657-02	.5358-02	3.414	25.45	569.7
686	.40000	.90000	96.000	.1226	.1490	.1435	.9177	.4294-02	.5028-02	3.153	26.68	568.6
686	.40000	.95000	97.000	.1181	.1434	.1392	.9140	.4137-02	.4878-02	3.052	24.47	564.9
686	.50000	.40000	1104.0	.8017-01	.9738-01	.9027-01	.9367	.2809-02	.3162-02	2.070	14.71	565.7
686	.50000	.60000	1105.0	.6953-01	.8446-01	.7837-01	.9362	.2436-02	.2746-02	1.796	12.37	565.5
686	.50000	.70000	1106.0	.3873-01	.4700-01	.4370-01	.9353	.1357-02	.1531-02	1.005	7.157	562.0
686	.50000	.90000	107.000	.2373	.2895	.2895	.9000	.8313-02	.1014-01	6.011	46.15	579.7
686	.60000	.40000	1116.0	.1183	.1439	.1331	.9378	.4145-02	.4661-02	3.034	20.84	570.8
686	.60000	.50000	1117.0	.1099	.1337	.1239	.9364	.3850-02	.4341-02	2.820	19.38	570.2

OH84B 60-0 WING LOWER SURFACE

(R4UQ47)

RUN NUMBER	2Y/BW	XW/CW	T/C NO	H/HREF R=1.0	H/HREF R=0.9	H/HREF R= TAW/TO	TAW/TO	H(TO) BTU/R FT2SEC	H(TAW) BTU/R FT2SEC	QDOT BTU/ FT2SEC	DTWDT DEG. R /SEC	TW DEG. R
686	.60000	.60000	1118.0	.9670-01	.1175	.1090	.9362	.3388-02	.3820-02	2.489	17.12	567.9
686	.60000	.70000	1119.0	.8105-01	.9847-01	.9197-01	.9329	.2840-02	.3222-02	2.091	14.86	566.2
686	.60000	.80000	120.00	.1956	.2387	.2255	.9264	.6852-02	.7902-02	4.945	36.05	581.0
686	.60000	.85000	121.00	.2679	.3271	.3106	.9240	.9385-02	.1088-01	6.753	48.37	583.2
686	.60000	.90000	122.00	.2578	.3145	.3034	.9167	.9032-02	.1063-01	6.530	48.44	579.7
686	.60000	.95000	123.00	.2108	.2565	.2489	.9140	.7386-02	.8720-02	5.407	40.30	570.5
686	.70000	.40000	1130.0	.1271	.1545	.1432	.9366	.4453-02	.5016-02	3.274	20.60	567.3
686	.70000	.60000	131.00	.1182	.1435	.1332	.9362	.4139-02	.4665-02	3.053	19.23	565.2
686	.70000	.90000	132.00	.3022	.3689	.3550	.9177	.1059-01	.1244-01	7.630	53.80	582.0
685	.75000	.30000	138.00	.1414	.1722	.1592	.9374	.4947-02	.5560-02	3.580	22.52	567.9
685	.75000	.40000	139.00	.1244	.1514	.1401	.9372	.4352-02	.4900-02	3.152	20.42	567.3
685	.75000	.60000	140.00	.1118	.1360	.1360	.9000	.3909-02	.4756-02	2.837	18.94	566.0
685	.75000	.70000	1141.0	.1067	.1300	.1205	.9361	.3733-02	.4215-02	2.692	19.09	570.4
685	.75000	.80000	142.00	.2626	.3222	.3038	.9266	.9185-02	.1063-01	6.420	51.71	592.7
686	.75000	.90000	143.00	.2542	.3005	.2970	.9180	.9000	.1043-01	6.407	50.77	573.2
686	.75000	.95000	144.00	.1746	.2119	.2054	.9147	.6116-02	.7197-02	4.522	33.82	563.3
685	.80000	.20000	146.00	.1772	.2161	.1993	.9383	.6198-02	.6972-02	4.452	30.54	573.4
685	.80000	.40000	147.00	.1274	.1553	.1434	.9378	.4454-02	.5016-02	3.201	22.67	573.1
685	.80000	.90000	148.00	.2975	.3632	.3491	.9183	.1040-01	.1221-01	7.421	53.28	578.3
685	.90000	.30000	1155.0	.1631	.1992	.1834	.9388	.5703-02	.6414-02	4.062	28.68	579.4
685	.90000	.50000	156.00	.1394	.1701	.1701	.9000	.4874-02	.5947-02	3.487	24.66	576.2
685	.90000	.60000	1157.0	.1228	.1498	.1383	.9378	.4296-02	.4838-02	3.079	21.11	574.8
685	.90000	.80000	158.00	.1816	.2221	.2093	.9275	.6352-02	.7319-02	4.502	34.51	582.9
685	.90000	.90000	159.00	.1985	.2426	.2337	.9172	.6942-02	.8172-02	4.936	38.56	580.7
685	.95000	.30000	164.00	.1586	.1934	.1784	.9383	.5548-02	.6239-02	3.993	28.29	572.1
685	.95000	.50000	165.00	.1165	.1419	.1313	.9372	.4076-02	.4591-02	2.947	21.61	568.7
685	.95000	.70000	166.00	.1417	.1731	.1613	.9329	.4956-02	.5642-02	3.536	26.24	578.3
685	.95000	.80000	167.00	.1642	.2004	.1902	.9242	.5743-02	.6653-02	4.109	30.03	576.2
685	.95000	.90000	168.00	.1292	.1573	.1515	.9177	.4519-02	.5298-02	3.264	24.33	569.4

DATE 23 FEB 80

OH84B MODEL 60-0 IN THE AEDC VKF HYPERSONIC TUNNEL

PAGE 2187

OH84B 60-0 WING LOWER SURFACE

(R4UQ47)

WING LOWER SURF

PARAMETRIC DATA

MACH = 8.000 ALPHA = 40.00 BETA = .0000 ELEVON = 5.000
 BDFLAP = 8.000 SPDBRK = .0000

TEST CONDITIONS

RUN NUMBER	RN/L /FT X10 6	MACH	ALPHA DEG.	BETA DEG.	PO PSIA	TO DEG. R	T DEG. R	P PSIA	Q PSI	V FT/SEC	RHO SLUGS /FT3	MU LB-SEC /FT2
703	2.990	7.990	40.01	-.6955-02	668.4	1324.	96.14	.6903-01	3.085	3841.	.1938-02	.7736-07
704	2.994	7.990	40.01	-.6953-02	669.4	1324.	96.14	.6913-01	3.089	3841.	.1941-02	.7736-07

RUN NUMBER	HREF BTU/ R FT2SEC	STN NO REF (R) = .0175
703	.4344-01	.2345-01
704	.4348-01	.2343-01

TEST DATA

RUN NUMBER	2Y/BW	XW/CW	T/C NO	H/HREF R=1.0	H/HREF R=0.9	H/HREF R= TAW/TO	TAW/TO	H(TO) BTU/R FT2SEC	H(TAW) BTU/R FT2SEC	QDOT BTU/ FT2SEC	DTWDT DEG. R /SEC	TW DEG. R
704	.30000	.40000	1078.0	.6588-01	.7991-01	.7364-01	.9400	.2864-02	.3202-02	2.159	15.32	569.8
704	.30000	.50000	1079.0	.6613-01	.8032-01	.7453-01	.9362	.2875-02	.3240-02	2.153	15.75	574.7
704	.30000	.60000	1080.0	.1032	.1258	.1165	.9364	.4487-02	.5065-02	3.307	24.04	586.5
704	.30000	.70000	1081.0	.1537	.1878	.1740	.9357	.6682-02	.7566-02	4.866	34.09	595.4
704	.30000	.80000	1082.0	.2126	.2604	.2424	.9330	.9241-02	.1054-01	6.664	48.07	602.5
704	.30000	.90000	83.000	.1921	.2338	.2233	.9217	.8350-02	.9707-02	6.190	44.36	582.3
704	.30000	.95000	84.000	.1858	.2259	.2180	.9167	.8079-02	.9478-02	6.034	42.65	576.8
704	.40000	.60000	1092.0	.1693	.2070	.1911	.9375	.7361-02	.8306-02	5.351	35.19	596.7
704	.40000	.70000	1093.0	.2170	.2654	.2454	.9364	.9434-02	.1067-01	6.850	45.03	597.5
704	.40000	.75000	1094.0	.2114	.2587	.2402	.9345	.9190-02	.1044-01	6.648	48.00	600.3
704	.40000	.85000	95.000	.2776	.3402	.3211	.9265	.1207-01	.1396-01	8.674	63.55	604.9
704	.40000	.90000	96.000	.2453	.3004	.2889	.9178	.1067-01	.1256-01	7.699	64.10	601.8
704	.40000	.95000	97.000	.2216	.2708	.2626	.9140	.9633-02	.1142-01	7.011	55.34	595.9
704	.50000	.40000	1104.0	.1074	.1308	.1211	.9368	.4669-02	.5266-02	3.449	24.29	584.9
704	.50000	.60000	1105.0	.1253	.1529	.1416	.9362	.5447-02	.6155-02	3.996	27.18	590.1
704	.50000	.70000	1106.0	.1051	.1282	.1190	.9354	.4570-02	.5172-02	3.364	23.65	587.7
704	.50000	.90000	107.00	.2572	.3147	.3147	.9000	.1118-01	.1368-01	8.100	61.60	599.3
704	.60000	.40000	1116.0	.1313	.1603	.1480	.9378	.5710-02	.6432-02	4.186	28.47	590.6
704	.60000	.50000	1117.0	.1313	.1603	.1484	.9364	.5710-02	.6450-02	4.184	28.46	590.8

OH84B 60-0 WING LOWER SURFACE

(R4UQ47)

RUN NUMBER	2Y/BW	XW/CW	T/C NO	H/HREF R=1.0	H/HREF R=0.9	H/HREF R= TAW/TO	TAW/TO	H(TO) BTU/R FT2SEC	H(TAW) BTU/R FT2SEC	QDOT BTU/ FT2SEC	DTWDT DEG. R /SEC	TW DEG. R
704	.60000	.60000	1118.0	.1284	.1565	.1450	.9362	.5581-02	.6304-02	4.109	27.99	587.5
704	.60000	.70000	1119.0	.1186	.1446	.1348	.9330	.5156-02	.5862-02	3.799	26.72	587.0
704	.60000	.80000	120.00	.3172	.3892	.3672	.9265	.1379-01	.1596-01	9.866	70.96	608.3
704	.60000	.85000	121.00	.3395	.4167	.3951	.9241	.1476-01	.1717-01	10.55	74.64	608.8
704	.60000	.90000	122.00	.2932	.3589	.3460	.9167	.1275-01	.1504-01	9.222	67.72	600.3
704	.60000	.95000	123.00	.2329	.2839	.2754	.9140	.1012-01	.1197-01	7.450	55.05	587.7
704	.70000	.40000	1130.0	.1385	.1688	.1563	.9367	.6023-02	.6794-02	4.449	27.74	585.0
704	.70000	.60000	131.00	.1345	.1638	.1518	.9362	.5849-02	.6601-02	4.333	27.05	582.8
704	.70000	.90000	132.00	.3653	.4482	.4308	.9178	.1588-01	.1873-01	11.37	79.12	608.0
703	.75000	.30000	138.00	.1484	.1812	.1673	.9375	.6445-02	.7268-02	4.709	29.25	593.1
703	.75000	.40000	139.00	.1287	.1572	.1452	.9373	.5591-02	.6308-02	4.086	26.13	592.9
703	.75000	.60000	140.00	.1199	.1464	.1464	.9000	.5208-02	.6359-02	3.808	25.09	592.5
703	.75000	.70000	1141.0	.1219	.1492	.1380	.9362	.5296-02	.5995-02	3.835	26.80	599.6
703	.75000	.80000	142.00	.3242	.4015	.3775	.9267	.1408-01	.1640-01	9.687	76.38	635.9
704	.75000	.90000	143.00	.3049	.3726	.3583	.9180	.1326-01	.1558-01	9.656	68.75	595.3
704	.75000	.95000	144.00	.2164	.2632	.2551	.9148	.9407-02	.1109-01	6.992	51.85	580.4
703	.80000	.20000	146.00	.1898	.2326	.2140	.9384	.8245-02	.9299-02	5.936	40.11	603.8
703	.80000	.40000	147.00	.1351	.1654	.1524	.9378	.5868-02	.6622-02	4.241	29.62	600.9
703	.80000	.90000	148.00	.3265	.4006	.3846	.9183	.1418-01	.1671-01	10.15	71.81	608.1
703	.90000	.30000	1155.0	.1792	.2201	.2021	.9389	.7785-02	.8782-02	5.543	38.52	611.6
703	.90000	.50000	156.00	.1467	.1800	.1800	.9000	.6374-02	.7819-02	4.565	31.78	607.5
703	.90000	.60000	1157.0	.1386	.1699	.1565	.9378	.6021-02	.6799-02	4.329	29.25	604.6
703	.90000	.80000	158.00	.3889	.4823	.4523	.9276	.1689-01	.1965-01	11.55	86.06	640.3
703	.90000	.90000	159.00	.3143	.3870	.3721	.9173	.1366-01	.1617-01	9.631	73.86	618.4
703	.95000	.30000	164.00	.1585	.1943	.1788	.9384	.6886-02	.7767-02	4.953	34.55	604.3
703	.95000	.50000	165.00	.1191	.1457	.1345	.9373	.5174-02	.5842-02	3.755	27.15	597.9
703	.95000	.70000	166.00	.2629	.3236	.3007	.9330	.1142-01	.1306-01	8.051	58.59	618.6
703	.95000	.80000	167.00	.3476	.4291	.4060	.9243	.1510-01	.1764-01	10.52	74.94	627.3
703	.95000	.90000	168.00	.2770	.3403	.3270	.9178	.1203-01	.1420-01	8.558	62.47	612.4

OH84B 60-0 WING LOWER SURFACE

(R40048)

WING LOWER SURF

PARAMETRIC DATA

MACH = 8.000 ALPHA = 40.00 BETA = .0000 ELEVON = 5.000
 BDFLAP = 15.00 SPOBRK = .0000

TEST CONDITIONS

RUN NUMBER	RN/L /FT X10 6	MACH	ALPHA DEG.	BETA DEG.	PO PSIA	TO DEG. R	T DEG. R	P PSIA	Q PSI	V FT/SEC	RHO SLUGS /FT3	MU LB-SEC /FT2
675	.5021	7.900	39.94	-.6904-02	100.2	1253.	92.91	.1114-01	.4866	3733.	.3235-03	.7477-07
676	.5094	7.900	39.93	-.6898-02	101.6	1252.	92.84	.1129-01	.4931	3732.	.3281-03	.7471-07

RUN NUMBER	HREF BTU/ R FT2SEC	STN NO REF (R)
675	.1709-01	.5706-01
676	.1720-01	.5666-01

TEST DATA

RUN NUMBER	2Y/BW	XW/CW	T/C NO	H/HREF R=1.0	H/HREF R=0.9	H/HREF R= TAW/TO	TAW/TO	H(TO) BTU/R FT2SEC	H(TAW) BTU/R FT2SEC	QDOT BTU/ FT2SEC	DTWOT DEG. R /SEC	TW DEG. R
676	.30000	.40000	1078.0	.6963-01	.8430-01	.7778-01	.9398	.1198-02	.1338-02	.8614	6.227	532.5
676	.30000	.50000	1079.0	.5314-01	.6435-01	.5980-01	.9360	.9140-03	.1029-02	.6564	4.900	533.5
676	.30000	.60000	1080.0	.4995-01	.6052-01	.5521-01	.9363	.8592-03	.9669-03	.6154	4.590	535.4
676	.30000	.70000	1081.0	.5018-01	.6080-01	.5655-01	.9355	.8632-03	.9728-03	.6186	4.466	535.0
676	.30000	.80000	1082.0	.5631-01	.6823-01	.6380-01	.9328	.9686-03	.1097-02	.6940	5.177	535.2
676	.30000	.90000	83.000	.5361-01	.6494-01	.6211-01	.9215	.9222-03	.1068-02	.6619	4.860	533.9
676	.30000	.95000	84.000	.4991-01	.6041-01	.5838-01	.9166	.8586-03	.1004-02	.6184	4.472	531.4
676	.40000	.60000	1092.0	.6477-01	.7853-01	.7276-01	.9373	.1114-02	.1252-02	.7955	5.388	537.6
676	.40000	.70000	1093.0	.6690-01	.8108-01	.7529-01	.9363	.1151-02	.1295-02	.8233	5.581	536.2
676	.40000	.75000	1094.0	.6268-01	.7597-01	.7082-01	.9343	.1078-02	.1218-02	.7711	5.749	536.4
676	.40000	.85000	95.000	.7382-01	.8954-01	.8479-01	.9263	.1270-02	.1458-02	.9055	6.858	538.6
676	.40000	.90000	96.000	.6535-01	.7921-01	.7635-01	.9176	.1124-02	.1313-02	.8042	6.918	536.3
676	.40000	.95000	97.000	.5670-01	.6868-01	.6672-01	.9139	.9752-03	.1148-02	.6997	5.697	534.2
676	.50000	.40000	1104.0	.7737-01	.9384-01	.8706-01	.9366	.1331-02	.1498-02	.9489	6.838	538.6
676	.50000	.60000	1105.0	.6648-01	.8062-01	.7488-01	.9360	.1144-02	.1288-02	.8163	5.700	537.9
676	.50000	.70000	1106.0	.3747-01	.4542-01	.4227-01	.9352	.6446-03	.7270-03	.4610	3.326	536.5
676	.50000	.90000	107.00	.6159-01	.7465-01	.7465-01	.9000	.1060-02	.1284-02	.7583	5.952	536.0
676	.60000	.40000	1116.0	.1110	.1347	.1247	.9377	.1910-02	.2145-02	1.359	9.481	540.1
676	.60000	.50000	1117.0	.1004	.1218	.1131	.9363	.1727-02	.1945-02	1.229	8.577	539.8

DATE 23 FEB 80

OH84B MODEL 60-0 IN THE AEDC VKF HYPERSONIC TUNNEL

PAGE 2190

OH84B 60-0 WING LOWER SURFACE

(R4UQ48)

RUN NUMBER	2Y/BW	XW/CW	T/C NO	H/HREF R=1.0	H/HREF R=0.9	H/HREF R= TAW/TO	TAW/TO	H(TO) BTU/R FT2SEC	H(TAW) BTU/R FT2SEC	QDOT BTU/ FT2SEC	DTWDT DEG. R /SEC	TW DEG. R
676	.60000	.60000	1118.0	.8695-01	.1055	.9796-01	.9360	.1496-02	.1685-02	1.066	7.439	539.1
676	.60000	.70000	1119.0	.7124-01	.8641-01	.8077-01	.9328	.1225-02	.1389-02	.8735	6.294	538.8
676	.60000	.80000	120.00	.5983-01	.7259-01	.6873-01	.9263	.1029-02	.1182-02	.7330	5.456	539.4
676	.60000	.85000	121.00	.8227-01	.9981-01	.9497-01	.9239	.1415-02	.1634-02	1.008	7.379	539.5
676	.60000	.90000	122.00	.7824-01	.9485-01	.9163-01	.9166	.1346-02	.1576-02	.9618	7.290	537.0
676	.60000	.95000	123.00	.5969-01	.7230-01	.7024-01	.9139	.1027-02	.1208-02	.7372	5.596	533.7
676	.70000	.40000	1130.0	.1188	.1441	.1337	.9365	.2043-02	.2300-02	1.456	9.290	539.1
676	.70000	.60000	131.00	.1109	.1344	.1249	.9360	.1907-02	.2148-02	1.362	8.694	537.7
676	.70000	.90000	132.00	.2224	.2702	.2604	.9176	.3826-02	.4479-02	2.707	19.45	544.2
676	.70000	.30000	138.00	.1432	.1737	.1609	.9374	.2448-02	.2750-02	1.748	11.16	538.5
675	.75000	.30000	138.00	.1432	.1737	.1609	.9374	.2448-02	.2750-02	1.748	11.16	538.5
675	.75000	.40000	139.00	.1211	.1468	.1361	.9371	.2069-02	.2325-02	1.479	9.723	537.8
675	.75000	.60000	140.00	.1080	.1309	.1309	.9000	.1846-02	.2238-02	1.320	8.944	537.3
675	.75000	.70000	1141.0	.9182-01	.1114	.1035	.9361	.1569-02	.1768-02	1.117	8.040	540.9
675	.75000	.80000	142.00	.1019	.1237	.1170	.9265	.1741-02	.2000-02	1.237	10.21	542.4
676	.75000	.90000	143.00	.8983-01	.1089	.1049	.9178	.1545-02	.1805-02	1.103	8.084	537.7
676	.75000	.95000	144.00	.5916-01	.7159-01	.6946-01	.9146	.1018-02	.1195-02	.7333	5.575	531.0
675	.80000	.20000	146.00	.1718	.2086	.1928	.9382	.2936-02	.3295-02	2.084	14.52	542.7
675	.80000	.40000	147.00	.1264	.1534	.1420	.9377	.2160-02	.2426-02	1.539	11.08	540.3
675	.80000	.90000	148.00	.9761-01	.1183	.1139	.9182	.1668-02	.1947-02	1.193	8.746	537.3
675	.90000	.30000	1155.0	.1614	.1962	.1810	.9388	.2758-02	.3094-02	1.948	13.98	546.4
675	.90000	.50000	156.00	.1372	.1666	.1666	.9000	.2345-02	.2847-02	1.666	11.99	542.2
675	.90000	.60000	1157.0	.1164	.1413	.1308	.9377	.1989-02	.2235-02	1.413	9.848	542.2
675	.90000	.80000	158.00	.1139	.1383	.1306	.9274	.1947-02	.2233-02	1.385	10.84	541.2
675	.90000	.90000	159.00	.9290-01	.1127	.1087	.9171	.1588-02	.1858-02	1.134	9.049	538.4
675	.95000	.30000	164.00	.1566	.1901	.1758	.9382	.2677-02	.3004-02	1.902	13.68	542.1
675	.95000	.50000	165.00	.1182	.1434	.1329	.9371	.2020-02	.2271-02	1.441	10.73	539.3
675	.95000	.70000	166.00	.1072	.1302	.1216	.9328	.1833-02	.2079-02	1.305	9.869	540.8
675	.95000	.80000	167.00	.1153	.1400	.1331	.9241	.1971-02	.2275-02	1.403	10.44	540.7
675	.95000	.90000	168.00	.8117-01	.9844-01	.9488-01	.9176	.1387-02	.1621-02	.9902	7.498	538.8

DATE 23 FEB 80

OH84B MODEL 60-0 IN THE AEDC VKF HYPERSONIC TUNNEL

PAGE 2191

OH84B 60-0 WING LOWER SURFACE

(R4UQ48)

WING LOWER SURF

PARAMETRIC DATA

MACH = 8.000 ALPHA = 40.00 BETA = .0000 ELEVON = 5.000
 BDFLAP = 15.00 SPOBRK = .0000

TEST CONDITIONS

RUN NUMBER	RN/L /FT X10 6	MACH	ALPHA DEG.	BETA DEG.	PO PSIA	TO DEG. R	T DEG. R	P PSIA	Q PSI	V FT/SEC	RHO SLUGS /FT3	MU LB-SEC /FT2
673	1.003	7.940	39.97	-.6929-02	205.6	1264.	92.86	.2211-01	.9759	3751.	.6427-03	.7472-07
674	1.007	7.940	39.97	-.1039-01	206.5	1264.	92.86	.2221-01	.9801	3751.	.6456-03	.7472-07

RUN NUMBER	HREF BTU/ R FT2SEC	STN NO REF (R) = .0175
673	.2424-01	.4052-01
674	.2429-01	.4043-01

TEST DATA

RUN NUMBER	2Y/BW	XW/CW	T/C NO	H/HREF R=1.0	H/HREF R=0.9	H/HREF R= TAW/TO	TAW/TO	H(TO) BTU/R FT2SEC	H(TAW) BTU/R FT2SEC	QDOT BTU/ FT2SEC	DTWDT DEG. R /SEC	TW DEG. R
674	.30000	.40000	1078.0	.6689-01	.8100-01	.7471-01	.9399	.1625-02	.1815-02	1.178	8.494	538.4
674	.30000	.50000	1079.0	.4931-01	.5975-01	.5550-01	.9361	.1198-02	.1348-02	.8669	6.451	540.0
674	.30000	.60000	1080.0	.4734-01	.5740-01	.5329-01	.9364	.1150-02	.1294-02	.8293	6.163	542.5
674	.30000	.70000	1081.0	.4703-01	.5701-01	.5301-01	.9356	.1142-02	.1288-02	.8242	5.928	542.2
674	.30000	.80000	1082.0	.5102-01	.6185-01	.5781-01	.9329	.1239-02	.1404-02	.8937	6.642	542.5
674	.30000	.90000	83.000	.5620-01	.6803-01	.6507-01	.9216	.1365-02	.1581-02	.9920	7.271	537.1
674	.30000	.95000	84.000	.5010-01	.6058-01	.5854-01	.9166	.1217-02	.1422-02	.8884	6.418	533.6
674	.40000	.60000	1092.0	.6653-01	.8073-01	.7476-01	.9374	.1616-02	.1816-02	1.161	7.833	545.3
674	.40000	.70000	1093.0	.6775-01	.8216-01	.7626-01	.9364	.1646-02	.1853-02	1.185	8.006	543.3
674	.40000	.75000	1094.0	.6696-01	.8119-01	.7565-01	.9344	.1627-02	.1838-02	1.173	8.714	542.7
674	.40000	.85000	95.000	.8062-01	.9777-01	.9257-01	.9264	.1958-02	.2249-02	1.411	10.66	543.2
674	.40000	.90000	96.000	.6940-01	.8409-01	.8105-01	.9177	.1686-02	.1969-02	1.219	10.46	540.6
674	.40000	.95000	97.000	.5932-01	.7182-01	.6977-01	.9140	.1441-02	.1695-02	1.046	8.505	537.5
674	.50000	.40000	1104.0	.8071-01	.9791-01	.9081-01	.9367	.1961-02	.2206-02	1.410	10.13	544.4
674	.50000	.60000	1105.0	.6360-01	.7717-01	.7165-01	.9361	.1545-02	.1740-02	1.110	7.726	545.1
674	.50000	.70000	1106.0	.3973-01	.4816-01	.4481-01	.9353	.9652-03	.1089-02	.6968	5.013	541.7
674	.50000	.90000	107.00	.9832-01	.1192	.1192	.9000	.2388-02	.2896-02	1.721	13.46	543.2
674	.60000	.40000	1116.0	.1121	.1362	.1260	.9378	.2724-02	.3060-02	1.950	13.55	547.8
674	.60000	.50000	1117.0	.1020	.1239	.1149	.9364	.2478-02	.2792-02	1.775	12.34	547.3

OH84B 60-0 WING LOWER SURFACE

(R4U048)

RUN NUMBER	2Y/BW	XW/CW	T/C NO	H/HREF R=1.0	H/HREF R=0.9	H/HREF R= TAW/TO	TAW/TO	H(TO) BTU/R FT2SEC	H(TAW) BTU/R FT2SEC	QDOT BTU/ FT2SEC	DTWDT DEG. R /SEC	TW DEG. R
674	.60000	.60000	1118.0	.9157-01	.1111	.1032	.9361	.2225-02	.2506-02	1.599	11.12	545.0
674	.60000	.70000	1119.0	.7830-01	.9498-01	.8876-01	.9329	.1902-02	.2156-02	1.368	9.831	544.4
674	.60000	.80000	120.00	.7931-01	.9625-01	.9111-01	.9264	.1927-02	.2213-02	1.383	10.26	545.7
674	.60000	.85000	121.00	.9768-01	.1185	.1127	.9240	.2373-02	.2739-02	1.706	12.46	544.7
674	.60000	.90000	122.00	.8838-01	.1071	.1035	.9166	.2147-02	.2513-02	1.551	11.73	541.1
674	.60000	.95000	123.00	.6817-01	.8250-01	.8015-01	.9140	.1656-02	.1947-02	1.204	9.129	536.4
674	.70000	.40000	1130.0	.1210	.1468	.1362	.9366	.2939-02	.3308-02	2.114	13.45	544.4
674	.70000	.60000	131.00	.1109	.1346	.1250	.9361	.2695-02	.3035-02	1.939	12.34	544.2
674	.70000	.90000	132.00	.2303	.2799	.2696	.9177	.5594-02	.6549-02	3.989	28.57	550.7
673	.75000	.30000	138.00	.1422	.1725	.1598	.9374	.3448-02	.3873-02	2.482	15.80	543.7
673	.75000	.40000	139.00	.1208	.1466	.1358	.9372	.2928-02	.3291-02	2.105	13.78	544.9
673	.75000	.60000	140.00	.1070	.1298	.1298	.9000	.2593-02	.3147-02	1.860	12.54	546.4
673	.75000	.70000	1141.0	.9853-01	.1197	.1111	.9361	.2388-02	.2692-02	1.705	12.22	549.7
673	.75000	.80000	142.00	.1085	.1320	.1248	.9266	.2630-02	.3025-02	1.866	15.32	554.2
674	.75000	.90000	143.00	.9926-01	.1203	.1159	.9179	.2411-02	.2815-02	1.745	12.77	540.1
674	.75000	.95000	144.00	.5422-01	.7753-01	.7532-01	.9147	.1560-02	.1830-02	1.141	8.672	532.1
673	.80000	.20000	146.00	.1780	.2162	.1998	.9383	.4316-02	.4843-02	3.092	21.49	547.2
673	.80000	.40000	147.00	.1254	.1523	.1409	.9378	.3040-02	.3415-02	2.178	15.63	547.2
673	.80000	.90000	148.00	.1034	.1254	.1207	.9183	.2506-02	.2926-02	1.806	13.19	543.3
673	.90000	.30000	1155.0	.1663	.2022	.1866	.9388	.4031-02	.4523-02	2.870	20.54	551.8
673	.90000	.50000	156.00	.1355	.1646	.1646	.9000	.3283-02	.3990-02	2.344	16.79	549.9
673	.90000	.60000	1157.0	.1165	.1416	.1309	.9378	.2824-02	.3173-02	2.015	13.99	549.9
673	.90000	.80000	158.00	.1186	.1441	.1361	.9275	.2874-02	.3298-02	2.050	15.97	550.5
673	.90000	.90000	159.00	.9340-01	.1133	.1093	.9172	.2264-02	.2649-02	1.630	12.98	543.5
673	.95000	.30000	164.00	.1619	.1966	.1817	.9383	.3924-02	.4403-02	2.809	20.15	547.8
673	.95000	.50000	165.00	.1143	.1387	.1285	.9372	.2770-02	.3114-02	1.987	14.74	546.4
673	.95000	.70000	166.00	.1104	.1341	.1252	.9329	.2675-02	.3036-02	1.910	14.38	549.7
673	.95000	.80000	167.00	.1184	.1437	.1367	.9242	.2869-02	.3312-02	2.054	15.23	547.7
673	.95000	.90000	168.00	.8524-01	.1033	.9958-01	.9177	.2066-02	.2414-02	1.492	11.28	541.4

OH84B 60-0 WING LOWER SURFACE

(R4048)

WING LOWER SURF

PARAMETRIC DATA

MACH = 8.000 ALPHA = 40.00 BETA = .0000 ELEVON = 5.000
 BOFLAP = 15.00 SPDBRK = .0000

TEST CONDITIONS

RUN NUMBER	RN/L /FT X10 6	MACH	ALPHA DEG.	BETA DEG.	PO PSIA	TO DEG. R	T DEG. R	P PSIA	Q PSI	V FT/SEC	RHO SLUGS /FT3	MU LB-SEC /FT2
691	1.993	7.980	39.99	-.6942-02	434.6	1305.	94.98	.4524-01	2.017	3813.	.1286-02	.7643-07
692	2.004	7.980	40.00	-.6947-02	436.0	1303.	94.84	.4539-01	2.023	3810.	.1292-02	.7631-07

RUN NUMBER	HREF BTU/ R FT2SEC	STN NO REF (R) = .0175
691	.3504-01	.2875-01
692	.3509-01	.2867-01

TEST DATA

RUN NUMBER	2Y/BW	XW/CW	T/C NO	H/HREF R=1.0	H/HREF R=0.9	H/HREF R= TAW/TO	TAW/TO	H(TO) BTU/R FT2SEC	H(TAW) BTU/R FT2SEC	QDOT BTU/ FT2SEC	DTWOT DEG. R /SEC	TW DEG. R
692	.30000	.40000	1078.0	.6038-01	.7323-01	.6749-01	.9400	.2119-02	.2368-02	1.573	11.21	560.2
692	.30000	.50000	1079.0	.4725-01	.5731-01	.5321-01	.9362	.1658-02	.1867-02	1.229	9.050	561.1
692	.30000	.60000	1080.0	.5133-01	.6236-01	.5783-01	.9364	.1801-02	.2029-02	1.326	9.738	566.3
692	.30000	.70000	1081.0	.6414-01	.7797-01	.7240-01	.9357	.2250-02	.2540-02	1.653	11.73	568.3
692	.30000	.80000	1082.0	.8240-01	.1003	.9360-01	.9330	.2891-02	.3284-02	2.110	15.44	572.8
692	.30000	.90000	83.000	.9737-01	.1181	.1129	.9217	.3416-02	.3962-02	2.530	18.31	562.1
692	.30000	.95000	84.000	.9852-01	.1194	.1153	.9167	.3457-02	.4046-02	2.574	18.37	558.0
692	.40000	.60000	1092.0	.9301-01	.1010	.9343-01	.9375	.2912-02	.3278-02	2.126	11.15	572.7
692	.40000	.70000	1093.0	.9729-01	.1184	.1097	.9364	.3414-02	.3850-02	2.492	16.58	572.6
692	.40000	.75000	1094.0	.1006	.1225	.1139	.9345	.3530-02	.3998-02	2.575	18.85	573.1
692	.40000	.85000	95.000	.1322	.1611	.1523	.9264	.4639-02	.5343-02	3.373	25.08	575.4
692	.40000	.90000	96.000	.1221	.1486	.1431	.9178	.4282-02	.5020-02	3.120	26.33	574.1
692	.40000	.95000	97.000	.1172	.1426	.1384	.9140	.4112-02	.4854-02	3.012	24.09	570.1
692	.50000	.40000	1104.0	.8092-01	.9846-01	.9120-01	.9367	.2839-02	.3200-02	2.076	14.72	571.4
692	.50000	.60000	1105.0	.6977-01	.8490-01	.7872-01	.9362	.2448-02	.2762-02	1.790	12.29	571.4
692	.50000	.70000	1106.0	.3800-01	.4618-01	.4292-01	.9353	.1333-02	.1506-02	.9806	6.966	567.2
692	.50000	.90000	107.00	.2364	.2889	.2889	.9000	.8294-02	.1014-01	5.943	45.48	586.2
692	.60000	.40000	1116.0	.1182	.1440	.1330	.9378	.4146-02	.4667-02	3.008	20.60	577.1
692	.60000	.50000	1117.0	.1099	.1339	.1241	.9364	.3857-02	.4353-02	2.801	19.19	576.4

OH84B 60-0 WING LOWER SURFACE

(R4UQ48)

RUN NUMBER	2Y/BW	XW/CW	T/C NO	H/HREF R=1.0	H/HREF R=0.9	H/HREF R= TAW/TO	TAW/TO	H(TO) BTU/R FT2SEC	H(TAW) BTU/R FT2SEC	QDOT BTU/ FT2SEC	DTWDT DEG. R /SEC	TW DEG. R
692	.60000	.60000	1118.0	.9769-01	.1190	.1103	.9362	.3428-02	.3869-02	2.498	17.14	573.7
692	.60000	.70000	1119.0	.8119-01	.9880-01	.9221-01	.9330	.2849-02	.3235-02	2.081	14.75	571.9
692	.60000	.80000	120.00	.1801	.2202	.2080	.9264	.6320-02	.7296-02	4.527	32.91	586.4
692	.60000	.85000	121.00	.2607	.3190	.3028	.9241	.9148-02	.1062-01	6.521	46.55	589.8
692	.60000	.90000	122.00	.2547	.3113	.3002	.9167	.8937-02	.1053-01	6.403	47.34	586.2
692	.60000	.95000	123.00	.1981	.2415	.2343	.9140	.6950-02	.8220-02	5.035	37.38	578.1
692	.70000	.40000	1130.0	.1279	.1557	.1442	.9366	.4487-02	.5060-02	3.272	20.52	573.5
692	.70000	.60000	131.00	.1179	.1434	.1330	.9362	.4135-02	.4665-02	3.026	19.00	571.0
692	.70000	.90000	132.00	.3048	.3729	.3587	.9178	.1069-01	.1258-01	7.626	53.57	589.6
691	.75000	.30000	138.00	.1436	.1748	.1617	.9375	.5032-02	.5664-02	3.679	23.07	573.6
691	.75000	.40000	139.00	.1235	.1503	.1390	.9373	.4326-02	.4872-02	3.161	20.41	573.9
691	.75000	.60000	140.00	.1112	.1354	.1354	.9000	.3897-02	.4743-02	2.851	18.97	573.0
691	.75000	.70000	1141.0	.1082	.1319	.1222	.9362	.3792-02	.4283-02	2.756	19.47	577.8
691	.75000	.80000	142.00	.2490	.3055	.2881	.9267	.8726-02	.1010-01	6.157	49.43	599.1
692	.75000	.90000	143.00	.2525	.3080	.2963	.9180	.8859-02	.1039-01	6.407	45.98	579.5
692	.75000	.95000	144.00	.1719	.2090	.2026	.9148	.6032-02	.7108-02	4.427	33.02	568.9
691	.80000	.20000	146.00	.1787	.2178	.2010	.9383	.6260-02	.7041-02	4.542	31.07	579.2
691	.80000	.40000	147.00	.1282	.1563	.1444	.9378	.4493-02	.5059-02	3.259	23.01	579.3
691	.80000	.90000	148.00	.2894	.3535	.3397	.9183	.1014-01	.1190-01	7.299	52.24	584.8
691	.90000	.30000	1155.0	.1642	.2006	.1847	.9389	.5753-02	.6471-02	4.139	29.14	585.3
691	.90000	.50000	156.00	.1394	.1701	.1701	.9000	.4894-02	.5961-02	3.527	24.86	582.6
691	.90000	.60000	1157.0	.1271	.1552	.1432	.9378	.4455-02	.5019-02	3.218	21.98	582.3
691	.90000	.80000	158.00	.2053	.2514	.2368	.9275	.7192-02	.8296-02	5.111	38.96	594.1
691	.90000	.90000	159.00	.2326	.2843	.2738	.9172	.8148-02	.9594-02	5.839	45.45	588.1
691	.95000	.30000	164.00	.1592	.1940	.1790	.9383	.5577-02	.6272-02	4.050	28.60	578.5
691	.95000	.50000	165.00	.1172	.1427	.1320	.9373	.4106-02	.4625-02	2.995	21.90	575.2
691	.95000	.70000	166.00	.1507	.1841	.1716	.9329	.5280-02	.6011-02	3.795	28.07	585.8
691	.95000	.80000	167.00	.1797	.2195	.2083	.9243	.6295-02	.7298-02	4.525	32.91	585.8
691	.95000	.90000	168.00	.1516	.1848	.1779	.9178	.5311-02	.6233-02	3.852	28.58	579.4

DATE 23 FEB 80

OH848 MODEL 60-0 IN THE AEDC VKF HYPERSONIC TUNNEL

PAGE 2195

OH848 60-0 WING LOWER SURFACE

(R4UQ48)

WING LOWER SURF

PARAMETRIC DATA

MACH = 8.000 ALPHA = 40.00 BETA = .0000 ELEVON = 5.000
BDFLAP = 15.00 SPDBRK = .0000

TEST CONDITIONS

Table with 13 columns: RUN NUMBER, RN/L /FT, MACH, ALPHA DEG., BETA DEG., PO PSIA, TO DEG. R, T DEG. R, P PSIA, Q PSI, V FT/SEC, RHO SLUGS /FT3, MU LB-SEC /FT2. Rows 697 and 698.

Table with 3 columns: RUN NUMBER, HREF BTU/ R FT2SEC, STN NO REF (R) = .0175. Rows 697 and 698.

TEST DATA

Table with 13 columns: RUN NUMBER, 2Y/BW, XW/CW, T/C NO, H/HREF R=1.0, H/HREF R=0.9, H/HREF R= TAW/TO, TAW/TO, H(TO) BTU/R FT2SEC, H(TAW) BTU/R FT2SEC, QDOT BTU/ FT2SEC, DTWOT DEG. R /SEC, TW DEG. R. Rows 698-858.

DATE 23 FEB 80

OH84B MODEL 60-0 IN THE AEDC VKF HYPERSONIC TUNNEL

PAGE 2196

OH84B 60-0 WING LOWER SURFACE

(R4UQ48)

RUN NUMBER	ZY/BW	XW/CW	T/C NO	H/HREF	H/HREF	H/HREF	TAW/TO	H(TO)	H(TAW)	QDOT	DTWDT	TW
				R=1.0	R=0.9	R= TAW/TO		BTU/R FT2SEC	BTU/R FT2SEC	BTU/ FT2SEC	DEG. R /SEC	DEG. R
698	.60000	.60000	1118.0	.1283	.1565	.1450	.9362	.5575-02	.6299-02	4.089	27.85	588.1
698	.60000	.70000	1119.0	.1192	.1453	.1355	.9330	.5177-02	.5887-02	3.800	26.72	587.7
698	.60000	.80000	120.00	.3186	.3913	.3690	.9265	.1384-01	.1603-01	9.859	70.87	609.6
698	.60000	.85000	121.00	.3395	.4170	.3952	.9241	.1475-01	.1717-01	10.50	74.18	610.2
699	.60000	.90000	122.00	.2936	.3597	.3466	.9167	.1276-01	.1506-01	9.183	67.38	601.9
699	.60000	.95000	123.00	.2325	.2837	.2752	.9141	.1010-01	.1196-01	7.395	54.59	589.6
699	.70000	.40000	1130.0	.1364	.1662	.1539	.9367	.5924-02	.6686-02	4.359	27.17	586.0
699	.70000	.60000	131.00	.1333	.1624	.1505	.9362	.5794-02	.6541-02	4.278	26.70	583.3
699	.70000	.90000	132.00	.3661	.4496	.4320	.9178	.1591-01	.1877-01	11.33	78.78	609.7
699	.70000	.30000	138.00	.1471	.1795	.1658	.9375	.6390-02	.7204-02	4.673	29.06	590.4
697	.75000	.40000	139.00	.1298	.1584	.1464	.9373	.5639-02	.6360-02	4.123	26.40	590.4
697	.75000	.60000	140.00	.1218	.1487	.1487	.9000	.5292-02	.6459-02	3.872	25.54	590.1
697	.75000	.70000	1141.0	.1225	.1498	.1397	.9362	.5323-02	.6024-02	3.857	27.00	597.0
697	.75000	.80000	142.00	.3255	.4028	.3788	.9267	.1414-01	.1646-01	9.740	76.91	633.0
698	.75000	.90000	143.00	.3050	.3731	.3587	.9180	.1325-01	.1559-01	9.599	68.28	597.4
698	.75000	.95000	144.00	.2166	.2638	.2556	.9148	.9412-02	.1110-01	6.953	51.50	582.8
697	.80000	.20000	146.00	.1903	.2330	.2146	.9383	.8269-02	.9322-02	5.967	40.40	600.1
697	.80000	.40000	147.00	.1358	.1662	.1532	.9378	.5901-02	.6657-02	4.269	29.86	598.2
697	.80000	.90000	148.00	.3263	.4001	.3842	.9183	.1418-01	.1669-01	10.15	71.93	605.4
697	.90000	.30000	1155.0	.1771	.2174	.1997	.9389	.7695-02	.8678-02	5.487	38.19	608.5
697	.90000	.50000	156.00	.1481	.1816	.1816	.9000	.6435-02	.7890-02	4.613	32.17	604.8
697	.90000	.60000	1157.0	.1406	.1723	.1588	.9378	.6111-02	.6898-02	4.399	29.75	601.9
697	.90000	.80000	158.00	.3889	.4821	.4523	.9275	.1690-01	.1965-01	11.56	86.28	637.6
697	.90000	.90000	159.00	.3154	.3881	.3732	.9172	.1370-01	.1622-01	9.666	74.20	616.2
697	.95000	.30000	164.00	.1596	.1955	.1799	.9383	.6933-02	.7818-02	4.993	34.87	601.5
697	.95000	.50000	165.00	.1186	.1450	.1339	.9373	.5153-02	.5817-02	3.743	27.09	595.3
697	.95000	.70000	166.00	.2644	.3254	.3024	.9330	.1149-01	.1314-01	8.100	59.01	616.6
697	.95000	.80000	167.00	.3485	.4301	.4070	.9243	.1514-01	.1768-01	10.54	75.21	625.3
697	.95000	.90000	168.00	.2773	.3406	.3273	.9178	.1205-01	.1422-01	8.566	62.58	610.6

DATE 23 FEB 80

OH84B MODEL 60-0 IN THE AEDC VKF HYPERSONIC TUNNEL

PAGE 2197

OH84B 60-0 WING LOWER SURFACE

(R4UQ49)

WING LOWER SURF

PARAMETRIC DATA

MACH = 8.000 ALPHA = 40.00 BETA = .0000 ELEVON = 5.000
 BDFLAP = 23.50 SPDBRK = .0000

TEST CONDITIONS

RUN NUMBER	RN/L /FT X10 6	MACH	ALPHA DEG.	BETA DEG.	PO PSIA	TO DEG. R	T DEG. R	P PSIA	Q PSI	V FT/SEC	RHO SLUGS /FT3	MU LB-SEC /FT2
677	.5060	7.900	39.96	-.6920-02	101.1	1254.	92.99	.1124-01	.4909	3735.	.3262-03	.7483-07
678	.5076	7.900	39.96	-.1038-01	101.4	1254.	92.99	.1127-01	.4925	3735.	.3272-03	.7483-07

RUN NUMBER	HREF BTU/ R FT2SEC	STN NO REF (R) = .0175
677	.1717-01	.5684-01
678	.1720-01	.5675-01

TEST DATA

RUN NUMBER	2Y/BW	XW/CW	T/C NO	H/HREF R=1.0	H/HREF R=0.9	H/HREF R= TAW/TO	TAW/TO	H(TO) BTU/R FT2SEC	H(TAW) BTU/R FT2SEC	QDOT BTU/ FT2SEC	DTWOT DEG. R /SEC	TW DEG. R
678	.30000	.40000	1078.0	.6908-01	.8368-01	.7717-01	.9399	.1188-02	.1327-02	.8532	6.159	535.3
678	.30000	.50000	1079.0	.5288-01	.6408-01	.5953-01	.9361	.9094-03	.1024-02	.6528	4.868	535.9
678	.30000	.60000	1080.0	.4899-01	.5939-01	.5513-01	.9363	.8424-03	.9481-03	.6030	4.492	537.9
678	.30000	.70000	1081.0	.4841-01	.5869-01	.5457-01	.9356	.8325-03	.9384-03	.5961	4.298	537.6
678	.30000	.80000	1082.0	.5515-01	.6685-01	.6249-01	.9329	.9484-03	.1075-02	.6792	5.060	537.5
678	.30000	.90000	83.000	.5339-01	.6466-01	.6184-01	.9216	.9181-03	.1063-02	.6604	4.847	534.4
678	.30000	.95000	84.000	.5275-01	.6384-01	.6169-01	.9166	.9072-03	.1061-02	.6547	4.734	532.0
678	.40000	.60000	1092.0	.6413-01	.7780-01	.7205-01	.9374	.1103-02	.1239-02	.7866	5.320	540.3
678	.40000	.70000	1093.0	.6666-01	.8084-01	.7504-01	.9363	.1146-02	.1290-02	.8195	5.547	538.8
678	.40000	.75000	1094.0	.6341-01	.7689-01	.7165-01	.9344	.1090-02	.1232-02	.7794	5.803	538.8
678	.40000	.85000	95.000	.7311-01	.8868-01	.8397-01	.9264	.1257-02	.1444-02	.8972	6.790	540.0
678	.40000	.90000	96.000	.6481-01	.7856-01	.7572-01	.9177	.1114-02	.1302-02	.7979	6.858	537.7
678	.40000	.95000	97.000	.5596-01	.6778-01	.6585-01	.9139	.9623-03	.1132-02	.6916	5.629	534.9
678	.50000	.40000	1104.0	.7782-01	.9443-01	.8758-01	.9367	.1238-02	.1506-02	.9539	6.866	540.9
678	.50000	.60000	1105.0	.6632-01	.8046-01	.7471-01	.9361	.1140-02	.1285-02	.8132	5.671	540.6
678	.50000	.70000	1106.0	.3681-01	.4463-01	.4152-01	.9353	.6329-03	.7140-03	.4525	3.261	538.7
678	.50000	.90000	107.00	.6122-01	.7421-01	.7421-01	.9000	.1053-02	.1276-02	.7542	5.916	537.3
678	.60000	.40000	1116.0	.1094	.1328	.1229	.9377	.1882-02	.2113-02	1.339	9.335	541.8
678	.60000	.50000	1117.0	.1029	.1249	.1159	.9363	.1769-02	.1992-02	1.259	8.773	542.0

OH84B 60-0 WING LOWER SURFACE

(R4UQ49)

RUN NUMBER	2Y/BW	XW/CW	T/C NO	H/HREF	H/HREF	H/HREF	TAW/TO	H(TO)	H(TAW)	QDOT	DTWDT	TW
				R=1.0	R=0.9	R=	BTU/R	BTU/R	BTU/	DEG. R	DEG. R	
						TAW/TO		FT2SEC	FT2SEC	FT2SEC	/SEC	
678	.60000	.60000	1118.0	.8834-01	.1072	.9953-01	.9361	.1519-02	.1712-02	1.082	7.542	541.5
678	.60000	.70000	1119.0	.7125-01	.8646-01	.8079-01	.9329	.1225-02	.1389-02	.8731	6.284	541.1
678	.60000	.80000	120.00	.5803-01	.7041-01	.6666-01	.9264	.9978-03	.1146-02	.7115	5.293	540.7
678	.60000	.85000	121.00	.8230-01	.9987-01	.9501-01	.9240	.1415-02	.1634-02	1.009	7.380	540.9
678	.60000	.90000	122.00	.7666-01	.9294-01	.8977-01	.9166	.1318-02	.1544-02	.9429	7.142	538.3
678	.60000	.95000	123.00	.5886-01	.7129-01	.6925-01	.9139	.1012-02	.1191-02	.7279	5.523	534.6
678	.70000	.40000	1130.0	.1235	.1498	.1390	.9365	.2124-02	.2391-02	1.516	9.672	539.8
678	.70000	.60000	131.00	.1108	.1344	.1248	.9361	.1905-02	.2146-02	1.361	8.682	539.4
678	.70000	.90000	132.00	.2252	.2736	.2636	.9177	.3872-02	.4532-02	2.743	19.70	545.4
677	.75000	.30000	138.00	.1400	.1696	.1572	.9374	.2403-02	.2699-02	1.724	11.02	536.3
677	.75000	.40000	139.00	.1226	.1486	.1378	.9372	.2105-02	.2365-02	1.508	9.914	537.4
677	.75000	.60000	140.00	.1082	.1312	.1312	.9000	.1857-02	.2252-02	1.330	9.004	537.8
677	.75000	.70000	1141.0	.9313-01	.1130	.1049	.9361	.1599-02	.1801-02	1.139	8.199	541.2
677	.75000	.80000	142.00	.1020	.1239	.1172	.9266	.1752-02	.2012-02	1.245	10.28	543.0
678	.75000	.90000	143.00	.9347-01	.1133	.1091	.9179	.1607-02	.1877-02	1.152	8.447	536.8
678	.75000	.95000	144.00	.5849-01	.7076-01	.6884-01	.9147	.1006-02	.1180-02	.7269	5.526	530.9
677	.80000	.20000	146.00	.1724	.2090	.1933	.9383	.2959-02	.3319-02	2.114	14.75	539.3
677	.80000	.40000	147.00	.1259	.1527	.1414	.9377	.2162-02	.2427-02	1.545	11.14	538.8
677	.80000	.90000	148.00	.9898-01	.1199	.1155	.9182	.1699-02	.1982-02	1.220	8.945	535.9
677	.90000	.30000	1155.0	.1611	.1957	.1806	.9388	.2766-02	.3101-02	1.965	14.13	543.3
677	.90000	.50000	156.00	.1379	.1673	.1673	.9000	.2367-02	.2873-02	1.687	12.14	541.0
677	.90000	.60000	1157.0	.1209	.1467	.1358	.9377	.2075-02	.2331-02	1.478	10.30	541.8
677	.90000	.80000	158.00	.1148	.1393	.1316	.9275	.1971-02	.2260-02	1.404	10.99	541.3
677	.90000	.90000	159.00	.9221-01	.1118	.1078	.9172	.1583-02	.1851-02	1.135	9.061	536.9
677	.95000	.30000	164.00	.1575	.1911	.1767	.9383	.2704-02	.3033-02	1.929	13.89	540.2
677	.95000	.50000	165.00	.1147	.1391	.1289	.9372	.1970-02	.2213-02	1.407	10.48	539.1
677	.95000	.70000	166.00	.1068	.1296	.1211	.9329	.1834-02	.2080-02	1.308	9.890	540.8
677	.95000	.80000	167.00	.1183	.1434	.1364	.9242	.2030-02	.2342-02	1.449	10.79	539.8
677	.95000	.90000	168.00	.8175-01	.9909-01	.9550-01	.9177	.1404-02	.1640-02	1.006	7.625	536.9

OH84B 60-0 WING LOWER SURFACE

(R4UQ49)

WING LOWER SURF

PARAMETRIC DATA

MACH = 8.000 ALPHA = 40.00 BETA = .0000 ELEVON = 5.000
 BDFLAP = 23.50 SPDBRK = .0000

TEST CONDITIONS

RUN NUMBER	RN/L /FT X10 6	MACH	ALPHA DEG.	BETA DEG.	PO PSIA	TO DEG. R	T DEG. R	P PSIA	Q PSI	V FT/SEC	RHO SLUGS /FT3	MU LB-SEC /FT2
671	1.007	7.940	39.96	-.1038-01	204.7	1257.	92.34	.2202-01	.9716	3740.	.6435-03	.7431-07
672	1.016	7.940	39.97	-.6925-02	206.9	1258.	92.42	.2225-01	.9821	3742.	.6499-03	.7437-07

RUN NUMBER	HREF BTU/ R FT2SEC	STN NO REF (R) = .0175
671	.2416-01	.4047-01
672	.2430-01	.4028-01

TEST DATA

RUN NUMBER	2Y/BW	XW/CW	T/C NO	H/HREF R=1.0	H/HREF R=0.9	H/HREF R= TAW/TO	TAW/TO	H(TO) BTU/R FT2SEC	H(TAW) BTU/R FT2SEC	QDOT BTU/ FT2SEC	DTWDT DEG. R /SEC	TW DEG. R
672	.30000	.40000	1078.0	.6841-01	.8286-01	.7642-01	.9399	.1662-02	.1857-02	1.198	8.644	536.7
672	.30000	.50000	1079.0	.5029-01	.6095-01	.5662-01	.9361	.1222-02	.1376-02	.8782	6.538	538.9
672	.30000	.60000	1080.0	.4918-01	.5966-01	.5537-01	.9363	.1195-02	.1345-02	.8559	6.364	541.4
672	.30000	.70000	1081.0	.4954-01	.6009-01	.5586-01	.9356	.1204-02	.1357-02	.8628	6.210	540.9
672	.30000	.80000	1082.0	.5182-01	.6285-01	.5874-01	.9329	.1259-02	.1427-02	.9017	6.705	541.4
672	.30000	.90000	83.000	.5714-01	.6917-01	.6616-01	.9216	.1388-02	.1607-02	1.003	7.364	534.8
672	.30000	.95000	84.000	.5089-01	.6155-01	.5948-01	.9166	.1236-02	.1445-02	.8980	6.495	531.3
672	.40000	.60000	1092.0	.6842-01	.8305-01	.7690-01	.9374	.1662-02	.1868-02	1.186	8.010	543.9
672	.40000	.70000	1093.0	.6939-01	.8418-01	.7813-01	.9363	.1686-02	.1898-02	1.207	8.162	541.5
672	.40000	.75000	1094.0	.6743-01	.8178-01	.7620-01	.9344	.1638-02	.1851-02	1.174	8.735	540.8
672	.40000	.85000	95.000	.8159-01	.9895-01	.9369-01	.9264	.1982-02	.2276-02	1.421	10.75	540.8
672	.40000	.90000	96.000	.7014-01	.8499-01	.8192-01	.9177	.1704-02	.1990-02	1.227	10.54	537.9
672	.40000	.95000	97.000	.6061-01	.7337-01	.7128-01	.9140	.1473-02	.1732-02	1.064	8.663	534.8
672	.50000	.40000	1104.0	.8106-01	.9837-01	.9122-01	.9367	.1969-02	.2216-02	1.408	10.12	542.9
672	.50000	.60000	1105.0	.6463-01	.7845-01	.7283-01	.9361	.1570-02	.1769-02	1.121	7.808	543.6
672	.50000	.70000	1106.0	.4062-01	.4925-01	.4582-01	.9353	.9870-03	.1113-02	.7083	5.100	540.0
672	.50000	.90000	107.00	.9953-01	.1207	.1207	.9000	.2418-02	.2933-02	1.732	13.56	541.3
672	.60000	.40000	1116.0	.1144	.1389	.1285	.9377	.2779-02	.3122-02	1.976	13.74	546.5
672	.60000	.50000	1117.0	.1009	.1226	.1137	.9363	.2451-02	.2762-02	1.744	12.13	546.2

DATE 23 FEB 80

OH84B MODEL 60-0 IN THE AEDC VKF HYPERSONIC TUNNEL

PAGE 2200

OH84B 60-0 WING LOWER SURFACE

(R4UQ49)

RUN NUMBER	ZY/BW	XW/CW	T/C NO	H/HREF	H/HREF	H/HREF	TAW/TO	H(TO)	H(TAW)	QDOT	DTWDT	TW
				R=1.0	R=0.9	R=		BTU/R	BTU/R	BTU/	DEG. R	DEG. R
						TAW/TO			FT2SEC	FT2SEC	/SEC	
672	.60000	.60000	1118.0	.9203-01	.1117	.1037	.9361	.2236-02	.2519-02	1.596	11.12	543.7
672	.60000	.70000	1119.0	.7843-01	.9518-01	.8893-01	.9329	.1906-02	.2161-02	1.362	9.792	543.0
672	.60000	.80000	120.00	.7938-01	.9637-01	.9122-01	.9264	.1929-02	.2216-02	1.376	10.22	544.1
672	.60000	.85000	121.00	.9852-01	.1196	.1137	.9240	.2394-02	.2763-02	1.711	12.50	543.0
672	.60000	.90000	122.00	.8953-01	.1085	.1048	.9166	.2175-02	.2547-02	1.563	11.83	539.1
672	.60000	.95000	123.00	.6817-01	.8252-01	.8017-01	.9140	.1656-02	.1948-02	1.198	9.092	534.4
672	.70000	.40000	1130.0	.1195	.1450	.1345	.9366	.2903-02	.3268-02	2.074	13.21	543.2
672	.70000	.60000	131.00	.1118	.1357	.1260	.9361	.2717-02	.3061-02	1.943	12.37	542.7
672	.70000	.90000	132.00	.2314	.2814	.2710	.9177	.5622-02	.6584-02	3.983	28.55	549.2
671	.75000	.30000	138.00	.1416	.1720	.1592	.9374	.3422-02	.3847-02	2.436	15.50	544.8
671	.75000	.40000	139.00	.1216	.1477	.1368	.9372	.2938-02	.3305-02	2.089	13.67	545.8
671	.75000	.60000	140.00	.1077	.1308	.1308	.9000	.2601-02	.3161-02	1.846	12.44	547.2
671	.75000	.70000	1141.0	.1005	.1222	.1133	.9361	.2427-02	.2739-02	1.714	12.27	550.6
671	.75000	.80000	142.00	.1102	.1343	.1269	.9266	.2663-02	.3066-02	1.868	15.33	555.2
672	.75000	.90000	143.00	.9982-01	.1210	.1165	.9179	.2425-02	.2831-02	1.745	12.79	538.0
672	.75000	.95000	144.00	.6431-01	.7775-01	.7543-01	.9147	.1503-02	.1833-02	1.137	9.661	520.8
671	.80000	.20000	146.00	.1789	.2174	.2009	.9383	.4322-02	.4853-02	3.061	21.27	548.3
671	.80000	.40000	147.00	.1254	.1525	.1410	.9377	.3031-02	.3407-02	2.147	15.40	548.1
671	.80000	.90000	148.00	.1032	.1253	.1206	.9182	.2494-02	.2914-02	1.776	12.97	544.6
671	.90000	.30000	1155.0	.1674	.2038	.1880	.9388	.4046-02	.4542-02	2.847	20.37	552.9
671	.90000	.50000	156.00	.1358	.1652	.1652	.9000	.3282-02	.3993-02	2.316	16.59	550.8
671	.90000	.60000	1157.0	.1218	.1482	.1370	.9377	.2943-02	.3310-02	2.076	14.40	551.4
671	.90000	.80000	158.00	.1193	.1452	.1371	.9275	.2884-02	.3312-02	2.033	15.83	551.6
671	.90000	.90000	159.00	.9439-01	.1146	.1106	.9172	.2281-02	.2671-02	1.623	12.91	544.9
671	.95000	.30000	164.00	.1625	.1975	.1825	.9383	.3926-02	.4409-02	2.779	19.92	548.9
671	.95000	.50000	165.00	.1156	.1405	.1301	.9372	.2793-02	.3143-02	1.981	14.68	547.6
671	.95000	.70000	166.00	.1117	.1360	.1269	.9329	.2700-02	.3067-02	1.905	14.34	551.0
671	.95000	.80000	167.00	.1194	.1451	.1379	.9242	.2884-02	.3333-02	2.041	15.12	548.9
671	.95000	.90000	168.00	.8611-01	.1045	.1007	.9177	.2081-02	.2433-02	1.485	11.22	543.1

DATE 23 FEB 80

OH84B MODEL 60-0 IN THE AEDC VKF HYPERSONIC TUNNEL

PAGE 2201

OH84B 60-0 WING LOWER SURFACE

(R4UQ49)

WING LOWER SURF

PARAMETRIC DATA

MACH = 8.000 ALPHA = 40.00 BETA = .0000 ELEVON = 5.000
 BDFLAP = 23.50 SPDBRK = .0000

TEST CONDITIONS

RUN NUMBER	RN/L /FT X10 6	MACH	ALPHA DEG.	BETA DEG.	PO PSIA	TO DEG. R	T DEG. R	P PSIA	Q PSI	V FT/SEC	RHO SLUGS /FT3	MU LB-SEC /FT2
693	2.000	7.980	40.00	-.1042-01	434.5	1302.	94.76	.4523-01	2.016	3808.	.1288-02	.7626-07
694	1.988	7.980	39.99	-.6937-02	433.4	1305.	94.98	.4512-01	2.011	3813.	.1282-02	.7643-07

RUN NUMBER	HREF BTU/ R FT2SEC	STN NO REF(R) = .0175
693	.3502-01	.2871-01
694	.3499-01	.2879-01

TEST DATA

RUN NUMBER	2Y/BW	XW/CW	T/C NO	H/HREF R=1.0	H/HREF R=0.9	H/HREF R= TAW/TO	TAW/TO	H(TO) BTU/R FT2SEC	H(TAW) BTU/R FT2SEC	QDOT BTU/ FT2SEC	DTWDT DEG. R /SEC	TW DEG. R
694	.30000	.40000	1078.0	.5998-01	.7270-01	.6703-01	.9399	.2099-02	.2345-02	1.565	11.17	558.9
694	.30000	.50000	1079.0	.4662-01	.5652-01	.5249-01	.9362	.1631-02	.1836-02	1.215	8.952	559.8
694	.30000	.60000	1080.0	.5063-01	.6147-01	.5703-01	.9364	.1772-02	.1995-02	1.311	9.633	564.8
694	.30000	.70000	1081.0	.6358-01	.7723-01	.7174-01	.9356	.2225-02	.2510-02	1.642	11.67	566.4
694	.30000	.80000	1082.0	.8644-01	.1051	.9814-01	.9329	.3025-02	.3434-02	2.220	16.27	570.6
694	.30000	.90000	83.000	.9675-01	.1173	.1121	.9216	.3385-02	.3923-02	2.523	18.28	559.5
694	.30000	.95000	84.000	.9749-01	.1180	.1140	.9167	.3411-02	.3990-02	2.555	18.25	555.6
694	.40000	.60000	1092.0	.8208-01	.9981-01	.9234-01	.9375	.2872-02	.3231-02	2.109	14.05	570.4
694	.40000	.70000	1093.0	.9599-01	.1167	.1082	.9364	.3359-02	.3786-02	2.467	16.44	570.2
694	.40000	.75000	1094.0	.1000	.1216	.1132	.9344	.4180-02	.3961-02	2.569	18.83	570.5
694	.40000	.85000	95.000	.1332	.1621	.1533	.9264	.4660-02	.5363-02	3.410	25.38	573.0
694	.40000	.90000	96.000	.1245	.1514	.1458	.9177	.4355-02	.5102-02	3.191	26.96	572.0
694	.40000	.95000	97.000	.1195	.1452	.1409	.9140	.4180-02	.4931-02	3.077	24.63	568.4
694	.50000	.40000	1104.0	.8096-01	.9841-01	.9119-01	.9367	.2833-02	.3191-02	2.084	14.79	569.1
694	.50000	.60000	1105.0	.6920-01	.8411-01	.7803-01	.9362	.2421-02	.2730-02	1.782	12.25	568.8
694	.50000	.70000	1106.0	.3642-01	.4422-01	.4111-01	.9353	.1274-02	.1438-02	.9432	6.709	564.6
694	.50000	.90000	107.00	.2364	.2885	.2885	.9000	.8271-02	.1010-01	5.973	45.79	582.6
694	.60000	.40000	1116.0	.1173	.1429	.1320	.9378	.4106-02	.4619-02	2.998	20.56	574.4
694	.60000	.50000	1117.0	.1111	.1353	.1254	.9364	.3888-02	.4386-02	2.843	19.50	573.6

DATE 23 FEB 80

OH84B MODEL 60-0 IN THE AEDC VKF HYPERSONIC TUNNEL

PAGE 2202

OH84B 60-0 WING LOWER SURFACE

(R4UQ49)

RUN NUMBER	2Y/BW	XW/CW	T/C NO	H/HREF R=1.0	H/HREF R=0.9	H/HREF R= TAW/TO	TAW/TO	H(TO) BTU/R FT2SEC	H(TAW) BTU/R FT2SEC	QDOT BTU/ FT2SEC	DTWDT DEG. R /SEC	TW DEG. R
694	.60000	.60000	1118.0	.9773-01	.1189	.1102	.9362	.3419-02	.3857-02	2.509	17.23	571.0
694	.60000	.70000	1119.0	.8121-01	.9872-01	.9217-01	.9329	.2841-02	.3225-02	2.090	14.83	569.1
694	.60000	.80000	120.00	.1812	.2212	.2090	.9264	.6341-02	.7313-02	4.579	33.36	582.5
694	.60000	.85000	121.00	.2608	.3187	.3025	.9240	.9126-02	.1059-01	6.561	46.93	585.7
694	.60000	.90000	122.00	.2552	.3115	.3004	.9167	.8929-02	.1051-01	6.450	47.78	582.4
694	.60000	.95000	123.00	.1976	.2406	.2335	.9140	.6913-02	.8168-02	5.045	37.52	574.8
694	.70000	.40000	1130.0	.1284	.1561	.1447	.9366	.4491-02	.5061-02	3.298	20.71	570.5
694	.70000	.60000	131.00	.1183	.1438	.1334	.9362	.4139-02	.4667-02	3.050	19.18	567.9
694	.70000	.90000	132.00	.3020	.3690	.3550	.9177	.1057-01	.1242-01	7.598	53.48	585.6
693	.75000	.30000	138.00	.1420	.1726	.1597	.9375	.4971-02	.5592-02	3.644	22.91	568.7
693	.75000	.40000	139.00	.1231	.1497	.1385	.9373	.4310-02	.4851-02	3.153	20.39	570.0
693	.75000	.60000	140.00	.1120	.1362	.1362	.9000	.3922-02	.4770-02	2.871	19.14	569.5
693	.75000	.70000	1141.0	.1086	.1322	.1226	.9362	.3802-02	.4292-02	2.767	19.59	574.1
693	.75000	.80000	142.00	.2463	.3019	.2848	.9267	.8625-02	.9973-02	6.095	49.03	595.0
694	.75000	.90000	143.00	.2521	.3070	.2954	.9180	.8820-02	.1034-01	6.431	46.24	575.5
694	.75000	.95000	144.00	.1711	.2077	.2014	.9147	.5985-02	.7046-02	4.423	33.04	565.7
693	.80000	.20000	146.00	.1778	.2166	.1999	.9383	.6228-02	.6999-02	4.534	31.10	573.7
693	.80000	.40000	147.00	.1278	.1557	.1438	.9378	.4475-02	.5036-02	3.251	23.01	575.1
693	.80000	.90000	148.00	.2887	.3522	.3386	.9183	.1011-01	.1186-01	7.296	52.34	580.0
693	.90000	.30000	1155.0	.1631	.1990	.1833	.9389	.5711-02	.6418-02	4.122	29.09	579.9
693	.90000	.50000	156.00	.1384	.1687	.1687	.9000	.4846-02	.5909-02	3.505	24.76	578.3
693	.90000	.60000	1157.0	.1250	.1524	.1407	.9378	.4377-02	.4928-02	3.169	21.69	577.7
693	.90000	.80000	158.00	.2091	.2559	.2411	.9275	.7322-02	.8442-02	5.206	39.75	590.7
693	.90000	.90000	159.00	.2365	.2889	.2783	.9172	.8283-02	.9745-02	5.945	46.37	583.9
693	.95000	.30000	164.00	.1582	.1926	.1778	.9383	.5540-02	.6227-02	4.033	28.56	573.6
693	.95000	.50000	165.00	.1133	.1378	.1275	.9373	.3967-02	.4465-02	2.900	21.25	570.6
693	.95000	.70000	166.00	.1509	.1842	.1717	.9330	.5284-02	.6013-02	3.805	28.20	581.6
693	.95000	.80000	167.00	.1852	.2261	.2146	.9243	.6487-02	.7516-02	4.671	34.04	581.7
693	.95000	.90000	168.00	.1551	.1889	.1819	.9178	.5432-02	.6370-02	3.948	29.36	574.9

OH84B 60-0 WING LOWER SURFACE

(R40049)

WING LOWER SURF

PARAMETRIC DATA

MACH = 8.000 ALPHA = 40.00 BETA = .0000 ELEVON = 5.000
 BDFLAP = 23.50 SPDBRK = .0000

TEST CONDITIONS

RUN NUMBER	RN/L /FT X10 6	MACH	ALPHA DEG.	BETA DEG.	PO PSIA	TO DEG. R	T DEG. R	P PSIA	Q PSI	V FT/SEC	RHO SLUGS /FT3	MU LB-SEC /FT2
695	3.030	7.990	40.02	-.6963-02	669.0	1313.	95.34	.6909-01	3.087	3825.	.1956-02	.7672-07
696	3.000	7.990	40.03	-.6964-02	669.2	1322.	96.00	.6911-01	3.088	3838.	.1943-02	.7725-07

RUN NUMBER	HREF BTU/ R	STN NO REF (R)
695	.4340-01	.2332-01
696	.4346-01	.2341-01

TEST DATA

RUN NUMBER	ZY/BW	XW/CW	T/C NO	H/HREF R=1.0	H/HREF R=0.9	H/HREF R= TAW/TO	TAW/TO	H(TO) BTU/R FT2SEC	H(TAW) BTU/R FT2SEC	QDOT BTU/ FT2SEC	DTWDT DEG. R /SEC	TW DEG. R
696	.30000	.40000	1078.0	.6403-01	.7787-01	.7167-01	.9400	.2783-02	.3115-02	2.070	14.63	577.8
696	.30000	.50000	1079.0	.6276-01	.7641-01	.7082-01	.9363	.2727-02	.3078-02	2.018	14.70	581.8
696	.30000	.60000	1080.0	.1017	.1243	.1150	.9365	.4419-02	.4996-02	3.212	23.26	594.7
696	.30000	.70000	1081.0	.1530	.1877	.1736	.9357	.6651-02	.7546-02	4.764	33.20	605.4
696	.30000	.80000	1082.0	.2095	.2576	.2395	.9330	.9102-02	.1041-01	6.433	46.12	615.0
696	.30000	.90000	83.000	.1879	.2296	.2190	.9217	.8165-02	.9519-02	5.938	42.30	594.4
696	.30000	.95000	84.000	.1826	.2228	.2148	.9168	.7934-02	.9336-02	5.811	40.82	589.3
696	.40000	.60000	1092.0	.1666	.2044	.1884	.9375	.7240-02	.8185-02	5.172	33.84	607.3
696	.40000	.70000	1093.0	.2160	.2654	.2450	.9365	.9389-02	.1065-01	6.678	43.62	610.4
696	.40000	.75000	1094.0	.2105	.2589	.2398	.9345	.9149-02	.1042-01	6.476	46.45	613.9
696	.40000	.85000	95.000	.2692	.3317	.3125	.9265	.1170-01	.1358-01	8.216	59.76	619.5
696	.40000	.90000	96.000	.2413	.2971	.2853	.9178	.1049-01	.1240-01	7.383	60.99	617.7
696	.40000	.95000	97.000	.2188	.2688	.2604	.9141	.9509-02	.1132-01	6.761	52.99	610.7
696	.50000	.40000	1104.0	.1057	.1292	.1194	.9368	.4592-02	.5189-02	3.334	23.35	595.6
696	.50000	.60000	1105.0	.1226	.1501	.1389	.9363	.5329-02	.6034-02	3.843	26.01	600.5
696	.50000	.70000	1106.0	.9707-01	.1187	.1100	.9354	.4218-02	.4782-02	3.057	21.40	597.0
696	.50000	.90000	107.00	.2535	.3117	.3117	.9000	.1102-01	.1355-01	7.797	58.87	613.9
696	.60000	.40000	1116.0	.1317	.1614	.1487	.9379	.5725-02	.6464-02	4.116	27.83	602.8
696	.60000	.50000	1117.0	.1277	.1564	.1445	.9365	.5547-02	.6281-02	3.988	26.96	602.8

DATE 23 FEB 80

OH84B MODEL 60-0 IN THE AEDC VKF HYPERSONIC TUNNEL

PAGE 2204

OH84B 60-0 WING LOWER SURFACE

(R4UQ49)

RUN NUMBER	2Y/BW	XW/CW	T/C NO	H/HREF R=1.0	H/HREF R=0.9	H/HREF R= TAW/TO	TAW/TO	H(TO) BTU/R FT2SEC	H(TAW) BTU/R FT2SEC	QDOT BTU/ FT2SEC	DTWOT DEG. R /SEC	TW DEG. R
696	.60000	.60000	1118.0	.1268	.1552	.1435	.9363	.5510-02	.6237-02	3.979	26.94	599.6
696	.60000	.70000	1119.0	.1150	.1407	.1311	.9330	.4999-02	.5695-02	3.617	25.30	598.1
696	.60000	.80000	120.00	.3020	.3725	.3508	.9265	.1312-01	.1524-01	9.172	65.50	622.9
696	.60000	.85000	121.00	.3350	.4133	.3913	.9241	.1456-01	.1700-01	10.15	71.21	624.6
696	.60000	.90000	122.00	.2916	.3587	.3454	.9168	.1267-01	.1501-01	8.945	65.19	615.7
696	.60000	.95000	123.00	.2294	.2809	.2723	.9141	.9968-02	.1183-01	7.180	52.70	601.4
696	.70000	.40000	1130.0	.1354	.1656	.1531	.9367	.5883-02	.6652-02	4.262	26.42	597.2
696	.70000	.60000	131.00	.1319	.1612	.1492	.9363	.5733-02	.6485-02	4.167	25.86	594.9
696	.70000	.90000	132.00	.3657	.4515	.4333	.9178	.1589-01	.1883-01	11.05	76.27	626.1
695	.75000	.30000	138.00	.1490	.1821	.1681	.9375	.6468-02	.7295-02	4.678	29.11	589.4
695	.75000	.40000	139.00	.1307	.1596	.1475	.9373	.5673-02	.6400-02	4.112	26.36	587.8
695	.75000	.60000	140.00	.1233	.1505	.1505	.9000	.5350-02	.6530-02	3.886	25.68	586.4
695	.75000	.70000	141.00	.1237	.1513	.1399	.9363	.5367-02	.6074-02	3.859	27.05	593.7
695	.75000	.80000	142.00	.1363	.4165	.3916	.9267	.1460-01	.1699-01	9.953	78.67	630.8
696	.75000	.90000	143.00	.3048	.3745	.3597	.9181	.1325-01	.1563-01	9.412	66.49	611.2
696	.75000	.95000	144.00	.2106	.2573	.2491	.9148	.9153-02	.1083-01	6.662	49.08	595.6
695	.80000	.20000	146.00	.1897	.2326	.2140	.9384	.8234-02	.9289-02	5.862	39.67	600.8
695	.80000	.40000	147.00	.1353	.1656	.1527	.9379	.5870-02	.6625-02	4.204	29.43	596.5
695	.80000	.90000	148.00	.3296	.4044	.3882	.9184	.1430-01	.1685-01	10.14	71.93	603.5
695	.90000	.30000	1155.0	.1781	.2189	.2010	.9389	.7730-02	.8723-02	5.443	37.88	608.5
695	.90000	.50000	156.00	.1480	.1816	.1816	.9000	.6424-02	.7881-02	4.560	31.82	602.9
695	.90000	.60000	1157.0	.1364	.1672	.1541	.9379	.5922-02	.6686-02	4.226	28.63	599.0
695	.90000	.80000	158.00	.3880	.4812	.4513	.9276	.1684-01	.1958-01	11.41	85.29	634.9
695	.90000	.90000	159.00	.3171	.3906	.3755	.9173	.1376-01	.1630-01	9.610	73.83	614.4
695	.95000	.30000	164.00	.1596	.1957	.1801	.9384	.6928-02	.7815-02	4.937	34.51	600.0
695	.95000	.50000	165.00	.1163	.1423	.1313	.9373	.5048-02	.5700-02	3.635	26.35	592.6
695	.95000	.70000	166.00	.2584	.3181	.2955	.9330	.1121-01	.1283-01	7.836	57.17	613.8
695	.95000	.80000	167.00	.3477	.4295	.4062	.9243	.1509-01	.1763-01	10.40	74.25	623.4
695	.95000	.90000	168.00	.2791	.3431	.3296	.9178	.1211-01	.1431-01	8.516	62.25	609.6

DATE 23 FEB 80

OH84B MODEL 60-0 IN THE AEDC VKF HYPERSONIC TUNNEL

PAGE 2205

OH84B 60-0 WING LOWER SURFACE

(R4UQ50)

WING LOWER SURF

PARAMETRIC DATA

MACH = 8.000 ALPHA = 40.00 BETA = .0000 ELEVON = 7.500
BDFLAP = .0000 SPDBRK = .0000

TEST CONDITIONS

Table with 13 columns: RUN NUMBER, RN/L /FT X10 6, MACH, ALPHA DEG., BETA DEG., PO PSIA, TO DEG. R, T DEG. R, P PSIA, Q PSI, V FT/SEC, RHO SLUGS /FT3, MU LB-SEC /FT2. Includes sub-table with HREF, STN NO, REF(R), FT2SEC.

TEST DATA

Table with 13 columns: RUN NUMBER, 2Y/BW, XW/CW, T/C NO, H/HREF R=1.0, H/HREF R=0.9, H/HREF R=, TAW/TO, H(TO) BTU/R FT2SEC, H(TAW) BTU/R FT2SEC, QDOT BTU/ FT2SEC, DTWDT DEG. R /SEC, TW DEG. R.

OH84B 60-0 WING LOWER SURFACE

(R4U050)

RUN NUMBER	ZY/BW	XW/CW	T/C NO	H/HREF R=1.0	H/HREF R=0.9	H/HREF R= TAW/TO	TAW/TO	H(TO) BTU/R FT2SEC	H(TAW) BTU/R FT2SEC	QDOT BTU/ FT2SEC	DTWOT DEG. R /SEC	TW DEG. R
768	.60000	.60000	1118.0	.8915-01	.1082	.1004	.9362	.1533-02	.1727-02	1.091	7.615	539.1
768	.60000	.70000	1119.0	.7243-01	.8788-01	.8212-01	.9329	.1246-02	.1412-02	.8863	6.385	539.2
768	.60000	.80000	120.00	.6593-01	.8005-01	.7576-01	.9264	.1134-02	.1303-02	.8041	5.978	541.6
768	.60000	.85000	121.00	.9800-01	.1189	.1131	.9240	.1686-02	.1946-02	1.198	8.766	540.1
768	.60000	.90000	122.00	.9134-01	.1107	.1070	.9167	.1571-02	.1840-02	1.121	8.497	537.0
768	.60000	.95000	123.00	.6868-01	.8321-01	.8082-01	.9140	.1181-02	.1390-02	.8463	6.423	534.3
768	.70000	.40000	1130.0	.1233	.1495	.1387	.9366	.2120-02	.2386-02	1.510	9.641	538.3
768	.70000	.60000	131.00	.1123	.1361	.1264	.9362	.1931-02	.2174-02	1.377	8.797	537.3
768	.70000	.90000	132.00	.2464	.2994	.2884	.9177	.4238-02	.4961-02	2.993	21.50	544.6
767	.75000	.30000	138.00	.1391	.1689	.1564	.9374	.2377-02	.2671-02	1.686	10.74	541.3
767	.75000	.40000	139.00	.1222	.1484	.1374	.9372	.2087-02	.2347-02	1.480	9.706	541.7
767	.75000	.60000	140.00	.1078	.1309	.1309	.9000	.1841-02	.2236-02	1.305	8.817	542.1
767	.75000	.70000	1141.0	.8913-01	.1083	.1005	.9362	.1522-02	.1717-02	1.074	7.713	545.3
767	.75000	.80000	142.00	.1066	.1297	.1226	.9266	.1820-02	.2094-02	1.277	10.51	549.2
768	.75000	.90000	143.00	.1032	.1251	.1205	.9179	.1775-02	.2073-02	1.267	9.289	536.8
768	.75000	.95000	144.00	.6538-01	.7914-01	.7676-01	.9147	.1125-02	.1320-02	.8092	6.151	531.1
767	.80000	.20000	146.00	.1716	.2086	.1926	.9383	.2930-02	.3290-02	2.067	14.38	545.5
767	.80000	.40000	147.00	.1245	.1513	.1399	.9378	.2126-02	.2389-02	1.503	10.80	543.8
767	.80000	.90000	148.00	.1070	.1300	.1251	.9183	.1828-02	.2137-02	1.294	9.456	542.9
767	.90000	.30000	1155.0	.1593	.1939	.1788	.9388	.2721-02	.3054-02	1.908	13.67	549.4
767	.90000	.50000	156.00	.1373	.1669	.1669	.9000	.2345-02	.2851-02	1.652	11.86	546.1
767	.90000	.60000	1157.0	.1210	.1472	.1361	.9378	.2067-02	.2324-02	1.454	10.11	547.1
767	.90000	.80000	158.00	.1250	.1520	.1435	.9275	.2135-02	.2451-02	1.501	11.71	547.6
767	.90000	.90000	159.00	.9962-01	.1210	.1167	.9172	.1702-02	.1994-02	1.203	9.570	543.8
767	.95000	.30000	164.00	.1561	.1898	.1753	.9383	.2666-02	.2994-02	1.879	13.49	545.9
767	.95000	.50000	165.00	.1137	.1382	.1279	.9372	.1942-02	.2185-02	1.373	10.19	543.9
767	.95000	.70000	166.00	.1140	.1387	.1295	.9329	.1948-02	.2211-02	1.371	10.34	546.7
767	.95000	.80000	167.00	.1292	.1572	.1493	.9242	.2207-02	.2551-02	1.555	11.53	546.4
767	.95000	.90000	168.00	.8904-01	.1082	.1042	.9177	.1521-02	.1780-02	1.075	8.121	543.7

OH84B 60-0 WING LOWER SURFACE

(R4UQ50)

WING LOWER SURF

PARAMETRIC DATA

MACH = 8.000 ALPHA = 40.00 BETA = .0000 ELEVON = 7.500
 BDFLAP = .0000 SPDBRK = .0000

TEST CONDITIONS

RUN NUMBER	RN/L /FT X10 6	MACH	ALPHA DEG.	BETA DEG.	PO PSIA	TO DEG. R	T DEG. R	P PSIA	Q PSI	V FT/SEC	RHO SLUGS /FT3	MU LB-SEC /FT2
757	1.043	7.940	39.99	-.4654-06	214.1	1265.	92.93	.2302-01	1.016	3752.	.6687-03	.7478-07
758	1.014	7.940	39.99	-.4651-06	208.4	1266.	93.00	.2242-01	.9894	3754.	.6506-03	.7484-07

RUN NUMBER	HREF BTU/ R FT2SEC	STN NO REF(R) = .0175
757	.2474-01	.3973-01
758	.2441-01	.4028-01

TEST DATA

RUN NUMBER	2Y/BW	XW/CW	T/C NO	H/HREF R=1.0	H/HREF R=0.9	H/HREF R= TAW/TO	TAW/TO	H(TO) BTU/R FT2SEC	H(TAW) BTU/R FT2SEC	QDOT BTU/ FT2SEC	DTWDT DEG. R /SEC	TW DEG. R
758	.30000	.40000	1078.0	.6831-01	.8282-01	.7635-01	.9399	.1668-02	.1864-02	1.205	8.665	543.1
758	.30000	.50000	1079.0	.5048-01	.6123-01	.5685-01	.9362	.1232-02	.1388-02	.8884	6.595	544.8
758	.30000	.60000	1080.0	.4860-01	.5899-01	.5473-01	.9364	.1186-02	.1336-02	.8521	6.317	547.4
758	.30000	.70000	1081.0	.4865-01	.5905-01	.5487-01	.9356	.1188-02	.1340-02	.8536	6.125	547.0
758	.30000	.80000	1082.0	.5225-01	.6342-01	.5925-01	.9329	.1276-02	.1446-02	.9165	6.795	547.2
758	.30000	.90000	83.000	.6856-01	.8322-01	.7954-01	.9216	.1674-02	.1942-02	1.203	8.772	547.1
758	.30000	.95000	84.000	.6323-01	.7669-01	.7406-01	.9167	.1544-02	.1808-02	1.114	8.002	544.3
758	.40000	.60000	1092.0	.6689-01	.8127-01	.7521-01	.9375	.1633-02	.1836-02	1.168	7.857	550.6
758	.40000	.70000	1093.0	.6930-01	.8416-01	.7807-01	.9364	.1692-02	.1906-02	1.213	8.172	548.6
758	.40000	.75000	1094.0	.6781-01	.8233-01	.7668-01	.9344	.1656-02	.1872-02	1.188	8.806	547.9
758	.40000	.85000	95.000	.1643	.2002	.1893	.9264	.4011-02	.4621-02	2.828	21.18	560.5
758	.40000	.90000	96.000	.1557	.1896	.1825	.9177	.3800-02	.4456-02	2.688	22.87	558.4
758	.40000	.95000	97.000	.1480	.1802	.1749	.9140	.3614-02	.4269-02	2.564	20.65	556.1
758	.50000	.40000	1104.0	.7986-01	.9703-01	.8993-01	.9367	.1950-02	.2195-02	1.395	9.990	550.3
758	.50000	.60000	1105.0	.6468-01	.7859-01	.7291-01	.9362	.1579-02	.1780-02	1.129	7.837	550.5
758	.50000	.70000	1106.0	.3446-01	.4184-01	.3890-01	.9353	.8413-03	.9496-03	.6038	4.331	547.9
758	.50000	.90000	107.00	.2006	.2447	.2447	.9000	.4898-02	.5973-02	3.444	26.67	562.6
758	.60000	.40000	1116.0	.1119	.1361	.1258	.9378	.2731-02	.3071-02	1.943	13.45	554.4
758	.60000	.50000	1117.0	.1024	.1246	.1155	.9364	.2500-02	.2819-02	1.780	12.33	553.7

DATE 23 FEB 80

OH84B MODEL 60-0 IN THE AEDC VKF HYPERSONIC TUNNEL

PAGE 2208

OH84B 60-0 WING LOWER SURFACE

(R4UQ50)

RUN NUMBER	ZY/BW	XW/CW	T/C NO	H/HREF	H/HREF	H/HREF	TAW/TO	H(TO)	H(TAW)	QDOT	DTWDT	TW
				R=1.0	R=0.9	R= TAW/TO		BTU/R FT2SEC	BTU/R FT2SEC	BTU/ FT2SEC	DEG. R /SEC	DEG. R
758	.60000	.60000	1118.0	.9354-01	.1137	.1055	.9362	.2284-02	.2575-02	1.632	11.32	551.1
758	.60000	.70000	1119.0	.7601-01	.9237-01	.8626-01	.9329	.1856-02	.2106-02	1.326	9.493	551.2
758	.60000	.80000	120.00	.9890-01	.1205	.1139	.9264	.2414-02	.2781-02	1.704	12.56	559.8
758	.60000	.85000	121.00	.1276	.1554	.1477	.9240	.3115-02	.3605-02	2.202	15.96	558.7
758	.60000	.90000	122.00	.1194	.1452	.1402	.9167	.2914-02	.3422-02	2.072	15.56	554.7
758	.60000	.95000	123.00	.9892-01	.1202	.1167	.9140	.2415-02	.2848-02	1.729	13.02	549.7
758	.70000	.40000	1130.0	.1198	.1457	.1350	.9366	.2925-02	.3296-02	2.086	13.22	552.5
758	.70000	.60000	131.00	.1116	.1356	.1258	.9362	.2724-02	.3072-02	1.946	12.34	551.3
758	.70000	.90000	132.00	.2553	.3115	.2998	.9177	.6233-02	.7319-02	4.377	31.15	563.5
757	.75000	.30000	138.00	.1413	.1718	.1589	.9375	.3494-02	.3931-02	2.487	15.76	552.9
757	.75000	.40000	139.00	.1210	.1471	.1362	.9373	.2993-02	.3369-02	2.132	13.91	552.5
757	.75000	.60000	140.00	.1065	.1295	.1295	.9000	.2633-02	.3203-02	1.974	12.59	553.2
757	.75000	.70000	1141.0	.9685-01	.1179	.1093	.9362	.2396-02	.2704-02	1.697	12.12	556.5
757	.75000	.80000	142.00	.1267	.1547	.1461	.9267	.3134-02	.3614-02	2.189	17.86	566.3
758	.75000	.90000	143.00	.1180	.1434	.1381	.9180	.2880-02	.3371-02	2.053	14.93	552.7
758	.75000	.95000	144.00	.7887-01	.9321-01	.9036-01	.9147	.1077-02	.2209-02	1.355	10.23	543.7
757	.80000	.20000	146.00	.1781	.2169	.2002	.9383	.4407-02	.4953-02	3.116	21.55	557.5
757	.80000	.40000	147.00	.1238	.1506	.1392	.9378	.3062-02	.3444-02	2.171	15.51	555.6
757	.80000	.90000	148.00	.1199	.1459	.1403	.9183	.2965-02	.3471-02	2.104	15.28	555.1
757	.90000	.30000	1155.0	.1642	.2003	.1845	.9389	.4062-02	.4565-02	2.854	20.33	562.0
757	.90000	.50000	156.00	.1358	.1654	.1654	.9000	.3358-02	.4091-02	2.373	16.93	558.1
757	.90000	.60000	1157.0	.1246	.1518	.1402	.9378	.3083-02	.3469-02	2.178	15.05	558.2
757	.90000	.80000	158.00	.1396	.1701	.1605	.9275	.3453-02	.3969-02	2.432	18.86	560.3
757	.90000	.90000	159.00	.1013	.1233	.1188	.9172	.2506-02	.2939-02	1.780	14.09	554.5
757	.95000	.30000	164.00	.1605	.1954	.1804	.9383	.3970-02	.4462-02	2.812	20.08	556.5
757	.95000	.50000	165.00	.1138	.1385	.1281	.9373	.2815-02	.3169-02	2.001	14.79	553.9
757	.95000	.70000	166.00	.1227	.1495	.1395	.9329	.3035-02	.3450-02	2.137	16.01	560.4
757	.95000	.80000	167.00	.1325	.1614	.1532	.9243	.3276-02	.3791-02	2.313	17.05	558.6
757	.95000	.90000	168.00	.9340-01	.1136	.1094	.9178	.2310-02	.2705-02	1.646	12.38	552.2

OH84B 60-0 WING LOWER SURFACE

(R4UG50)

WING LOWER SURF

PARAMETRIC DATA

MACH = 8.000 ALPHA = 40.00 BETA = .0000 ELEVON = 7.500
 BOFLAP = .0000 SPDBRK = .0000

TEST CONDITIONS

RUN NUMBER	RN/L /FT X10 6	MACH	ALPHA DEG.	BETA DEG.	P0 PSIA	T0 DEG. R	T DEG. R	P PSIA	Q PSI	V FT/SEC	RHO SLUGS /FT3	MU LB-SEC /FT2
755	1.966	7.980	40.06	-.4684-06	429.7	1307.	95.13	.4474-01	1.994	3815.	.1269-02	.7655-07
756	2.005	7.980	40.03	-.4673-06	434.6	1300.	94.62	.4525-01	2.017	3805.	.1291-02	.7614-07

RUN NUMBER	HREF BTU/ R FT2SEC	STN NO REF (R) = .0175
755	.3485-01	.2894-01
756	.3502-01	.2868-01

TEST DATA

RUN NUMBER	2Y/BW	XW/CW	T/C NO	H/HREF R=1.0	H/HREF R=0.9	H/HREF R= TAW/TO	TAW/TO	H(T0) BTU/R FT2SEC	H(TAW) BTU/R FT2SEC	QDOT BTU/ FT2SEC	DTWDT DEG. R /SEC	TW DEG. R
756	.30000	.40000	1078.0	.6124-01	.7421-01	.6841-01	.9400	.2145-02	.2396-02	1.595	11.39	556.0
756	.30000	.50000	1079.0	.4880-01	.5915-01	.5492-01	.9363	.1709-02	.1923-02	1.269	9.360	557.2
756	.30000	.60000	1080.0	.5444-01	.6610-01	.6131-01	.9365	.1906-02	.2147-02	1.405	10.34	562.7
756	.30000	.70000	1081.0	.6747-01	.8196-01	.7612-01	.9357	.2363-02	.2665-02	1.737	12.35	564.6
756	.30000	.80000	1082.0	.8742-01	.1063	.9922-01	.9330	.3061-02	.3474-02	2.240	16.43	569.1
756	.30000	.90000	83.000	.1201	.1458	.1393	.9217	.4205-02	.4878-02	3.098	22.42	562.8
756	.30000	.95000	84.000	.1250	.1516	.1464	.9168	.4378-02	.5126-02	3.245	23.15	558.4
756	.40000	.60000	1092.0	.8785-01	.1068	.9881-01	.9376	.3076-02	.3460-02	2.250	15.00	568.3
756	.40000	.70000	1093.0	.9713-01	.1181	.1095	.9365	.3401-02	.3834-02	2.488	16.60	568.1
756	.40000	.75000	1094.0	.9876-01	.1201	.1118	.9345	.3458-02	.3914-02	2.529	18.56	568.3
756	.40000	.85000	95.000	.2714	.3321	.3135	.9265	.9502-02	.1098-01	6.753	49.87	589.0
756	.40000	.90000	96.000	.2400	.2935	.2823	.9179	.8404-02	.9884-02	5.994	50.28	586.5
756	.40000	.95000	97.000	.2181	.2663	.2582	.9141	.7637-02	.9043-02	5.483	43.59	581.7
756	.50000	.40000	1104.0	.8247-01	.1002	.9287-01	.9368	.2888-02	.3252-02	2.118	15.05	566.3
756	.50000	.60000	1105.0	.7152-01	.8694-01	.8064-01	.9363	.2505-02	.2824-02	1.836	12.64	566.7
756	.50000	.70000	1106.0	.4464-01	.5421-01	.5038-01	.9354	.1563-02	.1764-02	1.150	8.180	564.0
756	.50000	.90000	107.00	.2760	.3376	.3376	.9000	.9664-02	.1182-01	6.884	52.66	587.3
756	.60000	.40000	1116.0	.1192	.1451	.1341	.9379	.4175-02	.4695-02	3.041	20.89	571.2
756	.60000	.50000	1117.0	.1095	.1332	.1234	.9365	.3833-02	.4322-02	2.794	19.19	570.8

DATE 23 FEB 80

OH84B MODEL 60-0 IN THE AEDC VKF HYPERSONIC TUNNEL

PAGE 2210

OH84B 60-0 WING LOWER SURFACE

(R4UQ50)

RUN NUMBER	ZY/BW	XW/CW	T/C NO	H/HREF R=1.0	H/HREF R=0.9	H/HREF R= TAW/TO	TAW/TO	H(TO) BTU/R FT2SEC	H(TAW) BTU/R FT2SEC	QDOT BTU/ FT2SEC	DTWDT DEG. R /SEC	TW DEG. R
756	.60000	.60000	1118.0	.9701-01	.1180	.1094	.9363	.3397-02	.3831-02	2.483	17.07	568.9
756	.60000	.70000	1119.0	.8441-01	.1026	.9580-01	.9330	.2956-02	.3355-02	2.162	15.35	568.1
756	.60000	.80000	120.00	.2657	.3253	.3070	.9265	.9303-02	.1075-01	6.596	47.85	590.7
756	.60000	.85000	121.00	.3329	.4082	.3870	.9241	.1166-01	.1355-01	8.220	58.54	594.6
756	.60000	.90000	122.00	.3047	.3728	.3593	.9168	.1067-01	.1258-01	7.589	56.05	588.4
756	.60000	.95000	123.00	.2405	.2932	.2844	.9141	.8421-02	.9960-02	6.083	45.17	577.3
756	.70000	.40000	1130.0	.1256	.1528	.1415	.9367	.4399-02	.4956-02	3.219	20.25	567.9
756	.70000	.60000	131.00	.1181	.1435	.1331	.9363	.4136-02	.4662-02	3.033	19.09	566.4
756	.70000	.90000	132.00	.3387	.4144	.3985	.9179	.1186-01	.1396-01	8.436	59.29	588.4
755	.75000	.30000	138.00	.1423	.1731	.1600	.9376	.4960-02	.5578-02	3.648	22.91	571.1
755	.75000	.40000	139.00	.1236	.1504	.1391	.9374	.4309-02	.4848-02	3.168	20.47	571.5
755	.75000	.60000	140.00	.1118	.1359	.1359	.9000	.3896-02	.4737-02	2.868	19.10	570.7
755	.75000	.70000	1141.0	.1048	.1276	.1183	.9363	.3653-02	.4121-02	2.673	18.92	574.8
755	.75000	.80000	142.00	.3220	.3968	.3736	.9268	.1122-01	.1302-01	7.782	62.03	613.3
756	.75000	.90000	143.00	.3156	.3857	.3709	.9181	.1105-01	.1299-01	7.903	56.56	584.7
756	.75000	.95000	144.00	.2219	.2700	.2616	.9148	.7771-02	.9159-02	5.675	42.31	569.4
755	.80000	.20000	146.00	.1772	.2158	.1991	.9385	.6175-02	.6939-02	4.510	30.90	576.3
755	.80000	.40000	147.00	.1276	.1554	.1436	.9379	.4447-02	.5003-02	3.247	22.96	576.6
755	.80000	.90000	148.00	.3318	.4058	.3898	.9184	.1156-01	.1358-01	8.282	59.11	590.4
755	.90000	.30000	1155.0	.1628	.1986	.1829	.9390	.5673-02	.6375-02	4.107	28.95	582.7
755	.90000	.50000	156.00	.1390	.1695	.1695	.9000	.4845-02	.5906-02	3.524	24.88	579.4
755	.90000	.60000	1157.0	.1270	.1547	.1429	.9379	.4425-02	.4980-02	3.222	22.04	578.6
755	.90000	.80000	158.00	.2527	.3099	.2916	.9277	.8808-02	.1016-01	6.242	47.50	598.0
755	.90000	.90000	159.00	.2648	.3241	.3120	.9174	.9230-02	.1087-01	6.593	51.20	592.4
755	.95000	.30000	164.00	.1581	.1925	.1776	.9385	.5510-02	.6191-02	4.029	28.50	575.5
755	.95000	.50000	165.00	.1172	.1424	.1318	.9374	.4083-02	.4594-02	3.006	22.02	570.6
755	.95000	.70000	166.00	.1852	.2265	.2109	.9331	.6453-02	.7351-02	4.616	34.05	591.3
755	.95000	.80000	167.00	.2360	.2887	.2738	.9244	.8225-02	.9542-02	5.888	42.72	590.8
755	.95000	.90000	168.00	.1825	.2229	.2144	.9179	.6361-02	.7472-02	4.592	33.98	584.8

DATE 23 FEB 80

OH84B MODEL 60-0 IN THE AEDC VKF HYPERSONIC TUNNEL

PAGE 2211

OH84B 60-0 WING LOWER SURFACE

(R4UQ50)

WING LOWER SURF

PARAMETRIC DATA

MACH = 8.000 ALPHA = 40.00 BETA = .0000 ELEVON = 7.500
 BDFLAP = .0000 SPDBRK = .0000

TEST CONDITIONS

RUN NUMBER	RN/L /FT X10 6	MACH	ALPHA DEG.	BETA DEG.	PO PSIA	TO DEG. R	T DEG. R	P PSIA	Q PSI	V FT/SEC	RHO SLUGS /FT3	MU LB-SEC /FT2
745	3.041	7.990	40.06	-.3495-02	670.5	1312.	95.27	.6924-01	3.094	3823.	.1962-02	.7666-07
746	3.012	7.990	40.06	-.3495-02	670.4	1320.	95.85	.6923-01	3.094	3835.	.1950-02	.7713-07

RUN NUMBER	HREF BTU/ R FT2SEC	STN NO REF (R) = .0175
745	.4344-01	.2328-01
746	.4348-01	.2337-01

TEST DATA

RUN NUMBER	2Y/BW	XW/CW	T/C NO	H/HREF R=1.0	H/HREF R=0.9	H/HREF R= TAW/TO	TAW/TO	H(TO) BTU/R FT2SEC	H(TAW) BTU/R FT2SEC	QDOT BTU/ FT2SEC	DTWOT DEG. R /SEC	TW DEG. R
746	.30000	.40000	1078.0	.6711-01	.8152-01	.7506-01	.9401	.2918-02	.3264-02	2.179	15.44	572.9
746	.30000	.50000	1079.0	.6783-01	.8251-01	.7649-01	.9363	.2950-02	.3326-02	2.189	15.98	577.6
746	.30000	.60000	1080.0	.1103	.1347	.1246	.9365	.4798-02	.5420-02	3.503	25.43	589.7
746	.30000	.70000	1081.0	.1626	.1991	.1843	.9358	.7072-02	.8014-02	5.098	35.65	598.8
746	.30000	.80000	1082.0	.2180	.2675	.2488	.9331	.9482-02	.1082-01	6.771	48.77	605.5
746	.30000	.90000	83.000	.2265	.2767	.2639	.9218	.9849-02	.1148-01	7.165	51.09	592.2
746	.30000	.95000	84.000	.2113	.2576	.2484	.9168	.9189-02	.1080-01	6.748	47.51	585.3
746	.40000	.60000	1092.0	.1780	.2179	.2010	.9376	.7741-02	.8739-02	5.580	36.65	598.9
746	.40000	.70000	1093.0	.2234	.2736	.2529	.9365	.9716-02	.1100-01	6.991	45.90	600.1
746	.40000	.75000	1094.0	.2151	.2636	.2445	.9346	.9354-02	.1063-01	6.708	48.39	602.5
746	.40000	.85000	95.000	.3078	.3787	.3569	.9266	.1339-01	.1552-01	9.441	68.85	614.4
746	.40000	.90000	96.000	.2664	.3273	.3144	.9179	.1158-01	.1367-01	8.209	68.04	610.9
746	.40000	.95000	97.000	.2450	.3005	.2912	.9142	.1065-01	.1266-01	7.607	59.77	605.6
746	.50000	.40000	1104.0	.1100	.1341	.1241	.9369	.4783-02	.5396-02	3.512	24.72	585.4
746	.50000	.60000	1105.0	.1298	.1585	.1467	.9363	.5644-02	.6380-02	4.113	27.97	590.9
746	.50000	.70000	1106.0	.1172	.1430	.1326	.9355	.5095-02	.5768-02	3.722	26.16	589.1
746	.50000	.90000	107.00	.2930	.3599	.3599	.9000	.1274-01	.1565-01	9.052	68.50	609.2
746	.60000	.40000	1116.0	.1346	.1644	.1517	.9379	.5855-02	.6595-02	4.269	29.04	590.5
746	.60000	.50000	1117.0	.1308	.1597	.1478	.9365	.5687-02	.6426-02	4.145	28.19	590.9

OH84B 60-0 WING LOWER SURFACE

(P4UQ50)

RUN NUMBER	ZY/BW	XW/CW	T/C NO	H/HREF	H/HREF	H/HREF	TAW/TO	H(TO)	H(TAW)	QDOT	DTWDT	TW
				R=1.0	R=0.9	R=		BTU/R	BTU/R	BTU/	DEG. R	DEG. R
						TAW/TO		-FT2SEC	-FT2SEC	FT2SEC	/SEC	
746	.60000	.60000	1118.0	.1290	.1574	.1457	.9363	.5610-02	.6338-02	4.106	27.97	587.7
746	.60000	.70000	1119.0	.1224	.1493	.1392	.9331	.5322-02	.6052-02	3.894	27.38	587.9
746	.60000	.80000	120.00	.3748	.4622	.4352	.9266	.1630-01	.1893-01	11.37	81.23	622.0
746	.60000	.85000	121.00	.3856	.4753	.4500	.9242	.1677-01	.1957-01	11.73	82.47	620.4
746	.60000	.90000	122.00	.3331	.4094	.3942	.9168	.1449-01	.1714-01	10.27	75.01	610.9
746	.60000	.95000	123.00	.2651	.3243	.3144	.9142	.1153-01	.1367-01	8.324	61.21	597.5
746	.70000	.40000	1130.0	.1380	.1683	.1557	.9368	.6003-02	.6772-02	4.407	27.48	585.4
746	.70000	.60000	131.00	.1345	.1638	.1518	.9363	.5847-02	.6601-02	4.305	26.86	583.5
746	.70000	.90000	132.00	.3878	.4771	.4582	.9179	.1686-01	.1993-01	11.88	82.45	614.9
745	.75000	.30000	138.00	.1500	.1834	.1692	.9376	.6514-02	.7351-02	4.680	29.07	593.3
745	.75000	.40000	139.00	.1330	.1626	.1501	.9374	.5776-02	.6520-02	4.158	26.61	591.8
745	.75000	.60000	140.00	.1244	.1521	.1521	.9000	.5406-02	.6608-02	3.899	25.72	590.5
745	.75000	.70000	1141.0	.1190	.1457	.1348	.9383	.5172-02	.5855-02	3.703	25.93	595.7
745	.75000	.80000	142.00	.4108	.5134	.4812	.9268	.1785-01	.2090-01	11.72	91.52	655.2
746	.75000	.90000	143.00	.3521	.4321	.4150	.9181	.1531-01	.1804-01	10.91	77.27	606.8
746	.75000	.95000	144.00	.2506	.3059	.2962	.9149	.1050-01	.1288-01	7.900	59.77	589.3
745	.80000	.20000	146.00	.1907	.2341	.2153	.9385	.8285-02	.9352-02	5.863	39.62	604.0
745	.80000	.40000	147.00	.1376	.1687	.1554	.9379	.5979-02	.6751-02	4.255	29.74	600.0
745	.80000	.90000	148.00	.3693	.4554	.4366	.9185	.1604-01	.1897-01	11.14	78.43	617.5
745	.90000	.30000	1155.0	.1716	.2113	.1938	.9390	.7454-02	.8419-02	5.203	36.12	613.7
745	.90000	.50000	156.00	.1501	.1844	.1844	.9000	.6523-02	.8012-02	4.602	32.07	606.2
745	.90000	.60000	1157.0	.1342	.1647	.1516	.9379	.5831-02	.6587-02	4.137	27.98	602.2
745	.90000	.80000	158.00	.4101	.5112	.4785	.9277	.1782-01	.2079-01	11.82	87.76	648.3
745	.90000	.90000	159.00	.3495	.4324	.4153	.9174	.1518-01	.1804-01	10.39	79.28	627.6
745	.95000	.30000	164.00	.1605	.1970	.1812	.9385	.6974-02	.7871-02	4.942	34.49	603.1
745	.95000	.50000	165.00	.1185	.1451	.1339	.9374	.5149-02	.5816-02	3.686	26.67	595.8
745	.95000	.70000	166.00	.2856	.3534	.3276	.9331	.1241-01	.1423-01	8.480	61.43	628.1
745	.95000	.80000	167.00	.3813	.4734	.4471	.9244	.1657-01	.1942-01	11.17	79.21	637.4
745	.95000	.90000	168.00	.3023	.3732	.3582	.9179	.1313-01	.1556-01	9.059	65.82	621.8

OH84B 60-0 WING LOWER SURFACE

(R4UQ51)

WING LOWER SURF

PARAMETRIC DATA

MACH = 8.000 ALPHA = 40.00 BETA = .0000 ELEVON = 7.500
 BDFLAP = 15.00 SPDBRK = .0000

TEST CONDITIONS

RUN NUMBER	RN/L /FT X10 6	MACH	ALPHA DEG.	BETA DEG.	PO PSIA	TO DEG. R	T DEG. R	P PSIA	Q PSI	V FT/SEC	RHO SLUGS /FT3	MU LB-SEC /FT2
765	.5049	7.900	39.98	-.3466-02	100.4	1250.	92.69	.1116-01	.4875	3729.	.3249-03	.7459-07
766	.5080	7.900	39.98	-.3466-02	101.0	1250.	92.69	.1123-01	.4905	3729.	.3269-03	.7459-07

RUN NUMBER	HREF BTU/ R FT2SEC	STN NO REF (R) = .0175
765	.1710-01	.5692-01
766	.1715-01	.5675-01

TEST DATA

RUN NUMBER	2Y/BW	XW/CW	T/C NO	H/HREF R=1.0	H/HREF R=0.9	H/HREF R=TAW/TO	TAW/TO	H(TO) BTU/R FT2SEC	H(TAW) BTU/R FT2SEC	QDOT BTU/ FT2SEC	DTWDT DEG. R /SEC	TW DEG. R
766	.30000	.40000	1078.0	.6957-01	.8433-01	.7774-01	.9399	.1193-02	.1333-02	.8519	6.148	535.7
766	.30000	.50000	1079.0	.5439-01	.6594-01	.6124-01	.9362	.9329-03	.1050-02	.6655	4.961	536.3
766	.30000	.60000	1080.0	.5042-01	.6116-01	.5677-01	.9364	.8649-03	.9737-03	.6154	4.584	538.1
766	.30000	.70000	1081.0	.4934-01	.5984-01	.5553-01	.9356	.8463-03	.9541-03	.6028	4.347	537.4
766	.30000	.80000	1082.0	.5359-01	.6498-01	.6073-01	.9329	.9191-03	.1042-02	.6553	4.884	536.8
766	.30000	.90000	83.000	.6269-01	.7599-01	.7266-01	.9216	.1075-02	.1246-02	.7675	5.629	535.9
766	.30000	.95000	84.000	.5646-01	.6838-01	.6605-01	.9167	.9683-03	.1133-02	.6940	5.016	532.9
766	.40000	.60000	1092.0	.6555-01	.7956-01	.7366-01	.9374	.1124-02	.1263-02	.7977	5.396	540.1
766	.40000	.70000	1093.0	.6785-01	.8230-01	.7639-01	.9364	.1164-02	.1310-02	.8285	5.611	537.8
766	.40000	.75000	1094.0	.6398-01	.7761-01	.7230-01	.9344	.1097-02	.1240-02	.7809	5.817	538.0
766	.40000	.85000	95.000	.9846-01	.1196	.1132	.9264	.1689-02	.1941-02	1.196	9.043	541.5
766	.40000	.90000	96.000	.8287-01	.1005	.9687-01	.9177	.1421-02	.1661-02	1.011	8.685	538.5
766	.40000	.95000	97.000	.6752-01	.8187-01	.7951-01	.9140	.1158-02	.1364-02	.8258	6.715	536.6
766	.50000	.40000	1104.0	.7946-01	.9647-01	.8945-01	.9367	.1363-02	.1534-02	.9661	6.954	540.8
766	.50000	.60000	1105.0	.6833-01	.8294-01	.7699-01	.9362	.1172-02	.1320-02	.8315	5.800	540.2
766	.50000	.70000	1106.0	.4012-01	.4868-01	.4527-01	.9353	.6881-03	.7765-03	.4892	3.525	538.8
766	.50000	.90000	107.00	.6913-01	.8387-01	.8387-01	.9000	.1186-02	.1438-02	.8430	6.608	538.7
766	.60000	.40000	1116.0	.1103	.1339	.1239	.9378	.1892-02	.2125-02	1.339	9.333	541.8
766	.60000	.50000	1117.0	.1038	.1261	.1170	.9364	.1781-02	.2006-02	1.261	8.789	541.6

OH84B 60-0 WING LOWER SURFACE

(R4UQ51)

RUN NUMBER	2Y/BW	XW/CW	T/C NO	H/HREF R=1.0	H/HREF R=0.9	H/HREF R= TAW/TO	TAW/TO	H(TO) BTU/R FT2SEC	H(TAW) BTU/R FT2SEC	QDOT BTU/ FT2SEC	DTWDT DEG. R /SEC	TW DEG. R
766	.60000	.60000	1118.0	.8887-01	.1079	.1001	.9362	.1524-02	.1718-02	1.080	7.532	541.0
766	.60000	.70000	1119.0	.7237-01	.8786-01	.8208-01	.9329	.1241-02	.1408-02	.8799	6.333	540.8
766	.60000	.80000	120.00	.6586-01	.8001-01	.7572-01	.9264	.1130-02	.1299-02	.7985	5.933	542.9
766	.60000	.85000	121.00	.9232-01	.1122	.1067	.9240	.1584-02	.1829-02	1.119	8.180	542.9
766	.60000	.90000	122.00	.8774-01	.1065	.1028	.9167	.1505-02	.1764-02	1.068	8.080	540.1
766	.60000	.95000	123.00	.6852-01	.8308-01	.8068-01	.9140	.1175-02	.1384-02	.8383	6.355	536.4
766	.70000	.40000	1130.0	.1234	.1498	.1390	.9366	.2117-02	.2384-02	1.502	9.575	540.5
766	.70000	.60000	131.00	.1110	.1347	.1250	.9362	.1903-02	.2144-02	1.352	8.624	539.4
766	.70000	.90000	132.00	.2443	.2972	.2863	.9177	.4191-02	.4910-02	2.943	21.11	547.5
765	.75000	.30000	138.00	.1439	.1748	.1618	.9374	.2461-02	.2767-02	1.743	11.11	541.4
765	.75000	.40000	139.00	.1201	.1459	.1351	.9372	.2054-02	.2310-02	1.456	9.551	541.2
765	.75000	.60000	140.00	.1074	.1305	.1305	.9000	.1837-02	.2231-02	1.301	8.790	541.7
765	.75000	.70000	141.00	.9016-01	.1096	.1017	.9362	.1542-02	.1739-02	1.087	7.806	544.8
765	.75000	.80000	142.00	.1068	.1300	.1229	.9266	.1826-02	.2101-02	1.281	10.55	548.2
766	.75000	.90000	143.00	.1023	.1241	.1195	.9179	.1754-02	.2050-02	1.246	9.119	539.5
765	.75000	.95000	144.00	.8508-01	.7885-01	.7047-01	.9147	.1116-02	.1312-02	.7999	6.054	537.0
765	.80000	.20000	146.00	.1719	.2090	.1931	.9383	.2940-02	.3301-02	2.073	14.43	544.7
765	.80000	.40000	147.00	.1270	.1543	.1427	.9378	.2171-02	.2440-02	1.533	11.02	543.6
765	.80000	.90000	148.00	.1069	.1298	.1249	.9183	.1828-02	.2136-02	1.294	9.466	541.7
765	.90000	.30000	155.00	.1621	.1973	.1819	.9388	.2772-02	.3111-02	1.944	13.94	548.4
765	.90000	.50000	156.00	.1388	.1687	.1687	.9000	.2374-02	.2885-02	1.673	12.02	544.8
765	.90000	.60000	157.00	.1175	.1429	.1321	.9378	.2009-02	.2259-02	1.415	9.841	545.6
765	.90000	.80000	158.00	.1261	.1533	.1447	.9275	.2156-02	.2474-02	1.518	11.85	545.7
765	.90000	.90000	159.00	.1034	.1256	.1211	.9172	.1768-02	.2071-02	1.252	9.975	541.6
765	.95000	.30000	164.00	.1551	.1885	.1742	.9383	.2653-02	.2978-02	1.872	13.46	543.9
765	.95000	.50000	165.00	.1154	.1401	.1298	.9372	.1973-02	.2219-02	1.398	10.39	541.3
765	.95000	.70000	166.00	.1152	.1400	.1307	.9329	.1970-02	.2235-02	1.391	10.50	543.6
765	.95000	.80000	167.00	.1262	.1533	.1458	.9242	.2158-02	.2492-02	1.524	11.32	543.4
765	.95000	.90000	168.00	.8875-01	.1077	.1038	.9177	.1518-02	.1775-02	1.076	8.142	540.6

DATE 23 FEB 80

OH84B MODEL 60-0 IN THE AEDC VKF HYPERSONIC TUNNEL

PAGE 2215

OH84B 60-0 WING LOWER SURFACE

(R4U051)

WING LOWER SURF

PARAMETRIC DATA

MACH = 8.000 ALPHA = 40.00 BETA = .0000 ELEVON = 7.500
 BDFLAP = 15.00 SPDBRK = .0000

TEST CONDITIONS

RUN NUMBER	RN/L /FT X10 6	MACH	ALPHA DEG.	BETA DEG.	PO PSIA	TO DEG. R	T DEG. R	P PSIA	Q PSI	V FT/SEC	RHO SLUGS /FT3	MU LB-SEC /FT2
759	1.001	7.940	39.99	-.4655-06	206.7	1270.	93.30	.2224-01	.9813	3760.	.6433-03	.7508-07
760	1.001	7.940	39.99	-.4651-06	206.5	1269.	93.22	.2221-01	.9803	3758.	.6431-03	.7502-07

RUN NUMBER	HREF BTU/ R FT2SEC	STN NO REF (R) = .0175
759	.2433-01	.4053-01
760	.2431-01	.4053-01

TEST DATA

RUN NUMBER	2Y/BW	XW/CW	T/C NO	H/HREF R=1.0	H/HREF R=0.9	H/HREF R= TAW/TO	TAW/TO	H(TO) BTU/R FT2SEC	H(TAW) BTU/R FT2SEC	QDOT BTU/ FT2SEC	DTWDT DEG. R /SEC	TW DEG. R
760	.30000	.40000	1078.0	.6932-01	.8402-01	.7746-01	.9399	.1685-02	.1883-02	1.222	8.781	543.7
760	.30000	.50000	1079.0	.5040-01	.6113-01	.5676-01	.9362	.1225-02	.1380-02	.8862	6.576	545.5
760	.30000	.60000	1080.0	.4781-01	.5803-01	.5384-01	.9364	.1162-02	.1309-02	.8374	6.206	548.2
760	.30000	.70000	1081.0	.4759-01	.5775-01	.5367-01	.9356	.1157-02	.1305-02	.8342	5.984	547.7
760	.30000	.80000	1082.0	.5243-01	.6363-01	.5945-01	.9329	.1275-02	.1445-02	.9192	6.813	547.6
760	.30000	.90000	83.000	.6847-01	.8306-01	.7940-01	.9216	.1665-02	.1930-02	1.202	8.769	546.5
760	.30000	.95000	84.000	.6249-01	.7575-01	.7316-01	.9167	.1519-02	.1779-02	1.101	7.916	543.8
760	.40000	.60000	1092.0	.6686-01	.8122-01	.7517-01	.9375	.1625-02	.1828-02	1.166	7.840	551.5
760	.40000	.70000	1093.0	.6862-01	.8332-01	.7729-01	.9364	.1668-02	.1879-02	1.200	8.078	549.5
760	.40000	.75000	1094.0	.6916-01	.8396-01	.7819-01	.9344	.1681-02	.1901-02	1.211	8.968	548.7
760	.40000	.85000	95.000	.1632	.1988	.1879	.9264	.3967-02	.4569-02	2.810	21.05	560.2
760	.40000	.90000	96.000	.1542	.1877	.1808	.9177	.3749-02	.4394-02	2.664	22.67	558.0
760	.40000	.95000	97.000	.1456	.1771	.1719	.9140	.3539-02	.4178-02	2.524	20.33	555.4
760	.50000	.40000	1104.0	.8245-01	.1001	.9283-01	.9367	.2004-02	.2257-02	1.439	10.30	550.9
760	.50000	.60000	1105.0	.6507-01	.7904-01	.7334-01	.9362	.1582-02	.1783-02	1.135	7.872	551.2
760	.50000	.70000	1106.0	.3894-01	.4727-01	.4395-01	.9353	.9466-03	.1068-02	.6816	4.887	548.6
760	.50000	.80000	107.00	.1967	.2397	.2397	.9000	.4781-02	.5826-02	3.380	26.19	561.6
760	.60000	.40000	1116.0	.1110	.1349	.1248	.9378	.2698-02	.3033-02	1.926	13.34	554.8
760	.60000	.50000	1117.0	.1036	.1260	.1168	.9364	.2519-02	.2840-02	1.800	12.47	554.1

OH84B 60-0 WING LOWER SURFACE

(R4UQ51)

RUN NUMBER	2Y/BW	XW/CW	T/C NO	H/HREF R=1.0	H/HREF R=0.9	H/HREF R= TAW/TO	TAW/TO	H(TO) BTU/R FT2SEC	H(TAW) BTU/R FT2SEC	QDOT BTU/ FT2SEC	DTWDT DEG. R /SEC	TW DEG. R
760	.60000	.60000	1118.0	.9411-01	.1143	.1061	.9362	.2288-02	.2579-02	1.640	11.38	551.7
760	.60000	.70000	1119.0	.7894-01	.9591-01	.8957-01	.9329	.1919-02	.2177-02	1.376	9.849	551.7
760	.60000	.80000	120.00	.9880-01	.1203	.1138	.9264	.2402-02	.2766-02	1.703	12.55	559.5
760	.60000	.85000	121.00	.1254	.1526	.1450	.9240	.3047-02	.3526-02	2.164	15.70	558.4
760	.60000	.90000	122.00	.1171	.1423	.1374	.9167	.2846-02	.3340-02	2.033	15.27	554.4
760	.60000	.95000	123.00	.9674-01	.1175	.1140	.9140	.2352-02	.2772-02	1.692	12.75	549.2
760	.70000	.40000	1130.0	.1235	.1501	.1391	.9366	.3003-02	.3382-02	2.151	13.63	552.3
760	.70000	.60000	131.00	.1121	.1362	.1264	.9362	.2725-02	.3072-02	1.954	12.39	551.8
760	.70000	.90000	132.00	.2525	.3079	.2963	.9177	.6139-02	.7204-02	4.333	30.85	562.8
759	.75000	.30000	138.00	.1388	.1686	.1560	.9375	.3377-02	.3796-02	2.427	15.40	550.9
759	.75000	.40000	139.00	.1206	.1465	.1356	.9373	.2934-02	.3300-02	2.108	13.76	551.3
759	.75000	.60000	140.00	.1067	.1297	.1297	.9000	.2596-02	.3155-02	1.862	12.51	552.6
759	.75000	.70000	1141.0	.9617-01	.1170	.1085	.9362	.2340-02	.2639-02	1.670	11.93	555.7
759	.75000	.80000	142.00	.1227	.1497	.1414	.9267	.2985-02	.3440-02	2.102	17.16	565.4
760	.75000	.90000	143.00	.1162	.1413	.1360	.9160	.2020-02	.2306-02	2.024	14.72	552.6
760	.75000	.95000	144.00	.7613-01	.9227-01	.8948-01	.9147	.1851-02	.2175-02	1.342	10.14	543.6
759	.80000	.20000	146.00	.1772	.2155	.1990	.9383	.4311-02	.4841-02	3.082	21.34	554.8
759	.80000	.40000	147.00	.1237	.1504	.1391	.9378	.3010-02	.3383-02	2.154	15.40	554.1
759	.80000	.90000	148.00	.1158	.1408	.1355	.9183	.2818-02	.3295-02	2.017	14.66	553.8
759	.90000	.30000	1155.0	.1647	.2006	.1849	.9389	.4007-02	.4498-02	2.845	20.28	559.7
759	.90000	.50000	156.00	.1354	.1647	.1647	.9000	.3293-02	.4007-02	2.348	16.76	556.8
759	.90000	.60000	1157.0	.1224	.1489	.1377	.9378	.2977-02	.3349-02	2.121	14.67	557.2
759	.90000	.80000	158.00	.1395	.1699	.1603	.9275	.3394-02	.3899-02	2.410	18.69	559.5
759	.90000	.90000	159.00	.1024	.1245	.1201	.9172	.2492-02	.2920-02	1.785	14.13	553.4
759	.95000	.30000	164.00	.1607	.1954	.1804	.9383	.3908-02	.4389-02	2.793	19.96	555.1
759	.95000	.50000	165.00	.1150	.1398	.1294	.9373	.2797-02	.3147-02	2.003	14.80	553.5
759	.95000	.70000	166.00	.1240	.1510	.1409	.9329	.3016-02	.3427-02	2.141	16.04	559.8
759	.95000	.80000	167.00	.1331	.1619	.1538	.9243	.3237-02	.3743-02	2.305	17.00	557.7
759	.95000	.90000	168.00	.9351-01	.1136	.1094	.9178	.2275-02	.2662-02	1.634	12.30	551.3

DATE 23 FEB 80

OH84B MODEL 60-0 IN THE AEDC VKF HYPERSONIC TUNNEL

PAGE 2217

OH84B 60-0 WING LOWER SURFACE

(R4UQ51)

WING LOWER SURF

PARAMETRIC DATA

MACH = 8.000 ALPHA = 40.00 BETA = .0000 ELEVON = 7.500
 BDFLAP = 15.00 SPDBRK = .0000

TEST CONDITIONS

RUN NUMBER	RN/L /FT X10 6	MACH	ALPHA DEG.	BETA DEG.	PO PSIA	TO DEG. R	T DEG. R	P PSIA	Q PSI	V FT/SEC	RHO SLUGS /FT3	MU LB-SEC /FT2
753	2.020	7.980	40.04	-.4678-06	434.4	1293.	94.11	.4523-01	2.016	3795.	.1297-02	.7573-07
754	2.004	7.980	40.06	-.4686-06	437.0	1305.	94.98	.4550-01	2.028	3813.	.1293-02	.7643-07

RUN NUMBER	HREF BTU/ R FT2SEC	STN NO REF (R) = .0175
753	.3498-01	.2859-01
754	.3514-01	.2867-01

TEST DATA

RUN NUMBER	2Y/BW	XW/CW	T/C NO	H/HREF R=1.0	H/HREF R=0.9	H/HREF R= TAW/TO	TAW/TO	H(TO) BTU/R FT2SEC	H(TAW) BTU/R FT2SEC	QDOT BTU/ FT2SEC	DTWDT DEG. R /SEC	TW DEG. R
754	.30000	.40000	1078.0	.6239-01	.7550-01	.6963-01	.9401	.2192-02	.2447-02	1.647	11.78	553.5
754	.30000	.50000	1079.0	.4874-01	.5901-01	.5482-01	.9363	.1713-02	.1926-02	1.284	9.481	555.1
754	.30000	.60000	1080.0	.5371-01	.6512-01	.6043-01	.9365	.1887-02	.2123-02	1.404	10.34	560.5
754	.30000	.70000	1081.0	.6749-01	.8188-01	.7608-01	.9358	.2372-02	.2673-02	1.761	12.54	562.3
754	.30000	.80000	1082.0	.8806-01	.1069	.9986-01	.9331	.3094-02	.3509-02	2.286	16.79	565.9
754	.30000	.90000	83.000	.1223	.1483	.1417	.9218	.4298-02	.4980-02	3.203	23.21	559.5
754	.30000	.95000	64.000	.1276	.1544	.1491	.9168	.4482-02	.5240-02	3.360	24.01	555.1
754	.40000	.60000	1092.0	.8518-01	.1034	.9572-01	.9376	.2993-02	.3363-02	2.211	14.77	565.8
754	.40000	.70000	1093.0	.9911-01	.1203	.1116	.9365	.3483-02	.3922-02	2.576	17.20	565.1
754	.40000	.75000	1094.0	.1021	.1239	.1154	.9346	.3587-02	.4055-02	2.652	19.49	565.2
754	.40000	.85000	95.000	.2715	.3317	.3132	.9266	.9539-02	.1101-01	6.853	50.67	586.2
754	.40000	.90000	96.000	.2412	.2944	.2832	.9179	.8474-02	.9951-02	6.110	51.33	583.5
754	.40000	.95000	97.000	.2206	.2689	.2608	.9142	.7751-02	.9165-02	5.628	44.81	578.6
754	.50000	.40000	1104.0	.8159-01	.9901-01	.9179-01	.9369	.2867-02	.3225-02	2.126	15.13	563.1
754	.50000	.60000	1105.0	.7233-01	.8778-01	.8146-01	.9363	.2541-02	.2862-02	1.884	12.99	563.3
754	.50000	.70000	1106.0	.4213-01	.5108-01	.4750-01	.9355	.1480-02	.1669-02	1.102	7.856	560.2
754	.50000	.90000	107.00	.2774	.3388	.3388	.9000	.9747-02	.1190-01	7.020	53.78	584.4
754	.60000	.40000	1116.0	.1191	.1447	.1338	.9379	.4184-02	.4700-02	3.083	21.21	567.7
754	.60000	.50000	1117.0	.1104	.1341	.1244	.9365	.3879-02	.4369-02	2.860	19.68	567.4

OH84B 60-0 WING LOWER SURFACE

(R4UQ51)

RUN NUMBER	2Y/BW	XW/CW	T/C NO	H/HREF R=1.0	H/HREF R=0.9	H/HREF R= TAW/TO	TAW/TO	H(TO) BTU/R FT2SEC	H(TAW) BTU/R FT2SEC	QDOT BTU/ FT2SEC	DTWDT DEG. R /SEC	TW DEG. R
754	.60000	.60000	1118.0	.1029	.1249	.1159	.9363	.3617-02	.4074-02	2.679	18.47	563.9
754	.60000	.70000	1119.0	.8280-01	.1005	.9387-01	.9331	.2910-02	.3298-02	2.155	15.33	564.0
754	.60000	.80000	120.00	.2693	.3292	.3108	.9266	.9462-02	.1092-01	6.780	49.25	588.1
754	.60000	.85000	121.00	.3348	.4098	.3887	.9242	.1176-01	.1366-01	8.384	59.79	592.0
754	.60000	.90000	122.00	.3042	.3716	.3582	.9168	.1069-01	.1259-01	7.690	56.89	585.3
754	.60000	.95000	123.00	.2413	.2937	.2849	.9142	.8478-02	.1001-01	6.198	46.11	573.7
754	.70000	.40000	1130.0	.1286	.1561	.1448	.9368	.4519-02	.5086-02	3.345	21.07	564.5
754	.70000	.60000	131.00	.1183	.1436	.1333	.9363	.4158-02	.4682-02	3.086	19.46	562.5
754	.70000	.90000	132.00	.3423	.4181	.4021	.9179	.1203-01	.1413-01	8.653	60.92	585.2
753	.75000	.30000	138.00	.1435	.1748	.1615	.9376	.5018-02	.5650-02	3.621	22.74	571.1
753	.75000	.40000	139.00	.1238	.1508	.1395	.9374	.4331-02	.4878-02	3.125	20.20	571.0
753	.75000	.60000	140.00	.1121	.1365	.1365	.9000	.3919-02	.4773-02	2.832	18.87	570.1
753	.75000	.70000	141.00	.1058	.1291	.1195	.9363	.3702-02	.4181-02	2.661	18.84	573.9
753	.75000	.80000	142.00	.3275	.4045	.3806	.9268	.1146-01	.1331-01	7.783	62.05	613.3
754	.75000	.90000	143.00	.3167	.3864	.3716	.9181	.1113-01	.1306-01	8.049	57.71	581.4
754	.75000	.95000	144.00	.2218	.2694	.2610	.9149	.7793-02	.9171-02	5.757	43.00	566.0
753	.80000	.20000	146.00	.1773	.2163	.1994	.9384	.6200-02	.6975-02	4.441	30.42	576.4
753	.80000	.40000	147.00	.1279	.1561	.1441	.9379	.4475-02	.5039-02	3.206	22.67	576.3
753	.80000	.90000	148.00	.3343	.4096	.3933	.9184	.1169-01	.1376-01	8.217	58.66	589.9
753	.90000	.30000	1155.0	.1627	.1989	.1830	.9390	.5691-02	.6402-02	4.041	29.49	582.6
753	.90000	.50000	156.00	.1388	.1696	.1696	.9000	.4855-02	.5931-02	3.462	24.44	579.7
753	.90000	.60000	1157.0	.1242	.1517	.1400	.9379	.4346-02	.4895-02	3.102	21.22	578.7
753	.90000	.80000	158.00	.2601	.3196	.3006	.9276	.9097-02	.1051-01	6.318	48.07	598.2
753	.90000	.90000	159.00	.2719	.3334	.3208	.9173	.9509-02	.1122-01	6.658	51.71	592.5
753	.95000	.30000	164.00	.1582	.1930	.1780	.9384	.5534-02	.6225-02	3.967	28.06	575.8
753	.95000	.50000	165.00	.1157	.1410	.1303	.9374	.4047-02	.4559-02	2.915	21.34	572.4
753	.95000	.70000	166.00	.1860	.2280	.2121	.9331	.6505-02	.7420-02	4.566	33.69	590.7
753	.95000	.80000	167.00	.2424	.2970	.2816	.9244	.8479-02	.9848-02	5.960	43.26	589.7
753	.95000	.90000	168.00	.1892	.2314	.2225	.9179	.6618-02	.7784-02	4.689	34.71	584.1

OH84B 60-0 WING LOWER SURFACE

(R4UQ51)

WING LOWER SURF

PARAMETRIC DATA

MACH = 8.000 ALPHA = 40.00 BETA = .0000 ELEVON = 7.500
 BDFLAP = 15.00 SPDBRK = .0000

TEST CONDITIONS

RUN NUMBER	RN/L /FT X10 6	MACH	ALPHA DEG.	BETA DEG.	PO PSIA	TO DEG. R	T DEG. R	P PSIA	Q PSI	V FT/SEC	RHO SLUGS /FT3	MU LB-SEC /FT2
747	2.979	7.990	40.06	-.4686-06	660.0	1316.	95.56	.6816-01	3.046	3829.	.1925-02	.7690-07
748	2.974	7.990	40.07	-.4689-06	661.9	1320.	95.85	.6835-01	3.055	3835.	.1925-02	.7713-07

RUN NUMBER	HREF BTU/ R FT2SEC	STN NO REF (R) = .0175
747	.4312-01	.2351-01
748	.4321-01	.2352-01

TEST DATA

RUN NUMBER	2Y/BW	XW/CW	T/C NO	H/HREF R=1.0	H/HREF R=0.9	H/HREF R= TAW/TO	TAW/TO	H(TO) BTU/R FT2SEC	H(TAW) BTU/R FT2SEC	QDOT BTU/ FT2SEC	DTWDT DEG. R /SEC	TW DEG. R
748	.30000	.40000	1078.0	.6454-01	.7828-01	.7212-01	.9401	.2789-02	.3116-02	2.097	14.89	567.8
748	.30000	.50000	1079.0	.6422-01	.7802-01	.7237-01	.9363	.2775-02	.3127-02	2.072	15.16	573.2
748	.30000	.60000	1080.0	.1001	.1220	.1130	.9366	.4324-02	.4881-02	3.172	23.06	586.1
748	.30000	.70000	1081.0	.1510	.1846	.1710	.9358	.6524-02	.7388-02	4.724	33.09	595.5
748	.30000	.80000	1082.0	.2088	.2559	.2381	.9331	.9023-02	.1029-01	6.473	46.70	602.2
748	.30000	.90000	83.000	.2251	.2746	.2620	.9218	.9725-02	.1132-01	7.116	50.85	588.0
748	.30000	.50000	84.000	.2109	.2567	.2477	.9168	.9112-02	.1070-01	6.734	47.52	580.6
748	.40000	.60000	1092.0	.1657	.2027	.1870	.9376	.7161-02	.8080-02	5.181	34.08	596.2
748	.40000	.70000	1093.0	.2141	.2620	.2422	.9366	.9252-02	.1046-01	6.686	43.96	597.1
748	.40000	.75000	1094.0	.2088	.2556	.2372	.9346	.9020-02	.1025-01	6.499	46.96	599.1
748	.40000	.85000	95.000	.3077	.3782	.3564	.9266	.1329-01	.1540-01	9.413	68.74	611.6
748	.40000	.90000	96.000	.2649	.3252	.3124	.9179	.1145-01	.1350-01	8.149	67.65	607.7
748	.40000	.95000	97.000	.2448	.3000	.2907	.9142	.1058-01	.1256-01	7.591	59.74	602.1
748	.50000	.40000	1104.0	.1044	.1272	.1177	.9369	.4511-02	.5085-02	3.326	23.44	582.4
748	.50000	.60000	1105.0	.1229	.1499	.1388	.9363	.5309-02	.5997-02	3.886	26.47	587.7
748	.50000	.70000	1106.0	.1003	.1222	.1134	.9355	.4333-02	.4901-02	3.184	22.42	584.8
748	.50000	.90000	107.000	.2915	.3577	.3577	.9000	.1260-01	.1546-01	8.986	68.10	606.3
748	.60000	.40000	1116.0	.1315	.1605	.1481	.9380	.5684-02	.6400-02	4.160	28.33	587.8
748	.60000	.50000	1117.0	.1279	.1561	.1444	.9366	.5526-02	.6241-02	4.043	27.53	588.1

DATE 23 FEB 80

OH84B MODEL 60-0 IN THE AEDC VKF HYPERSONIC TUNNEL

PAGE 2220

OH84B 60-0 WING LOWER SURFACE

(R4U051)

RUN NUMBER	2Y/BW	XW/CW	T/C NO	H/HREF R=1.0	H/HREF R=0.9	H/HREF R= TAW/TO	TAW/TO	H(TO) BTU/R FT2SEC	H(TAW) BTU/R FT2SEC	QDOT BTU/ FT2SEC	OTWDT DEG. R /SEC	TW DEG. R
748	.60000	.60000	1118.0	.1264	.1541	.1427	.9363	.5463-02	.6167-02	4.015	27.39	584.7
748	.60000	.70000	1119.0	.1158	.1411	.1316	.9331	.5005-02	.5687-02	3.681	25.93	584.1
748	.60000	.80000	120.00	.3674	.4527	.4264	.9266	.1588-01	.1842-01	11.12	79.57	619.2
748	.60000	.85000	121.00	.3845	.4735	.4484	.9242	.1661-01	.1937-01	11.66	82.10	617.8
748	.60000	.90000	122.00	.3297	.4047	.3897	.9168	.1424-01	.1684-01	10.14	74.19	607.8
748	.60000	.95000	123.00	.2625	.3209	.3111	.9142	.1134-01	.1344-01	8.234	60.65	593.8
748	.70000	.40000	1130.0	.1355	.1650	.1528	.9368	.5855-02	.6602-02	4.319	26.97	582.1
748	.70000	.60000	131.00	.1332	.1622	.1503	.9363	.5757-02	.6495-02	4.260	26.63	579.8
748	.70000	.90000	132.00	.3891	.4785	.4595	.9179	.1681-01	.1986-01	11.89	82.55	612.8
747	.75000	.30000	138.00	.1495	.1826	.1686	.9376	.6445-02	.7269-02	4.666	29.00	591.7
747	.75000	.40000	139.00	.1319	.1612	.1489	.9374	.5690-02	.6419-02	4.123	26.39	591.0
747	.75000	.60000	140.00	.1224	.1495	.1495	.9000	.5277-02	.6447-02	3.828	25.25	590.3
747	.75000	.70000	1141.0	.1189	.1455	.1346	.9363	.5129-02	.5805-02	3.692	25.86	595.8
747	.75000	.80000	142.00	.4073	.5083	.4766	.9268	.1756-01	.2055-01	11.62	90.86	553.9
748	.75000	.90000	143.00	.3507	.4301	.4131	.9181	.1516-01	.1785-01	10.84	76.85	604.3
748	.75000	.95000	144.00	.2464	.3006	.2911	.9149	.1065-01	.1258-01	7.791	57.56	587.9
747	.80000	.20000	146.00	.1899	.2328	.2142	.9385	.8188-02	.9236-02	5.845	39.53	601.9
747	.80000	.40000	147.00	.1367	.1674	.1543	.9379	.5895-02	.6653-02	4.225	29.55	598.9
747	.80000	.90000	148.00	.3642	.4485	.4301	.9185	.1571-01	.1855-01	10.99	77.47	615.8
747	.90000	.30000	1155.0	.1704	.2096	.1924	.9390	.7349-02	.8295-02	5.170	35.92	612.2
747	.90000	.50000	156.00	.1490	.1829	.1829	.9000	.6425-02	.7866-02	4.563	31.81	605.4
747	.90000	.60000	1157.0	.1369	.1679	.1546	.9379	.5905-02	.6668-02	4.211	28.47	602.6
747	.90000	.80000	158.00	.4253	.5299	.4961	.9277	.1834-01	.2139-01	12.22	90.67	649.4
747	.90000	.90000	159.00	.3454	.4267	.4099	.9174	.1489-01	.1768-01	10.28	78.58	625.3
747	.95000	.30000	164.00	.1593	.1953	.1797	.9385	.6869-02	.7748-02	4.898	34.19	602.6
747	.95000	.50000	165.00	.1184	.1449	.1337	.9374	.5106-02	.5766-02	3.675	26.59	596.0
747	.95000	.70000	166.00	.2952	.3652	.3386	.9331	.1273-01	.1460-01	8.742	63.30	628.9
747	.95000	.80000	167.00	.3859	.4787	.4522	.9244	.1664-01	.1950-01	11.29	80.11	637.0
747	.95000	.90000	168.00	.3021	.3726	.3577	.9179	.1303-01	.1542-01	9.065	65.93	619.9

OH84B 60-0 WING LOWER SURFACE

(R4UQ52)

WING LOWER SURF

PARAMETRIC DATA

MACH = 8.000 ALPHA = 40.00 BETA = .0000 ELEVON = 7.500
 BDFLAP = 23.50 SPDBRK = .0000

TEST CONDITIONS

RUN NUMBER	RN/L /FT X10 6	MACH	ALPHA DEG.	BETA DEG.	PO PSIA	TO DEG. R	T DEG. R	P PSIA	Q PSI	V FT/SEC	RHO SLUGS /FT3	MU LB-SEC /FT2
763	.4981	7.900	39.97	-.3462-02	99.31	1252.	92.84	.1104-01	.4822	3732.	.3209-03	.7471-07
764	.5066	7.900	39.98	-.4647-06	100.9	1251.	92.77	.1121-01	.4898	3730.	.3262-03	.7465-07

RUN NUMBER	HREF BTU/ R FT2SEC	STN NO REF (R) = .0175
763	.1701-01	.5729-01
764	.1714-01	.5682-01

TEST DATA

RUN NUMBER	2Y/BW	XW/CW	T/C NO	H/HREF R=1.0	H/HREF R=0.9	H/HREF R= TAW/TO	TAW/TO	H(TO) BTU/R FT2SEC	H(TAW) BTU/R FT2SEC	QDOT BTU/ FT2SEC	DTWDT DEG. R /SEC	TW DEG. R
764	.30000	.40000	1078.0	.7031-01	.8519-01	.7856-01	.9399	.1205-02	.1346-02	.8629	6.231	534.7
764	.30000	.50000	1079.0	.5504-01	.6670-01	.6196-01	.9361	.9434-03	.1062-02	.6749	5.034	535.3
764	.30000	.60000	1080.0	.5322-01	.6452-01	.5990-01	.9364	.9122-03	.1027-02	.6510	4.851	537.0
764	.30000	.70000	1081.0	.5178-01	.6277-01	.5836-01	.9356	.8975-03	.1000-02	.6339	4.573	536.4
764	.30000	.80000	1082.0	.5218-01	.6324-01	.5911-01	.9329	.8943-03	.1013-02	.6394	4.768	535.7
764	.30000	.90000	83.000	.6252-01	.7577-01	.7245-01	.9216	.1072-02	.1242-02	.7665	5.623	535.5
764	.30000	.95000	84.000	.5590-01	.6768-01	.6539-01	.9167	.9581-03	.1121-02	.6881	4.975	532.4
764	.40000	.60000	1092.0	.6975-01	.8461-01	.7836-01	.9374	.1196-02	.1343-02	.8512	5.762	538.7
764	.40000	.70000	1093.0	.6852-01	.8307-01	.7712-01	.9364	.1175-02	.1322-02	.8389	5.685	536.5
764	.40000	.75000	1094.0	.6249-01	.7576-01	.7060-01	.9344	.1071-02	.1210-02	.7647	5.700	536.7
764	.40000	.85000	95.000	.9991-01	.1213	.1148	.9264	.1712-02	.1967-02	1.216	9.202	540.4
764	.40000	.90000	96.000	.8302-01	.1007	.9701-01	.9177	.1423-02	.1663-02	1.015	8.728	537.3
764	.40000	.95000	97.000	.6621-01	.8024-01	.7794-01	.9140	.1135-02	.1336-02	.8114	6.601	535.7
764	.50000	.40000	1104.0	.8053-01	.9771-01	.9062-01	.9367	.1380-02	.1553-02	.9823	7.077	539.1
764	.50000	.60000	1105.0	.6846-01	.8305-01	.7711-01	.9361	.1174-02	.1322-02	.8358	5.835	538.5
764	.50000	.70000	1106.0	.4359-01	.5285-01	.4917-01	.9353	.7472-03	.8428-03	.5332	3.846	537.0
764	.50000	.90000	107.00	.6935-01	.8410-01	.8410-01	.9000	.1189-02	.1441-02	.8479	6.650	537.4
764	.60000	.40000	1116.0	.1153	.1399	.1295	.9378	.1976-02	.2219-02	1.405	9.801	539.8
764	.60000	.50000	1117.0	.1002	.1216	.1128	.9364	.1718-02	.1934-02	1.222	8.524	539.5

DATE 23 FEB 80

OH84B MODEL 60-0 IN THE AEDC VKF HYPERSONIC TUNNEL

PAGE 2222

OH84B 60-0 WING LOWER SURFACE

(R4U052)

RUN NUMBER	2Y/BW	XW/CW	T/C NO.	H/HREF R=1.0	H/HREF R=0.9	H/HREF R= TAW/TO	TAW/TO	H(TO) BTU/R FT2SEC	H(TAW) BTU/R FT2SEC	QDOT BTU/ FT2SEC	DTWDT DEG. R /SEC	TW DEG. R
764	.60000	.60000	1118.0	.8808-01	.1068	.9921-01	.9361	.1510-02	.1700-02	1.075	7.501	538.8
764	.60000	.70000	1119.0	.7385-01	.8959-01	.8372-01	.9329	.1266-02	.1435-02	.9012	6.494	538.7
764	.60000	.80000	120.00	.6652-01	.8076-01	.7644-01	.9264	.1140-02	.1310-02	.8087	6.013	541.4
764	.60000	.85000	121.00	.9779-01	.1187	.1129	.9240	.1676-02	.1935-02	1.191	8.717	540.1
764	.60000	.90000	122.00	.9261-01	.1123	.1085	.9167	.1587-02	.1859-02	1.133	8.582	537.2
764	.60000	.95000	123.00	.6884-01	.8341-01	.8102-01	.9140	.1180-02	.1389-02	.8447	6.409	534.8
764	.70000	.40000	1130.0	.1186	.1439	.1335	.9366	.2033-02	.2288-02	1.448	9.243	538.5
764	.70000	.60000	131.00	.1125	.1364	.1267	.9361	.1928-02	.2171-02	1.376	8.788	537.2
764	.70000	.90000	132.00	.2450	.2977	.2868	.9177	.4199-02	.4915-02	2.964	21.29	544.8
763	.75000	.30000	138.00	.1426	.1731	.1603	.9374	.2426-02	.2726-02	1.724	10.99	541.1
763	.75000	.40000	139.00	.1222	.1483	.1374	.9372	.2079-02	.2338-02	1.478	9.703	540.7
763	.75000	.60000	140.00	.1087	.1319	.1319	.9000	.1849-02	.2244-02	1.316	8.899	540.3
763	.75000	.70000	1141.0	.8956-01	.1088	.1010	.9361	.1523-02	.1717-02	1.078	7.752	543.7
763	.75000	.80000	142.00	.1074	.1305	.1235	.9266	.1826-02	.2100-02	1.288	10.62	546.5
764	.75000	.90000	143.00	.1031	.1250	.1204	.9179	.1767-02	.2063-02	1.260	9.236	537.3
764	.75000	.95000	144.00	.6523-01	.7897-01	.7659-01	.9147	.1118-02	.1313-02	.8036	6.106	531.9
763	.80000	.20000	146.00	.1725	.2096	.1937	.9383	.2934-02	.3295-02	2.073	14.42	545.3
763	.80000	.40000	147.00	.1258	.1528	.1413	.9377	.2139-02	.2404-02	1.516	10.90	543.0
763	.80000	.90000	148.00	.1075	.1305	.1256	.9182	.1829-02	.2137-02	1.300	9.514	540.8
763	.90000	.30000	1155.0	.1613	.1962	.1810	.9388	.2743-02	.3079-02	1.927	13.81	549.2
763	.90000	.50000	156.00	.1381	.1678	.1678	.9000	.2348-02	.2854-02	1.660	11.93	544.7
763	.90000	.60000	1157.0	.1240	.1508	.1394	.9377	.2110-02	.2372-02	1.491	10.37	545.2
763	.90000	.80000	159.00	.1252	.1521	.1436	.9275	.2129-02	.2443-02	1.504	11.75	545.1
763	.90000	.90000	159.00	.9891-01	.1201	.1158	.9172	.1682-02	.1970-02	1.194	9.514	541.7
763	.95000	.30000	164.00	.1565	.1902	.1757	.9383	.2662-02	.2989-02	1.882	13.53	544.6
763	.95000	.50000	165.00	.1155	.1402	.1299	.9372	.1964-02	.2209-02	1.395	10.37	541.7
763	.95000	.70000	166.00	.1141	.1387	.1295	.9329	.1942-02	.2203-02	1.373	10.37	544.3
763	.95000	.80000	167.00	.1276	.1550	.1474	.9242	.2171-02	.2507-02	1.535	11.40	544.3
763	.95000	.90000	168.00	.8858-01	.1075	.1036	.9177	.1507-02	.1763-02	1.069	8.084	542.0

OH84B 60-0 WING LOWER SURFACE

(R4UQ52)

WING LOWER SURF

PARAMETRIC DATA

MACH = 8.000 ALPHA = 40.00 BETA = .0000 ELEVON = 7.500
 BDFLAP = 23.50 SPDBRK = .0000

TEST CONDITIONS

RUN NUMBER	RN/L /FT X10 6	MACH	ALPHA DEG.	BETA DEG.	PO PSIA	TO DEG. R	T DEG. R	P PSIA	Q PSI	V FT/SEC	RHO SLUGS /FT3	MU LB-SEC /FT2
761	1.006	7.940	39.99	-.4652-06	206.4	1265.	92.93	.2220-01	.9799	3752.	.6449-03	.7478-07
762	1.002	7.940	39.99	-.4654-06	205.6	1265.	92.93	.2212-01	.9760	3752.	.6424-03	.7478-07

RUN NUMBER	HREF BTU/ R FT2SEC	STN NO REF (R) = .0175
761	.2429-01	.4046-01
762	.2424-01	.4054-01

TEST DATA

RUN NUMBER	2Y/BW	XW/CW	T/C NO	H/HREF R=1.0	H/HREF R=0.9	H/HREF R= TAW/TO	TAW/TO	H(TO) BTU/R FT2SEC	H(TAW) BTU/R FT2SEC	QDOT BTU/ FT2SEC	DTWDT DEG. R /SEC	TW DEG. R
762	.30000	.40000	1078.0	.6935-01	.8399-01	.7746-01	.9399	.1681-02	.1878-02	1.220	8.788	539.2
762	.30000	.50000	1079.0	.5059-01	.6131-01	.5695-01	.9362	.1227-02	.1381-02	.8869	6.594	541.6
762	.30000	.60000	1080.0	.4921-01	.5969-01	.5540-01	.9364	.1193-02	.1343-02	.8595	6.382	544.3
762	.30000	.70000	1081.0	.4953-01	.6006-01	.5583-01	.9356	.1201-02	.1353-02	.8660	6.225	543.5
762	.30000	.80000	1082.0	.4988-01	.6047-01	.5652-01	.9329	.1209-02	.1370-02	.8727	6.484	543.0
762	.30000	.90000	83.000	.6903-01	.8358-01	.7993-01	.9217	.1674-02	.1938-02	1.216	8.908	538.1
762	.30000	.95000	84.000	.6290-01	.7609-01	.7352-01	.9167	.1525-02	.1782-02	1.112	8.030	535.2
762	.40000	.60000	1092.0	.6836-01	.8298-01	.7682-01	.9375	.1657-02	.1862-02	1.189	8.017	547.0
762	.40000	.70000	1093.0	.6919-01	.8393-01	.7789-01	.9364	.1678-02	.1888-02	1.209	8.159	544.2
762	.40000	.75000	1094.0	.6671-01	.8089-01	.7537-01	.9345	.1617-02	.1827-02	1.167	8.672	543.0
762	.40000	.85000	95.000	.1641	.1995	.1888	.9264	.3979-02	.4576-02	2.835	21.32	552.2
762	.40000	.90000	96.000	.1547	.1880	.1811	.9178	.3752-02	.4390-02	2.683	22.93	549.4
762	.40000	.95000	97.000	.1468	.1782	.1730	.9140	.3558-02	.4194-02	2.554	20.66	546.9
762	.50000	.40000	1104.0	.7964-01	.9662-01	.8961-01	.9367	.1931-02	.2172-02	1.390	9.981	545.0
762	.50000	.60000	1105.0	.6517-01	.7910-01	.7342-01	.9362	.1580-02	.1780-02	1.135	7.894	546.3
762	.50000	.70000	1106.0	.3771-01	.4572-01	.4253-01	.9353	.9142-03	.1031-02	.6596	4.742	543.1
762	.50000	.90000	107.00	.1997	.2429	.9000	.9000	.4841-02	.5889-02	3.441	26.77	553.9
762	.60000	.40000	1116.0	.1139	.1383	.1280	.9378	.2762-02	.3103-02	1.980	13.76	547.8
762	.60000	.50000	1117.0	.1010	.1226	.1137	.9364	.2448-02	.2757-02	1.754	12.19	548.1

DATE 23 FEB 80

OH84B MODEL 60-0 IN THE AEDC VKF HYPERSONIC TUNNEL

PAGE 2224

OH84B 60-0 WING LOWER SURFACE

(R4U052)

RUN NUMBER	ZY/BW	XW/CW	T/C NO	H/HREF R=1.0	H/HREF R=0.9	H/HREF R= TAW/TO	TAW/TO	H(TO) BTU/R FT2SEC	H(TAW) BTU/R FT2SEC	QDOT BTU/ FT2SEC	DTWDT DEG. R /SEC	TW DEG. R
762	.60000	.60000	1118.0	.9200-01	.1116	.1036	.9362	.2230-02	.2512-02	1.604	11.16	545.6
762	.60000	.70000	1119.0	.7674-01	.9312-01	.8700-01	.9329	.1860-02	.2109-02	1.338	9.605	545.7
762	.60000	.80000	120.00	.1014	.1233	.1166	.9264	.2458-02	.2827-02	1.751	12.95	552.4
762	.60000	.85000	121.00	.1284	.1561	.1484	.9240	.3113-02	.3597-02	2.222	16.17	551.0
762	.60000	.90000	122.00	.1210	.1469	.1418	.9167	.2933-02	.3438-02	2.106	15.89	546.6
762	.60000	.95000	123.00	.9962-01	.1207	.1172	.9140	.2415-02	.2843-02	1.747	13.21	541.4
762	.70000	.40000	1130.0	.1212	.1471	.1364	.9366	.2939-02	.3307-02	2.115	13.46	544.9
762	.70000	.60000	131.00	.1121	.1360	.1262	.9362	.2717-02	.3060-02	1.955	12.44	545.1
762	.70000	.90000	132.00	.2539	.3089	.2974	.9178	.6155-02	.7211-02	4.373	31.26	554.3
761	.75000	.30000	138.00	.1419	.1726	.1597	.9375	.3447-02	.3878-02	2.451	15.52	553.9
761	.75000	.40000	139.00	.1209	.1470	.1361	.9373	.2936-02	.3305-02	2.087	13.61	553.9
761	.75000	.60000	140.00	.1062	.1293	.1293	.9000	.2581-02	.3141-02	1.831	12.30	555.1
761	.75000	.70000	141.0	.9680-01	.1179	.1093	.9362	.2351-02	.2655-02	1.662	11.86	557.9
761	.75000	.80000	142.00	.1241	.1516	.1431	.9266	.3014-02	.3477-02	2.101	17.13	567.7
762	.75000	.90000	143.00	.1181	.1433	.1380	.9180	.2864-02	.3345-02	2.065	15.08	543.7
762	.75000	.95000	144.00	.7700-01	.9313-01	.9034-01	.9148	.1867-02	.2190-02	1.363	10.34	534.7
761	.80000	.20000	146.00	.1777	.2164	.1997	.9383	.4316-02	.4851-02	3.050	21.09	558.0
761	.80000	.40000	147.00	.1247	.1518	.1403	.9378	.3029-02	.3408-02	2.144	15.31	556.7
761	.80000	.90000	148.00	.1159	.1411	.1357	.9183	.2817-02	.3297-02	1.996	14.49	555.9
761	.90000	.30000	1155.0	.1657	.2021	.1862	.9389	.4026-02	.4524-02	2.827	20.13	562.3
761	.90000	.50000	156.00	.1362	.1660	.1660	.9000	.3309-02	.4031-02	2.334	16.65	559.1
761	.90000	.60000	1157.0	.1178	.1436	.1326	.9378	.2862-02	.3221-02	2.018	13.94	559.6
761	.90000	.80000	158.00	.1327	.1618	.1526	.9275	.3222-02	.3706-02	2.263	17.53	562.3
761	.90000	.90000	159.00	.1032	.1256	.1211	.9172	.2507-02	.2941-02	1.779	14.07	555.2
761	.95000	.30000	164.00	.1607	.1957	.1806	.9383	.3903-02	.4386-02	2.759	19.69	557.7
761	.95000	.50000	165.00	.1137	.1384	.1281	.9373	.2763-02	.3111-02	1.959	14.46	555.7
761	.95000	.70000	166.00	.1237	.1508	.1407	.9329	.3005-02	.3417-02	2.113	15.82	561.4
761	.95000	.80000	167.00	.1320	.1609	.1528	.9243	.3208-02	.3712-02	2.262	16.67	559.4
761	.95000	.90000	168.00	.9438-01	.1148	.1105	.9178	.2293-02	.2685-02	1.632	12.27	552.8

OH84B 60-0 WING LOWER SURFACE

(R4UQ52)

WING LOWER SURF

PARAMETRIC DATA

MACH = 8.000 ALPHA = 40.00 BETA = .0000 ELEVON = 7.500
 BDFLAP = 23.50 SPDBRK = .0000

TEST CONDITIONS

RUN NUMBER	RN/L /FT X10 6	MACH	ALPHA DEG.	BETA DEG.	PO PSIA	TO DEG. R	T DEG. R	P PSIA	Q PSI	V FT/SEC	RHO SLUGS /FT3	MU LB-SEC /FT2
751	1.987	7.980	40.06	-.4685-06	435.2	1309.	95.27	.4531-01	2.020	3818.	.1284-02	.7667-07
752	2.017	7.980	40.06	-.4685-06	436.2	1298.	94.47	.4541-01	2.024	3802.	.1297-02	.7602-07

RUN NUMBER	HREF BTU/ R FT2SEC	STN NO REF (R)
751	.3508-01	.2878-01
752	.3507-01	.2860-01

TEST DATA

RUN NUMBER	2Y/BW	XW/CW	T/C NO	H/HREF R=1.0	H/HREF R=0.9	H/HREF R= TAW/TO	TAW/TO	H(TO) BTU/R FT2SEC	H(TAW) BTU/R FT2SEC	QDOT BTU/ FT2SEC	DTWOT DEG. R /SEC	TW DEG. R
752	.30000	.40000	1078.0	.6181-01	.7490-01	.6904-01	.9401	.2168-02	.2421-02	1.609	11.50	555.5
752	.30000	.50000	1079.0	.4894-01	.5933-01	.5508-01	.9363	.1716-02	.1932-02	1.272	9.382	556.9
752	.30000	.60000	1080.0	.5415-01	.6576-01	.6098-01	.9365	.1899-02	.2139-02	1.397	10.28	562.3
752	.30000	.70000	1081.0	.6793-01	.8252-01	.7863-01	.9358	.2382-02	.2688-02	1.748	12.43	564.1
752	.30000	.80000	1082.0	.8505-01	.1034	.9654-01	.9331	.2983-02	.3386-02	2.177	15.98	567.8
752	.30000	.90000	83.000	.1210	.1470	.1404	.9218	.4244-02	.4925-02	3.115	22.53	563.7
752	.30000	.95000	84.000	.1257	.1526	.1473	.9168	.4410-02	.5165-02	3.256	23.22	559.3
752	.40000	.60000	1092.0	.8675-01	.1055	.9757-01	.9376	.3043-02	.3422-02	2.221	14.82	567.6
752	.40000	.70000	1093.0	.9909-01	.1205	.1117	.9365	.3475-02	.3917-02	2.539	16.94	567.1
752	.40000	.75000	1094.0	.1006	.1224	.1139	.9346	.3529-02	.3993-02	2.577	18.92	567.4
752	.40000	.85000	95.000	.2719	.3329	.3142	.9266	.9536-02	.1102-01	6.753	49.86	589.5
752	.40000	.90000	96.000	.2404	.2940	.2827	.9179	.8430-02	.9916-02	5.994	50.28	586.7
752	.40000	.95000	97.000	.2208	.2698	.2616	.9141	.7746-02	.9174-02	5.543	44.06	582.0
752	.50000	.40000	1104.0	.8124-01	.9871-01	.9146-01	.9369	.2849-02	.3208-02	2.088	14.85	564.8
752	.50000	.60000	1105.0	.7244-01	.8804-01	.8166-01	.9363	.2541-02	.2864-02	1.861	12.82	565.3
752	.50000	.70000	1106.0	.4342-01	.5273-01	.4900-01	.9355	.1523-02	.1719-02	1.119	7.965	562.9
752	.50000	.90000	107.00	.2764	.3382	.3382	.9000	.9695-02	.1186-01	6.884	52.65	587.6
752	.60000	.40000	1116.0	.1197	.1456	.1346	.9379	.4198-02	.4720-02	3.057	21.01	569.4
752	.60000	.50000	1117.0	.1081	.1315	.1218	.9365	.3790-02	.4273-02	2.761	18.98	569.3

DATE 23 FEB 80

OH84B MODEL 60-0 IN THE AEDC VKF HYPERSONIC TUNNEL

PAGE 2226

OH84B 60-0 WING LOWER SURFACE

(R4U052)

RUN NUMBER	2Y/BW	XW/CW	T/C NO	H/HREF R=1.0	H/HREF R=0.9	H/HREF R= TAW/TO	TAW/TO	H(TO) BTU/R FT2SEC	H(TAW) BTU/R FT2SEC	QDOT BTU/ FT2SEC	DTWDT DEG. R /SEC	TW DEG. R
752	.60000	.60000	1118.0	.9660-01	.1175	.1089	.9363	.3388-02	.3820-02	2.476	17.04	566.9
752	.60000	.70000	1119.0	.8275-01	.1006	.9390-01	.9331	.2902-02	.3293-02	2.122	15.08	566.6
752	.60000	.80000	120.00	.2680	.3284	.3098	.9266	.9400-02	.1087-01	6.638	48.14	591.5
752	.60000	.85000	121.00	.3357	.4117	.3903	.9242	.1177-01	.1369-01	8.271	58.89	595.1
752	.60000	.90000	122.00	.3038	.3718	.3583	.9168	.1065-01	.1257-01	7.556	55.82	588.4
752	.60000	.95000	123.00	.2416	.2947	.2858	.9141	.8475-02	.1003-01	6.107	45.36	577.1
752	.70000	.40000	1130.0	.1263	.1535	.1422	.9368	.4429-02	.4988-02	3.238	20.38	566.5
752	.70000	.60000	131.00	.1191	.1448	.1343	.9363	.4179-02	.4710-02	3.062	19.29	564.8
752	.70000	.90000	132.00	.3411	.4174	.4013	.9179	.1196-01	.1407-01	8.487	59.66	588.2
751	.75000	.30000	138.00	.1416	.1722	.1593	.9376	.4969-02	.5588-02	3.662	22.99	571.7
751	.75000	.40000	139.00	.1243	.1511	.1398	.9374	.4360-02	.4905-02	3.215	20.78	571.2
751	.75000	.60000	140.00	.1119	.1360	.1360	.9000	.3926-02	.4770-02	2.900	19.33	569.8
751	.75000	.70000	1141.0	.1049	.1277	.1184	.9363	.3682-02	.4153-02	2.705	19.15	574.0
751	.75000	.80000	142.00	.3257	.4013	.3778	.9268	.1143-01	.1325-01	7.940	63.28	613.9
752	.75000	.90000	143.00	.3160	.3862	.3713	.9181	.1108-01	.1302-01	7.903	56.57	584.5
752	.75000	.95000	144.00	.2221	.2702	.2617	.9142	.7799-02	.9180-02	5.675	42.32	569.1
751	.80000	.20000	146.00	.1782	.2171	.2003	.9385	.6253-02	.7027-02	4.571	31.29	577.6
751	.80000	.40000	147.00	.1285	.1564	.1445	.9379	.4507-02	.5070-02	3.299	23.32	576.8
751	.80000	.90000	148.00	.3322	.4063	.3903	.9184	.1166-01	.1369-01	8.368	59.71	590.8
751	.90000	.30000	1155.0	.1625	.1982	.1825	.9390	.5700-02	.6404-02	4.133	29.12	583.5
751	.90000	.50000	156.00	.1396	.1702	.1702	.9000	.4898-02	.5970-02	3.570	25.20	579.8
751	.90000	.60000	1157.0	.1307	.1592	.1470	.9379	.4584-02	.5159-02	3.344	22.88	579.2
751	.90000	.80000	158.00	.2540	.3114	.2931	.9277	.8912-02	.1028-01	6.326	48.12	598.8
751	.90000	.90000	159.00	.2688	.3290	.3167	.9174	.9431-02	.1111-01	6.744	52.35	593.6
751	.95000	.30000	164.00	.1578	.1921	.1773	.9385	.5537-02	.6220-02	4.058	28.70	575.8
751	.95000	.50000	165.00	.1152	.1400	.1296	.9374	.4041-02	.4546-02	2.977	21.80	572.0
751	.95000	.70000	166.00	.1704	.2084	.1940	.9331	.5978-02	.6808-02	4.294	31.69	590.3
751	.95000	.80000	167.00	.2184	.2673	.2535	.9244	.7663-02	.8893-02	5.480	39.70	593.5
751	.95000	.90000	168.00	.1829	.2233	.2148	.9179	.6415-02	.7535-02	4.637	34.29	585.9

DATE 23 FEB 80

OH84B MODEL 60-0 IN THE AEDC VKF HYPERSONIC TUNNEL

PAGE 2227

OH84B 60-0 WING LOWER SURFACE

(R4U052)

WING LOWER SURF

PARAMETRIC DATA

MACH = 8.000 ALPHA = 40.00 BETA = .0000 ELEVON = 7.500
 BDFLAP = 23.50 SPDBRK = .0000

TEST CONDITIONS

RUN NUMBER	RN/L /FT X10 6	MACH	ALPHA DEG.	BETA DEG.	PO PSIA	TO DEG. R	T DEG. R	P PSIA	Q PSI	V FT/SEC	RHO SLUGS /FT3	MU LB-SEC /FT2
749	2.958	7.990	40.06	-.4686-06	659.9	1322.	96.00	.6815-01	3.045	3838.	.1916-02	.7725-07
750	3.008	7.990	40.07	-.3496-02	673.1	1325.	96.21	.6951-01	3.106	3842.	.1950-02	.7742-07

RUN NUMBER	HREF BTU/ R FT2SEC	STN NO REF (R) = .0175
749	.4315-01	.2358-01
750	.4360-01	.2338-01

TEST DATA

RUN NUMBER	2Y/BW	XW/CW	T/C NO	H/HREF R=1.0	H/HREF R=0.9	H/HREF R= TAW/TO	TAW/TO	H(TO) BTU/R FT2SEC	H(TAW) BTU/R FT2SEC	QDOT BTU/ FT2SEC	DTWDT DEG. R /SEC	TW DEG. R
750	.30000	.40000	1078.0	.6524-01	.7910-01	.7289-01	.9401	.2845-02	.3178-02	2.150	15.26	568.7
750	.30000	.50000	1079.0	.6622-01	.8040-01	.7459-01	.9363	.2887-02	.3252-02	2.168	15.86	573.8
750	.30000	.60000	1080.0	.1056	.1287	.1192	.9366	.4605-02	.5197-02	3.399	24.71	586.5
750	.30000	.70000	1081.0	.1572	.1921	.1779	.9358	.6853-02	.7758-02	4.991	34.95	596.3
750	.30000	.80000	1082.0	.2137	.2618	.2437	.9331	.9319-02	.1062-01	6.721	48.46	603.4
750	.30000	.90000	83.000	.2259	.2754	.2628	.9218	.9848-02	.1146-01	7.246	51.76	588.8
750	.30000	.95000	84.000	.2114	.2573	.2482	.9168	.9219-02	.1082-01	6.849	48.30	581.7
750	.40000	.60000	1092.0	.1752	.2141	.1976	.9376	.7637-02	.8615-02	5.555	36.52	597.2
750	.40000	.70000	1093.0	.2196	.2686	.2483	.9366	.9575-02	.1083-01	6.958	45.73	598.0
750	.40000	.75000	1094.0	.2123	.2598	.2411	.9346	.9256-02	.1051-01	6.707	48.43	600.1
750	.40000	.85000	95.000	.3077	.3781	.3564	.9266	.1342-01	.1554-01	9.553	69.72	612.7
750	.40000	.90000	96.000	.2656	.3259	.3132	.9179	.1158-01	.1366-01	8.293	68.82	608.8
750	.40000	.95000	97.000	.2440	.2989	.2897	.9142	.1064-01	.1263-01	7.681	60.43	602.8
750	.50000	.40000	1104.0	.1104	.1344	.1245	.9369	.4815-02	.5427-02	3.571	25.17	583.0
750	.50000	.60000	1105.0	.1279	.1560	.1444	.9363	.5576-02	.6298-02	4.104	27.94	588.8
750	.50000	.70000	1106.0	.1125	.1372	.1273	.9355	.4907-02	.5550-02	3.621	25.47	586.7
750	.50000	.90000	107.00	.2911	.3570	.3570	.9000	.1269-01	.1556-01	9.105	68.97	607.2
750	.60000	.40000	1116.0	.1338	.1631	.1506	.9380	.5832-02	.6564-02	4.295	29.25	588.2
750	.60000	.50000	1117.0	.1319	.1608	.1489	.9366	.5749-02	.6490-02	4.230	28.80	586.8

DATE 23 FEB 80

OH84B MODEL 60-0 IN THE AEDC VKF HYPERSONIC TUNNEL

PAGE 2228

OH84B 60-0 WING LOWER SURFACE

(R4U052)

RUN NUMBER	2Y/BW	XW/CW	T/C NO	H/HREF R=1.0	H/HREF R=0.9	H/HREF R= TAW/TO	TAW/TO	H(TO) BTU/R FT2SEC	H(TAW) BTU/R FT2SEC	QDOT BTU/ FT2SEC	DTWDT DEG. R /SEC	TW DEG. R
750	.60000	.60000	1118.0	.1302	.1586	.1469	.9363	.5675-02	.6407-02	4.194	28.60	585.7
750	.60000	.70000	1119.0	.1229	.1498	.1397	.9331	.5359-02	.6089-02	3.960	27.87	585.8
750	.60000	.80000	120.00	.3706	.4565	.4300	.9266	.1616-01	.1875-01	11.38	81.33	620.7
750	.60000	.85000	121.00	.3846	.4735	.4484	.9242	.1677-01	.1955-01	11.83	83.28	619.0
750	.60000	.90000	122.00	.3310	.4061	.3912	.9168	.1443-01	.1706-01	10.33	75.54	608.8
750	.60000	.95000	123.00	.2625	.3207	.3110	.9142	.1145-01	.1356-01	8.355	61.52	594.8
750	.70000	.40000	1130.0	.1390	.1692	.1567	.9368	.6062-02	.6833-02	4.497	28.08	582.8
750	.70000	.60000	131.00	.1356	.1650	.1530	.9363	.5913-02	.6669-02	4.396	27.47	581.1
750	.70000	.90000	132.00	.3892	.4784	.4595	.9179	.1697-01	.2003-01	12.06	83.73	613.8
749	.75000	.30000	138.00	.1502	.1834	.1693	.9376	.6483-02	.7308-02	4.735	29.44	591.3
749	.75000	.40000	139.00	.1312	.1601	.1479	.9374	.5660-02	.6382-02	4.139	26.50	590.4
749	.75000	.60000	140.00	.1225	.1495	.1495	.9000	.5286-02	.6450-02	3.871	25.55	589.4
749	.75000	.70000	141.00	.1185	.1449	.1340	.9363	.5115-02	.5784-02	3.717	26.05	594.8
749	.75000	.80000	142.00	.4068	.5071	.4757	.9268	.1756-01	.2053-01	11.73	91.75	653.3
750	.75000	.90000	143.00	.3474	.4258	.4091	.9181	.1515-01	.1784-01	10.90	77.27	604.9
750	.75000	.95000	144.00	.2483	.3028	.2932	.9149	.1083-01	.1278-01	7.968	58.85	588.6
749	.80000	.20000	146.00	.1896	.2322	.2137	.9385	.8181-02	.9223-02	5.889	39.83	601.3
749	.80000	.40000	147.00	.1362	.1667	.1537	.9379	.5880-02	.6632-02	4.252	29.74	598.5
749	.80000	.90000	148.00	.3650	.4489	.4307	.9185	.1575-01	.1858-01	11.13	78.51	614.8
749	.90000	.30000	1155.0	.1708	.2099	.1927	.9390	.7372-02	.8316-02	5.230	36.34	612.2
749	.90000	.50000	156.00	.1487	.1823	.1823	.9000	.6416-02	.7866-02	4.598	32.06	604.9
749	.90000	.60000	1157.0	.1380	.1690	.1557	.9379	.5953-02	.6720-02	4.283	28.96	602.3
749	.90000	.80000	158.00	.4269	.5312	.4976	.9277	.1842-01	.2147-01	12.40	92.11	648.4
749	.90000	.90000	159.00	.3450	.4256	.4090	.9174	.1489-01	.1765-01	10.39	79.52	623.5
749	.95000	.30000	164.00	.1590	.1948	.1793	.9385	.6863-02	.7738-02	4.938	34.48	602.1
749	.95000	.50000	165.00	.1193	.1458	.1346	.9374	.5148-02	.5809-02	3.740	27.08	595.1
749	.95000	.70000	166.00	.2971	.3670	.3405	.9331	.1282-01	.1469-01	8.903	64.52	627.3
749	.95000	.80000	167.00	.3868	.4791	.4527	.9244	.1669-01	.1954-01	11.46	81.33	635.3
749	.95000	.90000	168.00	.3021	.3719	.3571	.9179	.1304-01	.1541-01	9.176	66.81	617.8

DATE 23 FEB 80

OH84B MODEL 60-0 IN THE AEDC VKF HYPERSONIC TUNNEL

PAGE 2289

OH84B 60-0 WING UPPER SURFACE

(R4UR01)

WING UPPER SURF

PARAMETRIC DATA

MACH = 8.000 ALPHA = 25.00 BETA = .0000 ELEVON = .0000
 BDFLAP = .0000 SPOBRK = 49.00

TEST CONDITIONS

RUN NUMBER	RN/L /FT X10 6	MACH	ALPHA DEG.	BETA DEG.	PO PSIA	TO DEG. R	T DEG. R	P PSIA	Q PSI	V FT/SEC	RHO SLUGS /FT3	MU LB-SEC /FT2
5	3.644	8.000	24.96	.8346-02	847.3	1356.	98.24	.8678-01	3.888	3887.	.2384-02	.7905-07

RUN NUMBER	HREF BTU/ R FT2SEC	STN NO REF (R) = .0175
5	.4898-01	.2119-01

TEST DATA

RUN NUMBER	2Y/BW	XW/CW	T/C NO	H/HREF R=1.0	H/HREF R=0.9	H/HREF R= TAW/TO	TAW/TO	H(TO) BTU/R FT2SEC	H(TAW) BTU/R FT2SEC	QDOT BTU/ FT2SEC	DTWDT DEG. R /SEC	TW DEG. R
5	.95000	.70000	278.00	.3348-01	.4072-01	.4072-01	.9000	.1640-02	.1994-02	1.251	9.714	592.8
5	.95000	.80000	279.00	.1255-01	.1520-01	.1520-01	.9000	.6147-03	.7443-03	.4785	3.615	577.2
5	.95000	.90000	280.00	.1796-01	.2174-01	.2174-01	.9000	.8795-03	.1065-02	.6856	5.368	576.1

DATE 23 FEB 80

OH84B MODEL 60-0 IN THE AEDC VKF HYPERSONIC TUNNEL

PAGE 2230

OH84B 60-0 WING UPPER SURFACE

(R4UR02)

WING UPPER SURF

PARAMETRIC DATA

MACH = 8.000 ALPHA = 30.00 BETA = -4.000 ELEVON = .0000
 BDFLAP = .0000 SPOBRK = .0000

TEST CONDITIONS

RUN NUMBER	RN/L /FT X10 6	MACH	ALPHA DEG.	BETA DEG.	PO PSIA	TO DEG. R	T DEG. R	P PSIA	Q PSI	V FT/SEC	RHO SLUGS /FT3	MU LB-SEC /FT2
157	2.008	7.980	29.94	-4.034	434.8	1299.	94.54	.4527-01	2.018	3804.	.1292-02	.7608-07
RUN NUMBER	HREF BTU/ R FT2SEC	STN NO REF (R) = .0175										
157	.3502-01	.2866-01										

TEST DATA

RUN NUMBER	2Y/BW	XW/CW	T/C NO	H/HREF R=1.0	H/HREF R=0.9	H/HREF R= TAW/TO	TAW/TO	H(TO) BTU/R FT2SEC	H(TAW) BTU/R FT2SEC	QDOT BTU/ FT2SEC	DTWDT DEG. R /SEC	TW DEG. R
157	.95000	.70000	278.00	.5115-01	.6203-01	.6203-01	.9000	.1791-02	.2172-02	1.326	10.48	558.1
157	.95000	.80000	279.00	.1852-01	.2233-01	.2233-01	.9000	.6484-03	.7821-03	.4926	3.794	539.0
157	.95000	.90000	280.00	.1516-01	.1828-01	.1828-01	.9000	.5308-03	.6400-03	.4039	3.224	537.8

DATE 23 FEB 80

OH84B MODEL 60-0 IN THE AEDC VKF HYPERSONIC TUNNEL

PAGE 2231

OH84B 60-0 WING UPPER SURFACE

(R4UR02)

WING UPPER SURF

PARAMETRIC DATA

MACH = 8.000 ALPHA = 30.00 BETA = -4.000 ELEVON = .0000
 BDFLAP = .0000 SPDBRK = .0000

TEST CONDITIONS

RUN NUMBER	RN/L /FT X10 6	MACH	ALPHA DEG.	BETA DEG.	PO PSIA	TO DEG. R	T DEG. R	P PSIA	Q PSI	V FT/SEC	RHO SLUGS /FT3	MU LB-SEC /FT2
117	3.002	7.990	29.96	-4.030	671.8	1325.	96.21	.6938-01	3.100	3842.	.1946-02	.7742-07
118	3.023	7.990	29.94	-4.046	673.4	1321.	95.92	.6954-01	3.108	3836.	.1957-02	.7719-07

RUN NUMBER	HREF BTU/ R FT2SEC	STN NO REF (R) = .0175
117	.4356-01	.2340-01
118	.4359-01	.2333-01

TEST DATA

RUN NUMBER	2Y/BW	XW/CW	T/C NO	H/HREF R=1.0	H/HREF R=0.9	H/HREF R=TAW/TO	TAW/TO	H(TO) BTU/R FT2SEC	H(TAW) BTU/R FT2SEC	QDOT BTU/ FT2SEC	DTWDT DEG. R /SEC	TW DEG. R
117	.60000	.25000-01	253.00	.7759-01	.9686-01	.9686-01	.9000	.3380-02	.4219-02	2.250	52.65	658.8
117	.60000	.50000-01	254.00	.6604-01	.8132-01	.8132-01	.9000	.2977-02	.3542-02	2.029	39.58	619.5
117	.60000	.10000+00	255.00	.5306-01	.6440-01	.6440-01	.9000	.2311-02	.2805-02	1.740	18.20	572.1
117	.60000	.20000	256.00	.1352-01	.1633-01	.1633-01	.9000	.5889-03	.7111-03	.4538	4.024	554.0
117	.60000	.40000	257.00	.1535-02	.1852-02	.1852-02	.9000	.6686-04	.8065-04	.5178-01	.4260	550.1
117	.60000	.60000	258.00	.1927-02	.2323-02	.2323-02	.9000	.8393-04	.1012-03	.6513-01	.6032	548.6
117	.60000	.75000	259.00	.8870-02	.1068-01	.1068-01	.9000	.3864-03	.4654-03	.3013	2.684	544.8
117	.60000	.85000	260.00	.1232-01	.1486-01	.1486-01	.9000	.5366-03	.6474-03	.4152	3.414	550.9
117	.60000	.95000	261.00	.7116-02	.8564-02	.8564-02	.9000	.3100-03	.3730-03	.2430	2.711	540.8
117	.90000	.60000	274.00	.5489-01	.6643-01	.6643-01	.9000	.2391-02	.2894-02	1.823	13.41	562.3
117	.95000	.50000	277.00	.5810-01	.7056-01	.7056-01	.9000	.2531-02	.3073-02	1.899	16.67	574.3
118	.95000	.70000	278.00	.7186-01	.8746-01	.8746-01	.9000	.3132-02	.3812-02	2.318	18.11	580.5
118	.95000	.80000	279.00	.3028-01	.3653-01	.3653-01	.9000	.1320-02	.1592-02	1.019	7.814	548.3
118	.95000	.90000	280.00	.2630-01	.3170-01	.3170-01	.9000	.1147-02	.1382-02	.8902	7.082	544.3

DATE 23 FEB 80

OH84B MODEL 60-0 IN THE AEDC VKF HYPERSONIC TUNNEL

PAGE 2232

OH84B 60-0 WING UPPER SURFACE

(R4UR02)

WING UPPER SURF

PARAMETRIC DATA

MACH = 8.000 ALPHA = 30.00 BETA = -4.000 ELEVON = .0000
 BDFLAP = .0000 SPDBRK = .0000

TEST CONDITIONS

RUN NUMBER	RN/L /FT	MACH	ALPHA DEG.	BETA DEG.	PO PSIA	TO DEG. R	T DEG. R	P PSIA	Q PSI	V FT/SEC	RHO SLUGS /FT3	MU LB-SEC /FT2
130	X10 6 3.691	8.000	29.96	-4.050	853.4	1351.	97.87	.8742-01	3.916	3880.	.2411-02	.7876-07
131	3.694	8.000	29.96	-4.050	855.1	1352.	97.95	.8759-01	3.924	3881.	.2414-02	.7882-07

RUN NUMBER	HREF BTU/ R FT2SEC	STN NO REF (R) = .0175
130	.4912-01	.2107-01
131	.4918-01	.2105-01

TEST DATA

RUN NUMBER	2Y/BW	XW/CW	T/C NO	H/HREF R=1.0	H/HREF R=0.9	H/HREF R= TAW/TO	TAW/TO	H(TO) BTU/R FT2SEC	H(TAW) BTU/R FT2SEC	QDOT BTU/ FT2SEC	DTWDT DEG. R /SEC	TW DEG. R
130	.60000	.25000-01	253.00	.7322-01	.9212-01	.9212-01	.9000	.3597-02	.4525-02	2.368	54.52	692.4
130	.60000	.50000-01	254.00	.6287-01	.7770-01	.7770-01	.9000	.3088-02	.3817-02	2.186	42.17	642.8
130	.60000	.10000+00	255.00	.5402-01	.6555-01	.6555-01	.9000	.2653-02	.3220-02	2.037	21.19	583.2
130	.60000	.20000	256.00	.1643-01	.1984-01	.1984-01	.9000	.8069-03	.9744-03	.6341	5.592	564.8
130	.60000	.40000	257.00	.1754-02	.2115-02	.2115-02	.9000	.8616-04	.1039-03	.6813-01	.5577	559.9
130	.60000	.60000	258.00	.2304-02	.2777-02	.2777-02	.9000	.1132-03	.1364-03	.8962-01	.8258	558.7
130	.60000	.75000	259.00	.1537-01	.1852-01	.1852-01	.9000	.7549-03	.9096-03	.5994	5.307	556.7
130	.60000	.85000	260.00	.1689-01	.2040-01	.2040-01	.9000	.8298-03	.1002-02	.6525	5.330	564.3
130	.60000	.95000	261.00	.1051-01	.1265-01	.1265-01	.9000	.5165-03	.6212-03	.4140	4.599	549.2
130	.90000	.60000	274.00	.6728-01	.8158-01	.8158-01	.9000	.3305-02	.4007-02	2.548	18.58	579.9
130	.95000	.50000	277.00	.5907-01	.7190-01	.7190-01	.9000	.2902-02	.3532-02	2.197	19.10	593.6
131	.95000	.70000	278.00	.8953-01	.1092	.1092	.9000	.4403-02	.5372-02	3.299	25.49	602.4
131	.95000	.80000	279.00	.3972-01	.4789-01	.4789-01	.9000	.1954-02	.2355-02	1.549	11.81	558.8
131	.95000	.90000	280.00	.2871-01	.3455-01	.3455-01	.9000	.1412-02	.1699-02	1.130	8.954	551.7

DATE 23 FEB 80

OH84B MODEL 60-0 IN THE AEDC VKF HYPERSONIC TUNNEL

PAGE 2233

OH84B 60-0 WING UPPER SURFACE

(R4UR03)

WING UPPER SURF

PARAMETRIC DATA

MACH = 8.000 ALPHA = 30.00 BETA = -2.000 ELEVON = .0000
 BDFLAP = .0000 SPOBRK = .0000

TEST CONDITIONS

RUN NUMBER	RN/L /FT X10 6	MACH	ALPHA DEG.	BETA DEG.	PO PSIA	TO DEG. R	T DEG. R	P PSIA	Q PSI	V FT/SEC	RHO SLUGS /FT3	MU LB-SEC /FT2
153	1.989	7.980	29.95	-2.020	434.7	1307.	95.13	.4526-01	2.017	3815.	.1284-02	.7655-07
154	2.002	7.980	29.96	-2.027	435.4	1303.	94.84	.4533-01	2.021	3810.	.1290-02	.7631-07

RUN NUMBER	HREF BTU/ R FT2SEC	STN NO REF (R) = .0175
153	.3505-01	.2877-01
154	.3506-01	.2869-01

TEST DATA

RUN NUMBER	2Y/BW	XW/CW	T/C NO	H/HREF R=1.0	H/HREF R=0.9	H/HREF R= TAW/TO	TAW/TO	H(TO) BTU/R FT2SEC	H(TAW) BTU/R FT2SEC	QDOT BTU/ FT2SEC	DTWDT DEG. R /SEC	TW DEG. R
153	.60000	.25000-01	253.00	.8270-01	.1030	.1030	.9000	.2899-02	.3609-02	1.926	45.41	642.4
153	.60000	.50000-01	254.00	.7209-01	.8869-01	.8869-01	.9000	.2527-02	.3109-02	1.765	34.62	608.3
153	.60000	.10000+00	255.00	.5672-01	.6893-01	.6893-01	.9000	.1988-02	.2416-02	1.468	15.38	568.6
153	.60000	.20000	256.00	.1431-01	.1731-01	.1731-01	.9000	.5015-03	.6069-03	.3771	3.342	554.7
153	.60000	.40000	257.00	.2140-02	.2588-02	.2588-02	.9000	.7502-04	.9071-04	.5665-01	.4657	551.5
153	.60000	.60000	258.00	.9732-03	.1176-02	.1176-02	.9000	.3412-04	.4122-04	.2587-01	.2396	548.3
153	.60000	.75000	259.00	.5006-02	.6039-02	.6039-02	.9000	.1755-03	.2117-03	.1340	1.195	542.7
153	.60000	.85000	260.00	.5448-02	.6574-02	.6574-02	.9000	.1910-03	.2305-03	.1457	1.202	543.9
153	.60000	.95000	261.00	.6284-02	.7572-02	.7572-02	.9000	.2203-03	.2654-03	.1692	1.890	538.5
153	.90000	.60000	274.00	.3442-01	.4168-01	.4168-01	.9000	.1207-02	.1461-02	.9061	6.689	555.8
153	.95000	.50000	277.00	.4482-01	.5440-01	.5440-01	.9000	.1571-02	.1907-02	1.166	10.28	564.7
154	.95000	.70000	278.00	.4910-01	.5964-01	.5964-01	.9000	.1722-02	.2091-02	1.269	9.989	565.6
154	.95000	.80000	279.00	.1883-01	.2275-01	.2275-01	.9000	.6603-03	.7975-03	.4999	3.837	545.6
154	.95000	.90000	280.00	.1751-01	.2113-01	.2113-01	.9000	.6138-03	.7409-03	.4661	3.710	543.3

DATE 23 FEB 60

OH84B MODEL 60-0 IN THE AEDC VKF HYPERSONIC TUNNEL
OH84B 60-0 WING UPPER SURFACE

WING UPPER SURF

PARAMETRIC DATA

MACH = 8.000 ALPHA = 30.00 BETA = -2.000 ELEVON = .0000
 BDFLAP = .0000 SPDBRK = .0000

TEST CONDITIONS

RUN NUMBER	RN/L /FT X10 6	MACH	ALPHA DEG.	BETA DEG.	PO PSIA	TO DEG. R	T DEG. R	P PSIA	Q PSI	V FT/SEC	RHO SLUGS /FT3	MU LB-SEC /FT2
114	3.016	7.990	29.95	-2.018	673.4	1323.	96.07	.6954-01	3.108	3839.	.1954-02	.7731-07
115	3.006	7.990	29.95	-2.017	672.0	1324.	96.14	.6940-01	3.101	3841.	.1948-02	.7736-07

RUN NUMBER	HREF BTU/ R FT2SEC	STN NO REF (R) = .0175
114	.4360-01	.2335-01
115	.4356-01	.2339-01

TEST DATA

RUN NUMBER	2Y/BW	XW/CW	T/C NO	H/HREF R=1.0	H/HREF R=0.9	H/HREF R= TAW/TO	TAW/TO	H(TO) BTU/R FT2SEC	H(TAW) BTU/R FT2SEC	QDOT BTU/ FT2SEC	DTWDT DEG. R /SEC	TW DEG. R
114	.60000	.25000-01	253.00	.8457-01	.1057	.1057	.9000	.3687-02	.4609-02	2.437	56.95	661.6
114	.60000	.50000-01	254.00	.7445-01	.9180-01	.9180-01	.9000	.3246-02	.4002-02	2.272	44.24	622.9
114	.60000	.10000+00	255.00	.5908-01	.7173-01	.7173-01	.9000	.2576-02	.3127-02	1.932	20.20	572.7
114	.60000	.20000	256.00	.1520-01	.1835-01	.1835-01	.9000	.6626-03	.8000-03	.5102	4.527	552.7
114	.60000	.40000	257.00	.1708-02	.2059-02	.2059-02	.9000	.7446-04	.8979-04	.5767-01	.4749	548.1
114	.60000	.60000	258.00	.2073-02	.2499-02	.2499-02	.9000	.9039-04	.1090-03	.7016-01	.6505	546.4
114	.60000	.85000	259.00	.9692-02	.1167-01	.1167-01	.9000	.4226-03	.5089-03	.3296	2.939	542.7
114	.60000	.75000	259.00	.1447-01	.1746-01	.1746-01	.9000	.6310-03	.7614-03	.4872	4.007	550.5
114	.60000	.85000	260.00	.8791-02	.1058-01	.1058-01	.9000	.3833-03	.4611-03	.3004	3.354	539.0
114	.60000	.95000	261.00	.4847-01	.5857-01	.5857-01	.9000	.2113-02	.2553-02	1.621	11.97	555.6
114	.90000	.60000	274.00	.4847-01	.7789-01	.7789-01	.9000	.2796-02	.3396-02	2.095	18.39	573.6
114	.95000	.50000	277.00	.6414-01	.7856-01	.7856-01	.9000	.2812-02	.3422-02	2.087	16.29	581.5
115	.95000	.70000	278.00	.6455-01	.7856-01	.7856-01	.9000	.1233-02	.1489-02	.9524	7.289	551.5
115	.95000	.80000	279.00	.2832-01	.3417-01	.3417-01	.9000	.1119-02	.1348-02	.8681	6.895	547.5
115	.95000	.90000	280.00	.2568-01	.3096-01	.3096-01	.9000					

DATE 23 FEB 80

OH84B MODEL 60-0 IN THE AEDC VKF HYPERSONIC TUNNEL

PAGE 2235

OH84B 60-0 WING UPPER SURFACE

(R4UR03)

WING UPPER SURF

PARAMETRIC DATA

MACH = 8.000 ALPHA = 30.00 BETA = -2.000 ELEVON = .0000
 BDFLAP = .0000 SPDBRK = .0000

TEST CONDITIONS

RUN NUMBER	RN/L /FT X10 6	MACH	ALPHA DEG.	BETA DEG.	PO PSIA	TO DEG. R	T DEG. R	P PSIA	Q PSI	V FT/SEC	RHO SLUGS /FT3	MU LB-SEC /FT2
127	3.689	8.000	29.96	-2.010	854.0	1352.	97.95	.8748-01	3.919	3881.	.2411-02	.7882-07
128	3.686	8.000	29.95	-2.016	854.2	1353.	98.02	.8750-01	3.920	3883.	.2409-02	.7888-07

RUN NUMBER	HREF BTU/ R FT2SEC	STN NO REF (R) = .0175
127	.4915-01	.2107-01
128	.4916-01	.2108-01

TEST DATA

RUN NUMBER	2Y/BW	XW/CW	T/C NO	H/HREF R=1.0	H/HREF R=0.9	H/HREF R= TAW/TO	TAW/TO	H(TO) BTU/R FT2SEC	H(TAW) BTU/R FT2SEC	QDOT BTU/ FT2SEC	DTWDT DEG. R /SEC	TW DEG. R
127	.60000	.25000-01	253.00	.8054-01	.1014	.1014	.9000	.3958-02	.4985-02	2.597	59.71	695.6
127	.60000	.50000-01	254.00	.7159-01	.9864-01	.8864-01	.9000	.3518-02	.4356-02	2.473	47.57	648.8
127	.60000	.10000-00	255.00	.6034-01	.7335-01	.7335-01	.9000	.2965-02	.3605-02	2.260	23.43	589.7
127	.60000	.20000	256.00	.1840-01	.2224-01	.2224-01	.9000	.9045-03	.1093-02	.7094	6.248	567.3
127	.60000	.40000	257.00	.2053-02	.2476-02	.2476-02	.9000	.1009-03	.1217-03	.7989-01	.6539	560.0
127	.60000	.60000	258.00	.2281-02	.2750-02	.2750-02	.9000	.1121-03	.1351-03	.8892-01	.8195	559.5
127	.60000	.75000	259.00	.1580-01	.1904-01	.1904-01	.9000	.7765-03	.9356-03	.6173	5.466	556.7
127	.60000	.85000	260.00	.1896-01	.2290-01	.2290-01	.9000	.9316-03	.1125-02	.7318	5.971	566.2
127	.60000	.95000	261.00	.1111-01	.1337-01	.1337-01	.9000	.6460-03	.6568-03	.4374	4.855	550.7
127	.90000	.60000	274.00	.5802-01	.7023-01	.7023-01	.9000	.2851-02	.3451-02	2.216	16.21	574.4
127	.95000	.50000	277.00	.6273-01	.7645-01	.7645-01	.9000	.3083-02	.3757-02	2.322	20.14	598.4
128	.95000	.70000	278.00	.8101-01	.9858-01	.9858-01	.9000	.3982-02	.4846-02	3.023	23.46	593.6
128	.95000	.80000	279.00	.3404-01	.4096-01	.4096-01	.9000	.1674-02	.2014-02	1.340	10.26	551.7
128	.95000	.90000	280.00	.2873-01	.3452-01	.3452-01	.9000	.1413-02	.1697-02	1.139	9.054	546.2

DATE 23 FEB 80

OH84B MODEL 60-0 IN THE AEDC VKF HYPERSONIC TUNNEL

PAGE 2236

OH84B 60-0 WING UPPER SURFACE

(R4UR04)

WING UPPER SURF

PARAMETRIC DATA

MACH = 8.000 ALPHA = 30.00 BETA = -1.000 ELEVON = .0000
 BDFLAP = .0000 SPDBRK = .0000

TEST CONDITIONS

RUN NUMBER	RN/L /FT X10 6	MACH	ALPHA DEG.	BETA DEG.	PO PSIA	TO DEG. R	T DEG. R	P PSIA	Q PSI	V FT/SEC	RHO SLUGS /FT3	MU LB-SEC /FT2
150	1.973	7.980	29.94	-1.005	435.5	1316.	95.78	.4534-01	2.021	3829.	.1278-02	.7708-07
151	1.981	7.980	29.94	-1.004	435.3	1312.	95.49	.4532-01	2.020	3823.	.1281-02	.7684-07

RUN NUMBER	HREF BTU/ R FT2SEC	STN NO REF (R) = .0175
150	.3513-01	.2886-01
151	.3510-01	.2882-01

TEST DATA

RUN NUMBER	2Y/BW	XW/CH	T/C NO	H/HREF R=1.0	H/HREF R=0.9	H/HREF R= TAW/TO	TAW/TO	H(TO) BTU/R FT2SEC	H(TAW) BTU/R FT2SEC	QDOT BTU/ FT2SEC	DTWDT DEG. R /SEC	TW DEG. R
150	.60000	.25000-01	253.00	.8859-01	.1099	.1099	.9000	.3112-02	.3862-02	2.109	49.84	638.0
150	.60000	.50000-01	254.00	.7506-01	.9207-01	.9207-01	.9000	.2637-02	.3234-02	1.878	36.92	603.5
150	.60000	.10000+00	255.00	.5477-01	.6634-01	.6634-01	.9000	.1924-02	.2330-02	1.452	15.27	561.1
150	.60000	.20000	256.00	.1443-01	.1741-01	.1741-01	.9000	.5068-03	.6117-03	.3885	3.454	548.9
150	.60000	.40000	257.00	.2062-02	.2486-02	.2486-02	.9000	.7242-04	.8733-04	.5579-01	.4601	545.2
150	.60000	.60000	258.00	.9842-03	.1186-02	.1186-02	.9000	.3457-04	.4166-04	.2672-01	.2482	542.7
150	.60000	.75000	259.00	.4602-02	.5540-02	.5540-02	.9000	.1617-03	.1946-03	.1256	1.123	538.5
150	.60000	.85000	260.00	.5056-02	.6089-02	.6089-02	.9000	.1776-03	.2139-03	.1377	1.139	540.2
150	.60000	.95000	261.00	.5730-02	.6893-02	.6893-02	.9000	.2013-03	.2421-03	.1569	1.755	536.0
150	.90000	.60000	274.00	.3266-01	.3941-01	.3941-01	.9000	.1147-02	.1385-02	.8806	6.527	548.0
150	.95000	.50000	277.00	.4333-01	.5241-01	.5241-01	.9000	.1522-02	.1841-02	1.156	10.24	556.4
151	.95000	.70000	278.00	.4806-01	.5824-01	.5824-01	.9000	.1687-02	.2044-02	1.266	9.983	561.4
151	.95000	.80000	279.00	.1789-01	.2157-01	.2157-01	.9000	.6280-03	.7572-03	.4831	3.714	542.5
151	.95000	.90000	280.00	.1735-01	.2091-01	.2091-01	.9000	.6091-03	.7339-03	.4700	3.747	540.1

DATE 23 FEB 80

OH84B MODEL 60-0 IN THE AEDC VKF HYPERSONIC TUNNEL

PAGE 2237

OH84B 60-0 WING UPPER SURFACE

(R4UR04)

WING UPPER SURF

PARAMETRIC DATA

MACH = 8.000 ALPHA = 30.00 BETA = -1.000 ELEVON = .0000
 BDFLAP = .0000 SPDBRK = .0000

TEST CONDITIONS

RUN NUMBER	RN/L /FT	MACH	ALPHA DEG.	BETA DEG.	PO PSIA	TO DEG. R	T DEG. R	P PSIA	Q PSI	V FT/SEC	RHO SLUGS /FT3	MU LB-SEC /FT2
111	X10 6 2.999	7.990	29.94	-.9974	671.3	1325.	96.21	.6932-01	3.098	3842.	.1945-02	.7742-07
112	2.995	7.990	29.94	-1.000	673.3	1329.	96.50	.6953-01	3.107	3848.	.1945-02	.7766-07

RUN NUMBER	HREF BTU/ R FT2SEC	STN NO REF (R) = .0175
111	.4354-01	.2341-01
112	.4363-01	.2342-01

TEST DATA

RUN NUMBER	ZY/BW	XW/CW	T/C NO	H/HREF R=1.0	H/HREF R=0.9	H/HREF R= TAW/TO	TAW/TO	H(TO) BTU/R FT2SEC	H(TAW) BTU/R FT2SEC	QDOT BTU/ FT2SEC	DTWDT DEG. R /SEC	TW DEG. R
111	.60000	.25000-01	253.00	.9007-01	.1128	.1128	.9000	.3922-02	.4912-02	2.577	60.04	667.6
111	.60000	.50000-01	254.00	.7716-01	.9529-01	.9529-01	.9000	.3360-02	.4149-02	2.340	45.45	628.3
111	.60000	.10000+00	255.00	.5939-01	.7210-01	.7210-01	.9000	.2586-02	.3140-02	1.942	20.30	573.6
111	.60000	.20000	256.00	.1375-01	.1660-01	.1660-01	.9000	.5988-03	.7230-03	.4617	4.095	553.6
111	.60000	.40000	257.00	.1636-02	.1973-02	.1973-02	.9000	.7122-04	.8589-04	.5525-01	.4548	548.9
111	.60000	.60000	258.00	.2078-02	.2505-02	.2505-02	.9000	.9048-04	.1091-03	.7031-01	.6515	547.6
111	.60000	.75000	259.00	.9641-02	.1161-01	.1161-01	.9000	.4198-03	.5056-03	.3277	2.921	543.9
111	.60000	.85000	260.00	.1575-01	.1900-01	.1900-01	.9000	.6857-03	.8275-03	.5302	4.359	551.4
111	.60000	.95000	261.00	.9584-02	.1153-01	.1153-01	.9000	.4173-03	.5022-03	.3271	3.649	540.9
111	.90000	.60000	274.00	.4537-01	.5482-01	.5482-01	.9000	.1975-02	.2387-02	1.518	11.20	556.3
111	.95000	.50000	277.00	.5924-01	.7191-01	.7191-01	.9000	.2579-02	.3131-02	1.939	17.03	573.0
112	.95000	.70000	278.00	.6540-01	.7949-01	.7949-01	.9000	.2853-02	.3468-02	2.139	16.72	579.0
112	.95000	.80000	279.00	.2806-01	.3382-01	.3382-01	.9000	.1224-02	.1476-02	.9548	7.317	548.8
112	.95000	.90000	280.00	.2488-01	.2995-01	.2995-01	.9000	.1085-02	.1307-02	.8506	6.765	544.9

DATE 23 FEB 80

OH84B MODEL 60-0 IN THE AEDC VKF HYPERSONIC TUNNEL

PAGE 2238

OH84B 60-0 WING UPPER SURFACE

(R4UR04)

WING UPPER SURF

PARAMETRIC DATA

MACH = 8.000 ALPHA = 30.00 BETA = -1.000 ELEVON = .0000
 BDFLAP = .0000 SPOBRK = .0000

TEST CONDITIONS

RUN NUMBER	RN/L /FT	MACH	ALPHA DEG.	BETA DEG.	PO PSIA	TO DEG. R	T DEG. R	P PSIA	Q PSI	V FT/SEC	RHO SLUGS /FT3	MU LB-SEC /FT2
123	X10 6 3.686	8.000	29.95	-.9857	853.2	1352.	97.95	.8740-01	3.915	3881.	.2408-02	.7882-07
125	3.687	8.000	29.96	-.9824	854.5	1353.	98.02	.8753-01	3.921	3883.	.2410-02	.7888-07

RUN NUMBER	HREF BTU/ R FT2SEC	STN NO REF(R)
123	.4912-01	.2108-01
125	.4917-01	.2107-01

TEST DATA

RUN NUMBER	ZY/BH	XW/CW	T/C NO	H/HREF R=1.0	H/HREF R=0.9	H/HREF R= TAW/TO	TAW/TO	H(TO) BTU/R FT2SEC	H(TAW) BTU/R FT2SEC	QDOT BTU/ FT2SEC	DTWDT DEG. R /SEC	TW DEG. R
123	.60000	.25000-01	253.00	.8445-01	.1065	.1065	.9000	.4149-02	.5234-02	2.704	62.05	699.8
123	.60000	.50000-01	254.00	.7487-01	.9280-01	.9280-01	.9000	.3678-02	.4559-02	2.572	49.39	652.3
123	.60000	.10000+00	255.00	.5871-01	.7127-01	.7127-01	.9000	.2884-02	.3501-02	2.212	23.00	584.7
123	.60000	.20000	256.00	.1777-01	.2144-01	.2144-01	.9000	.8730-03	.1053-02	.6894	6.089	561.9
123	.60000	.40000	257.00	.1877-02	.2260-02	.2260-02	.9000	.9218-04	.1110-03	.7344-01	.6026	555.0
123	.60000	.60000	258.00	.2345-02	.2824-02	.2824-02	.9000	.1152-03	.1387-03	.9191-01	.8489	553.9
123	.60000	.75000	259.00	.1616-01	.1945-01	.1945-01	.9000	.7938-03	.9554-03	.6342	5.627	552.7
123	.60000	.85000	260.00	.2012-01	.2429-01	.2429-01	.9000	.9885-03	.1193-02	.7793	6.368	563.3
123	.60000	.95000	261.00	.1259-01	.1513-01	.1513-01	.9000	.6184-03	.7432-03	.4975	5.533	547.1
123	.90000	.60000	274.00	.5614-01	.6783-01	.6783-01	.9000	.2758-02	.3332-02	2.163	15.87	567.4
123	.95000	.50000	277.00	.6210-01	.7554-01	.7554-01	.9000	.3050-02	.3711-02	2.517	20.16	592.0
125	.95000	.70000	278.00	.7599-01	.9244-01	.9244-01	.9000	.3736-02	.4545-02	2.839	22.05	592.7
125	.95000	.80000	279.00	.3128-01	.3765-01	.3765-01	.9000	.1538-02	.1851-02	1.230	9.405	553.1
125	.95000	.90000	280.00	.2736-01	.3289-01	.3289-01	.9000	.1345-02	.1617-02	1.083	8.597	547.9

DATE 23 FEB 80

OH84B MODEL 60-0 IN THE AEDC VKF HYPERSONIC TUNNEL

PAGE 2239

OH84B 60-0 WING UPPER SURFACE

(R4UR06)

WING UPPER SURF

PARAMETRIC DATA

MACH = 8.000 ALPHA = 30.00 BETA = .0000 ELEVON = .0000
 BDFLAP = .0000 SPDBRK = .0000

TEST CONDITIONS

RUN NUMBER	RN/L /FT X10 6	MACH	ALPHA DEG.	BETA DEG.	PO PSIA	TO DEG. R	T DEG. R	P PSIA	Q PSI	V FT/SEC	RHO SLUGS /FT3	MU LB-SEC /FT2
11	.5125	7.900	29.95	.4910-02	100.6	1239.	91.88	.1118-01	.4884	3712.	.3284-03	.7393-07
12	.5316	7.900	29.95	.7364-02	104.3	1239.	91.88	.1159-01	.5065	3712.	.3406-03	.7393-07

RUN NUMBER	HREF BTU/ R FT2SEC	STN NO REF (R) = .0175
11	.1709-01	.5657-01
12	.1740-01	.5555-01

TEST DATA

RUN NUMBER	ZY/BW	XW/CW	T/C NO	H/HREF R=1.0	H/HREF R=0.9	H/HREF R= TAW/TO	TAW/TO	H(TO) BTU/R FT2SEC	H(TAW) BTU/R FT2SEC	QDOT BTU/ FT2SEC	DTWDT DEG. R /SEC	TW DEG. R
11	.60000	.25000-01	253.00	.8366-01	.1032	.1032	.9000	.1430-02	.1763-02	.9355	22.69	584.3
11	.60000	.50000-01	254.00	.6545-01	.8027-01	.8027-01	.9000	.1118-02	.1372-02	.7504	15.02	567.8
11	.60000	.10000+00	255.00	.4450-01	.5429-01	.5429-01	.9000	.7605-03	.9278-03	.5223	5.519	551.9
11	.60000	.20000	256.00	.1144-01	.1394-01	.1394-01	.9000	.1956-03	.2382-03	.1355	1.207	545.8
11	.60000	.40000	257.00	.2720-02	.3309-02	.3309-02	.9000	.4648-04	.5654-04	.3235-01	.2671	542.7
11	.60000	.60000	258.00	.7891-03	.9596-03	.9596-03	.9000	.1349-04	.1640-04	.9402-02	.8739-01	541.5
11	.60000	.85000	260.00	.2195-02	.2670-02	.2670-02	.9000	.3752-04	.4562-04	.2615-01	.2161	541.5
11	.60000	.95000	261.00	.5194-02	.6318-02	.6318-02	.9000	.8877-04	.1080-03	.6185-01	.6896	541.9
11	.90000	.60000	274.00	.3958-02	.4819-02	.4819-02	.9000	.6763-04	.8235-04	.4689-01	.3480	545.3
11	.95000	.50000	277.00	.9919-02	.1208-01	.1208-01	.9000	.1695-03	.2065-03	.1172	1.043	547.3
12	.95000	.70000	278.00	.4563-02	.5546-02	.5546-02	.9000	.7941-04	.9652-04	.5549-01	.4424	539.9
12	.95000	.80000	279.00	.3510-02	.4265-02	.4265-02	.9000	.6108-04	.7423-04	.4272-01	.3290	539.3
12	.95000	.90000	280.00	.9285-02	.1129-01	.1129-01	.9000	.1616-03	.1964-03	.1129	.9005	539.8

DATE 23 FEB 80

OH84B MODEL 60-0 IN THE AEDC VKF HYPERSONIC TUNNEL
OH84B 60-0 WING UPPER SURFACE

PAGE 2240

(R4UR06)

WING UPPER SURF

PARAMETRIC DATA

MACH = 8.000 ALPHA = 30.00 BETA = .0000 ELEVON = .0000
BDFLAP = .0000 SPDBRK = .0000

TEST CONDITIONS

RUN NUMBER	RN/L /FT X10 6	MACH	ALPHA DEG.	BETA DEG.	PO PSIA	TO DEG. R	T DEG. R	P PSIA	Q PSI	V FT/SEC	RHO SLUGS /FT3	MU LB-SEC /FT2
48	1.981	7.980	29.96	.2453-02	434.4	1310.	95.35	.4522-01	2.016	3820.	.1280-02	.7672-07
49	2.016	7.980	29.96	-.2452-02	435.6	1297.	94.40	.4535-01	2.021	3801.	.1297-02	.7596-07

RUN NUMBER	HREF BTU/ R FT2SEC	STN NO REF (R) = .0175
48	.3505-01	.2882-01
49	.3504-01	.2861-01

TEST DATA

RUN NUMBER	2Y/BW	XW/CW	T/C NO	H/HREF R=1.0	H/HREF R=0.9	H/HREF R= TAW/TO	TAW/TO	H(TO) BTU/R FT2SEC	H(TAW) BTU/R FT2SEC	QDOT BTU/ FT2SEC	DTWDT DEG. R /SEC	TW DEG. R
48	.60000	.25000-01	253.00	.8242-01	.1021	.1021	.9000	.2889-02	.3578-02	1.985	46.62	629.6
48	.60000	.50000-01	254.00	.6750-01	.8267-01	.8267-01	.9000	.2366-02	.2898-02	1.688	33.32	596.1
48	.60000	.10000+00	255.00	.4484-01	.5430-01	.5430-01	.9000	.1572-02	.1903-02	1.182	12.45	557.9
48	.60000	.20000	256.00	.1120-01	.1353-01	.1353-01	.9000	.3927-03	.4742-03	.2996	2.666	546.9
48	.60000	.40000	257.00	.1893-02	.2284-02	.2284-02	.9000	.6636-04	.8007-04	.5075-01	.4186	544.9
48	.60000	.60000	258.00	.7266-03	.8763-03	.8763-03	.9000	.2547-04	.3072-04	.1952-01	.1813	543.2
48	.60000	.75000	259.00	.3761-02	.4531-02	.4531-02	.9000	.1319-03	.1588-03	.1016	.9078	539.0
48	.60000	.85000	260.00	.1121-01	.1353-01	.1353-01	.9000	.3929-03	.4743-03	.2999	2.471	546.5
48	.60000	.95000	261.00	.6678-02	.8041-02	.8041-02	.9000	.2341-03	.2819-03	.1809	2.023	536.8
48	.90000	.60000	274.00	.2096-01	.2528-01	.2528-01	.9000	.7346-03	.8863-03	.5620	4.173	544.6
48	.95000	.50000	277.00	.3324-01	.4019-01	.4019-01	.9000	.1165-02	.1409-02	.8827	7.834	552.2
48	.95000	.70000	278.00	.2727-01	.3304-01	.3304-01	.9000	.9558-03	.1158-02	.7103	5.625	553.5
49	.95000	.80000	279.00	.9840-02	.1188-01	.1188-01	.9000	.3448-03	.4163-03	.2603	2.001	541.9
49	.95000	.90000	280.00	.1731-01	.2090-01	.2090-01	.9000	.6066-03	.7324-03	.4580	3.648	541.7

DATE 23 FEB 80

OH84B MODEL 60-0 IN THE AEDC VKF HYPERSONIC TUNNEL

PAGE 2241

OH84B 60-0 WING UPPER SURFACE

(R4UR06)

WING UPPER SURF

PARAMETRIC DATA

MACH = 8.000 ALPHA = 30.00 BETA = .0000 ELEVON = .0000
BDFLAP = .0000 SPDBRK = .0000

TEST CONDITIONS

Table with 13 columns: RUN NUMBER, RN/L /FT, MACH, ALPHA DEG., BETA DEG., PO PSIA, TO DEG. R, T DEG. R, P PSIA, Q PSI, V FT/SEC, RHO SLUGS /FT3, MU LB-SEC /FT2. Rows 77 and 78.

Table with 3 columns: RUN NUMBER, HREF BTU/ R FT2SEC, STN NO REF (R) = .0175. Rows 77 and 78.

TEST DATA

Table with 13 columns: RUN NUMBER, 2Y/BW, XW/CW, T/C NO, H/HREF R=1.0, H/HREF R=0.9, H/HREF R= TAW/TO, TAW/TO, H(TO) BTU/R FT2SEC, H(TAW) BTU/R FT2SEC, QDOT BTU/ FT2SEC, DTWDT DEG. R /SEC, TH DEG. R. Rows 77 and 78.

DATE 23 FEB 80

OH84B MODEL 60-0 IN THE AEDC VKF HYPERSONIC TUNNEL

PAGE 2242

OH84B 60-0 WING UPPER SURFACE

(R4UR08)

WING UPPER SURF

PARAMETRIC DATA

MACH = 8.000 ALPHA = 30.00 BETA = .0000 ELEVON = .0000
 BDFLAP = .0000 SPDBRK = .0000

TEST CONDITIONS

RUN NUMBER	RN/L /FT X10 6	MACH	ALPHA DEG.	BETA DEG.	P0 PSIA	T0 DEG. R	T DEG. R	P PSIA	Q PSI	V FT/SEC	RHO SLUGS /FT3	MU LB-SEC /FT2
120	3.698	8.000	29.97	.7342-02	853.1	1349.	97.73	.8738-01	3.915	3877.	.2413-02	.7864-07
121	3.693	8.000	29.97	.4899-02	853.8	1351.	97.87	.8746-01	3.918	3880.	.2412-02	.7876-07

RUN NUMBER	HREF BTU/ R FT2SEC	STN NO REF (R) = .0175
120	.4910-01	.2105-01
121	.4913-01	.2106-01

TEST DATA

RUN NUMBER	2Y/BW	XW/CW	T/C NO	H/HREF R=1.0	H/HREF R=0.9	H/HREF R= TAW/TO	TAW/TO	H(TO) BTU/R FT2SEC	H(TAW) BTU/R FT2SEC	QDOT BTU/ FT2SEC	DTWDT DEG. R /SEC	TW DEG. R
120	.60000	.25000-01	253.00	.7774-01	.9783-01	.9783-01	.9000	.3817-02	.4804-02	2.506	57.72	692.1
120	.60000	.50000-01	254.00	.6657-01	.8482-01	.8482-01	.9000	.3367-02	.4165-02	2.370	45.67	644.8
120	.60000	.10000+00	255.00	.5461-01	.6626-01	.6626-01	.9000	.2681-02	.3253-02	2.057	21.41	581.6
120	.60000	.20300	256.00	.1652-01	.1993-01	.1993-01	.9000	.8112-03	.9786-03	.6397	5.654	560.1
120	.60000	.40000	257.00	.1566-02	.1897-02	.1887-02	.9000	.7691-04	.9265-04	.6108-01	.5013	554.5
120	.60000	.60000	258.00	.2565-02	.3090-02	.3090-02	.9000	.1260-03	.1517-03	.1001	.9245	554.0
120	.60000	.75000	259.00	.1575-01	.1896-01	.1896-01	.9000	.7731-03	.9308-03	.6153	5.460	552.7
120	.60000	.85000	260.00	.2271-01	.2743-01	.2743-01	.9000	.1115-02	.1347-02	.8741	7.138	564.7
120	.60000	.95000	261.00	.1282-01	.1541-01	.1541-01	.9000	.6293-03	.7566-03	.5043	5.608	547.3
120	.60000	.60000	274.00	.5310-01	.6417-01	.6417-01	.9000	.2607-02	.3151-02	2.039	14.97	566.6
120	.95000	.50000	277.00	.6062-01	.7366-01	.7366-01	.9000	.2976-02	.3617-02	2.267	19.78	586.9
120	.95000	.70000	278.00	.7527-01	.9151-01	.9151-01	.9000	.3698-02	.4496-02	2.815	21.90	589.5
121	.95000	.80000	279.00	.3120-01	.3753-01	.3753-01	.9000	.1533-02	.1844-02	1.229	9.414	549.3
121	.95000	.90000	280.00	.2606-01	.3130-01	.3130-01	.9000	.1281-02	.1538-02	1.033	8.223	543.8

DATE 23 FEB 60

OH84B MODEL 60-0 IN THE AEDC VKF HYPERSONIC TUNNEL

PAGE 2243

OH84B 60-0 WING UPPER SURFACE

(R4UR07)

WING UPPER SURF

PARAMETRIC DATA

MACH = 8.000 ALPHA = 30.00 BETA = .0000 ELEVON = .0000
 BOFLAP = .0000 SPOBRK = .0000

TEST CONDITIONS

RUN NUMBER	RN/L /FT X10 6	MACH	ALPHA DEG.	BETA DEG.	PO PSIA	TO DEG. R	T DEG. R	P PSIA	Q PSI	V FT/SEC	RHO SLUGS /FT3	MU LB-SEC /FT2
148	2.006	7.980	29.97	-.4892-02	434.9	1300.	94.62	.4528-01	2.018	3805.	.1292-02	.7614-07
RUN NUMBER	HREF BTU/ R FT2SEC	STN NO REF(R) = .0175										
148	.3503-01	.2867-01										

TEST DATA

RUN NUMBER	2Y/BW	XW/CW	T/C NO	H/HREF R=1.0	H/HREF R=0.9	H/HREF R= TAW/TO	TAW/TO	H(TO) BTU/R FT2SEC	H(TAW) BTU/R FT2SEC	QDOT BTU/ FT2SEC	DTWDT DEG. R /SEC	TW DEG. R
148	.95000	.70000	278.00	.4715-01	.5716-01	.5716-01	.9000	.1652-02	.2002-02	1.226	9.689	557.4
148	.95000	.80000	279.00	.1726-01	.2082-01	.2082-01	.9000	.6045-03	.7294-03	.4588	3.531	540.7
148	.95000	.90000	280.00	.1705-01	.2056-01	.2056-01	.9000	.5971-03	.7202-03	.4539	3.619	539.6

DATE 23 FEB 80

OH84B MODEL 60-0 IN THE AEDC VKF HYPERSONIC TUNNEL
OH84B 60-0 WING UPPER SURFACE

PAGE 2244

(R4UR08)

WING UPPER SURF

PARAMETRIC DATA

MACH = 8.000 ALPHA = 30.00 BETA = 1.000 ELEVON = .0000
BOFLAP = .0000 SPDBRK = .0000

TEST CONDITIONS

RUN NUMBER	RN/L /FT	MACH	ALPHA DEG.	BETA DEG.	PO PSIA	TO DEG. R	T DEG. R	P PSIA	Q PSI	V FT/SEC	RHO SLUGS /FT3	MU LB-SEC /FT2
51	2.021	7.980	29.94	1.035	434.5	1293.	94.11	.4523-01	2.016	3795.	.1297-02	.7573-07
52	1.990	7.980	29.94	1.035	434.8	1307.	95.13	.4526-01	2.018	3815.	.1284-02	.7655-07

RUN NUMBER	HREF BTU/ R FT2SEC	STN NO REF (R) = .0175
51	.3498-01	.2859-01
52	.3506-01	.2877-01

TEST DATA

RUN NUMBER	ZY/BW	XW/CW	T/C NO	H/HREF R=1.0	H/HREF R=0.9	H/HREF R= TAW/TO	TAW/TO	H(TO) BTU/R FT2SEC	H(TAW) BTU/R FT2SEC	QDOT BTU/ FT2SEC	DTWDT DEG. R /SEC	TW DEG. R
51	.60000	.25000-01	253.00	.7033-01	.8687-01	.8687-01	.9000	.2460-02	.3039-02	1.671	39.95	613.6
51	.60000	.50000-01	254.00	.5697-01	.6976-01	.6976-01	.9000	.1993-02	.2440-02	1.406	27.87	587.2
51	.60000	.10000+00	255.00	.3804-01	.4613-01	.4613-01	.9000	.1331-02	.1614-02	.9804	10.34	555.9
51	.60000	.20000	256.00	.9361-02	.1132-01	.1132-01	.9000	.3274-03	.3960-03	.2444	2.176	546.2
51	.60000	.40000	257.00	.1784-02	.2157-02	.2157-02	.9000	.6240-04	.7544-04	.4667-01	.3849	544.8
51	.60000	.60000	258.00	.7566-03	.9141-03	.9141-03	.9000	.2647-04	.3198-04	.1986-01	.1845	542.4
51	.60000	.75000	259.00	.3754-02	.4528-02	.4528-02	.9000	.1313-03	.1584-03	.9920-01	.8871	537.2
51	.60000	.85000	260.00	.1238-01	.1497-01	.1497-01	.9000	.4331-03	.5237-03	.3238	2.671	545.0
51	.60000	.95000	261.00	.7045-02	.8495-02	.8495-02	.9000	.2464-03	.2971-03	.1867	2.089	535.2
51	.90000	.60000	274.00	.2016-01	.2434-01	.2434-01	.9000	.7051-03	.8515-03	.5299	3.941	541.1
51	.95000	.50000	277.00	.3375-01	.4085-01	.4085-01	.9000	.1181-02	.1429-02	.8779	7.804	549.0
52	.95000	.70000	278.00	.2515-01	.3042-01	.3042-01	.9000	.8818-03	.1066-02	.6659	5.278	551.5
52	.95000	.80000	279.00	.1007-01	.1214-01	.1214-01	.9000	.3529-03	.4256-03	.2702	2.079	541.0
52	.95000	.90000	280.00	.1747-01	.2106-01	.2106-01	.9000	.6123-03	.7383-03	.4689	3.737	540.8

DATE 23 FEB 80

OH84B MODEL 60-0 IN THE AEDC VKI HYPERSONIC TUNNEL

PAGE 2245

OH84B 60-0 WING UPPER SURFACE

(R4UR10)

WING UPPER SURF

PARAMETRIC DATA

MACH = 8.000 ALPHA = 30.00 BETA = 2.000 ELEVON = .0000
 BDFLAP = .0000 SPDBRK = .0000

TEST CONDITIONS

RUN NUMBER	RN/L /FT X10 6	MACH	ALPHA DEG.	BETA DEG.	PO PSIA	TO DEG. R	T DEG. R	P PSIA	Q PSI	V FT/SEC	RHO SLUGS /FT3	MU LB-SEC /FT2
55	2.000	7.980	29.95	2.036	435.1	1303.	94.84	.4530-01	2.019	3810.	.1289-02	.7631-07
56	1.998	7.980	29.94	2.039	435.1	1304.	94.91	.4530-01	2.019	3811.	.1288-02	.7637-07

RUN NUMBER	HREF BTU/ R FT2SEC	STN NO REF(R) = .0175
55	.3505-01	.2870-01
56	.3505-01	.2872-01

TEST DATA

RUN NUMBER	2Y/BW	XW/CW	T/C NO	H/HREF R=1.0	H/HREF R=0.9	H/HREF R= TAW/TO	TAW/TO	H(TO) BTU/R FT2SEC	H(TAW) BTU/R FT2SEC	QDOT BTU/ FT2SEC	DTWDT DEG. R /SEC	TW DEG. R
55	.60000	.25000-01	253.00	.6416-01	.7904-01	.7904-01	.9000	.2249-02	.2771-02	1.556	37.27	610.7
55	.60000	.50000-01	254.00	.5081-01	.6205-01	.6205-01	.9000	.1781-02	.2175-02	1.281	25.44	583.3
55	.60000	.10000+00	255.00	.3349-01	.4055-01	.4055-01	.9000	.1174-02	.1421-02	.8793	9.284	553.6
55	.60000	.20000	256.00	.8871-02	.1071-01	.1071-01	.9000	.3109-03	.3755-03	.2356	2.098	545.0
55	.60000	.40000	257.00	.1841-02	.2223-02	.2223-02	.9000	.6454-04	.7791-04	.4902-01	.4046	543.2
55	.60000	.60000	258.00	.8498-03	.1025-02	.1025-02	.9000	.2979-04	.3593-04	.2268-01	.2108	541.2
55	.60000	.75000	259.00	.4413-02	.5317-02	.5317-02	.9000	.1547-03	.1864-03	.1184	1.059	536.8
55	.60000	.85000	260.00	.9816-02	.1185-01	.1185-01	.9000	.3441-03	.4154-03	.2611	2.155	543.8
55	.60000	.95000	261.00	.6772-02	.8158-02	.8158-02	.9000	.2374-03	.2859-03	.1821	2.037	535.6
55	.90000	.60000	274.00	.1984-01	.2395-01	.2395-01	.9000	.6953-03	.8396-03	.5269	3.912	544.8
55	.95000	.50000	277.00	.3333-01	.4035-01	.4035-01	.9000	.1168-02	.1414-02	.8755	7.765	553.3
56	.95000	.70000	278.00	.2444-01	.2956-01	.2956-01	.9000	.8568-03	.1036-02	.6449	5.113	551.0
56	.95000	.80000	279.00	.9650-02	.1164-01	.1164-01	.9000	.3383-03	.4080-03	.2580	1.985	541.1
56	.95000	.90000	280.00	.1681-01	.2028-01	.2028-01	.9000	.5893-03	.7108-03	.4494	3.581	541.1

DATE 23 FEB 80

OH84B MODEL 60-0 IN THE AEDC VKF HYPERSONIC TUNNEL

PAGE 2246

OH84B 60-0 WING UPPER SURFACE

(R4UR11)

WING UPPER SURF

PARAMETRIC DATA

MACH = 8.000 ALPHA = 35.00 BETA = -4.000 ELEVON = .0000
 BDFLAP = .0000 SPDBRK = .0000

TEST CONDITIONS

RUN NUMBER	RN/L /FT X10 6	MACH	ALPHA DEG.	BETA DEG.	PO PSIA	TO DEG. R	T DEG. R	P PSIA	Q PSI	V FT/SEC	RHO SLUGS /FT3	MU LB-SEC /FT2
165	2.002	7.980	34.98	-4.052	435.0	1302.	94.76	.4529-01	2.019	3808.	.1290-02	.7626-07
166	2.007	7.980	34.98	-4.060	435.1	1300.	94.62	.4530-01	2.019	3805.	.1292-02	.7614-07

RUN NUMBER	HREF BTU/ R FT2SEC	STN NO REF (R) =.0175
165	.3504-01	.2869-01
166	.3504-01	.2866-01

TEST DATA

RUN NUMBER	2Y/BW	XW/CW	T/C NO	H/HREF R=1.0	H/HREF R=0.9	H/HREF R= TAW/TO	TAW/TO	H(TO) BTU/R FT2SEC	H(TAW) BTU/R FT2SEC	QDOT BTU/ FT2SEC	DTWOT DEG. R /SEC	TW DEG. R
165	.60000	.25000-01	253.00	.6431-01	.8070-01	.8070-01	.9000	.2254-02	.2828-02	1.445	33.77	660.7
165	.60000	.50000-01	254.00	.5507-01	.6816-01	.6816-01	.9000	.1930-02	.2388-02	1.308	25.45	624.0
165	.60000	.10000+00	255.00	.5021-01	.6126-01	.6126-01	.9000	.1760-02	.2147-02	1.270	13.24	579.7
165	.60000	.20000	256.00	.1174-01	.1425-01	.1425-01	.9000	.4113-03	.4992-03	.3039	2.683	562.7
165	.60000	.40000	257.00	.1001-02	.1213-02	.1213-02	.9000	.3507-04	.4252-04	.2607-01	.2136	558.3
165	.60000	.60000	258.00	.1343-02	.1627-02	.1627-02	.9000	.4706-04	.5702-04	.3507-01	.3235	556.5
165	.60000	.75000	259.00	.8997-02	.1089-01	.1089-01	.9000	.3153-03	.3815-03	.2364	2.099	551.7
165	.60000	.85000	260.00	.6862-02	.8312-02	.8312-02	.9000	.2404-03	.2913-03	.1794	1.471	555.7
165	.60000	.95000	261.00	.7708-02	.9315-02	.9315-02	.9000	.2701-03	.3264-03	.2037	2.266	547.4
165	.90000	.60000	274.00	.4961-01	.6038-01	.6038-01	.9000	.1738-02	.2116-02	1.268	9.289	571.9
165	.95000	.50000	277.00	.5306-01	.6480-01	.6480-01	.9000	.1859-02	.2271-02	1.336	11.67	583.2
166	.95000	.70000	278.00	.5803-01	.7078-01	.7078-01	.9000	.2033-02	.2480-02	1.467	11.47	578.2
166	.95000	.80000	279.00	.2483-01	.3008-01	.3008-01	.9000	.8699-03	.1054-02	.6474	4.945	555.4
166	.95000	.90000	280.00	.2124-01	.2571-01	.2571-01	.9000	.7442-03	.9007-03	.5567	4.412	551.7

DATE 23 FEB 80

OH84B MODEL 60-0 IN THE AEDC VKF HYPERSONIC TUNNEL

PAGE 2247

OH84B 60-0 WING UPPER SURFACE

(R4UR11)

WING UPPER SURF

PARAMETRIC DATA

MACH = 8.000 ALPHA = 35.00 BETA = -4.000 ELEVON = .0000
 BDFLAP = .0000 SPDBRK = .0000

TEST CONDITIONS

RUN NUMBER	RN/L /FT X10 6	MACH	ALPHA DEG.	BETA DEG.	PO PSIA	TO DEG. R	T DEG. R	P PSIA	Q PSI	V FT/SEC	RHO SLUGS /FT3	MU LB-SEC /FT2
108	2.984	7.990	34.98	-4.050	670.1	1328.	96.43	.6920-01	3.092	3846.	.1937-02	.7760-07
109	3.001	7.990	34.99	-4.047	671.6	1325.	96.21	.6936-01	3.099	3842.	.1946-02	.7742-07

RUN NUMBER	HREF BTU/ R FT2SEC	STN NO REF (R) = .0175
108	.4352-01	.2346-01
109	.4355-01	.2340-01

TEST DATA

RUN NUMBER	2Y/BW	XW/CW	T/C NO	H/HREF R=1.0	H/HREF R=0.9	H/HREF R= TAW/TO	TAW/TO	H(TO) BTU/R FT2SEC	H(TAW) BTU/R FT2SEC	QDOT BTU/ FT2SEC	DTWDT DEG. R /SEC	TW DEG. R
108	.60000	.25000-01	253.00	.7289-01	.9088-01	.9088-01	.9000	.3172-02	.3955-02	2.127	49.82	657.0
108	.60000	.50000-01	254.00	.6311-01	.7775-01	.7775-01	.9000	.2747-02	.3384-02	1.936	37.71	622.7
108	.60000	.10000+00	255.00	.5559-01	.6752-01	.6752-01	.9000	.2419-02	.2938-02	1.818	18.98	576.1
108	.60000	.20000	256.00	.1134-01	.1369-01	.1369-01	.9000	.4934-03	.5957-03	.3913	3.379	554.9
108	.60000	.40000	257.00	.1164-02	.1404-02	.1404-02	.9000	.5067-04	.6112-04	.3934-01	.3234	551.2
108	.60000	.60000	258.00	.2616-02	.3155-02	.3155-02	.9000	.1138-03	.1373-03	.8844-01	.8182	550.8
108	.60000	.75000	259.00	.1230-01	.1482-01	.1482-01	.9000	.5353-03	.6451-03	.4173	3.711	548.0
108	.60000	.85000	260.00	.1503-01	.1816-01	.1816-01	.9000	.6539-03	.7904-03	.5029	4.119	558.6
108	.60000	.95000	261.00	.9700-02	.1168-01	.1168-01	.9000	.4222-03	.5082-03	.3309	3.686	543.8
108	.90000	.60000	274.00	.6208-01	.7517-01	.7517-01	.9000	.2702-02	.3271-02	2.060	15.14	565.1
108	.95000	.50000	277.00	.6674-01	.8116-01	.8116-01	.9000	.2904-02	.3532-02	2.169	18.98	580.7
108	.95000	.70000	278.00	.8505-01	.1040	.1040	.9000	.3704-02	.4530-02	2.693	20.87	597.6
109	.95000	.80000	279.00	.3972-01	.4800-01	.4800-01	.9000	.1730-02	.2030-02	1.328	10.14	556.7
109	.95000	.90000	280.00	.3595-01	.4339-01	.4339-01	.9000	.1566-02	.1890-02	1.209	9.576	552.6

DATE 23 FEB 80

OH84B MODEL 60-0 IN THE AEDC VKF HYPERSONIC TUNNEL
OH84B 60-0 WING UPPER SURFACE

PAGE 2248
(R4UR11)

WING UPPER SURF

PARAMETRIC DATA

MACH = 8.000 ALPHA = 35.00 BETA = -4.000 ELEVON = .0000
BDFLAP = .0000 SPDBRK = .0000

TEST CONDITIONS

RUN NUMBER	RN/L /FT	MACH	ALPHA DEG.	BETA DEG.	PO PSIA	TO DEG. R	T DEG. R	P PSIA	Q PSI	V FT/SEC	RHO SLUGS /FT3	MU LB-SEC /FT2
142	X10 6 3.684	8.000	35.01	-4.001	853.7	1353.	98.02	.8745-01	3.918	3883.	.2408-02	.7888-07
143	3.686	8.000	34.98	-4.043	854.1	1353.	98.02	.8749-01	3.919	3883.	.2409-02	.7888-07

RUN NUMBER	HREF BTU/ R FT2SEC	STN NO REF (R) = .0175
142	.4914-01	.2108-01
143	.4915-01	.2108-01

TEST DATA

RUN NUMBER	2Y/BW	XW/CW	T/C NO	H/HREF R=1.0	H/HREF R=0.9	H/HREF R= TAW/TO	TAW/TO	H(TO) BTU/R FT2SEC	H(TAW) BTU/R FT2SEC	QDOT BTU/ FT2SEC	DTWDT DEG. R /SEC	TW DEG. R
142	.60000	.25000-01	253.00	.7187-01	.8975-01	.8975-01	.9000	.3532-02	.4411-02	2.397	55.69	673.8
142	.60000	.50000-01	254.00	.6124-01	.7542-01	.7542-01	.9000	.3010-02	.3707-02	2.165	41.94	633.4
142	.60000	.10000+00	255.00	.4837-01	.5863-01	.5863-01	.9000	.2377-02	.2881-02	1.838	19.16	579.4
142	.60000	.20000	256.00	.1563-01	.1888-01	.1888-01	.9000	.7683-03	.9276-03	.6049	5.333	565.3
142	.60000	.40000	257.00	.1355-02	.1634-02	.1634-02	.9000	.6660-04	.8031-04	.5277-01	.4319	560.3
142	.60000	.60000	258.00	.2015-02	.2429-02	.2429-02	.9000	.9903-04	.1194-03	.7859-01	.7240	559.1
142	.60000	.75000	259.00	.1784-01	.2151-01	.2151-01	.9000	.8768-03	.1057-02	.6957	6.152	559.3
142	.60000	.85000	260.00	.2431-01	.2941-01	.2941-01	.9000	.1195-02	.1445-02	.9319	7.580	572.7
142	.60000	.95000	261.00	.1336-01	.1607-01	.1607-01	.9000	.6564-03	.7898-03	.5255	5.830	552.1
142	.90000	.60000	274.00	.7507-01	.9098-01	.9098-01	.9000	.3689-02	.4471-02	2.854	20.83	578.9
142	.95000	.50000	277.00	.7827-01	.9531-01	.9531-01	.9000	.3847-02	.4684-02	2.911	25.28	596.0
142	.95000	.70000	278.00	.1015	.1243	.1243	.9000	.4990-02	.6111-02	3.679	28.25	615.4
143	.95000	.80000	279.00	.4617-01	.5576-01	.5576-01	.9000	.2270-02	.2741-02	1.786	13.57	565.7
143	.95000	.90000	280.00	.3206-01	.3863-01	.3863-01	.9000	.1576-02	.1899-02	1.255	9.922	556.5

DATE 23 FEB 80

OH84B MODEL 60-0 IN THE AEDC VKF HYPERSONIC TUNNEL
OH84B 60-0 WING UPPER SURFACE

PAGE 2249

(R4UR12)

WING UPPER SURF

PARAMETRIC DATA

MACH = 8.000 ALPHA = 35.00 BETA = -2.000 ELEVON = .0000
BDFLAP = .0000 SPDBRK = .0000

TEST CONDITIONS

RUN NUMBER	RN/L /FT X10 6	MACH	ALPHA DEG.	BETA DEG.	PO PSIA	TO DEG. R	T DEG. R	P PSIA	Q PSI	V FT/SEC	RHO SLUGS /FT3	MU LB-SEC /FT2
162	2.007	7.980	35.00	-1.998	435.0	1300.	94.62	.4529-01	2.019	3805.	.1292-02	.7614-07
163	2.006	7.980	35.01	-1.994	434.8	1300.	94.62	.4527-01	2.018	3805.	.1291-02	.7614-07

RUN NUMBER	HREF BTU/ R FT2SEC	STN NO REF (R) = .0175
162	.3503-01	.2867-01
163	.3503-01	.2867-01

TEST DATA

RUN NUMBER	ZY/BW	XW/CW	T/C NO	H/HREF R=1.0	H/HREF R=0.9	H/HREF R= TAW/TO	TAW/TO	H(TO) BTU/R FT2SEC	H(TAW) BTU/R FT2SEC	QDOT BTU/ FT2SEC	DTWDT DEG. R /SEC	TW DEG. R
162	.60000	.25000-01	253.00	.7677-01	.9544-01	.9544-01	.9000	.2689-02	.3344-02	1.786	42.26	635.5
162	.60000	.50000-01	254.00	.6549-01	.8064-01	.8064-01	.9000	.2294-02	.2825-02	1.587	31.15	607.8
162	.60000	.10000+00	255.00	.5271-01	.6413-01	.6413-01	.9000	.1847-02	.2247-02	1.348	14.12	569.6
162	.60000	.20000	256.00	.1420-01	.1721-01	.1721-01	.9000	.4974-03	.6030-03	.3691	3.267	557.6
162	.60000	.40000	257.00	.1460-02	.1768-02	.1768-02	.9000	.5114-04	.6195-04	.3809-01	.3126	554.8
162	.60000	.60000	258.00	.1494-02	.1809-02	.1809-02	.9000	.5235-04	.6338-04	.3911-01	.3614	552.7
162	.60000	.75000	259.00	.8614-02	.1041-01	.1041-01	.9000	.3018-03	.3649-03	.2268	2.018	548.0
162	.60000	.85000	260.00	.8170-02	.9887-02	.9887-02	.9000	.2862-03	.3464-03	.2142	1.761	551.4
162	.60000	.95000	261.00	.7405-02	.8938-02	.8938-02	.9000	.2594-03	.3131-03	.1965	2.192	542.1
162	.90000	.60000	274.00	.4395-01	.5333-01	.5333-01	.9000	.1540-02	.1868-02	1.137	8.374	560.9
162	.95000	.50000	277.00	.4795-01	.5833-01	.5833-01	.9000	.1680-02	.2044-02	1.226	10.78	569.6
163	.95000	.70000	278.00	.6060-01	.7386-01	.7386-01	.9000	.2122-02	.2587-02	1.536	12.03	575.9
163	.95000	.80000	279.00	.2384-01	.2886-01	.2886-01	.9000	.8351-03	.1011-02	.6247	4.781	551.6
163	.95000	.90000	280.00	.1928-01	.2331-01	.2331-01	.9000	.6753-03	.8164-03	.5077	4.032	547.9

DATE 23 FEB 80

OH84B MODEL 60-0 IN THE AEDC VKF HYPERSONIC TUNNEL

PAGE 2250

OH84B 60-0 WING UPPER SURFACE

(R4UR12)

WING UPPER SURF

PARAMETRIC DATA

MACH = 8.000 ALPHA = 35.00 BETA = -2.000 ELEVON = .0000
 BOFLAP = .0000 SPOBRK = .0000

TEST CONDITIONS

RUN NUMBER	RN/L /FT X10 6	MACH	ALPHA DEG.	BETA DEG.	PO PSIA	TO DEG. R	T DEG. R	P PSIA	Q PSI	V FT/SEC	RHO SLUGS /FT3	MU LB-SEC /FT2
105	3.010	7.990	35.02	-1.985	670.5	1321.	95.92	.6924-01	3.094	3836.	.1948-02	.7719-07
106	3.013	7.990	35.02	-1.984	670.6	1320.	95.85	.6925-01	3.095	3835.	.1950-02	.7713-07

RUN NUMBER	HREF BTU/ K FT2SEC	STN NO REF (R) = .0175
105	.4349-01	.2338-01
106	.4349-01	.2337-01

TEST DATA

RUN NUMBER	2Y/BW	XW/CW	T/C NO	H/HREF R=1.0	H/HREF R=0.9	H/HREF R= TAW/TO	TAW/TO	H(TO) BTU/R FT2SEC	H(TAW) BTU/R FT2SEC	QDOT BTU/ FT2SEC	DTWDT DEG. R /SEC	TW DEG. R
105	.60000	.25000-01	253.00	.8031-01	.1003	.1003	.9000	.3493-02	.4360-02	2.319	54.31	656.8
105	.60000	.50000-01	254.00	.7054-01	.8701-01	.8701-01	.9000	.3068-02	.3784-02	2.141	41.69	622.9
105	.60000	.10000+00	255.00	.6301-01	.7659-01	.7659-01	.9000	.2740-02	.3331-02	2.041	21.31	576.0
105	.60000	.20000	256.00	.1311-01	.1583-01	.1583-01	.9000	.5700-03	.6886-03	.4373	3.878	553.6
105	.60000	.40000	257.00	.1497-02	.1807-02	.1807-02	.9000	.6512-04	.7857-04	.5022-01	.4132	549.5
105	.60000	.60000	258.00	.2472-02	.2982-02	.2982-02	.9000	.1075-03	.1297-03	.8303-01	.7690	548.5
105	.60000	.75000	259.00	.1311-01	.1581-01	.1581-01	.9000	.5702-03	.6875-03	.4416	3.931	546.2
105	.60000	.85000	260.00	.1493-01	.1805-01	.1805-01	.9000	.6494-03	.7850-03	.4962	4.069	556.5
105	.60000	.95000	261.00	.9374-02	.1129-01	.1129-01	.9000	.4077-03	.4909-03	.3177	3.543	541.5
105	.90000	.60000	274.00	.6263-01	.7582-01	.7582-01	.9000	.2724-02	.3297-02	2.069	15.23	561.1
105	.95000	.50000	277.00	.6454-01	.7844-01	.7844-01	.9000	.2807-02	.3412-02	2.092	18.35	575.5
105	.95000	.70000	278.00	.8053-01	.9819-01	.9819-01	.9000	.3502-02	.4270-02	2.569	20.02	586.1
106	.95000	.80000	279.00	.3443-01	.4153-01	.4153-01	.9000	.1497-02	.1806-02	1.154	8.848	548.6
106	.95000	.90000	280.00	.3115-01	.3754-01	.3754-01	.9000	.1355-02	.1633-02	1.050	8.357	544.3

DATE 23 FEB 80

OH84B MODEL 60-0 IN THE AEDC VKF HYPERSONIC TUNNEL
OH84B 60-0 WING UPPER SURFACE

PAGE 2251

(R4UR12)

WING UPPER SURF

PARAMETRIC DATA

MACH = 8.000 ALPHA = 35.00 BETA = -2.000 ELEVON = .0000
BDFLAP = .0000 SPDBRK = .0000

TEST CONDITIONS

RUN NUMBER	RN/L /FT	MACH	ALPHA DEG.	BETA DEG.	PO PSIA	TO DEG. R	T DEG. R	P PSIA	Q PSI	V FT/SEC	RHO SLUGS /FT3	MU LB-SEC /FT2
139	X10 6 3.682	8.000	35.03	-1.973	853.3	1353.	98.02	.8741-01	3.916	3883.	.2407-02	.7888-07
140	3.683	8.000	35.02	-1.979	853.5	1353.	98.02	.8743-01	3.917	3883.	.2407-02	.7888-07

RUN NUMBER	HREF BTU/ R FT2SEC	STN NO REF (R)
139	.4913-01	.2109-01
140	.4914-01	.2109-01

TEST DATA

RUN NUMBER	2Y/BW	XW/CW	T/C NO	H/HREF R=1.0	H/HREF R=0.9	H/HREF R= TAW/TO	TAW/TO	H(TO) BTU/R FT2SEC	H(TAW) BTU/R FT2SEC	QDOT BTU/ FT2SEC	DTWDT DEG. R /SEC	TW DEG. R
139	.60000	.25000-01	253.00	.7657-01	.9605-01	.9605-01	.9000	.3762-02	.4719-02	2.508	57.93	685.9
139	.60000	.50000-01	254.00	.6631-01	.8192-01	.8192-01	.9000	.3258-02	.4025-02	2.313	44.62	642.7
139	.60000	.10000+00	255.00	.5658-01	.6868-01	.6868-01	.9000	.2780-02	.3374-02	2.135	22.19	584.7
139	.60000	.20000	256.00	.1805-01	.2180-01	.2180-01	.9000	.8866-03	.1071-02	.6956	6.124	569.1
139	.60000	.40000	257.00	.1731-02	.2089-02	.2089-02	.9000	.8505-04	.1026-03	.6716-01	.5489	562.9
139	.60000	.60000	258.00	.2149-02	.2592-02	.2592-02	.9000	.1056-03	.1274-03	.8350-01	.7682	561.8
139	.60000	.75000	259.00	.1969-01	.2376-01	.2376-01	.9000	.9672-03	.1167-02	.7637	6.741	563.1
139	.60000	.85000	260.00	.2137-01	.2586-01	.2586-01	.9000	.1050-02	.1270-02	.8177	6.647	573.8
139	.60000	.95000	261.00	.1237-01	.1489-01	.1489-01	.9000	.6078-03	.7315-03	.4860	5.389	553.1
139	.90000	.60000	274.00	.8013-01	.9723-01	.9723-01	.9000	.3937-02	.4777-02	3.027	22.04	583.7
139	.90000	.50000	277.00	.7982-01	.9732-01	.9732-01	.9000	.3922-02	.4782-02	2.949	25.55	600.7
139	.95000	.50000	277.00	.7982-01	.9732-01	.9732-01	.9000	.4883-02	.5975-02	3.613	27.79	612.7
140	.95000	.70000	278.00	.9937-01	.1216	.1216	.9000	.2111-02	.2547-02	1.669	12.70	562.3
140	.95000	.80000	279.00	.4297-01	.5184-01	.5184-01	.9000	.1397-02	.1682-02	1.116	8.834	553.6
140	.95000	.90000	280.00	.2843-01	.3422-01	.3422-01	.9000					

DATE 23 FEB 80

OH84B MODEL 60-0 IN THE AEDC VKF HYPERSONIC TUNNEL
OH84B 60-0 WING UPPER SURFACE

PAGE 2252

(R4UR13)

WING UPPER SURF

PARAMETRIC DATA

MACH = 8.000 ALPHA = 35.00 BETA = -1.000 ELEVON = .0000
BDFLAP = .0000 SPDBRK = .0000

TEST CONDITIONS

RUN NUMBER	RN/L /FT X10 6	MACH	ALPHA DEG.	BETA DEG.	PO PSIA	TO DEG. R	T DEG. R	P PSIA	Q PSI	V FT/SEC	RHO SLUGS /FT3	MU LB-SEC /FT2
159	2.024	7.980	35.01	-.9963	436.7	1296.	94.33	.4547-01	2.027	3799.	.1301-02	.7590-07
160	2.003	7.980	35.01	-.9963	435.2	1302.	94.76	.4531-01	2.020	3808.	.1290-02	.7626-07

RUN NUMBER	HREF BTU/ R FT2SEC	STN NO REF (R)
159	.3508-01	.2856-01
160	.3505-01	.2869-01

TEST DATA

RUN NUMBER	2Y/BW	XW/CW	T/C NO	H/HREF R=1.0	H/HREF R=0.9	H/HREF R= TAW/TO	TAW/TO	H(TO) BTU/R FT2SEC	H(TAW) BTU/R FT2SEC	QDOT BTU/ FT2SEC	DTWDT DEG. R /SEC	TW DEG. R
159	.60000	.25000-01	253.00	.8192-01	.1014	.1014	.9000	.2874-02	.3558-02	1.938	46.16	621.5
159	.60000	.50000-01	254.00	.6976-01	.8556-01	.8556-01	.9000	.2447-02	.3002-02	1.717	33.91	594.1
159	.60000	.10000+00	255.00	.5368-01	.6517-01	.6517-01	.9000	.1883-02	.2286-02	1.384	14.56	560.8
159	.60000	.20000	256.00	.1454-01	.1760-01	.1760-01	.9000	.5100-03	.6174-03	.3801	3.377	550.4
159	.60000	.40000	257.00	.1517-02	.1834-02	.1834-02	.9000	.5321-04	.6436-04	.3980-01	.3278	547.7
159	.60000	.60000	258.00	.1961-02	.2371-02	.2371-02	.9000	.6878-04	.8317-04	.5153-01	.4777	546.5
159	.60000	.75000	259.00	.8009-02	.9675-02	.9675-02	.9000	.2810-03	.3394-03	.2115	1.865	543.1
159	.60000	.85000	260.00	.8990-02	.1087-01	.1087-01	.9000	.3154-03	.3814-03	.2361	1.945	547.0
159	.60000	.95000	261.00	.7101-02	.8567-02	.8567-02	.9000	.2491-03	.3005-03	.1887	2.108	538.3
159	.90000	.60000	274.00	.4269-01	.5173-01	.5173-01	.9000	.1498-02	.1815-02	1.111	8.207	554.0
159	.95000	.50000	277.00	.5009-01	.6085-01	.6085-01	.9000	.1757-02	.2135-02	1.289	11.38	562.5
160	.95000	.70000	278.00	.5114-01	.7442-01	.7442-01	.9000	.2143-02	.2608-02	1.564	12.27	572.0
160	.95000	.80000	279.00	.2389-01	.2887-01	.2887-01	.9000	.8372-03	.1012-02	.6309	4.837	548.1
160	.95000	.90000	280.00	.1824-01	.2202-01	.2202-01	.9000	.6392-03	.7719-03	.4840	3.851	544.4

DATE 23 FEB 80

OH84B MODEL 60-0 IN THE AEDC VKI HYPERSONIC TUNNEL

PAGE 2253

OH84B 60-0 WING UPPER SURFACE

(R4UR13)

WING UPPER SURF

PARAMETRIC DATA

MACH = 8.000 ALPHA = 35.00 BETA = -1.000 ELEVON = .0000
 BDFLAP = .0000 SPDBRK = .0000

TEST CONDITIONS

RUN NUMBER	RN/L /FT X10 6	MACH	ALPHA DEG.	BETA DEG.	PO PSIA	TO DEG. R	T DEG. R	P PSIA	Q PSI	V FT/SEC	RHO SLUGS /FT3	MU LB-SEC /FT2
102	3.006	7.990	35.02	-.9887	672.7	1325.	96.21	.6947-01	3.104	3842.	.1949-02	.7742-07
103	3.014	7.990	35.03	-.9919	669.2	1318.	95.71	.6911-01	3.088	3832.	.1949-02	.7701-07

RUN NUMBER	HREF BTU/ R FT2SEC	STN NO REF (R) = .0175
102	.4359-01	.2339-01
103	.4343-01	.2337-01

TEST DATA

RUN NUMBER	2Y/BW	XW/CW	T/C NO	H/HREF R=1.0	H/HREF R=0.9	H/HREF R= TAW/TO	TAW/TO	H(TO) BTU/R FT2SEC	H(TAW) BTU/R FT2SEC	QDOT BTU/ FT2SEC	DTWDT DEG. R /SEC	TW DEG. R
102	.60000	.25000-01	253.00	.8461-01	.1055	.1055	.9000	.3688-02	.4598-02	2.467	57.79	655.8
102	.60000	.50000-01	254.00	.7481-01	.9224-01	.9224-01	.9000	.3261-02	.4020-02	2.285	44.49	623.8
102	.60000	.10000+00	255.00	.6215-01	.7556-01	.7556-01	.9000	.2709-02	.3293-02	2.022	21.09	578.2
102	.60000	.20000	256.00	.1392-01	.1681-01	.1681-01	.9000	.6065-03	.7327-03	.4666	4.134	555.5
102	.60000	.40000	257.00	.1414-02	.1706-02	.1706-02	.9000	.6163-04	.7436-04	.4769-01	.3921	550.9
102	.60000	.60000	258.00	.2555-02	.3082-02	.3082-02	.9000	.1114-03	.1343-03	.8631-01	.7989	549.7
102	.60000	.75000	259.00	.1266-01	.1526-01	.1526-01	.9000	.5518-03	.6651-03	.4294	3.821	546.6
102	.60000	.85000	260.00	.1487-01	.1798-01	.1798-01	.9000	.6483-03	.7837-03	.4970	4.072	558.0
102	.60000	.95000	261.00	.9296-02	.1119-01	.1119-01	.9000	.4052-03	.4878-03	.3170	3.534	542.4
102	.90000	.60000	274.00	.6065-01	.7332-01	.7332-01	.9000	.2644-02	.3196-02	2.027	14.95	557.9
102	.95000	.50000	277.00	.6240-01	.7574-01	.7574-01	.9000	.2720-02	.3301-02	2.044	17.95	573.0
103	.95000	.70000	278.00	.8124-01	.9902-01	.9902-01	.9000	.3529-02	.4301-02	2.589	20.20	583.9
103	.95000	.80000	279.00	.3299-01	.3980-01	.3980-01	.9000	.1433-02	.1729-02	1.104	8.463	547.5
103	.95000	.90000	280.00	.2432-01	.2931-01	.2931-01	.9000	.1056-02	.1273-02	.8177	6.507	543.7

DATE 23 FEB 80

OHS4B MODEL 60-0 IN THE AEDC VKF HYPERSONIC TUNNEL

PAGE 2254

OHS4B 60-0 WING UPPER SURFACE

(R4UR13)

WING UPPER SURF

PARAMETRIC DATA

MACH = 8.000 ALPHA = 35.00 BETA = -1.000 ELEVON = .0000
BDFLAP = .0000 SPDBRK = .0000

TEST CONDITIONS

RUN NUMBER	RN/L /FT	MACH	ALPHA DEG.	BETA DEG.	PO PSIA	TO DEG. R	T DEG. R	P PSIA	Q PSI	V FT/SEC	RHO SLUGS /FT3	MU LB-SEC /FT2
136	3.699	8.000	35.06	-.9697	856.1	1352.	97.95	.8769-01	3.929	3881.	.2416-02	.7882-07
137	3.676	8.000	35.07	-.9690	851.9	1353.	98.02	.8726-01	3.909	3883.	.2403-02	.7888-07

RUN NUMBER	HREF BTU/ R FT2SEC	STN NO REF (R)
136	.4921-01	.2104-01
137	.4909-01	.2111-01

TEST DATA

RUN NUMBER	2Y/BW	XW/CW	T/C NO	H/HREF R=1.0	H/HREF R=0.9	H/HREF R= TAW/TO	TAW/TO	H(TO) BTU/R FT2SEC	H(TAW) BTU/R FT2SEC	QDOT BTU/ FT2SEC	DTWDT DEG. R /SEC	TW DEG. R
136	.60000	.25000-01	253.00	.7880-01	.9899-01	.9899-01	.9000	.3877-02	.4871-02	2.569	59.26	689.0
136	.60000	.50000-01	254.00	.6856-01	.8478-01	.8478-01	.9000	.3373-02	.4172-02	2.383	45.91	645.3
136	.60000	.10000+00	255.00	.5861-01	.7119-01	.7119-01	.9000	.2884-02	.3503-02	2.207	22.93	586.4
136	.60000	.20000	256.00	.1827-01	.2208-01	.2208-01	.9000	.8992-03	.1087-02	.7050	6.208	567.7
136	.60000	.40000	257.00	.1489-02	.1796-02	.1796-02	.9000	.7326-04	.8836-04	.5795-01	.4741	560.7
136	.60000	.60000	258.00	.2055-02	.2477-02	.2477-02	.9000	.1011-03	.1219-03	.8014-01	.7383	559.1
136	.60000	.75000	259.00	.2022-01	.2439-01	.2439-01	.9000	.9951-03	.1200-02	.7876	6.961	560.2
136	.60000	.85000	260.00	.2437-01	.2949-01	.2949-01	.9000	.1199-02	.1451-02	.9330	7.585	573.6
136	.60000	.95000	261.00	.1422-01	.1712-01	.1712-01	.9000	.6999-03	.8424-03	.5592	6.202	552.7
136	.90000	.60000	274.00	.7886-01	.9557-01	.9557-01	.9000	.3880-02	.4703-02	2.999	21.89	578.7
136	.95000	.50000	277.00	.7959-01	.9696-01	.9696-01	.9000	.3916-02	.4771-02	2.956	25.66	596.9
137	.95000	.70000	278.00	.9915-01	.1213	.1213	.9000	.4867-02	.5954-02	3.606	27.74	611.8
137	.95000	.80000	279.00	.4303-01	.5189-01	.5189-01	.9000	.2112-02	.2548-02	1.673	12.74	560.7
137	.95000	.90000	280.00	.2855-01	.3435-01	.3435-01	.9000	.1401-02	.1686-02	1.122	8.893	552.0

DATE 23 FEB 80

OH84B MODEL 60-O IN THE AEDC VKF HYPERSONIC TUNNEL

PAGE 2255

OH84B 60-O WING UPPER SURFACE

(R4UR14)

WING UPPER SURF

PARAMETRIC DATA

MACH = 8.000 ALPHA = 35.00 BETA = .0000 ELEVON = .0000
 BDFLAP = .0000 SPOBRK = .0000

TEST CONDITIONS

RUN NUMBER	RN/L /FT X10 6	MACH	ALPHA DEG.	BETA DEG.	PO PSIA	TO DEG. R	T DEG. R	P PSIA	Q PSI	V FT/SEC	RHO SLUGS /FT3	MU LB-SEC /FT2
14	.5200	7.900	34.96	.2136-02	102.3	1241.	92.02	.1137-01	.4968	3715.	.3335-03	.7405-07
15	.5155	7.900	34.95	.2148-02	101.7	1243.	92.17	.1130-01	.4937	3718.	.3309-03	.7417-07

RUN NUMBER	HREF BTU/ R FT2SEC	STN NO REF(R) =.0175
14	.1724-01	.5615-01
15	.1719-01	.5638-01

TEST DATA

RUN NUMBER	2Y/BW	XW/CW	T/C NO	H/HREF R=1.0	H/HREF R=0.9	H/HREF R= TAW/TO	TAW/TO	H(TO) BTU/R FT2SEC	H(TAW) BTU/R FT2SEC	QDOT BTU/ FT2SEC	DTWDT DEG. R /SEC	TW DEG. R
14	.60000	.25000-01	253.00	.7536-01	.9260-01	.9260-01	.9000	.1299-02	.1596-02	.8656	21.10	574.3
14	.60000	.50000-01	254.00	.5517-01	.6748-01	.6748-01	.9000	.9511-03	.1163-02	.6469	12.99	560.6
14	.60000	.10000+00	255.00	.3639-01	.4433-01	.4433-01	.9000	.6272-03	.7641-03	.4342	4.597	548.3
14	.60000	.20000	256.00	.1015-01	.1236-01	.1236-01	.9000	.1750-03	.2130-03	.1216	1.083	545.8
14	.60000	.40000	257.00	.2488-02	.3028-02	.3028-02	.9000	.4290-04	.5220-04	.2985-01	.2462	544.8
14	.60000	.60000	258.00	.9886-03	.1202-02	.1202-02	.9000	.1704-04	.2073-04	.1189-01	.1104	542.9
14	.60000	.85000	260.00	.3823-02	.4644-02	.4644-02	.9000	.6590-04	.8006-04	.4623-01	.3824	539.2
14	.60000	.95000	261.00	.6266-02	.7608-02	.7608-02	.9000	.1080-03	.1311-03	.7601-01	.8498	537.0
14	.90000	.60000	274.00	.5898-02	.7171-02	.7171-02	.9000	.1017-03	.1236-03	.7105-01	.5282	541.9
14	.95000	.50000	277.00	.1524-01	.1854-01	.1854-01	.9000	.2627-03	.3196-03	.1831	1.632	543.7
15	.95000	.70000	278.00	.7756-02	.9418-02	.9418-02	.9000	.1333-03	.1619-03	.9387-01	.7490	538.6
15	.95000	.80000	279.00	.4250-02	.5158-02	.5158-02	.9000	.7305-04	.8866-04	.5155-01	.3975	536.9
15	.95000	.90000	280.00	.1205-01	.1463-01	.1463-01	.9000	.2071-03	.2514-03	.1460	1.165	537.7

DATE 23 FEB 80

OH84B MODEL 60-0 IN THE AEDC VKF HYPERSONIC TUNNEL

PAGE 2256

OH84B 60-0 WING UPPER SURFACE

(R4UR14)

WING UPPER SURF

PARAMETRIC DATA

MACH = 8.000 ALPHA = 35.00 BETA = .0000 ELEVON = .0000
 BOFLAP = .0000 SPDBRK = .0000

TEST CONDITIONS

RUN NUMBER	RN/L /FT X10 6	MACH	ALPHA DEG.	BETA DEG.	PO PSIA	TO DEG. R	T DEG. R	P PSIA	Q PSI	V FT/SEC	RHO SLUGS /FT3	MU LB-SEC /FT2
61	2.001	7.980	34.99	.9426-07	435.2	1303.	94.84	.4531-01	2.020	3810.	.1289-02	.7631-07
62	1.995	7.980	34.99	-.1400-02	434.9	1305.	94.98	.4527-01	2.018	3813.	.1287-02	.7643-07

RUN NUMBER	HREF BTU/ R FT2SEC	STN NO REF (R) = .0175
61	.3505-01	.2870-01
62	.3505-01	.2874-01

TEST DATA

RUN NUMBER	ZY/BW	XW/CW	T/C NO	H/HREF R=1.0	H/HREF R=0.9	H/HREF R= TAW/TO	TAW/TO	H(TO) BTU/R FT2SEC	H(TAW) BTU/R FT2SEC	QDOT BTU/ FT2SEC	DTWDT DEG. R /SEC	TW DEG. R
61	.60000	.25000-01	253.00	.7866-01	.9741-01	.9741-01	.9000	.2757-02	.3415-02	1.866	44.36	625.8
61	.60000	.50000-01	254.00	.6055-01	.7426-01	.7426-01	.9000	.2122-02	.2603-02	1.497	29.53	597.2
61	.60000	.10000+00	255.00	.3806-01	.4623-01	.4623-01	.9000	.1334-02	.1621-02	.9839	10.33	565.3
61	.60000	.20000	256.00	.1093-01	.1325-01	.1325-01	.9000	.3832-03	.4646-03	.2848	2.518	559.4
61	.60000	.40000	257.00	.1294-02	.1568-02	.1568-02	.9000	.4535-04	.5497-04	.3375-01	.2765	558.3
61	.60000	.60000	258.00	.9099-03	.1102-02	.1102-02	.9000	.3190-04	.3863-04	.2383-01	.2199	555.7
61	.60000	.75000	259.00	.5503-02	.6652-02	.6652-02	.9000	.1929-03	.2332-03	.1454	1.293	548.8
61	.60000	.85000	260.00	.1199-01	.1452-01	.1452-01	.9000	.4202-03	.5090-03	.3137	2.573	556.1
61	.60000	.95000	261.00	.7952-02	.9601-02	.9601-02	.9000	.2788-03	.3365-03	.2115	2.356	544.0
61	.90000	.60000	274.00	.3851-01	.4668-01	.4668-01	.9000	.1350-02	.1636-02	1.004	7.404	558.6
61	.95000	.50000	277.00	.5251-01	.6383-01	.6383-01	.9000	.1841-02	.2237-02	1.353	11.91	567.8
62	.95000	.70000	278.00	.4768-01	.5785-01	.5785-01	.9000	.1671-02	.2028-02	1.240	9.775	562.6
62	.95000	.80000	279.00	.1932-01	.2333-01	.2333-01	.9000	.6772-03	.8178-03	.5141	3.947	545.5
62	.95000	.90000	280.00	.1878-01	.2266-01	.2266-01	.9000	.6583-03	.7944-03	.5013	3.991	543.1

DATE 23 FEB 80

OH84B MODEL 60-0 IN THE AEDC VKF HYPERSONIC TUNNEL

PAGE 2257

OH84B 60-0 WING UPPER SURFACE

(R4UR14)

WING UPPER SURF

PARAMETRIC DATA

MACH = 8.000 ALPHA = 35.00 BETA = .0000 ELEVON = .0000
 BDFLAP = .0000 SPDBRK = .0000

TEST CONDITIONS

RUN NUMBER	RN/L /FT X10 6	MACH	ALPHA DEG.	BETA DEG.	PO PSIA	TO DEG. R	T DEG. R	P PSIA	Q PSI	V FT/SEC	RHO SLUGS /FT3	MU LB-SEC /FT2
80	3.039	7.990	35.01	-.6938-03	670.1	1312.	95.27	.6920-01	3.092	3823.	.1960-02	.7666-07
81	3.030	7.990	35.02	-.6903-03	670.5	1315.	95.49	.6924-01	3.094	3827.	.1957-02	.7684-07

RUN NUMBER	HREF BTU/ R FT2SEC	STN NO REF (R)
80	.4343-01	.2329-01
81	.4346-01	.2332-01

TEST DATA

RUN NUMBER	2Y/BW	XW/CW	T/C NO	H/HREF R=1.0	H/HREF R=0.9	H/HREF R=TAW/TO	TAW/TO	H(TO) BTU/R FT2SEC	H(TAW) BTU/R FT2SEC	QDOT BTU/ FT2SEC	DTWDT DEG. R /SEC	TW DEG. R
80	.60000	.25000-01	253.00	.8063-01	.1005	.1005	.9000	.3502-02	.4363-02	2.326	54.73	647.3
80	.60000	.50000-01	254.00	.6393-01	.7861-01	.7861-01	.9000	.2776-02	.3414-02	1.950	38.23	609.3
80	.60000	.10000+00	255.00	.3906-01	.4741-01	.4741-01	.9000	.1696-02	.2059-02	1.263	13.25	567.0
80	.60000	.20000	256.00	.1241-01	.1503-01	.1503-01	.9000	.5391-03	.6527-03	.4065	3.598	557.6
80	.60000	.40000	257.00	.1183-02	.1431-02	.1431-02	.9000	.5140-04	.6216-04	.3891-01	.3194	554.5
80	.60000	.60000	258.00	.1488-02	.1798-02	.1798-02	.9000	.6461-04	.7811-04	.4904-01	.4532	552.7
80	.60000	.75000	259.00	.1132-01	.1368-01	.1368-01	.9000	.4918-03	.5940-03	.3750	3.334	549.1
80	.60000	.85000	260.00	.1688-01	.2045-01	.2045-01	.9000	.7330-03	.8883-03	.5497	4.496	561.7
80	.60000	.95000	261.00	.9263-02	.1117-01	.1117-01	.9000	.4023-03	.4853-03	.3085	3.436	544.7
80	.90000	.60000	274.00	.5647-01	.6846-01	.6846-01	.9000	.2453-02	.2973-02	1.838	13.52	562.5
80	.95000	.50000	277.00	.6629-01	.8067-01	.8067-01	.9000	.2879-02	.3504-02	2.118	18.58	575.8
81	.95000	.70000	278.00	.7038-01	.8557-01	.8557-01	.9000	.3059-02	.3719-02	2.265	17.75	574.3
81	.95000	.80000	279.00	.2859-01	.3449-01	.3449-01	.9000	.1243-02	.1499-02	.9552	7.331	546.0
81	.95000	.90000	280.00	.2530-01	.3050-01	.3050-01	.9000	.1099-02	.1326-02	.8469	6.738	544.4

DATE 23 FEB 80

OH84B MODEL 60-0 IN THE AEDC VKF HYPERSONIC TUNNEL

PAGE 2258

OH84B 60-0 WING UPPER SURFACE

(R4UR14)

WING UPPER SURF

PARAMETRIC DATA

MACH = 8.000 ALPHA = 35.00 BETA = .0000 ELEVON = .0000
 BDFLAP = .0000 SPDBRK = .0000

TEST CONDITIONS

RUN NUMBER	RN/L /FT X10 6	MACH	ALPHA DEG.	BETA DEG.	PO PSIA	TO DEG. R	T DEG. R	P PSIA	Q PSI	V FT/SEC	RHO SLUGS /FT3	MU LB-SEC /FT2
133	3.692	8.000	35.03	-.6868-03	854.7	1352.	97.95	.8755-01	3.922	3881.	.2413-02	.7882-07
134	3.680	8.000	35.02	-.6917-03	852.8	1353.	98.02	.8735-01	3.913	3883.	.2405-02	.7888-07

RUN NUMBER	HREF BTU/ R FT2SEC	STN NO REF (R)
133	.4917-01	.2109-01
134	.4912-01	.2109-01

TEST DATA

RUN NUMBER	2Y/BW	XW/CW	T/C NO	H/HREF R=1.0	H/HREF R=0.9	H/HREF R= TAW/TO	TAW/TO	H(TO) BTU/R FT2SEC	H(TAW) BTU/R FT2SEC	QDOT BTU/ FT2SEC	DTWDT DEG. R /SEC	TW DEG. R
133	.60000	.25000-01	253.00	.8081-01	.1018	.1018	.9000	.3973-02	.5006-02	2.603	59.81	696.6
133	.60000	.50000-01	254.00	.7169-01	.8885-01	.8885-01	.9000	.3525-02	.4368-02	2.467	47.39	651.7
133	.60000	.10000+00	255.00	.6060-01	.7365-01	.7365-01	.9000	.2979-02	.3621-02	2.271	23.56	589.2
133	.60000	.20000	256.00	.1843-01	.2228-01	.2228-01	.9000	.9059-03	.1095-02	.7085	6.233	569.6
133	.60000	.40000	257.00	.1675-02	.2021-02	.2021-02	.9000	.8233-04	.9935-04	.6494-01	.5308	562.8
133	.60000	.60000	258.00	.2291-02	.2763-02	.2763-02	.9000	.1126-03	.1359-03	.8900-01	.8189	561.5
133	.60000	.75000	259.00	.2008-01	.2423-01	.2423-01	.9000	.9873-03	.1191-02	.7798	6.887	561.8
133	.60000	.85000	260.00	.3167-01	.3840-01	.3840-01	.9000	.1557-02	.1888-02	1.201	9.731	580.3
133	.60000	.95000	261.00	.1824-01	.2196-01	.2196-01	.9000	.8967-03	.1080-02	.7146	7.917	554.8
133	.90000	.60000	274.00	.7616-01	.9233-01	.9233-01	.9000	.3744-02	.4539-02	2.889	21.07	580.1
133	.95000	.50000	277.00	.7411-01	.9033-01	.9033-01	.9000	.3644-02	.4441-02	2.743	23.79	598.8
134	.95000	.70000	278.00	.9956-01	.1218	.1218	.9000	.4890-02	.5981-02	3.626	27.91	611.1
134	.95000	.80000	279.00	.4289-01	.5172-01	.5172-01	.9000	.2107-02	.2540-02	1.669	12.71	560.6
134	.95000	.90000	280.00	.2757-01	.3317-01	.3317-01	.9000	.1354-02	.1629-02	1.085	8.598	551.5

DATE 23 FEB 80

OH848 MODEL 60-0 IN THE AEDC VKF HYPERSONIC TUNNEL

PAGE 2259

OH848 60-0 WING UPPER SURFACE

(R4UR15)

WING UPPER SURF

PARAMETRIC DATA

MACH = 8.000 ALPHA = 40.00 BETA = -10.00 ELEVON = .0000
 BDFLAP = .0000 SPDBRK = .0000

TEST CONDITIONS

RUN NUMBER	RN/L /FT X10 6	MACH	ALPHA DEG.	BETA DEG.	PO PSIA	TO DEG. R	T DEG. R	P PSIA	Q PSI	V FT/SEC	RHO SLUGS /FT3	MU LB-SEC /FT2
202	.5125	7.900	39.95	-10.04	103.5	1263.	93.66	.1151-01	.5026	3748.	.3316-03	.7536-07
203	.4973	7.900	39.90	-10.06	99.51	1255.	93.06	.1106-01	.4831	3736.	.3207-03	.7489-07
RUN NUMBER	HREF BTU/ R FT2SEC	STN NO REF (R) = .0175										
202	.1739-01	.5641-01										
203	.1703-01	.5732-01										

TEST DATA

RUN NUMBER	2Y/BW	XW/CW	T/C NO	H/HREF R=1.0	H/HREF R=0.9	H/HREF R= TAW/TO	TAW/TO	H(TO) BTU/R FT2SEC	H(TAW) BTU/R FT2SEC	QDOT BTU/ FT2SEC	DTWDT DEG. R /SEC	TW DEG. R
202	.60000	.25000-01	253.00	.3969-01	.4827-01	.4827-01	.9000	.6903-03	.8396-03	.4902	12.08	552.5
202	.60000	.50000-01	254.00	.2849-01	.3457-01	.3457-01	.9000	.4956-03	.6013-03	.3560	7.208	544.4
202	.60000	.10000+00	255.00	.2020-01	.2446-01	.2446-01	.9000	.3514-03	.4254-03	.2550	2.716	536.9
202	.60000	.20000	256.00	.5302-02	.6415-02	.6415-02	.9000	.9221-04	.1116-03	.6709-01	.6006	535.1
202	.60000	.40000	257.00	.1614-02	.1952-02	.1952-02	.9000	.2807-04	.3396-04	.2042-01	.1693	535.0
202	.60000	.60000	258.00	.2808-02	.3397-02	.3397-02	.9000	.4883-04	.5909-04	.3553-01	.3313	535.1
202	.60000	.85000	260.00	.2190-02	.2648-02	.2648-02	.9000	.3810-04	.4606-04	.2782-01	.2309	532.3
202	.60000	.95000	261.00	.5283-02	.6386-02	.6386-02	.9000	.9189-04	.1111-03	.6717-01	.7529	531.7
202	.90000	.60000	274.00	.1813-02	.2193-02	.2193-02	.9000	.3154-04	.3814-04	.2301-01	.1719	532.9
202	.95000	.50000	277.00	.7061-02	.8542-02	.8542-02	.9000	.1228-03	.1486-03	.8943-01	.8008	534.4
203	.95000	.70000	278.00	.1066-02	.1288-02	.1288-02	.9000	.1815-04	.2194-04	.1318-01	.1057	528.5
203	.95000	.80000	279.00	.3332-02	.4028-02	.4028-02	.9000	.5676-04	.6862-04	.4120-01	.3190	528.7
203	.95000	.90000	280.00	.1152-01	.1394-01	.1394-01	.9000	.1963-03	.2374-03	.1423	1.141	529.7

DATE 23 FEB 80

OH84B MODEL 60-0 IN THE AEDC VKF HYPERSONIC TUNNEL

PAGE 2260

OH84B 60-0 WING UPPER SURFACE

(R4UR:5)

WING UPPER SURF

PARAMETRIC DATA

MACH = 8.000 ALPHA = 40.00 BETA = -10.00 ELEVON = .0000
 BDFLAP = .0000 SPDBRK = .0000

TEST CONDITIONS

RUN NUMBER	RN/L /FT X10 6	MACH	ALPHA DEG.	BETA DEG.	PO PSIA	TO DEG. R	T DEG. R	P PSIA	Q PSI	V FT/SEC	RHO SLUGS /FT3	MU LB-SEC /FT2
189	1.002	7.940	39.96	-10.05	203.7	1257.	92.34	.2191-01	.9670	3740.	.6404-03	.7431-07
190	1.004	7.940	39.95	-10.04	205.0	1261.	92.64	.2205-01	.9731	3746.	.6425-03	.7454-07

RUN NUMBER	HREF BTU/ R FT2SEC	STN NO REF (R) = .0175
189	.2410-01	.4057-01
190	.2419-01	.4052-01

TEST DATA

RUN NUMBER	2Y/BW	XW/CW	T/C NO	H/HREF R=1.0	H/HREF R=0.9	H/HREF R= TAW/TO	TAW/TO	H(TO) BTU/R FT2SEC	H(TAW) BTU/R FT2SEC	QDOT BTU/ FT2SEC	DTWDT DEG. R /SEC	TW DEG. R
189	.60000	.25000-01	253.00	.4133-01	.5059-01	.5059-01	.9000	.9961-03	.1219-02	.6836	16.70	570.5
189	.60000	.50000-01	254.00	.3101-01	.3777-01	.3777-01	.9000	.7474-03	.9105-03	.5242	10.56	555.3
189	.60000	.10000+00	255.00	.2335-01	.2831-01	.2831-01	.9000	.5629-03	.6825-03	.4035	4.290	539.8
189	.60000	.20000	256.00	.5695-02	.6895-02	.6895-02	.9000	.1373-03	.1662-03	.9913-01	.8876	534.5
189	.60000	.40000	257.00	.1684-02	.2037-02	.2037-02	.9000	.4059-04	.4911-04	.2939-01	.2439	532.5
189	.60000	.60000	258.00	.2195-02	.2644-02	.2644-02	.9000	.5268-04	.6373-04	.3817-01	.3565	532.0
189	.60000	.85000	260.00	.4991-02	.6042-02	.6042-02	.9000	.1203-03	.1456-03	.8692-01	.7208	534.1
189	.60000	.95000	261.00	.5870-02	.7100-02	.7100-02	.9000	.1415-03	.1712-03	.1026	1.150	531.4
189	.90000	.60000	274.00	.1014-01	.1227-01	.1227-01	.9000	.2444-03	.2956-03	.1773	1.326	531.1
189	.95000	.50000	277.00	.2295-01	.2781-01	.2781-01	.9000	.5533-03	.6704-03	.3982	3.561	537.1
190	.95000	.70000	278.00	.1369-01	.1656-01	.1656-01	.9000	.3312-03	.4007-03	.2405	1.923	534.4
190	.95000	.80000	279.00	.6066-02	.7332-02	.7332-02	.9000	.1468-03	.1774-03	.1071	.8285	530.8
190	.95000	.90000	280.00	.1179-01	.1425-01	.1425-01	.9000	.2853-03	.3449-03	.2082	1.667	530.9

DATE 23 FEB 80

OH84B MODEL 60-0 IN THE AEDC VKF HYPERSONIC TUNNEL

PAGE 2261

OH84B 60-0 WING UPPER SURFACE

(R4UR15)

WING UPPER SURF

PARAMETRIC DATA

MACH = 8.000 ALPHA = 40.00 BETA = -10.00 ELEVON = .0000
 BDFLAP = .0000 SPDBRK = .0000

TEST CONDITIONS

RUN NUMBER	RN/L /FT X10 6	MACH	ALPHA DEG.	BETA DEG.	PO PSIA	TO DEG. R	T DEG. R	P PSIA	Q PSI	V FT/SEC	RHO SLUGS /FT3	MU LB-SEC /FT2
171	2.002	7.980	39.98	-10.09	434.9	1302.	94.76	.4528-01	2.018	3808.	.1290-02	.7626-07
172	2.004	7.980	39.98	-10.09	434.9	1301.	94.69	.4528-01	2.018	3807.	.1291-02	.7620-07

RUN NUMBER	HREF BTU/ R FT2SEC	STN NO REF(R) = .0175
171	.3504-01	.2870-01
172	.3503-01	.2868-01

TEST DATA

RUN NUMBER	ZY/BW	XW/CW	T/C NO	H/HREF R=1.0	H/HREF R=0.9	H/HREF R= TAW/TO	TAW/TO	H(TO) BTU/R FT2SEC	H(TAW) BTU/R FT2SEC	QDOT BTU/ FT2SEC	DTWDT DEG. R /SEC	TW DEG. R
171	.60000	.25000-01	253.00	.4320-01	.5308-01	.5308-01	.9000	.1514-02	.1860-02	1.059	25.46	602.2
171	.60000	.50000-01	254.00	.3483-01	.4256-01	.4256-01	.9000	.1221-02	.1491-02	.8749	17.36	584.8
171	.60000	.10000+00	255.00	.2498-01	.3032-01	.3032-01	.9000	.8753-03	.1062-02	.6471	6.801	562.4
171	.60000	.20000	256.00	.7303-02	.8848-02	.8848-02	.9000	.2559-03	.3100-03	.1908	1.690	556.2
171	.60000	.40000	257.00	.2133-02	.2583-02	.2583-02	.9000	.7473-04	.9050-04	.5583-01	.4583	554.6
171	.60000	.60000	258.00	.4350-02	.5267-02	.5267-02	.9000	.1524-03	.1846-03	.1140	1.053	553.9
171	.60000	.75000	259.00	.6504-02	.7867-02	.7867-02	.9000	.2279-03	.2756-03	.1712	1.521	550.3
171	.60000	.85000	260.00	.1283-01	.1555-01	.1555-01	.9000	.4494-03	.5448-03	.3341	2.737	558.4
171	.60000	.95000	261.00	.8349-02	.1009-01	.1009-01	.9000	.2925-03	.3537-03	.2201	2.446	549.1
171	.90000	.60000	274.00	.3845-01	.4663-01	.4663-01	.9000	.1347-02	.1634-02	.9998	7.367	559.5
171	.95000	.50000	277.00	.4895-01	.5951-01	.5951-01	.9000	.1715-02	.2085-02	1.257	11.07	568.5
172	.95000	.70000	278.00	.5208-01	.6350-01	.6350-01	.9000	.1825-02	.2225-02	1.320	10.33	577.2
172	.95000	.80000	279.00	.1931-01	.2341-01	.2341-01	.9000	.6766-03	.8200-03	.5033	3.841	556.9
172	.95000	.90000	280.00	.1664-01	.2015-01	.2015-01	.9000	.5830-03	.7060-03	.4354	3.447	553.9

OH84B 60-0 WING UPPER SURFACE

(R4UR15)

WING UPPER SURF

PARAMETRIC DATA

MACH = 8.000 ALPHA = 40.00 BETA = -10.00 ELEVON = .0000
 BDFLAP = .0000 SPDBRK = .0000

TEST CONDITIONS

RUN NUMBER	RN/L /FT X10 6	MACH	ALPHA DEG.	BETA DEG.	PO PSIA	TO DEG. R	T DEG. R	P PSIA	Q PSI	V FT/SEC	RHO SLUGS /FT3	MU LB-SEC /FT2
99	2.993	7.990	40.02	-10.10	670.6	1326.	96.29	.6925-01	3.095	3843.	.1941-02	.7748-07
100	3.008	7.990	40.00	-10.10	673.1	1325.	96.21	.6951-01	3.106	3842.	.1950-02	.7742-07

RUN NUMBER	HREF BTU/ R FT2SEC	STN NO REF (R) = .0175
99	.4353-01	.2343-01
100	.4360-01	.2338-01

TEST DATA

RUN NUMBER	2Y/BW	XW/CW	T/C NO	H/HREF R=1.0	H/HREF R=0.9	H/HREF R= TAW/TO	TAW/TO	H(TO) BTU/R FT2SEC	H(TAW) BTU/R FT2SEC	QDOT BTU/ FT2SEC	DTWDT DEG. R /SEC	TW DEG. R
99	.60000	.25000-01	253.00	.5062-01	.6233-01	.6233-01	.9000	.2203-02	.2713-02	1.554	37.04	620.3
99	.60000	.50000-01	254.00	.4223-01	.5172-01	.5172-01	.9000	.1838-02	.2251-02	1.328	26.11	603.4
99	.60000	.10000+00	255.00	.3116-01	.3782-01	.3782-01	.9000	.1356-02	.1646-02	1.022	10.69	572.3
99	.60000	.20000	256.00	.5873-02	.7106-02	.7106-02	.9000	.2556-03	.3093-03	.1952	1.724	561.9
99	.60000	.40000	257.00	.2364-02	.2861-02	.2861-02	.9000	.1029-03	.1245-03	.7848-01	.6414	563.0
99	.60000	.60000	258.00	.4751-02	.5751-02	.5751-02	.9000	.2068-03	.2503-03	.1576	1.449	563.4
99	.60000	.75000	259.00	.1118-01	.1352-01	.1352-01	.9000	.4866-03	.5887-03	.3722	3.289	560.8
99	.60000	.85000	260.00	.2907-01	.3531-01	.3531-01	.9000	.1265-02	.1537-02	.9485	7.701	576.0
99	.60000	.95000	261.00	.1491-01	.1802-01	.1802-01	.9000	.6489-03	.7841-03	.4987	5.518	557.2
99	.90000	.60000	274.00	.5279-01	.6402-01	.6402-01	.9000	.2298-02	.2786-02	1.736	12.72	570.1
99	.95000	.50000	277.00	.6363-01	.7748-01	.7748-01	.9000	.2770-02	.3372-02	2.054	17.94	584.1
100	.95000	.70000	278.00	.6829-01	.8337-01	.8337-01	.9000	.2977-02	.3635-02	2.180	16.93	592.4
100	.95000	.80000	279.00	.2752-01	.3331-01	.3331-01	.9000	.1200-02	.1452-02	.9151	6.967	562.1
100	.95000	.90000	280.00	.2308-01	.2790-01	.2790-01	.9000	.1006-02	.1217-02	.7717	6.098	557.8

DATE 23 FEB 80

OH84B MODEL 60-0 IN THE AEDC VKF HYPERSONIC TUNNEL

PAGE 2263

OH84B 60-0 WING UPPER SURFACE

(R4UR17)

WING UPPER SURF

PARAMETRIC DATA

MACH = 8.000 ALPHA = 40.00 BETA = -4.000 ELEVON = .0000
 BDFLAP = .0000 SPDBRK = .0000

TEST CONDITIONS

RUN NUMBER	RN/L /FT X10 6	MACH	ALPHA DEG.	BETA DEG.	PO PSIA	TO DEG. R	T DEG. R	P PSIA	Q PSI	V FT/SEC	RHO SLUGS /FT3	MU LB-SEC /FT2
199	.4996	7.900	39.95	-3.996	99.13	1248.	92.54	.1102-01	.4813	3726.	.3213-03	.7447-07
200	.5083	7.900	39.97	-3.996	100.7	1247.	92.47	.1119-01	.4891	3724.	.3268-03	.7441-07

RUN NUMBER	HREF BTU/ R FT2SEC	STN NO REF (R) = .0175
199	.1699-01	.5724-01
200	.1712-01	.5675-01

TEST DATA

RUN NUMBER	2Y/BW	XW/CW	T/C NO	H/HREF R=1.0	H/HREF R=0.9	H/HREF R=TAW/TO	TAW/TO	H(TO) BTU/R FT2SEC	H(TAW) BTU/R FT2SEC	QDOT BTU/ FT2SEC	DTWOT DEG. R /SEC	TW DEG. R
199	.60000	.25000-01	253.00	.5366-01	.6541-01	.6541-01	.9000	.9114-03	.1111-02	.6328	15.59	553.4
199	.60000	.50000-01	254.00	.3975-01	.4828-01	.4828-01	.9000	.6752-03	.8201-03	.4769	9.672	541.4
199	.60000	.10000+00	255.00	.2923-01	.3540-01	.3540-01	.9000	.4965-03	.6013-03	.3553	3.793	531.9
199	.60000	.20000	256.00	.7526-02	.9104-02	.9104-02	.9000	.1278-03	.1546-03	.9203-01	.8269	527.8
199	.60000	.40000	257.00	.1752-02	.2118-02	.2118-02	.9000	.2976-04	.3598-04	.2148-01	.1788	525.9
199	.60000	.60000	258.00	.9452-03	.1142-02	.1142-02	.9000	.1605-04	.1941-04	.1160-01	.1087	525.1
199	.60000	.85000	260.00	.6532-03	.7893-03	.7893-03	.9000	.1110-04	.1341-04	.8028-02	.6692-01	524.1
199	.60000	.95000	261.00	.5075-02	.6135-02	.6135-02	.9000	.8621-04	.1042-03	.6229-01	.7005	525.2
199	.90000	.60000	274.00	.1846-02	.2230-02	.2230-02	.9000	.3135-04	.3787-04	.2273-01	.1706	522.8
199	.95000	.50000	277.00	.7350-02	.8883-02	.8883-02	.9000	.1248-03	.1509-03	.9025-01	.8122	524.7
200	.95000	.70000	278.00	.9993-03	.1209-02	.1209-02	.9000	.1711-04	.2070-04	.1230-01	.9867-01	527.8
200	.95000	.80000	279.00	.4006-02	.4847-02	.4847-02	.9000	.6858-04	.8297-04	.4929-01	.3817	528.0
200	.95000	.90000	280.00	.1221-01	.1478-01	.1478-01	.9000	.2091-03	.2530-03	.1502	1.205	528.4

OH84B 60-0 WING UPPER SURFACE

(R4UR17)

WING UPPER SURF

PARAMETRIC DATA

MACH = 8.000 ALPHA = 40.00 BETA = -4.000 ELEVON = .0000
 BDFLAP = .0000 SPDBRK = .0000

TEST CONDITIONS

RUN NUMBER	RN/L /FT X10 6	MACH	ALPHA DEG.	BETA DEG.	PO PSIA	TO DEG. R	T DEG. R	P PSIA	Q PSI	V FT/SEC	RHO SLUGS /FT3	MU LB-SEC /FT2
186	.9941	7.940	39.96	-3.989	203.8	1264.	92.86	.2192-01	.9574	3751.	.6372-03	.7472-07
187	1.008	7.940	39.96	-3.991	205.0	1257.	92.34	.2205-01	.9731	3740.	.6445-03	.7431-07

RUN NUMBER	HREF BTU/ R FT2SEC	STN NO REF (R) = .0175
186	.2413-01	.4070-01
187	.2418-01	.4044-01

TEST DATA

RUN NUMBER	2Y/BW	XW/CW	T/C NO	H/HREF R=1.0	H/HREF R=0.9	H/HREF R= TAW/TO	TAW/TO	H(TO) BTU/R FT2SEC	H(TAW) BTU/R FT2SEC	QDOT BTU/ FT2SEC	DTWDT DEG. R /SEC	TW DEG. R
186	.60000	.25000-01	253.00	.5675-01	.6947-01	.6947-01	.9000	.1370-02	.1677-02	.9452	23.05	573.6
186	.60000	.50000-01	254.00	.4444-01	.5415-01	.5415-01	.9000	.1073-02	.1307-02	.7563	15.21	558.6
186	.60000	.10000+00	255.00	.3363-01	.4077-01	.4077-01	.9000	.8117-03	.9840-03	.5858	6.221	542.0
186	.60000	.20000	256.00	.8611-02	.1042-01	.1042-01	.9000	.2078-03	.2515-03	.1513	1.354	535.8
186	.60000	.40000	257.00	.1221-02	.1476-02	.1476-02	.9000	.2946-04	.3562-04	.2151-01	.1784	533.5
186	.60000	.60000	258.00	.6899-03	.8339-03	.8339-03	.9000	.1665-04	.2013-04	.1218-01	.1137	532.2
186	.60000	.75000	259.00	.6100-03	.7367-03	.7367-03	.9000	.1472-04	.1778-04	.1081-01	.9707-01	529.2
186	.60000	.85000	260.00	.6131-02	.7414-02	.7414-02	.9000	.1480-03	.1789-03	.1080	.8960	533.6
186	.60000	.95000	261.00	.5873-02	.7096-02	.7096-02	.9000	.1417-03	.1713-03	.1039	1.165	530.9
186	.90000	.60000	274.00	.1029-01	.1243-01	.1243-01	.9000	.2484-03	.3001-03	.1822	1.362	530.2
186	.95000	.50000	277.00	.2322-01	.2809-01	.2809-01	.9000	.5605-03	.6780-03	.4086	3.658	534.6
187	.95000	.70000	278.00	.1432-01	.1733-01	.1733-01	.9000	.3464-03	.4192-03	.2507	2.005	533.0
187	.95000	.80000	279.00	.6955-02	.8409-02	.8409-02	.9000	.1682-03	.2033-03	.1223	.9460	529.8
187	.95000	.90000	280.00	.1324-01	.1601-01	.1601-01	.9000	.3202-03	.3872-03	.2327	1.864	530.1

OH84B 60-0 WING UPPER SURFACE

(R4UR17)

WING UPPER SURF

PARAMETRIC DATA

MACH = 8.000 ALPHA = 40.00 BETA = -4.000 ELEVON = .0000
 BDFLAP = .0000 SPDBRK = .0000

TEST CONDITIONS

RUN NUMBER	RN/L /FT X10 6	MACH	ALPHA DEG.	BETA DEG.	PO PSIA	TO DEG. R	T DEG. R	P PSIA	Q PSI	V FT/SEC	RHO SLUGS /FT3	MU LB-SEC /FT2
177	1.998	7.980	39.98	-4.010	434.6	1303.	94.84	.4525-01	2.017	3810.	.1288-02	.7631-07
178	2.003	7.980	39.97	-4.003	435.3	1302.	94.76	.4532-01	2.020	3808.	.1291-02	.7626-07

RUN NUMBER	HREF BTU/ R FT2SEC	STN NO REF (R) = .0175
177	.3503-01	.2872-01
178	.3505-01	.2868-01

TEST DATA

RUN NUMBER	2Y/BW	XW/CW	T/C NO	H/HREF R=1.0	H/HREF R=0.9	H/HREF R= TAW/TO	TAW/TO	H(TO) BTU/R FT2SEC	H(TAW) BTU/R FT2SEC	QDOT BTU/ FT2SEC	DTWDT DEG. R /SEC	TW DEG. R
177	.60000	.25000-01	253.00	.6023-01	.7403-01	.7403-01	.9000	.2110-02	.2593-02	1.474	35.42	603.9
177	.60000	.50000-01	254.00	.5017-01	.6129-01	.6129-01	.9000	.1757-02	.2147-02	1.261	25.03	584.9
177	.60000	.10000+00	255.00	.3740-01	.4530-01	.4530-01	.9000	.1310-02	.1587-02	.9780	10.31	556.1
177	.60000	.20000	256.00	.1081-01	.1307-01	.1307-01	.9000	.3787-03	.4578-03	.2855	2.539	548.7
177	.60000	.40000	257.00	.8919-03	.1078-02	.1078-02	.9000	.3124-04	.3775-04	.2362-01	.1947	546.6
177	.60000	.60000	258.00	.1782-02	.2152-02	.2152-02	.9000	.6243-04	.7540-04	.4727-01	.4384	545.5
177	.60000	.75000	259.00	.8504-02	.1026-01	.1026-01	.9000	.2979-03	.3595-03	.2266	2.021	542.1
177	.60000	.85000	260.00	.1174-01	.1418-01	.1418-01	.9000	.4113-03	.4969-03	.3110	2.562	546.6
177	.60000	.95000	261.00	.6412-02	.7727-02	.7727-02	.9000	.2246-03	.2707-03	.1719	1.921	537.4
177	.90000	.60000	274.00	.3964-01	.4790-01	.4790-01	.9000	.1389-02	.1678-02	1.049	7.776	547.3
177	.95000	.50000	277.00	.4683-01	.5671-01	.5671-01	.9000	.1641-02	.1987-02	1.227	10.88	554.6
178	.95000	.70000	278.00	.3677-01	.4448-01	.4448-01	.9000	.1289-02	.1559-02	.9682	7.678	550.6
178	.95000	.80000	279.00	.1269-01	.1529-01	.1529-01	.9000	.4448-03	.5358-03	.3407	2.628	535.7
178	.95000	.90000	280.00	.1593-01	.1918-01	.1918-01	.9000	.5583-03	.6724-03	.4281	3.422	534.9

DATE 23 FEB 80

OH84B MODEL 60-0 IN THE AEDC VKF HYPERSONIC TUNNEL

PAGE 2266

OH84B 60-0 WING UPPER SURFACE

(R4UR17)

WING UPPER SURF

PARAMETRIC DATA

MACH = 8.000 ALPHA = 40.00 BETA = -4.000 ELEVON = .0000
 BOFLAP = .0000 SPDBRK = .0000

TEST CONDITIONS

RUN NUMBER	RN/L /FT X10 6	MACH	ALPHA DEG.	BETA DEG.	P0 PSIA	T0 DEG. R	T DEG. R	P PSIA	Q PSI	V FT/SEC	RHO SLUGS /FT3	MU LB-SEC /FT2
95	2.992	7.990	39.99	-4.021	670.3	1326.	96.29	.6922-01	3.093	3843.	.1940-02	.7748-07
96	2.988	7.990	40.00	-4.027	670.3	1327.	96.36	.6922-01	3.093	3845.	.1939-02	.7754-07

RUN NUMBER	HREF BTU/ R FT2SEC	STN NO REF(R) =.0175
95	.4352-01	.2344-01
96	.4352-01	.2345-01

TEST DATA

RUN NUMBER	2Y/BW	XW/CW	T/C NO	H/HREF R=1.0	H/HREF R=0.9	H/HREF R=TAW/TO	TAW/TO	H(T0) BTU/R FT2SEC	H(TAW) BTU/R FT2SEC	QDOT BTU/ FT2SEC	DTWDT DEG. R /SEC	TW DEG. R
95	.60000	.25000-01	253.00	.6499-01	.8009-01	.8009-01	.9000	.2828-02	.3485-02	1.988	47.32	622.8
95	.60000	.50000-01	254.00	.5257-01	.6436-01	.6436-01	.9000	.2288-02	.2801-02	1.655	32.56	602.2
95	.60000	.10000+00	255.00	.3596-01	.4350-01	.4350-01	.9000	.1565-02	.1893-02	1.195	12.57	561.6
95	.60000	.20000	256.00	.8216-02	.9908-02	.9908-02	.9000	.3575-03	.4311-03	.2776	2.467	549.3
95	.60000	.40000	257.00	.8890-03	.1072-02	.1072-02	.9000	.3869-04	.4663-04	.3010-01	.2479	547.7
95	.60000	.60000	258.00	.2543-02	.3065-02	.3065-02	.9000	.1106-03	.1334-03	.8600-01	.7965	548.4
95	.60000	.75000	259.00	.1349-01	.1627-01	.1627-01	.9000	.5871-03	.7080-03	.4561	4.055	548.8
95	.60000	.85000	260.00	.2852-01	.3455-01	.3455-01	.9000	.1241-02	.1503-02	.9431	7.698	565.7
95	.60000	.95000	261.00	.1331-01	.1604-01	.1604-01	.9000	.5790-03	.6979-03	.4507	5.012	547.3
95	.90000	.60000	274.00	.6078-01	.7349-01	.7349-01	.9000	.2645-02	.3198-02	2.027	14.94	559.2
95	.95000	.50000	277.00	.7298-01	.8868-01	.8868-01	.9000	.3176-02	.3859-02	2.378	20.85	576.8
96	.95000	.70000	278.00	.7681-01	.9390-01	.9390-01	.9000	.3343-02	.4087-02	2.436	18.87	597.8
96	.95000	.80000	279.00	.2958-01	.3581-01	.3581-01	.9000	.1287-02	.1558-02	.9822	7.471	563.8
96	.95000	.90000	280.00	.2523-01	.3051-01	.3051-01	.9000	.1098-02	.1328-02	.8409	6.634	560.8

DATE 23 FEB 80

OH84B MODEL 60-0 IN THE AEDC VKF HYPERSONIC TUNNEL

PAGE 2267

OH84B 60-0 WING UPPER SURFACE

(R4UR18)

WING UPPER SURF

PARAMETRIC DATA

MACH = 8.000 ALPHA = 40.00 BETA = -2.000 ELEVON = .0000
BDFLAP = .0000 SPDBRK = .0000

TEST CONDITIONS

RUN NUMBER	RN/L /FT X10 6	MACH	ALPHA DEG.	BETA DEG.	PO PSIA	TO DEG. R	T DEG. R	P PSIA	Q PSI	V FT/SEC	RHO SLUGS /FT3	MU LB-SEC /FT2
196	.5017	7.900	39.96	-1.993	100.6	1257.	93.21	.1118-01	.4886	3739.	.3238-03	.7501-07
197	.4998	7.900	39.96	-1.991	100.2	1257.	93.21	.1114-01	.4867	3739.	.3226-03	.7501-07

RUN NUMBER	HREF BTU/ R FT2SEC	STN NO REF(R) =.0175
196	.1713-01	.5706-01
197	.1710-01	.5716-01

TEST DATA

RUN NUMBER	2Y/BW	XW/CW	T/C NO	H/HREF R=1.0	H/HREF R=0.9	H/HREF R= TAW/TO	TAW/TO	H(TO) BTU/R FT2SEC	H(TAW) BTU/R FT2SEC	QDOT BTU/ FT2SEC	DTWDT DEG. R /SEC	TW DEG. R
196	.60000	.25000-01	253.00	.5807-01	.7086-01	.7086-01	.9000	.9950-03	.1214-02	.6928	17.01	560.4
196	.60000	.50000-01	254.00	.4402-01	.5352-01	.5352-01	.9000	.7543-03	.9171-03	.5340	10.79	548.7
196	.60000	.10000+00	255.00	.3230-01	.3914-01	.3914-01	.9000	.5534-03	.6706-03	.3976	4.231	538.1
196	.60000	.20000	256.00	.8852-02	.1072-01	.1072-01	.9000	.1517-03	.1837-03	.1094	.9796	535.2
196	.60000	.40000	257.00	.1774-02	.2148-02	.2148-02	.9000	.3040-04	.3680-04	.2197-01	.1822	534.0
196	.60000	.60000	258.00	.7035-03	.8512-03	.8512-03	.9000	.1205-04	.1459-04	.8725-02	.8145-01	532.8
196	.60000	.85000	260.00	.7514-03	.9084-03	.9084-03	.9000	.1288-04	.1556-04	.9364-02	.7784-01	529.4
196	.60000	.95000	261.00	.5808-02	.7021-02	.7021-02	.9000	.9951-04	.1203-03	.7238-01	.8124	529.3
196	.90000	.60000	274.00	.1610-02	.1946-02	.1946-02	.9000	.2758-04	.3334-04	.2007-01	.1501	529.2
196	.95000	.50000	277.00	.7179-02	.8682-02	.8682-02	.9000	.1230-03	.1488-03	.8929-01	.8011	530.8
197	.95000	.70000	278.00	.1462-02	.1766-02	.1766-02	.9000	.2500-04	.3021-04	.1821-01	.1460	528.3
197	.95000	.80000	279.00	.4421-02	.5343-02	.5343-02	.9000	.7560-04	.9137-04	.5505-01	.4262	528.5
197	.95000	.90000	280.00	.1308-01	.1582-01	.1582-01	.9000	.2238-03	.2705-03	.1628	1.305	529.1

OH84B 60-0 WING UPPER SURFACE

(R4UR18)

WING UPPER SURF -

PARAMETRIC DATA

MACH = 8.000 ALPHA = 40.00 BETA = -2.000 ELEVON = .0000
 BDFLAP = .0000 SPDBRK = .0000

TEST CONDITIONS

RUN NUMBER	RN/L /FT X10 6	MACH	ALPHA DEG.	BETA DEG.	PO PSIA	TO DEG. R	T DEG. R	P PSIA	Q PSI	V FT/SEC	RHO SLUGS /FT3	MU LB-SEC /FT2
183	1.005	7.940	39.96	-2.000	205.1	1260.	92.56	.2206-01	.9736	3745.	.6433-03	.7449-07
184	.9995	7.940	39.97	-2.001	204.9	1264.	92.86	.2204-01	.9726	3751.	.6406-03	.7472-07

RUN NUMBER	HREF BTU/ R FT2SEC	STN NO REF(R) = .0175
183	.2420-01	.4049-01
184	.2420-01	.4059-01

TEST DATA

RUN NUMBER	2Y/BW	XW/CW	T/C NO	H/HREF R=1.0	H/HREF R=0.9	H/HREF R=TAW/TO	TAW/TO	H(TO) BTU/R FT2SEC	H(TAW) BTU/R FT2SEC	QDOT BTU/ FT2SEC	OTWDT DEG. R /SEC	TW DEG. R
183	.60000	.25000-01	253.00	.6285-01	.7701-01	.7701-01	.9000	.1521-02	.1863-02	1.042	25.39	574.7
183	.60000	.50000-01	254.00	.4838-01	.5897-01	.5897-01	.9000	.1171-02	.1427-02	.8215	16.52	558.0
183	.60000	.10000+00	255.00	.3691-01	.4478-01	.4478-01	.9000	.8932-03	.1084-02	.6407	6.803	542.4
183	.60000	.20000	256.00	.9184-02	.1112-01	.1112-01	.9000	.2222-03	.2692-03	.1605	1.435	537.4
183	.60000	.40000	257.00	.1434-02	.1736-02	.1736-02	.9000	.3470-04	.4202-04	.2511-01	.2080	536.2
183	.60000	.60000	258.00	.7420-03	.8980-03	.8980-03	.9000	.1795-04	.2173-04	.1302-01	.1215	534.4
183	.60000	.75000	259.00	.8990-03	.1087-02	.1087-02	.9000	.2175-04	.2629-04	.1587-01	.1424	530.2
183	.60000	.85000	260.00	.7742-02	.9366-02	.9366-02	.9000	.1873-03	.2266-03	.1361	1.129	533.3
183	.60000	.95000	261.00	.6687-02	.8079-02	.8079-02	.9000	.1618-03	.1955-03	.1182	1.327	528.9
183	.90000	.60000	274.00	.9656-02	.1167-01	.1167-01	.9000	.2337-03	.2824-03	.1704	1.275	530.2
183	.95000	.50000	277.00	.2298-01	.2781-01	.2781-01	.9000	.5560-03	.6728-03	.4035	3.614	533.9
184	.95000	.70000	278.00	.1268-01	.1533-01	.1533-01	.9000	.3068-03	.3711-03	.2237	1.789	534.4
184	.95000	.80000	279.00	.6309-02	.7625-02	.7625-02	.9000	.1527-03	.1845-03	.1118	.8649	531.1
184	.95000	.90000	280.00	.1274-01	.1540-01	.1540-01	.9000	.3083-03	.3726-03	.2258	1.808	531.2

OH84B 60-0 WING UPPER SURFACE

(R4UR16)

WING UPPER SURF

PARAMETRIC DATA

MACH = 8.000 ALPHA = 40.00 BETA = -2.000 ELEVON = .0000
 BDFLAP = .0000 SPDBRK = .0000

TEST CONDITIONS

RUN NUMBER	RN/L /FT X10 6	MACH	ALPHA DEG.	BETA DEG.	PO PSIA	TO DEG. R	T DEG. R	P PSIA	Q PSI	V FT/SEC	RHO SLUGS /FT3	MU LB-SEC /FT2
174	1.998	7.980	39.98	-2.000	435.7	1305.	94.98	.4536-01	2.022	3813.	.1289-02	.7643-07
175	1.988	7.980	39.99	-2.005	434.9	1308.	95.20	.4528-01	2.018	3817.	.1284-02	.7661-07

RUN NUMBER	HREF BTU/ R FT2SEC	STN NO REF (R) = .0175
174	.3508-01	.2871-01
175	.3507-01	.2878-01

TEST DATA

RUN NUMBER	ZY/BW	XW/CW	T/C NO	H/HREF R=1.0	H/HREF R=0.9	H/HREF R= TAW/TO	TAW/TO	H(TO) BTU/R FT2SEC	H(TAW) BTU/R FT2SEC	QDOT BTU/ FT2SEC	DTWDT DEG. R /SEC	TH DEG. R
174	.60000	.25000-01	253.00	.6517-01	.8018-01	.8018-01	.9000	.2286-02	.2813-02	1.593	38.20	608.0
174	.60000	.50000-01	254.00	.5472-01	.6688-01	.6688-01	.9000	.1920-02	.2347-02	1.378	27.31	587.0
174	.60000	.10000+00	255.00	.4245-01	.5140-01	.5140-01	.9000	.1489-02	.1803-02	1.117	11.78	555.0
174	.60000	.20000	256.00	.1150-01	.1389-01	.1389-01	.9000	.4035-03	.4872-03	.3063	2.728	545.5
174	.60000	.40000	257.00	.9634-03	.1162-02	.1162-02	.9000	.3380-04	.4078-04	.2576-01	.2128	542.5
174	.60000	.60000	258.00	.1663-02	.2006-02	.2006-02	.9000	.5834-04	.7037-04	.4450-01	.4135	541.9
174	.60000	.75000	259.00	.8783-02	.1059-01	.1059-01	.9000	.3082-03	.3716-03	.2356	2.103	540.2
174	.60000	.85000	260.00	.1293-01	.1562-01	.1562-01	.9000	.4538-03	.5481-03	.3440	2.835	546.6
174	.60000	.95000	261.00	.6816-02	.8212-02	.8212-02	.9000	.2391-03	.2881-03	.1836	2.053	536.8
174	.90000	.60000	274.00	.4495-01	.5431-01	.5431-01	.9000	.1577-02	.1905-02	1.194	8.853	547.4
174	.95000	.50000	277.00	.4349-01	.5258-01	.5258-01	.9000	.1526-02	.1845-02	1.152	10.23	549.8
175	.95000	.70000	278.00	.3277-01	.3963-01	.3963-01	.9000	.1149-02	.1390-02	.8678	6.875	552.5
175	.95000	.80000	279.00	.1076-01	.1297-01	.1297-01	.9000	.3775-03	.4550-03	.2897	2.230	540.1
175	.95000	.90000	280.00	.1511-01	.1821-01	.1821-01	.9000	.5298-03	.6385-03	.4070	3.246	539.5

DATE 23 FEB 80

OH84B MODEL 60-0 IN THE AEDC VKF HYPERSONIC TUNNEL

PAGE 2270

OH84B 60-0 WING UPPER SURFACE

(R4UR18)

WING UPPER SURF

PARAMETRIC DATA

MACH = 8.000 ALPHA = 40.00 BETA = -2.000 ELEVON = .0000
 BDFLAP = .0000 SPDBRK = .0000

TEST CONDITIONS

RUN NUMBER	RN/L /FT X10 6	MACH	ALPHA DEG.	BETA DEG.	PO PSIA	TO DEG. R	T DEG. R	P PSIA	Q PSI	V FT/SEC	RHO SLUGS /FT3	MU LB-SEC /FT2
90	3.013	7.990	40.02	-2.028	670.6	1320.	95.85	.6925-01	3.095	3835.	.1950-02	.7713-07
93	2.993	7.990	40.02	-2.035	672.1	1328.	96.43	.6941-01	3.102	3846.	.1943-02	.7760-07

RUN NUMBER	HREF BTU/ R FT2SEC	STN NO REF(R) = .0175
90	.4349-01	.2337-01
93	.4359-01	.2343-01

TEST DATA

RUN NUMBER	2Y/BW	XW/CH	T/C NO	H/HREF R=1.0	H/HREF R=0.9	H/HREF R= TAW/TO	TAW/TO	H(TO) BTU/R FT2SEC	H(TAW) BTU/R FT2SEC	QDOT BTU/ FT2SEC	DTWOT DEG. R /SEC	TW DEG. R
90	.60000	.25000-01	253.00	.7005-01	.8698-01	.8698-01	.9000	.3047-02	.3783-02	2.066	48.73	641.6
90	.60000	.50000-01	254.00	.5791-01	.7130-01	.7130-01	.9000	.2518-02	.3101-02	1.769	34.56	617.1
90	.60000	.10000*00	255.00	.3899-01	.4742-01	.4742-01	.9000	.1696-02	.2063-02	1.259	13.14	577.2
90	.60000	.20000	256.00	.9523-02	.1154-01	.1154-01	.9000	.4142-03	.5021-03	.3123	2.753	565.7
90	.60000	.40000	257.00	.8536-03	.1034-02	.1034-02	.9000	.3712-04	.4499-04	.2802-01	.2288	564.9
90	.60000	.60000	258.00	.2975-02	.3606-02	.3606-02	.9000	.1294-03	.1568-03	.9768-01	.8973	564.8
90	.60000	.75000	259.00	.1286-01	.1557-01	.1557-01	.9000	.5594-03	.6771-03	.4246	3.752	560.7
90	.60000	.85000	260.00	.2996-01	.3645-01	.3645-01	.9000	.1303-02	.1585-02	.9664	7.839	578.1
90	.60000	.95000	261.00	.1415-01	.1710-01	.1710-01	.9000	.6153-03	.7436-03	.4705	5.212	555.0
90	.90000	.60000	274.00	.5893-01	.7155-01	.7155-01	.9000	.2563-02	.3112-02	1.917	14.04	571.5
90	.95000	.50000	277.00	.6361-01	.7746-01	.7746-01	.9000	.2766-02	.3369-02	2.041	17.85	581.8
93	.95000	.70000	278.00	.7348-01	.8907-01	.8907-01	.9000	.3203-02	.3882-02	2.430	19.09	569.0
93	.95000	.80000	279.00	.2611-01	.3140-01	.3140-01	.9000	.1138-02	.1369-02	.8965	6.901	540.0
93	.95000	.90000	280.00	.2357-01	.2835-01	.2835-01	.9000	.1027-02	.1236-02	.8101	6.461	539.3

DATE 23 FEB 80

OH84B MODEL 60-0 IN THE AEDC VKF HYPERSONIC TUNNEL

PAGE 2271

OH84B 60-0 WING UPPER SURFACE

(R4UR21)

WING UPPER SURF

PARAMETRIC DATA

MACH = 8.000 ALPHA = 40.00 BETA = -1.000 ELEVON = .0000
 BDFLAP = .0000 SPOBRK = .0000

TEST CONDITIONS

RUN NUMBER	RN/L /FT X10 ⁶	MACH	ALPHA DEG.	BETA DEG.	PO PSIA	TO DEG. R	T DEG. R	P PSIA	Q PSI	V FT/SEC	RHO SLUGS /FT ³	MU LB-SEC /FT ²
193	.5035	7.900	39.99	-1.006	99.91	1248.	92.54	.1110-01	.4851	3726.	.3238-03	.7447-07
194	.5043	7.900	39.98	-1.003	100.4	1251.	92.77	.1116-01	.4876	3730.	.3247-03	.7465-07

RUN NUMBER	HREF BTU/ R FT ² SEC	STN NO REF (R) = .0175
193	.1705-01	.5701-01
194	.1710-01	.5695-01

TEST DATA

RUN NUMBER	ZY/BW	XW/CW	T/C NO	H/HREF R=1.0	H/HREF R=0.9	H/HREF R= TAW/TO	TAW/TO	H(TO) BTU/R FT ² SEC	H(TAW) BTU/R FT ² SEC	QDOT BTU/ FT ² SEC	DTWDT DEG. R /SEC	TW DEG. R
193	.60000	.25000-01	253.00	.5818-01	.7132-01	.7132-01	.9000	.9920-03	.1216-02	.6717	16.41	570.5
193	.60000	.50000-01	254.00	.4517-01	.5510-01	.5510-01	.9000	.7702-03	.9395-03	.5333	10.74	555.3
193	.60000	.10000+00	255.00	.3538-01	.4297-01	.4297-01	.9000	.6033-03	.7326-03	.4264	4.531	540.8
193	.60000	.20000	256.00	.9278-02	.1125-01	.1125-01	.9000	.1582-03	.1918-03	.1127	1.008	535.5
193	.60000	.40000	257.00	.1631-02	.1976-02	.1976-02	.9000	.2781-04	.3370-04	.1986-01	.1648	533.6
193	.60000	.60000	258.00	.7136-03	.8643-03	.8643-03	.9000	.1217-04	.1474-04	.8703-02	.8127-01	532.4
193	.60000	.85000	260.00	.1284-02	.1554-02	.1554-02	.9000	.2190-04	.2651-04	.1573-01	.1307	529.6
193	.60000	.95000	261.00	.7150-02	.8656-02	.8656-02	.9000	.1219-03	.1476-03	.8741-01	.9803	530.7
193	.90000	.60000	274.00	.1485-02	.1796-02	.1796-02	.9000	.2532-04	.3063-04	.1822-01	.1364	528.1
193	.95000	.50000	277.00	.7812-02	.9457-02	.9457-02	.9000	.1332-03	.1613-03	.9555-01	.8574	530.4
194	.95000	.70000	278.00	.1207-02	.1460-02	.1460-02	.9000	.2065-04	.2497-04	.1494-01	.1198	527.5
194	.95000	.80000	279.00	.4240-02	.5127-02	.5127-02	.9000	.7251-04	.8768-04	.5242-01	.4061	527.7
194	.95000	.90000	280.00	.1274-01	.1541-01	.1541-01	.9000	.2179-03	.2636-03	.1574	1.263	528.3

DATE 23 FEB 80

OH84B MODEL 60-0 IN THE AEDC VKF HYPERSONIC TUNNEL

PAGE 2272

OH84B 60-0 WING UPPER SURFACE

(R4UR21)

WING UPPER SURF

PARAMETRIC DATA

MACH = 8.000 ALPHA = 40.00 BETA = -1.000 ELEVON = .0000
 BDFLAP = .0000 SPDBRK = .0000

TEST CONDITIONS

RUN NUMBER	RN/L /FT X10 6	MACH	ALPHA DEG.	BETA DEG.	PO PSIA	TO DEG. R	T DEG. R	P PSIA	Q PSI	V FT/SEC	RHO SLUGS /FT3	MU LB-SEC /FT2
180	1.002	7.940	39.98	-1.002	205.1	1263.	92.78	.2206-01	.9736	3749.	.6418-03	.7466-07
181	.9960	7.940	39.97	-1.003	203.7	1262.	92.71	.2191-01	.9670	3748.	.6379-03	.7460-07

RUN NUMBER	HREF BTU/ R FT2SEC	STN NO REF (R)
180	.2421-01	.4055-01
181	.2412-01	.4067-01

TEST DATA

RUN NUMBER	2Y/BW	XW/CW	T/C NO	H/HREF R=1.0	H/HREF R=0.9	H/HREF R= TAW/TO	TAW/TO	H(TO) BTU/R FT2SEC	H(TAW) BTU/R FT2SEC	QDOT BTU/ FT2SEC	DTWOT DEG. R /SEC	TW DEG. R
180	.60000	.25000-01	253.00	.6518-01	.7997-01	.7997-01	.9000	.1578-02	.1936-02	1.077	26.20	579.8
180	.60000	.50000-01	254.00	.5089-01	.6209-01	.6209-01	.9000	.1232-02	.1503-02	.8622	17.30	562.7
180	.60000	.10000+00	255.00	.3902-01	.4737-01	.4737-01	.9000	.9445-03	.1147-02	.6764	7.167	546.5
180	.60000	.20000	256.00	.9656-02	.1170-01	.1170-01	.9000	.2337-03	.2833-03	.1687	1.506	540.8
180	.60000	.40000	257.00	.1340-02	.1623-02	.1623-02	.9000	.3243-04	.3929-04	.2346-01	.1940	539.4
180	.60000	.60000	258.00	.8830-03	.1069-02	.1069-02	.9000	.2137-04	.2589-04	.1548-01	.1441	538.4
180	.60000	.75000	259.00	.1017-02	.1231-02	.1231-02	.9000	.2462-04	.2979-04	.1792-01	.1605	534.8
180	.60000	.85000	260.00	.7890-02	.9555-02	.9555-02	.9000	.1910-03	.2313-03	.1383	1.145	538.3
180	.60000	.95000	261.00	.7031-02	.8505-02	.8505-02	.9000	.1702-03	.2059-03	.1240	1.388	534.1
180	.90000	.60000	274.00	.1194-01	.1445-01	.1445-01	.9000	.2890-03	.3498-03	.2101	1.566	535.8
180	.95000	.50000	277.00	.2175-01	.2635-01	.2635-01	.9000	.5265-03	.6379-03	.3807	3.400	539.7
181	.95000	.70000	278.00	.1410-01	.1708-01	.1708-01	.9000	.3402-03	.4119-03	.2467	1.970	536.7
181	.95000	.80000	279.00	.7027-02	.8499-02	.8499-02	.9000	.1695-03	.2050-03	.1235	.9542	533.0
181	.95000	.90000	280.00	.1271-01	.1537-01	.1537-01	.9000	.3066-03	.3709-03	.2234	1.788	533.0

DATE 23 FEB 80

OH84B MODEL 60-0 IN THE AEDC VKF HYPERSONIC TUNNEL

PAGE 2273

OH84B 60-0 WING UPPER SURFACE

(R4UR21)

WING UPPER SURF

PARAMETRIC DATA

MACH = 8.000 ALPHA = 40.00 BETA = -1.000 ELEVON = .0000
BDFLAP = .0000 SPDBRK = .0000

TEST CONDITIONS

Table with 12 columns: RUN NUMBER, RN/L /FT X10 6, MACH, ALPHA DEG., BETA DEG., PO PSIA, TO DEG. R, T DEG. R, P PSIA, Q PSI, V FT/SEC, RHO SLUGS /FT3, MU LB-SEC /FT2. Rows 168 and 169.

Table with 3 columns: RUN NUMBER, HREF BTU/ R FT2SEC, STN NO REF (R) = .0175. Rows 168 and 169.

TEST DATA

Table with 13 columns: RUN NUMBER, 2Y/BW, XW/CW, T/C NO, H/HREF R=1.0, H/HREF R=0.9, H/HREF R= TAW/TO, H(TO) BTU/R FT2SEC, H(TAW) BTU/R FT2SEC, QDOT BTU/ FT2SEC, DTWDT DEG. R /SEC, TW DEG. R. Rows 168-169.

DATE 23 FEB 80

OH84B MODEL 60-0 IN THE AEDC VKF HYPERSONIC TUNNEL
OH84B 60-0 WING UPPER SURFACE

PAGE 2274

(R4UR21)

WING UPPER SURF

PARAMETRIC DATA

MACH = 8.000 ALPHA = 40.00 BETA = -1.000 ELEVON = .0000
BDFLAP = .0000 SPDBRK = .0000

TEST CONDITIONS

RUN NUMBER	RN/L /FT X10 6	MACH	ALPHA DEG.	BETA DEG.	PO PSIA	TO DEG. R	T DEG. R	P PSIA	Q PSI	V FT/SEC	RHO SLUGS /FT3	MU LB-SEC /FT2
86	3.010	7.990	40.08	-1.034	669.1	1319.	95.78	.6910-01	3.088	3833.	.1947-02	.7707-07
88	3.008	7.990	40.09	-1.038	670.2	1321.	95.92	.6921-01	3.093	3836.	.1947-02	.7719-07

RUN NUMBER	HREF BTU/ R FT2SEC	STN NO REF(R) = .0175
86	.4344-01	.2338-01
88	.4348-01	.2339-01

TEST DATA

RUN NUMBER	2Y/BW	XW/CW	T/C NO	H/HREF R=1.0	H/HREF R=0.9	H/HREF R= TAW/TO	TAW/TO	H(TO) BTU/R FT2SEC	H(TAW) BTU/R FT2SEC	QDOT BTU/ FT2SEC	DTWDT DEG. R /SEC	TW DEG. R
86	.60000	.25000-01	253.00	.6980-01	.8673-01	.8673-01	.9000	.3032-02	.3767-02	2.049	48.29	643.0
86	.60000	.50000-01	254.00	.5764-01	.7096-01	.7096-01	.9000	.2504-02	.3082-02	1.759	34.37	616.1
86	.60000	.10000+00	255.00	.3767-01	.4579-01	.4579-01	.9000	.1636-02	.1989-02	1.217	12.71	574.9
86	.60000	.20000	256.00	.9430-02	.1142-01	.1142-01	.9000	.4096-03	.4962-03	.3095	2.732	563.1
86	.60000	.40000	257.00	.8616-03	.1043-02	.1043-02	.9000	.3743-04	.4531-04	.2835-01	.2320	561.1
86	.60000	.60000	258.00	.3017-02	.3652-02	.3652-02	.9000	.1310-03	.1586-03	.9932-01	.9142	560.7
86	.60000	.75000	259.00	.1345-01	.1627-01	.1627-01	.9000	.5842-03	.7066-03	.4449	3.938	557.2
86	.60000	.85000	260.00	.2881-01	.3504-01	.3504-01	.9000	.1251-02	.1522-02	.9287	7.539	576.5
86	.60000	.95000	261.00	.1391-01	.1680-01	.1680-01	.9000	.6040-03	.7298-03	.4621	5.122	553.7
86	.90000	.60000	274.00	.5976-01	.7251-01	.7251-01	.9000	.2596-02	.3149-02	1.948	14.29	568.4
86	.90000	.50000	277.00	.6547-01	.7971-01	.7971-01	.9000	.2844-02	.3462-02	2.098	18.36	580.7
88	.95000	.70000	278.00	.6839-01	.8339-01	.8339-01	.9000	.2974-02	.3626-02	2.184	17.01	586.4
88	.95000	.80000	279.00	.2724-01	.3293-01	.3293-01	.9000	.1184-02	.1432-02	.9047	6.905	556.9
88	.95000	.90000	280.00	.2524-01	.3049-01	.3049-01	.9000	.1097-02	.1326-02	.8406	6.652	554.7

DATE 23 FEB 80

OH84B MODEL 60-0 IN THE AEDC VKF HYPERSONIC TUNNEL

PAGE 2275

OH84B 60-0 WING UPPER SURFACE

(R4UR22)

WING UPPER SURF

PARAMETRIC DATA

MACH = 8.000 ALPHA = 40.00 BETA = .0000 ELEVON = .0000
 BDFLAP = .0000 SPDBRK = .0000

TEST CONDITIONS

RUN NUMBER	RN/L /FT X10 6	MACH	ALPHA DEG.	BETA DEG.	PO PSIA	TO DEG. R	T DEG. R	P PSIA	Q PSI	V FT/SEC	RHO /FT3	MU LB-SEC /FT2
17	.5042	7.900	40.02	-.3159-02	99.80	1246.	92.40	.1109-01	.4846	3723.	.3240-03	.7435-07
18	.5054	7.900	40.00	-.3140-02	100.3	1248.	92.54	.1114-01	.4869	3726.	.3250-03	.7447-07

RUN NUMBER	HREF BTU/ R FT2SEC	STN NO REF (R) = .0175
17	.1704-01	.5699-01
18	.1708-01	.5691-01

TEST DATA

RUN NUMBER	2Y/BW	XW/CW	T/C NO	H/HREF R=1.0	H/HREF R=0.9	H/HREF R= TAW/TO	TAW/TO	H(TO) BTU/R FT2SEC	H(TAW) BTU/R FT2SEC	QDOT BTU/ FT2SEC	DTWDT DEG. R /SEC	TW DEG. R
17	.60000	.25000-01	253.00	.5953-01	.7286-01	.7286-01	.9000	.1014-02	.1241-02	.6907	16.92	564.7
17	.60000	.50000-01	254.00	.4326-01	.5276-01	.5276-01	.9000	.7370-03	.8989-03	.5097	10.27	554.0
17	.60000	.10000+00	255.00	.2816-01	.3425-01	.3425-01	.9000	.4798-03	.5836-03	.3361	3.564	545.1
17	.60000	.20000	256.00	.7811-02	.9495-02	.9495-02	.9000	.1331-03	.1618-03	.9344-01	.8329	543.5
17	.60000	.40000	257.00	.1595-02	.1938-02	.1938-02	.9000	.2717-04	.3302-04	.1910-01	.1577	542.8
17	.60000	.60000	258.00	.8262-03	.1004-02	.1004-02	.9000	.1408-04	.1710-04	.9918-02	.9221-01	541.1
17	.60000	.85000	260.00	.5416-02	.6574-02	.6574-02	.9000	.9228-04	.1120-03	.6528-01	.5402	538.2
17	.60000	.95000	261.00	.7150-02	.3671-02	.8671-02	.9000	.1218-03	.1477-03	.8652-01	.9680	535.4
17	.90000	.60000	274.00	.6312-02	.7663-02	.7663-02	.9000	.1075-03	.1306-03	.7601-01	.5659	538.9
17	.95000	.50000	277.00	.1787-01	.2170-01	.2170-01	.9000	.3044-03	.3697-03	.2145	1.914	541.0
18	.95000	.70000	278.00	.1018-01	.1235-01	.1235-01	.9000	.1739-03	.2109-03	.1235	.9856	537.5
18	.95000	.80000	279.00	.5500-02	.6667-02	.6667-02	.9000	.9395-04	.1139-03	.6692-01	.5164	535.4
18	.95000	.90000	280.00	.1379-01	.1672-01	.1672-01	.9000	.2356-03	.2857-03	.1679	1.341	535.3

OH84B 60-0 WING UPPER SURFACE

(R4UR22)

WING UPPER SURF

PARAMETRIC DATA

MACH = 8.000 ALPHA = 40.00 BETA = .0000 ELEVON = .0000
 BDFLAP = .0000 SPOBRK = .0000

TEST CONDITIONS

RUN NUMBER	RN/L /FT X10 6	MACH	ALPHA DEG.	BETA DEG.	PO PSIA	TO DEG. R	T DEG. R	P PSIA	Q PSI	V FT/SEC	RHO SLUGS /FT3	MU LB-SEC /FT2
33	1.016	7.940	40.01	.1050-02	206.6	1257.	92.34	.2223-01	.9808	3740.	.6496-03	.7431-07
34	1.029	7.940	39.99	.1042-02	208.4	1254.	92.12	.2242-01	.9894	3756.	.6568-03	.7413-07

RUN NUMBER	HREF BTU/ R FT2SEC	STN NO REF (R)
33	.2428-01	.4028-01
34	.2437-01	.4005-01

TEST DATA

RUN NUMBER	2Y/BW	XW/CW	T/C NO	H/HREF R=1.0	H/HREF R=0.9	H/HREF R= TAW/TO	TAW/TO	H(TO) BTU/R FT2SEC	H(TAW) BTU/R FT2SEC	QDOT BTU/ FT2SEC	DTMDT DEG. R /SEC	TW DEG. R
33	.60000	.25000-01	253.00	.6023-01	.7384-01	.7384-01	.9000	.1462-02	.1793-02	.9973	24.31	574.7
33	.60000	.50000-01	254.00	.4417-01	.5386-01	.5386-01	.9000	.1072-02	.1308-02	.7493	15.07	558.0
33	.60000	.10000+00	255.00	.2739-01	.3324-01	.3324-01	.9000	.6650-03	.8071-03	.4748	5.040	542.7
33	.60000	.20000	256.00	.7651-02	.9273-02	.9273-02	.9000	.1857-03	.2251-03	.1334	1.192	538.4
33	.60000	.40000	257.00	.1154-02	.1399-02	.1399-02	.9000	.2803-04	.3396-04	.2017-01	.1670	537.2
33	.60000	.60000	258.00	.9482-03	.1149-02	.1149-02	.9000	.2302-04	.2789-04	.1656-01	.1543	537.1
33	.60000	.75000	259.00	.1567-03	.1897-03	.1897-03	.9000	.3803-05	.4605-05	.2743-02	.2456-01	535.3
33	.60000	.85000	260.00	.1089-01	.1321-01	.1321-01	.9000	.2643-03	.3208-03	.1886	1.557	542.9
33	.60000	.95000	261.00	.7650-02	.9270-02	.9270-02	.9000	.1857-03	.2250-03	.1336	1.493	537.4
33	.90000	.60000	274.00	.1868-01	.2266-01	.2266-01	.9000	.4536-03	.5500-03	.3253	2.421	539.6
33	.95000	.50000	277.00	.3055-01	.3709-01	.3709-01	.9000	.7417-03	.9005-03	.5284	4.709	544.2
34	.95000	.70000	278.00	.2377-01	.2891-01	.2891-01	.9000	.5794-03	.7047-03	.4084	3.242	548.7
34	.95000	.80000	279.00	.9613-02	.1167-01	.1167-01	.9000	.2343-03	.2845-03	.1665	1.280	542.8
34	.95000	.90000	280.00	.1618-01	.1964-01	.1964-01	.9000	.3943-03	.4787-03	.2803	2.232	542.7

DATE 23 FEB 80

OH84B MODEL 60-0 IN THE AEDC VKF HYPERSONIC TUNNEL

PAGE 2277

OH84B 60-0 WING UPPER SURFACE

(R4UR22)

WING UPPER SURF

PARAMETRIC DATA

MACH = 8.000 ALPHA = 40.00 BETA = .0000 ELEVON = .0000
 BDFLAP = .0000 SPDBRK = .0000

TEST CONDITIONS

RUN NUMBER	RN/L /FT X10 6	MACH	ALPHA DEG.	BETA DEG.	PO PSIA	TO DEG. R	T DEG. R	P PSIA	Q PSI	V FT/SEC	RHO SLUGS /FT3	MU LB-SEC /FT2
74	2.011	7.980	40.05	-.1426-06	436.5	1301.	94.69	.4544-01	2.026	3807.	.1295-02	.7620-07
75	2.004	7.980	40.04	-.1423-06	434.9	1301.	94.69	.4527-01	2.018	3807.	.1291-02	.7620-07

RUN NUMBER	HREF BTU/ R FT2SEC	STN NO REF (R)
74	.3510-01	.2863-01
75	.3503-01	.2868-01

TEST DATA

RUN NUMBER	2Y/BW	XW/CW	T/C NO	H/HREF R=1.0	H/HREF R=0.9	H/HREF R= TAW/TO	TAW/TO	H(TO) BTU/R FT2SEC	H(TAW) BTU/R FT2SEC	QDOT BTU/ FT2SEC	DTWDT DEG. R /SEC	TW DEG. R
74	.60000	.25000-01	253.00	.6698-01	.8258-01	.8258-01	.9000	.2351-02	.2898-02	1.619	38.73	612.2
74	.60000	.50000-01	254.00	.5002-01	.6119-01	.6119-01	.9000	.1756-02	.2148-02	1.251	24.78	588.1
74	.60000	.10000+00	255.00	.2985-01	.3621-01	.3621-01	.9000	.1048-02	.1271-02	.7753	8.157	560.6
74	.60000	.20000	256.00	.9411-02	.1140-01	.1140-01	.9000	.3303-03	.4002-03	.2459	2.178	556.3
74	.60000	.40000	257.00	.7279-03	.8818-03	.8818-03	.9000	.2555-04	.3095-04	.1904-01	.1562	555.5
74	.60000	.60000	258.00	.1138-02	.1378-02	.1378-02	.9000	.3994-04	.4835-04	.2985-01	.2758	553.3
74	.60000	.80000	259.00	.6785-02	.8201-02	.8201-02	.9000	.2381-03	.2878-03	.1793	1.595	547.6
74	.60000	.85	260.00	.2009-01	.2437-01	.2437-01	.9000	.7051-05	.8554-03	.5219	4.271	560.4
74	.60000	.95000	261.00	.1067-01	.1289-01	.1289-01	.9000	.3745-03	.4522-03	.2834	3.157	543.9
74	.90000	.60000	274.00	.4384-01	.5313-01	.5313-01	.9000	.1539-02	.1865-02	1.145	8.451	556.5
74	.95000	.50000	277.00	.5310-01	.6451-01	.6451-01	.9000	.1864-02	.2264-02	1.370	12.08	565.6
75	.95000	.70000	278.00	.5272-01	.6405-01	.6405-01	.9000	.1847-02	.2244-02	1.358	10.69	565.4
75	.95000	.80000	279.00	.2093-01	.2529-01	.2529-01	.9000	.7331-03	.8858-03	.5528	4.241	546.6
75	.95000	.90000	280.00	.2279-01	.2753-01	.2753-01	.9000	.7984-03	.9645-03	.6031	4.796	545.3

OH84B 60-0 WING UPPER SURFACE

(R4UR22)

WING UPPER SURF

PARAMETRIC DATA

MACH = 8.000 ALPHA = 40.00 BETA = .0000 ELEVON = .0000
 BDFLAP = .0000 SPDBRK = .0000

TEST CONDITIONS

RUN NUMBER	RN/L /FT X10 6	MACH	ALPHA DEG.	BETA DEG.	P0 PSIA	T0 DEG. R	T DEG. R	P PSIA	Q PSI	V FT/SEC	RHO SLUGS /FT3	MU LB-SEC /FT2
83	3.029	7.990	40.06	- .1434-06	670.3	1315.	95.49	.6922-01	3.093	3827.	.1957-02	.7684-07
84	3.017	7.990	40.07	.2139-02	669.8	1318.	95.71	.6917-01	3.091	3832.	.1951-02	.7701-07

RUN NUMBER	HREF BTU/ R FT2SEC	STN NO REF (R) =.0175
83	.4345-01	.2332-01
84	.4345-01	.2336-01

TEST DATA

RUN NUMBER	ZY/BW	XW/CW	T/C NO	H/HREF R=1.0	H/HREF R=0.9	H/HREF R= TAW/TO	TAW/TO	H(TO) BTU/R FT2SEC	H(TAW) BTU/R FT2SEC	QDOT BTU/ FT2SEC	DTWOT DEG. R /SEC	TW DEG. R
83	.60000	.25000-01	253.00	.7173-01	.8912-01	.8912-01	.9000	.3117-02	.3872-02	2.100	49.55	641.0
83	.60000	.50000-01	254.00	.5873-01	.7222-01	.7222-01	.9000	.2552-02	.3138-02	1.796	35.18	610.9
83	.60000	.10000+00	255.00	.3381-01	.4104-01	.4104-01	.9000	.1469-02	.1783-02	1.097	11.50	568.0
83	.60000	.20000	256.00	.9805-02	.1187-01	.1187-01	.9000	.4261-03	.5156-03	.3227	2.856	557.4
83	.60000	.40000	257.00	.8791-03	.1063-02	.1063-02	.9000	.3820-04	.4620-04	.2901-01	.2380	555.2
83	.60000	.60000	258.00	.1383-02	.1672-02	.1672-02	.9000	.6009-04	.7264-04	.4573-01	.4225	553.6
83	.60000	.75000	259.00	.1336-01	.1614-01	.1614-01	.9000	.5806-03	.7014-03	.4432	3.936	551.2
83	.60000	.85000	260.00	.2684-01	.3262-01	.3262-01	.9000	.1166-02	.1418-02	.8656	7.040	572.6
83	.60000	.95000	261.00	.1375-01	.1660-01	.1660-01	.9000	.5974-03	.7212-03	.4575	5.084	548.9
83	.90000	.60000	274.00	.6252-01	.7578-01	.7578-01	.9000	.2716-02	.3293-02	2.040	15.00	563.8
83	.95000	.50000	277.00	.7151-01	.8710-01	.8710-01	.9000	.3107-02	.3785-02	2.283	19.98	580.1
84	.95000	.70000	278.00	.7547-01	.9204-01	.9204-01	.9000	.3280-02	.3999-02	2.402	18.72	585.4
84	.95000	.80000	279.00	.2982-01	.3605-01	.3605-01	.9000	.1296-02	.1566-02	.9885	7.553	554.8
84	.95000	.90000	280.00	.2743-01	.3314-01	.3314-01	.9000	.1192-02	.1440-02	.9117	7.222	552.8

DATE 23 FEB 80

OH84B MODEL 60-0 IN THE AEDC VKF HYPERSONIC TUNNEL

PAGE 2279

OH84B 60-0 WING UPPER SURFACE

(R4UR22)

WING UPPER SURF

PARAMETRIC DATA

MACH = 8.000 ALPHA = 40.00 BETA = .0000 ELEVON = .0000
 BOFLAP = .0000 SPDBRK = .0000

TEST CONDITIONS

RUN NUMBER	RN/L /FT X10 6	MACH	ALPHA DEG.	BETA DEG.	PO PSIA	TO DEG. R	T DEG. R	P PSIA	Q PSI	V FT/SEC	RHO SLUGS /FT3	MU LB-SEC /FT2
146	3.671	8.000	40.07	-.1071-02	851.7	1354.	98.09	.8724-01	3.908	3884.	.2400-02	.7893-07
147	3.672	8.000	40.10	-.2161-02	850.8	1353.	98.02	.8715-01	3.904	3883.	.2400-02	.7888-07

RUN NUMBER	HREF BTU/ R FT2SEC	STN NO REF (R) = .0175
146	.4909-01	.2112-01
147	.4906-01	.2112-01

TEST DATA

RUN NUMBER	2Y/BW	XW/CW	T/C NO	H/HREF R=1.0	H/HREF R=0.9	H/HREF R= TAW/TO	TAW/TO	H(TO) BTU/R FT2SEC	H(TAW) BTU/R FT2SEC	QDOT BTU/ FT2SEC	DTWDT DEG. R /SEC	TW DEG. R
146	.60000	.25000-01	253.00	.7558-01	.9425-01	.9425-01	.9000	.3710-02	.4627-02	2.536	59.00	670.3
146	.60000	.50000-01	254.00	.6505-01	.8015-01	.8015-01	.9000	.3193-02	.3935-02	2.295	44.43	635.2
146	.60000	.10000+00	255.00	.5133-01	.6228-01	.6228-01	.9000	.2520-02	.3057-02	1.940	20.18	583.7
146	.60000	.20000	256.00	.1808-01	.2187-01	.2187-01	.9000	.8875-03	.1073-02	.6935	6.093	572.3
146	.60000	.40000	257.00	.1394-02	.1685-02	.1685-02	.9000	.6844-04	.8271-04	.5372-01	.4378	568.8
146	.60000	.60000	258.00	.2945-02	.3557-02	.3557-02	.9000	.1446-03	.1746-03	.1137	1.043	567.2
146	.60000	.75000	259.00	.2473-01	.2988-01	.2988-01	.9000	.1214-02	.1467-02	.9519	8.375	569.4
146	.60000	.85000	260.00	.4234-01	.5145-01	.5145-01	.9000	.2078-02	.2526-02	1.589	12.82	589.2
146	.60000	.95000	261.00	.2037-01	.2455-01	.2455-01	.9000	.1000-02	.1205-02	.7948	8.788	558.9
146	.90000	.60000	274.00	.8112-01	.9841-01	.9841-01	.9000	.3982-02	.4831-02	3.069	22.35	583.0
146	.95000	.50000	277.00	.7756-01	.9456-01	.9456-01	.9000	.3808-02	.4642-02	2.867	24.84	600.7
147	.95000	.70000	278.00	.9904-01	.1212	.1212	.9000	.4859-02	.5948-02	3.590	27.59	613.8
147	.95000	.80000	279.00	.4258-01	.5136-01	.5136-01	.9000	.2089-02	.2520-02	1.652	12.58	561.8
147	.95000	.90000	280.00	.3135-01	.3775-01	.3775-01	.9000	.1538-02	.1852-02	1.229	9.730	553.7

DATE 23 FEB 80

OH84B MODEL 60-0 IN THE AEDC VKF HYPERSONIC TUNNEL

PAGE 2280

OH84B 60-0 WING UPPER SURFACE

(R4UR24)

WING UPPER SURF

PARAMETRIC DATA

MACH = 8.000 ALPHA = 40.00 BETA = .0000 ELEVON = .0000
 BDFLAP = .0000 SPDBRK = .0000

TEST CONDITIONS

RUN NUMBER	RN/L /FT X10 6	MACH	ALPHA DEG.	BETA DEG.	PO PSIA	TO DEG. R	T DEG. R	P PSIA	Q PSI	V FT/SEC	RHO SLUGS /FT3	MU LB-SEC /FT2
87	3.025	7.990	40.25	.9099-02	670.1	1316.	95.56	.6920-01	3.092	3829.	.1955-02	.7690-07
RUN NUMBER	HREF BTU/ R FT2SEC	STN NO REF (R)										
87	.4345-01	.2333-01										

TEST DATA

RUN NUMBER	2Y/BW	XW/CW	T/C NO	H/HREF R=1.0	H/HREF R=0.9	H/HREF R= TAW/TO	TAW/TO	H(TO) BTU/R FT2SEC	H(TAW) BTU/R FT2SEC	QDOT BTU/ FT2SEC	DTWDT DEG. R /SEC	TW DEG. R
87	.95000	.70000	278.00	.7313-01	.8922-01	.8922-01	.9000	.3178-02	.3877-02	2.319	18.07	585.9
87	.95000	.80000	279.00	.2915-01	.3525-01	.3525-01	.9000	.1267-02	.1532-02	.9631	7.356	555.4
87	.95000	.90000	280.00	.2696-01	.3259-01	.3259-01	.9000	.1172-02	.1416-02	.8925	7.066	553.9

OH84B 60-0 WING UPPER SURFACE

(R4UR25)

WING UPPER SURF

PARAMETRIC DATA

MACH = 8.000 ALPHA = 40.00 BETA = 1.000 ELEVON = .0000
 BDFLAP = .0000 SPDBRK = .0000

TEST CONDITIONS

RUN NUMBER	RN/L /FT X10 6	MACH	ALPHA DEG.	BETA DEG.	PO PSIA	TO DEG. R	T DEG. R	P PSIA	Q PSI	V FT/SEC	RHO SLUGS /FT3	MU LB-SEC /FT2
21	.5073	7.900	40.03	1.042	101.1	1252.	92.84	.1124-01	.4910	3732.	.3268-03	.7471-07
22	.5090	7.900	40.03	1.039	101.5	1252.	92.84	.1128-01	.4927	3732.	.3279-03	.7471-07

RUN NUMBER	HREF BTU/ R FT2SEC	STN NO REF (R) = .0175
21	.1717-01	.5677-01
22	.1719-01	.5668-01

TEST DATA

RUN NUMBER	ZY/BW	XW/CW	T/C NO	H/HREF R=1.0	H/HREF R=0.9	H/HREF R= TAW/TO	TAW/TO	H(TO) BTU/R FT2SEC	H(TAW) BTU/R FT2SEC	QDOT BTU/ FT2SEC	DTWDT DEG. R /SEC	TW DEG. R
21	.60000	.25000-01	253.00	.6255-01	.7646-01	.7646-01	.9000	.1074-02	.1313-02	.7386	18.10	563.8
21	.60000	.50000-01	254.00	.4563-01	.5556-01	.5556-01	.9000	.7832-03	.9538-03	.5483	11.06	551.6
21	.60000	.10000+00	255.00	.2996-01	.3636-01	.3636-01	.9000	.5142-03	.6242-03	.3653	3.880	541.3
21	.60000	.20000	256.00	.8351-02	.1013-01	.1013-01	.9000	.1433-03	.1739-03	.1021	.9123	539.2
21	.60000	.40000	257.00	.1661-02	.2015-02	.2015-02	.9000	.2851-04	.3458-04	.2032-01	.1682	538.8
21	.60000	.60000	258.00	.9791-03	.1187-02	.1187-02	.9000	.1681-04	.2038-04	.1201-01	.1118	537.3
21	.60000	.85000	260.00	.5587-02	.6769-02	.6769-02	.9000	.9590-04	.1162-03	.6874-01	.5698	534.9
21	.60000	.95000	261.00	.7384-02	.8940-02	.8940-02	.9000	.1267-03	.1535-03	.9117-01	1.022	532.4
21	.90000	.60000	274.00	.7169-02	.8681-02	.8681-02	.9000	.1231-03	.1490-03	.8844-01	.6604	533.1
21	.95000	.50000	277.00	.1835-01	.2224-01	.2224-01	.9000	.3150-03	.3817-03	.2256	2.019	535.7
22	.95000	.70000	278.00	.1106-01	.1342-01	.1342-01	.9000	.1902-03	.2307-03	.1358	1.084	537.8
22	.95000	.80000	279.00	.6101-02	.7393-02	.7393-02	.9000	.1049-03	.1271-03	.7512-01	.5796	535.5
22	.95000	.90000	280.00	.1441-01	.1746-01	.1746-01	.9000	.2477-03	.3002-03	.1774	1.417	535.6

OH84B 60-0 WING UPPER SURFACE

(R4UR25)

WING UPPER SURF

PARAMETRIC DATA

MACH = 8.000 ALPHA = 40.00 BETA = 1.000 ELEVON = .0000
 BDFLAP = .0000 SPOBRK = .0000

TEST CONDITIONS

RUN NUMBER	RN/L /FT X10 6	MACH	ALPHA DEG.	BETA DEG.	PO PSIA	TO DEG. R	T DEG. R	P PSIA	Q PSI	V FT/SEC	RHO SLUGS /FT3	MU LB-SEC /FT2
36	1.022	7.940	40.06	1.017	207.1	1254.	92.12	.2228-01	.9832	3736.	.6528-03	.7413-07
37	1.021	7.940	40.06	1.019	207.3	1256.	92.27	.2230-01	.9842	3739.	.6523-03	.7425-07

RUN NUMBER	HREF BTU/ R FT2SEC	STN NO REF (R)
36	.2430-01	.4018-01
37	.2432-01	.4020-01

TEST DATA

RUN NUMBER	2Y/BW	XW/CW	T/C NO	H/HREF R=1.0	H/HREF R=0.9	H/HREF R= TAW/TO	TAW/TO	H(TO) BTU/R FT2SEC	H(TAW) BTU/R FT2SEC	QDOT BTU/ FT2SEC	DTWDY DEG. R /SEC	TH DEG. R
36	.60000	.25000-01	253.00	.6384-01	.7848-01	.7848-01	.9000	.1551-02	.1907-02	1.042	25.32	581.7
36	.60000	.50000-01	254.00	.4722-01	.5771-01	.5771-01	.9000	.1147-02	.1402-02	.7909	15.86	564.3
36	.60000	.10000+00	255.00	.2940-01	.3576-01	.3576-01	.9000	.7143-03	.8688-03	.5034	5.327	548.9
36	.60000	.20000	256.00	.8399-02	.1021-01	.1021-01	.9000	.2041-03	.2480-03	.1444	1.285	546.0
36	.60000	.40000	257.00	.1042-02	.1266-02	.1266-02	.9000	.2532-04	.3077-04	.1792-01	1.478	545.8
36	.60000	.60000	258.00	.8393-03	.1020-02	.1020-02	.9000	.2039-04	.2477-04	.1446-01	1.342	544.7
36	.60000	.75000	259.00	.5438-03	.6597-03	.6597-03	.9000	.1321-04	.1603-04	.9435-02	.8427-01	539.6
36	.60000	.85000	260.00	.1142-01	.1387-01	.1387-01	.9000	.2774-03	.3371-03	.1963	1.618	546.0
36	.60000	.95000	261.00	.9121-02	.1106-01	.1106-01	.9000	.2216-03	.2687-03	.1585	1.771	538.3
36	.90000	.60000	274.00	.1911-01	.2323-01	.2323-01	.9000	.4643-03	.5644-03	.3285	2.437	546.2
36	.95000	.50000	277.00	.3189-01	.3880-01	.3880-01	.9000	.7747-03	.9428-03	.5448	4.840	550.4
37	.95000	.70000	278.00	.2423-01	.2947-01	.2947-01	.9000	.5890-03	.7166-03	.4155	3.296	550.2
37	.95000	.80000	279.00	.1023-01	.1243-01	.1243-01	.9000	.2488-03	.3022-03	.1771	1.361	544.0
37	.95000	.90000	280.00	.1728-01	.2097-01	.2097-01	.9000	.4201-03	.5100-03	.2992	2.381	543.4

OH84B 60-0 WING UPPER SURFACE

(R4UR25)

WING UPPER SURF

PARAMETRIC DATA

MACH = 8.000 ALPHA = 40.00 BETA = 1.000 ELEVON = .0000
 BDFLAP = .0000 SPDBRK = .0000

TEST CONDITIONS

RUN NUMBER	RN/L /FT X10 6	MACH	ALPHA DEG.	BETA DEG.	PO PSIA	TO DEG. R	T DEG. R	P PSIA	Q PSI	V FT/SEC	RHO SLUGS /FT3	MU LB-SEC /FT2
71	1.998	7.980	40.08	1.028	434.2	1302.	94.76	.4520-01	2.015	3808.	.1287-02	.7626-07
72	2.004	7.980	40.09	1.028	435.4	1302.	94.76	.4533-01	2.021	3808.	.1291-02	.7626-07

RUN NUMBER	HREF BTU/ R FT2SEC	STN NO REF (R) = .0175
71	.3501-01	.2872-01
72	.3506-01	.2868-01

TEST DATA

RUN NUMBER	2Y/BW	XW/CW	T/C NO	H/HREF R=1.0	H/HREF R=0.9	H/HREF R= TAW/TO	TAW/TO	H(TO) BTU/R FT2SEC	H(TAW) BTU/R FT2SEC	QDOT BTU/ FT2SEC	DTWDT DEG. R /SEC	TW DEG. R
71	.60000	.25000-01	253.00	.6872-01	.8481-01	.8481-01	.9000	.2406-02	.2969-02	1.650	39.43	615.7
71	.60000	.50000-01	254.00	.5145-01	.6296-01	.6296-01	.9000	.1801-02	.2204-02	1.282	25.37	590.0
71	.60000	.10000+00	255.00	.3125-01	.3791-01	.3791-01	.9000	.1094-02	.1327-02	.8106	8.527	560.8
71	.60000	.20000	256.00	.9584-02	.1161-01	.1161-01	.9000	.3355-03	.4065-03	.2502	2.217	555.9
71	.60000	.40000	257.00	.6668-03	.8076-03	.8076-03	.9000	.2334-04	.2827-04	.1743-01	.1430	555.0
71	.60000	.60000	258.00	.9420-03	.1140-02	.1140-02	.9000	.3298-04	.3992-04	.2470-01	.2282	552.9
71	.60000	.75000	259.00	.7405-02	.8949-02	.8949-02	.9000	.2592-03	.3133-03	.1956	1.740	547.3
71	.60000	.85000	260.00	.1927-01	.2338-01	.2338-01	.9000	.6746-03	.8185-03	.4995	4.086	561.3
71	.60000	.95000	261.00	.1090-01	.1316-01	.1316-01	.9000	.3816-03	.4608-03	.2890	3.219	544.2
71	.90000	.60000	274.00	.4577-01	.5546-01	.5546-01	.9000	.1602-02	.1942-02	1.194	8.815	556.3
71	.95000	.50000	277.00	.5654-01	.6872-01	.6872-01	.9000	.1980-02	.2406-02	1.454	12.81	567.1
72	.95000	.70000	278.00	.5473-01	.6656-01	.6656-01	.9000	.1919-02	.2333-02	1.405	11.04	569.2
72	.95000	.80000	279.00	.2220-01	.2685-01	.2685-01	.9000	.7784-03	.9414-03	.5851	4.481	550.0
72	.95000	.90000	280.00	.2383-01	.2881-01	.2881-01	.9000	.8354-03	.1010-02	.6290	4.993	548.7

DATE 23 FEB 80

OH84B MODEL 60-0 IN THE AEDC VKF HYPERSONIC TUNNEL

PAGE 2284

OH84B 60-0 WING UPPER SURFACE

(R4UR26)

WING UPPER SURF

PARAMETRIC DATA

MACH = 8.000 ALPHA = 40.00 BETA = 2.000 ELEVON = .0000
 BDFLAP = .0000 SPDBRK = .0000

TEST CONDITIONS

RUN NUMBER	RN/L /FT X10 6	MACH	ALPHA DEG.	BETA DEG.	PO PSIA	TO DEG. R	T DEG. R	P PSIA	Q PSI	V FT/SEC	RHO SLUGS /FT3	MU LB-SEC /FT2
24	.5075	7.900	39.99	2.018	101.2	1252.	92.84	.1124-01	.4912	3732.	.3269-03	.7471-07
25	.5071	7.900	39.99	2.019	101.0	1251.	92.77	.1122-01	.4903	3730.	.3265-03	.7465-07

RUN NUMBER	HREF BTU/ R FT2SEC	STN NO REF (R) =.0175
24	.1717-01	.5676-01
25	.1715-01	.5673 01

TEST DATA

RUN NUMBER	2Y/BW	XW/CW	T/C NO	H/HREF R=1.0	H/HREF R=0.9	H/HREF R= TAW/TO	TAW/TO	H(TO) BTU/R FT2SEC	H(TAW) BTU/R FT2SEC	QDOT BTU/ FT2SEC	DTWDT DEG. R /SEC	TW DEG. R
24	.60000	.25000-01	253.00	.6375-01	.7803-01	.7803-01	.9000	.1094-02	.1340-02	.7483	18.30	568.0
24	.60000	.50000-01	254.00	.4651-01	.5670-01	.5670-01	.9000	.7985-03	.9735-03	.5559	11.19	555.4
24	.60000	.10000+00	255.00	.2969-01	.3608-01	.3608-01	.9000	.5098-03	.6194-03	.3607	3.826	544.2
24	.60000	.20000	256.00	.8172-02	.9922-02	.9922-02	.9000	.1403-03	.1704-03	.9958-01	.8883	541.9
24	.60000	.40000	257.00	.1569-02	.1904-02	.1904-02	.9000	.2693-04	.3269-04	.1914-01	.1582	541.0
24	.60000	.60000	258.00	.6654-03	.8086-03	.8086-03	.9000	.1144-04	.1388-04	.8147-02	.7580-01	539.6
24	.60000	.80000	259.00	.5279-02	.6401-02	.6401-02	.9000	.9063-04	.1099-03	.6472-01	.5358	537.6
24	.60000	.95000	261.00	.7696-02	.9326-02	.9326-02	.9000	.1321-03	.1601-03	.9461-01	1.058	535.6
24	.60000	.90000	274.00	.6712-02	.8140-02	.8140-02	.9000	.1152-03	.1398-03	.8224-01	.6126	538.0
24	.95000	.50000	277.00	.1825-01	.2215-01	.2215-01	.9000	.3133-03	.3803-03	.2227	1.988	541.0
24	.95000	.70000	278.00	.1102-01	.1337-01	.1337-01	.9000	.1890-03	.2293-03	.1345	1.073	539.1
25	.95000	.80000	279.00	.6328-02	.7672-02	.7672-02	.9000	.1085-03	.1316-03	.7747-01	.5973	536.8
25	.95000	.90000	280.00	.1468-01	.1779-01	.1779-01	.9000	.2517-03	.3052-03	.1796	1.434	537.0

DATE 23 FEB 80

OH84B MODEL 60-0 IN THE AEDC VKF HYPERSONIC TUNNEL

PAGE 2285

OH84B 60-0 WING UPPER SURFACE

(R4UR26)

WING UPPER SURF

PARAMETRIC DATA

MACH = 8.000 ALPHA = 40.00 BETA = 2.000 ELEVON = .0000
 BDFLAP = .0000 SPDBRK = .0000

TEST CONDITIONS

RUN NUMBER	RN/L /FT X10 6	MACH	ALPHA DEG.	BETA DEG.	PO PSIA	TO DEG. R	T DEG. R	P PSIA	Q PSI	V FT/SEC	RHO SLUGS /FT3	MU LB-SEC /FT2
39	1.016	7.940	40.02	2.015	206.2	1256.	92.27	.2218-01	.9789	3739.	.6489-03	.7425-07
40	1.021	7.940	40.02	2.016	206.8	1254.	92.12	.2225-01	.9818	3736.	.6518-03	.7413-07

RUN NUMBER	HREF BTU/ R FT2SEC	STN NO REF (R)
39	.2425-01	.4030-01
40	.2428-01	.4021-01

TEST DATA

RUN NUMBER	2Y/BW	XW/CW	T/C NO	H/HREF R=1.0	H/HREF R=0.9	H/HREF R= TAW/TO	TAW/TO	H(TO) BTU/R FT2SEC	H(TAW) BTU/R FT2SEC	QOOT BTU/ FT2SEC	OTWDT DEG. R /SEC	TW DEG. R
39	.60000	.25000-01	253.00	.6485-01	.7978-01	.7978-01	.9000	.1573-02	.1935-02	1.055	25.59	584.9
39	.60000	.50000-01	254.00	.4847-01	.5925-01	.5925-01	.9000	.1175-02	.1437-02	.8109	16.25	565.7
39	.60000	.10000+00	255.00	.3115-01	.3789-01	.3789-01	.9000	.7553-03	.9189-03	.5328	5.635	550.2
39	.60000	.20000	256.00	.8205-02	.9971-02	.9971-02	.9000	.1990-03	.2418-03	.1410	1.255	546.9
39	.60000	.40000	257.00	.1104-02	.1341-02	.1341-02	.9000	.2677-04	.3252-04	.1898-01	.1564	546.6
39	.60000	.60000	258.00	.3972-03	.4824-03	.4824-03	.9000	.9632-05	.1170-04	.6846-02	.6352-01	544.9
39	.60000	.75000	259.00	.5949-03	.7214-03	.7214-03	.9000	.1443-04	.1749-04	.1033-01	.9230-01	539.4
39	.60000	.85000	260.00	.1138-01	.1383-01	.1383-01	.9000	.2760-03	.3353-03	.1959	1.615	545.9
39	.60000	.95000	261.00	.9010-02	.1092-01	.1092-01	.9000	.2185-03	.2648-03	.1568	1.752	537.9
39	.90000	.60000	274.00	.1986-01	.2412-01	.2412-01	.9000	.4815-03	.5850-03	.3419	2.537	545.7
39	.95000	.50000	277.00	.3350-01	.4075-01	.4075-01	.9000	.8124-03	.9883-03	.5730	5.090	550.4
40	.95000	.70000	278.00	.2447-01	.2976-01	.2976-01	.9000	.5941-03	.7225-03	.4190	3.327	548.3
40	.95000	.80000	279.00	.1062-01	.1290-01	.1290-01	.9000	.2580-03	.3131-03	.1836	1.412	542.0
40	.95000	.90000	280.00	.1762-01	.2138-01	.2138-01	.9000	.4278-03	.5192-03	.3046	2.426	541.7

DATE 23 FEB 80

OH84B MODEL 60-0 IN THE AEDC VKF HYPERSONIC TUNNEL

PAGE 2286

OH84B 60-0 WING UPPER SURFACE

(R4UR26)

WING UPPER SURF

PARAMETRIC DATA

MACH = 8.000 ALPHA = 40.00 BETA = 2.000 ELEVON = .0000
 BOFLAP = .0000 SPOBRK = .0000

TEST CONDITIONS

RUN NUMBER	RN/L /FT X10 6	MACH	ALPHA DEG.	BETA DEG.	PO PSIA	TO DEG. R	T DEG. R	P PSIA	Q PSI	V FT/SEC	RHO SLUGS /FT3	MU LB-SEC /FT2
68	2.002	7.980	40.01	2.012	434.5	1301.	94.69	.4523-01	2.016	3807.	.1289-02	.7620-07
69	2.003	7.980	40.01	2.011	433.8	1299.	94.54	.4516-01	2.013	3804.	.1289-02	.7608-07

RUN NUMBER	HREF BTU/ R FT2SEC	STN NO REF (R) =.0175
68	.3502-01	.2870-01
69	.3498-01	.2869-01

TEST DATA

RUN NUMBER	ZY/BW	XW/CW	T/C NO	H/HREF R=1.0	H/HREF R=0.9	H/HREF R= TAW/TO	TAW/TO	H(TO) BTU/R FT2SEC	H(TAW) BTU/R FT2SEC	QDOT BTU/ FT2SEC	DTWDT DEG. R /SEC	TW DEG. R
68	.60000	.25000-01	253.00	.7030-01	.8685-01	.8685-01	.9000	.2462-02	.3041-02	1.680	40.07	618.4
68	.60000	.50000-01	254.00	.5330-01	.6528-01	.6528-01	.9000	.1866-02	.2286-02	1.323	26.15	592.0
68	.60000	.10000+00	255.00	.3239-01	.3930-01	.3930-01	.9000	.1134-02	.1376-02	.8388	8.823	561.1
68	.60000	.20000	256.00	.9608-02	.1164-01	.1164-01	.9000	.3364-03	.4075-03	.2508	2.223	555.1
68	.60000	.40000	257.00	.5175-03	.6266-03	.6266-03	.9000	.1812-04	.2194-04	.1354-01	.1112	553.4
68	.60000	.60000	258.00	.9183-03	.1111-02	.1111-02	.9000	.3216-04	.3891-04	.2410-01	.2229	551.1
68	.60000	.75000	259.00	.7700-02	.9302-02	.9302-02	.9000	.2696-03	.3257-03	.2036	1.813	545.6
68	.60000	.85000	260.00	.1875-01	.2274-01	.2274-01	.9000	.6564-03	.7963-03	.4860	3.978	560.2
68	.60000	.95000	261.00	.1097-01	.1324-01	.1324-01	.9000	.3841-03	.4638-03	.2908	3.240	543.6
68	.90000	.60000	274.00	.4692-01	.5682-01	.5682-01	.9000	.1643-02	.1989-02	1.227	9.064	554.0
68	.95000	.50000	277.00	.5931-01	.7207-01	.7207-01	.9000	.2077-02	.2524-02	1.525	13.44	566.4
69	.95000	.70000	278.00	.5654-01	.6872-01	.6872-01	.9000	.1978-02	.2404-02	1.450	11.41	565.7
69	.95000	.80000	279.00	.2296-01	.2775-01	.2775-01	.9000	.8031-03	.9706-03	.6046	4.640	545.9
69	.95000	.90000	280.00	.2410-01	.2913-01	.2913-01	.9000	.8431-03	.1019-02	.6352	5.051	545.3

DATE 23 FEB 80

OH84B MODEL 60-0 IN THE AEDC VKF HYPERSONIC TUNNEL

PAGE 2287

OH84B 60-0 WING UPPER SURFACE

(R4UR27)

WING UPPER SURF

PARAMETRIC DATA

MACH = 8.000 ALPHA = 40.00 BETA = 4.000 ELEVON = .0000
 BDFLAP = .0000 SPDBRK = .0000

TEST CONDITIONS

RUN NUMBER	RN/L /FT	MACH	ALPHA DEG.	BETA DEG.	PO PSIA	TO DEG. R	T DEG. R	P PSIA	Q PSI	V FT/SEC	RHO SLUGS /FT3	MU LB-SEC /FT2
27	.5107	7.900	40.02	4.000	101.5	1249.	92.62	.1128-01	.4926	3727.	.3286-03	.7453-07
28	.5063	7.900	40.02	4.000	100.5	1248.	92.54	.1116-01	.4878	3726.	.3256-03	.7447-07

RUN NUMBER	HREF BTU/ R FT2SEC	STN NO REF (R) = .0175
27	.1719-01	.5660-01
28	.1710-01	.5686-01

TEST DATA

RUN NUMBER	2Y/BW	XW/CW	T/C NO	H/HREF R=1.0	H/HREF R=0.9	H/HREF R=TAW/TO	TAW/TO	H(TO) BTU/R FT2SEC	H(TAW) BTU/R FT2SEC	QDOT BTU/ FT2SEC	DTWOT DEG. R /SEC	TW DEG. R
27	.60000	.25000-01	253.00	.6410-01	.7852-01	.7852-01	.9000	.1102-02	.1349-02	.7490	18.31	568.7
27	.60000	.50000-01	254.00	.4747-01	.5791-01	.5791-01	.9000	.8158-03	.9951-03	.5653	11.38	555.7
27	.60000	.10000+00	255.00	.3032-01	.3685-01	.3685-01	.9000	.5211-03	.6333-03	.3671	3.894	544.2
27	.60000	.20000	256.00	.8164-02	.9916-02	.9916-02	.9000	.1403-03	.1704-03	.9915-01	.8845	542.0
27	.60000	.40000	257.00	.1507-02	.1830-02	.1830-02	.9000	.2590-04	.3145-04	.1832-01	.1514	541.3
27	.60000	.60000	258.00	.2601-03	.3158-03	.3158-03	.9000	.4471-05	.5427-05	.3169-02	.2948-01	539.8
27	.60000	.85000	260.00	.5087-02	.6170-02	.6170-02	.9000	.8742-04	.1060-03	.6219-01	.5149	537.2
27	.60000	.95000	261.00	.7655-02	.9279-02	.9279-02	.9000	.1316-03	.1595-03	.9389-01	1.051	535.0
27	.90000	.60000	274.00	.6435-02	.7805-02	.7805-02	.9000	.1106-03	.1341-03	.7872-01	.5867	536.9
27	.95000	.50000	277.00	.1887-01	.2290-01	.2290-01	.9000	.3243-03	.3936-03	.2299	2.053	539.8
28	.95000	.70000	278.00	.1191-01	.1445-01	.1445-01	.9000	.2036-03	.2470-03	.1444	1.153	538.3
28	.95000	.80000	279.00	.6994-02	.8481-02	.8481-02	.9000	.1196-03	.1450-03	.8507-01	.6561	536.3
28	.95000	.90000	280.00	.1549-01	.1879-01	.1879-01	.9000	.2649-03	.3213-03	.1883	1.503	536.9

DATE 23 FEB 80

OH84B MODEL 60-0 IN THE AEDC VKF HYPERSONIC TUNNEL

PAGE 2288

OH84B 60-0 WING UPPER SURFACE

(R4UR27)

WING UPPER SURF

PARAMETRIC DATA

MACH = 8.000 ALPHA = 40.00 BETA = 4.000 ELEVON = .0000
 BDFLAP = .0000 SPDBRK = .0000

TEST CONDITIONS

RUN NUMBER	RN/L /FT X10 6	MACH	ALPHA DEG.	BETA DEG.	PO PSIA	TO DEG. R	T DEG. R	P PSIA	Q PSI	V FT/SEC	RHO SLUGS /FT3	MU LB-SEC /FT2
42	1.017	7.940	39.99	4.011	205.6	1252.	91.98	.2212-01	.9761	3733.	.6491-03	.7401-07
43	1.018	7.940	40.00	4.023	206.3	1254.	92.12	.2219-01	.9794	3736.	.6502-03	.7413-07

RUN NUMBER	HREF BTU/ R FT2SEC	STN NO REF (R) =.0175
42	.2420-01	.4028-01
43	.2425-01	.4025-01

TEST DATA

RUN NUMBER	ZY/BW	XW/CW	T/C NO	H/HREF R=1.0	H/HREF R=0.9	H/HREF R=TAW/TO	TAW/TO	H(TO) BTU/R FT2SEC	H(TAW) BTU/R FT2SEC	QDOT BTU/ FT2SEC	DTWOT DEG. R /SEC	TW DEG. R
42	.60000	.25000-01	253.00	.6456-01	.7959-01	.7959-01	.9000	.1562-02	.1926-02	1.035	25.06	589.0
42	.60000	.50000-01	254.00	.4821-01	.5903-01	.5903-01	.9000	.1167-02	.1429-02	.7967	15.94	568.6
42	.60000	.10000+00	255.00	.3147-01	.3833-01	.3833-01	.9000	.7617-03	.9277-03	.5330	5.632	552.0
42	.60000	.20000	256.00	.8271-02	.1006-01	.1006-01	.9000	.2002-03	.2434-03	.1410	1.254	547.5
42	.60000	.40000	257.00	.1247-02	.1516-02	.1516-02	.9000	.3017-04	.3668-04	.2127-01	.1753	546.6
42	.60000	.60000	258.00	.5070-03	.6161-03	.6161-03	.9000	.1227-04	.1491-04	.8674-02	.8049-01	544.8
42	.60000	.75000	259.00	.8783-03	.1065-02	.1065-02	.9000	.2126-04	.2579-04	.1515-01	.1354	539.0
42	.60000	.85000	260.00	.1109-01	.1348-01	.1348-01	.9000	.2685-03	.3264-03	.1895	1.562	545.8
42	.60000	.95000	261.00	.8818-02	.1069-01	.1069-01	.9000	.2134-03	.2588-03	.1523	1.701	538.2
42	.90000	.60000	274.00	.1965-01	.2387-01	.2387-01	.9000	.4755-03	.5778-03	.3362	2.496	544.6
42	.95000	.50000	277.00	.3300-01	.4017-01	.4017-01	.9000	.7986-03	.9721-03	.5599	4.973	550.5
42	.95000	.70000	278.00	.2372-01	.2884-01	.2884-01	.9000	.5753-03	.6994-03	.4066	3.230	547.0
43	.95000	.80000	279.00	.1020-01	.1238-01	.1238-01	.9000	.2473-03	.3001-03	.1763	1.357	540.7
43	.95000	.90000	280.00	.1757-01	.2133-01	.2133-01	.9000	.4262-03	.5171-03	.3038	2.421	540.9

OH84B 60-0 WING UPPER SURFACE

(R4UR27)

WING UPPER SURF

PARAMETRIC DATA

MACH = 8.000 ALPHA = 40.00 BETA = 4.000 ELEVON = .0000
 BDFLAP = .0000 SPDBRK = .0000

TEST CONDITIONS

RUN NUMBER	RN/L /FT X10 6	MACH	ALPHA DEG.	BETA DEG.	PO PSIA	TO DEG. R	T DEG. R	P PSIA	Q PSI	V FT/SEC	RHO SLUGS /FT3	MU LB-SEC /FT2
65	1.997	7.980	40.03	4.032	434.4	1303.	94.84	.4522-01	2.016	3810.	.1287-02	.7631-07
66	2.012	7.980	40.01	4.024	435.7	1299.	94.54	.4536-01	2.022	3804.	.1295-02	.7608-07

RUN NUMBER	HREF BTU/ R FT2SEC	STN NO REF (R) = .0175
65	.3502-01	.2873-01
66	.3506-01	.2863-01

TEST DATA

RUN NUMBER	2Y/BW	XW/CW	T/C NO	H/HREF R=1.0	H/HREF R=0.9	H/HREF R= TAW/TO	TAW/TO	H(TO) BTU/R FT2SEC	H(TAW) BTU/R FT2SEC	QDOT BTU/ FT2SEC	DTWDT DEG. R /SEC	TW DEG. R
66	.60000	.25000-01	253.00	.7004-01	.8681-01	.8681-01	.9000	.2455-02	.3043-02	1.651	39.24	626.2
66	.60000	.50000-01	254.00	.5378-01	.6603-01	.6603-01	.9000	.1885-02	.2315-02	1.320	26.02	598.4
66	.60000	.10000+00	255.00	.3305-01	.4017-01	.4017-01	.9000	.1158-02	.1408-02	.8482	9.898	566.4
66	.60000	.20000	256.00	.1029-01	.1248-01	.1248-01	.9000	.3606-03	.4375-03	.2663	2.354	560.1
66	.60000	.40000	257.00	.6766-03	.8207-03	.8207-03	.9000	.2372-04	.2877-04	.1755-01	.1438	558.7
66	.60000	.60000	258.00	.1262-02	.1530-02	.1530-02	.9000	.4425-04	.5364-04	.3284-01	.3029	556.6
66	.60000	.75000	259.00	.8457-02	.1023-01	.1023-01	.9000	.2965-03	.3587-03	.2219	1.971	550.2
66	.60000	.85000	260.00	.1824-01	.2216-01	.2216-01	.9000	.6395-03	.7769-03	.4696	3.836	564.3
66	.60000	.95000	261.00	.1102-01	.1332-01	.1332-01	.9000	.3863-03	.4670-03	.2903	3.228	547.3
66	.90000	.60000	274.00	.4634-01	.5627-01	.5627-01	.9000	.1625-02	.1973-02	1.196	8.795	562.7
66	.95000	.50000	277.00	.6001-01	.7316-01	.7316-01	.9000	.2104-02	.2565-02	1.520	13.33	576.2
65	.95000	.70000	278.00	.5643-01	.6878-01	.6878-01	.9000	.1976-02	.2409-02	1.434	11.22	577.3
65	.95000	.80000	279.00	.2246-01	.2721-01	.2721-01	.9000	.7865-03	.9530-03	.5865	4.476	557.0
65	.95000	.90000	280.00	.2343-01	.2839-01	.2839-01	.9000	.8207-03	.9941-03	.6128	4.846	556.0

OH84B 60-0 WING UPPER SURFACE

(R4UR28)

WING UPPER SURF

PARAMETRIC DATA

MACH = 8.000 ALPHA = 40.00 BETA = 10.00 ELEVON = .0000
 BDFLAP = .0000 SPDBRK = .0000

TEST CONDITIONS

RUN NUMBER	RN/L /FT	MACH	ALPHA DEG.	BETA DEG.	PO PSIA	TO DEG. R	T DEG. R	P PSIA	Q PSI	V FT/SEC	RHO SLUGS /FT3	MU LB-SEC /FT2
30	X10 6 .5116	7.900	40.08	9.969	101.8	1250.	92.69	.1131-01	.4940	3729.	.3293-03	.7459-07
31	.5055	7.900	40.08	9.971	100.7	1251.	92.77	.1119-01	.4887	3730.	.3255-03	.7465-07

RUN NUMBER	HREF BTU/ R FT2SEC	STN NO REF (R) = .0175
30	.1721-01	.5655-01
31	.1712-01	.5688-01

TEST DATA

RUN NUMBER	2Y/BW	XW/CW	T/C NO	H/HREF R=1.0	H/HREF R=0.9	H/HREF R= TAW/TO	TAW/TO	H(TO) BTU/R FT2SEC	H(TAW) BTU/R FT2SEC	ODOT BTU/ FT2SEC	DTWOT DEG. R /SEC	TW DEG. R
30	.60000	.25000-01	253.00	.5847-01	.7167-01	.7167-01	.9000	.1006-02	.1234-02	.6828	16.67	571.2
30	.60000	.50000-01	254.00	.4527-01	.5527-01	.5527-01	.9000	.7793-03	.9514-03	.5383	10.82	558.9
30	.60000	.10000+00	255.00	.3239-01	.3941-01	.3941-01	.9000	.5576-03	.6783-03	.3916	4.147	547.4
30	.50000	.20000	256.00	.1003-01	.1219-01	.1219-01	.9000	.1726-03	.2098-03	.1218	1.085	544.4
30	.60000	.40000	257.00	.2105-02	.2557-02	.2557-02	.9000	.3623-04	.4402-04	.2558-01	.2111	543.6
30	.60000	.60000	258.00	.1012-02	.1230-02	.1230-02	.9000	.1743-04	.2117-04	.1232-01	.1145	542.6
30	.60000	.85000	260.00	.6337-02	.7695-02	.7695-02	.9000	.1091-03	.1325-03	.7722-01	.6379	541.8
30	.60000	.95000	261.00	.8499-02	.1031-01	.1031-01	.9000	.1463-03	.1775-03	.1039	1.160	539.4
30	.90000	.60000	274.00	.6015-02	.7307-02	.7307-02	.9000	.1035-03	.1258-03	.7320-01	.5439	542.7
30	.95000	.50000	277.00	.2134-01	.2595-01	.2595-01	.9000	.3673-03	.4467-03	.2582	2.298	546.7
31	.95000	.70000	278.00	.9056-02	.1099-01	.1099-01	.9000	.1551-03	.1881-03	.1104	.8806	538.8
31	.95000	.80000	279.00	.6198-02	.7516-02	.7516-02	.9000	.1061-03	.1287-03	.7566-01	.5831	537.7
31	.95000	.90000	280.00	.1509-01	.1831-01	.1831-01	.9000	.2584-03	.3134-03	.1841	1.469	538.2

OH84B 60-0 WING UPPER SURFACE

(R4UR28)

WING UPPER SURF

PARAMETRIC DATA

MACH = 8.000 ALPHA = 40.00 BETA = 10.00 ELEVON = .0000
 BDFLAP = .0000 SPDBRK = .0000

TEST CONDITIONS

RUN NUMBER	RN/L /FT X10 6	MACH	ALPHA DEG.	BETA DEG.	PO PSIA	TO DEG. R	T DEG. R	P PSIA	Q PSI	V FT/SEC	RHO SLUGS /FT3	MU LB-SEC /FT2
45	1.021	7.940	39.96	10.01	208.6	1261.	92.64	.2244-01	.9903	3746.	.6538-03	.7454-07
46	1.011	7.940	40.01	10.10	207.3	1264.	92.86	.2230-01	.9842	3751.	.6482-03	.7472-07

RUN NUMBER	HREF BTU/ R FT2SEC	STN NO REF (R) = .0175
45	.2441-01	.4017-01
46	.2434-01	.4035-01

TEST DATA

RUN NUMBER	2Y/BW	XW/CW	T/C NO	H/HREF R=1.0	H/HREF R=0.9	H/HREF R= TAW/TO	TAW/TO	H(TO) BTU/R FT2SEC	H(TAW) BTU/R FT2SEC	QDOT BTU/ FT2SEC	DTWDT DEG. R /SEC	TH DEG. R
45	.60000	.25000-01	253.00	.5943-01	.7318-01	.7318-01	.9000	.1451-02	.1786-02	.9735	23.56	589.6
45	.60000	.50000-01	254.00	.4744-01	.5806-01	.5806-01	.9000	.1158-02	.1417-02	.7983	15.95	571.3
45	.60000	.10000+00	255.00	.3324-01	.4045-01	.4045-01	.9000	.8114-03	.9872-03	.5742	6.064	552.9
45	.60000	.20000	256.00	.1075-01	.1306-01	.1306-01	.9000	.2623-03	.3187-03	.1868	1.661	548.4
45	.60000	.40000	257.00	.1845-02	.2241-02	.2241-02	.9000	.4503-04	.5470-04	.3214-01	.2648	547.0
45	.60000	.60000	258.00	.1821-02	.2211-02	.2211-02	.9000	.4445-04	.5396-04	.3179-01	.2949	545.4
45	.60000	.75000	259.00	.1709-02	.2070-02	.2070-02	.9000	.4171-04	.5053-04	.3010-01	.2689	539.0
45	.60000	.85000	260.00	.1344-01	.1633-01	.1633-01	.9000	.3281-03	.3985-03	.2343	1.930	546.8
45	.60000	.95000	261.00	.1130-01	.1369-01	.1369-01	.9000	.2759-03	.3343-03	.1992	2.226	538.6
45	.90000	.60000	274.00	.1545-01	.1874-01	.1874-01	.9000	.3771-03	.4574-03	.2707	2.012	542.7
45	.95000	.50000	277.00	.4086-01	.4974-01	.4974-01	.9000	.9974-03	.1214-02	.7044	6.244	554.4
46	.95000	.70000	278.00	.1834-01	.2223-01	.2223-01	.9000	.4465-03	.5411-03	.3229	2.573	540.6
46	.95000	.80000	279.00	.9183-02	.1112-01	.1112-01	.9000	.2235-03	.2706-03	.1623	1.251	537.4
46	.95000	.90000	280.00	.1670-01	.2021-01	.2021-01	.9000	.4064-03	.4921-03	.2950	2.355	537.7

WING UPPER SURF

PARAMETRIC DATA

MACH = 8.000 ALPHA = 40.00 BETA = 10.00 ELEVON = .0000
BDFLAP = .0000 SPDBRK = .0000

TEST CONDITIONS

RUN NUMBER	RN/L /FT X10 6	MACH	ALPHA DEG.	BETA DEG.	PO PSIA	TO DEG. R	T DEG. R	P PSIA	Q PSI	V FT/SEC	K40 SLUGS /FT3	MU LB-SEC /FT2
58	1.996	7.980	40.01	10.01	434.6	1304.	94.91	.4524-01	2.017	3811.	.1287-02	.7637-07
59	1.995	7.980	40.01	10.00	433.9	1303.	94.84	.4517-01	2.014	3810.	.1286-02	.7631-07

RUN NUMBER	HREF BTU/ R FT2SEC	STN NO REF (R) = .0175
58	.3503-01	.2873-01
59	.3500-01	.2874-01

TEST DATA

RUN NUMBER	2Y/BW	XW/CW	T/C NO	H/HREF R=1.0	H/HREF R=0.9	H/HREF R= TAW/TO	TAW/TO	H(TO) BTU/R FT2SEC	H(TAW) BTU/R FT2SEC	QDOT BTU/ FT2SEC	DTWDT DEG. R /SEC	TW DEG. R
58	.60000	.25000-01	253.00	.6314-01	.7806-01	.7806-01	.9000	.2212-02	.2735-02	1.509	35.94	621.7
58	.60000	.50000-01	254.00	.5022-01	.6152-01	.6152-01	.9000	.1759-02	.2155-02	1.249	24.67	594.0
58	.60000	.10000+00	255.00	.3431-01	.4161-01	.4161-01	.9000	.1202-02	.1458-02	.8936	9.402	560.4
58	.60000	.20000	256.00	.1209-01	.1463-01	.1463-01	.9000	.4237-03	.5127-03	.3182	2.823	552.7
58	.60000	.40000	257.00	.2114-02	.2557-02	.2557-02	.9000	.7408-04	.8959-04	.5578-01	.4587	550.7
58	.60000	.60000	258.00	.3370-02	.4074-02	.4074-02	.9000	.1181-03	.1427-03	.8899-01	.8237	549.8
58	.60000	.75000	259.00	.1332-01	.1609-01	.1609-01	.9000	.4666-03	.5636-03	.3534	3.146	546.2
58	.60000	.85000	260.00	.2259-01	.2740-01	.2740-01	.9000	.7915-03	.9601-03	.5877	4.808	561.2
58	.60000	.95000	261.00	.1512-01	.1826-01	.1826-01	.9000	.5299-03	.6399-03	.4017	4.472	545.5
58	.90000	.60000	274.00	.3419-01	.4140-01	.4140-01	.9000	.1198-02	.1450-02	.8977	6.631	554.4
58	.95000	.50000	277.00	.4955-01	.6038-01	.6038-01	.9000	.1736-02	.2115-02	1.261	11.06	577.0
58	.95000	.70000	278.00	.4232-01	.5138-01	.5138-01	.9000	.1481-02	.1798-02	1.094	8.614	564.2
59	.95000	.80000	279.00	.1335-01	.1612-01	.1612-01	.9000	.4673-03	.5644-03	.3540	2.718	545.1
59	.95000	.90000	280.00	.2109-01	.2548-01	.2548-01	.9000	.7382-03	.8918-03	.5584	4.438	546.2

OH84B 60-0 WING UPPER SURFACE

(R4UR29)

WING UPPER SURF

PARAMETRIC DATA

MACH = 8.000 ALPHA = 40.00 BETA = .0000 ELEVON = -15.00
 BDFLAP = -12.50 SPDBRK = .0000

TEST CONDITIONS

RUN NUMBER	RN/L /FT X10 6	MACH	ALPHA DEG.	BETA DEG.	PO PSIA	TO DEG. R	T DEG. R	P PSIA	Q PSI	V FT/SEC	RHO SLUGS /FT3	MU LB-SEC /FT2
718	.5143	7.900	39.98	.3466-02	101.8	1246.	92.40	.1131-01	.4942	3723.	.3305-03	.7435-07
RUN NUMBER	HREF BTU/ R FT2SEC	STN NO REF(R)										
718	.1721-01	.5643-01										

TEST DATA

RUN NUMBER	2Y/BW	XW/CW	T/C NO	H/HREF R=1.0	H/HREF R=0.9	H/HREF R= TAW/TO	TAW/TO	H(TO) BTU/R FT2SEC	H(TAW) BTU/R FT2SEC	QDOT BTU/ FT2SEC	DTWDT DEG. R /SEC	TW DEG. R
718	.40000	.20000	247.00	.4617-02	.5572-02	.5572-02	.9000	.7944-04	.9588-04	.5768-01	.4647	519.5
718	.40000	.40000	248.00	.4294-03	.5185-03	.5185-03	.9000	.7389-05	.8922-05	.5357-02	.5032-01	520.6
718	.40000	.60000	249.00	.4548-03	.5492-03	.5492-03	.9000	.7826-05	.9449-05	.5675-02	.6397-01	520.5
718	.40000	.95000	252.00	.2207-02	.2664-02	.2664-02	.9000	.3798-04	.4583-04	.2762-01	.2494	518.5
718	.60000	.25000-01	253.00	.7345-01	.8931-01	.8931-01	.9000	.1264-02	.1537-02	.8863	21.94	544.4
718	.60000	.50000-01	254.00	.5596-01	.6789-01	.6789-01	.9000	.9630-03	.1168-02	.6827	13.88	536.7
718	.60000	.10000+00	255.00	.3474-01	.4200-01	.4200-01	.9000	.5978-03	.7227-03	.4311	4.619	524.6
718	.60000	.20000	256.00	.9615-02	.1161-01	.1161-01	.9000	.1654-03	.1998-03	.1197	1.079	521.9
718	.60000	.40000	257.00	.2205-02	.2663-02	.2663-02	.9000	.3794-04	.4583-04	.2746-01	.2292	521.8
718	.60000	.75000	259.00	.9579-04	.1156-03	.1156-03	.9000	.1648-05	.1989-05	.1199-02	.1082-01	518.3
718	.60000	.85000	260.00	.1385-02	.1671-02	.1671-02	.9000	.2383-04	.2874-04	.1735-01	.1451	517.6
718	.60000	.95000	261.00	.3170-02	.3823-02	.3823-02	.9000	.5455-04	.6578-04	.3979-01	.4495	516.2
718	.70000	.20000	262.00	.1016-01	.1226-01	.1226-01	.9000	.1747-03	.2110-03	.1266	1.189	521.0
718	.70000	.40000	263.00	.3591-02	.4336-02	.4336-02	.9000	.6179-04	.7461-04	.4480-01	.4040	520.6
718	.75000	1.0000	265.00	.2506-01	.3026-01	.3026-01	.9000	.4311-03	.5207-03	.3122	3.059	521.6
718	.75000	.20000	266.00	.1059-01	.1278-01	.1278-01	.9000	.1822-03	.2200-03	.1321	1.295	520.4
718	.75000	.40000	267.00	.4701-02	.5676-02	.5676-02	.9000	.8090-04	.9767-04	.5868-01	.5293	520.3
718	.75000	.60000	268.00	.2089-02	.2522-02	.2522-02	.9000	.3594-04	.4339-04	.2606-01	.2671	520.4
718	.75000	.80000	269.00	.4636-03	.5594-03	.5594-03	.9000	.7977-05	.9626-05	.5802-02	.5457-01	518.3
718	.75000	.90000	270.00	.2658-02	.3207-02	.3207-02	.9000	.4574-04	.5518-04	.3331-01	.2687	517.4
718	.80000	.90000	271.00	.3931-02	.4743-02	.4743-02	.9000	.6764-04	.8162-04	.4920-01	.3830	518.3

DATE 23 FEB 80

OH84B MODEL 60-0 IN THE AEDC VKF HYPERSONIC TUNNEL

PAGE 2294

OH84B 60-0 WING UPPER SURFACE

(R4UR29)

RUN NUMBER	2Y/BW	XW/CW	T/C NO	H/HREF R=1.0	H/HREF R=0.9	H/HREF R= TAW/TO	TAW/TO	H(TO) BTU/R FT2SEC	H(TAW) BTU/R FT2SEC	QDOT BTU/ FT2SEC	DTWDT DEG. R /SEC	TW DEG. R
718	.90000	.20000	272.00	.1207-01	.1458-01	.1458-01	.9000	.2077-03	.2508-03	.1506	1.358	520.5
718	.90000	.40000	273.00	.2638-02	.3185-02	.3185-02	.9000	.4540-04	.5480-04	.3295-01	.2972	519.9
718	.90000	.60000	274.00	.2212-02	.2670-02	.2670-02	.9000	.3806-04	.4594-04	.2762-01	.2076	520.0
718	.95000	.20000	275.00	.1142-01	.1378-01	.1378-01	.9000	.1964-03	.2371-03	.1426	1.398	519.9
718	.95000	.40000	276.00	.1059-01	.1278-01	.1278-01	.9000	.1822-03	.2199-03	.1322	.9942	519.8
718	.95000	.50000	277.00	.8790-02	.1061-01	.1061-01	.9000	.1513-03	.1826-03	.1097	.9893	520.4
718	.95000	.70000	278.00	.2060-02	.2486-02	.2486-02	.9000	.3545-04	.4278-04	.2578-01	.2078	518.5
718	.95000	.80000	279.00	.2243-02	.2707-02	.2707-02	.9000	.3860-04	.4658-04	.2807-01	.2185	518.4
718	.95000	.90000	280.00	.6344-02	.7656-02	.7656-02	.9000	.1092-03	.1317-03	.7932-01	.6392	519.0

OH84B 60-0 WING UPPER SURFACE

(R4UR29)

WING UPPER SURF

PARAMETRIC DATA

MACH = 8.000 ALPHA = 40.00 BETA = .0000 ELEVON = -15.00
 BDFLAP = -12.50 SPDBRK = .0000

TEST CONDITIONS

RUN NUMBER	RN/L /FT X10 6	MACH	ALPHA DEG.	BETA DEG.	PO PSIA	TO DEG. R	T DEG. R	P PSIA	Q PSI	V FT/SEC	RHO SLUGS /FT3	MU LB-SEC /FT2
716	1.024	7.940	39.99	.3470-02	208.1	1257.	92.34	.2239-01	.9879	3740.	.6543-03	.7431-07

RUN NUMBER	HREF BTU/ R FT2SEC	STN NO REF (R) = .0175
716	.2437-01	.4014-01

TEST DATA

RUN NUMBER	2Y/BW	XW/CW	T/C NO	H/HREF R=1.0	H/HREF R=0.9	H/HREF R= TAW/TO	TAW/TO	H(TO) BTU/R FT2SEC	H(TAW) BTU/R FT2SEC	QDOT BTU/ FT2SEC	DTWDT DEG. R /SEC	TW DEG. R
716	.40000	.20000	247.00	.5115-02	.6175-02	.6175-02	.9000	.1246-03	.1504-03	.9122-01	.7329	524.7
716	.40000	.40000	248.00	.4763-03	.5753-03	.5753-03	.9000	.1161-04	.1402-04	.8472-02	.7934-01	526.7
716	.40000	.60000	249.00	.5622-03	.6791-03	.6791-03	.9000	.1370-04	.1655-04	.1000-01	.1124	526.6
716	.40000	.95000	252.00	.1783-02	.2150-02	.2150-02	.9000	.4344-04	.5239-04	.3196-01	.2881	521.1
716	.60000	.25000-01	253.00	.7760-01	.9483-01	.9483-01	.9000	.1891-02	.2310-02	1.308	32.04	564.9
716	.60000	.50000-01	254.00	.6522-01	.7944-01	.7944-01	.9000	.1589-02	.1936-02	1.116	22.49	554.4
716	.60000	.10000+00	255.00	.4389-01	.5312-01	.5312-01	.9000	.1069-02	.1294-02	.7733	8.248	533.5
716	.60000	.20000	256.00	.1030-01	.1245-01	.1245-01	.9000	.2510-03	.3033-03	.1827	1.641	528.6
716	.60000	.40000	257.00	.1391-02	.1681-02	.1681-02	.9000	.3388-04	.4095-04	.2467-01	.2051	528.6
716	.60000	.60000	258.00	.7521-03	.9087-03	.9087-03	.9000	.1833-04	.2214-04	.1336-01	.1251	527.4
716	.60000	.75000	259.00	.1416-03	.1709-03	.1709-03	.9000	.3451-05	.4164-05	.2533-02	.2281-01	522.8
716	.60000	.85000	260.00	.1782-02	.2150-02	.2150-02	.9000	.4342-04	.5238-04	.3193-01	.2665	521.3
716	.60000	.95000	261.00	.3353-02	.4041-02	.4041-02	.9000	.8170-04	.9847-04	.6028-01	.6802	518.8
716	.70000	.20000	262.00	.9976-02	.1205-01	.1205-01	.9000	.2431-03	.2937-03	.1773	1.660	527.2
716	.70000	.40000	263.00	.3239-02	.3912-02	.3912-02	.9000	.7891-04	.9531-04	.5763-01	.5182	526.3
716	.75000	1.0000	265.00	.2697-01	.3258-01	.3258-01	.9000	.6572-03	.7938-03	.4796	4.686	526.8
716	.75000	.20000	266.00	.1105-01	.1334-01	.1334-01	.9000	.2691-03	.3250-03	.1968	1.925	525.3
716	.75000	.40000	267.00	.4767-02	.5755-02	.5755-02	.9000	.1161-03	.1402-03	.8500-01	.7649	524.8
716	.75000	.60000	268.00	.1751-02	.2114-02	.2114-02	.9000	.4267-04	.5151-04	.3124-01	.3194	524.6
716	.75000	.80000	269.00	.4347-03	.5243-03	.5243-03	.9000	.1059-04	.1277-04	.7789-02	.7314-01	521.2
716	.75000	.90000	270.00	.2310-02	.2785-02	.2785-02	.9000	.5629-04	.6785-04	.4149-01	.3343	519.5

DATE 23 FEB 80

OH84B MODEL 60-0 IN THE AEDC VKF HYPERSONIC TUNNEL

PAGE 2296

OH84B 60-0 WING UPPER SURFACE

(R4UR29)

RUN NUMBER	ZY/BW	XW/CW	T/C NO	H/HREF R=1.0	H/HREF R=0.9	H/HREF R= TAW/TO	TAW/TO	H(TO) BTU/R FT2SEC	H(TAW) BTU/R FT2SEC	QDOT BTU/ FT2SEC	DTWDT DEG. R /SEC	TW DEG. R
716	.80000	.90000	271.00	.2934-02	.3537-02	.3537-02	.9000	.7148-04	.8619-04	.5265-01	.4094	520.2
716	.90000	.20000	272.00	.2189-01	.2645-01	.2645-01	.9000	.5334-03	.6443-03	.3895	3.502	526.6
716	.90000	.40000	273.00	.2964-02	.3577-02	.3577-02	.9000	.7222-04	.8715-04	.5298-01	.4771	523.1
716	.90000	.60000	274.00	.3287-02	.3967-02	.3967-02	.9000	.8008-04	.9665-04	.5870-01	.4404	523.7
716	.95000	.20000	275.00	.1074-01	.1296-01	.1296-01	.9000	.2616-03	.3157-03	.1919	1.879	523.1
716	.95000	.40000	276.00	.9631-02	.1162-01	.1162-01	.9000	.2347-03	.2831-03	.1723	1.294	522.3
716	.95000	.50000	277.00	.8580-02	.1035-01	.1035-01	.9000	.2090-03	.2523-03	.1533	1.381	523.1
716	.95000	.70000	278.00	.5381-02	.6491-02	.6491-02	.9000	.1311-03	.1581-03	.9637-01	.7756	521.6
716	.95000	.80000	279.00	.2999-02	.3617-02	.3617-02	.9000	.7307-04	.8812-04	.5377-01	.4180	520.8
716	.95000	.90000	280.00	.7601-02	.9169-02	.9169-02	.9000	.1852-03	.2234-03	.1362	1.096	521.6

OH84B 60-0 WING UPPER SURFACE

(R4UR29)

WING UPPER SURF

PARAMETRIC DATA

MACH = 8.000 ALPHA = 40.00 BETA = .0000 ELEVON = -15.00
 BDFLAP = -12.50 SPDRK = .0000

TEST CONDITIONS

RUN NUMBER	RN/L /FT X10 6	MACH	ALPHA DEG.	BETA DEG.	PO PSIA	TO DEG. R	T DEG. R	P PSIA	Q PSI	V FT/SEC	RHO SLUGS /FT3	MU LB-SEC /FT2
710	2.005	7.980	40.03	.1045-01	436.6	1304.	94.91	.4546-01	2.026	3811.	.1293-02	.7637-07
RUN NUMBER	HREF BTU/ R FT2SEC	STN NO REF(R)										
710	.3512-01	.2867-01										

TEST DATA

RUN NUMBER	2Y/BW	XW/CW	T/C NO	H/HREF R=1.0	H/HREF R=0.9	H/HREF R= TAW/TO	TAW/TO	H(TO) BTU/R FT2SEC	H(TAW) BTU/R FT2SEC	QDOT BTU/ FT2SEC	DTWDT DEG. R /SEC	TW DEG. R
710	.40000	.20000	247.00	.7539-02	.9065-02	.9065-02	.9000	.2648-03	.3184-03	.2050	1.644	529.2
710	.40000	.40000	248.00	.4854-03	.5839-03	.5839-03	.9000	.1705-04	.2050-04	.1318-01	.1232	530.5
710	.40000	.60000	249.00	.3058-03	.3678-03	.3678-03	.9000	.1074-04	.1292-04	.8309-02	.9321-01	530.1
710	.40000	.75000	250.00	.1984-03	.2385-03	.2385-03	.9000	.6966-05	.8374-05	.5401-02	.4042-01	528.4
710	.40000	.95000	252.00	.2594-02	.3114-02	.3114-02	.9000	.9110-04	.1093-03	.7116-01	.6410	522.6
710	.60000	.25000-01	253.00	.8762-01	.1073	.1073	.9000	.8762-01	.3767-02	2.190	52.92	592.0
710	.60000	.50000-01	254.00	.8102-01	.9869-01	.9869-01	.9000	.2845-02	.3466-02	2.071	41.29	575.6
710	.60000	.10000+00	255.00	.6077-01	.7340-01	.7340-01	.9000	.2134-02	.2578-02	1.617	17.13	546.1
710	.60000	.20000	256.00	.1242-01	.1496-01	.1496-01	.9000	.4363-03	.5252-03	.3361	3.012	533.3
710	.60000	.40000	257.00	.8686-03	.1045-02	.1045-02	.9000	.3050-04	.3671-04	.2353-01	.1953	532.2
710	.60000	.60000	258.00	.3739-03	.4498-03	.4498-03	.9000	.1313-04	.1580-04	.1015-01	.9486-01	530.7
710	.60000	.75000	259.00	.5547-02	.6664-02	.6664-02	.9000	.1948-03	.2340-03	.1516	1.363	525.6
710	.60000	.85000	260.00	.1269-02	.1524-02	.1524-02	.9000	.4457-04	.5350-04	.3482-01	.2905	522.5
710	.60000	.95000	261.00	.3036-02	.3642-02	.3642-02	.9000	.1066-03	.1279-03	.8353-01	.9418	520.2
710	.70000	.20000	262.00	.9136-02	.1099-01	.1099-01	.9000	.3208-03	.3859-03	.2480	2.318	530.5
710	.70000	.40000	263.00	.4971-02	.5979-02	.5979-02	.9000	.1746-03	.2100-03	.1350	1.212	530.1
710	.75000	1.0000	265.00	.2560-01	.3081-01	.3081-01	.9000	.8991-03	.1082-02	.6940	6.763	531.9
710	.75000	.40000	267.00	.1156-01	.1390-01	.1390-01	.9000	.4058-03	.4880-03	.3142	2.820	529.6
710	.75000	.60000	268.00	.1701-01	.2049-01	.2049-01	.9000	.5975-03	.7194-03	.4598	4.680	534.1
710	.75000	.80000	269.00	.1237-02	.1485-02	.1485-02	.9000	.4343-04	.5214-04	.3387-01	.3177	523.7
710	.75000	.90000	270.00	.3283-02	.3940-02	.3940-02	.9000	.1153-03	.1384-03	.9014-01	.7254	521.8

DATE 23 FEB 80

OH84B MODEL 60-0 IN THE AEDC VKF HYPERSONIC TUNNEL

PAGE 2298

OH84B 60-0 WING UPPER SURFACE

(R4UR29)

RUN NUMBER	ZY/BW	XW/CW	T/C NO	H/HREF R=1.0	H/HREF R=0.9	H/HREF R= TAW/TO	TAW/TO	H(TO) BTU/R FT2SEC	H(TAW) BTU/R FT2SEC	QDOT BTU/ FT2SEC	DTWDT DEG. R /SEC	TW DEG. R
710	.80000	.90000	271.00	.3569-02	.4284-02	.4284-02	.9000	.1253-03	.1504-03	.9788-01	.7601	522.6
710	.90000	.20000	272.00	.5610-01	.6767-01	.6767-01	.9000	.1970-02	.2376-02	1.503	13.42	540.7
710	.90000	.40000	273.00	.3401-01	.4096-01	.4096-01	.9000	.1194-02	.1438-02	.9179	8.217	535.1
710	.90000	.60000	274.00	.2842-01	.3421-01	.3421-01	.9000	.9980-03	.1201-02	.7690	5.742	533.2
710	.95000	.20000	275.00	.6507-01	.7857-01	.7857-01	.9000	.2285-02	.2759-02	1.734	16.78	545.0
710	.95000	.40000	276.00	.6988-01	.8443-01	.8443-01	.9000	.2454-02	.2965-02	1.856	13.76	547.2
710	.95000	.50000	277.00	.6374-01	.7701-01	.7701-01	.9000	.2238-02	.2704-02	1.694	15.08	546.7
710	.95000	.70000	278.00	.5371-01	.6482-01	.6482-01	.9000	.1886-02	.2276-02	1.435	11.42	543.0
710	.95000	.80000	279.00	.1634-01	.1964-01	.1964-01	.9000	.5739-03	.6897-03	.4459	3.456	526.7
710	.95000	.90000	280.00	.1248-01	.1499-01	.1499-01	.9000	.4384-03	.5265-03	.3414	2.743	525.0

OH84B 60-0 WING UPPER SURFACE

(R4UR29)

WING UPPER SURF

PARAMETRIC DATA

MACH = 8.000 ALPHA = 40.00 BETA = .0000 ELEVON = -15.00
 BDFLAP = -12.50 SPOBRK = .0000

TEST CONDITIONS

RUN NUMBER	RN/L /FT X10 6	MACH	ALPHA DEG.	BETA DEG.	PO PSIA	TO DEG. R	T DEG. R	P PSIA	Q PSI	V FT/SEC	RHO SLUGS /FT3	MU LB-SEC /FT2
708	2.986	7.990	40.06	.1048-01	669.0	1326.	96.29	.6909-01	3.087	3843.	.1937-02	.7748-07
RUN NUMBER	HREF BTU/ R FT2SEC	STN NO REF (R)										
708	.4347-01	.2346-01										

TEST DATA

RUN NUMBER	ZY/BW	XW/CW	T/C NO	H/HREF R=1.0	H/HREF R=0.9	H/HREF R=TAW/TO	TAW/TO	H(TO) BTU/R FT2SEC	H(TAW) BTU/R FT2SEC	QDOT BTU/ FT2SEC	DTWDT DEG. R /SEC	TW DEG. R
708	.40000	.20000	247.00	.1057-01	.1270-01	.1270-01	.9000	.4595-03	.5522-03	.3628	2.898	536.1
708	.40000	.40000	248.00	.6375-03	.7667-03	.7667-03	.9000	.2771-04	.3333-04	.2181-01	.2030	538.7
708	.40000	.60000	249.00	.7039-03	.8466-03	.8466-03	.9000	.3060-04	.3680-04	.2407-01	.2687	539.2
708	.40000	.75000	250.00	.1083-02	.1302-02	.1302-02	.9000	.4710-04	.5661-04	.3715-01	.2769	536.9
708	.40000	.80000	251.00	.2809-03	.3372-03	.3372-03	.9000	.1221-04	.1466-04	.9707-02	.7507-01	530.9
708	.40000	.95000	252.00	.2341-02	.2807-02	.2807-02	.9000	.1018-03	.1220-03	.8123-01	.7300	527.5
708	.60000	.25000-01	253.00	.9328-01	.1149	.1149	.9000	.4055-02	.4995-02	2.858	68.09	620.9
708	.60000	.50000-01	254.00	.8542-01	.1045	.1045	.9000	.3713-02	.4543-02	2.696	53.12	599.6
708	.60000	.10000+00	255.00	.6928-01	.8382-01	.8382-01	.9000	.3012-02	.3644-02	2.302	24.21	561.4
708	.60000	.20000	256.00	.1560-01	.1878-01	.1878-01	.9000	.6784-03	.8166-03	.5315	4.741	542.2
708	.60000	.40000	257.00	.9079-03	.1092-02	.1092-02	.9000	.3947-04	.4749-04	.3098-01	.2560	540.9
708	.60000	.60000	258.00	.8216-03	.9882-03	.9882-03	.9000	.3572-04	.4296-04	.2809-01	.2613	539.3
708	.60000	.75000	259.00	.7787-02	.9350-02	.9350-02	.9000	.3385-03	.4065-03	.2684	2.406	532.8
708	.60000	.85000	260.00	.2255-02	.2706-02	.2706-02	.9000	.9805-04	.1176-03	.7811-01	.6494	529.1
708	.60000	.95000	261.00	.3745-02	.4489-02	.4489-02	.9000	.1628-03	.1951-03	.1303	1.466	525.2
708	.70000	.20000	262.00	.9884-02	.1188-01	.1188-01	.9000	.4297-03	.5166-03	.3387	3.155	537.4
708	.70000	.40000	263.00	.6512-02	.7829-02	.7829-02	.9000	.2831-03	.3404-03	.2232	1.995	537.4
708	.75000	1.0000	265.00	.2479-01	.2980-01	.2980-01	.9000	.1078-02	.1296-02	.8496	8.258	537.3
708	.75000	.40000	267.00	.1379-01	.1657-01	.1657-01	.9000	.5994-03	.7202-03	.4738	4.240	535.3
708	.75000	.60000	268.00	.2151-01	.2589-01	.2589-01	.9000	.9351-03	.1126-02	.7323	7.421	542.5
708	.75000	.80000	269.00	.1742-02	.2089-02	.2089-02	.9000	.7573-04	.9081-04	.6045-01	.5659	527.4

DATE 23 FEB 80

OH84B MODEL 60-0 IN THE AEDC VKF HYPERSONIC TUNNEL

PAGE 2300

OH84B 60-0 WING UPPER SURFACE

(R4UR29)

RUN NUMBER	ZY/BW	XW/CW	T/C NO	H/HREF R=1.0	H/HREF R=0.9	H/HREF R= TAW/TO	TAW/TO	H(TO) BTU/R FT2SEC	H(TAW) BTU/R FT2SEC	QDOT BTU/ FT2SEC	DTWDT DEG. R /SEC	TW DEG. R
708	.75000	.90000	270.00	.4372-02	.5240-02	.5240-02	.9000	.1901-03	.2278-03	.1521	1.222	525.3
708	.80000	.90000	271.00	.4459-02	.5345-02	.5345-02	.9000	.1939-03	.2324-03	.1550	1.202	525.9
708	.90000	.20000	272.00	.7597-01	.9172-01	.9172-01	.9000	.3303-02	.3987-02	2.549	22.60	553.8
708	.90000	.40000	273.00	.5796-01	.6986-01	.6986-01	.9000	.2520-02	.3037-02	1.962	17.45	547.2
708	.90000	.60000	274.00	.4977-01	.6000-01	.6000-01	.9000	.2164-02	.2609-02	1.682	12.47	548.2
708	.95000	.20000	275.00	.8622-01	.1043	.1043	.9000	.3748-02	.4534-02	2.868	27.56	560.4
708	.95000	.40000	276.00	.8913-01	.1077	.1077	.9000	.3875-02	.4682-02	2.980	21.99	556.7
708	.95000	.50000	277.00	.8080-01	.9774-01	.9774-01	.9000	.3512-02	.4249-02	2.686	23.73	561.1
708	.95000	.70000	278.00	.6053-01	.7287-01	.7287-01	.9000	.2632-02	.3168-02	2.061	16.41	542.4
708	.95000	.80000	279.00	.1524-01	.1827-01	.1827-01	.9000	.6624-03	.7944-03	.5282	4.091	528.2
708	.95000	.90000	280.00	.1355-01	.1625-01	.1625-01	.9000	.5892-03	.7065-03	.4703	3.774	527.4

DATE 23 FEB 80

OH84B MODEL 60-0 IN THE AEDC VKF HYPERSONIC TUNNEL

PAGE 2301

OH84B 60-0 WING UPPER SURFACE

(R4UR30)

WING UPPER SURF

PARAMETRIC DATA

MACH = 8.000 ALPHA = 40.00 BETA = .0000 ELEVON = -15.00
 BDFLAP = .0000 SPDBRK = .0000

TEST CONDITIONS

RUN NUMBER	RN/L /FT X10 6	MACH	ALPHA DEG.	BETA DEG.	PO PSIA	TO DEG. R	T DEG. R	P PSIA	Q PSI	V FT/SEC	RHO SLUGS /FT3	MU LB-SEC /FT2
720	.5013	7.900	39.98	.3465-02	100.8	1259.	93.36	.1120-01	.4894	3742.	.3238-03	.7513-07

RUN NUMBER	HREF BTU/ R FT2SEC	STN NO REF(R)
720	.1715-01	.5706-01

TEST DATA

RUN NUMBER	2Y/BW	XW/CW	T/C NO	H/HREF R=1.0	H/HREF R=0.9	H/HREF R= TAW/TO	TAW/TO	H(TO) BTU/R FT2SEC	H(TAW) BTU/R FT2SEC	QDOT BTU/ FT2SEC	DTWDT DEG. R /SEC	TW DEG. R
720	.40000	.20000	247.00	.5200-02	.6271-02	.6271-02	.9000	.8920-04	.1076-03	.6577-01	.5293	521.4
720	.40000	.40000	248.00	.8586-03	.1036-02	.1036-02	.9000	.1473-04	.1777-04	.1083-01	.1016	523.3
720	.40000	.60000	249.00	.3390-03	.4090-03	.4090-03	.9000	.5815-05	.7016-05	.4276-02	.4814-01	523.3
720	.40000	.95000	252.00	.2097-02	.2528-02	.2528-02	.9000	.3598-04	.4336-04	.2660-01	.2400	519.4
720	.60000	.25000-01	253.00	.7459-01	.9055-01	.9055-01	.9000	.1279-02	.1553-02	.9136	22.61	544.6
720	.60000	.50000-01	254.00	.5709-01	.6916-01	.6916-01	.9000	.9793-03	.1186-02	.7064	14.35	537.4
720	.60000	.10000+00	255.00	.3475-01	.4195-01	.4195-01	.9000	.5960-03	.7196-03	.4367	4.676	525.9
720	.60000	.20000	256.00	.9481-02	.1144-01	.1144-01	.9000	.1626-03	.1963-03	.1194	1.075	524.4
720	.60000	.40000	257.00	.2489-02	.3005-02	.3005-02	.9000	.4269-04	.5154-04	.3132-01	.2610	525.0
720	.60000	.60000	258.00	.1713-02	.2067-02	.2067-02	.9000	.2938-04	.3546-04	.2158-01	.2024	524.2
720	.60000	.75000	259.00	.3106-03	.3745-03	.3745-03	.9000	.5328-05	.6424-05	.3933-02	.3547-01	520.6
720	.60000	.85000	260.00	.1523-02	.1835-02	.1835-02	.9000	.2612-04	.3148-04	.1931-01	.1614	519.2
720	.60000	.95000	261.00	.3262-02	.3929-02	.3929-02	.9000	.5596-04	.6740-04	.4149-01	.4686	517.1
720	.70000	.20000	262.00	.9946-02	.1200-01	.1200-01	.9000	.1706-03	.2058-03	.1255	1.177	523.2
720	.70000	.40000	263.00	.3793-02	.4576-02	.4576-02	.9000	.6506-04	.7848-04	.4786-01	.4311	523.0
720	.75000	1.0000	265.00	.2536-01	.3059-01	.3059-01	.9000	.4349-03	.5246-03	.3202	3.135	522.5
720	.75000	.20000	266.00	.1123-01	.1354-01	.1354-01	.9000	.1926-03	.2323-03	.1419	1.390	521.8
720	.75000	.40000	267.00	.5162-02	.6225-02	.6225-02	.9000	.8854-04	.1068-03	.6524-01	.5879	521.9
720	.75000	.60000	268.00	.2685-02	.3238-02	.3238-02	.9000	.4605-04	.5554-04	.3393-01	.3475	521.9
720	.75000	.80000	269.00	.4637-03	.5588-03	.5588-03	.9000	.7953-05	.9586-05	.5878-02	.5524-01	519.7
720	.75000	.90000	270.00	.2756-02	.3321-02	.3321-02	.9000	.4728-04	.5696-04	.3501-01	.2822	518.2

DATE 23 FEB 80

OH84B MODEL 60-0 IN THE AEDC VKF HYPERSONIC TUNNEL

PAGE 2302

OH84B 60-0 WING UPPER SURFACE

(R4UR30)

RUN NUMBER	ZY/BW	XW/CW	T/C NO	H/HREF R=1.0	H/HREF R=0.9	H/HREF R= TAW/TO	TAW/TO	H(TO) BTU/R FT2SEC	H(TAW) BTU/R FT2SEC	QDOT BTU/ FT2SEC	DTWDT DEG. R /SEC	TW DEG. R
720	.80000	.90000	271.00	.3884-02	.4680-02	.4680-02	.9000	.6661-04	.8028-04	.4927-01	.3833	519.1
720	.90000	.20000	272.00	.1148-01	.1385-01	.1385-01	.9000	.1970-03	.2375-03	.1452	1.309	521.4
720	.90000	.40000	273.00	.2848-02	.3434-02	.3434-02	.9000	.4886-04	.5891-04	.3604-01	.3249	521.1
720	.90000	.60000	274.00	.1991-02	.2400-02	.2400-02	.9000	.3414-04	.4117-04	.2518-01	.1892	521.2
720	.95000	.20000	275.00	.1082-01	.1305-01	.1305-01	.9000	.1856-03	.2238-03	.1369	1.342	520.8
720	.95000	.40000	276.00	.8871-02	.1069-01	.1069-01	.9000	.1522-03	.1834-03	.1123	.8444	520.3
720	.95000	.50000	277.00	.5746-02	.6928-02	.6928-02	.9000	.9857-04	.1188-03	.7276-01	.6562	520.5
720	.95000	.70000	278.00	.1107-02	.1334-02	.1334-02	.9000	.1899-04	.2289-04	.1404-01	.1131	519.3
720	.95000	.80000	279.00	.1986-02	.2394-02	.2394-02	.9000	.3407-04	.4106-04	.2520-01	.1960	519.2
720	.95000	.90000	280.00	.6355-02	.7660-02	.7660-02	.9000	.1090-03	.1314-03	.8057-01	.6491	519.6

DATE 23 FEB 80

OH84B MODEL 60-0 IN THE AEDC VKF HYPERSONIC TUNNEL

PAGE 2303

OH84B 60-0 WING UPPER SURFACE

(R4UR30)

WING UPPER SURF

PARAMETRIC DATA

MACH = 8.000 ALPHA = 40.00 BETA = .0000 ELEVON = -15.00
 BDFLAP = .0000 SPDBRK = .0000

TEST CONDITIONS

RUN NUMBER	RN/L /FT X10 6	MACH	ALPHA DEG.	BETA DEG.	PO PSIA	TO DEG. R	T DEG. R	P PSIA	Q PSI	V FT/SEC	RHO SLUGS /FT3	MU LB-SEC /FT2
714	.9986	7.940	40.00	.1042-01	205.2	1266.	93.00	.2207-01	.9741	3754.	.6406-03	.7484-07
RUN NUMBER	HREF BTU/ R FT2SEC	STN NO REF (R)										
714	.2422-01	.4060-01										

TEST DATA

RUN NUMBER	2Y/BW	XW/CW	T/C NO	H/HREF R=1.0	H/HREF R=0.9	H/HREF R= TAW/TO	TAW/TO	H(TO) BTU/R FT2SEC	H(TAW) BTU/R FT2SEC	QDOT BTU/ FT2SEC	DTWDT /SEC	TW DEG. R
714	.40000	.20000	247.00	.4955-02	.5970-02	.5970-02	.9000	.1200-03	.1446-03	.8934-01	.7191	521.3
714	.40000	.40000	248.00	.2721-03	.3280-03	.3280-03	.9000	.6592-05	.7945-05	.4899-02	.4598-01	522.5
714	.40000	.60000	249.00	.4665-03	.5622-03	.5622-03	.9000	.1130-04	.1362-04	.8400-02	.9461-01	522.3
714	.40000	.95000	252.00	.1745-02	.2101-02	.2101-02	.9000	.4227-04	.5089-04	.3159-01	.2852	518.4
714	.60000	.25000-01	253.00	.7863-01	.9587-01	.9587-01	.9000	.1905-02	.2322-02	1.341	32.89	561.8
714	.60000	.50000-01	254.00	.6533-01	.7938-01	.7938-01	.9000	.1583-02	.1923-02	1.132	22.85	550.5
714	.60000	.10000+00	255.00	.4325-01	.5224-01	.5224-01	.9000	.1048-02	.1265-02	.7706	8.234	530.1
714	.60000	.20000	256.00	.9875-02	.1191-01	.1191-01	.9000	.2392-03	.2884-03	.1774	1.597	524.2
714	.60000	.40000	257.00	.1259-02	.1517-02	.1517-02	.9000	.3049-04	.3675-04	.2264-01	.1888	523.1
714	.60000	.60000	258.00	.6732-03	.8114-03	.8114-03	.9000	.1631-04	.1966-04	.1212-01	.1138	522.5
714	.60000	.85000	260.00	.1419-02	.1708-02	.1708-02	.9000	.3438-04	.4138-04	.2571-01	.2150	517.7
714	.60000	.95000	261.00	.3086-02	.3713-02	.3713-02	.9000	.7476-04	.8995-04	.5601-01	.6327	516.5
714	.70000	.20000	262.00	.1019-01	.1229-01	.1229-01	.9000	.2469-03	.2976-03	.1833	1.719	523.3
714	.70000	.40000	263.00	.3088-02	.3721-02	.3721-02	.9000	.7480-04	.9014-04	.5563-01	.5013	522.0
714	.75000	1.0000	265.00	.2605-01	.3142-01	.3142-01	.9000	.6311-03	.7611-03	.4676	4.574	524.7
714	.75000	.20000	266.00	.1063-01	.1281-01	.1281-01	.9000	.2574-03	.3103-03	.1913	1.873	522.6
714	.75000	.40000	267.00	.4465-02	.5381-02	.5381-02	.9000	.1082-03	.1303-03	.8047-01	.7252	521.7
714	.75000	.60000	268.00	.1492-02	.1797-02	.1797-02	.9000	.3614-04	.4354-04	.2690-01	.2755	521.4
714	.75000	.80000	269.00	.1784-03	.2148-03	.2148-03	.9000	.4322-05	.5203-05	.3231-02	.3039-01	518.2
714	.75000	.90000	270.00	.2140-02	.2575-02	.2575-02	.9000	.5184-04	.6239-04	.3879-01	.3128	517.4
714	.80000	.90000	271.00	.2560-02	.3082-02	.3082-02	.9000	.6202-04	.7466-04	.4637-01	.3610	518.0

DATE 23 FEB 80

OH84B MODEL 60-0 IN THE AEDC VKI HYPERSONIC TUNNEL

PAGE 2304

OH84B 60-0 WING UPPER SURFACE

(R4UR30)

RUN NUMBER	2Y/BW	XW/CW	T/C NO	H/HREF R=1.0	H/HREF R=0.9	H/HREF R= TAW/TO	TAW/TO	H(TO) BTU/R FT2SEC	H(TAW) BTU/R FT2SEC	QDOT BTU/ FT2SEC	DTWDT DEG. R /SEC	TW DEG. R
714	.90000	.20000	272.00	.2618-01	.3157-01	.3157-01	.9000	.6341-03	.7647-03	.4700	4.230	524.5
714	.90000	.40000	273.00	.3695-02	.4451-02	.4451-02	.9000	.8950-04	.1078-03	.6670-01	.6015	520.5
714	.90000	.60000	274.00	.1817-01	.2190-01	.2190-01	.9000	.4401-03	.5306-03	.3266	2.450	523.6
714	.95000	.20000	275.00	.9663-02	.1164-01	.1164-01	.9000	.2341-03	.2820-03	.1745	1.711	520.3
714	.95000	.40000	276.00	.2831-01	.3419-01	.3419-01	.9000	.6859-03	.8283-03	.5048	3.776	529.7
714	.95000	.50000	277.00	.2625-01	.4376-01	.4376-01	.9000	.8780-03	.1060-02	.6473	5.814	528.4
714	.95000	.70000	278.00	.1157-01	.1395-01	.1395-01	.9000	.2804-03	.3379-03	.2085	1.677	522.1
714	.95000	.80000	279.00	.4334-02	.5219-02	.5219-02	.9000	.1050-03	.1264-03	.7841-01	.6101	518.9
714	.95000	.90000	280.00	.7303-02	.8796-02	.8796-02	.9000	.1769-03	.2131-03	.1320	1.063	519.7

DATE 23 FEB 80

OH84B MODEL 60-0 IN THE AEDC VKF HYPERSONIC TUNNEL

PAGE 2305

OH84B 60-0 WING UPPER SURFACE

(R4UR30)

WING UPPER SURF

PARAMETRIC DATA

MACH = 8.000 ALPHA = 40.00 BETA = .0000 ELEVON = -15.00
 BDFLAP = .0000 SPDBRK = .0000

TEST CONDITIONS

RUN NUMBER	RN/L /FT X10 6	MACH	ALPHA DEG.	BETA DEG.	PO PSIA	TO DEG. R	T DEG. R	P PSIA	Q PSI	V FT/SEC	RHO SLUGS /FT3	MU LB-SEC /FT2
712	1.997	7.980	40.05	.1047-01	433.8	1302.	94.76	.4516-01	2.013	3808.	.1286-02	.7626-07
RUN NUMBER	HREF BTU/ R FT2SEC	STN NO REF(R)										
712	.3499-01	.2873-01										

TEST DATA

RUN NUMBER	2Y/BW	XW/CW	1/C NO	H/HREF R=1.0	H/HREF R=0.9	H/HREF R= TAW/TO	TAW/TO	H(TO) BTU/R FT2SEC	H(TAW) BTU/R FT2SEC	QDOT BTU/ FT2SEC	DTWDT DEG. R /SEC	TW DEG. R
712	.40000	.20000	247.00	.6802-02	.8180-02	.8180-02	.9000	.2380-03	.2863-03	.1838	1.474	529.3
712	.40000	.40000	248.00	.3208-03	.3860-03	.3860-03	.9000	.1123-04	.1351-04	.8653-02	.8086-01	530.9
712	.40000	.60000	249.00	.3095-03	.3723-03	.3723-03	.9000	.1083-04	.1303-04	.8348-02	.9362-01	530.8
712	.40000	.75000	250.00	.8088-04	.9726-04	.9726-04	.9000	.2830-05	.3404-05	.2187-02	.1637-01	528.8
712	.40000	.95000	252.00	.1900-02	.2281-02	.2281-02	.9000	.6648-04	.7983-04	.5176-01	.4661	523.2
712	.60000	.25000-01	253.00	.9392-01	.1152	.1152	.9000	.3287-02	.4033-02	2.312	55.71	598.1
712	.60000	.50000-01	254.00	.8515-01	.1040	.1040	.9000	.2980-02	.3640-02	2.139	42.46	583.9
712	.60000	.10000+00	255.00	.5760-01	.6962-01	.6962-01	.9000	.2016-02	.2436-02	1.519	16.08	548.1
712	.60000	.20000	256.00	.1208-01	.1455-01	.1455-01	.9000	.4229-03	.5092-03	.3248	2.910	533.5
712	.60000	.40000	257.00	.7936-03	.9552-03	.9552-03	.9000	.2777-04	.3343-04	.2138-01	.1775	532.0
712	.60000	.60000	258.00	.6113-03	.7355-03	.7355-03	.9000	.2139-04	.2574-04	.1649-01	.1541	530.8
712	.60000	.85000	260.00	.8753-03	.1051-02	.1051-02	.9000	.3063-04	.3678-04	.2384-01	.1988	523.2
712	.60000	.95000	261.00	.2958-02	.3550-02	.3550-02	.9000	.1035-03	.1242-03	.8075-01	.9099	521.5
712	.70000	.20000	262.00	.1080-01	.1300-01	.1300-01	.9000	.3781-03	.4550-03	.2912	2.720	531.4
712	.70000	.40000	263.00	.2875-02	.3458-02	.3458-02	.9000	.1006-03	.1210-03	.7765-01	.6970	529.8
712	.75000	1.0000	265.00	.2973-01	.3579-01	.3579-01	.9000	.1040-02	.1252-02	.7995	7.788	533.1
712	.75000	.40000	267.00	.4654-02	.5596-02	.5596-02	.9000	.1629-03	.1958-03	.1260	1.132	528.1
712	.75000	.60000	268.00	.5130-02	.6168-02	.6168-02	.9000	.1795-03	.2158-03	.1388	1.416	528.6
712	.75000	.80000	269.00	.7968-03	.9567-03	.9567-03	.9000	.2788-04	.3348-04	.2172-01	.2038	522.9
712	.75000	.90000	270.00	.2898-02	.3478-02	.3478-02	.9000	.1014-03	.1217-03	.7910-01	.6365	521.7
712	.80000	.90000	271.00	.3965-02	.4761-02	.4761-02	.9000	.1388-03	.1666-03	.1081	.8398	522.5

DATE 23 FEB 80

OH84B MODEL 60-0 IN THE AEDC VKF HYPERSONIC TUNNEL

PAGE 2308

OH84B 60-0 WING UPPER SURFACE

(R4UR30)

RUN NUMBER	ZY/BW	XW/CW	T/C NO	H/HREF	H/HREF	H/HREF	TAW/TO	H(TO)	H(TAW)	QDOT	DTWDT	TW
				R=1.0	R=0.9	R=		BTU/R	BTU/R	BTU/	DEG. R	DEG. R
				TAW/TO			FT2SEC			FT2SEC	/SEC	
712	.90000	.20000	272.00	.5188-01	.6249-01	.6249-01	.9000	.1815-02	.2187-02	1.391	12.45	535.5
712	.90000	.40000	273.00	.8077-02	.9707-02	.9707-02	.9000	.2826-03	.3397-03	.2191	1.970	526.4
712	.90000	.60000	274.00	.2002-01	.2409-01	.2409-01	.9000	.7007-03	.8432-03	.5397	4.033	531.4
712	.95000	.20000	275.00	.1977-01	.2377-01	.2377-01	.9000	.6918-03	.8318-03	.5352	5.226	528.1
712	.95000	.40000	276.00	.5283-01	.6379-01	.6379-01	.9000	.1849-02	.2232-02	1.400	10.40	544.2
712	.95000	.50000	277.00	.6568-01	.7928-01	.7928-01	.9000	.2298-02	.2774-02	1.743	15.54	543.1
712	.95000	.70000	278.00	.2332-01	.2805-01	.2805-01	.9000	.8159-03	.9816-03	.6295	5.044	530.2
712	.95000	.80000	279.00	.5731-02	.6882-02	.6882-02	.9000	.2006-03	.2408-03	.1561	1.212	523.2
712	.95000	.90000	280.00	.9203-02	.1105-01	.1105-01	.9000	.3221-03	.3868-03	.2505	2.014	523.9

OH84B 60-0 WING UPPER SURFACE

(R4UR30)

WING UPPER SURF

PARAMETRIC DATA

MACH = 8.000 ALPHA = 40.00 BETA = .0000 ELEVON = -15.00
 BDFLAP = .0000 SPDBRK = .0000

TEST CONDITIONS

RUN NUMBER	RN/L /FT X10 6	MACH	ALPHA DEG.	BETA DEG.	PO PSIA	TO DEG. R	T DEG. R	P PSIA	Q PSI	V FT/SEC	RHO SLUGS /FT3	MU LB-SEC /FT2
706	3.002	7.990	40.06	.6989-02	668.9	1321.	95.92	.6908-01	3.087	3836.	.1944-02	.7719-07
RUN NUMBER	HREF BTU/ R FT2SEC	STN NO REF (R)										
706	.4344-01	.2341-01										

TEST DATA

RUN NUMBER	2Y/BW	XW/CW	T/C NO	H/HREF R=1.0	H/HREF R=0.9	H/HREF R= TAW/TO	TAW/TO	H(TO) BTU/R FT2SEC	H(TAW) BTU/R FT2SEC	QDOT BTU/ FT2SEC	DTWDT DEG. R /SEC	TW DEG. R
706	.40000	.20000	247.00	.8702-02	.1046-01	.1046-01	.9000	.3780-03	.4543-03	.2974	2.378	534.0
706	.40000	.40000	248.00	.5850-03	.7031-03	.7031-03	.9000	.2541-04	.3054-04	.1997-01	.1862	534.8
706	.40000	.60000	249.00	.7089-03	.8521-03	.8521-03	.9000	.3080-04	.3702-04	.2420-01	.2707	535.0
706	.40000	.75000	250.00	.4484-03	.5388-03	.5388-03	.9000	.1948-04	.2341-04	.1534-01	.1146	533.0
706	.40000	.95000	252.00	.1537-02	.1844-02	.1844-02	.9000	.6678-04	.8010-04	.5301-01	.4766	526.8
706	.60000	.25000-01	253.00	.9334-01	.1148	.1148	.9000	.4055-02	.4986-02	2.867	68.57	613.5
706	.60000	.50000-01	254.00	.8948-01	.1094	.1094	.9000	.3887-02	.4754-02	2.816	55.58	596.1
706	.60000	.10000+30	255.00	.6845-01	.8279-01	.8279-01	.9000	.2974-02	.3596-02	2.269	23.90	557.8
706	.60000	.20000	256.00	.1477-01	.1777-01	.1777-01	.9000	.6416-03	.7717-03	.5024	4.492	537.6
706	.60000	.40000	257.00	.9644-03	.1159-02	.1159-02	.9000	.4190-04	.5036-04	.3292-01	.2729	535.0
706	.60000	.60000	258.00	.3519-03	.4229-03	.4229-03	.9000	.1529-04	.1837-04	.1203-01	.1123	533.6
706	.60000	.75000	259.00	.2062-02	.2474-02	.2474-02	.9000	.8957-04	.1075-03	.7103-01	.6382	527.7
706	.60000	.85000	260.00	.1208-02	.1449-02	.1449-02	.9000	.5247-04	.6294-04	.4165-01	.3467	526.8
706	.60000	.95000	261.00	.3365-02	.4034-02	.4034-02	.9000	.1462-03	.1752-03	.1164	1.309	524.6
706	.70000	.20000	262.00	.9845-02	.1183-01	.1183-01	.9000	.4277-03	.5139-03	.3367	3.143	533.4
706	.70000	.40000	263.00	.2447-02	.2939-02	.2939-02	.9000	.1063-03	.1277-03	.8388-01	.7522	531.7
706	.75000	1.0000	265.00	.3281-01	.3948-01	.3948-01	.9000	.1425-02	.1715-02	1.115	10.83	538.7
706	.75000	.40000	267.00	.4861-02	.5836-02	.5836-02	.9000	.2112-03	.2535-03	.1670	1.499	529.7
706	.75000	.60000	268.00	.5898-02	.7080-02	.7080-02	.9000	.2562-03	.3076-03	.2026	2.067	529.8
706	.75000	.80000	269.00	.1376-02	.1650-02	.1650-02	.9000	.5976-04	.7166-04	.4756-01	.4458	524.9
706	.75000	.90000	270.00	.4247-02	.5092-02	.5092-02	.9000	.1845-03	.2212-03	.1469	1.181	524.4

DATE 23 FEB 80

OH84B MODEL 60-0 IN THE AEOC VKF HYPERSONIC TUNNEL

PAGE 2308

OH84B 60-0 WING UPPER SURFACE

(R4UR30)

RUN NUMBER	2Y/BW	XW/CW	T/C NO	H/HREF	H/HREF	H/HREF	TAW/TO	H(TO)	H(TAW)	QDOT	DTWDT	TW
				R=1.0	R=0.9	R=		BTU/R	BTU/R	BTU/ FT2SEC	DEG. R /SEC	DEG. R
706	.80000	.90000	271.00	.4154-02	.4979-02	.4979-02	.9000	.1804-03	.2163-03	.1437	1.115	524.2
706	.90000	.20000	272.00	.2771-01	.3332-01	.3332-01	.9000	.1204-02	.1447-02	.9453	8.460	535.5
706	.90000	.40000	273.00	.1595-01	.1915-01	.1915-01	.9000	.6929-03	.8321-03	.5471	4.908	531.1
706	.90000	.60000	274.00	.3656-01	.4393-01	.4393-01	.9000	.1588-02	.1909-02	1.249	9.320	534.3
706	.95000	.20000	275.00	.1509-01	.1811-01	.1811-01	.9000	.6554-03	.7869-03	.5183	5.057	529.9
706	.95000	.40000	276.00	.9580-01	.1160	.1160	.9000	.4162-02	.5037-02	3.162	23.28	561.0
706	.95000	.50000	277.00	.1187	.1440	.1440	.9000	.5155-02	.6255-02	3.872	34.06	569.6
706	.95000	.70000	278.00	.5472-01	.6594-01	.6594-01	.9000	.2377-02	.2864-02	1.845	14.67	544.6
706	.95000	.80000	279.00	.1418-01	.1701-01	.1701-01	.9000	.6160-03	.7390-03	.4887	3.786	527.3
706	.95000	.90000	280.00	.1181-01	.1416-01	.1416-01	.9000	.5129-03	.6152-03	.4073	3.269	526.5

DATE 23 FEB 80

OH84B MODEL 60-0 IN THE AEDC VKF HYPERSONIC TUNNEL

PAGE 2309

OH84B 60-0 WING UPPER SURFACE

(R4UR31)

WING UPPER SURF

PARAMETRIC DATA

MACH = 8.000 ALPHA = 40.00 BETA = .0000 ELEVON = -12.50
BDFLAP = -12.50 SPDBRK = .0000

TEST CONDITIONS

Table with 13 columns: RUN NUMBER, RN/L /FT, MACH, ALPHA DEG., BETA DEG., PO PSIA, TO DEG. R, T DEG. R, P PSIA, Q PSI, V FT/SEC, RHO SLUGS /FT3, MU LB-SEC /FT2. Includes a second set of columns for HREF, STN NO, and REF (R).

TEST DATA

Table with 13 columns: RUN NUMBER, 2Y/BW, XW/CW, T/C NO, H/HREF R=1.0, H/HREF R=0.9, H/HREF TAW/TO, TAW/TO, H(TO) BTU/R FT2SEC, H(TAW) BTU/R FT2SEC, QDOT FT2SEC, DTWDT DEG. R /SEC, TW DEG. R.

DATE 23 FEB 80

OH84B MODEL 60-0 IN THE AEDC VKF HYPERSONIC TUNNEL

PAGE 2310

OH84B 60-0 WING UPPER SURFACE

(R4UR31)

RUN NUMBER	2Y/BW	XW/CW	T/C NO	H/HREF R=1.0	H/HREF R=0.9	H/HREF R= TAW/TO	TAW/TO	H(TO) BTU/R FT2SEC	H(TAW) BTU/R FT2SEC	QDOT BTU/ FT2SEC	DTWDT DEG. R /SEC	TW DEG. R
726	.90000	.20000	272.00	.1129-01	.1363-01	.1363-01	.9000	.1951-03	.2354-03	.1431	1.288	523.3
726	.90000	.40000	273.00	.2744-02	.3311-02	.3311-02	.9000	.4741-04	.5721-04	.3478-01	.3132	523.1
726	.90000	.60000	274.00	.1756-02	.2119-02	.2119-02	.9000	.3033-04	.3660-04	.2224-01	.1669	523.3
726	.95000	.20000	275.00	.1137-01	.1372-01	.1372-01	.9000	.1965-03	.2371-03	.1442	1.412	522.7
726	.95000	.40000	276.00	.7933-02	.9570-02	.9570-02	.9000	.1371-03	.1653-03	.1007	.7562	522.0
726	.95000	.50000	277.00	.2897-02	.3495-02	.3495-02	.9000	.5006-04	.6038-04	.3677-01	.3314	522.0
726	.95000	.70000	278.00	.1419-02	.1712-02	.1712-02	.9000	.2452-04	.2958-04	.1803-01	.1451	521.5
726	.95000	.80000	279.00	.1959-02	.2362-02	.2362-02	.9000	.3384-04	.4081-04	.2490-01	.1936	520.7
726	.95000	.90000	280.00	.7675-02	.9256-02	.9256-02	.9000	.1326-03	.1599-03	.9754-01	.7852	521.0

OH84B 60-0 WING UPPER SURFACE

(R4UR31)

WING UPPER SURF

PARAMETRIC DATA

MACH = 8.000 ALPHA = 40.00 BETA = .0000 ELEVON = -12.50
 BDFLAP = -12.50 SPDBRK = .0000

TEST CONDITIONS

RUN NUMBER	RN/L /FT X10 6	MACH	ALPHA DEG.	BETA DEG.	PO PSIA	TO DEG. R	T DEG. R	P PSIA	Q PSI	V FT/SEC	RHO SLUGS /FT3	MU LB-SEC /FT2
740	1.019	7.940	39.99	-.2081-01	209.3	1266.	93.00	.2252-01	.9937	3754.	.6534-03	.7484-07
RUN NUMBER	HREF BTU/ R FT2SEC	STN NO REF(R) =.0175										
740	.2447-01	.4020-01										

TEST DATA

RUN NUMBER	ZY/BW	XW/CW	T/C NO	H/HREF R=1.0	H/HREF R=0.9	H/HREF R= TAW/TO	TAW/TO	H(TO) BTU/R FT2SEC	H(TAW) BTU/R FT2SEC	QDOT BTU/ FT2SEC	DTWDT DEG. R /SEC	TW DEG. R
740	.40000	.20000	247.00	.6454-02	.7796-02	.7796-02	.9000	.1579-03	.1907-03	.1161	.9300	530.5
740	.40000	.40000	248.00	.7307-03	.8828-03	.8828-03	.9000	.1788-04	.2160-04	.1314-01	.1228	530.8
740	.40000	.60000	249.00	.6969-03	.8417-03	.8417-03	.9000	.1705-04	.2059-04	.1254-01	.1406	530.4
740	.40000	.75000	250.00	.5251-03	.6343-03	.6343-03	.9000	.1285-04	.1552-04	.9441-02	.7058-01	530.8
740	.40000	.95000	252.00	.1405-02	.1695-02	.1695-02	.9000	.3438-04	.4148-04	.2541-01	.2284	526.6
740	.60000	.25000-01	253.00	.7937-01	.9693-01	.9693-01	.9000	.1942-02	.2371-02	1.357	33.22	566.7
740	.60000	.50000-01	254.00	.6574-01	.8000-01	.8000-01	.9000	.1608-02	.1957-02	1.141	22.98	556.0
740	.60000	.10000+00	255.00	.4884-01	.5913-01	.5913-01	.9000	.1195-02	.1447-02	.8688	9.243	538.6
740	.60000	.20000	256.00	.1033-01	.1249-01	.1249-01	.9000	.2527-03	.3055-03	.1850	1.658	533.5
740	.60000	.40000	257.00	.1725-02	.2085-02	.2085-02	.9000	.4219-04	.5101-04	.3091-01	.2564	533.1
740	.60000	.60000	258.00	.9472-03	.1145-02	.1145-02	.9000	.2317-04	.2801-04	.1700-01	.1587	532.2
740	.60000	.85000	260.00	.9835-03	.1187-02	.1187-02	.9000	.2406-04	.2903-04	.1778-01	.1480	526.6
740	.60000	.95000	261.00	.3403-02	.4103-02	.4103-02	.9000	.8325-04	.1004-03	.6172-01	.6944	524.3
740	.70000	.20000	262.00	.1067-01	.1290-01	.1290-01	.9000	.2611-03	.3156-03	.1914	1.787	532.6
740	.70000	.40000	263.00	.3548-02	.4287-02	.4287-02	.9000	.8680-04	.1049-03	.6372-01	.5715	531.5
740	.75000	1.0000	265.00	.2648-01	.3199-01	.3199-01	.9000	.6478-03	.7828-03	.4755	4.635	531.6
740	.75000	.40000	267.00	.4999-02	.6039-02	.6039-02	.9000	.1223-03	.1478-03	.8991-01	.8067	530.6
740	.75000	.60000	268.00	.2271-02	.2743-02	.2743-02	.9000	.5556-04	.6712-04	.4084-01	.4164	530.6
740	.75000	.80000	269.00	.1044-02	.1260-02	.1260-02	.9000	.2555-04	.3084-04	.1885-01	.1765	527.7
740	.75000	.90000	270.00	.2797-02	.3374-02	.3374-02	.9000	.6843-04	.8254-04	.5065-01	.4068	525.5
740	.80000	.90000	271.00	.3215-02	.3879-02	.3879-02	.9000	.7866-04	.9490-04	.5815-01	.4508	526.4

DATE 23 FEB 80

OH84B MODEL 60-0 IN THE AEDC VKF HYPERSONIC TUNNEL

PAGE 2312

OH84B 60-0 WING UPPER SURFACE

(R4UR31)

RUN NUMBER	2Y/BW	XW/CW	T/C NO	H/HREF R=1.0	H/HREF R=0.9	H/HREF R= TAW/TO	TAW/TO	H(TO) BTU/R FT2SEC	H(TAW) BTU/R FT2SEC	QDOT BTU/ FT2SEC	DTWDT DEG. R /SEC	TW DEG. R
740	.90000	.20000	272.00	.3985-01	.4820-01	.4820-01	.9000	.9750-03	.1179-02	.7127	6.382	534.7
740	.90000	.40000	273.00	.5608-02	.6775-02	.6775-02	.9000	.1372-03	.1658-03	.1008	.9042	531.0
740	.90000	.60000	274.00	.4155-02	.5021-02	.5021-02	.9000	.1017-03	.1228-03	.7466-01	.5580	531.3
740	.95000	.20000	275.00	.1903-01	.2300-01	.2300-01	.9000	.4656-03	.5626-03	.3419	3.333	531.4
740	.95000	.40000	276.00	.2033-01	.2458-01	.2458-01	.9000	.4973-03	.6013-03	.3642	2.719	533.4
740	.95000	.50000	277.00	.1180-01	.1425-01	.1425-01	.9000	.2886-03	.3487-03	.2118	1.899	531.7
740	.95000	.70000	278.00	.2042-02	.2465-02	.2465-02	.9000	.4995-04	.6030-04	.3682-01	.2953	528.5
740	.95000	.80000	279.00	.2739-02	.3305-02	.3305-02	.9000	.6701-04	.8087-04	.4948-01	.3834	527.2
740	.95000	.90000	280.00	.7992-02	.9644-02	.9644-02	.9000	.1955-03	.2360-03	.1445	1.159	526.9

OH84B 60-0 WING UPPER SURFACE

(R4UR31)

WING UPPER SURF

PARAMETRIC DATA

MACH = 8.000 ALPHA = 40.00 BETA = .0000 ELEVON = -12.50
 BDFLAP = -12.50 SPDBRK = .0000

TEST CONDITIONS

RUN NUMBER	RN/L /FT X10 6	MACH	ALPHA DEG.	BETA DEG.	PO PSIA	TO DEG. R	T DEG. R	P PSIA	Q PSI	V FT/SEC	RHO SLUGS /FT3	MU LB-SEC /FT2
738	1.994	7.980	40.04	-.2093-01	434.8	1305.	94.98	.4527-01	2.018	3813.	.1286-02	.7643-07

RUN NUMBER	HREF BTU/ R FT2SEC	STN NO REF (R) =.0175
738	.3505-01	.2874-01

TEST DATA

RUN NUMBER	2Y/BW	XW/CW	T/C NO	H/HREF R=1.0	H/HREF R=0.9	H/HREF R= TAW/TO	TAW/TO	H(TO) BTU/R FT2SEC	H(TAW) BTU/R FT2SEC	QDOT BTU/ FT2SEC	DTWDT DEG. R /SEC	TW DEG. R
738	.40000	.20000	247.00	.8119-02	.9776-02	.9776-02	.9000	.2845-03	.3427-03	.2189	1.750	535.3
738	.40000	.40000	248.00	.1147-02	.1381-02	.1381-02	.9000	.4018-04	.4842-04	.3082-01	.2871	537.6
738	.40000	.60000	249.00	.9433-03	.1136-02	.1136-02	.9000	.3306-04	.3983-04	.2538-01	.2837	537.0
738	.40000	.75000	250.00	.4845-03	.5836-03	.5836-03	.9000	.1698-04	.2045-04	.1306-01	.9736-01	535.8
738	.40000	.95000	252.00	.1516-02	.1821-02	.1821-02	.9000	.5313-04	.6384-04	.4131-01	.3713	527.2
738	.60000	.25000-01	253.00	.9555-01	.1171	.1171	.9000	.3349-02	.4104-02	2.374	57.26	595.8
738	.60000	.50000-01	254.00	.8600-01	.1050	.1050	.9000	.3014-02	.3679-02	2.175	43.20	583.0
738	.60000	.10000+30	255.00	.6602-01	.7986-01	.7986-01	.9000	.2314-02	.2799-02	1.743	18.42	551.4
738	.60000	.20000	256.00	.1293-01	.1559-01	.1559-01	.9000	.4531-03	.5463-03	.3463	3.092	540.4
738	.60000	.40000	257.00	.1431-02	.1726-02	.1726-02	.9000	.5016-04	.6049-04	.3833-01	.3168	540.6
738	.60000	.60000	258.00	.1190-02	.1434-02	.1434-02	.9000	.4171-04	.5027-04	.3195-01	.2974	538.6
738	.60000	.75000	259.00	.2234-03	.2686-03	.2686-03	.9000	.7829-05	.9414-05	.6066-02	.5445-01	529.8
738	.60000	.85000	260.00	.1132-02	.1360-02	.1360-02	.9000	.3967-04	.4768-04	.3081-01	.2563	528.0
738	.60000	.95000	261.00	.3382-02	.4061-02	.4061-02	.9000	.1185-03	.1423-03	.9250-01	1.041	524.3
738	.70000	.20000	262.00	.1128-01	.1359-01	.1359-01	.9000	.3954-03	.4764-03	.3034	2.825	537.5
738	.70000	.40000	263.00	.3516-02	.4236-02	.4236-02	.9000	.1232-03	.1485-03	.9460-01	.8460	537.0
738	.75000	1.0000	265.00	.2928-01	.3528-01	.3528-01	.9000	.1026-02	.1236-02	.7882	7.663	536.7
738	.75000	.40000	267.00	.5642-02	.6791-02	.6791-02	.9000	.1977-03	.2380-03	.1524	1.365	533.9
738	.75000	.60000	268.00	.4244-02	.5109-02	.5109-02	.9000	.1487-03	.1791-03	.1146	1.166	534.3
738	.75000	.80000	269.00	.1357-02	.1631-02	.1631-02	.9000	.4755-04	.5717-04	.3687-01	.3448	529.3
738	.75000	.90000	270.00	.2994-02	.3597-02	.3597-02	.9000	.1049-03	.1261-03	.8171-01	.6561	526.1

OH84B 60-0 WING UPPER SURFACE

(R4UR31)

RUN NUMBER	2Y/BW	XW/CW	T/C NO	H/HREF R=1.0	H/HREF R=0.9	H/HREF R= TAW/TO	TAW/TO	H(TO) BTU/R FT2SEC	H(TAW) BTU/R FT2SEC	QDOT BTU/ FT2SEC	DTWDT DEG. R /SEC	TW DEG. R
738	.80000	.90000	271.00	.3765-02	.4524-02	.4524-02	.9000	.1320-03	.1586-03	.1026	.7952	527.0
738	.90000	.20000	272.00	.6098-01	.7364-01	.7364-01	.9000	.2137-02	.2581-02	1.622	14.44	545.8
738	.90000	.40000	273.00	.1199-01	.1444-01	.1444-01	.9000	.4203-03	.5060-03	.3238	2.900	534.2
738	.90000	.60000	274.00	.1032-01	.1242-01	.1242-01	.9000	.3617-03	.4355-03	.2786	2.079	534.5
738	.95000	.20000	275.00	.3235-01	.3898-01	.3898-01	.9000	.1134-02	.1366-02	.8705	8.463	536.9
738	.95000	.40000	276.00	.3095-01	.3731-01	.3731-01	.9000	.1085-02	.1308-02	.8299	6.177	539.6
738	.95000	.50000	277.00	.2019-01	.2432-01	.2432-01	.9000	.7077-03	.8525-03	.5434	4.861	536.8
738	.95000	.70000	278.00	.8121-02	.9769-02	.9769-02	.9000	.2846-03	.3424-03	.2201	1.763	531.3
738	.95000	.80000	279.00	.4121-02	.4954-02	.4954-02	.9000	.1444-03	.1736-03	.1121	.8679	528.6
738	.95000	.90000	280.00	.9383-02	.1128-01	.1128-01	.9000	.3289-03	.3952-03	.2555	2.049	527.9

OH84B 60-0 WING UPPER SURFACE

(R4UR31)

WING UPPER SURF

PARAMETRIC DATA

MACH = 8.000 ALPHA = 40.00 BETA = .0000 ELEVON = -12.50
 BOFLAP = -12.50 SPDBRK = .0000

TEST CONDITIONS

RUN NUMBER	RN/L /FT X10 6	MACH	ALPHA DEG.	BETA DEG.	PO PSIA	TO DEG. R	T DEG. R	P PSIA	Q PSI	V FT/SEC	RHO SLUGS /FT3	MU LB-SEC /FT2
728	2.981	7.990	40.06	-.2097-01	667.2	1325.	96.21	.6890-01	3.079	3842.	.1933-02	.7742-07
RUN NUMBER	HREF BTU/ R FT2SEC	STN NO REF(R) *.0175										
728	.4341-01	.2348-01										

TEST DATA

RUN NUMBER	2Y/BW	XW/CW	T/C NO	H/HREF R=1.0	H/HREF R=0.9	H/HREF R= TAW/TO	TAW/TO	H(TO) BTU/R FT2SEC	H(TAW) BTU/R FT2SEC	QDOT BTU/ FT2SEC	DTWDT DEG. R /SEC	TW DEG. R
728	.40000	.20000	247.00	.9309-02	.1117-01	.1117-01	.9000	.4041-03	.4850-03	.3210	2.572	530.2
728	.40000	.40000	248.00	.9210-03	.1106-02	.1106-02	.9000	.3998-04	.4799-04	.3173-01	.2965	531.1
728	.40000	.60000	249.00	.7309-03	.8775-03	.8775-03	.9000	.3173-04	.3809-04	.2517-01	.2821	531.5
728	.40000	.75000	250.00	.6581-03	.7900-03	.7900-03	.9000	.2857-04	.3429-04	.2266-01	.1694	531.4
728	.40000	.95000	252.00	.1600-02	.1918-02	.1918-02	.9000	.6947-04	.8328-04	.5549-01	.4991	525.8
728	.60000	.25000-01	253.00	.1002	.1234	.1234	.9000	.4350-02	.5355-02	3.071	73.25	618.7
728	.60000	.50000-01	254.00	.9294-01	.1137	.1137	.9000	.4034-02	.4935-02	2.928	57.71	598.8
728	.60000	.10000+00	255.00	.6964-01	.8415-01	.8415-01	.9000	.3023-02	.3653-02	2.322	24.47	556.7
728	.60000	.20000	256.00	.1485-01	.1786-01	.1786-01	.9000	.6447-03	.7751-03	.5075	4.537	537.5
728	.60000	.40000	257.00	.1354-02	.1628-02	.1628-02	.9000	.5879-04	.7065-04	.4638-01	.3843	535.7
728	.60000	.60000	258.00	.5610-03	.6741-03	.6741-03	.9000	.2435-04	.2926-04	.1923-01	.1793	535.2
728	.60000	.75000	259.00	.2574-02	.3088-02	.3088-02	.9000	.1117-03	.1340-03	.8897-01	.7991	528.4
728	.60000	.85000	260.00	.2673-02	.3205-02	.3205-02	.9000	.1160-03	.1391-03	.9246-01	.7693	527.7
728	.60000	.95000	261.00	.3962-02	.4748-02	.4748-02	.9000	.1720-03	.2061-03	.1376	1.548	524.6
728	.70000	.20000	262.00	.1107-01	.1331-01	.1331-01	.9000	.4807-03	.5776-03	.3793	3.536	535.5
728	.70000	.40000	263.00	.3164-02	.3802-02	.3802-02	.9000	.1374-03	.1650-03	.1085	.9717	534.6
728	.75000	1.0000	265.00	.3211-01	.3861-01	.3861-01	.9000	.1394-02	.1676-02	1.096	10.65	538.1
728	.75000	.20000	266.00	.1298-01	.1559-01	.1559-01	.9000	.5633-03	.6766-03	.4457	4.340	533.5
728	.75000	.40000	267.00	.5336-02	.6407-02	.6407-02	.9000	.2316-03	.2781-03	.1834	1.644	532.7
728	.75000	.60000	268.00	.6168-02	.7408-02	.7408-02	.9000	.2677-03	.3216-03	.2119	2.157	533.4
728	.75000	.80000	269.00	.2166-02	.2599-02	.2599-02	.9000	.9403-04	.1128-03	.7482-01	.6998	529.0

DATE 23 FEB 80

OH84B MODEL 60-0 IN THE AEDC VKF HYPERSONIC TUNNEL

PAGE 2316

OH84B 60-0 WING UPPER SURFACE

(R4UR31)

RUN NUMBER	ZY/BW	XW/CW	T/C NO	H/HREF R=1.0	H/HREF R=0.9	H/HREF R= TAW/TO	TAW/TO	H(TO) BTU/R FT2SEC	H(TAW) BTU/R FT2SEC	QDOT BTU/ FT2SEC	DTWDT DEG. R /SEC	TW DEG. R
728	.75000	.90000	270.00	.4353-02	.5220-02	.5220-02	.9000	.1890-03	.2266-03	.1508	1.210	526.9
728	.80000	.90000	271.00	.4804-02	.5762-02	.5762-02	.9000	.2085-03	.2501-03	.1663	1.288	527.4
728	.90000	.20000	272.00	.5149-01	.6206-01	.6206-01	.9000	.2235-02	.2694-02	1.738	15.46	547.2
728	.90000	.40000	273.00	.1254-01	.1506-01	.1506-01	.9000	.5443-03	.6539-03	.4302	3.853	534.2
728	.90000	.60000	274.00	.2402-01	.2889-01	.2889-01	.9000	.1043-02	.1254-02	.8200	6.107	538.4
728	.95000	.20000	275.00	.3693-01	.4441-01	.4441-01	.9000	.1603-02	.1928-02	1.261	12.24	538.4
728	.95000	.40000	276.00	.2640-01	.3175-01	.3175-01	.9000	.1146-02	.1378-02	.9012	6.712	538.3
728	.95000	.50000	277.00	.4186-01	.5043-01	.5043-01	.9000	.1817-02	.2189-02	1.416	12.61	545.3
728	.95000	.70000	278.00	.2631-01	.3164-01	.3164-01	.9000	.1142-02	.1373-02	.8992	7.167	538.2
728	.95000	.80000	279.00	.8964-02	.1075-01	.1075-01	.9000	.3891-03	.4668-03	.3097	2.397	528.8
728	.95000	.90000	280.00	.1066-01	.1279-01	.1279-01	.9000	.4627-03	.5550-03	.3683	2.953	528.7

OH84B 60-0 WING UPPER SURFACE

(R4UR32)

WING UPPER SURF

PARAMETRIC DATA

MACH = 8.000 ALPHA = 40.00 BETA = .0000 ELEVON = -12.50
 BDFLAP = -5.000 SPDBRK = .0000

TEST CONDITIONS

RUN NUMBER	RN/L /FT X10 6	MACH	ALPHA DEG.	BETA DEG.	PO PSIA	TO DEG. R	T DEG. R	P PSIA	Q PSI	V FT/SEC	RHO SLUGS /FT3	MU LB-SEC /FT2
724	.4963	7.900	39.97	-.1732-01	100.2	1263.	93.66	.1114-01	.4867	3748.	.3211-03	.7536-07
RUN NUMBER	HREF BTU/ R FT2SEC	STN NO REF(R) =.0175										
724	.1712-01	.5733-01										

TEST DATA

RUN NUMBER	ZY/BW	XW/CW	T/C NO	H/HREF R=1.0	H/HREF R=0.9	H/HREF TAW/TO	TAW/TO	H(TO) BTU/R FT2SEC	H(TAW) BTU/R FT2SEC	QDOT BTU/ FT2SEC	DTWDT DEG. R /SEC	TW DEG. R
724	.40000	.20000	247.00	.5149-02	.6217-02	.6217-02	.9000	.8814-04	.1064-03	.6479-01	.5199	527.5
724	.40000	.40000	248.00	.9310-03	.1125-02	.1125-02	.9000	.1593-04	.1925-04	.1167-01	.1091	530.3
724	.40000	.60000	249.00	.6544-03	.7906-03	.7906-03	.9000	.1120-04	.1353-04	.8210-02	.9212-01	529.7
724	.40000	.75000	250.00	.5306-03	.6409-03	.6409-03	.9000	.9082-05	.1097-04	.6666-02	.4989-01	528.7
724	.40000	.95000	252.00	.3409-02	.4111-02	.4111-02	.9000	.5836-04	.7036-04	.4320-01	.3892	522.5
724	.60000	.25000-01	253.00	.7443-01	.9043-01	.9043-01	.9000	.1274-02	.1548-02	.9094	22.46	548.9
724	.60000	.50000-01	254.00	.5753-01	.6975-01	.6975-01	.9000	.9846-03	.1194-02	.7095	14.38	542.1
724	.60000	.10000+30	255.00	.3451-01	.4171-01	.4171-01	.9000	.5907-03	.7139-03	.4322	4.616	530.9
724	.60000	.20000	256.00	.9810-02	.1185-01	.1185-01	.9000	.1679-03	.2029-03	.1230	1.103	530.4
724	.60000	.40000	257.00	.2656-02	.3210-02	.3210-02	.9000	.4546-04	.5495-04	.3323-01	.2760	531.6
724	.60000	.60000	258.00	.8739-03	.1056-02	.1056-02	.9000	.1496-04	.1807-04	.1096-01	.1025	529.8
724	.60000	.85000	260.00	.1087-02	.1310-02	.1310-02	.9000	.1860-04	.2242-04	.1378-01	.1150	521.9
724	.60000	.95000	261.00	.3125-02	.3765-02	.3765-02	.9000	.5349-04	.6444-04	.3976-01	.4485	519.4
724	.70000	.20000	262.00	.1028-01	.1241-01	.1241-01	.9000	.1759-03	.2124-03	.1292	1.209	528.1
724	.70000	.40000	263.00	.4041-02	.4880-02	.4880-02	.9000	.6917-04	.8353-04	.5082-01	.4565	528.0
724	.75000	1.0000	265.00	.2579-01	.3113-01	.3113-01	.9000	.4415-03	.5328-03	.3252	3.179	526.0
724	.75000	.20000	266.00	.1158-01	.1398-01	.1398-01	.9000	.1982-03	.2392-03	.1461	1.429	525.6
724	.75000	.40000	267.00	.5452-02	.6580-02	.6580-02	.9000	.9332-04	.1126-03	.6877-01	.6185	525.8
724	.75000	.60000	268.00	.2684-02	.3239-02	.3239-02	.9000	.4594-04	.5543-04	.3386-01	.3461	525.6
724	.75000	.80000	269.00	.7850-03	.9464-03	.9464-03	.9000	.1344-04	.1620-04	.9949-02	.9338-01	522.2
724	.75000	.90000	270.00	.2953-02	.3558-02	.3558-02	.9000	.5055-04	.6091-04	.3753-01	.3022	520.2

OH84B 60-0 WING UPPER SURFACE

(R4UR32)

RUN NUMBER	ZY/BW	XW/CW	T/C NO	H/HREF	H/HREF	H/HREF	TAW/TO	H(TO)	H(TAW)	QDOT	DTWDT	TW DEG. R
				R=1.0	R=0.9	R=		BTU/R	BTU/R	BTU/ FT2SEC	DEG. R	
724	.80000	.90000	271.00	.3875-02	.4670-02	.4670-02	.9000	.6633-04	.7994-04	.4920-01	.3824	520.9
724	.90000	.20000	272.00	.1086-01	.1310-01	.1310-01	.9000	.1858-03	.2241-03	.1372	1.235	524.4
724	.90000	.40000	273.00	.2946-02	.3554-02	.3554-02	.9000	.5043-04	.6083-04	.3725-01	.3354	524.0
724	.90000	.60000	274.00	.1994-02	.2405-02	.2405-02	.9000	.3413-04	.4117-04	.2521-01	.1892	523.9
724	.95000	.20000	275.00	.1087-01	.1311-01	.1311-01	.9000	.1860-03	.2243-03	.1375	1.346	523.5
724	.95000	.40000	276.00	.7801-02	.9406-02	.9406-02	.9000	.1335-03	.1610-03	.9882-01	.7419	522.6
724	.95000	.50000	277.00	.2924-02	.3525-02	.3525-02	.9000	.5005-04	.6034-04	.3704-01	.3337	522.6
724	.95000	.70000	278.00	.1594-02	.1921-02	.1921-02	.9000	.2728-04	.3288-04	.2021-01	.1627	521.7
724	.95000	.80000	279.00	.2096-02	.2526-02	.2526-02	.9000	.3587-04	.4323-04	.2661-01	.2069	520.8
724	.95000	.90000	280.00	.7870-02	.9485-02	.9485-02	.9000	.1347-03	.1623-03	.9990-01	.8042	521.0

OH84B 60-0 WING UPPER SURFACE

(R4UR32)

WING UPPER SURF

PARAMETRIC DATA

MACH = 8.000 ALPHA = 40.00 BETA = .0000 ELEVON = -12.50
 BDFLAP = -5.000 SPDBRK = .0000

TEST CONDITIONS

RUN NUMBER	RN/L /FT X10 6	MACH	ALPHA DEG.	BETA DEG.	PO PSIA	TO DEG. R	T DEG. R	P PSIA	Q PSI	V FT/SEC	RHO SLUGS /FT3	MU LB-SEC /FT2
742	1.010	7.940	39.99	-.2082-01	207.8	1267.	93.08	.2235-01	.9865	3755.	.6482-03	.7490-07

RUN NUMBER	HREF BTU/ R FT2SEC	STN NO REF (R) = .0175
742	.2438-01	.4036-01

TEST DATA

RUN NUMBER	2Y/BW	XW/CW	T/C NO	H/HREF R=1.0	H/HREF R=0.9	H/HREF R= TAW/TO	TAW/TO	H(TO) BTU/R FT2SEC	H(TAW) BTU/R FT2SEC	QDOT BTU/ FT2SEC	DTWDT DEG. R /SEC	TW DEG. R
742	.40000	.20000	247.00	.6633-02	.8018-02	.8018-02	.9000	.1617-03	.1955-03	.1186	.9490	533.2
742	.40000	.40000	248.00	.8626-03	.1043-02	.1043-02	.9000	.2103-04	.2543-04	.1540-01	.1436	534.4
742	.40000	.60000	249.00	.7636-03	.9231-03	.9231-03	.9000	.1862-04	.2251-04	.1364-01	.1528	533.8
742	.40000	.75000	250.00	.5075-03	.6135-03	.6135-03	.9000	.1237-04	.1496-04	.9068-02	.6769-01	533.8
742	.40000	.95000	252.00	.2416-02	.2917-02	.2917-02	.9000	.5891-04	.7111-04	.4349-01	.3906	528.5
742	.60000	.25000-01	253.00	.7943-01	.9704-01	.9704-01	.9000	.1937-02	.2366-02	1.351	33.04	568.8
742	.60000	.50000-01	254.00	.6628-01	.8073-01	.8073-01	.9000	.1616-02	.1968-02	1.144	22.99	558.9
742	.60000	.10000+00	255.00	.4911-01	.5951-01	.5951-01	.9000	.1197-02	.1451-02	.8684	9.225	541.4
742	.60000	.20000	256.00	.1025-01	.1240-01	.1240-01	.9000	.2498-03	.3023-03	.1823	1.631	536.9
742	.60000	.40000	257.00	.1830-02	.2215-02	.2215-02	.9000	.4462-04	.5399-04	.3256-01	.2696	537.0
742	.60000	.60000	258.00	.4524-03	.5471-03	.5471-03	.9000	.1103-04	.1334-04	.8066-02	.7520-01	535.3
742	.60000	.85000	260.00	.1253-02	.1512-02	.1512-02	.9000	.3055-04	.3687-04	.2255-01	.1876	528.3
742	.60000	.95000	261.00	.3431-02	.4139-02	.4139-02	.9000	.8366-04	.1009-03	.6199-01	.6970	625.6
742	.70000	.20000	262.00	.1057-01	.1279-01	.1279-01	.9000	.2578-03	.3118-03	.1886	1.758	535.3
742	.70000	.40000	263.00	.3696-02	.4469-02	.4469-02	.9000	.9012-04	.1090-03	.6599-01	.5910	534.4
742	.75000	1.0000	265.00	.2729-01	.3299-01	.3299-01	.9000	.6653-03	.8043-03	.4878	4.750	533.5
742	.75000	.40000	267.00	.5208-02	.6294-02	.6294-02	.9000	.1270-03	.1534-03	.9324-01	.8359	532.3
742	.75000	.60000	268.00	.2256-02	.2726-02	.2726-02	.9000	.5499-04	.6645-04	.4040-01	.4116	532.0
742	.75000	.80000	269.00	.9751-03	.1177-02	.1177-02	.9000	.2377-04	.2870-04	.1754-01	.1640	529.0
742	.75000	.90000	270.00	.2738-02	.3304-02	.3304-02	.9000	.6676-04	.8055-04	.4941-01	.3966	526.6
742	.80000	.90000	271.00	.3490-02	.4211-02	.4211-02	.9000	.8508-04	.1027-03	.6291-01	.4874	527.2

OH84B 60-0 WING UPPER SURFACE

(R4UR32)

RUN NUMBER	ZY/BW	XW/CW	T/C NO	H/HREF	H/HREF	H/HREF	TAW/TO	H(TO)	H(TAW)	QDOT	DTWDT	TW
				R=1.0	R=0.9	R=		BTU/R	BTU/R	BTU/	DEG. R	DEG. R
				TAW/TO			FT2SEC		FT2SEC		/SEC	
742	.90000	.20000	272.00	.2991-01	.3619-01	.3619-01	.9000	.7292-03	.8822-03	.5324	4.763	536.5
742	.90000	.40000	273.00	.4504-02	.5442-02	.5442-02	.9000	.1098-03	.1327-03	.8072-01	.7239	531.6
742	.90000	.60000	274.00	.3103-02	.3749-02	.3749-02	.9000	.7566-04	.9141-04	.5560-01	.4155	531.8
742	.95000	.20000	275.00	.1686-01	.2037-01	.2037-01	.9000	.4111-03	.4967-03	.3021	2.944	531.9
742	.95000	.40000	276.00	.1065-01	.1287-01	.1287-01	.9000	.2597-03	.3137-03	.1913	1.431	530.1
742	.95000	.50000	277.00	.5640-02	.6812-02	.6812-02	.9000	.1375-03	.1661-03	.1012	.9081	530.6
742	.95000	.70000	278.00	.1402-02	.1692-02	.1692-02	.9000	.3417-04	.4125-04	.2521-01	.2022	528.9
742	.95000	.80000	279.00	.3091-02	.3730-02	.3730-02	.9000	.7536-04	.9095-04	.5570-01	.4314	527.6
742	.95000	.90000	280.00	.8144-02	.9828-02	.9828-02	.9000	.1986-03	.2396-03	.1468	1.178	527.2

OH84B 60-0 WING UPPER SURFACE

(R4UR32)

WING UPPER SURF

PARAMETRIC DATA

MACH = 8.000 ALPHA = 40.00 BETA = .0000 ELEVON = -12.50
 BDFLAP = -5.000 SPDBRK = .0000

TEST CONDITIONS

RUN NUMBER	RN/L /FT X10 6	MACH	ALPHA DEG.	BETA DEG.	PO PSIA	TO DEG. R	T DEG. R	P PSIA	Q PSI	V FT/SEC	RHO SLUGS /FT3	MU LB-SEC /FT2
736	2.005	7.980	40.05	-.2095-01	437.2	1305.	94.98	.4552-01	2.029	3813.	.1293-02	.7643-07
RUN NUMBER	HREF BTU/ R FT2SEC	STN NO REF (R) =.0175										
736	.3515-01	.2866-01										

TEST DATA

RUN NUMBER	2Y/BW	XW/CW	T/C NO	H/HREF R=1.0	H/HREF R=0.9	H/HREF R= TAW/TO	TAW/TO	H(TO) BTU/R FT2SEC	H(TAW) BTU/R FT2SEC	QDOT BTU/ FT2SEC	DTWDT DEG. R /SEC	TW DEG. R
736	.40000	.20000	247.00	.6815-02	.8200-02	.8200-02	.9000	.2395-03	.2882-03	.1849	1.480	532.6
736	.40000	.40000	248.00	.1062-02	.1278-02	.1278-02	.9000	.3731-04	.4493-04	.2870-01	.2675	535.5
736	.40000	.60000	249.00	.8326-03	.1003-02	.1003-02	.9000	.2926-04	.3524-04	.2251-01	.2519	535.4
736	.40000	.75000	250.00	.6770-03	.8151-03	.8151-03	.9000	.2380-04	.2865-04	.1833-01	.1368	534.3
736	.40000	.95000	252.00	.1372-02	.1648-02	.1648-02	.9000	.4822-04	.5793-04	.3754-01	.3375	526.3
736	.60000	.25000-01	253.00	.9452-01	.1159	.1159	.9000	.3322-02	.4068-02	2.363	57.08	593.3
736	.60000	.50000-01	254.00	.8627-01	.1053	.1053	.9000	.3032-02	.3699-02	2.193	43.59	581.4
736	.60000	.10000+00	255.00	.6546-01	.7913-01	.7913-01	.9000	.2301-02	.2781-02	1.738	18.39	549.3
736	.60000	.20000	256.00	.1256-01	.1513-01	.1513-01	.9000	.4414-03	.5319-03	.3385	3.026	537.9
736	.60000	.40000	257.00	.1322-02	.1593-02	.1593-02	.9000	.4645-04	.5598-04	.3560-01	.2946	538.2
736	.60000	.60000	258.00	.5904-03	.7112-03	.7112-03	.9000	.2075-04	.2500-04	.1593-01	.1485	536.8
736	.60000	.75000	259.00	.2625-03	.3155-03	.3155-03	.9000	.9226-05	.1109-04	.7163-02	.6434-01	528.3
736	.60000	.85000	260.00	.9930-03	.1193-02	.1193-02	.9000	.3490-04	.4193-04	.2714-01	.2259	526.6
736	.60000	.95000	261.00	.3641-02	.4372-02	.4372-02	.9000	.1280-03	.1537-03	.9989-01	1.124	524.2
736	.70000	.20000	262.00	.1108-01	.1335-01	.1335-01	.9000	.3895-03	.4691-03	.2997	2.795	535.2
736	.70000	.40000	263.00	.3379-02	.4068-02	.4068-02	.9000	.1188-03	.1430-03	.9143-01	.8186	534.8
736	.75000	1.0000	265.00	.2877-01	.3464-01	.3464-01	.9000	.1011-02	.1217-02	.7783	7.574	534.9
736	.75000	.40000	267.00	.5372-02	.6463-02	.6463-02	.9000	.1888-03	.2271-03	.1459	1.309	531.7
736	.75000	.60000	268.00	.5102-02	.6140-02	.6140-02	.9000	.1793-03	.2158-03	.1385	1.410	532.5
736	.75000	.80000	269.00	.1148-02	.1380-02	.1380-02	.9000	.4036-04	.4851-04	.3135-01	.2934	527.9
736	.75000	.90000	270.00	.2758-02	.3312-02	.3312-02	.9000	.9693-04	.1164-03	.7558-01	.6072	525.0

DATE 23 FEB 80

OH84B MODEL 60-0 IN THE AEDC VKF HYPERSONIC TUNNEL

PAGE 2322

OH84B 60-0 WING UPPER SURFACE

(R4UR32)

RUN NUMBER	2Y/BW	XW/CW	T/C NO	H/HREF R=1.0	H/HREF R=0.9	H/HREF R= TAW/TO	TAW/TO	H(TO) BTU/R FT2SEC	H(TAW) BTU/R FT2SEC	QDOT BTU/ FT2SEC	DTWDT DEG. R /SEC	TW DEG. R
736	.80000	.90000	271.00	.3214-02	.3861-02	.3861-02	.9000	.1130-03	.1357-03	.8799-01	.6823	525.7
736	.90000	.20000	272.00	.5994-01	.7232-01	.7232-01	.9000	.2107-02	.2542-02	1.605	14.32	542.6
736	.90000	.40000	273.00	.1537-01	.1850-01	.1850-01	.9000	.5402-03	.6501-03	.4170	3.737	532.9
736	.90000	.60000	274.00	.1590-01	.1914-01	.1914-01	.9000	.5589-03	.6729-03	.4306	3.214	534.3
736	.95000	.20000	275.00	.3469-01	.4179-01	.4179-01	.9000	.1219-02	.1469-02	.9368	9.110	536.4
736	.95000	.40000	276.00	.2098-01	.2524-01	.2524-01	.9000	.7374-03	.8871-03	.5702	4.261	531.5
736	.95000	.50000	277.00	.2228-01	.2682-01	.2682-01	.9000	.7829-03	.9427-03	.6027	5.396	534.9
736	.95000	.70000	278.00	.1538-01	.1850-01	.1850-01	.9000	.5404-03	.6503-03	.4172	3.339	532.6
736	.95000	.80000	279.00	.5525-02	.6639-02	.6639-02	.9000	.1942-03	.2333-03	.1509	1.169	527.3
736	.95000	.90000	280.00	.9760-02	.1173-01	.1173-01	.9000	.3430-03	.4122-03	.2668	2.141	527.0

OH84B 60-0 WING UPPER SURFACE

(R4UR32)

WING UPPER SURF

PARAMETRIC DATA

MACH = 8.000 ALPHA = 40.00 BETA = .0000 ELEVON = -12.50
 BDFLAP = -5.000 SPDBRK = .0000

TEST CONDITIONS

RUN NUMBER	RN/L /FT X10 6	MACH	ALPHA DEG.	BETA DEG.	PO PSIA	TO DEG. R	T DEG. R	P PSIA	Q PSI	V FT/SEC	RHO SLUGS /FT3	MU LB-SEC /FT2
730	3.012	7.990	40.06	-.2097-01	668.8	1318.	95.71	.6907-01	3.086	3832.	.1948-02	.7701-07
RUN NUMBER	HREF BTU/ R FT2SEC	STN NO REF (R)										
730	.4342-01	.2338-01										

TEST DATA

RUN NUMBER	2Y/BW	XW/CW	T/C NO	H/HREF R=1.0	H/HREF R=0.9	H/HREF R= TAW/TO	TAW/TO	H(TO) BTU/R FT2SEC	H(TAW) BTU/R FT2SEC	QDOT BTU/ FT2SEC	DTWDT DEG. R /SEC	TW DEG. R
730	.40000	.20000	247.00	.9419-02	.1131-01	.1131-01	.9000	.4090-03	.4912-03	.3219	2.578	530.7
730	.40000	.40000	248.00	.9710-03	.1167-02	.1167-02	.9000	.4216-04	.5067-04	.3309-01	.3089	532.8
730	.40000	.60000	249.00	.7994-03	.9608-03	.9608-03	.9000	.3471-04	.4172-04	.2723-01	.3050	533.2
730	.40000	.75000	250.00	.5752-03	.6911-03	.6911-03	.9000	.2498-04	.3001-04	.1964-01	.1468	531.5
730	.40000	.95000	252.00	.1512-02	.1812-02	.1812-02	.9000	.6563-04	.7868-04	.5216-01	.4698	522.9
730	.60000	.25000-01	253.00	.9943-01	.1224	.1224	.9000	.4317-02	.5316-02	3.027	72.30	616.4
730	.60000	.50000-01	254.00	.9227-01	.1129	.1129	.9000	.4006-02	.4901-02	2.892	57.08	595.8
730	.60000	.10000+00	255.00	.7010-01	.8473-01	.8473-01	.9000	.3044-02	.3679-02	2.322	24.50	554.9
730	.60000	.20000	256.00	.1507-01	.1812-01	.1812-01	.9000	.6543-03	.7869-03	.5116	4.579	535.7
730	.60000	.40000	257.00	.1283-02	.1542-02	.1542-02	.9000	.5570-04	.6696-04	.4363-01	.3618	534.3
730	.60000	.60000	258.00	.1044-02	.1255-02	.1255-02	.9000	.4534-04	.5448-04	.3558-01	.3322	532.7
730	.60000	.75000	259.00	.3306-02	.3966-02	.3966-02	.9000	.1436-03	.1722-03	.1137	1.023	525.4
730	.60000	.85000	260.00	.3063-02	.3673-02	.3673-02	.9000	.1330-03	.1595-03	.1055	.8792	524.4
730	.60000	.95000	261.00	.4490-02	.5380-02	.5380-02	.9000	.1950-03	.2336-03	.1553	1.750	521.2
730	.70000	.20000	262.00	.1124-01	.1351-01	.1351-01	.9000	.4882-03	.5865-03	.3838	3.585	531.6
730	.70000	.40000	263.00	.3089-02	.3710-02	.3710-02	.9000	.1341-03	.1611-03	.1056	.9475	530.4
730	.75000	1.0000	265.00	.3189-01	.3834-01	.3834-01	.9000	.1385-02	.1665-02	1.085	10.56	534.2
730	.75000	.40000	267.00	.5488-02	.6586-02	.6586-02	.9000	.2383-03	.2860-03	.1883	1.692	527.4
730	.75000	.60000	268.00	.9266-02	.1112-01	.1112-01	.9000	.4024-03	.4830-03	.3174	3.239	528.8
730	.75000	.80000	269.00	.4498-02	.5392-02	.5392-02	.9000	.1953-03	.2341-03	.1551	1.455	523.4
730	.75000	.90000	270.00	.4680-02	.5608-02	.5608-02	.9000	.2032-03	.2435-03	.1618	1.303	521.3

OH84B 60-0 WING UPPER SURFACE

(R4UR32)

RUN NUMBER	2Y/BW	XW/CW	T/C NO	H/HREF	H/HREF	H/HREF	TAW/TO	H(TO)	H(TAW)	QDOT	DTWDT	TW
				R=1.0	R=0.9	R=		BTU/R	BTU/R	BTU/ FT2SEC	DEG. R	DEG. R
730	.80000	.90000	271.00	.5099-02	.6110-02	.6110-02	.9000	.2214-03	.2653-03	.1763	1.370	521.5
730	.90000	.20000	272.00	.1090	.1314	.1314	.9000	.4733-02	.5705-02	3.660	32.61	544.4
730	.90000	.40000	273.00	.2660-01	.3195-01	.3195-01	.9000	.1155-02	.1387-02	.9092	8.158	530.6
730	.90000	.60000	274.00	.1861-01	.2234-01	.2234-01	.9000	.8082-03	.9702-03	.6379	4.775	528.4
730	.95000	.20000	275.00	.3376-01	.4056-01	.4056-01	.9000	.1466-02	.1761-02	1.153	11.24	531.2
730	.95000	.40000	276.00	.9150-01	.1109	.1109	.9000	.3973-02	.4815-02	2.994	22.01	564.2
730	.95000	.50000	277.00	.6828-01	.8237-01	.8237-01	.9000	.2965-02	.3577-02	2.283	20.31	547.6
730	.95000	.70000	278.00	.2359-01	.2835-01	.2835-01	.9000	.1025-02	.1231-02	.8055	6.450	531.5
730	.95000	.80000	279.00	.6966-02	.8350-02	.8350-02	.9000	.3025-03	.3626-03	.2406	1.869	522.3
730	.95000	.90000	280.00	.1011-01	.1212-01	.1212-01	.9000	.4391-03	.5263-03	.3492	2.809	522.5

OH84B 60-0 WING UPPER SURFACE

(R4UR33)

WING UPPER SURF

PARAMETRIC DATA

MACH = 8.000 ALPHA = 40.00 BETA = .0000 ELEVON = -12.50
 BDFLAP = .0000 SPDBRK = .0000

TEST CONDITIONS

RUN NUMBER	RN/L /FT X10 6	MACH	ALPHA DEG.	BETA DEG.	PO PSIA	TO DEG. R	T DEG. R	P PSIA	Q PSI	V FT/SEC	RHO SLUGS /FT3	MU LB-SEC /FT2
722	.5002	7.900	39.98	-.1387-01	100.2	1256.	93.14	.1114-01	.4865	3737.	.3227-03	.7495-07

RUN NUMBER	HREF-BTU/ R FT2SEC	STN NO REF (R) =.0175
722	.1710-01	.5715-01

TEST DATA

RUN NUMBER	ZY/BW	XW/CW	T/C NO	H/HREF R=1.0	H/HREF R=0.9	H/HREF R= TAW/TO	TAW/TO	H(TO) BTU/R FT2SEC	H(TAW) BTU/R FT2SEC	QDOT BTU/ FT2SEC	OTWDT DEG. R /SEC	TW DEG. R
722	.40000	.20000	247.00	.5106-02	.6168-02	.6168-02	.9000	.8730-04	.1054-03	.6368-01	.5113	526.2
722	.40000	.40000	248.00	.8180-03	.9884-03	.9884-03	.9000	.1399-04	.1690-04	.1019-01	.9536-01	527.3
722	.40000	.60000	249.00	.3963-03	.4788-03	.4788-03	.9000	.6775-05	.8186-05	.4937-02	.5548-01	526.9
722	.40000	.75000	250.00	.2464-03	.2977-03	.2977-03	.9000	.4213-05	.5090-05	.3071-02	.2301-01	526.8
722	.40000	.95000	252.00	.3121-02	.3767-02	.3767-02	.9000	.5335-04	.6440-04	.3906-01	.3517	523.6
722	.60000	.25000-01	253.00	.7445-01	.9052-01	.9052-01	.9000	.1273-02	.1548-02	.9002	22.23	548.4
722	.60000	.50000-01	254.00	.5684-01	.6897-01	.6897-01	.9000	.9718-03	.1179-02	.6943	14.08	541.2
722	.60000	.10000+30	255.00	.3518-01	.4254-01	.4254-01	.9000	.6014-03	.7272-03	.4366	4.666	529.7
722	.60000	.20000	256.00	.9704-02	.1173-01	.1173-01	.9000	.1659-03	.2005-03	.1207	1.085	527.9
722	.60000	.40000	257.00	.2431-02	.2938-02	.2938-02	.9000	.4156-04	.5023-04	.3024-01	.2515	528.2
722	.60000	.85000	260.00	.9856-03	.1189-02	.1189-02	.9000	.1685-04	.2033-04	.1236-01	.1031	522.2
722	.60000	.95000	261.00	.3019-02	.3640-02	.3640-02	.9000	.5161-04	.6224-04	.3794-01	.4277	520.5
722	.70000	.20000	262.00	.1005-01	.1214-01	.1214-01	.9000	.1718-03	.2075-03	.1253	1.173	526.5
722	.70000	.40000	263.00	.3812-02	.4604-02	.4604-02	.9000	.6516-04	.7871-04	.4754-01	.4276	526.1
722	.75000	1.0000	265.00	.2575-01	.3111-01	.3111-01	.9000	.4403-03	.5318-03	.3213	3.141	525.9
722	.75000	.20000	266.00	.1098-01	.1326-01	.1326-01	.9000	.1877-03	.2266-03	.1371	1.341	525.1
722	.75000	.40000	267.00	.4955-02	.5983-02	.5983-02	.9000	.8471-04	.1023-03	.6190-01	.5570	525.0
722	.75000	.60000	268.00	.2332-02	.2816-02	.2816-02	.9000	.3987-04	.4814-04	.2913-01	.2979	525.0
722	.75000	.80000	269.00	.8699-03	.1050-02	.1050-02	.9000	.1487-04	.1795-04	.1090-01	.1023	522.7
722	.75000	.90000	270.00	.2577-02	.3108-02	.3108-02	.9000	.4405-04	.5314-04	.3235-01	.2604	521.2
722	.80000	.90000	271.00	.3877-02	.4678-02	.4678-02	.9000	.6629-04	.7997-04	.4864-01	.3779	521.9

DATE 23 FEB 80

OH84B MODEL 60-0 IN THE AEDC VKF HYPERSONIC TUNNEL

PAGE 2326

OH84B 60-0 WING UPPER SURFACE

(R4UR33)

RUN NUMBER	2Y/BW	XW/CW	T/C NO	H/HREF	H/HREF	H/HREF	TAW/TO	H(TO)	H(TAW)	QDOT	DTWDT	TW
				R=1.0	R=0.9	R=		BTU/R	BTU/R	BTU/	DEG. R	DEG. R
				TAW/TO			FT2SEC		FT2SEC	FT2SEC	/SEC	
722	.90000	.20000	272.00	.1066-01	.1287-01	.1287-01	.9000	.1822-03	.2200-03	.1332	1.199	524.4
722	.90000	.40000	273.00	.2697-02	.3256-02	.3256-02	.9000	.4611-04	.5566-04	.3374-01	.3037	524.0
722	.90000	.60000	274.00	.1718-02	.2074-02	.2074-02	.9000	.2938-04	.3546-04	.2150-01	.1613	523.9
722	.95000	.20000	275.00	.1074-01	.1296-01	.1296-01	.9000	.1836-03	.2216-03	.1344	1.315	523.8
722	.95000	.40000	276.00	.7473-02	.9019-02	.9019-02	.9000	.1278-03	.1542-03	.9362-01	.7027	522.9
722	.95000	.50000	277.00	.1829-02	.2207-02	.2207-02	.9000	.3127-04	.3773-04	.2291-01	.2064	522.9
722	.95000	.70000	278.00	.1378-02	.1663-02	.1663-02	.9000	.2357-04	.2843-04	.1729-01	.1391	522.2
722	.95000	.80000	279.00	.1935-02	.2334-02	.2334-02	.9000	.3308-04	.3991-04	.2429-01	.1887	521.5
722	.95000	.90000	280.00	.7679-02	.9265-02	.9265-02	.9000	.1313-03	.1584-03	.9632-01	.7750	522.0

OHS4B 60-0 WING UPPER SURFACE

(R4UR33)

WING UPPER SURF

PARAMETRIC DATA

MACH = 8.000 ALPHA = 40.00 BETA = .0000 ELEVON = -12.50
 BOFLAP = .0000 SPDBRK = .0000

TEST CONDITIONS

RUN NUMBER	RN/L /FT X10 6	MACH	ALPHA DEG.	BETA DEG.	PO PSIA	TO DEG. R	T DEG. R	P PSIA	Q PSI	V FT/SEC	RHO SLUGS /FT3	MU LB-SEC /FT2
744	1.009	7.940	39.98	-.2081-01	207.3	1266.	93.00	.2230-01	.9841	3754.	.6472-03	.7484-07
RUN NUMBER	HREF BTU/ R FT2SEC	STN NO REF (R)										
744	.2435-01	.4039-01										

TEST DATA

RUN NUMBER	2Y/BW	XW/CW	T/C NO	H/HREF R=1.0	H/HREF R=0.9	H/HREF R= TAW/TO	TAW/TO	H(TO) BTU/R FT2SEC	H(TAW) BTU/R FT2SEC	QDOT BTU/ FT2SEC	DTWOT DEG. R /SEC	TW DEG. R
744	.40000	.20000	247.00	.6576-02	.7948-02	.7948-02	.9000	.1601-03	.1935-03	.1174	.9394	532.6
744	.40000	.40000	248.00	.8889-03	.1075-02	.1075-02	.9000	.2164-04	.2617-04	.1583-01	.1476	534.3
744	.40000	.60000	249.00	.6574-03	.7949-03	.7949-03	.9000	.1601-04	.1935-04	.1172-01	.1312	533.8
744	.40000	.75000	250.00	.4124-03	.4986-03	.4986-03	.9000	.1004-04	.1214-04	.7353-02	.5490-01	533.4
744	.40000	.95000	252.00	.2286-02	.2759-02	.2759-02	.9000	.5566-04	.6717-04	.4110-01	.3694	527.3
744	.60000	.25000-01	253.00	.7956-01	.9714-01	.9714-01	.9000	.1937-02	.2365-02	1.355	33.16	566.3
744	.60000	.50000-01	254.00	.6692-01	.8147-01	.8147-01	.9000	.1629-02	.1984-02	1.155	23.24	556.9
744	.60000	.10000+00	255.00	.4889-01	.5922-01	.5922-01	.9000	.1190-02	.1442-02	.8639	9.183	540.0
744	.60000	.20000	256.00	.1040-01	.1258-01	.1258-01	.9000	.2532-03	.3064-03	.1848	1.654	535.8
744	.60000	.40000	257.00	.1768-02	.2139-02	.2139-02	.9000	.4305-04	.5209-04	.3140-01	.2601	536.3
744	.60000	.60000	258.00	.3715-03	.4493-03	.4493-03	.9000	.9046-05	.1094-04	.6612-02	.6166-01	534.8
744	.60000	.85000	260.00	.1126-02	.1359-02	.1359-02	.9000	.2742-04	.3310-04	.2025-01	.1686	527.1
744	.60000	.95000	261.00	.3450-02	.4160-02	.4160-02	.9000	.8399-04	.1013-03	.6227-01	.7006	524.3
744	.70000	.20000	262.00	.1038-01	.1255-01	.1255-01	.9000	.2528-03	.3056-03	.1850	1.726	533.7
744	.70000	.40000	263.00	.3654-02	.4418-02	.4418-02	.9000	.8898-04	.1076-03	.6518-01	.5840	533.2
744	.75000	1.00000	265.00	.2678-01	.3236-01	.3236-01	.9000	.6520-03	.7878-03	.4785	4.664	531.7
744	.75000	.40000	267.00	.5143-02	.6214-02	.6214-02	.9000	.1252-03	.1513-03	.9201-01	.8254	530.9
744	.75000	.60000	268.00	.2180-02	.2633-02	.2633-02	.9000	.5307-04	.6411-04	.3900-01	.3976	530.8
744	.75000	.80000	269.00	.9423-03	.1137-02	.1137-02	.9000	.2294-04	.2769-04	.1694-01	.1586	527.2
744	.75000	.90000	270.00	.2917-02	.3518-02	.3518-02	.9000	.7102-04	.8566-04	.5262-01	.4228	524.8
744	.80000	.90000	271.00	.3481-02	.4198-02	.4198-02	.9000	.8474-04	.1022-03	.6273-01	.4865	525.4

OH84B 60-0 WING UPPER SURFACE

(R4UR33)

RUN NUMBER	2Y/BW	XW/CW	T/C NO	H/HREF R=1.0	H/HREF R=0.9	H/HREF R= TAW/TO	TAW/TO	H(TO) BTU/R FT2SEC	H(TAW) BTU/R FT2SEC	QDOT BTU/ FT2SEC	DTWDT DEG. R /SEC	TW DEG. R
744	.90000	.20000	272.00	.3495-01	.4227-01	.4227-01	.9000	.8509-03	.1029-02	.6217	5.565	535.0
744	.90000	.40000	273.00	.4346-02	.5248-02	.5248-02	.9000	.1058-03	.1278-03	.7788-01	.6991	529.6
744	.90000	.60000	274.00	.3179-02	.3840-02	.3840-02	.9000	.7741-04	.9349-04	.5696-01	.4260	529.9
744	.95000	.20000	275.00	.1679-01	.2028-01	.2028-01	.9000	.4087-03	.4937-03	.3006	2.932	530.2
744	.95000	.40000	276.00	.1072-01	.1294-01	.1294-01	.9000	.2610-03	.3150-03	.1925	1.441	528.2
744	.95000	.50000	277.00	.5891-02	.7112-02	.7112-02	.9000	.1434-03	.1732-03	.1057	.9492	528.7
744	.95000	.70000	278.00	.3076-02	.3712-02	.3712-02	.9000	.7489-04	.9039-04	.5529-01	.4437	527.4
744	.95000	.80000	279.00	.3052-02	.3683-02	.3683-02	.9000	.7432-04	.8966-04	.5498-01	.4263	525.9
744	.95000	.90000	280.00	.7629-02	.9202-02	.9202-02	.9000	.1857-03	.2241-03	.1375	1.104	525.5

DATE 23 FEB 80

OH84B MODEL 60-0 IN THE AEDC VKF HYPERSONIC TUNNEL

PAGE 2329

OH84B 60-0 WING UPPER SURFACE

(R4UR33)

WING UPPER SURF

PARAMETRIC DATA

MACH = 8.000 ALPHA = 40.00 BETA = .0000 ELEVON = -12.50
 BDFI AP = .0000 SPDBRK = .0000

TEST CONDITIONS

RUN NUMBER	RN/L /FT X10 6	MACH	ALPHA DEG.	BETA DEG.	PO PSIA	TO DEG. R	T DEG. R	P PSIA	Q PSI	V FT/SEC	RHO SLUGS /FT3	MU LB-SEC /FT2
734	2.024	7.980	40.04	-.2091-01	437.2	1297.	94.40	.4552-01	2.029	3801.	.1301-02	.7596-07

RUN NUMBER	HREF BTU/ R FT2SEC	STN NO REF (R) = .0175
734	.3511-01	.2855-01

TEST DATA

RUN NUMBER	2Y/BW	XW/CW	T/C NO	H/HREF R=1.0	H/HREF R=0.9	H/HREF R= TAW/TO	TAW/TO	H(TO) BTU/R FT2SEC	H(TAW) BTU/R FT2SEC	QDOT BTU/ FT2SEC	DTWOT DEG. R /SEC	TW DEG. R
734	.40000	.20000	247.00	.8015-02	.9653-02	.9653-02	.9000	.2814-03	.3389-03	.2151	1.721	532.4
734	.40000	.40000	248.00	.1003-02	.1208-02	.1208-02	.9000	.3522-04	.4243-04	.2688-01	.2509	533.4
734	.40000	.60000	249.00	.8181-03	.9853-03	.9853-03	.9000	.2872-04	.3459-04	.2194-01	.2458	532.8
734	.40000	.75000	250.00	.6837-03	.8235-03	.8235-03	.9000	.2401-04	.2891-04	.1835-01	.1370	532.4
734	.40000	.95000	252.00	.1329-02	.1598-02	.1598-02	.9000	.4666-04	.5610-04	.3596-01	.3234	525.9
734	.60000	.25000-01	253.00	.9506-01	.1165	.1165	.9000	.3338-02	.4091-02	2.351	56.80	592.3
734	.60000	.50000-01	254.00	.8588-01	.1048	.1048	.9000	.3015-02	.3681-02	2.163	43.03	579.5
734	.60000	.10000+00	255.00	.6471-01	.7827-01	.7827-01	.9000	.2272-02	.2748-02	1.700	17.99	548.5
734	.60000	.20000	256.00	.1266-01	.1527-01	.1527-01	.9000	.4445-03	.5360-03	.3376	3.020	537.1
734	.60000	.40000	257.00	.1276-02	.1539-02	.1539-02	.9000	.4480-04	.5402-04	.3406-01	.2821	536.4
734	.60000	.60000	258.00	.4828-03	.5819-03	.5819-03	.9000	.1695-04	.2043-04	.1291-01	.1204	534.9
734	.60000	.75000	259.00	.3728-03	.4484-03	.4484-03	.9000	.1309-04	.1574-04	.1006-01	.9042-01	527.8
734	.60000	.85000	260.00	.1013-02	.1218-02	.1218-02	.9000	.3555-04	.4275-04	.2738-01	.2279	526.6
734	.60000	.95000	261.00	.3382-02	.4063-02	.4063-02	.9000	.1187-03	.1427-03	.9180-01	1.033	523.5
734	.70000	.20000	262.00	.1123-01	.1354-01	.1354-01	.9000	.3944-03	.4753-03	.3004	2.801	535.1
734	.70000	.40000	263.00	.3355-02	.4043-02	.4043-02	.9000	.1178-03	.1419-03	.8979-01	.8041	534.4
734	.75000	1.0000	265.00	.2887-01	.3480-01	.3480-01	.9000	.1014-02	.1222-02	.7717	7.508	535.4
734	.75000	.40000	267.00	.5551-02	.6686-02	.6686-02	.9000	.1949-03	.2347-03	.1490	1.335	532.3
734	.75000	.60000	268.00	.6178-02	.7443-02	.7443-02	.9000	.2169-03	.2613-03	.1655	1.685	533.7
734	.75000	.80000	269.00	.1935-02	.2328-02	.2328-02	.9000	.6793-04	.8173-04	.5216-01	.4879	528.9
734	.75000	.90000	270.00	.3091-02	.3716-02	.3716-02	.9000	.1085-03	.1305-03	.8364-01	.6717	525.9

DATE 23 FEB 80

OH84B MODEL 60-0 IN THE AEDC VKF HYPERSONIC TUNNEL

PAGE 2330

OH84B 60-0 WING UPPER SURFACE

(R4UR33)

RUN NUMBER	2Y/BW	XW/CW	T/C NO	H/HREF	H/HREF	H/HREF	TAW/TO	H(TO)	H(TAW)	QDOT	DTWDT	TW
				R=1.0	R=0.9	R=		BTU/R	BTU/R	BTU/ FT2SEC	DEG. R	DEG. R
						TAW/TO		FT2SEC	FT2SEC	FT2SEC	/SEC	
734	.80000	.90000	271.00	.3653-02	.4393-02	.4393-02	.9000	.1282-03	.1542-03	.9870-01	.7648	527.0
734	.90000	.20000	272.00	.7969-01	.9638-01	.9638-01	.9000	.2798-02	.3384-02	2.094	18.62	548.2
734	.90000	.40000	273.00	.1426-01	.1718-01	.1718-01	.9000	.5005-03	.6032-03	.3811	3.411	535.2
734	.90000	.60000	274.00	.1578-01	.1903-01	.1903-01	.9000	.5541-03	.6681-03	.4213	3.141	536.3
734	.95000	.20000	275.00	.3876-01	.4677-01	.4677-01	.9000	.1361-02	.1642-02	1.031	10.01	539.3
734	.95000	.40000	276.00	.4378-01	.5288-01	.5288-01	.9000	.1537-02	.1856-02	1.159	8.614	542.6
734	.95000	.50000	277.00	.3163-01	.3918-01	.3918-01	.9000	.1111-02	.1341-02	.8391	7.489	541.1
734	.95000	.70000	278.00	.2012-01	.2426-01	.2426-01	.9000	.7065-03	.8516-03	.5378	4.298	535.4
734	.95000	.80000	279.00	.5196-02	.6252-02	.6252-02	.9000	.1824-03	.2195-03	.1401	1.085	528.6
734	.95000	.90000	280.00	.9378-02	.1128-01	.1128-01	.9000	.3292-03	.3961-03	.2531	2.030	528.0

OH84B 60-0 WING UPPER SURFACE

(R4UR33)

WING UPPER SURF

PARAMETRIC DATA

MACH = 8.000 ALPHA = 40.00 BETA = .0000 ELEVON = -12.50
 BDFLAP = .0000 SPOBRK = .0000

TEST CONDITIONS

RUN NUMBER	RN/L /FT X10 6	MACH	ALPHA DEG.	BETA DEG.	PO PSIA	TO DEG. R	T DEG. R	P PSIA	Q PSI	V FT/SEC	RHO SLUGS /FT3	MU LB-SEC /FT2
732	3.029	7.990	40.06	-2.096-01	672.6	1318.	95.71	.6946-01	3.104	3832.	.1959-02	.7701-07
RUN NUMBER	HREF BTU/ R FT2SEC	STN NO REF (R)										
732	.4354-01	.2331-01										

TEST DATA

RUN NUMBER	2Y/BW	XW/CW	T/C NO	H/HREF R=1.0	H/HREF R=0.9	H/HREF R= TAW/TO	TAW/TO	H(TO) BTU/R FT2SEC	H(TAW) BTU/R FT2SEC	QDOT BTU/ FT2SEC	DTWDT DEG. R /SEC	TW DEG. R
732	.40000	.20000	247.00	.1014-01	.1218-01	.1218-01	.9000	.4417-03	.5306-03	.3475	2.784	530.9
732	.40000	.40000	248.00	.1092-02	.1313-02	.1313-02	.9000	.4757-04	.5717-04	.3732-01	.3483	533.2
732	.40000	.60000	249.00	.8146-03	.9792-03	.9792-03	.9000	.3547-04	.4264-04	.2782-01	.3115	533.5
732	.40000	.75000	250.00	.6339-03	.7615-03	.7615-03	.9000	.2760-04	.3316-04	.2169-01	.1621	531.7
732	.40000	.95000	252.00	.1557-02	.1867-02	.1867-02	.9000	.6782-04	.8129-04	.5393-01	.4859	522.4
732	.60000	.25000-01	253.00	.9942-01	.1224	.1224	.9000	.4329-02	.5331-02	3.035	72.47	616.6
732	.60000	.50000-01	254.00	.9302-01	.1138	.1138	.9000	.4051-02	.4955-02	2.925	57.75	595.5
732	.60000	.10000+30	255.00	.7346-01	.8881-01	.8881-01	.9000	.3199-02	.3867-02	2.437	25.71	555.6
732	.60000	.20000	256.00	.1561-01	.1878-01	.1878-01	.9000	.6797-03	.8176-03	.5309	4.750	536.5
732	.60000	.40000	257.00	.1512-02	.1818-02	.1818-02	.9000	.6582-04	.7915-04	.5153-01	.4272	534.8
732	.60000	.60000	258.00	.5185-03	.6232-03	.6232-03	.9000	.2258-04	.2714-04	.1772-01	.1654	533.1
732	.60000	.75000	259.00	.3799-02	.4557-02	.4557-02	.9000	.1654-03	.1984-03	.1311	1.179	525.3
732	.60000	.85000	260.00	.3159-02	.3788-02	.3788-02	.9000	.1375-03	.1649-03	.1092	.9098	524.1
732	.60000	.95000	261.00	.4557-02	.5459-02	.5459-02	.9000	.1984-03	.2377-03	.1581	1.783	520.7
732	.70000	.20000	262.00	.1079-01	.1297-01	.1297-01	.9000	.4700-03	.5647-03	.3695	3.451	531.6
732	.70000	.40000	263.00	.3159-02	.3793-02	.3793-02	.9000	.1375-03	.1652-03	.1083	.9716	530.4
732	.75000	1.0000	265.00	.3174-01	.3815-01	.3815-01	.9000	.1382-02	.1661-02	1.084	10.55	533.6
732	.75000	.40000	267.00	.5293-02	.6351-02	.6351-02	.9000	.2305-03	.2766-03	.1822	1.638	527.1
732	.75000	.60000	268.00	.9690-02	.1163-01	.1163-01	.9000	.4219-03	.5065-03	.3330	3.399	528.4
732	.75000	.60000	269.00	.3035-02	.3638-02	.3638-02	.9000	.1322-03	.1584-03	.1051	.9861	522.6
732	.75000	.90000	270.00	.3970-02	.4756-02	.4756-02	.9000	.1729-03	.2071-03	.1378	1.109	520.6

DATE 23 FEB 80

OH84B MODEL 60-0 IN THE AEDC VKF HYPERSONIC TUNNEL

PAGE 2332

OH84B 60-0 WING UPPER SURFACE

(R4UR33)

RUN NUMBER	ZY/BW	XW/CW	T/C NO	H/HREF R=1.0	H/HREF R=0.9	H/HREF R= TAW/TO	TAW/TO	H(TO) BTU/R FT2SEC	H(TAW) BTU/R FT2SEC	QDOT BTU/ FT2SEC	DTWDT DEG. R /SEC	TW DEG. R
732	.80000	.90000	271.00	.4585-02	.5493-02	.5493-02	.9000	.1997-03	.2392-03	.1592	1.237	520.5
732	.90000	.20000	272.00	.9486-01	.1144	.1144	.9000	.4131-02	.4982-02	3.186	28.35	546.5
732	.90000	.40000	273.00	.2305-01	.2769-01	.2769-01	.9000	.1004-02	.1206-02	.7896	7.083	531.0
732	.90000	.60000	274.00	.2159-01	.2593-01	.2593-01	.9000	.9403-03	.1129-02	.7411	5.544	529.5
732	.95000	.20000	275.00	.5162-01	.6210-01	.6210-01	.9000	.2248-02	.2704-02	1.756	17.07	536.7
732	.95000	.40000	276.00	.2628-01	.3155-01	.3155-01	.9000	.1144-02	.1374-02	.9022	6.751	529.2
732	.95000	.50000	277.00	.4275-01	.5144-01	.5144-01	.9000	.1862-02	.2240-02	1.452	12.99	537.5
732	.95000	.70000	278.00	.2952-01	.3547-01	.3547-01	.9000	.1285-02	.1544-02	1.010	8.084	532.0
732	.95000	.80000	279.00	.7395-02	.8861-02	.8861-02	.9000	.3220-03	.3859-03	.2564	1.992	521.4
732	.95000	.90000	280.00	.1105-01	.1325-01	.1325-01	.9000	.4813-03	.5768-03	.3828	3.080	522.2

DATE 23 FEB 80

OH84B MODEL 60-0 IN THE AEDC VKF HYPERSONIC TUNNEL

PAGE 2333

OH84B 60-0 WING UPPER SURFACE

(R4UR34)

WING UPPER SURF

PARAMETRIC DATA

MACH = 8.000 ALPHA = 40.00 BETA = .0000 ELEVON = -5.000
 BDFLAP = -12.50 SPDBRK = .0000

TEST CONDITIONS

RUN NUMBER	RN/L /FT X10 6	MACH	ALPHA DEG.	BETA DEG.	PO PSIA	TO DEG. R	T DEG. R	P PSIA	Q PSI	V FT/SEC	RHO SLUGS /FT3	MU LB-SEC /FT2
634	.5013	7.900	39.93	-.3449-02	100.1	1253.	92.91	.1112-01	.4859	3733.	.3231-03	.7477-07
RUN NUMBER	HREF BTU/ R FT2SEC	STN NO REF (R)										
634	.1708-01	.5710-01										

TEST DATA

RUN NUMBER	2Y/BW	XW/CW	T/C NO	H/HREF R=1.0	H/HREF R=0.9	H/HREF R= TAW/TO	TAW/TO	H(TO) BTU/R FT2SEC	H(TAW) BTU/R FT2SEC	QDOT BTU/ FT2SEC	DTWDT DEG. R /SEC	TW DEG. R
634	.40000	.20000	247.00	.4462-02	.5392-02	.5392-02	.9000	.7620-04	.9208-04	.5537-01	.4446	526.0
634	.40000	.60000	249.00	.5838-03	.7058-03	.7058-03	.9000	.9969-05	.1205-04	.7221-02	.8108-01	528.3
634	.40000	.75000	250.00	.1231-02	.1488-02	.1488-02	.9000	.2102-04	.2541-04	.1523-01	.1140	528.1
634	.40000	.95000	252.00	.2783-02	.3362-02	.3362-02	.9000	.4752-04	.5741-04	.3457-01	.3110	525.2
634	.60000	.25000-01	253.00	.7399-01	.9000-01	.9000-01	.9000	.1264-02	.1537-02	.8900	21.98	548.3
634	.60000	.50000-01	254.00	.5666-01	.6878-01	.6878-01	.9000	.9676-03	.1175-02	.6877	13.94	541.9
634	.60000	.10000+00	255.00	.3253-01	.3935-01	.3935-01	.9000	.5555-03	.6719-03	.4016	4.291	529.8
634	.60000	.20000	256.00	.8875-02	.1073-01	.1073-01	.9000	.1516-03	.1832-03	.1098	.9861	528.3
634	.60000	.40000	257.00	.1954-02	.2363-02	.2363-02	.9000	.3337-04	.4035-04	.2417-01	.2010	528.4
634	.60000	.60000	258.00	.2095-03	.2532-03	.2532-03	.9000	.3577-05	.4324-05	.2594-02	.2428-01	527.5
634	.60000	.85000	260.00	.1554-02	.1876-02	.1876-02	.9000	.2654-04	.3204-04	.1937-01	.1615	523.0
634	.60000	.95000	261.00	.4967-02	.5995-02	.5995-02	.9000	.8482-04	.1024-03	.6197-01	.6981	522.0
634	.70000	.20000	262.00	.9101-02	.1100-01	.1100-01	.9000	.1554-03	.1878-03	.1129	1.057	526.4
634	.75000	1.0000	265.00	.2451-01	.2962-01	.2962-01	.9000	.4186-03	.5059-03	.3041	2.973	526.2
634	.75000	.20000	266.00	.1112-01	.1343-01	.1343-01	.9000	.1899-03	.2294-03	.1381	1.350	525.4
634	.75000	.40000	267.00	.4869-02	.5882-02	.5882-02	.9000	.8315-04	.1005-03	.6045-01	.5438	525.6
634	.75000	.60000	268.00	.1877-02	.2268-02	.2268-02	.9000	.3206-04	.3874-04	.2331-01	.2382	525.7
634	.75000	.80000	269.00	.9068-03	.1095-02	.1095-02	.9000	.1549-04	.1870-04	.1130-01	.1060	522.9
634	.75000	.90000	270.00	.4681-02	.5649-02	.5649-02	.9000	.7994-04	.9647-04	.5842-01	.4701	521.9
634	.80000	.90000	271.00	.5631-02	.6797-02	.6797-02	.9000	.9616-04	.1161-03	.7021-01	.5453	522.5
634	.90000	.20000	272.00	.1289-01	.1557-01	.1557-01	.9000	.2202-03	.2659-03	.1602	1.442	525.0

DATE 23 FEB 80

OH84B MODEL 60-0 IN THE AEDC VKF HYPERSONIC TUNNEL

PAGE 2334

OH84B 60-0 WING UPPER SURFACE

(R4UR34)

RUN NUMBER	2Y/BW	XW/CW	T/C NO	H/HREF	H/HREF	H/HREF	TAW/TO	H(TO)	H(TAW)	QDOT	DTWDT	TW
				R=1.0	R=0.9	R=		BTU/R	BTU/R	BTU/ FT2SEC	BTU/ FT2SEC	DEG. R
634	.90000	.40000	273.00	.3403-02	.4110-02	.4110-02	.9000	.5812-04	.7019-04	.4234-01	.3811	524.2
634	.90000	.60000	274.00	.1719-02	.2112-02	.2112-02	.9000	.2987-04	.3607-04	.2176-01	.1633	524.0
634	.95000	.20000	275.00	.1106-01	.1335-01	.1335-01	.9000	.1888-03	.2280-03	.1376	1.346	524.1
634	.95000	.40000	276.00	.1384-01	.1672-01	.1672-01	.9000	.2363-03	.2855-03	.1720	1.290	524.7
634	.95000	.50000	277.00	.4104-02	.4955-02	.4955-02	.9000	.7008-04	.8461-04	.5110-01	.4602	523.4
634	.95000	.70000	278.00	.1250-02	.1508-02	.1508-02	.9000	.2134-04	.2576-04	.1559-01	.1254	522.2
634	.95000	.80000	279.00	.2944-02	.3554-02	.3554-02	.9000	.5028-04	.6068-04	.3672-01	.2852	522.4
634	.95000	.90000	280.00	.1091-01	.1318-01	.1318-01	.9000	.1863-03	.2250-03	.1359	1.092	523.5

OH84B 60-0 WING UPPER SURFACE

(R4UR34)

WING UPPER SURF

PARAMETRIC DATA

MACH = 8.000 ALPHA = 40.00 BETA = .0000 ELEVON = -5.000
 BDFLAP = -12.50 SPDBRK = .0000

TEST CONDITIONS

RUN NUMBER	RN/L /FT X10 6	MACH	ALPHA DEG.	BETA DEG.	PO PSIA	TO DEG. R	T DEG. R	P PSIA	Q PSI	V FT/SEC	RHO SLUGS /FT3	MU LB-SEC /FT2
660	1.010	7.940	39.98	-.4647-06	207.9	1267.	93.08	.2236-01	.9868	3755.	.6484-03	.7490-07
RUN NUMBER	HREF BTU/ R FT2SEC	STN NO REF(R) =.0175										
660	.2438-01	.4035-01										

TEST DATA

RUN NUMBER	2Y/BW	XW/CW	T/C NO	H/HREF R=1.0	H/HREF R=0.9	H/HREF R= TAW/TO	TAW/TO	H(TO) BTU/R FT2SEC	H(TAW) BTU/R FT2SEC	QDOT BTU/ FT2SEC	OTWDT DEG. R /SEC	TW DEG. R
660	.40000	.20000	247.00	.5681-02	.6852-02	.6852-02	.9000	.1385-03	.1671-03	.1027	.8244	525.7
660	.40000	.40000	248.00	.7340-03	.8857-03	.8857-03	.9000	.1790-04	.2160-04	.1323-01	.1239	527.4
660	.40000	.60000	249.00	.6895-03	.8320-03	.8320-03	.9000	.1681-04	.2029-04	.1243-01	.1396	527.4
660	.40000	.75000	250.00	.2398-03	.2894-03	.2894-03	.9000	.5848-05	.7058-05	.4324-02	.3239-01	527.3
660	.40000	.95000	252.00	.3418-02	.4121-02	.4121-02	.9000	.8334-04	.1005-03	.6189-01	.5571	524.1
660	.60000	.25000-01	253.00	.7867-01	.9604-01	.9604-01	.9000	.1918-02	.2342-02	1.344	32.89	566.2
660	.60000	.50000-01	254.00	.6632-01	.8068-01	.8068-01	.9000	.1617-02	.1967-02	1.150	23.17	555.3
660	.60000	.10000+00	255.00	.4365-01	.5277-01	.5277-01	.9000	.1064-02	.1287-02	.7802	8.321	533.7
660	.60000	.20000	256.00	.1103-01	.1331-01	.1331-01	.9000	.2689-03	.3246-03	.1983	1.781	529.1
660	.60000	.40000	257.00	.1724-02	.2081-02	.2081-02	.9000	.4203-04	.5074-04	.3100-01	.2578	529.0
660	.60000	.60000	258.00	.7109-03	.8582-03	.8582-03	.9000	.1734-04	.2093-04	.1279-01	.1197	528.6
660	.60000	.75000	259.00	.1625-03	.1959-03	.1959-03	.9000	.3962-05	.4776-05	.2943-02	.2650-01	523.8
660	.60000	.85000	260.00	.1645-02	.1983-02	.1983-02	.9000	.4011-04	.4834-04	.2983-01	.2488	522.9
660	.60000	.95000	261.00	.5379-02	.6481-02	.6481-02	.9000	.1312-03	.1580-03	.9771-01	1.101	521.8
660	.70000	.20000	262.00	.1017-01	.1228-01	.1228-01	.9000	.2481-03	.2994-03	.1834	1.716	527.5
660	.70000	.40000	263.00	.3073-02	.3707-02	.3707-02	.9000	.7493-04	.9040-04	.5544-01	.4984	526.7
660	.75000	1.0000	265.00	.2454-01	.2961-01	.2961-01	.9000	.5985-03	.7221-03	.4428	4.327	526.8
660	.75000	.20000	266.00	.1062-01	.1282-01	.1282-01	.9000	.2591-03	.3125-03	.1920	1.877	525.8
660	.75000	.40000	267.00	.4746-02	.5725-02	.5725-02	.9000	.1157-03	.1396-03	.8577-01	.7716	525.6
660	.75000	.60000	268.00	.2462-02	.2970-02	.2970-02	.9000	.6004-04	.7243-04	.4448-01	.4546	525.9
660	.75000	.80000	269.00	.9625-03	.1160-02	.1160-02	.9000	.2347-04	.2829-04	.1745-01	.1637	523.1

OH84B 60-0 WING UPPER SURFACE

(R4UR34)

RUN NUMBER	2Y/BW	XW/CW	T/C NO	H/HREF R=1.0	H/HREF R=0.9	H/HREF R= TAW/TO	TAW/TO	H(TO) BTU/R FT2SEC	H(TAW) BTU/R FT2SEC	QDOT BTU/ FT2SEC	DTWOT DEG. R /SEC	TW DEG. R
660	.75000	.90000	270.00	.4539-02	.5469-02	.5469-02	.9000	.1107-03	.1334-03	.8246-01	.6636	521.7
660	.80000	.90000	271.00	.5398-02	.6505-02	.6505-02	.9000	.1316-03	.1586-03	.9795-01	.7608	522.5
660	.90000	.20000	272.00	.3303-01	.3988-01	.3988-01	.9000	.8054-03	.9726-03	.5935	5.328	529.7
660	.90000	.40000	273.00	.5411-02	.6525-02	.6525-02	.9000	.1319-03	.1591-03	.9784-01	.8803	525.1
660	.90000	.60000	274.00	.1853-02	.2235-02	.2235-02	.9000	.4519-04	.5449-04	.3353-01	.2515	524.6
660	.95000	.20000	275.00	.1279-01	.1542-01	.1542-01	.9000	.3119-03	.3761-03	.2315	2.265	524.4
660	.95000	.40000	276.00	.9387-02	.1132-01	.1132-01	.9000	.2289-03	.2759-03	.1700	1.276	523.8
660	.95000	.50000	277.00	.5821-02	.7019-02	.7019-02	.9000	.1420-03	.1711-03	.1054	.9487	524.2
660	.95000	.70000	278.00	.3603-02	.4343-02	.4343-02	.9000	.8785-04	.1059-03	.6531-01	.5252	523.2
660	.95000	.80000	279.00	.3618-02	.4360-02	.4360-02	.9000	.8823-04	.1063-03	.6564-01	.5098	522.7
660	.95000	.90000	280.00	.1015-01	.1224-01	.1224-01	.9000	.2476-03	.2984-03	.1840	1.480	523.2

OH84B 60-0 WING UPPER SURFACE

(R4UR34)

WING UPPER SURF

PARAMETRIC DATA

MACH = 8.000 ALPHA = 40.00 BETA = .0000 ELEVON = -5.000
 BDFLAP = -12.50 SPDBRK = .0000

TEST CONDITIONS

RUN NUMBER	RN/L /FT X10 6	MACH	ALPHA DEG.	BETA DEG.	PO PSIA	TO DEG. R	T DEG. R	P PSIA	Q PSI	V FT/SEC	RHO SLUGS /FT3	MU LB-SEC /FT2
648	1.995	7.980	39.99	.3470-02	436.1	1307.	95.13	.4540-01	2.024	3815.	.1288-02	.7655-07
RUN NUMBER	HREF BTU/ R FT2SEC	STN NO REF (R) = .0175										
648	.3511-01	.2872-01										

TEST DATA

RUN NUMBER	2Y/BW	XW/CW	T/C NO	H/HREF R=1.0	H/HREF R=0.9	H/HREF R= TAW/TO	TAW/TO	H(TO) BTU/R FT2SEC	H(TAW) BTU/R FT2SEC	QDOT BTU/ FT2SEC	DTWDT DEG. R /SEC	TW DEG. R
648	.40000	.20000	247.00	.8061-02	.9697-02	.9697-02	.9000	.2830-03	.3404-03	.2191	1.754	532.4
648	.40000	.40000	248.00	.5720-03	.6885-03	.6885-03	.9000	.2008-04	.2417-04	.1552-01	.1448	534.1
648	.40000	.60000	249.00	.6193-03	.7453-03	.7453-03	.9000	.2174-04	.2617-04	.1679-01	.1880	534.2
648	.40000	.75000	250.00	.5176-03	.6227-03	.6227-03	.9000	.1817-04	.2186-04	.1406-01	.1050	532.9
648	.40000	.95000	252.00	.3507-02	.4214-02	.4214-02	.9000	.1231-03	.1479-03	.9598-01	.8626	527.3
648	.60000	.25000-01	253.00	.8527-01	.1041	.1041	.9000	.2994-02	.3656-02	2.159	52.34	585.6
648	.60000	.50000-01	254.00	.7201-01	.8764-01	.8764-01	.9000	.2528-02	.3077-02	1.852	36.95	574.0
648	.60000	.10000+00	255.00	.5510-01	.6652-01	.6652-01	.9000	.1935-02	.2335-02	1.473	15.61	545.3
648	.60000	.20000	256.00	.1229-01	.1480-01	.1480-01	.9000	.4316-03	.5195-03	.3334	2.985	534.3
648	.60000	.40000	257.00	.9957-03	.1198-02	.1198-02	.9000	.3496-04	.4207-04	.2702-01	.2241	533.8
648	.60000	.60000	258.00	.6235-03	.7502-03	.7502-03	.9000	.2189-04	.2634-04	.1693-01	.1580	533.2
648	.60000	.75000	259.00	.5832-02	.7009-02	.7009-02	.9000	.2047-03	.2461-03	.1593	1.431	528.6
648	.60000	.85000	260.00	.3764-02	.4521-02	.4521-02	.9000	.1321-03	.1587-03	.1031	.8582	526.6
648	.60000	.95000	261.00	.5050-02	.6062-02	.6062-02	.9000	.1773-03	.2128-03	.1388	1.562	523.8
648	.70000	.20000	262.00	.8781-02	.1056-01	.1056-01	.9000	.3083-03	.3707-03	.2393	2.236	530.5
648	.70000	.40000	263.00	.3051-02	.3668-02	.3668-02	.9000	.1071-03	.1288-03	.8320-01	.7467	529.9
648	.75000	1.0000	265.00	.2665-01	.3205-01	.3205-01	.9000	.9357-03	.1125-02	.7261	7.081	530.7
648	.75000	.20000	266.00	.1101-01	.1323-01	.1323-01	.9000	.3865-03	.4644-03	.3008	2.937	528.4
648	.75000	.40000	267.00	.4331-02	.5203-02	.5203-02	.9000	.1520-03	.1827-03	.1185	1.065	527.3
648	.75000	.60000	268.00	.7642-02	.9186-02	.9186-02	.9000	.2683-03	.3225-03	.2086	2.128	529.3
648	.75000	.80000	269.00	.1386-02	.1663-02	.1663-02	.9000	.4865-04	.5840-04	.3808-01	.3571	523.9

OH84B 60-0 WING UPPER SURFACE

(R4UR34)

RUN NUMBER	2Y/BW	XW/CW	T/C NO	H/HREF	H/HREF	H/HREF	TAW/TO	H(TO)	H(TAW)	QDOT	DTWDT	TW
				R=1.0	R=0.9	R=		BTU/R	BTU/R	BTU/ BTU/SEC	DEG. R	DEG. R
						TAW/TO	FT2SEC	FT2SEC	FT2SEC	/SEC		
648	.75000	.90000	270.00	.5044-02	.6053-02	.6053-02	.9000	.1771-03	.2125-03	.1388	1.116	522.9
648	.80000	.90000	271.00	.5074-02	.6090-02	.6090-02	.9000	.1781-03	.2138-03	.1396	1.084	523.2
648	.90000	.20000	272.00	.5933-01	.7155-01	.7155-01	.9000	.2083-02	.2512-02	1.594	14.22	541.5
648	.90000	.40000	273.00	.1400-01	.1682-01	.1682-01	.9000	.4915-03	.5905-03	.3830	3.442	527.3
648	.90000	.60000	274.00	.9806-02	.1178-01	.1178-01	.9000	.3443-03	.4135-03	.2687	2.013	526.3
648	.95000	.20000	275.00	.2937-01	.3531-01	.3531-01	.9000	.1031-02	.1240-02	.8005	7.808	539.3
648	.95000	.40000	276.00	.3966-01	.4772-01	.4772-01	.9000	.1392-02	.1675-02	1.076	8.033	533.7
648	.95000	.50000	277.00	.1989-01	.2390-01	.2390-01	.9000	.6983-03	.8392-03	.5434	4.881	528.4
648	.95000	.70000	278.00	.2071-01	.2489-01	.2489-01	.9000	.7271-03	.8739-03	.5657	4.536	528.7
648	.95000	.80000	279.00	.7327-02	.8794-02	.8794-02	.9000	.2572-03	.3087-03	.2015	1.564	523.4
648	.95000	.90000	280.00	.1057-01	.1269-01	.1269-01	.9000	.3711-03	.4454-03	.2906	2.336	523.6

OH84B 60-0 WING UPPER SURFACE

(R4UR34)

WING UPPER SURF

PARAMETRIC DATA

MACH = 8.000 ALPHA = 40.00 BETA = .0000 ELEVON = -5.000
 BDFLAP = -12.50 SPDBRK = .0000

TEST CONDITIONS

RUN NUMBER	RN/L /FT X10 6	MACH	ALPHA DEG.	BETA DEG.	PO PSIA	TO DEG. R	T DEG. R	P PSIA	Q PSI	V FT/SEC	RHO SLUGS /FT3	MU LB-SEC /FT2
650	3.009	7.990	40.05	.6980-02	670.4	1321.	95.92	.6923-01	3.094	3836.	.1948-02	.7719-07
RUN NUMBER	HREF BTU/ R FT2SEC	STN NO REF (R)										
650	.4349-01	.2338-01	=.0175									

TEST DATA

RUN NUMBER	2Y/BW	XW/CW	T/C NO	H/HREF R=1.0	H/HREF R=0.9	H/HREF R= TAW/TO	TAW/TO	H(TO) BTU/R FT2SEC	H(TAW) BTU/R FT2SEC	QDOT BTU/ FT2SEC	DTWDT DEG. R /SEC	TW DEG. R
650	.40000	.20000	247.00	.1129-01	.1356-01	.1356-01	.9000	.4910-03	.5897-03	.3874	3.102	531.6
650	.40000	.40000	248.00	.6555-03	.7875-03	.7875-03	.9000	.2851-04	.3425-04	.2248-01	.2099	532.3
650	.40000	.60000	249.00	.5258-03	.6317-03	.6317-03	.9000	.2287-04	.2747-04	.1801-01	.2017	533.2
650	.40000	.75000	250.00	.1330-02	.1598-02	.1598-02	.9000	.5786-04	.6952-04	.4557-01	.3403	533.1
650	.40000	.95000	252.00	.3898-02	.4676-02	.4676-02	.9000	.1695-03	.2034-03	.1344	1.208	527.7
650	.60000	.25000-01	253.00	.8947-01	.1100	.1100	.9000	.3891-02	.4783-02	2.755	65.92	612.6
650	.60000	.50000-01	254.00	.8306-01	.1014	.1014	.9000	.3612-02	.4410-02	2.637	52.17	590.8
650	.60000	.10000+30	255.00	.6654-01	.8042-01	.8042-01	.9000	.2894-02	.3497-02	2.215	23.37	555.2
650	.60000	.20000	256.00	.1539-01	.1851-01	.1851-01	.9000	.6694-03	.8050-03	.5251	4.697	536.3
650	.60000	.40000	257.00	.8752-03	.1052-02	.1052-02	.9000	.3806-04	.4575-04	.2992-01	.2481	534.5
650	.60000	.60000	258.00	.1109-02	.1332-02	.1332-02	.9000	.4821-04	.5795-04	.3790-01	.3535	534.6
650	.60000	.75000	259.00	.9754-02	.1171-01	.1171-01	.9000	.4242-03	.5095-03	.3347	3.001	531.7
650	.60000	.85000	260.00	.5334-02	.6402-02	.6402-02	.9000	.2320-03	.2784-03	.1837	1.528	528.7
650	.60000	.95000	261.00	.7849-02	.9413-02	.9413-02	.9000	.3413-03	.4094-03	.2713	3.050	525.8
650	.70000	.20000	262.00	.9381-02	.1127-01	.1127-01	.9000	.4080-03	.4901-03	.3215	3.002	532.6
650	.70000	.40000	263.00	.4710-02	.5657-02	.5657-02	.9000	.2048-03	.2460-03	.1617	1.450	531.5
650	.75000	1.0000	265.00	.3057-01	.3674-01	.3674-01	.9000	.1329-02	.1598-02	1.045	10.17	534.5
650	.75000	.20000	266.00	.1026-01	.1232-01	.1232-01	.9000	.4461-03	.5356-03	.3522	3.434	531.0
650	.75000	.40000	267.00	.7755-02	.9309-02	.9309-02	.9000	.3373-03	.4048-03	.2668	2.395	529.6
650	.75000	.60000	268.00	.1306-01	.1569-01	.1569-01	.9000	.5679-03	.6826-03	.4466	4.545	534.3
650	.75000	.80000	269.00	.2200-02	.2639-02	.2639-02	.9000	.9567-04	.1148-03	.7595-01	.7112	526.8

OH84B 60-0 WING UPPER SURFACE

(R4UR34)

RUN NUMBER	ZY/BW	XW/CW	T/C NO	H/HREF	H/HREF	H/HREF	TAW/TO	H(TO)	H(TAW)	QDOT	DTWDT	TW
				R=1.0	R=0.9	R=		BTU/R	BTU/R	BTU/ FT2SEC	DEG. R	DEG. R
650	.75000	.90000	270.00	.7111-02	.8526-02	.8526-02	.9000	.3092-03	.3708-03	.2460	1.976	525.3
650	.80000	.90000	271.00	.7683-02	.9214-02	.9214-02	.9000	.3341-03	.4007-03	.2657	2.060	525.6
650	.90000	.20000	272.00	.8718-01	.1054	.1054	.9000	.3792-02	.4582-02	2.903	25.73	555.0
650	.90000	.40000	273.00	.3043-01	.3657-01	.3657-01	.9000	.1324-02	.1591-02	1.041	9.322	534.2
650	.90000	.60000	274.00	.2701-01	.3245-01	.3245-01	.9000	.1175-02	.1411-02	.9246	6.903	533.5
650	.95000	.20000	275.00	.4543-01	.5464-01	.5464-01	.9000	.1976-02	.2376-02	1.548	15.04	537.4
650	.95000	.40000	276.00	.4961-01	.5979-01	.5979-01	.9000	.2158-02	.2600-02	1.673	12.42	545.1
650	.95000	.50000	277.00	.3048-01	.3666-01	.3666-01	.9000	.1326-02	.1594-02	1.040	9.302	536.3
650	.95000	.70000	278.00	.3434-01	.4131-01	.4131-01	.9000	.1494-02	.1797-02	1.170	9.337	537.5
650	.95000	.80000	279.00	.1185-01	.1422-01	.1422-01	.9000	.5155-03	.6184-03	.4093	3.172	526.8
650	.95000	.90000	280.00	.1652-01	.1982-01	.1982-01	.9000	.7185-03	.8619-03	.5702	4.576	527.1

OH84B 60-0 WING UPPER SURFACE

(R4UR35)

WING UPPER SURF

PARAMETRIC DATA

MACH = 8.000 ALPHA = 40.00 BETA = .0000 ELEVON = -5.000
 BDFLAP = -5.000 SPDBRK = .0000

TEST CONDITIONS

RUN NUMBER	RN/L /FT X10 6	MACH	ALPHA DEG.	BETA DEG.	PO PSIA	TO DEG. R	T DEG. R	P PSIA	Q PSI	V FT/SEC	RHO SLUGS /FT3	MU LB-SEC /FT2
636	.5020	7.900	39.95	-.3458-02	99.73	1249.	92.62	.1108-01	.4842	3727.	.3230-03	.7453-07

RUN NUMBER	HREF BTU/ R FT2SEC	STN NO REF (R) = .0175
636	.1704-01	.5709-01

TEST DATA

RUN NUMBER	2Y/BW	XW/CW	T/C NO	H/HREF R=1.0	H/HREF R=0.9	H/HREF R= TAW/TO	TAW/TO	H(TO) BTU/R FT2SEC	H(TAW) BTU/R FT2SEC	QDOT BTU/ FT2SEC	DTWDT DEG. R /SEC	TW DEG. R
636	.40000	.20000	247.00	.5382-02	.6500-02	.6500-02	.9000	.9170-04	.1108-03	.6657-01	.5354	522.8
636	.40000	.40000	248.00	.9401-03	.1136-02	.1136-02	.9000	.1602-04	.1936-04	.1158-01	.1085	525.7
636	.40000	.60000	249.00	.5594-03	.6763-03	.6763-03	.9000	.9532-05	.1152-04	.6886-02	.7740-01	526.3
636	.40000	.75000	250.00	.1414-03	.1709-03	.1709-03	.9000	.2409-05	.2912-05	.1740-02	.1304-01	526.2
636	.40000	.95000	252.00	.3588-02	.4333-02	.4333-02	.9000	.6114-04	.7384-04	.4438-01	.3998	522.7
636	.60000	.25000-01	253.00	.7456-01	.9062-01	.9062-01	.9000	.1270-02	.1544-02	.8951	22.16	544.1
636	.60000	.50000-01	254.00	.5694-01	.6907-01	.6907-01	.9000	.9703-03	.1177-02	.6901	14.02	537.4
636	.60000	.10000+00	255.00	.3425-01	.4140-01	.4140-01	.9000	.5836-03	.7054-03	.4221	4.521	525.4
636	.60000	.20000	256.00	.9394-02	.1135-01	.1135-01	.9000	.1601-03	.1934-03	.1159	1.044	524.3
636	.60000	.40000	257.00	.2728-02	.3298-02	.3298-02	.9000	.4649-04	.5619-04	.3360-01	.2798	525.9
636	.60000	.60000	258.00	.1336-02	.1614-02	.1614-02	.9000	.2276-04	.2751-04	.1646-01	.1543	525.2
636	.60000	.85000	260.00	.1589-02	.1917-02	.1917-02	.9000	.2707-04	.3267-04	.1971-01	.1646	520.5
636	.60000	.95000	261.00	.5075-02	.6122-02	.6122-02	.9000	.8647-04	.1043-03	.6312-01	.7122	518.8
636	.70000	.20000	262.00	.1021-01	.1234-01	.1234-01	.9000	.1740-03	.2102-03	.1264	1.186	522.6
636	.70000	.40000	263.00	.3930-02	.4746-02	.4746-02	.9000	.6696-04	.8087-04	.4860-01	.4377	522.9
636	.75000	1.0000	265.00	.2498-01	.3016-01	.3016-01	.9000	.4256-03	.5139-03	.3095	3.032	521.6
636	.75000	.20000	266.00	.1106-01	.1335-01	.1335-01	.9000	.1884-03	.2274-03	.1371	1.343	521.1
636	.75000	.40000	267.00	.5118-02	.6180-02	.6180-02	.9000	.8721-04	.1053-03	.6341-01	.5716	521.6
636	.75000	.60000	268.00	.2243-02	.2708-02	.2708-02	.9000	.3822-04	.4615-04	.2777-01	.2844	522.0
636	.75000	.80000	269.00	.8097-03	.9770-03	.9770-03	.9000	.1380-04	.1665-04	.1006-01	.9452-01	519.7
636	.75000	.90000	270.00	.4174-02	.5034-02	.5034-02	.9000	.7111-04	.8578-04	.5194-01	.4188	518.2

OH84B 60-0 WING UPPER SURFACE

(R4UR35)

RUN NUMBER	2Y/BW	XW/CW	T/C NO	H/HREF R=1.0	H/HREF R=0.9	H/HREF R= TAW/TO	TAW/TO	H(TO) BTU/R FT2SEC	H(TAW) BTU/R FT2SEC	QDOT BTU/ FT2SEC	DTWOT DEG. R /SEC	TW DEG. R
636	.80000	.90000	271.00	.4916-02	.5932-02	.5932-02	.9000	.8377-04	.1011-03	.6111-01	.4755	519.1
636	.90000	.20000	272.00	.1355-01	.1636-01	.1636-01	.9000	.2308-03	.2787-03	.1679	1.514	521.3
636	.90000	.40000	273.00	.3221-02	.3888-02	.3888-02	.9000	.5488-04	.6625-04	.3995-01	.3602	520.8
636	.90000	.60000	274.00	.1818-02	.2195-02	.2195-02	.9000	.3098-04	.3739-04	.2254-01	.1694	521.0
636	.95000	.20000	275.00	.1097-01	.1324-01	.1324-01	.9000	.1868-03	.2255-03	.1361	1.334	520.5
636	.95000	.40000	276.00	.1261-01	.1522-01	.1522-01	.9000	.2148-03	.2594-03	.1563	1.175	521.1
636	.95000	.50000	277.00	.4449-02	.5370-02	.5370-02	.9000	.7581-04	.9149-04	.5521-01	.4979	520.4
636	.95000	.70000	278.00	.1466-02	.1769-02	.1769-02	.9000	.2498-04	.3014-04	.1822-01	.1468	519.4
636	.95000	.80000	279.00	.3170-02	.3825-02	.3825-02	.9000	.5401-04	.6517-04	.3938-01	.3063	519.6
636	.95000	.90000	280.00	.1092-01	.1319-01	.1319-01	.9000	.1861-03	.2247-03	.1355	1.091	520.6

OH84B 60-0 WING UPPER SURFACE

(R4UR35)

WING UPPER SURF

PARAMETRIC DATA

MACH = 8.000 ALPHA = 40.00 BETA = .0000 ELEVON = -5.000
 BDFLAP = -5.000 SPOBRK = .0000

TEST CONDITIONS

RUN NUMBER	RN/L /FT X10 6	MACH	ALPHA DEG.	BETA DEG.	PO PSIA	TO DEG. R	T DEG. R	P PSIA	Q PSI	V FT/SEC	RHO SLUGS /FT3	MU LB-SEC /FT2
658	1.007	7.940	39.98	-4647-06	207.2	1267.	93.08	.2229-01	.9835	3755.	.6462-03	.7490-07

RUN NUMBER	HREF BTU/ R FT2SEC	STN NO REF (R) = .0175
658	.2434-01	.4042-01

TEST DATA

RUN NUMBER	2Y/BW	XW/CW	T/C NO	H/HREF R=1.0	H/HREF R=0.9	H/HREF R= TAW/TO	TAW/TO	H(TO) BTU/R FT2SEC	H(TAW) BTU/R FT2SEC	QDOT BTU/ FT2SEC	DTWDT DEG. R /SEC	TW DEG. R
658	.40000	.20000	247.00	.5726-02	.6907-02	.6907-02	.9000	.1394-03	.1681-03	.1032	.8290	526.0
658	.40000	.40000	248.00	.7488-03	.9036-03	.9036-03	.9000	.1823-04	.2200-04	.1348-01	.1262	527.2
658	.40000	.60000	249.00	.6726-03	.8117-03	.8117-03	.9000	.1637-04	.1976-04	.1211-01	.1360	527.2
658	.40000	.75000	250.00	.2379-03	.2871-03	.2871-03	.9000	.5792-05	.6990-05	.4282-02	.3206-01	527.5
658	.40000	.95000	252.00	.3293-02	.3972-02	.3972-02	.9000	.8016-04	.9669-04	.5942-01	.5345	525.4
658	.60000	.25000-01	253.00	.7889-01	.9622-01	.9622-01	.9000	.1921-02	.2342-02	1.351	33.13	563.1
658	.60000	.50000-01	254.00	.6617-01	.8044-01	.8044-01	.9000	.1611-02	.1958-02	1.150	23.18	552.9
658	.60000	.10000+00	255.00	.4339-01	.5245-01	.5245-01	.9000	.1056-02	.1277-02	.7744	8.259	533.5
658	.60000	.20000	256.00	.1048-01	.1265-01	.1265-01	.9000	.2551-03	.3080-03	.1881	1.689	529.3
658	.60000	.40000	257.00	.1553-02	.1875-02	.1875-02	.9000	.3781-04	.4565-04	.2789-01	.2319	529.0
658	.60000	.75000	259.00	.1257-03	.1515-03	.1515-03	.9000	.3059-05	.3689-05	.2270-02	.2043-01	524.6
658	.60000	.65000	260.00	.1686-02	.2033-02	.2033-02	.9000	.4105-04	.4949-04	.3048-01	.2541	524.1
658	.60000	.95000	261.00	.5013-02	.6042-02	.6042-02	.9000	.1220-03	.1471-03	.9074-01	1.022	523.1
658	.70000	.20000	262.00	.9455-02	.1141-01	.1141-01	.9000	.2302-03	.2778-03	.1700	1.591	528.1
658	.70000	.40000	263.00	.3115-02	.3760-02	.3760-02	.9000	.7584-04	.9152-04	.5605-01	.5037	527.6
658	.75000	1.0000	265.00	.2325-01	.2805-01	.2805-01	.9000	.5659-03	.6829-03	.4182	4.085	527.6
658	.75000	.20000	266.00	.1028-01	.1240-01	.1240-01	.9000	.2502-03	.3020-03	.1851	1.809	527.0
658	.75000	.40000	267.00	.4611-02	.5563-02	.5563-02	.9000	.1122-03	.1354-03	.8303-01	.7463	527.0
658	.75000	.60000	268.00	.5032-02	.6074-02	.6074-02	.9000	.1225-03	.1479-03	.9045-01	.9233	528.3
658	.75000	.80000	269.00	.8783-03	.1059-02	.1059-02	.9000	.2138-04	.2578-04	.1586-01	.1487	524.9
658	.75000	.90000	270.00	.3920-02	.4725-02	.4725-02	.9000	.9542-04	.1150-03	.7091-01	.5702	523.5

OH84B 60-0 WING UPPER SURFACE

(R4UR35)

RUN NUMBER	2Y/BW	XW/CW	T/C NO	H/HREF	H/HREF	H/HREF	TAW/TO	H(TO)	H(TAW)	QDOT	DTWDT	TW
				R=1.0	R=0.9	R=		BTU/R	BTU/R	BTU/	DEG. R	DEG. R
				TAW/TO			FT2SEC	FT2SEC	FT2SEC	/SEC		
658	.80000	.90000	271.00	.4534-02	.5466-02	.5466-02	.9000	.1104-03	.1331-03	.8195-01	.6359	524.2
658	.90000	.20000	272.00	.3358-01	.4058-01	.4058-01	.9000	.8174-03	.9879-03	.6001	5.379	532.6
658	.90000	.40000	273.00	.8251-02	.9956-02	.9956-02	.9000	.2009-03	.2424-03	.1485	1.335	527.3
658	.90000	.60000	274.00	.4169-02	.5031-02	.5031-02	.9000	.1015-03	.1225-03	.7506-01	.5622	527.1
658	.95000	.20000	275.00	.1592-01	.1921-01	.1921-01	.9000	.3876-03	.4677-03	.2866	2.800	527.1
658	.95000	.40000	276.00	.3520-01	.4253-01	.4253-01	.9000	.8569-03	.1035-02	.6297	4.706	531.7
658	.95000	.50000	277.00	.1184-01	.1429-01	.1429-01	.9000	.2882-03	.3478-03	.2132	1.917	526.9
658	.95000	.70000	278.00	.7110-02	.8578-02	.8578-02	.9000	.1731-03	.2088-03	.1281	1.028	526.5
658	.95000	.80000	279.00	.4055-02	.4889-02	.4889-02	.9000	.9870-04	.1190-03	.7324-01	.5682	524.7
658	.95000	.90000	280.00	.9974-02	.1203-01	.1203-01	.9000	.2428-03	.2928-03	.1801	1.447	525.1

OH84B 60-0 WING UPPER SURFACE

(R4UR35)

WING UPPER SURF

PARAMETRIC DATA

MACH = 8.000 ALPHA = 40.00 BETA = .0000 ELEVON = -5.000
 BDFLAP = -5.000 SPDBRK = .0000

TEST CONDITIONS

RUN NUMBER	RN/L /FT X10 6	MACH	ALPHA DEG.	BETA DEG.	PO PSIA	TO DEG. R	T DEG. R	P PSIA	Q PSI	V FT/SEC	RHO SLUGS /FT3	MU LB-SEC /FT2
646	2.016	7.980	39.99	-.4655-06	436.5	1299.	94.54	.4544-01	2.025	3804.	.1297-02	.7608-07
RUN NUMBER	HREF BTU/ R FT2SEC	STN NO REF (R) = .0175										
646	.3509-01	.2860-01										

TEST DATA

RUN NUMBER	ZY/BW	XW/CW	T/C NO	H/HREF R=1.0	H/HREF R=0.9	H/HREF R= TAW/TO	TAW/TO	H(TO) BTU/R FT2SEC	H(TAW) BTU/R FT2SEC	QDOT BTU/ FT2SEC	DTWDT DEG. R /SEC	TW DEG. R
646	.40000	.20000	247.00	.7770-02	.9375-02	.9375-02	.9000	.2726-03	.3289-03	.2068	1.649	540.0
646	.40000	.40000	248.00	.4812-03	.5805-03	.5805-03	.9000	.1688-04	.2037-04	.1281-01	.1192	539.8
646	.40000	.60000	249.00	.4424-03	.5337-03	.5337-03	.9000	.1552-04	.1873-04	.1179-01	.1316	539.4
646	.40000	.75000	250.00	.5658-03	.6825-03	.6825-03	.9000	.1985-04	.2395-04	.1508-01	.1123	539.1
646	.40000	.95000	252.00	.3307-02	.3986-02	.3986-02	.9000	.1160-03	.1398-03	.8846-01	.7914	536.2
646	.60000	.25000-01	253.00	.9132-01	.1120	.1120	.9000	.3204-02	.3929-02	2.255	54.41	595.0
646	.60000	.50000-01	254.00	.7701-01	.9410-01	.9410-01	.9000	.2702-02	.3302-02	1.933	38.38	583.5
646	.60000	.10000+30	255.00	.5772-01	.6991-01	.6991-01	.9000	.2025-02	.2453-02	1.508	15.92	554.0
646	.60000	.20000	256.00	.1269-01	.1532-01	.1532-01	.9000	.4454-03	.5376-03	.3372	3.009	541.6
646	.60000	.40000	257.00	.9183-03	.1108-02	.1108-02	.9000	.3222-04	.3888-04	.2443-01	.2020	540.3
646	.60000	.60000	258.00	.5073-03	.6121-03	.6121-03	.9000	.1780-04	.2148-04	.1351-01	.1256	539.9
646	.60000	.75000	259.00	.4117-02	.4961-02	.4961-02	.9000	.1444-03	.1741-03	.1102	.9861	535.8
646	.60000	.85000	260.00	.2700-02	.3253-02	.3253-02	.9000	.9474-04	.1141-03	.7240-01	.6002	534.5
646	.60000	.95000	261.00	.4862-02	.5855-02	.5855-02	.9000	.1706-03	.2054-03	.1306	1.463	532.9
646	.70000	.20000	262.00	.8901-02	.1074-01	.1074-01	.9000	.3123-03	.3767-03	.2374	2.209	538.6
646	.70000	.40000	263.00	.3133-02	.3778-02	.3778-02	.9000	.1099-03	.1326-03	.8363-01	.7476	537.9
646	.75000	1.0000	265.00	.2639-01	.3184-01	.3184-01	.9000	.9260-03	.1117-02	.7029	6.824	539.6
646	.75000	.20000	266.00	.1048-01	.1264-01	.1264-01	.9000	.3677-03	.4433-03	.2800	2.722	537.2
646	.75000	.40000	267.00	.4866-02	.5865-02	.5865-02	.9000	.1707-03	.2058-03	.1302	1.164	536.3
646	.75000	.60000	268.00	.5815-02	.7012-02	.7012-02	.9000	.2040-03	.2460-03	.1552	1.577	537.9
646	.75000	.80000	269.00	.1311-02	.1579-02	.1579-02	.9000	.4600-04	.5540-04	.3521-01	.3286	533.3

OH84B 60-0 WING UPPER SURFACE

(R4UR35)

RUN NUMBER	2Y/BW	XH/CW	T/C NO	H/HREF	H/HREF	H/HREF	TAW/TO	H(TO)	H(TAW)	QDOT	DTWDT	TW
				R=1.0	R=0.9	R=		BTU/R	BTU/R	BTU/	DEG. R	DEG. R
						TAW/TO	FT2SEC	FT2SEC	FT2SEC	/SEC		
646	.75000	.90000	270.00	.4951-02	.5961-02	.5961-02	.9000	.1737-03	.2091-03	.1331	1.066	532.3
646	.80000	.90000	271.00	.4927-02	.5933-02	.5933-02	.9000	.1729-03	.2082-03	.1325	1.023	532.5
646	.90000	.20000	272.00	.5988-01	.7248-01	.7248-01	.9000	.2101-02	.2543-02	1.570	13.94	551.5
646	.90000	.40000	273.00	.1418-01	.1709-01	.1709-01	.9000	.4975-03	.5997-03	.3793	3.393	536.3
646	.90000	.60000	274.00	.1882-01	.2270-01	.2270-01	.9000	.6605-03	.7964-03	.5026	3.744	537.7
646	.95000	.20000	275.00	.2762-01	.3331-01	.3331-01	.9000	.9689-03	.1169-02	.7362	7.150	538.8
646	.95000	.40000	276.00	.4224-01	.5102-01	.5102-01	.9000	.1482-02	.1790-02	1.119	8.312	543.6
646	.95000	.50000	277.00	.2304-01	.2779-01	.2779-01	.9000	.8084-03	.9749-03	.6148	5.495	538.2
646	.95000	.70000	278.00	.2002-01	.2414-01	.2414-01	.9000	.7023-03	.8468-03	.5345	4.267	537.6
646	.95000	.80000	279.00	.6243-02	.7517-02	.7517-02	.9000	.2191-03	.2637-03	.1679	1.298	532.1
646	.95000	.90000	280.00	.9877-02	.1189-01	.1189-01	.9000	.3465-03	.4173-03	.2656	2.125	532.4

OH84B 60-0 WING UPPER SURFACE

(R4UR35)

WING UPPER SURF

PARAMETRIC DATA

MACH = 8.000 ALPHA = 40.00 BETA = .0000 ELEVON = -5.000
 BDFLAP = -5.000 SPDBRK = .0000

TEST CONDITIONS

RUN NUMBER	RN/L /FT X10 6	MACH	ALPHA DEG.	BETA DEG.	PO PSIA	TO DEG. R	T DEG. R	P PSIA	Q PSI	V FT/SEC	RHO SLUGS /FT3	MU LB-SEC /FT2
656	3.001	7.990	40.02	.6961-02	672.3	1326.	96.29	.6943-01	3.103	3843.	.1946-02	.7748-07
RUN NUMBER	HREF BTU/ R FT2SEC	STN NO REF (R) =.0175										
656	.4358-01	.2340-01										

TEST DATA

RUN NUMBER	2Y/BW	XW/CW	T/C NO	H/HREF R=1.0	H/HREF R=0.9	H/HREF R= TAW/TO	TAW/TO	H(TO) BTU/R FT2SEC	H(TAW) BTU/R FT2SEC	QDOT BTU/ FT2SEC	DTWDT DEG. R /SEC	TW DEG. R
656	.40000	.20000	247.00	.1148-01	.1378-01	.1378-01	.9000	.5001-03	.6006-03	.3962	3.169	533.5
656	.40000	.40000	248.00	.7508-03	.9022-03	.9022-03	.9000	.3272-04	.3932-04	.2585-01	.2410	535.6
656	.40000	.60000	249.00	.6991-03	.8403-03	.8403-03	.9000	.3047-04	.3662-04	.2404-01	.2687	536.7
656	.40000	.75000	250.00	.1565-02	.1880-02	.1880-02	.9000	.6818-04	.8194-04	.5384-01	.4015	536.0
656	.40000	.95000	252.00	.3553-02	.4262-02	.4262-02	.9000	.1549-03	.1857-03	.1235	1.110	528.0
656	.60000	.25000-01	253.00	.9630-01	.1184	.1184	.9000	.4197-02	.5159-02	2.984	71.33	614.6
656	.60000	.50000-01	254.00	.8548-01	.1044	.1044	.9000	.3725-02	.4548-02	2.731	53.98	592.6
656	.60000	.10000+00	255.00	.6718-01	.8115-01	.8115-01	.9000	.2928-02	.3537-02	2.255	23.78	555.5
656	.60000	.20000	256.00	.1636-01	.1967-01	.1967-01	.9000	.7128-03	.8572-03	.5613	5.016	538.3
656	.60000	.40000	257.00	.9584-03	.1152-02	.1152-02	.9000	.4177-04	.5021-04	.3292-01	.2726	537.4
656	.60000	.60000	258.00	.1898-02	.2281-02	.2281-02	.9000	.8270-04	.9942-04	.6521-01	.6074	537.2
656	.60000	.75000	259.00	.8626-02	.1036-01	.1036-01	.9000	.3759-03	.4513-03	.2984	2.676	531.9
656	.60000	.85000	260.00	.5196-02	.6233-02	.6233-02	.9000	.2264-03	.2716-03	.1804	1.500	529.0
656	.60000	.95000	261.00	.7605-02	.9115-02	.9115-02	.9000	.3314-03	.3972-03	.2651	2.981	525.7
656	.70000	.20000	262.00	.9468-02	.1137-01	.1137-01	.9000	.4126-03	.4956-03	.3269	3.050	533.5
656	.70000	.40000	263.00	.4516-02	.5423-02	.5423-02	.9000	.1968-03	.2363-03	.1560	1.398	533.0
656	.75000	1.0000	265.00	.2980-01	.3580-01	.3580-01	.9000	.1299-02	.1560-02	1.028	10.00	534.3
656	.75000	.20000	266.00	.1060-01	.1272-01	.1272-01	.9000	.4620-03	.5545-03	.3672	3.580	530.9
656	.75000	.40000	267.00	.1041-01	.1249-01	.1249-01	.9000	.4536-03	.5443-03	.3606	3.235	530.6
656	.75000	.60000	268.00	.1559-01	.1873-01	.1873-01	.9000	.6796-03	.8163-03	.5380	5.475	534.1
656	.75000	.80000	269.00	.2182-02	.2616-02	.2616-02	.9000	.9510-04	.1140-03	.7603-01	.7122	526.2

OH84B 60-0 WING UPPER SURFACE

(R4UR35)

RUN NUMBER	ZY/BW	XW/CW	T/C NO	H/HREF	H/HREF	H/HREF	TAW/TO	H(TO)	H(TAW)	QDOT	DTWDT	TW
				R=1.0	R=0.9	R=		BTU/R	BTU/R	BTU/ FT2SEC	DEG. R	DEG. R
656	.75000	.90000	270.00	.6841-02	.8197-02	.8197-02	.9000	.2981-03	.3572-03	.2389	1.920	524.3
656	.80000	.90000	271.00	.7463-02	.8944-02	.8944-02	.9000	.3253-03	.3898-03	.2606	2.021	524.6
656	.90000	.20000	272.00	.6228-01	.7496-01	.7496-01	.9000	.2714-02	.3267-02	2.127	18.98	541.9
656	.90000	.40000	273.00	.4033-01	.4848-01	.4848-01	.9000	.1758-02	.2113-02	1.386	12.39	537.2
656	.90000	.60000	274.00	.2184-01	.2621-01	.2621-01	.9000	.9517-03	.1142-02	.7559	5.649	531.4
656	.95000	.20000	275.00	.5473-01	.6583-01	.6583-01	.9000	.2385-02	.2869-02	1.875	18.21	539.5
656	.95000	.40000	276.00	.6519-01	.7858-01	.7858-01	.9000	.2841-02	.3425-02	2.210	16.38	547.7
656	.95000	.50000	277.00	.4019-01	.4835-01	.4835-01	.9000	.1752-02	.2107-02	1.377	12.30	539.6
656	.95000	.70000	278.00	.3849-01	.4630-01	.4630-01	.9000	.1678-02	.2018-02	1.320	10.53	539.1
656	.95000	.80000	279.00	.1342-01	.1608-01	.1608-01	.9000	.5847-03	.7010-03	.4674	3.623	526.4
656	.95000	.90000	280.00	.1501-01	.1799-01	.1799-01	.9000	.6541-03	.7841-03	.5229	4.198	526.2

OH84B 60-0 WING UPPER SURFACE

(R4UR36)

WING UPPER SURF

PARAMETRIC DATA

MACH = 8.000 ALPHA = 40.00 BETA = .0000 ELEVON = -5.000
 BDFLAP = .0000 SPDBRK = .0000

TEST CONDITIONS

RUN NUMBER	RN/L /FT	MACH	ALPHA DEG.	BETA DEG.	PO PSIA	TO DEG. R	T DEG. R	P PSIA	Q PSI	V FT/SEC	RHO SLUGS /FT3	MU LB-SEC /FT2
638	X10 6 .5027	7.900	39.93	-.1035-01	99.87	1249.	92.62	.1110-01	.4849	3727.	.3235-03	.7453-07
RUN NUMBER	HREF BTU/ R FT2SEC	STN NO REF (R)										
638	.1705-01	.5705-01	= .0175									

TEST DATA

RUN NUMBER	2Y/BW	XW/CW	T/C NO	H/HREF R=1.0	H/HREF R=0.9	H/HREF R= TAW/TO	TAW/TO	H(TO) BTU/R FT2SEC	H(TAW) BTU/R FT2SEC	QDOT BTU/ FT2SEC	DTWOT DEG. R /SEC	TW DEG. R
638	.40000	.20000	247.00	.4601-02	.5560-02	.5560-02	.9000	.7846-04	.9480-04	.5681-01	.4566	524.5
638	.40000	.40000	248.00	.1950-03	.2358-03	.2358-03	.9000	.3324-05	.4020-05	.2399-02	.2247-01	526.9
638	.40000	.60000	249.00	.3148-03	.3807-03	.3807-03	.9000	.5367-05	.6490-05	.3872-02	.4350-01	527.3
638	.40000	.75000	250.00	.1239-02	.1499-02	.1499-02	.9000	.2113-04	.2556-04	.1524-01	.1141	527.6
638	.40000	.95000	252.00	.2093-02	.2529-02	.2529-02	.9000	.3568-04	.4312-04	.2583-01	.2325	524.7
638	.60000	.25000-01	253.00	.7454-01	.9071-01	.9071-01	.9000	.1271-02	.1547-02	.8906	22.00	548.0
638	.60000	.50000-01	254.00	.5701-01	.6923-01	.6923-01	.9000	.9720-03	.1180-02	.6877	13.95	541.1
638	.60000	.10000+00	255.00	.3338-01	.4039-01	.4039-01	.9000	.5692-03	.6886-03	.4097	4.380	528.9
638	.60000	.20000	256.00	.8807-02	.1065-01	.1065-01	.9000	.1502-03	.1816-03	.1083	.9730	527.6
638	.60000	.40000	257.00	.2034-02	.2461-02	.2461-02	.9000	.3469-04	.4196-04	.2500-01	.2080	527.9
638	.60000	.60000	258.00	.9431-04	.1141-03	.1141-03	.9000	.1608-05	.1945-05	.1160-02	.1086-01	527.2
638	.60000	.85000	260.00	.1647-02	.1989-02	.1989-02	.9000	.2807-04	.3391-04	.2038-01	.1700	522.8
638	.60000	.95000	261.00	.4936-02	.5959-02	.5959-02	.9000	.8416-04	.1016-03	.6121-01	.6897	521.4
638	.70000	.20000	262.00	.9442-02	.1141-01	.1141-01	.9000	.1610-03	.1946-03	.1164	1.090	525.8
638	.70000	.40000	263.00	.3568-02	.4313-02	.4313-02	.9000	.6083-04	.7354-04	.4396-01	.3954	526.0
638	.75000	1.0000	265.00	.2495-01	.3015-01	.3015-01	.9000	.4254-03	.5141-03	.3077	3.009	525.4
638	.75000	.20000	266.00	.1102-01	.1331-01	.1331-01	.9000	.1878-03	.2270-03	.1360	1.330	524.7
638	.75000	.40000	267.00	.5069-02	.6126-02	.6126-02	.9000	.8643-04	.1045-03	.6253-01	.5626	525.2
638	.75000	.60000	268.00	.2201-02	.2660-02	.2660-02	.9000	.3753-04	.4536-04	.2713-01	.2773	525.7
638	.75000	.80000	269.00	.6829-03	.9248-03	.8248-03	.9000	.1164-04	.1406-04	.8451-02	.7930-01	522.9
638	.75000	.90000	270.00	.4466-02	.5392-02	.5392-02	.9000	.7616-04	.9194-04	.5539-01	.4458	521.4

DATE 23 FEB 80

OH84B MODEL 60-0 IN THE AEDC VKF HYPERSONIC TUNNEL

PAGE 2350

OH84B 60-0 WING UPPER SURFACE

(R4UR36)

RUN NUMBER	2Y/BW	XW/CW	T/C NO	H/HREF	H/HREF	H/HREF	TAW/TO	H(TO)	H(TAW)	QDOT	DTWDT	TW
				R=1.0	R=0.9	R=		BTU/R	BTU/R	BTU/ FT2SEC	DEG. R	DEG. R
638	.80000	.90000	271.00	.5517-02	.6662-02	.6662-02	.9000	.9407-04	.1136-03	.6835-01	.5310	522.1
638	.90000	.20000	272.00	.1420-01	.1716-01	.1716-01	.9000	.2421-03	.2925-03	.1752	1.577	524.9
638	.90000	.40000	273.00	.3437-02	.4152-02	.4152-02	.9000	.5860-04	.7080-04	.4245-01	.3821	524.2
638	.90000	.60000	274.00	.2129-02	.2573-02	.2573-02	.9000	.3631-04	.4387-04	.2629-01	.1972	524.5
638	.95000	.20000	275.00	.1162-01	.1404-01	.1404-01	.9000	.1982-03	.2394-03	.1436	1.406	523.8
638	.95000	.40000	276.00	.1286-01	.1554-01	.1554-01	.9000	.2193-03	.2650-03	.1589	1.192	524.2
638	.95000	.50000	277.00	.4807-02	.5807-02	.5807-02	.9000	.8196-04	.9901-04	.5942-01	.5350	523.6
638	.95000	.70000	278.00	.1675-02	.2023-02	.2023-02	.9000	.2856-04	.3449-04	.2075-01	.1669	522.3
638	.95000	.80000	279.00	.3433-02	.4146-02	.4146-02	.9000	.5853-04	.7069-04	.4251-01	.3302	522.3
638	.95000	.90000	280.00	.1119-01	.1352-01	.1352-01	.9000	.1908-03	.2304-03	.1384	1.113	523.3

OH84B 60-O WING UPPER SURFACE

(R4UR36)

WING UPPER SURF

PARAMETRIC DATA

MACH = 8.000 ALPHA = 40.00 BETA = .0000 ELEVON = -5.000
 BOFLAP = .0000 SPDBRK = .0000

TEST CONDITIONS

RUN NUMBER	RN/L /FT X10 6	MACH	ALPHA DEG.	BETA DEG.	PO PSIA	TO DEG. R	T DEG. R	P PSIA	Q PSI	V FT/SEC	RHO SLUGS /FT3	MU LB-SEC /FT2
664	1.016	7.940	39.97	-.4646-06	207.5	1261.	92.64	.2232-01	.9849	3746.	.6503-03	.7454-07
RUN NUMBER	HREF BTU/ R FT2SEC	STN NO REF (R)										
664	.2434-01	.4028-01										

TEST DATA

RUN NUMBER	2Y/BW	XW/CW	T/C NO	H/HREF R=1.0	H/HREF R=0.9	H/HREF R= TAW/TO	TAW/TO	H(TO) BTU/R FT2SEC	H(TAW) BTU/R FT2SEC	QDOT BTU/ FT2SEC	DTWDT DEG. R /SEC	TW DEG. R
664	.40000	.20000	247.00	.6264-02	.7561-02	.7561-02	.9000	.1525-03	.1840-03	.1121	.9002	525.6
664	.40000	.40000	248.00	.1023-02	.1236-02	.1236-02	.9000	.2491-04	.3008-04	.1825-01	.1708	527.8
664	.40000	.60000	249.00	.8232-03	.9942-03	.9942-03	.9000	.2004-04	.2420-04	.1468-01	.1649	527.9
664	.40000	.75000	250.00	.1247-03	.1507-03	.1507-03	.9000	.3036-05	.3667-05	.2225-02	.1666-01	527.9
664	.40000	.95000	252.00	.3123-02	.3768-02	.3768-02	.9000	.7603-04	.9171-04	.5605-01	.5047	523.5
664	.60000	.25000-01	253.00	.7967-01	.9717-01	.9717-01	.9000	.1939-02	.2365-02	1.357	33.31	560.8
664	.60000	.50000-01	254.00	.6741-01	.8197-01	.8197-01	.9000	.1641-02	.1995-02	1.165	23.51	550.9
664	.60000	.10000+00	255.00	.4466-01	.5399-01	.5399-01	.9000	.1087-02	.1314-02	.7930	8.468	531.1
664	.60000	.20000	256.00	.1127-01	.1362-01	.1362-01	.9000	.2744-03	.3314-03	.2009	1.805	528.3
664	.60000	.40000	257.00	.1991-02	.2406-02	.2406-02	.9000	.4846-04	.5855-04	.3544-01	.2946	529.3
664	.60000	.60000	258.00	.1399-02	.1691-02	.1691-02	.9000	.3406-04	.4115-04	.2492-01	.2332	528.9
664	.60000	.85000	260.00	.1782-02	.2149-02	.2149-02	.9000	.4338-04	.5232-04	.3202-01	.2671	522.7
664	.60000	.95000	261.00	.5094-02	.6140-02	.6140-02	.9000	.1240-03	.1495-03	.9178-01	1.035	520.5
664	.70000	.20000	262.00	.9852-02	.1189-01	.1189-01	.9000	.2398-03	.2895-03	.1761	1.649	526.4
664	.70000	.40000	263.00	.3407-02	.4114-02	.4114-02	.9000	.8294-04	.1001-03	.6091-01	.5478	526.2
664	.75000	1.0000	265.00	.2401-01	.2897-01	.2897-01	.9000	.5843-03	.7051-03	.4303	4.210	524.3
664	.75000	.20000	266.00	.1079-01	.1302-01	.1302-01	.9000	.2626-03	.3169-03	.1934	1.892	524.2
664	.75000	.40000	267.00	.4934-02	.5953-02	.5953-02	.9000	.1201-03	.1449-03	.8838-01	.7954	524.7
664	.75000	.60000	268.00	.3151-02	.3804-02	.3804-02	.9000	.7671-04	.9259-04	.5638-01	.5763	525.7
664	.75000	.80000	269.00	.1143-02	.1378-02	.1378-02	.9000	.2781-04	.3354-04	.2053-01	.1927	522.6
664	.75000	.90000	270.00	.4299-02	.5181-02	.5181-02	.9000	.1046-03	.1261-03	.7744-01	.6235	520.6

OH84B 60-0 WING UPPER SURFACE

(R4UR361)

RUN NUMBER	2Y/BW	XW/CW	T/C NO	H/HREF	H/HREF	H/HREF	TAW/TO	H(TO)	H(TAW)	QDOT	DTWDT	TW
				R=1.0	R=0.9	R=		BTU/R	BTU/R	BTU/	DEG. R	DEG. R
						TAW/TO	FT2SEC	FT2SEC	FT2SEC	/SEC		
664	.80000	.90000	271.00	.5135-02	.6191-02	.6191-02	.9000	.1250-03	.1507-03	.9238-01	.7178	521.5
664	.90000	.20000	272.00	.3254-01	.3931-01	.3931-01	.9000	.7922-03	.9568-03	.5804	5.214	528.0
664	.90000	.40000	273.00	.5686-02	.6860-02	.6860-02	.9000	.1384-03	.1670-03	.1019	.9172	524.4
664	.90000	.60000	274.00	.2144-02	.2587-02	.2587-02	.9000	.5218-04	.6296-04	.3843-01	.2883	524.2
664	.95000	.20000	275.00	.1245-01	.1501-01	.1501-01	.9000	.3030-03	.3654-03	.2234	2.187	523.2
664	.95000	.40000	276.00	.9388-02	.1132-01	.1132-01	.9000	.2285-03	.2756-03	.1685	1.265	523.2
664	.95000	.50000	277.00	.6790-02	.8192-02	.8192-02	.9000	.1675-03	.1994-03	.1218	1.096	523.9
664	.95000	.70000	278.00	.4262-02	.5141-02	.5141-02	.9000	.1037-03	.1251-03	.7654-01	.6155	523.0
664	.95000	.80000	279.00	.3318-02	.4001-02	.4001-02	.9000	.8076-04	.9738-04	.5965-01	.4634	522.0
664	.95000	.90000	280.00	.9677-02	.1167-01	.1167-01	.9000	.2355-03	.2840-03	.1739	1.399	522.4

DATE 23 FEB 80

OHS4B MODEL 60-0 IN THE AEDC VKF HYPERSONIC TUNNEL

PAGE 2353

OHS4B 60-0 WING UPPER SURFACE

(R4UR36)

WING UPPER SURF

PARAMETRIC DATA

MACH = 9.000 ALPHA = 40.00 BETA = .0000 ELEVON = -5.000
 BDFLAP = .0000 SPDBRK = .0000

TEST CONDITIONS

RUN NUMBER	RN/L /FT X10 6	MACH	ALPHA DEG.	BETA DEG.	PO PSIA	TO DEG. R	T DEG. R	P PSIA	Q PSI	V FT/SEC	RHO SLUGS /FT3	MU LB-SEC /FT2
644	2.002	7.980	39.98	-.1040-01	434.5	1301.	94.69	.4523-01	2.016	3807.	.1289-02	.7620-07
RUN NUMBER	HREF BTU/ R FT2SEC	STN NO REF(R) =.0175										
644	.3502-01	.2870-01										

TEST DATA

RUN NUMBER	2Y/BW	XW/CW	T/C NO	H/HREF R=1.0	H/HREF R=0.9	H/HREF R= TAW/TO	TAW/TO	H(TO) BTU/R FT2SEC	H(TAW) BTU/R FT2SEC	QOOT BTU/ FT2SEC	DTWDT DEG. R /SEC	TW DEG. R
644	.40000	.20000	247.00	.6788-02	.8163-02	.8163-02	.9000	.2377-03	.2658-03	.1835	1.472	528.5
644	.40000	.40000	248.00	.3228-03	.3884-03	.3884-03	.9000	.1130-04	.1360-04	.8706-02	.8138-01	530.3
644	.40000	.60000	249.00	.2879-03	.3465-03	.3465-03	.9000	.1008-04	.1213-04	.7761-02	.8703-01	530.9
644	.40000	.75000	250.00	.4744-03	.5709-03	.5709-03	.9000	.1661-04	.1999-04	.1279-01	.9567-01	530.5
644	.40000	.95000	252.00	.3349-02	.4025-02	.4025-02	.9000	.1173-03	.1409-03	.9080-01	.8165	526.4
644	.60000	.25000-01	253.00	.8656-01	.1060	.1060	.9000	.3031-02	.3713-02	2.146	51.86	592.5
644	.60000	.50000-01	254.00	.7409-01	.9037-01	.9037-01	.9000	.2594-02	.3164-02	1.874	37.30	578.4
644	.60000	.10000+00	255.00	.5743-01	.6942-01	.6942-01	.9000	.2011-02	.2431-02	1.514	16.04	547.6
644	.60000	.20000	256.00	.1231-01	.1482-01	.1482-01	.9000	.4309-03	.5188-03	.3305	2.961	533.6
644	.60000	.40000	257.00	.8096-03	.9746-03	.9746-03	.9000	.2835-04	.3413-04	.2178-01	.1808	532.4
644	.60000	.60000	258.00	.7112-04	.8561-04	.8561-04	.9000	.2490-05	.2997-05	.1914-02	.1787-01	532.2
644	.60000	.75000	259.00	.4831-02	.5808-02	.5808-02	.9000	.1692-03	.2034-03	.1308	1.176	527.4
644	.60000	.85000	260.00	.2765-02	.3322-02	.3322-02	.9000	.9681-04	.1163-03	.7508-01	.6255	525.1
644	.60000	.95000	261.00	.5308-02	.6374-02	.6374-02	.9000	.1859-03	.2232-03	.1445	1.627	523.2
644	.70000	.20000	262.00	.8808-02	.1060-01	.1060-01	.9000	.3084-03	.3711-03	.2374	2.219	530.8
644	.70000	.40000	263.00	.3474-02	.4180-02	.4180-02	.9000	.1216-03	.1464-03	.9365-01	.8402	530.7
644	.75000	1.0000	265.00	.2675-01	.3220-01	.3220-01	.9000	.9365-03	.1127-02	.7194	7.010	532.5
644	.75000	.20000	266.00	.1017-01	.1223-01	.1223-01	.9000	.3560-03	.4282-03	.2745	2.679	529.6
644	.75000	.40000	267.00	.6258-02	.7527-02	.7527-02	.9000	.2191-03	.2636-03	.1690	1.517	529.4
644	.75000	.60000	268.00	.6442-02	.7753-02	.7753-02	.9000	.2256-03	.2715-03	.1736	1.769	531.2
644	.75000	.80000	269.00	.1659-02	.1994-02	.1994-02	.9000	.5810-04	.6981-04	.4504-01	.4221	525.4

OH84B 60-0 WING UPPER SURFACE

(R4UR36)

RUN NUMBER	2Y/BW	XW/CW	T/C NO	H/HREF R=1.0	H/HREF R=0.9	H/HREF R= TAW/TO	TAW/TO	H(TO) BTU/R FT2SEC	H(TAW) BTU/R FT2SEC	QDOT BTU/ FT2SEC	DTWOT DEG. R /SEC	TW DEG. R
644	.75000	.90000	270.00	.5100-02	.6125-02	.6125-02	.9000	.1786-03	.2145-03	.1388	1.116	523.2
644	.80000	.90000	271.00	.5792-02	.6958-02	.6958-02	.9000	.2028-03	.2436-03	.1575	1.223	524.0
644	.90000	.20000	272.00	.6817-01	.8228-01	.8228-01	.9000	.2387-02	.2881-02	1.810	16.15	542.2
644	.90000	.40000	273.00	.1346-01	.1620-01	.1620-01	.9000	.4715-03	.5671-03	.3636	3.264	529.6
644	.90000	.60000	274.00	.1897-01	.2283-01	.2283-01	.9000	.6642-03	.7994-03	.5107	3.817	531.7
644	.95000	.20000	275.00	.2725-01	.3280-01	.3280-01	.9000	.9542-03	.1148-02	.7337	7.151	531.7
644	.95000	.40000	276.00	.4154-01	.5005-01	.5005-01	.9000	.1455-02	.1753-02	1.112	8.296	535.8
644	.95000	.50000	277.00	.2491-01	.3000-01	.3000-01	.9000	.8721-03	.1051-02	.6678	5.978	535.0
644	.95000	.70000	278.00	.9493-02	.1141-01	.1141-01	.9000	.3324-03	.3996-03	.2571	2.063	527.2
644	.95000	.80000	279.00	.5524-02	.6637-02	.6637-02	.9000	.1934-03	.2324-03	.1500	1.163	525.3
644	.95000	.90000	280.00	.1182-01	.1421-01	.1421-01	.9000	.4139-03	.4975-03	.3206	2.574	526.2

DATE 23 FEB 80

OH84B MODEL 60-0 IN THE AEDC VKF HYPERSONIC TUNNEL

PAGE 235

OH84B 60-0 WING UPPER SURFACE

(R4UR30)

WING UPPER SURF

PARAMETRIC DATA

MACH = 8.000 ALPHA = 40.00 BETA = .0000 ELEVON = -5.000
 BDFLAP = .0000 SPDBRK = .0000

TEST CONDITIONS

RUN NUMBER	RN/L /FT X10 6	MACH	ALPHA DEG.	BETA DEG.	PO PSIA	TO DEG. R	T DEG. R	P PSIA	Q PSI	V FT/SEC	RHO SLUGS /FT3	MU LB-SEC /FT2
654	2.991	7.990	40.02	.6962-02	669.5	1325.	96.21	.6914-01	3.090	3842.	.1940-02	.7742-07

RUN NUMBER	HREF BTU/ R FT2SEC	STN NO REF (R) = .0175
654	.4348-01	.2344-01

TEST DATA

RUN NUMBER	2Y/BW	XW/CW	T/C NO	H/HREF R=1.0	H/HREF R=0.9	H/HREF R= TAW/TO	TAW/TO	H(TO) BTU/R FT2SEC	H(TAW) BTU/R FT2SEC	QDOT BTU/ FT2SEC	DTWDT DEG. R /SEC	TW DEG. R
654	.40000	.20000	247.00	.1095-01	.1315-01	.1315-01	.9000	.4760-03	.5718-03	.3764	3.010	534.0
654	.40000	.40000	248.00	.3688-03	.4431-03	.4431-03	.9000	.1604-04	.1927-04	.1266-01	.1181	534.9
654	.40000	.60000	249.00	.4566-03	.5488-03	.5488-03	.9000	.1985-04	.2386-04	.1566-01	.1751	536.0
654	.40000	.75000	250.00	.1390-02	.1670-02	.1670-02	.9000	.6044-04	.7262-04	.4774-01	.3562	534.8
654	.40000	.95000	252.00	.3535-02	.4240-02	.4240-02	.9000	.1537-03	.1844-03	.1224	1.100	528.3
654	.60000	.25000-01	253.00	.9052-01	.1115	.1115	.9000	.3936-02	.4850-02	2.766	65.89	621.9
654	.60000	.50000-01	254.00	.8087-01	.9889-01	.9889-01	.9000	.3516-02	.4300-02	2.556	50.41	597.7
654	.60000	.10000+30	255.00	.6726-01	.8134-01	.8134-01	.9000	.2925-02	.3537-02	2.239	23.58	559.1
654	.60000	.20000	256.00	.1657-01	.1993-01	.1993-01	.9000	.7206-03	.8667-03	.5662	5.059	538.9
654	.60000	.40000	257.00	.8389-03	.1008-02	.1008-02	.9000	.3648-04	.4384-04	.2877-01	.2383	536.0
654	.60000	.60000	258.00	.1130-02	.1358-02	.1358-02	.9000	.4913-04	.5905-04	.3876-01	.3613	535.8
654	.60000	.75000	259.00	.9502-02	.1141-01	.1141-01	.9000	.4132-03	.4960-03	.3276	2.938	531.7
654	.60000	.85000	260.00	.5506-02	.6606-02	.6606-02	.9000	.2394-03	.2873-03	.1905	1.583	529.2
654	.60000	.95000	261.00	.8043-02	.9644-02	.9644-02	.9000	.3497-03	.4194-03	.2790	3.135	526.9
654	.70000	.20000	262.00	.9173-02	.1102-01	.1102-01	.9000	.3987-03	.4790-03	.3152	2.940	534.2
654	.70000	.40000	263.00	.5216-02	.6264-02	.6264-02	.9000	.2268-03	.2724-03	.1796	1.609	533.0
654	.75000	1.0000	265.00	.2987-01	.3591-01	.3591-01	.9000	.1299-02	.1561-02	1.023	9.941	537.2
654	.75000	.20000	266.00	.1112-01	.1336-01	.1336-01	.9000	.4837-03	.5808-03	.3832	3.734	532.4
654	.75000	.40000	267.00	.1193-01	.1432-01	.1432-01	.9000	.5186-03	.6225-03	.4112	3.688	531.6
654	.75000	.60000	268.00	.1792-01	.2153-01	.2153-01	.9000	.7792-03	.9361-03	.6157	6.266	534.5
654	.75000	.80000	269.00	.2106-02	.2524-02	.2524-02	.9000	.9156-04	.1098-03	.7314-01	.6852	525.9

DATE 23 FEB 80

OH84B MODEL 60-0 IN THE AEDC VKF HYPERSONIC TUNNEL

PAGE 2356

OH84B 60-0 WING UPPER SURFACE

(R4UR36)

RUN NUMBER	2Y/BW	XW/CW	T/C NO	H/HREF R=1.0	H/HREF R=0.9	H/HREF R= TAW/TO	TAW/TO	H(TO) BTU/R FT2SEC	H(TAW) BTU/R FT2SEC	QDOT BTU/ FT2SEC	DTWOT DEG. R /SEC	TW DEG. R
654	.75000	.90000	270.00	.6964-02	.8346-02	.8346-02	.9000	.3028-03	.3629-03	.2422	1.946	524.9
654	.80000	.90000	271.00	.7821-02	.9374-02	.9374-02	.9000	.3401-03	.4076-03	.2719	2.109	525.0
654	.90000	.20000	272.00	.5565-01	.6701-01	.6701-01	.9000	.2420-02	.2914-02	1.890	16.85	543.6
654	.90000	.40000	273.00	.4579-01	.5507-01	.5507-01	.9000	.1991-02	.2395-02	1.565	13.98	538.8
654	.90000	.60000	274.00	.2609-01	.3132-01	.3132-01	.9000	.1134-02	.1362-02	.8985	6.712	532.5
654	.95000	.20000	275.00	.6548-01	.7885-01	.7885-01	.9000	.2847-02	.3429-02	2.224	21.54	543.7
654	.95000	.40000	276.00	.8181-01	.9884-01	.9884-01	.9000	.3557-02	.4298-02	2.735	20.19	555.8
654	.95000	.50000	277.00	.7136-01	.8597-01	.8597-01	.9000	.3103-02	.3738-02	2.418	21.53	545.4
654	.95000	.70000	278.00	.4955-01	.5962-01	.5962-01	.9000	.2155-02	.2593-02	1.689	13.46	540.7
654	.95000	.80000	279.00	.1263-01	.1514-01	.1514-01	.9000	.5490-03	.6582-03	.4386	3.400	525.9
654	.95000	.90000	280.00	.1591-01	.1907-01	.1907-01	.9000	.6917-03	.8294-03	.5520	4.431	526.7

OH84B 60-0 WING UPPER SURFACE

(R4UR37)

WING UPPER SURF

PARAMETRIC DATA

MACH = 8.000 ALPHA = 40.00 BETA = .0000 ELEVON = -5.000
 BDFLAP = 5.000 SPDBRK = .0000

TEST CONDITIONS

RUN NUMBER	RN/L /FT X10 6	MACH	ALPHA DEG.	BETA DEG.	PO PSIA	TO DEG. R	T DEG. R	P PSIA	Q PSI	V FT/SEC	RHO SLUGS /FT3	MU LB-SEC /FT2
640	.5043	7.900	39.93	-.1035-01	99.93	1247.	92.47	.1111-01	.4852	3724.	.3242-03	.7441-07

RUN NUMBER	HREF BTU/ R FT2SEC	STN NO REF(R) = .0175
640	.1705-01	.5698-01

TEST DATA

RUN NUMBER	2Y/BW	XW/CW	T/C NO	H/HREF R=1.0	H/HREF R=0.9	H/HREF R= TAW/TO	TAW/TO	H(TO) BTU/R FT2SEC	H(TAW) BTU/R FT2SEC	QDOT BTU/ FT2SEC	DTWDT DEG. R /SEC	TW DEG. R
640	.40000	.20000	247.00	.4506-02	.5439-02	.5439-02	.9000	.7683-04	.9274-04	.5582-01	.4496	520.1
640	.40000	.40000	248.00	.4668-03	.5640-03	.5640-03	.9000	.7960-05	.9617-05	.5759-02	.5403-01	523.2
640	.40000	.60000	249.00	.5918-03	.7151-03	.7151-03	.9000	.1009-04	.1219-04	.7293-02	.8207-01	523.9
640	.40000	.75000	250.00	.1283-03	.1550-03	.1550-03	.9000	.2187-05	.2643-05	.1581-02	.1186-01	523.7
640	.40000	.95000	252.00	.3803-02	.4592-02	.4592-02	.9000	.6485-04	.7829-04	.4706-01	.4244	520.9
640	.60000	.25000-01	253.00	.7435-01	.9034-01	.9034-01	.9000	.1268-02	.1540-02	.8934	22.14	542.0
640	.60000	.50000-01	254.00	.5731-01	.6949-01	.6949-01	.9000	.9772-03	.1185-02	.6949	14.13	535.6
640	.60000	.10000+00	255.00	.3323-01	.4016-01	.4016-01	.9000	.5667-03	.6848-03	.4096	4.390	523.9
640	.60000	.20000	256.00	.8978-02	.1085-01	.1085-01	.9000	.1531-03	.1849-03	.1108	.9982	522.8
640	.60000	.40000	257.00	.2002-02	.2419-02	.2419-02	.9000	.3414-04	.4125-04	.2469-01	.2058	523.5
640	.60000	.60000	258.00	.8938-03	.1080-02	.1080-02	.9000	.1524-04	.1841-04	.1103-01	.1035	523.0
640	.60000	.85000	260.00	.1517-02	.1830-02	.1830-02	.9000	.2587-04	.3121-04	.1884-01	.1575	518.5
640	.60000	.95000	261.00	.4816-02	.5809-02	.5809-02	.9000	.8212-04	.9905-04	.5990-01	.6764	517.2
640	.70000	.20000	262.00	.9084-02	.1097-01	.1097-01	.9000	.1549-03	.1870-03	.1124	1.056	520.8
640	.70000	.40000	263.00	.3589-02	.4334-02	.4334-02	.9000	.6120-04	.7390-04	.4441-01	.4004	521.1
640	.75000	1.0000	265.00	.2428-01	.2931-01	.2931-01	.9000	.4139-03	.4997-03	.3006	2.947	520.4
640	.75000	.20000	266.00	.1096-01	.1323-01	.1323-01	.9000	.1869-03	.2256-03	.1359	1.332	519.8
640	.75000	.40000	267.00	.4820-02	.5818-02	.5818-02	.9000	.8218-04	.9920-04	.5971-01	.5386	520.1
640	.75000	.60000	268.00	.2183-02	.2636-02	.2636-02	.9000	.3723-04	.4485-04	.2704-01	.2771	520.4
640	.75000	.80000	269.00	.6417-03	.7742-03	.7742-03	.9000	.1094-04	.1320-04	.7974-02	.7501-01	517.9
640	.75000	.90000	270.00	.4037-02	.4869-02	.4869-02	.9000	.6884-04	.8302-04	.5024-01	.4053	516.9

DATE 23 FEB 80

OH84B MODEL 60-0 IN THE AEDC VKF HYPERSONIC TUNNEL

PAGE 2358

OH84B 60-0 WING UPPER SURFACE

(R4UR37)

RUN NUMBER	2Y/BW	XW/CW	T/C NO	H/HREF R=1.0	H/HREF R=0.9	H/HREF R= TAW/TO	TAW/TO	H(TO) BTU/R FT2SEC	H(TAW) BTU/R FT2SEC	QDOT BTU/ FT2SEC	DTWOT DEG. R /SEC	TW DEG. R
640	.80000	.90000	271.00	.4848-02	.5848-02	.5848-02	.9000	.8266-04	.9972-04	.6027-01	.4692	517.6
640	.90000	.20000	272.00	.1597-01	.1928-01	.1928-01	.9000	.2723-03	.3287-03	.1977	1.783	520.6
640	.90000	.40000	273.00	.3507-02	.4232-02	.4232-02	.9000	.5980-04	.7216-04	.4350-01	.3926	519.2
640	.90000	.60000	274.00	.1443-02	.1741-02	.1741-02	.9000	.2460-04	.2969-04	.1790-01	.1346	519.0
640	.95000	.20000	275.00	.1146-01	.1383-01	.1383-01	.9000	.1954-03	.2358-03	.1421	1.394	519.1
640	.95000	.40000	276.00	.1260-01	.1521-01	.1521-01	.9000	.2149-03	.2593-03	.1564	1.176	519.1
640	.95000	.50000	277.00	.3302-02	.3983-02	.3983-02	.9000	.5630-04	.6792-04	.4103-01	.3705	518.0
640	.95000	.70000	278.00	.9550-03	.1152-02	.1152-02	.9000	.1628-04	.1964-04	.1187-01	.9572-01	517.7
640	.95000	.80000	279.00	.2934-02	.3539-02	.3539-02	.9000	.5002-04	.6035-04	.3645-01	.2838	518.0
640	.95000	.90000	280.00	.1072-01	.1294-01	.1294-01	.9000	.1828-03	.2206-03	.1330	1.072	519.1

OH84B 60-0 WING UPPER SURFACE

(R4UR37)

WING UPPER SURF

PARAMETRIC DATA

MACH = 8.000 ALPHA = 40.00 BETA = .0000 ELEVON = -5.000
 BDFLAP = 5.000 SPDBRK = .0000

TEST CONDITIONS

RUN NUMBER	RN/L /FT X10 6	MACH	ALPHA DEG.	BETA DEG.	PO PSIA	TO DEG. R	T DEG. R	P PSIA	Q PSI	V FT/SEC	RHO SLUGS /FT3	MU LB-SEC /FT2
662	1.024	7.940	39.97	-4645-06	207.3	1253.	92.05	.2230-01	.9840	3734.	.6538-03	.7407-07
RUN NUMBER	HREF BTU/ R FT2SEC	STN NO REF (R)										
662	.2430-01	.4014-01										

TEST DATA

RUN NUMBER	ZY/BW	XW/CW	T/C NO	H/HREF R=1.0	H/HREF R=0.9	H/HREF R=TAW/TO	TAW/TO	H(TO) BTU/R FT2SEC	H(TAW) BTU/R FT2SEC	QDOT BTU/ FT2SEC	DTWDT DEG. R /SEC	TW DEG. R
662	.40000	.20000	247.00	.5936-02	.7173-02	.7173-02	.9000	.1443-03	.1743-03	.1048	.8409	526.5
662	.40000	.40000	248.00	.7690-03	.9298-03	.9298-03	.9000	.1869-04	.2260-04	.1353-01	.1266	528.7
662	.40000	.60000	249.00	.5622-03	.6798-03	.6798-03	.9000	.1366-04	.1652-04	.9889-02	.1110	528.8
662	.40000	.75000	250.00	.2251-03	.2722-03	.2722-03	.9000	.5471-05	.6615-05	.3962-02	.2965-01	528.5
662	.40000	.95000	252.00	.3603-02	.4353-02	.4353-02	.9000	.8757-04	.1058-03	.6374-01	.5736	524.8
662	.60000	.25000-01	253.00	.7845-01	.9605-01	.9605-01	.9000	.1907-02	.2334-02	1.304	31.88	568.8
662	.60000	.50000-01	254.00	.6536-01	.7971-01	.7971-01	.9000	.1588-02	.1937-02	1.105	22.23	557.0
662	.60000	.10000+00	255.00	.4542-01	.5502-01	.5502-01	.9000	.1104-02	.1337-02	.7924	8.446	534.8
662	.60000	.20000	256.00	.1080-01	.1306-01	.1306-01	.9000	.2625-03	.3175-03	.1896	1.702	530.1
662	.60000	.40000	257.00	.1545-02	.1869-02	.1869-02	.9000	.3754-04	.4541-04	.2711-01	.2253	530.4
662	.60000	.60000	258.00	.1379-02	.1669-02	.1669-02	.9000	.3352-04	.4055-04	.2422-01	.2265	530.0
662	.60000	.75000	259.00	.1001-03	.1209-03	.1209-03	.9000	.2433-05	.2938-05	.1771-02	.1594-01	524.6
662	.60000	.85000	260.00	.1847-02	.2230-02	.2230-02	.9000	.4488-04	.5419-04	.3272-01	.2728	523.7
662	.60000	.95000	261.00	.5459-02	.6590-02	.6590-02	.9000	.1327-03	.1601-03	.9689-01	1.091	522.4
662	.70000	.20000	262.00	.9671-02	.1169-01	.1169-01	.9000	.2350-03	.2842-03	.1702	1.593	528.3
662	.70000	.40000	263.00	.3304-02	.3994-02	.3994-02	.9000	.8030-04	.9707-04	.5821-01	.5230	527.7
662	.75000	1.0000	265.00	.2437-01	.2946-01	.2946-01	.9000	.5923-03	.7159-03	.4296	4.197	527.3
662	.75000	.20000	266.00	.1079-01	.1304-01	.1304-01	.9000	.2623-03	.3169-03	.1905	1.862	526.4
662	.75000	.40000	267.00	.4844-02	.5854-02	.5854-02	.9000	.1177-03	.1423-03	.8562-01	.7690	526.2
662	.75000	.60000	268.00	.3496-02	.4225-02	.4225-02	.9000	.8496-04	.1027-03	.6167-01	.6300	526.8
662	.75000	.80000	269.00	.1133-02	.1368-02	.1368-02	.9000	.2753-04	.3324-04	.2007-01	.1882	523.7

DATE 23 FEB 80

OH84B MODEL 60-0 IN THE AEDC VKF HYPERSONIC TUNNEL

PAGE 2360

OH84B 60-0 WING UPPER SURFACE

(R4UR37)

RUN NUMBER	2Y/BW	XW/CW	T/C NO	H/HREF R=1.0	H/HREF R=0.9	H/HREF R= TAW/TO	TAW/TO	H(TO) BTU/R FT2SEC	H(TAW) BTU/R FT2SEC	QDOT BTU/ FT2SEC	DTWDT DEG. R /SEC	TW DEG. R
662	.75000	.90000	270.00	.5311-02	.6411-02	.6411-02	.9000	.1291-03	.1558-03	.9429-01	.7585	522.2
662	.80000	.90000	271.00	.5584-02	.6742-02	.6742-02	.9000	.1357-03	.1638-03	.9903-01	.7690	523.0
662	.90000	.20000	272.00	.3451-01	.4175-01	.4175-01	.9000	.8387-03	.1015-02	.6056	5.434	530.6
662	.90000	.40000	273.00	.6231-02	.7528-02	.7528-02	.9000	.1514-03	.1829-03	.1101	.9900	525.7
662	.90000	.60000	274.00	.2779-02	.3357-02	.3357-02	.9000	.6754-04	.8159-04	.4913-01	.3684	525.2
662	.95000	.20000	275.00	.1467-01	.1772-01	.1772-01	.9000	.3566-03	.4307-03	.2594	2.537	525.1
662	.95000	.40000	276.00	.1579-01	.1908-01	.1908-01	.9000	.3837-03	.4637-03	.2783	2.085	527.2
662	.95000	.50000	277.00	.7271-02	.8784-02	.8784-02	.9000	.1767-03	.2135-03	.1286	1.157	525.1
662	.95000	.70000	278.00	.4518-02	.5456-02	.5456-02	.9000	.1098-03	.1326-03	.8001-01	.6431	524.0
662	.95000	.80000	279.00	.3548-02	.4284-02	.4284-02	.9000	.8624-04	.1041-03	.6291-01	.4885	523.1
662	.95000	.90000	280.00	.1018-01	.1230-01	.1230-01	.9000	.2475-03	.2988-03	.1804	1.450	523.7

OHB48 60-0 WING UPPER SURFACE

(R4UR37)

WING UPPER SURF

PARAMETRIC DATA

MACH = 8.000 ALPHA = 40.00 BETA = .0000 ELEVON = -5.000
 BDFLAP = 5.000 SPDBRK = .0000

TEST CONDITIONS

RUN NUMBER	RN/L /FT X10 6	MACH	ALPHA DEG.	BETA DEG.	PO PSIA	TO DEG. R	T DEG. R	P PSIA	Q PSI	V FT/SEC	RHO SLUGS /FT3	MU LB-SEC /FT2
642	2.013	7.980	39.98	-.1040-01	434.8	1297.	94.40	.4526-01	2.018	3801.	.1294-02	.7596-07

RUN NUMBER	HREF BTU/ R FT2SEC	STN NO REF (R) = .0175
642	.3501-01	.2863-01

TEST DATA

RUN NUMBER	2Y/BW	XW/CW	T/C NO	H/HREF R=1.0	H/HREF R=0.9	H/HREF R= TAW/TO	TAW/TO	H(TO) BTU/R FT2SEC	H(TAW) BTU/R FT2SEC	QDOT BTU/ FT2SEC	DTWDT DEG. R /SEC	TW DEG. R
642	.40000	.20000	247.00	.6426-02	.7724-02	.7724-02	.9000	.2250-03	.2704-03	.1737	1.395	524.7
642	.40000	.40000	248.00	.3686-03	.4432-03	.4432-03	.9000	.1291-04	.1551-04	.9949-02	.9321-01	525.7
642	.40000	.60000	249.00	.4947-03	.5948-03	.5948-03	.9000	.1732-04	.2082-04	.1334-01	.1500	526.2
642	.40000	.75000	250.00	.5367-03	.6453-03	.6453-03	.9000	.1879-04	.2259-04	.1448-01	.1095	526.1
642	.40000	.95000	252.00	.3190-02	.3833-02	.3833-02	.9000	.1117-03	.1342-03	.8638-01	.7779	523.3
642	.60000	.25000-01	253.00	.8602-01	.1052	.1052	.9000	.3012-02	.3682-02	2.145	52.04	584.4
642	.60000	.50000-01	254.00	.7281-01	.8864-01	.8864-01	.9000	.2549-02	.3103-02	1.851	37.00	570.4
642	.60000	.10000+00	255.00	.5703-01	.6888-01	.6888-01	.9000	.1997-02	.2411-02	1.506	15.98	542.7
642	.60000	.20000	256.00	.1248-01	.1502-01	.1502-01	.9000	.4370-03	.5258-03	.3355	3.012	529.0
642	.60000	.40000	257.00	.7294-03	.8772-03	.8772-03	.9000	.2553-04	.3071-04	.1965-01	.1635	527.3
642	.60000	.60000	258.00	.7573-03	.9108-03	.9108-03	.9000	.2651-04	.3188-04	.2040-01	.1910	527.1
642	.60000	.75000	259.00	.5135-02	.6170-02	.6170-02	.9000	.1798-03	.2160-03	.1390	1.251	523.7
642	.60000	.85000	260.00	.4139-02	.4972-02	.4972-02	.9000	.1449-03	.1741-03	.1121	.9350	522.9
642	.60000	.95000	261.00	.4906-02	.5890-02	.5890-02	.9000	.1718-03	.2062-03	.1334	1.504	520.2
642	.70000	.20000	262.00	.8587-02	.1032-01	.1032-01	.9000	.3006-03	.3615-03	.2315	2.168	526.5
642	.70000	.40000	263.00	.4017-02	.4830-02	.4830-02	.9000	.1406-03	.1691-03	.1083	.9741	526.3
642	.75000	1.0000	265.00	.2556-01	.3075-01	.3075-01	.9000	.8947-03	.1076-02	.6871	6.707	528.7
642	.75000	.20000	266.00	.1022-01	.1228-01	.1228-01	.9000	.3577-03	.4300-03	.2757	2.695	525.9
642	.75000	.40000	267.00	.6441-02	.7743-02	.7743-02	.9000	.2255-03	.2711-03	.1739	1.564	525.6
642	.75000	.60000	268.00	.7868-02	.9465-02	.9465-02	.9000	.2755-03	.3314-03	.2117	2.161	528.1
642	.75000	.80000	269.00	.1832-02	.2201-02	.2201-02	.9000	.6415-04	.7705-04	.4966-01	.4660	522.5

DATE 23 FEB 80

OH84B MODEL 60-0 IN THE AEDC VKF HYPERSONIC TUNNEL

PAGE 2362

OH84B 60-0 WING UPPER SURFACE

(R4UR37)

RUN NUMBER	2Y/BW	XW/CW	T/C NO	H/HREF R=1.0	H/HREF R=0.9	H/HREF R= TAW/TO	TAW/TO	H(TO) BTU/R FT2SEC	H(TAW) BTU/R FT2SEC	QDOT BTU/ FT2SEC	DTWDT DEG. R /SEC	TW DEG. R
642	.75000	.90000	270.00	.5195-02	.6237-02	.6237-02	.9000	.1819-03	.2184-03	.1411	1.136	520.7
642	.80000	.90000	271.00	.5755-02	.6911-02	.6911-02	.9000	.2015-03	.2420-03	.1562	1.214	521.5
642	.90000	.20000	272.00	.5252-01	.6337-01	.6337-01	.9000	.1839-02	.2219-02	1.392	12.43	539.7
642	.90000	.40000	273.00	.1593-01	.1916-01	.1916-01	.9000	.5577-03	.6708-03	.4292	3.857	527.2
642	.90000	.60000	274.00	.2688-01	.3237-01	.3237-01	.9000	.9412-03	.1133-02	.7205	5.385	531.2
642	.95000	.20000	275.00	.2657-01	.3196-01	.3196-01	.9000	.9300-03	.1119-02	.7141	6.971	528.8
642	.95000	.40000	276.00	.9208-01	.1116	.1116	.9000	.3223-02	.3906-02	2.392	17.66	554.7
642	.95000	.50000	277.00	.8202-01	.9913-01	.9913-01	.9000	.2871-02	.3470-02	2.157	19.21	545.4
642	.95000	.70000	278.00	.3980-01	.4797-01	.4797-01	.9000	.1393-02	.1679-02	1.060	8.471	535.7
642	.95000	.80000	279.00	.1249-01	.1502-01	.1502-01	.9000	.4374-03	.5257-03	.3378	2.621	524.4
642	.95000	.90000	280.00	.1427-01	.1715-01	.1715-01	.9000	.4997-03	.6005-03	.3860	3.102	524.3

OH84B 60-0 WING UPPER SURFACE

(R4UR37)

WING UPPER SURF

PARAMETRIC DATA

MACH = 8.000 ALPHA = 40.00 BETA = .0000 ELEVON = -5.000
 BDFLAP = 5.000 SPOBRK = .0000

TEST CONDITIONS

RUN NUMBER	RN/L /FT X10 6	MACH	ALPHA DEG.	BETA DEG.	PO PSIA	TO DEG. R	T DEG. R	P PSIA	Q PSI	V FT/SEC	RHO SLUGS /FT3	MU LB-SEC /FT2
652	2.983	7.990	40.04	.6976-02	671.4	1330.	96.58	.6934-01	3.098	3849.	.1938-02	.7772-07
RUN NUMBER	HREF BTU/ R FT2SEC	STN NO REF (R) = .0175										
652	.4357-01	.2346-01										

TEST DATA

RUN NUMBER	2Y/BW	XW/CW	T/C NO	H/HREF R=1.0	H/HREF R=0.9	H/HREF R= TAW/TO	TAW/TO	H(TO) BTU/R FT2SEC	H(TAW) BTU/R FT2SEC	QDOT BTU/ FT2SEC	DTWOT DEG. R /SEC	TW DEG. R
652	.40000	.20000	247.00	.1134-01	.1361-01	.1361-01	.9000	.4940-03	.5931-03	.3930	3.143	534.1
652	.40000	.40000	248.00	.7303-03	.8772-03	.8772-03	.9000	.3182-04	.3822-04	.2526-01	.2355	535.7
652	.40000	.60000	249.00	.6837-03	.8215-03	.8215-03	.9000	.2979-04	.3580-04	.2362-01	.2640	536.9
652	.40000	.75000	250.00	.1387-02	.1666-02	.1666-02	.9000	.6042-04	.7259-04	.4793-01	.3573	536.4
652	.40000	.95000	252.00	.3953-02	.4741-02	.4741-02	.9000	.1723-03	.2066-03	.1379	1.238	529.4
652	.60000	.25000-01	253.00	.9200-01	.1132	.1132	.9000	.4009-02	.4931-02	2.850	67.97	618.8
652	.60000	.50000-01	254.00	.8274-01	.1011	.1011	.9000	.3605-02	.4404-02	2.644	52.17	596.3
652	.60000	.10000+30	255.00	.6707-01	.8104-01	.8104-01	.9000	.2923-02	.3531-02	2.255	23.75	558.1
652	.60000	.20000	256.00	.1646-01	.1979-01	.1979-01	.9000	.7170-03	.8621-03	.5665	5.060	539.6
652	.60000	.40000	257.00	.8567-03	.1030-02	.1030-02	.9000	.3733-04	.4487-04	.2955-01	.2445	538.1
652	.60000	.60000	258.00	.1076-02	.1293-02	.1293-02	.9000	.4687-04	.5633-04	.3709-01	.3453	538.3
652	.60000	.75000	259.00	.1188-01	.1426-01	.1426-01	.9000	.5175-03	.6214-03	.4115	3.684	534.5
652	.60000	.85000	260.00	.6296-02	.7554-02	.7554-02	.9000	.2743-03	.3291-03	.2191	1.820	531.0
652	.60000	.95000	261.00	.8191-02	.9818-02	.9818-02	.9000	.3569-03	.4278-03	.2864	3.217	527.3
652	.70000	.20000	262.00	.9724-02	.1168-01	.1168-01	.9000	.4237-03	.5089-03	.3367	3.140	535.0
652	.70000	.40000	263.00	.5726-02	.6876-02	.6876-02	.9000	.2495-03	.2996-03	.1984	1.777	534.4
652	.75000	1.0000	265.00	.3065-01	.3683-01	.3683-01	.9000	.1336-02	.1605-02	1.060	10.30	536.4
652	.75000	.20000	266.00	.1082-01	.1299-01	.1299-01	.9000	.4715-03	.5659-03	.3757	3.660	532.8
652	.75000	.40000	267.00	.1095-01	.1314-01	.1314-01	.9000	.4773-03	.5727-03	.3808	3.415	531.8
652	.75000	.60000	268.00	.1662-01	.1996-01	.1996-01	.9000	.7241-03	.8696-03	.5751	5.850	535.3
652	.75000	.80000	269.00	.2168-02	.2599-02	.2599-02	.9000	.9447-04	.1132-03	.7577-01	.7093	527.6

DATE 23 FEB 80

OH84B MODEL 60-0 IN THE AEDC VKF HYPERSONIC TUNNEL

PAGE 2364

OH84B 60-0 WING UPPER SURFACE

(R4UR37)

RUN NUMBER	2Y/BW	XW/CW	T/C NO	H/HREF R=1.0	H/HREF R=0.9	H/HREF R= TAW/TO	TAW/TO	H(TO) BTU/R FT2SEC	H(TAW) BTU/R FT2SEC	QDOT BTU/ FT2SEC	DTWOT DEG. R /SEC	TW DEG. R
652	.75000	.90000	270.00	.7093-02	.8499-02	.8499-02	.9000	.3091-03	.3703-03	.2485	1.995	525.8
652	.80000	.90000	271.00	.7644-02	.9160-02	.9160-02	.9000	.3331-03	.3991-03	.2677	2.075	526.0
652	.90000	.20000	272.00	.6240-01	.7512-01	.7512-01	.9000	.2719-02	.3273-02	2.135	19.02	544.6
652	.90000	.40000	273.00	.4210-01	.5062-01	.5062-01	.9000	.1834-02	.2206-02	1.449	12.94	539.6
652	.90000	.60000	274.00	.2776-01	.3334-01	.3334-01	.9000	.1210-02	.1453-02	.9618	7.176	534.7
652	.95000	.20000	275.00	.5900-01	.7101-01	.7101-01	.9000	.2571-02	.3094-02	2.022	19.60	543.1
652	.95000	.40000	276.00	.7393-01	.8932-01	.8932-01	.9000	.3222-02	.3892-02	2.487	18.34	557.8
652	.95000	.50000	277.00	.6254-01	.7533-01	.7533-01	.9000	.2725-02	.3283-02	2.134	18.99	546.7
652	.95000	.70000	278.00	.3359-01	.4038-01	.4038-01	.9000	.1464-02	.1760-02	1.157	9.231	539.0
652	.95000	.80000	279.00	.1116-01	.1338-01	.1338-01	.9000	.4863-03	.5829-03	.3902	3.023	527.3
652	.95000	.90000	280.00	.1397-01	.1674-01	.1674-01	.9000	.6087-03	.7296-03	.4885	3.920	527.2

OH84B 60-0 WING UPPER SURFACE

(R4UR38)

WING UPPER SURF

PARAMETRIC DATA

MACH = 8.000 ALPHA = 40.00 BETA = .0000 ELEVON = .0000
 BDFLAP = -12.50 SPDBRK = .0000

TEST CONDITIONS

RUN NUMBER	RN/L /FT X10 6	MACH	ALPHA DEG.	BETA DEG.	PO PSIA	TO DEG. R	T DEG. R	P PSIA	Q PSI	V FT/SEC	RHO SLUGS /FT3	MU LB-SEC /FT2
632	.5132	7.900	39.95	.1729-01	101.7	1247.	92.47	.1130-01	.4938	3724.	.3299-03	.7441-07
RUN NUMBER	HREF BTU R FT2SEC	STN NO REF(R) = .0175										
632	.1720-01	.5648-01										

TEST DATA

RUN NUMBER	2Y/BW	XW/CW	T/C NO	H/HREF R=1.0	H/HREF R=0.9	H/HREF R= TAW/TO	TAW/TO	H(TO) BTU/R FT2SEC	H(TAW) BTU/R FT2SEC	QDOT BTU/ FT2SEC	DTWDT DEG. R /SEC	TW DEG. R
632	.40000	.20000	247.00	.4324-02	.5223-02	.5223-02	.9000	.7438-04	.8985-04	.5384-01	.4331	522.8
632	.40000	.60000	249.00	.3831-03	.4632-03	.4632-03	.9000	.6589-05	.7968-05	.4749-02	.5339-01	525.9
632	.40000	.75000	250.00	.7314-03	.8845-03	.8845-03	.9000	.1258-04	.1522-04	.9063-02	.6791-01	526.4
632	.40000	.95000	252.00	.4825-02	.5833-02	.5833-02	.9000	.8300-04	.1003-03	.5989-01	.5389	525.1
632	.60000	.25000-01	253.00	.7421-01	.9032-01	.9032-01	.9000	.1277-02	.1554-02	.8922	22.04	547.8
632	.60000	.50000-01	254.00	.5713-01	.6938-01	.6938-01	.9000	.9828-03	.1194-02	.6938	14.08	540.7
632	.60000	.10000+01	255.00	.3229-01	.3906-01	.3906-01	.9000	.5554-03	.6719-03	.3992	4.270	527.9
632	.60000	.20000	256.00	.8722-02	.1055-01	.1055-01	.9000	.1500-03	.1814-03	.1081	.9723	526.0
632	.60000	.40000	257.00	.1921-02	.2323-02	.2323-02	.9000	.3304-04	.3996-04	.2381-01	.1983	526.1
632	.60000	.60000	258.00	.1044-02	.1262-02	.1262-02	.9000	.1796-04	.2172-04	.1295-01	.1213	525.6
632	.60000	.85000	260.00	.9445-03	.1141-02	.1141-02	.9000	.1625-04	.1962-04	.1177-01	.9819-01	522.3
632	.60000	.95000	261.00	.6149-02	.7425-02	.7425-02	.9000	.1058-03	.1277-03	.7669-01	.8641	521.6
632	.70000	.20000	262.00	.9240-02	.1117-01	.1117-01	.9000	.1590-03	.1921-03	.1148	1.076	524.6
632	.75000	1.00000	265.00	.2454-01	.2966-01	.2966-01	.9000	.4222-03	.5103-03	.3048	2.981	524.7
632	.75000	.20000	266.00	.1076-01	.1300-01	.1300-01	.9000	.1851-03	.2236-03	.1338	1.309	523.7
632	.75000	.40000	267.00	.4776-02	.5772-02	.5772-02	.9000	.8216-04	.9928-04	.5938-01	.5345	524.0
632	.75000	.60000	268.00	.1780-02	.2151-02	.2151-02	.9000	.3062-04	.3701-04	.2212-01	.2263	524.2
632	.75000	.80000	269.00	.9926-03	.1199-02	.1199-02	.9000	.1708-04	.2062-04	.1237-01	.1162	522.0
632	.75000	.90000	270.00	.4807-02	.5804-02	.5804-02	.9000	.8269-04	.9985-04	.6001-01	.4831	521.0
632	.80000	.90000	271.00	.5596-02	.6759-02	.6759-02	.9000	.9627-04	.1163-03	.6979-01	.5422	521.8
632	.90000	.20000	272.00	.8997-02	.1087-01	.1087-01	.9000	.1548-03	.1870-03	.1119	1.008	523.5

DATE 23 FEB 80

OH84B MODEL 60-0 IN THE AEDC VKF HYPERSONIC TUNNEL

PAGE 2366

OH84B 60-0 WING UPPER SURFACE

(R4UR38)

RUN NUMBER	2Y/BW	XW/CW	T/C NO	H/HREF	H/HREF	H/HREF	TAW/TO	H(TO)	H(TAW)	QDOT	DTWDT	TW
				R=1.0	R=0.9	R=		BTU/R	BTU/R	BTU/ FT2SEC	DEG. R	DEG. R
632	.90000	.40000	273.00	.3109-02	.3757-02	.3757-02	.9000	.5349-04	.6463-04	.3869-01	.3484	523.4
632	.90000	.60000	274.00	.1375-02	.1662-02	.1662-02	.9000	.2365-04	.2858-04	.1710-01	.1283	523.7
632	.95000	.20000	275.00	.1218-01	.1472-01	.1472-01	.9000	.2096-03	.2533-03	.1516	1.484	523.5
632	.95000	.40000	276.00	.2947-01	.3567-01	.3567-01	.9000	.5070-03	.6136-03	.3636	2.720	529.5
632	.95000	.50000	277.00	.1147-01	.1386-01	.1386-01	.9000	.1974-03	.2385-03	.1427	1.285	523.7
632	.95000	.70000	278.00	.1005-02	.1213-02	.1213-02	.9000	.1728-04	.2087-04	.1252-01	.1008	522.0
632	.95000	.80000	279.00	.3676-02	.4440-02	.4440-02	.9000	.6323-04	.7637-04	.4581-01	.3558	522.2
632	.95000	.90000	280.00	.1130-01	.1365-01	.1365-01	.9000	.1943-03	.2347-03	.1407	1.131	522.7

DATE 23 FEB 80

OH84B MODEL 60-0 IN THE AEDC VKF HYPERSONIC TUNNEL

PAGE 2367

OH84B 60-0 WING UPPER SURFACE

(R4UR3B)

WING UPPER SURF

PARAMETRIC DATA

MACH = 8.000 ALPHA = 40.00 BETA = .0000 ELEVON = .0000
BDFLAP = -12.50 SPOBRK = .0000

TEST CONDITIONS

Table with 13 columns: RUN NUMBER, RN/L /FT, MACH, ALPHA DEG., BETA DEG., PO PSIA, TO DEG. R, T DEG. R, P PSIA, Q PSI, V FT/SEC, RHO SLUGS /FT3, MU LB-SEC /FT2. Includes a second table with columns: RUN NUMBER, HREF BTU/ R FT2SEC, STN NO REF (R).

TEST DATA

Table with 14 columns: RUN NUMBER, 2Y/BW, XW/CW, T/C NO, H/HREF R=1.0, H/HREF R=0.9, H/HREF R=TAW/TO, TAW/TO, H(TO) BTU/R FT2SEC, H(TAW) BTU/R FT2SEC, QDOT BTU/ FT2SEC, DTWDT DEG. R /SEC, TW DEG. R.

DATE 23 FEB 80

OH84B MODEL 60-0 IN THE AEDC VKF HYPERSONIC TUNNEL

PAGE 2368

OH84B 60-0 WING UPPER SURFACE

(R4UR38)

RUN NUMBER	ZY/BW	XW/CW	T/C NO	H/HREF	H/HREF	H/HREF	TAW/TO	H(TO)	H(TAW)	QDOT	DTWDT	TW
				R=1.0	R=0.9	R=		BTU/R	BTU/R	BTU/	DEG. R	DEG. R
				TAW/TO			FT2SEC			/SEC		
606	.90000	.40000	273.00	.3662-02	.4415-02	.4415-02	.9000	.8862-04	.1068-03	.6579-01	.5925	523.3
606	.90000	.60000	274.00	.4283-02	.5164-02	.5164-02	.9000	.1037-03	.1250-03	.7696-01	.5776	523.2
606	.95000	.20000	275.00	.8610-02	.1038-01	.1038-01	.9000	.2084-03	.2512-03	.1547	1.515	523.0
606	.95000	.40000	276.00	.4562-01	.5516-01	.5516-01	.9000	.1104-02	.1335-02	.8075	6.027	534.1
606	.95000	.50000	277.00	.3857-01	.4663-01	.4663-01	.9000	.9334-03	.1128-02	.6834	6.123	533.5
606	.95000	.70000	278.00	.2834-02	.3415-02	.3415-02	.9000	.6859-04	.8264-04	.5104-01	.4108	521.5
606	.95000	.80000	279.00	.4010-02	.4832-02	.4832-02	.9000	.9703-04	.1169-03	.7220-01	.5610	521.6
606	.95000	.90000	280.00	.1125-01	.1356-01	.1356-01	.9000	.2723-03	.3282-03	.2023	1.628	522.6

OH84B 60-0 WING UPPER SURFACE

(R4UR38)

WING UPPER SURF

PARAMETRIC DATA

MACH = 8.000 ALPHA = 40.00 BETA = .0000 ELEVON = .0000
 BDFLAP = -12.50 SPDBRK = .0000

TEST CONDITIONS

RUN NUMBER	RN/L /FT X10 6	MACH	ALPHA DEG.	BETA DEG.	PO PSIA	TO DEG. R	T DEG. R	P PSIA	Q PSI	V FT/SEC	RHO SLUGS /FT3	MU LB-SEC /FT2
604	2.022	7.980	40.00	.1389-01	434.9	1293.	94.11	.4527-01	2.018	3795.	.1298-02	.7573-07
RUN NUMBER	HREF BTU/ R FT2SEC	STN NO REF (R)										
604	.3499-01	.2858-01										

TEST DATA

RUN NUMBER	ZY/BW	XW/CW	T/C NO	H/HREF R=1.0	H/HREF R=0.9	H/HREF R=TAW/TO	TAW/TO	H(TO) BTU/R FT2SEC	H(TAW) BTU/R FT2SEC	QDOT BTU/ FT2SEC	DTWDT DEG. R /SEC	TW DEG. R
604	.40000	.20000	247.00	.6005-02	.7227-02	.7227-02	.9000	.2101-03	.2529-03	.1607	1.289	527.9
604	.40000	.40000	248.00	.7002-03	.8432-03	.8432-03	.9000	.2450-04	.2951-04	.1867-01	.1745	530.7
604	.40000	.60000	249.00	.1230-02	.1482-02	.1482-02	.9000	.4306-04	.5186-04	.3278-01	.3675	531.3
604	.40000	.75000	250.00	.6628-03	.7983-03	.7983-03	.9000	.2319-04	.2793-04	.1767-01	.1321	530.9
604	.40000	.95000	252.00	.2419-02	.2910-02	.2910-02	.9000	.8463-04	.1018-03	.6481-01	.5826	526.9
604	.60000	.25000-01	253.00	.8503-01	.1040	.1040	.9000	.2975-02	.3641-02	2.104	51.02	585.5
604	.60000	.50000-01	254.00	.8241-01	.1004	.1004	.9000	.2884-02	.3515-02	2.077	41.47	572.5
604	.60000	.10000+00	255.00	.5813-01	.7031-01	.7031-01	.9000	.2034-02	.2460-02	1.518	16.09	546.2
604	.60000	.20000	256.00	.1204-01	.1451-01	.1451-01	.9000	.4213-03	.5076-03	.3203	2.872	532.4
604	.60000	.40000	257.00	.1067-02	.1285-02	.1285-02	.9000	.3734-04	.4498-04	.2841-01	.2359	531.8
604	.60000	.60000	258.00	.8672-03	.1045-02	.1045-02	.9000	.3035-04	.3655-04	.2311-01	.2159	531.2
604	.60000	.75000	259.00	.2643-02	.3179-02	.3179-02	.9000	.9247-04	.1112-03	.7084-01	.6369	526.6
604	.60000	.85000	260.00	.2488-02	.2992-02	.2992-02	.9000	.8706-04	.1047-03	.6678-01	.5561	525.7
604	.60000	.95000	261.00	.6641-02	.7983-02	.7983-02	.9000	.2324-03	.2794-03	.1786	2.010	524.0
604	.70000	.20000	262.00	.9347-02	.1125-01	.1125-01	.9000	.3271-03	.3938-03	.2496	2.334	529.7
604	.75000	1.0000	265.00	.2504-01	.3016-01	.3016-01	.9000	.8763-03	.1055-02	.6677	6.511	530.7
604	.75000	.40000	267.00	.4687-02	.5640-02	.5640-02	.9000	.1640-03	.1974-03	.1255	1.128	527.6
604	.75000	.60000	268.00	.4195-02	.5048-02	.5048-02	.9000	.1468-03	.1767-03	.1122	1.145	528.2
604	.75000	.80000	269.00	.1386-02	.1668-02	.1668-02	.9000	.4856-04	.5839-04	.3731-01	.3498	524.3
604	.75000	.90000	270.00	.5250-02	.6310-02	.6310-02	.9000	.1837-03	.2208-03	.1414	1.137	523.1
604	.80000	.90000	271.00	.5776-02	.6943-02	.6943-02	.9000	.2021-03	.2430-03	.1554	1.206	523.8

DATE 23 FEB 80

OH84B MODEL 60-0 IN THE AEDC VKF HYPERSONIC TUNNEL

PAGE 2370

OH84B 60-0 WING UPPER SURFACE

(R4UR38)

RUN NUMBER	2Y/BW	XW/CW	T/C NO	H/HREF R=1.0	H/HREF R=0.9	H/HREF R= TAW/TO	TAW/TO	H(TO) BTU/R FT2SEC	H(TAW) BTU/R FT2SEC	QDOT BTU/ FT2SEC	DTWDT DEG. R /SEC	TW DEG. R
604	.90000	.20000	272.00	.2355-01	.2835-01	.2835-01	.9000	.8242-03	.9921-03	.6294	5.652	529.0
604	.90000	.40000	273.00	.7761-02	.9337-02	.9337-02	.9000	.2716-03	.3267-03	.2079	1.869	527.0
604	.90000	.60000	274.00	.1108-01	.1334-01	.1334-01	.9000	.3877-03	.4667-03	.2962	2.217	528.7
604	.95000	.20000	275.00	.1248-01	.1501-01	.1501-01	.9000	.4367-03	.5254-03	.3344	3.267	526.9
604	.95000	.40000	276.00	.4150-01	.5013-01	.5013-01	.9000	.1452-02	.1754-02	1.091	8.110	541.6
604	.95000	.50000	277.00	.6058-01	.7331-01	.7331-01	.9000	.2120-02	.2565-02	1.578	14.03	548.4
604	.95000	.70000	278.00	.6931-02	.8338-02	.8338-02	.9000	.2425-03	.2918-03	.1858	1.491	526.7
604	.95000	.80000	279.00	.6297-02	.7572-02	.7572-02	.9000	.2204-03	.2650-03	.1692	1.312	525.1
604	.95000	.90000	280.00	.1363-01	.1639-01	.1639-01	.9000	.4769-03	.5736-03	.3659	2.938	525.6

OH84B 60-0 WING UPPER SURFACE

(R4UR38)

WING UPPER SURF

PARAMETRIC DATA

MACH = 8.000 ALPHA = 40.00 BETA = .0000 ELEVON = .0000
 BOFLAP = -12.50 SPDBRK = .0000

TEST CONDITIONS

RUN NUMBER	RN/L /FT X10 6	MACH	ALPHA DEG.	BETA DEG.	PO PSIA	TO DEG. R	T DEG. R	P PSIA	Q PSI	V FT/SEC	RHO SLUGS /FT3	MU LB-SEC /FT2
582	2.997	7.990	40.06	.1397-01	671.5	1326.	96.29	.6935-01	3.099	3843.	.1944-02	.7748-07
RUN NUMBER	HREF BTU/ R FT2SEC	STN NO REF (R) = .0175										
582	.4355-01	.2342-01										

TEST DATA

RUN NUMBER	2Y/BW	XW/CW	T/C NO	H/HREF R=1.0	H/HREF R=0.9	H/HREF R= TAW/TO	TAW/TO	H(TO) BTU/R FT2SEC	H(TAW) BTU/R FT2SEC	QDOT BTU/ FT2SEC	DTWOT DEG. R /SEC	TW DEG. R
582	.40000	.20000	247.00	.1411-01	.1696-01	.1696-01	.9000	.6146-03	.7387-03	.4848	3.872	536.8
582	.40000	.40000	248.00	.6522-03	.7838-03	.7838-03	.9000	.2840-04	.3414-04	.2242-01	.2090	536.3
582	.40000	.60000	249.00	.1018-02	.1224-02	.1224-02	.9000	.4434-04	.5330-04	.3494-01	.3905	537.5
582	.40000	.75000	250.00	.2479-02	.2980-02	.2980-02	.9000	.1080-03	.1298-03	.8515-01	.6346	537.1
582	.40000	.80000	251.00	.8241-03	.9896-03	.9896-03	.9000	.3590-04	.4310-04	.2847-01	.2200	532.6
582	.40000	.95000	252.00	.4348-02	.5218-02	.5218-02	.9000	.1894-03	.2273-03	.1506	1.351	530.6
582	.60000	.25000-01	253.00	.9634-01	.1188	.1188	.9000	.4196-02	.5175-02	2.939	69.89	625.2
582	.60000	.50000-01	254.00	.7886-01	.9630-01	.9630-01	.9000	.3435-02	.4194-02	2.514	49.68	593.6
582	.60000	.10000+00	255.00	.5639-01	.6804-01	.6804-01	.9000	.2456-02	.2963-02	1.901	20.09	551.6
582	.60000	.20000	256.00	.1687-01	.2028-01	.2028-01	.9000	.7347-03	.8834-03	.5786	5.172	538.1
582	.60000	.40000	257.00	.1272-02	.1528-02	.1528-02	.9000	.5539-04	.6656-04	.4374-01	.3623	536.0
582	.60000	.60000	258.00	.2727-02	.3278-02	.3278-02	.9000	.1188-03	.1428-03	.9374-01	.8735	536.5
582	.60000	.75000	259.00	.2344-01	.2819-01	.2819-01	.9000	.1021-02	.1228-02	.8038	7.184	538.4
582	.60000	.85000	260.00	.1223-01	.1469-01	.1469-01	.9000	.5327-03	.6398-03	.4222	3.502	533.2
582	.60000	.95000	261.00	.9641-02	.1156-01	.1156-01	.9000	.4199-03	.5036-03	.3349	3.760	528.2
582	.70000	.20000	262.00	.1141-01	.1370-01	.1370-01	.9000	.4969-03	.5969-03	.3933	3.670	534.1
582	.70000	.40000	263.00	.9301-02	.1117-01	.1117-01	.9000	.4051-03	.4866-03	.3206	2.871	534.2
582	.75000	1.0000	265.00	.2947-01	.3542-01	.3542-01	.9000	.1284-02	.1543-02	1.014	9.858	536.1
582	.75000	.40000	267.00	.2171-01	.2610-01	.2610-01	.9000	.9457-03	.1137-02	.7466	6.679	536.2
582	.75000	.60000	268.00	.2066-01	.2483-01	.2483-01	.9000	.8998-03	.1082-02	.7096	7.211	537.1
582	.75000	.80000	269.00	.3463-02	.4152-02	.4152-02	.9000	.1508-03	.1808-03	.1205	1.129	526.6

DATE 23 FEB 80

OH84B MODEL 60-0 IN THE AEDC VKF HYPERSONIC TUNNEL

PAGE 2372

OH84B 60-0 WING UPPER SURFACE

(R4UR38)

RUN NUMBER	2Y/BW	XW/CW	T/C NO	H/HREF R=1.0	H/HREF R=0.9	H/HREF R= TAW/TO	TAW/TO	H(TO) BTU/R FT2SEC	H(TAW) BTU/R FT2SEC	QDOT BTU/ FT2SEC	DTWDT DEG. R /SEC	TW DEG. R
582	.75000	.90000	270.00	.6562-02	.7863-02	.7863-02	.9000	.2858-03	.3425-03	.2289	1.839	524.8
582	.80000	.90000	271.00	.7788-02	.9334-02	.9334-02	.9000	.3392-03	.4066-03	.2715	2.105	525.4
582	.90000	.20000	272.00	.1294	.1569	.1569	.9000	.5636-02	.6832-02	4.267	37.56	568.6
582	.90000	.40000	273.00	.4297-01	.5166-01	.5166-01	.9000	.1872-02	.2250-02	1.475	13.19	537.5
582	.90000	.60000	274.00	.4078-01	.4905-01	.4905-01	.9000	.1776-02	.2136-02	1.397	10.40	539.1
582	.95000	.20000	275.00	.6341-01	.7638-01	.7638-01	.9000	.2762-02	.3327-02	2.156	20.88	544.9
582	.95000	.40000	276.00	.7275-01	.8812-01	.8812-01	.9000	.3169-02	.3838-02	2.409	17.69	565.5
582	.95000	.50000	277.00	.8644-01	.1049	.1049	.9000	.3765-02	.4569-02	2.835	24.90	572.7
582	.95000	.70000	278.00	.3267-01	.3928-01	.3928-01	.9000	.1423-02	.1711-02	1.120	8.941	538.3
582	.95000	.80000	279.00	.1063-01	.1274-01	.1274-01	.9000	.4628-03	.5549-03	.3697	2.865	526.9
582	.95000	.90000	280.00	.1550-01	.1858-01	.1858-01	.9000	.6750-03	.8094-03	.5389	4.324	527.3

DATE 23 FEB 80

OH84B MODEL 60-0 IN THE AEDC VKF HYPERSONIC TUNNEL

PAGE 2373

OH84B 60-0 WING UPPER SURFACE

(R4UR39)

WING UPPER SURF

PARAMETRIC DATA

MACH = 8.000 ALPHA = 40.00 BETA = .0000 ELEVON = .0000
 BDFLAP = -5.000 SPDBRK = .0000

TEST CONDITIONS

RUN NUMBER	RN/L /FT X10 6	MACH	ALPHA DEG.	BETA DEG.	PO PSIA	TO DEG. R	T DEG. R	P PSIA	Q PSI	V FT/SEC	RHO SLUGS /FT3	MU LB-SEC /FT2
622	.5001	7.900	39.93	.1380-01	99.35	1249.	92.62	.1104-01	.4824	3727.	.3218-03	.7453-07

RUN NUMBER	HREF BTU/ R FT2SEC	STN NO REF (R) =.0175
622	.1701-01	.5720-01

TEST DATA

RUN NUMBER	2Y/BW	XW/CW	T/C NO	H/HREF R=1.0	H/HREF R=0.9	H/HREF R=TAW/TO	TAW/TO	H(TO) BTU/R FT2SEC	H(TAW) BTU/R FT2SEC	QDOT BTU/ FT2SEC	DTWDT DEG. R /SEC	TW DEG. R
622	.40000	.20000	247.00	.4142-02	.4997-02	.4997-02	.9000	.7045-04	.8498-04	.5143-01	.4145	518.6
622	.40000	.40000	248.00	.1510-03	.1822-03	.1822-03	.9000	.2567-05	.3098-05	.1870-02	.1758-01	520.1
622	.40000	.60000	249.00	.2133-03	.2574-03	.2574-03	.9000	.3627-05	.4378-05	.2640-02	.2976-01	520.7
622	.40000	.75000	250.00	.6232-03	.7523-03	.7523-03	.9000	.1060-04	.1279-04	.7715-02	.5798-01	520.7
622	.40000	.95000	252.00	.4203-02	.5073-02	.5073-02	.9000	.7148-04	.8628-04	.5206-01	.4696	520.4
622	.60000	.25000-01	253.00	.7423-01	.9019-01	.9019-01	.9000	.1262-02	.1534-02	.8906	22.05	543.2
622	.60000	.50000-01	254.00	.5700-01	.6912-01	.6912-01	.9000	.9694-03	.1175-02	.6905	14.04	536.4
622	.60000	.10000+00	255.00	.3240-01	.3915-01	.3915-01	.9000	.5510-03	.6657-03	.3992	4.278	524.2
622	.60000	.20000	256.00	.8798-02	.1062-01	.1062-01	.9000	.1496-03	.1806-03	.1088	.9810	521.3
622	.60000	.40000	257.00	.2048-02	.2472-02	.2472-02	.9000	.3483-04	.4204-04	.2537-01	.2118	520.4
622	.60000	.60000	258.00	.8485-03	.1024-02	.1024-02	.9000	.1443-04	.1741-04	.1051-01	.9876-01	520.2
622	.60000	.85000	260.00	.8183-03	.9870-03	.9870-03	.9000	.1392-04	.1679-04	.1017-01	.8500-01	518.1
622	.60000	.95000	261.00	.5571-02	.6721-02	.6721-02	.9000	.9475-04	.1143-03	.6918-01	.7806	518.6
622	.70000	.20000	262.00	.9527-02	.1150-01	.1150-01	.9000	.1620-03	.1955-03	.1180	1.108	520.6
622	.75000	1.0000	265.00	.2390-01	.2887-01	.2887-01	.9000	.4065-03	.4909-03	.2952	2.890	522.6
622	.75000	.40000	267.00	.4192-02	.5060-02	.5060-02	.9000	.7129-04	.8604-04	.5191-01	.4682	520.5
622	.75000	.60000	268.00	.1298-02	.1566-02	.1566-02	.9000	.2207-04	.2664-04	.1608-01	.1648	520.3
622	.75000	.80000	269.00	.7315-03	.8824-03	.8824-03	.9000	.1244-04	.1501-04	.9089-02	.8549-01	518.1
622	.75000	.90000	270.00	.4357-02	.5255-02	.5255-02	.9000	.7409-04	.8936-04	.5413-01	.4364	518.1
622	.80000	.90000	271.00	.4928-02	.5945-02	.5945-02	.9000	.8381-04	.1011-03	.6118-01	.4761	518.7
622	.90000	.20000	272.00	.8496-02	.1026-01	.1026-01	.9000	.1445-03	.1744-03	.1052	.9486	520.7

DATE 23 FEB 80

OH84B MODEL 60-0 IN THE AEDC VKF HYPERSONIC TUNNEL

PAGE 2374

OH84B 60-0 WING UPPER SURFACE

(R4UR39)

RUN NUMBER	2Y/BW	XW/CW	T/C NO	H/HREF	H/HREF	H/HREF	TAW/TO	H(TO)	H(TAW)	QDOT	DTWDT	TW
				R=1.0	R=0.9	R=		BTU/R	BTU/R	BTU/ FT2SEC	DEG. R	DEG. R
622	.90000	.40000	273.00	.2621-02	.3163-02	.3163-02	.9000	.4458-04	.5380-04	.3250-01	.2932	519.8
622	.90000	.60000	274.00	.7653-03	.9234-03	.9234-03	.9000	.1302-04	.1570-04	.9496-02	.7142-01	519.1
622	.95000	.20000	275.00	.1020-01	.1231-01	.1231-01	.9000	.1734-03	.2093-03	.1263	1.238	520.4
622	.95000	.40000	276.00	.9539-02	.1151-01	.1151-01	.9000	.1622-03	.1958-03	.1181	.8877	520.5
622	.95000	.50000	277.00	.2777-02	.3351-02	.3351-02	.9000	.4723-04	.5699-04	.3445-01	.3109	519.2
622	.95000	.70000	278.00	.5639-03	.6801-03	.6801-03	.9000	.9589-05	.1157-04	.7004-02	.5646-01	518.3
622	.95000	.80000	279.00	.3070-02	.3704-02	.3704-02	.9000	.5221-04	.6298-04	.3811-01	.2966	518.7
622	.95000	.90000	280.00	.1165-01	.1406-01	.1406-01	.9000	.1981-03	.2390-03	.1442	1.162	520.4

OH84B 60-0 WING UPPER SURFACE

(R4UR39)

WING UPPER SURF

PARAMETRIC DATA

MACH = 8.000 ALPHA = 40.00 BETA = .0000 ELEVON = .0000
 BOFLAP = -5.000 SPDBRK = .0000

TEST CONDITIONS

RUN NUMBER	RN/L /FT X10 6	MACH	ALPHA DEG.	BETA DEG.	PO PSIA	TO DEG. R	T DEG. R	P PSIA	Q PSI	V FT/SEC	RHO SLUGS /FT3	MU LB-SEC /FT2
616	.9964	7.940	39.97	.1731-01	204.3	1264.	92.86	.2197-01	.9697	3751.	.6387-03	.7472-07
RUN NUMBER	HREF BTU/ R FT2SEC	STN NO REF(R) = .0175										
616	.2416-01	.4065-01										

TEST DATA

RUN NUMBER	2Y/BW	XW/CW	T/C NO	H/HREF R=1.0	H/HREF R=0.9	H/HREF R= TAW/TO	TAW/TO	H(TO) BTU/R FT2SEC	H(TAW) BTU/R FT2SEC	QDOT BTU/ FT2SEC	DTWOT DEG. R /SEC	TW DEG. R
616	.40000	.20000	247.00	.4758-02	.5736-02	.5736-02	.9000	.1150-03	.1386-03	.8514-01	.6847	523.0
616	.40000	.40000	248.00	.2194-03	.2647-03	.2647-03	.9000	.5301-05	.6395-05	.3917-02	.3672-01	524.8
616	.40000	.60000	249.00	.2972-03	.3586-03	.3586-03	.9000	.7181-05	.8664-05	.5304-02	.5965-01	525.1
616	.40000	.75000	250.00	.7212-03	.8700-03	.8700-03	.9000	.1743-04	.2102-04	.1287-01	.9653-01	524.9
616	.40000	.95000	252.00	.3514-02	.4237-02	.4237-02	.9000	.8492-04	.1024-03	.6288-01	.5664	523.1
616	.60000	.25000-01	253.00	.7682-01	.9363-01	.9363-01	.9000	.1856-02	.2262-02	1.306	32.08	559.8
616	.60000	.50000-01	254.00	.6691-01	.8133-01	.8133-01	.9000	.1617-02	.1965-02	1.152	23.24	551.2
616	.60000	.10000+00	255.00	.3954-01	.4779-01	.4779-01	.9000	.9553-03	.1155-02	.6987	7.456	532.3
616	.60000	.20000	256.00	.8592-02	.1037-01	.1037-01	.9000	.2076-03	.2505-03	.1532	1.378	525.8
616	.60000	.40000	257.00	.1222-02	.1474-02	.1474-02	.9000	.2952-04	.3562-04	.2180-01	.1816	525.3
616	.60000	.60000	258.00	.1387-02	.1674-02	.1674-02	.9000	.3352-04	.4044-04	.2477-01	.2322	524.8
616	.60000	.85000	260.00	.1072-02	.1292-02	.1292-02	.9000	.2591-04	.3122-04	.1924-01	.1606	521.1
616	.60000	.95000	261.00	.5816-02	.7008-02	.7008-02	.9000	.1405-03	.1693-03	.1044	1.177	520.6
616	.70000	.20000	262.00	.9185-02	.1108-01	.1108-01	.9000	.2219-03	.2677-03	.1640	1.537	524.9
616	.75000	1.0000	265.00	.2356-01	.2843-01	.2843-01	.9000	.5692-03	.6869-03	.4198	4.103	526.2
616	.75000	.40000	267.00	.4276-02	.5157-02	.5157-02	.9000	.1033-03	.1246-03	.7642-01	.6880	524.0
616	.75000	.60000	268.00	.1759-02	.2121-02	.2121-02	.9000	.4249-04	.5124-04	.3145-01	.3218	523.6
616	.75000	.80000	269.00	.1183-02	.1426-02	.1426-02	.9000	.2859-04	.3445-04	.2124-01	.1995	520.6
616	.75000	.90000	270.00	.5259-02	.6335-02	.6335-02	.9000	.1271-03	.1531-03	.9446-01	.7607	520.2
616	.80000	.90000	271.00	.5866-02	.7068-02	.7068-02	.9000	.1417-03	.1708-03	.1053	.8184	520.8
616	.90000	.20000	272.00	.1230-01	.1483-01	.1483-01	.9000	.2971-03	.3582-03	.2200	1.981	523.2

DATE 23 FEB 80

OH84B MODEL 60-0 IN THE AEDC VKF HYPERSONIC TUNNEL

PAGE 2376

OH84B 60-0 WING UPPER SURFACE

(R4UR39)

RUN NUMBER	2Y/BW	XW/CW	T/C NO	H/HREF	H/HREF	H/HREF	TAW/TO	H(TO)	H(TAW)	QDOT	DTWDT	TW
				R=1.0	R=0.9	R=		BTU/R	BTU/R	BTU/	DEG. R	DEG. R
						TAW/TO	FT2SEC	FT2SEC	FT2SEC	/SEC		
616	.90000	.40000	273.00	.3688-02	.4446-02	.4446-02	.9000	.8910-04	.1074-03	.6601-01	.5946	522.9
616	.90000	.60000	274.00	.1792-02	.2161-02	.2161-02	.9000	.4331-04	.5220-04	.3211-01	.2411	522.2
616	.95000	.20000	275.00	.1074-01	.1295-01	.1295-01	.9000	.2596-03	.3130-03	.1923	1.882	523.1
616	.95000	.40000	276.00	.9513-02	.1147-01	.1147-01	.9000	.2298-03	.2771-03	.1703	1.278	522.8
616	.95000	.50000	277.00	.4817-02	.5808-02	.5808-02	.9000	.1164-03	.1403-03	.8624-01	.7768	522.8
616	.95000	.70000	278.00	.1336-02	.1609-02	.1609-02	.9000	.3227-04	.3889-04	.2398-01	.1931	520.7
616	.95000	.80000	279.00	.4034-02	.4862-02	.4862-02	.9000	.9748-04	.1175-03	.7238-01	.5626	521.1
616	.95000	.90000	280.00	.1223-01	.1474-01	.1474-01	.9000	.2955-03	.3562-03	.2190	1.762	522.3

OHB4B 60-0 WING UPPER SURFACE

(R4UR39)

WING UPPER SURF

PARAMETRIC DATA

MACH = 8.000 ALPHA = 40.00 BETA = .0000 ELEVON = .0000
 BDFLAP = -5.000 SPDBRK = .0000

TEST CONDITIONS

RUN NUMBER	RN/L /FT X10 6	MACH	ALPHA DEG.	BETA DEG.	PO PSIA	TO DEG. R	T DEG. R	P PSIA	Q PSI	V FT/SEC	RHO SLUGS /FT3	MU LB-SEC /FT2
594	2.010	7.980	39.99	.1735-01	435.8	1300.	94.62	.4537-01	2.022	3805.	.1294-02	.7614-07
RUN NUMBER	HREF BTU/ R FT2SEC	STN NO REF (R) =.0175										
594	.3506-01	.2864-01										

TEST DATA

RUN NUMBER	2Y/BW	XW/CW	T/C NO	H/HREF R=1.0	H/HREF R=0.9	H/HREF R= TAW/TO	TAW/TO	H(TO) BTU/R FT2SEC	H(TAW) BTU/R FT2SEC	QDOT BTU/ FT2SEC	DTWOT DEG. R /SEC	TW DEG. R
594	.40000	.20000	247.00	.1082-01	.1302-01	.1302-01	.9000	.3794-03	.4565-03	.2921	2.341	529.7
594	.40000	.40000	248.00	.4353-03	.5239-03	.5239-03	.9000	.1526-04	.1837-04	.1173-01	.1096	530.9
594	.40000	.60000	249.00	.6449-03	.7764-03	.7764-03	.9000	.2261-04	.2722-04	.1736-01	.1946	531.9
594	.40000	.75000	250.00	.8989-03	.1082-02	.1082-02	.9000	.3152-04	.3794-04	.2420-01	.1908	531.8
594	.40000	.80000	251.00	.1211-03	.1457-03	.1457-03	.9000	.4247-05	.5110-05	.3270-02	.2530-01	529.9
594	.40000	.95000	252.00	.3291-02	.3957-02	.3957-02	.9000	.1154-03	.1388-03	.8908-01	.8004	527.7
594	.60000	.25000-01	253.00	.8911-01	.1094	.1094	.9000	.3125-02	.3836-02	2.189	52.70	599.2
594	.60000	.50000-01	254.00	.6986-01	.8521-01	.8521-01	.9000	.2450-02	.2988-02	1.767	35.18	578.3
594	.60000	.10000+00	255.00	.5373-01	.6489-01	.6489-01	.9000	.1884-02	.2275-02	1.423	15.09	544.4
594	.60000	.20000	256.00	.1377-01	.1658-01	.1658-01	.9000	.4827-03	.5814-03	.3696	3.311	533.9
594	.60000	.40000	257.00	.1021-02	.1230-02	.1230-02	.9000	.3582-04	.4313-04	.2746-01	.2279	532.8
594	.60000	.60000	258.00	.2340-02	.2819-02	.2819-02	.9000	.8206-04	.9883-04	.6288-01	.5868	533.5
594	.60000	.75000	259.00	.7923-02	.9532-02	.9532-02	.9000	.2778-03	.3342-03	.2138	1.919	529.9
594	.60000	.85000	260.00	.3964-02	.4766-02	.4766-02	.9000	.1390-03	.1671-03	.1074	.8936	527.1
594	.60000	.95000	261.00	.7144-02	.8584-02	.8584-02	.9000	.2505-03	.3010-03	.1941	2.184	524.6
594	.70000	.20000	262.00	.1078-01	.1297-01	.1297-01	.9000	.3780-03	.4549-03	.2905	2.714	531.2
594	.70000	.40000	263.00	.8568-02	.1031-01	.1031-01	.9000	.3004-03	.3616-03	.2306	2.068	532.0
594	.75000	1.0000	265.00	.2577-01	.3103-01	.3103-01	.9000	.9034-03	.1088-02	.6927	6.747	533.0
594	.75000	.40000	267.00	.1770-01	.2131-01	.2131-01	.9000	.6206-03	.7472-03	.4760	4.267	532.6
594	.75000	.60000	268.00	.1247-01	.1501-01	.1501-01	.9000	.4371-03	.5264-03	.3351	3.412	533.0
594	.75000	.80000	269.00	.1583-02	.1903-02	.1903-02	.9000	.5551-04	.6671-04	.4297-01	.4027	525.5

DATE 23 FEB 80

OH84B MODEL 60-0 IN THE AEDC VKF HYPERSONIC TUNNEL

PAGE 2378

OH84B 60-0 WING UPPER SURFACE

(R4UR39)

RUN NUMBER	2Y/BW	XW/CW	T/C NO	H/HREF	H/HREF	H/HREF	TAW/TO	H(TO)	H(TAW)	QDOT	DTWDT	TW
				R=1.0	R=0.9	R=		BTU/R	BTU/R	BTU/ FT2SEC	DEG. R	DEG. R
594	.75000	.90000	270.00	.5480-02	.6583-02	.6583-02	.9000	.1921-03	.2308-03	.1490	1.198	524.0
594	.80000	.90000	271.00	.6344-02	.7624-02	.7624-02	.9000	.2225-03	.2673-03	.1723	1.337	525.0
594	.90000	.20000	272.00	.7216-01	.8733-01	.8733-01	.9000	.2530-02	.3062-02	1.893	16.80	551.6
594	.90000	.40000	273.00	.3233-01	.3896-01	.3896-01	.9000	.1134-02	.1366-02	.8658	7.747	535.9
594	.90000	.60000	274.00	.3383-01	.4079-01	.4079-01	.9000	.1186-02	.1430-02	.9036	6.731	537.9
594	.95000	.20000	275.00	.4285-01	.5167-01	.5167-01	.9000	.1503-02	.1812-02	1.144	11.12	538.0
594	.95000	.40000	276.00	.6353-01	.7684-01	.7684-01	.9000	.2228-02	.2694-02	1.672	12.38	549.3
594	.95000	.50000	277.00	.6363-01	.7696-01	.7696-01	.9000	.2231-02	.2698-02	1.674	14.88	549.2
594	.95000	.70000	278.00	.3019-01	.3638-01	.3638-01	.9000	.1059-02	.1276-02	.8091	6.466	535.4
594	.95000	.80000	279.00	.9881-02	.1188-01	.1188-01	.9000	.3465-03	.4165-03	.2677	2.074	527.0
594	.95000	.90000	280.00	.1548-01	.1861-01	.1861-01	.9000	.5427-03	.6525-03	.4189	3.361	527.7

OH84B 60-0 WING UPPER SURFACE

(R4UR39)

WING UPPER SURF

PARAMETRIC DATA

MACH = 8.000 ALPHA = 40.00 BETA = .0000 ELEVON = .0000
 BDFLAP = -5.000 SPDBRK = .0000

TEST CONDITIONS

RUN NUMBER	RN/L /FT X10 6	MACH	ALPHA DEG.	BETA DEG.	PO PSIA	TO DEG. R	T DEG. R	P PSIA	Q PSI	V FT/SEC	RHO SLUGS /FT3	MU LB-SEC /FT2
580	2.988	7.990	39.99	.1041-01	669.5	1326.	96.29	.6914-01	3.090	3843.	.1938-02	.7748-07
RUN NUMBER	HREF BTU/ R FT2SEC	STN NO REF(R) = .0175										
580	.4349-01	.2345-01										

TEST DATA

RUN NUMBER	2Y/BW	XW/CW	T/C NO	H/HREF R=1.0	H/HREF R=0.9	H/HREF R= TAW/TO	TAW/TO	H(TO) BTU/R FT2SEC	H(TAW) BTU/R FT2SEC	QDOT BTU/ FT2SEC	DTWDT DEG. R /SEC	TW DEG. R
580	.40000	.20000	247.00	.1384-01	.1667-01	.1667-01	.9000	.6021-03	.7249-03	.4711	3.750	543.2
580	.40000	.40000	248.00	.5227-03	.6292-03	.6292-03	.9000	.2273-04	.2736-04	.1781-01	.1654	542.4
580	.40000	.60000	249.00	.9387-03	.1130-02	.1130-02	.9000	.4082-04	.4915-04	.3195-01	.3561	543.1
580	.40000	.75000	250.00	.1953-02	.2351-02	.2351-02	.9000	.8495-04	.1023-03	.6653-01	.4944	542.5
580	.40000	.80000	251.00	.6189-03	.7443-03	.7443-03	.9000	.2692-04	.3237-04	.2118-01	.1632	538.6
580	.40000	.95000	252.00	.4222-02	.5075-02	.5075-02	.9000	.1836-03	.2207-03	.1449	1.296	536.6
580	.60000	.25000-01	253.00	.9836-01	.1214	.1214	.9000	.4278-02	.5282-02	2.983	70.83	628.3
580	.60000	.50000-01	254.00	.8063-01	.9861-01	.9861-01	.9000	.3506-02	.4289-02	2.549	50.24	598.7
580	.60000	.10000*00	255.00	.5535-01	.6690-01	.6690-01	.9000	.2407-02	.2909-02	1.848	19.47	557.8
580	.60000	.20000	256.00	.1706-01	.2055-01	.2055-01	.9000	.7420-03	.8937-03	.5797	5.164	544.5
580	.60000	.40000	257.00	.1129-02	.1359-02	.1359-02	.9000	.4909-04	.5909-04	.3846-01	.3176	542.2
580	.60000	.60000	258.00	.2788-02	.3356-02	.3356-02	.9000	.1212-03	.1459-03	.9497-01	.8823	542.4
580	.60000	.75000	259.00	.1472-01	.1772-01	.1772-01	.9000	.6402-03	.7705-03	.5018	4.477	541.6
580	.60000	.85000	260.00	.9274-02	.1115-01	.1115-01	.9000	.4033-03	.4850-03	.3176	2.628	538.2
580	.60000	.95000	261.00	.9017-02	.1083-01	.1083-01	.9000	.3921-03	.4710-03	.3105	3.476	534.0
580	.70000	.20000	262.00	.1038-01	.1249-01	.1249-01	.9000	.4515-03	.5432-03	.3548	3.300	540.0
580	.70000	.40000	263.00	.9487-02	.1141-01	.1141-01	.9000	.4126-03	.4964-03	.3239	2.892	540.6
580	.75000	1.0000	265.00	.2639-01	.3176-01	.3176-01	.9000	.1148-02	.1381-02	.8999	8.727	541.6
580	.75000	.40000	267.00	.1646-01	.1981-01	.1981-01	.9000	.7160-03	.8615-03	.5622	5.019	540.5
580	.75000	.60000	268.00	.1595-01	.1920-01	.1920-01	.9000	.6935-03	.8349-03	.5430	5.503	542.6
580	.75000	.80000	269.00	.2022-02	.2427-02	.2427-02	.9000	.8794-04	.1056-03	.6985-01	.6525	531.4

DATE 23 FEB 80

OH84B MODEL 60-0 IN THE AEDC VKF HYPERSONIC TUNNEL

PAGE 2380

OH84B 60-0 WING UPPER SURFACE

(R4UR39)

RUN NUMBER	2Y/BW	XW/CW	T/C NO	H/HREF	H/HREF	H/HREF	TAW/TO	H(TO)	H(TAW)	QDOT	DTWDT	TW
				R=1.0	R=0.9	R=		BTU/R	BTU/R	BTU/ FT2SEC	DEG. R	DEG. R
580	.75000	.90000	270.00	.6568-02	.7881-02	.7881-02	.9000	.2856-03	.3427-03	.2272	1.820	530.3
580	.80000	.90000	271.00	.7050-02	.8461-02	.8461-02	.9000	.3066-03	.3680-03	.2437	1.885	530.8
580	.90000	.20000	272.00	.6383-01	.7705-01	.7705-01	.9000	.2776-02	.3351-02	2.145	19.03	552.9
580	.90000	.40000	273.00	.7987-01	.9660-01	.9660-01	.9000	.3473-02	.4201-02	2.658	23.49	560.4
580	.90000	.60000	274.00	.6691-01	.8071-01	.8071-01	.9000	.2910-02	.3510-02	2.256	16.70	550.3
580	.95000	.20000	275.00	.8332-01	.1008	.1008	.9000	.3623-02	.4382-02	2.775	26.66	559.9
580	.95000	.40000	276.00	.8593-01	.1043	.1043	.9000	.3737-02	.4535-02	2.817	20.63	571.8
580	.95000	.50000	277.00	.9034-01	.1095	.1095	.9000	.3929-02	.4763-02	2.975	26.19	568.4
580	.95000	.70000	278.00	.3743-01	.4508-01	.4508-01	.9000	.1628-02	.1961-02	1.271	10.11	544.7
580	.95000	.80000	279.00	.1402-01	.1683-01	.1683-01	.9000	.6096-03	.7320-03	.4832	3.733	533.1
580	.95000	.90000	280.00	.1883-01	.2262-01	.2262-01	.9000	.8190-03	.9836-03	.6485	5.187	533.8

DATE 23 FEB 80

OHB4B MODEL 60-0 IN THE AEDC VKF HYPERSONIC TUNNEL

PAGE 2381

OHB4B 60-0 WING UPPER SURFACE

(R4UR40)

WING UPPER SURF

PARAMETRIC DATA

MACH = 8.000 ALPHA = 40.00 BETA = .0000 ELEVON = .0000
BDFLAP = .0000 SPDBRK = .0000

TEST CONDITIONS

Table with 13 columns: RUN NUMBER, RN/L /FT X10 6, MACH, ALPHA DEG., BETA DEG., PO PSIA, TO DEG. R, T DEG. R, P PSIA, Q PSI, V FT/SEC, RHO SLUGS /FT3, MU LB-SEC /FT2. Includes two rows of data for run 624.

TEST DATA

Table with 13 columns: RUN NUMBER, 2Y/BW, XW/CW, T/C NO, H/HREF R=1.0, H/HREF R=0.9, H/HREF R= TAW/TO, H(TO) BTU/R FT2SEC, H(TAW) BTU/R FT2SEC, QDOT BTU/ FT2SEC, DTWDT DEG. R /SEC, TW DEG. R. Contains 20 rows of data.

DATE 23 FEB 80

OH84B MODEL 60-0 IN THE AEDC VKF HYPERSONIC TUNNEL

PAGE 2382

OH84B 60-0 WING UPPER SURFACE

(R4UR40)

RUN NUMBER	2Y/BW	XW/CW	T/C NO	H/HREF	H/HREF	H/HREF	TAW/TO	H(TO)	H(TAW)	QDOT	DTWDT	TW
				R=1.0	R=0.9	R=		BTU/R	BTU/R	BTU/ FT2SEC	DEG. R /SEC	DEG. R
624	.90000	.60000	274.00	.1004-02	.1212-02	.1212-02	.9000	.1729-04	.2087-04	.1267-01	.9512-01	522.2
624	.95000	.20000	275.00	.1150-01	.1388-01	.1388-01	.9000	.1981-03	.2390-03	.1451	1.421	522.3
624	.95000	.40000	276.00	.1820-01	.2199-01	.2199-01	.9000	.3134-03	.3787-03	.2282	1.710	526.6
624	.95000	.50000	277.00	.5920-02	.7145-02	.7145-02	.9000	.1020-03	.1230-03	.7463-01	.6723	522.7
624	.95000	.70000	278.00	.8105-03	.9777-03	.9777-03	.9000	.1396-04	.1684-04	.1024-01	.8246-01	520.8
624	.95000	.80000	279.00	.3627-02	.4375-02	.4375-02	.9000	.6246-04	.7535-04	.4582-01	.3561	521.1
624	.95000	.90000	280.00	.1139-01	.1374-01	.1374-01	.9000	.1961-03	.2366-03	.1437	1.156	521.8

DATE 23 FEB 80

OH84B MODEL 60-0 IN THE AEDC VKF HYPERSONIC TUNNEL

PAGE 2383

OH84B 60-0 WING UPPER SURFACE

(R4UR40)

WING UPPER SURF

PARAMETRIC DATA

MACH = 8.000 ALPHA = 40.00 BETA = .0000 ELEVON = .0000
 BDFLAP = .0000 SPDBRK = .0000

TEST CONDITIONS

RUN NUMBER	RN/L /FT X10 6	MACH	ALPHA DEG.	BETA DEG.	PO PSIA	TO DEG. R	T DEG. R	P PSIA	Q PSI	V FT/SEC	RHO SLUGS /FT3	MU LB-SEC /FT2
614	1.020	7.940	39.96	.1384-01	207.9	1259.	92.49	.2236-01	.9868	3743.	.6525-03	.7443-07
RUN NUMBER	HREF BTU/ R FT2SEC	STN NO REF (R) = .0175										
614	.2436-01	.4020-01										

TEST DATA

RUN NUMBER	2Y/BW	XW/CW	T/C NO	H/HREF R=1.0	H/HREF R=0.9	H/HREF R= TAW/TO	TAW/TO	H(TO) BTU/R FT2SEC	H(TAW) BTU/R FT2SEC	QDOT BTU/ FT2SEC	DTWDT DEG. R /SEC	TW DEG. R
614	.40000	.20000	247.00	.4659-02	.5623-02	.5623-02	.9000	.1135-03	.1370-03	.8334-01	.6698	524.3
614	.40000	.40000	248.00	.5374-03	.6490-03	.6490-03	.9000	.1309-04	.1581-04	.9588-02	.8981-01	526.2
614	.40000	.60000	249.00	.4405-03	.5319-03	.5319-03	.9000	.1073-04	.1296-04	.7855-02	.8827-01	526.6
614	.40000	.75000	250.00	.8536-03	.1031-02	.1031-02	.9000	.2079-04	.2511-04	.1521-01	.1140	526.9
614	.40000	.95000	252.00	.3525-02	.4255-02	.4255-02	.9000	.8587-04	.1036-03	.6300-01	.5669	524.9
614	.60000	.25000-01	253.00	.7660-01	.9350-01	.9350-01	.9000	.1866-02	.2277-02	1.300	31.88	562.1
614	.60000	.50000-01	254.00	.6691-01	.8144-01	.8144-01	.9000	.1630-02	.1984-02	1.150	23.18	553.3
614	.60000	.10000+00	255.00	.4094-01	.4955-01	.4955-01	.9000	.9973-03	.1207-02	.7228	7.707	533.9
614	.60000	.20000	256.00	.8572-02	.1035-01	.1035-01	.9000	.2088-03	.2522-03	.1526	1.372	527.6
614	.60000	.40000	257.00	.1243-02	.1502-02	.1502-02	.9000	.3028-04	.3658-04	.2214-01	.1843	527.4
614	.60000	.60000	258.00	.8813-03	.1064-02	.1064-02	.9000	.2147-04	.2593-04	.1570-01	.1470	527.1
614	.60000	.85000	260.00	.1237-02	.1493-02	.1493-02	.9000	.3014-04	.3636-04	.2217-01	.1849	523.1
614	.60000	.95000	261.00	.6244-02	.7531-02	.7531-02	.9000	.1521-03	.1834-03	.1120	1.261	522.3
614	.70000	.20000	262.00	.9217-02	.1113-01	.1113-01	.9000	.2245-03	.2712-03	.1643	1.539	526.8
614	.75000	1.0000	265.00	.2391-01	.2888-01	.2888-01	.9000	.5825-03	.7036-03	.4259	4.161	527.4
614	.75000	.40000	267.00	.4425-02	.5342-02	.5342-02	.9000	.1078-03	.1301-03	.7897-01	.7103	525.9
614	.75000	.60000	268.00	.2389-02	.2884-02	.2884-02	.9000	.5818-04	.7025-04	.4264-01	.4358	525.9
614	.75000	.80000	269.00	.1240-02	.1496-02	.1496-02	.9000	.3021-04	.3644-04	.2222-01	.2084	523.2
614	.75000	.90000	270.00	.5691-02	.6864-02	.6864-02	.9000	.1386-03	.1672-03	.1020	.8209	522.5
614	.80000	.90000	271.00	.6163-02	.7436-02	.7436-02	.9000	.1501-03	.1811-03	.1104	.8574	523.1
614	.90000	.20000	272.00	.2351-01	.2839-01	.2839-01	.9000	.5726-03	.6916-03	.4190	3.766	526.9

DATE 23 FEB 80

OH84B MODEL 60-0 IN THE AEDC VKF HYPERSONIC TUNNEL

PAGE 2384

OH84B 60-0 WING UPPER SURFACE

(R4UR40)

RUN NUMBER	ZY/BW	XW/CW	T/C NO	H/HREF	H/HREF	H/HREF	TAW/TO	H(TO)	H(TAW)	QDOT	DTWDT	TW
				R=1.0	R=0.9	R=		BTU/R	BTU/R	BTU/ FT2SEC	DEG. R	DEG. R
614	.90000	.40000	273.00	.4585-02	.5534-02	.5534-02	.9000	.1117-03	.1348-03	.8192-01	.7370	525.1
614	.90000	.60000	274.00	.1960-02	.2366-02	.2366-02	.9000	.4774-04	.5762-04	.3503-01	.2627	524.9
614	.95000	.20000	275.00	.1116-01	.1347-01	.1347-01	.9000	.2718-03	.3281-03	.1995	1.951	524.9
614	.95000	.40000	276.00	.1004-01	.1212-01	.1212-01	.9000	.2446-03	.2953-03	.1795	1.346	525.0
614	.95000	.50000	277.00	.5513-02	.6655-02	.6655-02	.9000	.1343-03	.1621-03	.9850-01	.8862	525.1
614	.95000	.70000	278.00	.1382-02	.1667-02	.1667-02	.9000	.3366-04	.4061-04	.2476-01	.1991	523.0
614	.95000	.80000	279.00	.4229-02	.5102-02	.5102-02	.9000	.1030-03	.1243-03	.7575-01	.5881	523.3
614	.95000	.90000	280.00	.1216-01	.1468-01	.1468-01	.9000	.2962-03	.3575-03	.2176	1.749	524.2

DATE 23 FEB 80

OH84B MODEL 60-0 IN THE AEDC VKF HYPERSONIC TUNNEL

PAGE 2385

OH84B 60-0 WING UPPER SURFACE

(R4UR40)

WING UPPER SURF

PARAMETRIC DATA

MACH = 8.000 ALPHA = 40.00 BETA = .0000 ELEVON = .0000
BDFLAP = .0000 SPOBRK = .0000

TEST CONDITIONS

Table with 13 columns: RUN NUMBER, RN/L /FT X10 6, MACH, ALPHA DEG., BETA DEG., PO PSIA, TO DEG. R, T DEG. R, P PSIA, Q PSI, V FT/SEC, RHO SLUGS /FT3, MU LB-SEC /FT2. Includes data for run 596.

TEST DATA

Table with 13 columns: RUN NUMBER, 2Y/BW, XW/CH, T/C NO, H/HREF R=1.0, H/HREF R=0.9, H/HREF R=TAW/TO, TAW/TO, H(TO) BTU/R FT2SEC, H(TAW) BTU/R FT2SEC, QDOT BTU/ FT2SEC, DTWDT DEG. R /SEC, TW DEG. R. Includes data for runs 596.

DATE 23 FEB 80

OH84B MODEL 60-0 IN THE AEDC VKF HYPERSONIC TUNNEL

PAGE 2386

OH84B 60-0 WING UPPER SURFACE

(R4UR40)

RUN NUMBER	ZY/BW	XW/CW	T/C NO	H/HREF R=1.0	H/HREF R=0.9	H/HREF R= TAW/TO	TAW/TO	H(TO) BTU/R FT2SEC	H(TAW) BTU/R FT2SEC	QDOT BTU/ FT2SEC	DTWDT DEG. R /SEC	TW DEG. R
596	.80000	.90000	271.00	.6476-02	.7782-02	.7782-02	.9000	.2269-03	.2726-03	.1760	1.364	525.9
596	.90000	.20000	272.00	.3616-01	.4355-01	.4355-01	.9000	.1266-02	.1525-02	.9712	8.695	534.8
596	.90000	.40000	273.00	.1191-01	.1433-01	.1433-01	.9000	.4172-03	.5019-03	.3218	2.887	530.3
596	.90000	.60000	274.00	.8297-02	.9982-02	.9982-02	.9000	.2906-03	.3497-03	.2241	1.676	530.6
596	.95000	.20000	275.00	.2404-01	.2894-01	.2894-01	.9000	.8421-03	.1014-02	.6480	6.314	532.2
596	.95000	.40000	276.00	.2205-01	.2653-01	.2653-01	.9000	.7723-03	.9295-03	.5943	4.440	532.1
596	.95000	.50000	277.00	.1295-01	.1558-01	.1558-01	.9000	.4536-03	.5458-03	.3496	3.137	530.9
596	.95000	.70000	278.00	.6795-02	.8168-02	.8168-02	.9000	.2380-03	.2861-03	.1844	1.480	527.0
596	.95000	.80000	279.00	.6088-02	.7318-02	.7318-02	.9000	.2133-03	.2563-03	.1652	1.280	527.0
596	.95000	.90000	280.00	.1473-01	.1771-01	.1771-01	.9000	.5160-03	.6204-03	.3991	3.202	528.1

OH84B 60-0 WING UPPER SURFACE

(R4UR40)

WING UPPER SURF

PARAMETRIC DATA

MACH = 8.000 ALPHA = 40.00 BETA = .0000 ELEVON = .0000
 BDFLAP = .0000 SPDBRK = .0000

TEST CONDITIONS

RUN NUMBER	RN/L /FT X10 6	MACH	ALPHA DEG.	BETA DEG.	PO PSIA	TO DEG. R	T DEG. R	P PSIA	Q PSI	V FT/SEC	RHO SLUGS /FT3	MU LB-SEC /FT2
578	3.027	7.990	40.06	.6985-02	669.7	1315.	95.49	.6916-01	3.091	3827.	.1955-02	.7684-07
RUN NUMBER	HREF BTU/ R FT2SEC	STN NO REF (R)										
578	.4343-01	.2333-01										

TEST DATA

RUN NUMBER	2Y/BW	XW/CW	T/C NO	H/HREF R=1.0	H/HREF R=0.9	H/HREF R= TAW/TO	TAW/TO	H(TO) BTU/R FT2SEC	H(TAW) BTU/R FT2SEC	QDOT BTU/ FT2SEC	DTWDT DEG. R /SEC	TW DEG. R
578	.40000	.20000	247.00	.1247-01	.1504-01	.1504-01	.9000	.5415-03	.6531-03	.4164	3.311	545.6
578	.40000	.40000	248.00	.5960-03	.7187-03	.7187-03	.9000	.2589-04	.3121-04	.1995-01	.1851	544.2
578	.40000	.60000	249.00	.7973-03	.9614-03	.9614-03	.9000	.3463-04	.4176-04	.2666-01	.2969	544.8
578	.40000	.75000	250.00	.1616-02	.1948-02	.1948-02	.9000	.7017-04	.8461-04	.5405-01	.4013	544.4
578	.40000	.80000	251.00	.2780-03	.3350-03	.3350-03	.9000	.1208-04	.1455-04	.9343-02	.7188-01	541.0
578	.40000	.95000	252.00	.3875-02	.4667-02	.4667-02	.9000	.1683-03	.2027-03	.1304	1.164	539.9
578	.60000	.25000-01	253.00	.1024	.1267	.1267	.9000	.4448-02	.5504-02	3.048	72.33	629.4
578	.60000	.50000-01	254.00	.8213-01	.1008	.1008	.9000	.3567-02	.4379-02	2.531	49.73	605.1
578	.60000	.10000+00	255.00	.5879-01	.7125-01	.7125-01	.9000	.2553-02	.3095-02	1.919	20.17	563.1
578	.60000	.20000	256.00	.1486-01	.1794-01	.1794-01	.9000	.6455-03	.7792-03	.4946	4.397	548.5
578	.60000	.40000	257.00	.7771-03	.9371-03	.9371-03	.9000	.3375-04	.4070-04	.2599-01	.2144	544.6
578	.60000	.60000	258.00	.2322-02	.2800-02	.2800-02	.9000	.1009-03	.1216-03	.7768-01	.7210	544.4
578	.60000	.75000	259.00	.1129-01	.1361-01	.1361-01	.9000	.4903-03	.5910-03	.3783	3.372	543.2
578	.60000	.85000	260.00	.7608-02	.9165-02	.9165-02	.9000	.3304-03	.3981-03	.2558	2.114	540.7
578	.60000	.95000	261.00	.9113-02	.1097-01	.1097-0	.9000	.3958-03	.4764-03	.3074	3.435	537.9
578	.70000	.20000	262.00	.9106-02	.1098-01	.1098-01	.9000	.3955-03	.4769-03	.3047	2.829	544.2
578	.70000	.40000	263.00	.4970-02	.5990-02	.5990-02	.9000	.2159-03	.2602-03	.1666	1.486	542.7
578	.75000	1.0000	265.00	.2796-01	.3375-01	.3375-01	.9000	.1214-02	.1466-02	.9312	9.002	547.9
578	.75000	.40000	267.00	.1236-01	.1490-01	.1490-01	.9000	.5369-03	.6471-03	.4143	3.694	542.9
578	.75000	.60000	268.00	.1772-01	.2138-01	.2138-01	.9000	.7698-03	.9288-03	.5915	5.982	546.4
578	.75000	.80000	269.00	.2299-02	.2765-02	.2765-02	.9000	.9984-04	.1201-03	.7783-01	.7257	535.1

DATE 23 FEB 80

OH84B MODEL 60-0 IN THE AEDC VKI HYPERSONIC TUNNEL

PAGE 2388

OH84B 60-0 WING UPPER SURFACE

(R4UR40)

RUN NUMBER	ZY/BW	XW/CW	T/C NO	H/HREF	H/HREF	H/HREF	TAW/TO	H(TO)	H(TAW)	QDOT	DTWOT	TW
				R=1.0	R=0.9	R=		BTU/R	BTU/R	BTU/ FT2SEC	DEG. R	DEG. R
578	.75000	.90000	270.00	.6735-02	.8099-02	.8099-02	.9000	.2925-03	.3518-03	.2283	1.825	534.3
578	.80000	.90000	271.00	.7267-02	.8740-02	.8740-02	.9000	.3156-03	.3796-03	.2462	1.901	534.5
578	.90000	.20000	272.00	.1020	.1239	.1239	.9000	.4431-02	.5382-02	3.296	28.98	570.8
578	.90000	.40000	273.00	.3215-01	.3876-01	.3876-01	.9000	.1396-02	.1684-02	1.076	9.593	543.9
578	.90000	.60000	274.00	.4428-01	.5346-01	.5346-01	.9000	.1923-02	.2322-02	1.471	10.89	549.7
578	.95000	.20000	275.00	.7378-01	.8916-01	.8916-01	.9000	.3205-02	.3873-02	2.442	23.55	552.6
578	.95000	.40000	276.00	.8686-01	.1056	.1056	.9000	.3773-02	.4589-02	2.790	20.39	575.3
578	.95000	.50000	277.00	.1001	.1219	.1219	.9000	.4350-02	.5294-02	3.204	28.07	578.0
578	.95000	.70000	278.00	.2242-01	.2701-01	.2701-01	.9000	.9739-03	.1173-02	.7543	6.014	540.1
578	.95000	.80000	279.00	.8184-02	.9842-02	.9842-02	.9000	.3554-03	.4274-03	.2774	2.142	534.2
578	.95000	.90000	280.00	.1557-01	.1873-01	.1873-01	.9000	.6762-03	.8135-03	.5268	4.209	535.7

DATE 23 FEB 80

OH84B MODEL 60-0 IN THE AEDC VKI HYPERSONIC TUNNEL

PAGE 2369

OH84B 60-0 WING UPPER SURFACE

(R4UR41)

WING UPPER SURF

PARAMETRIC DATA

MACH = 8.000 ALPHA = 40.00 BETA = .0000 ELEVON = .0000
 BDFLAP = 5.000 SPDBRK = .0000

TEST CONDITIONS

RUN NUMBER	RN/L /FT X10 6	MACH	ALPHA DEG.	BETA DEG.	PO PSIA	TO DEG. R	T DEG. R	P PSIA	Q PSI	V FT/SEC	RHO SLUGS /FT3	MU LB-SEC /FT2
626	.5125	7.900	39.93	.1380-01	101.2	1244.	92.25	.1125-01	.4913	3720.	.3290-03	.7423-07

RUN NUMBER	HREF BTU/ R FT2SEC	STN NO REF (R) = .0175
626	.1715-01	.5654-01

TEST DATA

RUN NUMBER	ZY/BW	XW/CW	T/C NO	H/HREF R=1.0	H/HREF R=0.9	H/HREF R=TAW/TO	TAW/TO	H(TO) BTU/R FT2SEC	H(TAW) BTU/R FT2SEC	QDOT BTU/ FT2SEC	DTWDT DEG. R /SEC	TW DEG. R
626	.40000	.20000	247.00	.4970-02	.6005-02	.6005-02	.9000	.8525-04	.1030-03	.6155-01	.4953	521.7
626	.40000	.40000	248.00	.4514-03	.5457-03	.5457-03	.9000	.7742-05	.9359-05	.5569-02	.5222-01	524.2
626	.40000	.60000	249.00	.3612-03	.4368-03	.4368-03	.9000	.6195-05	.7492-05	.4453-02	.5008-01	525.0
626	.40000	.75000	250.00	.5169-03	.6251-03	.6251-03	.9000	.8865-05	.1072-04	.6365-02	.4771-01	525.7
626	.40000	.95000	252.00	.4374-02	.5289-02	.5289-02	.9000	.7502-04	.9071-04	.5393-01	.4854	524.7
626	.60000	.25000-01	253.00	.7412-01	.9021-01	.9021-01	.9000	.1271-02	.1547-02	.8863	21.91	546.5
626	.60000	.50000-01	254.00	.5694-01	.6916-01	.6916-01	.9000	.9766-03	.1186-02	.6877	13.96	539.5
626	.60000	.10000+00	255.00	.3328-01	.4026-01	.4026-01	.9000	.5707-03	.6905-03	.4092	4.379	526.7
626	.60000	.20000	256.00	.8915-02	.1078-01	.1078-01	.9000	.1529-03	.1849-03	.1098	.9879	525.4
626	.60000	.40000	257.00	.2084-02	.2521-02	.2521-02	.9000	.3575-04	.4324-04	.2566-01	.2137	525.8
626	.60000	.60000	258.00	.1031-02	.1247-02	.1247-02	.9000	.1769-04	.2140-04	.1271-01	.1191	525.4
626	.60000	.85000	260.00	.9360-03	.1131-02	.1131-02	.9000	.1605-04	.1940-04	.1158-01	.9665-01	522.1
626	.60000	.95000	261.00	.6041-02	.7297-02	.7297-02	.9000	.1036-03	.1252-03	.7484-01	.8434	521.3
626	.70000	.20000	262.00	.9731-02	.1176-01	.1176-01	.9000	.1669-03	.2018-03	.1201	1.126	524.2
626	.75000	1.0000	265.00	.2489-01	.3008-01	.3008-01	.9000	.4268-03	.5160-03	.3072	3.006	524.0
626	.75000	.40000	267.00	.4903-02	.5926-02	.5926-02	.9000	.8409-04	.1016-03	.6055-01	.5452	523.6
626	.75000	.60000	268.00	.2006-02	.2425-02	.2425-02	.9000	.3440-04	.4159-04	.2475-01	.2532	524.1
626	.75000	.80000	269.00	.8595-03	.1039-02	.1039-02	.9000	.1474-04	.1781-04	.1063-01	.9977-01	522.5
626	.75000	.90000	270.00	.4907-02	.5928-02	.5928-02	.9000	.8416-04	.1017-03	.6079-01	.4892	521.4
626	.80000	.90000	271.00	.5671-02	.6852-02	.6852-02	.9000	.9726-04	.1175-03	.7017-01	.5451	522.2
626	.90000	.20000	272.00	.9131-02	.1104-01	.1104-01	.9000	.1566-03	.1893-03	.1128	1.015	523.7

DATE 23 FEB 80

OH84B MODEL 60-0 IN THE AEDC VKF HYPERSONIC TUNNEL

PAGE 2390

OH84B 60-0 WING UPPER SURFACE

(R4UR41)

RUN NUMBER	ZY/BW	XW/CW	T/C NO	H/HREF	H/HREF	H/HREF	TAW/TO	H(TO)	H(TAW)	QDOT	DTWDT	TW DEG. R
				R=1.0	R=0.9	R= TAW/TO		BTU/R	BTU/R	BTU/ FT2SEC	DEG. R	
626	.90000	.40000	273.00	.3140-02	.3795-02	.3795-02	.9000	.5385-04	.6509-04	.3876-01	.3490	523.8
626	.90000	.60000	274.00	.1079-02	.1304-02	.1304-02	.9000	.1851-04	.2237-04	.1331-01	.9987-01	524.2
626	.95000	.20000	275.00	.1170-01	.1415-01	.1415-01	.9000	.2008-03	.2427-03	.1446	1.415	523.5
626	.95000	.40000	276.00	.2634-01	.3189-01	.3189-01	.9000	.4517-03	.5469-03	.3228	2.416	529.0
626	.95000	.50000	277.00	.7646-02	.9245-02	.9245-02	.9000	.1311-03	.1586-03	.9429-01	.8485	524.7
626	.95000	.70000	278.00	.1428-02	.1726-02	.1726-02	.9000	.2449-04	.2960-04	.1766-01	.1421	522.6
626	.95000	.80000	279.00	.3746-02	.4527-02	.4527-02	.9000	.6424-04	.7764-04	.4632-01	.3597	522.7
626	.95000	.90000	280.00	.1136-01	.1374-01	.1374-01	.9000	.1949-03	.2356-03	.1404	1.129	523.1

DATE 23 FEB 80

OH84B MODEL 60-0 IN THE AEDC VKF HYPERSONIC TUNNEL

PAGE 2391

OH84B 60-0 WING UPPER SURFACE

(R4UR41)

WING UPPER SURF

PARAMETRIC DATA

MACH = 8.000 ALPHA = 40.00 BETA = .0000 ELEVON = .0000
 BDFLAP = 5.000 SPDBRK = .0000

TEST CONDITIONS

RUN NUMBER	RN/L /FT X10 6	MACH	ALPHA DEG.	BETA DEG.	PO PSIA	TO DEG. R	T DEG. R	P PSIA	Q PSI	V FT/SEC	RHO SLUGS /FT3	MU LB-SEC /FT2
612	1.002	7.940	39.96	.1384-01	206.0	1266.	93.00	.2216-01	.9778	3754.	.6430-03	.7484-07

RUN NUMBER	HREF BTU/ R FT2SEC	STN NO REF(R) = .0175
612	.2427-01	.4052-01

TEST DATA

RUN NUMBER	2Y/BW	XW/CW	T/C NO	H/HREF R=1.0	H/HREF R=0.9	H/HREF R= TAW/TO	TAW/TO	H(TO) BTU/R FT2SEC	H(TAW) BTU/R FT2SEC	QDOT BTU/ FT2SEC	DTWDT DEG. R /SEC	TW DEG. R
612	.40000	.20000	247.00	.4948-02	.5963-02	.5963-02	.9000	.1201-03	.1447-03	.8927-01	.7182	522.2
612	.40000	.40000	248.00	.3614-03	.4358-03	.4358-03	.9000	.8771-05	.1058-04	.6502-02	.6096-01	524.4
612	.40000	.60000	249.00	.5833-03	.7035-03	.7035-03	.9000	.1416-04	.1707-04	.1049-01	.1179	524.9
612	.40000	.75000	250.00	.8172-03	.9857-03	.9857-03	.9000	.1983-04	.2392-04	.1469-01	.1101	525.1
612	.40000	.95000	252.00	.3685-02	.4443-02	.4443-02	.9000	.8944-04	.1078-03	.6640-01	.5979	523.3
612	.60000	.25000-01	253.00	.7697-01	.9382-01	.9382-01	.9000	.1868-02	.2277-02	1.317	32.33	560.6
612	.60000	.50000-01	254.00	.6703-01	.8147-01	.8147-01	.9000	.1627-02	.1977-02	1.162	23.44	551.6
612	.60000	.10000+30	255.00	.4074-01	.4922-01	.4922-01	.9000	.9887-03	.1195-02	.7257	7.748	531.6
612	.60000	.20000	256.00	.8923-02	.1076-01	.1076-01	.9000	.2165-03	.2612-03	.1603	1.443	525.2
612	.60000	.40000	257.00	.1265-02	.1526-02	.1526-02	.9000	.3070-04	.3703-04	.2274-01	.1894	525.2
612	.60000	.60000	258.00	.9630-03	.1161-02	.1161-02	.9000	.2337-04	.2819-04	.1732-01	.1623	524.7
612	.60000	.85000	260.00	.1158-02	.1395-02	.1395-02	.9000	.2811-04	.3386-04	.2094-01	.1748	520.8
612	.60000	.95000	261.00	.6022-02	.7253-02	.7253-02	.9000	.1461-03	.1760-03	.1090	1.229	520.0
612	.70000	.20000	262.00	.9092-02	.1096-01	.1096-01	.9000	.2207-03	.2661-03	.1636	1.534	524.1
612	.75000	1.0000	265.00	.2442-01	.2945-01	.2945-01	.9000	.5927-03	.7148-03	.4392	4.296	524.6
612	.75000	.40000	267.00	.4516-02	.5444-02	.5444-02	.9000	.1096-03	.1321-03	.8139-01	.7331	523.1
612	.75000	.60000	268.00	.2089-02	.2518-02	.2518-02	.9000	.5070-04	.6112-04	.3766-01	.3854	523.0
612	.75000	.80000	269.00	.1204-02	.1451-02	.1451-02	.9000	.2923-04	.3521-04	.2178-01	.2046	520.5
612	.75000	.90000	270.00	.5539-02	.6671-02	.6671-02	.9000	.1344-03	.1619-03	.1002	.8074	520.0
612	.80000	.90000	271.00	.6189-02	.7445-02	.7445-02	.9000	.1500-03	.1807-03	.1117	.8686	520.7
612	.90000	.20000	272.00	.2229-01	.2688-01	.2688-01	.9000	.5410-03	.6524-03	.4010	3.609	524.4

DATE 23 FEB 80

OH84B MODEL 60-0 IN THE AEDC VKF HYPERSONIC TUNNEL

PAGE 2392

OH84B 60-0 WING UPPER SURFACE

(R4UR41)

RUN NUMBER	2Y/BW	XW/CW	T/C NO	H/HREF R=1.0	H/HREF R=0.9	H/HREF R= TAW/TO	TAW/TO	H(TO) BTU/R FT2SEC	H(TAW) BTU/R FT2SEC	QDOT BTU/ FT2SEC	DTWDT DEG. R /SEC	TW DEG. R
612	.90000	.40000	273.00	.4337-02	.5227-02	.5227-02	.9000	.1053-03	.1269-03	.7824-01	.7050	522.3
612	.90000	.60000	274.00	.1915-02	.2308-02	.2308-02	.9000	.4648-04	.5601-04	.3456-01	.2595	522.1
612	.95000	.20000	275.00	.1114-01	.1342-01	.1342-01	.9000	.2703-03	.3258-03	.2010	1.969	522.1
612	.95000	.40000	276.00	.9561-02	.1152-01	.1152-01	.9000	.2320-03	.2796-03	.1725	1.295	522.2
612	.95000	.50000	277.00	.5340-02	.6435-02	.6435-02	.9000	.1296-03	.1562-03	.9633-01	.8679	522.3
612	.95000	.70000	278.00	.1374-02	.1655-02	.1655-02	.9000	.3334-04	.4016-04	.2484-01	.2000	520.5
612	.95000	.80000	279.00	.4353-02	.5244-02	.5244-02	.9000	.1056-03	.1273-03	.7868-01	.6116	520.9
612	.95000	.90000	280.00	.1236-01	.1490-01	.1490-01	.9000	.3000-03	.3615-03	.2231	1.795	522.0

OH84B 60-0 WING UPPER SURFACE

(R4UR41)

WING UPPER SURF

PARAMETRIC DATA

MACH = 8.000 ALPHA = 40.00 BETA = .0000 ELEVON = .0000
 BDFLAP = 5.000 SPOBRK = .0000

TEST CONDITIONS

RUN NUMBER	RN/L /FT X10 6	MACH	ALPHA DEG.	BETA DEG.	PO PSIA	TO DEG. R	T DEG. R	P PSIA	Q PSI	V FT/SEC	RHO SLUGS /FT3	MU LB-SEC /FT2
598	2.004	7.980	40.02	.1392-01	434.4	1300.	94.62	.4522-01	2.016	3805.	.1290-02	.7614-07
RUN NUMBER	HREF BTU/ R FT2SEC	STN NO REF(R) =.0175										
598	.3501-01	.2869-01										

TEST DATA

RUN NUMBER	2Y/BW	XW/CW	T/C NO	H/HREF R=1.0	H/HREF R=0.9	H/HREF R= TAW/TO	TAW/TO	H(TO) BTU/R FT2SEC	H(TAW) BTU/R FT2SEC	QDOT BTU/ FT2SEC	DTWOT DEG. R /SEC	TW DEG. R
598	.40000	.20000	247.00	.3149-02	.3785-02	.3785-02	.9000	.1102-03	.1325-03	.8528-01	.6847	526.0
598	.40000	.40000	248.00	.6400-03	.7700-03	.7700-03	.9000	.2241-04	.2696-04	.1725-01	.1613	529.8
598	.40000	.60000	249.00	.8497-03	.1023-02	.1023-02	.9000	.2975-04	.3580-04	.2287-01	.2564	531.0
598	.40000	.75000	250.00	.7573-03	.9113-03	.9113-03	.9000	.2651-04	.3190-04	.2039-01	.1524	530.7
598	.40000	.95000	252.00	.2344-02	.2818-02	.2818-02	.9000	.8206-04	.8863-04	.6349-01	.5709	526.0
598	.60000	.25000-01	253.00	.7343-01	.8937-01	.8937-01	.9000	.2570-02	.3129-02	1.872	45.72	571.2
598	.60000	.50000-01	254.00	.5168-01	.6258-01	.6258-01	.9000	.1809-02	.2191-02	1.350	27.22	553.4
598	.60000	.10000+30	255.00	.3404-01	.4100-01	.4100-01	.9000	.1192-02	.1435-02	.9115	9.716	534.6
598	.60000	.20000	256.00	.8361-02	.1006-01	.1006-01	.9000	.2927-03	.3521-03	.2253	2.022	529.9
598	.60000	.40000	257.00	.9565-03	.1151-02	.1151-02	.9000	.3348-04	.4030-04	.2573-01	.2136	531.3
598	.60000	.60000	258.00	.1058-02	.1273-02	.1273-02	.9000	.3703-04	.4457-04	.2847-01	.2660	531.0
598	.60000	.75000	259.00	.1431-02	.1719-02	.1719-02	.9000	.5008-04	.6019-04	.3875-01	.3485	525.9
598	.60000	.85000	260.00	.1706-02	.2050-02	.2050-02	.9000	.5973-04	.7177-04	.4628-01	.3856	524.8
598	.60000	.95000	261.00	.6507-02	.7816-02	.7816-02	.9000	.2278-03	.2736-03	.1768	1.990	523.5
598	.70000	.20000	262.00	.7972-02	.9588-02	.9588-02	.9000	.2791-03	.3356-03	.2152	2.013	528.6
598	.70000	.40000	263.00	.3157-02	.3797-02	.3797-02	.9000	.1105-03	.1329-03	.8513-01	.7644	529.2
598	.75000	1.0000	265.00	.2205-01	.2652-01	.2652-01	.9000	.7719-03	.9285-03	.5950	5.808	528.8
598	.75000	.40000	267.00	.5843-02	.7026-02	.7026-02	.9000	.2045-03	.2460-03	.1578	1.418	528.0
598	.75000	.60000	268.00	.5582-02	.6716-02	.6716-02	.9000	.1954-03	.2351-03	.1505	1.535	529.5
598	.75000	.80000	269.00	.1758-02	.2112-02	.2112-02	.9000	.6154-04	.7395-04	.4768-01	.4469	525.0
598	.75000	.90000	270.00	.6058-02	.7277-02	.7277-02	.9000	.2121-03	.2547-03	.1646	1.324	523.5

DATE 23 FEB 80

OH84B MODEL 60-0 IN THE AEDC VKF HYPERSONIC TUNNEL

PAGE 2394

OH84B 60-0 WING UPPER SURFACE

(R4UR41)

RUN NUMBER	2Y/BW	XW/CW	T/C NO	H/HREF R=1.0	H/HREF R=0.9	H/HREF R= TAW/TO	TAW/TO	H(TO) BTU/R FT2SEC	H(TAW) BTU/R FT2SEC	QDOT BTU/ FT2SEC	DTWDT DEG. R /SEC	TW DEG. R
598	.80000	.90000	271.00	.8000-02	.9611-02	.9611-02	.9000	.2800-03	.3365-03	.2171	1.684	524.4
598	.90000	.20000	272.00	.2694-01	.3242-01	.3242-01	.9000	.9429-03	.1135-02	.7242	6.494	531.7
598	.90000	.40000	273.00	.6794-02	.8168-02	.8168-02	.9000	.2378-03	.2859-03	.1837	1.651	527.3
598	.90000	.60000	274.00	.5098-02	.6130-02	.6130-02	.9000	.1785-03	.2146-03	.1377	1.031	527.9
598	.95000	.20000	275.00	.1397-01	.1679-01	.1679-01	.9000	.4890-03	.5878-03	.3779	3.693	526.7
598	.95000	.40000	276.00	.1895-01	.2281-01	.2281-01	.9000	.6635-03	.7986-03	.5098	3.810	531.4
598	.95000	.50000	277.00	.8592-02	.1033-01	.1033-01	.9000	.3008-03	.3617-03	.2320	2.025	528.2
598	.95000	.70000	278.00	.4519-02	.5431-02	.5431-02	.9000	.1582-03	.1901-03	.1225	.9841	525.3
598	.95000	.80000	279.00	.5768-02	.6930-02	.6930-02	.9000	.2019-03	.2426-03	.1565	1.214	524.8
598	.95000	.90000	280.00	.1848-01	.2221-01	.2221-01	.9000	.6468-03	.7774-03	.5003	4.017	526.1

OH84B 60-0 WING UPPER SURFACE

(R4UR41)

WING UPPER SURF

PARAMETRIC DATA

MACH = 8.000 ALPHA = 40.00 BETA = .0000 ELEVON = .0000
 BDFLAP = 5.000 SPDBRK = .0000

TEST CONDITIONS

RUN NUMBER	RN/L /FT X10 6	MACH	ALPHA DEG.	BETA DEG.	PO PSIA	TO DEG. R	T DEG. R	P PSIA	Q PSI	V FT/SEC	RHO SLUGS /FT3	MU LB-SEC /FT2
584	2.991	7.990	40.06	.1397-01	669.5	1325.	96.21	.6914-01	3.090	3842.	.1940-02	.7742-07

RUN NUMBER	HREF BTU/ R FT2SEC	STN NO REF (R) =.0175
584	.4348-01	.2344-01

TEST DATA

RUN NUMBER	2Y/BW	XW/CW	T/C NO	H/HREF R=1.0	H/HREF R=0.9	H/HREF R= TAW/TO	TAW/TO	H(TO) BTU/R FT2SEC	H(TAW) BTU/R FT2SEC	QDOT BTU/ FT2SEC	DTWDT DEG. R /SEC	TW DEG. R
584	.40000	.20000	247.00	.1443-01	.1734-01	.1734-01	.9000	.6273-03	.7540-03	.4946	3.951	536.3
584	.40000	.40000	248.00	.4969-03	.5971-03	.5971-03	.9000	.2161-04	.2597-04	.1704-01	.1589	535.8
584	.40000	.60000	249.00	.7209-03	.8666-03	.8666-03	.9000	.3135-04	.3768-04	.2469-01	.2760	537.1
584	.40000	.75000	250.00	.2236-02	.2688-02	.2688-02	.9000	.9721-04	.1169-03	.7658-01	.5707	537.0
584	.40000	.80000	251.00	.7730-03	.9284-03	.9284-03	.9000	.3361-04	.4037-04	.2660-01	.2055	533.2
584	.40000	.95000	252.00	.4316-02	.5181-02	.5181-02	.9000	.1877-03	.2253-03	.1489	1.336	531.2
584	.60000	.25000-01	253.00	.9698-01	.1196	.1196	.9000	.4217-02	.5202-02	2.952	70.20	624.8
584	.60000	.50000-01	254.00	.7962-01	.9720-01	.9720-01	.9000	.3462-02	.4227-02	2.535	50.12	592.3
584	.60000	.10000+00	255.00	.5501-01	.6637-01	.6637-01	.9000	.2392-02	.2886-02	1.852	19.58	550.6
584	.60000	.20000	256.00	.1649-01	.1983-01	.1983-01	.9000	.7169-03	.8621-03	.5638	5.039	538.2
584	.60000	.40000	257.00	.1171-02	.1408-02	.1408-02	.9000	.5092-04	.6121-04	.4014-01	.3325	536.4
584	.60000	.60000	258.00	.3078-02	.3700-02	.3700-02	.9000	.1338-03	.1609-03	.1055	.9829	536.5
584	.60000	.75000	259.00	.1781-01	.2142-01	.2142-01	.9000	.7746-03	.9313-03	.6099	5.453	537.4
584	.60000	.85000	260.00	.8634-02	.1037-01	.1037-01	.9000	.3754-03	.4508-03	.2976	2.470	532.1
584	.60000	.95000	261.00	.9445-02	.1133-01	.1133-01	.9000	.4107-03	.4927-03	.3269	3.670	528.8
584	.70000	.20000	262.00	.1210-01	.1453-01	.1453-01	.9000	.5260-03	.6320-03	.4152	3.872	535.2
584	.70000	.40000	263.00	.1428-01	.1716-01	.1716-01	.9000	.6209-03	.7464-03	.4892	4.375	536.8
584	.75000	1.0000	265.00	.2852-01	.3429-01	.3429-01	.9000	.1240-02	.1491-02	.9776	9.506	536.5
584	.75000	.40000	267.00	.2211-01	.2659-01	.2659-01	.9000	.9616-03	.1156-02	.7568	6.766	537.6
584	.75000	.60000	268.00	.2233-01	.2685-01	.2685-01	.9000	.9708-03	.1168-02	.7632	7.750	538.5
584	.75000	.80000	269.00	.2317-02	.2779-02	.2779-02	.9000	.1008-03	.1208-03	.8039-01	.7528	526.9

DATE 23 FEB 80

OH84B MODEL 60-0 IN THE AEDC VKF HYPERSONIC TUNNEL

PAGE 2396

OH84B 60-0 WING UPPER SURFACE

(R4UR41)

RUN NUMBER	2Y/BW	XW/CW	T/C NO	H/HREF R=1.0	H/HREF R=0.9	H/HREF R= TAW/TO	TAW/TO	H(TO) BTU/R FT2SEC	H(TAW) BTU/R FT2SEC	QDOT BTU/ FT2SEC	DTWDT DEG. R /SEC	TW DEG. R
584	.75000	.90000	270.00	.7424-02	.8900-02	.8900-02	.9000	.3228-03	.3870-03	.2578	2.070	526.1
584	.80000	.90000	271.00	.7094-02	.8505-02	.8505-02	.9000	.3085-03	.3698-03	.2464	1.910	526.0
584	.90000	.20000	272.00	.6111-01	.7370-01	.7370-01	.9000	.2658-02	.3205-02	2.061	18.32	549.1
584	.90000	.40000	273.00	.7539-01	.9098-01	.9098-01	.9000	.3278-02	.3956-02	2.534	22.49	551.7
584	.90000	.60000	274.00	.6412-01	.7726-01	.7726-01	.9000	.2788-02	.3359-02	2.171	16.11	545.9
584	.95000	.20000	275.00	.8113-01	.9791-01	.9791-01	.9000	.3528-02	.4258-02	2.726	26.30	552.0
584	.95000	.40000	276.00	.8260-01	.9996-01	.9996-01	.9000	.3592-02	.4347-02	2.739	20.15	562.1
584	.95000	.50000	277.00	.9576-01	.1161	.1161	.9000	.4164-02	.5051-02	3.143	27.65	569.9
584	.95000	.70000	278.00	.7025-01	.8481-01	.8481-01	.9000	.3055-02	.3688-02	2.358	18.68	552.8
584	.95000	.80000	279.00	.2979-01	.3579-01	.3579-01	.9000	.1296-02	.1556-02	1.025	7.918	533.3
584	.95000	.90000	280.00	.2644-01	.3175-01	.3175-01	.9000	.1150-02	.1381-02	.9109	7.291	532.4

OH84B 60-0 WING UPPER SURFACE

(R4UR42)

WING UPPER SURF

PARAMETRIC DATA

MACH = 8.000 ALPHA = 40.00 BETA = .0000 ELEVON = .0000
 BDFLAP = 8.000 SPDBRK = .0000

TEST CONDITIONS

RUN NUMBER	RN/L /FT X10 6	MACH	ALPHA DEG.	BETA DEG.	PO PSIA	TO DEG. R	T DEG. R	P PSIA	Q PSI	V FT/SEC	RHO SLUGS /FT3	MU LB-SEC /FT2
620	.5135	7.900	39.96	.1383-01	100.1	1233.	91.43	.1112-01	.4858	3703.	.3282-03	.7357-07
RUN NUMBER	HREF BTU/ R FT2SEC	STN NO REF (R)										
620	.1703-01	.5656-01										

TEST DATA

RUN NUMBER	2Y/BW	XW/CW	T/C NO	H/HREF R=1.0	H/HREF R=0.9	H/HREF R= TAW/TO	TAW/TO	H(TO) BTU/R FT2SEC	H(TAW) BTU/R FT2SEC	QDOT FT2SEC	DTWOT DEG. R /SEC	TW DEG. R
620	.40000	.20000	247.00	.4577-02	.5537-02	.5537-02	.9000	.7793-04	.9428-04	.5542-01	.4460	521.6
620	.40000	.40000	248.00	.6328-03	.7660-03	.7660-03	.9000	.1077-04	.1304-04	.7636-02	.7161-01	524.0
620	.40000	.60000	249.00	.5184-03	.6276-03	.6276-03	.9000	.8827-05	.1069-04	.6252-02	.7034-01	524.4
620	.40000	.75000	250.00	.7514-03	.9099-03	.9099-03	.9000	.1279-04	.1549-04	.9054-02	.6789-01	525.0
620	.40000	.95000	252.00	.4339-02	.5254-02	.5254-02	.9000	.7388-04	.8946-04	.5230-01	.4707	524.7
620	.60000	.25000-01	253.00	.7341-01	.8945-01	.8945-01	.9000	.1250-02	.1523-02	.8596	21.27	545.0
620	.60000	.50000-01	254.00	.5674-01	.6899-01	.6899-01	.9000	.9662-03	.1175-02	.6707	13.62	538.5
620	.60000	.10000+00	255.00	.3314-01	.4015-01	.4015-01	.9000	.5643-03	.6837-03	.3983	4.262	526.8
620	.60000	.20000	256.00	.8830-02	.1069-01	.1069-01	.9000	.1504-03	.1821-03	.1063	.9566	525.4
620	.60000	.40000	257.00	.2018-02	.2444-02	.2444-02	.9000	.3436-04	.4162-04	.2429-01	.2023	525.8
620	.60000	.60000	258.00	.4193-03	.5078-03	.5078-03	.9000	.7139-05	.8646-05	.5050-02	.4732-01	525.4
620	.60000	.85000	260.00	.9563-03	.1157-02	.1157-02	.9000	.1628-04	.1970-04	.1157-01	.9658-01	521.9
620	.60000	.95000	261.00	.5711-02	.6907-02	.6907-02	.9000	.9724-04	.1176-03	.6919-01	.7797	521.2
620	.70000	.20000	262.00	.9497-02	.1150-01	.1150-01	.9000	.1617-03	.1958-03	.1146	1.075	523.8
620	.75000	1.0000	265.00	.2430-01	.2941-01	.2941-01	.9000	.4138-03	.5009-03	.2933	2.871	523.7
620	.75000	.40000	267.00	.4547-02	.5503-02	.5503-02	.9000	.7742-04	.9370-04	.5493-01	.4947	523.2
620	.75000	.60000	268.00	.1787-02	.2163-02	.2163-02	.9000	.3044-04	.3684-04	.2159-01	.2209	523.3
620	.75000	.80000	269.00	.8911-03	.1078-02	.1078-02	.9000	.1517-04	.1836-04	.1079-01	.1013	521.6
620	.75000	.90000	270.00	.4825-02	.5835-02	.5835-02	.9000	.8216-04	.9937-04	.5849-01	.4709	520.8
620	.80000	.90000	271.00	.5331-02	.6448-02	.6448-02	.9000	.9077-04	.1098-03	.6455-01	.5016	521.6
620	.90000	.20000	272.00	.9410-02	.1139-01	.1139-01	.9000	.1602-03	.1939-03	.1137	1.024	523.2

DATE 23 FEB 80

OH84B MODEL 60-0 IN THE AEDC VKF HYPERSONIC TUNNEL

PAGE 2398

OH84B 60-0 WING UPPER SURFACE

(R4UR42)

RUN NUMBER	2Y/BW	XW/CW	T/C NO	H/HREF	H/HREF	H/HREF	TAW/TO	H(TO)	H(TAW)	QDOT	DTWOT	TW
				R=1.0	R=0.9	R=		BTU/R	BTU/R	BTU/	DEG. R	DEG. R
				TAW/TO			FT2SEC			/SEC		
620	.90000	.40000	273.00	.3156-02	.3819-02	.3819-02	.9000	.5373-04	.6503-04	.3813-01	.3435	523.0
620	.90000	.60000	274.00	.1014-02	.1227-02	.1227-02	.9000	.1727-04	.2090-04	.1225-01	.9197-01	523.1
620	.95000	.20000	275.00	.1191-01	.1441-01	.1441-01	.9000	.2027-03	.2453-03	.1439	1.409	523.0
620	.95000	.40000	276.00	.3162-01	.3833-01	.3833-01	.9000	.5303-03	.6527-03	.3787	2.834	529.2
620	.95000	.50000	277.00	.8636-02	.1045-01	.1045-01	.9000	.1471-03	.1780-03	.1042	.9385	523.8
620	.95000	.70000	278.00	.1042-02	.1261-02	.1261-02	.9000	.1775-04	.2147-04	.1262-01	.1015	521.6
620	.95000	.80000	279.00	.3604-02	.4360-02	.4360-02	.9000	.6136-04	.7423-04	.4362-01	.3389	521.8
620	.95000	.90000	280.00	.1241-01	.1502-01	.1502-01	.9000	.2113-03	.2557-03	.1499	1.206	523.0

DATE 23 FEB 80

OH84B MODEL 60-0 IN THE AEDC VKF HYPERSONIC TUNNEL

PAGE 2399

OH84B 60-0 WING UPPER SURFACE

(R4UR42)

WING UPPER SURF

PARAMETRIC DATA

MACH = 8.000 ALPHA = 40.00 BETA = .0000 ELEVON = .0000
 BDFLAP = 8.000 SPDBRK = .0000

TEST CONDITIONS

RUN NUMBER	RN/L /FT X10 6	MACH	ALPHA DEG.	BETA DEG.	PO PSIA	TO DEG. R	T DEG. R	P PSIA	Q PSI	V FT/SEC	RHO SLUGS /FT3	MU LB-SEC /FT2
618	.9977	7.940	39.97	.1384-01	204.8	1265.	92.93	.2203-01	.9721	3752.	.6397-03	.7478-07

RUN NUMBER	HREF BTU/ R FT2SEC	STN NO REF (R) = .0175
618	.2419-01	.4062-01

TEST DATA

RUN NUMBER	2Y/BW	XW/CW	T/C NO	H/HREF R=1.0	H/HREF R=0.9	H/HREF R= TAW/TO	TAW/TO	H(TO) BTU/R FT2SEC	H(TAW) BTU/R FT2SEC	QDOT BTU/ FT2SEC	DTWDT DEG. R /SEC	TW DEG. R
618	.40000	.20000	247.00	.5023-02	.6056-02	.6056-02	.9000	.1215-03	.1465-03	.9003-01	.7238	523.8
618	.40000	.40000	248.00	.4984-03	.6013-03	.6013-03	.9000	.1206-04	.1455-04	.8908-02	.8346-01	525.9
618	.40000	.60000	249.00	.6468-03	.7804-03	.7804-03	.9000	.1565-04	.1888-04	.1156-01	.1299	526.0
618	.40000	.75000	250.00	.9588-03	.1157-02	.1157-02	.9000	.2320-04	.2799-04	.1712-01	.1283	526.5
618	.40000	.95000	252.00	.3835-02	.4625-02	.4625-02	.9000	.9278-04	.1119-03	.6366-01	.6180	524.6
618	.60000	.25000-01	253.00	.7766-01	.9465-01	.9465-01	.9000	.1879-02	.2290-02	1.324	32.51	560.0
618	.60000	.50000-01	254.00	.6818-01	.8288-01	.8288-01	.9000	.1650-02	.2005-02	1.176	23.73	551.7
618	.60000	.10000+30	255.00	.4046-01	.4891-01	.4891-01	.9000	.9790-03	.1183-02	.7166	7.646	532.7
618	.60000	.20000	256.00	.8781-02	.1060-01	.1060-01	.9000	.2125-03	.2564-03	.1566	1.408	527.3
618	.60000	.40000	257.00	.1328-02	.1603-02	.1603-02	.9000	.3213-04	.3878-04	.2368-01	.1970	527.6
618	.60000	.60000	258.00	.1294-02	.1562-02	.1562-02	.9000	.3130-04	.3778-04	.2309-01	.2162	527.1
618	.60000	.85000	260.00	.1314-02	.1583-02	.1583-02	.9000	.3178-04	.3831-04	.2359-01	.1968	522.4
618	.60000	.95000	261.00	.6220-02	.7494-02	.7494-02	.9000	.1505-03	.1813-03	.1119	1.261	521.1
618	.70000	.20000	262.00	.9628-02	.1162-01	.1162-01	.9000	.2329-03	.2811-03	.1721	1.612	525.9
618	.75000	1.0000	265.00	.2408-01	.2905-01	.2905-01	.9000	.5827-03	.7030-03	.4306	4.210	525.7
618	.75000	.40000	267.00	.4708-02	.5678-02	.5678-02	.9000	.1139-03	.1374-03	.8428-01	.7584	524.8
618	.75000	.60000	268.00	.1947-02	.2348-02	.2348-02	.9000	.4710-04	.5681-04	.3485-01	.3564	524.8
618	.75000	.80000	269.00	.1463-02	.1763-02	.1763-02	.9000	.3539-04	.4265-04	.2627-01	.2465	522.4
618	.75000	.90000	270.00	.5710-02	.6880-02	.6880-02	.9000	.1381-03	.1665-03	.1027	.8265	521.3
618	.80000	.90000	271.00	.6254-02	.7537-02	.7537-02	.9000	.1513-03	.1824-03	.1124	.8728	522.1
618	.90000	.20000	272.00	.1433-01	.1729-01	.1729-01	.9000	.3468-03	.4184-03	.2566	2.309	525.0

DATE 23 FEB 80

OH84B MODEL 60-0 IN THE AEDC VKF HYPERSONIC TUNNEL

PAGE 2400

OH84B 60-0 WING UPPER SURFACE

(R4UR42)

RUN NUMBER	2Y/BW	- XW/CW	T/C NO	H/HREF	H/HREF	H/HREF	TAW/TO	H(TO)	H(TAW)	QDOT	DTWOT	TW
				R=1.0	R=0.9	R=		BTU/R	BTU/R	BTU/ FT2SEC	DEG. R	DEG. R
618	.90000	.40000	273.00	.4253-02	.5128-02	.5128-02	.9000	.1029-03	.1241-03	.7619-01	.6859	524.2
618	.90000	.60000	274.00	.1919-02	.2315-02	.2315-02	.9000	.4644-04	.5600-04	.3439-01	.2580	524.2
618	.95000	.20000	275.00	.9862-02	.1189-01	.1189-01	.9000	.2386-03	.2877-03	.1769	1.731	523.4
618	.95000	.40000	276.00	.1161-01	.1400-01	.1400-01	.9000	.2809-03	.3388-03	.2078	1.559	524.7
618	.95000	.50000	277.00	.4998-02	.6027-02	.6027-02	.9000	.1209-03	.1458-03	.8956-01	.8062	524.1
618	.95000	.70000	278.00	.1541-02	.1858-02	.1858-02	.9000	.3729-04	.4495-04	.2769-01	.2227	522.3
618	.95000	.80000	279.00	.4570-02	.5509-02	.5509-02	.9000	.1106-03	.1333-03	.8205-01	.6372	522.6
618	.95000	.90000	280.00	.1257-01	.1516-01	.1516-01	.9000	.3042-03	.3667-03	.2255	1.813	523.4

OH84B 60-0 WING UPPER SURFACE

(R4UR42)

WING UPPER SURF

PARAMETRIC DATA

MACH = 8.000 ALPHA = 40.00 BETA = .0000 ELEVON = .0000
 BDFLAP = 8.000 SPDBRK = .0000

TEST CONDITIONS

RUN NUMBER	RN/L /FT X10 6	MACH	ALPHA DEG.	BETA DEG.	PO PSIA	TO DEG. R	T DEG. R	P PSIA	Q PSI	V FT/SEC	RHO SLUGS /FT3	MU LB-SEC /FT2
592	2.010	7.980	40.00	.1736-01	434.8	1298.	94.47	.4526-01	2.018	3802.	.1293-02	.7602-07
RUN NUMBER	HREF BTU/ R FT2SEC	STN NO REF(R)										
592	.3501-01	.2865-01										

TEST DATA

RUN NUMBER	2Y/BW	XW/CW	T/C NO	H/HREF R=1.0	H/HREF R=0.9	H/HREF R= TAW/TO	TAW/TO	H(TO) BTU/R FT2SEC	H(TAW) BTU/R FT2SEC	QDOT BTU/ FT2SEC	DTWDT DEG. R /SEC	TW DEG. R
592	.40000	.20000	247.00	.1113-01	.1338-01	.1338-01	.9000	.3895-03	.4685-03	.3000	2.407	527.7
592	.40000	.40000	248.00	.5856-03	.7045-03	.7045-03	.9000	.2051-04	.2467-04	.1578-01	.1476	528.3
592	.40000	.60000	249.00	.6993-03	.8413-03	.8413-03	.9000	.2449-04	.2946-04	.1882-01	.2113	528.9
592	.40000	.75000	250.00	.1321-02	.1589-02	.1589-02	.9000	.4624-04	.5564-04	.3553-01	.2658	529.3
592	.40000	.95000	252.00	.2825-02	.3396-02	.3396-02	.9000	.9890-04	.1189-03	.7627-01	.6857	526.5
592	.60000	.25000-01	253.00	.9085-01	.1113	.1113	.9000	.3181-02	.3897-02	2.246	54.31	591.4
592	.60000	.50000-01	254.00	.7072-01	.8613-01	.8613-01	.9000	.2476-02	.3016-02	1.796	35.87	572.3
592	.60000	.10000+00	255.00	.5292-01	.6387-01	.6387-01	.9000	.1853-02	.2236-02	1.403	14.91	540.6
592	.60000	.20000	256.00	.1359-01	.1636-01	.1636-01	.9000	.4757-03	.5727-03	.3647	3.272	531.0
592	.60000	.40000	257.00	.9344-03	.1124-02	.1124-02	.9000	.3272-04	.3937-04	.2512-01	.2088	529.7
592	.60000	.60000	258.00	.2631-02	.3166-02	.3166-02	.9000	.9211-04	.1109-03	.7066-01	.6604	530.6
592	.60000	.75000	259.00	.9235-02	.1111-01	.1111-01	.9000	.3234-03	.3889-03	.2489	2.236	528.0
592	.60000	.85000	260.00	.4900-02	.5890-02	.5890-02	.9000	.1716-03	.2062-03	.1325	1.103	525.6
592	.60000	.95000	261.00	.6890-02	.8276-02	.8276-02	.9000	.2412-03	.2898-03	.1869	2.105	522.9
592	.70000	.20000	262.00	.1101-01	.1325-01	.1325-01	.9000	.3856-03	.4639-03	.2964	2.773	528.9
592	.70000	.40000	263.00	.8021-02	.9651-02	.9651-02	.9000	.2809-03	.3379-03	.2158	1.938	529.2
592	.75000	1.0000	265.00	.2474-01	.2978-01	.2978-01	.9000	.8662-03	.1043-02	.6645	6.481	530.5
592	.75000	.40000	267.00	.1601-01	.1927-01	.1927-01	.9000	.5605-03	.6746-03	.4304	3.863	529.9
592	.75000	.60000	268.00	.1294-01	.1557-01	.1557-01	.9000	.4530-03	.5452-03	.3473	3.540	530.9
592	.75000	.80000	269.00	.1359-02	.1633-02	.1633-02	.9000	.4757-04	.5716-04	.3679-01	.3449	524.4
592	.75000	.90000	270.00	.4926-02	.5917-02	.5917-02	.9000	.1725-03	.2072-03	.1336	1.075	522.9

DATE 23 FEB 80

OH84B MODEL 60-0 IN THE AEDC VKF HYPERSONIC TUNNEL

PAGE 2402

OH84B 60-0 WING UPPER SURFACE

(R4UR42)

RUN NUMBER	2Y/BW	XW/CW	T/C NO	H/HREF	H/HREF	H/HREF	TAW/TO	H(TO)	H(TAW)	QDOT	DTWDT	TW
				R=1.0	R=0.9	R=		BTU/R	BTU/R	BTU/ FT2SEC	DEG. R	DEG. R
592	.80000	.90000	271.00	.5880-02	.7065-02	.7065-02	.9000	.2059-03	.2474-03	.1593	1.236	524.0
592	.90000	.20000	272.00	.7486-01	.9044-01	.9044-01	.9000	.2621-02	.3167-02	1.974	17.58	544.6
592	.90000	.40000	273.00	.5094-01	.6146-01	.6146-01	.9000	.1784-02	.2152-02	1.352	12.07	539.9
592	.90000	.60000	274.00	.3399-01	.4097-01	.4097-01	.9000	.1190-02	.1435-02	.9069	6.763	535.7
592	.95000	.20000	275.00	.6462-01	.7800-01	.7800-01	.9000	.2263-02	.2731-02	1.713	16.62	540.7
592	.95000	.40000	276.00	.7050-01	.8526-01	.8526-01	.9000	.2468-02	.2985-02	1.850	13.71	548.1
592	.95000	.50000	277.00	.6362-01	.7697-01	.7697-01	.9000	.2228-02	.2695-02	1.667	14.82	549.3
592	.95000	.70000	278.00	.3011-01	.3629-01	.3629-01	.9000	.1054-02	.1271-02	.8043	6.429	534.9
592	.95000	.80000	279.00	.1100-01	.1322-01	.1322-01	.9000	.3850-03	.4629-03	.2970	2.302	526.3
592	.95000	.90000	280.00	.1584-01	.1904-01	.1904-01	.9000	.5545-03	.6667-03	.4275	3.431	526.8

OH84B 60-0 WING UPPER SURFACE

(R4UR42)

WING UPPER SURF

PARAMETRIC DATA

MACH = 8.000 ALPHA = 40.00 BETA = .0000 ELEVON = .0000
 BDFLAP = 8.000 SPDBRK = .0000

TEST CONDITIONS

RUN NUMBER	RN/L /FT X10 6	MACH	ALPHA DEG.	BETA DEG.	PO PSIA	TO DEG. R	T DEG. R	P PSIA	Q PSI	V FT/SEC	RHO SLUGS /FT3	MU LB-SEC /FT2
590	2.993	7.990	40.06	.1397-01	671.4	1327.	96.36	.6934-01	3.098	3845.	.1942-02	.7754-07

RUN NUMBER	HREF BTU/ R FT2SEC	STN NO REF(R) = .0175
590	.4356-01	.2343-01

TEST DATA

RUN NUMBER	2Y/BW	XW/CW	T/C NO	H/HREF R=1.0	H/HREF R=0.9	H/HREF R= TAW/TO	TAW/TO	H(TO) BTU/R FT2SEC	H(TAW) BTU/R FT2SEC	QDOT BTU/ FT2SEC	DTWDT DEG. R /SEC	TH DEG. R
590	.40000	.20000	247.00	.1504-01	.1807-01	.1807-01	.9000	.6551-03	.7869-03	.5191	4.150	534.3
590	.40000	.40000	248.00	.4265-03	.5122-03	.5122-03	.9000	.1858-04	.2231-04	.1472-01	.1374	534.1
590	.40000	.60000	249.00	.9363-03	.1125-02	.1125-02	.9000	.4078-04	.4900-04	.3228-01	.3612	535.2
590	.40000	.80000	250.00	.2180-02	.2619-02	.2619-02	.9000	.9495-04	.1141-03	.7514-01	.5605	535.3
590	.40000	1.0000	251.00	.5893-03	.7075-03	.7075-03	.9000	.2567-04	.3082-04	.2040-01	.1576	532.1
590	.40000	1.2000	252.00	.4125-02	.4950-02	.4950-02	.9000	.1797-03	.2156-03	.1430	1.283	530.6
590	.60000	.250	253.00	.9676-01	.1193	.1193	.9000	.4215-02	.5197-02	2.959	70.38	624.6
590	.60000	.50000	254.00	.7771-01	.9483-01	.9483-01	.9000	.3385-02	.4131-02	2.487	49.17	591.9
590	.60000	1.0000+00	255.00	.5477-01	.6606-01	.6606-01	.9000	.2385-02	.2877-02	1.852	19.58	550.4
590	.60000	.20000	256.00	.1639-01	.1970-01	.1970-01	.9000	.7138-03	.8581-03	.5633	5.036	537.6
590	.60000	.40000	257.00	.1299-02	.1560-02	.1560-02	.9000	.5656-04	.6796-04	.4473-01	.3706	535.8
590	.60000	.60000	258.00	.3157-02	.3794-02	.3794-02	.9000	.1375-03	.1652-03	.1087	1.014	535.9
590	.60000	.75000	259.00	.1710-01	.2056-01	.2056-01	.9000	.7450-03	.8953-03	.5884	5.263	536.8
590	.60000	.85000	260.00	.7167-02	.8602-02	.8602-02	.9000	.3122-03	.3747-03	.2483	2.063	531.2
590	.60000	.95000	261.00	.9406-02	.1128-01	.1128-01	.9000	.4097-03	.4914-03	.3271	3.673	528.3
590	.70000	.20000	262.00	.1181-01	.1419-01	.1419-01	.9000	.5144-03	.6179-03	.4074	3.800	534.6
590	.70000	.40000	263.00	.1533-01	.1842-01	.1842-01	.9000	.6677-03	.8025-03	.5274	4.718	536.7
590	.75000	1.0000	265.00	.2835-01	.3406-01	.3406-01	.9000	.1235-02	.1484-02	.9761	9.492	536.2
590	.75000	.40000	267.00	.2353-01	.2828-01	.2828-01	.9000	.1025-02	.1232-02	.8084	7.227	537.8
590	.75000	.60000	268.00	.1986-01	.2389-01	.2389-01	.9000	.8652-03	.1040-02	.6816	6.920	538.9
590	.75000	.80000	269.00	.2049-02	.2456-02	.2456-02	.9000	.8925-04	.1070-03	.7142-01	.6689	526.5

DATE 23 FEB 80

OH84B MODEL 60-0 IN THE AEDC VKF HYPERSONIC TUNNEL

PAGE 2404

OH84B 60-0 WING UPPER SURFACE

(R4UR42)

RUN NUMBER	ZY/BW	XW/CW	T/C NO	H/HREF	H/HREF	H/HREF	TAW/TO	H(TO)	H(TAW)	QDOT	DTWDT	TW
				R=1.0	R=0.9	R= TAW/TO		BTU/R FT2SEC	BTU/R FT2SEC	BTU/ FT2SEC	DEG. R /SEC	DEG. R
590	.75000	.90000	270.00	.6410-02	.7682-02	.7682-02	.9000	.2792-03	.3346-03	.2237	1.797	525.3
590	.80000	.90000	271.00	.7290-02	.8738-02	.8738-02	.9000	.3175-03	.3806-03	.2542	1.971	526.1
590	.90000	.20000	272.00	.1598	.1948	.1948	.9000	.6959-02	.8487-02	5.127	44.65	589.9
590	.90000	.40000	273.00	.7226-01	.8722-01	.8722-01	.9000	.3147-02	.3799-02	2.434	21.59	553.4
590	.90000	.60000	274.00	.5914-01	.7126-01	.7126-01	.9000	.2576-02	.3104-02	2.011	14.91	546.2
590	.95000	.20000	275.00	.6840-01	.8246-01	.8246-01	.9000	.2979-02	.3592-02	2.317	22.39	548.8
590	.95000	.40000	276.00	.7069-01	.8547-01	.8547-01	.9000	.3079-02	.3723-02	2.362	17.40	559.7
590	.95000	.50000	277.00	.8727-01	.1056	.1056	.9000	.3801-02	.4602-02	2.899	25.58	564.0
590	.95000	.70000	278.00	.4545-01	.5470-01	.5470-01	.9000	.1980-02	.2383-02	1.553	12.37	542.1
590	.95000	.80000	279.00	.1530-01	.1835-01	.1835-01	.9000	.6663-03	.7992-03	.5315	4.115	528.9
590	.95000	.90000	280.00	.1922-01	.2306-01	.2306-01	.9000	.8372-03	.1004-02	.6674	5.350	529.5

DATE 23 FEB 80

OH84B MODEL 60-0 IN THE AEDC VKF HYPERSONIC TUNNEL

PAGE 2405

OH84B 60-0 WING UPPER SURFACE

(R4UR43)

WING UPPER SURF

PARAMETRIC DATA

MACH = 8.000 ALPHA = 40.00 BETA = .0000 ELEVON = .0000
 BOFLAP = 15.00 SPDBRK = .0000

TEST CONDITIONS

RUN NUMBER	RN/L /FT	MACH	ALPHA DEG.	BETA DEG.	PO PSIA	TO DEG. R	T DEG. R	P PSIA	Q PSI	V FT/SEC	RHO SLUGS /FT3	MU LB-SEC /FT2
628	X10 6 .5138	7.900	39.96	.1730-01	101.2	1242.	92.10	.1125-01	.4914	3717.	.3296-03	.7411-07

RUN NUMBER	HREF BTU/ R FT2SEC	STN NO REF(R) = .0175
628	.1715-01	.5648-01

TEST DATA

RUN NUMBER	2Y/BW	XW/CW	T/C NO	H/HREF R=1.0	H/HREF R=0.9	H/HREF R= TAW/TO	TAW/TO	H(TO) BTU/R FT2SEC	H(TAW) BTU/R FT2SEC	ODOT BTU/ FT2SEC	DTWDT DEG. R /SEC	TW DEG. R
628	.40000	.20000	247.00	.4583-02	.5536-02	.5536-02	.9000	.7858-04	.9493-04	.5667-01	.4563	520.5
628	.40000	.40000	248.00	.2764-03	.3341-03	.3341-03	.9000	.4739-05	.5729-05	.3405-02	.3194-01	523.2
628	.40000	.60000	249.00	.3792-03	.4586-03	.4586-03	.9000	.6503-05	.7864-05	.4668-02	.5253-01	523.9
628	.40000	.75000	250.00	.8705-03	.1053-02	.1053-02	.9000	.1493-04	.1805-04	.1071-01	.8032-01	524.3
628	.40000	.95000	252.00	.4848-02	.5860-02	.5860-02	.9000	.8313-04	.1005-03	.5975-01	.5382	522.9
628	.60000	.25000-01	253.00	.7433-01	.9045-01	.9045-01	.9000	.1275-02	.1551-02	.8879	21.97	545.1
628	.60000	.50000-01	254.00	.5715-01	.6940-01	.6940-01	.9000	.9801-03	.1190-02	.6896	14.01	538.1
628	.60000	.10000+00	255.00	.3303-01	.3996-01	.3996-01	.9000	.5664-03	.6852-03	.4057	4.345	525.3
628	.60000	.20000	256.00	.8867-02	.1072-01	.1072-01	.9000	.1521-03	.1839-03	.1092	.9831	523.6
628	.60000	.40000	257.00	.2086-02	.2522-02	.2522-02	.9000	.3576-04	.4324-04	.2567-01	.2140	523.8
628	.60000	.60000	258.00	.6249-03	.7555-03	.7555-03	.9000	.1072-04	.1295-04	.7696-02	.7219-01	523.4
628	.60000	.85000	260.00	.9446-03	.1141-02	.1141-02	.9000	.1620-04	.1957-04	.1169-01	.9764-01	520.0
628	.60000	.95000	261.00	.6082-02	.7345-02	.7345-02	.9000	.1043-03	.1260-03	.7534-01	.8498	519.4
628	.70000	.20000	262.00	.9227-02	.1115-01	.1115-01	.9000	.1582-03	.1912-03	.1138	1.069	522.1
628	.75000	1.0000	265.00	.2465-01	.2979-01	.2979-01	.9000	.4227-03	.5109-03	.3041	2.979	522.2
628	.75000	.20000	266.00	.1082-01	.1307-01	.1307-01	.9000	.1855-03	.2241-03	.1336	1.309	521.2
628	.75000	.40000	267.00	.4740-02	.5727-02	.5727-02	.9000	.8128-04	.9821-04	.5854-01	.5278	521.4
628	.75000	.60000	268.00	.1830-02	.2211-02	.2211-02	.9000	.3137-04	.3791-04	.2259-01	.2314	521.5
628	.75000	.80000	269.00	.8802-03	.1063-02	.1063-02	.9000	.1509-04	.1823-04	.1090-01	.1024	519.6
628	.75000	.90000	270.00	.4892-02	.5907-02	.5907-02	.9000	.8389-04	.1013-03	.6065-01	.4888	518.8
628	.80000	.90000	271.00	.5453-02	.6586-02	.6586-02	.9000	.9352-04	.1129-03	.6754-01	.5254	519.5

DATE 23 FEB 80

OH84B MODEL 60-0 IN THE AEDC VKF HYPERSONIC TUNNEL

PAGE 2406

OH84B 60-0 WING UPPER SURFACE

(R4UR43)

RUN NUMBER	ZY/BW	XW/CW	T7C NO	H/HREF	H/HREF	H/HREF	TAW/TO	H(TO)	H(TAW)	QDOT	DTWDT	TW DEG. R
				R=1.0	R=0.9	R=		BTU/R	BTU/R	BTU/ FT2SEC	DEG. R	
628	.90000	.20000	272.00	.9099-02	.1099-01	.1099-01	.9000	.1560-03	.1885-03	.1124	1.014	521.0
628	.90000	.40000	273.00	.3152-02	.3808-02	.3808-02	.9000	.5406-04	.6531-04	.3896-01	.3513	520.8
628	.90000	.60000	274.00	.1534-02	.1854-02	.1854-02	.9000	.2631-04	.3179-04	.1896-01	.1425	520.9
628	.95000	.20000	275.00	.1194-01	.1443-01	.1443-01	.9000	.2048-03	.2474-03	.1476	1.447	520.8
628	.95000	.40000	276.00	.2623-01	.3174-01	.3174-01	.9000	.4498-03	.5442-03	.3219	2.412	526.1
628	.95000	.50000	277.00	.8277-02	.1000-01	.1000-01	.9000	.1419-03	.1715-03	.1022	.9212	521.6
628	.95000	.70000	278.00	.1040-02	.1257-02	.1257-02	.9000	.1784-04	.2155-04	.1288-01	.1038	519.5
628	.95000	.80000	279.00	.3699-02	.4467-02	.4467-02	.9000	.6343-04	.7660-04	.4579-01	.3561	519.7
628	.95000	.90000	280.00	.1133-01	.1369-01	.1369-01	.9000	.1943-03	.2347-03	.1402	1.129	520.3

OH84B 60-0 WING UPPER SURFACE

(R4UR43)

WING UPPER SURF

PARAMETRIC DATA

MACH = 8.000 ALPHA = 40.00 BETA = .0000 ELEVON = .0000
 BDFLAP = 15.00 SPDBRK = .0000

TEST CONDITIONS

RUN NUMBER	RN/L /FT X10 6	MACH	ALPHA DEG.	BETA DEG.	PO PSIA	TO DEG. R	T DEG. R	P PSIA	Q PSI	V FT/SEC	RHO SLUGS /FT3	MU LB-SEC /FT2
610	1.015	7.940	39.97	.1038-01	207.4	1261.	92.64	.2231-01	.9844	3746.	.6499-03	.7454-07

RUN NUMBER	HREF BTU/ R FT2SEC	STN NO REF (R)
610	.2434-01	.4029-01

TEST DATA

RUN NUMBER	2Y/BW	XW/CW	T/C NO	H/HREF R=1.0	H/HREF R=0.9	H/HREF TAW/TO	TAW/TO	H(TO) BTU/R FT2SEC	H(TAW) BTU/R FT2SEC	QDOT BTU/ FT2SEC	DTWDT DEG. R /SEC	TW DEG. R
610	.40000	.20000	247.00	.5134-02	.6191-02	.6191-02	.9000	.1249-03	.1507-03	.9229-01	.7426	522.0
610	.40000	.40000	248.00	.6374-03	.7690-03	.7690-03	.9000	.1551-04	.1871-04	.1142-01	.1071	524.4
610	.40000	.60000	249.00	.6336-03	.7646-03	.7646-03	.9000	.1542-04	.1861-04	.1134-01	.1276	524.9
610	.40000	.75000	250.00	.8672-03	.1047-02	.1047-02	.9000	.2110-04	.2547-04	.1552-01	.1164	525.1
610	.40000	.95000	252.00	.3180-02	.3835-02	.3835-02	.9000	.7739-04	.9334-04	.5710-01	.5143	522.8
610	.60000	.25000-01	253.00	.7696-01	.9381-01	.9381-01	.9000	.1873-02	.2283-02	1.315	32.30	558.7
610	.60000	.50000-01	254.00	.6779-01	.8242-01	.8242-01	.9000	.1650-02	.2006-02	1.172	23.66	550.2
610	.60000	.10000+00	255.00	.4154-01	.4998-01	.4998-01	.9000	.1006-02	.1216-02	.7341	7.839	531.0
610	.60000	.20000	256.00	.9077-02	.1095-01	.1095-01	.9000	.2209-03	.2666-03	.1625	1.462	525.2
610	.60000	.40000	257.00	.1591-02	.1921-02	.1921-02	.9000	.3873-04	.4674-04	.2847-01	.2371	525.6
610	.60000	.60000	258.00	.1006-02	.1214-02	.1214-02	.9000	.2448-04	.2955-04	.1801-01	.1688	525.1
610	.60000	.85000	260.00	.1245-02	.1500-02	.1500-02	.9000	.3029-04	.3651-04	.2240-01	.1870	521.0
610	.60000	.95000	261.00	.5973-02	.7198-02	.7198-02	.9000	.1454-03	.1752-03	.1077	1.214	520.0
610	.70000	.20000	262.00	.9496-02	.1146-01	.1146-01	.9000	.2311-03	.2788-03	.1703	1.597	523.9
610	.75000	1.0000	265.00	.2440-01	.2943-01	.2943-01	.9000	.5937-03	.7162-03	.4373	4.279	524.0
610	.75000	.40000	267.00	.4661-02	.5621-02	.5621-02	.9000	.1134-03	.1368-03	.8370-01	.7540	522.7
610	.75000	.60000	268.00	.2154-02	.2598-02	.2598-02	.9000	.5242-04	.6322-04	.3869-01	.3961	522.6
610	.75000	.80000	269.00	.1283-02	.1546-02	.1546-02	.9000	.3121-04	.3762-04	.2311-01	.2171	520.3
610	.75000	.90000	270.00	.5498-02	.6625-02	.6625-02	.9000	.1338-03	.1612-03	.9913-01	.7985	519.8
610	.80000	.90000	271.00	.6047-02	.7288-02	.7288-02	.9000	.1472-03	.1774-03	.1089	.8469	520.5
610	.90000	.20000	272.00	.2380-01	.2872-01	.2872-01	.9000	.5791-03	.6988-03	.4261	3.835	524.8

DATE 23 FEB 80

OH84B MODEL 60-0 IN THE AEDC VKF HYPERSONIC TUNNEL

PAGE 2408

OH84B 60-0 WING UPPER SURFACE

(R4UR43)

RUN NUMBER	2Y/BW	XW/CW	T/C NO	H/HREF R=1.0	H/HREF R=0.9	H/HREF R= TAW/TO	TAW/TO	H(TO) BTU/R FT2SEC	H(TAW) BTU/R FT2SEC	QDOT BTU/ FT2SEC	DTWDT DEG. R /SEC	TW DEG. R
610	.90000	.40000	273.00	.4048-02	.4881-02	.4881-02	.9000	.9852-04	.1188-03	.7279-01	.6561	521.8
610	.90000	.60000	274.00	.1847-02	.2227-02	.2227-02	.9000	.4494-04	.5419-04	.3321-01	.2494	521.7
610	.95000	.20000	275.00	.1021-01	.1231-01	.1231-01	.9000	.2485-03	.2996-03	.1837	1.800	521.5
610	.95000	.40000	276.00	.1154-01	.1392-01	.1392-01	.9000	.2808-03	.3387-03	.2074	1.557	522.3
610	.95000	.50000	277.00	.4829-02	.5822-02	.5822-02	.9000	.1175-03	.1417-03	.8681-01	.7824	521.9
610	.95000	.70000	278.00	.1402-02	.1690-02	.1690-02	.9000	.3412-04	.4112-04	.2527-01	.2035	520.2
610	.95000	.80000	279.00	.4385-02	.5285-02	.5285-02	.9000	.1057-03	.1286-03	.7896-01	.6139	520.7
610	.95000	.90000	280.00	.1255-01	.1513-01	.1513-01	.9000	.3055-03	.3683-03	.2257	1.816	521.7

DATE 23 FEB 80

OH84B MODEL 60-0 IN THE AEDC VKF HYPERSONIC TUNNEL

PAGE 2409

OH84B 60-0 WING UPPER SURFACE

(R4UR43)

WING UPPER SURF

PARAMETRIC DATA

MACH = 8.000 ALPHA = 40.00 BETA = .0000 ELEVON = .0000
 BDFLAP = 15.00 SPOBRK = .0000

TEST CONDITIONS

RUN NUMBER	RN/L /FT X10 6	MACH	ALPHA DEG.	BETA DEG.	PO PSIA	TO DEG. R	T DEG. R	P PSIA	Q PSI	V FT/SEC	RHO SLUGS /FT3	MU LB-SEC /FT2
600	1.993	7.980	39.99	.1388-01	435.6	1307.	95.13	.4534-01	2.021	3815.	.1287-02	.7655-08
RUN NUMBER	HREF BTU/ R FT2SEC	STN NO REF(R)										
600	.3509-01	.2874-01										

TEST DATA

RUN NUMBER	2Y/BW	XW/CW	T/C NO	H/HREF R=1.0	H/HREF R=0.9	H/HREF R= TAW/TO	TAW/TO	H(TO) BTU/R FT2SEC	H(TAW) BTU/R FT2SEC	QDOT BTU/ FT2SEC	DTWDT DEG. R /SEC	TW DEG. R
600	.40000	.20000	247.00	.4979-02	.5980-02	.5980-02	.9000	.1747-03	.2098-03	.1363	1.094	526.7
600	.40000	.40000	248.00	.4125-03	.4956-03	.4956-03	.9000	.1447-04	.1739-04	.1127-01	.1055	527.9
600	.40000	.60000	249.00	.8074-03	.9705-03	.9705-03	.9000	.2833-04	.3405-04	.2204-01	.2474	528.8
600	.40000	.75000	250.00	.6595-03	.7925-03	.7925-03	.9000	.2314-04	.2781-04	.1801-01	.1348	528.4
600	.40000	.95000	252.00	.2152-02	.2585-02	.2585-02	.9000	.7553-04	.9071-04	.5896-01	.5302	526.0
600	.60000	.25000-01	253.00	.8034-01	.9798-01	.9798-01	.9000	.2819-02	.3438-02	2.047	49.74	580.7
600	.60000	.50000-01	254.00	.7037-01	.8558-01	.8558-01	.9000	.2469-02	.3003-02	1.815	36.25	571.6
600	.60000	.10000+00	255.00	.4984-01	.6013-01	.6013-01	.9000	.1749-02	.2110-02	1.335	14.17	543.3
600	.60000	.20000	256.00	.1074-01	.1291-01	.1291-01	.9000	.3767-03	.4530-03	.2925	2.625	530.2
600	.60000	.40000	257.00	.8461-03	.1017-02	.1017-02	.9000	.2969-04	.3568-04	.2311-01	.1923	528.1
600	.60000	.60000	258.00	.9983-03	.1200-02	.1200-02	.9000	.3503-04	.4209-04	.2728-01	.2553	527.8
600	.60000	.75000	259.00	.2782-02	.3340-02	.3340-02	.9000	.9762-04	.1172-03	.7632-01	.6868	524.8
600	.60000	.85000	260.00	.1995-02	.2396-02	.2396-02	.9000	.7001-04	.8405-04	.5477-01	.4564	524.4
600	.60000	.95000	261.00	.6352-02	.7626-02	.7626-02	.9000	.2229-03	.2676-03	.1742	1.960	524.9
600	.70000	.20000	262.00	.8067-02	.9696-02	.9696-02	.9000	.2831-03	.3402-03	.2201	2.059	529.0
600	.70000	.40000	263.00	.3406-02	.4093-02	.4093-02	.9000	.1195-03	.1436-03	.9306-01	.8361	527.9
600	.75000	1.0000	265.00	.2290-01	.2755-01	.2755-01	.9000	.8035-03	.9668-03	.6216	6.055	533.0
600	.75000	.40000	267.00	.6111-02	.7343-02	.7343-02	.9000	.2144-03	.2577-03	.1669	1.500	528.1
600	.75000	.60000	268.00	.5760-02	.6922-02	.6922-02	.9000	.2021-03	.2429-03	.1572	1.604	528.8
600	.75000	.80000	269.00	.1127-02	.1353-02	.1353-02	.9000	.3956-04	.4748-04	.3099-01	.2907	523.3
600	.75000	.90000	270.00	.5328-02	.6395-02	.6395-02	.9000	.1869-03	.2244-03	.1463	1.176	523.8

DATE 23 FEB 80

OH84B MODEL 60-0 IN THE AEDC VKF HYPERSONIC TUNNEL

PAGE 2410

OH84B 60-0 WING UPPER SURFACE

(R4UR43)

RUN NUMBER	2Y/BW	XW/CW	T/C NO	H/HREF	H/HREF	H/HREF	TAW/TO	H(TO)	H(TAW)	QDOT	DTWOT	TW
				R=1.0	R=0.9	R=		BTU/R	BTU/R	BTU/ FT2SEC	DEG. R /SEC	DEG. R
600	.80000	.90000	271.00	.5440-02	.6530-02	.6530-02	.9000	.1909-03	.2291-03	.1494	1.160	523.8
600	.90000	.20000	272.00	.6318-01	.7626-01	.7626-01	.9000	.2217-02	.2676-02	1.690	15.05	544.5
600	.90000	.40000	273.00	.1342-01	.1613-01	.1613-01	.9000	.4709-03	.5659-03	.3665	3.292	528.3
600	.90000	.60000	274.00	.1058-01	.1271-01	.1271-01	.9000	.3712-03	.4460-03	.2893	2.167	527.4
600	.95000	.20000	275.00	.3312-01	.3985-01	.3985-01	.9000	.1162-02	.1398-02	.8997	8.765	532.6
600	.95000	.40000	276.00	.4804-01	.5795-01	.5795-01	.9000	.1686-02	.2033-02	1.288	9.576	542.3
600	.95000	.50000	277.00	.5284-01	.6374-01	.6374-01	.9000	.1854-02	.2236-02	1.417	12.63	542.5
600	.95000	.70000	278.00	.9974-02	.1198-01	.1198-01	.9000	.3500-03	.4204-03	.2731	2.192	526.4
600	.95000	.80000	279.00	.5217-02	.6263-02	.6263-02	.9000	.1831-03	.2197-03	.1433	1.112	523.9
600	.95000	.90000	280.00	.1367-01	.1641-01	.1641-01	.9000	.4795-03	.5759-03	.3744	3.007	525.8

OH84B 60-0 WING UPPER SURFACE

(R4UR43)

WING UPPER SURF

PARAMETRIC DATA

MACH = 8.000 ALPHA = 40.00 BETA = .0000 ELEVON = .0000
 BDFLAP = 15.00 SPDBRK = .0000

TEST CONDITIONS

RUN NUMBER	RN/L /FT X10 6	MACH	ALPHA DEG.	BETA DEG.	PO PSIA	TO DEG. R	T DEG. R	P PSIA	Q PSI	V FT/SEC	RHO SLUGS /FT3	MU LB-SEC /FT2
586	2.987	7.990	40.06	.1397-01	669.2	1326.	96.29	.6911-01	3.088	3843.	.1937-02	.7748-07
RUN NUMBER	HREF BTU/ R FT2SEC	STN NO REF(R)										
586	.4348-01	.2346-01										

TEST DATA

RUN NUMBER	2Y/BW	XW/CW	T/C NO	H/HREF R=1.0	H/HREF R=0.9	H/HREF R= TAW/TO	TAW/TO	H(TO) BTU/R FT2SEC	H(TAW) BTU/R FT2SEC	QDOT BTU/ FT2SEC	OTWDT DEG. R /SEC	TH DEG. R
586	.40000	.20000	247.00	.1522-01	.1829-01	.1829-01	.9000	.6616-03	.7951-03	.5220	4.169	536.6
586	.40000	.40000	248.00	.5980-03	.7187-03	.7187-03	.9000	.2600-04	.3125-04	.2052-01	.1912	536.4
586	.40000	.60000	249.00	.9596-03	.1154-02	.1154-02	.9000	.4172-04	.5016-04	.3287-01	.3673	537.8
586	.40000	.75000	250.00	.2059-02	.2476-02	.2476-02	.9000	.8954-04	.1077-03	.7055-01	.5256	537.8
586	.40000	.80000	251.00	.7298-03	.8767-03	.8767-03	.9000	.3173-04	.3812-04	.2511-01	.1939	534.3
586	.40000	.95000	252.00	.4329-02	.5197-02	.5197-02	.9000	.1882-03	.2260-03	.1494	1.339	532.1
586	.60000	.25000-01	253.00	.9682-01	.1194	.1194	.9000	.4210-02	.5193-02	2.947	70.05	625.7
586	.60000	.50000-01	254.00	.7884-01	.9626-01	.9626-01	.9000	.3428-02	.4186-02	2.510	49.60	593.4
586	.60000	.10000+00	255.00	.5545-01	.6691-01	.6691-01	.9000	.2411-02	.2909-02	1.866	19.72	551.7
586	.60000	.20000	256.00	.1647-01	.1981-01	.1981-01	.9000	.7160-03	.8612-03	.5631	5.030	539.2
586	.60000	.40000	257.00	.1311-02	.1576-02	.1576-02	.9000	.5699-04	.6852-04	.4491-01	.3718	537.6
586	.60000	.60000	258.00	.2823-02	.3395-02	.3395-02	.9000	.1228-03	.1476-03	.9666-01	.8999	538.2
586	.60000	.75000	259.00	.1616-01	.1942-01	.1942-01	.9000	.7024-03	.8445-03	.5536	4.950	537.5
586	.60000	.85000	260.00	.6887-02	.8269-02	.8269-02	.9000	.2994-03	.3595-03	.2376	1.972	532.3
586	.60000	.95000	261.00	.9610-02	.1153-01	.1153-01	.9000	.4178-03	.5013-03	.3326	3.732	529.7
586	.70000	.20000	262.00	.1226-01	.1473-01	.1473-01	.9000	.5329-03	.6404-03	.4210	3.924	535.7
586	.70000	.40000	263.00	.1568-01	.1886-01	.1886-01	.9000	.6820-03	.8201-03	.5368	4.797	538.5
586	.75000	1.0000	265.00	.2894-01	.3480-01	.3480-01	.9000	.1258-02	.1513-02	.9918	9.639	537.5
586	.75000	.40000	267.00	.2460-01	.2958-01	.2958-01	.9000	.1069-02	.1286-02	.8417	7.522	538.6
586	.75000	.60000	269.00	.2041-01	.2456-01	.2456-01	.9000	.8875-03	.1068-02	.6968	7.069	540.5
586	.75000	.80000	269.00	.2354-02	.2824-02	.2824-02	.9000	.1024-03	.1228-03	.8167-01	.7644	527.9

DATE 23 FEB 80

OH84B MODEL 60-0 IN THE AEDC VKF HYPERSONIC TUNNEL

PAGE 2412

OH84B 60-0 WING UPPER SURFACE

(R4UR43)

RUN NUMBER	2Y/BW	XW/CW	T/C NO	H/HREF	H/HREF	H/HREF	TAW/TO	H(TO)	H(TAW)	QDOT	DTWDT	TW
				R=1.0	R=0.9	R=		BTU/R	BTU/R	BTU/ FT2SEC	DEG. R	DEG. R
586	.75000	.90000	270.00	.7163-02	.8588-02	.8588-02	.9000	.3114-03	.3734-03	.2488	1.997	526.9
586	.80000	.90000	271.00	.7636-02	.9156-02	.9156-02	.9000	.3320-03	.3981-03	.2650	2.053	527.4
586	.90000	.20000	272.00	.1375	.1670	.1670	.9000	.5980-02	.7263-02	4.487	39.37	575.2
586	.90000	.40000	273.00	.7399-01	.8933-01	.8933-01	.9000	.3217-02	.3884-02	2.484	22.04	553.4
586	.90000	.60000	274.00	.6010-01	.7245-01	.7245-01	.9000	.2613-02	.3150-02	2.031	15.05	548.4
586	.95000	.20000	275.00	.7743-01	.9343-01	.9343-01	.9000	.3366-02	.4062-02	2.606	25.14	551.7
586	.95000	.40000	276.00	.7175-01	.8680-01	.8680-01	.9000	.3120-02	.3774-02	2.385	17.56	561.1
586	.95000	.50000	277.00	.1040	.1262	.1262	.9000	.4524-02	.5489-02	3.409	29.96	572.0
586	.95000	.70000	278.00	.7127-01	.8606-01	.8606-01	.9000	.3099-02	.3742-02	2.391	18.92	554.2
586	.95000	.80000	279.00	.2778-01	.3337-01	.3337-01	.9000	.1208-02	.1451-02	.9558	7.379	534.4
586	.95000	.90000	280.00	.2426-01	.2913-01	.2913-01	.9000	.1055-02	.1266-02	.8367	6.697	532.4

OH84B 60-0 WING UPPER SURFACE

(R4UR44)

WING UPPER SURF

PARAMETRIC DATA

MACH = 8.000 ALPHA = 40.00 BETA = .0000 ELEVON = .0000
 BDFLAP = 23.50 SPDBRK = .0000

TEST CONDITIONS

RUN NUMBER	RN/L /FT X10 6	MACH	ALPHA DEG.	BETA DEG.	PO PSIA	TO DEG. R	T DEG. R	P PSIA	Q PSI	V FT/SEC	RHO SLUGS /FT3	MU LB-SEC /FT2
630	.5170	7.900	39.96	.1729-01	102.2	1245.	92.32	.1136-01	.4963	3721.	.3321-03	.7429-07

RUN NUMBER	HREF BTU/ R FT2SEC	STN NO REF(R) = .0175
630	.1724-01	.5628-01

TEST DATA

RUN NUMBER	ZY/BW	XW/CW	T/C NO	H/HREF R=1.0	H/HREF R=0.9	H/HREF R= TAW/TO	H(TO) BTU/R FT2SEC	H(TAW) BTU/R FT2SEC	QDOT BTU/ FT2SEC	DTWDT DEG. R /SEC	TW DEG. R	
630	.40000	.20000	247.00	.4166-02	.5035-02	.5035-02	.9000	.7182-04	.8680-04	.5181-01	.4166	523.3
630	.40000	.40000	248.00	.5038-03	.6093-03	.6093-03	.9000	.8686-05	.1050-04	.6246-02	.5853-01	525.6
630	.40000	.60000	249.00	.2814-03	.3404-03	.3404-03	.9000	.4852-05	.5869-05	.3486-02	.3918-01	526.2
630	.40000	.75000	250.00	.9849-03	.1191-02	.1191-02	.9000	.1698-04	.2054-04	.1219-01	.9132-01	526.8
630	.40000	.95000	252.00	.5590-02	.6760-02	.6760-02	.9000	.9636-04	.1165-03	.6928-01	.6231	525.7
630	.60000	.25000-01	253.00	.7374-01	.8989-01	.8989-01	.9000	.1271-02	.1550-02	.8805	21.71	552.0
630	.60000	.50000-01	254.00	.5624-01	.6839-01	.6839-01	.9000	.9696-03	.1179-02	.6795	13.76	543.9
630	.60000	.10000+00	255.00	.3463-01	.4193-01	.4193-01	.9000	.5970-03	.7228-03	.4271	4.565	529.3
630	.60000	.20000	256.00	.8614-02	.1042-01	.1042-01	.9000	.1485-03	.1797-03	.1066	.9581	526.9
630	.60000	.40000	257.00	.1694-02	.2049-02	.2049-02	.9000	.2920-04	.3532-04	.2096-01	.1745	526.8
630	.60000	.60000	258.00	.2330-03	.2818-03	.2818-03	.9000	.4016-05	.4858-05	.2885-02	.2702-01	526.4
630	.60000	.85000	260.00	.9531-03	.1152-02	.1152-02	.9000	.1643-04	.1985-04	.1186-01	.9891-01	522.9
630	.60000	.95000	261.00	.6759-02	.8167-02	.8167-02	.9000	.1165-03	.1408-03	.8417-01	.9479	522.4
630	.70000	.20000	262.00	.9872-02	.1194-01	.1194-01	.9000	.1702-03	.2058-03	.1224	1.146	525.7
630	.75000	1.0000	265.00	.2554-01	.3089-01	.3089-01	.9000	.4403-03	.5326-03	.3164	3.092	526.2
630	.75000	.20000	266.00	.1085-01	.1311-01	.1311-01	.9000	.1870-03	.2261-03	.1346	1.316	524.9
630	.75000	.40000	267.00	.4909-02	.5936-02	.5936-02	.9000	.8463-04	.1023-03	.6091-01	.5480	525.0
630	.75000	.60000	268.00	.1847-02	.2233-02	.2233-02	.9000	.3184-04	.3850-04	.2291-01	.2342	525.2
630	.75000	.80000	269.00	.8292-03	.1002-02	.1002-02	.9000	.1430-04	.1728-04	.1032-01	.9679-01	523.1
630	.75000	.90000	270.00	.5422-02	.6550-02	.6550-02	.9000	.9347-04	.1129-03	.6754-01	.5434	522.1
630	.80000	.90000	271.00	.6082-02	.7350-02	.7350-02	.9000	.1049-03	.1267-03	.7569-01	.5877	522.9

DATE 23 FEB 80

OH84B MODEL 60-0 IN THE AEDC VKF HYPERSONIC TUNNEL

PAGE 2414

OH84B 60-0 WING UPPER SURFACE

(R4UR44)

RUN NUMBER	2Y/BW	XW/CW	T/C NO	H/HREF R=1.0	H/HREF R=0.9	H/HREF R= TAW/TO	TAW/TO	H(TO) BTU/R FT2SEC	H(TAW) BTU/R FT2SEC	QDOT BTU/ FT2SEC	DTWDT DEG. R /SEC	TW DEG. R
630	.90000	.20000	272.00	.9579-02	.1158-01	.1158-01	.9000	.1651-03	.1997-03	.1189	1.070	524.7
630	.90000	.40000	273.00	.3088-02	.3733-02	.3733-02	.9000	.5324-04	.6436-04	.3834-01	.3450	524.6
630	.90000	.60000	274.00	.1555-02	.1881-02	.1881-02	.9000	.2682-04	.3242-04	.1930-01	.1448	524.8
630	.95000	.20000	275.00	.9256-02	.1119-01	.1119-01	.9000	.1596-03	.1929-03	.1150	1.126	523.8
630	.95000	.40000	276.00	.1471-01	.1779-01	.1779-01	.9000	.2535-03	.3067-03	.1819	1.362	527.3
630	.95000	.50000	277.00	.5083-02	.6145-02	.6145-02	.9000	.8763-04	.1059-03	.6309-01	.5678	524.6
630	.95000	.70000	278.00	.1277-02	.1544-02	.1544-02	.9000	.2202-04	.2661-04	.1589-01	.1278	523.1
630	.95000	.80000	279.00	.4033-02	.4874-02	.4874-02	.9000	.6953-04	.8403-04	.5017-01	.3895	523.2
630	.95000	.90000	280.00	.1169-01	.1412-01	.1412-01	.9000	.2015-03	.2435-03	.1452	1.167	523.8

DATE 23 FEB 80

OH848 MODEL 60-0 IN THE AEDC VKF HYPERSONIC TUNNEL

PAGE 2415

OH848 60-0 WING UPPER SURFACE

(R4UR44)

WING UPPER SURF

PARAMETRIC DATA

MACH = 8.000 ALPHA = 40.00 BETA = .0000 ELEVON = .0000
 BOFLAP = 23.50 SPDBRK = .0000

TEST CONDITIONS

RUN NUMBER	RN/L /FT X10 6	MACH	ALPHA DEG.	BETA DEG.	PO PSIA	TO DEG. R	T DEG. R	P PSIA	Q PSI	V FT/SEC	RHO SLUGS /FT3	MU LB-SEC /FT2
608	.9985	7.940	39.95	.1383-01	207.4	1275.	93.67	.2231-01	.9844	3767.	.6428-03	.7537-07
RUN NUMBER	HREF BTU/ R FT2SEC	STN NO REF (R)										
608	.2438-01	.4056-01										

TEST DATA

RUN NUMBER	2Y/BW	XW/CW	T/C NO	H/HREF R=1.0	H/HREF R=0.9	H/HREF R=TAW/TO	TAW/TO	H(TO) BTU/R FT2SEC	H(TAW) BTU/R FT2SEC	QDOT BTU/ FT2SEC	DTWOT DEG. R /SEC	TW DEG. R
608	.40000	.20000	247.00	.4644-02	.5592-02	.5592-02	.9000	.1132-03	.1363-03	.8514-01	.6847	522.8
608	.40000	.40000	248.00	.3502-03	.4220-03	.4220-03	.9000	.8539-05	.1029-04	.6402-02	.6001-01	524.9
608	.40000	.60000	249.00	.9319-03	.1123-02	.1123-02	.9000	.2272-04	.2738-04	.1702-01	.1914	525.6
608	.40000	.75000	250.00	.1242-02	.1497-02	.1497-02	.9000	.3028-04	.3649-04	.2268-01	.1700	525.6
608	.40000	.95000	252.00	.2024-02	.2437-02	.2437-02	.9000	.4934-04	.5941-04	.3711-01	.3344	522.5
608	.60000	.25000-01	253.00	.7712-01	.9390-01	.9390-01	.9000	.1880-02	.2290-02	1.341	32.90	561.5
608	.60000	.50000-01	254.00	.6727-01	.8169-01	.8169-01	.9000	.1640-02	.1992-02	1.184	23.88	552.6
608	.60000	.10000+30	255.00	.4046-01	.4885-01	.4885-01	.9000	.9866-03	.1191-02	.7323	7.814	532.4
608	.60000	.20000	256.00	.8829-02	.1064-01	.1064-01	.9000	.2153-03	.2594-03	.1612	1.449	526.0
608	.60000	.40000	257.00	.1448-02	.1745-02	.1745-02	.9000	.3530-04	.4254-04	.2643-01	.2201	525.9
608	.60000	.60000	258.00	.5773-03	.6956-03	.6956-03	.9000	.1407-04	.1696-04	.1055-01	.9884-01	525.3
608	.60000	.85000	260.00	.1027-02	.1237-02	.1237-02	.9000	.2505-04	.3015-04	.1887-01	.1575	521.4
608	.60000	.95000	261.00	.6055-02	.7287-02	.7287-02	.9000	.1476-03	.1777-03	.1113	1.255	520.7
608	.70000	.20000	262.00	.9471-02	.1141-01	.1141-01	.9000	.2309-03	.2782-03	.1731	1.623	525.0
608	.75000	1.0000	265.00	.2473-01	.2980-01	.2980-01	.9000	.6029-03	.7265-03	.4516	4.415	525.6
608	.75000	.40000	267.00	.4580-02	.5517-02	.5517-02	.9000	.1117-03	.1345-03	.8386-01	.7551	523.7
608	.75000	.60000	268.00	.1737-02	.2092-02	.2092-02	.9000	.4235-04	.5100-04	.3182-01	.3256	523.3
608	.75000	.80000	269.00	.1340-02	.1612-02	.1612-02	.9000	.3266-04	.3931-04	.2461-01	.2311	521.2
608	.75000	.90000	270.00	.5795-02	.6974-02	.6974-02	.9000	.1413-03	.1700-03	.1065	.8578	520.7
608	.80000	.90000	271.00	.6445-02	.7758-02	.7758-02	.9000	.1571-03	.1892-03	.1184	.9200	521.3
608	.90000	.20000	272.00	.2313-01	.2787-01	.2787-01	.9000	.5639-03	.6796-03	.4223	3.799	525.7

DATE 23 FEB 80

OH84B MODEL 60-0 IN THE AEDC VKF HYPERSONIC TUNNEL

PAGE 2416

OH84B 60-0 WING UPPER SURFACE

(R4UR44)

RUN NUMBER	2Y/BW	XW/CW	T/C NO	H/HREF	H/HREF	H/HREF	TAW/TO	H(TO)	H(TAW)	QDOT	DTWDT	TW	
				R=1.0	R=0.9	R=		BTU/R	BTU/R	BTU/	DEG. R	DEG. R	
				TAW/TO			FT2SEC			FT2SEC	/SEC		
608	.90000	.40000	273.00	.3976-02	.4788-02	.4788-02	.9000	.9694-04	.1167-03	.7287-01	.6564	522.9	
608	.90000	.60000	274.00	.1604-02	.1931-02	.1931-02	.9000	.3910-04	.4708-04	.2940-01	.2207	522.8	
608	.95000	.20000	275.00	.1067-01	.1285-01	.1285-01	.9000	.2601-03	.3132-03	.1956	1.915	522.7	
608	.95000	.40000	276.00	.1093-01	.1316-01	.1316-01	.9000	.2664-03	.3208-03	.2002	1.502	523.3	
608	.95000	.50000	277.00	.4340-02	.5226-02	.5226-02	.9000	.1058-03	.1274-03	.7956-01	.7167	522.8	
608	.95000	.70000	278.00	.1395-02	.1679-02	.1679-02	.9000	.3400-04	.4093-04	.2562-01	.2063	521.1	
608	.95000	.80000	279.00	.4596-02	.5533-02	.5533-02	.9000	.1121-03	.1344-03	.8441-01	.6559	521.5	
608	.95000	.90000	280.00	.1276-01	.1536-01	.1536-01	.9000	.3111-03	.3746-03	.2339	1.882	522.6	

DATE 23 FEB 80

OH84B MODEL 60-0 IN THE AEDC VKF HYPERSONIC TUNNEL

PAGE 2417

OH84B 60-0 WING UPPER SURFACE

(R4UR44)

WING UPPER SURF

PARAMETRIC DATA

MACH = 8.000 ALPHA = 40.00 BETA = .0000 ELEVON = .0000
 BDFLAP = 23.50 SPDBRK = .0000

TEST CONDITIONS

RUN NUMBER	RN/L /FT X10 6	MACH	ALPHA DEG.	BETA DEG.	PO PSIA	TO DEG. R	T DEG. R	P PSIA	Q PSI	V FT/SEC	RHO SLUGS /FT3	MU LB-SEC /FT2
602	1.989	7.980	39.99	.1735-01	434.8	1307.	95.13	.4526-01	2.018	3815.	.1284-02	.7655-07
RUN NUMBER	HREF BTU/ R FT2SEC	STN NO REF (R)										
602	.3506-01	.2877-01										

TEST DATA

RUN NUMBER	2Y/BW	XW/CW	T/C NO	H/HREF R=1.0	H/HREF R=0.9	H/HREF R= TAW/TO	TAW/TO	H(TO) BTU/R FT2SEC	H(TAW) BTU/R FT2SEC	QDOT BTU/ FT2SEC	DTWDT DEG. R /SEC	TW DEG. R
602	.40000	.20000	247.00	.3832-02	.4609-02	.4609-02	.9000	.1343-03	.1615-03	.1042	.8348	530.8
602	.40000	.40000	248.00	.5806-03	.6987-03	.6987-03	.9000	.2035-04	.2449-04	.1574-01	.1469	533.4
602	.40000	.60000	249.00	.8860-03	.1066-02	.1066-02	.9000	.3106-04	.3738-04	.2400-01	.2687	533.9
602	.40000	.75000	250.00	.7331-03	.8823-03	.8823-03	.9000	.2570-04	.3093-04	.1986-01	.1482	534.1
602	.40000	.95000	252.00	.2484-02	.2987-02	.2987-02	.9000	.8709-04	.1047-03	.6760-01	.6066	530.5
602	.60000	.25000-01	253.00	.8401-01	.1028	.1028	.9000	.2945-02	.3604-02	2.105	50.89	591.8
602	.60000	.50000-01	254.00	.7999-01	.9746-01	.9746-01	.9000	.2804-02	.3417-02	2.044	40.71	577.6
602	.60000	.10000+00	255.00	.5695-01	.6885-01	.6885-01	.9000	.1997-02	.2413-02	1.510	15.97	550.3
602	.60000	.20000	256.00	.1188-01	.1431-01	.1431-01	.9000	.4166-03	.5017-03	.3208	2.870	536.5
602	.60000	.40000	257.00	.1032-02	.1242-02	.1242-02	.9000	.3616-04	.4354-04	.2787-01	.2309	535.9
602	.60000	.60000	258.00	.1050-02	.1264-02	.1264-02	.9000	.3681-04	.4432-04	.2839-01	.2647	535.5
602	.60000	.75000	259.00	.2627-02	.3159-02	.3159-02	.9000	.9210-04	.1108-03	.7143-01	.6408	531.1
602	.60000	.85000	260.00	.2428-02	.2919-02	.2919-02	.9000	.6511-04	.1023-03	.6612-01	.5495	529.8
602	.60000	.95000	261.00	.6685-02	.8032-02	.8032-02	.9000	.2343-03	.2816-03	.1826	2.051	527.6
602	.70000	.20000	262.00	.8771-02	.1056-01	.1056-01	.9000	.3075-03	.3701-03	.2375	2.216	534.2
602	.70000	.40000	263.00	.3480-02	.4188-02	.4188-02	.9000	.1220-03	.1468-03	.9421-01	.8436	534.3
602	.75000	1.0000	265.00	.2642-01	.3181-01	.3181-01	.9000	.9260-03	.1115-02	.7139	6.945	535.7
602	.75000	.40000	267.00	.4881-02	.5873-02	.5873-02	.9000	.1711-03	.2059-03	.1324	1.187	532.8
602	.75000	.60000	268.00	.6207-02	.7472-02	.7472-02	.9000	.2176-03	.2620-03	.1679	1.708	535.0
602	.75000	.80000	269.00	.1383-02	.1663-02	.1663-02	.9000	.4849-04	.5830-04	.3766-01	.3521	530.0
602	.75000	.90000	270.00	.4926-02	.5919-02	.5919-02	.9000	.1727-03	.2075-03	.1345	1.079	527.9

DATE 23 FEB 80

OH84B MODEL 60-0 IN THE AEDC VKF HYPERSONIC TUNNEL

PAGE 2418

OH84B 60-0 WING UPPER SURFACE

(R4UR44)

RUN NUMBER	ZY/BW	XW/CW	T/C NO	H/HREF R=1.0	H/HREF R=0.9	H/HREF R= TAW/TO	TAW/TO	H(TO) BTU/R FT2SEC	H(TAW) BTU/R FT2SEC	QDOT BTU/ FT2SEC	DTWDT DEG. R /SEC	TW DEG. R
602	.80000	.90000	271.00	.6232-02	.7491-02	.7491-02	.9000	.2185-03	.2626-03	.1699	1.315	529.0
602	.90000	.20000	272.00	.2006-01	.2415-01	.2415-01	.9000	.7032-03	.8466-03	.5426	4.858	535.0
602	.90000	.40000	273.00	.9208-02	.1108-01	.1108-01	.9000	.3228-03	.3885-03	.2494	2.233	534.1
602	.90000	.60000	274.00	.1088-01	.1310-01	.1310-01	.9000	.3814-03	.4592-03	.2942	2.194	535.3
602	.95000	.20000	275.00	.1271-01	.1529-01	.1529-01	.9000	.4455-03	.5359-03	.3451	3.363	532.0
602	.95000	.40000	276.00	.7959-01	.9642-01	.9642-01	.9000	.2790-02	.3380-02	2.089	15.41	557.9
602	.95000	.50000	277.00	.4948-01	.5979-01	.5979-01	.9000	.1734-02	.2096-02	1.314	11.68	549.2
602	.95000	.70000	278.00	.9051-02	.1089-01	.1089-01	.9000	.3173-03	.3817-03	.2456	1.965	532.6
602	.95000	.80000	279.00	.5544-02	.6665-02	.6665-02	.9000	.1943-03	.2337-03	.1509	1.188	530.1
602	.95000	.90000	280.00	.1464-01	.1760-01	.1760-01	.9000	.5131-03	.6171-03	.3980	3.187	531.1

DATE 23 FEB 80

OH84B MODEL 60-0 IN THE AEDC VKF HYPERSONIC TUNNEL

PAGE 2419

OH84B 60-0 WING UPPER SURFACE

(R4UR44)

WING UPPER SURF

PARAMETRIC DATA

MACH = 8.000 ALPHA = 40.00 BETA = .0000 ELEVON = .0000
 BDFLAP = 23.50 SPDBRK = .0000

TEST CONDITIONS

RUN NUMBER	RN/L /FT X10 6	MACH	ALPHA DEG.	BETA DEG.	PO PSIA	TO DEG. R	T DEG. R	P PSIA	Q PSI	V FT/SEC	RHO SLUGS /FT3	MU LB-SEC /FT2
588	3.015	7.990	40.06	.1397-01	672.4	1322.	96.00	.6944-01	3.103	3838.	.1952-02	.7725-07
RUN NUMBER	HREF BTU/ R FT2SEC	STN NO REF (R) = .0175										
588	.4356-01	.2336-01										

TEST DATA

RUN NUMBER	2Y/BW	XW/CW	T/C NO	H/HREF R=1.0	H/HREF R=0.9	H/HREF R= TAW/TO	TAW/TO	H(TO) BTU/R FT2SEC	H(TAW) BTU/R FT2SEC	QDOT BTU/ FT2SEC	DTWDT DEG. R /SEC	TW DEG. R
588	.40000	.20000	247.00	.1537-01	.1848-01	.1848-01	.9000	.6697-03	.8050-03	.5266	4.209	535.3
588	.40000	.40000	248.00	.7513-03	.9031-03	.9031-03	.9000	.3273-04	.3934-04	.2573-01	.2399	535.4
588	.40000	.60000	249.00	.1141-02	.1372-02	.1372-02	.9000	.4969-04	.5975-04	.3900-01	.4360	536.8
588	.40000	.75000	250.00	.2322-02	.2792-02	.2792-02	.9000	.1011-03	.1216-03	.7937-01	.5916	536.9
588	.40000	.80000	251.00	.7227-03	.8682-03	.8682-03	.9000	.3148-04	.3782-04	.2482-01	.1917	533.3
588	.40000	.95000	252.00	.4285-02	.5145-02	.5145-02	.9000	.1867-03	.2241-03	.1476	1.324	531.0
588	.60000	.25000-01	253.00	.9726-01	.1200	.1200	.9000	.4237-02	.5226-02	2.958	70.41	623.4
588	.60000	.50000-01	254.00	.7888-01	.9632-01	.9632-01	.9000	.3436-02	.4196-02	2.508	49.60	591.8
588	.60000	.10000+00	255.00	.5592-01	.6748-01	.6748-01	.9000	.2436-02	.2940-02	1.880	19.88	550.1
588	.60000	.20000	256.00	.1657-01	.1993-01	.1993-01	.9000	.7219-03	.8683-03	.5658	5.058	537.8
588	.60000	.40000	257.00	.1442-02	.1733-02	.1733-02	.9000	.6280-04	.7551-04	.4932-01	.4085	536.4
588	.60000	.60000	258.00	.2861-02	.3440-02	.3440-02	.9000	.1246-03	.1499-03	.9777-01	.9108	537.1
588	.60000	.75000	259.00	.1748-01	.2102-01	.2102-01	.9000	.7614-03	.9156-03	.5976	5.345	536.8
588	.60000	.85000	260.00	.8518-02	.1023-01	.1023-01	.9000	.3710-03	.4456-03	.2931	2.433	531.8
588	.60000	.95000	261.00	.9582-02	.1150-01	.1150-01	.9000	.4174-03	.5008-03	.3311	3.717	528.5
588	.70000	.20000	262.00	.1188-01	.1428-01	.1428-01	.9000	.5177-03	.6221-03	.4077	3.804	534.1
588	.70000	.40000	263.00	.1305-01	.1569-01	.1569-01	.9000	.5684-03	.6833-03	.4467	3.997	535.8
588	.75000	1.0000	265.00	.2846-01	.3421-01	.3421-01	.9000	.1240-02	.1490-02	.9750	9.487	535.2
588	.75000	.40000	267.00	.2263-01	.2721-01	.2721-01	.9000	.9857-03	.1185-02	.7735	6.918	536.9
588	.75000	.60000	268.00	.2162-01	.2601-01	.2601-01	.9000	.9419-03	.1133-02	.7382	7.499	537.9
588	.75000	.80000	269.00	.2334-02	.2799-02	.2799-02	.9000	.1017-03	.1219-03	.8083-01	.7570	526.6

DATE 23 FEB 80

OH84B MODEL 60-0 IN THE AEDC VKF HYPERSONIC TUNNEL

PAGE 2420

OH84B 60-0 WING UPPER SURFACE

(R4UR44)

RUN NUMBER	2Y/BW	XW/CW	T/C NO	H/HREF	H/HREF	H/HREF	TAW/TO	H(TO)	H(TAW)	QDOT	DTWOT	TH DEG. R
				R=1.0	R=0.9	R=		BTU/R	BTU/R	BTU/ FT ² SEC	DEG. R /SEC	
588	.75000	.90000	270.00	.7125-02	.8544-02	.8544-02	.9000	.3104-03	.3722-03	.2471	1.985	525.4
588	.80000	.90000	271.00	.7231-02	.8671-02	.8671-02	.9000	.3150-03	.3777-03	.2508	1.944	525.6
588	.90000	.20000	272.00	.5949-01	.7172-01	.7172-01	.9000	.2592-02	.3124-02	2.010	17.89	546.2
588	.90000	.40000	273.00	.7941-01	.9590-01	.9590-01	.9000	.3459-02	.4177-02	2.658	23.58	553.2
588	.90000	.60000	274.00	.5790-01	.6978-01	.6978-01	.9000	.2522-02	.3040-02	1.958	14.53	545.4
588	.95000	.20000	275.00	.8645-01	.1044	.1044	.9000	.3766-02	.4547-02	2.896	27.93	552.6
588	.95000	.40000	276.00	.6516-01	.7880-01	.7880-01	.9000	.2838-02	.3433-02	2.167	15.98	558.2
588	.95000	.50000	277.00	.7776-01	.9408-01	.9408-01	.9000	.3387-02	.4098-02	2.581	22.82	559.6
588	.95000	.70000	278.00	.6331-01	.7636-01	.7636-01	.9000	.2758-02	.3326-02	2.131	16.92	548.8
588	.95000	.80000	279.00	.2339-01	.2809-01	.2809-01	.9000	.1019-02	.1224-02	.8057	6.231	531.0
588	.95000	.90000	280.00	.2305-01	.2768-01	.2768-01	.9000	.1004-02	.1206-02	.7947	6.367	530.3

DATE 23 FEB 80

OH84B MODEL 60-0 IN THE AEDC VKF HYPERSONIC TUNNEL

PAGE 2421

OH84B 60-0 WING UPPER SURFACE

(R4UR45)

WING UPPER SURF

PARAMETRIC DATA

MACH = 8.000 ALPHA = 40.00 BETA = .0000 ELEVON = 5.000
 BOFLAP = -5.000 SPDBRK = .0000

TEST CONDITIONS

RUN NUMBER	RN/L /FT X10 6	MACH	ALPHA DEG.	BETA DEG.	PO PSIA	TO DEG. R	T DEG. R	P PSIA	Q PSI	V FT/SEC	RHO SLUGS /FT3	MU LB-SEC /FT2
682	.5028	7.900	39.95	-.1036-01	100.6	1255.	93.06	.1118-01	.4884	3736.	.3242-03	.7489-07
RUN NUMBER	HREF BTU/ R FT2SEC	STN NO REF (R)										
682	.1713-01	.5701-01	= .0175									

TEST DATA

RUN NUMBER	2Y/BW	XW/CW	T/C NO	H/HREF R=1.0	H/HREF R=0.9	H/HREF R= TAW/TO	TAW/TO	H(TO) BTU/R FT2SEC	H(TAW) BTU/R FT2SEC	QDOT FT2SEC	DTWDT DEG. R /SEC	TW DEG. R
682	.40000	.20000	247.00	.4164-02	.5027-02	.5027-02	.9000	.7131-04	.8609-04	.5210-01	.4188	524.0
682	.40000	.40000	248.00	.3092-03	.3735-03	.3735-03	.9000	.5296-05	.6397-05	.3858-02	.3614-01	526.1
682	.40000	.60000	249.00	.3217-03	.3887-03	.3887-03	.9000	.5510-05	.6657-05	.4013-02	.4510-01	526.4
682	.40000	.75000	250.00	.5935-03	.7170-03	.7170-03	.9000	.1017-04	.1228-04	.7404-02	.5548-01	526.3
682	.40000	.95000	252.00	.2681-02	.3236-02	.3236-02	.9000	.4591-04	.5543-04	.3355-01	.3020	524.0
682	.60000	.25000-01	253.00	.7416-01	.9021-01	.9021-01	.9000	.1270-02	.1545-02	.8956	22.11	549.5
682	.60000	.50000-01	254.00	.5610-01	.6808-01	.6808-01	.9000	.9608-03	.1166-02	.6850	13.89	541.7
682	.60000	.10000+30	255.00	.3362-01	.4066-01	.4066-01	.9000	.5758-03	.6963-03	.4175	4.461	529.7
682	.60000	.20000	256.00	.8770-02	.1060-01	.1060-01	.9000	.1502-03	.1815-03	.1093	.9820	527.2
682	.60000	.40000	257.00	.1661-02	.2007-02	.2007-02	.9000	.2845-04	.3437-04	.2070-01	.1723	526.9
682	.60000	.60000	258.00	.5574-03	.6735-03	.6735-03	.9000	.9546-05	.1153-04	.6949-02	.6507-01	526.7
682	.60000	.85000	260.00	.2189-02	.2643-02	.2643-02	.9000	.3750-04	.4526-04	.2743-01	.2288	523.0
682	.60000	.95000	261.00	.7630-02	.9208-02	.9208-02	.9000	.1307-03	.1577-03	.9570-01	1.078	522.4
682	.70000	.20000	262.00	.9351-02	.1130-01	.1130-01	.9000	.1602-03	.1935-03	.1167	1.094	525.8
682	.70000	.40000	263.00	.3369-02	.4069-02	.4069-02	.9000	.5770-04	.6969-04	.4207-01	.3785	525.5
682	.75000	1.0000	265.00	.2455-01	.2966-01	.2966-01	.9000	.4204-03	.5079-03	.3061	2.992	526.5
682	.75000	.40000	267.00	.4625-02	.5586-02	.5586-02	.9000	.7922-04	.9567-04	.5781-01	.5202	524.9
682	.75000	.60000	268.00	.1812-02	.2189-02	.2189-02	.9000	.3104-04	.3749-04	.2264-01	.2314	525.4
682	.75000	.80000	269.00	.2327-02	.2809-02	.2809-02	.9000	.3986-04	.4811-04	.2917-01	.2737	522.9
682	.75000	.90000	270.00	.8645-02	.1043-01	.1043-01	.9000	.1481-03	.1787-03	.1084	.8723	522.3
682	.80000	.90000	271.00	.8399-02	.1014-01	.1014-01	.9000	.1438-03	.1736-03	.1053	.8180	522.5

DATE 23 FEB 80

OH84B MODEL 60-0 IN THE AEDC VKF HYPERSONIC TUNNEL

PAGE 2422

OH84B 60-0 WING UPPER SURFACE

(R4UR45)

RUN NUMBER	ZY/BW	XW/CW	T/C NO	H/HREF R=1.0	H/HREF R=0.9	H/HREF R= TAW/TO	TAW/TO	H(TO) BTU/R FT2SEC	H(TAW) BTU/R FT2SEC	QDOT BTU/ FT2SEC	DTWDT DEG. R /SEC	TW DEG. R
682	.90000	.20000	272.00	.1310-01	.1582-01	.1582-01	.9000	.2244-03	.2710-03	.1638	1.474	524.9
682	.90000	.40000	273.00	.3280-02	.3960-02	.3960-02	.9000	.5618-04	.6782-04	.4106-01	.3696	523.8
682	.90000	.60000	274.00	.1527-02	.1843-02	.1843-02	.9000	.2615-04	.3157-04	.1912-01	.1435	523.6
682	.95000	.20000	275.00	.1214-01	.1465-01	.1465-01	.9000	.2078-03	.2509-03	.1518	1.486	524.1
682	.95000	.40000	276.00	.8524-02	.1029-01	.1029-01	.9000	.1460-03	.1762-03	.1067	.8010	523.5
682	.95000	.50000	277.00	.2901-02	.3501-02	.3501-02	.9000	.4968-04	.5997-04	.3634-01	.3273	523.1
682	.95000	.70000	278.00	.1539-02	.1857-02	.1857-02	.9000	.2636-04	.3181-04	.1932-01	.1554	521.9
682	.95000	.80000	279.00	.3879-02	.4681-02	.4681-02	.9000	.6644-04	.8017-04	.4868-01	.3782	522.0
682	.95000	.90000	280.00	.1290-01	.1557-01	.1557-01	.9000	.2209-03	.2666-03	.1616	1.300	523.0

OH84B 60-0 WING UPPER SURFACE

(R4UR4S)

WING UPPER SURF

PARAMETRIC DATA

MACH = 8.000 ALPHA = 40.00 BETA = .0000 ELEVON = 5.000
 BDFLAP = -5.000 SPDBRK = .0000

TEST CONDITIONS

RUN NUMBER	RN/L /FT X10 6	MACH	ALPHA DEG.	BETA DEG.	PO PSIA	TO DEG. R	T DEG. R	P PSIA	Q PSI	V FT/SEC	RHO SLUGS /FT3	MU LB-SEC /FT2
668	1.013	7.940	39.97	-.1038-01	207.0	1261.	92.64	.2226-01	.9825	3746.	.6487-03	.7454-07
RUN NUMBER	HREF BTU/ R FT2SEC	STN NO REF (R)										
668	.2431-01	.4033-01										

TEST DATA

RUN NUMBER	ZY/BW	XW/CW	T/C NO	H/HREF R=1.0	H/HREF R=0.9	H/HREF R=TAW/TO	TAW/TO	H(TO) BTU/R FT2SEC	H(TAW) BTU/R FT2SEC	QDOT BTU/ FT2SEC	DTWDT DEG. R /SEC	TW DEG. R
668	.40000	.20000	247.00	.5253-02	.6347-02	.6347-02	.9000	.1277-03	.1543-03	.9343-01	.7490	529.1
668	.40000	.40000	248.00	.6943-03	.8393-03	.8393-03	.9000	.1688-04	.2040-04	.1232-01	.1151	530.8
668	.40000	.60000	249.00	.6819-03	.8243-03	.8243-03	.9000	.1658-04	.2004-04	.1210-01	.1357	530.6
668	.40000	.75000	250.00	.3984-03	.4695-03	.4695-03	.9000	.9443-05	.1141-04	.6895-02	.5156-01	530.5
668	.40000	.95000	252.00	.3530-02	.4263-02	.4263-02	.9000	.8582-04	.1037-03	.6287-01	.5648	528.1
668	.60000	.25000-01	253.00	.8025-01	.9798-01	.9798-01	.9000	.1951-02	.2382-02	1.360	33.32	563.8
668	.60000	.50000-01	254.00	.6785-01	.8257-01	.8257-01	.9000	.1650-02	.2007-02	1.167	23.52	553.3
668	.60000	.10000+00	255.00	.4153-01	.5029-01	.5029-01	.9000	.1010-02	.1223-02	.7311	7.785	536.6
668	.60000	.20000	256.00	.1053-01	.1273-01	.1273-01	.9000	.2559-03	.3095-03	.1865	1.672	532.1
668	.60000	.40000	257.00	.1593-02	.1926-02	.1926-02	.9000	.3872-04	.4683-04	.2821-01	.2342	532.1
668	.60000	.60000	258.00	.1744-02	.2108-02	.2108-02	.9000	.4239-04	.5126-04	.3091-01	.2887	531.6
668	.60000	.75000	259.00	.1658-02	.2002-02	.2002-02	.9000	.4031-04	.4868-04	.2954-01	.2654	527.8
668	.60000	.85000	260.00	.2550-02	.3079-02	.3079-02	.9000	.6199-04	.7486-04	.4549-01	.3786	527.0
668	.60000	.95000	261.00	.7817-02	.9436-02	.9436-02	.9000	.1901-03	.2294-03	.1397	1.571	525.6
668	.70000	.20000	262.00	.8862-02	.1071-01	.1071-01	.9000	.2155-03	.2604-03	.1573	1.471	530.4
668	.70000	.40000	263.00	.3084-02	.3727-02	.3727-02	.9000	.7498-04	.9061-04	.5478-01	.4917	530.0
668	.75000	1.0000	265.00	.2349-01	.2837-01	.2837-01	.9000	.5710-03	.6898-03	.4177	4.077	529.1
668	.75000	.20000	266.00	.1055-01	.1274-01	.1274-01	.9000	.2564-03	.3097-03	.1877	1.832	528.6
668	.75000	.40000	267.00	.5334-02	.6444-02	.6444-02	.9000	.1297-03	.1567-03	.9488-01	.8520	529.0
668	.75000	.60000	268.00	.6142-02	.7425-02	.7425-02	.9000	.1493-03	.1805-03	.1090	1.111	530.8
668	.75000	.80000	269.00	.2613-02	.3155-02	.3155-02	.9000	.6352-04	.7671-04	.4656-01	.4358	527.6

DATE 23 FEB 90

OH84B MODEL 60-0 IN THE AEDC VKF HYPERSONIC TUNNEL

PAGE 2424

OH84B 60-0 WING UPPER SURFACE

(R4UR45)

RUN NUMBER	ZY/BW	XW/CW	T/C NO	H/HREF R=1.0	H/HREF R=0.9	H/HREF R= TAW/TO	TAW/TO	H(TO) BTU/R FT2SEC	H(TAW) BTU/R FT2SEC	QDOT BTU/ FT2SEC	DTWDT DEG. R /SEC	TW DEG. R
668	.75000	.90000	270.00	.8058-02	.9727-02	.9727-02	.9000	.1959-03	.2365-03	.1439	1.155	526.3
668	.80000	.90000	271.00	.8266-02	.9980-02	.9980-02	.9000	.2010-03	.2426-03	.1476	1.144	526.5
668	.90000	.20000	272.00	.3467-01	.4194-01	.4194-01	.9000	.8429-03	.1020-02	.6133	5.496	533.0
668	.90000	.40000	273.00	.7915-02	.9564-02	.9564-02	.9000	.1924-03	.2325-03	.1407	1.263	529.7
668	.90000	.60000	274.00	.1322-01	.1599-01	.1599-01	.9000	.3214-03	.3887-03	.2343	1.751	531.8
668	.95000	.20000	275.00	.1899-01	.2295-01	.2295-01	.9000	.4618-03	.5580-03	.3375	3.292	529.9
668	.95000	.40000	276.00	.5623-01	.6821-01	.6821-01	.9000	.1367-02	.1658-02	.9808	7.287	543.1
668	.95000	.50000	277.00	.3623-01	.4386-01	.4386-01	.9000	.8809-03	.1066-02	.6386	5.714	535.8
668	.95000	.70000	278.00	.1678-01	.2028-01	.2028-01	.9000	.4079-03	.4930-03	.2979	2.387	530.4
668	.95000	.80000	279.00	.6235-02	.7528-02	.7528-02	.9000	.1516-03	.1830-03	.1113	.8625	526.6
668	.95000	.90000	280.00	.1357-01	.1639-01	.1639-01	.9000	.3300-03	.3984-03	.2421	1.943	526.9

OH84B 60-0 WING UPPER SURFACE

(R4UR45)

WING UPPER SURF

PARAMETRIC DATA

MACH = 8.000 ALPHA = 40.00 BETA = .0000 ELEVON = 5.000
 BDFLAP = -5.000 SPDBRK = .0000

TEST CONDITIONS

RUN NUMBER	RN/L /FT X10 6	MACH	ALPHA DEG.	BETA DEG.	PO PSIA	TO DEG. R	T DEG. R	P PSIA	Q PSI	V FT/SEC	RHO SLUGS /FT3	MU LB-SEC /FT2
688	1.999	7.980	40.00	-.6947-02	434.9	1303.	94.84	.4527-01	2.018	3810.	.1208-02	.7631-07
RUN NUMBER	HREF BTU/ R FT2SEC	STN NO REF(R) = .0175										
688	.3504-01	.2871-01										

TEST DATA

RUN NUMBER	2Y/BW	XW/CW	T/C NO	H/HREF R=1.0	H/HREF R=0.9	H/HREF R= TAW/TO	TAW/TO	H(TO) BTU/R FT2SEC	H(TAW) BTU/R FT2SEC	QDOT BTU/ FT2SEC	DTWDT DEG. R /SEC	TW DEG. R
688	.40000	.20000	247.00	.7772-02	.9344-02	.9344-02	.9000	.2723-03	.3274-03	.2109	1.692	528.3
688	.40000	.40000	248.00	.5036-03	.6056-03	.6056-03	.9000	.1765-04	.2122-04	.1365-01	.1277	529.2
688	.40000	.60000	249.00	.7869-03	.9464-03	.9464-03	.9000	.2757-04	.3316-04	.2132-01	.2392	529.5
688	.40000	.75000	250.00	.4962-03	.5966-03	.5966-03	.9000	.1739-04	.2091-04	.1346-01	.1007	528.6
688	.40000	.95000	252.00	.3132-02	.3762-02	.3762-02	.9000	.1097-03	.1318-03	.8539-01	.7685	524.5
688	.60000	.25000-01	253.00	.9088-01	.1112	.1112	.9000	.3185-02	.3898-02	2.266	54.80	591.1
688	.60000	.50000-01	254.00	.8342-01	.1017	.1017	.9000	.2923-02	.3562-02	2.123	42.30	576.4
688	.60000	.10000+00	255.00	.5750-01	.6944-01	.6944-01	.9000	.2015-02	.2433-02	1.526	16.18	545.1
688	.60000	.20000	256.00	.1221-01	.1469-01	.1469-01	.9000	.4280-03	.5149-03	.3302	2.961	531.2
688	.60000	.40000	257.00	.9755-03	.1173-02	.1173-02	.9000	.3418-04	.4111-04	.2641-01	.2195	529.9
688	.60000	.60000	258.00	.1442-02	.1735-02	.1735-02	.9000	.5054-04	.6078-04	.3908-01	.3655	529.4
688	.60000	.75000	259.00	.3471-02	.4170-02	.4170-02	.9000	.1216-03	.1461-03	.9456-01	.8507	525.3
688	.60000	.85000	260.00	.5083-02	.6106-02	.6106-02	.9000	.1781-03	.2140-03	.1385	1.153	525.3
688	.60000	.95000	261.00	.8536-02	.1025-01	.1025-01	.9000	.2991-03	.3592-03	.2331	2.623	523.5
688	.70000	.20000	262.00	.9674-02	.1163-01	.1163-01	.9000	.3390-03	.4076-03	.2624	2.455	528.7
688	.70000	.40000	263.00	.2977-02	.3578-02	.3578-02	.9000	.11043-03	.1254-03	.8085-01	.7265	527.5
688	.75000	1.0000	265.00	.2632-01	.3166-01	.3166-01	.9000	.9222-03	.1109-02	.7122	6.946	530.4
688	.75000	.40000	267.00	.5093-02	.6119-02	.6119-02	.9000	.1785-03	.2144-03	.1386	1.246	526.2
688	.75000	.60000	268.00	.6130-02	.7368-02	.7368-02	.9000	.2148-03	.2582-03	.1665	1.700	527.6
688	.75000	.80000	269.00	.3016-02	.3622-02	.3622-02	.9000	.1057-03	.1269-03	.8232-01	.7720	523.8
688	.75000	.90000	270.00	.1027-01	.1233-01	.1233-01	.9000	.3600-03	.4322-03	.2807	2.258	522.9

DATE 23 FEB 80

OH84B MODEL 60-0 IN THE AEDC VKF HYPERSONIC TUNNEL

PAGE 2426

OH84B 60-0 WING UPPER SURFACE

(R4UR45)

RUN NUMBER	2Y/BW	XW/CW	T/C NO	H/HREF	H/HREF	H/HREF	TAW/TO	H(TO)	H(TAW)	QDOT	DTWOT	TW
				R=1.0	R=0.9	R=		BTU/R	BTU/R	BTU/ FT2SEC	DEG. R	DEG. R
688	.80000	.90000	271.00	.9678-02	.1162-01	.1162-01	.9000	.3391-03	.4071-03	.2645	2.054	522.7
688	.90000	.20000	272.00	.4029-01	.4853-01	.4853-01	.9000	.1412-02	.1700-02	1.084	9.700	535.1
688	.90000	.40000	273.00	.1552-01	.1865-01	.1865-01	.9000	.5438-03	.6537-03	.4216	3.788	527.5
688	.90000	.60000	274.00	.6895-02	.8283-02	.8283-02	.9000	.2416-03	.2903-03	.1878	1.408	525.3
688	.95000	.20000	275.00	.2977-01	.3579-01	.3579-01	.9000	.1043-02	.1254-02	.8066	7.871	529.3
688	.95000	.40000	276.00	.2594-01	.3118-01	.3118-01	.9000	.9089-03	.1093-02	.7040	5.271	528.1
688	.95000	.50000	277.00	.1962-01	.2360-01	.2360-01	.9000	.6875-03	.8268-03	.5316	4.773	529.4
688	.95000	.70000	278.00	.9308-02	.1118-01	.1118-01	.9000	.3262-03	.3918-03	.2537	2.038	524.8
688	.95000	.80000	279.00	.6430-02	.7718-02	.7718-02	.9000	.2253-03	.2705-03	.1758	1.365	522.5
688	.95000	.90000	280.00	.1622-01	.1948-01	.1948-01	.9000	.5683-03	.6826-03	.4423	3.554	524.4

OH84B 60-0 WING UPPER SURFACE

(R4UR45)

WING UPPER SURF

PARAMETRIC DATA

MACH = 8.000 ALPHA = 40.00 BETA = .0000 ELEVON = 5.000
 BDFLAP = -5.000 SPDBRK = .0000

TEST CONDITIONS

RUN NUMBER	RN/L /FT X10 6	MACH	ALPHA DEG.	BETA DEG.	P0 PSIA	TO DEG. R	T DEG. R	P PSIA	Q PSI	V FT/SEC	RHO SLUGS /FT3	MU LB-SEC /FT2
702	2.996	7.990	40.05	-.6978-02	668.9	1323.	96.07	.6908-01	3.087	3839.	.1941-02	.7731-07
RUN NUMBER	HREF BTU/ R FT2SEC	STN NO REF (R) = .0175										
702	.4345-01	.2343-01										

TEST DATA

RUN NUMBER	2Y/BW	XW/CW	T/C NO	H/HREF R=1.0	H/HREF R=0.9	H/HREF R= TAW/TO	TAW/TO	H(TO) BTU/R FT2SEC	H(TAW) BTU/R FT2SEC	QDOT BTU/ FT2SEC	DTWDT DEG. R /SEC	TW DEG. R
702	.40000	.20000	247.00	.1118-01	.1344-01	.1344-01	.9000	.4856-03	.5841-03	.3811	3.042	537.9
702	.40000	.40000	248.00	.7792-03	.9372-03	.9372-03	.9000	.3386-04	.4072-04	.2657-01	.2473	538.1
702	.40000	.60000	249.00	.1444-02	.1737-02	.1737-02	.9000	.6274-04	.7548-04	.4918-01	.5493	538.8
702	.40000	.75000	250.00	.1811-02	.2177-02	.2177-02	.9000	.7867-04	.9462-04	.6176-01	.4601	537.7
702	.40000	.80000	251.00	.8133-03	.9769-03	.9769-03	.9000	.3534-04	.4245-04	.2791-01	.2157	532.8
702	.40000	.95000	252.00	.5422-02	.6510-02	.6510-02	.9000	.2356-03	.2829-03	.1866	1.674	530.8
702	.60000	.25000-01	253.00	.9242-01	.1143	.1143	.9000	.4016-02	.4965-02	2.777	65.85	631.1
702	.60000	.50000-01	254.00	.8135-01	.9959-01	.9959-01	.9000	.3535-02	.4328-02	2.553	50.26	600.6
702	.60000	.10000+00	255.00	.7177-01	.8689-01	.8689-01	.9000	.3119-02	.3776-02	2.370	24.90	562.8
702	.60000	.20000	256.00	.1793-01	.2159-01	.2159-01	.9000	.7791-03	.9382-03	.6078	5.420	542.6
702	.60000	.40000	257.00	.1948-02	.2344-02	.2344-02	.9000	.8465-04	.1019-03	.6628-01	.5480	539.8
702	.60000	.60000	258.00	.2096-02	.2521-02	.2521-02	.9000	.9106-04	.1096-03	.7132-01	.6636	539.4
702	.60000	.75000	259.00	.1236-01	.1487-01	.1487-01	.9000	.5372-03	.6460-03	.4219	3.773	537.2
702	.60000	.85000	260.00	.8273-02	.9940-02	.9940-02	.9000	.3595-03	.4319-03	.2834	2.351	534.2
702	.60000	.95000	261.00	.1505-01	.1808-01	.1808-01	.9000	.6541-03	.7854-03	.5174	5.800	531.6
702	.70000	.20000	262.00	.1039-01	.1250-01	.1250-01	.9000	.4516-03	.5430-03	.3546	3.303	537.4
702	.70000	.40000	263.00	.8592-02	.1033-01	.1033-01	.9000	.3733-03	.4489-03	.2934	2.624	536.7
702	.75000	1.0000	265.00	.2684-01	.3229-01	.3229-01	.9000	.1166-02	.1403-02	.9137	8.872	539.2
702	.75000	.40000	267.00	.1568-01	.1885-01	.1885-01	.9000	.6815-03	.8192-03	.5364	4.800	535.7
702	.75000	.60000	268.00	.1613-01	.1941-01	.1941-01	.9000	.7010-03	.8434-03	.5493	5.577	539.1
702	.75000	.80000	269.00	.6526-02	.7834-02	.7834-02	.9000	.2836-03	.3404-03	.2247	2.101	530.2

DATE 23 FEB 80

OH84B MODEL 60-0 IN THE AEDC VKF HYPERSONIC TUNNEL

PAGE 2428

OH84B 60-0 WING UPPER SURFACE

(R4UR45)

RUN NUMBER	2Y/BW	XW/CW	T/C NO	H/HREF R=1.0	H/HREF R=0.9	H/HREF R= TAW/TO	TAW/TO	H(TO) BTU/R FT2SEC	H(TAW) BTU/R FT2SEC	QDOT BTU/ FT2SEC	DTWDT DEG. R /SEC	TW DEG. R
702	.75000	.90000	270.00	.1337-01	.1604-01	.1604-01	.9000	.5809-03	.6969-03	.4613	3.699	528.5
702	.80000	.90000	271.00	.1469-01	.1763-01	.1763-01	.9000	.6385-03	.7660-03	.5072	3.928	528.2
702	.90000	.20000	272.00	.1051	.1273	.1273	.9000	.4569-02	.5533-02	3.468	30.60	563.7
702	.90000	.40000	273.00	.4798-01	.5785-01	.5785-01	.9000	.2085-02	.2514-02	1.617	14.38	547.3
702	.90000	.60000	274.00	.3155-01	.3794-01	.3794-01	.9000	.1371-02	.1648-02	1.078	8.034	536.6
702	.95000	.20000	275.00	.7365-01	.8891-01	.8891-01	.9000	.3200-02	.3863-02	2.467	23.80	551.9
702	.95000	.40000	276.00	.6880-01	.8314-01	.8314-01	.9000	.2989-02	.3613-02	2.292	16.92	555.9
702	.95000	.50000	277.00	.8419-01	.1021	.1021	.9000	.3658-02	.4438-02	2.753	24.21	570.1
702	.95000	.70000	278.00	.5896-01	.7115-01	.7115-01	.9000	.2562-02	.3092-02	1.977	15.68	550.9
702	.95000	.80000	279.00	.1972-01	.2367-01	.2367-01	.9000	.8569-03	.1029-02	.6788	5.250	530.5
702	.95000	.90000	280.00	.2541-01	.3052-01	.3052-01	.9000	.1104-02	.1326-02	.8726	6.983	532.5

DATE 23 FEB 80

OH84B MODEL 60-0 IN THE AEDC VKI HYPERSONIC TUNNEL

PAGE 2429

OH84B 60-0 WING UPPER SURFACE

(R4UR46)

WING UPPER SURF

PARAMETRIC DATA

MACH = 8.000 ALPHA = 40.00 BETA = .0000 ELEVON = 5.000
 BDFLAP = .0000 SPDBRK = .0000

TEST CONDITIONS

RUN NUMBER	RN/L /FT X10 6	MACH	ALPHA DEG.	BETA DEG.	PO PSIA	TO DEG. R	T DEG. R	P PSIA	Q PSI	V FT/SEC	RHO SLUGS /FT3	MU LB-SEC /FT2
680	.5032	7.900	39.93	-.1034-01	100.7	1255.	93.06	.1119-01	.4888	3736.	.3245-03	.7489-07

RUN NUMBER	HREF BTU/ R FT2SEC	STN NO REF(R) =.0175
680	.1713-01	.5699-01

TEST DATA

RUN NUMBER	ZY/BW	XW/CW	T/C NO	H/HREF R=1.0	H/HREF R=0.9	H/HREF R= TAW/TO	TAW/TO	H(TO) BTU/R FT2SEC	H(TAW) BTU/R FT2SEC	QDOT BTU/ FT2SEC	DTWDT DEG. R /SEC	TW DEG. R
680	.40000	.20000	247.00	.4927-02	.5952-02	.5952-02	.9000	.8441-04	.1020-03	.6148-01	.4936	526.3
680	.40000	.40000	248.00	.3308-03	.1004-02	.1004-02	.9000	.1423-04	.1721-04	.1034-01	.9576-01	528.2
680	.40000	.60000	249.00	.8004-03	.9675-03	.9675-03	.9000	.1371-04	.1658-04	.9960-02	.1118	528.4
680	.40000	.75000	250.00	.2125-03	.2569-03	.2569-03	.9000	.3640-05	.4401-05	.2641-02	.1976-01	529.1
680	.40000	.95000	252.00	.2979-02	.3601-02	.3601-02	.9000	.5105-04	.6169-04	.3712-01	.3336	527.5
680	.60000	.25000-01	253.00	.7356-01	.8955-01	.8955-01	.9000	.1260-02	.1534-02	.8857	21.84	552.0
680	.60000	.50000-01	254.00	.5670-01	.6885-01	.6885-01	.9000	.9715-03	.1180-02	.6906	13.99	543.7
680	.60000	.10000+00	255.00	.3559-01	.4305-01	.4305-01	.9000	.6097-03	.7376-03	.4412	4.712	531.0
680	.60000	.20000	256.00	.9435-02	.1141-01	.1141-01	.9000	.1617-03	.1955-03	.1173	1.053	529.3
680	.60000	.40000	257.00	.2107-02	.2548-02	.2548-02	.9000	.3610-04	.4366-04	.2615-01	.2173	530.2
680	.60000	.60000	258.00	.2517-02	.3044-02	.3044-02	.9000	.4312-04	.5215-04	.3125-01	.2922	529.9
680	.60000	.85000	260.00	.2528-02	.3055-02	.3055-02	.9000	.4332-04	.5234-04	.3154-01	.2626	526.5
680	.60000	.95000	261.00	.8406-02	.1015-01	.1015-01	.9000	.1440-03	.1740-03	.1051	1.182	525.2
680	.70000	.20000	262.00	.1015-01	.1228-01	.1228-01	.9000	.1740-03	.2103-03	.1264	1.182	528.4
680	.70000	.40000	263.00	.3897-02	.4710-02	.4710-02	.9000	.6676-04	.8070-04	.4850-01	.4357	528.2
680	.75000	1.0000	265.00	.2588-01	.3128-01	.3128-01	.9000	.4434-03	.5359-03	.3223	3.148	527.7
680	.75000	.40000	267.00	.5196-02	.6279-02	.6279-02	.9000	.8903-04	.1076-03	.6477-01	.5822	527.2
680	.75000	.60000	268.00	.2213-02	.2674-02	.2674-02	.9000	.3791-04	.4582-04	.2754-01	.2812	528.1
680	.75000	.80000	269.00	.2143-02	.2590-02	.2590-02	.9000	.3673-04	.4438-04	.2672-01	.2502	527.1
680	.75000	.90000	270.00	.8604-02	.1039-01	.1039-01	.9000	.1474-03	.1781-03	.1074	.8625	526.1
680	.80000	.90000	271.00	.8408-02	.1016-01	.1016-01	.9000	.1441-03	.1740-03	.1049	.8134	526.3

DATE 23 FEB 80

OH84B MODEL 60-0 IN THE AEDC VKF HYPERSONIC TUNNEL

PAGE 2430

OH84B 60-0 WING UPPER SURFACE

(R4UR46)

RUN NUMBER	2Y/BW	XW/CW	T/C NO	H/HREF R=1.0	H/HREF R=0.9	H/HREF R= TAW/TO	TAW/TO	H(TO) BTU/R FT2SEC	H(TAW) BTU/R FT2SEC	QDOT BTU/ FT2SEC	DTWOT DEG. R /SEC	TW DEG. R
680	.90000	.20000	272.00	.1950-01	.2357-01	.2357-01	.9000	.3341-03	.4039-03	.2426	2.180	528.4
680	.90000	.40000	273.00	.3408-02	.4118-02	.4118-02	.9000	.5839-04	.7056-04	.4247-01	.3817	527.3
680	.90000	.60000	274.00	.1922-02	.2323-02	.2323-02	.9000	.3292-04	.3979-04	.2393-01	.1791	527.9
680	.95000	.20000	275.00	.1068-01	.1290-01	.1290-01	.9000	.1830-03	.2210-03	.1333	1.303	526.1
680	.95000	.40000	276.00	.9531-02	.1151-01	.1151-01	.9000	.1633-03	.1973-03	.1189	.8911	526.4
680	.95000	.50000	277.00	.3241-02	.3915-02	.3915-02	.9000	.5552-04	.6708-04	.4043-01	.3635	526.5
680	.95000	.70000	278.00	.2150-02	.2597-02	.2597-02	.9000	.3683-04	.4449-04	.2686-01	.2157	525.5
680	.95000	.80000	279.00	.4837-02	.5842-02	.5842-02	.9000	.8287-04	.1001-03	.6043-01	.4686	525.5
680	.95000	.90000	280.00	.1429-01	.1726-01	.1726-01	.9000	.2448-03	.2957-03	.1783	1.432	526.2

DATE 23 FEB 80

OH84B MODEL 60-0 IN THE AEDC VKF HYPERSONIC TUNNEL

PAGE 2431

OH84B 60-0 WING UPPER SURFACE

(R4UR46)

WING UPPER SURF

PARAMETRIC DATA

MACH = 8.000 ALPHA = 40.00 BETA = .0000 ELEVON = 5.000
 BDFLAP = .0000 SPDBRK = .0000

TEST CONDITIONS

RUN NUMBER	RN/L /FT X10 6	MACH	ALPHA DEG.	BETA DEG.	PO PSIA	TO DEG. R	T DEG. R	P PSIA	Q PSI	V FT/SEC	RHO SLUGS /FT3	MU LB-SEC /FT2
666	1.005	7.940	39.97	-.6927-02	206.0	1264.	92.86	.2216-01	.9778	3751.	.6440-03	.7472-07

RUN NUMBER	HREF BTU/ R FT2SEC	STN NO REF (R) *.0175
666	.2426-01	.4048-01

TEST DATA

RUN NUMBER	2Y/BW	XW/CW	T/C NO	H/HREF R=1.0	H/HREF R=0.9	H/HREF R= TAW/TO	TAW/TO	H(TO) BTU/R FT2SEC	H(TAW) BTU/R FT2SEC	QDOT BTU/ FT2SEC	DTWDT DEG. R /SEC	TW DEG. R
666	.40000	.20000	247.00	.5140-02	.6212-02	.6212-02	.9000	.1247-03	.1507-03	.9132-01	.7313	531.4
666	.40000	.40000	248.00	.5636-03	.6813-03	.6813-03	.9000	.1367-04	.1653-04	.9997-02	.9334-01	532.5
666	.40000	.60000	249.00	.7069-03	.8546-03	.8546-03	.9000	.1715-04	.2073-04	.1254-01	.1405	532.4
666	.40000	.75000	250.00	.4716-03	.5700-03	.5700-03	.9000	.1144-04	.1383-04	.8370-02	.6253-01	532.1
666	.40000	.95000	252.00	.3215-02	.3884-02	.3884-02	.9000	.7800-04	.9424-04	.5720-01	.5133	530.4
666	.60000	.25000-01	253.00	.7867-01	.9617-01	.9617-01	.9000	.1909-02	.2333-02	1.325	32.39	569.3
666	.60000	.50000-01	254.00	.6537-01	.7964-01	.7964-01	.9000	.1586-02	.1932-02	1.119	22.49	558.3
666	.60000	.10000+00	255.00	.4345-01	.5262-01	.5262-01	.9000	.1054-02	.1277-02	.7642	8.129	538.7
666	.60000	.20000	256.00	.1000-01	.1210-01	.1210-01	.9000	.2427-03	.2935-03	.1771	1.587	533.9
666	.60000	.40000	257.00	.1404-02	.1698-02	.1698-02	.9000	.3406-04	.4119-04	.2487-01	.2063	533.4
666	.60000	.60000	258.00	.1319-02	.1595-02	.1595-02	.9000	.3200-04	.3869-04	.2339-01	.2183	532.9
666	.60000	.75000	259.00	.1103-02	.1333-02	.1333-02	.9000	.2677-04	.3233-04	.1966-01	.1765	529.3
666	.60000	.85000	260.00	.2502-02	.3021-02	.3021-02	.9000	.6069-04	.7330-04	.4460-01	.3709	528.8
666	.60000	.95000	261.00	.8128-02	.9815-02	.9815-02	.9000	.1972-03	.2391-03	.1450	1.629	528.2
666	.70000	.20000	262.00	.9069-02	.1096-01	.1096-01	.9000	.2200-03	.2660-03	.1609	1.503	532.3
666	.70000	.40000	263.00	.2965-02	.3584-02	.3584-02	.9000	.7194-04	.8695-04	.5266-01	.4723	531.6
666	.75000	1.0000	265.00	.2345-01	.2834-01	.2834-01	.9000	.5688-03	.6876-03	.4163	4.058	531.8
666	.75000	.20000	266.00	.1014-01	.1225-01	.1225-01	.9000	.2459-03	.2972-03	.1802	1.757	530.8
666	.75000	.40000	267.00	.4543-02	.5489-02	.5489-02	.9000	.1102-03	.1332-03	.8081-01	.7250	530.6
666	.75000	.60000	268.00	.4885-02	.5904-02	.5904-02	.9000	.1185-03	.1433-03	.8675-01	.8840	531.7
666	.75000	.80000	269.00	.2349-02	.2837-02	.2837-02	.9000	.5700-04	.6883-04	.4188-01	.3918	528.9

DATE 23 FEB 80

OH84B MODEL 60-0 IN THE AEDC VKF HYPERSONIC TUNNEL

PAGE 2432

OH84B 60-0 WING UPPER SURFACE

(R4UR46)

RUN NUMBER	ZY/BW	XW/CW	T/C NO	H/HREF R=1.0	H/HREF R=0.9	H/HREF R= TAW/TO	TAW/TO	H(TO) BTU/R FT2SEC	H(TAW) BTU/R FT2SEC	QDOT BTU/ FT2SEC	DTWDT DEG. R /SEC	TW DEG. R
666	.75000	.90000	270.00	.7700-02	.9297-02	.9297-02	.9000	.1868-03	.2256-03	.1375	1.103	527.9
666	.80000	.90000	271.00	.8286-02	.1000-01	.1000-01	.9000	.2010-03	.2427-03	.1479	1.145	528.1
666	.90000	.20000	272.00	.3185-01	.3855-01	.3855-01	.9000	.7727-03	.9352-03	.5617	5.024	536.7
666	.90000	.40000	273.00	.8477-02	.1024-01	.1024-01	.9000	.2057-03	.2485-03	.1508	1.353	530.6
666	.90000	.60000	274.00	.6484-02	.7836-02	.7836-02	.9000	.1573-03	.1901-03	.1152	.8615	531.1
666	.95000	.20000	275.00	.1944-01	.2349-01	.2349-01	.9000	.4718-03	.5700-03	.3458	3.373	530.6
666	.95000	.40000	276.00	.2585-01	.3125-01	.3125-01	.9000	.6272-03	.7583-03	.4583	3.423	532.9
666	.95000	.50000	277.00	.2376-01	.2878-01	.2878-01	.9000	.5765-03	.6982-03	.4181	3.736	538.6
666	.95000	.70000	278.00	.6253-02	.7553-02	.7553-02	.9000	.1517-03	.1833-03	.1114	.8929	529.4
666	.95000	.80000	279.00	.4740-02	.5723-02	.5723-02	.9000	.1150-03	.1389-03	.8465-01	.6558	527.6
666	.95000	.90000	280.00	.1385-01	.1672-01	.1672-01	.9000	.3360-03	.4058-03	.2469	1.980	528.8

DATE 23 FEB 80

OH84B MODEL 60-0 IN THE AEDC VKI HYPERSONIC TUNNEL

PAGE 2433

OH84B 60-0 WING UPPER SURFACE

(R4UR46)

WING UPPER SURF

PARAMETRIC DATA

MACH = 8.000 ALPHA = 40.00 BETA = .0000 ELEVON = 5.000
 BDFLAP = .0000 SPDBRK = .0000

TEST CONDITIONS

RUN NUMBER	RN/L /FT X10 6	MACH	ALPHA DEG.	BETA DEG.	PO PSIA	TO DEG. R	T DEG. R	P PSIA	Q PSI	V FT/SEC	RHO SLUGS /FT3	MU LB-SEC /FT2
690	2.005	7.980	40.00	-6947-02	436.2	1303.	94.84	.4541-01	2.024	3810.	.1292-02	.7631-07
RUN NUMBER	HREF BTU/ R FT2SEC	STN NO REF (R)										
690	.3509-01	.2867-01										

TEST DATA

RUN NUMBER	ZY/BW	XW/CW	T/C NO	H/HREF R=1.0	H/HREF R=0.9	H/HREF R= TAW/TO	TAW/TO	H(TO) BTU/R FT2SEC	H(TAW) BTU/R FT2SEC	QDOT BTU/ FT2SEC	DTWDT DEG. R /SEC	TW DEG. R
690	.40000	.20000	247.00	.7885-02	.9492-02	.9492-02	.9000	.2767-03	.3331-03	.2130	1.704	533.1
690	.40000	.40000	248.00	.6185-03	.7447-03	.7447-03	.9000	.2170-04	.2613-04	.1668-01	.1557	534.0
690	.40000	.60000	249.00	.1074-02	.1293-02	.1293-02	.9000	.3769-04	.4537-04	.2897-01	.3244	533.9
690	.40000	.75000	250.00	.5521-03	.6647-03	.6647-03	.9000	.1938-04	.2333-04	.1491-01	.1113	533.4
690	.40000	.95000	252.00	.3393-02	.4080-02	.4080-02	.9000	.1191-03	.1432-03	.9205-01	.8264	529.5
690	.60000	.25000-01	253.00	.9091-01	.1115	.1115	.9000	.3190-02	.3911-02	2.255	54.39	595.9
690	.60000	.50000-01	254.00	.8341-01	.1018	.1018	.9000	.2927-02	.3572-02	2.111	41.97	581.4
690	.60000	.10000+00	255.00	.5694-01	.6886-01	.6886-01	.9000	.1998-02	.2416-02	1.504	15.90	560.2
690	.60000	.20000	256.00	.1221-01	.1471-01	.1471-01	.9000	.4284-03	.5162-03	.3280	2.933	537.1
690	.60000	.40000	257.00	.1142-02	.1376-02	.1376-02	.9000	.4007-04	.4827-04	.3071-01	.2544	536.1
690	.60000	.60000	258.00	.8979-03	.1082-02	.1082-02	.9000	.3151-04	.3796-04	.2417-01	.2253	535.6
690	.60000	.75000	259.00	.4280-02	.5150-02	.5150-02	.9000	.1502-03	.1807-03	.1158	1.039	531.5
690	.60000	.85000	260.00	.4855-02	.5841-02	.5841-02	.9000	.1704-03	.2050-03	.1315	1.093	530.7
690	.60000	.95000	261.00	.8849-02	.1064-01	.1064-01	.9000	.3105-03	.3733-03	.2404	2.699	528.5
690	.70000	.20000	262.00	.9610-02	.1157-01	.1157-01	.9000	.3372-03	.4061-03	.2590	2.416	534.7
690	.70000	.40000	263.00	.3094-02	.3726-02	.3726-02	.9000	.1086-03	.1307-03	.8349-01	.7478	533.9
690	.75000	1.0000	265.00	.2682-01	.3231-01	.3231-01	.9000	.9412-03	.1134-02	.7220	7.023	535.6
690	.75000	.40000	267.00	.5662-02	.6815-02	.6815-02	.9000	.1987-03	.2391-03	.1531	1.372	532.3
690	.75000	.60000	268.00	.8227-02	.9907-02	.9907-02	.9000	.2887-03	.3477-03	.2218	2.257	534.4
690	.75000	.80000	269.00	.3160-02	.3801-02	.3801-02	.9000	.1109-03	.1334-03	.8570-01	.8012	529.9
690	.75000	.90000	270.00	.1024-01	.1231-01	.1231-01	.9000	.3595-03	.4322-03	.2784	2.233	528.1

DATE 23 FEB 80

OH84B MODEL 60-0 IN THE AEDC VKF HYPERSONIC TUNNEL

PAGE 2434

OH84B 60-0 WING UPPER SURFACE

(R4UR46)

RUN NUMBER	2Y/BW	XW/CW	T/C NO	H/HREF R=1.0	H/HREF R=0.9	H/HREF R= TAW/TO	TAW/TO	H(TO) BTU/R FT2SEC	H(TAW) BTU/R FT2SEC	QDOT BTU/ FT2SEC	DTWDT DEG. R /SEC	TW DEG. R
690	.80000	.90000	271.00	.9906-02	.1191-01	.1191-01	.9000	.3476-03	.4179-03	.2694	2.086	527.8
690	.90000	.20000	272.00	.4962-01	.5989-01	.5989-01	.9000	.1741-02	.2102-02	1.322	11.79	543.4
690	.90000	.40000	273.00	.1746-01	.2102-01	.2102-01	.9000	.6127-03	.7378-03	.4707	4.215	534.3
690	.90000	.60000	274.00	.6526-02	.7854-02	.7854-02	.9000	.2290-03	.2756-03	.1765	1.318	532.2
690	.95000	.20000	275.00	.4024-01	.4849-01	.4849-01	.9000	.1412-02	.1702-02	1.081	10.50	537.4
690	.95000	.40000	276.00	.2298-01	.2767-01	.2767-01	.9000	.8064-03	.9709-03	.6199	4.627	534.0
690	.95000	.50000	277.00	.1469-01	.1769-01	.1769-01	.9000	.5155-03	.6208-03	.3959	3.545	534.6
690	.95000	.70000	278.00	.9285-02	.1117-01	.1117-01	.9000	.3258-03	.3919-03	.2516	2.016	530.5
690	.95000	.80000	279.00	.6099-02	.7331-02	.7331-02	.9000	.2140-03	.2573-03	.1658	1.285	527.8
690	.95000	.90000	280.00	.1604-01	.1929-01	.1929-01	.9000	.5628-03	.6768-03	.4352	3.489	529.3

OH84B 60-0 WING UPPER SURFACE

(R4UR46)

WING UPPER SURF

PARAMETRIC DATA

MACH = 8.000 ALPHA = 40.00 BETA = .0000 ELEVON = 5.000
 BDFLAP = .0000 SPDBRK = .0000

TEST CONDITIONS

RUN NUMBER	RN/L /FT X10 6	MACH	ALPHA DEG.	BETA DEG.	PO PSIA	TO DEG. R	T DEG. R	P PSIA	Q PSI	V FT/SEC	RHO SLUGS /FT3	MU LB-SEC /FT2
700	2.995	7.990	40.04	-.6974-02	668.7	1323.	96.07	.6906-01	3.086	3839.	.1940-02	.7731-07

RUN NUMBER	HREF BTU/ R FT2SEC	STN NO REF (R) =.0175
700	.4345-01	.2343-01

TEST DATA

RUN NUMBER	2Y/BW	XW/CW	T/C NO	H/HREF R=1.0	H/HREF R=0.9	H/HREF R= TAW/TO	TAW/TO	H(TO) BTU/R FT2SEC	H(TAW) BTU/R FT2SEC	QDOT BTU/ FT2SEC	DTWDT DEG. R /SEC	TW DEG. R
700	.40000	.20000	247.00	.1168-01	.1404-01	.1404-01	.9000	.5074-03	.6101-03	.3984	3.180	537.5
700	.40000	.40000	248.00	.8799-03	.1058-02	.1058-02	.9000	.3823-04	.4598-04	.2999-01	.2792	538.1
700	.40000	.60000	249.00	.1547-02	.1861-02	.1861-02	.9000	.6721-04	.8085-04	.5268-01	.5883	538.9
700	.40000	.75000	250.00	.1620-02	.1949-02	.1949-02	.9000	.7040-04	.8467-04	.5524-01	.4114	538.1
700	.40000	.80000	251.00	.5649-03	.6787-03	.6787-03	.9000	.2454-04	.2949-04	.1936-01	.1495	533.9
700	.40000	.95000	252.00	.4792-02	.5753-02	.5753-02	.9000	.2082-03	.2500-03	.1647	1.478	531.3
700	.60000	.25000-01	253.00	.9602-01	.1183	.1183	.9000	.4172-02	.5141-02	2.925	69.69	621.4
700	.60000	.50000-01	254.00	.8313-01	.1016	.1016	.9000	.3612-02	.4413-02	2.630	51.94	594.5
700	.60000	.10000+00	255.00	.6999-01	.8465-01	.8465-01	.9000	.3041-02	.3678-02	2.322	24.45	559.1
700	.60000	.20000	256.00	.1767-01	.2127-01	.2127-01	.9000	.7675-03	.9241-03	.5992	5.345	542.0
700	.60000	.40000	257.00	.1902-02	.2289-02	.2289-02	.9000	.8263-04	.9943-04	.6468-01	.5348	539.9
700	.60000	.60000	258.00	.2419-02	.2911-02	.2911-02	.9000	.1051-03	.1265-03	.8230-01	.7656	539.6
700	.60000	.75000	259.00	.1026-01	.1233-01	.1233-01	.9000	.4457-03	.5359-03	.3504	3.134	536.5
700	.60000	.85000	260.00	.7348-02	.8829-02	.8829-02	.9000	.3193-03	.3836-03	.2518	2.088	534.0
700	.60000	.95000	261.00	.1332-01	.1599-01	.1599-01	.9000	.5786-03	.6947-03	.4581	5.136	531.0
700	.70000	.20000	262.00	.9625-02	.1157-01	.1157-01	.9000	.4182-03	.5028-03	.3286	3.061	536.8
700	.70000	.40000	263.00	.7093-02	.8527-02	.8527-02	.9000	.3082-03	.3705-03	.2423	2.168	536.3
700	.75000	1.0000	265.00	.2726-01	.3279-01	.3279-01	.9000	.1184-02	.1425-02	.9284	9.017	538.8
700	.75000	.40000	267.00	.1311-01	.1575-01	.1575-01	.9000	.5695-03	.6844-03	.4489	4.019	534.5
700	.75000	.60000	268.00	.1330-01	.1599-01	.1599-01	.9000	.5779-03	.6948-03	.4542	4.617	536.7
700	.75000	.80000	269.00	.4363-02	.5237-02	.5237-02	.9000	.1896-03	.2275-03	.1504	1.406	529.5

DATE 23 FEB 80

OH84B MODEL 60-0 IN THE AEDC VKF HYPERSONIC TUNNEL

PAGE 2436

OH84B 60-0 WING UPPER SURFACE

(R4UR46)

RUN NUMBER	2Y/BW	XW/CW	T/C NO	H/HREF	H/HREF	H/HREF	TAW/TO	H(TO)	H(TAW)	QDOT	DTWDT	TW
				R=1.0	R=0.9	R=		BTU/R	BTU/R	BTU/ FT2SEC	DEG. R	DEG. R
700	.75000	.90000	270.00	.1183-01	.1419-01	.1419-01	.9000	.5139-03	.6166-03	.4084	3.276	528.1
700	.80000	.90000	271.00	.1349-01	.1619-01	.1619-01	.9000	.5863-03	.7034-03	.4657	3.606	528.3
700	.90000	.20000	272.00	.1312	.1595	.1595	.9000	.5700-02	.6928-02	4.255	37.31	576.2
700	.90000	.40000	273.00	.3720-01	.4479-01	.4479-01	.9000	.1616-02	.1946-02	1.262	11.26	542.0
700	.90000	.60000	274.00	.1709-01	.2053-01	.2053-01	.9000	.7424-03	.8918-03	.5859	4.374	533.4
700	.95000	.20000	275.00	.4803-01	.5784-01	.5784-01	.9000	.2087-02	.2513-02	1.626	15.76	543.4
700	.95000	.40000	276.00	.6745-01	.8137-01	.8137-01	.9000	.2930-02	.3535-02	2.265	16.77	549.7
700	.95000	.50000	277.00	.6987-01	.8431-01	.8431-01	.9000	.3036-02	.3663-02	2.344	20.82	550.6
700	.95000	.70000	278.00	.4860-01	.5858-01	.5858-01	.9000	.2111-02	.2545-02	1.638	13.02	546.7
700	.95000	.80000	279.00	.1380-01	.1656-01	.1656-01	.9000	.5996-03	.7194-03	.4759	3.684	528.9
700	.95000	.90000	280.00	.2126-01	.2552-01	.2552-01	.9000	.9236-03	.1109-02	.7320	5.865	530.2

DATE 23 FEB 80

OH84B MODEL 60-0 IN THE AEDC VKF HYPERSONIC TUNNEL

PAGE 2437

OH84B 60-0 WING UPPER SURFACE

(R4UR47)

WING UPPER SURF

PARAMETRIC DATA

MACH = 8.000 ALPHA = 40.00 BETA = .0000 ELEVON = 5.000
 BOFLAP = 8.000 SPOBRK = .0000

TEST CONDITIONS

RUN NUMBER	RN/L /FT X10 6	MACH	ALPHA DEG.	BETA DEG.	PO PSIA	TO DEG. R	T DEG. R	P PSIA	Q PSI	V FT/SEC	RHO SLUGS /FT3	MU LB-SEC /FT2
684	.5058	7.900	39.94	-.6904-02	101.0	1253.	92.91	.1122-01	.4902	3733.	.3259-03	.7477-07

RUN NUMBER	HREF BTU/ R FT2SEC	STN NO REF(R) = .0175
684	.1715-01	.5685-01

TEST DATA

RUN NUMBER	2Y/BW	XW/CW	T/C NO	H/HREF R=1.0	H/HREF R=0.9	H/HREF R= TAW/TO	TAW/TO	H(TO) BTU/R FT2SEC	H(TAW) BTU/R FT2SEC	QDOT BTU/ FT2SEC	DTWDT DEG. R /SEC	TW DEG. R
684	.40000	.20000	247.00	.4853-02	.5863-02	.5863-02	.9000	.8325-04	.1006-03	.6056-01	.4865	525.2
684	.40000	.40000	248.00	.5414-03	.6544-03	.6544-03	.9000	.9286-05	.1122-04	.6735-02	.6305-01	527.4
684	.40000	.60000	249.00	.1037-02	.1254-02	.1254-02	.9000	.1779-04	.2151-04	.1290-01	.1449	527.5
684	.40000	.75000	250.00	.2211-03	.2673-03	.2673-03	.9000	.3793-05	.4585-05	.2749-02	.2059-01	527.8
684	.40000	.95000	252.00	.3471-02	.4194-02	.4194-02	.9000	.5954-04	.7194-04	.4327-01	.3891	526.0
684	.60000	.25000-01	253.00	.7386-01	.8988-01	.8988-01	.9000	.1267-02	.1542-02	.8907	21.99	549.7
684	.60000	.50000-01	254.00	.5669-01	.6883-01	.6883-01	.9000	.9724-03	.1181-02	.6910	14.01	542.1
684	.60000	.10000+00	255.00	.3458-01	.4183-01	.4183-01	.9000	.5931-03	.7174-03	.4286	4.579	530.1
684	.60000	.20000	256.00	.9216-02	.1114-01	.1114-01	.9000	.1581-03	.1911-03	.1145	1.029	528.3
684	.60000	.40000	257.00	.1945-02	.2352-02	.2352-02	.9000	.3336-04	.4034-04	.2414-01	.2007	529.0
684	.60000	.60000	258.00	.1831-02	.2214-02	.2214-02	.9000	.3141-04	.3798-04	.2274-01	.2127	528.8
684	.60000	.85000	260.00	.2669-02	.3224-02	.3224-02	.9000	.4579-04	.5531-04	.3332-01	.2777	524.9
684	.60000	.95000	261.00	.8484-02	.1024-01	.1024-01	.9000	.1455-03	.1757-03	.1061	1.194	523.6
684	.70000	.20000	262.00	.9714-02	.1174-01	.1174-01	.9000	.1666-03	.2014-03	.1209	1.132	527.2
684	.70000	.40000	263.00	.3562-02	.4306-02	.4306-02	.9000	.6110-04	.7386-04	.4433-01	.3985	527.1
684	.75000	1.0000	265.00	.2578-01	.3115-01	.3115-01	.9000	.4421-03	.5343-03	.3210	3.137	526.6
684	.75000	.40000	267.00	.5090-02	.6151-02	.6151-02	.9000	.8731-04	.1055-03	.6343-01	.5705	526.1
684	.75000	.60000	268.00	.1699-02	.2053-02	.2053-02	.9000	.2914-04	.3521-04	.2115-01	.2160	526.9
684	.75000	.80000	269.00	.2244-02	.2711-02	.2711-02	.9000	.3850-04	.4651-04	.2800-01	.2624	525.3
684	.75000	.90000	270.00	.8222-02	.9929-02	.9929-02	.9000	.1410-03	.1703-03	.1027	.8257	524.2
684	.80000	.90000	271.00	.8684-02	.1049-01	.1049-01	.9000	.1490-03	.1799-03	.1085	.8417	524.5

DATE 23 FEB 80

OH84B MODEL 60-0 IN THE AEDC VKF HYPERSONIC TUNNEL

PAGE 2438

OH84B 60-0 WING UPPER SURFACE

(R4UR47)

RUN NUMBER	2Y/BW	XW/CW	T/C NO	H/HREF	H/HREF	H/HREF	TAW/TO	H(TO)	H(TAW)	QDOT	DTWDT	TW
				R=1.0	R=0.9	R=		BTU/R	BTU/R	BTU/ FT2SEC	DEG. R	DEG. R
684	.90000	.20000	272.00	.1098-01	.1326-01	.1326-01	.9000	.1883-03	.2275-03	.1369	1.231	525.6
684	.90000	.40000	273.00	.3155-02	.3812-02	.3812-02	.9000	.5411-04	.6538-04	.3934-01	.3538	525.7
684	.90000	.60000	274.00	.2056-02	.2485-02	.2485-02	.9000	.3527-04	.4262-04	.2561-01	.1919	526.5
684	.95000	.20000	275.00	.1180-01	.1425-01	.1425-01	.9000	.2023-03	.2444-03	.1472	1.440	525.1
684	.95000	.40000	276.00	.9182-02	.1109-01	.1109-01	.9000	.1575-03	.1902-03	.1146	.8594	525.0
684	.95000	.50000	277.00	.3718-02	.4491-02	.4491-02	.9000	.6377-04	.7704-04	.4639-01	.4173	525.3
684	.95000	.70000	278.00	.1941-02	.2345-02	.2345-02	.9000	.3330-04	.4021-04	.2427-01	.1951	524.0
684	.95000	.80000	279.00	.4257-02	.5141-02	.5141-02	.9000	.7303-04	.8818-04	.5322-01	.4131	523.8
684	.95000	.90000	280.00	.1391-01	.1680-01	.1680-01	.9000	.2386-03	.2882-03	.1738	1.396	524.4

DATE 23 FEB 80

OH84B MODEL 60-0 IN THE AEDC VKF HYPERSONIC TUNNEL

PAGE 2439

OH84B 60-0 WING UPPER SURFACE

(R4UR47)

WING UPPER SURF

PARAMETRIC DATA

MACH = 8.000 ALPHA = 40.00 BETA = .0000 ELEVON = 5.000
 BDFLAP = 8.000 SPDBRK = .0000

TEST CONDITIONS

RUN NUMBER	RN/L /FT X10 6	MACH	ALPHA DEG.	BETA DEG.	PO PSIA	TO DEG. R	T DEG. R	P PSIA	Q PSI	V FT/SEC	RHO SLUGS /FT3	MU LB-SEC /FT2
670	1.020	7.940	39.97	-.1039-01	207.6	1258.	92.42	.2233-01	.9854	3742.	.6521-03	.7437-07
RUN NUMBER	HREF BTU/ R FT2SEC	STN NO REF(R) = .0175										
670	.2434-01	.4021-01										

TEST DATA

RUN NUMBER	2Y/BW	XW/CW	T/C NO	H/HREF R=1.0	H/HREF R=0.9	H/HREF R= TAW/TO	TAW/TO	H(TO) BTU/R FT2SEC	H(TAW) BTU/R FT2SEC	QDOT BTU/ FT2SEC	DTWDT DEG. R /SEC	TW DEG. R
670	.40000	.20000	247.00	.5408-02	.6532-02	.6532-02	.9000	.1316-03	.1590-03	.9623-01	.7725	526.5
670	.40000	.40000	248.00	.7420-03	.8967-03	.8967-03	.9000	.1806-04	.2182-04	.1316-01	.1231	528.7
670	.40000	.60000	249.00	.7888-03	.9534-03	.9534-03	.9000	.1920-04	.2320-04	.1399-01	.1570	529.0
670	.40000	.75000	250.00	.5358-03	.6474-03	.6474-03	.9000	.1304-04	.1576-04	.9507-02	.7116-01	528.5
670	.40000	.95000	252.00	.3327-02	.4016-02	.4016-02	.9000	.8096-04	.9774-04	.5930-01	.5336	525.1
670	.60000	.25000-01	253.00	.7962-01	.9721-01	.9721-01	.9000	.1938-02	.2366-02	.1347	33.02	562.7
670	.60000	.50000-01	254.00	.6715-01	.8174-01	.8174-01	.9000	.1634-02	.1989-02	1.151	23.21	553.2
670	.60000	.10000+00	255.00	.4141-01	.5012-01	.5012-01	.9000	.1008-02	.1220-02	.7291	7.773	534.2
670	.60000	.20000	256.00	.9760-02	.1180-01	.1180-01	.9000	.2375-03	.2871-03	.1730	1.554	529.2
670	.60000	.40000	257.00	.1332-02	.1610-02	.1610-02	.9000	.3241-04	.3918-04	.2360-01	.1962	529.6
670	.60000	.60000	258.00	.1483-02	.1793-02	.1793-02	.9000	.3609-04	.4363-04	.2629-01	.2459	529.2
670	.60000	.85000	260.00	.2074-02	.2504-02	.2504-02	.9000	.5048-04	.6093-04	.3703-01	.3086	524.2
670	.60000	.95000	261.00	.7402-02	.8931-02	.8931-02	.9000	.1802-03	.2174-03	.1324	1.490	523.0
670	.70000	.20000	262.00	.9573-02	.1156-01	.1156-01	.9000	.2330-03	.2814-03	.1701	1.592	527.4
670	.70000	.40000	263.00	.2952-02	.3566-02	.3566-02	.9000	.7185-04	.8678-04	.5250-01	.4719	526.9
670	.75000	1.0000	265.00	.2371-01	.2864-01	.2864-01	.9000	.5771-03	.6971-03	.4219	4.123	526.6
670	.75000	.20000	266.00	.1045-01	.1262-01	.1262-01	.9000	.2543-03	.3070-03	.1861	1.820	525.7
670	.75000	.40000	267.00	.4713-02	.5690-02	.5690-02	.9000	.1147-03	.1385-03	.8398-01	.7554	525.5
670	.75000	.60000	268.00	.2439-02	.2945-02	.2945-02	.9000	.5935-04	.7167-04	.4343-01	.4439	525.9
670	.75000	.80000	269.00	.1536-02	.1853-02	.1853-02	.9000	.3738-04	.4510-04	.2745-01	.2575	523.3
670	.75000	.90000	270.00	.6712-02	.8096-02	.8096-02	.9000	.1633-03	.1970-03	.1201	.9663	522.3

DATE 23 FEB 80

OH848 MODEL 60-0 IN THE AEDC VKF HYPERSONIC TUNNEL

PAGE 2440

OH848 60-0 WING UPPER SURFACE

(R4UR47)

RUN NUMBER	ZY/BW	XW/CW	T/C NO	H/HREF R=1.0	H/HREF R=0.9	H/HREF R= TAW/TO	TAW/TO	H(TO) BTU/R FT2SEC	H(TAW) BTU/R FT2SEC	QDOT BTU/ FT2SEC	DTWOT DEG. R /SEC	TW DEG. R
670	.80000	.90000	271.00	.7719-02	.9313-02	.9313-02	.9000	.1879-03	.2266-03	.1381	1.072	522.7
670	.90000	.20000	272.00	.1666-01	.2012-01	.2012-01	.9000	.4055-03	.4897-03	.2967	2.668	526.1
670	.90000	.40000	273.00	.3966-02	.4787-02	.4787-02	.9000	.9652-04	.1165-03	.7079-01	.6372	524.3
670	.90000	.60000	274.00	.2057-02	.2483-02	.2483-02	.9000	.5006-04	.6042-04	.3670-01	.2753	524.4
670	.95000	.20000	275.00	.1080-01	.1303-01	.1303-01	.9000	.2628-03	.3172-03	.1929	1.888	523.7
670	.95000	.40000	276.00	.9916-02	.1197-01	.1197-01	.9000	.2413-03	.2912-03	.1771	1.329	523.7
670	.95000	.50000	277.00	.8113-02	.9793-02	.9793-02	.9000	.1974-03	.2383-03	.1447	1.302	524.8
670	.95000	.70000	278.00	.4486-02	.5412-02	.5412-02	.9000	.1092-03	.1317-03	.8024-01	.6454	522.7
670	.95000	.80000	279.00	.4531-02	.5466-02	.5466-02	.9000	.1103-03	.1330-03	.8110-01	.6300	522.2
670	.95000	.90000	280.00	.1411-01	.1702-01	.1702-01	.9000	.3433-03	.4143-03	.2521	2.027	523.5

DATE 23 FEB 80

OH84B MODEL 60-0 IN THE AEDC VKF HYPERSONIC TUNNEL

PAGE 2441

OH84B 60-0 WING UPPER SURFACE

(R4UR47)

WING UPPER SURF

PARAMETRIC DATA

MACH = 8.000 ALPHA = 40.00 BETA = .0000 ELEVON = 5.000
 BDFLAP = 8.000 SPOBRK = .0000

TEST CONDITIONS

RUN NUMBER	RN/L /FT X10 6	MACH	ALPHA DEG.	BETA DEG.	PO PSIA	TO DEG. R	T DEG. R	P PSIA	Q PSI	V FT/SEC	RHO SLUGS /FT3	MU LB-SEC /FT2
686	1.998	7.980	39.98	-.6934-02	434.7	1303.	94.84	.4525-01	2.017	3810.	.1288-02	.7631-07

RUN NUMBER	HREF BTU/ R FT2SEC	STN NO REF (R) = .0175
686	.3503-01	.2872-01

TEST DATA

RUN NUMBER	2Y/BW	XW/CW	T/C NO	H/HREF R=1.0	H/HREF R=0.9	H/HREF R= TAW/TO	TAW/TO	H(ITO) BTU/R FT2SEC	H(TAW) BTU/R FT2SEC	QDOT BTU/ FT2SEC	DTWDT DEG. R /SEC	TW DEG. R
686	.40000	.20000	247.00	.7416-02	.8917-02	.8917-02	.9000	.2598-03	.3124-03	.2010	1.612	528.9
686	.40000	.40000	248.00	.4605-03	.5538-03	.5538-03	.9000	.1613-04	.1940-04	.1248-01	.1167	529.2
686	.40000	.60000	249.00	.8946-03	.1076-02	.1076-02	.9000	.3134-04	.3769-04	.2422-01	.2718	529.8
686	.40000	.75000	250.00	.3732-03	.4488-03	.4488-03	.9000	.1307-04	.1572-04	.1011-01	.7563-01	529.4
686	.40000	.95000	252.00	.3200-02	.3846-02	.3846-02	.9000	.1121-03	.1347-03	.8692-01	.7812	527.2
686	.60000	.25000-01	253.00	.8960-01	.1097	.1097	.9000	.3139-02	.3844-02	2.229	53.87	592.4
686	.60000	.50000-01	254.00	.8150-01	.9934-01	.9934-01	.9000	.2855-02	.3480-02	2.072	41.26	577.2
686	.60000	.10000+00	255.00	.5618-01	.6788-01	.6788-01	.9000	.1968-02	.2378-02	1.488	15.77	546.6
686	.60000	.20000	256.00	.1265-01	.1522-01	.1522-01	.9000	.4432-03	.5334-03	.3414	3.060	532.4
686	.60000	.40000	257.00	.9554-03	.1149-02	.1149-02	.9000	.3347-04	.4026-04	.2584-01	.2146	530.7
686	.60000	.60000	258.00	.5381-03	.6473-03	.6473-03	.9000	.1885-04	.2268-04	.1456-01	.1360	530.5
686	.60000	.75000	259.00	.3726-02	.4479-02	.4479-02	.9000	.1305-03	.1569-03	.1012	.9097	527.3
686	.60000	.85000	260.00	.5128-02	.6164-02	.6164-02	.9000	.1796-03	.2159-03	.1392	1.158	527.7
686	.60000	.95000	261.00	.8600-02	.1033-01	.1033-01	.9000	.3013-03	.3620-03	.2339	2.629	526.3
686	.70000	.20000	262.00	.9177-02	.1104-01	.1104-01	.9000	.3215-03	.3867-03	.2483	2.321	530.3
686	.70000	.40000	263.00	.2891-02	.3476-02	.3476-02	.9000	.1013-03	.1218-03	.7831-01	.7030	529.4
686	.75000	1.0000	265.00	.2640-01	.3177-01	.3177-01	.9000	.9247-03	.1113-02	.7119	6.934	532.8
686	.75000	.40000	267.00	.4926-02	.5922-02	.5922-02	.9000	.1726-03	.2075-03	.1336	1.200	528.6
686	.75000	.60000	268.00	.7316-02	.8800-02	.8800-02	.9000	.2563-03	.3083-03	.1979	2.017	530.6
686	.75000	.80000	269.00	.3021-02	.3631-02	.3631-02	.9000	.1058-03	.1272-03	.8214-01	.7693	526.6
686	.75000	.90000	270.00	.9895-02	.1189-01	.1189-01	.9000	.3466-03	.4164-03	.2694	2.163	525.6

DATE 23 FEB 80

OH84B MODEL 60-0 IN THE AEDC VKF HYPERSONIC TUNNEL

PAGE 2442

OH84B 60-0 WING UPPER SURFACE

(R4UR47)

RUN NUMBER	ZY/BW	XW/CW	T/C NO	H/HREF	H/HREF	H/HREF	TAW/TO	H(TO)	H(TAW)	QDOT	DTWDT	TW
				R=1.0	R=0.9	R=		BTU/R	BTU/R	BTU/ FT2SEC	DEG. R	DEG. R
				TAW/TO								
686	.80000	.90000	271.00	.9442-02	.1134-01	.1134-01	.9000	.3308-03	.3974-03	.2571	1.994	525.4
686	.90000	.20000	272.00	.5194-01	.6266-01	.6266-01	.9000	.1820-02	.2195-02	1.386	12.37	541.1
686	.90000	.40000	273.00	.1357-01	.1632-01	.1632-01	.9000	.4752-03	.5716-03	.3671	3.294	530.3
686	.90000	.60000	274.00	.1154-01	.1388-01	.1388-01	.9000	.4044-03	.4864-03	.3128	2.340	529.3
686	.95000	.20000	275.00	.2630-01	.3165-01	.3165-01	.9000	.9212-03	.1109-02	.7092	6.909	532.8
686	.95000	.40000	276.00	.2268-01	.2729-01	.2729-01	.9000	.7947-03	.9560-03	.6137	4.589	530.5
686	.95000	.50000	277.00	.3362-01	.4058-01	.4058-01	.9000	.1178-02	.1422-02	.8949	7.979	542.9
686	.95000	.70000	278.00	.1552-01	.1867-01	.1867-01	.9000	.5436-03	.6540-03	.4194	3.359	531.0
686	.95000	.80000	279.00	.7324-02	.8799-02	.8799-02	.9000	.2566-03	.3083-03	.1993	1.546	525.7
686	.95000	.90000	280.00	.1571-01	.1888-01	.1888-01	.9000	.5503-03	.6614-03	.4268	3.425	527.1

OH84B 60-0 WING UPPER SURFACE

(R4UR47)

WING UPPER SURF

PARAMETRIC DATA

MACH = 8.000 ALPHA = 40.00 BETA = .0000 ELEVON = 5.000
 BDFLAP = 8.000 SPDBRK = .0000

TEST CONDITIONS

RUN NUMBER	RN/L /FT X10 6	MACH	ALPHA DEG.	BETA DEG.	PO PSIA	TO DEG. R	T DEG. R	P PSIA	Q PSI	V FT/SEC	RHO SLUGS /FT3	MU LB-SEC /FT2
704	2.994	7.990	40.01	-.6953-02	669.4	1324.	96.14	.6913-01	3.089	3841.	.1941-02	.7736-07
RUN NUMBER	HREF BTU/ R FT2SEC	STN NO REF (R) = .0175										
704	.4348-01	.2343-01										

TEST DATA

RUN NUMBER	2Y/BW	XW/CW	T/C NO	H/HREF R=1.0	H/HREF R=0.9	H/HREF R= TAW/TO	TAW/TO	H(TO) BTU/R FT2SEC	H(TAW) BTU/R FT2SEC	QDOT BTU/ FT2SEC	DTWDT DEG. R /SEC	TW DEG. R
704	.40000	.20000	247.00	.1178-01	.1416-01	.1416-01	.9000	.5122-03	.6154-03	.4039	3.229	535.0
704	.40000	.40000	248.00	.8816-03	.1060-02	.1060-02	.9000	.3833-04	.4607-04	.3020-01	.2815	535.7
704	.40000	.60000	249.00	.1455-02	.1749-02	.1749-02	.9000	.6326-04	.7604-04	.4979-01	.5567	536.5
704	.40000	.75000	250.00	.1375-02	.1653-02	.1653-02	.9000	.5979-04	.7185-04	.4714-01	.3517	535.1
704	.40000	.80000	251.00	.5252-03	.6304-03	.6304-03	.9000	.2283-04	.2741-04	.1811-01	.1401	530.4
704	.40000	.95000	252.00	.4313-02	.5174-02	.5174-02	.9000	.1875-03	.2250-03	.1492	1.340	528.1
704	.60000	.25000-01	253.00	.9624-01	.1185	.1185	.9000	.4184-02	.5151-02	2.951	70.41	618.3
704	.60000	.50000-01	254.00	.8406-01	.1027	.1027	.9000	.3655-02	.4463-02	2.670	52.78	593.0
704	.60000	.10000+00	255.00	.6921-01	.8364-01	.8364-01	.9000	.3009-02	.3636-02	2.308	24.33	556.7
704	.60000	.20000	256.00	.1725-01	.2075-01	.2075-01	.9000	.7499-03	.9020-03	.5886	5.259	538.8
704	.60000	.40000	257.00	.1687-02	.2028-02	.2028-02	.9000	.7335-04	.8819-04	.5773-01	.4781	536.7
704	.60000	.60000	258.00	.1721-02	.2069-02	.2069-02	.9000	.7483-04	.8995-04	.5893-01	.5492	536.1
704	.60000	.75000	259.00	.9534-02	.1145-01	.1145-01	.9000	.4145-03	.4978-03	.3278	2.938	532.8
704	.60000	.85000	260.00	.8993-02	.1080-01	.1080-01	.9000	.3910-03	.4695-03	.3095	2.569	532.0
704	.60000	.95000	261.00	.1330-01	.1595-01	.1595-01	.9000	.5780-03	.6934-03	.4598	5.163	528.2
704	.70000	.20000	262.00	.9476-02	.1138-01	.1138-01	.9000	.4120-03	.4949-03	.3255	3.038	533.5
704	.70000	.40000	263.00	.6435-02	.7728-02	.7728-02	.9000	.2798-03	.3360-03	.2212	1.983	532.8
704	.75000	1.0000	265.00	.2764-01	.3322-01	.3322-01	.9000	.1201-02	.1444-02	.9456	9.194	536.6
704	.75000	.40000	267.00	.1047-01	.1257-01	.1257-01	.9000	.4553-03	.5466-03	.3610	3.238	530.9
704	.75000	.60000	268.00	.1206-01	.1448-01	.1448-01	.9000	.5242-03	.6297-03	.4142	4.217	533.5
704	.75000	.80000	269.00	.7296-02	.8751-02	.8751-02	.9000	.3172-03	.3805-03	.2525	2.363	527.7

DATE 23 FEB 80

OH84B MODEL 60-0 IN THE AEDC VKF HYPERSONIC TUNNEL

PAGE 2444

OH84B 60-0 WING UPPER SURFACE

(R4UR47)

RUN NUMBER	2Y/BW	XW/CW	T/C NO	H/HREF	H/HREF	H/HREF	TAW/TO	H(TO)	H(TAW)	QDOT	DTWDT	TW
				R=1.0	R=0.9	R=		BTU/R	BTU/R	BTU/ FT2SEC	DEG. R	DEG. R
704	.75000	.90000	270.00	.1247-01	.1495-01	.1495-01	.9000	.5420-03	.6498-03	.4324	3.473	525.8
704	.80000	.90000	271.00	.1347-01	.1615-01	.1615-01	.9000	.5857-03	.7021-03	.4675	3.625	525.5
704	.90000	.20000	272.00	.5909-01	.7111-01	.7111-01	.9000	.2569-02	.3092-02	2.012	17.97	540.4
704	.90000	.40000	273.00	.3709-01	.4462-01	.4462-01	.9000	.1612-02	.1940-02	1.265	11.30	539.3
704	.90000	.60000	274.00	.1712-01	.2055-01	.2055-01	.9000	.7443-03	.8935-03	.5900	4.411	531.0
704	.95000	.20000	275.00	.4007-01	.4818-01	.4818-01	.9000	.1742-02	.2095-02	1.370	13.32	537.2
704	.95000	.40000	276.00	.8809-01	.1065	.1065	.9000	.3830-02	.4630-02	2.933	21.63	557.8
704	.95000	.50000	277.00	.6590-01	.7946-01	.7946-01	.9000	.2865-02	.3454-02	2.222	19.75	548.2
704	.95000	.70000	278.00	.3786-01	.4552-01	.4552-01	.9000	.1646-02	.1979-02	1.294	10.33	537.4
704	.95000	.80000	279.00	.1305-01	.1564-01	.1564-01	.9000	.5672-03	.6801-03	.4524	3.507	526.1
704	.95000	.90000	280.00	.2129-01	.2554-01	.2554-01	.9000	.9254-03	.1110-02	.7361	5.904	528.2

DATE 23 FEB 80

OH84B MODEL 60-0 IN THE AEDC VKF HYPERSONIC TUNNEL

PAGE 2445

OH84B 60-0 WING UPPER SURFACE

(R4UR4B)

WING UPPER SURF

PARAMETRIC DATA

MACH = 8.000 ALPHA = 40.00 BETA = .0000 ELEVON = 5.000
 BDFLAP = 15.00 SPDBRK = .0000

TEST CONDITIONS

RUN NUMBER	RN/L /FT X10 6	MACH	ALPHA DEG.	BETA DEG.	PO PSIA	TO DEG. R	T DEG. R	P PSIA	Q PSI	V FT/SEC	RHO SLUGS /FT3	MU LB-SEC /FT2
676	.5094	7.900	39.93	-.6898-02	101.6	1252.	92.84	.1129-01	.4931	3732.	.3281-03	.7471-07

RUN NUMBER	HREF BTU/ R FT2SEC	STN NO REF (R) = .0175
676	.1720-01	.5666-01

TEST DATA

RUN NUMBER	2Y/BW	XW/CW	T/C NO	H/HREF R=1.0	H/HREF R=0.9	H/HREF R= TAW/TO	TAW/TO	H(TO) BTU/R FT2SEC	H(TAW) BTU/R FT2SEC	QDOT BTU/ FT2SEC	DTWDT DEG. R /SEC	TW DEG. R
676	.40000	.20000	247.00	.3837-02	.4637-02	.4637-02	.9000	.6601-04	.7976-04	.4791-01	.3847	525.9
676	.40000	.40000	248.00	.3697-03	.4468-03	.4468-03	.9000	.6359-05	.7686-05	.4609-02	.4316-01	526.8
676	.40000	.60000	249.00	.8052-03	.9733-03	.9733-03	.9000	.1385-04	.1674-04	.1004-01	.1128	527.0
676	.40000	.75000	250.00	.3967-03	.4796-03	.4796-03	.9000	.6823-05	.8250-05	.4940-02	.3699-01	527.7
676	.40000	.95000	252.00	.3181-02	.3846-02	.3846-02	.9000	.5471-04	.6616-04	.3960-01	.3558	527.9
676	.60000	.25000-01	253.00	.7353-01	.8955-01	.8955-01	.9000	.1265-02	.1540-02	.8851	21.82	551.9
676	.60000	.50000-01	254.00	.5601-01	.6804-01	.6804-01	.9000	.9634-03	.1170-02	.6819	13.81	543.8
676	.60000	.10000+00	255.00	.3436-01	.4159-01	.4159-01	.9000	.5910-03	.7153-03	.4256	4.544	531.5
676	.60000	.20000	256.00	.9137-02	.1105-01	.1105-01	.9000	.1572-03	.1901-03	.1136	1.020	529.0
676	.60000	.40000	257.00	.1530-02	.1851-02	.1851-02	.9000	.2632-04	.3184-04	.1903-01	.1582	528.9
676	.60000	.85000	260.00	.1926-02	.2328-02	.2328-02	.9000	.3314-04	.4005-04	.2401-01	.1999	526.9
676	.60000	.95000	261.00	.8161-02	.9862-02	.9862-02	.9000	.1404-03	.1696-03	.1018	1.145	526.3
676	.70000	.20000	262.00	.1024-01	.1238-01	.1238-01	.9000	.1761-03	.2129-03	.1273	1.191	528.8
676	.70000	.40000	263.00	.3299-02	.3990-02	.3990-02	.9000	.5675-04	.6863-04	.4106-01	.3688	528.3
676	.75000	1.0000	265.00	.2513-01	.3039-01	.3039-01	.9000	.4322-03	.5228-03	.3123	3.047	529.2
676	.75000	.20000	266.00	.1085-01	.1312-01	.1312-01	.9000	.1866-03	.2256-03	.1350	1.318	528.2
676	.75000	.40000	267.00	.4986-02	.6029-02	.6029-02	.9000	.8576-04	.1037-03	.6204-01	.5573	528.2
676	.75000	.60000	268.00	.1994-02	.2413-02	.2413-02	.9000	.3431-04	.4150-04	.2478-01	.2528	529.4
676	.75000	.80000	269.00	.9360-03	.1132-02	.1132-02	.9000	.1610-04	.1947-04	.1164-01	.1089	528.7
676	.75000	.90000	270.00	.6367-02	.7699-02	.7699-02	.9000	.1095-03	.1324-03	.7926-01	.6358	527.9
676	.80000	.90000	271.00	.7676-02	.9282-02	.9282-02	.9000	.1320-03	.1597-03	.9550-01	.7395	528.4

DATE 23 FEB 80

OH84B MODEL 60-0 IN THE AEDC VKF HYPERSONIC TUNNEL

PAGE 2446

OH84B 60-0 WING UPPER SURFACE

(R4UR48)

RUN NUMBER	ZY/BW	XW/CW	T/C NO	H/HREF	H/HREF	H/HREF	TAW/TO	H(TO)	H(TAW)	QDOT	DTWDT	TW	
				R=1.0	R=0.9	R=		BTU/R	BTU/R	BTU/	DEG. R	DEG. R	
						TAW/TO			FT2SEC	FT2SEC	FT2SEC	/SEC	
676	.90000	.20000	272.00	.9196-02	.1112-01	.1112-01	.9000	.1582-03	.1913-03	.1143	1.026	529.0	
676	.90000	.40000	273.00	.3831-02	.4634-02	.4634-02	.9000	.6589-04	.7971-04	.4758-01	.4271	529.6	
676	.90000	.60000	274.00	.2468-02	.2986-02	.2986-02	.9000	.4245-04	.5136-04	.3061-01	.2289	530.5	
676	.95000	.20000	275.00	.1199-01	.1451-01	.1451-01	.9000	.2063-03	.2495-03	.1491	1.455	529.0	
676	.95000	.40000	276.00	.2036-01	.2463-01	.2463-01	.9000	.3502-03	.4237-03	.2524	1.887	530.8	
676	.95000	.50000	277.00	.1038-01	.1256-01	.1256-01	.9000	.1785-03	.2160-03	.1287	1.155	530.5	
676	.95000	.70000	278.00	.5428-02	.6565-02	.6565-02	.9000	.9337-04	.1129-03	.6751-01	.5414	528.7	
676	.95000	.80000	279.00	.4600-02	.5562-02	.5562-02	.9000	.7913-04	.9568-04	.5726-01	.4435	528.1	
676	.95000	.90000	280.00	.1364-01	.1649-01	.1649-01	.9000	.2346-03	.2837-03	.1696	1.360	528.7	

OH84B 60-0 WING UPPER SURFACE

(R4UR48)

WING UPPER SURF

PARAMETRIC DATA

MACH = 8.000 ALPHA = 40.00 BETA = .0000 ELEVON = 5.000
 BDFLAP = 15.00 SPDBRK = .0000

TEST CONDITIONS

RUN NUMBER	RN/L /FT X10 6	MACH	ALPHA DEG.	BETA DEG.	PO PSIA	TO DEG. R	T DEG. R	P PSIA	Q PSI	V FT/SEC	RHO SLUGS /FT3	MU LB-SEC /FT2
674	1.007	7.940	39.97	-.1039-01	206.5	1264.	92.86	.2221-01	.9801	3751.	.6456-03	.7472-07

RUN NUMBER	HREF BTU/ R FT2SEC	STN NO REF (R) = .0175
674	.2429-01	.4043-01

TEST DATA

RUN NUMBER	ZY/BW	XW/CW	T/C NO	H/HREF R=1.0	H/HREF R=0.9	H/HREF R= TAW/TO	TAW/TO	H(TO) BTU/R FT2SEC	H(TAW) BTU/R FT2SEC	QDOT BTU/ FT2SEC	DTWOT DEG. R /SEC	TW DEG. R
674	.40000	.20000	247.00	.5439-02	.6562-02	.6562-02	.9000	.1321-03	.1594-03	.9754-01	.7834	525.4
674	.40000	.40000	248.00	.7912-03	.9551-03	.9551-03	.9000	.1922-04	.2320-04	.1415-01	.1325	527.3
674	.40000	.60000	249.00	.8140-03	.9827-03	.9827-03	.9000	.1977-04	.2387-04	.1456-01	.1635	527.5
674	.40000	.75000	250.00	.4602-03	.5556-03	.5556-03	.9000	.1118-04	.1350-04	.8228-02	.6161-01	527.6
674	.40000	.95000	252.00	.3010-02	.3632-02	.3632-02	.9000	.7312-04	.8822-04	.5400-01	.4858	525.3
674	.60000	.25000-01	253.00	.7909-01	.9646-01	.9646-01	.9000	.1921-02	.2343-02	1.348	33.06	562.2
674	.60000	.50000-01	254.00	.6696-01	.8143-01	.8143-01	.9000	.1627-02	.1978-02	1.157	23.33	552.5
674	.60000	.10000+00	255.00	.4295-01	.5192-01	.5192-01	.9000	.1043-02	.1261-02	.7626	8.137	532.7
674	.60000	.20000	256.00	.1063-01	.1284-01	.1284-01	.9000	.2583-03	.3120-03	.1899	1.706	528.6
674	.60000	.40000	257.00	.1447-02	.1748-02	.1748-02	.9000	.3516-04	.4245-04	.2584-01	.2149	528.6
674	.60000	.60000	258.00	.9379-03	.1132-02	.1132-02	.9000	.2278-04	.2751-04	.1676-01	.1568	528.2
674	.60000	.85000	260.00	.2243-02	.2705-02	.2705-02	.9000	.5448-04	.6570-04	.4029-01	.3359	524.0
674	.60000	.95000	261.00	.7632-02	.9202-02	.9202-02	.9000	.1854-03	.2235-03	.1373	1.546	523.0
674	.70000	.20000	262.00	.9353-02	.1129-01	.1129-01	.9000	.2272-03	.2743-03	.1674	1.567	527.1
674	.70000	.40000	263.00	.3033-02	.3660-02	.3660-02	.9000	.7367-04	.8892-04	.5431-01	.4882	526.6
674	.75000	1.0000	265.00	.2325-01	.2806-01	.2806-01	.9000	.5648-03	.6816-03	.4165	4.071	526.3
674	.75000	.20000	266.00	.1045-01	.1261-01	.1261-01	.9000	.2538-03	.3062-03	.1873	1.832	525.6
674	.75000	.40000	267.00	.4808-02	.5801-02	.5801-02	.9000	.1168-03	.1409-03	.8621-01	.7755	525.6
674	.75000	.60000	268.00	.3109-02	.3753-02	.3753-02	.9000	.7553-04	.9116-04	.5568-01	.5689	526.4
674	.75000	.80000	269.00	.2093-02	.2524-02	.2524-02	.9000	.5084-04	.6132-04	.3759-01	.3525	524.3
674	.75000	.90000	270.00	.6903-02	.8323-02	.8323-02	.9000	.1677-03	.2022-03	.1242	.9989	523.0

DATE 23 FEB 80

OH84B MODEL 60-0 IN THE AEDC VKF HYPERSONIC TUNNEL

PAGE 2448

OH84B 60-0 WING UPPER SURFACE

(R4UR48)

RUN NUMBER	2Y/BW	XW/CW	T/C NO	H/HREF	H/HREF	H/HREF	TAW/TO	H(TO)	H(TAW)	QDOT	DTWDT	TW
				R=1.0	R=0.9	R=		BTU/R	BTU/R	BTU/ FT2SEC	DEG. R	DEG. R
674	.80000	.90000	271.00	.9768-02	.1178-01	.1178-01	.9000	.2373-03	.2862-03	.1756	1.363	523.6
674	.90000	.20000	272.00	.1697-01	.2048-01	.2048-01	.9000	.4122-03	.4975-03	.3037	2.731	526.8
674	.90000	.40000	273.00	.5822-02	.7024-02	.7024-02	.9000	.1414-03	.1706-03	.1044	.9395	525.3
674	.90000	.60000	274.00	.2367-02	.2856-02	.2856-02	.9000	.5750-04	.6938-04	.4245-01	.3183	525.4
674	.95000	.20000	275.00	.1054-01	.1271-01	.1271-01	.9000	.2560-03	.3087-03	.1894	1.854	523.7
674	.95000	.40000	276.00	.2304-01	.2781-01	.2781-01	.9000	.5597-03	.6756-03	.4123	3.088	527.0
674	.95000	.50000	277.00	.1198-01	.1446-01	.1446-01	.9000	.2910-03	.3512-03	.2147	1.930	526.1
674	.95000	.70000	278.00	.3534-02	.4261-02	.4261-02	.9000	.8585-04	.1035-03	.6355-01	.5110	523.4
674	.95000	.80000	279.00	.4731-02	.5705-02	.5705-02	.9000	.1149-03	.1386-03	.8512-01	.6609	523.1
674	.95000	.90000	280.00	.1323-01	.1595-01	.1595-01	.9000	.3214-03	.3875-03	.2378	1.911	523.8

OH84B 60-0 WING UPPER SURFACE

(R4UR48)

WING UPPER SURF

PARAMETRIC DATA

MACH = 8.000 ALPHA = 40.00 BETA = .0000 ELEVON = 5.000
 BDFLAP = 15.00 SPDBRK = .0000

TEST CONDITIONS

RUN NUMBER	RN/L /FT X10 6	MACH	ALPHA DEG.	BETA DEG.	PO PSIA	TO DEG. R	T DEG. R	P PSIA	Q PSI	V FT/SEC	RHO SLUGS /FT3	MU LB-SEC /FT2
692	2.004	7.980	40.00	-.6947-02	436.0	1303.	94.84	.4539-01	2.023	3810.	.1292-02	.7631-07
RUN NUMBER	HREF BTU/ R FT2SEC	STN NO REF (R)										
692	.3509-01	.2867-01										

TEST DATA

RUN NUMBER	2Y/BW	XW/CW	T/C NO	H/HREF R=1.0	H/HREF R=0.9	H/HREF R=TAW/TO	TAW/TO	H(TO) BTU/R FT2SEC	H(TAW) BTU/R FT2SEC	QDOT BTU/ FT2SEC	DTWOT DEG. R /SEC	TW DEG. R
692	.40000	.20000	247.00	.7863-02	.9465-02	.9465-02	.9000	.2759-03	.3321-03	.2123	1.699	533.0
692	.40000	.40000	248.00	.6037-03	.7269-03	.7269-03	.9000	.2118-04	.2550-04	.1628-01	.1519	533.8
692	.40000	.60000	249.00	.9623-03	.1159-02	.1159-02	.9000	.3376-04	.4065-04	.2596-01	.2907	533.7
692	.40000	.75000	250.00	.5400-03	.6500-03	.6500-03	.9000	.1895-04	.2280-04	.1459-01	.1089	532.8
692	.40000	.95000	252.00	.3675-02	.4418-02	.4418-02	.9000	.1289-03	.1550-03	.9985-01	.8969	528.3
692	.60000	.25000-01	253.00	.8995-01	.1104	.1104	.9000	.3156-02	.3874-02	2.218	53.41	599.8
692	.60000	.50000-01	254.00	.8217-01	.1004	.1004	.9000	.2883-02	.3521-02	2.072	41.14	583.8
692	.60000	.10000+00	255.00	.5792-01	.7006-01	.7006-01	.9000	.2032-02	.2458-02	1.528	16.15	550.9
692	.60000	.20000	256.00	.1274-01	.1535-01	.1535-01	.9000	.4469-03	.5385-03	.3424	3.063	536.4
692	.60000	.40000	257.00	.1081-02	.1302-02	.1302-02	.9000	.3794-04	.4570-04	.2913-01	.2414	535.0
692	.60000	.60000	258.00	.1359-02	.1636-02	.1636-02	.9000	.4768-04	.5741-04	.3664-01	.3418	534.2
692	.60000	.75000	259.00	.4690-02	.5642-02	.5642-02	.9000	.1646-03	.1979-03	.1271	1.141	530.1
692	.60000	.85000	260.00	.4665-02	.5610-02	.5610-02	.9000	.1637-03	.1968-03	.1265	1.052	529.6
692	.60000	.95000	261.00	.9050-02	.1088-01	.1088-01	.9000	.3175-03	.3817-03	.2461	2.765	527.5
692	.70000	.20000	262.00	.9629-02	.1159-01	.1159-01	.9000	.3378-03	.4067-03	.2598	2.425	533.6
692	.70000	.40000	263.00	.3260-02	.3924-02	.3924-02	.9000	.1144-03	.1377-03	.8812-01	.7900	532.3
692	.75000	1.0000	265.00	.2782-01	.3351-01	.3351-01	.9000	.9762-03	.1176-02	.7491	7.289	535.2
692	.75000	.40000	267.00	.5053-02	.6079-02	.6079-02	.9000	.1773-03	.2133-03	.1369	1.229	530.4
692	.75000	.60000	268.00	.6823-02	.8210-02	.8210-02	.9000	.2394-03	.2880-03	.1846	1.881	531.7
692	.75000	.80000	269.00	.3165-02	.3804-02	.3804-02	.9000	.1110-03	.1335-03	.8607-01	.8057	527.6
692	.75000	.90000	270.00	.1057-01	.1270-01	.1270-01	.9000	.3708-03	.4456-03	.2878	2.311	526.4

DATE 23 FEB 80

OH84B MODEL 60-0 IN THE AEDC VKI HYPERSONIC TUNNEL

PAGE 2450

OH84B 60-0 WING UPPER SURFACE

(R4UR4B)

RUN NUMBER	ZY/BW	XW/CW	T/C NO	H/HREF R=1.0	H/HREF R=0.9	H/HREF R= TAW/TO	TAW/TO	H(TO) BTU/R FT2SEC	H(TAW) BTU/R FT2SEC	QDOT BTU/ FT2SEC	OTWDT DEG. R /SEC	TW DEG. R
692	.80000	.90000	271.00	.1049-01	.1261-01	.1261-01	.9000	.3681-03	.4423-03	.2858	2.215	526.2
692	.90000	.20000	272.00	.6267-01	.7580-01	.7580-01	.9000	.2199-02	.2659-02	1.654	14.69	550.6
692	.90000	.40000	273.00	.1570-01	.1889-01	.1889-01	.9000	.5509-03	.6629-03	.4247	3.808	531.7
692	.90000	.60000	274.00	.6814-02	.8195-02	.8195-02	.9000	.2391-03	.2875-03	.1849	1.383	529.3
692	.95000	.20000	275.00	.3118-01	.3753-01	.3753-01	.9000	.1094-02	.1317-02	.8424	8.206	532.7
692	.95000	.40000	276.00	.2877-01	.3464-01	.3464-01	.9000	.1009-02	.1215-02	.7760	5.792	533.9
692	.95000	.50000	277.00	.1688-01	.2031-01	.2031-01	.9000	.5923-03	.7127-03	.4566	4.094	531.8
692	.95000	.70000	278.00	.8047-02	.9674-02	.9674-02	.9000	.2823-03	.3394-03	.2187	1.754	528.2
692	.95000	.80000	279.00	.5741-02	.6897-02	.6897-02	.9000	.2014-03	.2420-03	.1565	1.214	525.5
692	.95000	.90000	280.00	.1638-01	.1969-01	.1969-01	.9000	.5746-03	.6907-03	.4452	3.572	527.8

DATE 23 FEB 80

OH84B MODEL 60-0 IN THE AEDC VKF HYPERSONIC TUNNEL

PAGE 2451

OH84B 60-0 WING UPPER SURFACE

(R4UR48)

WING UPPER SURF

PARAMETRIC DATA

MACH = 8.000 ALPHA = 40.00 BETA = .0000 ELEVON = 5.000
 BDFLAP = 15.00 SPDBRK = .0000

TEST CONDITIONS

RUN NUMBER	RN/L /FT X10 6	MACH	ALPHA DEG.	BETA DEG.	PO PSIA	TO DEG. R	T DEG. R	P PSIA	Q PSI	V FT/SEC	RHO SLUGS /FT3	MU LB-SEC /FT2
698	2.999	7.990	40.02	-.6958-02	669.0	1322.	96.00	.6909-01	3.087	3838.	.1942-02	.7725-07
RUN NUMBER	HREF BTU/ R FT2SEC	STN NO REF(R)										
698	.4345-01	.2342-01										

TEST DATA

RUN NUMBER	2Y/BW	XW/CW	T/C NO	H/HREF R=1.0	H/HREF R=0.9	H/HREF R= TAW/TO	TAW/TO	H(TO) BTU/R FT2SEC	H(TAW) BTU/R FT2SEC	QDOT BTU/ FT2SEC	DTWOT DEG. R /SEC	TW DEG. R
698	.40000	.20000	247.00	.1145-01	.1377-01	.1377-01	.9000	.4976-03	.5983-03	.3909	3.122	536.3
698	.40000	.40000	248.00	.8287-03	.9965-03	.9965-03	.9000	.3601-04	.4330-04	.2827-01	.2634	536.5
698	.40000	.60000	249.00	.1401-02	.1685-02	.1685-02	.9000	.6086-04	.7320-04	.4774-01	.5336	537.3
698	.40000	.75000	250.00	.1433-02	.1723-02	.1723-02	.9000	.6228-04	.7488-04	.4892-01	.3647	536.2
698	.40000	.80000	251.00	.5207-03	.6255-03	.6255-03	.9000	.2262-04	.2718-04	.1785-01	.1379	532.6
698	.40000	.95000	252.00	.4191-02	.5032-02	.5032-02	.9000	.1821-03	.2186-03	.1441	1.293	530.4
698	.60000	.25000-01	253.00	.9620-01	.1185	.1185	.9000	.4180-02	.5148-02	2.839	70.11	618.6
698	.60000	.50000-01	254.00	.8711-01	.1065	.1065	.9000	.3785-02	.4629-02	2.744	54.13	596.7
698	.60000	.10000+00	255.00	.6768-01	.8186-01	.8186-01	.9000	.2941-02	.3557-02	2.243	23.62	558.8
698	.60000	.20000	256.00	.1597-01	.1922-01	.1922-01	.9000	.6941-03	.8353-03	.5425	4.844	540.1
698	.60000	.40000	257.00	.1370-02	.1648-02	.1648-02	.9000	.5951-04	.7159-04	.4664-01	.3860	538.1
698	.60000	.60000	258.00	.2255-02	.2713-02	.2713-02	.9000	.9800-04	.1179-03	.7682-01	.7153	537.8
698	.60000	.75000	259.00	.9082-02	.1091-01	.1091-01	.9000	.3946-03	.4742-03	.3106	2.782	534.5
698	.60000	.85000	260.00	.8243-02	.9904-02	.9904-02	.9000	.3582-03	.4303-03	.2823	2.342	533.5
698	.60000	.95000	261.00	.1334-01	.1601-01	.1601-01	.9000	.5796-03	.6958-03	.4585	5.143	530.5
698	.70000	.20000	262.00	.8901-02	.1070-01	.1070-01	.9000	.3868-03	.4649-03	.3041	2.835	535.4
698	.70000	.40000	263.00	.3989-02	.4793-02	.4793-02	.9000	.1733-03	.2083-03	.1364	1.222	534.5
698	.75000	1.0000	265.00	.2598-01	.3125-01	.3125-01	.9000	.1129-02	.1358-02	.8842	8.590	538.4
698	.75000	.40000	267.00	.7628-02	.9162-02	.9162-02	.9000	.3314-03	.3981-03	.2615	2.344	532.5
698	.75000	.60000	268.00	.1998-01	.2404-01	.2404-01	.9000	.8682-03	.1045-02	.6795	6.899	538.9
698	.75000	.80000	269.00	.3419-02	.4103-02	.4103-02	.9000	.1486-03	.1783-03	.1178	1.102	528.6

DATE 23 FEB 80

OH84B MODEL 60-0 IN THE AEDC VKI HYPERSONIC TUNNEL

PAGE 2452

OH84B 60-0 WING UPPER SURFACE

(R4UR48)

RUN NUMBER	2Y/BW	XW/CW	T/C NO	H/HREF	H/HREF	H/HREF	TAW/TO	H(TO)	H(TAW)	QDOT	DTWDT	TW DEG. R
				R=1.0	R=0.9	R=		BTU/R	BTU/R	BTU/ FT2SEC	DEG. R /SEC	
698	.75000	.90000	270.00	.1135-01	.1362-01	.1362-01	.9000	.4932-03	.5917-03	.3915	3.141	527.8
698	.80000	.90000	271.00	.1338-01	.1605-01	.1605-01	.9000	.5812-03	.6973-03	.4612	3.572	528.1
698	.90000	.20000	272.00	.8249-01	.9993-01	.9993-01	.9000	.3584-02	.4342-02	2.713	23.93	564.7
698	.90000	.40000	273.00	.3215-01	.3869-01	.3869-01	.9000	.1397-02	.1681-02	1.092	9.749	540.1
698	.90000	.60000	274.00	.1124-01	.1350-01	.1350-01	.9000	.4885-03	.5867-03	.3859	2.884	531.7
698	.95000	.20000	275.00	.3764-01	.4528-01	.4528-01	.9000	.1636-02	.1968-02	1.281	12.44	538.6
698	.95000	.40000	276.00	.2633-01	.3168-01	.3168-01	.9000	.1144-02	.1377-02	.8961	6.673	538.5
698	.95000	.50000	277.00	.3225-01	.3885-01	.3885-01	.9000	.1401-02	.1688-02	1.090	9.718	543.6
698	.95000	.70000	278.00	.2953-01	.3551-01	.3551-01	.9000	.1283-02	.1543-02	1.007	8.041	536.9
698	.95000	.80000	279.00	.1050-01	.1259-01	.1259-01	.9000	.4561-03	.5472-03	.3622	2.806	527.5
698	.95000	.90000	280.00	.2186-01	.2624-01	.2624-01	.9000	.9499-03	.1140-02	.7524	6.031	529.6

DATE 23 FEB 80

OH84B MODEL 60-0 IN THE AEDC VKF HYPERSONIC TUNNEL

PAGE 2453

OH84B 60-0 WING UPPER SURFACE

(R4UR49)

WING UPPER SURF

PARAMETRIC DATA

MACH = 8.000 ALPHA = 40.00 BETA = .0000 ELEVON = 5.000
 BOFLAP = 23.50 SPDBRK = .0000

TEST CONDITIONS

RUN NUMBER	RN/L /FT X10 6	MACH	ALPHA DEG.	BETA DEG.	PO PSIA	TO DEG. R	T DEG. R	P PSIA	Q PSI	V FT/SEC	RHO SLUGS /FT3	MU LB-SEC /FT2
678	.5076	7.900	39.96	-.1038-01	101.4	1254.	92.99	.1127-01	.4925	3735.	.3272-03	.7483-07
RUN NUMBER	HREF BTU/ R FT2SEC	STN NO REF (R)										
678	.1720-01	.5675-01										

TEST DATA

RUN NUMBER	2Y/BW	XW/CW	T/C NO	H/HREF R=1.0	H/HREF R=0.9	H/HREF R= TAW/TO	TAW/TO	H(TO) BTU/R FT2SEC	H(TAW) BTU/R FT2SEC	QDOT BTU/ FT2SEC	DTWDT DEG. R /SEC	TW DEG. R
678	.40000	.20000	247.00	.3708-02	.4481-02	.4481-02	.9000	.6376-04	.7706-04	.4634-01	.3719	526.9
678	.40000	.40000	248.00	.1740-03	.2104-03	.2104-03	.9000	.2992-05	.3617-05	.2168-02	.2028-01	529.1
678	.40000	.60000	249.00	.1002-02	.1212-02	.1212-02	.9000	.1723-04	.2084-04	.1248-01	.1400	529.4
678	.40000	.75000	250.00	.3888-03	.4703-03	.4703-03	.9000	.6686-05	.8087-05	.4840-02	.3621-01	529.8
678	.40000	.95000	252.00	.3824-02	.4623-02	.4623-02	.9000	.6576-04	.7950-04	.4769-01	.4283	528.5
678	.60000	.25000-01	253.00	.7359-01	.8965-01	.8965-01	.9000	.1265-02	.1542-02	.8857	21.82	553.8
678	.60000	.50000-01	254.00	.5591-01	.6794-01	.6794-01	.9000	.9615-03	.1166-02	.6809	13.78	545.5
678	.60000	.10000+00	255.00	.3431-01	.4153-01	.4153-01	.9000	.5899-03	.7142-03	.4251	4.536	533.0
678	.60000	.20000	256.00	.8820-02	.1067-01	.1067-01	.9000	.1517-03	.1835-03	.1096	.9829	531.2
678	.60000	.40000	257.00	.1540-02	.1863-02	.1863-02	.9000	.2648-04	.3204-04	.1913-01	.1589	531.1
678	.60000	.60000	258.00	.3568-03	.4317-03	.4317-03	.9000	.6135-05	.7423-05	.4433-02	.4142-01	531.1
678	.60000	.85000	260.00	.2408-02	.2911-02	.2911-02	.9000	.4141-04	.5006-04	.3007-01	.2502	527.5
678	.60000	.95000	261.00	.8565-02	.1035-01	.1035-01	.9000	.1473-03	.1780-03	.1071	1.204	526.5
678	.70000	.20000	262.00	.9276-02	.1122-01	.1122-01	.9000	.1595-03	.1929-03	.1155	1.079	529.8
678	.70000	.40000	263.00	.3175-02	.3840-02	.3840-02	.9000	.5460-04	.6604-04	.3953-01	.3548	529.8
678	.75000	1.0000	265.00	.2518-01	.3045-01	.3045-01	.9000	.4329-03	.5236-03	.3135	3.059	529.6
678	.75000	.40000	267.00	.4817-02	.5825-02	.5825-02	.9000	.8284-04	.1002-03	.6003-01	.5390	529.1
678	.75000	.60000	268.00	.1976-02	.2390-02	.2390-02	.9000	.3398-04	.4111-04	.2459-01	.2508	530.0
678	.75000	.80000	269.00	.9637-03	.1165-02	.1165-02	.9000	.1657-04	.2003-04	.1203-01	.1126	527.9
678	.75000	.90000	270.00	.6512-02	.7869-02	.7869-02	.9000	.1120-03	.1353-03	.8139-01	.6532	526.9
678	.80000	.90000	271.00	.7372-02	.8910-02	.8910-02	.9000	.1268-03	.1532-03	.9211-01	.7137	527.1

DATE 23 FEB 80

OH84B MODEL 60-0 IN THE AEDC VKF HYPERSONIC TUNNEL

PAGE 2454

OH84B 60-0 WING UPPER SURFACE

(R4UR49)

RUN NUMBER	ZY/BW	XW/CW	T/C NO	H/HREF	H/HREF	H/HREF	TAW/TO	H(TO)	H(TAW)	QDOT	DTWDT	TW
				R=1.0	R=0.9	R=		BTU/R	BTU/R	BTU/ FT2SEC	DEG. R	DEG. R
678	.90000	.20000	272.00	.1065-01	.1288-01	.1288-01	.9000	.1832-03	.2214-03	.1328	1.193	528.4
678	.90000	.40000	273.00	.3600-02	.4353-02	.4353-02	.9000	.6191-04	.7485-04	.4487-01	.4030	528.8
678	.90000	.60000	274.00	.3707-02	.4483-02	.4483-02	.9000	.6374-04	.7709-04	.4613-01	.3450	529.9
678	.95000	.20000	275.00	.9870-02	.1193-01	.1193-01	.9000	.1697-03	.2051-03	.1233	1.204	527.4
678	.95000	.40000	276.00	.2214-01	.2678-01	.2678-01	.9000	.3808-03	.4606-03	.2755	2.060	530.2
678	.95000	.50000	277.00	.9955-02	.1204-01	.1204-01	.9000	.1712-03	.2070-03	.1240	1.114	529.2
678	.95000	.70000	278.00	.5383-02	.6507-02	.6507-02	.9000	.9257-04	.1119-03	.6721-01	.5392	527.6
678	.95000	.80000	279.00	.4499-02	.5437-02	.5437-02	.9000	.7736-04	.9349-04	.5622-01	.4357	527.0
678	.95000	.90000	280.00	.1376-01	.1663-01	.1663-01	.9000	.2365-03	.2859-03	.1718	1.378	527.6

OH84B 60-0 WING UPPER SURFACE

(R4UR49)

WING UPPER SURF

PARAMETRIC DATA

MACH = 8.000 ALPHA = 40.00 BETA = .0000 ELEVON = 5.000
 BOFLAP = 23.50 SPDBRK = .0000

TEST CONDITIONS

RUN NUMBER	RN/L /FT X10 6	MACH	ALPHA DEG.	BETA DEG.	PO PSIA	TO DEG. R	T DEG. R	P PSIA	Q PSI	V FT/SEC	RHO SLUGS /FT3	MU LB-SEC /FT2
672	1.016	7.940	39.97	-.6925-02	206.9	1258.	92.42	.2225-01	.9821	3742.	.6499-03	.7437-07
RUN NUMBER	HREF BTU/ R FT2SEC	STN NO REF (R) = .0175										
672	.2430-01	.4028-01										

TEST DATA

RUN NUMBER	2Y/BW	XW/CW	T/C NO	H/HREF R=1.0	H/HREF R=0.9	H/HREF R= TAW/TO	TAW/TO	H(TO) BTU/R FT2SEC	H(TAW) BTU/R FT2SEC	QDOT BTU/ FT2SEC	DTWDT DEG. R /SEC	TW DEG. R
672	.40000	.20000	247.00	.5588-02	.6746-02	.6746-02	.9000	.1358-03	.1639-03	.9946-01	.7991	525.0
672	.40000	.40000	248.00	.8816-03	.1065-02	.1065-02	.9000	.2142-04	.2587-04	.1564-01	.1464	527.5
672	.40000	.60000	249.00	.9820-03	.1186-02	.1186-02	.9000	.2386-04	.2883-04	.1741-01	.1956	527.8
672	.40000	.75000	250.00	.4935-03	.5962-03	.5962-03	.9000	.1199-04	.1449-04	.8755-02	.6556-01	527.5
672	.40000	.95000	252.00	.3030-02	.3657-02	.3657-02	.9000	.7361-04	.8884-04	.5401-01	.4863	523.9
672	.60000	.25000-01	253.00	.7934-01	.9685-01	.9685-01	.9000	.1928-02	.2353-02	1.341	32.89	562.1
672	.60000	.50000-01	254.00	.6724-01	.8183-01	.8183-01	.9000	.1634-02	.1988-02	1.152	23.24	552.3
672	.60000	.10000+00	255.00	.4341-01	.5251-01	.5251-01	.9000	.1055-02	.1276-02	.7655	8.171	531.9
672	.60000	.20000	256.00	.1068-01	.1291-01	.1291-01	.9000	.2596-03	.3136-03	.1894	1.702	527.9
672	.60000	.40000	257.00	.1474-02	.1781-02	.1781-02	.9000	.3582-04	.4328-04	.2612-01	.2173	528.3
672	.60000	.60000	258.00	.7413-03	.8956-03	.8956-03	.9000	.1801-04	.2176-04	.1315-01	.1231	527.7
672	.60000	.85000	260.00	.2583-02	.3116-02	.3116-02	.9000	.6275-04	.7571-04	.4609-01	.3844	523.1
672	.60000	.95000	261.00	.8127-02	.9802-02	.9802-02	.9000	.1975-03	.2382-03	.1453	1.637	521.7
672	.70000	.20000	262.00	.9702-02	.1172-01	.1172-01	.9000	.2357-03	.2846-03	.1725	1.616	526.0
672	.70000	.40000	263.00	.3167-02	.3824-02	.3824-02	.9000	.7694-04	.9290-04	.5633-01	.5067	525.5
672	.75000	1.0000	265.00	.2350-01	.2837-01	.2837-01	.9000	.5710-03	.6893-03	.4185	4.093	524.8
672	.75000	.20000	266.00	.1050-01	.1267-01	.1267-01	.9000	.2551-03	.3078-03	.1871	1.831	524.1
672	.75000	.40000	267.00	.4855-02	.5860-02	.5860-02	.9000	.1180-03	.1424-03	.8652-01	.7789	524.1
672	.75000	.60000	268.00	.3113-02	.3758-02	.3758-02	.9000	.7563-04	.9130-04	.5542-01	.5667	524.9
672	.75000	.80000	269.00	.2079-02	.2508-02	.2508-02	.9000	.5050-04	.6092-04	.3713-01	.3485	522.4
672	.75000	.90000	270.00	.7028-02	.8476-02	.8476-02	.9000	.1708-03	.2059-03	.1257	1.012	521.2

DATE 23 FEB 80

OH84B MODEL 60-0 IN THE AEDC VKF HYPERSONIC TUNNEL

PAGE 2456

OH84B 60-0 WING UPPER SURFACE

(R4UR49)

RUN NUMBER	2Y/BW	XW/CW	T/C NO	H/HREF R=1.0	H/HREF R=0.9	H/HREF R= TAW/TO	TAW/TO	H(TO) BTU/R FT2SEC	H(TAW) BTU/R FT2SEC	QDOT BTU/ FT2SEC	DTWDT DEG. R /SEC	TW DEG. R
672	.80000	.90000	271.00	.7587-02	.9150-02	.9150-02	.9000	.1843-03	.2223-03	.1357	1.054	521.5
672	.90000	.20000	272.00	.1729-01	.2087-01	.2087-01	.9000	.4200-03	.5071-03	.3077	2.769	525.1
672	.90000	.40000	273.00	.5698-02	.6877-02	.6877-02	.9000	.1384-03	.1671-03	.1016	.9151	523.6
672	.90000	.60000	274.00	.2178-02	.2628-02	.2628-02	.9000	.5292-04	.6385-04	.3885-01	.2915	523.5
672	.95000	.20000	275.00	.1264-01	.1524-01	.1524-01	.9000	.3070-03	.3704-03	.2256	2.209	522.7
672	.95000	.40000	276.00	.1375-01	.1660-01	.1660-01	.9000	.3341-03	.4032-03	.2452	1.840	523.8
672	.95000	.50000	277.00	.7346-02	.8864-02	.8864-02	.9000	.1785-03	.2154-03	.1311	1.180	523.3
672	.95000	.70000	278.00	.3200-02	.3859-02	.3859-02	.9000	.7775-04	.9377-04	.5724-01	.4607	521.5
672	.95000	.80000	279.00	.4662-02	.5622-02	.5622-02	.9000	.1133-03	.1366-03	.8341-01	.6482	521.2
672	.95000	.90000	280.00	.1449-01	.1748-01	.1748-01	.9000	.3519-03	.4246-03	.2587	2.081	522.6

OH84B 60-0 WING UPPER SURFACE

(R4UR49)

WING UPPER SURF

PARAMETRIC DATA

MACH = 8.000 ALPHA = 40.00 BETA = .0000 ELEVON = 5.000
 BDFLAP = 23.50 SPDBRK = .0000

TEST CONDITIONS

RUN NUMBER	RN/L /FT X10 6	MACH	ALPHA DEG.	BETA DEG.	PO PSIA	TO DEG. R	T DEG. R	P PSIA	Q PSI	V FT/SEC	RHO SLUGS /FT3	MU LB-SEC /FT2
694	1.988	7.980	39.99	-.6937-02	433.4	1305.	94.98	.4512-01	2.011	3813.	.1282-02	.7643-07
RUN NUMBER	HREF BTU/ R FT2SEC	STN NO REF (R)										
694	.3499-01	.2879-01										

TEST DATA

RUN NUMBER	ZY/BW	XW/CW	T/C NO	H/HREF R=1.0	H/HREF R=0.9	H/HREF R= TAW/TO	TAW/TO	H(T) BTU/R FT2SEC	H(TAW) BTU/R FT2SEC	QDOT BTU/ FT2SEC	DTWOT DEG. R /SEC	TW DEG. R
694	.40000	.20000	247.00	.7759-02	.9330-02	.9330-02	.9000	.2715-03	.3265-03	.2103	1.685	530.1
694	.40000	.40000	248.00	.5606-03	.6743-03	.6743-03	.9000	.1962-04	.2359-04	.1518-01	.1419	530.6
694	.40000	.60000	249.00	.9706-03	.1167-02	.1167-02	.9000	.3396-04	.4085-04	.2629-01	.2949	530.5
694	.40000	.75000	250.00	.5196-03	.6247-03	.6247-03	.9000	.1818-04	.2186-04	.1409-01	.1054	529.4
694	.40000	.80000	251.00	.6093-04	.7320-04	.7320-04	.9000	.2132-05	.2561-05	.1659-02	.1286-01	526.3
694	.40000	.95000	252.00	.3586-02	.4307-02	.4307-02	.9000	.1255-03	.1507-03	.9783-01	.8802	525.0
694	.60000	.25000-01	253.00	.8992-01	.1102	.1102	.9000	.3146-02	.3856-02	2.230	53.79	595.8
694	.60000	.50000-01	254.00	.8258-01	.1007	.1007	.9000	.2890-02	.3524-02	2.093	41.63	580.3
694	.60000	.10000+00	255.00	.5740-01	.6935-01	.6935-01	.9000	.2008-02	.2426-02	1.521	16.11	547.3
694	.60000	.20000	256.00	.1244-01	.1497-01	.1497-01	.9000	.4353-03	.5238-03	.3361	3.012	532.6
694	.60000	.40000	257.00	.1114-02	.1340-02	.1340-02	.9000	.3898-04	.4688-04	.3016-01	.2505	530.9
694	.60000	.60000	258.00	.9438-03	.1135-02	.1135-02	.9000	.3302-04	.3971-04	.2558-01	.2391	530.0
694	.60000	.75000	259.00	.4475-02	.5376-02	.5376-02	.9000	.1566-03	.1881-03	.1219	1.097	526.0
694	.60000	.85000	260.00	.4980-02	.5982-02	.5982-02	.9000	.1743-03	.2093-03	.1357	1.131	525.7
694	.60000	.95000	261.00	.8969-02	.1077-01	.1077-01	.9000	.3138-03	.3768-03	.2449	2.756	524.2
694	.70000	.20000	262.00	.9224-02	.1109-01	.1109-01	.9000	.3227-03	.3881-03	.2501	2.338	529.8
694	.70000	.40000	263.00	.3345-02	.4021-02	.4021-02	.9000	.1171-03	.1407-03	.9088-01	.8164	528.3
694	.75000	1.0000	265.00	.2732-01	.3287-01	.3287-01	.9000	.9559-03	.1150-02	.7388	7.200	531.8
694	.75000	.40000	267.00	.5533-02	.6648-02	.6648-02	.9000	.1936-03	.2326-03	.1506	1.354	526.7
694	.75000	.60000	268.00	.6862-02	.8246-02	.8246-02	.9000	.2401-03	.2885-03	.1866	1.906	527.4
694	.75000	.80000	269.00	.3305-02	.3968-02	.3968-02	.9000	.1156-03	.1388-03	.9026-01	.8464	524.1

DATE 23 FEB 80

OH84B MODEL 60-0 IN THE AEDC VKI HYPERSONIC TUNNEL

PAGE 2458

OH84B 60-0 WING UPPER SURFACE

(R4UR49)

RUN NUMBER	ZY/BW	XW/CW	T/C NO	H/HREF R=1.0	H/HREF R=0.9	H/HREF R= TAW/TO	TAW/TO	H(TO) BTU/R FT2SEC	H(TAW) BTU/R FT2SEC	QDOT BTU/ FT2SEC	DTWDT DEG. R /SEC	TW DEG. R
694	.75000	.90000	270.00	.1084-01	.1301-01	.1301-01	.9000	.3793-03	.4554-03	.2964	2.383	523.4
694	.80000	.90000	271.00	.1025-01	.1231-01	.1231-01	.9000	.3588-03	.4307-03	.2804	2.177	523.2
694	.90000	.20000	272.00	.5783-01	.6981-01	.6981-01	.9000	.2024-02	.2442-02	1.539	13.72	544.0
694	.90000	.40000	273.00	.1797-01	.2160-01	.2160-01	.9000	.6287-03	.7558-03	.4880	4.383	528.5
694	.90000	.60000	274.00	.9953-02	.1196-01	.1196-01	.9000	.3483-03	.4184-03	.2711	2.031	526.3
694	.95000	.20000	275.00	.3057-01	.3676-01	.3676-01	.9000	.1070-02	.1286-02	.8289	8.087	529.7
694	.95000	.40000	276.00	.3710-01	.4468-01	.4468-01	.9000	.1298-02	.1563-02	.9987	7.449	535.4
694	.95000	.50000	277.00	.1724-01	.2072-01	.2072-01	.9000	.6033-03	.7251-03	.4683	4.206	528.5
694	.95000	.70000	278.00	.8471-02	.1017-01	.1017-01	.9000	.2964-03	.3560-03	.2310	1.856	525.2
694	.95000	.80000	279.00	.6238-02	.7487-02	.7487-02	.9000	.2183-03	.2620-03	.1708	1.326	522.4
694	.95000	.90000	280.00	.1635-01	.1963-01	.1963-01	.9000	.5720-03	.6869-03	.4461	3.585	524.7

DATE 23 FEB 80

OHB4B MODEL 60-0 IN THE AEDC VKF HYPERSONIC TUNNEL

PAGE 2459

OHB4B 60-0 WING UPPER SURFACE

(R4UR49)

WING UPPER SURF

PARAMETRIC DATA

MACH = 8.000 ALPHA = 40.00 BETA = .0000 ELEVON = 5.000
BDFLAP = 23.50 SPDBRK = .0000

TEST CONDITIONS

Table with 13 columns: RUN NUMBER, RN/L /FT X10 6, MACH, ALPHA DEG., BETA DEG., PO PSIA, TO DEG. R, T DEG. R, P PSIA, Q PSI, V FT/SEC, RHO SLUGS /FT3, MU LB-SEC /FT2. Includes a sub-table for HREF, STN NO, BTU/R, FT2SEC, REF(R), and values for run 696.

TEST DATA

Table with 13 columns: RUN NUMBER, ZY/BW, XW/CW, T/C NO, H/HREF R=1.0, H/HREF R=0.9, H/HREF R=, TAW/TO, H(TO) BTU/R FT2SEC, H(TAW) BTU/R FT2SEC, QDOT BTU/ FT2SEC, DTWDT DEG. R /SEC, TW DEG. R. Lists data for run 696 across various conditions.

DATE 23 FEB 80

OH84B MODEL 60-0 IN THE AEDC VKF HYPERSONIC TUNNEL

PAGE 2460

OH84B 60-0 WING UPPER SURFACE

(R4UR49)

RUN NUMBER	ZY/BW	XW/CW	T/C NO	H/HREF R=1.0	H/HREF R=0.9	H/HREF R= TAW/TO	TAW/TO	H(TO) BTU/R FT2SEC	H(TAW) BTU/R FT2SEC	QDOT BTU/ FT2SEC	DTWDT DEG. R /SEC	TW DEG. R
696	.75000	.90000	270.00	.1224-01	.1470-01	.1470-01	.9000	.5320-03	.6389-03	.4203	3.365	531.7
696	.80000	.90000	271.00	.1384-01	.1662-01	.1662-01	.9000	.6014-03	.7223-03	.4750	3.672	531.8
696	.90000	.20000	272.00	.1102	.1337	.1337	.9000	.4788-02	.5812-02	3.591	31.57	571.6
696	.90000	.40000	273.00	.2292-01	.2758-01	.2758-01	.9000	.9960-03	.1198-02	.7793	6.961	539.3
696	.90000	.60000	274.00	.2016-01	.2425-01	.2425-01	.9000	.8759-03	.1054-02	.6864	5.113	538.1
696	.95000	.20000	275.00	.4286-01	.5164-01	.5164-01	.9000	.1862-02	.2244-02	1.447	14.02	544.5
696	.95000	.40000	276.00	.8503-01	.1030	.1030	.9000	.3695-02	.4477-02	2.797	20.55	564.8
696	.95000	.50000	277.00	.6968-01	.8422-01	.8422-01	.9000	.3028-02	.3660-02	2.317	20.52	556.3
696	.95000	.70000	278.00	.3439-01	.4142-01	.4142-01	.9000	.1495-02	.1800-02	1.164	9.263	543.1
696	.95000	.80000	279.00	.1081-01	.1298-01	.1298-01	.9000	.4697-03	.5641-03	.3709	2.867	531.9
696	.95000	.90000	280.00	.2079-01	.2499-01	.2499-01	.9000	.9035-03	.1086-02	.7113	5.687	534.5

DATE 23 FEB 80

OH84B MODEL 60-0 IN THE AEDC VKI HYPERSONIC TUNNEL

PAGE 2461

OH84B 60-0 WING UPPER SURFACE

(R4UR50)

WING UPPER SURF

PARAMETRIC DATA

MACH = 8.000 ALPHA = 40.00 BETA = .0000 ELEVON = 7.500
 BDFLAP = .0000 SPOBRK = .0000

TEST CONDITIONS

RUN NUMBER	RN/L /FT X10 6	MACH	ALPHA DEG.	BETA DEG.	PO PSIA	TO DEG. R	T DEG. R	P PSIA	Q PSI	V FT/SEC	RHO SLUGS /FT3	MU LB-SEC /FT2
768	.5101	7.900	39.98	-.3466-02	101.6	1251.	92.77	.1129-01	.4932	3730.	.3284-03	.7465-07
RUN NUMBER	HREF BTU/ R FT2SEC	STN NO REF (R) = .0175										
768	.1720-01	.5663-01										

TEST DATA

RUN NUMBER	2Y/BW	XW/CW	T/C NO	H/HREF R=1.0	H/HREF R=0.9	H/HREF R= TAW/TO	TAW/TO	H(TO) BTU/R FT2SEC	H(TAW) BTU/R FT2SEC	QDOT BTU/ FT2SEC	DTWDT DEG. R /SEC	TW DEG. R
768	.40000	.20000	247.00	.4719-02	.5706-02	.5706-02	.9000	.8117-04	.9815-04	.5869-01	.4708	527.7
768	.40000	.40000	248.00	.7008-03	.8480-03	.8480-03	.9000	.1205-04	.1459-04	.8685-02	.8119-01	530.2
768	.40000	.60000	249.00	.1064-02	.1287-02	.1287-02	.9000	.1830-04	.2214-04	.1318-01	.1478	530.5
768	.40000	.75000	250.00	.2471-03	.2991-03	.2991-03	.9000	.4251-05	.5145-05	.3061-02	.2289-01	530.6
768	.40000	.95000	252.00	.2499-02	.3023-02	.3023-02	.9000	.4299-04	.5199-04	.3104-01	.2788	528.6
768	.60000	.25000-01	253.00	.7366-01	.8967-01	.8967-01	.9000	.1267-02	.1542-02	.8872	21.89	550.4
768	.60000	.50000-01	254.00	.5520-01	.6704-01	.6704-01	.9000	.9494-03	.1153-02	.6721	13.62	542.7
768	.60000	.10000+30	255.00	.3564-01	.4316-01	.4316-01	.9000	.6131-03	.7423-03	.4404	4.700	532.4
768	.60000	.20000	256.00	.9687-02	.1173-01	.1173-01	.9000	.1666-03	.2017-03	.1199	1.075	531.2
768	.60000	.40000	257.00	.1999-02	.2421-02	.2421-02	.9000	.3438-04	.4163-04	.2469-01	.2050	532.5
768	.60000	.60000	258.00	.7827-03	.9475-03	.9475-03	.9000	.1346-04	.1630-04	.9679-02	.9041-01	531.7
768	.60700	.85000	260.00	.5271-02	.6375-02	.6375-02	.9000	.9066-04	.1097-03	.6546-01	.5444	528.6
768	.60000	.95000	261.00	.8448-02	.1021-01	.1021-01	.9000	.1453-03	.1756-03	.1053	1.183	526.1
768	.70000	.20000	262.00	.1019-01	.1234-01	.1234-01	.9000	.1754-03	.2122-03	.1264	1.182	529.9
768	.70000	.40000	263.00	.3788-02	.4583-02	.4583-02	.9000	.6515-04	.7883-04	.4695-01	.4213	530.1
768	.75000	1.0000	265.00	.2591-01	.3134-01	.3134-01	.9000	.4457-03	.5390-03	.3220	3.144	528.2
768	.75000	.20000	266.00	.1139-01	.1378-01	.1378-01	.9000	.1960-03	.2370-03	.1417	1.383	527.8
768	.75000	.40000	267.00	.5646-02	.6828-02	.6828-02	.9000	.9710-04	.1174-03	.7014-01	.6300	528.4
768	.75000	.60000	268.00	.2261-02	.2735-02	.2735-02	.9000	.3889-04	.4704-04	.2807-01	.2865	528.9
768	.75000	.80000	269.00	.2157-02	.2609-02	.2609-02	.9000	.3710-04	.4487-04	.2680-01	.2507	528.4
768	.75000	.90000	270.00	.8768-02	.1060-01	.1060-01	.9000	.1508-03	.1823-03	.1091	.8752	527.4

DATE 23 FEB 80

OH84B MODEL 60-0 IN THE AEDC VKF HYPERSONIC TUNNEL

PAGE 2462

OH84B 60-0 WING UPPER SURFACE

(R4UR50)

RUN NUMBER	ZY/BW	XW/CW	T/C NO	H/HREF R=1.0	H/HREF R=0.9	H/HREF R= TAW/TO	TAW/TO	H(ITO) BTU/R FT2SEC	H(TAW) BTU/R FT2SEC	QDOT BTU/ FT2SEC	DTWDT DEG. R /SEC	TW DEG. R
768	.80000	.90000	271.00	.9253-02	.1119-01	.1119-01	.9000	.1591-03	.1924-03	.1151	.8913	527.7
768	.90000	.20000	272.00	.4335-01	.5251-01	.5251-01	.9000	.7456-03	.9032-03	.5343	4.785	534.1
768	.90000	.40000	273.00	.5645-02	.6828-02	.6828-02	.9000	.9710-04	.1174-03	.7011-01	.6296	528.6
768	.90000	.60000	274.00	.1961-02	.2373-02	.2373-02	.9000	.3374-04	.4081-04	.2435-01	.1822	529.0
768	.95000	.20000	275.00	.1619-01	.1958-01	.1958-01	.9000	.2785-03	.3368-03	.2012	1.964	528.2
768	.95000	.40000	276.00	.1235-01	.1494-01	.1494-01	.9000	.2125-03	.2569-03	.1536	1.150	527.8
768	.95000	.50000	277.00	.3826-02	.4626-02	.4626-02	.9000	.6580-04	.7957-04	.4757-01	.4275	527.7
768	.95000	.70000	278.00	.2442-02	.2952-02	.2952-02	.9000	.4200-04	.5078-04	.3036-01	.2436	527.7
768	.95000	.80000	279.00	.5186-02	.6271-02	.6271-02	.9000	.8920-04	.1079-03	.6450-01	.4997	527.6
768	.95000	.90000	280.00	.1494-01	.1806-01	.1806-01	.9000	.2569-03	.3107-03	.1857	1.490	527.8

DATE 23 FEB 80

OH84B MODEL 60-0 IN THE AEDC VKF HYPERSONIC TUNNEL

PAGE 2463

OH84B 60-0 WING UPPER SURFACE

(R4UR50)

WING UPPER SURF

PARAMETRIC DATA

MACH = 8.000 ALPHA = 40.00 BETA = .0000 ELEVON = 7.500
 BDFLAP = .0000 SPDBRK = .0000

TEST CONDITIONS

RUN NUMBER	RN/L /FT X10 6	MACH	ALPHA DEG.	BETA DEG.	PO PSIA	TO DEG. R	T DEG. R	P PSIA	Q PSI	V FT/SEC	RHO SLUGS /FT3	MU LB-SEC /FT2
758	1.014	7.940	39.99	- .4651-06	208.4	1266.	93.00	.2242-01	.9894	3754.	.6506-03	.7484-07
RUN NUMBER	HREF BTU/ R FT2SEC	STN NO REF (R)										
758	.2441-01	.4028-01										

TEST DATA

RUN NUMBER	2Y/BW	XW/CW	T/C NO	H/HREF R=1.0	H/HREF R=0.9	H/HREF R= TAW/TO	TAW/TO	H(TO) BTU/R FT2SEC	H(TAW) BTU/R FT2SEC	QDOT BTU/ FT2SEC	DTWDT DEG. R /SEC	TW DEG. R
758	.40000	.20000	247.00	.6459-02	.7806-02	.7806-02	.9000	.1577-03	.1906-03	.1157	.9260	532.1
758	.40000	.40000	248.00	.1170-02	.1415-02	.1415-02	.9000	.2857-04	.3454-04	.2093-01	.1953	533.2
758	.40000	.60000	249.00	.1090-02	.1318-02	.1318-02	.9000	.2661-04	.3217-04	.1949-01	.2183	533.3
758	.40000	.75000	250.00	.1201-02	.1452-02	.1452-02	.9000	.2932-04	.3546-04	.2144-01	.1599	534.6
758	.40000	.95000	252.00	.2682-02	.3243-02	.3243-02	.9000	.6548-04	.7916-04	.4795-01	.4297	533.3
758	.60000	.25000-01	253.00	.8007-01	.9783-01	.9783-01	.9000	.1955-02	.2388-02	1.362	33.31	568.6
758	.60000	.50000-01	254.00	.6611-01	.8052-01	.8052-01	.9000	.1614-02	.1966-02	1.141	22.95	558.5
758	.60000	.10000+00	255.00	.5103-01	.6184-01	.6184-01	.9000	.1246-02	.1510-02	.9025	9.588	541.3
758	.60000	.20000	256.00	.1059-01	.1281-01	.1281-01	.9000	.2585-03	.3128-03	.1885	1.687	536.3
758	.60000	.40000	257.00	.1816-02	.2198-02	.2198-02	.9000	.4434-04	.5365-04	.3234-01	.2679	536.3
758	.60000	.60000	258.00	.1147-02	.1388-02	.1388-02	.9000	.2801-04	.3388-04	.2045-01	.1906	535.6
758	.60000	.85000	260.00	.1132-01	.1370-01	.1370-01	.9000	.2764-03	.3344-03	.2018	1.672	535.8
758	.60000	.95000	261.00	.8893-02	.1074-01	.1074-01	.9000	.2171-03	.2623-03	.1594	1.788	531.2
758	.70000	.20000	262.00	.1047-01	.1267-01	.1267-01	.9000	.2557-03	.3093-03	.1867	1.741	535.3
758	.70000	.40000	263.00	.3667-02	.4435-02	.4435-02	.9000	.8953-04	.1083-03	.6546-01	.5862	534.5
758	.75000	1.0000	265.00	.2540-01	.3071-01	.3071-01	.9000	.6201-03	.7497-03	.4541	4.422	533.4
758	.75000	.20000	266.00	.1110-01	.1342-01	.1342-01	.9000	.2710-03	.3276-03	.1985	1.934	533.2
758	.75000	.40000	267.00	.5647-02	.6827-02	.6827-02	.9000	.1379-03	.1667-03	.1010	.9046	533.4
758	.75000	.60000	268.00	.2397-02	.2898-02	.2898-02	.9000	.5852-04	.7075-04	.4283-01	.4360	533.8
758	.75000	.80000	269.00	.3591-02	.4343-02	.4343-02	.9000	.8767-04	.1060-03	.6410-01	.5978	534.5
758	.75000	.90000	270.00	.8595-02	.1039-01	.1039-01	.9000	.2098-03	.2536-03	.1538	1.231	532.6

DATE 23 FEB 80

OH84B MODEL 60-0 IN THE AEDC VKI HYPERSONIC TUNNEL

PAGE 2464

OH84B 60-0 WING UPPER SURFACE

(R4UR50)

RUN NUMBER	ZY/BW	XW/CW	T/C NO	H/HREF R=1.0	H/HREF R=0.9	H/HREF R= TAW/TO	TAW/TO	H(TO) BTU/R FT2SEC	H(TAW) BTU/R FT2SEC	QDOT BTU/ FT2SEC	DTWDT DEG. R /SEC	TW DEG. R
758	.80000	.90000	271.00	.8969-02	.1084-01	.1084-01	.9000	.2190-03	.2647-03	.1605	1.240	532.9
758	.90000	.20000	272.00	.5830-01	.7068-01	.7068-01	.9000	.1423-02	.1725-02	1.028	9.167	543.2
758	.90000	.40000	273.00	.9703-02	.1174-01	.1174-01	.9000	.2369-03	.2865-03	.1730	1.548	535.5
758	.90000	.60000	274.00	.5775-02	.6986-02	.6986-02	.9000	.1410-03	.1705-03	.1029	.7674	535.7
758	.95000	.20000	275.00	.2454-01	.2968-01	.2968-01	.9000	.5990-03	.7246-03	.4372	4.253	535.8
758	.95000	.40000	276.00	.1820-01	.2200-01	.2200-01	.9000	.4442-03	.5372-03	.3249	2.424	534.3
758	.95000	.50000	277.00	.1040-01	.1259-01	.1259-01	.9000	.2540-03	.3072-03	.1856	1.661	535.2
758	.95000	.70000	278.00	.3179-02	.3843-02	.3843-02	.9000	.7762-04	.9383-04	.5687-01	.4551	532.9
758	.95000	.80000	279.00	.6633-02	.8018-02	.8018-02	.9000	.1619-03	.1957-03	.1187	.9168	532.9
758	.95000	.90000	280.00	.1664-01	.2012-01	.2012-01	.9000	.4063-03	.4911-03	.2978	2.383	532.7

DATE 23 FEB 80

OH84B MODEL 60-0 IN THE AEDC VKF HYPERSONIC TUNNEL

PAGE 2465

OH84B 60-0 WING UPPER SURFACE

(R4UR50)

WING UPPER SURF

PARAMETRIC DATA

MACH = 8.000 ALPHA = 40.00 BETA = .0000 ELEVON = 7.500
 BDFLAP = .0000 SPDBRK = .0000

TEST CONDITIONS

RUN NUMBER	RN/L /FT X10 6	MACH	ALPHA DEG.	BETA DEG.	PO PSIA	TO DEG. R	T DEG. R	P PSIA	Q PSI	V FT/SEC	RHO SLUGS /FT3	MU LB-SEC /FT2
756	2.005	7.980	40.03	-.4673-06	434.6	1300.	94.62	.4525-01	2.017	3805.	.1291-02	.7614-07
RUN NUMBER	HREF BTU/ R FT2SEC	STN NO REF (R)										
756	.3502-01	.2868-01										

TEST DATA

RUN NUMBER	ZY/BW	XW/CW	T/C NO	H/HREF R=1.0	H/HREF R=0.9	H/HREF R=TAW/TO	TAW/TO	H(TO) BTU/R FT2SEC	H(TAW) BTU/R FT2SEC	QDOT BTU/ FT2SEC	DTWOT DEG. R /SEC	TW DEG. R
756	.40000	.20000	247.00	.8016-02	.9652-02	.9652-02	.9000	.2807-03	.3380-03	.2152	1.722	533.0
756	.40000	.40000	248.00	.4327-03	.5212-03	.5212-03	.9000	.1515-04	.1825-04	.1159-01	.1081	534.6
756	.40000	.60000	249.00	.7849-03	.9215-03	.9215-03	.9000	.2678-04	.3227-04	.2048-01	.2292	534.9
756	.40000	.75000	250.00	.6846-03	.8247-03	.8247-03	.9000	.2397-04	.2888-04	.1833-01	.1367	535.1
756	.40000	.80000	251.00	.1034-03	.1245-03	.1245-03	.9000	.3620-05	.4361-05	.2770-02	.2138-01	534.5
756	.40000	.95000	252.00	.4077-02	.4909-02	.4909-02	.9000	.1428-03	.1719-03	.1096	.9322	532.3
756	.60000	.25000-01	253.00	.9203-01	.1128	.1128	.9000	.3223-02	.3949-02	2.277	54.99	593.2
756	.60000	.50000-01	254.00	.8494-01	.1037	.1037	.9000	.2974-02	.3630-02	2.139	42.52	580.7
756	.60000	.10000+00	255.00	.6462-01	.7820-01	.7820-01	.9000	.2263-02	.2738-02	1.693	17.90	551.3
756	.60000	.20000	256.00	.1248-01	.1505-01	.1505-01	.9000	.4370-03	.5269-03	.3328	2.974	538.2
756	.60000	.40000	257.00	.9376-03	.1130-02	.1130-02	.9000	.3283-04	.3958-04	.2502-01	.2071	537.6
756	.60000	.60000	258.00	.4661-03	.5618-03	.5618-03	.9000	.1632-04	.1967-04	.1245-01	.1159	537.1
756	.60000	.75000	259.00	.1923-02	.2315-02	.2315-02	.9000	.6732-04	.8106-04	.5165-01	.4629	532.5
756	.60000	.85000	260.00	.2113-01	.2549-01	.2549-01	.9000	.7399-03	.8926-03	.5622	4.648	539.9
756	.60000	.95000	261.00	.1084-01	.1305-01	.1305-01	.9000	.3797-03	.4570-03	.2919	3.274	530.9
756	.70000	.20000	262.00	.9576-02	.1154-01	.1154-01	.9000	.3353-03	.4041-03	.2561	2.388	535.8
756	.70000	.40000	263.00	.3184-02	.3837-02	.3837-02	.9000	.1115-03	.1344-03	.8518-01	.7623	535.8
756	.75000	1.0000	265.00	.2743-01	.3306-01	.3306-01	.9000	.9605-03	.1158-02	.7327	7.123	536.8
756	.75000	.40000	267.00	.5499-02	.6622-02	.6622-02	.9000	.1925-03	.2319-03	.1475	1.321	533.8
756	.75000	.60000	268.00	.4506-02	.5427-02	.5427-02	.9000	.1578-03	.1901-03	.1207	1.229	534.4
756	.75000	.80000	269.00	.2748-02	.3307-02	.3307-02	.9000	.9621-04	.1158-03	.7389-01	.6902	531.7

DATE 23 FEB 80.

OH848 MODEL 60-0 IN THE AEDC VKF HYPERSONIC TUNNEL

PAGE 2466

OH848 60-0 WING UPPER SURFACE

(R4UR50)

RUN NUMBER	2Y/BW	XW/CW	T/C NO	H/HREF R=1.0	H/HREF R=0.9	H/HREF R= TAW/TO	TAW/TO	H(TO) BTU/R FT2SEC	H(TAW) BTU/R FT2SEC	QDOT BTU/ FT2SEC	DTWDT DEG. R /SEC	TW DEG. R
756	.75000	.90000	270.00	.9357-02	.1126-01	.1126-01	.9000	.3276-03	.3942-03	.2523	2.022	529.6
756	.80000	.90000	271.00	.1024-01	.1232-01	.1232-01	.9000	.3585-03	.4313-03	.2759	2.135	530.0
756	.90000	.20000	272.00	.7217-01	.8734-01	.8734-01	.9000	.2527-02	.3058-02	1.891	16.78	551.5
756	.90000	.40000	273.00	.2390-01	.2881-01	.2881-01	.9000	.8369-03	.1009-02	.6377	5.701	537.7
756	.90000	.60000	274.00	.1385-01	.1668-01	.1668-01	.9000	.4849-03	.5841-03	.3708	2.767	534.9
756	.95000	.20000	275.00	.4076-01	.4917-01	.4917-01	.9000	.1427-02	.1722-02	1.084	10.52	540.0
756	.95000	.40000	276.00	.2964-01	.3574-01	.3574-01	.9000	.1038-02	.1251-02	.7915	5.898	537.2
756	.95000	.50000	277.00	.2468-01	.2977-01	.2977-01	.9000	.8643-03	.1042-02	.6571	5.870	539.3
756	.95000	.70000	278.00	.5366-02	.6459-02	.6459-02	.9000	.1879-03	.2262-03	.1443	1.155	531.8
756	.95000	.80000	279.00	.6319-02	.7603-02	.7603-02	.9000	.2213-03	.2663-03	.1702	1.316	530.6
756	.95000	.90000	280.00	.1914-01	.2304-01	.2304-01	.9000	.6704-03	.8069-03	.5148	4.122	531.7

DATE 23 FEB 80

OH84B MODEL 60-0 IN THE AEDC VKF HYPERSONIC TUNNEL

PAGE 2467

OH84B 60-0 WING UPPER SURFACE

(R4UR50)

WING UPPER SURF

PARAMETRIC DATA

MACH = 8.000 ALPHA = 40.00 BETA = .0000 ELEVON = 7.500
 BDFLAP = .0000 SPDBRK = .0000

TEST CONDITIONS

RUN NUMBER	RN/L /FT X10 6	MACH	ALPHA DEG.	BETA DEG.	PO PSIA	TO DEG. R	T DEG. R	P PSIA	Q PSI	V FT/SEC	RHO SLUGS /FT3	MU LB-SEC /FT2
746	3.012	7.990	40.06	-3495-02	670.4	1320.	95.85	.6923-01	3.094	3835.	.1950-02	.7713-07

RUN NUMBER	HREF BTU/ R FT2SEC	STN NO REF (R) = 0175
746	.4348-01	.2337-01

TEST DATA

RUN NUMBER	2Y/BW	XW/CW	T/C NO	H/HREF R=1.0	H/HREF R=0.9	H/HREF R=TAW/TO	TAW/TO	H(TO) BTU/R FT2SEC	H(TAW) BTU/R FT2SEC	QDOT BTU/ FT2SEC	DTWOT DEG. R /SEC	TW DEG. R
746	.40000	.20000	247.00	.1258-01	.1513-01	.1513-01	.9000	.5471-03	.6579-03	.4285	3.423	536.3
746	.40000	.40000	248.00	.1025-02	.1233-02	.1233-02	.9000	.4458-04	.5362-04	.3490-01	.3251	536.9
746	.40000	.60000	249.00	.2027-02	.2439-02	.2439-02	.9000	.8815-04	.1061-03	.6885-01	.7690	538.6
746	.40000	.75000	250.00	.1357-02	.1633-02	.1633-02	.9000	.5902-04	.7101-04	.4612-01	.3435	538.2
746	.40000	.80000	251.00	.6820-03	.8202-03	.8202-03	.9000	.2966-04	.3566-04	.2323-01	.1791	536.5
746	.40000	.95000	252.00	.4222-02	.5074-02	.5074-02	.9000	.1836-03	.2206-03	.1443	1.293	533.5
746	.60000	.25000-01	253.00	.1005	.1237	.1237	.9000	.4369-02	.5381-02	3.066	73.16	617.9
746	.60000	.50000-01	254.00	.8905-01	.1090	.1090	.9000	.3872-02	.4740-02	2.792	55.02	598.7
746	.60000	.10000+00	255.00	.7367-01	.8919-01	.8919-01	.9000	.3204-02	.3878-02	2.430	25.56	561.1
746	.60000	.20000	256.00	.1675-01	.2016-01	.2016-01	.9000	.7282-03	.8767-03	.5674	5.065	540.5
746	.60000	.40000	257.00	.1494-02	.1799-02	.1799-02	.9000	.6498-04	.7821-04	.5071-01	.4195	539.3
746	.60000	.60000	258.00	.1262-02	.1519-02	.1519-02	.9000	.6488-04	.6604-04	.4283-01	.3985	539.2
746	.60000	.75000	259.00	.4798-02	.5769-02	.5769-02	.9000	.2087-03	.2509-03	.1637	1.465	535.2
746	.60000	.85000	260.00	.2428-01	.2927-01	.2927-01	.9000	.1056-02	.1273-02	.8165	6.730	546.3
746	.60000	.95000	261.00	.1572-01	.1889-01	.1889-01	.9000	.6834-03	.8214-03	.5371	6.013	533.8
746	.70000	.20000	262.00	.9090-02	.1093-01	.1093-01	.9000	.3953-03	.4753-03	.3099	2.889	535.7
746	.70000	.40000	263.00	.3687-02	.4433-02	.4433-02	.9000	.1603-03	.1928-03	.1257	1.125	535.8
746	.75000	1.0000	265.00	.3169-01	.3814-01	.3814-01	.9000	.1378-02	.1658-02	1.076	10.44	539.1
746	.75000	.40000	267.00	.5309-02	.6379-02	.6379-02	.9000	.2309-03	.2774-03	.1816	1.628	532.9
746	.75000	.60000	268.00	.8146-02	.9794-02	.9794-02	.9000	.3542-03	.4259-03	.2779	2.826	535.3
746	.75000	.80000	269.00	.2611-02	.3136-02	.3136-02	.9000	.1135-03	.1364-03	.8959-01	.8373	530.7

DATE 23 FEB 80

OH84B MODEL 60-0 IN THE AEDC VKI HYPERSONIC TUNNEL

PAGE 2468

OH84B 60-0 WING UPPER SURFACE

(R4UR50)

RUN NUMBER	ZY/BW	XW/CW	T/C NO	H/HREF	H/HREF	H/HREF	TAW/TO	H(TO)	H(TAW)	QDOT	DTWDT	TW
				R=1.0	R=0.9	R=		BTU/R	BTU/R	BTU/ FT2SEC	DEG. R	DEG. R
746	.75000	.90000	270.00	.1096-01	.1316-01	.1316-01	.9000	.4767-03	.5723-03	.3767	3.019	529.6
746	.80000	.90000	271.00	.1220-01	.1465-01	.1465-01	.9000	.5306-03	.6370-03	.4191	3.243	529.8
746	.90000	.20000	272.00	.8552-01	.1034	.1034	.9000	.3719-02	.4494-02	2.844	25.21	554.9
746	.90000	.40000	273.00	.2351-01	.2827-01	.2827-01	.9000	.1022-02	.1229-02	.8010	7.167	536.2
746	.90000	.60000	274.00	.2707-01	.3257-01	.3257-01	.9000	.1177-02	.1416-02	.9208	6.861	537.5
746	.95000	.20000	275.00	.3996-01	.4807-01	.4807-01	.9000	.1738-02	.2090-02	1.359	13.21	537.5
746	.95000	.40000	276.00	.3920-01	.4719-01	.4719-01	.9000	.1704-02	.2052-02	1.328	9.880	540.5
746	.95000	.50000	277.00	.3470-01	.4184-01	.4184-01	.9000	.1509-02	.1819-02	1.168	10.40	545.7
746	.95000	.70000	278.00	.1361-01	.1635-01	.1635-01	.9000	.5916-03	.7111-03	.4648	3.717	534.0
746	.95000	.80000	279.00	.8356-02	.1003-01	.1003-01	.9000	.3633-03	.4362-03	.2872	2.223	529.3
746	.95000	.90000	280.00	.2288-01	.2748-01	.2748-01	.9000	.9948-03	.1195-02	.7840	6.277	531.6

DATE 23 FEB 80

OH84B MODEL 60-0 IN THE AEDC VKI HYPERSONIC TUNNEL

PAGE 2469

OH84B 60-0 WING UPPER SURFACE

(R4UR51)

WING UPPER SURF

PARAMETRIC DATA

MACH = 8.000 ALPHA = 40.00 BETA = .0000 ELEVON = 7.500
 BOFLAP = 15.00 SPDBRK = .0000

TEST CONDITIONS

RUN NUMBER	RN/L /FT X10 6	MACH	ALPHA DEG.	BETA DEG.	PO PSIA	TO DEG. R	T DEG. R	P PSIA	Q PSI	V FT/SEC	RHO SLUGS /FT3	MU LB-SEC /FT2
766	.5080	7.900	39.98	-.3466-02	101.0	1250.	92.69	.1123-01	.4905	3729.	.3269-03	.7459-07
RUN NUMBER	HREF BTU/ R FT2SEC	STN NO REF(R) = .0175										
766	.1715-01	.5675-01										

TEST DATA

RUN NUMBER	2Y/BW	XW/CW	T/C NO	H/HREF R=1.0	H/HREF R=0.9	H/HREF R= TAW/TO	TAW/TO	H(TO) BTU/R FT2SEC	H(TAW) BTU/R FT2SEC	QDOT BTU/ FT2SEC	DTWDT DEG. R /SEC	TW DEG. R
766	.40000	.20000	247.00	.4244-02	.5134-02	.5134-02	.9000	.7279-04	.8805-04	.5246-01	.4206	528.9
766	.40000	.40000	248.00	.7320-03	.8860-03	.8860-03	.9000	.1256-04	.1520-04	.9024-02	.8433-01	530.9
766	.40000	.60000	249.00	.8837-03	.1070-02	.1070-02	.9000	.1516-04	.1835-04	.1089-01	.1221	531.1
766	.40000	.75000	250.00	.4430-03	.5363-03	.5363-03	.9000	.7598-05	.9198-05	.5458-02	.4080-01	531.3
766	.40000	.95000	252.00	.2196-02	.2657-02	.2657-02	.9000	.3767-04	.4558-04	.2711-01	.2433	530.0
766	.60000	.25000-01	253.00	.7308-01	.8905-01	.8905-01	.9000	.1254-02	.1527-02	.8736	21.53	552.8
766	.60000	.50000-01	254.00	.5495-01	.6679-01	.6679-01	.9000	.9425-03	.1146-02	.6643	13.45	544.9
766	.60000	.10000*30	255.00	.3529-01	.4276-01	.4276-01	.9000	.6053-03	.7334-03	.4328	4.614	534.6
766	.60000	.20000	256.00	.9460-02	.1146-01	.1146-01	.9000	.1623-03	.1965-03	.1163	1.042	532.8
766	.60000	.40000	257.00	.1270-02	.1538-02	.1538-02	.9000	.2178-04	.2639-04	.1560-01	.1294	533.4
766	.60000	.60000	258.00	.1880-02	.2276-02	.2276-02	.9000	.3224-04	.3905-04	.2311-01	.2158	532.7
766	.60000	.85000	260.00	.5380-02	.6511-02	.6511-02	.9000	.9227-04	.1117-03	.6639-01	.5517	530.2
766	.60000	.95000	261.00	.8381-02	.1014-01	.1014-01	.9000	.1437-03	.1739-03	.1037	1.165	528.2
766	.70000	.20000	262.00	.9794-02	.1186-01	.1186-01	.9000	.1680-03	.2034-03	.1206	1.126	531.9
766	.70000	.40000	263.00	.3371-02	.4081-02	.4081-02	.9000	.5782-04	.7000-04	.4152-01	.3723	531.6
766	.75000	.10000	265.00	.2528-01	.3060-01	.3060-01	.9000	.4337-03	.5249-03	.3117	3.040	530.9
766	.75000	.20000	266.00	.1123-01	.1359-01	.1359-01	.9000	.1926-03	.2331-03	.1386	1.352	530.2
766	.75000	.40000	267.00	.5033-02	.6091-02	.6091-02	.9000	.8632-04	.1045-03	.6209-01	.5572	530.4
766	.75000	.60000	268.00	.2209-02	.2673-02	.2673-02	.9000	.3788-04	.4585-04	.2724-01	.2777	530.7
766	.75000	.80000	269.00	.1606-02	.1944-02	.1944-02	.9000	.2754-04	.3334-04	.1980-01	.1851	530.7
766	.75000	.90000	270.00	.7591-02	.9186-02	.9186-02	.9000	.1302-03	.1576-03	.9371-01	.7509	530.0

DATE 23 FEB 80

OH84B MODEL 60-0 IN THE AEDC VKI HYPERSONIC TUNNEL

PAGE 2470

OH84B 60-0 WING UPPER SURFACE

(R4UR51)

RUN NUMBER	ZY/BW	XW/CW	T/C NO	H/HREF	H/HREF	H/HREF	TAW/TO	H(TO)	H(TAW)	QDOT	DTWDT	TW
				R=1.0	R=0.9	R=		BTU/R	BTU/R	BTU/	DEG. R	DEG. R
				TAW/TO			FT2SEC	FT2SEC	FT2SEC	/SEC		
766	.80000	.90000	271.00	.8318-02	.1007-01	.1007-01	.9000	.1427-03	.1726-03	.1027	.7942	530.1
766	.90000	.20000	272.00	.4631-01	.5615-01	.5615-01	.9000	.7943-03	.9631-03	.5664	5.066	536.6
766	.90000	.40000	273.00	.5732-02	.6938-02	.6938-02	.9000	.9832-04	.1190-03	.7069-01	.6342	530.7
766	.90000	.60000	274.00	.1935-02	.2342-02	.2342-02	.9000	.3319-04	.4017-04	.2386-01	.1784	530.7
766	.95000	.20000	275.00	.1875-01	.2028-01	.2028-01	.9000	.2874-03	.3478-03	.2066	2.014	530.8
766	.95000	.40000	276.00	.1261-01	.1526-01	.1526-01	.9000	.2163-03	.2617-03	.1557	1.165	529.6
766	.95000	.50000	277.00	.3948-02	.4777-02	.4777-02	.9000	.6772-04	.8193-04	.4879-01	.4381	529.2
766	.95000	.70000	278.00	.2379-02	.2878-02	.2878-02	.9000	.4080-04	.4937-04	.2938-01	.2355	529.5
766	.95000	.80000	279.00	.4956-02	.5997-02	.5997-02	.9000	.8501-04	.1029-03	.6122-01	.4738	529.5
766	.95000	.90000	280.00	.1526-01	.1847-01	.1847-01	.9000	.2617-03	.3167-03	.1884	1.510	529.8

OH84B 60-0 WING UPPER SURFACE

(R4UR51)

WING UPPER SURF

PARAMETRIC DATA

MACH = 8.000 ALPHA = 40.00 BETA = .0000 ELEVON = 7.500
 BDFLAP = 15.00 SPDBRK = .0000

TEST CONDITIONS

RUN NUMBER	RN/L /FT X10 6	MACH	ALPHA DEG.	BETA DEG.	PO PSIA	TO DEG. R	T DEG. R	P PSIA	Q PSI	V FT/SEC	RHO SLUGS /FT3	MU LB-SEC /FT2
760	1.001	7.940	39.99	- .4651-06	206.5	1269.	93.22	.2221-01	.9803	3758.	.6431-03	.7502-07
RUN NUMBER	HREF BTU/ R FT2SEC	STN NO REF (R)										
760	.2431-01	.4053-01										

TEST DATA

RUN NUMBER	2Y/BW	XW/CW	T/C NO	H/HREF R=1.0	H/HREF R=0.9	H/HREF R= TAW/TO	TAW/TO	H(TO) BTU/R FT2SEC	H(TAW) BTU/R FT2SEC	QDOT BTU/ FT2SEC	DTWDT DEG. R /SEC	TW DEG. R
760	.40000	.20000	247.00	.5948-02	.7189-02	.7189-02	.9000	.1446-03	.1748-03	.1063	.8505	533.4
760	.40000	.40000	248.00	.8394-03	.1015-02	.1015-02	.9000	.2041-04	.2467-04	.1498-01	.1397	534.7
760	.40000	.60000	249.00	.9788-03	.1183-02	.1183-02	.9000	.2380-04	.2877-04	.1747-01	.1956	534.4
760	.40000	.75000	250.00	.1236-02	.1494-02	.1494-02	.9000	.3004-04	.3632-04	.2203-01	.1643	535.2
760	.40000	.95000	252.00	.2513-02	.3037-02	.3037-02	.9000	.6109-04	.7383-04	.4492-01	.4025	533.4
760	.60000	.25000-01	253.00	.7950-01	.9711-01	.9711-01	.9000	.1933-02	.2361-02	1.352	33.06	569.0
760	.60000	.50000-01	254.00	.6540-01	.7965-01	.7965-01	.9000	.1590-02	.1936-02	1.128	22.68	559.1
760	.60000	.10000+J0	255.00	.4929-01	.5972-01	.5972-01	.9000	.1198-02	.1452-02	.8701	9.238	542.5
760	.60000	.20000	256.00	.1114-01	.1347-01	.1347-01	.9000	.2707-03	.3276-03	.1978	1.768	538.0
760	.60000	.40000	257.00	.1590-02	.1923-02	.1923-02	.9000	.3864-04	.4676-04	.2825-01	.2338	537.6
760	.60000	.60000	258.00	.8303-03	.1004-02	.1004-02	.9000	.2019-04	.2442-04	.1477-01	.1377	536.7
760	.60000	.85000	260.00	.1123-01	.1358-01	.1358-01	.9000	.2729-03	.3301-03	.2000	1.657	536.0
760	.60000	.95000	261.00	.8685-02	.1049-01	.1049-01	.9000	.2111-03	.2550-03	.1556	1.745	531.6
760	.70000	.20000	262.00	.9943-02	.1203-01	.1203-01	.9000	.2417-03	.2924-03	.1770	1.649	536.5
760	.70000	.40000	263.00	.3634-02	.4395-02	.4395-02	.9000	.8835-04	.1068-03	.6475-01	.5795	535.7
760	.75000	1.0000	265.00	.2499-01	.3021-01	.3021-01	.9000	.6076-03	.7345-03	.4459	4.340	534.7
760	.75000	.20000	266.00	.1124-01	.1359-01	.1359-01	.9000	.2732-03	.3303-03	.2006	1.953	534.3
760	.75000	.40000	267.00	.5526-02	.6680-02	.6680-02	.9000	.1343-03	.1624-03	.9864-01	.8832	534.5
760	.75000	.60000	268.00	.2284-02	.2761-02	.2761-02	.9000	.5553-04	.6713-04	.4077-01	.4148	534.5
760	.75000	.80000	269.00	.3555-02	.4298-02	.4298-02	.9000	.8643-04	.1045-03	.6341-01	.5913	535.0
760	.75000	.90000	270.00	.8946-02	.1081-01	.1081-01	.9000	.2175-03	.2628-03	.1600	1.280	533.1

DATE 23 FEB 80

OH84B MODEL 60-0 IN THE AEDC VKI HYPERSONIC TUNNEL

PAGE 2472

OH84B 60-0 WING UPPER SURFACE

(R4UR51)

RUN NUMBER	ZY/BW	XW/CW	T/C NO	H/HREF R=1.0	H/HREF R=0.9	H/HREF R= TAW/TO	TAW/TO	H(TO) BTU/R FT2SEC	H(TAW) BTU/R FT2SEC	QDOT BTU/ FT2SEC	DTWDT DEG. R /SEC	TW DEG. R
760	.80000	.90000	271.00	.8884-02	.1074-01	.1074-01	.9000	.2160-03	.2610-03	.1588	1.227	533.3
760	.90000	.20000	272.00	.6306-01	.7646-01	.7646-01	.9000	.1533-02	.1859-02	1.109	9.881	545.0
760	.90000	.40000	273.00	.9272-02	.1121-01	.1121-01	.9000	.2254-03	.2726-03	.1653	1.479	535.5
760	.90000	.60000	274.00	.5106-02	.6174-02	.6174-02	.9000	.1241-03	.1501-03	.9097-01	.6784	535.8
760	.95000	.20000	275.00	.2337-01	.2827-01	.2827-01	.9000	.5682-03	.6872-03	.4162	4.048	536.2
760	.95000	.40000	276.00	.1788-01	.2162-01	.2162-01	.9000	.4348-03	.5257-03	.3191	2.381	534.8
760	.95000	.50000	277.00	.1040-01	.1258-01	.1258-01	.9000	.2529-03	.3059-03	.1854	1.660	535.5
760	.95000	.70000	278.00	.3097-02	.3743-02	.3743-02	.9000	.7529-04	.9099-04	.5535-01	.4427	533.5
760	.95000	.80000	279.00	.5984-02	.7232-02	.7232-02	.9000	.1455-03	.1758-03	.1070	.8263	533.3
760	.95000	.90000	280.00	.1558-01	.1883-01	.1883-01	.9000	.3788-03	.4577-03	.2786	2.229	533.1

OH84B 60-0 WING UPPER SURFACE

(R4UR51)

WING UPPER SURF

PARAMETRIC DATA

MACH = 8.000 ALPHA = 40.00 BETA = .0000 ELEVON = 7.500
 BDFLAP = 15.00 SPDBRK = .0000

TEST CONDITIONS

RUN NUMBER	RN/L /FT X10 ⁶	MACH	ALPHA DEG.	BETA DEG.	PO PSIA	TO DEG. R	T DEG. R	P PSIA	Q PSI	V FT/SEC	RHO SLUGS /FT ³	MU LB-SEC /FT ²
754	2.004	7.980	40.06	-4.686-06	437.0	1305.	94.98	.4550-01	2.028	3813.	.1293-02	.7643-07

RUN NUMBER	HREF BTU/R FT ² SEC	STN NO REF (R) = .0175
754	.3514-01	.2867-01

TEST DATA

RUN NUMBER	2Y/BW	XW/CW	T/C NO	H/HREF R=1.0	H/HREF R=0.9	H/HREF R=TAW/TO	TAW/TO	H(TO) BTU/R FT ² SEC	H(TAW) BTU/R FT ² SEC	QDOT BTU/FT ² SEC	DTWOT DEG. R /SEC	TW DEG. R
754	.40000	.20000	247.00	.8340-02	.1003-01	.1003-01	.9000	.2930-03	.3523-03	.2273	1.823	529.0
754	.40000	.40000	248.00	.7838-03	.9429-03	.9429-03	.9000	.2754-04	.3313-04	.2129-01	.1989	531.6
754	.40000	.60000	249.00	.9543-03	.1148-02	.1148-02	.9000	.3353-04	.4035-04	.2589-01	.2900	532.7
754	.40000	.75000	250.00	.8579-03	.1032-02	.1032-02	.9000	.3015-04	.3628-04	.2327-01	.1738	532.7
754	.40000	.80000	251.00	.1280-03	.1540-03	.1540-03	.9000	.4499-05	.5411-05	.3483-02	.2694-01	530.6
754	.40000	.95000	252.00	.3958-02	.4757-02	.4757-02	.9000	.1391-03	.1672-03	.1081	.9709	527.8
754	.60000	.25000-01	253.00	.9190-01	.1125	.1125	.9000	.3229-02	.3951-02	2.305	55.74	590.9
754	.60000	.50000-01	254.00	.8501-01	.1036	.1036	.9000	.2987-02	.3640-02	2.172	43.26	577.5
754	.60000	.10000+00	255.00	.6461-01	.7804-01	.7804-01	.9000	.2270-02	.2742-02	1.721	18.24	546.5
754	.60000	.20000	256.00	.1271-01	.1530-01	.1530-01	.9000	.4467-03	.5377-03	.3445	3.086	533.5
754	.60000	.40000	257.00	.1182-02	.1423-02	.1423-02	.9000	.4155-04	.5001-04	.3202-01	.2655	534.0
754	.60000	.60000	258.00	.7371-03	.8872-03	.8872-03	.9000	.2590-04	.3117-04	.1997-01	.1864	533.6
754	.60000	.75000	259.00	.4237-02	.5095-02	.5095-02	.9000	.1489-03	.1790-03	.1154	1.036	529.6
754	.60000	.85000	260.00	.1916-01	.2307-01	.2307-01	.9000	.6731-03	.8106-03	.5179	4.292	535.3
754	.60000	.95000	261.00	.1415-01	.1701-01	.1701-01	.9000	.4974-03	.5976-03	.3869	4.348	526.7
754	.70000	.20000	262.00	.1005-01	.1209-01	.1209-01	.9000	.3533-03	.4249-03	.2736	2.558	530.2
754	.70000	.40000	263.00	.3261-02	.3922-02	.3922-02	.9000	.1146-03	.1378-03	.8872-01	.7961	530.4
754	.75000	1.0000	265.00	.2753-01	.3310-01	.3310-01	.9000	.9672-03	.1163-02	.7487	7.302	530.6
754	.75000	.40000	267.00	.5319-02	.6392-02	.6392-02	.9000	.1869-03	.2246-03	.1453	1.306	527.4
754	.75000	.60000	268.00	.5625-02	.6762-02	.6762-02	.9000	.1977-03	.2376-03	.1535	1.567	528.3
754	.75000	.80000	269.00	.2674-02	.3212-02	.3212-02	.9000	.9397-04	.1129-03	.7323-01	.6862	525.4

DATE 23 FEB 80

OH84B MODEL 60-0 IN THE AEDC VKF HYPERSONIC TUNNEL

PAGE 2474

OH84B 60-0 WING UPPER SURFACE

(R4UR51)

RUN NUMBER	2Y/BW	XW/CW	T/C NO	H/HREF R=1.0	H/HREF R=0.9	H/HREF R= TAW/TO	TAW/TO	H(TO) BTU/R FT2SEC	H(TAW) BTU/R FT2SEC	QDOT BTU/ FT2SEC	DTWDT DEG. R /SEC	TW DEG. R
754	.75000	.90000	270.00	.9528-02	.1144-01	.1144-01	.9000	.3348-03	.4019-03	.2615	2.102	523.7
754	.80000	.90000	271.00	.1094-01	.1313-01	.1313-01	.9000	.3843-03	.4614-03	.2999	2.327	524.2
754	.90000	.20000	272.00	.9719-01	.1175	.1175	.9000	.3415-02	.4128-02	2.579	22.92	549.6
754	.90000	.40000	273.00	.2175-01	.2616-01	.2616-01	.9000	.7643-03	.9192-03	.5919	5.312	530.2
754	.90000	.60000	274.00	.9126-02	.1097-01	.1097-01	.9000	.3207-03	.3853-03	.2493	1.867	527.2
754	.95000	.20000	275.00	.3568-01	.4293-01	.4293-01	.9000	.1254-02	.1508-02	.9690	9.444	531.8
754	.95000	.40000	276.00	.2641-01	.3175-01	.3175-01	.9000	.9281-03	.1116-02	.7198	5.386	529.1
754	.95000	.50000	277.00	.2625-01	.3158-01	.3158-01	.9000	.9223-03	.1110-02	.7127	6.391	531.9
754	.95000	.70000	278.00	.4263-02	.5119-02	.5119-02	.9000	.1498-03	.1799-03	.1170	.9401	523.9
754	.95000	.80000	279.00	.6571-02	.7889-02	.7889-02	.9000	.2309-03	.2772-03	.1803	1.399	523.8
754	.95000	.90000	280.00	.1922-01	.2309-01	.2309-01	.9000	.6754-03	.8112-03	.5263	4.227	525.4

DATE 23 FEB 80

OH84B MODEL 60-0 IN THE AEDC VKF HYPERSONIC TUNNEL

PAGE 2475

OH84B 60-0 WING UPPER SURFACE

(R4UR51)

WING UPPER SURF

PARAMETRIC DATA

MACH = 8.000 ALPHA = 40.00 BETA = .0000 ELEVON = 7.500
 BDFLAP = 15.00 SPDBRK = .0000

TEST CONDITIONS

RUN NUMBER	RN/L /FT X10 ⁶	MACH	ALPHA DEG.	BETA DEG.	PO PSIA	TO DEG. R	T DEG. R	P PSIA	Q PSI	V FT/SEC	RHO SLUGS /FT ³	MU LB-SEC /FT ²
748	2.974	7.990	40.07	-4.689-06	661.9	1320.	95.85	.6835-01	3.055	3835.	.1925-02	.7713-07
RUN NUMBER	HREF BTU/ R FT ² SEC	STN NO REF (R)										
748	.4321-01	.2352-01										

TEST DATA

RUN NUMBER	2Y/BW	XW/CW	T/C NO	H/HREF R=1.0	H/HREF R=0.9	H/HREF R= TAW/TO	TAW/TO	H(TO) BTU/R FT ² SEC	H(TAW) BTU/R FT ² SEC	QDOT BTU/ FT ² SEC	DTWDT DEG. R /SEC	TW DEG. R
748	.40000	.20000	247.00	.1197-01	.1438-01	.1438-01	.9000	.5172-03	.6213-03	.4076	3.264	531.6
748	.40000	.40000	248.00	.7271-03	.8736-03	.8736-03	.9000	.3142-04	.3775-04	.2472-01	.2308	532.8
748	.40000	.60000	249.00	.1536-02	.1846-02	.1846-02	.9000	.6636-04	.7978-04	.5209-01	.5830	534.8
748	.40000	.75000	250.00	.1197-02	.1439-02	.1439-02	.9000	.5174-04	.6217-04	.4068-01	.3037	533.4
748	.40000	.80000	251.00	.8223-03	.9872-03	.9872-03	.9000	.3553-04	.4266-04	.2807-01	.2172	529.7
748	.40000	.95000	252.00	.4464-02	.5356-02	.5356-02	.9000	.1929-03	.2314-03	.1529	1.374	527.1
748	.60000	.25000-01	253.00	.9753-01	.1201	.1201	.9000	.4214-02	.5191-02	2.956	70.53	618.2
748	.60000	.50000-01	254.00	.8729-01	.1067	.1067	.9000	.3772-02	.4610-02	2.737	54.07	594.0
748	.60000	.10000+00	255.00	.7210-01	.8717-01	.8717-01	.9000	.3115-02	.3766-02	2.378	25.08	556.2
748	.60000	.20000	256.00	.1634-01	.1965-01	.1965-01	.9000	.7060-03	.8489-03	.5534	4.953	535.7
748	.60000	.40000	257.00	.1300-02	.1562-02	.1562-02	.9000	.5615-04	.6748-04	.4412-01	.3659	534.0
748	.60000	.60000	258.00	.1071-02	.1287-02	.1287-02	.9000	.4627-04	.5560-04	.3638-01	.3395	533.4
748	.60000	.75000	259.00	.7068-02	.8486-02	.8486-02	.9000	.3054-03	.3667-03	.2411	2.163	530.3
748	.60000	.85000	260.00	.2388-01	.2874-01	.2874-01	.9000	.1032-02	.1242-02	.8041	6.648	540.2
748	.60000	.95000	261.00	.1629-01	.1955-01	.1955-01	.9000	.7038-03	.8446-03	.5573	6.259	527.8
748	.70000	.20000	262.00	.9323-02	.1119-01	.1119-01	.9000	.4028-03	.4837-03	.3180	2.973	530.1
748	.70000	.40000	263.00	.3954-02	.4747-02	.4747-02	.9000	.1708-03	.2051-03	.1349	1.211	529.9
748	.75000	1.0000	265.00	.3147-01	.3782-01	.3782-01	.9000	.1360-02	.1634-02	1.068	10.40	534.1
748	.75000	.40000	267.00	.5799-02	.6957-02	.6957-02	.9000	.2505-03	.3006-03	.1986	1.785	527.1
748	.75000	.60000	268.00	.7345-02	.8816-02	.8816-02	.9000	.3174-03	.3809-03	.2511	2.563	528.4
748	.75000	.80000	269.00	.3043-02	.3648-02	.3648-02	.9000	.1315-03	.1576-03	.1046	.9806	524.3

DATE 23 FEB 80

OH84B MODEL 60-0 IN THE AEDC VKF HYPERSONIC TUNNEL

PAGE 2476

OH84B 60-0 WING UPPER SURFACE

(R4UR51)

RUN NUMBER	ZY/BW	XW/CW	T/C NO	H/HREF R=1.0	H/HREF R=0.9	H/HREF R= TAW/TO	TAW/TO	H(TO) BTU/R FT2SEC	H(TAW) BTU/R FT2SEC	QDOT BTU/ FT2SEC	DTWDT DEG. R /SEC	TW DEG. R
748	.75000	.90000	270.00	.1226-01	.1469-01	.1469-01	.9000	.5296-03	.6348-03	.4217	3.390	523.5
748	.80000	.90000	271.00	.1390-01	.1666-01	.1666-01	.9000	.6005-03	.7198-03	.4779	3.709	523.8
748	.90000	.20000	272.00	.1305	.1583	.1583	.9000	.5640-02	.6842-02	4.239	37.32	568.2
748	.90000	.40000	273.00	.3654-01	.4395-01	.4395-01	.9000	.1579-02	.1899-02	1.236	11.06	536.5
748	.90000	.60000	274.00	.2791-01	.3352-01	.3352-01	.9000	.1206-02	.1448-02	.9506	7.105	531.3
748	.95000	.20000	275.00	.4387-01	.5272-01	.5272-01	.9000	.1895-02	.2278-02	1.490	14.51	533.4
748	.95000	.40000	276.00	.5305-01	.6384-01	.6384-01	.9000	.2292-02	.2758-02	1.790	13.33	538.8
748	.95000	.50000	277.00	.3315-01	.3984-01	.3984-01	.9000	.1432-02	.1721-02	1.126	10.09	533.3
748	.95000	.70000	278.00	.3136-01	.3766-01	.3766-01	.9000	.1355-02	.1627-02	1.069	8.561	530.9
748	.95000	.80000	279.00	.1099-01	.1318-01	.1318-01	.9000	.4750-03	.5694-03	.3783	2.937	523.3
748	.95000	.90000	280.00	.2392-01	.2869-01	.2869-01	.9000	.1034-02	.1240-02	.8205	6.589	525.9

DATE 23 FEB 80

OH84B MODEL 60-0 IN THE AEDC VKF HYPERSONIC TUNNEL

PAGE 2477

OH84B 60-0 WING UPPER SURFACE

(R4UR52)

WING UPPER SURF

PARAMETRIC DATA

MACH = 8.000 ALPHA = 40.00 BETA = .0000 ELEVON = 7.500
 BDFLAP = 23.50 SPDBRK = .0000

TEST CONDITIONS

RUN NUMBER	RN/L /FT X10 6	MACH	ALPHA DEG.	BETA DEG.	PO PSIA	TO DEG. R	T DEG. R	P PSIA	Q PSI	V FT/SEC	RHO SLUGS /FT3	MU LB-SEC /FT2
764	.5066	7.900	39.98	-.4647-06	100.9	1251.	92.77	.1121-01	.4898	3730.	.3262-03	.7465-07
RUN NUMBER	HREF BTU/ R FT2SEC	STN NO REF (R)										
764	.1714-01	.5682-01										

TEST DATA

RUN NUMBER	ZY/BW	XW/CW	T/C NO	H/HREF R=1.0	H/HREF R=0.9	H/HREF R=TAW/TO	TAW/TO	H(TO) BTU/R FT2SEC	H(TAW) BTU/R FT2SEC	QDOT BTU/ FT2SEC	DTWDT DEG. R /SEC	TW DEG. R
764	.40000	.20000	247.00	.4994-02	.6040-02	.6040-02	.9000	.8561-04	.1035-03	.6184-01	.4959	528.3
764	.40000	.40000	248.00	.1255-02	.1518-02	.1518-02	.9000	.2151-04	.2603-04	.1550-01	.1449	530.2
764	.40000	.60000	249.00	.9540-03	.1155-02	.1155-02	.9000	.1635-04	.1979-04	.1178-01	.1321	530.4
764	.40000	.75000	250.00	.5953-03	.7205-03	.7205-03	.9000	.1020-04	.1235-04	.7347-02	.5493-01	530.6
764	.40000	.95000	252.00	.2293-02	.2774-02	.2774-02	.9000	.3931-04	.4755-04	.2837-01	.2546	529.0
764	.60000	.25000-01	253.00	.7370-01	.8974-01	.8974-01	.9000	.1263-02	.1538-02	.8840	21.81	550.9
764	.60000	.50000-01	254.00	.5550-01	.6743-01	.6743-01	.9000	.9514-03	.1156-02	.6730	13.64	543.3
764	.60000	.10000+30	255.00	.3650-01	.4420-01	.4420-01	.9000	.6256-03	.7577-03	.4490	4.791	532.9
764	.60000	.20000	256.00	.9627-02	.1165-01	.1165-01	.9000	.1650-03	.1997-03	.1187	1.064	531.5
764	.60000	.40000	257.00	.1642-02	.1988-02	.1988-02	.9000	.2814-04	.3407-04	.2022-01	.1679	532.1
764	.60000	.60000	258.00	.3785-03	.4582-03	.4582-03	.9000	.6487-05	.7853-05	.4666-02	.4359-01	531.5
764	.60000	.85000	260.00	.5727-02	.6928-02	.6928-02	.9000	.9817-04	.1187-03	.7084-01	.5889	529.1
764	.60000	.95000	261.00	.7941-02	.9600-02	.9600-02	.9000	.1361-03	.1645-03	.9852-01	1.107	526.8
764	.70000	.20000	262.00	.9792-02	.1185-01	.1185-01	.9000	.1678-03	.2031-03	.1209	1.130	530.3
764	.70000	.40000	263.00	.3451-02	.4176-02	.4176-02	.9000	.5915-04	.7157-04	.4263-01	.3826	530.0
764	.75000	1.0000	265.00	.2603-01	.3149-01	.3149-01	.9000	.4461-03	.5397-03	.3219	3.142	529.1
764	.75000	.20000	266.00	.1167-01	.1399-01	.1399-01	.9000	.1983-03	.2399-03	.1432	1.398	528.5
764	.75000	.40000	267.00	.5472-02	.6618-02	.6618-02	.9000	.9379-04	.1134-03	.6772-01	.6082	528.6
764	.75000	.60000	268.00	.2317-02	.2803-02	.2803-02	.9000	.3971-04	.4804-04	.2866-01	.2924	529.1
764	.75000	.80000	269.00	.1721-02	.2082-02	.2082-02	.9000	.2950-04	.3568-04	.2129-01	.1991	529.0
764	.75000	.90000	270.00	.7705-02	.9318-02	.9318-02	.9000	.1321-03	.1597-03	.9543-01	.7655	528.1

DATE 23 FEB 80

OH84B MODEL 60-0 IN THE AEDC VKF HYPERSONIC TUNNEL

PAGE 2470

OH84B 60-0 WING UPPER SURFACE

(R4UR52)

RUN NUMBER	ZY/BW	XW/CW	T/C NO	H/HREF	H/HREF	H/HREF	TAW/TO	H(TO)	H(TAW)	QDOT	DTWDT	TW
				R=1.0	R=0.9	R=		BTU/R	BTU/R	BTU/	DEG. R	DEG. R
						TAW/TO	FT2SEC		FT2SEC	/SEC		
764	.80000	.90000	271.00	.8492-02	.1027-01	.1027-01	.9000	.1456-03	.1760-03	.1052	.8143	528.3
764	.90000	.20000	272.00	.4473-01	.5421-01	.5421-01	.9000	.7667-03	.9291-03	.5484	4.908	535.4
764	.90000	.40000	273.00	.5342-02	.6462-02	.6462-02	.9000	.9157-03	.1108-03	.6607-01	.5933	529.1
764	.90000	.60000	274.00	.2253-02	.2726-02	.2726-02	.9000	.3862-04	.4672-04	.2786-01	.2085	529.2
764	.95000	.20000	275.00	.1501-01	.1815-01	.1815-01	.9000	.2572-03	.3111-03	.1857	1.813	528.7
764	.95000	.40000	276.00	.1305-01	.1578-01	.1578-01	.9000	.2237-03	.2705-03	.1616	1.210	528.0
764	.95000	.50000	277.00	.4235-02	.5121-02	.5121-02	.9000	.7259-04	.8778-04	.5247-01	.4715	527.8
764	.95000	.70000	278.00	.2150-02	.2600-02	.2600-02	.9000	.3685-04	.4456-04	.2665-01	.2138	527.5
764	.95000	.80000	279.00	.4888-02	.5910-02	.5910-02	.9000	.8378-04	.1013-03	.6059-01	.4694	527.5
764	.95000	.90000	280.00	.1445-01	.1748-01	.1748-01	.9000	.2478-03	.2996-03	.1791	1.437	527.9

DATE 23 FEB 80

OH84B MODEL 60-0 IN THE AEDC VKF HYPERSONIC TUNNEL

PAGE 2479

OH84B 60-0 WING UPPER SURFACE

(R4UR52)

WING UPPER SURF

PARAMETRIC DATA

MACH = 8.000 ALPHA = 40.00 BETA = .0000 ELEVON = 7.500
 BDFLAP = 23.50 SPDBRK = .0000

TEST CONDITIONS

RUN NUMBER	RN/L /FT X10 6	MACH	ALPHA DEG.	BETA DEG.	PO PSIA	TO DEG. R	T DEG. R	P PSIA	Q PSI	V FT/SEC	RHO SLUGS /FT3	MU LB-SEC /FT2
762	1.002	7.940	39.99	-.4654-06	205.6	1265.	92.93	.2212-01	.9760	3752.	.6424-03	.7478-07
RUN NUMBER	HREF BTU/ R FT2SEC	STN NO REF (R)										
762	.2424-01	.4054-01										

TEST DATA

RUN NUMBER	2Y/BW	XW/CW	T/C NO	H/HREF R=1.0	H/HREF R=0.9	H/HREF R= TAW/TO	TAW/TO	H(TO) BTU/R FT2SEC	H(TAW) BTU/R FT2SEC	QDOT BTU/ FT2SEC	DTWDT DEG. R /SEC	TW DEG. R
762	.40000	.20000	247.00	.6280-02	.7584-02	.7584-02	.9000	.1523-03	.1839-03	.1120	.8982	528.9
762	.40000	.40000	248.00	.1220-02	.1475-02	.1475-02	.9000	.2958-04	.3575-04	.2168-01	.2024	531.9
762	.40000	.60000	249.00	.1210-02	.1463-02	.1463-02	.9000	.2934-04	.3546-04	.2150-01	.2409	532.0
762	.40000	.75000	250.00	.7504-03	.9069-03	.9069-03	.9000	.1819-04	.2199-04	.1333-01	.9959-01	532.0
762	.40000	.95000	252.00	.2785-02	.3362-02	.3362-02	.9000	.6752-04	.8150-04	.4977-01	.4472	527.6
762	.60000	.25000-01	253.00	.7995-01	.9753-01	.9753-01	.9000	.1938-02	.2364-02	1.360	33.36	562.9
762	.60000	.50000-01	254.00	.6598-01	.8025-01	.8025-01	.9000	.1600-02	.1946-02	1.138	22.95	553.1
762	.60000	.10000+00	255.00	.5028-01	.6084-01	.6084-01	.9000	.1219-02	.1475-02	.8879	9.456	536.3
762	.60000	.20000	256.00	.1144-01	.1383-01	.1383-01	.9000	.2774-03	.3353-03	.2031	1.820	532.6
762	.60000	.40000	257.00	.1762-02	.2131-02	.2131-02	.9000	.4272-04	.5165-04	.3122-01	.2589	533.8
762	.60000	.60000	258.00	.4421-03	.5345-03	.5345-03	.9000	.1072-04	.1296-04	.7843-02	.7321-01	532.0
762	.60000	.75000	259.00	.2705-03	.3266-03	.3266-03	.9000	.6558-05	.7917-05	.4831-02	.4341-01	528.0
762	.60000	.85000	260.00	.1073-01	.1296-01	.1296-01	.9000	.2602-03	.3143-03	.1912	1.589	529.9
762	.60000	.95000	261.00	.8753-02	.1056-01	.1056-01	.9000	.2122-03	.2560-03	.1570	1.766	524.9
762	.70000	.20000	262.00	.1029-01	.1243-01	.1243-01	.9000	.2495-03	.3013-03	.1833	1.713	530.0
762	.70000	.40000	263.00	.3509-02	.4239-02	.4239-02	.9000	.8508-04	.1028-03	.6249-01	.5608	530.2
762	.75000	1.0000	265.00	.2505-01	.3023-01	.3023-01	.9000	.6073-03	.7329-03	.4479	4.376	527.1
762	.75000	.20000	266.00	.1105-01	.1334-01	.1334-01	.9000	.2679-03	.3234-03	.1976	1.931	527.0
762	.75000	.40000	267.00	.5453-02	.6583-02	.6583-02	.9000	.1322-03	.1596-03	.9741-01	.8752	527.9
762	.75000	.60000	268.00	.2192-02	.2646-02	.2646-02	.9000	.5314-04	.6416-04	.3914-01	.3996	528.2
762	.75000	.80000	269.00	.3501-02	.4225-02	.4225-02	.9000	.8488-04	.1024-03	.6262-01	.5864	526.9

OH84B 60-0 WING UPPER SURFACE

(R4UR52)

RUN NUMBER	2Y/BW	XW/CW	T/C NO	H/HREF	H/HREF	H/HREF	TAW/TO	H(TO)	H(TAW)	QDOT	DTWDT	TW
				R=1.0	R=0.9	R=		BTU/R	BTU/R	BTU/ FT2SEC	DEG. R /SEC	DEG. R
762	.75000	.90000	270.00	.8818-02	.1064-01	.1064-01	.9000	.2138-03	.2579-03	.1582	1.272	524.5
762	.80000	.90000	271.00	.9076-02	.1095-01	.1095-01	.9000	.2200-03	.2654-03	.1628	1.262	525.0
762	.90000	.20000	272.00	.6647-01	.8045-01	.8045-01	.9000	.1612-02	.1950-02	1.173	10.49	536.7
762	.90000	.40000	273.00	.1032-01	.1246-01	.1246-01	.9000	.2502-03	.3020-03	.1844	1.657	527.5
762	.90000	.60000	274.00	.4583-02	.5532-02	.5532-02	.9000	.1111-03	.1341-03	.8191-01	.6134	527.5
762	.95000	.20000	275.00	.2170-01	.2620-01	.2620-01	.9000	.5261-03	.6351-03	.3878	3.788	527.6
762	.95000	.40000	276.00	.1711-01	.2065-01	.2065-01	.9000	.4149-03	.5007-03	.3063	2.295	526.4
762	.95000	.50000	277.00	.1060-01	.1279-01	.1279-01	.9000	.2569-03	.3101-03	.1894	1.702	527.5
762	.95000	.70000	278.00	.3867-02	.4666-02	.4666-02	.9000	.9376-04	.1131-03	.6930-01	.5566	525.6
762	.95000	.80000	279.00	.6520-02	.7866-02	.7866-02	.9000	.1581-03	.1907-03	.1168	.9061	525.5
762	.95000	.90000	280.00	.1571-01	.1895-01	.1895-01	.9000	.3809-03	.4595-03	.2815	2.261	525.6

OH84B 60-0 WING UPPER SURFACE

(R4UR52)

WING UPPER SURF

PARAMETRIC DATA

MACH = 8.000 ALPHA = 40.00 BETA = .0000 ELEVON = 7.500
 BDFLAP = 23.50 SPDBRK = .0000

TEST CONDITIONS

RUN NUMBER	RN/L /FT X10 6	MACH	ALPHA DEG.	BETA DEG.	PO PSIA	TO DEG. R	T DEG. R	P PSIA	Q PSI	V FT/SEC	RHO SLUGS /FT3	MU LB-SEC /FT2
752	2.017	7.980	40.06	-4.685-06	436.2	1298.	94.47	.4541-01	2.024	3802.	.1297-02	.7602-07
RUN NUMBER	HREF BTU/ R FT2SEC	STN NO REF(R) = .0175										
752	.3507-01	.2860-01										

TEST DATA

RUN NUMBER	2Y/BW	XW/CW	T/C NO	H/HREF R=1.0	H/HREF R=0.9	H/HREF R= TAW/TO	TAW/TO	H(TO) BTU/R FT2SEC	H(TAW) BTU/R FT2SEC	QDOT BTU/ FT2SEC	DTWOT DEG. R /SEC	TW DEG. R
752	.40000	.20000	247.00	.8425-02	.1014-01	.1014-01	.9000	.2955-03	.3558-03	.2262	1.811	532.0
752	.40000	.40000	248.00	.9721-03	.1171-02	.1171-02	.9000	.3409-04	.4106-04	.2607-01	.2433	533.1
752	.40000	.60000	249.00	.1086-02	.1309-02	.1309-02	.9000	.3811-04	.4590-04	.2912-01	.3261	533.4
752	.40000	.75000	250.00	.7545-03	.9089-03	.9089-03	.9000	.2646-04	.3188-04	.2021-01	.1508	534.1
752	.40000	.80000	251.00	.1590-03	.1916-03	.1916-03	.9000	.5576-05	.6719-05	.4254-02	.3283-01	534.8
752	.40000	.95000	252.00	.4503-02	.5423-02	.5423-02	.9000	.1579-03	.1902-03	.1209	1.083	532.5
752	.60000	.25000-01	253.00	.9032-01	.1107	.1107	.9000	.3168-02	.3882-02	2.234	53.99	592.3
752	.60000	.50000-01	254.00	.8162-01	.9952-01	.9952-01	.9000	.2863-02	.3490-02	2.065	41.16	576.2
752	.60000	.10000+00	255.00	.6371-01	.7706-01	.7706-01	.9000	.2235-02	.2703-02	1.674	17.72	548.4
752	.60000	.20000	256.00	.1297-01	.1563-01	.1563-01	.9000	.4547-03	.5482-03	.3461	3.097	536.5
752	.60000	.40000	257.00	.1443-02	.1739-02	.1739-02	.9000	.5060-04	.6099-04	.3854-01	.3192	536.1
752	.60000	.60000	258.00	.7526-03	.9070-03	.9070-03	.9000	.2640-04	.3181-04	.2012-01	.1875	535.5
752	.60000	.75000	259.00	.5993-02	.7219-02	.7219-02	.9000	.2102-03	.2532-03	.1606	1.473	533.6
752	.60000	.85000	260.00	.1853-01	.2235-01	.2235-01	.9000	.6498-03	.7838-03	.4933	4.081	538.6
752	.60000	.95000	261.00	.1112-01	.1338-01	.1338-01	.9000	.3899-03	.4692-03	.2992	3.357	530.2
752	.70000	.20000	262.00	.9505-02	.1145-01	.1145-01	.9000	.3334-03	.4015-03	.2547	2.377	533.5
752	.70000	.40000	263.00	.4152-02	.5001-02	.5001-02	.9000	.1456-03	.1754-03	.1112	.9964	533.8
752	.75000	1.00000	265.00	.2713-01	.3269-01	.3269-01	.9000	.9516-03	.1147-02	.7263	7.069	534.5
752	.75000	.40000	267.00	.6665-02	.8025-02	.8025-02	.9000	.2338-03	.2815-03	.1790	1.605	531.8
752	.75000	.60000	268.00	.6903-02	.8316-02	.8316-02	.9000	.2421-03	.2917-03	.1849	1.882	533.8
752	.75000	.80000	269.00	.2911-02	.3504-02	.3504-02	.9000	.1021-03	.1229-03	.7826-01	.7313	531.0

DATE 23 FEB 80

OH84B MODEL 60-0 IN THE AEDC VKF HYPERSONIC TUNNEL

PAGE 2482

OH84B 60-0 WING UPPER SURFACE

(R4UR52)

RUN NUMBER	ZY/BW	XW/CW	T/C NO	H/HREF	H/HREF	H/HREF	TAW/TO	H(TO)	H(TAW)	QDOT	DTWDT	TW
				R=1.0	R=0.9	R= TAW/TO		BTU/R FT2SEC	BTU/R FT2SEC	BTU/ FT2SEC	DEG. R /SEC	DEG. R
752	.75000	.90000	270.00	.9343-02	.1124-01	.1124-01	.9000	.3277-03	.3942-03	.2519	2.020	528.9
752	.80000	.90000	271.00	.1097-01	.1321-01	.1321-01	.9000	.3849-03	.4632-03	.2956	2.287	529.7
752	.90000	.20000	272.00	.3722-01	.4489-01	.4489-01	.9000	.1305-02	.1574-02	.9906	8.851	538.7
752	.90000	.40000	273.00	.2467-01	.2975-01	.2975-01	.9000	.8654-03	.1043-02	.6581	5.885	537.2
752	.90000	.60000	274.00	.1454-01	.1751-01	.1751-01	.9000	.5098-03	.6143-03	.3890	2.902	534.7
752	.95000	.20000	275.00	.2977-01	.3587-01	.3587-01	.9000	.1044-02	.1258-02	.7963	7.749	535.0
752	.95000	.40000	276.00	.3570-01	.4304-01	.4304-01	.9000	.1252-02	.1509-02	.9525	7.099	536.9
752	.95000	.50000	277.00	.3499-01	.4223-01	.4223-01	.9000	.1227-02	.1481-02	.9283	8.285	541.1
752	.95000	.70000	278.00	.1891-01	.2278-01	.2278-01	.9000	.6633-03	.7991-03	.5065	4.050	534.1
752	.95000	.80000	279.00	.7149-02	.8603-02	.8603-02	.9000	.2507-03	.3017-03	.1924	1.488	530.2
752	.95000	.90000	280.00	.1772-01	.2133-01	.2133-01	.9000	.6214-03	.7482-03	.4761	3.812	531.6

DATE 23 FEB 80

OH84B MODEL 60-0 IN THE AEDC VKF HYPERSONIC TUNNEL

PAGE 2483

OH84B 60-0 WING UPPER SURFACE

(R4UR52)

WING UPPER SURF

PARAMETRIC DATA

MACH = 8.000 ALPHA = 40.00 BETA = .0000 ELEVON = 7.500
 BDFLAP = 23.50 SPDBRK = .0000

TEST CONDITIONS

RUN NUMBER	RN/L /FT Y10 6	MACH	ALPHA DEG.	BETA DEG.	PO PSIA	TO DEG. R	T DEG. R	P PSIA	Q PSI	V FT/SEC	RHO SLUGS /FT3	MU LB-SEC /FT2
750	3.008	7.990	40.07	-.3496-02	673.1	1325.	96.21	.6951-01	3.106	3842.	.1950-02	.7742-07
RUN NUMBER	HREF BTU/ R FT2SEC	STN NO REF(R) =.0175										
750	.4360-01	.2338-01										

TEST DATA

RUN NUMBER	2Y/BW	XW/CW	T/C NO	H/HREF R=1.0	H/HREF R=0.9	H/HREF R= TAW/TO	TAW/TO	H(TO) BTU/R FT2SEC	H(TAW) BTU/R FT2SEC	QDOT BTU/ FT2SEC	DTWDT DEG. R /SEC	TW DEG. R
750	.40000	.20000	247.00	.1188-01	.1426-01	.1426-01	.9000	.5178-03	.6219-03	.4096	3.276	533.7
750	.40000	.40000	248.00	.6384-03	.7673-03	.7673-03	.9000	.2784-04	.3345-04	.2196-01	.2047	535.7
750	.40000	.60000	249.00	.1566-02	.1883-02	.1883-02	.9000	.6826-04	.8208-04	.5370-01	.6001	537.9
750	.40000	.75000	250.00	.1406-02	.1690-02	.1690-02	.9000	.6130-04	.7369-04	.4828-01	.3598	537.0
750	.40000	.80000	251.00	.5514-03	.6623-03	.6623-03	.9000	.2404-04	.2888-04	.1901-01	.1468	533.9
750	.40000	.95000	252.00	.4379-02	.5256-02	.5256-02	.9000	.1909-03	.2292-03	.1516	1.360	530.7
750	.60000	.25000-01	253.00	.9726-01	.1198	.1198	.9000	.4240-02	.5223-02	2.987	71.20	620.3
750	.60000	.50000-01	254.00	.8838-01	.1081	.1081	.9000	.3853-02	.4711-02	2.804	55.30	597.1
750	.60000	.10000+00	255.00	.7238-01	.8753-01	.8753-01	.9000	.3156-02	.3816-02	2.414	25.42	559.5
750	.60000	.20000	256.00	.1617-01	.1945-01	.1945-01	.9000	.7049-03	.8479-03	.5536	4.945	539.3
750	.60000	.40000	257.00	.1260-02	.1516-02	.1516-02	.9000	.5496-04	.6609-04	.4323-01	.3577	538.1
750	.60000	.60000	258.00	.1424-02	.1712-02	.1712-02	.9000	.6207-04	.7464-04	.4884-01	.4547	537.9
750	.60000	.75000	259.00	.6825-02	.8199-02	.8199-02	.9000	.2976-03	.3575-03	.2354	2.108	533.6
750	.60000	.85000	260.00	.2252-01	.2712-01	.2712-01	.9000	.9819-03	.1182-02	.7677	6.338	542.9
750	.60000	.95000	261.00	.1651-01	.1982-01	.1982-01	.9000	.7199-03	.8641-03	.5713	6.406	531.0
750	.70000	.20000	262.00	.9285-02	.1115-01	.1115-01	.9000	.4048-03	.4863-03	.3201	2.986	534.0
750	.70000	.40000	263.00	.5362-02	.6442-02	.6442-02	.9000	.2338-03	.2809-03	.1847	1.654	534.6
750	.75000	1.0000	265.00	.3010-01	.3617-01	.3617-01	.9000	.1312-02	.1577-02	1.036	10.08	535.5
750	.75000	.40000	267.00	.5493-02	.6593-02	.6593-02	.9000	.2395-03	.2875-03	.1901	1.705	530.9
750	.75000	.60000	268.00	.9870-02	.1185-01	.1185-01	.9000	.4303-03	.5168-03	.3406	3.469	533.1
750	.75000	.80000	269.00	.2987-02	.3583-02	.3583-02	.9000	.1302-03	.1562-03	.1037	.9709	528.0

DATE 23 FEB 80

OH84B MODEL 60-0 IN THE AEDC VKF HYPERSONIC TUNNEL

PAGE 2484

OH84B 60-0 WING UPPER SURFACE

(R4UR52)

RUN NUMBER	ZY/BW	XW/CW	T/C NO	H/HREF R=1.0	H/HREF R=0.9	H/HREF R= TAW/TO	TAW/TO	H(TO) BTU/R FT2SEC	H(TAW) BTU/R FT2SEC	QDOT BTU/ FT2SEC	DTWDT DEG. R /SEC	TW DEG. R
750	.75000	.90000	270.00	.1180-01	.1415-01	.1415-01	.9000	.5147-03	.6171-03	.4108	3.298	526.5
750	.80000	.90000	271.00	.1325-01	.1589-01	.1589-01	.9000	.5777-03	.6927-03	.4610	3.573	526.7
750	.90000	.20000	272.00	.1202	.1458	.1458	.9000	.5241-02	.6357-02	3.957	34.82	569.6
750	.90000	.40000	273.00	.4313-01	.5187-01	.5187-01	.9000	.1881-02	.2262-02	1.479	13.22	538.2
750	.90000	.60000	274.00	.2787-01	.3349-01	.3349-01	.9000	.1215-02	.1460-02	.9596	7.159	535.1
750	.95000	.20000	275.00	.8451-01	.1020	.1020	.9000	.3685-02	.4446-02	2.850	27.50	551.3
750	.95000	.40000	276.00	.3539-01	.4253-01	.4253-01	.9000	.1543-02	.1854-02	1.218	9.089	535.1
750	.95000	.50000	277.00	.4416-01	.5327-01	.5327-01	.9000	.1925-02	.2323-02	1.492	13.25	549.9
750	.95000	.70000	278.00	.2308-01	.2773-01	.2773-01	.9000	.1006-02	.1209-02	.7959	6.366	533.8
750	.95000	.80000	279.00	.1103-01	.1323-01	.1323-01	.9000	.4810-03	.5768-03	.3837	2.973	527.0
750	.95000	.90000	280.00	.2354-01	.2824-01	.2824-01	.9000	.1026-02	.1232-02	.8166	6.546	529.1