

JPL PUBLICATION 85-50

# Planetary Image Conversion Task Final Report

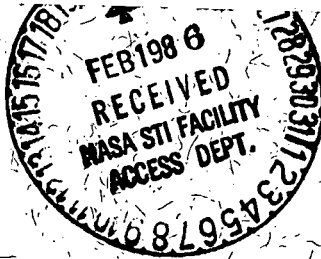
Michael D. Martin  
Carol L. Stanley  
Gaylin Laughlin

(NASA-CR-176534) PLANETARY IMAGE CONVERSION  
TASK Final Report (Jet Propulsion Lab.)  
219 p HC A10/MF A01 CSCI 03B

N86-19267

Unclas  
05453

G3/88



September 15, 1985



National Aeronautics and  
Space Administration

Jet Propulsion Laboratory  
California Institute of Technology  
Pasadena, California

TECHNICAL REPORT STANDARD TITLE PAGE

1. Report No. 85-50	2. Government Accession No.	3. Recipient's Catalog No.	
4. Title and Subtitle Planetary Image Conversion Task: Final Report		5. Report Date September 15, 1985	
		6. Performing Organization Code	
7. Author(s) Michael D. Martin, Carol L. Stanley, Gaylin Laughlin		8. Performing Organization Report No.	
9. Performing Organization Name and Address JET PROPULSION LABORATORY California Institute of Technology 4800 Oak Grove Drive Pasadena, California 91109		10. Work Unit No.	
		11. Contract or Grant No. NAS7-918	
		13. Type of Report and Period Covered JPL Publication	
12. Sponsoring Agency Name and Address NATIONAL AERONAUTICS AND SPACE ADMINISTRATION Washington, D.C. 20546		14. Sponsoring Agency Code RE4 BP 155 20700100	
		15. Supplementary Notes	
<p>16. Abstract The Planetary Image Conversion Task group processed 12,500 magnetic tapes containing raw imaging data from JPL planetary missions and produced an image data base in consistent format on 1200 fully packed 6250-bpi tapes. The output tapes will remain at JPL. A copy of the entire tape set was delivered to US Geological Survey, Flagstaff, Ariz. A secondary task converted computer datalogs, which had been stored in project specific MARK IV File Management System data types and structures, to flat-file, text format that is processable on any modern computer system. The conversion processing took place at JPL's Image processing Laboratory on an IBM 370-158 with existing software modified slightly to meet the needs of the conversion task. More than 99% of the original digital image data was successfully recovered by the conversion task. However, processing data tapes recorded before 1975 was destructive. This discovery is of critical importance to facilities responsible for maintaining digital archives since normal periodic random sampling techniques would be unlikely to detect this phenomenon, and entire data sets could be wiped out in the act of generating seemingly positive sampling results. Recommended follow-on activities are also included.</p>			
17. Key Words (Selected by Author(s)) Space Sciences (General) Lunar and Planetary Exploration (Advanced)		18. Distribution Statement Unclassified; unlimited	
19. Security Classif. (of this report) Unclassified	20. Security Classif. (of this page) Unclassified	21. No. of Pages 201	22. Price

JPL PUBLICATION 85-50

# Planetary Image Conversion Task

## Final Report

Michael D. Martin  
Carol L. Stanley  
Gaylin Laughlin

September 15, 1985

**NASA**

National Aeronautics and  
Space Administration

Jet Propulsion Laboratory  
California Institute of Technology  
Pasadena, California

The research described in this publication was carried out by the Jet Propulsion Laboratory, California Institute of Technology, under a contract with the National Aeronautics and Space Administration.

Reference herein to any specific commercial product, process, or service by trade name, trademark, manufacturer, or otherwise, does not constitute or imply its endorsement by the United States Government or the Jet Propulsion Laboratory, California Institute of Technology.



## ABSTRACT

The Planetary Image Conversion Task group has processed 12,500 magnetic tapes containing raw imaging data from JPL planetary missions and produced an image data base in consistent format on 1200 fully packed 6250-bpi tapes. The output tapes will remain at JPL. A copy of the entire tape set has been produced and delivered to the U.S. Geological Survey (USGS), Flagstaff, Arizona. A secondary task converted computer catalogs (which had been stored in project specific MARK IV File Management System data types and structures) to flat-file, text format that is processable on any modern computer system.

The conversion processing took place at JPL's Image Processing Laboratory (IPL) on an IBM 370-158 with existing software modified slightly to meet the needs of the conversion task. The 12,500 input tapes were processed as a serial string of conversion jobs running an average of two shifts per day, five days a week for 12 months. Over 10,000 separate batch jobs were required and nearly 5000 hours of elapsed processing time (500 hours of CPU time). Approximately 4 person-years of labor were required, excluding computer operations support. The total conversion cost for this task equals \$40 per input tape, or \$5 per megabyte of data processed. Due to the nature of this task (fairly uniform, well-documented inputs, and minimal software development costs), these estimates should be considered as very optimistic in budgeting other restoration efforts.

More than 99 percent of the original digital image data was successfully recovered by the conversion task. However, processing data tapes recorded before 1975 was destructive. This discovery is of critical importance to facilities responsible for maintaining digital archives since normal periodic random sampling techniques would be unlikely to detect this phenomenon, and entire data sets could be wiped out in the act of generating seemingly positive sampling results.

It is recommended that immediate follow-on activities be initiated to: (1) develop a single, machine-independent utility program which will read images from any archive tape and perform simple fill-in of missing pixels and lines; (2) convert the Mariner 4, 6, and 7 image data and the Mariner 9 Master Data Records to high density format; (3) produce a vault copy of the Mariner 9 and 10 image archive tapes; and (4) document processed image data sets and calibration data files currently in storage.

## ACKNOWLEDGMENTS

The authors wish to thank Nancy Evans (Planetary Data System Program Manager), Steve Saunders (Director, JPL Regional Planetary Image Facility), and Tom Duxbury (Supporting Research and Technology Manager, Information Systems Program) for their efforts to obtain NASA headquarters approval and funding for this task. Larry Soderblom, of the U.S. Geological Survey, Flagstaff, Arizona, provided assistance in designing the output data formats and evaluating archive images during processing. Steve Pelentay and John Baniqued of the IPL operations group were instrumental in obtaining hardware to support the conversion task and adjusting the IPL operations schedule to support conversion processing. Pam Kutsch, Valerie Nelson, and Ellen Wachner participated in a variety of task support activities. Darwin Brown handled tape logistics, data logging, and MTIS computer operations. Charles Avis and Glenn Garneau of the Space Image Processing Group provided all of the conversion software to support the task. Jody Swan and Linda Sowers of the U.S. Geological Survey (Flagstaff), and Sanjay Limaye (University of Wisconsin) were extremely helpful in tracking down alternate sources for missing images. Jancis Martin developed the catalog software used to produce the archive tape indexes included in this document. Harold Yamamoto of the Documentation Section assisted in the production of the final report.

## CONTENTS

I.	INTRODUCTION . . . . .	1
II.	TASK BACKGROUND . . . . .	1
III.	IMAGE DATA DESCRIPTION . . . . .	2
IV.	CONVERSION AND DATA RECOVERY PROCESSING . . . . .	3
V.	RESULTS AND RECOMMENDATIONS . . . . .	7
	A. Unprocessed or Unrecovered Data . . . . .	8
	B. Disposition of EDRs and MDRs . . . . .	8
	C. Uniform Processing Software . . . . .	9
	D. Archive Backup Copy . . . . .	9
	E. Processed Data Files . . . . .	9
	F. Calibration Data Sets . . . . .	10
	G. Hindsight . . . . .	10
	REFERENCES . . . . .	R-1
	APPENDIXES	
	A. ARCHIVE TAPE (VSFEDR) FORMAT DESCRIPTION . . . . .	A-1
	B. PLANETARY MISSIONS AND DATA SETS . . . . .	B-1
	C. CONVERSION PROCESSING NOTES. . . . .	C-1
	D. UNRECOVERED DATA . . . . .	D-1
	E. ARCHIVE TAPE INDEXES . . . . .	E-1

Figures

1.	Image Data Conversion Processing Flow . . . . .	5
A-1.	Voyager Image File Format . . . . .	A-2
A-2.	Viking Orbiter Image File Format . . . . .	A-3
A-3.	Viking Lander Image File Format . . . . .	A-4
A-4.	Mariner 10 Image File Format . . . . .	A-5
A-5.	Mariner 9 Image File Format . . . . .	A-6

Tables

1.	Conversion Processing Statistics . . . . .	6
2.	Resource Requirements . . . . .	6
3.	Workforce Utilization . . . . .	7
4.	File Location of EDR Tape Errors . . . . .	7
A-1.	Archive Image (VSFEDR) Formats . . . . .	A-1
B-1.	Characteristics of Planetary Camera Systems . . . . .	B-2
B-2.	Planetary Image Catalog Files . . . . .	B-3
D-1.	Voyager Suspect Data . . . . .	D-4
D-2.	Viking Orbiter Suspect Images . . . . .	D-5
D-3.	Mariner Venus/Mercury Suspect Data . . . . .	D-8
E-1.	Voyager Archive Index . . . . .	E-2
E-2.	Viking Orbiter Archive Index . . . . .	E-80
E-3.	Viking Lander Archive Index . . . . .	E-98
E-4.	Mariner 10 Archive Index . . . . .	E-116
E-5.	Mariner 9 Archive Index . . . . .	E-123
E-6.	Mariner 6 and 7 Source Tape Index . . . . .	E-147

## ACRONYMS AND ABBREVIATIONS

ASCII	American Standard Code for Information Interchange
BPI	Bits or bytes per inch
CODMAC	Committee on Data Management and Computation
CPU	Central Processing Unit
EBCDIC	Extended Binary Coded Decimal Interchange Code
EDR	Experiment Data Record
EI	NASA Headquarters Code for Information Systems
EL	NASA Headquarters Code for Planetary Science
EOF	End-of-File
ERT	Earth Received Time
FPSO	Flight Project Support Office
FY	Fiscal year
GMT	Greenwich Mean Time
IBM	International Business Machines Corporation
IPL	Image Processing Laboratory
JCL	Job Control Language
K	Kilo (1000 or 1024 in computer usage)
LSF	Library Support File
M	Mega (1,000,000 or 1,048,576 in computer usage)
MARKIV	IBM-based file management system
MCCC	Mission Control and Computing Center
MDR	Master Data Record
MIPL	Multimission Image Processing Laboratory
MM	Mariner 9 (Mars orbiter)
MM71	Mariner 9 (Mars orbiter)

ACRONYMS AND ABBREVIATIONS (Continued)

MTIS	Mission and Test Imaging System
MVM	Mariner 10 (Venus/Mercury flyby)
MVM73	Mariner 10 (Venus/Mercury flyby)
NSSDC	National Space Science Data Center
PDS	Planetary Data System
PI	Principal Investigator
PPDS	Pilot Planetary Data System
PWS	Plasma Wave Subsystem
RDR	Reduced Data Record
RPIF	Regional Planetary Image Facility
RTOP	Research and Technology Objectives and Plans
SEDR	Supplementary Experiment Data Record
SFDU	Standard Format Data Unit
TDR	Viking Lander Team Data Record
TRK	Tracks (magnetic tape)
USGS	United States Geological Survey
UTC	Universal Corrected Time
VAX	Digital Equipment Corporation supermini computer
VGR	Voyager
VICAR	Video Image Communication and Retrieval
VL	Viking Lander
VO	Viking Orbiter
VSFEDR	VICAR Standard Format Experiment Data Record

## I. INTRODUCTION

The goal of the Planetary Image Conversion Task Group was to rerecord JPL's digital archive of planetary images onto high-density magnetic tapes in consistent output format. This is probably the largest digital data restoration task carried out by NASA to date. This report describes the planning and execution of the task and provides a user's guide to the converted image archive. Because this task is recognized to be a precursor of other data restoration tasks, this report attempts to present what was learned by the conversion task staff to aid in planning and budgeting future activities, including deviations from initial processing plans and schedules.

The main section of this document includes a background and rationale for the task. It also gives an overview of the image data sets and historical storage and access procedures and describes how the conversion and data recovery processing were performed. Finally, a summary of the task results is provided, with recommendations for the disposition of tapes processed by the task and for additional work necessary to provide access to the new archive.

The appendixes contain descriptions of the new archive data set (VICAR Standard Format Experiment Data Records (Appendix A)); brief descriptions of imaging instruments, data records, and catalogs as reference material to archive tape users (Appendix B); conversion processing details including software descriptions and mission-by-mission processing notes (Appendix C); a summary of unrecovered data (Appendix D); and a complete index of image identifiers and archive tape and file numbers for all missions processed (Appendix E).

## II. TASK BACKGROUND

Several major events led to the establishment of a conversion task group. A National Academy of Sciences report (Ref. 1) on space science data management awakened new interest in the fate of planetary data archives. The establishment of the Multimission Image Processing Laboratory (MIPL) moved JPL's image processing activities to a different host computer architecture (VAX systems rather than IBM mainframes) and complicated the processing of data and computer catalogs from the earlier missions. Finally, high-level attention was given to the data storage problem at JPL, caused by the overflow of the Federal Records Center, which housed the bulk of stored planetary data sets.

For more than a decade, the major stumbling block in the analysis of imaging data had been the 2- to 8-week delay between the submission of a user request for and receipt of specific data. While many factors contributed to this situation, the size of the archive (requiring storage remote from JPL) and diversity of EDR formats (requiring preliminary processing to produce an analyzable data set) were recognized as major problems. In this environment, proposals for restoration of the image data sets were developed and submitted first to the Information Systems office as an FY83 RTOP and later as a proposal to NASA code EL through JPL's Flight Project Support Office (FPSO). Ultimately, task management was funded by the Planetary Pilot, with task execution funded through FPSO.

### III. IMAGE DATA DESCRIPTION

The image data set represents the most useful planetary data archive because the images are readily interpretable to support stand-alone geological and atmospheric analysis activities. They are also often required for the interpretation of measurements from other instrument types. The raw imaging data is the largest instrument data set produced by planetary missions to date. The 145,000 planetary images returned by the Mariner, Viking, and Voyager missions equate to more than 100 billion bytes of digital data and some 450 million individual telemetry records (mostly Viking Orbiter). Since the mid-70s, projects have grouped imaging telemetry records into more organized image files, greatly simplifying the task of indexing data sets and locating specific images.

Raw digital images are stored in the form of Experiment Data Records (EDRs) on standard 30.48-cm (12-in.) reels of magnetic tape. Unlike digital data records for other experiments, the imaging EDRs are not delivered to the experiment team, but rather to the Image Processing Laboratory at JPL, where they are available for specialized second-order processing to support detailed science analysis. Copies of EDRs are also routinely provided to the USGS in Flagstaff and imaging team investigators at other institutions. In general, EDR data consist of unprocessed (raw) instrument data in mission-dependent formats. For the Mariner missions, the EDR simply represents a subset of imaging and engineering records from the telemetry Master Data Record (MDR). For the Viking Orbiter mission, substantial processing was required to reconstruct each image owing to the unique manner in which data were transmitted to Earth (described in Appendix B). For the Viking Lander data set, the EDRs were produced at the IPL and are stored on tape in VICAR format. Imaging data tapes taken from the Mariner 4, 6, and 7 missions consist of processed VICAR format images produced by IPL.

Numerous enhanced "second-order" image files exist for all missions. These files are not considered formal data records but represent an enormous investment in computer processing. In addition, files required for certain types of image processing (i.e., radiometric calibration files) have been produced and maintained by IPL analysts but are not formally documented. These data sets were not addressed by this task.

The responsibility for maintaining this archive and providing access to the digital data has not been clearly defined. While the National Space Science Data Center (NSSDC) receives reduced data sets in digital form from other space science instruments for dispersal to the scientific community, it has never had the resources to receive or maintain the digital images. JPL's Image Processing Laboratory and Regional Planetary Image Facility (RPIF) have informally maintained image catalogs and provided user access to digital images on a no-charge, level-of-effort basis. The tapes are stored in boxes, in a climate controlled environment, at the Federal Records Center at Laguna Niguel, California. To access an individual tape, the entire box must be recalled. This procedure takes from 2 to 8 weeks.

The accepted industry practices for long-term magnetic tape maintenance (such as periodic cleaning and rewinding) never have been performed on any of



JPL's data archives. Periodic sampling (every several years) and occasional processing of images from earlier missions to support user requests have generally been successful. This approach to testing tends to disguise a problem that was uncovered during the execution of this task, namely, the older tapes are readable once with very few errors, but this initial processing tends to damage the tapes and makes them unreadable for later processing.

#### IV. CONVERSION AND DATA RECOVERY PROCESSING

The conversion effort as actually performed differs from the original proposals. The initial plan called for the development of new software to process the EDRs and produce data sets that would be compatible with NASA standard data formats (SFDUs), which were then being developed. These data sets would carry a consistent set of secondary and tertiary labels specifically designed for imaging experiments. The processing software would also interact with a data management system to build an archive data catalog as the processing was performed. The IPL IBM 370/158 would be used to perform the processing based on resource availability and a charging scheme which reduced costs for tape mounts and I/O, the major resources required for the task. Two 6250-bpi tape drives would be leased and installed on the IPL computer system to allow two processing jobs to run simultaneously for increased throughput.

Due to the limited funding available for the conversion effort, several changes to the original plans were made. It became apparent that the development of new software to process the EDRs was unrealistic. Instead, existing logging programs were modified to produce mission-dependent, but consistent, output image files. Plans to have the processing software interact with a data management system to document processing results were revised. Thus, the software would output processing summaries to "journal" files, which would then be processed using the MARK IV file management system to produce summary catalogs.

During planning it was noted that the first MIPL VAX would be available at about the same time that processing began. This computer would have four tri-density (800, 1600, and 6250) bpi drives, but would be largely unused other than during the prime shift. It was decided to lease only a single 6250-bpi tape drive for the IBM and use that system to process the Mariner images (which required 7-track drives that are only available on that machine) and attempt to process as much of the Viking and Voyager data sets as possible on the MIPL system during the off-hours. In fact, due to numerous difficulties in the development of the MIPL tape input/output software, working conversion programs were never produced, and the MIPL computers were used only for the duplication of archive tapes for delivery to Flagstaff. This procedure caused the conversion processing to be stretched out over a longer period of time than originally planned (12 months versus 6 months). A secondary cause of delay in processing was due to the emergence of a large Galileo-related task which required substantial IBM computer utilization and reduced the resources available to the conversion task.

A duplicate copy of the archive was produced for delivery to USGS, Flagstaff. The duplicate copy provides a verification of the readability of

all tapes produced, physical dispersal of the archive in the event of a large-scale disaster, and a backup source if an archive tape is damaged during future processing. There is now some sentiment for production of another copy so that one data set can be stored in a vault as an archive, while the other two sets are used as working copies at JPL and Flagstaff.

A substantial deviation from planned processing was the inability to successfully process multiple jobs at the same time. It was found that channel contention problems reduced throughput to a level where two jobs running simultaneously ran twice as slow as one job at a time, thus not increasing throughput at all while complicating job submittal and execution procedures and increasing the chances for operator error. System modifications to reduce channel contention improved operations somewhat, but the ultimate processing flow consisted of a serial string of conversion jobs running two shifts per day (swing and midnight), 5 days a week. Single shifts on weekends were often used, staffed by conversion task personnel or operators working overtime. A flowchart summarizing the conversion processing effort is shown in Figure 1. Appendix C describes the procedures for conversion processing, provides processing notes for each mission data set, and describes the software used for the conversion and cataloging tasks.

The conversion task required substantial computer and workforce resources. Table 1 provides monthly summaries of computer utilization, including the number of batch jobs executed ("Nbr/Jobs"), Terminal Sessions ("Term Sess") to set up the batch job command files, elapsed (wall clock) and CPU time in hours on the IBM 370/158, and the total computer charges for these resources. Table 2 identifies total costs for major resource categories. The material in Table 3, Workforce Utilization, breaks down the efforts of the conversion staff by category of effort. Appendix C presents notes related to the processing of each data set.

Errors in processing had a number of potential causes, with a variety of possible actions required for recovery. The conversion task experienced hardware errors and operator errors which had nothing to do with the quality of data being processed (although this was not always obvious). Temporary input/output errors on tapes could be resolved by reprocessing. Permanent input/output errors or physically damaged tapes required processing of an alternate data source for recovery. Alternate sources included copies of equivalent EDRs from other facilities (for the most part USGS, Flagstaff) and master data records from which new EDRs could be regenerated and processed by the conversion software. A great deal of support was provided by USGS, including shipment of many hundreds of EDR tapes to JPL to support the recovery effort.

It was not possible to exhaustively document all errors encountered in the conversion processing. A subset of tapes processed has been analyzed to produce the information in Table 4, which shows the file location of physical errors on about 7000 input tapes. For the Viking Orbiter tapes, the average reel contains 10 files (70% full) and for Voyager, 24 files (90% full). In general, the errors reported in Table 4 cause the loss of a single EDR line record. For the most part, only a single error was found on any tape, but 17 Viking Orbiter EDRs and 9 Voyager EDRs did have multiple errors.

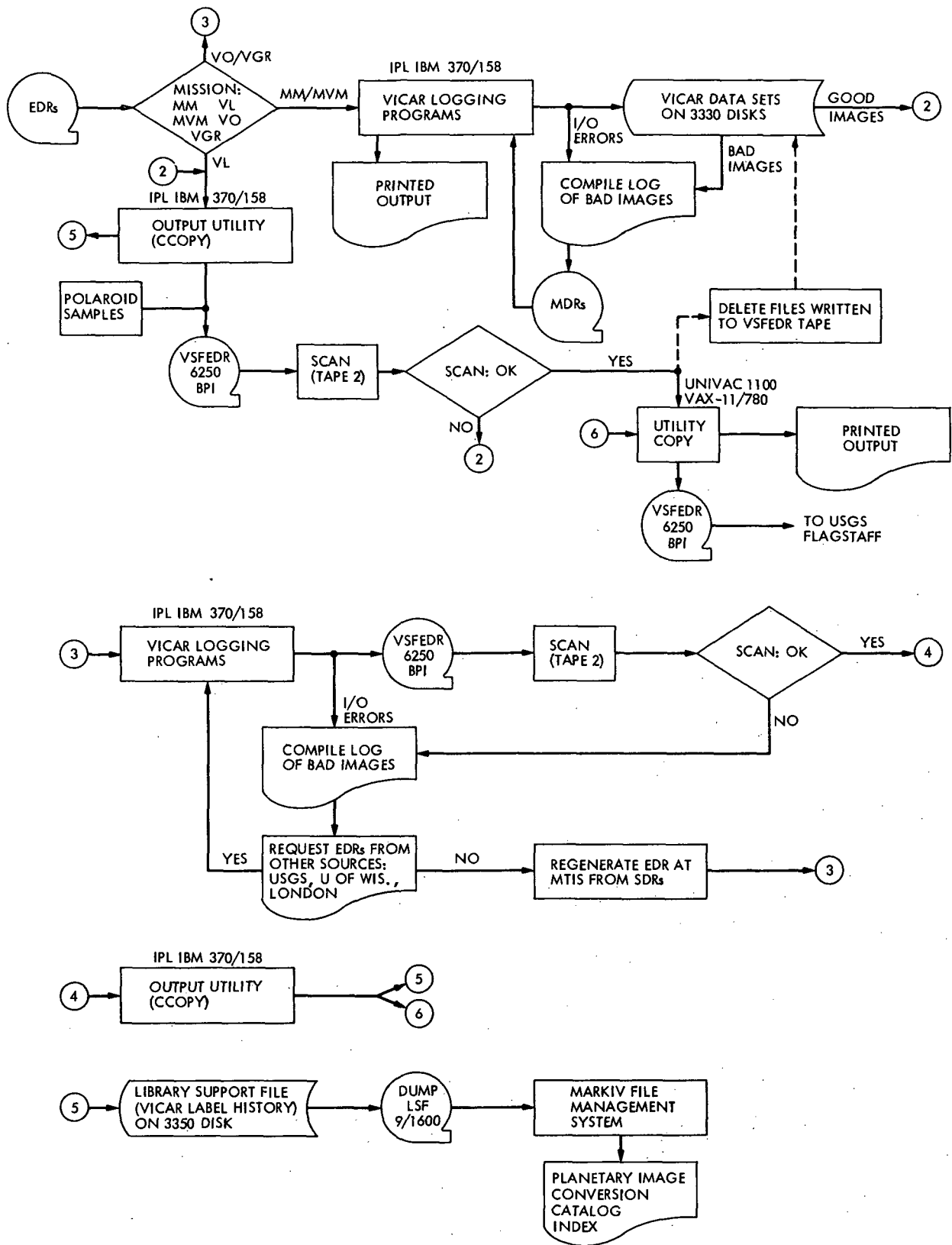


Figure 1. Image Data Conversion Processing Flow

Table 1. Conversion Processing Statistics

	1983						1984						
	Jun	Jul	Aug	Sep	Oct	Nov	Dec	Jan	Feb	Mar	Apr	May	Jun
Nbr/Jobs	461	619	542	1308	1126	1065	760	672	718	865	542	1172	600
Term Sess	250	151	137	217	171	132	94	89	102	145	79	144	191
Elapsed	196	368	303	457	430	549	526	411	277	469	294	367	186
CPU Hours	18	40	28	47	41	56	60	50	34	72	38	36	16
Charges, \$K	5	13	9	16	14	18	19	16	11	23	12	11	5

Table 2. Resource Requirements

Resource	Amount
Total elapsed time	4833 hours
Total CPU time	536 hours
Total computer charges	172,000 dollars
Total tapes required	2500 reels
Total tape cost	50,000 dollars
Total labor months	48 work months
Total budget	459,000 dollars

Errors categorized by tape age are as follows (in groups representing about 1000 tapes each):

Year written	1976	1977	1978	1979
Errors	50	48	48	24

It is significant that most errors were encountered in the first several hundred feet of tape, which could possibly be related to edge damage from handling or from winding tensions. The reliability figures look very good for tapes from all missions. An attempt to correlate tape errors with specific vendors was inconclusive.

In order to regenerate Viking EDRs, the MTIS processing system had to be de-mothballed and brought to a working state. This activity was not overly successful due to a long delay in making the system operational and numerous

Table 3. Workforce Utilization

JPL Supervisor	% of time	Task Manager	% of time
Accountability	10	Task Supervision	20
Budget	10	Accountability	20
		Task Support	35
		Coordination	15
		VAX Software Testing	10

Task Analyst	% of time	Task Technician	% of time
Job setup	20	Tape logistics/labelling	75
Record keeping	30	Organize/store printout	15
Output checking	30	Record keeping	5
Problem solving	15	Job setup	5
Tape logistics	5		

Table 4. File Location of EDR Tape Errors

	File Number																					
	1	2	3	4	5	6	7	8	9	10	11	12	13	14	15-	18	19	20	21	22	23	24
VO	48	26	29	15	13	12	12	7	4	4	1	0	0	2	na	na	na	na	na	na	na	na
VG	21	6	5	4	8	10	2	2	2	5	0	1	2	0	3	4	0	0	2	2	5	

hardware problems caused by the age and condition of the equipment. Ultimately, only images that were totally unrecoverable by any other means were regenerated on the MTIS system. Efforts to regenerate degraded images produced results that were also degraded. At best only a handful of lines could be successfully recovered at the expense of hours of processing time. In retrospect, it was concluded that data salvage activities that rely on the use of ancient or highly specialized hardware systems should be avoided.

V. RESULTS AND RECOMMENDATIONS

This section provides an evaluation of the task as performed, liens in terms of unprocessed or unrecovered data, and recommendations regarding the

disposition of EDR and MDR tapes processed by the conversion task group. Suggestions for future work are presented, including the development of uniform archive tape processing software, production of a backup or vault copy of the archive tapes, and salvage/conversion of image calibration data as well as processed image data from earlier missions.

#### A. Unprocessed or Unrecovered Data

A summary of unrecoverable images from all missions is provided in Appendix D. The formats of imaging tapes from the earliest Mariner missions (4, 6, and 7) representing about 220 images could not be determined within the resources of the conversion task. These tapes have been identified and collected but not yet processed for fear of destroying their data contents. All information collected on these tapes is provided in Appendix B. A follow-on effort is needed to complete this research activity and convert the data to high-density tape.

Based on our attempts to recover certain Viking Orbiter images, it was realized that the processing of MDR tapes using the MTIS system may require a number of years with no certainty of success. In this case the MDR tapes will be retained in the event that a user might find it absolutely essential to recover missing lines and pixels.

Due to the limited availability of resources at institutions that might provide copies of missing Voyager data (particularly the University of Wisconsin and Imperial College, London), it is expected that such copies will continue to be received at JPL over a period of several years. Continued funding will be required to add these data to the archive. This support should be explicitly identified as a Planetary Data System salvage/support task.

Digital data sets from non-JPL missions (including Pioneers 10 and 11 and Pioneer Venus Orbiter) should be identified and added to the archive collection at some point in the future.

#### B. Disposition of EDRs and MDRs

Disposition of the 12,000 input EDR tapes after the data conversion activity was not addressed in the initial plans for the task. It was assumed that some of them could be reused to support other projects or distributed to other centers which require imaging data for continuing analysis support. Up to this point requests for two sets of data have been received. Washington University in St. Louis has requested the Viking Orbiter Survey mission EDRs (1000 tapes on a long-term loan basis), and the University of Wisconsin has requested certain Mariner 9 RDR tapes even though this data set could not be processed due to I/O errors. It is known that the EDRs from Mariners 9 and 10 are of little use either for rereading or rerecording due to degradation from aging. Unless requested by some NASA facility, they should probably be destroyed. The Viking and Voyager tapes could be effectively reused in non-critical applications; however, these data sets are too useful in supporting ongoing science analyses at other institutions to be erased. It is recommended that they be transferred to institutions willing to accept and utilize them for image analysis.

The Master Data Records (MDRs) from all JPL missions except Viking Orbiter contain both the imaging telemetry records and the non-imaging science and engineering data. A proposal for the restoration of these data sets has been tentatively approved and will be carried out during 1985 and 1986. The Viking Orbiter mission produced a science/engineering MDR as well as an imaging MDR data set. The imaging MDR consists of about 12,000 tapes that can probably be considered obsolete, now that the image conversion task is complete. Due to the peculiar format of the imaging data, only a specialized processing system such as the MTIS can be used to reconstruct the images. Once MTIS is gone, these tapes can be reused for other applications.

Any decisions regarding the fate of these data sets should be made with the concurrence of JPL and NASA management, including planetary discipline chiefs at NASA Headquarters, as well as approval by the major imaging investigators. Since the Voyager mission is still active, decisions regarding its tapes should be approved by project management.

#### C. Uniform Processing Software

This task was concerned with saving the planetary image data sets and did not address their ultimate use by the JPL/MIPL user community or by outside scientists. It would be helpful if MIPL could be commissioned to develop a portable image reader program in FORTRAN for use within the MIPL and for distribution to users of archive tapes. This code would allow conversion of the EBCDIC VICAR labels to any of several commonly used header label formats (ASCII VICAR, VICAR2, etc.), and the interpretation or removal of engineering parameters appended to each image line as well as the header record information stored at the tail of each VSFEDR image file for the Viking and Voyager missions. The ability to perform cosmetic processing on the raw image data (missing line and pixel fill-in operations) should also be provided.

#### D. Archive Backup Copy

Due to the destructive effect of processing Mariner 9 and Mariner 10 EDR tapes, the only existing copies of these data sets are the two VSFEDR copies. Since both of these sets are considered to be working copies, it is imperative that a vault copy of these tapes be produced, which will not be used except to produce new working copies of archive tapes. The Viking and Voyager archive tapes are backed up by readable sets of EDRs at JPL and Flagstaff. It has been proposed that these tapes be backed up in a gradual manner through the production of an archive tape copy whenever images from an archive tape are requested by users. Consideration should be given to a system where requestors of digital images are required to submit two blank tapes for each request, one to write their images on, and one to produce an archive tape backup.

#### E. Processed Data Files

More than 10,000 tapes of IPL-processed images from missions dating back to Mariner 9 are stored at the Federal Records Center. For Voyager and Viking, many of these processed data sets are far more valuable than the raw

EDRs. A recovery effort similar in magnitude to this task needs to be initiated. However, it is not likely that these tape data sets will be subject to degradation in the next several years. They will become more difficult to identify and document as the IPL analysts who produced them leave JPL.

#### F. Calibration Data Sets

Several efforts have been proposed to locate and recover the calibration data files needed to radiometrically correct images from past missions. This activity should have a high priority because the data sets from Mariners 9 and 10 are in danger of becoming unreadable.

#### G. Hindsight

The task would have benefitted from having at least one additional full time person to support documentation of processing, tracking down errors, assuring the validity of all processed data and summaries, and producing a more comprehensive final catalog.

Without accurate catalogs of existing or expected data, it was difficult to determine when all possible data was recovered. Thus, extra research, sometimes fruitless, was required. Obtaining data from other institutions proved to be very time consuming. Funds to support at least the out-of-pocket expenses involved in data acquisition from other institutions should have been budgeted. Regenerating missing data was an order of magnitude more time consuming than normal processing operations. Where hardware had to be retrieved from storage (MTIS system), it was found that documentation and operational procedures had been lost and re-assembly/testing took many months of trial and error effort. This was with a system that had been mothballed with some expectation of being used in the future.

The handling of large numbers of tapes requires careful planning of timing and tape logistics, as well as a large storage area for preliminary sorting and a staging area in close proximity to the computer system to support actual processing. If adequate space is not available, it is at the expense of extra packing/unpacking and more complex operational procedures.



## APPENDIX A

### ARCHIVE TAPE (VSFEDR) FORMAT DESCRIPTION

#### 1. ARCHIVE TAPE FORMAT

The converted images are stored in a "uniform" output format, called VICAR standard format experiment data record (VSFEDR). The VICAR (Video Image Communication and Retrieval) format was developed within JPL's Image Processing Laboratory and has been used for almost two decades to allow simplified access to and processing of digital images. It also provides the capability to store supplementary information (image identification, location, and characteristics) as well as processing information (audit trail) in conjunction with the digital image itself.

The basic archive tape (VSFEDR) format is as follows:

- (1) VICAR standard header label.
- (2) Mission-dependent VICAR labels.
- (3) Digital image lines.
- (4) Engineering data appended to each line.
- (5) Mission-dependent EDR header record (Viking and Voyager only).

The efficient utilization of magnetic tape for data storage requires "blocking" of logical records into physical records to reduce the overhead required for interrecord gaps. In producing the archive tapes a blocksize approaching 32K bytes was used, which corresponds to the largest generally used I/O buffer area on modern computer systems. Because of the variable format of Viking Lander images, records were not blocked. Reference Table A-1 for VSFEDR tape physical characteristics by mission. Figures A-1 through A-5 illustrate the archive tape format for each mission.

Table A-1. Archive Image (VSFEDR) Formats

Mission	Logical Record Length	Physical Record Length	Physical Records in File	Lines per Image	Pixels per Line	Engineering Bytes
Voyager	1,280	32,000	33	800	800	480
Viking Orbiter	1,600	32,000	53	1056	1204	396
Viking Lander	9,000*	9,000*	*	512	*	n/a
Mariner 10	968	31,944	22	700	832	136
Mariner 9	968	31,944	22	700	832	136

\* Variable, minimum record length = 360, maximum = 9000.

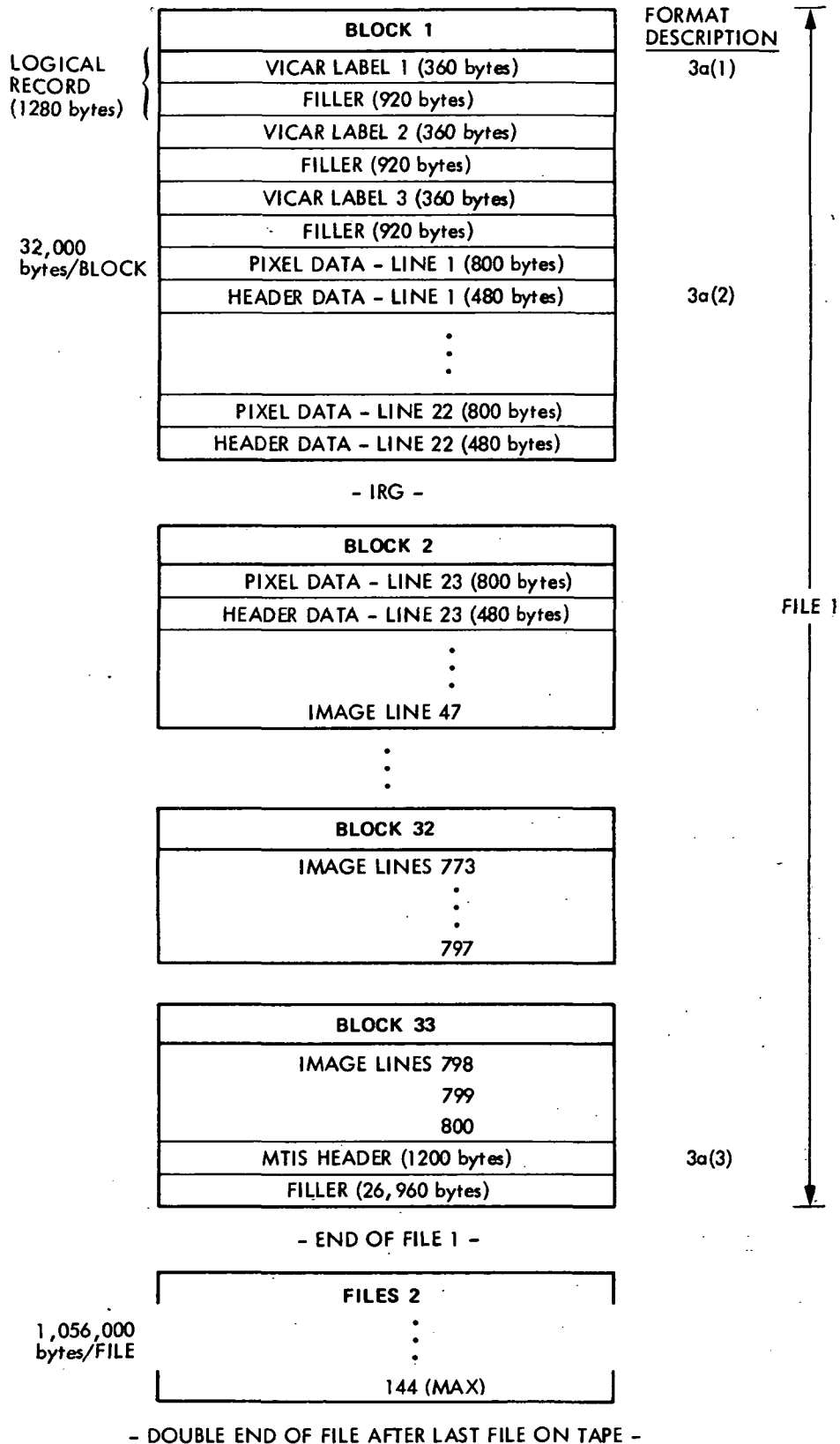


Figure A-1. Voyager Image File Format

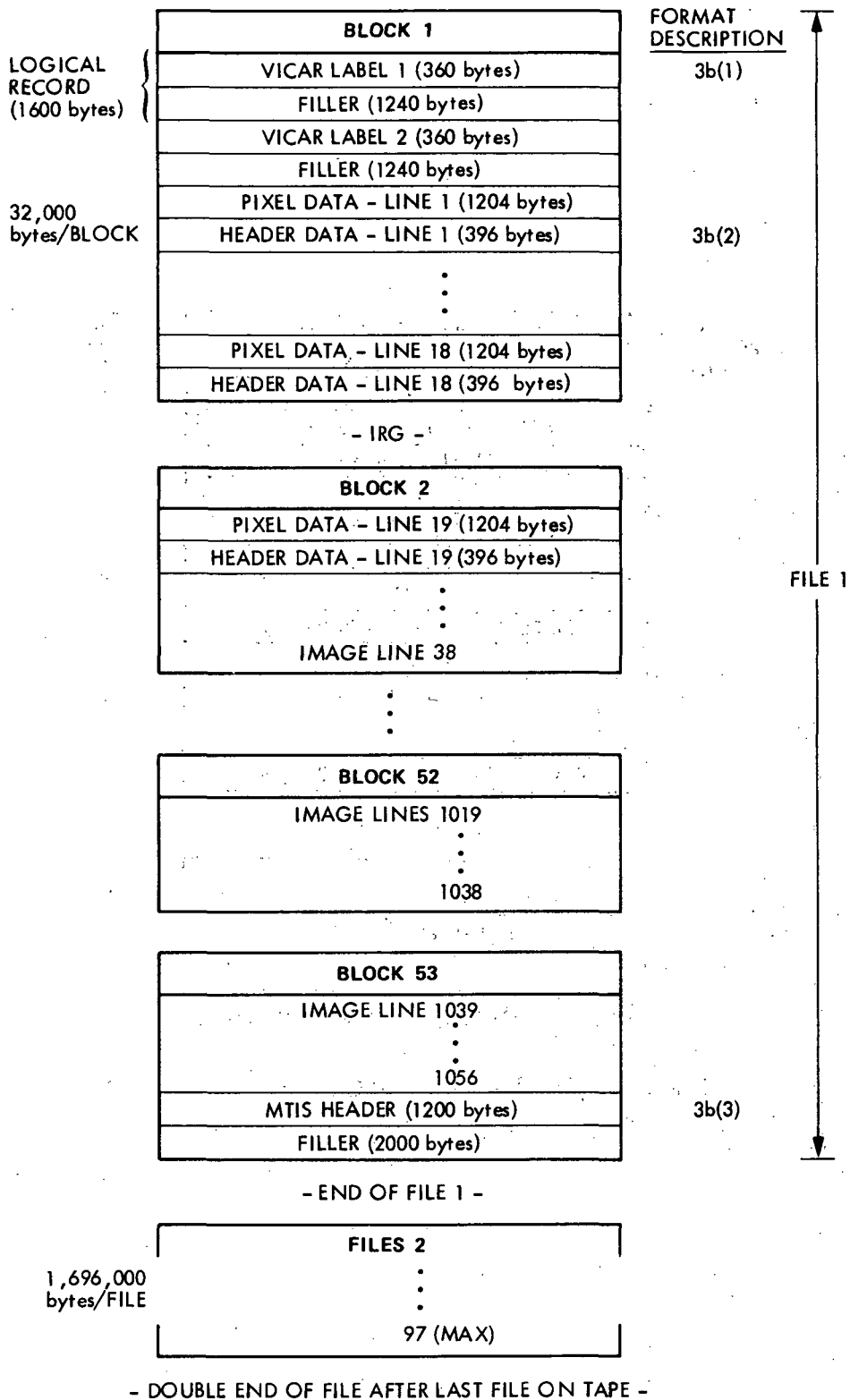


Figure A-2. Viking Orbiter Image File Format

LOGICAL  
RECORD  
(382 bytes)

VICAR LABEL 1 (360 bytes)
FILLER (22 bytes)
- IRG -
VICAR LABEL 2 (360 bytes)
FILLER (22 bytes)
- IRG -
VICAR LABEL 3 (360 bytes)
FILLER (22 bytes)
- IRG -
PIXEL DATA - LINE 1 (382 bytes)
- IRG -
⋮
PIXEL DATA - LINE 512 (382 bytes)

- END OF FILE -

VARIABLE NUMBER OF FILES/TAPE
----------------------------------

- DOUBLE END OF FILE AFTER LAST FILE ON TAPE -

FORMAT  
DESCRIPTION  
3c(1)

Figure A-3. Viking Lander Image File Format

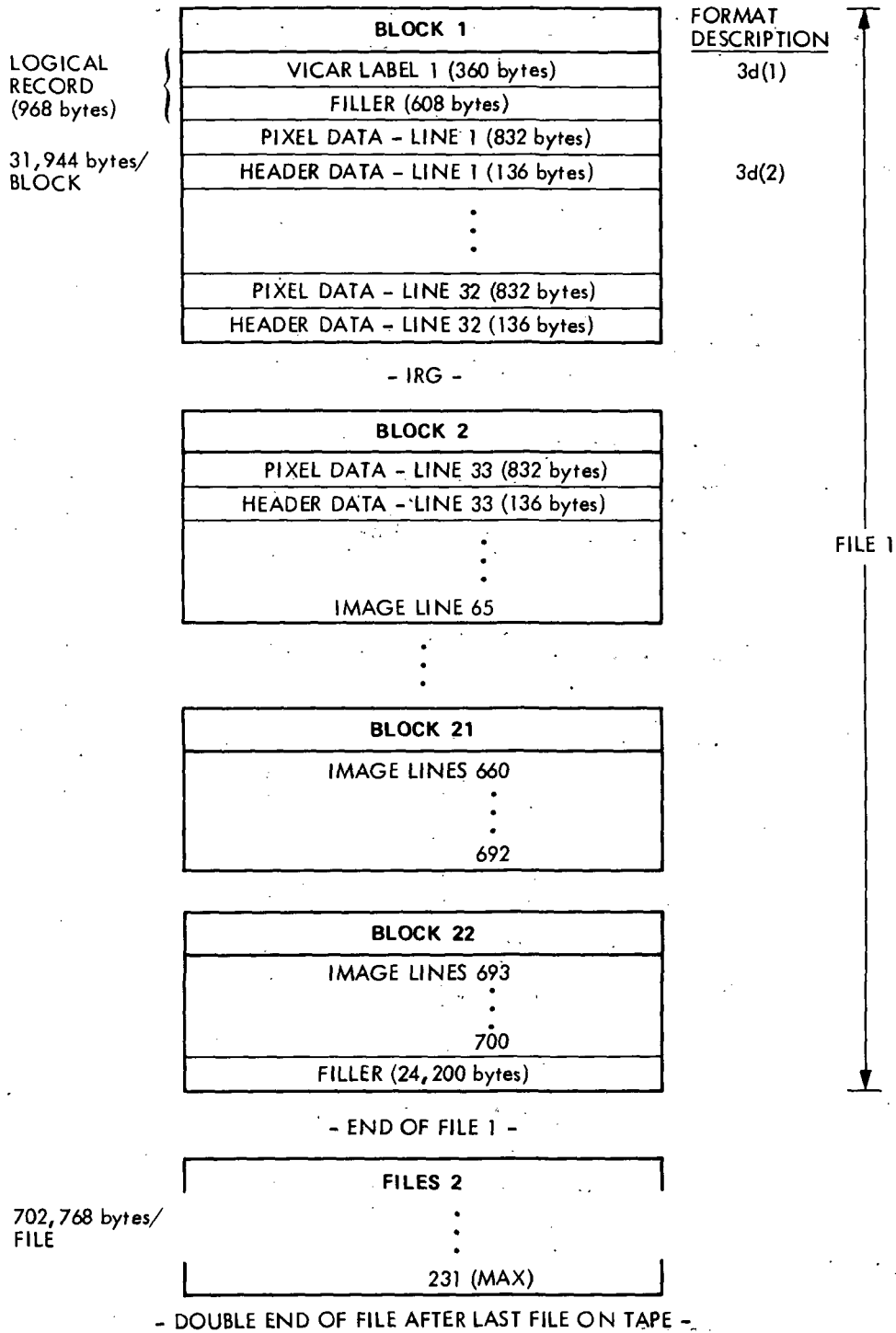
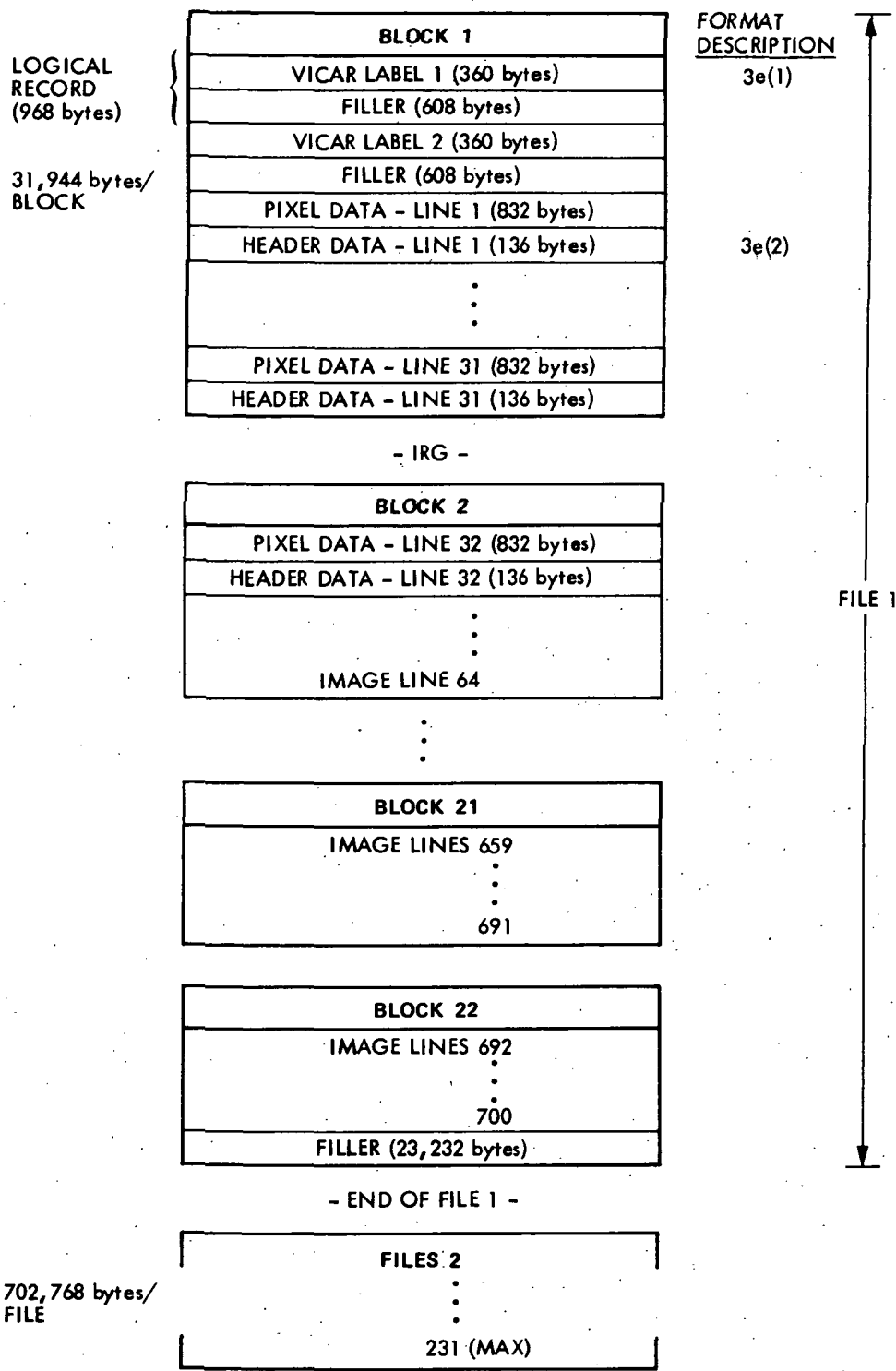


Figure A-4. Mariner 10 Image File Format



- DOUBLE END OF FILE AFTER LAST FILE ON TAPE -

Figure A-5. Mariner 9 Image File Format

The VICAR format image is produced from a project EDR or MDR by executing a "logging" program. The logging programs were developed separately for each mission to handle the particular idiosyncrasies of project data record formats. Basic logging program functions are to construct a VICAR label set for the output file, read the project EDR and strip out just the image pixel data, write out the VICAR image file, and report on the success of these activities to the user. In producing the VICAR format image certain header data and engineering telemetry parameters carried by the EDR are eliminated. This was not considered acceptable for the development of the VSFEDR archive so the logging programs had to be modified to retain all EDR data. This was done by moving all engineering header data associated with an image line to the tail of the image data within a single logical line record. Project header records were stored in a buffer and inserted in the VSF output file after the last line record. Thus, all engineering parameters are retained, but may be conveniently ignored by the user when the image file is read.

## 2. VICAR LABEL FORMAT

VICAR labels are stored in character string format, appearing as 72 byte records, normally grouped into 360 character blocks, each containing 5 or less label records. The first record, a VICAR header record, defines the image data format and size. A variable number of application dependent label records follow, terminated by a label record containing a character "L" in byte 72. Like the imaging EDR formats, the VICAR label records used by IPL vary from mission to mission. In general the image id comes first, followed by engineering parameters defining the camera state and a subset of SEDR parameters including the image footprint latitude and longitudes, and other useful interpretive parameters (picture size, range to target, lighting and viewing conditions).

The VICAR standard system label precedes each set of mission specific labels. The format adopted in 1977 is as follows:

(all characters represented in EBCDIC format)

Byte 1 to 2	- Characters "77" or blank
Byte 17 to 24	- Number of lines in image or blank.
Byte 25 to 32	- Number of samples in image or blank.
Byte 33 to 36	- Number of lines in image.
Byte 37 to 40	- Number of samples per line.
Byte 41 to 42	- Pixel code - "L" or "I" for binary integer.
Byte 43 to 44	- Bytes per sample (1).
Byte 71	- Label identification (not always present).
Byte 72	- Character "C" indicating more labels follow, or "L" to indicate the last label.

Formats for additional VICAR labels are shown below. Note that the number of lines for Viking Orbiter and Voyager images includes an extra line which is actually the MTIS EDR header label, appended after the last actual image line in a file. The number of samples includes any engineering telemetry bytes appended at the end of the actual pixel values for the line. Most users can ignore these extra lines and samples in processing archive image files.

Viking Orbiter, Mariner 10, and Mariner 9 labels are always identical. Viking Lander labels may vary due to the list of missing lines at the end of the label set. A great number of images do not have SEDR values in the positions allocated for them in the VICAR label format. Even when values appear, they can not be guaranteed to contain valid data values. For accurate SEDR data the mission specific SEDR or picture catalog should be used.

### 3. ARCHIVE FILE CONTENTS BY MISSION

This section describes the labels and engineering parameters included in the archive tape format for each mission data set. The VICAR header labels for each mission are presented first, followed by a description of the engineering parameters contained in EDR image file header records, and those associated with each image line.

#### a. Voyager File Format

Each Voyager image file consists of 33 blocks containing 32,000 bytes per block. Each block is composed of 25 logical records of 1280 bytes each. The first three logical records of the first block contain 3 sets of VICAR label information. The labels are followed by 800 logical records (one per image line) containing pixel data and engineering data. A 1280-byte MTIS EDR header record follows the last line record of the image. The data contents of the labels, engineering data, and header record are provided below. Definitions for the parameters in the header records were taken from JPL document 618-792 (Ref. A-1).

#### 1) Voyager VICAR Labels

```

77                0801    1280 8011280 L 1                SC
VGR-1  FDS 15187.04  PICNO 1659J1-041  SCET 79.024 10:12:35  C
NA CAMERA EXP 00240.0 MSEC FILT 2( BLUE ) LO GAIN SCAN RATE 1:1  C
ERT 79.024 22:04:05  1/ 1 FULL RES VIDICON TEMP -81.00 DEG C  C
IN/100520/21 OUT/*****/**                DSS #** BIT SNR 9.617  C

OFFE5 A/45000BD7 B/6101 C/397F D/007F0000 ETLM/001800CB00GA00A50012Q  C
NA OPCAL 00(*****. * MSEC) PIXAVG 248/1 OPERATIONAL MODE 2(NAONLY)  C
CAM ECAL CYCLE BEAM RESET OPEN CLOSE FLOOD AEXPM FIL G1 SHUT MODE  C
NA NO READ YES NO NO NO NO NO 2 P * NORMAL  C
WA NO PREP NO YES NO NO NO NO 2 P 7 NORMAL  C

INCIDENCE ANGLE 97.6 EMISSION ANGLE 90.2 PHASE ANGLE 104.2  C
NORTH AZIMUTH ANGLE 45.1 KM/LINE 2.06 KM/SAMP 2.06  C
ALT 220406 KM SL.RANGE 0 KM VFOV 1594 KM HFOV 1396 KM  C
LAT 11(UL) 27(UR) 33(LL) 52(LR) 30(C) 14(SUB S/C) 0(SUBSOL)  C
LONG 202(UL) 247(UR) 195(LL) 186(LR) 196(C) 294(SUB S/C) 189(SUBSOL)  L

```



## 2) Voyager Line Header Data

The Voyager MTIS EDR line header contains 220 bytes of data. It consists of a 116-byte MTIS header block, 76-byte source data summary, and 28-byte status/engineering block. Byte locations are given relative to the start of the header block, which would actually be byte 801 of the VSFEDR line record.

Byte	Contents
------	----------

---

### MTIS Header Block:

1	-	2	Record id (8 bits), unused (8 bits).
3	-	4	Physical sequence number on tape.
5	-	6	Logical sequence number on tape.
7	-	8	ERT year of century (7 bits), day of year (9 bits).
9	-	10	ERT minute of day (11 bits).
11	-	12	ERT milliseconds of minute.
13	-	18	Unused.
19	-	20	FDS mod 16 count.
21	-	22	FDS mod 60 count.
23	-	24	FDS line count.
25	-	36	Unused.
37	-	68	MTIS physical recording words 1 to 16 (16 bits each).
69	-	70	GCF sync code (MSB).
71			GCF sync code (LSB).
72			Source code.
73			Destination code.
74			Block format code.
75	-	76	GDD (3 bits), UDT code (7 bits), DDT code (6 bits).
77	-	78	"0", Spacecraft number (7 bits), time (MSB).
79	-	80	Time (LSB).
81	-	82	Unused (2 bits), day of year (12 bits), block serial number MSB (2 bits).
83			LSB of block serial number.
84			Millisecond clock.
85			Serial number.
86			GCF configuration status.
87	-	88	Unused (13 bits), esc (2 bits), unused (1 bit).
89	-	116	Unused.

### Source Data Summary Block:

117	-	118	Line number.
119	-	120	Format id.
121	-	122	Bit signal-to-noise ratio.
123	-	124	Unused.
125	-	126	Symbol synchronizer signal-to-noise ratio.
127	-	128	Unused.
129	-	130	AGC.
131	-	132	Unused.

- 133 - 134 Number of sync code errors.
- 135 - 136 Number of FDS count errors.
- 137 - 138 Unused.
- 139 - 140 Allowed number of sync code errors.
- 141 - 142 Allowed number of FDS count errors.
- 143 - 144 Number of minor frames.
- 145 - 146 Number of full minor frames.
- 147 - 148 Number of partial minor frames.
- 149 - 150 Number of mission minor frames.

The following ten 16-bit words contain the sync status in bits 1 and 2:

- 151 - 170 Number of frame id errors MF #1 through MF #10.
- 171 - 190 Number of bits retained MF #1 through MF #10.
- 191 Input source.
- 192 Input type.

Status/Engineering Block:

- 193 - 212 Imaging science subsystem status/engineering word MF #1 through MF #10.
- 213 - 216 Unused.
- 217 - 218 First valid pixel id.
- 219 - 220 Last valid pixel id.

3) Voyager MTIS EDR Header Block

This block occurs after the last VSFEDR line record in each image file. It is composed of a 116-byte MTIS header block, 76-byte source data summary, 56-byte status/engineering summary, and 1024-byte source data histogram.

Byte	Contents
------	----------

---

MTIS Header Block:

- |         |   |
|---------|---|
| 1       | Record id.  |
| 2       | File number.  |
| 3 - 4   | Physical sequence number on tape.                   |
| 5 - 6   | Logical sequence number on tape.                    |
| 7 - 8   | ERT year of century (7 bits), day of year (9 bits). |
| 9 - 10  | ERT minute of day (11 bits).                        |
| 11 - 12 | ERT milliseconds of minute.                         |
| 13 - 14 | ERT year of century (7 bits), day of year (9 bits). |
| 15 - 16 | ERT minute of day (11 bits).                        |
| 17 - 18 | ERT milliseconds of minute.                         |
| 19 - 20 | FDS mod 16 count.                                   |
| 21 - 22 | FDS mod 60 count.                                   |
| 23 - 24 | FDS line count.                                     |
| 25 - 26 | FDS mod 16 count.                                   |

27 - 28 FDS mod 60 count.  
 29 - 30 FDS line count.  
 31 - 32 SCET year of century (7 bits), day of year (9 bits).  
 33 - 34 SCET minutes of day.  
 35 - 36 SCET milliseconds of minute.  
 37 - 68 MTIS physical recording words 1 to 16 (16 bits each).

GCF Parameters for First Line Record:

69 - 70 GCF sync code (MSB).  
 71 GCF sync code (LSB).  
 72 Source code.  
 73 Destination code.  
 74 Block format code.  
 75 - 76 GDD (3 bits), UDT code (7 bits), DDT code (6 bits).  
 77 - 78 "0", Spacecraft number (7 bits), time (MSB).  
 79 - 80 Time (LSB).  
 81 - 82 Unused (2 bits), day of year (12 bits), block serial number  
 MSB (2 bits).  
 83 LSB of block serial number.  
 84 Millisecond clock.  
 85 Serial number.  
 86 GCF configuration status.  
 87 - 88 Unused (13 bits), esc (2 bits), unused (1 bit).

GCF Parameters for Last Line Record:

89 - 90 GCF sync code (MSB).  
 91 GCF sync code (LSB).  
 92 Source code.  
 93 Destination code.  
 94 Block format code.  
 95 - 96 GDD (3 bits), UDT code (7 bits), DDT code (6 bits).  
 97 - 98 "0", Spacecraft number (7 bits), time (MSB).  
 99 - 100 Time (LSB).  
 101 - 102 Unused (2 bits), day of year (12 bits), block serial number  
 MSB (2 bits).  
 103 LSB of block serial number.  
 104 Millisecond clock.  
 105 Serial number.  
 106 GCF configuration status.  
 107 - 108 Unused (13 bits), esc (2 bits), unused (1 bit).  
 109 - 116 Unused.

Source Data Summary Block:

117 - 118 Unused.  
 119 - 120 Format id.  
 121 - 122 Bit signal-to-noise ratio minimum.  
 123 - 124 Bit signal-to-noise ratio maximum.  
 125 - 126 Symbol synchronizer signal-to-noise ratio minimum.  
 127 - 128 Symbol synchronizer signal-to-noise ratio maximum.  
 129 - 130 AGC minimum.

131	-	132	AGC maximum.
133	-	134	Number of sync code errors.
135	-	136	Number of FDS count errors.
137	-	138	Sync parameters.
139	-	140	Allowed number of sync code errors.
141	-	142	Allowed number of FDS count errors.
143	-	144	Number of lines.
145	-	146	Number of full lines.
147	-	148	Number of partial lines.
149	-	150	Number of unreadable records.
151	-	152	Number of logical sequence breaks.
153	-	160	Sort parameter 1 thru 4 (16 bits each).
161	-	162	Number of minor frames from IDR.
163	-	164	Number of minor frames from WBDL.
165	-	166	Number of minor frames from SDR.
167	-	168	Number of missing minor frames.
169	-	170	Unused.
171	-	180	Picno (picture count, target, spacecraft, day).
181	-	190	Unused.
191			Input source.
192			Input type.

Status/Engineering Data:

193	-	194	Shuttered picture indicator.
195	-	196	Slow scan status.
197	-	198	Exposure time, filter, elec cal.
199	-	200	Picture count.
201	-	220	Parameter A through D values, 3 16-bit values each, representing a present value, word indicator and word pointer.
221	-	230	Ten 8-bit analog samples with the 8 MSB of each word representing the narrow-angle camera sample and the 8 LSB representing the wide-angle camera.
231	-	232	Pixel average, command status.
233	-	242	ISS engineering measurements.
243	-	248	Unused.

Source Data Histogram:

249	-	252	Number of pixels with value 0 (32 bits).
253			Number of pixels with value 1 ... 254.
1269	-	1272	Number of pixels with value 255 (32 bits).
1273	-	1274	Unused.
1275	-	1276	FDS mod 16 count.
1277	-	1278	FDS mod 64 count.

b. Viking Orbiter File Format

Each Viking Orbiter image file consists of 53 blocks containing 32,000 bytes per block. Each block is composed of 20 logical records of 1600 bytes each. The first two logical records of the first block contain 2 sets of VICAR label information. The labels are followed by 1056 logical records

(one per image line) containing pixel data and engineering data. A 1200-byte MTIS EDR header record follows the last line record of the image. The data contents of the labels, engineering data, and header record are provided below. Definitions for the engineering parameters in the header records are taken from JPL document 620-319 (Ref. A-2).

1) Viking Orbiter VICAR Labels

```

77                               10571600 L 1                               C
V075 1A PICNO= 209A11                                                    C
                                FILTER 4 (CLEAR) EXP 13 MSEC FGD 111      C
FSC 29993423 OET-GMT 77 018 05 13 37 TPER +00 28 39                    C
RNG= 6491 KM HFOV= 94 KM VFOV= 89 KM SCL= 79 M/PXL                      C

SMEAR= 0.4 PXLs SMRDIR= 128 DEG FROM UP HRA 234 DG                      C
NOR AZ 196 DG SUN AZ 87 DG S/C AZ 286 DG INA 58 DG EMA 18 DG           C
PHA 75 DG SUNS LS= 188.0 DG EDR= /02 MAX-D=                             C
LAT C= +21.40 UL= +22.36 UR= +20.84 LL= +21.96 LR= +20.42              C
LONG C= 5.73 UL= 5.22 UR= 4.70 LL= 6.79 LR= 6.25                      L

```

2) Viking Orbiter Line Header Parameters

The Viking Orbiter EDR line record header contains 396 bytes of data. It is composed of a 32-byte MTIS header, 56-byte source data summary, seven 32-byte SDR header records (one per track), and seven 12-byte V1280 flyback blocks. Locations are given relative to the start of the header block which is actually at byte 1205 of the line record.

Byte	Contents
------	----------

MTIS Header Block:

1 -	1	Record id.
2		Unused
3 -	4	Recording sequence number on EDR tape.
5 -	6	Logical sequence number on EDR file.
7		Year of century of start of data.
8		Day of year of start of data.
9 -	10	Minutes of day of start of data (10 bits).
11 -	12	Milliseconds of minute of start of data.
13		Year of century of end of data.
14		Day of year of end of data.
15 -	16	Minutes of day of end of data (10 bits).
17 -	18	Milliseconds of minute of start of data.
19 -	22	FDS time of start of data.
23 -	26	FDS time of end of data.
27 -	32	EDR tape id (ASCII).

Source Data Summary Block:

33		Unused.
34		File number on EDR tape.
35		Fill in type.
36		Track presence mask.
37	-	38 Average pixel value.
39	-	40 Unused.
41	-	42 Data Receipt Site Mask.
43	-	44 Minimum signal-to-noise ratio (SNR).
45	-	46 Maximum signal-to-noise ratio (SNR).
47	-	48 Unused.
49	-	50 Minimum average gain control (AGC).
51	-	52 Maximum average gain control (AGC).
53	-	54 Unused.
55	-	56 Total number of segments.
57	-	58 Number of fully synched segments.
59	-	60 Number of partially synched segments.
61	-	62 Number of segments with data quality ind = 0.
63	-	64 Number of segments with data quality ind = 1.
65	-	66 Number of segments with data quality ind = 2.
67	-	68 Number of segments with data quality ind = 3.
69	-	70 Number of segments with data quality ind = 4.
71	-	72 Number of corrected FDS counts.
73	-	74 Number of pseudonoise code (pn) errors.
75	-	88 Unused.

SDR Data Blocks. The following data block repeats for each of the seven sets of line segments used to generate the image. Data locations are shown for the first segment. Locations for succeeding segments are at loc + ((segment-1) \* 32).

89	-	90	Data quality indicator (3 bits), rate code (3 bits), revision number (10 bits).
91	-	92	MSB of average gain control (? bits), bit sync flag (1 bit), be (1 bit), unused (? bits).
93	-	94	LSB of average gain control (4 bits), signal-to-noise ratio (12 bits).
95	-	96	Lock count (number of continuously locked telem frames).
97	-	98	MSB of FDS count (? bits).
99	-	100	LSB of FDS count (? bits).
101	-	102	TD PF (? bits), track number (? bits), line number (? bits).
103	-	104	DSS station id (8 bits), milliseconds of minute (8 bits).
105	-	106	GCF UTD (? bits), day of year (? bits).
107	-	108	SC(1) (1 bit), DSIF lock status (? bits), MSB of seconds of minute (? bits).
109	-	110	GCF DDT (8 bits), LSB of seconds of minute (? bits).
111	-	112	SC(2) (? bits), DSIF configuration code (? bits).
113	-	114	Sync error (? bits), data bit count (? bits).
115	-	116	DP (1 bit), unused (1 bit), HEW index (? bits), housekeeping engineering word (? bits).

117 - 118 DP (1 bit), unused (1 bit), SEW index (? bits), science engineering word (? bits).  
 119 - 120 Unused.

V1280 Flyback Block. This block repeats 7 times, one for each set of line segments used to construct the line. The location of data values in segments 2 - 7 is  $loc + ((track - 1) * 12)$ .

313 - 314 Unused (2 bits), MSB of sync word (14 bits).  
 315 - 316 LSB of sync word (14 bits), MSB of track id (1 bit).  
 317 - 318 LSB of track id (2 bits), engineering data (5 bits), MSB of picture id (9 bits).  
 319 - 320 LSB of picture id (10 bits), MSB of line id (6 bits).  
 321 - 322 LSB of line id (5 bits), FDS flag (1 bit), HRD (1 bit), embedded science data (5 bits), unused (4 bits).  
 323 - 324 Unused.

### 3) Viking Orbiter EDR Header Record Format

This block occurs after the last VSFEDR line record in each image file. It is composed of a 32-byte MTIS header block, 80-byte source data summary, 48-byte status/engineering summary, and 1024-byte source data histogram.

Byte	Contents
------	----------

#### MTIS Header Block:

1	1	Record id.
2		Unused.
3	4	Recording sequence number on EDR tape.
5	6	Logical sequence number on EDR file.
7		Year of century of start of data.
8		Day of year of start of data.
9	10	Minutes of day of start of data (10 bits).
11	12	Milliseconds of minute of start of data.
13		Year of century of end of data.
14		Day of year of end of data.
15	16	Minutes of day of end of data (10 bits).
17	18	Milliseconds of minute of start of data.
19	22	FDS time of start of data.
23	26	FDS time of end of data.
27	32	EDR tape id (ASCII).

#### Source Data Summary Block:

33		Unused.
34		File number on EDR tape.
35		Fill-in type.
36		Track presence mask.

37	-	38	Average pixel value.
38	-	40	Unused.
41	-	42	Data Receipt Site Mask.
43	-	44	Minimum signal-to-noise ratio (SNR).
45	-	46	Maximum signal-to-noise ratio (SNR).
47	-	48	Unused.
49	-	50	Minimum average gain control (AGC).
51	-	52	Maximum average gain control (AGC).
53	-	54	Unused.
55	-	56	Total number of segments.
57	-	58	Number of fully synched segments.
59	-	60	Number of partially synched segments.
61	-	62	Number of segments with data quality ind = 0.
63	-	64	Number of segments with data quality ind = 1.
65	-	66	Number of segments with data quality ind = 2.
67	-	68	Number of segments with data quality ind = 3.
69	-	70	Number of segments with data quality ind = 4.
71	-	72	Number of corrected FDS counts.
73	-	74	Number of pseudonoise code (pn) errors.
75	-	76	Number of adjusted pn errors.
77	-	78	Number of unreadable source data records.
79	-	80	Number of source data logical sequence breaks.
81	-	82	Number of source data breaks.
83	-	84	Unused.
85	-	86	Number of lines.
87	-	88	Number of full lines.
89	-	90	Number of partial lines.
91	-	92	First line number.
93	-	94	Last line number.
95	-	96	Unused.
97	-	102	Picno - orbit, spacecraft, sequence in orbit (ASCII).
103	-	104	Viking reconstruction processing run number.
105	-	110	EDF disk label.
111	-	112	Unused.

Telemetry Engineering Summary Block. Each value in this block consists of two bytes (16 bits). Bit one of each word represents a data presence flag (0 = absent, 1 = present). Bit 2 is unused. Bits 3, 4, and 5 contain the data quality indicator associated with the measurement (0 = bad, 4 = good). Bit 6 is unused. The value(s) represented by the remaining bits are described below.

113	-	114	Transmitted code word. C (1 bit), gain code (1 bit), light flood (1 bit), filter (2 bits), exposure (5 bits).
115	-	116	Binary '101' (3 bits), filter number (3 bits), camera serial number (4 bits).
117	-	118	Received code word. C (1 bit), gain code (1 bit), light flood (1 bit), filter (2 bits), exposure (5 bits).
119	-	120	Unused.
121	-	122	+50 volts dc.
123	-	124	+15 volts dc.
125	-	126	+12 volts dc.
127	-	128	+5 volts dc.
129	-	130	-15 volts dc.



131 -	132	-23 volts dc.
133 -	134	Average video.
135 -	136	Power converter input 1.
137 -	138	Cathode current 1.
139 -	140	Cathode current 2.
141 -	142	Filament 1.
143 -	144	Frame sweep 1.
145 -	146	Line sweep 1.
147 -	148	Grid 3 voltage.
149 -	150	Focus 1.
151 -	152	Digital ladder.
153 -	160	Unused.

Source Data Histogram. This source data histogram contains a series of 256, 4-byte (32-bit), values giving the count of occurrences of each pixel value within the image. The first entry represents the number of pixels with value 0, followed by the number of pixels with value 1, etc., up to 255.

161 -	164	Number of pixels with value 0.
165 -	168	Number of pixels with value 1.
169 -	1196	Values 2 through 254.
1197 -	1200	Number of pixels with value 255.

c. Viking Lander File Format

Each Viking Lander image file consists of 515 or more blocks (depending on the number of label records) containing a variable number of bytes per block. The number of bytes per block is equal to the number of scan lines taken by the camera or 360, whichever is larger. The data contents of the labels are shown below.

1) Viking Lander VICAR Labels

	1	1	512	382	I	1		C
VIKING LANDER 1	CAMERA 2					CE LABEL 11J191/172		C
DIODE BB4	STEP SIZE 0.04					CHANNEL/MODE 5/2		C
AZIMUTH 20/215.0	ELEVATION -10(-20.22/				0.22)			C
OFFSET 1 GAIN 2	SCAN RATE 16K					DCS ACTIVE		C
DATA RATE 12324	PSA TEMP 12C(37)					DATA PATH REC/UH		AC
LINES TOTAL 382	RESCAN BEGIN 376					RESCAN TOTAL 7		C
SUN AZ/EL 140.1/68.3	ANTI-SOLAR AZ/EL 258/-65							C
LLD/T 172/17:24:39	DATA LINK RAWEDR					EVENT D/GMT 013/06.33.56		C
AVE DN VALUE 107.30	STAND DEV 29.06					RANGE 20 TO 240		AC
MISSING LINES 0	GAPS 0					PERCENT MISSING 0.00		AC
SOURCE TAPE/FILE DMI051/ 9						VICAR TAPE/FILE DN0098/13		C
SEGMENT AZ/EL/STEP SIZE 200.000/	0.220/0.04000000							C
STRETCH - TEXTAD - TEXTAD								HL

2) Viking Lander Missing Lines Labels

MISSING LINE GAPS (FIRST-LAST) 1438-1438

C

3) Viking Lander Calibration Labels

UNO7UNO7UNO7UNO7	IR1 IR1 IR1 IR1	RED RED RED RED	BB3 BB3 BB3 BB3	AC
BB4 BB4 BB4 BB4	IR3 IR3 IR3 IR3	BLU BLU BLU BLU	BLUSURVSURVSURVSURV	AC
UNO6UNO6UNO6UNO6	IR2 IR2 IR2 IR2	GRN GRN GRN GRN	UNUN12UN12UN12UN12	AC
SUN SUN SUN SUN	BB1 BB1 BB1 BB1	BB2 BB2 BB2 BB2		AL

d. Mariner 10 File Format

Each Mariner 10 image file consists of 22 blocks containing 31,944 bytes per block. Each block is composed of 33 logical records of 968 bytes each. The first logical record of the first block contains a single set of VICAR label information. The labels are followed by 700 logical records (one per image line) containing pixel data and engineering data. The data contents of the labels and engineering data are provided below.

1) Mariner 10 VICAR Labels

77			700 968 L 1	SC
MVM73	FDS=0057910	IM-1	ERT YR=74 DAY=036 GMT=18/21/02	C
CAMERA=B	FILTER=6(UV)		NOMINAL EXPOSURE= 45.7 MSEC	L

2) Mariner 10 Line Header Data

The Mariner 10 header block consists of a byte header block and a byte subheader block. Definitions for these engineering values are taken from JPL document 615-43 (Ref. A-3). Locations of parameters are given relative to the beginning of the header data, which is actually at byte 833 in the VSFEDR line record.

Bit	Contents
-----	----------

Header Block:

1	-	18	Record id.
19	-	36	Record sequence number on tape.
37	-	54	Record id sequence number.
55	-	64	GMT start time milliseconds.
65	-	73	GMT start time day.
74	-	90	GMT start time seconds.
91	-	100	GMT stop time milliseconds.
101	-	109	GMT stop time day.
110	-	126	GMT stop time seconds.
127	-	144	Unused.

145 - 160 Unused.  
 161 - 180 FDS count (increments once per lines)  
 176 - 180 Das subtime (line count between das time increments).  
 181 - 188 Unused.  
 189 - 198 FDS minor frame count (cycles 1 to 700 for every FDS count increment (image)).  
 199 - 216 Unused.  
 217 - 220 Rate code of transmitted data.  
 221 - 234 Number of data bits in this record.  
 235 - 252 Number of consecutive in-sync frames.  
 253 - 360 Unused.

Subheader Block. The following subheader data are formatted in 18-bit words beginning with a data flag bit (0=available, 1=not available) followed by 17 bits representing the data item value right justified in the field.

361 - 576 Unused.  
 577 - 594 IM-1 unused; IM-3 pixel edit option flag (1 bit).  
 595 - 612 TV status data (16 bits).  
 613 - 630 TV exposure data (14 bits).  
 631 - 648 Filter position data (4 bits).  
 649 - 666 CC-5-8 coded command (13 bits).  
 667 - 684 CC-5-9 coded command (13 bits).  
 685 - 702 CC-5-10 coded command (13 bits).  
 703 - 720 CC-5-11 coded command (13 bits).  
 721 - 738 TV housekeeping word 1 (10 bits).  
 739 - 756 TV housekeeping word 2 (10 bits).  
 757 - 774 TV housekeeping word 3 (10 bits).  
 775 - 792 TV housekeeping word 4 (10 bits).  
 793 - 810 TV housekeeping word 5 (10 bits).  
 811 - 828 TV housekeeping word 6 (10 bits).  
 829 - 846 TV housekeeping word 7 (10 bits).  
 847 - 864 TV housekeeping word 8 (10 bits).  
 865 - 882 TV housekeeping word 9 (10 bits).  
 883 - 900 TV housekeeping word 10 (10 bits).  
 901 - 1088 Fill.

e. Mariner 9 File Format

Each Mariner 9 image file consists of 22 blocks containing 31,944 bytes per block. Each block is composed of 33 logical records of 968 bytes each. The first logical record of the first block contains a single set of VICAR label information. The labels are followed by 700 logical records (one per image line) containing pixel data and engineering data. The data contents of the labels and engineering data are provided below.

1) Mariner 9 VICAR Labels

77		700 968 L 1		SC
MARINER 9	115A31/32	YR 72 DAY 10 GMT 225324	DAS TIME 05708398	C
PICTURE NUMBER	03495	EXP TIME 192 MSEC	FILTER POS 8	C
ALT 2200 KM		APPROX WIDTH 1418 KM	APPROX HT 766 KM	C
VIEW ZENITH ANGLE 59.0		SOLAR ZENITH ANGLE 77.3	PHASE ANGLE 78.0	C

LONGITUDE-CENTER 116.7 CORNERS \*\*\*\*\* 107.2 126.2 110.0  
 LATITUDE--CENTER 40.2 CORNERS \*\*\*\*\* 43.8 37.5 31.1

C  
L

2) Mariner 9 Line Header Data

The VSFEDR header data appended to each Mariner 9 imaging line is a copy of the R7938 telemetry header and subheader data for each line of pixel values. Values for these fields are taken from JPL document 610-124 (Ref. A-4). Bit locations are given relative to the start of the header which is actually at byte 833 or bit 6657. The header consists of 20 18-bit words and the subheader is 30 18-bit words (total 50 x 18 bits = 900 bits or 113 data bytes plus 23 fill bytes) as follows:

Bit Contents

Header Block:

1	-	3	Spacecraft serial number.
4	-	6	Octal 3.
7	-	18	Data stream identifier.
19	-	36	Record sequence number.
37	-	54	Record id sequence number.
55	-	64	GMT start time milliseconds.
65	-	73	GMT start time day.
74	-	90	GMT start time seconds.
91	-	100	GMT stop time milliseconds.
101	-	109	GMT stop time day.
110	-	126	GMT stop time seconds.
127	-	144	Unused.
145	-	150	Unused.
151	-	175	Das time (increments once per 20 lines)
176	-	180	Das subtime (line count between das time increments).
181	-	270	Unused.
271	-	271	Decommutation mode (0=frame, 1=PN).
272	-	285	Unused.
286	-	288	PN errors allowed.
289	-	290	PN sequence status (1=no leading or trailing, 2=no leading, good trailing, 3=good leading no trailing, 4=good leading and good trailing).
291	-	303	Number of data bits in record.
304	-	306	Number of bit errors found in leading PN.
307	-	314	Half word in data block containing first element.
315	-	324	Current line count.
325	-	327	Unused.
328	-	332	Number of bits per pixel.
333	-	342	Number of pixels per line.
343	-	347	Unused.
348	-	350	Number of pixels per word.
351	-	360	Number of lines per picture.

Subheader Block. The following subheader data are formatted in 18-bit words beginning with a data flag bit (1=available, 0=not available), followed by 17 bits representing the data item value right justified in the field.

361	-	378	Picture count (6 bits).
379	-	396	Line count (10 bits).
397	-	414	Camera id (1 bit).
415	-	432	Exposure interval (4 bits).
433	-	450	Filter position (4 bits).
451	-	468	Z-008 TV beam current status (1 bit).
469	-	486	Z-015 TV calibrate status (1 bit).
487	-	504	Z-016 TV pixel average (4 bits).
505	-	522	Z-049 A shutter mode status (1 bit).
523	-	540	Z-050 filter mode status (1 bit).
541	-	558	Z-058 B shutter mode status (1 bit).
559	-	576	Z-068 shutter enable status (1 bit).
577	-	594	Z-514 DAS sequence (5 bits).
595	-	612	Z-515 A cathode current (10 bits).
613	-	630	Z-517 A grid 2 voltage (10 bits).
631	-	648	Z-517 event ladder (10 bits).
649	-	666	Z-518 A-B focus current (10 bits).
667	-	684	Z-519 plus 4 volts (10 bits).
685	-	702	Z-525 B cathode current (10 bits).
703	-	720	Z-526 B grid 2 voltage (10 bits).
721	-	738	Z-527 P/S input current (10 bits).
739	-	756	Z-528 B optics temperature (10 bits).
757	-	774	Z-529 average video (10 bits).
775	-	900	Unused.
901	-	1088	Fill.

## APPENDIX B

### PLANETARY MISSIONS AND DATA SETS

This appendix provides an overview of the various planetary missions, with descriptions of the imaging instruments and data products produced by each mission.

#### 1. VOYAGER

The Voyager mission has returned over 60,000 television images of Jupiter, Saturn, their satellites, and their rings. More data are expected during the next decade as the Voyager 2 spacecraft flies past Uranus and Neptune before leaving the solar system.

The Voyager spacecraft were equipped with two mechanically shuttered cameras, each fitted with vidicon sensors and color filter wheels. Specifications for the Voyager cameras are given in Table B-1.

Most of the photographic products generated from the digital data were produced by the Mission and Test Imaging System (MTIS). A comprehensive description of the computer programs used to process the Voyager data is given in the MCCC/MTIS Voyager Program Description Document, JPL 618-792 (Ref. A-1). A final version of the Experiment Data Record (EDR) containing a minimum number of missing or defective pixels was generated for each Voyager image. The Voyager EDRs are recorded on 9-track tapes at a density of 1600 bpi. Each image comprises one file on the EDR tape, with as many as 24 files on a tape. One end-of-file marker (EOF) separates images. There are two EOFs after the last image on a tape. Each image file consists of a single header record of 1280 eight-bit bytes, followed by 800 line records consisting of 1040 bytes each. Each line record includes an MTIS header block, a source data summary, status/engineering data followed by 800 bytes of pixel data.

The major Voyager data catalogs include the Voyager picture catalog set and the Voyager SEDR catalogs. The Voyager picture catalogs contain a subset of SEDR parameters for each image as well as identification of digital image data sets and film products. There is a single major picture data file for Voyager 1 and 2 images of each planet system, and a number of sub-catalogs containing other parameters. There are three SEDR master catalogs, one for each spacecraft for Jupiter and a single tape for Saturn. These catalogs are available as stack tapes of the original delivered SEDRs or in files where all parameters have been converted to EBCDIC or ASCII character strings. Catalog file and tape identifiers are listed in Table B-2.

Copies of these catalogs in digital format can be obtained from the MIPL librarian, 818-354-4244, FTS 792-4244. Copies of printed catalogs on micro-film are available from the National Space Science Data Center (NSSDC).

Table B-1. Characteristics of Planetary Camera Systems

Mission	Focal Length (mm)	Field of View (degrees)	Field of View (Pixels (P) X Lines (L))	Bits per Pixel
Voyager				
Wide angle	200	3.0 X 3.0	800P X 800L	8
Narrow angle	1500	0.4 X 0.4	800P X 800L	8
Viking Orbiter				
Both cameras	475	1.69 X 1.54	1204P X 1056L	7
Viking Lander				
Both cameras	53.7	0.04 X 20	512P X Var.	6
Mariner 10				
Narrow angle(2)	1500	0.48 X 0.37	832P X 700L	8
Wide angle optics	62	14 X 11	832P X 700L	
Mariner 9				
Narrow angle	500	1.41 X 1.06	832P X 700L	9
Wide angle	52	13.5 X 10.5	832P X 700L	9
Mariners 6 and 7				
Narrow angle	508	1.4 X 1.1	945P X 704L	8
Wide angle	52	14 X 11	945P X 704L	8
Mariner 4				
	305	1.1 X 1.1	200P X 200L	6

## 2. VIKING ORBITER

In the 3-year period from June 1976 to October 1979, two Viking Orbiter spacecraft returned more than 50,000 images of the Martian surface and satellites to Earth. Although the Voyager missions have returned a greater number of images, the larger image format of the Viking cameras makes this the largest planetary data set in existence. Descriptive material on this data set is dispersed through many scientific papers, formal reports, and informal memoranda. There is no single organized catalog of data such as those that exist for Mariner 9 or for the Viking Landers.

Table B-2. Planetary Image Catalog Files

Mission and Target Body	Picture Catalogs	SEDR Catalogs
Voyager 1 Jupiter	J1PIC1	J1SDR1
Voyager 2 Jupiter	J2PIC1	J2SDR2
Voyager 1 Saturn	SPIC1	S1SDR1
Voyager 2 Saturn	SPIC1	S2SDR2
Viking Orbiter	VOPIC1	VOSED1, 2 and 3
Viking Lander	VLPIC1	VLSDR1 and 2
Mariner 10	MVMPC1	
Mariner 9	M9PIC1	SDRM71
Mariners 6&7	PICM69	

Special Catalogs		
Viking Lander Team Data Record		VLTRD
Viking Orbiter Mosaic Catalog		VOMOS1
Voyager Tape Catalog		VGRCAT
Viking Tape Catalog		VIKCAT

The Viking Orbiter imaging experiment used two identical telescopic cameras, each equipped with large format vidicon sensors and provided with a movable color filter wheel located near the focal plane. The camera characteristics are described in Table B-1. Images were initially recorded on 7-track magnetic tape recorders on the spacecraft. The data were played back to Earth one track at a time by operating the tape recorder alternately in the forward and reverse directions. Each raw data frame retrieved from the tracking station thus contains every seventh pixel arranged in either increasing or decreasing order. Image data reconstructed from these raw data frames by the MTIS form the Experiment Data Record (EDR).

The majority of Viking images were acquired as strips of contiguous and slightly overlapping images, which are most useful when assembled into mosaics. In many cases multiple strips can be assembled to form still larger mosaics, which provide a synoptic view of a regional surface and can support detailed geologic mapping.

Viking Orbiter EDRs are recorded on 9-track tape at densities of either 800 or 1600 bpi (800 was used only during the first few weeks of the mission). A maximum of 14 images are contained on one tape recorded at 1600 bpi. Images are separated by single EOFs with two EOFs following the last image on a tape. Each image file consists of an EDR header record of 1200 bytes, an SEDR record of 2000 bytes and 1056 line records, each 1600 bytes long. Records are not blocked. Pixel values are stored as 8-bit integers with a range from 0 to 255. The values represented on the EDR tape are actually two times the value received in the telemetry stream. Because of the nature of the recording and



playback system, strings of missing bits appear as vertical bars at 7-pixel intervals. Missing pixels are set to zero on the EDR tapes.

Viking Orbiter catalogs include the picture catalog, a collection of SEDR and image data product information, a set of four SEDR stack tapes, and a mosaic catalog documenting the large set of digital and hand mosaics produced by JPL during and after the mission. Table B-2 identifies tapes containing the Viking catalogs.

### 3. VIKING LANDER

The Viking Lander imaging data set was acquired by the two Viking Lander spacecraft on the surface of Mars. Viking Lander 1 began operation on July 10, 1976 and continued to return data until early 1983, when communications were lost. Viking Lander 2 began operation on September 3, 1976 and concluded transmission in February 1980. The camera systems utilized by the Landers are summarized in Table B-1.

A comprehensive description of this data set is provided in a three-document picture catalog. The first document, "Viking Lander Imaging Investigation: Picture Catalog of Primary Mission Experiment Data Record" (Ref. B-1) describes data from the primary mission covering the period from landing through the solar conjunction period in December 1976 when data transmission ended. The second document, "Viking Lander Imaging Investigation During Extended and Continuation Missions," in two volumes (Ref. B-2), describes the Lander 1 and 2 missions through February 1979. The final document, "Conclusion of Viking Lander Imaging Investigation" (Ref. B-3), describes the last several years of imaging activities.

The introductory material in each of the three documents includes a description of the Viking Lander cameras, their calibration, and the coordination of the Viking Lander cameras and their image data. The Viking Landers were designed to directly transmit data to Earth at low data rates as well as to relay data via the Orbiters at much higher data rates. Those documents describe the implications of these data modes for the types of data recovered from the Landers as well as the extraction of image data from the telemetry to produce the EDR data set.

The Viking Lander EDRs are recorded at 1600 bpi on 9-track tapes. A variable number of images are contained on each tape with each image separated by a single EOF and two EOFs following the last image on the tape. Image files are written in standard VICAR format with a variable number of label records followed by 512 line records. The logical record length of each label or line record is equal to the number of vertical lines in the image (variable from image to image), or 360 bytes, whichever is larger. All label information is represented in EBCDIC (Extended Binary Coded Decimal Interchange Code) format. Each pixel is stored as an 8-bit binary value ranging from 0 to 255, which represents the actual 6-bit data value from the instrument times 4.

There is also another Viking Lander digital data set called the Team Data Record (TDR). This record consists of sets of specially enhanced images

and includes mosaic data sets, color images, and other special products. Image data is stored on 9-track tapes in VICAR format recorded at 1600 bpi.

#### 4. MARINER 10

The Mariner 10 mission was the first multiplanet mission carried out by a single spacecraft. In one flyby of Venus followed by three flybys of Mercury, Mariner 10 returned more than 12,000 images to Earth. Images of the airless body Mercury were of interest to planetary geologists, while the images of cloud-shrouded Venus were of meteorological significance.

The Mariner 10 spacecraft was equipped with two vidicon framing cameras, whose characteristics are detailed in Table B-1. The narrow-angle camera was used to image Venus and Mercury from long range and to obtain the highest resolution pictures near closest approach to the two planets. EDR and radio-metrically decalibrated data exist for Mercury.

The "Atlas of Mercury" (Ref. B-4) covers the Mercury portion of the Mariner 10 mission. The Atlas includes an outline of the mission, a description of the cameras, photomosaics, maps and a set of references to the scientific photomosaic, and maps and a set of references to the scientific results. The Mercury observations of the Mariner 10 data set remain unique in that there have been no subsequent spacecraft observations of Mercury. The Venus images have recently been supplemented by the imaging type observations obtained by the Pioneer Venus Orbiter cloud photopolarimeter.

#### 5. MARINER 9

Mariner 9 was launched on May 30, 1971. Between the time of Mars orbit insertion on November 14, 1971 and October 22, 1972, the spacecraft conducted an intensive orbital reconnaissance of the planet. The first complete geological map of Mars and the discovery of a host of hitherto unsuspected landmarks were among the spectacular results. A comprehensive description of the Mariner 9 mission and its imaging data set is provided in "Mariner Mars 1971 TV Picture Catalog," Vols. 1 and 2 (Refs. B-5 and B-6).

Mariner 9 was equipped with wide-angle and narrow-angle telescope cameras, small format selenium-sulphide vidicon sensors, and mechanical shutters. The wide-angle camera had a color filter wheel which functioned for only part of the mission. Characteristics of the cameras are given in Table B-1.

A set of Mariner 9 RDR (Reduced Data Record) images was also produced. The planetary image conversion task attempted to copy the RDR data set to high-density tape, but so many read errors were encountered that processing had to be abandoned. Substantial concern had been expressed by imaging scientists about the validity of the RDR data set, so its loss is not as tragic as it might have been.

## 6. MARINERS 6 AND 7

Mariner 6 and 7 spacecraft acquired 200 images of Mars at a variety of resolutions in the summer of 1969. These data are described in the "Scientific Findings from Mariner 6 and 7 Pictures, Final Report" (Ref. B-7) and "Mariner Mars 1969: A Preliminary Report" (Ref. B-8). The image tapes located by the conversion task have been computer-enhanced and actually represent a Reduced Data Record rather than an EDR. The wide-angle camera had a rotary shutter with four colored filters in the sequence red, green, blue, green, etc. The narrow-angle camera used a minus-blue haze filter. Mariner 6 and 7 images consist of 704 lines of 945 pixels. Three versions of each image were transmitted, composite analog video, digital video (every 7th pixel - 8 bits, 2 MSB truncated); and ETE (every 28th pixel). Table E-6 identifies all known Mariner 6 and 7 image tapes. All tapes are 7-track, but no other format documentation has yet been located.

## 7. MARINER 4

The Mariner 4 (Mars) mission acquired 22 images of Mars in 1965. By present standards the images are of very poor quality. A detailed description of the images is provided in "Mariner Mars 1964 Project: Television Experiment" (Ref. B-9) and "The Mars 1964-1965 Apparition" (Ref. B-10). Mariner 4 images contain 200 lines, each consisting of 200 six-bit pixels. The Mariner 4 digital tapes located at JPL include Master Data Records (K-xxx), MDR reacquisition tapes (MDL-xxx), TV picture tapes (KC-xxxx), and final flight pictures (RBLM-xx). Format documentation has only been found for the final flight pictures. They are stored on two identical sets of tapes: RBLM19 through RBLM22 and RBLM 23 through RBLM 26. Tape formats are described as being binary, high-density, with a physical record size of 256 bytes per block. There are 19 images contained on each tape with a single end-of-file mark after the last picture. RBLM 19 contains the true intensities of the flight pictures in regular format. Each picture consists of 16 x 172 blocks. To obtain one block from the tape, use the following FORTRAN statements:

```
DIMENSION P(16,172)
READ (L)P
```

where L is an integer constant specifying a logical unit where the tape is mounted. P(1,1) of the first block of each picture corresponds to the picture element at line 7 and column 29, and P(16,172) of the first block corresponds to the picture element at line 22, column 200. RBLM 21 contains the true intensities of the sharpened images in regular format and has the same recording characteristic as RBLM 19. Tape RBLM 20 contains the true intensities of flight pictures in rectified format. Each picture consists of twelve 16 x 193 blocks. To read an image the following FORTRAN statements can be used:

```
DIMENSION P(16,193)
READ (L) P
```

P(1,1) of the first block of each picture corresponds to the picture element at line 0 and column 11, and P(16,193) of the first block corresponds to the picture element at line 15 and column 203. RBLM 22 contains the true

intensities of the sharpened flight pictures in rectified format with the same structure as RBLM 20.

Other undocumented Mariner 4 Tape ids are listed below.

K-13,19,25,28,44,49-50,68,70,74,87,92,114-117,123-126,128,133  
K-142-142,149,162-164,167-169,173

MDL-1,MDL3-5,MDL4-5,MDL-5,6-5,MDL-7,9-5

XA-001-040,042-063

X-039,053,128,137,179,199,201,202,206,208

#### 8. OTHER PLANETARY MISSIONS

The Pioneer 10 and 11 missions carried photopolarimeters which produced image data of the Jupiter and Saturn (Pioneer 11 only) systems. The Pioneer Venus Orbiter radar has also produced an image data set which should be incorporated into the image archive.

## APPENDIX C

### CONVERSION PROCESSING NOTES

This appendix provides details of the conversion activities, including a description of the setup and execution of the various processing components, a history log documenting the processing of each data set, and a brief description of the software used to produce and verify the image archive tapes.

#### 1. PROCESSING COMPONENTS

This section provides a brief description of the major components of the image conversion task.

##### a. Software Modification

Modification to existing IPL image logging programs was required to produce machine-readable summary outputs documenting the status of each processing job, and to produce the VSFEDR format rather than the nominal VICAR output data set. This required only minimal rewriting of code and was performed by IPL programmers. Each logging program required about two man-weeks to modify.

##### b. Locating Source Data

Tapes for each mission were identified based on their tape id numbering sequences. In order to try to capture all existing data, all image tape sequences were recalled and processed, not just those known to contain valid mission data. All imaging tape sequences were recalled from the Federal Records Center and hung on tape racks in Building 231-B1. A staging area with a storage capacity of 1000 tapes was established near the IPL computer facility.

##### c. Processing Procedure Development

The following steps were taken to develop the processing procedure:

- (1) Solicited and received approval of modified VICAR format from representatives of the imaging science community.
- (2) Performed test runs of modified software to:
  - (a) See how much disk space each image would take.
  - (b) See how long each EDR would take to log to disk.
  - (c) Verify that the process worked properly.

(d) Assure that the printed listings provided required summary information (image identifier, VICAR label format, input tape, and file number).

(3) Performed tests to write EDR disk files out to 6250 tape to verify length of tape required for each image.

d. Blank Tape Acquisition

JPL's Information Processing Facility maintains open requisitions with several vendors to procure tapes in lots of 500 with lead times of approximately one week. The open requisitions facilitated the procurement process while keeping the paperwork to a minimum: no procurement requisition, request for quotes, or procurement vendor selection. These tapes are routinely tested for quality when received by IPC, another major benefit.

e. Record Keeping

An organized record-keeping method was developed to:

- (1) Determine what was really good data to be archived and tracked.
- (2) Log pertinent information for each image as processing was performed.
- (3) Maintain printed listings in the order they were run for easy access (these listings were frequently used for later reference).

f. Data Processing

Job setup included the following steps:

- (1) Determined the optimum order for processing EDRs.
- (2) Performed an inventory to compare existing documentation with actual tapes found in storage.
- (3) Created command files on the IBM computer containing correct VICAR and JCL statements to run VICAR programs created for the mission.
- (4) Inserted correct input tape and output disk names to perform the required processing.

g. Output Check

Every single image that was processed by each job was checked and recorded on a processing log sheet:

- (1) Jobs that terminated abnormally were identified. Failed runs were given top priority and re-run as quickly as possible, to attempt

to keep track of the data in the order that the jobs were run and to immediately identify hardware or system problems.

- (2) Each output tape was scanned after it was written to double check the blocking and file count.
- (3) About 20 percent of the output tapes had polaroids taken of random images to verify that the expected image was in the proper file and in the right size and format.
- (4) Each output tape had a VICAR program called "VCOPY" run on it to insert the VICAR labels into a library support file.

#### h. Library Support File

This file was created by either the logging software or VCOPY and contained all image labels as well as tape and file number of the output image.

#### i. Index of VSFEDR Images

In addition to the LSF files produced by the processing and tape copy software, a separate index of picture id versus archive tape/file number was created by keypunching the processing log sheets for each mission. This task was performed at IPC and the resulting data edited and reformatted into a complete archive tape index using the MARK IV file management system on the IPL computer.

## 2. MISSION SPECIFIC PROCESSING NOTES

This section provides a brief description of the processing of each mission data set.

### a. Voyager

Primary processing of the 60,255 Voyager images took approximately 3 months (January 16 - April 15, 1984): Logged EDRs to high-density tape; scanned output tapes to verify physical characteristics; recorded each image into logging records; made VICAR label entries in LSF; unexpected PWS data files on imaging EDRs needed special handling and slowed processing.

At completion of primary processing, about 300 images were either missing or unreadable and had to be retrieved by other means (June 18, 1984 - continuing): Wrote to USGS, Flagstaff, to get their copies, however they had only 2 images that we needed; wrote to Dr. Garry Hunt, London, to get their copies, however they had no one to do the work and it appeared that their data was in the wrong format; wrote to Univ. of Wisconsin, but got no response; put needed Voyager EDRs on the list of images to regenerate; as soon as they are regenerated, they will be logged as the rest of EDRs were (see procedure above).

b. Viking Orbiter

Primary processing of the 49,649 Viking Orbiter images took about 5-1/2 months (August 1, 1983 - January 18, 1984): Logged EDRs to high-density tape; scanned output tapes to verify physical format; recorded every image into logging records; made VICAR label entries in LSF.

At completion of primary processing, 562 images were found to contain errors or were completely missing and had to be retrieved by other means (April 1 - September 30, 1984): Requested 354 EDR tapes from USGS, Flagstaff; logged each image to high-density tape (see procedure above); about 208 images were not on the tapes received from Flagstaff; MTIS facility became operational in September 1984, however attempts to regenerate degraded images were unsuccessful. Decided to process only images that were completely missing, resulting in the regeneration of 132 images that took 2 months of processing on the MTIS computer. Fifty of these images were logged to archive tape format prior to the shutdown of the IBM computer. The remaining 82 images are stored in EDR format on VOR tapes.

c. Viking Lander

Unlike other image data sets, VL EDRs were not relogged, and the engineering telemetry parameters which were associated with the imaging records are not embedded in the archive tape format.

Primary processing of all 4731 Viking Lander images took approximately 1 month (January 23 - February 26, 1984): Computed size of each image for each job run to find out how many images would fit on each archive tape. This computation was necessary because each image was a different size. Copied each EDR image directly to high-density tape. During the write operation, the appropriate VICAR label entry was made into the LSF on disk; scanned output tapes to verify physical characteristics. Blank lines at the end of some images were discovered that resulted from a bug in the original EDR production software; recorded all images written to high-density tape into logging record books.

At completion of primary processing, 62 images (118 files) had to be rewritten due to an error in VICAR label parameters. No Viking Lander images had to be regenerated or obtained from another source.

d. Mariner 10

Primary processing of 12,817 Mariner 10 images took approximately 3 months (August 22 - November 20, 1983): Logged EDRs to disk; checked and verified all images logged to disk; recorded every single image into logging records; wrote disk version out to high-density tape, and at the same time wrote each VICAR label into separate history file on disk. A large number (7000) of small format images (IM-3 format) were encountered that had never been documented in project image catalogs and, therefore, required special handling.



At completion of primary processing, 136 images were unreadable or missing and had to be retrieved from other means (October 31 - November 13, 1983 and May 28 - June 11, 1984): Recalled MDR tapes that were used to create EDRs from storage; copied MDRs so as to not further degrade the data in processing; processed them in the same manner as the Mariner 10 EDR images were processed (see entire procedure above); only 80 of the 136 images were recovered; wrote to the University of Wisconsin for remaining images not recovered from MDRs; six months later, received only a portion of what we still needed and some that we already had, all in 9/1600 bpi; processed them in the same manner as the Mariner 10 EDR images were processed (see above), after copying them to 7-track 556 bpi (as required by the logging program).

e. Mariner 9

Primary processing of all 7767 images took approximately 2 months (May 25 - July 31, 1983): Logged EDRs to disk, checked and verified all images logged to disk, recorded every single image into logging records; wrote disk version out to high-density tape, and at the same time wrote each VICAR label into separate history file on disk; scanned all output tapes to verify physical characteristics; recorded all images written to high-density tape into logging record books.

At completion of primary processing, 62 images were unreadable and had to be retrieved from other means (September 5-11, 1983): Recalled MDR tapes that were used to create EDRs from storage; copied MDRs so as to not further degrade the data in processing; processed them in the same manner as the Mariner 9 EDR images were processed.

3. PROCESSING SOFTWARE

a. Logging Programs

These programs produce a VICAR format image from EDR format tape. Each mission required a separate program:

Voyager	VGRLOG
Viking Orbiter	VOLOG
Mariner 10	LOGMAR10
Mariner 9	LOGMAR9

These programs are documented in VICAR software user guides. VGRLOG and VOLOG have been converted for use on the MIPL VAX computers; however, they were not modified to output the special archive tape formats. Viking Lander EDRs were not relogged from the telemetry data tapes, and much of the engineering telemetry data associated is only available by processing the MDR tapes.

b. Library Support File

Mariner 9 and 10 logging programs automatically made entry in the Library Support File. Program CCOPY was used to write VICAR label to LSF for Voyager, Viking Orbiter, and Viking Lander.

c. VSFEDR Tape Verification

Program VCOPY lists VICAR labels on VSFEDR. Program TAPE2 scans a VSFEDR tape to verify:

- (1) Number of files.
- (2) Number of records/file.
- (3) Number of bytes/record.

d. Library Support File Maintenance

A MARK IV program, SDLRUN, copies the LSF from disk to tape. Program TAPE2 creates backup of the tape and is used to scan the LSF tape and backup tape. A VICAR program, VLSFLOG, empties/initializes the disk data set in order to be ready for more input.

## APPENDIX D

### UNRECOVERED DATA

This appendix documents images which were not recovered during the conversion task. Attempted recovery efforts are described in Appendix C, Conversion Processing Notes. It is possible that some of the images identified in this appendix do not constitute valid imaging data, and that tapes identified in some listings may never have been written; however, the identifiers are included for completeness.

Users of archive tapes should first process the highest numbered archive tape available with the desired image on it, and, if errors are encountered, consult this listing to verify that the error was identified during the conversion effort.

Voyager images will continue to be recovered as part of the ongoing Planetary Data System recovery effort. Documentation of this work will be available through a central PDS on-line catalog.

#### 1. VOYAGER SUSPECT OR UNRECOVERED DATA

Table D-1 identifies Voyager images and EDR tapes which were not located or successfully processed during the recovery effort. Attempts to retrieve these images from other facilities are ongoing.

#### 2. VIKING ORBITER TAPE ERRORS AND UNRECOVERED DATA

Table D-2 identifies processing errors associated with Viking Orbiter images. Many of these images were successfully recovered from duplicate EDR tapes processed during the recovery task. This table is included for reference regarding types of errors encountered, and users should first check the archive tape catalog to determine if an image shown in this list was later successfully recovered. Errors are identified as follows for each image:

Physical errors (associated with tape I/O problems):

- DC - Data check. Usually indicates physical error on EDR.
- EC - Equipment check. Hardware problem with tape drive, usually recoverable by reprocessing tape.
- RE - Read error. Physical error on tape.

Errors in initial production of EDR:

- ML - Missing lines(s). Expected line number not found on EDR.
- BR - Bad record. Unidentified record in input data.

- LOS - Line out of sequence. Other than expected line number encountered on input tape.
- MEOF - Missing end-of-file between image files. Caused by controller hardware problems at MTIS.
- LO - Line overwritten. Duplicate line number encountered within a file.
- RR - Rejected record.
- MP - Missing picture identifier (picno).

### 3. MARINER 9 UNRECOVERED DATA

The following list identifies Mariner 9 images which could not be recovered from any source.

<u>Picno</u>	<u>Das Time</u>
062A12	3822465
062A15	3822675
192B19	8478864
214A13	9268884
214A14	9268954
245A??	10386679
??????	10563334 (Possibly on MME028/178)

### 4. MARINER 10 UNRECOVERED DATA

The following list identifies Mariner 10 images which could not be recovered from data sets available to the conversion effort at JPL. It is possible that duplicated data sets at other institutions may be available to allow future recovery of these images, or that processed versions of these images are available.

<u>Day</u>	<u>FDS Count</u>	<u>Day</u>	<u>FDS Count</u>
307	1927-29	039	62530
036	57770-72	039	62538
036	57806-07	039	62737
037	58995	039	62979
037	59004	039	64267
037	59117-21	040	65041-45(2)
037	59128-31	040	65787-97(2)
037	59514	041	66956,65
038	61028-36(2)	043	72253,57
038	61178,80	075	527868-84
038	61478-84(2)	075	527935-37
038	61628	075	527964-89
038	62378	075	528929-54

<u>Day</u>	<u>FDS Count</u>	<u>Day</u>	<u>FDS Count</u>
075	528970-80	089	1114
076	529103-10	091	5122
076	529870-80	091	6034,36
082	15128-36	261	160441,43
087	25576-79	261	160489
088	26624-25	261	160566-69
088	26845-48	262	162667-69
089	332	264	166475-76,78
089	615-16	264	166843-46
089	734-37	264	166884-90
		265	168831-38

Mariner 10 EDR tapes which could not be located or processed are listed below. It is not certain that all of these tapes were in fact ever produced.

ETVS152, 153, 154, 165, 198, 216, 251, 260, 283, 285, 286, 288  
ETVS307, 333, 334, 335, 336, 337, 338, 339, 348, 349, 368, 373  
ETVS399, 425, 433, 455, 487, 504

Table D-3 identifies images processed by the conversion task that did not correspond to existing catalogs in terms of date of acquisition versus FDS count. It is possible that good images which are improperly identified are contained on these archive tapes.

Table D-1

## VOYAGER SUSPECT DATA

FDSCOUNT	TAPE/FILE	FDSCOUNT	TAPE/FILE	FDSCOUNT	TAPE/FILE
14767.43	MAMETV100100/16	33139.48	MAMETV110720/06	44208.40	MBMETV215280/01
14770.10	MAMETV100100/19	33185.37	MAMETV110820/01		
14770.16	MAMETV100100/22	33893.55	MAMETV111550/01		
14777.41	MAMETV100100/24	34081.25	MAMETV111740/02		
14926.29	MAMETV100210/05	34212.31	MAMETV111870/01		
14971.09	MAMETV100240/06	34387.54	MAMETV112050/05		
15417.52	MAMETV101000/06	34392.36	MAMETV112070/04		
15426.54	MAMETV101120/04	34481.50	MAMETV112310/03		
15426.56	MAMETV101120/05	34636.15	MAMETV112750/01		
15426.58	MAMETV101120/06	Unknown	MAMETV113200/01		
15470.06	MAMETV101650/05	34837.18	MAMETV113500/02		
15712.28	MAMETV102500/10	34970.44	MAMETV113870/06		
15809.08	MAMETV102750/24	35114.59	MAMETV114270/01		
15873.39	MAMETV102900/24	35301.20	MAMETV114740/04		
15978.06	MAMETV103160/01	35333.57	MAMETV114750/03		
15993.10	MAMETV103190/10	34906.08	MAMETV115050/23		
16199.55	MAMETV104050/01	35709.42	MAMETV117110/16		
16246.11	MAMETV104460/01	35709.46	MAMETV117110/17		
16306.41	MAMETV104630/05	35709.49	MAMETV117110/18		
16324.47	MAMETV105010/01	35709.53	MAMETV117110/19		
16369.42	MAMETV105370/06	35709.56	MAMETV117110/20		
16370.09	MAMETV105380/02	35710.00	MAMETV117110/21		
16526.11	MAMETV106180/03	35710.03	MAMETV117110/22		
16389.38	MAMETV107520/01	35710.07	MAMETV117110/23		
16389.40	MAMETV107520/02	35710.10	MAMETV117110/24		
16426.08	MAMETV107770/01	35779.53	MAMETV117440/01		
16138.27	MAMETV108170/15	41676.43	MBMETV210300/06		
15433.02	MAMETV108450/02	41700.40	MBMETV210320/07		
15433.24	MAMETV108450/03	41766.53	MBMETV210380/19		
19378.53	MBMETV200650/06	42159.05	MBMETV210700/23		
19440.46	MBMETV201070/03	42159.17	MBMETV210710/01		
19753.42	MBMETV201430/17	42951.28	MBMETV211420/09		
19755.51	MBMETV201430/19	42951.30	MBMETV211420/10		
19909.52	MBMETV201760/24	43036.18	MBMETV211510/01		
19912.27	MBMETV201770/19	43067.58	MBMETV211540/05		
Unknown	MBMETV202280/01	43205.41	MBMETV211670/01		
20175.19	MBMETV202420/06	43603.50	MBMETV212830/12		
20383.25	MBMETV203330/01	43976.30	MBMETV213940/08		
20493.00	MBMETV203940/24	43626.38	MBMETV214270/01		
20629.08	MBMETV204920/04	43645.22	MBMETV214380/07		
20629.42	MBMETV204930/06	43664.00	MBMETV214500/05		
20074.28	MBMETV205360/09	43695.28	MBMETV214530/05		
20668.57	MBMETV205520/01	43785.37	MBMETV214560/01		
20530.01	MBMETV205780/05	43910.13	MBMETV214720/09		
20631.05	MBMETV205810/06	43910.16	MBMETV214720/10		
20631.08	MBMETV205810/08	43999.19	MBMETV214790/22		
20479.28	MBMETV205970/05	44179.43	MBMETV215170/13		
18411.43	MBMETV206110/01	44186.23	MBMETV215200/08		
19453.10	MBMETV206270/02	44186.53	MBMETV215200/13		
32926.21	MAMETV110370/02	44207.48	MBMETV215270/10		

Table D-2

## VIKING ORBITER SUSPECT IMAGES

ORIGINAL PAGE IS  
OF POOR QUALITY

PICNO	PROBLEM	PICNO	PROBLEM	PICNO	PROBLEM	PICNO	PROBLEM
293006	ML	010A62	DC and BR	061A25	MP	203A12	ML
CG0006/1	MP	010A36	ML	059A24	DC and RE	203A38	LO and ML
CG0012/?	MP	010A67	ML	062A33	DC	204A13	LO and ML
CG0010/3	ML	012A36	DC	062A34	DC	205A19	LO and ML
CG0016/*	DC	013A01	DC	063A51	ML	206A15	LO and ML
CG0017/*	BT	013A02	DC	063A57	LO	207A18	LO and ML
CG0033/1	DC	013A03	DC	064A50	DC	208A26	LO and ML
CG0038/3	DC	012A67	DC and RE	065A01	BR and ML	210A22	LO and ML
CG0061/1	MP	013A44	ML and BR	065A09	DC and ML	210A35	LO and ML
CG0054/1	DC	014A29	ML	066A12	DC	210A36	LO and ML
CG0063/8	ML	014A36	DC	066A24	DC	210A38	LO and ML
CG0065/6	ML	014A57	ML	071A28	DC	210A35	LO and ML
CG0065/10	ML	020A09	DC	074A27	DC and ML	210A37	LO
CG0065/11	ML	020A10	DC	079A50	DC and ML	210A12	ML
CG0073/4	ML	020A82	RR and ML	079A91	LO and DC	210A52	LO and ML
CG0073/5	ML	022A90	DC and ML	091A01	MP	210A70	LO and ML
CG0075/1	ML	027A68	DC and RE	083A52	DC	212A02	LO and ML
CG0087/1	LO	027A70	DC and RE	084A26	DC	216A15	LO and ML
CG0102/1	ML	027A71	DC and RE	084A36	MP	224A89	LO and ML
CG0104/2	ML	027A13	DC and RE and ML	085A13	DC	224A57	LOS and ML
CG0106/1	ML	027A17	DC and RE	085A46	DC	229A44	ML
CG0107/1	ML	027A07	ML	086A14	DC	229A45	ML
CG0077	BT	027A35	ML	086A13	DC	229A48	LOS and ML
CG0078	BT	032A48	ML	087A42	DC and ML	235A03	OL and ML
CG0079	BT	034A16	DC and ML	087A52	DC	244A51	RR and MLe
CG0080/1	ML	034A99	DC and ML	088A02	DC	244A52	RR and MLe
CG0081/1	ML	034A17	DC and ML	088A12	DC	244A54	ML
CG0075/1	MP	034A45	DC	088A13	DC	246A02	OL and ML
CG1069/3	DC	034A46	DC	094A02	ML	252A60	OL and ML
CG1006/1	ML	040A19	DC and ML	097A15	MP	252A66	BR and LOS
CG1007/1	ML	040A25	BR and ML	094A41	ML	255A31	ML
CG1008/1	ML	041A69	MP	101A26	MP	257A56	ML
CG1010/1	ML	041A90	MP	095A05	DC	272A06	ML
CG1014/1	BR	044A11	MP	?	MP and BR	272A11	ML
CG1015/1	DC and ML	044A18	DC	105A42	LO	289A05	LO
CG1017/1	BR	046A41	DC	105A43	LO and ML	289A28	ML
003A33	ML	046A17	DC	103A23	DC	307A01	ML
003A41	DC	046A12	DC	103A43	DC	307A41	ML
004A83	DC	048A11	DC	126A02	LO	307A76	ML
004A86	DC	050A25	DC	126A26	LO and ML	307A77	ML
004A20	DC	051A61	MP	135A20	ML	329A61	ML
004A16	DC	052A31	MP	136A03	ML	329A02	ML
004A56	ML	053A45	MP	118A35	DC	330A32	LO
004A71	ML	055A05	DC	118A45	DC	330A34	LO
006A82	DC	055A09	ML and BR	175A15	ML	332A18	LO and ML
006A45	DC	055A44	ML and BR	175A21	ML	336A03	ML
006A52	DC	056A01	MP	175A33	ML	352A12	ML
006A54	DC	?	LO and BR	175A46	ML	352A19	ML
008A39	DC	060A06	MP	177A12	ML	357A69	ML and LO
008A55	ML	060A08	MP	184A02	ML	360A27	ML
						363A61	ML
						363A65	ML
						363A85	ML
						369A27	ML
						369A28	ML
						369A30	ML
						369A44	DC
						376A27	ML
						376A28	ML
						393A25	BR and MEOF
						396A40	DC and LO
						401A27	LOS and LO
						401A28	LO and ML
						401A30	ML
						401A32	ML
						409A30	ML
						406A39	MP
						411A27	ML
						411A32	ML
						414A20	ML and LO
						416A94	ML and LO
						416A81	DC and ML
						416A82	DC and ML
						417A05	ML
						419A36	ML
						421A24	ML
						421A57	ML
						422A35	ML
						422A06	ML
						423A03	ML
						423A04	ML
						423A05	ML
						423A06	ML
						423A07	ML
						428A17	ML
						428A56	ML
						428A60	ML
						431A43	LOS
						431A44	LOS
						430A40	EC
						431A22	ML
						432A13	ML and BR
						432A14	ML and BR
						432A16	DC
						433A03	DC
						432A33	LOS and ML
						439A55	LOS and ML
						439A58	LOS and ML
						439A66	ML
						441A29	DC

VIKING ORBITER UNRECOVERED DATA

PICNO	PROBLEM	PICNO	PROBLEM	PICNO	PROBLEM	PICNO	PROBLEM	PICNO	PROBLEM
444A01	ML	615A21	DC	926A02	ML	460525	LOS and ML	048B47	DC
453A13	DC	618A43	DC	926A11	ML	465604	DC	066B78	ML
457A18	ML	620A12	DC	927A04	ML	465619	LOS	069B02	ML
457A22	ML	632A29	DC	927A07	ML	472516	BR and ML	070B42	?
457A40	ML	632A53	DC	929A04	ML	473603	DC	050B44	DC
458A03	ML	637A59	DC	960A31	ML	473615	DC	052B01	DC
458A06	ML	639A97	DC	963A08	ML	455616	LOS and ML	070B02	LOS
458A09	ML	651A39	DC	973A10	ML	217009	LOS and ML	072B04	LOS
463A03	ML	651A60	DC and ML	974A07	ML	218001	LOS	056B05	DC
463A02	DC	651A77	DC and ML	124504	ML	218008	LOS	056B44	DC
463A56	LOS and EC	651A78	DC and ML	126512	ML	218072	LOS	057B21	DC
464A17	ML	659A25	ML	131503	ML	219034	DC	058B29	BR
464A24	ML	663A76	LOS	140516	ML	219057	DC	058B52	BR
467A44	DC	669A04	DC	141507	ML	004893	BR and ML	058B61	LOS
467A52	ML	671A27	DC and ML	141508	ML	008B30	BR and ML	059B08	LOS and ML
467A15	DC	675A15	DC	744A89	ML	007B89	BR and ML	059B16	LOS and ML
474A46	ML	675A93	DC	892A36	ML	009B29	BR and ML	059B34	LOS and ML
474A47	ML	679A18	DC	145501	MP	009B46	BR and ML	059B71	LOS and ML
474A26	ML	681A69	DC	979A04	ML	010B25	BR and ML	060B45	LOS
486A40	ML	684A03	LOS	154512	DC	010B47	LOS	060B21	LOS
486A44	ML	684A70	ML	159501	ML	010B48	LOS	060B01	LOS and ML
486A45	ML	687A15	DC and ML	170506	LOS and ML	010B55	DC	060B09	LOS and ML
486A50	ML	687A79	LOS and ML	186511	DC	010B66	LOS	061B08	LOS and ML
491A21	ML	690A32	ML	193524	LOS and ML	010B81	LOS	061B57	DC
491A22	ML	696A34	ML	203527	LOS and ML	010B87	LOS	062B15	DC
500A21	DC	700A18	ML	252519	DC	010B95	LOS	073B43	DC
500A30	DC	701A15	DC	253520	EC	020B27	DC	075B57	LOS
506A48	ML	3126/1	BR***	256521	DC	020B12	DC	075B33	MP
516A05	ML	713A02	DC	272527	BR and ML	021B42	DC and ML	076B61	LO and ML
524A36	ML	714A57	DC	201501	MP	022B17	LOS and DC	076B42	LO and ML
524A63	ML	733A01	DC	323533	DC	021B59	BR and ML	078B47	BR
529A01	ML	734A01	DC	330508	DC and ML	034B02	DC	081B44	LOS
532A15	ML	742A59	ML	347552	MP	034B22	LOS	082B03	LOS
532A36	ML	744A71	ML	347572	MP	034B44	BR	083B32	LO and ML
535A29	LOS	753A53	DC	349548	ML and EC	034B11	BR	084B02	LO and ML
535A85	ML	780A36	DC	352504	ML	?	DC	084B40	LOS
565A22	DC and ML	793A02	DC	353501	BRs and ML	035B44	LOS	120B47	LO and ML
565A37	DC	811A41	LOS and ML	375542	DC	035B48	LOS	120B76	LOS
569A35	DC	814A28	ML	377585	ML and DC	039B74	MP's	119B04	LO and ML
572A27	ML	846A31	ML	400507	MP	038B59	BR and ML	125B03	LOS
573A30	LOS and ML	851A08	ML	404534	ML	039B16	BR and ML	126B47	DC
574A23	DC	907A62	DC	417542	ML and DC	039B20	BR and ML	127B45	LOS
574A36	ML	907A12	ML	421518	ML	040B12	BR and ML	127B55	LOS
574A41	DC	907A52	ML	426522	LO	040B44	LO	131B12	LO and ML
580A24	DC	907A56	DC and ML	428536	BR and ML	041B22	LO and ML	131B52	LO and ML
595A17	DC	908A51	DC	430512	ML	041B42	LO and ML	131B92	DC
599A45	DC	910A03	DC	437525	?	042B20	LO	137B24	LOS
605A31	DC	913A68	ML	444503	DC	043B14	LOS	138B48	LO and ML
608A35	DC	913A11	LO	447528	DC	049B10	LOS	138B13	DC
612A10	DC and ML	922A60	ML	455521	MP and ML	062B41	MP and ML	138B20	BR



ORIGINAL PAGE IS  
OF POOR QUALITY

VIKING ORBITER UNRECOVERED DATA

PICNO	PROBLEM	PICNO	PROBLEM	PICNO	PROBLEM
141B38	LO and ML	370B60	BR	452B03	DC
139B45	LO and ML	371B03	LO	466B64	ML
143B09	LO and ML	371B08	LOS	466B95	DC
143B30	LO and ML	374B24	LOS	472B84	LOS
146B02	LO and ML	375B08	LO	479B87	DC
146B32	LO and ML	378B03	LOS	482B21	DC and ML
149B12	LOS	378B18	LOS	491B44	DC
157B06	DC	378B58	LO	510B14	ML
157B22	LO and ML	380B01	LOS	514B57	DC
159B06	DC and ML	380B31	LOS	518B28	ML
163B36	LO and ML	383B41	LOS	519B03	BR
165B23	DC	385B71	LOS	521B69	DC
168B80	DC	Missin	LOS	527B03	DC
174B02	LOS and ML	386B18	LOS	527B69	ML
178B01	LOS	386B32	EC	549B21	ML
182B22	LO and ML	388B16	LOS	551B54	DC
191B02	LOS	390B41	LOS	560B85	DC
225B71	LOS	390B44	LOS	567B24	DC
225B64	LOS	390B67	LOS	567B41	DC
242B01	LOS	391B07	LOS	567B55	DC
246B24	DC	392B02	LOS	572B01	LOS
251B26	LOS	77B83	LO	575B74	EC
254B90	DC	403B32	LOS	576B14	EC
262B72	LOS	403B35	LOS	580B02	DC
275B20	DC	402B63	LOS	580B27	DC
279B44	LOS	403B32	LOS	584B89	DC
283B25	LOS	402B01	LOS	669B65	DC
287B24	LOS	402B33	LOS	395B03	DC
287B73	LOS	406B15	LOS	544Z32	ML
297B16	LOS	406B27	?	401B15	ML
297B29	LOS	409B14	BR	437B15	ML
300B72	DC	410B04	LOS	551205	?
302B24	LOS	410B07	LO	437B19	BH
304B58	LOS	410B27	LOS	439B11	EC
306B04	LOS	410B35	LOS	439B72	ML
313B19	LOS	411B86	LOS	439B73	ML
319B60	LOS	411B15	LOS and ML	439B74	ML
325B50	EC	415B18	LO		
327B08	DC	416B09	DC		
332B41	LOS	419B07	DC		
342B29	LOS	421B03	LO and BR		
342B15	DC	423B73	MP and LOS		
346B02	LOS	428B71	MP		
350B17	LOS	428B80	DC		
350B25	LOS	428B87	DC		
356B46	LOS	442B01	MP		
359B09	BR	445B01	EC		
359B23	LOS	451B38	LO		
363B16	LOS	458B46	MP		
366B25	BR	459B23	LOS		

Table D-3

ORIGINAL PAGE IS  
OF POOR QUALITY

## MARINER VENUS/MERCURY SUSPECT DATA

FDSCOUNT	DAY	MVE ID	FDSCOUNT	DAY	MVE ID	FDSCOUNT	DAY	MVE ID	FDSCOUNT	DAY	MVE ID	FDSCOUNT	DAY	MVE ID
04205-05	002	13/116-116	64567-67	040	08/084-084	48574-75	088	31/178-179						
04205-05	002	13/176-126	64569-69	040	08/085-085	48574-75	088	42/083-084						
05122-22	002	13/148-148	64571-71	040	08/086-086	51311-12	088	11/210-211						
05379-79	002	13/226-226	64573-73	040	08/087-087	59012-12	088	11/021-021						
23256-56	002	50/169-169	64575-75	040	08/088-088	77924-24	088	40/205-205						
26364-64	002	11/082-082	67423-23	040	09/210-210	98357-57	088	40/163-163						
26484-84	002	11/120-120	213692-92	040	09/146-146	00042-59	089	44/165-182						
19142-42	004	17/009-009	213692-92	040	29/220-220	00043-47	089	52/143-147						
23256-56	004	50/170-170	328537-37	040	09/204-204									
26138-38	004	11/041-041	66073-73	041	48/216-216									
56278-78	020	05/078-078	66090-90	041	49/004-004									
154580-80	020	05/076-076	199162-62	041	48/185-185									
01013-21	023	05/102-110	04688-88	042	12/167-167									
27271-71	023	05/147-147	71187-87	042	12/106-106									
27271-71	024	05/179-179	72225-25	042	12/120-120									
27271-71	024	39/096-096	86602-02	042	12/161-161									
30676-76	024	05/173-173	102994-94	042	12/170-170									
30688-88	024	39/093-093	201256-56	042	12/127-127									
31081-82	024	39/094-095	68173-73	043	14/202-202									
41586-86	036	22/049-049	68173-73	043	21/153-153									
58788-88	036	51/016-016	68173-73	043	21/202-202									
58968-68	036	01/102-102	70207-07	043	14/188-188									
61991-91	036	01/053-053	73241-41	043	14/149-149									
582572-72	036	22/004-004	73260-60	043	14/168-168									
57805-14	037	35/193-202	73260-60	043	21/132-132									
57809-15	037	46/149-155	73260-60	043	21/181-181									
57812-19	037	22/007-014	80508-08	043	14/186-186									
57814-15	037	21/177-178	80508-08	043	57/010-010									
57816-24	037	52/153-161	104981-81	043	14/145-145									
57825-40	037	35/177-192	333395-95	043	26/197-197									
60663-63	037	37/086-086	596547-47	043	14/214-214									
124124-24	037	37/058-058	596547-47	043	21/164-164									
189812-12	037	37/195-195	596547-47	043	21/213-213									
190928-28	037	02/145-145	596567-67	043	21/175-175									
00338-41	038	39/059-062	596567-67	043	21/221-221									
57805-05	038	39/063-063	41635-35	082	16/060-060									
57808-39	038	50/023-054	23490-90	084	17/042-042									
57840-40	038	05/188-188	53193-93	084	17/045-045									
57840-40	038	06/009-009	224086-86	084	17/059-059									
122948-48	038	18/110-110	789444-44	084	17/057-057									
62410-10	039	06/106-106	19428-28	086	18/173-173									
64577-99	039	20/077-099	19434-34	086	18/180-180									
57840-40	040	09/023-023	61640-40	086	18/167-167									
57840-40	040	29/190-190	531176-76	086	18/178-178									
63601-01	040	09/017-017	25691-99	087	17/150-158									
63601-01	040	10/195-195	25700-15	087	17/159-174									
63603-03	040	08/095-095	26617-17	087	17/142-142									
63603-03	040	10/127-127	00363-63	088	40/213-213									
63603-03	040	51/059-059	03456-56	088	40/225-225									
64565-65	040	08/083-083	48571-71	088	42/082-082									

## APPENDIX E

### ARCHIVE TAPE INDEXES

This appendix presents a set of reports correlating picture identifier with archive (VSFEDR) tape and file number for all missions. The Mariner 9 and Viking Lander indexes contain one line for each image, whereas all other mission listings have been compressed, so that sequences of regularly incrementing picture identifiers and archive tape/file numbers are represented on one line. Picture identifiers and their sequencing are described below for each mission as well as any peculiarities in the sequencing of images and tape ids for that mission.

TABLE E-1  
VOYAGER ARCHIVE INDEX

The Voyager FDS count is used to identify images. Images for both Voyager spacecraft and both planetary encounters are ordered by FDS count. The listing gives the first and last FDS counts for a sequence in the format xxxxx.yy-zz, where xxxxx is the Mod 60 counter (which increments every 48 minutes), and yy and zz are the starting and ending Mod 16 counts (which increments every 48 seconds) for the first and last image in the interval. The tape id and file numbers for the images are represented as ttt/uu-vv, where ttt is the reel number of the VGE tape (VGEttt), and uu and vv are the beginning and ending file locations of the images.

Voyager images are not necessarily taken in sequences of monotonically incrementing FDS counts. Sequences where the FDS count increments by 2, 4, 6, and 8 counts between images are common. These sequences are condensed as shown below:

14651.04-10 223/040-043

This entry indicates that image 14651.04 is on tape VGE223, file 040, image 14651.06 is on VGE223/041, 14651.08 is on VGE223/042, and 14651.10 is on VGE223/043. The FDS count increment for a group of images is computed as last count minus first count divided by last file minus first file (in the example  $10 - 4 / 43 - 40 = 2$ ). This grouping was required to reduce the size of the listing to manageable proportions (from 240 pages to 80 pages).

FDS COUNT	VGE ID	FDS COUNT	VGE ID	FDS COUNT	VGE ID	FDS COUNT	VGE ID	FDS COUNT	VGE ID
04097.08-11	117/097-098	14698.13-19	223/115-118	14807.23-29	225/008-011	14933.56-58	226/042-043	15038.08-14	227/068-071
04097.15-18	117/099-100	14700.42-48	223/119-122	14809.52-58	225/012-015	14934.00-02	226/044-045	15040.37-43	227/072-075
05829.40-44	124/030-031	14703.11-17	223/123-126	14812.21-27	225/016-019	14936.25-31	226/046-049	15040.43-43	343/025-025
07633.56-57	111/107-108	14705.40-46	223/127-130	14814.50-56	225/020-023	14938.54-58	226/050-052	15043.06-06	343/026-026
07969.28-31	127/079-080	14708.09-15	223/131-134	14817.19-25	225/024-027	14939.00-00	226/053-053	15043.06-12	227/076-079
12350.40-40	303/035-035	14710.28-28	223/135-135	14819.48-54	225/028-031	14941.23-29	226/054-057	15043.06-12	343/027-030
12350.48-50	303/036-037	14710.38-44	223/136-139	14822.17-23	225/032-035	14943.54-58	226/058-060	15045.35-41	227/080-083
12350.57-57	303/038-038	14713.07-13	223/140-143	14824.46-52	225/036-039	14946.21-27	226/061-064	15048.04-10	227/084-087
12440.01-03	147/076-077	14715.34-36	223/144-144	14827.15-21	225/040-043	14948.50-56	226/065-068	15050.33-39	227/088-091
13054.47-47	156/112-112	14715.36-40	224/001-003	14829.44-50	225/044-047	14951.19-25	226/069-072	15053.02-08	227/092-095
13054.47-47	156/511-511	14718.03-09	224/004-007	14832.13-19	225/048-051	14953.46-52	226/073-076	15053.02-08	343/031-034
13054.47-49	156/113-114	14720.32-38	224/008-011	14834.40-46	225/052-055	14956.15-21	226/077-080	15055.31-33	343/035-036
13054.49-49	156/115-115	14723.01-07	224/012-015	14837.09-15	225/056-059	14958.44-50	226/081-084	15055.31-37	227/096-099
13054.49-51	156/116-117	14725.30-36	224/016-019	14839.38-44	225/060-063	14961.13-19	226/085-088	15058.00-06	227/100-103
13054.51-51	156/118-118	14727.59-59	224/020-020	14842.07-13	225/064-067	14963.35-35	226/089-089	15060.29-35	227/104-107
13054.51-51	156/119-119	14728.01-05	224/021-023	14844.36-42	225/068-071	14963.42-48	226/090-093	15062.58-58	227/108-108
13109.67-67	159/095-095	14730.28-34	224/024-027	14847.05-11	225/072-075	14966.11-17	226/094-097	15063.00-04	227/109-111
13352.05-11	164/117-118	14732.57-59	224/028-029	14849.34-40	225/076-079	14968.40-46	226/098-101	15065.27-33	230/001-002
13352.16-16	164/119-119	14733.01-03	224/030-031	14852.03-09	225/080-083	14971.09-15	226/102-105	15067.56-56	230/003-003
14604.13-13	223/001-001	14735.26-32	224/032-035	14854.32-38	225/084-087	14973.38-44	226/106-109	15072.52-58	230/004-007
14614.30-30	223/002-002	14737.55-59	224/036-038	14857.01-07	225/088-091	14976.07-13	226/110-113	15075.21-27	230/008-011
14623.21-57	223/003-021	14738.01-01	224/039-039	14859.30-36	225/092-095	14978.36-42	226/114-117	15077.50-56	230/012-015
14624.16-16	223/022-022	14740.24-30	224/040-043	14861.59-59	225/096-096	14981.05-11	226/118-121	15080.19-25	230/016-019
14641.08-14	223/023-026	14742.53-59	224/044-047	14862.01-05	225/097-099	14983.34-40	226/122-125	15082.48-54	230/020-023
14643.30-30	223/027-027	14745.15-15	224/048-048	14864.28-34	225/100-103	14986.03-09	226/126-129	15085.17-23	230/024-027
14643.37-43	223/028-031	14745.22-28	224/049-052	14866.57-59	225/104-105	14988.32-38	226/130-133	15087.46-52	230/028-031
14646.06-12	223/032-035	14747.51-57	224/053-056	14867.01-03	225/106-107	14991.01-07	226/134-137	15090.15-21	230/032-035
14648.35-41	223/036-039	14750.20-26	224/057-060	14869.26-32	225/108-111	14993.28-34	226/138-141	15092.44-50	230/036-039
14651.04-10	223/040-043	14752.42-42	224/061-061	14871.55-59	225/112-114	14995.57-59	226/142-143	15095.13-19	230/040-043
14653.33-39	223/044-047	14752.49-55	224/062-065	14872.01-01	225/115-115	14996.01-03	226/144-144	15097.42-48	230/044-047
14656.02-08	223/048-051	14755.16-22	224/066-069	14874.22-28	225/116-119	14996.03-03	227/001-001	15100.11-17	230/048-051
14658.31-37	223/052-055	14757.45-51	224/070-073	14876.51-57	225/120-123	14998.26-32	227/002-005	15102.40-46	230/052-055
14661.00-06	223/056-059	14760.14-20	224/074-077	14879.14-20	225/124-127	15000.55-59	227/006-008	15105.09-15	230/056-059
14663.29-35	223/060-063	14762.43-49	224/078-081	14886.43-49	225/128-131	15001.01-01	227/009-009	15107.38-44	230/060-063
14665.58-58	223/064-064	14765.05-05	224/082-082	14889.12-18	225/132-135	15003.24-30	227/010-013	15110.07-13	230/064-067
14666.00-04	223/065-067	14765.12-18	224/083-086	14901.41-47	225/136-139	15005.53-59	227/014-017	15112.34-40	230/068-071
14668.27-33	223/068-071	14767.41-47	224/087-090	14904.10-16	225/140-143	15008.22-28	227/018-021	15115.03-09	230/072-075
14670.56-58	223/072-073	14770.10-16	224/091-094	14906.39-45	225/144-147	15010.51-57	227/022-025	15117.32-38	230/076-079
14671.00-02	223/074-075	14772.39-45	224/095-098	14909.08-14	226/001-004	15013.20-26	227/026-029	15117.36-36	343/037-037
14673.25-31	223/076-079	14775.08-14	224/099-102	14911.37-43	226/005-008	15013.37-37	227/030-030	15120.01-07	230/080-083
14675.52-58	223/080-083	14777.37-43	224/103-106	14914.04-10	226/009-012	15013.49-55	227/031-034	15122.30-36	230/084-087
14678.21-27	223/084-087	14780.06-12	224/107-110	14916.33-39	226/013-016	15018.18-24	227/035-038	15124.59-59	230/088-088
14680.50-56	223/088-091	14782.35-41	224/111-114	14919.02-08	226/017-020	15020.47-53	227/039-042	15125.01-05	230/089-091
14683.19-25	223/092-095	14784.56-56	224/115-115	14921.31-37	226/021-024	15023.09-09	227/043-043	15127.28-34	230/092-095
14685.48-52	223/096-097	14785.04-10	224/116-119	14924.00-06	226/025-028	15023.16-20	227/044-046	15129.57-59	230/096-097
14685.54-54	223/098-098	14787.33-39	224/120-123	14926.29-35	226/029-032	15025.45-51	227/048-051	15139.55-57	230/098-099
14688.17-23	223/099-102	14790.02-04	224/124-125	14928.58-58	226/033-033	15028.14-20	227/052-055	15147.20-26	230/100-103
14690.46-52	223/103-106	14802.27-31	225/001-003	14929.00-04	226/034-036	15030.43-49	227/056-059	15149.49-55	230/104-107
14693.15-21	223/107-110	14804.54-58	225/004-006	14931.27-33	226/037-040	15033.10-16	227/060-063	15152.16-22	230/108-111
14695.44-50	223/111-114	14805.00-00	225/007-007	14933.49-49	226/041-041	15035.39-45	227/064-067	15154.45-51	230/112-115

## VOYAGER ARCHIVE TAPE CATALOG

FDS COUNT	VEE ID	FDS COUNT	VEE ID	FDS COUNT	VEE ID	FDS COUNT	VEE ID	FDS COUNT	VEE ID
15157.14-20	Z30/116-119	15259.01-05	Z31/137-139	15377.28-36	Z32/121-125	15404.18-58	Z36/001-021	15433.00-58	241/091-120
15159.43-49	Z30/120-123	15261.28-34	Z31/140-143	15377.36-36	Z32/098-098	15405.00-58	Z36/022-051	15433.24-24	343/097-097
15162.12-18	Z30/124-127	15263.57-59	Z31/144-144	15377.36-36	343/043-043	15406.00-16	Z36/052-060	15434.00-46	241/121-143
15164.41-47	Z30/128-131	15263.59-59	Z32/001-001	15377.36-58	Z32/126-137	15406.18-18	343/067-067	15434.46-58	242/001-007
15167.10-16	Z30/132-135	15264.01-03	Z32/002-003	15377.42-50	Z32/114-118	15406.20-26	Z36/061-062	15435.00-58	242/008-037
15169.39-45	Z30/136-139	15264.14-14	Z32/004-004	15378.10-40	Z32/138-153	15406.22-24	Z36/064-065	15436.00-58	242/038-067
15169.45-45	343/038-038	15266.26-32	Z32/005-008	15378.42-43	338/040-041	15406.28-28	Z36/063-063	15437.00-58	242/068-097
15169.58-58	Z27/047-047	15268.55-59	Z32/009-011	15379.00-06	Z33/001-004	15406.30-46	Z36/066-074	15438.00-58	242/098-127
15172.08-14	Z30/140-143	15269.01-01	Z32/012-012	15379.16-58	Z33/005-026	15406.36-36	343/068-068	15439.00-34	242/128-144
15174.37-39	Z30/144-144	15271.22-26	Z32/013-015	15380.00-58	Z33/027-056	15407.28-28	Z36/095-095	15439.34-58	243/001-013
15174.39-43	Z31/001-003	15273.53-57	Z32/016-018	15381.00-58	Z33/057-086	15407.30-58	Z36/075-089	15440.00-58	243/014-043
15177.06-12	Z31/004-007	15274.08-08	Z32/019-019	15382.00-58	Z33/087-116	15408.00-08	Z36/090-094	15441.00-58	243/044-073
15179.35-41	Z31/008-011	15276.22-26	Z32/020-022	15383.00-56	Z33/117-144	15408.10-58	Z36/096-120	15442.00-58	243/074-103
15182.04-10	Z31/012-015	15278.49-55	Z32/023-026	15383.56-58	Z34/001-002	15409.00-30	Z36/121-136	15443.00-50	243/104-129
15184.33-39	Z31/016-019	15281.18-24	Z32/027-030	15384.00-58	Z34/003-032	15409.34-58	Z36/137-149	15443.52-52	343/098-098
15187.02-08	Z31/020-023	15283.47-53	Z32/031-034	15385.00-58	Z34/033-062	15410.00-02	Z37/001-002	15443.54-58	243/130-132
15189.31-37	Z31/024-027	15286.16-22	Z32/035-038	15386.00-02	Z34/063-064	15410.32-58	Z37/003-016	15444.00-24	243/133-144
15191.58-58	Z31/028-028	15288.45-51	Z32/039-042	15386.04-52	Z27/112-136	15411.00-58	Z37/017-046	15444.24-58	244/001-018
15192.00-04	Z31/029-031	15293.43-49	Z32/048-051	15387.02-02	343/044-044	15412.00-16	Z37/047-055	15445.00-58	244/019-048
15194.27-33	Z31/032-035	15294.00-00	Z32/052-052	15387.54-58	Z28/001-003	15412.20-58	Z37/056-075	15445.28-28	343/099-099
15196.56-58	Z31/036-037	15296.12-16	Z32/053-054	15388.00-00	Z28/004-004	15413.00-58	Z37/076-105	15446.00-58	244/049-078
15197.00-02	Z31/038-039	15296.18-18	Z32/055-055	15388.02-34	Z27/137-153	15414.00-58	Z37/106-135	15447.00-58	244/079-108
15199.25-31	Z31/040-043	15298.41-47	Z32/056-059	15388.02-36	343/045-062	15415.00-18	Z37/136-144	15448.00-58	244/109-138
15201.54-58	Z31/044-046	15301.10-16	Z32/060-063	15388.38-58	Z28/005-015	15415.18-58	Z38/001-021	15449.00-12	244/139-144
15202.00-00	Z31/047-047	15303.39-45	Z32/064-067	15389.00-58	Z28/016-045	15416.00-58	Z38/022-051	15449.12-58	245/001-024
15204.23-29	Z31/048-051	15306.08-14	Z32/068-071	15390.00-58	Z28/046-075	15417.00-58	Z38/052-081	15450.00-58	245/025-054
15206.52-58	Z31/052-055	15308.37-43	Z32/072-075	15391.00-58	Z28/076-105	15418.00-58	Z38/082-111	15451.00-58	245/055-084
15209.21-27	Z31/056-059	15311.04-10	Z32/076-079	15392.00-58	Z28/106-135	15418.42-42	343/081-081	15452.00-58	245/085-114
15211.50-56	Z31/060-063	15313.33-39	Z32/080-083	15393.00-18	Z28/136-144	15419.00-58	Z38/112-141	15453.00-58	245/115-144
15214.19-25	Z31/064-067	15316.02-08	Z32/084-087	15393.18-58	Z29/001-021	15420.00-06	Z38/142-144	15454.00-58	246/001-030
15216.48-54	Z31/068-071	15318.31-37	Z32/088-091	15394.00-58	Z29/022-051	15420.06-44	Z39/001-020	15455.00-58	246/031-060
15219.14-22	Z32/043-047	15321.00-06	Z32/092-095	15395.00-58	Z29/052-081	15422.08-58	Z39/061-086	15456.00-58	246/061-090
15219.17-23	Z31/072-075	15325.58-58	Z32/099-099	15395.58-58	343/063-063	15423.00-58	Z39/087-116	15457.00-58	246/091-120
15221.46-52	Z31/076-079	15326.00-04	Z32/100-101	15396.00-02	343/064-065	15424.00-58	Z39/117-146	15458.00-44	246/121-143
15224.15-21	Z31/080-083	15328.29-33	Z34/065-067	15396.00-58	Z29/082-111	15424.58-58	343/082-082	15458.20-24	343/100-101
15226.44-50	Z31/084-087	15330.56-58	Z34/068-069	15396.58-58	343/066-066	15425.00-12	Z39/147-152	15459.34-58	247/001-013
15229.13-19	Z31/088-091	15331.00-02	Z34/070-071	15397.00-58	Z29/112-141	15425.12-58	Z40/001-024	15460.00-58	247/014-043
15229.17-19	343/039-040	15333.25-31	Z34/072-075	15398.00-04	Z29/142-144	15426.00-58	Z40/025-054	15461.00-42	247/044-065
15231.40-46	Z31/092-095	15335.54-58	Z34/076-078	15398.02-08	Z34/088-091	15426.54-58	343/083-085	15461.50-58	247/066-070
15234.09-15	Z31/096-099	15336.00-00	Z34/079-079	15398.10-58	Z34/094-118	15427.00-02	343/086-087	15462.00-30	247/071-086
15236.38-44	Z31/100-103	15338.23-27	Z34/080-082	15399.00-34	Z34/119-135	15427.00-58	Z40/055-084	15462.34-58	247/088-100
15239.07-13	Z31/104-107	15340.52-58	Z34/083-086	15399.34-58	Z35/001-013	15427.58-58	343/088-088	15463.00-38	247/101-120
15241.36-42	Z31/108-111	15343.14-14	Z34/087-087	15400.00-58	Z35/014-043	15428.00-58	Z40/085-114	15463.44-52	247/123-127
15244.05-11	Z31/112-115	15343.21-27	Z32/102-105	15401.00-04	Z35/044-046	15429.00-58	Z40/115-144	15464.18-28	247/140-145
15246.34-40	Z31/116-119	15345.50-56	Z32/106-109	15401.02-58	Z35/047-075	15429.22-24	343/089-090	15464.22-24	247/121-122
15249.03-09	Z31/120-123	15348.19-25	Z32/110-113	15402.00-58	Z35/076-105	15430.00-58	241/001-030	15464.26-28	247/128-129
15251.32-38	Z31/124-127	15377.27-28	Z32/119-120	15403.00-20	Z35/106-116	15431.00-58	241/031-060	15464.28-30	247/146-147
15254.01-07	Z31/128-131	15377.27-28	343/041-042	15403.20-24	Z35/117-118	15432.00-58	241/061-090	15464.28-36	247/148-152
15256.30-36	Z31/132-135	15377.28-28	Z32/096-096	15403.26-58	Z35/119-135	15432.44-50	343/091-094	15464.32-48	247/130-138
15258.59-59	Z31/136-136	15377.28-28	Z32/097-097	15404.00-18	Z35/136-144	15433.00-02	343/095-096	15465.00-00	247/139-139

## VOYAGER ARCHIVE TAPE CATALOG

FDS COUNT	VEE ID	FDS COUNT	VEE ID	FDS COUNT	VEE ID	FDS COUNT	VEE ID	FDS COUNT	VEE ID
15465.12-58	248/001-024	15493.30-30	343/130-130	15533.35-45	256/003-008	15578.31-37	257/045-048	15620.27-37	258/096-101
15465.16-16	343/102-102	15494.00-58	254/018-047	15533.46-49	256/009-012	15580.21-21	334/101-101	15620.38-41	258/102-105
15466.00-58	248/025-054	15494.38-38	343/131-131	15533.51-53	343/134-135	15580.44-54	257/049-054	15620.43-47	258/106-108
15467.00-58	248/055-084	15495.00-58	254/048-077	15533.51-57	256/013-016	15580.55-58	257/055-058	15622.56-58	258/109-110
15468.00-00	248/085-085	15496.00-58	254/078-107	15536.04-14	256/017-022	15581.00-06	257/059-062	15623.00-06	258/111-112
15468.00-58	248/086-115	15497.00-32	254/108-124	15536.15-18	256/023-026	15583.13-23	257/063-068	15623.07-10	258/113-116
15468.42-42	343/103-103	15497.50-58	254/125-129	15536.20-26	256/027-030	15583.24-27	257/069-072	15623.12-18	258/117-120
15469.00-58	248/116-145	15498.00-30	254/130-144	15538.33-43	256/031-036	15583.29-35	257/073-076	15625.25-35	258/121-126
15469.28-28	343/104-104	15498.30-38	255/001-005	15538.44-47	256/037-040	15585.35-45	257/077-082	15625.36-39	258/127-130
15470.00-10	248/146-150	15508.28-29	342/001-002	15538.49-55	256/041-044	15590.38-48	257/083-088	15625.41-47	258/131-134
15470.10-58	249/001-025	15508.46-56	255/006-011	15541.02-12	256/045-050	15590.49-52	257/089-092	15627.54-58	258/135-137
15470.50-52	343/105-106	15508.57-59	255/012-014	15541.13-16	256/051-054	15590.54-58	257/093-095	15628.00-04	258/138-140
15471.00-58	249/026-055	15509.00-08	255/015-019	15541.18-24	256/055-058	15591.00-00	257/096-096	15628.05-08	258/141-144
15472.00-58	249/056-085	15511.15-25	255/020-025	15543.31-41	256/059-064	15593.25-29	257/097-099	15628.10-16	259/001-004
15473.00-58	249/086-115	15511.26-29	255/026-029	15543.41-45	256/067-068	15595.36-46	257/100-105	15629.32-32	339/003-003
15474.00-58	249/116-144	15511.31-37	255/030-033	15543.42-43	256/065-066	15595.47-50	257/106-109	15630.23-23	343/139-139
15474.58-58	250/001-001	15513.44-54	255/034-039	15543.44-47	343/136-137	15595.52-58	257/110-113	15630.25-33	259/005-009
15475.00-58	250/002-031	15513.55-58	255/040-043	15543.47-53	256/069-072	15598.05-15	257/114-119	15630.31-31	343/140-140
15476.00-58	250/032-061	15514.00-06	255/044-047	15546.00-10	256/073-078	15598.16-18	257/120-122	15630.34-37	259/010-013
15477.00-24	250/062-074	15516.13-23	255/048-053	15546.11-14	256/079-082	15598.21-27	257/123-126	15630.39-45	259/014-017
15477.28-58	250/075-090	15516.24-25	343/132-133	15546.16-20	256/083-085	15600.34-44	257/127-132	15632.52-58	259/018-021
15478.00-58	250/091-120	15516.24-27	255/054-057	15549.57-57	334/100-100	15600.45-48	257/133-136	15633.00-02	259/022-023
15479.00-48	250/121-144	15516.29-33	255/058-060	15553.27-37	256/086-091	15600.50-56	257/137-140	15633.03-06	259/024-027
15479.48-58	251/001-006	15518.13-15	255/061-062	15553.38-41	256/092-095	15603.03-13	257/141-146	15633.08-14	259/028-031
15480.00-08	251/007-011	15518.13-15	347/002-003	15553.45-48	256/096-097	15603.14-15	257/147-147	15633.32-32	334/102-102
15480.10-58	251/057-081	15518.19-23	255/063-065	15555.50-58	256/098-102	15603.15-17	258/001-003	15635.21-31	259/032-037
15481.00-06	251/082-085	15518.42-52	255/066-071	15556.00-04	256/103-105	15603.19-25	258/004-007	15635.32-35	259/038-041
15481.10-20	251/086-091	15518.53-56	255/072-075	15556.05-08	256/106-109	15605.32-42	258/008-013	15635.37-43	259/042-045
15481.24-54	251/092-107	15518.58-58	255/076-076	15556.10-20	256/110-115	15605.43-46	258/014-017	15637.50-58	259/046-050
15481.58-58	251/108-108	15519.00-04	255/077-079	15558.08-08	340/057-057	15605.48-54	258/018-021	15638.00-04	259/051-055
15482.00-58	251/109-138	15521.11-21	255/080-085	15558.23-25	256/116-117	15608.01-11	258/022-027	15638.06-12	259/056-059
15483.00-28	251/139-152	15521.22-25	255/086-089	15558.29-33	256/118-120	15608.12-15	258/028-031	15640.19-29	259/070-075
15483.28-58	252/001-016	15521.27-33	255/090-093	15563.33-33	256/121-121	15608.17-23	258/032-035	15640.30-33	259/076-079
15483.32-32	343/107-107	15523.40-50	255/094-099	15565.50-52	256/122-123	15610.30-40	258/036-041	15640.35-41	259/080-083
15484.00-58	252/017-046	15523.51-54	255/100-103	15568.21-29	256/124-128	15610.41-44	258/042-045	15642.48-58	259/084-089
15485.00-58	252/047-076	15523.56-58	255/104-105	15568.30-33	256/129-132	15610.46-52	258/046-049	15642.59-59	259/090-090
15486.00-58	252/077-106	15524.00-02	255/106-107	15568.35-41	256/133-136	15612.59-59	258/050-050	15643.00-02	259/091-093
15486.12-12	343/108-108	15526.01-17	255/108-116	15570.48-58	256/137-142	15613.01-09	258/051-055	15643.04-10	259/094-097
15487.00-58	252/107-136	15526.18-21	255/117-120	15570.59-59	256/143-143	15613.10-13	258/056-059	15645.07-23	259/098-106
15488.00-16	252/137-144	15526.25-27	255/121-122	15571.00-02	257/001-003	15613.15-21	258/060-063	15645.24-27	259/060-063
15488.16-40	253/001-013	15526.31-33	255/123-124	15571.04-08	257/004-006	15615.22-30	258/064-068	15645.29-39	259/064-069
15488.44-58	253/014-021	15528.37-47	255/125-130	15572.02-02	339/002-002	15615.32-34	258/081-082	15647.43-53	259/107-112
15489.00-58	253/022-051	15528.48-51	255/131-134	15573.17-27	257/007-012	15615.36-38	258/069-070	15647.47-47	265/085-085
15489.38-58	343/109-119	15528.53-57	255/135-137	15573.28-31	257/013-016	15615.39-42	258/071-074	15647.54-57	259/113-116
15490.00-18	343/120-129	15531.06-16	255/138-143	15573.33-39	257/017-020	15615.44-54	258/075-080	15647.59-59	259/117-117
15490.00-58	253/052-081	15531.17-18	255/144-145	15575.46-56	257/021-026	15617.58-58	258/083-083	15648.01-05	259/118-120
15491.00-58	253/082-111	15531.20-26	255/146-148	15575.57-59	257/027-029	15618.00-08	258/084-088	15650.12-16	259/121-122
15492.00-58	253/112-141	15531.26-28	256/001-002	15576.00-08	257/030-034	15618.09-12	258/089-092	15650.18-22	259/123-125
15493.00-26	253/142-154	15531.40-40	340/056-056	15578.15-25	257/035-040	15618.14-14	343/138-138	15650.23-25	259/126-128
15493.26-58	254/001-017	15533.17-17	339/001-001	15578.26-29	257/041-044	15618.14-18	258/093-095	15650.28-32	259/130-132

## VOYAGER ARCHIVE TAPE CATALOG

FDS COUNT	VEE ID	FDS COUNT	VEE ID	FDS COUNT	VEE ID	FDS COUNT	VEE ID	FDS COUNT	VEE ID
15650.36-36	259/129-129	15697.00-00	340/059-059	15732.22-28	262/118-119	15766.34-34	339/006-006	15804.18-24	265/016-019
15652.41-51	259/133-138	15697.21-31	261/047-052	15734.30-44	262/120-127	15767.00-00	263/142-142	15806.31-41	265/034-039
15652.52-55	259/139-142	15697.32-35	261/053-056	15734.45-45	262/128-128	15771.57-59	264/001-003	15806.42-45	265/040-043
15652.57-59	259/143-144	15697.37-43	261/057-060	15737.24-24	344/002-002	15772.00-01	264/004-005	15806.47-53	265/044-047
15653.01-03	260/001-002	15699.50-58	261/061-065	15739.31-41	263/001-006	15772.03-09	264/006-009	15807.05-05	340/061-061
15660.47-47	339/004-004	15700.00-04	261/066-070	15739.42-45	263/007-010	15774.16-26	264/010-015	15809.00-10	265/020-025
15662.37-47	260/025-030	15700.06-12	261/071-074	15739.47-53	263/011-014	15774.27-30	264/016-019	15809.11-13	271/074-076
15662.48-51	260/031-034	15702.21-29	261/075-079	15742.00-10	263/015-020	15774.28-30	344/045-047	15809.11-14	265/026-029
15662.53-59	260/035-038	15702.30-33	261/080-083	15742.11-14	263/021-024	15774.28-30	344/058-060	15809.16-22	265/030-033
15664.32-32	334/103-103	15702.35-41	261/084-087	15744.29-39	344/003-008	15774.32-32	344/048-048	15811.29-39	265/048-053
15665.06-16	260/039-044	15704.41-57	261/088-096	15744.40-43	344/009-012	15774.32-38	264/020-023	15811.40-43	265/054-057
15665.17-20	260/045-048	15704.58-59	261/097-098	15744.45-51	344/013-016	15774.32-38	344/061-064	15811.45-51	265/058-061
15665.22-28	260/049-052	15705.00-01	261/099-100	15745.47-47	340/060-060	15776.45-55	264/024-029	15813.58-58	265/062-062
15667.35-45	260/053-058	15705.03-07	261/101-102	15746.58-58	344/017-017	15776.45-55	344/065-070	15814.00-08	265/063-067
15667.43-43	343/141-141	15705.09-15	261/103-106	15747.00-08	344/018-022	15776.56-59	264/030-033	15814.09-12	265/068-071
15667.46-49	260/059-062	15709.45-55	261/107-112	15747.09-12	263/025-028	15776.56-59	344/071-074	15814.14-20	265/072-075
15667.51-55	260/063-065	15709.56-59	261/113-116	15747.09-12	344/023-026	15776.58-59	343/001-002	15814.17-18	334/107-108
15670.04-14	260/066-071	15710.01-07	261/117-120	15747.14-20	263/029-032	15777.01-05	343/003-005	15814.57-57	334/106-106
15670.15-15	343/142-142	15712.14-24	261/121-126	15747.14-20	344/027-030	15777.01-05	344/075-077	15816.27-37	265/076-081
15670.15-18	260/072-075	15712.25-28	261/127-130	15749.27-37	263/033-038	15777.01-07	264/034-037	15816.38-40	265/082-084
15670.20-26	260/076-079	15712.30-36	261/131-134	15749.27-37	344/031-036	15779.16-20	264/038-040	15816.45-49	265/086-088
15672.33-43	260/080-085	15714.43-53	261/135-140	15749.37-41	344/049-053	15781.43-53	264/041-046	15818.17-17	339/007-007
15672.44-47	260/086-089	15714.54-57	261/141-144	15749.38-41	263/039-042	15781.54-57	264/047-050	15818.56-58	265/089-090
15672.49-55	260/090-093	15714.59-59	262/001-001	15749.38-41	344/037-040	15781.59-59	264/051-051	15819.00-06	265/091-094
15674.54-58	260/094-096	15715.01-05	262/002-004	15749.43-49	263/043-046	15782.01-05	264/052-054	15819.07-10	265/095-098
15675.00-10	260/097-102	15716.52-52	334/104-104	15749.43-49	344/041-044	15784.12-22	264/055-060	15819.16-18	265/099-100
15675.11-14	260/103-106	15717.12-22	262/005-010	15749.43-49	344/054-057	15784.23-26	264/061-064	15821.25-35	265/101-106
15675.16-28	260/107-113	15717.23-26	262/011-014	15751.56-58	263/047-048	15784.28-34	264/065-068	15821.36-39	265/107-110
15679.58-58	260/114-114	15717.28-34	262/015-018	15752.00-06	263/049-052	15786.41-51	264/069-074	15821.41-47	265/111-114
15680.00-08	260/115-119	15719.41-51	262/019-024	15752.07-10	263/053-056	15786.52-55	264/075-078	15823.47-49	265/115-116
15680.09-12	260/120-123	15719.52-55	262/025-028	15752.12-18	263/057-060	15786.57-59	264/079-080	15823.50-51	265/117-118
15680.14-20	260/124-127	15719.57-59	262/029-030	15753.17-17	338/042-042	15787.01-03	264/081-082	15823.53-59	265/119-122
15682.27-37	260/128-133	15720.01-03	262/031-032	15754.25-35	263/061-066	15789.10-20	264/083-088	15824.01-03	265/123-124
15682.38-41	260/134-137	15722.10-20	262/033-038	15754.36-39	263/067-070	15789.21-24	264/089-092	15824.04-07	265/125-128
15682.43-49	260/138-141	15722.21-24	262/039-042	15754.41-47	263/071-074	15789.26-32	264/093-096	15824.09-21	265/129-135
15684.56-58	260/142-143	15722.26-32	262/043-046	15756.54-58	263/075-077	15791.27-35	264/097-105	15829.01-05	343/006-010
15685.00-02	260/144-144	15724.39-49	262/047-052	15757.00-04	263/078-080	15791.39-49	264/106-111	15829.01-05	344/078-082
15685.02-06	261/001-003	15724.50-53	262/053-056	15757.05-08	263/081-084	15791.50-53	264/112-115	15829.07-13	265/139-142
15685.07-10	261/004-007	15724.55-59	262/057-059	15757.10-16	263/085-088	15791.55-59	264/116-118	15829.07-13	343/011-014
15685.12-18	261/008-011	15724.59-59	344/001-001	15759.23-33	263/089-094	15792.01-02	264/119-120	15829.07-13	344/083-086
15685.47-47	339/005-005	15725.01-01	262/060-060	15759.34-37	263/095-098	15794.04-18	264/121-128	15831.20-30	266/001-006
15687.25-35	261/012-017	15727.08-18	262/081-086	15759.39-45	263/099-102	15794.19-22	264/129-132	15831.31-34	266/007-010
15687.36-36	261/018-018	15727.19-22	262/087-090	15761.52-58	263/103-106	15794.24-36	264/133-139	15831.36-42	266/011-014
15692.23-33	261/019-024	15727.24-30	262/091-094	15762.00-02	263/107-108	15795.47-51	338/043-044	15833.49-53	265/136-138
15692.34-37	261/025-028	15729.37-37	345/038-038	15762.03-06	263/109-112	15796.35-45	264/140-145	15833.49-59	266/015-020
15692.39-45	261/029-032	15729.39-47	262/095-099	15762.08-14	263/113-116	15796.46-49	264/146-149	15834.00-03	266/021-024
15694.52-58	261/033-036	15729.48-51	262/100-103	15764.15-31	263/117-125	15796.51-55	264/150-152	15834.05-11	266/025-028
15695.00-02	261/037-038	15729.53-59	262/104-107	15764.32-35	263/126-129	15801.47-55	265/001-005	15836.18-28	266/029-034
15695.03-06	261/039-042	15732.06-16	262/108-113	15764.37-59	263/130-141	15804.02-12	265/006-011	15836.29-32	266/035-038
15695.08-14	261/043-046	15732.17-20	262/114-117	15765.01-01	334/105-105	15804.13-16	265/012-015	15836.34-40	266/039-042



FDS COUNT	VEE ID	FDS COUNT	VEE ID	FDS COUNT	VEE ID	FDS COUNT	VEE ID	FDS COUNT	VEE ID
15836.34-40	275/087-090	15868.44-47	267/046-049	15905.58-59	268/104-105	15935.50-56	270/010-013	15976.19-49	271/044-059
15838.47-57	266/043-048	15868.49-55	267/050-053	15906.00-01	268/106-107	15937.42-43	334/118-119	15977.44-54	271/060-065
15838.47-57	275/091-096	15870.47-47	334/109-109	15906.03-09	268/108-111	15938.03-13	270/014-019	15977.55-58	271/066-069
15838.58-59	266/049-050	15871.02-12	267/054-059	15908.16-26	268/112-117	15938.14-17	270/020-023	15978.00-06	271/070-073
15838.58-59	275/097-098	15871.13-16	267/060-063	15908.27-30	268/118-121	15938.19-25	270/024-027	15979.56-57	334/123-123
15839.00-01	266/051-052	15871.18-24	267/064-067	15908.32-38	268/122-125	15940.32-42	270/028-033	15979.57-57	335/001-001
15839.00-01	275/099-100	15873.31-41	267/068-073	15910.22-23	334/114-115	15940.43-46	270/034-037	15980.13-23	271/077-082
15839.03-09	266/053-056	15873.42-45	267/074-077	15910.45-55	268/126-131	15940.48-54	270/038-041	15980.24-27	271/083-086
15839.03-09	275/101-104	15873.47-53	267/078-081	15910.56-59	268/132-135	15942.07-07	340/064-064	15980.29-35	271/087-090
15841.16-18	275/105-106	15875.45-45	334/110-110	15911.01-07	268/136-139	15942.53-59	270/042-045	15982.42-52	271/091-096
15841.16-26	266/057-062	15876.00-10	267/082-087	15911.19-19	339/010-010	15943.01-09	270/046-050	15982.53-56	271/097-100
15841.16-26	266/063-068	15876.11-14	267/088-091	15913.08-24	269/001-009	15943.10-13	270/051-054	15982.58-58	271/101-101
15841.27-30	266/069-072	15876.16-22	267/092-095	15913.25-28	269/010-013	15943.15-27	270/055-061	15983.00-04	271/102-104
15841.32-38	266/073-076	15877.01-01	339/009-009	15913.30-42	269/014-020	15944.41-41	270/062-062	15984.42-52	340/071-076
15843.45-55	266/077-082	15879.32-32	338/045-045	15915.42-52	269/021-026	15945.28-38	270/063-068	15985.10-20	271/105-110
15843.56-59	266/083-086	15880.43-43	334/111-111	15915.53-56	269/027-030	15945.39-42	270/069-072	15985.21-24	271/111-114
15844.01-07	266/087-090	15880.58-58	267/096-096	15915.58-58	269/031-031	15945.44-50	270/073-076	15985.26-32	271/115-118
15846.14-24	266/091-096	15881.00-08	267/097-101	15916.00-04	269/032-034	15947.38-38	334/120-120	15987.39-49	271/119-124
15846.25-28	266/097-100	15881.09-12	267/102-105	15917.59-59	269/035-035	15947.57-59	270/077-078	15987.50-53	271/125-128
15846.32-36	266/102-104	15881.14-20	267/106-109	15918.00-07	269/036-043	15948.01-07	270/079-082	15987.55-59	271/129-131
15846.46-46	266/101-101	15883.21-37	267/110-118	15918.11-21	269/044-049	15948.08-11	270/083-086	15988.01-01	271/132-132
15848.06-06	339/008-008	15883.38-41	267/119-122	15918.22-25	269/050-053	15948.13-19	270/087-090	15989.32-32	339/011-011
15848.43-53	266/105-110	15883.43-55	267/123-129	15918.27-33	269/054-057	15960.22-32	270/091-096	15990.08-18	271/133-138
15848.54-57	266/111-114	15885.55-59	267/130-132	15920.40-50	269/058-063	15960.33-35	270/097-099	15990.19-22	271/139-142
15848.59-59	266/115-115	15886.01-05	267/133-135	15920.51-54	269/064-067	15960.38-44	270/100-103	15990.24-30	271/143-146
15849.01-05	266/116-118	15886.06-09	267/136-139	15920.56-58	269/068-069	15961.05-15	340/065-070	15992.37-43	343/021-024
15851.12-14	266/119-120	15886.11-17	267/140-143	15921.00-02	269/070-071	15961.27-28	334/121-122	15992.37-47	271/147-152
15852.02-06	340/062-063	15888.24-26	267/144-144	15922.02-03	334/116-117	15962.50-58	270/104-108	15992.37-47	344/093-098
15853.34-50	266/121-129	15888.26-34	268/001-005	15923.09-19	269/072-077	15963.00-04	270/109-113	15992.48-51	344/099-102
15853.51-54	266/130-133	15888.35-38	268/006-009	15923.20-23	269/078-081	15963.06-12	270/114-117	15992.53-59	344/103-106
15853.56-58	266/134-135	15888.40-46	268/010-013	15923.25-31	269/082-085	15965.19-29	270/118-123	15995.06-06	344/107-107
15854.00-08	266/136-140	15890.53-59	268/014-017	15925.38-48	269/086-091	15965.30-33	270/124-127	15995.22-28	344/108-111
15856.08-18	266/141-146	15891.01-03	268/018-019	15925.49-50	269/092-093	15965.35-41	270/128-131	15995.26-28	272/001-002
15856.19-22	266/147-150	15891.04-07	268/020-023	15925.52-52	269/094-094	15967.02-02	338/047-047	15997.35-45	272/003-008
15856.24-24	266/151-151	15891.09-15	268/024-027	15925.52-58	269/095-098	15967.48-58	270/132-137	15997.46-49	272/009-012
15858.37-41	266/152-154	15892.52-53	334/112-113	15926.00-00	269/099-099	15967.59-59	270/138-138	15997.51-57	272/013-016
15861.12-16	267/001-003	15893.22-34	268/028-034	15928.07-17	269/100-105	15968.00-02	270/139-141	16000.03-09	272/017-020
15861.17-20	267/004-007	15893.34-36	268/035-037	15928.18-21	269/106-109	15968.04-10	270/142-144	16002.02-02	335/002-002
15861.22-28	267/008-011	15893.38-44	268/038-041	15928.23-29	269/110-113	15968.10-10	271/001-001	16002.32-42	272/031-036
15863.35-45	267/012-017	15895.51-59	268/042-046	15928.36-46	269/114-119	15970.17-27	271/002-007	16002.43-46	272/037-040
15863.46-49	267/018-021	15896.01-05	268/047-051	15928.47-50	269/120-123	15970.28-31	271/008-011	16002.48-54	272/041-044
15863.51-57	267/022-025	15896.07-13	268/052-055	15930.21-21	338/046-046	15970.33-39	271/012-015	16003.05-05	340/077-077
15866.04-14	267/026-031	15898.20-30	268/056-061	15930.52-58	269/124-127	15972.46-56	271/016-021	16004.07-07	338/049-049
15866.15-18	267/032-035	15900.49-59	268/070-075	15933.05-15	269/128-133	15972.57-59	271/022-024	16005.01-11	272/045-050
15866.16-18	343/015-017	15901.00-03	268/076-079	15933.16-19	269/134-137	15973.00-08	271/025-029	16005.12-15	272/051-054
15866.16-18	344/087-089	15901.05-11	268/080-083	15933.21-27	269/138-141	15974.32-32	338/048-048	16005.17-23	272/055-058
15866.20-24	343/018-020	15903.18-28	268/084-089	15933.37-37	342/003-003	15975.15-25	271/030-035	16006.53-59	340/078-081
15866.20-24	344/090-092	15903.29-32	268/090-093	15935.34-36	269/142-142	15975.26-29	271/036-039	16007.01-03	340/082-083
15866.20-26	267/036-039	15903.34-40	268/094-097	15935.36-44	270/001-005	15975.28-29	234/092-093	16007.30-40	272/059-064
15868.33-43	267/040-045	15905.47-57	268/098-103	15935.45-48	270/006-009	15975.31-37	271/040-043	16007.41-44	272/065-068

## VOYAGER ARCHIVE TAPE CATALOG

FDS COUNT	VEE ID	FDS COUNT	VEE ID	FDS COUNT	VEE ID	FDS COUNT	VEE ID	FDS COUNT	VEE ID
16007.46-52	272/069-072	16037.28-30	273/089-091	16047.31-33	274/049-051	16057.35-37	275/055-057	16067.43-45	276/036-038
16009.59-59	272/073-073	16037.32-34	273/092-094	16047.35-37	274/052-054	16057.39-41	275/058-060	16069.02-02	335/009-009
16010.01-09	272/074-078	16037.36-38	251/033-035	16047.39-41	274/055-057	16057.46-46	335/005-005	16069.07-08	335/010-011
16010.10-13	272/079-082	16037.40-42	251/036-038	16047.43-45	274/058-060	16057.51-52	335/006-007	16069.11-11	335/012-012
16010.15-21	272/083-086	16037.44-46	251/039-041	16047.54-54	274/044-044	16057.57-57	275/061-061	16069.18-36	276/039-048
16012.11-11	335/003-003	16037.48-50	251/042-044	16049.23-41	274/061-070	16059.22-40	275/062-071	16069.37-38	276/049-050
16012.28-38	272/087-092	16039.24-24	251/045-045	16049.39-39	344/112-112	16059.41-42	275/072-073	16069.40-42	276/051-053
16012.39-42	272/093-096	16039.34-42	251/046-050	16049.42-43	274/071-072	16059.44-46	275/074-076	16069.44-46	276/054-056
16012.44-50	272/097-100	16039.43-44	251/051-052	16049.45-47	274/073-075	16059.48-50	275/077-079	16069.48-50	276/057-059
16014.57-59	272/101-102	16039.46-48	251/053-055	16049.49-51	274/076-078	16059.52-54	275/080-082	16069.52-54	276/060-062
16015.01-07	272/103-106	16039.50-50	251/056-056	16049.53-55	274/079-081	16059.56-58	275/083-085	16069.56-58	276/063-065
16015.08-11	272/107-110	16039.51-52	262/061-062	16049.57-59	274/082-084	16060.00-00	275/086-086	16070.00-02	276/066-068
16015.13-19	272/111-114	16039.54-56	262/063-065	16050.01-03	274/085-087	16060.01-02	275/107-108	16070.04-06	276/069-071
16017.26-36	272/115-120	16039.58-59	262/066-067	16050.05-07	274/088-090	16060.04-06	275/109-111	16070.08-10	276/072-074
16017.37-40	272/121-124	16040.00-02	262/068-069	16050.09-11	274/091-093	16060.08-10	275/112-114	16071.35-35	338/050-050
16017.42-48	272/125-128	16040.03-04	262/070-071	16050.13-15	274/094-096	16060.12-14	275/115-117	16071.41-59	276/075-084
16017.59-59	335/004-004	16040.06-08	262/072-074	16051.00-12	274/100-106	16060.24-24	275/118-118	16072.00-01	276/085-086
16024.02-12	340/084-089	16040.10-12	262/075-077	16051.54-58	274/097-099	16060.24-24	339/012-012	16072.03-05	276/087-089
16024.52-58	272/129-132	16040.14-16	262/078-080	16052.13-14	274/107-108	16061.11-11	275/119-119	16072.07-09	276/090-092
16025.00-02	272/133-134	16041.58-58	273/095-095	16052.13-14	344/113-114	16061.11-11	335/008-008	16072.11-13	276/093-095
16025.03-06	272/135-138	16042.00-16	273/096-104	16052.16-18	274/109-111	16061.50-58	275/120-124	16072.15-17	276/096-098
16025.08-14	272/139-142	16042.17-18	273/105-106	16052.16-18	344/115-117	16062.00-08	275/125-129	16072.19-21	276/099-101
16027.09-11	272/143-144	16042.20-22	273/107-109	16052.20-22	274/112-114	16062.09-10	275/130-131	16072.23-25	276/102-104
16027.11-17	273/001-007	16042.24-26	273/110-112	16052.20-22	344/118-120	16062.12-14	275/132-134	16072.27-29	276/105-107
16027.21-31	273/008-013	16042.28-30	273/113-115	16052.24-26	274/115-117	16062.14-14	344/121-121	16072.27-29	344/122-124
16027.32-35	273/014-017	16042.32-34	273/116-118	16052.28-30	274/118-120	16062.16-20	275/135-137	16072.31-33	276/108-110
16027.37-43	273/018-021	16042.36-38	273/119-121	16052.32-34	274/121-123	16062.21-22	275/138-139	16072.31-33	344/125-127
16030.41-44	340/090-093	16042.40-42	273/122-124	16052.36-38	274/124-126	16062.24-26	275/140-142	16073.11-12	276/111-112
16032.01-19	273/022-031	16042.44-46	273/125-127	16052.40-42	274/127-129	16062.28-30	275/143-144	16074.10-28	276/113-122
16032.20-21	273/032-033	16042.48-50	273/128-130	16052.44-46	274/130-132	16062.30-32	276/001-002	16074.10-28	344/128-137
16032.23-27	273/034-036	16044.14-36	340/095-106	16054.20-38	274/133-142	16062.33-34	276/003-004	16074.29-30	276/123-124
16032.28-29	273/037-038	16044.27-45	273/131-140	16054.39-40	274/143-144	16062.36-38	276/005-007	16074.29-30	344/138-139
16032.31-32	273/039-040	16044.46-47	273/141-142	16054.42-44	275/001-003	16062.40-42	276/008-010	16074.32-34	276/125-127
16032.32-33	273/041-042	16044.49-51	274/001-003	16054.46-48	275/004-006	16065.05-07	276/011-012	16074.32-34	344/140-142
16032.35-37	273/043-045	16044.53-55	274/004-006	16054.50-52	275/007-009	16065.08-09	276/013-014	16074.36-38	276/128-130
16032.39-41	273/046-048	16044.57-59	274/007-009	16054.54-56	275/010-012	16065.11-13	276/015-017	16074.36-38	344/143-144
16032.43-45	273/049-051	16045.01-03	274/010-012	16054.58-59	275/013-014	16065.15-17	276/018-020	16074.38-40	345/001-002
16032.47-49	273/052-054	16045.05-07	274/013-015	16055.00-02	275/015-016	16065.19-21	276/021-023	16074.40-40	276/131-131
16032.51-53	273/055-057	16045.09-11	274/016-018	16055.03-04	275/017-018	16066.53-53	276/024-024	16074.41-42	345/003-004
16035.10-12	273/058-059	16045.13-15	274/019-021	16055.06-08	275/019-021	16066.55-59	251/012-014	16074.44-46	345/005-007
16035.13-14	273/060-061	16045.17-19	274/022-024	16055.10-12	275/022-024	16067.01-11	251/015-020	16074.48-49	345/008-009
16035.16-18	273/062-064	16046.53-59	274/025-028	16056.49-59	275/025-030	16067.12-13	251/021-022	16074.50-52	276/132-133
16035.20-22	273/065-067	16047.00-02	354/056-057	16057.01-07	275/031-034	16067.15-17	251/023-025	16074.52-54	345/010-012
16035.24-26	273/068-070	16047.01-11	274/029-034	16057.08-09	275/035-036	16067.19-21	251/026-028	16074.53-54	276/134-135
16035.37-37	340/094-094	16047.12-13	274/035-036	16057.11-13	275/037-039	16067.23-25	251/029-031	16074.56-58	276/136-138
16036.58-58	273/071-071	16047.15-17	274/037-039	16057.15-17	275/040-042	16067.27-27	251/032-032	16074.56-58	345/013-015
16037.00-16	273/072-080	16047.19-21	274/040-042	16057.19-21	275/043-045	16067.28-29	276/025-026	16075.00-02	276/139-141
16037.17-18	273/081-082	16047.23-23	274/043-043	16057.23-25	275/046-048	16067.31-33	276/027-029	16075.00-02	345/016-018
16037.20-22	273/083-085	16047.25-27	274/045-046	16057.27-29	275/049-051	16067.35-37	276/030-032	16075.37-37	276/142-142
16037.24-26	273/086-088	16047.28-29	274/047-048	16057.31-33	275/052-054	16067.39-41	276/033-035	16075.38-38	453/088-088

## VOYAGER ARCHIVE TAPE CATALOG

FDS COUNT	VGE ID	FDS COUNT	VGE ID	FDS COUNT	VGE ID	FDS COUNT	VGE ID	FDS COUNT	VGE ID
16076.38-56	345/019-028	16094.45-47	277/080-081	16105.50-52	278/035-037	16116.58-58	279/002-002	16130.00-02	279/114-116
16076.38-56	453/089-098	16094.48-49	277/082-083	16105.50-52	292/001-003	16117.00-02	279/003-005	16130.33-35	279/117-118
16076.57-58	345/029-030	16094.51-53	277/084-086	16105.54-56	278/038-040	16117.04-06	279/006-008	16130.36-37	279/119-120
16076.57-58	453/099-100	16094.55-57	277/087-089	16105.54-56	292/004-006	16117.08-10	279/009-011	16130.39-41	279/121-123
16077.00-02	345/031-033	16094.59-59	277/090-090	16108.48-50	278/041-042	16117.12-14	279/012-014	16130.43-45	279/124-126
16077.00-02	453/101-103	16095.00-01	277/091-092	16108.48-50	345/040-041	16117.45-47	279/015-016	16130.47-49	279/127-129
16077.04-06	345/034-036	16095.11-11	339/013-013	16108.51-52	278/043-044	16117.48-49	279/017-018	16131.20-22	279/130-131
16077.04-06	453/104-106	16099.18-20	277/093-094	16108.54-56	278/045-047	16117.51-53	279/019-021	16131.23-24	279/132-133
16077.08-08	345/037-037	16099.21-22	277/095-096	16108.58-59	278/048-049	16117.55-57	279/022-024	16131.24-24	345/051-051
16077.08-10	453/107-109	16099.24-26	277/097-099	16109.00-02	278/050-051	16117.59-59	279/025-025	16131.26-28	279/134-136
16077.12-14	453/110-112	16099.28-30	277/100-102	16109.03-04	278/052-053	16118.00-01	279/026-027	16131.30-32	279/137-139
16077.16-18	453/113-115	16099.32-34	277/103-105	16109.40-40	278/054-054	16118.28-28	339/014-014	16131.34-36	279/140-142
16077.20-22	453/116-118	16100.05-07	277/106-107	16109.40-40	338/051-051	16122.51-57	341/001-004	16132.07-09	279/143-144
16077.24-26	453/119-121	16100.08-09	277/108-109	16109.55-57	278/055-056	16123.06-12	341/005-007	16132.10-11	280/001-002
16077.28-30	453/122-124	16100.11-13	277/110-112	16109.58-59	278/057-058	16124.35-37	279/028-029	16132.14-17	280/003-004
16079.05-21	453/125-133	16100.15-17	277/113-115	16110.01-03	278/059-061	16124.38-39	279/030-031	16135.18-20	280/005-006
16079.23-23	277/001-001	16100.19-20	277/116-117	16110.05-07	278/062-064	16124.41-43	279/032-034	16135.21-22	280/007-008
16079.25-27	277/003-004	16100.21-21	345/039-039	16110.09-11	278/065-067	16124.45-47	279/035-037	16135.53-55	280/009-010
16079.28-29	277/005-006	16100.52-54	277/118-119	16110.42-44	278/068-069	16124.49-51	279/038-040	16135.56-57	280/011-012
16079.31-33	277/007-009	16100.55-56	277/120-121	16110.45-46	278/070-071	16125.22-24	279/041-042	16135.59-59	280/013-013
16079.35-37	277/010-012	16100.58-59	277/122-123	16110.48-50	278/072-074	16125.25-26	279/043-044	16136.00-01	280/014-015
16079.39-41	277/013-015	16101.00-02	277/124-125	16110.52-54	278/075-077	16125.28-30	279/045-047	16136.03-05	280/016-018
16079.43-45	277/016-018	16101.03-04	277/126-127	16110.56-58	278/078-080	16125.32-34	279/048-050	16136.07-08	280/019-020
16079.47-49	277/019-021	16101.06-08	277/128-130	16111.29-31	278/081-082	16125.36-38	279/051-053	16136.40-42	280/021-022
16079.51-53	277/022-024	16101.39-41	277/131-132	16111.32-33	278/083-084	16126.09-11	279/054-055	16136.43-44	280/023-024
16079.54-54	277/002-002	16101.42-43	277/133-134	16111.35-37	278/085-087	16126.12-13	279/056-057	16136.46-48	280/025-027
16079.55-57	277/025-027	16101.45-47	277/135-137	16111.39-41	278/088-090	16126.15-17	279/058-060	16136.50-52	280/028-030
16080.56-58	340/107-108	16101.49-51	277/138-140	16111.43-45	278/091-093	16126.19-21	279/061-063	16136.54-56	280/031-033
16081.00-06	340/109-112	16101.53-55	277/141-143	16112.16-20	278/094-095	16126.23-25	279/064-066	16137.03-03	335/016-016
16081.11-11	340/113-113	16102.18-28	340/114-119	16112.22-24	278/096-098	16126.56-58	279/067-068	16137.08-09	335/017-018
16087.09-11	277/028-029	16103.49-49	335/013-013	16112.26-28	278/099-101	16126.59-59	279/069-069	16137.11-11	342/007-007
16087.12-13	277/030-031	16103.54-55	335/014-015	16112.30-32	278/102-104	16127.00-04	279/070-071	16137.16-17	342/008-009
16087.15-17	277/032-034	16103.57-57	342/004-004	16114.30-30	278/105-105	16127.02-03	345/048-049	16138.27-27	339/015-015
16087.19-21	277/035-037	16104.02-03	342/005-006	16114.30-30	338/052-052	16127.06-08	279/072-074	16138.30-40	341/008-013
16087.23-25	277/038-040	16104.06-08	277/144-144	16114.37-39	278/106-107	16127.08-08	345/050-050	16138.48-48	341/014-014
16090.55-57	277/041-042	16104.08-10	278/001-003	16114.40-41	278/108-109	16127.10-12	279/075-077	16142.43-43	341/015-015
16090.58-59	277/043-044	16104.12-14	278/004-006	16114.43-44	278/110-111	16127.43-45	279/078-079	16142.47-49	280/034-035
16091.01-03	277/045-047	16104.16-18	278/007-009	16114.47-49	345/042-044	16127.46-47	279/080-081	16142.50-50	280/036-036
16091.05-07	277/048-050	16104.20-22	278/010-012	16114.51-53	345/045-047	16127.49-51	279/082-084	16143.36-38	280/037-039
16091.09-11	277/051-053	16104.27-28	278/013-014	16115.24-26	278/112-113	16127.53-55	279/085-087	16143.40-42	280/040-042
16091.42-44	277/054-055	16104.53-55	278/015-016	16115.27-28	278/114-115	16127.57-59	279/088-090	16143.44-46	280/043-044
16091.45-46	277/056-057	16104.56-57	278/017-018	16115.30-32	278/116-118	16128.59-59	279/091-091	16143.49-50	280/045-046
16091.48-50	277/058-060	16104.59-59	278/019-019	16115.34-36	278/119-121	16129.01-03	279/092-094	16143.49-50	291/117-118
16091.52-54	277/061-063	16105.00-01	278/020-021	16115.38-40	278/122-124	16129.05-07	279/095-097	16145.36-40	335/019-020
16091.56-58	277/064-066	16105.03-05	278/022-024	16116.11-13	278/125-126	16129.09-11	279/098-100	16145.41-41	335/021-021
16092.29-31	277/067-068	16105.07-09	278/025-027	16116.14-15	278/127-128	16129.13-15	279/101-103	16145.43-43	280/061-061
16092.32-33	277/069-070	16105.40-42	278/028-029	16116.17-19	278/129-131	16129.46-48	279/104-105	16148.29-31	280/062-064
16092.35-37	277/071-073	16105.43-44	278/030-031	16116.21-23	278/132-134	16129.49-50	279/106-107	16148.33-35	280/065-067
16092.39-41	277/074-076	16105.46-48	278/032-034	16116.25-27	278/135-136	16129.52-54	279/108-110	16148.37-39	280/068-070
16092.43-45	277/077-079	16105.47-48	291/119-120	16116.27-27	279/001-001	16129.56-58	279/111-113	16148.41-43	280/071-073

## VOYAGER ARCHIVE TAPE CATALOG

FDS COUNT	VEE ID	FDS COUNT	VEE ID	FDS COUNT	VEE ID	FDS COUNT	VEE ID	FDS COUNT	VEE ID
16150.37-47	339/016-021	16160.36-38	281/020-022	16171.26-28	282/001-002	16178.36-38	282/098-100	16186.53-55	335/025-026
16153.37-41	345/052-054	16161.04-06	281/023-025	16171.29-30	282/003-004	16178.40-42	282/101-103	16188.21-23	283/087-089
16153.45-46	280/074-075	16161.08-10	281/026-028	16171.56-58	282/005-007	16178.44-46	282/104-106	16188.25-27	283/090-092
16153.45-46	345/055-056	16161.12-14	281/029-031	16172.00-02	282/008-010	16178.48-50	282/107-109	16188.29-31	283/093-095
16153.48-51	280/076-077	16161.16-18	281/032-034	16172.04-06	282/011-013	16178.52-54	282/110-112	16188.33-35	283/096-098
16153.53-55	280/078-079	16161.20-22	281/035-037	16172.08-10	282/014-016	16179.20-22	282/113-115	16188.37-39	283/099-101
16153.58-58	280/080-080	16161.24-26	281/038-040	16172.12-14	282/017-019	16179.24-26	282/116-118	16188.41-43	283/102-104
16154.00-02	280/081-082	16161.52-54	281/041-043	16172.16-18	282/020-022	16179.28-30	282/119-121	16188.45-47	283/105-107
16154.05-07	280/083-084	16161.56-58	281/044-046	16172.43-59	339/032-040	16179.32-34	282/122-124	16188.49-51	283/108-110
16154.14-16	345/057-058	16162.00-02	281/047-049	16173.01-05	339/041-043	16179.36-38	282/125-127	16188.53-55	283/111-113
16154.41-43	345/059-061	16162.04-06	281/050-052	16173.45-47	282/023-025	16179.40-42	282/128-130	16189.06-16	339/068-073
16154.45-47	345/062-064	16162.08-10	281/053-055	16173.47-49	280/085-086	16180.08-10	282/133-135	16189.19-19	339/074-074
16154.49-51	345/065-067	16162.12-14	281/056-058	16173.49-51	282/026-028	16180.10-12	345/085-086	16190.36-38	283/114-116
16154.53-55	345/068-070	16162.40-42	281/059-061	16173.50-51	280/087-088	16180.12-14	282/136-138	16190.40-42	283/117-119
16154.57-59	345/071-073	16162.44-45	281/062-063	16173.53-55	280/089-091	16180.16-18	282/139-141	16190.44-46	283/120-122
16155.01-01	345/074-074	16162.45-48	281/064-065	16173.53-55	282/029-031	16180.20-22	282/142-144	16190.48-50	283/123-125
16155.33-43	341/016-021	16162.49-50	281/066-067	16173.57-59	280/092-094	16180.24-26	282/145-147	16190.52-54	283/126-128
16155.51-51	341/022-022	16162.52-54	281/068-070	16173.57-59	282/032-034	16180.28-30	283/001-003	16190.56-58	283/129-131
16156.13-13	345/075-075	16162.56-58	281/071-073	16174.01-03	280/095-097	16180.46-46	283/005-005	16190.58-58	345/087-087
16156.49-51	280/109-110	16163.00-02	281/074-076	16174.01-03	282/035-037	16181.20-22	283/006-008	16191.00-02	283/132-134
16156.52-53	280/111-112	16163.47-51	338/053-055	16174.05-07	280/098-100	16181.24-26	283/009-011	16191.04-06	283/135-137
16156.55-55	345/076-076	16163.57-59	281/077-079	16174.05-07	282/038-040	16181.28-30	283/012-014	16191.08-10	283/138-140
16156.55-57	280/113-115	16164.01-03	281/080-082	16174.15-17	341/023-024	16181.32-34	283/015-017	16191.13-15	283/141-142
16156.59-59	280/116-116	16164.05-07	281/083-085	16174.28-38	339/044-049	16181.36-38	283/018-020	16191.15-17	284/001-002
16157.00-01	280/117-118	16164.09-11	281/086-088	16175.15-15	339/050-050	16181.40-42	283/021-023	16191.18-19	284/003-004
16157.03-05	280/119-121	16164.13-15	281/089-091	16175.25-27	339/051-052	16182.17-21	283/024-026	16191.21-23	284/005-007
16157.07-09	280/122-124	16164.17-19	281/092-094	16175.31-35	339/053-055	16182.24-28	283/027-029	16191.25-27	284/008-010
16157.08-08	345/077-077	16164.56-58	339/022-023	16175.41-43	280/101-103	16182.31-35	283/030-032	16191.29-31	284/011-013
16157.35-37	280/125-127	16165.00-06	339/024-027	16175.41-43	282/041-043	16182.38-42	283/033-035	16191.33-35	284/014-016
16157.35-39	345/078-079	16165.14-14	339/028-028	16175.45-47	280/104-106	16182.45-49	283/036-038	16191.37-39	284/017-019
16157.39-41	280/128-130	16166.16-16	335/022-022	16175.45-47	282/044-046	16182.52-56	283/039-041	16191.41-43	284/020-022
16157.43-45	280/131-133	16166.24-26	281/095-097	16175.49-50	280/107-108	16183.14-18	283/042-044	16191.45-47	284/023-024
16157.47-49	280/134-136	16166.28-30	281/098-100	16175.49-51	282/047-049	16183.21-25	283/045-047	16191.50-52	284/025-027
16157.51-53	280/137-139	16166.32-34	281/101-103	16175.53-55	282/050-052	16183.28-32	283/048-050	16191.54-56	284/028-030
16157.55-57	280/140-142	16166.36-38	281/104-106	16175.57-59	282/053-055	16183.35-39	283/051-053	16191.58-59	284/031-032
16158.23-25	280/143-145	16166.40-42	281/107-109	16176.01-03	282/056-058	16183.42-46	283/054-056	16192.00-02	284/033-034
16158.27-29	280/146-148	16166.44-46	281/110-112	16176.36-46	339/056-061	16183.49-53	283/057-059	16192.03-04	284/035-036
16158.31-33	280/149-151	16167.12-14	281/113-115	16176.56-58	282/059-061	16184.02-17	339/062-067	16192.06-08	284/037-039
16158.35-37	280/152-154	16167.16-18	281/116-118	16177.00-02	282/062-064	16184.17-17	283/004-004	16192.10-12	284/040-042
16158.39-40	454/001-002	16167.20-22	281/119-121	16177.04-06	282/065-067	16185.58-59	283/060-061	16192.14-16	284/043-045
16158.41-43	281/001-002	16167.24-26	281/122-124	16177.08-10	282/068-070	16186.00-02	283/062-063	16192.18-20	284/046-048
16158.44-45	281/003-004	16167.28-30	281/125-127	16177.12-14	282/071-073	16186.03-04	283/064-065	16192.22-24	284/049-051
16160.16-18	281/005-007	16167.32-34	281/128-130	16177.16-18	282/074-076	16186.06-08	283/066-068	16192.27-29	284/052-054
16160.16-18	345/080-081	16168.13-17	339/029-031	16177.44-46	282/077-079	16186.10-12	283/069-071	16192.31-33	284/055-057
16160.20-22	281/008-010	16168.15-17	282/131-132	16177.48-50	282/080-082	16186.14-16	283/072-074	16192.35-37	284/058-060
16160.21-24	345/082-083	16171.08-10	281/131-133	16177.52-54	282/083-085	16186.18-20	283/075-077	16192.39-41	284/061-063
16160.24-26	281/011-013	16171.12-14	281/134-136	16177.56-58	282/086-088	16186.22-24	283/078-080	16192.43-45	284/064-066
16160.26-26	345/084-084	16171.16-18	281/137-139	16178.00-02	282/089-091	16186.26-28	283/081-083	16192.47-49	284/067-069
16160.28-30	281/014-016	16171.20-22	281/140-142	16178.04-06	282/092-094	16186.30-32	283/084-086	16192.51-53	284/070-072
16160.32-34	281/017-019	16171.24-26	281/143-144	16178.32-34	282/095-097	16186.48-52	335/023-024	16192.55-57	284/073-075

## VOYAGER ARCHIVE TAPE CATALOG

FDS COUNT	VEE ID	FDS COUNT	VEE ID	FDS COUNT	VEE ID	FDS COUNT	VEE ID	FDS COUNT	VEE ID
16192.59-59	284/076-076	16200.35-35	268/145-145	16205.11-13	286/018-020	16208.52-54	287/015-017	16214.54-55	288/003-004
16193.00-01	284/077-078	16200.35-37	285/027-029	16205.15-17	286/021-023	16208.56-58	287/018-020	16214.57-59	288/005-007
16193.14-14	284/079-079	16200.39-41	285/030-032	16205.19-21	286/024-026	16209.00-02	287/021-023	16215.01-03	288/008-010
16193.14-14	338/056-056	16200.43-45	285/033-035	16205.23-25	286/027-029	16209.04-06	287/024-026	16215.07-09	288/011-013
16193.51-53	284/080-082	16200.47-49	285/036-038	16205.27-29	286/030-032	16209.08-10	287/027-029	16215.11-13	288/014-016
16193.55-57	284/083-085	16200.51-53	285/039-041	16205.31-33	286/033-035	16209.13-15	287/030-032	16215.15-17	288/017-019
16193.59-59	284/086-086	16200.55-57	285/042-044	16205.35-37	286/036-038	16209.17-19	287/033-035	16215.17-19	345/090-091
16194.00-01	284/087-088	16200.59-59	285/045-045	16205.49-59	339/087-092	16209.21-23	287/036-038	16215.25-27	288/020-021
16194.03-05	284/089-091	16201.00-01	285/046-047	16206.08-10	286/039-041	16209.25-27	287/039-041	16215.28-29	288/022-023
16194.07-09	284/092-094	16201.04-06	285/048-050	16206.12-14	286/042-044	16209.29-31	287/042-044	16216.19-29	339/094-099
16194.11-13	284/095-097	16201.08-10	285/051-053	16206.16-18	286/045-047	16209.33-35	287/045-047	16216.33-35	288/024-026
16194.33-43	335/027-032	16201.12-14	285/054-056	16206.20-22	286/048-050	16209.37-39	287/048-050	16216.37-39	288/027-029
16196.06-16	339/075-080	16201.16-18	285/057-059	16206.24-26	286/051-053	16209.41-43	287/051-053	16216.41-43	288/030-032
16197.32-32	338/057-057	16201.20-22	285/060-062	16206.28-30	286/054-056	16209.45-47	287/054-056	16216.45-47	288/033-035
16198.15-19	335/033-034	16201.24-26	285/063-065	16206.32-34	286/057-059	16209.50-52	287/057-059	16216.49-51	288/036-038
16198.25-27	335/035-036	16201.28-30	285/066-068	16206.36-38	286/060-062	16209.54-56	287/060-062	16216.53-55	288/039-041
16198.31-37	335/037-038	16201.32-34	285/069-071	16206.40-42	286/063-065	16209.58-59	287/063-064	16216.57-59	288/042-044
16198.39-43	335/039-040	16201.36-38	285/072-074	16206.45-47	286/066-068	16210.00-02	287/065-066	16217.01-03	288/045-047
16198.49-49	335/041-041	16201.43-53	339/081-086	16206.49-51	286/069-071	16210.02-02	345/089-089	16217.05-07	288/048-050
16198.51-51	345/088-088	16203.12-14	285/075-077	16206.53-55	286/072-074	16210.03-04	287/067-068	16217.10-12	288/051-053
16198.51-53	284/098-099	16203.16-18	285/078-080	16206.57-59	286/075-077	16210.06-08	287/069-071	16217.14-16	288/054-056
16198.54-55	284/100-101	16203.20-22	285/081-083	16207.01-03	286/078-080	16210.10-12	287/072-074	16217.16-18	345/092-093
16198.57-59	284/102-104	16203.24-26	285/084-086	16207.05-07	286/081-083	16210.14-16	287/075-077	16217.18-20	288/057-059
16199.01-03	284/105-107	16203.28-30	285/087-089	16207.09-11	286/084-086	16210.18-20	287/078-080	16217.19-20	345/094-095
16199.05-07	284/108-110	16203.32-34	285/090-092	16207.13-15	286/087-089	16210.22-24	287/081-083	16217.22-24	288/060-062
16199.09-11	284/111-113	16203.36-38	285/093-095	16207.17-19	286/090-092	16211.28-28	339/093-093	16217.22-24	345/096-098
16199.13-15	284/114-116	16203.40-42	285/096-098	16207.22-24	286/093-095	16212.12-14	287/084-086	16217.26-28	288/063-065
16199.17-19	284/117-119	16203.44-46	285/099-101	16207.26-28	286/096-098	16212.16-18	287/087-089	16217.26-28	345/099-101
16199.21-23	284/120-122	16203.49-51	285/102-104	16207.30-32	286/099-101	16212.20-22	287/090-092	16217.30-32	288/066-068
16199.25-27	284/123-125	16203.53-55	285/105-107	16207.34-36	286/102-104	16212.24-26	287/093-095	16217.30-32	345/102-104
16199.29-31	284/126-128	16203.57-59	285/108-110	16207.38-40	286/105-107	16212.28-28	287/096-096	16217.34-36	288/069-071
16199.33-35	284/129-131	16204.01-03	285/111-113	16207.42-44	286/108-110	16212.29-30	280/047-048	16217.34-36	345/105-107
16199.37-39	284/132-134	16204.05-07	285/114-116	16207.46-48	286/111-113	16212.32-32	280/049-049	16217.38-38	345/108-108
16199.41-43	284/135-137	16204.09-11	285/117-119	16207.50-52	286/114-116	16212.33-34	287/097-098	16217.38-40	288/072-074
16199.45-47	284/138-140	16204.13-15	285/120-122	16207.54-56	286/117-119	16212.36-38	287/099-101	16217.42-44	288/075-077
16199.50-52	284/141-143	16204.17-19	285/123-125	16207.59-59	286/120-120	16212.40-42	287/102-104	16217.47-49	288/078-080
16199.54-55	284/144-144	16204.21-23	285/126-128	16208.00-01	286/121-122	16212.44-46	287/105-107	16217.51-53	288/081-083
16199.55-56	285/001-002	16204.26-28	285/129-131	16208.03-05	286/123-125	16213.24-28	287/108-110	16217.55-57	288/084-086
16199.58-59	285/003-004	16204.30-32	285/132-134	16208.07-09	286/126-128	16213.31-35	287/111-113	16217.59-59	288/087-087
16200.00-02	285/005-006	16204.34-36	285/135-137	16208.11-13	286/129-131	16213.38-42	287/114-116	16218.00-01	288/088-089
16200.03-04	285/007-008	16204.38-40	285/138-140	16208.15-17	286/132-134	16213.45-49	287/117-119	16218.42-48	288/090-093
16200.06-08	285/009-011	16204.42-44	285/141-143	16208.19-21	286/135-137	16213.52-56	287/120-122	16219.00-01	338/058-059
16200.10-12	285/012-014	16204.46-47	285/144-144	16208.23-25	286/138-140	16213.59-59	287/123-123	16220.15-17	288/094-096
16200.14-16	285/015-017	16204.47-48	286/001-002	16208.27-29	286/141-143	16214.03-03	287/124-124	16220.19-21	288/097-099
16200.18-20	285/018-020	16204.50-52	286/003-005	16208.31-32	286/144-144	16214.24-29	287/125-130	16220.23-25	288/100-102
16200.22-24	285/021-023	16204.54-56	286/006-008	16208.32-33	287/001-002	16214.34-39	287/131-136	16220.27-29	288/103-105
16200.27-27	285/024-024	16204.58-59	286/009-010	16208.36-38	287/003-005	16214.41-43	287/137-139	16220.31-33	288/106-108
16200.28-29	268/140-141	16205.00-03	286/011-012	16208.40-42	287/006-008	16214.45-47	287/140-142	16220.35-37	288/109-111
16200.31-33	268/142-144	16205.04-05	286/013-014	16208.44-46	287/009-011	16214.49-51	287/143-144	16220.39-41	288/112-114
16200.32-33	285/025-026	16205.07-09	286/015-017	16208.48-50	287/012-014	16214.51-53	288/001-002	16220.43-45	288/115-117

## VOYAGER ARCHIVE TAPE CATALOG

FDS COUNT	VEE ID	FDS COUNT	VEE ID	FDS COUNT	VEE ID	FDS COUNT	VEE ID	FDS COUNT	VEE ID
16220.47-49	288/118-120	16226.14-16	289/077-079	16231.17-19	290/084-086	16250.03-05	291/114-116	16260.43-45	293/018-020
16220.52-54	288/121-123	16226.18-20	289/080-082	16231.21-23	290/087-089	16250.06-17	292/007-018	16261.58-59	293/021-022
16220.56-58	288/124-126	16226.22-24	289/083-085	16231.25-27	290/090-092	16251.19-21	292/019-021	16262.00-02	293/023-024
16221.02-04	288/127-128	16226.26-28	289/086-088	16231.29-31	290/093-095	16251.23-25	292/022-024	16262.03-04	293/025-026
16221.05-06	288/129-130	16226.30-32	289/089-091	16231.33-35	290/096-098	16251.27-29	292/025-027	16262.06-08	293/027-029
16221.08-10	288/131-133	16226.34-36	289/092-094	16231.37-39	290/099-101	16251.31-33	292/028-030	16262.10-12	293/030-032
16221.12-14	288/134-136	16226.38-40	289/095-097	16231.41-43	290/102-104	16251.35-37	292/031-033	16262.14-16	293/033-035
16221.16-18	288/137-139	16226.43-45	289/098-100	16231.45-47	290/105-107	16251.39-41	292/034-036	16262.18-20	293/036-038
16221.20-22	288/140-142	16226.47-49	289/101-103	16231.49-51	290/108-110	16251.43-45	292/037-039	16262.22-24	293/039-041
16221.24-26	288/143-145	16226.51-53	289/104-106	16231.53-55	290/111-113	16251.47-49	292/040-042	16262.26-28	293/042-044
16222.12-14	288/146-148	16226.55-57	289/107-109	16231.57-59	290/114-116	16251.57-57	335/054-054	16262.30-32	293/045-047
16222.16-18	288/149-151	16226.59-59	289/110-110	16232.01-02	290/117-118	16252.02-03	335/055-056	16262.34-36	293/048-050
16222.20-21	288/152-153	16227.00-01	289/111-112	16232.03-03	345/110-110	16252.06-10	335/057-058	16262.38-40	293/051-053
16222.22-24	454/003-004	16227.03-05	289/113-115	16232.05-07	290/119-121	16252.16-19	335/059-060	16262.42-44	293/054-056
16222.25-26	454/005-006	16227.07-09	289/116-118	16232.09-11	290/122-124	16252.23-29	335/061-062	16262.46-48	293/057-059
16222.28-30	454/007-009	16227.11-13	289/119-121	16232.13-15	290/125-127	16252.32-36	335/063-064	16262.50-52	293/060-062
16222.32-34	454/010-012	16227.15-17	289/122-124	16232.17-19	290/128-130	16252.42-44	335/065-066	16262.54-56	293/063-065
16222.36-38	454/013-015	16228.07-17	339/100-105	16233.36-46	339/106-111	16252.57-59	339/118-119	16262.58-59	293/066-067
16222.40-41	454/016-017	16229.01-01	335/052-052	16236.49-51	290/131-133	16253.01-07	339/120-123	16263.00-02	293/068-069
16222.42-44	289/001-002	16229.09-11	289/125-127	16236.53-55	290/134-136	16253.29-31	292/043-045	16263.03-04	293/070-071
16222.45-46	289/003-004	16229.13-15	289/128-130	16236.57-59	290/137-139	16253.33-35	292/046-048	16263.06-08	293/072-074
16222.49-51	289/005-007	16229.17-19	289/131-133	16237.01-03	290/140-142	16253.37-38	292/049-050	16263.10-12	293/075-077
16222.53-55	289/008-010	16229.21-23	289/134-136	16237.05-07	290/143-144	16253.41-43	292/051-053	16263.14-16	293/078-080
16222.57-59	289/011-013	16229.25-25	345/109-109	16237.07-09	291/001-002	16254.08-19	292/054-065	16263.18-20	293/081-083
16223.01-03	289/014-016	16229.26-27	290/001-002	16237.10-11	291/003-004	16255.01-13	292/066-072	16263.22-24	293/084-086
16223.05-07	289/017-019	16229.29-31	290/003-005	16237.41-52	291/005-016	16255.15-23	280/050-054	16263.26-28	293/087-089
16223.09-11	289/020-022	16229.33-35	290/006-008	16238.34-56	291/017-028	16256.02-03	280/055-056	16263.30-32	293/090-092
16223.13-15	289/023-025	16229.37-39	290/009-011	16239.35-50	291/029-044	16256.04-17	292/073-086	16264.25-25	335/067-067
16223.17-19	289/026-028	16229.41-43	290/012-014	16240.44-46	291/045-046	16257.11-33	292/087-098	16264.30-31	335/068-069
16223.21-23	289/029-031	16229.45-47	290/015-017	16240.44-58	291/047-054	16258.11-22	292/099-110	16264.35-47	340/001-007
16223.26-28	289/032-034	16229.49-51	290/018-020	16241.00-06	291/055-058	16259.33-35	292/111-113	16264.47-49	293/093-094
16223.30-32	289/035-037	16230.01-03	290/027-029	16241.44-55	291/059-070	16259.37-39	292/114-116	16264.50-51	293/095-096
16223.34-36	289/038-040	16230.05-07	290/030-032	16242.53-57	291/071-073	16259.41-43	292/117-119	16264.53-55	293/097-099
16223.38-40	289/041-043	16230.09-11	290/033-035	16242.57-57	345/111-111	16259.45-47	292/120-122	16264.57-59	293/100-102
16224.29-33	335/042-043	16230.13-15	290/036-038	16243.00-04	291/074-076	16259.49-51	292/123-125	16265.01-03	293/103-105
16224.39-42	335/044-045	16230.17-19	290/039-041	16243.04-04	356/001-001	16259.53-55	292/126-128	16265.05-07	293/106-108
16224.46-52	335/046-047	16230.21-23	290/042-044	16243.07-11	291/077-079	16259.58-59	292/129-130	16265.09-11	293/109-111
16224.55-59	335/048-049	16230.25-27	290/045-047	16243.14-18	291/080-082	16260.00-02	292/131-132	16265.13-15	293/112-114
16225.05-07	335/050-051	16230.29-31	290/048-050	16243.23-25	345/112-113	16260.03-04	292/133-134	16265.17-19	293/115-117
16225.29-31	289/044-046	16230.33-35	290/051-053	16243.28-32	291/083-085	16260.06-08	292/135-137	16265.21-23	293/118-120
16225.33-35	289/047-049	16230.37-39	290/054-056	16245.14-24	339/112-117	16260.10-12	292/138-140	16265.25-27	293/121-123
16225.37-39	289/050-052	16230.41-43	290/057-059	16245.33-33	335/053-053	16260.14-16	292/141-143	16265.30-32	293/124-126
16225.41-43	289/053-055	16230.45-47	290/060-062	16246.00-10	291/086-096	16260.18-19	292/144-144	16265.34-36	293/127-129
16225.45-47	289/056-058	16230.49-51	290/063-065	16246.53-59	291/121-124	16260.19-20	293/001-002	16265.38-40	293/130-132
16225.49-51	289/059-061	16230.53-55	290/066-068	16247.01-15	291/125-132	16260.23-25	293/003-005	16265.42-44	293/133-135
16225.53-55	289/062-064	16230.57-59	290/069-071	16247.54-59	291/133-138	16260.27-29	293/006-008	16265.46-48	293/136-138
16225.57-59	289/065-067	16231.01-03	290/072-074	16248.00-00	345/114-114	16260.31-33	293/009-011	16265.50-52	293/139-141
16226.01-03	289/068-070	16231.05-07	290/075-077	16248.00-04	291/139-143	16260.33-33	345/115-115	16265.54-56	293/142-144
16226.06-08	289/071-073	16231.09-11	290/078-080	16248.05-09	291/097-101	16260.35-37	293/012-014	16265.58-59	294/001-002
16226.10-12	289/074-076	16231.13-15	290/081-083	16249.03-25	291/102-113	16260.39-41	293/015-017	16266.00-02	294/003-004



## VOYAGER ARCHIVE TAPE CATALOG

FDS COUNT	VEE ID	FDS COUNT	VEE ID	FDS COUNT	VEE ID	FDS COUNT	VEE ID	FDS COUNT	VEE ID
16266.03-04	294/005-006	16273.05-08	294/126-127	16281.23-25	295/038-040	16290.45-47	295/130-132	16298.17-19	296/121-123
16266.06-08	294/007-009	16273.09-11	294/128-129	16283.25-25	295/041-041	16290.49-51	295/133-135	16298.21-23	296/124-126
16266.14-24	338/060-065	16273.15-16	294/130-131	16283.35-35	295/042-042	16290.53-55	295/136-138	16298.26-26	296/127-127
16267.22-24	294/010-012	16273.16-22	345/120-121	16283.45-45	295/043-043	16290.57-59	295/139-141	16298.36-42	296/128-129
16267.26-28	294/013-015	16273.18-22	294/132-133	16283.55-57	295/044-045	16291.05-07	296/001-003	16298.52-52	296/130-130
16267.30-32	294/016-018	16273.23-25	294/134-135	16284.07-09	295/046-047	16291.09-11	296/004-006	16299.02-02	296/131-131
16267.34-36	294/019-021	16273.29-29	345/122-122	16284.33-43	338/111-116	16291.13-15	296/007-009	16299.12-16	296/132-134
16267.38-40	294/022-024	16273.29-30	294/136-137	16284.51-51	338/117-117	16291.17-19	296/010-012	16299.17-18	296/135-136
16267.42-44	294/025-027	16273.32-36	294/138-139	16284.58-59	295/048-049	16291.21-23	296/013-015	16299.20-22	296/137-139
16267.46-48	294/028-030	16273.36-40	345/123-124	16285.00-00	295/050-050	16291.25-27	296/016-018	16299.24-29	296/140-144
16267.50-52	294/031-033	16273.37-39	294/140-141	16285.21-21	295/051-051	16291.29-31	296/019-021	16299.29-29	297/001-001
16267.54-56	294/034-036	16273.48-50	340/008-009	16285.31-35	295/052-054	16291.33-53	346/112-122	16299.40-50	340/025-030
16267.58-59	294/037-038	16273.54-55	340/010-011	16285.36-37	295/055-056	16291.33-59	335/085-098	16299.59-59	338/124-124
16268.00-03	294/039-040	16273.57-57	340/012-012	16285.39-41	295/057-059	16292.01-33	335/099-115	16300.01-09	338/125-129
16268.04-05	294/041-042	16274.01-02	340/013-014	16285.43-45	295/060-062	16292.41-43	296/022-024	16300.18-20	335/127-128
16268.07-09	294/043-045	16274.04-04	340/015-015	16285.47-47	295/063-063	16292.45-47	296/025-027	16300.21-21	335/129-129
16268.11-13	294/046-048	16274.43-53	338/099-104	16285.57-57	295/064-064	16292.49-51	296/028-030	16300.26-28	297/002-003
16268.15-17	294/049-051	16274.56-58	294/142-144	16286.15-15	295/065-065	16292.53-55	296/031-033	16300.29-30	297/004-005
16268.19-21	294/052-054	16275.00-02	294/145-147	16286.25-27	295/066-067	16292.57-59	296/034-036	16300.32-34	297/006-008
16268.23-25	294/055-057	16275.09-09	294/148-148	16286.37-37	295/068-068	16293.01-03	296/037-039	16300.36-38	297/009-011
16268.27-29	294/058-060	16275.19-19	294/149-149	16286.54-54	295/069-069	16293.05-07	296/040-042	16300.40-42	297/012-014
16268.31-33	294/061-063	16275.28-28	294/150-150	16287.04-08	295/070-072	16293.09-11	296/043-045	16300.44-58	297/015-022
16268.35-37	294/064-066	16275.38-42	294/151-153	16287.09-10	295/073-074	16293.13-15	296/046-048	16301.00-02	297/023-024
16268.39-41	294/067-069	16275.43-44	454/018-019	16287.13-15	295/075-077	16293.17-19	296/049-051	16301.08-24	297/025-033
16269.23-28	294/070-075	16275.46-46	454/020-020	16287.17-19	295/078-080	16293.21-23	296/052-054	16302.27-27	341/030-030
16270.02-54	338/066-092	16275.47-48	295/001-002	16287.21-23	295/081-083	16293.25-27	296/055-057	16302.31-31	297/034-034
16270.57-59	294/076-078	16275.51-51	295/003-003	16287.25-27	295/084-086	16293.30-32	296/058-060	16302.31-35	297/035-037
16271.01-03	294/079-081	16276.01-01	295/004-004	16287.29-31	295/087-089	16293.34-36	296/061-063	16302.38-42	297/038-040
16271.05-07	294/082-084	16276.25-25	295/005-005	16287.33-35	295/090-092	16293.38-40	296/064-066	16302.45-49	297/041-043
16271.09-11	294/085-087	16276.35-39	295/006-008	16287.37-39	295/093-095	16293.42-54	335/116-122	16302.52-56	297/044-046
16271.13-15	294/088-090	16276.40-41	295/009-010	16287.41-43	295/096-098	16293.57-59	296/067-069	16302.59-59	297/047-047
16271.13-19	294/092-093	16276.43-45	295/011-013	16287.45-45	295/099-099	16294.01-03	296/070-072	16303.03-06	297/048-049
16271.17-17	294/091-091	16276.53-57	335/070-071	16287.55-55	295/100-100	16294.05-07	296/073-075	16303.08-08	297/050-050
16271.21-23	294/094-096	16277.03-06	335/072-073	16288.08-08	295/101-101	16294.09-11	296/076-078	16303.10-10	297/053-053
16271.25-27	294/097-099	16277.11-12	335/074-075	16288.18-18	295/102-102	16294.13-15	296/079-081	16303.14-18	297/063-065
16271.29-31	294/100-102	16277.15-16	335/076-077	16288.27-27	295/103-103	16294.17-23	335/123-126	16303.21-25	297/066-068
16271.33-35	294/103-105	16277.19-23	335/078-079	16288.37-41	295/104-106	16295.19-29	338/118-123	16303.28-32	297/069-071
16271.45-47	294/106-108	16277.29-32	335/080-081	16288.42-43	295/107-108	16297.24-26	296/082-084	16303.35-37	297/072-073
16271.49-51	294/109-111	16277.36-42	335/082-083	16288.45-47	295/109-111	16297.28-30	296/085-087	16303.39-42	345/125-126
16271.53-55	294/112-114	16277.44-44	335/084-084	16288.49-51	295/112-114	16297.32-34	296/088-090	16303.44-46	345/127-128
16271.57-59	294/115-117	16280.24-26	295/014-016	16288.53-55	295/115-117	16297.36-38	296/091-093	16303.49-53	345/129-130
16272.29-44	338/093-098	16280.28-30	295/017-019	16288.57-59	295/118-120	16297.40-42	296/094-096	16303.51-53	297/051-052
16272.44-44	346/132-132	16280.32-34	295/020-022	16289.01-03	295/121-123	16297.44-46	296/097-099	16304.43-51	338/130-134
16272.47-47	345/116-116	16280.36-38	295/023-025	16289.05-07	295/124-126	16297.48-50	296/100-102	16305.45-48	343/069-070
16272.47-48	294/118-119	16280.40-42	295/026-028	16289.09-11	295/127-129	16297.52-54	296/103-105	16305.48-58	297/074-079
16272.50-54	294/120-121	16280.47-57	338/105-110	16289.21-29	341/025-029	16297.56-58	296/106-108	16305.50-58	343/071-075
16272.54-54	345/117-117	16281.12-13	295/030-031	16289.32-34	340/016-018	16298.00-02	296/109-111	16306.00-08	343/076-080
16272.55-57	294/122-123	16281.15-17	295/032-034	16289.36-38	340/019-021	16298.04-06	296/112-114	16306.00-32	297/080-096
16273.01-02	294/124-125	16281.17-17	295/029-029	16289.40-42	340/022-024	16298.08-10	296/115-117	16306.39-41	297/097-099
16273.01-05	345/118-119	16281.19-21	295/035-037	16290.01-03	295/142-144	16298.13-15	296/118-120	16307.08-09	297/100-101

## VOYAGER ARCHIVE TAPE CATALOG

FDS COUNT	VEE ID	FDS COUNT	VEE ID	FDS COUNT	VEE ID	FDS COUNT	VEE ID	FDS COUNT	VEE ID
16307.11-13	297/102-104	16320.20-48	299/119-133	16333.56-54	301/053-055	16341.16-18	302/035-037	16348.23-25	302/128-130
16307.15-55	297/105-125	16320.51-59	299/134-138	16333.57-59	301/056-057	16341.20-22	302/038-040	16348.27-29	302/131-133
16308.03-13	341/031-036	16321.01-13	299/139-144	16334.01-04	301/058-059	16341.24-26	302/041-043	16348.31-33	302/134-136
16308.24-34	340/031-036	16321.13-19	300/001-004	16334.06-08	301/060-061	16341.28-30	302/044-046	16348.35-37	302/137-139
16308.41-43	297/126-128	16321.22-46	300/005-017	16334.11-15	301/062-064	16341.33-35	302/047-049	16348.41-43	302/140-142
16308.45-47	297/129-131	16321.49-50	300/018-019	16334.18-22	301/065-067	16341.37-39	302/050-052	16348.45-47	302/143-144
16308.49-51	297/132-134	16321.55-57	341/037-039	16334.39-45	340/037-040	16341.41-43	302/053-055	16348.47-49	303/001-002
16308.53-55	297/135-137	16321.59-59	341/040-040	16334.48-58	334/037-042	16341.45-47	302/056-058	16348.50-51	303/003-004
16308.57-59	297/138-140	16322.00-01	341/041-042	16335.07-07	301/068-068	16341.49-51	302/059-061	16348.54-56	303/005-007
16309.01-03	297/141-143	16322.03-05	341/043-045	16335.15-17	301/069-070	16341.53-55	302/062-064	16348.58-59	303/008-009
16309.05-07	297/144-146	16322.14-16	335/130-132	16335.21-21	301/071-071	16341.57-59	302/065-067	16349.00-02	303/010-011
16309.09-10	297/147-147	16322.18-20	335/133-135	16335.29-31	301/072-073	16342.01-03	302/068-070	16349.03-04	303/012-013
16309.10-11	298/001-002	16322.22-24	335/136-138	16335.36-38	301/074-074	16342.05-07	302/071-073	16349.07-09	303/014-016
16309.13-15	298/003-005	16322.27-55	300/020-034	16335.44-48	301/075-076	16342.12-22	334/043-048	16349.14-24	334/049-054
16309.18-46	298/006-020	16323.00-02	341/046-048	16335.53-55	301/077-079	16342.25-35	340/041-046	16349.35-35	303/017-017
16309.51-53	298/021-023	16323.04-06	341/049-051	16335.57-59	301/080-082	16342.40-42	302/074-076	16349.43-45	303/018-019
16309.55-57	298/024-026	16323.08-10	341/052-054	16336.01-03	301/083-085	16342.44-46	302/077-079	16349.55-55	303/020-020
16309.59-59	298/027-027	16323.23-23	346/133-133	16336.05-07	301/086-088	16342.48-50	302/080-082	16350.03-05	303/021-022
16310.00-01	298/028-029	16323.29-57	300/035-049	16336.10-12	301/089-091	16342.52-54	302/083-085	16350.08-08	303/023-023
16310.03-05	298/030-032	16324.00-28	300/050-064	16336.14-16	301/092-094	16342.56-58	302/086-088	16350.16-18	303/024-025
16310.07-09	298/033-035	16324.31-59	300/065-079	16336.18-20	301/095-097	16343.06-06	302/089-089	16350.21-23	303/026-028
16310.11-13	298/036-038	16325.02-30	300/080-094	16336.22-24	301/098-100	16343.14-16	302/090-091	16350.25-27	303/029-031
16310.15-17	298/039-041	16325.33-59	300/095-108	16336.27-29	301/101-103	16343.26-26	302/092-092	16350.29-31	303/032-034
16310.20-48	298/042-056	16326.01-01	300/109-109	16336.31-33	301/104-106	16343.34-36	302/093-094	16351.05-07	303/039-040
16313.06-34	298/057-071	16326.13-15	300/110-112	16336.35-37	301/107-109	16343.46-46	302/095-095	16351.11-11	303/041-041
16313.30-34	297/054-056	16326.14-15	345/131-132	16336.39-41	301/110-112	16343.54-56	302/096-097	16351.19-21	303/042-043
16313.37-47	297/057-062	16326.17-19	300/113-115	16336.44-46	301/113-115	16344.46-56	335/139-144	16351.30-38	336/006-010
16313.37-59	298/072-083	16326.21-23	300/116-118	16336.48-50	301/116-118	16344.46-58	346/123-129	16351.43-43	336/011-011
16314.01-05	298/084-086	16326.25-27	300/119-121	16336.52-54	301/119-121	16344.58-58	342/071-071	16351.48-50	303/044-046
16314.08-36	298/087-101	16326.29-59	300/122-137	16336.56-58	301/122-124	16345.00-58	342/072-101	16351.52-54	303/047-049
16314.39-59	298/102-112	16327.01-15	300/138-144	16340.02-04	301/125-127	16346.00-08	342/102-106	16351.56-58	303/050-052
16315.01-07	298/113-116	16327.15-43	301/001-015	16340.06-08	301/128-130	16346.18-18	302/098-098	16352.04-14	334/055-060
16315.10-38	298/117-131	16327.44-45	301/016-017	16340.10-12	301/131-133	16346.26-28	302/099-100	16352.29-29	303/053-053
16315.41-59	298/132-141	16327.47-49	301/018-020	16340.14-16	301/134-136	16346.38-38	302/101-101	16352.37-39	303/054-055
16316.01-07	298/142-144	16327.51-53	301/021-023	16340.19-21	301/137-139	16346.46-48	302/102-103	16352.49-49	303/056-056
16316.07-09	299/001-002	16327.55-57	301/024-026	16340.23-25	301/140-142	16346.57-59	342/107-108	16352.57-59	303/057-058
16316.12-40	299/003-017	16327.59-59	301/027-027	16340.27-29	301/143-144	16347.01-09	342/109-113	16353.14-16	303/059-061
16316.43-59	299/018-026	16328.00-01	301/028-029	16340.29-31	302/001-002	16347.20-20	302/104-104	16353.18-20	303/062-064
16317.01-11	299/027-032	16328.03-05	301/030-032	16340.32-33	302/003-004	16347.28-30	302/105-106	16353.22-24	303/065-067
16317.01-13	299/056-062	16328.08-10	301/033-035	16340.35-37	302/005-007	16347.34-42	336/001-005	16353.26-28	303/068-070
16317.14-42	299/033-047	16328.12-12	301/036-036	16340.39-41	302/008-010	16347.55-57	302/107-109	16353.30-31	303/071-072
16317.45-59	299/048-055	16332.36-40	301/037-038	16340.43-45	302/011-013	16347.59-59	302/110-110	16353.31-32	303/073-074
16318.16-44	299/063-077	16332.40-40	345/133-133	16340.47-49	302/014-016	16348.00-01	302/111-112	16353.34-36	303/075-077
16318.47-59	299/078-084	16332.41-43	301/039-040	16340.51-53	302/017-019	16348.00-01	345/134-134	16353.38-40	303/078-080
16319.01-15	299/085-092	16332.46-50	301/041-043	16340.56-59	302/020-021	16348.01-01	346/001-001	16353.42-44	303/081-083
16319.18-24	299/093-096	16332.53-57	301/044-046	16340.58-58	302/022-022	16348.03-05	302/113-115	16353.43-44	303/102-103
16319.26-32	280/057-060	16333.06-06	301/047-047	16341.00-02	302/023-025	16348.07-09	302/116-118	16353.46-48	303/084-086
16319.34-46	299/097-103	16333.14-17	301/048-049	16341.04-06	302/026-028	16348.11-13	302/119-121	16353.46-48	303/104-106
16319.49-59	299/104-109	16333.26-26	301/050-050	16341.08-10	302/029-031	16348.15-17	302/122-124	16353.50-52	303/087-089
16320.01-17	299/110-118	16333.34-37	301/051-052	16341.12-14	302/032-034	16348.19-21	302/125-127	16353.50-52	303/107-109



VOYAGER ARCHIVE TAPE CATALOG

FDS COUNT	VEE ID	FDS COUNT	VEE ID	FDS COUNT	VEE ID	FDS COUNT	VEE ID	FDS COUNT	VEE ID
16353.54-56	303/090-092	16359.54-56	304/067-069	16366.24-26	305/107-109	16370.28-30	306/088-090	16373.32-34	307/067-069
16353.54-56	303/110-112	16359.58-59	304/070-071	16366.24-26	346/002-004	16370.32-34	306/091-093	16373.36-38	307/070-072
16353.58-59	303/093-094	16360.00-00	304/072-072	16366.28-28	346/005-005	16370.36-38	306/094-096	16373.40-42	307/073-075
16353.58-59	303/113-114	16360.02-04	336/099-101	16366.28-30	305/110-112	16370.40-42	306/097-099	16373.44-46	307/076-078
16354.00-03	303/095-096	16360.06-08	336/102-104	16366.32-34	305/113-115	16370.44-46	306/100-102	16373.48-50	307/079-081
16354.00-03	303/115-116	16360.10-12	336/105-107	16366.36-38	305/116-118	16370.48-49	306/103-104	16373.52-54	307/082-084
16354.04-08	303/097-101	16360.14-16	336/108-110	16366.40-42	305/119-121	16370.52-53	306/105-106	16373.56-58	307/085-087
16354.04-26	303/117-139	16360.18-19	336/111-112	16366.44-46	305/122-124	16370.56-58	306/107-109	16374.00-02	307/088-090
16354.32-42	336/012-017	16360.27-38	334/069-080	16366.48-50	305/125-127	16371.00-02	306/110-112	16374.04-06	307/091-093
16354.49-51	303/140-142	16360.44-57	336/021-034	16366.52-54	305/128-130	16371.04-06	306/113-115	16374.08-10	307/094-096
16354.53-55	303/143-145	16361.05-07	336/113-115	16366.56-58	305/131-133	16371.08-10	306/116-118	16374.12-14	307/097-099
16354.57-59	303/146-148	16361.09-11	336/116-118	16367.00-02	305/134-136	16371.12-14	306/119-121	16374.16-18	307/100-102
16355.01-03	303/149-151	16361.13-14	336/119-120	16367.04-06	305/137-139	16371.16-18	306/122-124	16374.20-22	307/103-105
16355.05-07	303/152-154	16361.15-17	304/073-074	16367.08-10	305/140-142	16371.20-22	306/125-127	16374.24-26	307/106-108
16355.09-10	303/155-156	16361.18-19	304/075-076	16367.12-14	305/143-144	16371.24-26	306/128-130	16374.28-30	307/109-111
16355.10-11	454/021-022	16361.21-23	304/077-079	16367.14-16	306/001-002	16371.28-30	306/131-133	16374.32-34	307/112-114
16355.13-15	454/023-025	16361.25-27	304/080-082	16367.17-18	306/003-004	16371.32-34	306/134-136	16374.36-38	307/115-117
16355.17-19	454/026-028	16361.31-59	304/083-097	16367.20-22	306/005-007	16371.36-38	306/137-139	16374.40-42	307/118-120
16355.21-23	454/029-031	16362.01-51	304/098-123	16367.24-26	306/008-010	16371.40-42	306/140-141	16374.44-46	307/121-123
16355.29-30	454/032-033	16362.55-59	304/124-126	16367.28-30	306/011-013	16371.42-44	307/001-002	16374.48-50	307/124-126
16355.31-34	304/001-002	16363.01-37	304/127-144	16367.32-34	306/014-016	16371.45-46	307/003-004	16374.52-54	307/127-129
16356.51-53	340/047-049	16363.37-59	305/001-012	16367.36-38	306/017-019	16371.48-50	307/005-007	16374.56-58	307/130-132
16356.55-57	340/050-052	16364.01-29	305/013-027	16367.40-42	306/020-022	16371.52-54	307/008-010	16375.00-02	307/133-135
16356.59-59	340/053-053	16364.36-38	305/028-030	16367.44-46	306/023-025	16371.56-58	307/011-013	16375.04-06	307/136-138
16357.00-01	340/054-055	16364.40-42	305/031-033	16367.48-50	306/026-028	16372.00-02	307/014-016	16375.08-10	307/139-141
16357.04-05	334/061-062	16364.44-46	305/034-036	16367.52-54	306/029-031	16372.04-06	307/017-019	16375.12-14	307/142-144
16357.07-09	334/063-065	16364.50-52	305/037-038	16367.56-58	306/032-034	16372.08-10	307/020-022	16375.16-18	308/001-003
16357.11-13	334/066-068	16364.53-54	305/039-040	16368.00-02	306/035-037	16372.12-14	307/023-025	16375.20-22	308/004-006
16357.22-26	336/018-020	16364.56-58	305/041-043	16368.19-20	306/038-039	16372.16-18	307/026-028	16375.28-30	336/075-077
16357.35-36	304/003-004	16365.00-02	305/044-046	16368.26-52	336/035-061	16372.20-22	307/029-031	16375.32-34	336/078-080
16357.38-40	304/005-007	16365.04-06	305/047-049	16368.53-59	334/081-087	16372.24-26	307/032-034	16375.36-38	336/081-083
16357.42-44	304/008-010	16365.08-10	305/050-052	16369.00-00	346/134-134	16372.28-29	307/035-036	16375.40-42	336/084-086
16357.47-47	304/011-011	16365.12-14	305/053-055	16369.00-10	334/088-098	16372.33-33	307/037-037	16375.44-45	336/087-088
16357.55-57	304/012-013	16365.16-18	305/056-058	16369.11-15	342/010-014	16372.34-36	336/062-063	16375.46-48	308/007-008
16358.00-00	304/014-014	16365.20-22	305/059-061	16369.22-24	306/040-042	16372.37-38	336/064-065	16375.49-50	308/009-010
16358.08-10	304/015-016	16365.24-26	305/062-064	16369.26-28	306/043-045	16372.40-42	336/066-068	16375.52-54	308/011-013
16358.13-13	304/017-017	16365.28-30	305/065-067	16369.32-34	306/046-048	16372.44-46	336/069-071	16375.56-58	308/014-016
16358.21-23	304/018-019	16365.32-34	305/068-070	16369.36-38	306/049-051	16372.48-50	336/072-074	16376.00-02	308/017-019
16358.33-33	304/020-020	16365.36-38	305/071-073	16369.40-42	306/052-054	16372.52-54	307/038-040	16376.04-06	308/020-022
16358.41-43	304/021-022	16365.40-42	305/074-076	16369.44-46	306/055-057	16372.56-58	307/041-043	16376.08-10	308/023-025
16358.53-59	304/023-029	16365.44-46	305/077-079	16369.48-50	306/058-060	16373.00-02	307/044-046	16376.12-14	308/026-028
16359.00-10	304/030-040	16365.48-50	305/080-082	16369.52-54	306/061-063	16373.04-06	307/047-049	16376.16-18	308/029-031
16359.13-18	304/041-046	16365.52-54	305/083-085	16369.56-58	306/064-066	16373.08-10	307/050-052	16376.20-22	308/032-034
16359.24-25	304/047-048	16365.56-58	305/086-088	16370.00-02	306/067-069	16373.12-13	307/053-054	16376.24-26	308/035-037
16359.30-32	304/049-051	16366.00-02	305/089-091	16370.04-06	306/070-072	16373.14-14	346/006-006	16376.28-30	308/038-040
16359.34-36	304/052-054	16366.04-06	305/092-094	16370.08-10	306/073-075	16373.14-18	307/056-057	16376.32-34	308/041-043
16359.38-40	304/055-057	16366.08-10	305/095-097	16370.12-14	306/076-078	16373.16-16	307/055-055	16376.36-38	308/044-046
16359.42-44	304/058-060	16366.12-14	305/098-100	16370.16-18	306/079-081	16373.20-22	307/058-060	16376.40-42	308/047-049
16359.46-48	304/061-063	16366.16-18	305/101-103	16370.20-22	306/082-084	16373.24-26	307/061-063	16376.44-46	308/050-052
16359.50-52	304/064-066	16366.20-22	305/104-106	16370.24-26	306/085-087	16373.28-30	307/064-066	16376.48-50	308/053-055

## VOYAGER ARCHIVE TAPE CATALOG

FDS COUNT	VGE ID	FDS COUNT	VGE ID	FDS COUNT	VGE ID	FDS COUNT	VGE ID	FDS COUNT	VGE ID
16376.52-54	308/056-058	16380.23-25	309/046-048	16383.45-46	309/133-133	16387.25-27	310/126-128	16395.19-21	311/033-034
16376.56-58	308/059-061	16380.27-29	309/049-051	16383.46-47	310/001-002	16387.29-31	310/129-131	16395.39-42	338/038-039
16377.00-02	308/062-064	16380.31-33	309/052-054	16383.49-51	310/003-005	16387.33-35	310/132-134	16396.30-31	311/035-036
16377.04-06	308/065-067	16380.35-37	309/055-057	16383.53-55	310/006-008	16387.37-39	310/135-137	16396.38-39	311/037-038
16377.08-10	308/068-070	16380.39-41	309/058-060	16383.57-59	310/009-011	16387.41-43	310/138-140	16399.44-59	341/055-070
16377.12-14	308/071-073	16380.43-45	309/061-063	16384.01-03	310/012-014	16387.45-47	310/141-143	16400.00-11	341/071-082
16377.16-18	308/074-076	16380.47-49	309/064-066	16384.05-07	310/015-017	16387.49-50	310/144-144	16401.32-40	329/081-085
16377.20-22	308/077-079	16380.51-53	309/067-069	16384.09-11	310/018-020	16387.50-51	311/001-002	16401.32-58	347/042-055
16377.24-26	308/080-082	16380.55-57	309/070-072	16384.13-15	310/021-023	16387.53-55	311/003-005	16401.41-50	329/086-095
16377.28-29	308/083-084	16380.59-59	309/073-073	16384.17-19	310/024-026	16387.57-59	311/006-008	16401.52-58	329/096-099
16377.30-32	342/015-016	16381.00-01	309/074-075	16384.21-23	310/027-029	16388.01-03	311/009-011	16402.00-08	329/100-104
16377.33-41	342/017-025	16381.03-05	309/076-078	16384.25-27	310/030-032	16388.05-07	311/012-014	16402.00-58	347/056-085
16377.48-57	336/089-098	16381.07-09	309/079-081	16384.29-31	310/033-035	16388.09-11	311/015-017	16402.11-22	330/001-012
16378.03-05	308/085-087	16381.11-13	309/082-084	16384.33-35	310/036-038	16388.13-15	311/018-020	16402.24-50	330/013-026
16378.07-09	308/088-090	16381.15-17	309/085-087	16384.37-39	310/039-041	16388.17-19	311/021-023	16402.51-59	330/027-035
16378.11-13	308/091-093	16381.19-21	309/088-090	16384.41-43	310/042-044	16388.21-23	311/024-026	16403.00-12	330/036-042
16378.15-17	308/094-096	16381.23-25	309/091-093	16384.45-47	310/045-047	16388.25-27	311/027-029	16403.00-58	347/086-115
16378.19-21	308/097-099	16381.27-28	309/094-095	16384.49-51	310/048-050	16388.29-31	311/030-032	16403.13-22	330/043-052
16378.23-25	308/100-102	16381.29-31	342/026-027	16384.53-55	310/051-053	16388.50-58	328/090-094	16403.24-50	330/053-066
16378.27-29	308/103-105	16381.32-33	342/028-029	16384.57-59	310/054-056	16389.00-42	328/095-116	16403.51-59	330/067-075
16378.31-33	308/106-108	16381.35-37	342/030-032	16385.01-03	310/057-059	16389.21-31	337/091-096	16403.53-53	346/135-135
16378.35-37	308/109-111	16381.39-41	342/033-035	16385.05-07	310/060-062	16390.02-20	329/001-010	16404.00-02	347/116-116
16378.39-41	308/112-114	16381.43-45	342/036-038	16385.09-11	310/063-065	16390.03-13	337/097-102	16404.00-28	330/076-090
16378.43-45	308/115-117	16381.47-49	342/039-041	16385.13-15	310/066-068	16390.18-18	346/130-130	16404.02-22	348/001-011
16378.47-49	308/118-120	16381.51-53	309/096-098	16385.17-19	310/069-071	16390.24-40	329/011-019	16404.29-32	330/091-094
16378.51-53	308/121-123	16381.55-57	309/099-101	16385.21-23	310/072-074	16390.40-50	329/020-025	16404.37-42	330/095-100
16378.55-57	308/124-126	16381.59-59	309/102-102	16385.25-27	310/075-077	16390.45-57	337/103-108	16404.42-58	348/012-020
16378.59-59	308/127-127	16382.00-01	309/103-104	16385.29-30	310/078-079	16390.50-58	329/026-030	16404.44-58	330/101-108
16379.00-01	308/128-129	16382.03-09	309/105-106	16385.31-33	342/042-043	16390.56-56	347/004-004	16405.00-12	330/109-115
16379.03-05	308/130-132	16382.08-09	337/040-061	16385.34-35	342/044-045	16390.57-57	338/001-001	16405.00-58	348/021-050
16379.07-09	308/133-135	16382.11-13	337/062-064	16385.37-38	342/046-047	16391.00-58	329/031-040	16405.13-22	330/116-125
16379.11-13	308/136-138	16382.15-17	337/065-067	16385.42-46	342/048-049	16391.04-08	347/005-007	16405.24-34	330/126-130
16379.15-17	308/139-141	16382.19-21	337/068-070	16385.50-50	310/080-080	16391.12-58	347/008-031	16405.34-48	331/001-008
16379.19-21	308/142-144	16382.23-25	337/071-073	16386.09-11	310/081-083	16391.29-55	338/002-015	16405.49-59	331/009-019
16379.23-25	309/001-003	16382.27-29	337/074-076	16386.13-15	310/084-086	16392.00-00	329/061-061	16406.00-18	331/020-038
16379.27-29	309/004-006	16382.31-33	337/077-079	16386.17-19	310/087-089	16392.00-00	347/032-032	16406.04-08	348/051-053
16379.31-33	309/007-009	16382.35-37	337/080-082	16386.21-23	310/090-092	16392.16-26	338/016-021	16407.01-01	331/039-039
16379.35-37	309/010-012	16382.39-45	337/083-084	16386.25-27	310/093-095	16392.17-17	346/131-131	16407.08-26	331/040-058
16379.39-41	309/013-015	16382.47-51	337/085-086	16386.38-42	342/050-051	16392.17-21	347/033-035	16407.31-52	331/059-080
16379.43-45	309/016-018	16382.57-59	337/087-088	16386.43-43	342/052-052	16392.17-27	329/062-067	16407.20-25	311/039-044
16379.47-49	309/019-021	16383.05-07	337/089-090	16386.45-47	310/096-098	16392.27-27	347/036-036	16407.32-53	311/045-066
16379.51-53	309/022-024	16383.10-11	309/107-108	16386.49-51	310/099-101	16392.33-43	338/022-027	16407.55-59	311/067-069
16379.55-57	309/025-027	16383.13-15	309/109-111	16386.53-55	310/102-104	16392.34-46	329/068-074	16410.01-43	311/070-091
16379.59-59	309/028-028	16383.17-19	309/112-114	16386.57-59	310/105-107	16392.40-46	347/037-040	16411.19-24	311/092-097
16380.00-01	309/029-030	16383.21-23	309/115-117	16387.01-03	310/108-110	16392.50-50	329/075-075	16411.31-52	311/098-119
16380.03-05	309/031-033	16383.25-27	309/118-120	16387.05-07	310/111-113	16392.50-50	347/041-041	16412.41-59	311/120-138
16380.07-09	309/034-036	16383.29-31	309/121-123	16387.09-11	310/114-116	16392.55-59	338/028-030	16413.00-02	311/139-141
16380.11-13	309/037-039	16383.33-35	309/124-126	16387.13-15	310/117-119	16393.01-03	338/031-032	16413.36-38	311/142-143
16380.15-17	309/040-042	16383.37-39	309/127-129	16387.17-19	310/120-122	16393.09-17	338/033-037	16413.38-57	312/001-020
16380.19-21	309/043-045	16383.41-43	309/130-132	16387.21-23	310/123-125	16393.18-24	329/076-079	16413.57-57	346/007-007

FDS COUNT	VEE ID	FDS COUNT	VEE ID	FDS COUNT	VEE ID	FDS COUNT	VEE ID	FDS COUNT	VEE ID
16413.59-59	312/021-021	16424.38-38	449/076-076	16440.31-42	314/097-108	16471.54-56	317/001-003	16476.57-59	318/101-103
16414.01-47	312/022-045	16424.41-50	332/061-070	16440.50-59	314/109-118	16471.58-59	317/004-005	16477.00-08	318/104-112
16416.25-30	312/046-051	16424.52-58	332/071-074	16441.00-13	314/119-132	16472.00-02	317/006-007	16477.11-13	318/113-115
16416.37-59	312/052-074	16425.00-16	332/075-083	16441.22-24	314/133-134	16472.03-13	317/008-018	16477.15-17	318/116-118
16417.00-51	312/075-126	16425.00-24	348/129-140	16441.23-29	346/049-052	16472.16-18	317/019-021	16477.19-21	318/119-121
16417.52-58	341/083-089	16425.17-59	332/084-126	16441.24-33	315/001-010	16472.20-22	317/022-024	16477.23-25	318/122-124
16418.00-22	341/090-101	16425.24-36	349/001-007	16441.56-59	315/011-014	16472.24-26	317/025-027	16477.27-38	318/125-136
16418.24-26	331/105-106	16425.48-54	349/008-011	16442.00-07	315/015-022	16472.28-30	317/028-030	16477.41-43	318/137-139
16418.24-58	348/054-071	16426.00-08	332/127-134	16443.11-22	315/023-034	16472.32-43	317/031-042	16477.45-47	318/140-142
16418.27-40	331/107-120	16426.08-12	349/012-014	16443.30-53	315/035-058	16472.46-48	317/043-045	16477.49-51	318/143-144
16418.42-58	331/121-128	16426.08-50	333/001-043	16444.02-13	315/059-070	16472.50-52	317/046-048	16477.51-53	319/001-002
16418.58-58	332/001-001	16426.30-36	349/015-018	16444.36-47	315/071-082	16472.54-56	317/049-051	16477.54-55	319/003-004
16419.00-08	332/002-006	16426.40-44	349/019-021	16445.51-59	315/083-091	16472.58-59	317/052-053	16477.57-59	319/005-007
16419.00-08	348/072-076	16426.58-59	333/044-045	16446.00-02	315/092-094	16473.00-02	317/054-055	16478.00-08	319/008-016
16419.20-28	348/077-085	16427.00-09	333/046-055	16446.10-33	315/095-118	16473.03-13	317/056-066	16478.11-13	319/017-019
16419.20-34	312/127-141	16427.17-40	333/056-079	16446.42-53	315/119-130	16473.16-18	317/067-069	16478.15-17	319/020-022
16419.35-51	346/008-024	16427.49-59	333/080-090	16447.16-27	315/131-142	16473.20-22	317/070-072	16478.19-20	319/023-024
16420.12-14	346/025-026	16428.00-11	333/091-102	16447.29-30	315/143-144	16473.24-26	317/073-075	16478.21-23	337/001-002
16420.15-16	346/027-028	16428.13-15	333/103-104	16447.49-59	316/001-011	16473.28-30	317/076-078	16478.24-25	337/003-004
16420.18-20	346/029-031	16428.16-17	333/105-106	16448.00-00	316/012-012	16473.32-43	317/079-090	16478.27-38	337/005-016
16420.22-24	346/032-034	16428.19-36	333/108-124	16450.47-52	331/081-086	16473.46-48	317/091-093	16478.41-43	337/017-019
16420.26-28	346/035-037	16428.36-38	334/001-003	16451.31-40	316/013-016	16473.50-52	317/094-096	16478.45-47	337/020-022
16420.30-31	346/038-039	16429.51-59	313/010-018	16451.43-52	346/053-056	16473.54-56	317/097-099	16478.46-47	346/057-058
16420.43-45	346/040-041	16430.00-02	313/019-021	16467.45-51	331/087-093	16473.58-59	317/100-101	16478.49-51	337/023-025
16421.16-18	348/086-087	16430.10-33	313/022-045	16469.16-18	316/017-019	16474.00-02	317/102-103	16478.49-51	346/059-061
16421.18-39	332/007-014	16430.42-44	313/046-048	16469.20-22	316/020-022	16474.03-13	317/104-114	16478.53-55	337/026-028
16421.21-39	348/088-094	16430.45-45	333/107-107	16469.24-26	316/023-025	16474.16-39	317/115-138	16478.53-55	346/062-064
16421.41-59	332/015-024	16430.52-53	313/049-050	16469.28-30	316/026-028	16474.41-43	317/139-141	16478.57-59	337/029-031
16421.47-59	348/095-098	16431.16-20	313/051-055	16469.54-56	316/029-031	16474.45-49	317/142-144	16478.57-59	346/065-067
16422.01-09	332/025-029	16432.31-42	313/056-067	16469.58-59	316/032-033	16474.50-51	318/001-002	16479.00-08	337/032-040
16422.03-19	348/099-103	16432.50-55	313/068-073	16470.00-02	316/034-035	16474.53-55	318/003-005	16479.00-08	346/068-076
16422.09-11	332/030-031	16432.51-59	313/074-082	16470.03-13	316/036-046	16474.57-58	318/006-007	16479.11-13	337/041-043
16422.11-13	332/032-033	16433.00-13	313/083-096	16470.16-18	316/047-049	16475.00-08	318/008-016	16479.15-17	337/044-046
16422.13-15	332/034-035	16433.05-13	346/042-046	16470.20-22	316/050-052	16475.11-13	318/017-019	16479.19-21	337/047-049
16422.15-17	332/036-037	16433.22-33	313/097-108	16470.24-26	316/053-055	16475.15-17	318/020-022	16479.23-25	337/050-052
16422.17-19	332/038-039	16433.23-25	346/047-048	16470.28-30	316/056-058	16475.41-43	318/041-043	16479.27-33	337/053-059
16422.19-22	332/040-041	16433.56-59	313/109-112	16470.32-43	316/059-070	16475.45-47	318/044-046	16479.33-33	346/077-077
16422.22-25	332/042-043	16434.00-07	313/113-120	16470.46-48	316/071-073	16475.49-51	318/047-049	16479.34-38	319/025-029
16422.22-28	348/104-106	16434.41-59	334/004-022	16470.50-52	316/074-076	16475.53-55	318/050-052	16479.41-59	319/030-048
16422.25-28	332/044-045	16435.00-06	334/023-024	16470.54-56	316/077-079	16475.57-59	318/053-055	16480.00-03	319/049-052
16422.28-28	332/046-046	16435.11-22	313/121-132	16470.58-59	316/080-081	16476.00-08	318/056-064	16481.09-09	329/080-080
16422.55-57	312/142-143	16435.30-42	313/133-144	16471.00-02	316/082-083	16476.11-13	318/065-067	16485.49-55	331/094-097
16423.00-02	312/144-144	16435.42-53	314/001-012	16471.03-13	316/084-094	16476.15-17	318/068-070	16488.07-11	334/025-029
16423.02-05	313/001-002	16436.02-13	314/013-024	16471.16-18	316/095-097	16476.19-21	318/071-073	16488.14-14	334/030-030
16423.07-10	313/003-004	16436.36-47	314/025-036	16471.20-22	316/098-100	16476.23-25	318/074-076	16495.24-24	334/099-099
16423.12-15	313/005-006	16437.51-59	314/037-045	16471.24-26	316/101-103	16476.27-38	318/077-088	16501.05-09	319/053-054
16423.17-20	313/007-008	16438.00-02	314/046-048	16471.28-30	316/104-106	16476.41-43	318/089-091	16501.12-16	319/055-057
16423.22-22	313/009-009	16438.10-33	314/049-072	16471.32-43	316/107-118	16476.45-47	318/092-094	16513.24-26	319/058-059
16424.14-40	332/047-060	16438.42-53	314/073-084	16471.46-48	316/119-121	16476.49-51	318/095-097	16513.30-33	319/060-061
16424.16-58	348/107-128	16439.16-27	314/085-096	16471.50-52	316/122-124	16476.53-55	318/098-100	16513.35-37	319/062-063

## VOYAGER ARCHIVE TAPE CATALOG

FDS COUNT	VEE ID	FDS COUNT	VEE ID	FDS COUNT	VEE ID	FDS COUNT	VEE ID	FDS COUNT	VEE ID
16514.32-32	340/058-058	16555.14-16	320/058-060	16600.01-01	272/021-021	16642.26-28	321/080-082	16847.57-59	322/060-062
16525.57-59	319/064-066	16555.18-20	320/061-063	16600.13-17	272/022-026	16642.52-54	321/083-085	16848.38-40	322/063-065
16526.01-03	319/067-069	16555.40-42	320/064-066	16600.24-28	321/008-010	16643.18-20	321/086-088	16849.19-21	322/066-068
16526.05-07	319/070-072	16555.44-46	320/067-069	16600.24-28	453/038-040	16643.44-46	321/089-091	16850.00-02	322/069-071
16526.09-11	319/073-075	16556.06-08	320/070-072	16600.31-35	321/011-013	16644.10-12	321/092-094	16850.41-43	322/072-074
16546.08-10	319/076-078	16556.10-12	320/073-075	16600.31-35	453/041-043	16644.36-38	321/095-097	16851.22-24	322/075-077
16546.12-14	319/079-081	16556.32-34	320/076-078	16612.51-55	321/014-016	16645.02-04	321/098-100	16852.03-05	322/078-080
16546.34-36	319/082-084	16556.36-38	320/079-081	16612.51-55	453/044-046	16645.28-30	321/101-103	16852.44-46	322/081-083
16546.38-40	319/085-087	16556.38-38	320/097-097	16612.58-58	321/017-017	16645.54-56	321/104-106	16853.25-27	322/084-086
16547.00-02	319/088-090	16556.58-59	320/082-083	16612.58-58	453/047-047	16645.55-55	346/082-082	16854.06-08	322/087-089
16547.04-06	319/091-093	16556.58-59	320/098-099	16613.00-02	321/018-019	16646.20-22	321/107-109	16854.47-49	322/090-092
16547.26-28	319/094-096	16557.00-02	320/084-085	16613.00-02	453/048-049	16646.46-48	321/110-112	16855.28-30	322/093-095
16547.30-32	319/097-099	16557.00-02	320/100-101	16625.14-18	321/020-022	16650.24-26	321/113-115	16856.09-11	322/096-098
16547.52-54	319/100-102	16557.03-04	320/086-087	16625.14-18	453/050-052	16650.28-30	321/116-118	16856.50-52	322/099-101
16547.56-58	319/103-105	16557.03-04	320/102-103	16625.21-25	321/023-025	16650.32-34	321/119-121	16857.31-33	322/102-104
16548.18-20	319/106-108	16557.24-26	320/088-090	16625.21-25	453/053-055	16650.36-38	321/122-124	16858.12-14	322/105-107
16548.22-24	319/109-111	16557.24-26	320/104-106	16629.53-55	290/021-023	16662.38-42	321/125-127	16858.53-55	322/108-110
16548.44-46	319/112-114	16557.28-30	320/091-093	16629.57-59	290/024-026	16662.45-49	321/128-130	16860.05-10	322/111-116
16548.48-50	319/115-117	16557.28-30	320/107-109	16634.38-40	321/026-028	16699.12-18	331/098-104	16909.38-43	322/117-122
16549.10-12	319/118-120	16557.50-52	320/094-096	16634.38-40	453/056-058	16730.44-48	260/003-007	16909.46-48	322/123-125
16549.14-16	319/121-123	16557.50-52	320/110-112	16635.04-06	321/029-031	16730.50-59	260/008-017	16910.27-29	322/126-128
16549.36-38	319/124-126	16557.54-56	320/113-115	16635.04-06	453/059-061	16731.00-06	260/018-024	16911.08-10	322/129-131
16549.40-40	346/078-078	16557.54-56	453/001-003	16635.30-32	321/032-034	16779.12-17	334/031-036	16911.49-51	322/132-134
16549.40-42	319/127-129	16558.16-18	320/116-118	16635.30-32	453/062-064	16779.18-18	347/001-001	16912.30-32	322/135-137
16550.02-04	319/130-132	16558.16-18	453/004-006	16635.56-58	321/035-037	16779.30-35	346/083-088	16913.11-13	322/138-140
16550.06-08	319/133-135	16558.20-22	320/119-121	16635.56-58	453/065-067	16785.26-33	321/131-138	16913.52-54	322/141-143
16550.28-30	319/136-138	16558.20-22	453/007-009	16636.22-24	321/038-040	16785.26-33	346/089-096	16914.33-35	323/001-003
16550.32-34	319/139-141	16559.35-36	320/122-123	16636.22-24	453/068-070	16785.36-38	321/139-141	16915.14-16	323/004-006
16550.54-56	319/142-144	16559.35-36	453/010-011	16636.48-50	321/041-043	16786.17-19	321/142-144	16915.55-57	323/007-009
16550.58-59	320/001-002	16563.15-17	320/124-126	16636.48-50	453/071-073	16786.58-59	322/001-002	16916.36-38	323/010-012
16550.59-59	346/079-079	16563.15-17	453/012-014	16637.14-16	321/044-046	16787.00-00	322/003-003	16917.17-19	323/013-015
16551.00-00	320/003-003	16563.19-21	320/127-129	16637.14-16	453/074-076	16787.39-41	322/004-006	16917.58-59	323/016-017
16551.20-22	320/004-006	16563.19-21	453/015-017	16637.40-42	321/047-049	16787.41-41	346/097-097	16918.00-00	323/018-018
16551.24-26	320/007-009	16563.23-25	320/130-132	16637.40-42	453/077-079	16788.20-22	322/007-009	16918.39-41	323/019-021
16551.46-48	320/010-012	16563.23-25	453/018-020	16638.06-08	321/050-052	16789.01-03	322/010-012	16919.20-22	323/022-024
16551.50-52	320/013-015	16563.27-29	320/133-135	16638.06-08	453/080-082	16789.42-44	322/013-015	16920.01-03	323/025-027
16552.12-14	320/016-018	16563.27-29	453/021-023	16638.32-34	321/053-055	16790.23-25	322/016-018	16920.42-44	323/028-030
16552.16-18	320/019-021	16563.31-32	320/136-137	16638.32-34	453/083-085	16791.45-47	322/019-021	16921.23-25	323/031-033
16552.38-40	320/022-024	16563.31-32	453/024-025	16638.58-59	321/056-057	16792.26-28	322/022-024	16921.30-35	323/034-039
16552.42-44	320/025-027	16575.36-40	320/138-140	16638.58-59	453/086-087	16793.07-09	322/025-027	16971.18-23	323/040-045
16553.04-06	320/028-030	16575.36-40	453/026-028	16639.00-00	321/058-058	16793.48-50	322/028-030	16971.26-28	323/046-048
16553.08-10	320/031-033	16575.43-47	320/141-142	16639.00-00	346/080-080	16794.29-31	322/031-033	16972.07-09	323/049-051
16553.30-32	320/034-036	16575.43-47	453/029-031	16639.24-26	321/059-061	16795.10-12	322/034-036	16972.48-50	323/052-054
16553.34-36	320/037-039	16575.47-47	321/001-001	16639.50-52	321/062-064	16795.51-53	322/037-039	16973.29-31	323/055-057
16553.56-58	320/040-042	16587.58-58	321/002-002	16640.16-18	321/065-067	16796.32-34	322/040-042	16974.10-12	323/058-060
16554.00-02	320/043-045	16587.58-58	453/032-032	16640.42-42	346/081-081	16797.13-15	322/043-045	16974.51-53	323/061-063
16554.22-24	320/046-048	16588.00-02	321/003-004	16640.42-44	321/068-070	16797.40-42	322/046-048	16975.32-34	323/064-066
16554.26-28	320/049-051	16588.00-02	453/033-034	16641.08-10	321/071-073	16797.45-45	322/050-050	16976.13-15	323/067-069
16554.48-50	320/052-054	16588.05-09	321/005-007	16641.34-36	321/074-076	16847.08-13	322/051-056	16976.54-56	323/070-072
16554.52-54	320/055-057	16588.05-09	453/035-037	16642.00-02	321/077-079	16847.16-18	322/057-059	16977.35-37	323/073-075

## VOYAGER ARCHIVE TAPE CATALOG

FDS COUNT	VEE ID	FDS COUNT	VEE ID	FDS COUNT	VEE ID	FDS COUNT	VEE ID	FDS COUNT	VEE ID
16978.16-18	323/076-078	17306.26-28	324/090-092	17374.21-23	326/080-082	17533.45-45	328/006-006	18429.04-08	349/048-050
16978.57-59	323/079-081	17307.07-09	324/093-095	17374.25-27	326/083-085	17533.54-54	328/007-007	18431.32-34	349/051-052
16979.38-40	323/082-084	17307.48-50	324/096-098	17375.09-10	326/086-087	17534.03-03	328/008-008	18431.34-36	349/053-054
16980.19-21	323/085-087	17308.29-31	324/099-101	17385.10-15	326/088-093	17534.12-12	328/009-009	18434.01-05	349/055-057
16981.00-02	323/088-090	17309.10-12	324/102-104	17385.17-26	326/094-103	17534.21-21	328/010-010	18436.30-34	349/058-060
16981.41-43	323/091-093	17309.51-53	324/105-107	17385.29-31	326/104-106	17534.30-30	328/011-011	18438.59-59	349/061-061
16982.22-24	323/094-096	17310.32-34	324/108-110	17385.33-35	326/107-109	17534.39-39	328/012-012	18439.01-03	349/062-063
16983.03-05	323/097-099	17311.13-15	324/111-113	17385.50-58	326/110-114	17534.48-51	328/013-014	18441.28-32	349/064-066
17182.42-43	323/100-101	17311.54-56	324/114-116	17386.00-08	326/115-119	17534.53-59	328/015-018	18443.57-59	349/067-068
17183.22-24	323/102-104	17312.35-37	324/117-119	17386.11-13	326/120-121	17535.01-01	328/019-019	18445.01-01	349/069-069
17184.03-05	323/105-107	17313.16-16	324/120-120	17386.16-18	326/122-123	17561.20-30	328/020-025	18446.26-30	349/070-072
17184.44-46	323/108-110	17363.40-45	324/121-126	17386.35-59	326/124-132	17561.50-50	328/026-026	18448.55-59	349/073-075
17185.25-27	323/111-113	17363.44-44	327/088-088	17387.02-02	326/133-133	17562.27-31	328/027-029	18451.24-28	349/076-078
17186.06-08	323/114-116	17363.48-59	324/127-138	17387.07-10	326/134-135	17563.04-08	328/030-032	18453.52-56	349/079-081
17186.47-49	323/117-119	17364.00-06	324/139-144	17387.14-17	326/136-137	17563.41-45	328/033-035	18456.21-25	349/082-084
17187.28-30	323/120-122	17364.06-09	325/001-004	17388.10-13	326/138-139	17564.18-22	328/036-038	18458.50-54	349/085-087
17188.09-11	323/123-125	17364.20-22	325/005-006	17388.14-15	326/140-141	17564.55-59	328/039-041	18461.19-21	349/088-089
17188.50-52	323/126-128	17364.28-58	325/007-022	17388.19-25	326/142-144	17565.32-36	328/042-044	18461.21-23	349/090-091
17189.31-33	323/129-131	17365.00-58	325/023-052	17388.25-29	327/001-003	17566.09-13	328/045-047	18463.48-52	349/092-094
17190.12-14	323/132-134	17366.00-26	325/053-066	17388.42-57	327/004-009	17566.46-50	328/048-050	18466.17-21	349/095-097
17190.53-55	323/135-136	17366.41-59	325/067-073	17389.12-32	327/010-015	17567.23-27	328/051-053	18468.46-50	349/098-100
17191.34-36	323/137-138	17367.02-59	325/074-093	17389.38-58	327/016-021	17568.00-04	328/054-056	18471.15-19	349/101-103
17191.36-36	324/001-001	17368.02-59	325/094-113	17390.02-46	327/022-033	17568.37-41	328/057-059	18473.44-48	349/104-106
17192.15-17	324/002-004	17369.02-50	325/114-130	17390.51-57	327/034-036	17569.14-18	328/060-062	18476.12-16	349/107-109
17192.56-58	324/005-007	17371.44-45	325/131-131	17391.00-06	327/037-039	17569.51-55	328/063-065	18478.41-45	349/110-112
17193.37-39	324/008-010	17371.45-55	326/001-011	17392.35-46	327/040-051	17570.28-32	328/066-068	18481.10-14	349/113-115
17194.18-20	324/011-013	17371.59-59	326/012-012	17449.08-10	324/047-049	17571.05-09	328/069-071	18483.39-43	349/116-118
17194.40-45	324/014-019	17372.00-01	326/013-014	17449.49-51	324/050-052	17571.42-46	328/072-074	18486.08-12	349/119-121
17244.13-18	324/020-025	17372.03-04	326/015-016	17502.49-59	327/052-062	17572.08-08	328/075-075	18488.37-41	349/122-124
17244.21-23	324/026-028	17372.07-09	326/017-019	17503.00-03	327/063-064	17572.19-23	328/076-077	18491.06-08	349/125-126
17245.02-04	324/029-031	17372.11-13	326/020-022	17503.04-14	327/065-075	17573.33-37	328/078-080	18491.08-10	349/127-128
17245.43-45	324/032-034	17372.15-17	326/023-025	17503.17-28	327/076-087	17573.33-37	346/102-104	18493.35-39	349/129-131
17246.24-26	324/035-037	17372.28-30	326/026-028	17503.31-42	327/089-100	17574.10-14	328/081-083	18496.04-08	349/132-134
17247.05-07	324/038-040	17372.32-34	326/029-031	17503.45-56	327/101-112	17574.10-14	346/105-107	18498.32-36	349/135-137
17247.27-29	324/044-046	17372.36-38	326/032-034	17503.59-59	327/113-113	17574.17-23	346/108-111	18501.01-05	349/138-140
17247.46-48	324/041-043	17372.40-42	326/035-037	17504.00-10	327/114-124	17574.17-27	328/084-089	18503.30-32	349/141-141
17250.30-32	324/053-055	17372.44-46	326/038-040	17504.13-14	327/125-126	18187.08-08	353/043-043	18503.32-34	350/001-002
17251.11-13	324/056-058	17373.05-07	326/041-043	17531.43-53	327/127-132	18187.08-08	353/115-115	18505.59-59	350/003-003
17251.52-54	324/059-061	17373.09-11	326/044-046	17531.57-57	327/133-133	18409.12-12	349/022-022	18506.01-03	350/004-005
17252.33-35	324/062-064	17373.13-15	326/047-049	17532.06-06	327/134-134	18409.12-12	349/023-023	18508.28-32	350/006-008
17253.14-16	324/065-067	17373.17-19	326/050-052	17532.15-15	327/135-135	18409.12-16	349/024-026	18510.57-59	350/009-010
17253.15-16	346/098-099	17373.21-23	326/053-055	17532.24-24	327/136-136	18411.41-45	349/027-029	18511.01-01	350/011-011
17253.55-57	324/068-070	17373.30-32	326/056-058	17532.33-33	327/137-137	18411.43-43	447/081-081	18513.26-30	350/012-014
17253.55-58	346/100-101	17373.34-36	326/059-061	17532.42-42	327/138-138	18414.10-14	349/030-032	18515.55-59	350/015-017
17254.36-38	324/071-073	17373.38-40	326/062-064	17532.51-51	327/139-139	18416.39-43	349/033-035	18518.24-28	350/018-020
17255.17-19	324/074-076	17373.42-44	326/065-067	17533.00-00	328/001-001	18419.08-12	349/036-038	18520.53-57	350/021-023
17255.58-59	324/077-078	17373.46-48	326/068-070	17533.09-09	328/002-002	18419.17-17	322/049-049	18523.22-26	350/024-026
17256.00-03	324/079-080	17374.09-11	326/071-073	17533.18-18	328/003-003	18421.37-41	349/039-041	18525.51-55	350/027-029
17256.04-08	324/081-085	17374.13-15	326/074-076	17533.27-27	328/004-004	18424.06-10	349/042-044	18528.20-24	350/030-032
17306.20-23	324/086-089	17374.17-19	326/077-079	17533.36-36	328/005-005	18426.35-39	349/045-047	18530.49-53	350/033-035

## VOYAGER ARCHIVE TAPE CATALOG

FDS COUNT	VEE ID	FDS COUNT	VEE ID	FDS COUNT	VEE ID	FDS COUNT	VEE ID	FDS COUNT	VEE ID
18533.18-22	350/036-038	18627.36-40	350/127-129	18749.10-14	351/112-114	18850.55-59	352/094-096	18960.06-10	353/082-084
18535.47-51	350/039-041	18630.05-09	350/130-132	18751.39-43	351/115-117	18853.24-28	352/097-099	18962.35-39	353/085-087
18538.16-20	350/042-044	18632.32-36	350/133-135	18754.08-12	351/118-120	18855.52-56	352/100-102	18962.39-39	448/008-008
18540.45-49	350/045-047	18635.01-05	350/136-138	18756.37-41	351/121-123	18858.21-25	352/103-105	18965.04-08	353/088-090
18543.12-16	350/048-050	18637.30-34	350/139-141	18759.06-10	351/124-126	18860.50-54	352/106-108	18965.04-08	448/009-011
18545.41-45	350/051-053	18639.59-59	350/142-142	18761.35-39	351/127-129	18863.19-23	352/109-111	18967.33-35	448/012-013
18548.10-14	350/054-056	18640.01-03	350/143-144	18764.04-08	351/130-132	18865.48-52	352/112-114	18967.33-37	353/091-093
18550.39-41	350/057-058	18642.28-32	351/001-003	18766.32-36	351/133-135	18868.17-21	352/115-117	18967.35-37	448/014-015
18550.41-43	350/059-060	18644.57-59	351/004-005	18769.01-05	351/136-138	18870.46-50	352/118-120	18970.02-06	353/094-096
18553.08-12	350/061-063	18645.01-01	351/006-006	18771.30-34	351/139-141	18873.08-08	435/073-073	18972.31-35	353/097-099
18555.37-41	350/064-066	18647.30-30	351/007-007	18773.59-59	352/001-001	18873.15-19	352/121-123	18975.00-04	353/100-102
18558.06-10	350/067-069	18649.55-59	351/008-010	18774.01-03	352/002-003	18875.44-48	352/124-126	18977.29-33	353/103-105
18560.35-39	350/070-072	18652.24-28	351/011-013	18776.28-32	352/004-006	18878.13-17	352/127-129	18979.58-58	353/106-106
18563.04-04	350/073-073	18654.55-57	351/016-017	18778.57-59	352/007-008	18880.42-46	352/130-132	18980.00-02	353/107-108
18563.06-08	447/082-083	18669.49-51	351/018-019	18779.01-01	352/009-009	18883.11-15	352/133-135	18982.27-31	353/110-112
18565.33-37	447/084-086	18672.16-20	351/020-022	18781.26-30	352/010-012	18885.40-44	352/136-138	18983.11-11	353/113-113
18568.02-06	447/087-089	18674.45-49	351/023-025	18783.55-59	352/013-015	18888.09-13	352/139-141	18984.56-58	353/116-117
18570.31-35	447/090-092	18677.13-17	351/026-028	18786.24-28	352/016-018	18890.38-42	352/142-144	18985.00-00	353/118-118
18572.53-53	444/037-037	18679.42-46	351/029-031	18788.52-56	352/019-021	18890.42-42	353/037-037	18987.25-27	353/119-120
18573.00-04	447/093-095	18682.11-15	351/032-034	18791.21-25	352/022-024	18890.42-42	353/109-109	18994.50-54	353/124-126
18575.21-21	440/089-089	18684.40-44	351/035-037	18793.50-54	352/025-027	18893.07-11	353/001-003	18997.19-23	353/127-129
18575.29-33	447/096-098	18687.09-13	351/038-040	18796.19-23	352/028-030	18893.11-11	353/041-041	18999.48-52	353/130-132
18577.58-58	447/099-099	18689.38-38	448/005-005	18798.48-52	352/031-033	18895.36-40	353/004-006	18999.52-54	448/016-017
18578.00-02	447/100-101	18689.40-42	351/041-042	18801.17-21	352/034-036	18898.05-09	353/007-009	19002.17-21	354/001-003
18580.27-27	447/102-102	18692.07-11	351/043-045	18803.46-50	352/037-039	18900.32-36	353/010-012	19004.46-50	354/004-006
18580.27-31	447/103-104	18694.36-40	351/046-048	18806.15-19	352/040-042	18903.01-05	353/013-015	19007.15-19	354/007-009
18580.31-31	448/001-001	18697.05-09	351/049-051	18808.44-48	352/043-045	18905.30-34	353/016-018	19009.44-48	354/010-012
18582.56-58	448/002-003	18699.33-37	351/052-054	18811.12-16	352/046-048	18907.59-59	353/019-019	19012.13-17	354/013-015
18582.58-58	350/074-074	18702.02-06	351/055-057	18813.34-34	440/090-090	18908.01-03	353/020-021	19014.42-46	354/016-018
18583.00-00	350/075-075	18704.31-35	351/058-060	18813.41-45	352/049-051	18910.28-32	353/022-024	19017.11-15	354/019-021
18585.25-29	350/076-078	18707.00-04	351/061-063	18816.03-03	444/038-038	18912.57-59	353/025-026	19019.40-44	354/022-024
18587.52-56	350/079-081	18709.29-33	351/064-066	18816.10-14	352/052-054	18913.01-01	353/027-027	19022.01-01	440/091-091
18590.21-25	350/082-084	18711.58-58	351/067-067	18818.39-43	352/055-057	18915.26-30	353/028-030	19022.09-13	354/025-027
18592.50-54	350/085-087	18712.00-02	351/068-069	18821.08-12	352/058-060	18917.55-59	353/031-033	19024.38-42	354/028-030
18592.52-53	351/014-015	18714.27-31	351/070-072	18823.37-41	352/061-063	18920.24-28	353/034-036	19027.07-11	354/031-033
18595.19-23	350/088-090	18716.56-58	351/073-074	18826.06-10	352/064-066	18922.21-25	353/121-123	19029.36-40	354/034-036
18597.48-52	350/091-093	18716.56-59	448/006-007	18828.35-39	352/067-069	18922.52-56	353/038-040	19032.05-09	354/037-039
18600.17-21	350/094-096	18717.00-00	351/075-075	18831.04-08	352/070-072	18925.21-25	353/044-046	19034.33-37	354/040-042
18602.46-50	350/097-099	18719.25-29	351/076-078	18833.32-36	352/073-075	18927.50-52	353/047-048	19037.02-06	354/043-045
18605.15-19	350/100-102	18721.52-56	351/079-081	18833.36-36	353/042-042	18932.48-52	353/049-051	19039.31-35	354/046-048
18607.44-48	350/103-105	18724.21-25	351/082-084	18833.36-36	353/114-114	18935.17-21	353/052-054	19042.00-04	354/049-051
18610.13-15	350/106-107	18726.50-54	351/085-087	18836.01-05	352/076-078	18937.46-50	353/055-057	19044.29-33	354/052-054
18610.15-17	350/108-109	18729.19-23	351/088-090	18838.30-34	352/079-081	18940.15-19	353/058-060	19046.58-58	354/055-055
18612.42-46	350/110-112	18731.48-52	351/091-093	18840.59-59	352/082-082	18942.44-48	353/061-063	19049.27-31	354/058-060
18615.11-15	350/113-115	18734.17-21	351/094-096	18841.01-03	352/083-084	18945.12-16	353/064-066	19051.49-49	438/042-042
18615.13-13	448/004-004	18736.46-50	351/097-099	18843.21-21	438/041-041	18947.41-45	353/067-069	19051.56-58	354/061-062
18617.40-44	350/116-117	18739.15-19	351/100-102	18843.28-32	352/085-087	18950.10-14	353/070-072	19052.00-00	354/063-063
18620.09-13	350/118-120	18741.44-48	351/103-105	18845.57-59	352/088-089	18952.39-43	353/073-075	19054.17-17	435/074-074
18622.38-42	350/121-123	18744.12-16	351/106-108	18846.01-01	352/090-090	18955.08-12	353/076-078	19054.25-29	354/064-066
18625.07-11	350/124-126	18746.41-45	351/109-111	18848.26-30	352/091-093	18957.37-41	353/079-081	19056.54-58	354/067-069



VOYAGER ARCHIVE TAPE CATALOG

FDS COUNT	VEE ID	FDS COUNT	VEE ID	FDS COUNT	VEE ID	FDS COUNT	VEE ID	FDS COUNT	VEE ID
19059.21-25	354/070-072	19148.42-46	355/033-035	19260.21-25	356/020-022	19347.03-13	357/055-060	19380.02-59	449/011-030
19061.50-54	354/073-075	19151.11-15	355/036-038	19262.50-54	356/023-025	19347.14-17	357/061-064	19381.02-50	449/031-047
19064.19-23	354/076-078	19151.40-44	355/039-041	19265.19-23	356/026-028	19347.19-25	357/065-068	19381.02-56	360/001-019
19064.21-23	448/018-019	19156.09-13	355/042-044	19267.48-52	356/029-031	19349.32-42	357/069-074	19381.56-59	449/048-049
19066.48-52	354/079-081	19158.38-42	355/045-047	19270.17-19	356/032-033	19349.43-46	357/075-078	19382.02-59	449/050-069
19069.17-21	354/082-084	19161.07-11	355/048-050	19270.20-20	356/034-034	19349.48-54	357/079-082	19382.38-59	360/020-027
19071.46-50	354/085-087	19163.22-22	355/052-052	19272.46-50	356/035-037	19351.01-13	357/084-088	19383.02-17	449/070-075
19074.15-19	354/088-090	19163.36-36	355/051-051	19275.15-19	356/038-040	19351.15-21	357/089-092	19383.02-20	360/028-034
19074.19-19	448/020-020	19168.34-38	355/053-055	19277.44-48	356/041-043	19351.24-33	357/093-096	19383.20-23	449/077-078
19076.44-44	448/021-021	19171.01-05	355/056-058	19280.13-29	356/044-052	19351.58-58	357/083-083	19383.20-29	360/035-038
19076.44-48	354/091-093	19173.30-34	355/059-061	19312.30-33	356/053-056	19357.02-12	357/097-102	19383.26-26	449/086-086
19079.13-13	448/022-022	19175.59-59	355/062-062	19312.35-41	356/057-060	19357.13-16	357/103-106	19383.29-47	449/079-085
19079.13-17	354/094-096	19176.01-03	355/063-064	19314.48-58	356/061-066	19357.18-24	357/107-110	19383.48-50	360/039-040
19079.22-22	448/023-023	19178.28-32	355/065-067	19314.59-59	356/067-067	19359.31-41	357/111-116	19383.50-59	449/087-090
19081.41-45	354/097-099	19180.57-59	355/068-069	19315.00-02	356/068-070	19359.42-45	357/117-120	19383.53-59	360/041-043
19084.10-14	354/100-102	19181.01-01	355/070-070	19315.04-06	356/071-072	19359.47-53	357/121-124	19384.02-59	360/044-043
19086.39-43	354/103-105	19183.26-30	355/071-073	19315.08-10	368/088-089	19362.00-10	357/125-130	19384.02-59	449/091-110
19086.39-43	448/024-026	19185.55-59	355/074-076	19317.17-27	368/090-095	19362.11-14	357/131-134	19385.02-02	360/064-064
19089.08-08	448/027-027	19188.24-28	355/077-079	19317.28-29	368/096-097	19362.16-22	357/135-138	19385.03-03	449/111-111
19089.08-12	354/106-108	19190.53-57	355/080-082	19319.00-08	356/082-086	19364.29-39	357/139-144	19385.11-59	449/112-128
19091.37-41	354/109-111	19193.22-26	355/083-085	19319.46-56	356/073-078	19364.40-43	358/001-004	19385.26-59	360/065-076
19094.06-10	354/112-114	19195.51-55	355/086-088	19319.57-59	356/079-081	19364.45-51	358/005-008	19386.02-50	449/129-144
19096.35-39	354/115-117	19198.20-24	355/089-091	19322.08-23	356/087-092	19364.49-53	448/031-032	19386.02-59	360/077-096
19099.04-08	354/118-120	19200.49-53	355/092-094	19322.25-31	356/093-096	19367.05-59	358/009-027	19386.50-59	450/001-004
19101.33-37	354/121-123	19203.18-22	355/095-097	19322.34-43	356/097-100	19368.02-59	358/028-047	19387.02-59	360/097-116
19104.01-05	354/124-126	19205.47-51	355/098-100	19324.37-52	356/101-106	19369.02-59	358/048-067	19388.02-02	450/005-005
19106.30-34	354/127-129	19208.16-20	355/101-103	19324.54-58	356/107-109	19370.02-59	358/068-087	19388.02-59	360/117-136
19108.59-59	354/130-130	19210.45-49	355/104-106	19325.00-12	356/110-114	19371.02-59	358/088-107	19389.02-53	360/137-154
19109.01-03	354/131-132	19213.14-18	355/107-109	19325.03-03	448/029-029	19372.02-59	358/108-127	19389.53-59	454/034-036
19111.28-32	354/133-135	19215.42-46	355/110-112	19327.12-22	356/115-120	19373.02-50	358/128-144	19390.02-35	454/037-048
19113.57-59	354/136-137	19218.11-15	355/113-115	19327.23-26	356/121-124	19373.50-59	359/001-004	19390.38-59	361/001-008
19114.01-01	354/138-138	19220.40-44	355/116-118	19327.25-25	448/030-030	19373.56-59	448/033-034	19391.02-59	361/009-028
19116.19-19	438/043-043	19223.09-13	355/119-121	19327.28-34	356/125-128	19374.02-59	359/005-024	19392.02-59	361/029-048
19116.26-30	354/139-141	19225.38-42	355/122-124	19329.41-51	356/129-134	19374.02-59	448/035-054	19393.02-02	368/098-098
19118.56-59	354/142-144	19228.07-11	355/125-127	19329.52-55	356/135-138	19375.02-59	359/025-044	19393.05-59	361/049-067
19121.26-28	355/001-002	19230.36-40	355/128-130	19329.57-59	356/139-140	19375.02-59	448/055-074	19394.02-59	361/068-087
19123.53-57	355/003-005	19233.05-09	355/131-133	19330.01-03	356/141-142	19376.02-59	359/045-064	19395.02-59	361/088-107
19126.22-26	355/006-008	19235.34-38	355/134-136	19332.10-14	356/143-144	19376.02-59	448/075-094	19396.02-59	361/108-127
19128.51-55	355/009-011	19238.02-06	355/137-139	19332.14-20	357/001-004	19377.02-20	359/045-071	19397.02-53	361/128-144
19131.20-24	355/012-014	19240.31-31	355/140-140	19332.21-24	357/005-008	19377.02-59	448/095-114	19397.53-59	362/001-003
19133.49-53	355/015-017	19240.31-35	355/141-143	19332.26-32	357/009-012	19377.26-59	359/073-084	19398.02-59	362/004-023
19136.18-22	355/018-020	19243.00-04	355/144-144	19339.36-46	357/013-018	19377.53-53	359/072-072	19399.02-59	362/024-043
19138.49-49	355/021-021	19245.29-33	356/002-004	19339.47-50	357/019-022	19378.02-35	448/115-126	19400.02-59	362/044-063
19138.49-51	355/022-023	19247.58-58	356/005-005	19339.52-58	357/023-026	19378.02-59	359/085-104	19401.02-59	362/064-083
19141.09-09	440/092-092	19248.00-02	356/006-007	19342.05-15	357/027-032	19378.39-41	448/127-128	19402.02-59	362/084-103
19141.16-20	355/024-026	19250.27-31	356/008-010	19342.16-19	357/033-036	19378.44-59	448/129-134	19403.02-59	362/104-123
19141.20-20	448/028-028	19252.56-58	356/011-012	19342.21-27	357/037-040	19379.02-32	448/135-144	19404.02-59	362/124-143
19143.45-49	355/027-029	19253.00-00	356/013-013	19344.34-44	357/041-046	19379.02-59	359/105-124	19404.41-41	450/006-006
19146.14-18	355/030-032	19255.25-29	356/014-016	19344.45-48	357/047-050	19379.32-59	449/001-010	19405.02-05	362/144-144
19148.35-35	444/039-039	19257.54-58	356/017-019	19344.50-56	357/051-054	19380.02-59	359/125-144	19405.05-59	363/001-019

## VOYAGER ARCHIVE TAPE CATALOG

FDS COUNT	VEE ID	FDS COUNT	VEE ID	FDS COUNT	VEE ID	FDS COUNT	VEE ID	FDS COUNT	VEE ID
19406.02-59	363/020-039	19433.29-31	366/049-051	19478.11-13	367/066-067	19515.15-15	368/003-003	19563.01-01	440/095-095
19407.02-20	363/040-046	19433.33-37	366/052-053	19478.30-30	367/068-068	19515.21-24	368/060-063	19564.57-59	369/087-088
19407.29-59	363/047-057	19433.37-37	450/059-059	19478.37-40	367/069-072	19515.26-32	368/064-065	19565.01-03	369/089-090
19408.02-59	363/058-077	19433.39-39	366/054-054	19480.42-42	367/073-073	19517.39-43	368/066-068	19567.26-32	369/091-092
19408.14-32	450/007-013	19435.46-50	366/055-057	19482.55-59	367/074-076	19517.49-53	368/069-073	19567.34-34	369/093-093
19409.02-59	363/078-097	19435.57-59	366/058-060	19483.01-05	367/077-079	19517.53-57	366/121-123	19569.55-59	369/094-096
19409.44-44	450/014-014	19436.00-02	366/061-062	19483.06-09	367/080-083	19517.55-57	368/074-075	19570.01-03	369/097-098
19410.02-59	363/098-117	19438.15-21	366/063-066	19483.11-15	367/084-086	19520.08-14	366/124-127	19572.24-28	369/099-101
19411.02-59	363/118-137	19438.26-28	366/067-068	19485.24-28	367/087-089	19520.08-14	368/076-079	19573.14-14	438/045-045
19412.02-17	363/138-142	19438.29-37	366/069-073	19485.35-38	367/090-093	19520.16-19	450/078-079	19574.53-57	369/102-104
19412.17-38	364/001-008	19440.44-48	366/074-076	19485.40-40	367/094-094	19520.20-22	450/080-082	19577.22-30	369/105-109
19412.39-41	450/015-016	19440.52-54	366/077-078	19487.53-59	450/062-065	19520.24-24	450/083-083	19579.51-55	369/110-112
19412.44-56	450/017-021	19440.55-57	366/079-080	19488.01-03	450/066-067	19520.28-28	366/128-128	19584.48-50	369/113-113
19412.59-59	364/009-009	19440.58-58	366/081-081	19488.04-07	450/068-071	19520.28-28	368/080-080	19584.50-52	370/001-002
19413.02-59	364/010-029	19441.00-00	366/082-082	19488.09-15	450/072-075	19520.28-30	366/129-130	19587.17-21	370/003-005
19414.02-59	364/030-049	19443.05-11	366/083-085	19490.22-28	367/095-098	19520.28-30	368/081-082	19589.46-48	370/006-007
19415.02-50	364/050-066	19443.20-28	366/086-090	19490.32-36	367/099-103	19522.37-39	366/131-132	19591.59-59	444/040-040
19415.17-20	450/022-023	19443.31-40	366/091-094	19490.38-44	367/104-107	19522.37-39	368/083-084	19592.15-23	370/008-012
19415.50-56	364/067-068	19445.51-57	366/095-098	19492.51-59	367/108-112	19522.45-45	450/084-084	19594.44-52	370/013-017
19415.59-59	364/069-069	19446.00-09	366/099-102	19493.01-05	367/113-117	19522.48-50	366/133-135	19602.10-16	370/018-019
19416.02-59	364/070-089	19448.10-14	366/103-105	19493.07-13	367/118-121	19522.48-50	368/085-087	19602.41-41	440/096-096
19417.02-59	364/090-109	19448.21-24	366/106-109	19495.03-03	438/044-044	19522.51-53	369/018-019	19604.39-47	370/020-024
19417.17-23	450/024-026	19448.26-26	366/110-110	19495.20-30	367/122-127	19522.57-57	369/020-020	19607.08-16	370/025-029
19418.02-59	364/110-129	19450.50-53	366/111-114	19495.31-34	367/128-131	19525.06-10	369/021-023	19609.37-45	370/030-034
19418.47-59	450/027-031	19450.55-57	366/115-116	19495.36-38	367/132-133	19525.17-20	369/024-027	19617.03-07	370/035-037
19419.02-20	450/032-038	19453.08-12	366/117-119	19497.49-57	367/134-138	19525.22-22	369/028-028	19618.01-01	440/097-097
19419.02-47	364/130-144	19453.10-10	450/060-060	19498.00-03	367/139-142	19527.35-43	369/029-033	19619.32-38	370/038-039
19419.47-59	365/001-005	19453.19-19	366/120-120	19498.05-07	367/143-144	19527.45-45	450/085-085	19619.40-40	370/040-040
19420.02-59	365/006-025	19455.39-39	450/061-061	19498.09-11	450/076-077	19527.46-48	369/034-035	19622.01-09	370/041-045
19421.02-59	365/026-045	19458.24-26	367/001-002	19500.26-32	368/004-007	19527.51-57	369/036-037	19624.30-38	370/046-050
19422.02-59	365/046-065	19465.33-37	367/003-005	19500.35-44	368/008-011	19532.41-49	369/038-042	19626.59-59	370/051-051
19423.02-59	365/066-085	19465.44-47	367/006-009	19502.55-59	368/012-014	19535.10-18	369/043-047	19627.05-07	370/052-053
19424.02-59	365/086-105	19465.49-55	367/010-011	19503.01-04	368/015-016	19537.39-47	369/048-052	19629.28-30	370/054-055
19424.14-20	450/039-040	19468.02-12	367/012-017	19503.10-10	368/017-017	19540.08-14	369/053-054	19629.36-36	370/056-056
19425.02-59	365/106-125	19468.13-16	367/018-021	19505.07-13	368/018-020	19540.14-14	450/086-086	19631.57-59	370/057-058
19426.02-59	365/126-144	19468.18-22	367/022-024	19505.22-30	368/021-025	19542.01-01	440/094-094	19632.01-05	370/059-061
19426.59-59	366/001-001	19470.31-41	367/025-030	19505.33-39	368/026-027	19542.37-45	369/055-059	19634.26-34	370/062-066
19427.02-53	366/002-019	19470.42-45	367/031-034	19505.42-43	368/028-029	19545.06-14	369/060-064	19636.55-57	370/067-068
19427.23-38	450/041-046	19470.47-53	367/035-036	19507.45-51	368/030-033	19547.35-41	369/065-066	19637.01-03	370/069-070
19427.53-59	450/047-048	19472.57-57	367/037-037	19507.54-57	368/034-037	19547.43-43	369/067-067	19639.24-26	370/071-072
19428.02-29	450/049-058	19473.06-14	367/038-042	19507.59-59	368/038-038	19550.04-08	369/068-069	19639.30-32	370/073-074
19428.08-59	366/020-037	19473.08-14	367/044-047	19510.12-22	368/039-044	19550.10-12	369/070-071	19644.20-26	370/075-078
19429.02-32	366/038-048	19473.17-17	367/043-043	19510.23-26	368/045-048	19555.01-09	369/072-076	19646.49-57	370/079-083
19429.35-35	399/068-068	19473.17-26	367/048-051	19510.28-28	368/049-049	19557.30-38	369/077-081	19649.18-20	370/084-085
19430.59-59	399/069-069	19475.35-43	367/052-056	19512.41-45	368/050-052	19559.59-59	369/082-082	19649.24-24	370/086-086
19431.00-02	399/070-072	19475.46-52	367/057-058	19512.52-55	368/053-056	19560.01-01	369/083-083	19651.47-51	370/087-089
19431.04-08	399/073-075	19475.55-57	367/059-060	19512.57-57	368/057-057	19560.41-41	435/075-075	19651.55-55	370/090-090
19433.01-01	440/093-093	19478.03-07	367/061-062	19513.03-03	368/058-058	19562.28-30	369/084-085	19654.16-24	370/091-095
19433.21-23	399/076-077	19478.08-08	367/063-063	19515.10-10	368/059-059	19562.34-34	450/087-087	19656.45-53	370/096-100
19433.27-28	399/078-079	19478.08-10	367/064-065	19515.12-14	368/001-002	19562.36-36	369/086-086	19659.14-20	370/101-104



## VOYAGER ARCHIVE TAPE CATALOG

FDS COUNT	VGE ID	FDS COUNT	VGE ID	FDS COUNT	VGE ID	FDS COUNT	VGE ID	FDS COUNT	VGE ID
19660.44-44	444/041-041	19738.47-51	399/050-052	19771.02-11	372/135-138	19805.38-44	374/033-036	19840.13-23	375/072-077
19661.43-51	370/105-109	19738.50-59	399/053-056	19773.05-20	372/139-144	19805.47-56	374/037-040	19840.24-27	375/078-081
19664.12-20	370/110-114	19741.02-05	399/057-058	19773.22-28	373/001-004	19807.57-59	374/041-042	19840.29-35	375/082-085
19666.41-45	370/115-117	19741.07-11	399/059-061	19773.31-40	373/005-008	19808.01-07	374/043-046	19842.42-52	375/086-091
19669.10-18	370/118-122	19741.13-25	371/121-125	19775.34-49	373/009-014	19808.08-09	374/047-048	19842.53-56	375/092-095
19674.07-15	370/123-127	19743.07-07	435/076-076	19775.51-57	373/015-018	19808.10-11	399/062-063	19842.58-58	375/096-096
19676.36-44	370/128-132	19743.23-25	371/126-127	19775.53-53	450/092-092	19808.13-19	399/064-067	19843.00-04	375/097-099
19679.05-13	370/133-137	19743.31-34	371/128-129	19776.00-06	373/019-020	19810.26-30	450/097-099	19845.11-21	375/100-105
19681.34-42	370/138-142	19743.36-42	371/130-133	19776.09-21	373/021-027	19810.26-36	374/049-054	19845.22-25	375/106-109
19684.03-07	370/143-144	19743.45-48	371/134-135	19776.22-25	373/028-031	19810.37-40	374/055-058	19845.27-33	375/110-113
19684.07-11	371/001-003	19743.54-54	371/136-136	19776.27-33	373/032-035	19810.42-48	374/059-062	19847.11-11	444/043-043
19686.32-40	371/004-008	19745.51-54	371/137-138	19780.40-50	373/036-041	19812.55-59	374/063-065	19847.40-46	375/114-117
19689.01-07	371/009-012	19746.00-03	371/139-140	19780.51-54	373/042-045	19813.01-05	374/066-068	19848.26-26	438/047-047
19691.30-32	371/013-014	19746.05-11	371/141-144	19780.56-58	373/046-047	19813.06-09	374/069-072	19850.09-19	375/118-123
19691.36-36	371/015-015	19746.14-23	372/001-004	19781.00-02	373/048-049	19813.11-17	374/073-076	19850.20-23	375/124-127
19693.59-59	371/016-016	19748.24-34	372/005-010	19782.39-39	440/100-100	19815.24-34	374/077-082	19850.25-31	375/128-131
19694.01-07	371/017-020	19748.35-38	372/011-014	19783.09-19	373/050-055	19815.35-38	374/083-086	19852.38-48	375/132-137
19696.28-30	371/021-022	19748.40-46	372/015-018	19783.20-23	373/056-059	19815.40-46	374/087-090	19852.49-52	375/138-141
19696.34-36	371/023-024	19750.53-57	372/019-020	19783.25-31	373/060-063	19817.53-59	374/091-094	19852.54-58	375/142-144
19698.12-12	438/046-046	19750.55-55	450/088-088	19785.38-42	373/064-065	19818.01-03	374/095-096	19853.00-00	376/001-001
19698.57-59	371/025-026	19750.59-59	372/021-021	19785.44-48	373/066-068	19818.04-07	374/097-100	19855.07-17	376/002-007
19699.01-05	371/027-029	19751.01-03	372/022-023	19785.49-52	373/069-072	19818.09-15	374/101-104	19855.18-21	376/008-011
19703.53-59	371/030-033	19751.04-07	372/024-027	19785.54-58	373/073-075	19820.22-32	374/105-110	19855.23-29	376/012-015
19704.01-01	371/034-034	19751.09-13	372/028-030	19786.00-00	373/076-076	19820.33-36	374/111-114	19857.36-46	376/016-021
19704.25-31	440/098-099	19753.22-26	372/031-033	19788.07-17	373/077-082	19820.38-44	374/115-118	19857.47-50	376/022-025
19704.39-39	444/042-042	19753.30-30	450/089-089	19788.18-21	373/083-086	19822.51-59	374/119-123	19857.52-58	376/026-029
19706.22-30	371/035-039	19753.32-36	372/034-038	19788.23-29	373/087-090	19823.01-05	374/124-128	19859.56-59	376/030-031
19708.51-59	371/040-044	19753.38-44	372/039-042	19790.36-46	373/091-096	19823.07-13	374/129-132	19860.02-11	376/032-035
19713.53-53	371/045-045	19755.51-59	372/043-047	19790.47-50	373/097-100	19823.51-51	440/101-101	19860.13-19	376/036-039
19723.46-49	371/046-049	19756.01-05	372/048-052	19790.52-58	373/101-104	19825.20-28	374/133-137	19860.22-31	376/040-043
19723.51-55	371/050-052	19756.07-13	372/053-056	19793.05-15	373/105-110	19825.31-34	374/138-141	19862.25-37	376/044-048
19726.15-18	371/053-056	19758.20-30	372/057-062	19793.16-17	373/111-112	19825.36-42	374/142-144	19867.30-40	376/049-054
19726.20-26	371/057-058	19758.31-34	372/063-066	19793.18-19	450/093-094	19825.42-42	375/001-001	19867.41-44	376/055-058
19728.33-37	371/059-061	19758.36-42	372/067-070	19793.21-25	450/095-096	19827.49-59	375/002-007	19867.46-52	376/059-062
19728.44-47	371/062-065	19760.49-55	372/071-074	19793.23-27	373/113-115	19828.00-02	375/008-010	19869.59-59	376/063-063
19728.49-51	371/066-067	19760.57-59	450/090-091	19793.34-44	373/116-121	19828.02-03	375/011-012	19870.01-09	376/064-068
19728.55-55	371/068-068	19761.00-03	372/075-078	19795.45-48	373/122-125	19828.05-11	375/013-016	19870.10-13	376/069-072
19731.02-12	371/069-074	19761.05-11	372/079-082	19795.50-56	373/126-129	19830.09-11	375/017-018	19870.17-21	376/073-075
19731.13-16	371/075-078	19763.18-28	372/083-088	19798.03-13	373/130-135	19830.15-24	375/019-022	19872.28-38	376/076-081
19731.18-24	371/079-082	19763.29-32	372/089-092	19798.14-17	373/136-139	19830.26-32	375/023-026	19872.39-42	376/082-085
19733.31-41	371/083-088	19763.34-40	372/093-096	19798.19-23	373/140-142	19830.35-44	375/027-030	19872.44-50	376/086-089
19733.42-45	371/089-092	19765.47-57	372/097-102	19800.23-29	373/143-144	19832.38-53	375/031-036	19874.57-59	450/100-101
19733.47-53	371/093-096	19765.58-59	372/103-104	19800.29-38	374/001-004	19832.55-59	375/037-039	19875.01-07	450/102-105
19736.00-10	371/097-102	19766.00-01	372/105-106	19800.40-46	374/005-008	19833.01-13	375/040-044	19875.08-11	450/106-109
19736.11-14	371/103-106	19766.03-09	372/107-110	19800.49-58	374/009-012	19835.10-22	375/045-049	19875.13-19	450/110-113
19736.16-18	371/107-108	19768.16-26	372/111-116	19802.52-58	374/013-015	19835.24-30	375/050-053	19877.26-36	376/090-095
19736.22-22	371/109-109	19768.27-30	372/117-120	19803.01-07	374/016-018	19835.33-42	375/054-057	19877.37-40	376/096-099
19738.29-39	371/110-115	19768.32-38	372/121-124	19803.09-15	374/019-022	19837.44-54	375/058-063	19877.42-48	376/100-103
19738.40-43	371/116-119	19770.36-51	372/125-130	19803.18-27	374/023-026	19837.55-58	375/064-067	19879.55-59	376/104-106
19738.45-45	371/120-120	19770.53-59	372/131-134	19805.21-36	374/027-032	19838.00-06	375/068-071	19880.01-05	376/107-109

## VOYAGER ARCHIVE TAPE CATALOG

FDS COUNT	VEE ID	FDS COUNT	VEE ID	FDS COUNT	VEE ID	FDS COUNT	VEE ID	FDS COUNT	VEE ID
19880.06-09	376/110-113	19914.56-58	378/009-010	19942.05-07	422/012-013	19976.50-56	380/089-092	20009.17-26	382/015-018
19880.11-17	376/114-117	19915.00-02	378/011-012	19942.08-11	422/014-017	19976.59-59	380/093-093	20011.20-35	382/019-024
19880.31-31	440/102-102	19917.00-15	378/013-018	19942.13-19	422/018-021	19977.02-08	380/094-096	20011.37-43	382/025-028
19882.24-28	376/118-120	19917.17-23	378/019-022	19944.26-36	379/049-054	19979.02-17	380/097-102	20011.46-55	382/029-032
19882.30-34	422/001-003	19917.26-35	378/023-026	19944.37-40	379/055-058	19979.19-25	380/103-106	20012.08-08	440/105-105
19882.35-38	422/004-007	19917.32-35	450/114-115	19944.42-48	379/059-062	19979.28-37	380/107-110	20013.49-58	382/033-036
19882.40-46	422/008-011	19919.29-29	450/116-116	19946.46-58	379/063-067	19979.50-50	438/048-048	20014.01-04	382/037-038
19884.44-59	376/121-126	19919.29-44	378/027-032	19947.01-09	379/068-072	19981.31-46	380/111-116	20014.06-12	382/039-042
19885.01-07	376/127-130	19919.46-52	378/033-036	19947.12-21	379/073-076	19981.48-54	380/117-120	20014.15-24	382/043-046
19885.10-19	376/131-134	19919.55-58	378/037-038	19949.15-30	379/077-082	19981.57-57	380/121-121	20014.26-36	382/047-052
19886.58-58	435/077-077	19920.01-04	378/039-040	19949.32-38	379/083-086	19982.00-06	380/122-124	20016.37-40	382/053-056
19887.13-28	376/135-140	19921.58-58	378/041-041	19949.41-50	379/087-090	19984.00-15	380/125-130	20016.42-48	382/057-060
19887.30-36	376/141-144	19922.01-13	378/042-046	19951.44-59	379/091-096	19984.17-23	380/131-134	20018.55-59	382/061-063
19887.39-48	377/001-004	19922.15-21	378/047-050	19952.01-07	379/097-100	19984.26-35	380/135-138	20019.01-05	382/064-066
19889.42-57	377/005-010	19922.24-33	378/051-054	19952.10-19	379/101-104	19986.24-24	444/044-044	20019.06-09	382/067-070
19889.59-59	377/011-011	19924.27-42	378/055-060	19954.13-28	379/105-110	19986.39-49	380/139-144	20019.11-17	382/071-074
19890.01-05	377/012-014	19924.44-50	378/061-064	19954.30-36	379/111-114	19986.47-47	451/004-004	20021.24-34	382/075-080
19890.08-17	377/015-018	19924.48-50	450/117-118	19954.39-48	379/115-118	19986.50-53	381/001-004	20021.35-38	382/081-084
19892.11-26	377/019-024	19924.53-59	378/065-067	19956.50-58	379/119-123	19986.55-59	381/005-007	20021.40-46	382/085-088
19892.28-34	377/025-028	19924.53-59	450/119-121	19957.00-04	379/124-128	19987.01-01	381/008-008	20023.53-59	382/089-092
19892.37-46	377/029-032	19925.02-03	378/068-069	19957.06-12	379/129-132	19989.08-18	381/009-014	20023.57-59	451/005-006
19894.40-55	377/033-038	19925.02-03	450/122-123	19959.19-23	450/127-129	19989.19-22	381/015-018	20024.01-03	382/093-094
19894.57-59	377/039-040	19927.05-09	450/124-126	19959.19-25	379/133-134	19989.24-30	381/019-022	20024.01-03	451/007-008
19895.01-03	377/041-042	19927.05-13	378/070-074	19959.27-29	379/135-136	19991.37-47	381/023-028	20024.04-07	382/095-098
19895.06-15	377/043-046	19927.14-17	378/075-078	19959.30-33	379/137-140	19991.48-51	381/029-032	20024.04-07	451/009-012
19897.17-27	377/047-052	19927.19-25	378/079-082	19959.35-41	379/141-144	19991.53-59	381/033-036	20024.09-15	382/099-102
19897.28-31	377/053-056	19929.32-42	378/083-088	19960.56-56	435/079-079	19992.23-23	440/104-104	20024.09-15	451/013-016
19897.33-39	377/057-060	19929.43-46	378/089-092	19961.48-58	380/001-006	19994.06-16	381/037-042	20025.43-43	440/106-106
19899.46-56	377/061-066	19929.48-54	378/093-096	19961.59-59	380/007-007	19994.17-20	381/043-046	20026.22-22	451/017-017
19899.57-59	377/067-069	19932.01-11	378/097-102	19962.00-02	380/008-010	19994.22-28	381/047-050	20026.22-32	382/103-108
19900.00-08	377/070-074	19932.12-15	378/103-106	19962.04-10	380/011-014	19996.35-45	381/051-056	20026.33-36	382/109-112
19902.15-25	377/075-080	19932.17-23	378/107-110	19964.17-27	380/015-020	19996.46-49	381/057-060	20026.35-35	451/018-018
19902.26-29	377/081-084	19932.51-59	378/111-115	19964.28-31	380/021-024	19996.51-57	381/061-064	20026.38-44	382/113-116
19902.31-37	377/085-088	19933.01-09	378/116-120	19964.33-39	380/025-028	19999.04-14	381/065-070	20028.51-57	382/117-120
19904.44-54	377/089-094	19933.59-59	379/001-001	19966.50-52	450/130-130	19999.15-18	381/071-074	20033.49-59	383/001-006
19904.55-58	377/095-098	19934.01-01	379/002-002	19966.50-56	380/029-032	19999.20-26	381/075-078	20034.00-03	383/007-010
19905.00-06	377/099-102	19934.14-14	440/103-103	19966.52-54	451/001-002	20001.33-43	381/079-084	20034.05-11	383/011-014
19907.13-17	377/103-105	19934.30-40	379/003-008	19966.57-59	380/033-035	20001.44-47	381/085-088	20036.09-24	383/015-020
19907.24-27	377/107-110	19934.41-44	379/009-012	19966.58-58	451/003-003	20001.49-55	381/089-092	20036.26-32	383/021-024
19907.29-35	377/111-114	19934.46-52	379/013-016	19967.00-08	380/036-040	20002.06-58	381/093-119	20036.35-44	383/025-028
19909.42-52	377/115-120	19936.59-59	379/017-017	19969.15-25	380/041-046	20003.00-12	381/120-126	20038.38-53	383/029-034
19909.53-56	377/121-124	19937.01-09	379/018-022	19969.26-29	380/047-050	20003.02-08	422/022-025	20038.55-59	383/035-037
19909.58-58	377/125-125	19937.10-13	379/023-026	19969.31-37	380/051-054	20004.13-16	381/127-130	20039.01-13	383/038-042
19910.00-04	377/126-128	19937.15-21	379/027-030	19971.44-54	380/055-060	20004.18-24	381/131-134	20041.07-22	383/043-048
19912.11-21	377/129-134	19939.28-38	379/031-036	19971.55-58	380/061-064	20006.22-37	381/135-140	20041.24-30	383/049-052
19912.22-25	377/135-138	19939.39-42	379/037-040	19972.00-06	380/065-068	20006.39-45	381/141-144	20041.33-42	383/053-056
19912.27-33	377/139-142	19939.44-50	379/041-044	19974.13-23	380/069-074	20006.48-57	382/001-004	20042.23-23	435/080-080
19914.40-44	377/143-144	19941.31-31	435/078-078	19974.24-27	380/075-078	20008.51-57	382/005-007	20043.36-51	383/057-062
19914.44-50	378/001-004	19941.57-59	379/045-046	19974.29-35	380/079-082	20009.00-06	382/008-010	20043.53-59	383/063-066
19914.51-54	378/005-008	19942.01-03	379/047-048	19976.33-48	380/083-088	20009.08-14	382/011-014	20044.02-11	383/067-070

## VOYAGER ARCHIVE TAPE CATALOG

FDS COUNT	VEE ID	FDS COUNT	VEE ID	FDS COUNT	VEE ID	FDS COUNT	VEE ID	FDS COUNT	VEE ID
20044.12-22	383/071-076	20074.28-31	435/081-082	20103.26-32	451/047-048	20120.55-59	386/053-055	20147.57-59	387/089-090
20045.56-56	444/045-045	20076.01-09	384/096-100	20103.35-35	385/122-122	20120.55-59	452/003-005	20148.01-07	387/091-094
20046.23-26	383/077-080	20076.10-13	384/101-104	20103.35-44	385/123-126	20121.01-01	386/056-056	20148.08-11	387/095-098
20046.28-34	383/081-084	20076.15-21	384/105-108	20103.35-44	451/049-052	20121.01-01	452/006-006	20148.13-19	387/099-102
20048.41-51	383/085-090	20077.06-06	422/142-142	20103.45-55	451/053-058	20123.08-18	386/057-062	20150.26-36	387/103-108
20048.52-55	383/091-094	20078.28-28	451/041-041	20103.56-59	451/059-062	20123.08-18	452/007-012	20150.37-40	387/109-112
20048.57-59	383/095-096	20078.40-40	451/042-042	20105.45-55	385/127-132	20123.19-22	386/063-066	20150.42-48	387/113-116
20049.01-03	383/097-098	20078.50-50	451/043-043	20105.56-59	385/133-136	20123.19-22	452/013-016	20152.55-59	387/117-119
20051.10-20	383/099-104	20079.30-38	384/109-113	20106.01-07	385/137-140	20123.24-30	386/067-070	20153.01-05	387/120-122
20051.21-24	383/105-108	20079.39-41	384/114-115	20106.01-07	451/063-066	20123.24-30	452/017-020	20153.06-09	387/123-126
20051.26-32	383/109-112	20079.42-48	384/116-119	20108.14-22	385/141-144	20125.28-37	452/021-024	20153.11-17	387/127-130
20053.39-49	383/113-118	20080.57-59	384/120-121	20108.14-24	451/067-072	20125.28-43	386/071-076	20155.15-30	387/131-136
20053.50-53	383/119-122	20081.01-07	384/122-125	20108.22-24	386/001-002	20125.40-43	454/049-050	20155.32-38	387/137-140
20053.55-59	383/123-125	20081.08-11	384/126-129	20108.25-28	386/003-006	20125.45-51	386/077-080	20155.41-50	387/141-144
20054.01-01	383/126-126	20081.13-19	384/130-133	20108.25-28	451/073-076	20125.45-51	454/051-054	20157.44-59	388/001-006
20056.08-18	383/127-132	20083.26-28	384/134-134	20108.30-36	386/007-010	20125.54-57	386/081-082	20158.01-07	388/007-010
20056.18-22	451/019-020	20083.28-36	385/001-005	20108.30-36	451/077-080	20125.54-57	454/055-056	20158.10-19	388/011-014
20056.19-22	383/133-136	20083.37-40	385/006-009	20110.43-53	386/011-016	20126.00-03	386/083-084	20160.13-28	388/015-020
20056.24-28	451/021-023	20083.42-48	385/010-013	20110.43-53	451/081-086	20126.00-03	454/057-058	20160.30-36	388/021-024
20056.24-30	383/137-140	20085.55-59	385/014-016	20110.54-57	386/017-020	20127.32-32	438/050-050	20160.39-48	388/025-028
20058.37-45	383/141-144	20086.01-05	385/017-019	20110.54-57	451/087-090	20127.57-57	386/085-085	20162.42-57	388/029-034
20058.45-47	384/001-002	20086.06-09	385/020-023	20110.59-59	386/021-021	20128.00-12	386/086-090	20162.59-59	388/035-035
20058.48-51	384/003-006	20086.11-17	385/024-027	20110.59-59	451/091-091	20128.14-20	386/091-094	20163.01-05	388/036-038
20058.50-51	451/024-025	20088.24-34	385/028-033	20111.01-05	386/022-024	20128.23-32	386/095-098	20163.08-17	388/039-042
20058.53-59	384/007-010	20088.35-38	385/034-037	20111.01-05	451/092-094	20130.26-41	386/099-104	20165.19-29	388/043-048
20058.53-59	451/026-029	20088.40-46	385/038-041	20113.12-22	386/025-030	20130.43-49	386/105-108	20165.30-33	388/049-052
20059.10-10	438/049-049	20088.59-59	422/146-146	20113.12-22	451/095-100	20130.52-58	387/001-003	20165.35-41	388/053-056
20061.06-16	384/011-016	20089.16-16	422/141-141	20113.23-26	386/031-034	20131.01-01	387/004-004	20167.16-16	388/057-057
20061.06-16	451/030-035	20090.53-59	385/042-045	20113.23-26	451/101-104	20132.55-58	387/005-006	20167.48-58	388/058-063
20061.17-20	384/017-020	20091.01-03	385/046-047	20113.28-34	386/035-038	20133.01-10	387/007-010	20167.59-59	388/064-064
20061.17-21	451/036-040	20091.04-07	385/048-051	20113.28-34	451/105-108	20133.12-18	387/011-014	20168.00-02	388/065-067
20061.22-28	384/021-024	20091.09-15	385/052-055	20115.41-51	386/039-044	20133.21-30	387/015-018	20168.04-10	388/068-071
20063.35-45	384/025-030	20093.22-32	385/056-061	20115.41-51	451/109-114	20135.32-42	387/019-024	20170.17-27	388/072-077
20063.46-49	384/031-034	20093.32-32	451/044-044	20115.52-55	386/045-048	20135.43-46	387/025-028	20170.28-31	388/078-081
20063.51-57	384/035-038	20093.33-36	385/062-065	20115.52-55	451/115-118	20135.48-54	387/029-032	20170.33-39	388/082-085
20065.55-58	384/039-040	20093.38-44	385/066-069	20115.57-59	451/119-120	20137.39-39	440/107-107	20172.46-56	388/086-091
20066.01-10	384/041-044	20095.42-57	385/070-075	20115.59-59	386/109-109	20138.01-11	387/033-038	20172.57-59	388/092-094
20066.12-18	384/045-048	20095.59-59	385/076-076	20116.01-03	386/110-111	20138.12-15	387/039-042	20173.00-08	388/095-099
20066.21-30	384/049-052	20096.01-05	385/077-079	20116.01-03	451/121-122	20138.17-23	387/043-046	20175.15-25	388/100-105
20068.24-39	384/053-058	20096.05-08	451/045-046	20118.10-20	386/112-117	20140.30-40	387/047-052	20175.26-29	388/106-109
20068.41-47	384/059-062	20096.08-17	385/080-083	20118.10-20	451/123-128	20140.41-44	387/053-056	20175.31-37	388/110-113
20068.50-59	384/063-066	20098.11-26	385/084-089	20118.21-24	386/118-121	20140.46-52	387/057-060	20177.44-54	388/114-119
20070.53-59	384/067-069	20098.28-34	385/090-093	20118.21-24	451/129-132	20141.06-06	444/046-046	20177.55-58	388/120-123
20071.02-08	384/070-072	20098.37-46	385/094-097	20118.26-32	386/122-125	20142.59-59	387/061-061	20178.00-06	388/124-127
20071.10-16	384/073-076	20100.40-55	385/098-103	20118.26-32	451/133-136	20143.01-09	387/062-066	20180.13-23	388/128-133
20071.19-28	384/077-080	20100.57-59	385/104-105	20120.39-49	386/126-131	20143.10-13	387/067-070	20180.24-27	388/134-137
20073.22-37	384/081-086	20101.01-03	385/106-107	20120.39-49	451/137-142	20143.15-21	387/071-074	20180.29-35	388/138-141
20073.39-45	384/087-090	20101.06-15	385/108-111	20120.50-52	451/143-144	20145.28-38	387/075-080	20182.42-48	388/142-144
20073.48-57	384/091-094	20103.09-24	385/112-117	20120.50-53	386/049-052	20145.39-42	387/081-084	20182.48-52	389/001-003
20073.59-59	384/095-095	20103.26-32	385/118-121	20120.52-53	452/001-002	20145.44-50	387/085-088	20182.53-56	389/004-007

## VOYAGER ARCHIVE TAPE CATALOG

FDS COUNT	VEE ID	FDS COUNT	VEE ID	FDS COUNT	VEE ID	FDS COUNT	VEE ID	FDS COUNT	VEE ID
20182.58-58	389/008-008	20225.00-04	390/085-089	20252.01-16	393/014-019	20282.00-03	395/048-049	20314.36-38	396/119-120
20183.00-04	389/009-011	20225.06-20	390/090-097	20252.18-24	393/020-023	20282.05-11	395/050-053	20314.36-38	454/069-070
20185.11-21	389/012-017	20225.20-28	391/001-005	20252.27-57	393/024-034	20282.14-47	395/054-065	20314.41-44	396/121-122
20185.22-25	389/018-021	20227.05-29	391/006-018	20253.00-00	393/035-035	20283.06-06	438/051-051	20314.46-48	396/123-124
20185.25-27	454/059-060	20227.30-33	391/019-022	20254.23-47	393/036-048	20283.56-59	395/066-067	20314.51-54	396/125-126
20185.27-33	389/022-025	20227.35-57	391/023-034	20254.48-51	393/049-052	20284.02-32	395/068-078	20314.56-58	396/127-128
20187.40-50	389/026-031	20229.34-58	391/035-047	20254.53-59	393/053-056	20284.34-40	395/079-082	20315.01-04	396/129-130
20187.51-54	389/032-035	20229.38-38	454/064-064	20255.01-15	393/057-064	20284.43-58	395/083-088	20315.06-08	396/131-132
20187.56-58	389/036-037	20229.59-59	391/048-048	20256.52-58	393/065-068	20285.01-16	395/089-094	20316.28-48	396/133-143
20188.00-02	389/038-039	20230.00-02	391/049-051	20257.22-44	393/082-093	20286.39-59	395/095-105	20316.49-50	396/144-144
20188.09-19	389/040-045	20230.04-26	391/052-063	20259.03-13	444/053-058	20287.01-03	395/106-107	20316.50-54	397/001-003
20190.20-23	389/046-049	20232.03-27	391/064-076	20259.21-45	393/094-106	20287.04-07	395/108-111	20316.55-56	397/004-005
20190.21-21	454/061-061	20232.28-31	391/077-080	20259.46-49	393/107-110	20287.09-31	395/112-123	20316.58-58	397/006-006
20190.25-31	389/050-053	20232.33-55	391/081-092	20259.51-59	393/111-115	20287.37-47	444/059-064	20317.00-02	397/007-009
20194.37-58	389/054-061	20234.48-58	391/093-098	20260.01-13	393/116-122	20289.00-00	444/065-065	20317.04-06	397/010-011
20195.01-13	389/062-066	20235.00-04	391/099-099	20261.50-58	393/123-127	20289.08-32	395/124-136	20317.07-08	397/012-013
20195.15-21	389/067-070	20235.04-12	391/101-105	20262.00-14	393/128-135	20289.33-36	395/137-140	20317.10-12	397/014-015
20195.24-57	389/071-082	20235.13-16	391/106-109	20262.15-18	393/136-139	20289.38-46	395/141-144	20317.13-14	397/016-017
20209.44-58	389/083-090	20235.18-38	391/110-120	20262.20-30	393/140-144	20289.46-58	396/001-007	20317.16-18	397/018-019
20210.00-08	389/091-095	20235.40-40	399/049-049	20262.30-42	394/001-007	20290.00-00	396/008-008	20317.19-20	397/020-021
20210.09-12	389/096-099	20237.12-36	391/121-133	20264.21-43	394/008-019	20291.37-59	396/009-020	20318.57-59	397/022-023
20210.14-36	389/100-111	20237.37-40	391/134-137	20264.44-47	394/020-023	20292.01-05	396/021-025	20318.57-59	454/071-072
20212.13-37	389/112-124	20237.42-56	391/138-144	20264.49-59	394/024-029	20292.07-29	396/026-037	20319.01-01	452/025-025
20212.38-41	389/125-128	20237.56-58	392/001-002	20265.01-11	394/030-035	20301.26-59	396/038-049	20319.01-17	397/024-032
20212.43-57	389/129-135	20238.00-04	392/003-005	20265.47-48	394/036-037	20302.02-10	396/050-054	20319.01-17	452/026-034
20212.57-59	390/001-002	20239.11-21	444/047-052	20266.50-58	394/038-042	20302.13-46	396/055-066	20319.18-19	397/033-034
20213.01-05	390/003-005	20239.31-55	392/006-018	20267.00-12	394/043-049	20306.14-44	396/067-077	20319.18-19	452/035-036
20214.27-57	390/006-016	20239.56-59	392/019-022	20267.13-16	394/050-053	20306.46-48	396/078-079	20319.21-23	397/035-036
20215.00-03	390/017-018	20240.01-13	392/023-029	20267.18-38	394/054-064	20306.51-54	396/080-081	20319.21-23	452/037-038
20215.05-11	390/019-022	20240.14-17	392/030-031	20269.17-41	394/065-077	20306.56-58	396/082-083	20319.24-25	397/037-038
20215.14-17	390/023-024	20240.19-23	392/032-034	20269.42-45	394/078-081	20307.01-04	396/084-085	20319.27-29	397/039-040
20215.23-26	390/098-099	20242.00-24	392/035-047	20269.47-59	394/082-088	20307.06-08	396/086-087	20319.30-31	397/041-042
20215.32-47	390/100-105	20242.25-28	392/048-051	20270.01-09	394/089-093	20307.11-14	396/088-089	20319.33-35	397/043-044
20216.56-59	390/106-107	20242.30-52	392/052-063	20273.48-48	440/110-110	20307.16-18	396/090-091	20319.36-37	397/045-046
20217.02-32	390/108-118	20244.13-49	392/064-076	20274.00-36	394/094-106	20307.21-24	396/092-093	20319.39-41	397/047-048
20217.34-40	390/119-122	20244.51-57	392/077-080	20274.38-44	394/107-110	20307.26-28	396/094-095	20319.42-43	397/049-050
20217.43-58	390/123-128	20245.00-33	392/081-092	20274.47-59	394/111-115	20307.31-34	396/096-097	20319.45-47	397/051-052
20218.01-16	390/129-134	20246.30-30	440/108-108	20275.02-20	394/116-122	20307.36-38	396/098-099	20319.48-49	397/053-054
20219.25-52	390/135-144	20246.42-57	392/093-098	20276.29-59	394/123-133	20307.52-52	444/066-066	20321.25-45	397/055-065
20219.55-58	390/025-026	20247.00-18	392/099-105	20277.02-05	394/134-135	20312.59-59	440/111-111	20321.46-47	397/066-067
20220.01-09	390/027-031	20247.20-26	392/106-109	20277.07-13	394/136-139	20313.44-59	396/100-105	20321.49-51	397/068-069
20220.12-45	390/032-043	20247.29-59	392/110-120	20277.16-31	394/140-144	20314.02-05	396/106-107	20321.52-53	397/070-071
20220.54-57	390/044-045	20248.02-02	392/121-121	20277.31-49	395/001-007	20314.03-03	396/108-108	20321.55-57	397/072-073
20222.00-30	390/046-056	20249.11-47	392/122-134	20278.58-58	395/008-008	20314.11-14	396/109-110	20321.58-59	397/074-075
20222.32-38	390/057-060	20249.49-55	392/135-138	20279.01-34	395/009-020	20314.16-18	396/111-112	20322.01-03	397/076-077
20222.41-59	390/061-067	20249.58-58	392/139-139	20279.36-42	395/021-024	20314.21-24	396/113-114	20322.04-05	397/078-079
20222.56-56	454/062-062	20250.01-16	392/140-144	20279.45-57	395/025-029	20314.26-28	396/115-116	20322.07-09	397/080-081
20223.02-14	390/068-072	20250.16-31	393/001-006	20280.00-18	395/030-036	20314.26-28	454/065-066	20322.10-11	397/082-083
20223.05-05	454/063-063	20250.52-52	440/109-109	20280.51-51	435/083-083	20314.31-34	396/117-118	20322.13-15	397/084-085
20224.36-58	390/073-084	20251.40-58	393/007-013	20281.27-57	395/037-047	20314.31-34	454/067-068	20322.16-17	397/086-087

## VOYAGER ARCHIVE TAPE CATALOG

FDS COUNT	VEE ID	FDS COUNT	VEE ID	FDS COUNT	VEE ID	FDS COUNT	VEE ID	FDS COUNT	VEE ID
20323.54-58	397/088-090	20332.10-13	398/068-069	20346.00-02	369/007-008	20355.01-03	400/114-116	20363.19-41	445/021-032
20324.00-14	397/091-098	20332.15-17	398/070-071	20346.03-04	369/009-010	20355.05-07	400/117-119	20363.45-47	401/086-088
20324.15-16	397/099-100	20332.20-23	398/072-073	20346.06-08	369/011-013	20355.09-11	400/120-122	20363.49-51	401/089-091
20324.18-20	397/101-102	20332.25-27	398/074-075	20346.10-10	369/014-014	20357.05-07	400/123-125	20363.53-55	401/092-094
20324.21-22	397/103-104	20332.48-52	398/076-078	20346.11-12	400/001-002	20357.09-11	400/126-128	20363.57-57	401/095-095
20324.24-26	397/105-106	20332.55-59	398/079-081	20346.14-16	400/003-005	20357.13-15	400/129-131	20363.58-59	401/120-121
20324.27-28	397/107-108	20335.02-06	398/082-084	20346.18-20	400/006-008	20357.17-19	400/132-134	20364.01-03	401/122-124
20324.30-32	397/109-110	20335.09-13	398/085-087	20346.22-24	400/009-011	20357.21-23	400/135-137	20364.05-07	401/125-127
20324.33-34	397/111-112	20335.16-20	398/088-090	20346.29-31	444/073-075	20357.25-27	400/138-140	20364.09-11	401/128-130
20324.36-38	397/113-114	20335.23-27	398/091-093	20346.33-35	444/076-078	20357.29-31	400/141-143	20364.13-15	401/131-133
20324.39-40	397/115-116	20335.30-34	398/094-096	20346.37-39	444/079-081	20357.33-34	400/144-144	20364.17-19	401/134-136
20324.42-44	397/117-118	20335.37-41	398/097-099	20346.45-45	444/082-082	20357.34-35	401/001-002	20365.15-17	401/137-139
20324.45-46	397/119-120	20335.44-48	398/100-102	20348.07-09	400/012-014	20357.37-39	401/003-005	20365.19-21	401/140-142
20324.52-52	438/052-052	20336.33-37	398/103-104	20348.11-13	400/015-017	20357.45-59	444/095-102	20365.23-23	401/143-143
20325.00-00	440/112-112	20336.39-43	398/105-107	20348.15-17	400/018-020	20358.01-23	444/103-114	20365.24-25	401/096-097
20325.51-59	447/071-075	20336.46-50	398/108-110	20348.19-21	400/021-023	20358.33-35	444/115-116	20365.27-29	401/098-100
20326.01-09	447/076-080	20336.53-57	398/111-113	20348.23-25	400/024-026	20358.35-37	445/001-002	20365.31-33	401/101-103
20326.23-43	397/121-131	20337.00-04	398/114-116	20348.27-29	400/027-029	20358.38-39	445/003-004	20365.35-37	401/104-106
20326.44-45	397/132-133	20337.07-11	398/117-119	20348.31-33	400/030-032	20358.41-43	445/005-007	20365.39-41	401/107-109
20326.47-49	397/134-135	20337.14-18	398/120-122	20348.35-37	400/033-035	20358.52-52	445/008-008	20365.43-45	401/110-112
20326.50-51	397/136-137	20337.32-32	435/084-084	20348.39-41	400/036-038	20358.57-59	401/006-008	20365.47-49	401/113-115
20326.53-55	397/138-139	20340.28-48	444/067-072	20349.59-59	400/039-039	20359.01-03	401/009-011	20365.59-59	401/116-116
20326.56-57	397/140-141	20342.07-11	398/123-125	20350.00-01	400/040-041	20359.05-07	401/012-014	20366.01-05	401/117-119
20326.59-59	397/142-142	20342.07-11	452/039-041	20350.03-05	400/042-044	20359.09-11	401/015-017	20366.07-59	402/001-027
20327.01-03	397/143-144	20342.14-18	398/126-128	20350.07-09	400/045-047	20359.13-15	401/018-020	20367.01-13	402/028-034
20327.03-07	398/001-003	20342.21-25	398/129-130	20350.11-13	400/048-050	20359.17-19	401/021-023	20367.37-41	402/035-037
20327.08-09	398/004-005	20342.25-28	399/001-002	20350.15-17	400/051-053	20359.21-23	401/024-026	20367.39-42	452/042-043
20327.11-13	398/006-007	20342.30-32	399/003-004	20350.19-21	400/054-056	20359.25-27	401/027-029	20367.44-48	402/038-040
20327.14-15	398/008-009	20342.35-39	399/005-007	20350.23-25	400/057-059	20359.29-31	401/030-032	20367.51-55	402/041-043
20328.53-59	398/010-013	20342.42-46	399/008-010	20350.27-29	400/060-062	20360.10-12	401/033-035	20367.58-58	402/044-044
20329.01-13	398/014-020	20342.49-53	399/011-013	20350.31-36	400/063-068	20360.14-16	401/036-038	20368.00-02	402/045-046
20329.14-15	398/021-022	20342.56-58	399/014-015	20351.21-21	441/001-001	20360.18-20	401/039-041	20368.05-09	402/047-049
20329.17-19	398/023-024	20343.00-03	399/016-017	20351.24-46	444/083-094	20360.22-24	401/042-044	20368.12-16	402/050-052
20329.20-21	398/025-026	20343.05-07	399/018-019	20352.38-40	400/069-071	20360.26-28	401/045-047	20370.19-25	402/053-055
20329.23-25	398/027-028	20343.18-18	435/085-085	20352.39-40	400/073-074	20360.30-32	401/048-050	20370.29-35	402/056-058
20329.26-27	398/029-030	20343.23-27	399/020-022	20352.42-42	400/072-072	20360.34-36	401/051-053	20370.39-45	402/059-061
20329.29-31	398/031-032	20343.30-34	399/023-025	20352.42-44	400/075-077	20360.38-40	401/054-056	20370.49-55	402/062-064
20329.32-33	398/033-034	20343.37-41	399/026-028	20352.46-48	400/078-080	20360.42-44	401/057-059	20370.59-59	402/065-065
20329.35-37	398/035-036	20343.44-48	399/029-031	20352.50-52	400/081-083	20360.53-53	435/086-086	20371.02-02	452/044-044
20329.38-39	398/037-038	20343.51-55	399/032-034	20352.54-56	400/084-086	20360.59-59	445/009-009	20371.05-09	402/066-067
20329.41-43	398/039-040	20343.58-58	399/035-035	20352.58-59	400/087-088	20361.01-21	445/010-020	20371.12-15	402/068-069
20329.44-45	398/041-042	20344.00-02	399/036-037	20353.00-02	400/089-090	20362.00-02	401/060-062	20371.28-28	441/002-002
20331.03-33	398/043-053	20344.05-09	399/038-040	20353.03-04	400/091-092	20362.04-06	401/063-065	20373.28-34	402/070-072
20331.35-37	398/054-055	20344.12-16	399/041-043	20353.06-08	400/093-095	20362.08-10	401/066-068	20373.38-44	369/015-017
20331.40-43	398/056-057	20344.19-23	399/044-046	20354.37-39	400/096-098	20362.12-14	401/069-071	20373.48-54	402/073-075
20331.45-47	398/058-059	20345.15-15	438/053-053	20354.41-43	400/099-101	20362.17-18	401/072-073	20373.51-51	452/045-045
20331.50-53	398/060-061	20345.50-51	399/047-048	20354.45-47	400/102-104	20362.20-22	401/074-076	20373.58-58	402/076-076
20331.55-57	398/062-063	20345.52-54	369/001-002	20354.49-51	400/105-107	20362.24-26	401/077-079	20374.01-01	452/046-046
20332.00-03	398/064-065	20345.55-56	369/003-004	20354.53-55	400/108-110	20362.28-30	401/080-082	20374.04-08	402/077-078
20332.05-07	398/066-067	20345.58-59	369/005-006	20354.57-59	400/111-113	20362.32-34	401/083-085	20374.11-14	402/079-080

## VOYAGER ARCHIVE TAPE CATALOG

FDS COUNT	VGE ID	FDS COUNT	VGE ID	FDS COUNT	VGE ID	FDS COUNT	VGE ID	FDS COUNT	VGE ID
20374.18-24	402/081-083	20380.51-53	403/057-059	20389.32-34	404/017-019	20397.12-57	405/001-016	20412.20-22	405/127-129
20374.38-40	402/084-086	20380.55-57	403/060-062	20389.36-38	404/020-022	20399.37-43	405/017-019	20412.24-26	405/130-132
20374.42-44	402/087-089	20380.59-59	403/063-063	20389.36-40	452/050-051	20399.47-53	405/020-022	20412.28-30	405/133-135
20374.46-48	402/090-092	20381.00-01	403/064-065	20389.40-42	404/023-025	20399.57-57	405/023-023	20412.32-34	405/136-138
20374.50-52	402/093-095	20381.03-05	403/066-068	20389.42-44	452/052-053	20400.00-00	452/061-061	20412.36-38	405/139-141
20374.54-56	402/096-098	20381.07-09	403/069-071	20389.44-46	404/026-028	20400.00-03	405/024-025	20412.40-42	405/142-144
20374.58-59	402/099-100	20381.11-13	403/072-074	20389.45-46	452/054-055	20400.07-13	405/026-028	20414.09-11	406/001-003
20375.00-02	402/101-102	20381.41-43	441/006-008	20389.49-49	452/056-056	20400.17-23	405/029-031	20414.13-15	406/004-006
20375.03-04	402/103-104	20381.45-47	441/009-011	20390.05-05	445/040-040	20400.27-33	405/032-034	20414.17-19	406/007-009
20375.06-08	402/105-107	20381.49-51	441/012-014	20390.49-51	404/029-031	20401.29-34	405/035-037	20414.21-23	406/010-012
20375.10-12	402/108-110	20382.51-51	438/054-054	20390.53-55	404/032-034	20401.38-44	405/038-040	20414.25-27	406/013-015
20375.48-50	402/111-113	20382.55-57	403/075-077	20390.57-59	404/035-037	20401.48-54	405/041-043	20414.29-31	406/016-018
20375.52-54	402/114-116	20382.59-59	403/078-078	20391.01-03	404/038-040	20401.51-51	452/062-062	20414.33-35	406/019-021
20375.56-58	402/117-119	20383.00-01	403/079-080	20391.05-07	404/041-043	20401.58-58	405/044-044	20414.37-39	406/022-024
20376.01-02	402/121-122	20383.03-05	403/081-083	20391.09-11	404/044-046	20402.01-03	452/063-064	20414.41-43	406/025-027
20376.04-06	402/123-125	20383.08-09	403/084-085	20391.13-15	404/047-049	20402.04-08	405/045-046	20416.34-36	406/028-030
20376.08-10	402/126-128	20383.11-13	403/086-088	20391.17-19	404/050-052	20402.11-14	405/047-048	20416.38-40	406/031-033
20376.09-09	402/120-120	20383.15-17	403/089-091	20391.21-23	404/053-055	20402.18-24	405/049-051	20416.42-44	406/034-036
20376.12-14	402/129-131	20383.19-21	403/092-094	20392.00-02	404/056-058	20402.34-40	441/030-032	20416.46-48	406/037-039
20376.16-18	402/132-134	20383.23-24	403/095-096	20392.04-06	404/059-061	20402.44-46	441/033-034	20416.50-52	406/040-042
20376.20-22	402/135-137	20383.27-29	403/097-099	20392.08-10	404/062-064	20402.49-49	441/035-035	20416.54-56	406/043-045
20376.58-59	402/138-139	20384.55-57	403/100-102	20392.12-14	404/065-067	20402.57-57	445/041-041	20416.58-59	406/046-047
20377.00-02	402/140-141	20384.59-59	403/103-103	20392.16-18	404/068-070	20403.00-12	445/042-046	20417.00-02	406/048-049
20377.03-04	402/142-143	20385.00-01	403/104-105	20392.20-22	404/071-073	20404.52-54	405/052-054	20417.03-04	406/050-051
20377.06-07	402/144-144	20385.03-05	403/106-108	20392.24-26	404/074-076	20404.56-58	405/055-057	20417.06-08	406/052-054
20377.07-08	403/001-002	20385.07-09	403/109-111	20392.28-30	404/077-079	20405.00-02	405/058-060	20417.11-13	406/055-057
20377.10-12	403/003-005	20385.11-13	403/112-114	20392.32-34	404/080-082	20405.04-06	405/061-063	20417.15-17	406/058-060
20377.14-16	403/006-008	20385.15-17	403/115-117	20393.39-49	441/024-029	20408.14-16	405/064-066	20417.19-21	406/061-063
20377.18-20	403/009-011	20385.19-21	403/118-120	20394.00-02	404/083-085	20408.18-20	405/067-069	20417.23-25	406/064-066
20377.22-24	403/012-014	20385.23-25	403/121-123	20394.04-06	404/086-088	20408.22-24	405/070-072	20417.27-29	406/067-069
20377.26-28	403/015-017	20385.27-29	403/124-126	20394.08-10	404/089-091	20408.26-28	405/073-075	20417.31-33	406/070-072
20377.30-32	403/018-020	20385.29-29	452/047-047	20394.12-14	404/092-094	20408.30-32	405/076-078	20417.35-37	406/073-075
20377.37-37	441/003-003	20387.22-22	438/055-055	20394.16-18	404/095-097	20408.34-36	405/079-081	20417.39-41	406/076-078
20378.24-25	441/004-005	20387.25-30	441/015-020	20394.20-22	404/098-100	20408.38-40	405/082-084	20417.43-45	406/079-081
20378.26-28	445/033-034	20388.33-34	441/021-022	20394.24-26	404/101-103	20408.42-44	405/085-087	20417.50-58	441/042-046
20378.28-29	422/147-148	20388.37-39	403/127-129	20394.28-30	404/104-106	20408.46-48	405/088-090	20418.00-00	441/047-047
20378.29-30	445/035-036	20388.41-43	403/130-132	20394.30-32	452/057-058	20408.51-53	405/091-093	20418.07-07	441/048-048
20378.32-34	445/037-039	20388.45-47	403/133-135	20394.32-34	404/107-109	20408.55-57	405/094-096	20420.07-09	406/082-084
20378.44-46	403/021-023	20388.49-51	403/136-138	20394.33-34	452/059-060	20408.59-59	405/097-097	20420.11-13	406/085-087
20378.48-50	403/024-026	20388.53-55	403/139-141	20395.09-11	404/110-112	20409.00-01	405/098-099	20420.15-17	406/088-090
20378.52-54	403/027-029	20388.57-59	403/142-143	20395.13-15	404/113-115	20409.03-05	405/100-102	20420.19-21	406/091-093
20378.56-58	403/030-032	20388.59-59	404/001-001	20395.17-19	404/116-118	20409.07-09	405/103-105	20420.23-25	406/094-096
20379.00-02	403/033-035	20388.59-59	452/048-048	20395.21-23	404/119-121	20409.11-13	405/106-108	20420.27-29	406/097-099
20379.04-06	403/036-038	20389.01-01	452/049-049	20395.25-27	404/122-124	20409.15-17	405/109-111	20420.31-33	406/100-102
20379.08-10	403/039-041	20389.01-03	404/002-004	20395.29-31	404/125-127	20409.19-21	405/112-114	20420.35-37	406/103-105
20379.12-14	403/042-044	20389.05-07	404/005-007	20395.33-35	404/128-130	20409.23-25	405/115-117	20420.39-41	406/106-108
20379.16-18	403/045-047	20389.09-11	404/008-010	20395.37-39	404/131-133	20409.31-41	441/036-041	20421.25-27	406/109-111
20380.39-41	403/048-050	20389.21-21	441/023-023	20395.41-43	404/134-136	20412.08-10	405/118-120	20421.29-31	406/112-114
20380.43-45	403/051-053	20389.24-26	404/011-013	20396.48-57	404/137-140	20412.12-14	405/121-123	20421.33-35	406/115-117
20380.47-49	403/054-056	20389.28-30	404/014-016	20397.00-12	404/141-144	20412.16-18	405/124-126	20421.37-39	406/118-120



## VOYAGER ARCHIVE TAPE CATALOG

FDS COUNT	VEE ID	FDS COUNT	VEE ID	FDS COUNT	VEE ID	FDS COUNT	VEE ID	FDS COUNT	VEE ID
20421.41-43	406/121-123	20433.08-12	407/115-117	20441.15-17	408/088-090	20449.00-00	452/127-127	20458.00-02	409/097-098
20421.45-47	406/124-126	20433.15-19	407/118-120	20441.19-21	408/091-093	20450.02-20	438/056-062	20458.05-09	409/099-101
20421.49-51	406/127-129	20434.43-45	407/121-123	20441.51-52	408/094-095	20450.25-25	435/098-098	20458.48-49	435/099-100
20421.53-55	406/130-132	20434.47-49	407/124-126	20443.38-40	408/096-098	20450.42-44	452/128-130	20459.50-56	409/102-104
20421.57-59	406/133-135	20434.51-53	407/127-129	20443.42-44	408/099-101	20450.46-48	452/131-133	20460.00-06	409/105-107
20422.22-32	441/049-054	20434.55-57	407/130-132	20443.46-48	408/102-104	20450.50-52	452/134-136	20460.10-16	409/108-110
20422.44-54	445/047-052	20434.59-59	407/133-133	20443.50-52	408/105-107	20450.54-56	452/137-139	20460.13-13	422/075-075
20422.59-59	406/136-136	20435.00-01	407/134-135	20443.54-56	408/108-110	20450.58-59	452/140-141	20460.20-26	409/111-113
20423.00-01	406/137-138	20435.03-05	407/136-138	20443.58-59	408/111-112	20450.59-59	409/001-001	20460.30-36	409/114-116
20423.03-05	406/139-141	20435.07-09	407/139-141	20444.00-02	408/113-114	20451.00-02	409/002-003	20460.40-46	409/117-119
20423.07-09	406/142-144	20435.11-13	407/142-144	20444.03-04	408/115-116	20451.00-02	452/142-143	20461.05-11	409/120-122
20423.11-13	407/001-003	20435.15-17	408/001-003	20444.06-08	408/117-119	20451.03-04	409/004-005	20461.15-21	409/123-125
20423.15-17	407/004-006	20436.01-11	441/055-060	20444.10-12	408/120-122	20451.03-04	422/070-071	20461.25-31	409/126-128
20423.19-21	407/007-009	20437.43-45	408/004-006	20444.17-27	441/061-066	20451.06-08	409/006-008	20461.28-28	422/076-076
20423.23-25	407/010-012	20437.47-49	408/007-009	20444.31-35	435/087-088	20451.06-08	422/072-074	20461.35-41	409/129-131
20423.27-29	407/013-015	20437.51-53	408/010-012	20444.41-49	435/089-091	20451.10-12	409/009-011	20461.45-51	409/132-134
20423.31-33	407/016-017	20437.55-57	408/013-015	20444.55-59	435/092-093	20451.14-16	409/012-014	20461.55-58	409/135-136
20425.10-12	407/018-020	20437.59-59	408/016-016	20445.03-09	435/094-095	20451.59-59	409/015-015	20462.01-01	409/137-137
20425.12-14	407/021-022	20438.00-01	408/017-018	20445.11-11	435/096-096	20452.00-01	409/016-017	20463.15-17	409/138-139
20425.15-16	407/023-024	20438.03-05	408/019-021	20445.32-32	435/097-097	20452.03-05	409/018-020	20463.24-28	409/140-142
20425.18-20	407/025-027	20438.07-09	408/022-024	20445.37-39	408/123-125	20452.07-09	409/021-023	20463.31-35	409/143-144
20425.22-24	407/028-030	20438.11-13	408/025-027	20445.41-43	408/126-128	20452.11-13	409/024-026	20463.35-38	410/001-002
20425.26-28	407/031-033	20438.15-17	408/028-030	20445.45-47	408/129-131	20452.15-17	409/027-029	20463.40-42	410/003-004
20425.30-32	407/034-036	20438.53-55	408/031-032	20445.49-51	408/132-134	20452.19-21	409/030-032	20463.45-49	410/005-007
20425.34-36	407/037-039	20438.56-59	408/033-034	20445.53-55	408/135-137	20452.23-25	409/033-035	20464.05-09	410/008-010
20425.38-40	407/040-042	20439.00-03	408/035-036	20445.57-59	408/138-140	20452.27-29	409/036-038	20464.12-16	410/011-013
20425.42-44	407/043-045	20439.04-07	408/037-038	20446.01-03	408/141-143	20452.31-33	409/039-041	20464.19-23	410/014-016
20426.44-46	407/046-048	20439.08-11	408/039-040	20446.01-03	452/065-067	20453.15-25	441/067-072	20464.26-30	410/017-019
20426.48-50	407/049-051	20439.12-15	408/041-042	20446.05-05	408/144-144	20453.30-45	445/053-058	20464.41-41	422/143-143
20426.52-54	407/052-054	20439.16-19	408/043-044	20446.05-07	452/068-070	20453.56-57	445/059-060	20464.41-51	441/073-078
20426.56-58	407/055-057	20439.20-23	408/045-046	20446.09-11	452/071-073	20454.02-06	409/042-044	20464.47-49	410/020-022
20427.00-02	407/058-060	20439.24-27	408/047-048	20446.30-32	452/074-076	20454.09-13	409/045-047	20464.59-59	441/079-079
20427.04-06	407/061-063	20439.28-31	408/049-050	20446.34-36	452/077-079	20454.16-20	409/048-050	20465.43-43	438/063-063
20427.08-10	407/064-066	20439.32-35	408/051-052	20446.38-40	452/080-082	20454.23-27	409/051-053	20465.51-53	410/023-025
20427.12-14	407/067-069	20439.36-39	408/053-054	20446.42-44	452/083-085	20456.13-17	409/054-056	20465.55-57	410/026-028
20427.16-18	407/070-072	20439.40-43	408/055-056	20446.46-48	452/086-088	20456.20-24	409/057-059	20465.59-59	410/029-029
20428.23-27	407/073-075	20439.44-47	408/057-058	20446.50-52	452/089-091	20456.27-31	409/060-062	20466.00-01	410/030-031
20428.30-34	407/076-078	20439.48-51	408/059-060	20446.54-56	452/092-094	20456.34-38	409/063-065	20466.03-05	410/032-034
20428.37-41	407/079-081	20439.52-55	408/061-062	20446.58-59	452/095-096	20456.42-46	409/066-068	20466.07-09	410/035-037
20428.44-48	407/082-084	20439.56-56	408/063-063	20447.00-02	452/097-098	20456.49-53	409/069-071	20466.11-13	410/038-040
20428.54-58	407/085-087	20440.03-04	408/064-065	20447.03-04	452/099-100	20456.56-58	409/072-073	20466.15-17	410/041-043
20429.01-05	407/088-090	20440.09-09	408/066-066	20448.26-28	452/101-103	20457.00-03	409/074-075	20466.19-21	410/044-046
20429.08-12	407/091-093	20440.47-49	408/067-069	20448.30-32	452/104-106	20457.05-07	409/076-077	20466.23-25	410/047-049
20429.15-19	407/094-096	20440.51-53	408/070-072	20448.34-36	452/107-109	20457.11-15	409/078-080	20466.27-29	410/050-052
20431.54-58	407/097-099	20440.55-57	408/073-075	20448.38-40	452/110-112	20457.18-20	409/081-082	20466.31-33	410/053-055
20432.01-05	407/100-102	20440.59-59	408/076-076	20448.42-44	452/113-115	20457.23-29	409/083-086	20466.36-38	410/056-058
20432.08-12	407/103-105	20441.00-01	408/077-078	20448.46-48	452/116-118	20457.32-36	409/087-089	20466.40-42	410/059-061
20432.15-19	407/106-108	20441.03-05	408/079-081	20448.50-52	452/119-121	20457.44-48	409/090-092	20466.44-46	410/062-064
20432.54-58	407/109-111	20441.07-09	408/082-084	20448.54-56	452/122-124	20457.51-55	409/093-095	20466.48-50	410/065-067
20433.01-05	407/112-114	20441.11-13	408/085-087	20448.58-59	452/125-126	20457.58-58	409/096-096	20466.52-54	410/068-070

## VOYAGER ARCHIVE TAPE CATALOG

FDS COUNT	VEE ID	FDS COUNT	VEE ID	FDS COUNT	VEE ID	FDS COUNT	VEE ID	FDS COUNT	VEE ID
20466.56-58	410/071-073	20474.52-54	411/026-028	20480.17-19	412/010-012	20486.38-42	412/136-138	20494.37-39	413/081-081
20467.00-02	410/074-076	20474.56-58	411/029-031	20480.22-24	412/013-015	20487.01-01	441/073-073	20494.47-50	413/082-083
20467.04-06	410/077-079	20475.00-02	411/032-034	20480.26-28	412/016-018	20487.08-23	438/088-073	20495.04-14	445/067-072
20467.08-10	410/080-082	20475.06-16	438/070-075	20480.30-32	412/019-021	20487.33-33	412/139-139	20496.36-38	413/084-086
20467.13-15	410/083-085	20475.32-42	441/080-085	20480.34-36	412/022-024	20487.41-44	412/140-141	20496.40-42	413/087-089
20467.17-17	422/077-077	20476.01-03	411/035-037	20481.15-17	412/025-027	20488.00-00	435/116-116	20496.44-46	413/090-092
20467.17-19	410/086-088	20476.05-07	411/038-040	20481.19-21	412/028-030	20488.04-04	422/078-078	20496.48-50	413/093-095
20467.21-23	410/089-091	20476.09-11	411/041-043	20481.23-25	412/031-033	20488.04-08	412/142-144	20496.52-54	413/096-098
20467.25-27	410/092-094	20476.13-15	411/044-046	20481.27-29	412/034-036	20488.11-15	413/001-003	20496.56-58	413/099-101
20467.29-31	410/095-097	20476.17-19	411/047-049	20481.31-33	412/037-039	20488.18-22	413/004-006	20497.00-02	413/102-104
20467.33-35	410/098-100	20476.21-23	411/050-052	20481.35-37	412/040-042	20488.25-29	413/007-009	20497.04-06	413/105-107
20467.37-39	410/101-103	20476.25-27	411/053-055	20481.39-41	412/043-045	20488.35-36	413/010-011	20497.08-10	413/108-110
20467.41-43	410/104-106	20476.29-31	411/056-058	20481.43-45	412/046-048	20488.38-41	413/012-013	20497.13-18	413/111-116
20467.45-47	410/107-109	20476.33-35	411/059-061	20481.47-49	412/049-051	20488.43-45	413/014-015	20497.33-37	435/117-118
20468.22-24	410/110-112	20476.38-40	411/062-064	20481.51-53	412/052-054	20488.48-52	413/016-018	20497.43-45	435/119-120
20468.26-28	410/113-115	20476.42-44	411/065-067	20481.55-57	412/055-057	20488.55-59	413/019-021	20497.49-55	435/121-122
20468.30-32	410/116-118	20476.46-48	411/068-070	20481.59-59	412/058-058	20489.19-19	413/022-022	20497.57-57	435/123-123
20468.34-36	410/119-121	20476.50-52	411/071-073	20482.00-01	412/059-060	20489.19-19	422/079-079	20498.01-07	435/124-125
20468.38-40	410/122-124	20476.54-56	411/074-076	20482.04-06	412/061-063	20489.31-31	413/023-023	20501.24-52	413/117-144
20468.42-44	410/125-127	20476.58-59	411/077-078	20482.08-10	412/064-066	20489.37-39	413/024-024	20501.50-52	422/085-087
20468.47-47	447/036-036	20477.00-02	411/079-080	20482.12-14	412/067-069	20489.37-39	422/080-080	20501.52-55	414/001-004
20468.53-53	435/101-101	20477.03-04	411/081-082	20482.16-18	412/070-072	20489.47-51	413/025-026	20501.57-59	414/005-006
20468.57-59	438/064-065	20477.06-08	411/083-085	20482.21-23	412/073-075	20490.00-00	413/027-027	20502.03-13	441/101-106
20469.01-07	438/066-069	20477.10-12	411/086-088	20482.25-27	412/076-078	20490.00-00	422/081-081	20502.14-14	441/107-107
20469.16-18	410/128-130	20477.15-17	411/089-091	20482.29-31	412/079-081	20490.08-08	422/082-082	20502.18-20	414/007-009
20469.20-22	410/131-133	20477.19-21	411/092-094	20482.33-35	412/082-084	20490.08-12	413/028-029	20502.22-24	414/010-012
20469.24-26	410/134-136	20477.23-25	411/095-097	20482.41-51	438/082-087	20490.20-20	413/030-030	20502.26-28	414/013-015
20469.28-30	410/137-139	20477.27-29	411/098-100	20483.23-23	412/085-085	20490.20-20	422/083-083	20502.30-32	414/016-018
20469.32-34	410/140-142	20477.31-33	411/101-103	20483.31-34	412/086-087	20490.28-32	413/031-032	20502.34-36	414/019-021
20469.36-38	410/143-144	20477.35-37	411/104-106	20483.43-43	412/088-088	20490.40-46	413/033-035	20502.38-40	414/022-024
20469.38-38	411/001-001	20477.39-41	411/107-109	20483.51-54	412/089-090	20490.50-56	413/036-038	20502.42-44	414/025-027
20471.17-21	435/102-103	20477.43-45	411/110-112	20483.58-58	412/091-091	20491.00-06	413/039-041	20502.46-48	414/028-030
20471.27-27	435/104-104	20477.47-49	411/113-115	20484.06-09	412/092-093	20491.03-03	422/084-084	20502.50-52	414/031-033
20471.34-34	435/105-105	20478.02-04	411/116-118	20484.14-18	412/094-096	20491.10-16	413/042-044	20502.54-56	414/034-036
20471.46-46	435/106-106	20478.06-08	411/119-121	20484.21-25	412/097-099	20491.20-26	413/045-047	20502.58-59	414/037-038
20471.58-58	435/107-107	20478.10-12	411/122-124	20484.28-32	412/100-102	20491.30-36	413/048-050	20503.00-02	414/039-040
20472.10-10	435/108-108	20478.14-16	411/125-127	20484.35-39	412/103-105	20491.47-51	413/051-053	20503.03-04	414/041-042
20472.22-22	435/109-109	20478.18-20	411/128-130	20484.56-56	412/106-106	20491.54-58	413/054-056	20503.07-09	414/043-045
20472.46-46	435/110-110	20478.22-24	411/131-133	20485.04-07	412/107-108	20492.01-05	413/057-059	20503.11-13	414/046-048
20472.58-58	435/111-111	20478.26-28	411/134-136	20485.16-16	412/109-109	20492.08-12	413/060-062	20503.15-17	414/049-051
20473.10-10	435/112-112	20478.30-32	411/137-139	20485.24-27	412/110-111	20492.37-43	413/063-065	20503.19-21	414/052-054
20473.29-33	435/113-114	20478.34-36	411/140-142	20485.31-31	412/112-112	20492.46-50	413/066-068	20503.23-25	414/055-057
20473.37-39	435/115-115	20478.40-50	438/076-081	20485.39-42	412/113-114	20492.53-57	413/069-071	20503.27-29	414/058-060
20474.20-25	411/002-007	20478.55-59	441/086-088	20485.47-51	412/115-117	20493.00-04	413/072-074	20503.31-33	414/061-063
20474.28-30	411/008-010	20479.01-05	441/089-091	20485.54-58	412/118-120	20493.07-21	438/074-078	20503.35-37	414/064-066
20474.32-34	411/011-013	20479.14-14	441/092-092	20486.01-05	412/121-123	20493.30-48	441/074-100	20503.39-41	414/067-069
20474.36-38	411/014-016	20479.22-32	445/061-066	20486.08-12	412/124-126	20493.57-59	413/075-075	20503.43-45	414/070-072
20474.40-42	411/017-019	20480.05-07	412/001-003	20486.17-21	412/127-129	20494.07-10	413/076-077	20503.47-49	414/073-075
20474.44-46	411/020-022	20480.09-11	412/004-006	20486.24-28	412/130-132	20494.19-19	413/078-078	20503.51-53	414/076-078
20474.48-50	411/023-025	20480.13-15	412/007-009	20486.31-35	412/133-135	20494.27-30	413/079-080	20504.00-00	438/079-079



## VOYAGER ARCHIVE TAPE CATALOG

FDS COUNT	VEE ID	FDS COUNT	VEE ID	FDS COUNT	VEE ID	FDS COUNT	VEE ID	FDS COUNT	VEE ID
20504.59-59	414/079-079	20511.20-22	415/053-055	20518.28-32	416/020-022	20536.04-58	418/001-019	20550.17-23	419/057-059
20505.02-04	414/080-082	20511.32-32	415/056-056	20518.35-39	416/023-025	20537.01-31	418/020-030	20550.27-33	419/060-062
20505.06-08	414/083-085	20511.40-42	415/057-058	20518.42-46	416/026-028	20537.33-45	418/031-037	20550.37-43	419/063-065
20505.10-12	414/086-088	20511.52-52	415/059-059	20518.51-57	438/106-108	20537.48-49	418/038-039	20550.47-53	419/066-068
20505.14-16	414/089-091	20512.00-02	415/060-061	20519.00-06	438/109-111	20538.58-58	439/001-001	20550.57-57	419/069-069
20505.18-20	414/092-094	20512.12-12	415/062-062	20519.18-58	442/013-023	20539.01-11	439/002-007	20551.00-03	419/070-071
20505.22-24	414/095-097	20512.20-22	415/063-064	20520.02-02	442/024-024	20539.16-18	418/040-042	20551.07-13	419/072-074
20505.26-28	414/098-100	20512.43-45	415/065-067	20520.11-41	416/029-039	20539.20-22	418/043-045	20551.17-25	436/001-003
20505.30-32	414/101-103	20512.47-49	415/068-070	20520.49-55	416/040-042	20539.24-26	418/046-048	20551.33-33	419/075-075
20505.34-36	414/104-106	20512.51-53	415/071-073	20520.59-59	416/043-043	20539.28-30	418/049-051	20551.41-45	419/076-077
20505.38-40	414/107-109	20512.55-57	415/074-076	20521.05-09	416/044-045	20539.32-34	418/052-054	20551.53-53	419/078-078
20505.42-44	414/110-112	20512.59-59	415/077-077	20521.12-15	416/046-047	20539.36-38	418/055-057	20552.01-05	419/079-080
20505.46-48	414/113-115	20513.00-01	415/078-079	20521.31-47	445/081-085	20539.40-42	418/058-060	20552.23-23	419/081-081
20506.05-07	414/116-117	20513.03-05	415/080-082	20521.53-59	416/048-050	20539.44-46	418/061-063	20552.31-35	419/082-083
20506.17-17	414/118-118	20513.07-09	415/083-085	20522.02-26	416/051-059	20539.48-50	418/064-066	20552.43-43	419/084-084
20506.25-27	414/119-120	20513.11-13	415/086-088	20522.40-49	442/025-028	20539.52-54	418/067-069	20552.51-55	419/085-086
20506.37-37	414/121-121	20513.15-17	415/089-091	20523.05-32	442/029-038	20539.56-58	418/070-072	20553.03-03	419/087-087
20506.45-47	414/122-123	20513.19-21	415/092-094	20523.38-53	438/112-117	20540.00-02	418/073-075	20553.11-15	419/088-089
20507.05-15	445/073-078	20513.23-25	415/095-097	20524.03-17	416/060-067	20540.05-07	418/076-078	20553.25-40	439/014-019
20507.24-27	445/079-080	20513.27-29	415/098-100	20524.21-57	416/068-080	20540.09-11	418/079-081	20553.49-49	439/020-020
20507.34-36	414/124-126	20513.42-42	441/108-108	20525.00-57	416/081-100	20540.13-13	422/090-090	20553.54-58	419/090-092
20507.38-40	414/127-129	20513.45-51	435/126-128	20526.00-57	416/101-120	20540.13-15	418/082-084	20554.01-05	419/093-095
20507.42-44	414/130-132	20513.55-58	438/100-101	20527.00-57	416/121-140	20540.32-32	442/044-044	20554.08-12	419/096-098
20507.46-48	414/133-135	20514.01-10	438/102-105	20528.00-12	416/141-144	20540.37-51	418/085-092	20554.15-19	419/099-101
20507.50-52	414/136-138	20514.13-37	441/109-116	20528.12-57	417/001-016	20540.55-58	418/093-094	20554.22-26	419/102-104
20507.54-56	414/139-141	20514.37-58	442/001-008	20529.00-15	417/017-022	20541.01-58	418/095-114	20554.29-33	419/105-107
20507.58-59	414/142-143	20515.01-10	442/009-012	20529.17-27	417/023-028	20542.01-25	418/115-123	20554.36-40	419/108-110
20508.00-02	415/001-002	20515.40-44	415/101-103	20529.41-45	417/029-031	20542.31-58	418/124-133	20554.43-47	419/111-113
20508.02-04	422/088-089	20515.47-51	415/104-106	20530.01-10	442/039-042	20543.01-31	418/134-144	20554.50-54	419/114-116
20508.03-04	415/003-004	20515.54-58	415/107-109	20530.22-22	442/043-043	20543.40-40	422/091-091	20554.57-59	419/117-118
20508.06-08	415/005-007	20516.01-05	415/110-112	20530.31-41	438/118-123	20544.46-58	419/001-005	20555.01-04	419/119-120
20509.24-24	415/008-008	20516.08-12	415/113-115	20531.14-16	417/032-034	20545.01-49	419/006-022	20555.06-08	420/001-002
20509.32-34	415/009-010	20516.15-19	415/116-118	20531.18-20	417/035-037	20545.51-59	419/023-027	20555.11-15	420/003-005
20509.44-44	415/011-011	20516.22-26	415/119-121	20531.22-24	417/038-040	20546.01-01	422/092-092	20556.15-17	420/006-008
20509.52-54	415/012-013	20516.29-33	415/122-124	20531.26-28	417/041-043	20546.01-03	419/028-029	20556.19-21	420/009-011
20510.04-04	415/014-014	20516.36-40	415/125-127	20531.30-32	417/044-046	20547.03-18	442/045-050	20556.23-25	420/012-014
20510.12-14	415/015-016	20516.43-47	415/128-130	20531.34-36	417/047-049	20547.25-31	435/129-131	20556.27-29	420/015-017
20510.22-22	415/017-017	20516.50-54	415/131-133	20531.38-40	417/050-052	20547.35-50	439/008-013	20556.31-33	420/018-020
20510.30-32	415/018-019	20516.57-59	415/134-135	20531.42-44	417/053-055	20547.57-59	419/030-031	20556.35-37	420/021-023
20510.36-38	415/020-022	20517.01-01	415/136-136	20531.46-48	417/056-058	20548.01-04	419/032-033	20556.39-41	420/024-026
20510.40-42	415/023-025	20517.25-29	415/137-139	20531.50-52	417/059-061	20548.06-08	419/034-035	20556.47-47	436/004-004
20510.44-46	415/026-028	20517.32-36	415/140-142	20531.54-56	417/062-064	20548.11-15	419/036-038	20556.56-56	436/005-005
20510.48-50	415/029-031	20517.39-43	415/143-144	20531.58-59	417/065-066	20548.18-22	419/039-041	20557.01-01	436/006-006
20510.52-54	415/032-034	20517.43-46	416/001-002	20532.00-00	417/067-067	20548.25-29	419/042-044	20557.06-06	436/007-007
20510.56-58	415/035-037	20517.48-50	416/003-004	20532.19-33	417/068-075	20548.32-36	419/045-047	20557.11-11	436/008-008
20511.00-02	415/038-040	20517.53-57	416/005-007	20532.37-58	417/076-083	20548.39-43	419/048-050	20557.16-16	422/137-137
20511.04-06	415/041-043	20518.00-04	416/008-010	20533.01-58	417/084-103	20548.46-50	419/051-053	20557.16-16	436/009-009
20511.08-10	415/044-046	20518.07-11	416/011-013	20534.01-58	417/104-123	20548.53-57	419/054-056	20557.21-21	436/010-010
20511.12-14	415/047-049	20518.14-18	416/014-016	20535.01-58	417/124-143	20549.47-59	445/086-089	20557.26-26	436/011-011
20511.16-18	415/050-052	20518.21-25	416/017-019	20536.01-04	417/144-144	20550.03-07	445/090-091	20557.31-31	436/012-012

## VOYAGER ARCHIVE TAPE CATALOG

FDS COUNT	VEE ID	FDS COUNT	VEE ID	FDS COUNT	VEE ID	FDS COUNT	VEE ID	FDS COUNT	VEE ID
20557.36-36	436/013-013	20564.20-30	439/029-034	20568.12-14	421/084-086	20571.38-40	423/062-064	20579.50-54	424/086-087
20557.41-41	436/014-014	20565.14-16	420/108-110	20568.16-18	421/087-089	20571.45-47	423/065-067	20580.05-05	424/088-088
20557.46-46	436/015-015	20565.18-20	420/111-113	20568.20-22	421/090-092	20571.49-51	423/068-070	20580.13-17	424/089-090
20557.51-51	436/016-016	20565.19-20	422/101-102	20568.24-26	421/093-095	20571.53-55	423/071-073	20580.25-25	424/091-091
20557.56-56	436/017-017	20565.22-24	420/114-116	20568.28-30	421/096-098	20571.57-59	423/074-076	20580.33-37	424/092-093
20558.01-01	436/018-018	20565.22-24	422/103-105	20568.32-34	421/099-101	20571.11-00	423/048-048	20580.43-49	424/094-096
20558.06-06	436/019-019	20565.26-28	420/117-119	20568.43-55	442/057-063	20572.01-03	423/077-079	20580.53-59	424/097-099
20558.11-11	436/020-020	20565.26-28	422/104-108	20568.56-58	442/064-066	20572.05-07	423/080-082	20581.03-09	424/100-102
20558.16-16	436/021-021	20565.33-35	420/120-122	20569.03-03	421/102-102	20572.09-11	423/083-085	20581.13-19	424/103-105
20558.21-21	436/022-022	20565.33-35	422/109-111	20569.08-10	421/103-104	20572.16-18	423/086-088	20581.23-27	436/031-032
20558.26-26	436/023-023	20565.37-39	420/123-125	20569.11-12	421/105-106	20572.20-22	423/089-091	20581.35-59	439/041-047
20558.31-31	436/024-024	20565.37-39	422/112-114	20569.14-16	421/107-109	20572.24-26	423/092-094	20582.03-03	439/048-048
20558.36-36	436/025-025	20565.41-43	420/126-128	20569.18-20	421/110-112	20572.28-30	423/095-097	20582.50-52	442/067-069
20558.41-41	436/026-026	20565.41-43	422/115-117	20569.22-24	421/113-115	20572.32-34	423/098-100	20582.54-56	442/070-072
20558.46-46	436/027-027	20565.45-47	420/129-131	20569.26-28	421/116-118	20572.36-38	423/101-103	20582.58-59	442/073-074
20559.10-11	439/021-022	20565.49-51	420/132-134	20569.30-32	421/119-121	20572.40-42	423/104-106	20583.00-02	442/075-076
20559.13-23	439/023-028	20565.53-55	420/135-137	20569.34-36	421/122-124	20572.47-49	423/107-109	20583.03-04	442/077-078
20559.28-30	420/027-029	20565.57-59	420/138-140	20569.41-43	421/125-127	20572.51-53	423/110-112	20583.05-11	442/081-082
20559.32-34	420/030-032	20566.04-06	420/141-143	20569.45-47	421/128-130	20572.55-57	423/113-115	20583.06-07	442/079-080
20559.34-34	422/093-093	20566.08-09	420/144-144	20569.49-51	421/131-133	20572.59-59	423/116-116	20583.13-35	445/092-103
20559.36-38	420/033-035	20566.09-10	421/001-002	20569.53-55	421/134-136	20573.00-01	423/117-118	20583.49-51	424/106-108
20559.40-42	420/036-038	20566.12-12	422/118-118	20569.57-59	421/137-139	20573.03-05	423/119-121	20583.53-55	424/109-111
20559.45-47	420/039-041	20566.12-14	421/003-005	20570.00-16	393/069-077	20573.07-09	423/122-124	20583.57-59	424/112-114
20559.49-51	420/042-044	20566.16-18	421/006-008	20570.01-03	421/140-142	20573.11-13	423/125-127	20584.01-03	424/115-117
20559.53-55	420/045-047	20566.20-22	421/009-011	20570.02-02	422/119-119	20573.30-45	439/035-040	20584.27-42	424/118-133
20559.57-59	420/048-050	20566.24-26	421/012-014	20570.05-06	421/143-144	20573.50-59	423/128-131	20584.44-48	424/134-136
20560.02-04	420/051-053	20566.28-30	421/015-017	20570.07-07	423/001-001	20574.02-17	423/132-137	20584.49-57	424/137-144
20560.06-08	420/054-056	20566.35-37	421/018-020	20570.12-14	423/002-004	20574.21-39	423/138-144	20584.57-59	425/001-003
20560.10-12	420/057-059	20566.39-41	421/021-023	20570.16-18	423/005-007	20574.42-48	424/001-003	20585.00-02	425/004-005
20560.14-16	420/060-062	20566.43-45	421/024-026	20570.17-20	393/078-081	20574.52-58	424/004-006	20585.22-44	439/049-060
20560.19-21	420/063-065	20566.47-49	421/027-029	20570.20-22	423/008-010	20575.01-19	424/007-013	20585.47-59	439/061-067
20560.23-25	420/066-068	20566.51-53	421/030-032	20570.24-26	423/011-013	20575.23-50	424/014-023	20586.01-17	439/068-076
20560.27-29	420/069-071	20566.55-57	421/033-035	20570.28-30	423/014-016	20575.32-47	424/034-039	20586.23-25	425/006-008
20560.27-29	422/094-096	20566.59-59	421/036-036	20570.32-34	423/017-019	20575.54-57	424/024-025	20586.27-29	425/009-011
20560.38-48	442/051-056	20567.00-01	421/037-038	20570.36-38	423/020-022	20576.00-21	424/026-033	20586.31-33	425/012-014
20560.54-56	420/072-074	20567.06-08	421/039-041	20570.43-45	423/023-025	20576.43-52	424/040-043	20586.35-37	425/015-017
20560.58-59	420/075-076	20567.10-12	421/042-044	20570.47-49	423/026-028	20576.56-59	424/044-045	20586.39-41	425/018-020
20561.00-02	420/077-078	20567.14-16	421/045-047	20570.51-53	423/029-031	20577.02-23	424/046-053	20586.43-45	425/021-023
20561.03-04	420/079-080	20567.18-20	421/048-050	20570.55-57	423/032-034	20577.27-54	424/054-063	20586.47-49	425/024-026
20561.06-08	420/081-083	20567.22-24	421/051-053	20570.59-59	423/035-035	20578.01-07	436/028-030	20586.51-53	425/027-029
20561.10-12	420/084-086	20567.26-28	421/054-056	20571.00-01	423/036-037	20578.16-22	424/064-066	20586.55-57	425/030-032
20561.11-15	422/097-098	20567.30-32	421/057-059	20571.03-05	423/038-040	20578.26-32	424/067-069	20587.00-02	425/033-035
20561.14-16	420/087-089	20567.37-39	421/060-062	20571.07-09	423/041-043	20578.36-42	424/070-072	20587.04-06	425/036-038
20561.16-18	422/099-100	20567.41-43	421/063-065	20571.14-16	423/044-046	20578.46-52	424/073-075	20587.08-10	425/039-041
20561.18-20	420/090-092	20567.45-47	421/066-068	20571.18-18	423/047-047	20578.56-59	424/076-077	20587.12-14	425/042-044
20563.57-59	420/093-095	20567.49-51	421/069-071	20571.20-20	423/949-949	20579.02-06	424/078-079	20587.16-18	425/045-047
20564.01-03	420/096-098	20567.53-55	421/072-074	20571.22-24	423/050-052	20579.09-12	424/080-081	20587.20-22	425/048-050
20564.05-07	420/099-101	20567.57-59	421/075-077	20571.26-28	423/053-055	20579.22-22	424/082-082	20587.24-26	425/051-053
20564.09-11	420/102-104	20568.01-03	421/078-080	20571.30-32	423/056-058	20579.30-34	424/083-084	20587.28-30	425/054-056
20564.13-15	420/105-107	20568.08-10	421/081-083	20571.34-36	423/059-061	20579.42-42	424/085-085	20587.32-34	425/057-059

## VOYAGER ARCHIVE TAPE CATALOG

FDS COUNT	VEE ID	FDS COUNT	VEE ID	FDS COUNT	VEE ID	FDS COUNT	VEE ID	FDS COUNT	VEE ID
20587.38-46	439/077-081	20603.35-45	426/023-028	20612.20-22	440/007-009	20621.18-33	436/073-078	20625.44-46	427/082-084
20587.56-56	425/060-060	20603.48-50	426/029-030	20612.24-26	440/010-012	20621.35-35	436/079-079	20625.48-50	427/085-087
20588.04-06	425/061-062	20603.53-55	426/031-032	20612.27-31	426/077-078	20621.38-40	426/134-135	20625.52-54	427/088-090
20588.16-16	425/063-063	20603.58-58	426/033-033	20612.43-45	426/079-080	20621.43-45	426/136-137	20625.56-58	427/091-093
20588.24-26	425/064-065	20604.00-03	426/034-035	20612.48-50	426/081-082	20621.48-50	426/138-139	20626.00-02	427/094-096
20588.36-36	425/066-066	20604.05-08	426/036-037	20612.53-55	426/083-084	20621.53-55	422/132-133	20626.04-06	427/097-099
20588.44-46	425/067-068	20604.10-13	426/038-039	20612.58-58	426/085-085	20621.58-58	426/140-140	20626.08-10	427/100-102
20588.54-58	439/082-084	20604.15-18	426/040-041	20613.00-03	426/086-087	20622.00-03	426/141-142	20626.12-14	427/103-105
20589.00-02	439/085-086	20604.20-23	426/042-043	20613.05-08	426/088-089	20622.05-08	426/143-144	20626.16-18	427/106-108
20589.22-58	447/037-055	20604.25-28	426/044-045	20613.10-13	426/090-091	20622.10-13	427/001-002	20626.20-22	427/109-111
20590.02-04	425/069-071	20604.30-33	426/046-047	20613.15-18	426/092-093	20622.15-18	427/003-004	20626.24-26	427/112-114
20590.06-08	425/072-074	20604.35-38	426/048-049	20613.20-20	426/094-094	20622.20-23	427/005-006	20626.28-30	427/115-117
20590.10-12	425/075-077	20604.40-43	426/050-051	20613.30-58	446/003-017	20622.25-28	427/007-008	20626.32-34	427/118-120
20590.14-15	422/120-121	20604.45-48	426/052-053	20614.00-40	446/018-038	20622.30-33	427/009-010	20626.36-38	427/121-123
20590.14-16	425/078-080	20604.50-53	426/054-055	20614.41-59	446/039-048	20622.35-38	427/011-012	20626.40-42	427/124-126
20590.18-20	425/081-083	20604.55-58	426/056-057	20614.42-48	426/095-098	20622.40-43	427/013-014	20626.44-46	427/127-129
20590.20-22	422/122-123	20605.00-03	426/058-059	20614.54-56	426/099-100	20622.45-48	427/015-016	20626.48-50	427/130-132
20590.22-24	425/084-086	20605.05-05	426/060-060	20614.59-59	426/101-101	20622.50-53	427/017-018	20626.52-54	427/133-135
20590.23-24	422/124-125	20605.08-10	439/094-095	20615.01-04	426/102-103	20622.55-58	427/019-020	20626.56-57	427/136-137
20590.26-28	422/126-128	20605.13-15	439/096-097	20615.06-09	426/104-105	20623.00-03	427/021-022	20627.01-01	427/138-138
20590.26-28	425/087-089	20605.18-20	439/098-099	20615.11-11	426/106-106	20623.05-08	427/023-024	20628.24-26	427/139-141
20590.30-32	422/129-131	20605.23-25	439/100-101	20615.15-30	436/078-083	20623.10-13	427/025-026	20628.28-30	427/142-144
20590.30-32	425/090-092	20605.28-30	439/102-103	20615.32-32	436/084-084	20623.15-18	427/027-028	20628.32-34	428/001-003
20590.34-36	425/093-095	20605.33-35	439/104-105	20616.01-59	446/049-078	20623.20-23	427/029-030	20628.36-38	428/004-006
20590.39-41	425/096-098	20605.38-40	439/106-107	20616.07-09	422/149-150	20623.25-28	427/031-032	20628.40-42	428/007-009
20590.43-45	425/099-101	20605.43-45	439/108-109	20616.39-39	422/151-151	20623.30-33	427/033-034	20628.44-46	428/010-012
20590.47-49	425/102-104	20605.48-50	439/110-111	20617.01-51	446/079-104	20623.35-38	427/035-036	20628.48-50	428/013-015
20590.51-53	425/105-107	20605.53-55	439/112-113	20618.30-40	446/106-110	20623.40-43	427/037-038	20628.52-54	428/016-018
20590.57-59	425/108-110	20605.58-58	439/114-114	20618.40-58	447/001-010	20623.45-48	427/039-040	20628.56-58	428/019-021
20591.01-03	425/111-113	20606.00-06	439/115-116	20618.58-58	446/105-105	20623.50-53	427/041-042	20629.00-02	428/022-024
20591.05-07	425/114-116	20606.05-05	439/117-117	20619.00-18	447/011-020	20623.55-58	427/043-044	20629.04-06	428/025-027
20591.09-11	425/117-119	20606.21-49	445/104-118	20619.21-22	447/021-022	20624.00-03	427/045-046	20629.08-10	428/028-030
20591.13-15	425/120-122	20606.53-55	446/001-002	20619.24-48	447/023-035	20624.05-08	427/047-048	20629.12-14	428/031-033
20591.17-19	425/123-125	20607.00-02	426/061-062	20619.50-54	426/107-109	20624.10-13	427/049-050	20629.16-18	428/034-036
20591.21-23	425/126-128	20607.05-07	426/063-064	20619.57-59	426/110-111	20624.15-18	427/051-052	20629.20-22	428/037-039
20591.25-27	425/129-131	20607.10-12	426/065-066	20620.02-04	426/112-113	20624.20-23	427/053-054	20629.24-26	428/040-042
20591.29-31	425/132-134	20607.15-17	426/067-068	20620.07-09	426/114-115	20624.25-28	427/055-056	20629.28-30	428/043-045
20591.35-59	436/033-045	20607.20-22	426/069-070	20620.12-14	426/116-117	20624.30-33	427/057-058	20629.32-34	428/046-048
20592.01-05	436/046-048	20607.25-27	426/071-072	20620.17-19	426/118-119	20624.35-38	427/059-060	20629.36-38	428/049-051
20592.13-23	436/049-054	20607.30-32	426/073-074	20620.22-24	426/120-121	20624.40-40	422/134-134	20629.40-42	428/052-054
20592.29-39	425/135-144	20607.35-37	426/075-076	20620.27-29	426/122-123	20624.40-43	427/061-062	20629.44-46	428/055-057
20592.39-44	426/001-006	20607.45-57	436/065-068	20620.32-34	426/124-125	20624.45-48	427/063-064	20629.48-50	428/058-060
20592.46-50	426/007-009	20608.01-05	436/069-070	20620.37-39	426/126-127	20624.50-53	427/065-066	20629.52-54	428/061-063
20592.51-59	426/010-018	20608.08-08	436/071-071	20620.42-44	426/128-129	20624.53-53	422/135-135	20629.56-58	428/064-066
20593.00-02	426/019-021	20608.15-59	442/083-094	20620.47-49	426/130-131	20624.55-58	427/067-068	20630.00-02	428/067-069
20593.04-04	426/022-022	20611.31-51	436/072-077	20620.52-54	426/132-133	20625.00-00	427/069-069	20630.04-06	428/070-072
20593.17-29	439/087-093	20611.55-59	439/118-119	20620.57-59	436/085-086	20625.28-30	427/070-072	20630.08-10	428/073-075
20593.38-42	436/055-056	20612.03-07	439/120-120	20621.02-04	436/087-088	20625.32-34	427/073-075	20630.20-28	428/076-078
20593.44-46	436/057-058	20612.07-15	440/001-003	20621.07-09	436/089-090	20625.36-38	427/076-078	20630.36-40	428/079-080
20593.49-54	436/059-064	20612.16-18	440/004-006	20621.12-14	436/091-092	20625.40-42	427/079-081	20630.40-52	428/081-084

## VOYAGER ARCHIVE TAPE CATALOG

FDS COUNT	VEE ID	FDS COUNT	VEE ID	FDS COUNT	VEE ID	FDS COUNT	VEE ID	FDS COUNT	VEE ID
20630.53-53	428/085-085	20642.52-54	429/031-032	20652.39-39	440/087-087	20658.12-14	431/067-069	20745.00-20	432/106-116
20631.00-01	442/095-096	20642.57-59	429/033-034	20652.46-48	430/061-062	20658.17-20	431/070-071	20745.20-20	432/117-117
20631.03-05	442/097-099	20643.02-04	429/035-036	20652.51-53	430/063-064	20658.21-22	431/072-073	20745.25-59	432/118-135
20631.07-09	442/100-102	20643.07-09	429/037-038	20652.56-58	430/065-066	20658.25-26	431/074-075	20746.01-17	432/136-144
20631.11-13	442/103-105	20643.12-14	429/039-040	20653.01-57	430/067-095	20658.28-30	431/076-078	20746.19-55	422/026-044
20631.15-17	442/106-108	20643.17-19	429/041-042	20654.01-15	430/096-103	20658.32-34	431/079-081	20746.57-59	433/001-002
20631.19-21	442/109-111	20643.22-24	429/043-044	20654.42-44	430/104-106	20658.52-54	431/082-084	20747.01-11	433/003-008
20631.23-25	442/112-114	20643.27-29	429/045-046	20654.46-48	430/107-109	20658.56-57	431/085-086	20747.17-19	433/009-010
20631.27-29	442/115-117	20643.32-34	429/047-048	20654.50-52	430/110-112	20659.01-17	431/087-091	20747.33-59	433/011-024
20631.31-33	443/001-003	20643.37-39	429/049-050	20654.54-56	430/113-115	20659.18-20	431/092-093	20748.01-59	433/025-054
20631.43-45	428/086-087	20643.42-44	429/051-052	20654.58-59	430/116-117	20659.21-22	431/094-095	20749.01-59	433/055-084
20631.48-50	428/088-089	20643.47-49	429/053-054	20655.00-03	430/118-119	20659.24-26	431/096-098	20750.01-59	433/085-114
20631.53-55	428/090-091	20643.52-54	429/055-056	20655.04-06	430/120-121	20659.28-30	431/099-101	20751.01-59	433/115-144
20631.58-58	428/092-092	20643.57-59	429/057-058	20655.07-08	430/122-123	20659.32-34	431/102-104	20752.01-59	434/001-030
20632.00-00	428/093-093	20644.02-52	429/059-084	20655.10-12	430/124-126	20659.36-38	431/105-107	20753.01-17	434/031-039
20632.50-54	428/094-095	20644.56-58	429/085-086	20655.14-16	430/127-129	20659.38-38	437/001-001	20753.17-21	434/040-041
20632.56-58	428/096-097	20645.01-03	429/087-088	20655.18-20	430/130-132	20659.40-41	431/108-109	20753.23-51	434/042-056
20633.00-58	428/098-127	20645.06-08	429/089-090	20655.22-24	430/133-135	20659.42-44	436/109-110	20754.00-00	444/036-036
20634.00-08	428/128-132	20645.11-13	429/091-092	20655.26-28	430/136-138	20659.45-46	436/111-112	20760.05-05	434/057-057
20634.12-14	428/133-134	20645.16-18	429/093-094	20655.30-31	430/139-140	20659.48-50	436/113-115	20767.37-37	440/088-088
20634.17-19	428/135-136	20645.21-23	429/095-096	20655.32-34	447/056-057	20659.52-54	436/116-118	20856.18-59	434/058-099
20634.22-24	428/137-138	20645.26-28	429/097-098	20655.35-36	447/058-059	20659.56-57	436/119-120	20857.00-15	434/100-115
20634.27-39	428/139-144	20645.31-33	429/099-100	20655.38-40	447/060-062	20660.00-02	437/002-004	20857.31-59	434/116-130
20634.39-59	429/001-011	20645.36-38	429/101-102	20655.42-44	447/063-065	20660.04-06	437/005-007	20858.01-29	434/131-144
20635.01-13	429/012-018	20645.41-43	429/103-104	20655.46-48	447/064-068	20660.08-10	437/008-010	20858.29-59	435/001-016
20635.17-53	443/004-022	20645.46-48	429/105-106	20655.50-51	447/069-070	20661.09-54	437/011-026	20859.01-25	435/017-029
20635.56-59	443/023-024	20645.51-53	429/107-108	20655.52-54	430/141-142	20662.10-58	437/027-039	20859.32-42	435/030-035
20636.02-20	443/025-031	20645.56-58	429/109-110	20655.55-56	430/143-144	20663.02-58	437/040-054	20859.57-57	435/036-036
20636.11-11	422/144-144	20646.01-03	429/111-112	20655.58-59	431/001-002	20664.02-58	437/055-069	20860.00-57	435/037-056
20636.36-38	443/032-033	20646.06-12	429/113-116	20656.00-02	431/003-004	20664.03-03	422/138-138	20861.00-15	435/057-062
20636.41-59	443/034-040	20646.16-20	429/117-118	20656.03-04	431/005-006	20665.02-10	437/070-072	20861.24-51	435/063-072
20637.02-59	443/041-060	20646.22-58	429/119-137	20656.06-08	431/007-009	20665.24-57	437/073-084	20861.54-57	422/045-046
20638.02-23	443/061-068	20647.00-14	429/138-144	20656.10-12	431/010-012	20666.00-57	437/085-104	20862.00-57	422/047-066
20638.29-59	443/069-099	20647.14-40	430/001-014	20656.14-16	431/013-015	20666.03-06	422/139-140	20863.00-06	422/067-069
20639.00-19	443/100-118	20647.45-47	430/015-016	20656.18-20	431/016-018	20667.00-45	437/105-119	26600.19-25	272/027-030
20639.19-22	444/001-004	20647.50-52	430/017-018	20656.19-19	422/136-136	20667.45-57	438/001-005	31141.00-54	012/110-119
20639.48-53	444/005-010	20647.55-57	430/019-020	20656.22-24	431/019-021	20668.00-57	438/006-025	32499.21-27	001/001-004
20640.24-34	444/011-021	20648.00-58	430/021-050	20656.26-28	431/022-024	20669.00-12	438/026-030	32500.13-21	001/005-009
20640.27-27	422/145-145	20649.00-02	430/051-052	20656.30-32	431/025-027	20671.33-51	438/031-040	32502.47-55	001/010-014
20640.36-43	444/022-029	20649.10-58	440/013-029	20656.34-35	431/028-029	20672.04-19	431/110-115	32505.21-29	001/015-019
20640.45-55	444/030-035	20650.01-10	440/030-033	20656.39-43	431/030-031	20672.25-37	431/116-118	32507.47-59	001/020-022
20641.52-58	436/100-102	20650.12-56	440/034-056	20656.49-57	431/032-034	20673.01-13	431/119-121	32508.05-11	001/023-024
20642.01-13	436/103-107	20651.06-08	430/053-054	20657.01-41	431/035-045	20691.27-47	431/122-127	32510.21-45	001/025-029
20642.15-15	436/108-108	20651.11-13	430/055-056	20657.44-46	431/046-048	20692.37-57	431/128-133	32512.55-55	001/030-030
20642.22-24	429/019-020	20651.16-18	430/057-058	20657.48-50	431/049-051	20693.01-02	431/134-135	32513.01-19	001/031-034
20642.27-29	429/021-022	20651.21-23	430/059-060	20657.52-54	431/052-054	20741.12-30	431/136-144	32515.37-45	001/035-039
20642.32-34	429/023-024	20651.35-39	440/057-059	20657.56-58	431/055-057	20741.30-58	432/001-015	32518.11-19	001/040-044
20642.37-39	429/025-026	20651.43-59	440/061-069	20658.00-02	431/058-060	20742.00-58	432/016-045	32520.45-53	001/045-049
20642.42-44	429/027-028	20651.61-61	440/060-060	20658.04-06	431/061-063	20743.00-58	432/046-075	32523.19-21	001/050-051
20642.47-49	429/029-030	20652.01-33	440/070-086	20658.08-10	431/064-066	20744.00-58	432/076-105	32523.21-21	001/052-052

## VOYAGER ARCHIVE TAPE CATALOG

FDS COUNT	VGE ID	FDS COUNT	VGE ID	FDS COUNT	VGE ID	FDS COUNT	VGE ID	FDS COUNT	VGE ID
32523.21-27	001/053-056	32615.43-51	002/077-081	32708.07-15	003/126-130	32787.49-49	005/001-001	32875.01-05	006/041-043
32525.53-59	001/057-060	32618.17-19	002/082-083	32710.41-49	003/131-135	32790.15-23	005/002-006	32877.11-11	103/031-031
32526.01-01	001/061-061	32618.23-25	002/085-086	32713.15-17	003/136-137	32792.49-51	005/007-008	32877.31-39	006/044-048
32528.27-35	001/062-066	32618.84-84	002/084-084	32713.17-23	003/138-141	32792.51-57	005/009-012	32880.05-13	006/049-053
32531.01-09	001/067-071	32620.51-59	002/087-091	32715.49-55	003/142-144	32795.23-31	005/013-017	32882.39-39	006/054-054
32533.35-41	001/072-073	32623.27-33	002/093-096	32715.55-57	004/001-002	32797.57-59	005/018-019	32882.43-47	006/056-058
32533.43-43	001/074-074	32625.59-59	002/097-097	32718.15-39	004/003-007	32798.01-05	005/020-022	32882.55-55	006/055-055
32536.09-17	001/075-079	32626.01-07	002/098-101	32720.49-55	004/008-009	32800.31-39	005/023-027	32885.13-15	006/059-060
32538.35-59	001/080-084	32628.25-25	002/102-102	32721.01-13	004/010-012	32803.05-07	005/028-029	32885.15-21	006/061-064
32541.09-33	001/085-089	32628.37-49	002/104-106	32723.23-47	004/013-017	32803.07-13	005/030-033	32887.47-55	006/065-069
32543.43-55	001/090-092	32630.59-59	002/107-107	32726.05-13	004/018-022	32805.39-47	005/034-038	32890.21-29	006/070-074
32544.01-07	001/093-094	32631.05-23	002/108-111	32726.07-07	002/018-018	32808.05-29	005/039-043	32892.35-35	098/052-052
32546.25-33	001/095-099	32633.33-57	002/112-116	32726.09-15	002/038-039	32810.39-57	005/044-047	32892.55-59	006/075-077
32548.59-59	001/100-100	32636.15-23	002/117-121	32726.11-11	002/072-072	32811.03-03	005/048-048	32893.01-03	006/078-079
32549.01-07	001/101-104	32638.49-57	002/122-126	32726.13-13	002/092-092	32813.13-37	005/049-053	32895.29-37	006/080-084
32551.13-13	098/049-049	32641.23-31	002/127-131	32728.39-39	002/133-133	32815.55-59	005/054-056	32895.37-37	006/085-085
32551.33-41	001/105-109	32643.57-57	002/132-132	32728.39-47	004/023-027	32816.01-03	005/057-058	32895.37-37	006/086-086
32554.07-15	001/110-114	32644.01-05	002/134-134	32731.13-21	004/028-032	32818.29-37	005/059-063	32897.55-55	006/087-087
32556.41-49	001/115-119	32644.05-05	003/001-001	32733.27-27	103/030-030	32820.43-43	098/051-051	32898.01-01	006/088-088
32559.15-23	001/120-124	32646.31-39	003/002-006	32733.47-55	004/033-037	32821.03-11	005/064-068	32898.13-13	006/089-089
32561.49-57	001/125-129	32649.05-13	003/007-011	32736.21-29	004/038-042	32823.37-37	005/069-069	32898.13-19	006/090-091
32564.23-31	001/130-134	32651.39-47	003/012-016	32738.55-59	004/043-045	32823.37-45	005/070-074	32900.29-53	006/092-096
32566.57-59	001/135-136	32654.13-15	003/017-018	32739.01-03	004/046-047	32826.11-19	005/075-079	32903.03-03	006/097-097
32567.01-05	001/137-139	32654.15-21	003/019-022	32741.29-37	004/048-052	32828.45-53	005/080-084	32903.03-03	006/098-098
32569.23-47	001/140-144	32656.47-55	003/023-027	32744.03-03	004/053-053	32831.19-27	005/085-089	32903.15-27	006/099-101
32571.57-57	001/145-145	32659.13-37	003/028-032	32744.03-11	004/054-058	32833.53-53	005/090-090	32905.45-53	006/102-106
32572.03-21	001/146-149	32661.47-59	003/033-035	32746.29-53	004/059-063	32833.53-59	005/091-094	32908.19-27	006/107-111
32574.31-43	001/150-152	32662.05-11	003/036-037	32749.03-27	004/064-068	32834.01-01	005/095-095	32910.53-59	006/112-115
32574.55-55	002/001-001	32664.21-45	003/038-042	32751.37-55	004/069-072	32836.19-43	005/096-100	32911.01-01	006/116-116
32577.13-21	002/002-006	32667.03-11	003/043-047	32752.01-01	004/073-073	32838.53-59	005/101-102	32913.27-29	006/117-118
32579.47-55	002/007-011	32669.37-45	003/048-052	32754.21-27	004/074-077	32839.05-17	005/103-105	32913.29-35	006/119-122
32582.21-29	002/012-016	32672.11-19	003/053-057	32756.53-59	004/078-081	32841.27-51	005/106-110	32916.01-09	006/123-127
32584.55-55	002/017-017	32674.45-53	003/058-062	32757.01-01	004/082-082	32844.09-17	005/111-115	32918.35-43	006/128-132
32584.59-59	002/019-019	32677.19-27	003/063-067	32759.07-07	098/050-050	32846.43-51	005/116-120	32921.09-17	006/133-137
32585.01-03	002/020-021	32679.53-59	003/068-071	32759.27-35	004/083-087	32849.17-25	005/121-125	32923.43-45	006/138-139
32587.29-37	002/022-026	32680.01-01	003/072-072	32762.01-01	004/088-088	32851.51-53	005/126-127	32923.45-51	006/140-143
32590.03-11	002/027-031	32682.27-35	003/073-077	32762.01-09	004/089-093	32851.53-59	005/128-131	32926.09-15	006/144-144
32592.37-45	002/032-036	32685.01-03	003/078-079	32764.35-43	004/094-098	32854.25-31	005/132-134	32926.15-33	007/001-004
32595.11-11	002/037-037	32685.03-09	003/080-083	32767.09-13	004/099-101	32854.31-33	006/001-002	32928.43-55	007/005-007
32595.17-19	002/040-041	32687.27-51	003/084-088	32767.13-17	004/102-104	32856.59-59	006/003-003	32929.01-07	007/008-009
32597.37-55	002/042-045	32690.01-25	003/089-093	32769.43-51	004/105-109	32857.01-07	006/004-007	32931.17-41	007/010-014
32598.01-01	002/046-046	32692.35-59	003/094-098	32772.17-17	004/110-110	32859.33-41	006/008-012	32933.59-59	007/015-015
32600.11-35	002/047-051	32695.17-25	003/099-103	32772.17-25	004/111-115	32862.07-09	006/013-014	32934.01-07	007/016-019
32602.45-57	002/052-054	32697.51-59	003/104-108	32774.51-59	004/116-120	32862.09-15	006/015-018	32936.33-41	007/020-024
32603.03-09	002/055-056	32700.25-25	003/109-109	32777.17-41	004/121-125	32864.41-49	006/019-023	32939.07-15	007/025-029
32605.07-07	103/029-029	32700.25-33	003/110-114	32779.51-57	004/126-127	32867.07-31	006/024-028	32941.41-43	007/030-031
32605.27-35	002/057-061	32702.59-59	003/115-115	32780.03-15	004/128-130	32869.41-59	006/029-032	32941.43-49	007/032-035
32608.01-09	002/062-066	32703.01-07	003/116-119	32782.25-49	004/131-135	32870.05-05	006/033-033	32944.15-23	007/036-040
32610.35-43	002/067-071	32705.33-33	003/120-120	32785.07-15	004/136-140	32872.15-39	006/034-038	32946.29-29	098/053-053
32613.11-17	002/073-076	32705.33-41	003/121-125	32787.41-49	004/141-144	32874.57-59	006/039-040	32946.49-57	007/041-045

## VOYAGER ARCHIVE TAPE CATALOG

FDS COUNT	VEE ID	FDS COUNT	VEE ID	FDS COUNT	VEE ID	FDS COUNT	VEE ID	FDS COUNT	VEE ID
32949.23-31	007/046-050	33023.49-57	008/076-080	33107.03-54	010/043-052	33151.00-54	013/070-079	33226.27-51	015/024-028
32951.57-57	007/051-051	33026.23-31	008/081-085	33108.00-54	010/053-062	33152.00-54	013/080-089	33229.01-25	015/029-033
32951.57-59	007/052-053	33028.57-59	008/086-087	33109.00-54	010/063-072	33153.00-54	013/090-099	33231.35-59	015/034-038
32952.01-05	007/054-056	33029.01-05	008/088-090	33110.00-54	010/073-082	33154.00-18	013/100-103	33234.17-25	015/039-043
32954.31-33	007/057-058	33031.31-33	008/091-092	33111.00-54	010/083-092	33154.28-58	013/104-109	33236.51-59	015/044-048
32954.37-39	007/060-061	33031.33-39	008/093-096	33112.00-54	010/093-102	33155.04-58	013/110-119	33239.25-33	015/049-053
32954.39-39	007/062-062	33034.05-13	008/097-101	33113.00-06	010/103-104	33156.00-00	013/120-120	33241.59-59	015/054-054
32954.39-39	007/063-063	33036.19-19	008/055-055	33113.12-36	014/066-070	33156.10-28	013/121-124	33241.59-59	015/055-055
32954.59-59	007/059-059	33036.39-47	008/102-106	33113.42-54	010/105-107	33156.33-33	013/125-125	33242.01-07	015/056-059
32956.57-57	007/064-064	33039.13-21	008/107-111	33114.00-54	010/108-117	33156.38-38	013/126-126	33244.33-41	015/060-064
32957.03-21	007/065-068	33041.47-47	008/112-112	33115.00-54	010/118-127	33156.43-43	013/127-127	33247.07-15	015/065-069
32959.31-55	007/069-073	33041.47-55	008/113-117	33116.00-24	010/128-131	33156.48-48	014/001-001	33249.41-49	015/070-074
32962.05-29	007/074-078	33044.21-29	008/118-122	33116.24-54	011/001-006	33156.53-53	014/002-002	33252.15-15	015/075-075
32964.47-55	007/079-083	33044.29-29	008/123-123	33117.00-54	011/007-016	33156.58-58	014/003-003	33252.15-23	015/076-080
32967.21-29	007/084-088	33046.47-59	009/001-003	33118.00-54	011/017-026	33157.03-03	014/004-004	33254.49-57	015/081-085
32969.55-59	007/089-091	33047.05-11	009/004-005	33119.00-54	011/027-036	33157.08-08	014/005-005	33257.15-39	015/086-090
32970.01-03	007/092-093	33049.21-45	009/006-010	33120.00-54	011/037-046	33157.13-13	014/006-006	33259.49-55	015/091-092
32972.29-31	007/094-095	33051.55-55	009/011-011	33121.00-54	011/047-056	33157.18-18	014/007-007	33260.01-13	015/093-095
32972.31-37	007/096-099	33052.01-19	009/012-015	33122.00-54	011/057-066	33157.23-23	014/008-008	33262.23-47	015/096-100
32975.03-11	007/100-104	33054.37-45	009/016-020	33123.00-54	011/067-076	33175.15-23	014/009-013	33263.22-22	015/101-101
32977.37-45	007/105-109	33057.11-19	009/021-025	33124.00-54	011/077-086	33177.49-57	014/014-018	33263.22-22	015/102-102
32980.11-19	007/110-114	33059.45-53	009/026-030	33125.00-54	011/087-096	33180.23-31	014/019-023	33263.37-37	015/103-103
32982.45-47	007/115-116	33062.19-21	009/031-032	33126.00-54	011/097-106	33182.57-59	014/024-025	33263.37-37	015/104-104
32982.47-53	007/117-120	33062.21-27	009/033-036	33127.00-54	011/107-116	33183.01-01	014/026-026	33263.52-52	015/105-105
32985.19-21	007/121-122	33064.53-59	009/037-040	33128.00-54	011/117-126	33183.01-05	014/027-029	33263.52-52	015/106-106
32985.21-23	007/123-124	33065.01-01	009/041-041	33129.00-54	011/127-136	33185.31-39	014/030-034	33264.07-07	015/107-107
32985.23-25	007/125-126	33067.27-35	009/042-046	33130.00-06	011/137-137	33188.05-13	014/035-039	33264.07-07	015/108-108
32985.25-27	008/001-002	33070.01-09	009/047-051	33130.06-54	012/001-009	33190.39-47	014/040-044	33264.22-22	015/109-109
32985.27-27	008/003-003	33072.35-37	009/052-053	33131.00-54	012/010-019	33193.13-17	014/045-047	33264.22-22	015/110-110
32987.45-57	008/004-006	33072.37-43	009/054-057	33132.00-36	012/020-026	33193.17-21	014/048-050	33264.37-37	015/111-111
32988.03-09	008/007-008	33075.09-17	009/058-062	33132.32-32	012/027-027	33195.39-57	014/051-054	33264.37-37	015/112-112
32990.19-43	008/009-013	33077.35-59	009/063-067	33132.48-54	012/028-029	33196.03-03	014/055-055	33265.05-13	015/113-117
32992.53-59	008/014-015	33080.09-33	009/068-072	33133.00-54	012/030-039	33198.13-37	014/056-060	33267.39-47	015/118-122
32993.05-17	008/016-018	33082.43-55	009/073-075	33134.00-54	012/040-049	33200.47-59	014/061-063	33270.01-01	103/032-032
32995.35-43	008/019-023	33083.01-07	009/076-077	33135.00-54	012/050-059	33201.05-11	014/064-065	33270.13-17	015/123-124
32998.09-17	008/024-028	33085.25-33	009/078-082	33136.00-54	012/060-069	33203.29-37	014/071-075	33270.17-21	016/001-003
33000.43-51	008/029-033	33087.59-59	009/083-083	33137.00-54	012/070-079	33206.03-05	014/076-077	33270.21-21	016/004-004
33003.17-19	008/034-035	33088.01-07	009/084-087	33138.00-54	012/080-089	33206.05-09	014/078-079	33272.47-55	016/005-009
33003.19-25	008/036-039	33090.33-41	009/088-092	33139.00-54	012/090-099	33206.11-11	014/080-080	33275.21-29	016/010-014
33005.51-59	008/040-044	33093.07-15	009/093-097	33140.00-54	012/100-109	33208.37-45	014/081-085	33277.55-59	016/015-017
33008.05-05	008/044-054	33095.41-49	009/098-102	33142.00-54	012/120-129	33211.11-11	014/086-086	33278.01-03	016/018-019
33008.25-33	008/045-049	33098.15-23	009/103-107	33143.00-54	012/130-139	33211.11-19	014/087-091	33280.17-17	008/057-057
33010.59-59	008/050-050	33099.49-49	009/108-108	33144.00-06	012/140-140	33213.45-51	014/092-094	33280.29-35	016/020-023
33011.01-07	008/051-054	33099.49-49	008/056-056	33144.06-54	013/001-009	33213.51-53	015/001-002	33280.35-37	016/024-025
33013.33-33	008/055-055	33100.49-57	009/109-113	33145.00-54	013/010-019	33216.19-27	015/003-007	33283.03-11	016/026-030
33013.33-41	008/056-060	33102.48-54	010/001-002	33146.00-54	013/020-029	33218.53-59	015/008-011	33285.29-53	016/031-035
33015.59-59	008/061-061	33103.00-54	010/003-012	33147.00-54	013/030-039	33219.01-01	015/012-012	33288.03-27	016/036-040
33016.05-23	008/062-065	33104.00-54	010/013-022	33148.00-54	013/040-049	33221.27-27	015/013-013	33290.37-55	016/041-044
33018.33-57	008/066-070	33105.00-54	010/023-032	33149.00-54	013/050-059	33221.27-35	015/014-018	33291.01-01	016/045-045
33021.07-31	008/071-075	33106.00-54	010/033-042	33150.00-54	013/060-069	33224.01-09	015/019-023	33293.19-27	016/046-050

C-2



VOYAGER ARCHIVE TAPE CATALOG

FDS COUNT	VEE ID	FDS COUNT	VEE ID	FDS COUNT	VEE ID	FDS COUNT	VEE ID	FDS COUNT	VEE ID
33295.53-59	016/051-054	33373.01-01	017/085-085	33443.11-11	098/060-060	33524.19-27	020/016-020	33604.01-01	021/064-064
33296.01-01	016/055-055	33375.19-43	017/086-090	33444.45-53	018/110-114	33526.45-51	020/021-022	33606.27-35	021/065-069
33298.27-35	016/056-060	33377.53-59	017/091-092	33447.19-27	018/115-119	33526.55-55	020/023-023	33609.01-09	021/070-074
33301.01-01	016/061-061	33378.05-17	017/093-095	33449.53-59	018/120-123	33527.03-09	020/024-025	33611.35-35	021/075-075
33301.01-09	016/062-066	33380.27-51	017/096-100	33450.01-01	018/124-124	33529.19-43	020/026-030	33611.35-43	021/076-080
33303.35-43	016/067-071	33383.09-17	017/101-105	33450.01-01	018/125-125	33531.53-59	020/031-032	33614.09-17	021/081-085
33306.09-17	016/072-076	33385.43-51	017/106-110	33452.27-35	018/126-130	33532.05-17	020/033-035	33616.35-59	021/086-090
33308.43-51	016/077-081	33388.17-25	017/111-115	33455.01-07	018/131-133	33532.48-51	102/071-072	33619.09-15	021/091-092
33311.17-17	016/082-082	33390.51-51	017/116-116	33455.07-09	019/001-002	33534.35-43	020/036-040	33619.29-33	021/093-094
33311.17-25	016/083-087	33390.51-59	017/117-121	33457.37-43	019/004-007	33537.09-17	020/041-045	33621.43-55	021/095-097
33313.51-59	016/088-092	33393.25-31	017/122-124	33457.53-53	019/003-003	33539.31-31	103/034-034	33622.01-07	021/098-099
33316.17-41	016/093-097	33393.31-33	018/001-002	3346.01-07	019/027-028	33539.43-49	020/046-049	33624.25-33	021/100-104
33318.51-57	016/098-099	33395.59-59	018/003-003	33460.09-17	019/008-012	33539.49-51	020/050-051	33626.59-59	021/105-105
33319.03-15	016/100-102	33396.01-03	018/004-005	33460.17-17	019/013-013	33542.17-25	020/052-056	33627.01-07	021/106-109
33321.25-49	016/103-107	33396.06-07	018/006-007	33462.43-51	019/014-018	33544.39-39	098/062-062	33629.33-41	021/110-114
33324.07-15	016/108-112	33398.33-41	018/008-012	33465.09-33	019/019-023	33544.51-59	020/057-061	33632.07-07	021/115-115
33326.41-49	016/113-117	33398.41-41	018/013-013	33467.43-55	019/024-026	33547.25-33	020/062-066	33632.07-15	021/116-120
33329.15-23	016/118-122	33401.07-15	018/014-018	33470.17-41	019/029-033	33549.59-59	020/067-067	33634.41-47	021/121-123
33331.49-49	016/123-123	33403.49-49	018/024-024	33472.59-59	019/034-034	33550.01-03	020/068-069	33634.47-49	022/001-002
33331.49-57	016/124-128	33403.49-49	018/025-025	33473.01-07	019/035-038	33550.03-07	020/070-072	33637.15-23	022/003-007
33334.11-13	098/058-059	33403.49-49	018/026-026	33475.33-41	019/039-043	33552.33-41	020/073-077	33639.49-57	022/008-012
33334.23-29	016/129-131	33403.49-49	018/027-027	33478.07-15	019/044-048	33554.59-59	020/078-078	33642.11-11	103/035-035
33334.29-31	017/001-002	33406.07-31	018/028-032	33480.41-41	019/049-049	33555.05-23	020/079-082	33642.11-11	103/036-036
33336.57-59	017/003-004	33406.41-49	018/019-023	33480.41-49	019/050-054	33557.33-57	020/083-087	33642.23-31	022/013-017
33337.01-05	017/005-007	33408.41-59	018/033-036	33483.15-23	019/055-059	33560.07-31	020/088-092	33644.49-55	022/018-019
33339.31-39	017/008-012	33409.05-05	018/037-037	33485.49-57	019/060-064	33562.49-57	020/093-097	33645.01-13	022/020-022
33339.39-39	017/013-013	33411.15-39	018/038-042	33488.23-31	019/065-069	33565.23-31	020/098-102	33647.23-47	022/023-027
33342.05-13	017/014-018	33413.57-59	018/043-044	33490.57-57	019/070-070	33567.57-59	020/103-104	33649.57-57	022/028-028
33344.39-39	017/019-019	33414.03-05	018/046-047	33490.57-59	019/071-072	33568.01-05	020/105-107	33650.03-21	022/029-032
33344.39-41	017/020-021	33414.09-09	018/045-045	33491.01-05	019/073-075	33570.31-31	020/108-108	33652.39-47	022/033-037
33344.41-43	017/022-023	33416.31-39	018/048-052	33493.18-18	019/076-076	33570.31-39	020/109-113	33655.13-21	022/038-042
33344.43-45	017/024-025	33419.05-13	018/053-057	33493.18-18	103/033-033	33573.05-11	020/114-116	33657.47-55	022/043-047
33344.45-47	017/026-027	33421.39-39	018/058-058	33493.31-39	019/077-081	33573.11-13	021/001-002	33660.21-21	022/048-048
33344.47-47	017/028-028	33421.39-47	018/059-063	33495.57-57	019/082-082	33575.27-27	101/084-084	33660.21-29	022/049-053
33347.05-29	017/029-033	33424.13-21	018/064-068	33496.03-21	019/083-086	33575.39-47	021/003-007	33662.55-59	022/054-056
33349.39-57	017/034-037	33426.47-55	018/069-073	33498.31-55	019/087-091	33578.13-21	021/008-012	33663.01-03	022/057-058
33350.03-03	017/038-038	33429.21-29	018/074-078	33501.05-29	019/092-096	33578.21-21	021/013-013	33665.29-37	022/059-063
33352.13-37	017/039-043	33431.55-55	018/079-079	33503.34-34	098/061-061	33580.47-55	021/014-018	33668.03-11	022/064-068
33354.55-59	017/044-046	33431.55-59	018/080-082	33503.53-55	019/097-098	33583.21-29	021/019-023	33670.37-37	022/069-069
33355.01-03	017/047-048	33432.01-03	018/083-084	33506.21-29	019/099-103	33585.47-59	021/024-026	33670.37-45	022/070-074
33357.29-37	017/049-053	33434.29-31	018/085-086	33508.55-59	019/104-106	33586.05-11	021/027-028	33673.11-19	022/075-079
33360.03-11	017/054-058	33434.31-33	018/087-088	33509.01-03	019/107-108	33588.21-45	021/029-033	33675.31-31	022/080-080
33362.37-37	017/059-059	33434.33-35	018/089-090	33509.03-03	019/109-109	33590.55-55	021/034-034	33675.43-55	022/081-083
33362.37-45	017/060-064	33434.35-35	018/091-091	33511.29-37	019/110-114	33591.01-19	021/035-038	33676.01-01	022/084-084
33365.11-19	017/065-069	33434.35-37	018/092-093	33514.03-11	019/115-119	33593.37-45	021/039-043	33678.11-35	022/085-089
33367.45-53	017/070-074	33434.37-37	018/094-094	33516.37-39	019/120-120	33596.11-19	021/044-048	33680.45-57	022/090-092
33370.07-07	102/070-070	33436.55-55	018/095-095	33516.39-45	020/001-004	33598.45-53	021/049-053	33681.03-09	022/093-094
33370.19-27	017/075-079	33437.01-19	018/096-099	33519.11-19	020/005-009	33601.19-19	021/054-054	33683.27-35	022/095-099
33370.27-27	017/080-080	33439.29-53	018/100-104	33519.19-19	020/010-010	33601.19-27	021/055-059	33686.01-09	022/100-104
33372.53-59	017/081-084	33442.03-27	018/105-109	33521.45-53	020/011-015	33603.53-59	021/060-063	33688.35-43	022/105-109

## VOYAGER ARCHIVE TAPE CATALOG

FDS COUNT	VGE ID	FDS COUNT	VGE ID	FDS COUNT	VGE ID	FDS COUNT	VGE ID	FDS COUNT	VGE ID
33691.09-09	022/110-110	33763.07-07	024/023-023	33840.01-01	025/049-049	33901.25-25	098/070-070	33988.53-59	027/089-092
33691.09-17	022/111-115	33763.07-09	024/024-025	33840.01-09	025/050-054	33901.37-45	026/063-067	33989.01-01	027/093-093
33693.43-49	022/116-118	33763.09-09	024/026-026	33842.35-43	025/055-059	33904.11-19	026/068-072	33991.27-35	027/094-098
33696.49-51	023/001-002	33763.09-09	024/027-027	33843.53-59	025/039-042	33906.33-33	102/073-073	33994.01-09	027/099-103
33696.17-25	023/003-007	33763.09-09	024/028-028	33845.09-17	025/060-064	33906.45-53	026/073-077	33996.35-43	027/104-108
33698.51-59	023/008-012	33765.27-51	024/029-033	33847.43-51	025/065-069	33909.19-25	026/078-081	33999.09-17	027/109-113
33701.25-25	023/013-013	33768.01-07	024/034-035	33850.05-05	098/066-066	33909.25-27	026/082-083	33999.36-36	098/078-078
33701.25-33	023/014-018	33768.16-19	024/036-037	33850.05-05	098/067-067	33911.53-53	026/084-084	34000.51-55	103/040-041
33703.59-59	023/019-019	33768.25-25	024/038-038	33850.17-25	025/070-074	33911.53-59	026/085-088	34001.21-57	027/114-120
33704.01-01	023/020-020	33770.35-59	024/039-043	33852.51-59	025/075-079	33912.01-01	026/089-089	34002.03-15	027/121-123
33704.01-03	023/021-022	33773.17-25	024/044-048	33855.17-41	025/080-084	33914.19-43	026/090-094	34004.09-33	027/124-128
33704.03-05	023/023-024	33775.51-59	024/049-053	33857.51-57	025/085-086	33916.53-59	026/095-096	34006.43-55	027/129-131
33704.05-07	023/025-026	33778.25-33	024/054-058	33858.03-15	025/087-089	33917.05-17	026/097-099	34007.01-07	027/132-133
33704.07-07	023/027-027	33780.59-59	024/059-059	33860.07-11	025/095-097	33919.27-51	026/100-104	34009.17-41	027/134-138
33706.25-49	023/028-032	33780.59-59	024/060-060	33860.11-15	025/098-099	33924.43-51	026/105-109	34009.51-57	098/079-080
33708.59-59	023/033-033	33781.01-07	024/061-064	33860.25-49	025/090-094	33927.17-25	026/110-114	34010.03-15	098/081-083
33709.05-23	023/034-037	33783.33-41	024/065-069	33865.41-49	025/100-104	33929.51-59	026/115-119	34010.41-47	105/013-014
33711.33-57	023/038-042	33786.07-15	024/070-074	33868.15-23	025/105-109	33932.25-33	026/120-124	34011.59-59	028/001-001
33714.15-23	023/043-047	33788.41-49	024/075-079	33870.49-49	025/110-110	33934.59-59	026/125-125	34012.01-07	028/002-005
33716.49-57	023/048-052	33791.15-15	024/080-080	33870.49-57	025/111-115	33935.01-07	026/126-128	34014.33-41	028/006-010
33719.23-31	023/053-057	33791.15-23	024/081-085	33873.23-29	025/116-118	33935.07-07	027/001-001	34017.07-15	028/011-015
33721.57-57	023/058-058	33793.49-55	024/086-087	33873.29-31	026/001-002	33937.15-18	098/071-072	34019.41-41	028/016-016
33721.57-59	023/059-060	33793.53-55	024/088-089	33875.45-45	098/068-068	33937.33-41	027/002-006	34019.41-49	028/017-021
33722.01-05	023/061-063	33793.55-57	024/090-091	33875.57-59	026/003-004	33940.07-13	027/007-010	34022.02-02	102/015-015
33724.31-39	023/064-068	33793.57-57	024/092-092	33876.01-05	026/005-007	33940.13-15	027/011-012	34022.15-23	028/022-026
33727.05-13	023/069-073	33796.15-39	024/093-097	33878.19-22	103/038-039	33952.57-59	027/013-014	34024.49-57	028/027-031
33729.27-27	101/085-085	33798.49-55	024/098-099	33878.31-37	026/008-011	33953.01-05	027/015-017	34027.23-31	028/032-036
33729.39-47	023/074-078	33799.01-13	024/100-102	33878.37-39	026/012-013	33955.31-31	027/018-018	34029.57-59	028/037-038
33729.47-47	023/079-079	33801.23-47	024/103-107	33880.53-56	101/086-087	33955.35-39	027/020-022	34029.59-59	028/039-039
33732.13-21	023/080-084	33804.05-13	024/108-112	33881.05-13	026/014-018	33955.53-53	027/019-019	34030.01-01	028/040-040
33734.39-57	023/085-088	33806.39-47	024/113-117	33881.13-13	026/019-019	33958.05-13	027/023-027	34030.01-03	028/041-042
33735.03-03	023/089-089	33809.01-01	103/037-037	33883.39-39	026/020-020	33960.39-43	027/028-030	34030.03-05	028/043-044
33737.13-37	023/090-094	33809.13-21	024/118-122	33883.39-41	026/021-022	33960.43-47	027/031-033	34030.05-09	028/045-046
33739.47-59	023/095-097	33809.21-21	024/123-123	33883.41-43	026/023-024	33963.13-21	027/034-038	34032.15-57	028/047-054
33740.05-11	023/098-099	33811.47-55	024/124-128	33883.43-45	026/025-026	33965.34-34	102/014-014	34033.03-03	028/055-055
33741.56-56	098/063-063	33814.21-27	024/129-131	33883.45-47	026/027-028	33965.47-55	027/039-043	34034.57-57	028/056-056
33742.29-37	023/100-104	33814.27-29	025/001-002	33883.47-47	026/029-029	33968.21-29	027/044-048	34035.03-21	028/057-060
33745.03-11	023/105-109	33816.55-59	025/003-005	33886.05-23	026/030-033	33970.33-57	027/049-053	34037.31-55	028/061-065
33747.37-45	023/110-114	33817.01-03	025/006-007	33886.30-30	026/034-034	33971.03-27	027/054-058	34040.05-29	028/066-070
33747.45-45	023/115-115	33819.17-17	098/065-065	33888.39-57	026/035-038	33973.21-33	027/059-061	34040.39-57	098/084-087
33750.11-19	023/116-120	33819.29-35	025/008-011	33889.03-03	026/039-039	33973.45-45	027/062-062	34041.03-03	098/088-088
33752.45-51	023/121-123	33819.35-37	025/012-013	33891.13-37	026/040-044	33975.55-55	027/063-063	34042.47-55	028/071-075
33752.51-53	024/001-002	33822.03-11	025/014-018	33893.55-59	026/045-047	33976.01-19	027/064-067	34045.21-29	028/076-080
33755.19-27	024/003-007	33824.29-53	025/019-023	33894.01-03	026/048-049	33978.29-53	027/068-072	34047.55-59	028/081-083
33757.41-41	098/064-064	33827.03-27	025/024-028	33896.29-37	026/050-054	33979.03-27	098/073-077	34048.01-03	028/084-085
33757.53-59	024/008-011	33829.37-55	025/029-032	33899.03-11	026/055-059	33980.41-47	102/074-075	34050.29-29	028/086-086
33757.59-59	024/012-012	33830.01-01	025/033-033	33901.25-25	026/060-060	33981.11-19	027/073-077	34050.29-37	028/087-091
33758.01-01	024/013-013	33832.19-27	025/034-038	33901.25-25	026/061-061	33983.45-53	027/078-082	34053.03-11	028/092-096
33760.27-35	024/014-018	33835.01-01	025/043-043	33901.25-25	026/062-062	33986.19-27	027/083-087	34055.37-45	028/097-101
33763.01-07	024/019-022	33837.27-35	025/044-048	33901.25-25	098/069-069	33986.27-27	027/088-088	34058.11-19	028/102-106



VOYAGER ARCHIVE TAPE CATALOG

FDS COUNT	VEE ID	FDS COUNT	VEE ID	FDS COUNT	VEE ID	FDS COUNT	VEE ID	FDS COUNT	VEE ID
34060.23-59	028/107-113	34137.45-53	030/011-015	34217.11-35	031/057-061	34291.45-53	032/087-091	34376.18-24	033/094-095
34061.05-17	028/114-116	34140.19-27	030/016-020	34219.45-57	031/062-064	34294.19-27	032/092-096	34376.18-24	105/025-026
34063.11-35	028/117-121	34142.53-59	030/021-024	34220.03-09	031/065-066	34296.53-59	032/097-100	34376.29-29	033/096-096
34065.45-57	028/122-124	34143.01-01	030/025-025	34220.19-43	098/115-119	34297.01-01	032/101-101	34376.29-29	105/027-027
34066.03-09	028/125-126	34145.27-35	030/026-030	34221.14-14	102/078-078	34299.11-11	098/134-134	34379.22-52	033/097-102
34068.19-43	028/127-131	34145.54-54	103/043-043	34221.40-40	098/120-120	34299.27-35	032/102-106	34380.10-10	033/103-103
34068.53-59	098/089-090	34148.01-09	030/031-035	34222.27-35	031/067-071	34300.41-41	102/080-080	34380.15-15	033/104-104
34069.05-17	098/091-093	34150.13-55	030/036-043	34225.01-09	031/072-076	34301.39-57	032/107-110	34380.30-54	033/105-109
34071.01-09	029/001-005	34151.01-07	030/044-045	34227.35-41	031/077-080	34302.03-33	032/111-116	34381.00-54	033/110-119
34073.35-43	029/006-010	34153.01-25	030/046-050	34227.41-43	031/081-082	34304.27-51	032/117-121	34382.00-42	033/120-126
34075.53-56	102/016-017	34155.35-59	030/051-055	34230.09-17	031/083-087	34307.01-25	032/122-126	34382.42-54	034/001-003
34076.09-17	029/011-015	34158.09-33	030/056-060	34232.30-33	098/121-122	34309.35-59	032/127-131	34383.00-54	034/004-013
34076.17-17	029/016-016	34158.43-55	098/104-106	34232.41-41	031/092-092	34310.09-33	098/135-139	34384.00-54	034/014-023
34078.43-51	029/017-021	34159.01-07	098/107-108	34232.43-49	031/088-091	34312.17-25	033/001-005	34385.00-54	034/024-033
34081.17-25	029/022-026	34160.51-59	030/061-065	34235.17-25	031/093-097	34312.44-44	098/140-140	34386.00-54	034/034-043
34083.25-25	102/076-076	34163.25-33	030/066-070	34237.51-59	031/098-102	34314.52-53	033/006-007	34387.00-54	034/044-053
34083.51-59	029/027-031	34165.47-47	102/077-077	34240.03-57	031/103-112	34314.55-59	033/008-010	34388.00-54	034/054-063
34086.25-33	029/032-036	34165.59-59	030/071-071	34242.51-57	031/113-114	34317.25-33	033/011-015	34389.00-54	034/064-073
34088.59-59	029/037-037	34166.01-07	030/072-075	34243.03-15	031/115-117	34317.33-33	033/016-016	34390.00-54	034/074-083
34089.01-07	029/038-041	34166.07-07	030/076-076	34245.25-49	031/118-122	34319.59-59	033/017-017	34391.00-54	034/084-093
34089.02-38	067/123-128	34168.33-41	030/077-081	34247.59-59	031/123-123	34320.01-05	033/018-019	34392.00-54	034/094-103
34091.11-59	029/042-050	34171.07-15	030/082-086	34248.05-23	031/124-127	34320.07-07	033/020-020	34393.00-12	034/104-106
34092.05-05	029/051-051	34173.41-49	030/087-091	34248.39-57	098/123-126	34320.07-07	033/021-021	34393.53-53	099/009-009
34093.59-59	029/052-052	34176.15-23	030/092-096	34249.28-28	102/079-079	34322.33-41	033/022-026	34394.10-58	034/107-115
34094.05-23	029/053-056	34178.49-57	030/097-101	34250.41-49	032/001-005	34323.00-00	103/048-048	34395.04-58	034/116-125
34096.33-57	029/057-061	34180.28-28	103/044-044	34253.15-23	032/006-010	34325.07-15	033/027-031	34396.04-34	034/126-130
34099.07-31	029/062-066	34181.01-55	030/102-111	34255.49-57	032/011-015	34327.25-25	098/141-141	34396.34-58	035/001-005
34099.41-59	098/094-097	34183.49-55	030/112-113	34258.23-31	032/016-020	34327.41-49	033/032-036	34397.04-58	035/006-015
34100.05-05	098/098-098	34184.01-13	030/114-116	34260.57-59	032/021-022	34329.53-59	033/037-038	34398.04-58	035/016-025
34101.49-57	029/067-071	34186.23-47	030/117-121	34261.01-05	032/023-025	34330.05-47	033/039-046	34399.04-58	035/026-035
34104.23-31	029/072-076	34188.57-57	030/122-122	34263.31-39	032/026-030	34332.41-59	033/047-050	34400.04-58	035/036-045
34106.57-59	029/077-078	34189.03-21	030/123-126	34266.05-13	032/031-035	34333.05-05	033/051-051	34401.04-58	035/046-055
34107.01-05	029/079-081	34189.31-55	098/109-113	34266.56-56	098/127-127	34335.15-39	033/052-056	34402.04-58	035/056-065
34109.31-31	029/082-082	34191.39-47	031/001-005	34268.39-47	032/036-040	34337.49-55	033/057-058	34403.04-40	035/066-072
34109.31-39	029/083-087	34194.00-00	103/045-045	34270.21-21	103/046-046	34338.01-13	033/059-061	34403.46-58	039/047-049
34112.05-13	029/088-092	34194.13-21	031/006-010	34270.51-57	032/041-042	34338.23-41	098/142-144	34404.04-58	039/050-059
34114.39-47	029/093-097	34196.47-55	031/011-015	34271.03-45	032/043-050	34338.41-47	099/001-002	34405.04-58	039/060-069
34117.13-21	029/098-102	34196.55-55	031/016-016	34273.39-57	032/051-054	34339.12-18	105/017-018	34406.04-52	039/070-078
34119.47-55	029/103-107	34199.21-29	031/017-021	34274.03-03	032/055-055	34340.31-39	033/062-066	34407.23-23	035/073-073
34121.59-59	029/108-108	34201.55-59	031/022-024	34276.13-37	032/056-060	34343.05-13	033/067-071	34407.28-28	035/074-074
34122.05-53	029/109-117	34202.01-03	031/025-026	34278.47-59	032/061-063	34343.32-32	099/003-003	34407.33-33	035/075-075
34124.47-59	029/118-120	34204.29-37	031/027-031	34279.05-11	032/064-065	34345.39-47	033/072-076	34407.38-38	035/076-076
34125.05-11	029/121-122	34204.56-56	098/114-114	34279.21-45	098/128-132	34348.13-21	033/077-081	34409.23-53	035/077-082
34127.21-45	029/123-127	34207.03-11	031/032-036	34280.16-16	098/133-133	34350.47-55	033/082-086	34412.04-12	035/083-085
34129.55-55	029/128-128	34209.37-45	031/037-041	34281.29-37	032/066-070	34353.21-29	033/087-091	34412.15-18	035/086-087
34130.01-19	029/129-132	34211.10-16	105/015-016	34283.37-37	103/047-047	34355.55-55	033/092-092	34412.22-26	035/088-089
34130.29-53	098/099-103	34211.49-55	031/042-043	34284.03-11	032/071-075	34361.07-31	099/004-008	34412.29-32	035/090-091
34132.37-45	030/001-005	34212.01-43	031/044-051	34286.37-43	032/076-079	34375.56-56	101/052-052	34412.36-40	035/092-093
34135.11-19	030/006-010	34214.37-55	031/052-055	34286.43-45	032/080-081	34376.13-13	033/093-093	34412.43-46	035/094-095
34135.41-41	103/042-042	34215.01-01	031/056-056	34289.11-19	032/082-086	34376.13-13	105/024-024	34412.50-54	035/096-097

## VOYAGER ARCHIVE TAPE CATALOG

FDS COUNT	VGE ID	FDS COUNT	VGE ID	FDS COUNT	VGE ID	FDS COUNT	VGE ID	FDS COUNT	VGE ID
34412.57-57	035/098-098	34425.33-36	036/035-036	34441.46-50	037/008-009	34455.42-50	037/092-094	34466.39-43	038/018-019
34413.12-12	099/010-010	34425.40-44	036/037-038	34441.53-53	037/010-010	34455.53-56	037/095-096	34466.46-46	038/020-020
34413.32-56	099/011-015	34425.47-47	036/039-039	34442.06-30	099/033-037	34456.00-04	037/097-098	34467.01-01	102/081-081
34414.20-20	103/049-049	34427.28-36	036/040-042	34442.52-56	037/011-012	34456.07-10	037/099-100	34468.29-59	038/021-026
34414.38-46	035/099-101	34427.39-42	036/043-044	34443.00-06	037/013-015	34456.14-18	037/101-102	34471.06-14	038/027-029
34414.49-52	035/102-103	34427.46-50	036/045-046	34443.10-14	037/016-017	34456.21-24	037/103-104	34471.17-20	038/030-031
34414.56-56	035/104-104	34427.53-56	036/047-048	34443.17-20	037/018-019	34456.28-32	037/105-106	34471.24-28	038/032-033
34415.00-06	035/105-107	34428.00-04	036/049-050	34443.24-28	037/020-021	34456.35-35	037/107-107	34471.31-34	038/034-035
34415.10-10	035/108-108	34428.07-10	036/051-052	34443.31-34	037/022-023	34457.52-56	037/108-109	34471.38-42	038/036-037
34415.15-17	035/109-110	34428.14-18	036/053-054	34443.38-42	037/024-025	34458.00-04	037/110-111	34471.45-48	038/038-039
34415.20-28	035/111-113	34428.21-21	036/055-055	34443.45-45	037/026-026	34458.16-24	037/112-114	34471.52-56	038/040-041
34415.31-31	035/114-114	34428.39-57	099/022-025	34444.00-00	101/001-001	34458.27-30	037/115-116	34471.59-59	038/042-042
34417.12-20	035/115-117	34429.03-03	099/026-026	34445.26-34	037/027-029	34458.34-38	037/117-118	34472.14-14	101/088-088
34417.23-26	035/118-119	34429.27-27	099/027-027	34445.37-40	037/030-031	34458.41-44	037/119-120	34472.36-36	102/018-018
34417.30-34	035/120-121	34429.37-49	036/056-059	34445.44-48	037/032-033	34458.48-52	037/121-122	34472.59-59	099/056-056
34417.37-40	035/122-123	34430.02-10	036/060-062	34445.51-54	037/034-035	34458.55-58	037/123-124	34473.05-23	099/056-059
34417.44-48	035/124-125	34430.13-16	036/063-064	34445.58-58	037/036-036	34459.02-06	037/125-126	34473.40-48	038/043-045
34417.51-54	035/126-127	34430.20-24	036/065-066	34446.02-08	037/037-039	34459.09-09	037/127-127	34473.48-48	038/048-048
34417.58-58	035/128-128	34430.27-30	036/067-068	34446.12-16	037/040-041	34459.56-56	099/044-044	34473.51-54	038/046-047
34418.02-05	035/129-130	34430.34-38	036/069-070	34446.19-19	037/042-042	34460.09-33	099/045-049	34474.02-08	038/049-051
34418.20-20	103/050-050	34430.41-44	036/071-072	34447.45-45	099/038-038	34460.50-58	037/128-130	34474.12-16	038/052-053
34419.46-54	035/131-133	34430.48-52	036/073-074	34448.00-08	037/043-045	34461.01-04	037/131-132	34474.19-22	038/054-055
34419.57-57	035/134-134	34430.55-55	036/075-075	34448.11-14	037/046-047	34461.08-12	037/133-134	34474.26-30	038/056-057
34420.00-08	035/135-137	34432.36-44	036/076-078	34448.18-22	037/048-049	34461.15-18	037/135-136	34474.33-33	038/058-058
34420.11-14	035/138-139	34432.47-50	036/079-080	34448.25-28	037/050-051	34461.22-26	037/137-138	34476.14-22	038/059-061
34420.18-22	035/140-141	34432.54-58	036/081-082	34448.32-36	037/052-053	34461.29-32	037/139-140	34476.25-28	038/062-063
34420.25-28	035/142-143	34433.01-04	036/083-084	34448.39-42	037/054-055	34461.36-40	037/141-142	34476.32-36	038/064-065
34420.32-36	035/144-144	34433.08-12	036/085-086	34448.46-50	037/056-057	34461.43-43	037/143-143	34476.39-42	038/066-067
34420.36-39	036/001-002	34433.15-18	036/087-088	34448.53-53	037/058-058	34463.24-24	037/144-144	34476.46-50	038/068-069
34420.43-47	036/003-004	34433.22-26	036/089-090	34449.06-06	037/059-059	34463.28-32	039/079-080	34476.53-56	038/070-071
34420.47-50	105/028-029	34433.29-29	036/091-091	34449.53-56	099/039-040	34463.35-38	039/081-082	34477.00-04	038/072-073
34420.50-54	036/005-006	34435.10-18	036/092-094	34450.05-17	099/041-043	34463.42-46	039/083-084	34477.07-07	038/074-074
34420.54-57	105/030-031	34435.21-24	036/095-096	34450.34-42	037/060-062	34463.49-52	039/085-086	34478.48-56	038/075-077
34420.57-57	036/007-007	34435.28-32	036/097-098	34450.45-48	037/063-064	34463.56-56	039/087-087	34478.59-59	038/078-078
34421.14-14	099/016-016	34435.35-38	036/099-100	34450.52-56	037/065-066	34464.00-06	039/088-090	34479.02-10	038/079-081
34421.34-58	099/017-021	34435.42-46	036/101-102	34450.59-59	037/067-067	34464.10-14	039/091-092	34479.13-16	038/082-083
34422.20-28	036/008-010	34435.49-52	036/103-104	34451.02-10	037/068-070	34464.17-17	039/093-093	34479.20-24	038/084-085
34422.31-34	036/011-012	34435.56-56	036/105-105	34451.13-16	037/071-072	34464.28-52	099/050-054	34479.27-30	038/086-087
34422.38-42	036/013-014	34436.00-03	036/106-107	34451.20-24	037/073-074	34465.00-00	038/001-001	34479.34-38	038/088-089
34422.43-43	036/016-016	34436.09-18	036/108-111	34451.27-27	037/075-075	34465.00-00	105/032-032	34479.41-41	038/090-090
34422.45-45	036/015-015	34436.44-56	099/028-030	34451.45-45	103/051-051	34465.05-11	038/002-003	34480.41-59	099/060-063
34422.52-56	036/017-018	34437.02-08	099/031-032	34453.08-16	037/076-078	34465.05-11	105/033-034	34481.05-05	099/064-064
34422.59-59	036/019-019	34437.34-58	036/112-116	34453.19-22	037/079-080	34465.16-16	038/004-004	34481.22-30	038/091-093
34423.02-10	036/020-022	34438.04-04	036/117-117	34453.26-30	037/081-082	34465.16-16	105/035-035	34481.33-36	038/094-095
34423.13-13	036/023-023	34441.00-08	036/118-120	34453.33-36	037/083-084	34465.53-57	038/005-006	34481.40-44	038/096-097
34424.54-58	036/024-025	34441.11-14	036/121-122	34453.40-44	037/085-086	34466.01-07	038/007-009	34481.43-43	038/098-098
34425.02-08	036/026-028	34441.18-22	036/123-123	34453.47-50	037/087-088	34466.11-15	038/010-011	34481.50-58	038/099-101
34425.12-16	036/029-030	34441.22-28	037/001-003	34453.54-58	037/089-090	34466.18-21	038/012-013	34482.01-04	038/102-103
34425.19-22	036/031-032	34441.32-36	037/004-005	34454.01-01	037/091-091	34466.25-29	038/014-015	34482.08-12	038/104-105
34425.26-30	036/033-034	34441.39-42	037/006-007	34454.19-19	101/053-053	34466.32-35	038/016-017	34482.15-15	038/106-106

## VOYAGER ARCHIVE TAPE CATALOG

FDS COUNT	VEE ID	FDS COUNT	VEE ID	FDS COUNT	VEE ID	FDS COUNT	VEE ID	FDS COUNT	VEE ID
34483.56-56	038/107-107	34501.39-51	039/100-102	34514.55-58	040/069-070	34530.41-53	041/019-021	34545.17-17	103/052-052
34484.00-04	038/108-109	34502.01-13	039/103-105	34515.02-06	040/071-072	34530.58-58	041/022-022	34545.32-40	041/107-109
34484.07-10	038/110-111	34502.18-18	039/106-106	34515.09-12	040/073-074	34531.03-15	041/023-025	34545.43-46	041/110-111
34484.14-18	038/112-113	34502.23-35	039/107-109	34515.16-20	040/075-076	34531.20-20	041/026-026	34545.50-54	041/112-113
34484.21-24	038/114-115	34502.40-40	039/110-110	34515.23-26	040/077-078	34531.41-41	099/096-096	34545.57-57	041/114-114
34484.28-32	038/116-117	34502.45-45	039/111-111	34515.30-34	040/079-080	34531.41-41	099/097-097	34546.00-08	041/115-117
34484.35-38	038/118-119	34502.57-57	039/112-112	34515.37-37	040/081-081	34532.01-25	099/098-102	34546.11-14	041/118-119
34484.42-46	038/120-121	34503.02-02	039/113-113	34516.11-35	099/085-089	34532.42-50	041/027-029	34546.18-22	041/120-121
34484.49-49	038/122-122	34504.28-36	039/114-116	34517.06-06	040/082-082	34532.53-56	041/030-031	34546.25-25	041/122-122
34486.30-34	038/123-124	34504.39-42	039/117-117	34517.18-26	040/083-085	34533.00-04	041/032-033	34546.32-36	041/123-124
34486.36-36	038/125-125	34504.42-50	040/001-003	34517.29-32	040/086-087	34533.07-10	041/034-035	34546.36-39	105/040-041
34486.41-44	038/126-127	34504.53-56	040/004-005	34517.36-40	040/088-089	34533.14-18	041/036-037	34546.39-43	041/125-126
34486.48-52	038/128-129	34505.00-04	040/006-007	34517.43-46	040/090-091	34533.21-24	041/038-039	34546.43-46	105/042-043
34486.55-58	038/130-131	34505.07-10	040/008-009	34517.50-54	040/092-093	34533.28-32	041/040-041	34546.46-46	041/127-127
34487.02-06	038/132-133	34505.14-18	040/010-011	34518.00-08	040/094-096	34533.35-35	041/042-042	34546.59-59	099/109-109
34487.09-12	038/134-135	34505.21-21	040/012-012	34518.11-11	040/097-097	34535.16-24	041/043-045	34547.05-23	099/110-113
34487.16-20	038/136-137	34506.44-44	101/054-054	34519.52-56	040/098-099	34535.27-30	041/046-047	34547.42-54	041/128-131
34487.23-23	038/138-138	34507.02-10	040/013-015	34520.00-06	040/100-102	34535.34-38	041/048-049	34548.06-14	041/132-134
34488.37-49	038/139-142	34507.13-16	040/016-017	34520.10-14	040/103-104	34535.41-44	041/050-051	34548.17-20	041/135-136
34489.04-12	038/143-144	34507.20-24	040/018-019	34520.17-20	040/105-106	34535.48-52	041/052-053	34548.24-28	041/137-138
34489.12-18	039/001-003	34507.27-30	040/020-021	34520.24-28	040/107-108	34535.55-58	041/054-055	34548.31-34	041/139-140
34489.22-26	039/004-005	34507.34-38	040/022-023	34520.31-34	040/109-110	34536.02-06	041/056-057	34548.38-42	041/141-142
34489.29-32	039/006-007	34507.41-44	040/024-025	34520.38-38	040/111-111	34536.03-03	041/058-058	34548.45-48	041/143-144
34489.36-40	039/008-009	34507.48-52	040/026-027	34520.45-45	040/112-112	34537.50-58	041/059-061	34548.52-56	042/001-002
34489.43-46	039/010-011	34507.55-55	040/028-028	34522.26-34	040/113-115	34538.01-04	041/062-063	34548.59-59	042/003-003
34489.50-54	039/012-013	34508.31-35	040/029-030	34522.37-40	040/116-117	34538.08-12	041/064-065	34549.15-15	102/020-020
34489.57-57	039/014-014	34508.35-38	105/036-037	34522.44-48	040/118-119	34538.15-18	041/066-067	34550.40-48	042/004-006
34490.57-57	099/065-065	34508.38-42	040/031-032	34522.51-54	040/120-121	34538.22-26	041/068-069	34550.51-54	042/007-008
34491.03-21	099/066-069	34508.42-45	105/038-039	34522.58-58	040/122-122	34538.29-32	041/070-071	34550.58-58	042/009-009
34491.38-46	039/015-017	34508.45-45	040/033-033	34523.02-08	040/123-125	34538.36-40	041/072-073	34551.02-08	042/010-012
34491.49-52	039/018-019	34508.55-55	099/080-080	34523.12-16	040/126-127	34538.43-43	041/074-074	34551.12-16	042/013-014
34491.56-56	039/020-020	34509.01-19	099/081-084	34523.19-19	040/128-128	34539.21-45	099/103-107	34551.19-22	042/015-016
34492.00-06	039/021-023	34509.36-44	040/034-036	34523.57-57	099/090-090	34540.09-09	099/108-108	34551.26-30	042/017-018
34492.10-14	039/024-025	34509.47-50	040/037-038	34524.03-21	099/091-094	34540.24-32	041/075-077	34551.33-33	042/019-019
34492.17-20	039/026-027	34509.54-58	040/039-040	34524.45-45	099/095-095	34540.35-38	041/078-079	34551.51-51	099/114-114
34492.24-28	039/028-029	34510.01-04	040/041-042	34525.00-08	040/129-131	34540.42-46	041/080-081	34553.14-22	042/020-022
34492.31-31	039/030-030	34510.08-12	040/043-044	34525.11-14	040/132-133	34540.49-52	041/082-083	34553.25-28	042/023-024
34494.12-20	039/031-033	34510.15-18	040/045-046	34525.18-22	040/134-135	34540.56-56	041/084-084	34553.32-36	042/025-026
34494.23-26	039/034-035	34510.22-26	040/047-048	34525.28-36	040/136-138	34541.00-06	041/085-087	34553.39-42	042/027-028
34494.30-34	039/036-037	34510.29-29	040/049-049	34525.37-42	041/001-002	34541.10-14	041/088-089	34553.46-50	042/029-030
34494.37-40	039/038-039	34512.10-18	040/050-052	34525.46-50	041/003-004	34541.17-17	041/090-090	34553.53-56	042/031-032
34494.44-48	039/040-041	34512.21-24	040/053-054	34525.53-53	041/005-005	34542.58-58	041/091-091	34554.00-04	042/033-034
34494.51-54	039/042-043	34512.28-32	040/055-056	34527.34-58	041/006-010	34543.02-06	041/092-093	34554.07-07	042/035-035
34494.58-58	039/044-044	34512.35-38	040/057-058	34528.23-23	102/019-019	34543.09-12	041/094-095	34554.20-44	099/115-119
34495.02-05	039/045-046	34512.42-46	040/059-060	34529.43-43	105/019-019	34543.16-20	041/096-097	34555.08-09	102/021-022
34495.18-42	099/070-074	34512.49-52	040/061-062	34529.57-57	041/011-011	34543.23-26	041/098-099	34555.28-40	042/036-038
34497.31-55	039/094-098	34512.56-56	040/063-063	34530.03-09	041/012-013	34543.30-34	041/100-101	34555.45-45	042/039-039
34500.01-01	039/099-099	34513.00-03	040/064-065	34530.14-14	041/014-014	34543.37-40	041/102-103	34555.50-56	042/040-041
34500.53-59	099/075-076	34514.29-29	101/089-089	34530.19-31	041/015-017	34543.44-48	041/104-105	34556.02-02	042/042-042
34501.05-17	099/077-079	34514.44-52	040/066-068	34530.36-36	041/018-018	34543.51-51	041/106-106	34556.07-07	042/043-043

## VOYAGER ARCHIVE TAPE CATALOG

FDS COUNT	VEE ID	FDS COUNT	VEE ID	FDS COUNT	VEE ID	FDS COUNT	VEE ID	FDS COUNT	VEE ID
34556.12-24	042/044-046	34571.30-34	043/004-005	34584.41-44	043/073-074	34600.12-16	044/044-045	34615.22-26	044/140-141
34556.29-29	042/047-047	34571.37-40	043/006-007	34584.48-52	043/075-076	34600.19-19	044/046-046	34615.29-32	044/142-143
34556.34-46	042/048-050	34571.44-48	043/008-009	34584.55-55	043/077-077	34601.14-38	100/015-019	34615.36-40	044/144-144
34556.51-51	042/051-051	34571.51-54	043/010-011	34585.22-46	100/005-009	34602.00-08	044/047-049	34615.40-43	045/001-002
34557.00-00	101/002-002	34571.58-58	043/012-012	34586.24-36	043/078-100	34602.11-14	044/050-051	34615.57-57	045/003-003
34557.05-05	101/003-003	34572.02-05	043/013-014	34586.41-41	043/101-101	34602.18-22	044/052-053	34616.13-37	100/025-029
34558.17-17	099/120-120	34573.31-31	103/054-054	34586.46-58	043/102-104	34602.25-28	044/054-055	34617.03-33	045/004-009
34558.41-59	042/052-055	34573.46-54	043/015-017	34587.03-03	043/105-105	34602.32-36	044/056-057	34619.43-55	045/010-012
34559.05-11	042/056-057	34573.57-57	043/018-018	34587.08-20	043/106-108	34602.39-42	044/058-059	34620.00-00	045/013-013
34560.42-54	042/058-060	34574.00-08	043/019-021	34587.25-25	043/109-109	34602.46-50	044/060-061	34620.05-17	045/014-016
34560.59-59	042/061-061	34574.11-14	043/022-023	34587.30-42	043/110-112	34602.53-53	044/062-062	34620.22-22	045/017-017
34561.04-16	042/062-064	34574.18-22	043/024-025	34587.47-47	043/113-113	34604.34-42	044/063-065	34620.27-39	045/018-020
34561.21-21	042/065-065	34574.23-23	043/026-026	34588.04-04	103/055-055	34604.45-48	044/066-067	34620.44-44	045/021-021
34561.26-38	042/066-068	34574.28-36	043/027-029	34589.35-59	043/114-118	34604.52-56	044/068-069	34620.49-55	045/022-023
34561.43-43	042/069-069	34574.39-39	043/030-030	34590.05-05	043/119-119	34604.59-59	044/070-070	34621.01-01	045/024-024
34561.48-54	042/070-071	34574.57-57	099/132-132	34591.35-47	043/120-122	34605.02-10	044/071-073	34621.06-06	045/025-025
34562.00-00	042/072-072	34576.20-28	043/031-033	34591.52-52	043/123-123	34605.13-16	044/074-075	34621.51-57	100/030-031
34562.05-05	042/073-073	34576.31-34	043/034-035	34591.57-57	043/124-124	34605.20-24	044/076-077	34622.03-15	100/032-034
34562.22-22	103/053-053	34576.38-42	043/036-037	34592.03-09	043/125-126	34605.27-27	044/078-078	34622.32-32	045/026-026
34562.49-55	099/121-122	34576.45-48	043/038-039	34592.14-14	043/127-127	34607.08-16	044/079-081	34622.41-43	045/027-028
34563.01-13	099/123-125	34576.52-56	043/040-041	34592.19-31	043/128-130	34607.19-22	044/082-083	34622.46-54	045/029-031
34563.30-38	042/074-076	34576.59-59	043/042-042	34592.36-36	043/131-131	34607.26-30	044/084-085	34622.57-57	045/032-032
34563.41-44	042/077-078	34577.02-10	043/043-045	34592.41-53	043/132-134	34607.33-36	044/086-087	34623.00-08	045/033-035
34563.48-52	042/079-080	34577.13-13	043/046-046	34592.58-58	043/135-135	34607.40-44	044/088-089	34623.11-14	045/036-037
34563.55-58	042/081-082	34577.47-47	099/133-133	34593.17-17	101/070-070	34607.47-50	044/090-091	34623.18-22	045/038-039
34564.02-06	042/083-084	34577.59-59	100/001-001	34593.37-55	100/010-013	34607.54-58	044/092-093	34623.25-25	045/040-040
34564.09-12	042/085-086	34578.05-11	100/002-003	34594.01-01	100/014-014	34608.01-01	044/094-094	34624.51-51	101/004-004
34564.16-20	042/087-088	34578.30-42	043/047-050	34594.18-26	043/136-137	34608.35-59	100/020-024	34625.06-14	045/041-043
34564.23-23	042/089-089	34578.54-58	043/051-052	34594.26-32	044/001-003	34609.18-30	044/095-098	34625.17-20	045/044-045
34564.04-12	042/090-092	34579.02-08	043/053-055	34594.36-40	044/004-005	34609.42-50	044/099-101	34625.24-28	045/046-047
34564.15-18	042/093-094	34579.12-16	043/056-057	34594.43-46	044/006-007	34609.53-56	044/102-103	34625.31-34	045/048-049
34564.22-26	042/095-096	34579.19-22	043/058-059	34594.50-54	044/008-009	34610.00-04	044/104-105	34625.38-50	045/050-053
34564.29-32	042/097-098	34579.26-30	043/060-061	34594.57-57	044/010-010	34610.07-10	044/106-107	34625.56-59	045/054-055
34564.36-40	042/099-100	34579.33-36	043/062-063	34595.00-08	044/011-013	34610.14-18	044/108-109	34627.40-48	045/056-058
34564.43-46	042/101-102	34579.40-44	043/064-065	34595.11-11	044/014-014	34610.21-24	044/110-111	34627.51-54	045/059-060
34564.50-54	042/103-104	34579.47-47	043/066-066	34596.37-37	101/055-055	34610.28-32	044/112-113	34627.58-58	045/061-061
34564.57-57	042/105-105	34581.13-13	102/082-082	34596.52-56	044/015-016	34610.35-35	044/114-114	34628.02-08	045/062-064
34567.09-09	105/020-020	34581.28-36	043/067-069	34597.00-06	044/017-019	34612.01-01	103/056-056	34628.12-16	045/065-066
34568.23-23	099/126-126	34581.39-42	043/070-071	34597.10-14	044/020-021	34612.16-24	044/115-117	34628.19-22	045/067-068
34568.38-46	042/106-108	34581.46-50	043/072-073	34597.17-20	044/022-023	34612.27-30	044/118-119	34628.26-30	045/069-070
34568.49-52	042/109-110	34581.53-56	043/074-075	34597.24-28	044/024-025	34612.34-38	044/120-121	34628.33-33	045/071-071
34568.56-56	042/111-111	34582.00-04	043/076-077	34597.31-34	044/026-027	34612.41-44	044/122-123	34629.33-57	100/035-039
34569.00-06	042/112-114	34582.07-10	043/078-079	34597.38-42	044/028-029	34612.48-52	044/124-125	34630.14-22	045/072-074
34569.10-14	042/115-116	34582.14-18	043/080-081	34597.45-45	044/030-030	34612.55-58	044/126-127	34630.25-28	045/075-076
34569.17-20	042/117-118	34582.21-21	043/082-082	34599.26-34	044/031-033	34613.02-06	044/128-129	34630.32-36	045/077-078
34569.24-28	042/119-120	34582.39-39	100/004-004	34599.37-40	044/034-035	34613.09-09	044/130-130	34630.39-42	045/079-080
34569.31-31	042/121-121	34584.02-10	043/083-085	34599.44-48	044/036-037	34614.50-58	044/131-133	34630.46-50	045/081-082
34570.31-55	099/127-131	34584.16-24	043/086-088	34599.51-54	044/038-039	34615.01-04	044/134-135	34630.53-56	045/083-084
34571.12-20	042/122-123	34584.27-30	043/089-090	34599.58-58	044/040-040	34615.10-12	044/136-137	34631.00-04	045/085-086
34571.20-26	043/001-003	34584.34-38	043/091-092	34600.02-08	044/041-043	34615.15-18	044/138-139	34631.07-07	045/087-087

## VOYAGER ARCHIVE TAPE CATALOG

FDS COUNT	VGE ID	FDS COUNT	VGE ID	FDS COUNT	VGE ID	FDS COUNT	VGE ID	FDS COUNT	VGE ID
34631.15-19	045/088-089	34645.48-54	046/057-058	34656.41-44	047/006-007	34669.38-44	056/081-083	34684.07-10	048/060-061
34631.22-26	045/090-091	34646.00-00	046/059-059	34656.48-54	047/008-010	34671.10-13	056/084-085	34684.15-18	048/062-063
34631.29-29	045/092-092	34646.05-05	046/060-060	34658.02-05	047/011-012	34671.17-23	056/086-088	34684.22-28	048/064-066
34632.48-56	045/093-095	34646.10-22	046/061-063	34658.22-25	047/013-014	34671.28-31	056/089-090	34684.32-35	048/067-068
34632.59-59	045/096-096	34646.27-27	046/064-064	34658.29-35	047/015-017	34671.35-38	056/091-092	34684.39-45	048/069-071
34633.02-10	045/097-099	34646.32-44	046/065-067	34658.40-43	047/018-019	34671.41-45	047/097-098	34684.50-53	048/072-073
34633.13-16	045/100-101	34646.49-49	046/068-068	34658.47-53	047/020-022	34671.48-52	047/099-100	34684.57-57	048/074-074
34633.20-24	045/102-103	34648.01-01	046/069-069	34658.57-57	047/023-023	34671.55-58	047/101-102	34685.00-00	048/075-075
34633.27-30	045/104-105	34648.06-06	046/070-070	34659.00-04	047/024-025	34672.03-06	047/103-104	34685.03-03	101/057-057
34633.34-38	045/106-107	34648.26-26	046/071-071	34659.07-10	047/026-027	34672.10-16	047/105-107	34686.09-37	048/076-083
34633.41-41	045/108-108	34648.31-37	046/072-073	34659.15-18	047/028-029	34672.29-29	100/073-073	34686.40-44	048/084-085
34635.22-30	045/109-111	34648.42-48	046/074-075	34659.22-28	047/030-032	34673.37-40	047/108-109	34686.47-50	048/086-087
34635.33-36	045/112-113	34648.53-59	046/076-077	34659.42-54	100/061-063	34673.46-49	047/110-111	34686.55-58	048/088-089
34635.40-44	045/114-115	34649.04-04	046/078-078	34660.00-00	100/064-064	34673.53-59	047/112-114	34687.02-08	048/090-092
34635.47-50	045/116-117	34649.15-21	046/079-080	34660.06-06	047/033-033	34674.04-07	047/115-116	34687.12-15	048/093-094
34635.54-58	045/118-119	34649.26-32	046/081-082	34660.23-43	047/034-039	34674.11-17	047/117-119	34687.19-25	048/095-097
34636.01-04	045/120-121	34649.37-37	046/083-083	34660.56-59	047/040-041	34674.21-24	047/120-120	34687.30-33	048/098-099
34636.08-12	045/122-123	34649.50-50	046/084-084	34661.03-03	047/042-042	34674.24-28	048/001-002	34687.37-43	048/100-102
34636.15-15	046/001-001	34649.55-55	046/085-085	34661.03-09	047/043-044	34674.31-34	048/003-004	34688.56-59	103/057-058
34636.49-55	100/040-041	34650.01-01	046/086-086	34661.14-17	047/045-046	34674.39-42	048/005-006	34689.10-13	048/103-104
34637.01-13	100/042-044	34650.06-06	046/087-087	34661.21-27	047/047-049	34674.46-52	048/007-009	34689.17-23	048/105-107
34637.32-44	046/002-005	34650.21-21	102/084-084	34661.31-34	047/050-051	34675.01-29	100/074-081	34689.28-31	048/108-109
34637.56-56	046/006-006	34650.32-44	046/088-090	34661.38-44	047/052-054	34675.42-54	048/010-012	34689.35-41	048/110-112
34638.00-04	046/007-008	34650.49-49	046/091-091	34661.49-52	047/055-056	34675.59-59	048/013-013	34689.45-48	048/113-114
34638.07-10	046/009-010	34650.54-54	046/092-092	34661.56-59	047/057-058	34676.04-16	048/014-016	34689.52-58	048/115-117
34638.14-18	046/011-012	34651.00-06	046/093-094	34662.02-02	047/059-059	34676.21-21	048/017-017	34690.03-06	048/118-119
34638.21-24	046/013-014	34651.11-11	046/095-095	34663.14-17	047/060-061	34676.26-38	048/018-020	34690.10-16	048/120-122
34638.28-32	046/015-016	34651.16-28	046/096-098	34663.21-24	047/062-063	34676.43-43	048/021-021	34690.34-34	101/005-005
34638.35-38	046/017-018	34651.33-33	046/099-099	34663.30-33	047/064-065	34676.48-54	048/022-023	34690.48-56	100/090-092
34638.42-46	046/019-020	34651.38-50	046/100-102	34663.37-43	047/066-068	34677.00-00	048/024-024	34690.56-56	100/096-096
34638.49-49	046/021-021	34651.55-55	046/103-103	34663.48-51	047/069-070	34677.05-17	048/025-027	34691.00-08	100/093-095
34639.07-07	102/083-083	34652.08-36	100/053-060	34663.55-58	047/071-072	34677.22-28	048/028-029	34691.00-16	100/097-101
34640.30-38	046/022-024	34652.48-48	102/085-085	34664.01-05	047/073-074	34677.33-33	048/030-030	34691.29-32	048/123-124
34640.41-44	046/025-026	34653.14-17	046/104-105	34664.08-12	047/075-076	34679.10-10	048/031-031	34691.36-39	048/125-126
34640.48-52	046/027-028	34653.21-27	046/106-108	34664.15-18	047/077-078	34679.15-21	048/032-033	34691.44-47	048/127-128
34640.55-58	046/029-030	34653.32-35	046/109-110	34664.23-26	047/079-080	34679.26-32	048/034-035	34691.51-57	048/129-131
34641.02-06	046/031-032	34653.39-45	046/111-113	34664.30-36	047/081-083	34679.37-43	048/036-037	34692.02-05	048/132-133
34641.09-12	046/033-034	34653.49-52	046/114-115	34665.49-49	101/056-056	34679.48-48	048/038-038	34692.09-15	048/134-136
34641.16-20	046/035-036	34653.56-59	046/116-117	34666.04-07	047/084-085	34681.22-34	048/039-041	34692.19-22	048/137-138
34641.23-23	046/037-037	34654.02-02	046/118-118	34666.11-17	047/086-088	34681.39-39	048/042-042	34692.26-32	048/139-141
34643.04-12	046/038-040	34654.07-10	046/119-120	34666.22-25	047/089-090	34681.44-56	048/043-045	34692.47-50	049/001-002
34643.15-18	046/041-042	34654.14-20	046/121-123	34666.29-35	047/091-093	34682.01-01	048/046-046	34694.01-04	049/003-004
34643.22-26	046/043-044	34655.01-01	046/128-128	34666.39-42	047/094-095	34682.06-18	048/047-049	34694.18-21	049/005-006
34643.29-32	046/045-046	34655.06-09	046/129-130	34666.46-46	047/096-096	34682.23-23	048/050-050	34694.25-31	049/007-009
34643.36-40	046/047-048	34655.13-19	046/131-133	34667.49-57	100/065-067	34682.28-40	048/051-053	34694.36-39	049/010-011
34643.43-46	046/049-050	34655.34-34	102/086-086	34668.01-17	100/068-072	34682.45-45	048/054-054	34694.43-49	049/012-014
34643.50-54	046/051-052	34655.48-51	046/124-125	34669.09-13	056/073-074	34683.02-30	100/082-089	34694.53-56	049/015-016
34644.22-50	100/045-052	34655.55-58	046/126-127	34669.16-20	056/075-076	34683.50-53	048/055-056	34695.00-06	049/017-019
34645.26-38	046/053-055	34656.23-26	047/001-002	34669.23-26	056/077-078	34683.57-57	048/057-057	34695.11-14	049/020-021
34645.43-43	046/056-056	34656.30-36	047/003-005	34669.31-34	056/079-080	34684.00-04	048/058-059	34695.18-24	049/022-024

## VOYAGER ARCHIVE TAPE CATALOG

FDS COUNT	VGE ID	FDS COUNT	VGE ID	FDS COUNT	VGE ID	FDS COUNT	VGE ID	FDS COUNT	VGE ID
34697.23-23	100/102-102	34712.34-37	050/019-020	34724.51-51	100/129-129	34736.22-34	051/063-065	34749.41-59	081/020-023
34697.50-54	049/025-026	34712.41-47	050/021-023	34725.00-06	105/021-022	34736.39-39	051/066-066	34750.05-05	081/024-024
34697.57-58	049/027-028	34712.51-54	050/024-025	34725.08-11	050/116-117	34738.23-23	051/067-067	34750.17-17	052/062-062
34698.15-43	100/103-110	34712.59-58	050/026-026	34725.15-21	050/118-120	34738.28-34	051/068-069	34750.17-17	052/063-063
34699.02-18	049/029-033	34713.01-04	050/027-028	34725.26-29	050/121-122	34738.39-45	051/070-071	34750.27-30	052/064-065
34699.24-27	049/034-035	34713.09-12	050/029-030	34725.33-39	050/123-125	34738.50-50	051/072-072	34750.34-37	052/066-067
34699.31-37	049/036-038	34713.16-22	050/031-033	34725.43-46	050/126-127	34740.20-32	051/073-075	34750.45-48	052/068-069
34699.42-45	049/039-040	34714.35-35	100/123-123	34725.50-53	050/128-129	34740.37-37	051/076-076	34750.52-58	052/070-072
34699.49-55	049/041-043	34714.50-53	050/034-035	34725.56-56	051/099-099	34740.42-54	051/077-079	34751.03-06	052/073-074
34699.59-59	049/044-044	34714.57-57	050/036-036	34726.01-04	051/100-101	34740.59-59	051/080-080	34751.10-16	052/075-077
34700.02-06	049/045-046	34715.00-03	050/037-038	34726.08-14	051/102-104	34741.04-16	051/081-083	34751.20-23	052/078-079
34700.09-12	049/047-048	34715.08-11	050/039-040	34726.24-40	100/130-134	34741.21-21	051/084-084	34751.27-33	052/080-082
34700.17-20	049/049-050	34715.15-21	050/041-043	34726.44-52	081/001-003	34741.26-38	051/085-087	34751.38-41	052/083-084
34700.24-30	049/051-053	34715.25-28	050/044-045	34726.57-57	051/105-105	34741.43-43	051/088-088	34751.45-51	052/085-087
34700.38-47	049/054-057	34715.32-38	050/046-048	34727.00-00	051/106-106	34741.50-50	051/089-089	34753.05-05	081/025-025
34701.45-45	102/087-087	34715.43-46	050/049-050	34727.05-21	051/107-111	34742.00-00	051/090-090	34753.20-23	052/088-089
34701.59-59	049/058-058	34715.50-56	050/051-053	34727.35-36	104/121-122	34742.05-05	051/091-091	34753.27-33	052/090-092
34702.03-59	049/059-073	34717.09-09	103/061-061	34728.15-18	051/001-002	34742.23-47	081/015-019	34753.38-41	052/093-094
34703.03-59	049/074-088	34717.24-27	050/054-055	34728.22-28	051/003-005	34742.57-57	051/092-092	34753.45-48	052/095-096
34704.03-55	049/089-102	34717.32-34	050/056-057	34728.33-36	051/006-007	34743.00-04	051/093-094	34753.55-58	052/097-098
34705.09-33	100/111-115	34717.37-37	050/058-058	34728.40-46	051/008-010	34743.07-11	051/095-096	34754.02-08	052/099-101
34705.51-54	049/103-104	34717.42-45	050/059-060	34728.55-55	081/004-004	34743.14-17	051/097-098	34754.13-16	052/102-103
34705.58-58	049/105-105	34717.49-55	050/061-063	34730.14-17	051/011-012	34743.22-25	052/001-002	34754.20-26	052/104-106
34706.01-05	049/106-107	34717.59-59	050/064-064	34730.21-27	051/013-015	34743.29-35	052/003-005	34755.44-47	052/107-108
34706.08-12	049/108-109	34718.02-06	050/065-066	34730.32-35	051/016-017	34743.39-42	052/006-007	34755.54-57	052/109-110
34706.15-19	049/110-111	34718.09-12	050/067-068	34730.39-45	051/018-020	34743.46-52	052/008-010	34756.01-07	052/111-113
34706.22-26	049/112-113	34718.17-20	050/069-070	34730.49-52	051/021-022	34743.57-57	052/011-011	34756.12-15	052/114-115
34706.29-33	049/114-115	34718.24-30	050/071-073	34730.56-59	051/023-024	34744.00-04	052/012-013	34756.19-25	052/116-118
34706.36-40	049/116-117	34718.50-50	101/006-006	34730.59-59	220/108-108	34744.07-10	052/014-015	34756.29-32	052/119-120
34706.43-43	049/118-118	34719.02-26	100/124-128	34731.02-02	051/025-025	34745.23-23	052/016-016	34756.36-42	052/121-123
34707.14-14	049/119-119	34719.58-58	050/074-074	34731.07-10	051/026-027	34745.23-29	052/017-018	34756.47-50	052/124-125
34707.19-25	049/120-121	34720.01-05	050/075-076	34731.14-20	051/028-030	34745.33-33	052/019-019	34756.54-57	052/126-127
34707.30-36	049/122-123	34720.08-11	050/077-078	34731.29-29	081/005-005	34745.38-41	052/020-021	34757.00-00	052/128-128
34707.41-47	049/124-125	34720.16-19	050/079-080	34732.48-51	051/031-032	34745.45-51	052/022-024	34757.08-28	052/129-134
34707.52-52	049/126-126	34720.23-29	050/081-083	34732.55-58	051/033-034	34745.56-59	052/025-026	34757.42-58	081/026-030
34708.12-12	104/120-120	34720.33-36	050/084-085	34733.01-01	051/035-035	34746.03-09	052/027-029	34758.02-10	081/031-033
34709.36-48	049/127-129	34720.40-46	050/086-088	34733.06-09	051/036-037	34746.13-16	052/030-031	34758.16-19	052/135-136
34709.53-53	050/001-001	34720.51-54	050/089-090	34733.13-19	051/038-040	34746.20-26	052/032-034	34758.26-29	052/137-138
34709.58-58	050/002-002	34720.58-58	050/091-091	34733.23-26	051/041-042	34746.31-34	052/035-036	34758.33-39	052/139-141
34710.04-10	050/003-004	34721.01-04	050/092-093	34733.30-36	051/043-045	34746.38-44	052/037-039	34758.44-47	053/001-002
34710.15-15	050/005-005	34722.22-25	050/094-095	34733.41-44	051/046-047	34748.02-05	052/040-041	34758.51-57	053/003-005
34710.20-32	050/006-008	34722.32-35	050/096-097	34733.48-54	051/048-050	34748.12-15	052/042-043	34759.01-04	053/006-007
34710.37-37	050/009-009	34722.39-45	050/098-100	34734.14-14	081/006-006	34748.19-25	052/044-046	34759.08-14	053/008-010
34710.42-54	050/010-012	34722.50-53	050/101-102	34734.25-53	081/007-014	34748.30-33	052/047-048	34759.19-22	053/011-012
34710.59-59	050/013-013	34722.57-57	050/103-103	34735.16-28	051/051-053	34748.37-43	052/049-051	34759.26-32	053/013-015
34711.25-49	100/116-122	34723.00-03	050/104-105	34735.33-33	051/054-054	34748.47-50	052/052-053	34759.47-59	053/016-019
34711.53-53	103/059-059	34723.07-10	050/106-107	34735.38-50	051/055-057	34748.54-57	052/054-055	34760.03-39	053/020-029
34712.02-02	103/060-060	34723.14-20	050/108-110	34735.55-55	051/058-058	34749.00-00	052/056-056	34760.54-54	081/034-034
34712.16-19	050/014-015	34723.25-28	050/111-112	34736.00-12	051/059-061	34749.05-08	052/057-058	34761.10-13	053/030-031
34712.23-29	050/016-018	34723.32-38	050/113-115	34736.17-17	051/062-062	34749.12-18	052/059-061	34761.17-20	053/032-033



## VOYAGER ARCHIVE TAPE CATALOG

FDS COUNT	VGE ID	FDS COUNT	VGE ID	FDS COUNT	VGE ID	FDS COUNT	VGE ID	FDS COUNT	VGE ID
34761.24-27	053/034-035	34779.29-32	053/113-114	34789.45-48	054/039-040	34802.36-39	054/120-121	34812.37-40	055/067-068
34761.31-34	053/036-037	34779.36-39	053/115-116	34789.52-55	054/041-042	34802.52-56	102/037-038	34812.44-47	055/069-070
34761.38-41	053/038-039	34779.43-46	053/117-118	34789.59-59	054/043-043	34803.08-20	101/105-107	34812.51-54	055/071-072
34761.45-48	053/040-041	34779.50-53	053/119-120	34790.02-06	054/044-045	34803.20-56	102/001-010	34812.58-58	055/073-073
34761.52-55	053/042-043	34779.57-57	053/121-121	34790.09-13	054/046-047	34804.00-00	102/011-011	34813.01-05	055/074-075
34761.59-59	053/044-044	34780.00-00	053/122-122	34790.16-16	054/048-048	34804.19-22	054/122-123	34813.08-12	055/076-077
34762.02-02	053/045-045	34780.52-56	081/044-045	34790.26-46	081/052-057	34804.28-29	054/124-125	34813.15-19	055/078-079
34762.16-48	101/091-099	34781.00-12	081/046-049	34790.49-49	081/058-058	34804.35-35	054/126-126	34813.22-22	055/080-080
34762.56-56	101/101-101	34781.15-15	081/050-050	34791.49-52	054/049-050	34804.48-51	054/127-128	34813.41-57	055/081-085
34763.00-08	101/102-104	34781.26-26	081/051-051	34791.58-58	054/051-051	34804.55-58	055/001-002	34814.01-33	055/086-094
34763.18-21	104/072-073	34781.42-45	053/123-124	34792.01-05	054/052-053	34805.02-05	055/003-004	34814.48-48	101/067-067
34763.26-26	104/074-074	34781.49-52	053/125-126	34792.08-12	054/054-055	34805.09-12	055/005-006	34815.04-07	055/095-096
34763.44-47	053/046-047	34781.56-59	053/127-128	34792.15-19	054/056-057	34805.16-19	055/007-008	34815.11-14	055/097-098
34763.51-54	053/048-049	34782.03-06	053/129-130	34792.22-26	054/058-059	34805.23-26	055/009-010	34815.18-21	055/099-100
34763.58-58	053/050-050	34782.10-13	053/131-132	34792.29-33	054/060-061	34805.30-33	055/011-012	34815.25-28	055/101-102
34764.01-05	053/051-052	34782.17-20	053/133-134	34792.36-40	054/062-063	34805.37-40	055/013-014	34815.32-35	055/103-104
34764.08-12	053/053-054	34782.24-27	053/135-136	34792.43-47	054/064-065	34805.53-57	055/015-016	34815.39-42	055/105-106
34764.15-21	053/055-056	34782.31-34	053/137-138	34792.50-50	054/066-066	34806.08-12	055/017-018	34815.46-49	055/107-108
34764.22-26	053/057-058	34782.39-59	103/062-067	34793.09-57	081/059-071	34806.19-19	055/019-019	34815.53-56	055/109-110
34764.29-33	053/059-060	34783.03-31	103/068-075	34794.01-01	081/072-072	34806.26-29	055/020-021	34816.23-27	055/111-112
34764.36-36	053/061-061	34783.41-44	104/075-076	34794.16-16	081/073-073	34806.33-36	055/022-023	34816.38-42	055/113-114
34764.47-59	081/035-038	34783.51-54	104/077-078	34794.32-32	054/067-067	34806.43-43	055/024-024	34816.59-59	055/115-115
34765.03-07	081/039-040	34783.59-59	053/139-139	34794.32-35	054/068-069	34807.05-05	055/025-025	34817.02-06	055/116-117
34765.10-10	081/041-041	34784.02-02	053/140-140	34794.35-39	054/070-071	34807.22-25	055/026-027	34817.09-09	055/118-118
34765.21-21	081/042-042	34784.16-19	053/141-142	34794.39-42	054/072-073	34807.29-32	055/028-029	34817.30-30	105/001-001
34767.34-34	101/007-007	34784.23-26	053/143-144	34794.46-49	054/074-075	34807.36-39	055/030-031	34817.38-41	055/119-120
34774.00-03	053/062-063	34784.30-33	054/001-002	34794.53-56	054/076-077	34807.43-46	055/032-033	34817.45-48	055/121-122
34774.07-10	053/064-065	34784.37-40	054/003-004	34795.00-03	054/078-079	34807.50-53	055/034-035	34817.52-55	055/123-124
34774.14-17	053/066-067	34784.44-47	054/005-006	34795.07-10	054/080-081	34807.57-57	055/036-036	34817.59-59	055/125-125
34774.21-24	053/068-069	34784.51-54	054/007-008	34795.14-17	054/082-083	34808.00-04	055/037-038	34818.02-06	055/126-127
34774.28-31	053/070-071	34784.58-58	054/009-009	34795.17-21	054/084-085	34808.07-11	055/039-040	34818.09-13	055/128-129
34774.35-38	053/072-073	34785.01-05	054/010-011	34795.21-24	054/086-087	34808.14-14	055/041-041	34818.16-20	055/130-131
34774.42-45	053/074-075	34785.08-08	054/012-012	34795.24-24	054/088-088	34808.30-54	101/058-062	34818.23-27	055/132-133
34774.49-52	053/076-077	34785.21-25	054/013-014	34795.38-56	054/089-092	34809.00-18	101/063-066	34818.30-30	055/134-134
34775.05-09	053/078-079	34785.36-40	054/015-016	34796.02-08	054/093-094	34809.33-36	055/042-043	34818.49-57	056/001-003
34775.20-24	053/080-081	34786.50-53	054/017-018	34796.20-56	054/095-101	34809.40-43	055/044-045	34819.01-41	056/004-014
34776.34-37	053/082-083	34786.57-57	054/019-019	34797.02-08	054/102-103	34809.48-48	055/046-046	34820.12-15	056/015-016
34776.41-44	053/084-085	34787.00-04	054/020-021	34797.29-29	081/074-074	34809.56-59	055/047-048	34820.19-22	056/017-018
34776.48-51	053/086-087	34787.07-11	054/022-023	34799.06-54	102/088-096	34810.03-06	055/049-050	34820.26-29	056/019-020
34776.55-58	053/088-089	34787.14-18	054/024-025	34800.32-32	103/077-077	34810.10-13	055/051-052	34820.33-36	056/021-022
34777.02-05	053/090-091	34787.21-25	054/026-027	34801.11-23	081/075-078	34810.17-20	055/053-054	34820.40-43	056/023-024
34777.09-12	053/092-093	34787.28-32	054/028-029	34801.28-34	081/079-081	34810.24-27	055/055-056	34820.47-50	056/025-026
34777.16-19	053/094-095	34787.35-39	054/030-031	34801.40-42	054/104-105	34810.31-34	055/057-058	34820.54-57	056/027-028
34777.23-26	053/096-097	34787.42-42	054/032-032	34801.47-50	054/106-107	34810.38-41	055/059-060	34821.01-04	056/029-030
34777.36-54	053/098-101	34788.00-00	103/076-076	34801.54-57	054/108-109	34810.45-48	055/061-062	34821.10-13	103/078-079
34778.00-24	053/102-106	34788.16-56	102/023-033	34802.01-04	054/110-111	34810.58-58	081/082-082	34821.19-39	081/089-094
34778.43-43	081/043-043	34789.00-08	102/034-036	34802.08-11	054/112-113	34811.02-18	081/083-087	34821.42-42	081/095-095
34779.08-11	053/107-108	34789.24-27	054/033-034	34802.15-18	054/114-115	34811.21-21	081/088-088	34822.37-40	056/031-032
34779.15-18	053/109-110	34789.31-34	054/035-036	34802.22-25	054/116-117	34812.21-24	055/063-064	34822.46-49	056/033-034
34779.22-25	053/111-112	34789.38-41	054/037-038	34802.29-32	054/118-119	34812.30-33	055/065-066	34822.53-56	056/035-036

## VOYAGER ARCHIVE TAPE CATALOG

FDS COUNT	VEE ID	FDS COUNT	VEE ID	FDS COUNT	VEE ID	FDS COUNT	VEE ID	FDS COUNT	VEE ID
34823.00-03	056/037-038	34835.30-33	056/114-115	34843.27-32	057/053-054	34860.02-32	058/077-082	34871.58-58	059/084-084
34823.07-10	056/039-040	34835.37-40	056/116-117	34843.36-39	057/055-056	34860.57-57	058/083-083	34872.01-05	059/085-086
34823.14-17	056/041-042	34835.44-47	056/118-119	34843.43-46	057/057-058	34861.00-04	058/084-085	34872.08-12	059/087-088
34823.21-24	056/043-044	34835.51-54	056/120-121	34843.50-53	057/059-060	34861.07-11	058/086-087	34872.15-19	059/089-090
34823.28-31	056/045-046	34835.58-58	056/122-122	34843.57-57	057/061-061	34861.14-18	058/088-089	34872.22-26	059/091-092
34823.35-38	056/047-048	34836.01-05	056/123-124	34844.00-04	057/062-063	34861.21-25	058/090-091	34872.29-33	059/093-094
34823.54-58	081/096-097	34836.08-12	056/125-126	34844.07-07	057/064-064	34861.28-32	058/092-093	34872.36-36	059/095-095
34824.02-14	081/098-101	34836.15-19	056/127-128	34844.17-37	082/001-006	34861.35-39	058/094-095	34872.50-50	101/012-012
34824.17-23	081/102-103	34836.22-22	056/129-129	34844.40-40	082/007-007	34861.42-46	058/096-097	34872.58-58	059/096-096
34824.28-28	102/097-097	34836.31-34	056/130-131	34844.48-56	082/008-010	34861.49-49	058/098-098	34873.01-05	059/097-098
34824.40-40	056/049-049	34836.38-41	056/132-133	34845.00-24	082/011-017	34861.55-55	102/098-098	34873.08-12	059/099-100
34824.45-51	056/050-051	34836.45-48	056/134-135	34845.31-34	057/065-066	34862.02-02	102/099-099	34873.15-15	059/101-101
34824.56-56	056/052-052	34836.52-55	056/136-137	34845.39-42	057/067-068	34862.08-28	082/025-030	34874.10-10	059/153-153
34825.31-31	056/053-053	34836.59-59	056/138-138	34845.46-49	057/069-070	34862.31-31	082/031-031	34874.25-28	059/102-103
34825.36-42	056/054-055	34837.02-06	056/139-140	34845.53-56	057/071-072	34862.43-59	103/095-099	34874.32-35	059/104-105
34825.47-47	056/056-056	34837.09-13	057/001-002	34846.00-03	057/073-074	34863.03-03	103/100-100	34874.39-42	059/106-107
34825.56-56	056/057-057	34837.16-20	057/003-004	34846.07-10	057/075-076	34863.07-10	058/099-100	34874.46-49	059/108-109
34826.01-07	056/058-059	34837.23-27	057/005-006	34846.14-17	057/077-078	34863.15-18	058/101-102	34874.56-56	059/111-111
34826.07-07	056/060-060	34837.30-34	057/007-008	34846.21-24	057/079-080	34863.22-25	058/103-104	34875.00-03	059/112-113
34826.12-12	056/061-061	34837.37-41	057/009-010	34846.28-31	057/081-082	34863.29-32	058/105-106	34875.07-10	059/114-115
34826.12-12	056/062-062	34837.44-50	057/011-012	34846.37-57	103/087-092	34863.36-39	058/107-108	34875.16-16	102/040-040
34826.21-21	056/063-063	34837.53-53	057/013-013	34847.04-04	101/068-068	34863.43-46	058/109-110	34875.21-41	082/045-050
34826.21-21	056/064-064	34838.03-06	057/014-015	34847.10-58	057/083-099	34863.50-53	058/111-112	34875.44-44	082/051-051
34826.26-26	056/065-065	34838.10-13	057/016-017	34848.01-58	057/100-119	34863.57-57	058/113-113	34875.50-53	059/116-117
34826.26-32	056/066-067	34838.17-20	057/018-019	34849.01-58	057/120-139	34864.00-04	058/114-115	34875.57-57	059/118-118
34826.37-37	056/068-068	34838.24-27	057/020-021	34850.01-13	057/140-144	34864.07-07	058/116-116	34876.00-04	059/119-120
34826.46-46	056/069-069	34838.31-34	057/022-023	34850.16-52	128/025-037	34864.17-26	058/117-120	34876.07-11	059/121-122
34826.51-57	056/070-071	34838.38-41	057/024-025	34850.55-58	058/001-002	34864.26-32	058/121-122	34876.14-18	059/123-124
34827.02-02	056/072-072	34838.45-48	057/026-027	34851.01-13	058/003-007	34864.35-59	058/123-131	34876.21-25	059/125-126
34828.23-23	101/008-008	34838.52-55	057/028-029	34852.03-23	082/018-023	34865.02-14	058/132-135	34876.28-32	059/127-128
34828.33-33	081/104-104	34839.06-26	081/132-137	34852.26-26	082/024-024	34865.14-59	059/001-016	34876.35-39	059/129-130
34830.04-04	056/093-093	34839.29-29	081/138-138	34852.29-57	058/008-015	34866.02-59	059/017-036	34876.42-46	059/131-132
34830.09-09	101/009-009	34839.40-56	081/139-143	34853.01-01	058/016-016	34867.02-59	059/037-056	34876.49-53	059/133-134
34830.20-21	101/010-011	34840.00-00	081/144-144	34853.29-32	058/017-018	34868.02-08	059/057-059	34876.56-56	059/135-135
34831.37-57	103/080-085	34840.24-24	103/086-086	34853.36-39	058/019-020	34868.13-14	059/060-061	34877.00-03	060/001-002
34832.01-13	056/094-097	34840.37-37	102/039-039	34853.43-46	058/021-022	34868.17-20	059/062-063	34877.13-13	103/103-103
34832.19-55	081/105-114	34840.42-45	057/030-031	34853.50-53	058/023-024	34869.11-31	082/032-037	34877.22-42	103/104-109
34833.05-08	056/098-099	34840.50-53	057/032-033	34853.57-57	058/025-025	34869.55-55	103/101-101	34877.46-49	060/003-004
34833.12-15	056/100-101	34840.57-57	057/034-034	34854.00-04	058/026-027	34870.02-02	103/102-102	34877.53-56	060/005-006
34833.19-22	056/102-103	34841.00-04	057/035-036	34854.07-11	058/028-029	34870.08-28	082/038-043	34878.00-03	060/007-008
34833.26-29	056/104-105	34841.07-11	057/037-038	34854.14-18	058/030-031	34870.31-31	082/044-044	34878.07-10	060/009-010
34833.33-36	056/106-107	34841.14-18	057/039-040	34854.21-21	058/032-032	34870.42-45	059/064-065	34878.13-13	102/100-100
34833.40-43	056/108-109	34841.21-25	057/041-042	34855.23-23	103/093-093	34870.49-52	059/066-067	34878.20-20	102/101-101
34833.47-50	056/110-111	34841.28-32	057/043-044	34855.30-30	103/094-094	34870.56-59	059/068-069	34878.28-31	060/011-012
34833.54-57	056/112-113	34841.35-39	057/045-046	34855.37-37	058/033-033	34871.03-09	059/070-072	34878.35-38	060/013-014
34834.07-27	081/115-120	34841.42-42	057/047-047	34855.44-56	058/034-036	34871.13-21	059/073-075	34878.42-45	060/015-016
34834.30-30	081/121-121	34843.03-03	057/048-048	34856.02-56	058/037-046	34871.30-33	059/076-077	34878.49-52	060/017-018
34834.39-59	081/122-127	34843.06-10	105/004-005	34856.02-56	058/047-056	34871.37-40	059/078-079	34878.56-59	060/019-020
34835.03-15	081/128-131	34843.15-18	057/049-050	34856.02-56	058/057-066	34871.44-47	059/080-081	34879.03-06	060/021-022
34835.25-27	105/002-003	34843.22-25	057/051-052	34856.02-56	058/067-076	34871.51-54	059/082-083	34879.10-13	060/023-024



## VOYAGER ARCHIVE TAPE CATALOG

FDS COUNT	VEE ID	FDS COUNT	VEE ID	FDS COUNT	VEE ID	FDS COUNT	VEE ID	FDS COUNT	VEE ID
34879.17-20	060/025-026	34901.26-29	082/074-075	34909.46-51	061/108-109	34919.44-44	083/081-081	34933.08-12	105/091-092
34879.24-27	060/027-028	34901.33-37	082/076-077	34909.55-58	061/110-111	34919.52-58	083/082-085	34933.16-20	062/022-023
34879.31-34	060/029-030	34901.40-43	082/078-079	34910.02-05	061/112-113	34920.00-00	083/086-086	34933.23-31	062/024-026
34879.38-41	060/031-032	34901.47-51	082/080-081	34911.24-30	083/002-004	34920.00-04	083/087-089	34933.34-34	062/027-027
34879.45-57	102/041-044	34901.54-57	082/082-083	34911.43-59	083/005-009	34920.08-08	083/090-090	34933.38-38	103/011-011
34880.03-23	105/044-049	34902.01-05	082/084-085	34912.03-07	083/010-011	34920.13-19	083/091-092	34933.43-46	101/082-083
34880.58-58	105/006-006	34902.08-08	082/086-086	34912.15-19	083/012-013	34920.24-24	083/093-093	34933.57-57	105/093-093
34881.37-58	105/050-057	34902.25-28	061/087-088	34912.19-59	083/014-024	34920.29-53	083/094-098	34934.01-41	105/094-103
34882.01-28	105/058-067	34902.32-35	061/089-090	34913.03-59	083/025-039	34921.26-26	061/114-114	34934.41-57	106/001-005
34882.22-25	102/012-013	34902.39-42	061/091-092	34914.03-03	083/040-040	34925.12-15	083/099-100	34935.01-17	106/006-010
34882.28-40	102/102-105	34902.46-49	061/093-094	34914.07-15	102/116-117	34925.26-26	103/003-003	34935.20-20	106/011-011
34882.43-43	102/106-106	34902.52-56	102/057-058	34914.15-19	103/001-002	34925.32-38	103/124-124	34935.23-43	062/028-033
34882.50-50	101/013-013	34903.00-08	102/059-061	34914.23-31	101/071-073	34925.38-44	104/001-002	34935.46-49	062/034-035
34882.55-59	082/052-053	34903.19-19	103/115-115	34914.40-40	101/014-014	34925.54-58	104/003-004	34935.53-57	062/036-037
34883.03-35	082/054-062	34903.26-26	061/095-095	34914.45-45	101/015-015	34926.02-10	104/005-007	34936.01-01	062/038-038
34883.38-42	082/063-064	34903.30-42	102/110-113	34914.51-57	103/122-123	34926.13-13	104/008-008	34936.04-08	106/012-013
34883.45-45	082/065-065	34903.47-55	082/087-089	34915.08-32	083/041-045	34926.18-18	102/064-064	34936.11-17	104/123-125
34884.00-00	103/110-110	34903.58-58	082/090-090	34915.37-37	083/046-046	34926.22-25	061/115-116	34936.15-31	101/032-036
34884.07-07	103/111-111	34904.01-09	082/091-093	34915.42-42	083/047-047	34926.29-32	061/117-118	34936.35-47	062/039-043
34885.13-13	102/107-107	34904.12-15	082/094-095	34915.47-47	083/048-048	34926.36-39	061/119-120	34936.51-54	062/044-045
34885.22-22	102/108-108	34904.19-23	082/096-097	34915.52-52	083/111-111	34926.43-46	061/121-122	34936.58-58	062/046-046
34885.31-49	082/066-069	34904.26-29	082/098-099	34915.57-57	083/112-112	34926.54-58	061/123-124	34937.01-01	062/047-047
34885.54-54	082/070-070	34904.33-37	082/100-101	34916.03-15	083/113-115	34927.04-07	061/125-126	34937.06-22	102/065-069
34886.02-32	102/045-050	34904.40-40	082/102-102	34916.20-20	083/116-116	34927.11-14	061/127-128	34937.32-36	106/014-015
34886.43-52	060/033-036	34905.54-58	082/103-104	34916.33-33	083/117-117	34927.18-21	061/129-130	34938.02-18	101/037-041
34887.01-55	060/037-046	34906.02-08	082/105-107	34916.38-38	083/118-118	34927.25-46	061/131-137	34938.24-27	062/048-049
34888.01-55	060/047-056	34906.12-16	082/108-109	34916.43-43	083/119-119	34927.46-49	062/001-002	34938.31-34	062/050-051
34889.01-55	060/057-066	34906.19-22	082/110-111	34916.48-48	083/120-120	34927.53-56	062/003-004	34938.38-42	062/052-053
34890.01-55	060/067-076	34906.26-30	082/112-113	34916.53-53	083/121-121	34928.00-03	062/005-006	34938.45-45	062/054-054
34891.11-59	060/077-089	34906.33-36	082/114-115	34916.58-58	083/122-122	34928.07-10	062/007-008	34938.50-56	062/055-057
34892.03-59	060/090-104	34906.40-44	082/116-117	34917.03-03	083/123-123	34928.14-17	062/009-010	34939.00-03	062/058-059
34892.37-40	048/142-143	34906.47-47	082/118-118	34917.08-08	083/124-124	34928.21-29	062/011-013	34939.07-10	062/060-061
34892.44-47	048/144-144	34906.59-59	061/096-096	34917.13-13	083/125-125	34928.32-44	062/014-017	34939.14-18	062/062-063
34893.03-59	060/105-119	34907.02-06	061/097-098	34917.13-13	083/126-126	34928.47-59	062/018-021	34939.21-21	062/064-064
34894.03-43	060/120-129	34907.09-13	061/099-100	34917.18-18	083/127-127	34929.03-23	101/016-021	34939.27-27	105/023-023
34894.43-59	061/001-005	34907.16-20	061/101-102	34917.23-23	083/128-128	34929.26-26	101/022-022	34939.54-57	104/009-010
34895.03-59	061/006-020	34907.23-23	061/103-103	34917.28-28	083/129-129	34929.29-50	105/068-075	34940.01-04	106/016-017
34896.03-59	061/021-035	34907.30-33	102/062-063	34917.36-44	083/130-134	34929.56-59	101/074-075	34940.08-11	106/018-019
34897.03-59	061/036-050	34907.36-56	103/116-121	34917.46-48	083/049-050	34930.03-23	103/004-009	34940.15-18	106/020-021
34898.03-59	061/051-065	34908.07-10	102/114-115	34917.49-54	083/051-056	34930.26-26	103/010-010	34940.22-30	106/022-024
34899.03-51	061/066-078	34908.19-27	082/119-121	34917.56-58	083/057-058	34930.40-40	101/023-023	34940.34-38	101/042-043
34900.02-02	103/112-112	34908.30-33	082/122-123	34918.00-14	083/059-066	34930.44-48	105/076-077	34940.48-56	062/065-067
34900.09-12	103/113-114	34908.37-41	082/124-125	34918.24-54	083/067-072	34930.51-59	105/078-080	34941.00-16	062/068-072
34900.18-38	102/051-056	34908.44-47	082/126-127	34919.03-03	083/073-073	34931.02-06	105/081-082	34941.23-26	062/073-074
34900.43-43	102/109-109	34908.51-55	082/128-129	34919.08-08	083/074-074	34931.09-13	105/083-084	34941.33-39	106/025-027
34900.48-51	061/079-080	34909.01-09	082/130-132	34919.13-13	083/075-075	34931.16-20	105/085-086	34941.43-46	106/028-029
34900.55-58	061/081-082	34909.12-12	083/001-001	34919.18-18	083/076-076	34931.23-35	105/087-090	34941.50-58	062/075-077
34901.02-05	061/083-084	34909.25-28	101/069-070	34919.23-23	083/077-077	34931.41-57	101/076-080	34942.02-10	062/078-080
34901.09-12	061/085-086	34909.34-37	061/104-105	34919.28-34	083/078-079	34932.00-00	101/081-081	34942.21-21	104/126-126
34901.15-23	082/071-073	34909.41-44	061/106-107	34919.35-35	083/080-080	34932.04-24	101/024-029	34942.29-49	105/007-012

VOYAGER ARCHIVE TAPE CATALOG

FDS COUNT	VEE ID	FDS COUNT	VEE ID	FDS COUNT	VEE ID	FDS COUNT	VEE ID	FDS COUNT	VEE ID
34944.01-05	062/081-082	34964.56-59	062/112-113	34976.01-04	063/064-065	35020.34-34	064/107-107	35032.01-01	065/024-024
34944.13-33	101/044-049	34965.03-06	062/114-115	34976.10-58	063/066-078	35020.59-59	064/108-108	35032.06-06	065/025-025
34944.36-36	101/050-050	34965.15-19	083/102-103	34977.02-58	063/079-093	35021.04-04	064/109-109	35032.32-32	083/104-104
34944.40-41	062/083-084	34965.23-26	062/116-117	34978.02-58	063/094-108	35021.29-29	064/110-110	35032.36-36	065/026-026
34944.44-48	106/030-031	34965.30-33	062/118-119	34979.02-58	063/109-123	35021.34-34	064/111-111	35032.43-46	065/027-028
34944.51-54	103/012-013	34965.37-40	062/120-121	35000.02-22	063/124-128	35021.53-59	064/112-113	35032.50-53	065/029-030
34944.58-58	103/014-014	34965.44-47	062/122-123	35000.22-58	064/001-010	35022.04-04	064/114-114	35032.57-57	065/031-031
34945.02-08	103/015-016	34965.51-54	062/124-125	35001.02-58	064/011-025	35022.29-29	064/115-115	35033.00-04	065/032-033
34945.42-42	106/032-032	34965.58-58	062/126-126	35002.02-58	064/026-040	35022.34-34	064/116-116	35033.07-07	065/034-034
34946.50-56	106/033-034	34966.01-05	062/127-128	35003.02-58	064/041-055	35022.59-59	064/117-117	35033.14-54	065/035-045
34947.01-03	106/035-036	34966.08-12	062/129-130	35004.02-54	064/056-069	35023.04-04	064/118-118	35035.24-24	104/071-071
34948.16-18	103/017-018	34966.15-19	062/131-132	35004.58-58	104/093-093	35023.29-29	064/119-119	35036.23-23	065/046-046
34948.18-32	103/019-026	34966.22-26	062/133-134	35005.15-39	104/094-098	35023.34-34	064/120-120	35036.28-28	065/047-047
34948.45-45	062/085-085	34966.29-33	062/135-136	35005.44-46	104/099-099	35024.25-28	064/121-122	35036.53-53	065/048-048
34949.41-45	106/037-039	34966.36-40	062/137-138	35005.51-51	104/100-100	35024.32-35	064/123-124	35036.58-58	065/049-049
34950.05-11	104/011-014	34966.43-47	062/139-140	35007.58-58	106/085-085	35024.39-42	064/125-126	35037.23-23	065/050-050
34950.12-13	104/015-016	34966.50-54	062/141-142	35008.04-52	106/086-094	35024.46-49	064/127-128	35037.28-28	065/051-051
34950.13-17	104/017-021	34966.57-57	062/143-143	35009.20-20	101/051-051	35024.53-56	064/129-130	35037.53-53	065/052-052
34950.17-43	104/022-035	34967.01-04	062/144-144	35009.30-30	106/095-095	35025.00-03	064/131-132	35037.58-58	065/053-053
34950.43-51	104/036-040	34967.04-08	063/001-002	35009.35-35	106/096-096	35025.50-53	064/133-134	35038.23-23	065/054-054
34950.51-57	104/041-044	34967.11-15	063/003-004	35009.40-40	106/097-097	35025.57-57	064/135-135	35038.28-28	065/055-055
34951.56-56	104/079-079	34967.18-18	063/005-005	35011.02-53	106/098-115	35026.00-04	064/136-137	35038.47-53	065/056-057
34952.05-33	104/045-052	34970.44-47	063/006-007	35011.56-59	064/070-071	35026.07-11	064/138-139	35038.58-58	065/058-058
34952.36-40	104/053-054	34973.40-58	063/008-014	35012.09-18	064/072-075	35026.14-18	064/140-141	35039.23-23	065/059-059
34952.49-59	104/055-060	34974.01-16	063/015-020	35014.38-38	064/076-076	35026.21-25	064/142-143	35039.28-28	065/060-060
34953.01-07	104/061-064	34974.23-27	106/083-084	35014.43-43	064/077-077	35026.28-32	064/144-144	35039.53-53	065/061-061
34953.49-49	083/101-101	34974.29-29	106/082-082	35014.48-48	064/078-078	35026.32-35	065/001-002	35039.58-58	065/062-062
34953.50-53	101/030-031	34974.33-36	063/021-022	35014.53-53	064/079-079	35026.39-42	065/003-004	35040.23-23	065/063-063
34953.57-57	106/040-040	34974.40-43	063/023-024	35014.58-58	064/080-080	35026.59-59	104/101-101	35040.28-28	065/064-064
34954.01-25	106/041-047	34974.47-50	063/025-026	35015.03-03	064/081-081	35027.05-23	104/102-105	35040.58-58	104/108-108
34956.23-26	062/086-087	34974.54-57	063/027-028	35015.08-08	064/082-082	35027.30-30	104/106-106	35041.04-22	104/109-112
34956.35-59	106/048-054	34975.01-04	063/029-030	35015.13-13	064/083-083	35027.35-35	104/107-107	35041.29-29	104/113-113
34957.03-39	106/055-064	34975.08-11	063/031-032	35015.18-18	064/084-084	35027.49-49	065/005-005	35041.34-34	104/114-114
34957.48-56	106/065-067	34975.15-18	063/033-034	35015.23-23	064/085-085	35027.54-54	065/006-006	35041.44-44	106/116-116
34962.04-40	106/068-077	34975.22-25	063/035-036	35015.28-28	064/086-086	35028.01-01	065/007-007	35041.49-49	106/117-117
34962.52-56	106/078-079	34975.42-42	103/027-027	35015.33-33	064/087-087	35028.06-06	065/008-008	35041.54-54	106/118-118
34963.00-04	106/080-081	34975.54-54	104/070-070	35015.38-38	064/088-088	35028.31-31	065/009-009	35042.00-12	106/119-120
34963.08-24	104/065-069	34976.10-58	104/080-088	35015.43-43	064/089-089	35028.36-36	065/010-010	35042.12-54	107/001-008
34963.28-31	062/088-089	34977.07-07	104/089-089	35017.33-33	064/090-090	35029.01-01	065/011-011	35043.00-54	107/009-018
34963.35-38	062/090-091	34977.12-12	104/090-090	35017.38-44	064/091-092	35029.06-06	065/012-012	35044.00-54	107/019-028
34963.42-45	062/092-093	34977.17-17	104/091-091	35017.49-55	064/093-094	35029.31-31	065/013-013	35045.00-54	107/029-038
34963.49-52	062/094-095	34977.22-22	104/092-092	35018.00-06	064/095-096	35029.36-36	065/014-014	35045.50-50	065/065-065
34963.56-59	062/096-097	34978.51-57	063/037-038	35018.11-17	064/097-098	35030.01-01	065/015-015	35046.11-59	065/066-074
34964.03-06	062/098-099	34979.03-03	063/039-039	35018.22-28	064/099-100	35030.06-06	065/016-016	35047.05-59	065/075-084
34964.14-17	062/100-101	34979.21-21	063/040-040	35018.33-33	064/101-101	35030.25-31	065/017-018	35048.05-59	065/085-094
34964.21-24	062/102-103	34979.26-26	063/041-041	35019.29-29	064/102-102	35030.36-36	065/019-019	35049.05-59	065/095-104
34964.28-31	062/104-105	34979.31-31	063/042-042	35019.34-34	064/103-103	35031.01-01	065/020-020	35050.05-59	065/105-114
34964.35-38	062/106-107	34979.36-42	063/043-044	35019.59-59	064/104-104	35031.06-06	065/021-021	35051.05-59	065/115-124
34964.42-45	062/108-109	34979.46-58	063/045-048	35020.04-04	064/105-105	35031.31-31	065/022-022	35052.05-59	066/001-010
34964.49-52	062/110-111	34975.02-58	063/049-063	35020.29-29	064/106-106	35031.36-36	065/023-023	35053.05-59	066/011-020

## VOYAGER ARCHIVE TAPE CATALOG

FDS COUNT	VEE ID	FDS COUNT	VEE ID	FDS COUNT	VEE ID	FDS COUNT	VEE ID	FDS COUNT	VEE ID
35054.05-59	066/021-030	35100.05-59	068/080-089	35136.37-41	070/078-099	35144.10-13	071/045-046	35149.42-46	072/036-037
35055.05-59	066/031-040	35101.05-59	068/090-099	35138.44-48	070/100-101	35144.17-20	071/047-048	35149.49-53	072/038-039
35056.05-17	066/041-043	35102.11-59	068/100-108	35138.51-55	070/102-103	35144.24-27	071/049-050	35149.56-56	072/040-040
35056.26-26	066/044-044	35103.05-59	068/109-118	35138.58-58	070/104-104	35144.31-34	071/051-052	35150.00-03	072/041-042
35056.31-37	066/045-046	35104.05-59	068/119-128	35139.02-05	070/105-106	35144.38-41	071/053-054	35150.07-10	072/043-044
35056.42-48	066/047-048	35105.05-23	068/129-131	35139.09-12	070/107-108	35144.45-45	071/055-055	35150.14-17	072/045-046
35056.53-59	066/049-050	35105.23-59	069/001-007	35139.16-19	070/109-110	35144.52-55	071/056-057	35150.21-24	072/047-048
35057.04-10	066/051-052	35106.05-59	069/008-017	35139.23-26	070/111-112	35144.59-59	071/058-058	35150.28-31	072/049-050
35057.15-21	066/053-054	35107.05-59	069/018-027	35139.30-33	070/113-114	35145.02-06	071/059-060	35150.35-38	072/051-052
35057.26-26	066/055-055	35108.05-59	069/028-037	35139.37-40	070/115-116	35145.09-13	071/061-062	35150.42-45	072/053-054
35066.20-44	104/115-119	35109.05-59	069/038-047	35139.44-47	070/117-118	35145.16-20	071/063-064	35150.49-52	072/055-056
35066.51-51	066/056-056	35110.05-59	069/048-057	35139.51-54	070/119-120	35145.23-27	071/065-066	35150.56-59	072/057-058
35066.56-56	066/057-057	35111.05-59	069/058-067	35139.58-58	070/121-121	35145.30-34	071/067-068	35151.03-06	072/059-060
35067.55-55	103/028-028	35112.05-59	069/068-077	35140.01-05	070/122-123	35145.37-41	071/069-070	35151.10-13	072/061-062
35068.26-56	066/058-063	35113.05-59	069/078-087	35140.08-12	070/124-124	35145.44-48	071/071-072	35151.17-20	072/063-064
35069.02-56	066/064-073	35114.05-59	069/088-097	35140.12-15	071/001-002	35145.51-55	071/073-074	35151.24-27	072/065-066
35070.02-56	066/074-083	35115.05-59	069/098-107	35140.19-22	071/003-004	35145.58-58	071/075-075	35151.31-34	072/067-068
35071.02-26	066/084-088	35116.05-59	069/108-117	35140.26-29	071/005-006	35146.02-05	071/076-077	35151.38-41	072/069-070
35071.31-31	066/089-089	35117.05-59	069/118-127	35140.33-36	071/007-008	35146.09-12	071/078-079	35151.45-48	072/071-072
35071.36-36	066/090-090	35118.05-53	069/128-136	35140.40-43	071/009-010	35146.16-19	071/080-081	35151.52-55	072/073-074
35071.41-41	066/091-091	35119.48-48	069/137-137	35140.47-50	071/011-012	35146.23-26	071/082-083	35151.59-59	072/075-075
35071.50-56	066/092-093	35119.53-59	069/138-139	35140.54-57	071/013-014	35146.30-33	071/084-085	35152.02-06	072/076-077
35072.02-56	066/094-103	35120.05-35	069/140-144	35141.01-04	071/015-016	35146.37-40	071/086-087	35152.09-13	072/078-079
35073.02-56	066/104-113	35120.35-59	070/001-005	35141.08-11	071/017-018	35146.44-47	071/088-089	35152.16-20	072/080-081
35074.02-56	066/114-123	35121.05-59	070/006-015	35141.15-18	071/019-020	35146.51-54	071/090-091	35152.23-27	072/082-083
35075.02-56	066/124-133	35122.05-59	070/016-025	35141.22-25	071/021-022	35146.58-58	071/092-092	35152.30-34	072/084-085
35076.02-50	066/134-141	35123.05-59	070/026-035	35141.29-32	071/023-024	35147.01-05	071/093-094	35152.37-41	072/086-087
35076.50-56	067/001-002	35124.05-59	070/036-045	35141.36-39	071/104-105	35147.08-12	071/095-096	35152.44-48	072/088-089
35077.02-56	067/003-012	35125.05-53	070/046-054	35141.43-46	071/106-107	35147.15-19	071/097-098	35152.51-51	072/090-090
35078.02-56	067/013-022	35135.31-40	070/055-058	35141.50-53	071/108-109	35147.22-26	071/099-100	35161.59-59	083/105-105
35079.02-56	067/023-032	35135.46-49	070/059-060	35141.57-57	071/110-110	35147.29-33	071/101-102	35161.59-59	083/110-110
35080.02-56	067/033-042	35135.53-56	070/061-062	35142.00-04	071/111-112	35147.36-36	071/103-103	35162.08-17	083/106-109
35081.02-56	067/043-052	35136.00-03	070/063-064	35142.07-11	071/113-114	35147.40-43	072/001-002	35162.26-29	072/091-092
35082.02-50	067/053-061	35136.07-10	070/065-066	35142.14-18	071/115-116	35147.47-50	072/003-004	35162.33-36	072/093-094
35082.05-05	067/062-062	35136.14-17	070/067-068	35142.21-25	071/117-118	35147.54-57	072/005-006	35162.40-43	072/095-096
35083.02-56	067/063-072	35136.21-24	070/069-070	35142.28-32	071/119-120	35148.01-04	072/007-008	35162.47-50	072/097-098
35084.02-56	067/073-082	35136.28-31	070/071-072	35142.35-39	071/121-122	35148.08-11	072/009-010	35162.54-57	072/099-100
35085.02-56	067/083-092	35136.35-38	070/073-074	35142.42-46	071/123-124	35148.15-18	072/011-012	35163.01-04	072/101-102
35086.02-56	067/093-102	35136.42-45	070/075-076	35142.49-53	071/125-126	35148.22-25	072/013-014	35163.08-11	072/103-104
35087.02-56	067/103-112	35136.49-52	070/077-078	35142.56-56	071/127-127	35148.29-32	072/015-016	35163.15-18	072/105-106
35088.02-56	067/113-122	35136.56-59	070/079-080	35143.00-03	071/025-026	35148.36-39	072/017-018	35163.22-25	072/107-108
35089.38-56	068/001-004	35137.03-06	070/081-082	35143.07-10	071/027-028	35148.43-46	072/019-020	35163.29-32	072/109-110
35090.02-56	068/005-014	35137.45-48	070/083-084	35143.14-17	071/029-030	35148.50-53	072/021-022	35163.36-39	072/111-112
35091.02-56	068/015-024	35137.52-55	070/085-086	35143.21-24	071/031-032	35148.57-57	072/023-023	35163.43-46	072/113-114
35092.02-56	068/025-034	35137.59-59	070/087-087	35143.28-31	071/033-034	35149.00-04	072/024-025	35163.50-53	072/115-116
35093.02-56	068/035-044	35138.02-06	070/088-089	35143.35-38	071/035-036	35149.07-11	072/026-027	35163.57-57	072/117-117
35094.02-56	068/045-054	35138.09-13	070/090-091	35143.42-45	071/037-038	35149.14-18	072/028-029	35164.00-04	072/118-119
35095.02-44	068/055-062	35138.16-20	070/092-093	35143.49-52	071/039-040	35149.21-25	072/030-031	35164.07-11	072/120-121
35098.23-59	068/063-069	35138.23-27	070/094-095	35143.56-59	071/041-042	35149.28-32	072/032-033	35164.14-18	072/122-123
35099.05-59	068/070-079	35138.30-34	070/096-097	35144.03-06	071/043-044	35149.35-39	072/034-035	35164.21-25	072/124-125

## VOYAGER ARCHIVE TAPE CATALOG

FDS COUNT	VEE ID	FDS COUNT	VEE ID	FDS COUNT	VEE ID	FDS COUNT	VEE ID	FDS COUNT	VEE ID
35164.28-32	072/126-127	35170.01-04	073/089-090	35175.44-47	074/042-043	35193.30-33	075/009-010	35199.02-06	075/104-105
35164.35-39	072/128-129	35170.08-11	073/091-092	35175.51-54	074/044-045	35193.37-40	075/011-012	35199.09-13	075/106-107
35164.42-46	072/130-131	35170.15-18	073/093-094	35175.58-58	074/046-046	35193.44-47	075/013-014	35199.16-20	075/108-109
35164.49-53	072/132-132	35170.22-25	073/095-096	35176.01-05	074/047-048	35193.51-54	075/015-016	35199.23-27	075/110-111
35164.53-56	073/001-002	35170.32-36	073/097-098	35176.08-12	074/049-050	35193.58-58	075/017-017	35199.30-34	075/112-113
35165.00-03	073/003-004	35170.39-43	073/099-100	35176.15-19	074/051-052	35194.01-05	075/018-019	35199.37-41	075/114-115
35165.07-10	073/005-006	35170.46-50	073/101-102	35176.22-26	074/053-054	35194.08-12	075/020-021	35199.44-48	075/116-117
35165.14-17	073/007-008	35170.53-57	073/103-104	35176.29-33	074/055-056	35194.15-19	075/022-023	35199.51-55	075/118-119
35165.21-24	073/009-010	35171.00-04	073/105-106	35176.36-40	074/057-058	35194.22-26	075/024-025	35199.58-58	075/120-120
35165.28-31	073/011-012	35171.07-11	073/107-108	35176.43-47	074/059-060	35194.29-33	075/026-027	35200.02-05	075/121-122
35165.35-38	073/013-014	35171.14-18	073/109-110	35176.50-54	074/061-062	35194.36-40	075/028-029	35200.09-12	075/123-124
35165.42-45	073/015-016	35171.21-25	073/111-112	35176.57-57	074/063-063	35194.43-47	075/030-031	35200.16-19	075/125-126
35165.49-52	073/017-018	35171.28-32	073/113-114	35177.01-04	074/064-065	35194.50-54	075/032-033	35200.23-26	075/127-128
35165.56-59	073/019-020	35171.35-39	073/115-116	35177.08-11	074/066-067	35194.57-57	075/034-034	35200.30-33	075/129-130
35166.03-06	073/021-022	35171.42-46	073/117-118	35177.15-18	074/068-069	35195.01-04	075/035-036	35200.37-40	075/131-132
35166.10-13	073/023-024	35171.49-53	073/119-120	35177.22-25	074/070-071	35195.08-11	075/037-038	35200.44-47	076/001-002
35166.17-20	073/025-026	35171.56-56	073/121-121	35177.29-32	074/072-073	35195.15-18	075/039-040	35200.51-54	076/003-004
35166.24-27	073/027-028	35172.00-03	073/122-123	35177.36-39	074/074-075	35195.22-25	075/041-042	35200.58-58	076/005-005
35166.31-34	073/029-030	35172.07-10	073/124-125	35177.43-46	074/076-077	35195.29-32	075/043-044	35201.01-05	076/006-007
35166.38-41	073/031-032	35172.14-17	073/126-127	35177.50-53	074/078-079	35195.36-39	075/045-046	35201.08-12	076/008-009
35166.45-48	073/033-034	35172.21-24	073/128-129	35177.57-57	074/080-080	35195.43-46	075/047-048	35201.15-19	076/010-011
35166.52-55	073/035-036	35172.28-31	073/130-131	35178.00-04	074/081-082	35195.50-53	075/049-050	35201.22-26	076/012-013
35166.59-59	073/037-037	35172.35-38	073/132-133	35178.07-11	074/083-084	35195.57-57	075/051-051	35201.29-33	076/014-015
35167.02-06	073/038-039	35172.42-45	073/134-135	35178.14-18	074/085-086	35196.00-04	075/052-053	35201.36-40	076/016-017
35167.09-13	073/040-041	35172.49-52	073/136-137	35178.21-25	074/087-088	35196.07-11	075/054-055	35201.43-47	076/018-019
35167.16-20	073/042-043	35172.56-59	073/138-139	35178.28-32	074/089-090	35196.14-18	075/056-057	35201.50-54	076/020-021
35167.23-27	073/044-045	35173.03-06	073/140-141	35178.35-39	074/091-092	35196.21-25	075/058-059	35201.57-57	076/022-022
35167.30-34	073/046-047	35173.10-13	073/142-143	35178.42-46	074/093-094	35196.28-32	075/060-061	35202.01-04	076/023-024
35167.37-41	073/048-049	35173.17-20	073/144-144	35178.49-53	074/095-096	35196.35-39	075/062-063	35202.08-11	076/025-026
35167.44-48	073/050-051	35173.20-24	074/001-002	35178.56-56	074/097-097	35196.42-46	075/064-065	35202.15-18	076/027-028
35167.51-55	073/052-053	35173.27-31	074/003-004	35179.00-03	074/098-099	35196.49-53	075/066-067	35202.22-25	076/029-030
35167.58-58	073/054-054	35173.34-38	074/005-006	35179.07-22	074/100-105	35196.56-56	075/068-068	35202.29-32	076/031-032
35168.02-05	073/055-056	35173.41-45	074/007-008	35191.31-34	074/106-107	35197.00-03	075/069-070	35202.36-39	076/033-034
35168.09-12	073/057-058	35173.48-52	074/009-010	35191.38-41	074/108-109	35197.07-10	075/071-072	35202.43-46	076/035-036
35168.16-19	073/059-060	35173.55-59	074/011-012	35191.45-48	074/110-111	35197.14-17	075/073-074	35202.50-53	076/037-038
35168.23-26	073/061-062	35174.02-06	074/013-014	35191.52-55	074/112-113	35197.21-24	075/075-076	35202.57-57	076/039-039
35168.30-33	073/063-064	35174.09-13	074/015-016	35191.59-59	074/114-114	35197.28-31	075/077-078	35203.00-04	076/040-041
35168.37-40	073/065-066	35174.16-20	074/017-018	35192.02-06	074/115-116	35197.35-38	075/079-080	35203.07-11	076/042-043
35168.44-47	073/067-068	35174.23-27	074/019-020	35192.09-13	074/117-118	35197.42-45	075/081-082	35203.14-18	076/044-045
35168.51-54	073/069-070	35174.30-34	074/021-022	35192.16-20	074/119-120	35197.49-52	075/083-084	35203.21-25	076/046-047
35168.58-58	073/071-071	35174.37-41	074/023-024	35192.23-27	074/121-122	35197.56-59	075/085-086	35203.28-32	076/048-049
35169.01-05	073/072-073	35174.44-48	074/025-026	35192.30-34	074/123-124	35198.03-06	075/087-088	35203.35-39	076/050-051
35169.08-12	073/074-075	35174.51-55	074/027-028	35192.37-41	074/125-126	35198.10-13	075/089-090	35203.42-46	076/052-053
35169.15-19	073/076-077	35174.58-58	074/029-029	35192.44-48	074/127-128	35198.17-20	075/091-092	35203.49-53	076/054-055
35169.22-26	073/078-079	35175.02-05	074/030-031	35192.51-55	074/129-130	35198.24-27	075/093-094	35203.56-56	076/056-056
35169.29-33	073/080-081	35175.09-12	074/032-033	35192.58-58	074/131-131	35198.31-34	075/095-096	35204.00-03	076/057-058
35169.36-40	073/082-083	35175.16-19	074/034-035	35193.02-05	075/001-002	35198.38-41	075/097-098	35204.07-10	076/059-060
35169.43-47	073/084-085	35175.23-26	074/036-037	35193.09-12	075/003-004	35198.45-48	075/099-100	35204.14-17	076/061-062
35169.50-54	073/086-087	35175.30-33	074/038-039	35193.16-19	075/005-006	35198.52-55	075/101-102	35204.21-24	076/063-064
35169.57-57	073/088-088	35175.37-40	074/040-041	35193.23-26	075/007-008	35198.59-59	075/103-103	35204.28-31	076/065-066

## VOYAGER ARCHIVE TAPE CATALOG

FDS COUNT	VGE ID	FDS COUNT	VGE ID	FDS COUNT	VGE ID	FDS COUNT	VGE ID	FDS COUNT	VGE ID
35204.35-38	076/067-068	35298.50-53	077/033-034	35321.31-39	077/133-134	35327.01-04	078/082-083	35332.37-40	079/045-046
35204.42-45	076/069-070	35298.57-57	077/035-035	35321.42-46	077/135-136	35327.08-11	078/084-085	35332.44-47	079/047-048
35204.49-52	076/071-072	35299.00-04	077/036-037	35321.49-53	077/137-138	35327.15-18	078/086-087	35332.51-54	079/049-050
35204.56-59	076/073-074	35299.07-11	077/038-039	35321.56-56	077/139-139	35327.22-25	078/088-089	35332.58-58	079/051-051
35205.03-06	076/075-076	35299.14-18	077/040-041	35322.00-03	077/140-141	35327.29-32	078/090-091	35333.01-05	079/052-053
35205.10-13	076/077-078	35299.21-25	077/042-043	35322.07-10	077/142-143	35327.36-39	078/092-093	35333.08-12	079/054-055
35205.17-20	076/079-080	35299.28-32	077/044-045	35322.14-17	077/144-144	35327.43-46	078/094-095	35333.15-19	079/056-057
35205.24-27	076/081-082	35299.35-39	077/046-047	35322.17-21	078/001-002	35327.50-53	078/096-097	35333.22-26	079/058-059
35205.31-34	076/083-084	35299.42-46	077/048-049	35322.24-28	078/003-004	35327.57-57	078/098-098	35333.29-33	079/060-061
35205.38-41	076/085-086	35299.49-53	077/050-051	35322.31-35	078/005-006	35328.00-04	078/099-100	35333.36-40	079/062-063
35205.45-48	076/087-088	35299.56-56	077/052-052	35322.38-42	078/007-008	35328.07-11	078/101-102	35333.43-47	079/064-065
35205.52-55	076/089-090	35300.00-06	077/053-054	35322.45-49	078/009-010	35328.14-18	078/103-104	35333.50-58	079/066-068
35205.59-59	076/091-091	35300.07-10	077/055-056	35322.52-56	078/011-012	35328.21-25	078/105-106	35334.01-04	079/069-070
35206.02-06	076/092-093	35300.14-17	077/057-058	35322.59-59	078/013-013	35328.28-32	078/107-108	35334.08-11	079/071-072
35206.09-13	076/094-095	35300.21-24	077/059-060	35323.03-06	078/014-015	35328.35-39	078/109-110	35334.15-18	079/073-074
35206.16-20	076/096-097	35300.28-31	077/061-062	35323.10-13	078/016-017	35328.42-46	078/111-112	35334.22-25	079/075-076
35206.23-27	076/098-099	35300.35-38	077/063-064	35323.17-20	078/018-019	35328.49-53	078/113-114	35334.29-32	079/077-078
35206.30-34	076/100-101	35300.42-45	077/065-066	35323.24-27	078/020-021	35328.56-56	078/115-115	35334.36-39	079/079-080
35206.37-41	076/102-103	35300.49-52	077/067-068	35323.31-34	078/022-023	35329.00-03	078/116-117	35334.43-46	079/081-082
35206.44-48	076/104-105	35300.56-59	077/069-070	35323.38-41	078/024-025	35329.07-10	078/118-119	35334.50-53	079/083-084
35206.51-55	076/106-107	35301.03-06	077/071-072	35323.45-48	078/026-027	35329.14-17	078/120-121	35334.57-57	079/085-085
35206.58-58	076/108-108	35301.10-13	077/073-074	35323.52-55	078/028-029	35329.21-24	078/122-123	35335.00-00	079/086-086
35207.02-05	076/109-110	35301.17-20	077/075-076	35323.59-59	078/030-030	35329.28-31	078/124-125	35335.05-14	079/087-090
35207.09-12	076/111-112	35301.24-27	077/077-078	35324.02-06	078/031-032	35329.35-38	078/126-127	35335.52-58	079/091-093
35207.16-19	076/113-114	35301.31-34	077/079-080	35324.09-13	078/033-034	35329.42-45	078/128-129	35336.01-01	079/094-094
35207.23-26	076/115-116	35301.38-41	077/081-082	35324.16-20	078/035-036	35329.49-52	078/130-131	35349.27-30	079/095-096
35207.30-33	076/117-118	35301.45-48	077/083-084	35324.23-27	078/037-038	35329.56-59	078/132-133	35349.34-37	079/097-098
35207.37-40	076/119-120	35301.52-56	077/085-086	35324.30-34	078/039-040	35330.03-06	079/001-002	35349.41-44	079/099-100
35207.44-47	076/121-122	35301.59-59	077/087-087	35324.37-45	078/041-043	35330.10-13	079/003-004	35349.48-51	079/101-102
35207.51-54	076/123-124	35302.02-06	077/088-089	35324.48-51	078/044-045	35330.17-20	079/005-006	35349.55-58	079/103-104
35207.58-58	076/125-125	35302.09-09	077/090-090	35324.55-58	078/046-047	35330.24-27	079/007-008	35350.02-05	079/105-106
35208.01-05	076/126-127	35302.14-23	077/091-094	35325.00-09	088/080-083	35330.31-34	079/009-010	35350.09-12	079/107-108
35208.08-12	076/128-129	35302.45-57	077/095-099	35325.02-05	078/048-049	35330.38-41	079/011-012	35350.16-19	079/109-110
35208.15-15	076/130-130	35319.40-43	077/100-101	35325.09-12	078/050-051	35330.45-48	079/013-014	35350.23-26	079/111-112
35208.20-26	076/131-132	35319.47-50	077/102-103	35325.16-19	078/052-053	35330.52-55	079/015-016	35350.30-33	079/113-114
35208.26-29	077/001-002	35319.54-57	077/104-105	35325.23-26	078/054-055	35330.59-59	079/017-017	35350.37-40	079/115-116
35297.02-11	077/003-006	35320.01-04	077/106-107	35325.30-33	078/056-057	35331.02-06	079/018-019	35350.44-47	079/117-118
35297.19-22	077/007-008	35320.08-11	077/108-109	35325.37-40	078/058-059	35331.09-13	079/020-021	35350.51-54	079/119-120
35297.26-29	077/009-010	35320.15-18	077/110-111	35325.44-47	078/060-061	35331.16-20	079/022-023	35350.58-58	079/121-121
35297.33-36	077/011-012	35320.22-25	077/112-113	35325.51-54	078/062-063	35331.23-27	079/024-025	35351.01-05	079/122-123
35297.40-43	077/013-014	35320.29-32	077/114-115	35325.58-58	078/064-064	35331.30-34	079/026-027	35351.08-12	079/124-125
35297.47-50	077/015-016	35320.36-39	077/116-117	35326.01-05	078/065-066	35331.37-41	079/028-029	35351.15-19	079/126-127
35297.54-57	077/017-018	35320.43-46	077/118-119	35326.08-12	078/067-068	35331.44-48	079/030-031	35351.22-26	079/128-129
35298.01-04	077/019-020	35320.50-53	077/120-121	35326.15-19	078/069-070	35331.51-55	079/032-033	35351.29-33	079/130-131
35298.08-11	077/021-022	35320.57-57	077/122-122	35326.22-26	078/071-072	35331.58-58	079/034-034	35351.36-40	079/132-132
35298.15-18	077/023-024	35321.00-04	077/123-124	35326.29-33	078/073-074	35332.02-05	079/035-036	35351.40-43	080/001-002
35298.22-25	077/025-026	35321.07-11	077/125-126	35326.36-40	078/075-076	35332.09-12	079/037-038	35351.47-50	080/003-004
35298.29-32	077/027-028	35321.14-18	077/127-128	35326.43-47	078/077-078	35332.16-19	079/039-040	35351.54-57	080/005-006
35298.36-39	077/029-030	35321.21-25	077/129-130	35326.50-54	078/079-080	35332.23-26	079/041-042	35352.01-04	080/007-008
35298.43-46	077/031-032	35321.28-32	077/131-132	35326.57-57	078/081-081	35332.30-33	079/043-044	35352.08-11	080/009-010

## VOYAGER ARCHIVE TAPE CATALOG

FDS COUNT	VEE ID	FDS COUNT	VEE ID	FDS COUNT	VEE ID	FDS COUNT	VEE ID	FDS COUNT	VEE ID
35352.15-18	080/011-012	35357.51-54	080/107-108	35363.23-27	084/070-071	35383.57-57	085/040-040	35389.29-33	086/003-004
35352.22-25	080/013-014	35357.58-58	080/109-109	35363.30-34	084/072-073	35384.00-04	085/041-042	35389.36-40	086/005-006
35352.29-32	080/015-016	35358.01-05	080/110-111	35363.37-41	084/074-075	35384.07-11	085/043-044	35389.43-47	086/007-008
35352.36-39	080/017-018	35358.08-12	080/112-113	35363.44-48	084/076-077	35384.14-18	085/045-046	35389.50-54	086/009-010
35352.43-46	080/019-020	35358.15-19	080/114-115	35363.51-55	084/078-079	35384.21-25	085/047-048	35389.57-57	086/011-011
35352.50-53	080/021-022	35358.22-26	080/116-117	35364.02-05	084/080-081	35384.28-32	085/049-050	35390.01-04	086/012-013
35352.57-57	080/023-023	35358.29-33	080/118-119	35364.09-12	084/082-083	35384.35-39	085/051-052	35390.08-11	086/014-015
35353.00-04	080/024-025	35358.36-40	080/120-121	35364.16-19	084/084-085	35384.42-46	085/053-054	35390.15-18	086/016-017
35353.07-11	080/026-027	35358.43-47	080/122-123	35364.23-26	084/086-087	35384.49-53	085/055-056	35390.22-25	086/018-019
35353.14-18	080/028-029	35358.50-54	080/124-125	35364.30-33	084/088-089	35384.56-56	085/057-057	35390.29-32	086/020-021
35353.21-25	080/030-031	35358.57-57	080/126-126	35364.37-40	084/090-091	35385.00-03	085/058-059	35390.36-39	086/022-023
35353.28-32	080/032-033	35359.01-04	080/127-128	35364.44-47	084/092-093	35385.07-10	085/060-061	35390.43-46	086/024-025
35353.35-39	080/034-035	35359.08-11	080/129-130	35364.52-58	084/094-096	35385.14-17	085/062-063	35390.50-53	086/026-027
35353.42-46	080/036-037	35359.15-18	080/131-132	35365.01-01	084/097-097	35385.21-24	085/064-065	35390.57-57	086/028-028
35353.49-53	080/038-039	35359.22-25	084/001-002	35365.23-32	084/098-101	35385.28-31	085/066-067	35391.00-04	086/029-030
35353.56-56	080/040-040	35359.29-32	084/003-004	35380.02-06	084/117-118	35385.35-38	085/068-069	35391.07-11	086/031-032
35354.00-03	080/041-042	35359.36-39	084/005-006	35380.09-13	084/119-120	35385.42-45	085/070-071	35391.14-18	086/033-034
35354.07-10	080/043-044	35359.43-46	084/007-008	35380.16-20	084/121-122	35385.49-52	085/072-073	35391.21-25	086/035-036
35354.14-17	080/045-046	35359.50-53	084/009-010	35380.23-27	084/123-124	35385.56-59	085/074-075	35391.28-32	086/037-038
35354.21-24	080/047-048	35359.57-57	084/011-011	35380.30-34	084/125-126	35386.03-06	085/076-077	35391.35-39	086/039-040
35354.28-31	080/049-050	35360.00-04	084/012-013	35380.37-41	084/127-128	35386.10-13	085/078-079	35391.42-46	086/041-042
35354.35-38	080/051-052	35360.07-11	084/014-015	35380.44-48	084/129-130	35386.17-20	085/080-081	35391.49-53	086/043-044
35354.42-45	080/053-054	35360.14-18	084/016-017	35380.51-55	084/131-132	35386.24-27	085/082-083	35391.56-56	086/045-045
35354.49-52	080/055-056	35360.21-25	084/018-019	35380.58-58	084/133-133	35386.31-34	085/084-085	35392.00-03	086/046-047
35354.56-59	080/057-058	35360.28-32	084/020-021	35381.02-05	084/134-135	35386.38-41	085/086-087	35392.07-10	086/048-049
35355.03-06	080/059-060	35360.35-39	084/022-023	35381.09-12	084/136-137	35386.45-48	085/088-089	35392.14-17	086/050-051
35355.10-13	080/061-062	35360.42-46	084/024-025	35381.16-19	084/138-139	35386.52-55	085/090-091	35392.21-24	086/052-053
35355.17-20	080/063-064	35360.49-53	084/026-027	35381.23-26	084/140-141	35386.59-59	085/092-092	35392.28-31	086/054-055
35355.24-27	080/065-066	35360.56-56	084/028-028	35381.30-33	084/142-143	35387.02-06	085/093-094	35392.35-38	086/056-057
35355.31-34	080/067-068	35361.00-03	084/029-030	35381.37-40	084/144-144	35387.09-13	085/095-096	35392.42-45	086/058-059
35355.38-41	080/069-070	35361.04-10	084/031-032	35381.40-44	085/001-002	35387.16-20	085/097-098	35392.49-52	086/060-061
35355.45-48	080/071-072	35361.14-17	084/033-034	35381.47-51	085/003-004	35387.23-27	085/099-100	35394.13-16	086/070-071
35355.52-55	080/073-074	35361.21-24	084/035-036	35381.54-58	085/005-006	35387.30-34	085/101-102	35394.20-23	086/072-073
35355.59-59	080/075-075	35361.28-31	084/037-038	35382.01-05	085/007-008	35387.37-41	085/103-104	35394.27-30	086/074-075
35356.02-06	080/076-077	35361.35-38	084/039-040	35382.08-12	085/009-010	35387.44-48	085/105-106	35394.35-44	086/076-079
35356.09-13	080/078-079	35361.42-45	084/041-042	35382.15-19	085/011-012	35387.51-55	085/107-108	35409.04-07	086/084-085
35356.16-20	080/080-081	35361.49-52	084/043-044	35382.22-26	085/013-014	35387.58-58	085/109-109	35409.11-14	086/086-087
35356.23-27	080/082-083	35361.56-59	084/045-046	35382.29-33	085/015-016	35388.02-05	085/110-111	35409.18-21	086/088-089
35356.30-34	080/084-085	35362.03-06	084/047-048	35382.36-40	085/017-018	35388.09-12	085/112-113	35409.25-28	086/090-091
35356.37-41	080/086-087	35362.10-13	084/049-050	35382.43-47	085/019-020	35388.16-19	085/114-115	35409.32-35	086/092-093
35356.44-48	080/088-089	35362.17-20	084/051-052	35382.50-54	085/021-022	35388.23-26	085/116-117	35409.39-42	086/094-095
35356.51-55	080/090-091	35362.24-27	084/053-054	35382.57-57	085/023-023	35388.30-33	085/118-119	35409.46-49	086/096-097
35356.58-58	080/092-092	35362.31-34	084/055-056	35383.01-04	085/024-025	35388.37-40	085/120-121	35409.53-56	086/098-099
35357.02-05	080/093-094	35362.38-41	084/057-058	35383.08-11	085/026-027	35388.44-47	085/122-123	35410.00-03	086/100-101
35357.09-12	080/095-096	35362.45-48	084/059-060	35383.15-18	085/028-029	35388.51-54	085/124-125	35410.07-10	086/102-103
35357.16-19	080/097-098	35362.52-55	084/061-062	35383.22-25	085/030-031	35388.58-58	085/126-126	35410.11-11	086/112-112
35357.23-26	080/099-100	35362.59-59	084/063-063	35383.29-32	085/032-033	35389.01-05	085/127-128	35410.14-17	086/104-105
35357.30-33	080/101-102	35363.02-06	084/064-065	35383.36-39	085/034-035	35389.08-12	085/129-130	35410.21-24	086/106-107
35357.37-40	080/103-104	35363.07-13	084/066-067	35383.43-46	085/036-037	35389.15-19	085/131-132	35410.28-31	086/108-109
35357.44-47	080/105-106	35363.16-20	084/068-069	35383.50-53	085/038-039	35389.22-26	086/001-002	35410.35-38	086/110-111



## VOYAGER ARCHIVE TAPE CATALOG

FDS COUNT	VEE ID	FDS COUNT	VEE ID	FDS COUNT	VEE ID	FDS COUNT	VEE ID	FDS COUNT	VEE ID
35410.45-49	086/113-114	35416.14-18	087/066-067	35421.50-54	088/030-031	35441.43-47	088/131-132	35447.16-19	089/082-083
35410.52-56	086/115-116	35416.21-25	087/068-069	35421.57-57	088/032-032	35441.50-54	088/133-134	35447.23-26	089/084-085
35410.59-59	086/117-117	35416.28-32	087/070-071	35422.01-04	088/033-034	35441.57-57	088/135-135	35447.30-33	089/086-087
35411.03-06	086/118-119	35416.35-39	087/072-073	35422.08-11	088/035-036	35442.01-04	088/136-137	35447.37-40	089/088-089
35411.10-13	086/120-121	35416.42-46	087/074-075	35422.15-18	088/037-038	35442.08-11	088/138-139	35447.44-47	089/090-091
35411.17-20	086/122-123	35416.49-53	087/076-077	35422.22-25	088/039-040	35442.15-18	088/140-141	35447.51-54	089/092-093
35411.24-27	086/124-125	35416.56-56	087/078-078	35422.29-32	088/041-042	35442.22-25	088/142-143	35447.58-58	089/094-094
35411.31-34	086/126-127	35417.00-03	087/079-080	35422.36-39	088/043-044	35442.29-32	088/144-144	35448.01-05	089/095-096
35411.38-41	086/128-129	35417.07-10	087/081-082	35422.43-46	088/045-046	35442.32-36	089/001-002	35448.08-12	089/097-098
35411.45-48	086/130-131	35417.14-17	087/083-084	35422.50-53	088/047-048	35442.39-43	089/003-004	35448.15-19	089/099-100
35411.52-55	086/132-133	35417.21-24	087/085-086	35422.57-57	088/049-049	35442.46-50	089/005-006	35448.22-26	089/101-102
35411.59-59	086/134-134	35417.28-31	087/087-088	35423.00-04	088/050-051	35442.53-57	089/007-008	35448.29-33	089/103-104
35412.02-06	086/135-136	35417.35-38	087/089-090	35423.07-11	088/052-053	35443.00-04	089/009-010	35448.36-40	089/105-106
35412.09-13	086/137-138	35417.42-45	087/091-092	35423.14-18	088/054-055	35443.07-11	089/011-012	35448.43-47	089/107-108
35412.16-20	086/139-140	35417.49-52	087/093-094	35423.21-25	088/056-057	35443.14-18	089/013-014	35448.50-54	089/109-110
35412.23-27	086/141-141	35417.56-59	087/095-096	35423.28-32	088/058-059	35443.21-25	089/015-016	35448.57-57	089/111-111
35412.27-30	087/001-002	35418.03-06	087/097-098	35423.35-39	088/060-061	35443.28-32	089/017-018	35449.01-04	089/112-113
35412.34-37	087/003-004	35418.10-13	087/099-100	35423.42-46	088/062-063	35443.35-39	089/019-020	35449.08-11	089/114-115
35412.41-44	087/005-006	35418.17-20	087/101-102	35423.49-53	088/064-065	35443.42-46	089/021-022	35449.11-11	089/120-120
35412.48-51	087/007-008	35418.24-27	087/103-104	35423.56-58	088/066-067	35443.49-53	089/023-024	35449.15-18	089/116-117
35412.55-58	087/009-010	35418.31-34	087/105-106	35424.00-03	088/068-069	35443.56-56	089/025-025	35449.22-25	089/118-119
35413.02-05	087/011-012	35418.38-41	087/107-108	35424.07-10	088/070-071	35444.00-03	089/026-027	35449.32-36	089/121-122
35413.09-12	087/013-014	35418.45-48	087/109-110	35424.14-17	088/072-073	35444.07-10	089/028-029	35449.39-43	089/123-124
35413.16-19	087/015-016	35418.52-55	087/111-112	35424.21-24	088/074-075	35444.14-17	089/030-031	35449.46-50	089/125-126
35413.23-26	087/017-018	35418.59-59	087/113-113	35424.29-38	088/076-079	35444.21-24	089/032-033	35449.53-57	089/127-128
35413.30-33	087/019-020	35419.02-06	087/114-115	35438.59-59	088/084-084	35444.28-31	089/034-035	35450.00-04	089/129-130
35413.37-40	087/021-022	35419.09-13	087/116-117	35439.02-06	088/085-086	35444.35-38	089/036-037	35450.07-11	089/131-132
35413.44-47	087/023-024	35419.16-20	087/118-119	35439.09-13	088/087-088	35444.42-45	089/038-039	35450.14-18	089/133-133
35413.51-54	087/025-026	35419.23-27	087/120-121	35439.16-20	088/089-090	35444.49-52	089/040-041	35450.18-21	090/001-002
35413.58-58	087/027-027	35419.30-34	087/122-123	35439.23-27	088/091-092	35444.56-59	089/042-043	35450.25-28	090/003-004
35414.01-05	087/028-029	35419.37-41	087/124-125	35439.30-34	088/093-094	35445.03-06	089/044-045	35450.32-35	090/005-006
35414.08-12	087/030-031	35419.44-48	087/126-127	35439.37-41	088/095-096	35445.10-13	089/046-047	35450.39-42	090/007-008
35414.15-19	087/032-033	35419.51-55	087/128-129	35439.44-48	088/097-098	35445.17-20	089/048-049	35450.46-49	090/009-010
35414.22-26	087/034-035	35419.58-58	087/130-130	35439.51-55	088/099-100	35445.24-27	089/050-051	35450.53-56	090/011-012
35414.29-33	087/036-037	35420.02-05	087/131-132	35439.58-58	088/101-101	35445.31-34	089/052-053	35451.00-03	090/013-014
35414.36-40	087/038-039	35420.09-12	088/001-002	35440.02-05	088/102-103	35445.38-41	089/054-055	35451.07-10	090/015-016
35414.43-47	087/040-041	35420.16-19	088/003-004	35440.09-12	088/104-105	35445.45-48	089/056-057	35451.14-17	090/017-018
35414.50-54	087/042-043	35420.23-26	088/005-006	35440.16-19	088/106-107	35445.52-55	089/058-059	35451.21-24	090/019-020
35414.57-57	087/044-044	35420.30-33	088/007-008	35440.23-26	088/108-109	35445.59-59	089/060-060	35451.28-31	090/021-022
35415.01-04	087/045-046	35420.37-40	088/009-010	35440.30-33	088/110-111	35446.02-06	089/061-062	35451.35-38	090/023-024
35415.08-11	087/047-048	35420.44-47	088/011-012	35440.37-40	088/112-113	35446.09-13	089/063-064	35451.42-45	090/025-026
35415.15-18	087/049-050	35420.51-54	088/013-014	35440.44-47	088/114-115	35446.16-20	089/065-066	35451.49-52	090/027-028
35415.22-25	087/051-052	35420.58-58	088/015-015	35440.51-54	088/116-117	35446.23-27	089/067-068	35451.56-59	090/029-030
35415.29-32	087/053-054	35421.01-05	088/016-017	35440.58-58	088/118-118	35446.30-34	089/069-070	35452.03-06	090/031-032
35415.36-39	087/055-056	35421.08-12	088/018-019	35441.01-05	088/119-120	35446.37-41	089/071-072	35452.10-13	090/033-034
35415.43-46	087/057-058	35421.15-19	088/020-021	35441.08-12	088/121-122	35446.44-48	089/073-074	35452.17-20	090/035-036
35415.50-53	087/059-060	35421.22-26	088/022-023	35441.15-19	088/123-124	35446.55-58	089/076-077	35452.24-27	090/037-038
35415.57-57	087/061-061	35421.29-33	088/024-025	35441.22-26	088/125-126	35446.57-57	089/075-075	35452.31-34	090/039-040
35416.00-04	087/062-063	35421.36-40	088/026-027	35441.29-33	088/127-128	35447.02-05	089/078-079	35452.38-41	090/041-042
35416.07-11	087/064-065	35421.43-47	088/028-029	35441.36-40	088/129-130	35447.09-12	089/080-081	35452.45-48	090/043-044

## VOYAGER ARCHIVE TAPE CATALOG

FDS COUNT	VGE ID	FDS COUNT	VGE ID	FDS COUNT	VGE ID	FDS COUNT	VGE ID	FDS COUNT	VGE ID
35452.52-55	090/045-046	35472.44-47	091/013-014	35478.16-20	091/108-109	35483.49-52	092/071-072	35503.30-34	093/023-024
35452.59-59	090/047-047	35472.51-54	091/015-016	35478.23-27	091/110-111	35483.56-56	092/073-073	35503.37-41	093/025-026
35453.02-06	090/048-049	35472.58-58	091/017-017	35478.30-34	091/112-113	35484.02-02	092/079-079	35503.44-48	093/027-028
35453.09-13	090/050-051	35473.01-05	091/018-019	35478.37-41	091/114-115	35484.03-06	092/074-075	35503.51-55	093/029-030
35453.16-20	090/052-053	35473.08-12	091/020-021	35478.44-48	091/116-117	35484.10-13	092/076-077	35503.58-58	093/031-031
35453.23-27	090/054-055	35473.15-19	091/022-023	35478.51-55	091/118-119	35484.18-18	092/078-078	35504.02-05	093/032-033
35453.30-34	090/056-057	35473.22-26	091/024-025	35478.58-58	091/120-120	35484.24-27	092/080-081	35504.09-12	093/034-035
35453.37-41	090/058-059	35473.29-33	091/026-027	35479.02-05	091/121-122	35484.49-58	092/082-085	35504.16-19	093/036-037
35453.44-48	090/060-061	35473.36-40	091/028-029	35479.09-12	091/123-124	35498.47-50	092/086-087	35504.23-26	093/038-039
35453.51-59	090/062-064	35473.43-47	091/030-031	35479.16-19	091/125-126	35498.54-57	092/088-089	35504.30-33	093/040-041
35454.02-05	090/065-066	35473.50-54	091/032-033	35479.23-26	091/127-128	35499.01-04	092/090-091	35504.37-40	093/042-043
35454.09-12	090/067-068	35473.57-57	091/034-034	35479.30-33	091/129-130	35499.08-11	092/092-093	35504.44-47	093/044-045
35454.16-19	090/069-070	35474.01-04	091/036-036	35479.37-40	091/131-132	35499.15-18	092/094-095	35504.51-54	093/046-047
35454.24-33	090/071-074	35474.08-11	091/037-038	35479.44-47	092/001-002	35499.22-25	092/096-097	35504.58-58	093/048-048
35454.55-58	090/075-076	35474.15-18	091/039-040	35479.51-54	092/003-004	35499.29-32	092/098-099	35505.01-05	093/049-050
35455.01-04	090/077-078	35474.22-25	091/041-042	35479.58-58	092/005-005	35499.36-39	092/100-101	35505.08-12	093/051-052
35468.53-56	090/079-080	35474.29-32	091/043-044	35480.01-05	092/006-007	35499.43-46	092/102-103	35505.15-19	093/053-054
35469.00-03	090/081-082	35474.36-39	091/045-046	35480.08-12	092/008-009	35499.50-53	092/104-105	35505.22-26	093/055-056
35469.07-10	090/083-084	35474.43-46	091/047-048	35480.15-19	092/010-011	35499.57-57	092/106-106	35505.29-33	093/057-058
35469.14-17	090/085-086	35474.50-53	091/049-050	35480.22-26	092/012-013	35500.00-04	092/107-108	35505.36-40	093/059-060
35469.21-24	090/087-088	35474.57-57	091/051-051	35480.29-33	092/014-015	35500.07-11	092/109-110	35505.43-47	093/061-062
35469.28-31	090/089-090	35475.00-04	091/052-053	35480.36-40	092/016-017	35500.14-18	092/111-112	35505.50-54	093/063-064
35469.35-38	090/091-092	35475.07-11	091/054-055	35480.43-47	092/018-019	35500.21-25	092/113-114	35505.57-57	093/065-065
35469.42-45	090/093-094	35475.14-18	091/056-057	35480.50-54	092/020-021	35500.28-32	092/115-116	35506.01-04	093/066-067
35469.49-52	090/095-096	35475.21-25	091/058-059	35480.57-57	092/022-022	35500.35-39	092/117-118	35506.08-11	093/068-069
35469.56-59	090/097-098	35475.28-32	091/060-061	35481.01-04	092/023-024	35500.42-46	092/119-120	35506.15-18	093/070-071
35470.03-06	090/099-100	35475.35-39	091/062-063	35481.08-11	092/025-026	35500.49-53	092/121-122	35506.22-25	093/072-073
35470.10-13	090/101-102	35475.42-46	091/064-065	35481.15-18	092/027-028	35500.56-56	092/123-123	35506.29-32	093/074-075
35470.17-20	090/103-104	35475.49-53	091/066-067	35481.22-25	092/029-030	35501.00-03	092/124-125	35506.36-39	093/076-077
35470.24-27	090/105-106	35475.56-56	091/068-068	35481.29-32	092/031-032	35501.07-10	092/126-127	35506.43-46	093/078-079
35470.31-34	090/107-108	35476.00-03	091/069-070	35481.36-39	092/033-034	35501.14-17	092/128-129	35506.50-53	093/080-081
35470.38-41	090/109-110	35476.07-10	091/071-072	35481.43-46	092/035-036	35501.21-24	092/130-131	35506.57-57	093/082-082
35470.45-48	090/111-112	35476.14-17	091/073-074	35481.50-53	092/037-038	35501.28-31	092/132-133	35507.00-04	093/083-084
35470.52-55	090/113-114	35476.21-24	091/075-076	35481.57-57	092/039-039	35501.35-38	092/134-135	35507.07-11	093/085-086
35470.59-59	090/115-115	35476.28-31	091/077-078	35482.00-04	092/040-041	35501.42-45	092/136-137	35507.14-18	093/087-088
35471.02-06	090/116-117	35476.35-38	091/079-080	35482.07-11	092/042-043	35501.49-52	092/138-139	35507.21-25	093/089-090
35471.09-13	090/118-119	35476.42-45	091/081-082	35482.14-18	092/044-045	35501.56-59	092/140-141	35507.28-32	093/091-092
35471.16-20	090/120-121	35476.49-52	091/083-084	35482.21-25	092/046-047	35502.03-06	092/142-143	35507.35-39	093/093-094
35471.23-27	090/122-123	35476.56-59	091/085-086	35482.28-32	092/048-049	35502.10-13	092/144-144	35507.42-46	093/095-096
35471.30-34	090/124-125	35477.03-06	091/087-088	35482.35-39	092/050-051	35502.13-17	093/001-002	35507.49-53	093/097-098
35471.37-41	090/126-127	35477.10-13	091/089-090	35482.42-46	092/052-053	35502.20-24	093/003-004	35507.56-56	093/099-099
35471.44-48	090/128-129	35477.17-20	091/091-092	35482.49-53	092/054-055	35502.27-31	093/005-006	35508.00-03	093/100-101
35471.51-55	090/130-131	35477.24-27	091/093-094	35482.56-56	092/056-056	35502.34-38	093/007-008	35508.07-10	093/102-103
35471.58-58	090/132-132	35477.31-34	091/095-096	35483.00-03	092/057-058	35502.41-45	093/009-010	35508.14-17	093/104-105
35472.02-05	091/001-002	35477.38-41	091/097-098	35483.07-10	092/059-060	35502.48-52	093/011-012	35508.21-24	093/106-107
35472.09-12	091/003-004	35477.45-48	091/099-100	35483.14-17	092/061-062	35502.55-59	093/013-014	35508.28-31	093/108-109
35472.16-19	091/005-006	35477.52-55	091/101-102	35483.21-24	092/063-064	35503.02-06	093/015-016	35508.35-38	093/110-111
35472.23-26	091/007-008	35477.59-59	091/103-103	35483.28-31	092/065-066	35503.09-13	093/017-018	35508.42-45	093/112-113
35472.30-33	091/009-010	35478.02-06	091/104-105	35483.35-38	092/067-068	35503.16-20	093/019-020	35508.49-52	093/114-115
35472.37-40	091/011-012	35478.09-13	091/106-107	35483.42-45	092/069-070	35503.23-27	093/021-022	35508.56-59	093/116-117



## VOYAGER ARCHIVE TAPE CATALOG

FDS COUNT	VEE ID	FDS COUNT	VEE ID	FDS COUNT	VEE ID	FDS COUNT	VEE ID	FDS COUNT	VEE ID
35509.03-06	093/118-119	35519.31-34	084/108-109	35533.38-41	095/032-033	35539.00-03	096/002-003	35544.55-55	096/096-096
35509.10-13	093/120-121	35519.38-41	084/110-111	35533.45-48	095/034-035	35539.07-10	096/004-005	35545.01-01	096/097-097
35509.17-20	093/122-123	35519.45-48	084/112-113	35533.52-55	095/036-037	35539.14-17	096/006-007	35545.06-12	096/098-099
35509.24-27	093/124-125	35519.52-55	084/114-115	35533.59-59	095/038-038	35539.21-24	096/008-009	35545.17-17	096/100-100
35509.31-34	093/126-127	35519.59-59	084/116-116	35534.02-06	095/039-040	35539.28-31	096/010-011	35545.29-38	096/101-104
35509.36-41	093/128-129	35528.37-40	094/077-078	35534.09-13	095/041-042	35539.35-38	096/012-013	35558.36-39	096/105-106
35509.45-48	093/130-131	35528.44-47	094/079-080	35534.16-20	095/043-044	35539.42-45	096/014-015	35558.43-46	096/107-108
35509.52-55	094/001-002	35528.51-54	094/081-082	35534.23-27	095/045-046	35539.49-52	096/016-017	35558.50-53	096/109-110
35509.59-59	094/003-003	35528.58-58	094/083-083	35534.30-34	095/047-048	35539.56-59	096/018-019	35558.57-57	096/111-111
35510.02-06	094/004-005	35529.01-05	094/084-085	35534.37-41	095/049-050	35540.03-06	096/020-021	35559.00-04	096/112-113
35510.09-13	094/006-007	35529.08-12	094/086-087	35534.44-48	095/051-052	35540.10-13	096/022-023	35559.07-11	096/114-115
35510.16-20	094/008-009	35529.15-19	094/088-089	35534.51-55	095/053-054	35540.17-20	096/024-025	35559.14-18	096/116-117
35510.23-27	094/010-011	35529.22-26	094/090-091	35534.58-58	095/055-055	35540.24-27	096/026-027	35559.21-25	096/118-119
35510.30-34	094/012-013	35529.29-33	094/092-093	35535.02-05	095/056-057	35540.31-34	096/028-029	35559.28-32	096/120-121
35510.37-41	094/014-015	35529.36-40	094/094-095	35535.09-12	095/058-059	35540.38-41	096/030-031	35559.35-39	096/122-123
35510.44-48	094/016-017	35529.43-47	094/096-097	35535.16-19	095/060-061	35540.45-48	096/032-033	35559.42-46	096/124-125
35510.51-55	094/018-019	35529.50-54	094/098-099	35535.23-26	095/062-063	35540.52-55	096/034-035	35559.49-53	096/126-127
35510.58-58	094/020-020	35529.57-57	094/100-100	35535.30-33	095/064-065	35540.59-59	096/036-036	35559.56-56	096/128-128
35511.02-05	094/021-022	35530.01-04	094/101-102	35535.37-40	095/066-067	35541.02-06	096/037-038	35560.00-03	096/129-130
35511.09-12	094/023-024	35530.08-11	094/103-104	35535.44-47	095/068-069	35541.09-13	096/039-040	35560.07-10	096/131-132
35511.16-19	094/025-026	35530.15-18	094/105-106	35535.51-54	095/070-071	35541.16-20	096/041-042	35560.14-17	096/133-134
35511.23-26	094/027-028	35530.22-25	094/107-108	35535.58-58	095/072-072	35541.23-27	096/043-044	35560.21-24	096/135-136
35511.30-33	094/029-030	35530.29-32	094/109-110	35536.01-05	095/073-074	35541.30-34	096/045-046	35560.28-31	096/137-138
35511.37-40	094/031-032	35530.36-39	094/111-112	35536.08-12	095/075-076	35541.37-41	096/047-048	35560.35-38	096/139-140
35511.47-51	094/033-034	35530.43-46	094/113-114	35536.15-19	095/077-078	35541.44-48	096/049-050	35560.56-59	097/001-002
35511.54-58	094/035-036	35530.50-53	094/115-116	35536.22-26	095/079-080	35541.51-55	096/051-052	35561.03-06	097/003-004
35512.01-05	094/037-038	35530.57-57	094/117-117	35536.29-33	095/081-082	35541.58-58	096/053-053	35561.10-13	097/005-006
35512.08-12	094/039-040	35531.00-04	094/118-119	35536.36-40	095/083-084	35542.02-05	096/054-055	35561.17-20	097/007-008
35512.15-19	094/041-042	35531.07-11	094/120-121	35536.43-47	095/085-086	35542.09-12	096/056-057	35561.24-27	097/009-010
35512.22-26	094/043-044	35531.14-18	094/122-123	35536.50-54	095/087-088	35542.16-19	096/058-059	35561.31-34	097/011-012
35512.29-33	094/045-046	35531.21-25	094/124-125	35536.57-57	095/089-089	35542.23-26	096/060-061	35561.38-41	097/013-014
35512.36-40	094/047-048	35531.28-32	094/126-127	35537.01-04	095/090-091	35542.30-33	096/062-063	35561.45-48	097/015-016
35512.43-47	094/049-050	35531.35-39	094/128-129	35537.08-11	095/092-093	35542.37-40	096/064-065	35561.52-55	097/017-018
35512.50-54	094/051-052	35531.42-46	094/130-131	35537.15-18	095/094-095	35542.44-47	096/066-067	35561.59-59	097/019-019
35512.57-57	094/053-053	35531.49-53	095/001-002	35537.22-25	095/096-097	35542.51-54	096/068-069	35562.02-06	097/020-021
35513.01-04	094/054-055	35531.56-56	095/003-003	35537.29-32	095/098-099	35542.58-58	096/070-070	35562.09-13	097/022-023
35513.08-11	094/056-057	35532.00-03	095/004-005	35537.36-39	095/100-101	35543.01-05	096/071-072	35562.16-20	097/024-025
35513.15-18	094/058-059	35532.07-10	095/006-007	35537.43-46	095/102-103	35543.08-12	096/073-074	35562.23-27	097/026-027
35513.22-25	094/060-061	35532.14-17	095/008-009	35537.50-53	095/104-105	35543.15-19	096/075-076	35562.30-34	097/028-029
35513.29-32	094/062-063	35532.21-24	095/010-011	35537.57-57	095/106-106	35543.22-26	096/077-078	35562.37-41	097/030-031
35513.43-46	094/064-065	35532.28-31	095/012-013	35538.00-04	095/107-108	35543.29-33	096/079-080	35562.44-48	097/032-033
35513.50-53	094/066-067	35532.35-38	095/014-015	35538.07-11	095/109-110	35543.36-40	096/081-082	35562.51-55	097/034-035
35513.57-57	094/068-068	35532.42-45	095/016-017	35538.14-18	095/111-112	35543.43-47	096/083-084	35562.58-58	097/036-036
35514.00-00	094/070-070	35532.49-52	095/018-019	35538.21-25	095/113-114	35543.50-54	096/085-086	35563.02-05	097/037-038
35514.05-07	094/071-072	35532.56-59	095/020-021	35538.28-37	095/115-116	35543.57-57	094/069-069	35563.09-12	097/039-040
35514.11-14	094/073-074	35533.03-06	095/022-023	35538.33-35	095/117-118	35544.01-04	096/087-088	35563.16-19	097/041-042
35514.21-25	094/075-076	35533.10-13	095/024-025	35538.39-42	095/119-120	35544.08-11	096/089-090	35563.23-26	097/043-044
35519.10-13	084/102-103	35533.17-20	095/026-027	35538.46-49	095/121-122	35544.15-18	096/091-092	35563.30-33	097/045-046
35519.17-20	084/104-105	35533.24-27	095/028-029	35538.53-56	095/123-123	35544.22-25	096/093-094	35563.37-40	097/047-048
35519.24-27	084/106-107	35533.31-34	095/030-031	35538.56-56	096/001-001	35544.50-50	096/095-095	35563.44-47	097/049-050

## VOYAGER ARCHIVE TAPE CATALOG

FDS COUNT	VGE ID	FDS COUNT	VGE ID	FDS COUNT	VGE ID	FDS COUNT	VGE ID	FDS COUNT	VGE ID
35563.51-54	097/051-052	35569.23-27	098/014-015	35588.51-54	107/102-103	35594.30-34	108/077-078	35600.03-06	109/039-040
35563.58-58	097/053-053	35569.30-34	098/016-017	35588.58-58	107/104-104	35594.37-41	108/079-080	35600.10-13	109/041-042
35564.01-05	097/054-055	35569.37-41	098/018-019	35589.01-05	107/105-106	35594.44-48	108/081-082	35600.17-20	109/043-044
35564.08-12	097/056-057	35569.44-48	098/020-021	35589.08-12	107/107-108	35594.51-55	108/083-084	35600.24-27	109/045-046
35564.15-19	097/056-059	35569.51-55	098/022-023	35589.15-19	107/109-110	35594.58-58	108/085-085	35600.31-34	109/047-048
35564.22-26	097/060-061	35569.58-58	098/024-024	35589.22-26	107/111-112	35595.02-05	108/086-087	35600.38-38	109/049-049
35564.29-33	097/062-063	35570.02-05	098/025-026	35589.33-36	107/114-115	35595.09-12	108/088-089	35600.45-48	109/051-052
35564.36-40	097/064-065	35570.09-12	098/027-028	35589.40-43	107/116-117	35595.16-19	108/090-091	35600.48-48	109/050-050
35564.43-47	097/066-067	35570.16-19	098/029-030	35589.47-50	107/118-119	35595.23-26	108/092-093	35600.52-55	109/053-054
35564.50-54	097/068-069	35570.23-26	098/031-032	35589.54-57	107/120-121	35595.30-33	108/094-095	35600.59-59	109/055-055
35564.57-57	097/070-070	35570.30-33	098/033-034	35590.01-04	107/122-122	35595.37-40	108/096-097	35601.02-06	109/056-057
35565.01-04	097/071-072	35570.37-40	098/035-036	35590.04-08	108/001-032	35595.44-47	108/098-099	35601.09-13	109/058-059
35565.08-11	097/073-074	35570.44-47	098/037-038	35590.11-15	108/003-004	35595.51-54	108/100-101	35601.16-20	109/060-061
35565.15-18	097/075-076	35570.51-54	098/039-040	35590.18-22	108/005-006	35595.58-58	108/102-102	35601.23-27	109/062-063
35565.22-25	097/077-078	35570.58-58	098/041-041	35590.25-29	108/007-008	35596.01-05	108/103-104	35601.30-34	109/064-065
35565.29-32	097/079-080	35571.01-05	098/042-043	35590.32-36	108/009-010	35596.08-12	108/105-106	35601.37-41	109/066-067
35565.36-39	097/081-082	35571.08-12	098/044-045	35590.39-43	108/011-012	35596.15-19	108/107-108	35601.44-48	109/068-069
35565.43-46	097/083-084	35571.15-19	098/046-047	35590.46-50	108/013-014	35596.22-26	108/109-110	35601.51-55	109/070-071
35565.50-53	097/085-086	35571.22-22	098/048-048	35590.53-57	108/015-016	35596.29-33	108/111-112	35601.58-58	109/072-072
35565.57-57	097/087-087	35571.26-29	107/039-040	35591.00-04	108/017-018	35596.36-40	108/113-114	35602.02-05	109/073-074
35566.00-04	097/088-089	35571.33-36	107/041-042	35591.07-11	108/019-020	35596.43-47	108/115-116	35602.09-12	109/075-076
35566.07-11	097/090-091	35571.40-43	107/043-044	35591.14-18	108/021-022	35596.50-54	108/117-118	35602.16-19	109/077-078
35566.14-18	097/092-093	35571.47-50	107/045-046	35591.21-25	108/023-024	35596.57-57	108/119-119	35602.23-26	109/079-080
35566.21-25	097/094-095	35571.54-57	107/047-048	35591.28-32	108/025-026	35597.01-04	108/120-121	35602.30-33	109/081-082
35566.28-32	097/096-077	35572.01-04	107/049-050	35591.35-39	108/027-028	35597.08-11	108/122-123	35602.37-40	109/083-084
35566.35-39	097/098-099	35572.08-11	107/051-052	35591.42-46	108/029-030	35597.15-18	108/124-125	35602.44-47	109/085-086
35566.42-46	097/100-101	35572.15-18	107/053-054	35591.49-53	108/031-032	35597.22-25	108/126-127	35602.51-54	109/087-088
35566.49-53	097/102-103	35572.22-25	107/055-056	35591.56-56	108/033-033	35597.29-32	108/128-129	35602.58-58	109/089-089
35566.56-56	097/104-104	35572.29-32	107/057-058	35592.00-03	108/034-035	35597.36-39	108/130-131	35603.01-05	109/090-091
35567.00-03	097/105-106	35572.36-39	107/059-060	35592.07-10	108/036-037	35597.43-46	108/132-133	35603.08-12	109/092-093
35567.07-10	097/107-108	35572.43-46	107/061-062	35592.14-17	108/038-039	35597.50-53	109/001-002	35603.15-19	109/094-095
35567.14-17	097/109-110	35572.50-53	107/063-064	35592.21-24	108/040-041	35597.57-57	109/003-003	35603.22-26	109/096-097
35567.21-24	097/111-112	35572.57-57	107/065-065	35592.28-31	108/042-043	35598.00-04	109/004-005	35603.29-33	109/098-099
35567.28-31	097/113-114	35573.00-04	107/066-067	35592.35-38	108/044-045	35598.07-11	109/006-007	35603.36-40	109/100-101
35567.35-38	097/115-116	35573.07-11	107/068-069	35592.42-45	108/046-047	35598.14-18	109/008-009	35603.43-47	109/102-103
35567.42-45	097/117-118	35573.14-18	107/070-071	35592.49-52	108/048-049	35598.21-25	109/010-011	35603.50-54	109/104-105
35567.49-52	097/119-120	35573.21-25	107/072-073	35592.56-59	108/050-051	35598.28-32	109/012-013	35603.59-59	109/106-106
35567.56-59	097/121-122	35573.28-32	107/074-075	35593.03-06	108/052-053	35598.35-39	109/014-015	35604.01-04	109/107-108
35568.03-06	097/123-124	35573.35-39	107/076-077	35593.10-13	108/054-055	35598.42-46	109/016-017	35604.08-11	109/109-110
35568.10-13	097/125-126	35573.42-46	107/078-079	35593.17-20	108/056-057	35598.49-53	109/018-019	35604.15-18	109/111-112
35568.17-20	097/127-128	35573.49-53	107/080-081	35593.24-27	108/058-059	35598.56-56	109/020-020	35604.40-49	109/113-116
35568.24-27	097/129-130	35573.56-57	107/082-083	35593.31-34	108/060-061	35599.00-03	109/021-022	35618.25-28	109/117-118
35568.31-34	097/131-132	35574.00-03	107/084-085	35593.38-41	108/062-063	35599.07-10	109/023-024	35618.32-35	109/119-120
35568.38-41	098/001-002	35574.07-10	107/086-087	35593.45-48	108/064-065	35599.14-17	109/025-026	35618.39-42	109/121-122
35568.45-48	098/003-004	35574.14-17	107/088-089	35593.52-55	108/066-067	35599.21-24	109/027-028	35618.46-49	109/123-124
35568.52-55	098/005-006	35574.21-24	107/090-091	35593.59-59	108/068-068	35599.28-31	109/029-030	35618.53-56	109/125-126
35568.59-59	098/007-007	35574.46-55	107/092-095	35594.02-06	108/069-070	35599.35-38	109/031-032	35619.00-03	109/127-128
35569.02-06	098/008-009	35588.30-33	107/096-097	35594.09-13	108/071-072	35599.42-45	109/033-034	35619.07-10	109/129-130
35569.09-13	098/010-011	35588.37-40	107/098-099	35594.16-20	108/073-074	35599.49-52	109/035-036	35619.14-17	109/131-132
35569.16-20	098/012-013	35588.44-47	107/100-101	35594.23-27	108/075-076	35599.56-59	109/037-038	35619.21-24	109/133-134

## VOYAGER ARCHIVE TAPE CATALOG

FDS COUNT	VEE ID	FDS COUNT	VEE ID	FDS COUNT	VEE ID	FDS COUNT	VEE ID	FDS COUNT	VEE ID
35619.28-31	109/135-136	35625.00-04	110/086-087	35630.36-40	111/050-051	35650.14-18	112/018-019	35656.29-33	112/111-112
35619.35-38	109/137-138	35625.07-11	110/088-089	35630.43-47	111/052-053	35650.21-25	112/020-021	35656.36-40	112/113-114
35619.42-45	109/139-140	35625.14-18	110/090-091	35630.50-54	111/054-055	35650.25-25	112/024-024	35656.43-47	112/115-116
35619.49-52	109/141-142	35625.21-25	110/092-093	35630.57-57	111/056-056	35650.28-32	112/022-023	35656.50-54	112/117-118
35619.56-59	109/143-144	35625.28-32	110/094-095	35631.01-04	111/057-058	35650.39-42	112/025-026	35656.57-57	112/119-119
35620.03-06	110/001-002	35625.35-39	110/096-097	35631.08-11	111/059-060	35650.46-49	112/027-028	35657.07-08	112/120-120
35620.10-13	110/003-004	35625.42-46	110/098-099	35631.15-18	111/061-062	35650.53-53	112/029-029	35657.08-11	112/122-123
35620.17-20	110/005-006	35625.49-53	110/100-101	35631.22-25	111/063-064	35651.08-10	112/030-031	35657.15-18	112/124-125
35620.24-27	110/007-008	35625.56-56	110/102-102	35631.29-32	111/065-066	35651.14-17	112/032-033	35657.22-25	112/126-127
35620.31-34	110/009-010	35626.00-03	110/103-104	35631.36-39	111/067-068	35651.21-24	112/034-035	35657.29-32	112/128-129
35620.38-41	110/011-012	35626.07-10	110/105-106	35631.43-46	111/069-070	35651.28-31	112/036-037	35657.36-39	113/001-002
35620.45-48	110/013-014	35626.14-17	110/107-108	35631.50-53	111/071-072	35651.35-38	112/038-039	35657.43-46	113/003-004
35620.52-55	110/015-016	35626.21-24	110/109-110	35631.57-57	111/073-073	35651.42-45	112/040-041	35657.50-53	113/005-006
35620.59-59	110/017-017	35626.28-31	110/111-112	35632.00-04	111/074-075	35651.49-52	112/042-043	35657.57-57	113/007-007
35621.02-06	110/018-019	35626.35-38	110/113-114	35632.07-11	111/076-077	35651.56-59	112/044-045	35658.00-04	113/008-009
35621.09-13	110/020-021	35626.42-45	110/115-116	35632.14-18	111/078-079	35652.03-06	112/046-047	35658.07-11	113/010-011
35621.16-20	110/022-023	35626.49-52	110/117-118	35632.21-25	111/080-081	35652.10-13	112/048-049	35658.14-18	113/012-013
35621.23-27	110/024-025	35626.56-59	110/119-120	35632.28-32	111/082-083	35652.17-20	112/050-051	35658.21-25	113/014-015
35621.30-34	110/026-027	35627.03-06	110/121-122	35632.39-42	111/085-086	35652.24-27	112/052-053	35658.28-32	113/016-017
35621.37-41	110/028-029	35627.10-13	110/123-124	35632.46-49	111/087-088	35652.31-34	112/054-055	35658.35-39	113/018-019
35621.44-48	110/030-031	35627.17-20	110/125-126	35632.53-56	111/089-090	35652.38-41	112/056-057	35658.42-46	113/020-021
35621.51-55	110/032-033	35627.24-27	110/127-128	35632.65-65	111/084-084	35652.45-48	112/058-059	35658.49-53	113/022-023
35621.58-58	110/034-034	35627.31-34	110/129-130	35633.00-03	111/091-092	35652.52-55	112/060-061	35658.56-56	113/024-024
35622.02-05	110/035-036	35627.38-41	110/131-132	35633.07-10	111/093-094	35652.59-59	112/062-062	35659.00-03	113/025-026
35622.09-12	110/037-038	35627.45-48	111/001-002	35633.14-17	111/095-096	35653.02-06	112/063-064	35659.07-10	113/027-028
35622.16-19	110/039-040	35627.52-55	111/003-004	35633.21-24	111/097-098	35653.03-03	112/071-071	35659.14-17	113/029-030
35622.23-26	110/041-042	35627.59-59	111/005-005	35633.28-31	111/099-100	35653.09-13	112/065-066	35659.21-24	113/031-032
35622.30-33	110/043-044	35628.02-06	111/006-007	35633.35-38	111/101-102	35653.16-20	112/067-068	35659.28-31	113/033-034
35622.37-40	110/045-046	35628.09-13	111/008-009	35633.42-45	111/103-104	35653.23-27	112/069-070	35659.35-38	113/035-036
35622.44-47	110/047-048	35628.16-20	111/010-011	35633.49-52	111/105-106	35653.34-37	112/072-073	35659.42-45	113/037-038
35622.51-54	110/049-050	35628.23-27	111/012-013	35634.03-06	111/109-110	35653.41-44	112/074-075	35659.49-52	113/039-040
35622.58-58	110/051-051	35628.30-34	111/014-015	35634.10-13	111/111-112	35653.48-51	112/076-077	35659.56-59	113/041-042
35623.01-05	110/052-053	35628.37-41	111/016-017	35634.35-44	111/113-116	35653.55-58	112/078-079	35660.03-06	113/043-044
35623.08-12	110/054-055	35628.44-48	111/018-019	35648.19-22	111/117-118	35654.02-05	112/080-081	35660.10-13	113/045-046
35623.15-19	110/056-057	35628.51-55	111/020-021	35648.26-29	111/119-120	35654.09-12	112/082-083	35660.17-20	113/047-048
35623.22-26	110/058-059	35628.58-58	111/022-022	35648.33-36	111/121-122	35654.16-19	112/084-085	35660.24-27	113/049-050
35623.29-33	110/060-061	35629.02-05	111/023-024	35648.40-43	111/123-124	35654.23-26	112/086-087	35660.31-34	113/051-052
35623.36-40	110/062-063	35629.09-12	111/025-026	35648.47-50	111/125-126	35654.30-33	112/088-089	35660.38-41	113/053-054
35623.43-47	110/064-065	35629.16-19	111/027-028	35648.54-57	111/127-128	35654.37-40	112/090-091	35660.45-48	113/055-056
35623.50-54	110/066-067	35629.23-26	111/029-030	35649.01-04	111/129-130	35654.44-47	112/092-093	35660.52-55	113/057-058
35623.57-57	110/068-068	35629.30-33	111/031-032	35649.08-11	111/131-132	35654.51-54	112/094-095	35660.59-59	113/059-059
35624.01-04	110/069-070	35629.37-40	111/033-034	35649.15-18	112/001-002	35654.58-58	112/096-096	35661.02-06	113/060-061
35624.08-11	110/071-072	35629.44-47	111/035-036	35649.22-25	112/003-004	35655.01-05	112/097-098	35661.09-13	113/062-063
35624.15-18	110/073-074	35629.51-54	111/037-038	35649.29-32	112/005-006	35655.08-12	112/099-100	35661.16-20	113/064-065
35624.22-25	110/075-076	35629.58-58	111/039-039	35649.36-39	112/007-008	35655.15-15	112/101-101	35661.23-27	113/066-067
35624.29-32	110/077-078	35630.01-05	111/040-041	35649.43-46	112/009-010	35655.58-58	112/102-102	35661.30-34	113/068-069
35624.36-39	110/079-080	35630.08-12	111/042-043	35649.50-53	112/011-012	35656.01-05	112/103-104	35661.37-41	113/070-071
35624.43-46	110/081-082	35630.15-19	111/044-045	35649.57-57	112/013-013	35656.08-12	112/105-106	35661.44-48	113/072-073
35624.50-53	110/083-084	35630.22-26	111/046-047	35650.00-04	112/014-015	35656.15-19	112/107-108	35661.51-55	113/074-075
35624.57-57	110/085-085	35630.29-33	111/048-049	35650.07-11	112/016-017	35656.22-26	112/109-110	35661.58-58	113/076-076

## VOYAGER ARCHIVE TAPE CATALOG

FDS COUNT	VEE ID	FDS COUNT	VEE ID	FDS COUNT	VEE ID	FDS COUNT	VEE ID	FDS COUNT	VEE ID
35662.02-05	113/077-078	35681.23-26	114/031-032	35686.59-59	114/127-127	35692.28-31	115/089-090	35712.23-27	116/054-055
35662.09-12	113/079-080	35681.30-33	114/033-034	35687.02-06	114/128-129	35692.35-38	115/091-092	35712.30-34	116/056-057
35662.16-19	113/081-082	35681.37-40	114/035-036	35687.09-13	114/130-131	35692.42-45	115/093-094	35712.37-41	116/058-059
35662.23-26	113/083-084	35681.44-47	114/037-038	35687.16-20	114/132-132	35692.49-52	115/095-096	35712.44-48	116/060-061
35662.30-33	113/085-086	35681.51-54	114/039-040	35687.20-23	115/001-002	35692.56-59	115/097-098	35712.51-55	116/062-063
35662.37-40	113/087-088	35681.58-58	114/041-041	35687.27-30	115/003-004	35693.03-06	115/099-100	35712.58-58	116/064-064
35662.44-47	113/089-090	35682.01-05	114/042-043	35687.34-37	115/005-006	35693.10-13	115/101-102	35713.02-05	116/065-066
35662.51-54	113/091-092	35682.08-12	114/044-045	35687.41-44	115/007-008	35693.17-20	115/103-104	35713.09-12	116/067-068
35662.58-58	113/093-093	35682.15-19	114/046-047	35687.48-51	115/009-010	35693.24-27	115/105-106	35713.16-19	116/069-070
35663.01-05	113/094-095	35682.22-26	114/048-049	35687.56-58	115/011-012	35693.31-34	115/107-108	35713.23-26	116/071-072
35663.08-12	113/096-097	35682.29-33	114/050-051	35688.02-05	115/013-014	35693.38-41	115/109-110	35713.30-33	116/073-074
35663.14-15	113/098-099	35682.36-40	114/052-053	35688.09-12	115/015-016	35693.45-48	115/111-112	35713.37-40	116/075-076
35663.19-22	113/100-101	35682.43-47	114/054-055	35688.16-19	115/017-018	35693.52-55	115/113-114	35713.44-47	116/077-078
35663.26-29	113/102-103	35682.50-54	114/056-057	35688.23-26	115/019-020	35693.59-59	115/115-115	35713.51-54	116/079-080
35663.33-36	113/104-105	35682.57-57	114/058-058	35688.30-33	115/021-022	35694.02-02	115/116-116	35713.58-58	116/081-081
35663.40-43	113/106-107	35683.01-04	114/059-060	35688.37-40	115/023-024	35694.24-33	115/117-120	35714.01-05	116/082-083
35663.47-50	113/108-109	35683.03-03	114/061-061	35688.44-47	115/025-026	35708.08-11	115/121-122	35714.08-12	116/084-085
35663.54-54	113/110-110	35683.11-15	114/062-063	35688.51-54	115/027-028	35708.15-18	115/123-124	35714.15-19	116/086-087
35664.01-04	113/111-112	35683.18-22	114/064-065	35688.58-58	115/029-029	35708.22-25	115/125-126	35714.22-26	116/088-089
35664.08-11	113/113-114	35683.25-29	114/066-067	35689.01-05	115/030-031	35708.29-32	115/127-128	35714.29-33	116/090-091
35664.15-18	113/115-116	35683.32-36	114/068-069	35689.08-12	115/032-033	35708.36-39	115/129-130	35714.36-40	116/092-093
35664.29-38	113/117-120	35683.39-43	114/070-071	35689.15-19	115/034-035	35708.43-46	115/131-132	35714.43-47	116/094-095
35678.14-17	113/121-122	35683.46-50	114/072-073	35689.22-26	115/036-037	35708.50-53	116/001-002	35714.50-54	116/096-097
35678.21-24	113/123-124	35683.53-57	114/074-075	35689.29-33	115/038-039	35708.57-57	116/003-003	35714.57-57	116/098-098
35678.28-31	113/125-126	35684.00-04	114/076-077	35689.36-40	115/040-041	35709.00-04	116/004-005	35715.01-04	116/099-100
35678.35-38	113/127-128	35684.07-11	114/078-079	35689.43-47	115/042-043	35709.07-11	116/006-007	35715.08-11	116/101-102
35678.42-45	113/129-130	35684.14-18	114/080-081	35689.50-54	115/044-045	35709.14-18	116/008-009	35715.15-18	116/103-104
35678.49-52	113/131-132	35684.21-25	114/082-083	35689.57-57	115/046-046	35709.21-25	116/010-011	35715.22-25	116/105-106
35678.56-59	113/133-134	35684.28-32	114/084-085	35690.01-04	115/047-048	35709.28-32	116/012-013	35715.29-32	116/107-108
35679.03-06	113/135-136	35684.35-39	114/086-087	35690.08-11	115/049-050	35709.35-39	116/014-015	35715.36-39	116/109-110
35679.10-13	113/137-138	35684.42-46	114/088-089	35690.15-18	115/051-052	35709.42-42	116/016-016	35715.43-46	116/111-112
35679.17-20	113/139-140	35684.49-53	114/090-091	35690.22-25	115/053-054	35710.14-17	116/017-018	35715.50-53	116/113-114
35679.24-27	113/141-142	35684.56-56	114/092-092	35690.29-32	115/055-056	35710.21-24	116/019-020	35715.57-57	116/115-115
35679.31-34	113/143-144	35685.00-03	114/093-094	35690.36-39	115/057-058	35710.28-31	116/021-022	35716.00-04	116/116-117
35679.38-41	114/001-002	35685.07-10	114/095-096	35690.43-46	115/059-060	35710.35-38	116/023-024	35716.07-11	116/118-119
35679.45-48	114/003-004	35685.14-17	114/097-098	35690.50-53	115/061-062	35710.42-45	116/025-026	35716.14-18	116/120-121
35679.52-55	114/005-006	35685.21-24	114/099-100	35690.57-57	115/063-063	35710.49-52	116/027-028	35716.21-25	116/122-123
35679.59-59	114/007-007	35685.28-31	114/101-102	35691.00-04	115/064-065	35710.56-59	116/029-030	35716.28-32	116/124-124
35680.02-06	114/008-009	35685.35-38	114/103-104	35691.07-11	115/066-067	35711.03-06	116/031-032	35716.32-35	117/001-002
35680.09-13	114/010-011	35685.42-45	114/105-106	35691.14-18	115/068-069	35711.10-13	116/033-034	35716.39-42	117/003-004
35680.16-20	114/012-013	35685.49-52	114/107-108	35691.21-25	115/070-071	35711.17-20	116/035-036	35716.46-49	117/005-006
35680.23-27	114/014-015	35685.56-59	114/109-110	35691.28-32	115/072-073	35711.24-27	116/037-038	35716.53-56	117/007-008
35680.30-34	114/016-017	35686.03-06	114/111-112	35691.35-39	115/074-075	35711.31-34	116/039-040	35717.00-03	117/009-010
35680.37-41	114/018-019	35686.10-13	114/113-114	35691.42-46	115/076-077	35711.38-41	116/041-042	35717.07-10	117/011-012
35680.44-48	114/020-021	35686.17-20	114/115-116	35691.49-53	115/078-079	35711.45-48	116/043-044	35717.14-17	117/013-014
35680.51-55	114/022-023	35686.24-27	114/117-118	35691.56-56	115/080-080	35711.52-55	116/045-046	35717.21-24	117/015-016
35680.58-58	114/024-024	35686.31-34	114/119-120	35692.00-03	115/081-082	35711.59-59	116/047-047	35717.28-31	117/017-018
35681.02-05	114/025-026	35686.38-41	114/121-122	35692.07-10	115/083-084	35712.02-06	116/048-049	35717.35-38	117/019-020
35681.09-12	114/027-028	35686.45-48	114/123-124	35692.14-17	115/085-086	35712.09-13	116/050-051	35717.42-45	117/021-022
35681.16-19	114/029-030	35686.52-55	114/125-126	35692.21-24	115/087-088	35712.16-20	116/052-053	35717.49-52	117/023-024

## VOYAGER ARCHIVE TAPE CATALOG

FDS COUNT	VEE ID	FDS COUNT	VEE ID	FDS COUNT	VEE ID	FDS COUNT	VEE ID	FDS COUNT	VEE ID
35717.56-59	117/025-026	35723.42-46	117/124-125	35743.10-13	118/077-078	35748.42-46	119/040-041	35768.10-13	120/005-006
35718.03-06	117/027-028	35723.49-53	117/126-127	35743.17-20	118/079-080	35748.49-53	119/042-043	35768.17-20	120/007-008
35718.10-13	117/029-030	35723.56-56	117/128-128	35743.24-27	118/081-082	35748.56-56	119/044-044	35768.24-27	120/009-010
35718.17-20	117/031-032	35724.18-27	117/129-132	35743.31-34	118/083-084	35749.00-03	119/045-046	35768.31-34	120/011-012
35718.24-27	117/033-034	35738.02-05	117/133-134	35743.38-41	118/085-086	35749.07-10	119/047-048	35768.38-41	120/013-014
35718.31-34	117/035-036	35738.09-12	117/135-136	35743.45-48	118/087-088	35749.14-17	119/049-050	35768.45-48	120/015-016
35718.38-41	117/037-038	35738.16-19	117/137-138	35743.52-55	118/089-090	35749.21-24	119/051-052	35768.52-55	120/017-018
35718.45-48	117/039-040	35738.23-26	117/139-140	35743.59-59	118/091-091	35749.28-31	119/053-054	35768.59-59	120/019-019
35718.52-55	117/041-042	35738.30-33	117/141-142	35744.02-06	118/092-093	35749.35-38	119/055-056	35769.02-06	120/020-021
35718.59-59	117/043-043	35738.37-40	117/143-144	35744.09-13	118/094-095	35749.42-45	119/057-058	35769.09-13	120/022-023
35719.02-06	117/044-045	35738.44-47	118/001-002	35744.16-20	118/096-097	35749.49-52	119/059-060	35769.16-20	120/024-025
35719.09-13	117/046-047	35738.51-54	118/003-004	35744.23-27	118/098-099	35749.56-59	119/061-062	35769.23-27	120/026-027
35719.16-20	117/048-049	35738.58-58	118/005-005	35744.30-34	118/100-101	35750.03-06	119/063-064	35769.30-34	120/028-029
35719.23-27	117/050-051	35739.01-05	118/006-007	35744.37-41	118/102-103	35750.10-13	119/065-066	35769.37-41	120/030-031
35719.30-34	117/052-053	35739.08-12	118/008-009	35744.44-48	118/104-105	35750.17-20	119/067-068	35769.44-48	120/032-033
35719.37-41	117/054-055	35739.15-19	118/010-011	35744.51-55	118/106-107	35750.24-27	119/069-070	35769.51-55	120/034-035
35719.44-48	117/056-057	35739.22-26	118/012-013	35744.58-58	118/108-108	35750.31-34	119/071-072	35769.58-58	120/036-036
35719.51-55	117/058-059	35739.29-33	118/014-015	35745.02-05	118/109-110	35750.38-41	119/073-074	35770.02-05	120/037-038
35719.58-58	117/060-060	35739.36-40	118/016-017	35745.09-12	118/111-112	35750.45-48	119/075-076	35770.09-12	120/039-040
35720.02-05	117/061-062	35739.43-47	118/018-019	35745.16-19	118/113-114	35750.52-55	119/077-078	35770.16-19	120/041-042
35720.09-12	117/063-064	35739.50-54	118/020-021	35745.23-26	118/115-116	35750.59-59	119/079-079	35770.23-26	120/043-044
35720.16-19	117/065-066	35739.57-57	118/022-022	35745.30-33	118/117-118	35751.02-06	119/080-081	35770.30-33	120/045-046
35720.23-26	117/067-068	35740.01-04	118/023-024	35745.37-40	118/119-120	35751.09-13	119/082-083	35770.37-40	120/047-048
35720.30-33	117/069-070	35740.08-11	118/025-026	35745.44-47	118/121-122	35751.16-20	119/084-085	35770.44-47	120/049-050
35720.37-40	117/071-072	35740.15-18	118/027-028	35745.51-54	118/123-124	35751.23-27	119/086-087	35770.51-54	120/051-052
35720.44-47	117/073-074	35740.22-25	118/029-030	35745.58-58	118/125-125	35751.30-34	119/088-089	35770.58-58	120/053-053
35720.51-54	117/075-076	35740.29-32	118/031-032	35746.01-05	118/126-127	35751.37-41	119/090-091	35771.01-05	120/054-055
35720.58-58	117/077-077	35740.36-39	118/033-034	35746.08-12	118/128-129	35751.44-48	119/092-093	35771.08-12	120/056-057
35721.01-05	117/078-079	35740.43-46	118/035-036	35746.15-19	118/130-131	35751.51-55	119/094-095	35771.15-19	120/058-059
35721.08-12	117/080-081	35740.50-53	118/037-038	35746.22-26	118/132-132	35751.58-58	119/096-096	35771.22-26	120/060-061
35721.15-19	117/082-083	35740.57-57	118/039-039	35746.26-29	119/001-002	35752.02-05	119/097-098	35771.29-33	120/062-063
35721.22-26	117/084-085	35741.00-04	118/040-041	35746.33-36	119/003-004	35752.09-12	119/099-100	35771.36-40	120/064-065
35721.29-33	117/086-087	35741.07-11	118/042-043	35746.40-43	119/005-006	35752.16-19	119/101-102	35771.43-47	120/066-067
35721.36-40	117/088-089	35741.14-18	118/044-045	35746.47-50	119/007-008	35752.23-26	119/103-104	35771.50-54	120/068-069
35721.43-47	117/090-091	35741.21-25	118/046-047	35746.54-57	119/009-010	35752.30-33	119/105-106	35771.57-57	120/070-070
35721.50-54	117/092-093	35741.28-32	118/048-049	35747.01-04	119/011-012	35752.37-40	119/107-108	35772.01-04	120/071-072
35721.57-57	117/094-094	35741.35-39	118/050-051	35747.08-11	119/013-014	35752.44-47	119/109-110	35772.08-11	120/073-074
35722.01-04	117/095-096	35741.42-46	118/052-053	35747.15-18	119/015-016	35752.51-54	119/111-112	35772.15-18	120/075-076
35722.02-25	117/101-102	35741.49-53	118/054-055	35747.22-25	119/017-018	35752.58-58	119/113-113	35772.22-25	120/077-078
35722.29-32	117/103-104	35741.56-56	118/056-056	35747.29-32	119/019-020	35753.01-05	119/114-115	35772.29-32	120/079-080
35722.36-39	117/105-106	35742.00-03	118/057-058	35747.36-39	119/021-022	35753.08-12	119/116-117	35772.36-39	120/081-082
35722.43-46	117/107-108	35742.07-10	118/059-060	35747.43-46	119/023-024	35753.15-19	119/118-119	35772.43-46	120/083-084
35722.50-53	117/109-110	35742.14-17	118/061-062	35747.50-53	119/025-026	35753.22-26	119/120-121	35772.50-53	120/085-086
35722.57-57	117/111-111	35742.21-24	118/063-064	35747.57-57	119/027-027	35753.29-33	119/122-123	35772.57-57	120/087-087
35723.00-04	117/112-113	35742.28-31	118/065-066	35748.00-04	119/028-029	35753.36-40	119/124-125	35773.00-04	120/088-089
35723.07-11	117/114-115	35742.35-38	118/067-068	35748.07-11	119/030-031	35753.43-47	119/126-127	35773.07-11	120/090-091
35723.14-18	117/116-117	35742.42-45	118/069-070	35748.14-18	119/032-033	35753.50-50	119/128-128	35773.14-18	120/092-093
35723.21-25	117/118-119	35742.49-50	118/071-072	35748.21-25	119/034-035	35754.12-21	119/129-132	35773.21-25	120/094-095
35723.28-32	117/120-121	35742.56-59	118/073-074	35748.28-32	119/036-037	35767.56-59	120/001-002	35773.28-32	120/096-097
35723.35-39	117/122-123	35743.03-06	118/075-076	35748.35-39	119/038-039	35768.03-06	120/003-004	35773.35-39	120/098-099

## VOYAGER ARCHIVE TAPE CATALOG

FDS COUNT	VEE ID	FDS COUNT	VEE ID	FDS COUNT	VEE ID	FDS COUNT	VEE ID	FDS COUNT	VEE ID
35773.42-46	120/100-101	35779.22-25	121/064-065	35798.36-40	122/017-018	35804.09-12	122/112-113	35809.45-48	123/077-078
35773.49-53	120/102-103	35779.29-32	121/066-067	35798.43-47	122/019-020	35804.16-19	122/114-115	35809.52-55	123/079-080
35773.56-56	120/104-104	35779.36-39	121/068-069	35798.50-54	122/021-022	35804.23-26	122/116-117	35809.59-59	123/081-081
35774.00-03	120/105-106	35779.43-46	121/070-071	35798.57-57	122/023-023	35804.30-33	122/118-119	35810.02-06	123/082-083
35774.07-10	120/107-108	35779.50-53	121/072-073	35799.01-04	122/024-025	35804.37-40	122/120-121	35810.09-13	123/084-085
35774.14-17	120/109-110	35779.57-57	121/074-074	35799.08-11	122/026-027	35804.44-47	122/122-123	35810.16-20	123/086-087
35774.21-24	120/111-112	35780.00-04	121/075-076	35799.15-18	122/028-029	35804.51-54	122/124-125	35810.23-27	123/088-089
35774.28-31	120/113-114	35780.07-11	121/077-078	35799.22-25	122/030-031	35804.58-58	122/126-126	35810.30-34	123/090-091
35774.35-38	120/115-116	35780.14-18	121/079-080	35799.29-32	122/032-033	35805.01-05	122/127-128	35810.37-41	123/092-093
35774.42-45	120/117-118	35780.21-25	121/081-082	35799.36-39	122/034-035	35805.08-12	122/129-130	35810.44-48	123/094-095
35774.49-52	120/119-120	35780.28-32	121/083-084	35799.43-46	122/036-037	35805.15-19	122/131-131	35810.51-55	123/096-097
35774.56-59	120/121-122	35780.35-39	121/085-086	35799.50-53	122/038-039	35805.19-22	123/001-002	35810.58-58	123/098-098
35775.03-06	120/123-124	35780.42-46	121/087-088	35799.57-57	122/040-040	35805.26-29	123/003-004	35811.02-05	123/099-100
35775.10-13	120/125-126	35780.49-53	121/089-090	35800.00-04	122/041-042	35805.33-36	123/005-006	35811.09-12	123/101-102
35775.17-20	120/127-128	35780.56-56	121/091-091	35800.07-11	122/043-044	35805.40-43	123/007-008	35811.16-19	123/103-104
35775.30-31	120/129-130	35781.00-03	121/092-093	35800.14-18	122/045-046	35805.47-50	123/009-010	35811.23-26	123/105-106
35775.34-38	120/131-132	35781.07-10	121/094-095	35800.21-25	122/047-048	35805.54-57	123/011-012	35811.30-33	123/107-108
35775.41-45	121/001-002	35781.14-17	121/096-097	35800.28-32	122/049-050	35806.01-04	123/013-014	35811.37-40	123/109-110
35775.48-52	121/003-004	35781.21-24	121/098-099	35800.35-39	122/051-052	35806.08-11	123/015-016	35811.44-47	123/111-112
35775.55-59	121/005-006	35781.28-31	121/100-101	35800.42-46	122/053-054	35806.15-18	123/017-018	35811.51-54	123/113-114
35776.02-06	121/007-008	35781.35-38	121/102-103	35800.49-53	122/055-056	35806.22-25	123/019-020	35811.58-58	123/115-115
35776.09-13	121/009-010	35781.42-45	121/104-105	35800.56-56	122/057-057	35806.29-32	123/021-022	35812.01-05	123/116-117
35776.16-20	121/011-012	35781.49-52	121/106-107	35801.00-03	122/058-059	35806.36-39	123/023-024	35812.08-12	123/118-119
35776.23-27	121/013-014	35781.56-59	121/108-109	35801.07-10	122/060-061	35806.43-46	123/025-026	35812.15-19	123/120-121
35776.30-34	121/015-016	35782.03-06	121/110-111	35801.14-17	122/062-063	35806.50-53	123/027-028	35812.22-26	123/122-123
35776.37-41	121/017-018	35782.10-13	121/112-113	35801.21-24	122/064-065	35806.57-57	123/029-029	35812.29-33	123/124-125
35776.44-48	121/019-020	35782.17-20	121/114-115	35801.28-31	122/066-067	35807.00-04	123/030-031	35812.36-40	123/126-127
35776.51-55	121/021-022	35782.24-27	121/116-117	35801.35-38	122/068-069	35807.07-11	123/032-033	35812.43-47	123/128-129
35776.58-58	121/023-023	35782.31-34	121/118-119	35801.42-45	122/070-071	35807.14-18	123/034-035	35812.50-54	123/130-131
35777.02-05	121/024-025	35782.38-41	121/120-121	35801.49-52	122/072-073	35807.21-25	123/036-037	35812.57-57	123/132-132
35777.09-12	121/026-027	35782.45-48	121/122-123	35801.56-59	122/074-075	35807.28-32	123/038-039	35813.01-04	124/001-002
35777.16-19	121/028-029	35782.52-55	121/124-125	35802.03-06	122/076-077	35807.35-39	123/040-041	35813.08-11	124/003-004
35777.23-26	121/030-031	35782.59-59	121/126-126	35802.10-13	122/078-079	35807.42-46	123/042-043	35813.15-18	124/005-006
35777.30-33	121/032-033	35783.02-06	121/127-128	35802.17-20	122/080-081	35807.49-53	123/044-045	35813.22-25	124/007-008
35777.37-40	121/034-035	35783.09-13	121/129-130	35802.24-27	122/082-083	35807.56-56	123/046-046	35813.29-32	124/009-010
35777.44-47	121/036-037	35783.16-20	121/131-132	35802.31-34	122/084-085	35808.00-03	123/047-048	35813.36-39	124/011-012
35777.51-54	121/038-039	35783.23-27	121/133-134	35802.38-41	122/086-087	35808.07-10	123/049-050	35813.44-53	124/013-016
35777.58-58	121/040-040	35783.30-34	121/135-136	35802.45-48	122/088-089	35808.14-17	123/051-052	35813.58-58	124/017-017
35778.01-05	121/041-042	35783.37-41	121/137-138	35802.52-55	122/090-091	35808.21-24	123/053-054	35814.01-07	124/018-020
35778.08-12	121/043-044	35783.44-50	121/139-140	35802.59-59	122/092-092	35808.28-31	123/055-056	35829.09-12	124/021-022
35778.15-19	121/045-046	35783.53-59	121/141-143	35803.02-06	122/093-094	35808.35-38	123/057-058	35829.16-19	124/023-024
35778.22-26	121/047-048	35784.22-25	121/144-144	35803.09-13	122/095-096	35808.42-45	123/059-060	35829.23-26	124/025-026
35778.29-33	121/049-050	35784.25-31	122/001-003	35803.16-20	122/097-098	35808.49-52	123/061-062	35829.30-33	124/027-028
35778.36-40	121/051-052	35797.51-54	122/004-005	35803.23-27	122/099-100	35808.56-59	123/063-064	35829.47-51	124/032-033
35778.43-47	121/053-054	35797.58-58	122/006-006	35803.30-34	122/101-102	35809.03-06	123/065-066	35829.54-58	124/034-035
35778.50-54	121/055-056	35798.01-05	122/007-008	35803.37-41	122/103-104	35809.10-13	123/067-068	35829.63-63	124/029-029
35778.57-57	121/057-057	35798.08-12	122/009-010	35803.44-48	122/105-106	35809.17-20	123/069-070	35830.01-05	124/036-037
35799.01-04	121/058-059	35798.15-19	122/011-012	35803.51-55	122/107-108	35809.24-27	123/071-072	35830.08-12	124/038-039
35799.08-11	121/060-061	35798.22-26	122/013-014	35803.58-58	122/109-109	35809.31-34	123/073-074	35830.15-19	124/040-041
35799.15-18	121/062-063	35798.29-33	122/015-016	35804.02-05	122/110-111	35809.38-41	123/075-076	35830.22-26	124/042-043



## VOYAGER ARCHIVE TAPE CATALOG

FDS COUNT	VEE ID	FDS COUNT	VEE ID	FDS COUNT	VEE ID	FDS COUNT	VEE ID	FDS COUNT	VEE ID
35830.29-33	124/044-045	35836.02-05	125/007-008	35841.38-41	125/103-104	35861.42-46	126/056-057	35867.15-18	127/019-020
35830.36-40	124/046-047	35836.09-12	125/009-010	35841.45-48	125/105-106	35861.49-53	126/058-059	35867.22-25	127/021-022
35830.43-47	124/048-049	35836.16-19	125/011-012	35841.52-55	125/107-108	35861.56-56	126/060-060	35867.29-32	127/023-024
35830.50-54	124/050-051	35836.23-26	125/013-014	35841.59-59	125/109-109	35862.00-03	126/061-062	35867.36-39	127/025-026
35830.57-57	124/052-052	35836.30-33	125/015-016	35842.02-06	125/110-111	35862.07-10	126/063-064	35867.43-46	127/027-028
35831.01-04	124/053-054	35836.37-40	125/017-018	35842.09-13	125/112-113	35862.14-17	126/065-066	35867.50-53	127/029-030
35831.08-11	124/055-056	35836.44-47	125/019-020	35842.16-20	125/114-115	35862.21-24	126/067-068	35867.57-57	127/031-031
35831.15-18	124/057-058	35836.51-54	125/021-022	35842.23-27	125/116-117	35862.28-31	126/069-070	35868.00-04	127/032-033
35831.22-25	124/059-060	35836.58-58	125/023-023	35842.30-34	125/118-119	35862.35-38	126/071-072	35868.07-11	127/034-035
35831.29-32	124/061-062	35837.01-05	125/024-025	35842.37-41	125/120-121	35862.42-45	126/073-074	35868.14-18	127/036-037
35831.36-39	124/063-064	35837.08-12	125/026-027	35842.44-48	125/122-123	35862.49-52	126/075-076	35868.21-25	127/038-039
35831.43-46	124/065-066	35837.15-19	125/028-029	35842.51-55	125/124-125	35862.56-59	126/077-078	35868.25-28	127/041-042
35831.50-53	124/067-068	35837.22-26	125/030-031	35842.58-58	125/126-126	35863.03-06	126/079-080	35868.28-32	127/040-041
35831.57-57	124/069-069	35837.29-33	125/032-033	35843.02-05	125/127-128	35863.10-13	126/081-082	35868.32-35	127/043-044
35832.00-04	124/070-071	35837.36-40	125/034-035	35843.09-18	125/129-132	35863.17-20	126/083-084	35868.35-39	127/042-043
35832.07-11	124/072-073	35837.43-47	125/036-037	35857.48-51	125/133-134	35863.24-27	126/085-086	35868.39-42	127/045-046
35832.14-18	124/074-075	35837.50-54	125/038-039	35857.55-58	125/135-136	35863.31-34	126/087-088	35868.42-46	127/044-045
35832.21-25	124/076-077	35837.57-57	125/040-040	35858.02-05	125/137-138	35863.38-41	126/089-090	35868.46-49	127/047-048
35832.28-32	124/078-079	35838.01-04	125/041-042	35858.09-12	125/139-140	35863.45-48	126/091-092	35868.49-53	127/046-047
35832.35-39	124/080-081	35838.08-11	125/043-044	35858.16-19	125/141-142	35863.52-55	126/093-094	35868.53-56	127/049-050
35832.42-46	124/082-083	35838.15-18	125/045-046	35858.23-26	125/143-144	35863.59-59	126/095-095	35868.56-56	127/048-048
35832.49-53	124/084-085	35838.22-25	125/047-048	35858.30-33	126/001-002	35864.02-06	126/096-097	35869.00-03	127/049-050
35832.56-56	124/086-086	35838.29-32	125/049-050	35858.37-40	126/003-004	35864.09-13	126/098-099	35869.00-03	127/071-072
35833.00-03	124/087-088	35838.36-39	125/051-052	35858.44-47	126/005-006	35864.16-20	126/100-101	35869.07-10	127/051-052
35833.07-10	124/089-090	35838.43-46	125/053-054	35858.51-54	126/007-008	35864.23-27	126/102-103	35869.07-10	127/073-074
35833.14-17	124/091-092	35838.50-53	125/055-056	35858.58-58	126/009-009	35864.30-34	126/104-105	35869.14-17	127/053-054
35833.21-24	124/093-094	35838.57-57	125/057-057	35859.01-05	126/010-011	35864.37-41	126/106-107	35869.14-17	127/075-076
35833.28-31	124/095-096	35839.00-04	125/058-059	35859.08-12	126/012-013	35864.44-48	126/108-109	35869.21-24	127/055-056
35833.35-38	124/097-098	35839.07-11	125/060-061	35859.15-19	126/014-015	35864.51-55	126/110-111	35869.21-24	127/077-078
35833.42-45	124/099-100	35839.14-18	125/062-063	35859.22-26	126/016-017	35864.58-58	126/112-112	35869.28-31	127/057-058
35833.49-52	124/101-102	35839.21-25	125/064-065	35859.29-33	126/018-019	35865.02-05	126/113-114	35869.35-38	127/059-060
35833.56-59	124/103-104	35839.28-32	125/066-067	35859.36-40	126/020-021	35865.09-12	126/115-116	35869.35-38	127/081-082
35834.03-06	124/105-106	35839.35-39	125/068-069	35859.43-47	126/022-023	35865.16-19	126/117-118	35869.42-45	127/083-084
35834.10-13	124/107-108	35839.42-46	125/070-071	35859.50-54	126/024-025	35865.23-26	126/119-120	35869.49-52	127/085-086
35834.17-20	124/109-110	35839.49-53	125/072-073	35859.57-57	126/026-026	35865.30-33	126/121-122	35869.56-59	127/087-088
35834.24-27	124/111-112	35839.56-56	125/074-074	35860.01-04	126/027-028	35865.37-40	126/123-124	35870.03-06	127/089-090
35834.31-34	124/113-114	35840.00-03	125/075-076	35860.08-11	126/029-030	35865.44-47	126/125-126	35870.10-13	127/091-092
35834.38-41	124/115-116	35840.07-10	125/077-078	35860.15-18	126/031-032	35865.51-54	126/127-128	35870.17-20	127/093-094
35834.45-48	124/117-118	35840.14-17	125/079-080	35860.22-25	126/033-034	35865.58-58	126/129-129	35870.24-27	127/095-096
35834.52-55	124/119-120	35840.21-24	125/081-082	35860.29-32	126/035-036	35866.01-05	126/130-131	35870.31-34	127/097-098
35834.59-59	124/121-121	35840.28-31	125/083-084	35860.36-39	126/037-038	35866.08-12	126/132-132	35870.38-41	127/099-100
35835.02-06	124/122-123	35840.35-38	125/085-086	35860.43-46	126/039-040	35866.12-15	127/001-002	35870.45-48	127/101-102
35835.09-13	124/124-125	35840.42-45	125/087-088	35860.50-53	126/041-042	35866.19-22	127/003-004	35870.52-55	127/103-104
35835.16-20	124/126-127	35840.49-52	125/089-090	35860.57-57	126/043-043	35866.26-29	127/005-006	35870.59-59	127/105-105
35835.23-27	124/128-129	35840.56-59	125/091-092	35861.00-04	126/044-045	35866.33-36	127/007-008	35871.02-06	127/106-107
35835.30-34	124/130-131	35841.03-06	125/093-094	35861.07-11	126/046-047	35866.40-43	127/009-010	35871.09-13	127/108-109
35835.37-41	124/132-132	35841.10-13	125/095-096	35861.14-18	126/048-049	35866.47-50	127/011-012	35871.16-20	127/110-111
35835.41-44	125/001-002	35841.17-20	125/097-098	35861.21-25	126/050-051	35866.54-57	127/013-014	35871.23-27	127/112-113
35835.48-51	125/003-004	35841.24-27	125/099-100	35861.28-32	126/052-053	35867.01-04	127/015-016	35871.30-34	127/114-115
35835.55-58	125/005-006	35841.31-34	125/101-102	35861.35-39	126/054-055	35867.08-11	127/017-018	35871.37-41	127/116-117

## VOYAGER ARCHIVE TAPE CATALOG

FDS COUNT	VEE ID	FDS COUNT	VEE ID	FDS COUNT	VEE ID	FDS COUNT	VEE ID	FDS COUNT	VEE ID
35871.44-48	127/118-119	35874.29-33	128/095-096	35900.02-05	129/060-061	35920.00-04	130/011-012	35926.01-04	130/107-108
35871.51-55	127/120-121	35874.36-40	128/097-098	35900.09-12	129/062-063	35920.07-11	130/013-014	35926.08-11	130/109-110
35871.58-58	127/122-122	35874.43-47	128/099-100	35900.16-19	129/064-065	35920.14-18	130/015-016	35926.15-18	130/111-112
35872.02-05	127/123-124	35874.50-54	128/101-102	35900.23-26	129/066-067	35920.21-25	130/017-018	35926.22-25	130/113-114
35872.09-12	127/125-126	35874.57-57	128/103-103	35900.30-33	129/068-069	35920.32-35	130/019-020	35926.29-32	130/115-116
35872.16-19	127/127-128	35875.01-04	128/104-105	35900.37-40	129/070-071	35920.39-42	130/021-022	35926.36-39	130/117-118
35872.23-26	127/129-130	35875.08-11	128/106-107	35900.44-47	129/072-073	35920.46-49	130/023-024	35926.43-46	130/119-120
35872.30-33	127/131-132	35875.15-18	128/108-109	35900.51-54	129/074-075	35920.53-56	130/025-026	35926.50-53	130/121-122
35872.37-40	128/001-002	35875.22-25	128/110-111	35900.58-58	129/076-076	35921.00-03	130/027-028	35926.57-57	130/123-123
35872.44-53	128/003-006	35875.29-32	128/112-113	35901.01-05	129/077-078	35921.07-10	130/029-030	35927.00-04	130/124-125
35888.57-57	128/007-007	35875.36-39	128/114-115	35901.08-12	129/079-080	35921.14-17	130/031-032	35927.07-11	130/126-127
35889.00-04	128/008-009	35875.43-46	128/116-117	35901.15-19	129/081-082	35921.21-24	130/033-034	35927.14-18	130/128-129
35889.07-11	128/010-011	35875.50-53	128/118-119	35901.22-26	129/083-084	35921.28-31	130/035-036	35927.21-25	130/130-131
35889.14-18	128/012-013	35875.57-57	128/120-120	35901.29-33	129/085-086	35921.35-38	130/037-038	35927.28-32	130/132-133
35889.21-25	128/014-015	35876.00-04	128/121-122	35901.36-40	129/087-088	35921.42-45	130/039-040	35927.35-39	130/134-135
35889.28-32	128/016-017	35876.07-11	128/123-124	35901.43-47	129/089-090	35921.49-52	130/041-042	35927.42-46	130/136-137
35889.35-39	128/018-019	35876.14-18	128/125-126	35901.50-54	129/091-092	35921.56-59	130/043-044	35927.49-53	130/138-138
35889.42-46	128/020-021	35876.21-25	128/127-128	35901.57-57	129/093-093	35922.03-06	130/045-046	35927.53-56	131/001-002
35889.49-53	128/022-023	35876.28-32	128/129-130	35902.01-04	129/094-095	35922.10-13	130/047-048	35928.00-03	131/003-004
35889.56-56	128/024-024	35876.35-39	129/001-002	35902.08-11	129/096-097	35922.17-20	130/049-050	35928.07-10	131/005-006
35891.10-13	128/038-039	35876.42-46	129/003-004	35902.15-18	129/098-099	35922.24-27	130/051-052	35928.14-17	131/007-008
35891.17-20	128/040-041	35876.49-53	129/005-006	35902.22-25	129/100-101	35922.31-34	130/053-054	35928.21-24	131/009-010
35891.24-27	128/042-043	35876.56-56	129/007-007	35902.29-32	129/102-103	35922.38-41	130/055-056	35928.28-31	131/011-012
35891.31-34	128/044-045	35877.00-03	129/008-009	35902.36-39	129/104-105	35922.45-48	130/057-058	35928.35-38	131/013-014
35891.38-41	128/046-047	35877.07-10	129/010-011	35902.43-46	129/106-107	35922.52-55	130/059-060	35928.42-45	131/015-016
35891.45-48	128/048-049	35877.14-17	129/012-013	35902.50-53	129/108-109	35922.59-59	130/061-061	35928.49-52	131/017-018
35891.52-55	128/050-051	35877.21-24	129/014-015	35902.57-57	129/110-110	35923.02-06	130/062-063	35928.56-59	131/019-020
35891.59-59	128/052-052	35877.28-31	129/016-017	35903.00-06	129/111-113	35923.09-13	130/064-065	35929.03-06	131/021-022
35892.02-06	128/053-054	35877.35-38	129/018-019	35917.37-40	129/114-115	35923.16-20	130/066-067	35929.10-13	131/023-024
35892.09-13	128/055-056	35877.42-45	129/020-021	35917.44-47	129/116-117	35923.23-27	130/068-069	35929.17-20	131/025-026
35892.16-20	128/057-058	35877.49-52	129/022-023	35917.51-54	129/118-119	35923.30-34	130/070-071	35929.24-27	131/027-028
35892.23-27	128/059-060	35877.56-59	129/024-025	35917.58-58	129/120-120	35923.37-41	130/072-073	35929.31-34	131/029-030
35892.30-34	128/061-062	35878.03-06	129/026-027	35918.01-05	129/121-122	35923.44-48	130/074-075	35929.38-41	131/031-032
35892.37-41	128/063-064	35878.10-13	129/028-029	35918.08-12	129/123-124	35923.51-55	130/076-077	35929.45-48	131/033-034
35892.44-48	128/065-066	35878.17-20	129/030-031	35918.15-19	129/125-126	35923.58-58	130/078-078	35929.52-55	131/035-036
35892.51-55	128/067-068	35878.24-27	129/032-033	35918.22-26	129/127-128	35924.23-26	130/079-080	35929.59-59	131/037-037
35892.58-58	128/069-069	35878.31-34	129/034-035	35918.29-33	129/129-130	35924.30-33	130/081-082	35930.02-06	131/038-039
35893.02-05	128/070-071	35878.38-41	129/036-037	35918.36-40	129/131-132	35924.37-40	130/083-084	35930.09-13	131/040-041
35893.09-12	128/072-073	35878.45-48	129/038-039	35918.43-47	129/133-134	35924.44-47	130/085-086	35930.16-20	131/042-043
35893.16-19	128/074-075	35878.52-55	129/040-041	35918.50-54	129/135-136	35924.51-54	130/087-088	35930.23-27	131/044-045
35893.23-26	128/076-077	35878.59-59	129/042-042	35918.57-57	129/137-137	35924.58-58	130/089-089	35930.30-34	131/046-047
35893.30-33	128/078-079	35879.02-06	129/043-044	35919.01-04	129/138-139	35925.01-05	130/090-091	35930.37-41	131/048-049
35893.37-40	128/080-081	35879.09-13	129/045-046	35919.08-11	129/140-141	35925.08-12	130/092-093	35930.44-48	131/050-051
35893.44-47	128/082-083	35879.16-20	129/047-048	35919.15-18	129/142-143	35925.15-19	130/094-095	35930.51-55	131/052-053
35893.51-54	128/084-085	35879.23-27	129/049-050	35919.22-25	129/144-144	35925.22-26	130/096-097	35930.58-58	131/054-054
35893.58-58	128/086-086	35879.30-34	129/051-052	35919.25-29	130/001-002	35925.29-33	130/098-099	35931.02-05	131/055-056
35894.01-05	128/087-088	35879.37-41	129/053-054	35919.32-36	130/003-004	35925.36-40	130/100-101	35931.09-12	131/057-058
35894.08-12	128/089-090	35879.44-48	129/055-056	35919.39-43	130/005-006	35925.43-43	130/102-102	35931.17-19	131/059-060
35894.15-19	128/091-092	35879.51-55	129/057-058	35919.46-50	130/007-008	35925.48-50	130/103-104	35931.23-26	131/061-062
35894.22-26	128/093-094	35879.58-58	129/059-059	35919.53-57	130/009-010	35925.54-57	130/105-106	35931.30-33	131/063-064



## VOYAGER ARCHIVE TAPE CATALOG

FDS COUNT	VEE ID	FDS COUNT	VEE ID	FDS COUNT	VEE ID	FDS COUNT	VEE ID	FDS COUNT	VEE ID
35931.37-40	131/065-066	41588.03-57	133/063-062	41621.47-47	135/071-071	41681.53-59	136/063-064	41740.23-23	137/067-067
35931.44-47	131/067-068	41589.03-57	133/053-062	41621.52-52	135/072-072	41682.05-17	136/065-067	41740.35-35	137/069-068
35931.51-54	131/069-070	41590.03-57	133/063-072	41621.57-57	135/073-073	41684.32-56	136/068-072	41742.50-56	137/069-070
35931.58-58	131/071-071	41591.03-57	133/073-082	41622.02-02	135/074-074	41687.11-35	136/073-077	41743.02-14	137/071-073
35932.01-01	131/072-072	41592.03-03	133/083-083	41622.07-07	135/075-075	41689.58-58	136/078-078	41745.29-53	137/074-078
38392.56-59	086/062-063	41592.09-57	133/085-093	41622.12-12	135/076-076	41690.00-06	136/079-082	41748.08-32	137/079-083
38393.03-06	086/064-065	41592.11-11	133/084-084	41622.17-17	135/077-077	41692.37-45	136/083-087	41750.55-59	137/084-086
38393.10-13	086/066-067	41593.03-57	133/094-103	41622.22-22	135/078-078	41695.16-24	136/088-092	41751.01-03	137/087-088
38393.17-20	086/068-069	41594.03-57	133/104-113	41622.27-27	135/079-079	41697.55-59	136/093-095	41753.34-40	137/089-092
38395.06-15	086/080-083	41595.03-33	133/114-119	41622.34-34	135/080-080	41698.01-03	136/096-097	41753.40-42	143/074-075
41561.54-57	220/102-103	41595.38-38	133/120-120	41622.39-39	135/081-081	41698.03-03	136/098-098	41756.13-13	143/076-076
41562.00-09	143/065-068	41595.45-57	133/121-123	41622.44-44	135/082-082	41698.03-09	143/072-073	41756.13-19	137/093-096
41562.12-21	220/104-107	41596.03-57	133/124-133	41622.49-49	135/083-083	41700.34-42	136/099-103	41756.21-21	221/002-002
41562.25-28	220/109-110	41597.03-57	133/134-143	41628.30-32	135/084-085	41703.13-21	136/104-108	41758.52-58	137/097-100
41562.32-32	220/111-111	41598.03-09	133/144-144	41628.36-38	135/086-087	41705.52-58	136/109-112	41759.00-00	137/101-101
41562.35-39	143/069-070	41598.09-57	134/001-009	41628.41-43	135/088-089	41705.58-58	136/113-113	41759.00-00	137/102-102
41562.39-42	220/112-113	41599.03-57	134/010-019	41628.44-44	135/090-090	41705.58-58	136/114-114	41759.00-00	143/086-086
41562.46-49	220/114-115	41600.03-57	134/020-029	41629.07-07	135/091-091	41706.00-00	136/115-115	41761.31-39	137/103-107
41562.53-56	220/116-117	41601.03-57	134/030-039	41629.37-39	135/092-093	41706.00-00	136/116-116	41764.10-18	137/108-112
41563.00-03	220/118-119	41602.03-57	134/040-049	41629.40-40	135/094-094	41706.00-00	136/117-117	41766.49-57	137/113-117
41563.07-16	220/120-123	41603.03-57	134/050-059	41629.55-55	135/095-095	41708.31-31	136/118-118	41769.20-44	137/118-122
41563.27-57	131/073-078	41604.03-57	134/060-069	41630.21-23	135/096-097	41708.31-31	136/119-119	41771.59-59	137/123-123
41564.03-57	131/079-088	41605.03-57	134/070-079	41630.24-24	135/098-098	41708.31-33	136/120-121	41772.05-23	137/124-127
41565.03-57	131/089-098	41606.03-57	134/080-089	41630.39-39	135/099-099	41708.33-33	136/122-122	41774.38-56	137/128-131
41566.03-57	131/099-108	41607.03-57	134/090-099	41631.04-06	135/100-101	41708.33-35	136/123-124	41775.02-02	137/132-132
41567.11-15	131/109-110	41607.57-57	134/102-102	41631.07-07	135/102-102	41708.35-35	136/125-125	41777.17-41	137/133-137
41567.21-57	131/111-117	41608.03-09	134/100-101	41631.19-19	135/103-103	41708.35-39	136/126-127	41780.04-12	137/138-142
41568.03-57	131/118-127	41608.03-57	134/103-112	41631.19-19	135/104-104	41708.39-39	137/001-001	41782.43-47	137/143-144
41569.03-57	131/128-137	41609.03-57	134/113-122	41631.19-19	135/105-105	41708.39-39	137/002-002	41782.47-51	138/001-003
41570.03-45	131/138-144	41610.03-57	134/123-132	41631.40-40	135/106-106	41708.39-39	137/003-003	41785.22-26	138/004-006
41570.45-57	132/001-003	41611.03-09	134/133-133	41634.19-27	135/107-111	41708.39-39	137/004-004	41785.26-30	138/007-008
41571.03-57	132/004-013	41611.09-57	135/001-009	41636.58-58	135/112-112	41708.39-39	137/005-005	41788.01-09	138/009-013
41572.03-57	132/014-023	41612.03-57	135/010-019	41637.00-06	135/113-116	41708.39-39	137/006-006	41788.09-09	138/014-014
41573.03-57	132/024-033	41613.03-57	135/020-029	41639.37-45	135/117-121	41711.02-26	137/007-011	41790.40-40	143/077-077
41574.03-57	132/034-043	41613.41-59	137/012-015	41642.16-16	135/122-122	41714.05-05	137/016-016	41790.40-48	138/015-019
41575.03-57	132/044-053	41614.03-57	135/030-039	41642.16-16	135/123-123	41716.20-44	137/017-021	41793.19-27	138/020-024
41576.03-57	132/054-063	41615.03-57	135/040-049	41642.16-24	135/124-128	41718.59-59	137/022-022	41795.58-58	138/025-025
41577.03-33	132/064-069	41616.03-57	135/050-059	41644.55-59	135/129-131	41719.05-23	137/023-026	41796.00-06	138/026-029
41577.45-57	132/070-072	41617.03-21	135/060-063	41645.01-03	135/132-133	41721.46-54	137/027-031	41798.37-37	138/030-030
41578.03-57	132/073-082	41617.32-32	198/001-001	41645.03-03	221/001-001	41724.25-33	137/032-036	41798.37-39	138/031-032
41579.03-57	132/083-092	41617.37-37	198/002-002	41647.34-38	135/134-135	41727.04-12	137/037-041	41798.39-39	138/033-033
41580.03-57	132/093-102	41617.42-42	198/003-003	41647.38-42	136/001-003	41729.43-51	137/042-046	41798.39-39	138/034-034
41581.03-57	132/103-112	41617.47-47	198/004-004	41650.05-05	136/004-004	41729.51-51	137/047-047	41798.39-41	138/035-036
41582.03-57	132/113-122	41621.12-12	135/064-064	41663.54-54	193/010-010	41729.51-51	137/048-048	41798.41-41	138/037-037
41583.03-51	132/123-130	41621.17-17	135/065-065	41668.52-54	136/041-042	41732.22-30	137/049-053	41798.41-41	138/038-038
41583.51-57	133/001-002	41621.22-22	135/066-066	41671.25-33	136/043-047	41735.01-09	137/054-058	41798.41-43	138/039-040
41584.03-57	133/003-012	41621.27-27	135/067-067	41674.04-12	136/048-052	41737.40-48	137/059-063	41798.43-43	138/041-041
41585.03-57	133/013-022	41621.32-32	135/068-068	41674.06-06	143/071-071	41740.11-11	137/064-064	41798.43-43	138/042-042
41586.03-57	133/023-032	41621.37-37	135/069-069	41676.43-51	136/053-057	41740.11-11	137/065-065	41798.43-45	138/043-044
41587.03-57	133/033-042	41621.42-42	135/070-070	41679.14-38	136/058-062	41740.23-23	137/066-066	41798.45-45	138/045-045

## VOYAGER ARCHIVE TAPE CATALOG

FDS COUNT	VEE ID	FDS COUNT	VEE ID	FDS COUNT	VEE ID	FDS COUNT	VEE ID	FDS COUNT	VEE ID
41798.45-45	138/046-046	41891.14-38	139/073-077	41968.22-26	140/070-072	42044.56-56	141/098-098	42111.45-45	195/085-085
41798.45-45	138/047-047	41893.53-53	143/083-083	41968.30-30	140/073-073	42045.02-20	141/099-102	42113.44-50	197/047-048
41801.08-32	138/048-052	41893.54-54	139/078-078	41971.01-09	140/074-078	42047.35-59	141/103-107	42113.58-58	142/080-080
41803.47-59	138/053-055	41893.59-59	139/079-079	41973.40-48	140/079-083	42048.31-31	194/043-043	42114.00-06	142/081-084
41804.05-11	138/056-057	41894.05-17	139/080-082	41976.19-27	140/084-088	42050.28-30	141/108-109	42114.24-24	192/117-117
41806.26-50	138/058-062	41896.32-56	139/083-087	41978.41-59	140/089-092	42053.01-05	141/110-112	42116.37-39	142/085-086
41809.05-29	138/063-067	41899.19-27	139/088-092	41979.05-05	140/093-093	42053.07-09	221/008-009	42116.37-41	221/026-028
41811.52-58	138/068-071	41901.37-37	139/093-093	41981.20-44	140/094-098	42053.09-09	141/113-113	42116.39-45	142/087-090
41812.00-00	138/072-072	41901.58-58	139/094-094	41983.59-59	140/099-099	42055.40-44	141/114-116	42119.16-24	142/091-095
41814.31-39	138/073-077	41902.00-06	139/095-098	41984.05-23	140/100-103	42055.40-48	221/010-014	42121.55-59	142/096-098
41817.10-18	138/078-082	41902.24-24	193/011-011	41986.38-56	140/104-107	42055.48-48	141/117-117	42122.01-03	142/099-100
41819.49-57	138/083-087	41904.37-45	139/099-103	41987.02-02	140/108-108	42058.19-25	141/118-121	42124.34-42	142/101-105
41819.57-57	221/003-003	41907.16-18	139/104-105	41989.25-33	140/109-113	42058.19-25	221/015-016	42127.13-17	142/106-108
41822.26-36	138/088-092	41907.22-22	139/106-106	41994.43-51	140/119-123	42058.25-27	141/122-123	42127.17-21	142/109-111
41825.07-15	138/093-097	41907.24-24	143/085-085	41997.22-30	140/124-127	42060.58-58	141/124-124	42129.44-56	142/112-114
41827.46-54	138/098-102	41909.55-59	139/107-109	41997.30-30	141/001-001	42061.00-06	141/125-128	42130.02-08	142/115-116
41830.17-41	138/103-107	41910.01-03	139/110-111	41997.30-30	141/002-002	42063.37-45	141/129-133	42130.08-08	221/029-029
41833.02-20	143/078-081	41912.34-42	139/112-116	41997.30-30	221/007-007	42064.03-03	192/116-116	42132.23-47	142/117-121
41833.20-20	138/108-108	41915.13-21	139/117-121	42000.01-09	141/003-007	42066.16-22	141/134-137	42132.29-31	221/030-031
41835.35-59	138/109-113	41917.52-58	139/122-125	42002.40-48	141/008-012	42066.22-24	141/138-139	42135.02-26	142/122-126
41838.14-32	138/114-117	41917.58-58	139/126-126	42005.19-27	141/013-017	42066.24-24	141/140-140	42137.41-41	142/127-127
41838.32-32	138/118-118	41917.58-58	139/127-127	42007.58-58	141/018-018	42068.47-59	141/141-143	42137.59-59	142/128-128
41841.01-09	138/119-123	41918.00-00	139/128-128	42007.58-58	141/019-019	42069.05-11	141/144-144	42138.05-05	142/129-129
41841.07-07	143/082-082	41918.00-00	139/129-129	42008.00-00	141/020-020	42069.11-11	142/001-001	42140.28-36	142/130-134
41843.40-48	138/124-128	41920.23-47	139/130-134	42008.00-02	141/021-022	42071.26-50	142/002-006	42143.07-15	142/135-139
41846.19-27	138/129-133	41922.04-12	140/114-118	42008.02-02	141/023-023	42074.05-29	142/007-011	42145.46-54	142/140-144
41848.58-58	138/134-134	41923.02-02	143/084-084	42008.02-02	141/024-024	42076.44-56	221/017-019	42146.12-12	192/118-118
41849.00-04	138/135-137	41923.02-26	139/135-139	42008.02-02	141/025-025	42076.56-56	142/012-012	42148.25-33	143/001-005
41849.04-06	138/138-139	41925.41-59	139/140-143	42008.02-02	141/026-026	42077.02-08	142/013-014	42151.04-04	221/032-032
41851.37-45	138/140-144	41926.05-05	139/144-144	42008.02-04	141/027-028	42079.31-39	142/015-019	42151.04-12	143/006-010
41854.16-24	139/001-005	41928.20-44	140/001-005	42008.04-04	141/029-029	42082.10-18	142/020-024	42153.43-51	143/011-015
41856.55-59	139/006-008	41931.07-15	140/006-010	42008.04-06	141/030-031	42084.49-57	142/025-029	42156.22-30	143/016-020
41857.01-03	139/009-010	41933.46-54	140/011-015	42008.06-06	141/032-032	42087.28-36	142/030-034	42158.53-59	143/021-022
41857.03-03	139/011-011	41936.25-27	140/016-017	42008.06-06	141/033-033	42087.36-36	142/035-035	42159.05-05	143/023-023
41859.29-32	139/012-013	41936.29-29	143/087-087	42010.29-53	141/034-038	42090.07-15	142/036-040	42159.17-17	143/024-024
41859.38-50	139/014-016	41936.33-33	221/004-004	42013.08-32	141/039-043	42092.46-54	142/041-045	42161.32-56	143/025-029
41862.05-29	139/017-021	41939.04-06	221/005-006	42015.47-59	141/044-046	42095.25-33	142/046-050	42164.11-35	143/030-034
41864.44-56	139/022-024	41939.06-10	140/018-020	42016.05-11	141/047-048	42097.56-56	142/051-051	42166.50-56	143/035-036
41865.02-08	139/025-026	41941.43-51	140/021-025	42018.26-50	141/049-053	42098.02-20	142/052-055	42167.02-02	221/033-033
41867.23-47	139/027-031	41944.22-30	140/026-030	42021.13-21	141/054-058	42098.08-08	221/020-020	42167.08-14	143/037-038
41870.10-18	139/032-036	41947.01-09	140/031-035	42023.52-58	141/059-062	42100.35-59	142/056-060	42167.08-14	143/044-045
41872.49-53	139/037-039	41949.32-50	140/036-039	42024.00-00	141/063-063	42103.14-38	142/061-065	42169.37-39	221/034-035
41872.57-57	139/041-041	41952.11-35	140/041-045	42026.31-39	141/064-068	42105.53-59	142/066-067	42169.41-45	143/039-041
41875.28-36	139/042-046	41954.50-56	140/046-047	42029.10-16	141/069-072	42106.05-11	142/068-069	42169.41-45	143/046-048
41878.07-15	139/047-051	41955.08-14	140/048-049	42031.49-57	141/073-077	42106.17-17	221/021-021	42172.16-18	143/042-043
41878.15-15	139/052-052	41957.29-53	140/050-054	42034.28-36	141/076-082	42108.40-44	221/022-023	42172.16-24	143/049-053
41880.46-54	139/053-057	41960.25-33	140/055-059	42037.07-15	141/083-087	42108.40-48	142/070-074	42174.55-59	143/054-056
41883.25-33	139/058-062	41962.42-42	198/005-005	42039.38-56	141/088-091	42111.19-19	221/024-024	42175.01-03	143/057-058
41886.04-12	139/063-067	41963.04-12	140/060-064	42040.02-02	141/092-092	42111.19-27	142/075-079	42177.34-38	143/059-061
41888.35-59	139/068-072	41965.43-51	140/065-069	42042.17-41	141/093-097	42111.27-27	221/025-025	42177.38-38	221/036-036

## VOYAGER ARCHIVE TAPE CATALOG

FDS COUNT	VEE ID	FDS COUNT	VEE ID	FDS COUNT	VEE ID	FDS COUNT	VEE ID	FDS COUNT	VEE ID
42177.38-42	143/062-064	42252.02-02	144/110-110	42326.06-06	221/053-053	42397.23-53	146/122-127	42466.47-47	148/001-001
42180.13-21	143/088-092	42254.17-47	144/111-116	42326.27-27	201/003-003	42400.03-03	146/129-129	42469.04-12	148/002-006
42182.27-27	143/093-093	42256.56-56	144/117-117	42328.37-43	221/054-055	42400.04-04	146/128-128	42471.43-51	148/007-011
42182.52-58	143/094-097	42257.02-08	144/118-119	42328.37-45	145/124-128	42400.08-26	146/130-133	42474.22-30	148/012-016
42183.00-00	143/098-098	42257.08-20	221/043-045	42331.16-24	145/129-133	42402.41-59	146/134-137	42477.01-09	148/017-021
42185.31-39	143/099-103	42257.20-26	144/120-121	42333.55-59	145/134-136	42403.05-11	147/001-002	42477.09-09	148/022-022
42188.02-26	143/104-108	42258.54-56	144/122-123	42334.01-03	145/137-138	42405.20-50	147/003-008	42477.09-09	221/069-069
42190.41-59	143/109-112	42259.43-51	144/124-128	42336.29-39	145/139-144	42408.07-15	147/009-013	42479.40-48	148/023-027
42191.05-05	143/113-113	42262.22-22	221/046-046	42336.39-41	146/001-002	42410.46-54	147/014-018	42482.19-27	148/028-032
42193.20-44	143/114-118	42262.22-30	144/129-133	42336.45-47	146/003-004	42413.25-33	147/019-023	42484.31-37	194/048-049
42195.59-59	221/037-037	42265.01-09	144/134-138	42339.05-35	146/005-010	42416.04-12	147/024-028	42484.58-58	148/033-033
42196.05-11	221/038-039	42267.40-44	145/001-003	42341.44-50	221/056-057	42416.12-12	147/029-029	42487.29-59	148/038-043
42196.11-23	143/119-121	42267.44-48	145/004-006	42341.56-56	146/011-011	42416.12-12	221/061-061	42490.08-32	148/044-048
42198.46-54	143/122-126	42267.44-48	221/047-048	42342.02-08	146/012-013	42418.43-51	147/030-034	42492.47-59	148/049-051
42201.25-33	143/127-131	42270.19-25	145/007-008	42344.23-53	146/014-019	42421.22-22	147/035-035	42493.05-17	148/052-054
42204.04-12	143/132-135	42270.21-25	221/049-051	42347.02-32	146/020-025	42421.26-30	147/037-039	42495.26-56	148/055-060
42204.12-12	144/001-001	42270.27-27	145/009-009	42349.49-57	146/026-030	42421.34-34	147/036-036	42498.13-21	148/061-065
42206.43-51	144/002-006	42272.58-58	145/010-010	42351.55-55	146/031-031	42424.01-09	147/040-044	42500.52-58	148/066-069
42206.51-51	221/040-040	42273.00-06	145/011-014	42352.28-36	146/032-036	42426.12-12	201/004-004	42501.00-00	148/070-070
42209.22-30	144/007-011	42275.37-45	145/015-019	42354.55-55	193/012-012	42426.32-56	147/045-049	42503.31-39	148/071-075
42212.01-09	144/012-016	42278.08-38	145/020-025	42355.07-15	146/037-041	42426.38-38	221/062-062	42506.10-18	148/076-080
42214.40-48	144/017-021	42280.47-59	145/026-028	42357.46-50	146/042-044	42427.02-02	147/050-050	42506.18-18	148/081-081
42217.19-27	144/022-026	42281.05-11	145/029-030	42357.50-50	221/058-058	42429.11-35	147/051-055	42506.18-18	221/070-070
42219.50-56	144/027-028	42283.26-56	145/031-036	42357.50-54	146/045-047	42429.29-29	221/063-063	42508.49-57	148/082-086
42220.02-14	144/029-031	42286.05-35	145/037-042	42360.25-33	146/048-052	42431.50-56	147/056-057	42511.28-36	148/087-091
42222.29-53	144/032-036	42288.52-58	145/043-046	42363.04-12	146/053-057	42434.29-59	147/062-067	42514.07-15	148/092-096
42225.08-32	144/037-041	42289.00-00	145/047-047	42365.43-51	146/058-062	42437.16-24	147/068-072	42514.35-35	192/120-120
42227.47-59	144/042-044	42291.31-39	145/048-052	42368.14-26	146/063-065	42439.55-59	147/073-075	42516.38-56	148/097-100
42227.59-59	221/041-041	42294.10-18	145/053-057	42368.3-03	146/066-066	42442.34-42	147/078-082	42517.02-08	148/101-102
42228.07-11	144/045-046	42296.49-57	145/058-062	42368.38-44	146/067-068	42445.13-17	147/083-085	42519.17-41	148/103-107
42230.34-42	144/047-051	42296.57-57	145/063-063	42370.53-59	146/069-070	42445.17-21	147/086-088	42521.56-56	148/108-108
42233.13-21	144/052-056	42296.57-57	221/052-052	42371.05-17	146/071-073	42445.17-21	221/064-065	42522.02-26	148/109-113
42235.36-36	192/119-119	42299.28-36	145/064-068	42373.32-56	146/074-078	42447.52-58	147/089-092	42524.35-59	148/114-118
42235.52-58	144/057-060	42302.07-09	145/069-070	42374.02-02	146/079-079	42448.00-00	147/093-093	42525.05-05	148/119-119
42236.00-00	144/061-061	42302.09-15	145/071-074	42376.11-41	146/080-085	42450.31-39	147/094-098	42527.10-10	201/005-005
42238.31-39	144/062-066	42304.46-54	145/075-079	42378.58-58	146/086-086	42453.10-18	147/099-103	42527.22-30	148/120-124
42238.37-37	221/042-042	42306.52-56	194/044-045	42379.00-06	146/087-090	42455.41-41	147/106-106	42530.01-09	148/125-129
42241.10-18	144/067-071	42306.58-58	194/046-046	42381.37-45	146/091-095	42455.44-46	147/104-105	42532.40-48	148/130-134
42243.49-57	144/072-076	42307.17-47	145/080-085	42384.16-24	146/096-100	42455.46-58	221/066-068	42535.19-25	148/135-138
42246.28-36	144/077-081	42309.56-56	145/086-086	42386.28-28	195/086-086	42455.50-50	147/107-107	42535.25-25	221/071-071
42246.51-57	144/082-083	42310.02-20	145/087-090	42386.55-59	146/101-103	42455.50-58	147/108-112	42535.25-27	148/139-140
42247.03-57	144/084-093	42312.35-59	145/091-095	42387.01-01	146/104-104	42456.00-02	147/113-114	42537.58-58	149/001-001
42248.03-09	144/094-095	42313.05-05	145/096-096	42387.01-01	221/059-059	42458.00-06	148/034-037	42538.00-06	149/002-005
42248.16-16	144/096-096	42315.14-44	145/097-102	42387.01-03	146/105-106	42458.01-01	195/002-002	42540.37-45	149/006-010
42248.21-21	144/097-097	42318.01-09	145/103-107	42389.34-42	146/107-111	42458.20-50	147/115-120	42543.16-24	149/011-015
42248.26-26	144/098-098	42320.40-48	145/108-112	42392.13-21	146/112-116	42460.59-59	147/121-121	42546.23-26	149/016-017
42248.31-31	144/099-099	42323.19-27	145/113-117	42392.17-17	221/060-060	42461.05-23	147/122-125	42548.32-56	149/018-022
42248.59-59	144/100-100	42325.58-58	145/118-118	42394.52-58	146/117-120	42463.38-56	147/126-129	42551.05-29	149/023-027
42249.05-29	144/101-105	42326.00-06	145/119-122	42395.00-00	146/121-121	42464.02-08	147/130-131	42553.44-56	149/028-030
42251.38-56	144/106-109	42326.06-06	145/123-123	42397.04-04	194/047-047	42466.17-47	147/132-136	42554.02-14	149/031-033

## VOYAGER ARCHIVE TAPE CATALOG

FDS COUNT	VEE ID	FDS COUNT	VEE ID	FDS COUNT	VEE ID	FDS COUNT	VEE ID	FDS COUNT	VEE ID
42556.23-53	149/034-039	42628.04-12	150/035-039	42707.34-42	151/072-076	42771.10-10	221/092-092	42840.10-10	221/102-102
42559.10-18	149/040-044	42630.43-51	150/040-044	42710.13-21	151/077-081	42771.10-18	152/066-070	42842.43-51	153/076-080
42561.49-57	149/045-049	42633.22-30	150/045-049	42712.52-58	151/082-085	42773.49-57	152/071-075	42845.22-30	153/081-085
42564.28-36	149/050-054	42635.53-59	150/050-051	42713.00-00	151/086-086	42776.28-34	152/076-079	42847.38-56	153/086-089
42566.40-40	194/050-050	42636.05-23	150/052-055	42713.00-03	221/079-080	42776.34-34	221/093-093	42848.02-02	221/103-103
42567.07-09	149/055-056	42638.32-56	150/056-060	42715.31-39	151/087-091	42776.34-36	152/080-081	42848.02-32	153/090-095
42567.11-11	221/072-072	42641.11-41	150/061-066	42715.39-39	151/092-092	42779.07-15	152/082-086	42850.32-32	153/096-096
42567.13-15	149/057-058	42643.50-56	150/067-068	42718.10-12	221/081-082	42781.46-54	152/087-091	42850.32-56	153/097-101
42569.46-50	149/059-061	42644.02-20	150/069-072	42718.10-18	151/093-097	42781.48-52	221/094-095	42853.11-35	153/102-106
42569.53-54	149/062-063	42644.46-46	194/052-052	42718.52-58	195/005-006	42784.25-33	152/092-096	42855.35-59	153/107-111
42572.25-33	149/064-068	42646.37-45	150/073-077	42720.49-57	151/098-102	42786.56-56	152/097-097	42856.05-29	153/112-116
42575.04-12	149/069-073	42649.16-24	150/078-082	42723.28-36	151/103-107	42787.02-26	152/098-102	42857.18-18	192/122-122
42577.35-59	149/074-078	42651.55-59	150/083-085	42725.40-40	197/049-049	42787.08-08	221/096-096	42858.37-43	153/117-120
42578.05-05	149/079-079	42652.01-03	150/086-087	42725.59-59	151/108-108	42789.35-59	152/103-107	42858.45-45	221/104-104
42580.14-38	149/080-084	42654.34-40	150/088-091	42725.59-59	221/083-083	42789.59-59	221/097-097	42861.16-24	153/121-125
42582.53-59	149/085-086	42654.40-40	155/039-039	42726.05-29	151/109-113	42792.14-44	152/108-113	42863.55-59	153/126-128
42583.05-23	149/087-090	42654.40-42	150/092-093	42728.38-56	151/114-117	42794.53-59	152/114-115	42864.01-03	153/129-130
42585.32-56	149/091-095	42657.13-21	150/094-098	42729.02-02	151/118-118	42795.05-23	152/116-119	42866.34-42	153/131-135
42586.02-02	149/096-096	42659.52-58	150/099-102	42731.17-47	151/119-124	42796.22-22	194/053-053	42869.00-00	193/086-086
42586.25-29	195/087-088	42660.00-00	150/103-103	42733.56-56	151/125-125	42797.40-48	152/120-124	42869.13-21	153/136-140
42586.31-37	195/089-091	42662.31-39	150/104-108	42733.56-56	221/084-084	42800.19-27	152/125-129	42871.52-58	153/141-144
42588.19-27	149/097-101	42664.38-38	198/006-006	42734.02-02	151/126-126	42800.50-50	152/130-130	42872.00-00	154/001-001
42590.58-58	149/102-102	42665.05-23	150/109-118	42734.02-08	221/085-086	42802.58-58	152/131-131	42882.18-18	192/123-123
42591.00-06	149/103-106	42665.11-11	155/041-041	42734.09-09	151/127-127	42803.00-06	152/132-135	42885.07-15	192/124-128
42593.37-45	149/107-111	42667.41-59	150/119-122	42734.14-26	151/128-130	42805.37-37	152/136-136	42885.45-45	154/002-002
42596.16-18	149/112-113	42668.05-11	150/123-124	42736.43-51	151/131-135	42805.37-37	221/098-098	42886.23-23	154/003-003
42596.18-18	221/073-073	42670.20-44	150/125-129	42739.22-30	151/136-140	42805.37-45	152/137-141	42887.46-54	154/004-008
42596.18-24	149/114-117	42672.59-59	150/130-130	42741.34-34	192/121-121	42808.16-24	153/001-005	42888.14-14	154/009-009
42598.28-28	195/003-003	42672.59-59	151/001-001	42742.01-09	152/001-005	42808.44-45	194/054-055	42890.25-33	154/010-014
42598.55-59	149/118-120	42673.05-29	151/002-006	42744.40-46	152/006-009	42810.55-59	153/006-008	42893.04-08	154/015-017
42599.01-03	149/121-122	42675.38-56	151/007-010	42744.46-46	221/087-087	42811.01-03	153/009-010	42893.08-08	221/105-105
42601.34-42	149/123-127	42676.02-08	151/011-012	42744.46-48	152/010-011	42813.34-42	153/011-015	42893.08-12	154/018-020
42604.13-19	149/128-131	42678.25-33	151/013-017	42747.19-27	152/012-016	42816.05-35	153/016-021	42893.36-36	193/014-014
42604.19-21	149/132-133	42681.04-12	151/018-022	42749.46-46	193/085-085	42818.44-56	153/022-024	42895.43-51	154/021-025
42604.21-21	149/134-134	42683.43-51	151/023-027	42749.58-58	152/017-017	42818.56-56	221/099-099	42898.22-30	154/026-030
42606.44-56	149/135-137	42686.10-10	195/004-004	42750.00-06	152/018-021	42819.02-08	153/025-026	42901.01-09	154/031-035
42607.02-14	149/138-140	42686.22-28	151/028-031	42752.04-06	201/006-007	42821.23-53	153/027-032	42903.40-44	154/036-038
42609.23-47	149/141-144	42686.28-28	221/076-076	42752.37-45	152/022-026	42821.35-35	221/100-100	42903.44-48	154/039-041
42609.47-47	150/001-001	42686.28-30	151/032-033	42752.41-43	221/088-089	42824.02-32	153/033-038	42905.40-40	154/042-042
42612.02-32	150/002-007	42689.01-09	151/034-038	42755.11-13	221/090-091	42826.44-58	153/039-046	42905.56-56	154/043-043
42614.41-59	150/008-011	42691.40-48	151/039-043	42755.11-15	152/027-029	42827.00-02	153/047-048	42906.02-50	154/044-052
42615.05-11	150/012-013	42691.44-47	221/077-078	42755.15-29	152/030-037	42829.28-36	153/049-053	42908.50-56	154/053-054
42617.28-36	150/014-018	42694.19-27	151/044-048	42757.47-59	152/038-040	42831.51-51	153/054-054	42909.02-14	154/055-057
42617.32-34	221/074-075	42696.50-56	151/049-050	42758.05-17	152/041-043	42831.51-51	153/055-055	42911.29-53	154/058-062
42620.07-15	150/019-023	42697.02-20	151/051-054	42760.26-50	152/044-048	42831.51-51	221/101-101	42911.47-47	221/106-106
42622.46-54	150/024-028	42697.20-20	172/101-101	42763.05-35	152/049-054	42832.07-15	153/056-060	42913.53-59	154/063-064
42625.13-13	194/051-051	42699.29-53	151/055-059	42765.44-56	152/055-057	42834.46-54	153/061-065	42914.05-47	154/065-072
42625.25-31	150/029-032	42702.08-38	151/060-065	42766.02-14	152/058-060	42837.25-33	153/066-070	42915.36-36	192/129-129
42625.31-31	155/037-037	42704.47-59	151/066-068	42768.19-19	193/013-013	42839.47-47	195/092-092	42916.55-59	154/073-075
42625.31-33	150/033-034	42705.05-17	151/069-071	42768.31-39	152/061-065	42840.04-12	153/071-075	42917.01-03	154/076-077

## VOYAGER ARCHIVE TAPE CATALOG

FDS COUNT	VEE ID	FDS COUNT	VEE ID	FDS COUNT	VEE ID	FDS COUNT	VEE ID	FDS COUNT	VEE ID
42919.34-42	154/078-082	42976.02-08	155/110-111	43056.41-41	193/017-017	43120.50-56	157/121-122	43179.08-08	158/101-101
42922.13-21	154/083-087	42976.08-56	155/112-120	43057.00-00	156/120-120	43121.02-14	157/123-125	43179.08-32	221/133-137
42924.52-58	154/088-091	42976.56-59	220/124-125	43057.05-53	156/121-129	43123.14-56	157/126-133	43181.47-59	158/102-104
42925.00-00	154/092-092	42978.56-56	155/121-121	43059.53-59	156/130-131	43124.02-08	157/134-135	43182.05-11	158/105-106
42927.31-39	154/093-097	42999.02-20	155/122-125	43060.05-17	156/132-134	43126.16-22	221/116-119	43184.11-59	158/107-115
42930.10-18	154/098-102	43001.35-59	155/126-130	43062.32-56	156/135-139	43126.22-24	157/136-137	43185.05-05	158/116-116
42932.49-57	154/103-107	43003.05-29	155/132-135	43062.38-38	221/111-111	43128.43-43	195/100-100	43185.54-54	195/009-009
42934.47-47	192/130-130	43003.59-59	155/131-131	43064.56-56	156/140-140	43128.55-59	157/138-140	43187.13-21	158/117-121
42935.05-59	154/108-117	43004.29-53	156/001-005	43065.02-20	156/141-144	43129.01-03	157/141-142	43189.52-58	158/122-125
42937.59-59	154/118-118	43006.03-09	195/093-094	43065.26-38	157/001-003	43131.34-38	157/143-144	43190.00-00	158/126-126
42938.05-23	154/119-122	43006.11-11	195/095-095	43065.51-51	157/004-004	43131.38-38	221/120-120	43192.15-15	201/038-008
42940.38-56	154/123-126	43007.01-09	156/006-010	43066.39-45	195/097-098	43131.38-42	158/001-003	43192.31-37	158/127-130
42941.02-02	154/127-127	43009.40-48	156/011-015	43066.47-47	195/099-099	43133.57-57	194/056-056	43192.37-37	172/100-100
42943.02-56	154/128-137	43012.19-27	156/016-020	43067.58-58	157/005-005	43134.13-19	158/004-005	43192.37-37	221/138-138
42944.43-43	154/138-138	43014.58-58	156/021-021	43068.00-00	221/112-112	43134.15-19	221/121-123	43192.37-39	158/131-131
42946.04-12	154/139-143	43015.00-06	156/022-025	43068.00-06	157/006-009	43134.21-21	158/006-006	43192.39-39	159/001-001
42948.27-27	197/050-050	43017.37-45	156/026-030	43070.37-45	157/010-014	43136.52-58	158/007-010	43195.10-18	159/002-006
42948.43-51	155/001-005	43020.16-24	156/031-035	43073.16-24	157/015-019	43137.00-00	158/011-011	43197.37-37	195/101-101
42951.22-30	155/036-010	43022.56-59	156/036-038	43075.56-59	157/020-022	43139.13-13	198/007-007	43197.49-57	159/007-011
42951.30-30	155/011-011	43023.01-03	156/039-040	43076.01-03	157/023-024	43139.31-39	158/012-016	43200.16-17	193/089-090
42954.01-09	155/012-016	43023.52-52	193/016-016	43077.43-43	156/085-085	43142.10-18	158/017-021	43200.28-36	159/012-016
42956.40-48	155/017-021	43024.53-53	195/096-096	43078.34-42	157/025-029	43144.49-55	158/022-025	43202.53-53	201/009-009
42959.19-27	155/022-026	43025.11-59	156/041-049	43081.13-21	157/030-034	43144.56-57	158/026-027	43203.07-15	159/017-021
42961.59-58	155/027-027	43026.05-05	156/050-050	43083.52-58	157/035-038	43144.57-57	158/028-028	43205.23-59	159/022-028
42962.00-06	155/028-031	43028.05-11	156/051-052	43084.00-00	157/039-039	43146.23-23	158/029-029	43206.05-17	159/029-031
42963.11-11	155/032-032	43028.17-29	221/107-109	43084.00-00	157/040-040	43146.23-23	158/030-030	43208.17-41	159/032-036
42963.49-49	155/033-033	43028.31-31	156/053-053	43084.00-00	157/041-041	43146.47-47	193/088-088	43210.56-56	159/037-037
42964.37-41	155/034-036	43030.44-56	156/054-056	43085.50-50	193/087-087	43147.05-23	221/124-127	43211.02-20	159/038-041
42964.43-43	155/038-038	43031.02-08	156/057-058	43086.08-56	157/042-050	43147.18-18	158/031-031	43213.20-50	159/042-047
42964.45-45	155/040-040	43033.08-50	156/059-066	43087.02-02	157/051-051	43147.23-47	158/032-036	43213.50-50	159/048-048
42965.37-37	155/042-042	43033.56-56	156/367-367	43089.02-26	157/052-056	43149.59-59	158/037-037	43214.02-14	159/049-051
42966.15-15	155/043-043	43034.02-02	156/068-068	43091.41-59	157/057-060	43150.05-23	158/038-041	43216.10-10	194/057-057
42966.53-59	155/044-045	43036.10-18	156/069-073	43092.05-05	157/061-061	43152.38-38	221/128-128	43216.22-30	159/052-056
42967.05-47	155/046-053	43038.49-57	156/074-078	43094.05-59	157/062-071	43152.38-56	158/042-045	43219.01-09	159/057-061
42969.47-59	155/054-056	43041.12-12	156/079-079	43097.07-15	157/072-076	43153.02-02	158/046-046	43221.28-28	193/019-019
42970.05-11	155/057-058	43041.28-36	156/080-084	43099.46-54	157/077-081	43155.02-56	158/047-056	43221.40-48	159/062-066
42972.26-50	155/059-063	43044.09-15	156/086-089	43100.12-12	195/008-008	43158.04-12	158/057-061	43224.19-27	159/067-071
42974.50-56	155/064-065	43046.46-48	156/090-091	43100.12-12	221/113-113	43160.43-51	158/062-066	43226.58-58	159/072-072
42975.02-44	155/066-073	43046.52-54	156/093-094	43102.25-33	157/082-086	43163.22-30	158/067-071	43227.00-06	159/073-076
42976.44-44	155/074-074	43046.58-58	156/092-092	43105.04-04	157/087-087	43166.01-03	158/072-073	43229.37-45	159/077-081
42977.52-58	155/075-078	43049.25-33	156/095-099	43105.04-12	157/088-092	43166.05-09	221/129-131	43250.30-30	193/092-092
42978.00-00	155/079-079	43049.31-31	221/110-110	43107.43-51	157/093-097	43166.07-09	158/074-075	43258.24-24	159/082-082
42980.31-39	155/080-084	43052.04-12	156/100-104	43110.06-06	192/132-132	43168.40-40	221/132-132	43258.24-24	159/083-083
42983.10-18	155/085-089	43052.37-37	192/131-131	43110.22-28	157/098-099	43168.40-48	158/076-080	43258.32-32	159/084-084
42985.49-57	155/090-094	43053.52-52	197/051-051	43110.24-26	221/114-115	43171.19-27	158/081-085	43258.41-41	159/085-085
42988.28-36	155/095-099	43054.14-14	156/110-110	43110.30-30	157/100-100	43173.58-58	158/086-086	43258.55-59	159/086-087
42991.03-00	155/100-100	43054.43-43	156/105-105	43113.01-09	157/101-105	43174.00-06	158/087-090	43259.03-27	159/088-094
42991.09-15	155/101-104	43054.43-43	156/106-106	43115.17-59	157/106-113	43175.56-56	193/018-018	43260.03-03	159/103-103
42993.46-54	155/105-109	43054.43-45	156/107-108	43116.05-11	157/114-115	43176.14-56	158/091-098	43260.12-12	159/104-104
42995.44-44	195/007-007	43054.45-45	156/109-109	43118.11-35	157/116-120	43177.02-08	158/099-100	43260.33-45	159/105-107

VOYAGER ARCHIVE TAPE CATALOG

FDS COUNT	VEE ID	FDS COUNT	VEE ID	FDS COUNT	VEE ID	FDS COUNT	VEE ID	FDS COUNT	VEE ID
43260.50-50	159/108-108	43271.50-53	160/069-070	43287.33-41	161/048-050	43300.59-59	161/144-144	43316.53-56	162/108-109
43260.55-55	159/109-109	43271.57-57	160/071-071	43287.44-47	161/051-052	43301.02-10	162/001-003	43317.00-04	162/110-111
43261.01-07	159/110-111	43272.01-07	160/072-074	43287.51-55	161/053-054	43301.13-16	162/004-005	43317.07-10	162/112-113
43261.12-12	159/112-112	43272.11-15	160/075-076	43287.58-58	161/055-055	43301.20-24	162/006-007	43317.14-18	162/114-115
43261.17-29	159/113-115	43272.18-21	160/077-078	43288.01-09	161/056-058	43301.27-30	162/008-009	43317.21-24	162/116-117
43261.34-34	159/116-116	43272.25-29	160/079-080	43288.12-15	161/059-060	43301.34-38	162/010-011	43317.25-28	162/118-119
43261.39-51	159/117-119	43272.32-32	160/081-081	43288.19-23	161/061-062	43301.41-41	162/012-012	43317.32-33	162/120-121
43261.56-56	159/120-120	43273.54-58	160/082-083	43288.26-26	161/063-063	43303.11-19	162/013-015	43317.35-35	162/122-122
43262.01-13	159/121-123	43274.02-26	160/084-090	43289.46-56	161/064-067	43303.27-35	162/016-018	43318.57-57	162/123-123
43262.18-18	159/124-124	43274.29-32	160/091-092	43290.02-06	161/068-069	43303.38-41	162/019-020	43319.21-29	162/124-126
43262.23-35	159/125-127	43274.36-40	160/093-094	43290.18-30	161/070-072	43303.45-49	162/021-022	43319.32-35	162/127-128
43262.40-40	159/128-128	43274.43-46	160/095-096	43290.35-35	161/073-073	43303.52-55	162/023-024	43319.39-43	162/129-130
43263.01-01	159/129-129	43274.50-54	160/097-098	43290.40-52	161/074-076	43303.59-59	162/025-025	43319.46-49	162/131-132
43263.07-13	160/001-002	43274.57-57	160/099-099	43290.57-57	161/077-077	43304.03-09	162/026-028	43319.53-57	163/001-002
43263.18-18	160/003-003	43275.00-08	160/100-102	43291.02-14	161/078-080	43304.13-17	162/029-030	43320.00-03	163/003-004
43263.28-29	160/004-005	43275.11-11	160/103-103	43291.19-19	161/081-081	43304.20-20	162/031-031	43320.07-11	163/005-006
43263.35-35	160/006-006	43276.33-57	160/104-110	43291.24-36	161/082-084	43306.06-14	162/032-034	43320.14-14	163/007-007
43263.40-40	160/007-007	43277.01-05	160/111-112	43291.41-41	161/085-085	43306.17-20	162/035-036	43320.29-32	163/008-009
43263.45-57	160/008-010	43277.08-11	160/113-114	43291.46-58	161/086-088	43306.24-28	162/037-038	43320.44-48	163/010-011
43264.02-02	160/011-011	43277.15-19	160/115-116	43292.03-03	161/089-089	43306.31-34	162/039-040	43320.57-57	163/012-012
43264.07-19	160/012-014	43277.22-25	160/117-118	43292.08-20	161/090-092	43306.38-42	162/041-042	43321.03-09	163/013-014
43264.24-24	160/015-015	43277.29-33	160/119-120	43292.25-25	161/093-093	43306.45-48	162/043-044	43321.14-14	163/015-015
43264.29-41	160/016-018	43277.36-39	160/121-122	43292.45-57	161/094-096	43306.52-56	162/045-046	43321.19-31	163/016-018
43264.46-46	160/019-019	43277.43-47	160/123-124	43293.02-02	161/097-097	43306.59-59	162/047-047	43321.36-36	163/019-019
43264.51-57	160/020-021	43277.50-50	160/125-125	43293.07-19	161/098-100	43308.45-53	162/048-050	43321.41-53	163/020-022
43265.03-03	160/022-022	43279.36-44	160/126-128	43293.24-24	161/101-101	43308.56-59	162/051-052	43321.58-58	163/023-023
43265.08-08	160/023-023	43279.47-50	160/129-130	43293.29-41	161/102-104	43309.03-07	162/053-054	43322.03-15	163/024-026
43265.27-27	160/024-024	43279.54-58	160/131-132	43293.46-46	161/105-105	43309.10-13	162/055-056	43322.20-20	163/027-027
43265.57-57	160/025-025	43280.01-04	161/001-002	43293.51-57	161/106-107	43309.17-21	162/057-059	43322.25-37	163/028-030
43266.01-29	160/026-033	43280.08-12	161/003-004	43294.03-03	161/108-108	43309.21-27	162/060-062	43322.42-42	163/031-031
43266.32-35	160/034-035	43280.15-18	161/005-006	43294.08-08	161/109-109	43309.27-35	162/063-065	43322.47-59	163/032-034
43266.39-43	160/036-037	43280.22-26	161/007-008	43294.13-25	161/110-112	43309.38-38	162/066-066	43323.04-04	163/035-035
43266.46-49	160/038-039	43280.29-29	161/009-009	43294.30-30	161/113-113	43311.24-32	162/067-069	43323.29-29	197/052-052
43266.53-57	160/040-041	43281.51-59	161/010-012	43294.35-47	161/114-116	43311.35-38	162/070-071	43323.58-58	163/036-036
43267.00-03	160/042-043	43282.03-23	161/013-018	43294.52-52	161/117-117	43311.42-46	162/072-073	43324.04-10	163/037-038
43267.07-11	160/044-045	43282.26-29	161/019-020	43296.23-23	194/059-059	43311.49-52	162/074-075	43324.15-15	163/039-039
43267.14-14	160/046-046	43282.33-37	161/021-022	43296.35-35	195/103-103	43311.56-56	162/076-076	43324.20-32	163/040-042
43267.38-38	194/058-058	43282.40-43	161/023-024	43296.49-57	198/008-010	43312.00-06	162/077-079	43324.37-37	221/139-139
43268.15-15	195/102-102	43282.47-51	161/025-026	43297.01-05	198/011-012	43312.10-14	162/080-081	43324.42-42	221/140-140
43268.28-28	195/010-010	43282.54-57	161/027-028	43297.45-57	161/118-121	43312.17-17	162/082-082	43324.42-54	163/043-045
43269.00-08	160/047-049	43283.01-05	161/029-030	43298.01-17	161/122-126	43313.03-11	162/083-085	43324.59-59	163/046-046
43269.11-14	160/050-051	43283.08-08	161/031-031	43298.20-23	161/127-128	43313.14-17	162/086-087	43325.04-16	163/047-049
43269.18-22	160/052-053	43284.54-58	161/032-033	43298.27-31	161/129-130	43313.21-25	162/088-089	43325.21-21	163/050-050
43269.25-28	160/054-055	43285.02-08	161/034-036	43298.34-37	161/131-132	43313.28-31	162/090-091	43325.26-38	163/051-053
43269.32-36	160/056-057	43285.12-16	161/037-038	43298.41-45	161/133-134	43313.35-39	162/092-093	43325.43-43	163/054-054
43269.39-42	160/058-059	43285.19-22	161/039-040	43298.48-51	161/135-136	43313.42-45	162/094-095	43325.48-54	163/055-056
43269.46-50	160/060-061	43285.26-30	161/041-042	43298.55-59	161/137-138	43313.49-52	195/104-105	43326.00-00	163/057-057
43269.53-53	160/062-062	43285.33-36	161/043-044	43299.02-02	161/139-139	43313.53-56	162/097-098	43326.05-05	163/058-058
43271.23-31	160/063-065	43285.40-44	161/045-046	43300.39-39	161/140-140	43314.49-49	162/096-096	43326.10-10	163/059-059
43271.39-47	160/066-068	43285.47-47	161/047-047	43300.48-56	161/141-143	43316.18-50	162/099-107	43326.15-15	163/060-060



## VOYAGER ARCHIVE TAPE CATALOG

FDS COUNT	VGE ID	FDS COUNT	VGE ID	FDS COUNT	VGE ID	FDS COUNT	VGE ID	FDS COUNT	VGE ID
43326.54-58	163/061-062	43341.12-15	164/031-032	43354.39-39	165/005-005	43370.00-04	165/116-117	43385.46-49	166/103-104
43327.02-26	163/063-069	43341.19-23	164/033-034	43354.44-56	165/006-008	43370.07-10	165/118-119	43385.53-57	166/105-106
43327.29-32	163/070-071	43341.26-26	164/035-035	43355.01-01	165/009-009	43370.14-18	165/120-121	43386.00-03	166/107-108
43327.36-36	163/072-072	43341.40-56	164/036-040	43355.06-18	165/010-012	43370.21-24	165/122-123	43386.07-11	166/109-110
43327.40-43	221/141-142	43342.00-00	164/041-041	43355.23-23	165/013-013	43370.28-32	165/124-125	43386.14-17	166/111-112
43327.46-54	163/073-075	43343.12-20	164/042-044	43356.03-35	165/014-022	43370.35-35	165/126-126	43386.21-25	166/113-114
43327.57-57	163/076-076	43343.23-26	164/045-046	43356.38-41	165/023-024	43371.54-54	193/020-020	43386.28-28	166/115-115
43328.00-08	163/077-079	43343.30-34	164/047-048	43356.45-49	165/025-026	43372.02-02	165/127-127	43386.44-44	201/010-010
43328.11-17	163/080-082	43343.37-40	164/049-050	43356.52-55	165/027-028	43372.21-29	165/128-130	43388.14-22	166/116-118
43329.57-57	163/083-083	43343.44-48	164/051-052	43356.59-59	165/029-029	43372.32-35	165/131-132	43388.25-28	166/119-120
43330.01-05	163/084-085	43343.51-54	164/053-054	43357.03-09	165/030-032	43372.39-43	165/133-134	43388.32-36	166/121-122
43330.08-11	163/086-087	43343.58-58	164/055-055	43357.13-17	165/033-034	43372.46-49	165/135-136	43388.39-42	166/123-124
43330.15-19	163/088-089	43344.02-05	164/056-057	43357.20-20	165/035-035	43372.53-57	165/137-138	43388.46-50	166/125-126
43330.22-25	163/090-091	43345.51-59	164/058-060	43359.06-14	165/036-038	43373.00-03	165/139-140	43388.53-56	166/127-128
43330.29-33	163/092-093	43346.02-05	164/061-062	43359.17-20	165/039-040	43373.07-11	165/141-142	43389.00-04	166/129-130
43330.36-39	163/094-095	43346.09-13	164/063-064	43359.24-28	165/041-042	43373.14-14	165/143-143	43389.07-07	166/131-131
43330.43-47	163/096-097	43346.16-19	164/065-066	43359.31-34	165/043-044	43374.36-40	165/144-144	43389.23-23	166/132-132
43330.50-50	163/098-098	43346.23-27	164/067-068	43359.38-42	165/045-046	43374.40-56	166/001-005	43390.33-41	166/133-134
43331.12-20	163/099-101	43346.30-33	164/069-070	43359.45-48	165/047-048	43375.00-08	166/006-008	43390.41-45	167/001-002
43332.36-44	163/102-104	43346.37-41	164/071-072	43359.52-52	165/049-049	43375.11-14	166/009-010	43390.53-57	167/003-004
43332.47-50	163/105-106	43346.44-44	164/073-073	43359.52-56	165/050-051	43375.18-22	166/011-012	43391.01-07	167/005-007
43332.54-58	163/107-108	43348.30-38	164/074-076	43359.56-59	165/052-053	43375.25-28	166/013-014	43391.11-15	167/008-009
43333.01-04	163/109-110	43348.41-44	164/077-078	43361.29-37	165/054-056	43375.32-36	166/015-016	43391.18-21	167/010-011
43333.08-12	163/111-112	43348.48-52	164/079-080	43361.45-53	165/057-059	43375.39-42	166/017-018	43391.25-29	167/012-013
43333.15-18	163/113-114	43348.55-58	164/081-082	43361.56-59	165/060-061	43375.46-50	166/019-020	43391.32-35	167/014-015
43333.22-26	163/115-116	43349.02-06	164/083-084	43362.03-07	165/062-063	43375.53-53	166/021-021	43391.39-43	167/016-017
43333.29-29	163/117-117	43349.09-12	164/085-086	43362.10-13	165/064-065	43377.39-47	166/022-024	43391.46-46	167/018-018
43333.38-58	163/118-123	43349.16-20	164/087-088	43362.17-21	165/066-067	43377.50-53	166/025-026	43392.55-59	167/019-020
43335.15-23	163/124-126	43349.23-23	164/089-089	43362.24-27	165/068-069	43377.57-57	166/027-027	43393.03-15	167/021-024
43335.26-29	163/127-128	43349.37-57	164/090-095	43362.31-35	165/070-071	43378.01-07	166/028-030	43393.25-25	201/011-011
43335.33-37	163/129-130	43350.09-21	164/096-098	43362.38-38	165/072-072	43378.11-15	166/031-032	43393.32-40	167/025-027
43335.40-43	163/131-132	43350.26-26	164/099-099	43364.00-32	165/073-081	43378.18-21	166/033-034	43393.43-46	167/028-029
43335.47-51	163/133-134	43350.31-43	164/100-102	43364.35-38	165/082-083	43378.25-29	166/035-036	43393.50-54	167/030-031
43335.54-57	163/135-136	43350.48-48	164/103-103	43364.42-46	165/084-085	43378.32-32	166/037-037	43393.57-57	167/032-032
43336.01-05	164/001-002	43350.53-59	164/104-105	43364.49-52	165/086-087	43378.53-59	166/038-040	43394.00-08	167/033-035
43336.08-08	164/003-003	43351.05-05	164/106-106	43364.56-56	165/088-088	43379.02-59	166/041-060	43394.11-14	167/036-037
43337.54-58	164/004-005	43351.10-10	164/107-107	43365.00-06	165/089-091	43380.02-26	166/061-069	43394.18-22	167/038-039
43338.02-08	164/006-008	43351.15-27	164/108-110	43365.10-14	165/092-093	43382.17-29	166/070-072	43394.25-25	167/040-040
43338.12-16	164/009-010	43351.32-32	164/111-111	43365.17-17	165/094-094	43382.34-34	166/073-073	43396.11-19	167/041-043
43338.19-22	164/011-012	43351.37-49	164/112-114	43366.52-52	195/013-013	43382.39-51	166/074-076	43396.22-25	167/044-045
43338.26-30	164/013-014	43351.54-54	164/115-115	43367.03-11	165/095-097	43382.56-56	166/077-077	43396.29-33	167/046-047
43338.33-36	164/015-016	43351.59-59	164/116-116	43367.14-17	165/098-099	43383.01-13	166/078-080	43396.36-39	167/048-049
43338.40-44	164/017-018	43352.41-41	195/012-012	43367.21-25	165/100-101	43383.18-18	166/081-081	43396.43-47	167/050-051
43338.47-47	164/019-019	43353.16-28	164/120-122	43367.28-31	165/102-103	43383.23-35	166/082-084	43396.50-53	167/052-053
43339.06-06	195/011-011	43353.33-33	164/123-123	43367.35-39	165/104-105	43383.40-40	166/085-085	43396.57-57	167/054-054
43340.33-41	164/020-022	43353.38-50	164/124-126	43367.42-45	165/106-107	43383.45-57	166/086-088	43397.01-04	167/055-056
43340.44-47	164/023-024	43353.55-55	164/127-127	43367.49-53	165/108-109	43384.02-02	166/089-089	43398.41-41	167/057-057
43340.51-55	164/025-026	43354.00-12	164/128-130	43367.56-56	165/110-110	43384.07-19	166/090-092	43398.50-58	167/058-060
43340.58-58	164/027-027	43354.17-17	165/001-001	43369.42-50	165/111-113	43384.24-24	166/093-093	43399.01-04	167/061-062
43341.01-09	164/028-030	43354.22-34	165/002-004	43369.53-56	165/114-115	43385.07-27	166/094-099	43399.08-12	167/063-064

## VOYAGER ARCHIVE TAPE CATALOG

FDS COUNT	VEE ID	FDS COUNT	VEE ID	FDS COUNT	VEE ID	FDS COUNT	VEE ID	FDS COUNT	VEE ID
43399.15-18	167/065-066	43410.12-12	168/028-028	43422.52-55	168/126-127	43435.37-37	194/061-061	43446.50-54	170/031-032
43399.22-26	167/067-068	43410.17-29	168/029-031	43422.59-59	168/128-128	43435.56-56	169/077-077	43446.57-57	170/033-033
43399.29-32	167/069-070	43410.34-34	168/032-032	43423.03-09	168/129-131	43436.00-04	169/078-079	43447.00-08	170/034-036
43399.36-40	167/071-072	43410.54-54	168/033-033	43423.13-17	168/132-133	43436.07-10	169/080-081	43447.11-14	170/037-038
43399.43-43	167/073-073	43411.00-06	168/034-035	43423.17-17	201/053-053	43436.14-18	169/082-083	43447.18-22	170/039-040
43401.01-21	167/074-079	43411.11-11	168/036-036	43423.20-23	168/134-135	43436.21-24	169/084-085	43447.25-25	170/041-041
43401.29-37	167/080-082	43411.16-28	168/037-039	43423.27-31	168/136-137	43436.28-32	169/086-087	43447.44-44	193/021-021
43401.40-43	167/083-084	43411.33-33	168/040-040	43423.34-34	169/001-001	43436.35-38	169/088-089	43449.11-19	170/042-044
43401.47-51	167/085-086	43411.38-50	168/041-043	43423.50-52	169/002-003	43436.42-46	169/090-091	43449.22-25	170/045-046
43401.54-57	167/087-088	43411.55-55	168/044-044	43424.56-56	169/004-004	43436.49-49	169/092-092	43449.29-33	170/047-048
43402.01-05	167/089-090	43412.03-12	168/045-047	43425.03-12	169/005-008	43436.35-43	169/093-095	43449.36-39	170/049-050
43402.08-11	167/091-092	43412.17-17	168/048-048	43425.20-28	169/009-011	43436.46-49	169/096-097	43449.43-47	170/051-052
43402.15-19	167/093-094	43412.22-34	168/049-051	43425.31-34	169/012-013	43436.53-57	169/098-099	43449.50-53	170/053-054
43402.22-22	167/095-095	43412.39-39	168/052-052	43425.38-42	169/014-015	43439.00-03	169/100-101	43449.57-57	170/055-055
43403.54-54	194/060-060	43412.44-56	168/053-055	43425.45-48	169/016-017	43439.07-11	169/102-103	43450.01-04	170/056-057
43404.08-16	167/096-098	43413.01-01	168/056-056	43425.52-56	169/018-019	43439.14-17	169/104-105	43450.14-26	170/058-061
43404.19-22	167/099-100	43413.26-26	195/106-106	43425.59-59	169/020-020	43439.21-25	169/106-107	43451.50-58	170/062-064
43404.26-30	167/101-102	43413.45-57	168/057-059	43426.02-10	169/021-023	43439.28-28	169/108-108	43452.01-04	170/065-066
43404.33-36	167/103-104	43414.02-02	168/060-060	43426.13-13	169/024-024	43439.38-58	169/109-114	43452.08-12	170/067-068
43404.40-44	167/105-106	43414.07-19	168/061-063	43427.59-59	169/025-025	43440.34-46	169/115-117	43452.15-18	170/069-070
43404.47-50	167/107-108	43414.24-24	168/064-064	43428.03-07	169/026-027	43440.51-51	169/118-118	43452.22-26	170/071-072
43404.54-58	167/109-110	43414.29-41	168/065-067	43428.10-13	169/028-029	43440.56-56	169/119-119	43452.29-32	170/073-074
43405.01-04	167/111-112	43414.46-46	168/068-068	43428.17-21	169/030-031	43441.02-08	169/120-121	43452.36-40	170/075-076
43405.07-07	195/014-014	43414.51-57	168/069-070	43428.24-27	169/032-033	43441.13-13	169/122-122	43452.43-43	170/077-077
43405.20-20	195/015-015	43415.03-03	168/071-071	43428.31-35	169/034-035	43441.18-30	169/123-125	43452.53-57	170/078-079
43406.47-55	167/113-115	43415.08-08	168/072-072	43428.38-41	169/036-037	43441.35-35	169/126-126	43453.01-13	170/080-083
43406.58-58	167/116-116	43415.13-25	168/073-075	43428.45-49	169/038-039	43441.40-52	169/127-129	43454.29-37	170/084-086
43407.01-09	167/117-119	43415.30-30	168/076-076	43428.52-52	169/040-040	43441.57-57	169/130-130	43454.40-43	170/087-088
43407.12-15	167/120-121	43415.35-47	168/077-079	43429.08-08	169/041-041	43442.02-14	169/131-133	43454.47-51	170/089-090
43407.19-23	167/122-123	43415.52-52	168/080-080	43430.28-28	198/013-013	43442.19-19	169/134-134	43454.54-57	170/091-092
43407.26-29	167/124-125	43416.27-47	168/081-086	43430.38-46	169/042-044	43442.24-36	169/135-137	43455.01-05	170/093-094
43407.33-37	167/126-127	43417.23-31	168/087-089	43430.49-52	169/045-046	43442.41-41	169/138-138	43455.08-11	170/095-096
43407.37-40	168/091-002	43417.34-37	168/090-091	43430.56-56	169/047-047	43443.06-06	195/107-107	43455.15-19	170/097-098
43407.40-40	167/128-128	43417.41-45	168/092-093	43431.00-06	169/048-050	43443.25-37	169/139-141	43455.22-22	170/099-099
43407.50-54	167/129-130	43417.48-51	168/094-095	43431.10-10	169/051-051	43443.42-42	169/142-142	43457.08-16	170/100-102
43407.50-58	168/003-005	43417.55-59	169/096-097	43431.15-17	201/054-055	43443.47-59	169/143-144	43457.19-22	170/103-104
43408.02-10	168/006-008	43418.02-05	168/098-099	43431.20-24	201/056-057	43443.59-59	170/001-001	43457.26-30	170/105-106
43408.27-39	168/009-011	43418.09-13	168/100-101	43431.24-28	169/052-053	43444.04-04	170/002-002	43457.33-36	170/107-108
43408.44-44	168/012-012	43418.16-16	168/102-102	43431.31-31	169/054-054	43444.09-21	170/003-005	43457.40-44	170/109-110
43408.49-55	169/013-014	43420.02-10	168/103-105	43431.49-57	169/055-057	43444.26-26	170/006-006	43457.47-50	170/111-112
43409.01-01	168/015-015	43420.13-16	168/106-107	43432.02-20	147/058-061	43444.31-43	170/007-009	43457.54-58	170/113-114
43409.01-01	221/143-143	43420.20-24	168/108-109	43433.01-09	169/058-060	43444.48-48	170/010-010	43458.01-01	170/115-115
43409.06-06	168/016-016	43420.27-30	168/110-111	43433.17-25	169/061-063	43444.53-59	170/011-012	43459.28-29	195/108-109
43409.06-06	221/144-144	43420.34-38	168/112-113	43433.28-32	169/064-065	43445.05-05	170/013-013	43459.47-55	170/116-118
43409.11-23	168/017-019	43420.41-44	168/114-115	43433.35-39	169/066-067	43445.10-10	170/014-014	43459.58-58	170/119-119
43409.28-28	168/020-020	43420.48-52	168/116-117	43433.42-45	169/068-069	43445.15-27	170/015-017	43460.01-09	170/120-122
43409.33-45	168/021-023	43420.55-55	168/118-118	43433.49-53	169/070-071	43445.32-32	170/018-018	43460.12-15	170/123-124
43409.50-50	168/024-024	43420.55-55	195/001-001	43433.56-59	169/072-073	43446.00-00	170/019-019	43460.19-23	171/001-002
43409.55-56	168/025-025	43422.23-35	168/119-122	43434.03-07	169/074-075	43446.08-40	170/020-028	43460.26-29	171/003-004
43410.01-07	168/026-027	43422.41-49	168/123-125	43434.10-10	169/076-076	43446.43-46	170/029-030	43460.33-37	171/005-006



FDS COUNT	VGE ID	FDS COUNT	VGE ID	FDS COUNT	VGE ID	FDS COUNT	VGE ID	FDS COUNT	VGE ID
43460.40-40	171/007-007	43472.05-11	171/095-086	43484.24-28	172/059-060	43497.25-29	173/009-010	43510.00-00	173/114-114
43460.59-59	192/133-133	43472.16-16	171/087-087	43484.31-31	172/061-061	43497.32-35	173/011-012	43510.08-16	173/115-117
43461.08-06	198/097-097	43472.21-33	171/088-090	43485.49-49	172/062-062	43497.39-43	173/013-014	43510.19-22	173/118-119
43461.09-09	192/134-134	43472.38-38	171/091-091	43485.57-57	172/064-064	43497.46-46	173/015-015	43510.26-30	173/120-121
43462.26-34	171/008-010	43472.58-58	171/092-092	43485.58-58	172/063-063	43498.05-05	195/110-110	43510.33-36	173/122-123
43462.37-40	171/011-012	43473.04-10	171/093-094	43486.01-09	172/065-067	43498.44-56	173/016-018	43510.40-44	173/124-125
43462.44-48	171/013-014	43473.15-15	171/095-095	43486.17-25	172/068-070	43499.01-01	173/019-019	43510.47-50	173/126-127
43462.51-54	171/015-016	43473.20-32	171/096-098	43486.28-31	172/071-072	43499.06-18	173/020-022	43510.54-58	173/128-129
43462.58-58	171/017-017	43473.37-37	171/099-099	43486.35-39	172/073-074	43499.23-23	173/023-023	43511.01-01	173/130-130
43463.02-08	171/018-020	43473.42-54	171/100-102	43486.42-45	172/075-076	43499.28-40	173/024-026	43512.47-55	173/131-133
43463.12-16	171/021-022	43473.59-59	171/103-103	43486.49-53	172/077-078	43499.45-45	173/027-027	43512.58-58	173/134-134
43463.19-19	171/023-023	43474.04-16	171/104-106	43486.56-59	172/079-080	43499.50-56	173/028-029	43513.01-09	173/135-137
43463.29-49	171/024-029	43474.21-21	171/107-107	43487.03-07	172/081-082	43500.02-02	173/030-030	43513.12-15	173/138-139
43463.41-41	201/058-058	43474.26-38	171/108-110	43487.10-10	172/083-083	43500.07-07	173/031-031	43513.19-23	173/140-141
43465.05-13	171/030-032	43474.43-43	171/111-111	43487.30-33	195/016-017	43500.12-24	173/032-034	43513.26-29	173/142-143
43465.16-16	201/059-059	43474.48-54	171/112-113	43488.56-56	172/084-084	43500.29-29	173/035-035	43513.33-37	173/144-144
43465.16-19	171/033-034	43475.00-00	171/114-114	43489.00-04	172/085-086	43500.34-46	173/036-038	43513.37-40	174/001-002
43465.23-27	171/035-036	43475.05-05	171/115-115	43489.07-10	172/087-088	43500.51-51	173/039-039	43513.59-59	194/063-063
43465.23-27	201/060-061	43475.41-49	171/116-118	43489.14-18	172/089-090	43501.19-31	173/040-042	43515.26-34	174/003-005
43465.30-33	171/037-038	43475.52-55	171/119-120	43489.21-24	172/091-092	43501.36-36	173/043-043	43515.37-40	174/006-007
43465.30-33	201/062-063	43475.59-59	171/121-121	43489.28-32	172/093-094	43501.41-53	173/044-046	43515.44-48	174/008-009
43465.37-41	171/039-040	43476.03-03	171/122-122	43489.35-38	172/095-096	43501.58-58	173/047-047	43515.51-54	174/010-011
43465.37-41	201/064-065	43476.34-34	172/001-001	43489.42-46	172/097-098	43502.03-03	173/048-048	43515.58-58	174/012-012
43465.44-47	171/041-042	43477.52-56	172/002-003	43489.49-49	172/099-099	43502.03-15	201/069-071	43516.02-08	174/013-015
43465.51-55	171/043-044	43478.00-12	172/004-007	43491.18-18	201/012-012	43502.20-20	201/072-072	43516.12-16	174/016-017
43465.58-58	171/045-045	43478.20-28	172/008-010	43491.27-27	198/098-098	43502.25-25	201/073-073	43516.19-19	174/018-018
43465.58-58	201/066-066	43478.31-34	172/011-012	43491.43-49	172/102-104	43502.26-26	173/049-049	43516.29-49	174/019-024
43466.08-28	171/046-051	43478.38-42	172/013-014	43491.53-57	172/105-106	43502.31-37	173/050-051	43518.05-13	174/025-027
43467.44-52	171/052-054	43478.45-48	172/015-016	43492.00-03	172/107-108	43502.42-42	173/052-052	43518.16-19	174/028-029
43467.52-52	201/067-067	43478.52-56	172/017-018	43492.07-11	172/109-110	43502.47-59	173/053-055	43518.23-27	174/030-031
43467.55-58	171/055-056	43478.59-59	172/019-019	43492.14-17	172/111-112	43503.04-04	173/056-056	43518.30-33	174/032-033
43468.02-06	171/057-058	43479.02-10	172/020-022	43492.21-25	172/113-114	43503.09-21	173/057-059	43518.37-41	174/034-035
43468.09-12	171/059-060	43479.13-13	172/023-023	43492.28-28	172/115-115	43503.26-26	173/060-060	43518.44-47	174/036-037
43468.16-20	171/061-062	43480.39-51	172/024-027	43493.46-58	172/116-119	43503.46-58	173/061-063	43518.51-55	174/038-039
43468.23-26	171/063-064	43480.59-59	172/028-028	43494.02-06	172/120-121	43504.03-03	173/064-064	43518.58-58	174/040-040
43468.30-34	171/065-066	43481.03-07	172/029-030	43494.14-22	172/122-124	43504.08-20	173/065-067	43520.44-52	174/041-043
43468.37-37	171/067-067	43481.10-13	172/031-032	43494.22-22	201/068-068	43504.25-25	173/068-068	43520.55-58	174/044-045
43468.50-58	198/014-016	43481.17-21	172/033-034	43494.25-28	172/125-126	43504.30-42	173/069-071	43521.02-06	174/046-047
43469.02-10	198/017-019	43481.24-27	172/035-036	43494.32-36	172/127-128	43504.47-47	173/072-072	43521.09-12	174/048-049
43470.16-16	193/091-091	43481.31-35	172/037-038	43494.39-42	172/129-130	43504.52-58	173/073-074	43521.16-20	174/050-051
43470.31-43	171/068-070	43481.38-41	172/039-040	43494.46-50	172/131-132	43505.36-48	173/081-083	43521.23-26	174/052-053
43470.48-48	171/071-071	43481.45-49	172/041-042	43494.53-56	172/133-134	43505.53-53	173/084-084	43521.30-34	174/054-055
43470.53-59	171/072-073	43481.52-58	172/043-045	43495.00-04	172/135-136	43506.15-33	173/085-088	43521.37-37	174/056-056
43471.05-05	171/074-074	43483.24-24	194/062-062	43495.07-07	172/137-137	43506.21-21	201/074-074	43521.57-57	194/064-064
43471.10-10	171/075-075	43483.35-35	172/051-051	43496.25-45	172/138-143	43507.54-57	173/102-103	43523.23-31	174/057-059
43471.15-27	171/076-078	43483.38-46	172/046-048	43496.53-57	172/144-144	43508.01-05	173/104-105	43523.34-37	174/060-061
43471.32-32	171/079-079	43483.49-52	172/049-050	43496.57-57	173/001-001	43508.08-11	173/106-107	43523.41-45	174/062-063
43471.37-49	171/080-082	43484.00-06	172/052-054	43497.01-07	173/002-004	43508.15-19	173/108-109	43523.48-51	174/064-065
43471.54-54	171/083-083	43484.10-14	172/055-056	43497.11-15	173/005-006	43508.22-22	173/110-110	43523.55-59	174/066-067
43471.59-59	171/084-084	43484.17-20	172/057-058	43497.18-21	173/007-008	43509.48-56	173/111-113	43524.02-05	174/068-069

FDS COUNT	VGE ID	FDS COUNT	VGE ID	FDS COUNT	VGE ID	FDS COUNT	VGE ID	FDS COUNT	VGE ID
43524.09-13	174/070-071	43536.38-46	175/039-041	43550.18-21	176/007-008	43564.25-25	176/111-111	43576.10-13	177/076-077
43524.16-16	174/072-072	43536.49-52	175/042-043	43550.25-29	176/009-010	43564.38-41	176/112-113	43576.17-20	177/078-079
43526.02-10	174/073-075	43536.56-56	175/044-044	43550.32-35	176/011-012	43564.45-48	176/114-115	43576.27-35	177/080-082
43526.13-16	174/076-077	43537.00-06	175/045-047	43550.39-43	176/013-014	43564.52-55	176/116-117	43576.38-50	177/083-086
43526.20-24	174/076-079	43537.10-14	175/048-049	43550.46-46	176/015-015	43564.59-59	176/118-118	43576.53-57	177/087-088
43526.27-30	174/080-081	43537.17-20	175/050-051	43552.04-24	176/016-021	43565.02-06	176/119-120	43577.01-05	177/089-090
43526.34-38	174/082-083	43537.24-28	175/052-053	43552.32-40	176/022-024	43565.09-09	176/121-121	43577.08-20	177/091-094
43526.41-44	174/084-085	43537.31-31	175/054-054	43552.43-46	176/025-026	43565.25-45	202/001-006	43577.23-23	177/095-095
43526.48-52	174/086-087	43538.53-57	175/055-056	43552.50-54	176/027-028	43565.51-59	176/122-124	43578.53-53	193/094-094
43526.55-55	174/088-088	43539.01-05	175/057-058	43552.57-57	176/029-029	43566.02-14	176/125-128	43579.06-14	177/096-098
43527.14-14	193/093-093	43539.17-25	175/059-061	43553.00-08	176/030-032	43566.17-29	176/129-132	43579.17-29	177/099-102
43528.41-49	174/089-091	43539.28-31	175/062-063	43553.11-14	176/033-034	43566.32-44	176/133-135	43579.32-44	177/103-106
43528.52-55	174/092-093	43539.35-39	175/064-065	43553.18-22	176/035-036	43566.44-47	177/001-002	43579.47-59	177/107-110
43528.59-59	174/094-094	43539.42-45	175/066-067	43553.25-25	176/037-037	43567.52-55	177/003-004	43580.02-02	177/111-111
43529.03-09	174/095-097	43539.49-53	175/068-069	43554.52-52	192/135-135	43567.59-59	177/005-005	43581.07-10	177/112-113
43529.13-17	174/098-099	43539.56-59	175/070-071	43555.11-19	176/038-040	43568.02-06	177/006-007	43581.14-17	177/114-115
43529.20-23	174/100-101	43540.03-07	175/072-073	43555.22-25	176/041-042	43568.09-13	177/008-009	43581.21-24	177/116-117
43529.27-31	174/102-103	43540.10-10	175/074-074	43555.29-33	176/043-044	43568.16-20	177/010-011	43581.28-31	177/118-119
43529.34-34	174/104-104	43541.56-56	175/075-075	43555.36-39	176/045-046	43568.23-23	177/012-012	43581.35-38	177/120-121
43529.44-56	174/105-108	43542.00-04	175/076-077	43555.43-43	176/047-047	43568.30-38	177/013-015	43581.45-53	177/122-124
43530.00-04	174/109-110	43542.07-10	175/078-079	43555.43-47	176/048-049	43568.41-53	177/016-019	43581.56-56	177/125-125
43530.23-35	174/111-113	43542.14-18	175/080-081	43555.47-50	176/050-051	43568.56-56	177/020-020	43582.00-08	177/126-128
43530.40-40	174/114-114	43542.21-24	175/082-083	43555.50-53	176/052-053	43569.00-08	177/021-023	43582.11-23	177/129-132
43530.45-57	174/115-117	43542.28-32	175/084-085	43555.53-57	176/054-055	43569.11-23	177/024-027	43582.26-38	177/133-136
43531.02-02	174/118-118	43542.35-38	175/086-087	43556.01-04	176/056-057	43569.26-26	177/028-028	43582.41-41	177/137-137
43531.07-19	174/119-121	43542.42-46	175/088-089	43557.22-42	176/058-063	43570.01-21	177/089-094	43584.11-11	193/022-022
43531.24-24	174/122-122	43542.49-49	175/090-090	43557.50-58	176/064-066	43570.29-37	177/095-097	43584.24-32	177/138-140
43531.29-41	174/123-125	43544.07-27	175/091-096	43558.01-04	176/067-068	43570.31-34	177/029-030	43584.35-47	177/141-144
43531.46-46	174/126-126	43544.35-43	175/097-099	43558.08-12	176/069-070	43570.38-41	177/031-032	43584.50-58	178/001-003
43531.51-57	175/001-002	43544.46-49	175/100-101	43558.15-18	176/071-072	43570.40-43	173/098-099	43585.02-05	178/004-005
43532.03-03	175/003-003	43544.53-57	175/102-103	43558.22-26	176/073-074	43570.45-48	177/033-034	43585.09-17	178/006-008
43532.08-08	175/004-004	43545.00-03	175/104-105	43558.29-32	176/075-076	43570.47-51	173/100-101	43585.20-20	178/009-009
43532.13-25	175/005-007	43545.07-11	175/106-107	43558.36-40	176/077-078	43570.52-55	177/035-036	43585.25-45	202/013-018
43532.30-31	175/008-009	43545.14-17	175/108-109	43558.43-43	176/079-079	43570.59-59	177/037-037	43596.33-33	201/043-043
43532.56-56	197/053-053	43545.21-25	175/110-111	43559.38-50	176/080-082	43571.02-02	177/038-038	43596.50-58	202/019-021
43533.37-43	175/010-011	43545.28-28	175/112-112	43559.55-55	176/083-083	43571.09-17	177/039-041	43597.04-06	202/022-023
43533.48-48	175/012-012	43546.54-58	175/113-114	43560.00-12	176/084-086	43571.20-32	177/042-045	43597.10-10	202/024-024
43533.53-59	175/013-014	43547.02-06	175/115-116	43560.17-17	176/087-087	43571.35-47	177/046-049	43597.26-26	194/065-065
43534.05-05	175/015-015	43547.14-22	175/117-119	43560.22-34	176/088-090	43571.50-58	177/050-052	43597.39-47	178/010-012
43534.10-10	175/016-016	43547.25-28	175/120-121	43560.39-39	176/091-091	43572.02-05	177/053-054	43597.50-58	178/013-015
43534.15-27	175/017-019	43547.32-36	175/122-123	43560.44-56	176/092-094	43573.18-38	202/007-012	43598.02-05	178/016-017
43534.32-32	175/020-020	43547.39-42	175/124-125	43561.01-02	176/095-096	43573.48-56	177/055-057	43598.09-17	178/018-020
43534.37-49	175/021-023	43547.46-50	175/126-127	43562.38-38	195/019-019	43573.59-59	177/058-058	43598.20-32	178/021-024
43534.54-54	175/024-024	43547.53-56	175/128-129	43563.08-14	176/097-098	43574.03-11	177/059-061	43598.36-36	201/075-075
43534.59-59	175/025-025	43548.00-04	175/130-131	43563.19-19	176/099-099	43574.14-26	177/062-065	43599.55-58	195/111-112
43535.05-11	175/026-027	43548.07-07	175/132-132	43563.24-36	176/100-102	43574.29-41	177/066-069	43600.01-10	195/113-116
43535.16-16	175/028-028	43549.53-57	175/133-133	43563.41-41	176/103-103	43574.44-44	177/070-070	43600.18-26	178/025-027
43535.21-33	175/029-031	43549.57-57	176/001-001	43563.46-58	176/104-106	43575.54-56	177/071-072	43600.29-41	178/028-031
43535.38-38	175/032-032	43550.01-07	176/002-004	43564.03-03	176/107-107	43575.59-59	177/073-073	43600.44-56	178/032-035
43536.10-30	175/033-038	43550.11-15	176/005-006	43564.08-20	176/108-110	43576.03-06	177/074-075	43600.59-59	178/036-036

## VOYAGER ARCHIVE TAPE CATALOG

FDS COUNT	VEE ID	FDS COUNT	VEE ID	FDS COUNT	VEE ID	FDS COUNT	VEE ID	FDS COUNT	VEE ID
43601.03-11	178/037-039	43618.38-38	193/023-023	43652.34-58	205/001-007	43691.09-17	179/086-088	43709.38-50	180/068-071
43601.14-14	178/040-040	43618.51-59	179/006-008	43653.02-58	205/008-022	43691.20-20	179/089-089	43709.53-53	180/072-072
43602.57-57	178/041-041	43619.02-06	179/009-010	43654.02-18	205/023-027	43693.03-11	179/090-092	43710.08-08	201/020-020
43603.01-05	178/042-043	43619.11-17	179/011-013	43654.36-36	197/054-054	43693.14-26	179/093-096	43711.26-38	180/073-075
43603.08-20	178/044-047	43619.21-29	179/014-016	43654.52-58	195/117-119	43693.29-41	179/097-100	43711.43-43	180/076-076
43603.23-35	178/048-051	43619.32-44	179/017-020	43655.01-07	195/120-122	43693.44-56	179/101-104	43711.48-54	180/077-078
43603.27-31	201/076-077	43619.47-47	179/021-021	43655.12-56	205/028-039	43693.59-59	179/105-105	43712.00-00	180/079-079
43603.38-50	178/052-055	43620.23-26	179/022-023	43656.00-56	205/040-054	43694.11-11	201/046-046	43712.05-05	180/080-080
43603.53-53	178/056-056	43620.30-33	179/024-025	43657.00-56	205/055-069	43695.16-36	206/098-103	43712.10-22	180/081-083
43605.07-27	202/025-030	43620.37-40	179/026-027	43658.00-56	205/070-084	43695.42-50	179/106-108	43712.27-27	180/084-084
43605.36-44	178/057-059	43620.44-47	179/028-029	43659.00-56	205/085-099	43695.53-57	179/109-110	43712.32-44	180/085-087
43605.47-59	178/060-063	43620.51-54	179/030-031	43660.00-56	205/100-114	43696.01-05	179/111-112	43712.49-49	180/088-088
43606.02-14	178/064-067	43621.12-12	195/020-020	43661.00-56	205/115-129	43696.08-20	179/113-116	43713.45-57	180/089-091
43606.10-10	201/078-078	43625.26-58	202/031-039	43662.00-08	205/130-131	43696.23-35	179/117-120	43714.02-02	180/092-092
43606.17-29	178/068-071	43625.43-43	195/018-018	43662.08-56	206/001-013	43696.38-38	179/121-121	43714.07-19	180/093-095
43606.32-32	178/072-072	43626.02-58	202/040-054	43663.00-56	206/014-028	43696.50-50	198/099-099	43714.24-24	180/096-096
43608.15-23	178/073-075	43627.02-58	202/055-069	43664.00-56	206/029-043	43698.05-05	195/129-129	43714.29-41	180/097-099
43608.26-38	178/076-079	43628.02-58	202/070-084	43665.00-56	206/044-058	43698.21-29	179/122-124	43714.46-46	180/100-100
43608.41-53	178/080-083	43629.02-58	202/085-099	43666.00-56	206/059-073	43698.32-44	179/125-128	43714.51-57	180/101-102
43608.56-56	178/084-084	43630.02-58	202/100-114	43667.00-56	206/074-088	43698.47-51	179/129-129	43715.03-03	180/103-103
43609.04-08	178/085-086	43631.02-58	202/115-129	43668.09-09	195/021-021	43698.51-59	180/001-003	43715.08-08	180/104-104
43609.11-11	178/087-087	43632.02-58	202/130-144	43677.34-34	193/024-024	43699.02-14	180/004-007	43715.24-24	195/022-022
43610.16-48	198/020-028	43633.02-58	203/001-015	43677.47-50	179/032-033	43699.17-17	180/008-008	43715.52-56	206/116-117
43610.54-58	178/088-089	43634.02-58	203/016-030	43677.54-57	179/034-035	43701.00-08	180/009-011	43716.00-12	206/118-121
43611.02-05	178/090-091	43635.02-58	203/031-045	43678.01-04	179/036-037	43701.11-23	180/012-015	43716.28-34	195/131-132
43611.09-17	178/092-094	43636.02-58	203/046-060	43678.08-11	179/038-039	43701.26-38	180/016-019	43716.34-43	196/001-004
43611.20-24	201/079-080	43637.02-58	203/061-075	43678.15-18	179/040-041	43701.41-53	180/020-023	43716.54-58	180/105-106
43611.24-32	178/095-097	43638.02-58	203/076-090	43684.29-41	206/089-091	43701.56-56	180/024-024	43717.02-05	180/107-108
43611.35-35	201/081-081	43639.02-58	203/091-105	43684.56-56	179/042-042	43703.06-26	206/104-109	43717.09-17	180/109-111
43611.35-47	178/098-101	43640.02-02	203/106-106	43685.02-08	179/043-044	43703.39-39	180/025-025	43717.20-32	180/112-115
43611.43-43	201/082-082	43641.27-27	193/095-095	43685.13-13	179/045-045	43703.47-47	180/026-026	43717.35-47	180/116-119
43611.50-56	178/102-103	43641.38-58	203/107-112	43685.18-30	179/046-048	43703.47-50	180/027-028	43717.50-50	180/120-120
43612.59-59	178/104-104	43642.02-58	203/113-127	43685.35-35	179/049-049	43703.54-58	180/029-030	43719.14-14	194/067-067
43613.03-06	178/105-106	43643.02-22	203/128-132	43685.40-52	179/050-052	43704.02-05	180/031-032	43719.33-41	180/121-123
43613.10-13	178/107-108	43643.22-58	204/001-010	43685.57-57	179/053-053	43704.09-17	180/033-035	43719.44-56	180/124-127
43613.17-20	178/109-110	43644.02-58	204/011-025	43686.02-14	179/054-056	43704.20-32	180/036-039	43719.59-59	180/128-128
43613.24-27	178/111-112	43645.02-22	204/026-031	43686.19-19	179/057-057	43704.35-35	180/040-040	43720.03-11	180/129-131
43613.33-41	178/113-115	43645.30-58	204/032-039	43686.43-59	206/092-096	43705.51-51	197/055-055	43720.03-11	181/013-015
43613.44-56	178/116-119	43646.02-58	204/040-054	43687.03-03	206/097-097	43706.04-04	195/130-130	43720.14-26	181/001-004
43613.59-59	178/120-120	43647.02-58	204/055-069	43687.19-34	195/123-128	43706.18-26	180/041-043	43720.14-26	181/016-019
43614.03-11	178/121-123	43648.02-34	204/070-078	43687.45-53	179/058-060	43706.29-41	180/044-047	43720.29-29	181/005-005
43614.14-26	178/124-127	43648.54-58	204/079-080	43687.56-56	179/061-061	43706.44-56	180/048-051	43720.29-29	181/020-020
43614.29-29	178/128-128	43649.02-26	204/081-087	43688.00-08	179/062-064	43706.59-59	180/052-052	43722.12-20	181/006-008
43616.12-20	178/129-131	43649.31-34	204/088-089	43688.11-23	179/065-068	43707.03-11	180/053-055	43722.12-20	181/021-023
43616.23-35	178/132-135	43649.38-44	204/090-091	43688.26-38	179/069-072	43707.14-14	180/056-056	43722.23-35	181/009-012
43616.38-50	178/136-139	43649.46-58	204/092-095	43688.41-41	179/073-073	43708.27-47	206/110-115	43722.23-35	181/024-027
43616.53-57	179/001-002	43650.02-02	204/096-096	43690.24-32	179/074-076	43708.57-57	180/057-057	43722.38-50	181/028-031
43617.01-05	179/003-004	43650.10-58	204/097-109	43690.35-47	179/077-080	43709.01-05	180/058-059	43722.53-57	181/032-033
43617.08-08	179/005-005	43651.02-58	204/110-124	43690.50-58	179/081-083	43709.08-20	180/060-063	43723.01-05	181/034-035
43618.24-24	194/066-066	43652.02-34	204/125-132	43691.02-05	179/084-085	43709.23-35	180/064-067	43723.08-08	181/036-036

## VOYAGER ARCHIVE TAPE CATALOG

FDS COUNT	VEE ID	FDS COUNT	VEE ID	FDS COUNT	VEE ID	FDS COUNT	VEE ID	FDS COUNT	VEE ID
43723.20-20	201/021-021	43741.41-53	182/001-003	43760.03-11	182/113-115	43775.58-58	183/070-070	43796.38-42	184/030-031
43724.25-45	206/122-127	43741.58-58	182/004-004	43760.14-14	182/116-116	43776.02-05	183/071-072	43796.45-48	184/032-033
43724.51-59	181/037-039	43743.14-26	182/005-007	43760.26-26	193/025-025	43777.51-59	183/073-075	43796.52-56	184/034-035
43725.02-14	181/040-043	43743.31-31	182/008-008	43761.57-57	182/117-117	43778.02-05	183/076-077	43796.59-59	184/036-036
43725.17-29	181/044-047	43743.36-48	182/009-011	43762.01-05	182/118-119	43778.09-13	183/078-079	43797.02-10	184/037-039
43725.32-44	181/048-051	43743.53-53	182/012-012	43762.08-20	182/120-123	43778.16-19	183/080-081	43797.13-13	184/040-040
43725.47-47	181/052-052	43743.58-58	182/013-013	43762.23-35	182/124-127	43778.23-27	183/082-083	43798.54-54	184/041-041
43727.30-38	181/053-055	43744.04-10	182/014-015	43762.38-50	182/128-131	43778.30-33	183/084-085	43799.00-06	184/042-043
43727.41-53	181/056-059	43744.15-15	182/016-016	43762.53-53	182/132-132	43778.37-41	183/086-087	43799.11-11	184/044-044
43727.56-56	181/060-060	43744.20-32	182/017-019	43763.06-06	194/069-069	43778.44-44	183/088-088	43799.16-28	184/045-047
43728.00-08	181/061-063	43744.37-37	182/020-020	43763.21-21	196/012-012	43779.59-59	207/014-014	43799.33-33	184/048-048
43728.11-23	181/064-067	43744.51-51	201/047-047	43764.36-44	182/133-135	43780.03-19	207/015-019	43799.38-50	184/049-051
43728.26-26	181/068-068	43745.08-28	206/140-144	43764.47-59	182/136-139	43780.30-38	183/089-091	43799.55-55	184/052-052
43729.31-59	198/029-036	43745.22-42	207/002-007	43765.02-14	182/140-142	43780.41-44	183/092-093	43800.00-12	184/053-055
43730.03-03	198/037-037	43745.28-28	207/001-001	43765.14-17	183/001-002	43780.48-52	183/094-095	43800.17-17	184/056-056
43730.09-17	181/069-071	43746.03-11	182/021-023	43765.21-29	183/003-005	43780.55-58	183/096-097	43800.40-52	184/057-059
43730.20-32	181/072-075	43746.14-26	182/024-027	43765.32-32	183/006-006	43781.02-06	183/098-099	43800.57-57	184/060-060
43730.35-47	181/076-079	43746.29-41	182/028-031	43767.15-23	183/007-009	43781.06-12	183/100-101	43801.02-14	184/061-063
43730.50-58	181/080-082	43746.44-56	182/032-035	43767.26-38	183/010-013	43781.16-20	183/102-103	43801.19-19	184/064-064
43731.02-05	181/083-084	43746.59-59	182/036-036	43767.41-53	183/014-017	43781.23-23	183/104-104	43801.24-36	184/065-067
43732.18-38	206/128-133	43747.11-11	194/068-068	43767.56-56	183/018-018	43783.09-17	183/105-107	43801.41-41	184/068-068
43732.48-56	181/085-087	43748.42-50	182/037-039	43768.00-08	183/019-021	43783.20-23	183/108-109	43801.46-58	184/069-071
43732.59-59	181/088-088	43748.53-57	182/040-041	43768.11-11	183/022-022	43783.27-31	183/110-111	43802.03-03	184/072-072
43733.03-11	181/089-091	43749.01-05	182/042-043	43769.45-51	183/023-024	43783.34-37	183/112-113	43802.18-18	194/070-070
43733.14-26	181/092-095	43749.08-20	182/044-047	43769.45-57	183/025-027	43783.41-45	183/114-115	43803.04-10	184/078-079
43733.29-41	181/096-099	43749.23-35	182/048-051	43770.02-02	183/028-028	43783.48-51	183/116-117	43803.15-15	184/080-080
43733.44-44	181/100-100	43749.38-38	182/052-052	43770.07-19	183/029-031	43783.55-59	183/118-119	43803.36-48	184/073-075
43734.49-57	197/056-058	43751.21-29	182/053-055	43770.24-24	183/032-032	43784.02-02	183/120-120	43803.53-53	184/076-076
43735.01-09	197/059-061	43751.32-44	182/056-059	43770.29-41	183/033-035	43785.17-37	207/020-025	43803.58-58	184/077-077
43735.27-35	181/101-103	43751.47-59	182/060-063	43770.46-46	183/036-036	43785.48-56	183/121-123	43804.20-32	184/081-083
43735.38-50	181/104-107	43752.02-14	182/064-067	43770.51-57	183/037-038	43785.59-59	183/124-124	43804.37-37	184/084-084
43735.53-57	181/108-109	43752.17-17	182/068-068	43771.03-03	183/039-039	43786.02-10	183/125-127	43804.42-54	184/085-087
43736.01-05	181/110-111	43754.00-08	182/069-071	43771.08-08	183/040-040	43786.13-16	183/128-128	43804.59-59	184/088-088
43736.08-20	181/112-115	43754.11-23	182/072-075	43772.24-36	183/041-043	43786.16-24	184/001-003	43805.13-13	193/097-097
43736.23-23	181/116-116	43754.26-38	182/076-079	43772.41-41	183/044-044	43786.27-30	184/004-005	43805.33-33	196/021-021
43736.35-53	196/005-011	43754.41-53	182/080-083	43772.46-58	183/045-047	43786.34-38	184/006-007	43805.50-58	207/032-034
43736.48-48	201/013-013	43754.56-56	182/084-084	43773.03-03	183/048-048	43786.41-53	184/008-011	43806.02-10	207/035-037
43737.35-55	206/134-139	43756.39-47	182/085-087	43773.08-20	183/049-051	43793.18-38	197/062-067	43806.45-45	195/024-024
43738.06-14	181/117-119	43756.50-58	182/088-090	43773.25-25	183/052-052	43793.56-59	184/012-013	43807.00-00	184/089-089
43738.17-29	181/120-123	43757.02-05	182/091-092	43773.30-42	183/053-055	43794.03-07	184/014-015	43807.00-08	184/090-092
43738.32-44	181/124-127	43757.09-17	182/093-095	43773.47-47	183/056-056	43794.10-13	184/016-017	43807.11-14	184/093-094
43738.47-59	181/128-131	43757.17-17	201/083-083	43774.09-29	207/008-013	43794.17-21	184/018-019	43807.18-22	184/095-096
43739.02-05	181/132-133	43757.20-32	182/096-099	43774.38-53	196/013-018	43794.24-27	184/020-021	43807.25-28	184/097-098
43740.41-47	181/134-135	43757.35-35	182/100-100	43774.55-55	196/019-019	43794.31-35	184/022-023	43807.32-36	184/099-100
43740.52-52	181/136-136	43757.47-47	193/096-096	43775.12-20	183/057-059	43794.38-38	184/024-024	43807.39-42	184/101-102
43740.57-57	181/137-137	43758.02-02	195/023-023	43775.23-26	183/060-061	43794.52-52	196/020-020	43807.46-50	184/103-104
43741.03-09	181/138-139	43759.18-26	182/101-103	43775.30-34	183/062-063	43795.53-57	207/026-027	43807.53-53	184/105-105
43741.14-14	181/140-140	43759.29-41	182/104-107	43775.37-40	183/064-065	43796.01-13	207/028-031	43809.04-19	196/022-027
43741.19-31	181/141-143	43759.44-56	182/108-111	43775.44-48	183/066-067	43796.20-28	184/025-027	43809.21-22	196/028-029
43741.36-36	181/144-144	43759.59-59	182/112-112	43775.51-54	183/068-069	43796.31-34	184/028-029	43809.36-44	184/106-108

## VOYAGER ARCHIVE TAPE CATALOG

FDS COUNT	VEE ID	FDS COUNT	VEE ID	FDS COUNT	VEE ID	FDS COUNT	VEE ID	FDS COUNT	VEE ID
43809.47-50	184/109-110	43823.33-36	185/068-069	43836.33-41	201/084-086	43849.34-37	186/079-080	43862.29-29	196/037-037
43809.54-58	184/111-112	43823.40-44	185/070-071	43836.36-40	186/003-004	43849.41-44	186/081-082	43862.48-48	193/027-027
43810.01-04	184/113-114	43823.47-47	185/072-072	43836.43-47	186/005-006	43849.48-51	186/083-084	43863.07-07	194/072-072
43810.08-12	184/115-116	43825.03-23	207/050-055	43836.50-54	186/007-008	43849.55-58	186/085-086	43863.32-44	195/033-037
43810.15-18	184/117-118	43825.33-41	185/073-075	43836.57-57	186/009-009	43850.02-05	186/087-088	43863.48-50	195/038-039
43810.22-26	184/119-120	43825.44-47	185/076-077	43838.15-30	196/030-035	43850.09-12	186/089-090	43864.05-20	196/038-043
43810.29-29	184/121-121	43825.51-55	185/078-079	43838.32-32	196/036-036	43851.23-55	198/047-055	43864.22-22	196/044-044
43810.36-56	207/036-043	43825.58-58	185/080-080	43838.42-48	186/010-011	43851.58-58	198/056-056	43864.44-56	207/113-116
43812.18-26	184/122-124	43826.01-09	185/081-083	43838.51-55	186/012-013	43852.01-05	186/091-092	43865.00-04	207/117-118
43812.29-32	184/125-126	43826.12-15	185/084-085	43838.58-58	186/014-014	43852.08-12	186/093-094	43865.23-26	187/011-012
43812.36-40	184/127-128	43826.19-23	185/086-087	43839.02-05	186/015-016	43852.15-19	186/095-096	43865.30-33	187/013-014
43812.43-46	184/129-129	43826.26-26	185/088-088	43839.09-12	186/017-018	43852.22-26	186/097-098	43865.37-40	187/015-016
43812.46-54	185/001-003	43826.40-40	201/048-048	43839.16-19	186/019-020	43852.29-33	186/099-100	43865.44-47	187/017-018
43812.57-57	185/004-004	43827.57-57	192/136-136	43839.23-26	186/021-022	43852.36-40	186/101-102	43865.54-58	187/020-021
43813.00-08	185/005-007	43828.05-13	185/089-091	43839.30-33	186/023-024	43852.43-47	186/103-104	43866.01-05	187/022-023
43813.11-11	185/008-008	43828.16-19	185/092-093	43839.37-40	186/025-026	43852.50-54	186/105-106	43866.08-08	187/024-024
43814.40-48	185/009-011	43828.23-27	185/094-095	43840.56-56	194/071-071	43852.57-57	186/107-107	43867.27-27	196/045-045
43814.51-54	185/012-013	43828.30-33	185/096-097	43841.13-19	193/098-099	43854.11-11	201/022-022	43867.27-30	196/046-047
43814.58-58	185/014-014	43828.37-41	185/098-099	43841.27-30	186/027-028	43854.16-36	207/074-079	43867.30-33	196/048-049
43815.02-08	185/015-017	43828.44-47	185/100-101	43841.34-37	186/029-030	43854.42-45	186/108-109	43867.33-42	196/050-053
43815.12-16	185/018-019	43828.51-55	185/102-103	43841.41-44	186/031-032	43854.49-52	186/110-111	43867.44-44	196/054-054
43815.19-22	185/020-021	43828.58-58	185/104-104	43841.48-51	186/033-034	43854.56-59	186/112-113	43867.54-54	187/025-025
43815.26-30	185/022-023	43830.01-01	185/105-105	43841.55-58	186/035-036	43855.03-06	186/114-115	43868.00-03	187/026-027
43815.33-33	185/024-024	43830.10-10	185/106-106	43842.02-05	186/037-038	43855.10-13	186/116-117	43868.07-10	187/028-029
43815.42-58	198/038-042	43830.15-21	185/107-108	43842.09-12	186/039-040	43855.17-20	186/118-119	43868.14-17	187/030-031
43816.02-10	198/043-045	43830.26-32	185/109-110	43842.16-19	186/041-042	43855.24-27	186/120-121	43868.21-24	187/032-033
43816.13-13	198/046-046	43830.37-43	185/111-112	43843.32-52	207/042-067	43855.31-34	186/122-123	43868.28-31	187/034-035
43817.33-41	185/025-027	43830.48-54	185/113-114	43844.02-05	186/043-044	43856.48-57	195/026-029	43868.35-38	187/036-037
43817.44-47	185/028-029	43830.59-59	185/115-115	43844.09-12	186/045-046	43857.00-04	195/030-031	43868.42-45	187/038-039
43817.51-55	185/030-031	43831.05-05	185/116-116	43844.16-19	186/047-048	43857.06-06	195/032-032	43868.49-52	187/040-041
43817.58-58	185/032-032	43831.10-16	185/117-118	43844.23-26	186/049-050	43857.15-21	186/124-125	43870.22-22	195/040-040
43818.01-09	185/033-035	43831.21-27	185/119-120	43844.30-33	186/051-052	43857.24-28	186/126-127	43870.36-39	187/042-043
43818.12-15	185/036-037	43831.32-32	185/121-121	43844.37-40	186/053-054	43857.31-35	186/128-129	43870.43-46	187/044-045
43818.19-23	185/038-039	43832.06-06	201/014-014	43844.44-47	186/055-056	43857.38-42	186/130-131	43870.50-53	187/046-047
43818.26-26	185/040-040	43833.14-14	185/122-122	43844.51-54	186/057-058	43857.45-49	186/132-132	43870.57-57	187/048-048
43818.33-53	207/044-049	43833.19-25	185/123-124	43844.61-61	195/025-025	43857.49-52	187/001-002	43871.00-04	187/049-050
43820.12-20	185/041-043	43833.30-36	185/125-126	43844.65-48	186/059-060	43857.56-59	187/003-004	43871.07-11	187/051-052
43820.23-26	185/044-045	43833.41-47	185/127-128	43844.52-55	186/061-062	43858.03-06	187/005-006	43871.14-18	187/053-054
43820.30-34	185/046-047	43833.52-58	185/129-130	43844.59-59	186/063-063	43858.10-19	187/007-010	43871.21-25	187/055-056
43820.37-40	185/048-049	43834.03-09	185/131-132	43847.02-06	186/064-065	43858.21-41	207/080-085	43871.28-28	187/057-057
43820.44-48	185/050-051	43834.14-20	185/133-134	43847.09-13	186/066-067	43858.46-58	197/074-077	43872.58-58	196/055-055
43820.51-54	185/052-053	43834.25-31	185/135-136	43847.16-20	186/068-069	43859.02-06	197/078-079	43873.08-11	187/058-059
43820.58-58	185/054-054	43834.36-36	185/137-137	43847.23-27	186/070-071	43859.32-44	207/086-088	43873.15-18	187/060-061
43821.02-05	185/055-056	43835.06-26	207/056-061	43847.30-34	186/072-073	43859.49-55	207/089-090	43873.22-25	187/062-063
43821.12-32	197/068-073	43835.54-54	193/026-026	43847.37-37	186/074-074	43860.01-43	207/091-098	43873.29-32	187/064-065
43822.54-58	185/057-058	43836.05-08	185/138-139	43848.48-52	201/044-045	43860.48-48	207/099-099	43873.36-39	187/066-067
43823.02-06	185/059-060	43836.12-15	185/140-141	43848.54-58	207/048-069	43860.56-56	207/100-100	43873.43-46	187/068-069
43823.08-16	185/061-063	43836.19-22	185/142-143	43849.02-14	207/070-073	43861.02-56	207/101-110	43873.50-53	187/070-071
43823.19-22	185/064-065	43836.26-29	185/144-144	43849.20-23	186/075-076	43862.02-02	207/111-111	43873.57-57	187/072-072
43823.26-30	185/066-067	43836.29-33	186/001-002	43849.27-30	186/077-078	43862.07-07	207/112-112	43874.00-00	187/073-073

## VOYAGER ARCHIVE TAPE CATALOG

FDS COUNT	VEE ID	FDS COUNT	VEE ID	FDS COUNT	VEE ID	FDS COUNT	VEE ID	FDS COUNT	VEE ID
43875.11-43	198/057-065	43886.30-34	188/009-010	43912.39-39	201/023-023	43921.23-29	189/015-016	43928.58-58	189/080-080
43875.46-46	198/066-066	43886.37-41	188/011-012	43912.45-57	195/054-058	43921.34-40	189/017-018	43929.01-05	189/081-082
43875.51-51	187/074-074	43886.44-48	188/013-014	43913.00-00	195/059-059	43921.45-51	189/019-020	43929.08-12	189/083-084
43875.56-59	187/075-076	43886.51-55	188/015-016	43913.06-18	194/076-080	43921.56-56	189/021-021	43929.15-15	189/085-085
43876.03-06	187/077-078	43886.58-58	188/017-017	43913.21-23	201/015-016	43922.04-07	189/022-023	43930.03-07	189/086-087
43876.10-13	187/079-080	43887.02-05	188/018-019	43913.28-28	201/017-017	43922.13-13	189/024-024	43930.10-14	189/088-089
43876.17-20	187/081-082	43887.09-12	188/020-021	43913.35-35	198/096-096	43922.18-24	189/025-026	43930.17-21	189/090-091
43876.24-27	187/083-084	43887.16-19	188/022-023	43913.39-59	211/044-049	43922.29-35	189/027-028	43930.24-28	189/092-093
43876.31-34	187/085-086	43887.51-51	196/070-070	43914.03-06	211/050-051	43922.40-46	189/029-030	43930.31-31	189/094-094
43876.38-41	187/087-088	43888.01-10	195/049-052	43914.11-14	188/062-063	43922.51-57	189/031-032	43930.38-38	210/044-044
43876.45-48	187/089-090	43888.14-14	195/053-053	43914.18-21	188/064-065	43923.02-08	189/033-034	43930.43-43	210/045-045
43877.54-54	196/056-056	43888.31-31	194/073-073	43914.25-28	188/066-067	43923.13-19	189/035-036	43930.48-48	210/046-046
43877.54-58	196/057-058	43890.08-56	188/024-032	43914.32-35	188/068-069	43923.24-30	189/037-038	43930.53-53	210/047-047
43878.02-14	196/059-062	43891.02-50	188/033-041	43914.39-42	188/070-071	43923.35-41	189/039-040	43930.58-58	210/048-048
43878.17-17	196/063-063	43892.09-09	188/042-042	43914.46-49	188/072-073	43923.46-52	189/041-042	43931.03-03	210/049-049
43878.26-26	187/091-091	43892.14-56	188/043-050	43914.53-56	188/074-075	43923.57-57	189/043-043	43931.08-08	210/050-050
43878.28-48	196/064-069	43893.02-56	188/051-060	43915.00-03	188/076-077	43924.03-03	189/044-044	43931.13-13	210/051-051
43878.33-36	187/092-093	43894.02-02	188/061-061	43915.07-10	188/078-079	43924.08-14	189/045-046	43931.18-18	210/052-052
43878.40-43	187/094-095	43894.20-52	198/077-085	43915.14-17	188/080-081	43924.19-25	189/047-048	43931.23-23	210/053-053
43878.47-50	187/096-097	43894.59-59	207/119-119	43915.21-24	188/082-083	43924.30-36	189/049-050	43931.28-28	210/054-054
43878.54-57	187/098-099	43895.02-41	207/120-132	43915.28-31	188/084-085	43924.46-46	196/071-071	43931.33-33	210/055-055
43879.01-04	187/100-101	43895.41-59	208/001-007	43915.35-38	188/086-087	43924.51-51	196/072-072	43931.38-38	210/056-056
43879.08-11	187/102-103	43896.02-59	208/008-027	43915.42-45	188/088-089	43924.56-56	196/073-073	43931.43-43	210/057-057
43879.15-18	187/104-105	43897.02-59	208/028-047	43915.53-56	188/090-091	43925.01-01	196/074-074	43931.48-48	210/058-058
43879.22-25	187/106-107	43898.02-59	208/048-067	43916.00-03	188/092-093	43925.06-06	196/075-075	43931.54-54	189/095-095
43880.38-50	195/041-045	43899.02-59	208/048-087	43916.07-10	188/094-095	43925.11-11	196/076-076	43931.59-59	189/096-096
43880.54-58	195/046-048	43900.02-59	208/088-107	43916.14-17	188/096-097	43925.25-28	189/051-052	43932.05-05	189/097-097
43881.05-05	187/108-108	43901.02-59	208/108-127	43916.24-24	188/098-098	43925.32-35	189/053-054	43932.10-16	189/098-099
43881.12-15	187/109-110	43902.02-08	208/128-129	43916.32-56	188/099-105	43925.39-42	189/055-056	43932.21-21	189/100-100
43881.19-22	187/111-112	43902.08-14	209/001-003	43917.00-56	188/106-120	43925.46-49	189/057-058	43932.27-27	210/059-059
43881.26-29	187/113-114	43902.20-59	209/005-018	43918.00-04	188/121-122	43925.52-56	194/089-090	43932.32-32	210/060-060
43881.33-36	187/115-116	43902.27-27	209/004-004	43918.11-43	211/052-060	43926.00-08	194/091-093	43932.37-37	210/061-061
43881.40-43	187/117-118	43903.02-59	209/019-038	43918.46-46	211/061-061	43926.11-11	194/094-094	43932.42-42	210/062-062
43881.47-50	187/119-120	43904.02-32	209/039-049	43918.50-58	194/081-083	43926.14-14	193/028-028	43932.47-47	210/063-063
43881.54-57	187/121-122	43904.36-38	209/050-051	43919.02-10	194/084-086	43926.19-39	195/060-065	43932.52-52	210/064-064
43882.01-04	187/123-124	43904.41-59	209/052-058	43919.13-13	194/087-087	43926.42-42	195/066-066	43932.57-57	210/065-065
43883.11-31	197/080-085	43905.02-32	209/059-069	43919.13-13	194/088-088	43926.45-51	189/059-061	43933.02-02	210/066-066
43883.38-41	187/125-126	43906.12-15	194/074-075	43919.23-23	188/123-123	43927.01-04	189/062-063	43933.07-07	210/067-067
43883.45-48	187/127-128	43906.18-21	193/100-101	43919.28-28	188/124-124	43927.08-11	189/064-065	43933.12-12	210/068-068
43883.52-55	187/129-130	43906.28-28	193/102-102	43919.33-39	188/125-126	43927.15-18	189/066-067	43933.17-17	210/069-069
43883.59-59	187/131-131	43906.36-56	198/086-091	43919.44-50	188/127-128	43927.22-25	189/068-069	43933.22-22	210/070-070
43884.02-06	187/132-133	43907.00-08	198/092-094	43919.55-55	188/129-129	43927.31-51	197/086-091	43933.27-27	210/071-071
43884.09-13	187/134-134	43907.11-11	198/095-095	43920.01-01	188/130-130	43927.54-54	197/092-092	43933.32-32	210/072-072
43884.13-16	188/001-002	43907.16-58	209/070-084	43920.06-12	189/001-002	43927.59-59	189/070-070	43933.47-50	189/101-102
43884.20-23	188/003-004	43908.01-58	209/085-104	43920.17-23	189/003-004	43928.02-06	189/071-072	43933.54-57	189/103-104
43884.27-30	188/005-006	43909.01-58	209/105-124	43920.28-34	189/005-006	43928.09-13	189/073-074	43934.01-04	189/105-106
43885.45-57	198/067-070	43910.01-25	209/125-132	43920.39-45	189/007-008	43928.16-20	189/075-076	43934.08-11	189/107-108
43886.01-17	198/071-075	43910.25-58	210/001-012	43920.50-56	189/009-010	43928.23-23	189/077-077	43934.14-41	196/085-094
43886.20-20	198/076-076	43911.01-58	210/013-032	43921.01-07	189/011-012	43928.26-47	196/077-084	43934.45-48	189/109-110
43886.23-27	188/007-008	43912.01-31	210/033-043	43921.12-18	189/013-014	43928.51-54	189/078-079	43934.52-55	189/111-112



## VOYAGER ARCHIVE TAPE CATALOG

FDS COUNT	VEE ID	FDS COUNT	VEE ID	FDS COUNT	VEE ID	FDS COUNT	VEE ID	FDS COUNT	VEE ID
43934.59-59	189/113-113	43946.59-59	190/107-107	43967.02-14	195/077-080	43984.05-50	197/011-026	43998.03-07	213/009-010
43935.02-06	189/114-115	43947.03-47	190/108-119	43967.20-24	196/108-109	43984.54-58	197/027-028	43998.12-13	201/032-033
43935.09-13	189/116-117	43947.52-55	190/120-121	43967.27-35	196/110-112	43985.02-05	197/029-030	43998.15-15	201/034-034
43935.16-20	189/118-119	43947.59-59	190/122-122	43967.38-41	196/113-114	43985.10-26	197/031-035	43998.18-18	211/014-014
43935.23-23	189/120-120	43948.02-06	190/123-124	43967.45-48	196/115-116	43985.37-57	194/016-021	43998.18-22	211/015-016
43935.31-58	210/073-082	43948.09-13	190/125-126	43967.49-50	196/117-118	43986.10-13	193/045-046	43998.25-25	211/017-017
43936.01-04	210/083-084	43948.16-56	190/127-137	43967.52-55	193/029-030	43989.02-04	193/005-006	43998.29-32	201/041-042
43936.53-57	189/121-122	43949.00-00	191/001-001	43968.02-05	197/107-108	43989.06-22	193/047-051	43998.36-48	213/011-014
43937.00-00	189/123-123	43949.11-11	196/095-095	43968.09-21	194/001-004	43989.26-58	210/103-111	43998.49-49	213/015-015
43937.03-19	195/067-071	43949.16-16	196/096-096	43968.49-57	192/033-035	43990.02-22	210/112-117	43998.52-56	213/017-018
43937.24-40	194/095-099	43949.21-21	196/097-097	43969.01-33	192/036-044	43990.25-25	210/118-118	43998.54-54	213/016-016
43937.44-47	189/124-125	43949.26-38	196/098-100	43969.45-57	192/045-048	43990.29-37	192/099-101	43999.00-00	193/063-063
43937.51-54	189/126-127	43949.51-57	191/002-003	43970.01-09	192/049-051	43990.43-46	197/036-037	43999.03-19	211/018-022
43937.58-58	189/128-128	43950.03-45	191/004-011	43970.12-32	210/091-096	43990.50-58	197/038-040	43999.19-19	201/092-092
43938.01-05	189/129-130	43950.50-56	195/072-073	43971.39-59	192/052-057	43991.02-06	197/041-042	43999.22-40	211/023-029
43938.08-11	189/131-132	43951.02-08	195/074-075	43972.03-03	192/058-058	43991.09-09	197/043-043	43999.45-57	213/019-022
43938.15-59	189/133-144	43952.25-55	191/012-017	43972.11-43	197/109-117	43991.14-14	201/001-001	44000.01-33	213/023-031
43938.25-45	210/085-090	43953.01-31	191/018-023	43972.19-43	192/059-065	43991.18-58	192/102-112	44000.42-48	193/064-067
43939.03-27	190/001-007	43953.27-27	191/024-024	43972.46-46	197/118-118	43992.02-10	192/113-115	44000.48-50	193/068-069
43939.31-34	192/137-138	43953.43-55	191/025-027	43972.54-58	196/119-120	43992.10-12	193/052-053	44003.49-49	213/032-032
43939.41-41	193/001-001	43954.01-55	191/028-037	43973.02-38	196/121-130	43992.16-32	194/022-026	44003.57-57	194/028-028
43939.48-51	190/008-009	43955.01-55	191/038-047	43974.42-58	192/066-070	43992.35-55	213/001-006	44004.00-06	194/029-030
43939.55-58	190/010-011	43956.01-55	191/048-057	43974.48-51	193/031-032	43992.59-59	210/119-119	44004.07-08	193/007-008
43940.02-05	190/012-013	43957.01-55	191/058-067	43974.55-58	197/119-120	43993.02-06	210/120-121	44004.12-36	193/070-076
43940.09-12	190/014-015	43958.01-43	191/068-075	43975.03-23	194/005-010	43993.09-09	210/122-122	44004.55-56	201/035-036
43940.16-22	190/016-018	43958.48-48	191/076-076	43975.27-39	201/037-040	43993.16-24	193/054-056	44004.58-58	211/030-030
43940.26-58	190/019-027	43958.53-53	191/077-077	43976.02-06	192/071-072	43993.28-31	201/049-050	44005.01-07	211/031-033
43941.02-58	190/028-042	43959.06-09	197/099-100	43976.33-33	193/015-015	43993.36-42	210/123-125	44005.08-11	211/034-037
43942.02-26	190/043-049	43959.13-25	193/103-106	43976.41-57	196/131-135	43993.46-58	210/126-129	44005.11-12	211/038-039
43942.33-36	190/050-051	43959.29-35	196/101-103	43977.01-05	196/136-137	43994.02-10	210/130-132	44006.08-11	193/077-078
43942.40-43	190/052-053	43959.35-41	196/104-105	43977.14-17	195/081-082	43994.13-16	210/133-134	44006.43-49	211/040-043
43942.47-50	190/054-055	43959.44-48	196/106-107	43977.21-33	194/111-114	43994.20-44	210/135-141	44006.51-51	211/062-062
43942.54-57	190/056-057	43959.53-56	191/078-079	43977.37-57	193/033-038	43994.47-50	210/142-143	44007.16-16	194/031-031
43943.04-19	194/100-105	43960.01-57	191/080-094	43978.01-21	210/097-102	43994.54-58	210/144-144	44007.26-30	194/032-034
43943.28-48	197/093-098	43961.01-57	191/095-109	43978.24-24	192/073-073	43994.58-58	211/001-001	44007.32-32	201/093-093
43943.52-55	190/058-059	43962.01-57	191/110-124	43978.29-32	192/074-075	43995.02-18	211/002-006	44007.34-36	194/035-036
43943.59-59	190/060-060	43963.01-05	191/125-126	43978.36-48	192/076-079	43995.21-24	211/007-008	44007.44-44	213/033-033
43944.02-06	190/061-062	43963.17-20	193/107-108	43978.56-56	196/138-138	43995.28-40	211/009-012	44007.47-59	211/063-067
43944.09-13	190/063-064	43963.24-36	194/106-109	43979.02-14	196/139-140	43995.43-43	211/013-013	44009.00-06	193/079-082
43944.16-56	190/065-075	43963.39-39	194/110-110	43979.14-32	197/001-004	43995.47-50	201/018-019	44009.13-13	201/094-094
43945.00-04	190/076-077	43963.43-55	197/101-104	43979.37-55	197/005-008	43995.54-54	201/002-002	44009.13-19	194/037-040
43945.11-14	190/078-079	43963.58-58	197/105-105	43980.01-02	197/009-010	43995.58-58	194/027-027	44009.25-55	211/068-073
43945.18-21	190/080-081	43964.02-02	197/106-106	43980.09-33	194/011-015	43996.02-05	193/057-058	44010.01-07	211/074-075
43945.25-28	190/082-083	43964.05-05	191/127-127	43980.32-56	192/080-084	43996.08-12	195/083-084	44010.22-22	193/083-083
43945.32-35	190/084-085	43964.10-34	191/128-133	43981.02-56	192/085-094	43996.16-16	194/115-115	44010.27-27	193/084-084
43945.39-59	190/086-091	43964.34-58	192/001-007	43982.02-20	192/095-098	43996.21-27	197/044-046	44010.33-45	213/034-036
43946.03-35	190/092-100	43965.02-58	192/008-022	43982.25-25	193/004-004	43997.25-37	193/059-062	44012.39-39	213/037-037
43946.38-42	190/101-102	43966.02-38	192/023-032	43982.35-59	201/024-028	43997.41-47	201/051-052	44012.44-50	213/038-039
43946.45-49	190/103-104	43966.51-54	193/002-003	43983.05-17	201/029-031	43997.46-49	200/120-121	44012.55-55	213/040-040
43946.52-56	190/105-106	43966.58-58	195/076-076	43983.23-53	193/039-044	43997.55-59	213/007-008	44013.02-02	213/041-041

## VOYAGER ARCHIVE TAPE CATALOG

FDS COUNT	VEE ID	FDS COUNT	VEE ID	FDS COUNT	VEE ID	FDS COUNT	VEE ID	FDS COUNT	VEE ID
44013.14-14	193/009-009	44117.27-30	214/046-047	44127.04-04	214/122-122	44150.10-13	212/066-067	44164.02-56	216/044-053
44013.23-29	194/041-042	44117.34-37	214/048-049	44127.09-09	214/123-123	44150.17-20	212/068-069	44165.02-56	216/054-063
44013.34-34	213/042-042	44117.41-44	214/050-051	44127.29-29	214/124-124	44150.24-27	212/070-071	44166.02-56	216/064-073
44013.34-58	213/043-047	44117.48-51	214/052-053	44127.40-43	214/125-126	44150.34-37	212/072-073	44167.02-56	216/074-083
44014.04-04	213/048-048	44117.55-58	211/113-114	44127.47-50	214/127-128	44151.19-22	215/077-078	44168.02-56	216/084-093
44015.38-50	211/076-079	44118.02-05	211/115-116	44127.54-57	214/129-130	44151.26-29	215/079-080	44169.02-56	216/094-103
44015.50-50	201/095-095	44118.09-12	211/117-118	44128.01-04	214/131-132	44151.33-36	215/081-082	44170.02-56	216/104-113
44015.53-56	211/080-081	44118.16-19	214/054-055	44128.08-11	214/133-134	44151.40-43	215/083-084	44171.02-38	216/114-120
44016.00-00	201/096-096	44118.23-26	214/056-057	44128.15-18	214/135-136	44152.06-09	215/085-086	44174.43-55	216/121-123
44016.00-08	211/082-084	44118.30-33	214/058-059	44128.22-25	214/137-138	44152.13-16	215/087-088	44175.01-61	216/124-134
44090.21-21	213/050-050	44118.37-40	214/060-061	44128.29-32	214/139-139	44152.20-23	215/089-090	44176.07-55	217/001-009
44095.40-56	213/051-055	44118.47-59	211/119-122	44128.32-32	215/001-001	44152.27-30	215/091-092	44177.01-55	217/010-019
44096.00-24	213/056-062	44119.03-47	211/123-133	44129.54-54	215/002-002	44152.41-44	212/074-075	44178.01-55	217/020-029
44098.51-51	213/043-063	44119.47-47	212/001-001	44129.59-59	215/003-003	44152.48-51	212/076-077	44179.01-55	217/030-039
44098.58-58	213/064-064	44119.51-59	214/062-064	44130.05-05	215/004-004	44152.55-58	215/093-094	44180.01-55	217/040-049
44099.05-05	213/065-065	44120.03-59	214/065-079	44130.10-16	215/005-006	44153.02-05	215/095-096	44181.01-55	217/050-059
44099.12-12	213/066-066	44121.03-03	214/080-080	44130.21-27	215/007-008	44153.09-12	215/097-098	44182.01-55	217/060-069
44099.40-52	213/067-069	44121.11-14	212/002-003	44130.32-32	215/009-009	44153.16-19	215/099-100	44183.01-55	217/070-079
44099.53-53	213/070-070	44121.18-21	212/004-005	44130.48-54	215/010-011	44153.23-26	212/078-079	44184.01-55	217/080-089
44100.05-05	213/071-071	44121.25-28	212/006-007	44131.00-48	215/012-020	44153.30-33	212/080-081	44185.01-55	217/090-099
44100.10-58	213/072-080	44121.32-35	212/008-009	44133.15-57	215/021-028	44153.37-40	212/082-083	44186.01-19	217/100-103
44101.04-58	213/081-090	44121.39-42	212/010-011	44135.40-56	212/032-036	44153.44-47	215/101-102	44186.23-23	217/104-104
44102.04-58	213/091-100	44121.46-49	212/012-013	44136.00-40	212/037-047	44153.51-54	215/103-104	44186.25-25	201/087-087
44103.04-34	213/101-106	44122.27-30	214/081-082	44136.43-46	212/048-049	44153.58-58	215/105-105	44186.31-49	217/105-108
44104.59-59	213/107-107	44122.34-37	214/083-084	44138.50-53	212/050-051	44154.01-05	215/106-107	44186.53-53	217/109-109
44105.06-06	213/108-108	44122.41-44	214/085-086	44138.57-57	212/052-052	44154.08-08	215/108-108	44186.55-55	201/088-088
44105.13-13	213/109-109	44122.48-51	214/087-088	44139.00-04	212/053-054	44154.35-38	215/109-110	44187.01-55	217/110-119
44105.20-26	213/110-111	44122.55-58	212/014-015	44139.07-11	212/055-056	44154.42-45	216/001-002	44188.01-02	217/120-121
44105.30-46	213/112-116	44123.02-05	212/016-017	44139.14-18	212/057-058	44154.49-52	216/003-004	44192.08-56	217/122-130
44105.46-50	213/117-118	44123.09-12	212/018-019	44139.21-21	212/059-059	44154.56-59	216/005-006	44193.02-56	217/131-140
44105.51-54	213/119-120	44123.16-19	214/089-090	44139.52-56	215/029-030	44155.03-06	212/084-085	44194.02-26	217/141-144
44106.02-22	213/121-126	44123.23-26	214/091-092	44139.59-59	215/031-031	44155.10-13	212/086-087	44194.26-56	218/001-006
44106.36-39	213/127-128	44123.30-33	214/093-094	44142.46-58	215/032-035	44155.17-20	212/088-089	44195.02-56	218/007-016
44106.43-46	213/129-130	44123.37-40	214/095-096	44143.02-58	215/036-050	44155.24-27	216/007-008	44196.02-56	218/017-026
44106.50-56	213/131-133	44123.44-47	212/020-021	44144.02-10	215/051-053	44155.31-34	216/009-010	44197.02-56	218/027-036
44107.33-36	211/085-086	44123.51-54	212/022-023	44144.17-20	212/060-061	44155.38-41	216/011-012	44198.02-56	218/037-046
44107.40-43	211/087-088	44123.58-58	212/024-024	44144.24-27	212/062-063	44155.45-48	216/013-014	44199.02-56	218/047-056
44107.47-50	211/089-090	44124.01-01	212/025-025	44144.31-34	212/064-065	44155.55-59	216/015-016	44200.02-56	218/057-066
44108.00-44	213/134-144	44124.05-08	214/097-098	44147.47-50	215/054-055	44156.03-43	216/017-027	44201.02-56	218/067-076
44108.44-56	214/001-004	44124.12-15	214/099-100	44147.54-57	215/056-057	44156.48-56	212/090-092	44202.02-56	218/077-086
44109.00-56	214/005-019	44124.19-22	214/101-102	44148.01-04	215/058-059	44157.00-48	212/093-105	44203.02-56	218/087-096
44110.00-48	214/020-032	44124.26-29	214/103-104	44148.08-11	215/060-061	44158.20-44	212/106-110	44204.02-56	218/097-106
44110.54-57	214/033-034	44124.33-36	212/026-027	44148.15-18	215/062-063	44158.50-50	213/049-049	44205.02-20	218/107-110
44111.10-13	211/091-092	44124.40-43	212/028-029	44148.22-25	215/064-065	44159.03-03	212/111-111	44205.34-34	218/111-111
44111.17-20	211/093-094	44124.47-50	212/030-031	44148.29-32	215/066-067	44159.08-56	212/112-120	44207.20-23	218/112-113
44111.24-27	211/095-096	44125.09-49	214/105-115	44148.36-39	215/068-069	44160.02-56	212/121-130	44207.27-30	218/114-115
44111.31-59	214/035-042	44126.31-31	214/116-116	44149.27-30	215/070-071	44161.02-56	212/131-140	44207.34-37	218/116-117
44112.03-11	214/043-045	44126.36-42	214/117-118	44149.34-37	215/072-073	44162.02-20	212/141-144	44207.41-44	218/118-119
44113.37-57	211/097-102	44126.47-53	214/119-120	44149.41-44	215/074-075	44162.26-56	216/028-033	44207.48-51	218/120-121
44114.01-37	211/103-112	44126.58-58	214/121-121	44149.59-59	215/076-076	44163.02-56	216/034-043	44207.55-58	218/122-123



## VOYAGER ARCHIVE TAPE CATALOG

FDS COUNT	VGE ID	FDS COUNT	VGE ID	FDS COUNT	VGE ID	FDS COUNT	VGE ID
44208.02-05	218/124-125	44229.36-42	219/079-080	44255.53-59	220/033-034	44285.00-54	199/033-042
44208.09-12	218/126-127	44229.47-53	219/081-082	44256.04-10	220/035-036	44286.00-54	199/043-052
44208.16-19	218/128-129	44229.53-54	201/090-091	44256.15-21	220/037-038	44287.00-54	199/053-062
44208.23-26	218/130-131	44229.58-58	219/083-083	44256.26-32	220/039-040	44287.59-59	199/063-063
44208.30-33	218/132-133	44230.04-04	219/084-084	44256.37-43	220/041-042	44288.06-54	199/064-072
44208.37-40	218/134-134	44230.09-11	219/085-086	44256.48-54	220/043-044	44289.00-54	199/073-082
44208.40-44	219/001-002	44239.16-22	219/087-088	44256.59-59	220/045-045	44290.00-54	199/083-092
44208.47-51	219/003-004	44239.27-33	219/089-090	44257.05-05	220/046-046	44291.00-36	199/093-099
44208.54-58	219/005-006	44239.38-44	219/091-092	44257.10-16	220/047-048	44291.41-41	199/100-100
44209.01-05	219/007-008	44239.49-55	219/093-094	44257.21-27	220/049-050	44294.53-57	199/101-102
44209.08-12	219/009-010	44240.00-06	219/095-096	44257.32-38	220/051-052	44295.01-57	199/103-117
44209.15-19	219/011-012	44240.11-17	219/097-098	44263.43-49	220/053-054	44296.01-41	199/118-128
44209.22-26	219/013-014	44240.22-28	219/099-100	44263.54-54	220/055-055	44296.45-45	201/097-097
44209.29-33	219/015-016	44240.33-39	219/101-102	44264.00-00	220/056-056	44296.47-49	199/129-130
44209.36-36	219/017-017	44240.44-50	219/103-104	44264.05-11	220/057-058	44296.53-57	199/131-132
44211.01-04	219/018-019	44240.55-55	219/105-105	44264.16-22	220/059-060	44297.01-17	200/001-005
44211.08-11	219/020-021	44241.01-01	219/106-106	44264.27-33	220/061-062	44297.20-20	200/006-006
44211.15-18	219/022-023	44241.06-12	219/107-108	44264.38-44	220/063-064	44297.25-57	200/007-015
44211.22-25	219/024-025	44241.17-23	219/109-110	44264.49-55	220/065-066	44298.01-57	200/016-030
44211.29-32	219/026-027	44241.28-34	219/111-112	44265.00-06	220/067-068	44299.01-57	200/031-045
44211.36-39	219/028-029	44241.39-45	219/113-114	44265.11-17	220/069-070	44300.01-41	200/046-056
44211.43-46	219/030-031	44241.50-56	219/115-116	44265.22-28	220/071-072	44300.47-49	200/057-058
44211.50-53	219/032-033	44242.01-07	219/117-118	44265.33-39	220/073-074	44300.53-57	200/059-060
44211.57-57	219/034-034	44242.12-18	219/119-120	44265.44-50	220/075-076	44301.01-57	200/061-075
44212.00-00	219/035-035	44242.23-29	219/121-122	44265.55-55	220/077-077	44302.01-57	200/076-090
44225.40-40	219/036-036	44242.34-40	219/123-124	44266.01-01	220/078-078	44303.01-57	200/091-105
44225.45-51	219/037-038	44242.45-51	219/125-126	44266.06-12	220/079-080	44304.01-41	200/106-116
44225.56-56	219/039-039	44242.56-56	219/127-127	44266.17-23	220/081-082	44304.45-45	201/098-098
44226.02-02	219/040-040	44243.02-02	219/128-128	44266.28-34	220/083-084	44304.47-49	200/117-118
44226.07-13	219/041-042	44243.07-13	219/129-130	44266.39-45	220/085-086	44304.52-52	200/119-119
44226.18-18	201/089-089	44243.18-24	219/131-132	44266.50-56	220/087-088	44475.19-21	318/023-025
44226.18-24	219/043-044	44243.29-35	219/133-134	44267.01-07	220/089-090	44475.23-25	318/026-028
44226.29-35	219/045-046	44243.40-40	220/001-001	44267.12-18	220/091-092	44475.27-38	318/029-040
44226.40-46	219/047-048	44253.03-03	220/002-002	44267.23-29	220/093-094	53385.35-43	166/100-102
44226.51-57	219/049-050	44253.08-14	220/003-004	44267.34-40	220/095-096	53505.04-04	173/075-075
44227.02-08	219/051-052	44253.19-25	220/005-006	44267.45-51	220/097-098	53505.09-09	173/076-076
44227.13-19	219/053-054	44253.30-36	220/007-008	44267.56-56	220/099-099	53505.14-26	173/077-079
44227.24-30	219/055-056	44253.41-47	220/009-010	44268.02-02	220/100-100	53505.31-31	173/080-080
44227.35-41	219/057-058	44253.52-58	220/011-012	44268.07-07	220/101-101	58989.31-34	268/062-065
44227.46-52	219/059-060	44254.03-09	220/013-014	44274.33-57	198/100-104	58989.36-42	268/066-069
44227.57-57	219/061-061	44254.14-20	220/015-016	44275.03-57	198/105-114	97109.39-39	159/350-350
44228.03-03	219/062-062	44254.25-31	220/017-018	44276.03-57	198/115-124	97109.43-59	159/098-102
44228.08-14	219/063-064	44254.36-42	220/019-020	44277.02-02	198/125-125		
44228.19-25	219/065-066	44254.47-53	220/021-022	44277.09-57	198/126-134		
44228.30-36	219/067-068	44254.58-58	220/023-023	44278.03-57	198/135-144		
44228.41-47	219/069-070	44255.04-04	220/024-024	44279.03-15	199/001-003		
44228.52-58	219/071-072	44255.09-15	220/025-026	44279.20-20	199/004-004		
44229.03-09	219/073-074	44255.20-26	220/027-028	44282.12-54	199/005-012		
44229.14-20	219/075-076	44255.31-37	220/029-030	44283.00-54	199/013-022		
44229.25-31	219/077-078	44255.42-48	220/031-032	44284.00-54	199/023-032		

TABLE E-2

VIKING ORBITER ARCHIVE INDEX

Viking Orbit images are identified by PICNO, a composite of orbit number, spacecraft id (represented by a single letter), and picture count within orbit. In general, the spacecraft id letter "A" indicates Viking Orbiter 1 images, while the letter "B" represents Viking Orbiter 2 images. The spacecraft id letter was also used to differentiate between images taken during pre-orbit mission phases ("C" and "D" were used to represent spacecraft 1 and 2 in these sequences), optical navigation images ("E" and "F" representing spacecraft 1 and 2), images from the survey mission ("S" was used for images from spacecraft 1). The letter "X" was used in some cases when the count of images within an orbit exceeded 99.

The index listing presents images ordered by spacecraft letter designation, and by ascending PICNO within spacecraft. Images are grouped into sequences of monotonically incrementing PICNO and archive tape/file number. Thus, the entry

003A01-08 008/17-24

indicates that image 003A01 is on file 17 of archive tape V0E008, 003A02 is on file 18, and so on to 003A08, which is on file 24.

Users will have to perform a simple calculation to locate an image embedded in one of these sequences. This compression reduces the size of the listing from 200 pages to 20 pages.

## VIKING ORBITER ARCHIVE TAPE CATALOG

ORIGINAL PAGE IS  
OF POOR QUALITY

PICNO	VOE ID	PICNO	VOE ID	PICNO	VOE ID	PICNO	VOE ID	PICNO	VOE ID	PICNO	VOE ID
003A01-08	008/17-24	007A01-05	005/93-97	013A01-03	600/19-21	027A46-46	018/95-95	040A16-19	021/01-04	047A41-51	023/85-95
003A07-16	008/51-58	008A01-10	007/75-84	013A11-13	012/64-66	027A51-57	021/89-95	040A20-22	021/19-21	047A52-58	024/01-07
003A17-24	008/09-16	008A03-03	600/06-06	013A21-24	012/74-77	027A58-60	033/91-93	040A23-30	021/07-14	048A11-28	024/08-25
003A25-32	008/43-50	008A11-15	010/80-84	013A31-38	012/78-85	027A61-66	016/64-69	040A31-36	021/22-27	048A11-11	600/58-58
003A33-40	008/01-08	008A16-21	008/92-97	013A41-43	012/86-88	027A67-71	017/01-05	040A37-40	021/15-18	048A41-42	023/51-52
003A41-48	008/35-42	008A22-27	007/85-90	013A44-45	012/90-91	027A68-68	600/28-28	040A41-43	021/61-63	048A51-64	024/26-39
003A41-41	600/08-08	008A28-32	009/93-97	013A51-55	013/01-05	027A70-71	600/29-30	040A45-52	021/28-35	049A11-28	024/40-57
003A49-58	008/25-34	008A33-38	010/40-45	014A01-05	013/06-10	027A75-75	017/12-12	040A53-59	021/64-70	050A11-28	024/58-75
004A01-10	009/48-57	008A39-44	010/34-39	014A06-63	013/23-80	027A81-86	016/70-75	040A61-63	021/36-38	050A25-25	600/59-59
004A11-14	009/59-62	008A39-39	600/17-17	014A36-36	600/24-24	027A81-86	017/44-49	040A64-66	021/44-46	050A41-60	024/76-95
004A15-15	007/50-50	008A45-51	010/46-52	014A64-68	014/01-05	028A05-15	017/33-43	040A67-74	021/71-78	051A11-12	024/96-97
004A16-16	009/16-16	008A52-54	008/89-91	014A69-75	013/81-87	032A01-41	017/56-96	040A75-82	021/47-54	051A41-54	025/01-14
004A16-16	600/12-12	008A55-64	010/65-74	014A76-80	014/06-10	032A42-71	018/01-30	040A83-85	021/79-81	051A61-61	025/15-15
004A17-21	009/11-15	008A65-70	010/28-33	014A81-85	013/18-22	034A01-02	018/31-32	040A86-90	021/39-43	051A63-64	025/16-17
004A20-20	600/11-11	008A71-75	010/75-79	020A01-10	014/11-20	034A11-16	018/33-38	040A91-96	021/55-60	052A01-05	025/38-42
004A22-27	008/59-64	008A76-81	010/53-58	020A09-10	600/25-26	034A16-16	600/47-47	041A01-02	021/82-83	052A05-05	025/43-43
004A28-32	009/23-27	008A82-87	007/91-96	020A16-21	014/87-92	034A17-17	600/49-49	041A11-12	021/84-85	052A07-16	025/44-53
004A33-38	008/83-88	008A88-93	010/59-64	020A22-27	014/39-44	034A17-23	018/41-47	041A15-17	021/86-88	052A16-16	025/54-54
004A39-44	008/77-82	009A01-03	010/85-87	020A28-32	014/76-80	034A24-28	018/54-58	041A18-20	022/01-03	052A18-26	025/55-63
004A45-54	009/01-10	009A21-32	011/20-31	020A33-38	014/45-50	034A29-34	018/48-53	041A25-30	022/04-09	052A31-50	025/18-37
004A55-55	009/58-58	009A33-34	012/37-38	020A39-44	014/21-26	034A35-41	018/59-65	041A35-44	022/10-19	052A31-31	606/18-18
004A56-64	009/34-42	009A41-47	010/88-94	020A45-64	014/56-75	034A42-46	018/68-72	041A50-68	022/20-38	053A01-27	025/64-90
004A65-70	008/71-76	009A48-58	011/01-11	020A65-70	014/27-32	034A45-46	600/50-51	041A70-78	022/39-47	053A28-28	026/02-02
004A72-75	009/43-46	009A61-68	011/12-19	020A71-75	014/51-55	034A51-58	018/73-80	041A80-88	022/48-56	053A31-37	025/91-97
004A76-81	009/17-22	010A01-06	012/07-12	020A76-76	014/93-93	034A61-62	018/66-67	041A90-91	022/69-70	053A38-38	026/01-01
004A82-87	008/65-70	010A07-12	011/40-45	020A77-81	015/01-05	034A71-84	018/81-94	041A90-90	606/24-24	053A39-43	026/03-07
004A83-83	600/09-09	010A13-17	011/93-97	020A82-87	014/33-38	034A85-92	019/01-08	041A90-90	606/24-24	053A44-44	026/17-17
004A86-86	600/10-10	010A21-27	011/58-64	020A88-93	014/81-86	034A97-97	019/09-09	041A90-90	606/24-24	053A46-50	026/09-13
004A88-93	009/28-33	010A28-35	011/32-39	022A01-04	015/16-19	034A98-99	018/39-40	041A90-90	606/24-24	053A51-57	026/18-24
005A01-10	007/56-65	010A36-42	011/75-81	022A06-15	015/06-15	034A99-99	600/48-48	041A90-90	606/23-23	053A58-60	026/14-16
005A01-06	007/66-71	010A51-60	011/65-74	022A16-32	015/67-83	035A01-18	019/10-27	041A90-90	606/23-23	053A61-65	026/25-29
005A08-10	007/72-74	010A61-66	011/52-57	022A33-43	015/24-34	035A21-22	019/28-29	041A90-90	606/23-23	054A01-06	026/30-35
005A11-15	005/88-92	010A67-71	011/82-86	022A44-54	015/49-59	035A31-44	019/30-43	041A90-90	606/23-23	054A11-39	026/36-64
005A16-21	010/11-16	010A81-86	011/87-92	022A55-68	015/35-48	035A61-79	019/44-62	043A01-12	022/57-68	055A01-28	026/68-95
005A22-27	009/63-68	010A87-92	011/46-51	022A69-75	015/60-66	036A18-32	019/77-91	044A11-28	022/71-88	055A05-05	600/60-60
005A28-32	010/23-27	010A93-98	012/01-06	022A76-82	015/84-90	036A41-45	019/92-96	044A24-24	600/54-54	055A29-30	027/01-02
005A33-38	009/87-92	012A01-01	012/89-89	022A83-89	016/01-07	036A46-62	020/01-17	044A41-50	022/89-98	055A31-33	026/65-67
005A39-44	009/81-86	012A02-05	012/13-16	022A90-93	015/91-94	037A01-02	020/18-19	044A50-50	044/68-68	056A01-11	027/05-15
005A45-54	010/01-10	012A11-15	012/17-21	022A90-90	600/27-27	037A11-20	020/20-29	044A51-68	023/01-18	056A12-13	027/03-04
005A45-45	600/14-14	012A21-25	012/22-26	022A94-97	015/20-23	037A41-52	020/30-41	046A11-13	023/64-66	056A14-30	027/25-41
005A52-52	600/15-15	012A31-40	012/27-36	026A21-40	016/08-27	038A01-02	020/42-43	046A12-12	600/57-57	056A31-39	027/16-24
005A54-54	600/16-16	012A36-36	600/18-18	026A51-57	016/82-88	038A11-32	020/44-65	046A14-15	023/49-50	056A40-57	027/44-61
005A55-64	005/78-87	012A51-66	012/39-54	026A51-80	016/28-57	039A01-12	020/66-77	046A16-26	023/53-63	056A58-59	027/42-43
005A65-70	009/75-80	012A67-70	012/60-63	027A01-06	017/06-11	039A21-32	020/78-89	046A17-17	600/56-56	056A60-87	027/62-89
005A71-75	007/51-55	012A67-68	600/22-23	027A07-12	016/76-81	040A01-06	020/90-95	046A27-28	023/46-47	056A93-96	027/93-96
005A76-81	010/17-22	012A71-77	012/67-73	027A07-12	017/50-55	040A07-07	021/05-05	046A41-41	023/48-48	056A97-98	028/01-02
005A82-87	009/69-74	012A78-81	012/92-95	027A13-13	600/31-31	040A07-07	600/52-52	046A41-41	600/55-55	057A01-03	028/11-13
005A82-82	600/13-13	012A82-88	013/11-17	027A17-17	600/32-32	040A09-09	600/53-53	046A42-66	023/19-43	057A03-03	028/14-14
005A88-91	005/72-75	012A89-90	012/96-97	027A31-36	016/58-63	040A14-14	021/06-06	046A71-72	023/44-45	057A05-19	028/15-29
005A91-92	005/76-77	013A01-05	012/55-59	027A37-45	016/89-97	040A15-15	020/96-96	047A11-28	023/67-84	057A20-20	028/53-53

VIKING ORBITER ARCHIVE TAPE CATALOG

PICNO	VOE ID	PICNO	VOE ID	PICNO	VOE ID	PICNO	VOE ID	PICNO	VOE ID	PICNO	VOE ID
057A21-28	028/30-37	064A50-50	600/62-62	081A01-15	036/80-94	088A81-88	040/30-37	097A95-99	044/42-46	111A13-38	047/46-71
057A31-38	028/03-10	065A01-09	032/05-13	081A16-30	037/19-33	090A01-06	040/92-97	099A01-03	045/35-37	112A17-32	047/72-87
057A39-48	028/38-47	065A09-09	600/63-63	083A01-24	037/34-57	090A07-07	044/87-87	099A04-08	045/30-34	115A01-03	047/93-95
057A51-53	027/90-92	065A15-25	031/86-96	083A31-50	037/58-77	090A08-12	041/01-05	099A21-28	045/22-29	115A05-07	048/01-03
058A01-02	028/48-49	065A15-25	019/66-76	083A52-54	037/79-81	090A21-36	041/06-21	099A41-48	045/08-15	115A11-15	047/88-92
058A11-12	028/50-51	065A26-27	032/01-02	083A52-52	600/69-69	090A41-58	040/74-91	099A61-66	045/16-21	115A16-42	048/04-30
058A21-22	029/46-47	065A31-32	032/03-04	083A83-83	037/78-78	090A61-66	041/22-27	101A05-24	042/70-89	117A01-02	053/48-49
058A31-31	028/52-52	065A33-33	031/76-76	084A01-06	037/90-95	091A01-18	037/01-18	101A25-38	043/01-14	117A03-15	053/31-43
058A32-32	028/54-54	065A41-49	031/77-85	084A07-16	038/01-10	093A01-16	041/28-43	101A39-45	607/18-24	117A16-20	053/26-30
058A41-45	028/55-59	065A47-49	019/63-65	084A17-24	038/32-39	093A21-34	041/54-67	101A46-47	608/01-02	117A21-21	056/79-79
058A61-91	028/60-90	065A50-69	031/56-75	084A25-30	037/82-87	093A41-50	041/44-53	101A48-54	042/90-96	117A22-27	053/20-25
058A92-92	029/01-01	066A01-28	032/14-41	084A26-26	600/70-70	093A51-60	041/68-77	101A54-54	042/97-97	117A28-32	053/15-19
059A01-02	029/33-34	066A09-09	600/64-64	084A31-48	038/14-31	094A01-18	041/78-95	101A56-61	044/88-93	118A01-01	053/50-50
059A03-04	029/48-49	066A24-24	600/65-65	084A49-60	038/40-51	094A21-36	042/01-16	101A62-70	043/15-23	118A03-03	053/44-44
059A11-28	029/15-32	066A29-37	032/48-56	084A61-62	037/88-89	094A41-54	042/17-30	101A77-78	054/58-59	118A05-05	053/45-45
059A24-24	600/61-61	066A36-59	032/57-80	084A71-81	038/52-62	094A61-70	042/37-46	101A81-88	054/60-67	118A07-07	053/46-46
060A01-06	029/35-40	067A01-07	034/74-80	084A82-84	038/11-13	094A71-76	042/31-36	102A01-14	054/68-81	118A09-09	053/47-47
060A07-07	029/70-70	067A08-13	032/42-47	085A01-06	038/63-68	095A01-18	044/23-40	102A15-24	043/24-33	118A11-11	053/55-55
060A08-09	029/41-42	067A14-27	032/81-94	085A11-16	038/70-75	095A05-05	600/78-78	103A01-24	047/20-43	118A13-13	053/51-51
060A10-11	029/71-72	067A28-28	033/01-01	085A13-13	600/71-71	095A21-28	044/15-22	103A23-23	600/79-79	118A15-15	053/52-52
060A12-13	029/43-44	067A31-60	033/02-31	085A21-21	038/69-69	095A29-36	043/59-66	103A43-43	600/80-80	118A17-17	053/53-53
060A14-15	029/73-74	069A01-32	033/32-63	085A22-26	038/82-86	095A41-41	044/41-41	103A43-44	047/44-45	118A22-23	536/96-97
060A16-16	029/45-45	070A01-27	033/64-90	085A31-36	038/76-81	095A42-44	044/12-14	104A01-23	043/34-56	118A28-52	053/56-80
060A21-24	029/75-78	070A29-32	044/71-74	085A41-46	038/87-92	095A45-51	043/79-85	104A24-24	045/56-56	118A35-35	600/81-81
060A31-32	030/07-08	071A01-32	034/01-32	085A46-46	600/72-72	095A52-54	044/01-03	104A31-32	043/57-58	118A45-45	600/82-82
060A41-46	028/91-96	071A28-28	600/66-66	085A51-56	039/13-18	095A61-72	043/67-78	104A33-38	045/38-43	118A71-71	053/54-54
060A47-47	044/69-69	072A01-32	034/33-64	085A61-63	038/93-95	095A81-88	044/04-11	104A41-48	045/44-51	118A73-73	053/81-81
060A48-60	029/02-14	073A01-09	034/65-73	085A64-68	039/01-05	097A01-06	042/52-57	105A01-08	046/44-51	118A75-75	053/82-82
061A01-02	029/79-80	073A10-16	034/81-87	086A01-15	039/45-59	097A01-07	238/01-07	105A41-44	046/40-43	119A01-05	053/83-87
061A11-30	029/50-69	073A18-21	044/78-81	086A13-14	600/73-74	097A08-12	252/15-19	105A45-48	045/52-55	119A11-15	048/55-59
061A25-25	606/19-19	073A24-32	035/01-09	086A16-24	039/19-27	097A08-12	044/47-51	106A01-16	045/57-72	119A21-25	048/31-35
061A25-25	606/19-19	074A01-32	035/10-41	086A31-47	039/28-44	097A13-23	042/59-69	106A21-34	045/76-89	119A31-35	048/60-64
061A25-25	606/19-19	074A27-27	600/67-67	086A48-54	039/06-12	097A24-28	042/47-51	106A35-36	046/01-02	119A41-45	048/36-40
061A25-25	606/19-19	079A01-04	035/42-45	087A01-24	039/60-83	097A24-28	238/08-12	106A41-43	045/73-75	119A51-55	048/65-69
062A01-02	029/81-82	079A11-16	035/46-51	087A31-40	039/84-93	097A29-32	271/40-43	106A44-56	046/03-15	119A61-65	048/70-74
062A11-18	029/83-90	079A21-26	035/52-57	087A41-42	040/01-02	097A29-32	044/61-64	106A61-68	046/17-24	119A66-68	048/41-43
062A21-26	029/91-96	079A31-38	035/90-97	087A42-42	600/75-75	097A33-41	044/52-60	106A69-76	045/90-97	119A71-78	048/44-51
062A31-36	030/01-06	079A39-43	044/82-86	087A51-53	040/03-05	097A33-42	252/20-29	106A81-81	046/16-16	120A01-03	048/52-54
062A34-34	600/02-02	079A44-52	035/70-78	087A52-52	600/76-76	097A43-52	271/44-53	106A82-88	046/25-31	120A04-08	048/75-79
062A41-48	030/09-16	079A53-59	035/63-69	088A01-03	040/06-08	097A43-45	044/65-67	107A01-03	046/32-34	122A01-11	048/80-90
062A51-58	030/17-24	079A60-60	035/89-89	088A04-08	040/38-42	097A46-52	045/01-07	107A05-07	046/35-37	122A12-25	049/01-14
062A61-71	030/25-35	079A61-65	035/58-62	088A11-18	040/43-50	097A53-57	252/30-34	107A08-08	046/39-39	122A26-31	048/91-96
062A81-82	030/36-37	079A66-75	035/79-88	088A17-17	600/77-77	097A58-62	252/10-14	109A01-22	046/52-73	122A32-32	049/15-15
063A01-28	030/38-65	079A76-92	036/01-17	088A21-26	040/54-59	097A63-68	251/87-92	109A31-48	046/77-94	122A41-48	049/16-23
063A31-48	030/66-83	079A91-91	600/68-68	088A27-30	040/14-17	097A69-84	251/71-86	109A49-52	051/43-46	123A01-05	049/24-28
063A51-63	030/84-96	080A01-13	036/36-48	088A31-33	040/51-53	097A69-75	034/88-94	109A61-63	046/74-76	123A05-27	049/29-51
063A57-57	600/03-03	080A14-30	036/63-79	088A34-40	040/60-66	097A76-84	043/86-94	109A64-82	047/01-19	124A01-06	050/40-45
063A64-71	031/01-08	080A31-33	036/33-35	088A41-52	040/18-29	097A85-85	251/93-93	110A01-04	051/47-50	124A09-14	050/21-26
064A01-27	031/09-35	080A34-47	036/49-62	088A61-67	040/67-73	097A86-94	252/01-09	111A03-04	051/51-52	124A17-22	050/12-17
064A31-50	031/36-55	080A48-62	036/18-32	088A68-72	040/09-13	097A95-99	251/66-70	111A11-12	051/53-54	124A23-34	050/27-38

## VIKING ORBITER ARCHIVE TAPE CATALOG

ORIGINAL PAGE IS  
OF POOR QUALITY

PICNO	VOE ID	PICNO	VOE ID	PICNO	VOE ID	PICNO	VOE ID	PICNO	VOE ID	PICNO	VOE ID
124A35-40	050/01-06	136A01-18	052/75-92	223A01-16	061/14-29	250A01-16	066/53-68	279A01-10	073/07-16	308A09-13	078/85-89
124A41-41	050/39-39	136A19-24	053/01-06	224A01-16	061/46-61	250A51-58	066/45-52	279A11-17	073/33-39	308A14-16	079/01-03
124A42-46	049/72-76	136A33-34	052/73-74	224A18-18	061/80-80	250A59-72	066/69-82	279A18-20	073/50-52	308A21-36	078/69-84
124A47-51	050/07-11	175A01-08	053/07-14	224A20-28	061/81-89	252A01-16	067/01-16	279A21-36	073/17-32	309A01-39	079/04-42
124A52-52	049/88-88	175A09-12	052/93-96	224A29-30	062/01-02	252A51-65	066/83-97	279A41-56	073/53-68	312A01-06	079/44-49
124A53-58	049/77-82	175A13-13	053/88-88	224A41-56	062/03-18	252A66-66	069/91-91	280A01-10	073/40-49	312A07-24	079/58-75
124A59-63	049/89-93	175A14-16	054/01-03	224A57-70	062/32-45	255A01-57	067/17-73	280A11-23	073/85-97	312A31-54	080/10-33
124A64-66	049/83-85	175A21-34	054/04-17	224A81-96	061/30-45	255A32-32	600/33-33	280A24-24	078/90-90	312A55-66	079/76-87
124A67-74	049/62-69	175A41-50	054/18-27	225A01-18	061/62-79	255A68-68	067/74-74	280A25-26	074/01-02	312A67-80	080/34-47
124A75-76	049/86-87	177A01-08	054/36-43	226A01-13	062/19-31	257A01-06	067/75-80	280A31-46	073/69-84	312A81-87	079/88-94
124A77-78	049/70-71	177A11-18	054/28-35	226A14-29	062/46-61	257A07-20	067/83-96	284A01-15	074/03-17	312A88-96	080/01-09
124A79-82	049/52-55	179A01-07	054/44-50	226A41-69	062/62-90	257A21-60	068/01-40	284A21-35	074/18-32	314A01-16	080/48-63
124A85-87	049/59-61	184A01-07	054/51-57	229A01-55	063/01-55	257A49-49	600/34-34	286A01-23	074/33-55	314A16-16	080/64-64
124A90-92	049/56-58	189A01-03	006/21-23	230A01-39	063/56-94	262A01-09	068/61-69	286A24-34	074/62-72	314A18-50	080/65-97
126A01-08	050/46-53	202A01-08	054/82-89	230A40-50	064/01-11	262A10-23	068/80-93	286A35-40	074/56-61	315A03-04	081/01-02
126A09-09	050/20-20	202A11-16	054/90-95	230A51-55	064/15-19	262A24-30	069/01-07	289A01-25	074/73-97	315A11-36	081/03-28
126A10-16	050/64-70	202A17-18	055/01-02	231A01-03	064/12-14	262A31-50	068/41-60	289A05-05	600/35-35	318A01-21	081/29-49
126A17-24	050/54-61	203A11-26	055/03-18	231A04-47	064/20-63	262A51-60	068/70-79	289A26-30	075/41-45	318A21-21	081/50-50
126A25-32	050/71-78	203A31-46	055/19-34	235A01-01	064/64-64	265A01-16	069/08-23	289A28-28	600/36-36	318A23-44	081/51-72
126A33-34	050/62-63	204A01-08	055/35-42	235A03-03	064/65-65	265A21-36	069/24-39	289A31-44	075/23-36	318A51-71	081/73-93
126A35-40	050/85-90	204A11-18	055/43-50	235A05-05	064/66-66	266A02-16	069/41-55	289A45-60	075/01-16	318A72-74	082/14-16
126A41-46	050/79-84	204A21-32	055/51-62	235A07-07	064/67-67	266A07-07	069/40-40	292A01-06	075/17-22	319A01-20	082/17-36
126A47-48	051/01-02	205A01-31	055/63-93	235A09-09	064/68-68	266A21-36	069/56-71	292A07-10	075/37-40	321A01-13	082/01-13
126A49-53	050/91-95	206A14-32	056/01-19	235A11-11	064/69-69	267A01-02	069/72-73	293A01-06	075/52-57	321A14-48	082/37-71
126A54-56	051/09-11	207A01-32	056/20-51	235A13-13	064/70-70	267A03-16	070/01-14	293A11-16	075/46-51	322A01-20	082/72-91
126A57-62	051/03-08	208A01-27	056/52-78	235A15-15	064/71-71	267A21-36	069/74-89	294A41-60	075/58-77	322A21-40	083/01-20
126A65-70	051/12-17	208A28-32	056/80-84	235A17-17	064/72-72	268A01-16	070/15-30	294A61-70	075/88-97	326A01-10	083/21-30
126A83-84	050/18-19	209A01-12	056/85-96	235A19-19	064/73-73	268A21-36	070/31-46	294A71-80	075/78-87	326A15-34	083/55-74
129A01-03	051/69-71	209A13-13	069/90-90	242A01-10	064/86-95	269A01-16	070/47-62	295A01-06	076/01-06	326A41-64	083/31-54
129A04-07	051/65-68	209A14-28	057/01-15	242A11-22	064/74-85	269A21-36	070/63-78	295A11-16	076/27-32	328A01-20	083/75-94
129A08-17	051/55-64	209A29-32	057/20-23	243A01-12	065/01-12	270A01-16	071/01-16	295A21-40	076/07-26	328A21-61	084/01-41
129A18-24	051/36-42	209A41-46	057/24-29	243A51-56	066/39-44	270A21-36	070/79-94	295A41-60	076/33-52	329A02-20	084/42-60
129A31-34	051/32-35	210A01-20	057/56-75	243A57-60	065/13-16	272A01-16	071/17-32	298A41-64	076/53-76	329A21-25	084/83-87
129A35-48	051/18-31	210A21-40	057/36-55	243A61-67	065/27-33	272A21-35	071/33-47	298A71-84	076/77-90	329A40-40	085/01-01
130A13-14	052/01-02	210A41-44	057/16-19	243A67-67	065/34-34	272A37-37	071/48-48	298A85-94	077/01-10	329A71-92	084/61-82
130A21-23	052/03-05	210A45-50	057/30-35	243A69-71	065/35-37	273A01-16	071/49-64	299A01-15	077/13-27	330A01-24	085/02-25
130A24-34	051/84-94	210A51-70	057/76-95	243A71-71	065/38-38	273A21-36	071/65-80	299A16-20	077/60-64	330A31-41	085/26-36
130A35-38	051/76-79	212A01-38	058/01-38	244A01-10	065/17-26	275A01-14	071/81-94	299A21-40	077/28-47	330A32-32	600/37-37
131A01-04	051/80-83	212A53-64	058/39-50	244A17-17	065/59-59	275A21-28	072/01-08	300A01-33	077/65-97	330A34-34	600/38-38
131A05-08	051/72-75	214A01-30	058/51-80	244A51-56	065/39-44	275A29-34	072/14-19	300A21-22	077/11-12	330A50-54	085/37-41
132A01-01	052/06-06	214A41-43	058/81-83	244A56-56	065/45-45	276A01-05	072/09-13	301A01-04	077/48-51	332A01-24	085/66-89
132A11-11	052/07-07	214A44-70	059/01-27	244A58-70	065/46-58	276A11-15	072/44-48	301A11-14	077/52-55	332A31-54	085/42-65
133A01-04	052/08-11	216A01-30	059/28-57	244A72-72	065/60-60	277A01-14	072/49-62	301A21-24	077/56-59	335A01-08	085/90-97
133A11-12	052/12-13	216A41-70	059/58-87	246A01-13	065/61-73	277A21-34	072/20-33	303A01-20	078/07-26	335A15-40	086/01-26
133A15-18	052/14-17	220A01-10	059/88-97	246A13-13	065/74-74	277A41-50	072/34-43	303A01-08	089/71-78	336A01-20	086/27-46
133A21-22	052/18-19	220A11-30	060/01-20	246A15-22	065/75-82	277A45-45	072/67-67	303A35-40	078/01-06	338A01-24	086/71-94
133A25-28	052/20-23	220A43-72	060/21-50	246A51-64	065/83-96	277A51-64	072/83-96	307A01-10	078/27-36	338A31-54	086/47-70
133A31-31	052/24-24	222A01-32	060/51-82	246A65-72	066/01-08	277A65-70	073/01-06	307A41-58	078/37-54	341A01-19	087/21-39
134A01-24	052/25-48	222A46-59	060/83-96	248A01-22	066/09-30	277A71-74	072/63-66	307A76-89	078/55-68	341A19-19	087/40-40
135A01-24	052/49-72	222A60-72	061/01-13	249A01-08	066/31-38	277A76-90	072/68-82	308A01-08	079/50-57	343A01-18	087/01-18

VIKING ORBITER ARCHIVE TAPE CATALOG

PICNO	VOE ID	PICNO	VOE ID	PICNO	VOE ID	PICNO	VOE ID	PICNO	VOE ID	PICNO	VOE ID
343A21-42	087/41-62	373A25-36	095/77-88	396A01-12	101/24-35	413A13-13	107/12-12	425A91-98	112/88-95	441A51-60	119/01-10
343A51-52	087/19-20	373A37-48	095/53-64	396A13-14	101/01-02	413A13-14	107/13-14	426A21-24	113/25-28	441A61-70	118/47-56
343A53-84	087/63-94	373A51-58	095/89-96	396A16-24	101/03-11	413A21-34	107/35-48	426A31-54	113/01-24	441A71-90	119/31-50
343A65-90	088/01-06	373A59-62	096/01-04	396A25-36	101/36-47	414A01-10	107/15-24	427A01-01	113/49-49	442A01-32	119/51-82
344A01-20	088/07-26	375A01-20	096/05-24	396A37-38	101/12-13	414A11-20	107/49-58	427A07-20	113/50-63	443A01-10	119/83-92
346A01-12	088/27-35	376A01-10	096/25-34	396A39-46	101/15-22	414A21-30	107/25-34	427A21-40	113/29-48	444A01-20	120/21-40
350A01-24	088/39-62	376A11-15	096/60-64	396A48-48	101/23-23	414A31-40	107/59-68	428A01-10	537/83-92	444A01-03	602/57-59
350A31-54	088/63-86	376A21-30	096/35-44	398A01-12	101/60-71	416A01-10	108/01-10	428A11-20	113/64-73	444A21-40	120/01-20
351A01-40	089/01-40	377A01-10	096/45-54	398A13-14	101/48-49	416A11-20	107/69-78	428A21-24	537/93-96	445A01-26	120/41-66
352A01-10	089/51-60	377A15-24	096/65-74	398A25-36	101/72-83	416A21-29	108/11-19	428A25-30	113/74-79	445A31-56	120/67-92
352A11-20	089/41-50	377A25-32	096/80-87	398A39-48	101/50-59	416A31-40	107/79-88	428A41-60	114/19-38	447A01-10	121/21-30
352A21-30	089/61-70	378A01-05	096/55-59	400A01-14	102/01-14	416A41-49	108/58-66	428A61-78	114/01-18	447A13-22	121/01-10
357A01-14	538/01-14	378A06-10	096/75-79	400A15-15	112/79-79	416A52-52	108/67-67	428A79-90	114/39-50	447A25-34	121/31-40
357A15-22	090/01-08	378A11-11	096/88-88	400A16-32	102/15-31	416A56-60	108/68-72	429A01-24	114/51-74	447A37-46	121/11-20
357A31-40	089/79-88	378A12-20	097/01-09	401A01-12	102/56-67	416A61-80	108/20-39	430A1-1-1	114/85-85	447A49-58	121/41-50
357A61-69	089/89-97	380A01-10	097/20-29	401A13-24	102/32-43	416A81-90	108/48-57	430A01-10	114/75-84	447A61-72	121/63-74
358A01-24	090/09-32	380A11-20	097/10-19	401A25-36	102/68-79	416A81-82	600/85-86	430A22-26	114/86-90	447A73-84	121/51-62
358A31-54	090/33-56	380A21-34	097/30-43	401A37-48	102/44-55	416A91-98	108/40-47	430A27-44	115/01-18	448A01-23	121/75-97
358A70-79	140/81-90	380A21-27	097/44-50	403A01-12	103/11-22	417A01-18	108/73-90	430A40-40	600/04-04	448A24-26	101/84-86
360A01-10	090/77-86	381A01-10	097/80-89	403A13-20	102/80-87	417A19-32	109/01-14	431A01-21	115/22-42	449A01-03	101/87-89
360A11-40	091/01-30	381A11-20	097/57-66	403A22-22	102/88-88	418A01-26	109/15-40	431A22-24	115/60-62	449A04-26	122/01-23
360A21-30	090/87-96	381A28-40	097/67-79	403A25-27	103/35-37	418A31-50	109/41-60	431A22-22	602/56-56	450A01-14	122/24-37
360A31-50	090/57-76	381A35-40	097/51-56	403A25-36	103/23-34	419A01-01	110/01-01	431A41-43	115/19-21	451A01-20	122/38-57
363A01-04	091/31-34	382A01-06	097/90-95	403A37-38	102/92-93	419A01-25	109/61-85	431A43-44	600/41-42	451A41-72	122/58-89
363A06-22	091/47-63	385A01-12	098/01-12	403A39-48	103/01-10	419A06-09	109/86-89	431A48-64	115/43-59	452A01-08	122/90-97
363A31-42	091/35-46	385A13-24	098/25-36	405A01-08	103/38-45	419A30-32	109/90-92	432A16-16	600/87-87	452A09-10	101/90-91
363A43-54	091/64-75	385A25-36	098/13-24	406A01-12	103/70-81	419A34-38	110/02-06	432A21-44	116/12-35	452A11-20	123/01-10
363A55-66	092/01-12	385A37-48	098/37-48	406A13-24	103/46-57	419A36-36	600/40-40	433A01-09	115/83-91	453A01-12	123/35-46
363A67-78	091/76-87	385A51-70	098/49-68	406A25-36	103/82-93	419A40-40	110/08-08	433A02-02	600/88-88	453A13-24	123/11-22
363A79-90	092/13-24	386A01-16	098/69-84	406A37-48	103/58-69	420A01-20	110/09-28	433A10-10	116/01-01	453A13-13	600/90-90
365A01-40	092/25-64	386A21-25	098/85-89	406A39-39	606/20-20	421A01-10	110/39-48	433A21-30	116/36-45	453A25-36	123/47-58
366A01-04	092/65-68	386A26-36	099/01-11	407A01-32	104/01-32	421A21-30	110/49-58	433A41-50	116/02-11	453A37-48	123/23-34
366A06-10	092/69-73	387A01-07	099/12-18	408A01-12	104/57-68	421A31-40	110/29-38	433A61-70	116/46-55	453A49-60	123/71-82
367A01-20	092/74-93	387A11-17	099/19-25	408A13-24	104/33-44	421A41-60	110/59-78	435A11-34	116/56-79	453A61-72	123/59-70
367A21-40	093/01-20	389A01-06	099/26-31	408A25-36	104/69-80	422A01-20	111/07-26	436A01-12	116/80-91	453A73-84	123/83-94
368A01-20	093/39-58	389A06-08	099/84-86	408A37-48	104/45-56	422A21-34	110/79-92	436A15-40	117/01-26	456A01-40	124/01-40
368A21-38	093/21-38	389A09-14	099/32-37	408A51-64	104/81-94	422A35-40	111/01-06	436A41-44	117/51-54	457A01-48	124/41-88
369A01-30	093/59-88	389A21-32	099/62-73	408A65-82	105/01-18	423A01-14	111/27-40	436A51-74	117/27-50	458A01-09	124/89-97
369A30-30	093/89-89	389A33-44	099/38-49	409A01-32	105/19-50	423A01-20	115/63-82	436A75-99	117/55-79	458A06-06	602/60-60
369A35-63	094/01-29	389A51-62	099/50-61	409A33-46	105/77-92	423A15-28	111/55-68	439A01-08	118/01-08	458A09-09	602/61-61
369A40-40	600/84-84	390A05-14	099/74-83	409A49-50	106/01-02	423A29-42	111/41-54	439A15-16	118/09-10	458A10-14	101/92-96
369A44-44	600/83-83	390A15-16	099/87-88	409A52-64	106/04-16	423A43-56	111/69-82	439A20-34	117/80-94	459A00-00	125/61-61
369A67-69	093/90-92	391A01-24	100/04-27	409A54-54	106/03-03	423A61-70	111/83-92	439A37-44	118/11-18	459A02-02	602/78-78
369A70-93	094/30-53	391A13-21	099/89-97	409A65-90	105/51-76	423A71-86	112/01-16	439A55-72	118/19-36	459A04-08	125/01-05
371A01-18	094/76-93	391A22-24	100/01-03	410A01-32	106/17-48	424A21-40	112/17-36	441A01-10	119/11-20	459A09-16	125/22-29
371A31-48	094/54-71	393A01-12	100/40-51	411A01-12	106/73-84	425A01-04	112/37-40	441A11-20	118/57-66	459A17-24	125/06-13
372A01-04	094/72-75	393A25-36	100/52-63	411A13-24	106/49-60	425A05-14	112/55-64	441A21-30	119/21-30	459A25-32	125/30-37
372A11-50	095/01-40	393A25-25	600/39-39	411A25-36	106/85-96	425A15-28	112/41-54	441A29-29	600/89-89	459A33-40	125/14-21
373A01-12	095/65-76	393A37-48	100/28-39	411A37-48	106/61-72	425A43-56	112/65-78	441A31-48	118/67-84	459A41-56	125/38-53
373A13-24	095/41-52	394A01-32	100/64-95	413A01-11	107/01-11	425A81-88	112/80-87	441A41-50	118/37-46	459A57-92	125/62-97

VIKING ORBITER ARCHIVE TAPE CATALOG

PICNO	VOE ID	PICNO	VOE ID	PICNO	VOE ID	PICNO	VOE ID	PICNO	VOE ID	PICNO	VOE ID
459A93-99	125/54-60	485A01-05	133/01-05	507A21-26	137/65-70	526A01-08	142/66-73	550A41-43	148/75-77	573A48-48	602/80-80
460A01-20	126/41-60	485A01-06	133/06-11	507A27-28	137/83-84	526A21-27	142/59-65	550A44-56	149/03-15	573A52-54	155/01-03
460A31-70	126/01-40	486A01-08	133/12-19	507A41-50	137/85-94	526A28-36	143/01-09	553A01-14	149/16-29	573A61-74	154/76-89
461A01-24	126/61-84	486A11-18	133/44-51	507A61-62	137/95-96	526A41-56	142/74-89	553A21-34	149/30-43	573A81-90	155/04-13
462A41-54	127/01-14	486A19-26	133/20-27	507A63-70	138/01-08	527A01-10	143/10-19	553A41-54	149/44-57	574A01-16	155/38-53
462A55-56	126/85-86	486A27-34	133/52-59	508A01-12	137/71-82	529A01-03	602/71-73	555A01-14	149/58-71	574A21-36	155/14-29
463A01-09	127/15-23	486A35-42	133/28-35	510A01-10	138/23-32	529A06-06	602/74-74	555A21-34	149/72-85	574A23-23	601/11-11
463A02-03	600/91-92	486A43-50	133/60-67	510A21-34	138/09-22	529A17-32	143/52-67	555A61-72	149/86-97	574A36-36	601/12-12
463A15-83	127/29-97	486A44-45	602/62-63	510A41-54	138/33-46	529A33-48	143/36-51	555A73-74	161/87-88	574A41-41	601/13-13
463A39-43	127/24-28	486A50-50	602/64-64	511A01-08	138/47-54	529A49-64	144/09-24	555A75-88	150/01-14	574A41-48	155/30-37
463A56-56	600/05-05	486A51-58	133/36-43	512A01-04	138/55-58	529A67-80	143/78-91	558A01-18	150/15-32	576A01-08	155/74-81
463A84-84	113/80-80	486A59-66	133/68-75	512A11-36	138/59-84	529A81-82	144/01-02	558A21-38	150/33-50	576A11-14	155/82-85
463A89-96	113/81-88	488A02-09	133/76-83	512A41-56	139/03-18	529A83-92	143/68-77	561A01-18	150/51-68	576A21-30	156/14-23
464A01-10	128/01-10	488A10-16	134/01-07	512A61-73	138/85-97	529A93-98	144/03-08	561A21-38	151/01-18	576A31-34	155/86-89
464A12-31	128/11-30	488A81-84	134/08-11	512A74-74	113/89-89	531A01-10	144/25-34	561A61-80	150/69-88	576A41-60	155/54-73
465A01-20	126/31-50	489A01-10	134/12-21	512A75-76	139/01-02	532A01-16	144/35-50	561A71-71	150/89-89	576A61-67	155/90-96
466A01-12	128/51-62	491A01-10	134/22-31	512A81-96	139/19-34	532A15-15	602/75-75	561A82-84	150/90-92	576A68-80	156/01-13
466A15-28	128/63-76	491A11-18	134/72-79	514A11-20	139/35-44	532A21-36	144/51-66	562A01-18	151/19-36	577A01-14	156/24-37
466A45-58	128/77-90	491A19-26	134/32-39	515A01-10	139/45-54	532A36-36	602/76-76	562A21-38	151/37-54	577A21-30	156/38-47
466A59-68	129/01-10	491A21-22	602/65-66	516A01-14	139/69-82	534A01-16	144/67-82	564A01-12	151/55-66	579A01-20	156/78-97
467A01-24	129/51-74	491A27-34	134/80-87	516A05-05	602/68-68	534A21-35	144/83-97	565A01-17	151/67-83	579A01-16	143/20-35
467A15-15	601/01-01	491A35-42	134/40-47	516A15-16	140/01-02	534A36-36	161/86-86	565A19-19	151/84-84	579A21-40	156/48-67
467A31-70	129/11-50	491A43-46	134/88-91	516A21-34	538/15-28	534A41-56	145/17-32	565A20-31	151/86-97	579A41-60	157/01-20
467A44-44	600/93-93	491A47-50	135/01-04	516A35-36	139/67-68	534A61-76	145/01-16	565A22-22	601/04-04	579A61-70	156/68-77
469A01-10	129/75-84	491A51-58	134/48-55	516A41-43	140/03-05	535A21-36	145/49-64	565A24-24	601/05-05	580A01-16	157/21-36
469A11-20	130/13-22	491A59-66	135/05-12	516A44-56	139/83-95	535A29-29	602/77-77	565A32-32	161/89-89	580A21-36	157/37-52
469A21-28	129/85-92	491A67-82	134/56-71	516A61-72	139/55-66	535A41-56	145/33-48	565A34-40	152/01-07	581A01-07	157/69-75
469A31-38	130/23-30	492A01-08	135/13-20	516A81-81	139/96-96	535A61-76	145/65-80	565A37-37	601/06-06	581A06-16	157/76-86
469A41-44	129/93-96	493A01-10	135/21-30	516A82-90	140/06-14	535A81-94	145/81-94	567A01-16	152/08-23	581A21-36	157/53-68
469A45-48	130/01-04	493A23-24	102/90-91	517A01-08	140/25-32	538A01-03	145/95-97	567A21-36	152/56-71	581A41-43	157/87-89
469A51-58	130/31-38	494A02-16	135/73-87	517A21-30	140/15-24	538A04-54	146/01-51	567A41-56	152/24-39	581A44-56	158/01-13
469A61-68	130/05-12	494A41-41	135/88-88	518A01-10	140/33-42	538A83-90	146/52-59	567A61-76	152/40-55	583A01-08	158/28-35
470A01-30	130/49-78	494A42-56	136/01-15	518A21-32	140/55-66	541A01-14	146/60-73	567A81-96	152/72-87	583A09-16	158/14-21
470A31-40	130/39-48	494A61-76	135/31-46	518A41-52	140/43-54	541A17-30	146/74-87	569A01-20	153/15-34	583A17-24	158/36-43
471A01-16	130/79-94	496A41-56	136/16-31	519A01-06	140/75-80	541A33-42	146/88-97	569A21-34	153/01-14	583A25-30	158/22-27
471A17-30	131/01-14	496A61-76	135/47-62	519A21-36	141/01-16	541A43-46	147/29-32	569A35-40	152/88-93	583A31-32	157/90-91
472A01-32	131/15-46	496A90-99	135/63-72	519A41-52	141/17-28	541A49-58	147/33-42	569A35-35	601/07-07	583A33-40	158/44-51
472A41-50	131/57-66	497A01-12	136/40-51	519A61-68	140/67-74	541A67-80	147/01-14	571A01-52	153/35-86	583A41-45	157/92-96
472A51-60	131/47-56	499A01-08	136/32-39	520A21-36	141/29-44	541A83-96	147/15-28	571A61-68	153/87-94	583A47-48	161/90-91
474A07-20	131/67-80	499A51-62	136/52-63	520A41-52	141/45-56	544A01-12	147/43-54	572A01-16	154/01-16	583A49-94	158/52-97
474A21-32	132/01-12	500A21-34	136/71-84	520A61-70	141/57-66	545A01-14	147/55-68	572A04-04	601/08-08	583A95-96	159/01-02
474A41-50	131/81-90	500A21-21	601/02-02	522A01-10	141/67-76	545A61-76	148/01-16	572A08-08	601/09-09	584A01-16	159/03-18
474A51-60	132/13-22	500A30-30	601/03-03	523A01-08	141/77-84	547A01-14	148/17-30	572A10-10	601/10-10	584A21-36	159/35-50
478A01-10	132/55-64	500A41-47	136/64-70	524A01-06	141/85-90	547A21-34	148/31-44	572A21-36	154/17-32	584A41-56	159/19-34
478A11-18	132/37-44	500A48-56	136/85-93	524A07-16	142/01-10	547A41-54	148/45-58	572A27-27	602/79-79	585A07-08	252/79-80
478A27-40	132/23-36	506A01-10	137/51-60	524A21-36	142/11-26	550A01-01	148/59-59	573A01-07	154/33-39	585A44-44	252/77-77
480A31-40	132/45-54	506A21-50	137/01-30	524A36-36	602/69-69	550A03-16	148/61-74	573A08-16	154/67-75	585A46-46	252/78-78
480A41-48	132/65-72	506A48-48	602/67-67	524A41-56	142/27-42	550A03-03	148/60-60	573A21-34	154/53-66	586A01-08	159/51-58
482A01-16	132/73-88	506A61-80	137/31-50	524A61-76	142/43-58	550A21-34	148/78-91	573A35-36	154/40-41	586A11-17	159/59-65
482A21-26	132/89-94	507A01-04	137/61-64	524A63-63	602/70-70	550A35-36	149/01-02	573A41-51	154/42-52	586A18-18	163/35-35



VIKING ORBITER ARCHIVE TAPE CATALOG

PICNO	VOE ID	PICNO	VOE ID	PICNO	VOE ID	PICNO	VOE ID	PICNO	VOE ID	PICNO	VOE ID
586A21-28	163/36-43	605A36-40	165/22-26	615A41-53	169/64-76	637A45-68	178/30-53	655A81-99	187/61-79	675A02-02	601/36-36
586A31-38	163/44-51	605A42-96	165/28-82	615A54-56	169/93-95	637A59-59	601/26-26	658A16-20	606/01-05	675A13-20	195/53-60
590A01-12	159/66-77	605A42-42	165/27-27	615A61-76	170/01-16	637A69-82	178/78-91	658A17-20	188/27-30	675A15-15	601/34-34
590A17-24	163/52-59	606A01-14	165/83-96	618A01-16	170/17-32	637A83-92	179/01-10	659A01-27	188/31-57	675A18-18	601/35-35
590A25-32	160/39-46	606A15-16	166/01-02	618A21-29	170/49-57	639A01-24	179/35-58	659A26-26	604/86-86	675A23-30	195/73-80
590A35-51	159/78-94	606A21-33	166/03-15	618A30-36	170/67-73	639A25-48	179/11-34	662A01-24	188/58-81	675A33-40	195/81-88
590A52-54	160/01-03	606A34-36	166/32-34	618A41-56	170/33-48	639A49-71	179/59-81	662A51-64	188/82-95	675A43-50	195/89-96
590A55-76	160/47-68	606A41-56	166/16-31	618A43-43	601/22-22	639A81-94	179/83-96	662A65-74	189/01-10	675A51-98	196/01-48
590A77-87	160/04-14	606A61-62	166/35-36	620A01-09	170/58-66	639A82-82	179/82-82	663A01-08	189/35-42	675A93-93	601/37-37
590A88-98	537/72-82	608A01-16	166/53-68	620A10-16	171/01-07	639A95-98	180/01-04	663A11-18	189/11-18	678A01-48	196/49-96
593A01-08	160/15-22	608A21-36	166/37-52	620A12-12	601/23-23	640A01-26	180/05-30	663A21-28	189/43-50	679A01-48	197/01-48
593A11-18	160/69-76	608A35-35	601/19-19	620A21-36	170/74-89	641A01-26	180/31-56	663A31-38	189/19-26	679A18-18	601/38-38
593A21-28	160/23-30	608A41-56	166/69-84	620A41-56	171/08-23	641A27-40	180/81-94	663A41-48	189/27-34	681A01-14	197/49-62
593A31-38	160/77-84	608A61-70	166/86-95	620A61-78	171/24-41	641A41-50	181/01-10	663A66-86	189/51-71	681A21-34	197/63-76
593A41-48	160/31-38	608A71-76	167/01-06	623A01-20	171/42-61	641A51-74	180/57-80	663A66-66	602/81-81	681A41-54	197/77-90
595A01-13	160/85-97	608A81-82	167/07-08	623A21-34	171/82-95	641A75-98	181/11-34	664A01-20	189/72-91	681A61-74	198/01-14
595A15-16	161/01-02	609A01-01	166/85-85	623A35-40	172/01-06	643A01-10	181/35-44	664A51-67	190/01-17	681A69-69	601/39-39
595A17-32	161/19-34	609A02-08	167/25-31	623A41-60	171/62-81	643A11-20	181/69-78	665A01-48	190/18-65	682A01-18	198/15-32
595A17-17	601/14-14	609A11-18	167/09-16	623A61-78	172/07-24	643A21-44	181/45-68	666A01-16	190/82-97	682A21-30	198/33-42
595A19-20	601/15-16	609A21-23	167/32-34	623A81-98	172/25-42	643A47-70	182/11-34	666A21-28	190/66-73	684A01-07	198/43-49
595A33-48	161/03-18	609A25-28	167/36-39	625A01-40	172/43-82	643A73-86	181/79-92	666A31-38	191/01-08	684A03-03	602/82-82
595A49-64	161/51-66	609A31-38	167/17-24	626A01-06	172/83-88	643A87-96	182/01-10	666A41-48	190/74-81	686A08-08	198/68-68
595A65-80	161/35-50	609A34-34	167/35-35	626A21-26	173/33-38	645A01-48	182/45-92	666A51-58	191/09-16	686A21-28	198/69-76
595A81-83	161/67-69	609A41-48	167/40-47	626A41-56	173/01-16	645A51-60	182/35-44	667A01-48	191/17-64	686A31-38	198/50-57
596A01-16	161/70-85	610A01-16	167/64-79	626A61-76	173/17-32	646A01-10	183/01-10	667A51-60	191/65-74	686A41-50	198/77-86
596A21-36	162/17-32	610A21-36	167/48-63	627A01-18	173/39-56	646A21-34	183/21-34	668A01-23	191/75-97	686A61-70	198/58-67
596A41-56	162/01-16	610A41-47	167/80-86	627A21-38	173/57-74	646A41-50	183/11-20	668A24-24	168/86-86	686A70-70	602/83-83
597A01-16	162/33-48	610A61-62	167/87-88	627A41-58	173/75-92	646A61-74	183/35-48	668A25-48	192/01-24	687A11-18	199/01-08
597A17-30	162/81-94	611A01-09	167/89-97	629A01-78	174/01-78	647A01-48	183/49-96	669A01-16	192/25-40	687A15-15	601/40-40
597A31-32	163/01-02	611A10-12	161/92-94	630A01-17	174/79-95	647A16-16	184/16-16	669A04-04	601/32-32	687A21-28	199/17-24
597A37-48	162/49-64	611A13-16	168/01-04	630A18-40	175/01-23	647A51-65	184/01-15	669A19-26	192/41-48	687A31-38	199/09-16
597A49-64	163/03-18	611A21-36	168/21-36	631A01-20	175/24-43	647A67-70	184/17-20	669A27-34	192/57-64	687A41-48	199/25-32
597A65-80	162/65-80	611A41-56	168/05-20	631A41-60	175/44-63	648A01-10	184/21-30	669A35-42	192/49-56	687A51-79	199/33-61
597A81-96	163/19-34	611A61-62	168/37-38	632A01-24	175/64-87	648A21-34	184/31-44	669A43-74	192/65-96	687A79-79	602/84-84
599A01-24	163/68-91	612A01-05	168/57-61	632A25-48	176/01-24	649A01-48	184/45-92	669A75-98	193/01-24	689A01-18	199/62-79
599A25-32	164/01-08	612A06-16	169/01-11	632A29-29	601/24-24	649A51-70	185/01-20	670A01-48	193/25-72	689A21-30	199/80-89
599A33-40	163/60-67	612A10-10	601/20-20	632A51-68	176/25-42	650A01-24	185/21-44	671A01-24	193/73-96	690A01-08	200/09-16
599A41-48	164/23-30	612A21-36	168/39-54	632A53-53	601/25-25	651A01-48	185/45-92	671A25-40	194/01-16	690A21-28	200/17-24
599A45-45	601/17-17	612A41-56	169/12-27	633A01-32	176/43-74	651A37-39	601/28-28	671A27-27	601/33-33	690A31-38	200/01-08
599A51-64	164/09-22	612A61-62	168/55-56	633A41-56	176/75-90	651A51-98	186/01-48	672A01-10	194/17-26	690A32-32	602/85-85
599A67-78	164/31-42	613A61-62	169/28-29	633A57-72	177/01-16	651A60-60	601/29-29	672A21-28	194/35-42	690A41-64	200/25-48
601A01-02	164/43-44	614A01-08	168/62-69	634A25-48	177/17-40	651A67-68	601/30-31	672A31-38	194/27-34	691A01-30	200/49-78
602A01-02	164/45-46	614A11-18	169/30-37	635A01-05	177/89-93	653A01-48	186/49-96	672A41-48	194/43-50	691A41-54	200/79-92
603A01-16	164/47-62	614A21-28	168/70-77	635A06-18	178/01-13	653A51-70	187/01-20	672A51-58	194/51-58	691A55-70	201/01-16
603A21-36	164/63-78	614A31-38	169/38-45	635A51-61	177/65-75	655A00-00	187/80-80	672A61-70	194/59-68	692A01-10	201/17-26
603A41-42	164/79-80	614A41-48	168/78-85	635A63-74	177/77-88	655A01-60	187/21-60	672A81-90	194/69-78	692A21-30	201/27-36
605A01-14	164/81-94	614A51-58	169/46-53	635A68-68	177/76-76	655A41-52	187/81-92	673A01-14	194/79-92	693A01-48	201/37-84
605A15-30	165/06-21	615A01-10	169/54-63	635A75-98	177/41-64	655A54-54	187/93-93	673A15-48	195/01-34	694A01-13	201/85-97
605A31-35	165/01-05	615A21-36	169/77-92	637A01-16	178/14-29	655A54-54	187/94-94	674A01-18	195/35-52	694A14-14	168/87-87
605A31-31	601/18-18	615A21-21	601/21-21	637A21-44	178/54-77	655A55-80	188/01-26	675A01-12	195/61-72	694A15-42	202/01-28



VIKING ORBITER ARCHIVE TAPE CATALOG

PICNO	VOE ID	PICNO	VOE ID	PICNO	VOE ID	PICNO	VOE ID	PICNO	VOE ID	PICNO	VOE ID
694A51-90	202/29-68	710A11-22	209/49-60	730A51-67	217/81-97	744A41-58	223/62-79	759A17-22	231/01-06	776A61-76	235/70-85
695A01-24	202/69-92	710A31-38	209/69-76	731A01-48	218/01-48	744A71-88	223/80-97	759A31-46	231/17-32	776A81-85	235/86-90
695A25-42	203/01-18	710A41-48	209/77-84	731A18-18	168/92-92	744A71-74	602/90-93	759A61-70	231/07-16	776A86-90	236/17-21
696A01-08	203/35-42	710A51-51	604/87-87	732A01-20	218/69-88	744A78-78	602/94-94	759A71-80	231/43-52	776A01-16	236/22-37
696A11-18	203/19-26	710A67-68	210/01-02	732A21-40	218/49-68	744A89-90	271/01-02	759A81-90	231/33-42	779A01-16	236/38-53
696A21-28	203/43-50	710A71-94	209/25-48	732A41-44	218/89-92	745A15-48	224/01-34	760A01-12	231/53-64	780A21-36	236/70-85
696A31-38	203/27-34	713A01-20	210/03-22	732A45-69	219/01-25	746A01-39	224/35-73	762A01-08	231/65-72	780A36-36	601/47-47
696A34-34	602/86-86	713A41-72	210/23-54	732A70-74	218/93-97	746A40-48	225/01-09	762A21-30	231/73-82	780A41-56	236/54-69
696A41-48	203/51-58	714A01-22	210/55-76	733A01-18	219/26-43	746A51-55	224/74-78	762A41-55	231/83-97	781A01-12	236/86-97
697A31-54	203/59-82	714A51-71	210/77-97	733A01-01	601/44-44	746A53-53	224/79-79	762A56-56	232/01-01	781A13-14	271/24-25
697A61-74	203/83-96	714A57-57	601/43-43	733A51-68	219/44-61	746A57-68	224/80-91	762A81-90	232/02-11	781A14-16	175/88-90
697A75-84	204/01-10	714A72-74	168/88-90	734A01-24	219/74-97	747A01-26	225/38-63	763A01-16	232/12-27	782A01-14	271/26-39
698A01-20	204/11-30	714A75-98	211/11-34	734A01-01	601/45-45	747A31-58	225/10-37	764A01-16	232/28-43	782A01-14	239/01-14
699A01-09	204/31-39	715A01-10	211/01-10	734A51-62	219/62-73	747A71-99	225/64-92	765A01-08	232/70-77	783A01-16	237/25-40
699A11-16	204/41-46	716A01-60	211/35-94	735A00-00	220/92-92	748A01-16	226/01-16	765A21-36	232/44-59	783A06-08	237/22-24
699A31-46	204/47-62	717A01-10	212/31-40	735A01-08	220/01-08	748A21-42	226/17-38	765A41-46	232/78-83	783A41-48	237/01-08
700A01-10	204/63-72	717A21-50	212/01-30	735A09-16	220/45-52	748A61-68	226/39-46	765A47-50	233/01-04	783A61-68	237/09-16
700A15-18	204/77-80	717A51-98	212/41-88	735A17-24	220/09-16	749A01-24	226/68-91	765A51-56	232/84-89	783A81-85	237/17-21
700A18-18	602/88-88	718A01-48	213/01-48	735A25-32	220/53-60	749A25-30	227/01-06	765A61-70	232/60-69	784A01-14	237/41-54
700A18-18	602/87-87	718A51-60	213/49-58	735A33-40	220/17-24	750A06-26	226/47-67	765A81-88	232/90-97	786A02-06	237/56-60
700A42-45	204/73-76	719A01-38	213/59-96	735A41-48	220/61-68	750A51-74	227/07-30	765A89-90	233/05-06	786A41-41	237/55-55
700A61-66	204/89-94	719A39-48	214/01-10	735A49-60	220/25-36	750A81-90	227/31-40	766A01-06	233/07-12	786A47-54	237/61-68
700A67-70	205/01-04	721A01-24	214/21-44	735A61-66	220/69-74	751A01-40	227/41-80	766A07-07	349/05-05	786A61-72	237/69-80
700A81-86	205/05-10	721A25-34	214/11-20	735A67-67	220/76-76	752A01-02	228/09-10	767A02-16	233/27-41	788A01-12	237/81-92
700A81-88	204/81-88	721A35-40	214/45-50	735A68-68	220/75-75	752A03-14	227/81-92	768A01-16	233/42-57	788A13-16	233/13-16
701A01-08	205/11-18	722A01-10	214/51-60	735A69-76	220/77-84	752A15-22	228/01-08	768A21-30	233/58-67	789A02-06	252/36-40
701A11-18	205/37-44	722A61-74	214/61-74	735A77-84	220/37-44	753A01-34	228/39-72	768A41-54	233/75-88	789A21-31	233/17-26
701A15-15	601/41-41	723A01-14	214/75-88	735A85-92	221/01-08	753A02-09	228/84-91	768A55-56	234/01-02	789A31-31	252/35-35
701A15-15	601/42-42	723A21-29	214/89-97	735A93-99	220/85-91	753A41-68	228/11-38	768A61-70	234/03-12	789A41-48	238/13-20
701A21-28	205/19-26	723A30-30	168/91-91	736A51-58	221/29-36	753A53-53	601/46-46	769A01-07	233/68-74	789A61-68	238/21-28
701A31-38	205/45-52	723A31-40	215/01-10	737A01-20	221/37-56	753A81-81	228/83-83	769A08-10	255/95-97	789A81-88	238/29-36
701A41-50	205/27-36	723A41-60	215/33-52	737A51-70	221/09-28	753A90-90	228/92-92	769A11-12	272/56-57	790A01-16	238/37-52
701A51-61	205/53-63	723A61-82	215/11-32	738A01-10	221/57-66	753A91-99	228/73-81	771A01-02	234/33-34	791A01-16	238/53-68
701A62-68	206/01-07	724A01-28	215/53-80	738A51-63	221/85-97	754A01-22	229/25-46	771A05-06	234/35-36	793A01-16	239/15-30
702A01-26	205/70-95	724A29-34	216/01-06	738A64-64	168/93-93	754A10-22	229/48-60	771A11-12	234/13-14	793A02-02	601/48-48
702A61-66	205/64-69	725A01-14	215/81-94	738A65-74	198/87-96	754A31-34	228/93-96	771A15-16	234/15-16	793A21-22	239/31-32
703A01-48	206/08-55	725A15-36	216/07-28	738A75-92	221/67-84	754A35-58	229/01-24	771A21-36	234/17-32	793A31-32	238/69-70
704A01-23	206/56-78	726A01-06	216/29-34	739A01-24	222/01-24	755A01-01	229/61-61	771A41-56	234/37-52	793A41-62	239/33-54
704A25-36	206/80-91	726A21-26	216/35-40	740A01-16	222/25-40	755A01-01	229/47-47	771A61-70	234/53-62	793A71-90	238/71-90
704A37-48	241/81-92	726A41-60	216/41-60	741A01-10	222/41-50	755A12-36	229/62-86	771A81-99	234/63-81	794A01-12	239/72-83
704A61-64	241/93-96	727A01-12	216/61-72	741A31-46	222/81-96	756A01-10	230/09-18	772A14-16	235/01-03	794A51-60	239/55-64
704A80-80	206/79-79	727A21-36	216/73-88	741A61-90	222/51-80	756A11-20	229/87-96	773A01-16	235/04-19	795A01-02	239/84-85
705A01-48	207/01-48	728A51-66	217/29-44	742A01-13	223/01-13	756A21-36	230/19-34	774A01-02	235/20-21	795A03-09	239/65-71
706A01-32	207/49-80	729A01-06	217/17-22	742A02-07	223/15-20	756A51-51	229/97-97	774A11-12	235/22-23	795A10-18	239/86-94
707A01-16	207/81-96	729A11-16	217/23-28	742A51-51	223/14-14	756A52-58	271/17-23	774A21-22	235/24-25	796A01-03	239/95-97
707A17-48	208/01-32	729A15-16	606/14-15	742A58-66	223/21-29	756A59-66	230/01-08	774A31-32	235/26-27	796A04-05	271/54-55
708A01-32	208/33-64	729A21-28	217/01-08	742A59-59	602/89-89	757A01-16	230/35-50	774A41-50	235/28-37	796A06-18	240/01-13
709A01-24	208/65-88	729A31-38	217/09-16	743A01-16	223/30-45	758A01-13	230/51-63	775A01-16	235/38-53	797A01-08	240/28-35
709A25-48	209/01-24	729A75-92	217/45-62	743A51-66	223/46-61	758A51-68	230/64-81	776A21-36	235/54-69	797A01-08	240/14-21
710A01-08	209/61-68	730A01-18	217/63-80	744A01-14	271/03-16	759A01-16	230/82-97	776A41-56	236/01-16	797A51-56	240/22-27

VIKING ORBITER ARCHIVE TAPE CATALOG

PICNO	VOE ID	PICNO	VOE ID	PICNO	VOE ID	PICNO	VOE ID	PICNO	VOE ID	PICNO	VOE ID
798A01-10	240/50-59	817A01-04	244/29-32	833A41-47	247/74-80	849A61-62	250/35-36	867A01-01	254/25-25	907A66-66	258/51-51
798A21-34	240/36-45	817A21-23	244/50-52	834A11-20	247/64-73	849A81-82	250/28-29	867A02-07	272/50-55	908A01-12	258/56-67
798A41-54	240/60-73	817A24-26	244/40-42	834A21-23	246/92-94	851A01-12	250/63-74	867A08-08	254/01-01	908A51-52	258/68-69
800A01-08	240/74-81	818A01-12	244/59-70	834A24-28	247/87-91	851A01-12	250/51-62	868A01-10	254/02-11	908A51-52	601/52-53
800A51-64	240/82-95	818A21-26	244/43-48	834A41-42	247/85-86	851A02-04	250/38-40	870A21-28	254/33-40	909A01-12	258/70-81
800A65-66	241/30-31	819A01-01	244/49-49	834A51-52	247/62-63	851A21-21	250/37-37	873A01-06	254/41-46	909A51-54	258/82-85
801A01-08	241/46-53	819A02-08	244/33-39	835A01-04	247/81-84	851A25-34	250/41-50	876A01-14	254/47-60	909A53-60	259/01-08
801A21-21	241/54-54	820A01-06	244/71-76	835A11-13	247/92-94	853A01-12	250/75-86	876A21-36	254/61-76	910A01-20	259/09-28
801A23-34	241/56-67	820A41-48	244/77-84	835A14-20	272/01-07	853A41-41	251/01-01	877A01-04	254/77-80	910A03-03	601/54-54
801A41-54	241/32-45	820A61-67	244/85-91	835A31-31	272/08-08	853A51-51	251/02-02	878A01-14	254/81-94	911A01-12	259/29-40
801A61-73	241/68-80	822A01-03	244/92-94	835A32-38	272/14-20	853A61-61	250/87-87	878A15-19	256/01-05	911A13-20	259/47-54
801A74-76	241/01-03	822A04-08	245/01-05	836A01-05	272/09-13	853A71-71	251/03-03	878A20-20	256/26-26	912A01-20	259/66-85
802A01-10	241/04-13	823A01-02	244/53-54	836A06-07	272/21-22	853A81-81	250/88-88	878A31-50	256/06-25	912A51-55	259/55-59
803A01-16	241/14-29	823A11-14	244/55-58	836A08-10	271/93-95	854A01-02	250/89-90	878A61-80	256/27-46	912A57-61	259/61-65
806A01-10	349/06-15	824A01-03	244/95-97	837A01-03	247/95-97	854A11-17	250/91-97	880A01-18	256/65-82	912A62-68	260/06-12
806A51-52	349/16-17	824A04-08	271/73-77	837A04-04	272/23-23	854A18-20	251/19-21	880A08-08	256/64-64	912A66-66	259/60-60
806A54-54	349/19-19	825A01-04	245/10-13	837A05-10	272/32-37	854A61-68	251/22-29	880A21-37	256/47-63	913A01-05	259/86-90
806A55-55	242/01-01	825A21-24	245/06-09	838A01-08	248/01-08	854A81-92	251/04-15	881A05-10	272/58-63	913A06-10	260/01-05
806A56-66	242/16-26	825A25-32	245/26-33	838A21-24	248/09-12	856A01-06	251/30-35	881A21-30	256/83-92	913A11-18	260/33-40
807A01-14	242/27-40	825A41-52	245/14-25	838A25-32	248/30-37	857A01-03	251/16-18	883A01-10	272/64-73	913A19-24	259/41-46
807A21-34	242/02-15	826A01-04	271/78-81	840A01-06	248/46-51	857A02-05	251/37-40	883A04-09	256/02-07	913A51-70	260/13-32
808A01-08	242/41-48	826A21-28	271/82-89	840A03-04	248/82-83	857A04-10	251/48-54	883A21-22	256/93-94	914A10-24	260/53-67
808A21-28	242/75-82	826A29-44	246/01-16	840A11-18	272/24-31	857A08-08	251/43-43	883A23-23	256/01-01	914A51-62	260/41-52
808A41-48	242/49-56	826A51-69	245/48-66	840A19-21	248/52-54	857A21-21	251/36-36	883A30-30	256/08-08	914A63-68	260/89-94
809A01-11	242/57-67	826A70-74	245/79-83	840A22-28	248/13-19	857A26-27	251/41-42	884A01-06	256/09-14	915A01-21	260/68-88
810A02-05	242/83-86	826A81-85	246/17-21	840A41-52	248/70-81	857A29-32	251/44-47	886A01-16	256/29-44	915A22-24	260/95-97
810A06-11	242/92-97	827A01-12	245/67-78	840A61-70	248/20-29	857A41-51	251/55-65	886A21-34	256/15-28	915A51-55	339/91-95
810A12-12	271/56-56	827A21-32	245/34-45	842A01-03	249/10-12	857A52-52	252/41-41	888A01-16	256/45-60	915A56-68	261/01-13
810A21-27	242/68-74	828A01-02	245/46-47	842A04-08	249/16-20	858A01-12	252/42-53	890A01-15	256/83-97	916A51-60	261/14-23
810A28-32	242/87-91	828A11-15	245/84-88	842A21-27	249/21-27	858A21-36	252/54-69	890A02-02	256/82-82	916A61-68	261/27-34
810A41-47	253/76-82	829A01-04	246/22-25	842A28-34	249/43-49	858A41-44	252/73-76	890A31-51	256/61-81	917A01-03	261/24-26
810A47-48	272/48-49	829A11-13	246/26-28	842A51-60	248/84-93	858A49-51	252/81-83	892A01-06	272/91-96	917A04-20	261/35-51
811A01-07	271/57-63	829A14-26	246/38-50	843A01-01	248/38-38	858A52-56	252/89-93	892A16-16	272/74-74	919A01-18	261/52-69
811A08-08	243/01-01	829A31-39	246/29-37	843A03-08	248/40-45	859A01-03	252/70-72	892A21-36	272/75-90	919A55-62	261/70-77
811A21-26	243/02-07	829A40-46	246/56-62	843A12-12	248/39-39	859A04-08	252/84-88	895A01-06	537/66-71	920A06-22	261/78-94
811A41-48	243/08-15	829A51-57	246/63-69	844A02-15	248/56-69	860A01-04	252/94-97	895A21-28	537/58-65	920A51-53	261/95-97
813A01-08	243/16-23	830A11-18	246/70-77	844A16-24	249/01-09	860A05-14	272/38-47	897A01-14	257/01-14	920A54-59	335/87-92
814A01-03	243/31-33	831A01-14	246/78-91	844A31-33	249/13-15	860A15-16	253/01-02	897A21-40	257/15-34	920A60-60	335/96-96
814A04-10	243/39-45	831A15-17	246/95-97	844A34-48	249/28-42	860A21-36	253/03-18	897A51-72	257/35-56	920A61-66	262/01-06
814A21-27	243/24-30	831A18-18	271/90-90	844A55-55	248/55-55	864A01-16	253/19-34	897A81-89	257/57-65	921A01-03	335/93-95
814A28-32	243/34-38	831A21-34	247/01-14	845A01-06	249/84-89	864A07-09	253/65-67	904A02-12	257/66-76	921A04-22	262/07-25
815A01-12	243/46-57	831A41-42	271/91-92	846A01-24	249/60-83	864A21-26	253/59-64	905A01-11	257/77-87	921A51-54	262/26-29
815A21-30	243/88-97	831A43-48	247/28-33	846A31-40	249/50-59	864A30-36	253/68-74	905A12-12	258/01-01	921A65-66	262/30-31
815A31-32	271/64-65	831A51-60	247/15-24	848A01-06	249/90-95	864A41-56	253/35-50	905A51-60	258/02-11	922A01-18	262/32-49
815A41-47	271/66-72	832A01-04	247/34-37	848A21-22	249/96-97	864A61-68	253/51-58	906A01-12	258/12-23	922A19-22	262/55-58
815A48-60	244/01-13	832A11-13	247/25-27	848A23-28	250/01-06	865A01-01	253/75-75	906A51-60	258/24-33	922A51-66	262/59-74
815A61-80	243/58-77	832A14-18	246/51-55	849A01-10	250/07-16	865A02-06	254/12-16	907A01-12	258/34-45	923A01-05	262/50-54
815A81-86	244/14-19	833A01-03	247/38-40	849A21-23	250/17-19	865A07-08	254/23-24	907A51-55	258/46-50	923A06-22	262/75-91
816A01-10	243/78-87	833A04-12	247/53-61	849A24-28	250/30-34	865A21-26	254/17-22	907A56-58	601/49-51	924A01-06	262/92-97
816A41-49	244/20-28	833A21-32	247/41-52	849A41-48	250/20-27	866A01-07	254/26-32	907A57-60	258/52-55	924A07-22	263/01-16

VIKING ORBITER ARCHIVE TAPE CATALOG

PICNO	VOE ID	PICNO	VOE ID	PICNO	VOE ID	PICNO	VOE ID	PICNO	VOE ID	PICNO	VOE ID
926AG1-14	263/17-30	010B47-48	603/33-34	034B31-31	603/46-46	045B40-40	378/93-93	056B64-64	602/08-08	062B15-16	602/11-12
927AD1-14	263/31-44	010B55-55	601/91-91	034B31-54	375/44-67	045B51-67	380/14-30	056B71-95	388/04-28	062B42-64	382/32-54
928AD1-14	263/45-56	010B55-55	601/92-92	034B44-44	603/47-47	045B51-53	384/28-30	056B85-85	602/07-07	062B65-78	392/22-35
929AD1-14	263/59-77	010B55-55	601/93-93	035B01-14	375/81-94	045B68-68	380/49-49	057B01-15	388/62-76	063B21-27	383/01-07
931AG1-12	263/73-84	010B55-55	601/94-94	035B15-24	376/01-10	046B01-18	380/31-48	057B16-19	392/69-72	063B28-45	382/69-86
932AD1-12	263/85-96	010B66-66	603/35-35	035B31-54	376/11-34	046B21-40	383/16-35	057B21-34	388/77-90	064B01-08	383/08-15
933AG1-01	263/97-97	010B69-69	603/36-36	035B44-44	603/49-49	047B03-04	383/46-47	057B21-21	602/09-09	065B51-75	384/31-55
933AD2-06	264/01-05	010B81-81	603/37-37	035B48-53	603/50-55	047B11-29	383/48-66	057B35-45	389/01-11	066B01-14	384/56-69
933AD2-06	538/29-33	010B86-87	603/38-39	038B11-24	603/56-69	047B31-41	383/67-77	057B51-62	389/12-23	066B75-98	384/70-93
936AD4-06	264/06-08	011B01-07	372/90-96	038B11-14	376/35-38	047B42-51	383/36-45	057B63-66	389/27-30	066B77-77	603/82-82
960AD1-02	264/43-44	011B08-10	373/01-03	038B16-30	376/40-54	048B01-14	383/78-91	058B01-17	389/31-47	067B01-12	385/07-18
960A11-12	264/18-19	011B21-30	373/04-13	038B31-34	376/75-78	048B15-22	384/01-08	058B21-32	389/48-59	067B51-51	385/19-19
960A21-22	264/45-46	011B41-50	373/14-23	038B41-56	376/79-94	048B31-49	384/09-27	058B29-29	604/01-01	067B52-52	395/33-33
960A31-32	264/20-21	020B01-12	373/67-78	038B57-64	377/01-08	048B47-47	602/04-04	058B31-32	604/02-03	067B53-69	385/20-36
960A41-42	264/26-27	020B12-12	601/97-97	038B59-59	603/70-70	049B01-01	381/30-30	058B33-45	389/76-88	067B70-71	384/94-95
962AD1-01	264/28-28	020B15-17	373/79-81	038B61-61	603/71-71	049B02-12	380/56-66	058B51-66	389/60-75	067B72-77	385/01-06
962AD2-05	264/55-58	020B21-63	373/24-66	039B11-21	377/09-19	049B10-10	603/80-80	058B51-51	604/04-04	069B01-18	385/37-54
962AD6-09	264/22-25	020B22-22	601/95-95	039B16-16	603/72-72	049B21-24	380/67-70	058B60-62	604/05-07	069B02-02	603/83-83
962A10-10	264/68-68	020B27-27	601/96-96	039B20-20	603/73-73	049B22-22	603/81-81	059B01-06	389/92-97	069B21-38	385/55-72
962A21-29	264/09-17	020B71-79	373/82-90	039B22-34	376/55-67	049B25-20	380/50-55	059B07-18	390/01-12	070B01-17	386/46-62
963AD7-10	264/29-32	020B80-87	374/01-08	039B41-47	376/68-74	049B31-46	381/09-24	059B08-08	604/08-08	070B02-02	603/85-85
963A21-30	264/33-42	020B87-87	374/09-09	039B48-62	377/20-34	049B51-55	381/25-29	059B11-11	604/09-09	070B23-35	385/78-90
964A21-28	264/47-54	021B01-30	374/10-39	039B71-73	377/79-81	049B56-63	381/01-08	059B13-13	604/10-10	070B41-45	385/73-77
964A29-30	264/59-60	021B32-33	374/41-42	039B75-77	377/82-84	049B67-80	380/77-90	059B16-16	604/11-11	070B42-42	603/84-84
972AD1-10	275/66-75	021B35-48	374/44-57	039B79-84	377/85-90	049B85-85	380/91-91	059B31-44	390/13-26	071B03-04	386/68-69
973AD1-07	264/61-67	021B41-41	374/40-40	040B11-34	377/35-58	049B86-91	380/71-76	059B34-34	604/12-12	071B11-26	386/70-85
973AD8-10	264/69-71	021B42-42	602/01-01	040B12-12	603/74-74	049B92-94	396/91-93	059B61-63	389/89-91	071B41-53	387/01-13
974AD1-10	264/72-81	021B44-44	374/43-43	040B41-60	377/59-78	050B01-11	381/31-41	059B64-81	390/27-44	071B61-65	386/63-67
979AD1-05	275/76-80	021B49-60	374/73-84	040B44-44	603/75-75	050B21-27	381/42-48	059B71-71	604/13-13	071B71-80	387/14-23
004B01-68	369/01-68	021B59-59	603/42-42	041B11-44	378/01-34	050B28-34	385/91-97	059B75-75	604/14-14	072B01-04	387/56-59
004B69-72	369/72-75	021B61-64	374/88-91	041B22-22	603/76-76	050B35-48	386/01-14	059B82-85	390/50-53	072B03-16	387/42-55
004B73-75	369/69-71	021B65-67	374/85-87	041B42-42	603/77-77	050B44-44	602/05-05	059B84-85	604/16-17	072B04-04	603/86-86
004B76-96	369/76-96	021B68-70	374/92-94	041B51-56	378/35-40	052B01-01	602/06-06	060B01-02	604/20-21	072B31-35	387/37-41
004B93-93	603/13-13	021B71-80	375/01-10	042B11-18	378/61-68	052B01-10	386/15-24	060B01-15	390/74-88	072B36-43	387/29-36
007B01-30	370/01-30	021B71-71	602/02-02	042B19-38	378/41-60	052B11-22	386/34-45	060B04-04	604/22-22	072B51-55	387/24-28
007B33-62	370/31-60	022B03-07	374/58-62	042B20-20	603/78-78	052B31-43	381/69-81	060B06-09	604/23-26	073B11-28	387/60-77
007B45-76	370/61-72	022B13-17	374/63-67	042B39-46	378/69-76	052B44-52	386/25-33	060B13-14	604/27-28	073B41-41	391/83-83
007B77-94	371/09-26	022B17-17	603/40-40	043B01-05	379/46-50	052B62-80	381/50-68	060B21-21	604/18-18	073B43-54	391/85-96
007B84-90	603/22-28	022B23-27	374/68-72	043B06-12	379/19-25	053B21-40	382/07-26	060B21-40	390/54-73	073B55-60	392/01-06
008B01-22	370/73-94	022B26-26	603/41-41	043B11-13	379/51-53	053B41-54	381/82-95	060B24-24	604/19-19	074B01-14	382/55-68
008B23-30	371/01-08	022B31-37	375/11-17	043B13-30	379/01-18	053B55-60	382/01-06	060B41-45	390/45-49	074B15-20	392/36-41
008B23-30	603/14-21	022B03-07	375/18-22	043B14-14	603/79-79	054B95-98	382/27-30	060B45-45	604/15-15	074B31-45	392/07-21
009B01-60	371/27-86	023B13-17	375/23-27	043B31-34	378/89-92	054B07-08	389/24-25	061B01-15	391/19-33	074B51-57	392/42-48
009B29-29	603/29-29	023B23-27	375/28-32	043B34-50	379/54-70	054B09-19	387/78-88	061B08-08	604/29-29	075B01-02	393/19-20
009B32-32	603/30-30	034B01-03	375/33-35	043B35-46	378/77-88	054B15-15	389/26-26	061B21-27	390/89-95	075B03-04	393/01-02
009B46-46	603/31-31	034B02-02	602/03-03	044B14-33	379/26-45	054B16-21	388/56-61	061B28-45	391/01-18	075B05-08	392/49-52
010B01-06	371/87-92	034B04-16	375/68-80	045B01-06	398/20-25	054B31-38	388/29-36	061B51-59	391/34-42	075B09-14	393/03-08
010B10-10	371/93-93	034B11-11	603/48-48	045B07-24	379/71-88	054B43-45	387/89-91	061B57-57	602/10-10	075B15-20	392/53-58
010B11-99	372/01-89	034B17-24	375/36-43	045B31-39	379/89-97	054B46-48	388/01-03	061B60-65	391/77-82	075B21-26	393/09-14
010B25-25	603/32-32	034B22-24	603/43-45	045B35-47	380/01-13	054B51-69	388/37-55	062B01-34	391/43-76	075B27-32	392/59-64

VIKING ORBITER ARCHIVE TAPE CATALOG

PICNO	VOE ID	PICNO	VOE ID	PICNO	VOE ID	PICNO	VOE ID	PICNO	VOE ID	PICNO	VOE ID
075834-36	393/16-18	081871-74	397/01-04	123803-04	402/20-21	138811-16	405/69-74	157801-18	411/33-50	182822-22	604/59-59
075837-40	392/65-68	081877-96	397/05-24	124801-13	400/57-69	138813-13	402/15-15	157806-06	402/16-16	187801-12	419/53-64
075843-44	392/73-74	082801-06	397/41-46	124821-40	400/70-89	138820-20	404/50-50	157821-38	411/51-68	187821-32	419/65-76
075851-58	392/75-82	082803-03	404/38-38	124841-60	401/01-20	138820-32	405/85-97	157822-22	604/58-58	187841-52	419/41-52
075851-51	604/30-30	082807-08	397/54-55	125801-12	401/30-41	138833-33	401/91-91	159801-06	411/83-88	188801-60	420/01-60
075857-58	604/31-32	082811-18	397/28-35	125803-03	604/46-46	138834-34	406/01-01	159806-06	602/17-17	188851-51	604/60-60
075861-68	392/83-90	082821-21	397/56-56	125821-29	401/21-29	138841-46	405/77-82	159807-18	412/32-43	191801-37	420/61-97
076811-31	393/21-41	082822-28	397/47-53	125830-32	401/42-44	138847-51	405/64-68	159819-32	411/69-82	191802-02	604/61-61
076841-53	393/67-79	082831-35	397/36-40	125841-52	401/50-61	138852-64	405/51-63	159833-36	411/89-92	191838-40	425/90-92
076842-42	604/34-34	082836-38	397/25-27	125861-65	401/45-49	139801-20	406/02-21	159837-67	412/01-31	201801-14	421/31-44
076861-61	604/33-33	083811-26	397/57-72	125866-72	401/62-68	139831-54	406/22-45	159868-99	412/44-75	201821-35	421/01-15
076861-65	393/42-46	083831-44	397/74-87	126801-14	401/76-89	139845-45	604/52-52	161801-18	413/01-18	201835-35	421/16-16
076871-90	393/47-66	083832-32	604/39-39	126821-27	401/69-75	140801-18	406/46-63	161821-38	412/76-93	201841-54	421/17-30
077803-04	394/43-44	083851-51	397/73-73	126828-46	402/01-19	140831-54	406/64-87	163801-18	413/37-54	201861-80	421/45-64
077821-22	394/45-46	083852-62	398/01-11	126847-52	402/25-30	141801-13	407/01-13	163821-38	413/19-36	211801-20	422/10-29
077823-34	394/31-42	084801-08	398/12-19	126847-47	602/13-13	141831-54	407/14-37	164801-32	414/20-51	211821-40	421/65-84
077835-37	394/28-30	084802-02	604/40-40	127801-09	402/49-57	141838-38	604/51-51	164841-71	413/55-85	211841-60	422/30-49
077838-44	394/21-27	084809-21	398/71-83	127810-22	402/70-82	142801-08	407/58-65	164872-72	414/01-01	211861-70	421/85-94
077851-70	394/01-20	084831-35	398/26-30	127841-58	402/31-48	142811-20	407/38-47	165801-18	414/02-19	211871-80	422/50-59
077881-81	393/80-80	084836-43	398/40-47	127845-45	604/47-47	142821-30	407/66-75	165821-38	414/52-69	211881-89	422/01-09
077883-95	393/83-95	084840-40	604/41-41	127859-70	402/58-69	142831-40	407/48-57	165823-23	602/18-18	220801-32	423/01-32
078811-30	394/47-66	084851-55	398/84-88	131801-10	403/07-16	143801-12	407/76-87	167801-18	415/01-18	225801-16	423/81-96
078831-31	395/01-01	085821-28	398/31-38	131811-20	402/83-92	143809-09	604/53-53	167821-38	414/70-87	225817-24	424/01-08
078841-53	394/82-94	085831-38	398/55-62	131812-12	604/48-48	143821-21	407/96-96	168801-29	415/36-64	225825-48	423/33-56
078847-47	604/35-35	085841-41	398/39-39	131821-30	403/17-26	143822-32	408/01-11	168831-31	415/66-66	225851-74	424/09-32
078850-50	604/36-36	085842-48	398/48-54	131831-34	402/93-96	143830-30	604/54-54	168841-57	415/19-35	225867-67	604/62-62
078861-65	395/02-06	085851-58	398/63-70	131835-40	403/01-06	143841-48	407/88-95	168858-72	415/68-82	225871-73	604/63-65
078871-85	394/67-81	119803-03	399/54-54	131841-47	403/27-33	143849-52	408/19-22	168875-76	415/83-84	225875-98	423/57-80
079801-06	395/09-14	119803-03	399/53-53	131848-50	403/54-56	143861-67	408/12-18	168877-94	416/01-18	226801-10	424/33-42
079807-12	395/27-32	119804-04	604/45-45	131851-60	403/34-43	144811-27	408/72-88	168880-80	602/19-19	231801-30	424/43-72
079813-14	395/15-16	120801-06	399/61-66	131852-52	604/49-49	144828-34	408/65-71	169801-06	415/85-90	231831-60	425/10-39
079816-16	395/18-18	120811-16	399/55-60	131861-70	403/57-66	144841-62	408/43-64	169807-18	416/37-48	231861-81	424/73-93
079820-20	395/22-22	120821-28	399/67-74	131871-80	403/44-53	144871-90	408/23-42	169821-38	416/19-36	231882-90	425/01-09
079821-28	395/34-41	120829-29	400/21-21	131881-88	403/75-82	1448801-22	409/01-22	171801-06	416/49-54	241801-21	425/40-60
079829-32	395/23-26	120830-38	399/28-36	131891-98	403/67-74	1448802-02	604/55-55	171807-20	416/75-88	241830-33	425/86-89
079833-34	395/59-60	120841-45	398/89-93	131892-92	602/14-14	1448831-42	409/23-34	171821-28	417/01-08	241834-46	426/01-13
079835-37	395/42-44	120846-55	399/01-10	134801-24	404/01-24	1448832-32	604/56-56	171831-50	416/55-74	241847-61	425/61-75
079841-42	395/07-08	120847-47	604/42-42	134831-44	404/25-38	147811-42	409/35-66	171851-58	417/09-16	241863-72	425/76-85
079843-62	395/61-80	120856-58	399/25-27	134851-64	404/39-52	147851-78	409/67-94	172801-18	417/35-52	241873-96	426/14-37
079845-77	395/46-58	120861-76	399/37-52	135801-26	404/53-78	149811-24	410/01-14	172821-38	417/53-70	242801-01	426/38-38
079879-83	395/82-86	120876-76	604/44-44	135831-35	404/79-83	149812-12	604/57-57	172821-38	417/17-34	242803-09	426/39-45
080801-08	396/01-08	120881-94	399/11-24	135836-42	404/86-92	149825-26	405/83-84	174801-18	417/71-88	242811-20	426/46-55
080811-28	396/17-34	120884-84	604/43-43	135843-56	405/01-14	152801-08	410/15-22	176801-18	418/01-18	244801-12	426/56-67
080831-38	396/09-16	121801-07	403/83-89	136803-04	404/84-85	152811-18	410/31-38	176821-38	418/19-36	245801-12	426/68-79
081801-28	396/35-62	122801-24	400/22-45	137801-01	405/16-16	152821-28	410/23-30	178801-18	418/37-54	245821-32	426/80-91
081822-26	396/64-68	122831-41	399/75-85	137801-01	405/15-15	152831-38	410/39-46	178821-38	418/55-72	246801-12	427/01-12
081833-34	396/69-70	122851-53	399/86-88	137803-12	405/17-26	152841-48	410/55-62	180801-18	418/73-90	246821-32	427/13-24
081841-41	396/63-63	122854-73	400/01-20	137821-32	405/27-38	152851-58	410/47-54	180821-38	419/01-18	246874-74	602/20-20
081844-44	604/37-37	122874-76	402/22-24	137841-52	405/39-50	154811-34	410/63-86	182815-18	419/19-22	247801-20	427/25-44
081851-70	396/71-90	122881-91	400/46-56	138803-04	405/75-76	154841-72	411/01-32	182821-38	419/23-40	247831-39	427/56-64

VIKING ORBITER ARCHIVE TAPE CATALOG

PICNO	VOE ID	PICNO	VOE ID	PICNO	VOE ID	PICNO	VOE ID	PICNO	VOE ID	PICNO	VOE ID
247840-50	427/45-55	277801-30	435/21-50	308817-21	443/41-45	335871-76	450/83-88	358801-08	457/76-83	371841-50	462/44-53
248801-20	427/65-84	277831-50	435/01-20	308823-46	443/70-93	335877-98	451/15-36	358809-16	457/52-59	371861-70	462/34-43
248822-45	428/23-46	277801-12	435/63-74	308847-70	443/46-69	337801-04	451/37-40	358817-22	457/84-89	372801-26	462/54-79
248847-49	427/85-87	277821-32	435/51-62	308871-74	443/94-97	337811-24	451/41-54	358823-24	458/01-02	374801-14	462/80-93
248850-71	428/01-22	277841-52	435/75-86	308875-90	444/01-16	342801-12	451/55-66	358831-38	457/60-67	374815-24	463/01-10
248873-95	428/47-69	282821-21	602/39-39	310831-60	444/17-46	342813-24	451/79-90	358841-48	458/03-10	374824-24	604/80-80
251801-23	428/70-92	282829-29	602/40-40	312801-36	444/47-82	342813-13	602/26-26	358851-58	457/68-75	375801-12	463/11-22
251824-30	429/31-37	283801-60	436/01-60	313801-16	445/10-25	342825-36	451/67-78	358861-68	458/11-18	375808-08	604/81-81
251831-60	429/01-30	287801-13	436/85-97	313841-56	445/26-41	342827-27	604/69-69	359801-10	458/25-34	375813-24	463/35-46
254801-12	429/85-96	287814-22	437/01-09	313861-67	444/83-89	342829-29	604/70-70	359811-16	458/19-24	375825-36	463/23-34
254813-22	430/01-10	287824-47	436/61-84	313868-76	445/01-09	342837-38	451/91-92	359817-25	458/35-43	375825-26	604/82-83
254825-50	429/38-63	287848-97	437/10-59	315801-27	445/42-68	342839-48	452/01-10	359825-33	458/44-52	375837-38	463/59-60
254851-59	430/12-20	290801-14	437/84-97	315829-40	445/70-81	344801-30	452/53-82	359835-40	458/53-58	375840-48	463/62-70
254861-63	430/22-24	290815-24	438/01-10	317801-14	445/82-95	344831-60	452/11-40	360801-12	458/71-82	375840-40	463/61-61
254866-76	430/25-35	290831-54	437/60-83	317815-20	446/01-06	344861-72	452/83-94	360813-24	458/59-70	375849-60	463/47-58
254877-97	429/64-84	292801-21	438/35-55	318801-20	446/07-26	344873-84	452/41-52	360825-36	458/83-94	375861-70	463/71-80
254893-93	602/21-21	292824-47	438/11-34	319801-04	446/39-42	344885-96	453/01-12	363816-29	459/15-28	375881-90	463/81-90
258801-10	430/66-75	292848-71	438/56-79	319805-12	446/67-74	347801-04	453/13-16	363831-44	459/01-14	378801-26	464/01-26
258811-20	430/36-45	292872-91	439/11-30	319813-24	446/27-38	347811-20	453/17-26	363864-77	459/29-42	378803-03	604/84-84
258821-30	430/56-65	295801-12	438/80-91	319825-36	446/75-86	348801-14	453/27-40	363880-86	459/61-67	378831-70	464/27-66
258831-40	430/46-55	295821-22	438/92-93	319837-48	446/43-54	348815-28	453/55-68	364801-18	459/68-85	380801-12	464/67-78
259801-22	430/76-97	295823-32	439/01-10	319849-60	447/01-12	348829-42	453/41-54	364831-48	459/43-60	380801-01	604/85-85
259823-24	427/88-89	295841-52	439/31-42	319861-72	446/55-66	348843-56	453/69-82	365801-12	459/86-97	380813-24	465/01-12
259831-54	431/21-44	295861-48	439/43-90	320801-06	447/25-30	348857-70	454/08-21	365813-14	460/75-76	380825-35	464/79-89
259837-37	431/03-03	297849-60	440/01-12	320807-12	446/87-92	348871-85	453/83-97	365817-30	460/08-21	380831-36	605/36-61
259861-64	427/90-93	298801-12	440/13-24	320821-32	447/31-42	348886-87	460/84-85	365833-39	460/77-83	380837-60	465/13-36
259865-66	431/01-02	298821-32	440/25-36	320841-52	447/13-24	348888-94	454/01-07	365840-46	460/01-07	380871-73	465/37-39
259868-84	431/04-20	300801-19	440/60-78	320861-72	447/43-54	349801-24	454/22-45	365849-62	460/22-35	380873-73	465/40-40
262801-21	419/77-97	300823-45	440/37-59	322801-40	447/55-94	349831-54	454/46-69	365865-78	460/36-49	380875-90	465/41-56
262825-49	431/67-91	300847-65	440/79-97	325801-20	448/21-40	350801-24	454/70-93	366801-02	460/50-51	383801-16	465/57-72
262844-44	602/22-22	300866-66	425/96-96	325821-40	448/01-20	350825-30	455/01-06	366815-26	460/52-63	383821-34	466/01-14
262846-46	602/23-23	300867-92	441/01-26	325841-60	448/41-60	350825-25	604/71-71	366825-25	604/73-73	383835-36	466/93-94
262851-53	425/93-95	300872-72	602/24-24	325860-60	604/66-66	351801-10	455/17-26	367801-09	460/64-72	383835-36	605/43-44
262854-68	431/45-59	302801-24	441/27-50	327801-03	448/91-93	351811-20	455/07-16	367810-14	461/01-05	383841-41	605/42-42
262868-68	431/60-60	302831-54	441/51-74	327804-10	449/01-07	352801-12	455/39-50	367814-14	461/06-06	383841-56	465/73-88
262870-75	431/61-66	304801-10	441/75-84	327808-08	602/25-25	352813-24	455/27-38	367816-26	461/07-17	383861-76	466/15-30
264801-01	431/97-97	304811-20	442/28-37	327811-20	448/61-70	352825-36	455/51-62	367878-79	460/73-74	385801-28	466/31-58
264802-11	413/86-95	304821-29	441/85-93	327821-40	449/08-27	352837-50	456/01-14	370801-12	461/38-49	385823-28	466/69-74
264812-30	432/01-19	304830-30	442/01-01	327841-60	448/71-90	352851-64	455/63-76	370813-24	461/84-95	385829-29	466/68-68
264831-35	431/92-96	304831-40	442/38-47	331801-36	449/28-63	352879-92	455/77-90	370825-36	461/50-61	385829-31	466/65-67
264836-60	432/20-44	304841-50	442/02-11	332801-06	449/64-69	355801-20	456/15-34	370837-38	461/96-97	385839-42	466/75-78
267801-21	432/69-89	304851-58	442/48-55	332811-30	449/70-89	355841-60	456/35-54	370839-47	462/01-09	385851-56	466/59-64
267822-45	432/45-68	304867-74	442/12-19	332831-50	450/01-20	356801-10	456/65-74	370849-60	461/62-73	385857-70	466/79-92
267846-50	432/90-94	304875-77	442/56-58	332841-41	604/67-67	356811-20	456/55-64	370860-60	604/74-74	385871-82	467/01-12
267851-78	433/01-28	304877-77	442/59-59	332846-46	604/68-68	356821-24	456/75-78	370861-70	461/18-27	385871-71	605/45-45
269801-60	433/29-88	304879-82	442/60-63	334801-06	450/21-26	356825-50	457/01-26	370871-80	461/74-83	385879-79	605/46-46
275801-21	434/01-21	304883-90	442/20-27	335801-56	450/27-82	356846-46	604/72-72	370881-90	461/28-37	385882-82	605/47-47
275823-46	434/23-46	306801-24	443/01-24	335857-58	451/01-02	357801-08	457/27-34	371801-24	462/10-33	386802-32	467/14-44
275847-47	434/22-22	306831-54	442/64-87	335860-61	451/03-04	357809-10	604/88-89	371803-03	604/75-75	386818-18	605/49-49
275848-92	434/47-91	308801-15	443/25-39	335861-70	451/05-14	357814-30	457/35-51	371808-11	604/76-79	386825-26	605/50-51

VIKING ORBITER ARCHIVE TAPE CATALOG

PICNO	VOE ID	PICNO	VOE ID	PICNO	VOE ID	PICNO	VOE ID	PICNO	VOE ID	PICNO	VOE ID
387801-32	467/45-76	406815-15	605/66-66	416831-46	477/25-40	437819-19	606/17-17	459801-30	487/64-93	494801-13	494/27-39
387841-50	467/77-86	406817-27	472/81-91	418801-15	478/01-15	437820-20	483/06-06	459841-70	488/01-30	494814-16	494/41-43
388801-20	468/01-20	406827-27	605/67-67	418816-18	477/53-55	437851-74	482/59-82	461801-20	488/31-50	494841-55	494/60-74
388816-16	605/52-52	406833-36	473/01-04	418819-20	477/41-42	437801-14	483/07-20	466801-28	488/67-94	494856-56	494/40-40
389801-20	468/21-40	407800-00	473/60-60	418831-46	478/24-39	437811-11	600/43-43	466829-32	489/01-04	495801-16	494/44-59
390801-30	468/41-70	407801-14	473/05-18	418861-70	477/43-52	437821-32	483/35-46	466833-48	489/21-36	497801-12	495/23-34
390831-40	468/81-90	407802-03	473/42-43	418871-74	477/88-91	437841-54	483/47-60	466849-64	489/05-20	497821-32	494/75-86
390841-50	468/71-80	407815-28	473/61-74	419801-16	477/72-87	437861-74	483/21-34	466865-69	490/22-26	497841-50	494/87-96
390841-42	605/53-54	407829-42	473/19-32	419807-07	602/32-32	437872-74	605/80-82	466869-98	489/37-66	497851-56	495/01-06
390861-64	468/91-94	407843-52	538/62-71	420841-56	477/56-71	437872-72	605/80-80	466895-95	602/37-37	497861-76	495/35-50
390865-70	469/01-06	407853-56	473/75-78	421801-08	478/16-23	437881-94	483/61-74	467801-16	489/76-91	497881-96	495/07-22
390867-69	605/55-57	407858-72	473/80-94	421811-18	478/40-47	440801-20	483/75-94	467801-09	489/67-75	499801-16	495/51-66
390881-90	469/07-16	407873-81	473/33-41	421821-28	478/48-55	441801-16	484/01-16	467810-20	490/01-11	499821-36	495/67-82
391807-10	469/46-49	407877-77	473/79-79	421845-56	478/70-81	442802-10	484/28-36	470801-10	490/12-21	499841-44	495/83-86
391807-07	605/58-58	407884-99	473/44-59	421859-72	478/56-69	442821-30	484/17-26	472801-14	490/27-40	499845-60	496/01-16
391808-08	469/34-34	408801-36	474/01-36	421873-86	478/82-95	444801-08	484/37-44	472817-28	490/41-52	500801-16	496/17-32
391811-14	469/17-20	409801-14	474/37-50	423861-72	479/01-12	444821-28	484/45-52	472833-46	490/74-87	501801-20	496/33-52
391816-20	469/22-26	409814-14	605/68-68	424801-16	479/14-29	445801-34	484/53-86	472849-62	490/53-66	504805-16	497/01-12
391821-30	469/50-59	409815-17	538/72-74	425801-16	479/30-45	445802-02	600/44-44	472865-68	490/88-91	504821-30	497/45-54
391831-37	469/27-33	409817-24	538/75-82	426801-22	479/46-67	448801-07	484/87-93	472881-87	490/67-73	504821-36	497/13-28
391839-39	469/35-35	409825-40	474/51-66	427853-64	479/78-89	449801-09	485/13-21	476801-07	491/01-07	504841-56	496/53-68
391841-50	469/36-45	410801-09	474/67-75	427871-72	479/90-91	449821-32	485/01-12	476821-28	491/08-15	504861-76	497/29-44
392801-20	469/60-79	410801-01	605/69-69	427873-79	480/01-07	451821-40	485/42-61	477801-12	491/16-27	505801-16	496/69-84
392802-02	605/59-59	410804-04	605/70-70	427889-90	479/76-77	451838-38	605/73-73	478801-14	491/28-41	509801-28	497/55-82
393801-16	469/80-95	410815-20	474/81-86	427891-98	479/68-75	451841-60	485/22-41	479817-20	491/62-65	510801-03	498/35-37
393816-16	393/81-81	410821-21	475/01-01	428801-16	480/08-23	452801-16	485/62-77	479822-30	491/67-75	510804-16	498/44-56
394801-40	470/01-40	410821-21	475/02-02	428821-24	480/24-27	452801-16	488/51-66	479827-27	491/66-66	510814-14	605/74-74
395801-12	470/41-52	410824-40	475/04-20	428833-40	480/28-35	452803-03	602/36-36	479833-48	491/42-57	510814-14	605/74-74
395803-03	605/79-79	410831-31	475/03-03	428853-70	480/36-53	453801-16	485/78-93	479849-62	491/76-89	510814-14	605/74-74
397815-28	470/53-66	411801-14	475/69-82	428872-92	480/55-75	453821-22	485/96-97	479863-64	492/01-02	510814-14	605/74-74
401801-14	470/67-80	411815-32	476/01-18	428880-81	602/33-34	453823-32	456/79-88	479865-68	491/58-61	510829-36	498/01-08
401816-24	470/82-90	411815-15	605/71-71	428887-87	602/35-35	453833-36	475/83-86	479869-92	492/03-26	510841-56	498/09-24
402801-12	471/01-12	411833-34	475/67-68	429801-20	480/76-95	454801-11	486/34-44	479887-87	602/38-38	510861-76	498/57-72
402801-01	605/64-64	411841-66	475/41-66	429821-28	481/01-08	454821-32	486/11-22	482821-50	492/27-56	510881-83	498/32-34
402813-24	471/25-36	411867-68	475/21-22	430801-28	481/09-36	454841-43	486/45-47	482831-31	602/41-41	510884-89	498/38-43
402825-36	471/13-24	411881-98	475/23-40	431801-12	481/37-48	454844-54	486/23-33	485801-16	492/57-72	510890-96	498/25-31
402833-33	605/65-65	412841-41	476/19-19	431831-44	481/49-62	454855-56	485/94-95	485821-36	492/73-88	514801-10	498/73-82
402837-46	471/37-46	412843-72	476/21-50	431851-64	481/63-76	454871-80	486/01-10	485841-44	492/89-92	514811-20	499/07-16
402847-56	471/57-66	413825-32	476/51-58	432801-12	481/77-88	455801-14	486/80-93	485845-56	493/01-12	514821-34	498/83-96
402857-66	471/47-56	413860-67	476/59-66	432831-35	481/89-93	455821-36	486/64-79	487801-12	493/13-24	514835-40	499/01-06
402861-61	605/60-60	413868-87	476/75-94	432836-44	482/01-09	456801-16	486/48-63	487813-14	493/31-32	514841-70	499/17-46
402863-63	605/61-61	413888-95	476/67-74	433801-12	482/33-44	457825-32	487/01-08	488801-06	493/25-30	514857-57	602/43-43
403801-24	472/01-24	415801-03	476/95-97	433831-35	482/10-14	458801-07	487/09-15	488807-08	493/33-34	515801-32	422/60-91
403831-39	471/67-75	415804-14	497/83-93	433836-42	605/01-07	458805-05	487/20-20	488821-34	493/35-48	514801-40	499/47-86
403831-32	605/62-63	415815-19	477/01-05	433851-60	482/15-24	458808-16	487/32-40	491801-12	493/49-60	514841-79	500/01-39
403841-43	471/77-79	415818-18	605/72-72	433871-78	482/25-32	458821-24	487/16-19	491821-28	493/77-84	514888-94	500/54-60
403845-54	471/81-90	415825-34	477/06-15	434801-14	482/45-58	458826-36	487/21-31	491841-56	493/61-76	516801-11	500/75-85
405801-40	472/25-64	416808-16	477/16-24	437801-14	482/83-96	458841-45	487/41-45	491844-44	602/42-42	516812-16	501/01-05
406801-15	472/65-79	416809-09	602/27-27	437815-18	483/01-04	458847-51	487/47-51	491861-76	494/11-26	516817-24	500/86-93
406815-15	472/80-80	416811-14	602/28-31	437815-15	606/16-16	458861-72	487/52-63	491887-96	494/01-10	516823-23	501/22-22



VIKING ORBITER ARCHIVE TAPE CATALOG

PICNO	VOE ID	PICNO	VOE ID	PICNO	VOE ID	PICNO	VOE ID	PICNO	VOE ID	PICNO	VOE ID
518824-35	501/31-42	539841-46	507/83-88	560893-98	514/03-08	574801-20	520/57-76	673849-62	605/08-21	122C01-07	003/02-08
518837-52	501/06-21	539847-56	508/01-10	562801-16	514/25-40	575801-18	520/77-94	673863-72	531/25-34	122C08-15	003/18-25
518837-37	501/43-43	539861-76	507/67-82	562821-36	514/09-24	575819-20	521/01-02	675801-62	531/35-96	122C16-24	003/09-17
518853-66	500/61-74	539881-96	508/11-26	562841-56	514/41-56	575821-40	521/23-42	675863-72	532/01-10	122C25-36	003/26-37
518867-80	501/44-57	541801-14	508/27-40	564801-16	514/57-72	575841-60	521/03-22	676801-16	532/11-26	122C37-56	003/46-65
518881-94	500/40-53	541821-34	508/41-54	564821-36	515/01-16	575861-76	521/43-58	676818-18	532/27-27	122C57-64	003/38-45
519801-40	501/58-97	544801-16	508/55-70	564841-56	514/73-88	575874-74	600/45-45	676818-86	532/28-96	122C65-84	003/74-93
519803-03	605/75-75	545801-16	508/71-86	565801-16	515/17-32	575881-88	522/27-34	676887-96	533/01-10	122C85-92	003/66-73
519806-06	605/76-76	545803-08	509/03-08	565821-23	514/89-91	576801-34	521/59-92	701801-24	533/11-34	129C21-24	003/94-97
519810-17	501/23-30	545821-36	509/17-32	565824-36	515/49-61	576814-14	600/46-46	701825-38	605/22-35	129C25-36	004/01-12
519840-40	508/87-87	545841-41	509/01-01	565841-56	515/33-48	576835-60	522/01-26	701825-38	535/37-50	129C37-53	004/21-37
521801-16	502/17-32	545841-56	147/69-84	565861-70	515/62-71	577801-12	522/35-46	701839-48	533/41-50	129C65-72	004/13-20
521817-32	502/01-16	545849-56	509/09-16	566801-20	515/72-91	577814-18	522/48-52	701849-54	533/35-40	129C73-92	004/58-77
521833-48	502/65-80	545861-76	509/33-48	566821-40	515/13-32	577821-40	522/75-94	701855-64	533/51-60	129C73-92	004/38-57
521849-64	502/33-48	547801-16	509/65-80	566841-46	515/92-97	577841-62	522/53-74	701865-72	533/85-92	138C01-03	004/78-80
521865-80	502/81-96	547821-36	509/49-64	566847-48	508/90-91	577871-90	523/01-20	701873-96	533/61-84	139C02-04	004/81-83
521869-69	602/44-44	549801-08	509/81-88	566849-60	516/01-12	578801-16	523/37-52	703801-24	534/01-24	139C09-14	004/84-89
521881-96	502/49-64	549809-16	510/01-08	566861-80	516/33-52	578819-34	523/21-36	703825-48	534/27-50	139C16-21	004/90-95
523801-16	503/17-32	549821-36	510/25-40	567801-16	517/15-30	578837-52	523/53-68	703849-50	534/25-26	140C02-03	004/96-97
523821-36	503/01-16	549821-21	605/77-77	567821-34	516/73-86	579801-08	524/01-08	703851-59	534/51-59	140C04-07	006/55-58
523841-56	503/33-48	549841-56	510/09-24	567824-24	602/48-48	579855-74	523/69-88	703870-72	534/60-62	140C09-14	006/59-64
524801-16	503/65-80	551801-16	511/01-16	567835-36	517/01-02	579875-94	524/09-28	704801-10	534/85-94	140C16-21	006/65-70
524821-36	503/49-64	551817-32	510/41-56	567841-56	517/31-46	580801-40	524/29-68	704802-08	535/02-08	141C02-16	005/13-27
525801-08	503/81-88	551833-48	511/17-32	567841-41	602/49-49	580802-02	602/51-51	704811-22	535/51-62	155C01-03	006/71-73
525809-16	504/01-08	551851-66	510/57-72	567855-55	602/50-50	580827-27	602/52-52	704825-46	534/63-84	156C02-04	006/77-79
527801-16	504/25-40	551854-54	602/46-46	568801-12	517/03-14	581801-08	524/69-76	704849-50	535/63-64	156C05-05	006/74-74
527803-03	602/45-45	551867-82	511/33-48	568821-29	517/47-55	582801-20	524/77-96	704851-51	535/01-01	156C07-07	006/76-76
527821-36	504/09-24	551883-88	510/83-88	568831-36	517/57-62	584801-48	525/01-48	704859-62	535/09-12	156C56-56	006/75-75
527841-56	504/58-73	551883-92	510/73-82	568841-60	517/63-82	584851-96	525/49-94	705801-20	535/13-32	157C09-14	005/01-06
527861-69	504/41-49	553801-16	511/49-64	569801-14	517/83-96	584889-89	602/53-53	705849-52	535/33-36	157C16-21	005/07-12
527869-76	504/50-57	553821-36	511/65-80	569815-18	518/01-04	584897-97	525/96-96	040C01-09	001/64-72	158C02-10	005/31-39
527881-96	504/74-89	555801-08	511/81-88	569821-62	518/05-46	584898-98	525/95-95	040C01-37	001/27-63	158C11-13	005/28-30
528801-16	505/01-16	555809-16	512/01-08	570801-20	518/47-66	585801-22	526/49-70	040C07-09	001/73-75	158C14-16	005/40-42
531801-16	505/49-64	555821-36	512/25-40	571801-20	518/67-86	585823-70	526/01-48	083C01-18	001/76-93	162C01-03	005/43-45
531821-36	505/17-32	555841-56	512/09-24	571802-08	519/02-08	585871-97	526/71-97	083C19-58	002/01-40	163C02-07	005/46-51
532801-15	505/65-79	557801-16	512/57-72	571821-21	519/01-01	584801-48	527/01-48	083C21-21	001/97-97	163C09-11	005/52-54
532821-36	505/33-48	557821-36	512/41-56	571829-48	519/09-28	584851-98	527/49-96	083C35-35	002/91-91	165C01-13	005/55-67
533801-16	506/03-18	557841-43	512/73-75	571841-41	519/29-29	669801-24	528/01-24	083C37-37	002/92-92	165C15-15	005/68-68
533821-34	505/80-93	557844-56	513/01-13	571850-60	519/30-40	669825-48	528/49-72	083C39-39	002/93-93	168C09-09	005/69-69
533835-36	506/01-02	558801-18	512/76-93	572801-14	519/41-54	669849-72	528/25-48	083C41-41	002/94-94	168C10-10	006/02-02
533841-56	506/19-34	558821-38	513/14-31	572801-01	605/78-78	669865-65	602/55-55	083C43-43	002/95-95	168C11-11	005/70-70
533861-76	506/35-50	560801-20	513/32-51	572821-32	519/55-66	669865-65	602/54-54	083C45-45	002/96-96	168C12-12	006/03-03
533881-96	506/51-66	560841-60	513/62-81	572833-36	516/53-56	669873-96	528/73-96	083C47-47	002/97-97	169C01-02	006/05-06
534801-16	506/67-82	560861-70	513/52-61	572841-57	519/67-83	670801-17	529/01-17	083C59-65	006/24-30	169C03-04	006/09-10
534821-34	506/83-96	560871-78	513/90-97	572861-76	516/57-72	670819-19	529/18-18	083C66-78	002/41-53	169C05-05	007/01-01
534835-36	507/01-02	560879-80	508/88-89	572881-88	519/85-92	670819-72	529/19-72	083C80-99	002/54-73	169C09-09	007/02-02
534841-56	507/03-18	560881-88	513/82-89	572885-85	519/84-84	672801-24	529/73-96	103C01-03	006/31-33	169C11-11	007/03-03
538801-16	507/19-34	560885-85	602/47-47	573801-20	520/01-20	672825-96	530/01-72	103C04-09	006/38-43	169C19-19	007/04-04
539801-16	507/35-50	560891-91	514/02-02	573821-40	520/37-56	673801-24	530/73-96	103C10-13	006/34-37	169C23-23	007/05-05
539821-36	507/51-66	560891-91	514/01-01	573845-60	520/21-36	673825-48	531/01-24	103C14-24	006/44-54	169C23-23	007/46-46

VIKING ORBITER ARCHIVE TAPE CATALOG

PICNO	VOE ID	PICNO	VOE ID	PICNO	VOE ID	PICNO	VOE ID	PICNO	VOE ID	PICNO	VOE ID
169C25-26	007/06-07	219024-26	368/67-69	135S21-30	266/40-49	160S01-24	277/35-58	187S20-24	285/01-05	206S01-14	289/62-75
169C30-30	007/08-08	219024-24	368/46-46	135S61-72	266/28-39	161S01-24	277/59-82	188S01-24	285/06-29	206S15-28	290/01-14
169C32-33	007/09-10	219028-28	368/47-47	136S01-14	266/64-77	162S01-05	277/83-87	189S01-17	285/30-46	206S51-62	290/15-26
169C37-37	007/11-11	219029-34	368/70-75	136S21-30	269/52-61	162S06-24	278/01-19	189S18-24	285/72-78	207S01-24	290/27-50
169C39-40	007/12-13	219030-30	368/48-48	137S02-12	269/29-39	163S01-24	278/20-43	190S01-19	285/79-97	208S01-24	290/51-74
169C44-44	007/14-14	219034-34	601/87-87	137S12-12	269/40-40	163S31-42	278/44-55	190S20-24	286/89-93	209S01-23	290/75-97
169C46-47	007/15-16	219037-40	368/76-79	137S14-24	269/41-51	164S01-08	278/56-63	190S31-32	286/94-95	209S24-24	253/92-92
169C51-51	007/17-17	219038-38	601/88-88	138S01-24	269/62-85	164S06-06	278/64-64	190S41-42	286/96-97	210S01-28	291/01-28
169C53-53	007/18-18	219043-44	368/80-81	139S01-12	269/86-97	164S10-24	278/65-79	190S51-52	289/76-77	210S31-42	291/29-40
169C61-61	007/21-21	219047-47	368/82-82	139S13-16	310/94-97	165S01-14	278/80-93	190S61-62	289/78-79	211S01-28	291/69-96
169C65-65	007/20-20	219048-50	368/64-66	139S17-24	270/01-08	165S15-24	279/01-10	190S71-72	289/80-81	212S01-28	291/41-68
169C67-67	007/19-19	219053-54	368/62-63	140S01-07	270/09-15	166S01-24	279/11-34	190S81-82	289/82-83	213S01-01	291/97-97
170C01-01	007/22-22	219057-60	368/83-86	140S08-24	270/40-56	167S01-28	279/47-74	191S01-10	289/84-93	213S02-06	253/93-97
170C05-05	007/23-23	219057-57	601/89-89	141S01-24	270/57-80	167S04-28	309/01-25	191S11-24	286/01-14	216S01-15	292/01-15
170C07-08	007/24-25	219063-64	368/87-88	142S01-14	270/81-94	167S04-28	285/47-71	192S01-24	286/15-38	216S16-16	292/28-28
170C12-12	007/26-26	219064-64	601/90-90	142S21-30	273/11-20	167S61-72	279/35-46	193S01-24	286/39-62	216S17-28	292/16-27
170C14-15	007/27-28	219067-70	368/89-92	143S01-03	270/95-97	168S01-17	279/75-91	193S24-24	603/04-04	217S01-06	292/29-34
170C19-19	007/29-29	168E06-06	005/71-71	143S04-04	253/88-88	168S18-26	280/01-09	194S01-24	286/63-86	217S21-32	292/35-46
170C25-25	007/33-33	168E10-10	006/01-01	143S05-08	273/01-04	169S01-24	280/10-33	195S01-02	286/87-88	217S41-70	292/47-76
170C34-45	007/34-45	169E01-01	006/04-04	143S06-06	273/05-05	170S01-16	280/34-49	195S03-24	287/01-22	217S70-70	292/77-77
170C35-35	600/01-01	169E02-03	006/07-08	143S10-14	273/06-10	170S13-13	280/50-50	196S01-18	287/23-40	217S72-76	292/78-82
170C38-38	600/07-07	169E04-07	006/11-14	143S21-31	273/21-31	170S18-24	280/51-57	196S16-16	287/41-41	217S77-80	292/87-90
170C47-49	007/47-49	170E03-08	006/15-20	144S01-24	270/16-39	171S01-24	280/58-81	196S20-24	287/42-46	217S81-84	292/83-86
179C21-23	007/30-32	122S01-24	265/05-28	145S01-01	606/21-21	172S01-16	280/82-97	197S01-26	287/47-72	217S86-88	292/91-94
286C01-02	001/03-04	122S31-42	265/29-40	145S02-24	273/32-54	172S17-18	253/89-90	197S31-32	287/73-74	218S01-03	292/95-97
293C05-06	001/05-06	123S01-20	266/78-97	146S01-24	273/55-78	172S19-24	281/01-06	197S35-36	287/75-76	218S07-24	293/01-18
215001-06	368/01-06	123S21-24	253/83-86	147S01-16	273/79-94	173S01-24	281/07-30	197S41-42	287/77-78	219S01-18	293/19-36
216001-12	368/07-18	124S01-24	267/01-24	147S17-24	274/01-08	174S01-13	281/31-43	197S45-46	287/79-80	219S09-09	293/37-37
217003-16	368/19-32	125S01-24	267/25-48	148S01-24	274/09-32	174S14-24	281/44-54	197S51-52	287/81-82	219S20-24	293/38-42
218001-06	368/33-38	126S01-24	267/49-72	149S01-11	274/33-43	174S31-48	281/55-72	197S55-56	287/83-84	220S01-24	293/43-66
218008-08	368/39-39	126S12-12	603/01-01	149S19-24	274/44-49	175S01-24	281/73-96	197S61-68	287/85-92	220S31-42	293/67-78
218012-12	368/40-40	127S01-24	267/73-96	149S31-42	274/50-61	176S01-01	281/97-97	197S69-72	288/01-04	221S01-07	293/79-85
218014-14	368/41-41	128S01-01	267/97-97	150S01-24	275/02-25	176S02-02	253/91-91	198S01-26	288/05-30	221S08-24	294/01-17
218016-16	368/42-42	128S02-02	253/87-87	151S01-23	274/62-84	176S03-24	282/01-22	199S01-26	309/42-67	222S01-04	294/18-21
218020-20	368/43-43	128S03-10	268/01-08	151S24-24	275/01-01	177S01-24	282/23-46	200S01-26	309/68-93	222S04-04	294/22-22
218022-22	368/44-44	128S11-24	265/41-54	152S01-10	275/26-35	178S01-24	282/47-70	201S01-01	606/22-22	222S06-24	294/23-41
218024-24	368/45-45	129S01-24	265/55-78	152S12-13	275/36-37	179S01-24	282/71-94	201S02-04	309/95-97	223S01-24	294/42-65
218068-68	368/49-49	129S31-42	266/05-16	152S14-24	275/52-62	180S01-24	283/01-24	201S05-32	349/58-85	224S10-19	294/66-75
218070-70	368/50-50	129S51-54	265/79-82	153S01-03	275/63-65	181S01-24	283/25-48	201S21-26	288/31-36	224S31-43	294/76-88
218072-72	368/54-54	129S55-58	266/01-04	153S04-17	275/38-51	182S01-24	283/49-72	202S01-26	288/37-62	224S44-64	295/01-21
218076-76	368/55-55	130S01-11	266/17-27	153S21-24	275/81-84	183S01-21	283/73-93	203S01-28	288/63-90	225S01-24	295/22-45
218078-78	368/56-56	130S12-24	268/09-21	154S01-13	275/85-97	183S22-24	284/01-03	203S27-27	603/05-05	227S01-24	295/46-69
219002-02	368/51-51	131S01-24	268/22-45	154S12-12	601/55-55	184S01-16	284/04-19	203S51-55	288/91-95	227S31-50	295/70-89
219006-06	368/52-52	131S03-03	603/02-02	154S14-24	276/01-11	184S07-07	284/20-20	203S56-62	289/01-07	227S51-54	296/01-04
219008-08	368/53-53	132S01-24	268/46-69	155S01-20	276/12-31	184S18-24	284/21-27	204S01-28	289/20-47	228S31-42	296/05-16
219010-10	368/57-57	133S01-18	268/70-87	156S01-24	276/32-55	185S01-24	284/28-51	204S07-07	289/14-14	229S01-22	296/27-48
219014-14	368/58-58	133S18-20	268/88-90	157S01-24	276/56-79	185S11-11	601/56-56	204S51-56	289/08-13	229S31-40	296/17-26
219016-16	368/59-59	133S21-24	269/01-04	158S01-14	276/80-93	185S14-14	601/57-57	204S58-62	289/15-19	229S51-62	296/49-60
219018-18	368/60-60	134S01-24	269/05-28	158S15-24	277/01-10	186S01-24	284/52-75	205S01-14	289/48-61	230S01-10	296/61-70
219022-22	368/61-61	135S01-14	266/50-63	159S01-24	277/11-34	187S01-19	284/76-94	205S15-28	538/34-47	230S31-42	296/71-82



VIKING ORBITER ARCHIVE TAPE CATALOG

PICNO	VOE ID	PICNO	VOE ID	PICNO	VOE ID	PICNO	VOE ID	PICNO	VOE ID	PICNO	VOE ID
231501-14	296/83-96	246561-70	302/01-10	259541-50	306/70-79	279521-21	311/29-29	326523-24	607/08-09	341556-60	349/36-40
231531-31	296/97-97	247501-10	301/71-80	259551-52	258/90-91	279529-32	311/37-40	326523-24	606/10-11	342501-12	319/14-25
231532-41	265/83-92	247521-30	301/81-90	259553-66	307/01-14	279541-50	311/41-50	326525-26	535/83-84	342521-33	319/01-13
232501-16	297/01-16	248501-10	302/29-38	260501-08	306/90-97	280501-09	348/01-09	326531-39	607/10-18	342541-52	319/39-50
232531-37	297/17-23	248521-38	302/11-28	260509-12	258/86-89	280511-14	348/11-14	326539-43	535/85-89	342561-73	319/26-38
232535-35	297/24-24	248541-44	302/39-42	260521-30	307/15-24	280521-32	348/25-36	326544-46	535/01-03	344501-08	319/51-58
232539-40	297/25-26	248545-46	311/87-88	260541-50	307/25-34	280541-48	348/15-22	326547-48	535/90-91	344541-52	319/59-70
232551-62	297/27-38	248547-50	302/43-46	261501-12	307/45-56	280550-50	348/24-24	326549-50	535/04-05	344581-87	319/71-77
233501-12	297/39-50	249501-12	302/57-68	261521-30	307/35-44	282561-76	311/71-86	326551-52	535/92-93	344588-92	320/35-39
234501-08	297/51-58	249521-30	302/47-56	261541-50	307/57-66	286501-10	311/51-60	326553-54	535/06-07	347501-15	320/01-15
234505-05	601/58-58	251501-12	302/69-80	262501-14	307/67-80	290501-10	311/61-70	326555-56	535/94-95	347517-31	320/20-34
234531-38	297/67-74	251521-30	302/81-90	267522-30	347/22-30	294501-10	312/11-20	326561-66	535/08-13	347533-36	320/16-19
234551-58	297/59-66	252501-24	303/01-24	267541-50	347/31-40	298501-10	312/33-42	326567-68	535/96-97	347537-51	320/40-54
234571-80	297/75-84	252531-54	303/25-48	268501-11	347/62-72	302501-12	312/21-32	326577-78	536/26-27	347553-71	320/55-73
235501-10	297/85-94	252561-84	303/49-72	268521-30	347/41-50	306501-10	312/43-52	326579-80	537/33-34	347573-88	320/74-89
236501-03	297/95-97	253501-10	303/73-82	268541-49	537/37-45	306521-27	312/53-59	326581-82	536/28-29	347589-99	321/01-11
236504-04	265/93-93	253510-19	304/10-19	268550-50	347/51-51	306529-30	312/61-62	326583-84	537/35-36	349533-48	321/17-32
236505-12	298/01-08	253512-12	303/83-83	269509-11	347/82-84	306558-58	312/60-60	327501-12	536/14-25	350523-32	321/61-70
236521-30	298/09-18	253513-24	303/85-96	269513-14	347/86-87	310501-10	312/63-72	329501-14	315/01-14	352501-08	321/71-78
236541-50	298/19-28	253520-20	603/06-06	269521-32	537/46-57	314501-10	312/85-94	329515-16	317/01-02	352521-26	321/89-94
236551-66	298/39-54	253531-39	304/01-09	270501-14	307/81-94	317501-12	312/73-84	329521-36	315/15-30	352531-40	321/79-88
237501-12	298/55-66	253550-54	304/20-24	270521-32	308/01-12	317521-23	312/95-97	330501-12	315/53-64	352565-78	538/48-61
237521-30	298/29-38	254501-24	304/25-48	270541-50	347/52-61	317524-25	319/93-94	330508-08	601/61-61	353501-01	322/01-01
237541-50	298/67-76	254531-54	304/61-84	270561-76	308/13-28	318501-12	313/16-27	330521-30	315/43-52	353502-12	322/03-13
238501-12	299/01-12	255501-05	304/85-89	271501-14	308/29-42	318521-30	313/38-47	332501-12	315/65-76	353521-32	322/14-25
238521-30	298/77-86	255506-07	305/01-02	271521-32	308/43-54	318541-50	313/28-37	332521-30	315/77-86	353541-52	322/26-37
238541-50	299/13-22	255509-09	305/03-03	272501-14	308/55-68	318561-72	313/48-59	332541-52	315/31-42	353561-72	322/48-59
239501-16	299/23-38	255510-14	305/05-09	272521-32	308/69-80	318581-92	313/60-71	332561-67	315/87-93	354501-10	322/38-47
239522-22	299/39-39	255521-32	304/49-60	272541-50	312/01-10	319501-10	313/72-81	332567-67	315/94-94	354521-32	322/60-71
239522-36	299/40-54	255541-52	305/10-21	274541-54	308/81-94	321501-12	313/82-93	332569-71	315/95-97	355501-20	322/72-91
239551-57	299/55-61	256501-12	305/22-33	274555-56	310/01-02	321521-32	314/01-12	332572-72	349/29-29	356501-10	348/62-71
239557-57	299/62-62	256521-30	305/44-53	275501-08	310/11-18	321541-44	313/94-97	333501-12	316/11-22	356511-16	322/92-97
239559-66	299/63-70	256521-21	601/59-59	275521-28	310/19-26	321545-52	320/90-97	333541-52	316/23-34	356517-17	348/57-57
241501-16	299/71-86	256541-50	305/34-43	275591-98	310/03-10	321561-72	314/13-24	333563-72	316/01-10	356518-20	348/59-61
241521-36	309/26-41	257501-12	305/64-75	276501-08	310/27-34	323501-15	313/01-15	334501-15	316/35-49	356551-58	348/72-79
242501-16	300/01-16	257521-30	305/54-63	276521-28	310/35-42	323517-31	314/25-39	334517-31	316/50-64	356561-68	348/80-87
242521-36	300/17-32	257531-52	305/76-97	276531-33	310/43-45	323533-52	314/60-79	334533-65	316/65-97	358501-10	348/88-97
243501-12	300/33-44	257555-56	306/01-02	276535-37	537/01-03	323533-33	601/60-60	334566-71	349/30-35	358511-15	349/41-45
243531-38	300/45-52	257557-66	319/83-92	276539-41	537/04-06	323553-72	314/40-59	334572-76	317/03-07	358517-25	349/46-54
244501-08	300/53-60	257567-84	306/13-30	276551-76	537/07-32	323573-77	314/80-84	334577-88	317/24-35	358526-26	323/01-01
244521-28	300/79-86	257567-68	607/02-03	276569-70	310/46-47	323579-90	314/86-97	334591-99	317/08-16	358531-38	323/02-09
244541-46	300/61-66	257569-69	607/01-01	277501-10	348/37-46	323588-88	314/85-85	336501-12	317/36-47	358541-48	323/28-35
244561-66	300/87-92	257585-94	306/03-12	277521-30	348/47-56	323591-99	349/20-28	336521-32	317/48-59	358551-54	323/10-13
244567-76	301/01-10	258501-04	319/79-82	278501-14	310/48-61	326501-14	535/65-78	338501-12	317/60-71	358554-54	323/14-14
245501-12	300/67-78	258505-12	306/40-47	278521-32	310/72-83	326515-16	607/04-05	338521-32	317/84-95	358566-62	323/15-21
245521-30	301/11-20	258521-29	306/31-39	278541-50	310/62-71	326515-16	606/06-07	338581-92	317/72-83	358562-62	323/22-22
245541-50	301/35-44	258530-30	319/78-78	278561-62	310/84-85	326517-18	535/79-80	339501-14	318/01-14	358564-68	323/23-27
246501-14	301/45-58	258541-50	306/48-57	278563-76	311/01-14	326519-20	607/06-07	339521-34	318/15-28	358571-86	323/36-51
246521-34	301/21-34	259501-12	306/58-69	279501-14	311/15-28	326519-20	606/08-09	339541-54	318/29-42	359501-12	323/52-63
246541-52	301/59-70	259521-30	306/80-89	279502-08	311/30-36	326521-22	535/81-82	341501-55	318/43-97	359551-62	323/64-75

VIKING ORBITER ARCHIVE TAPE CATALOG

PICNO	VOE ID	PICNO	VOE ID	PICNO	VOE ID	PICNO	VOE ID	PICNO	VOE ID	PICNO	VOE ID
359580-82	323/76-78	377571-88	328/47-64	391501-06	333/12-17	404561-68	336/09-16	417542-42	601/64-64	438521-36	352/01-16
361501-11	323/79-89	377585-85	601/63-63	391507-08	333/10-11	404571-74	336/17-20	417545-56	341/01-12	439501-36	352/17-52
361513-18	323/90-95	378501-15	328/81-95	391521-21	333/03-03	404581-84	336/21-24	418531-56	341/13-38	440501-36	352/53-88
361519-20	324/01-02	378517-31	329/01-15	391531-36	333/04-09	405501-08	336/29-36	419501-20	341/39-58	441501-36	353/01-36
363501-02	324/19-20	378533-49	329/16-32	391551-58	332/85-92	405511-14	336/25-28	419531-56	342/13-38	442501-36	353/37-72
363503-16	324/37-50	378553-69	329/33-49	391561-65	332/93-97	405515-30	336/37-52	420501-24	342/39-62	443501-23	353/73-95
363521-36	324/21-36	378573-88	329/52-67	391566-66	349/57-57	406511-24	336/53-66	421501-02	341/59-60	443524-36	354/01-13
363541-56	324/03-18	378589-90	329/50-51	391567-68	333/01-02	406518-28	336/67-77	421503-11	341/83-91	444501-36	354/14-49
365501-05	324/51-55	378591-99	329/68-76	393501-04	333/18-21	406531-50	336/78-97	421507-18	342/01-12	444503-04	601/65-66
365511-16	324/56-61	379501-04	329/82-85	394501-04	333/22-25	406551-52	349/55-56	421521-21	341/61-61	445501-36	354/50-85
365521-26	324/62-67	379511-12	329/86-87	395501-14	333/42-55	407501-22	337/01-22	421524-44	341/62-82	446501-07	354/86-92
365531-45	324/76-90	379521-30	329/88-97	395501-16	333/60-75	407551-53	337/23-25	422501-14	342/81-94	446508-36	355/01-29
365551-58	324/68-75	379561-64	118/85-88	395521-24	333/56-59	407555-55	337/26-26	422515-24	343/01-10	447523-36	355/30-43
365561-75	325/01-15	381501-02	330/09-10	395541-48	333/26-33	407559-61	337/27-29	423501-05	342/65-69	447528-29	601/67-68
365581-84	324/91-94	381501-04	330/11-14	395551-58	333/34-41	407563-65	337/30-32	423508-18	342/70-80	448501-36	355/44-79
366501-08	325/16-23	381521-24	330/15-18	397521-21	333/76-76	407567-69	337/33-35	423521-22	342/63-64	449501-14	355/80-93
366521-32	325/24-35	381531-34	330/19-22	398501-12	333/77-88	407571-73	337/36-38	423523-29	343/11-17	449515-36	356/01-22
366561-72	325/44-55	381541-50	330/23-32	398521-22	333/89-90	407575-77	337/39-41	424501-24	343/18-41	450501-36	356/23-58
366581-81	325/56-56	381561-62	330/33-34	398523-32	334/01-10	407579-81	337/42-44	425501-18	343/42-59	451501-34	356/59-92
367501-08	325/36-43	381571-72	118/89-90	398541-52	334/11-22	407583-85	337/45-47	425521-44	343/60-83	452501-05	356/93-97
367521-27	325/57-63	381573-74	330/01-02	398561-72	334/23-34	407587-89	337/48-50	426501-18	344/11-28	452512-36	357/01-25
368501-06	325/64-69	381581-86	330/03-08	399501-08	334/35-42	407591-93	337/51-53	426521-44	344/29-52	453501-36	357/26-61
368511-22	325/70-81	382501-08	330/35-42	399509-11	334/57-59	407595-97	337/54-56	426522-22	603/07-07	454501-36	357/62-97
369501-12	325/82-93	382521-28	330/43-50	399513-15	334/51-53	408501-18	337/57-74	426561-74	343/84-97	455501-14	367/68-81
369531-48	326/01-18	383501-14	330/51-64	399517-19	334/54-56	408531-34	338/06-09	426575-84	344/01-10	455502-02	603/12-12
369551-52	326/19-20	383521-26	330/65-70	399521-28	334/43-50	408541-44	338/10-13	427501-36	344/53-88	455515-20	367/62-67
369561-68	321/33-40	384501-02	330/92-93	400501-03	334/60-62	408551-54	338/14-17	428501-19	345/18-36	455522-34	358/15-27
370541-54	326/21-34	384511-17	330/71-77	400505-07	334/63-65	408561-77	337/75-91	428520-36	345/01-17	455535-36	358/01-02
371501-12	326/35-46	384531-43	330/78-90	400507-08	608/03-04	408578-82	338/01-05	428536-36	603/08-08	456501-11	358/03-13
371531-40	326/55-64	384571-71	330/91-91	400509-11	334/66-68	409541-44	338/18-21	429501-36	345/37-72	456512-36	358/28-52
371551-58	326/47-54	384581-84	330/94-97	400513-15	334/69-71	409551-53	338/22-24	430501-24	345/73-96	457501-15	358/53-67
372501-12	326/65-76	385501-08	331/01-08	400517-19	334/72-74	409561-64	338/25-28	430525-36	346/01-12	457516-29	358/80-93
372521-34	326/77-90	385521-28	331/09-16	400521-23	334/75-77	409571-71	338/29-29	431501-36	346/13-48	457530-36	359/01-07
372535-36	327/01-02	385541-54	331/17-30	400525-27	334/78-80	409574-74	338/30-30	432501-36	346/49-84	458501-12	358/68-79
372541-44	327/03-06	385561-74	331/31-44	400529-31	334/81-83	410501-08	338/31-38	433501-11	347/11-21	458513-35	359/08-30
372551-58	327/07-14	385585-88	327/87-90	400533-35	334/84-86	411501-22	338/39-60	433512-36	350/01-25	459501-36	359/31-66
372561-66	327/15-20	385591-94	327/91-94	401501-08	334/87-94	412501-18	338/61-78	433561-73	346/85-97	460501-24	359/67-90
373501-04	327/21-24	385595-98	349/01-04	401511-16	335/01-06	412541-44	339/09-12	433574-74	349/86-86	460525-36	360/01-12
373521-28	327/25-32	386501-04	331/45-48	401521-26	335/07-12	412551-54	339/13-16	433575-84	347/01-10	460525-25	603/10-10
373541-48	327/45-52	387501-12	331/65-76	401531-38	335/13-20	412561-64	339/17-20	434501-32	350/26-57	461501-24	360/13-36
373561-72	327/33-44	387521-34	332/34-47	401541-44	335/21-24	412571-84	338/80-93	434519-32	350/58-71	461531-64	360/37-70
373581-94	327/53-66	387535-50	331/49-64	401551-52	335/25-26	412571-71	338/79-79	435501-26	350/72-97	462501-26	360/71-96
375501-13	328/01-13	387563-77	331/77-91	401561-62	335/27-28	412585-92	339/01-08	435527-27	349/87-87	462527-32	361/01-06
375521-32	327/75-86	387578-98	332/01-21	402501-12	335/29-40	413511-56	339/21-66	435530-30	349/90-90	462533-36	361/43-46
375541-51	328/14-24	388501-01	332/48-48	403501-16	335/41-56	414501-08	339/67-74	435532-32	349/92-92	463501-36	361/07-42
375561-68	327/67-74	389501-14	332/49-62	404501-08	335/57-64	414531-46	339/75-90	435535-36	349/95-96	464501-36	361/47-82
375562-62	601/62-62	389521-30	332/63-72	404509-12	335/69-72	414547-56	340/01-10	436501-36	351/01-36	465501-14	361/83-96
377501-09	328/25-33	389541-44	332/73-76	404513-16	335/65-68	415501-20	340/11-30	437501-36	351/37-72	465504-04	601/69-69
377541-42	328/45-46	389551-54	332/77-80	404521-34	335/73-86	415531-56	340/31-56	437525-25	603/09-09	465515-36	362/01-22
377551-61	328/34-44	390501-04	332/81-84	404541-48	336/01-08	417501-20	340/57-76	438501-20	351/73-92	465519-19	603/11-11

VIKING ORBITER ARCHIVE TAPE CATALOG

PICNO	VOE ID	PICNO	VOE ID
466501-36	362/23-59	483561-68	367/01-08
467501-36	362/59-94	483571-76	367/09-14
468501-29	363/10-38	484501-24	367/15-38
468538-50	366/01-13	485502-02	367/40-40
468551-80	363/39-68	485502-02	367/39-39
468581-83	363/01-03	485504-24	367/41-61
468585-67	363/04-06	485530-37	363/69-76
468589-91	363/07-09	617531-44	340/77-90
469501-10	536/72-81	744585-85	603/03-03
469511-30	536/34-53	908553-60	310/86-93
469521-21	601/70-70	029701-04	264/82-85
469532-36	536/54-58	040701-04	265/01-04
470501-04	536/30-33	083X01-16	002/74-89
470503-06	367/83-86	083X11-13	001/94-96
470505-17	536/59-71	083X16-16	002/90-90
470518-31	536/82-95	323X03-04	319/95-96
470532-32	367/82-82	334X00-06	317/17-23
471501-04	363/77-80	347X03-04	321/12-16
471506-14	363/82-90	378X00-04	329/77-81
471515-36	364/01-22	378X11-14	328/77-80
472501-28	364/34-61	378X21-32	328/65-76
472529-36	364/23-30	387X03-14	332/22-33
472551-53	364/31-33	747X00-00	225/93-93
473501-30	364/62-91	753X03-00	228/82-82
473503-03	601/71-71	771X00-13	234/82-95
473515-15	601/72-72	004Y01-05	368/93-97
474501-14	601/73-86	004Y06-06	401/90-90
474501-04	365/01-04		
474506-06	365/06-06		
474508-10	365/08-10		
474512-15	365/12-15		
474517-30	365/17-30		
474532-32	365/32-32		
475501-01	365/53-53		
475502-02	365/73-73		
475503-21	365/54-72		
475522-32	365/74-84		
475541-44	365/33-36		
475551-54	365/37-40		
475561-64	365/41-44		
475571-74	365/45-48		
475581-84	365/49-52		
476501-06	365/85-90		
476507-32	366/14-39		
483501-08	366/40-47		
483511-18	366/48-55		
483521-28	366/56-63		
483531-38	366/64-71		
483541-48	366/72-79		
483551-58	366/80-87		

TABLE E-3

VIKING LANDER ARCHIVE INDEX

Viking Lander images are identified in the index by spacecraft number (Viking Lander 1 or 2), camera number (1 or 2) and frame count, a counter composed of a regularly incrementing letter (A, B, etc.), followed by a number which increments from 0 to 255 within each frame count letter. The index is ordered by spacecraft and by frame count within spacecraft.

Repeated entries for the same camera event are due to the taking of triplets, most commonly color triplets (composed of a blue, green, and red diode sequence of images) and sometimes an infrared sequence (consisting of an IR3, IR2, and IR1 diode sequence).

In general, users will want all three files of a triplet sequence for processing.

VIKING LANDER ARCHIVE TAPE CATALOG

PICNO VLE ID	PICNO VLE ID	PICNO VLE ID	PICNO VLE ID	PICNO VLE ID	PICNO VLE ID	PICNO VLE ID	PICNO VLE ID
12A001 04/001	12A039 04/051	11A077 05/016	12A122 05/066	11A162 06/036	11A194 07/001	11A213 07/051	11A230 08/012
12A002 04/002	11A040 04/052	11A078 05/017	12A123 05/067	12A163 06/037	11A194 07/002	11A213 07/052	11A231 08/013
12A003 04/003	11A040 04/053	11A079 05/018	12A124 05/068	12A164 06/038	11A194 07/003	11A214 07/053	11A231 08/014
12A004 04/004	11A040 04/054	11A080 05/019	12A125 05/069	12A165 06/039	11A195 07/004	11A214 07/054	11A231 08/015
12A005 04/005	11A041 04/055	11A081 05/020	12A126 05/070	11A166 06/040	11A195 07/005	11A214 07/055	11A232 08/016
12A006 04/006	12A042 04/056	11A083 05/021	11A127 05/071	12A167 06/041	11A195 07/006	11A215 07/056	11A232 08/017
12A006 04/007	12A043 04/057	11A084 05/022	11A128 05/072	12A167 06/042	11A196 07/007	11A215 07/057	11A232 08/018
12A006 04/008	12A044 04/058	11A085 05/023	11A129 05/073	12A167 06/043	11A196 07/008	11A215 07/058	11A233 08/019
12A007 04/009	12A045 04/059	11A086 05/024	11A130 05/074	12A168 06/044	11A196 07/009	11A216 07/059	11A233 08/020
12A008 04/010	12A045 04/060	11A087 05/025	11A131 05/075	12A168 06/045	11A197 07/010	11A216 07/060	11A233 08/021
12A008 04/011	12A045 04/061	11A088 05/026	11A132 05/076	12A168 06/046	11A197 07/011	11A216 07/061	11A234 08/022
12A008 04/012	11A046 04/062	11A089 05/027	11A133 05/077	12A169 06/047	11A197 07/012	11A217 07/062	12A235 08/023
12A009 04/013	11A047 04/063	11A090 05/028	12A134 05/078	12A169 06/048	11A198 07/013	11A217 07/063	12A236 08/024
12A010 04/014	11A048 04/064	11A091 05/029	12A135 05/079	12A169 06/049	11A198 07/014	11A217 07/064	12A237 08/025
12A011 04/015	11A049 04/065	11A091 05/030	12A136 05/080	12A170 06/050	11A198 07/015	11A218 07/065	12A238 08/026
12A012 04/016	12A050 04/066	11A091 05/031	11A137 06/001	12A170 06/051	11A199 07/016	11A218 07/066	12A239 08/027
12A013 04/017	11A051 04/067	12A092 05/032	11A138 06/002	12A170 06/052	11A199 07/017	11A218 07/067	12A239 08/028
12A014 04/018	11A052 04/068	11A093 05/033	12A139 06/003	12A171 06/053	11A199 07/018	11A219 07/068	12A239 08/029
12A016 04/019	11A053 04/069	11A093 05/034	12A140 06/004	12A172 06/054	11A200 07/019	11A219 07/069	12A240 08/030
11A017 04/020	12A054 04/070	11A093 05/035	11A141 06/005	11A173 06/055	11A200 07/020	11A219 07/070	12A240 08/031
11A018 04/021	11A055 04/071	11A094 05/036	11A142 06/006	11A174 06/056	11A200 07/021	11A220 07/071	12A240 08/032
11A019 04/022	12A056 04/072	11A095 05/037	11A143 06/007	12A175 06/057	11A201 07/022	11A220 07/072	12A241 08/033
11A021 04/023	11A057 04/073	11A096 05/038	11A144 06/008	12A176 06/058	11A202 07/023	11A220 07/073	12A242 08/034
11A021 04/024	11A058 04/074	11A097 05/039	12A145 06/009	12A177 06/059	11A203 07/024	11A221 07/074	12A243 08/035
11A021 04/025	12A059 04/075	11A098 05/040	11A146 06/010	12A178 06/060	11A203 07/025	11A221 07/075	12A244 08/036
11A022 04/026	11A060 04/076	11A099 05/041	11A146 06/011	12A179 06/061	11A203 07/026	11A221 07/076	12A244 08/037
11A023 04/027	12A061 04/077	11A100 05/042	11A146 06/012	12A180 06/062	11A204 07/027	11A222 07/077	12A244 08/038
11A024 04/028	12A062 04/078	11A101 05/043	11A147 06/013	11A181 06/063	11A204 07/028	11A222 07/078	12A245 08/039
11A025 04/029	12A062 04/079	12A102 05/044	11A147 06/014	11A181 06/064	11A204 07/029	11A222 07/079	12A245 08/040
11A026 04/030	12A062 04/080	12A103 05/045	11A147 06/015	11A181 06/065	11A205 07/030	11A223 07/080	12A245 08/041
12A027 04/031	12A063 04/081	12A104 05/046	11A148 06/016	11A182 06/066	11A205 07/031	11A223 07/081	12A246 08/042
12A028 04/032	12A064 04/082	11A105 05/047	11A148 06/017	11A182 06/067	11A205 07/032	11A223 07/082	12A247 08/043
11A029 04/033	11A065 04/083	12A106 05/048	11A148 06/018	11A182 06/068	11A206 07/033	11A224 07/083	12A247 08/044
11A029 04/034	11A066 04/084	12A107 05/049	11A149 06/019	12A183 06/069	11A206 07/034	11A224 07/084	12A247 08/045
11A029 04/035	11A067 04/085	12A108 05/050	11A149 06/020	11A184 06/070	11A206 07/035	11A224 07/085	12A248 08/046
11A030 04/036	12A068 05/001	12A109 05/051	11A149 06/021	12A185 06/071	11A207 07/036	11A225 07/086	12A248 08/047
12A031 04/037	11A069 05/002	12A110 05/052	11A150 06/022	11A186 06/072	11A207 07/037	11A225 07/087	12A248 08/048
11A032 04/038	12A070 05/003	11A111 05/053	11A151 06/023	12A187 06/073	11A207 07/038	11A225 07/088	12A249 08/049
12A033 04/039	12A071 05/004	12A112 05/054	12A152 06/024	12A188 06/074	11A208 07/039	11A226 07/089	11A250 08/050
12A033 04/040	12A071 05/005	12A113 05/055	12A153 06/025	11A189 06/075	11A208 07/040	11A227 08/001	11A251 08/051
12A033 04/041	12A071 05/006	11A114 05/056	11A154 06/026	11A190 06/076	11A208 07/041	11A227 08/002	11A252 08/052
12A034 04/042	12A072 05/007	11A115 05/057	12A155 06/027	11A190 06/077	11A209 07/042	11A227 08/003	11A253 08/053
12A035 04/043	12A073 05/008	12A116 05/058	11A156 06/028	11A190 06/078	11A209 07/043	11A228 08/004	11A254 08/054
12A035 04/044	12A073 05/009	11A117 05/059	11A157 06/029	11A191 06/079	11A209 07/044	11A228 08/005	11A255 08/055
12A035 04/045	12A073 05/010	11A117 05/060	11A158 06/030	11A192 06/080	11A210 07/045	11A228 08/006	12B000 08/056
12A036 04/046	12A074 05/011	11A117 05/061	11A159 06/031	11A192 06/081	11A210 07/046	11A229 08/007	11B001 08/057
11A037 04/047	12A074 05/012	11A118 05/062	12A160 06/032	11A192 06/082	11A210 07/047	11A229 08/008	11B002 08/058
11A038 04/048	12A074 05/013	12A119 05/063	12A160 06/033	11A193 06/083	12A211 07/048	11A229 08/009	11B003 08/059
11A038 04/049	12A075 05/014	11A120 05/064	12A160 06/034	11A193 06/084	12A212 07/049	11A230 08/010	11B004 08/060
11A038 04/050	12A076 05/015	12A121 05/065	11A161 06/035	11A193 06/085	11A213 07/050	11A230 08/011	11B005 08/061

VIKING LANDER ARCHIVE TAPE CATALOG

PICNO VLE ID	PICNO VLE ID	PICNO VLE ID	PICNO VLE ID	PICNO VLE ID	PICNO VLE ID	PICNO VLE ID	PICNO VLE ID
118006 08/062	118036 09/026	128070 09/076	118099 10/041	128135 11/007	118169 11/057	128203 12/017	128253 12/067
118007 08/063	118037 09/027	128071 09/077	128100 10/042	128136 11/008	118170 11/058	128204 12/018	118254 12/068
118008 08/064	128038 09/028	128072 09/078	128101 10/043	118137 11/009	118170 11/059	128205 12/019	128255 12/069
118009 08/065	118039 09/029	118073 09/079	118102 10/044	128138 11/010	118170 11/060	128206 12/020	12C000 12/070
118010 08/066	118039 09/030	128074 09/080	128103 10/045	118139 11/011	128171 11/061	128207 12/021	11C001 12/071
118011 08/067	118039 09/031	128075 09/081	128104 10/046	118140 11/012	128172 11/062	128208 12/022	11C002 12/072
118012 08/068	118040 09/032	128075 09/082	128105 10/047	128141 11/013	128172 11/063	128209 12/023	12C003 12/073
118013 08/069	118040 09/033	118076 09/083	128105 10/048	128141 11/014	128172 11/064	118210 12/024	12C003 12/074
118014 08/070	118040 09/034	128077 09/084	128105 10/049	128141 11/015	118173 11/065	128211 12/025	12C003 12/075
118015 08/071	118041 09/035	118078 09/085	128106 10/050	118142 11/016	118174 11/066	128212 12/026	12C004 12/076
118015 08/072	118042 09/036	128079 10/001	128107 10/051	118143 11/017	128175 11/067	128213 12/027	12C005 12/077
118015 08/073	118042 09/037	128080 10/002	128107 10/052	118143 11/018	128175 11/068	118214 12/028	12C005 12/078
128016 08/074	118042 09/038	128080 10/003	128107 10/053	118143 11/019	128175 11/069	128215 12/029	12C005 12/079
128017 08/075	118043 09/039	128080 10/004	128108 10/054	118144 11/020	118176 11/070	118216 12/030	12C006 12/080
118018 08/076	118043 09/040	128081 10/005	128109 10/055	118145 11/021	128177 11/071	118217 12/031	12C006 12/081
118018 08/077	118043 09/041	128081 10/006	128110 10/056	118145 11/022	128177 11/072	128218 12/032	12C006 12/082
118018 08/078	118044 09/042	128081 10/007	128111 10/057	118145 11/023	128177 11/073	118219 12/033	12C007 13/001
118019 08/079	118045 09/043	128082 10/008	128112 10/058	128146 11/024	128178 11/074	118220 12/034	12C007 13/002
118020 08/080	118045 09/044	128082 10/009	128113 10/059	128147 11/025	118179 11/075	118221 12/035	12C007 13/003
128021 08/081	118045 09/045	128082 10/010	128114 10/060	128147 11/026	118180 11/076	118222 12/036	12C008 13/004
128021 08/082	118046 09/046	128083 10/011	128114 10/061	128147 11/027	118181 11/077	118223 12/037	12C009 13/005
128021 08/083	118046 09/047	128083 10/012	128114 10/062	118148 11/028	118182 11/078	118224 12/038	11C010 13/006
128022 08/084	118046 09/048	128083 10/013	128115 10/063	118149 11/029	118183 11/079	118225 12/039	12C011 13/007
128022 08/085	118047 09/049	128084 10/014	128115 10/064	128150 11/030	128184 11/080	118226 12/040	12C012 13/008
128022 08/086	118048 09/050	128085 10/015	128115 10/065	128150 11/031	128185 11/081	128227 12/041	12C012 13/009
128023 09/001	128049 09/051	128085 10/016	128116 10/066	128150 11/032	128186 11/082	128228 12/042	12C012 13/010
128024 09/002	118050 09/052	128085 10/017	128116 10/067	118151 11/033	118187 11/083	118229 12/043	12C013 13/011
128024 09/003	118051 09/053	128086 10/018	128116 10/068	128152 11/034	128188 11/084	118229 12/044	12C013 13/012
128024 09/004	118052 09/054	128086 10/019	118117 10/069	128152 11/035	118189 11/085	128231 12/045	12C013 13/013
128025 09/005	118053 09/055	128086 10/020	128118 10/070	128152 11/036	118190 11/086	128232 12/046	12C014 13/014
128025 09/006	128054 09/056	128087 10/021	118119 10/071	128153 11/037	128191 11/087	128233 12/047	12C015 13/015
128025 09/007	128055 09/057	118088 10/022	118120 10/072	118154 11/038	128191 11/088	128234 12/048	11C016 13/016
128026 09/008	128056 09/058	118088 10/023	128121 10/073	118155 11/039	128191 11/089	128235 12/049	11C017 13/017
128027 09/009	128057 09/059	118088 10/024	118122 10/074	118156 11/040	118192 11/090	128236 12/050	12C018 13/018
128027 09/010	118058 09/060	118089 10/025	118123 10/075	118157 11/041	118193 12/001	118237 12/051	12C019 13/019
128027 09/011	118059 09/061	118089 10/026	118124 10/076	118158 11/042	118193 12/002	118238 12/052	12C019 13/020
128028 09/012	128060 09/062	118089 10/027	128125 10/077	128159 11/043	118193 12/003	118239 12/053	12C019 13/021
128028 09/013	118061 09/063	118090 10/028	128125 10/078	128160 11/044	118194 12/004	128240 12/054	12C020 13/022
128028 09/014	128062 09/064	118091 10/029	128125 10/079	128161 11/045	118195 12/005	128241 12/055	12C020 13/023
128029 09/015	128063 09/065	118091 10/030	118126 10/080	118162 11/046	118195 12/006	128242 12/056	12C020 13/024
128030 09/016	118064 09/066	118091 10/031	128127 10/081	128163 11/047	118195 12/007	128243 12/057	12C021 13/025
128031 09/017	128065 09/067	118092 10/032	128127 10/082	118164 11/048	128196 12/008	128244 12/058	12C022 13/026
128032 09/018	128066 09/068	118092 10/033	128127 10/083	118165 11/049	128197 12/009	128245 12/059	12C023 13/027
128032 09/019	118067 09/069	118092 10/034	128128 10/084	128166 11/050	128198 12/010	128246 12/060	12C023 13/028
128032 09/020	118068 09/070	118093 10/035	118129 11/001	128166 11/051	128198 12/011	118247 12/061	12C023 13/029
128033 09/021	128069 09/071	118094 10/036	118130 11/002	128166 11/052	128198 12/012	118248 12/062	12C024 13/030
128033 09/022	128069 09/072	118095 10/037	118131 11/003	118167 11/053	118199 12/013	128249 12/063	12C024 13/031
128033 09/023	128069 09/073	128096 10/038	118132 11/004	118168 11/054	128200 12/014	118250 12/064	12C024 13/032
128034 09/024	128070 09/074	118097 10/039	118133 11/005	118168 11/055	128201 12/015	128251 12/065	11C025 13/033
128035 09/025	128070 09/075	118098 10/040	128134 11/006	118168 11/056	118202 12/016	128252 12/066	11C026 13/034

VIKING LANDER ARCHIVE TAPE CATALOG

PICNO VLE ID	PICNO VLE ID	PICNO VLE ID	PICNO VLE ID	PICNO VLE ID	PICNO VLE ID	PICNO VLE ID	PICNO VLE ID
11C027 13/035	11C057 13/085	12C079 14/045	12C103 15/008	12C143 15/058	12C175 16/022	11C215 16/072	12C243 17/037
11C027 13/036	11C057 13/086	12C080 14/046	11C104 15/009	12C144 15/059	12C176 16/023	11C216 16/073	11C244 17/038
11C027 13/037	11C057 13/087	11C081 14/047	11C105 15/010	12C144 15/060	11C177 16/024	11C217 16/074	11C245 17/039
11C028 13/038	11C058 13/088	11C082 14/048	11C106 15/011	12C144 15/061	12C178 16/025	11C218 16/075	11C246 17/040
11C028 13/039	11C058 13/089	12C083 14/049	12C107 15/012	12C145 15/062	12C179 16/026	11C219 16/076	11C247 17/041
11C028 13/040	11C058 13/090	12C083 14/050	12C108 15/013	12C146 15/063	11C180 16/027	11C220 16/077	11C248 17/042
12C029 13/041	11C059 14/001	12C083 14/051	12C109 15/014	11C147 15/064	11C181 16/028	11C221 16/078	11C249 17/043
12C029 13/042	11C059 14/002	11C084 14/052	12C110 15/015	12C148 15/065	11C182 16/029	11C222 16/079	11C250 17/044
12C029 13/043	11C059 14/003	11C084 14/053	12C111 15/016	11C149 15/066	11C182 16/030	11C223 16/080	11C251 17/045
12C030 13/044	11C060 14/004	11C084 14/054	12C112 15/017	11C150 15/067	11C182 16/031	11C224 16/081	11C252 17/046
11C031 13/045	11C060 14/005	11C085 14/055	12C113 15/018	12C151 15/068	12C183 16/032	12C225 16/082	11C253 17/047
11C032 13/046	11C060 14/006	12C086 14/056	12C114 15/019	12C152 15/069	12C184 16/033	12C226 16/083	11C254 17/048
11C033 13/047	11C061 14/007	12C087 14/057	12C115 15/020	12C153 15/070	11C185 16/034	11C227 16/084	11C255 17/049
11C034 13/048	11C061 14/008	11C088 14/058	11C116 15/021	12C153 15/071	11C186 16/035	11C228 16/085	11C000 17/050
11C035 13/049	11C061 14/009	11C088 14/059	11C117 15/022	12C153 15/072	12C187 16/036	12C229 17/001	12C001 17/051
12C036 13/050	11C062 14/010	11C088 14/060	12C118 15/023	12C154 15/073	11C188 16/037	12C229 17/002	12C002 17/052
11C037 13/051	11C062 14/011	11C089 14/061	12C118 15/024	12C155 15/074	11C189 16/038	12C230 17/003	11C003 17/053
11C038 13/052	11C062 14/012	11C089 14/062	12C118 15/025	11C156 15/075	11C190 16/039	12C230 17/004	11C003 17/054
11C039 13/053	11C063 14/013	11C089 14/063	12C119 15/026	11C157 15/076	12C191 16/040	12C230 17/005	11C003 17/055
12C040 13/054	11C063 14/014	11C090 14/064	12C119 15/027	12C158 15/077	12C192 16/041	12C230 17/006	11C004 17/056
12C041 13/055	11C063 14/015	11C090 14/065	12C119 15/028	12C159 15/078	11C193 16/042	11C231 17/007	11C005 17/057
12C042 13/056	11C064 14/016	11C090 14/066	12C120 15/029	11C160 15/079	11C194 16/043	11C232 17/008	11C006 17/058
12C043 13/057	11C064 14/017	11C091 14/067	12C121 15/030	11C161 15/080	12C195 16/044	11C232 17/009	11C007 17/059
12C044 13/058	11C064 14/018	11C092 14/068	12C122 15/031	11C162 15/081	12C196 16/045	11C232 17/010	11C008 17/060
11C045 13/059	12C065 14/019	12C093 14/069	11C123 15/032	12C163 15/082	11C197 16/046	12C233 17/011	11C009 17/061
11C045 13/060	12C065 14/020	12C093 14/070	12C124 15/033	12C163 15/083	11C198 16/047	12C233 17/012	11C010 17/062
11C045 13/061	12C065 14/021	12C093 14/071	11C125 15/034	12C163 15/084	12C199 16/048	12C233 17/013	11C011 17/063
11C046 13/062	12C066 14/022	12C094 14/072	11C125 15/035	12C164 15/085	12C199 16/049	11C234 17/014	11C012 17/064
11C046 13/063	12C066 14/023	12C094 14/073	11C125 15/036	12C165 15/086	12C199 16/050	11C234 17/015	11C012 17/065
11C046 13/064	12C066 14/024	12C094 14/074	11C126 15/037	12C166 16/001	12C200 16/051	11C234 17/016	11C012 17/066
11C047 13/065	11C067 14/025	12C095 14/075	11C126 15/038	12C167 16/002	12C200 16/052	12C235 17/017	11C013 17/067
11C048 13/066	11C068 14/026	12C095 14/076	11C126 15/039	12C168 16/003	12C200 16/053	12C235 17/018	11C013 17/068
11C048 13/067	11C069 14/027	12C095 14/077	11C127 15/040	12C169 16/004	12C201 16/054	12C235 17/019	11C013 17/069
11C048 13/068	11C069 14/028	12C096 14/078	12C128 15/041	12C169 16/005	12C202 16/055	11C236 17/020	11C014 17/070
11C049 13/069	11C069 14/029	12C096 14/079	12C129 15/042	12C169 16/006	12C203 16/056	11C236 17/021	11C014 17/071
11C049 13/070	11C070 14/030	12C096 14/080	11C130 15/043	12C170 16/007	11C204 16/057	12C237 17/023	11C014 17/072
11C049 13/071	11C070 14/031	11C097 14/081	11C131 15/044	12C170 16/008	11C205 16/058	12C237 17/024	11C015 17/073
12C050 13/072	11C070 14/032	11C097 14/082	11C132 15/045	12C170 16/009	12C206 16/059	12C237 17/025	11C015 17/074
12C051 13/073	11C071 14/033	11C097 14/083	11C133 15/046	12C171 16/010	12C207 16/060	11C238 17/026	11C015 17/075
12C052 13/074	11C071 14/034	11C098 14/084	11C134 15/047	12C171 16/011	11C208 16/061	11C238 17/027	11C016 17/076
12C052 13/075	11C071 14/035	11C098 14/085	11C135 15/048	12C171 16/012	11C209 16/062	11C238 17/028	11C017 17/077
12C052 13/076	11C072 14/036	11C098 14/086	11C136 15/049	12C172 16/013	11C209 16/063	11C239 17/022	11C018 17/078
12C053 13/077	11C072 14/037	12C099 14/087	11C137 15/050	12C172 16/014	11C209 16/064	12C239 17/029	12C019 17/079
12C053 13/078	11C072 14/038	11C100 15/001	11C138 15/051	12C172 16/015	11C210 16/065	12C239 17/030	12C020 17/080
12C053 13/079	12C073 14/039	11C100 15/002	12C139 15/052	12C173 16/016	11C211 16/066	12C239 17/031	11C021 17/081
12C054 13/080	12C074 14/040	11C100 15/003	12C140 15/053	12C173 16/017	11C212 16/067	11C240 17/032	11C022 17/082
12C054 13/081	11C075 14/041	11C101 15/004	12C141 15/054	12C173 16/018	12C213 16/068	11C240 17/033	11C023 17/083
12C054 13/082	11C076 14/042	11C101 15/005	11C142 15/055	12C174 16/019	12C213 16/069	11C240 17/034	11C023 17/084
11C055 13/083	11C077 14/043	11C101 15/006	12C142 15/056	12C174 16/020	12C213 16/070	11C241 17/035	11C023 17/085
11C056 13/084	11C078 14/044	12C102 15/007	12C143 15/057	12C174 16/021	11C214 16/071	12C242 17/036	11C024 18/001

VIKING LANDER ARCHIVE TAPE CATALOG

PICNO VLE ID	PICNO VLE ID	PICNO VLE ID	PICNO VLE ID	PICNO VLE ID	PICNO VLE ID	PICNO VLE ID	PICNO VLE ID
110024 18/002	110065 18/052	120103 19/018	110143 19/068	110193 20/033	110223 20/083	110249 21/047	12E026 22/007
110024 18/003	110066 18/053	120104 19/019	120144 19/069	120194 20/034	120224 20/084	110250 21/048	12E026 22/008
120025 18/004	120067 18/054	120105 19/020	110145 19/070	120194 20/035	120225 20/085	120251 21/049	12E027 22/009
120026 18/005	120068 18/055	120106 19/021	110146 19/071	120194 20/036	110226 20/086	110252 21/050	12E027 22/010
120027 18/006	120068 18/056	120107 19/022	120147 19/072	120195 20/037	110227 21/001	110252 21/051	12E027 22/011
110028 18/007	120068 18/057	120108 19/023	120148 19/073	120195 20/038	110227 21/002	110252 21/052	11E028 22/012
120029 18/008	120069 18/058	110109 19/024	120149 19/074	120195 20/039	110227 21/003	110253 21/053	11E029 22/013
120030 18/009	120069 18/059	110110 19/025	120150 19/075	120196 20/040	110228 21/004	110254 21/054	12E030 22/014
110031 18/010	120069 18/060	120111 19/026	120151 19/076	110197 20/041	110228 21/005	110254 21/055	12E030 22/015
120032 18/011	120070 18/061	120112 19/027	120152 19/077	110197 20/042	110228 21/006	110254 21/056	12E030 22/016
110033 18/012	120070 18/062	120113 19/028	110153 19/078	110197 20/043	110229 21/007	110255 21/057	12E031 22/017
110034 18/013	120070 18/063	120114 19/029	120154 19/079	110198 20/044	110230 21/008	110255 21/058	12E031 22/018
110035 18/014	120071 18/064	120115 19/030	110155 19/080	110199 20/045	110230 21/009	110255 21/059	12E031 22/019
120036 18/015	120071 18/065	120116 19/031	110156 19/081	110199 20/046	110230 21/010	11E000 21/060	12E032 22/020
110037 18/016	120071 18/066	120117 19/032	110157 19/082	110199 20/047	110231 21/011	11E001 21/061	12E032 22/021
120038 18/017	120072 18/067	120118 19/033	110158 19/083	110200 20/048	110232 21/012	11E002 21/062	12E032 22/022
120038 18/018	120072 18/068	120119 19/034	110159 19/084	110201 20/049	110232 21/013	12E003 21/063	12E033 22/023
120038 18/019	120072 18/069	120120 19/035	110160 19/085	110202 20/050	110232 21/014	11E004 21/064	12E033 22/024
120039 18/020	120073 18/070	110121 19/036	110161 20/001	110203 20/051	110233 21/015	11E005 21/065	12E033 22/025
110040 18/021	120073 18/071	110122 19/037	110162 20/002	120204 20/052	110233 21/016	11E006 21/066	12E034 22/026
110040 18/022	120073 18/072	110123 19/038	120163 20/003	120205 20/053	110233 21/017	12E007 21/067	12E034 22/027
110040 18/023	120074 18/073	120124 19/039	110164 20/004	120206 20/054	110234 21/018	12E008 21/068	12E034 22/028
120041 18/024	110075 18/074	120125 19/040	110165 20/005	120206 20/055	110235 21/019	12E009 21/069	12E035 22/029
120042 18/025	110076 18/075	120125 19/041	110166 20/006	120206 20/056	110236 21/020	12E010 21/070	12E035 22/030
120043 18/026	110077 18/076	120125 19/042	110167 20/007	120207 20/057	110237 21/021	12E011 21/071	12E035 22/031
120044 18/027	110078 18/077	110126 19/043	120168 20/008	120207 20/058	110237 21/022	12E012 21/072	12E036 22/032
110045 18/028	120079 18/078	120127 19/044	120169 20/009	120207 20/059	110237 21/023	11E013 21/073	12E036 22/033
110046 18/029	120080 18/079	120127 19/045	110170 20/010	110208 20/060	110238 21/024	12E014 21/074	12E036 22/034
110047 18/030	110081 18/080	120127 19/046	120171 20/011	110209 20/061	110239 21/025	12E015 21/075	11E037 22/035
110048 18/031	110082 18/081	110128 19/047	110172 20/012	110209 20/062	110240 21/026	12E016 21/076	11E038 22/036
110049 18/032	110083 18/082	110128 19/048	120173 20/013	110209 20/063	110240 21/027	11E017 21/077	11E039 22/037
110050 18/033	110084 18/083	110128 19/049	110174 20/014	120210 20/064	110240 21/028	12E018 21/078	12E043 22/041
110051 18/034	110085 18/084	110129 19/050	120175 20/015	120210 20/065	110241 21/029	12E018 21/079	12E044 22/042
110052 18/035	110086 19/001	110130 19/051	120176 20/016	120210 20/066	110241 21/030	12E018 21/080	12E045 22/043
110053 18/036	120087 19/002	120131 19/052	110177 20/017	120211 20/067	110241 21/031	11E019 21/081	12E046 22/044
110054 18/037	120088 19/003	120132 19/053	110178 20/018	120211 20/068	110242 21/032	11E019 21/082	12E047 22/045
110055 18/038	120089 19/004	110133 19/054	110179 20/019	120211 20/069	110243 21/033	11E019 21/083	12E048 22/046
120056 18/039	120090 19/005	110134 19/055	110180 20/020	120212 20/070	110244 21/034	11E020 21/084	12E049 22/047
120057 18/040	120091 19/006	110135 19/056	120181 20/021	110213 20/071	110244 21/035	11E020 21/085	12E050 22/048
110058 18/041	120092 19/007	120136 19/057	120182 20/022	110214 20/072	110244 21/036	11E020 21/086	12E051 22/049
110059 18/042	120093 19/008	120136 19/058	110183 20/023	120215 20/073	110245 21/037	11E021 21/087	12E052 22/050
120060 18/043	110094 19/009	120136 19/059	110184 20/024	120216 20/074	110245 21/038	11E021 21/088	11E053 22/051
110061 18/044	110095 19/010	120137 19/060	110185 20/025	120217 20/075	110245 21/039	11E021 21/089	11E054 22/052
110062 18/045	120096 19/011	120138 19/061	120186 20/026	120218 20/076	110246 21/040	11E022 21/090	11E055 22/053
110062 18/046	110097 19/012	120139 19/062	120187 20/027	120218 20/077	120247 21/041	12E023 22/001	11E056 22/054
110062 18/047	110098 19/013	120140 19/063	120188 20/028	120218 20/078	110248 21/042	12E024 22/002	11E057 22/055
110063 18/048	110099 19/014	110141 19/064	120189 20/029	110219 20/079	110248 21/043	12E025 22/003	12E058 22/056
110063 18/049	120100 19/015	110141 19/065	110190 20/030	110220 20/080	110248 21/044	12E025 22/004	12E059 22/057
110063 18/050	120101 19/016	110141 19/066	110191 20/031	110221 20/081	110249 21/045	12E025 22/005	12E060 22/058
120064 18/051	120102 19/017	120142 19/067	110192 20/032	110222 20/082	110249 21/046	12E026 22/006	11E061 22/059



VIKING LANDER ARCHIVE TAPE CATALOG

PICNO VLE ID	PICNO VLE ID	PICNO VLE ID	PICNO VLE ID	PICNO VLE ID	PICNO VLE ID	PICNO VLE ID	PICNO VLE ID
12E062 22/060	12E072 23/022	12E128 23/072	12E156 24/039	11E186 24/089	11E219 25/049	11E243 26/010	11F005 26/060
11E063 22/061	12E073 23/023	12E129 23/073	11E157 24/040	12E187 24/090	11E219 25/050	11E243 26/011	11F006 26/061
12E064 22/062	12E074 23/024	12E129 23/074	11E157 24/041	12E188 25/001	12E220 25/051	11E243 26/012	11F006 26/062
12E064 22/063	12E075 23/025	12E129 23/075	11E157 24/042	12E188 25/002	12E221 25/052	11E244 26/013	11F006 26/063
12E064 22/064	12E076 23/026	12E130 23/076	11E158 24/043	12E188 25/003	12E222 25/053	11E244 26/014	11F007 26/064
11E065 22/065	12E077 23/027	12E130 23/077	11E159 24/044	12E189 25/004	12E222 25/054	11E244 26/015	11F007 26/065
11E066 22/066	11E078 23/028	12E130 23/078	11E160 24/045	12E189 25/005	12E222 25/055	11E245 26/016	11F007 26/066
11E067 22/067	12E079 23/029	11E131 23/079	12E161 24/046	12E189 25/006	12E223 25/056	11E245 26/017	11F008 26/067
11E067 22/068	12E100 23/030	11E132 23/080	12E162 24/047	12E190 25/007	12E223 25/057	11E245 26/018	11F008 26/068
11E067 22/069	11E101 23/031	12E133 23/081	12E163 24/048	12E190 25/008	12E223 25/058	11E246 26/019	11F008 26/069
11E068 22/070	12E102 23/032	11E134 23/082	12E163 24/049	12E190 25/009	11E224 25/059	11E246 26/020	12F009 26/070
11E068 22/071	12E103 23/033	11E135 23/083	12E163 24/050	11E191 25/010	11E225 25/060	11E246 26/021	12F009 26/071
11E068 22/072	12E104 23/034	11E136 24/001	12E164 24/051	11E192 25/011	11E226 25/061	11E247 26/022	12F009 26/072
11E069 22/073	12E105 23/035	11E136 24/002	12E164 24/052	11E193 25/012	12E227 25/062	11E247 26/023	12F010 26/073
11E069 22/074	12E106 23/036	11E136 24/003	12E164 24/053	12E194 25/013	11E228 25/063	11E247 26/024	12F010 26/074
11E069 22/075	12E107 23/037	11E137 24/004	12E165 24/054	11E195 25/014	11E229 25/064	11E248 26/025	12F010 26/075
11E070 22/076	12E108 23/038	11E137 24/005	12E165 24/055	11E196 25/015	12E230 25/065	11E249 26/026	11F011 26/076
11E070 22/077	12E109 23/039	11E137 24/006	12E165 24/056	11E197 25/016	12E230 25/066	11E250 26/027	11F012 26/077
11E070 22/078	11E110 23/040	11E138 24/007	11E166 24/057	11E198 25/017	12E230 25/067	11E250 26/028	11F013 26/078
11E071 22/079	12E111 23/041	11E139 24/008	11E167 24/058	11E199 25/018	12E231 25/068	11E250 26/029	11F014 26/079
11E072 22/080	11E112 23/042	12E140 24/009	12E168 24/059	11E200 25/019	12E231 25/069	11E251 26/030	11F015 26/080
11E072 22/081	11E113 23/043	12E140 24/010	11E169 24/060	11E201 25/020	12E231 25/070	11E251 26/031	11F016 26/081
11E072 22/082	11E114 23/044	12E140 24/011	11E170 24/061	11E202 25/021	12E232 25/071	11E251 26/032	11F017 26/082
11E073 22/083	11E115 23/045	12E141 24/012	11E171 24/062	11E203 25/022	12E232 25/072	11E252 26/033	11F018 26/083
11E073 22/084	11E116 23/046	12E141 24/013	11E171 24/063	11E204 25/023	12E232 25/073	11E252 26/034	12F019 26/084
11E073 22/085	12E117 23/047	12E141 24/014	11E171 24/064	12E205 25/024	11E233 25/074	11E252 26/035	12F020 26/085
11E074 22/086	11E118 23/048	12E142 24/015	11E172 24/065	12E206 25/025	11E234 25/075	11E253 26/036	11F021 26/086
11E074 22/087	11E119 23/049	12E142 24/016	11E172 24/066	11E207 25/026	12E235 25/076	11E253 26/037	12F022 26/087
11E074 22/088	11E120 23/050	12E142 24/017	11E172 24/067	12E208 25/027	12E236 25/077	11E253 26/038	11F023 26/088
11E075 23/001	11E120 23/051	12E143 24/018	11E173 24/068	11E209 25/028	12E237 25/078	11E254 26/039	11F024 27/001
11E075 23/002	11E120 23/052	12E143 24/019	11E174 24/069	11E210 25/029	12E237 25/079	11E254 26/040	12F025 27/002
11E075 23/003	11E121 23/053	12E143 24/020	11E175 24/070	11E211 25/030	12E237 25/080	11E254 26/041	12F025 27/003
12E076 23/004	11E121 23/054	12E144 24/021	11E175 24/071	11E212 25/031	12E238 25/081	11E255 26/042	12F025 27/004
12E076 23/005	11E121 23/055	12E145 24/022	11E175 24/072	11E212 25/032	12E238 25/082	11E255 26/043	12F026 27/005
12E076 23/006	11E122 23/056	12E146 24/023	11E176 24/073	11E212 25/033	12E238 25/083	11E255 26/044	12F026 27/006
11E077 23/007	11E123 23/057	12E147 24/024	11E176 24/074	11E213 25/034	12E239 25/084	11F000 26/045	12F026 27/007
11E078 23/008	11E123 23/058	12E148 24/025	11E176 24/075	11E213 25/035	12E239 25/085	11F000 26/046	12F027 27/008
11E079 23/009	11E123 23/059	11E149 24/026	11E177 24/076	11E213 25/036	12E239 25/086	11F000 26/047	12F027 27/009
12E080 23/010	11E124 23/060	11E150 24/027	11E177 24/077	11E214 25/037	12E240 22/038	11F001 26/048	12F027 27/010
11E081 23/011	11E124 23/061	11E151 24/028	11E177 24/078	11E215 25/038	11E240 26/001	11F001 26/049	12F028 27/011
11E082 23/012	11E124 23/062	11E152 24/029	11E178 24/079	11E216 25/039	11E240 26/002	11F001 26/050	12F028 27/012
12E083 23/013	12E125 23/063	11E153 24/030	11E178 24/080	11E216 25/040	11E240 26/003	11F002 26/051	12F028 27/013
11E084 23/014	12E126 23/064	12E154 24/031	11E178 24/081	11E216 25/041	11E241 22/039	11F002 26/052	11F029 27/014
11E085 23/015	12E126 23/065	12E154 24/032	12E179 24/082	11E217 25/042	11E241 26/004	11F002 26/053	11F030 27/015
11E086 23/016	12E126 23/066	12E154 24/033	12E180 24/083	11E217 25/043	11E241 26/005	11F003 26/054	11F031 27/016
11E087 23/017	12E127 23/067	12E155 24/034	12E181 24/084	11E217 25/044	11E241 26/006	11F003 26/055	11F031 27/017
11E088 23/018	12E127 23/068	12E155 24/035	11E182 24/085	11E218 25/045	12E242 22/040	11F003 26/056	11F031 27/018
11E089 23/019	12E127 23/069	12E155 24/036	12E183 24/086	11E218 25/046	11E242 26/007	12F004 26/057	11F032 27/019
11E090 23/020	12E128 23/070	12E156 24/037	12E184 24/087	11E218 25/047	11E242 26/008	11F005 26/058	11F032 27/020
11E091 23/021	12E128 23/071	12E156 24/038	11E185 24/088	11E219 25/048	11E242 26/009	11F005 26/059	11F032 27/021

VIKING LANDER ARCHIVE TAPE CATALOG

PICNO WLE ID	PICNO WLE ID	PICNO WLE ID	PICNO WLE ID	PICNO WLE ID	PICNO WLE ID	PICNO WLE ID	PICNO WLE ID
12F033 27/022	12F069 27/072	12F101 28/039	11F139 28/089	12F169 29/050	12F202 30/013	11F240 30/063	11G017 31/023
12F034 27/023	12F069 27/073	12F102 28/040	11F140 29/001	12F169 29/051	12F202 30/014	12F241 30/064	11G017 31/024
12F035 27/024	12F069 27/074	12F103 28/041	11F141 29/002	12F169 29/052	12F202 30/015	12F242 30/065	11G018 31/025
12F036 27/025	12F070 27/075	11F104 28/042	12F142 29/003	12F170 29/053	12F203 30/016	11F243 30/066	11G018 31/026
12F037 27/026	12F070 27/076	12F105 28/043	12F143 29/004	12F170 29/054	12F203 30/017	12F244 30/067	11G018 31/027
12F038 27/027	12F070 27/077	12F106 28/044	12F144 29/005	12F170 29/055	12F203 30/018	11F245 30/068	11G019 31/028
12F039 27/028	12F071 27/078	12F107 28/045	11F145 29/006	11F171 29/056	11F204 30/019	11F246 30/069	11G019 31/029
12F040 27/029	12F071 27/079	12F107 28/046	11F146 29/007	11F172 29/057	11F205 30/020	11F246 30/070	11G019 31/030
11F041 27/030	12F071 27/080	12F107 28/047	11F147 29/008	11F173 29/058	12F206 30/021	11F246 30/071	11G020 31/031
11F042 27/031	12F072 27/081	11F108 28/048	11F148 29/009	11F174 29/059	12F207 30/022	11F247 30/072	11G020 31/032
11F042 27/032	12F072 27/082	11F109 28/049	12F149 29/010	11F174 29/060	11F208 30/023	11F247 30/073	11G020 31/033
11F042 27/033	12F072 27/083	11F110 28/050	12F150 29/011	11F174 29/061	12F209 30/024	11F247 30/074	11G021 31/034
11F043 27/034	12F073 28/001	12F111 28/051	12F151 29/012	12F175 29/062	12F210 30/025	12F248 30/075	11G021 31/035
11F043 27/035	12F073 28/002	11F112 28/052	11F152 29/013	12F175 29/063	12F211 30/026	12F249 30/076	11G021 31/036
11F043 27/036	12F073 28/003	11F113 28/053	12F153 29/014	12F175 29/064	12F212 30/027	11F250 30/077	11G022 31/037
11F044 27/037	11F074 28/004	11F114 28/054	11F154 29/015	12F176 29/065	12F213 30/028	11F251 30/078	11G023 31/038
11F044 27/038	11F075 28/005	11F115 28/055	12F155 29/016	12F176 29/066	12F214 30/029	11F252 30/079	11G023 31/039
11F044 27/039	11F076 28/006	11F116 28/056	11F156 29/017	12F176 29/067	12F215 30/030	11F253 30/080	11G023 31/040
11F045 27/040	11F077 28/007	12F117 28/057	12F157 29/018	12F177 29/068	12F216 30/031	11F254 30/081	11G024 31/041
11F046 27/041	12F078 28/008	11F118 28/058	12F157 29/019	12F177 29/069	12F217 30/032	12F255 30/082	11G024 31/042
12F047 27/042	11F079 28/009	11F119 28/059	12F157 29/020	12F177 29/070	12F218 30/033	12G000 30/083	11G024 31/043
12F047 27/043	11F080 28/010	11F119 28/060	12F158 29/021	11F178 29/071	12F219 30/034	11G001 30/084	11G025 31/044
12F047 27/044	11F081 28/011	11F119 28/061	12F158 29/022	12F179 29/072	11F220 30/035	11G001 30/085	11G026 31/045
11F048 27/045	11F082 28/012	12F120 28/062	12F158 29/023	12F179 29/073	12F221 30/036	11G001 30/086	11G026 31/046
11F049 27/046	11F083 28/013	11F121 28/063	12F159 29/024	12F179 29/074	12F222 30/037	11G002 30/087	11G026 31/047
11F050 27/047	11F084 28/014	12F122 28/064	11F160 29/025	12F180 29/075	12F223 30/038	11G002 30/088	11G027 31/048
11F051 27/048	11F085 28/015	11F123 28/065	11F161 29/026	11F182 29/077	12F224 30/039	11G002 30/089	11G027 31/049
11F052 27/049	11F086 28/016	12F124 28/066	11F161 29/027	12F183 29/078	11F225 30/040	12G003 30/090	11G027 31/050
11F053 27/050	11F087 28/017	12F125 28/067	11F161 29/028	12F184 29/079	11F226 30/041	11G004 31/001	11G028 31/051
12F054 27/051	11F088 28/018	12F125 28/068	11F162 29/029	11F185 29/080	12F227 30/042	12G005 31/002	11G028 31/052
12F055 27/052	12F089 28/019	12F125 28/069	11F162 29/030	12F186 29/081	12F228 30/043	11G006 31/003	11G028 31/053
12F056 27/053	12F089 28/020	11F126 28/070	11F162 29/031	12F187 29/082	12F229 30/044	11G007 31/004	11G029 31/054
12F057 27/054	12F089 28/021	12F127 28/071	11F163 29/032	12F188 29/083	11F230 30/045	11G007 31/005	11G029 31/055
11F058 27/055	12F090 28/022	11F128 28/072	11F163 29/033	12F189 29/084	12F231 30/046	11G007 31/006	11G029 31/056
11F059 27/056	12F090 28/023	12F129 28/073	11F163 29/034	12F190 29/085	12F232 30/047	11G008 31/007	11G030 31/057
11F060 27/057	12F090 28/024	11F130 28/074	11F164 29/035	12F191 29/086	12F233 30/048	11G008 31/008	11G030 31/058
12F061 27/058	12F091 28/025	11F131 28/075	11F164 29/036	11F192 29/087	12F234 30/049	11G008 31/009	11G030 31/059
12F061 27/059	12F091 28/026	11F131 28/076	11F164 29/037	11F193 29/088	12F235 30/050	11G009 31/010	11G031 31/060
12F061 27/060	12F091 28/027	11F131 28/077	12F165 29/038	12F194 30/001	12F236 30/051	11G009 31/011	11G031 31/061
12F062 27/061	12F092 28/028	11F132 28/078	12F165 29/039	12F195 30/002	11F237 30/052	11G009 31/012	11G031 31/062
12F062 27/062	12F092 28/029	12F133 28/079	12F165 29/040	12F196 30/003	11F237 30/053	11G010 31/013	11G032 31/063
12F062 27/063	12F092 28/030	12F134 28/080	12F166 29/041	11F197 30/004	11F237 30/054	11G010 31/014	11G032 31/064
12F063 27/064	11F093 28/031	12F134 28/081	12F166 29/042	11F198 30/005	11F238 30/055	11G010 31/015	11G032 31/065
12F063 27/065	11F094 28/032	12F134 28/082	12F166 29/043	12F199 30/006	11F238 30/056	11G011 31/016	11G033 31/066
12F063 27/066	11F095 28/033	12F135 28/083	12F167 29/044	12F199 30/007	11F238 30/057	11G012 31/017	11G033 31/067
11F064 27/067	12F096 28/034	12F136 28/084	12F167 29/045	12F199 30/008	11F239 30/058	11G013 31/018	11G033 31/068
11F065 27/068	11F097 28/035	12F136 28/085	12F167 29/046	12F200 30/009	11F239 30/059	11G014 31/019	11G034 31/069
12F066 27/069	12F098 28/036	12F136 28/086	12F168 29/047	12F200 30/010	11F239 30/060	11G015 31/020	11G034 31/070
12F067 27/070	12F099 28/037	11F137 28/087	12F168 29/048	12F200 30/011	11F240 30/061	11G016 31/021	11G034 31/071
12F068 27/071	11F100 28/038	11F138 28/088	12F168 29/049	11F201 30/012	11F240 30/062	11G017 31/022	11G035 31/072

VIKING LANDER ARCHIVE TAPE CATALOG

PICNO VLE ID	PICNO VLE ID	PICNO VLE ID	PICNO VLE ID	PICNO VLE ID	PICNO VLE ID	PICNO VLE ID	PICNO VLE ID
11G035 31/073	11G076 32/034	11G116 32/084	11G148 33/019	11G184 33/069	12G214 34/001	12G248 34/051	11H023 34/101
11G035 31/074	11G076 32/035	11G117 32/085	11G148 33/020	11G185 33/070	11G215 34/002	12G249 34/052	11H023 34/102
11G036 31/075	11G076 32/036	11G118 32/086	11G148 33/021	11G185 33/071	11G216 34/003	12G250 34/053	11H024 34/103
11G037 31/076	11G077 32/037	11G119 32/087	12G149 33/022	11G185 33/072	11G217 34/004	12G251 34/054	11H024 34/104
11G037 31/077	11G078 32/038	12G120 32/088	12G150 33/023	11G186 33/073	11G218 34/005	12G251 34/055	11H024 34/105
11G037 31/078	12G079 32/039	12G121 32/089	12G151 33/024	11G186 33/074	11G219 34/006	12G251 34/056	11H025 34/106
11G038 31/079	11G080 32/040	11G122 32/090	12G152 33/025	11G186 33/075	11G220 34/007	11G252 34/057	11H026 34/107
11G038 31/080	12G081 32/041	11G123 32/091	11G153 33/026	11G187 33/076	11G221 34/008	12G253 34/058	11H027 34/108
11G038 31/081	12G081 32/042	11G124 32/092	11G153 33/027	11G187 33/077	12G222 34/009	12G254 34/059	11H028 34/109
11G039 31/082	12G081 32/043	11G125 32/093	11G153 33/028	11G187 33/078	11G223 34/010	12G254 34/060	11H029 34/110
11G040 31/083	11G082 32/044	11G126 32/094	11G154 33/029	11G188 33/079	11G224 34/011	12G254 34/061	12H030 34/111
12G041 31/084	11G083 32/045	12G127 32/095	11G154 33/030	11G189 33/080	12G225 34/012	12G255 34/062	11H031 34/112
12G042 31/085	11G084 32/046	11G128 32/096	11G154 33/031	11G190 33/081	11G226 34/013	12G255 34/063	11H032 34/113
11G043 31/086	11G085 32/047	11G129 32/097	11G155 33/032	11G191 33/082	11G227 34/014	12G255 34/064	11H033 34/114
11G044 31/087	11G086 32/048	11G130 32/098	11G155 33/033	11G191 33/083	11G227 34/015	11H000 34/065	11H034 34/115
11G045 31/088	11G087 32/049	11G130 32/099	11G155 33/034	11G191 33/084	11G227 34/016	11H000 34/066	11H035 34/116
12G046 31/089	11G088 32/050	11G130 32/100	11G156 33/035	11G192 33/085	11G228 34/017	11H000 34/067	11H036 35/001
11G047 32/001	11G089 32/051	11G131 32/101	11G156 33/036	11G192 33/086	11G228 34/018	11H001 34/068	11H037 35/002
11G048 32/002	11G090 32/052	11G131 32/102	11G156 33/037	11G192 33/087	11G228 34/019	11H001 34/069	11H038 35/003
11G049 32/003	12G091 32/053	11G131 32/103	11G157 33/038	11G193 33/088	12G229 34/020	11H001 34/070	11H039 35/004
11G050 32/004	12G092 32/054	11G132 32/104	12G158 33/039	11G193 33/089	12G229 34/021	12H002 34/071	12H040 35/005
11G051 32/005	11G093 32/055	11G133 32/105	12G158 33/040	11G193 33/090	12G229 34/022	12H003 34/072	12H041 35/006
11G052 32/006	11G094 32/056	11G134 32/106	12G158 33/041	12G194 33/091	12G230 34/023	12H004 34/073	11H042 35/007
11G053 32/007	11G095 32/057	11G135 32/107	12G159 33/042	11G195 33/092	12G230 34/024	11H005 34/074	11H043 35/008
11G054 32/008	11G096 32/058	12G136 32/108	12G159 33/043	12G196 33/093	12G230 34/025	11H005 34/075	11H044 35/009
11G055 32/009	11G097 32/059	11G137 32/109	12G159 33/044	12G197 33/094	12G231 34/026	11H005 34/076	11H045 35/010
11G056 32/010	11G098 32/060	11G137 32/110	11G160 33/045	12G197 33/095	12G231 34/027	12H006 34/077	11H046 35/011
11G057 32/011	11G099 32/061	11G137 32/111	11G161 33/046	12G197 33/096	12G231 34/028	11H007 34/078	11H047 35/012
11G058 32/012	12G100 32/062	11G138 32/112	11G162 33/047	12G198 33/097	12G232 34/029	11H008 34/079	11H048 35/013
11G059 32/013	11G101 32/063	11G138 32/113	11G163 33/048	12G198 33/098	12G232 34/030	11H009 34/080	11H049 35/014
11G060 32/014	11G102 32/064	11G138 32/114	11G164 33/049	12G198 33/099	12G232 34/031	11H010 34/081	11H050 35/015
11G061 32/015	11G103 32/065	11G139 32/115	11G165 33/050	12G199 33/100	12G233 34/032	11H011 34/082	11H050 35/016
11G062 32/016	11G104 32/066	11G140 33/001	11G166 33/051	12G199 33/101	12G233 34/033	11H012 34/083	11H050 35/017
11G063 32/017	11G105 32/067	11G140 33/002	11G167 33/052	12G199 33/102	12G233 34/034	12H013 34/084	12H051 35/018
11G064 32/018	11G106 32/068	11G140 33/003	11G168 33/053	12G200 33/103	12G234 34/035	11H014 34/085	12H051 35/019
12G065 32/019	11G107 32/069	11G141 33/004	11G169 33/054	12G200 33/104	12G234 34/036	11H015 34/086	12H051 35/020
12G066 32/020	12G108 32/070	11G141 33/005	12G170 33/055	12G200 33/105	12G234 34/037	11H015 34/087	12H052 35/021
11G067 32/021	12G109 32/071	11G141 33/006	12G171 33/056	11G201 33/106	11G235 34/038	11H015 34/088	11H053 35/022
11G068 32/022	11G110 32/072	11G142 33/007	11G172 33/057	11G202 33/107	11G236 34/039	11H016 34/089	12H054 35/023
11G069 32/023	11G110 32/073	11G143 33/008	11G173 33/058	11G203 33/108	11G237 34/040	11H016 34/090	12H055 35/024
11G070 32/024	11G110 32/074	11G144 33/009	11G174 33/059	12G204 33/109	11G238 34/041	11H016 34/091	12H056 35/025
11G071 32/025	11G111 32/075	11G144 33/010	11G175 33/060	12G205 33/110	11G239 34/042	11H017 34/092	12H057 35/026
11G072 32/026	11G111 32/076	11G144 33/011	11G176 33/061	11G206 33/111	11G240 34/043	11H018 34/093	12H058 35/027
11G073 32/027	11G111 32/077	11G145 33/012	11G177 33/062	11G207 33/112	12G241 34/044	12H019 34/094	12H059 35/028
11G074 32/028	12G112 32/078	11G145 33/013	11G178 33/063	11G208 33/113	11G242 34/045	12H020 34/095	12H060 35/029
11G074 32/029	12G112 32/079	11G145 33/014	11G179 33/064	11G209 33/114	11G243 34/046	11H021 34/096	12H061 35/030
11G074 32/030	12G112 32/080	11G146 33/015	11G180 33/065	11G210 33/115	11G244 34/047	11H022 34/097	12H062 35/031
11G075 32/031	11G113 32/081	11G147 33/016	11G181 33/066	12G211 33/116	11G245 34/048	11H022 34/098	11H063 35/032
11G075 32/032	11G114 32/082	11G147 33/017	12G182 33/067	11G212 33/117	11G246 34/049	11H022 34/099	12H064 35/033
11G075 32/033	11G115 32/083	11G147 33/018	12G183 33/068	12G213 33/118	11G247 34/050	11H023 34/100	12H065 35/034

VIKING LANDER ARCHIVE TAPE CATALOG

PICNO VLE ID	PICNO VLE ID	PICNO VLE ID	PICNO VLE ID	PICNO VLE ID	PICNO VLE ID	PICNO VLE ID	PICNO VLE ID
11H066 35/035	12H110 35/085	11H160 36/021	11H180 36/071	11H214 37/006	111004 37/056	111046 37/106	111082 38/042
11H067 35/036	11H111 35/086	11H161 36/022	11H181 36/072	11H215 37/007	111005 37/057	121047 37/107	111082 38/043
11H067 35/037	11H112 35/087	11H162 36/023	11H181 36/073	11H216 37/008	121006 37/058	111048 37/108	111082 38/044
11H067 35/038	11H113 35/088	11H162 36/024	11H181 36/074	11H217 37/009	111007 37/059	111049 37/109	121083 38/045
11H068 35/039	11H114 35/089	11H162 36/025	11H182 36/075	12H218 37/010	121008 37/060	111049 37/110	111084 38/046
11H068 35/040	11H115 35/090	11H163 36/026	11H182 36/076	11H219 37/011	111009 37/061	111049 37/111	111085 38/047
11H068 35/041	11H116 35/091	11H163 36/027	11H182 36/077	11H220 37/012	121010 37/062	121050 37/112	121086 38/048
11H069 35/042	11H117 35/092	11H163 36/028	11H183 36/078	11H221 37/013	111011 37/063	111051 37/113	111087 38/049
11H069 35/043	11H118 35/093	11H164 36/029	11H183 36/079	11H222 37/014	111012 37/064	111052 37/114	121088 38/050
11H069 35/044	11H119 35/094	11H165 36/030	11H183 36/080	12H223 37/015	111013 37/065	121053 38/001	121089 38/051
12H070 35/045	11H120 35/095	11H165 36/031	11H184 36/081	12H224 37/016	121014 37/066	111054 38/002	121090 38/052
11H071 35/046	11H121 35/096	11H165 36/032	11H185 36/082	11H225 37/017	111015 37/067	121055 38/003	121090 38/053
12H072 35/047	11H122 35/097	11H166 36/033	12H186 36/083	11H226 37/018	121016 37/068	121056 38/004	121090 38/054
12H073 35/048	11H123 35/098	11H166 36/034	11H187 36/084	12H227 37/019	111017 37/069	121057 38/005	121091 38/055
12H074 35/049	11H124 35/099	11H166 36/035	11H188 36/085	11H228 37/020	121018 37/070	121057 38/006	121091 38/056
11H075 35/050	11H125 35/100	11H167 36/036	12H189 36/086	11H229 37/021	121019 37/071	121057 38/007	121091 38/057
11H076 35/051	11H126 35/101	11H167 36/037	11H190 36/087	11H230 37/022	111020 37/072	121058 38/008	111092 38/058
12H077 35/052	11H127 35/102	11H167 36/038	12H191 36/088	11H231 37/023	111020 37/073	121058 38/009	111093 38/059
12H078 35/053	11H128 35/103	11H168 36/039	11H192 36/089	11H231 37/024	111020 37/074	121058 38/010	111094 38/060
11H079 35/054	11H129 35/104	11H168 36/040	11H193 36/090	11H231 37/025	121021 37/075	111059 38/011	111094 38/061
11H080 35/055	11H130 35/105	11H168 36/041	11H193 36/091	11H232 37/026	121021 37/076	111059 38/012	111094 38/062
12H081 35/056	11H131 35/106	11H169 36/042	11H193 36/092	11H233 37/027	121021 37/077	111059 38/013	111095 38/063
11H082 35/057	11H132 35/107	11H169 36/043	11H194 36/093	11H234 37/028	121022 37/078	111060 38/014	111095 38/064
11H083 35/058	11H133 35/108	11H169 36/044	12H195 36/094	11H235 37/029	121022 37/079	111061 38/015	111095 38/065
11H084 35/059	12H134 35/109	11H170 36/045	12H195 36/095	11H236 37/030	121022 37/080	111061 38/016	111096 38/066
11H085 35/060	11H135 35/110	11H170 36/046	12H195 36/096	11H237 37/031	121023 37/081	111061 38/017	121097 38/067
11H086 35/061	11H136 35/111	11H170 36/047	12H196 36/097	11H238 37/032	121024 37/082	111062 38/018	111098 38/068
11H087 35/062	11H137 35/112	11H171 36/048	12H196 36/098	11H239 37/033	121025 37/083	111062 38/019	121099 38/069
11H088 35/063	11H138 35/113	11H171 36/049	12H196 36/099	11H240 37/034	121026 37/084	111062 38/020	121100 38/070
12H089 35/064	11H139 35/114	11H171 36/050	12H197 36/100	11H241 37/035	121026 37/085	111063 38/021	121101 38/071
11H090 35/065	11H140 36/001	11H172 36/051	12H197 36/101	11H242 37/036	121026 37/086	121064 38/022	121101 38/072
11H091 35/066	12H141 36/002	11H172 36/052	12H197 36/102	11H243 37/037	121027 37/087	111065 38/023	121101 38/073
11H092 35/067	11H142 36/003	11H172 36/053	12H198 36/103	11H244 37/038	111028 37/088	121066 38/024	121102 38/074
11H093 35/068	11H143 36/004	11H173 36/054	12H198 36/104	11H245 37/039	121029 37/089	121067 38/025	111103 38/075
11H094 35/069	11H144 36/005	11H174 36/055	12H198 36/105	11H246 37/040	121030 37/090	121068 38/026	121104 38/076
11H095 35/070	11H145 36/006	11H175 36/056	11H199 36/106	11H247 37/041	121031 37/091	121068 38/027	121105 38/077
11H096 35/071	11H146 36/007	11H175 36/057	11H200 36/107	11H248 37/042	111032 37/092	121068 38/028	111106 38/078
11H097 35/072	12H147 36/008	11H175 36/058	12H201 36/108	11H249 37/043	121033 37/093	121069 38/029	111106 38/079
11H098 35/073	11H148 36/009	11H176 36/059	11H202 36/109	11H250 37/044	111034 37/094	111070 38/030	111106 38/080
11H099 35/074	12H149 36/010	11H176 36/060	11H203 36/110	11H251 37/045	121035 37/095	121071 38/031	111107 38/081
11H100 35/075	11H150 36/011	11H176 36/061	12H204 36/111	11H252 37/046	121036 37/096	121072 38/032	111108 38/082
11H101 35/076	11H151 36/012	11H177 36/062	12H205 36/112	11H253 37/047	111037 37/097	121073 38/033	121109 38/083
11H102 35/077	12H152 36/013	11H177 36/063	12H206 36/113	11H254 37/048	111038 37/098	111074 38/034	111110 38/084
12H103 35/078	12H153 36/014	11H177 36/064	11H207 36/114	11H255 37/049	121039 37/099	111075 38/035	111111 38/085
11H104 35/079	11H154 36/015	11H178 36/065	11H208 36/115	111000 37/050	111040 37/100	121076 38/036	111112 38/086
11H105 35/080	11H155 36/016	11H178 36/066	11H209 37/001	111001 37/051	111041 37/101	111077 38/037	121113 38/087
11H106 35/081	12H156 36/017	11H178 36/067	11H210 37/002	111002 37/052	111042 37/102	121078 38/038	111114 38/088
11H107 35/082	11H157 36/018	12H179 36/068	11H211 37/003	111003 37/053	111043 37/103	121079 38/039	111115 38/089
12H108 35/083	11H158 36/019	11H180 36/069	11H212 37/004	111003 37/054	111044 37/104	121080 38/040	111115 38/090
12H109 35/084	11H159 36/020	11H180 36/070	11H213 37/005	111003 37/055	111045 37/105	111081 38/041	111115 38/091

VIKING LANDER ARCHIVE TAPE CATALOG

PICNO VLE ID	PICNO VLE ID	PICNO VLE ID	PICNO VLE ID	PICNO VLE ID	PICNO VLE ID	PICNO VLE ID	PICNO VLE ID
111116 38/092	121152 39/034	121190 39/083	121230 40/029	12J018 01/001	12J054 01/051	12J079 01/101	11J116 02/005
111117 38/093	121153 39/035	121190 39/084	121231 40/030	12J019 01/002	11J055 01/052	12J079 01/102	11J117 02/006
111118 38/094	121154 39/036	121190 39/085	121232 40/031	11J020 01/003	11J056 01/053	11J080 69/023	12J118 02/007
121119 38/095	121155 39/037	121191 39/086	121233 40/032	11J021 01/004	11J057 01/054	11J081 69/024	12J119 02/008
111120 38/096	121156 39/038	121191 39/087	121234 40/033	11J022 01/005	11J057 01/055	11J082 69/025	11J120 02/009
121121 38/097	121156 39/039	121191 39/088	121235 40/034	12J023 01/006	11J057 01/056	11J082 69/026	11J121 02/010
121122 38/098	121156 39/040	121192 39/089	121236 40/035	12J024 01/007	12J058 01/057	11J082 69/027	11J122 69/052
121123 38/099	121157 39/041	121193 39/090	121237 40/036	11J025 01/008	12J058 01/058	12J083 01/108	11J122 69/053
121123 38/100	121157 39/042	111194 39/091	121238 40/037	11J026 01/009	12J058 01/059	12J084 69/028	11J122 69/054
121123 38/101	121157 39/043	111194 39/092	121239 40/038	11J027 01/010	12J059 01/060	12J084 69/029	12J123 02/014
121124 38/102	111158 39/044	111194 39/093	121240 40/039	12J028 01/011	11J060 01/061	12J084 69/030	12J124 69/055
121124 38/103	121158 69/020	111195 39/094	121241 40/040	12J029 01/012	11J061 01/062	11J085 69/031	12J124 69/056
121124 38/104	111160 39/045	111195 39/095	121242 40/041	12J029 01/013	11J062 01/063	11J086 01/113	12J124 69/057
111125 38/105	111160 39/046	111195 39/096	121243 40/042	12J029 01/014	11J062 01/064	11J087 01/114	11J125 69/058
111125 38/106	111160 39/047	111196 39/097	121244 40/043	11J030 01/015	11J062 01/065	12J088 01/115	11J126 02/019
111125 38/107	111161 39/048	121197 39/098	121245 40/044	11J031 01/016	12J063 01/066	12J089 69/032	11J127 69/059
111126 38/108	111161 39/049	111198 39/099	121246 40/045	11J032 01/017	12J063 01/067	12J089 69/033	11J127 69/060
111127 39/001	111161 39/050	121199 39/100	121247 40/046	11J033 01/018	12J063 01/068	12J089 69/034	11J127 69/061
111127 39/002	111162 39/051	121200 39/101	121248 40/047	12J034 01/019	12J064 01/069	11J090 01/119	12J128 02/023
111127 39/003	121163 39/052	121201 39/102	121249 40/048	11J035 01/020	12J064 01/070	11J091 01/120	12J129 69/062
111128 39/004	111164 39/053	121201 39/103	121250 40/049	11J036 01/021	12J064 01/071	11J092 01/121	12J129 69/063
111128 39/005	121165 39/054	121201 39/104	121251 40/050	11J037 01/022	11J065 01/072	12J093 69/035	12J129 69/064
111128 39/006	121166 39/055	121202 40/001	121252 40/051	12J038 01/023	11J066 01/073	12J094 01/123	11J130 69/065
111129 39/007	121167 39/056	111203 40/002	121253 40/052	12J039 01/024	11J066 01/074	11J095 01/124	11J131 02/028
121130 39/008	121167 39/057	121204 40/003	121254 40/053	11J040 01/025	11J066 01/075	11J096 01/125	11J132 02/029
111131 39/009	121167 39/058	121205 40/004	121255 40/054	11J041 01/026	11J067 01/076	11J097 69/036	12J133 02/030
121132 39/010	121168 39/059	121206 40/005	12J000 40/055	11J042 01/027	11J067 01/077	11J097 69/037	12J134 02/031
121133 39/011	111169 39/060	111207 40/006	12J000 40/056	12J043 01/028	11J067 01/078	11J097 69/038	11J135 02/032
121134 39/012	121170 39/061	121208 40/007	12J000 40/057	12J044 01/029	12J068 01/079	12J098 01/129	11J136 69/066
121134 39/013	121171 39/062	121209 40/008	12J001 40/058	12J044 01/030	12J068 01/080	12J099 01/130	11J137 02/034
121134 39/014	121172 39/063	121210 40/009	12J001 40/059	12J044 01/031	12J068 01/081	11J100 69/039	12J138 02/035
121135 39/015	121173 39/064	121211 40/010	12J001 40/060	11J045 01/032	12J069 01/082	11J101 01/132	12J139 02/036
111136 39/016	111174 39/065	111212 40/011	12J002 40/061	11J046 01/033	12J069 01/083	11J102 69/040	11J140 69/067
121137 39/017	111175 39/066	121213 40/012	12J002 40/062	11J047 01/034	12J069 01/084	11J102 69/041	11J141 69/068
121138 39/018	121176 39/067	121214 40/013	12J002 40/063	11J047 01/035	11J070 01/085	11J102 69/042	11J142 69/069
111139 39/019	111177 39/068	121215 40/014	12J003 40/064	11J047 01/036	11J070 01/086	12J103 69/043	11J142 69/070
121140 39/020	111178 39/069	121216 40/015	11J004 40/065	12J048 01/037	11J070 01/087	12J104 01/137	11J142 69/071
111141 39/021	111179 39/070	111217 40/016	12J005 40/066	12J048 01/038	11J071 01/088	11J105 01/138	12J143 02/042
121142 39/022	121180 39/071	121218 40/017	12J005 40/067	12J048 01/039	11J072 01/089	11J106 01/139	12J144 02/043
121143 39/023	111181 39/072	121219 40/018	12J005 40/068	12J049 01/040	11J072 01/090	11J107 69/044	11J145 69/072
121144 39/024	111182 39/073	121220 40/019	11J006 40/069	12J049 01/041	11J072 01/091	11J107 69/045	11J146 02/045
121145 39/025	111182 39/074	121221 40/020	11J006 40/070	12J049 01/042	12J073 01/092	11J107 69/046	11J147 69/073
121146 39/026	111182 39/075	121222 40/021	11J006 40/071	11J050 01/043	12J074 01/093	12J108 69/047	11J147 69/074
121147 39/027	121183 39/076	121223 40/022	11J007 40/072	11J051 01/044	11J075 01/094	12J109 01/144	11J147 69/075
111148 39/028	111184 39/077	121224 40/023	12J008 40/073	11J052 01/045	11J076 01/095	11J110 69/048	12J148 02/049
111148 39/029	111185 39/078	121225 40/024	11J009 40/074	11J052 01/046	11J077 01/096	11J111 69/049	12J149 69/076
111148 39/030	121186 39/079	111226 40/025	11J010 40/075	11J052 01/047	11J077 01/097	11J112 02/001	12J149 69/077
121149 39/031	111187 39/080	121227 40/026	11J011 40/076	12J053 01/048	11J077 01/098	12J113 69/050	12J149 69/078
121150 39/032	121188 39/081	121228 40/027	12J012 40/077	12J053 01/049	12J078 01/099	12J114 02/003	11J150 69/079
111151 39/033	121189 39/082	121229 40/028	11J013 40/078	12J053 01/050	12J079 01/100	11J115 69/051	11J151 02/054

VIKING LANDER ARCHIVE TAPE CATALOG

PICNO VLE ID	PICNO VLE ID	PICNO VLE ID	PICNO VLE ID	PICNO VLE ID	PICNO VLE ID	PICNO VLE ID	PICNO VLE ID
11J152 02/055	12J178 69/125	22A017 41/001	21A047 41/045	21A084 41/094	21A128 42/049	22A165 43/013	22A190 43/063
12J153 69/080	12J179 69/126	22A018 41/002	21A048 41/046	21A085 41/095	21A129 42/050	22A165 43/014	22A190 43/064
12J153 69/081	12J179 69/127	22A018 41/003	21A048 41/047	22A086 42/001	21A130 42/051	22A166 43/015	22A190 43/065
12J153 69/082	12J179 69/128	22A018 41/004	21A048 41/048	22A087 42/002	21A131 42/052	22A166 43/016	22A191 43/066
12J154 69/083	11J180 69/129	22A019 41/005	21A049 41/049	22A088 42/003	21A132 42/053	22A166 43/017	22A191 43/067
12J154 69/084	11J181 69/130	22A019 41/006	21A050 41/050	22A089 42/004	22A133 42/054	21A167 43/018	22A191 43/068
12J154 69/085	11J182 69/131	22A019 41/007	22A051 41/051	21A090 42/005	21A134 42/055	21A168 43/019	22A192 43/069
11J155 69/086	11J182 69/132	22A020 41/008	21A052 41/052	22A091 42/006	22A135 42/056	21A169 43/020	21A193 43/070
11J155 69/087	11J182 69/133	22A021 41/009	21A053 41/053	22A092 42/007	22A136 42/057	21A170 43/021	21A194 43/071
11J155 69/088	12J183 69/134	21A022 41/010	21A054 41/054	22A093 42/008	22A137 42/058	21A171 43/022	21A194 43/072
11J156 69/089	12J184 69/135	21A022 41/011	22A055 41/055	22A094 42/009	22A138 42/059	21A171 43/023	21A194 43/073
11J156 69/090	12J184 69/136	21A022 41/012	22A056 41/056	22A095 42/010	21A139 42/060	21A171 43/024	21A195 43/074
11J156 69/091	12J184 69/137	21A023 41/013	21A057 41/057	22A096 42/011	22A140 42/061	21A172 43/025	21A195 43/075
11J157 69/092	11J185 69/138	21A024 41/014	22A058 41/058	22A097 42/012	22A141 42/062	21A172 43/026	21A195 43/076
11J157 69/093	11J186 69/139	21A025 41/015	21A059 41/059	21A098 42/013	21A142 42/063	21A172 43/027	21A196 43/077
11J157 69/094	11J187 02/120	22A025 45/007	21A060 41/060	21A099 42/014	22A143 42/064	21A173 43/028	21A196 43/078
12J158 69/095	12J188 02/121	21A026 41/016	21A061 41/061	21A099 42/015	22A144 42/065	21A173 43/029	21A196 43/079
12J158 69/096	12J189 02/122	22A026 45/008	21A062 41/062	21A099 42/016	22A144 42/066	21A173 43/030	21A197 43/080
12J158 69/097	12J189 02/123	22A027 41/017	22A063 41/063	21A100 42/017	22A144 42/067	21A174 43/031	22A198 43/081
12J159 02/074	12J189 02/124	22A027 45/009	22A064 41/064	21A101 42/018	22A145 42/068	21A175 43/032	22A199 43/082
11J160 69/098	11J190 02/125	22A027 45/010	22A064 41/065	21A101 42/019	22A145 42/069	22A176 43/033	22A200 43/083
11J160 69/099	11J191 02/126	22A027 45/011	22A064 41/066	21A101 42/020	22A145 42/070	22A177 43/034	22A201 43/084
11J160 69/100	11J192 02/127	21A028 41/018	21A065 41/067	21A102 42/021	21A146 42/071	22A178 43/035	22A202 43/085
11J161 69/101	12J193 02/128	21A028 41/019	21A066 41/068	22A103 42/022	21A147 42/072	21A179 43/036	22A203 43/086
11J162 69/102	12J194 02/129	21A028 41/020	22A067 41/069	22A104 42/023	22A148 42/073	21A179 43/037	22A204 43/087
11J162 69/103	12J194 02/130	22A028 45/012	22A067 69/022	22A105 42/024	21A149 42/074	21A179 43/038	22A205 43/088
11J162 69/104	12J194 02/131	21A029 41/021	22A068 41/070	22A106 42/025	21A150 42/075	21A180 43/039	22A206 43/089
12J163 69/105	22A001 40/079	21A030 41/022	22A069 41/071	22A107 42/026	21A151 42/076	21A180 43/040	22A207 43/090
12J164 69/106	22A003 40/081	21A031 41/023	22A070 41/072	21A108 42/027	22A152 42/077	21A180 43/041	21A208 43/091
12J164 69/107	22A003 40/082	21A032 41/024	21A071 41/073	21A109 42/028	22A152 42/078	21A181 43/042	21A208 43/092
12J164 69/108	22A003 40/083	21A033 41/025	21A072 41/074	21A110 42/029	22A152 42/079	21A182 43/043	21A208 43/093
11J165 02/086	22A004 40/084	21A033 41/026	21A072 41/075	21A111 42/030	22A153 42/080	21A182 43/044	21A209 43/094
11J166 69/109	22A005 40/085	21A033 41/027	21A072 41/076	21A112 42/031	22A153 42/081	21A182 43/045	21A209 43/095
11J167 02/088	22A006 40/086	21A034 41/028	22A073 41/077	21A113 42/032	22A153 42/082	21A183 43/046	21A209 43/096
12J168 69/110	22A006 40/087	22A035 41/029	21A074 41/078	21A114 42/033	22A154 42/083	21A183 43/047	21A210 44/001
12J169 69/111	22A006 40/088	22A036 41/030	21A075 41/079	21A115 42/034	22A155 42/084	21A183 43/048	21A210 44/002
12J169 69/112	22A007 40/089	22A036 41/031	21A076 41/080	21A116 42/035	22A156 42/085	22A184 43/049	21A210 44/003
12J169 69/113	22A008 40/090	22A036 41/032	21A077 41/081	21A116 42/036	21A157 42/086	22A185 43/050	21A211 44/004
11J170 69/114	22A009 40/091	22A037 41/033	21A078 41/082	21A116 42/037	22A158 43/001	22A185 43/051	21A211 44/005
11J171 69/115	22A010 40/092	22A038 41/034	21A079 41/083	21A117 42/038	22A158 43/002	22A185 43/052	21A211 44/006
11J172 69/116	22A011 40/093	22A038 41/035	21A080 41/084	22A118 42/039	22A158 43/003	22A186 43/053	21A212 44/007
11J172 69/117	22A012 40/094	22A038 41/036	21A081 41/085	22A119 42/040	22A159 43/004	22A186 43/054	21A213 44/008
11J172 69/118	22A013 40/095	21A039 41/037	21A081 41/086	21A120 42/041	22A159 43/005	22A186 43/055	21A213 44/009
12J173 69/119	22A013 40/096	21A040 41/038	21A081 41/087	22A121 42/042	22A159 43/006	21A187 43/056	21A213 44/010
12J174 69/120	22A013 40/097	22A041 41/039	21A082 41/088	21A122 42/043	22A160 43/007	21A187 43/057	21A214 44/011
12J174 69/121	22A014 40/098	22A042 41/040	21A082 41/089	21A123 42/044	21A161 43/008	21A187 43/058	21A214 44/012
12J174 69/122	22A015 40/099	22A043 41/041	21A082 41/090	22A124 42/045	22A162 43/009	21A188 43/059	21A214 44/013
11J175 69/123	22A016 40/100	21A044 41/042	21A083 41/091	21A125 42/046	22A163 43/010	21A188 43/060	21A215 44/014
11J176 69/124	22A016 40/101	21A045 41/043	21A084 41/092	22A126 42/047	21A164 43/011	21A188 43/061	21A216 44/015
11J177 02/104	22A016 40/102	22A046 41/044	21A084 41/093	21A127 42/048	22A165 43/012	21A189 43/062	21A217 44/016

VIKING LANDER ARCHIVE TAPE CATALOG

PICNO WLE ID	PICNO WLE ID	PICNO WLE ID	PICNO WLE ID	PICNO WLE ID	PICNO WLE ID	PICNO WLE ID	PICNO WLE ID
21A217 44/017	218006 44/067	228046 45/036	218073 45/084	218104 46/036	228135 46/086	228173 47/037	228206 47/087
21A217 44/018	218007 44/068	228047 45/037	218073 45/087	228105 46/037	228135 46/087	228174 47/038	228207 47/088
21A218 44/019	218008 44/069	218048 45/038	218074 45/088	228106 46/038	228136 46/088	228175 47/039	228207 47/089
21A218 44/020	218009 44/070	218049 45/039	218074 45/089	228107 46/039	228137 46/089	228176 47/040	228207 47/090
21A218 44/021	218010 44/071	218050 45/040	218074 45/090	228107 46/040	218138 46/090	228177 47/041	228208 47/091
21A219 44/022	228011 44/072	218051 45/041	218075 45/091	228107 46/041	228139 46/091	228178 47/042	228209 47/092
22A220 44/023	228012 44/073	228052 45/042	218075 45/092	228108 46/042	218140 46/092	228179 47/043	218210 47/093
21A221 44/024	228013 44/074	228052 45/043	218075 45/093	228108 46/043	218141 46/093	228180 47/044	228211 47/094
21A222 44/025	228014 44/075	228052 45/044	228076 45/094	228108 46/044	228142 46/094	228181 47/045	228212 47/095
22A223 44/026	218015 44/076	218053 45/045	228076 45/095	228109 46/045	228142 46/095	228181 47/046	218213 47/096
21A224 44/027	228016 44/077	218053 45/046	228076 45/096	228111 46/046	228142 46/096	228181 47/047	218214 47/097
21A225 44/028	228016 44/078	218053 45/047	228077 45/097	228112 46/047	228143 46/097	228182 47/048	228215 47/098
21A226 44/029	228016 44/079	218054 45/048	228078 45/098	228112 46/048	228143 46/098	228182 47/049	218216 47/099
21A227 44/030	228017 44/080	218055 45/049	228078 45/099	228112 46/049	228143 46/099	228182 47/050	218217 47/100
21A228 44/031	228017 44/081	228056 45/050	228078 45/100	228113 46/050	228144 47/001	218183 47/051	218219 47/101
21A229 44/032	228017 44/082	228057 45/051	228079 46/001	228113 46/051	228145 47/002	218184 47/052	218220 47/102
21A230 44/033	228018 44/083	228058 45/052	228079 46/002	228113 46/052	228146 47/003	228185 47/053	218220 47/103
21A231 44/034	228019 44/084	218059 45/053	228079 46/003	228114 46/053	228147 47/004	228185 47/054	218220 47/104
21A232 44/035	228020 44/085	218060 45/054	228080 46/004	228115 46/054	218148 47/005	228185 47/055	218221 48/001
22A233 44/036	218021 44/086	228061 45/055	228080 46/005	228116 46/055	228149 47/006	228186 47/056	218221 48/002
22A234 44/037	218022 44/087	218062 45/056	228080 46/006	228117 46/056	228151 47/007	228186 47/057	218221 48/003
22A235 44/038	228023 45/001	218063 45/057	228081 46/007	228118 46/057	228152 47/008	228186 47/058	218222 48/004
22A236 44/039	228023 45/002	218064 45/058	228082 46/008	218119 46/058	228152 47/009	228187 47/059	218223 48/005
21A237 44/040	228023 45/003	218064 45/059	228083 46/009	228120 46/059	228152 47/010	228188 47/060	218224 48/006
21A238 44/041	218024 45/004	218064 45/060	218085 46/010	218121 46/060	228153 47/011	228190 47/061	218225 48/007
22A239 44/042	218024 45/005	218065 45/061	218086 46/011	228122 46/061	228153 47/012	228191 47/062	218226 48/008
22A240 44/043	218024 45/006	218065 45/062	228087 46/012	228123 46/062	228153 47/013	228191 47/063	218227 48/009
21A241 44/044	218029 45/013	218065 45/063	228087 46/013	218124 46/063	218154 47/014	228191 47/064	218227 48/010
22A242 44/045	228030 45/014	218066 45/064	228087 46/014	218124 46/064	218155 47/015	228192 47/065	218227 48/011
22A243 44/046	218031 45/015	218066 45/065	228088 46/015	218124 46/065	228156 47/016	228192 47/066	218228 48/012
21A244 44/047	218032 45/016	218066 45/066	228089 46/016	228126 46/066	228156 47/017	228192 47/067	218228 48/013
22A245 44/048	218033 45/017	218067 45/067	228090 46/017	228126 46/067	228156 47/018	228193 47/068	218228 48/014
21A246 44/049	218034 45/018	218067 45/068	228091 46/018	228126 46/068	228157 47/019	218194 47/069	218229 48/015
22A247 44/050	218035 45/019	218067 45/069	218092 46/019	228127 46/069	228157 47/020	218195 47/070	228230 48/016
21A248 44/051	228036 45/020	218068 45/070	218092 46/020	228127 46/070	228157 47/021	228196 47/071	228231 48/017
22A249 44/052	228036 45/021	218068 45/071	218092 46/021	228127 46/071	228158 47/022	228196 47/072	228232 48/018
21A250 44/053	228036 45/022	218068 45/072	218093 46/022	228128 46/072	228159 47/023	228196 47/073	228233 48/019
22A251 44/054	228037 45/023	218069 45/073	218094 46/023	228129 46/073	218160 47/024	228197 47/074	228233 48/020
22A252 44/055	228037 45/024	218069 45/074	218095 46/024	228130 46/074	218161 47/025	228197 47/075	228233 48/021
22A253 44/056	228037 45/025	218069 45/075	218096 46/025	228130 46/075	228162 47/026	228197 47/076	228234 48/022
22A254 44/057	228038 45/026	218070 45/076	228098 46/026	228130 46/076	228163 47/027	218198 47/077	228234 48/023
22A254 44/058	218039 45/027	218070 45/077	228099 46/027	228131 46/077	228164 47/028	228199 47/078	228234 48/024
22A254 44/059	218040 45/028	218070 45/078	228100 46/028	228131 46/078	228165 47/029	218200 47/079	218235 48/025
22A255 44/060	228041 45/029	218071 45/079	228101 46/029	228131 46/079	228166 47/030	218201 47/080	218236 48/026
228000 44/061	228042 45/030	218071 45/080	228101 46/030	228132 46/080	228167 47/031	218202 47/081	218238 48/027
218001 44/062	218043 45/031	218071 45/081	228101 46/031	228133 46/081	228168 47/032	218203 47/082	218238 48/028
228002 44/063	218043 45/032	218072 45/082	228102 46/032	228134 46/082	228169 47/033	218204 47/083	218238 48/029
228003 44/064	218043 45/033	218072 45/083	228103 46/033	228134 46/083	228170 47/034	228205 47/084	218239 48/030
228004 44/065	228044 45/034	218072 45/084	218104 46/034	228134 46/084	228171 47/035	228206 47/085	218239 48/031
228005 44/066	228045 45/035	218073 45/085	218104 46/035	228135 46/085	228172 47/036	228206 47/086	218239 48/032



VIKING LANDER ARCHIVE TAPE CATALOG

PICNO VLE ID	PICNO VLE ID	PICNO VLE ID	PICNO VLE ID	PICNO VLE ID	PICNO VLE ID	PICNO VLE ID	PICNO VLE ID
218240 48/033	21C002 48/083	21C036 49/024	21C069 49/074	21C190 51/019	22C234 51/069	21D014 52/010	22D054 52/060
218240 48/034	21C003 48/084	22C037 49/025	21C070 49/075	21C191 51/020	22C235 51/070	21D014 52/011	22D055 52/061
218240 48/035	21C003 48/085	22C037 49/026	21C071 49/076	22C192 51/021	22C235 51/071	21D014 52/012	22D056 52/062
218241 48/036	21C003 48/086	22C037 49/027	21C072 49/077	22C193 51/022	22C235 51/072	22D015 52/013	22D057 52/063
218241 48/037	21C004 48/087	22C038 49/028	21C073 49/078	22C194 51/023	22C236 51/073	22D016 52/014	22D058 52/064
218241 48/038	21C004 48/088	22C038 49/029	21C074 49/079	22C195 51/024	22C237 51/074	21D017 52/015	22D059 52/065
218242 48/039	21C004 48/089	22C038 49/030	22C075 49/080	22C196 51/025	22C238 51/075	21D017 52/016	22D060 52/066
218243 48/040	22C005 48/090	22C039 49/031	22C076 49/081	22C197 51/026	22C239 51/076	21D017 52/017	22D061 52/067
218243 48/041	22C006 48/091	22C040 49/032	21C077 49/082	21C198 51/027	21C240 51/077	21D018 52/018	22D062 52/068
218243 48/042	22C007 48/092	21C041 49/033	21C078 49/083	22C199 51/028	21C241 51/078	22D019 52/019	21D063 52/069
218244 48/043	22C008 48/093	22C042 49/034	21C079 49/084	21C200 51/029	21C242 51/079	22D020 52/020	22D064 52/070
218244 48/044	22C009 48/094	21C043 49/035	21C080 49/085	21C201 51/030	22C243 51/080	22D021 52/021	22D064 52/071
218244 48/045	22C009 48/095	21C044 49/036	21C081 49/086	22C202 51/031	21C244 51/081	22D022 52/022	22D064 52/072
218245 48/046	22C009 48/096	22C045 49/037	22C082 49/087	22C203 51/032	21C244 51/082	21D023 52/023	22D065 52/073
218245 48/047	22C010 48/097	21C046 49/038	22C083 49/088	21C204 51/033	21C244 51/083	21D024 52/024	22D065 52/074
218245 48/048	22C010 48/098	21C047 49/039	22C084 49/089	22C205 51/034	22C245 51/084	21D025 52/025	22D065 52/075
218246 48/049	22C010 48/099	21C048 49/040	22C085 49/090	22C205 51/035	21C246 51/085	21D026 52/026	22D066 52/076
218246 48/050	21C011 48/100	21C048 49/041	22C086 49/091	22C205 51/036	21C247 51/086	22D027 52/027	22D067 52/077
218246 48/051	21C012 48/101	21C048 49/042	21C087 49/092	22C206 51/037	21C248 51/087	22D028 52/028	22D068 52/078
218247 48/052	21C013 48/102	21C049 49/043	22C088 49/093	21C207 51/038	21C249 51/088	22D029 52/029	22D068 52/079
218248 48/053	21C013 48/103	21C049 49/044	22C089 49/094	21C208 51/039	21C250 51/089	22D030 52/030	22D068 52/080
218248 48/054	21C013 48/104	21C049 49/045	22C090 49/095	22C209 51/040	21C251 51/090	22D030 52/031	21D069 52/081
218248 48/055	21C014 48/105	21C050 49/046	22C091 49/096	22C210 51/041	22C252 51/091	22D030 52/032	21D070 52/082
218249 48/056	21C014 48/106	22C051 49/047	22C092 49/097	22C211 51/042	22C253 51/092	22D031 52/033	22D071 52/083
218249 48/057	21C014 48/107	21C052 49/048	22C093 49/098	22C212 51/043	22C254 51/093	22D032 52/034	22D072 52/084
218249 48/058	21C015 48/108	22C053 49/049	21C094 49/099	22C213 51/044	22C255 51/094	22D033 52/035	22D073 52/085
218250 48/059	21C016 48/109	21C054 49/050	22C095 49/100	22C214 51/045	22C255 51/095	21D034 52/036	22D074 52/086
218250 48/060	22C017 49/001	21C055 49/051	21C096 49/101	22C215 51/046	22C255 51/096	22D035 52/037	22D075 52/087
218250 48/061	22C017 49/002	21C056 49/055	22C097 49/102	22C215 51/047	22D000 51/097	21D036 52/038	22D076 52/088
218251 48/062	22C017 49/003	21C056 49/056	21C098 49/103	22C215 51/048	22D000 51/098	22D037 52/039	22D077 52/089
218251 48/063	22C018 49/004	21C056 49/057	21C099 49/104	22C216 51/049	22D000 51/099	22D038 52/040	22D078 52/090
218251 48/064	22C018 49/005	21C057 49/058	22C100 49/105	22C217 51/050	22D001 51/100	22D038 52/041	21D079 52/091
218252 48/065	22C018 49/006	21C057 49/059	22C178 51/001	22C218 51/051	22D001 51/101	22D038 52/042	22D080 52/092
218252 48/066	21C019 49/007	21C057 49/060	21C179 51/002	21C219 51/052	22D001 51/102	21D039 52/043	22D081 52/093
218252 48/067	21C020 49/008	21C057 49/061	21C180 51/003	21C220 51/053	22D002 51/103	22D040 52/044	22D082 52/094
218253 48/068	22C021 49/009	21C058 49/062	22C181 51/004	21C221 51/054	22D003 51/104	22D041 52/045	22D083 52/095
218253 48/069	22C022 49/010	21C059 49/063	22C182 51/005	22C222 51/055	22D004 51/105	22D042 52/046	22D084 52/096
218253 48/070	22C023 49/011	21C060 49/064	22C182 51/006	22C223 51/056	22D005 51/106	21D043 52/047	22D085 52/097
218254 48/071	22C024 49/012	21C061 49/052	22C182 51/007	22C224 51/057	22D006 51/107	22D044 52/048	22D086 52/098
218254 48/072	22C025 49/013	21C062 49/053	22C183 51/008	21C225 51/058	22D007 51/108	22D045 52/049	22D087 52/099
218254 48/073	22C026 49/014	21C063 49/054	22C183 51/009	21C226 51/059	22D008 51/109	22D046 52/050	22D088 52/100
218255 48/074	21C027 49/015	21C064 49/065	22C183 51/010	21C227 51/060	21D009 52/001	22D047 52/051	22D088 52/101
218255 48/075	21C028 49/016	21C065 49/066	22C184 51/011	22C228 51/061	22D010 52/002	22D048 52/052	22D088 52/102
218255 48/076	21C029 49/017	22C066 49/067	22C184 51/012	21C229 51/062	22D011 52/003	21D049 52/053	22D089 52/103
21C000 48/077	22C030 49/018	22C066 49/068	22C184 51/013	21C230 51/063	21D012 52/004	21D049 52/054	22D089 52/104
21C001 48/078	21C031 49/019	22C066 49/069	22C185 51/014	21C231 51/064	21D012 52/005	21D049 52/055	22D089 52/105
21C001 48/079	22C032 49/020	22C067 49/070	22C186 51/015	22C232 51/065	21D012 52/006	21D050 52/056	22D090 53/001
21C001 48/080	22C033 49/021	22C067 49/071	22C187 51/016	22C233 51/066	21D013 52/007	21D051 52/057	22D090 53/002
21C002 48/081	22C034 49/022	22C067 49/072	22C188 51/017	22C234 51/067	21D013 52/008	21D052 52/058	22D090 53/003
21C002 48/082	22C035 49/023	22C068 49/073	22C189 51/018	22C234 51/068	21D013 52/009	21D053 52/059	22D091 53/004



VIKING LANDER ARCHIVE TAPE CATALOG

PICNO VLE ID	PICNO VLE ID	PICNO VLE ID	PICNO VLE ID	PICNO VLE ID	PICNO VLE ID	PICNO VLE ID	PICNO VLE ID
210092 53/005	220116 53/055	210144 53/105	210188 54/038	210230 54/088	21E016 55/025	21E056 55/075	22E092 56/012
210092 53/006	220116 53/056	210145 53/106	220189 54/039	220231 54/089	21E017 55/026	21E057 55/076	22E093 56/013
210092 53/007	220116 53/057	220146 53/107	210190 54/040	210232 54/090	21E018 55/027	21E058 55/077	21E094 56/014
220093 53/008	220117 53/058	220147 53/108	220191 54/041	210233 54/091	21E019 55/028	21E059 55/078	22E095 56/015
220093 53/009	220118 53/059	220148 53/109	210192 54/042	210234 54/092	21E020 55/029	21E060 55/079	22E096 56/016
220093 53/010	210119 53/060	220149 53/110	210193 54/043	210235 54/093	22E021 55/030	21E061 55/080	22E097 56/017
210094 53/011	210119 53/061	220150 53/111	210194 54/044	210236 54/094	21E022 55/031	21E062 55/081	22E098 56/018
220095 53/012	210119 53/062	220151 53/112	210195 54/045	220237 54/095	21E022 55/032	21E062 55/082	21E099 56/019
220095 53/013	210120 53/063	220152 53/113	210196 54/046	210238 54/096	21E022 55/033	21E062 55/083	21E100 56/020
220095 53/014	210120 53/064	210153 53/114	220197 54/047	210238 54/097	22E023 55/034	22E063 55/084	22E101 56/021
210096 53/015	210120 53/065	210154 53/115	210198 54/048	210238 54/098	21E024 55/035	22E063 55/085	21E102 56/022
210097 53/016	210121 53/066	220155 53/116	210198 54/049	220239 54/099	21E024 55/036	22E063 55/086	21E102 56/023
210097 53/017	210121 53/067	210156 53/117	210198 54/050	210240 54/100	21E024 55/037	21E064 55/087	21E102 56/024
210097 53/018	210121 53/068	210157 54/001	220199 54/051	210240 54/101	21E025 55/038	21E064 55/088	22E103 56/025
220098 53/019	210122 53/069	210158 54/002	210200 54/052	210240 54/102	21E026 55/039	21E064 55/089	22E103 56/026
220098 53/020	210122 53/070	220159 54/003	210200 54/053	210241 54/103	22E027 55/040	21E065 55/090	22E103 56/027
220098 53/021	210122 53/071	210160 54/004	210200 54/054	210242 54/104	22E028 55/041	21E066 55/091	21E104 56/028
210099 53/022	210123 53/072	210160 54/005	210201 54/055	220243 54/105	21E029 55/042	22E067 55/092	21E104 56/029
210099 53/023	210124 53/073	210160 54/006	210202 54/056	220244 54/106	22E030 55/043	22E068 55/093	21E104 56/030
210099 53/024	210125 53/074	210161 54/007	220203 54/057	210245 54/107	22E031 55/044	21E069 55/094	21E105 56/031
220100 53/025	210126 53/075	210162 54/008	220204 54/058	220246 54/108	21E032 55/045	22E070 55/095	21E106 56/032
220100 53/026	220127 53/076	220163 54/009	210205 54/059	220247 54/109	22E033 55/046	22E071 55/096	21E107 56/033
220100 53/027	210128 53/077	220164 54/010	220206 54/060	210248 54/110	22E034 55/047	21E072 55/097	21E107 56/034
220101 53/028	210128 53/078	210165 54/011	220207 54/061	220249 54/111	22E035 55/048	22E073 55/098	21E107 56/035
210102 53/029	210128 53/079	210166 54/012	210208 54/062	220250 54/112	22E036 55/049	22E074 55/099	21E108 56/036
210102 53/030	220129 53/080	220167 54/013	220209 54/063	220251 54/113	22E037 55/050	22E075 55/100	21E109 56/037
210102 53/031	220130 53/081	210168 54/014	220210 54/064	220252 55/001	22E038 55/051	22E076 55/101	21E109 56/038
220103 53/032	220131 53/082	220169 54/015	220211 54/065	220253 55/002	22E039 55/052	22E077 55/102	21E109 56/039
220103 53/033	220132 53/083	220170 54/016	220212 54/066	220254 55/003	21E040 55/053	22E078 55/103	22E110 56/040
220103 53/034	210133 53/084	220171 54/017	220213 54/067	220255 55/004	21E041 55/054	22E079 55/104	22E111 56/041
210104 53/035	220134 53/085	220172 54/018	220214 54/068	21E000 55/005	22E042 55/055	21E080 55/105	21E112 56/042
210104 53/036	220134 53/086	220173 54/019	220215 54/069	21E001 55/006	21E043 55/056	21E081 55/106	21E113 56/043
210104 53/037	220134 53/087	220174 54/020	210216 54/070	22E002 55/007	21E043 55/057	22E082 55/107	21E114 56/044
220105 53/038	220135 53/088	220175 54/021	210217 54/071	21E003 55/008	21E043 55/058	21E083 55/108	21E115 56/045
220105 53/039	220135 53/089	210176 54/022	220218 54/072	22E004 55/009	22E044 55/059	21E083 55/109	22E116 56/046
220105 53/040	220135 53/090	210177 54/023	210219 54/073	22E004 55/010	22E044 55/060	21E083 55/110	21E117 56/047
210106 53/041	220136 53/091	220178 54/024	220220 54/074	22E004 55/011	22E044 55/061	22E084 55/111	21E118 56/048
210106 53/042	220136 53/092	210179 54/025	220220 54/075	22E005 55/012	22E045 55/062	22E084 55/112	21E119 56/049
210106 53/043	220136 53/093	220180 54/026	220220 54/076	22E005 55/013	22E045 55/063	22E084 55/113	21E120 56/050
220107 53/044	220137 53/094	220180 54/027	220221 54/077	22E005 55/014	22E045 55/064	22E085 56/001	21E121 56/051
220107 53/045	220137 53/095	220180 54/028	220221 54/078	22E006 55/015	22E046 55/065	22E085 56/002	22E122 56/052
220107 53/046	220137 53/096	220181 54/029	220221 54/079	22E007 55/016	22E047 55/066	22E085 56/003	21E123 56/053
220108 53/047	220138 53/097	220181 54/030	220222 54/080	21E008 55/017	21E048 55/067	22E086 56/004	21E123 56/054
220109 53/048	220138 53/098	220181 54/031	220223 54/081	21E009 55/018	21E049 55/068	22E087 56/005	21E123 56/055
220110 53/049	220138 53/099	220182 54/032	210224 54/082	21E010 55/019	21E050 55/069	22E088 56/006	22E124 56/056
220111 53/050	220139 53/100	220183 54/033	210225 54/083	22E011 55/020	22E051 55/070	22E089 56/007	22E124 56/057
220112 53/051	220140 53/101	210184 54/034	210226 54/084	21E012 55/021	21E052 55/071	22E090 56/008	22E124 56/058
220113 53/052	220141 53/102	210185 54/035	220227 54/085	22E013 55/022	22E053 55/072	22E091 56/009	22E125 56/059
220114 53/053	210142 53/103	210186 54/036	210228 54/086	21E014 55/023	21E054 55/073	22E092 56/010	22E125 56/060
220115 53/054	210143 53/104	220187 54/037	220229 54/087	22E015 55/024	22E055 55/074	22E092 56/011	22E125 56/061

VIKING LANDER ARCHIVE TAPE CATALOG

PICNO VLE ID	PICNO VLE ID	PICNO VLE ID	PICNO VLE ID	PICNO VLE ID	PICNO VLE ID	PICNO VLE ID	PICNO VLE ID
ZE126 56/062	ZE163 56/112	ZE191 57/046	ZE218 57/096	ZF014 58/029	ZF046 59/003	ZF078 59/053	ZF117 59/103
ZE127 56/063	ZE163 56/113	ZE191 57/047	ZE219 57/097	ZF015 58/030	ZF047 59/004	ZF079 59/054	ZF117 59/104
ZE128 56/064	ZE164 56/114	ZE192 57/048	ZE220 57/098	ZF015 58/031	ZF048 59/005	ZF079 59/055	ZF117 59/105
ZE129 56/065	ZE164 56/115	ZE192 57/049	ZE221 57/099	ZF015 58/032	ZF049 59/006	ZF079 59/056	ZF118 59/106
ZE130 56/066	ZE164 56/116	ZE192 57/050	ZE222 57/100	ZF016 58/033	ZF050 59/007	ZF080 59/057	ZF118 59/107
ZE131 56/067	ZE165 57/001	ZE193 57/051	ZE223 57/101	ZF017 58/034	ZF051 59/008	ZF080 59/058	ZF118 59/108
ZE132 56/068	ZE165 57/002	ZE193 57/052	ZE224 57/102	ZF018 58/035	ZF052 59/009	ZF080 59/059	ZF119 59/109
ZE132 56/069	ZE165 57/003	ZE193 57/053	ZE224 57/103	ZF019 58/036	ZF053 59/010	ZF081 59/060	ZF120 59/110
ZE132 56/070	ZE166 57/004	ZE194 57/054	ZE224 57/104	ZF020 58/037	ZF054 59/011	ZF081 59/061	ZF121 59/111
ZE133 56/071	ZE166 57/005	ZE194 57/055	ZE225 57/105	ZF021 58/038	ZF055 59/012	ZF081 59/062	ZF122 59/112
ZE134 56/072	ZE166 57/006	ZE194 57/056	ZE226 57/106	ZF022 58/039	ZF056 59/013	ZF082 59/063	ZF123 59/113
ZE135 56/073	ZE167 57/007	ZE195 57/057	ZE227 57/107	ZF023 58/040	ZF057 59/014	ZF082 59/064	ZF124 60/001
ZE136 56/074	ZE167 57/008	ZE195 57/058	ZE228 57/108	ZF024 58/041	ZF058 59/015	ZF082 59/065	ZF125 60/002
ZE137 56/075	ZE167 57/009	ZE195 57/059	ZE228 57/109	ZF024 58/042	ZF059 59/016	ZF083 59/066	ZF126 60/003
ZE138 56/076	ZE168 57/010	ZE196 57/060	ZE228 57/110	ZF024 58/043	ZF060 59/017	ZF084 59/067	ZF127 60/004
ZE139 56/077	ZE169 57/011	ZE196 57/061	ZE229 57/111	ZF025 58/044	ZF061 59/018	ZF085 59/068	ZF128 60/005
ZE140 56/078	ZE169 57/012	ZE196 57/062	ZE230 57/112	ZF025 58/045	ZF062 59/019	ZF085 59/069	ZF129 60/006
ZE141 56/079	ZE169 57/013	ZE197 57/063	ZE230 57/113	ZF025 58/046	ZF063 59/020	ZF085 59/070	ZF130 60/007
ZE142 56/080	ZE170 57/014	ZE198 57/064	ZE230 57/114	ZF026 58/047	ZF064 59/021	ZF086 59/071	ZF131 60/008
ZE142 56/081	ZE171 57/015	ZE199 57/065	ZE231 57/115	ZF026 58/048	ZF065 59/022	ZF086 59/072	ZF132 60/009
ZE142 56/082	ZE171 57/016	ZE200 57/066	ZE232 57/116	ZF026 58/049	ZF066 59/023	ZF086 59/073	ZF133 60/010
ZE143 56/083	ZE171 57/017	ZE201 57/067	ZE233 57/117	ZF027 58/050	ZF067 59/024	ZF087 59/074	ZF134 60/011
ZE143 56/084	ZE172 57/018	ZE202 57/068	ZF000 58/001	ZF027 58/051	ZF068 59/025	ZF088 59/075	ZF135 60/012
ZE143 56/085	ZE172 57/019	ZE203 57/069	ZF001 58/002	ZF027 58/052	ZF068 59/026	ZF092 59/076	ZF136 60/013
ZE144 56/086	ZE172 57/020	ZE204 57/070	ZF002 58/003	ZF028 58/053	ZF068 59/027	ZF093 59/077	ZF137 60/014
ZE144 56/087	ZE173 57/021	ZE205 57/071	ZF003 58/004	ZF028 58/054	ZF069 59/028	ZF094 59/078	ZF138 60/015
ZE144 56/088	ZE173 57/022	ZE206 57/072	ZF004 58/005	ZF028 58/055	ZF069 59/029	ZF095 59/079	ZF138 60/016
ZE145 56/089	ZE173 57/023	ZE207 57/073	ZF005 58/006	ZF029 58/056	ZF069 59/030	ZF096 59/080	ZF138 60/017
ZE146 56/090	ZE174 57/024	ZE208 57/074	ZF005 58/007	ZF029 58/057	ZF070 59/031	ZF097 59/081	ZF139 60/018
ZE147 56/091	ZE175 57/025	ZE208 57/075	ZF005 58/008	ZF029 58/058	ZF071 59/032	ZF098 59/082	ZF139 60/019
ZE147 56/092	ZE176 57/026	ZE208 57/076	ZF006 58/009	ZF030 58/059	ZF071 59/033	ZF099 59/083	ZF139 60/020
ZE147 56/093	ZE177 57/027	ZE209 57/077	ZF006 58/010	ZF030 58/060	ZF071 59/034	ZF100 59/084	ZF140 60/021
ZE148 56/094	ZE178 57/028	ZE209 57/078	ZF006 58/011	ZF030 58/061	ZF072 59/035	ZF101 59/085	ZF140 60/022
ZE149 56/095	ZE179 57/029	ZE209 57/079	ZF007 58/012	ZF031 58/062	ZF072 59/036	ZF102 59/086	ZF140 60/023
ZE149 56/096	ZE180 57/030	ZE210 57/080	ZF007 58/013	ZF031 58/063	ZF072 59/037	ZF103 59/087	ZF141 60/024
ZE149 56/097	ZE181 57/031	ZE211 57/081	ZF007 58/014	ZF031 58/064	ZF073 59/038	ZF104 59/088	ZF141 60/025
ZE150 56/098	ZE182 57/032	ZE211 57/082	ZF008 58/015	ZF032 58/065	ZF073 59/039	ZF105 59/089	ZF141 60/026
ZE151 56/099	ZE183 57/033	ZE211 57/083	ZF009 58/016	ZF033 58/066	ZF073 59/040	ZF106 59/090	ZF142 60/027
ZE152 56/100	ZE184 57/034	ZE212 57/084	ZF010 58/017	ZF034 58/067	ZF074 59/041	ZF107 59/091	ZF142 60/028
ZE153 56/101	ZE185 57/035	ZE212 57/085	ZF011 58/018	ZF035 58/068	ZF074 59/042	ZF108 59/092	ZF142 60/029
ZE154 56/102	ZE186 57/036	ZE212 57/086	ZF011 58/019	ZF036 58/069	ZF074 59/043	ZF109 59/093	ZF143 60/030
ZE155 56/103	ZE187 57/037	ZE213 57/087	ZF011 58/020	ZF037 58/070	ZF075 59/044	ZF110 59/094	ZF143 60/031
ZE156 56/104	ZE187 57/038	ZE214 57/088	ZF012 58/021	ZF038 58/071	ZF076 59/045	ZF111 59/095	ZF143 60/032
ZE157 56/105	ZE187 57/039	ZE214 57/089	ZF012 58/022	ZF039 58/072	ZF076 59/046	ZF112 59/096	ZF144 60/033
ZE158 56/106	ZE188 57/040	ZE214 57/090	ZF012 58/023	ZF040 58/073	ZF076 59/047	ZF113 59/097	ZF144 60/034
ZE159 56/107	ZE189 57/041	ZE215 57/091	ZF013 58/024	ZF041 58/074	ZF077 59/048	ZF114 59/098	ZF144 60/035
ZE160 56/108	ZE189 57/042	ZE215 57/092	ZF013 58/025	ZF042 58/075	ZF077 59/049	ZF115 59/099	ZF145 60/036
ZE161 56/109	ZE189 57/043	ZE215 57/093	ZF013 58/026	ZF043 58/076	ZF077 59/050	ZF116 59/100	ZF146 60/037
ZE162 56/110	ZE190 57/044	ZE216 57/094	ZF014 58/027	ZF044 59/001	ZF078 59/051	ZF116 59/101	ZF147 60/038
ZE163 56/111	ZE191 57/045	ZE217 57/095	ZF014 58/028	ZF045 59/002	ZF078 59/052	ZF116 59/102	ZF148 60/039

VIKING LANDER ARCHIVE TAPE CATALOG

PICNO WLE ID	PICNO WLE ID	PICNO WLE ID	PICNO WLE ID	PICNO WLE ID	PICNO WLE ID	PICNO WLE ID	PICNO WLE ID
22F149 60/040	22F190 60/090	22F231 61/108	22G003 61/042	22G043 62/013	22G091 62/062	22G129 63/020	22G167 63/070
22F150 60/041	22F190 60/091	22F231 61/109	22G003 61/043	21G044 62/014	21G092 62/063	22G130 63/021	21G168 63/071
21F151 60/042	22F191 60/092	22F231 61/110	22G003 61/044	22G045 62/015	21G093 62/064	22G130 63/022	21G169 63/072
22F152 60/043	22F191 60/093	22F232 61/111	22G004 61/045	21G046 62/016	21G094 62/065	22G130 63/023	22G170 63/073
22F153 60/044	22F191 60/094	22F232 61/112	22G004 61/046	22G047 62/017	21G095 62/066	22G131 63/024	22G171 63/074
21F154 60/045	22F192 60/095	22F232 61/113	22G004 61/047	22G048 62/018	21G096 62/067	21G132 63/025	21G172 63/075
22F155 60/046	22F192 60/096	21F233 61/114	22G005 61/048	21G049 62/019	21G097 62/068	21G133 63/026	22G173 63/076
21F156 60/047	22F192 60/097	22F234 61/115	22G005 61/049	22G050 62/020	22G098 62/069	22G134 63/027	22G174 63/077
21F157 60/048	22F193 60/098	22F235 61/116	22G005 61/050	21G051 62/021	22G099 62/070	21G135 63/028	21G175 63/078
22F158 60/049	21F194 60/099	22F236 61/001	22G006 61/051	22G052 62/022	21G101 62/071	21G136 63/029	22G176 63/079
21F159 60/050	21F195 60/100	21F237 61/002	22G007 61/052	21G053 62/023	22G101 62/072	22G137 63/030	22G176 63/080
21F160 60/051	21F196 60/101	21F238 61/003	22G007 61/053	21G054 62/024	21G102 62/073	21G138 63/031	22G176 63/081
21F161 60/052	21F197 60/102	21F239 61/004	22G007 61/054	22G055 62/025	21G103 62/074	21G139 63/032	21G177 63/082
22F162 60/053	21F198 60/103	21F240 61/005	22G008 61/055	21G056 62/026	21G104 62/075	21G140 63/033	21G178 63/083
22F163 60/054	22F199 60/104	21F241 61/006	22G009 61/056	21G057 62/027	21G104 62/076	22G141 63/034	22G179 63/084
21F164 60/055	22F200 60/105	22F242 61/007	22G010 61/057	21G058 62/028	21G104 62/077	22G142 63/035	21G180 63/085
22F165 60/056	22F201 60/106	21F243 61/008	21G011 61/058	22G059 62/029	22G105 62/078	21G143 63/036	21G181 63/086
21F166 60/057	22F202 60/107	22F244 61/009	22G012 61/059	22G060 62/030	22G105 62/079	22G144 63/037	21G181 63/087
22F167 60/058	22F203 60/108	22F244 61/010	22G013 61/060	22G060 62/031	22G105 62/080	22G144 63/038	21G181 63/088
21F168 60/059	22F204 60/109	22F244 61/011	22G014 61/061	22G060 62/032	21G106 62/081	22G144 63/039	21G182 63/089
22F169 60/060	22F205 60/110	22F245 61/012	22G014 61/062	21G061 62/033	22G107 62/082	22G145 63/040	21G182 63/090
21F170 60/061	22F206 60/111	22F245 61/013	22G014 61/063	22G062 62/034	22G107 62/083	22G146 63/041	21G182 63/091
21F171 60/062	22F208 61/080	22F245 61/014	21G015 61/064	21G063 62/035	22G107 62/084	21G147 63/042	21G183 63/092
22F172 60/063	22F208 61/081	22F246 61/015	22G016 61/065	21G064 62/036	22G108 62/085	21G148 63/043	21G183 63/093
22F173 60/064	21F209 61/082	22F246 61/016	22G017 61/066	21G065 62/037	22G108 62/086	22G149 63/044	21G183 63/094
22F173 60/065	21F210 61/083	22F246 61/017	22G018 61/067	22G066 62/038	22G108 62/087	22G150 63/045	21G184 63/095
22F173 60/066	21F211 61/084	22F247 61/018	22G019 61/068	21G067 62/039	22G109 62/088	22G151 63/046	21G184 63/096
22F174 60/067	22F212 61/085	22F248 61/019	21G020 61/069	22G068 62/040	22G110 62/089	22G151 63/047	21G184 63/097
22F174 60/068	22F213 61/086	22F249 61/020	21G021 61/070	21G069 62/041	21G111 62/090	22G151 63/048	21G185 63/098
22F174 60/069	21F214 61/087	21F250 61/021	22G022 61/071	21G070 62/042	22G112 62/091	22G152 63/049	21G185 63/099
22F175 60/070	21F215 61/088	21F251 61/022	21G023 61/072	22G071 69/021	21G113 62/092	22G152 63/050	21G185 63/100
22F175 60/071	21F216 61/089	21F251 61/023	22G024 61/073	22G072 62/043	22G114 63/001	22G152 63/051	22G186 63/101
22F175 60/072	22F217 61/090	21F251 61/024	21G025 61/074	21G073 62/044	22G115 63/002	22G153 63/052	21G187 63/102
22F176 60/073	22F218 61/091	21F252 61/025	21G026 61/075	22G074 62/045	21G116 63/003	22G154 63/053	21G188 63/103
22F176 60/074	22F219 61/092	21F252 61/026	22G027 61/076	21G075 62/046	21G117 63/004	21G155 63/054	22G189 69/019
22F176 60/075	22F220 61/093	21F252 61/027	21G028 61/077	22G076 62/047	22G118 63/005	21G156 63/055	22G190 64/001
21F177 60/076	21F221 61/094	21F253 61/028	21G029 61/078	22G077 62/048	22G119 63/006	22G157 63/056	22G190 64/002
21F178 60/077	22F222 61/095	21F253 61/029	21G030 61/079	21G078 62/049	22G120 63/007	22G157 63/057	22G190 64/003
22F179 60/078	22F223 61/096	21F253 61/030	22G031 62/001	21G079 62/050	22G120 63/008	22G157 63/058	22G191 64/004
21F180 60/079	21F224 61/097	22F254 61/031	22G032 62/002	21G080 62/051	22G120 63/009	22G158 63/059	22G191 64/005
22F181 60/080	22F225 61/098	22F254 61/032	22G033 62/003	21G081 62/052	22G121 63/010	22G158 63/060	22G191 64/006
21F182 60/081	22F226 61/099	22F254 61/033	22G034 62/004	21G082 62/053	22G121 63/011	22G158 63/061	22G192 64/007
21F183 60/082	22F226 61/100	22F255 61/034	22G035 62/005	22G083 62/054	22G121 63/012	22G159 63/062	22G192 64/008
21F184 60/083	22F226 61/101	22F255 61/035	22G036 62/006	22G084 62/055	21G122 63/013	22G160 63/063	22G192 64/009
22F185 60/084	22F227 61/102	22F255 61/036	22G037 62/007	22G085 62/056	22G123 63/014	22G161 63/064	22G193 64/010
21F186 60/085	22F227 61/103	22G000 61/037	22G038 62/008	22G086 62/057	21G124 63/015	22G162 63/065	22G193 64/011
21F187 60/086	22F227 61/104	22G000 61/038	22G039 62/009	21G087 62/058	22G125 63/016	22G163 63/066	22G193 64/012
22F188 60/087	22F228 61/105	22G000 61/039	21G040 62/010	22G088 62/059	21G126 63/017	22G164 63/067	22G194 64/013
22F189 60/088	22F229 61/106	22G001 61/040	22G041 62/011	21G089 62/060	21G127 63/018	22G165 63/068	22G194 64/014
22F190 60/089	22F230 61/107	21G002 61/041	22G042 62/012	21G090 62/061	22G128 63/019	22G166 63/069	22G194 64/015

VIKING LANDER ARCHIVE TAPE CATALOG

PICNO VLE ID	PICNO VLE ID	PICNO VLE ID	PICNO VLE ID	PICNO VLE ID	PICNO VLE ID	PICNO VLE ID	PICNO VLE ID
22G195 64/016	21G217 64/066	22G253 64/116	21H031 65/051	22H078 65/100	21H119 66/042	22H160 66/092	22H205 67/039
22G195 64/017	21G218 64/067	22G254 65/001	21H032 65/051	22H078 65/101	21H120 66/043	22H160 66/093	22H206 67/040
22G195 64/018	22G219 64/068	22G255 65/002	22H033 65/052	22H079 65/102	21H121 66/044	21H161 66/094	22H207 67/041
22G196 64/019	21G220 64/069	22H000 65/003	21H034 65/053	22H079 65/103	21H121 66/045	22H162 66/095	22H208 67/042
22G196 64/020	22G221 64/070	22H001 65/004	21H035 65/054	22H079 65/104	21H121 66/046	22H163 66/096	21H209 67/043
22G196 64/021	21G222 64/071	22H002 65/005	22H036 65/055	21H080 65/105	21H122 66/047	21H164 66/097	21H210 67/044
22G197 64/022	22G223 64/072	22H002 65/006	22H037 65/056	21H081 65/106	22H123 66/048	21H165 66/098	21H210 67/045
22G197 64/023	22G224 64/073	22H002 65/007	21H038 65/057	22H082 65/107	21H124 66/049	22H166 66/099	21H210 67/046
22G197 64/024	22G225 64/074	22H003 65/008	22H039 65/058	22H083 65/108	21H124 66/050	22H168 66/100	21H211 67/047
21G198 64/025	22G226 64/075	22H003 65/009	21H040 65/059	22H084 66/001	21H124 66/051	22H168 66/101	21H212 67/048
21G198 64/026	22G227 64/076	22H003 65/010	21H041 65/060	22H084 66/002	21H125 66/052	22H169 66/102	22H213 67/049
21G198 64/027	21G228 64/077	21H004 65/011	21H041 65/061	22H084 66/003	21H126 66/053	21H170 66/103	21H214 67/050
21G199 64/028	22G229 64/078	21H005 65/012	21H041 65/062	22H085 66/004	21H127 66/054	22H171 67/001	22H215 67/051
21G199 64/029	21G230 64/079	21H006 65/013	22H042 65/063	22H085 66/005	22H128 66/055	21H172 67/002	22H216 67/052
21G199 64/030	21G231 64/080	21H007 65/014	22H043 65/064	22H085 66/006	21H129 66/056	22H173 67/003	22H216 67/053
21G200 64/031	22G232 64/081	22H008 65/015	22H044 65/065	22H086 66/007	21H130 66/057	22H174 67/004	22H216 67/054
22G201 64/032	21G233 64/082	21H009 65/016	21H045 65/066	21H087 66/008	22H131 66/058	21H175 67/005	21H217 67/055
21G202 64/033	22G234 64/083	21H010 65/017	22H046 65/067	21H088 66/009	22H132 66/059	21H176 67/006	21H218 67/056
21G203 64/034	22G235 64/084	21H011 65/018	22H047 65/068	22H089 66/010	21H133 66/060	21H177 67/007	22H219 67/057
21G203 64/035	22G236 64/085	22H012 65/019	21H048 65/069	22H090 66/011	21H133 66/061	21H178 67/008	22H220 67/058
21G203 64/036	22G237 64/086	21H013 65/020	21H049 65/070	21H091 66/012	21H134 66/062	22H179 67/009	22H220 67/059
21G204 64/037	22G238 64/087	22H014 65/021	21H050 65/071	22H092 66/013	22H135 66/063	22H180 67/010	22H220 67/060
21G204 64/038	21G239 64/088	22H015 65/022	22H051 65/072	22H093 66/014	22H137 66/064	21H181 67/011	21H221 67/061
21G204 64/039	22G240 64/089	22H016 65/023	22H052 65/073	22H093 66/015	22H138 66/065	22H182 67/012	22H222 67/062
21G205 64/040	21G241 64/090	22H016 65/024	22H053 65/074	22H093 66/016	21H139 66/066	21H183 67/013	21H223 67/063
21G205 64/041	21G242 64/091	22H016 65/025	21H054 65/075	22H094 66/017	22H140 66/067	21H184 67/014	21H224 67/064
21G205 64/042	21G243 64/092	22H017 65/026	22H055 65/076	22H095 66/018	21H141 66/068	21H184 67/015	21H224 67/065
21G206 64/043	22G244 64/093	22H017 65/027	22H056 65/077	21H096 66/019	22H142 66/069	21H184 67/016	21H224 67/066
21G206 64/044	22G244 64/094	22H017 65/028	21H057 65/078	22H097 66/020	22H143 66/070	21H185 67/017	21H225 67/067
21G206 64/045	22G244 64/095	22H018 65/029	22H058 65/079	22H098 66/021	22H144 66/071	22H186 67/018	22H226 67/068
21G207 64/046	22G245 64/096	22H019 65/030	21H059 65/080	22H099 66/022	22H145 66/072	21H187 67/019	21H227 67/069
21G207 64/047	22G245 64/097	22H020 65/031	21H060 65/081	21H100 66/023	21H146 66/073	21H187 67/020	22H228 67/070
21G207 64/048	22G245 64/098	22H021 65/032	22H061 65/082	22H101 66/024	22H147 66/074	21H187 67/021	22H229 67/071
21G208 64/049	22G246 64/099	21H022 65/033	21H062 65/083	22H102 66/025	22H148 66/075	21H188 67/022	22H230 67/072
21G208 64/050	22G246 64/100	22H023 65/034	22H063 65/084	21H103 66/026	21H149 66/076	21H189 67/023	22H231 67/073
21G208 64/051	22G246 64/101	22H023 65/035	22H064 65/085	21H104 66/027	22H150 66/077	21H190 67/024	22H232 67/074
21G209 64/052	22G247 64/102	22H023 65/036	22H065 65/086	22H105 66/028	21H151 66/078	22H191 67/025	22H233 67/075
21G209 64/053	22G247 64/103	22H024 65/037	22H066 65/087	21H106 66/029	22H152 66/079	22H192 67/026	21H234 67/076
21G209 64/054	22G247 64/104	22H024 65/038	21H067 65/088	22H107 66/030	22H152 66/080	21H193 67/027	21H235 67/077
21G210 64/055	22G248 64/105	22H024 65/039	22H068 65/089	22H108 66/031	22H152 66/081	22H194 67/028	21H236 67/078
21G210 64/056	22G248 64/106	22H025 65/040	22H069 65/090	21H109 66/032	21H153 66/082	22H195 67/029	22H237 67/079
21G210 64/057	22G248 64/107	22H026 65/041	21H070 65/091	22H110 66/033	22H154 66/083	21H196 67/030	22H238 67/080
21G211 64/058	22G249 64/108	22H026 65/042	22H071 65/092	21H111 66/034	22H155 66/084	21H197 67/031	22H239 67/081
21G212 64/059	21G250 64/109	22H026 65/043	22H072 65/093	22H112 66/035	22H155 66/085	22H198 67/032	22H240 67/082
21G213 64/060	22G251 64/110	22H027 65/044	22H073 65/094	22H113 66/036	22H155 66/086	21H199 67/033	22H241 67/083
21G213 64/061	22G251 64/111	22H027 65/045	22H074 65/095	21H114 66/037	22H156 66/087	22H200 67/034	22H242 67/084
21G213 64/062	22G251 64/112	22H027 65/046	22H075 65/096	21H115 66/038	21H157 66/088	21H201 67/035	22H243 67/085
21G214 64/063	22G252 64/113	22H028 65/047	21H076 65/097	21H116 66/039	21H158 66/089	21H202 67/036	22H244 67/086
21G215 64/064	22G252 64/114	22H029 65/048	21H077 65/098	21H117 66/040	21H159 66/090	22H203 67/037	21H245 67/087
22G216 64/065	22G252 64/115	22H030 65/049	22H078 65/099	22H118 66/041	22H160 66/091	21H204 67/038	21H245 67/088

VIKING LANDER ARCHIVE TAPE CATALOG

<u>PICNO VLE ID</u>	<u>PICNO VLE ID</u>	<u>PICNO VLE ID</u>	<u>PICNO VLE ID</u>	<u>PICNO VLE ID</u>	<u>PICNO VLE ID</u>	<u>PICNO VLE ID</u>	<u>PICNO VLE ID</u>
21H245 67/089	221026 68/039	221062 68/089	221098 03/007	221123 03/057			
22H246 67/090	221027 68/040	221063 68/090	221098 03/008	221123 03/058			
22H247 67/091	221028 68/041	221063 68/091	221098 03/009	221124 03/059			
22H248 67/092	221029 68/042	221063 68/092	221099 03/010	221124 03/060			
22H249 67/093	211030 68/043	221064 68/093	221099 03/011	221124 03/061			
21H250 67/094	211031 68/044	221065 68/094	221099 03/012	211125 03/062			
22H251 67/095	221032 68/045	221066 68/095	221100 03/013	211126 03/063			
22H252 67/096	221033 68/046	221066 68/096	221100 03/014	211127 03/064			
21H253 67/097	211034 68/047	221066 68/097	221100 03/015	221128 03/065			
22H254 67/098	211035 68/048	221067 68/098	221101 03/016	221129 03/066			
22H255 67/099	221036 68/049	221067 68/099	221101 03/017	221130 03/067			
221000 67/100	221037 68/050	221067 68/100	221101 03/018	221131 03/068			
221002 68/001	221038 68/051	211068 68/101	221102 03/019	221132 03/069			
211003 68/002	221039 68/052	211069 68/102	221102 03/020	211133 03/070			
211004 68/003	221040 68/053	211070 68/103	221102 03/021	211134 03/071			
211004 68/004	221041 68/054	211071 68/104	221103 03/022	211135 03/072			
211004 68/005	221042 68/055	221072 68/105	221103 03/023	211136 03/073			
211005 68/006	221043 68/056	221073 68/106	221103 03/024	211137 03/074			
211006 68/007	221044 68/057	221074 68/107	221104 03/025	221138 03/075			
221007 68/008	221045 68/058	221075 68/108	221104 03/026	211139 03/076			
221007 68/009	221046 68/059	221076 68/109	221104 03/027	211139 03/077			
221007 68/010	211047 68/060	221077 68/110	221105 03/028	211139 03/078			
221008 68/011	221048 68/061	211078 68/111	221105 03/029	211140 03/079			
221008 68/012	221049 68/062	211079 68/112	221105 03/030	211141 03/080			
221008 68/013	221050 68/063	211080 68/113	211106 03/031	211142 03/081			
221009 68/014	221051 68/064	211081 68/114	211106 03/032	211142 03/082			
221009 68/015	221052 68/065	221082 69/001	211106 03/033	211142 03/083			
221009 68/016	221053 68/066	221083 69/002	211107 03/034	211143 03/084			
221010 68/017	211054 68/067	211084 69/003	211108 03/035	221144 03/085			
221010 68/018	211055 68/068	221085 69/004	221109 03/036	221145 03/086			
221010 68/019	211056 68/069	211086 69/005	221109 03/037	221146 03/087			
221011 68/020	211056 68/070	221087 69/006	221109 03/038	221147 03/088			
221012 68/021	211056 68/071	211088 69/007	211110 03/039	211148 03/089			
211013 68/022	221057 68/072	221089 69/008	211111 03/040	221149 03/090			
221014 68/023	221057 68/073	211090 69/009	221112 03/041	221150 03/091			
221015 68/024	221057 68/074	211090 69/010	221113 03/042				
221016 68/025	221058 68/075	211090 69/011	221114 03/043				
221017 68/026	221058 68/076	211091 69/012	221115 03/044				
221018 68/027	221058 68/077	211092 69/013	211116 03/045				
221018 68/028	221059 68/078	211093 69/014	211117 03/046				
221018 68/029	221059 68/079	211093 69/015	221118 03/047				
221019 68/030	221059 68/080	211093 69/016	221119 03/048				
221019 68/031	221060 68/081	221094 69/017	221120 03/049				
221019 68/032	221060 68/082	221095 69/018	221121 03/050				
221020 68/033	221060 68/083	221096 03/001	221121 03/051				
221021 68/034	221061 68/084	221096 03/002	221121 03/052				
221022 68/035	221061 68/085	221096 03/003	221122 03/053				
221023 68/036	221061 68/086	221097 03/004	221122 03/054				
221024 68/037	221062 68/087	221097 03/005	221122 03/055				
221025 68/038	221062 68/088	221097 03/006	221123 03/056				

TABLE E-4

MARINER 10 ARCHIVE INDEX

Images are uniquely identified by FDS COUNT and GMT day. This method was necessary because the FDS clock reset to zero several times during the mission, causing images with identical FDS COUNTs to be taken for different image sequences. Images are grouped similar to the method used for the Viking Orbiter listing.



## MARINER VENUS/MERCURY ARCHIVE TAPE CATALOG

FDSCOUNT	DAY	MVE ID	FDSCOUNT	DAY	MVE ID	FDSCOUNT	DAY	MVE ID	FDSCOUNT	DAY	MVE ID	FDSCOUNT	DAY	MVE ID
59409-26	037	46/017-034	60754-57	038	50/019-022	61352-52	038	18/067-067	61660-60	038	07/014-014	62110-10	038	05/187-187
59427-29	037	45/032-034	60754-57	038	57/071-074	61354-54	038	18/068-068	61778-97	038	07/015-036	62228-28	038	37/217-217
59430-42	037	47/020-032	61028-64	038	17/175-211	61356-56	038	18/069-069	61780-80	038	07/052-052	62228-64	038	05/189-225
59431-63	037	45/035-067	61038-38	038	17/212-212	61358-58	038	18/070-070	61782-82	038	07/053-053	62230-30	038	37/218-218
59434-42	037	33/213-221	61040-40	038	17/213-213	61360-60	038	18/071-071	61784-84	038	07/054-054	62232-32	038	37/219-219
59437-54	037	33/141-158	61042-42	038	17/214-214	61360-60	038	57/012-012	61786-86	038	07/055-055	62234-34	038	37/220-220
59464-77	037	47/006-019	61044-44	038	17/215-215	61361-64	038	18/058-061	61788-88	038	07/056-056	62236-36	038	05/226-226
59483-83	037	33/222-222	61046-46	038	17/216-216	61478-90	038	18/072-084	61790-90	038	07/057-057	62238-38	038	05/227-227
59483-93	037	47/033-043	61048-48	038	17/217-217	61478-99	038	57/013-034	61792-92	038	07/058-058	62240-40	038	05/228-228
59501-13	037	47/044-056	61050-50	038	17/218-218	61486-86	038	18/099-099	61794-94	038	07/059-059	62242-42	038	05/229-229
59514-14	037	56/167-167	61052-52	038	17/219-219	61488-88	038	18/100-100	61796-96	038	07/060-060	62244-44	038	05/230-230
59515-32	037	50/213-230	61054-54	038	17/220-220	61490-90	038	18/101-101	61798-98	038	07/061-061	62246-46	038	06/001-001
59533-47	037	51/001-015	61054-64	038	57/042-052	61492-92	038	18/102-102	61800-00	038	07/062-062	62248-48	038	06/002-002
59547-99	037	46/053-105	61056-56	038	17/221-221	61494-94	038	18/103-103	61800-14	038	07/037-051	62250-50	038	06/003-003
59557-74	037	33/177-194	61058-58	038	17/222-222	61496-96	038	18/104-104	61806-06	038	07/065-065	62252-52	038	06/004-004
59600-29	037	46/106-135	61060-60	038	17/223-223	61498-98	038	18/105-105	61808-08	038	07/066-066	62254-54	038	06/005-005
59620-28	037	33/195-203	61178-84	038	17/224-230	61500-00	038	18/106-106	61810-10	038	07/067-067	62256-56	038	06/006-006
59631-43	037	46/136-148	61182-82	038	18/031-031	61500-00	038	57/035-035	61928-33	038	07/068-073	62258-58	038	06/007-007
59857-99	037	02/146-188	61184-84	038	18/032-032	61501-06	038	57/075-080	61934-34	038	07/095-095	62260-60	038	06/008-008
59900-40	037	02/189-229	61185-99	038	18/001-015	61501-14	038	18/085-098	61936-36	038	07/096-096	62378-78	038	37/221-221
59941-58	037	03/001-018	61186-86	038	18/033-033	61502-02	038	18/107-107	61938-38	038	07/097-097	62378-99	038	06/010-031
59950-54	037	03/020-024	61188-88	038	18/034-034	61504-04	038	18/108-108	61940-40	038	07/098-098	62380-80	038	37/222-222
59958-58	037	03/019-019	61190-90	038	18/035-035	61506-06	038	18/109-109	61942-42	038	07/099-099	62382-82	038	37/223-223
59959-59	037	03/025-025	61192-92	038	18/036-036	61510-10	038	18/111-111	61944-44	038	07/100-100	62384-84	038	56/053-053
59959-99	037	03/026-066	61194-94	038	18/037-037	61628-64	038	18/112-148	61944-64	038	07/074-074	62386-86	038	56/054-054
60000-16	037	03/067-083	61195-99	038	57/001-005	61630-30	038	18/149-149	61946-46	038	07/101-101	62388-88	038	56/055-055
60016-16	037	03/084-084	61196-96	038	18/038-038	61632-32	038	18/150-150	61948-48	038	07/102-102	62388-88	038	57/180-180
60018-61	037	03/085-128	61198-98	038	18/039-039	61634-34	038	18/151-151	61950-50	038	07/103-103	62392-92	038	56/056-056
60061-95	037	03/133-167	61200-00	038	18/040-040	61636-36	038	07/002-002	61952-52	038	07/104-104	62392-92	038	57/181-181
60095-99	037	03/168-172	61200-02	038	57/006-008	61636-36	038	18/152-152	61954-54	038	07/105-105	62394-94	038	06/098-098
60100-24	037	03/173-197	61200-14	038	18/016-030	61638-38	038	07/003-003	61956-56	038	07/106-106	62396-96	038	06/099-099
60166-85	037	03/198-217	61201-02	038	57/081-082	61638-38	038	18/153-153	61958-58	038	07/107-107	62398-98	038	06/100-100
60190-99	037	03/218-227	61202-02	038	18/041-041	61640-40	038	07/004-004	61960-60	038	07/108-108	62400-00	038	06/101-101
60200-02	037	03/228-230	61204-04	038	18/042-042	61640-40	038	18/154-154	62078-99	038	07/109-130	62400-08	038	06/032-040
60203-80	037	04/001-078	61206-06	038	18/043-043	61642-42	038	07/005-005	62080-80	038	07/146-146	62402-02	038	06/102-102
60312-29	037	04/079-096	61208-08	038	18/044-044	61642-42	038	18/155-155	62082-82	038	07/147-147	62404-04	038	06/103-103
60339-74	037	04/097-132	61210-10	038	18/045-045	61642-64	038	57/116-138	62084-84	038	07/148-148	62406-06	038	06/104-104
60373-99	037	49/135-161	61328-28	038	56/109-109	61644-44	038	07/006-006	62086-86	038	07/149-149	62408-08	038	06/105-105
60395-99	037	15/090-094	61328-39	038	18/046-057	61644-44	038	18/156-156	62088-88	038	07/150-150	62409-14	038	06/092-097
60400-05	037	15/095-100	61330-30	038	56/110-110	61646-46	038	07/007-007	62090-90	038	07/151-151	62409-14	038	57/182-187
60400-22	037	49/162-184	61332-32	038	56/111-111	61646-46	038	18/157-157	62092-92	038	07/152-152	62532-32	039	56/058-058
60428-29	037	47/185-186	61334-34	038	56/112-112	61648-48	038	07/008-008	62094-94	038	07/153-153	62532-48	039	06/107-123
60539-51	038	49/187-199	61336-36	038	56/113-113	61648-48	038	18/158-158	62096-96	038	07/154-154	62534-34	039	56/059-059
60555-63	038	38/222-230	61338-38	038	56/114-114	61650-50	038	07/009-009	62098-98	038	07/155-155	62534-51	039	57/162-179
60555-82	038	49/200-227	61340-40	038	56/115-115	61652-52	038	07/010-010	62100-00	038	07/156-156	62536-36	039	56/060-060
60564-70	038	39/001-007	61342-42	038	18/062-062	61652-52	038	07/063-063	62100-14	038	07/131-145	62538-38	039	56/061-061
60718-50	038	39/038-040	61344-44	038	18/063-063	61654-54	038	07/011-011	62102-02	038	07/157-157	62540-40	039	06/077-077
60730-32	038	49/228-230	61346-46	038	18/064-064	61654-54	038	07/064-064	62104-04	038	07/158-158	62542-42	039	06/078-078
60733-50	038	50/001-018	61348-48	038	18/065-065	61656-56	038	07/012-012	62106-06	038	07/159-159	62542-42	039	06/081-081
60746-49	038	57/067-070	61350-50	038	18/066-066	61658-58	038	07/013-013	62108-08	038	07/160-160	62544-44	039	06/079-079









## MARINER VENUS/MERCURY ARCHIVE TAPE CATALOG

FDSCOUNT	DAY	MVE ID	FDSCOUNT	DAY	MVE ID	FDSCOUNT	DAY	MVE ID	FDSCOUNT	DAY	MVE ID
27404-31	088	40/066-093	02063-64	089	45/217-218	05390-99	091	14/001-010	164705-13	263	30/020-028
27419-29	088	26/140-150	02067-68	089	45/219-220	05400-15	091	14/011-026	164707-11	263	23/001-005
27424-31	088	41/200-207	02071-72	089	45/221-222	05400-20	091	13/205-225	164714-22	263	23/006-014
27424-61	088	31/130-167	02075-76	089	45/223-224	05996-99	091	14/084-087	164723-31	263	25/091-099
27433-50	088	41/208-225	02079-80	089	45/225-226	06000-10	091	14/088-098	164732-34	263	23/015-017
27439-51	088	40/094-106	02083-84	089	45/227-228	06014-16	091	56/116-118	166463-80	264	26/151-168
27451-61	088	42/060-070	02087-87	089	45/229-229	06017-18	091	19/096-097	166471-74	264	24/056-058
27457-70	088	40/113-126	02088-88	089	46/001-001	06020-20	091	56/119-119	166480-83	264	24/059-062
27467-77	088	42/071-081	02090-99	089	45/001-010	06020-45	091	19/098-123	166483-91	264	24/175-183
27468-77	088	31/168-177	02096-96	089	46/002-002	06022-22	091	56/120-120	166576-99	264	24/005-028
27475-77	088	40/127-129	02100-00	089	46/004-004	06023-40	091	14/099-116	166600-25	264	24/029-054
00300-13	089	32/217-230	02100-20	089	45/011-031	06024-24	091	56/121-121	166626-34	264	30/029-037
00300-31	089	43/128-159	02103-04	089	46/005-006	06026-26	091	56/122-122	166626-94	264	24/072-160
00314-31	089	33/001-018	02107-08	089	46/007-008	06027-42	091	14/119-134	166695-99	264	24/184-188
00333-64	089	33/019-050	02111-12	089	46/009-010	06028-28	091	56/123-123	166700-09	264	24/189-198
00333-92	089	43/160-219	02115-16	089	46/011-012	06030-30	091	56/124-124	166706-14	264	26/169-177
00365-68	089	56/182-185	02119-20	089	46/013-014	06032-32	091	56/125-125	166713-44	264	24/199-230
00369-92	089	33/051-074	02123-24	089	46/015-016	06033-47	091	19/081-095	166745-64	264	25/001-020
00495-99	089	33/093-097	02995-95	089	46/003-003	06049-50	091	14/117-118	166765-99	264	25/100-134
00495-99	089	44/010-014	27459-67	089	43/220-228	06046-46	092	14/135-135	166800-07	264	25/135-142
00500-12	089	44/015-027	27459-76	089	33/075-092	08046-56	092	15/001-011	166808-33	264	25/178-203
00500-14	089	33/098-112	27468-76	089	44/001-009	08058-67	092	15/012-021	166834-42	264	25/082-090
00614-14	089	44/028-028	02551-89	090	47/057-095	08070-99	092	15/053-082	166847-52	264	25/051-056
00617-17	089	44/046-046	03931-94	090	47/096-159	08076-99	092	15/022-045	166852-81	264	25/021-050
00618-34	089	44/029-045	04004-28	090	47/160-184	08100-06	092	15/046-052	166882-83	264	25/057-058
00626-32	089	33/113-119	04030-37	090	33/223-230	08100-06	092	15/083-089	166891-99	264	25/059-067
00734-54	089	33/120-140	04030-38	090	47/185-193	158495-99	260	22/176-180	166900-13	264	25/068-081
00734-54	089	44/047-067	04038-55	090	34/001-018	158500-43	260	22/181-224	167014-25	265	24/161-172
00854-74	089	44/068-088	04056-64	090	47/194-202	160424-83	261	22/114-173	167032-33	265	24/173-174
00974-94	089	44/089-109	04082-90	090	47/203-211	160488-89	261	22/174-175	168765-69	265	25/143-147
00976-77	089	41/002-003	04108-16	090	47/212-220	160490-99	261	25/204-213	168775-90	265	25/148-163
01094-99	089	44/110-115	04134-43	090	47/221-230	160500-16	261	25/214-230	168798-99	265	25/164-165
01100-12	089	44/116-128	04144-51	090	48/001-008	160517-40	261	26/001-024	168800-11	265	25/166-177
01110-14	089	52/133-137	04160-68	090	48/009-017	160544-65	261	23/027-048	168807-11	265	30/038-042
01214-32	089	44/129-147	04186-94	090	48/018-026	160570-72	261	23/049-051	168812-30	265	24/063-081
01224-28	089	40/226-230	04212-20	090	48/027-035	160576-99	261	23/052-075	168839-48	265	24/082-091
01229-29	089	41/001-001	04239-42	090	48/036-039	160584-99	261	26/025-040			
01334-35	089	45/200-201	04246-50	090	48/040-044	160600-61	261	26/041-102			
01334-49	089	44/148-163	04303-61	090	48/045-103	160600-82	261	23/076-158			
01335-39	089	52/148-152	04362-99	090	13/022-059	160684-85	261	23/159-160			
01340-50	089	45/202-212	04400-02	090	13/060-062	160687-99	261	23/161-173			
01340-54	089	45/185-199	04414-57	091	13/063-106	160700-56	261	23/174-230			
01350-54	089	52/138-142	04466-74	091	13/107-115	160757-60	261	24/001-004			
01351-51	089	44/164-164	04466-74	091	13/117-125	162632-58	262	26/103-129			
01868-73	089	44/183-188	05123-35	091	13/127-139	162666-66	262	26/130-130			
01975-77	089	44/191-193	05124-58	091	13/149-183	164651-86	263	27/036-071			
01976-77	089	44/189-190	05137-43	091	13/140-146	164687-95	263	23/018-026			
02053-89	089	44/194-230	05160-60	091	13/147-147	164696-99	263	22/225-228			
02055-56	089	45/213-214	05379-99	091	13/184-204	164705-06	263	22/229-230			
02059-60	089	45/215-216	05386-89	091	13/227-230	164705-13	263	26/131-139			

TABLE E-5

MARINER 9 ARCHIVE INDEX

Images are identified by DAS TIME, a spacecraft clock count that increments every 1.2 seconds. Alternate A and B camera images could be taken on 35-count intervals. There is a 5-count (or less) discrepancy in the association of DAS TIMES with images depending whether one uses the telemetry DAS TIME or the DAS TIME associated with the image shuttering. This discrepancy is due to the telemetry DAS COUNT being attached to an image after it was read off the vidicon and onto the spacecraft tape recorder. The DAS TIME representing the actual shutter time is used in this listing. It was fairly common for playback sequences to wrap around the spacecraft tape recorder so that the first one or two images were transmitted to Earth twice. This is the reason why certain images are found twice on the same archive tape.

MARINER 9 ARCHIVE TAPE CATALOG

<u>DAS TIME</u>	<u>MME ID</u>	<u>DAS TIME</u>	<u>MME ID</u>	<u>DAS TIME</u>	<u>MME ID</u>	<u>DAS TIME</u>	<u>MME ID</u>	<u>DAS TIME</u>	<u>MME ID</u>	<u>DAS TIME</u>	<u>MME ID</u>	<u>DAS TIME</u>	<u>MME ID</u>
1392042	028/141	1504497	001/083	1632527	012/109	1673411	014/036	1748591	001/101	1779685	009/159	1816575	009/209
1392042	028/171	1506597	001/084	1632877	012/110	1673446	014/037	1748591	001/134	1779720	009/160	1816610	009/210
1392392	028/142	1509677	001/085	1632947	012/111	1673481	014/038	1748626	001/102	1779755	009/161	1816645	009/211
1392392	028/172	1510517	001/086	1639037	012/112	1673516	014/039	1748661	001/103	1779790	009/162	1845590	002/184
1392742	028/143	1512757	001/087	1644287	012/113	1673551	014/040	1748696	001/104	1779825	009/163	1845590	002/216
1393092	028/144	1515837	001/088	1645197	012/114	1673586	014/041	1748731	001/105	1779860	009/164	1845660	002/185
1393442	028/145	1516537	001/089	1645267	012/115	1673621	014/042	1748766	001/106	1779895	009/165	1845730	002/186
1393792	028/146	1518917	001/090	1645337	012/116	1673656	014/043	1748801	001/107	1779930	009/166	1845800	002/187
1394142	028/147	1520247	001/091	1645547	012/117	1673691	014/044	1748836	001/108	1779965	009/167	1845870	002/188
1394492	028/148	1521997	001/092	1651357	012/118	1673726	014/045	1748871	001/109	1780000	009/168	1845940	002/189
1394842	028/149	1523537	001/093	1651427	012/119	1673761	014/046	1748906	001/110	1780035	009/169	1846010	002/190
1395192	028/150	1525077	001/094	1651497	012/120	1673796	014/047	1748941	001/111	1780070	009/170	1846080	002/191
1395542	028/151	1528157	001/095	1651567	012/121	1673831	014/048	1748976	001/112	1780105	009/171	1846150	002/192
1395892	028/152	1531237	001/096	1651637	012/122	1673866	014/049	1749011	001/113	1780140	009/172	1846220	002/193
1396242	028/153	1534317	001/097	1652057	012/123	1673901	014/050	1749046	001/114	1780175	009/173	1850630	002/194
1396592	028/154	1534352	001/098	1656047	012/124	1710791	014/056	1749081	001/115	1780210	009/174	1850700	002/195
1396942	028/155	1546637	012/011	1657517	012/125	1710791	014/089	1749116	001/116	1780245	009/175	1850840	002/196
1397292	028/156	1546637	012/041	1657552	012/126	1710826	014/057	1749151	001/117	1780280	009/176	1850910	002/197
1397642	028/157	1549717	012/012	1657587	012/127	1710826	014/090	1749186	001/118	1780315	009/177	1850980	002/198
1397992	028/158	1549717	012/042	1657622	012/128	1710861	014/058	1749221	001/119	1814825	009/212	1851050	002/199
1398342	028/159	1552797	012/013	1657657	012/129	1710896	014/059	1749256	001/120	1814860	009/180	1852135	002/200
1398692	028/160	1555877	012/014	1657692	012/130	1710931	014/060	1749291	001/121	1814860	009/213	1852170	002/201
1399042	028/161	1558957	012/015	1657727	012/131	1710966	014/061	1749326	001/122	1814965	009/181	1852205	002/202
1399392	028/162	1562037	012/016	1657762	012/132	1711001	014/062	1749361	001/123	1815000	009/182	1852240	002/203
1399742	028/163	1565117	012/017	1657797	012/133	1711036	014/063	1749396	001/124	1815105	009/183	1852275	002/204
1400092	028/164	1568197	012/018	1657832	012/134	1711071	014/064	1749431	001/125	1815140	009/184	1852310	002/205
1400442	028/165	1571277	012/019	1657867	012/135	1711106	014/065	1749466	001/126	1815245	009/185	1852415	002/206
1400792	028/166	1573517	012/020	1672711	014/018	1711141	014/066	1749501	001/127	1815280	009/186	1852450	002/207
1401142	028/167	1574357	012/021	1672711	014/051	1711176	014/067	1749536	001/128	1815385	009/187	1852485	002/208
1401317	028/168	1576527	012/022	1672746	014/019	1711211	014/068	1749571	001/129	1815420	009/188	1852520	002/209
1401352	028/169	1580517	012/023	1672746	014/052	1711246	014/069	1749606	001/130	1815525	009/189	1852555	002/210
1401387	028/170	1583597	012/024	1672851	014/020	1711281	014/070	1749641	001/131	1815560	009/190	1852590	002/211
1460397	001/067	1586677	012/025	1672851	014/053	1711316	014/071	1749676	001/132	1815735	009/191	1852625	002/212
1460397	001/099	1589757	012/026	1672886	014/021	1711351	014/072	1749711	001/133	1815770	009/192	1852660	002/213
1463477	001/068	1592837	012/027	1672886	014/054	1711386	014/073	1779195	009/145	1815945	009/193	1852695	002/214
1463477	001/100	1594517	012/028	1672921	014/022	1711421	014/074	1779195	009/178	1815980	009/194	1852730	002/215
1466557	001/069	1595917	012/029	1672921	014/055	1711456	014/075	1779230	009/146	1816085	009/195	1884265	002/217
1469637	001/070	1598017	012/030	1672956	014/023	1711491	014/076	1779230	009/179	1816120	009/196	1884335	002/218
1472717	001/071	1598997	012/031	1672991	014/024	1711526	014/077	1779265	009/147	1816155	009/197	1884370	002/219
1475797	001/072	1602077	012/032	1673026	014/025	1711561	014/078	1779300	009/148	1816190	009/198	1884405	002/220
1478877	001/073	1603547	012/033	1673061	014/026	1711596	014/079	1779335	009/149	1816225	009/199	1884440	002/221
1481957	001/074	1605157	012/034	1673096	014/027	1711631	014/080	1779370	009/150	1816260	009/200	1884475	002/222
1483497	001/075	1608237	012/035	1673131	014/028	1711666	014/081	1779405	009/151	1816295	009/201	1884510	002/223
1485037	001/076	1611317	012/036	1673166	014/029	1711701	014/082	1779440	009/152	1816330	009/202	1884545	002/224
1488117	001/077	1614397	012/037	1673201	014/030	1711736	014/083	1779475	009/153	1816365	009/203	1884580	002/225
1491197	001/078	1617477	012/038	1673236	014/031	1711771	014/084	1779510	009/154	1816400	009/204	1884615	002/226
1494277	001/079	1618247	012/039	1673271	014/032	1711806	014/085	1779545	009/155	1816435	009/205	1884650	002/227
1497357	001/080	1618282	012/040	1673306	034/134	1711841	014/086	1779580	009/156	1816470	009/206	1884685	002/228
1500437	001/081	1632037	012/107	1673341	014/034	1711876	014/087	1779615	009/157	1816505	009/207	1884720	002/229
1503517	001/082	1632527	012/108	1673376	014/035	1711911	014/088	1779650	009/158	1816540	009/208	1884755	003/001

MARINER 9 ARCHIVE TAPE CATALOG

DAS TIME	MME ID	DAS TIME	MME ID	DAS TIME	MME ID	DAS TIME	MME ID	DAS TIME	MME ID	DAS TIME	MME ID	DAS TIME	MME ID
1884790	003/002	1921400	001/165	1994165	001/215	2031125	002/035	2102365	026/198	2138785	002/131	2175430	002/181
1884825	003/003	1921435	001/166	1994200	001/216	2031160	002/036	2102420	002/087	2138820	002/132	2205530	001/031
1884860	003/004	1921470	001/167	1994235	001/217	2031195	002/037	2102420	026/199	2138855	002/133	2205600	001/001
1884895	003/005	1921505	001/168	1994270	001/218	2031230	002/038	2102455	002/088	2138890	002/134	2205600	001/032
1884930	003/006	1921540	001/169	1994305	001/219	2031265	002/039	2102490	002/089	2138925	002/135	2205670	001/002
1884965	003/007	1921575	001/170	1994340	001/220	2031300	002/040	2102525	002/090	2138960	002/136	2205740	001/003
1885000	003/008	1921610	001/171	1994375	001/221	2031335	002/041	2102560	002/091	2138995	002/137	2206020	001/004
1885035	003/009	1921645	001/172	1994410	001/222	2031370	002/042	2102595	002/092	2139030	002/138	2207000	001/005
1885070	003/010	1921680	001/173	1994445	001/223	2031405	002/043	2102630	002/093	2139065	002/139	2207070	001/006
1885105	003/011	1921715	001/174	1994480	001/224	2031440	002/044	2102665	002/094	2139100	002/140	2207140	001/007
1885140	001/135	1921750	001/175	1994515	001/225	2031475	002/045	2102700	002/095	2139135	002/141	2207210	001/008
1885140	003/012	1921785	001/176	1994550	001/226	2031510	002/046	2102735	002/096	2139170	002/142	2207280	001/009
1885175	001/136	1956665	001/178	1994585	001/227	2031545	002/047	2102770	002/097	2139205	002/143	2207700	001/010
1885175	003/013	1956665	001/212	1994620	001/228	2031580	002/048	2102805	002/098	2139240	002/144	2207730	001/011
1885210	001/137	1956700	001/179	1994655	001/229	2031615	002/049	2102840	002/099	2139275	002/145	2207800	001/012
1885210	003/014	1956735	001/180	1994690	001/230	2066335	002/052	2102875	002/100	2139310	002/146	2207870	001/013
1885245	001/138	1956770	001/181	1994725	002/001	2066335	002/085	2102910	002/101	2139345	002/147	2210045	001/014
1885245	003/015	1956805	001/182	1994760	002/002	2066370	002/053	2102945	002/102	2169550	002/150	2210115	001/015
1885280	001/139	1956840	001/183	1994795	002/003	2066370	002/086	2102980	002/103	2169550	002/182	2210185	001/016
1885280	003/016	1956875	001/184	1994830	002/004	2066405	002/054	2103015	002/104	2169620	002/151	2210255	001/017
1885315	001/140	1956910	001/185	1994865	002/005	2066440	002/055	2103050	002/105	2169620	002/183	2210850	001/018
1885315	003/017	1956945	001/186	1994900	002/006	2066475	002/056	2103085	002/106	2169690	002/152	2210920	001/019
1885350	001/141	1956980	001/187	1994935	002/007	2066510	002/057	2103120	002/107	2169970	002/153	2210990	001/020
1885350	003/018	1956015	001/188	1994970	002/008	2066545	002/058	2103155	002/108	2171020	002/154	2211060	001/021
1885385	001/142	1956050	001/189	1995005	002/009	2066580	002/059	2103190	002/109	2171090	002/155	2211095	001/022
1885385	003/019	1956085	001/190	1995040	002/010	2066615	002/060	2103225	002/110	2171230	002/156	2211130	001/023
1920665	001/143	1956120	001/191	1995075	002/011	2066650	002/061	2103260	002/111	2173575	002/157	2211165	001/024
1920665	001/144	1956155	001/192	1995110	002/012	2066685	002/062	2103295	002/112	2173610	002/158	2211200	001/025
1920665	001/177	1956190	001/193	1995145	002/013	2066720	002/063	2103330	002/113	2174030	002/159	2211235	001/026
1920665	001/211	1956225	001/194	1995180	002/014	2066755	002/064	2103365	002/114	2174100	002/160	2211270	001/027
1920700	001/145	1956260	001/195	1995215	002/015	2066790	002/065	2103400	002/115	2174170	002/161	2211305	001/028
1920735	001/146	1956295	001/196	2030495	002/018	2066825	002/066	2103435	002/116	2174240	002/162	2211340	001/029
1920770	001/147	1956330	001/197	2030495	002/050	2066860	002/067	2103470	026/196	2174730	002/163	2211375	001/030
1920805	001/148	1956365	001/198	2030530	002/019	2066895	002/068	2103505	026/197	2174800	002/164	2241440	001/033
1920840	001/149	1956400	001/199	2030530	002/051	2066930	002/069	2138225	002/148	2174870	002/165	2241440	001/065
1920875	001/150	1956435	001/200	2030565	002/020	2066965	002/070	2138260	002/149	2174905	002/166	2241510	001/034
1920910	001/151	1956470	001/201	2030600	002/021	2067000	002/071	2138295	002/117	2174940	002/167	2241510	001/066
1920945	001/152	1956505	001/202	2030635	002/022	2067035	002/072	2138330	002/118	2174975	002/168	2241580	001/035
1920980	001/153	1956540	001/203	2030670	002/023	2067070	002/073	2138365	002/119	2175010	002/169	2241860	001/036
1921015	001/154	1956575	001/204	2030740	002/024	2067105	002/074	2138400	002/120	2175045	002/170	2242910	001/037
1921050	001/155	1956610	001/205	2030775	002/025	2067140	002/075	2138435	002/121	2175080	002/171	2242980	001/038
1921085	001/156	1956645	001/206	2030810	002/026	2067175	002/076	2138470	002/122	2175115	002/172	2243120	001/039
1921120	001/157	1956680	001/207	2030845	002/027	2067210	002/077	2138505	002/123	2175150	002/173	2245465	001/040
1921155	001/158	1956715	001/208	2030880	002/028	2067245	002/078	2138540	002/124	2175185	002/174	2245500	001/041
1921190	001/159	1956750	001/209	2030915	002/029	2067280	002/079	2138575	002/125	2175220	002/175	2245920	001/042
1921225	001/160	1956785	001/210	2030950	002/030	2067315	002/080	2138610	002/126	2175255	002/176	2245990	001/043
1921260	001/161	1994095	001/213	2030985	002/031	2067350	002/081	2138645	002/127	2175290	002/177	2246060	001/044
1921295	001/162	1994095	002/016	2031020	002/032	2067385	002/082	2138680	002/128	2175325	002/178	2246130	001/045
1921330	001/163	1994130	001/214	2031055	002/033	2067420	002/083	2138715	002/129	2175360	002/179	2246620	001/046
1921365	001/164	1994130	002/017	2031090	002/034	2067455	002/084	2138750	002/130	2175395	002/180	2246690	001/047



## MARINER 9 ARCHIVE TAPE CATALOG

DAS TIME	MME ID	DAS TIME	MME ID	DAS TIME	MME ID	DAS TIME	MME ID	DAS TIME	MME ID	DAS TIME	MME ID		
2246760	001/048	2313400	004/032	2353825	033/224	2421200	012/043	2456090	033/204	2498445	003/116	2564875	004/073
2246795	001/049	2313400	004/065	2353895	033/225	2421200	012/074	2456160	033/205	2498480	003/117	2565050	004/074
2246830	001/050	2313470	004/033	2353965	033/226	2421270	012/044	2456230	033/206	2498515	003/118	2565120	004/075
2246865	001/051	2313750	004/034	2354035	033/227	2421270	012/075	2456300	033/207	2498550	003/119	2565190	004/076
2246900	001/052	2313750	004/035	2354630	033/228	2421340	012/045	2456475	033/208	2498585	003/120	2565260	004/077
2246935	001/053	2314800	004/036	2354700	033/229	2421340	012/076	2456545	012/090	2528405	003/157	2565330	004/078
2246970	001/054	2314870	004/037	2354770	033/230	2421410	012/046	2456615	012/091	2528475	003/124	2565505	004/079
2247005	001/055	2315010	004/038	2354840	034/001	2421410	012/077	2456685	012/092	2528475	003/158	2565575	004/080
2247040	001/056	2317355	004/039	2354875	034/002	2421490	012/047	2460995	012/093	2528755	003/125	2565645	004/081
2247075	001/057	2317390	004/040	2354910	034/003	2422670	012/048	2461030	012/094	2528825	003/126	2565715	004/082
2247110	001/058	2317810	004/041	2354945	034/004	2422740	012/049	2461065	012/095	2528895	003/127	2565885	004/083
2247145	001/059	2317880	004/042	2354980	034/005	2422810	012/050	2461100	012/096	2528965	003/128	2565920	004/084
2247180	001/060	2317950	004/043	2355015	034/006	2422880	012/051	2461135	012/097	2528965	003/129	2565955	004/085
2247215	001/061	2318020	004/044	2355050	034/007	2422950	012/052	2461170	012/098	2529140	003/130	2565990	004/086
2247250	001/062	2318510	004/045	2355085	034/008	2423370	012/053	2462535	012/099	2529210	003/131	2565875	004/087
2247285	001/063	2318580	004/046	2355120	034/009	2425400	012/054	2462570	012/100	2529280	003/132	2565760	004/088
2247320	001/064	2318650	004/047	2355155	034/010	2425470	012/055	2462605	012/101	2529350	003/133	2565985	004/089
2277420	004/030	2318685	004/048	2385290	034/013	2425540	012/056	2462640	012/102	2529420	003/134	2570020	004/090
2277490	003/227	2318720	004/049	2385290	034/038	2425715	012/057	2462675	012/103	2529700	003/135	2570055	004/091
2277490	004/031	2318755	004/050	2385360	034/014	2425785	012/058	2462710	012/104	2529770	003/136	2570090	004/092
2277560	004/001	2318790	004/051	2385430	034/015	2425855	012/059	2490325	003/089	2529805	003/137	2570125	004/093
2277630	004/002	2318825	004/052	2385710	034/016	2425925	012/060	2490325	003/121	2529840	003/138	2570160	004/094
2277910	004/003	2318860	004/053	2386760	034/017	2426520	012/061	2490360	003/090	2529910	003/139	2570195	004/095
2278890	004/004	2318895	004/054	2386830	034/179	2426590	012/062	2490360	003/122	2529980	003/140	2570230	004/096
2278960	004/005	2318930	004/055	2386970	034/180	2426660	012/063	2492635	003/091	2530155	003/141	2570265	004/097
2279030	004/006	2318965	004/056	2389315	034/181	2426730	012/064	2492635	003/123	2530225	003/142	2600225	004/132
2279100	004/007	2319000	004/057	2389350	034/182	2426765	012/065	2492705	003/092	2530295	003/143	2600295	004/101
2279170	004/008	2319035	004/058	2389770	034/183	2426800	012/066	2492985	003/093	2530365	003/144	2600295	004/133
2279590	004/009	2319070	004/059	2389840	034/184	2426835	012/067	2493055	003/094	2532675	003/145	2600575	004/102
2281620	004/010	2319105	004/060	2389910	034/185	2426870	012/068	2493125	003/095	2532710	003/146	2600645	004/103
2281690	004/011	2319140	004/061	2389980	034/018	2426905	012/069	2493195	003/096	2532745	003/147	2600715	004/104
2281760	004/012	2319175	004/062	2390470	034/019	2426940	012/070	2493370	003/097	2532780	003/148	2600785	004/105
2281935	004/013	2319210	004/063	2390540	034/020	2426975	012/071	2493440	003/098	2532815	003/149	2600960	004/106
2282005	004/014	2349310	033/209	2390610	034/021	2427010	012/072	2493510	003/099	2532850	003/150	2601030	004/107
2282075	004/015	2349310	034/011	2390645	034/022	2427045	012/073	2493580	003/100	2534215	003/151	2601100	004/108
2282145	004/016	2349380	033/210	2390680	034/023	2456725	012/078	2493650	003/101	2534250	003/152	2601170	004/109
2282740	004/017	2349380	033/211	2390715	034/024	2456725	012/105	2493825	003/102	2534285	003/153	2601240	004/110
2282810	004/018	2349380	034/012	2390750	034/025	2456795	012/079	2493895	003/103	2534320	003/154	2601520	004/111
2282880	004/019	2349450	033/212	2390785	034/026	2456795	012/106	2493965	003/104	2534355	003/155	2601590	004/112
2282950	004/020	2349520	033/213	2390820	034/027	2457075	012/080	2494035	003/105	2534390	003/156	2601660	004/113
2282985	004/021	2349800	033/214	2390855	034/028	2457145	012/081	2496905	003/106	2562565	004/066	2601730	004/114
2283020	004/022	2350780	033/215	2390890	034/029	2457215	012/082	2496940	003/107	2562565	004/098	2601800	004/115
2283055	004/023	2350850	033/216	2390925	034/030	2457285	012/083	2496975	003/108	2562600	004/067	2601975	004/116
2283090	004/024	2350920	033/217	2390960	034/031	2457460	012/084	2497010	003/109	2562600	004/099	2602045	004/117
2283125	004/025	2350990	033/218	2390995	034/032	2457530	012/085	2497045	003/110	2564315	004/068	2602115	004/118
2283160	004/026	2351060	033/219	2391030	034/033	2457600	012/086	2497080	003/111	2564315	004/100	2602185	004/119
2283195	004/027	2351480	033/220	2391065	034/034	2457670	012/087	2498305	003/112	2564385	004/069	2604495	004/120
2283230	004/028	2353510	033/221	2391100	034/035	2457740	012/088	2498340	003/113	2564465	004/070	2604530	004/121
2283265	004/029	2353580	033/222	2391135	034/036	2457740	012/089	2498375	003/114	2564735	004/071	2604565	004/122
2313330	004/064	2353650	033/223	2391170	034/037	2458020	033/203	2498410	003/115	2564805	004/072	2604600	004/123



## MARINER 9 ARCHIVE TAPE CATALOG

DAS TIME	MYE ID	DAS TIME	MYE ID	DAS TIME	MYE ID	DAS TIME	MYE ID	DAS TIME	MYE ID	DAS TIME	MYE ID	DAS TIME	MYE ID
2604635	004/124	2672780	017/129	2712295	016/203	2780195	017/220	2817645	018/039	2887645	003/056	2927790	004/150
2604670	004/125	2672850	017/130	2712330	016/204	2780265	017/221	2817715	018/040	2887645	003/088	2927825	004/151
2606035	004/126	2672920	017/131	2713555	016/205	2780335	017/222	2819955	018/041	2887925	003/057	2927860	004/152
2606070	004/127	2672990	017/132	2713590	016/206	2780510	017/223	2819990	018/042	2887995	003/058	2927895	004/153
2606105	004/128	2673060	017/133	2713625	016/207	2780580	017/224	2820025	018/043	2888065	003/059	2927930	004/154
2606140	004/129	2673340	017/134	2713660	016/208	2780650	017/225	2820060	018/044	2888135	003/060	2927965	004/155
2606175	004/130	2673410	017/135	2713695	016/209	2780720	017/226	2820095	018/045	2888310	003/061	2927995	004/156
2606210	004/131	2673480	017/136	2713730	016/210	2780790	017/227	2820130	018/046	2888380	003/062	2927995	004/157
2636065	017/089	2673550	017/137	2713765	016/211	2780965	017/228	2821495	018/047	2888450	003/063	2929330	004/158
2636065	017/121	2673620	017/138	2713800	016/212	2781035	017/229	2821530	018/048	2888520	003/064	2929365	004/159
2636135	017/090	2673795	017/139	2713835	016/213	2781105	017/230	2821565	018/049	2888590	003/065	2929400	004/160
2636135	017/122	2673865	017/140	2743865	016/217	2781175	018/001	2821600	018/050	2888870	003/066	2929435	004/161
2636170	017/123	2673935	017/141	2743865	017/019	2782925	018/002	2821635	018/051	2888940	003/067	2929470	004/162
2636415	017/091	2674005	017/142	2743935	016/218	2782960	018/003	2821670	018/052	2889010	003/068	2929505	004/163
2636485	017/092	2676315	017/143	2743935	017/020	2784045	018/004	2849775	003/020	2889080	003/069	2929540	004/164
2636555	017/093	2676350	017/144	2744215	016/219	2784080	018/005	2849775	003/052	2889150	003/070	2929575	004/165
2636625	017/094	2676385	017/145	2744285	016/220	2784115	018/006	2849810	003/021	2889325	003/071	2929395	004/168
2636800	017/095	2676420	017/146	2744355	016/221	2784150	018/007	2849810	003/053	2889395	003/072	2929395	004/200
2636870	017/096	2676455	017/147	2744425	016/222	2784185	018/008	2851665	003/022	2889465	003/073	2929465	004/169
2636905	017/097	2676490	017/148	2744460	016/223	2784220	018/009	2851735	003/023	2889535	003/074	2929465	004/201
2637010	017/098	2677855	017/149	2744470	016/224	2785445	018/010	2852015	003/024	2891845	003/075	2929745	004/170
2637080	017/099	2677890	017/150	2744740	016/225	2785480	018/011	2852085	003/025	2891880	003/076	2929815	034/132
2637255	017/100	2677925	017/151	2744810	016/226	2785515	018/012	2852155	003/026	2891915	003/077	2929885	004/172
2637325	017/101	2677960	017/152	2744880	016/227	2785550	018/013	2852225	003/027	2891950	003/078	2929955	004/173
2637395	017/102	2677995	017/153	2745160	016/228	2785585	018/014	2852400	003/028	2891985	003/079	2960130	004/174
2637465	017/103	2678030	017/154	2745230	016/229	2785620	018/015	2852470	003/029	2892020	003/080	2960200	004/175
2640335	017/104	2707885	016/182	2745300	016/230	2785655	018/016	2852540	003/030	2893385	003/081	2960270	004/176
2640370	017/105	2707885	016/214	2745370	017/001	2785690	018/017	2852610	003/031	2893420	003/082	2960340	004/177
2640405	017/106	2707955	016/183	2745440	017/002	2785725	018/018	2852680	003/032	2893455	003/083	2960410	004/178
2640440	017/107	2707955	016/215	2745615	017/003	2815685	018/021	2852855	003/033	2893490	003/084	2960690	004/179
2640475	017/108	2707990	016/216	2745685	017/004	2815685	018/053	2852925	003/034	2893525	003/085	2960760	004/180
2640510	017/109	2708235	016/184	2745755	017/005	2815755	003/054	2852995	003/035	2893560	003/086	2960830	004/181
2641735	017/110	2708305	016/185	2745825	017/006	2815755	018/022	2853065	003/036	2923555	004/134	2960900	004/182
2641770	017/111	2708375	016/186	2748135	017/007	2815755	018/054	2855935	003/037	2923555	004/166	2960970	004/183
2641805	017/112	2708445	016/187	2748170	017/008	2816105	018/023	2855970	003/038	2923625	004/135	2961145	004/184
2641840	017/113	2708620	016/188	2748205	017/009	2816175	018/024	2856005	003/039	2923625	004/167	2961215	004/185
2641875	017/114	2708690	016/189	2748240	017/010	2816245	018/025	2856040	003/040	2923905	004/136	2961285	004/186
2641910	017/115	2708760	016/190	2748275	017/011	2816315	018/026	2856075	003/041	2923975	004/137	2961355	004/187
2641945	017/116	2708830	016/191	2748310	017/012	2816490	018/027	2856110	003/042	2924045	004/138	2963665	004/188
2641980	017/117	2708900	016/192	2749675	017/013	2816560	018/028	2857335	003/043	2924115	004/139	2963700	004/189
2642015	017/118	2709075	016/193	2749710	017/014	2816630	018/029	2857370	003/044	2924290	004/140	2963735	004/190
2642050	017/119	2709145	016/194	2749745	017/015	2816700	018/030	2857405	003/045	2924360	004/141	2963770	004/191
2642085	017/120	2709215	016/195	2749780	017/016	2816770	018/031	2857440	003/046	2924430	004/142	2963805	004/192
2672045	017/124	2709285	016/196	2749815	017/017	2817050	018/032	2857475	003/047	2924500	004/143	2963840	004/193
2672045	017/155	2711175	016/197	2749850	017/018	2817120	018/033	2857510	003/048	2924570	004/144	2965205	004/194
2672115	017/125	2711210	016/198	2779775	017/217	2817190	018/034	2857545	003/049	2924745	004/145	2965240	004/195
2672115	017/156	2712155	016/199	2779775	018/019	2817260	018/035	2857580	003/050	2924815	004/146	2965275	004/196
2672395	017/126	2712190	016/200	2779845	017/218	2817330	018/036	2857615	003/051	2924885	004/147	2965310	004/197
2672535	017/127	2712225	016/201	2779845	018/020	2817505	018/037	2887575	003/055	2924955	004/148	2965345	004/198
2672605	017/128	2712260	016/202	2780125	017/219	2817575	018/038	2887575	003/087	2927755	004/149	2965380	004/199

## MARINER 9 ARCHIVE TAPE CATALOG

DAS TIME	MME ID	DAS TIME	MME ID	DAS TIME	MME ID	DAS TIME	MME ID	DAS TIME	MME ID	DAS TIME	MME ID	DAS TIME	MME ID
2995380	017/021	3032865	017/069	3073325	021/205	3139770	024/048	3179515	024/099	3247695	007/026	3287280	004/224
2995380	017/053	3032935	017/070	3073360	021/206	3139895	024/049	3180880	024/100	3247765	007/027	3287315	004/225
2995450	017/022	3033110	017/071	3073395	021/207	3139965	024/050	3180915	024/101	3247835	007/028	3288540	004/226
2995450	017/054	3033180	017/072	3103250	021/210	3140035	024/051	3180950	024/102	3247905	007/029	3288575	004/227
2995730	017/023	3033250	017/073	3103250	022/011	3140105	024/052	3180985	024/103	3247975	007/030	3288610	004/228
2995800	017/024	3033320	017/074	3103320	021/211	3140175	024/053	3181020	007/016	3248045	007/031	3288645	004/229
2995870	017/025	3035630	017/075	3103320	022/012	3140350	024/054	3181020	024/104	3248325	007/032	3288680	004/230
2995940	017/026	3035665	017/076	3103600	021/212	3140420	024/055	3181055	007/017	3248395	007/033	3288715	005/001
2996115	017/027	3035700	017/077	3103670	021/213	3140490	024/056	3181055	024/105	3248465	007/034	3288750	005/002
2996185	017/028	3035735	017/078	3103740	021/214	3140560	024/057	3211050	006/214	3248535	007/035	3288785	005/003
2996255	017/029	3035770	017/079	3103810	021/215	3143430	024/058	3211050	007/018	3248710	007/036	3288820	005/004
2996325	017/030	3035805	017/080	3103985	021/216	3143465	024/059	3211120	006/215	3248780	007/037	3318780	005/008
2996395	017/031	3037170	017/081	3104055	021/217	3143500	024/060	3211120	007/019	3248850	007/038	3318780	005/040
2996570	017/032	3037205	017/082	3104125	021/218	3143535	024/061	3211400	006/216	3248920	007/039	3318850	005/009
2996640	017/033	3037240	017/083	3104195	021/219	3143570	024/062	3211470	006/217	3251230	007/040	3318850	005/041
2996710	017/034	3037275	017/084	3104265	021/220	3143605	024/063	3211540	006/218	3251265	007/041	3319130	005/010
2996780	017/035	3037310	017/085	3104545	021/221	3144970	024/064	3211610	006/219	3251300	007/042	3319200	005/011
2996850	017/036	3037345	017/086	3104615	021/222	3145005	024/065	3211785	006/220	3251335	007/043	3319270	005/012
2996915	017/037	3066220	021/175	3104685	021/223	3145040	024/066	3211855	006/221	3251370	007/044	3319340	005/013
2996950	017/038	3066220	021/208	3104755	021/224	3145075	024/067	3211925	006/222	3251405	007/045	3319515	005/014
2996985	017/039	3067270	021/176	3104825	021/225	3145110	024/068	3211995	006/223	3252770	007/046	3319585	005/015
2997020	017/040	3067270	021/209	3105000	021/226	3145145	024/069	3212065	006/224	3252805	007/047	3319655	005/016
2997055	017/041	3067340	021/177	3105070	021/227	3145180	024/070	3212240	006/225	3252840	007/048	3319725	005/017
3001050	017/042	3067620	021/178	3105140	021/228	3175070	024/106	3212310	006/226	3252875	007/049	3319795	005/018
3001085	017/043	3067690	021/179	3105210	021/229	3175070	034/146	3212380	006/227	3252910	007/050	3320075	005/019
3001120	017/044	3067760	021/180	3107520	021/230	3175140	024/075	3212450	006/228	3282870	004/202	3320145	005/020
3001155	017/045	3067830	021/181	3107555	021/231	3175140	024/107	3215320	006/229	3282870	005/005	3320215	005/021
3001190	017/046	3068005	021/182	3107590	022/001	3175420	024/076	3215355	007/001	3282940	004/203	3320285	005/022
3001225	017/047	3068075	021/183	3107625	022/002	3175490	024/077	3215390	007/002	3282940	005/006	3320355	005/023
3001260	017/048	3068145	021/184	3107660	022/003	3175560	024/078	3215425	007/003	3282975	005/007	3320810	005/024
3001295	017/049	3068215	021/185	3107695	022/004	3175630	024/079	3215460	007/004	3283220	004/204	3320810	005/042
3001330	017/050	3068285	021/186	3109060	022/005	3175805	024/080	3215495	007/005	3283290	004/205	3320880	005/025
3001365	017/051	3069020	021/187	3109095	022/006	3175875	024/081	3216720	007/006	3283360	004/206	3320880	005/043
3001400	017/052	3069685	021/188	3109130	022/007	3175945	024/082	3216755	007/007	3283430	004/207	3320950	005/026
3031360	017/055	3069755	021/189	3109165	022/008	3176015	024/083	3216790	007/008	3283605	004/208	3321020	005/027
3031360	017/087	3069825	021/190	3109200	022/009	3176085	024/084	3216825	007/009	3283675	004/209	3323050	005/028
3031430	017/056	3069825	021/191	3109235	022/010	3176365	024/085	3216860	007/010	3283675	004/210	3323085	005/029
3031430	017/088	3071540	021/192	3136570	024/039	3176435	024/086	3216895	007/011	3283745	004/211	3323120	005/030
3031710	017/057	3071575	021/193	3136570	024/071	3176505	024/087	3216930	007/012	3283815	004/212	3323155	005/031
3031780	017/058	3071610	021/194	3136605	024/040	3176575	024/088	3216965	007/013	3283885	004/213	3323190	005/032
3031850	017/059	3071645	021/195	3136605	024/072	3176645	024/089	3217000	007/014	3284060	004/214	3323225	005/033
3031920	017/060	3071680	021/196	3136605	024/073	3176820	024/090	3217035	007/015	3284130	004/215	3324450	005/034
3032095	017/061	3071715	021/197	3137340	024/041	3176890	024/091	3244960	007/020	3284200	004/216	3324485	005/035
3032165	017/062	3073080	021/198	3137340	024/074	3176960	024/092	3244960	007/051	3284270	004/217	3324520	005/036
3032235	017/063	3073115	021/199	3137375	024/042	3177030	024/093	3247030	007/021	3284720	004/218	3324555	005/037
3032305	017/064	3073150	021/200	3139160	024/043	3179340	024/094	3247030	007/052	3284755	004/219	3324590	005/038
3032375	017/065	3073185	021/201	3139230	024/044	3179375	024/095	3247310	007/022	3284710	004/220	3324625	005/039
3032655	017/066	3073220	021/202	3139510	024/045	3179410	024/096	3247380	007/023	3284715	004/221	3354690	022/150
3032725	017/067	3073255	021/203	3139580	024/046	3179445	024/097	3247450	007/024	3284720	004/222	3354690	022/182
3032795	017/068	3073290	021/204	3139650	024/047	3179480	024/098	3247520	007/025	3284725	004/223	3354760	022/151

## MARINER 9 ARCHIVE TAPE CATALOG

DAS TIME	MYE ID	DAS TIME	MYE ID	DAS TIME	MYE ID	DAS TIME	MYE ID	DAS TIME	MYE ID	DAS TIME	MYE ID	DAS TIME	MYE ID
3354760	022/183	3392420	022/201	3462350	008/164	3499590	006/025	3540120	006/076	3607285	003/205	3677740	005/071
3354775	022/184	3392490	022/202	3462420	008/132	3499660	006/026	3540155	006/077	3607355	003/206	3677740	005/103
3355040	022/152	3392560	022/203	3462420	008/165	3501970	006/027	3570010	003/159	3607425	003/207	3678020	005/072
3355110	022/153	3394870	022/204	3462700	008/133	3502005	006/028	3570010	003/191	3607495	003/208	3678090	005/073
3355180	022/154	3394905	022/205	3462770	008/134	3502530	006/029	3570080	003/160	3607670	003/209	3678160	005/074
3355250	022/155	3394940	022/206	3462840	008/135	3502565	006/030	3570080	003/192	3607740	003/210	3678230	005/075
3355425	022/156	3394975	022/207	3462910	008/136	3502600	006/031	3570325	003/193	3607810	003/211	3678405	005/076
3355495	022/157	3395010	022/208	3463085	008/137	3502635	006/032	3570360	003/161	3607880	003/212	3678475	005/077
3355565	022/158	3395045	022/209	3463155	008/138	3502670	006/033	3570430	003/162	3610190	003/213	3678545	005/078
3355635	022/159	3396270	023/199	3463225	008/139	3502705	006/034	3570500	003/163	3610225	003/214	3678615	005/079
3355705	022/160	3396305	023/200	3463295	008/140	3503930	006/035	3570570	003/164	3610260	003/215	3678685	005/080
3355880	022/161	3396340	023/201	3463365	008/141	3503965	006/036	3570745	003/165	3610295	003/216	3678965	005/081
3355950	022/162	3396375	023/202	3463610	008/142	3504000	006/037	3570815	003/166	3610330	003/217	3679035	005/082
3356020	022/163	3396410	023/203	3463645	034/133	3504035	006/038	3570885	003/167	3610365	003/218	3679105	005/083
3356090	022/164	3396445	023/204	3463715	008/144	3504070	006/039	3570955	003/168	3611730	003/219	3679175	005/084
3356960	022/165	3426510	008/097	3463785	008/145	3504105	006/040	3571025	003/169	3611765	003/220	3679245	005/085
3356975	022/166	3426510	008/129	3463855	008/146	3504140	006/041	3571200	003/170	3611800	003/221	3679420	005/086
3359030	022/167	3426580	008/098	3463925	008/147	3504175	006/042	3571270	003/171	3611835	003/222	3679490	005/087
3359065	022/168	3426580	008/130	3464100	008/148	3504210	006/043	3571340	003/172	3611870	003/223	3679560	005/088
3359100	022/169	3426860	008/099	3464170	008/149	3534170	006/078	3571410	003/173	3611905	003/224	3679630	005/089
3359135	022/170	3426930	008/100	3464240	008/150	3534240	006/047	3574280	003/174	3641830	005/044	3681940	005/090
3360360	022/171	3427000	008/101	3464310	008/151	3534240	006/079	3574315	003/175	3641900	005/045	3681975	005/091
3360395	022/172	3427070	008/102	3466620	008/152	3534520	006/048	3574350	003/176	3642180	005/046	3682010	005/092
3360430	022/173	3427245	008/103	3466655	008/153	3534590	006/049	3574385	003/177	3642250	005/047	3682045	005/093
3360465	022/174	3427315	008/104	3466690	008/154	3534660	006/050	3574420	003/178	3642320	005/048	3682080	005/094
3360500	022/175	3427385	008/105	3466725	008/155	3534730	006/051	3574455	003/179	3642390	005/049	3682115	005/095
3360535	022/176	3427455	008/106	3466760	008/156	3534905	006/052	3575680	003/180	3642565	005/050	3683480	005/096
3360570	022/177	3427525	008/107	3466795	008/157	3534975	006/053	3575715	003/181	3642635	005/051	3683515	005/097
3360605	022/178	3427700	008/108	3468160	008/158	3535045	006/054	3575750	003/182	3642635	034/131	3683550	005/098
3360640	022/179	3427770	008/109	3468195	008/159	3535115	006/055	3575785	003/183	3642635	034/135	3683585	005/099
3360675	022/180	3427840	008/110	3468230	008/160	3535185	006/056	3575820	003/184	3642845	005/052	3683620	005/100
3360710	022/181	3427910	008/111	3468265	008/161	3535465	006/057	3575855	003/185	3643020	005/053	3683655	005/101
3390600	023/205	3430780	008/112	3468300	008/162	3535535	006/058	3575890	003/186	3643090	005/054	3711130	006/080
3390670	022/185	3430815	008/113	3468335	008/163	3535605	006/059	3575925	003/187	3643160	005/055	3711130	006/112
3390670	023/206	3430850	008/114	3498260	006/012	3535675	006/060	3575960	003/188	3643230	005/056	3713510	006/081
3390950	022/186	3430885	008/115	3498260	006/044	3535745	006/061	3575995	003/189	3646100	005/057	3713510	006/113
3391020	022/187	3430920	008/116	3498330	006/013	3535920	006/062	3576030	003/190	3646135	005/058	3713580	006/082
3391090	022/188	3430955	008/117	3498330	006/045	3535990	006/063	3605920	003/225	3646170	005/059	3713860	006/083
3391160	022/189	3432180	008/118	3498575	006/046	3536060	006/064	3605990	003/194	3646205	005/060	3713930	006/084
3391335	022/190	3432215	008/119	3498610	006/014	3536130	006/065	3605990	003/226	3646240	005/061	3714000	006/085
3391405	022/191	3432250	008/120	3498680	006/015	3538440	006/066	3606270	003/195	3646275	005/062	3714070	006/086
3391475	022/192	3432285	008/121	3498750	006/016	3538475	006/067	3606340	003/196	3647500	005/063	3714245	006/087
3391545	022/193	3432320	008/122	3498820	006/017	3538510	006/068	3606410	003/197	3647535	005/064	3714315	006/088
3391615	022/194	3432355	008/123	3498895	006/018	3538545	006/069	3606480	003/198	3647570	005/065	3714385	006/089
3391895	022/195	3432390	008/124	3499065	006/019	3538580	006/070	3606655	003/199	3647605	005/066	3714455	006/090
3391965	022/196	3432425	008/125	3499135	006/020	3538615	006/071	3606725	003/200	3647640	005/067	3714525	006/091
3392035	022/197	3432460	008/126	3499205	006/021	3539980	006/072	3606795	003/201	3647675	005/068	3714700	006/092
3392105	022/198	3432495	008/127	3499275	006/022	3540015	006/073	3606865	003/202	3647710	005/069	3714770	006/093
3392175	022/199	3432530	008/128	3499450	006/023	3540050	006/074	3606935	003/203	36477670	005/070	3714840	006/094
3392350	022/200	3462350	008/131	3499520	006/024	3540085	006/075	3607215	003/204	36477670	005/102	3714910	006/095

## MARINER 9 ARCHIVE TAPE CATALOG

DAS TIME	MME ID	DAS TIME	MME ID	DAS TIME	MME ID	DAS TIME	MME ID	DAS TIME	MME ID	DAS TIME	MME ID	DAS TIME	MME ID
371780	006/096	3785330	029/066	3822570	034/154	3894440	011/011	3931910	018/077	3970060	018/126	4039220	011/091
3717815	006/097	3785330	034/168	3822570	034/155	3894440	011/043	3931980	018/078	4002050	011/044	4039290	011/092
3717850	006/098	3785400	029/067	3822955	034/158	3894530	011/012	3933100	018/079	4002050	011/076	4039360	011/093
3717885	006/099	3785400	034/169	3823025	034/159	3894600	011/013	3933135	018/080	4002120	011/045	4039430	011/094
3717920	006/100	3785680	029/068	3823060	029/105	3894670	011/014	3933170	018/081	4002190	011/046	4040830	011/095
3717955	006/101	3785750	029/069	3823130	029/106	3894880	011/015	3933205	018/082	4002260	011/047	4040865	011/096
3719180	006/102	3785820	029/070	3825440	029/107	3894915	011/016	3933240	018/083	4002575	011/048	4040900	011/097
3719215	006/103	3785890	029/071	3825475	029/108	3894985	011/017	3933275	018/084	4002645	011/049	4040935	011/098
3719250	006/104	3786065	029/072	3825510	029/109	3895055	011/018	3933905	018/085	4002715	011/050	4040970	011/099
3719285	006/105	3786135	029/073	3825545	029/110	3895125	011/019	3933940	018/086	4002785	011/051	4041005	011/100
3719320	006/106	3786205	029/074	3825580	029/111	3895195	011/020	3933975	018/087	4002855	011/052	4041635	011/101
3719355	006/107	3786275	029/075	3825615	029/112	3895265	011/021	3934010	018/088	4002925	011/053	4041670	011/102
3719390	006/108	3786345	029/076	3826140	029/113	3895335	011/022	3934045	018/089	4002995	011/054	4041705	011/103
3719425	006/109	3786520	029/077	3826980	029/114	3895405	011/023	3934080	018/090	4003065	011/055	4041740	011/104
3719460	006/110	3786590	029/078	3827015	029/115	3895440	011/024	3934115	018/091	4003310	011/056	4041775	011/105
3719495	006/111	3786660	029/079	3827050	029/116	3895650	011/025	3934150	018/092	4003380	011/057	4041810	011/106
3749420	006/114	3786730	029/080	3827085	029/117	3895720	011/026	3934185	018/093	4003450	011/058	4041845	011/107
3749420	006/146	3789600	029/081	3827120	029/118	3895790	011/027	3966210	018/095	4003730	011/059	4041880	011/108
3749490	006/115	3789600	034/156	3852670	010/212	3895860	011/028	3966210	018/127	4003800	011/060	4073870	005/104
3749490	006/147	3789635	029/082	3852670	011/010	3897260	011/029	3966280	018/096	4004920	011/061	4073870	005/136
3749770	006/116	3789635	034/157	3854630	010/213	3897295	011/030	3966280	018/128	4004955	011/062	4073940	005/105
3749840	006/117	3789670	029/083	3854665	010/214	3897330	011/031	3966350	018/097	4004990	011/063	4074010	005/106
3749910	006/118	3789705	029/084	3854700	010/215	3897365	011/032	3966420	018/098	4005025	011/064	4074080	005/107
3749980	006/119	3789740	029/085	3854735	010/216	3897400	011/033	3966630	018/099	4005060	011/065	4074395	005/108
3750155	006/120	3789775	029/086	3854770	010/217	3897435	011/034	3966665	018/100	4005095	011/066	4074465	005/109
3750225	006/121	3791000	029/087	3854805	010/218	3898045	011/035	3966735	018/101	4005725	011/067	4074535	005/110
3750295	006/122	3791035	029/088	3857080	010/219	3898100	011/036	3966805	018/102	4005760	011/068	4074605	005/111
3750365	006/123	3791070	029/089	3857150	010/220	3898135	011/037	3966875	018/103	4005795	011/069	4074675	005/112
3750435	006/124	3791105	029/090	3857430	010/221	3898170	011/038	3966945	018/104	4005830	011/070	4074745	005/113
3750715	006/125	3791140	029/091	3857500	010/222	3898205	011/039	3967015	018/105	4005865	011/071	4074815	005/114
3750785	006/126	3791175	029/092	3857570	010/223	3898240	011/040	3967085	018/106	4005900	011/072	4074885	005/115
3750855	006/127	3791210	029/093	3857640	010/224	3898275	011/041	3967155	018/107	4005935	011/073	4075130	005/116
3750925	006/128	3791245	029/094	3857815	010/225	3898310	011/042	3967190	018/108	4005970	011/074	4075200	005/117
3750995	006/129	3791280	029/095	3857885	010/226	3930230	018/061	3967400	018/109	4006005	011/075	4075270	005/118
3751170	006/130	3791315	029/096	3857955	010/227	3930230	018/062	3967470	018/110	4038030	011/077	4075550	005/119
3751240	006/131	3791350	029/097	3858075	011/127	3930230	018/094	3967540	018/111	4038030	011/109	4075620	005/120
3751310	006/132	3821170	029/119	3858270	011/128	3930300	018/063	3967610	018/112	4038100	011/078	4076740	005/121
3751380	006/133	3821170	034/170	3858340	011/129	3930370	018/064	3969010	018/113	4038100	011/110	4076775	005/122
3753490	006/134	3821240	029/120	3858410	011/130	3930440	018/065	3969045	018/114	4038170	011/079	4076810	005/123
3753725	006/135	3821240	034/171	3858480	011/131	3930755	018/066	3969080	018/115	4038240	011/080	4076845	005/124
3753760	006/136	3821520	034/172	3861350	011/132	3930825	018/067	3969115	018/116	4038450	011/081	4076880	005/125
3753795	006/137	3821590	034/173	3861385	011/001	3930895	018/068	3969150	018/117	4038485	011/082	4076915	005/126
3753830	006/138	3821660	029/098	3861420	011/002	3930965	018/069	3969185	018/118	4038555	011/083	4077545	005/127
3753865	006/139	3821730	029/099	3861455	011/003	3931035	018/070	3969815	018/119	4038625	011/084	4077580	005/128
3755230	006/140	3821905	029/100	3861490	011/004	3931105	018/071	3969850	018/120	4038695	011/085	4077615	005/129
3755265	006/141	3821975	029/101	3861525	011/005	3931175	018/072	3969885	018/121	4038765	011/086	4077650	005/130
3755300	006/142	3822045	029/102	3862750	011/006	3931245	018/073	3969920	018/122	4038835	011/087	4077685	005/131
3755335	006/143	3822115	029/103	3862785	011/007	3931490	018/074	3969955	018/123	4038905	011/088	4077720	005/132
3755370	006/144	3822185	029/104	3862820	011/008	3931560	018/075	3969990	018/124	4038975	011/089	4077755	005/133
3755405	006/145	3822500	034/153	3862855	011/009	3931630	018/076	3970025	018/125	4039010	011/090	4077790	005/134

## MARINER 9 ARCHIVE TAPE CATALOG

DAS TIME	MME ID	DAS TIME	MME ID	DAS TIME	MME ID	DAS TIME	MME ID	DAS TIME	MME ID	DAS TIME	MME ID	DAS TIME	MME ID
4077825	005/135	4147090	006/161	4185555	006/210	4254820	008/212	4325520	031/156	4364265	012/154	4433460	026/058
4109850	005/137	4147160	006/162	4185590	006/211	4254890	008/213	4325590	031/125	4364300	012/155	4433775	026/059
4109850	005/170	4147440	006/163	4212330	008/166	4254960	008/214	4325660	031/126	4364335	012/156	4433845	026/060
4109920	005/138	4147510	006/164	4212610	008/167	4255030	008/215	4325730	031/127	4364370	012/157	4433915	026/061
4109920	005/171	4148630	006/165	4215690	008/168	4256430	008/216	4325940	031/128	4364405	012/158	4433985	026/062
4109990	005/139	4148665	006/166	4217580	008/169	4256465	008/217	4325975	031/129	4365035	012/159	4434055	026/063
4110060	005/140	4148700	006/167	4217650	008/170	4256500	008/218	4326045	031/130	4365070	012/160	4434125	026/064
4110270	005/141	4148735	006/168	4217720	008/171	4256535	008/219	4326115	031/131	4365105	012/161	4434195	026/065
4110305	005/142	4148770	006/169	4217790	008/172	4256570	008/220	4326185	031/132	4365140	012/162	4434265	026/066
4110305	005/143	4148805	006/170	4218105	008/173	4256605	008/221	4326255	031/133	4365175	012/163	4434310	026/067
4110375	005/144	4149435	006/171	4218175	008/174	4258425	008/222	4326325	031/134	4365210	012/164	4434580	026/068
4110445	005/145	4149470	006/172	4218245	008/175	4258460	008/223	4326395	031/135	4365245	012/165	4434650	026/069
4110515	005/146	4149505	006/173	4218315	008/176	4258495	008/224	4326465	031/136	4365280	012/166	4434930	026/070
4110585	005/147	4149540	006/174	4218385	008/177	4258530	008/225	4326500	031/137	4397410	012/167	4435000	026/071
4110655	005/148	4149575	006/175	4218455	008/178	4258565	008/226	4326710	031/138	4397410	012/199	4436120	026/072
4110725	005/149	4149610	006/176	4218525	008/179	4258600	008/227	4326780	031/139	4397480	012/168	4436155	026/073
4110795	005/150	4149645	006/177	4218595	008/180	4258635	008/228	4326850	031/140	4397480	012/200	4436190	026/074
4110830	005/151	4149680	006/178	4218840	008/181	4258670	008/229	4326920	031/141	4397550	012/169	4436225	026/075
4111040	005/152	4149715	006/179	4218910	008/182	4289470	031/093	4328320	031/142	4397620	012/170	4436260	026/076
4111110	005/153	4181740	006/212	4218980	008/183	4289540	031/094	4328355	031/143	4397830	012/171	4436295	026/077
4111180	005/154	4181810	006/181	4219260	008/184	4289610	031/095	4328390	031/144	4397865	012/172	4436925	026/078
4111250	005/155	4181810	006/213	4219330	008/185	4289680	031/096	4328425	031/145	4397935	012/173	4436960	026/079
4112650	005/156	4181880	006/182	4220450	008/186	4289995	031/097	4328460	031/146	4398005	012/174	4436995	026/080
4112685	005/157	4181950	006/183	4220485	008/187	4290065	031/098	4328495	031/147	4398075	012/175	4437030	026/081
4112720	005/158	4182160	006/184	4220520	008/188	4290135	031/099	4330245	031/148	4398145	012/176	4437065	026/082
4112755	005/159	4182195	006/185	4220555	008/189	4290205	031/100	4330280	031/149	4398215	012/177	4437100	026/083
4112790	005/160	4182265	006/186	4220590	008/190	4290275	031/101	4330315	031/150	4398285	012/178	4437135	026/084
4112825	005/161	4182335	006/187	4220625	008/191	4290345	031/102	4330350	031/151	4398355	012/179	4437170	026/085
4113455	005/162	4182405	006/188	4221220	008/192	4290415	031/103	4330385	031/152	4398390	012/180	4469230	026/086
4113490	005/163	4182475	006/189	4221255	008/193	4290485	031/104	4330420	031/153	4398600	012/181	4469230	026/118
4113525	005/164	4182545	006/190	4221290	008/194	4290730	031/105	4330455	031/154	4398670	012/182	4469300	026/087
4113560	005/165	4182615	006/191	4221325	008/195	4290800	031/106	4330490	031/155	4398740	012/183	4469300	026/119
4113595	005/166	4182685	006/192	4221360	008/196	4290870	031/107	4361360	012/136	4398810	012/184	4469370	026/088
4113630	005/167	4182720	006/193	4221395	008/197	4291150	031/108	4361430	012/137	4400210	012/185	4469440	026/089
4113665	005/168	4182930	006/194	4253630	008/198	4291220	031/109	4361500	012/138	4400245	012/186	4469500	026/090
4113700	005/169	4183000	006/195	4253630	008/230	4292340	031/110	4361570	012/139	4400280	012/187	4469685	026/091
4145760	006/148	4183070	006/196	4253700	008/199	4292375	031/111	4361885	012/140	4400315	012/188	4469755	026/092
4145760	006/180	4183140	006/197	4253700	008/231	4292410	031/112	4361955	012/141	4400350	012/189	4469825	026/093
4145830	006/149	4184540	006/198	4253770	008/200	4292445	031/113	4362025	012/142	4400385	012/190	4469895	026/094
4145900	006/150	4184575	006/199	4253840	008/201	4292480	031/114	4362095	012/143	4400420	012/191	4469965	026/095
4145970	006/151	4184610	006/200	4254050	008/202	4292515	031/115	4362165	012/144	4400455	012/192	4470035	026/096
4146285	006/152	4184645	006/201	4254085	008/203	4293145	031/116	4362235	012/145	4400490	012/193	4470105	026/097
4146355	006/153	4184680	006/202	4254155	008/204	4293180	031/117	4362305	012/146	4400525	012/194	4470175	026/098
4146425	006/154	4184715	006/203	4254225	008/205	4293215	031/118	4362375	012/147	4400560	012/195	4470210	026/099
4146495	006/155	4185345	006/204	4254295	008/206	4293250	031/119	4362420	012/148	4400595	012/196	4470420	026/100
4146565	006/156	4185380	006/205	4254365	008/207	4293285	031/120	4362490	012/149	4400630	012/197	4470490	026/101
4146635	006/157	4185415	006/206	4254435	008/208	4293320	031/121	4362760	012/150	4400665	012/198	4470560	026/102
4146705	006/158	4185450	006/207	4254505	008/209	4293355	031/122	4363040	012/151	4433250	026/055	4470630	026/103
4146775	006/159	4185485	006/208	4254575	008/210	4293390	031/123	4363110	012/152	4433320	026/056	4472030	026/104
4147020	006/160	4185520	006/209	4254610	008/211	4325520	031/124	4364230	012/153	4433390	026/057	4472065	026/105

## MARINER 9 ARCHIVE TAPE CATALOG

DAS TIME	MME ID	DAS TIME	MME ID	DAS TIME	MME ID	DAS TIME	MME ID	DAS TIME	MME ID	DAS TIME	MME ID	DAS TIME	MME ID
4472100	026/106	4541330	009/036	4579970	007/074	4649375	017/162	4687770	017/211	4831375	009/073	4903020	010/183
4472135	026/107	4541540	009/037	4580005	007/075	4649445	017/163	4687805	017/212	4832845	009/074	4903055	010/184
4472170	026/108	4541575	009/038	4580635	007/076	4649515	017/164	4689345	017/213	4832880	009/075	4903090	010/185
4472205	009/024	4541645	009/039	4580670	007/077	4649585	017/165	4689380	017/214	4832915	009/076	4903125	010/186
4472205	026/109	4541715	009/040	4580705	007/078	4649655	017/166	4689415	017/215	4832950	009/077	4903230	010/187
4473885	026/110	4541785	009/041	4580740	007/079	4649725	017/167	4689450	017/216	4832985	009/078	4903265	010/188
4473920	026/111	4541855	009/042	4580775	007/080	4649795	017/168	4689485	018/055	4833020	009/079	4939700	010/129
4473955	026/112	4541925	009/043	4580810	007/081	4650040	017/169	4689520	018/056	4833055	009/080	4939700	010/162
4473990	026/113	4541995	009/044	4580845	007/082	4650110	017/170	4689555	018/057	4833090	009/081	4939735	010/130
4474025	026/114	4542065	009/045	4580880	007/083	4650180	017/171	4689590	018/058	4864170	010/165	4939735	010/163
4474060	026/115	4542100	009/046	4613010	007/084	4650440	017/172	4720400	013/214	4864240	010/166	4939770	010/131
4474095	026/116	4542310	009/047	4613010	007/116	4650530	017/173	4720670	013/215	4864310	010/167	4939805	010/132
4474130	026/117	4542380	009/048	4613080	007/085	4651650	017/174	4720810	013/216	4864380	010/168	4939840	010/133
4505140	009/001	4542450	009/049	4613080	007/117	4651685	017/175	4721125	013/217	4864695	010/169	4939875	010/134
4505210	009/002	4542520	009/050	4613150	007/086	4651720	017/176	4721195	013/218	4864765	010/170	4939910	010/135
4505280	009/003	4543920	009/051	4613220	007/087	4651755	017/177	4721265	013/219	4864835	010/171	4939945	010/136
4505350	009/004	4543955	009/052	4613430	007/088	4651790	017/178	4721335	013/220	4864905	010/172	4939980	010/137
4505665	009/005	4543990	009/053	4613465	007/089	4651825	017/179	4721405	013/221	4864975	010/173	4940015	010/138
4505735	009/006	4544025	009/054	4613535	007/090	4652455	017/181	4721475	013/222	4865045	010/174	4940050	010/139
4505805	009/007	4544060	009/055	4613605	007/091	4652490	017/182	4721545	013/223	4865115	010/175	4940085	010/140
4505875	009/008	4544095	009/056	4613675	007/092	4652525	017/183	4721615	013/224	4865115	010/189	4940120	010/141
4505945	009/009	4544635	009/057	4613745	007/093	4652560	017/184	4721860	013/225	4865185	010/176	4940155	010/142
4506015	009/010	4544670	009/058	4613815	007/094	4652595	017/185	4721930	013/226	4865185	010/190	4940190	010/143
4506085	009/011	4544705	009/059	4613885	007/095	4652630	017/186	4722000	013/227	4865430	010/191	4940225	010/144
4506155	009/012	4544740	009/060	4613955	007/096	4652665	017/187	4722280	013/228	4865500	010/192	4940260	010/145
4506400	009/013	4544775	009/061	4613990	007/097	4652700	017/188	4722350	013/229	4865570	010/193	4940295	010/146
4506470	009/014	4544810	009/062	4614200	007/098	4684830	017/189	4723470	014/001	4865850	010/194	4940330	010/147
4506540	009/015	4544845	009/063	4614270	007/099	4684830	018/059	4723505	014/002	4865920	010/195	4940365	010/148
4506820	009/016	4544880	009/064	4614340	007/100	4684900	017/190	4723540	014/003	4867040	010/196	4940400	010/149
4506890	009/017	4576960	007/053	4614410	007/101	4684900	018/060	4723575	014/004	4867075	010/197	4940435	010/150
4508010	009/018	4577030	007/054	4615810	007/102	4684970	017/191	4723610	014/005	4867110	010/198	4940470	010/151
4508045	009/019	4577100	007/055	4615845	007/103	4685040	017/192	4723645	014/006	4867145	010/199	4940505	010/152
4508080	009/020	4577170	007/056	4615880	007/104	4685250	017/193	4724275	014/007	4867180	010/200	4940540	010/153
4508115	009/021	4577485	007/057	4615915	007/105	4685285	017/194	4724310	014/008	4867215	010/201	4940575	010/154
4508150	009/022	4577555	007/058	4615950	007/106	4685355	017/195	4724345	014/009	4867845	010/202	4940610	010/155
4508185	009/023	4577625	007/059	4615985	007/107	4685425	017/196	4724380	014/010	4867880	010/203	4940645	010/156
4508815	009/025	4577695	007/060	4615985	017/180	4685495	017/197	4724415	014/011	4867915	010/204	4940680	010/157
4508850	009/026	4577765	007/061	4617525	007/108	4685565	017/198	4724450	014/012	4867950	010/205	4940715	010/158
4508885	009/027	4577835	007/062	4617560	007/109	4685635	017/199	4724485	014/013	4867985	010/206	4940750	010/159
4508920	009/028	4577905	007/063	4617595	007/110	4685705	017/200	4759450	014/014	4868020	010/207	4940785	010/160
4508955	009/029	4577975	007/064	4617630	007/111	4685775	017/201	4759485	014/015	4868055	010/208	4940820	010/161
4508990	009/030	4578220	007/065	4617665	007/112	4685810	017/202	4759520	014/016	4868090	010/209	4984243	009/083
4509025	009/031	4578290	007/066	4617700	007/113	4686020	017/203	4759555	014/017	4902810	010/177	4984243	009/108
4509060	009/032	4578360	007/067	4617735	007/114	4686090	017/204	4790390	009/068	4902810	010/210	4984278	009/084
4541120	009/033	4578640	007/068	4617770	007/115	4686160	017/205	4790425	009/069	4902845	010/178	4984313	009/085
4541120	009/065	4578710	007/069	4648780	017/157	4686230	017/206	4790460	009/070	4902845	010/211	4984348	009/086
4541190	009/034	4579830	007/070	4648850	017/158	4687630	017/207	4790495	009/071	4902880	010/179	4984383	009/087
4541190	009/066	4579865	007/071	4648920	017/159	4687665	017/208	4790495	009/072	4902915	010/180	4984418	009/088
4541190	009/067	4579900	007/072	4648990	017/160	4687700	017/209	4828400	009/082	4902950	010/181	4984453	009/089
4541260	009/035	4579935	007/073	4649305	017/161	4687735	017/210	4828400	010/164	4902985	010/182	4984488	009/090

MARINER 9 ARCHIVE TAPE CATALOG

DAS TIME	MYE ID	DAS TIME	MYE ID	DAS TIME	MYE ID	DAS TIME	MYE ID	DAS TIME	MYE ID	DAS TIME	MYE ID	DAS TIME	MYE ID
4986523	009/091	5022853	009/132	5094043	010/027	5130548	007/135	5168663	007/185	5238803	013/018	5310868	013/200
4986558	009/092	5022888	009/133	5094078	010/028	5130583	007/136	5200688	012/201	5238838	013/019	5311078	013/201
4986593	009/093	5022923	009/134	5094113	010/029	5130618	007/137	5200688	013/003	5238873	013/020	5311113	013/202
4986628	009/094	5022958	009/135	5094148	010/030	5130653	007/138	5200758	012/202	5238908	013/021	5311148	013/203
4986663	009/095	5022993	009/136	5094183	010/031	5130688	007/139	5200758	013/004	5239118	013/022	5311183	013/204
4986698	009/096	5023028	009/137	5094218	010/032	5130723	007/140	5200828	012/203	5239153	013/023	5311218	013/205
4986733	009/097	5023063	009/138	5094253	010/033	5130758	007/141	5200898	012/204	5239188	013/024	5311253	013/206
4986768	009/098	5023098	009/139	5094288	010/034	5130793	007/142	5200968	012/205	5239223	013/025	5311288	013/207
4986803	009/099	5023133	009/140	5094323	010/035	5130828	007/143	5201773	012/206	5239258	013/026	5311323	013/208
4986838	009/100	5023168	009/141	5094358	010/036	5130863	007/144	5202018	012/207	5239293	013/027	5311358	013/209
4986873	009/101	5023203	009/142	5094393	010/037	5130898	007/145	5202088	012/208	5239328	013/028	5311393	013/210
4986908	009/102	5058063	009/214	5094428	010/038	5130933	007/146	5202123	012/209	5239363	013/029	5311428	013/211
4986943	009/103	5058063	010/023	5094463	010/039	5130968	007/147	5202158	012/210	5239398	013/030	5312408	013/212
4986978	009/104	5058098	009/215	5094498	010/040	5131003	007/148	5202718	012/211	5239433	013/031	5312443	013/213
4987013	009/105	5058098	010/024	5094533	010/041	5131038	007/149	5202753	012/212	5239468	013/032	5344608	007/188
4987048	009/106	5058133	009/216	5094568	010/042	5131073	007/150	5202788	012/213	5240448	013/033	5344608	007/220
4987083	009/107	5058168	009/217	5094603	010/043	5164708	007/153	5202823	012/214	5240483	013/034	5344678	007/189
4987118	009/223	5058203	009/218	5094638	010/044	5164708	007/186	5202858	012/215	5240518	013/035	5344678	007/221
4987153	009/224	5058238	009/219	5094673	010/045	5164778	007/154	5202893	012/216	5240588	013/036	5344748	007/190
4987188	009/225	5058273	009/220	5094708	010/046	5164778	007/187	5202928	012/217	5272648	013/175	5344818	007/191
4987223	009/226	5058308	009/221	5094743	010/047	5164848	007/155	5203138	012/218	5272718	013/176	5344888	007/192
4987258	009/227	5058343	009/222	5094778	010/048	5164918	007/156	5203173	012/219	5272788	013/177	5345693	007/193
4987293	009/228	5058378	010/228	5094813	010/049	5164988	007/157	5203208	012/220	5272858	013/178	5345938	007/194
4987328	009/229	5058413	010/229	5094848	010/050	5166038	007/158	5203243	012/221	5272928	013/179	5346008	007/195
4987363	009/230	5058448	010/001	5094883	010/051	5166073	007/159	5203278	012/222	5273733	013/180	5346043	007/196
5022083	009/109	5058483	010/002	5094918	010/052	5166108	007/160	5203313	012/223	5273978	013/181	5346078	007/197
5022083	009/143	5058518	010/003	5094953	010/053	5166143	007/161	5203348	012/224	5274048	013/182	5346638	007/198
5022118	009/110	5058553	010/004	5094988	010/054	5166178	007/162	5203383	012/225	5274083	013/183	5346673	007/199
5022118	009/144	5058588	010/005	5095023	010/055	5166738	007/163	5203418	012/226	5274678	034/137	5346708	007/200
5022153	009/111	5058623	010/006	5095058	010/056	5166773	007/164	5203453	012/227	5274713	034/138	5346743	007/201
5022188	009/112	5058658	010/007	5095093	010/057	5166808	007/165	5203488	012/228	5274748	034/139	5346778	007/202
5022223	009/113	5058693	010/008	5129953	007/118	5166843	007/166	5204118	012/229	5274783	034/140	5346813	007/203
5022258	009/114	5058728	010/009	5129953	007/151	5166878	007/167	5204153	012/230	5274818	034/141	5346848	007/204
5022293	009/115	5058763	010/010	5129988	007/119	5166913	007/168	5204608	013/001	5274853	034/142	5347058	007/205
5022328	009/116	5058798	010/011	5129988	007/152	5166948	007/169	5204643	013/002	5274888	013/184	5347093	007/206
5022328	009/117	5058833	010/012	5130023	007/120	5167158	007/170	5236668	013/005	5275098	013/185	5347128	007/207
5022363	009/118	5058868	010/013	5130058	007/121	5167193	007/171	5236668	013/037	5275133	013/186	5347163	007/208
5022398	009/119	5058903	010/014	5130093	007/122	5167228	007/172	5236738	013/006	5275168	013/187	5347198	007/209
5022433	009/120	5058938	010/015	5130128	007/123	5167263	007/173	5236738	013/038	5275203	013/188	5347233	007/210
5022468	009/121	5058973	010/016	5130163	007/124	5167298	007/174	5236808	013/007	5275238	013/189	5347268	007/211
5022503	009/122	5059008	010/017	5130198	007/125	5167333	007/175	5236878	013/008	5275273	013/190	5347303	007/212
5022538	009/123	5059043	010/018	5130233	007/126	5167368	007/176	5236948	013/009	5275308	013/191	5347338	007/213
5022573	009/124	5059078	010/019	5130268	007/127	5167403	007/177	5237998	013/010	5275343	013/192	5347373	007/214
5022608	009/125	5059113	010/020	5130303	007/128	5167438	007/178	5238033	013/011	5275378	013/193	5347408	007/215
5022643	009/126	5059148	010/021	5130338	007/129	5167473	007/179	5238068	013/012	5275413	013/194	5348038	007/216
5022678	009/127	5059183	010/022	5130373	007/130	5167508	007/180	5238103	013/013	5275448	013/195	5348073	007/217
5022713	009/128	5093973	010/025	5130408	007/131	5168488	007/181	5238138	013/014	5276078	013/196	5348528	007/218
5022748	009/129	5093973	010/058	5130443	007/132	5168523	007/182	5238698	013/015	5276113	013/197	5348563	007/219
5022783	009/130	5094008	010/026	5130478	007/133	5168558	007/183	5238733	013/016	5276568	013/198	5380518	007/222
5022818	009/131	5094008	010/059	5130513	007/134	5168628	007/184	5238768	013/017	5276603	013/199	5380518	008/025

C-3



## MARINER 9 ARCHIVE TAPE CATALOG

DAS TIME	MYE ID	DAS TIME	MYE ID	DAS TIME	MYE ID	DAS TIME	MYE ID	DAS TIME	MYE ID	DAS TIME	MYE ID	DAS TIME	MYE ID
5380588	007/223	5418703	011/126	5456398	011/181	5526573	008/073	5663218	014/117	5633918	005/179	5671123	005/229
5380588	008/026	5418738	034/136	5456433	011/182	5526608	008/074	5663253	014/118	5633953	005/180	5671158	005/230
5380458	007/224	5418948	011/133	5488458	008/027	5526643	008/075	5663288	014/119	5633988	005/181	5671193	006/001
5380728	007/225	5418983	011/134	5488458	008/060	5526678	008/076	5663918	014/120	5634548	005/182	5671228	006/002
5380798	007/226	5419018	011/135	5488528	008/028	5526713	008/077	5663953	014/121	5634583	005/183	5671263	006/003
5381848	007/227	5419053	011/136	5488528	008/061	5526748	008/078	5664408	014/122	5634618	005/184	5671298	006/004
5381883	007/228	5419088	011/137	5488598	008/029	5526783	008/079	5664448	014/125	5634653	005/185	5672278	006/005
5381918	007/229	5419123	011/138	5488598	008/030	5526793	008/080	5664468	014/158	5634688	005/186	5672313	006/006
5381953	007/230	5419158	011/139	5488668	008/031	5527028	008/081	5664538	014/126	5634723	005/187	5672348	006/007
5381988	008/001	5419193	011/140	5488738	008/032	5527063	008/082	5664538	014/159	5634758	005/188	5672418	006/008
5382548	008/002	5419228	011/141	5489543	008/033	5527098	008/083	5664608	014/127	5634968	005/189	5672453	006/009
5382583	008/003	5419263	011/142	5489788	008/034	5527133	008/084	5664678	014/128	5635003	005/190	5704478	018/129
5382618	008/004	5419298	011/143	5489858	008/035	5527168	008/085	5664748	014/129	5635038	005/191	5704478	018/162
5382653	008/005	5419328	011/144	5489893	008/036	5527203	008/086	5664778	014/130	5635073	005/192	5704548	018/130
5382688	008/006	5419363	011/145	5489928	008/037	5527238	008/087	5664848	014/131	5635108	005/193	5704548	018/163
5382723	008/007	5420418	011/146	5490488	008/038	5527273	008/088	5664848	014/132	5635143	005/194	5704618	018/131
5382758	008/008	5420453	011/147	5490523	008/039	5527308	008/089	5664918	014/133	5635178	005/195	5704688	018/132
5382798	008/009	5420488	011/150	5490558	008/040	5528288	008/090	5664938	014/134	5635213	005/196	5704758	018/133
5383003	008/010	5420523	011/183	5490593	008/041	5528323	008/091	5664978	014/135	5635248	005/197	5705563	018/134
5383038	008/011	5420558	011/151	5490628	008/042	5528358	008/092	5665038	014/136	5635283	005/198	5705808	018/135
5383073	008/012	5420593	011/184	5490663	008/043	5528428	008/093	5665068	014/137	5635318	005/199	5705878	018/136
5383108	008/013	5420628	011/152	5490698	008/044	5528463	008/094	5665103	014/138	5635948	005/200	5705913	018/137
5383143	008/014	5420663	011/153	5490708	008/045	5553383	014/091	5665138	014/139	5635983	005/201	5705948	018/138
5383178	008/015	5420698	011/154	5490743	008/046	5553383	014/123	5665173	014/140	5636438	005/202	5706473	018/139
5383213	008/016	5420733	011/155	5490778	008/047	5560488	014/092	5665208	014/141	5636473	005/203	5706508	018/140
5383248	008/017	5420768	011/156	5491013	008/048	5560488	014/124	5665243	014/142	5668498	005/206	5706543	018/141
5383283	008/018	5420803	011/157	5491048	008/049	5560558	014/093	5665278	014/143	5668498	006/010	5706578	018/142
5383318	008/019	5420838	011/158	5491083	008/050	5560628	014/094	5665313	014/144	5668568	005/207	5706613	018/143
5384298	008/020	5420873	011/159	5491118	008/051	5560698	014/095	5665348	014/145	5668568	006/011	5706648	018/144
5384333	008/021	5420908	011/160	5491153	008/052	5560768	014/096	5665383	014/146	5668638	005/208	5706683	018/145
5384368	008/022	5420943	011/161	5491188	008/053	5561573	014/097	5665418	014/147	5668708	005/209	5706718	018/146
5384403	008/023	5420978	011/162	5491223	008/054	5561818	014/098	5665453	014/148	5668778	005/210	5706728	018/147
5384438	008/024	5421013	011/163	5491258	008/055	5561888	014/099	5665488	014/149	5668778	005/211	5706763	018/148
5416498	011/111	5421048	011/164	5491888	008/056	5561923	014/100	5665523	014/150	5669828	005/212	5706798	018/149
5416498	011/148	5421083	011/165	5491923	008/057	5561958	014/101	5665558	014/151	5669863	005/213	5707033	018/150
5416568	011/112	5421118	011/166	5492378	008/058	5562518	014/102	5665593	014/152	5669898	005/214	5707068	018/151
5416568	011/149	5421153	011/167	5492413	008/059	5562553	014/103	5600248	014/153	5669933	005/215	5707103	018/152
5416638	011/113	5421188	011/168	5524508	008/062	5562588	014/104	5600283	014/154	5669968	005/216	5707138	018/153
5416708	011/114	5421223	011/169	5524508	008/095	5562623	014/105	5600318	014/155	5670528	005/217	5707173	018/154
5416778	011/115	5421258	011/170	5524578	008/063	5562658	014/106	5600388	014/156	5670563	005/218	5707208	018/155
5417583	011/116	5421293	011/171	5524578	008/096	5562693	014/107	5600423	014/157	5670598	005/219	5707243	018/156
5417828	011/117	5421328	011/172	5524648	008/064	5562728	014/108	5632518	005/172	5670633	005/220	5707278	018/157
5417898	011/118	5421363	011/173	5524718	008/065	5562798	014/109	5632518	005/204	5670668	005/221	5707908	018/158
5417933	011/119	5421398	011/174	5524788	008/066	5562973	014/110	5632588	005/173	5670703	005/222	5707943	018/159
5417968	011/120	5421433	011/175	5525838	008/067	5563008	014/111	5632588	005/205	5670738	005/223	5708398	018/160
5418528	011/121	5421468	011/176	5525873	008/068	5563043	014/112	5632658	005/174	5670748	005/224	5708433	018/161
5418563	011/122	5421503	011/177	5525908	008/069	5563078	014/113	5632728	005/175	5670783	005/225	5740528	018/164
5418598	011/123	5421538	011/178	5525943	008/070	5563113	014/114	5632798	005/176	5671018	005/226	5740528	018/196
5418633	011/124	5421573	011/179	5525978	008/071	5563148	014/115	5633403	005/177	5671053	005/227	5740598	018/165
5418668	011/125	5421608	011/180	5526538	008/072	5563183	014/116	5633848	005/178	5671088	005/228	5740598	018/197



## MARINER 9 ARCHIVE TAPE CATALOG

DAS TIME	MYE ID	DAS TIME	MYE ID	DAS TIME	MYE ID	DAS TIME	MYE ID	DAS TIME	MYE ID	DAS TIME	MYE ID	DAS TIME	MYE ID
5740668	018/166	5779078	029/165	5848678	031/008	5887143	031/058	5956478	014/227	5994663	015/014	6032358	015/064
5740738	018/167	5779133	029/166	5848748	031/009	5887178	031/059	5956548	014/195	5994698	015/015	6032393	015/065
5740808	018/168	5779168	029/167	5848818	031/010	5887213	031/060	5956548	014/228	5995048	015/016	6064418	010/060
5741858	018/169	5779203	029/168	5849623	031/011	5887248	031/061	5956618	014/196	5995083	015/017	6064418	010/092
5741893	018/170	5779238	029/169	5849688	031/012	5887283	031/062	5956688	014/197	5995118	015/018	6064488	010/061
5741928	018/171	5779273	029/170	5849738	031/013	5887318	031/063	5956758	014/198	5995153	015/019	6064488	010/093
5741963	018/172	5779308	029/171	5849773	031/014	5887353	031/064	5957808	014/199	5995188	015/020	6064558	010/062
5741998	018/173	5779343	029/172	5850008	031/015	5887388	031/065	5957843	014/200	5995223	015/021	6064628	010/063
5742558	018/174	5779378	029/173	5850568	031/016	5887423	031/066	5957878	014/201	5995258	015/022	6064698	010/064
5742593	018/175	5779413	029/174	5850603	031/017	5887458	031/067	5957913	014/202	5995293	015/023	6065503	010/065
5742628	018/176	5779448	029/175	5850638	031/018	5888298	031/068	5957948	014/203	5995328	015/024	6065748	010/066
5742663	018/177	5779483	029/176	5850673	031/019	5888333	031/069	5958508	014/204	5995363	015/025	6065818	010/067
5742698	018/178	5779493	029/177	5850708	031/020	5888368	031/157	5958543	014/205	5995398	015/026	6065853	010/068
5742733	018/179	5780428	029/178	5850743	031/021	5888438	031/158	5958578	014/206	5995888	015/027	6065888	010/069
5742768	018/180	5812488	034/174	5850778	031/022	5888473	031/159	5958613	014/207	5995923	015/028	6066448	010/070
5743118	018/181	5812558	029/181	5851128	031/023	5918713	014/160	5958648	014/208	5996378	015/029	6066483	010/071
5743153	018/182	5812628	029/182	5851163	031/024	5918713	014/192	5958683	014/209	5996413	015/030	6066518	010/072
5743188	018/183	5812698	029/183	5851198	031/025	5920498	014/161	5958718	014/210	6028438	015/033	6066553	010/073
5743223	018/184	5812768	029/184	5851233	031/026	5920498	014/193	5959068	014/211	6028438	015/066	6066588	010/074
5743258	018/185	5813818	029/185	5851268	031/027	5920568	014/162	5959103	014/212	6028508	015/034	6066623	010/075
5743293	018/186	5813853	029/186	5851303	031/028	5920638	014/163	5959138	014/213	6028508	015/067	6066658	010/076
5743328	018/187	5813888	029/187	5851338	031/029	5920708	014/164	5959173	014/214	6028578	015/035	6067008	010/077
5743363	018/188	5813923	029/188	5851373	031/030	5920778	014/165	5959208	014/215	6028648	015/036	6067043	010/078
5743398	018/189	5813958	029/189	5851408	031/031	5921583	014/166	5959243	014/216	6028718	015/037	6067078	010/079
5743433	018/190	5814518	029/190	5851443	031/032	5921828	014/167	5959278	014/217	6029768	015/038	6067113	010/080
5743468	018/191	5814553	029/191	5851478	031/033	5921898	014/168	5959313	014/218	6029803	015/039	6067148	010/081
5744308	018/192	5814588	029/192	5851968	031/034	5921933	014/169	5959348	014/219	6029838	015/040	6067183	010/082
5744343	018/193	5814623	029/193	5852003	031/035	5921968	014/170	5959383	014/220	6029873	015/041	6067218	010/083
5744378	018/194	5814658	029/194	5852458	031/036	5922528	014/171	5959418	014/221	6029908	015/042	6067253	010/084
5744448	018/195	5814693	029/195	5852493	031/037	5922563	014/172	5960258	014/222	6030468	015/043	6067288	010/085
5773393	029/147	5814728	029/196	5884518	031/040	5922598	014/173	5960293	014/223	6030503	015/044	6067323	010/086
5773393	029/179	5815078	029/197	5884518	031/160	5922633	014/174	5960328	014/224	6030538	015/045	6067358	010/087
5776508	029/148	5815113	029/198	5884588	031/041	5922668	014/175	5960398	014/225	6030573	015/046	6067848	010/088
5776508	029/180	5815148	029/199	5884588	031/161	5922703	014/176	5960433	014/226	6030608	015/047	6067883	010/089
5776578	029/149	5815183	029/200	5884658	031/042	5922738	014/177	5992458	014/229	6030643	015/048	6068338	010/090
5776648	029/150	5815218	029/201	5884728	031/043	5923088	014/178	5992458	015/031	6030678	015/049	6068373	010/091
5776718	029/151	5815253	029/202	5884798	031/044	5923123	014/179	5992528	015/001	6031028	015/050	6100328	010/094
5776788	029/152	5815288	029/203	5885848	031/045	5923158	014/180	5992528	015/032	6031063	015/051	6100328	010/127
5777593	029/153	5815323	029/204	5885883	031/046	5923193	014/181	5992598	015/002	6031098	015/052	6100398	010/095
5777838	029/154	5815358	029/205	5885918	031/047	5923228	014/182	5992668	015/003	6031133	015/053	6100398	010/128
5777908	029/155	5815393	029/206	5885953	031/048	5923263	014/183	5992738	015/004	6031168	015/054	6100468	010/096
5777943	029/156	5815428	029/207	5885988	031/049	5923298	014/184	5993543	015/005	6031203	015/055	6100538	010/097
5777978	029/157	5816268	029/208	5886548	031/050	5923333	014/185	5993788	015/006	6031238	015/056	6100608	010/098
5778538	029/158	5816303	029/209	5886583	031/051	5923368	014/186	5993858	015/007	6031273	015/057	6101658	010/099
5778573	029/159	5816338	029/210	5886618	031/052	5923403	014/187	5993928	015/008	6031308	015/058	6101693	010/100
5778608	029/160	5816408	029/211	5886653	031/053	5923438	014/188	5994488	015/009	6031343	015/059	6101728	010/101
5778643	029/161	5848538	031/006	5886688	031/054	5923473	014/189	5994523	015/010	6031378	015/060	6101763	010/102
5778678	029/162	5848538	031/038	5886723	031/055	5923508	014/190	5994558	015/011	6032218	015/061	6101798	010/103
5778713	029/163	5848608	031/007	5886758	031/056	5924418	014/191	5994593	015/012	6032253	015/062	6102358	010/104
5778748	029/164	5848608	031/039	5887108	031/057	5956478	014/194	5994628	015/013	6032288	015/063	6102393	010/105

## MARINER 9 ARCHIVE TAPE CATALOG

DAS TIME	MYE ID	DAS TIME	MYE ID	DAS TIME	MYE ID	DAS TIME	MYE ID	DAS TIME	MYE ID	DAS TIME	MYE ID	DAS TIME	MYE ID
6102428	010/106	6139248	013/066	6209598	019/167	6246978	019/217	6316348	015/106	6354603	022/032	6423868	021/045
6102463	010/107	6139738	013/067	6209633	019/168	6247013	019/218	6317433	015/107	6354638	022/033	6423868	021/077
6102498	010/108	6139773	013/068	6209668	019/169	6247048	019/219	6317503	015/108	6354673	022/034	6423938	021/046
6102533	010/109	6140228	013/069	6210228	019/170	6247083	019/220	6317538	015/109	6354708	022/035	6424008	021/047
6102568	010/110	6140263	013/070	6210263	019/171	6247118	019/221	6317573	015/110	6354743	022/036	6424078	021/048
6102918	010/111	6172288	013/073	6210298	019/172	6247923	019/222	6317608	015/111	6354778	022/037	6424148	021/049
6102953	010/112	6172288	013/107	6210333	019/173	6247958	019/223	6318098	015/112	6354778	034/143	6424953	021/050
6102988	010/113	6172358	013/074	6210368	019/174	6247993	019/224	6318133	015/113	6354813	022/038	6425233	021/051
6103023	010/114	6172358	013/108	6210403	019/175	6248028	019/071	6318168	015/114	6354813	034/144	6425268	021/052
6103058	010/115	6172428	013/075	6210438	019/176	6248063	019/072	6318203	015/115	6354848	022/039	6425303	021/053
6103093	010/116	6172498	013/076	6210788	019/177	6278443	015/068	6318238	015/116	6354883	022/040	6425338	021/054
6103128	010/117	6172568	013/077	6210823	019/178	6278443	015/100	6318273	015/117	6354918	022/041	6425898	021/055
6103163	010/118	6173618	013/078	6210858	019/179	6280088	015/069	6318308	015/118	6355408	022/042	6425933	021/056
6103198	010/119	6173653	013/079	6210893	019/180	6280088	015/101	6318658	015/119	6355443	022/043	6425968	021/057
6103233	010/120	6173688	013/080	6210928	019/181	6280158	015/070	6318693	015/120	6355898	022/044	6426003	021/058
6103268	010/121	6173723	013/081	6210963	019/182	6280228	015/071	6318728	015/121	6387958	022/047	6426038	021/059
6104108	010/122	6173758	013/082	6210998	019/183	6280298	015/072	6318763	015/122	6387958	022/080	6426073	021/060
6104143	010/123	6174283	013/083	6211033	019/184	6280368	015/073	6318798	015/123	6388028	022/048	6426108	021/061
6104178	010/124	6174318	013/084	6211068	019/185	6281173	015/074	6318833	015/124	6388028	022/081	6426458	021/062
6104248	010/125	6174353	013/085	6211103	019/186	6281453	015/075	6318868	015/125	6388098	022/049	6426493	021/063
6104283	010/126	6174388	013/086	6211138	019/187	6281488	015/076	6318903	015/126	6388168	022/050	6426528	021/064
6136308	013/039	6174423	013/087	6211628	019/188	6281523	015/077	6318938	015/127	6388238	022/051	6426563	021/065
6136308	013/071	6174458	013/088	6211663	019/189	6281558	015/078	6318973	015/128	6389733	022/052	6426598	021/066
6136378	013/040	6174493	013/089	6212118	019/190	6282118	015/079	6319008	015/129	6389793	022/053	6426633	021/067
6136378	013/072	6174528	013/090	6212153	019/191	6282153	015/080	6319813	015/130	6389748	022/054	6426668	021/068
6136448	013/041	6174878	013/091	6244178	019/073	6282188	015/081	6319848	015/131	6389743	022/055	6426703	021/069
6136518	013/042	6174913	013/092	6244178	019/194	6282223	015/082	6319883	015/132	6389798	022/056	6426738	021/070
6136588	013/043	6174948	013/093	6244248	019/074	6282258	015/083	6319918	015/133	6389788	022/057	6426773	021/071
6137393	013/044	6174983	013/094	6244248	019/195	6282293	015/084	6319953	015/134	6390023	022/058	6426808	021/072
6137638	013/045	6175018	013/095	6244318	019/196	6282328	015/085	6350473	022/013	6390058	022/059	6427278	021/073
6137708	013/046	6175053	013/096	6244388	019/197	6282678	015/086	6350473	022/045	6390093	022/060	6427333	021/074
6137743	013/047	6175088	013/097	6244458	019/198	6282713	015/087	6351978	022/014	6390128	022/061	6427788	021/075
6137778	013/048	6175123	013/098	6245543	019/199	6282748	015/088	6351978	022/046	6390163	022/062	6427823	021/076
6138338	013/049	6175158	013/099	6245613	019/200	6282783	015/089	6352048	022/015	6390198	022/063	6459868	021/078
6138373	013/050	6175193	013/100	6245648	019/201	6282818	015/090	6352118	022/016	6390548	022/064	6459848	021/111
6138408	013/051	6175228	013/101	6245683	019/202	6282853	015/091	6352188	022/017	6390583	022/065	6459918	021/079
6138443	013/052	6176068	013/102	6245718	019/203	6282888	015/092	6352258	022/018	6390618	022/066	6459918	021/112
6138478	013/053	6176103	013/103	6246208	019/204	6282923	015/093	6353063	022/019	6390653	022/067	6459938	021/080
6138513	013/054	6176138	013/104	6246243	019/205	6282958	015/094	6353343	022/020	6390688	022/068	6460058	021/081
6138548	013/055	6176208	013/105	6246278	019/206	6282993	015/095	6353378	022/021	6390723	022/069	6460128	021/082
6138898	013/056	6176243	013/106	6246313	019/207	6283028	015/096	6353413	022/022	6390758	022/070	6461213	021/083
6138933	013/057	6208198	019/160	6246348	019/208	6283518	015/097	6353448	022/023	6390793	022/071	6461283	021/084
6138968	013/058	6208198	019/192	6246383	019/209	6283553	015/098	6354008	022/024	6390828	022/072	6461318	021/085
6139003	013/059	6208268	019/161	6246418	019/210	6284008	015/099	6354043	022/025	6390863	022/073	6461353	021/086
6139038	013/060	6208268	019/193	6246768	019/211	6316068	015/102	6354078	022/026	6390898	022/074	6461388	021/087
6139073	013/061	6208338	019/162	6246803	019/212	6316068	015/135	6354113	022/027	6391703	022/075	6461878	021/088
6139108	013/062	6208408	019/163	6246838	019/213	6316138	015/103	6354148	022/028	6391738	022/076	6461913	021/089
6139143	013/063	6208478	019/164	6246873	019/214	6316138	015/136	6354183	022/029	6391773	022/077	6461948	021/090
6139178	013/064	6209283	019/165	6246908	019/215	6316208	015/104	6354218	022/030	6391808	022/078	6461983	021/091
6139213	013/065	6209528	019/166	6246943	019/216	6316278	015/105	6354568	022/031	6391843	022/079	6462018	021/092

## MARINER 9 ARCHIVE TAPE CATALOG

DAS TIME	MME ID	DAS TIME	MME ID	DAS TIME	MME ID	DAS TIME	MME ID	DAS TIME	MME ID	DAS TIME	MME ID	DAS TIME	MME ID
6462053	021/093	6499713	015/168	6570973	031/175	6608108	031/224	6678878	032/045	6750628	011/216	6787448	025/003
6462088	021/094	6531738	015/170	6571008	031/176	6608143	031/225	6678913	032/046	6750663	011/217	6787658	025/004
6462438	021/095	6531738	015/203	6571043	031/177	6640133	031/228	6679193	032/047	6750698	011/218	6787728	025/005
6462473	021/096	6531808	015/171	6571323	031/178	6640133	032/030	6679228	032/048	6750733	011/219	6787763	025/006
6462508	021/097	6531808	015/204	6571358	031/179	6640168	031/229	6679263	032/049	6750768	011/220	6787798	025/007
6462543	021/098	6531878	015/172	6571393	031/180	6640693	031/230	6679298	032/050	6750803	011/221	6787938	025/008
6462578	021/099	6531948	015/173	6571428	031/181	6640938	032/001	6679333	032/051	6750838	011/222	6820733	025/009
6462613	021/100	6532018	015/174	6571463	031/182	6641008	032/002	6679368	032/052	6750873	011/223	6820733	025/042
6462648	021/101	6533103	015/175	6571498	031/183	6641043	032/003	6679403	032/053	6751153	011/224	6820768	025/010
6462683	021/102	6533173	015/176	6571533	031/184	6641603	032/004	6679438	032/054	6751188	011/225	6820768	025/043
6462718	021/103	6533208	015/177	6571568	031/185	6641883	032/005	6679473	032/055	6751223	011/226	6820803	025/011
6462753	021/104	6533243	015/178	6571603	031/186	6642688	032/006	6679508	032/056	6751258	011/227	6820873	025/012
6462788	021/105	6533278	015/179	6571638	031/187	6642723	032/007	6679718	032/057	6751293	011/228	6821433	025/013
6463593	021/106	6533768	015/180	6571848	031/188	6642758	032/008	6679788	032/058	6751328	011/229	6821713	025/014
6463628	021/107	6533803	015/181	6571918	031/189	6642793	032/009	6679823	032/059	6751363	011/230	6822518	025/015
6463663	021/108	6533838	015/182	6571953	031/190	6642828	032/010	6679858	032/060	6751398	012/001	6822553	025/016
6463698	021/109	6533873	015/183	6571988	031/191	6642863	032/011	6679998	032/061	6751433	012/002	6822588	025/017
6463733	021/110	6533908	015/184	6572128	031/192	6642898	032/012	6680033	032/062	6751468	012/003	6822623	025/018
6495758	015/137	6533943	015/185	6572163	031/193	6642933	032/013	6714613	011/192	6751678	012/004	6822658	025/019
6495758	015/169	6533978	015/186	6604713	031/226	6642968	032/014	6714648	011/193	6751748	012/005	6822693	025/020
6495828	015/138	6534328	015/187	6604958	031/195	6643003	032/015	6714683	011/194	6751783	012/006	6822728	025/021
6495898	015/139	6534363	015/188	6604958	031/227	6643283	032/016	6714718	011/195	6751818	012/007	6822763	025/022
6495968	015/140	6534398	015/189	6605028	031/196	6643318	032/017	6714753	011/196	6751958	012/008	6822798	025/023
6496038	015/141	6534433	015/190	6605063	031/197	6643353	032/018	6714788	011/197	6751993	012/009	6822833	025/024
6496843	015/142	6534468	015/191	6605623	031/198	6643388	032/019	6714823	011/198	6781043	024/206	6823113	025/025
6497123	015/143	6534503	015/192	6605903	031/199	6643423	032/020	6714858	011/199	6784543	024/207	6823148	025/026
6497158	015/144	6534538	015/193	6606708	031/200	6643458	032/021	6714893	011/200	6784788	024/208	6823183	025/027
6497193	015/145	6534573	015/194	6606743	031/201	6643493	032/022	6715173	011/201	6784823	024/209	6823218	025/028
6497228	015/146	6534608	015/195	6606778	031/202	6643528	032/023	6715208	011/202	6784893	024/210	6823253	025/029
6497788	015/147	6534643	015/196	6606813	031/203	6643563	032/024	6715243	011/203	6785453	024/211	6823288	025/030
6497823	015/148	6534678	015/197	6606848	031/204	6643598	032/025	6715278	011/204	6785733	024/212	6823323	025/031
6497858	015/149	6534683	015/198	6606883	031/205	6643808	032/026	6715313	011/205	6786538	024/213	6823358	025/032
6497893	015/150	6534518	015/199	6606918	031/206	6643878	032/027	6715348	011/206	6786573	024/214	6823393	025/033
6497928	015/151	6534553	015/200	6606953	031/207	6643913	032/028	6715453	011/185	6786608	024/215	6823428	025/034
6497963	015/152	6534588	015/201	6606988	031/208	6643948	032/029	6715488	011/186	6786643	024/216	6823463	025/035
6497998	015/153	6534623	015/202	6607023	031/209	6676813	032/031	6715698	011/187	6786678	024/217	6823708	025/036
6498348	015/154	6568733	031/162	6607303	031/210	6676813	032/063	6715768	011/188	6786713	024/218	6823743	025/037
6498383	015/155	6568733	031/194	6607338	031/211	6676848	032/032	6715803	011/189	6786748	024/219	6823778	025/038
6498418	015/156	6568978	031/163	6607373	031/212	6676883	032/033	6715838	011/190	6786783	024/220	6823918	025/039
6498453	015/157	6569048	031/164	6607408	031/213	6676953	032/034	6715978	011/191	6786818	024/221	6823953	025/040
6498488	015/158	6569083	031/165	6607443	031/214	6677513	032/035	6716048	011/207	6786853	024/222	6823988	025/041
6498523	015/159	6569643	031/166	6607478	031/215	6677793	032/036	6748773	011/208	6787133	024/223	6856503	015/205
6498558	015/160	6569923	031/167	6607513	031/216	6678598	032/037	6748773	012/010	6787168	024/224	6856748	015/206
6498593	015/161	6570728	031/168	6607548	031/217	6678633	032/038	6748808	011/209	6787203	024/225	6856783	015/207
6498628	015/162	6570763	031/169	6607583	031/218	6678668	032/039	6748843	011/210	6787238	024/226	6856853	015/208
6498663	015/163	6570798	031/170	6607618	031/219	6678703	032/040	6748913	011/211	6787273	024/227	6857413	015/209
6498698	015/164	6570833	031/171	6607828	031/220	6678738	032/041	6749473	011/212	6787308	024/228	6857693	015/210
6499188	015/165	6570868	031/172	6607898	031/221	6678773	032/042	6749753	011/213	6787343	024/229	6858498	015/211
6499223	015/166	6570903	031/173	6607933	031/222	6678808	032/043	6750558	011/214	6787378	025/001	6858533	015/212
6499678	015/167	6570938	031/174	6607968	031/223	6678843	032/044	6750593	011/215	6787413	025/002	6858568	015/213

## MARINER 9 ARCHIVE TAPE CATALOG

DAS TIME	MYE ID	DAS TIME	MYE ID	DAS TIME	MYE ID	DAS TIME	MYE ID	DAS TIME	MYE ID	DAS TIME	MYE ID	DAS TIME	MYE ID
6858603	015/214	6875388	016/033	6966578	027/010	7003398	013/134	7074623	027/040	7111408	027/088	7182598	027/138
6858638	015/215	6875598	016/034	6966613	027/011	7003408	013/135	7074658	027/041	7111618	027/089	7182633	027/139
6858673	015/216	6875668	016/035	6966648	027/012	7003678	013/136	7074693	027/042	7111688	027/090	7182668	027/140
6858708	015/217	6875703	016/036	6966683	027/013	7003713	013/137	7074728	027/043	7111723	027/091	7182703	027/141
6858743	015/218	6875738	016/037	6966718	027/014	7003748	013/138	7074763	027/044	7111758	027/092	7182738	027/142
6858778	015/219	6875878	016/038	6966753	027/015	7003888	013/139	7074798	027/045	7111898	027/093	7182773	027/143
6858813	015/220	6875913	016/039	6966788	027/016	7003923	013/140	7074833	027/046	7111933	027/094	7182808	027/144
6859073	015/221	6875948	016/040	6966823	027/017	7036683	013/141	7075113	027/047	7111968	027/095	7182843	027/145
6859128	015/222	6918173	026/200	6967103	027/018	7036683	013/173	7075148	027/048	7144553	027/098	7183123	027/146
6859163	015/223	6928533	026/201	6967138	027/019	7036718	013/142	7075183	027/049	7144798	027/099	7183158	027/147
6859198	015/224	6928778	026/202	6967173	027/020	7036718	013/174	7075218	027/050	7144833	027/100	7183193	027/148
6859233	015/225	6928813	026/203	6967208	027/021	7036753	013/143	7075253	027/051	7144903	027/101	7183228	027/149
6859268	015/226	6928883	026/204	6967243	027/022	7036823	013/144	7075288	027/052	7145463	027/102	7183263	027/150
6859303	015/227	6929443	026/205	6967278	027/023	7037383	013/145	7075323	027/053	7145743	027/103	7183298	027/151
6859338	015/228	6929723	026/206	6967313	027/024	7037663	013/146	7075358	027/054	7146548	027/104	7183333	027/152
6859373	015/229	6930528	026/207	6967348	027/025	7038468	013/147	7075393	027/055	7146583	027/105	7183368	027/153
6859408	016/001	6930563	026/208	6967383	027/026	7038503	013/148	7075428	027/056	7146618	027/106	7183403	027/154
6859618	016/002	6930598	026/209	6967418	027/027	7038538	013/149	7075463	027/057	7146653	027/107	7183438	027/155
6859688	016/003	6930633	026/210	6967453	027/028	7038573	013/150	7075708	027/058	7146688	027/108	7183468	027/156
6859723	016/004	6930668	026/211	6967488	027/029	7038608	013/151	7075743	027/059	7146723	027/109	7183718	027/157
6859758	016/005	6930703	026/212	6967523	027/030	7038643	013/152	7075778	027/060	7146758	027/110	7183753	027/158
6859898	016/006	6930738	026/213	6967568	027/165	7038678	013/153	7075918	027/061	7146793	027/111	7183788	027/159
6859933	016/007	6930773	026/214	6968678	027/166	7038713	013/154	7075953	027/062	7146828	027/112	7183928	027/160
6892693	016/008	6930808	026/215	6968713	027/167	7038748	013/155	7108713	027/063	7146863	027/113	7183963	027/161
6892693	016/041	6930843	026/216	6968748	027/168	7038783	013/156	7108713	027/096	7147143	027/114	7183998	027/162
6892728	016/009	6931123	026/217	7000493	013/109	7039063	013/157	7108748	027/064	7147178	027/115	7214513	028/010
6892728	016/042	6931158	026/218	7000738	013/110	7039098	013/158	7108748	027/097	7147213	027/116	7214758	028/011
6892763	016/010	6931193	026/219	7000773	013/111	7039133	013/159	7108783	027/065	7147248	027/117	7214793	028/012
6892833	016/011	6931228	026/220	7000843	013/112	7039168	013/160	7108853	027/066	7147283	027/118	7214863	028/013
6893393	016/012	6931263	026/221	7001403	013/113	7039203	013/161	7109413	027/067	7147318	027/119	7214923	028/014
6893673	016/013	6931298	026/222	7001683	013/114	7039238	013/162	7109693	027/068	7147353	027/120	7217703	028/015
6894478	016/014	6931333	026/223	7002488	013/115	7039273	013/163	7110498	027/069	7147388	027/121	7218508	028/016
6894513	016/015	6931368	026/224	7002523	013/116	7039308	013/164	7110533	027/070	7147423	027/122	7218543	028/017
6894548	016/016	6931403	026/225	7002558	013/117	7039343	013/165	7110568	027/071	7147458	027/123	7218578	028/018
6894583	016/017	6931438	026/226	7002593	013/118	7039378	013/166	7110603	027/072	7147668	027/124	7218613	028/019
6894618	016/018	6931468	026/227	7002628	013/119	7039588	013/167	7110638	027/073	7147738	027/125	7218648	028/020
6894653	016/019	6931718	026/228	7002663	013/120	7039658	013/168	7110673	027/074	7147773	027/126	7218683	028/021
6894688	016/020	6931753	026/229	7002698	013/121	7039693	013/169	7110708	027/075	7147808	027/127	7218718	028/022
6894723	016/021	6931788	026/230	7002733	013/122	7039728	013/170	7110743	027/076	7147948	027/128	7218753	028/023
6894758	016/022	6931928	027/001	7002768	013/123	7039868	013/171	7110778	027/077	7147983	027/129	7218788	028/024
6894793	016/023	6964723	027/002	7002803	013/124	7039903	013/172	7110813	027/078	7180743	027/130	7218823	028/025
6895073	016/024	6964723	027/169	7003083	013/125	7072523	027/031	7111093	027/079	7180743	027/163	7219103	028/026
6895108	016/025	6964758	027/003	7003118	013/126	7072768	027/032	7111128	027/080	7180778	027/131	7219138	028/027
6895143	016/026	6964758	027/170	7003153	013/127	7072803	027/033	7111163	027/081	7180778	027/164	7219173	028/028
6895178	016/027	6964793	027/004	7003188	013/128	7072838	027/034	7111198	027/082	7180813	027/132	7219208	028/029
6895213	016/028	6964863	027/005	7003223	013/129	7073433	027/035	7111233	027/083	7180883	027/133	7219243	028/030
6895248	016/029	6965423	027/006	7003258	013/130	7073713	027/036	7111268	027/084	7181443	027/134	7219278	028/031
6895283	016/030	6965703	027/007	7003293	013/131	7074518	027/037	7111303	027/085	7181723	027/135	7219313	028/032
6895318	016/031	6966508	027/008	7003328	013/132	7074553	027/038	7111338	027/086	7182528	027/136	7219348	028/033
6895353	016/032	6966543	027/009	7003363	013/133	7074588	027/039	7111373	027/087	7182563	027/137	7219383	028/034

## MARINER 9 ARCHIVE TAPE CATALOG

DAS TIME	MME ID	DAS TIME	MME ID	DAS TIME	MME ID	DAS TIME	MME ID	DAS TIME	MME ID	DAS TIME	MME ID	DAS TIME	MME ID
7219418	028/035	7289733	019/081	7327323	019/226	7396728	016/113	7435088	016/131	7504353	019/033	7542643	019/140
7219628	028/036	7290538	019/082	7327358	019/227	7396763	016/081	7435123	016/132	7504353	019/065	7542923	019/141
7219698	028/037	7290573	019/083	7327393	019/228	7396833	016/082	7435158	016/133	7504598	019/034	7542958	019/142
7219733	028/038	7290608	019/084	7327428	019/229	7397393	016/083	7435193	016/134	7504633	019/035	7542993	019/143
7219768	028/039	7290643	019/085	7327463	019/230	7397673	016/084	7435228	016/135	7504703	019/036	7543028	019/144
7219908	028/040	7290678	019/086	7327708	020/001	7398478	016/085	7435263	016/136	7505263	019/037	7543063	019/145
7219943	028/041	7290713	019/087	7327743	020/002	7398513	016/086	7435298	016/137	7505543	019/038	7543098	019/146
7252773	028/042	7290748	019/088	7327778	020/003	7398548	016/087	7435333	016/138	7506348	019/039	7543133	019/147
7252773	028/075	7290783	019/089	7327813	020/004	7398583	016/088	7435368	016/139	7506383	019/040	7543168	019/148
7252808	028/043	7290818	019/090	7327848	020/005	7398618	016/089	7435578	016/140	7506618	019/041	7543203	019/149
7252808	028/076	7290853	019/091	7327918	020/006	7398653	016/090	7435648	016/141	7506653	019/042	7543238	019/150
7252843	028/044	7291133	019/092	7357773	016/043	7398688	016/091	7435683	016/142	7506688	019/043	7543448	019/151
7252913	028/045	7291168	019/093	7357773	016/075	7398723	016/092	7435718	016/143	7506523	019/044	7543518	019/152
7253473	028/046	7291203	019/094	7360363	016/044	7398758	016/093	7435858	016/144	7506558	019/045	7543553	019/153
7253753	028/047	7291238	019/095	7360363	016/076	7398793	016/094	7435893	016/145	7506593	019/046	7543588	019/154
7254558	028/048	7291273	019/096	7360748	016/045	7398973	016/095	7468653	016/147	7506628	019/047	7543728	019/155
7254593	028/049	7291308	019/097	7360748	016/077	7399108	016/096	7468653	016/180	7506663	019/048	7543763	019/156
7254628	028/050	7291343	019/098	7360783	016/046	7399143	016/097	7468688	016/148	7506943	019/049	7543798	019/157
7254663	028/051	7291378	019/099	7360783	016/078	7399178	016/098	7468688	016/181	7506978	019/050	7576313	020/040
7254698	028/052	7291413	019/100	7360853	016/047	7399213	016/099	7468723	016/149	7507013	019/051	7576313	034/186
7254733	028/053	7291448	019/101	7361413	016/048	7399248	016/100	7468793	016/150	7507048	019/052	7576558	020/009
7254768	028/054	7291658	019/102	7361693	016/049	7399283	016/101	7469353	016/151	7507083	019/053	7576593	020/010
7254803	028/055	7291728	019/103	7362498	016/050	7399318	016/102	7469633	016/152	7507118	019/054	7576663	020/011
7254838	028/056	7291763	019/104	7362533	016/051	7399353	016/103	7470438	016/153	7507153	019/055	7577223	020/012
7254873	028/057	7291798	019/105	7362568	016/052	7399388	016/104	7470473	016/154	7507188	019/056	7577503	020/013
7255153	028/058	7291938	019/106	7362603	016/053	7399598	016/105	7470508	016/155	7507223	019/057	7578308	020/014
7255188	028/059	7324733	019/109	7362638	016/054	7399668	016/106	7470543	016/156	7507258	019/058	7578343	020/015
7255223	028/060	7324733	020/007	7362673	016/055	7399703	016/107	7470578	016/157	7507468	019/059	7578378	020/016
7255258	028/061	7324768	019/110	7362708	016/056	7399738	016/108	7470613	016/158	7507538	019/060	7578413	020/017
7255293	028/062	7324768	020/008	7362743	016/057	7399878	016/109	7470648	016/159	7507573	019/061	7578448	020/018
7255328	028/063	7324803	019/111	7362778	016/058	7399913	016/110	7470683	016/160	7507608	019/062	7578483	020/019
7255363	028/064	7324873	019/112	7362813	016/059	7399948	016/111	7470718	016/161	7507748	019/063	7578518	020/020
7255398	028/065	7325433	019/113	7363093	016/060	7432463	016/114	7470753	016/162	7507783	019/064	7578553	020/021
7255433	028/066	7325713	019/114	7363128	016/061	7432463	016/146	7471033	016/163	7507818	019/066	7578588	020/022
7255468	028/067	7326518	019/115	7363163	016/062	7432708	016/115	7471068	016/164	7507853	019/158	7578623	020/023
7255678	028/068	7326553	019/116	7363198	016/063	7432743	016/116	7471103	016/165	7507888	019/067	7578903	020/024
7255748	028/069	7326588	019/117	7363233	016/064	7432813	016/117	7471138	016/166	7507978	019/159	7578938	020/025
7255783	028/070	7326623	019/118	7363268	016/065	7433373	016/118	7471173	016/167	7508013	019/068	7578973	020/026
7255818	028/071	7326658	019/119	7363303	016/066	7433653	016/119	7471208	016/168	7508048	019/069	7579008	020/027
7255958	028/072	7326693	019/120	7363338	016/067	7434458	016/120	7471243	016/169	7541243	034/189	7579043	020/028
7255993	028/073	7326728	019/121	7363373	016/068	7434493	016/121	7471278	016/170	7541523	019/130	7579078	020/029
7256028	028/074	7326763	019/122	7363408	016/069	7434528	016/122	7471313	016/171	7542328	019/131	7579113	020/030
7283433	019/075	7326798	019/123	7363618	016/070	7434563	016/123	7471348	016/172	7542363	019/132	7579148	020/031
7283433	019/107	7326833	019/124	7363688	016/071	7434598	016/124	7471558	016/173	7542398	019/133	7579183	020/032
7288543	019/076	7327113	019/125	7363723	016/072	7434633	016/125	7471628	016/174	7542433	019/134	7579218	020/033
7288543	019/108	7327148	019/126	7363758	016/073	7434668	016/126	7471663	016/175	7542468	019/135	7579428	020/034
7288788	019/077	7327183	019/127	7363898	016/074	7434703	016/127	7471698	016/176	7542503	019/136	7579498	020/035
7288823	019/078	7327218	019/128	7396693	016/079	7434738	016/128	7471838	016/177	7542538	019/137	7579533	020/036
7288893	019/079	7327253	019/129	7396693	016/112	7434773	016/129	7471873	016/178	7542573	019/138	7579568	020/037
7289453	019/080	7327288	019/225	7396728	016/080	7435053	016/130	7471908	016/179	7542608	019/139	7579708	020/038

## MARINER 9 ARCHIVE TAPE CATALOG

DAS TIME	MYE ID	DAS TIME	MYE ID	DAS TIME	MYE ID	DAS TIME	MYE ID	DAS TIME	MYE ID	DAS TIME	MYE ID	DAS TIME	MYE ID
7579743	020/039	7650443	022/095	7687368	022/144	7758173	020/120	7795098	020/170	7866043	027/190	7902898	028/001
7612433	020/041	7650478	022/096	7687508	022/145	7758208	020/121	7795168	020/171	7866078	027/191	7902968	028/002
7612433	020/074	7650513	022/097	7687543	022/146	7758243	020/122	7795203	020/172	7866113	027/192	7903003	028/003
7612468	020/042	7650793	022/098	7687578	022/147	7758278	020/123	7795238	020/173	7866148	027/193	7903038	028/004
7612468	020/075	7650828	022/099	7720093	020/076	7758313	020/124	7795378	020/175	7866183	027/194	7903178	028/005
7612503	020/043	7650863	022/100	7720093	020/108	7758348	020/125	7795413	020/176	7866463	027/195	7903213	028/006
7612573	020/044	7650898	022/101	7720338	020/077	7758628	020/126	7828103	020/178	7866498	027/196	7903248	028/007
7613133	020/045	7650933	022/102	7720373	020/078	7758663	020/127	7828138	020/179	7866533	027/197	7935763	020/217
7613413	020/046	7650968	022/103	7720443	020/079	7758698	020/128	7828173	020/180	7866568	027/198	7936008	020/218
7614218	020/047	7651003	022/104	7721003	020/080	7758733	020/129	7828243	020/181	7866603	027/199	7936043	020/219
7614253	020/048	7651038	022/105	7721283	020/081	7758768	020/130	7828803	020/182	7866638	027/200	7936113	020/220
7614288	020/049	7651073	022/106	7722088	020/082	7758803	020/131	7829083	020/183	7866673	027/201	7936673	020/221
7614323	020/050	7651108	022/107	7722123	020/083	7758838	020/132	7829888	020/184	7866708	027/202	7936953	020/222
7614358	020/051	7651318	022/108	7722158	020/084	7758873	020/133	7829923	020/185	7866743	027/171	7937723	020/223
7614393	020/052	7651388	022/109	7722193	020/085	7758908	020/134	7829958	020/186	7866743	027/203	7937758	020/224
7614428	020/053	7651423	022/110	7722228	020/086	7759118	020/135	7829993	020/187	7866778	027/172	7937793	020/225
7614463	020/054	7651458	022/111	7722263	020/087	7759188	020/136	7830028	020/188	7866778	027/204	7937828	020/226
7614498	020/055	7651598	022/112	7722298	020/088	7759223	020/137	7830063	020/189	7866988	027/173	7937863	020/227
7614533	020/056	7651633	022/113	7722333	020/089	7759258	020/138	7830098	020/190	7867058	027/174	7937898	020/228
7614813	020/057	7684323	022/115	7722368	020/090	7759398	020/139	7830133	020/191	7867093	027/175	7937933	020/229
7614848	020/058	7684323	022/148	7722403	020/091	7759398	020/174	7830168	020/192	7867128	027/176	7937968	020/230
7614883	020/059	7684358	022/116	7722483	020/092	7759433	020/140	7830203	020/193	7867268	027/177	7938003	021/001
7614918	020/060	7684358	022/149	7722718	020/093	7759468	020/141	7830483	020/194	7867303	027/178	7938038	021/002
7614953	020/061	7684393	022/117	7722753	020/094	7791983	020/144	7830518	020/195	7899993	028/008	7938073	021/003
7614988	020/062	7684463	022/118	7722788	020/095	7791983	020/177	7830553	020/196	7900028	027/206	7938353	021/004
7615023	020/063	7685023	022/119	7722823	020/096	7792228	020/145	7830588	020/197	7900028	028/009	7938388	021/005
7615058	020/064	7685303	022/120	7722858	020/097	7792263	020/146	7830623	020/198	7900063	027/207	7938423	021/006
7615093	020/065	7686108	022/121	7722893	020/098	7792333	020/147	7830658	020/199	7900133	027/208	7938458	021/007
7615128	020/066	7686143	022/122	7722928	020/099	7792893	020/148	7830693	020/200	7900493	027/209	7938493	021/008
7615138	020/067	7686178	022/123	7722963	020/100	7793173	020/149	7830728	020/201	7900973	027/210	7938528	021/009
7615408	020/068	7686213	022/124	7722998	020/101	7793943	020/150	7830763	020/202	7901778	027/211	7938563	021/010
7615443	020/069	7686248	022/125	7723208	020/102	7794013	020/151	7830798	020/203	7901813	027/212	7938598	021/011
7615478	020/070	7686283	022/126	7723278	020/103	7794048	020/152	7831008	020/204	7901848	027/213	7938633	021/012
7615618	020/071	7686318	022/127	7723313	020/104	7794083	020/153	7831008	027/205	7901883	027/214	7938668	020/210
7615653	020/072	7686353	022/128	7723348	020/105	7794118	020/154	7831078	020/205	7901918	027/215	7938708	020/211
7615688	020/073	7686388	022/129	7725938	020/106	7794153	020/155	7831113	020/206	7901953	027/216	7938948	020/212
7648203	022/082	7686423	022/130	7725973	020/107	7794188	020/156	7831148	020/207	7901988	027/217	7938983	020/213
7648203	022/114	7686703	022/131	7756213	020/109	7794223	020/157	7831288	020/208	7902023	027/218	7939018	020/214
7648448	022/083	7686738	022/132	7756213	020/142	7794258	020/158	7831323	020/209	7902058	027/219	7939158	020/215
7648483	022/084	7686773	022/133	7756248	020/110	7794293	020/159	7863873	027/179	7902093	027/220	7939193	019/032
7648553	022/085	7686808	022/134	7756248	020/143	7794573	020/160	7864118	027/180	7902373	027/221	7939193	020/216
7649113	022/086	7686843	022/135	7756283	020/111	7794608	020/161	7864153	027/181	7902408	027/222	7939193	021/044
7649393	022/087	7686878	022/136	7756353	020/112	7794643	020/162	7864223	027/182	7902443	027/223	7939193	021/174
7650198	022/088	7686913	022/137	7756913	020/113	7794678	020/163	7864783	027/183	7902478	027/224	7939193	029/045
7650233	022/089	7686948	022/138	7757193	020/114	7794713	020/164	7865063	027/184	7902513	027/225	7939193	030/201
7650268	022/090	7686983	022/139	7757998	020/115	7794748	020/165	7865868	027/185	7902548	027/226	7939193	031/005
7650303	022/091	7687018	022/140	7758033	020/116	7794783	020/166	7865903	027/186	7902583	027/227	7971953	021/013
7650338	022/092	7687228	022/141	7758068	020/117	7794818	020/167	7865938	027/187	7902618	027/228	7972023	021/014
7650373	022/093	7687298	022/142	7758103	020/118	7794853	020/168	7865973	027/188	7902653	027/229	7972058	021/015
7650408	022/094	7687333	022/143	7758138	020/119	7794888	020/169	7866008	027/189	7902688	027/230	7972093	021/016

## MARINER 9 ARCHIVE TAPE CATALOG

DAS TIME	MME ID	DAS TIME	MME ID	DAS TIME	MME ID	DAS TIME	MME ID	DAS TIME	MME ID	DAS TIME	MME ID	DAS TIME	MME ID
7972373	021/017	8011223	030/192	8081328	029/222	8119723	030/039	8189799	021/160	8260219	019/006	82997349	024/002
7972443	021/018	8011328	030/193	8081398	029/223	8151783	021/113	8190884	021/161	8260779	019/007	82997384	024/003
7973003	021/019	8011363	030/194	8081433	029/224	8151853	021/114	8190919	021/162	8260849	019/008	82997419	024/004
7973073	021/020	8011538	030/195	8081468	029/225	8151888	021/115	8191024	021/163	8260919	019/009	82997574	024/005
7973143	021/021	8011573	030/196	8081538	029/226	8151923	021/116	8191059	021/164	8260989	019/010	82997629	024/006
7973213	021/022	8011608	030/197	8081573	029/227	8152203	021/117	8191164	021/165	8261234	019/011	82997629	024/037
7973458	021/023	8011643	030/198	8081608	029/228	8152273	021/118	8191199	021/166	8261304	019/012	82997664	024/038
7973528	021/024	8011818	030/199	8081678	029/229	8152973	021/119	8191374	021/167	8261339	019/013	8331759	024/007
7973563	021/025	8011853	030/200	8081958	029/230	8153043	021/120	8191409	021/168	8261374	019/014	8331829	024/008
7973598	021/026	8043913	030/204	8081993	030/001	8153288	021/121	8191444	021/169	8261444	019/015	8331864	024/009
7973668	021/027	8043983	030/205	8082938	030/002	8153358	021/122	8191479	021/170	8261514	019/016	8331899	024/010
7973738	021/028	8044018	030/206	8082973	030/003	8153393	021/123	8191654	021/171	8261584	019/017	8332179	024/011
7973808	021/029	8044053	030/207	8083078	030/004	8153428	021/124	8191689	021/172	8261829	019/018	8332249	024/012
7973913	021/030	8044333	030/208	8083113	030/005	8153498	021/125	8223749	018/198	8262844	019/019	8332809	024/013
7975068	021/031	8044403	030/209	8083218	030/006	8153533	021/126	8223819	018/199	8262879	019/020	8332879	024/014
7975103	021/032	8044963	030/210	8083253	030/007	8153568	021/127	8223854	018/200	8262984	019/021	8332949	024/015
7975208	021/033	8045033	030/211	8083428	030/008	8153638	021/128	8223889	018/201	8263019	019/022	8333019	024/016
7975243	021/034	8045103	030/212	8083463	030/009	8153918	021/129	8224169	018/202	8263124	019/023	8333264	024/017
7975348	021/035	8045173	030/213	8083498	030/010	8153953	021/130	8224239	018/203	8263159	019/024	8333334	024/018
7975383	021/036	8045418	030/214	8083533	030/011	8154898	021/131	8224274	018/204	8263334	019/025	8333369	024/019
7975558	021/037	8045488	030/215	8083533	030/040	8154933	021/132	8225009	018/205	8263369	019/026	8333404	024/020
7975593	021/038	8045523	030/216	8115803	030/012	8155038	021/133	8225254	018/206	8263404	019/027	8333474	024/021
7975628	021/039	8045558	030/217	8115873	030/013	8155073	021/134	8225324	018/207	8263439	019/028	8333544	024/022
7975663	021/040	8045628	030/218	8115908	030/014	8155178	021/135	8225359	018/208	8263614	019/029	8333614	024/023
7975838	021/041	8045698	030/219	8115943	030/015	8155213	021/136	8225394	018/209	8263649	019/030	8333859	024/024
7975873	021/042	8045768	030/220	8116223	030/016	8155388	021/137	8225464	018/210	8295709	023/207	8334874	024/025
7975908	021/043	8045873	030/221	8116293	030/017	8155423	021/138	8225499	018/211	8295779	023/208	8334909	024/026
8007933	030/171	8047028	030/222	8116853	030/018	8155458	021/139	8225534	018/212	8295814	023/209	8335014	024/027
8007933	030/202	8047063	030/223	8116923	030/019	8155493	021/140	8225604	018/213	8295849	023/210	8335049	024/028
8008003	030/172	8047168	030/224	8116993	030/020	8155668	021/141	8225884	018/214	8296129	023/211	8335154	024/029
8008003	030/203	8047203	030/225	8117063	030/021	8155703	021/142	8225919	018/215	8296199	023/212	8335189	024/030
8008038	030/173	8047308	030/226	8117308	030/022	8155703	021/173	8226864	018/216	8296829	023/213	8335364	024/031
8008073	030/174	8047343	030/227	8117378	030/023	8155738	018/229	8226899	018/217	8296899	023/214	8335399	024/032
8008353	030/175	8047518	030/228	8117413	030/024	8187769	021/143	8227004	018/218	8297284	023/215	8335434	024/033
8008423	030/176	8047553	030/229	8117448	030/025	8187839	021/144	8227039	018/219	8297354	023/216	8335469	024/034
8009123	030/177	8047588	030/230	8117518	030/026	8187874	021/145	8227144	018/220	8297389	023/217	8335644	024/035
8009193	030/178	8047623	031/001	8117588	030/027	8187909	021/146	8227179	018/221	8297424	023/218	8335679	024/036
8009438	030/179	8047798	031/002	8117658	030/028	8188189	021/147	8227354	018/222	8297494	023/219	8367739	029/003
8009508	030/180	8047833	031/003	8117763	030/029	8188259	021/148	8227389	018/223	8297529	023/220	8367809	029/004
8009543	030/181	8047868	031/004	8118918	030/030	8188819	021/149	8227424	018/224	8297564	023/221	8367844	029/005
8009578	030/182	8079613	029/212	8118953	030/031	8188889	021/150	8227459	018/225	8297634	023/222	8367879	029/006
8009648	030/183	8079648	029/213	8119058	034/175	8188959	021/151	8227494	018/226	8297844	023/223	8368159	029/007
8009683	030/184	8079823	029/214	8119093	034/176	8189029	021/152	8227634	018/227	8297879	023/224	8368229	029/008
8009718	030/185	8079893	029/215	8119198	030/032	8189274	021/153	8227669	018/228	8298824	023/225	8368789	029/009
8009788	030/186	8079928	029/216	8119233	030/033	8189344	021/154	8227669	019/031	8298859	023/226	8368859	029/010
8010068	030/187	8079963	029/217	8119408	030/034	8189379	021/155	8259729	019/001	8298964	023/227	8369104	029/011
8010103	030/188	8080243	029/218	8119443	030/035	8189414	021/156	8259799	019/002	8298999	023/228	8369174	029/012
8011048	030/189	8080313	029/219	8119478	030/036	8189484	021/157	8259834	019/003	8299104	023/229	8369209	029/013
8011083	030/190	8081013	029/220	8119513	030/037	8189554	021/158	8259869	019/004	8299139	023/230	8369244	029/014
8011188	030/191	8081083	029/221	8119688	030/038	8189624	021/159	8260149	019/005	8299314	024/001	8369314	029/015



## MARINER 9 ARCHIVE TAPE CATALOG

DAS TIME	MYE ID	DAS TIME	MYE ID	DAS TIME	MYE ID	DAS TIME	MYE ID	DAS TIME	MYE ID	DAS TIME	MYE ID	DAS TIME	MYE ID
8369349	029/016	8439839	022/211	8479004	023/031	8549399	023/080	8620229	023/129	8692959	030/069	8764849	023/181
8369384	029/017	8439874	022/212	8479039	023/032	8549424	023/081	8620789	023/130	8693029	030/070	8764919	023/182
8369454	029/018	8439909	022/213	8479144	023/033	8549494	023/082	8620859	023/131	8693274	030/071	8764989	023/183
8369874	029/019	8440189	022/214	8479179	023/034	8549564	023/083	8620929	023/132	8693344	030/072	8765234	023/184
8369909	029/020	8440259	022/215	8479354	023/035	8549634	023/084	8620999	023/133	8693379	030/073	8765304	023/185
8370854	029/021	8440959	022/216	8479389	023/036	8549739	023/085	8621244	023/134	8693414	030/074	8765339	023/186
8370889	029/022	8441029	022/217	8479424	023/037	8550894	023/086	8621314	023/135	8693484	030/075	8765374	023/187
8370994	029/023	8441274	022/218	8479424	023/069	8550929	023/087	8621349	023/136	8693554	030/076	8765444	023/188
8371029	029/024	8441344	022/219	8479459	023/038	8551034	023/088	8621384	023/137	8693624	030/077	8765514	023/189
8371134	029/025	8441379	022/220	8479459	023/070	8551069	023/089	8621454	023/138	8693729	030/078	8765584	023/190
8371169	029/026	8441414	022/221	8479634	023/039	8551174	023/090	8621524	023/139	8694884	030/079	8765689	023/191
8371344	029/027	8441484	022/222	8479634	023/098	8551209	023/091	8621594	023/140	8694919	030/080	8766844	023/192
8371379	029/028	8441519	022/223	8479669	023/040	8551384	023/092	8621699	023/141	8695024	030/081	8766879	023/193
8371414	029/029	8441554	022/224	8512149	023/042	8551419	023/093	8622854	023/142	8695059	030/082	8766984	023/194
8371449	029/030	8441624	022/225	8512219	023/043	8551454	023/094	8622889	023/143	8695164	030/083	8767019	023/195
8371624	029/031	8441904	022/226	8512919	023/044	8551489	023/095	8622994	023/144	8695199	030/084	8767124	023/196
8371659	029/032	8441939	022/227	8512989	023/045	8551664	023/096	8623029	023/145	8695374	030/085	8767159	023/197
8371659	029/064	8442884	022/228	8513234	023/046	8551699	023/097	8623134	023/146	8695409	030/086	8767334	023/198
8403719	029/033	8442919	022/229	8513304	023/047	8583864	023/099	8623169	023/147	8695444	030/087	8800899	024/157
8403719	029/034	8442989	023/001	8513339	023/048	8583899	023/100	8623344	023/148	8695479	030/088	8800969	024/158
8403789	029/035	8443024	023/002	8513374	023/049	8584179	023/101	8623379	023/149	8727854	023/151	8801214	024/159
8403824	029/036	8443059	023/003	8513409	023/050	8584249	023/102	8647669	030/041	8727889	023/152	8801284	024/160
8403859	029/037	8443164	023/004	8513444	023/051	8584949	023/103	8656909	030/042	8728169	023/153	8801319	024/161
8404139	029/038	8443199	023/005	8513479	023/052	8585019	023/104	8656979	030/043	8728239	023/154	8801354	024/162
8404209	029/039	8443374	023/006	8513514	023/053	8585229	023/105	8657224	030/044	8728939	023/155	8801424	024/163
8404769	029/040	8443409	023/007	8513584	023/054	8585264	023/106	8657274	030/045	8729009	023/156	8801459	024/164
8404839	029/041	8443444	023/008	8513864	023/055	8585334	023/107	8657329	030/046	8729254	023/157	8801494	024/165
8404909	029/042	8443479	023/009	8513899	023/056	8585369	023/108	8657364	030/047	8729324	023/158	8801564	024/166
8404979	029/043	8443654	023/010	8514844	023/057	8585404	023/109	8657434	030/048	8729359	023/159	8801914	024/167
8405224	029/044	8443689	023/041	8514879	023/058	8585474	023/110	8657469	030/049	8729394	023/160	8801949	024/168
8405294	029/045	8475749	023/011	8514984	023/059	8585509	023/111	8657504	030/050	8729464	023/161	8802824	024/169
8405329	029/046	8475819	023/012	8515019	023/060	8585544	023/112	8657574	030/051	8729499	023/162	8802859	024/170
8405364	029/047	8475854	023/013	8515124	023/061	8585614	023/113	8657854	030/052	8729534	023/163	8802964	024/171
8405434	029/048	8475889	023/014	8515159	023/062	8585894	023/114	8657889	030/053	8729604	023/164	8802999	024/172
8405504	029/049	8476169	023/015	8515334	023/063	8585929	023/115	8658834	030/054	8729884	023/165	8803104	024/173
8405574	029/050	8476239	023/016	8515369	023/064	8586874	023/116	8658869	030/055	8729919	023/166	8803139	024/174
8405679	029/051	8476799	023/017	8515404	023/065	8586909	023/117	8658974	030/056	8730864	023/167	8803314	024/175
8406834	029/052	8476869	023/018	8515439	023/066	8587014	023/118	8659009	030/057	8730899	023/168	8803349	024/176
8406869	029/053	8476939	023/019	8515614	023/067	8587049	023/119	8659114	030/058	8731004	023/169	8803384	024/177
8406974	029/054	8477009	023/020	8515649	023/068	8587154	023/120	8659149	030/059	8731039	023/170	8803419	024/178
8407009	029/055	8477254	023/021	8547884	034/145	8587189	023/121	8659324	030/060	8731144	023/171	8803454	024/179
8407114	029/056	8477324	023/022	8547919	023/071	8587364	023/122	8659359	030/061	8731179	023/172	8835864	024/180
8407149	029/057	8477359	023/023	8548199	023/072	8587399	023/123	8659394	030/062	8731354	023/173	8835899	024/181
8407324	029/058	8477394	023/024	8548269	023/073	8587469	023/150	8659429	030/063	8731779	023/174	8836109	024/182
8407359	029/059	8477464	023/025	8548829	023/074	8587469	030/089	8691909	034/160	8737379	023/175	8836179	024/183
8407394	029/060	8477534	023/026	8548899	023/075	8619739	023/124	8691944	030/064	8738334	023/176	8836739	024/184
8407429	029/061	8477534	023/027	8548969	023/076	8619809	023/125	8692189	030/065	8738849	023/177	8836809	024/185
8407604	029/062	8477604	023/028	8549039	023/077	8619844	023/126	8692259	030/066	8764149	023/178	8836879	024/186
8407639	029/063	8477709	023/029	8549284	023/078	8619879	023/127	8692819	030/067	8764219	023/179	8836949	024/187
8439769	022/210	8478899	023/030	8549354	023/079	8620159	023/128	8692889	030/068	8764779	023/180	8837194	024/188



## MARINER 9 ARCHIVE TAPE CATALOG

DAS TIME	MME ID	DAS TIME	MME ID	DAS TIME	MME ID	DAS TIME	MME ID	DAS TIME	MME ID	DAS TIME	MME ID	DAS TIME	MME ID
8837264	024/189	8908839	025/077	8981324	024/141	9054544	026/021	9126714	025/133	9198919	030/157	9304724	028/111
8837299	024/190	8909084	025/078	8981394	024/142	9054579	026/022	9126749	025/134	9231119	032/141	9304794	028/112
8837334	024/191	8909154	025/079	8981499	024/143	9054684	026/023	9126924	025/135	9231189	032/142	9304864	028/113
8837404	024/192	8909189	025/080	8982654	024/144	9054719	026/024	9126959	025/136	9231224	032/143	9305179	028/114
8837474	024/193	8909224	025/081	8982689	024/145	9054824	026/025	9126994	025/137	9231259	032/144	9306124	028/115
8837544	024/194	8909294	025/082	8982794	024/146	9054859	026/026	9159229	030/114	9232309	032/145	9306159	028/116
8837649	024/195	8909364	025/083	8982829	024/147	9055034	026/027	9159299	030/115	9232379	032/146	9306264	028/117
8838804	024/196	8909434	025/084	8982934	024/148	9055069	026/028	9159334	030/116	9232624	032/147	9306299	028/118
8838839	024/197	8909609	025/085	8982969	024/149	9055104	026/029	9159369	030/117	9232694	032/148	9306404	028/119
8838944	024/198	8910694	025/086	8983144	024/150	9055139	026/030	9159649	030/118	9232764	032/149	9306439	028/120
8838979	024/199	8910729	025/087	8983179	024/151	9087094	025/093	9159719	030/119	9232834	032/150	9338989	028/121
8839084	024/200	8910834	025/088	8983214	024/152	9087339	025/094	9160734	030/120	9232904	032/151	9339059	028/122
8839119	024/201	8910869	025/089	8983249	024/153	9087409	025/095	9160804	030/121	9232974	032/152	9339094	028/123
8839294	024/202	8910974	024/130	8983424	024/154	9087444	025/096	9160874	030/122	9233289	032/153	9339129	028/124
8839329	024/203	8910974	025/090	8983459	024/155	9087479	025/097	9160944	030/123	9234234	032/154	9340179	028/125
8839364	024/204	8911009	025/091	9011739	025/216	9087759	025/098	9161014	030/124	9234269	032/155	9340249	028/126
8839399	024/205	8911184	025/092	9013279	025/217	9087829	025/099	9161084	030/125	9234374	032/156	9340494	028/127
8871774	025/044	8911219	024/156	9015449	025/218	9088844	025/100	9161399	030/126	9234409	034/161	9340634	028/128
8871809	025/045	8944749	024/108	9015519	025/219	9088914	025/101	9162344	030/127	9234514	034/162	9340704	028/129
8872089	025/046	8944819	024/109	9015554	025/220	9088984	025/102	9162379	030/128	9234549	034/163	9340774	028/130
8872159	025/047	8945064	024/110	9015589	025/221	9089054	025/103	9162484	030/129	9234724	034/164	9340844	028/131
8872859	025/048	8945134	024/111	9016639	025/222	9089124	025/104	9162519	030/130	9266819	034/165	9341019	028/132
8872929	025/049	8945169	024/112	9016709	025/223	9089194	025/105	9162624	030/131	9266854	034/166	9342104	028/133
8873174	025/050	8945204	024/113	9016954	025/224	9089509	025/106	9162659	030/132	9267099	034/167	9342139	028/134
8873244	025/051	8945274	024/114	9017024	025/225	9089789	025/107	9162834	030/133	9267169	032/157	9342244	028/135
8873279	025/052	8945309	024/115	9017094	025/226	9089824	025/108	9162869	034/177	9267204	032/158	9342279	028/136
8873314	025/053	8945344	024/116	9017164	025/227	9090454	025/109	9194929	034/178	9267239	032/159	9342384	028/137
8873384	025/054	8945414	024/117	9017234	025/228	9090489	025/110	9194964	030/134	9268289	032/160	9342419	028/138
8873419	025/055	8945694	024/118	9017304	025/229	9090594	025/111	9195209	030/135	9268359	032/161	9342594	028/139
8873454	025/056	8945729	024/119	9017619	026/001	9090629	025/112	9195279	030/136	9268604	032/162	9342629	028/140
8873524	025/057	8946674	024/120	9018564	026/002	9090734	025/113	9195314	030/137	9268674	032/163	9342664	034/152
8873804	025/058	8946709	024/121	9018599	026/003	9123039	025/114	9195349	030/138	9268744	032/164	9374619	025/138
8873839	025/059	8946814	024/122	9018704	026/004	9123074	025/115	9195489	030/139	9268814	032/165	9374654	025/139
8874784	025/060	8946849	024/123	9018739	026/005	9123319	025/116	9195559	030/140	9270354	032/166	9374899	025/140
8874819	025/061	8946954	024/124	9018844	026/006	9123389	025/117	9196714	030/141	9270389	032/167	9374969	025/141
8874924	025/062	8946989	024/125	9018879	026/007	9123424	025/118	9196784	030/142	9270494	032/168	9375004	025/142
8874959	025/063	8947164	024/126	9019159	030/158	9123459	025/119	9196854	030/143	9270529	032/169	9375039	025/143
8875029	025/064	8947199	024/127	9051569	026/008	9124509	025/120	9196924	030/144	9270704	032/170	9376439	025/144
8875064	025/065	8947234	024/128	9051639	026/009	9124579	025/121	9196994	030/145	9270739	032/171	9376509	025/145
8875099	025/066	8947269	024/129	9051674	026/010	9124824	025/122	9197064	030/146	9270774	032/172	9377069	025/146
8875134	025/067	8979539	024/131	9051709	026/011	9124894	025/123	9197239	030/147	9270809	032/173	9378014	025/147
8907579	025/068	8979609	024/132	9052059	026/012	9124964	025/124	9198324	030/148	9303009	028/102	9378049	025/148
8907649	025/069	8979644	024/133	9052129	026/013	9125034	025/125	9198359	030/149	9303079	028/103	9378154	025/149
8907684	025/070	8979679	024/134	9052934	026/014	9125104	025/126	9198464	030/150	9303114	028/104	9378189	025/150
8907719	025/071	8979959	024/135	9053004	026/015	9125174	025/127	9198499	030/151	9303149	028/105	9378294	025/151
8907999	025/072	8980029	024/136	9053074	026/016	9125279	025/128	9198604	030/152	9304199	028/106	9378329	025/152
8908069	025/073	8981044	024/137	9053144	026/017	9126434	025/129	9198639	030/153	9304269	028/107	9378504	025/153
8908629	025/074	8981114	024/138	9053214	026/018	9126469	025/130	9198814	030/154	9304514	028/108	9378539	025/154
8908699	025/075	8981184	024/139	9053284	026/019	9126574	025/131	9198849	030/155	9304584	028/109	9378574	025/155
8908769	025/076	8981254	024/140	9053389	026/020	9126609	025/132	9198884	030/156	9304654	028/110	9378784	025/176

MARINER 9 VSEDR ARCHIVE TAPE CATALOG

<u>DAS TIME</u>	<u>MYE ID</u>	<u>DAS TIME</u>	<u>MYE ID</u>	<u>DAS TIME</u>	<u>MYE ID</u>	<u>DAS TIME</u>	<u>MYE ID</u>	<u>DAS TIME</u>	<u>MYE ID</u>	<u>DAS TIME</u>	<u>MYE ID</u>	<u>DAS TIME</u>	<u>MYE ID</u>
9411229	025/156	9484729	025/207	9592809	026/040	9734769	031/073	9880159	028/081	10022749	026/151	10169399	026/182
9411299	025/157	9484799	025/208	9592844	026/041	9734839	031/074	9880579	028/082	10022819	026/152	10171009	026/183
9411369	025/158	9484939	025/209	9592879	026/042	9734909	031/075	9880614	028/083	10023204	026/154	10171114	026/194
9411754	025/159	9485044	025/210	9593999	026/043	9735119	031/076	9881279	028/084	10023239	026/155	10171149	026/195
9412069	025/160	9485079	025/211	9626689	026/044	9735154	031/077	9881349	028/085	10024569	026/156	10203979	026/184
9412139	025/161	9486024	025/212	9626759	026/045	9735519	031/078	9881419	028/086	10024639	026/157	10204049	026/185
9412209	025/162	9486234	025/213	9626829	026/046	9736554	031/079	9882189	028/087	10024709	026/158	10204119	026/186
9412769	025/163	9486444	025/214	9628089	026/047	9736589	031/080	9882224	028/088	10026109	026/159	10204539	026/187
9412804	025/164	9486654	025/215	9628159	026/048	9736799	031/081	9882259	034/151	10026144	026/160	10204609	026/188
9412839	025/165	9518259	032/093	9628229	026/049	9736869	031/082	9914669	028/089	10058659	026/161	10204679	026/189
9413119	025/166	9518294	032/094	9628579	026/050	9736939	031/083	9914739	028/090	10058729	026/162	10204889	026/190
9413154	025/167	9518469	032/095	9628614	026/051	9770679	034/147	9914809	028/091	10058799	026/163	10204924	026/191
9413679	025/168	9518504	032/096	9628649	026/052	9770749	034/148	9915159	028/092	10059149	026/164	10204959	026/192
9413749	025/169	9518749	032/097	9628929	026/053	9770819	031/084	9915229	028/093	10059219	026/165	10205904	026/193
9413819	025/170	9518819	032/098	9628999	026/054	9771099	031/085	9915299	028/094	10059289	026/166	10239119	032/123
9414029	025/171	9518889	032/099	9666519	026/120	9771134	031/086	9916559	028/095	10060549	026/167	10239154	032/124
9414134	025/172	9519029	032/100	9666554	026/121	9772009	031/087	9916594	028/096	10060584	026/168	10239189	032/125
9414134	025/194	9519099	032/101	9666589	026/122	9772079	031/088	9916629	028/097	10060619	026/169	10239539	032/126
9414169	025/173	9519169	032/102	9666624	026/123	9772149	031/089	9917259	028/098	10061039	026/170	10239574	032/127
9414379	025/174	9519309	032/103	9666659	026/124	9772429	031/090	9917329	028/099	10061074	026/171	10241219	032/128
9414414	025/175	9519309	032/117	9666694	026/125	9772464	031/091	9917399	028/100	10061459	026/172	10241289	032/129
9446859	025/177	9519379	032/104	9666729	026/126	9772499	031/092	9917609	028/101	10061529	026/173	10241359	032/130
9446929	025/178	9519414	032/105	9666764	026/127	9806659	030/090	9950719	029/121	10094849	032/064	10275939	032/131
9446999	025/179	9520639	032/106	9666799	026/128	9806729	030/091	9950789	029/122	10095549	032/065	10276009	032/132
9448189	025/180	9520674	032/107	9666834	026/129	9806799	030/092	9950859	029/123	10095584	032/066	10276079	032/133
9448259	025/181	9520709	032/108	9666869	026/130	9807359	030/093	9953239	029/124	10096599	032/067	10276499	032/134
9448329	025/182	9522039	032/109	9666904	026/131	9807429	030/094	9953309	029/125	10096634	032/068	10276569	032/135
9448679	025/183	9554729	034/187	9666939	026/132	9807499	030/095	9953379	029/126	10096669	032/069	10276639	032/136
9448714	025/184	9554799	034/188	9666974	026/133	9807989	030/096	9953519	029/127	10097299	032/070	10277409	032/137
9448749	025/185	9556339	032/110	9698649	026/134	9808024	030/097	9953554	029/128	10097369	032/071	10277444	032/138
9449449	025/186	9556409	032/111	9698719	026/135	9808059	030/098	9953589	029/129	10097439	032/072	10277479	032/139
9449519	025/187	9556549	032/112	9698789	034/149	9842779	030/099	9953799	029/130	10097439	032/083	10277829	032/140
9449589	025/188	9556584	032/113	9698929	034/150	9842814	030/100	9953834	029/131	10098174	032/073	10310589	032/084
9450289	025/189	9556619	032/114	9698999	026/136	9843059	030/101	9954954	029/132	10098209	032/074	10310659	032/085
9450374	025/190	9557319	032/115	9699049	026/137	9843129	030/102	9986489	029/133	10131319	032/075	10310729	032/086
9450429	025/191	9557389	032/116	9699699	026/138	9843199	030/103	9986524	029/134	10132929	032/076	10311849	032/087
9451129	025/192	9557459	032/118	9699734	026/139	9844039	030/104	9986699	029/135	10132999	032/077	10311884	032/088
9451164	025/193	9557669	032/119	9699769	026/140	9844109	030/105	9986769	026/153	10133069	032/078	10311919	032/089
9482769	025/195	9557739	032/120	9700399	026/141	9844179	030/106	9986769	029/136	10133489	032/079	10313809	032/090
9482839	025/196	9557774	032/121	9700449	026/142	9844599	030/107	9986839	029/137	10133524	032/080	10313879	032/091
9482909	025/197	9557809	032/122	9700539	026/143	9844634	030/108	9988029	029/138	10133559	032/081	10346639	032/092
9483049	025/198	9590744	026/031	9701239	026/144	9844669	030/109	9988099	029/139	10133594	032/082	10386539	033/065
9483119	025/199	9590989	026/032	9701344	026/145	9845299	030/110	9988169	029/140	10166669	026/174	10386574	033/066
9483189	025/200	9591059	026/033	9701379	026/146	9845369	030/111	9988589	029/141	10166739	026/175	10386714	033/067
9483399	025/201	9591129	026/034	9702114	026/147	9845439	030/112	9988624	029/142	10166809	026/176	10386749	033/068
9483434	025/202	9592249	026/035	9702324	026/148	9845579	030/113	9988659	029/143	10167159	026/177	10386784	033/069
9484169	025/203	9592284	026/036	9702534	026/149	9878689	028/077	9989919	029/144	10167194	026/178	10386819	033/070
9484204	025/204	9592459	026/037	9734559	031/070	9878724	028/078	9989954	029/145	10167229	026/179	10386854	033/071
9484239	025/205	9592529	026/038	9734559	031/071	9880019	028/079	9989989	029/146	10169259	026/180	10386889	033/072
9484659	025/206	9592599	026/039	9734629	031/072	9880089	028/080	10022679	026/150	10169329	026/181	10386924	033/073

## MARINER 9 ARCHIVE TAPE CATALOG

DAS TIME	MME ID	DAS TIME	MME ID	DAS TIME	MME ID	DAS TIME	MME ID	DAS TIME	MME ID	DAS TIME	MME ID	DAS TIME	MME ID
10386959	033/074	10684539	028/227	11481659	033/102	11799746	033/185	12150402	032/176	12362916	032/226	12866033	033/148
10386994	033/075	10686044	028/198	11481764	033/103	11800011	033/186	12150437	032/177	12363896	032/227	12866068	033/149
10387029	033/076	10686044	028/228	11481799	033/104	11800046	033/187	12150752	032/178	12363931	032/228	12866138	033/150
10492519	030/159	10686114	028/199	11481974	033/105	11800151	033/188	12150822	032/179	12364036	032/229	12866208	033/151
10492554	030/160	10686114	028/229	11482114	033/106	11801376	033/189	12150962	032/180	12364071	032/230	12870548	033/152
10492589	028/178	10686394	028/200	11482149	033/107	11833436	033/190	12150997	032/181	12364316	032/231	12870618	033/153
10492589	030/161	10686394	029/001	11619935	033/108	11833506	033/191	12152467	032/182	12364351	033/001	12870688	033/154
10492624	030/162	10686429	029/002	11619970	033/109	11833541	033/192	12152502	032/183	12364456	033/002	12874503	033/155
10492659	030/163	10720484	028/209	11620005	033/110	11833716	033/193	12152607	032/184	12499160	033/003	12874573	033/156
10492694	030/164	10720519	028/210	11620145	033/111	11835536	033/194	12152642	032/185	12499230	033/004	12900648	033/157
10492729	030/165	10720554	028/211	11620215	033/112	11835571	033/195	12152887	032/186	12499650	033/005	12901208	033/158
10492764	030/166	10720589	028/212	11620355	033/113	11835606	033/196	12152922	032/187	12499720	033/006	12901348	033/159
10492799	030/167	10720624	028/213	11620390	033/114	11835676	033/197	12153097	032/188	12499790	033/007	12901383	033/160
10492834	030/168	10720659	028/214	11620530	033/115	11835711	033/198	12159722	032/189	12500000	033/008	12902048	033/161
10492869	030/169	10720694	028/215	11620565	033/116	11835746	033/199	12185962	032/190	12500070	033/009	12902118	033/162
10492904	030/170	10720729	028/216	11622385	033/117	11835991	033/200	12186032	032/191	12500140	033/010	12902153	033/163
10493079	028/173	10720764	028/217	11622455	033/118	11836026	033/201	12186067	032/192	12500210	033/011	12906598	033/164
10493114	028/174	10720799	028/218	11622560	033/119	11836131	033/202	12186802	032/193	12500490	033/012	12906668	033/165
10494479	028/175	10720834	028/219	11622595	033/120	11973789	033/035	12186872	032/194	12500840	033/013	12906738	033/166
10563124	028/176	10720869	028/220	11622770	033/121	11974069	033/036	12187012	032/195	12500910	033/014	12906808	033/167
10563159	028/177	10720904	028/221	11622910	033/122	11974104	033/037	12187047	032/196	12502275	033/015	12909993	033/168
10563369	028/179	10720939	028/222	11622945	033/123	11974664	033/038	12188377	032/197	12502520	033/016	12910063	033/169
10615414	028/201	10720974	028/223	11656125	033/125	11974734	033/039	12188412	032/198	12502590	033/017	12985393	034/039
10615449	028/202	10721009	028/224	11656265	033/126	11974874	033/040	12188517	032/199	12502660	033/018	12985463	034/040
10616534	028/203	11442879	033/077	11656300	033/127	11974909	033/041	12188552	032/200	12535035	033/019	12985603	034/041
10616569	028/204	11442914	033/078	11656895	033/128	11975084	033/042	12188797	032/201	12535070	033/020	12985638	034/042
10616604	028/205	11442949	033/079	11656965	033/129	11975154	033/043	12188832	032/202	12535105	033/021	12985648	034/043
10616639	028/206	11443369	033/080	11657035	033/130	11975294	033/044	12188937	032/203	12535175	033/022	12985682	034/044
10616674	028/207	11443439	033/081	11657070	033/131	11975329	033/045	12326061	032/204	12535245	033/023	12991202	034/045
10616709	028/208	11443579	033/082	11658400	033/132	11976589	033/046	12326131	032/205	12535490	033/024	12991272	034/046
10648524	028/180	11443614	033/083	11658435	033/133	11976624	033/047	12326271	032/206	12535560	033/025	12991342	034/047
10648559	028/181	11445084	033/084	11658540	033/134	11976729	033/048	12326306	032/207	12535595	033/026	12991412	034/048
10648874	028/182	11445119	033/085	11658575	033/135	11976764	033/049	12326481	032/208	12537170	033/027	12993022	034/049
10648944	028/183	11445644	033/086	11658750	033/136	11977009	033/050	12326551	032/209	12537520	033/028	12994247	034/050
10649574	028/184	11445679	033/087	11658890	033/137	11977044	033/051	12326691	032/210	12538255	033/029	12994317	034/051
10649609	028/185	11445784	033/088	11658925	033/138	11977149	033/052	12326726	032/211	12538430	033/030	12994387	034/052
10649994	028/186	11445819	033/089	11796791	033/171	11994754	033/053	12327986	032/212	12538500	033/031	12995122	034/053
10650064	028/187	11445994	033/090	11797001	033/172	12010224	033/054	12328021	032/213	12538570	033/032	12995262	034/054
10650134	028/188	11446134	033/091	11797036	033/173	12010294	033/055	12328126	032/214	12538640	033/033	12996102	034/055
10650484	028/189	11446169	033/092	11797246	033/174	12010329	033/056	12328161	032/215	12538710	033/034	13021302	034/056
10650554	028/190	11479769	033/093	11797316	033/175	12011344	033/057	12328406	032/216	12685643	033/139	13021407	034/057
10650904	028/191	11479769	033/124	11797456	033/176	12012569	033/058	12328441	032/217	12685643	033/170	13021512	034/058
10650974	028/192	11479839	033/094	11797491	033/177	12012604	033/059	12360886	032/218	12685958	033/140	13021582	034/059
10651044	028/193	11479979	033/095	11797946	033/178	12012709	033/060	12361691	032/219	12686028	033/141	13021652	034/060
10652339	028/194	11480014	033/096	11798016	033/179	12012744	033/061	12361831	032/220	12686063	033/142	13021687	034/061
10652374	028/195	11480609	033/097	11798156	033/180	12012989	033/062	12361901	032/221	12686238	033/143	13021722	034/062
10652374	028/225	11480679	033/098	11798191	033/181	12013024	033/063	12361936	032/222	12686308	033/144	13027322	034/063
10684504	028/196	11480749	033/099	11799591	033/182	12013129	033/064	12362181	032/223	12686378	033/145	13028127	034/064
10684504	028/226	11480784	033/100	11799626	033/183	12150192	032/174	12362251	032/224	12686413	033/146	13032082	034/065
10684539	028/197	11481624	033/101	11799731	033/184	12150262	032/175	12362881	032/225	12865578	033/147	13165256	034/066

## MARINER 9 ARCHIVE TAPE CATALOG

<u>DAS TIME</u>	<u>MME ID</u>	<u>DAS TIME</u>	<u>MME ID</u>
13165291	034/067	13499028	034/117
13165361	034/068	13499098	034/118
13165361	034/100	13499168	034/119
13165396	034/069	13499238	034/120
13313245	034/070	13500498	034/121
13313455	034/071	13500533	034/122
13313735	034/072	13502948	034/123
13313805	034/073	13502983	034/124
13313910	034/074	13505468	034/125
13496368	034/116	13511838	034/130

## TABLE E-6

### MARINER 6 AND 7 SOURCE TAPE INDEX

Table E-6 provides an index of all source tapes containing image data from the Mariner 6 and 7 missions. The conversion staff was not able to locate any documentation describing the formats of data stored on these tapes. The listing is ordered by picture identifier, a composite of the spacecraft number (6 or 7), encounter phase (F = far encounter, N = near encounter), and a sequential picture count within the encounter phase. The tape and file number of each source tape is listed, along with a field representing the processed version type for the image on this tape. In some cases the version type field identifies the data taking mode at the spacecraft (CAV, DV, and ETE) as described in Appendix B. In other cases it appears to represent a processed version identifier (MAXD for maximum discriminability, for example). The listing was generated from the "PICM69" picture catalog tape.

## MARINER 6 AND 7 SOURCE TAPE CATALOG

PICNO	TAPE/FILE	VERS	PICNO	TAPE/FILE	VERS	PICNO	TAPE/FILE	VERS	PICNO	TAPE/FILE	VERS	PICNO	TAPE/FILE	VERS					
6F01	M-109	/01	DV	6F06	M-748	/06	CAV	6F11	M-673	/09	CAV	6F16	M-737	/02	CAV				
6F01	M-200	/01	CAV	6F06	M-759	/06	CAV	6F11	M-679	/07	CAV	6F16	M-737	/03	CAV				
6F01	M-687	/01	CAV	6F06	M-812	/06	CAV	6F11	M-679	/08	CAV	6F16	M-749	/02	CAV				
6F01	M-687	/02	CAV	6F06	RBL-012/06	CAV	6F11	M-679	/09	CAV	6F16	M-760	/02	CAV					
6F01	M-687	/03	CAV	6F07	M-109	/07	DV	6F11	M-748	/11	CAV	6F16	M-813	/02	CAV				
6F01	M-748	/01	CAV	6F07	M-200	/07	CAV	6F11	M-759	/11	CAV	6F16	RBL-012/16	CAV	6F22	M-643	/06	CAV	
6F01	M-759	/01	CAV	6F07	M-688	/07	CAV	6F11	M-812	/11	CAV	6F17	M-109	/17	DV	6F22	M-749	/08	CAV
6F01	M-812	/01	CAV	6F07	M-688	/08	CAV	6F11	RBL-012/11	CAV	6F17	M-201	/01	CAV	6F22	M-760	/08	CAV	
6F01	RBL-012/01	CAV	6F07	M-688	/09	CAV	6F12	M-109	/12	DV	6F17	M-638	/01	CAV	6F22	M-813	/08	CAV	
6F02	M-109	/02	DV	6F07	M-748	/07	CAV	6F12	M-200	/12	CAV	6F17	M-638	/02	CAV	6F22	RBL-011/06	CAV	
6F02	M-200	/02	CAV	6F07	M-759	/07	CAV	6F12	M-673	/10	CAV	6F17	M-638	/03	CAV	6F23	M-109	/23	DV
6F02	M-687	/04	CAV	6F07	M-812	/07	CAV	6F12	M-673	/11	CAV	6F17	M-749	/03	CAV	6F23	M-201	/07	CAV
6F02	M-687	/05	CAV	6F07	RBL-012/07	CAV	6F12	M-673	/12	CAV	6F17	M-760	/03	CAV	6F23	M-643	/07	CAV	
6F02	M-687	/06	CAV	6F08	M-109	/08	DV	6F12	M-679	/10	CAV	6F17	M-813	/03	CAV	6F23	M-643	/08	CAV
6F02	M-748	/02	CAV	6F08	M-200	/08	CAV	6F12	M-679	/11	CAV	6F17	RBL-011/01	CAV	6F23	M-643	/09	CAV	
6F02	M-759	/02	CAV	6F08	M-688	/10	CAV	6F12	M-679	/12	CAV	6F18	M-109	/18	DV	6F23	M-749	/09	CAV
6F02	M-812	/02	CAV	6F08	M-688	/11	CAV	6F12	M-748	/12	CAV	6F18	M-201	/02	CAV	6F23	M-760	/09	CAV
6F02	RBL-012/02	CAV	6F08	M-688	/12	CAV	6F12	M-759	/12	CAV	6F18	M-638	/04	CAV	6F23	M-813	/09	CAV	
6F03	M-109	/03	DV	6F08	M-748	/08	CAV	6F12	M-812	/12	CAV	6F18	M-638	/05	CAV	6F23	RBL-011/07	CAV	
6F03	M-200	/03	CAV	6F08	M-759	/08	CAV	6F12	RBL-012/12	CAV	6F18	M-638	/06	CAV	6F24	M-109	/24	DV	
6F03	M-687	/07	CAV	6F08	M-812	/08	CAV	6F13	M-109	/13	DV	6F18	M-749	/04	CAV	6F24	M-201	/08	CAV
6F03	M-687	/08	CAV	6F08	RBL-012/08	CAV	6F13	M-200	/13	CAV	6F18	M-760	/04	CAV	6F24	M-643	/10	CAV	
6F03	M-687	/09	CAV	6F09	M-109	/09	DV	6F13	M-680	/01	CAV	6F18	M-813	/04	CAV	6F24	M-643	/11	CAV
6F03	M-748	/03	CAV	6F09	M-200	/09	CAV	6F13	M-680	/02	CAV	6F18	RBL-011/02	CAV	6F24	M-643	/12	CAV	
6F03	M-759	/03	CAV	6F09	M-673	/01	CAV	6F13	M-680	/03	CAV	6F19	M-109	/19	DV	6F24	M-749	/10	CAV
6F03	M-812	/03	CAV	6F09	M-673	/02	CAV	6F13	M-748	/13	CAV	6F19	M-201	/03	CAV	6F24	M-760	/10	CAV
6F03	RBL-012/03	CAV	6F09	M-673	/03	CAV	6F13	M-759	/13	CAV	6F19	M-638	/07	CAV	6F24	M-813	/10	CAV	
6F04	M-109	/04	DV	6F09	M-679	/01	CAV	6F13	M-812	/13	CAV	6F19	M-638	/08	CAV	6F24	RBL-011/08	CAV	
6F04	M-200	/04	CAV	6F09	M-679	/02	CAV	6F13	RBL-012/13	CAV	6F19	M-638	/09	CAV	6F25	M-109	/25	DV	
6F04	M-687	/10	CAV	6F09	M-679	/03	CAV	6F14	M-109	/14	DV	6F19	M-749	/05	CAV	6F25	M-201	/09	CAV
6F04	M-687	/11	CAV	6F09	M-748	/09	CAV	6F14	M-200	/14	CAV	6F19	M-760	/05	CAV	6F25	M-672	/01	CAV
6F04	M-687	/12	CAV	6F09	M-759	/09	CAV	6F14	M-680	/04	CAV	6F19	M-813	/05	CAV	6F25	M-672	/02	CAV
6F04	M-748	/04	CAV	6F09	M-812	/09	CAV	6F14	M-680	/05	CAV	6F19	RBL-011/03	CAV	6F25	M-672	/03	CAV	
6F04	M-759	/04	CAV	6F09	RBL-012/09	CAV	6F14	M-680	/06	CAV	6F20	M-109	/20	DV	6F25	M-749	/11	CAV	
6F04	M-812	/04	CAV	6F10	M-109	/10	DV	6F14	M-748	/14	CAV	6F20	M-201	/04	CAV	6F25	M-760	/11	CAV
6F04	RBL-012/04	CAV	6F10	M-200	/10	CAV	6F14	M-759	/14	CAV	6F20	M-638	/10	CAV	6F25	M-813	/11	CAV	
6F05	M-109	/05	DV	6F10	M-673	/04	CAV	6F14	M-812	/14	CAV	6F20	M-638	/11	CAV	6F25	RBL-011/09	CAV	
6F05	M-200	/05	CAV	6F10	M-673	/05	CAV	6F14	RBL-012/14	CAV	6F20	M-638	/12	CAV	6F26	M-109	/26	DV	
6F05	M-688	/01	CAV	6F10	M-673	/06	CAV	6F15	M-109	/15	DV	6F20	M-749	/06	CAV	6F26	M-201	/10	CAV
6F05	M-688	/02	CAV	6F10	M-679	/04	CAV	6F15	M-200	/15	CAV	6F20	M-760	/06	CAV	6F26	M-672	/04	CAV
6F05	M-688	/03	CAV	6F10	M-679	/05	CAV	6F15	M-680	/07	CAV	6F20	M-813	/06	CAV	6F26	M-672	/05	CAV
6F05	M-748	/05	CAV	6F10	M-679	/06	CAV	6F15	M-680	/08	CAV	6F20	RBL-011/04	CAV	6F26	M-672	/06	CAV	
6F05	M-759	/05	CAV	6F10	M-748	/10	CAV	6F15	M-680	/09	CAV	6F21	M-109	/21	DV	6F26	M-749	/12	CAV
6F05	M-812	/05	CAV	6F10	M-759	/10	CAV	6F15	M-749	/01	CAV	6F21	M-201	/05	CAV	6F26	M-760	/12	CAV
6F05	RBL-012/05	CAV	6F10	M-812	/10	CAV	6F15	M-760	/01	CAV	6F21	M-643	/01	CAV	6F26	M-813	/12	CAV	
6F06	M-109	/06	DV	6F10	RBL-012/10	CAV	6F15	M-813	/01	CAV	6F21	M-643	/02	CAV	6F26	RBL-011/10	CAV		
6F06	M-200	/06	CAV	6F11	M-109	/11	DV	6F15	RBL-012/15	CAV	6F21	M-643	/03	CAV	6F27	M-109	/27	DV	
6F06	M-688	/04	CAV	6F11	M-200	/11	CAV	6F16	M-109	/16	DV	6F21	M-749	/07	CAV	6F27	M-201	/11	CAV
6F06	M-688	/05	CAV	6F11	M-673	/07	CAV	6F16	M-200	/16	CAV	6F21	M-760	/07	CAV	6F27	M-672	/07	CAV
6F06	M-688	/06	CAV	6F11	M-673	/08	CAV	6F16	M-737	/01	CAV	6F21	M-813	/07	CAV	6F27	M-672	/08	CAV

## MARINER 6 AND 7 SOURCE TAPE CATALOG

PICNO	TAPE/FILE	VERS	PICNO	TAPE/FILE	VERS	PICNO	TAPE/FILE	VERS	PICNO	TAPE/FILE	VERS	PICNO	TAPE/FILE	VERS	
6F27	M-672	/09	CAV	6F33	M-110	/03	DV	6F38	M-750	/10	CAV	6F44	M-202	/12	CAV
6F27	M-749	/13	CAV	6F33	M-202	/01	CAV	6F38	M-761	/10	CAV	6F44	M-533	/10	CAV
6F27	M-760	/13	CAV	6F33	M-540	/01	CAV	6F38	M-814	/10	CAV	6F44	M-533	/11	CAV
6F27	M-813	/13	CAV	6F33	M-540	/02	CAV	6F38	RBL-022/06	CAV	6F44	M-533	/12	CAV	
6F27	RBL-011/11	CAV	6F33	M-540	/03	CAV	6F39	M-110	/09	DV	6F44	M-751	/02	CAV	
6F28	M-109	/26	DV	6F33	M-750	/05	CAV	6F39	M-202	/07	CAV	6F44	M-762	/02	CAV
6F28	M-201	/12	CAV	6F33	M-761	/05	CAV	6F39	M-539	/07	CAV	6F44	M-815	/02	CAV
6F28	M-672	/10	CAV	6F33	M-814	/05	CAV	6F39	M-539	/08	CAV	6F44	RBL-022/12	CAV	
6F28	M-672	/11	CAV	6F33	RBL-022/01	CAV	6F39	M-539	/09	CAV	6F45	M-110	/15	DV	
6F28	M-672	/12	CAV	6F34	M-110	/04	DV	6F39	M-750	/11	CAV	6F45	M-202	/13	CAV
6F28	M-749	/14	CAV	6F34	M-202	/02	CAV	6F39	M-761	/11	CAV	6F45	M-531	/01	CAV
6F28	M-760	/14	CAV	6F34	M-540	/04	CAV	6F39	M-814	/11	CAV	6F45	M-531	/02	CAV
6F28	M-813	/14	CAV	6F34	M-540	/05	CAV	6F39	RBL-022/07	CAV	6F45	M-531	/03	CAV	
6F28	RBL-011/12	CAV	6F34	M-540	/06	CAV	6F40	M-110	/10	DV	6F45	M-751	/03	CAV	
6F29	M-109	/29	DV	6F34	M-750	/06	CAV	6F40	M-202	/08	CAV	6F45	M-762	/03	CAV
6F29	M-201	/13	CAV	6F34	M-761	/06	CAV	6F40	M-539	/10	CAV	6F45	M-815	/03	CAV
6F29	M-673	/01	CAV	6F34	M-814	/06	CAV	6F40	M-539	/11	CAV	6F45	RBL-022/13	CAV	
6F29	M-673	/02	CAV	6F34	RBL-022/02	CAV	6F40	M-539	/12	CAV	6F46	M-110	/16	DV	
6F29	M-673	/03	CAV	6F35	M-110	/05	DV	6F40	M-750	/12	CAV	6F46	M-202	/14	CAV
6F29	M-750	/01	CAV	6F35	M-202	/03	CAV	6F40	M-761	/12	CAV	6F46	M-531	/04	CAV
6F29	M-761	/01	CAV	6F35	M-540	/07	CAV	6F40	M-814	/12	CAV	6F46	M-531	/05	CAV
6F29	M-814	/01	CAV	6F35	M-540	/08	CAV	6F40	RBL-022/08	CAV	6F46	M-531	/06	CAV	
6F29	RBL-011/13	CAV	6F35	M-540	/09	CAV	6F41	M-110	/11	DV	6F46	M-751	/04	CAV	
6F30	M-109	/30	DV	6F35	M-750	/07	CAV	6F41	M-202	/09	CAV	6F46	M-762	/04	CAV
6F30	M-201	/14	CAV	6F35	M-761	/07	CAV	6F41	M-533	/01	CAV	6F46	M-815	/04	CAV
6F30	M-673	/04	CAV	6F35	M-814	/07	CAV	6F41	M-533	/02	CAV	6F46	RBL-022/14	CAV	
6F30	M-673	/05	CAV	6F35	RBL-022/03	CAV	6F41	M-533	/03	CAV	6F47	M-110	/17	DV	
6F30	M-673	/06	CAV	6F36	M-110	/06	DV	6F41	M-750	/13	CAV	6F47	M-202	/15	CAV
6F30	M-750	/02	CAV	6F36	M-202	/04	CAV	6F41	M-761	/13	CAV	6F47	M-531	/07	CAV
6F30	M-761	/02	CAV	6F36	M-540	/10	CAV	6F41	M-814	/13	CAV	6F47	M-531	/08	CAV
6F30	M-814	/02	CAV	6F36	M-540	/11	CAV	6F41	RBL-022/09	CAV	6F47	M-531	/09	CAV	
6F30	RBL-011/14	CAV	6F36	M-540	/12	CAV	6F42	M-110	/12	DV	6F47	M-751	/05	CAV	
6F31	M-110	/01	DV	6F36	M-750	/08	CAV	6F42	M-202	/10	CAV	6F47	M-762	/05	CAV
6F31	M-201	/15	CAV	6F36	M-761	/08	CAV	6F42	M-533	/04	CAV	6F47	M-815	/05	CAV
6F31	M-673	/07	CAV	6F36	M-814	/08	CAV	6F42	M-533	/05	CAV	6F47	RBL-022/15	CAV	
6F31	M-673	/08	CAV	6F36	RBL-022/04	CAV	6F42	M-533	/06	CAV	6F48	M-110	/18	DV	
6F31	M-673	/09	CAV	6F37	M-110	/07	DV	6F42	M-750	/14	CAV	6F48	M-202	/16	CAV
6F31	M-750	/03	CAV	6F37	M-202	/05	CAV	6F42	M-761	/14	CAV	6F48	M-532	/01	CAV
6F31	M-761	/03	CAV	6F37	M-539	/01	CAV	6F42	M-814	/14	CAV	6F48	M-532	/02	CAV
6F31	M-814	/03	CAV	6F37	M-539	/02	CAV	6F42	RBL-022/10	CAV	6F48	M-532	/03	CAV	
6F31	RBL-011/15	CAV	6F37	M-539	/03	CAV	6F43	M-110	/13	DV	6F48	M-751	/06	CAV	
6F32	M-110	/02	DV	6F37	M-750	/09	CAV	6F43	M-202	/11	CAV	6F48	M-762	/06	CAV
6F32	M-201	/16	CAV	6F37	M-761	/09	CAV	6F43	M-533	/07	CAV	6F48	M-815	/06	CAV
6F32	M-673	/10	CAV	6F37	M-814	/09	CAV	6F43	M-533	/08	CAV	6F48	RBL-022/16	CAV	
6F32	M-673	/11	CAV	6F37	RBL-022/05	CAV	6F43	M-533	/09	CAV	6F49	M-110	/19	DV	
6F32	M-673	/12	CAV	6F38	M-110	/08	DV	6F43	M-751	/01	CAV	6F49	M-159	/01	CAV
6F32	M-750	/04	CAV	6F38	M-202	/06	CAV	6F43	M-762	/01	CAV	6F49	M-203	/01	CAV
6F32	M-761	/04	CAV	6F38	M-539	/04	CAV	6F43	M-815	/01	CAV	6F49	M-532	/04	CAV
6F32	M-814	/04	CAV	6F38	M-539	/05	CAV	6F43	RBL-022/11	CAV	6F49	M-532	/05	CAV	
6F32	RBL-011/16	CAV	6F38	M-539	/06	CAV	6F44	M-110	/14	DV	6F49	M-532	/06	CAV	
												6F49	M-751	/07	CAV
												6F49	M-762	/07	CAV
												6F49	M-815	/07	CAV
												6F49	RBL-010/01	CAV	
												6F50	M-110	/20	DV
												6ND1	69-1-1	/01	DV
												6ND1	69-11-1/01	CAV	
												6ND1	69-13-1/01	ETE	
												6ND1	69-22-1/01	PRP	
												6ND1	69-26-1/01	PRP	
												6ND1	69-29-1/01	PRP	
												6ND1	69-34-1/01	PRP	
												6ND1	69-4-1	/01	MAX-D
												6ND1	M-1017	/01	MAX-D
												6ND1	M-596	/01	MAX-D
												6ND1	M-596	/02	MAX-D
												6ND1	M-596	/03	MAX-D
												6ND1	M-849	/03	PRP
												6ND1	M-935	/01	PRP
												6ND2	69-1-1	/02	DV
												6ND2	69-11-1/02	CAV	
												6ND2	69-13-1/02	ETE	
												6ND2	69-22-1/02	PRP	
												6ND2	69-26-1/02	PRP	
												6ND2	69-34-1/02	PRP	
												6ND2	69-4-1	/02	MAX-D
												6ND2	M-496	/01	PRP
												6ND2	M-669	/01	MAX-D
												6ND2	M-669	/02	MAX-D
												6ND2	M-669	/03	MAX-D
												6ND2	M-849	/04	PRP
												6ND2	M-931	/01	PRP
												6ND3	69-1-1	/03	DV
												6ND3	69-11-1/03	CAV	
												6ND3	69-13-1/03	ETE	
												6ND3	69-22-1/03	PRP	
												6ND3	69-26-1/03	PRP	
												6ND3	69-29-1/02	PRP	
												6ND3	69-34-1/03	PRP	
												6ND3	69-4-1	/03	MAX-D
												6ND3	M-1017	/02	MAX-D
												6ND3	M-596	/04	MAX-D
												6ND3	M-596	/05	MAX-D
												6ND3	M-596	/06	MAX-D
												6ND3	M-849	/02	PRP
												6ND3	M-892	/01	PRP
												6ND3	M-935	/02	PRP
												6ND4	69-1-1	/04	DV
												6ND4	69-11-1/04	CAV	
												6ND4	69-13-1/04	ETE	

## MARINER 6 AND 7 SOURCE TAPE CATALOG

PICNO	TAPE/FILE	VERS	PICNO	TAPE/FILE	VERS	PICNO	TAPE/FILE	VERS	PICNO	TAPE/FILE	VERS	PICNO	TAPE/FILE	VERS
6N04	69-22-1/04	PRP	6N07	M-1017 /04	MAX-D	6N10	69-34-1/10	PRP	6N13	69-34-1/13	PRP	6N16	69-5-1 /16	MAX-D
6N04	69-26-1/04	PRP	6N07	M-519 /02	PRP	6N10	69-4-1 /10	MAX-D	6N13	69-4-1 /13	MAX-D	6N16	M-1057 /06	MAX-D
6N04	69-34-1/04	PRP	6N07	M-552 /01	FAV	6N10	M-1057 /03	MAX-D	6N13	M-1017 /07	MAX-D	6N16	M-496 /08	PRP
6N04	69-4-1 /04	MAX-D	6N07	M-552 /02	FAV	6N10	M-496 /05	PRP	6N13	M-519 /05	PRP	6N16	M-563 /04	FAV
6N04	M-496 /02	PRP	6N07	M-552 /03	FAV	6N10	M-586 /04	FAV	6N13	M-550 /01	FAV	6N16	M-563 /05	FAV
6N04	M-669 /04	MAX-D	6N07	M-609 /01	FAV	6N10	M-586 /05	FAV	6N13	M-550 /02	FAV	6N16	M-563 /06	FAV
6N04	M-669 /05	MAX-D	6N07	M-609 /02	FAV	6N10	M-586 /06	FAV	6N13	M-550 /03	FAV	6N16	M-613 /04	MAX-D
6N04	M-669 /06	MAX-D	6N07	M-609 /03	FAV	6N10	M-670 /01	MAX-D	6N13	M-589 /01	MAX-D	6N16	M-613 /05	MAX-D
6N04	M-849 /05	PRP	6N07	M-623 /01	MAX-D	6N10	M-670 /02	MAX-D	6N13	M-589 /02	MAX-D	6N16	M-613 /06	MAX-D
6N04	M-931 /02	PRP	6N07	M-623 /02	MAX-D	6N10	M-670 /03	MAX-D	6N13	M-589 /03	MAX-D	6N16	M-931 /08	PRP
6N05	69-1-1 /05	DV	6N07	M-623 /03	MAX-D	6N10	M-931 /05	PRP	6N13	M-673 /04	PRP	6N17	69-1-1 /17	DV
6N05	69-11-1/05	CAV	6N07	M-673 /01	PRP	6N11	69-1-1 /11	DV	6N14	69-1-1 /14	DV	6N17	69-12-1/04	CAV
6N05	69-13-1/05	ETE	6N08	69-1-1 /08	DV	6N11	69-11-1/11	CAV	6N14	69-12-1/01	CAV	6N17	69-13-1/17	ETE
6N05	69-22-1/05	PRP	6N08	69-11-1/08	CAV	6N11	69-13-1/11	ETE	6N14	69-13-1/14	ETE	6N17	69-23-1/04	PRP
6N05	69-26-1/05	PRP	6N08	69-13-1/08	ETE	6N11	69-22-1/11	PRP	6N14	69-23-1/01	PRP	6N17	69-27-1/04	PRP
6N05	69-29-1/03	PRP	6N08	69-22-1/08	PRP	6N11	69-26-1/11	PRP	6N14	69-27-1/01	PRP	6N17	69-29-1/09	PRP
6N05	69-34-1/05	PRP	6N08	69-26-1/08	PRP	6N11	69-29-1/06	PRP	6N14	69-35-1/01	PRP	6N17	69-35-1/04	PRP
6N05	69-4-1 /05	MAX-D	6N08	69-34-1/08	PRP	6N11	69-34-1/11	PRP	6N14	69-5-1 /14	MAX-D	6N17	69-5-1 /17	MAX-D
6N05	M-1017 /03	MAX-D	6N08	69-4-1 /08	MAX-D	6N11	69-4-1 /11	MAX-D	6N14	M-1057 /05	MAX-D	6N17	M-1017 /09	MAX-D
6N05	M-519 /01	PRP	6N08	M-1057 /02	MAX-D	6N11	M-1017 /06	MAX-D	6N14	M-496 /07	PRP	6N17	M-519 /07	PRP
6N05	M-594 /01	FAV	6N08	M-496 /04	PRP	6N11	M-519 /04	PRP	6N14	M-563 /01	FAV	6N17	M-550 /07	FAV
6N05	M-594 /02	FAV	6N08	M-586 /01	FAV	6N11	M-555 /01	FAV	6N14	M-563 /02	FAV	6N17	M-550 /08	FAV
6N05	M-594 /03	FAV	6N08	M-586 /02	FAV	6N11	M-555 /02	FAV	6N14	M-563 /03	FAV	6N17	M-550 /09	FAV
6N05	M-596 /07	MAX-D	6N08	M-586 /03	FAV	6N11	M-555 /03	FAV	6N14	M-613 /01	MAX-D	6N17	M-556 /01	FAV
6N05	M-596 /08	MAX-D	6N08	M-669 /10	MAX-D	6N11	M-597 /04	MAX-D	6N14	M-613 /02	MAX-D	6N17	M-556 /02	FAV
6N05	M-596 /09	MAX-D	6N08	M-669 /11	MAX-D	6N11	M-597 /05	MAX-D	6N14	M-613 /03	MAX-D	6N17	M-556 /03	FAV
6N05	M-849 /01	PRP	6N08	M-669 /12	MAX-D	6N11	M-597 /06	MAX-D	6N14	M-931 /07	PRP	6N17	M-589 /07	MAX-D
6N05	M-935 /03	PRP	6N08	M-931 /04	PRP	6N11	M-673 /03	PRP	6N15	69-1-1 /15	DV	6N17	M-589 /08	MAX-D
6N06	69-1-1 /06	DV	6N09	69-1-1 /09	DV	6N12	69-1-1 /12	DV	6N15	69-12-1/02	CAV	6N17	M-589 /09	MAX-D
6N06	69-11-1/06	CAV	6N09	69-11-1/09	CAV	6N12	69-11-1/12	CAV	6N15	69-13-1/15	ETE	6N17	M-673 /06	PRP
6N06	69-13-1/06	ETE	6N09	69-13-1/09	ETE	6N12	69-13-1/12	ETE	6N15	69-23-1/02	PRP	6N18	69-1-1 /18	DV
6N06	69-22-1/06	PRP	6N09	69-22-1/09	PRP	6N12	69-22-1/12	PRP	6N15	69-27-1/02	PRP	6N18	69-12-1/05	CAV
6N06	69-26-1/06	PRP	6N09	69-26-1/09	PRP	6N12	69-26-1/12	PRP	6N15	69-29-1/08	PRP	6N18	69-13-1/18	ETE
6N06	69-34-1/06	PRP	6N09	69-29-1/05	PRP	6N12	69-34-1/12	PRP	6N15	69-35-1/02	PRP	6N18	69-23-1/05	PRP
6N06	69-4-1 /06	MAX-D	6N09	69-34-1/09	PRP	6N12	69-4-1 /12	MAX-D	6N15	69-5-1 /15	MAX-D	6N18	69-27-1/05	PRP
6N06	M-1057 /01	MAX-D	6N09	69-4-1 /09	MAX-D	6N12	M-1057 /04	MAX-D	6N15	M-1017 /08	MAX-D	6N18	69-35-1/05	PRP
6N06	M-496 /03	PRP	6N09	M-1017 /05	MAX-D	6N12	M-496 /06	PRP	6N15	M-519 /06	PRP	6N18	69-5-1 /18	MAX-D
6N06	M-669 /07	MAX-D	6N09	M-519 /03	PRP	6N12	M-586 /07	FAV	6N15	M-550 /04	FAV	6N18	M-1057 /07	MAX-D
6N06	M-669 /08	MAX-D	6N09	M-552 /04	FAV	6N12	M-586 /08	FAV	6N15	M-550 /05	FAV	6N18	M-496 /09	PRP
6N06	M-669 /09	MAX-D	6N09	M-552 /05	FAV	6N12	M-586 /09	FAV	6N15	M-550 /06	FAV	6N18	M-563 /07	FAV
6N06	M-849 /06	PRP	6N09	M-552 /06	FAV	6N12	M-670 /04	MAX-D	6N15	M-589 /04	MAX-D	6N18	M-563 /08	FAV
6N06	M-931 /03	PRP	6N09	M-597 /01	MAX-D	6N12	M-670 /05	MAX-D	6N15	M-589 /05	MAX-D	6N18	M-563 /09	FAV
6N07	69-1-1 /07	DV	6N09	M-597 /02	MAX-D	6N12	M-670 /06	MAX-D	6N15	M-589 /06	MAX-D	6N18	M-613 /07	MAX-D
6N07	69-11-1/07	CAV	6N09	M-597 /03	MAX-D	6N12	M-931 /06	PRP	6N15	M-673 /05	PRP	6N18	M-613 /08	MAX-D
6N07	69-13-1/07	ETE	6N09	M-673 /02	PRP	6N13	69-1-1 /13	DV	6N16	69-1-1 /16	DV	6N18	M-613 /09	MAX-D
6N07	69-22-1/07	PRP	6N10	69-1-1 /10	DV	6N13	69-11-1/13	CAV	6N16	69-12-1/03	CAV	6N18	M-931 /09	PRP
6N07	69-26-1/07	PRP	6N10	69-11-1/10	CAV	6N13	69-13-1/13	ETE	6N16	69-13-1/16	ETE	6N19	69-1-1 /19	DV
6N07	69-29-1/04	PRP	6N10	69-13-1/10	ETE	6N13	69-22-1/13	PRP	6N16	69-23-1/03	PRP	6N19	69-12-1/06	CAV
6N07	69-34-1/07	PRP	6N10	69-22-1/10	PRP	6N13	69-26-1/13	PRP	6N16	69-27-1/03	PRP	6N19	69-13-1/19	ETE
6N07	69-4-1 /07	MAX-D	6N10	69-26-1/10	PRP	6N13	69-29-1/07	PRP	6N16	69-35-1/03	PRP	6N19	69-23-1/06	PRP



MARINER 6 AND 7 SOURCE TAPE CATALOG

PICNO	TAPE/FILE	VERS	PICNO	TAPE/FILE	VERS	PICNO	TAPE/FILE	VERS	PICNO	TAPE/FILE	VERS	PICNO	TAPE/FILE	VERS									
6N19	69-27-1/06	PRP	6N22	69-12-1/09	CAV	6N25	69-27-1/12	PRP	7F04	M-799	/04	CAV	7F11	M-160	/11	CAV							
6N19	69-29-1/10	PRP	6N22	69-13-1/22	ETE	6N25	69-35-1/12	PRP	7F04	M-827	/04	CAV	7F11	M-204	/11	CAV							
6N19	69-35-1/06	PRP	6N22	69-23-1/09	PRP	6N25	69-5-1 /25	MAX-D	7F04	RBL-006/04	CAV	7F11	M-724	/05	CAV								
6N19	69-5-1 /19	MAX-D	6N22	69-27-1/09	PRP	6N25	M-519	/11	PRP	7F05	M-111	/05	DV	7F11	M-724	/06	CAV						
6N19	M-1017	/10	MAX-D	6N22	69-35-1/09	PRP	6N25	M-611	/01	FAV	7F05	M-160	/05	CAV	7F11	M-752	/11	CAV					
6N19	M-519	/08	PRP	6N22	69-5-1 /22	MAX-D	6N25	M-611	/02	FAV	7F05	M-204	/05	CAV	7F11	M-799	/11	CAV					
6N19	M-550	/10	FAV	6N22	M-496	/11	PRP	6N25	M-611	/03	FAV	7F05	M-752	/05	CAV	7F11	M-827	/11	CAV				
6N19	M-550	/11	FAV	6N22	M-564	/01	FAV	6N25	M-693	/10	PRP	7F05	M-799	/05	CAV	7F11	RBL-006/11	CAV					
6N19	M-550	/12	FAV	6N22	M-564	/02	FAV	6N25	M-733	/01	MAX-D	7F05	M-827	/05	CAV	7F12	M-111	/12	DV				
6N19	M-556	/04	FAV	6N22	M-564	/03	FAV	6N25	M-733	/02	MAX-D	7F05	RBL-006/05	CAV	7F12	M-160	/12	CAV					
6N19	M-556	/05	FAV	6N22	M-614	/04	MAX-D	6N25	M-733	/03	MAX-D	7F06	M-111	/06	DV	7F12	M-204	/12	CAV				
6N19	M-556	/06	FAV	6N22	M-614	/05	MAX-D	6NAA	69-15-1/03	MAX-D	7F06	M-160	/06	CAV	7F12	M-724	/07	CAV					
6N19	M-589	/10	MAX-D	6N22	M-614	/06	MAX-D	6NAB	69-15-1/04	MAX-D	7F06	M-204	/06	CAV	7F12	M-724	/08	CAV					
6N19	M-589	/11	MAX-D	6N22	M-931	/11	PRP	7F01	M-111	/01	DV	7F06	M-752	/06	CAV	7F12	M-752	/12	CAV				
6N19	M-589	/12	MAX-D	6N23	69-1-1 /23	DV	7F01	M-160	/01	CAV	7F06	M-799	/06	CAV	7F12	M-799	/12	CAV					
6N19	M-693	/07	PRP	6N23	69-12-1/10	CAV	7F01	M-204	/01	CAV	7F06	M-827	/06	CAV	7F12	M-827	/12	CAV					
6N20	69-1-1 /20	DV	6N23	69-13-1/23	ETE	7F01	M-736	/01	CAV	7F06	RBL-006/06	CAV	7F12	RBL-006/12	CAV								
6N20	69-12-1/07	CAV	6N23	69-23-1/10	PRP	7F01	M-736	/02	CAV	7F07	M-111	/07	DV	7F13	M-111	/13	DV						
6N20	69-13-1/20	ETE	6N23	69-27-1/10	PRP	7F01	M-736	/03	CAV	7F07	M-160	/07	CAV	7F13	M-160	/13	CAV						
6N20	69-23-1/07	PRP	6N23	69-29-1/12	PRP	7F01	M-752	/01	CAV	7F07	M-204	/07	CAV	7F13	M-204	/13	CAV						
6N20	69-27-1/07	PRP	6N23	69-35-1/10	PRP	7F01	M-799	/01	CAV	7F07	M-752	/07	CAV	7F13	M-725	/01	CAV						
6N20	69-35-1/07	PRP	6N23	69-5-1 /23	MAX-D	7F01	M-827	/01	CAV	7F07	M-799	/07	CAV	7F13	M-725	/02	CAV						
6N20	69-5-1 /20	MAX-D	6N23	M-1017	/12	MAX-D	7F01	RBL-006/01	CAV	7F07	M-827	/07	CAV	7F13	M-725	/03	CAV						
6N20	M-1057	/08	MAX-D	6N23	M-519	/10	PRP	7F02	M-111	/02	DV	7F07	RBL-006/07	CAV	7F13	M-752	/13	CAV					
6N20	M-496	/10	PRP	6N23	M-590	/04	MAX-D	7F02	M-160	/02	CAV	7F08	M-111	/08	DV	7F13	M-799	/13	CAV				
6N20	M-563	/10	FAV	6N23	M-590	/05	MAX-D	7F02	M-204	/02	CAV	7F08	M-160	/08	CAV	7F13	M-827	/13	CAV				
6N20	M-563	/11	FAV	6N23	M-590	/06	MAX-D	7F02	M-736	/04	CAV	7F08	M-204	/08	CAV	7F13	RBL-006/13	CAV					
6N20	M-563	/12	FAV	6N23	M-595	/04	FAV	7F02	M-736	/05	CAV	7F08	M-752	/08	CAV	7F14	M-111	/14	DV				
6N20	M-614	/01	MAX-D	6N23	M-595	/05	FAV	7F02	M-736	/06	CAV	7F08	M-799	/08	CAV	7F14	M-160	/14	CAV				
6N20	M-614	/02	MAX-D	6N23	M-595	/06	FAV	7F02	M-752	/02	CAV	7F08	M-827	/08	CAV	7F14	M-204	/14	CAV				
6N20	M-614	/03	MAX-D	6N23	M-693	/09	PRP	7F02	M-799	/02	CAV	7F08	RBL-006/08	CAV	7F14	M-725	/04	CAV					
6N20	M-931	/10	PRP	6N24	69-1-1 /24	DV	7F02	M-827	/02	CAV	7F09	M-111	/09	DV	7F14	M-725	/05	CAV					
6N21	69-1-1 /21	DV	6N24	69-12-1/11	CAV	7F02	RBL-006/02	CAV	7F09	M-160	/09	CAV	7F14	M-725	/06	CAV							
6N21	69-12-1/08	CAV	6N24	69-13-1/24	ETE	7F03	M-111	/03	DV	7F09	M-204	/09	CAV	7F14	M-752	/14	CAV						
6N21	69-13-1/21	ETE	6N24	69-23-1/11	PRP	7F03	M-160	/03	CAV	7F09	M-724	/01	CAV	7F14	M-799	/14	CAV						
6N21	69-23-1/08	PRP	6N24	69-27-1/11	PRP	7F03	M-204	/03	CAV	7F09	M-724	/02	CAV	7F14	M-827	/14	CAV						
6N21	69-27-1/08	PRP	6N24	69-35-1/11	PRP	7F03	M-736	/07	CAV	7F09	M-752	/09	CAV	7F14	RBL-006/14	CAV							
6N21	69-29-1/11	PRP	6N24	69-5-1 /24	MAX-D	7F03	M-736	/08	CAV	7F09	M-799	/09	CAV	7F15	M-111	/15	DV						
6N21	69-35-1/08	PRP	6N24	M-496	/12	PRP	7F03	M-736	/09	CAV	7F09	M-827	/09	CAV	7F15	M-160	/15	CAV					
6N21	69-5-1 /21	MAX-D	6N24	M-564	/04	FAV	7F03	M-752	/03	CAV	7F09	RBL-006/09	CAV	7F15	M-204	/15	CAV						
6N21	M-1017	/11	MAX-D	6N24	M-564	/05	FAV	7F03	M-799	/03	CAV	7F10	M-111	/10	DV	7F15	M-636	/01	CAV				
6N21	M-519	/09	PRP	6N24	M-564	/06	FAV	7F03	M-827	/03	CAV	7F10	M-160	/10	CAV	7F15	M-636	/02	CAV				
6N21	M-590	/01	MAX-D	6N24	M-614	/07	MAX-D	7F03	RBL-006/03	CAV	7F10	M-204	/10	CAV	7F15	M-636	/03	CAV					
6N21	M-590	/02	MAX-D	6N24	M-614	/08	MAX-D	7F04	M-111	/04	DV	7F10	M-724	/03	CAV	7F15	M-753	/01	CAV				
6N21	M-590	/03	MAX-D	6N24	M-614	/09	MAX-D	7F04	M-160	/04	CAV	7F10	M-724	/04	CAV	7F15	M-828	/01	CAV				
6N21	M-595	/01	FAV	6N24	M-931	/12	PRP	7F04	M-204	/04	CAV	7F10	M-752	/10	CAV	7F15	RBL-006/15	CAV					
6N21	M-595	/02	FAV	6N25	69-1-1 /25	DV	7F04	M-736	/10	CAV	7F10	M-799	/10	CAV	7F16	M-111	/16	DV					
6N21	M-595	/03	FAV	6N25	69-12-1/12	CAV	7F04	M-736	/11	CAV	7F10	M-827	/10	CAV	7F16	M-160	/16	CAV					
6N21	M-693	/08	PRP	6N25	69-13-1/25	ETE	7F04	M-736	/12	CAV	7F10	RBL-006/10	CAV	7F16	M-204	/16	CAV						
6N22	69-1-1 /22	DV	6N25	69-23-1/12	PRP	7F04	M-752	/04	CAV	7F11	M-111	/11	DV	7F16	M-636	/04	CAV						



## MARINER 6 AND 7 SOURCE TAPE CATALOG

PICNO	TAPE/FILE	VERS	PICNO	TAPE/FILE	VERS	PICNO	TAPE/FILE	VERS	PICNO	TAPE/FILE	VERS	PICNO	TAPE/FILE	VERS
7F43	RBL-019/10	CAV	7F48	RBL-026/02	CAV	7F53	RBL-026/07	CAV	7F58	RBL-026/12	CAV	7F64	M-164	/02 CAV
7F44	M-112	/16 DV	7F49	M-112	/21 DV	7F54	M-112	/26 DV	7F59	M-113	/05 DV	7F64	M-238	/02 CAV
7F44	M-162	/11 CAV	7F49	M-163	/03 CAV	7F54	M-163	/08 CAV	7F59	M-163	/13 CAV	7F64	M-508	/04 CAV
7F44	M-206	/11 CAV	7F49	M-207	/03 CAV	7F54	M-207	/08 CAV	7F59	M-207	/13 CAV	7F64	M-508	/05 CAV
7F44	M-522	/04 CAV	7F49	M-548	/07 CAV	7F54	M-547	/10 CAV	7F59	M-523	/01 CAV	7F64	M-508	/06 CAV
7F44	M-522	/05 CAV	7F49	M-548	/08 CAV	7F54	M-547	/11 CAV	7F59	M-523	/02 CAV	7F64	M-756	/07 CAV
7F44	M-522	/06 CAV	7F49	M-548	/09 CAV	7F54	M-547	/12 CAV	7F59	M-523	/03 CAV	7F64	M-824	/07 CAV
7F44	M-755	/01 CAV	7F49	M-755	/06 CAV	7F54	M-755	/11 CAV	7F59	M-756	/02 CAV	7F64	M-831	/07 CAV
7F44	M-823	/01 CAV	7F49	M-823	/06 CAV	7F54	M-823	/11 CAV	7F59	M-824	/02 CAV	7F64	RBL-009/02	CAV
7F44	M-830	/01 CAV	7F49	M-830	/06 CAV	7F54	M-830	/11 CAV	7F59	M-831	/02 CAV	7F65	M-113	/11 DV
7F44	RBL-019/11	CAV	7F49	RBL-026/03	CAV	7F54	RBL-026/08	CAV	7F59	RBL-026/13	CAV	7F65	M-164	/03 CAV
7F45	M-112	/17 DV	7F50	M-112	/22 DV	7F55	M-113	/01 DV	7F60	M-113	/06 DV	7F65	M-238	/03 CAV
7F45	M-162	/12 CAV	7F50	M-163	/04 CAV	7F55	M-163	/09 CAV	7F60	M-163	/14 CAV	7F65	M-508	/07 CAV
7F45	M-206	/12 CAV	7F50	M-207	/04 CAV	7F55	M-207	/09 CAV	7F60	M-207	/14 CAV	7F65	M-508	/08 CAV
7F45	M-522	/07 CAV	7F50	M-548	/10 CAV	7F55	M-517	/01 CAV	7F60	M-523	/04 CAV	7F65	M-508	/09 CAV
7F45	M-522	/08 CAV	7F50	M-548	/11 CAV	7F55	M-517	/02 CAV	7F60	M-523	/05 CAV	7F65	M-756	/08 CAV
7F45	M-522	/09 CAV	7F50	M-548	/12 CAV	7F55	M-517	/03 CAV	7F60	M-523	/06 CAV	7F65	M-824	/08 CAV
7F45	M-755	/02 CAV	7F50	M-755	/07 CAV	7F55	M-755	/12 CAV	7F60	M-756	/03 CAV	7F65	M-831	/08 CAV
7F45	M-823	/02 CAV	7F50	M-823	/07 CAV	7F55	M-823	/12 CAV	7F60	M-824	/03 CAV	7F65	RBL-009/03	CAV
7F45	M-830	/02 CAV	7F50	M-830	/07 CAV	7F55	M-830	/12 CAV	7F60	M-831	/03 CAV	7F66	M-113	/12 DV
7F45	RBL-019/12	CAV	7F50	RBL-026/04	CAV	7F55	RBL-026/09	CAV	7F60	RBL-026/14	CAV	7F66	M-164	/04 CAV
7F46	M-112	/18 DV	7F51	M-112	/23 DV	7F56	M-113	/02 DV	7F61	M-113	/07 DV	7F66	M-238	/04 CAV
7F46	M-162	/13 CAV	7F51	M-163	/05 CAV	7F56	M-163	/10 CAV	7F61	M-163	/15 CAV	7F66	M-508	/10 CAV
7F46	M-206	/13 CAV	7F51	M-207	/05 CAV	7F56	M-207	/10 CAV	7F61	M-523	/07 CAV	7F66	M-508	/11 CAV
7F46	M-522	/10 CAV	7F51	M-547	/01 CAV	7F56	M-517	/04 CAV	7F61	M-523	/08 CAV	7F66	M-508	/12 CAV
7F46	M-522	/11 CAV	7F51	M-547	/02 CAV	7F56	M-517	/05 CAV	7F61	M-523	/09 CAV	7F66	M-756	/09 CAV
7F46	M-522	/12 CAV	7F51	M-547	/03 CAV	7F56	M-517	/06 CAV	7F61	M-756	/04 CAV	7F66	M-824	/09 CAV
7F46	M-755	/03 CAV	7F51	M-755	/08 CAV	7F56	M-755	/13 CAV	7F61	M-824	/04 CAV	7F66	M-831	/09 CAV
7F46	M-823	/03 CAV	7F51	M-823	/08 CAV	7F56	M-823	/13 CAV	7F61	M-831	/04 CAV	7F66	RBL-009/04	CAV
7F46	M-830	/03 CAV	7F51	M-830	/08 CAV	7F56	M-830	/13 CAV	7F61	RBL-026/15	CAV	7F67	M-113	/13 DV
7F46	RBL-019/13	CAV	7F51	RBL-026/05	CAV	7F56	RBL-026/10	CAV	7F62	M-113	/08 DV	7F67	M-164	/05 CAV
7F47	M-112	/19 DV	7F52	M-112	/24 DV	7F57	M-113	/03 DV	7F62	M-163	/16 CAV	7F67	M-238	/05 CAV
7F47	M-163	/01 CAV	7F52	M-163	/06 CAV	7F57	M-163	/11 CAV	7F62	M-523	/10 CAV	7F67	M-515	/01 CAV
7F47	M-207	/01 CAV	7F52	M-207	/06 CAV	7F57	M-207	/11 CAV	7F62	M-523	/11 CAV	7F67	M-515	/02 CAV
7F47	M-548	/01 CAV	7F52	M-547	/04 CAV	7F57	M-517	/07 CAV	7F62	M-523	/12 CAV	7F67	M-515	/03 CAV
7F47	M-548	/02 CAV	7F52	M-547	/05 CAV	7F57	M-517	/08 CAV	7F62	M-756	/05 CAV	7F67	M-756	/10 CAV
7F47	M-548	/03 CAV	7F52	M-547	/06 CAV	7F57	M-517	/09 CAV	7F62	M-824	/05 CAV	7F67	M-824	/10 CAV
7F47	M-755	/04 CAV	7F52	M-755	/09 CAV	7F57	M-755	/14 CAV	7F62	M-831	/05 CAV	7F67	M-831	/10 CAV
7F47	M-823	/04 CAV	7F52	M-823	/09 CAV	7F57	M-823	/14 CAV	7F62	RBL-026/16	CAV	7F67	RBL-009/05	CAV
7F47	M-830	/04 CAV	7F52	M-830	/09 CAV	7F57	M-830	/14 CAV	7F63	M-113	/09 DV	7F68	M-113	/14 DV
7F47	RBL-026/01	CAV	7F52	RBL-026/06	CAV	7F57	RBL-026/11	CAV	7F63	M-164	/01 CAV	7F68	M-515	/04 CAV
7F48	M-112	/20 DV	7F53	M-112	/25 DV	7F58	M-113	/04 DV	7F63	M-238	/01 CAV	7F68	M-515	/05 CAV
7F48	M-163	/02 CAV	7F53	M-163	/07 CAV	7F58	M-163	/12 CAV	7F63	M-508	/01 CAV	7F68	M-515	/06 CAV
7F48	M-207	/02 CAV	7F53	M-207	/07 CAV	7F58	M-207	/12 CAV	7F63	M-508	/02 CAV	7F69	M-113	/15 DV
7F48	M-548	/04 CAV	7F53	M-547	/07 CAV	7F58	M-517	/10 CAV	7F63	M-508	/03 CAV	7F69	M-164	/06 CAV
7F48	M-548	/05 CAV	7F53	M-547	/08 CAV	7F58	M-517	/11 CAV	7F63	M-756	/06 CAV	7F69	M-238	/06 CAV
7F48	M-548	/06 CAV	7F53	M-547	/09 CAV	7F58	M-517	/12 CAV	7F63	M-824	/06 CAV	7F69	M-515	/07 CAV
7F48	M-755	/05 CAV	7F53	M-755	/10 CAV	7F58	M-756	/01 CAV	7F63	M-831	/06 CAV	7F69	M-515	/08 CAV
7F48	M-823	/05 CAV	7F53	M-823	/10 CAV	7F58	M-824	/01 CAV	7F63	RBL-009/01	CAV	7F69	M-515	/09 CAV
7F48	M-830	/05 CAV	7F53	M-830	/10 CAV	7F58	M-831	/01 CAV	7F64	M-113	/10 DV	7F69	M-756	/11 CAV

## MARINER 6 AND 7 SOURCE TAPE CATALOG

PICNO	TAPE/FILE	VERS	PICNO	TAPE/FILE	VERS	PICNO	TAPE/FILE	VERS	PICNO	TAPE/FILE	VERS	PICNO	TAPE/FILE	VERS				
F69	M-824	/11	CAV	F74	M-494	/12	CAV	F79	M-239	/01	CAV	F84	M-239	/06	CAV			
F69	M-831	/11	CAV	F74	M-510	/04	CAV	F79	M-707	/01	CAV	F84	M-708	/04	CAV			
F69	RBL-009/06	CAV	F74	M-510	/05	CAV	F79	M-707	/02	CAV	F84	M-708	/05	CAV				
F70	M-113	/16	DV	F74	M-510	/06	CAV	F79	M-707	/03	CAV	F84	M-708	/06	CAV			
F70	M-164	/07	CAV	F74	M-757	/02	CAV	F79	M-757	/07	CAV	F84	M-757	/12	CAV			
F70	M-238	/07	CAV	F74	M-825	/02	CAV	F79	M-825	/07	CAV	F84	M-825	/12	CAV			
F70	M-515	/10	CAV	F74	M-832	/02	CAV	F79	M-832	/07	CAV	F84	M-832	/12	CAV			
F70	M-515	/11	CAV	F74	RBL-009/11	CAV	F79	RBL-021/01	CAV	F84	RBL-021/06	CAV	F89	RBL-021/11	CAV			
F70	M-515	/12	CAV	F75	M-113	/21	DV	F80	M-114	/02	DV	F85	M-114	/07	DV			
F70	M-756	/12	CAV	F75	M-164	/12	CAV	F80	M-165	/02	CAV	F85	M-165	/07	CAV			
F70	M-824	/12	CAV	F75	M-238	/12	CAV	F80	M-239	/02	CAV	F85	M-239	/07	CAV			
F70	M-831	/12	CAV	F75	M-510	/07	CAV	F80	M-707	/04	CAV	F85	M-708	/07	CAV			
F70	RBL-009/07	CAV	F75	M-510	/08	CAV	F80	M-707	/05	CAV	F85	M-708	/08	CAV				
F71	M-113	/17	DV	F75	M-510	/09	CAV	F80	M-707	/06	CAV	F85	M-708	/09	CAV			
F71	M-164	/08	CAV	F75	M-757	/03	CAV	F80	M-757	/08	CAV	F85	M-757	/13	CAV			
F71	M-238	/08	CAV	F75	M-825	/03	CAV	F80	M-825	/08	CAV	F85	M-825	/13	CAV			
F71	M-494	/01	CAV	F75	M-832	/03	CAV	F80	M-832	/08	CAV	F85	M-832	/13	CAV			
F71	M-494	/02	CAV	F75	RBL-009/12	CAV	F80	RBL-021/02	CAV	F85	RBL-021/07	CAV	F90	RBL-021/12	CAV			
F71	M-494	/03	CAV	F76	M-113	/22	DV	F81	M-114	/03	DV	F86	M-114	/08	DV			
F71	M-756	/13	CAV	F76	M-164	/13	CAV	F81	M-165	/03	CAV	F86	M-165	/08	CAV			
F71	M-824	/13	CAV	F76	M-238	/13	CAV	F81	M-239	/03	CAV	F86	M-239	/08	CAV			
F71	M-831	/13	CAV	F76	M-525	/01	CAV	F81	M-707	/07	CAV	F86	M-708	/10	CAV			
F71	RBL-009/08	CAV	F76	M-525	/02	CAV	F81	M-707	/08	CAV	F86	M-708	/11	CAV				
F72	M-113	/18	DV	F76	M-525	/03	CAV	F81	M-707	/09	CAV	F86	M-708	/12	CAV			
F72	M-164	/09	CAV	F76	M-757	/04	CAV	F81	M-757	/09	CAV	F86	M-757	/14	CAV			
F72	M-238	/09	CAV	F76	M-825	/04	CAV	F81	M-825	/09	CAV	F86	M-825	/14	CAV			
F72	M-494	/04	CAV	F76	M-832	/04	CAV	F81	M-832	/09	CAV	F86	M-832	/14	CAV			
F72	M-494	/05	CAV	F76	RBL-009/13	CAV	F81	RBL-021/03	CAV	F86	RBL-021/08	CAV	F91	RBL-021/13	CAV			
F72	M-494	/06	CAV	F77	M-113	/23	DV	F82	M-114	/04	DV	F87	M-114	/09	DV			
F72	M-756	/14	CAV	F77	M-164	/14	CAV	F82	M-165	/04	CAV	F87	M-165	/09	CAV			
F72	M-824	/14	CAV	F77	M-238	/14	CAV	F82	M-239	/04	CAV	F87	M-239	/09	CAV			
F72	M-831	/14	CAV	F77	M-525	/04	CAV	F82	M-707	/10	CAV	F87	M-507	/01	CAV			
F72	RBL-009/09	CAV	F77	M-525	/05	CAV	F82	M-707	/11	CAV	F87	M-507	/02	CAV				
F73	M-113	/19	DV	F77	M-525	/06	CAV	F82	M-707	/12	CAV	F87	M-507	/03	CAV			
F73	M-164	/10	CAV	F77	M-757	/05	CAV	F82	M-757	/10	CAV	F87	M-507	/04	CAV			
F73	M-238	/10	CAV	F77	M-825	/05	CAV	F82	M-825	/10	CAV	F87	M-507	/05	CAV			
F73	M-494	/07	CAV	F77	M-832	/05	CAV	F82	M-832	/10	CAV	F87	M-507	/06	CAV			
F73	M-494	/08	CAV	F77	RBL-009/14	CAV	F82	RBL-021/04	CAV	F87	RBL-021/09	CAV	F87	M-758	/01	CAV		
F73	M-494	/09	CAV	F78	M-113	/24	DV	F83	M-114	/05	DV	F87	M-826	/01	CAV			
F73	M-510	/01	CAV	F78	M-164	/15	CAV	F83	M-165	/05	CAV	F87	M-833	/01	CAV			
F73	M-510	/02	CAV	F78	M-238	/15	CAV	F83	M-239	/05	CAV	F87	RBL-021/09	CAV	F92	RBL-021/14	CAV	
F73	M-510	/03	CAV	F78	M-525	/07	CAV	F83	M-708	/01	CAV	F88	M-114	/10	DV			
F73	M-757	/01	CAV	F78	M-525	/08	CAV	F83	M-708	/02	CAV	F88	M-165	/10	CAV			
F73	M-825	/01	CAV	F78	M-525	/09	CAV	F83	M-708	/03	CAV	F88	M-239	/10	CAV			
F73	M-832	/01	CAV	F78	M-757	/06	CAV	F83	M-757	/11	CAV	F88	M-507	/04	CAV			
F73	RBL-009/10	CAV	F78	M-825	/06	CAV	F83	M-825	/11	CAV	F88	M-507	/05	CAV				
F74	M-113	/20	DV	F78	M-832	/06	CAV	F83	M-832	/11	CAV	F88	M-507	/06	CAV			
F74	M-164	/11	CAV	F78	RBL-009/15	CAV	F83	RBL-021/05	CAV	F83	M-758	/02	CAV					
F74	M-238	/11	CAV	F79	M-114	/01	DV	F84	M-114	/06	DV	F88	M-758	/02	CAV			
F74	M-494	/11	CAV	F79	M-165	/01	CAV	F84	M-165	/06	CAV	F88	M-826	/02	CAV			
												F88	M-833	/02	CAV			
												F88	RBL-021/10	CAV	F93	RBL-021/15	CAV	
												F89	M-114	/11	DV	7D1	69-14-1/01	ETE
												F89	M-165	/11	CAV	7D1	69-19-1/01	PRP

## MARINER 6 AND 7 SOURCE TAPE CATALOG

PICNO	TAPE/FILE	VERS	PICNO	TAPE/FILE	VERS	PICNO	TAPE/FILE	VERS	PICNO	TAPE/FILE	VERS	PICNO	TAPE/FILE	VERS
7N01	69-2-1 /01	DV	7N03	ED-0006/16	DV	7N04	ED-0008/25	DV	7N06	ED-0014/03	DV	7N06	ED-0022/07	DV
7N01	69-30-1/01	PRP	7N03	ED-0006/17	DV	7N04	M-528 /02	PRP	7N06	ED-0014/05	DV	7N06	ED-0022/08	DV
7N01	69-32-1/01	PRP	7N03	ED-0006/18	DV	7N04	M-569 /01	FAV	7N06	ED-0014/06	DV	7N06	ED-0022/09	DV
7N01	69-36-1/01	PRP	7N03	ED-0006/19	DV	7N04	M-569 /02	FAV	7N06	ED-0014/07	DV	7N06	ED-0022/10	DV
7N01	69-6-1 /01	MAX-D	7N03	ED-0006/20	DV	7N04	M-569 /03	FAV	7N06	ED-0014/08	DV	7N06	ED-0022/11	DV
7N01	69-9-1 /01	CAV	7N03	ED-0006/21	DV	7N04	M-628 /04	MAX-D	7N06	ED-0014/09	DV	7N06	ED-0022/12	DV
7N01	M-534 /01	PRP	7N03	ED-0006/22	DV	7N04	M-628 /05	MAX-D	7N06	ED-0014/16	DV	7N06	ED-0022/13	DV
7N01	M-607 /01	MAX-D	7N03	ED-0006/23	DV	7N04	M-628 /06	MAX-D	7N06	ED-0014/17	DV	7N06	ED-0022/14	DV
7N01	M-607 /02	MAX-D	7N03	ED-0006/24	DV	7N04	M-775 /01	MAX-D	7N06	ED-0014/18	DV	7N06	ED-0022/15	DV
7N01	M-607 /03	MAX-D	7N03	ED-0006/25	DV	7N04	M-775 /02	MAX-D	7N06	ED-0014/19	DV	7N06	ED-0022/16	DV
7N01	M-645 /01	MAX-D	7N03	M-534 /02	PRP	7N04	M-775 /03	MAX-D	7N06	ED-0014/20	DV	7N06	M-1058 /01	MAX-D
7N01	M-651 /01	MAX-D	7N03	M-607 /04	MAX-D	7N04	M-780 /01	MAX-D	7N06	ED-0014/21	DV	7N06	M-528 /03	PRP
7N01	M-710 /10	FAV	7N03	M-607 /05	MAX-D	7N04	M-804 /02	PRP	7N06	ED-0014/22	DV	7N06	M-569 /04	FAV
7N01	M-710 /11	FAV	7N03	M-607 /06	MAX-D	7N04	M-923 /02	PRP	7N06	ED-0014/23	DV	7N06	M-569 /05	FAV
7N01	M-710 /12	FAV	7N03	M-645 /02	MAX-D	7N05	69-14-1/05	ETE	7N06	ED-0014/24	DV	7N06	M-569 /06	FAV
7N02	69-14-1/02	ETE	7N03	M-651 /02	MAX-D	7N05	69-19-1/05	PRP	7N06	ED-0014/25	DV	7N06	M-628 /07	MAX-D
7N02	69-19-1/02	PRP	7N03	M-710 /07	FAV	7N05	69-2-1 /05	DV	7N06	ED-0016/01	DV	7N06	M-628 /08	MAX-D
7N02	69-2-1 /02	DV	7N03	M-710 /08	FAV	7N05	69-30-1/03	PRP	7N06	ED-0016/02	DV	7N06	M-628 /09	MAX-D
7N02	69-36-1/02	PRP	7N03	M-710 /09	FAV	7N05	69-32-1/03	PRP	7N06	ED-0016/03	DV	7N06	M-775 /04	MAX-D
7N02	69-6-1 /02	MAX-D	7N04	69-14-1/04	ETE	7N05	69-36-1/05	PRP	7N06	ED-0016/04	DV	7N06	M-775 /05	MAX-D
7N02	69-9-1 /02	CAV	7N04	69-19-1/04	PRP	7N05	69-6-1 /05	MAX-D	7N06	ED-0016/05	DV	7N06	M-775 /06	MAX-D
7N02	M-528 /01	PRP	7N04	69-2-1 /04	DV	7N05	69-9-1 /05	CAV	7N06	ED-0016/06	DV	7N06	M-780 /02	MAX-D
7N02	M-628 /01	MAX-D	7N04	69-36-1/04	PRP	7N05	ED-0008/12	DV	7N06	ED-0016/07	DV	7N06	M-804 /03	PRP
7N02	M-628 /02	MAX-D	7N04	69-6-1 /04	MAX-D	7N05	ED-0008/13	DV	7N06	ED-0016/08	DV	7N06	M-923 /03	PRP
7N02	M-628 /03	MAX-D	7N04	69-9-1 /04	CAV	7N05	M-534 /03	PRP	7N06	ED-0016/09	DV	7N07	69-14-1/07	ETE
7N02	M-731 /01	FAV	7N04	ED-0006/11	DV	7N05	M-607 /07	MAX-D	7N06	ED-0016/10	DV	7N07	69-19-1/07	PRP
7N02	M-731 /02	FAV	7N04	ED-0006/12	DV	7N05	M-607 /08	MAX-D	7N06	ED-0016/11	DV	7N07	69-2-1 /07	DV
7N02	M-731 /03	FAV	7N04	ED-0006/13	DV	7N05	M-607 /09	MAX-D	7N06	ED-0016/12	DV	7N07	69-30-1/04	PRP
7N02	M-804 /01	PRP	7N04	ED-0008/01	DV	7N05	M-645 /03	MAX-D	7N06	ED-0016/13	DV	7N07	69-32-1/04	PRP
7N02	M-923 /01	PRP	7N04	ED-0008/02	DV	7N05	M-651 /03	MAX-D	7N06	ED-0016/14	DV	7N07	69-36-1/07	PRP
7N03	69-14-1/03	ETE	7N04	ED-0008/03	DV	7N05	M-710 /04	FAV	7N06	ED-0016/15	DV	7N07	69-6-1 /07	MAX-D
7N03	69-19-1/03	PRP	7N04	ED-0008/04	DV	7N05	M-710 /05	FAV	7N06	ED-0016/16	DV	7N07	69-9-1 /07	CAV
7N03	69-2-1 /03	DV	7N04	ED-0008/05	DV	7N05	M-710 /06	FAV	7N06	ED-0016/17	DV	7N07	M-534 /04	PRP
7N03	69-30-1/02	PRP	7N04	ED-0008/06	DV	7N06	69-14-1/06	ETE	7N06	ED-0016/18	DV	7N07	M-607 /10	MAX-D
7N03	69-32-1/02	PRP	7N04	ED-0008/07	DV	7N06	69-19-1/06	PRP	7N06	ED-0016/19	DV	7N07	M-607 /11	MAX-D
7N03	69-36-1/03	PRP	7N04	ED-0008/08	DV	7N06	69-2-1 /06	DV	7N06	ED-0016/20	DV	7N07	M-607 /12	MAX-D
7N03	69-6-1 /03	MAX-D	7N04	ED-0008/09	DV	7N06	69-36-1/06	PRP	7N06	ED-0016/21	DV	7N07	M-645 /04	MAX-D
7N03	69-9-1 /03	CAV	7N04	ED-0008/10	DV	7N06	69-6-1 /06	MAX-D	7N06	ED-0016/22	DV	7N07	M-651 /04	MAX-D
7N03	ED-0006/01	DV	7N04	ED-0008/11	DV	7N06	69-9-1 /06	CAV	7N06	ED-0016/23	DV	7N07	M-710 /01	FAV
7N03	ED-0006/02	DV	7N04	ED-0008/14	DV	7N06	ED-0012/01	DV	7N06	ED-0016/24	DV	7N07	M-710 /02	FAV
7N03	ED-0006/03	DV	7N04	ED-0008/15	DV	7N06	ED-0012/02	DV	7N06	ED-0016/25	DV	7N07	M-710 /03	FAV
7N03	ED-0006/04	DV	7N04	ED-0008/16	DV	7N06	ED-0012/03	DV	7N06	ED-0018/01	DV	7N08	69-14-1/08	ETE
7N03	ED-0006/05	DV	7N04	ED-0008/17	DV	7N06	ED-0012/04	DV	7N06	ED-0018/02	DV	7N08	69-19-1/08	PRP
7N03	ED-0006/06	DV	7N04	ED-0008/18	DV	7N06	ED-0012/05	DV	7N06	ED-0018/03	DV	7N08	69-2-1 /08	DV
7N03	ED-0006/07	DV	7N04	ED-0008/19	DV	7N06	ED-0012/06	DV	7N06	ED-0018/04	DV	7N08	69-36-1/08	PRP
7N03	ED-0006/08	DV	7N04	ED-0008/20	DV	7N06	ED-0012/07	DV	7N06	ED-0018/05	DV	7N08	69-6-1 /08	MAX-D
7N03	ED-0006/09	DV	7N04	ED-0008/21	DV	7N06	ED-0012/08	DV	7N06	ED-0018/06	DV	7N08	69-9-1 /08	CAV
7N03	ED-0006/10	DV	7N04	ED-0008/22	DV	7N06	ED-0012/09	DV	7N06	ED-0018/07	DV	7N08	M-1058 /02	MAX-D
7N03	ED-0006/14	DV	7N04	ED-0008/23	DV	7N06	ED-0014/01	DV	7N06	ED-0022/05	DV	7N08	M-528 /04	PRP
7N03	ED-0006/15	DV	7N04	ED-0008/24	DV	7N06	ED-0014/02	DV	7N06	ED-0022/06	DV	7N08	M-569 /07	FAV

## MARINER 6 AND 7 SOURCE TAPE CATALOG

PICNO	TAPE/FILE	VERS	PICNO	TAPE/FILE	VERS	PICNO	TAPE/FILE	VERS	PICNO	TAPE/FILE	VERS	PICNO	TAPE/FILE	VERS						
7N08	M-569	/08	FAV	7N11	69-30-1/06	FRP	7N13	M-651	/07	MAX-D	7N16	M-584	/02	FAV						
7N08	M-569	/09	FAV	7N11	69-32-1/06	FRP	7N13	M-702	/07	FAV	7N16	M-584	/03	FAV						
7N08	M-628	/10	MAX-D	7N11	69-36-1/11	FRP	7N13	M-702	/08	FAV	7N16	M-629	/10	MAX-D						
7N08	M-628	/11	MAX-D	7N11	69-6-1	/11	MAX-D	7N13	M-702	/09	FAV	7N16	M-629	/11	MAX-D					
7N08	M-628	/12	MAX-D	7N11	69-9-1	/11	CAV	7N14	69-14-1/14	ETE	7N16	M-629	/12	MAX-D						
7N08	M-775	/07	MAX-D	7N11	M-534	/06	FRP	7N14	69-2-1	/14	DV	7N16	M-731	/04	FAV					
7N08	M-775	/08	MAX-D	7N11	M-565	/04	FAV	7N14	69-20-1/01	FRP	7N16	M-731	/05	FAV						
7N08	M-775	/09	MAX-D	7N11	M-565	/05	FAV	7N14	69-37-1/01	FRP	7N16	M-731	/06	FAV						
7N08	M-780	/03	MAX-D	7N11	M-565	/06	FAV	7N14	69-7-1	/01	MAX-D	7N16	M-746	/04	FAV					
7N08	M-804	/04	FRP	7N11	M-608	/04	MAX-D	7N14	69-9-1	/14	CAV	7N16	M-746	/05	FAV					
7N08	M-923	/04	FRP	7N11	M-608	/05	MAX-D	7N14	M-1058	/04	MAX-D	7N16	M-746	/06	FAV					
7N09	69-14-1/09	ETE	7N11	M-608	/06	MAX-D	7N14	M-528	/07	FRP	7N16	M-780	/07	MAX-D						
7N09	69-19-1/09	FRP	7N11	M-645	/06	MAX-D	7N14	M-570	/04	FAV	7N16	M-804	/08	FRP						
7N09	69-2-1	/09	DV	7N11	M-651	/06	MAX-D	7N14	M-570	/05	FAV	7N16	M-923	/08	FRP					
7N09	69-30-1/05	FRP	7N11	M-702	/04	FAV	7N14	M-570	/06	FAV	7N17	69-10-1/01	CAV	7N20	69-7-1	/07	MAX-D			
7N09	69-32-1/05	FRP	7N11	M-702	/05	FAV	7N14	M-629	/07	MAX-D	7N17	69-14-1/17	ETE	7N20	M-1058	/07	MAX-D			
7N09	69-36-1/09	FRP	7N11	M-702	/06	FAV	7N14	M-629	/08	MAX-D	7N17	69-2-1	/17	DV	7N20	M-528	/10	FRP		
7N09	69-6-1	/09	MAX-D	7N12	69-14-1/12	ETE	7N14	M-629	/09	MAX-D	7N17	69-20-1/04	FRP	7N20	M-571	/04	FAV			
7N09	69-9-1	/09	CAV	7N12	69-19-1/12	FRP	7N14	M-718	/01	FAV	7N17	69-31-1/01	FRP	7N20	M-571	/05	FAV			
7N09	M-534	/05	FRP	7N12	69-2-1	/12	DV	7N14	M-718	/02	FAV	7N17	69-33-1/01	FRP	7N20	M-571	/06	FAV		
7N09	M-565	/01	FAV	7N12	69-36-1/12	FRP	7N14	M-718	/03	FAV	7N17	69-37-1/04	FRP	7N20	M-747	/04	MAX-D			
7N09	M-565	/02	FAV	7N12	69-6-1	/12	MAX-D	7N14	M-780	/06	MAX-D	7N17	69-7-1	/04	MAX-D	7N20	M-747	/05	MAX-D	
7N09	M-565	/03	FAV	7N12	69-9-1	/12	CAV	7N14	M-804	/07	FRP	7N17	M-534	/09	FRP	7N20	M-747	/06	MAX-D	
7N09	M-608	/01	MAX-D	7N12	M-1058	/03	MAX-D	7N14	M-923	/07	FRP	7N17	M-579	/01	MAX-D	7N20	M-780	/09	MAX-D	
7N09	M-608	/02	MAX-D	7N12	M-528	/06	FRP	7N15	69-14-1/15	ETE	7N17	M-579	/02	MAX-D	7N20	M-804	/10	FRP		
7N09	M-608	/03	MAX-D	7N12	M-570	/01	FAV	7N15	69-2-1	/15	DV	7N17	M-579	/03	MAX-D	7N20	M-923	/10	FRP	
7N09	M-645	/05	MAX-D	7N12	M-570	/02	FAV	7N15	69-20-1/02	FRP	7N17	M-645	/09	MAX-D	7N21	69-10-1/05	CAV			
7N09	M-651	/05	MAX-D	7N12	M-570	/03	FAV	7N15	69-30-1/08	FRP	7N17	M-651	/09	MAX-D	7N21	69-14-1/21	ETE			
7N09	M-702	/01	FAV	7N12	M-629	/04	MAX-D	7N15	69-32-1/08	FRP	7N18	69-10-1/02	CAV	7N21	69-20-1/08	FRP				
7N09	M-702	/02	FAV	7N12	M-629	/05	MAX-D	7N15	69-37-1/02	FRP	7N18	69-14-1/18	ETE	7N21	69-3-1	/01	DV			
7N09	M-702	/03	FAV	7N12	M-629	/06	MAX-D	7N15	69-7-1	/02	MAX-D	7N18	69-2-1	/18	DV	7N21	69-31-1/03	FRP		
7N10	69-14-1/10	ETE	7N12	M-780	/05	MAX-D	7N15	69-9-1	/15	CAV	7N18	69-20-1/05	FRP	7N21	69-33-1/03	FRP				
7N10	69-19-1/10	FRP	7N12	M-804	/06	FRP	7N15	M-534	/08	FRP	7N18	69-37-1/05	FRP	7N21	69-37-1/08	FRP				
7N10	69-2-1	/10	DV	7N12	M-923	/06	FRP	7N15	M-565	/10	FAV	7N18	69-7-1	/05	MAX-D	7N21	69-7-1	/08	MAX-D	
7N10	69-36-1/10	FRP	7N13	69-14-1/13	ETE	7N15	M-565	/11	FAV	7N18	M-1058	/06	MAX-D	7N21	M-534	/11	FRP			
7N10	69-6-1	/10	MAX-D	7N13	69-19-1/13	FRP	7N15	M-565	/12	FAV	7N18	M-528	/09	FRP	7N21	M-556	/07	FAV		
7N10	69-9-1	/10	CAV	7N13	69-2-1	/13	DV	7N15	M-608	/10	MAX-D	7N18	M-571	/01	FAV	7N21	M-556	/08	FAV	
7N10	M-528	/05	FRP	7N13	69-30-1/07	FRP	7N15	M-608	/11	MAX-D	7N18	M-571	/02	FAV	7N21	M-579	/07	MAX-D		
7N10	M-569	/10	FAV	7N13	69-32-1/07	FRP	7N15	M-608	/12	MAX-D	7N18	M-571	/03	FAV	7N21	M-579	/08	MAX-D		
7N10	M-569	/11	FAV	7N13	69-36-1/13	FRP	7N15	M-645	/08	MAX-D	7N18	M-747	/01	MAX-D	7N21	M-579	/09	MAX-D		
7N10	M-569	/12	FAV	7N13	69-6-1	/13	MAX-D	7N15	M-651	/08	MAX-D	7N18	M-747	/02	MAX-D	7N21	M-579	/09	MAX-D	
7N10	M-629	/01	MAX-D	7N13	69-9-1	/13	CAV	7N16	69-14-1/16	ETE	7N18	M-747	/03	MAX-D	7N21	M-645	/11	MAX-D		
7N10	M-629	/02	MAX-D	7N13	M-534	/07	FRP	7N16	69-2-1	/16	DV	7N18	M-780	/08	MAX-D	7N21	M-651	/11	MAX-D	
7N10	M-629	/03	MAX-D	7N13	M-565	/07	FAV	7N16	69-20-1/03	FRP	7N18	M-804	/09	FRP	7N21	M-709	/01	FAV		
7N10	M-780	/04	MAX-D	7N13	M-565	/08	FAV	7N16	69-37-1/03	FRP	7N18	M-923	/09	FRP	7N21	M-709	/02	FAV		
7N10	M-804	/05	FRP	7N13	M-565	/09	FAV	7N16	69-7-1	/03	MAX-D	7N19	69-10-1/03	CAV	7N21	M-709	/03	FAV		
7N10	M-923	/05	FRP	7N13	M-608	/07	MAX-D	7N16	69-9-1	/16	CAV	7N19	69-14-1/19	ETE	7N22	69-10-1/06	CAV			
7N11	69-14-1/11	ETE	7N13	M-608	/08	MAX-D	7N16	M-1058	/05	MAX-D	7N19	69-2-1	/19	DV	7N22	69-14-1/22	ETE			
7N11	69-19-1/11	FRP	7N13	M-608	/09	MAX-D	7N16	M-528	/08	FRP	7N19	69-20-1/06	FRP	7N22	69-20-1/09	FRP				
7N11	69-2-1	/11	DV	7N13	M-645	/07	MAX-D	7N16	M-584	/01	FAV	7N19	69-31-1/02	FRP	7N22	69-3-1	/02	DV		

## MARINER 6 AND 7 SOURCE TAPE CATALOG

PICNO	TAPE/FILE	VERS	PICNO	TAPE/FILE	VERS	PICNO	TAPE/FILE	VERS	PICNO	TAPE/FILE	VERS	PICNO	TAPE/FILE	VERS
7N22	69-37-1/09	FRP	7N24	M-747 /10	MAX-D	7N27	M-651 /14	MAX-D	7N31	69-10-1/15	CAV	7N31	JAC-372/07	DV
7N22	69-7-1 /09	MAX-D	7N24	M-747 /11	MAX-D	7N27	M-700 /07	FAV	7N31	69-14-1/31	ETE	7N31	JAC-372/08	DV
7N22	M-1058 /08	MAX-D	7N24	M-747 /12	MAX-D	7N27	M-700 /08	FAV	7N31	69-21-1/05	FRP	7N31	JAC-372/09	DV
7N22	M-528 /11	FRP	7N24	M-780 /11	MAX-D	7N27	M-700 /09	FAV	7N31	69-3-1 /11	DV	7N31	JAC-372/10	DV
7N22	M-584 /04	FAV	7N24	M-804 /12	FRP	7N28	69-10-1/12	CAV	7N31	69-31-1/08	FRP	7N31	M-534 /16	FRP
7N22	M-584 /05	FAV	7N24	M-923 /12	FRP	7N28	69-14-1/28	ETE	7N31	69-33-1/08	FRP	7N31	M-645 /15	MAX-D
7N22	M-584 /06	FAV	7N25	69-10-1/09	CAV	7N28	69-21-1/02	FRP	7N31	69-38-1/05	FRP	7N31	M-651 /16	MAX-D
7N22	M-747 /07	MAX-D	7N25	69-14-1/25	ETE	7N28	69-3-1 /08	DV	7N31	69-8-1 /05	MAX-D	7N31	M-701 /01	FAV
7N22	M-747 /08	MAX-D	7N25	69-20-1/12	FRP	7N28	69-38-1/02	FRP	7N31	ED-0022/01	DV	7N31	M-701 /02	FAV
7N22	M-747 /09	MAX-D	7N25	69-3-1 /05	DV	7N28	69-8-1 /02	MAX-D	7N31	ED-0022/02	DV	7N31	M-701 /03	FAV
7N22	M-780 /10	MAX-D	7N25	69-31-1/05	FRP	7N28	M-528 /14	FRP	7N31	ED-0022/03	DV	7N32	69-8-1 /06	MAX-D
7N22	M-804 /11	FRP	7N25	69-33-1/05	FRP	7N28	M-585 /01	FAV	7N31	ED-0022/04	DV	7N32	M-621 /10	MAX-D
7N22	M-923 /11	FRP	7N25	69-37-1/12	FRP	7N28	M-585 /02	FAV	7N31	JAC 170/01	DV	7N32	M-621 /11	MAX-D
7N23	69-10-1/07	CAV	7N25	69-7-1 /12	MAX-D	7N28	M-585 /03	FAV	7N31	JAC 170/02	DV	7N32	M-621 /12	MAX-D
7N23	69-14-1/23	ETE	7N25	M-534 /13	FRP	7N28	M-621 /04	MAX-D	7N31	JAC 170/03	DV	7N4A	69-15-1/01	MAX-D
7N23	69-20-1/10	FRP	7N25	M-645 /13	MAX-D	7N28	M-621 /05	MAX-D	7N31	JAC-138/01	DV	7N4B	69-15-1/02	MAX-D
7N23	69-3-1 /03	DV	7N25	M-651 /13	MAX-D	7N28	M-621 /06	MAX-D	7N31	JAC-138/02	DV			
7N23	69-31-1/04	FRP	7N25	M-700 /04	FAV	7N28	M-774 /04	MAX-D	7N31	JAC-138/03	DV			
7N23	69-33-1/04	FRP	7N25	M-700 /05	FAV	7N28	M-774 /05	MAX-D	7N31	JAC-138/04	DV			
7N23	69-37-1/10	FRP	7N25	M-700 /06	FAV	7N28	M-774 /06	MAX-D	7N31	JAC-138/05	DV			
7N23	69-7-1 /10	MAX-D	7N26	69-10-1/10	CAV	7N28	M-780 /13	MAX-D	7N31	JAC-138/06	DV			
7N23	M-534 /12	FRP	7N26	69-14-1/26	ETE	7N28	M-804 /14	FRP	7N31	JAC-138/07	DV			
7N23	M-556 /10	FAV	7N26	69-20-1/13	FRP	7N28	M-923 /14	FRP	7N31	JAC-138/08	DV			
7N23	M-556 /11	FAV	7N26	69-3-1 /06	DV	7N29	69-10-1/13	CAV	7N31	JAC-138/09	DV			
7N23	M-556 /12	FAV	7N26	69-37-1/13	FRP	7N29	69-14-1/29	ETE	7N31	JAC-191/01	DV			
7N23	M-579 /10	MAX-D	7N26	69-7-1 /13	MAX-D	7N29	69-21-1/03	FRP	7N31	JAC-191/02	DV			
7N23	M-579 /11	MAX-D	7N26	M-1058 /10	MAX-D	7N29	69-3-1 /09	DV	7N31	JAC-191/03	DV			
7N23	M-579 /12	MAX-D	7N26	M-528 /13	FRP	7N29	69-31-1/07	FRP	7N31	JAC-191/04	DV			
7N23	M-645 /12	MAX-D	7N26	M-621 /01	MAX-D	7N29	69-33-1/07	FRP	7N31	JAC-191/05	DV			
7N23	M-651 /12	MAX-D	7N26	M-621 /02	MAX-D	7N29	69-38-1/03	FRP	7N31	JAC-191/06	DV			
7N23	M-700 /01	FAV	7N26	M-621 /03	MAX-D	7N29	69-8-1 /03	MAX-D	7N31	JAC-191/07	DV			
7N23	M-700 /02	FAV	7N26	M-732 /04	FAV	7N29	M-534 /15	FRP	7N31	JAC-191/08	DV			
7N23	M-700 /03	FAV	7N26	M-732 /05	FAV	7N29	M-651 /15	MAX-D	7N31	JAC-191/09	DV			
7N24	69-10-1/08	CAV	7N26	M-732 /06	FAV	7N29	M-700 /10	FAV	7N31	JAC-191/10	DV			
7N24	69-14-1/24	ETE	7N26	M-774 /01	MAX-D	7N29	M-700 /11	FAV	7N31	JAC-224/01	DV			
7N24	69-20-1/11	FRP	7N26	M-774 /02	MAX-D	7N29	M-700 /12	FAV	7N31	JAC-224/02	DV			
7N24	69-3-1 /04	DV	7N26	M-774 /03	MAX-D	7N30	69-10-1/14	CAV	7N31	JAC-224/03	DV			
7N24	69-37-1/11	FRP	7N26	M-780 /12	MAX-D	7N30	69-14-1/30	ETE	7N31	JAC-224/04	DV			
7N24	69-7-1 /11	MAX-D	7N26	M-804 /13	FRP	7N30	69-21-1/04	FRP	7N31	JAC-224/05	DV			
7N24	M-1058 /09	MAX-D	7N26	M-923 /13	FRP	7N30	69-3-1 /10	DV	7N31	JAC-224/06	DV			
7N24	M-528 /12	FRP	7N27	69-10-1/11	CAV	7N30	69-38-1/04	FRP	7N31	JAC-224/07	DV			
7N24	M-584 /07	FAV	7N27	69-14-1/27	ETE	7N30	69-8-1 /04	MAX-D	7N31	JAC-224/08	DV			
7N24	M-584 /08	FAV	7N27	69-21-1/01	FRP	7N30	M-528 /15	FRP	7N31	JAC-224/09	DV			
7N24	M-584 /09	FAV	7N27	69-3-1 /07	DV	7N30	M-585 /04	FAV	7N31	JAC-224/10	DV			
7N24	M-732 /01	FAV	7N27	69-31-1/06	FRP	7N30	M-585 /05	FAV	7N31	JAC-372/01	DV			
7N24	M-732 /02	FAV	7N27	69-33-1/06	FRP	7N30	M-585 /06	FAV	7N31	JAC-372/02	DV			
7N24	M-732 /03	FAV	7N27	69-38-1/01	FRP	7N30	M-621 /07	MAX-D	7N31	JAC-372/03	DV			
7N24	M-746 /01	FAV	7N27	69-8-1 /01	MAX-D	7N30	M-621 /08	MAX-D	7N31	JAC-372/04	DV			
7N24	M-746 /02	FAV	7N27	M-534 /14	FRP	7N30	M-621 /09	MAX-D	7N31	JAC-372/05	DV			
7N24	M-746 /03	FAV	7N27	M-645 /14	MAX-D	7N30	M-923 /15	FRP	7N31	JAC-372/06	DV			

## REFERENCES

1. Data Management and Computation, Volume 1: Issues and Recommendations, Committee on Data Management and Computation, Space Science Board, Assembly of Mathematics and Physical Sciences, 1982.
- A-1. Sullivan, M.J., et al., Mission Control and Computing Center, Mission and Test Imaging Subsystem (MTIS) Voyager Program Description Document, JPL Internal Document 618-792, Jet Propulsion Laboratory, Pasadena, Calif., Apr. 15, 1979.
- A-2. Falk, et al., Viking Imaging Subsystem Reconstruction and First Order Processing (VISRAP) Program Description Document, JPL Internal Document 620-319, Jet Propulsion Laboratory, Pasadena, Calif., Aug. 12, 1977.
- A-3. Mariner Venus Mercury 1973 Mission and Test Computing System Facility Capability Description for System Test, Appendix E: Data Record Formats, JPL Internal Document 615-43, Jet Propulsion Laboratory, Pasadena, Calif., Aug. 1, 1973.
- A-4. Cleven, G., Mariner Mars 1971 Mission and Test Computer User Handbook for System Test and Operations, JPL Internal Document 610-124, Jet Propulsion Laboratory, Pasadena, Calif., Oct. 30, 1970.
- B-1. Tucker, R., Viking Lander Imaging Investigation: Picture Catalog of Primary Mission Experiment Data Record, NASA RP 1007, Feb. 1978.
- B-2. Jones, K., et al., Viking Lander Imaging Investigation During Extended and Continuing Mission, Volumes 1 and 2, NASA RP 1068, Apr. 1981.
- B-3. Wall, S., et al., Conclusion of Viking Lander Imaging Investigation, NASA RP 1137, Mar. 1985.
- B-4. Davies, M., et al., Atlas of Mercury, NASA SP 423, 1978.
- B-5. Cutts, J., Mariner Mars 1971 TV Picture Catalog, Volume 1, Technical Memorandum 33-585, Jet Propulsion Laboratory, Pasadena, Calif., 1974.
- B-6. Koskela, P., et al., Mariner Mars 1971 TV Picture Catalog, Volume 2: Sequence Design, Technical Memorandum 33-585, Jet Propulsion Laboratory, Pasadena, Calif., 1972.
- B-7. "Scientific Findings From Mariner 6 and 7 Pictures: Final Report," Journal of Geophysical Research, Vol. 76, No. 2, Jan. 10, 1971.
- B-8. Mariner Mars 1969: A Preliminary Report, NASA SP 225, 1969.
- B-9. Mariner Mars 1964 Project: Television Experiment, Technical Report 32-884, Jet Propulsion Laboratory, Pasadena, Calif., 1967.
- B-10. Capen, C.F., The Mars 1964-1965 Apparition, Technical Report 32-990, Jet Propulsion Laboratory, Pasadena, Calif., Dec. 15, 1966.