

Active Control of Transition Using the Lorentz Force

D. Nosenchuck and G. Brown

Department of Mechanical and Aerospace Engineering
Princeton University
Princeton, NJ 08544

Abstract

A new concept and technique has been developed to directly control boundary-layer transition and turbulence. Near-wall vertical motions are directly suppressed through the application of a Lorentz force. Current (j) and magnetic (B) fields are applied parallel to the boundary and normal to each other to produce a Lorentz force ($j \times B$) normal to the boundary. This approach is called magnetic turbulence control (MTC). Experiments have been performed on flat-plate transitional and turbulent boundary layers in water seeded with a weak electrolyte, at $Re_\theta \simeq 1700$. With the application of modest field densities (eg. $|B| < 1,000$ gauss and $|j| < 10$ mA/cm²), measured reductions in mean and fluctuating turbulent stresses within the control region are seen to exceed 90%. Laser-sheet flow visualization confirms the substantial reductions in turbulent motion at $y^+ \lesssim 15$. The talk will present some theoretical considerations and initial experimental findings. Experiments with arrays of MTC 'tiles' will also be discussed.

Princeton University

Active Control of Transition Using the Lorentz Force

Daniel Nosenchuck and Garry Brown

Syracuse University/Minnowbrook End-Stage Transition
Workshop

15 - 18 August 1993

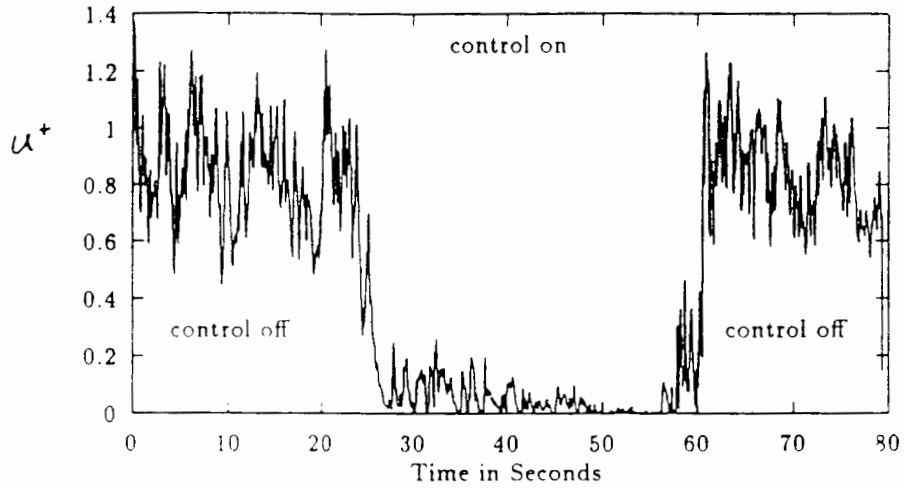


Department of
Mechanical and
Aerospace Engineering

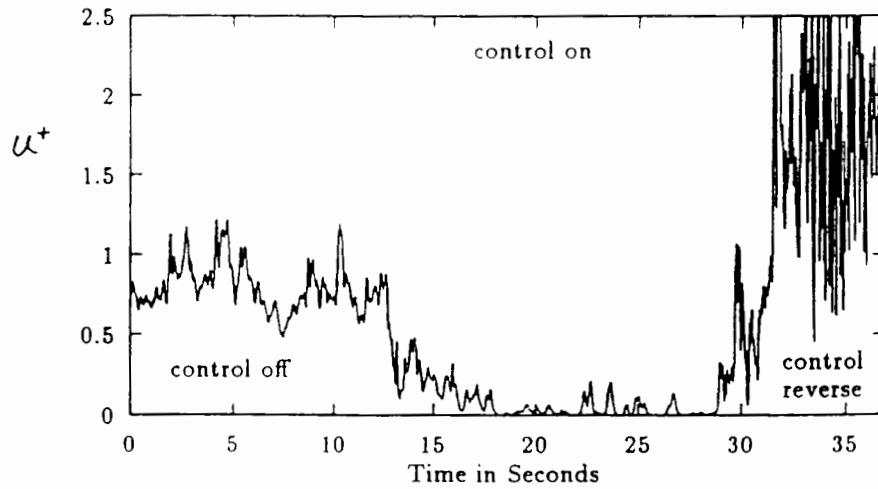
Control of Transition and Turbulence

- The end-stage of transition and turbulence are characterized by:
 - periodic eruptions of unstable, low-momentum ‘near-wall’ fluid
 - subsequent inrush of high-speed ‘outer-flow’ fluid
 - resultant large skin-friction drag
- Lorentz force easily generated:
 - surface electrodes produce electric field with current density j
 - magnetic field B is generated parallel to surface and normal to electric field
 - resultant normal force is $j \times B$
- Direct application of wall-normal force could prohibit lift-up and bursting of near-wall fluid
- Exploit three-dimensional Lorentz force in fluids of uniform conductivity

Key Results



a: Control Sequence: Off-On-Off



b: Control Sequence: Off-On-Reverse

MTC on Centerline at $y^+ \sim 1$
Velocity vs Time

Theoretical Considerations

- MOMENTUM

$$\rho \frac{D\mathbf{u}}{Dt} = -\nabla p + \mathbf{L} + \mu \nabla^2 \mathbf{u}$$

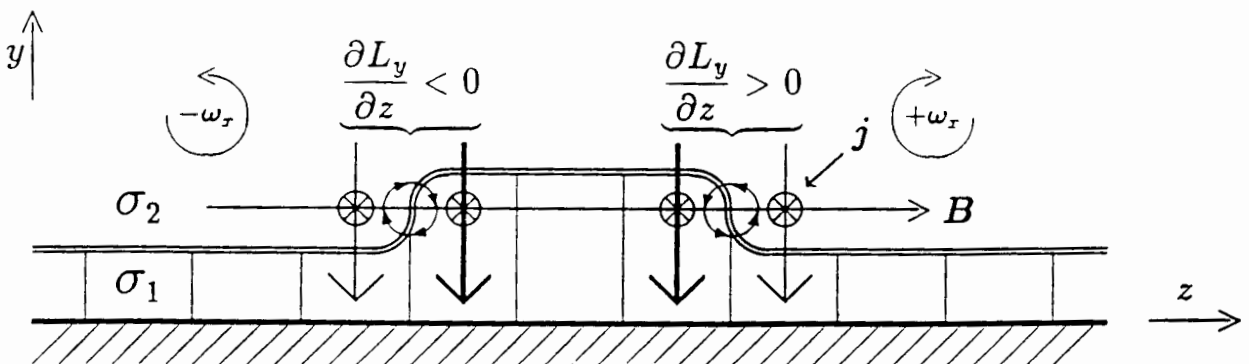
where $\mathbf{L} = \mathbf{j} \times \mathbf{B}$ (Lorentz force)

- VORTICITY

$$\rho \frac{D\omega}{Dt} = \rho \omega \cdot \nabla \mathbf{u} + \nabla \times \mathbf{L} + \mu \nabla^2 \omega$$

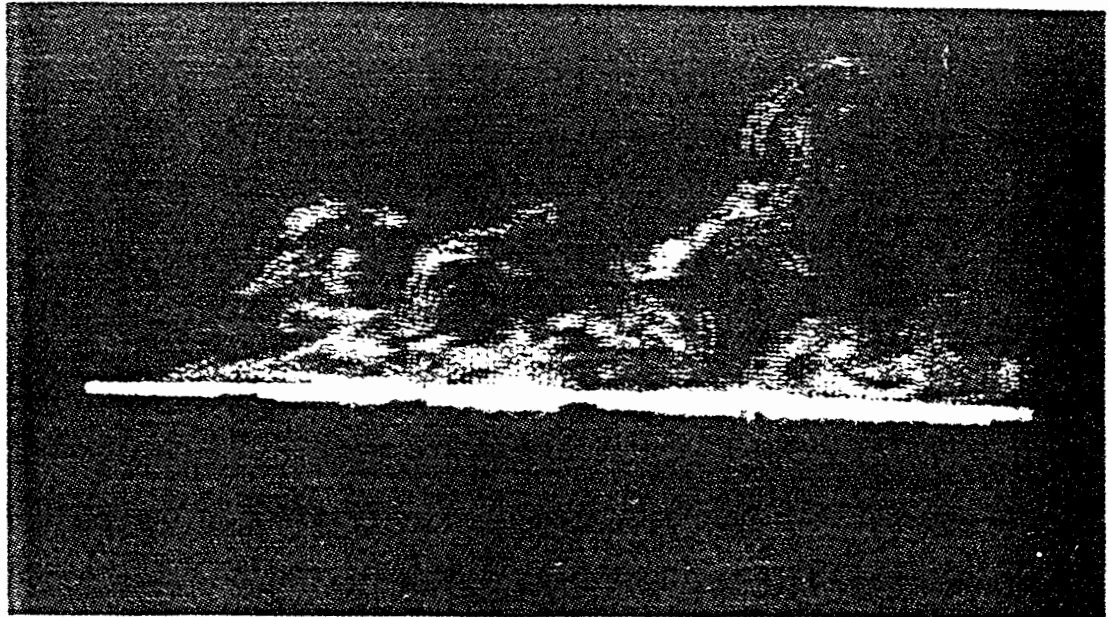
If $\mathbf{L} = L_y \mathbf{e}_j$:

$$\rho \frac{D\omega_x}{Dt} = \rho \omega \cdot \nabla \mathbf{u} - \frac{\partial L_y}{\partial z} + \mu \nabla^2 \omega_x$$

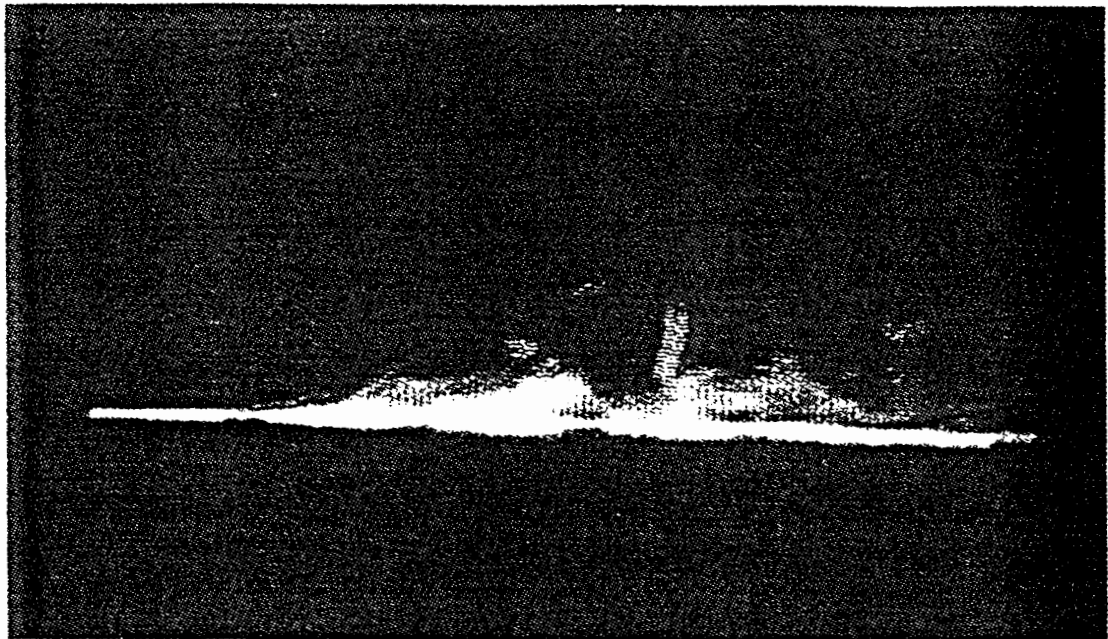


- Conductivity Gradient Controls Stability

$$\frac{\partial L_y}{\partial z} \approx \frac{\partial}{\partial z} \sigma e_z B_x \approx e_z B_x \frac{\partial \sigma}{\partial y} \frac{\partial y}{\partial z}$$



Control Off



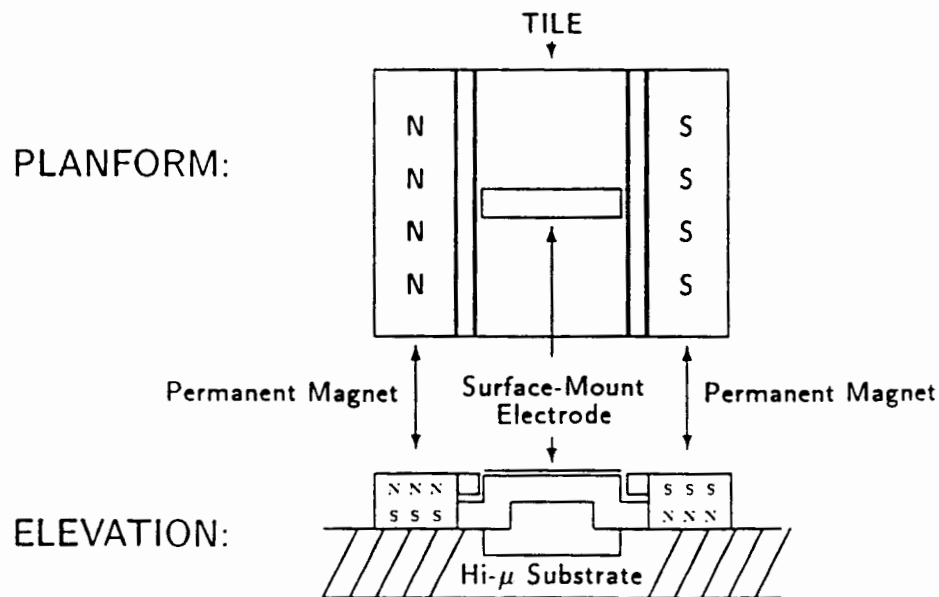
Control On

MTC Control of Turbulent Spots

NaOH throughout Boundary Layer
($\emptyset_1, \emptyset_2, \emptyset_3$ Active)

TILING

- Concentrate Lorentz force in near-wall region
- Large area coverage requires 'tiles'
- A TFM (turbulent flow modulation) tile is defined as that region on the wall bounded by two electrodes and two magnet poles
- Globally-uniform electric field established by phased operation and alternating electrode polarities
- Tile arrays formed with modular building blocks:



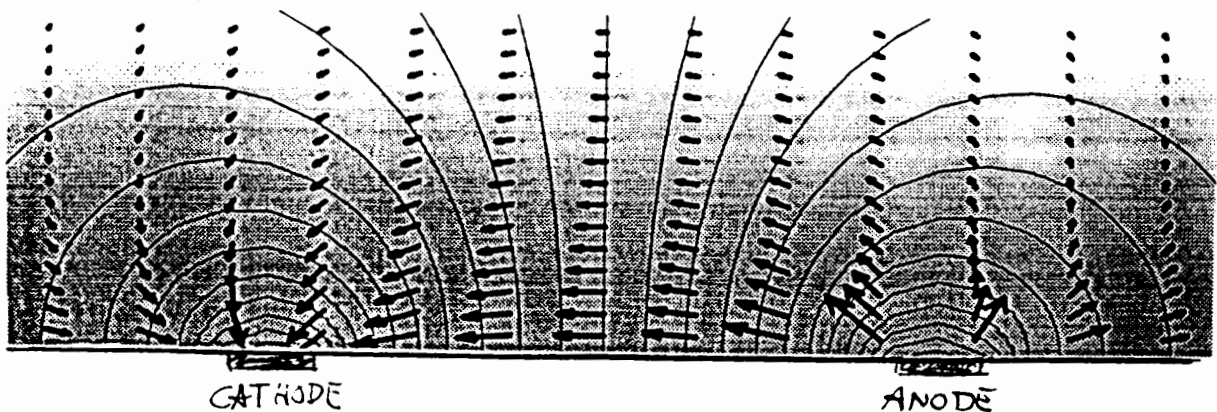
Three-Dimensional Theoretical Considerations

- VORTICITY

$$\rho \left[\frac{\partial \omega_i}{\partial t} + \frac{\partial}{\partial x_k} \left(u_k \omega_i - \omega_k u_i - \nu \frac{\partial \omega_i}{\partial x_k} \right) \right] = \epsilon_{ijk} \frac{\partial L_i}{\partial x_k}$$

where $\epsilon_{ijk} \frac{\partial L_i}{\partial x_k}$ may be viewed as a vorticity source term

- Three-dimensional TFM electric and magnetic field lines can produce a Lorentz force-field that generates vorticity to 'capture' near-wall fluid



Grey-level indicates B-field strength
 Contours indicate electric-field potential
 Arrows denote current density j .

