



US008419883B2

(12) **United States Patent**
Day et al.

(10) **Patent No.:** **US 8,419,883 B2**
(45) **Date of Patent:** **Apr. 16, 2013**

(54) **FIBER REINFORCED COMPOSITE CORES AND PANELS**

(75) Inventors: **Stephen W. Day**, Dayton, OH (US); **G. Scott Campbell**, Dayton, OH (US); **Danny E. Tilton**, Dayton, OH (US); **Frederick Stoll**, West Chester, OH (US); **Michael Sheppard**, Dayton, OH (US); **Robin Banerjee**, Centerville, OH (US)

(73) Assignee: **Milliken & Company**, Spartanburg, SC (US)

(*) Notice: Subject to any disclaimer, the term of this patent is extended or adjusted under 35 U.S.C. 154(b) by 1063 days.

(21) Appl. No.: **11/983,317**

(22) Filed: **Nov. 8, 2007**

(65) **Prior Publication Data**

US 2010/0266833 A1 Oct. 21, 2010

Related U.S. Application Data

(63) Continuation-in-part of application No. 10/810,298, filed on Mar. 27, 2004, now Pat. No. 7,393, 577.
(60) Provisional application No. 60/857,593, filed on Nov. 9, 2006.

(51) **Int. Cl.**
B29C 65/00 (2006.01)
B65H 81/00 (2006.01)
B32B 5/14 (2006.01)
B32B 7/12 (2006.01)

(52) **U.S. Cl.**
USPC **156/264**; 156/169; 156/172; 156/191; 156/195; 156/304.1; 156/304.3; 156/304.5; 156/304.6; 156/428; 156/430; 264/145; 264/148; 264/151; 264/241; 264/257; 264/258; 264/259; 264/263; 264/265; 264/271.1; 264/279; 264/279.1; 264/319; 428/309.9; 428/316.6; 428/317.1

(58) **Field of Classification Search** 264/145, 264/148, 171.1, 172.19, 173.11, 173.12, 264/151, 241, 257, 258, 259, 263, 265, 271.1, 264/279, 279.1; 156/169, 172, 191, 195, 156/264, 428, 430; 428/309.9, 316.6, 317.1
See application file for complete search history.

(56) **References Cited**

U.S. PATENT DOCUMENTS

2,053,173 A 9/1936 Astima 88/24
2,062,590 A 12/1936 Lundquist 41/23
(Continued)

FOREIGN PATENT DOCUMENTS

CA 446910 2/1948
CA 658023 2/1963
(Continued)

Primary Examiner — Christina Johnson

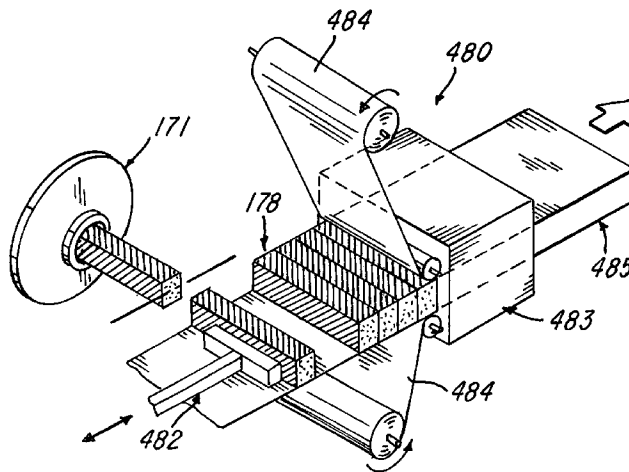
Assistant Examiner — Atul P. Khare

(74) *Attorney, Agent, or Firm* — Cheryl J. Brickey

(57) **ABSTRACT**

A fiber reinforced core panel is formed from strips of plastics foam helically wound with layers of rovings to form webs which may extend in a wave pattern or may intersect transverse webs. Hollow tubes may replace foam strips. Axial rovings cooperate with overlying helically wound rovings to form a beam or a column. Wound roving patterns may vary along strips for structural efficiency. Wound strips may alternate with spaced strips, and spacers between the strips enhance web buckling strength. Continuously wound rovings between spaced strips permit folding to form panels with reinforced edges. Continuously wound strips are helically wrapped to form annular structures, and composite panels may combine both thermoset and thermoplastic resins. Continuously wound strips or strip sections may be continuously fed either longitudinally or laterally into molding apparatus which may receive skin materials to form reinforced composite panels.

14 Claims, 21 Drawing Sheets



U.S. PATENT DOCUMENTS

2,493,032	A	1/1950	Rheinfrank, Jr.	154/125
3,192,099	A	6/1965	Beckman et al.	161/43
3,230,995	A *	1/1966	Shannon	156/166
3,243,492	A	3/1966	Voelker	264/346
3,246,058	A	4/1966	Voelker	264/47
3,264,153	A	8/1966	Rodman et al.	156/79
3,298,892	A	1/1967	Lippay	161/38
3,339,326	A	9/1967	Derr et al.	
3,472,728	A	10/1969	Hitch	161/69
3,526,556	A	9/1970	Berner	156/79
3,544,417	A	12/1970	Corzine	
3,549,449	A	12/1970	Windecker	156/254
3,567,541	A *	3/1971	Kaczerginski	156/172
3,697,633	A	10/1972	Edgar	264/45
3,708,385	A *	1/1973	Immethun	428/119
3,733,235	A	5/1973	Light et al.	156/260
3,734,811	A	5/1973	Small et al.	161/37
3,750,355	A	8/1973	Blum	52/309
3,841,958	A	10/1974	Delorme	161/161
3,867,238	A	2/1975	Johannsen	161/37
3,906,137	A	9/1975	Bauer	428/315
4,042,746	A	8/1977	Hofer	428/311
4,048,365	A	9/1977	Hoover	428/215
4,093,762	A	6/1978	Kiefer	428/55
4,119,750	A	10/1978	Porter	428/105
4,179,540	A	12/1979	Smarook	428/71
4,196,251	A	4/1980	Windecker	
4,223,053	A	9/1980	Brogan	
4,262,052	A	4/1981	Kannan et al.	428/306
4,292,369	A	9/1981	Ohashi et al.	428/313
4,330,494	A	5/1982	Iwata et al.	264/46.2
4,361,613	A	11/1982	Bogner et al.	428/119
4,380,253	A	4/1983	Mead et al.	
4,411,939	A	10/1983	Hawkins et al.	
4,412,880	A	11/1983	Wintermantel	156/156
4,498,941	A *	2/1985	Goldsworthy	156/148
4,521,266	A	6/1985	Careddu	156/242
4,536,427	A	8/1985	Kohn	428/44
4,608,103	A	8/1986	Aldrich	156/64
4,617,217	A	10/1986	Michaud-Soret	
4,670,338	A	6/1987	Clemino	428/312.6
4,687,691	A	8/1987	Kay	428/73
4,807,969	A	2/1989	Shimodaira et al.	350/320
4,808,461	A	2/1989	Boyce et al.	428/119
4,823,534	A	4/1989	Hebinck	52/743
5,039,567	A	8/1991	Landi et al.	
5,060,291	A	10/1991	Albertelli	428/306.6
5,087,500	A	2/1992	Kasper et al.	428/116
5,108,810	A	4/1992	Williams	

5,182,150	A	1/1993	Carlos et al.	428/35.7
5,186,776	A	2/1993	Boyce et al.	156/73.2
5,197,928	A	3/1993	Mishima et al.	
5,234,969	A	8/1993	Clark et al.	521/181
5,237,737	A	8/1993	Zigler et al.	29/598
5,462,623	A *	10/1995	Day	156/250
5,466,506	A	11/1995	Freitas et al.	428/105
5,589,015	A	12/1996	Fusco et al.	156/73.1
5,589,243	A *	12/1996	Day	428/56
5,624,622	A	4/1997	Boyce et al.	264/258
5,625,999	A	5/1997	Buzza et al.	52/793.11
5,721,034	A	2/1998	Seemann, III et al.	
5,741,574	A	4/1998	Boyce et al.	
5,794,402	A	8/1998	Dumlao et al.	52/783.17
5,834,082	A *	11/1998	Day	428/56
5,904,972	A	5/1999	Tunis, III et al.	
5,958,325	A	9/1999	Seemann, III et al.	
6,159,414	A	12/2000	Tunis, III et al.	
6,191,414	B1	2/2001	Ogle et al.	
6,655,633	B1	12/2003	Chapman, Jr.	
6,676,785	B2 *	1/2004	Johnson et al.	156/92
6,740,381	B2	5/2004	Day et al.	428/56
6,824,851	B1	11/2004	Locher et al.	428/76
7,056,567	B2	6/2006	O'Neill et al.	428/71
7,393,577	B2	7/2008	Day et al.	428/121
7,972,698	B2 *	7/2011	Miller et al.	428/408
2004/0247856	A1	12/2004	Sikorski et al.	428/318.4
2005/0019549	A1	1/2005	Tai et al.	428/315.9

FOREIGN PATENT DOCUMENTS

CA	2 725 735	12/2009
DE	1951310	4/1970
DE	1949209	4/1971
DE	22236479	2/1974
DE	19715529	8/1998
EP	0 293 612	12/1988
EP	2 253 588	9/1992
EP	0 569 846	11/1993
FR	1 596 868	6/1970
GB	245458	5/1926
GB	548027	9/1942
GB	0 559 527	2/1944
GB	1 265 835	3/1972
GB	1 375 877	11/1974
GB	0672805 B1	3/1994
JP	62-191136	8/1987
WO	WO 0147706 A1	7/2001

* cited by examiner

FIG-1

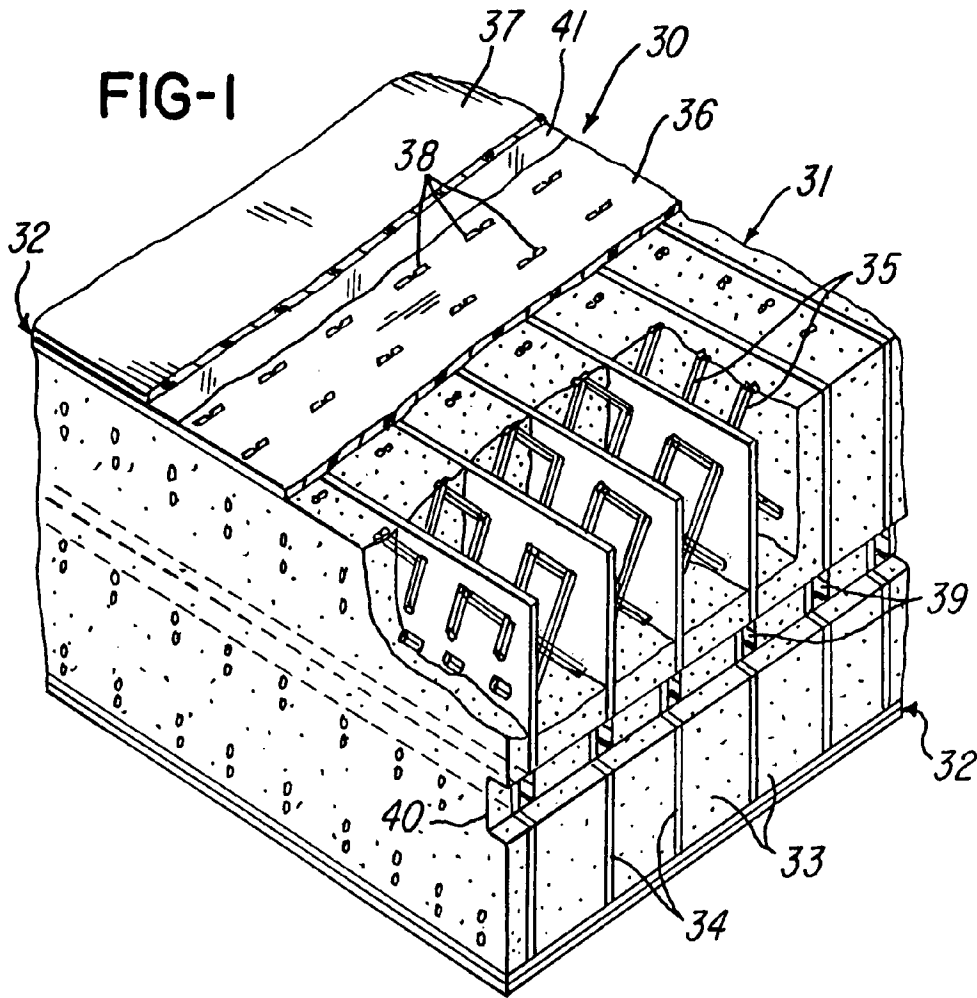
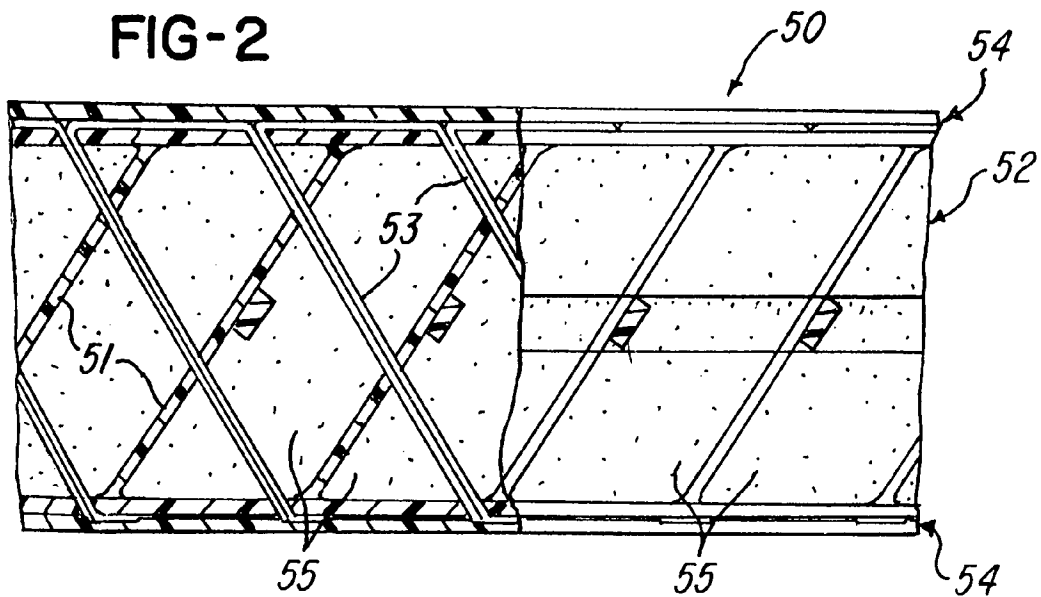
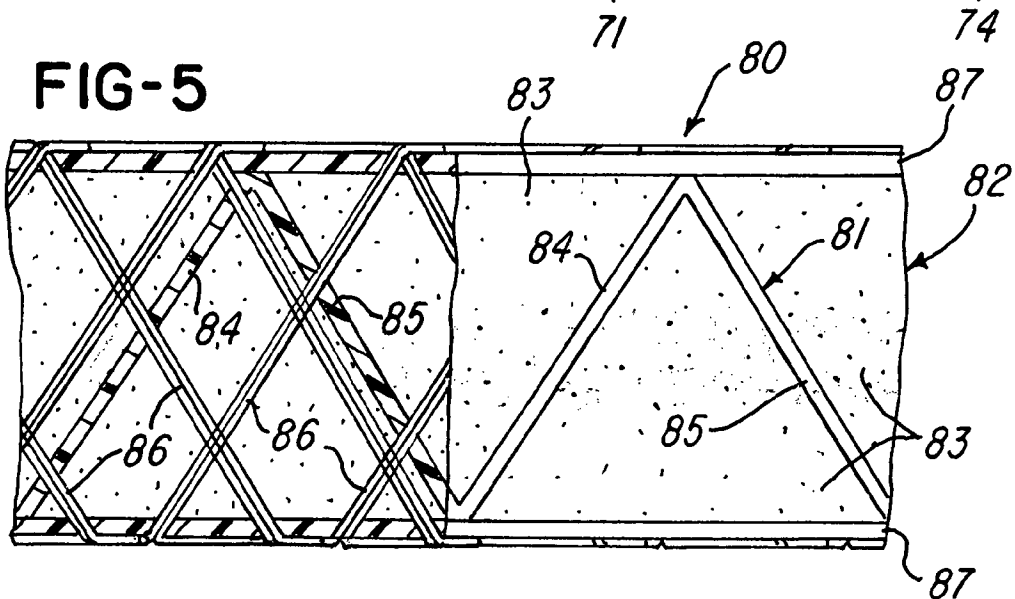
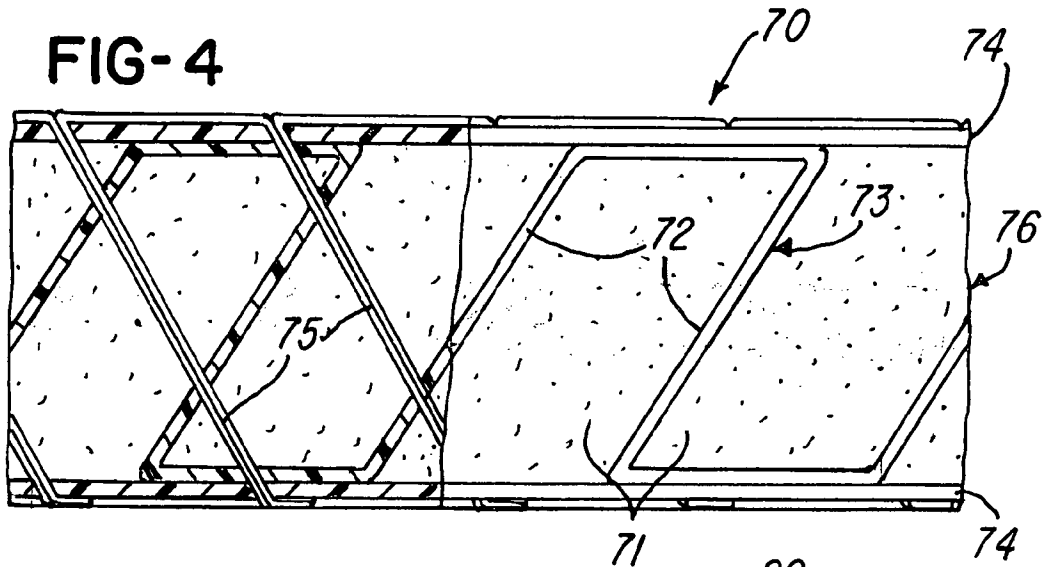
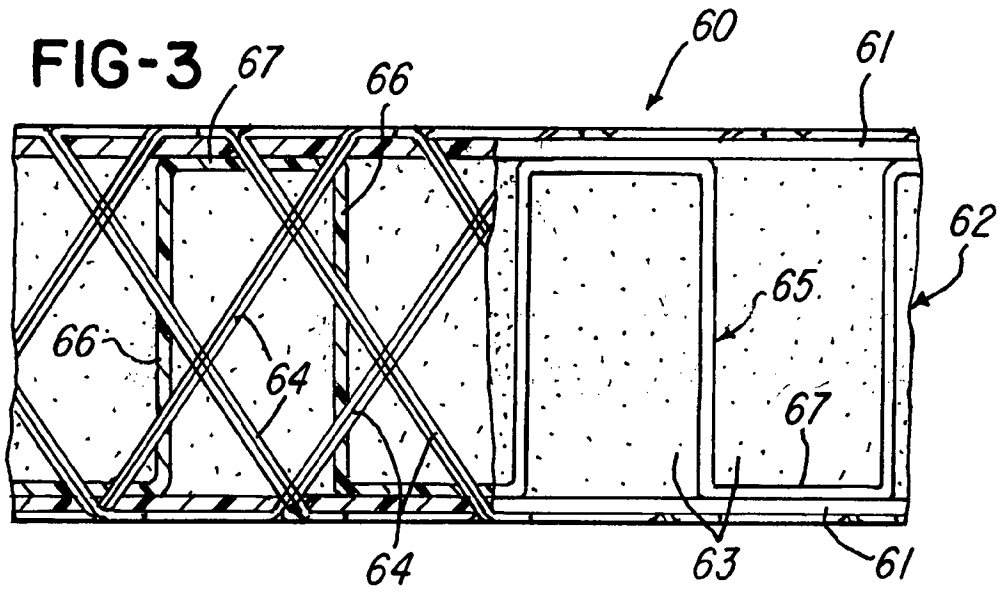
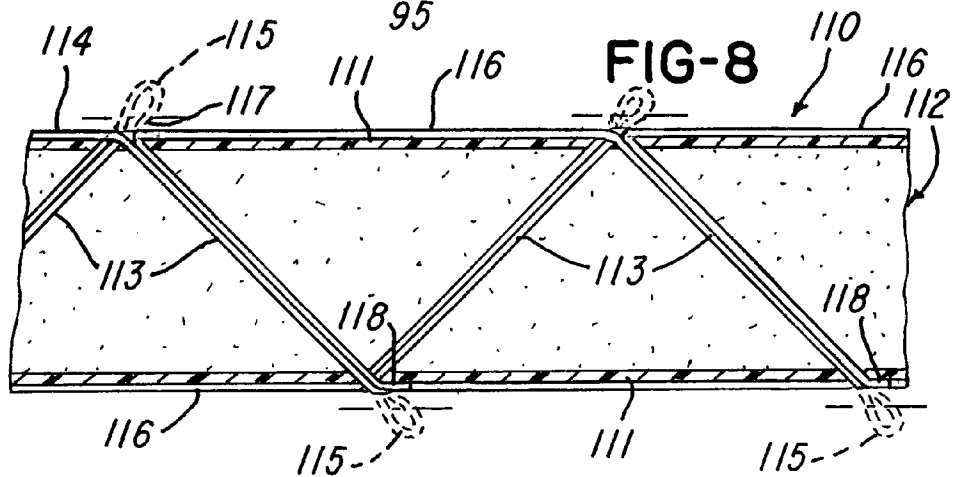
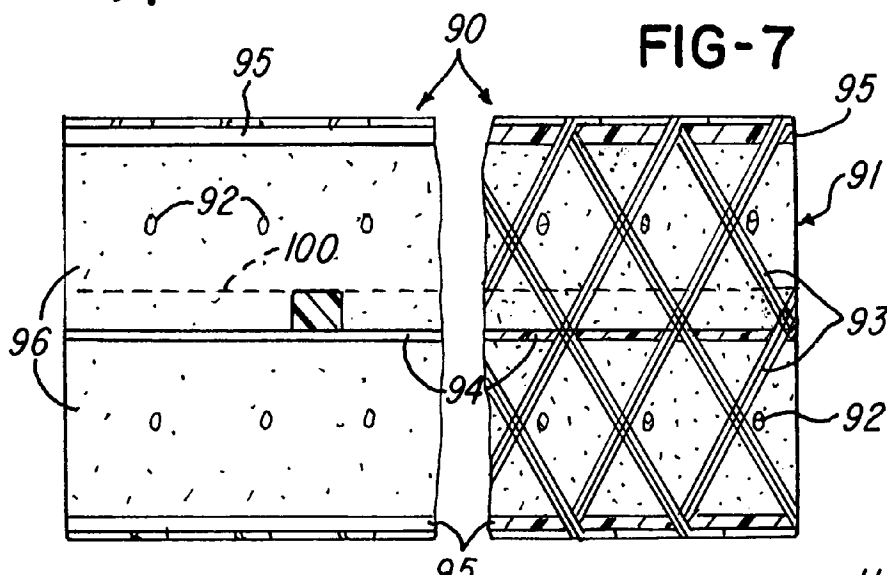
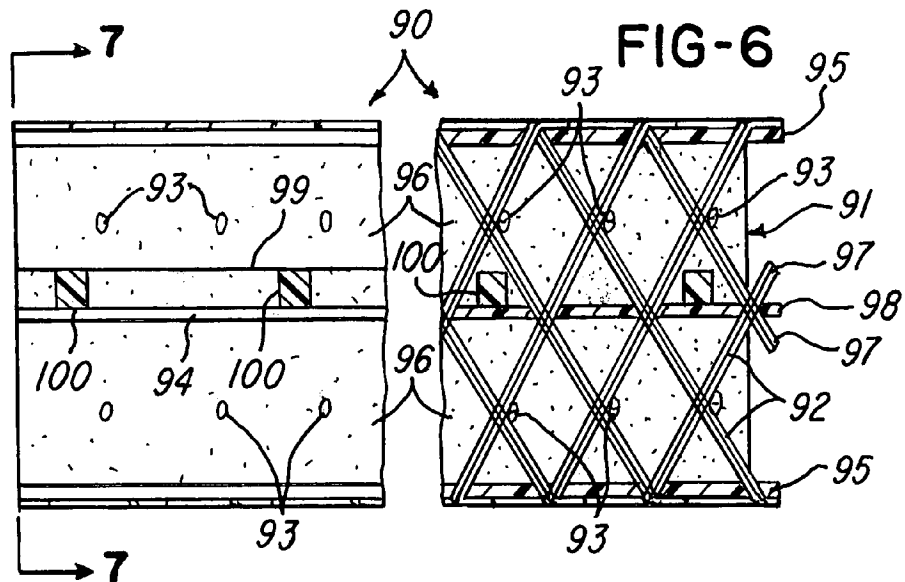
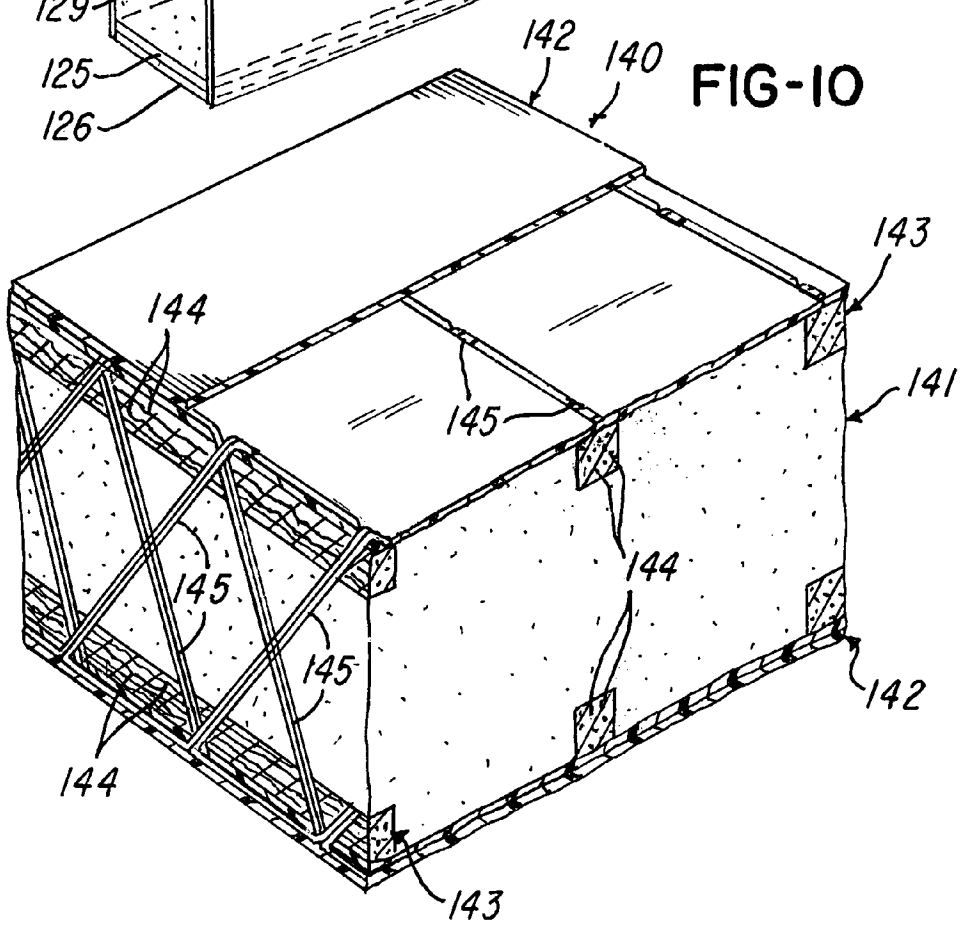
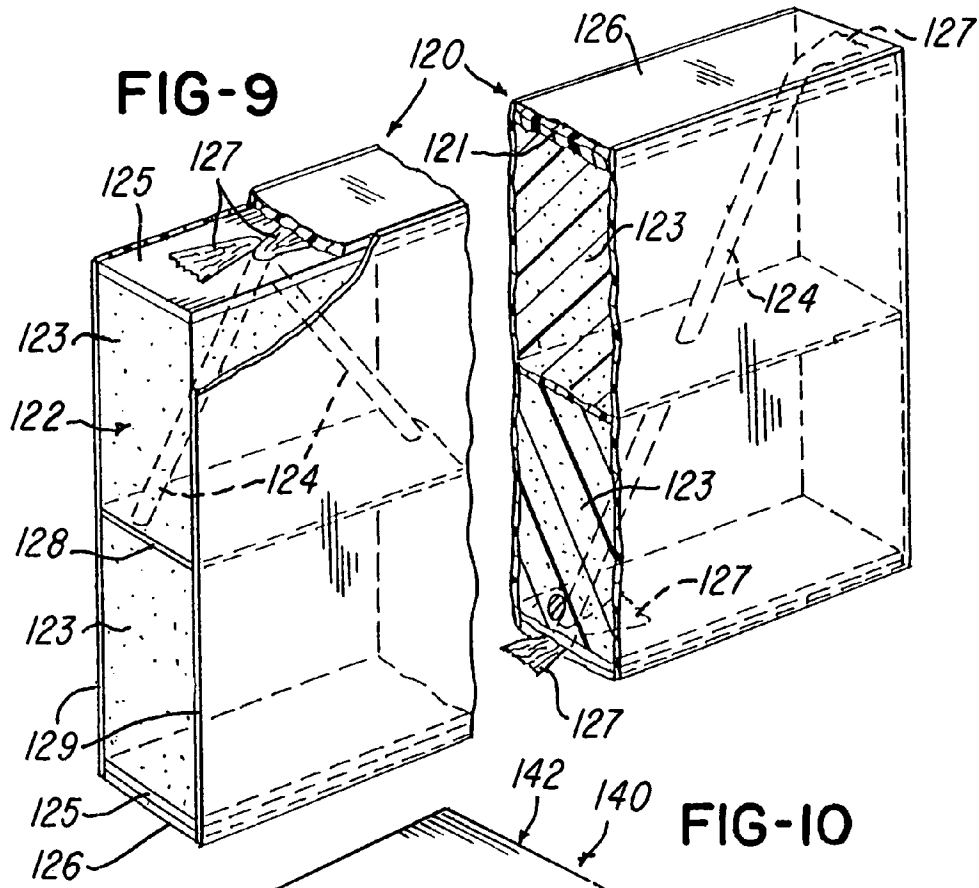


FIG-2









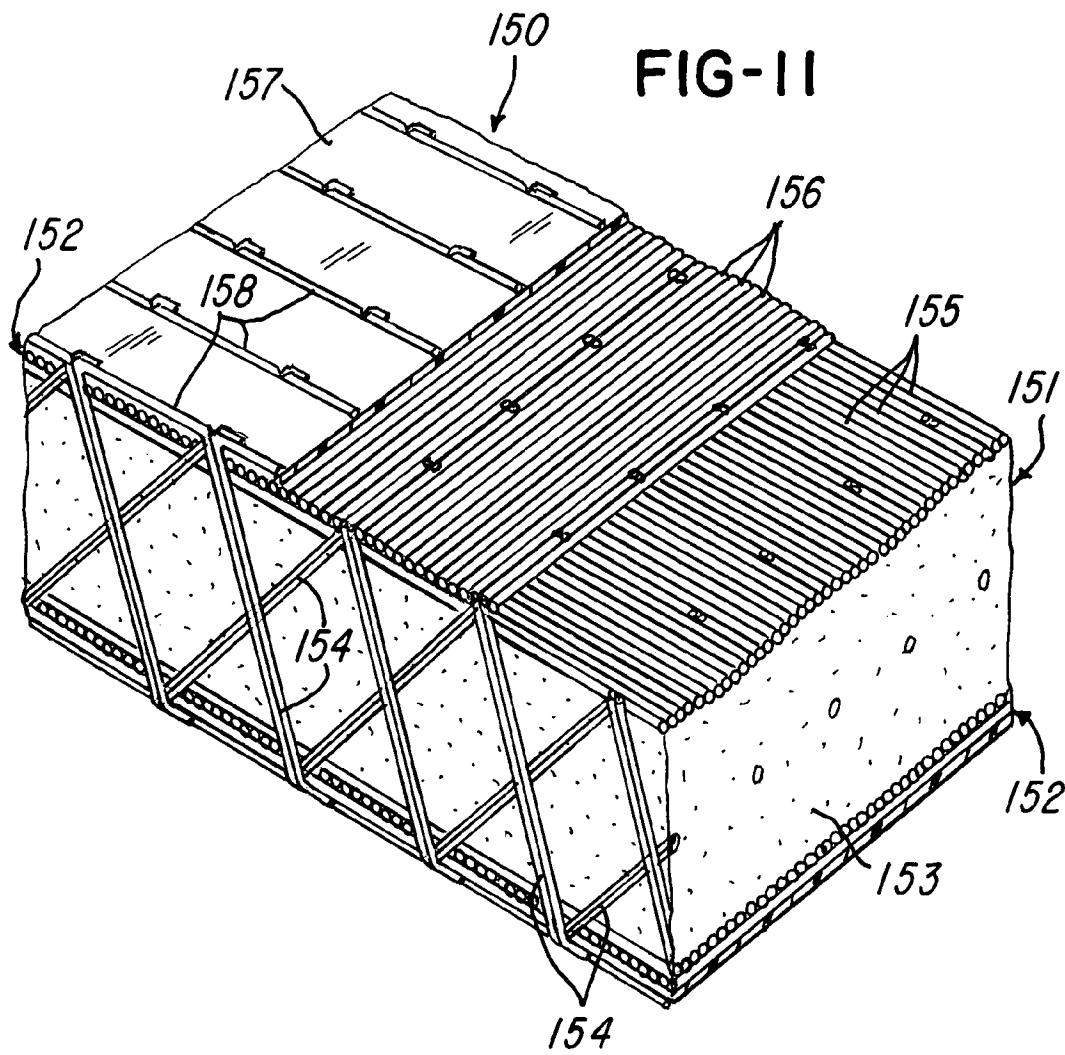


FIG-12

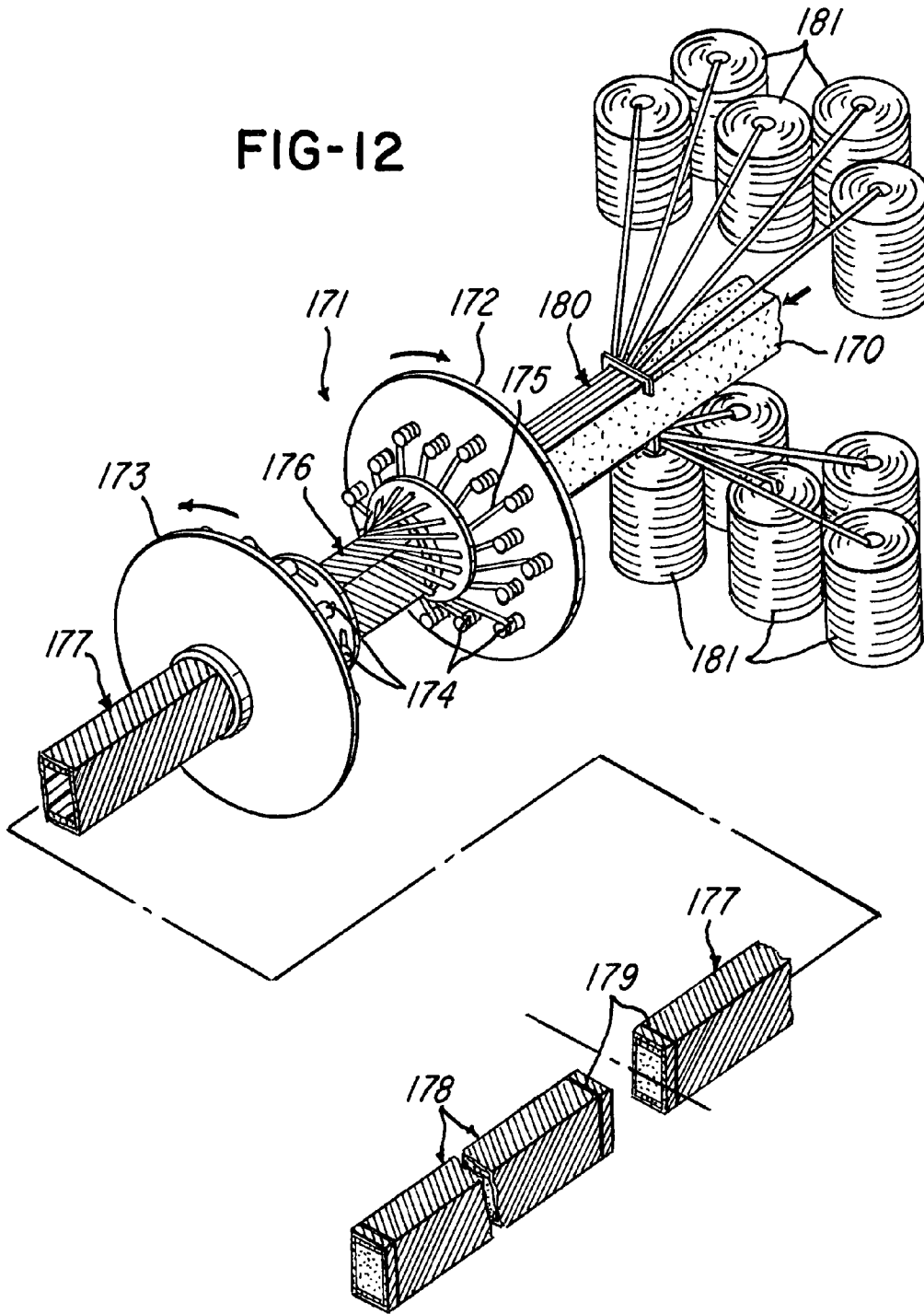


FIG-13

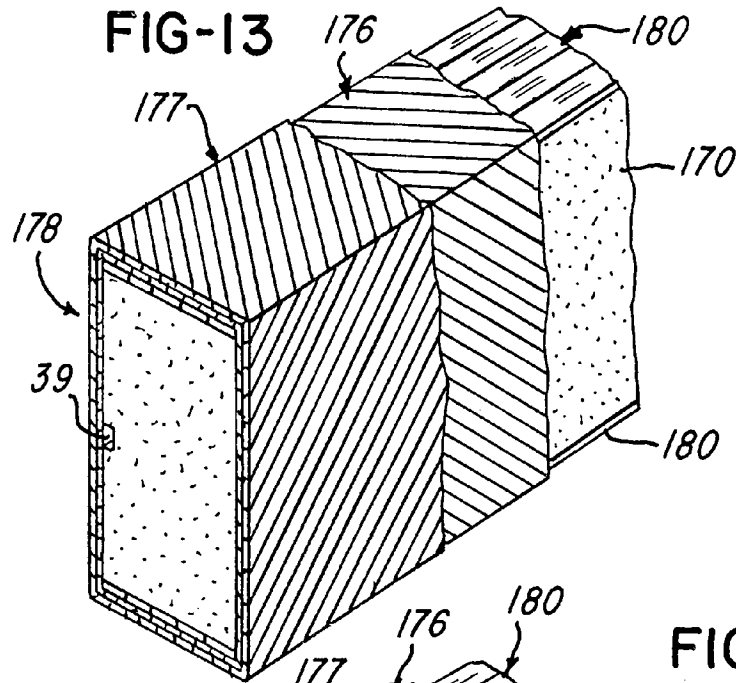
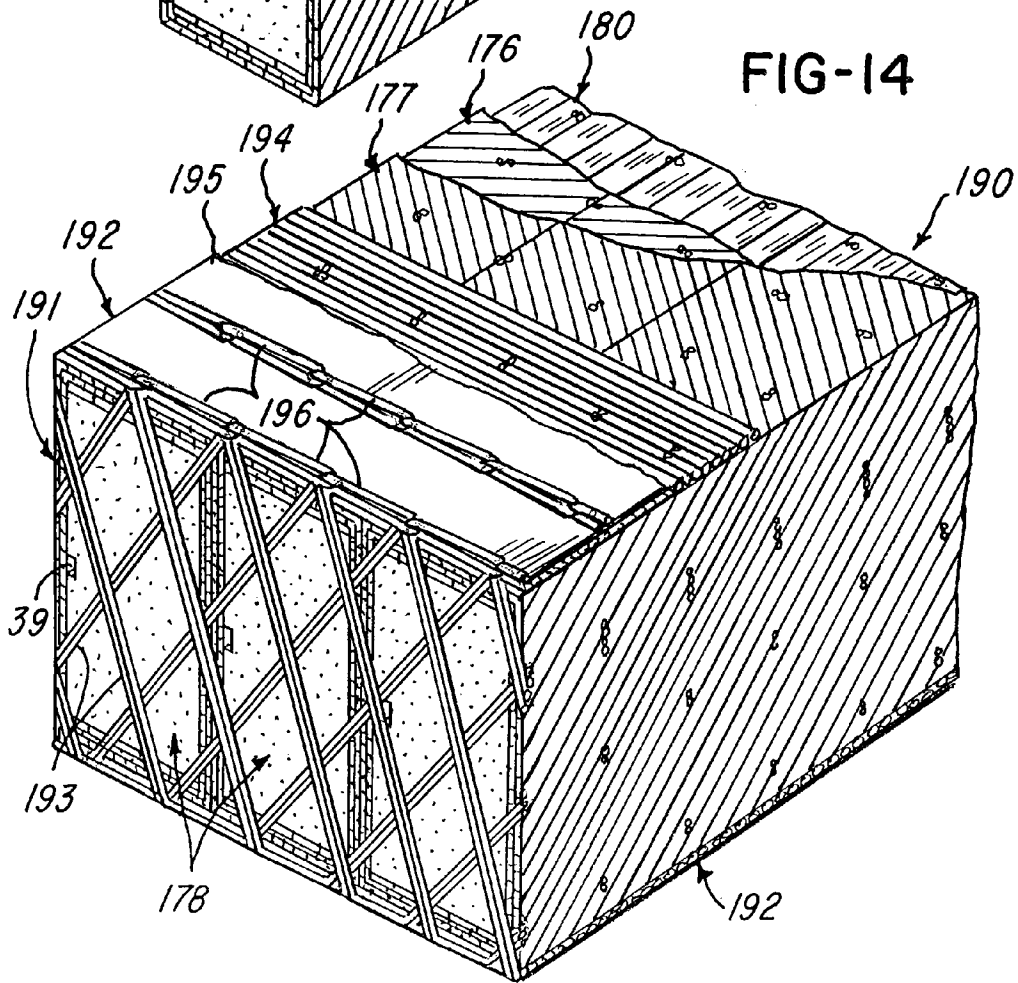
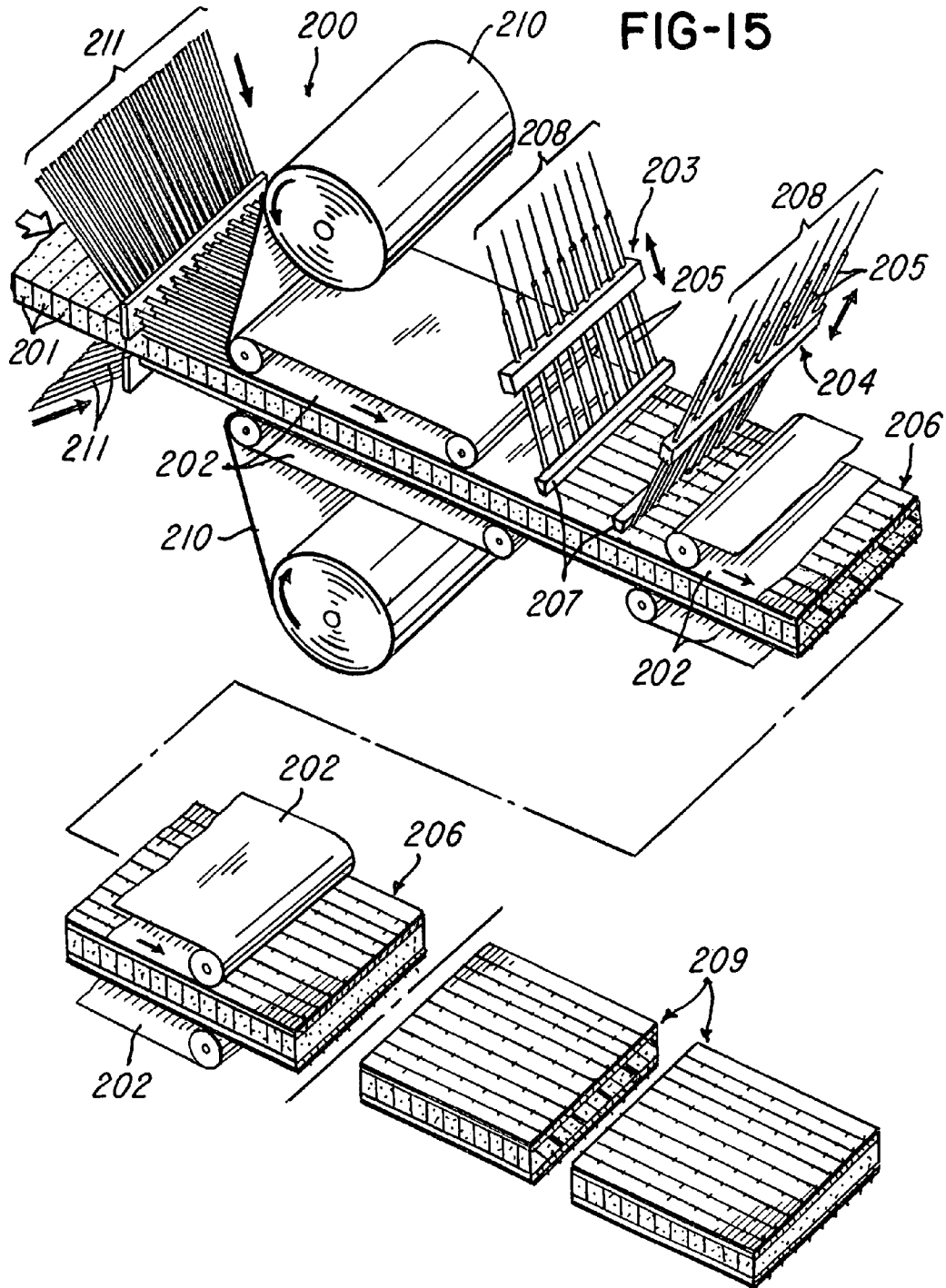


FIG-14





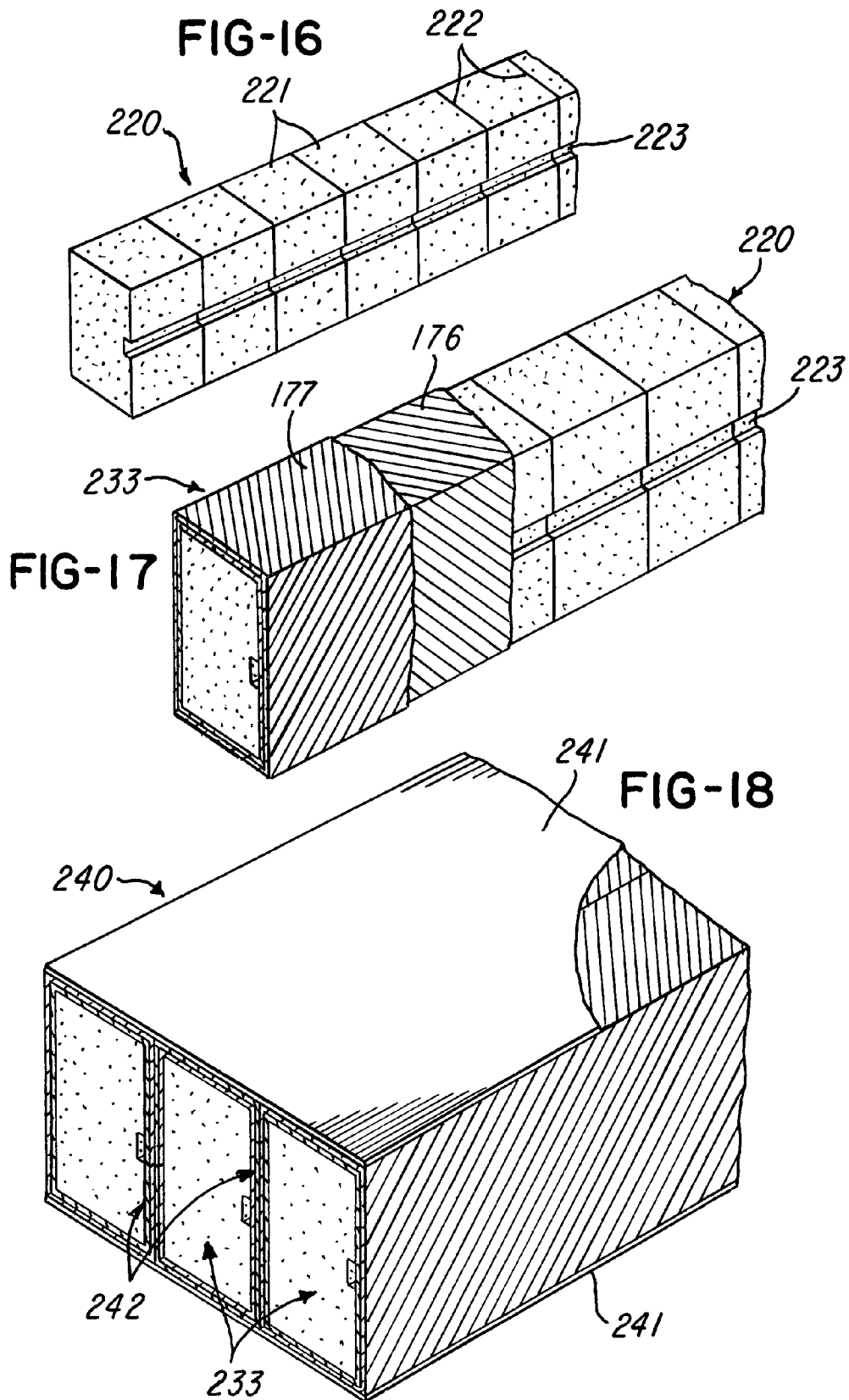
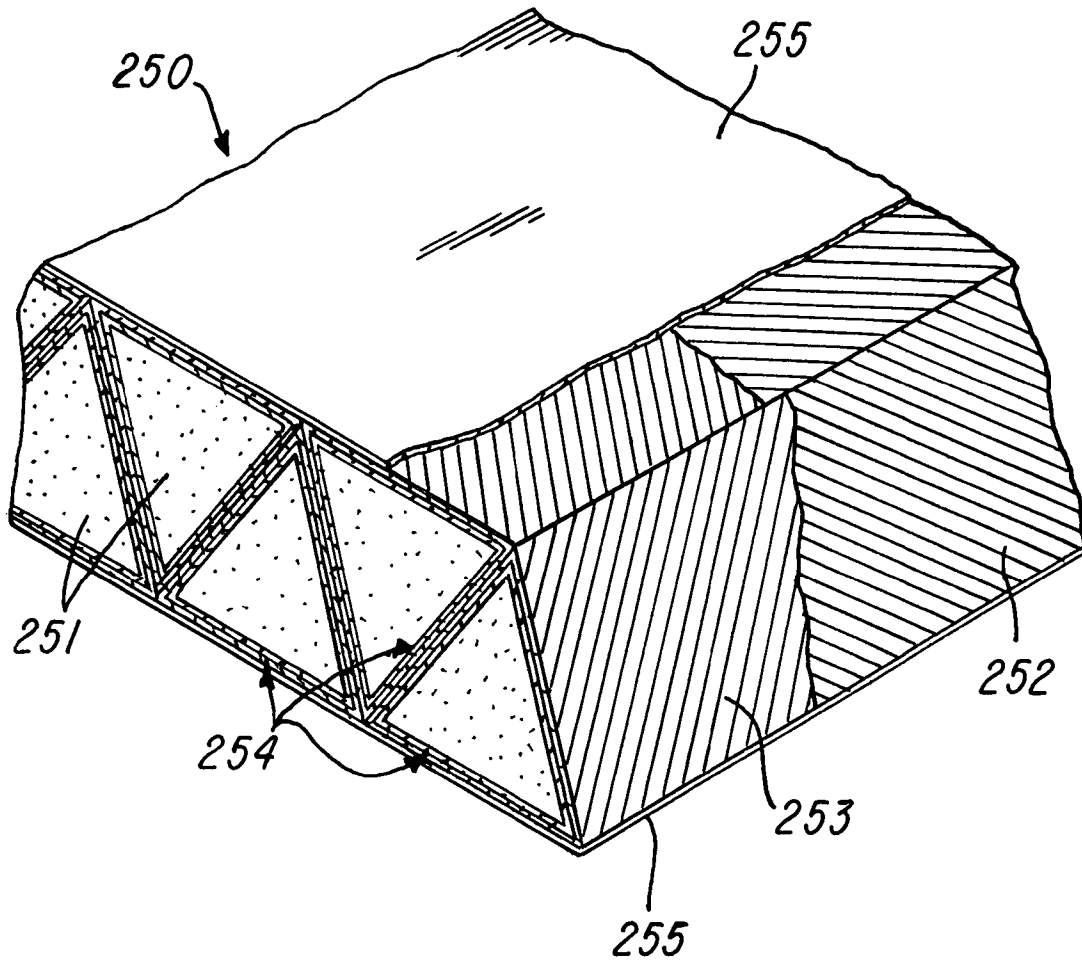


FIG-19



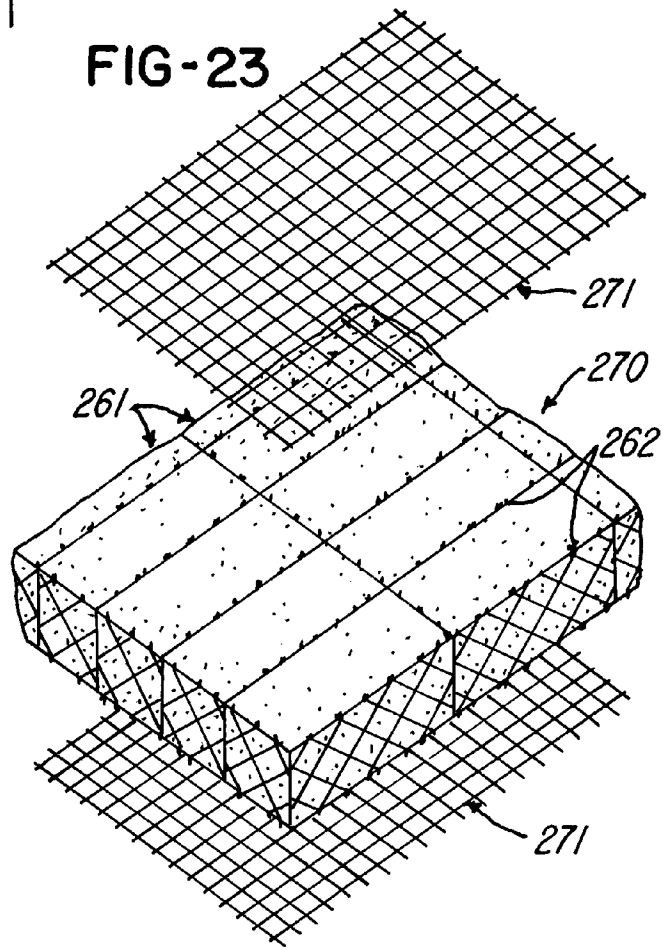
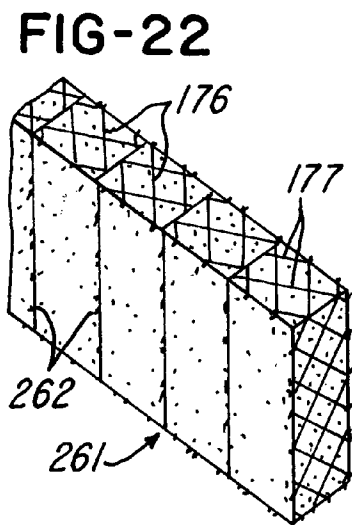
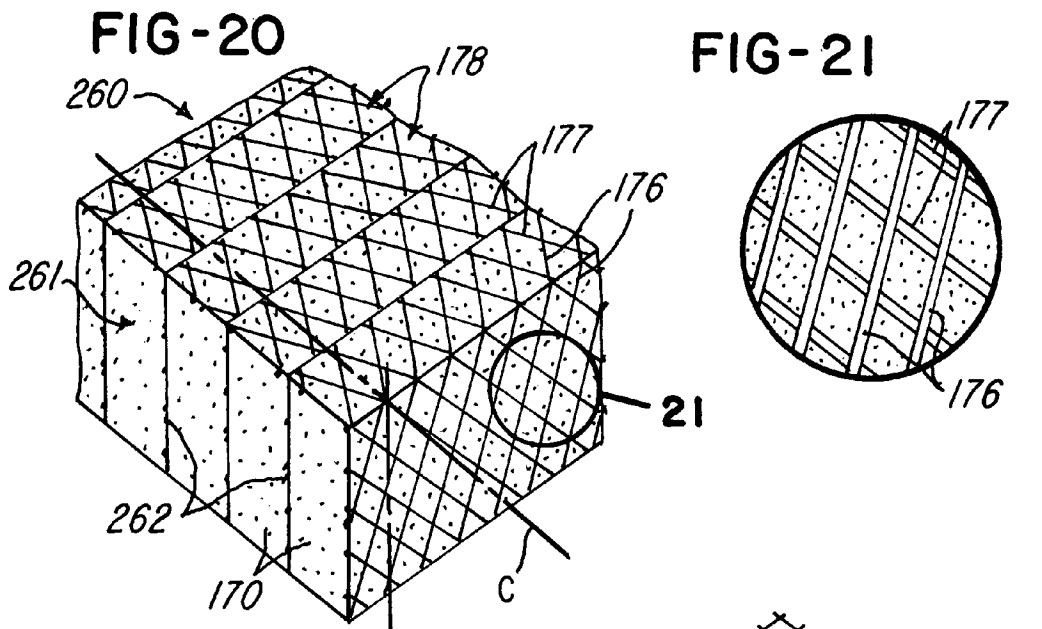


FIG- 24

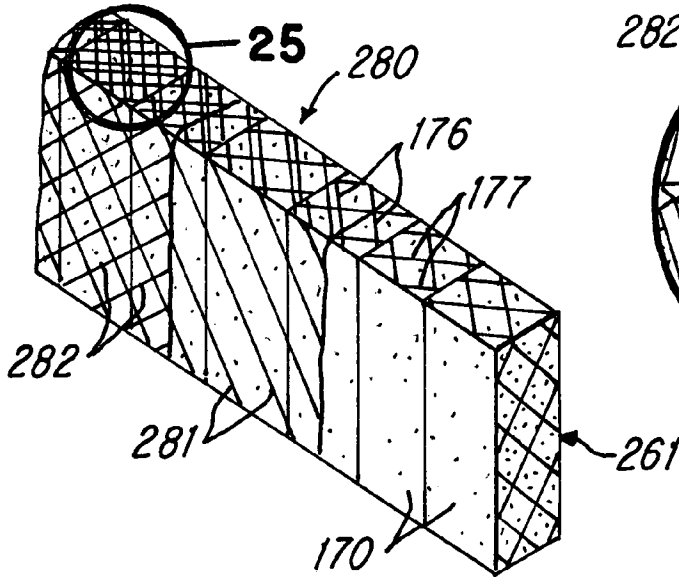


FIG-25

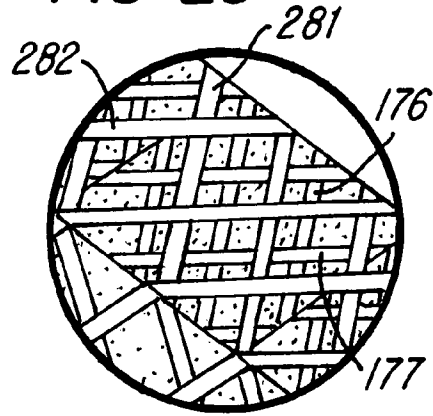


FIG-26

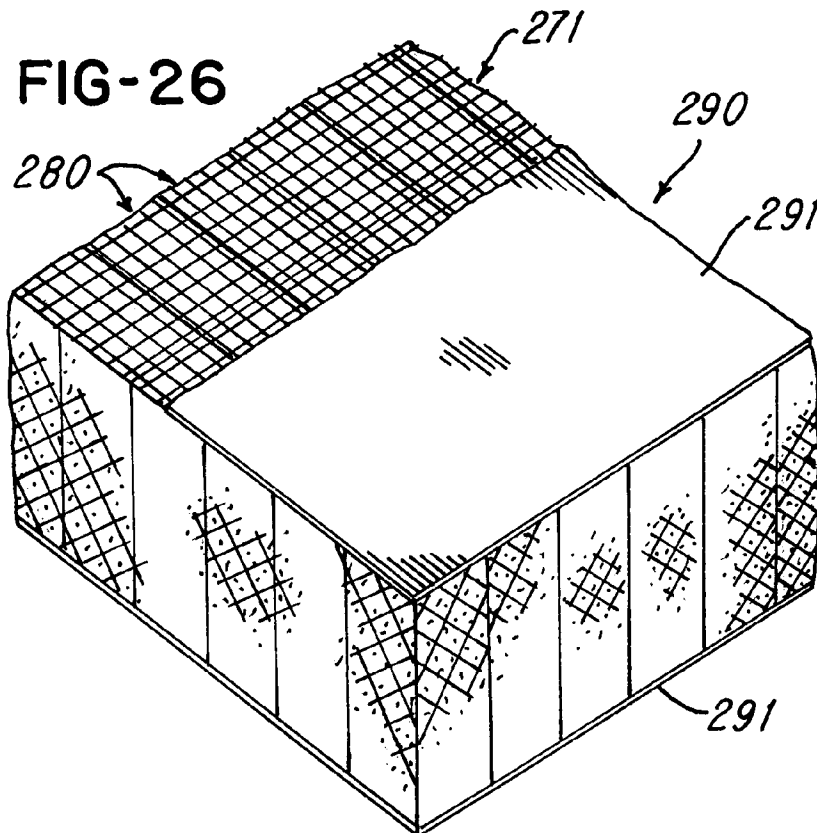


FIG-27

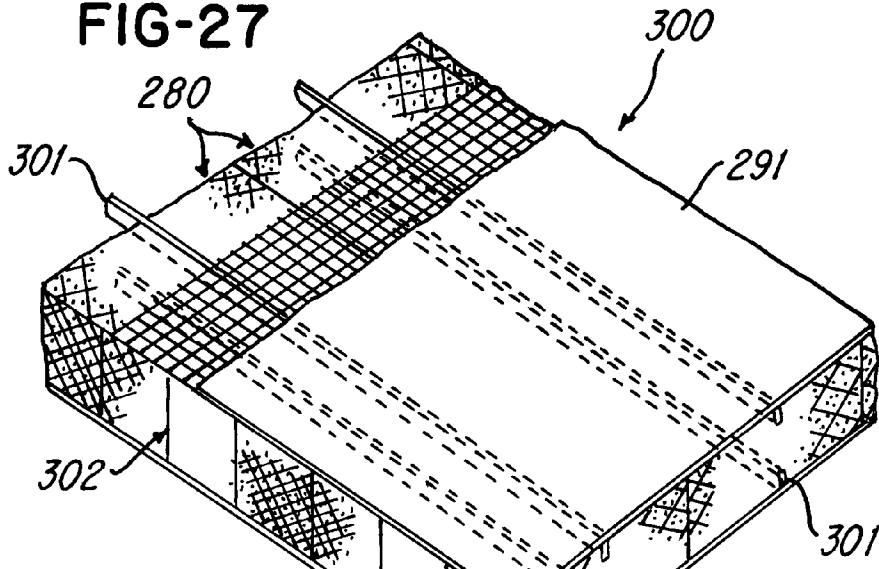


FIG-28

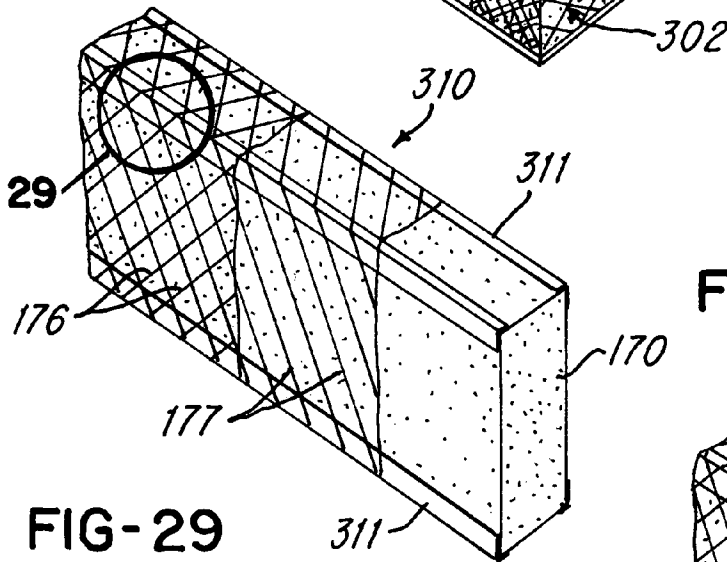


FIG-29

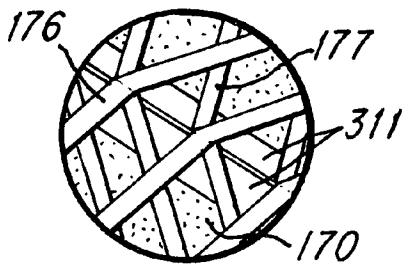
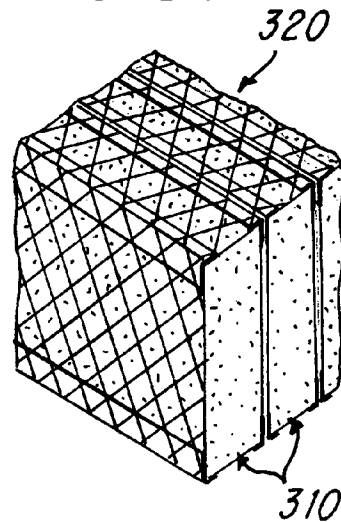
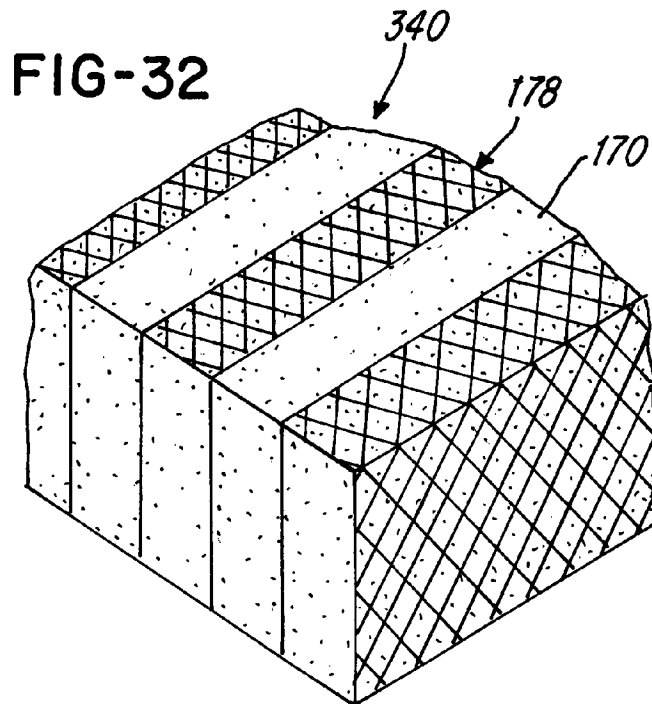
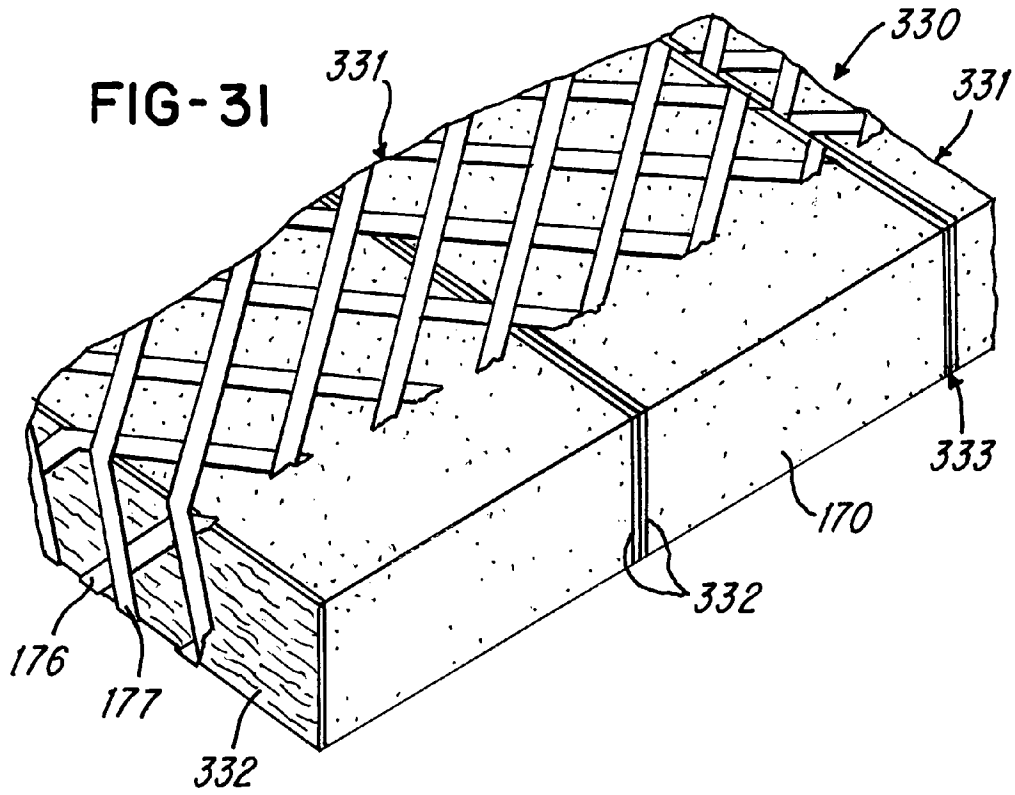


FIG-30





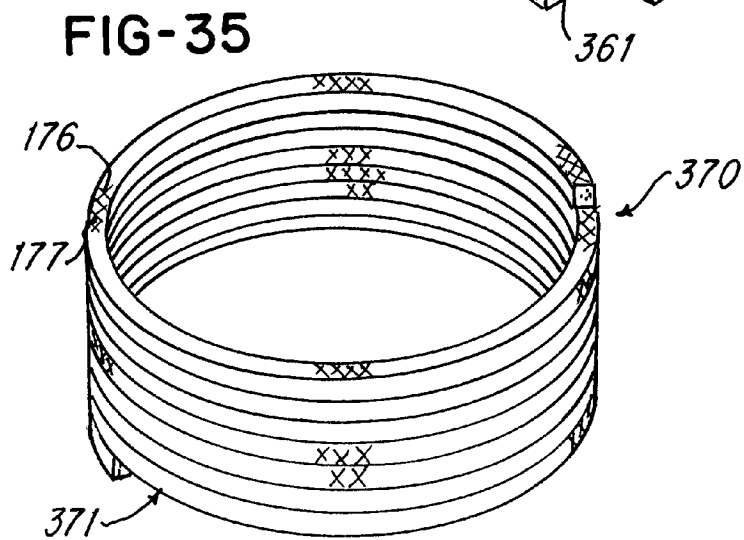
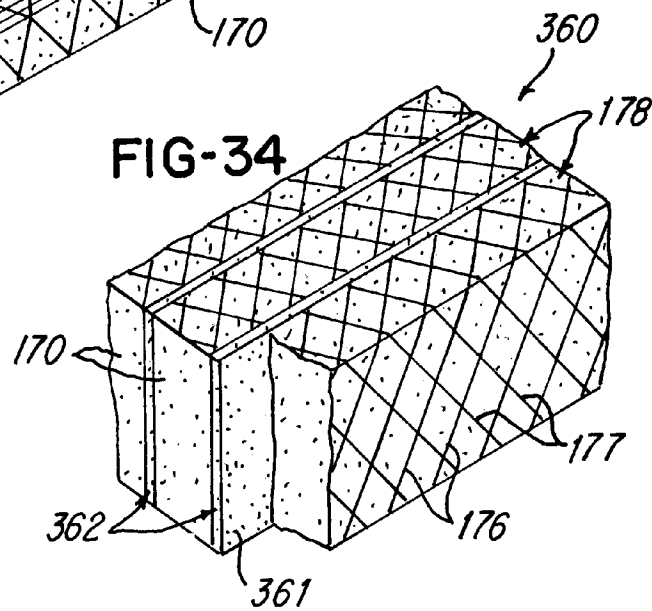
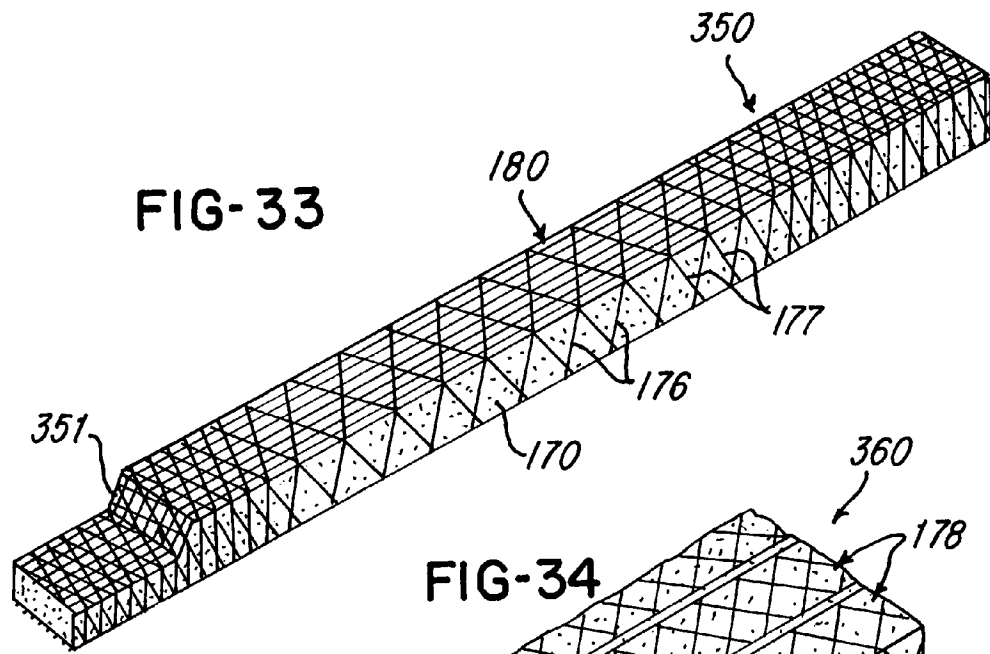


FIG-36

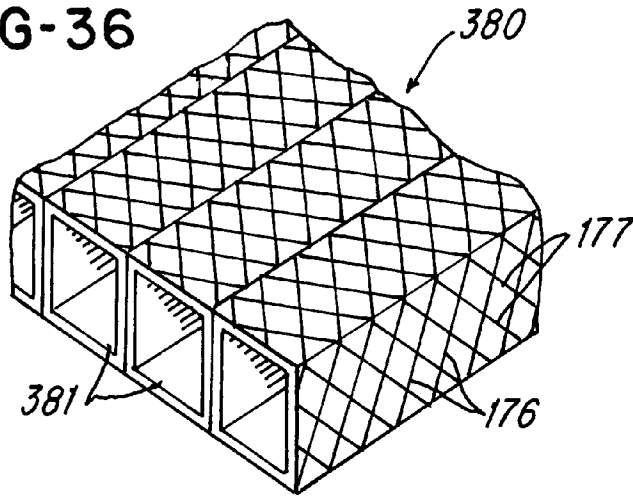


FIG-37

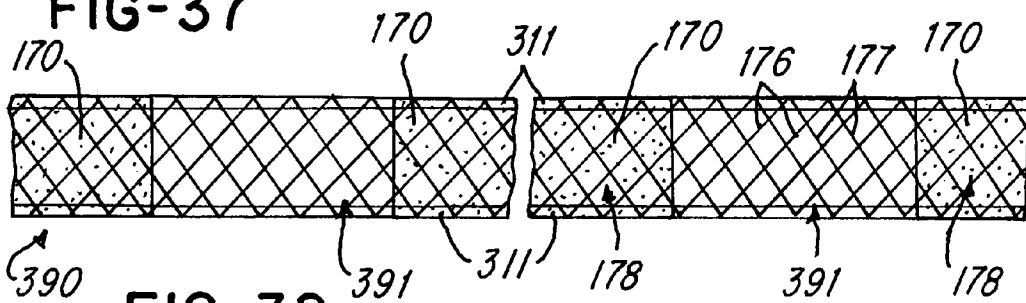
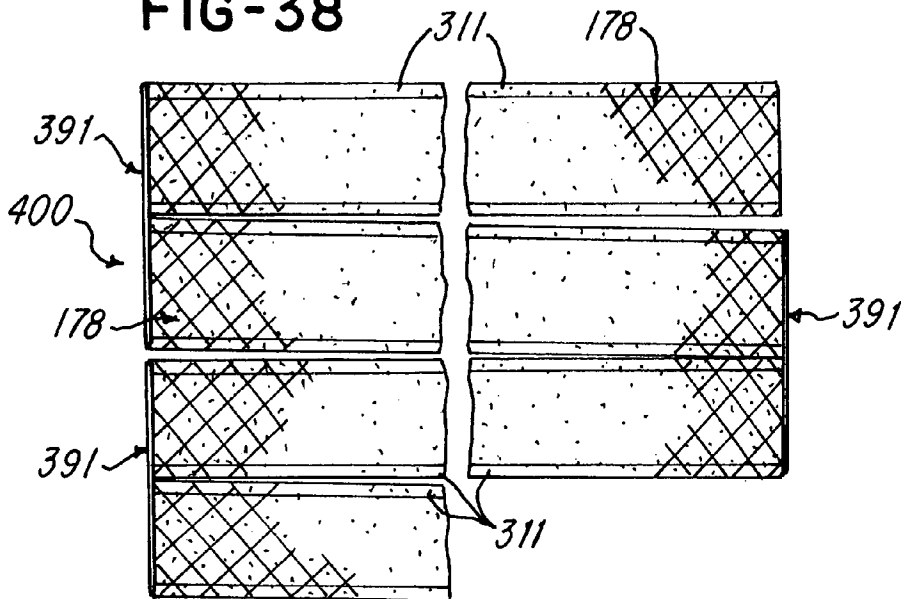
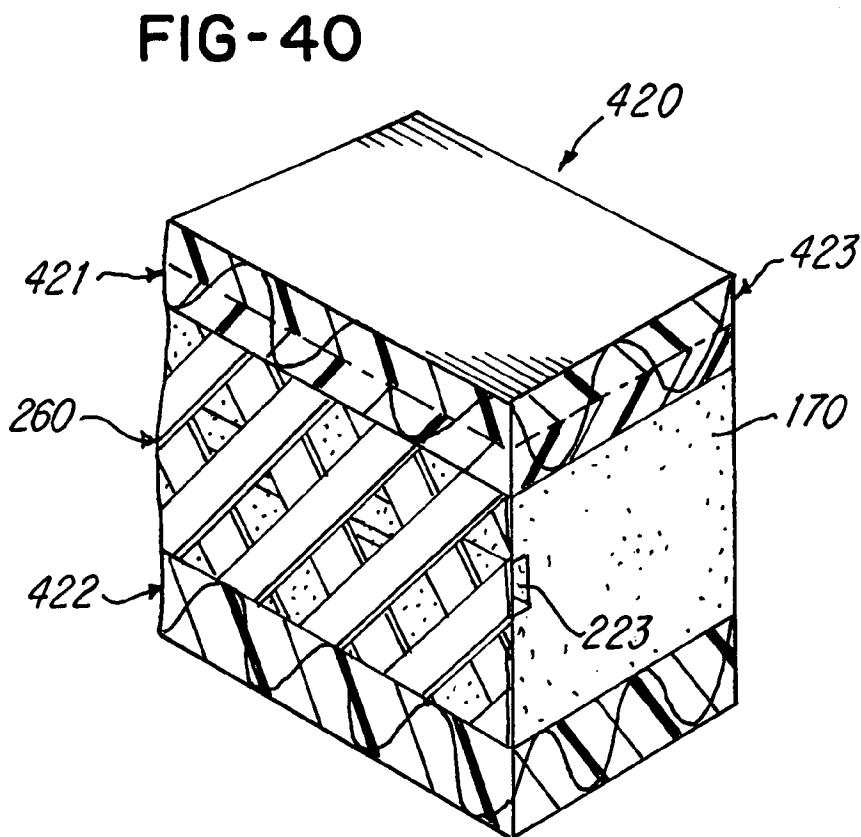
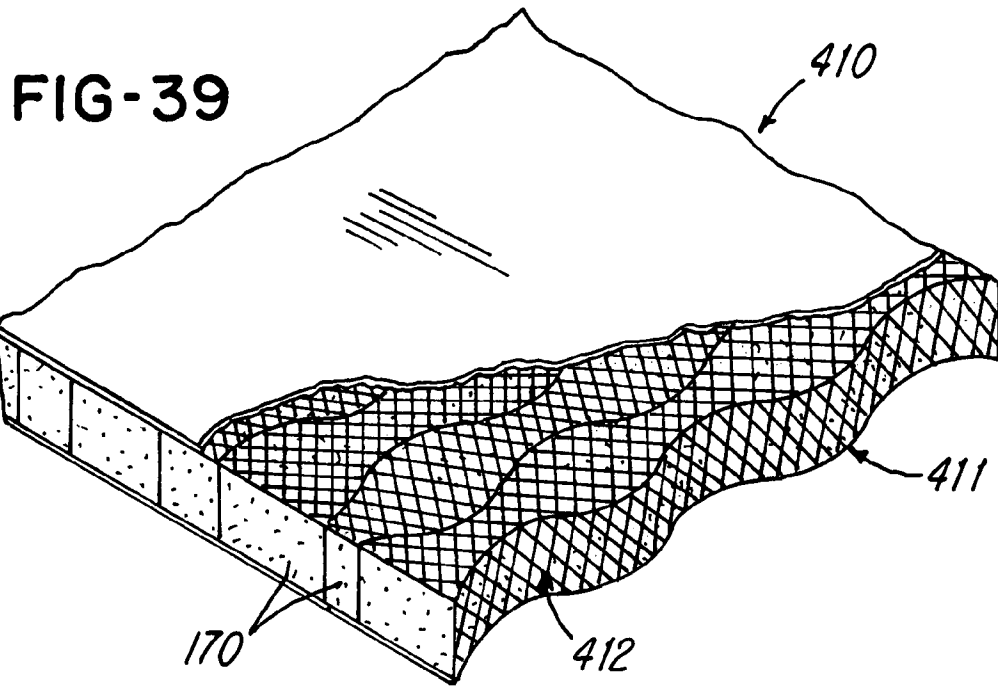


FIG-38





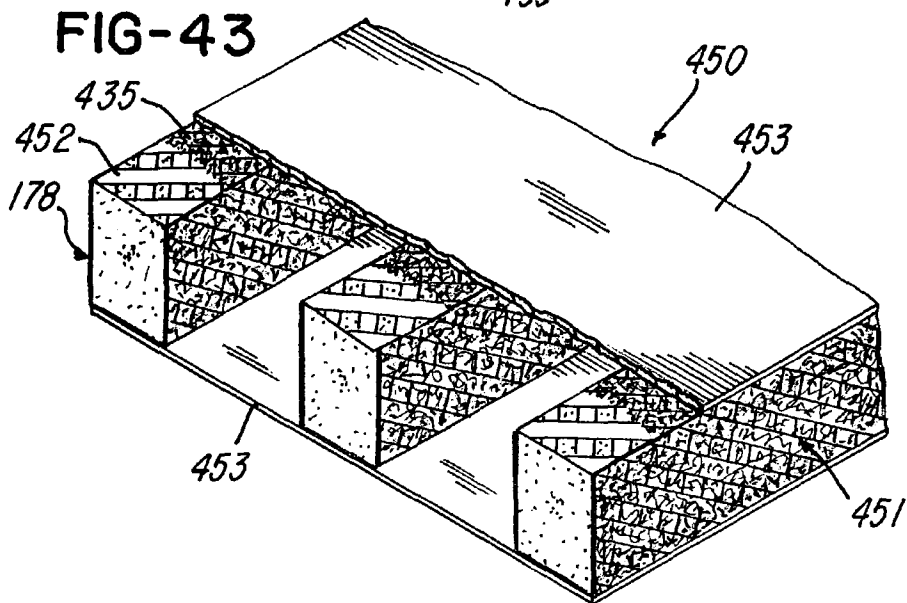
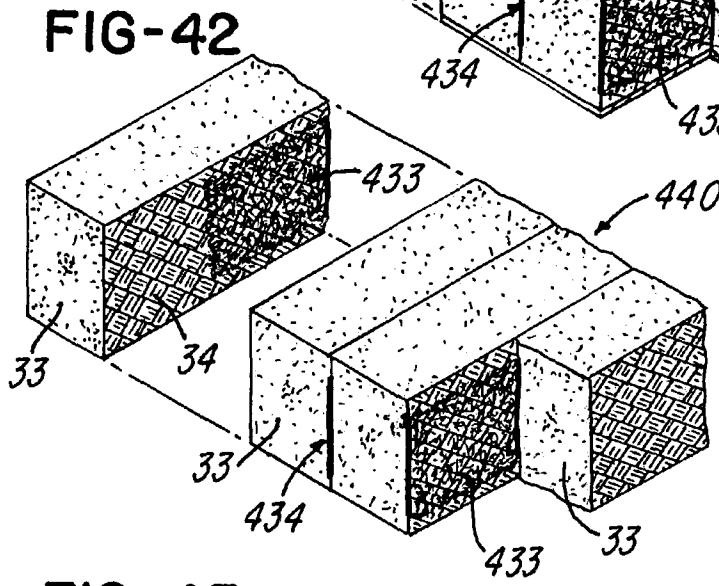
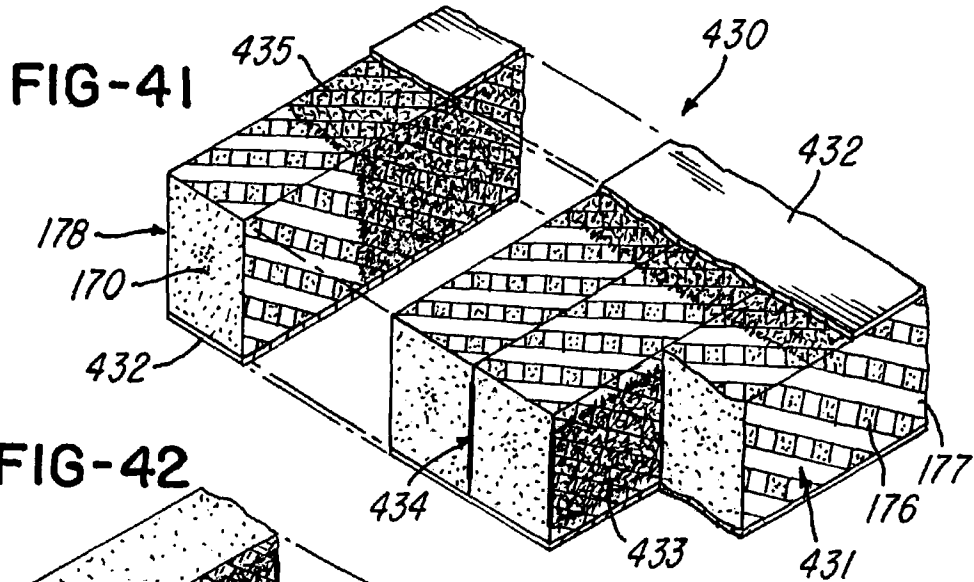


FIG-44

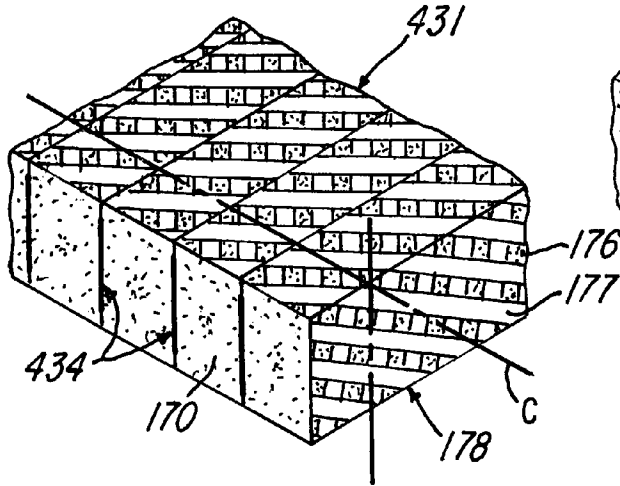


FIG-45

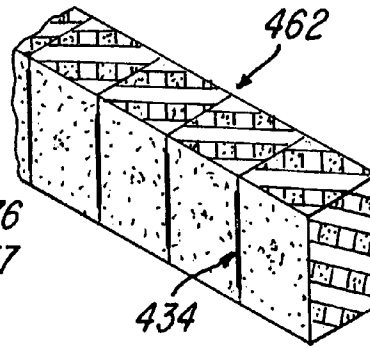


FIG-46

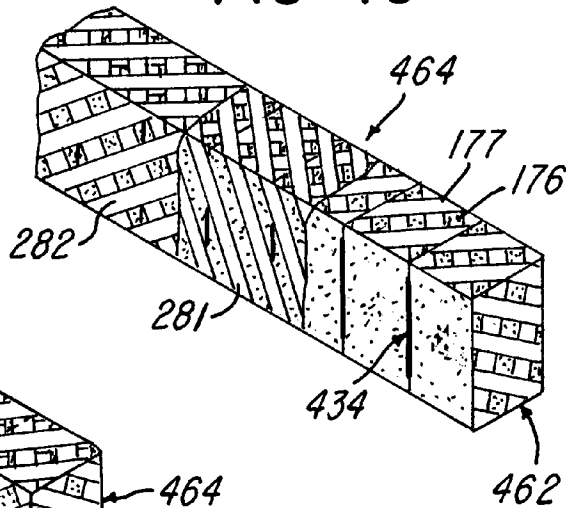


FIG-47

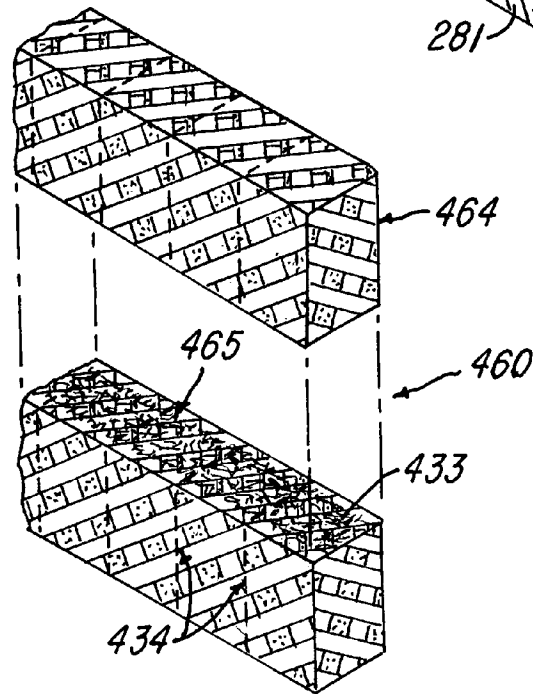


FIG-48

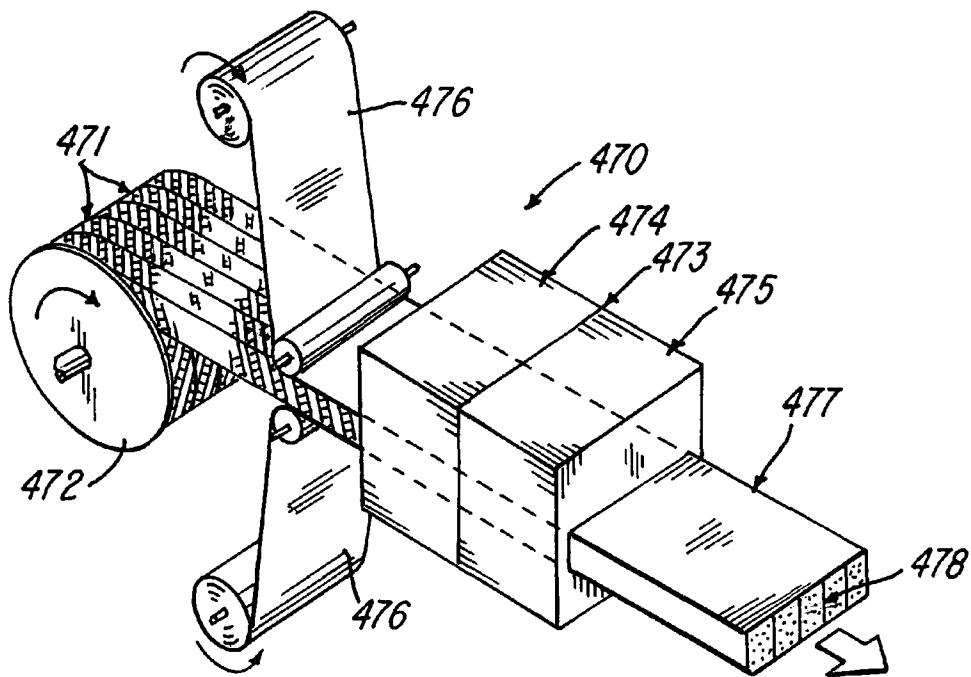


FIG-49

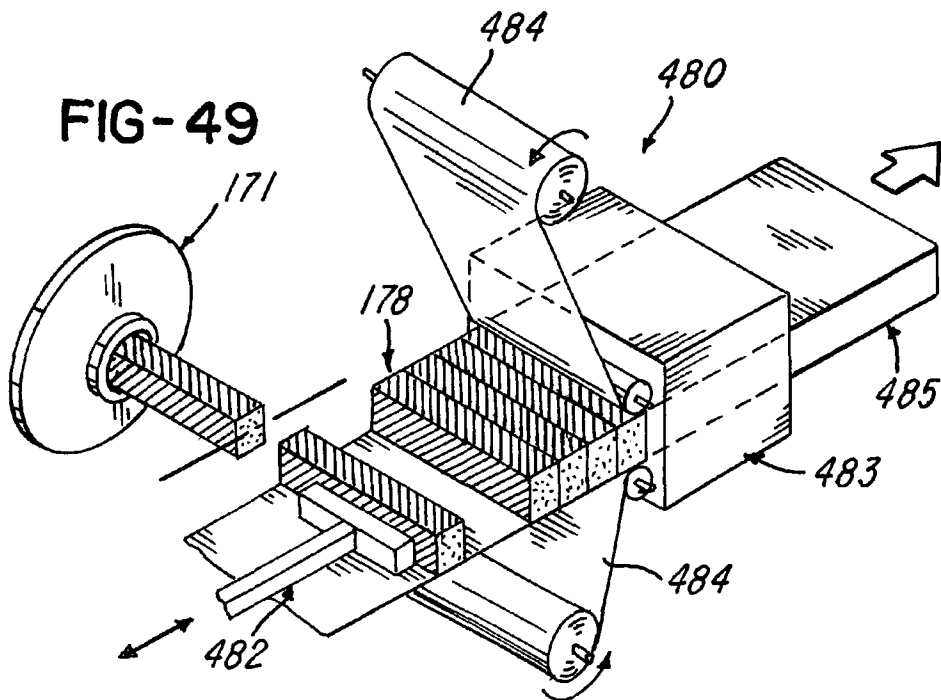


FIG-50

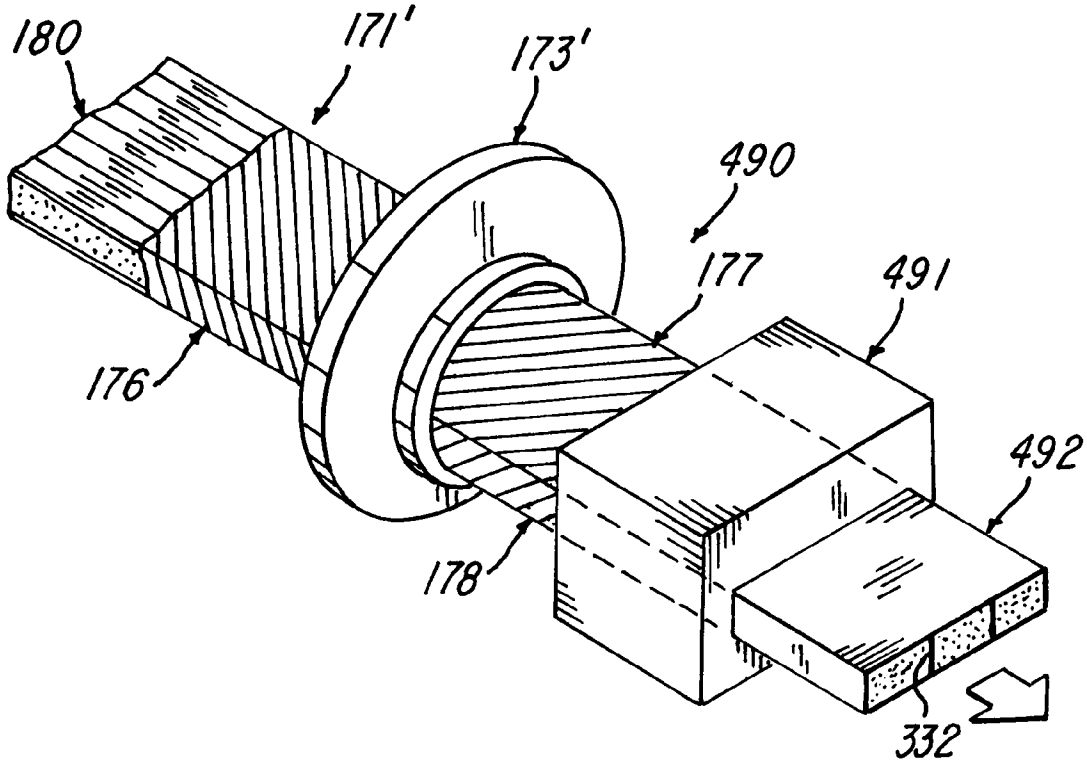
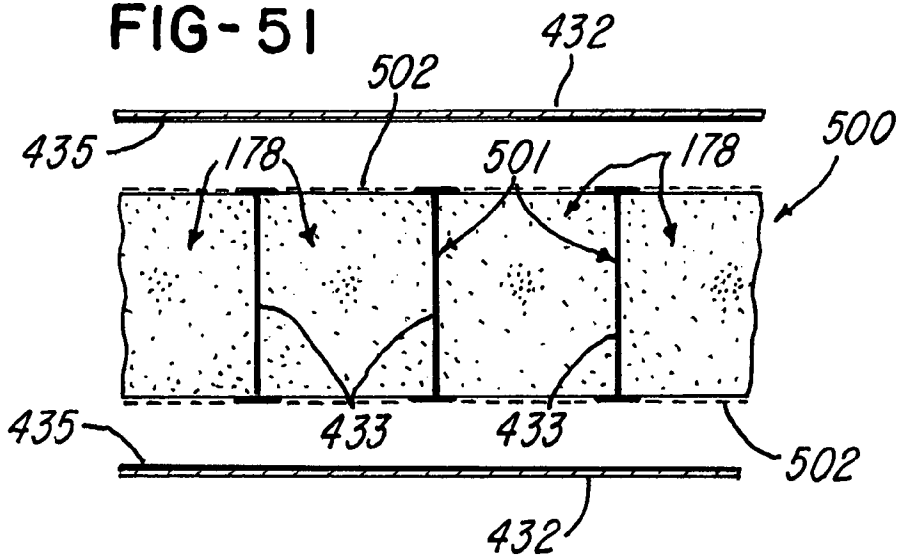


FIG-51



FIBER REINFORCED COMPOSITE CORES AND PANELS

RELATED APPLICATIONS

This application is a continuation-in-part of application Ser. No. 10/810,298, filed Mar. 27, 2004, which is a continuation-in-part of application Ser. No. 09/749,064, filed Dec. 27, 2000, and claims the benefit of provisional application Ser. No. 60/857,593, filed Nov. 9, 2006.

U.S. GOVERNMENT RIGHTS

This invention was made with U.S. Government support under US Air Force Contract No. F29601-02-C-0169 and under Contracts, F33615-99-C-3217, F33615-00-C-3018, F42650-03-C-0029, FA8201-06-C-0091, US Navy Contract N00167-99-C-0042 and NASA Contract NNC04CA18C. The Federal Government has certain rights in the invention.

FIELD OF THE INVENTION

This invention relates to sandwich panel composite structures comprising fiber reinforced low density cellular material, resin, fibrous and non-fibrous skin reinforcements, and in particular to improved structural configurations, improved methods of resin infusion and methods of production.

BACKGROUND OF THE INVENTION

Structural sandwich panels having cores comprised of low density closed cell material, such as closed cell plastics foam material, and opposing skins comprised of fibrous reinforcing mats or fabrics in a matrix of cured resin, have been used for many decades in the construction of a wide variety of products, for example, boat hulls and refrigerated trailers. The foam core serves to separate and stabilize the structural skins, resist shear and compressive loads, and provide thermal insulation.

The structural performance of sandwich panels having foam cores may be markedly enhanced by providing a structure of fibrous reinforcing members within the foam core to both strengthen the core and improve attachment of the core to the panel skins, for example, as disclosed in applicant's U.S. Pat. No. 5,834,082. When porous and fibrous reinforcements are introduced into the closed cell foam core and a porous and fibrous skin reinforcing fabric or mat is applied to each face of the core, adhesive resin, such as polyester, vinyl ester or epoxy, may be flowed throughout all of the porous skin and core reinforcements by differential pressure, for example under a vacuum bag. While impregnating the fibrous reinforcements, resin does not saturate the plastic foam core because of its closed cell composition. The resin then cures throughout the reinforced structure to provide a strong monolithic panel.

It is desirable to produce sandwich panels of enhanced structural performance by improving the structural connections and support among reinforcing members within the foam core and between the core and the panel skins. This is desirable in order to resist buckling loads in the reinforcing members, to prevent premature detachment of reinforcing members from one another and from the skins under load, and to provide multiple load paths for the distribution of forces applied to the panel. Existing fiber reinforced core products offer important improvements over unreinforced foam in this regard but fail to integrate fully the separate reinforcing elements of the core into a unified and internally supported

structure. For example, in a grid-like configuration of fibrous reinforcing sheet-type webs in which a first set of continuous webs is intersected by a second set of interrupted or discontinuous webs, the webs do support each other against buckling. However, under severe loading conditions, the discontinuous webs tend to fail at the adhesive resin bond to the continuous webs along their narrow line of intersection. This tendency may be substantially reduced by providing resin filled fillet grooves in the foam along the lines of intersection as disclosed in the above mentioned patent. Moreover, since the reinforcing fibers of interrupted webs terminate at each intersection with a continuous web, the structural contribution of those fibers is substantially less than that of the fibers of the continuous webs.

In the case of strut or rod type core reinforcements comprising rovings of fiberglass or carbon fiber or other fibers which extend between the faces of the core, individual struts within a given row of struts may intersect each other in a lattice configuration. This supplies buckling support to each strut, but only in the plane of the strut row. To achieve bidirectional support, struts of a first row must extend through the filaments of struts of an intersecting row. This requires difficult and costly levels of accuracy and control in machine processing, since all struts must be precisely positioned in three dimensions.

SUMMARY OF THE INVENTION

One embodiment of the present invention overcomes the limitations of both web type and strut type reinforced foam cores by combining these two types of reinforcing elements into hybrid reinforcement configurations. In hybrid architecture the foam core is provided with parallel spaced rows of fibrous reinforcing webs or sheets which extend between the faces of the foam board at an acute or right angle. A second set of parallel spaced rows of reinforcing elements comprising rod-like fibrous rovings or struts also extend between the faces of the foam board at acute or right angles, and the rovings or struts intersect the webs and extend through them. Thus webs and struts constitute an interlocking three dimensional support structure in which all reinforcing fibers within the core are uninterrupted. The interconnected webs and struts provide multiple load paths to distribute normal loads efficiently among the reinforcing elements of the core and between the core structure and the panel skins. Impact damage tends to be limited to the immediate area of impact, since the complex reinforcement structure resists the development of shear planes within the core.

In an alternate hybrid architecture, the webs comprise a continuous sheet of fabric or mat which is formed into corrugations having segments which extend between the faces of the core, and the voids between the corrugations are filled with foam strips of matching cross-section. The corrugations, together with the intersecting panel skins, may form, in cross-section, rectangles, triangles, parallelograms or other geometric shapes which are structurally efficient or which offer manufacturing advantages.

In a particularly cost efficient version of hybrid core, the core reinforcing webs are produced by winding relatively low cost fibrous rovings in a helical manner onto rectangular foam strips, rather than by adhering substantially more expensive woven or stitched fabric to the surface of the foam strips. Additional rovings may be applied axially along the length of the strips during the winding operation to enhance structural properties of the strips or to serve as low cost components of the finished panel skins. The fiber-wound foam strips may also be attached together to form a structural core without the

3

addition of rows of structural struts. In this configuration, the contiguous or adjacent sides of wound strips of rectangular cross section form web elements having I-beam flanges for attachment to panel skins. In contrast to the disclosure of U.S. Pat. No. 4,411,939, the fibrous extensions of each core web are attached to panel skins on both sides of the web rather than only one, greatly increasing the shear strength of the resulting panel. This permits the use of lighter and less expensive webs for a given strength requirement. Similarly, the present invention provides markedly improved core-to-skin attachment and shear strength when compared to the structure disclosed in Applicant's U.S. Pat. No. 5,462,623, U.S. Pat. No. 5,589,243 and U.S. Pat. No. 5,834,082. In tests, webs comprised of circumferentially wound rovings exhibit 75% greater shear strength than those whose end portions terminate adjacent the panel skins. Each wound strip may be provided with internal transverse reinforcing webs to provide bi-directional strength and stiffness. Roving-wound cores may also be formed using strips of triangular cross section.

The winding of rovings by machine and the consolidation of the fiber-wound strips into a single core have both economic and handling advantages. It is common for a single composite bridge deck panel or yacht hull constructed in accordance with U.S. Pat. No. 5,701,234, 5,904,972 or 5,958,325 to comprise a thousand or more individual core blocks. The labor component of producing these individual cores is very high. Reinforcement fabric is cut into sheets which are wrapped and glued around each separate core, or smaller pieces of fabric are glued to the separate faces of each core, or tubular fabrics are first formed and the cores inserted into them. These processes become increasingly difficult as the dimensions of the core components decrease. Arrangement of these cores in a mold is also labor intensive, expensive and time consuming, which restricts the number of panels which may be produced from a mold in a given period of time. Positioning of individual core blocks becomes increasingly awkward as the curvature of the mold increases or as the mold surface departs from horizontal. The cores which are the subject of the present invention substantially eliminate these deficiencies by unitizing a large number of components into a single, easily handled core.

In addition to their superior structural performance, hybrid design allows economical production of extremely complex and structurally efficient configurations through relatively simple processes at high machine throughput and without requiring extreme levels of manufacturing precision. As mentioned above, bidirectional strut type cores require the insertion of roving reinforcements into the foam board with a degree of accuracy which is difficult to achieve when it is desired that rovings of intersecting rows extend through one another. It is also necessary to make multiple passes through strut insertion devices in order to place struts angled in two to four directions within the board.

In contrast, bidirectional hybrid cores may be produced in as little as a single pass through a strut insertion device. The reinforcement webs cooperate with the intersecting struts to resist loads in the plane of the struts. The webs also provide strength in the direction transverse to the struts, since the webs extend transversely to the rows of struts. Further, a much more limited degree of accuracy is required in production, since the struts have only to intersect the plane of the webs, rather than a narrow bundle of filaments.

Hybrid cores improve production of molded panels by increasing the rate and reliability of resin impregnation or infusion of both the core reinforcing elements and the sandwich panel skins which overlie the core. In vacuum assisted resin transfer molding (VARTM) processes, panels compris-

4

ing dry and porous skin reinforcements are placed in a closed mold or a single sided mold in which the panel is covered by a sealed bag impermeable to air. The panel is then evacuated, and resin under atmospheric pressure is allowed to flow into and infuse the reinforcements. Because of the complex interconnections between the webs and struts in the cores of the present invention, both air and resin are able to flow rapidly and pervasively throughout the structure. The porous webs and struts form natural resin flow paths between the skins and carry resin rapidly from its source of introduction to a multiplicity of points at the porous skins. This minimizes the problem of race tracking, in which areas of dry skin fabric become isolated from the vacuum source by an unevenly advancing resin front, preventing the skins to wet out fully before the resin begins to thicken and cure.

In one embodiment of the present invention, no resin distribution medium of any kind is required between the panel skins and the mold surface or vacuum bag membrane. This not only eliminates the cost of such distribution medium but also allows the production of panels having smooth faces on all sides. Also, in contrast with prior art such as disclosed in U.S. Pat. No. 5,958,325, the foam core need not be provided with micro grooves located on the periphery of the core adjacent the panel skins, or with slots or holes in the foam which extend between the skins, as the means for distributing resin to the skins. In the present invention, all resin flows to the skins through the core reinforcing structure, whereas U.S. Pat. No. 5,958,325 specifically describes impregnation as resulting from resin infusion originating at the core surface. A disadvantage of peripheral micro grooves is that the size and spacing of the micro grooves must be selected to match the type and quantity of the panel's fibrous fabrics in order to insure full impregnation of the skin and core reinforcements before the resin cures. In the present invention, all of the resin which infuses the skins passes through the porous reinforcing structure of the core to reach the skins, and since panel skins are typically intersected by two or more porous reinforcing elements per square inch of panel surface, resin tends to spread both rapidly and evenly across the skin surface. Thorough impregnation of the panel skins, which can be seen, is a reliable indicator that the core reinforcing structure does not have dry, and therefore weak areas. This is an important advantage over other infusion systems, in which resin is introduced adjacent the skins.

In accordance with the present invention, resin is supplied to the core reinforcing structure through a network of grooves within the interior of the foam core and adjacent the core reinforcing webs and extending parallel to the webs, and not adjacent the panel skins. The ends of these grooves intersect feeder channels which usually have a larger cross-sectional area. Resin supplied to the feeder channels rapidly flows through the grooves adjacent the webs and substantially all of the resin then flows through the fibrous core reinforcing elements to reach and impregnate the panel skins. If the resin grooves are located in a plane near the center of the panel thickness, resin need only flow through half the thickness of the panel, in each direction from the center plane, before full resin saturation is achieved. This is markedly faster than common resin infusion techniques in which resin is introduced across a single panel face and must flow through the entire panel thickness to reach and infuse the opposing face. Panels with thick cores or thick skins may be provided with one or more additional sets of resin grooves and feeder channels for faster infusion. The sets of grooves and feeder channels describe a plurality of planes parallel to the panel faces.

The infusion method of the present invention is particularly well suited for the production of molded panels in which both

5

faces of the panel require a superior surface finish. Because resin is introduced into the interior of the core and flows rapidly under differential pressure throughout the core to the skin reinforcing structure, both faces of the panel may be adjacent rigid mold surfaces of desired shape and finish, without seriously increasing the time required for infusion compared to infusion conducted under a flexible surface, such as a vacuum bag. In contrast, common differential pressure molding processes such as VARTM, in which the skin reinforcements are consolidated by pressure prior to the introduction of resin, require that one side of the panel be covered with a flexible membrane, such as a vacuum bag, enclosing a resin distribution medium if it is desired to both maintain substantial pressure and introduce resin rapidly over the skin surface. If this arrangement is not used, the pressure of rigid mold surfaces against both panel faces necessitates a long and slow infusion path, in which the resin impregnates the skins by flowing along their length and width, rather than through their thickness.

The inside-out core infusion method of the invention may be used to infuse into the fibrous core reinforcements and inner skin layers a resin which differs in properties from the resin which infuses the outer skin layers of the panel. It may be used, for example, to produce a sandwich panel having an outer skin layer comprising fire resistant phenolic resin and an inner skin layer and core reinforcement structure comprising structural vinyl ester resin. This is achieved by providing an adhesive barrier, for example of epoxy resin in film form, between inner and outer layers of porous, fibrous skin reinforcements. A first resin is supplied by infusion from within the core as previously described, and a second resin is infused directly into the outer skin reinforcements, with the barrier film serving to keep the resins separate while creating a structural adhesive bond between them.

In a useful variation of the hybrid core of the invention, the reinforcing webs do not extend between the faces of the panel. Instead, two or more foam boards are interleaved with porous, fibrous web sheets and stacked in a sandwich configuration. Porous roving struts or rods extend between the faces of the core and through the intermediate web sheet or sheets. The web or webs stabilize the struts against buckling under load and also serve to distribute resin to the struts and skins. Resin may be introduced through parallel spaced grooves in the foam adjacent the web. Alternately, resin may be flowed into the core through a feeder channel which is perpendicular to the panel faces and which terminates in radial grooves adjacent the webs. This arrangement is useful in infusing circular panels, for example, manhole covers. In a third variation, the web sheet may incorporate low density fibrous mat or non-structural, porous infusion medium through which resin supplied through feeder channels flows across the center plane of the panel to the struts and through the struts to the panel skins.

An additional feature of the present invention is the provision of improved connections between strut or rod-type core reinforcing elements and sandwich panel skins. This improvement is applicable to hybrid panels having both web and strut-type core reinforcing members, as well as to panels whose core reinforcing comprises only struts. The porous and fibrous struts which extend between the faces of the core may terminate between the core and the skins, may extend through the skins and terminate at their exterior surfaces, or may overlie one or more layers of the panel skins. Under load, the struts are subject to substantial forces of tension or compression at the point of intersection with the skins, and these forces may cause failure of the adhesive bond between reinforcing element and skins.

6

Prior art, for example, as disclosed in European Patent No. 0 672,805 B1, discloses the provision of looped end portions of the reinforcing elements adjacent the skins. Under pressure during molding, the loops formed in the end portions of the struts provide an expanded area of adhesive contact with the skins. However, a serious disadvantage of this design is that the loops, which are doubled-back bundles of fibers, form lumps which cause the panel skins to deform out of plane under molding pressure. This results in excess resin accumulation in the skins, an increase in the tendency of the skin to buckle under in-plane compressive loads, and undesirable surface finishes.

In the present invention, terminating ends of strut type reinforcing elements are cut to allow the filaments which comprise the struts to flare laterally under molding pressure, which both significantly flattens the end portions against the skins and provides an expanded area of adhesive bond between each strut end portion and skin in the region immediately adjacent the strut end portion. Skin surface flatness may be further improved by applying sufficient pressure, sometimes simultaneous with heat, to the faces of the panel before molding to provide recesses for embedding any reinforcement lumps or ridges into the foam core during the molding process. Alternately, grooves may be formed in the faces of the foam along the lines of strut insertion, into which strut end portions or overlying stitch portions are pressed during molding.

The present invention also provides an alternate method of anchoring strut ends and which is effective even when the strut end portions do not overlie panel skins. In this configuration, parallel grooves or slits are so located in the faces of the foam board that the end portions of strut-type reinforcing members pass through the grooves. Porous reinforcing rovings having sufficient depth to adhesively anchor the strut ends are inserted into the grooves prior to insertion of the strut members, and resin which flows into the structure during molding provides structural attachment of struts to the rovings within the grooves. The rovings, having a substantial area of contact with the overlying panel skins complete the transfer of structural loads between skins and cores. An important additional benefit of this construction is that the groove rovings and strut members may be sized so as to constitute a unitized truss structure, with the groove rovings serving as truss chords. Since rovings cost substantially less than woven fabrics, this allows for economical panel fabrication in cases where relatively thin skins are adequate between the truss rows.

In the present invention, low cost rovings may also be applied directly to the faces of the foam boards to form panel skins during the process of inserting reinforcing members into the foam and in lieu of applying skins of more costly woven or knitted fabric reinforcements to the faces of the core. In this method, multiple rovings are supplied along parallel lines transverse to the core length and are drawn in a longitudinal direction continuously from supply creels by the forward progress of the foam core through the strut insertion machine, in sufficient number to more or less cover the faces of the foam. Prior to strut insertion, groups of rovings are drawn transversely, at right or acute angles, across the faces of the core from creels and advance with the core while strut rovings are stitched through the core. Overlying portions of the stitches hold all surface rovings in position to form a structural panel skin once resin has been applied to the panel. If desired, a light veil of reinforcing material may be applied over the surface rovings before stitching to improve the handling characteristics of the core prior to molding. In lieu of

continuous rovings, random or oriented chopped rovings may be applied between the core faces and surface veils to form a structural mat.

Sandwich panels comprising helically wound rovings which overlie and restrain axial rovings which have been substituted for skin fabric reinforcements are effective at resisting skin delamination, even if the skins are not stitched through the core. This is quite useful in areas of non-uniform core thickness, for example at panel edge step-downs and tapers, which are subject to delamination due to buckling or tensile loads in the skins.

The present invention includes several useful variations of reinforced core panel having bi-directional core strength and in which all of the core reinforcing members are provided by means of a helical winding process. In the most economical embodiment, a unidirectional core panel comprised of parallel wound foam strips is cut in a direction perpendicular to the axis of the strips into uniform second strips, which are then rotated 90 degrees and consolidated to form a second unitized core panel. The original helically wound rovings then extend between the faces of the core panel as separate strut-like roving segments whose end portions terminate adjacent the faces of the core. This core architecture provides bi-directional shear strength and high compressive strength, but reduced attachment strength of the core to panel skins. Skin attachment may be enhanced by helically winding the second strips prior to their consolidation, to provide layers of wound reinforcements which extend continuously between the foam strips and across the faces of the core panel adjacent the skins. Depending upon the structural properties desired, the wound second strips may be oriented, prior to consolidation, to provide doubled layers of rovings either between or adjacent the skins. Bi-directional core panels may also be provided with parallel rows of continuous rovings which are inserted into slits in the faces of the core panels to form support members between the core reinforcing webs for thin panel skins. Skin support between wound reinforcing webs may be provided in unidirectional cores by winding pairs of foam strips which have been provided with reinforcing webs between the strips prior to winding.

An important advantage of all of the bi-directional cores described herein is that the intersecting reinforcing webs stabilize each other against buckling under load into the adjacent low density and low strength foam strip. Web buckling resistance in unidirectional cores may be improved by increasing the effective width of the web by providing a spacer strip, for example high density foam plastic, between adjacent wound foam strips. In an economical form of unidirectional core panel, roving-wound foam strips alternate with plain foam strips, thus permitting the doubling of panel output for a given amount of winding machine output. To stabilize the webs against buckling in this embodiment, the spacer strip is provided between the opposing wound layers on opposing sides of each wound strip. Unidirectional strips may be modified to provide bi-directional strength, by providing strips of serpentine or other configuration in which the edges of the strips are not parallel and thus provide structural properties in directions other than the general direction of the strip. Core panels comprising strips of all configurations and incorporating thermoplastic resin may be economically produced by applying reinforcing fibers and low cost thermoplastic materials to the strips as separate components for subsequent consolidation under heat and pressure.

The structural performance of helically wound strips may be improved by providing rovings which extend axially along the corners of the strips and beneath the wound rovings. This addition causes the reinforcing web on each side of each foam

strip to take the general form of a bar joist having top and bottom chords which are separated by rod-like shear members. This structure is more resistant to impact, and the axial rovings may permit the use of less reinforcing fiber in the panel skins. Individual strips so constructed may be used as discrete structural members, for example columns or box beams, whose performance may be further enhanced by providing the strips with transverse reinforcing members and by providing additional axial rovings between the corners of the strips.

The structural efficiency of certain panels comprising wound strips may be enhanced by varying the feed rate of the strip through the roving winding apparatus, in order to vary the angle and density of the wound reinforcements along the length of the foam strips. This may provide improved compressive strength for the panel at load bearing points, or core shear resistance which is tailored to match predicted shear loads along the length of the panel.

Shear loads in core panels comprising unidirectionally-wound foam strips may be transferred to the ends of the strips and thence to intersecting panel reinforcements by spacing continuously wound foam strips during the winding process and folding the strips back and forth before consolidating them to form a core panel. This positions the wound rovings of the spaced segments across opposing ends of the foam strips and provides a strong structural connection to panel edge reinforcements or to adjacent core panels. It may also be desirable to produce sandwich panels of generally cylindrical or other closed configuration and having continuous core panel reinforcements which do not end in core joints and thereby avoid structural discontinuities. This embodiment may be used for example to form jet engine casings, which are designed to resist very high energy impacts while maintaining the overall integrity of the casing. The core panel is produced by helically winding reinforcing rovings around a continuous foam strip, then wrapping the strip helically around a cylindrical mandrel. Continuous axial rovings may be provided underneath the wound rovings for additional hoop strength and resistance to impact.

In a useful embodiment of the present invention, thin-walled tubes are substituted for the foam strips onto which reinforcing rovings are wound. The tubes may comprise material of low structural properties, for example stiffened paper, or of high structural properties, for example roll formed or extruded aluminum, preferably treated for strong adhesion to the resins used as the matrix for the fibrous reinforcements. This embodiment is useful when it is desirable to provide a hollow structure, or to eliminate the weight of the low density solid core, or to incorporate the structural properties of the tubular material into the panel.

Another means of enhancing the impact resistance of sandwich panels comprising helically wound cores and thermoset resins is to incorporate thermoplastic resins, which are generally substantially less brittle than thermoset resins, into the outer portions of the panel skins. This may be accomplished by several means. A thermoplastic film may be heated to flow into the outer portion of a fibrous reinforcing mat or fabric, leaving the inner portion porous, for subsequent impregnation with the thermoset resin used to impregnate the core reinforcements. If desired, a layer of fabric comprised of commingled fiberglass and thermoplastic fibers may be substituted for the thermoplastic film. The commingled fabric is heated to form a reinforced thermoplastic outer surface and to flow the thermoplastic resin partially through the thickness of the inner reinforcing mat. In still another embodiment, commingled fabric skin may be placed adjacent the reinforced core and infused without application of heat, so that both the

fiberglass and the thermoplastic fibers of the skin are impregnated by the thermoset resin used to infuse the core.

BRIEF DESCRIPTION OF THE DRAWINGS

FIG. 1 is a fragmentary perspective view of a reinforced foam core composite panel constructed in accordance with the invention;

FIG. 2 is a fragmentary section of a reinforced foam core composite panel constructed in accordance with another embodiment of the invention;

FIG. 3 is a fragmentary section of another embodiment of a reinforced foam core composite panel constructed in accordance with the invention;

FIG. 4 is a fragmentary section of another embodiment of a reinforced foam core composite panel constructed in accordance with the invention;

FIG. 5 is a fragmentary section of another embodiment of a reinforced foam core composite panel constructed in accordance with the invention;

FIG. 6 is a fragmentary section of another embodiment of a reinforced foam core composite panel constructed in accordance with the invention, with a center portion broken away;

FIG. 7 is a fragmentary section taken generally on the line 7-7 of FIG. 6 and with a center portion broken away;

FIG. 8 is a fragmentary section of another embodiment of a reinforced foam core composite panel constructed in accordance with the invention;

FIG. 9 is a fragmentary perspective view of a reinforced foam core composite panel constructed in accordance with another embodiment of the invention;

FIG. 10 is a fragmentary perspective view of a reinforced foam core composite panel constructed in accordance with another embodiment of the invention;

FIG. 11 is a fragmentary perspective view of a reinforced foam core composite panel constructed in accordance with a modification of the invention;

FIG. 12 is a diagrammatic view of apparatus for producing fiber-wound foam strips in accordance with the invention;

FIG. 13 is a fragmentary perspective view of a fiber-wound foam strip constructed in accordance with the invention;

FIG. 14 is a fragmentary perspective view of a reinforced foam core composite panel constructed in accordance with the invention;

FIG. 15 is a diagrammatic view of apparatus for producing fiber reinforced foam core panels in accordance with the invention.

FIG. 16 is a fragmentary perspective view of a reinforced foam component constructed in accordance with the invention;

FIG. 17 is a fragmentary perspective view of a reinforced foam component using the component of FIG. 16;

FIG. 18 is a fragmentary perspective view of a reinforced foam core constructed in accordance with the invention and using the component of FIG. 17;

FIG. 19 is a fragmentary perspective view of another embodiment of a reinforced foam core constructed in accordance with the invention;

FIG. 20 is a fragmentary perspective view of a core panel constructed in accordance with a modification of the invention;

FIG. 21 is an enlarged fragmentary portion of FIG. 20;

FIG. 22 is a fragmentary perspective view of a section cut from the panel shown in FIG. 20;

FIG. 23 is a fragmentary perspective view of a core panel formed with the strips shown in FIG. 22 and partially exploded;

FIG. 24 is a perspective view of the strip shown in FIG. 22 with helically wound rovings;

FIG. 25 is an enlarged perspective view of a portion of the wound strip shown in FIG. 24;

FIG. 26 is a fragmentary perspective view of a core panel constructed with strips as shown in FIG. 24;

FIG. 27 is a fragmentary perspective view of a core panel constructed with strips shown in FIG. 24 in accordance with a modification of the invention;

FIG. 28 is a fragmentary perspective view of a core strip formed in accordance with another modification of the invention;

FIG. 29 is an enlarged perspective view of a portion of the core strip shown in FIG. 28;

FIG. 30 is a fragmentary perspective view of a core panel constructed using core strips as shown in FIG. 28;

FIG. 31 is a fragmentary perspective view of a core panel formed in accordance with another modification of the invention;

FIG. 32 is a fragmentary perspective view of a core panel constructed in accordance with another modification of the invention;

FIG. 33 is a fragmentary perspective view of a core strip formed in accordance with a modification of the invention;

FIG. 34 is a fragmentary perspective view of another core panel formed in accordance with a modification of the invention;

FIG. 35 is a fragmentary perspective view of an annular core assembly formed helically winding a core strip constructed in accordance with the invention;

FIG. 36 is a fragmentary perspective view of a core panel formed of tubular core strips each having helically wound rovings and formed in accordance with a modification of the invention;

FIG. 37 is a fragmentary plan view of a core strip constructed in accordance with another further modification of the invention;

FIG. 38 is a fragmentary plan view of a core panel formed with the core strip shown in FIG. 37 in accordance with the invention;

FIG. 39 is a fragmentary perspective view of a core panel formed in accordance with another modification of the invention;

FIG. 40 is a fragmentary perspective view of a panel formed in accordance with another modification of the invention;

FIG. 41 is a fragmentary perspective view of a composite panel formed in accordance with another modification of the invention;

FIG. 42 is a fragmentary perspective view of a modified core panel formed in accordance with the invention;

FIG. 43 is a fragmentary perspective view of another composite panel formed in accordance with the invention;

FIG. 44-47 are fragmentary perspective views of core panels formed in accordance with the invention;

FIG. 48 is a diagrammatic perspective view of apparatus showing the method of making a composite panel in accordance with the invention;

FIG. 49 is another diagrammatic perspective view of another apparatus showing another method of making a composite panel in accordance with the invention;

FIG. 50 is a further diagrammatic perspective view of apparatus for producing another form of composite panel in accordance with the invention; and

FIG. 51 is a fragmentary exploded end view of a composite panel formed in accordance with the invention.

DESCRIPTION OF THE PREFERRED EMBODIMENTS

FIG. 1 illustrates a structural composite sandwich panel 30 which may be used, for example, as the floor of a highway truck cab, the hull or transom of a boat, the roof of a factory building, or as a vehicular or pedestrian bridge deck. Panel 30 comprises a fiber reinforced closed cell plastic foam core 31 and opposing fiber reinforced skins 32. Foam core 31 comprises a plurality of foam strips 33, whose structural properties are insufficient to resist loads in the core which would correspond with loads for which skins 32 are designed.

The core reinforcing fibers, which are selected to impart the required structural properties to the core, are of fiberglass or carbon fiber or other reinforcing fibers. In one direction, the reinforcing fibers comprise a plurality of parallel sheets or webs 34 of porous, fibrous fabric or mat which extend between the faces of the core 31 and which have been adhesively attached to one face of each foam strip 33 while maintaining substantial porosity in the web material. If desired, the webs 34 may incorporate reinforcements comprising a plurality of individual rovings adhesively applied to foam boards (not shown) from which strips 33 are cut. In a crossing direction, generally perpendicular to the webs 34, the core reinforcing fibers comprise a plurality of parallel rows of spaced rods or struts 35, which extend between the faces of the core and are made up of bundles or rovings of porous reinforcing filaments.

Each row of struts comprises a plurality of struts 35 inclined at opposing acute angles, for example +58 degrees and -58 degrees or +45 degrees and -45 degrees, to the panel skins. The two sets of opposing struts in each row lie in the same plane and intersect each other to form a triangulated or lattice type structure. The diameter and spacing of struts 35 within a row of struts are determined by structural considerations, but are commonly in the range of 0.01 inch to 0.12 inch diameter and 0.25 inch to 2.0 inch spacing. In some cases struts may exceed 0.50 inch diameter and 7.0 inch spacing. Rows of struts 35 are commonly spaced 0.5-in. to 1.0-in. apart. The closed cell foam strips or pieces may be of polyurethane, polyvinylchloride, polystyrene, phenolic, polyethylene, polymethacrylimide or other foam material having the desired properties for a specific application. Typically, foam density is low, in the range of 2 to 5 pounds per cubic foot, but much higher densities may be used where appropriate.

As shown in FIG. 1, the struts 35 intersect webs 34, and the fibers which comprise the struts extend through the fibers which comprise the webs. Since the fibrous rovings which comprise the struts are inserted into the foam core and through the webs in a stitching operation, the filaments which comprise the struts pass through the filaments of the webs without breaking either set of filaments, so that the continuity of all elements of the core reinforcing structure remains intact. In a preferred embodiment, panel skins 32 comprise inner skins 36 and outer skins 37. The end portions 38 of reinforcing struts 35 also extend through the inner skins 36 and flare laterally to overlie the inner skins 36. The inner skins 36 are covered by outer skins 37 prior to molding panel 30 with resin. The struts are thus mechanically attached to the skins, providing high resistance to delamination of skins 32 from core 31 under load. If desired, the end portions of strut rovings may terminate adjacent the faces of the reinforced core 31.

The porous and fibrous reinforcements of both core and skins are impregnated or infused with an adhesive resin which flows, preferably under differential pressure, throughout all of the reinforcing materials and cures to form a rigid, load bearing structure. Before panel 30 is molded and cured, inner skins 36 and foam strips 33 with their attached webs 34, are held together as a unitized structure by friction caused by pressure of the plastic foam and the skin fibers against the roving fibers which form the struts 35, as well as by the roving segments or end portions which overlie the panel skins. While the core 30 may vary widely in dimensions for specific applications, practical core sizes include, for example 0.25-in. to 5.0-in. thick and 2-ft. to 8-ft. wide x 2-ft. to 40-ft. long. Cores are commonly produced in continuous lengths and cut to the desired length. To mold sandwich panels which are larger in area than a single reinforced core constructed in accordance with the present invention, two or more cores may be arranged adjacent each other in the mold prior to the introduction of resin.

Shear loads in the core 31 are resisted in one direction primarily by the struts 35 and in the transverse direction primarily by the webs 34. In addition, a complex integration of webs and struts is achieved through the rigid resin bond at each point of intersection of strut and web and through the continuity of reinforcing fibers through all such intersection points. Webs and struts support each other against buckling loads, which permits the use of lighter weight reinforcing members in thick panels, where the slenderness of the core reinforcing members makes them prone to buckling failure. The configuration shown in FIG. 1 is able to resist large compressive loads perpendicular to the skins, since the webs 34 are oriented at right angles to skins 32 and are restrained from buckling by the struts 35. The structural integration of webs and struts also provides multiple load paths to increase the sharing of localized compressive loads among the core reinforcing elements and provides substantial resistance to the initiation and spread of planes of shear failure separation within the core. Adhesive and mechanical attachment of core reinforcing members to skins provides high resistance to pull-through of fasteners in the panel skins.

The fiber reinforcements of the foam core and skins are commonly impregnated or infused with resin by flowing the resin throughout the porous reinforcing fibers under differential pressure in processes such as vacuum bag molding, resin transfer molding or vacuum assisted resin transfer molding (VARTM). In VARTM molding, the core and skins are sealed in an airtight mold commonly having one flexible mold face, and air is evacuated from the mold, which applies atmospheric pressure through the flexible face to conform panel 30 to the mold and compact the fibers of the skins 32. Catalyzed resin is drawn by the vacuum into the mold, generally through a resin distribution medium or network of channels provided on the surface of the panel, and is allowed to cure. The present invention may, if desired, incorporate an improved method of VARTM infusion.

Reinforced core 31 may be provided with resin grooves 39 machined into foam strips 33 and located adjacent webs 34 within the interior of the foam core 31. The grooves 39 terminate at a resin feeder channel 40 (FIG. 1) which is usually larger in cross sectional area than individual grooves 39, but may be of the same size. Channel 40 serves to distribute the resin under differential pressure to the grooves 39. Feeder channels 40 may be located either along one or both of the edges of the reinforced core 31 at which reinforcing webs 34 terminate. Alternately, channel 40 may be located entirely within the interior of the core. For purposes of illustration, FIG. 1 shows channel 40 at the core edge, and FIG. 7 shows

13

the feeder channel in the core interior. If channel 40 is provided on only one edge of core 31, grooves 39 may extend to the opposing edge of core 31 or alternately may terminate within foam strip 33, depending upon the dynamics of resin flow within the reinforced foam core and panel skin reinforcements.

Catalyzed resin flows to channel 40 through a tube (not shown) connected to a resin source, commonly a drum of resin. The tube opening may be located at any point along channel 40. In a preferred method of infusing the reinforced cores of the present invention using a vacuum bag, the mold is sealed and evacuated prior to attaching any resin plumbing apparatus to the mold. A rigid resin connection or insertion tube is provided with a sharp, pointed end and is then inserted through the vacuum bag membrane and panel skins 36 and 37, or through the vacuum bag at the edges of panel 30, and into reinforced core 31, intersecting feeder channel 40. The insertion tube has been provided with openings in its circumference which permit the flow of resin into channel 40. A tape sealant is applied at the point of insertion to prevent loss of vacuum, the insertion tube is connected to the resin supply, and resin is drawn by the vacuum through the insertion tube and into channel 40.

In addition to the speed, simplicity and low material cost of this method of introducing resin into the panel, additional resin connection tubes may be inserted into the panel at other locations, while the infusion is in progress, to bring additional resin to specific areas of the panel. The tube insertion method may also be used to infuse panels 30 which are enclosed entirely within a rigid mold, by providing in a mold surface one or more holes through which resin connection tubes may be inserted. As resin fills grooves 39, it flows into and throughout the porous and fibrous webs 34, into and throughout the intersecting porous and fibrous struts 35, and into and throughout intersecting panel skins 32, after which the resin cures to form a rigid reinforced sandwich panel structure. Reinforced cores 31 which have been provided with channels 40 may be placed in a mold with channels 40 adjacent each other and forming a single, larger channel. Resin which flows into this larger channel cures to form a structural spline which is keyed into the edge portions of webs 34 and resists shear forces between the adjacent cores 31.

The resin distribution system incorporated into the reinforced core 31 has significant advantages over existing VARTM processes. Resin fills grooves 39 rapidly and flows throughout the web and strut reinforcing structure to panel skins 32 through numerous, relatively evenly distributed connections with the skins by the webs and struts, thereby minimizing the likelihood of non-impregnated areas in the skins. No resin micro grooves or distribution medium material are required on the periphery of the core 31. Resin is introduced into the plurality of grooves 39 located in the mid-plane of the panel and travels a relatively short distance to both skins 32. Vacuum may be applied at any desired location or locations on outer skins 37 or panel edge fabrics. If desired, multiple rows of perforated vacuum tubing, fibrous drain flow media or other means of introducing vacuum may be provided against the surface of outer skins 37 to ensure that small areas of dry, porous skin reinforcements are not isolated from vacuum by surrounding resin flow. Panels having unusually thick cores or skins may be provided with additional sets of resin grooves 39 and associated feeder channels 40 located in planes parallel to panel skins 32. Resin introduced into the center of the panel travels a relatively short distance to both skins 32. The internal core infusion system just described is also effective in cores comprising webs which extend

14

between the skins without intersecting fibrous struts. Closer web spacing may be required for uniform resin distribution.

The mold surfaces in contact with the reinforced core panel may be either rigid or flexible without impairing the rapid flow of resin throughout the core reinforcing structure or skins. For example, a reinforced core with associated porous and fibrous skins may be placed between a rigid mold table and a rigid caul plate, with the caul plate covered by a vacuum bag sealed to the mold table. Evacuating the bag from one edge of the panel applies atmospheric pressure to the panel, and resin introduced at the opposing edge of the panel flows rapidly throughout the core and skin reinforcing structure, without having to flow longitudinally through the entire length or width of the panel skins as in conventional VARTM processes in which both mold faces are rigid.

Reinforced panel 30 may be constructed to permit simultaneous infusion of the core with two resins of differing properties. For example, the exterior skin of the panel may be impregnated with fire resistant phenolic resin, and the interior skin and core reinforcing structure may be impregnated with structurally superior but less fire resistant vinyl ester resin. If such a structure is desired, panel 30 is provided, prior to resin infusion, with adhesive barrier films 41 located between the inner skins 36 and outer skins 37. The barrier film 41 is comprised of adhesive material, for example epoxy, which prevents the passage of liquid resin from one side of the film to the other and which, under application of heat and moderate pressure, cures to form a structural bond between the inner skins 36 and outer skins 37.

To infuse the panel, the reinforced core 31, together with the attached inner skins 36, adhesive barrier films 41 and outer skins 37, are placed in a closed mold which is then evacuated by vacuum pump. A first resin is introduced into the interior of the core 31 through channels 40 and 39 and allowed to flow throughout the core reinforcing structure and inner skins, as previously described. Simultaneously, a second resin, of differing composition, is introduced directly into the outer skin through the mold surface or the outer skin edge. The adhesive barrier film 41 serves to prevent the mingling of the two different resins, and heat generated by the curing of the two resins also advances the cure of the adhesive film, thus providing a structural bond between the inner and outer skins. If adhesive film is applied to both sides of panel 30, three individual resins may be infused into the panel. If adhesive film 41 is applied to one side of panel 30 only, the resin which infuses core 31 will also infuse both inner and outer skins on the opposite side of the panel.

The embodiments of the present invention illustrated in FIGS. 1, 2, 6, 7, 13, 14 and 18 have been shown as provided with internal resin distribution grooves adjacent the core reinforcing webs and with an associated resin feeder channel. It is understood that this feature may, if desired, be omitted from the embodiments of FIGS. 1, 2, 6, 7, 13, 14 and 18 and that the feature may be added in the embodiments shown in FIGS. 3, 4, 5, 9 and 19 or in any other embodiment having porous and fibrous web sheets within the foam core.

A sandwich panel 50 (FIG. 2) utilizes a reinforced foam core 52 which can be produced at improved rates of output compared to the embodiment shown in FIG. 1, because reinforcing struts need only be inserted into the foam core at a single angle, rather than at two opposing angles. Parallel fiber reinforced webs 51 extend between the faces of foam core 52 at an acute angle, for example 58 degrees or 45 degrees, to the faces of the core. The rows of webs 51 are intersected, generally at right angles, by a set of parallel rows of fiber reinforced struts 53, whose fibers extend through webs 51 and skins 54 in the manner described in connection with FIG. 1.

15

In the embodiment shown in FIG. 2, all struts are inclined at an angle with respect to the panel skins, and the angle matches the angle of the webs 51 but in the opposite direction. Webs 51 and struts 53 support each other against buckling and cooperate to resist shear loads in one direction, and the webs also resist shear loads in the transverse direction. While any number of web reinforcement fabrics or mats may be selected, the dual direction structural function of the webs may be enhanced through the use of web reinforcing fabric having a portion of its fibers oriented at an angle opposing the angle of struts 53. Transverse shear strength may be efficiently achieved by orienting the remaining fibers of webs 51 at angles of +45 degrees and -45 degrees to the panel skins, since shear forces in the core resolve themselves generally into these angles. The core reinforcing webs 34 of FIGS. 1 and 51 of FIG. 2 terminate adjacent panel skins 32 and 54 respectively. Thus, the direct structural connection between webs and skins is provided by the adhesive bond of the resin matrix which surrounds all reinforcing fibers in the panel. The strength of this web-to-skin connection may be improved by providing the webs 34 and 51 with protruding and flared fibers at their edge portions or with web edge resin fillets formed by grooving foam strips 55 adjacent the edge portions of the webs, as described in U.S. Pat. No. 5,834,082.

The webs 34 and 51 also have an indirect structural connection with skins 32 and 54 through struts 35 and 53, respectively, which are attached to both webs and skins and thus carry a portion of the loads between webs and skins. Panel skins are also tied together by the configuration of the roving struts shown in FIG. 2, which comprise rows of continuous inclined separate staples each having flared strut end portions. The inclined staple form of strut construction may also be provided in panels having opposing struts and is more fully described in connection with FIG. 8.

If it is desired to increase further the strength and stiffness of composite panels having intersecting webs and struts, the core reinforcing webs may comprise a single, continuous fiber reinforced mat or fabric, rather than a plurality of discrete web strips. This embodiment is illustrated in FIGS. 3, 4 and 5. Referring to FIG. 3, composite sandwich panel 60 comprises fiber reinforced skins 61 and fiber reinforced foam core 62. The foam core 62 comprises foam pieces or strips 63, spaced rows of spaced fibrous roving struts 64, and a fibrous web sheet 65 which has been formed into a plurality of rectangular corrugations extending between the panel skins and transverse to the rows of struts. As in FIG. 1, struts 64 are inclined at equal opposing angles to the skins and intersect and extend through opposing struts and skins 61. The struts also intersect and extend through corrugated web segments 66, which extend between the skins and through web segments 67 which lie adjacent the skins. The architecture shown in FIG. 3 offers several structural enhancements to that shown in FIG. 1. Corrugated web segments 67 provide an expanded area of adhesive attachment to skins 61, and struts 64 provide a stitched mechanical attachment between web segments 67 and skins 61. Also, the corrugations of the web structure provide substantial additional strength and stiffness in the direction transverse to the rows of struts.

Reinforced sandwich panel 70, shown in FIG. 4, also provides the advantages of web-to-skin attachment and corrugation strength and stiffness described in connection with FIG. 3. In FIG. 4, foam strips 71 are of parallelogram cross section, and web segments 72 of a continuous corrugated web sheet 73 extend between the faces of the core 76 at an acute angle to skins 74. A plurality of parallel rows of spaced fibrous roving struts 75 also extend between the faces of the reinforced core 76, and the struts 75 are inclined at an angle equal to but

16

opposing the angle of web segments 72. The struts intersect and extend through corrugated web segments 72, through web sheet segments 76 adjacent skins 74, and preferably extend through one or more layers of the skins. Fiber orientation in the webs may be optimized for overall core structural properties as more fully described in connection with FIG. 2. Also as in the case of FIG. 2, the orientation of the struts at a single angle permits rapid and efficient production of the reinforced core because only a single strut insertion step is required.

Another reinforced sandwich panel 80 shown in FIG. 5 and also employs a continuous corrugated web sheet 81 as part of the reinforcement of foam core 82. Foam pieces or strips 83 are triangular in cross section, and web segments 84 and 85, which extend between skins 87 are inclined at opposing angles to the skins. A plurality of rows of spaced fibrous roving struts 86 are inclined at equal but opposing angles to each other and intersect and extend through web segments 84 and 85. The struts also intersect and preferably extend through one or more layers of skins 87.

In contrast to the configurations shown in FIGS. 3 and 4, the triangulated web architecture of FIG. 5 provides substantial strength and stiffness to panel 80 both longitudinally and transversely, even in the absence of reinforcing struts 86. The struts enhance these properties by stabilizing web segments 84 and 85 and by tying skins 87 together. The struts 86 also provide additional strength and stiffness in the direction of the strut rows. The angle of the struts is selected on the basis of overall structural considerations and need not correspond to the angle of web segments 84 and 85. For example, the struts 86 may, if desired, be perpendicular to the skins. This not only provides increased compressive strength to panel 80, but also requires only a single angle of strut insertion, thus simplifying panel production.

FIGS. 6 and 7 illustrate a sandwich panel 90 having in the reinforced foam core 91 a plurality of parallel rows of spaced reinforcing roving struts 92, a plurality of intersecting parallel rows of spaced reinforcing roving struts 93, and a single continuous reinforcing web sheet 94 which is parallel to skins 95. Foam core 91 comprises stacked foam boards 96 separated by web 94. If required by structural design, struts 92 may differ from struts 93 in spacing, diameter, fiber composition and angle. Struts may be provided as a single set of parallel rows of struts if structural requirements of the panel are primarily unidirectional. Compressive and shear properties of panel 90 are provided primarily by struts 92 and 93. As the thickness of core 91 increases, or the diameter of the struts decreases, the struts are increasingly susceptible to buckling failure under structural load conditions. The struts 92 or 93 in each row intersect each other in a lattice-like configuration, providing buckling support for each other in the plane of the strut rows. However, only weak and often insufficient transverse buckling support is provided by the low density foam 96. The continuous fiber reinforced web 94, through which all of the struts 92 and 93 extend, provides the required additional buckling support. If needed, one or more additional support webs 94 may be provided, all spaced from each other and parallel to the panel skins 95.

FIG. 6 also shows strut end portions 97 and web edge portions 98 protruding from foam boards 96 to provide means of securing enhanced structural continuity between the reinforcing members of core 91 and the reinforcing members of adjacent foam cores molded as components of a single sandwich panel, or to other adjacent composite structures (not shown). If structural attachment of adjacent cores within a given sandwich panel is desired, edge portions of foam boards 96 and of foam boards of adjacent reinforced cores (not

shown) are abraded or otherwise removed to expose fibrous strut end portions **97** and web edge portions **98**, before introducing resin into the core and skin reinforcements. The reinforced cores are then pressed together, for example in a mold, and exposed end and edge portions from adjacent cores become intermingled and subsequently embedded in resin which is flowed into the panel reinforcements under differential pressure and cures to form a strong adhesive bond with strut end portions and web edge portions. Preferably, a strip of fibrous reinforcing mat or fabric extending between skins **95** is arranged in the mold between adjacent cores to enhance the load bearing properties of the joint between cores.

A strong structural connection between adjacent reinforced cores **31**, or between cores **31** and sandwich panel edge skins, may also be achieved by providing cores **31** with fibrous webs **34** which extend beyond their intersection with the edges of core **31**. The extensions of webs **31** are folded at right angles against foam strips **33** in the form of a tab. These web-end tabs provide an expanded area of contact for adhesively bonding the web reinforcing members to adjacent reinforcements when panel **31** is impregnated with resin. If it is desired to achieve a strong structural bond between a resin impregnated and cured panel **90** and an adjacent composite structure, foam boards **91** are abraded to expose stiff, hardened strut end portions **97** and web edge portions **98**, and the area adjacent the end and edge portions is filled with adhesive resin, mastic or potting compound and pressed against the panel to which panel **90** is to be bonded while the resin cures.

The reinforced core **91** shown in FIGS. **6** and **7** has been provided with an integral resin infusion system, as generally described above in connection with FIG. **1**. Sandwich panel **90** comprises porous and fibrous skin and core reinforcements and is placed in a closed mold from which air is evacuated. Resin is then introduced into feeder channel **99** at the end of the channel or through a hole drilled from the panel face (not shown). The resin then fills resin feeder channel **99**, located within the interior of reinforced core **91**, and fills connecting spaced resin grooves **100** located within the interior or core **91** and adjacent the porous and fibrous web **94**. Resin then flows from grooves **100** throughout porous web **94**, from the web **94** throughout porous struts **92** and **93**, and from the struts throughout porous skins **95**, after which the resin cures to form a structural panel. If the core **91** is to be used to produce a circular panel, resin grooves **100** may be arranged radially from the center of the panel and with the resin supplied from the panel face to the center.

The core reinforcement strut architecture shown in FIGS. **1**, **3**, **5**, **6** and **7** takes the form of planar rows of opposing struts which intersect each other within the foam core. The number of such intersections and the density of the resulting lattice-like structure is dependent upon core thickness, the spacing between struts, and the steepness of the strut angle with respect to the panel skins. An alternate strut architecture is shown in FIG. **8** and may be substituted for that of FIGS. **1**, **3**, **5**, **6** and **7**, but is most appropriate in the case of relatively thin panels or relatively thick struts. The core reinforcing architecture of FIG. **8** comprises either unidirectional rows of struts, as shown, or sets of intersecting rows of struts and may be used with or without core reinforcing webs, depending upon structural requirements.

Referring to FIG. **8**, a sandwich panel **110** comprises opposing skins **111** and reinforced foam core **112** having a plurality of rows of fibrous roving struts **113** which extend between panel skins **111** and which are inclined at equal but opposing angles to the skins. Opposing struts **113** intersect each other adjacent panel skins **111** in a simple triangulated configuration and extend through the skins. In the production

of the reinforced core **110**, continuous fibrous rovings **114** are stitched through skins **111** and foam core **112** from opposing faces of the foam core. If desired, both sets of roving struts may be stitched through the skins and foam core from the same face of the core. In the stitching process, continuous rovings **114** exit skins **111** and protrude in the form of loops **115** (shown in phantom). The rovings then double back along the line of insertion to form struts **113** comprised of double roving segments.

As the panel **110** advances through the stitching apparatus, roving segments **116** overlie the skins **111**. Protruding roving loops **115** formed during the stitching process are severed at a desired distance, for example 0.2 inches, from the surface of the skins to form protruding strut end portions **117** (shown in phantom). When pressure is applied to the panel skins during the resin molding process, the protruding strut end portions **117** flare out and form flattened end portions **118** against the skins **111**, forming a strong adhesive bond to the skins and a mechanical resistance to pulling flattened strut ends **118** through skins **111**.

The mechanical attachment may be improved by the addition of outer skins as shown in connection with FIG. **1**. Cut and flared strut ends **118** also provide substantially improved skin characteristics, compared to that achieved with intact loops, which tend to form lumps adjacent the skins or which prevent the panel from fitting tightly against the mold surface, allowing excess resin to accumulate at the skin surface. Surface flatness may be further improved by applying sufficient pressure to panel **110** to conform the foam core **112** to any roving segments which protrude beyond the surface of skins **111** or by providing the foam core with grooves or indentations into which protruding roving segments may be pressed under moderate molding pressure.

The inclined staple configuration comprising struts **113**, cut and flared strut end portions **118**, and roving segments **116** which overlie skins, as shown in FIG. **8**, provides an efficient and effective means of securing structural attachment between core reinforcing struts and panel skins and a preferred method of producing all of the reinforced cores which are the subject of the present invention. It is understood that other methods of stitching and other treatments of roving segments which are exterior to the faces of the foam core may also be used, for example, conventional patterns of lock stitching or chain stitching of continuous fibers.

The sandwich panels and cores illustrated in FIGS. **1-8** typically have a width greater than their depth. Core reinforcing members comprising porous and fibrous webs and struts may also be incorporated into sandwich panels having a depth greater than its width. FIG. **9** illustrates a beam-type panel or beam **120** incorporating a strut-type core reinforcing architecture and designed for use as a roof support in corrosion resistant buildings. The beam **120** comprises opposing fiberglass or carbon fiber reinforced plastic skins **121**, and a reinforced foam core **122** which comprises foam boards or pieces **123** and opposing porous fiberglass or carbon fiber reinforcing member struts **124** which extend through the foam core **122** at acute angles to the skins **121** in the general form of a bar joist. If required by structural design, additional struts may be added to intersecting struts **124** to form a lattice-like configuration, as illustrated in FIGS. **6** and **7**, or one or more additional parallel rows of reinforcing struts may be incorporated into the panel or beam **120**. Skins **121** function as structural chord flanges, the fibers of which are primarily oriented longitudinally. Skins **121** comprise inner skins **125** and outer skins **126** having fibrous reinforcements, with end portions **127** of the reinforcing members **124** flared and sandwiched between the skin layers as described in connection with FIG.

8. If desired, the skins **125** and **126** may be more strongly attached to the flared end portions **127**, by stitching the skins to the end portions using flexible fibers or thin rigid rods which extend through the fibers of end portions **127** and adjacent skins **125** and **126**.

One or more porous and fibrous support webs **128** may be incorporated into the beam **120** if required to stabilize the struts **124** against buckling under load. The faces of the foam boards **123** which extend between opposing skins **121** are provided with a second set of skins **129** of porous, fibrous reinforcing fabric, such as fiberglass, to stabilize beam **120** against lateral deflection under load. As previously described, a curable resin introduced under differential pressure impregnates all of the porous and fibrous reinforcing materials which form the beam **120** and cures to form a rigid, load-bearing beam. If required by structural considerations, the beam may be of non-uniform cross section, that is, varying in depth from beam ends to beam center, and may also be in curved or arch form. If desired, skins **120** may be substantially reduced in thickness, and the truss chord structural function may be provided by roving bundles inset in grooves in the foam boards adjacent the skins, as more fully described below in connection with FIG. **10**.

The core reinforcing structure of sandwich panels in which panel width is greater than depth may take the form of a plurality of parallel true truss-type structures, in which rod- or strut-type reinforcing members extend at opposing angles in a triangulated configuration between top and bottom chord members, into which the end portions of the struts are anchored. This arrangement provides superior attachment of strut end portions. It also utilizes, as truss chord members, fibrous reinforcing materials, for example carbon fiber or fiberglass, in their relatively low cost roving form to replace a substantial portion of the more expensive fabric skin reinforcements. As shown in FIG. **10**, a sandwich panel **140** comprises a reinforced closed-cell foam core **141** and opposing fibrous reinforcing skins **142**. The reinforced core **141** is provided with a plurality of parallel rows of trusses **143** which extend between skins **142**. Each truss **143** comprises parallel bundles of fibrous reinforcing rovings **144**, such as fiberglass or carbon fiber, which are located in grooves formed in the foam core **141** and which serve as top and bottom chord members for each truss **143**. Fibrous reinforcing rods or struts **145** penetrate the chord members and are anchored in chord members **143**, and extend between panel skins **142** at opposing acute angles, preferably penetrating and overlying one or more layers of skins **142**. A cured resin impregnates all of the reinforcing materials, as previously described. The truss structure, comprising struts **145** and chord members **143**, may also be incorporated into cores having reinforcing webs which extend between or parallel to panel skins, as shown for example, in FIGS. **1** and **7**.

Referring to FIG. **11**, the use of relatively economical fibrous rovings in place of woven or knitted fibrous reinforcing fabrics may be extended to form the entire panel skin structure. A sandwich panel **150** comprises a reinforced closed cell foam core **151** and opposing fibrous skins **152**. The core **151** comprises a foam board **153** and fibrous reinforcing members or struts **154** which extend between the skins. Each of the skins **152** comprises a first layer of parallel reinforcing rovings **155** adjacent the foam core **153** and substantially covering the faces of the foam. A second layer of parallel reinforcing rovings **156** overlies and cross first roving layer **155** and substantially covering the surface of first layer **155**. If desired, a layer of fibrous mat or veil **157** may overlie second roving layer **156**.

In the production of panel **150**, the ends of the rovings which comprise first skin layer **155** are secured in a line across the leading edge of foam board **153**. The board advances through stitching apparatus such as that shown in FIG. **15**, and the forward motion of the board pulls the rovings to form the skin layer **155** from supply creels to cover the opposite faces of the board. Prior to the insertion of struts **154** by the stitching apparatus, a plurality of parallel skin rovings **156** are applied across first roving layer **155** by a reciprocating mechanism having guides which maintain the desired spacing and tension of the rovings **156**. The second skin layer **156** is then covered by a fibrous veil **157** drawn from a supply roll. Core reinforcing struts **154** are stitched through the veil **157**, the layers of skin rovings **156** and **155**, and the foam board **153** to produce sandwich panel **150**.

If required by structural considerations, additional layers of skin rovings may be applied to the panel faces at various angles before stitching. Alternately, oriented or non-oriented roving fibers may be chopped to desired lengths and applied to the core faces in lieu of continuous rovings. Overlying segments **158** of the stitched strut rovings **154** hold all of the skin rovings **155** and **156** in position until the panel **150** is placed in a mold where a curable or hardenable resin is flowed throughout all of the fibrous reinforcements to produce the structural panel. This method of forming panel skins directly from rovings may be incorporated into any of the embodiments shown in FIGS. **1-10**.

In a preferred embodiment of the invention, substantial cost savings are achieved by producing the web-type core reinforcing members directly from fibrous rovings, rather than by using as the webs woven or stitched fabrics, which are significantly more expensive than rovings. In this method, rovings are wound circumferentially around a continuous foam strip to create a structural tube reinforcement structure around the strip. A particularly cost-effective means of forming the wound structure is by spiral or helical winding. The wound strip is cut to desired length and fed into a roving stitching machine in the manner described in connection with FIG. **15**.

Referring to FIG. **12**, plastic foam strips **170** of convenient length are fed end-to-end through a helical winding apparatus **171**, illustrated diagrammatically. Helical winding of core reinforcements offers major economic advantages compared to existing processes. Fibers in roving form cost approximately 50- to 60-percent of those incorporated into double-bias 45-degree fabrics, and winding machine production rates are five to ten times those of braiding machines. If desired, the foam strip may be provided with one or more grooves **39** as described in connection with FIG. **1** to facilitate the flow of resin in a subsequent molding operation. The foam strip **170** has a thickness equal to the thickness of the sandwich panel core to be produced from the strip and a width equal to the desired spacing of reinforcing webs within the core.

As the strip **170** advances through the winding apparatus **171**, it passes through the axes of a rotating bobbin wheel **172** rotating in one direction and a bobbin wheel **173** rotating in the opposite direction. Each wheel is loaded with a number of bobbins **174** wound with fibrous reinforcing rovings **175**. Rotating bobbin wheel **172** winds a layer **176** of rovings onto the foam strip at a single angle which is determined by the rate of advance of strip **170** through the apparatus **171** and the rate of rotation of the bobbin wheel **172**. The single-wound strip then advances through the counter-rotating bobbin wheel **173** which winds a second layer **177** of rovings over wound roving layer **176**.

Winding apparatus **171** may be scaled to efficiently process a wide range of foam strip sizes, for example, from one-

quarter inch to one foot or more in thickness. The rovings may be of different thicknesses and may be closely spaced, so as to cover the surface of the foam strip or more widely spaced, depending upon structural requirements of the finished wound strip and the composite panel into which it will be incorporated. Rovings applied to the surfaces of the foam strip may have a weight totaling as little as 0.1 ounces or less per square foot and as much as 5.0 ounces or more per square foot. The rovings shown in FIGS. 12-14 are thicker than normal, so that details of construction may be understood. The rovings may be wound at angles of +45 degrees and -45 degrees for maximum resistance to shear stresses in applications in which the strip is subjected to bending loads, or the rovings may be applied at other angles dictated by structural requirements of specific end products into which they will be incorporated.

The continuous foam strip 170 with overlying wound layers 176 and 177, is cut to length by a traveling cutting apparatus, such as a circular saw (not shown) to form finished wound strips 178. Since the wound foam strips 178 are used as the foam and web elements of a hybrid sandwich panel such as the one shown in FIG. 14, their length is equal to the desired width of the sandwich core panel. Prior to being cut, the wound rovings 174 are secured against unraveling, for example, by being wrapped on either side of the cut with yarn 179 impregnated with hot melt adhesive, or by applying adhesive tape around the cut location, or by applying adhesive to the rovings. If desired, foam strips 170 may be wound with a barrier film applied before the roving layers to protect the foam from moisture, resin attack or the like.

Finished strips 178 are advanced to the infeed end of core forming apparatus 200 illustrated in FIG. 15 and are inserted into the apparatus as described in connection with FIG. 15, or are advanced into an apparatus (not shown) for attaching strips together with an adhesive veil 241, as shown in FIG. 18. Labor cost per square foot of core produced is very low. In a variation of the winding process described in connection with FIG. 12, a layer 180 of longitudinal fibrous rovings is applied to the surface of the foam strip 170, in a direction parallel to the longitudinal axis of the strip and prior to rovings 174 being wound around the strip so that the layer 180 is held in place by the wound rovings 174. The rovings of longitudinal layer 180 are supplied from stationary roving packages 181 and are pulled through winding apparatus 171 by the forward motion of the advancing foam strip 170. The longitudinal rovings may be applied to two opposing faces of the strip, as shown in FIG. 12, to serve as sandwich panel skin elements as will be described in connection with FIG. 14. Alternately, the longitudinal rovings may be applied to all faces of the foam strip in order to provide compressive and buckling properties required for structural columns.

FIG. 13 provides a detailed view of a wound foam strip 178, showing the layering and orientation of the four sets of porous and fibrous rovings applied during the winding process illustrated in FIG. 12. In FIG. 13, all rovings are shown as having flat cross section and are closely spaced to cover the surface of closed cell plastic foam strip 170. The longitudinal roving layers 180 cover the top and bottom faces of foam strip 170. The first layer 176 of wound roving, shown at an angle of +45 degrees, covers longitudinal roving layers 180 and the side faces of the foam strip 170. The second layer 177 of wound rovings, at an angle of -45 degrees, covers the first wound layer 176. When subsequently impregnated with a curable thermosetting resin or hardenable thermoplastic resin, all of the fibrous rovings, along with the cured or hardened resin, produce a structural element having the general properties of a beam of rectangular tubular cross section.

FIG. 14 illustrates a reinforced foam core sandwich panel of the intersecting web and strut hybrid construction described above in connection with FIG. 1, but in which the roving-wound strips 178 shown in FIG. 13, are substituted for the foam strips 33 with the attached web sheets 34 shown in FIG. 1. Additionally, FIG. 14 incorporates rovings in place of woven or knitted fabrics to form the sandwich panel skins, in the production method shown in FIG. 15. This combination of roving-wound foam core strips and roving-applied panel skins provides important structural and cost advantages. Referring again to FIG. 14, a structural composite panel 190 comprises a fiber reinforced closed cell plastic foam core 191 and opposing fiber reinforced skins 192. The reinforced foam core 191 comprises a plurality of parallel strips 178 shown in FIG. 13. If desired, foam strips 178 may be provided with diagonally wound rovings in only one direction by alternating right hand and left hand wound strips while forming the sandwich panel core, so that adjacent wound edges are at plus and minus angular orientation, rather than both with the same orientation and therefore structurally unbalanced.

The wound foam strips 178 are intersected at right angles by a plurality of parallel rows of spaced rods or struts 193 which extend between the faces of the core, and are made up of porous and fibrous reinforcing rovings. The struts 193 within each row are inclined at opposing acute angles to each other, to the panel skins 192, and to the plane surfaces of the wound strips 178. Overlying the wound strips 178 is a layer of parallel porous and fibrous skin rovings 194 which extend in a direction parallel to the plane of the rows of struts 193 and perpendicular to the wrapped strips 178 and their longitudinal rovings layer 180. A light weight fibrous veil, mat or scrim 195 overlies the skin roving layer 194 which may be applied to the panel 190 in the form of either a plurality of discrete rovings or as a unidirectional fabric having rovings adhered in advance to a light weight veil. The end portions of the struts 193 penetrate all layers of longitudinal rovings 180, wound rovings 176 and 177, skin rovings 194 and veil 195, and these end portions overlie veil 195.

The panel illustrated in FIG. 14 has been inverted from the position in which it is produced in the apparatus of FIG. 15 in order to show the continuous rovings which comprise the struts 193. As shown in FIG. 14, a plurality of continuous rovings have been stitched through sandwich panel 190 at opposing angles and from the same side of the panel, with each continuous roving segment 196 interlocked with itself in a chain stitch configuration. It is understood that alternate stitching methods may be used, for example lock stitching or cut loops as shown in FIG. 1.

An important feature of the fibrous reinforcing structure shown in FIG. 14 is that the longitudinal roving layer 180 on the wound strips 178 comprises the transverse reinforcements of the sandwich panel skins 192, and the +45 degrees and -45 degrees roving layers 176 and 177 which overlie longitudinal layer 180 also constitute elements of the sandwich panel skins. That is, the web elements of the core reinforcements are comprised of the same continuous wound rovings as the +45 degrees and -45 degrees skin elements. This results in greater resistance to delamination between core and skin structure, since the web-type core reinforcing webs do not terminate adjacent the panel skins as in FIG. 1. The roving layers 180, 176 and 177, which cover foam strips 178, also anchor the end portions of struts 193.

Reinforced core 190 shown in FIG. 14 may also be produced omitting the roving layers 180 and 194 and veil 195, which comprise skin elements continuous across the length and/or width of the panel. This may be desirable when the reinforced cores are used to produce large sandwich panels,

23

for example boat hulls, which generally consist of a plurality of cores adjacent one another and between the skins of the panel. In such panels, it is generally preferred to use skins of sufficient length and width to provide structural continuity across a number of cores, rather than to use cores having pre-attached skins, whether such pre-attached skins comprise reinforcing fabrics or of rovings integrated into the core as described in connection with FIG. 14. When continuous skin elements 180, 194 and 195 are omitted, the wound strips 178 remain tightly held together as a unitized core by the friction of strut rovings 193 which intersect adjacent cores and by the continuous strut roving segments which are stitched along the top and bottom faces of strips 178. In this configuration, the end portions 196 of struts 193 do not extend through the skins of the sandwich panel, but rather are trapped between the wound outer roving layer 177 and the panel skins applied to the surface of the core.

The roving-wound foam strips 178 of FIGS. 12-14 are shown as rectangular in cross section. If desired, these strips may be of other cross sections, for example, parallelogram or triangular, as shown in FIGS. 4, 5 and 19.

U.S. Pat. No. 5,904,972 discloses sandwich panel core elements comprised of discrete plastic foam blocks or strips wrapped with reinforcing fabrics. A plurality of the wrapped blocks are stacked between sandwich panel skins in a mold in honeycomb configuration, with the end portions of the foam blocks and edge portions of the wrapped fabric adjacent the panel skins. The helically wound foam strips 178 shown in FIG. 13 of the present application may be substituted for these wrapped blocks to provide comparable structural properties at substantial savings over the cost of fabrics and the labor of fabrication.

As described in U.S. Pat. No. 5,904,972, it may be desirable to extend the edge portions of the reinforcing fabric beyond the ends of the foam blocks, so that they may be folded over to form a flange for improved structural attachment to the sandwich panel skins. A similar extension of the wrapped and longitudinal roving layers 180, 176 and 177 of FIG. 13 may be achieved by alternating sacrificial foam blocks (not shown) end-to-end with core foam strips 170, winding the foam as described above, cutting the wrapped strips through the middle of the sacrificial foam blocks, and removing the sacrificial blocks. Foam strips 170 may also be provided with surface microgrooves prior to insertion into winding apparatus 171. Other suitable core materials may be substituted for the plastic foam used for the wound strips or blocks, for example balsa wood or hollow, sealed plastic bottles of similar geometric shape.

Since the structural properties of the sandwich panel cores shown in FIGS. 1-19 are usually provided primarily by the fibrous core reinforcing structure, the closed-cell plastic foam which comprises the cores may be selected on the basis of other desired panel properties, such as water or fire resistance, thermal insulation or light transmission. For example, translucent polyethylene foam and fiberglass reinforcing materials may be impregnated with translucent resin to produce a light-transmitting and load bearing panel for use as the roof of highway trailers or building roofs. It is also within the scope of the invention to substitute for the plastic foam other cellular materials, such as carbon foam or balsa wood.

FIGS. 1-8, 10, 11 and 14 illustrate fiber reinforced cores and sandwich panels which are produced in part by inserting, or stitching, porous and fibrous reinforcing elements such as fiberglass rovings through the thickness of foam plastic core materials. This may be accomplished by the apparatus 200 illustrated in FIG. 15. A plurality of foam strips 201 are inserted adjacent one another into stitching apparatus 200.

24

Strips 201 may be of rectangular or other cross section and may be provided with attached porous and fibrous webs of reinforcing fabric or with wound porous and fibrous reinforcing rovings, as previously described. It is understood that, if desired, foam boards having a length substantially greater than the width of strips 201 may comprise the foam plastic material.

The strips 201 are advanced in generally equal steps by, for example, a reciprocating pressure bar (not shown) or movable endless belts 202, to stitching heads 203 and 204, to which are rigidly attached a plurality of tubular needles 205, cannulae or compound hooks, adapted for piercing and for inserting fibrous rovings. Stitching heads 203 and 204 are inclined at opposing acute angles to the surface of strips 201. When the strips 201 stop advancing at the end of each forward step, the reciprocating stitching heads 203 and 204 insert the needles 205 into and through the strips 201. The needles are accurately positioned at their points of entry into strips 201 by needle guides 207. The porous and fibrous rovings 208, which have been supplied from wound roving packages (not shown), are inserted by the needles 205 through the strips 201 and emerge on the surface opposite their points of entry in the general form of the loops 115 as shown in FIG. 8.

Referring again to FIG. 15, the loops 115 are gripped by apparatus (not shown) which retains the loops formed beyond the surface of the strips from which they have emerged and, if desired, engages them with other loops to form a chain stitch as shown in FIG. 14 or with separately supplied rovings to form a lock stitch. The stitching heads 203 and 204 then retract, which advances into the needles 205 a predetermined length of rovings 208 sufficient to form the next stitch. After retraction, the row of strips 201 advances a predetermined step or distance and stops, and stitching heads 203 and 204 reciprocate to insert the next pair of opposing struts. The unitized assembly of strips 201 held together by stitched rovings 208 which intersect the strips, is cut by a saw or other suitable means into cores 209 of desired length.

The stitching apparatus 200 may be used to produce panels 209 having pre-attached porous and fibrous skins as shown in FIG. 1. Referring again to FIG. 15, reinforcing skin fabric 210 is supplied from rolls and advances adjacent the opposing faces of the panel 206 to stitching heads 203 and 204. As rovings are stitched through the strips 201 which form the panel 206, the rovings overlie the skin fabric 210 and mechanically attach the fabric 210 to panel 206.

The apparatus 200 shown in FIG. 15 may also be used to produce sandwich panels in which all structural reinforcing components of both core and skins comprise low cost fibrous rovings, as shown in FIG. 14. A layer of longitudinal skin rovings 194 (FIG. 14) is applied as the surface of panel 206 during its production in the stitching apparatus 200 shown in FIG. 15. A plurality of porous and fibrous rovings 211 sufficient to cover the faces of the panel are pulled by the advancing panel 206 from roving supply packages (not shown) and advance adjacent the exposed faces of strips 201 to the stitch heads. A thin, porous veil, mat or scrim 210 is pulled from rolls by the advancing panel 206 to overlie skin rovings 211 and hold them in place after the rovings 208 have been stitched through panel 206. The strips 201 have been provided with a longitudinal roving layer 180, as shown in FIG. 14, so that layers 180 and 194 of FIG. 14 comprise the transverse and longitudinal skin reinforcements of panel 206 produced in FIG. 15. It is also within the scope of the invention to provide panel producing apparatus 200 with a reciprocating mechanism (not shown) which applies transverse and double-bias angle rovings to the faces of panel 206. This permits the

25

production of the panels **150** shown in FIG. **11**, in which the foam core does not comprise wound strips **178** containing roving layer **180**.

In another preferred embodiment of the present invention, bi-directional panel strength is achieved by providing wound foam strips **177** with internal transverse reinforcing members, rather than by inserting structural rovings **193** through the strips **177**. Referring to FIG. **16**, reinforced foam strip **220** comprises a plurality of blocks or pieces **221** of foam plastic separated by sheets **222** of web-like fibrous reinforcing material, such as fiberglass or carbon fiber fabric or mat. Foam pieces **221** and reinforcing webs **222** are adhesively connected to each other for ease of processing and handling, while maintaining substantial porosity of the web material, as described in U.S. Pat. No. 5,834,082. Reinforced strip **220** may be provided with a groove **223** for the flow of resin. It is understood that other materials may be substituted for foam pieces **221**, for example balsa wood or plastic blow-molded cubes, without compromising the form or structural integrity of the core.

Referring to FIG. **17**, reinforced strip **230** is provided with layers **176** and **177** of fibrous rovings, as shown in FIGS. **12** and **13**, to form wound reinforced strip **233**. If needed for increased bending or axial strength, roving layer **180** shown in FIG. **13** may also be provided. Referring to FIG. **18**, reinforced core **240** is comprised of a plurality of wound reinforced strips **233** held together as a unitized structure by veils **241** adhered with heat activated binder to opposite faces of core **240**. If desired for greater bending flexibility, veil **241** may be applied to only one surface of the core. Other means of unitizing the core structure include adhering parallel bands of hot melt yarn or scrim across the wound strips or applying pressure sensitive adhesive to the faces of the strips which are in contact with each other. In lieu of veils **241**, structural skin fabric or mat may be adhered to the core surface to form a sandwich panel preform ready for impregnation. When one or more cores **240** is placed in a mold between fabric skin reinforcements and resin is flowed throughout the core and skin structure and cured to form a structural composite panel, fabric webs **222** and roving webs **242** comprised of four wound roving layers **176** and **177** form a grid-like reinforcing structure, and the portions of wound layers **176** and **177** adjacent the panel skins provide exceptional adhesive attachment for resistance of shear forces. The articulated construction of core **240** also permits a high degree of conformability to curved mold surfaces.

FIG. **19** illustrates an embodiment of a fiber-wound core **250** in which bi-directional strength and stiffness are achieved without the addition of either internal webs or roving struts. Fiber reinforced core **250** comprises a plurality of triangular foam strips **251** which have been provided with layers **252** and **253** of helically fibrous rovings to form wound strips **254**. The wound triangular strips **254** are held together as a unitized core structure by veils **255** adhered with a heat activated binder to outer wound roving layer **253** of wound strips **254**. The angles to which the triangular strips **251** are cut may be selected for the desired balance of shear and compressive strength.

It is within the scope of the present invention to use either of two general types of hardenable resin to infuse or impregnate the porous and fibrous reinforcements of the cores and skins. Thermoset resins, such as polyester, vinyl ester, epoxy and phenolic, are liquid resins which harden by a process of chemical curing, or cross-linking, which takes place during the molding process. Thermoplastic resins, such as polyethylene, polypropylene, PET and PEEK, which have been pre-

26

viously cross-linked, are liquefied by the application of heat prior to infusing the reinforcements and re-harden as they cool within the panel.

As an alternate to infusion of the porous reinforcement materials of the assembled panel structure with liquid resin, the reinforcing materials may comprise fabrics and rovings which have been pre-impregnated with partially cured thermoset resins which are subsequently cured by the application of heat. Similarly, reinforcing roving and fabric materials may be pre-impregnated with thermoplastic resins or intermingled with thermoplastic fibers which are subsequently fused together through the application of heat and pressure.

It is further within the scope of the invention to bond to the faces of the reinforced foam cores rigid skin sheet materials such as steel, aluminum, plywood or fiberglass reinforced plastic. This may be achieved by impregnating the core reinforcements with a curable or hardenable resin and applying pressure to the rigid skins while the resin cures, or by impregnating and curing the core reinforcement structure prior to bonding rigid skins to the core with adhesives.

FIGS. **20-23** show the steps in the construction of a fiber reinforced foam core panel comprising helically wound strips and having improved bi-directional strength and useful manufacturing advantages. In FIG. **20**, helically wound foam strips **178** are connected together to form unidirectionally reinforced core panel **260**. If desired, strips **178** comprising wound layers of rovings **176** and **177** (FIG. **2**) may incorporate web sheets **94** generally parallel to the faces of core panel **260**, as shown in FIGS. **6** and **7**, to stabilize the rovings **176** and **177** against buckling under load. A preferred method of connecting together a plurality of strips comprising low density foam and helically wound reinforcing rovings is shown in FIG. **23**, in which fiberglass scrim **271**, which has been coated with hot melt adhesive, is attached to opposing faces of the core panel by application of heat and pressure. Scrim **271** or rows of adhesive coated individual fibers may be used to connect adjacent strips in all of the core panel embodiments shown herein and comprising a plurality of strips or blocks.

Layers of rovings **176** and **177** may comprise materials resistant to adhesive bonding, for example, partially cured prepreg resin or thermoplastic fibers. When such materials are used, rovings **176** and **177** may be provided with additional spaced rovings comprising bondable fibers such as non-impregnated fiberglass or carbon fiber. Referring to FIG. **21**, the layer of rovings **177** crosses and overlies the layer of rovings **176**. If desired, the rovings may be wound onto the foam strip in a braiding process in which rovings **176** and **177** alternately overlie each other. This braiding option applies to all of the embodiments of the present invention which comprise two or more layers of reinforcing fibers wound onto a single strip of foam plastic or other low density cellular material. Strips **170** comprise closed cell foam if the core panel is intended for infusion with a liquid thermoplastic resin in a pressure differential process. Both closed and open cell foams may be suitable for core panels comprising prepreg rovings **176** and **177**, or comprising hardened thermoplastic resin components. After molding with skins and hardenable resin, foam may be removed from reinforced strips **178** by grit blasting, solvent or otherwise to produce hollow composite panels.

Referring to FIGS. **20** and **22**, core panel **260** is cut in a direction C perpendicular to the length of strips **178**, by gang saw or other means, into a plurality of first narrow fiber reinforced core panels **261** of desired thickness. During the cutting process, the severed end portions **262** of rovings **176** and **177** are frayed and are caused to protrude from the surface of foam strips **170** due to removal of a layer of foam by the

cutting process. Referring to FIG. 23, a plurality of first narrow core panels 261 are connected together, using adhesive scrim 271, to form a bi-directional core panel 270 having reinforcing webs extending both longitudinally and transversely. The protruding end portions 262 of reinforcing rovings 176 and 177 aid in making adhesive connection to opposing panel skins (not shown) when the panel is infused with a hardenable resin. If desired each strip 170 may be helically wound with a single layer of rovings 176 and adjacent layers of rovings 176 will still comprise crossing layers having balanced structural properties. Similarly, all core panels described herein and comprising adjacent strips may be wound with a single layer of helically extending rovings.

Cores of higher compressive strength may be produced by providing wound strips 178 with axial rovings 180 on one or more sides of foam strips 170 prior to winding, as shown in FIG. 13. In a finished core panel 270, these axial rovings, which may be similarly applied to core panels 290 and 300, extend perpendicularly between the faces of the panel. An important advantage of bi-directionally reinforced core panel 270 is that it can be quickly produced in any desired thickness from a pre-existing inventory of unidirectional core panels 260, by simply slicing panel 260 into first narrow core panels 261 whose width corresponds to the desired panel thickness and connecting the strips together as previously described.

Core panel 270 may be provided with substantially enhanced structural connection to panel skins as shown in FIGS. 24-26. That is a narrow core panel 261 (FIG. 24), comprising foam strips 170 and wound layers of rovings 176 and 177, is provided with additional helically wound roving layers 281 and 282, which overlie layers 176 and 177, to form second narrow core panel 280. A plurality of panels 280 are connected together, using adhesive scrim 271 or other means, to form reinforced core panel 290, shown in FIG. 26. Layers of wound rovings 281 and 282 form continuous webs extending between the faces of core panel 290, while layers of rovings 176 and 177 form discontinuous webs intersecting the continuous webs. All four layers of rovings are connected to sandwich panel skins 291 when hardenable resin is introduced into the sandwich panel. FIG. 25 shows in detail the greatly increased area of attachment of fibrous core reinforcing rovings to the panel skins. Referring again to FIG. 24, if the layer of rovings 282 is omitted, layers of rovings 281 on adjacent wound strips 280 will form reinforcing webs in which the rovings 281 cross at opposing angles.

FIG. 27 shows a variation of bi-directionally reinforced core panel 290, in which second narrow core panels 280 are rotated 90 degrees from the orientation shown in FIG. 26 before being connected together. In the FIG. 27 configuration, the densest layers of rovings on each wound core panel 280 are positioned within the core rather than adjacent the skins. The orientation of wound panel 280 is selected to produce either core panel 290 or core panel 300, as determined by the desired balance of strength and stiffness between the reinforcing webs and the panel skins.

Bi-directional core panels produced by helically winding reinforcing members, such as those illustrated in FIGS. 23 and 26, are comprised of a plurality of foam blocks which are attached together. This articulated configuration allows the panel to conform to curved surfaces, provided that the convex face of the panel is unitized by scrim fibers of relatively low tensile strength, or the curvature is achieved by applying heat to soften the adhesive which connects the scrim to the panel face. Referring to FIG. 23, adhesive scrim 271 of high tensile strength, such as fiberglass, may be applied to opposing faces of core panel 270 after the panel is formed to simple or compound curvature against a forming tool. After the scrim

adhesive has set, the pressure may be released and core panel 270 retains its curvature. This method is useful for the production of preforms which may be efficiently loaded into curved molds. Adhesive scrim may also be used in this manner to produce curved preforms comprising non-reinforced foam plastic.

Core panels which are used with thin skins, for example roofs for trailers, may provide adequate shear strength and stiffness in the core but insufficient support for the skins under conditions of impact or compressive loads. The poor skin support may be due to the absence of core reinforcements which overlie the core panel faces, as in FIG. 23, or to the use of relatively wide strips of the helically wound foam comprising the core panel, which results in widely spaced webs supporting the skins. A means of providing additional skin support is shown in FIG. 27, in which bi-directional core panel 300, which comprises a plurality of narrow core panels 280, has been provided with rigid skin support members 301. In a preferred embodiment, support members 301 comprise fibrous rovings, for example fiberglass, which are inserted into slits formed in narrow core panels 261, shown in FIG. 22, prior to panels 261 being helically wound with reinforcing rovings 281 and 282 to form narrow core panel 280, shown in FIG. 24. Support members 301, described a generally beam-like rectangular cross section and are in turn supported at each point at which they intersect core reinforcing webs 302, which comprise wound layers of rovings 176 and 177, shown in FIG. 22. Referring again to FIG. 27, compression or impact loads applied to panel skins 291 are transferred by skin support members 301 to reinforcing webs 302, thus preventing damage to skins 291.

FIGS. 28-30 illustrate another embodiment of the present invention, in which fiber reinforced strips 310 are provided with reinforcing rovings 311 which extend axially along one or both sides of the corners of foam strips 170 and beneath one or more helically wound layers of rovings 176 and 177. This construction is shown enlarged in FIG. 29. When a plurality of reinforced strips 310 are connected together as previously described to form reinforced core panel 320 as shown in FIG. 30, adjacent pairs of reinforcing webs comprised of crossing helically wound rovings cooperate with corner axial rovings 311 to form, in effect, a plurality of structural bar joists having top and bottom chords which are separated by rod-like shear members. This structure provides superior impact strength and enhanced attachment strength between web reinforcements and panel skins, and permits the use of reduced skin reinforcements. If desired, axial corner rovings 311 may also be added in the construction of bi-directional core panels such as shown in FIGS. 24-26.

Additional axial rovings may be provided beneath wound rovings to cover any or all of the surfaces of foam strips 170 in any of the forms of the present invention having helically wound reinforcing members. Single reinforced strips 310 (FIG. 28), after molding with hardenable resin, may be used as discrete structural members, such as columns or box beams. Performance of such structural members may be further enhanced by providing transverse reinforcing members as shown in FIGS. 17 and 24 and by providing additional axial rovings to cover all exposed foam surfaces. Columns may be further reinforced by helically wrapping layers of reinforcing material, for example, fiberglass or carbon fiber fabric, around foam strips 170 at the end portions of the strips, or in other desired areas of the strips, prior to winding roving layers onto the strips, for purposes of providing enhanced strength in areas of structural attachment.

Molded column-like structural members may be economically produced by a continuous process in which the fiber

reinforced foam output of a helical winding apparatus feeds directly and continuously into a molding apparatus, for example a resin injection pultrusion apparatus (not shown) for the application and cure of thermoset resins. Similarly, helically wound fiberglass rovings commingled with thermoplastic filaments, such as "Twintex" rovings manufactured by Saint-Gobain Vetrotex, may be commingled and hardened by being continuously advanced through an apparatus (not shown) which successively applies heat and cooling to the fiber reinforced foam structure. It is also within the scope of the invention to provide a continuous process in which the fiber reinforced product of a helical winding apparatus is cut to form components of predetermined length and said components are delivered into a mold for subsequent application and hardening of resin.

FIG. 31 illustrates a unidirectional fiber reinforced core panel 330 comprising a unitized plurality of helically wound strips 331 in which support for panel skins is provided between helically wound core reinforcing webs. At least two foam strips 170 are provided on one or both sides with facings 332 which may comprise rigid strip material or may comprise porous and fibrous material, for example fiberglass mat, into which resin flows and hardens during molding of the core panel. In a particularly economical embodiment, foam strips 170 are cut from low cost plastics foam insulation boards produced in a continuous process in which the foam is introduced between continuous sheets of fiberglass mat 332. Pairs of adjacent mats 332 provide substantial support to panel skins between the core reinforcing webs comprising helically wound rovings. Those segments of fiberglass mat which are adjacent the wound rovings cooperate to form structurally enhanced reinforcing webs 333, which are comprised of two layers of fiberglass mat 332 and four layers of wound rovings 176 and 177. This structure provides both an increased amount of reinforcing fibers, compared to webs which are helically wound only, and improved resistance to web buckling under load, due to the greater overall thickness of the webs. In lieu of fiberglass mat, strips 332 may comprise a variety of other materials, including, for example, aluminum foil, which may be used to protect foam strip 170 during the application of radiant heat applied to strip 331 in order to melt thermoplastic components of rovings 176 and 177.

FIG. 32 illustrates a form of reinforced core panel which can be produced in greatly increased quantity from a given roving winding apparatus. Reinforced core panel 340 comprises alternating strips of roving wound plastics foam 178 and plain plastics foam strips 170. By increasing the weight of reinforcing rovings wound on strips 178, structural properties roughly equivalent to those of uniform strip core panel 260 shown in FIG. 20 may be achieved in the alternating strip core panel shown in FIG. 32.

The method of helically winding foam strips permits the production of sandwich panels having cores whose structural properties vary along the length of the core. This configuration is achieved by varying in a controlled manner the spacing and angle of the rovings as they are wound onto the foam strips which will be subsequently unitized to become core panels. FIG. 33 shows wound strip 350 comprising foam strip 170 and spaced helically wound rovings 176 and 177. Referring to FIG. 12, the angle and spacing of the rovings on foam strips 170 are controlled by varying the speed at which the strips are advanced through winding heads 172 and 173 at a given rate of rotation of the heads. This relationship may be closely controlled through the use of programmed strip conveyor drive motors. For example, as strip feed speed is decreased the spacing of the wound rovings decreases and the angle at which the rovings cross the axis of the strip decreases.

The spacing of winding heads 172 and 173 from each other is preferably adjustable to correspond to the desired length of strip 350. Wound strip 350 shown in FIG. 33 illustrates a foam strip in which the density and angular steepness of the rovings with respect to the faces of strip 350 are highest at the ends of the strip, for the purpose of providing enhanced compressive strength to resist concentrated loads over panel supports. For improved bi-directional strength, reinforced strip 261 shown in FIG. 22, or reinforced strip 310 shown in FIG. 28 may be substituted for non-reinforced foam strip 170 shown in FIG. 33.

FIG. 33 also illustrates a means of providing improved skin strength in composite panels of non-uniform core thickness. It is common in structural sandwich panels for edge closeout portions of the panel to taper or step down to lesser thickness, and thickness variations are sometimes required within the interior of the panel. When the fibers comprising panel skins deviate from a plane surface, tensile or compressive stresses in the skins may lead to failure of the skin reinforcements and delamination of the skins from the panel core. The helically wound strip 350 shown in FIG. 33 has been provided with layers of axial rovings 180, as described in connection with FIGS. 12 and 13, on the opposing faces of strip 350 which will comprise the faces of a reinforced core panel. As described in connection with FIG. 14, the axial layer of rovings 180 serves the function of skin fibers extending in the direction of the strip, and the axial rovings are helically overwound by layers of rovings 176 and 177. Under conditions of bending stress, the tendency of axial rovings 180 to fail at or near core thickness transition area 351 is reduced because the helically wound roving layers constrain the axial rovings from moving outward. Stability of the axial rovings may be further enhanced by providing strip 350 with transverse reinforcements, as previously described, to prevent roving layer 180 from buckling inward.

In helically wound unidirectional core panels comprising low density foam, the resistance of relatively thin reinforcing webs in relatively thick panels to buckling under compressive or shear loads may be substantially improved by decreasing the slenderness of the webs. FIG. 34 shows core panel 360 comprising fiber reinforced foam strips 178 and web spacer strips 361, whose function is to cooperate with layers of rovings 176 and 177 to form compound reinforcing webs 362. Spacer strips 361 may comprise foam plastic of greater compressive strength than that of foam strips 170, porous matting, or other material of sufficient strength to cause compound reinforcing web 362 to function as a structural web of increased thickness. The spacer and roving components of compound web 362 are structurally bonded together by the resin used to infuse the sandwich panel. Spacer strips 361 serve to divide the mass of resin present between foam strips 170 and thereby to reduce the shrinkage normally induced in a local mass of resin during the curing process. This reduced shrinkage along the reinforcing webs increases the flatness of molded panel skins which improves appearance and may permit the use of lighter skin reinforcements.

Sandwich panels comprising helically wound strips have proven effective in retaining substantial structural integrity after high energy ballistic impact, for use in applications such as casings for jet engines or structural backup for armor designed to prevent penetration by projectiles. FIG. 35 illustrates a cylindrical or annular embodiment of the present invention useful as a jet engine casing, in which structural continuity of core properties is optimized by eliminating joints between the ends of helically wound foam strips, so that every helically wound roving within the entire panel is unbroken. Cylindrical or annular core panel 370 is produced from a

31

single helically wound foam strip **371**, by wrapping strip **371** continuously around a cylindrical or non-cylindrical mandrel in a helical pattern.

Wound strip **371**, which comprise plastics foam strips **170** and layers of helically wound rovings **176** and **177**, may be of cross sectional shapes other than rectangular, for example, triangular, as shown in FIG. **19**, or trapezoidal and in which the reinforcing webs within the core are oriented at opposing angles to provide transverse shear strength to the core. Transverse shear strength may also be provided by providing wound strip **371** with internal transverse reinforcements, for example as shown in FIG. **24**. If desired, a second continuous strip **371** may be helically wound over core panel **370**, preferably at a crossing angle, for greater strength. Hoop strength and impact resistance of core panel **370** may also be enhanced by providing axial rovings **180** beneath wound rovings **176** and **177**, as shown in FIG. **13**. Ballistic impact resistance of sandwich panels having helically wound core reinforcements and structural skin reinforcements may be increased by stitching fibrous reinforcements through the panel skins and core, at crossing angles or perpendicular to the panel skins, as previously described in connection with FIGS. **14** and **15**. Continuous reinforced strips **371**, in one or more layers, may also be used to form enclosed containers of cylindrical or box-like configuration and intended to resist explosion, by forming strip **371** around all faces of the container and providing skins applied by a filament winding process.

Continuous strip **371** may be wound using a relatively low weight or relatively brittle reinforcing fibers, for example carbon tow, in order to allow a ballistic object such as a jet engine fan blade, to penetrate the cylindrical casing without seriously compromising the shape or structural integrity of the panel, and the penetrating object is arrested outside the casing, for example by a surrounding wrap of non-resin-impregnated aramid fabric, such as Kevlar. Alternately, the panel may be designed to contain the impacting object while still maintaining the integrity of the panel. In this configuration, it may be desirable to employ, as a core, skin and through-panel stitched reinforcements, fibers such as aramid or steel which will elongate under impact and resist penetration. By employing resin film barriers **41** described in connection with FIG. **1**, specific layers of these impact resistant reinforcements may be kept generally free of resin during molding, to optimize ballistic impact performance.

FIG. **36** shows an embodiment of the present invention in which hollow tubes are substituted for foam strips to produce a non-insulated structural sandwich panel which may be used for the distribution of air or water or as an efficient heat exchanger, especially when provided with reinforcing fibers of high thermal conductivity, such as carbon. Reinforced core panel **380** comprises a plurality of thin-walled tubes **381**, which may be of rectangular, triangular or other cross sectional shape, and which are helically wound with layers of reinforcing rovings **176** and **177**. Tubes **381** may serve primarily as mandrels on which the structural rovings are wound and may therefore comprise structurally weak material such as stiffened paper. Alternately, tubes **381** may comprise material having significant structural properties, such as roll formed or extruded plastic or aluminum, preferably surface treated for structural bonding to the wound reinforcing layers and to subsequently applied panel skins.

The walls of tubes **381** comprising thin flexible material may be provided with convex curvature to resist pressure during the molding process. Molding pressure may also be resisted by sealing the ends of tubes **381** during the process of producing core panel **380** or during the molding process. Sealed helically wound flexible tubes of circular cross section

32

containing air or other gas and comprising film plastic or other material impervious to resin, may be unitized to form core panel **380** and may be made to conform to generally rectangular cross section during the molding process by applying pressure to the core panel faces using rigid platens. Core panels **380** which are sealed to prevent the intrusion of resin may be combined with skin reinforcements and molded using liquid resins. When rovings **176** and **177** comprise partially cured pre-preg thermoset resins or heat-softened thermoplastic resins, core panel **380** may be molded by the application of heat without sealing the ends of tubes **381**.

FIGS. **37** and **38** show an embodiment of reinforced core panel in which the helically wound core reinforcements which extend between and over the faces of the core panel also extend over the edges of the core panel. This construction provides superior transfer of structural loads in the core panel to adjacent core panels and to the edges of the sandwich panel and is illustrated in FIG. **37**. Spaced foam strips **170**, preferably provided with axial corner rovings **311** as described in connection with FIGS. **28-30**, are passed through a helical winding apparatus as previously described, to form continuous reinforced strip **390**. Strip **390** comprises a plurality of axially spaced, helically wound foam strips **178**, which may be provided with spaced transverse reinforcing members as described previously, and which are connected to each other by layers of rovings **176** and **177**, and the roving layers are supported between strips **178** by axially extending rovings **311**, to form hollow wound segments **391**. The wound roving layers are maintained intact across the spaces between the foam strips.

In a second step, shown in FIG. **38**, the wound strips **178** are folded back-and-forth, so that successive strips are adjacent one another to form reinforced core panel **400**. The reinforcing rovings comprising hollow wound segments **391** are folded and collapse across the ends of strips **178**, to provide superior adhesive attachment of the strip ends to adjacent panel components in order to transfer structural loads between interior core panel reinforcements and exterior core panel edges. Reinforced core panel **400** may be produced in continuous lengths by applying continuous adhesive scrim to connected strip segments **178** after they are moved or folded into contact with adjacent strips. In its continuous form, core panel **400** is well adapted for continuous molding processes, such as pultrusion, linked to the roving helically winding apparatus.

In another embodiment of the invention, fiber reinforced foam core panels may be provided with bi-directional strength by helically winding reinforcing rovings onto foam strips of serpentine shape. FIG. **39** illustrates reinforced core panel **410** comprising helically wound foam strips **411**, each having a serpentine configuration and shown with sandwich panel skin reinforcements **291**. The serpentine webs **412**, which comprise crossing layers of helically wound reinforcing rovings **176** and **177**, provide core panel **410** with shear strength in both longitudinal and transverse directions, and the ratio of strength in each direction is determined by the angular deviation of webs **412** from a straight line. Foam strips **170** may have parallel edges of serpentine configuration in lieu of the symmetrical non-parallel edges shown in FIG. **39** and may be cut from foam boards, using multiple gang saw water jets, or hot or abrasive wires or may be formed by applying heat to thermoformable linear foam strips. The winding angle of the wound rovings on strips having non-parallel edges, may be controlled by varying strip feed through the winding apparatus, as described previously.

The impact resistance of sandwich panels comprising fiber reinforced cores impregnated with thermoset resins may be

substantially increased by incorporating thermoplastic resins of superior impact properties into the outer portions of the sandwich panel skins, instead of allowing the more brittle thermoset resins to extend to the outer surfaces of the panel. FIG. 40 illustrates a greatly enlarged section of composite sandwich panel 420 comprising helically wound fiber reinforced core 260 and panel skins 421 and 422. Foam strip 170 has been provided with resin distribution grooves 223, previously described as grooves 39 in connection with FIGS. 13 and 14. Panel skin 421 comprises fibrous reinforcing mat or fabric whose outer portions 423 are impregnated with thermoplastic resin, for example polypropylene, which extends from the outer surface of skin 421 and partially through the thickness of the skin.

This layer of thermoplastic resin may be provided by applying thermoplastic film to one side of fibrous skin 421 under heat and pressure prior to infusing panel 420 with thermoset resin. If desired, a layer of fabric comprised of commingled fiberglass and thermoplastic fibers, for example "Twintex" fabric from Saint-Gobain Vetrotex, may be substituted for the thermoplastic film. The commingled fabric is heated to form a reinforced thermoplastic outer surface and to flow the thermoplastic resin partially through the thickness of the underlying reinforcing fabric. Enhanced impact resistance may also be achieved by applying "Twintex" skin fabric 422, which has not been consolidated by application of heat, to reinforced core panel 260, and infusing all core and skin reinforcements with thermoset resin. The thermoplastic filaments which comprise skin 422 impart enhanced impact resistance to the infused skin, and the skin may be heated after infusion to melt the thermoplastic fibers.

In a preferred method of producing helically wound fiber reinforced composite panels having low density cellular cores such as foam plastic, core panels are provided with separately applied fibrous reinforcements and hardened thermoplastic material, rather than with commingled-filament roving such as "Twintex" fabric. Referring to FIG. 20, foam strips 170 may be provided with a surrounding layer of thermoplastic resin, for example polypropylene, by applying heated and liquefied resin to the strips in a continuous extrusion process, after which the resin is cooled and solidified prior to helically wrapping reinforcing rovings 176 and 177 over the strips. Wrapped strips 178 may be connected together, and the thermoplastic resin impregnates the reinforcing fibers by application of heat and pressure, and skins comprising fibrous reinforcements and thermoplastic resin may be similarly attached to the core panel. In lieu of extrusion, strips of thermoplastic material may be provided adjacent the layers of rovings 176 and 177 and between foam strips 170.

In still another method, foam strips 170 are helically wound with layers of rovings 176 and 177, each of which is comprised of a plurality of reinforcing rovings, such as fiberglass, and thermoplastic rovings. In all of these methods of separately applying fibrous reinforcing and thermoplastic components to the foam strips, subsequent impregnation of the reinforcing fibers by application of heat and pressure is generally less complete than that achieved by using commingled-filament rovings. The advantage of the present methods is that very low cost materials, including recycled thermoplastics, may be used in the production process. It is understood that monofilament fibers of various flexible materials, including metals and high tensile strength plastics, may be used as reinforcements in all of the fiber reinforced panels described in the present invention, in lieu of fibrous rovings comprising a plurality of filaments.

As previously described, embodiments of the present invention are adapted for use with liquid thermoset molding

resin in processes in which the resin flows throughout and impregnates the internal core reinforcing elements under differential pressure. These embodiments are illustrated in FIGS. 1-40 and comprise porous reinforcing elements within the core panel. Major portions of the sandwich panel industry employ processes in which differential pressure is not utilized or is insufficient to cause the resin to wet out the core reinforcements. As the thickness of the sandwich panel core increases, the absence of differential pressure severely limits the extent to which molding resin can penetrate and flow throughout the core reinforcing members, for example fiberglass rovings, within the core. Penetration and hardening of the resin is essential to achieving the structural properties of the fiber reinforced core and sandwich panel.

Several embodiments described herein adapt the present invention for use in sandwich panel manufacturing processes which do not employ differential pressure. Such processes include, for example, open molding with liquid resins, open-bath pultrusion, and adhesive lamination of rigid skins to panel cores. In embodiments adapted for these processes, those portions of the reinforcing members situated within the sandwich panel core are impregnated and hardened during the production of the core panel, and those portions of the reinforcing members adjacent the faces of the core panel remain porous. The hardening of the internal reinforcing members secures the desired core structural properties, and the porosity of those portions of the reinforcing members adjacent the core panel faces adapts the core for especially strong structural attachment to sandwich panel skins which are subsequently attached to the core using adhesive resins.

Hardened web core panels may also be used advantageously in molding processes employing differential pressure, such as resin infusion, injection pultrusion and resin transfer molding. In these exothermic resin curing processes, resin temperatures within the core are significantly reduced by decreasing or eliminating the amount of uncured resin in the webs, thus reducing the likelihood of foam damage or generation of volatile gasses. It may be useful to perforate the hardened web core panel to allow flow of skin molding resin from one face of the core panel to the other. Alternately, the webs of the core panel may be only partially impregnated and hardened, so that some residual porosity remains in the web reinforcements to permit flow of resin during the molding process.

FIG. 41 illustrates structural composite sandwich panel 430, useful as the wall of a refrigerated trailer or recreational vehicle, comprising reinforced core panel 431 and panel skins 432. Core panel 431 comprises a plurality of helically wound strips 178 of plastics foam or other low density cellular material constructed generally as described in connection with FIGS. 12-14. Axial roving layers 180 are not shown in FIG. 41 but may be provided if desired. If desired, wound foam strips 178 may omit second roving layer 177 and, if desired, may also be provided with pre-attached reinforcing mats 332 as shown in FIG. 31 or with transverse reinforcing members 222 as described in connection with FIG. 16.

Referring again to FIG. 41, prior to consolidation of a plurality of strips 178 to form core panel 431, a hardening adhesive resin 433, for example polyester or polyurethane, is applied to those portions of porous wound roving layers 176 and 177 which comprise the reinforcing webs of core panel 431. Resin 433 may be applied to both opposing web faces of each foam strip, or it may be applied to only one face, in sufficient quantity to wet out the porous fibers of the adjacent web face when strips 178 are connected together. If desired, some porosity may be retained by limiting the amount of resin applied. Heat may be applied to the roving layers prior to

35

application of resin to facilitate wet-out of the reinforcing fibers by reducing the viscosity of the resin when it contacts the heated reinforcements. The increased temperature also accelerates the rate of resin cure subsequent to application of the resin. Web strips **178** are connected together by pressing adjacent strips against each other in a stack while resin **433** hardens to form composite reinforced webs **434**. Alternately, the web portions of individual strips **178** may be hardened, and adhesive scrim or other connection means may be used as previously described to consolidate a stack of strips **178** to form core panel **431**.

In the embodiment shown in FIG. **41**, web hardening resin **433** is withheld from those portions of the core panel webs immediately adjacent the faces or opposite side surfaces of the core panel, for example for a distance of one-eighth inch from the faces of the core panel, in order to permit wicking or flow of skin attachment resin into the outer portions of the web reinforcements for improved structural attachment of webs **434** to skins **432**. It is understood that, if desired, hardening resin **433** may extend fully to the opposite side surfaces or faces of the core panel, or the resin may further extend partially or entirely across the faces of the core panel.

FIG. **51** illustrates core panel **500**, in which web hardening resin **433** extends laterally across a portion of the exposed surfaces or faces of adjacent fiber wound strips **178** to form a series of structural I-beams **501**. This embodiment is useful for increasing the strength and stiffness of sandwich panels in which an adhesive of relatively low structural properties is used to attach skins to the core panel. Resin **433** impregnates the wound fibers between adjacent strips **178** and also impregnates a portion of the wound fibers **502** extending across the faces of core panel **500**, and resin **433** hardens to form structural I-beams **501**. Skins **432** are attached to core panel **500** using adhesive **435** which penetrates porous wound fiber portions **502** to form a strong skin-to-core bond, while hardened I-beams **501** provide enhanced panel strength and stiffness.

If the opposite side surfaces or faces of core panel **431** are entirely impregnated with resin **433** and hardened, core panel **431** becomes a rigid sandwich panel. Structural properties of this resulting sandwich panel and of the I-beams **501** shown in FIG. **51** may be enhanced by providing the wound strips **178** with longitudinal fibrous rovings **180** as described in connection with FIGS. **13** and **14**. Web hardening resin **433** may be applied by roll coater, extrusion, spray or flow apparatus, resin film or otherwise. The resin may be thermoset, for example polyester, epoxy or urethane or it may be thermoplastic, for example polypropylene, PET or nylon. The rate of hardening of thermoset resins may be accelerated by the application of high catalyst levels, heat, ultraviolet radiation or otherwise, in order to increase the rate of attachment of wound strips **178** to each other to form core panel **431**.

Thermoplastic resin may be incorporated into roving layers **176** and **177** during the winding process by providing rovings comprising commingled structural and thermoplastic filaments, for example "Twintex" manufactured by Saint-Gobain Vetrotex, or structural rovings surface coated with thermoplastic resin as manufactured by Hexcel Corporation. Strips **178** comprising thermoplastic resins are connected to each other by pressing the strips together after applying sufficient heat to the web portions of the strips to melt the thermoplastic matrix. Alternately, electrically conductive fibers, for example, carbon fiber may be provided adjacent wound layer **176** and **177**, and electrical current may be passed through the conductive fibers to melt the thermoplastic matrix. Layers **176** and **177** may, if desired, comprise hardened fiber reinforced thermoplastic tapes, such as "Zenicon"

36

manufactured by Crane Composites, in lieu of Twintex rovings. The thermoplastic tapes may be wound onto foam strips **170** by providing sufficient heat to soften the tapes prior to contact with strips **170**. Tape-wound strips are connected together as described for Twintex. It is also within the scope of the invention for layers **176** and **177** to comprise high tensile strength polymer fibers, for example MFT by Milliken and Cury by Propex.

Finished core panel **431** (FIG. **41**) is moved to a molding or lamination process in which sandwich panel skins **432** are attached to the core panel as previously described, using adhesive resin **435**. Resin **435** used to attach the skins may be, but need not be, of the same type as resin **433** used to harden webs **434**. Resin **433** may, for example, comprise catalyzed polyester resin, and resin **435** may comprise moisture curing polyurethane resin, or one resin may be thermoplastic and the other thermoset. Skin attachment resin **435** wets out the porous portions of wound roving layers **176** and **177** which comprise the opposite side surfaces or faces of core panel **431** and may comprise the edge portions of the webs adjacent the core panel faces, providing a strong structural attachment of skins to core.

Adhesive resin for bonding skins, is similarly applied if all portions of roving layers **176** and **177** have been impregnated and hardened as previously described. Sandwich panel skins **432** may be porous and fibrous prior to attachment of resin **435**, for example fiberglass fabric, or they may be rigid, for example aluminum or fiberglass reinforced plastic sheet. The skin attachment resin may be applied by any convenient application process and does not require differential pressure for flowing into webs **434**, since these have already been hardened, as previously described. When core panel **431** comprises roving layers which incorporate a thermoplastic matrix, skins may be attached by heating the core faces to liquefy the thermoplastic matrix of the exposed roving layers.

Sandwich panel **430** may be used as a construction panel or building wall by incorporating skins **432** comprising sheet materials common in the construction industry, for example decorative plywood or thin painted metal. Adhesive resin **435** may also be used to adhere a plurality of pieces of individual cladding materials, for example glazed tiles brick or stone. In a useful variation of the panel shown in FIG. **41**, resin layer **435** may comprise a mastic-like material such as fiber reinforced polymer stucco, or other hardening wall surfacing material. In this embodiment, the material comprising layer **435** penetrates fibrous roving layers **176** and **177** prior to hardening to form a permanent structural bond to the faces of core panel **431** and cooperates with hardened webs **434** to resist structural loads applied to the building panel. If desired, hollow tubes may be substituted for foam strips **170** as previously described in connection with FIG. **36**, and the tubes may be filled with a dense material, for example sand or concrete, to render sandwich panel **430** shown in FIG. **41** useful as a soil retaining wall or highway noise barrier.

Hardened webs having porous portions adjacent the panel skins may also be provided in core panels in which the core reinforcing members comprise planar web sheets of fibrous reinforcing material, for example fiberglass cloth or mat. FIG. **42** shows reinforced core panel **440** comprising a plurality of foam strips **33** having attached porous fibrous web sheets **34** as previously described in connection with FIG. **1**. The steps of providing fibrous struts **35** shown in FIG. **1** are omitted. Referring again to FIG. **42**, hardening resin **433** is applied to porous web sheets **34**, and a plurality of foam strips **33**, with attached web sheets **34**, are connected together as described in connection with FIG. **41**. Web hardening resin **433**, shown in FIG. **42**, may be withheld from the edge portions of webs

34 adjacent the opposite side surfaces or faces of core panel 440 so that adhesive resin used to attach skins to the core panel, as described in connection with FIG. 41, will penetrate into the webs to provide an improved structural bond. Webs 434 may, if desired, comprise Twintex commingled fiberglass and thermoplastic fabric, and the webs may be hardened by application of heat and pressure, retaining porosity in the web edge portions for attachment to skins using liquid resins.

The embodiment shown in FIG. 43 illustrates sandwich panel 450 having spaced reinforced core strips. A plurality of roving-wound foam strips 178 having hardened web portions 451 and porous face portions 452 are assembled in a spaced-apart array or relation and are attached, using a lamination process, to opposing rigid panel skins 453, using adhesive resin 435. This embodiment substantially reduces the volume of plastic foam required and is useful in structural sandwich panels which do not require thermal insulation. If thermal insulation or continuous support for panel skins is required, alternating strips of plain foam and wound foam having hardened webs 451 may be connected together as generally described in connection with FIG. 32. The embodiments of the present invention shown in FIGS. 41 and 43 may, if desired, incorporate hollow tubes 381 as shown in FIG. 36, in lieu of foam strips 33. In an alternate embodiment, higher density materials, for example dimensional lumber, may be substituted for foam strips 170 to achieve improved structural properties.

FIGS. 44-47 show the steps in the construction of a reinforced core panel comprising helically wound strips and hardened structural webs and having improved bi-directional strength. Core panel 431 shown in FIG. 44 and having hardened webs 434, as described in connection with FIG. 41, is cut in a direction perpendicular to the length of strips 178 into a plurality of first narrow fiber reinforced core panels 462 of desired thickness. Referring to FIG. 46, first core panels 462 are helically wound with crossing roving layers 281 and 282 to form second reinforced strip 464. Referring to FIG. 47, hardening resin 433 is applied to adjacent faces of a plurality of second reinforced strips 464. Resin 433 wets out roving layers 177, 178, 281 and 282, shown in detail in FIG. 46, to form hardened webs 465 shown in FIG. 47, and strips 464 are pressed together and connected as resin 433 hardens, to form reinforced core panel 460 having hardened webs 465 extending longitudinally and hardened webs 434, shown in phantom, extending transversely. Sandwich panel skins may be applied to core panel 460 as described in connection with FIG. 41. Referring to FIG. 45, bi-directional core panels may also be produced by applying hardening resin 433 to the wound rovings of narrow core panel 462 and pressing the wound edges together as the resin cures, to form a core panel similar in architecture to that shown in FIG. 23.

FIGS. 48-50 illustrate schematically advantageous means of producing continuous sandwich panels comprising foam strips having layers of helically wound reinforcements. In panel molding apparatus 470 shown in FIG. 48, a plurality of continuous lengths of foam strips 471 having layers of porous reinforcing rovings are pulled from reel 472 into pultrusion apparatus 473 comprising resin bath or resin injection module 474 and heated die 475, by a pulling apparatus (not shown) commonly used in the pultrusion art. Continuous wound strips 471 are taken up onto reel 472 during the process of winding strips 177 as shown in FIG. 12, omitting the step of cutting strips 177 into lengths. If desired, a single continuous strip 471 may be provided in lieu of the plurality of strips shown in FIG. 48, and if desired, strips 471 may be pulled into pultrusion apparatus 473 simultaneously from a plurality of reels 472.

Strips 471 may be provided with transverse reinforcing members, axial reinforcements or other improvements previously described herein. As strips 471 progress through apparatus 470, skin materials 476, for example fiberglass cloth, are applied to the surfaces of strips 471, the skin and core reinforcements are wet out in resin module 474, the resin is hardened in heated die 475 to form reinforced sandwich panel 477 having reinforced core 478, and the sandwich panel is cut to desired length (not shown). Continuous strips 471 provide unbroken reinforcing layers 176, 177 and 180 within sandwich panel core 478, regardless of where sandwich panel 477 is cut, thus producing a panel of uniform strength throughout its length.

As previously described herein, the helically wound forms of the present invention are well adapted for continuous process production of molded composite panels. FIG. 49 illustrates an economical method of producing a continuous sandwich panel, useful as a trailer wall or building wall and having a core comprising fiber reinforced foam strips 178 transverse to the length of the panel. The efficient incorporation of transverse reinforcing members is especially difficult in traditional methods of continuous panel production such as pultrusion. Panel production apparatus 480 comprises winding apparatus 171 (FIG. 12), wound strip advance device 482, and molding module 483. Winding apparatus 171, described in connection FIG. 12, produces fiber wound foam strips 178 which, as shown in FIG. 49, are advanced successively by advance device 482 into and through resin module 483. The strips 178 may be advanced perpendicular to the length of the strips (FIG. 49) or at an acute angle relative to the direction of advance of the strips.

The wound strips may incorporate features previously described herein, for example, transverse reinforcing members within the strip. If desired, wound foam strips 178 may be fed from reels 472, as described in connection with FIG. 48, and cut to the desired length before being advanced into resin module 483. Prior to entering the molding module, the stack of strips 178 is provided with porous skin materials 484. Resin wets out porous skins 484 and the porous rovings in foam strips 178, and cures in molding module 483 to form continuous sandwich panel 485. In a particularly economical embodiment of the present invention, wound strips 178 are provided with axial roving layers 180, and a plurality of reinforcing rovings supplied from reels are substituted for skins 484, eliminating the cost of weaving reinforcing fabric.

Molding module 483 may be a pultrusion apparatus, as described in connection with FIG. 48, an extrusion apparatus as to be described in connection with FIG. 50, or other molding device known in the industry. An important advantage of this method is that panels of any desired width may be produced either directly from the output of a winding machine or alternately from a single reel of continuous fiber reinforced foam strip. Roving wound foam strip 178 may, if desired, comprise a pre-stiffened web 332 adjacent one or opposing faces of the foam strip, as shown in FIG. 31. In this configuration, webs 332 provide substantial compressive and shear strength to the core, and penetration of roving layers 176 and 177 by the molding resin used to attach skins 484 may, if desired, be omitted.

FIG. 50 illustrates an economical method of producing a continuous sandwich panel, useful as a construction plank, board or post of high strength, low material usage and low weight, and incorporating a plastics resin extrusion process. Panel production apparatus 490 comprises winding apparatus 171' and 173', and extrusion module 491. Winding apparatus 171' and 173', described in connection FIG. 12, produces continuous fiber wound foam strip 178 which, as shown in

FIG. 50, is advanced through extrusion module 491. In the module 491, heated liquid thermoplastic resin, for example PVC or polyethylene, is applied to wet out fibrous reinforcing layers 180, 176 and 177, and the resin is cooled and hardens to form continuous sandwich panel plank 492. Strip 178

comprises a plastics foam composition, for example, polyisocyanurate or phenolic, able to withstand the temperature of the heated extrusion resin. If desired, fiber wound foam strips 178 may comprise fibrous mat reinforcements 332 to supply enhanced compressive strength to sandwich panel 492, as described in connection with FIG. 31, and additional skin materials may be provided to sandwich panel 492 as described in connection with FIGS. 48 and 49. The reinforced foam core may, if desired, be supplied from reels as described in connection with FIG. 48. Also, if desired, the extrusion resin may comprise a filler material, for example cellulose wood flour, to produce surface properties useful in, for example, deck boards, in which case the extrusion process may include a first non-filled resin stage to ensure full wet-out of the fibrous reinforcements of sandwich panel 492. Also, panel board 492 may be provided with surface embossing or with additional surface layers of extruded resin to resist ultraviolet radiation, as commonly practiced in the extrusion art. Pultrusion module 473, described in connection with FIG. 48, may be substituted for extrusion module 491 shown in FIG. 50, depending upon the specific materials and properties required in sandwich panel 492. Fiber wound hollow tubes as described in connection with FIG. 36 may be substituted for wound foam strips 178, provided that the hollow tubes are sufficiently strong to resist the pressure of the extrusion process.

Any of the fiber reinforced core panels disclosed herein may be used to produce structural molded composite panels of a thickness exceeding that of the individual core panels. Two or more core panels may be stacked in a mold, with the fiber reinforcements of adjacent core panel faces in contact with each other or with a layer of reinforcing material, for example fiberglass fabric, separating the core panels. If desired, the fibrous reinforcements of adjacent core panels may be placed in crossing orientation to achieve specific structural properties, for example by stacking in crossing orientation two layers of the core panel shown in FIG. 18. Wound strips 178, shown in FIG. 32, may be provided with transverse reinforcing members as previously described, and two or more core panels 340 having said transverse reinforcing members may be stacked with strips 178 in crossing arrangement to form a second core panel having enhanced bi-directional strength. If desired, stacked core panels 340 may be separated by a reinforcing mat or fabric.

For purposes of clarity and comparison, core panels herein have been shown as rectangular in shape and as having sets of fibrous reinforcements generally parallel to the edges of the core panels. If required by structural considerations, the sets of reinforcements may be oriented to any desired angle to the direction or edge of the core panel. For example, referring to FIG. 18, transversely reinforced foam strips 233 may intersect the edges of rectangular core panel 240 at an angle of 45 degrees.

While the forms of the reinforced foam cores and core panels herein described and their method steps of construction constitute preferred embodiments of the invention, it is to be understood that the invention is not limited to these precise forms and method steps and that changes may be made therein without departing from the scope and spirit of the invention.

What is claimed is:

1. A method of efficiently producing a continuous composite core panel comprising the steps of:

continuously forming an elongated strip of low density cellular material having parallel opposite side surfaces and parallel opposite faces perpendicular to the side surfaces,

continuously applying a layer of crossing reinforcement fibers onto the faces of the strip and continuously applying the same layer of crossing reinforcement fibers onto the side surfaces of the strip, wherein said continuous applications are by helical winding with fibrous reinforcements,

feeding and cutting the continuous strip into a plurality of strips positioned in adjacent relation into a molding apparatus with the crossing reinforcement fibers on opposing faces forming webs positioned between the adjacent strips,

applying a hardenable adhesive resin into the crossing reinforcement fibers forming the webs between the opposing faces while retaining porosity in the crossing reinforcement fibers on the side surfaces for subsequently receiving additional adhesive resin by the molding apparatus, and

curing the hardenable adhesive resin on the opposing faces of the strips within the molding apparatus to harden the adhesive resin within the webs between the opposing faces of the strips and to produce a continuous core panel reinforced with adhesively bonded webs between the opposing faces of the strips with porous crossing reinforcement fibers on the side surfaces thereof.

2. A method as defined in claim 1 wherein the step of applying hardenable adhesive resin to the crossing reinforcement fibers forming the webs comprises applying a heat activated adhesive resin, and including the step of heating the heat activated adhesive resin within the molding apparatus to cure the adhesive.

3. A method as defined in claim 1 and including the step of limiting the application of hardenable adhesive resin to crossing reinforcement fibers on the opposite faces so as to retain some porosity therein.

4. A method as defined in claim 1 wherein the step of continuously applying a layer of crossing reinforcement fibers onto the opposing faces and onto the side surfaces comprises helically winding with a first layer of fibrous reinforcements along the length of the strip, and helically winding a second layer of fibrous reinforcements over the first layer along the length of the strip, with the fibrous reinforcements in the second layer crossing the fibrous reinforcements in the first layer.

5. A method as defined in claim 1 and including the step of winding the continuous strip onto a rotatable reel after receiving the crossing reinforcement fibers on the faces and side surfaces thereof, and wherein the step of feeding comprises feeding the cut strips in laterally extending adjacent relation from the reel into the molding apparatus.

6. A method as defined in claim 1 wherein the step of cutting forms individual strips of predetermined equal lengths.

7. A method as defined in claim 1 further including applying skins to the core panel to form a composite sandwich panel using additional adhesive resin over the crossing reinforcement fibers on the side surfaces of the strips.

8. A method of efficiently producing a continuous composite core panel comprising the steps of:

41

continuously forming an elongated strip of low density cellular material having parallel opposite side surfaces and parallel opposite faces perpendicular to the side surfaces,

continuously applying a layer of crossing reinforcement fibers onto the faces of the strip and continuously applying the same layer of crossing reinforcement fibers onto the side surfaces of the strip, wherein said continuous applications are by helical winding with fibrous reinforcements,

further reinforcing the strip with longitudinally spaced transverse webs of crossing reinforcing fibers,

feeding and cutting the continuous strip into a plurality of strips positioned in adjacent relation into a molding apparatus with the crossing reinforcement fibers on opposing faces forming webs positioned between the adjacent strips,

applying a hardenable adhesive resin into the crossing reinforcement fibers forming the webs between the opposing faces while retaining porosity in the crossing reinforcement fibers on the side surfaces for subsequently receiving additional adhesive resin by the molding apparatus, and

curing the hardenable adhesive resin within the molding apparatus to harden the adhesive resin within the webs between the opposing faces of the strips to produce a continuous core panel reinforced with transverse webs and adhesively bonded webs between the opposing faces of the strips with porous crossing reinforcement fibers on the side surfaces thereof.

9. A method as defined in claim 8 wherein the step of applying hardenable adhesive resin to the crossing reinforce-

42

ment fibers forming the webs comprises applying a heat activated adhesive resin, and including the step of heating the heat activated adhesive resin within the molding apparatus to cure the adhesive.

10. A method as defined in claim 8 and including the step of limiting the application of hardenable adhesive resin to crossing reinforcement fibers on the opposite faces so as to retain some porosity therein.

11. A method as defined in claim 8 wherein the step of continuously applying a layer of crossing reinforcement fibers onto the opposing faces and onto the side surfaces comprises helically winding with a first layer of fibrous reinforcements along the length of the strip, and helically winding a second layer of fibrous reinforcements over the first layer along the length of the strip, with the fibrous reinforcements in the second layer crossing the fibrous reinforcements in the first layer.

12. A method as defined in claim 1 and including the step of winding the continuous strip onto a rotatable reel after receiving the crossing reinforcement fibers on the faces and side surfaces thereof, and wherein the step of feeding comprises feeding the cut strips in laterally extending adjacent relation from the reel into the molding apparatus.

13. A method as defined in claim 8 wherein the step of cutting forms individual strips of predetermined equal lengths.

14. A method as defined in claim 8 further including applying skins to the core panel to form composite sandwich panel using additional adhesive resin over the crossing reinforcement fibers on the side surfaces of the strips.

* * * * *