

# Liquid Propulsion Systems – Evolution & Advancements

## Launch Vehicle Propulsion & Systems



**Rick Ballard**  
Liquid Engine Systems Lead  
SLS Liquid Engines Office  
NASA / MSFC



1. Rocket Propulsion Fundamentals
2. LRE Applications
3. Liquid Propellants
4. Engine Power Cycles
5. Engine Components

Module 1:

# Rocket Propulsion Fundamentals

**Warning:** *Contents deal with math,  
physics and thermodynamics.*

*Be afraid...be very afraid...*

## TOPICS

- Thrust
- Specific Impulse
- Mixture Ratio
- $I_{sp}$  vs. MR
- Density vs.  $I_{sp}$
- Propellant Mass vs. Volume
- Area Ratio

A	Area
a	Acceleration
F	Force (thrust)
g	Gravity constant (32.2 ft/sec <sup>2</sup> )
I	Impulse
m	Mass
P	Pressure
t	Time
T	Temperature
V	Velocity
$\Delta$	Delta / Difference
$\epsilon$	Area Ratio
$\gamma$	Ratio of specific heats

## Subscripts

a	Ambient
c	Chamber
e	Exit
o	Initial state
r	Reaction
s	Stagnation
sp	Specific
t	Throat or Total

Rocket thrust can be explained using Newton's 2<sup>nd</sup> and 3<sup>rd</sup> laws of motion.

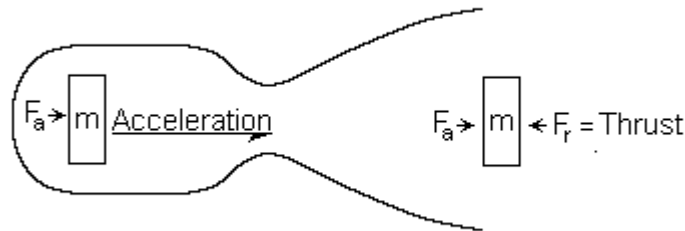
2<sup>nd</sup> Law: a force applied to a body is equal to the mass of the body and its acceleration in the direction of the force.

$$F = ma$$

3<sup>rd</sup> Law: For every action, there is an equal and opposite reaction.

$$F_a = -F_r$$

In rocket propulsion, a mass of propellant ( $m$ ) is accelerated (via the combustion process) from initial velocity ( $V_o$ ) to an exit velocity ( $V_e$ ). The acceleration of this mass is written as:



$$a = (V_e - V_o) / \Delta t$$

Combining terms, we get:

$$F = m(V_e - V_o) / t$$

Which can be rearranged:

$$F = \left( \frac{m}{t} \right) (V_e - V_o)$$

The term of mass of propellant divided by time is referred to as mass flow rate (m-dot), expressed as

$$F = \dot{m}(V_e - V_o)$$

Substituting weight flow rate for mass flow rate and assuming a zero initial velocity, the thrust produced by propellant flow (*momentum thrust*,  $F_1$ ) is shown as

$$F_1 = \frac{\dot{m}}{g} (V_e)$$

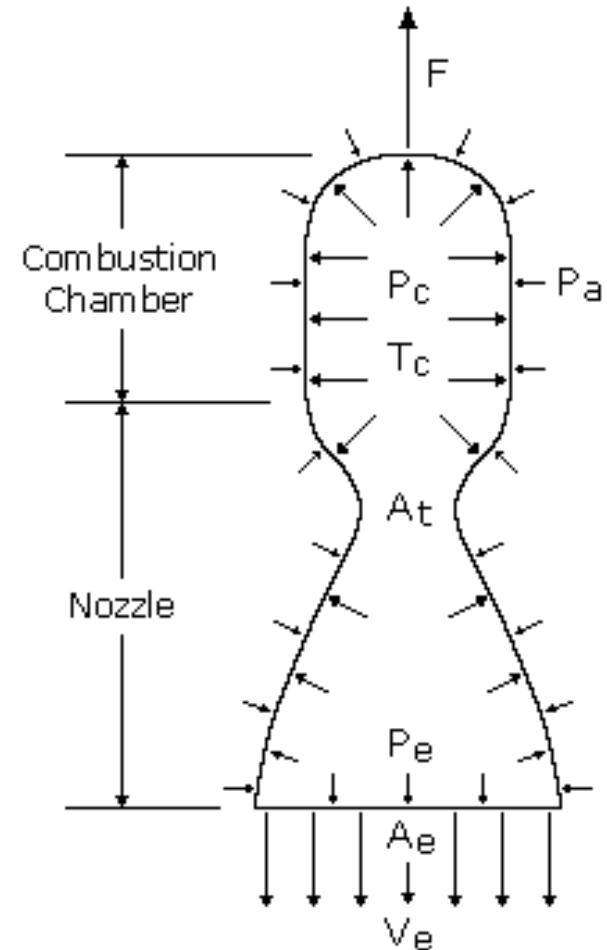
Another component of thrust (*pressure thrust*,  $F_2$ ) comes from the force exerted by external pressure differences on the system. This is described by the difference of the pressure of the flow leaving the engine ( $P_e$ ) through the exit area ( $A_e$ ) compared to the external (ambient) pressure ( $P_a$ ).

$$F_2 = (P_e - P_a)A_e$$

In space,  $P_a$  is assumed to be zero (which explains why thrust rated at vacuum is higher than at sea level).

Combining the two thrust components gives

$$F = \frac{\dot{m}}{g} (V_e) + (P_e - P_a)A_e$$



The *total impulse* ( $I_t$ ) is the thrust integrated over the run duration (time,  $t$ )

$$I_t = \int_0^t F dt$$

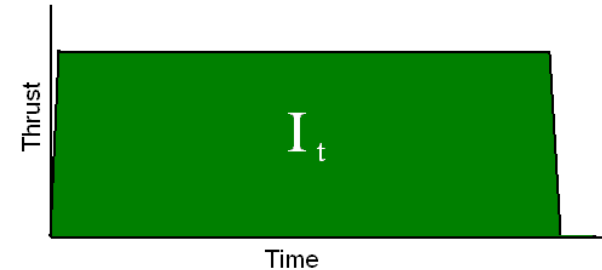
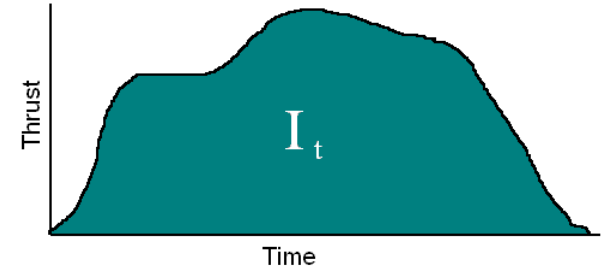
Assuming constant thrust and negligible transients (i.e., start and shutdown), this becomes

$$I_t = Ft$$

The *specific impulse*, ( $I_{sp}$ ) is the total impulse generated per weight of propellant

$$I_{sp} = \frac{\int_0^t F dt}{g_o \int_0^t \dot{m} dt} = \frac{F}{\dot{m}}$$

*This is really what you need to know about  $I_{sp}$ .  
If you want to learn some more, stay seated.  
The rest of you can go get some coffee for  
about 10 minutes...*





Substituting the thrust equation for F gives

$$I_{sp} = \left( \frac{V_e}{g} \right) + (P_e - P_a) \left( \frac{A_e}{\dot{W}} \right)$$

Under optimal conditions the pressure of the flow exiting the nozzle is equal to that of the ambient pressure (i.e., optimally expanded). The Isp equation then becomes

$$I_{sp} = \frac{V_e}{g}$$

Where the flow exit velocity is calculated by

$$V_e = \sqrt{\left( 2gC_{pm}T_c / M \right) \left\{ 1 - \left( \frac{P_e}{P_s} \right)^{\left( \frac{\gamma-1}{\gamma} \right)} \right\}}$$

$C_{pm}$  = molar specific heat of exhaust gas

M = molecular weight of exhaust gas

$P_s$  = isentropic stagnation pressure of the flow at the throat (almost always equivalent to chamber pressure,  $P_c$ )

$\gamma$  = ratio of specific heats of exhaust gas

**Don't be intimidated by this**  
– just understand that  $V_e$  (and hence  $I_{sp}$ ) is enhanced by high release of energy from the combustion process (high  $C_{pm}$ ) and low molecular weight (low M) of the exhaust

The equation for  $I_{sp}$  then becomes

$$I_{sp} = \sqrt{\left(\frac{2C_{pm}T_c}{gM}\right) \left\{1 - \left(\frac{P_e}{P_s}\right)^{\left(\frac{\gamma-1}{\gamma}\right)}\right\}}$$

From this, optimum  $I_{sp}$  becomes

$$I_{sp(opt)} = \sqrt{\underbrace{\left(\frac{2\gamma}{\gamma-1}\right)\left(\frac{RT_c}{gM}\right)}_{\text{Primarily a function of the combustion process, which is influenced by the propellants, and the mixture ratio}} \underbrace{\left\{1 - \left(\frac{P_e}{P_s}\right)^{\left(\frac{\gamma-1}{\gamma}\right)}\right\}}_{\text{Primarily a function of the expansion of the exhaust gases through the nozzle, which is influenced by back pressure and area ratio}}}$$

By definition

$$\gamma = \frac{C_p}{C_v} = \frac{C_{pm}}{C_{vm}}$$

and

$$C_{pm} = C_{vm} + R$$

Where R is the universal gas constant, then

$$C_{pm} = \gamma / (\gamma - 1) R$$

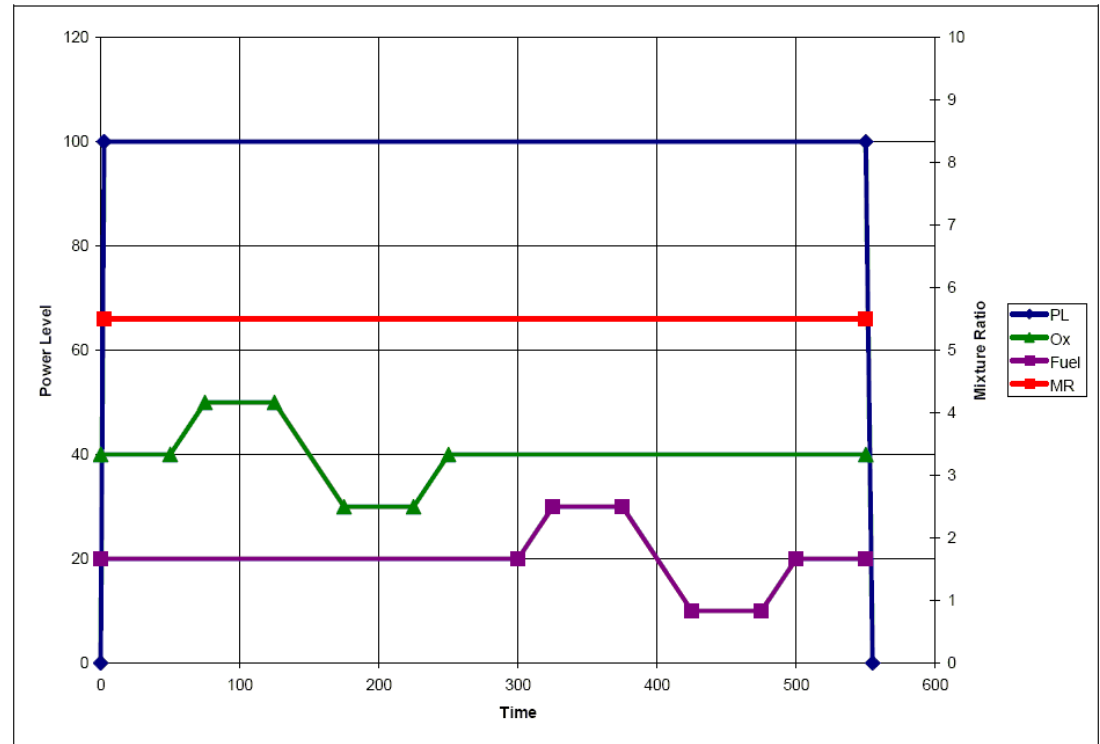
*Primarily a function of the combustion process, which is influenced by the propellants, and the mixture ratio*

*Primarily a function of the expansion of the exhaust gases through the nozzle, which is influenced by back pressure and area ratio*

From an empirical standpoint, determining  $I_{sp}$  from test results involves calculating the total impulse generated by the engine and dividing it by the weight of the propellant consumed.

$$I_{sp} = \frac{\int_0^t F dt}{W_{consumed}}$$

The  $I_{sp}$  for flight engines is established (i.e., tagged) on the test stand under simulated flight conditions to ensure acceptance of engine operation and adequate propellant loading of the vehicle.



*J-2X Acceptance Test Profile*

Other primary performance parameters (i.e., Thrust, MR) are also tagged during acceptance testing.

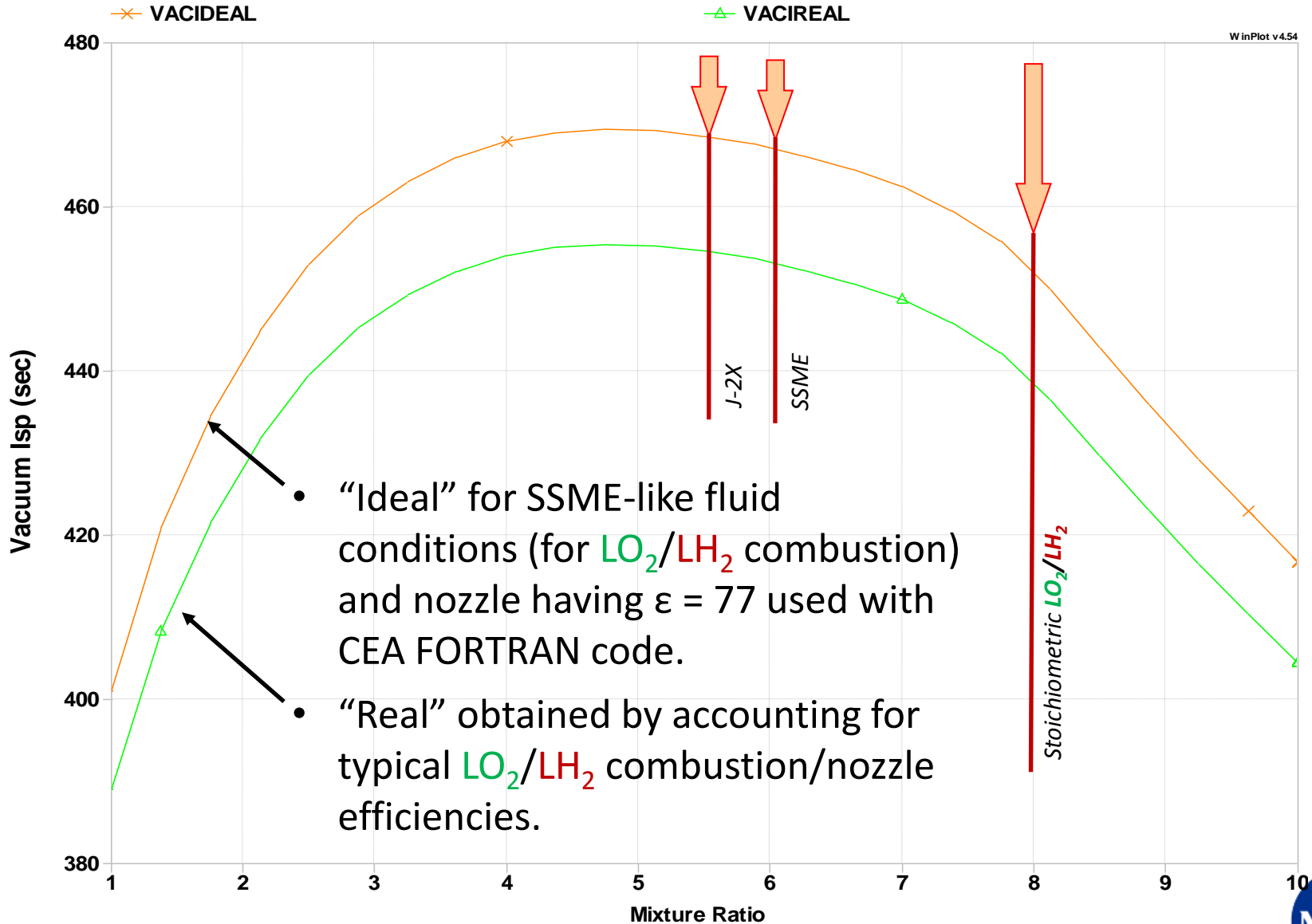
Rocket propellants are mixed in relative quantities to produce the highest possible system  $I_{sp}$ . This ratio of propellant consumption is called mixture ratio, MR.

$$MR = \frac{\dot{w}_o}{\dot{w}_f}$$

In most cases, MR is selected for maximum energy release per weight of propellant. This can be achieved by mixing the propellants in a stoichiometric reaction in the combustion chamber, where all the propellants are thoroughly combusted. However, a stoichiometric MR does not necessarily provide an optimized  $I_{sp}$ .

- ☞ The SSME uses a MR of ~6 (stoichiometric for  $LO_2/LH_2$  combustion is 8) to reduce the internal and plume temperatures, but also to allow a small amount of  $H_2$  to remain in the exhaust. The lighter molecule is able to accelerate to a higher velocity and generate higher kinetic energy ( $KE = \frac{1}{2} mV^2$ ) than a  $H_2O$  steam exhaust.

# $I_{sp}$ vs. MR



- Liquid bipropellant combinations offer a wide range of performance capabilities.
- Each combination has multiple factors that should be weighed when selecting one for a vehicle.
  - Performance ( $I_{sp}$ )
  - Density (higher is better)
  - Storability (venting?)
  - Ground Ops (hazards?)
  - Etc.
- One of the more critical trades is that of performance versus density.
- $LO_2/LH_2$  offers the highest  $I_{sp}$  performance, but at the cost of poor density (thus increasing tank size).
- Trading  $I_{sp}$  versus density is sometimes referred to as comparing “bulk impulse” or “density impulse”.

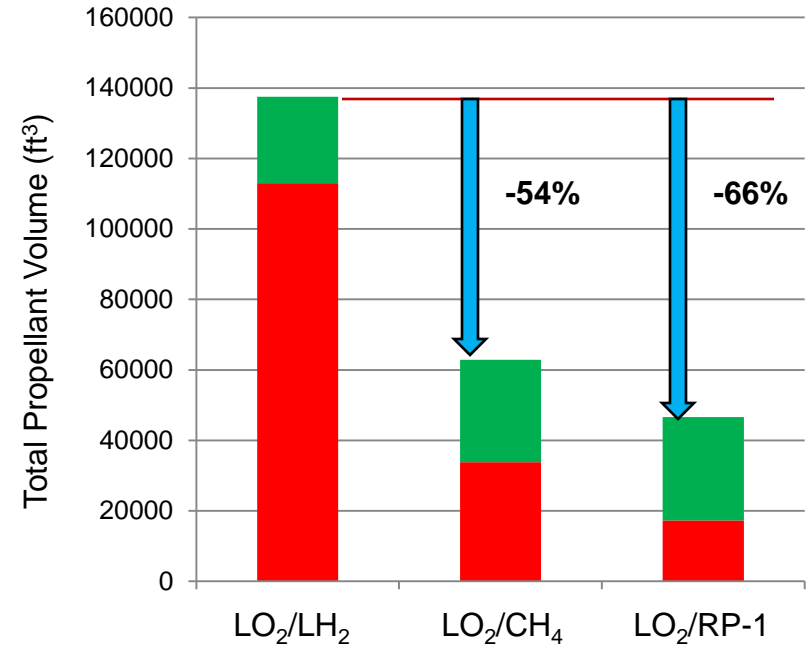
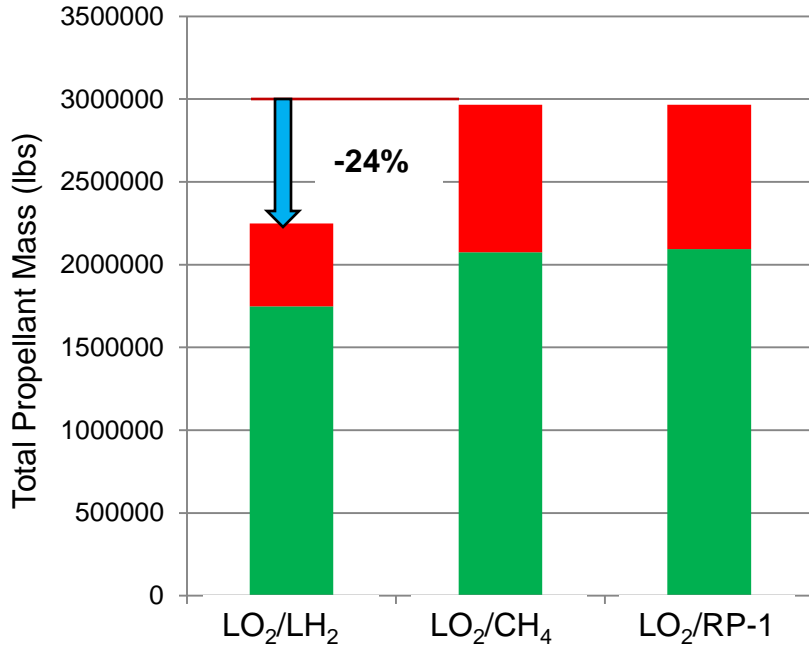
- As an example, the densities and  $I_{sp}$  performance of the following propellant combinations will be compared.

	Density (g/ml)	Density (lb/ft <sup>3</sup> )
<b>Hydrogen</b>	0.07	4.4
<b>Methane</b>	0.42	26.4
<b>RP-1</b>	0.81	50.6
<b>Oxygen</b>	1.14	71.2

$P_c = 300$  psia  
expanded to  
14.7 psia

	MR (O/F)	$I_{sp}$ (sec)
$LO_2/LH_2$	3.5	347 <sup>(1)</sup>
$LO_2/CH_4$	2.33	263 <sup>(2)</sup>
$LO_2/RP-1$	2.4	263 <sup>(2)</sup>

(1) SC (2) FC



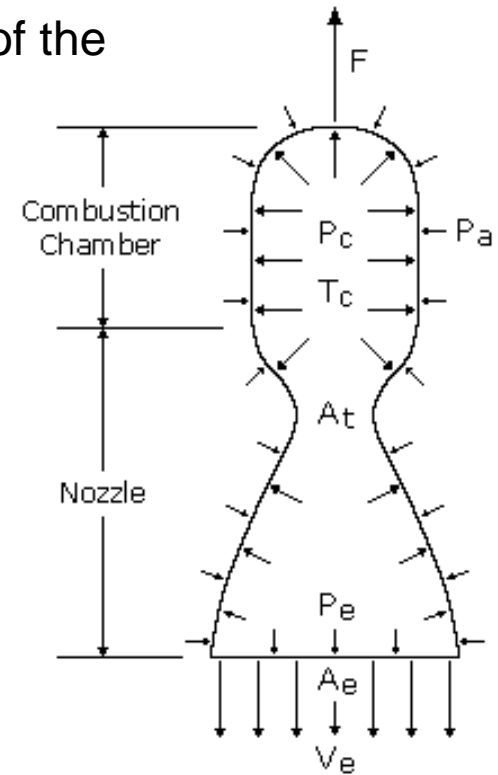
- For an impulse requirement similar to the 3 SSME's used on the Shuttle (~1.5 Mlbf for 520 seconds), the required propellant masses are calculated.
- LO<sub>2</sub>/LH<sub>2</sub> requires 24% less propellant mass than the others.
- However...

- When the propellant mass is compared against the tank volume, there is a significant disparity from the low hydrogen density that can adversely impact the size (and total weight) of the vehicle.
- Lesson:  $I_{sp}$  isn't everything – especially with boost stages.

The parameter that determines exit velocity and pressure of the exhaust gases is *area ratio* or *nozzle expansion ratio*, MR

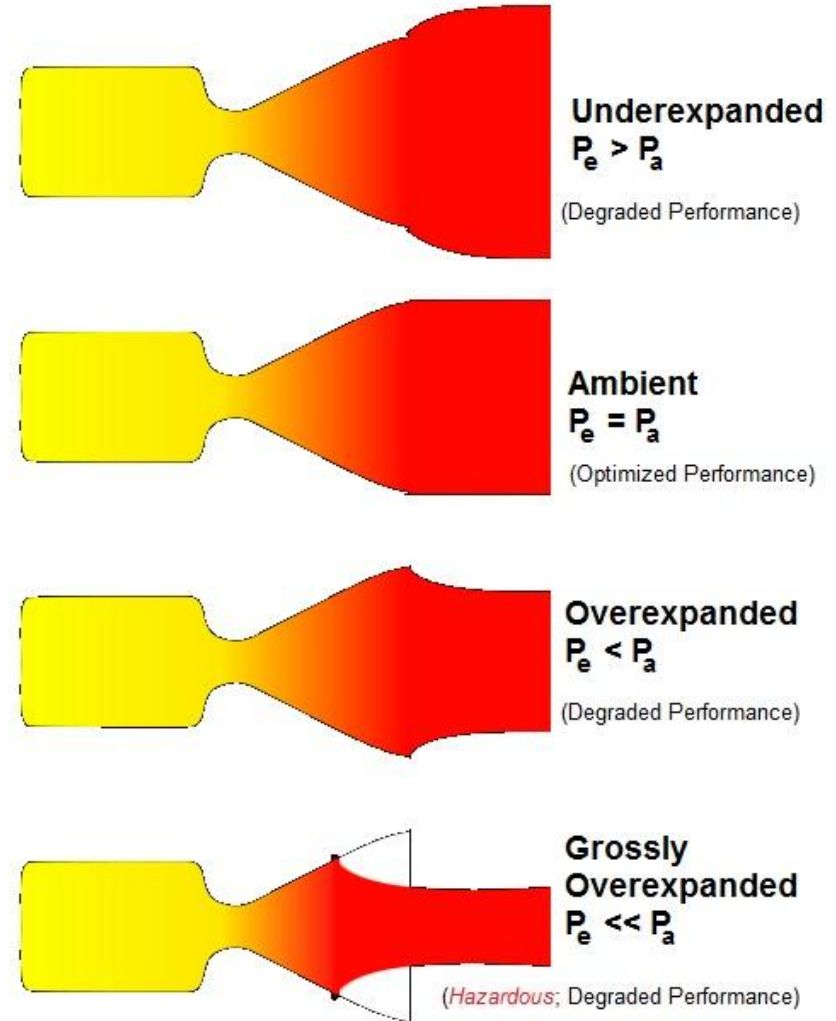
$$\epsilon = \frac{A_e}{A_t}$$

- As  $\epsilon$  increases, the exit velocity increases and the exit pressure decreases (higher  $I_{sp}$ ).
- When possible,  $\epsilon$  is selected so that  $P_e = P_a$  and the engine operates at optimum thrust.
- For in-space propulsion (i.e., J-2X), the  $\epsilon$  is made as large as the weight requirements or volume limitations permit.
- If  $P_e > P_a$ , then the nozzle is identified as underexpanded and will not provide optimal performance as the plume will continue to expand after exiting the nozzle.
- If  $P_e < P_a$ , then the nozzle is identified as overexpanded and will not provide optimal performance as the exit shock will migrate inside the nozzle. This can be hazardous from thrust imbalances and damage to the nozzle.



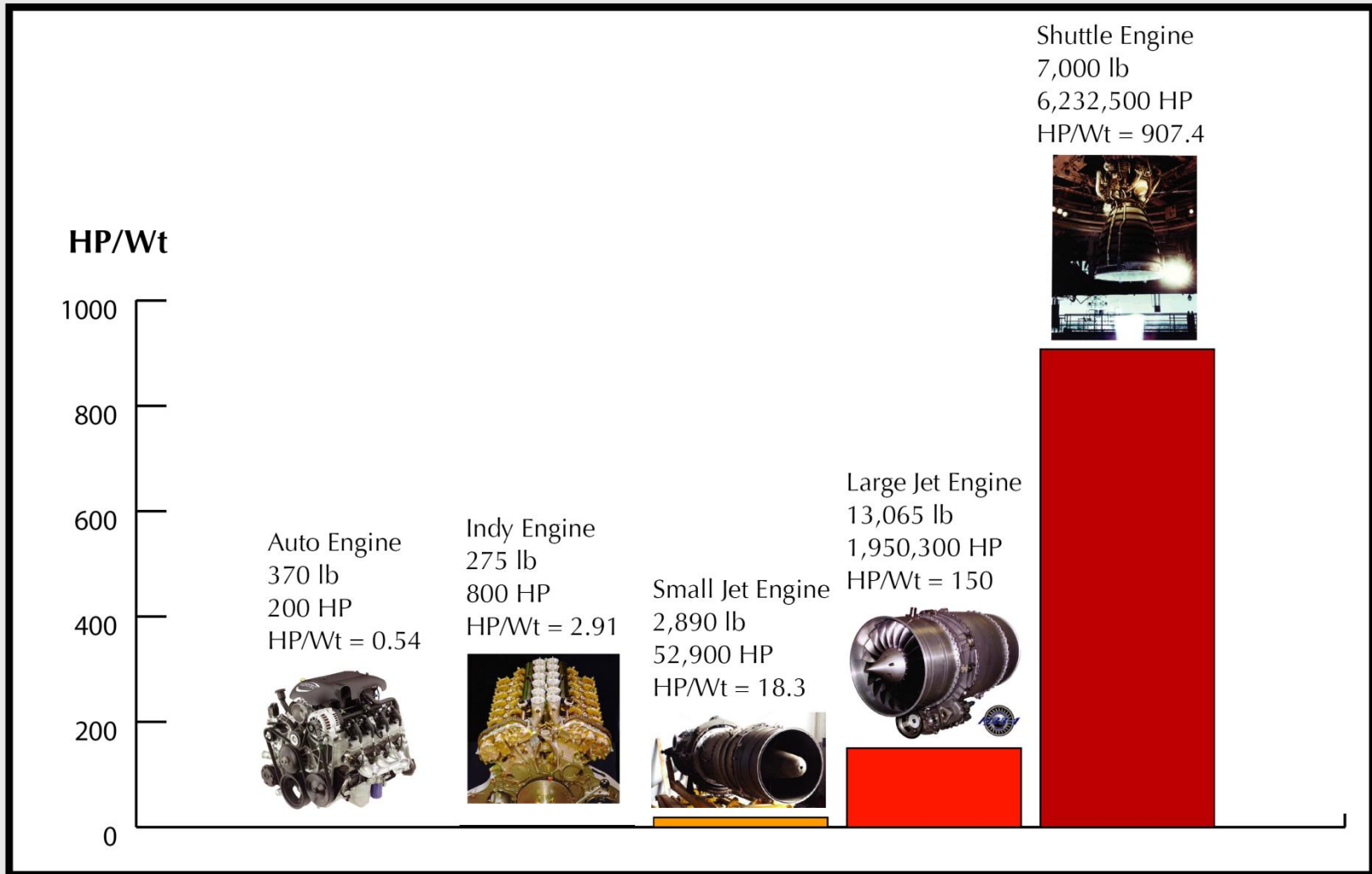


- Criteria to be considered for selecting a design  $\epsilon$  can include the following:
  - $\epsilon$  provides the optimal integrated performance over the engine operating period. Trajectory analysis is used to determine the altitudes (and  $P_a$ ) that the engine will operate, which can be used to provide an integrated  $I_{sp}$  based on  $\epsilon$ .
  - $\epsilon$  is optimized to provide the maximum performance during a critical time of the engine operating period. Example: the  $\epsilon$  for SSME is optimized at the altitude where the SRBs are staged to provide a needed performance boost at that critical time



## Horsepower to Weight Comparison

High Power Density Comparison of Automobile Engines, Jet Engines, and Rocket Engines

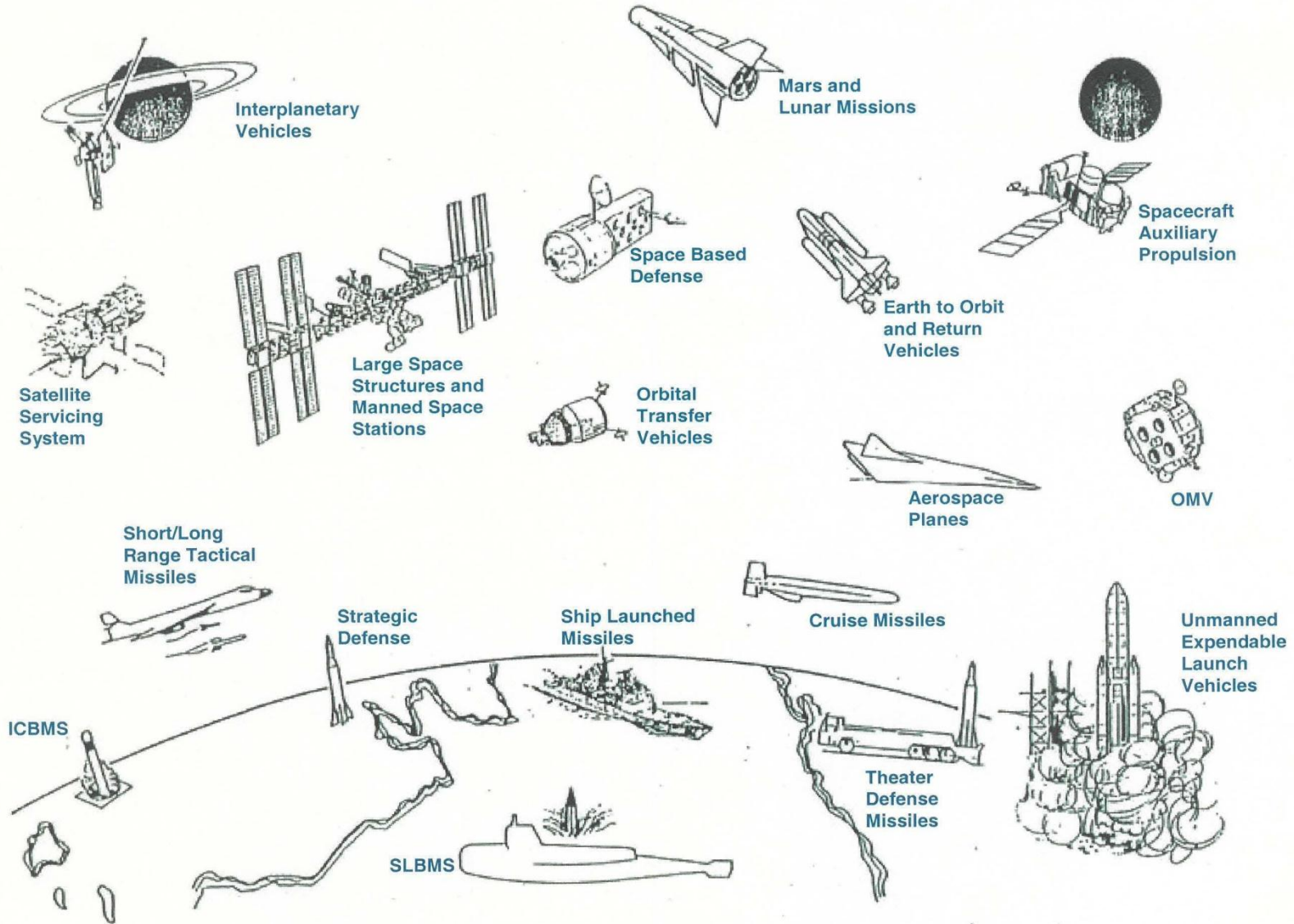


Module 2:

# Rocket Propulsion Applications

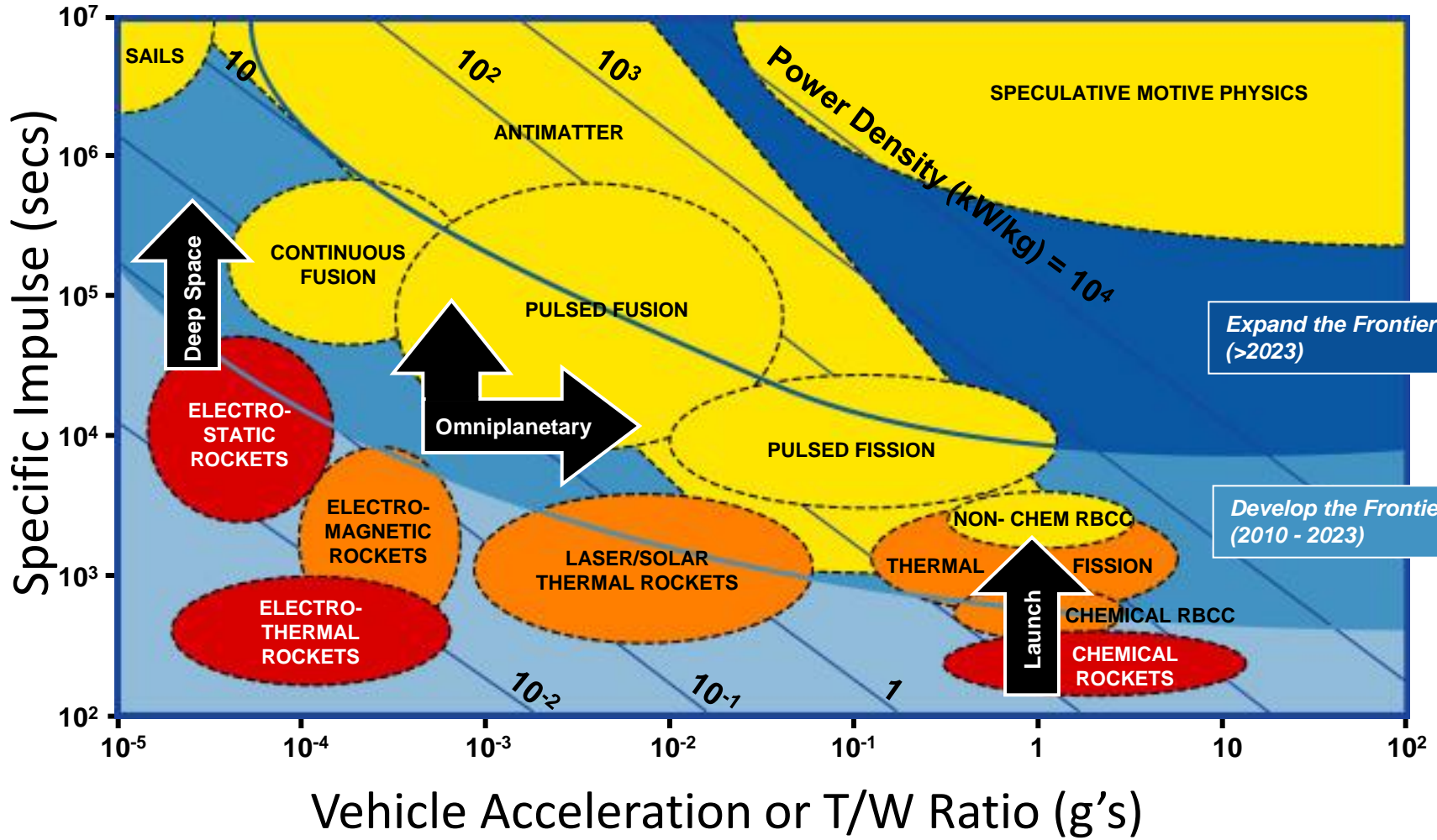


# Rocket Propulsion Applications





# In-Space Propulsion Performance

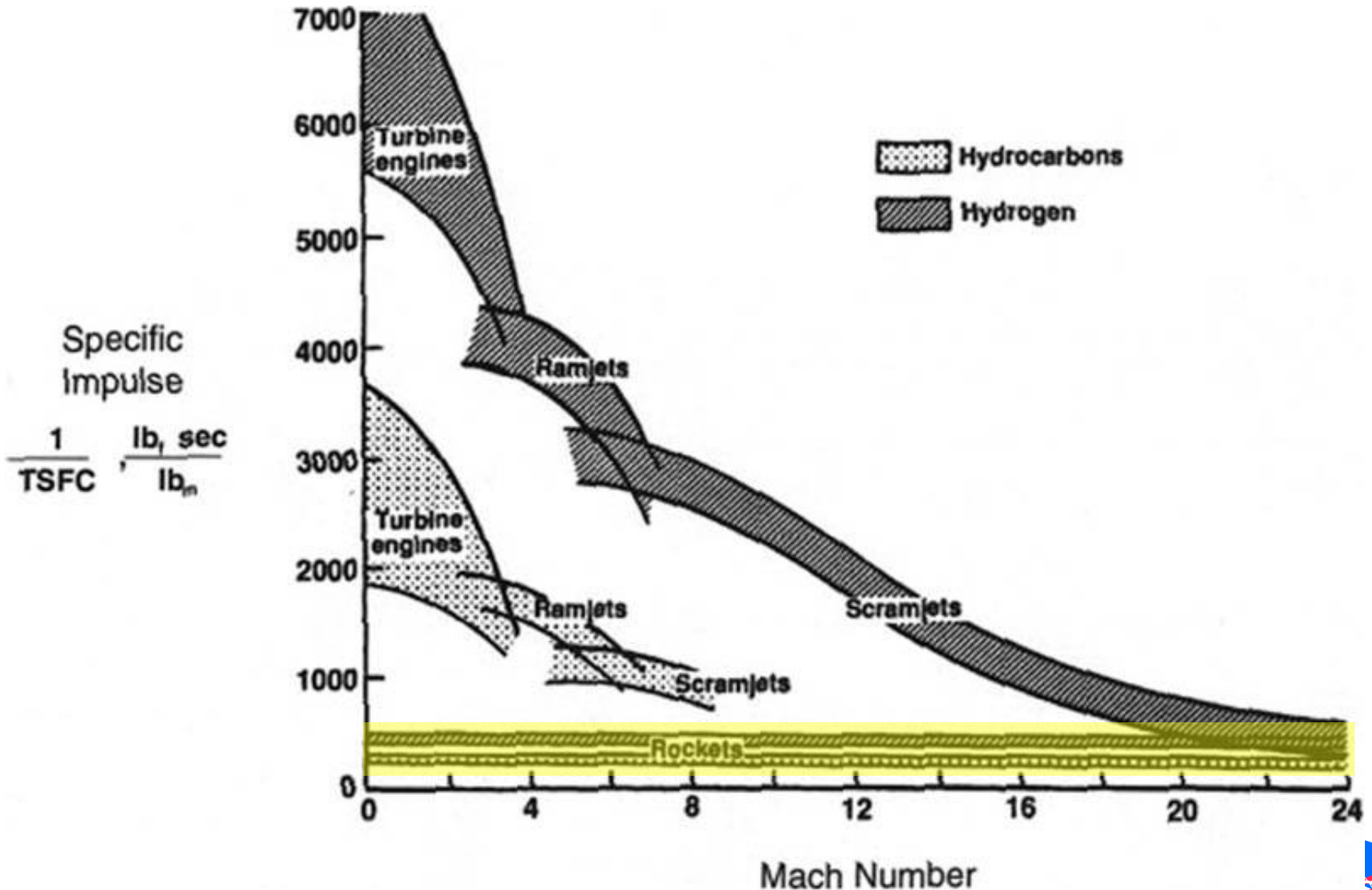


Unproven Technology (TRL 1-3)

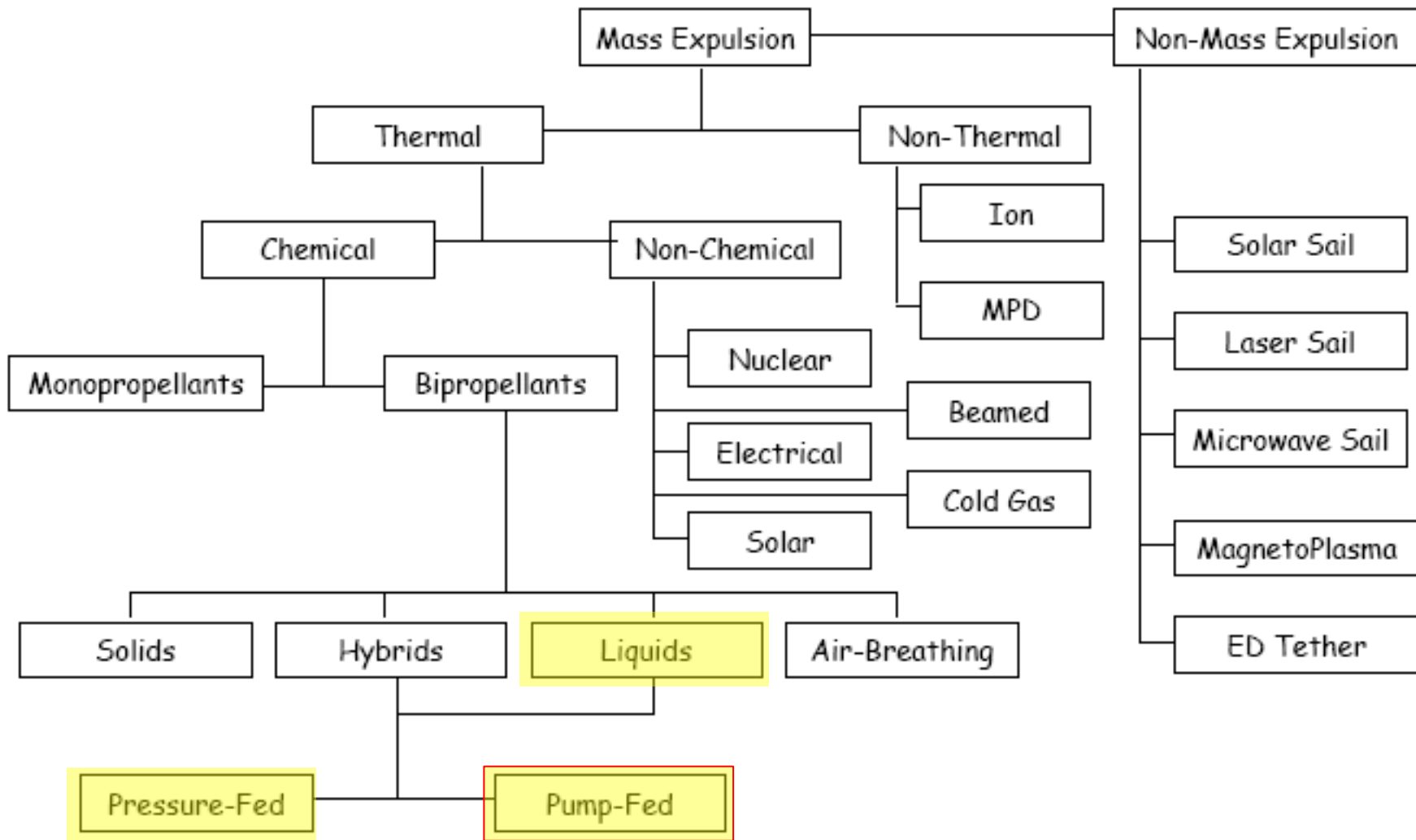
Demonstrated Technology (TRL 4-6)

Operational Systems (TRL 7-9)

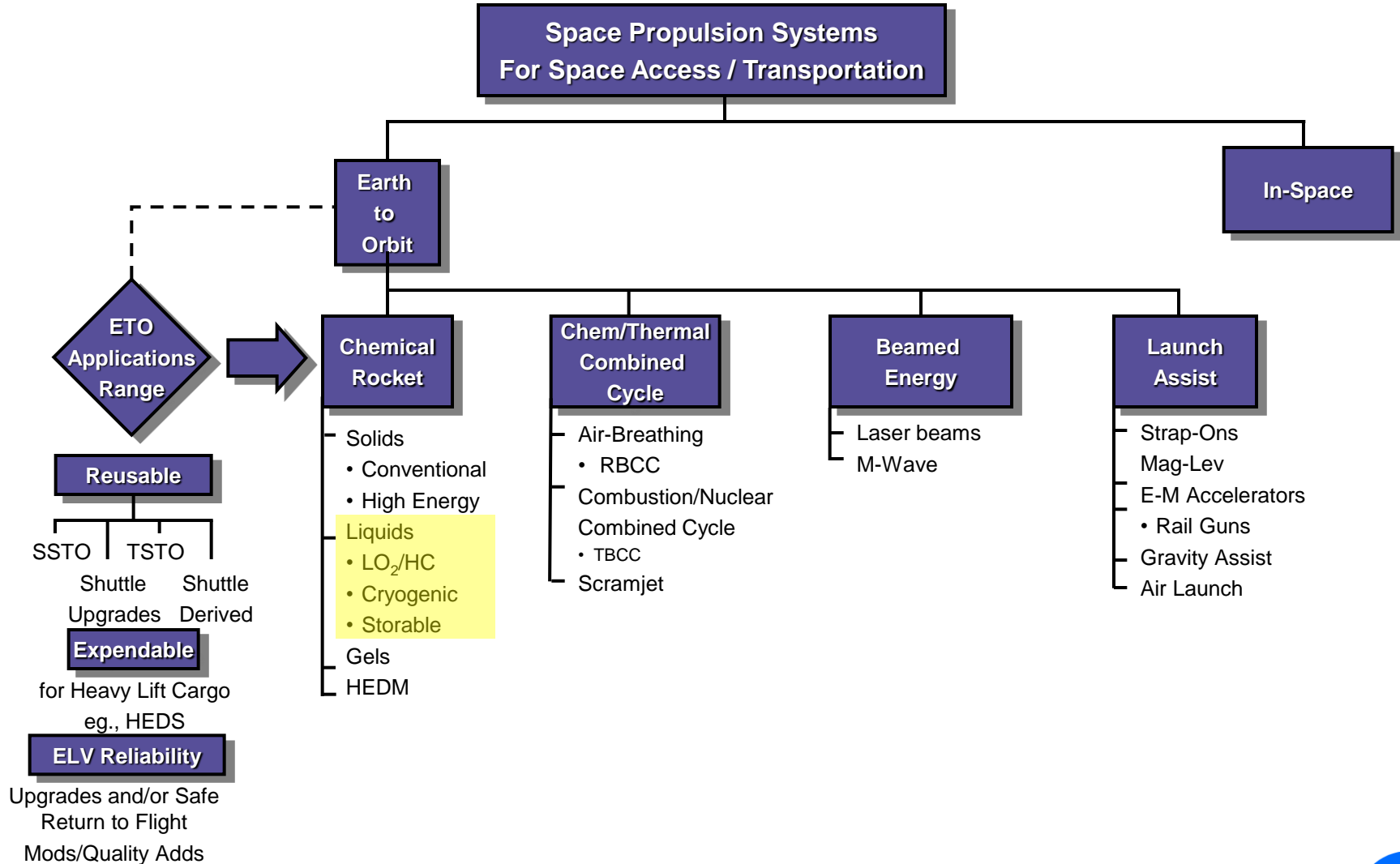
# Jet Propulsion Options



# Propulsion Taxonomy

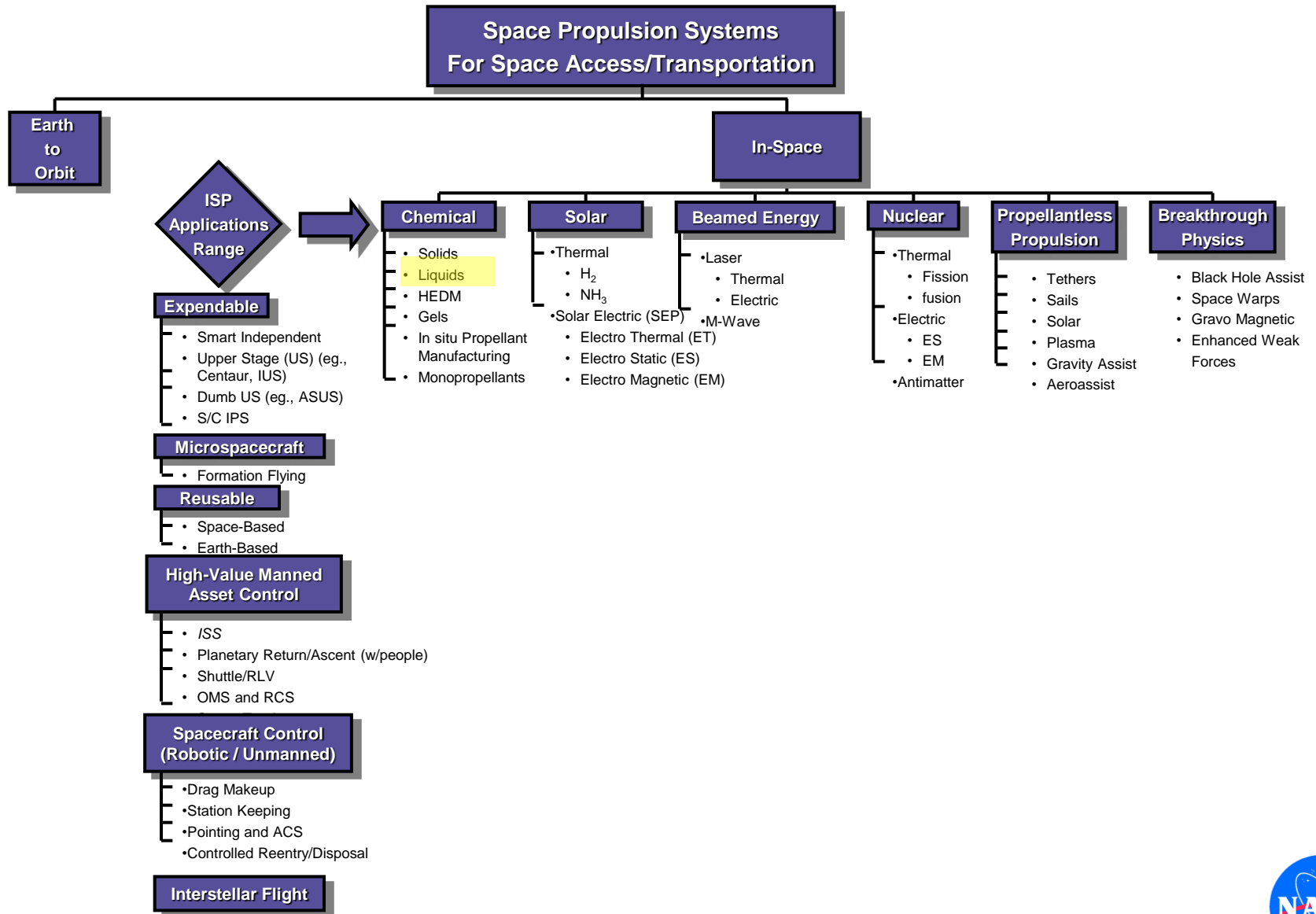


# ETO Propulsion Systems





# In-Space Propulsion Systems



# LRE Applications

## Space

RS-25

- Booster (1<sup>st</sup> stage)
- Sustainer (2<sup>nd</sup> stage)
- USE (3<sup>rd</sup>+ stage)

J-2X

- OME
- RCS / ACS
- Descent / Ascent
- Experimental Aircraft

## Military

- SSM
  - ICBM
  - IRBM
  - SRBM
  - SLBM
- SAM
- ASM
- AAM
- Aircraft Superperformance

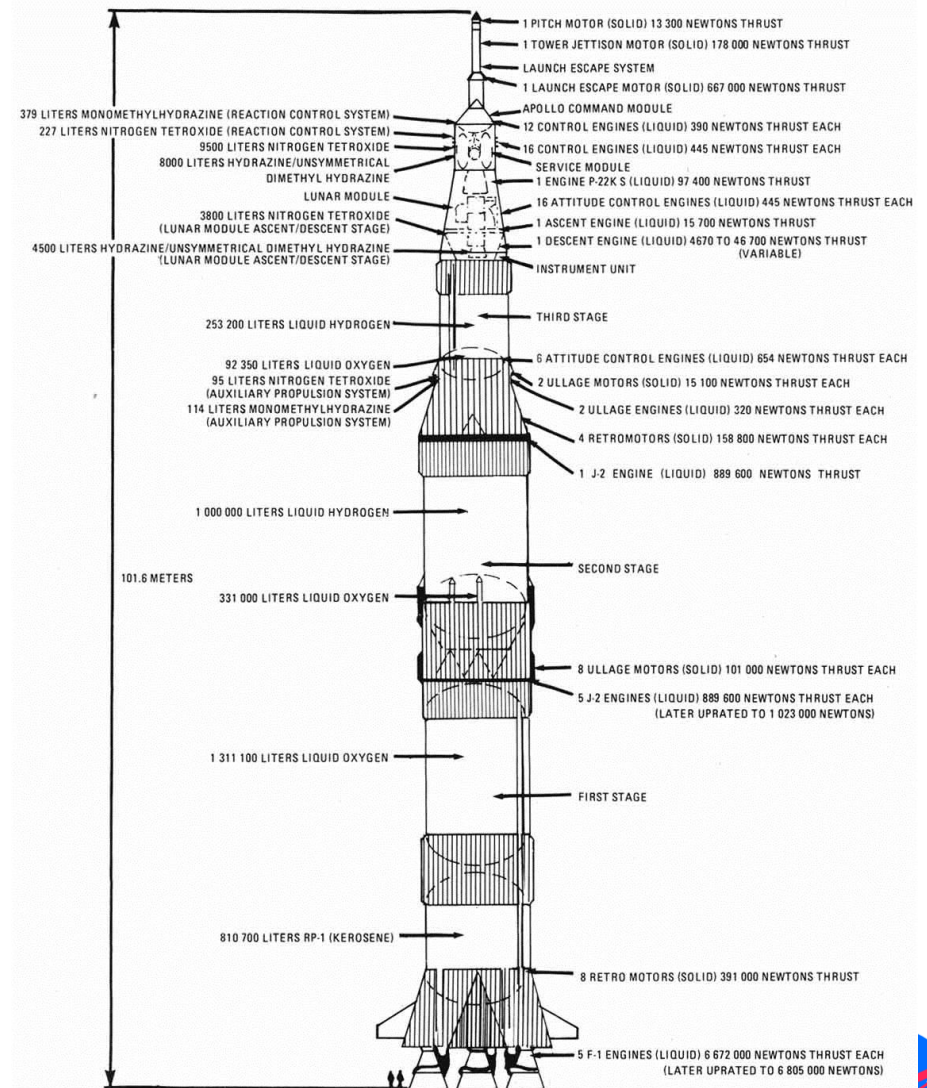
# LRE Applications

- Lift launch vehicle and payload from earth surface to LEO
  - Requires high thrust forces generated by direct thermal energy conversion
  - Two sources of thermal power available today
    - Chemical combustion
    - Nuclear - Not suitable because of radiation emitted
- Transfer payloads from LEO to into higher orbits or into planetary trajectories
  - Much lower thrust forces required
  - More options available
- Orbit maintenance, position control, station keeping and spacecraft attitude control
  - Small pulsing thrust forces required
  - Many options available

# LRE Applications

## Integrated Launch Vehicle (Saturn-V)

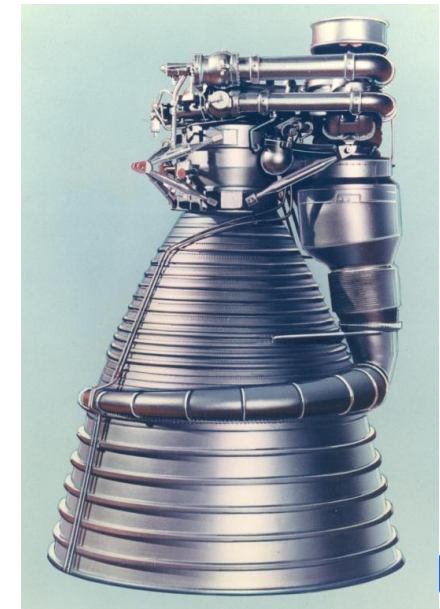
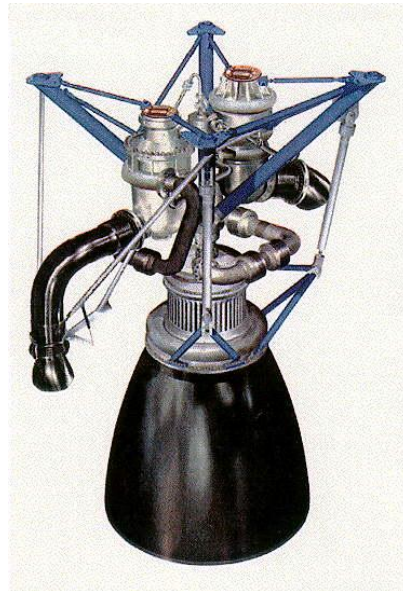
- The Saturn-V launch vehicle used every rocket propulsion application
  - Booster (F-1 1<sup>st</sup> stage)
  - Sustainer (J-2 2<sup>nd</sup> stage)
  - Upper stage (J-2 3<sup>rd</sup> stage)
  - OMS (AJ10-137 SPS)
  - RCS (R-4D, SE-8)
  - Planetary Descent (VTR-10)
  - Planetary Ascent (RS-18)
- Propellant combinations used
  - $LO_2$ /RP-1 (kerosene)
  - $LO_2$ /LH<sub>2</sub>
  - $NTO$ /Aerozine-50
  - Solid (ullage motors)



# LRE Applications

## Booster

- Provides initial propulsive thrust to launch vehicle
- Large thrust (T)
- High thrust-weight ratio (T/W)
- High specific impulse ( $I_{sp}$ )
  - Area ratio ( $\epsilon$ ) limited by constraint from atmospheric pressure
- T,  $I_{sp}$ , and  $\epsilon$  traded against propellants and power cycle
  - $\epsilon$  for SSME optimized at altitude for SRB staging
- Examples
  - F-1
  - RD-170
  - RD-180
  - RS-68
  - SSME

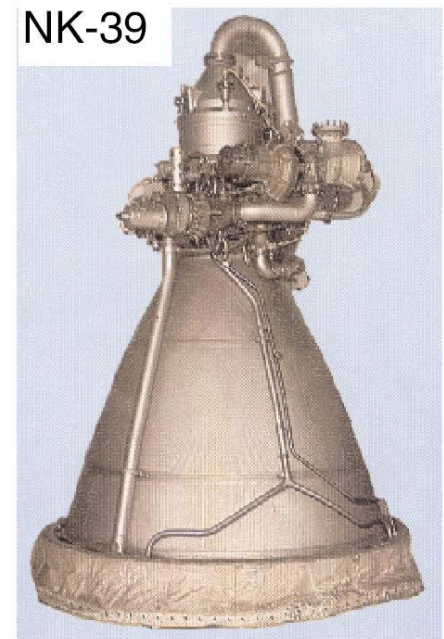
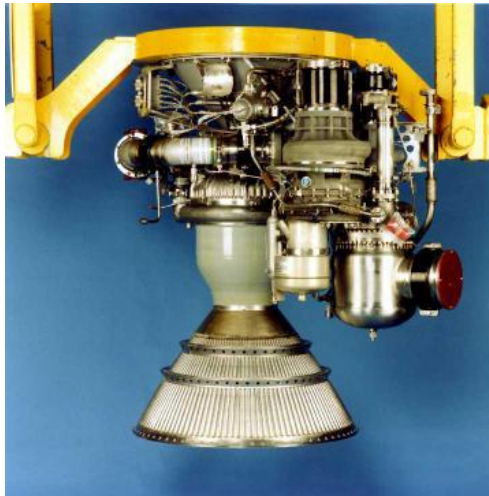




# LRE Applications

## Sustainer / 2<sup>nd</sup> Stage

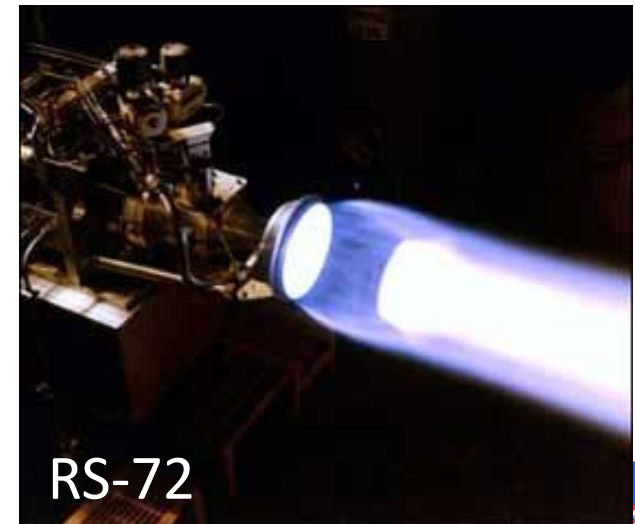
- Provide supplemental impulse for achieving orbit.
- High thrust, but less required than a booster engine
- Higher  $\epsilon$  than booster, less than orbital LRE
- Examples
  - J-2
  - LR91 series
  - RD-120
  - NK-39



# LRE Applications

## Upper Stage Engine (USE)

- Typically applied for final orbital insertion or modification of orbital parameters
- Low to medium thrust (10 – 300 kN)
  - Dependent on upper stage / mission requirements
- Propellants typically hypergolic (multi-start, thrust-on-demand) or  $\text{LO}_2/\text{LH}_2$  (fewer starts, higher energy, higher orbits, larger payloads)
  - Russians prefer  $\text{LO}_2/\text{kerosene}$  or  $\text{NTO}/\text{UDMH}$  for their upper stages
- Examples
  - RL10 family
  - Agena
  - Vinci



# LRE Applications

## Orbital Maneuvering Engine (OME)

- Moderate Thrust (0.1 – 20 Klbf thrust)
  - Dependent on vehicle mass and operational requirements
- Long life, multiple starts
- Typically pressure-fed hypergolic, radiatively cooled
  - Emerging interest in “green” propellants (i.e.,  $\text{LO}_2$ /ethanol, HTP)
- Thrust on demand
  - Minimal preparatory procedures
- Examples
  - AJ10-137 SPS
  - AJ10-190 OME
  - TRW VTE



**Aerojet AJ10-137 SPS Engine (Apollo)**

$\text{NTO} + \text{AZ-50}$  / Pressure-fed / Ablative + Radiation + FFC

T: 20500 lbf  $I_{sp}$ : 310.5 sec  $P_c$ : 97 psia  $\epsilon$ : 62.5:1



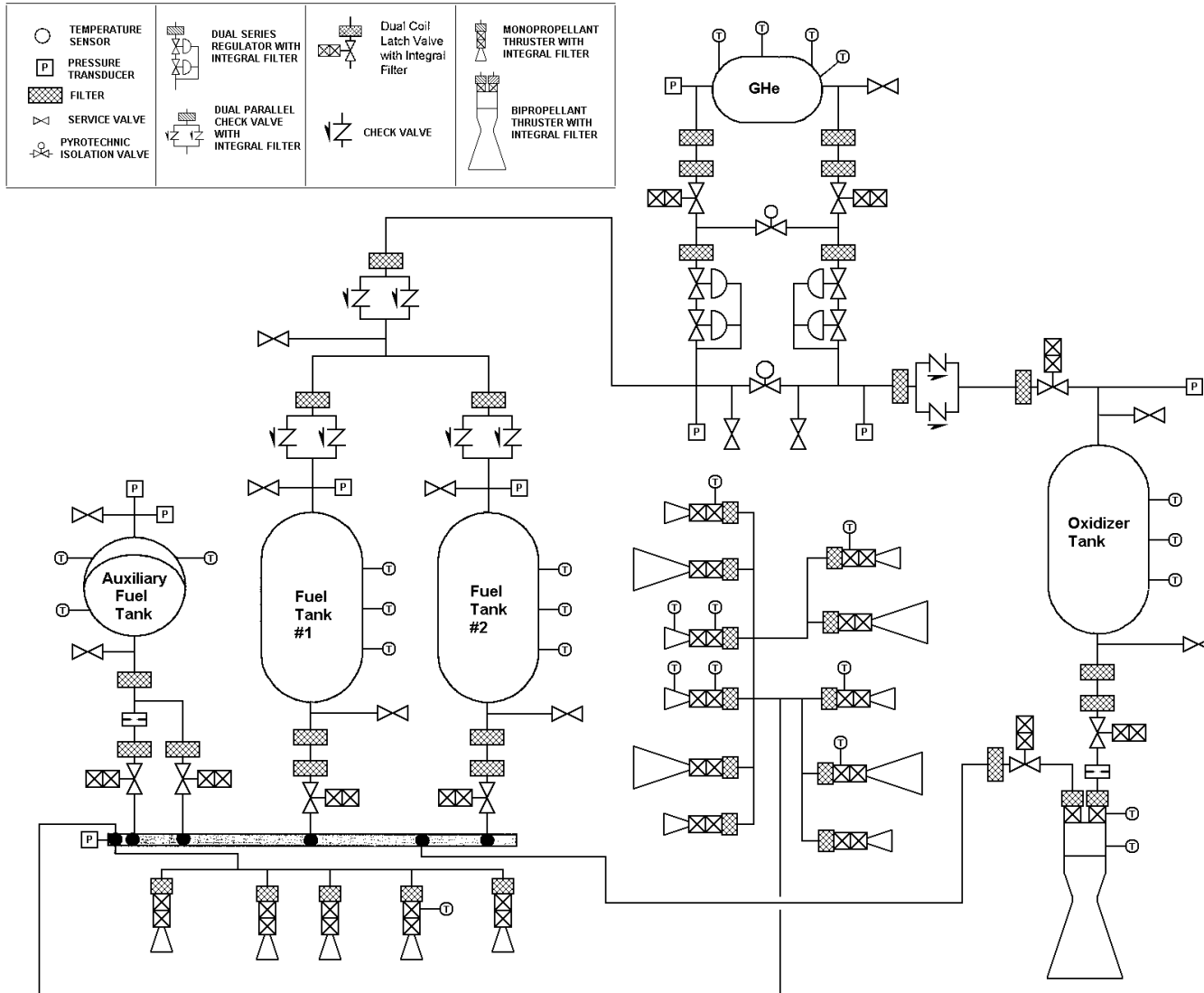
# LRE Applications

## RCS/ACS

- Thrust-on-demand
- Throttleable
- Pulse-mode
- Low thrust (0.001 – 1000 lbf)
- Usually pressure-fed monopropellant or hypergolic bipropellants
  - Recent elevated interest in “green” propellants (i.e.,  $\text{LO}_2$ /ethanol or HAN)
- Usually ablative or radiatively cooled with FFC
  - Regenerative cooling not used (thermal soakback)

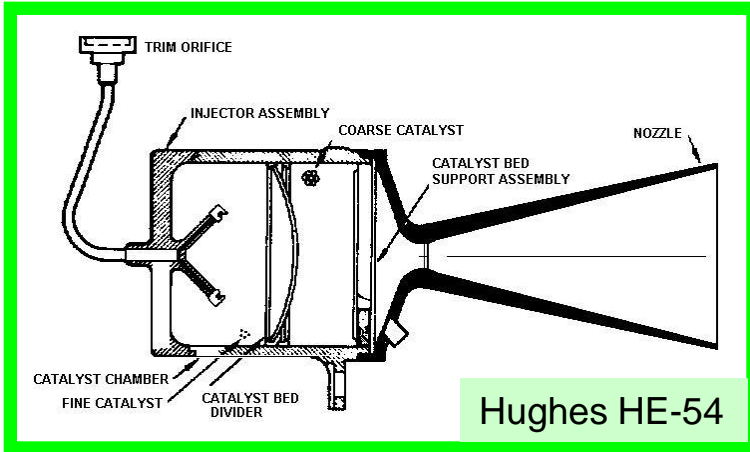
# LRE Applications

## RCS Schematic



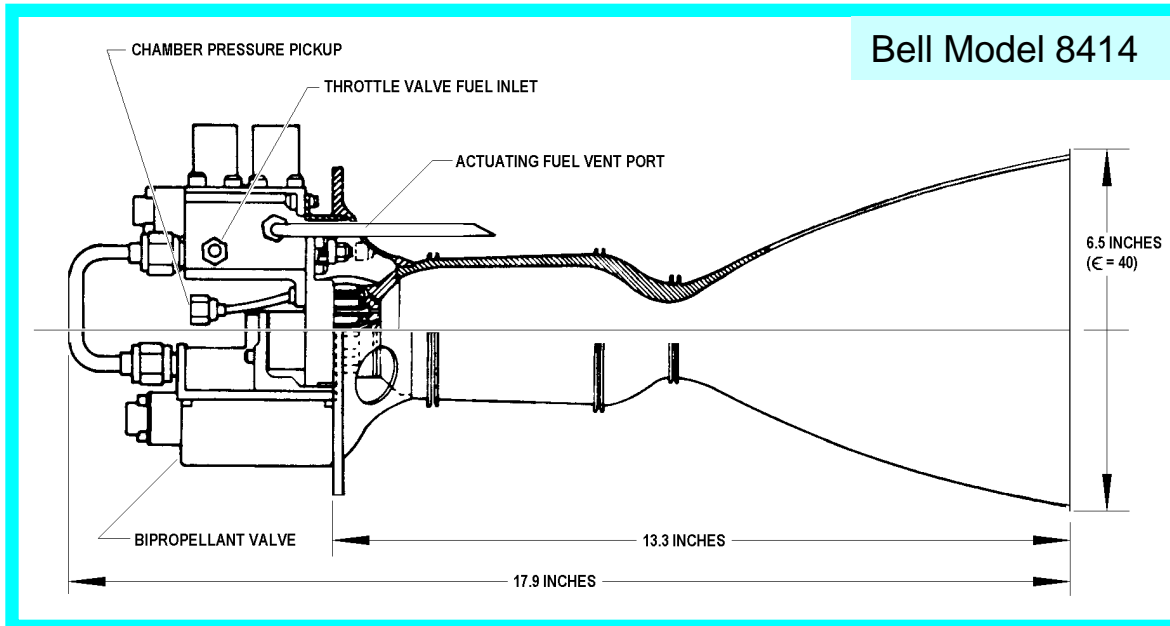
# LRE Applications

## RCS Thrusters

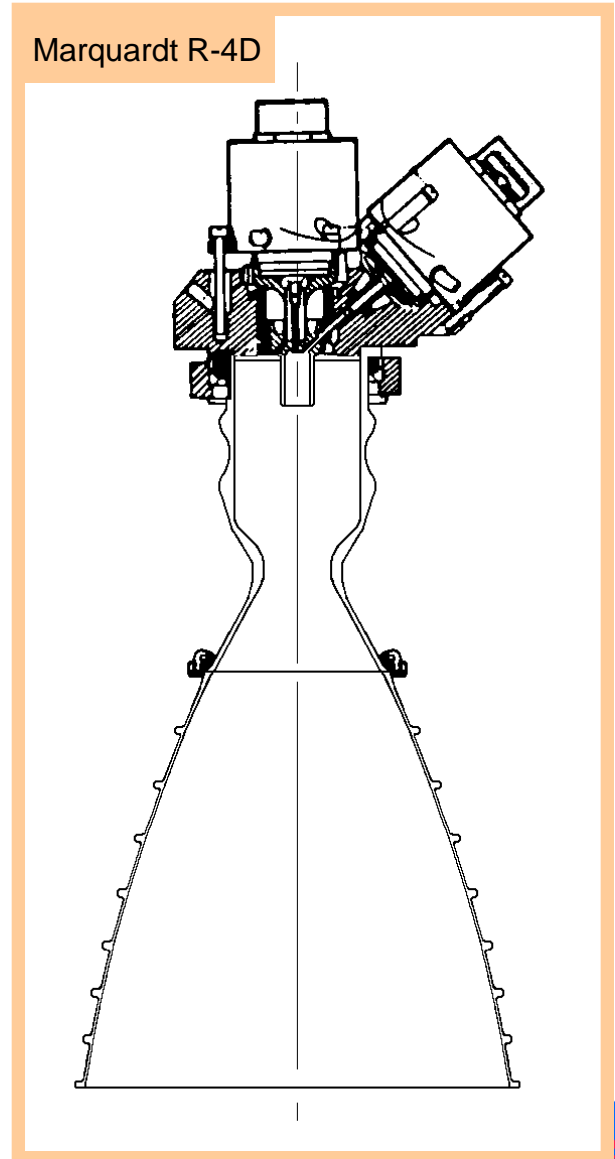


Hughes HE-54

- Pressure-fed
- Hypergolic biprop or Monoprop
- Rad-cooled



Bell Model 8414



Marquardt R-4D

# LRE Applications

## Planetary Ascent / Descent

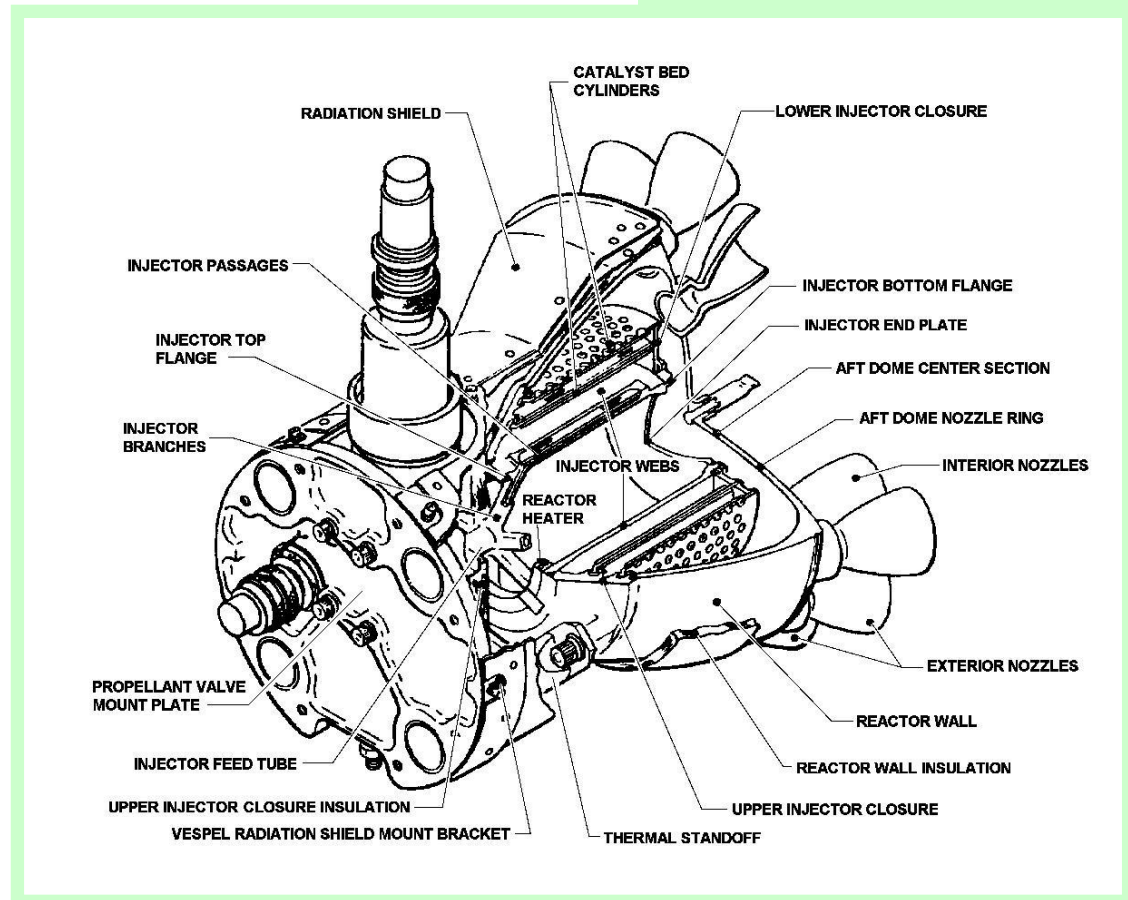
- Low/Moderate Thrust (0.6-10 Klbf)
- Throttleable (down to 5-10% power)
- Thrust-on-Demand
  - Fast response
  - High reliability
- Examples
  - Aerojet MR-80
  - TRW VTR-10 LMDE
  - Bell/Rkdn LMAE

### MR-80 Viking Mars Descent Engine

$N_2H_4$  / Pressure-fed / Rad-cooled

T: 632 – 62 lbf (throttleable)

$I_{sp}$ : 210 - 179 sec  $P_c$ : 250 – 27 psia



# LRE Applications

## Planetary Ascent / Descent

### Bell/Rocketdyne RS-18 LMAE (Apollo)

NTO+AZ-50 / Pressure-fed / Ablative + FFC

T: 3500 lbf  $I_{sp}$ : 307 sec  $P_c$ : 122 psia

MR: 1.6  $\epsilon$ : 45.6:1



### TRW VTR-10 LMDE (Apollo)

NTO+AZ-50 / Pressure-fed / Ablative + FFC

T: 9850 – 1050 lbf (throttleable)

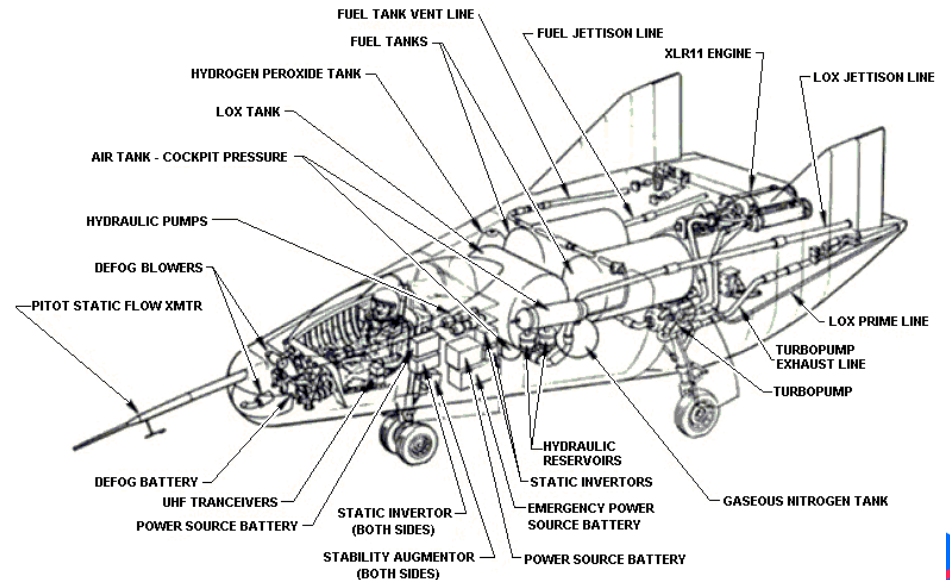
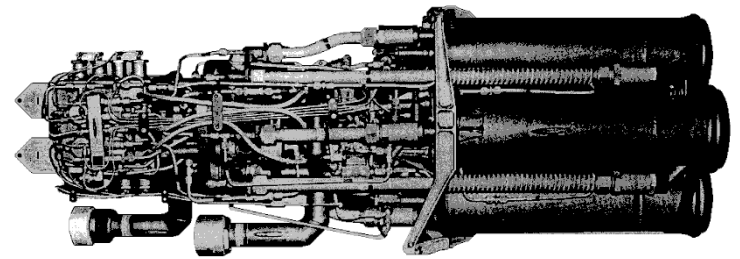
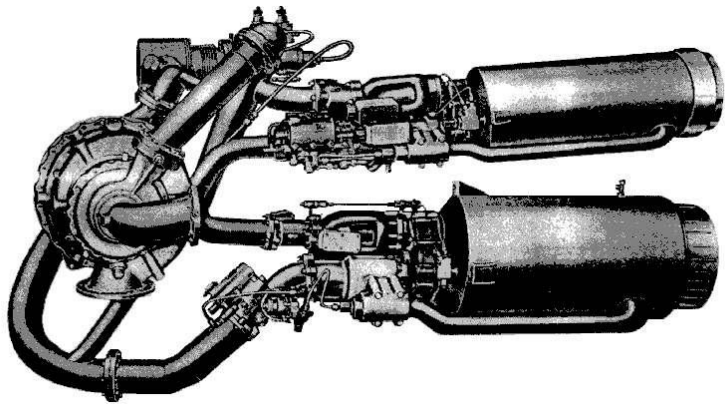
$I_{sp}$ : 305 sec  $P_c$ : 104 psia



# LRE Applications

## Experimental Aircraft

- Moderate Thrust (6-50 Klbf)
- Throttleable / Restartable / High reliability
- Examples
  - XLR11-RM-#
  - XLR25-CW-1



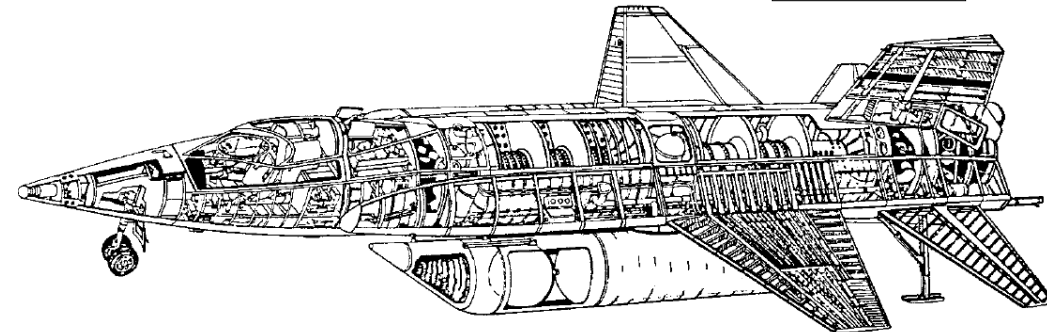
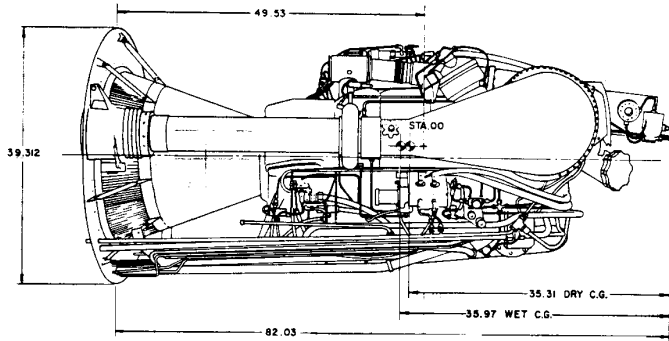


# LRE Applications

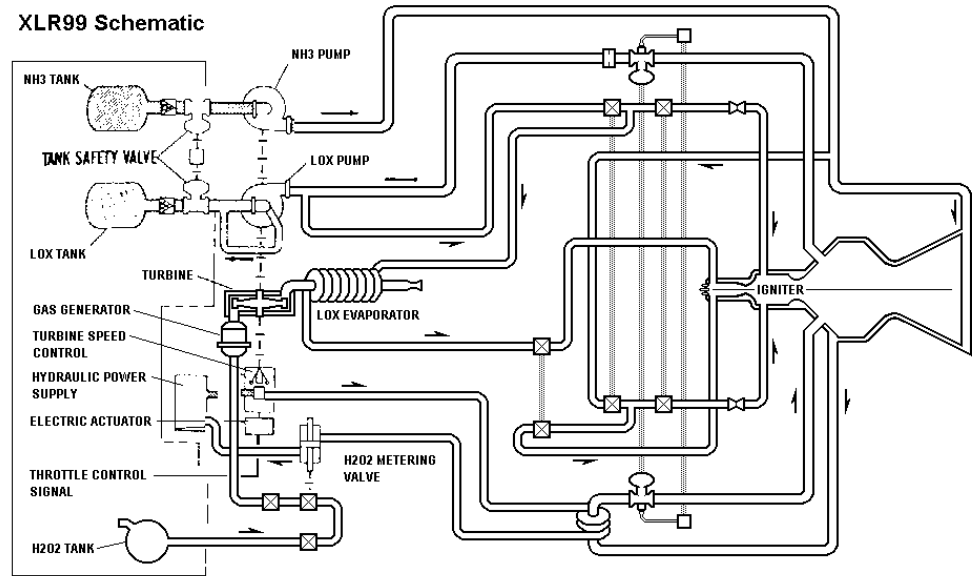
## Experimental Aircraft (X-15)

### Reaction Motors XLR99-RM-1

- Throttleable (30%) / Restartable / High reliability / Monopropellant GG cycle
- $LO_2 / NH_3$
- 50 Klbf
- $I_{sp}$ : 236 sec
- $P_c$ : 600 psia



XLR99 Schematic



# Backup / Supplemental Military LRE Applications

(not included in short course material)



# Module 3: Liquid Propellants



# Terms to Know

## Liquid Propellants

- Fuel
- Oxidizer
- Monopropellant
- Catalyst
- Bipropellant
- Storable
- Space Storable
- Cryogenic
- Hypergolic

# Some Liquid Propellants

## STORABLE

- **HAN** – Hydroxylammonium Nitrate
- **HTP** – High Test Peroxide ( $\text{H}_2\text{O}_2$ )
- **IRFNA** – Inhibited Red Fuming Nitric Acid
- **MMH** – Monomethyl Hydrazine
- $\text{N}_2\text{H}_4$  - Hydrazine
- $\text{N}_2\text{O}_4$  - Nitrogen Tetroxide (NTO)
- **RJ-1** – Ramjet Propellant 1
- **RP-1** – Rocket Propellant 1
- **TEA** – Triethyl Aluminum
- **TEB** – Triethyl Boron
- **UDMH** – Unsymmetrical Dimethylhydrazine

## SPACE STORABLE

- $\text{B}_2\text{H}_6$  - Diborane
- $\text{B}_5\text{H}_9$  - Pentaborane
- $\text{BrF}_5$  – Bromine Pentafluoride
- $\text{C}_2\text{H}_6$  – Ethane
- $\text{NH}_3$  – Ammonia
- $\text{N}_2\text{F}_4$  - Tetrafluorohydrazine

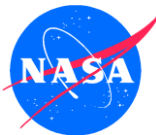
## CRYOGENIC

- $\text{CH}_4$  – Methane
- **FLOX** – Mixture of  $\text{LF}_2$  and  $\text{LO}_2$
- $\text{LF}_2$  – Liquid Fluorine
- $\text{LH}_2$  – Liquid Hydrogen
- $\text{LO}_2$  – Liquid Oxygen
- $\text{OF}_2$  – Oxygen Difluoride

# Propellants



- Propellants are the materials that are combusted by the engine to produce thrust.
- Bipropellant liquid rocket systems consist of a *fuel* and an *oxidizer*. They are the most common due to their high performance, but are more complex.
- Several propellants can be used singularly as *monopropellants* (i.e. *HTP*,  $N_2H_4$ , *UDMH*), which release energy when they decompose either when heated or catalyzed.
- The mission / requirements of the vehicle will directly effect the selection of propellants and configuration (power cycle) of the propulsion system(s).
- The primary propellant types to be discussed are:
  - Storable
  - Space Storable
  - Cryogenic



# Propellant Types - Storable

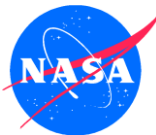
- *Storable* propellants are liquid at sea level conditions of temperature and pressure and can be stored indefinitely in sealed tanks.
- One drawback of storable propellants is that, with the exception of kerosene-based fuels (**RP-1**, **RJ-1**) they are invariably toxic, reactive, corrosive, and difficult to handle.
- Most storable propellant combinations are *hypergolic*, meaning that they ignite spontaneously when in contact with each other.
  - Hypergolic propellant combinations are primarily used for small thruster applications.
  - Elimination of the ignition system reduces engine complexity and enables thrust-on-demand capability (quick start with minimal prep) and pulse mode (multiple rapid
- Historical note: The ability to cast large solid rocket motors did not evolve until the late 1950's, so initial large-thrust rocket propulsion systems used liquid propellants, mostly storables.
  - The evolution of RFNA > IRFNA > NTO had strategic impacts (U.S.A. vs. Soviet Union) in terms of performance and storability.

# Propellant Types – Storable



## Monopropellants

- *Monopropellants* are storable liquid propellants that can be induced to decompose to a gaseous state in the presence of a catalyst (or contamination) and release heat that can be converted to thrust.
  - Catalysts – Shell 405, silver/cobalt plated wire gauze, sodium or potassium permanganate, etc.
  - Some monopropellants can be used in bipropellant systems as either a fuel ( $\text{N}_2\text{H}_4$ , UDMH) or an oxidizer (HTP), which can enable more operational flexibility
- The performance (i.e.,  $I_{sp}$ ) is lower than that of bipropellant systems, but the systems are more simple (higher reliability).
- One drawback of monopropellant systems is that the reactive nature of the propellant requires high standards of cleanliness to prevent uncontrolled decomposition from contaminants.
- Examples
  - Hydrogen Peroxide ( $\text{H}_2\text{O}_2$ , HTP) up to 90-98% concentration
  - Hydrazine ( $\text{N}_2\text{H}_4$ ) most commonly used
  - UDMH (used in GG in RD-119)
  - HAN (experimental)



# Propellant Types – Space Storable

- *Space storable* propellants are liquid in the temperatures of space and generally have a net boiling point greater than 230°R.
- They can be stored for longer periods of time than cryogenic propellants when in space and depending on the storage tank design, thermal environment, and tank pressure.
- They are generally more energetic than most storable propellant combinations, but are rarely used due to their extreme toxicity, reactivity and handling difficulties.
- Actual application of space storable propellants in an operational propulsion system is rare due to the toxicity hazards.
  - Beginning in the late 1950's, the USAF studied the use of space storable propellants in upper stages. The findings indicated that the operational hazards did not justify the performance gains.
  - The XLR99-RM-1 rocket engine for the X-15 experimental hypersonic aircraft used a  $\text{LO}_2/\text{NH}_3$  propellant combination.



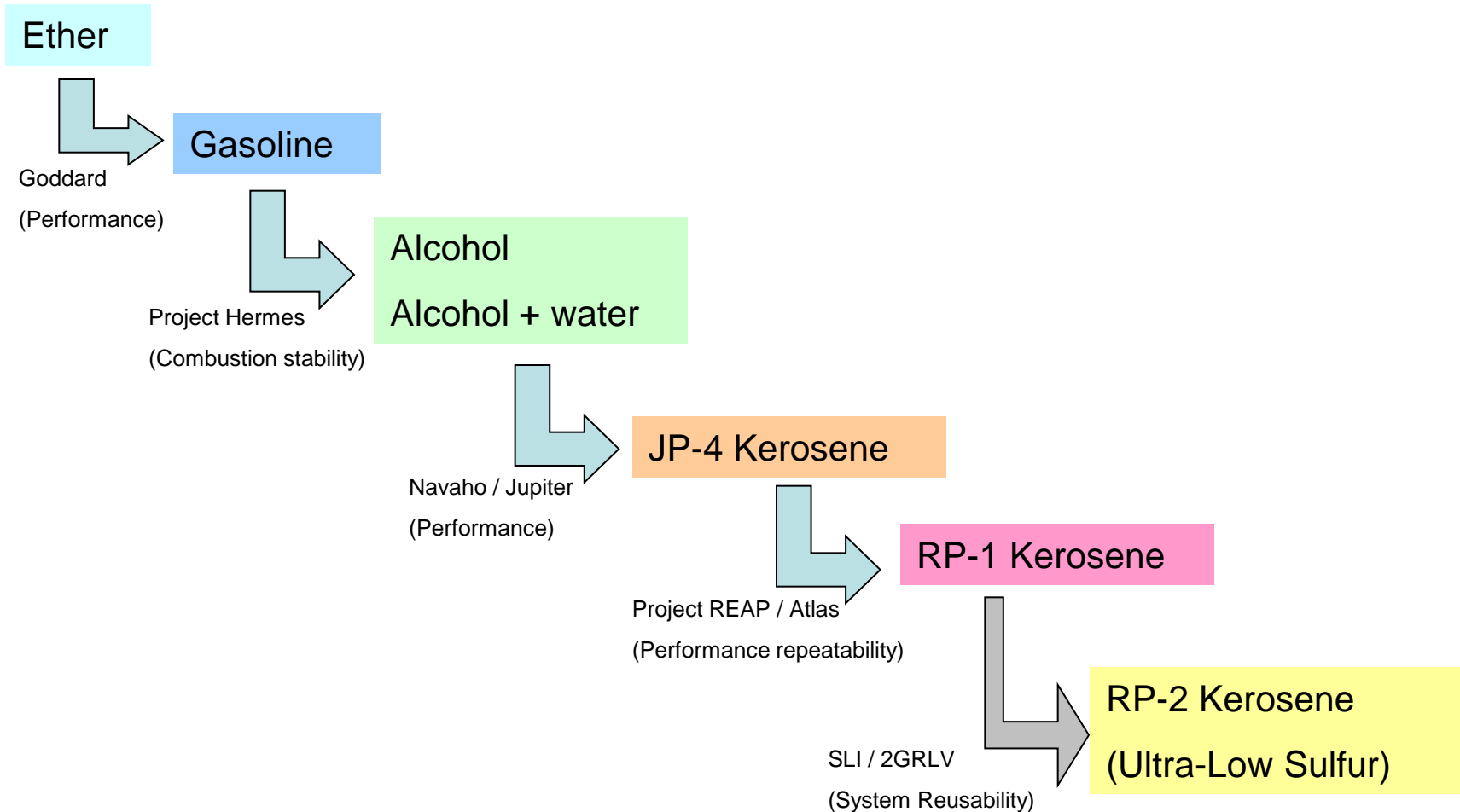
# Propellant Types – Cryogenic

- *Cryogenic* propellants are liquefied gases at extremely low temperatures (approx. 30°R to 230°R) and are typically the most energetic types of propellants.
- However, they are more difficult to store for any length of time (vaporization losses) and require provisions for venting the propellant tank.
- $\text{LO}_2$  and  $\text{LH}_2$  are the most commonly used liquid cryogenic propellants, and will be used in the J-2X.
  - $\text{LH}_2$ 
    - Advantages – High performance, excellent coolant
    - Disadvantage – Low density ( $\sim 4.5 \text{ lb/ft}^3$  vs.  $72 \text{ lb/ft}^3$  for  $\text{LO}_2$ , resulting in a disproportionate size in propellant tanks)
  - $\text{LO}_2$ 
    - Advantages – Non-toxic, high reactivity to fuel (high performance). Only fluorine is a better oxidizer.
    - Disadvantage – Not selective about what it uses as fuel. It prefers hydrogen or hydrocarbons, but will consume almost anything with an oxidation potential.

# Backup / Supplemental

# Propellant Types – Storable

## Evolution of Domestic Kerosene for Rocket Propulsion



# Propellant Types – Storable

## Kerosene Forms - Domestic

Fuel	Formula	MW	HF (cal/mol)	Density (lb/ft <sup>3</sup> )
JP-4	C <sub>10</sub> H <sub>20</sub>	140.27	-63756	48.5
JP-5	C <sub>10</sub> H <sub>19</sub>	139.26	-57177	50.97
JP-7	C <sub>10</sub> H <sub>21</sub>	141.28	-70187	49.5
JP-9	C <sub>652</sub> H <sub>999</sub>	8835.2	-335528	58.12
JP-10	C <sub>10</sub> H <sub>16</sub>	136.24	-25219	58.06
RJ-4	C <sub>12</sub> H <sub>20</sub>	164.29	-44930	57.66
RJ-5	C <sub>140</sub> H <sub>184</sub>	1867.0	+199776	66.17
RJ-6	C <sub>700</sub> H <sub>999</sub>	9414.7	-92195	64.3
RP-1	C <sub>10</sub> H <sub>19.5</sub>	139.5	-57600	50.3
Quadricyclane	C <sub>7</sub> H <sub>8</sub>	92.14	+72200	57.36

Source: "Fuels for Airbreathing Propulsion," G.W. Burdette, H.G. Lacombe, M.J. Stevens, Naval Weapons Center Technical Memorandum 3045, Feb 1977

# Propellant Types – Storable

## Nitric Acid Blends - Domestic

Blend	Description
FNA	Fuming Nitric Acid
SFNA	Stable Fuming Nitric Acid (obsolete)
HDA	High Density Acid (see description for IRFNA IV)
MHDA	Modified High Density Acid
RFNA	Red Fuming Nitric Acid, 83.5-84.5% HNO <sub>3</sub> + 14% NO <sub>2</sub> + 1.5-2.5% H <sub>2</sub> O, ref. MIL-P-7254
IRFNA	Inhibited RFNA, 82.3% HNO <sub>3</sub> + 15% NO <sub>2</sub> + 2% H <sub>2</sub> O + 0.7% HF, ref. MIL-P-7254 and AGC-77002
IRFNA III-A	Type III-A IRFNA, 83.4% HNO <sub>3</sub> + 14% NO <sub>2</sub> + 2% H <sub>2</sub> O + 0.6% HF, ref. MIL-P-7254 and AGC-77002
IRFNA III-B	Type III-B IRFNA, ref. MIL-P-7254E-1
IRFNA IV	Type IV IRFNA, aka HDA, 54.3% HNO <sub>3</sub> + 44% NO <sub>2</sub> + 1% H <sub>2</sub> O + 0.7% HF, ref. MIL-P-7254
WFNA	White Fuming Nitric Acid, 97.5% HNO <sub>3</sub> + 2% H <sub>2</sub> O + 0.5% NO <sub>2</sub> , ref. MIL-P-7254
IWFNA	Inhibited WFNA, a blend of WFNA and 0.6% HF as a passivant
MWFNA	Modified White Fuming Nitric Acid
MDIFNA	Maximum Density Inhibited Fuming Nitric Acid, 54.8% HNO <sub>3</sub> + 44% N <sub>2</sub> O <sub>4</sub> + 0.7% HF + 0.5% H <sub>2</sub> O

## Module 4:

# Power Cycles



# Objective



Continue the overview discussion of liquid propellant rocket engines to focus on the various power cycles that are used to power the turbomachinery.





# LRE Power Cycle Review

- Pressure-Fed
- GG, Monopropellant
- GG, Bipropellant, Single TPA
- GG, Bipropellant, Dual TPA, Series Turbines
- GG, Bipropellant, Dual TPA, Parallel Turbines
- Tap-Off
- Expander, Single TPA
- Expander, Dual TPA
- Fuel-Rich Staged Combustion, Dual Preburners
- Fuel-Rich Staged Combustion, Single Preburner
- Oxidizer-Rich Staged Combustion
- Full-Flow Staged Combustion

# Terms & Acronyms

- FTP (Fuel Turbopump)
- GG (Gas Generator)
- GGFV (Gas Generator Fuel Valve)
- GGOV (Gas Generator Oxidizer Valve)
- HEX (Heat Exchanger)
- MCC (Main Combustion Assembly)
- MFV (Main Fuel Valve)
- MOV (Main Oxidizer Valve)
- Nozzle
- NE (Nozzle Extension)
- OTBV (Oxidizer Turbopump Bypass Valve)
- OTP (Oxidizer Turbopump)
- TCA (Thrust Chamber Assembly)
- TPA (Turbopump Assembly)

# Rocket Engine Cycles

- A rocket engine “cycle” refers to the power cycle that the engine system uses to power the turbopumps to pressurize the propellants.
- A number of thermodynamic cycle options exist
- Which one used depends on application or mission requirements
- One cycle is not right for every application
- The selection of power cycle can be driven by many factors:
  - Propellants
  - Performance (thrust, specific impulse)
  - Safety / Reliability
  - Reusability
  - Technical Risk
  - Cost / Schedule
  - Etc.

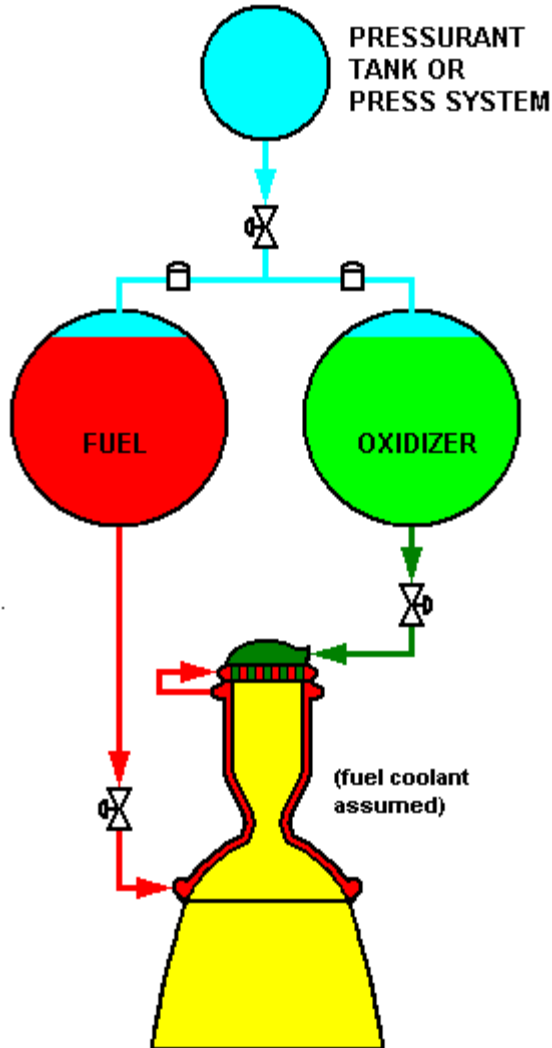
# LRE Cycle Uses



	Staged Combustion, Single Chamber Tripropellant	Staged Combustion, Dual Preburner	Staged Combustion, Single Preburner	Gas Generator	Expander	Tap-off
Advantages	Highest integrated performance available (closed cycle). Maximizes propellant bulk density and Isp.	High performance (closed cycle). Very attractive for reusable applications. Easier MR and thrust level throttling characteristics.	High performance (closed cycle). Simpler than multi preburner options to left. Very attractive for reusable applications	Simple cycle, low production costs, easier to develop	High reliability, benign failure modes (contained), simple cycle	Simple cycle with fewer parts, lower production costs, easier maintainability
Disadvantages	Most difficult to develop. Will be very expensive. Production cost makes reusable applications mandatory. Vehicle must be very performance driven such as SSTO.	More difficult to develop than single PB. T ends to be very expensive. Failure modes tend to be more involved. Production cost makes reusable applications almost mandatory.	More difficult to develop. T ends to be more expensive. Failure modes tend to be more involved.	Lower performance because of open cycle. Performance level makes this unattractive for most reusable applications.	Limited to LOX/LH2 propellants only. Limited performance because of heat transfer limitations.	Hot gas duct that taps off from the MCC and mixes diluent fuel to regulate gas temperature. Lower performance (Open cycle).
Potential Applications	Reusable SSTO.	Booster or upperstage, reusable rockets	Booster or upperstage, reusable or expendible rockets (May depend on propellant choices)	Booster or upper stage, expendible rockets	Booster or upperstage, reusable or expendible rockets	Booster or upper stage, expendible rockets



# Pressure-Fed “Cycle”



Not really a cycle, since it does not power turbomachinery, but serves as a basis of comparison. While this is the simplest system, it is also the most performance-limited in comparison to pump-fed systems.

- Excellent reliability
- Robust start/shutdown\*
  - “Thrust on demand”
- Good storability\*
- Good throttleability
- Acceptable performance
  - Trade thrust vs. tank weight
- Examples
  - Aerojet AJ10-190 (STS)
  - Aerojet AJ10-118 (Delta II)
  - Most RCS/ACS systems

\* Assumes use of hypergolic propellants

# Gas Generator (GG) Cycle



- One of the first power cycles developed for rocket propulsion
- Uses either dedicated or common propellants in gas generator (GG) to produce turbine drive gas
- Turbine exhaust dumped, resulting in degraded  $I_{sp}$  performance
- Good reliability
- Robust start/shutdown
- Lower operating pressures mitigate the need for boost pumps
- Can utilize almost any viable bipropellant combination

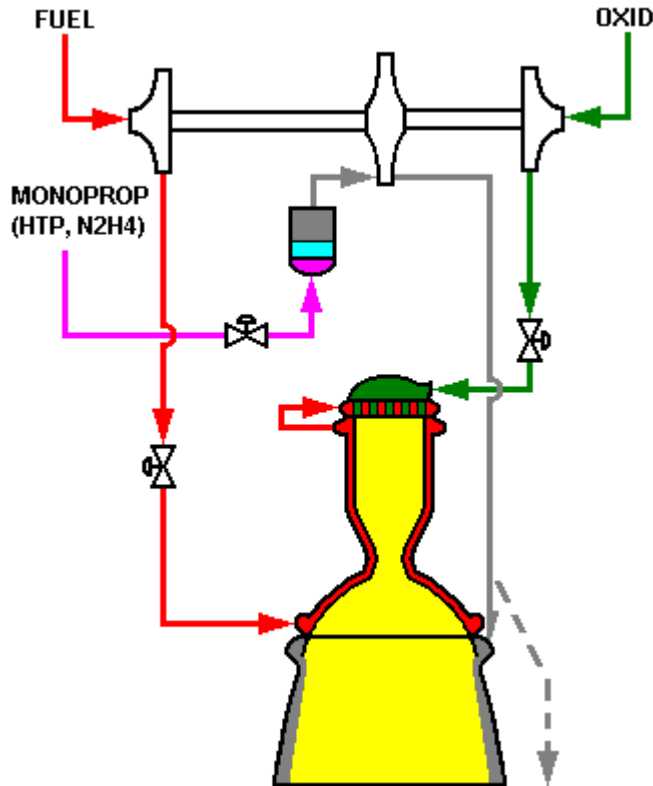
## GG Cycle Variations

- Monopropellant GG
- Bipropellant GG
  - Common-shaft main TPA
  - Separate fuel and oxidizer TPAs
    - Series turbines
    - Parallel turbines



# Gas Generator (GG) Cycle

## Monopropellant GG

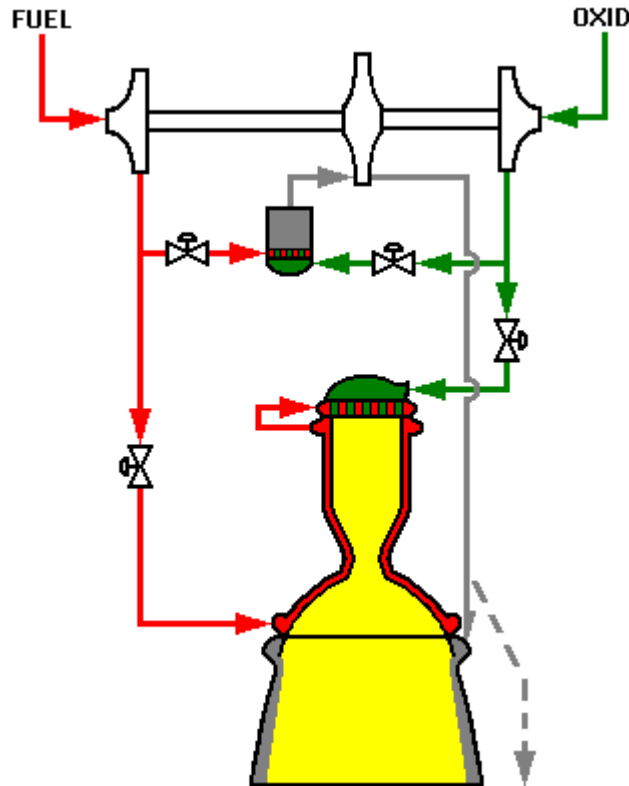


- Early/original power cycle
- Acceptable performance
  - Independent monopropellant control provides more reliable system, but at the cost of increased weight of third propellant
- Examples
  - A-4 (V-2)
  - A-6 (Navaho-I)
  - A-7 (Redstone)
  - RD-107/108 (R-7 family)
  - XLR99-RM-1 (X-15)
  - ★ AR2-3A (F-104)



# Gas Generator (GG) Cycle

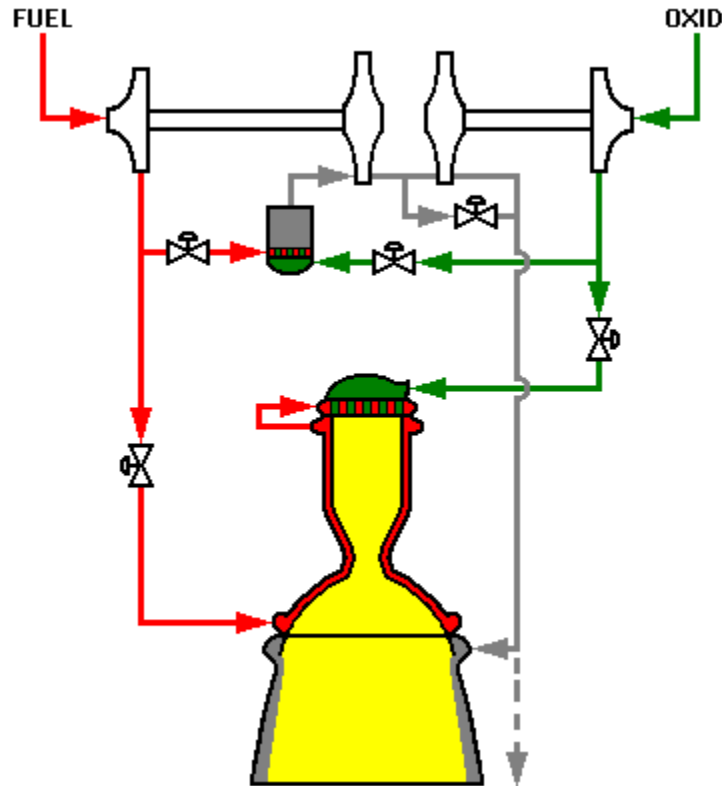
Bipropellant, Single TPA



- Improved performance over monopropellant GG
  - Bootstrap start
  - T/W improved by elimination of 3<sup>rd</sup> propellant
- This cycle works well for propellants with similar fluid properties (i.e., density, viscosity =  $LO_2/RP-1$ ) to allow a common shaft RPM.
- Examples
  - F-1
  - Atlas MA-2, -3, -5, -5A
  - Navaho-II, -III
  - MC-1 / Fastrac
  - S-3D → H-1 → RS-27

# Gas Generator (GG) Cycle

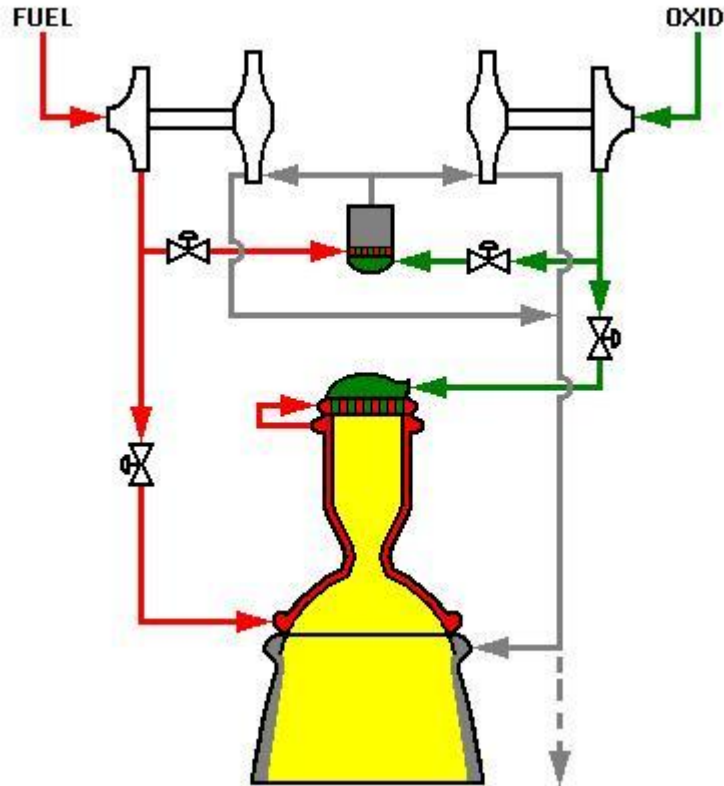
Bipropellant GG, Dual TPA, Series Turbines



- Allows independent thrust and MR control
- This cycle works well for propellants with different fluid properties ( $\text{LO}_2/\text{LH}_2$ ) that require different pump speeds.
- Examples
  - J-2  $\rightarrow$  J-2X

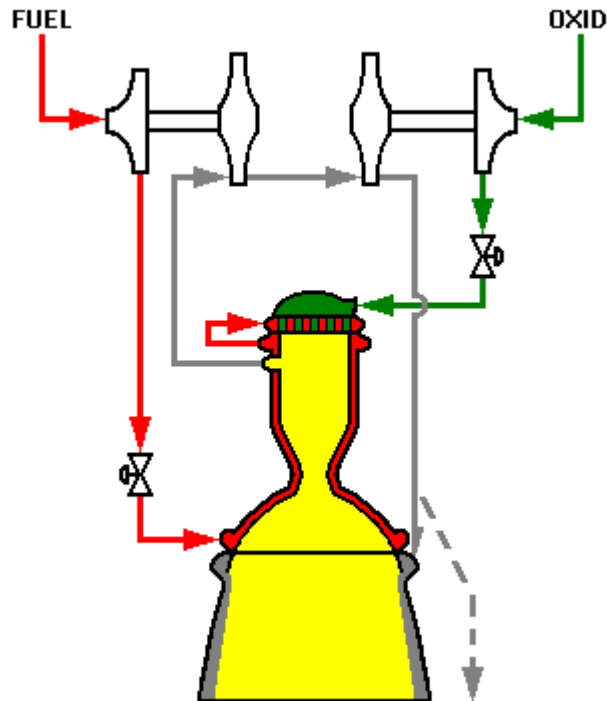
# Gas Generator (GG) Cycle

Bipropellant GG, Dual TPA, Parallel Turbines



- Allows independent thrust and MR control
- This cycle works well for propellants with different fluid properties ( $\text{LO}_2/\text{LH}_2$ ) that require different pump speeds.
- Examples
  - Vulcain
  - RS-68

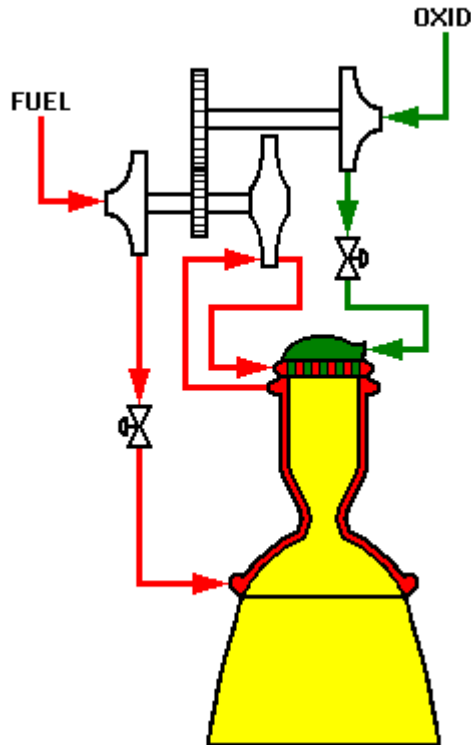
# Tapoff Cycle



- Turbopumps driven by hot gas tapped from main chamber
- Good throttleability
- Low operational experience
- Simplicity offers potential high reliability
- Examples
  - J-2S

# Expander Cycle

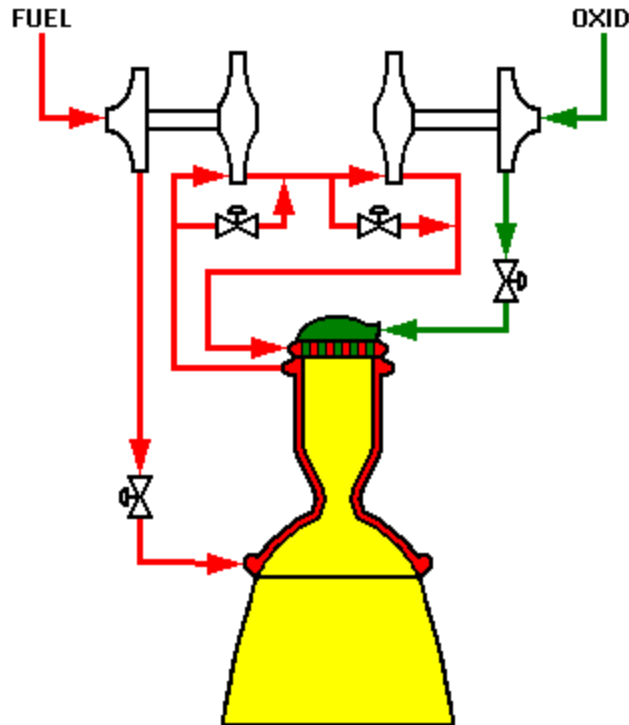
## Single TPA



- Good throttleability
- Thrust limited by ability to utilize heated fuel
  - Requires high heat transfer efficiency and/or multi-stage turbine to extract work
  - T/W impact
- High reliability
- Benign failure modes
- Examples
  - RL10 family

# Expander Cycle

## Dual TPA



- Good throttleability
- Turbine bypasses permit independent thrust and MR control
- Thrust limited by ability to utilize heated fuel
- High reliability
- Benign failure modes
- Examples
  - RL60
  - MB-xx

# Staged Combustion (SC) Cycle



- Utilizes all propellants to generate thrust
- High performance (thrust,  $I_{sp}$ , T/W)
- High  $I_{sp}$  requires high operating pressures
- Good reliability, but high operating conditions demand vigilance
- The high operating pressures usually requires the use of boost pumps to increase propellant pressure entering main pumps.

## SC Cycle Variations

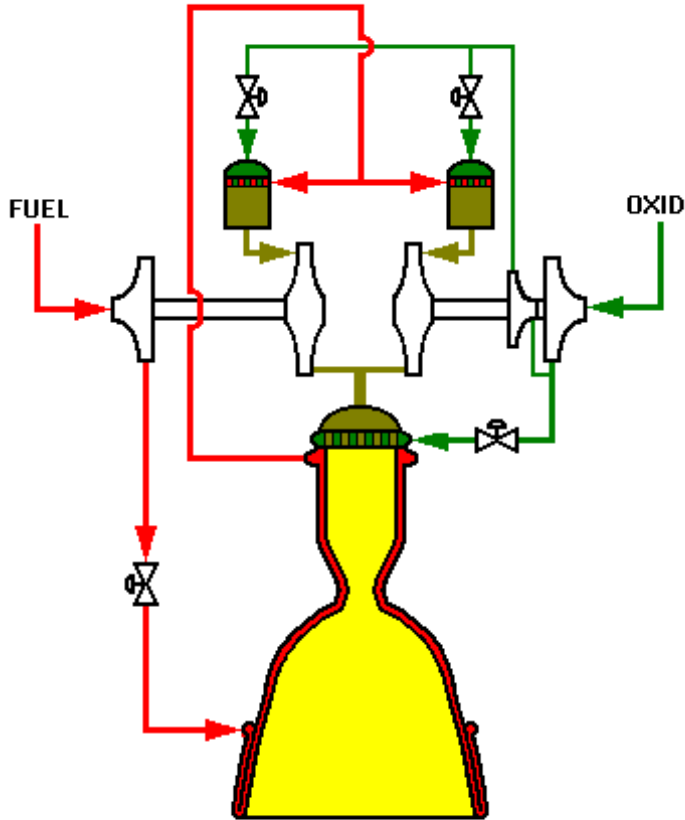
- Fuel-Rich (FRSC)
  - Often used with  $LO_2/LH_2$  propellants
- Oxidizer-Rich (ORSC)
  - Often used with  $LO_2/Kerosene$  propellants
  - $NTO/UDMH$  also used
- Full-Flow (FFSC)
  - One experimental system developed (IPD) using  $LO_2/LH_2$  propellants





# Fuel-Rich SC Cycle

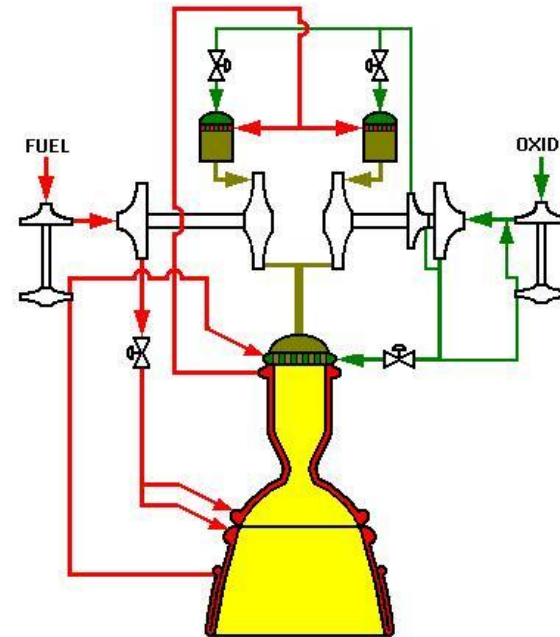
## Dual Preburners



- Permits independent MR and thrust level throttleability

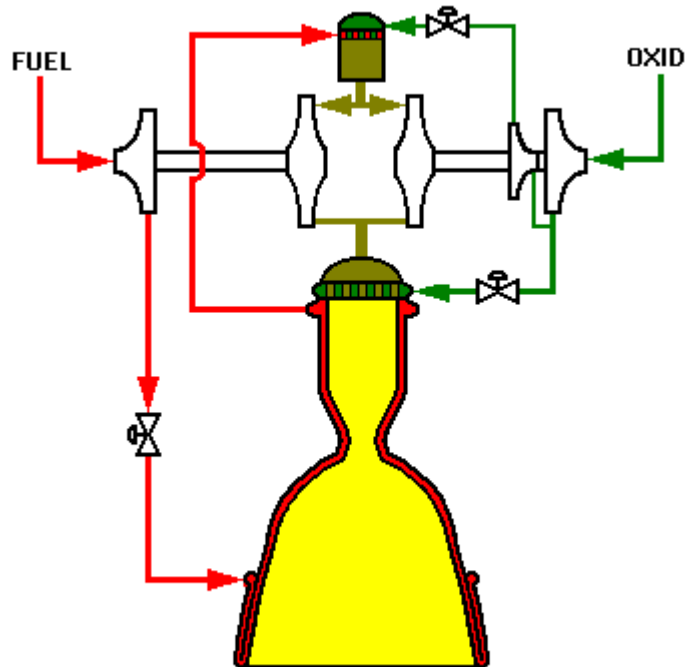
- Examples

– SSME (with boost pumps)



# Fuel-Rich SC Cycle

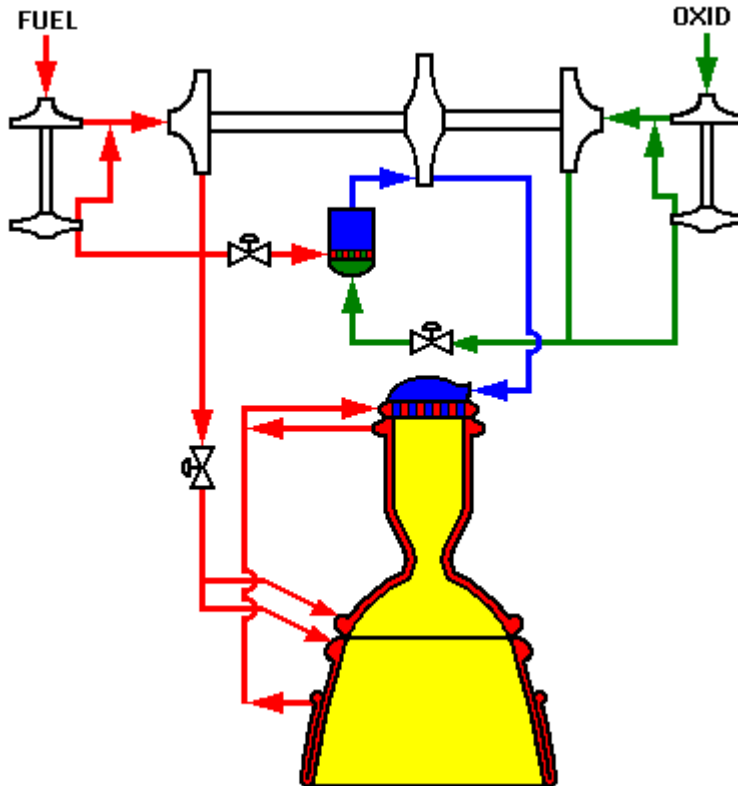
Single Preburner, Dual TPAs



- Permits some MR and thrust level throttleability
- Better system simplicity offers better reliability than DPFRSC system
- Examples
  - RD-0120
  - LE-7
  - RS-30 ASE (DDT&E incomplete)
  - COBRA (DDT&E incomplete)

# Oxidizer-Rich SC Cycle

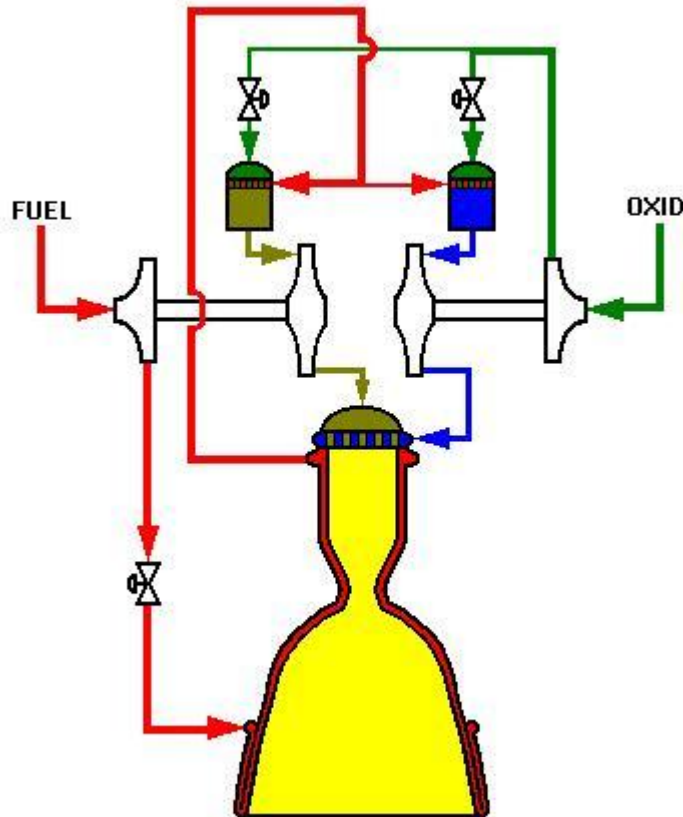
## Single TPA with Boost Pumps



- Good Reliability
- Requires use of materials resistant to ignition in an oxidizer-rich environment
  - Requires exotic coatings
- Used exclusively in Russia
- Examples
  - RD-253
  - RD-170 Family
    - RD-170, -171, -172
    - RD-180
    - RD-191
  - RS-84 (DDT&E incomplete)

# Full-Flow SC Cycle

Two TPAs with Two PBs



- System complexity degrades reliability and increases cost
- Complicated flow management requires complex transient and mainstage control
- Examples
  - IPD (Integrated Powerhead Demonstrator)

# Other Cycles



- In addition to the primary power cycles already discussed, there are numerous variations of these that can be investigated to pursue higher performance.
- These variations are limited by the different permutations of components and system enhancements that can be integrated.
- Also, occasionally a “wildcat” power cycle will be proposed. Often they will promise high performance, but are hampered by high technical risk and low validated substantiation.
  - Dual-expander cycle
  - Augmented expander cycle
  - Cycles using tripropellants
  - Combined cycle system
  - ...and then there are the real crazy ones...

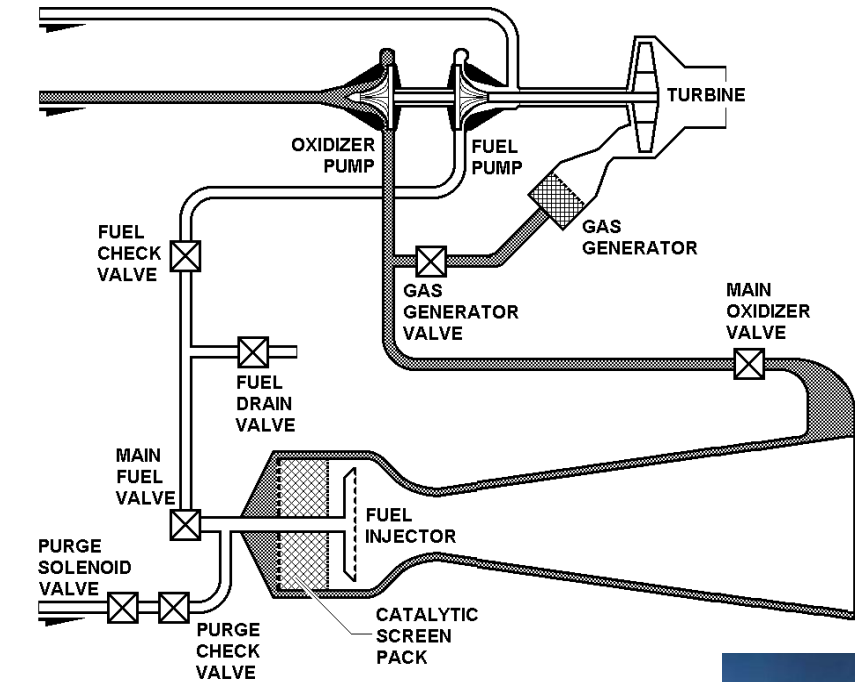


# Backup Slides

## Example Engines

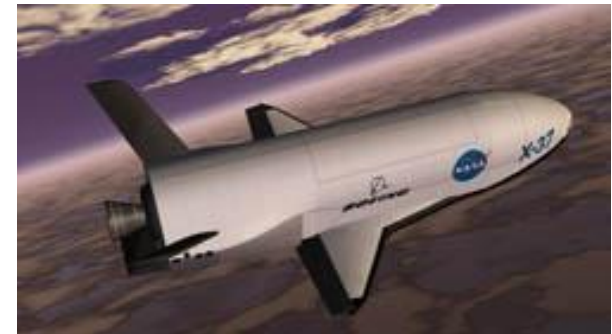
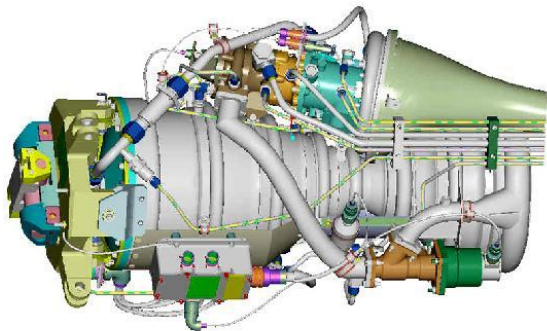
# Gas Generator (GG) Cycle

## Monopropellant GG



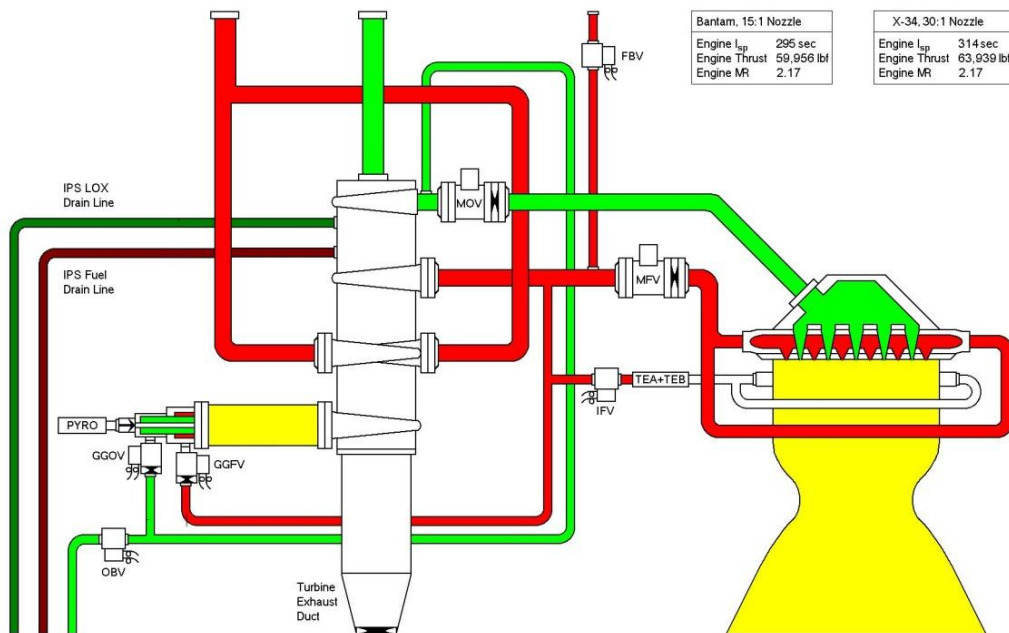
### Rocketdyne AR2-3

- F-104 superperformance
- 90% HTP / JP-4
- 3000-6600 lbf thrust
- $I_{sp}$ : 234 sec (alt)
- $P_c$ : 560 psia
- Initially used in 1957, later in 2000 considered for X-37 propulsion



# Gas Generator (GG) Cycle

Bipropellant GG, Single TPA

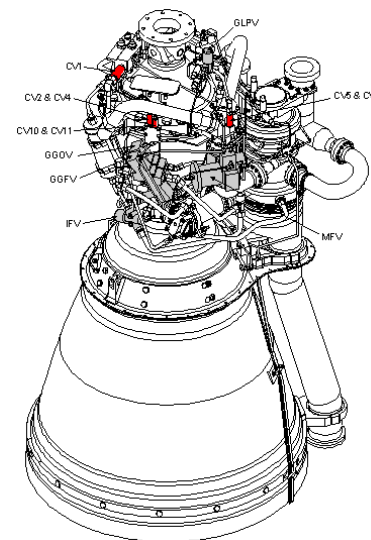


Bantam, 15:1 Nozzle	
Engine $I_{sp}$	295 sec
Engine Thrust	59,956 lbf
Engine MR	2.17

X-34, 30:1 Nozzle	
Engine $I_{sp}$	314 sec
Engine Thrust	63,939 lbf
Engine MR	2.17

## NASA/MSFC MC-1 Fastrac

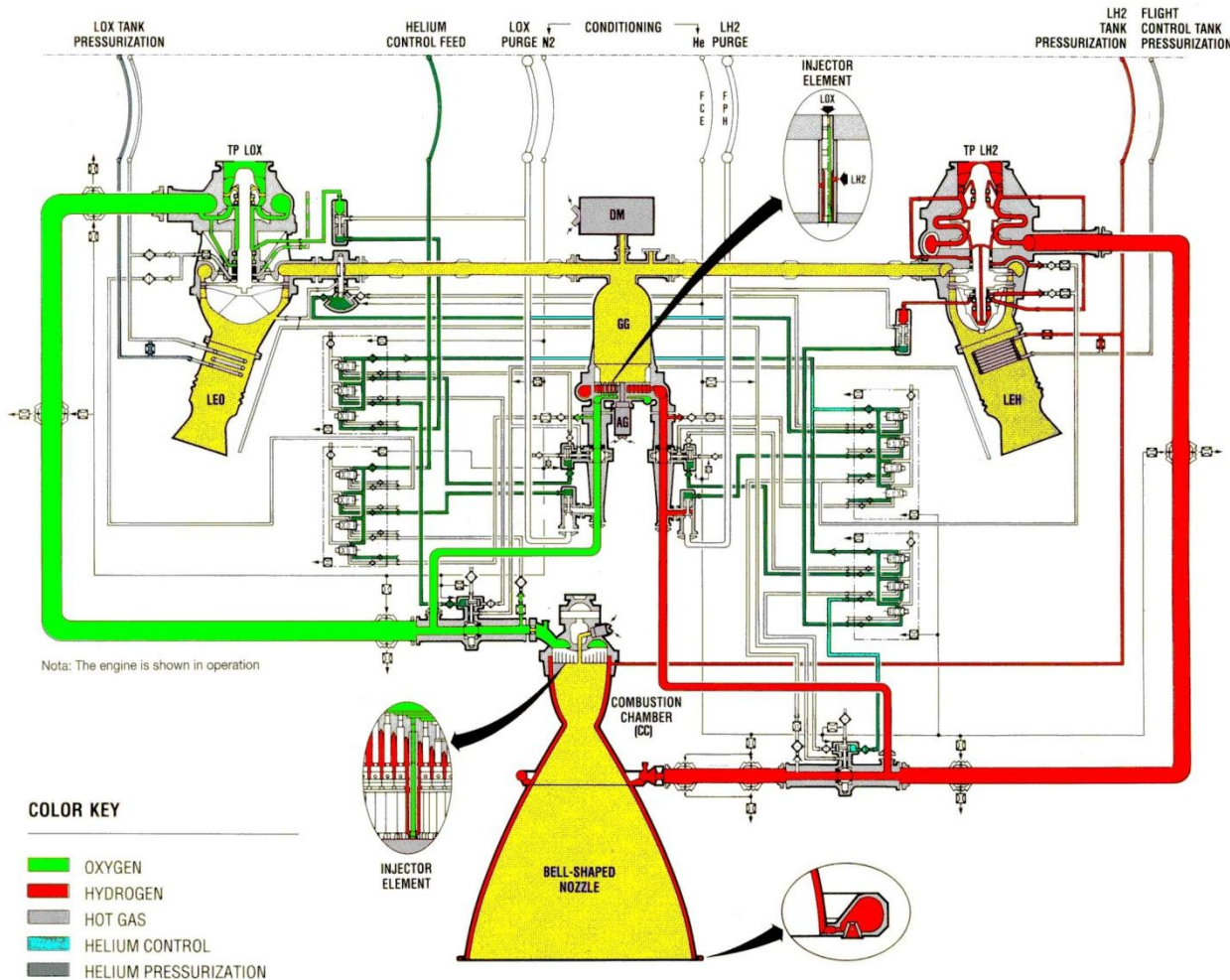
- X-34 hypersonic aircraft
- $LO_2 / RP-1$
- 64 Klbf thrust (vac)
- $I_{sp}$ : 314 sec (vac)
- $P_c$ : 650 psia





# Gas Generator (GG) Cycle

## Bipropellant GG, Dual TPA, Parallel Turbines



Nota: The engine is shown in operation

Nota: The engine is shown in operation.

### HM60 Vulcain Mk-1

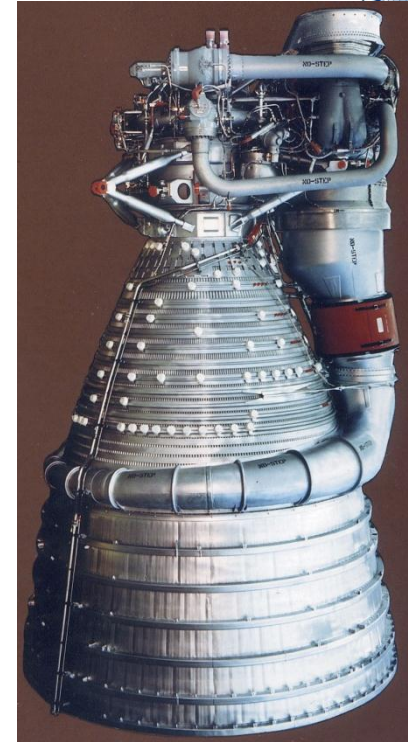
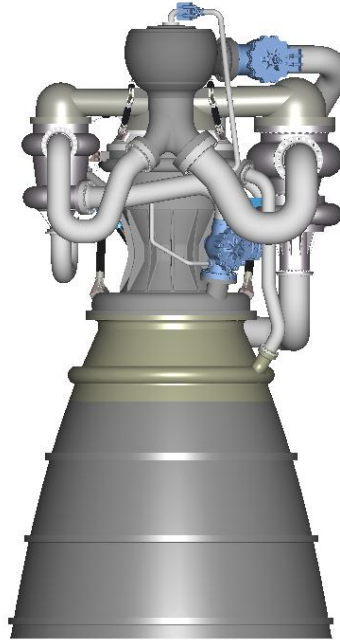
- Ariane-V booster
- 252 Klb thrust
- $I_{sp}$ : 430 sec (vac)
- $P_c$ : 1624 psia
- MR: 5.3
- $\epsilon$ : 45:1



Ref.: Snecma brochure



# Large RP-1 Engine Comparisons

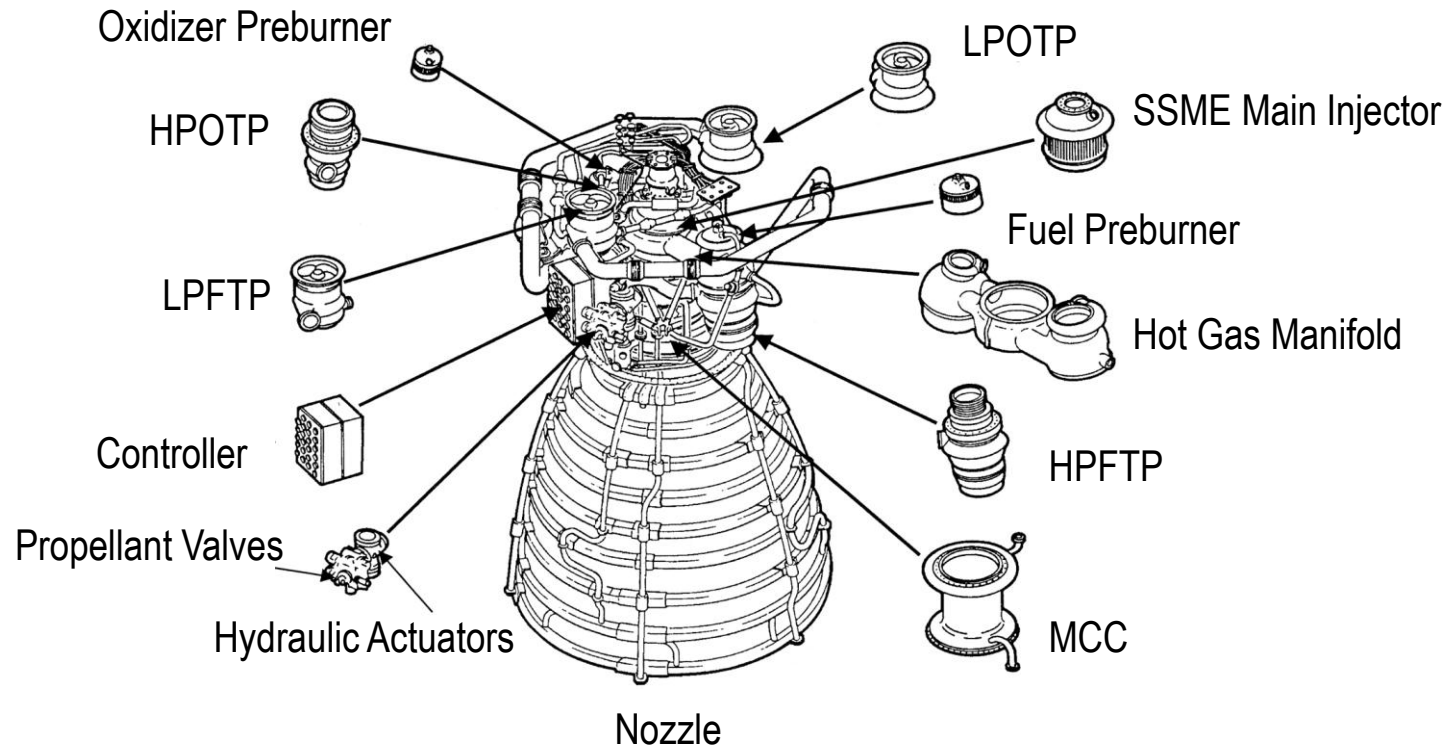


	RD-180	RS-84 (*)	F-1
Cycle	ORSC	ORSC	GG
T (sl/vac, Klbf)	860 / 934	1050 / 1168	1522 / 1748
$I_{sp}$ (sl/vac, secs)	311.9 / 338.4	301.5 / 335.4	265.4 / 304.1
$P_c$ (psia)	3722	2800	982
$\epsilon$	36.4	36	16
W (lbm)	12225	15985	18616
T/W (sl/vac)	70.3 / 76.4	65.7 / 73.1	82 / 94
MR	2.72	2.70	2.27
Envelope (L/OD, inches)	146 / 124	181 / 108	220 / 143
Life (starts)	10 (20 w refurb at 10)	40 (100 goal)	20
Reliability	0.998 @ 95% confidence	>0.99990	0.990 @ 96.6 confidence

\* - SLI/NGLT requirements

## Module 5:

# Subsystems & Components



# Objective



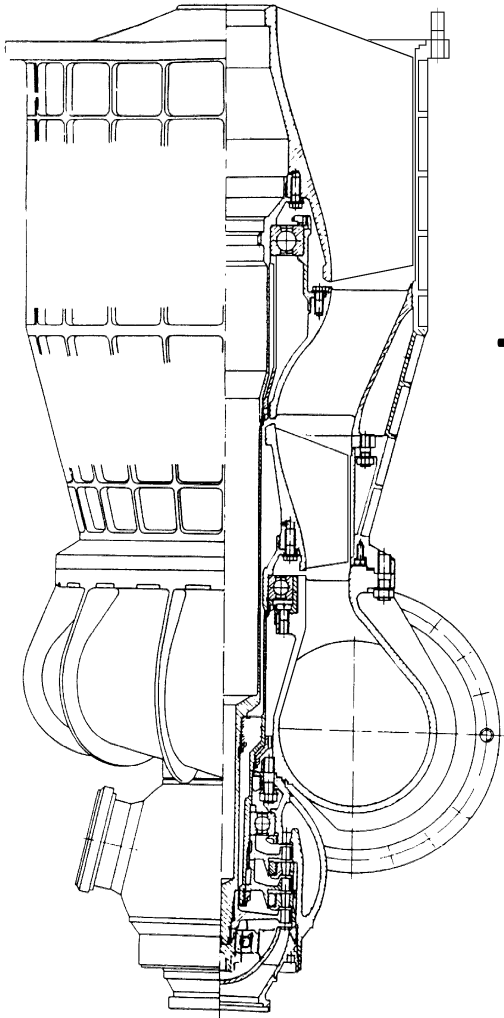
Continue the overview discussion of liquid propellant rocket engines to focus on the different components used to form the engine system.



# Subsystems and Components

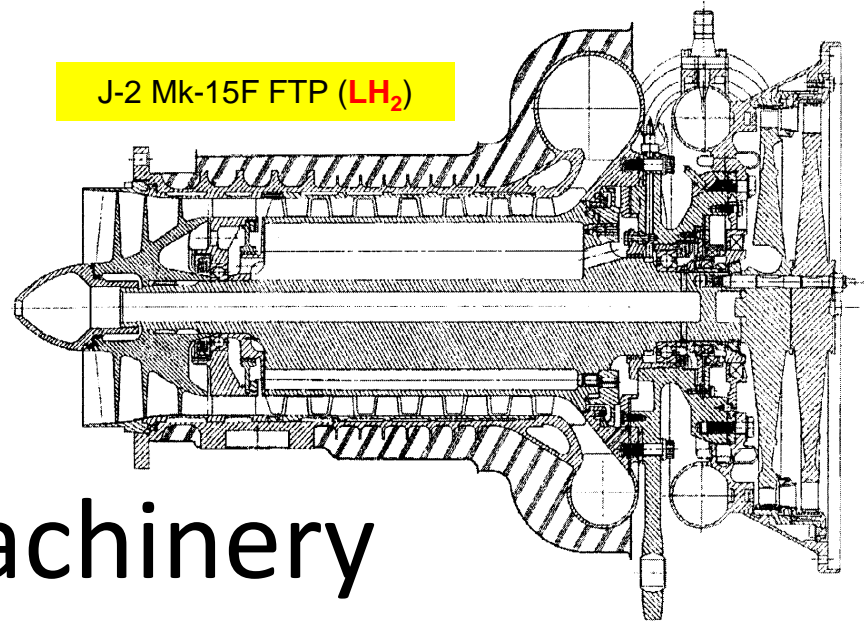
- Turbomachinery
- Combustion Devices
- Valves & Actuators
- Engine Control System
- Ancillary Systems
- Engine Integration Hardware



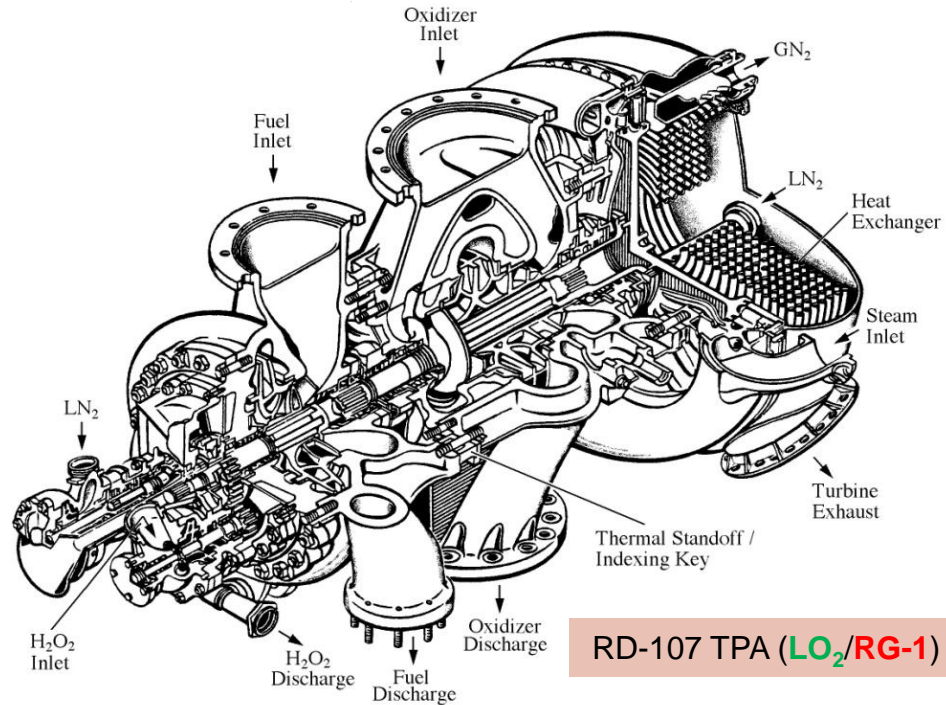


RD-0120 OBP ( $LO_2$ )

J-2 Mk-15F FTP ( $LH_2$ )



# Turbomachinery



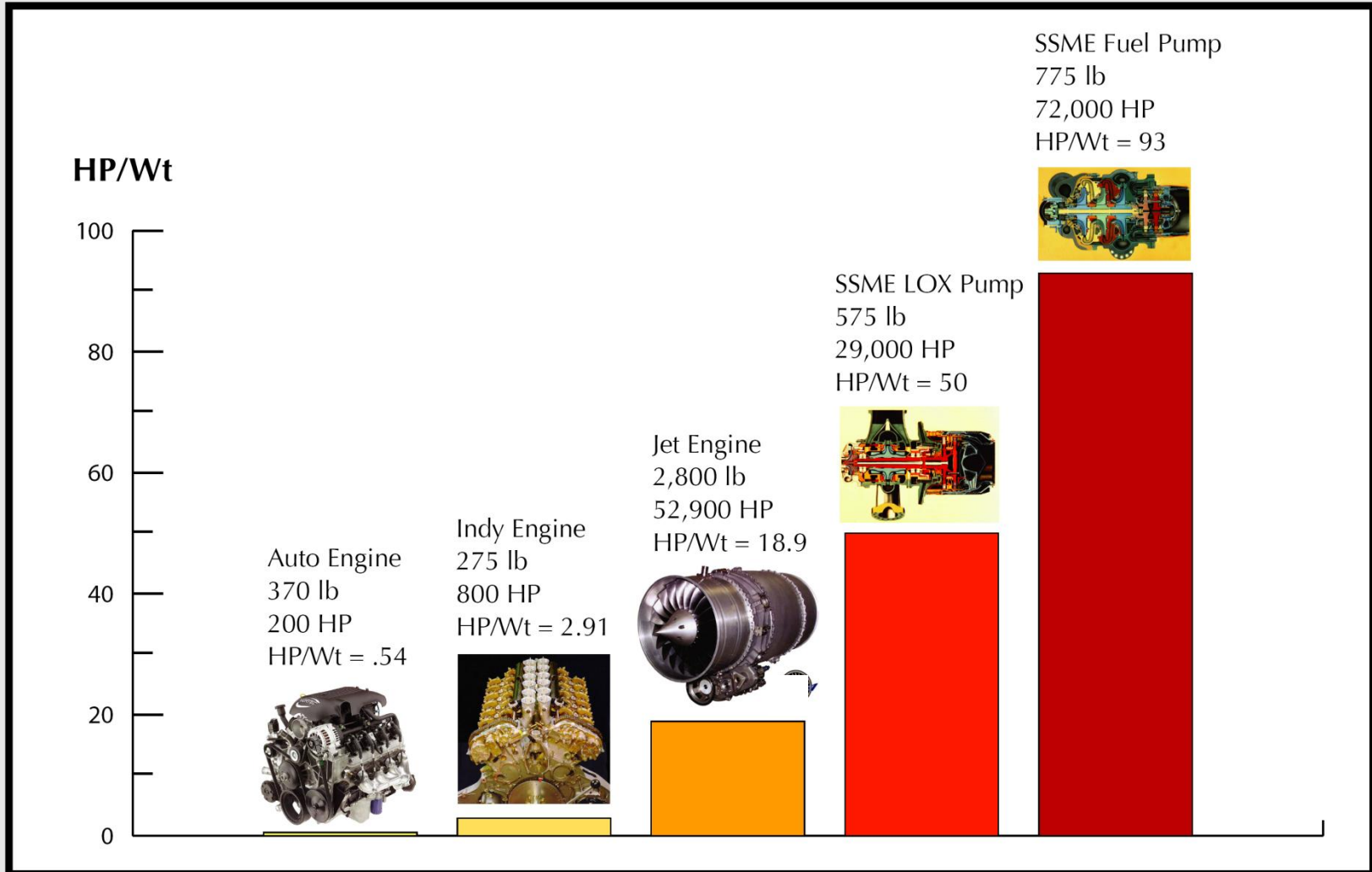
RD-107 TPA ( $LO_2/RG-1$ )

# Turbomachinery

- The function of the rocket engine turbopump is to receive the liquid propellants from the vehicle tanks at low pressure and supply them to the combustion chamber at the required flow rate and injection pressure.
  - The energy to power the turbine itself is provided by the expansion of high pressure gases, which are usually mixtures of the propellants being pumped.
  - Turbopumps are primarily separated into the pump section and the turbine section, separated by a seal package and with the rotor supported by bearings.
  - Depending on the system, the turbomachinery can be
    - in separate units for the fuel and oxidizer, or
    - together in an integrated housing, with the pumps on a single shaft with a turbine, or with the pumps on separate shafts connected by a gearbox.
    - Have boost pumps upstream of the main pumps.
- Examples
    - SSME / RS-25
      - LPFTP
      - LPOTP
      - HPFTP
      - HPOTP
    - J-2X
      - FTP
      - OTP
    - RD-0120
      - FBP
      - OBP
      - MTU

## *Horsepower to Weight Comparison*

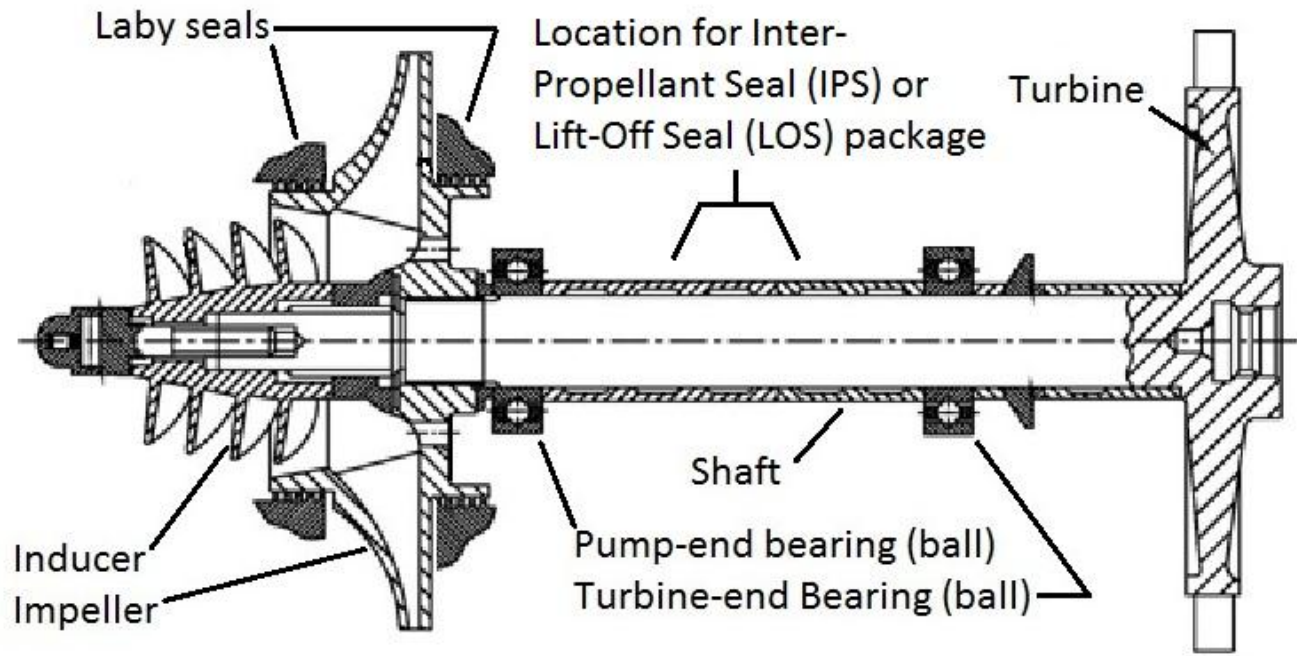
High Power Density Comparison of Automobile Engines, Jet Engine, and SSME High Pressure Pumps



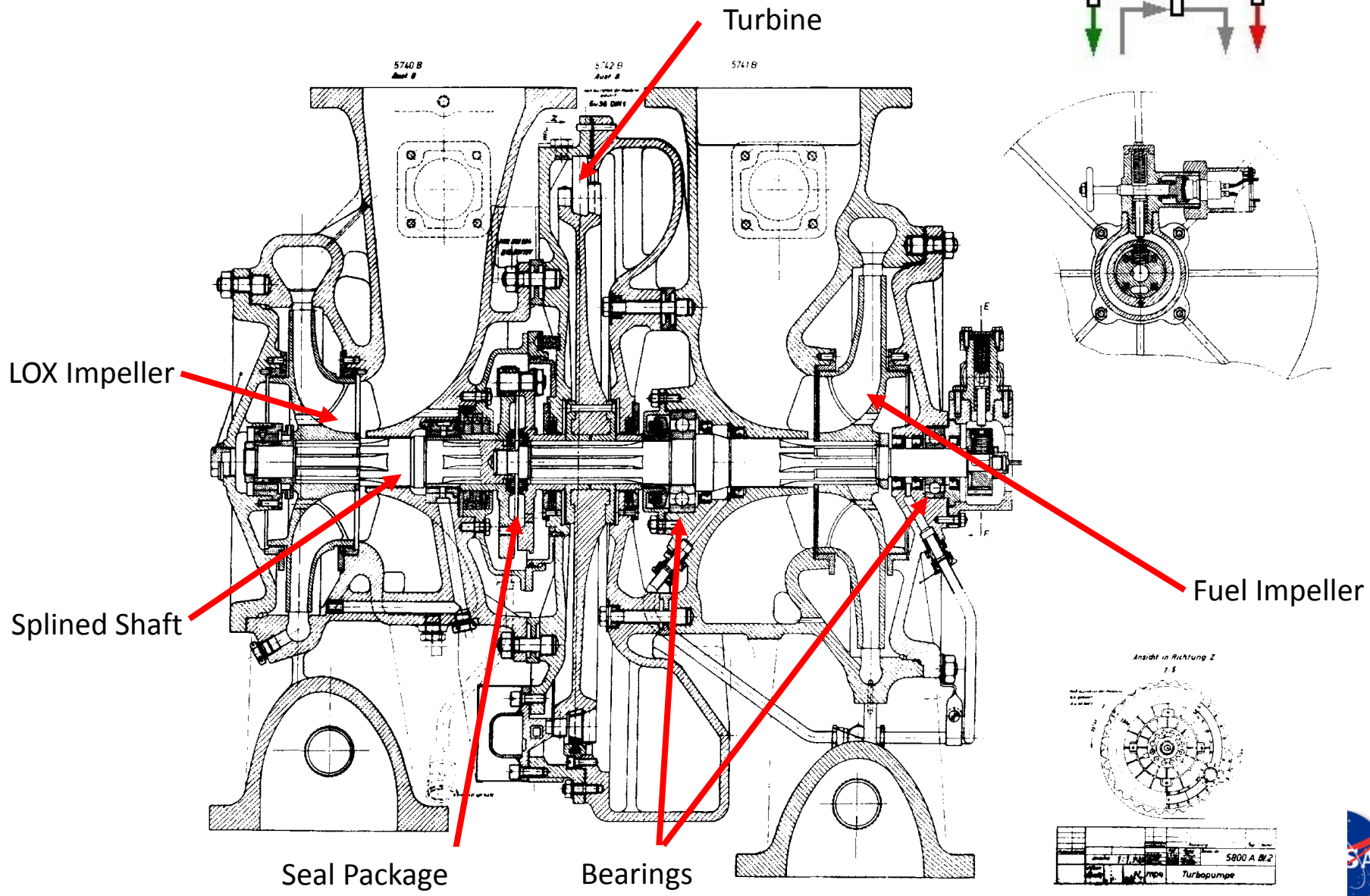


# Turbopump Anatomy

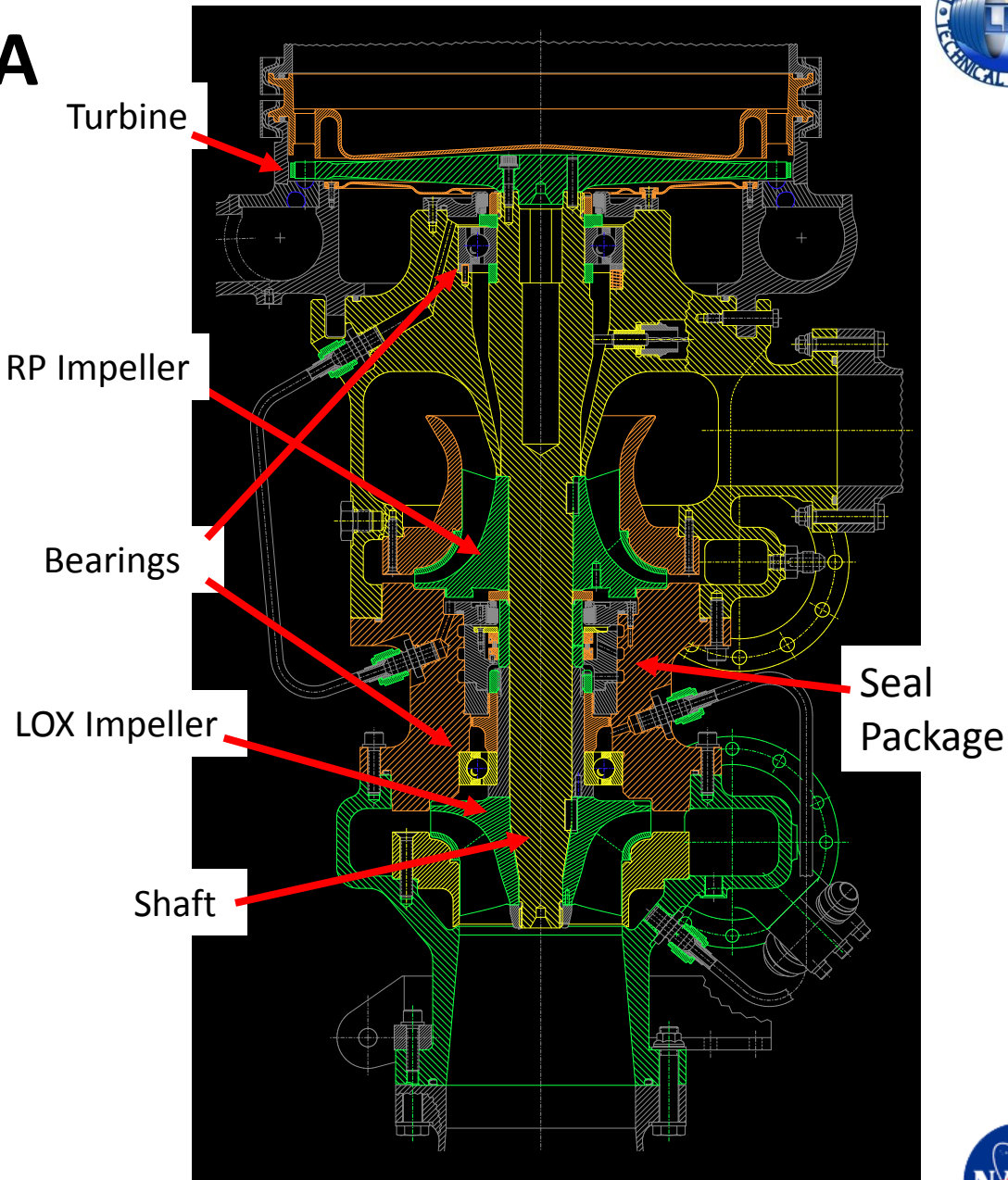
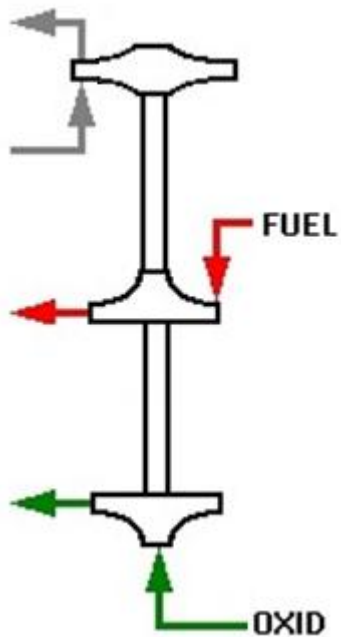
- Turbopumps have most of the same basic types of parts. Almost all turbopumps currently in use rely on centrifugal impellers
  - Housing / volute (not shown below)
  - Impeller
  - Inducer
  - Shaft
  - Turbine
  - Bearings
  - Seals



# A-4 TPA (ca. 1942)

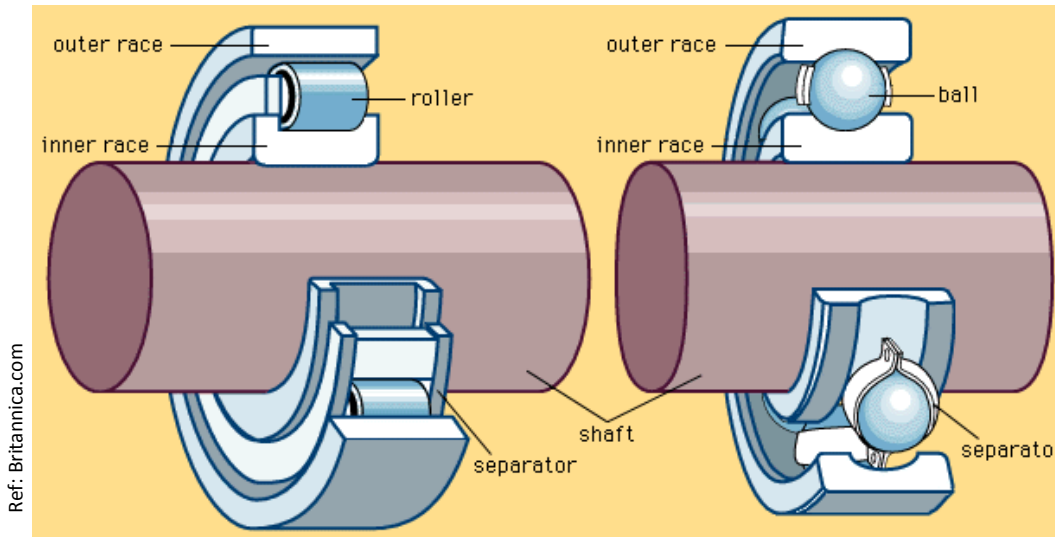


# MC-1 TPA

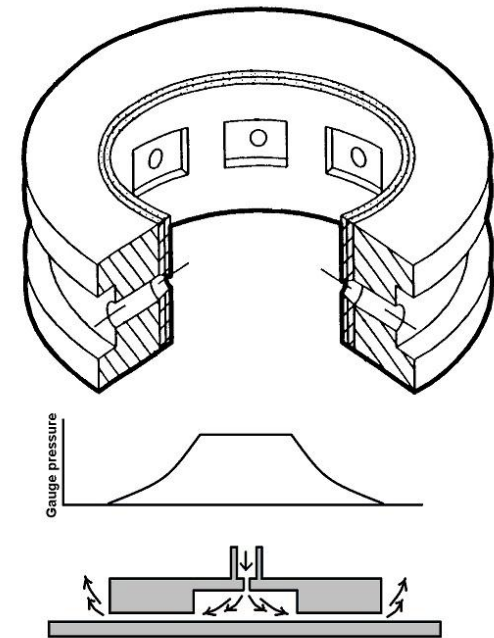


# Bearings

- Bearing packages are used to securely support the turbopump rotor as it rotates at operational speeds. They are designed to tolerate radial and axial loads.
  - Ball – most commonly used
  - Roller – fewer, but with higher radial load capacity
  - Hydrostatic – useful with fuel turbopumps



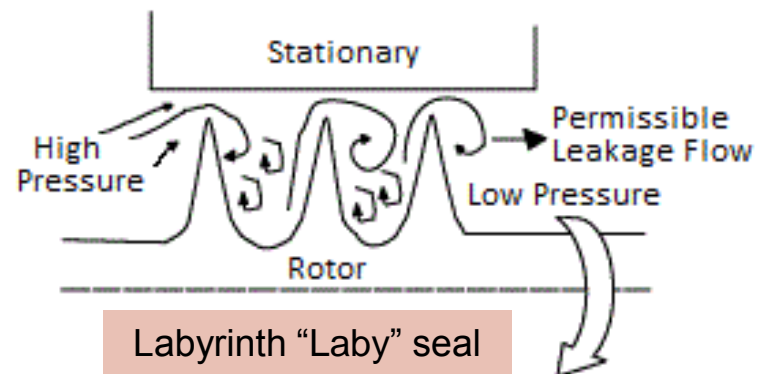
Ref: Britannica.com



Ref: Wikipedia.com & U.S. Patent Office

# Seals

- Seals are internal assemblies that are essential to prevent uncontrolled mixing of fluids (propellants, hot turbine gas) in the turbopump.
- Depending on the fluids being separated, there are multiple options available. More common examples include:
  - *Labyrinth “laby” seal* - fluorocarbon seals that contact ridges around the impeller face and control the amount of propellant flow around the impeller shrouds.
  - *Lift-off seal* – used in LH2 TPA and acts as a check valve permitting flow in only one direction. It prevents LH2 leakage into the turbine end of the turbopump prior to engine start and after engine cutoff. During engine start, a pressure unbalance develops across the seal to offset the spring load and retract the seal, allowing liquid hydrogen to enter and cool the turbine end.
  - *Intermediate seal* – uses a barrier purge in oxidizer TPAs to prevent internal mixing of the oxidizer being pumped with the hot fuel-rich turbine drive gas.



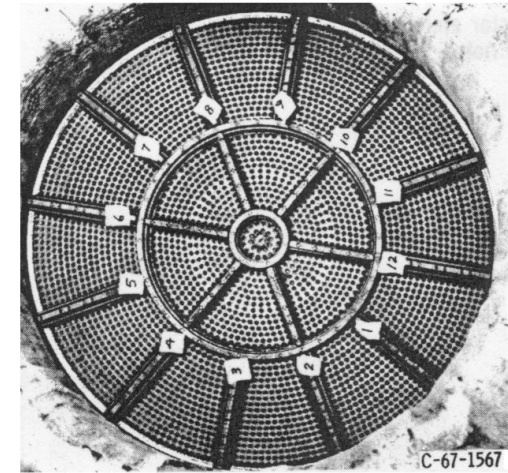
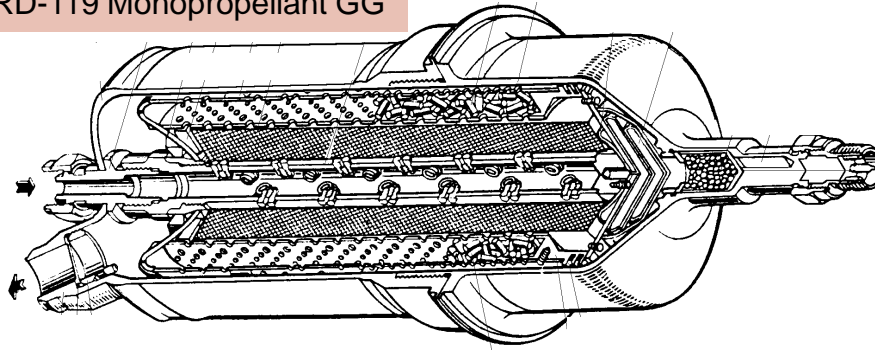


# Turbo Concerns - Cavitation

- What is cavitation?
  - The formation of bubbles in the propellant flow when the static pressure in the fluid flow becomes less than the fluid's vapor pressure.
  - Cavitation can occur when the pump inlet pressure is incompatible (lower) with the rotational speed and suction performance of the inducer.
- Why is cavitation bad? What can happen?
  - *Immediate drop-off of exit flow and pressure* – can cause LOX-rich excursion (high MR) if fuel pump excessively cavitates. LOX pump cavitation is less severe and will cause the engine system to power down.
  - *Elimination of hydraulic brake to turbopump rotor* – can cause overspeed and possible rotor burst.
  - *Material erosion of inducer impeller* – hardware damage and progressive degradation of pump performance.
- How is cavitation prevented?
  - Design using experience and validated analytical codes.
  - Extensive testing and data analysis of the inducer/impeller at the part, component, subsystem and system level to validate design and identify the “no-fly” zones.
  - Post-test inspections of inducer/impeller surfaces to check for material degradation.
  - Redlines on the propellant inlet pressure to shutdown the engine.

# Turbo Concerns – Rotordynamic Instability

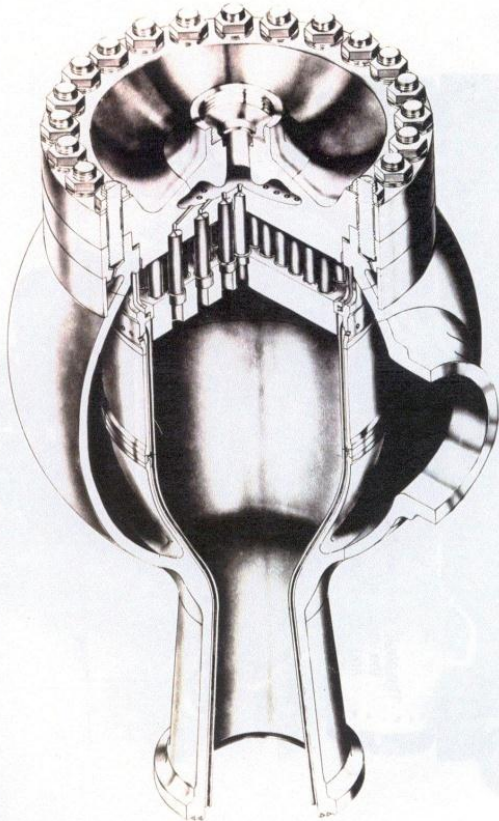
- What is rotordynamic instability?
  - Can occur when the rotor exhibits an excessive rotational imbalance that exceeds the ability of the bearings to control. Influenced by the stiffness of the bearings, the operational speed of the turbopump and the balance of the rotor.
- Why is rotordynamic instability bad? What can happen?
  - *Rapid degradation of seals and bearings* – accelerated increase in instability. Can liberate bearing and seal material into propellant flow, causing additional damage.
  - *Rubbing between stationary and rotating parts* – can cause friction ignition.
- How is rotordynamic instability prevented?
  - Design using experience and validated analytical codes with emphasis on rotor design and bearing selection.
  - Progressive balance testing and adjustment during assembly
  - Redlines on the turbopump vibration measured by accelerometers to shutdown the engine during testing. Accel redlines typically not used on flight to prevent false cut.



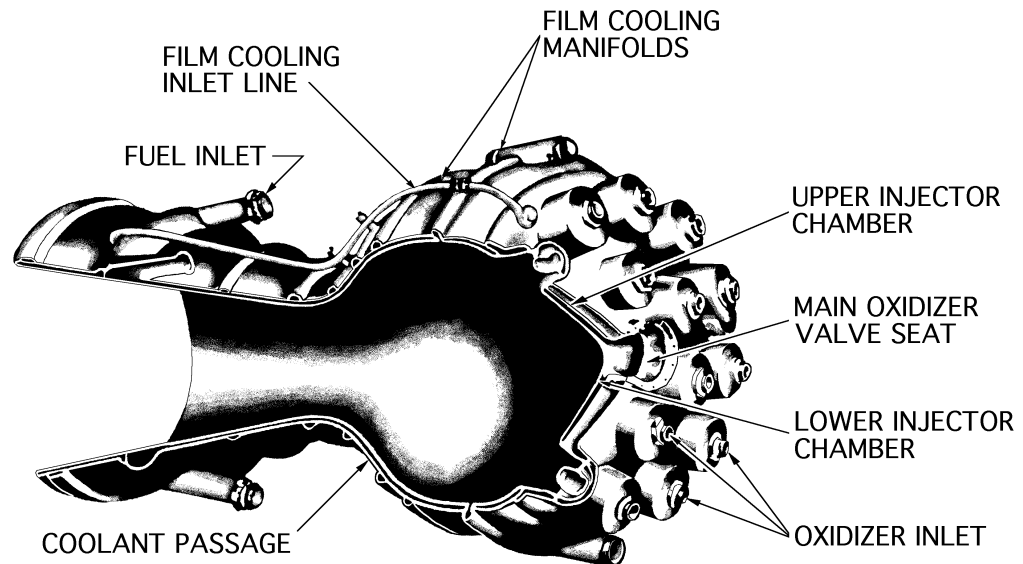
C-67-1567

M-1 Main Injector

# Combustion Devices



RD-170 PB



A-4 TCA



# Combustion Devices

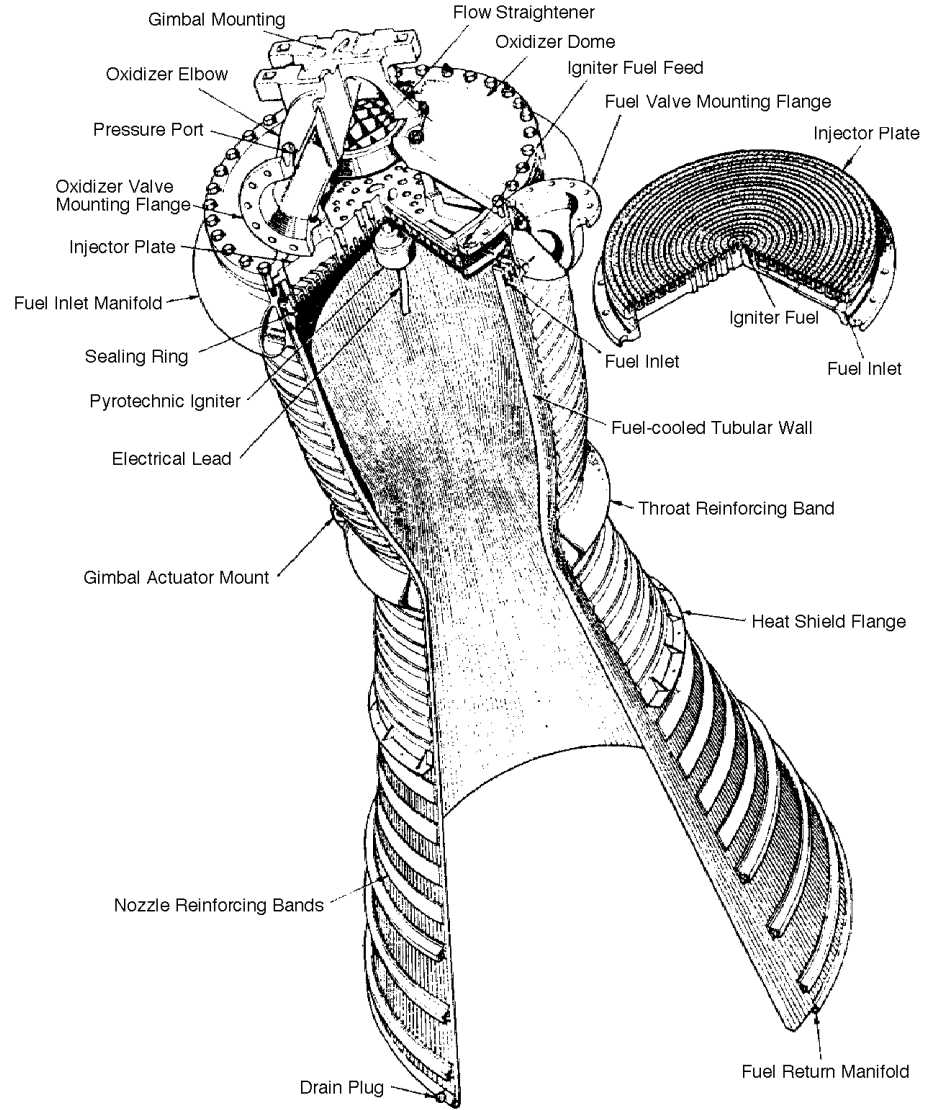
- Combustion Devices are components responsible for the production and control of the combustion process.
  - GG (Gas Generator)
  - MCC (Main Combustion Assembly)
  - Nozzle
  - NE (Nozzle Extension)
  - Preburner
  - TCA (Thrust Chamber Assembly)
- Start & Ignition System
- Examples
  - SSME / RS-25
    - FPB
    - OPB
    - MCC
    - Nozzle
  - J-2X
    - GG
    - MCE
    - Nozzle
    - Nozzle Ext.

# TCA's and MCC's

The difference between a TCA and MCC is fairly subjective, but the TCA can be regarded as the integrated assembly of the MCC, MINJ and nozzle.



A-4 and Redstone TCAs

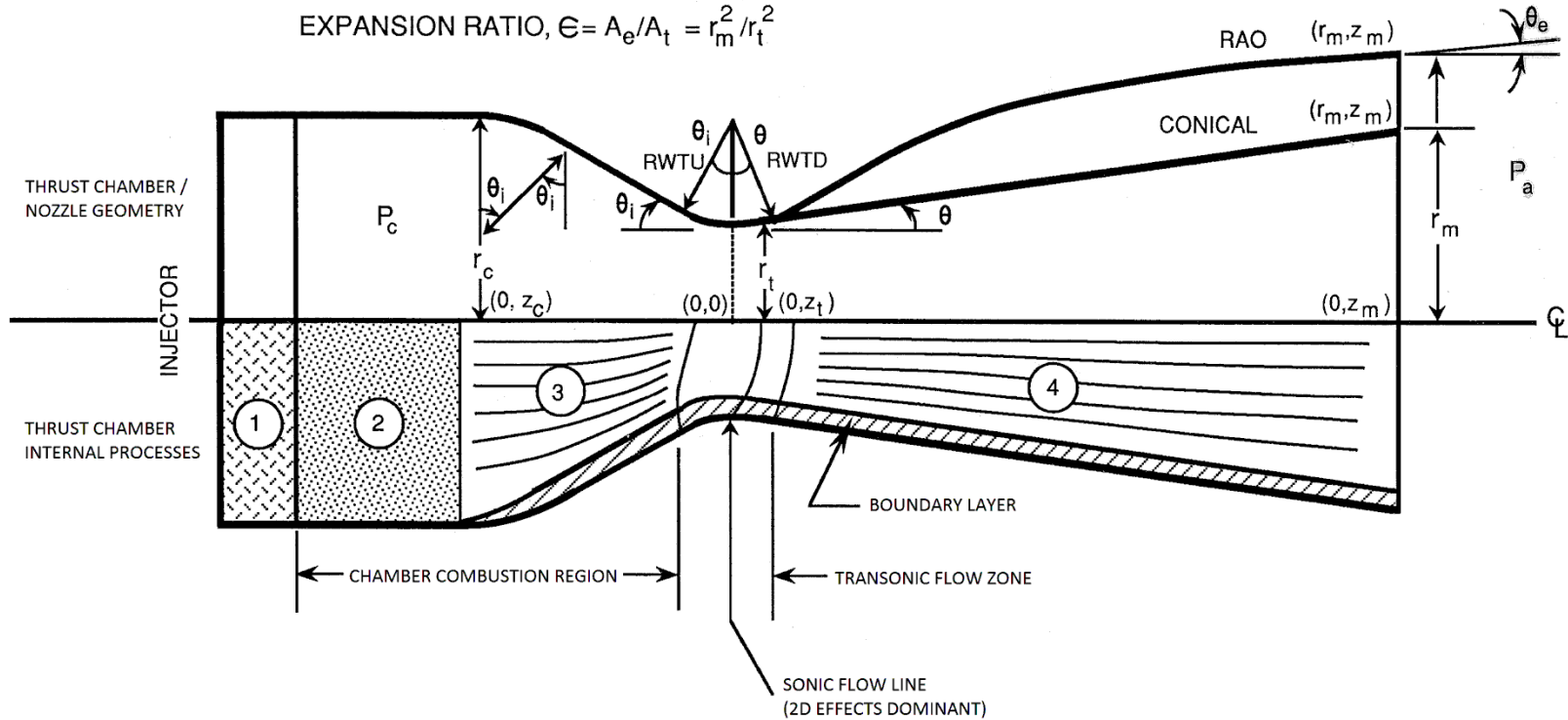


Rolls Royce RZ2 TCA

# Thrust Chamber Geometry & Internal Processes

CONTRACTION RATIO,  $\epsilon = A_c/A_t = r_c^2/r_t^2$

EXPANSION RATIO,  $\epsilon = A_e/A_t = r_m^2/r_t^2$



1 INJECTION ATOMIZATION ZONE  
(MIXING EFFECTS DOMINANT)

2 RAPID COMBUSTION ZONE  
(MIXING & VAPORIZATION  
EFFECTS DOMINANT)

3 STREAM TUBE COMBUSTION ZONE  
(VAPORIZATION EFFECTS DOMINANT;  
BOUNDARY LAYER ASSUMPTION  
BECOMES VALID)

4 SUPERSONIC EXPANSION ZONE  
(TWO-DIMENSIONAL, REACTION  
KINETIC, AND BOUNDARY LAYER  
ASSUMPTIONS BECOME VALID)

$\eta_{ER}$

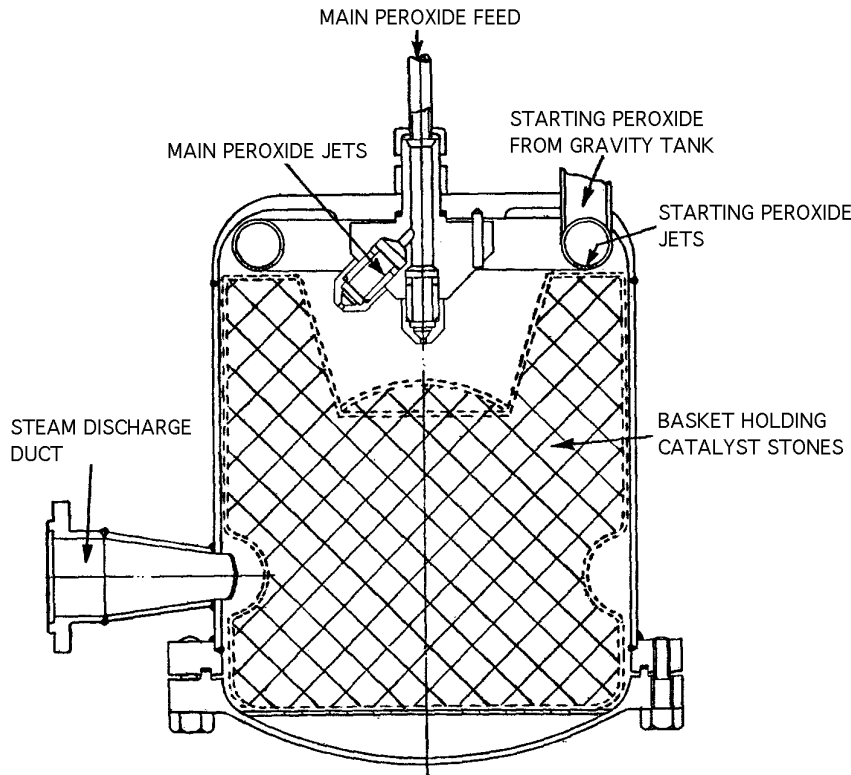
$\eta_{ER}$

$\eta_{ER}, \Delta F_{BL}$

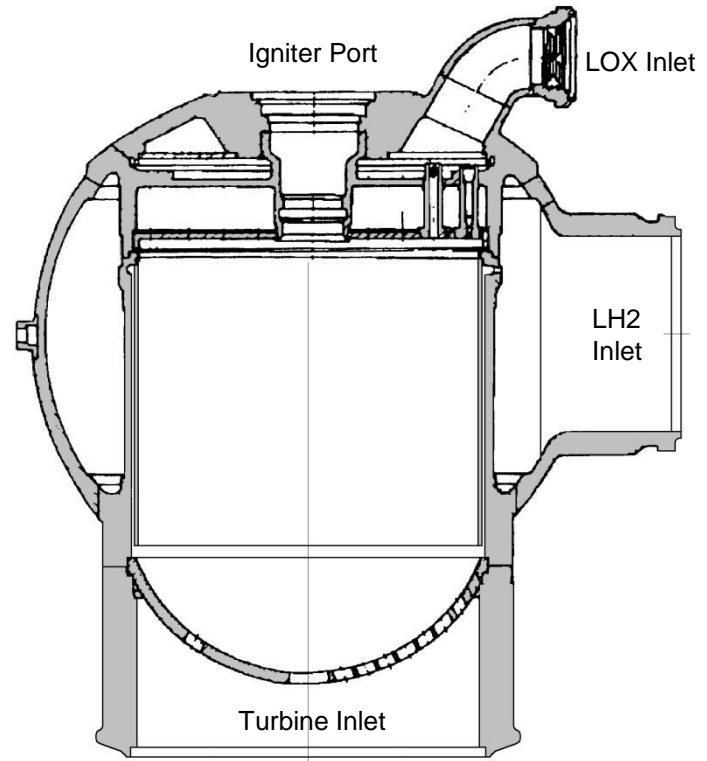
$\eta_{2D}, \eta_{KIN}, \Delta F_{BL}$   
5.11

# GG's and PB's

Gas Generators or Preburners generate hot gas to drive the turbines, either by tapping off and combusting the main propellants or decomposing a third monopropellant. They are similar in many respects to MCCs or TCAs, only on a smaller scale



Typical Monopropellant GG Component Layout  
Shown with 109-509A2 GG Cross Section



Typical PB Component Layout Shown with  
RD-0120 PB Cross Section

# CD Concerns – Combustion Instability

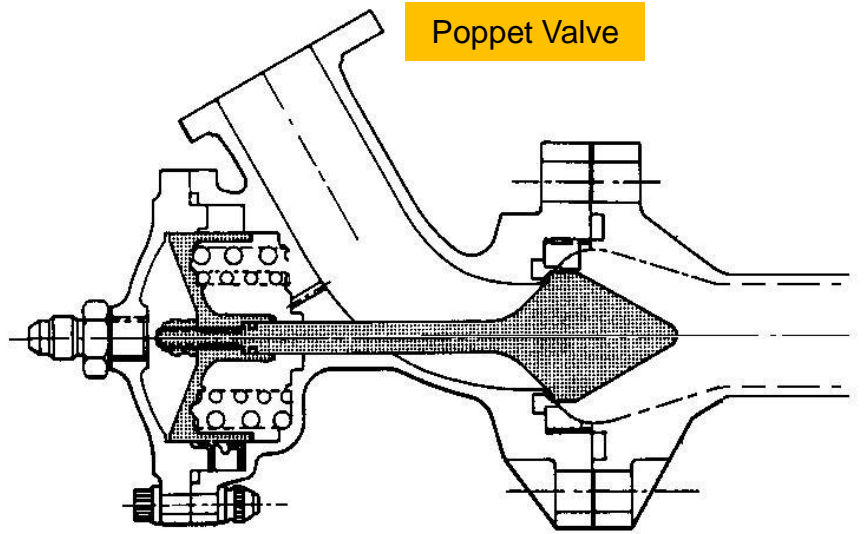
- What is combustion instability?
  - Occurs when different factors in the vehicle and engine systems trigger pressure oscillations of various frequencies and amplitudes.
  - Depending on the frequency of pressure oscillations, the instability is classified into three categories
    - *Chugging* (10-400 Hz) – Linked to interactions with the propellant feed system or vehicle and the combustion chamber.
    - *Buzzing* (400-1000 Hz) – Linked to interactions with the engine structure, mixture ratio, and propellant feed system resonances
    - *Screaming* (>1000 Hz) – Linked to the combustion process and acoustic resonance properties in the combustion chamber.
- Why is combustion instability bad? What can happen?
  - *Excessive pressure vibration* – Accelerated LCF/HCF damage, especially if the oscillations couple with the engine or vehicle structure.
  - *Excessive heat transfer* – Material degradation and hot-wall erosion.
- How is combustion instability prevented?
  - Baffles
  - Acoustic cavities
  - Bomb testing

# Start & Ignition

- The *start system* provides the initial pressure impulse to the system to bootstrap the power cycle.
  - Tank head – RS-25, RL10
  - GHe spin – J-2X
  - Solid propellant GG (SPGG) – J-2S
- The *ignition system* provides the energy pulse required to initiate combustion. Each combustion device in the system generally requires an independent ignition system as the timing is usually different within the start transient. The required pulse level depends on the propellants.
  - Spark – most  $\text{LO}_2/\text{LH}_2$  engines
  - Pyrotechnic – used largely in GGs where an energy pulse is adequate
  - Hypergolic (TEA/TEB) – most  $\text{LO}_2/\text{RP-1}$  engines
  - Laser – relatively low TRL, but shows promise in terms of flexibility and control.
  - Fluorine injection – hypergolic with hydrogen

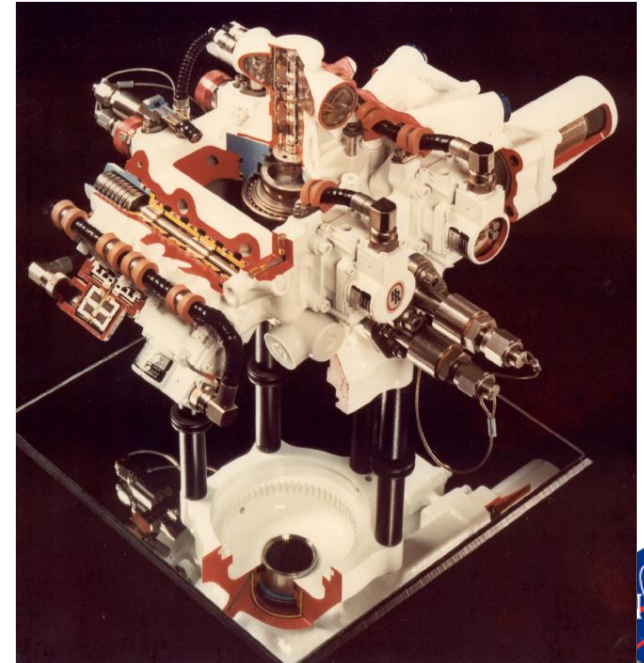
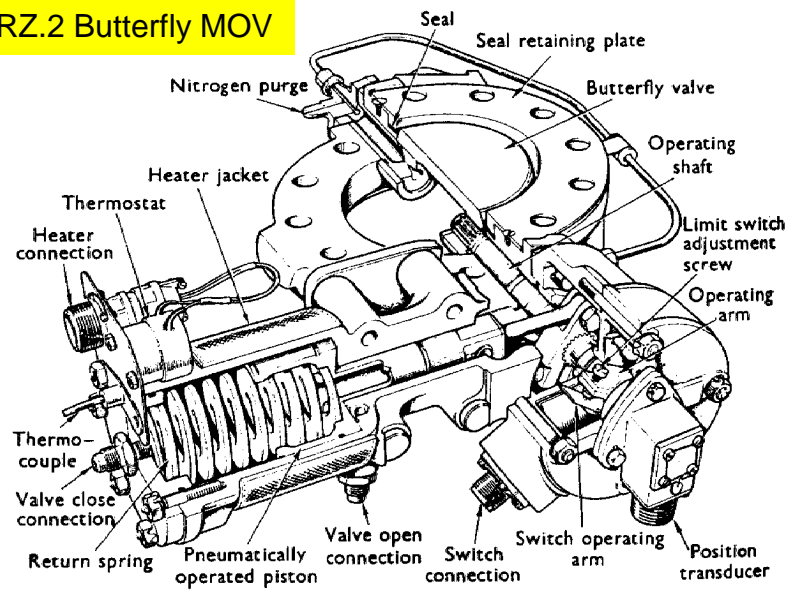


Poppet Valve



# Valves & Actuators

RZ.2 Butterfly MOV



# Valves & Actuators

- Valves
  - Main Propellant Valves (MOV, MFV)
  - Secondary Propellant Valves
    - GG Valves (GGFV, GGOV)
    - Preburner Valves (FPOV, OPOV)
    - Chamber Coolant Valve (CCV)
  - Hot Gas Valves (OTBV)
  - Ancillary Valves
    - Purge Valves
    - Check Valves
    - Solenoid Valves
- Actuators
  - Pneumatic/Hydraulic
  - Electro-mechanical
- Examples
  - SSME / RS-25
    - MFV
    - MOV
    - FPOV
    - OPOV
    - CCV
  - J-2X
    - MFV
    - MOV
    - GGFV
    - GGOV
    - OTBV

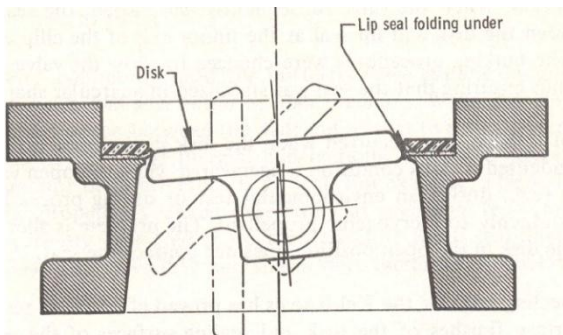


# Valves

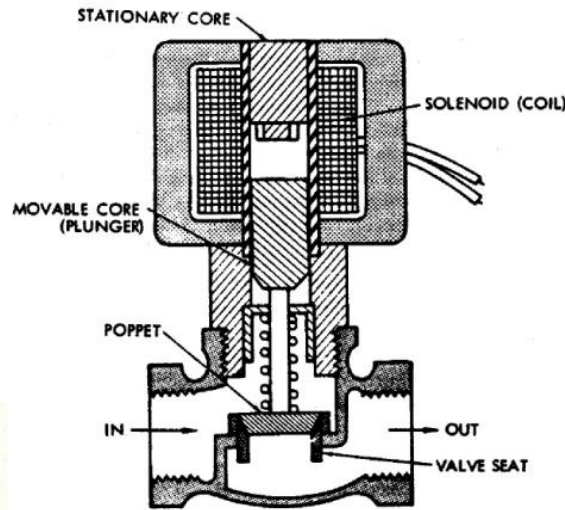
- Valves are used throughout all engine systems to control and direct propellants, pressurants, and other working fluids to the various engine elements and are considered an integral part of the engine system.
- As part of engine cycle selection trade studies, the complexity and number of valves are considered.
- Extremes in pressure, temperature, vibration, and other system / cycle induced conditions are considered and included in the engine trade studies.

## Valve Types

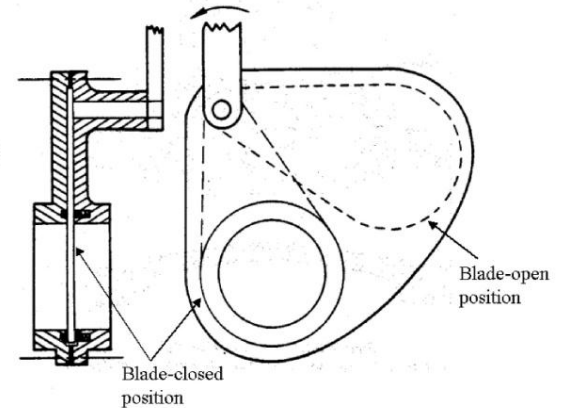
- Ball Valve
- Butterfly Valve
- Blade Valve
- Sleeve Valve
- Poppet Valve
- Check Valve
- Pressure Actuated Valve



Butterfly valve showing the lip seal and disc rotation



Poppet valve with solenoid actuator

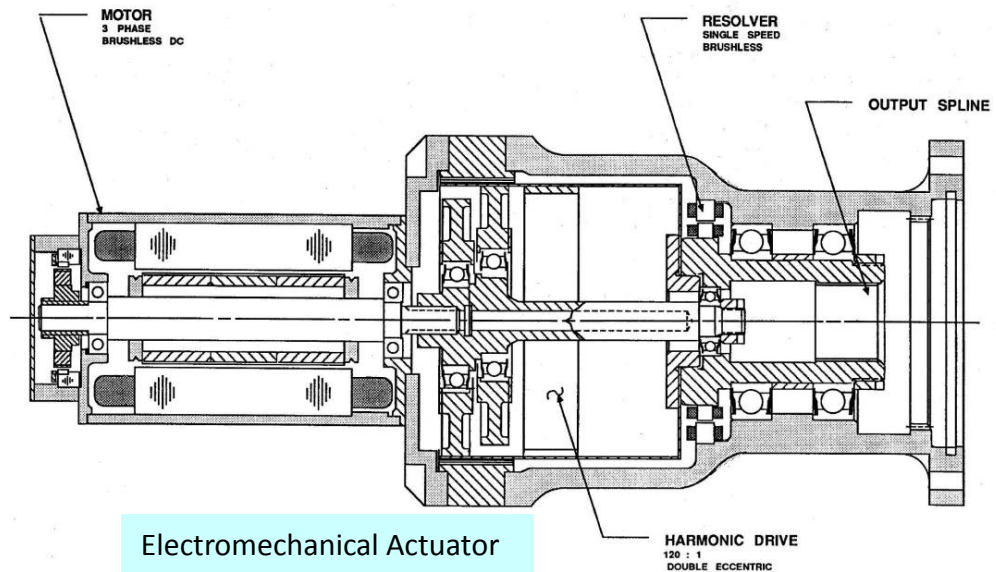
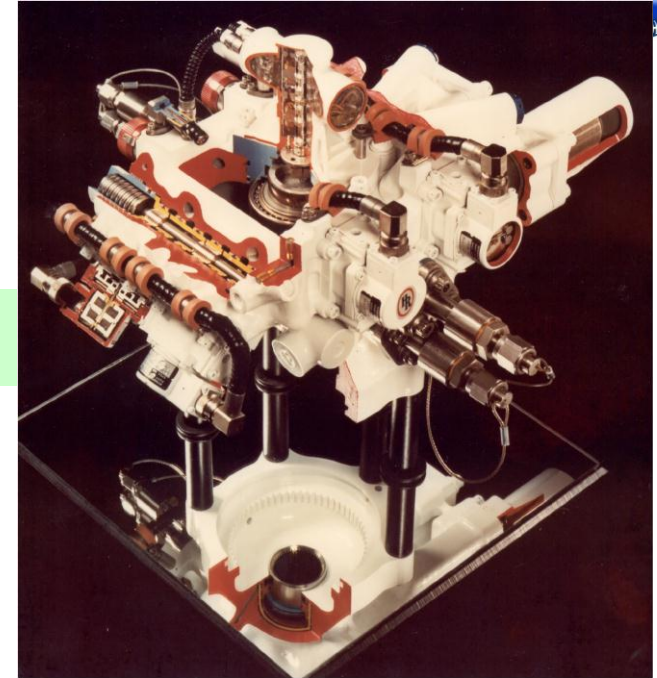


Blade valve - consists of a flat disc that is fixed perpendicular to the flow stream or duct axis.

# Actuators

- Most valves require an operator or actuator.
- Types of actuators
  - Solenoid
  - Hydraulic
  - Pneumatic
  - Electromechanical
- Design Considerations
  - Fluid Medium
  - Fluid Temperature
  - Fluid Pressure
  - Flow Capacity
  - Flow Characteristics
  - Leakage
  - Operating Life
  - Control Requirements
  - Loads and Environments

Main propellant valve  
hydraulic actuator for SSME



# Control System

# Engine Control System (J-2X)

- Control of the J-2X engine is accomplished physically by opening valves that control the flow of propellants to the combustion devices along with properly timed ignition and pressurized helium spin to initiate engine start, and by closing the valves to stop propellant flow to shutdown the engine.
- The control system consists of components required to perform the functions of starting and shutting down the engine. Four subsystems work together to accomplish these functions:
  - engine control subsystem
  - propellant valves subsystem
  - ancillary valves subsystem
  - pneumatic subsystem
- The engine control system has open loop control authority over the engine. In other words, the J-2X control system does not have a feedback (i.e., closed) loop like RS-25 to control and self correct the positions of the propellant valves or engine parameters, like chamber pressure or engine thrust. The engine operating level (thrust, mixture ratio) is controlled by orifices located throughout the engine.

# Engine Control System (J-2X)

- The J-2X engine control system is comprised of the following components:
  - Dual Channel Engine Control Unit (ECU)
  - Main Injector Exciter Unit (MIEU)
  - Pneumatic Actuator Control Assembly (PACA)
  - Pneumatic Purge Control Assembly (PPCA)
  - Propellant Valves
  - Ancillary System Valves
  - Health Monitoring Instrumentation
  - Critical Instrumentation
- The engine control system performs engine control functions:
  - open loop control of the five main propellant valves via pneumatic solenoids
  - sequence control of the ancillary valves for purge, bleed, and engine ignition
  - sequence control of two GG pyrotechnic devices and main injector spark exciter for engine ignition
  - provide engine initiated shutdown status to the vehicle

# Engine Control System (J-2X)

- The engine control system performs engine health monitoring functions:
  - monitor operational flight sensors for engine status and health conditions
  - perform commanded engine checkout
  - provide operational flight sensor data to vehicle
- The Engine Controller Unit (ECU) receives a command to initiate engine start from the vehicle. The ECU actuates propellant valves using a solenoid driver, which subsequently opens a solenoid to pressurize the pneumatic actuator on the propellant valve. The ECU also activates a spark exciter which is used in the ASI system to start ignition in the main chamber and pyrotechnic igniters to start ignition in the GG. The ancillary valves participate by controlling functions such as purge and bleed.

# Ancillary Systems



# Ancillary Systems

- Major system, subsystem and components have been shown to accomplish the primary engine functions. In addition, LREs also include ancillary functionality in support of the major engine functions. These functions are accomplished by the complex plumbing of minor fluid lines, which perform the following:
  - Pre-start conditioning of the engine, facilitated by the bleed system
  - Supplying pressurants to the vehicle for tank pressurization, facilitated by the tank pressurization system
  - Engine start, facilitated by the helium spin start system and the augmented spark ignition system
  - Valve actuation, facilitated by the pneumatic actuation system
  - Engine purging, facilitated by the purge system
  - Routing of propellant leakage, facilitated by the drain system

# Engine Integration Hardware

# Engine Integration Hardware



- HEX (Heat Exchanger)
- Pogo Suppressor
- Gimbal
- Brackets
- Rigid Ducts
- Flex Ducts
- Small lines (bleeds, purges)



# Backup

# Additional References

- General
  - NASA-SP 8000 series: ~20 publically-available documents developed in the 1970's that provide detailed insight into most LRE components. For example:
    - NASA SP-8109, "Liquid Rocket Engine Centrifugal Flow Turbopumps," 1973  
[http://ntrs.nasa.gov/archive/nasa/casi.ntrs.nasa.gov/19740020848\\_1974020848.pdf](http://ntrs.nasa.gov/archive/nasa/casi.ntrs.nasa.gov/19740020848_1974020848.pdf)
- Turbomachinery
  - Stangeland, M.L., "Turbopumps for Liquid Rocket Engines," PWR Threshold, 1988  
<http://www.pwrengineering.com/articles/turbopump.htm>