



The Digital Astronaut Project (DAP)

Applying computational models and simulations to inform life science research

Jerry G. Myers, Jr.

And

DeVon Griffin

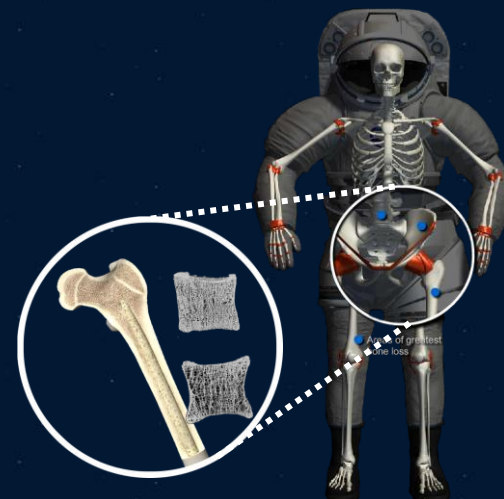
UH/CWRU/NASA Fast track 2 Collaboration Seminar - April 24th, 2012



Introduction

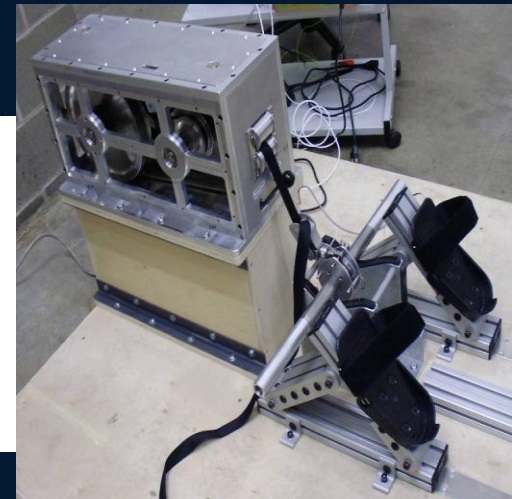
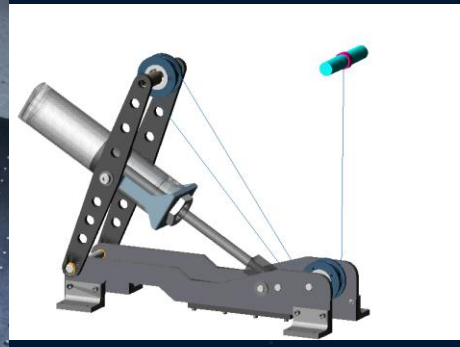
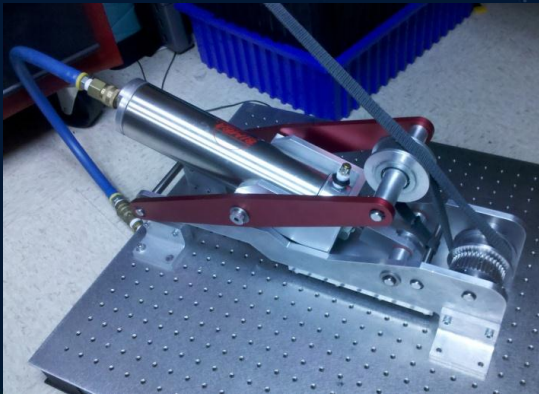
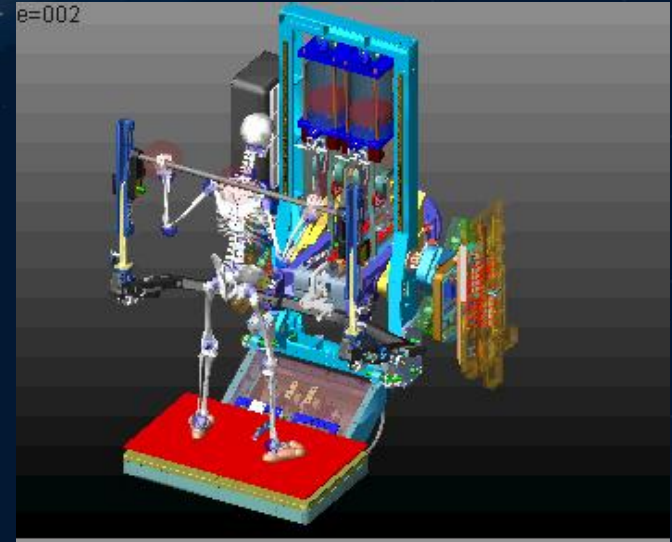
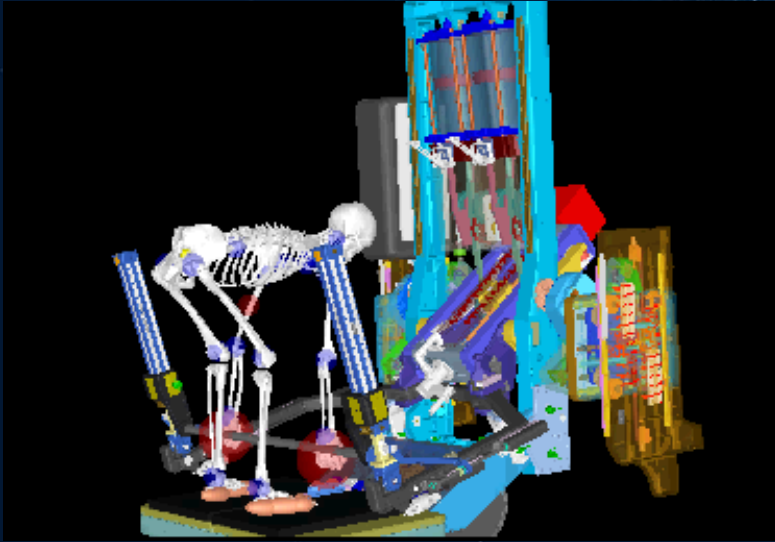


- Advanced computational simulation environments can beneficially augment research to predict, assess and mitigate potential hazards to astronaut health
 - Exercise countermeasures modeling and simulation
 - Advanced Resistive Exercise Device (ARED)
 - Biomechanics of exercise
 - Bone adaptation
 - Muscle adaptation
 - Advanced Exercise Concept Devices





Integrated ARED





How Models Can be Applied to Enhance Life Science Research

