



US009208362B1

(12) **United States Patent**  
**Fink et al.**

(10) **Patent No.:** **US 9,208,362 B1**  
(45) **Date of Patent:** **Dec. 8, 2015**

(54) **METHODS, SYSTEMS AND APPARATUSES FOR RADIO FREQUENCY IDENTIFICATION**

(71) Applicant: **United States of America as represented by the Administrator of the National Aeronautics and Space, Washington, DC (US)**

(72) Inventors: **Patrick W. Fink**, Missouri City, TX (US); **Andrew W. Chu**, Houston, TX (US); **Gregory Y. Lin**, Friendswood, TX (US); **Timothy F. Kennedy**, Houston, TX (US); **Phong H. Ngo**, Friendswood, TX (US); **Dewey T. Brown**, League City, TX (US); **Diane Byerly**, Seabrook, TX (US); **Haley C. Boose**, League City, TX (US)

(73) Assignee: **United States of America as represented by the Administrator of the National Aeronautics and Space Administration, Washington, DC (US)**

(\* ) Notice: Subject to any disclaimer, the term of this patent is extended or adjusted under 35 U.S.C. 154(b) by 0 days.

(21) Appl. No.: **14/184,303**

(22) Filed: **Feb. 19, 2014**

**Related U.S. Application Data**

(60) Provisional application No. 61/775,940, filed on Mar. 11, 2013.

(51) **Int. Cl.**  
**G06K 7/10** (2006.01)  
**H04W 4/00** (2009.01)  
**G01S 13/75** (2006.01)  
**G06K 19/077** (2006.01)  
**G01C 15/00** (2006.01)

(52) **U.S. Cl.**  
CPC ..... **G06K 7/10009** (2013.01); **G01S 13/75** (2013.01); **G06K 19/07749** (2013.01); **H04W 4/008** (2013.01); **G01C 15/00** (2013.01); **G06K 19/07758** (2013.01); **G06K 19/07766** (2013.01)

(58) **Field of Classification Search**  
CPC ..... H04W 4/008; G01S 13/75; G01V 15/00; G06K 7/10009; G06K 19/07749; G06K 19/07758; G06K 19/07766  
See application file for complete search history.

(56) **References Cited**

**U.S. PATENT DOCUMENTS**

5,565,846 A	10/1996	Geiszler et al.
6,104,291 A	8/2000	Beauvillier et al.
6,169,483 B1	1/2001	Ghaffari et al.
6,759,959 B2	7/2004	Wildman

(Continued)

**FOREIGN PATENT DOCUMENTS**

EP	1701269	9/2006
GB	2416612	1/2006

(Continued)

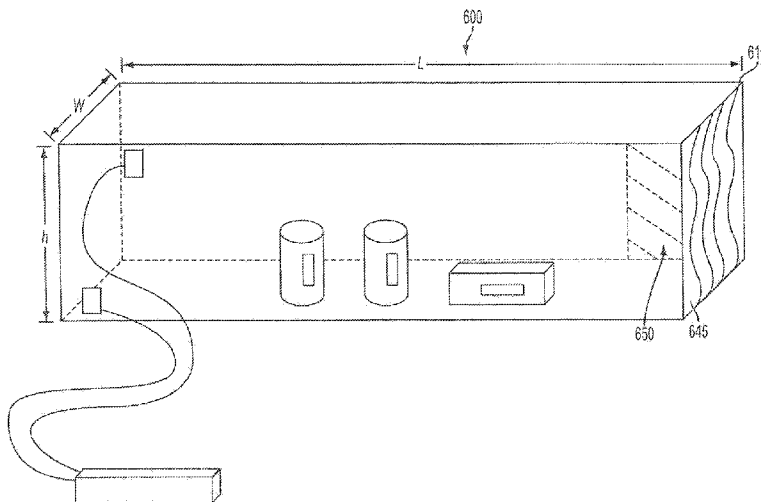
*Primary Examiner* — Kristy A Haupt

(74) *Attorney, Agent, or Firm* — Kurt G. Hammerle

(57) **ABSTRACT**

A system for radio frequency identification (RFID) includes an enclosure defining an interior region interior to the enclosure, and a feed for generating an electromagnetic field in the interior region in response to a signal received from an RFID reader via a radio frequency (RF) transmission line and, in response to the electromagnetic field, receiving a signal from an RFID sensor attached to an item in the interior region. The structure of the enclosure may be conductive and may include a metamaterial portion, an electromagnetically absorbing portion, or a wall extending in the interior region. Related apparatuses and methods for performing RFID are provided.

**22 Claims, 27 Drawing Sheets**



(56)

**References Cited**

U.S. PATENT DOCUMENTS

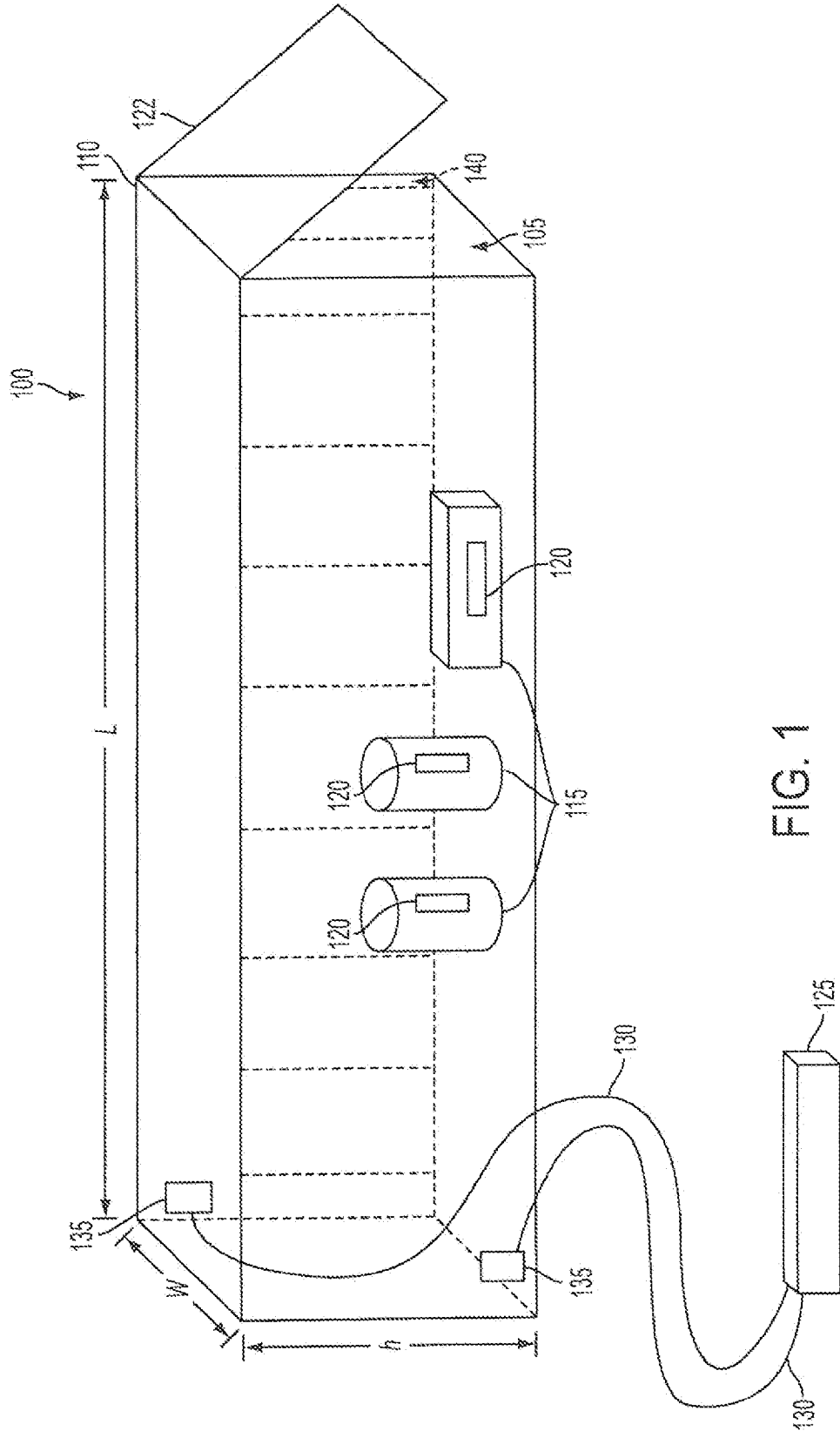
6,788,205 B1 9/2004 Mason et al.  
6,967,579 B1 11/2005 Elizondo  
7,541,933 B2 6/2009 Volpi et al.  
7,626,505 B2 12/2009 August et al.  
7,689,481 B2 3/2010 Seagle et al.  
2006/0002326 A1 1/2006 Vesuna  
2008/0076536 A1 3/2008 Shayesteh  
2008/0122615 A1 5/2008 Shoenfeld  
2009/0251293 A1 10/2009 Azevedo et al.

2009/0251379 A1 10/2009 Nikitin et al.  
2010/0050709 A1 3/2010 Neville  
2012/0299703 A1\* 11/2012 Chen ..... 340/10.1  
2014/0027511 A1\* 1/2014 Plocher et al. .... 235/439

FOREIGN PATENT DOCUMENTS

JP 2001024547 1/2001  
WO WO2006/093992 9/2006  
WO WO2007/090469 8/2007

\* cited by examiner



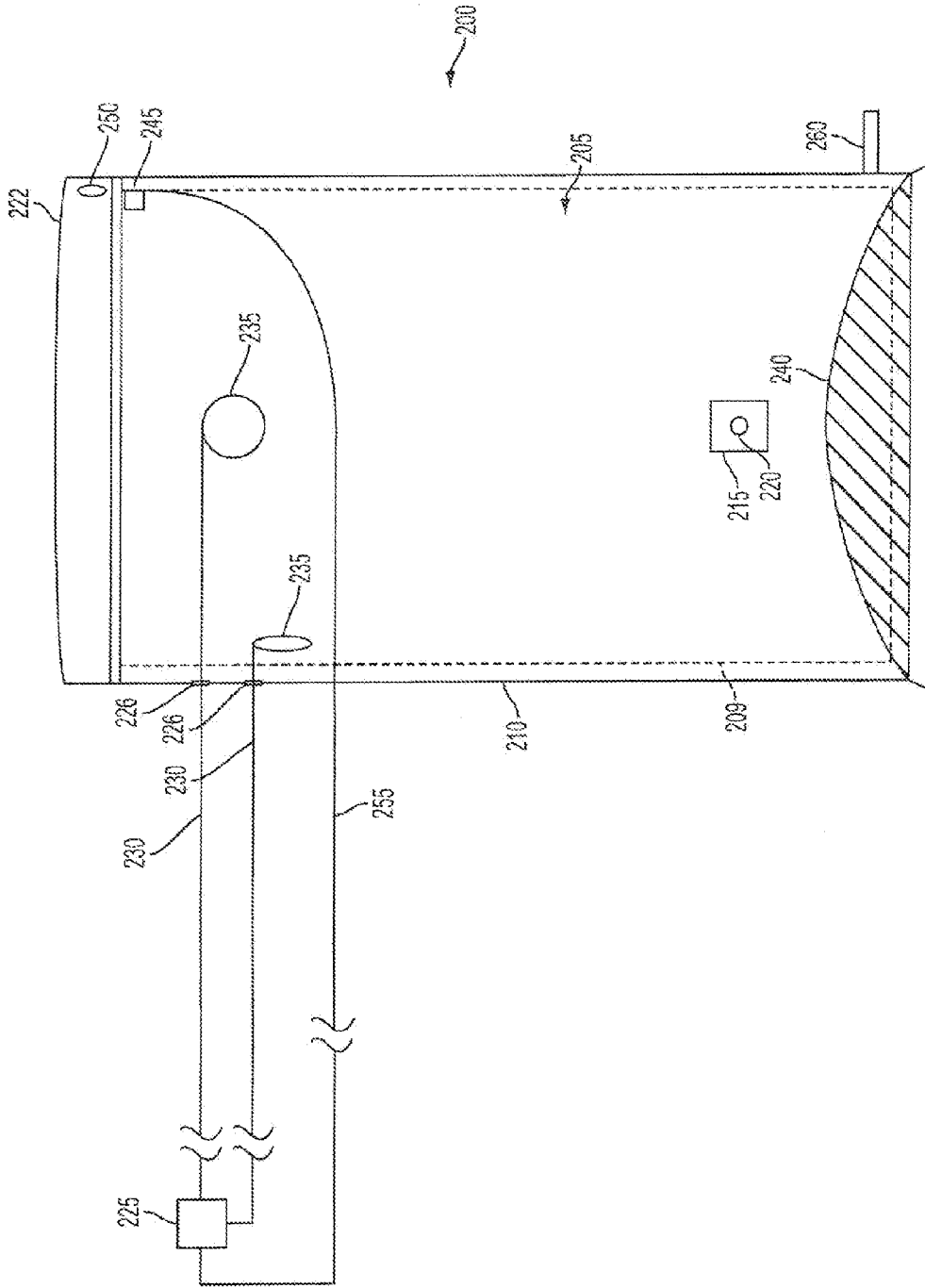


FIG. 2

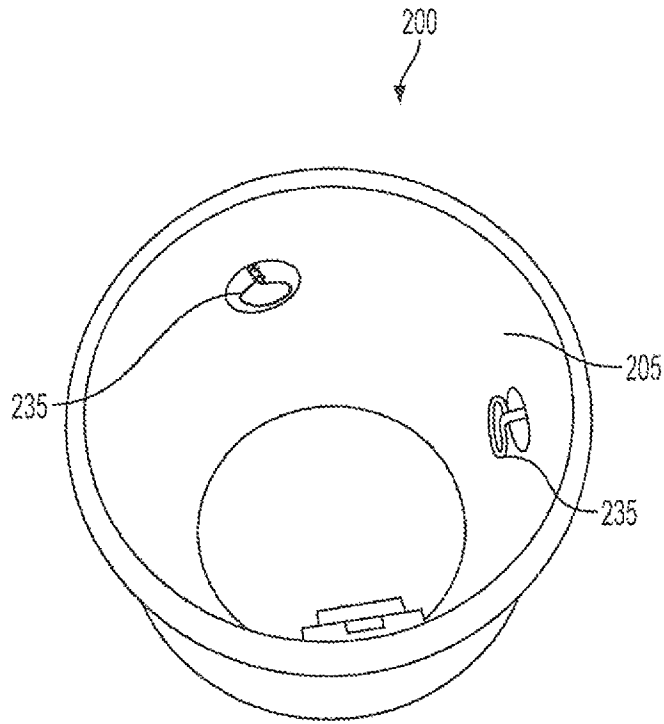


FIG. 3

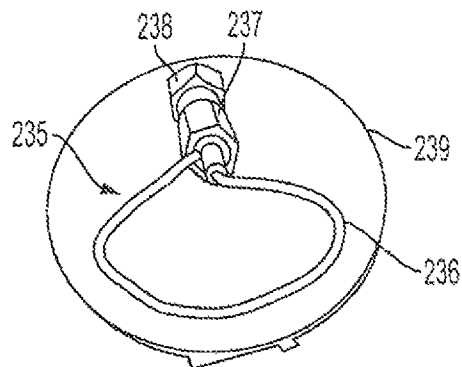


FIG. 4

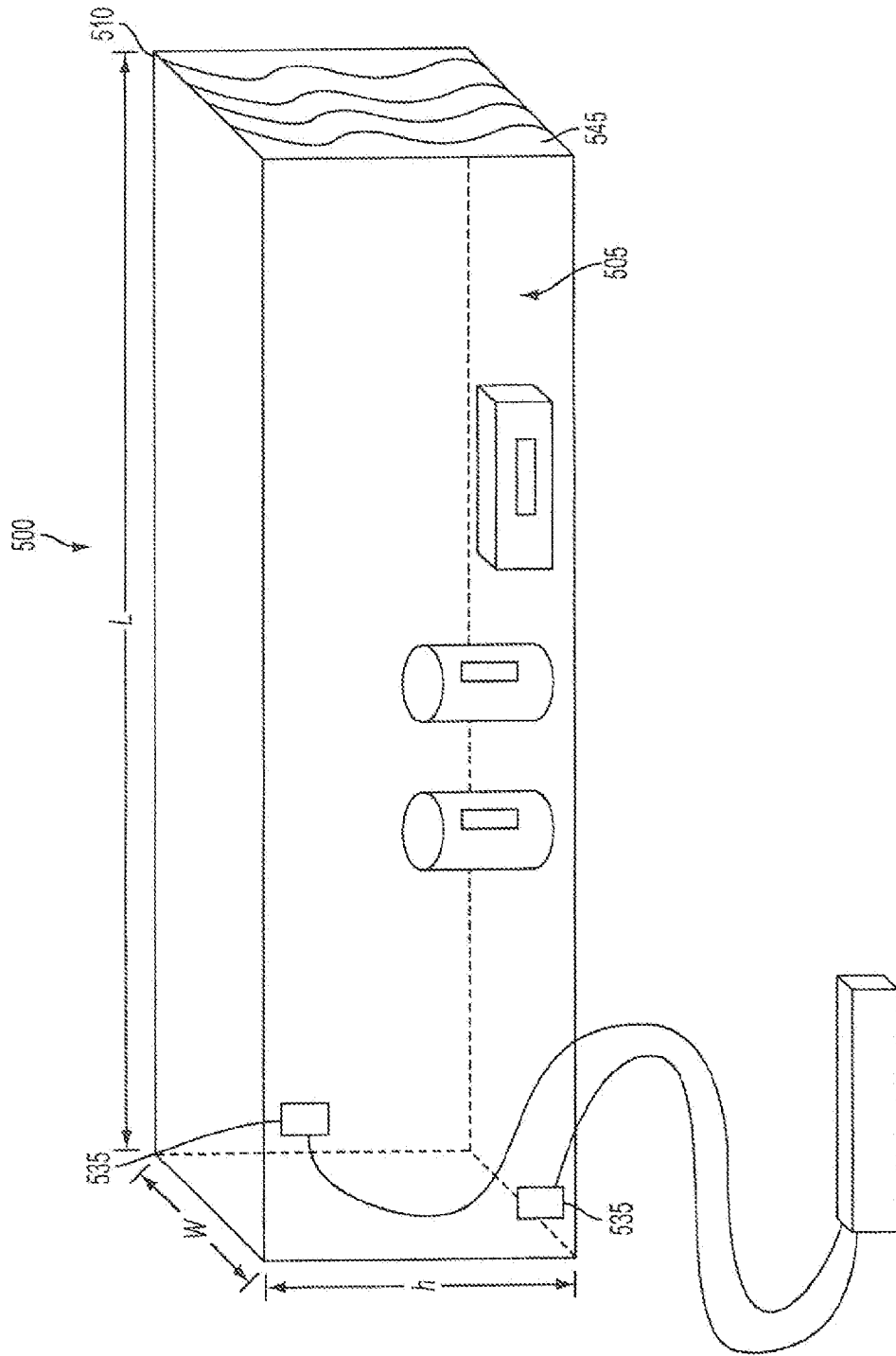


FIG. 5

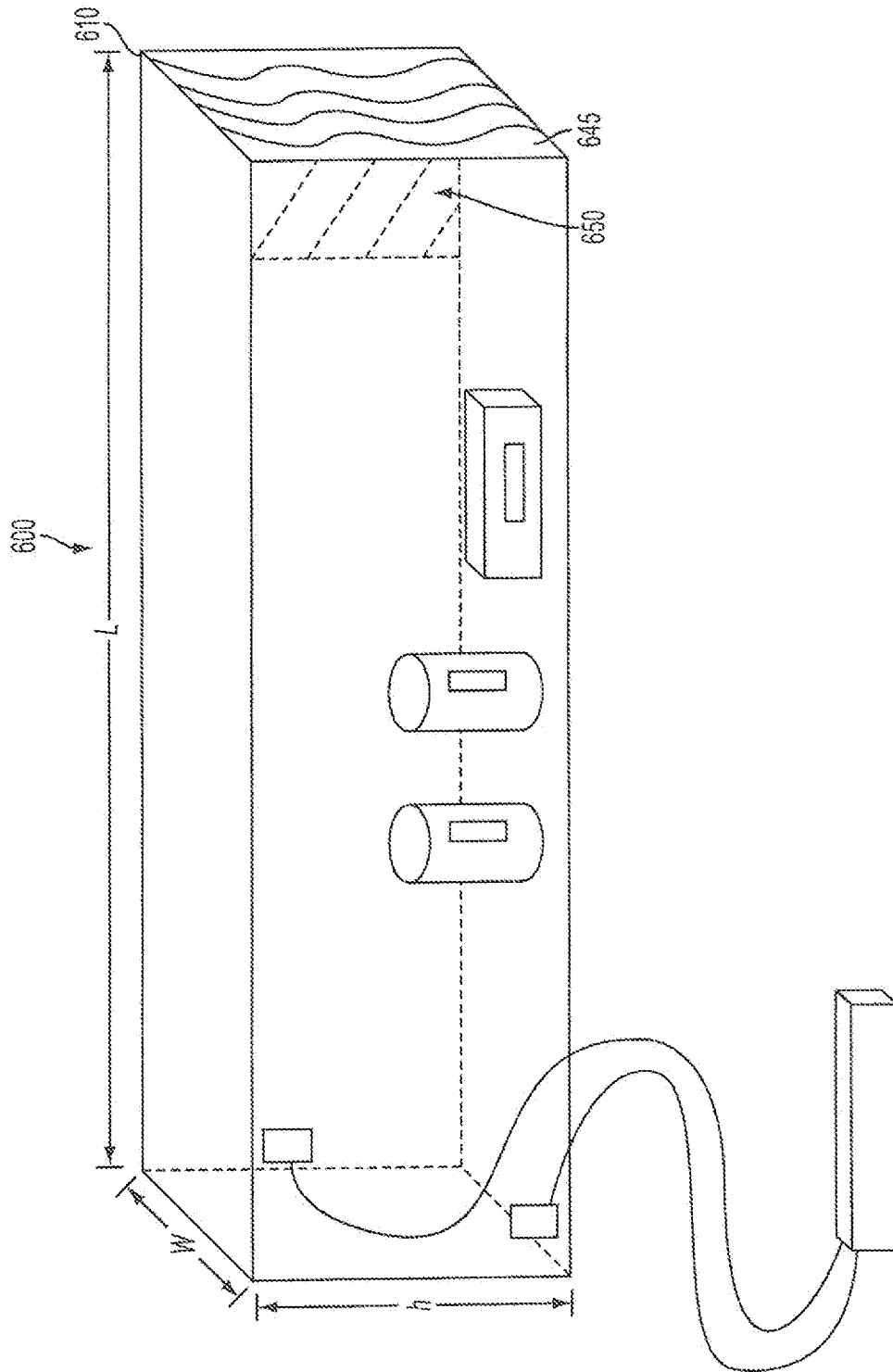


FIG. 6

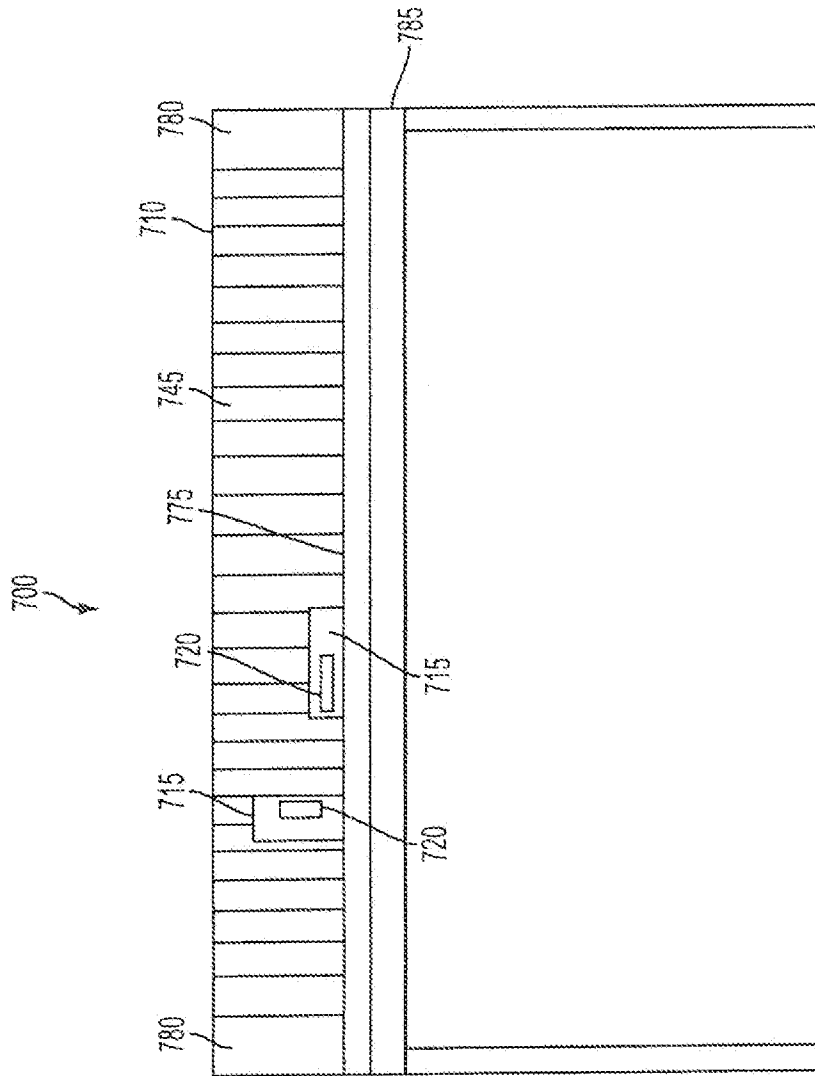


FIG. 7



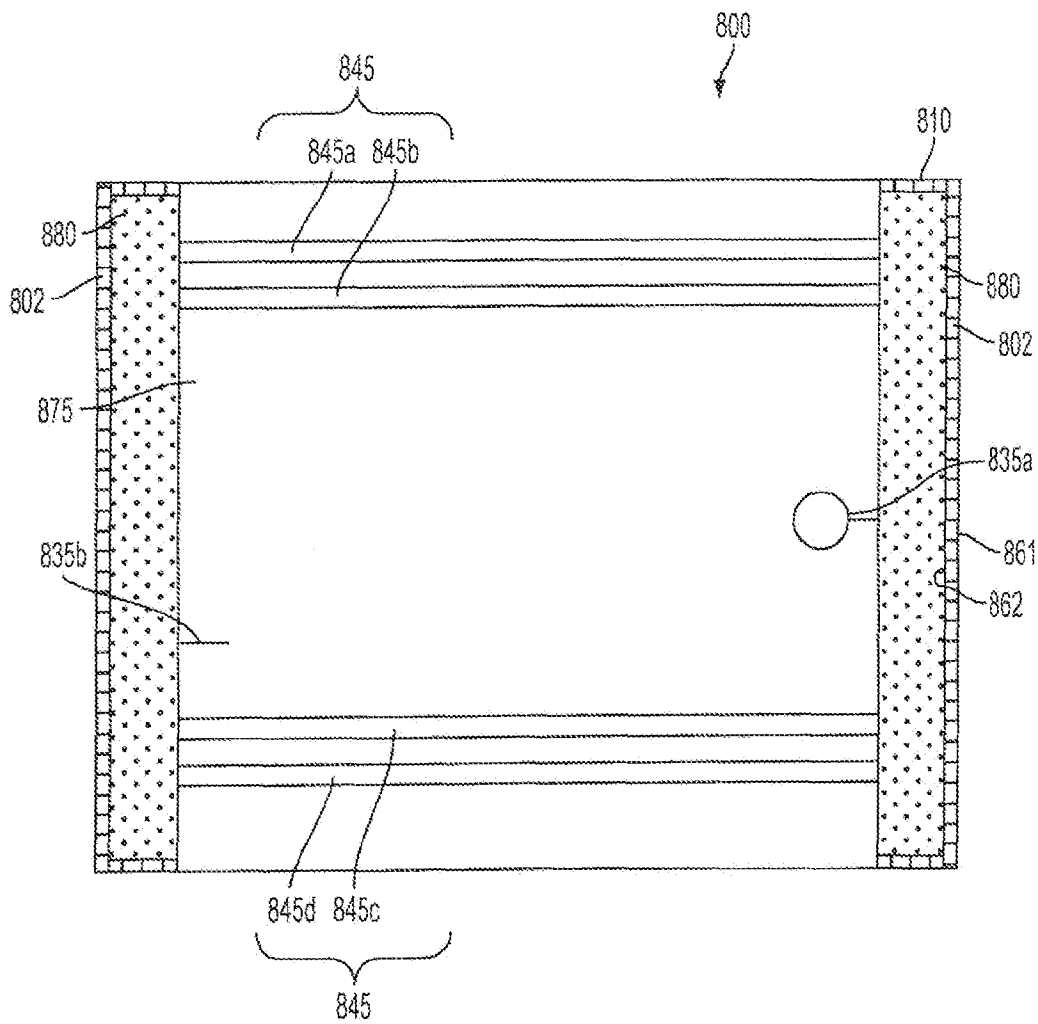


FIG. 8

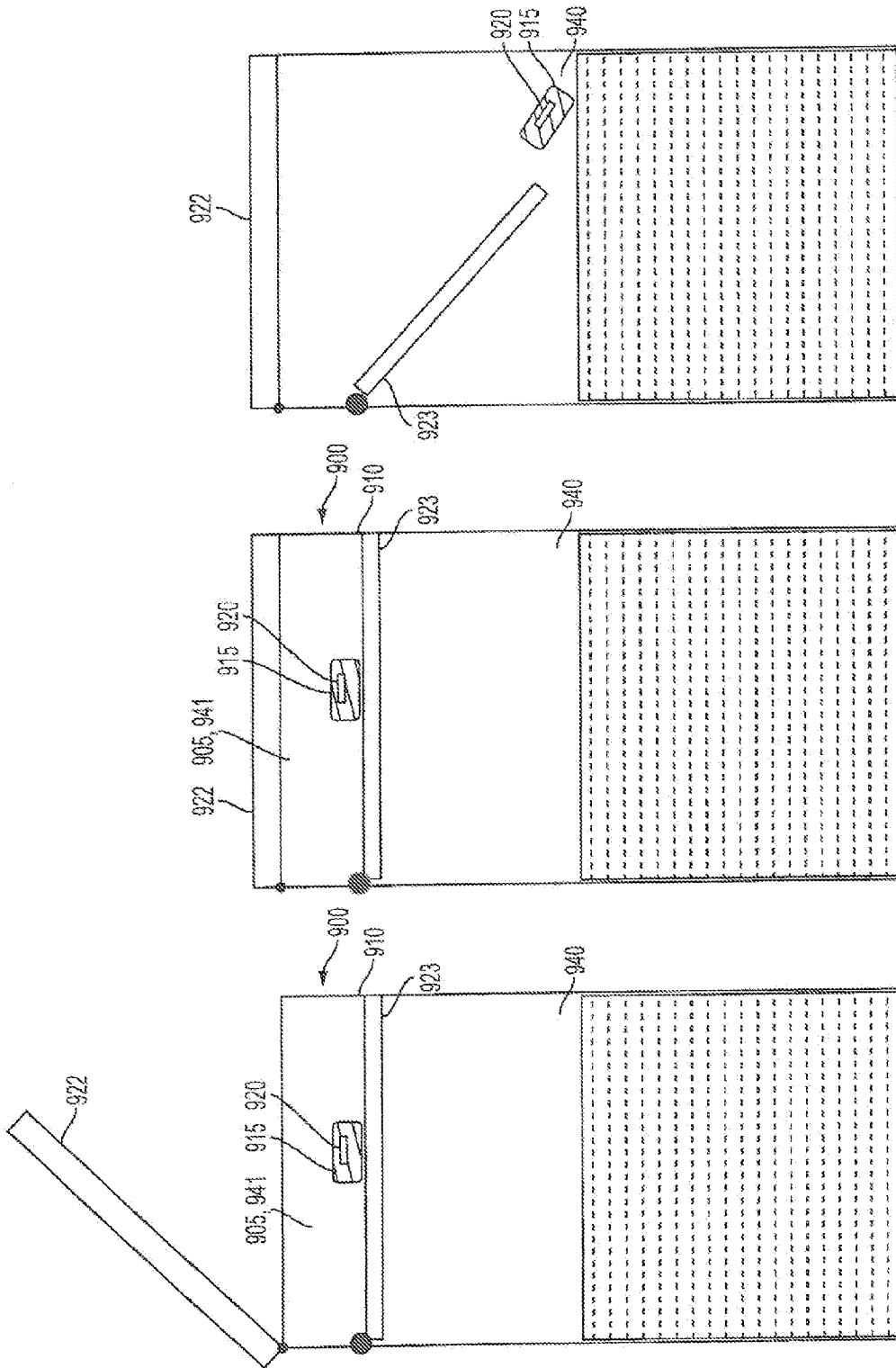


FIG. 9C

FIG. 9B

FIG. 9A



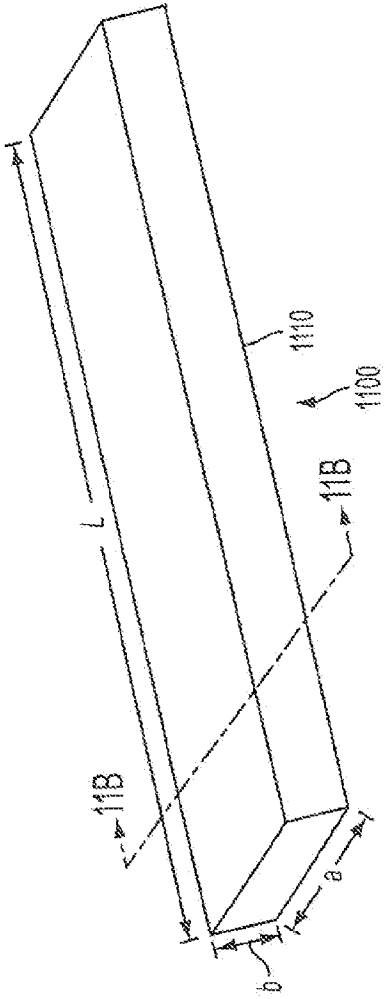


FIG. 11A

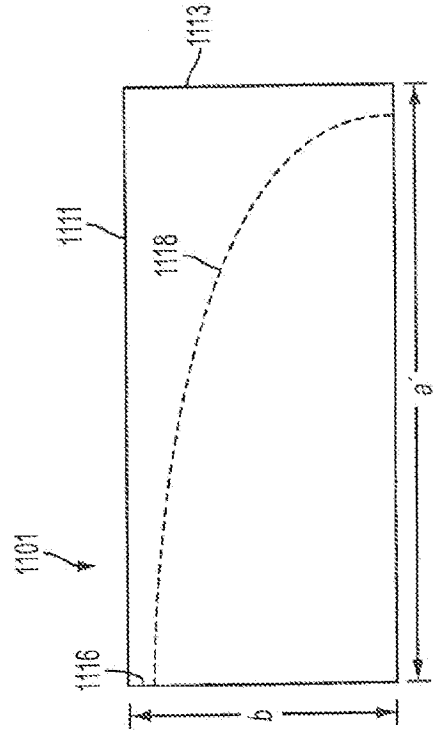


FIG. 11C

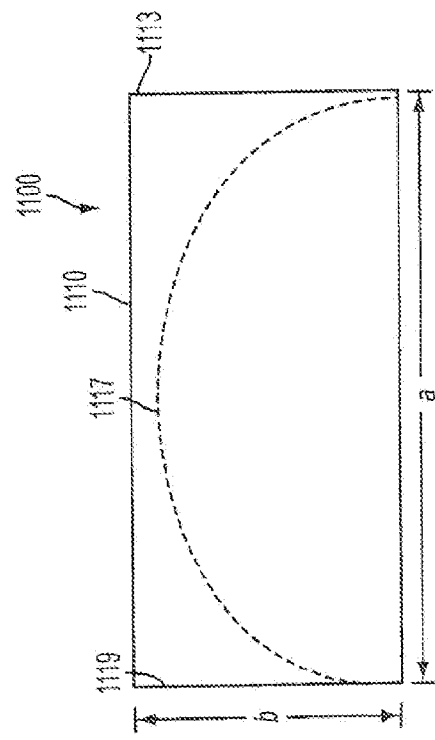


FIG. 11B

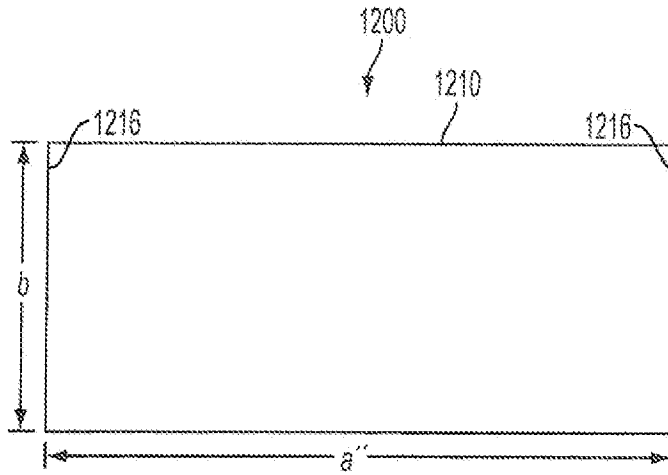


FIG. 12A

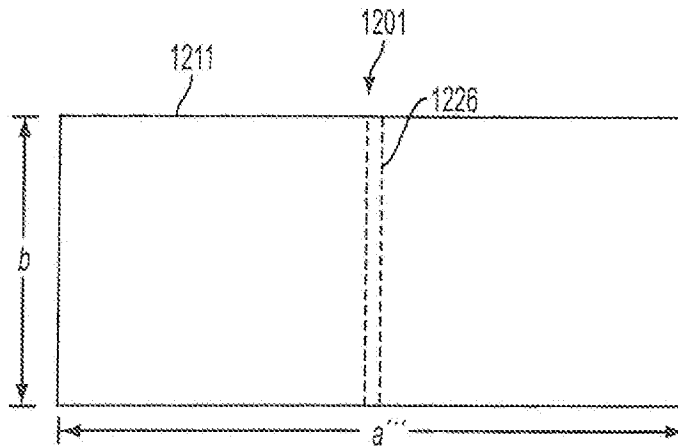
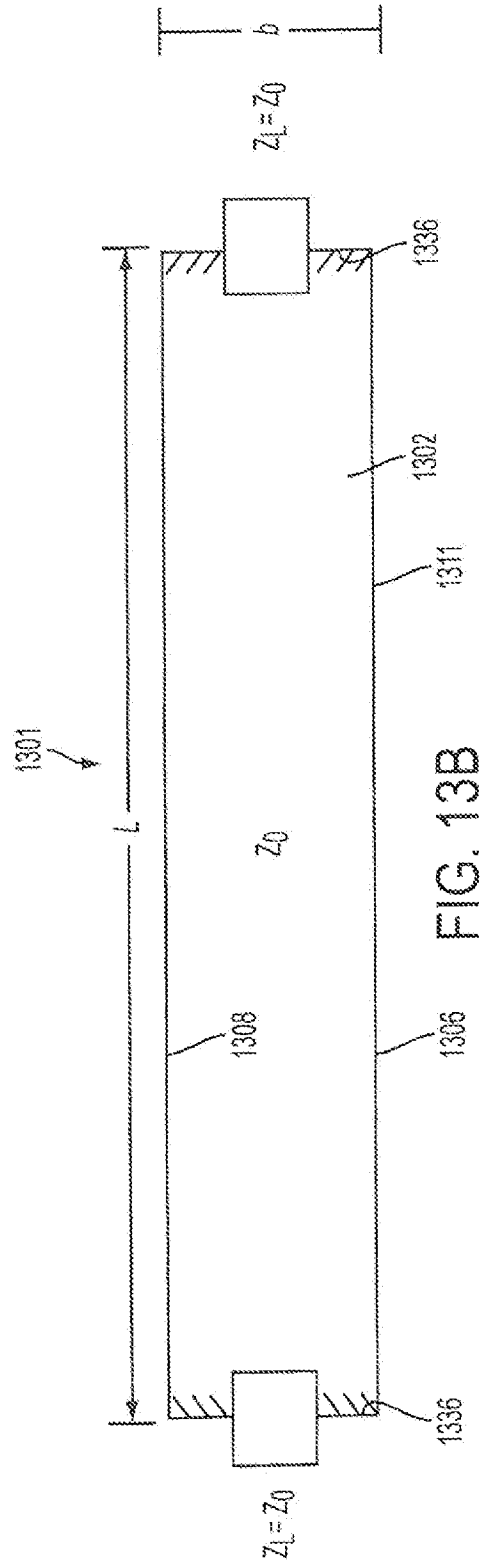
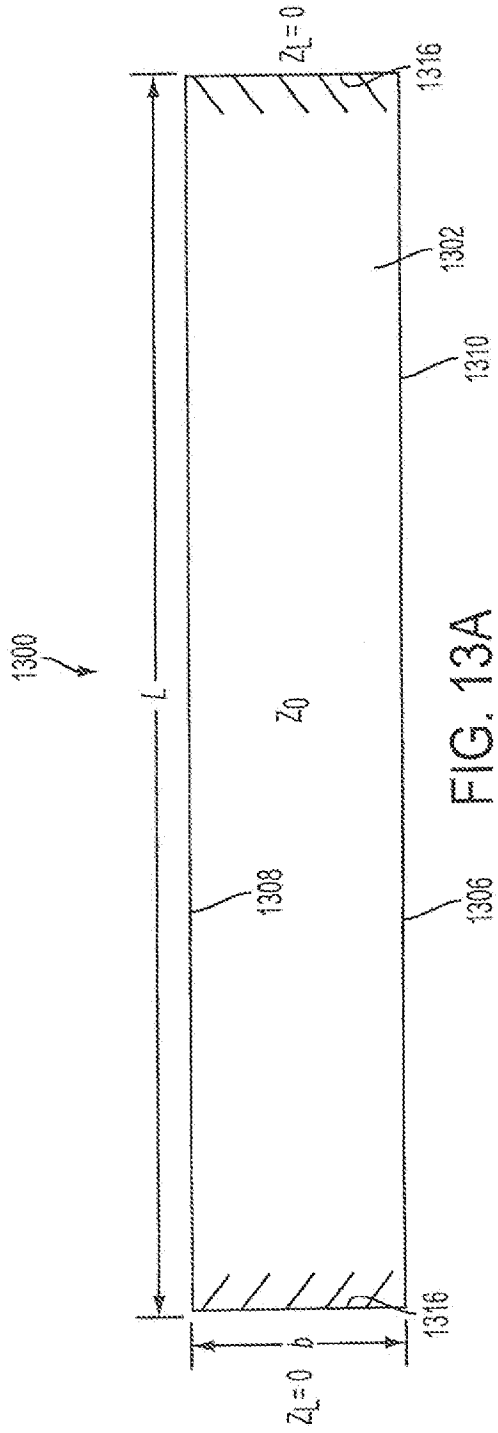


FIG. 12B



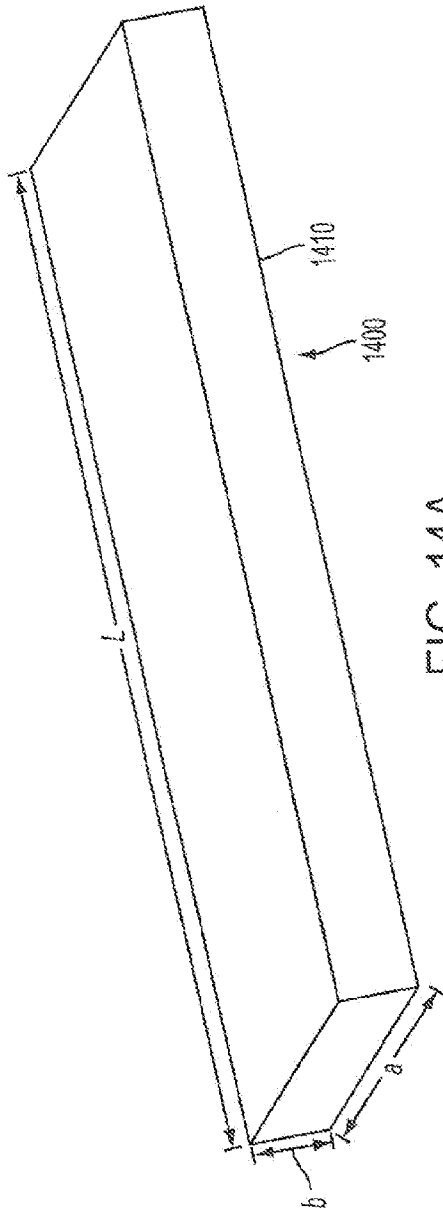


FIG. 14A

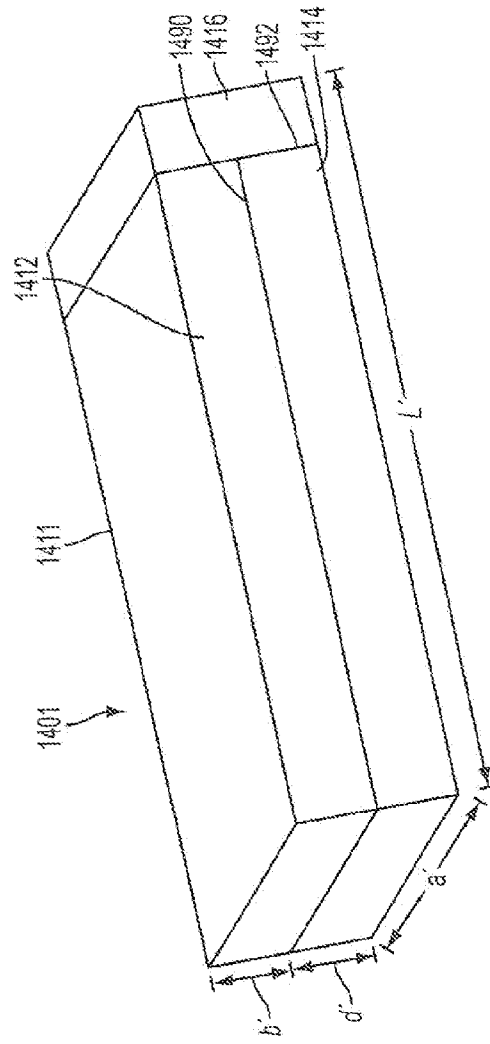


FIG. 14B

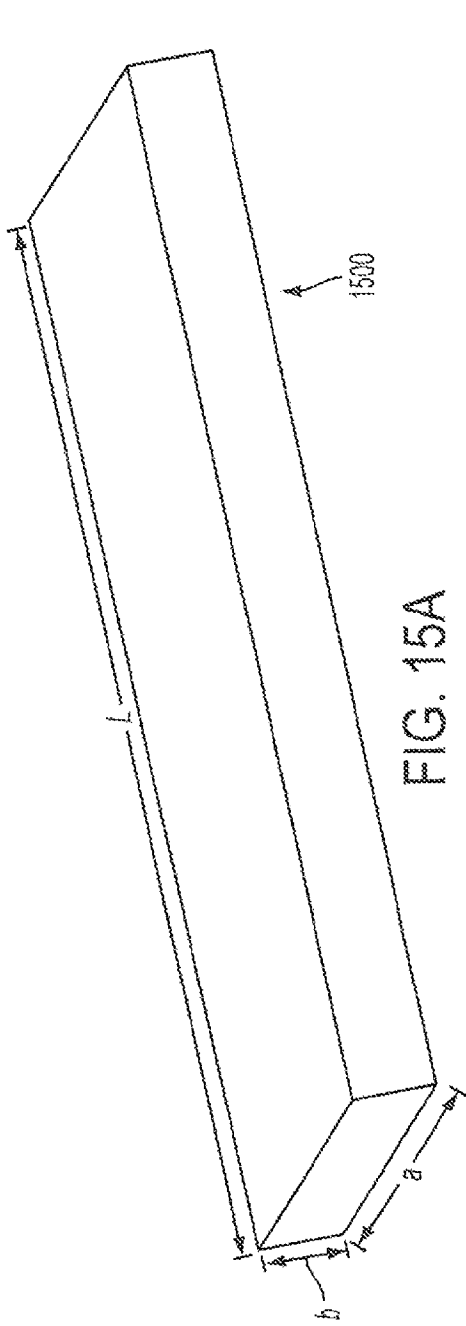


FIG. 15A

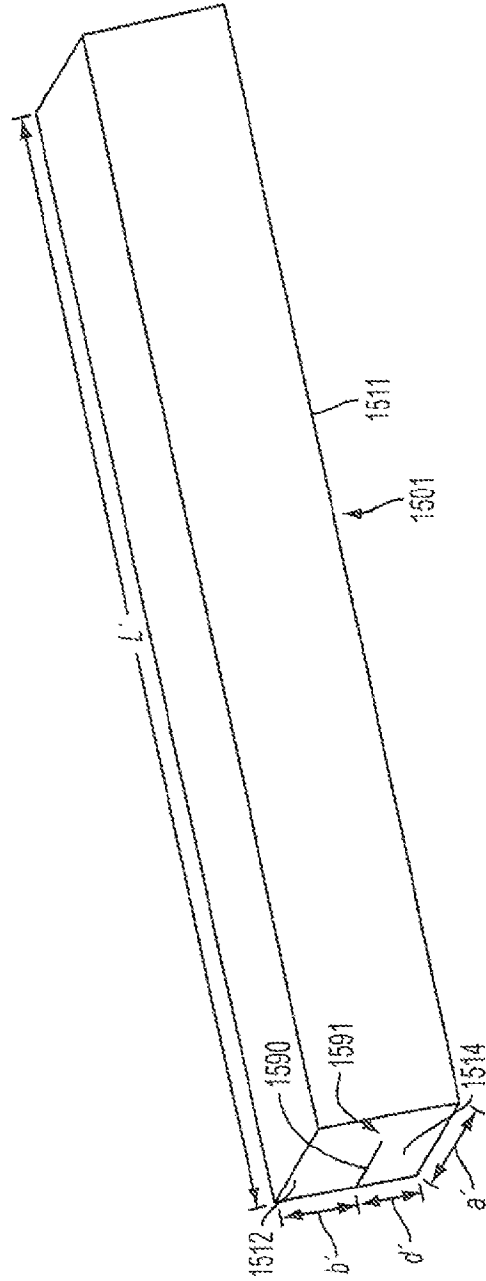


FIG. 15B



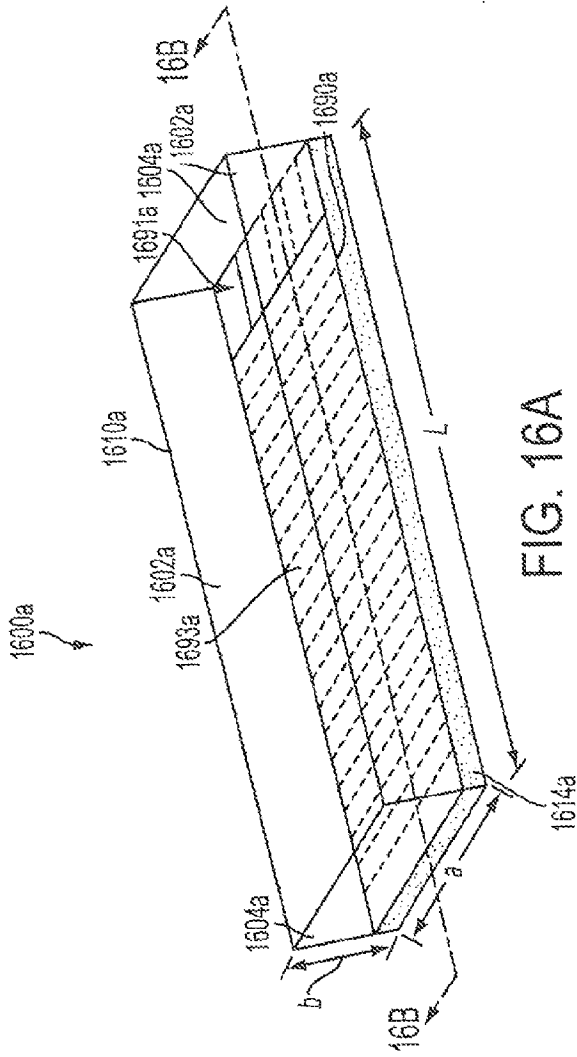


FIG. 16A

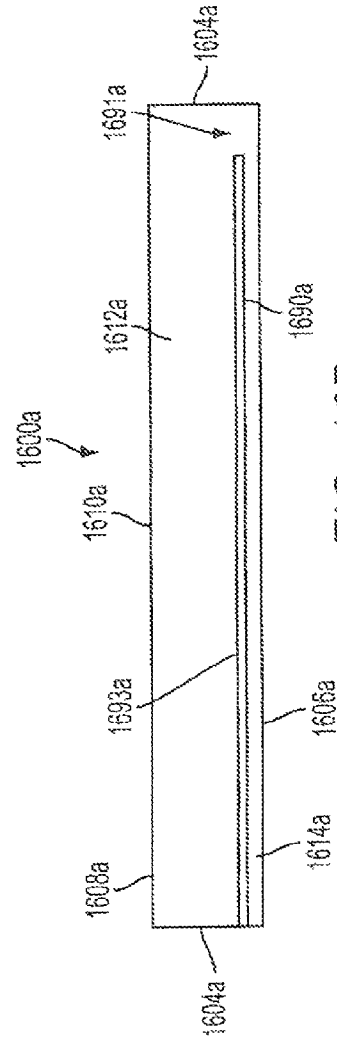


FIG. 16B

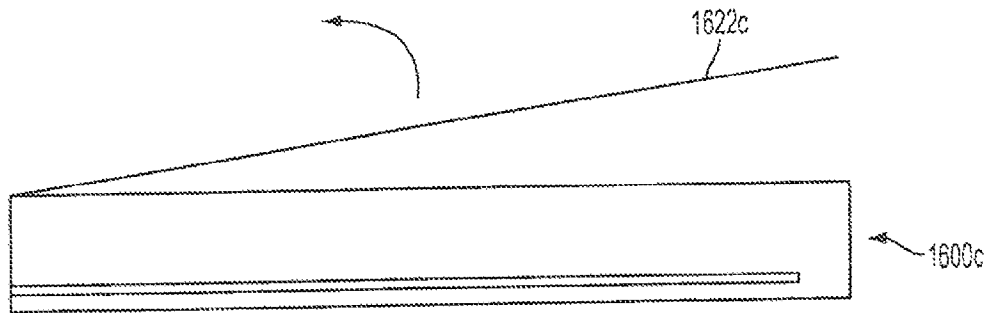


FIG. 16C

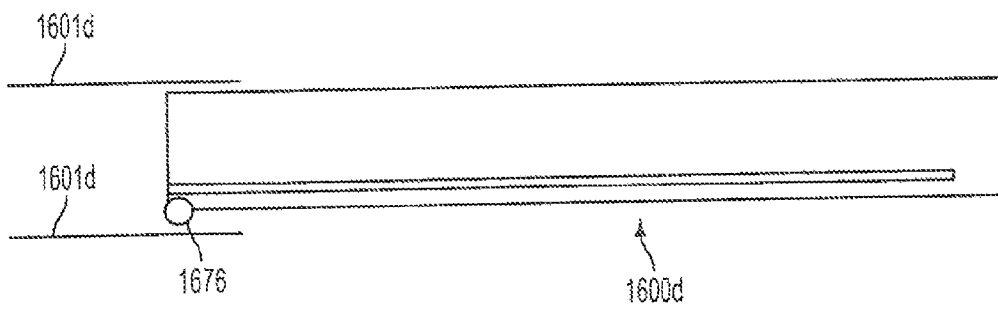


FIG. 16D

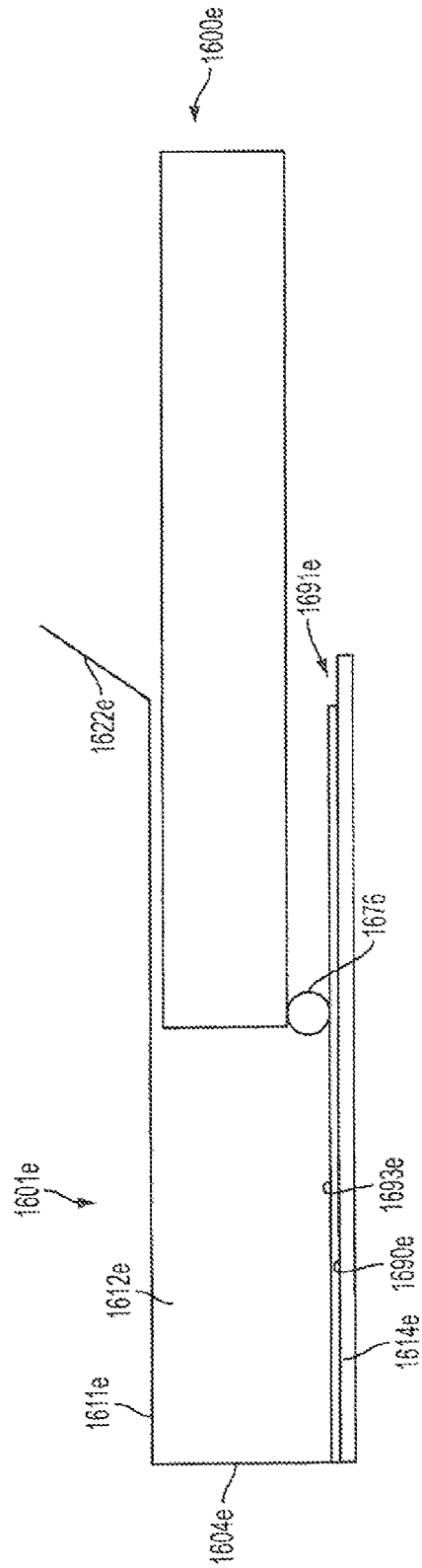


FIG. 16E

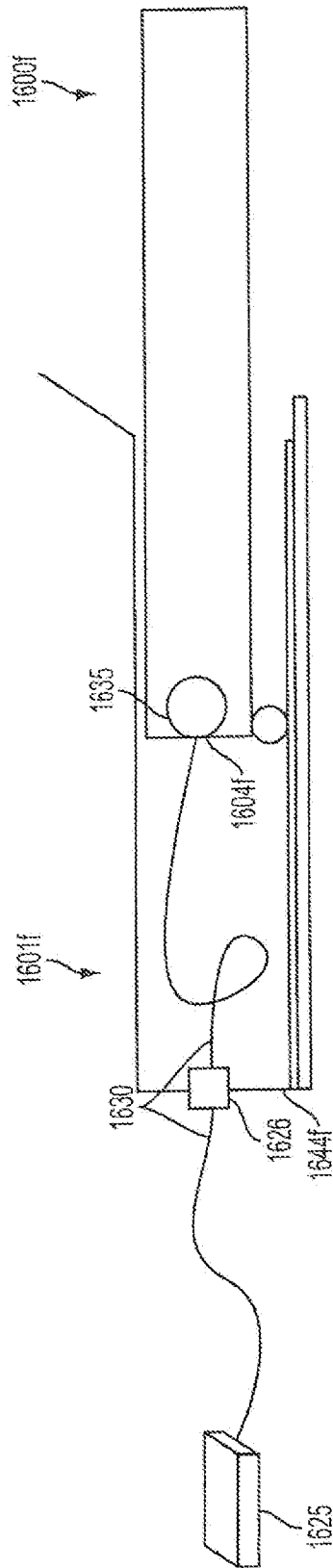


FIG. 16F

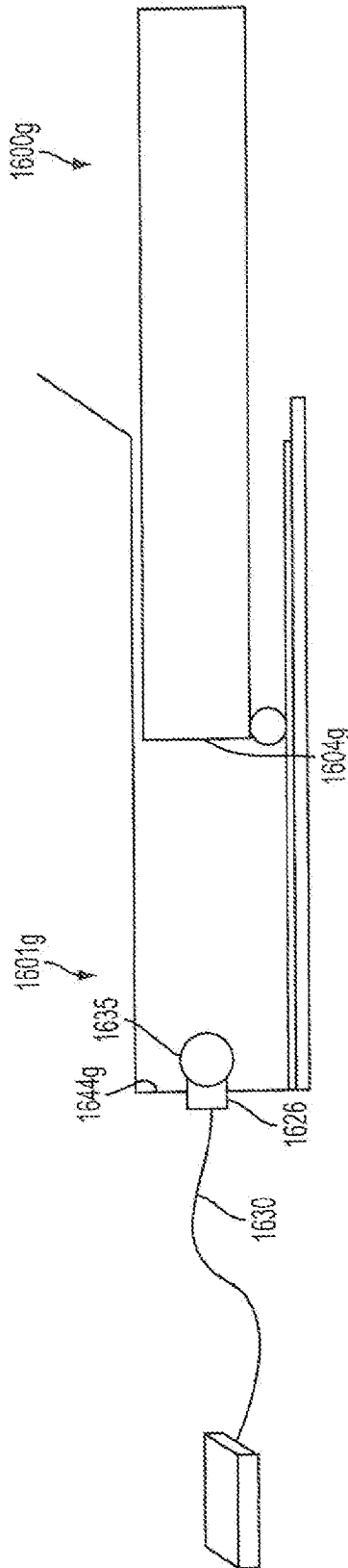


FIG. 16G

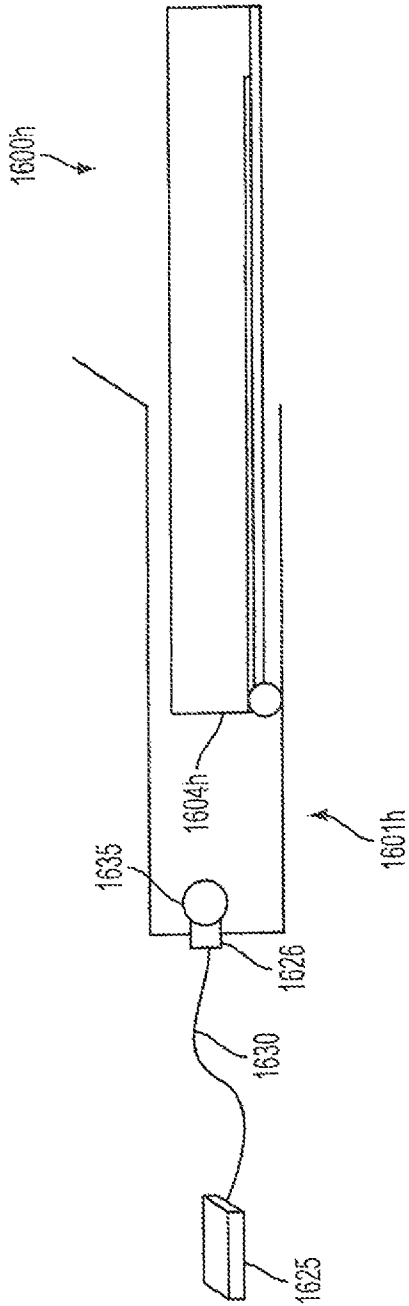


FIG. 16H

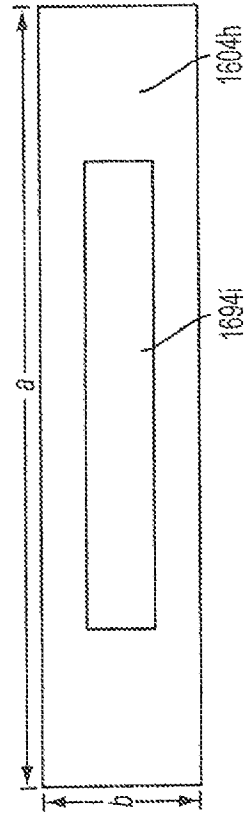


FIG. 16I

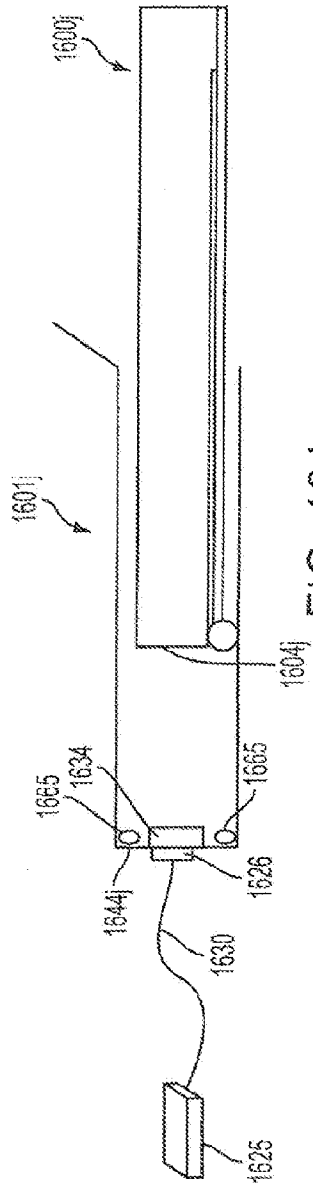


FIG. 16J

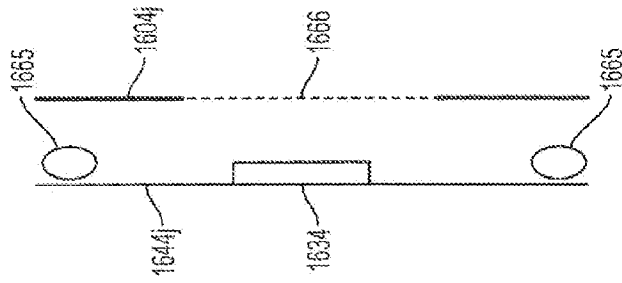


FIG. 16K

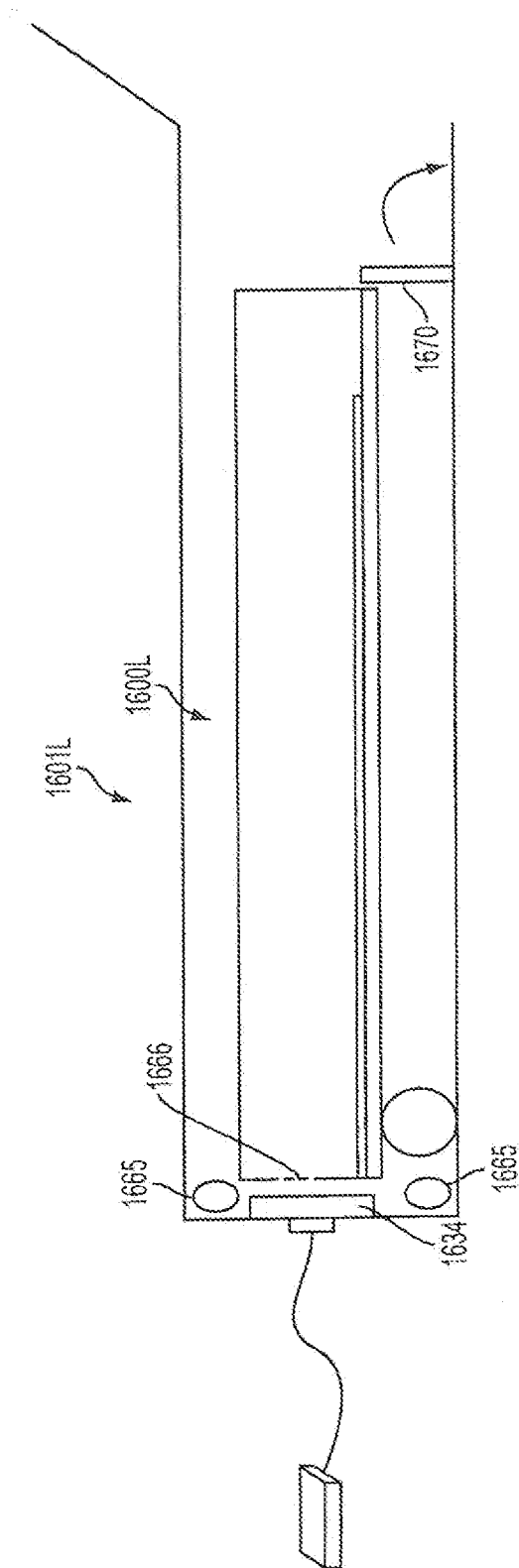


FIG. 16L



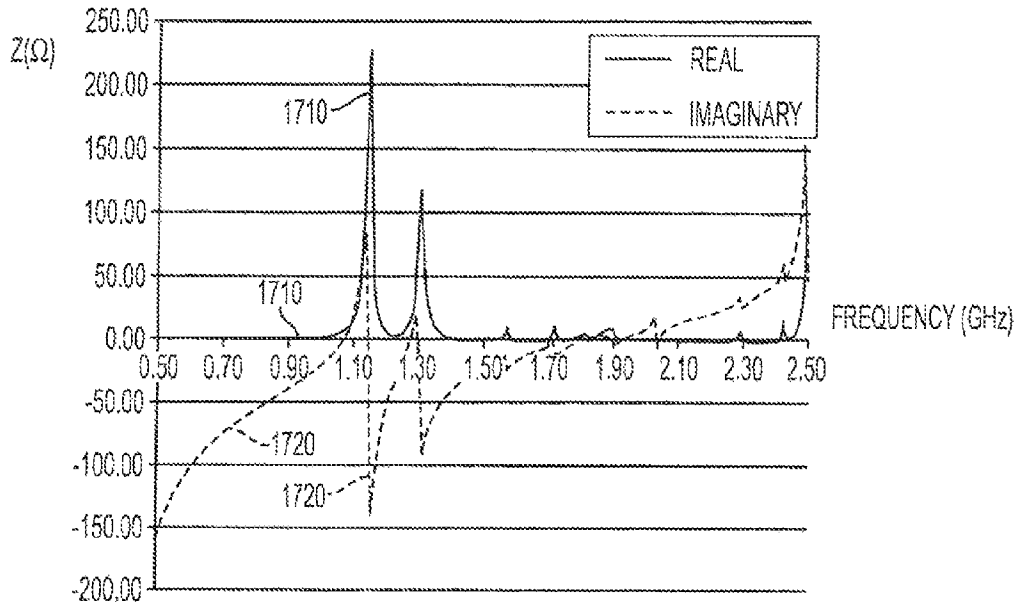


FIG. 17A

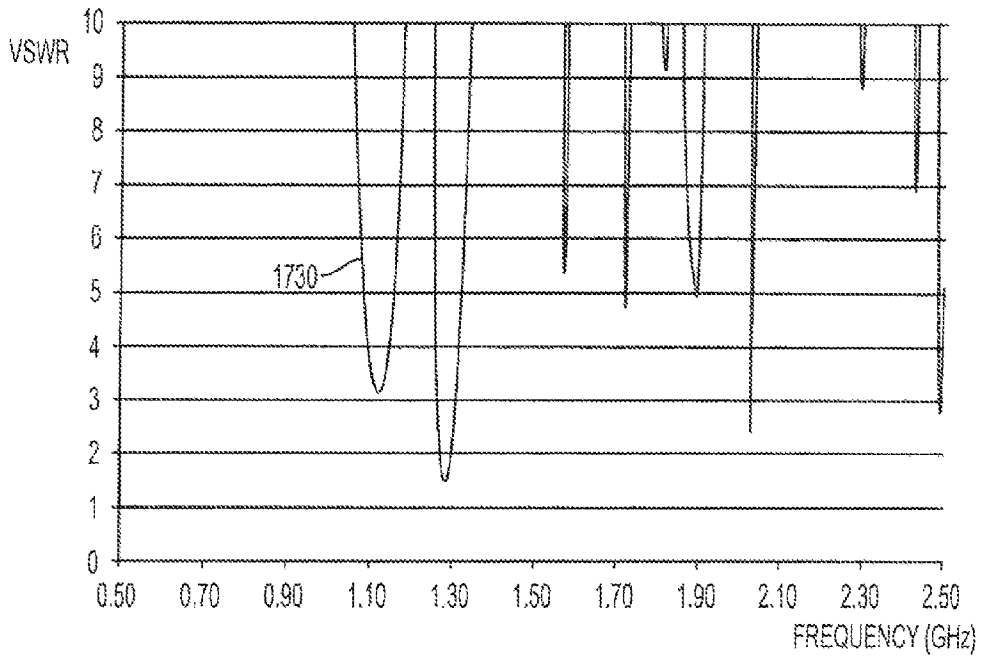


FIG. 17B

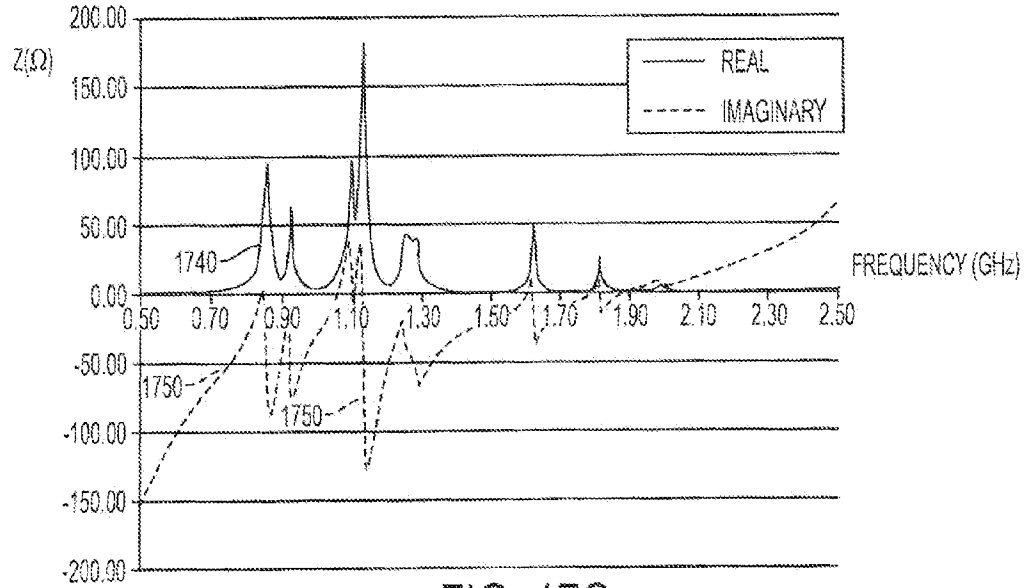


FIG. 17C

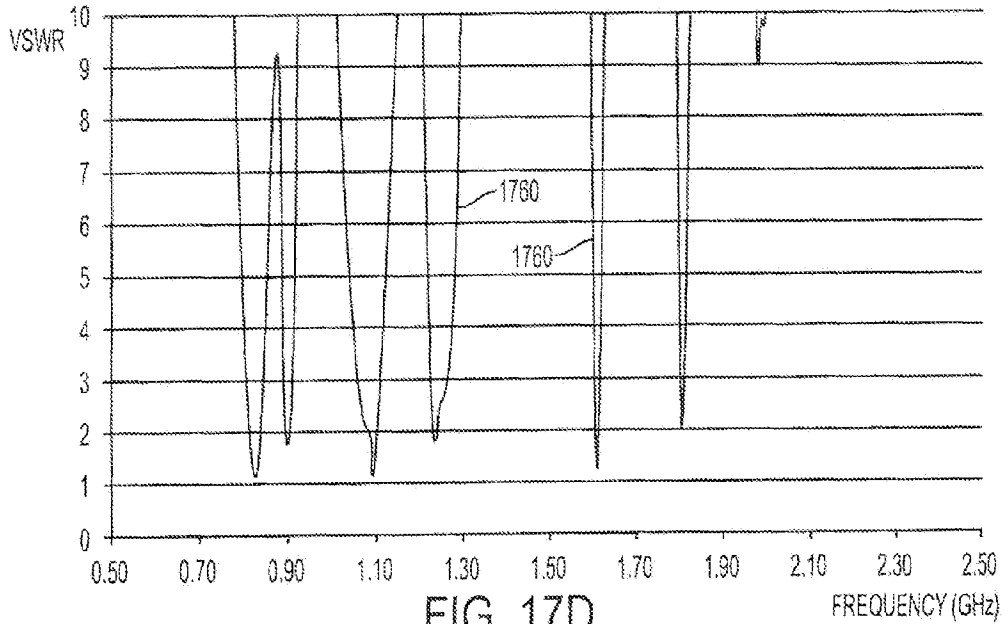


FIG. 17D

1800

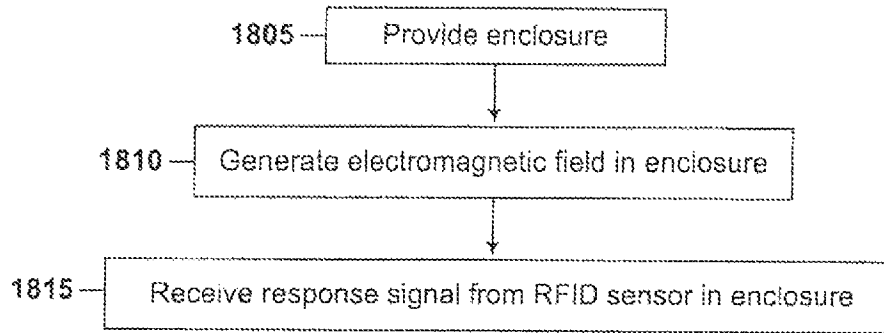


FIG. 18

1900

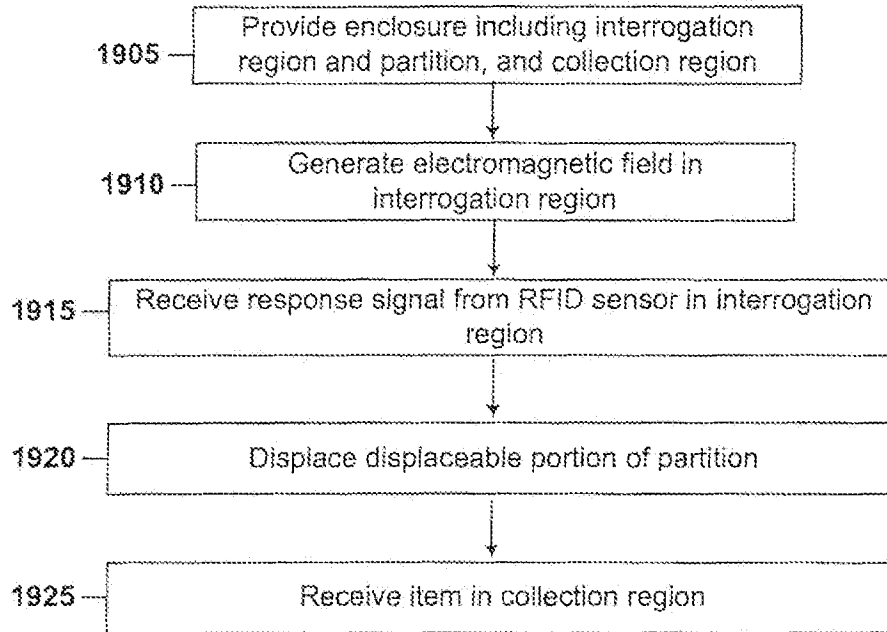


FIG. 19

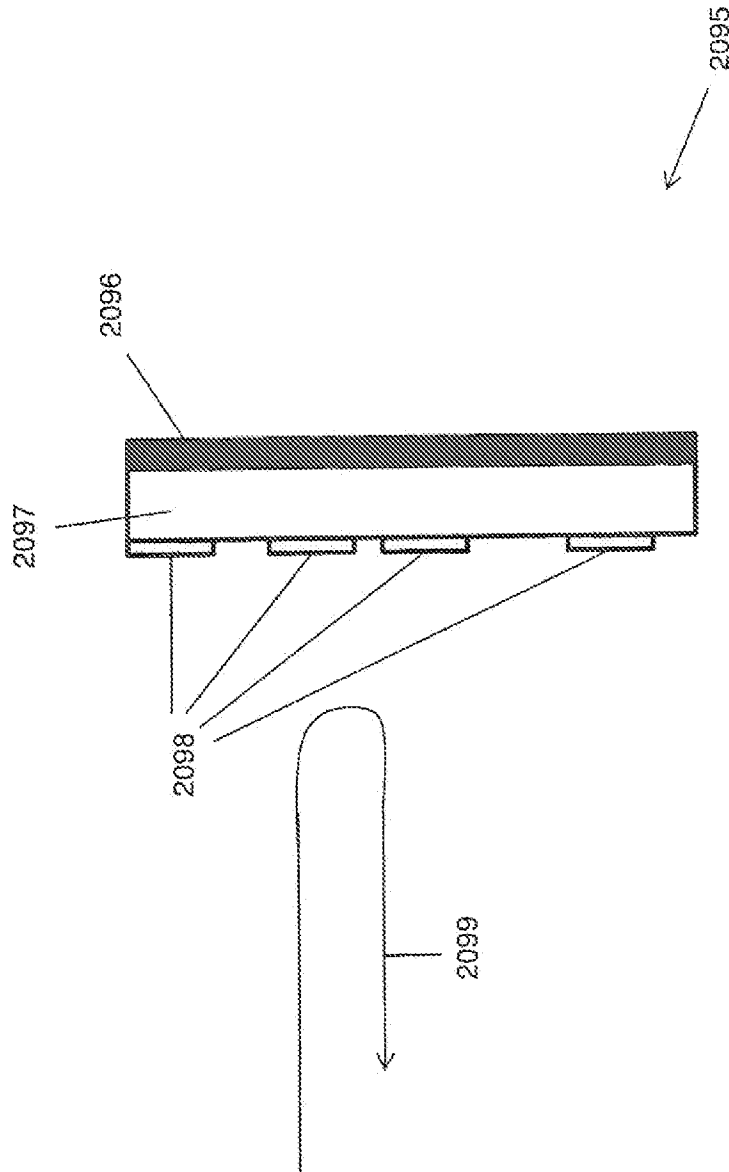


FIG. 20

1

## METHODS, SYSTEMS AND APPARATUSES FOR RADIO FREQUENCY IDENTIFICATION

### CROSS-REFERENCE TO RELATED APPLICATIONS

This application claims the benefit of the filing date of U.S. provisional patent application No. 61/775,940, filed on Mar. 11, 2013.

### ORIGIN OF THE INVENTION

The invention described herein was made by an employee of the United States Government and may be manufactured and used by or for the Government of the United States of America for governmental purposes without the payment of any royalties thereon or therefor.

### FIELD OF THE INVENTION

The present disclosure relates generally to radio frequency identification ("RFID") systems, methods, and apparatuses. More particularly, the invention relates to improved RFID for detecting objects, using enclosures and feeds.

### BACKGROUND OF THE INVENTION

Radio frequency identification (RFID) technology may be used to detect the presence of objects (identification, tracking, etc.). For example, an RFID reader or interrogator, in conjunction with an RF transmission line and an antenna or other conductor, may transmit a signal to generate an electromagnetic field. In response to the electromagnetic field, an RFID tag or sensor attached to an item transmits a signal, which is received by the antenna or conductor. This response signal may contain information identifying the particular RFID tag as well as information identifying/pertaining to the item to which it is attached. This information may be decoded by the reader or interrogator, or by a processor associated therewith.

### SUMMARY

Embodiments of the present invention described herein provide systems, methods, and apparatuses for Radio Frequency Identification (RFID).

According to a first aspect of an embodiment described herein, a radio frequency identification (RFID) system comprises: an enclosure comprising an at least partly closed structure defining a boundary between an interior region, interior to the structure, and a region exterior of the structure, the structure having an inner surface facing the interior region and an outer surface facing the exterior; and at least one feed configured for (1) generating an electromagnetic field in the interior region in response to a first signal received from an RFID reader via at least one radio frequency (RF) transmission line, and (2) receiving, from at least one RFID sensor located in the interior region, a second signal generated in response to the electromagnetic field. At least a part of the outer surface is conductive, or at least a portion of the inner surface is conductive. At least a portion of the structure is formed of a metamaterial.

According to a second aspect of an embodiment herein, an RFID system comprises: an enclosure comprising an at least partly closed structure defining a boundary between an interior region, interior to the structure, and an exterior of the structure, the structure having an inner surface facing the interior region and an outer surface facing the exterior; and at

2

least one feed configured for (1) generating an electromagnetic field in the interior region in response to a first signal received from an RFID reader via at least one radio frequency (RF) transmission line, and (2) receiving, from at least one RFID sensor located in the interior region, a second signal generated in response to the electromagnetic field. At least a part of the outer surface is conductive, or at least a portion of the inner surface is conductive. At least a portion of the structure is formed of an electromagnetically absorbing material.

According to a third aspect of an embodiment herein, an RFID system comprises: an enclosure comprising an at least partly closed structure defining a boundary between an interior region, interior to the structure, and an exterior of the structure, the structure having an inner surface facing the interior region and an outer surface facing the exterior; and at least one feed configured for (1) generating an electromagnetic field in the interior region in response to a first signal received from an RFID reader via at least one radio frequency (RF) transmission line, and (2) receiving, from at least one RFID sensor located in the interior region, a second signal generated in response to the electromagnetic field. At least a part of the outer surface is conductive, or at least a portion of the inner surface is conductive. The structure includes a wall extending within the interior region.

According to a fourth aspect of an embodiment herein, an RFID system comprises: an enclosure comprising an at least partly closed structure defining a boundary between an interior region, interior to the structure, and an exterior of the structure, the structure having an inner surface facing the interior region and an outer surface facing away from the interior region, and the interior region comprising an interrogation region for interrogation of an RFID sensor attached to an item within the interrogation region; a collection region for receiving the item from the interrogation region, after the RFID sensor attached to the item has been interrogated; and at least one feed configured for (1) generating an electromagnetic field in the interrogation region in response to a first signal received from an RFID reader via at least one radio frequency (RF) transmission line, and (2) receiving, from the RFID sensor attached to the item within the interrogation region, a second signal generated in response to the electromagnetic field. The structure includes a partition defining a boundary between the interrogation region and an exterior of the interrogation region, at least a portion of the partition being displaceable so as to permit the item to be transferred between the interrogation region and the collection region. At least a portion of the outer surface of the structure is conductive, or at least a portion of the inner surface is conductive.

According to a fifth aspect of an embodiment described herein, an RFID method comprises the steps of: (a) providing an enclosure, the enclosure comprising an at least partly closed structure defining a boundary between an interior region, interior to the structure, and a region exterior to the structure, the structure having an inner surface facing the interior region and an outer surface facing the exterior; (b) generating, by at least one feed, an electromagnetic field in the interior region in response to a first signal received from an RFID reader via at least one radio frequency (RF) transmission line; and (c) receiving, by the at least one feed, a second signal generated in response to the electromagnetic field by at least one RFID sensor located in the interior region. At least a part of the outer surface of the structure is conductive. At least a portion of the structure is formed of a metamaterial.

According to a sixth aspect of an embodiment herein, an RFID method comprises: (a) providing an enclosure, the

3

enclosure comprising an at least partly closed structure defining a boundary between an interior region, interior to the structure, and an exterior of the structure, the structure having an inner surface facing the interior region and an outer surface facing the exterior; (b) generating, by at least one feed, an electromagnetic field in the interior region in response to a first signal received from an RFID reader via at least one radio frequency (RF) transmission line; and (c) receiving, by the at least one feed, a second signal generated in response to the electromagnetic field by at least one RFID sensor located in the interior region. At least a part of the outer surface of the structure is conductive, or at least a part of the inner surface of the structure is conductive. At least a portion of the structure is formed of an electromagnetically absorbing material.

According to a seventh aspect of an embodiment described herein, an RFID method comprises: (a) providing an enclosure, the enclosure comprising an at least partly closed structure defining a boundary between an interior region, interior to the structure, and an exterior of the structure, the structure having an inner surface facing the interior region and an outer surface facing the exterior; (b) generating, by at least one feed, an electromagnetic field in the interior region in response to a first signal received from an RFID reader via at least one radio frequency (RF) transmission line; and (c) receiving, by the at least one feed, a second signal generated in response to the electromagnetic field by at least one RFID sensor located in the interior region. At least a part of the outer surface of the structure is conductive, or at least a part of the inner surface of the structure is conductive. The structure includes a wall extending within the interior region.

According to an eighth aspect of an embodiment described herein, an RFID method comprises the steps of: (a) providing an enclosure, the enclosure comprising a partly or at least substantially closed structure defining a boundary between an interior region, interior to the structure, and an exterior of the structure, the structure having an inner surface facing the interior region and an outer surface facing the exterior, at least a portion of the outer surface being conductive, the interior region comprising an interrogation region for interrogation of an RFID sensor attached to an item to be positioned within the interrogation region, the structure including a partition defining a boundary between the interrogation region and an exterior of the interrogation region, at least a portion of the partition being displaceable so as to permit the item to be transferred from the interrogation region to a collection region, the collection region being for receiving the item from the interrogation region, after the RFID sensor attached to the item has been interrogated; (b) generating, by at least one feed, an electromagnetic field in the interrogation region in response to a first signal received from an RFID reader via at least one radio frequency (RF) transmission line; (c) receiving, by the at least one feed, a second signal generated in response to the electromagnetic field by the RFID sensor attached to the item when located within the interrogation region; (d) displacing the displaceable portion of the partition; and (e) receiving the item in the collection region from the interrogation region, after the RFID sensor attached to the item has been interrogated.

Other aspects and advantages of the embodiments described herein will become apparent from the following description and the accompanying drawings, illustrating the principles of the embodiments by way of example only.

#### BRIEF DESCRIPTION OF THE DRAWINGS

The following figures form part of the present specification and are included to further demonstrate certain aspects of the

4

present claimed subject matter, and should not be used to limit or define the present claimed subject matter. The present claimed subject matter may be better understood by reference to one or more of these drawings in combination with the description of embodiments presented herein. Consequently, a more complete understanding of the present embodiments and further features and advantages thereof may be acquired by referring to the following description taken in conjunction with the accompanying drawings, in which like reference numerals may identify like elements, wherein:

FIG. 1 is a schematic diagram of an RFID system including, inter alia, an enclosure with a metamaterial portion, which may function as a cavity, in accordance with one or more embodiments of the present disclosure;

FIG. 2 is a schematic diagram of an RFID system including, inter alia, an enclosure in the form of a trash receptacle, which may function as a cavity, in accordance with one or more embodiments of the present disclosure;

FIG. 3 is a schematic diagram illustrating an example of the positioning of feed loops in the enclosure of FIG. 2, in accordance with one or more embodiments of the present disclosure;

FIG. 4 is a schematic diagram providing a close-up view of a feed loop of FIG. 3, in accordance with one or more embodiments of the present disclosure;

FIG. 5 is a schematic diagram of an RFID system including, inter alia, an enclosure with an electromagnetically absorbing portion in a first arrangement, which may function as a waveguide, in accordance with one or more embodiments of the present disclosure;

FIG. 6 is a schematic diagram of an RFID system including, inter alia, an enclosure with an electromagnetically absorbing portion in a second arrangement, which may function as a waveguide, in accordance with one or more embodiments of the present disclosure;

FIG. 7 is a schematic diagram of an RFID system including, inter alia, an enclosure with electromagnetically absorbing curtains at both ends thereof and a conveyor belt running therethrough, which may function as a waveguide, viewed in cross-section taken along the width of the enclosure, in accordance with one or more embodiments of the present disclosure;

FIG. 8 is a top view of an enclosure similar to that illustrated in FIG. 7 and showing greater detail, in accordance with one or more embodiments of the present disclosure;

FIGS. 9A, 9B and 9C are schematic diagrams of an RFID system including, inter alia, separate interrogation and collection chambers in a first arrangement, in accordance with one or more embodiments of the present disclosure;

FIGS. 10A and 10B are schematic diagrams of an RFID system including, inter alia, separate interrogation and collection chambers in a second arrangement, in accordance with one or more embodiments of the present disclosure;

FIGS. 11A, 11B and 11C illustrate waveguides with and without a metamaterial sidewall structure, showing the effect of the metamaterial on the electromagnetic field distribution within the waveguide, in accordance with one or more embodiments of the present disclosure;

FIG. 12A illustrates a waveguide with both sidewalls formed of a metamaterial, and FIG. 12B illustrates a waveguide with an interior wall formed of a metamaterial, in accordance with one or more embodiments of the present disclosure;

FIGS. 13A and 13B illustrate waveguides with reflecting and absorbing boundary conditions at their ends, respectively, in accordance with one or more embodiments of the present disclosure;

FIGS. 14A and 14B depict a first example of folding of an enclosure, in accordance with one or more embodiments of the present disclosure;

FIGS. 15A and 15B depict a second example of folding of an enclosure, in accordance with one or more embodiments of the present disclosure;

FIGS. 16A-16L depict various examples of folded enclosures, applicable to a drawer and cabinet arrangement, in accordance with one or more embodiments of the present disclosure;

FIGS. 17A-17D illustrate graphs of impedance versus frequency (FIGS. 17A and 17C) and voltage standing wave ratio versus frequency (FIGS. 17B and 17D), for signals received from RFID sensors, in accordance with one or more embodiments of the present disclosure;

FIG. 18 is a flow chart illustrating a first method of performing RFID, in accordance with one or more embodiments of the present disclosure;

FIG. 19 is a flow chart illustrating a second method of performing RFID, in accordance with one or more embodiments of the present disclosure; and

FIG. 20 is a schematic diagram of a metamaterial structure or wall, in accordance with one or more embodiments of the present disclosure.

#### NOTATION AND NOMENCLATURE

Certain terms used throughout the following description and appended claims refer to particular system components and configurations. As one skilled in the art might appreciate, the same component may be referred to by different names, but may perform the same function. In the following discussion and in the claims, the terms “including” and “comprising” are used in an open-ended fashion, and thus should be interpreted to mean “including, but not limited to.”

#### DETAILED DESCRIPTION

The figures are not necessarily drawn to scale and certain features may be shown exaggerated in scale or in somewhat generalized or schematic form in the interest of clarity and conciseness. The foregoing description of the figures is provided for a more complete understanding of the drawings. It should be understood, however, that the embodiments are not limited to the precise arrangements and configurations shown. Although the design and use of various embodiments are discussed in detail below, it should be appreciated that the embodiments described herein provide many inventive concepts that may be embodied in a wide variety of contexts. The specific aspects and embodiments discussed herein are merely illustrative of ways to make and use the invention, and do not limit the scope of the invention. It would be impossible or impractical to include all of the possible embodiments and contexts of the invention in this disclosure. Upon reading and benefit of this disclosure, many alternative embodiments of the present invention will become apparent to persons of ordinary skill in the art.

Before describing various specific implementations, a more general, high level description of the embodiments herein, which address the field of reading RFID tags on individual items, metal items, and electromagnetically lossy items, will be given. These embodiments may also provide other benefits. As these embodiments may be subject to further areas of improvement, secondary embodiments addressing such further areas of improvement will also be described.

One embodiment described herein is to place the items to be identified in an enclosure, which is preferably electromag-

netically sealed or shielded, and perform the RFID interrogation on the items when located in the enclosure. By using an enclosure, a higher electromagnetic field strength and a more pervasive electromagnetic field may be attained in the area where interrogation of items is proposed to occur, when compared to interrogation in a free or non-enclosed space.

Electromagnetic sealing or shielding of an enclosure may be achieved by making the walls of the enclosure conductive. The conductive structure may serve as an electromagnetic boundary and may effectively prevent or minimize the ability of an electromagnetic field to cross it. Thus, an electromagnetic field that is generated within the enclosure may be effectively confined within it, while an electromagnetic field that exists outside of the enclosure may be effectively prevented from entering the enclosure. By confining a generated electromagnetic field within the enclosure, a higher level and more pervasive electromagnetic field may be attained within the enclosure, as compared to an electromagnetic field typically achievable in free space. A more pervasive, higher field level within the area of interrogation may increase the likelihood that all RFID tags within the area of interrogation are successfully interrogated (i.e., all items are identified). Traditionally, inadequate field strength at the RFID tag or, correspondingly, inadequate threshold voltage at the RFID tag rectifier, has been an obstacle to achieving a near-100% read accuracy or success rate during interrogation.

In practice, the above-described confinement of the electromagnetic field within the enclosure and prevention of electromagnetic field from crossing the enclosure boundary may not be absolute or 100%, and for the purposes described herein, the electromagnetic sealing or shielding need not be absolute or 100% in order to achieve desired and useful results. Accordingly, for the purposes described herein, the enclosure may be a closed, substantially closed, or, in some cases, partly closed, structure, and the structure (or the outer surface thereof) may be partly or at least substantially entirely conductive. In other words, the enclosure may be an at least partly closed structure, and at least a part of the structure, or of the outer surface thereof, may be conductive, as will be described further below.) The enclosure may be configured so as not to permit significant levels of electromagnetic fields to penetrate through the structure, from inside to outside or vice versa.

It will be noted that, for purposes herein, electromagnetic sealing or shielding may also be achieved by using a structure such as a screen, the apertures of which are small relative to the wavelength of electromagnetic radiation used in the enclosure.

When the act of interrogation is performed within an enclosure, it is possible that RFID tags located outside of the enclosure could be read, with the result being that the corresponding items attached thereto are erroneously deemed to be items inside the enclosure. This risk may be mitigated or eliminated by the act of electromagnetically sealing or shielding the enclosure as described herein. That is, to the extent that the electromagnetic field generated within the enclosure is prevented from seeping outside the enclosure wherein interrogation is to occur, then the field would not be able to cause RFID tags located outside the enclosure to respond. Electromagnetic sealing or shielding may also prevent unwanted interference (caused by the field generated within the enclosure) with other electromagnetic fields located outside of the enclosure (e.g., fields that are unrelated to the RFID interrogation and may be being used by third parties).

Further discussion of different kinds of enclosures will be given herein.



In addition to performing RFID interrogation in an electromagnetically shielded enclosure (i.e., not in a free or open space), embodiments for reading RFID tags on individual items, metal items, and electromagnetically lossy items, as described herein, use a feed (rather than a conventional antenna) to generate the electromagnetic field within an enclosed region. Conventional antennas are typically designed to operate in free space by means of electromagnetic radiation. In contrast, a feed might operate by near-field coupling, generating an electromagnetic field that couples to the enclosure structure and to the region interior to it. In addition, a feed may allow more precise control with respect to impedance matching and field distribution within the enclosure. These characteristics of feeds may permit attaining electromagnetic fields within an enclosure that perform better for RFID interrogation as compared to fields generated by a conventional antenna. Feeds may also be constructed to be of smaller size than conventional antennas; thus feeds may take up a small amount of space so as to be less obtrusive than conventional antennas. In other words, size may matter when RFID interrogation is performed in an enclosure, particularly when the enclosure is relatively small. Feeds constructed to be of larger size than small feeds might also be useful, such as for exciting electromagnetic fields within an enclosure. Large feeds might be designed to resonate in situ in the enclosure environment, and are sometimes more robust than smaller feeds because they are more likely to couple into a set of electromagnetic modes, characteristic of the enclosure structure, than a feed of smaller construction.

A feed may be, for example in one embodiment, a feed probe, a feed in the form of a closed shape, such as a feed loop, or a planar feed. Such a feed may be constructed, e.g., from a coaxial cable. In the case of a feed probe, the center (conducting) cable may protrude into the interior of the enclosure, or extend to the opposite (or another) side (wall) of the enclosure. In the case of a closed shape feed, the cable may form a loop or other shape and be located near a wall of the enclosure. In the case of a planar feed, the cable may be split open into a planar configuration. As will be understood by one of ordinary skill in the art having the benefit of this detailed description, feeds may be formed in other manners, and the above examples are not to be taken as limiting. Multiple feeds may be used for a single enclosure at different locations around the enclosure and in different orientations to increase the likelihood of successfully reading all the RFID-tagged items which may be located inside the enclosure.

A third embodiment described herein uses an enclosure such as described above which includes an interrogation region and additionally a separate collection region (which need not be part of the enclosure), such that the RFID-tagged item may be interrogated in the interrogation region and subsequently received or collected in the collection region. In this embodiment, difficulties posed by dense packing of individual items may be reduced, by placing one item (or a small number of items) at a time in the interrogation region, performing the interrogation on the item(s) in the interrogation region, and then removing the interrogated items to the collection region, and iterating the process.

A fourth embodiment described herein uses a conveyor belt in conjunction with an enclosure such as described above, the conveyor belt conveying items into and out of the enclosure where interrogation occurs. In this embodiment, difficulties posed by dense packing of individual items may be reduced, by conveying one item (or a small number of items) at a time into the enclosure, performing the interroga-

tion on the item(s) in the enclosure, and then conveying the interrogated items out of the enclosure, and iterating the process.

The above-described characteristic of the enclosure having conductive walls presents another embodiment. Most common materials with high conductivity (e.g., metals) may be treated as perfectly electrical conductors (PECs). The tangential component of an electric field vanishes along the surface of a PEC. This type of surface is said to provide a short circuit boundary condition. However, an RFID tag may require a significant electric field to operate properly, and hence may not function well when located next to a highly conductive surface, as the tag's antenna is effectively "shorted" by the conductive surface.

The absent or inadequate electric field at the conductive walls of the enclosure may be addressed by use of a metamaterial for some or all of the structure or walls of the enclosure, instead of ordinary conductive material. A metamaterial is a material that is not found in nature, but is artificially synthesized in such a manner as to have properties not ordinarily found in natural materials. For example, a metamaterial can be made that approximates a perfectly magnetic conductor (PMC). In contrast to a PEC, an electric field does not vanish at a PMC. A PMC may be referred to as an open circuit boundary condition. Accordingly, by using such a metamaterial for a portion of the structure of the enclosure, the inner surface of that portion of the enclosure may be rendered non-conductive, while the outer surface of that portion of the enclosure is conductive. That is, the metamaterial may be constructed in such a manner as to have an inner PMC-like layer and an outer conductive layer. An example of a metamaterial structure or wall **2095** is shown schematically in FIG. **20**. Metamaterial structure **2095** may include three layers, an outer conductive layer **2096**, a middle insulating layer **2097**, and an inner printed pattern **2098**. Outer conductive layer **2096** may be, e.g., a metallic conductor, which may be treated as a PEGC, and may be disposed on the exterior side of the enclosure. (In FIG. **20**, the exterior of the enclosure would be on the right side of metamaterial structure **2095**.) Middle insulating layer **2097** may actually include one or more than one insulating layer. Inner printed pattern **2098** may cover a portion (as shown) or all of middle insulating layer **2097**, and may be disposed on the interior side of the enclosure. (In FIG. **20**, the interior of the enclosure would be on the left side of metamaterial structure **2095**.) Metamaterial structure **2095** may but need not be provided with interconnecting vias from printed pattern **2098** to conductive layer **2096**. Upon generation of an electromagnetic field inside the enclosure, an electromagnetic wave **2099** may travel to the wall of the enclosure formed in part by metamaterial structure **2095** and be reflected back by the same. FIG. **20** and this description thereof represent non-limiting examples of metamaterial structures. Using an enclosure with such a metamaterial construction, the RFID tag is permitted to operate well inside the enclosure near the metamaterial portion, while the electromagnetic shielding and attendant benefits (preventing electromagnetic fields from passing between exterior and interior of the enclosure) are retained. Metamaterials may also be used to address other areas for improvement and provide other benefits, as will be discussed below.

The absent or inadequate electric field at the conductive walls of the enclosure may be addressed by use of a physical barrier, e.g., wall or partition, which may block RFID-tagged items from approaching too close to the conductive walls of the enclosure.

The above-described characteristic of the enclosure having conductive walls presents yet another embodiment. It will be

noted that the above-described conductive enclosure may (but need not) be a cavity resonator. Generating an electromagnetic field in such an enclosure may result in a standing wave, as the wave emitted from the feed at one end of the enclosure is reflected back from the other end of the enclosure. The standing wave corresponds to one of an infinite set of discrete electromagnetic resonances, or modes, of the cavity. The modes are a function of the frequency of operation (frequency of the standing wave), the geometry of the enclosure and any items within it, and the characteristics and placement of the feed(s) introducing the signal into the enclosure. When the frequency is sufficiently removed from one of the resonances, the enclosure may not function as well in establishing an electromagnetic field distribution that supports successful interrogation of RFID tags.

A further issue with regard to standing waves is that a standing wave is characterized by having null and peak regions. At a null region, the field strength is null. If RFID tags that couple well with electric fields enter regions of low or null electric fields, this condition may excessively decrease the rate of successful interrogation. If RFID tags that couple well with magnetic fields enter regions of low or null magnetic fields, this condition may excessively decrease the rate of successful interrogation.

Finally, with regard to standing waves, the wave reflections may be received by the RFID reader and interfere with the signals being sent to the reader by RFID tags, and accordingly may decrease the rate of successful interrogation.

These issues pertaining to standing waves (limitation to resonant frequencies; interference; null and low fields) may be addressed by modifying the enclosure so as to make it a waveguide that is effectively infinite in at least one dimension. One way in which to create such a waveguide is by establishing an absorbing boundary condition at one or both ends of the enclosure, with the absorbing loads being matched to the waveguide characteristic impedance over the band of operation. This condition can be achieved by placing electromagnetically absorbing material at one or both ends of the enclosure, or along the side walls or the top and bottom surfaces of the enclosure near the ends of the enclosure. Electromagnetically absorbing material may also be referred to as electromagnetically lossy material. A suitable, but not limiting, example of an electromagnetically absorbing material is a microwave absorbing material. A metamaterial may also be used to create an electromagnetically absorbing boundary condition. The absorbing material absorbs, or attenuates, the electromagnetic energy, thereby eliminating or minimizing reflection from one or both ends of the enclosure. If the wave is thus sufficiently attenuated before reaching the physical end of the enclosure, the reflected signal is effectively minimized or eliminated, and a propagating or traveling wave, rather than a standing wave, is established. The absence or minimization of the reflected signal eliminates or minimizes the problem of interference caused by such signal. The absence of the standing wave eliminates the null and peak regions; in contrast, a propagating wave maintains uniform amplitude in the direction of propagation. Finally, the waveguide supports continuous operation across the spectrum of operating frequencies so long as the operating frequency exceeds the cutoff frequency, eliminating the problem whereby operation was limited to specific resonant frequencies.

As an alternative to using an electromagnetically absorbing material to create an effectively infinite waveguide, a probe could be placed at the end(s) of the waveguide to couple the energy out. As a further alternative, one or both ends of the waveguide may be made sufficiently distant from the source

of the electromagnetic energy that the energy is sufficiently attenuated upon reaching the end as to render the reflected energy insignificant. The waveguide could also be created with the one or both ends of the enclosure open to the exterior. In this case, the waveguide may include a portion formed of an electromagnetically absorbing material near the open end(s).

It will be noted that modifying the enclosure to render it an effectively infinite waveguide reduces the amount of electromagnetic energy in the enclosure during operation, due to the attenuation of the energy. Accordingly, it is also possible in another embodiment to create hybrid enclosures, part cavity and part waveguide, in which the electromagnetic energy is only partially absorbed at the end(s) of the enclosure.

The above-described enclosure having conductive walls, whether cavity or waveguide, presents another embodiment. The enclosure must have certain minimum dimensions (defined relative to the wavelength of electromagnetic energy used) to prevent the electromagnetic field from decaying exponentially away from the feed. This condition may dictate that the enclosure have dimensions larger than are otherwise useful or desired.

This issue of minimum enclosure dimensions may be addressed by using a metamaterial for a portion of the surface of the enclosure, in place of an ordinary conductive material. For example, a metamaterial may be used to synthesize an impedance boundary condition that is offset from the surface(s) of the enclosure. In the case of a cavity, such use of a metamaterial may permit certain cavity resonances to exist in an enclosure of smaller dimensions than would otherwise be possible. In the case of a waveguide, such use of a metamaterial may permit propagating modes (propagating waves at a particular frequency) with smaller dimensions than would otherwise be possible.

Another way in which the issue of minimum enclosure dimensions may be addressed is by "folding" an enclosure so that the enclosure has a folded configuration. In such a configuration, the extent of the enclosure along a given dimension may be physically decreased (by folding) while effectively held constant when considered with respect to an electromagnetic field or electromagnetic waves in the enclosure. Put another way, an enclosure of a given physical extent may be effectively extended along a given dimension, as far as an electromagnetic field or electromagnetic waves in the enclosure are concerned. Such folding may be achieved by use of an internal wall (a wall extending within the interior of the enclosure) or the like barrier which divides the interior of the enclosure along a given dimension into two separate subregions while providing for electromagnetic coupling of the two subregions to occur around the end of, or through, the barrier. (Folding and coupling is described further below with reference to FIGS. 14A-16L.)

As discussed above, for the purposes described herein, metamaterials may be used to achieve various conditions or structural properties of enclosures. Such conditions may be referred to in general as generalized impedance boundary conditions. Non-limiting examples of such conditions applicable for the purposes described herein include PMC-like conditions and electromagnetically absorbing or lossy conditions.

In view of the above discussion, the enclosures useful for purposes described herein include what may be referred to as cavities, waveguides and resonators.

Embodiments (systems, apparatuses, and methods) disclosed herein may operate in the UHF range, e.g., 850-950 MHz. However, this range is not to be taken as limiting, and

11

frequencies could be used as low as at least about 10 MHz and as high as about 60 GHz or higher.

For the purposes described herein, the terms “RF cables,” “RF transmission lines,” and the like are intended to encompass the most general group of waveguiding apparatuses, including transverse electric (TE), transverse magnetic (TM), transverse electromagnetic (TEM) and hybrid TE-TM apparatuses. The terms are intended to refer to the transmission of electromagnetic fields between the RFID reader or interrogator and the antenna or feed, the art of which is well established, as contrasted with the transmission of fields from the antenna or feed to and within an enclosure filled with a large number of tagged items in various positions and orientations.

For the purposes described herein, the RFID sensor or tag may be, e.g., a passive RFID tag including an integrated circuit (IC) and antenna, or a Surface Acoustic Wave (SAW) RFID circuit, which uses a SAW piezoelectric crystal, associated circuitry, antenna, and the like instead of an IC.

Descriptions of various embodiments, including specific implementations, follow, with reference to the figures. It will be noted that in some cases aspects discussed above may be referred to in embodiments and arrangements described below without an accompanying description having the level of detail described above, it being understood that such limited descriptions below are intended as drawing on the detail described above as applicable and appropriate.

FIG. 1 depicts an RFID system including an enclosure 100, an RFID reader or interrogator 125, RF transmission lines 130, and feeds 135. Enclosure 100 may function as a cavity. In other embodiments, enclosure 100, appropriately modified, may function as a resonator or waveguide.

Enclosure 100 comprises a structure 110 defining a boundary between an interior region (or interior volume) 105 interior to structure 110 and the exterior of structure 110. Structure 110 may be at least substantially closed, as illustrated, or partly closed. Structure 110 has an inner surface facing interior region 105 and an outer surface facing the exterior. (The outer surface may also be described as facing away from interior region 105). While enclosure 100 or structure 110 is illustrated as a rectangular prism (box shape) having dimensions of length L, width w, and height h, enclosure 100 or structure 110 is not limited to such shape or dimensions. (L, w, h and other variables are used in this disclosure to represent dimensions. It is noted that although the same variables may be used in different figures, the same variables do not necessarily take on the same values in different figures.)

Enclosure 100 may be deemed a container for containing items. Although not illustrated, enclosure 100 may include a first portion that is a container and a second portion that is not a container (e.g., the second portion may not be a substantially closed structure). Structure 110 includes a displaceable portion 122, configured (1) for opening, so as to create an entry or opening between structure 110 and the exterior, and (2) for closing, so as to close the opening between structure 110 and the exterior. Items may be transferred between the exterior and the enclosure (container) via the opening. Displaceable portion 122 may comprise a door, lid or other kind of displaceable portion. Displaceable portion 122 may open and close in the manner of a hinged door or lid, as illustrated, or in another manner.

Structure 110 may be formed in such a manner that at least substantially all of the outer surface of structure 110 (including the outer surface of displaceable portion 122) is conductive, such that when displaceable portion 122 is closed, structure 110 is electromagnetically sealed or shielded with respect to the exterior. Such electromagnetic sealing or shielding of structure 110 may be at least substantially com-

12

plete or may be incomplete, for example, where structure 110 is only partly closed. Structure 110 may also be formed in such a manner that part of the outer surface of structure 110 is conductive. Structure 110 may also be formed in such a manner that at least substantially all of the inner surface of structure 110 (including the inner surface of displaceable portion 122) is conductive, such that when displaceable portion 122 is closed, structure 110 is electromagnetically sealed or shielded with respect to the exterior. Such electromagnetic sealing or shielding of structure 110 may be at least substantially complete or may be incomplete, for example, where structure 110 is only partly closed. Structure 110 may also be formed in such a manner that part of the inner surface of structure 110 is conductive. Structure 110 may also be formed in such a manner that structure 110 substantially encloses interior region 105, when displaceable portion 122 is closed, with a conductive boundary formed by a combination of inner and outer surfaces of structure 110, either or both of which surfaces may be at least partly or at least substantially conductive. Thus, structure 110 may be at least partly or at least substantially conductive. However, it is not necessary that a part of the outer surface of structure 110 be conductive (to whatever extent) or that a part of the inner surface of structure 110 be conductive (to whatever extent).

Structure 110 may be formed in such a manner that at least a portion 140 thereof is formed of a metamaterial. While in FIG. 1 metamaterial portion 140 is a sidewall of structure 110, metamaterial portion 140 may form a different portion of structure 110, including a portion inside interior region 105, although no such portion is shown in FIG. 1. Although not illustrated, structure 110 may include a portion formed of an electromagnetically absorbing (or lossy) material, which may or may not be a metamaterial. Metamaterial portion 140 may be formed in such a manner as to prevent a short circuit boundary condition, to establish an open circuit boundary condition, or to establish a generalized impedance boundary condition, on a portion of the inner surface of structure 110.

RFID interrogator 125 may be connected to one or more RF transmission lines 130, each of which may terminate in a feed 135 attached to the structure 110. Each of feeds 135 may be a feed probe. In other embodiments, feeds 135 may be planar feeds or feeds in the form of a closed shape. The number of RF transmission lines 130 and feeds 135 may differ from that which is illustrated.

One or more items 115 may be placed in enclosure 100 for interrogation thereof. Accordingly, each item 115 may have an RFID sensor or tag 120 attached thereto. RFID tag 120 may include an integrated circuit or may be a SAW RFID sensor.

As mentioned, the geometry of enclosure 100 or structure 110 and any items 115 within it, the characteristics and placement of the feed(s) 135, and the frequency of operation determine the modes that may be excited in interior region 105.

In operation, items 115 may be placed inside interior region 105 via the opening created by displaceable portion 122. Displaceable portion 122 may then be closed. RFID interrogator 125 may then transmit a first signal to one or more of feeds 135 via RF transmission lines 130. In this regard, where multiple feeds 135 are used, RFID interrogator 125 may cycle through feeds 135, exciting feeds 135 sequentially, one at a time, or RFID interrogator 125 may transmit a signal to more than one feed 135 simultaneously. In response to the first signal received from RFID reader 125, feed(s) 135 may generate an electromagnetic field in interior region 105. In response to the generated electromagnetic field, RFID tags 120 may send a second signal to feed(s) 135. The second signal may contain information identifying the particular

RFID sensor **120** that generated the second signal and may contain information pertaining to the item **115** to which the particular RFID sensor **120** is attached. With regard to information pertaining to the item **115** to which the particular RFID sensor **120** is attached, this information may be an identification code that indexes information regarding the tagged item **115**. Feed(s) **135** may couple the second signal from RFID tags **120** to RFID reader **125** via RF transmission line(s) **130**. The coupled second signal may also include the above-noted information of the item **115** or the RFID sensor **120**, or both, contained in the second signal. The coupled second signal may be analyzed by a processor which, although not depicted, may also be a part of the RFID system. The processor may be in communication with RFID reader **125**, and may or may not be housed together with RFID reader **125**. Analysis of the coupled second signal may permit decoding of the signal so as to obtain the information contained therein. This information may permit identification of item **115**, determination of whether item **115** is (was) in enclosure **100**, etc.

In view of the above description of enclosure **100**, enclosure **100** may be referred to as an RFID-enabled enclosure, an RFID-enabled cavity, or an RFID-enabled waveguide.

FIG. **2** depicts an RFID system including an enclosure **200** in the form of a trash receptacle, an RFID reader or interrogator **225**, RF transmission lines **230**, and feeds **235**. Enclosure **200** may function as a cavity. In other embodiments, enclosure **200**, appropriately modified, may function as a resonator or waveguide.

Enclosure **200** comprises a structure **210** defining a boundary between an interior region or volume **205**, interior to structure **210**, and a volume exterior of structure **210**. Structure **210** may be at least substantially closed, as illustrated, or partly closed. Structure **210** has an inner surface facing interior region **205** and an outer surface facing the exterior volume. While enclosure **200** or structure **210** is illustrated as a cylinder having a circular cross-section, enclosure **200** or structure **210** is not limited to such shape.

As with enclosure **100**, enclosure **200** may be deemed a container for containing items and may include a displaceable portion **222**, e.g., a lid. The description given above of enclosure **100** as a container and of displaceable portion **122** applies also to enclosure **200** and displaceable portion **222**. Similarly, the description given above of structure **110** as having conductive outer and/or inner surfaces, either or both of which surfaces may be at least partly or at least substantially conductive, and of structure **110** being consequently (completely or incompletely) electromagnetically sealed or shielded applies also to structure **210**. As with structure **110**, it is not necessary that a part of the outer surface of structure **210** be conductive (to whatever extent) or that a part of the inner surface of structure **210** be conductive (to whatever extent). In some embodiments, lid **222** of enclosure **200** is not conductive. As with structure **110** having a metamaterial portion **140**, structure **210** may include a metamaterial portion **240**. In contrast to structure **110**, where metamaterial portion **140** is illustrated in FIG. **1** as a sidewall thereof, in FIG. **2** metamaterial portion **240** is illustrated as being on the interior bottom surface of structure **210**. However, metamaterial portion **240** may form a different portion of structure **210**, e.g., a portion of a sidewall thereof, and the description given above of metamaterial portion **140** otherwise applies similarly to metamaterial **240**. As one example of a particular use of metamaterial **240**, metamaterial **240** may be formed as a PMC-like material to promote a PMC-like boundary condition on a portion of the inner surface of structure **210**. Similar to structure **110**, structure **210** may include a portion formed

of an electromagnetically absorbing (or lossy) material, which may or may not be a metamaterial, although such portion is not illustrated in FIG. **2**. By way of non-limiting example, such electromagnetically absorbing (or lossy) portion may be located on the interior bottom surface or on the interior of a side wall near the bottom surface. Such a portion may serve to reduce reflections from such surfaces.

As with RFID interrogator **125**, RFID interrogator **225** may be connected to one or more RF transmission lines **230**, each of which may enter interior region **205** through a bulkhead feedthrough **226** and may terminate in a feed **235** attached to structure **210**. Each of feeds **235** may be a feed in the form of a closed shape, e.g., a feed loop (current loop) as illustrated, or another closed shape. In other embodiments, feeds loops **235** may be replaced by feed probes or planar feeds. The number of RF transmission lines **230** and feeds **235** may differ from that which is illustrated.

FIG. **3** is a view from above, looking down into enclosure **200** (with lid **222** not shown), and illustrates a non-limiting example of the positioning of two feed loops **235** in interior region **205**. As seen in FIG. **3**, two feed loops **235** are separated from one another by about 90 degrees of the circumference of interior region **205**. This positioning may serve to improve distribution of the electromagnetic field within interior region **205**.

FIG. **4** provides a close-up, or more detailed, illustration of a feed loop **235** shown in FIG. **3**. As shown, feed loop **235** may include a loop of wire **236** attached to a probe **237**, which in turn may be affixed to a fastener **238** that secures feed loop **235** to the interior of enclosure **200**. Fastener **238** may be attached to bulkhead feedthrough **226** (FIG. **2**), which passes through the sidewall of structure **210**. An opening **239** in liner **209** (FIG. **2**) permits passage of feed loop **235** through liner **209** (described below) into interior region **205**.

Turning back to FIG. **2**, RFID reader **225** may also be connected to a switch **245** over one or more wires **255**. Switch **245** may be a magnetic reed switch or other kind of switch. Lid (displaceable portion) **222** may have one or more triggering devices **250** operable to cause switch **245** to close, that is, complete the circuit between switch **245** and RFID reader **225**, when lid **222** is closed. Triggering devices **250** may be magnets or another kind of triggering device. The closing of switch **245** (or completing of the circuit) causes reader **225** to be switched on, so as to transmit a signal via one or more transmission lines **230** to one or more feeds **235**, so as to cause feed(s) **235** to generate an electromagnetic field in enclosure **200**.

The description given above of the operation of enclosure **100** applies also to the operation of enclosure **200**. Thus, although not illustrated, the RFID system shown in FIG. **2** may similarly include a processor, as was described with respect to the RFID system shown in FIG. **1**. The operation of enclosure **200** further includes the operation of switch **245**, described immediately above, whereby reader **225** may be automatically switched on upon disposal of an item in enclosure **200** and subsequent closing of lid **222**.

The description given above of RFID sensor or tag **120** applies similarly to RFID sensor or tag **220**.

Enclosure **200** may be used to keep track of inventory of articles by tracking the articles, or the packaging thereof, as they are disposed of in enclosure **200**. Where the article is something consumed (e.g., food), item **215** may be the packaging of the article; where the article is something that is used up but not physically consumed (e.g., a battery), item **215** may be the article itself. Thus, RFID tag **220** may be attached to item **215**, be it the article itself being inventoried or the packaging thereof. An item **215** identified as being in enclosure

sure **200** may be counted or decremented from inventory. The processor could, for example, determine whether inventory of a given article falls below a minimum threshold and, if so, cause a new supply of the article to be ordered. In view of the fact that enclosure **200** functions as a trash receptacle, interior region **205** may be lined with aforementioned liner **209**, formed, e.g., of plastic, for containing items **215** being disposed of. In addition, enclosure **200** may be provided with a foot lever **260** or the like for opening lid **222**.

In view of the above description of enclosure **200**, enclosure **200** may be referred to as an RFID-enabled trash receptacle. Enclosure **200** may also serve applications such as an RFID-enabled storage receptacle, e.g., a refrigerator, pantry, or transport container.

FIG. **5** illustrates an RFID system including an enclosure **500** having a structure **510** whose outer surface may (but need not) be partly or at least substantially conductive and whose inner surface may (but need not) be partly or at least substantially conductive. The RFID system of FIG. **5** is similar to that shown in FIG. **1** but differs therefrom as follows. Instead of a lid as displaceable portion **122** at one end of structure **110**, structure **510** has an electromagnetically absorbing curtain **545** as a displaceable portion for at least one end of structure **510**. Like lid **122**, electromagnetically absorbing curtain **545** may function as a displaceable portion, permitting items to be transferred between an exterior of structure **510** and interior region **505**, which is interior to structure **510**. But by virtue of providing electromagnetically absorbing curtain **545** at one end of structure **510**, instead of lid **122**, enclosure **500** is rendered to function as a waveguide, in contrast to enclosure **100** that functions as a cavity. Electromagnetically absorbing curtain **545** absorbs electromagnetic waves at the end of enclosure **510** at which electromagnetically absorbing curtain **545** is located, such as to reduce or eliminate the reflection of waves from that end. In this way, enclosure **510** is rendered an effectively infinite waveguide (i.e., effectively infinite at the end containing electromagnetically absorbing curtain **545**). Electromagnetically absorbing curtain **545** may be formed of a metamaterial or a non-metamaterial. As an alternative to the illustrated arrangement of FIG. **5**, an electromagnetically absorbing portion could be provided near one or both ends of structure **510**, or at another location, instead of at the end(s) of structure **510**. As another alternative to the illustrated arrangement, functionality of a waveguide may be achieved by extending dimension **L** such that the end of structure **510** is sufficiently distant from the feed points (feeds **535**) as to render the waves reflected at that end negligible.

FIG. **6** illustrates an RFID system including an enclosure **600** having a structure **610** whose outer surface may (but need not) be partly or at least substantially conductive and whose inner surface may (but need not) be partly or at least substantially conductive. The RFID system of FIG. **6** is similar to that shown in FIG. **5**, but differs therefrom as follows. Unlike FIG. **5**, FIG. **6** includes an additional electromagnetically absorbing portion **650** on a side wall of structure **610**, near and adjacent the end of structure **610** that has electromagnetically absorbing curtain **645**. In FIG. **6**, electromagnetically absorbing portion **650** on the sidewall extends rightward all the way to electromagnetically absorbing curtain **645**, but the rightmost portion of electromagnetically absorbing portion **650** is hidden from view by electromagnetically absorbing curtain **645**, due to the perspective nature of the drawing. The illustrated arrangement of electromagnetically absorbing portion **650** is to be understood as a non-limiting example; other arrangements (extent and positioning) of electromagnetically absorbing portion **650** are possible, as will be understood by having benefit of the instant disclosure.

FIG. **7** is a schematic diagram of an RFID system including, inter alia, an enclosure with electromagnetically absorbing curtains at both ends thereof and a conveyor belt running therethrough, that may function as a waveguide, viewed in cross-section taken along the width of the enclosure, in accordance with one or more embodiments of the present disclosure. The RFID system illustrated in FIG. **7** includes an enclosure **700** having a structure **710** whose outer surface may (but need not) be partly or at least substantially conductive and whose inner surface may (but need not) be partly or at least substantially conductive. The RFID system illustrated in FIG. **7** is similar to that illustrated in FIG. **5**, but has certain differences therefrom.

Unlike the RFID system illustrated in FIG. **5**, structure **710** of enclosure **700** of the RFID system illustrated in FIG. **7** has electromagnetically absorbing curtains **745** at both ends of structure **710**. Because FIG. **7** is a cross section taken along the width of structure **710**, only one set of electromagnetically absorbing curtain **745** (namely, the curtain behind items **715**) is visible therein. This arrangement renders enclosure **700** an effectively infinite waveguide in both directions.

Additionally, in contrast to the RFID system illustrated in FIG. **5**, the RFID system illustrated in FIG. **7** includes a conveyor belt **775**. Conveyor belt **775** transports items **715**, having RFID tags **720**, through enclosure **700**. That is, conveyor belt **775** conveys items **715** through a first set of electromagnetically absorbing curtains **745** at one end of enclosure **700**, so that items **715** enter enclosure **700**, then inside and along the length of enclosure **700**, and finally through a second set of electromagnetically absorbing curtains **745** at the other end of enclosure **700**, so that items **715** exit enclosure **700**. In FIG. **7**, conveyor belt **775** travels in a direction substantially perpendicular to the plane of the illustrated drawing sheet.

Further, physical barriers **780** may be provided at one or both sides of conveyor belt **775**, along the length of enclosure **700**. Barriers **780** may prevent items **715** from approaching the edges of conveyor belt **775**. Barrier **780** may serve two purposes. First, items **715** approaching the edges of conveyor belt **775** could fall off conveyor belt **775** and get stuck inside enclosure **700** and create an obstruction to the continued transport of items **715** through enclosure **700**, so barrier **780** helps prevent the occurrence of this obstruction. Second, in a case where the inner surfaces of one or both sidewalls of structure **710** are conductive, items **715** approaching the edges of conveyor belt **775** (and hence the edges of enclosure **700**) may fail to be successfully read due to the fact that the electric field vanishes at a conductive surface. Thus, the barrier **780** serves to keep items **715** from being positioned in the region of a vanishing electric field.

In some embodiments, conveyor belt **775** may include a conductive layer to promote electromagnetic sealing or shielding of enclosure **700**. In some embodiments, conveyor belt **775** may include a printed conductive pattern on top of a non-conductive layer with a lower conductive ground plane in order to create a near-field RFID surface on conveyor belt **775**.

Conveyor belt **775** and/or enclosure **700** may be supported by a support structure **785**. In some embodiments, support structure **785** (or more generally, a structure adjacent to conveyor belt **775**) may be (partly or at least substantially) conductive to promote electromagnetic sealing or shielding of enclosure **700**.

Electromagnetically absorbing curtains **745** may be formed of a series of flexible electromagnetically absorptive strips (as indicated by the vertical lines of element **745** shown in FIG. **7**) suspended from the top of structure **710**. The

absorptive strips may overlap (leftward and rightward in the view of FIG. 7) with neighboring strips and may be long enough to contact conveyer belt 775, in order to provide a sufficient degree of electromagnetic sealing or shielding. In this regard, it may be noted that in some embodiments, e.g., for certain applications, the RFID system may be configured such that interrogation of an item 715 located on conveyer belt 775 but not within enclosure 700 does not constitute an erroneous read.

FIG. 8 illustrates an enclosure 800 having a structure 810 whose outer surface may (but need not) be partly or at least substantially conductive and whose inner surface may (but need not) be partly or at least substantially conductive. Enclosure 800 is similar to enclosure 700 illustrated in FIG. 7, but with certain differences therefrom. FIG. 8 is a top view, looking down on enclosure 800 from above, with the top of structure 810 of enclosure 800 being removed for illustrative purposes.

Enclosure 800 has a double set of electromagnetically absorbing curtains 845 at each end of enclosure 800, in contrast to enclosure 700, which has a single set of electromagnetically absorbing curtains 745 at each end thereof. With a double set of electromagnetically absorbing curtains 845 at each end, more continuous (over time) electromagnetic sealing or shielding of enclosure 800 can be achieved, as will now be explained. An item (not shown) to be interrogated passes through a first set 845a of electromagnetically absorbing curtains 845 at the entrance to enclosure 800. In order for the item to pass through, the first set 845a of electromagnetically absorbing curtains 845 must open (e.g., be pushed aside by the item passing therethrough). The item passes completely through the first set 845a of electromagnetically absorbing curtains 845 before reaching the second set 845b of electromagnetically absorbing curtains 845 at the entrance to enclosure 800, so that the first set 845a of electromagnetically absorbing curtains 845 is able to return to its closed position before the second set 845b of electromagnetically absorbing curtains 845 opens (e.g., by being pushed aside by the item entering enclosure 800). Thus, by the time the second set 845b of electromagnetically absorbing curtains 845 opens under pressure from the item, the first set 845a of electromagnetically absorbing curtains 845 has already closed. The same procedure operates at the exit of enclosure 800, with the first set 845c of electromagnetically absorbing curtains 845 at the exit closing before the second set 845d of electromagnetically absorbing curtains 845 opens under pressure from the item. In this way, even when items are entering (or exiting) enclosure 800, it is less likely that both sets 845a and 845b (845c and 845d) of electromagnetically absorbing curtains 845 are open at the same time; rather, it is more likely that either one of 845a and 845b (845c and 845d) is closed during the passing of the item. Because one set of electromagnetically absorbing curtains (845a and 845b, or on the other end, 845c and 845d) is closed, electromagnetic sealing or shielding may be achieved continuously over time.

Enclosure 800 has an outer wall 802 (sidewall) having an outer surface 861 and an inner surface 862. Barriers 880 are provided, comparable to barriers 680, which may be particularly useful when inner surface 862 is conductive, due to the low or null electric fields that may occur near or at inner surface 862, as explained above. If inner surface 862 is not conductive, e.g., if it is formed of a metamaterial such that the electric field does not vanish at inner surface 862, barriers 880 may be reduced in thickness or may be eliminated.

Enclosure 800 may have feed loops 835a and 835b, one on each sidewall on either side of conveyer belt 875. Feed loops 835a and 835b may be oriented so as to have about a 90

degree rotation with respect to one another (for this reason, feed loop 835a appears as a loop while feed loop 835b appears as a straight line in FIG. 8).

In some embodiments, enclosures in RFID systems with conveyer belts such as the systems described with respect to FIGS. 7 and 8 may include metamaterial portions and/or folded configurations. In some embodiments, the enclosures of FIGS. 5-8 may be modified to have one or both ends thereof open, with electromagnetically absorbing material provided near the end(s) thereof.

The RFID systems illustrated in FIGS. 7 and 8, as well as other RFID systems discussed herein, may find application in the context of retail checkout. For example, grocery or shopping items may be placed on a conveyer belt to be conveyed into an enclosure for RFID interrogation. Alternatively, an entire shopping container (e.g., shopping bag or shopping cart) may be placed on a conveyer belt to be conveyed into an enclosure for RFID interrogation. These RFID systems could also be applied to cargo containers or the like. One advantage of RFID over bar codes (commonly used in retail checkout today) is that, with RFID, multiple items may be detected nearly simultaneously whereas with bar codes each item is scanned individually. This process of simultaneous detection means that RFID may permit much quicker identification, tracking or the like of items as compared to bar codes, which may permit great improvement in efficiency.

FIGS. 9A, 9B and 9C are schematic diagrams of an RFID system including, inter alia, separate interrogation and collection chambers in a first arrangement, in accordance with one or more embodiments of the present disclosure. FIGS. 9A, 9B and 9C illustrate chronologically successive stages of operation of such system. FIG. 9A depicts the system upon insertion of an item to be interrogated. FIG. 9B depicts the system during interrogation of the item. FIG. 9C depicts the system during deposition of an interrogated item into the collection region.

As illustrated in FIGS. 9A-9C, enclosure 900 comprises a structure 910 defining a boundary between an interior region 905, interior to structure 910, and an exterior of the structure. Structure 910 may be at least substantially closed, as illustrated, or partly closed. Structure 910 has an inner surface facing interior region 905 and an outer surface facing the exterior (facing away from interior region 905). It will be noted that the exterior of structure 910 is not necessarily exterior to any structure, i.e., it is not necessarily in free space. As illustrated, the portion of the exterior of structure 910 that is below structure 910 is within another structure, namely the structure of collection region 940, described below. Interior region 905 comprises an interrogation region 941 for interrogation of an RFID sensor 920 attached to an item 915 within interrogation region 941. Although as illustrated interrogation region 941 is coextensive with interior region 905, this characteristic need not be the case, and interrogation region 941 may be only a part of interior region 905. The shape and dimensions of structure 910 may differ from those illustrated in FIGS. 9A-9C.

Collection region 940 is for receiving item 915 from interrogation region 941, after RFID sensor 920 attached to item 915 has been interrogated. Although collection region 940 is illustrated as part of the same overall structure as interrogation region 941, this illustrated embodiment need not be the case, and collection region 940 could be entirely separate from interrogation region 941 in another embodiment. Where collection region 940 is part of the same overall structure as interrogation region 941, collection region need not be located below interrogation region 941; the two regions could be arranged differently. The dashed line portion of collection

region **940** shown in FIGS. **9A-9C** indicates a portion of collection region **940** that is filled with items **915**, although items **915** are not illustrated therein.

It should be noted that structure **910** of enclosure **900** includes partition **923**, which defines a boundary between interrogation region **941** and the exterior of interrogation region **941**. Again, the exterior of interrogation region **941** need not be free space, but could be within another structure, as illustrated in FIGS. **9A-9C**. As illustrated, partition **923** defines a boundary between interrogation region **941** and collection region **940**, but in other arrangements collection region **940** could be separated from interrogation region **941** and partition **923** could define a boundary between interrogation region **941** and the exterior thereof, such that the boundary does not coincide with a boundary of collection region **940**.

At least a portion of partition **923** is displaceable so as to permit item **915** to be transferred between interrogation region **941** and collection region **940**. As illustrated, partition **923** may be configured as a releasable holding shelf that opens or falls down after item **915** is interrogated, so as to let item **915** drop into collection region **940**. Such releasable holding shelf may be hinged, as shown, or otherwise configured for opening and closing. More generally, partition **923** may be configured in a different manner as a structure that may be at least partly displaced so as to create an exit from interior region **905** whereby item **915** can be moved to collection region **940**.

Structure **910** may include a displaceable portion **922** configured (1) for opening, so as to create an entry or opening between structure **910** and space exterior thereof, and (2) for closing, so as to close the opening between structure **910** and the space exterior thereof, whereby item **915** may be transferred between the exterior and interrogation region **941** via the opening. As illustrated, displaceable portion **922** may be a hinged lid, but more generally, displaceable portion **922** may be configured in a different manner as a structure that may be at least partly displaced so as to create an entrance to interior region **905** whereby item **915** can be put into interrogation region **941**.

Structure **910** may be formed in such a manner that at least substantially all of the outer surface of structure **910** (including the outer surface of displaceable portion **922** and the outer surface of partition **923**) is conductive, such that when displaceable portion **922** and partition **923** are closed structure **910** is electromagnetically sealed or shielded with respect to the exterior thereof. Such electromagnetic sealing or shielding of structure **910** may be at least substantially complete or may be incomplete, for example, where structure **910** is only partly closed. Structure **910** may also be formed in such a manner that only part of the outer surface of structure **910** is conductive. Structure **910** may be formed in such a manner that at least substantially all of the inner surface of structure **910** (including the inner surface of displaceable portion **922** and the inner surface of partition **923**) is conductive, such that when displaceable portion **922** and partition **923** are closed, structure **910** is electromagnetically sealed or shielded with respect to the exterior thereof. Such electromagnetic sealing or shielding of structure **910** may be at least substantially complete or may be incomplete, for example, where structure **910** is only partly closed. Structure **910** may also be formed in such a manner that only part of the outer surface of structure **910** is conductive. Structure **910** may be formed in such a manner that interior region **905** is substantially surrounded by a conductive boundary formed of a combination of inner and outer surfaces of structure **910**, either or both of which surfaces may be at least partly or at least substantially conduc-

tive. For example, the inner surface of displaceable portion **922** might be a conductive surface and the remaining outer surface of the structure **910** might be a conductive surface. Thus, structure **910** may be at least partly or at least substantially conductive. However, it is not necessary that a part of the outer surface of structure **910** be conductive (to whatever extent) or that a part of the inner surface of structure **910** be conductive (to whatever extent).

Structure **910** may or may not include a portion formed of a metamaterial or of an electromagnetically absorbing material (whether metamaterial or not). The description of metamaterial portions and electromagnetically absorbing portions given with respect to structure **110** is similarly applicable with respect to structure **910**.

The RFID system illustrated in FIGS. **9A**, **9B** and **9C** may include an RFID interrogator (not shown in FIGS. **9A-C**, but similar in structure and function to the RFID interrogators **125**, **225** described herein), which may be connected to one or more RF transmission lines (also not shown in FIGS. **9A-C**, but similar in structure and function to the RF transmission lines **130**, **230** described herein), each of which may terminate in a feed (not shown in FIGS. **9A-C**, but similar in structure and function to the feed **135**, **235** described herein) attached to structure **910**. The feeds may be feed probes, planar feeds or feeds in the form of a closed shape.

Item **915** placed into enclosure **900** has an REID sensor or tag **920** attached to it. RFID tag **920** may include an integrated circuit or may be a SAW RFID sensor. RFID tag **920** may operate in the manner described previously herein for the RFID system illustrated in FIG. **1**.

As mentioned, the geometry of enclosure **900** or structure **910** and any items **915** within it, the characteristics and placement of the feed(s), and the frequency of operation are factors that determine the modes that may be excited within interior region **905**.

In operation, a single item **915** may be placed within interior region **905** via the opening created by displaceable portion **922**. Displaceable portion **922** may then be closed. RFID tag **920** on item **915** may then be interrogated in the manner described previously for the operation of the RFID system illustrated in FIG. **1** (use of RFID reader, transmission line(s), feed(s) and processor to send and receive appropriate signals and generate an electromagnetic field, etc.). After RFID tag **920** has been interrogated, partition **923** may be displaced (e.g., releasable holding shelf may be released), so as to permit (cause) item **915** to be transferred to collection region **940**.

In some embodiments, the RFID system illustrated in FIGS. **9A-9C** may include a sensor (not illustrated) configured for (1) determining whether item **915** is located in interrogation region **941**, and (2) in response to a determination that item **915** is located in interrogation region **941**, triggering the feed(s) to generate the electromagnetic field in interrogation region **941**. Such sensor could be incorporated in a processor associated with an RFID reader.

In some embodiments, the RFID system illustrated in FIGS. **9A-9C** may include a detector (not illustrated) configured for (1) determining whether RFID sensor **920** in interrogation region **941** has been successfully interrogated, and (2) in response to a determination that RFID sensor **920** in interrogation region **941** has not been successfully interrogated, triggering a change in the electromagnetic field in interrogation region **941**. Such detector could be incorporated in a processor associated with an RFID reader. Such a change in the electromagnetic field to be triggered could be effected, for example, by (1) causing the RFID reader to transmit a signal to a different feed in order to excite different electro-

21

magnetic cavity modes, (2) increasing the transmission power of the RFID reader, or (3) altering an aspect of interior region **905** in order to induce different electromagnetic field patterns, or modes.

In some embodiments, partition **923** is a “smart surface,” that is, a near-field device that enables interrogation of RFID tags **920** attached to items **915** located on or near partition **923**.

Interrogation region **941** may also be referred to as an “antechamber”, inasmuch as item **915** is placed in interrogation region **941** initially for interrogation, and after interrogation item **915** is transferred to collection region **940**.

As mentioned, one challenge for identifying each item tagged with an RFID tag is that a high density of items may result in some RFID tags **920** being blocked from receiving adequate field levels during interrogation. By placing one item **915** (or a small number of items) at a time in interrogation region **941**, this problem may be mitigated or overcome.

FIGS. **10A** and **10B** are schematic diagrams of an RFID system including, inter alia, separate interrogation and collection chambers in a second arrangement, in accordance with one or more embodiments of the present disclosure. FIGS. **10A** and **10B** illustrate chronologically successive stages of operation of such system. FIG. **10A** depicts the system upon insertion of an item to be interrogated. FIG. **10B** depicts the system during deposition of an interrogated item into the collection region.

The RFID system illustrated in FIGS. **10A** and **10B** is similar to that illustrated in FIGS. **9A-9C**, but has certain differences therefrom. The RFID system illustrated in FIGS. **10A** and **10B** includes an enclosure **1000** having a structure **1010** whose outer and/or inner surface may (but need not) be partly or at least substantially conductive, as was described previously with respect to enclosure **900**.

As illustrated in FIGS. **10A** and **10B**, collection region **1040** may rest on a supporting structure **1085**, that may be mobile, as illustrated, or stationary. This arrangement could find application, for example, in RFID-enabled shopping carts, cargo transfer containers, etc.

Again, as illustrated, the top portion **1063** of structure **1010** has a displaceable portion (not shown; blocked from view by insertion device **1027**) which may be displaced to create an opening therein in response to pressure applied by an insertion device **1027** which may hold or fasten to an item **1015** and insert item **1015** into interrogation region **1041** within interior region **1005**. Item **1015** has an RFID tag **1020** attached to it. Insertion device **1027** may be a mechanical device or a human arm and hand. When the displaceable portion is displaced so as to create the opening in top portion **1063**, top portion **1063** may form a (physical and) electromagnetic seal around insertion device **1027**. The seal may be at least substantially complete or partial. The seal may be formed, for example, by fabric leaves having a conductive ribbon border that acts as spring. This seal is useful because insertion device **1027** remains inserted in interrogation region **1041** while RFID tag **1020** of item **1015** is interrogated. Accordingly, the seal keeps interrogation region **1041** (interior region **1005**) electromagnetically sealed or shielded during interrogation, which may improve the rate of successful interrogation.

In some embodiments, RFID interrogator **1025** may be triggered by the formation of the opening in top portion **1063**, by the use of one or more sensors, such as ionic polymer metal composite (IPMC) sensors, appropriately positioned, e.g., at or near the formed opening. When triggered, RFID interrogator **1025** transmits a signal via one or more RF transmission

22

lines **1030** to one or more feeds **1035**, which generate an electromagnetic field within interrogation region **1041**.

As seen in FIG. **10B**, after item **1015** has been interrogated, insertion device **1027** extends further downward, and bottom portion **1064** opens in response to pressure applied by insertion device **1027**. Bottom portion **1064** may be configured in the same way as described above with respect to top portion **1063**, with a displaceable portion, configured to form an opening, means for forming a seal at the opening, etc. When item **1015** has been inserted in collection region **1040** by insertion device **1027**, insertion device **1027** releases item **1015** into collection region **1040** and withdraws upward out of collection region **1040** and enclosure **1000**. Insertion device **1027** can then retrieve another item **1015** and repeat the process.

Further to the above description of the structure and operation of the RFID system illustrated in FIGS. **10A** and **10B**, the description given above of the structure and operation of the RFID system illustrated in FIGS. **9A-9C** applies to the RFID system illustrated in FIGS. **10A** and **10B**.

FIGS. **11A**, **11B** and **11C** illustrate waveguides with and without a metamaterial sidewall structure, showing the effect of metamaterial on the electromagnetic field distribution within the waveguide.

FIG. **11A** depicts a rectangular waveguide **1100** having a structure **1110**, portions of which are conductive as specified hereinbelow. Waveguide **1100** has width  $a$ , height  $b$  and length  $L$ . It is assumed for illustrative purposes herein that  $a > b$ . In order for a wave of the lowest order mode to propagate through waveguide **1100**, width  $a$  must be at least as large as approximately one half of the wavelength of the wave.

FIG. **11B** depicts a cross-sectional view of waveguide **1100** shown in FIG. **11A**, taken along the line **11B-11B** near one end of the waveguide **1100**. The dashed curved line in FIG. **11B** represents the electromagnetic field strength distribution **1117** over the cross-section for a lowest order mode in waveguide **1100**. As seen, the amplitude distribution, or envelope, **1117** corresponding to this lowest order mode has a shape approximate to that of a half period of a sinusoidal wave, with the magnitude of the electromagnetic field strength going to zero or near zero at or near conductive sidewalls **1119** and **1113** of waveguide **1100**. An infinite number of higher order modes also satisfy the boundary conditions presented by the waveguide **1100**.

FIG. **11C** depicts a cross-sectional view from an end of waveguide **1101** having a structure **1111** whose outer surface may be partly or at least substantially conductive. Waveguide **1101** has width  $a'$  and height  $b$ . Waveguide **1101** is similar to waveguide **1100** shown in FIG. **11B**, but in waveguide **1101** sidewall **1116** has been modified, as compared to sidewall **1119** of waveguide **1100**. Sidewall **1113** is a conductive structure, such that all of its surfaces, including the inner surface that faces toward the inside of enclosure **1101** and the outer surface that faces the exterior of enclosure **1101**, are conductive. In contrast, sidewall **1116** is formed of a metamaterial, whereby its outer surface is conductive but its inner surface is not. The metamaterial may be, e.g., a PMC-like metamaterial. By virtue of the metamaterial structure of sidewall **1116**, the width  $a'$  of waveguide **1101** may be reduced to about one half of the width  $a$  of waveguide **1100** while still permitting propagation of a wave through waveguide **1101** for wave frequencies arbitrarily close to, but above, the cutoff frequency associated with waveguide **1100**. That is, in order for a wave to propagate through waveguide **1101**, width  $a'$  must be at least as large as approximately one quarter of the wavelength of the wave. An infinite number of higher order modes also satisfy the boundary conditions presented by waveguide **1101**.



FIG. 11C also depicts electromagnetic field strength distribution **1118** over the cross-section for a lowest order mode in waveguide **1101**. In contrast to the distribution **1117** for waveguide **1100**, the electromagnetic field strength distribution **1118** for the lowest order mode has a shape approximate to that of a quarter period of a sinusoidal wave, with the magnitude of the electromagnetic field strength reaching a maximum at or near sidewall **1116** having a metamaterial structure. This difference in the field strength at the respective sidewalls of waveguides **1100** and **1101** may be explained as follows. With conductive interior surface of sidewall **1119**, the reflection of the wave from that surface is 180 degrees out of phase with the wave incident on the surface, such that the incident and reflective waves cancel each other out, resulting in the null field at the surface. In contrast, with the metamaterial sidewall **1116**, the reflection of the wave from the inner surface thereof is in phase with the wave incident on that surface, whereby the sum of the incident and reflective waves results in a field strength twice that of either wave individually.

FIG. 12A illustrates a waveguide with both sidewalls formed of a metamaterial, and FIG. 12B illustrates a waveguide with an interior wall formed of a metamaterial, in accordance with one or more embodiments of the present disclosure.

FIG. 12A illustrates a cross-sectional view from one end of a waveguide **1200** having a structure **1210** whose outer structure may (but need not) be partly or at least substantially conductive and whose inner structure may (but need not) be partly or at least substantially conductive. Waveguide **1200** has width  $a'$  and height  $b$ . Waveguide **1200** is similar to waveguide **1101** (FIG. 11C) but differs therefrom in that not only one, but both sidewalls **1216** are formed of a metamaterial. The metamaterial may be, for example, a PMC-like metamaterial.

Waveguide **1200** operates as a parallel plate waveguide that supports TEM or quasi-TEM waves over the operating spectrum. Because the two metamaterial walls **1216** are behaving like PMC's, the transverse field is approximately uniform across width  $a'$  of waveguide **1200** within the operating band. Width  $a'$  may be smaller than width  $a'$  of waveguide **1101** while still permitting propagation of a wave with a frequency that is below the cutoff frequency of the waveguide structure **1101**. Thus, in comparison to envelopes **1117** and **1118** (FIGS. 11B and 11C), in FIG. 12A the electromagnetic field strength envelope would appear relatively flat, i.e., approximately a straight line at constant height going from one side **1216** to the other side **1216**. Such PMC or PMC-like sidewalls may be created using frequency selective surfaces, as described in S. Maci, et al, "A Pole-Zero Matching Method for EBG Surfaces Composed of a Dipole FSS Printed on a Grounded Dielectric Slab," *IEEE Transactions on Antennas and Propagation*, Vol. 53, No. 1, January 2005, which is incorporated in its entirety herein by reference.

FIG. 12B illustrates a cross-sectional view from one end of a waveguide **1201** having a structure **1211** whose outer surface may (but need not) be partly or at least substantially conductive and whose inner surface may (but need not) be partly or at least substantially conductive. Waveguide **1201** has width  $a''$  and height  $b$ . Waveguide **1201** is similar to waveguide **1200** (FIG. 12A) but differs therefrom in that it does not have any sidewalls formed of a metamaterial; instead, waveguide **1201** has an interior wall **1226** formed of a metamaterial.

The interior metamaterial wall **1226** reduces the minimum magnitude for width  $a''$  of waveguide **1201** required for propagation of an electromagnetic wave through waveguide

**1201**. The use of such interior metamaterial walls is described in N. Engheta, "A Metamaterial Surface for Compact Cavity Resonators," *IEEE Antennas and Wireless Propagation Letters*, Vol. 3, 2004, which is incorporated in its entirety herein by reference.

The enclosures of the embodiments shown in FIGS. 11A, 11B, 11C, 12A and 12B have been referred to herein as "waveguides." It will be noted that for an enclosure to function as a waveguide, the enclosure should be sufficiently long and the "end(s)" thereof sufficiently distant from the source of electromagnetic energy such that the energy has effectively dissipated before reaching the end, the result being that no substantial wave is reflected back. Alternatively, electromagnetically absorbing material may be placed within or on surfaces of the enclosure, e.g., at or near the terminal end(s) thereof, to promote a waveguide functionality. In contrast, when the enclosure is terminated such that a substantial portion of the energy incident on the end(s) is reflected back from the end(s), the enclosure will function as a cavity rather than a waveguide. In this sense, the termination, or the nature of the structure at or near the terminal ends, of the enclosure determines whether the enclosure supports the functionality of a waveguide or of a cavity. Accordingly, enclosures described herein may generally be converted from functionality of a waveguide to functionality of a cavity, or vice versa, by appropriate modification of the structure of the enclosure, in particular the portions at or near the ends of the structure.

FIG. 13A depicts an enclosure having reflecting boundary conditions at its ends, while FIG. 13B depicts an enclosure having absorbing boundary conditions at its ends, in accordance with one or more embodiments of the present disclosure. As discussed above, the enclosure of FIG. 13A functions as a cavity with an associated infinite set of resonant modes. The enclosure of FIG. 13B functions instead as a waveguide supporting propagating waves at the frequencies above the waveguide cutoff.

FIG. 13A depicts a waveguide **1300** having a structure **1310** whose outer surface may (but need not) be partly or at least substantially conductive and whose inner surface may (but need not) be partly or at least substantially conductive, unless indicated otherwise below. Waveguide **1300** has length  $L$ , height  $b$ , and a width that is not depicted in the view illustrated. Waveguide **1300** has side wall surface **1302** and top and bottom surfaces **1308** and **1306**, respectively. Waveguide **1300** is configured as a cavity by having two PEC boundaries at the interior of "end" surfaces **1316** thereof. Alternatively, the two boundaries could be PMC boundaries, in which case the load impedance  $Z_L$  would be infinity rather than zero. In either case, the two boundaries act to create an impedance mismatch and thereby return a significant portion of the energy incident thereat back toward the center of waveguide **1300**. The magnitude of the electromagnetic wave outside the ends of the waveguide **1300** is zero and a standing wave is created inside waveguide **1300**.

FIG. 13B depicts a waveguide **1301** having a structure **1311** whose outer surface may (but need not) be partly or at least substantially conductive and whose inner surface may (but need not) be partly or at least substantially conductive, unless indicated otherwise below. Waveguide **1301** has length  $L$ , height  $b$  and a width that is not depicted in the view illustrated. Waveguide **1301** has side wall surface **1302** and top and bottom surfaces **1308** and **1306**, respectively. Waveguide **1301** is configured as an effective infinite waveguide by establishing an electromagnetically absorbing boundary condition at the interior of each of two "end" surfaces **1336**, with the absorbing loads being matched to the waveguide characteristic impedance over the band of opera-

tion. Such boundary conditions can be implemented by placing absorbing material, e.g., microwave absorbing material, at end surfaces **1336**. As an alternative, the electromagnetically absorbing material/condition can be placed or established at only one end surface **1336**. As another alternative, the absorbing material can be placed along the side wall surfaces **1302** or along the top and bottom surfaces **1308** and **1306**, respectively, approaching or near one or both of end surfaces **1336**. If the electromagnetic wave is sufficiently attenuated before reaching the ends of waveguide **1301**, there is effectively no reflected signal; hence, no standing wave is created in waveguide **1301**. In this case, the impedance ( $Z_L$ ) seen by the electromagnetic wave at the ends of waveguide **1301** equals the impedance ( $Z_0$ ) seen by the electromagnetic wave inside the waveguide **1301**, thus creating a propagating or travelling wave within the waveguide **1301**.

A standing wave is characterized by null or low regions as well as peak regions. By contrast, a propagating wave within a waveguide maintains a uniform amplitude envelope in the direction of propagation. Load boundaries in between a perfect short or perfect open result in an amplitude envelope with ripple; i.e., peak and low regions that are not as extreme. Frequencies sufficiently removed from discrete modes of a cavity **1300** such as that depicted in FIG. **13A**, are not likely to reach RFID tags within the cavity **1300**. In contrast, the effective infinite waveguide **1301**, depicted in FIG. **13B**, supports continuous operation across the spectrum of operation, assuming the entire band is above any potential cutoff frequencies.

Folded configurations will now be described, with reference to FIGS. **14A**, **14B**, **15A**, **15B** and **16A-L**. As mentioned, folded configurations may be achieved by use of one or more interior walls (walls extending within the interior of the enclosure) or the like barriers which divide the interior of the enclosure (e.g., along one or more given dimensions) into multiple separate subregions while providing for inductive coupling of (electromagnetic fields in) the two subregions to occur around the end of, or through, the barrier. Such coupling may be provided for by providing an electromagnetic aperture in the interior wall or barrier, which electromagnetically connects the two subregions on either side of the wall or barrier. Such an electromagnetic aperture may, but need not, be a physical aperture. Thus, the two separate subregions may be physically separated by the interior wall or barrier, or they may be physically connected via a physical gap in the wall or barrier. The interior wall or barrier may extend all the way across the interior of the enclosure from one inner surface thereof to another, or it may extend only part way across the interior of the enclosure, from one inner surface thereof toward another.

The present disclosure includes embodiments comprising an enclosure having a structure whose outer surface may (but need not) be partly or at least substantially conductive and whose inner surface may (but need not) be partly or at least substantially conductive. With regard to the description hereinbelow with respect to FIGS. **14A-16L**, it is noted as a general limitation that when the description states that an enclosure has a structure whose outer surface may (but need not) be partly or at least substantially conductive and whose inner surface may (but need not) be partly or at least substantially conductive, this statement is intended to assert also that the surface of any interior wall (for achieving a folded configuration) also may (but need not) be partly or at least substantially conductive. In addition, with regard to the description hereinbelow with respect to FIGS. **14A-16L**, it is noted that when the description states that an enclosure has a structure whose outer surface may (but need not) be partly or at

least substantially conductive and whose inner surface may (but need not) be partly or at least substantially conductive, this statement is intended as a general limitation subject to possibly being superseded by more specific statements (exceptions) given in the descriptions of the specific embodiments illustrated by those figures.

The enclosures of FIGS. **14A-16L** may be rendered to function as cavities or as waveguides by appropriate adjustments to the ends thereof, as discussed above. In some embodiments, an electromagnetically absorbing material may be provided at or near one or more end portions of the enclosure to promote functionality of a waveguide. In this regard, it is also possible to leave one or both ends of a waveguide open, e.g., if sufficient electromagnetically absorbing material is so provided.

FIGS. **14A** and **14B** depict a first example of the process of folding of an enclosure, in accordance with one or more embodiments of the present disclosure.

FIG. **14A** depicts an enclosure **1400** having a structure **1410** whose outer surface may (but need not) be partly or at least substantially conductive and whose inner surface may (but need not) be partly or at least substantially conductive. Enclosure **1400** has dimensions of width  $a$ , height  $b$  and length  $L$ . FIG. **14B** depicts the enclosure **1400** “folded” about the directional axis of its width  $a$  to create a folded enclosure **1401**.

Enclosure **1401** has a structure **1411** whose outer surface may (but need not) be partly or at least substantially conductive and whose inner surface may (but need not) be partly or at least substantially conductive. Enclosure **1401** has width  $a'$ , length  $L'$ , and a height that may be thought of as having two components, namely, height  $b'$  for top section **1412** and height  $d'$  for bottom section **1414**. Although enclosure **1401** is shown having height  $b'$  approximately equal to height  $d'$ , length  $L'$  approximately half of length  $L$ , and width  $a'$  approximately equal to width  $a$ , these dimensions of enclosure **1401** could have different values. Folding, however, does allow a decrease in the magnitude of a physical dimension, such as length  $L'$ , without adversely affecting performance of the enclosure.

Enclosure **1401** includes a longitudinal interior wall or surface **1490**, which divides enclosure **1401** into top section **1412** and bottom section **1414**, and a vertical interior wall or surface **1492**, which separates top section **1412** and bottom section **1414** from end section **1416**. In various embodiments, the relative sizes of the top section **1412** and the bottom section **1414** may be the same or one section may be smaller than the other.

If one of sections **1412**, **1414** and **1416** is not used for containing items, for example, end section **1416**, then it could be filled with a dielectric material, which would permit additional reductions in one or more dimensions of that section. In this case, the filled section may be a solid section, rather than an empty space, in which case items could not be placed in the filled section.

FIGS. **15A** and **15B** depict a second example of folding of an enclosure, in accordance with one or more embodiments of the present disclosure.

The example of folding of FIGS. **15A** and **15B** is similar to that of FIGS. **14A** and **14B**, but differs therefrom in certain respects.

FIG. **15A** depicts an enclosure **1500** identical to enclosure **1400** shown in FIG. **14A**.

FIG. **15B** depicts the enclosure **1500** “folded” about the directional axis of its length  $L$  to create a folded enclosure **1501**.

Enclosure **1501** has a structure **1511** whose outer surface may (but need not) be partly or at least substantially conductive and whose inner surface may (but need not) be partly or at least substantially conductive. Enclosure **1501** has width *a'*, length *L'*, and a height that may be thought of as having two components, namely, height *b'* for top section **1512** and height *d'* for bottom section **1514**. As with enclosure **1401**, the dimensions of enclosure **1501** may differ from what is illustrated.

Enclosure **1501** has a longitudinal interior surface or wall **1590** that divides enclosure **1501** into top section **1512** and a bottom section **1514**. It will be noted that interior wall or surface **1590** does not extend across the entire width *a'*, but leaves a gap or aperture **1591** for coupling of the electromagnetic field between the two sections **1512** and **1514**. Thus, in this case, aperture **1591** is both an electromagnetic aperture and a physical aperture. In other embodiments, as exemplified in enclosure **1401**, the electromagnetic aperture need not be a physical aperture.

Further to the above description of enclosure **1501**, the above description of enclosure **1401** applies here.

FIGS. **16A-16L** depict various folded enclosures, applicable to various drawer and cabinet arrangements.

FIG. **16A** is a perspective view of a folded enclosure **1600a** that may find application as, among other things, an RFID-enabled drawer or the like. FIG. **16B** is a lengthwise cross-section of enclosure **1600a** of FIG. **16A** taken along the line **16B-16B**.

Enclosure **1600a** has a structure **1610a** whose outer surface may (but need not) be partly or at least substantially conductive and whose inner surface may (but need not) be partly or at least substantially conductive. Enclosure **1600a** has width *a*, height *b*, and length *L*. The dimensions are not necessarily drawn to scale and hence may be other than illustrated. Enclosure **1600a** has two side walls **1602a**, two end walls **1604a**, a top wall **1608a** and a bottom wall **1606a**.

Enclosure **1600a** has a longitudinal interior wall **1690a**. Interior wall **1690a** does not extend all the way from one end **1604a** to the other end **1604a**, but rather a gap or aperture **1691a** is left at one end of interior wall **1690a**. Interior wall **1690a** serves to “fold” enclosure **1600a**, dividing it into a top section **1612a** and a bottom section **1614a**. A conductive layer **1693a** may be applied to the top surface of interior wall **1690a**.

Where enclosure **1600a** is used as a drawer, in practical application by a user, top section **1612a** may serve as the functional portion of the drawer for containing items, and interior wall **1690a** may serve as the bottom of the drawer. Bottom section **1614a**, under interior wall **1690a**, may be a solid volume, such as wood or laminate as commonly found in drawer bottoms. Alternatively, the solid volume could comprise a dielectric material such as commonly used in radio frequency applications and microwave printed circuit boards. Alternatively, bottom section **1614a** could be a partly or completely empty space, in which case interior wall **1690a** may be thought of as a false floor. In this case, a solid piece of material may be employed to physically close aperture **1691a** so as to block physical passage of items between top section **1612a** and bottom section **1614a**.

Any of side walls **1602a**, end walls **1604a**, top wall **1608a**, bottom wall **1606a**, and interior wall **1690a**, or any combination thereof, may be formed of a metamaterial or include a metamaterial portion, e.g., a PMC-like structure. As described previously with reference to FIGS. **11C**, **12A** and **12B**, use of a metamaterial structure may permit reduction of a dimension of the enclosure.

FIG. **16C** depicts an enclosure **1600c** identical to enclosure **1600a**, except that enclosure **1600c** includes a displaceable portion **1622c** that may be displaced to open enclosure **1600c** in order to accommodate transfer of objects from the exterior to enclosure **1600c** or vice versa. Displaceable portion **1622c** may be, e.g., a sliding lid or, as illustrated, a hinged lid that rotates open to allow access, as shown by the curved arrow in FIG. **16C**. Displaceable portion **1622c** may be partly or at least substantially conductive, and may or may not include a metamaterial. Displaceable portion **1622c** may be configured in any other suitable way to perform its function, as has been described with respect to other displaceable portions illustrated in different figures herein.

FIG. **16D** depicts a folded enclosure in the form of a drawer which is housed in a cabinet. FIG. **16D** depicts an enclosure **1600d**, which is similar to enclosure **1600a** except as follows. Enclosure **1600d** is configured to roll out of a cabinet **1601d** via a roller **1676**, as illustrated, or tracks or the like. Alternate means of inserting and removing enclosure **1600d** from cabinet **1601d** may be employed.

FIG. **16E** depicts a folded enclosure in the form of a cabinet which houses a drawer.

FIG. **16E** illustrates an arrangement which differs notably from that illustrated in FIG. **16D** in that, among other things, the cabinet **1601e**, rather than the drawer **1600e**, comprises the RFID folded enclosure.

As with the embodiment represented by FIG. **16D**, drawer **1600e** rolls out of cabinet **1601e** via a roller **1676**, or is removed from cabinet **1601e** by some alternate means. Cabinet **1601e** includes a displaceable portion **1622e** for permitting drawer **1600e** to be pushed in and out of cabinet **1601e**. Displaceable portion **1622e** may be a hinged lid, as shown, or any other displaceable portion, as discussed above.

Cabinet **1601e** is an RFID-enabled enclosure and in this regard has an overall structure analogous to that of enclosure (drawer) **1600d** (i.e., analogous to that of enclosure **1600a**). Cabinet **1601e** has a structure **1611e** whose outer surface may be partly or at least substantially conductive. Cabinet **1601e** has a longitudinal interior wall **1690e** that divides the interior of cabinet **1601e** into top section **1612e** and bottom section **1614e**. Interior wall **1690e** extends from one end **1604e** of cabinet **1601e** almost to the other end of cabinet **1601e**, which is formed by displaceable portion **1622e**. A gap or aperture **1691e** may be left between interior wall **1690e** and one end of cabinet **1601e**, to permit coupling of electromagnetic fields between top section **1612e** and bottom section **1614e**. As discussed elsewhere herein, a physical gap is not required to create an electromagnetic aperture. Aperture **1691e** could be located, e.g., at the other end of cabinet **1601e** rather than as illustrated. The top surface of interior wall **1690e** may be covered with a conductive layer **1693e**. Bottom section **1614e** may be a solid volume or a partly or fully empty volume. Cabinet **1601e** may include metamaterial portions. The more detailed description given above of the corresponding aspects and elements of the RFID enclosure constituted by drawer **1600d** (i.e., enclosure **1600a**) is applicable, mutatis mutandis, to cabinet **1601e**.

FIG. **16F** illustrates an arrangement similar to that of FIG. **16E**, but with additional components of an RFID system (e.g., RFID reader, transmission line, and feed) and with certain differences explained below.

As seen in FIG. **16F**, RFID reader **1625** is connected to an RF transmission line **1630**, which passes through a bulkhead feedthrough **1626** at end **1644f** of cabinet **1601f**. RF transmission line **1630** continues inside cabinet **1601f** and attaches to a feed **1635** at end **1604f** of drawer **1600f**. Feed **1635** may be a feed in the form of a closed shape, such as a loop, as

illustrated, or a feed probe or planar feed. Although a single RF transmission line **1630** and a single feed **1635** are illustrated, more than one may be provided.

The description given above of drawer **1600e** and cabinet **1601e** apply also to drawer **1600f** and cabinet **1601f**, with the following exception. It was stated above that the outer surface of cabinet **1601e** may (but need not) be partly or at least substantially conductive and the inner surface of cabinet **1601e** may (but need not) be partly or at least substantially conductive. Here, in embodiments represented by FIG. **16F**, the inner and/or outer surfaces of either drawer **1600f** or cabinet **1601f** may (but need not) be partly or at least substantially conductive. RFID reader **1625** causes feed **1635** to generate an electromagnetic field in drawer **1600f** and interrogates items in drawer **1600f**.

FIG. **16G** illustrates an arrangement similar to that illustrated in FIG. **16F**, but with a different arrangement of the RF transmission line and feed, and certain other differences. The arrangement of FIG. **16G** differs from that of FIG. **16F** as follows.

As seen in FIG. **16G**, RF transmission line **1630** does not continue inside of cabinet **1601g**, but rather, after going through bulkhead feedthrough **1626**, attaches to a feed **1635** that is attached to the interior of end wall **1644g** of cabinet **1601g**. Feed **1635** may be configured in such a manner as not to physically interfere with drawer **1600g**. This modified configuration of RF transmission line **1630** and feed **1635** may prevent the potential problem with regard to the arrangement of FIG. **16F** that the portion of RF transmission line **1630** that is inside cabinet **1601f** may become tangled behind drawer **1600f**. As with the arrangement of FIG. **16F**, RFID reader **1625** causes feed **1635** to generate an electromagnetic field in drawer **1600g** and interrogates items in drawer **1600g**.

The inner and/or outer surfaces of cabinet **1601g** may (but need not) be partly or at least substantially conductive. In some embodiments, the end wall **1604g** of drawer **1600g** may be partly or at least substantially conductive and provided with one or more electromagnetic apertures to permit coupling between the interior of cabinet **1601g** and drawer **1600g**. Otherwise, the description given above of cabinet **1601f** and drawer **1600f** applies to cabinet **1601g** and drawer **1600g**.

FIG. **16H** depicts a cabinet housing a folded enclosure in the form of a drawer and depicts an RFID interrogator attached to an RF cable, which attaches to a feed loop attached to an end wall of the cabinet. FIG. **16I** is an end view of the end wall of the cabinet of FIG. **16H**. In FIG. **16I**, *a* is the width of the end wall and *b* is the height of the end wall, with *a* and *b* representative of the same dimensions as in FIG. **16A**.

The arrangement of FIG. **16H** is similar to that of FIG. **16D**, but additional components of an RFID system (e.g., RFID reader, transmission line, and feed) are included, and an aperture is provided in an end wall of the drawer. The distinctive features of the arrangement of FIG. **16H**, as compared to that of FIG. **16D**, will be explained below.

In the arrangement of FIG. **16H**, RFID reader **1625**, RF transmission line **1630**, feed **1635** and bulkhead feedthrough **1626** are arranged in the same manner as in the arrangement of FIG. **16G**. However, as seen in FIG. **16I**, end wall **1604h** may include an aperture **1694i**. Aperture **1694i** may permit feed **1635** to pass therethrough and be situated inside drawer **1600h**. In some embodiments, aperture **1694i** may allow for coupling of electromagnetic fields inside drawer **1600h** and cabinet **1601h**. In some embodiments, aperture **1694i** may be both an electromagnetic aperture and a physical aperture, while in other embodiments aperture **1694i** may be an electromagnetic aperture but not a physical aperture. Where aper-

ture **1694i** is not a physical aperture, it may be physically filled in with a dielectric material.

In the arrangement of FIG. **16H**, the outer surface of either cabinet **1601h** and/or drawer **1600h** may be partly or at least substantially conductive. In particular, end wall **1604h** of drawer **1600h** may be formed of or include a material that is a conductive material and/or a metamaterial.

In operation, an electromagnetic field is generated within drawer **1600h** and RFID tagged items in drawer **1600h** are interrogated, the manner and details of which have been described above in similarly constructed enclosures.

The feed and aperture arrangement of FIG. **16H** described above may be alternatively described as follows. Cabinet **1601h** may be described as a container configured to contain the enclosure (i.e., drawer **1600h**). At least one feed is attached to the container (i.e., cabinet **1601h**). The enclosure (drawer **1600h**) comprises an aperture aligned with the at least one feed, such that when the enclosure (drawer **1600h**) is positioned within the container (cabinet **1601h**) the at least one feed is disposed within the enclosure (drawer **1600h**).

FIG. **16J** depicts a cabinet housing a folded enclosure in the form of a drawer and depicts an RFID interrogator attached to an RF cable, which attaches to a planar feed attached to an end wall of the cabinet. The planar feed may be aligned with a non-conductive region of the drawer. Compressive RF gaskets may be attached to the end wall of the cabinet. FIG. **16K** is a close-up partial view of the end wall of the cabinet and the end wall of the drawer where, in comparison to FIG. **16J**, the drawer has been inserted farther into the cabinet such that the end wall of the drawer almost contacts the end wall of the cabinet. In what follows, the arrangement shown in FIGS. **16J** and **16K** will for convenience be referred to collectively as the arrangement of FIG. **16J**.

The arrangement of FIG. **16J** is similar to that of FIG. **16D**, but additional components of an RFID system (e.g., RFID reader, transmission line, and feed), and a number of distinctive features, as outlined below, have been added. The points of difference between the arrangement of FIG. **16J**, as compared to that of FIG. **16D**, will now be explained.

In the arrangement of FIG. **16J**, RFID reader **1625**, RF transmission line **1630**, feed **1634** and bulkhead feedthrough **1626** are arranged in the same manner as in the arrangement of the corresponding components of FIGS. **16G** and **16H**. However, in the arrangement of FIG. **16J**, feed **1634** is a planar feed, as opposed to the feed loop shown in FIGS. **16G** and **16H**. Planar feed **1634** may be attached to the interior surface of end wall **1644j** of cabinet **1601j**.

As further seen in FIG. **16J**, two compressive RF gaskets **1665** may be attached to the interior surface of end wall **1644j** of cabinet **1601j**. In some embodiments, the number of RF gaskets **1665** could be other than two. RF gaskets **1665** establish an RF bond with drawer **1600j** when drawer **1600j** is fully inserted into cabinet **1601j**.

As seen in FIG. **16K** (though not depicted in FIG. **16J**), end wall **1604j** of drawer **1600j** may include a non-conductive region **1666** (indicated by the dashed line), which is preferably aligned with planar feed **1634**. Non-conductive region **1666** may extend beyond the extent of planar feed **1634**. In FIG. **16K**, non-conductive region **1666** is shown as extending in the vertical direction beyond planar feed **1634**. Non-conductive region **1666** may in an alternate arrangement extend less than the extent of planar feed **1634**. For instance, in FIG. **16L**, described below, non-conductive region **1666**, indicated by the dashed line, is shown as having a smaller vertical extent than planar feed **1634**. Aside from non-conductive region **1666**, the outer and/or inner surface of drawer **1600j** may (but need not) be partly or at least substantially conductive.

As for the operation of the arrangement of FIG. 16J, an electromagnetic field is generated within drawer 1600j and RFID tagged items in drawer 1600j are interrogated, the manner and details of which have been described previously for other embodiments of an enclosure.

In the feed and gasket arrangement of FIG. 16J, cabinet 1601j functions as a container configured to contain the enclosure (i.e., drawer 1600j). At least one feed is attached to the container (i.e., cabinet 1601j). At least one RF gasket is disposed to establish an RF bond between the at least one feed and the enclosure (drawer 1600j) when the enclosure is contained within the container (cabinet 1601j).

FIG. 16L depicts an arrangement similar to that of FIG. 16J, but with certain differences, which will be explained below.

The arrangement of FIG. 16L includes a drawer latch 1670 to provide or promote a compressive fit between drawer 1600L and compressive RF gaskets 1665. Latch 1670 may be mechanical, as illustrated in FIG. 16L (rotates downward upon release as shown by arrow), or magnetic, or of another type.

Cabinet 1601L may include one or more outer metamaterial portions that behave like a PMC.

With regard to embodiments discussed above, it has been noted that certain dimensions of the enclosure may be reduced under certain conditions, e.g., to one half or one quarter of a wavelength of the electromagnetic radiation. In another embodiment, such dimensions may also be increased to be much larger, e.g., up to 25 wavelengths of the electromagnetic radiation.

FIGS. 17A-17D illustrate graphs of impedance as a function of operating frequency (FIGS. 17A and 17C) and voltage standing wave ratio (VSWR) as a function of operating frequency (FIGS. 17B and 17D), for signals received from RFID sensors.

FIGS. 17A and 17B pertain to an unfolded enclosure of certain fixed (small) dimensions, while FIGS. 17C and 17D pertain to a folded enclosure of the same fixed dimensions. Thus, these figures illustrate how performance may be improved by folding an enclosure.

A voltage standing wave ratio (VSWR) is a ratio of the amplitude of the voltage of a partial standing wave at an antinode (maximum) to the amplitude of the voltage at an adjacent node (minimum).

It is assumed that the spectrum of operating frequencies is from 850 to 950 MHz.

The graph of FIG. 17A shows both the real component (resistance) 1710 and the imaginary component (reactance) 1720 of the impedance of signals received from the RFID sensors in the enclosure in response to the electric field generated by the RFID reader, as a function of the operating frequency. The graph of FIG. 17B shows VSWR 1730 of the signals received from the RFID sensors in the enclosure in response to the electric field generated by the RFID reader, as a function of the operating frequency. As seen in FIG. 17A, real impedance 1710 is essentially zero and imaginary impedance 1720 is comparatively large over the operating frequency bandwidth (850 to 950 MHz), which results in a poor impedance match, or a large VSWR, as can be seen in FIG. 17B.

In the graph of FIG. 17C, the real component is represented by reference numeral 1740 and the imaginary component by reference numeral 1750. In FIG. 17D, VSWR is represented by reference numeral 1760. Comparing FIGS. 17A and 17B with FIGS. 17C and 17D, it can be seen that a more effective response may be obtained from the RFID sensors in the folded enclosure (FIGS. 17C and 17D) than in the unfolded

enclosure (FIGS. 17A and 17B). In FIG. 17C, the real component 1740 of the impedance in the operating band is non-zero, and the imaginary component 1750 is comparatively low. In FIG. 17D, the VSWR over the operating band is comparatively low. The graphs reflected in FIGS. 17C and 17D correlate with good performance in the interrogation of RFID sensors. With additional tuning measures, the performance may be still further improved.

FIG. 18 is a flow chart illustrating methods of performing RFID, using enclosures, feeds and other elements described herein.

Method 1800 is a method for performing RFID. Because the steps of method 1800 are stated at a high level of generality, method 1800 may be considered to comprise multiple methods when explained at a greater level of specificity.

At step 1805, an enclosure is provided. The enclosure may comprise a partly or at least substantially closed structure defining a boundary between an interior region, interior to the structure, and an exterior of the structure, the structure having an inner surface facing the cavity and an outer surface facing the exterior. At least a part of the outer surface of the structure may (but need not) be conductive (to whatever extent), at least a part of the inner surface of the structure may (but need not) be conductive (to whatever extent), and at least a portion of the structure may (but need not) be formed of a metamaterial. At step 1810, an electromagnetic field may be generated in the interior region by at least one feed, in response to a first signal received from an RFID reader via at least one RF transmission line. The at least one feed may comprise at least one feed probe, planar feed, or feed in the form of a closed shape. At step 1815, a second signal, generated in response to the electromagnetic field by at least one RFID sensor located in the interior region, may be received by the at least one feed.

Method 1800 may include additional steps, not illustrated. For example, as additional steps, the second signal may be coupled from the at least one feed to the RFID reader via the at least one RF transmission line, in response to the second signal having been transmitted by the RFID sensor; and the coupled second signal may be analyzed. As another example, the following steps may be performed: the at least one RFID sensor may be attached to at least one item; information pertaining to the at least one item may be stored on the at least one RFID sensor; and the at least one item having the at least one RFID sensor attached thereto may be caused to be disposed in the interior region.

The providing step 1805 may be varied in that the enclosure may be varied. For example, instead of (or in addition to) at least a portion of the structure being formed of a metamaterial, the structure may include a wall extending within the interior region.

As another example, instead of (or in addition to) at least a portion of the structure being formed of a metamaterial, at least a portion of the structure may be formed of an electromagnetically absorbing material. In this case, the following additional steps may be included in method 1800: transporting at least one item (with the at least one RFID sensor attached to it) into the interior region, such as via a conveyor belt; and preventing the at least one item from entering a region near a portion of the inner surface of the structure, by means of a barrier.

FIG. 19 is a flow chart illustrating methods of performing RFID, using enclosures, feeds and other elements described herein.

Method 1900 is a method for performing RFID. Because the steps of method 1900 are stated at a high level of generality, method 1900 may be considered to comprise multiple methods when explained at a greater level of specificity.

At step **1905**, an enclosure is provided. The enclosure may comprise a partly or at least substantially closed structure defining a boundary between an interior region, interior to the structure, and an exterior of the structure, the structure having an inner surface facing the interior region and an outer surface facing the exterior. At least a portion of the outer and/or inner surface of the structure may (but need not) be partly or at least substantially conductive. The interior region may comprise an interrogation region for interrogation of an RFID sensor attached to an item within the interrogation region. The structure may include a partition defining a boundary between the interrogation region and an exterior of the interrogation region. At least a portion of the partition may be displaceable so as to permit the item to be transferred between the interrogation region and a collection region. The collection region is for receiving the item from the interrogation region, after the RFID sensor attached to the item has been interrogated. In step **1905**, the collection region is also provided. At step **1910**, an electromagnetic field may be generated in the interrogation region by at least one feed, in response to a first signal received from an RFID reader via at least one RF transmission line. The at least one feed may comprise at least one feed probe, planar feed, or feed in the form of a closed shape. At step **1915**, a second signal, generated in response to the electromagnetic field by the RFID sensor attached to the item within the interrogation region, may be received by the at least one feed. At step **1920**, the displaceable portion of the partition may be displaced. At step **1925**, the item may be received in the collection region from the interrogation region, after the RFID sensor attached to the item has been interrogated.

Method **1900** may include additional steps that are not illustrated. For example, as an additional step, the item may be transferred from the exterior to the interrogation region. In this case, a portion of the structure may comprise a displaceable portion configured (1) for opening, so as to create an entry or opening between the structure and the exterior, and (2) for closing, so as to close the opening between the structure to the exterior, whereby the item may be transferred between the exterior and the interrogation region, via the opening.

As another example, as additional steps, the method may comprise determining whether an item is located in the interrogation region; and, in response to a determination that an item is located in the interrogation region, the at least one feed may be triggered to generate the electromagnetic field in the interrogation region.

As another example, as additional steps, the method may comprise the steps of: (1) determining whether the RFID sensor in the interrogation region has been successfully interrogated; and, (2) in response to a determination that the RFID sensor in the interrogation region has not been successfully interrogated, triggering a change in the electromagnetic field in the interrogation region.

As another example, as additional steps, the method may comprise: (1) coupling the second signal from the at least one feed to the RFID reader via the at least one RF transmission line, and (2) analyzing the coupled second signal. As another example, the following steps may be performed: the RFID sensor may be attached to the item; information pertaining to the item may be stored on the RFID sensor; and the item having the RFID sensor attached thereto may be caused to be disposed in the interrogation region.

In light of the principles and example embodiments described and illustrated herein, it will be recognized that the example embodiments can be modified in arrangement and detail without departing from such principles. Also, the fore-

going discussion has focused on particular embodiments, but other configurations are contemplated. In particular, even though expressions such as “in one embodiment,” “in another embodiment,” or the like are used herein, these phrases are meant to generally reference the possibilities of embodiments and are not intended to limit the invention to the particular configurations of embodiments described herein. As used herein, the terms may reference the same or different embodiments that are combinable into other embodiments. For example, as will be understood by one of ordinary skill in the art having benefit of this description, different kinds of structures (e.g., conductive, electromagnetically absorbing, metamaterial), different kinds of electromagnetic conditions, or other different aspects, which are located, established, or occur at various particular locations of an enclosure, structure, or the like, even if described with respect to a given embodiment or arrangement herein, may be employed in another embodiment or arrangement, although not explicitly mentioned.

Similarly, although example processes have been described with regard to particular operations performed in a particular sequence, numerous modifications could be applied to those processes to derive numerous alternative embodiments of the present disclosure. For example, alternative embodiments may include processes that use fewer than all of the disclosed operations, processes that use additional operations, and processes in which the individual operations disclosed herein are combined, subdivided, rearranged, or otherwise altered.

This disclosure also describes various benefits and advantages that may be provided by various embodiments. One, some, all, or different benefits or advantages may be provided by different embodiments. This disclosure also describes various applications that may be provided by various embodiments. As will be understood by one of ordinary skill in the art having the benefit of this description, different applications, even if described with respect to only one or more particular embodiments or arrangements herein, may nonetheless be employed in other embodiments and arrangements, although not explicitly mentioned. Further, not all applications of the instant disclosure have necessarily been included herein, and one of ordinary skill in the art, having benefit of this description, will readily appreciate that the disclosure may lend itself to other applications.

In view of the wide variety of useful permutations that may be readily derived from the example embodiments described herein, this detailed description is intended to be illustrative only and should not be taken as limiting the scope of the invention. What is claimed as the invention, therefore, are all implementations that come within the scope of the following claims and all equivalents to such implementations.

What is claimed is:

1. A radio frequency identification (RFID) system, comprising:

an enclosure comprising an at least partly closed structure defining a boundary between an interior region, interior to the structure, and an exterior of the structure, the structure having an inner surface facing the interior region and an outer surface facing the exterior; and  
at least one feed configured for (1) generating an electromagnetic field in the interior region in response to a first signal received from an RFID reader via at least one radio frequency (RF) transmission line, and (2) receiving, from at least one RFID sensor located in the interior region, a second signal generated in response to the electromagnetic field,

35

wherein at least a part of the outer surface is conductive or at least a portion of the inner surface is conductive, and wherein at least a portion of the structure is formed of an electromagnetically absorbing material.

2. The system of claim 1, wherein the second signal is coupled from the at least one feed to the RFID reader, via the at least one RF transmission line, the system further comprising:

- the RFID reader;
- the at least one RF transmission line; and
- a processor configured for (1) communicating with the RFID reader, and (2) analyzing the second signal that has been coupled from the at least one feed to the RFID reader, via the at least one RF transmission line.

3. The system of claim 1, wherein the second signal contains information pertaining to a particular RFID sensor that generated the second signal.

4. The system of claim 1, wherein at least a portion of the structure is formed of a metamaterial, and wherein the portion of the structure formed of a metamaterial is configured to prevent a short circuit boundary condition on at least a portion of the inner surface of the structure.

5. The system of claim 1, wherein at least a portion of the structure is formed of a metamaterial, and wherein the portion of the structure formed of a metamaterial is configured to establish an open circuit boundary condition on a portion of the inner surface of the structure.

6. The system of claim 1, wherein at least a portion of the structure is formed of a metamaterial, and wherein the portion of the structure formed of a metamaterial is configured to establish a generalized impedance boundary condition on a portion of the inner surface of the structure.

7. The system of claim 1, wherein a lateral dimension of the interior region is within a range of about one-quarter of a wavelength to about 25 wavelengths of the electromagnetic field.

8. The system of claim 1, wherein the at least one feed comprises at least one feed probe, planar feed, or feed in the form of a closed shape.

9. The system of claim 1, wherein the enclosure comprises a container configured for containing items, and wherein the structure comprises a displaceable portion configured (1) for opening, so as to create an opening between the structure and the exterior, and (2) for closing, so as to close the opening between the structure and the exterior, whereby an item may be transferred between the exterior and the container, via the opening.

10. The system of claim 1, wherein the enclosure comprises a waveguide.

11. The system of claim 1, wherein the enclosure comprises a cavity.

12. The system of claim 1, wherein the structure comprises at least one end portion that is displaceable so as to permit an item to be transferred between the exterior and the interior region, and wherein the portion of the structure formed of an electromagnetically absorbing material forms at least a portion of the end portion.

36

13. The system of claim 1, wherein the structure comprises at least one open end, such that the interior region is open to the exterior at the open end, and wherein the portion of the structure formed of an electromagnetically absorbing material is disposed near the at least one open end of the structure.

14. The system of claim 1, further comprising a conveyer belt for transporting items into the interior region.

15. The system of claim 14, wherein the enclosure further comprises at least one barrier configured for preventing the items from entering a region near a portion of the inner surface.

16. The system of claim 14, wherein the conveyer belt or a structure adjacent to the conveyer belt is partly or at least substantially conductive.

17. A radio frequency identification (RFID) method, comprising:

- providing an enclosure, the enclosure comprising an at least partly closed structure defining a boundary between an interior region, interior to the structure, and an exterior of the structure, the structure having an inner surface facing the interior region and an outer surface facing the exterior;
- generating, by at least one feed, an electromagnetic field in the interior region in response to a first signal received from an RFID reader via at least one radio frequency (RF) transmission line; and
- receiving, by the at least one feed, a second signal generated in response to the electromagnetic field by at least one RFID sensor located in the interior region, wherein at least a part of the outer surface of the structure is conductive or at least a part of the inner surface of the structure is conductive, and wherein at least a portion of the structure is formed of an electromagnetically absorbing material.

18. The method of claim 17, further comprising: coupling the received second signal from the at least one feed to the RFID reader, via the at least one RF transmission line; and analyzing the coupled second signal.

19. The method of claim 17, wherein the at least one feed comprises at least one feed probe, planar feed, or feed in the form of a closed shape.

20. The method of claim 17, further comprising: performing one or more of the following:

- attaching the at least one RFID sensor to at least one item;
- storing, on the at least one RFID sensor, information pertaining to the at least one item; and
- causing the at least one item having the at least one RFID sensor attached thereto to be disposed in the interior region.

21. The method of claim 17, further comprising: transporting, via a conveyer belt, at least one item into the interior region, wherein the at least one RFID sensor is attached to the at least one item.

22. The method of claim 21, further comprising the step of: preventing, by means of a barrier, the at least one item from entering a region near a portion of the inner surface of the structure.