



US009227719B2

(12) **United States Patent**  
**Khorrami**

(10) **Patent No.:** **US 9,227,719 B2**  
(45) **Date of Patent:** **Jan. 5, 2016**

(54) **REACTIVE ORTHOTROPIC LATTICE  
DIFFUSER FOR NOISE REDUCTION**

(71) Applicant: **The United States of America as  
represented by the Administrator of  
the National Aeronautics and Space  
Administration, Washington, DC (US)**

(72) Inventor: **Mehdi R. Khorrami, Norfolk, VA (US)**

(73) Assignee: **The United States of America as  
represented by the Administrator of  
the National Aeronautics and Space  
Administration, Washington, DC (US)**

(\* ) Notice: Subject to any disclaimer, the term of this  
patent is extended or adjusted under 35  
U.S.C. 154(b) by 169 days.

(21) Appl. No.: **13/764,062**

(22) Filed: **Feb. 11, 2013**

(65) **Prior Publication Data**

US 2015/0259060 A1 Sep. 17, 2015

**Related U.S. Application Data**

(63) Continuation-in-part of application No. 13/417,347,  
filed on Mar. 12, 2012, now Pat. No. 8,695,915.

(60) Provisional application No. 61/597,282, filed on Feb.  
10, 2012, provisional application No. 61/451,735,  
filed on Mar. 11, 2011, provisional application No.  
61/451,730, filed on Mar. 11, 2011, provisional  
application No. 61/451,727, filed on Mar. 11, 2011.

(51) **Int. Cl.**  
**B64C 3/50** (2006.01)  
**B64C 1/40** (2006.01)

(52) **U.S. Cl.**  
CPC ..... **B64C 1/40** (2013.01)

(58) **Field of Classification Search**

CPC ..... B64C 23/06; B64C 23/065; B64C 23/00;  
B64C 23/04; B64C 21/02

See application file for complete search history.

(56) **References Cited**

**U.S. PATENT DOCUMENTS**

3,612,446	A *	10/1971	Lebert	244/35 R
3,779,338	A *	12/1973	Hayden et al.	181/296
3,821,999	A	7/1974	Guess et al.	
3,853,428	A *	12/1974	Hayden et al.	416/231 R
4,141,433	A	2/1979	Warnaka	
4,240,250	A	12/1980	Harris	
4,836,469	A	6/1989	Wagenfeld	

(Continued)

**OTHER PUBLICATIONS**

Craig L. Streett, Jay H. Casper, David P. Lockard, Mehdi R. Khorr-  
ami, Robert W. Stoker, Ronen Elkoby, Wayne F. Wenneman, and  
James R. Underbrink, "Aerodynamic Noise Reduction for High-Lift  
Devices on a Swept Wing Model," AIAA Paper 2006-212, Jan. 2006.

(Continued)

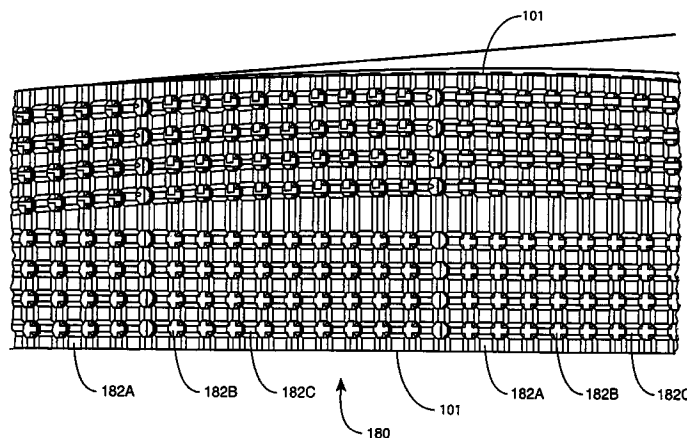
*Primary Examiner* — Philip J Bonzell

(74) *Attorney, Agent, or Firm* — Robin W. Edwards

(57) **ABSTRACT**

An orthotropic lattice structure interconnects porous surfaces of the flap with internal lattice-structured perforations to equalize the steady pressure field on the flap surfaces adjacent to the end and to reduce the amplitude of the fluctuations in the flow field near the flap end. The global communication that exists within all of the perforations provides the mechanism to lessen the pressure gradients experienced by the end portion of the flap. In addition to having diffusive effects (diffusing the incoming flow), the three-dimensional orthogonal lattice structure is also reactive (acoustic wave phase distortion) due to the interconnection of the perforations.

**18 Claims, 12 Drawing Sheets**



(56)

## References Cited

## U.S. PATENT DOCUMENTS

5,543,198	A	8/1996	Wilson	
5,782,082	A	7/1998	Hogeboom et al.	
6,394,397	B1 *	5/2002	Ngo et al.	244/199.3
6,435,303	B1	8/2002	Warnaka	
6,454,219	B1	9/2002	Moe	
6,467,732	B2 *	10/2002	Tsukahara et al.	244/199.4
6,471,157	B1 *	10/2002	Streett et al.	244/1 N
6,491,260	B2 *	12/2002	Borchers et al.	244/199.1
6,948,906	B2 *	9/2005	Leishman et al.	415/119
7,100,875	B2 *	9/2006	Shmilovich et al.	244/199.4
7,264,200	B2 *	9/2007	Bussom et al.	244/17.25
7,458,542	B2	12/2008	Chow et al.	
7,484,930	B2 *	2/2009	Hutcheson et al.	415/119
7,637,462	B2 *	12/2009	Pal	244/199.2
7,661,629	B2 *	2/2010	Shmilovich et al.	244/199.2
7,866,939	B2	1/2011	Harper et al.	
7,954,757	B2	6/2011	Moe et al.	
7,967,108	B2	6/2011	Harper	
8,016,244	B2 *	9/2011	Shmilovich et al.	244/199.3
8,033,510	B2	10/2011	Shmilovich et al.	
8,056,850	B2	11/2011	Lin et al.	
8,096,513	B2 *	1/2012	Mau et al.	244/199.2
8,251,317	B2 *	8/2012	Pitt	244/204
2004/0197194	A1	10/2004	Leishman et al.	
2005/0061921	A1 *	3/2005	Egolf	244/199
2007/0020099	A1	1/2007	Hutcheson et al.	
2008/0179448	A1	7/2008	Layland et al.	
2008/0223655	A1	9/2008	Peiffer et al.	
2009/0084905	A1	4/2009	Mau et al.	
2010/0133378	A1	6/2010	Lidoine	
2010/0206664	A1	8/2010	Bagnall	
2010/0294883	A1 *	11/2010	Trichès et al.	244/1 N
2011/0133025	A1	6/2011	Vauchel et al.	
2012/0156006	A1	6/2012	Murray et al.	
2013/0062143	A1	3/2013	Ichihashi	

## OTHER PUBLICATIONS

Bruce Storms, Julie Hayes, Stephen Jaeger, and Paul Soderman, "Aeroacoustic Study of Flap-Tip Noise Reduction Using Continuous Moldline Technology," AIAA Paper 2000-1976, Jun. 2000.

Florence V. Hutcheson, Thomas F. Brooks, and William M. Humphreys, Jr., "Noise Radiation from a Continuous Moldline-Line Link Flap Configuration," AIAA Paper 2008-2966, May 2008.

Meelan Choudhari, David Lockard, Michele Macaraeg, Bart Singer, Craig Streett, Guy Neubert, Robert Stoker, James Underline, Mert Berkman, Mehdi Khorrami, Shelly Sadowski, "Aeroacoustic experiments the Langley Low-Turbulence Pressure Tunnel," NASA TM-2002-211432. Feb. 2002.

J. Hayes, Clifton Horne, Paul Soderman, and P. Bent, "Airframe Noise Characteristics of a 4.7% Scale DC-10 Model," AIAA Paper 1997-1594, May 1997.

Kristine Meadows, Thomas Brooks, William Humphreys, William Hunter, and Carl Gerhold, "Aeroacoustic Measurements of a Wing-Flap Configuration," AIAA Paper 1997-1595, May 1997.

Bruce L. Storms et al. NASA CDTM-21006, "Flap-Tip Treatments for the Reduction of Lift-Generated Noise," NASA Ames Research Center, CA, Mar. 1996.

James C. Ross, Bruce L. Storms, and Hiroyuki Kumagai, NASA CDTM-21004, "Aircraft Flyover Noise Reduction Using Lower-Surface Flap-Tip Fences," NASA Ames Research Center, CA, Sep. 1995.

Tony L. Parrott, et al., "Parallel-element liner impedances for improved absorption of broadband sound in ducts," Noise Control Engineering Journal, Nov.-Dec. 1995, pp. 183-195, vol. 43(6).

L. S. Wirt, "Analysis, Testing, and Design of Lined Ducts," The Journal of the Acoustical Society of America; May 1972, pp. 1449-1403, vol. 51(5), Part 1.

Tony L. Parrott, et al., "Effect of Resonator Axis Skew on Normal Incidence Impedance," AIAA 2003-3307, 9th AIAA/CEAS Aeroacoustics Conference, May 12-14, 2003, pp. 1-5, Hilton Head, South Carolina.

Brian M. Howerton, et al., "Validation of an Acoustic Impedance Prediction Model for Skewed Resonators," AIAA 2009-3143, May 2009, pp. 1-21.

M. G. Jones, et al., "Assessment of Soft Vane and Metal Foam Engine Noise Reduction Concepts," AIAA 2009-3142, May 2009, pp. 1-20.

Mehdi R. Khorrami, et al., "Application of Passive Porous Treatment to Slat Trailing Edge Noise," NASA/TM-2003-212416, May 2003, pp. 1-14.

Mehdi R. Khorrami, et al., "Novel Approach for Reducing Rotor Tip-Clearance-Induced Noise in Turbofan Engines," AIAA Journal, Aug. 2002, pp. 1518-1528, vol. 40, No. 8.

Meelan Choudhari, et al., "Computational Study of Porous Treatment for Altering Flap Side-Edge Flowfield," AIAA 2003-3113, 9th AIAA/CEAS Aeroacoustics Conference, May 12-14, 2003, pp. 1-15, Hilton Head, South Carolina.

W. Clifton Horne, et al., "Measurements of 26%-scale 777 Airframe Noise in the NASA Ames 40-by 80 Foot Wind Tunnel," AIAA 2005-2810, 11th AIAA/CEAS Aeroacoustics Conference (26th AIAA Aeroacoustics Conference), May 23-25, 2005, pp. 1-19, Monterey, California.

D. Angland, et al., "Measurements of Flow around a Flap Side-Edge with Porous Edge Treatment," AIAA 2006-213, 44th AIAA Aerospace Sciences Meeting and Exhibit, Jan. 9-12, 2006, pp. 1-22. Reno, Nevada.

D. Angland, et al., "Measurements of Flow around a Flap Side Edge with Porous Edge Treatment," AIAA Journal, Jul. 7, 2009, pp. 1660-1671, vol. 47, No. 7.

\* cited by examiner

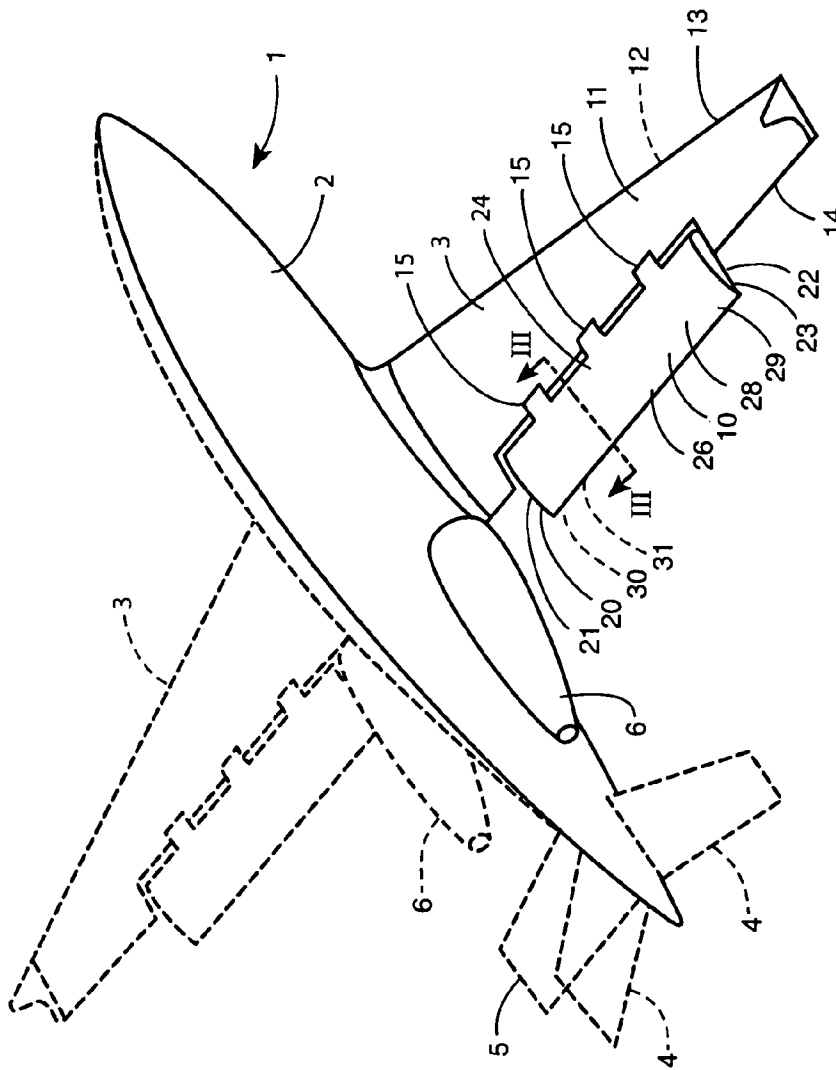


Fig. 1

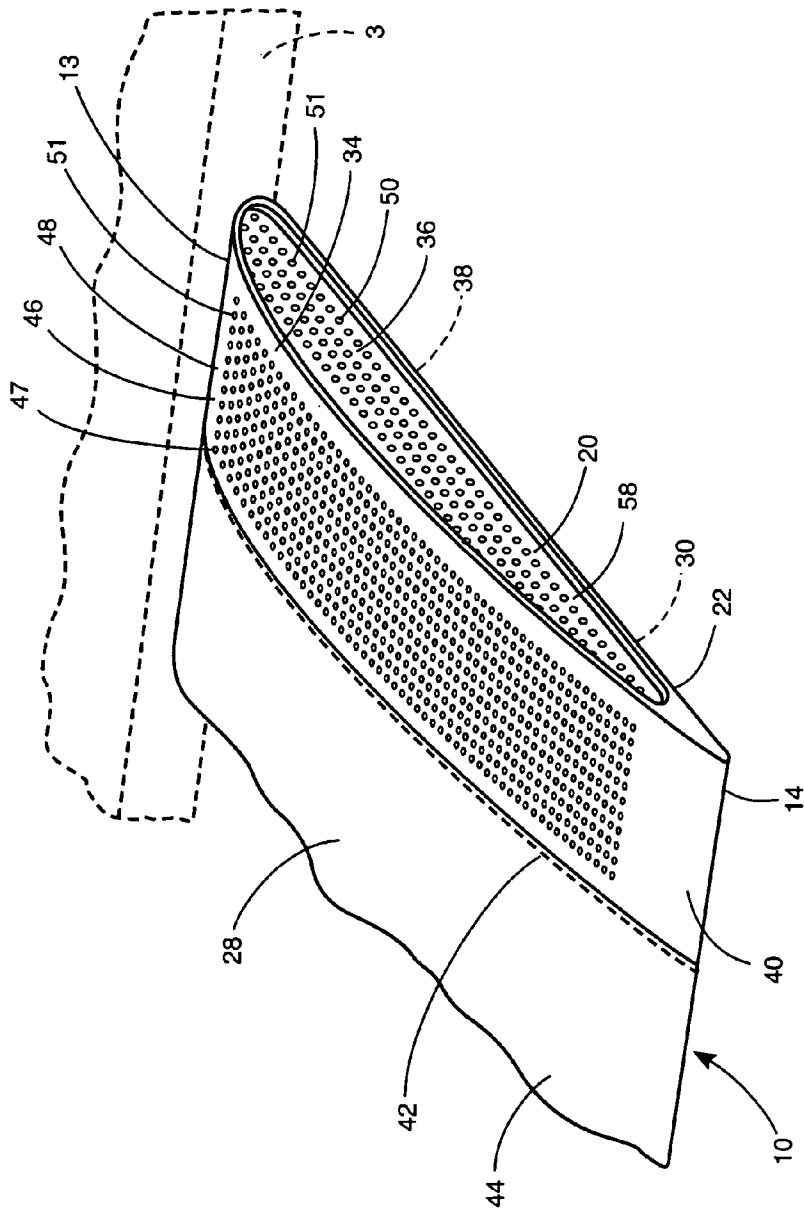


Fig. 2

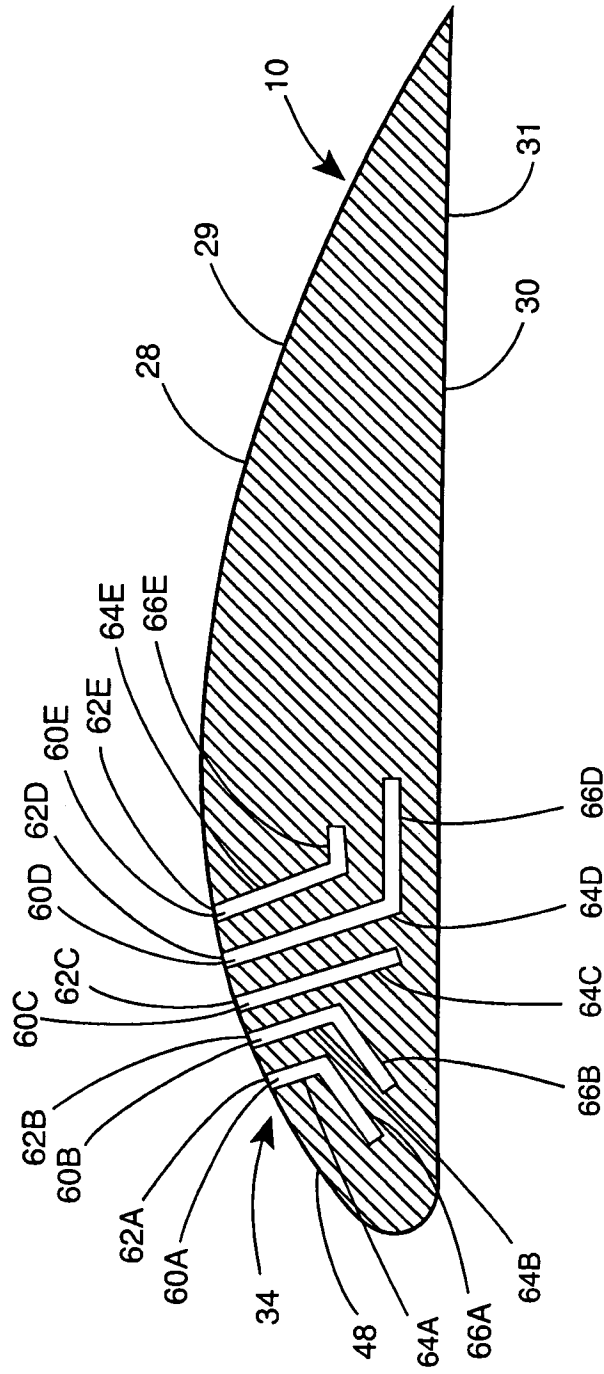


Fig. 3

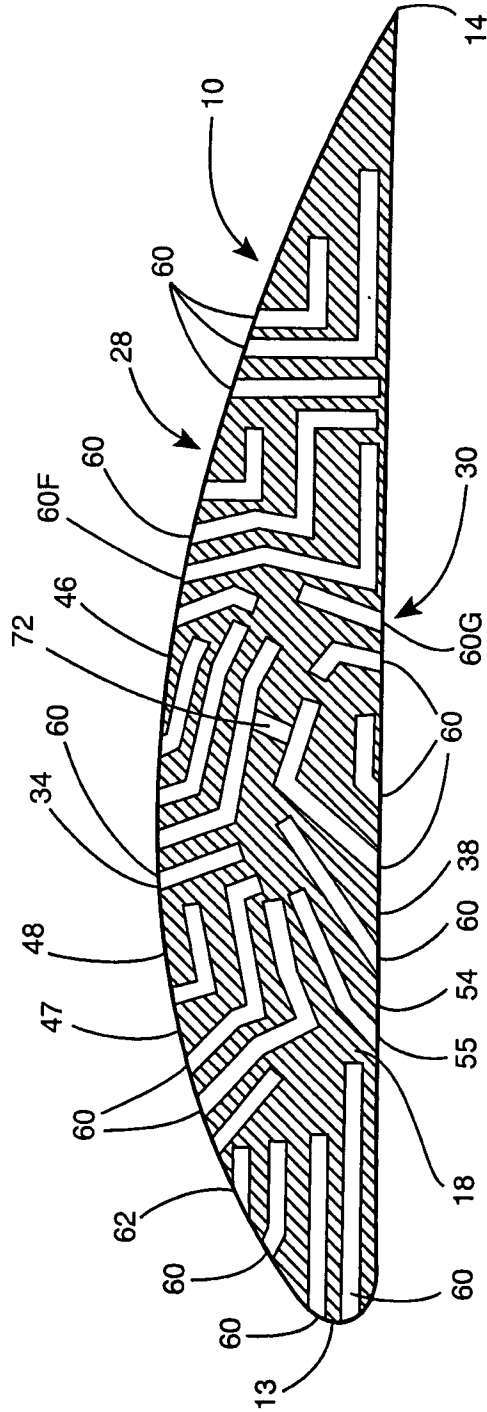


Fig. 4

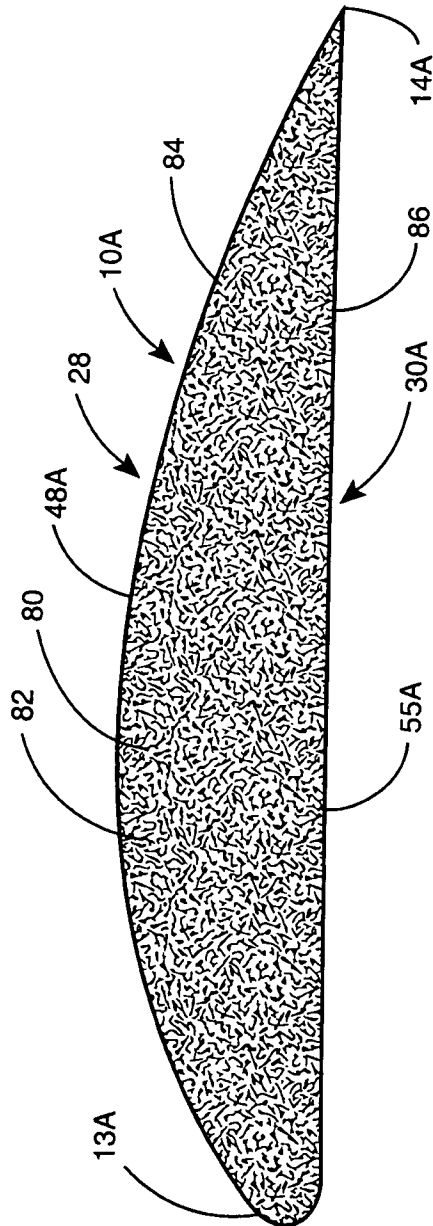


Fig. 5

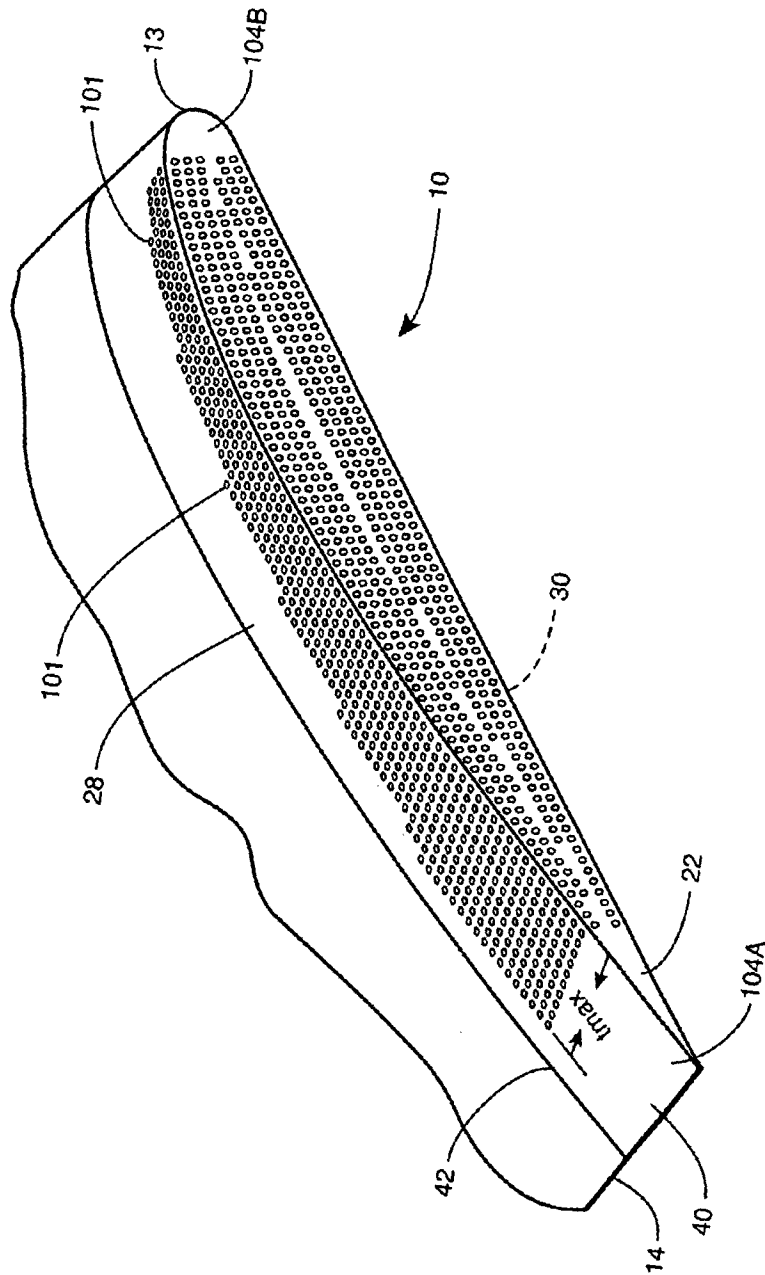


Fig. 6



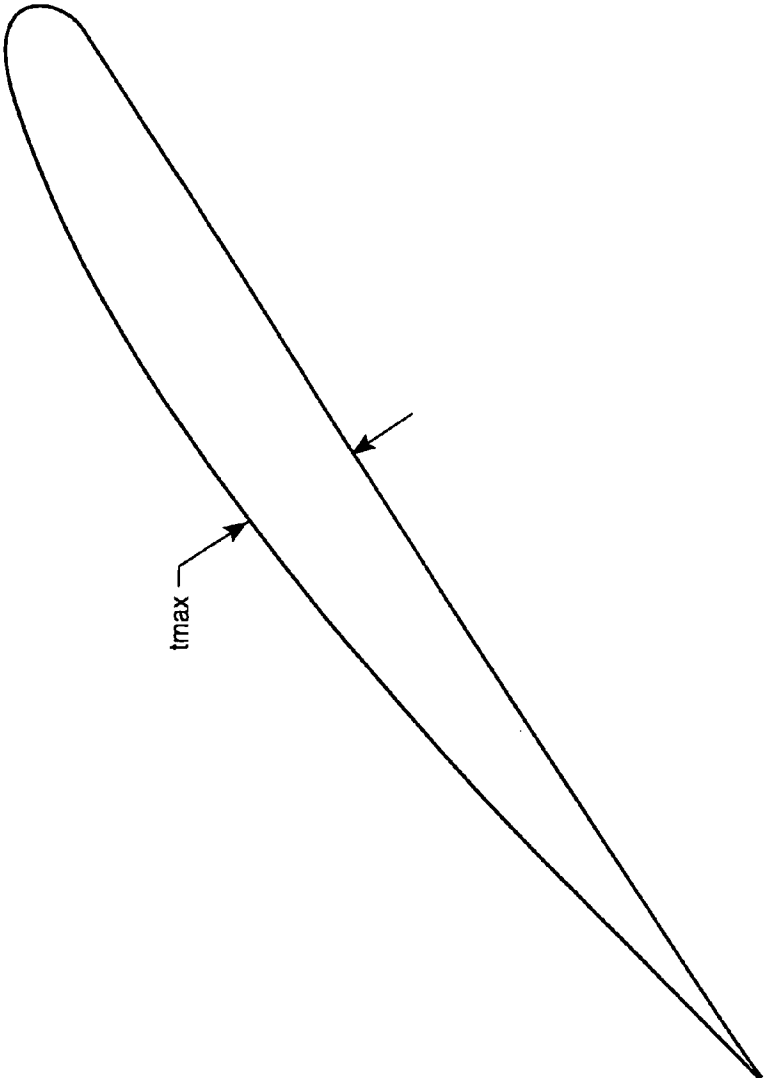


Fig. 7

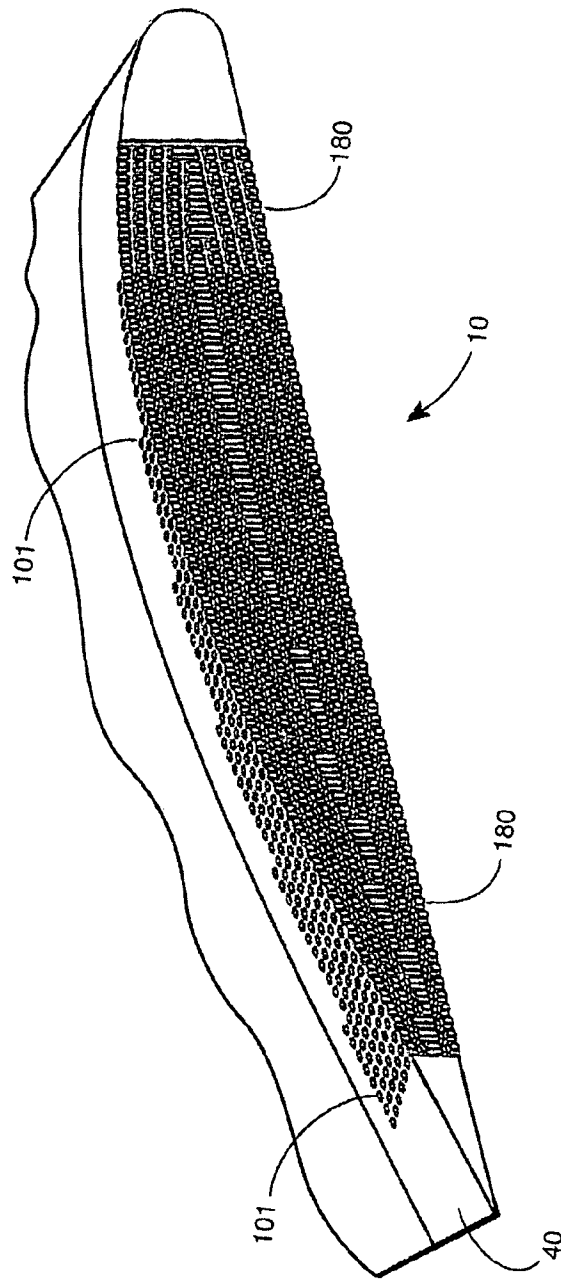


Fig. 8

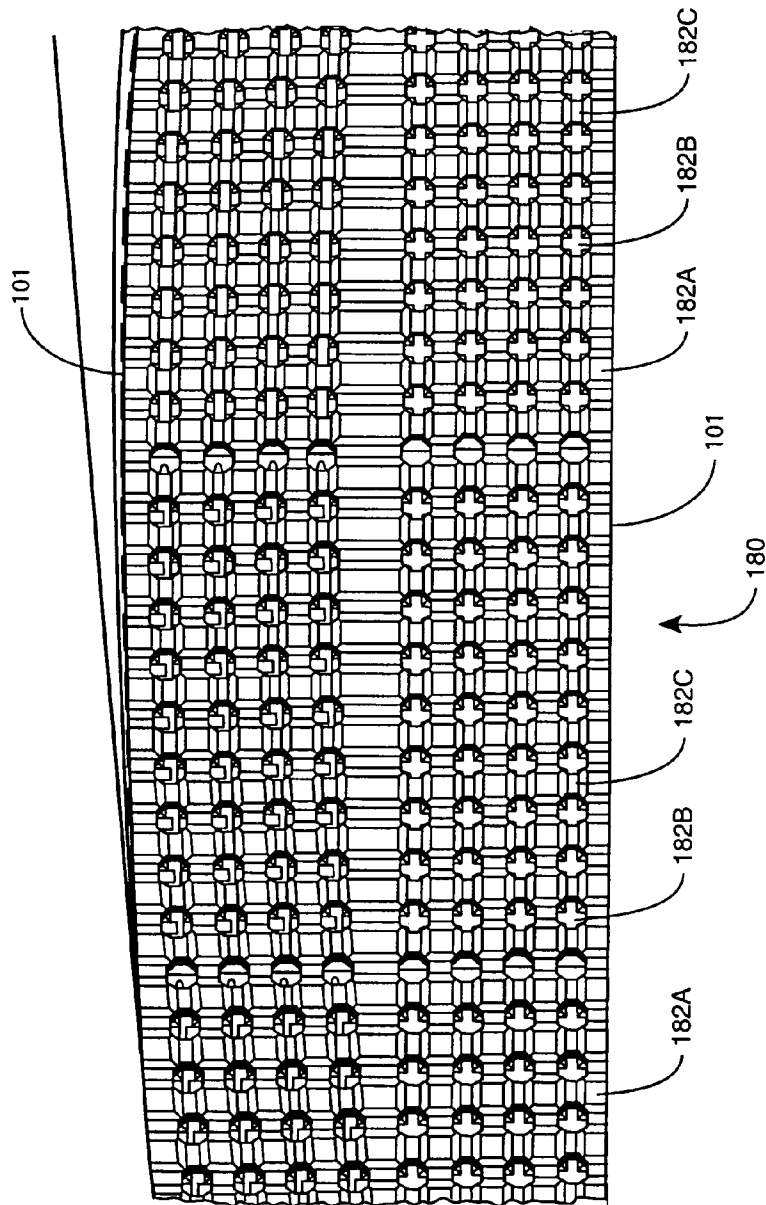


Fig. 9

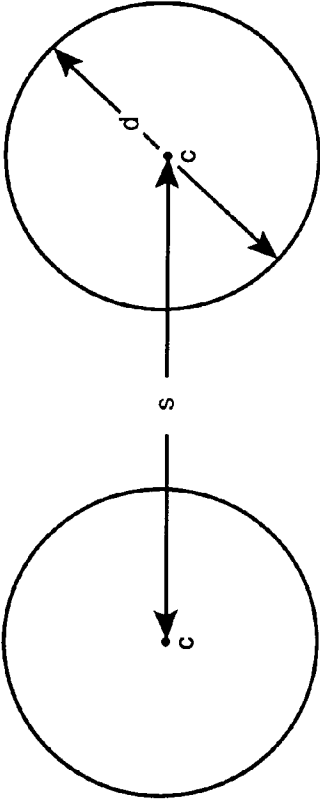


Fig. 10

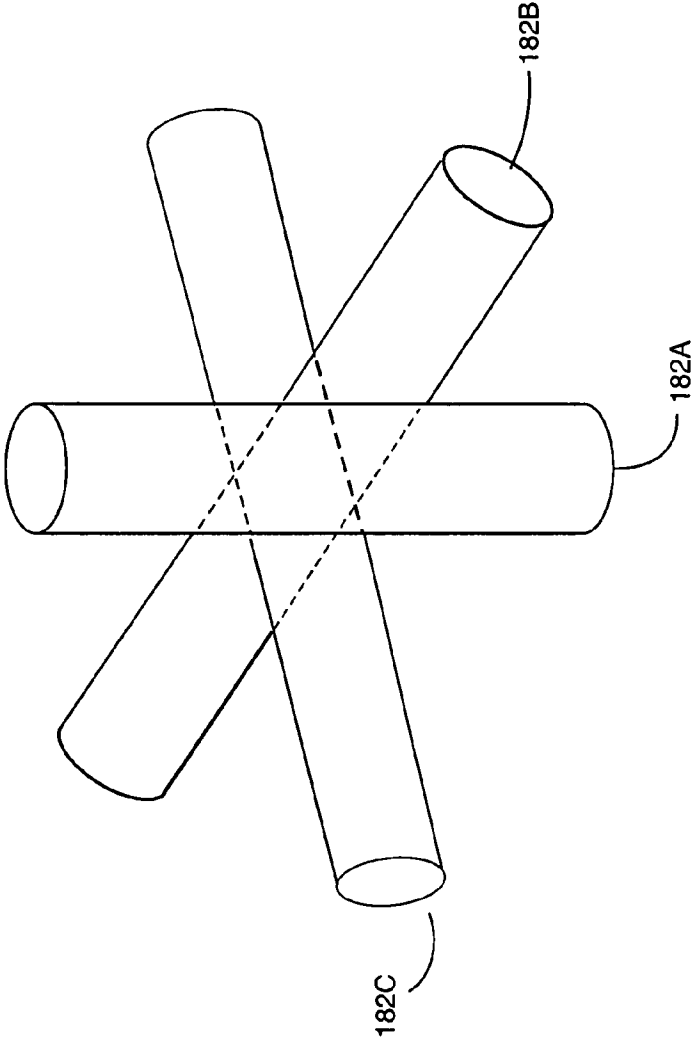


Fig. 11

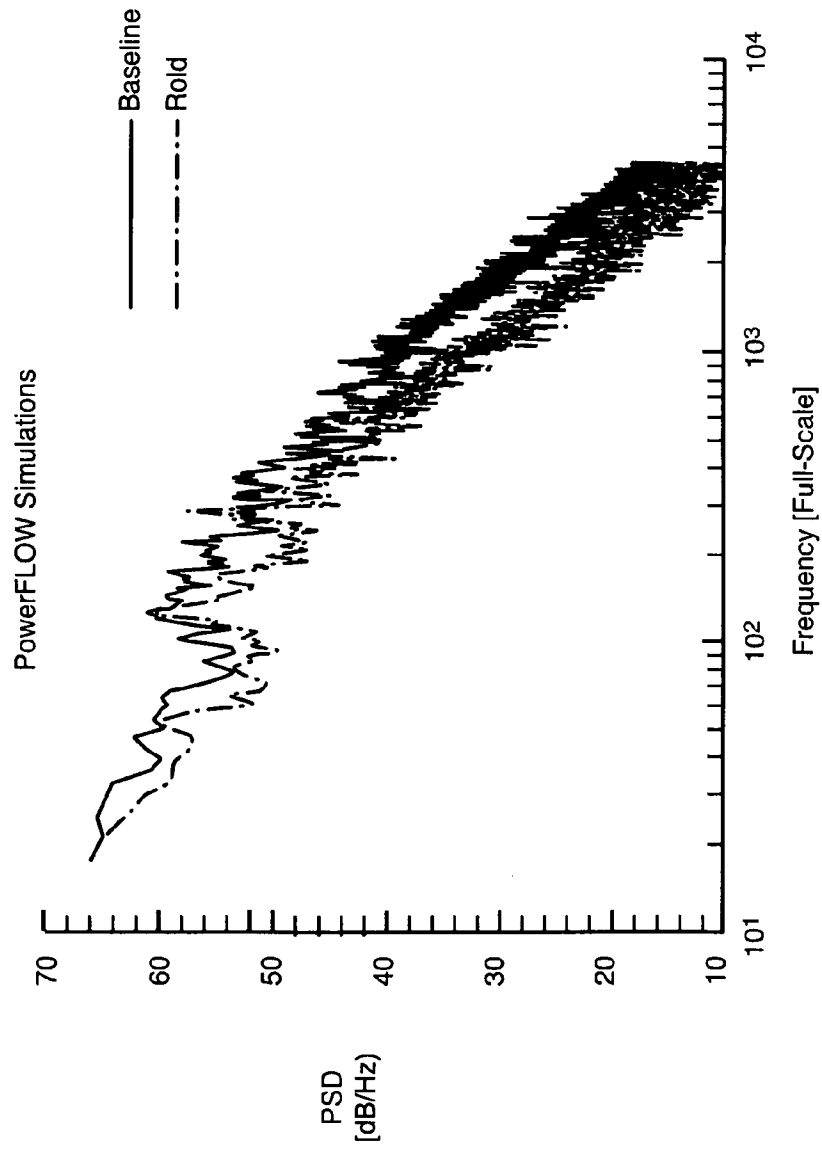


Fig. 12

## REACTIVE ORTHOTROPIC LATTICE DIFFUSER FOR NOISE REDUCTION

### CROSS-REFERENCE TO RELATED APPLICATIONS

This is a continuation-in-part of U.S. patent application Ser. No. 13/417,347 titled "Flap Side Edge Liners for Airframe Noise Reduction," filed on Mar. 12, 2012. Further, this application is related to co-pending U.S. patent application Ser. No. 13/417,349, filed Mar. 12, 2012, titled "Landing Gear Door Liners for Airframe Noise Reduction," and U.S. patent application Ser. No. 13/417,351, filed Mar. 12, 2012, titled "External Acoustic Liners for Multi-Functional Aircraft Noise Reduction." This application further claims the benefits of U.S. Provisional Application Nos. 61/451,727, filed on Mar. 11, 2011; 61/451,730 filed on Mar. 11, 2011; 61/451,735 filed on Mar. 11, 2011; and 61/597,282, filed on Feb. 10, 2012, the entire contents of all incorporated herein by reference.

### STATEMENT REGARDING FEDERALLY SPONSORED RESEARCH OR DEVELOPMENT

The invention described herein was made by an employee of the United States Government and may be manufactured and used by or for the Government of the United States of America for governmental purposes without the payment of any royalties thereon or therefore.

### FIELD OF THE INVENTION

The present invention relates to reduction in aircraft noise, and in particular to aircraft noise generated by the airframe of the aircraft during operation.

### BACKGROUND OF THE INVENTION

One of the more important constraints to the continued growth of air traffic is the related concern regarding aircraft noise. This concern has resulted in increasingly stringent noise restrictions for airports. During aircraft take-off, the dominant aircraft noise source is generally the propulsion noise from the engines of the aircraft. During aircraft approach and landing, airframe noise becomes a prominent component on par with the engine noise. This airframe noise is caused by the interaction of the unsteady and typically turbulent airflow with the aircraft structures. The sound radiated from the side edge of a partial-span flap is one of the major contributors to airframe noise during aircraft approach and landing.

Acoustic liners have been used to absorb propulsion noise within aircraft engine nacelles. Acoustic liners with variable-depth chambers to achieve broadband noise attenuation have been known for some time.

### BRIEF SUMMARY OF THE INVENTION

One aspect of the present invention is a flap of the type that is movably connected to an aircraft wing to provide control of an aircraft in flight. The flap includes a flap structure defining inboard and outboard ends, and forward and rearward portions in the form of leading and trailing edges extending between the inboard and outboard ends. The flap structure may be elongated or it may comprise a relatively short structure such as a flaperon. The elongated flap structure defines an upper side extending between the inboard and outboard ends

and between the forward and rearward portions of the elongated flap structure. The upper side of the elongated flap structure generally faces upwardly in use, and the lower side generally faces downwardly in use. The inboard end defines an inwardly-facing inboard end surface, and the outboard end defines an outwardly-facing outboard end surface. The upper and lower sides define inboard and outboard end portions adjacent the inboard and outboard ends, respectively, that tend to experience significant local hydrodynamic fluctuations associated with the scrubbing of unsteady flow over the inboard and outboard end surfaces. These fluctuations tend to generate noise to form a noise source.

At least a portion of the inboard and/or outboard end surfaces, and/or the inboard and outboard end portions of the upper or lower side of the flap include a substantially porous surface that is acoustically connected to chambers (or passageways) that are disposed within the elongated flap structure. Noise generated by the noise source enters the internal chambers through the openings, and a portion of that noise is absorbed to thereby reduce the amount of noise that would otherwise be transmitted to the surrounding environment. If the chambers are sufficiently small in diameter, are terminated within the flap structure, and are not allowed to communicate with other internal chambers, the structure forms a local-reacting liner. If the chambers are large in diameter, or are interconnected, the structure forms an extended-reacting liner. Thus, noise absorption is achieved via all of the conventional acoustic liner mechanisms (e.g. viscothermal losses within the chamber, vortex shedding). The impedance boundary condition present at the surface of the porous surface also provides a pressure-release condition that may reduce the local hydrodynamic fluctuations, thereby inhibiting the noise generation process. In a further embodiment, an orthotropic lattice structure interconnects porous surfaces of the flap with internal lattice-structured perforations to equalize the steady pressure field on the flap surfaces adjacent to the edge and to reduce the amplitude of the fluctuations in the flow field near the flap edge.

These and other features, advantages, and objects of the present invention will be further understood and appreciated by those skilled in the art by reference to the following specification, claims, and appended drawings.

### BRIEF DESCRIPTION OF THE DRAWINGS

FIG. 1 is a partially fragmentary isometric view of an aircraft having wings and wing flaps;

FIG. 2 is a partially fragmentary enlarged isometric view of a portion of the wing flap of the aircraft of FIG. 1;

FIG. 3 is a cross-sectional view taken along the line III-III; FIG. 1, showing one possible configuration of the acoustic chambers;

FIG. 4 is a cross-sectional view of a flap showing another possible configuration of the internal acoustic chambers;

FIG. 5 is a cross-sectional view of a wing flap according to another aspect of the present invention;

FIG. 6 is an isometric view of a wing flap for the aircraft of FIG. 1.

FIG. 7 is an outline of a flap end illustrating the dimension  $t_{max}$ .

FIG. 8 is a cross-sectional view of a flap showing the internal orthogonal lattice-structure perforations;

FIG. 9 is a partial enlarged view of the internal orthogonal lattice-structured perforations;

FIG. 10 is an illustration of circular perforation diameter and spacing; and

FIG. 11 is an illustration of a perforation intersection; and  
FIG. 12 is a graph illustrating computational results.

#### DETAILED DESCRIPTION OF EMBODIMENTS

For purposes of description herein, the terms “upper,” “lower,” “right,” “left,” “rear,” “front,” “vertical,” “horizontal,” and derivatives thereof shall be related to the invention as oriented in FIG. 1. However, it is to be understood that the invention may assume various alternative orientations, except where expressly specified to the contrary. It is also to be understood that the specific devices and processes illustrated in the attached drawing, and described in the following specification are simply exemplary embodiments of the inventive concepts defined in the appended claims. Furthermore, references to specific items or features (e.g. a wing structure, leading edge slat, and slat cove filler) shall not be construed as limiting the item or feature to one-piece or multi-piece items or features. Hence, specific dimensions and other physical characteristics relating to the embodiments disclosed herein are not to be considered as limiting, unless the claims expressly state otherwise.

An aircraft 1 (FIG. 1) includes a fuselage 2, wings 3, and horizontal and vertical rear stabilizers 4 and 5, respectively. The aircraft 1 also includes turboprop engines 6 or other propulsion system such as open rotor engines. The fuselage 2, wings 3, stabilizers 4 and 5, and engines 6 may be of a known type, and these components of aircraft 1 will therefore not be described in more detail herein. The left half of aircraft 1 is shown in dashed lines in FIG. 1, but it will be understood that the left and right halves of aircraft 1 are mirror images of one another such that only the right half is described in detail herein.

Wing 3 may include upper and lower surfaces 11 and 12 extending between a leading edge 13 and a trailing edge 14. The aircraft may include an elongated flap structure 10 that is movably connected to the wing 3 adjacent trailing edge 14. The flap 10 is movably interconnected with the wing 3 by connectors 15 to provide control of aircraft 1. In general, powered actuators (not shown) or the like may be utilized to provide movement of flap structure 10 relative to the wing 3. The connecting structures 15 and powered actuators may also be of a conventional type, and are not therefore described in detail herein.

The flap structure 10 includes inboard and outboard ends 20 and 22, respectively, and forward and rearward portions 24 and 26, respectively. The flap structure 10 further includes an upper side 28 having an upper surface 29 and a lower side 30 having a lower surface 31 (see also FIG. 3).

Wing design for conventional transport aircraft is driven largely by cruise efficiency, i.e., the need to generate adequate lift with minimal drag for level flight at high speeds. Conventional high-lift systems (leading-edge slats and trailing-edge flaps) are designed to augment lift and improve stall characteristics at the low landing speeds required under many circumstances. These multi-element airfoil systems increase the effective chord (streamwise dimension) of the wing and thus its effective area. The major effect of the multi-element airfoil arrangement is to generate a much larger pressure difference (lift) between the upper (suction) and lower (pressure) surfaces than would be possible utilizing a single airfoil element. However, the multi-element implementation of the high-lift system presents many discontinuities and other unfavorable geometric characteristics to the flow. These geometric fea-

tures cause considerable unsteadiness in the flow, which is the primary source of aeroacoustic noise.

The principal geometric features responsible for producing flow unsteadiness around flap 10, and thus noise, are the inboard and outboard edges 21 and 23, respectively, at the inboard and outboard ends 20 and 22, respectively. Computational results display strong suction peaks at the inboard and outboard edges 21 and 23, respectively of flap 10. The suction peaks are attributed to the presence of strong stream-wise vortices. Existence of a strong pressure differential between the bottom and top surfaces of the flap results in the formation of a complex dual-vortex system. Specifically, near the flap leading edge, the boundary layer on the bottom surface separates at the sharp corner and rolls up to form a stronger of the two vortices. Similarly, the thin boundary layer on the side edge separates at the sharp top corner and forms what is initially the weaker of the two vortices. Both vortices gain strength and size along the flap chord because of the sustained generation of vorticity. Downstream of the flap mid-chord, the side vortex begins to interact and merge with the vortex on the top surface. Eventually, a single dominant stream-wise vortex is formed.

Considerable flow unsteadiness (noise sources) is produced during the shear layer roll up, vortex formation and vortex merging process as well as by the interaction of the vortices with the sharp corners at the flap edge. The multi-element airfoil reverts to a smooth single-element profile during the cruise phase of flight to reduce wing drag. In current practice, the multiple airfoil elements are nested together in a retracted position.

The present invention includes a method and structure that reduces this source of airframe noise without compromising cruise efficiency, lift, and stall characteristics at landing. As discussed in more detail below, one aspect of the present invention is the use of acoustic liners that are imbedded within the flap structure 10 to target the propagation phase of acoustic disturbances generated elsewhere. It also targets the very process of noise generation via interaction of the unsteady flow with the flap side edges 21 and 23. By limiting the control action to fluctuations within the flow, the gross aerodynamic characteristics are left unaltered and, hence, the expected aerodynamic penalty is small or none at all. However, the limited volume within the flap edge creates a significant packaging challenge. In addition, the broad frequency range (potentially greater than 3.5 octaves) to be attenuated creates additional challenges.

Known technology used in current commercial aircraft to reduce noise generated at the flap side edges involves implementation of “clean” configurations. Prior concepts include the application of fences, continuous moldline link, porous treatment, and brushes at the flap side edges. Given the critical functionality of aircraft flaps in the control of the aircraft, reconfiguration of this system may be problematic. The known concepts offer a range of noise reduction potentials, but they also have disadvantages ranging from weight penalties, parasitic drag penalties during cruise, and/or a loss of aerodynamic efficiency.

With further reference to FIG. 2, a flap structure according to one aspect of the present invention includes an acoustic liner 34 on upper side 28 of flap 10 and/or an acoustic liner 36 on end 20 (or 22), and/or an acoustic liner 38 on a lower side 30 of flap 10 (see also FIG. 4). The end portion 40 of the flap 10 comprises the region of the flap at which unsteady flow generates noise. In FIG. 2, the end portion 40 is separated from a central portion 44 of flap 10 by a line designated 42. It will be understood, however, that the end portion 40 forming a source of noise does not necessarily have a clear boundary



5

line 42, and the end portion 40 may have different sizes and shapes, with no distinct boundary relative to central portion 44 of flap structure 10. Also, the end portion 40 at which unsteady flow occurs may also change in width from the leading edge 13 to the trailing edge 14. Still further, the areas at the ends of flap 10 that experience unsteady flow may change as aircraft velocity, altitude, and other such operating parameters vary. In a typical commercial aircraft, the end portion 40 is approximately two to ten inches wide (measured from the end of flap 10).

The acoustic liner 34 comprises a thin sheet of material 46 having a plurality of perforations 47 arranged in a substantially uniform repeating pattern to thereby define a porous upper surface portion 48. The perforations 47 may also be arranged in a non-uniform pattern that may or may not be repeating. Porous upper surface 48 may be formed by a thin sheet of material having a plurality of perforations 51, or it may comprise a mesh, or it may be defined by the upper most surfaces of wing 3 adjacent to the openings of the internal chambers (or passageways) 60 (FIGS. 3 and 4) described in more detail below.

Similarly, acoustic liner 36 at end 22 (or end 20) may comprise a sheet of material 50 having a plurality of perforations 51 defining a porous outer surface 58. Surface 58 may be substantially planar, or it may be curved. In general, surface 58 may have a shape/contour that is substantially identical to the shape/contour of the original end surface of flap 10 for a particular aircraft as originally designed by an aircraft manufacturer. Alternately, surface 58 may be specifically contoured to optimize aerodynamics and/or noise reduction taking into account changes to airflow resulting from the presence of one or more acoustic liners according to the present invention. Similarly, acoustic liner 38 on the bottom 30 of flap 10 may comprise a thin sheet of material 54 having a plurality of perforations 55 that permit sound to enter acoustic internal chambers 60 formed in body 18 of flap structure 10. The flap 10 may include only a top acoustic liner 34, or it may include only an end acoustic liner 36, or only a bottom acoustic liner 38, or it may include any combination of the liners 34, 36, and 38, depending upon the requirements of a particular application. Also, the acoustic liners 34, 36, and 38 may cover substantially all of the upper and lower surfaces at end portion 40, or they may extend over only a segment of end portion 40 of flap structure 10. Similarly, the end acoustic liner 36 may cover substantially all of the end 20 (or 21), or it may cover only a portion thereof. The acoustic liners 34 and/or 36 and/or 38 are designed to absorb sound having a specific acoustic frequency profile, and to provide optimum aerodynamic characteristics.

With further reference to FIG. 3, acoustic liner 34 on upper side 28 of flap 10 may comprise a plurality of internal acoustic chambers 60A-60E having openings 62A-62E at a porous upper surface 48 that form outer ends of chambers 60A-60E. In the liner 34 shown in FIG. 3, the acoustic chambers 60A-60E each include an outer portion 64A-64E, respectively, that extends inwardly in a direction that is generally transverse or perpendicular to porous upper surface 48. Also, chambers 60A and 60B have inner end portions 66A and 66B, respectively, that extend transverse relative to the outer portions 64A and 64B. A center chamber 60C, however, only includes a straight portion 64C. Acoustic chambers 60D and 60E also include inner, transversely-extending inner end portions 66D and 66E. The inner end portions generally extend at an angle in the range of about 30°-90° relative to outer portion 64A-64E. In general, the key constraint for the orientation of the internal chambers is the requirement that all of the chambers must fit within the volume 10 of the flap. The required cham-

6

ber length can be realized utilizing straight, bent, L-shaped, or U-shaped configurations. The shape or combination of shapes chosen is dependent upon the lengths required to achieve optimal sound absorption (or pressure release) as well as the amount of volume available for the internal chambers. The acoustic chambers or passageways may have a uniform circular cross-sectional shape, or the cross-sectional shape may be quadrilateral or other geometry. For example, the cross-sectional shapes may be square, octagonal, hexagonal, diamond shaped, or irregularly shapes. The cross-sectional shape may be chosen to provide optimal use of the available internal space for a particular application. The cross-sectional area of the chambers/passageways may be substantially uniform along the length of the passageway, or it may increase or decrease. The specific orientations of the chambers 60 is typically not at all critical with respect to acoustic effects, and the orientation of the internal chambers 60 is largely driven by the need to fit the desired chamber lengths within the limited volume. The fact that most of the chambers 60 of FIG. 3 are nearly perpendicular to the surface at the surface was chosen to simplify the packaging requirement.

With further reference to FIG. 4, flap structure 10 may include a plurality of acoustic chambers 60, each having an opening 62. The acoustic chambers 60 may form an upper acoustic liner 34, a lower acoustic liner 38, and/or an end acoustic liner 36 (not shown in FIG. 4). Each of the acoustic chambers 60 may have a different length and/or shape to thereby absorb sound at different frequencies. Each chamber 60 may be configured to behave as a quarter-wavelength resonator (sometimes called an organ-pipe resonator). Thus, the different lengths of the chambers 60 are selected for optimal absorption of different frequencies. By proper selection of the combination of lengths (in a general sense, length is measured along the center line of the chamber, whether that is a straight path or it includes one or more bends), a broadband sound absorber can be achieved. Also, the chambers 60 within flap 10 (FIG. 4) may be connected by optional internal passageways 72, such that sound enters through the porous surfaces and travel in multiple directions within the flap 10. Chambers or passageways 60 may have opposite ends that are both open on either the upper surface or the lower surface of flap 10, or they may have one end that is open on the top side of flap 10, and an opposite end that is open on the bottom of flap 10. For example, the chambers 60F and 60G (FIG. 4) could comprise a single chamber extending all the way through flap 10 whereby noise is transmitted internally from the lower surface 12 of flap 10 to the upper surface 11 of flap 10, and/or visa-versa. Designing chambers or passageways 60 such that sound travels in multiple directions within the flap 10 via interconnecting passageways, and exits the flap 10 at a different portion of the porous surface represents one way to provide broadband sound absorption and/or dampening of hydrodynamic fluctuations (i.e. to reduce efficiency of their conversion to propagating sound).

The internal chambers 60 (or the entire flap interior) can also be filled with foam or other acoustic filler material, which changes the manner in which sound is absorbed as it travels through the flap 10.

The flap 10 may include a single internal chamber 60, a plurality of substantially identical internal chambers 60, or a plurality of internal chambers 60 having different lengths and/or shapes. If a number of variable-depth chambers, separated by impervious partitions and terminated within the body of the flap, are imbedded within the flap side edge 21 (or 23), a local-reacting liner results. In the configuration shown in FIG. 4, the internal chambers 60 (or channels) have a circular cross-sectional shape with relatively small diameters, such

that a large number of the internal chambers **60** can fit within the relatively small volume of flap **10**. According to other aspects of the present invention, the diameter of the interior chambers can be increased, with a porous face sheet covering the resultant openings at the porous surface to provide the desired acoustic resistance. A large number of configurations may be utilized to achieve similar surface acoustic impedance boundary conditions by varying the geometry of the internal chambers and the surface face sheet.

With further reference to FIG. 5, a flap **10A** according to another aspect of the present invention may include upper and lower surfaces **48A** and **55A** that are porous or have porous portions. Internal space **80** of flap **10A** is partially or completely filled with filler material such as foam **82**. Foam **82** may comprise metallic foam or other suitable material. The upper and lower surfaces **48A** and **55A**, respectively may comprise thin upper and lower sheets of material **84** and **86** having a plurality of perforations therethrough. Sheets of material **84** and **86** may be aluminum, fiber composites, or other suitable material.

The acoustic liners may also comprise extended-reaction liners. For example, the internal volume of the flap side edge **21** (or **23**) may be filled with a bulk material such as foam, and allowing communication between the interior and exterior of the flap side edge via a porous surface such as a perforated face sheet, wire mesh, or the like.

Because of the porous nature of one or more segments of the flap surface near the side edge **21** (or **22**), the aeroacoustic environment outside the flap **10** can communicate with the chamber or chambers **60** within the flap **10**. As discussed above, the interior volume of the flap **10** contains one or more chambers **60**, which may or may not be filled with sound-absorbent acoustic material such as a porous bulk material such as, but not limited to, foam or the like. The acoustic treatment imbedded within the volume of the flap **10** changes the boundary condition at the surface of the flap **10**, such that the strength of the local hydrodynamic fluctuations associated with the scrubbing of the unsteady flow over the side edge surface is reduced. Furthermore, the change in the boundary condition also inhibits the conversion of hydrodynamic fluctuations into noise, and also inhibits near field propagation of this noise. The boundary condition presented at the porous surface is such that it inhibits sound from being generated by the flow interaction with this surface.

Software design tools are available to assist in the design of the interior chambers **60** of the flap **10**. Known software previously utilized for design of acoustic liners in engine nacelles may be utilized to assist in the design of chambers **60**. Such software may also be modified somewhat to thereby adapt it for use in designing chambers **60** in flap **10**. The use of these design tools allows the efficient design of acoustic liners with multiple chambers, each of which can be designed with unique geometries. This design tool also allows a convenient evaluation of configurations designed to fit within a small volume, while exploring combinations of chambers that result in broadband noise reduction.

FIGS. 6 through 11 illustrate a further embodiment, in which an orthotropic lattice structure interconnects perforated (porous) surfaces of the flap with internal lattice-structured perforations to equalize the steady pressure field on the flap surfaces adjacent to the flap end and to reduce the amplitude of the fluctuations in the flow field near the flap end. Referring to FIG. 6, flap **10** comprises perforated upper side **28**, perforated lower side **30**, and perforated end **22** (or **20**). However, the invention is not limited thereto. As examples, upper side **28** and one or both ends **20** and **22** may be perforated, or lower side **30** and one or both ends **20** and **22** may be

perforated. At least one of ends **20** and **22** is perforated, but perforations of both may be needed to produce the desired noise reduction. All of perforations **101** integrate with internal orthogonal (approximately 90 degrees) lattice-structured perforations **180** (shown in FIGS. 8 and 9). The perforations **101** of the flap surfaces near the end portion **40** enable the aeroacoustic environment outside the flap **10** to communicate with the orthotropic lattice-structured perforations **180** within the flap **10**. Pressure driven flow enters into the interior orthotropic lattice-structured perforations **180** through the porosity (perforations **101**) of the outer surfaces of end portion **40**. Such perforated outer surfaces can include the various combinations discussed above. Via the interconnectivity of internal and surface porosity, the high pressure flow entering the flap interior gravitates toward regions of lower pressure on the flap exterior surfaces. The high viscous damping of the internal lattice-structured perforations **180** provides a strong mechanism for (1) equalizing the steady pressure field on the surfaces adjacent the end portion **40**; and (2) reducing the amplitude of the fluctuations in the flow field near the end portion **40**.

Looking further at FIG. 9, the perforations **182A**, **182B** and **182C** internal to the flap **10** change the boundary conditions at the surface of the flap, significantly reducing the steady pressure differential experienced by the end portion **40**. Such surfaces include any exterior flap surfaces near the flap tip that have perforations, and could include upper side **28**, lower side **30**, end **20**, end **22**, and any combination thereof. As a result, the vortex formation process at the end portion **40** is either delayed or substantially reduced in such a way that the strength of the local hydrodynamic fluctuations associated with scrubbing of the unsteady flow over the end portion **40** surfaces is diminished. Furthermore, the change in boundary conditions is also expected to inhibit the conversion of hydrodynamic fluctuations to noise and the near field propagation of this noise. As shown in FIG. 6, the perforations **101** do not extend within trailing edge region **104A** and leading edge region **104B** due to the thinness of the trailing edge and structural interface of the flap **10** to the wing **3**, respectively; however, porosity could extend to regions **104A** and **104B** to the extent such regions are exposed to flow and end portion **40** structurally could accommodate the presence of perforations.

As shown in FIGS. 8 and 9, the internal orthogonal lattice-structured perforations **180** comprise perforations that are orthogonally aligned in three directions, with each approximately perpendicular to its corresponding surface of the flap **10**. One set of perforations **182A** connects the flap upper side **28** and lower side **30**. A second set of perforations **182B** extends into the flap **10** from end **20** (and/or end **22**), and the maximum distance the perforations extend inboard scales approximately with the flap edge maximum thickness  $t_{max}$  (illustrated in FIG. 7). The third set of perforations **182C** is oriented chordwise, generally following the chordwise curve of the flap **10**, and does not intersect any of the exterior surfaces of end portion **40**. While perforations in upper side **28**, lower side **30** and end **22** are shown, as earlier provided, porosity could be used in a more limited manner, such as limited to upper side **28** and end **20** or lower side **30** and end **22**. Additionally, one or both of ends **20** and **22** could be porous.

As illustrated in FIG. 9, the perforations **101** are positioned such that member perforations from each group **182A**, **182B**, and **182C** form a common intersection **190** (shown enlarged in FIG. 11), thereby creating a three-dimensional lattice structure that is approximately orthotropic (approximately 90 degrees) in nature. This configuration allows every perforation **101** to be in communication with all other perforations in

the lattice volume. Numerous variations can be made to the lattice configuration, and the lattice-structure and surface porosity are not limited to the configurations illustrated. While the perforations illustrated are octagonal in shape, the invention is not limited thereto. Different shapes and sizes of perforations, as well as arrangements, can be utilized and can be tailored based on considerations such as ease of manufacturing, desired acoustic results, and minimal aerodynamic impact. As an example, the sizes of the perforations could progress from smaller to larger moving from the leading edge 13 of the flap 10 to the trailing edge 14 of the flap 10. As a further example, the spacing between adjacent perforations could also vary in the chordwise direction. Additionally, the perforations could vary in dimension along their length.

Viscous diffusion via the surface perforations 101 and internal perforations 180 is significant, affecting the steady component of the flow at the end portion 40 substantially. However, the losses inherent in this configuration are less than those experienced with conventional bulk liners. The global communication that exists within all of the perforations provides the mechanism to lessen the pressure gradients experienced by the end portion 40. This creates the desired alteration to both the steady and unsteady (fluctuating) components of the flow field at the end portion 40. In addition to having diffusive effects (diffusing the incoming flow), the three-dimensional orthogonal lattice structure is also reactive (acoustic wave phase distortion) due to the interconnection of the perforations.

The flow "reaction" produced by the orthogonal lattice design is determined by three parameters: perforation diameter  $d$  (shown in FIG. 10) or an equivalent length scale based on the area of the hole if a non-circular shape is chosen, perforation spacing  $s$  (shown in FIG. 10), and the extent of the surface area on upper side 28, end 20, end 22, and lower side 30 having porosity. Perforation spacing  $s$  is the distance between the centers of two adjacent perforations 101/182A/182B/183C. The ratio of perforation spacing,  $s$ , to the perforation diameter,  $d$ , will typically fall within the approximate range  $1.4 < s/d < 2.0$ . A ratio of  $s/d=1$  indicates no spacing between adjacent perforations. A ratio greater than approximately 2.0 will generally not be sufficient porosity to achieve desired flow diffusion. The dimension of the perforations 101/182A/182B/183C is chosen such that the surface porosity (open area ratio per unit area) of the treated surfaces of the end portion 40 is less than approximately 40%. A surface porosity greater than this value will generally result in undesirable aerodynamic loss. Software design tools for computational flow simulation, such as the PowerFLOW® software or other commercially available software, can be used to assist in the design of the surface perforations and internal orthogonal lattice-structure perforations to optimize noise reduction with no/minimal/acceptable impact to aerodynamic loss.

The effectiveness of the ROLD (Reactive Orthotropic Lattice Diffuser) treatment (surface porosity in communication with internal orthogonal lattice-structure perforations) in substantially reducing flap noise has been demonstrated via high-fidelity computational simulations, and is illustrated in FIG. 12. Porosity was used on upper side 20, lower side 30, end 20 and end 22 along with internal orthogonal lattice-structure perforations in an in-service aircraft in a landing configuration. At the inboard tip, an effective diameter of 0.065 in and a spacing of 0.1 in. At the outboard tip, a diameter of 0.052 in and a spacing of 0.080 in. was used. A comparison of the fluctuating surface pressures at end portion 40 of both end 20 and end 22 between the baseline (untreated) and ROLD (treated) flaps showed an order of magnitude reduction in the

fluctuation amplitudes across the entire frequency range. More importantly, significant noise reduction in the far field was realized. The acoustic signatures of the baseline (untreated) and ROLD (treated) aircraft at a far field observer location are compared in FIG. 12. Note from the figure the effectiveness over the entire frequency range. In particular, in the all important frequency range of 200 Hz-4.5 kHz, the amplitude of the noise in the flyover (overhead) direction arriving to an observer on the ground is reduced by 5-6 dB. The accuracy of the computed results has been analyzed and the 5-6 dB gain in noise reduction is considered to have an error of  $\pm 0.5$  dB.

Although the ROLD embodiment has been described in relation to a flap 10 of aircraft 1, the ROLD embodiment is not limited thereto and can be applied to any lift producing isolated airfoil tip. Examples include helicopters (use on rotor blade tips), as well as turbine blades. It has broad application to any system in which there is a desire to reduce noise generated by unsteady flow at any lift producing isolated airfoil tip.

It is to be understood that variations and modifications can be made on the aforementioned structure without departing from the concepts of the present invention, and further it is to be understood that such concepts are intended to be covered by the following claims unless these claims by their language expressly state otherwise.

The invention claimed is:

1. A flap of the type that is movably connected to an aircraft wing to provide control of an aircraft in flight, the flap comprising:

an elongated flap structure defining inboard and outboard ends and forward and rearward portions extending between the inboard and outboard ends, the elongated flap structure defining an upper side extending between the inboard and outboard ends and between the forward and rearward portions, and a lower side, wherein the upper side generally faces upwardly in use, and the lower side generally faces downwardly in use, and wherein the inboard end defines an inwardly-facing inboard end surface and the outboard end defines an outwardly-facing outboard end surface, and wherein the upper and lower sides define inboard and outboard end portions adjacent the inboard and outboard end surfaces, respectively, that tend to generate noise to form a noise source in use, and wherein:

at least a portion of at least one of the inboard and outboard end surfaces and at least one of the inboard and outboard end portions of the upper and lower sides include a perforated portion having perforations that are connected to corresponding perforations internal to the flap, wherein the internal perforations are located within at least one of the inboard and outboard end portions, wherein the internal perforations comprise an approximately orthogonal lattice arrangement, and wherein the connecting corresponding perforations comprise the substantially same cross-sectional shape and dimensions.

2. The flap of claim 1, wherein the internal perforations comprise perforations extending into the flap from at least one of the inboard and outboard ends, wherein such extensions scale approximately with the flap edge maximum thickness  $t_{max}$ .

3. The flap of claim 1, wherein all perforations comprise the substantially same cross-sectional shape and dimensions.

4. The flap of claim 1, wherein all perforations comprise a substantially uniform repeating pattern.

11

5. The flap of claim 1, wherein the perforations for the at least a portion of at least one of the inboard and outboard end surfaces and the at least one of the inboard and outboard end portions of the upper and lower sides define a non-uniform pattern.

6. The flap of claim 1, wherein the perforations for the at least a portion of at least one of the inboard and outboard end surfaces and the at least one of the inboard and outboard end portions of the upper and lower sides vary in at least one of cross-section shape and dimensions.

7. The flap of claim 1, wherein all perforations have a substantially octagonal cross-sectional shape.

8. The flap of claim 1, wherein one or more perforations has a cross-section which varies in size along its length.

9. The flap of claim 1, wherein perforations for the at least a portion of at least one of the inboard and outboard end surfaces and the at least one of the inboard and outboard end portions of the upper and lower sides comprise a porosity of less than approximately 40 percent.

10. The flap of claim 1, wherein the global communication between all perforations lessens the pressure gradients experienced by the inboard and outboard ends of the flap, and alters both the steady and unsteady components of the flow field at the inboard and outboard ends of the flap.

11. The flap of claim 1, wherein the global communication between all perforations diffuses the incoming flow around the inboard and outboard ends of the flap and distorts the acoustic wave phase.

12. The flap of claim 1, wherein the perforations for the at least a portion of at least one of the inboard and outboard end surfaces and the at least one of the inboard and outboard end portions of the upper and lower sides increase in size from the forward portion to the rearward portion.

13. The flap of claim 12, wherein the perforations have a substantially uniform diameter.

14. The flap of claim 1, wherein all perforations have a substantially circular cross-sectional shape.

12

15. The flap of claim 14, wherein  $s/d$ , the ratio of perforation spacing  $s$  between the centers of two adjacent perforations to the perforation diameter  $d$ , is within the range of approximately  $1.4 < s/d < \text{approximately } 2.0$ .

16. The flap of claim 14, wherein all perforations have the substantially same dimension.

17. A method of reducing aircraft noise, the method comprising:

determining at least one frequency of excess noise generated, at least in part, at an end of a wing flap when the wing flap is in a deployed position;

determining a specific geometry of perforations in at least a portion of at least one of an inboard and outboard end surface and at least one of an inboard and outboard end portion of the upper and lower sides, and the geometry of corresponding connecting perforations internal to the flap and located within at least one of the inboard and outboard end portions, wherein the internal perforations comprise an approximately orthogonal lattice arrangement, that will, in use, absorb at least a substantial portion of sound at the frequency of the excess noise; and providing the determined specific geometry in the flap.

18. A method of reducing noise in a lift producing isolated airfoil tip, the method comprising:

determining at least one frequency of excess noise generated, at least in part, at an end of the airfoil;

determining a specific geometry of perforations in surfaces of the airfoil and corresponding connecting perforations internal to the airfoil, wherein all perforations are in global communication, further wherein the internal perforations comprise an approximately orthogonal lattice arrangement, that will, in use, absorb at least a substantial portion of sound at the frequency of the excess noise; and

providing the determined specific geometry in the airfoil.

\* \* \* \* \*