

Analysis of glucose-dependent insulinotropic peptide receptor (*GIPR*) and luteinizing hormone receptor (*LHCGR*) expression in human adrenocortical hyperplasia

Análise da expressão dos receptores do peptídeo insulinotrópico dependente de glicose (*GIPR*) e do hormônio luteinizante (*LHCGR*) nas hiperplasias adrenocorticais humanas

Marcia Helena Soares Costa¹, Sorahia Domenice¹, Ana Claudia Latronico¹, Regina Matsunaga Martin¹, Mirian Yumie Nishi¹, Antonio Marmo Lucon², Berenice Bilharinho Mendonca¹, Maria Candida Barisson Villares Fragoso¹

ABSTRACT

Objective: To analyze the aberrant expression of the *GIPR* and *LHCGR* in different forms of adrenocortical hyperplasia: ACTH-independent macronodular adrenal hyperplasia (AIMAH), primary pigmented nodular adrenocortical disease (PPNAD) and diffuse adrenal hyperplasia secondary to Cushing's disease (DAHCD). **Methods:** We quantified *GIPR* and *LHCGR* expressions using real time PCR in 20 patients with adrenocortical hyperplasia (seven with AIMAH, five with PPNAD, and eight with DAHCD). Normal adrenals tissues were used as control and the relative expression was compared with β -actin. **Results:** *GIPR* and *LHCGR* expressions were demonstrated in all tissues studied. Median *GIPR* and *LHCGR* mRNA levels were 1.6; 0.4; 0.5 and 1.3; 0.9; 1.0 in adrenocortical tissues from AIMAH, PPNAD and DAHCD respectively. There were no differences between *GIPR* and *LHCGR* expressions in all tissues studied. **Conclusions:** *GIPR* and *LHCGR* overexpression were not identified in the studied cases, thus suggesting that this molecular mechanism is not involved in adrenocortical hyperplasia in our patients. *Arq Bras Endocrinol Metab.* 2009;53(3):326-31.

Keywords

Adrenal hyperplasia; gene expression; G-protein coupled receptors (GPCRs)

RESUMO

Objetivo: Analisar a expressão aberrante do *GIPR* e do *LHCGR* em diferentes formas de hiperplasias adrenocorticais: hiperplasia adrenal macronodular independente de ACTH (AIMAH), doença adrenocortical nodular pigmentada primária (PPNAD) e hiperplasia adrenal difusa secundária à doença de Cushing (DAHCD). **Métodos:** Quantificou-se por PCR em tempo real a expressão desses receptores em 20 pacientes: sete com AIMAH, cinco com PPNAD e oito com DAHCD. Adrenais normais foram utilizadas como controle e a expressão relativa desses receptores foi comparada à expressão da β -actina. **Resultados:** A expressão desses receptores foi demonstrada em todos os tecidos estudados. A mediana da expressão do *GIPR* e do *LHCGR* foi de 1,6; 0,4; 0,5 e de 1,3; 0,9; 1,0 nos tecidos dos pacientes com AIMAH, PPNAD e DAHCD, respectivamente. Não houve diferença significativa na expressão desses receptores nos tecidos estudados. **Conclusões:** Hiperexpressão do *GIPR* e do *LHCGR* não foi observada, sugerindo que esse mecanismo não está envolvido na patogênese molecular da hiperplasia adrenal nesses pacientes. *Arq Bras Endocrinol Metab.* 2009;53(3):326-31.

Descritores

Hiperplasia adrenal; expressão gênica; receptores de membrana

¹ Unidade de Endocrinologia do Desenvolvimento, Laboratório de Hormônios e Genética Molecular LIM/42, Divisão de Endocrinologia e Metabologia
² Divisão de Urologia, Hospital das Clínicas, Faculdade de Medicina, Universidade de São Paulo (HC-FMUSP), São Paulo, SP, Brazil

Correspondence to:

Marcia Helena Soares Costa e Maria Candida Barisson Villares Fragoso
Disciplina de Endocrinologia e Metabologia, HC-FMUSP
Av. Dr. Enéas de Carvalho Aguiar, 155 – 2º andar, bloco 6
05403-900 – São Paulo, SP, Brasil,
mhsc@usp.br
mariafragoso@uol.com.br

Received in Oct/1/2008
Accepted in Jan/15/2009

INTRODUCTION

ACTH-independent Cushing's syndrome may occur due to adrenocortical tumors and different kinds of hyperplasia: ACTH-independent macronodular adrenal hyperplasia (AIMAH), primary pigmented nodular adrenocortical disease (PPNAD) and its variant subtype, non-pigmented micronodular hyperplasia (1-3).

The pathways involved in ACTH-independent hormone secretion and cell proliferation in these disorders have not been completely elucidated (4-6). The cortisol production in AIMAH has been shown to be regulated by eutopic and ectopic aberrant expression of G-protein coupled receptors (1,2,7-9).

In PPNAD, presented frequently as part of Carney complex syndrome (10), germline mutations of *PRKARIA* and, recently, *PDE11A* mutations were related to the etiology of the disease (11,12).

The aberrant expression of G-protein coupled receptor has been related to some cases of adrenal hyperplasia. The glucose-dependent insulinotropic peptide receptor (GIPR), a member of the secretin-vasoactive intestinal peptide receptor family, is widely distributed in peripheral organs as well as in the brain (13). During the last decade, GIPR overexpression has been identified in the adrenals of patients with Cushing's syndrome due to AIMAH and adrenal adenoma (2,14-18). Its expression has also been described in adrenal hyperplasia secondary to Cushing's disease, however, the form how GIPR overexpression stimulates the steroidogenesis pathway remains uncertain (19,20).

The luteinizing hormone receptor (LHCGR), a G protein-coupled receptor mainly involved in the regulation of gonadal functions (21), is normally expressed in the human zona reticularis of the adrenal gland (22). The aberrant *LHCGR* adrenal expression was first identified in a French-Canadian woman with transient Cushing's syndrome during pregnancies that reappeared after post-menopausal LH increase (23). Overexpression of this receptor was then identified in several *in vitro* studies of steroid-secreting AIMAH and adrenocortical tumors (24-26).

The aim of this study is to investigate, by using real time PCR, if the aberrant expression of these receptors, *GIPR* and *LHCGR*, would be involved in adrenal enlargement in PPNAD and Cushing's disease, as well as in our cases of AIMAH.

METHODS

The study was approved by the Ethical Committee of Hospital das Clínicas, São Paulo, Brazil, and written informed consent was obtained from all patients. We studied 20 Brazilian patients with adrenocortical disorders (18 females and 2 males; age ranged from 18 to 69 years old). Seven patients had AIMAH, five had PPNAD and eight patients had Cushing's disease. Complete clinical and molecular features of these patients are shown in table 1. The pre-surgical hormonal evaluation of the patients included peripheral blood determination of electrolytes, LH, FSH, testosterone, estradiol, ACTH, dehydroepiandrosterone sulfate (DHEAS), dehydroepiandrosterone (DHEA), androstenedione, 11-deoxycortisol, aldosterone, plasmatic renin activity, cortisol levels in basal condition and after overnight administration of 1 and 8 mg of dexamethasone. Urinary cortisol of 24 hours was also determined.

Six of seven cases of AIMAH (patients 2-7, Table 1) were previously submitted to an *in vivo* screening protocol for the aberrant receptor presence (27) and two siblings (cases 5 and 7) have presented a cortisol increment > 50% after cisapride test, suggesting an abnormal response due to 5-HT₄ receptor.

Quantitative expression of *GIPR* and *LHCGR*

All patients underwent bilateral or unilateral adrenalectomy, except for two patients (cases 5 and 6 of Table 1), in whom adrenal biopsies were performed. Adrenal tissue was obtained after surgical proceedings. Tumor samples were obtained from the core of the excised tumors to minimize possible contamination by the surrounding normal tissue. Necrotic and hemorrhagic areas were also avoided. Nodule tissue fragments were immediately stored in liquid nitrogen until RNA extraction.

RNA extraction, DNA synthesis and RT-PCR

Total RNA was isolated from frozen tissue using Trizol Reagent (Invitrogen, Grand Island, NY, USA). Reverse transcription (RT) was performed in 5 µg of total RNA of each sample using Multiscribe from a High-capacity cDNA Archive Kit (Applied Biosystems, Foster City, CA, USA) in a 50 µL total reaction.

Quantitative real time PCR was carried out in the Applied Biosystems 7000 real-time PCR System. TaqMan Gene Expression Assays (Applied Biosystems, Foster City, CA, USA) were especially designed to amplify

Table 1. Clinical and molecular data of 20 patients with adrenocortical hyperplasia

Patients	Age (years)	Sex	Phenotype	Genetic alterations	Diagnosis	GIPR *Expression	LHCGR *Expression
1	34	F	Cushing's syndrome	-	AIMAH	138.5	0.9
2	53	F	Cushing's syndrome	-	AIMAH	13	1.3
3	26	F	Cushing's syndrome	-	AIMAH	1.6	3.0
4	69	F	Cushing's syndrome	-	AIMAH	0.8	1.3
5	51	F	Cushing's syndrome	-	AIMAH	0.6	0.8
6	45	F	Cushing's syndrome	-	AIMAH	3.0	2.1
7	44	M	Cushing's syndrome	-	AIMAH	0.2	0.05
8	18	M	Cushing's syndrome	Y21X(<i>PRKAR1A</i>)	PPNAD	0.2	0.9
9	55	F	Cushing's syndrome	-	PPNAD	0.05	0.4
10	29	F	Cushing's syndrome	-	PPNAD	0.4	0.9
11	35	F	Cushing's syndrome	-	PPNAD	0.5	1.8
12	23	F	Cushing's syndrome	-	PPNAD	0.4	2.1
13	31	F	Cushing's syndrome		DAHCD	0.3	0.5
14	34	F	Cushing's syndrome		DAHCD	0.9	0.7
15	35	F	Cushing's syndrome		DAHCD	0.7	0.7
16	32	F	Cushing's syndrome		DAHCD	0.5	0.8
17	31	F	Cushing's syndrome		DAHCD	0.2	1.1
18	27	F	Cushing's syndrome		DAHCD	1.5	1.3
19	33	F	Cushing's syndrome		DAHCD	0.3	1.4
20	32	F	Cushing's syndrome		DAHCD	0.4	1.7
			Normal adrenal			0.9	1.3
			Normal adrenal			0.9	1.5
			Normal adrenal			0.9	1.8
			Normal adrenal			0.5	1.9
			Normal adrenal			1.4	3.0
			Normal adrenal			0.4	3.4
			Normal adrenal			0.1	3.7
			Normal adrenal			0.5	9.6
			Control tissue (pancreas)			74.4	
			Control tissue (testes)				45.3

F: female; M: male; DAHCD: diffuse adrenal hyperplasia secondary to Cushing disease.

* Relative expression levels compared to β -actin.

the *LHCGR*. The *GIPR* amplification was performed using available commercial primers and a probe (Assay ID Hs006092_m1, Applied Biosystems Foster City, CA, USA). The *LHCGR* amplification was performed with the following pair of primers, 5' GCACAATGGAGC-CTTCCGT 3'; 5' GGCCTGCAATTTGGTGGAA 3' and the probe 5' CCGAAAACCTTGGATATTT 3'. β -actin (assay ID-4326315E, Applied Biosystems Foster City, CA, USA) was chosen as the internal control. Multiplex reactions consisted of 12.5 μ L 2x TaqMan Universal PCR master mix, 1.25 μ L of each 20x assay on

demand, 1.5 μ L of cDNA and water to complete 25 μ L final volume. PCR parameters were 50°C for two minutes, 95°C for ten minutes followed by 50 cycles at 95°C for 15 seconds and 60°C for 1 minute.

Validation experiments were performed to verify that the amplification efficiency of the controls was similar to that of the target genes.

A cycle threshold (C_T) value in the linear range of amplification was selected for each sample in triplicate and normalized to β -actin expression levels. The relative expression levels were analyzed using the $2^{-\Delta\Delta CT}$

where the $\Delta\Delta C_T$ is the difference between the selected ΔC_T value of a particular sample and the ΔC_T of a pool using 61 normal adrenals from autopsies (Clontech, Palo Alto, CA, USA) (28). The mean expression of the target genes in the normal adrenals pool was assigned an expression value of 1.0 and the fold increase or decrease in the expression levels in each hyperplasia sample was determined by comparison. Pancreas and testis were obtained during the surgical resections of kidney tumors, pancreatic cysts and gonads, being used as positive expression controls for *GIPR* and *LHCGR*, respectively.

Statistical analysis

GIPR and *LHCGR* expressions from all tissues analyzed were compared by Kruskal Wallis test. The value of $p < 0.05$ was considered statistically significant. In each group of patients, data are presented as median and range. The Spearman test was used to establish correlation between the receptor expression, clinical aspects and hormonal levels of patients.

RESULTS

The expression of *GIPR* and *LHCGR* was demonstrated in all tissues studied. *GIPR* expression was very low in all normal adrenal tissues studied (median level: 0.7, ranging from 0.1 to 1.4) while *LHCGR* expression levels in normal adrenal tissues were more variable (median level: 2.5, ranging from 1.3 to 9.6). Median *GIPR* mRNA levels were 1.6, 0.4 and 0.5 in adrenocortical tissues from patients with AIMAH, PPNAD and Cushing's disease respectively (Figure 1). Median *LHCGR* mRNA levels were 1.3, 0.9 and 1.0 in adrenocortical tissue from patients with AIMAH, PPNAD and Cushing's disease respectively (Figure 2). The median and ranges of both receptor expressions are shown in table 2.

No significant difference in *GIPR* expression was observed among these forms of adrenocortical hyperplasia and normal adrenals, while it was observed that the *LHCGR* expression was lower in AIMAH ($p = 0.02$) and Cushing's disease ($p = 0.02$), but not statistically significant in PPNAD when compared to normal adrenals ($p = 0.06$). We did not observe any statistical difference between *GIPR* and *LHCGR* expressions in the different forms of hyperplasia studied (Table 2).

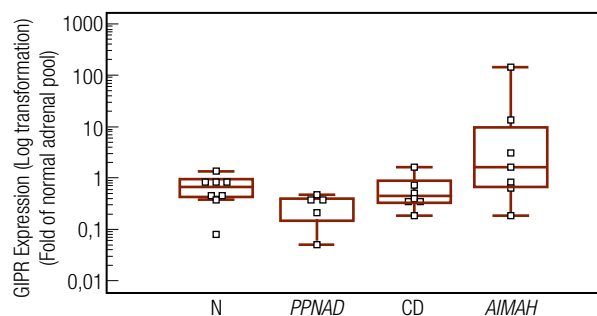


Figure 1. Expression levels of *GIPR* mRNA of 20 adrenal hyperplasia cases: five PPNAD, eight hyperplasia cases secondary to CD (Cushing's disease) and seven AIMAH compared to eight normal adrenals.

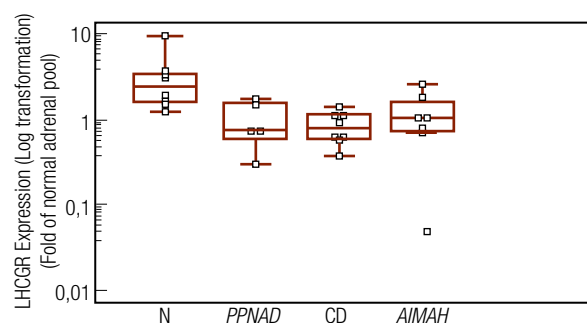


Figure 2. Expression levels of *LHCGR* mRNA of 20 adrenal hyperplasia cases: five PPNAD, eight hyperplasia cases secondary to CD (Cushing's disease) and seven AIMAH, compared to eight normal adrenals.

Table 2. *GIPR* and *LHCGR* relative expression levels (median and range) in adrenocortical hyperplasia

	GIPR Expression	LHCGR Expression
AIMAH	1.6 (0.2 - 138.5)	1.3 (0.05 - 3.0)
PPNAD	0.4 (0.05 - 0.5)	0.9 (0.4 - 2.1)
DAHCD	0.5 (0.2 - 1.5)	1.0 (0.5 - 1.7)
Normal adrenal	0.7 (0.1 - 1.4)	2.5 (1.3 - 9.6)

DAHCD: diffuse adrenal hyperplasia secondary to Cushing's disease.

We did not find a correlation between *GIPR* and *LHCGR* expression levels in adrenocortical tissues and pre-surgical hormonal levels ($p > 0.05$).

DISCUSSION

Cushing's syndrome secondary to aberrant hormone receptors has been described by several authors in the last decade (7,29). This condition has been largely identified in AIMAH and adenomas, and some sporadic cases of hyperplasia secondary to Cushing's disease and PPNAD were also related to this mechanism (2,8,19). Recently,

new patterns of LHCGR and GIPR expressions have been described, implicating both receptors in the pathophysiology of aldosterone-secreting tumors and androgen secretion resulting in hirsutism, suggesting a larger role of G-protein receptors in adrenocortical disease (26,30).

To investigate the potential role of GIPR and LHCGR expression in adrenocortical hyperplasia we studied a group of patients (20 cases) with adrenal enlargement due to several etiologies.

Despite the molecular mechanism responsible for the aberrant expression of these receptors, they still need to be clarified (2,31-34); experimental studies have demonstrated that abnormal expression of GIPR and LHCGR in adrenocortical cells provoke phenotypic changes in these cells, leading to the deregulation in their proliferation fate and eliciting adrenocortical tumorigenesis. This hyperproliferative adrenocortical tissue lead to GIP or LH-dependent secretion of cortisol and low ACTH levels (35,36).

The abnormal adrenal expression of the functional LHCGR has been identified in some cases of AIMAH and adrenocortical tumors (23-25,37); this receptor expression has been documented in normal adrenal gland (38), although it was not well investigated in other forms of adrenocortical hyperplasia; We therefore examine the LHCGR expression in eight cases of adrenocortical hyperplasia secondary to Cushing's disease and five cases of PPNAD that have presented lower LHCGR expression when compared to normal adrenal tissues. Our results do not support the role of this receptor in the adrenal enlargement due to such disorders.

The hypothesis that chronic stimulation or activation of the ACTH signaling pathway may be associated to GIPR expression suggested by the results of Swords and cols. (19) in all five patients with diffuse adrenocortical hyperplasia secondary to Cushing's disease and one case with PPNAD has not been confirmed (20,39). In our study, no difference in GIPR expression was observed in the different forms of adrenocortical hyperplasia studied: adrenal hyperplasia secondary to Cushing's disease; AIMAH and PPNAD, as well as between adrenocortical hyperplasia and normal adrenals, which did not confirm the previously described findings. However, the patient 1 showed a high expression level (138.5) bringing into evidence the great variability of GIPR expression in the adrenal hyperplasia (40,41).

In conclusion, we ruled out *GIPR* and *LHCGR* overexpression as being related to adrenocortical hyperplasia due to AIMAH and PPNAD in our cases. Our

results suggest that GIPR is not involved in the molecular mechanisms implicated in the development of diffuse adrenocortical hyperplasia of Cushing's disease. These data support the idea that the role of ACTH stimulation in the regulation of GIPR ectopic expression might be really reduced.

Acknowledgements: the authors thank to the staff of Laboratório de Hormônios e Genética Molecular LIM/42, and particularly, Emilia Modolo Pinto and Maria Aparecida Medeiros for providing excellent technical support. We also thank Doctor Alexander Augusto Jorge and Doctor Silvia Correa Souza Leão for the statistical analysis. This research was supported in part by Fundação de Amparo a Pesquisa do Estado de São Paulo (Fapesp Grants 03/07449-1 to M.H.S.C and 04/15046-7 to B.B.M.) and by Conselho Nacional de Desenvolvimento Científico e Tecnológico (CNPq Grants 300828/2005-5 to B.B.M. and 300469/2005-5 to A.C.L.).

Disclosure: there is no conflict of interest between the authors and the funding agencies that would prejudice the impartiality of this work.

REFERENCES

1. Lacroix A, Ndiaye N, Tremblay J, Hamet P. Ectopic and abnormal hormone receptors in adrenal Cushing's syndrome. *Endocr Rev.* 2001;22(1):75-110.
2. Lacroix A, Baldacchino V, Bourdeau I, Hamet P, Tremblay J. Cushing's syndrome variants secondary to aberrant hormone receptors. *Trends Endocrinol Metab.* 2004;15(8):375-82.
3. Stratakis CA, Boikos SA. Genetics of adrenal tumors associated with Cushing's syndrome: a new classification for bilateral adrenocortical hyperplasias. *Nat Clin Pract Endocrinol Metab.* 2007;3(11):748-57.
4. Bourdeau I, D'Amour P, Hamet P, Boutin JM, Lacroix A. Aberrant membrane hormone receptors in incidentally discovered bilateral macronodular adrenal hyperplasia with subclinical Cushing's syndrome. *J Clin Endocrinol Metab.* 2001;86(11):5534-40.
5. Bourdeau I, Antonini SR, Lacroix A, Kirschner LS, Matyakhina L, Lorang D, et al. Gene array analysis of macronodular adrenal hyperplasia confirms clinical heterogeneity and identifies several candidate genes as molecular mediators. *Oncogene.* 2004;23(8):1575-85.
6. Bourdeau I, Matyakhina L, Stergiopoulos SG, Sandrini F, Boikos S, Stratakis CA. 17q22-24 chromosomal losses and alterations of protein kinase a subunit expression and activity in adrenocorticotropin-independent macronodular adrenal hyperplasia. *J Clin Endocrinol Metab.* 2006;91(9):3626-32.
7. Bertherat J, Contesse V, Louiset E, Barrande G, Duparc C, Grousin L, et al. In vivo and in vitro screening for illegitimate receptors in adrenocorticotropin-independent macronodular adrenal hyperplasia causing Cushing's syndrome: identification of two cases of gonadotropin/gastric inhibitory polypeptide-dependent hypercortisolism. *J Clin Endocrinol Metab.* 2005;90(3):1302-10.
8. Costa MH, Lacroix A. Cushing's syndrome secondary to ACTH-independent macronodular adrenal hyperplasia. *Arq Bras Endocrinol Metabol.* 2007;51(8):1226-37.
9. Bourdeau I, Lampron A, Costa MH, Tadjine M, Lacroix A. Adrenocorticotropin hormone-independent Cushing's syndrome. *Curr Opin Endocrinol Diabetes Obes.* 2007;14(3):219-25.
10. Stratakis CA, Kirschner LS, Carney JA. Clinical and molecular features of the Carney complex: diagnostic criteria and recom-

- mendations for patient evaluation. *J Clin Endocrinol Metab.* 2001;86(9):4041-6.
11. Kirschner LS, Carney JA, Pack SD, Taymans SE, Giatzakis C, Cho YS, et al. Mutations of the gene encoding the protein kinase A type I-alpha regulatory subunit in patients with the Carney complex. *Nat Genet.* 2000;26(1):89-92.
 12. Horvath A, Boikos S, Giatzakis C, Robinson-White A, Groussin L, Griffin KJ, et al. A genome-wide scan identifies mutations in the gene encoding phosphodiesterase 11A4 (PDE11A) in individuals with adrenocortical hyperplasia. *Nat Genet.* 2006;38(7):794-800.
 13. Usdin TB, Mezey E, Button DC, Brownstein MJ, Bonner TI. Gastric inhibitory polypeptide receptor, a member of the secretin-vasoactive intestinal peptide receptor family, is widely distributed in peripheral organs and the brain. *Endocrinology.* 1993;133(6):2861-70.
 14. Lacroix A, Bolté E, Tremblay J, Dupré J, Poitras P, Fournier H, et al. Gastric inhibitory polypeptide-dependent cortisol hypersecretion—a new cause of Cushing's syndrome. *N Engl J Med.* 1992;327(14):974-80.
 15. Herder WW, et al. Food-dependent Cushing's syndrome resulting from abundant expression of gastric inhibitory polypeptide receptors in adrenal adenoma cells. *J Clin Endocrinol Metab.* 1996;81:3168-72.
 16. Chabre O, Liakos P, Vivier J, Chaffanjon P, Labat-Moleur F, Martinie M, et al. Cushing's syndrome due to a gastric inhibitory polypeptide-dependent adrenal adenoma: insights into hormonal control of adrenocortical tumorigenesis. *J Clin Endocrinol Metab.* 1998;83(9):3134-43.
 17. Lebrethon MC, Avallot O, Reznik Y, Archambeaud F, Combes J, Usdin TB, et al. Food-dependent Cushing's syndrome: characterization and functional role of gastric inhibitory polypeptide receptor in the adrenals of three patients. *J Clin Endocrinol Metab.* 1998;83(12):4514-9.
 18. N'Diaye N, Hamet P, Tremblay J, Boutin JM, Gaboury L, Lacroix A. Asynchronous development of bilateral nodular adrenal hyperplasia in gastric inhibitory polypeptide-dependent Cushing's syndrome. *J Clin Endocrinol Metab.* 1999;84(8):2616-22.
 19. Swords FM, Aylwin S, Perry L, Arola J, Grossman AB, Monson JP, et al. The aberrant expression of the gastric inhibitory polypeptide (GIP) receptor in adrenal hyperplasia: does chronic adrenocorticotropin exposure stimulate up-regulation of GIP receptors in Cushing's disease? *J Clin Endocrinol Metab.* 2005;90(5):3009-16.
 20. Antonini SR, Baldacchino V, Tremblay J, Hamet P, Lacroix A. Expression of ACTH receptor pathway genes in glucose-dependent insulinotropic peptide (GIP)-dependent Cushing's syndrome. *Clin Endocrinol (Oxf).* 2006;64:29-36.
 21. Ascoli M, Fanelli F, Segaloff DL. The lutropin/choriogonadotropin receptor, a 2002 perspective. *Endocr Rev.* 2002;23(2):141-74.
 22. Abdallah MA, Lei ZM, Li X, Greenwold N, Nakajima ST, Jauniaux E, et al. Human fetal nongonadal tissues contain human chorionic gonadotropin/luteinizing hormone receptors. *J Clin Endocrinol Metab.* 2004;89(2):952-6.
 23. Lacroix A, Hamet P, Boutin JM. Leuprolide acetate therapy in luteinizing hormone--dependent Cushing's syndrome. *N Engl J Med.* 1999;341(21):1577-81.
 24. Feelders RA, Lamberts SW, Hofland LJ, van Koetsveld PM, Verhoef-Post M, Themmen AP, et al. Luteinizing hormone (LH)-responsive Cushing's syndrome: the demonstration of LH receptor messenger ribonucleic acid in hyperplastic adrenal cells, which respond to chorionic gonadotropin and serotonin agonists in vitro. *J Clin Endocrinol Metab.* 2003;88(1):230-7.
 25. Goodarzi MO, Dawson DW, Li X, Lei Z, Shintaku P, Rao CV, et al. Virilization in bilateral macronodular adrenal hyperplasia controlled by luteinizing hormone. *J Clin Endocrinol Metab.* 2003;88(1):73-7.
 26. Saner-Amigh K, Mayhew BA, Mantero F, Schiavi F, White PC, Rao CV, et al. Elevated expression of luteinizing hormone receptor in aldosterone-producing adenomas. *J Clin Endocrinol Metab.* 2006;91(3):1136-42.
 27. Lacroix AM, H. Hammet, P. Clinical evaluation of the presence of abnormal hormone receptors in adrenal Cushing's syndrome. *The Endocrinologist.* 1999;(9):9-15.
 28. Livak KJ, Schmittgen TD. Analysis of relative gene expression data using real-time quantitative PCR and the 2(-Delta Delta C(T)) Method. *Methods.* 2001;25(4):402-8.
 29. Mircescu H, Jilwan J, N'Diaye N, Bourdeau I, Tremblay J, Hamet P, et al. Are ectopic or abnormal membrane hormone receptors frequently present in adrenal Cushing's syndrome? *J Clin Endocrinol Metab.* 2000;85(10):3531-6.
 30. Tsagarakis S, Tsigos C, Vassiliou V, Tsiotra P, Pratsinis H, Kletsas D, et al. Food-dependent androgen and cortisol secretion by a gastric inhibitory polypeptide-receptor expressive adrenocortical adenoma leading to hirsutism and subclinical Cushing's syndrome: in vivo and in vitro studies. *J Clin Endocrinol Metab.* 2001;86(2):583-9.
 31. Antonini SR, N'Diaye N, Hamet P, Tremblay J, Lacroix A. Analysis of the putative promoter region of the GIP receptor gene (GIPR) in GIP-dependent Cushing's syndrome (CS). *Endocr Res.* 2002;28(4):755-6.
 32. Antonini SR, N'Diaye N, Baldacchino V, Hamet P, Tremblay J, Lacroix A. Analysis of the putative regulatory region of the gastric inhibitory polypeptide receptor gene in food-dependent Cushing's syndrome. *J Steroid Biochem Mol Biol.* 2004;91(3):171-7.
 33. Baldacchino V, Oble S, Décarie PO, Bourdeau I, Hamet P, Tremblay J, et al. The Sp transcription factors are involved in the cellular expression of the human glucose-dependent insulinotropic polypeptide receptor gene and overexpressed in adrenals of patients with Cushing's syndrome. *J Mol Endocrinol.* 2005;35(1):61-71.
 34. Lampron A, Bourdeau I, Hamet P, Tremblay J, Lacroix A. Whole genome expression profiling of glucose-dependent insulinotropic peptide (GIP)- and adrenocorticotropin-dependent adrenal hyperplasias reveals novel targets for the study of GIP-dependent Cushing's syndrome. *J Clin Endocrinol Metab.* 2006;91(9):3611-8.
 35. Mazzucco TL, Chabre O, Feige JJ, Thomas M. Aberrant expression of human luteinizing hormone receptor by adrenocortical cells is sufficient to provoke both hyperplasia and Cushing's syndrome features. *J Clin Endocrinol Metab.* 2006;91(1):196-203.
 36. Mazzucco TL, Chabre O, Sturm N, Feige JJ, Thomas M. Ectopic expression of the gastric inhibitory polypeptide receptor gene is a sufficient genetic event to induce benign adrenocortical tumor in a xenotransplantation model. *Endocrinology.* 2006;147(2):782-90.
 37. Wy LA, Carlson HE, Kane P, Li X, Lei ZM, Rao CV. Pregnancy-associated Cushing's syndrome secondary to a luteinizing hormone/human chorionic gonadotropin receptor-positive adrenal carcinoma. *Gynecol Endocrinol.* 2002;16(5):413-7.
 38. Pabon JE, Li X, Lei ZM, Sanfilippo JS, Yussman MA, Rao CV. Novel presence of luteinizing hormone/chorionic gonadotropin receptors in human adrenal glands. *J Clin Endocrinol Metab.* 1996;81(6):2397-400.
 39. N'Diaye N, Tremblay J, Hamet P, De Herder WW, Lacroix A. Adrenocortical overexpression of gastric inhibitory polypeptide receptor underlies food-dependent Cushing's syndrome. *J Clin Endocrinol Metab.* 1998;83(8):2781-5.
 40. Croughs RJ, Zelissen PM, van Vroonhoven TJ, Hofland LJ, N'Diaye N, Lacroix A, et al. GIP-dependent adrenal Cushing's syndrome with incomplete suppression of ACTH. *Clin Endocrinol (Oxf).* 2000;52(2):235-40.
 41. Groussin L, Perlemoine K, Contesse V, Lefebvre H, Tabarin A, Thieblot P, et al. The ectopic expression of the gastric inhibitory polypeptide receptor is frequent in adrenocorticotropin-independent bilateral macronodular adrenal hyperplasia, but rare in unilateral tumors. *J Clin Endocrinol Metab.* 2002;87(5):1980-5.