



POLITECNICO DI TORINO
Repository ISTITUZIONALE

Combination washing/drying laundry appliance having heat pump system with reversible condensing and evaporating heat exchangers.

Original

Combination washing/drying laundry appliance having heat pump system with reversible condensing and evaporating heat exchangers / Civanelli, Claudio; Martinello, Daniele. - (2016).

Availability:

This version is available at: 11583/2826734 since: 2020-05-19T09:58:55Z

Publisher:

Published

DOI:

Terms of use:

openAccess

This article is made available under terms and conditions as specified in the corresponding bibliographic description in the repository

Publisher copyright

(Article begins on next page)



US010519591B2

(12) **United States Patent**
Civanelli et al.

(10) **Patent No.:** **US 10,519,591 B2**
(45) **Date of Patent:** **Dec. 31, 2019**

(54) **COMBINATION WASHING/DRYING LAUNDRY APPLIANCE HAVING A HEAT PUMP SYSTEM WITH REVERSIBLE CONDENSING AND EVAPORATING HEAT EXCHANGERS**

(58) **Field of Classification Search**
CPC D06F 25/00; D06F 39/006; D06F 39/04; D06F 39/083; D06F 58/02; D06F 58/206; D06F 58/22; D06F 58/24
USPC 68/5 C, 20, 13 R, 18 F, 28, 207
See application file for complete search history.

(71) Applicant: **WHIRLPOOL CORPORATION**,
Benton Harbor, MI (US)
(72) Inventors: **Claudio Civanelli**, Travedona Monate (IT); **Daniele Martinello**, Besozzo (IT)
(73) Assignee: **Whirlpool Corporation**, Benton Harbor, MI (US)

(56) **References Cited**
U.S. PATENT DOCUMENTS
2,515,825 A 7/1950 Grant
2,873,041 A 2/1959 Allen
2,934,023 A 4/1960 Lamkin et al.
3,196,553 A 7/1965 Deaton et al.
(Continued)

(*) Notice: Subject to any disclaimer, the term of this patent is extended or adjusted under 35 U.S.C. 154(b) by 428 days.

FOREIGN PATENT DOCUMENTS

CN 101967746 2/2011
CN 105177914 12/2015
(Continued)

(21) Appl. No.: **15/293,813**

Primary Examiner — Levon J Shahinian

(22) Filed: **Oct. 14, 2016**

(74) *Attorney, Agent, or Firm* — Price Heneveld LLP

(65) **Prior Publication Data**
US 2018/0105969 A1 Apr. 19, 2018

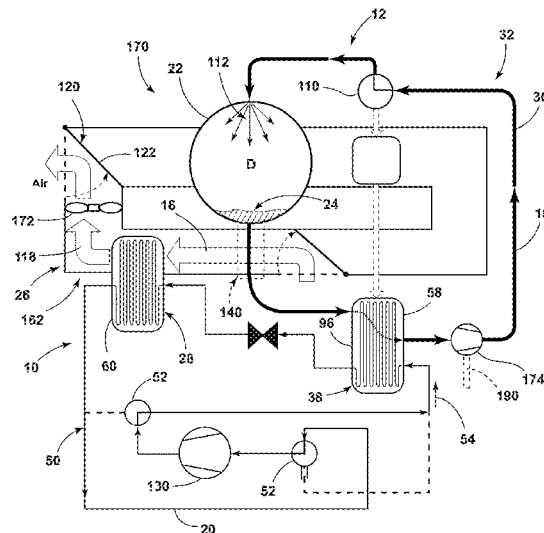
(57) **ABSTRACT**

(51) **Int. Cl.**
D06F 25/00 (2006.01)
D06F 39/00 (2006.01)
D06F 39/04 (2006.01)
D06F 39/08 (2006.01)
D06F 58/02 (2006.01)
D06F 58/20 (2006.01)
D06F 58/22 (2006.01)
D06F 58/24 (2006.01)

An appliance air/water handling system includes a rotating drum, airflow and fluid paths for directing process air and fluid, respectively, therethrough. First and second heat exchangers are in direct engagement with the airflow and fluid paths, respectively. A reversible refrigerant circuit delivers refrigerant through the first and second heat exchangers to alternatively define washing and drying conditions. In the washing condition the first heat exchanger cools the process air into cooled process air, and the second heat exchanger heats the fluid to define a heated fluid that is directed into the drum. In the drying condition the first heat exchanger heats the process air to define heated process air that is directed through the drum and through a third heat exchanger, and the second heat exchanger cools the fluid to define a cooled fluid that is directed to the third heat exchanger intersect with the heated process air.

(52) **U.S. Cl.**
CPC **D06F 39/04** (2013.01); **D06F 25/00** (2013.01); **D06F 58/206** (2013.01); **D06F 39/006** (2013.01); **D06F 39/083** (2013.01); **D06F 58/02** (2013.01); **D06F 58/22** (2013.01); **D06F 58/24** (2013.01)

8 Claims, 8 Drawing Sheets



(56)

References Cited

U.S. PATENT DOCUMENTS

3,218,730	A	11/1965	Menk et al.	9,027,256	B2	5/2015	Kim et al.
3,342,961	A	9/1967	Deaton et al.	9,027,371	B2	5/2015	Beihoff et al.
3,653,807	A	4/1972	Platt	9,052,142	B2	6/2015	Kim et al.
3,805,404	A	4/1974	Gould	9,062,410	B2	6/2015	Ahn et al.
3,953,146	A	4/1976	Sowards	9,085,843	B2	7/2015	Doh et al.
3,999,304	A	12/1976	Doty	9,103,569	B2	8/2015	Cur et al.
4,134,518	A	1/1979	Menchen	9,134,067	B2	9/2015	Ahn et al.
4,137,647	A	2/1979	Clark, Jr.	9,140,472	B2	9/2015	Shin et al.
4,860,921	A	8/1989	Gidseg	9,140,481	B2	9/2015	Cur et al.
4,870,735	A	10/1989	Jahr, Jr. et al.	9,212,450	B2	12/2015	Grunert et al.
5,285,664	A	2/1994	Chang et al.	9,249,538	B2	2/2016	Bison et al.
5,628,122	A	5/1997	Spinardi	9,299,332	B2	3/2016	Je
5,666,817	A	9/1997	Schulak et al.	9,303,882	B2	4/2016	Hancock
5,720,536	A	2/1998	Jenkins et al.	9,328,448	B2	5/2016	Doh et al.
5,927,095	A	7/1999	Lee	9,328,449	B2	5/2016	Doh et al.
5,946,934	A	9/1999	Kim et al.	9,334,601	B2	5/2016	Doh et al.
5,979,174	A	11/1999	Kim et al.	9,335,095	B2	5/2016	Bison et al.
6,041,606	A	3/2000	Kim	9,356,542	B2	5/2016	Ragogna et al.
6,073,458	A	6/2000	Kim	9,359,714	B2	6/2016	Contarini et al.
6,401,482	B1	6/2002	Lee et al.	9,372,031	B2	6/2016	Contarini et al.
6,598,410	B2	7/2003	Temmyo et al.	9,435,069	B2	9/2016	Contarini et al.
6,793,010	B1	9/2004	Manole	9,487,910	B2	11/2016	Huang et al.
6,957,501	B2	10/2005	Park et al.	9,534,329	B2	1/2017	Contarini et al.
6,973,799	B2	12/2005	Kuehl et al.	9,534,340	B2	1/2017	Cavarretta et al.
6,983,615	B2	1/2006	Winders et al.	9,605,375	B2	3/2017	Frank et al.
7,055,262	B2	6/2006	Goldberg et al.	9,644,306	B2	5/2017	Doh et al.
7,093,453	B2	8/2006	Asan et al.	9,663,894	B2	5/2017	Kim et al.
7,117,612	B2	10/2006	Slutsky et al.	2004/0139757	A1	7/2004	Kuehl et al.
7,127,904	B2	10/2006	Schmid	2005/0217139	A1	10/2005	Hong
7,143,605	B2	12/2006	Rohrer et al.	2006/0070385	A1	4/2006	Narayanamurthy et al.
7,162,812	B2	1/2007	Cimetta et al.	2006/0144076	A1	7/2006	Daddis, Jr. et al.
7,181,921	B2	2/2007	Nuiding	2006/0196217	A1	9/2006	Duarte et al.
7,254,960	B2	8/2007	Schmid et al.	2007/0033962	A1	2/2007	Kang et al.
7,504,784	B2	3/2009	Asada et al.	2008/0141699	A1	6/2008	Rafalovich et al.
7,610,773	B2	11/2009	Rafalovich et al.	2008/0196266	A1	8/2008	Jung et al.
7,624,514	B2	12/2009	Konabe et al.	2008/0307823	A1	12/2008	Lee et al.
7,665,225	B2	2/2010	Goldberg et al.	2009/0071032	A1	3/2009	Kreutzfeldt et al.
7,707,860	B2	5/2010	Hong et al.	2009/0158767	A1	6/2009	McMillin
7,775,065	B2	8/2010	Ouseph et al.	2009/0158768	A1	6/2009	Rafalovich et al.
7,866,057	B2	1/2011	Grunert et al.	2009/0165491	A1	7/2009	Rafalovich et al.
7,895,771	B2	3/2011	Prajescu et al.	2009/0260371	A1	10/2009	Kuehl et al.
7,934,695	B2	5/2011	Sim et al.	2009/0266089	A1	10/2009	Hausmann
7,980,093	B2	7/2011	Kuehl et al.	2010/0011608	A1	1/2010	Grunert et al.
8,024,948	B2	9/2011	Kitamura et al.	2010/0101606	A1	4/2010	Grunert
8,056,254	B2	11/2011	Löffler et al.	2010/0107703	A1	5/2010	Hisano et al.
8,074,469	B2	12/2011	Hamel et al.	2010/0146809	A1	6/2010	Grunert et al.
8,079,157	B2	12/2011	Balerdi Azpilicueta et al.	2010/0154240	A1	6/2010	Grunert
8,099,975	B2	1/2012	Rafalovich et al.	2010/0212368	A1	8/2010	Kim et al.
8,104,191	B2	1/2012	Ricklefs et al.	2010/0230081	A1	9/2010	Becnel et al.
8,166,669	B2	5/2012	Park et al.	2010/0258275	A1	10/2010	Koenig et al.
8,182,612	B2	5/2012	Grunert	2010/0288471	A1	11/2010	Summerer
8,240,064	B2	8/2012	Steffens	2011/0011119	A1	1/2011	Kuehl et al.
8,245,347	B2	8/2012	Goldberg et al.	2011/0030238	A1	2/2011	Nawrot et al.
8,266,813	B2	9/2012	Grunert et al.	2011/0036556	A1	2/2011	Bison et al.
8,266,824	B2	9/2012	Steiner	2011/0072849	A1	3/2011	Kuehl et al.
8,276,293	B2	10/2012	Ricklefs et al.	2011/0209484	A1	9/2011	Krausch et al.
8,377,224	B2	2/2013	Grunert	2011/0209860	A1	9/2011	Koenig et al.
8,382,887	B1	2/2013	Alsaffar	2011/0277334	A1	11/2011	Lee et al.
8,438,750	B2	5/2013	Dittmer et al.	2011/0280736	A1	11/2011	Lee et al.
8,484,862	B2	7/2013	Nawrot et al.	2012/0017456	A1	1/2012	Grunert
8,572,862	B2	11/2013	TeGrotenhuis	2012/0266627	A1	10/2012	Lee
8,601,830	B2	12/2013	Lee et al.	2012/0272689	A1	11/2012	Elger et al.
8,615,895	B2	12/2013	Shin et al.	2013/0008049	A1	1/2013	Patil
8,656,604	B2	2/2014	Ediger et al.	2013/0104946	A1	5/2013	Grunert et al.
8,667,705	B2	3/2014	Shin et al.	2013/0111941	A1	5/2013	Yu et al.
8,695,230	B2	4/2014	Noh et al.	2013/0212894	A1	8/2013	Kim et al.
8,770,682	B2	7/2014	Lee et al.	2013/0255094	A1	10/2013	Bommels et al.
8,789,287	B2	7/2014	Kim et al.	2013/0263630	A1	10/2013	Doh et al.
8,789,290	B2	7/2014	Grunert	2013/0276327	A1	10/2013	Doh et al.
8,857,071	B2	10/2014	Lee et al.	2013/0318813	A1	12/2013	Hong et al.
8,910,394	B2	12/2014	Steffens	2013/0340797	A1	12/2013	Bommels et al.
8,915,104	B2	12/2014	Beihoff et al.	2014/0020260	A1	1/2014	Carow et al.
8,984,767	B2	3/2015	Grunert et al.	2014/0026433	A1	1/2014	Bison et al.
9,010,145	B2	4/2015	Lim et al.	2014/0075682	A1	3/2014	Filippetti et al.
9,022,228	B2	5/2015	Grunert	2014/0109428	A1	4/2014	Kim et al.
				2014/0190032	A1	7/2014	Lee et al.
				2014/0260356	A1	9/2014	Wu
				2014/0290091	A1	10/2014	Bison et al.
				2014/0366397	A1	12/2014	Wakizaka et al.

(56)

References Cited

U.S. PATENT DOCUMENTS

2015/0033806 A1 2/2015 Cerrato et al.
 2015/0114600 A1 4/2015 Chen et al.
 2015/0308034 A1 10/2015 Cavarretta et al.
 2015/0322618 A1 11/2015 Bisaro et al.
 2016/0010271 A1 1/2016 Shin et al.
 2016/0040350 A1 2/2016 Xu et al.
 2016/0083894 A1 3/2016 Bison et al.
 2016/0083896 A1 3/2016 Ryoo et al.
 2016/0115636 A1 4/2016 Kim et al.
 2016/0115639 A1 4/2016 Kim et al.
 2016/0138208 A1 5/2016 Bison et al.
 2016/0138209 A1 5/2016 Kitayama et al.
 2016/0145793 A1 5/2016 Ryoo et al.
 2016/0169540 A1 6/2016 Hancock
 2016/0186374 A1 6/2016 Ryoo et al.
 2016/0258671 A1 9/2016 Allard et al.
 2016/0265833 A1 9/2016 Yoon et al.
 2016/0282032 A1 9/2016 Gomes et al.
 2016/0305696 A1 10/2016 Kobayashi et al.

FOREIGN PATENT DOCUMENTS

CN 105696291 6/2016
 DE 3147796 3/1983
 DE 3738031 A1 5/1989
 DE 4304372 A1 8/1994
 DE 4409607 10/1994
 DE 10002742 C1 6/2001
 DE 10116238 B4 3/2005
 DE 10002743 B4 1/2006
 DE 102005041145 A1 3/2007
 DE 102006018469 A1 10/2007
 DE 102007052835 A1 5/2009
 DE 102008033388 A1 1/2010
 DE 102008054832 A1 7/2010
 DE 102009046921 5/2011
 DE 102012223777 A1 6/2014
 DE 112012006737 T5 4/2015
 EP 468573 A1 1/1992
 EP 0816549 1/1998
 EP 999302 A1 5/2000
 EP 1055767 A1 11/2000
 EP 1987190 A1 11/2008
 EP 2134896 B1 12/2009
 EP 2189568 5/2010
 EP 2202349 6/2010
 EP 2284310 A1 2/2011
 EP 2324152 B1 5/2011
 EP 2341178 A1 7/2011
 EP 2386679 11/2011
 EP 2455526 A1 5/2012
 EP 2466001 6/2012
 EP 2497856 9/2012
 EP 2559805 A1 2/2013
 EP 2581489 A1 4/2013
 EP 2612964 A1 7/2013
 EP 2612965 A1 7/2013
 EP 2612966 A1 7/2013
 EP 2634301 9/2013
 EP 2708636 A1 3/2014
 EP 2708639 A1 3/2014
 EP 2733257 A1 5/2014
 EP 2746455 6/2014
 EP 2594687 9/2014
 EP 2966215 1/2016
 EP 2993427 A1 3/2016

EP 3015594 A1 5/2016
 EP 2468949 6/2016
 EP 3034675 6/2016
 EP 3241944 11/2017
 GB 2087029 A 5/1982
 JP 2000018796 1/2000
 JP 2004053055 2/2004
 JP 2005027768 2/2005
 JP 2006017338 1/2006
 JP 2006187449 7/2006
 JP 2013019623 A 1/2013
 JP 2013085687 5/2013
 KR 20100031929 A 3/2010
 NL 7801958 A 8/1979
 WO 8602149 4/1986
 WO 2004106737 A1 12/2004
 WO 2005001357 A1 1/2005
 WO 2005032322 A2 4/2005
 WO 2007013327 A1 2/2007
 WO 2007093461 A1 8/2007
 WO 2008077708 A1 7/2008
 WO 2008110451 A1 9/2008
 WO 2008151938 A1 12/2008
 WO 2009031812 A2 3/2009
 WO 2009059874 A1 5/2009
 WO 2009077226 A1 6/2009
 WO 2009077227 A1 6/2009
 WO 2009077291 A1 6/2009
 WO 2009089460 A2 7/2009
 WO 2010028992 A1 3/2010
 WO 2010040635 A1 4/2010
 WO 2010071355 A2 6/2010
 WO 2010102892 A1 9/2010
 WO 2010112321 A1 10/2010
 WO 2010118939 A1 10/2010
 WO 2011057954 A2 5/2011
 WO 2011061068 A1 5/2011
 WO 2012022803 A1 2/2012
 WO 2012065916 A1 5/2012
 WO 2012093059 A1 7/2012
 WO 2012101028 A1 8/2012
 WO 2012134149 A2 10/2012
 WO 2012138136 A2 10/2012
 WO 2013129779 A1 9/2013
 WO 2013144763 A2 10/2013
 WO 2013144764 A1 10/2013
 WO 2014001950 A1 1/2014
 WO 2014040923 A1 3/2014
 WO 2014041097 A1 3/2014
 WO 2014076149 A1 5/2014
 WO 2014095790 A1 6/2014
 WO 2014102073 A1 7/2014
 WO 2014102144 A1 7/2014
 WO 2014102317 A2 7/2014
 WO 2014102322 A1 7/2014
 WO 2014154278 10/2014
 WO 2015003742 A1 1/2015
 WO 2015028270 A1 3/2015
 WO 2015074837 A1 5/2015
 WO 2015082011 A1 6/2015
 WO 2015101386 A1 7/2015
 WO 2015101387 A1 7/2015
 WO 2015101388 A1 7/2015
 WO 2015101892 A1 7/2015
 WO 2015160172 A1 10/2015
 WO 2016006900 A1 1/2016
 WO 2016020852 2/2016
 WO 2016085432 6/2016
 WO 2016095970 6/2016
 WO 2016150660 A1 9/2016

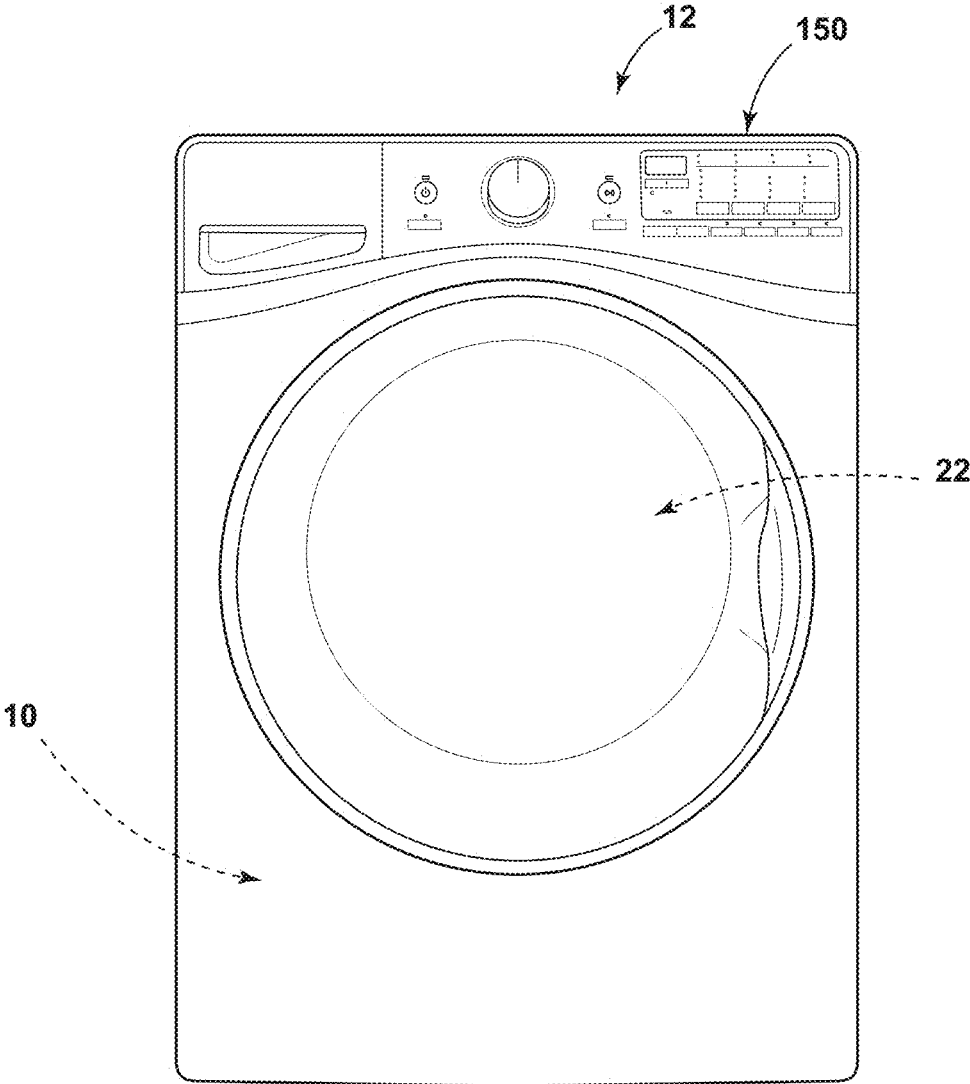


FIG. 1

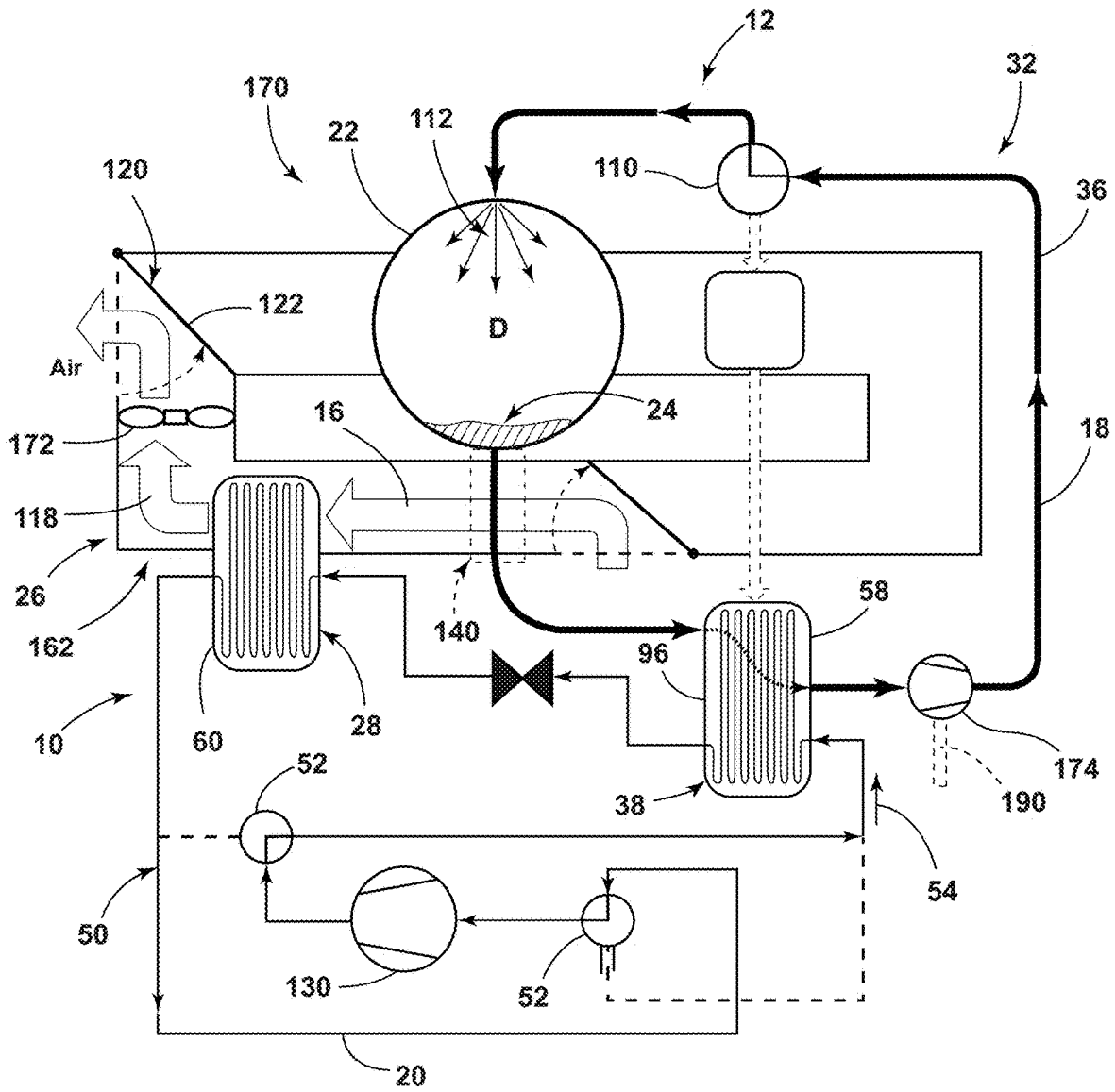


FIG. 2

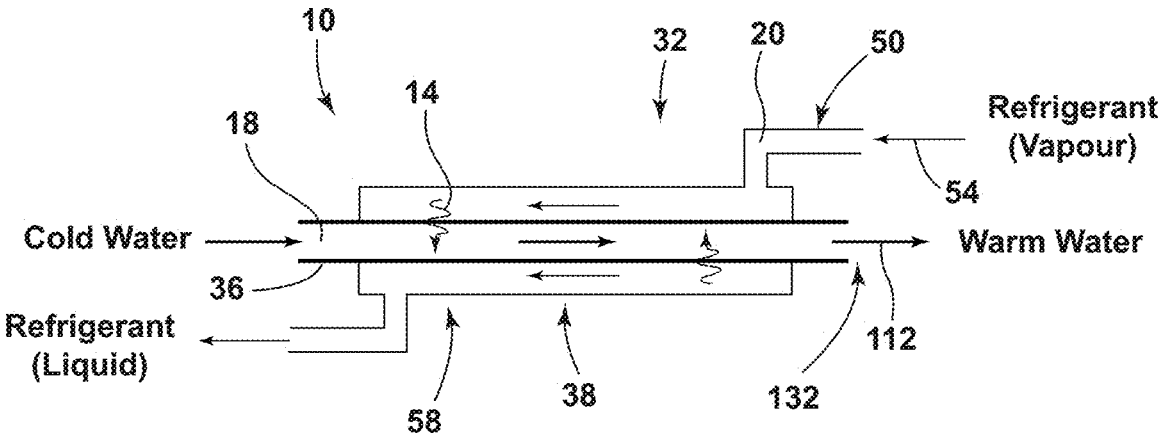


FIG. 3

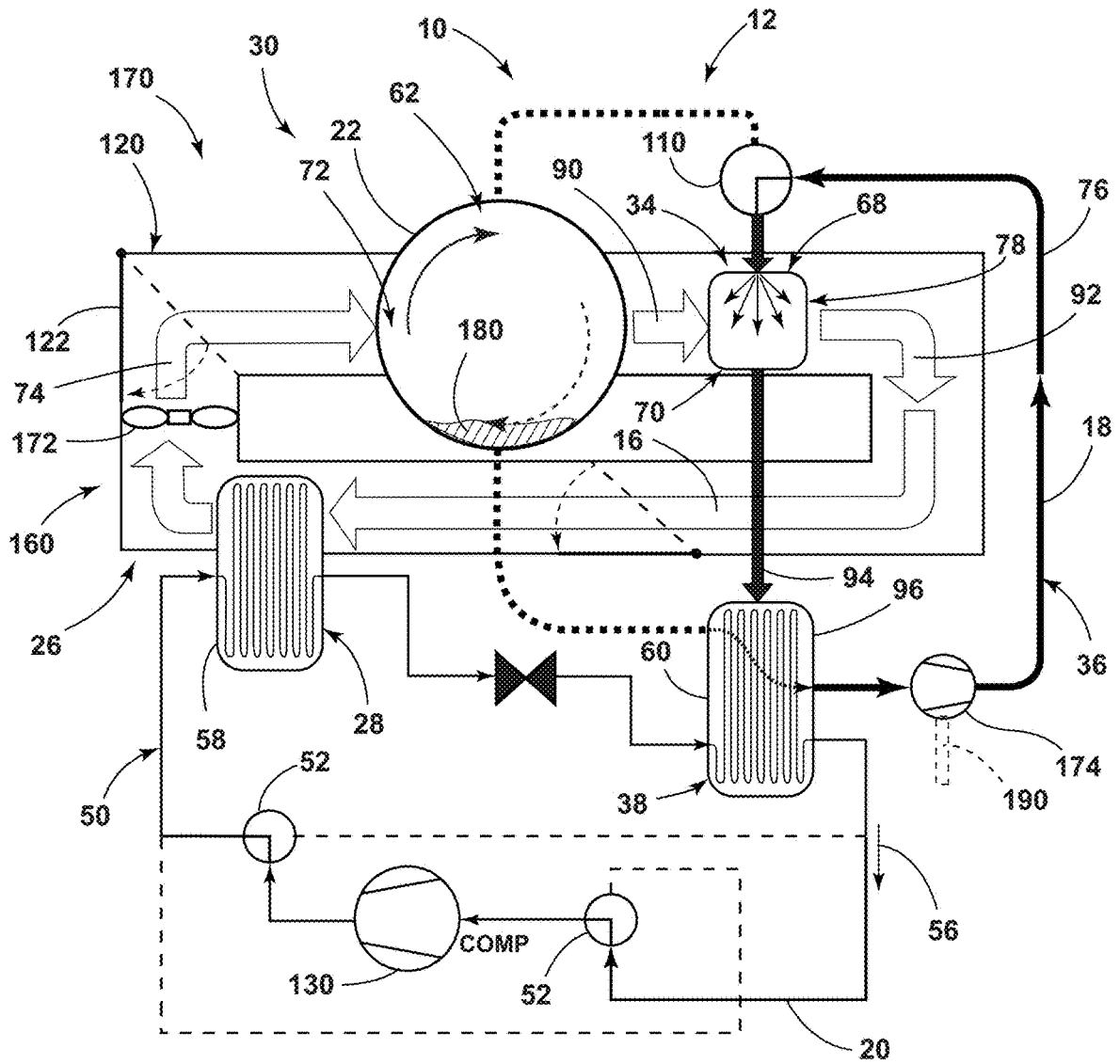


FIG. 4

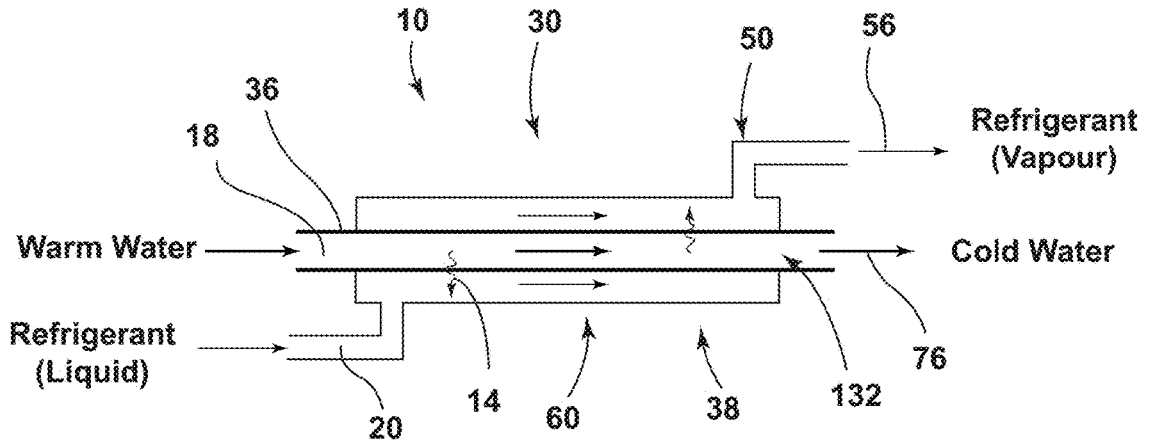


FIG. 5

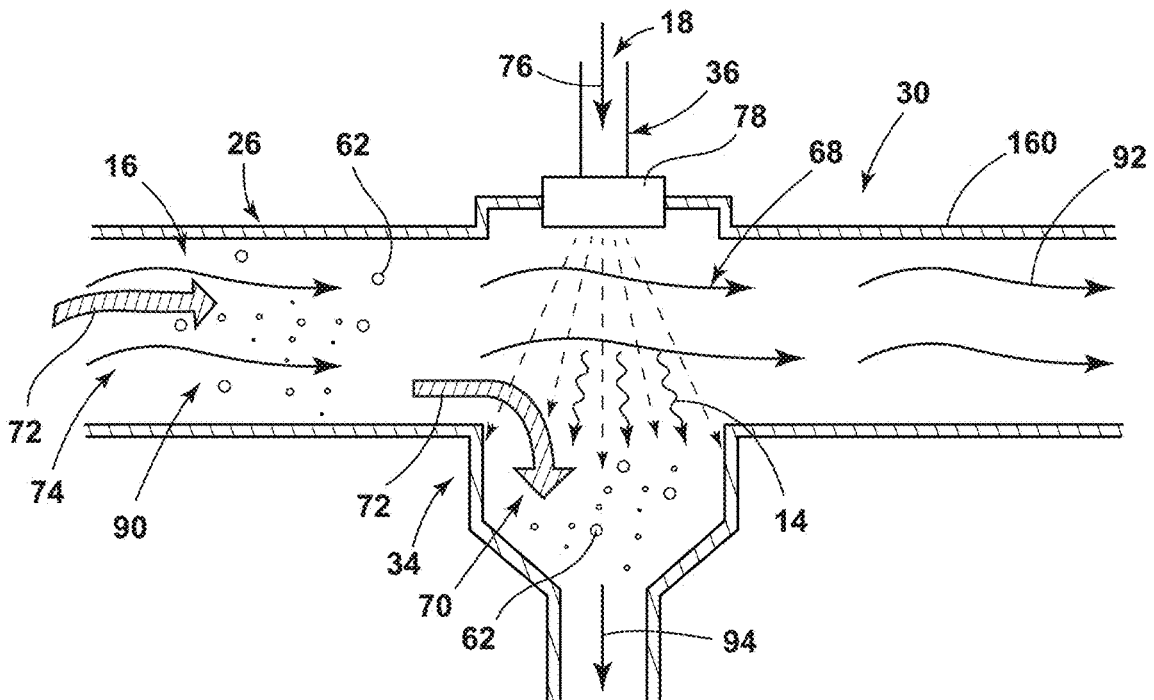


FIG. 6

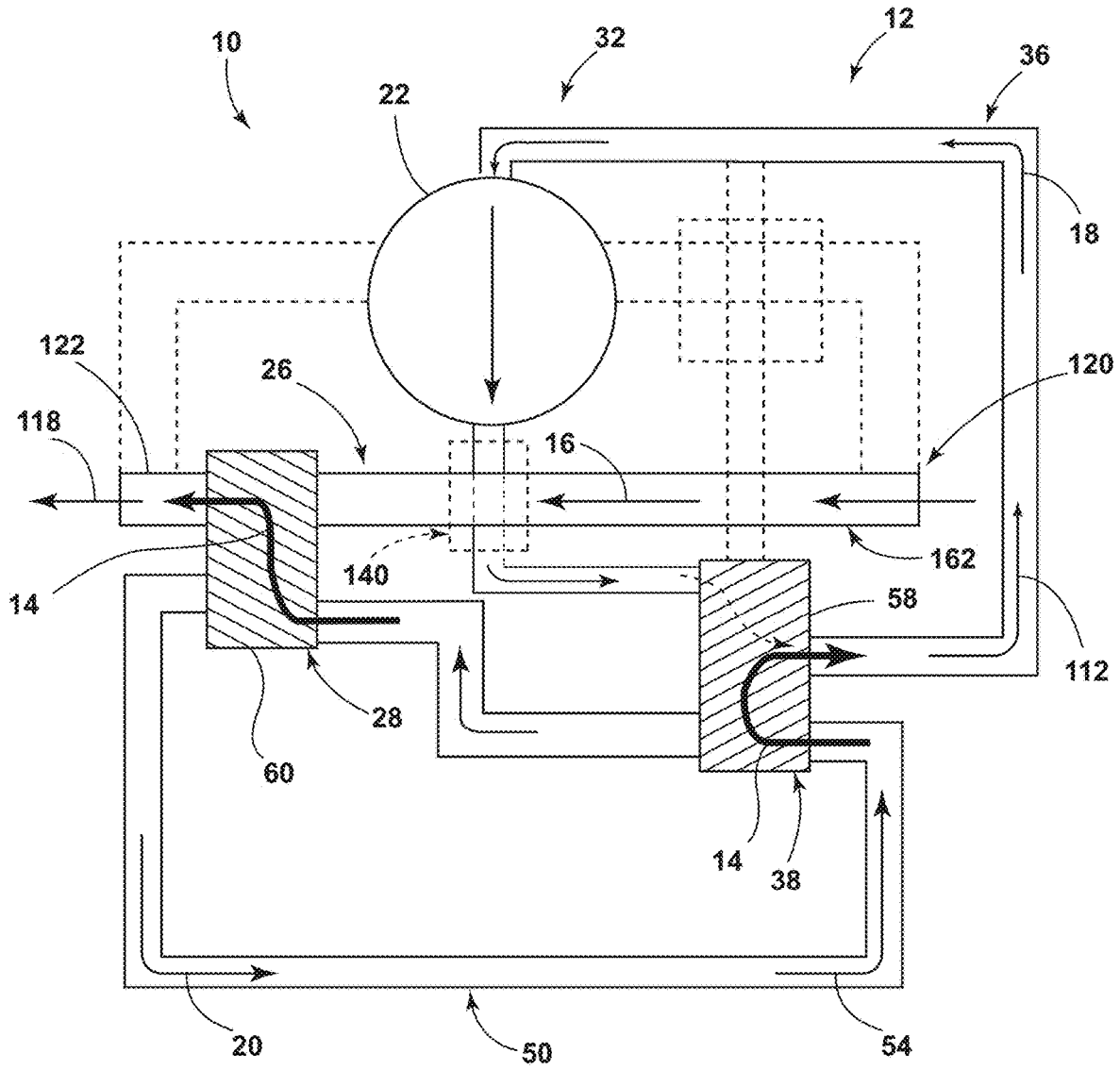


FIG. 7

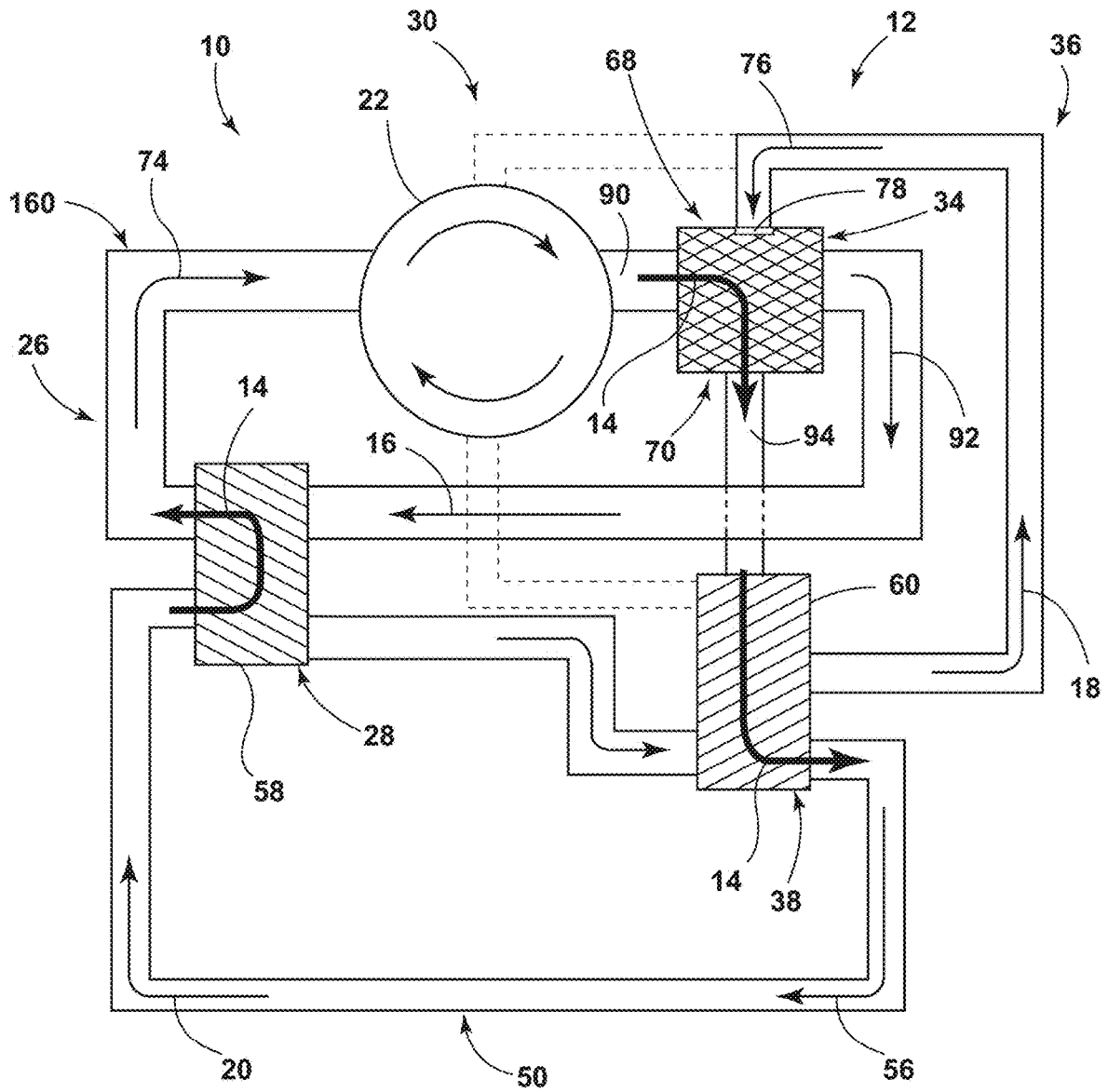


FIG. 8

Method 400 for Operating a Combination Washing/Drying Appliance

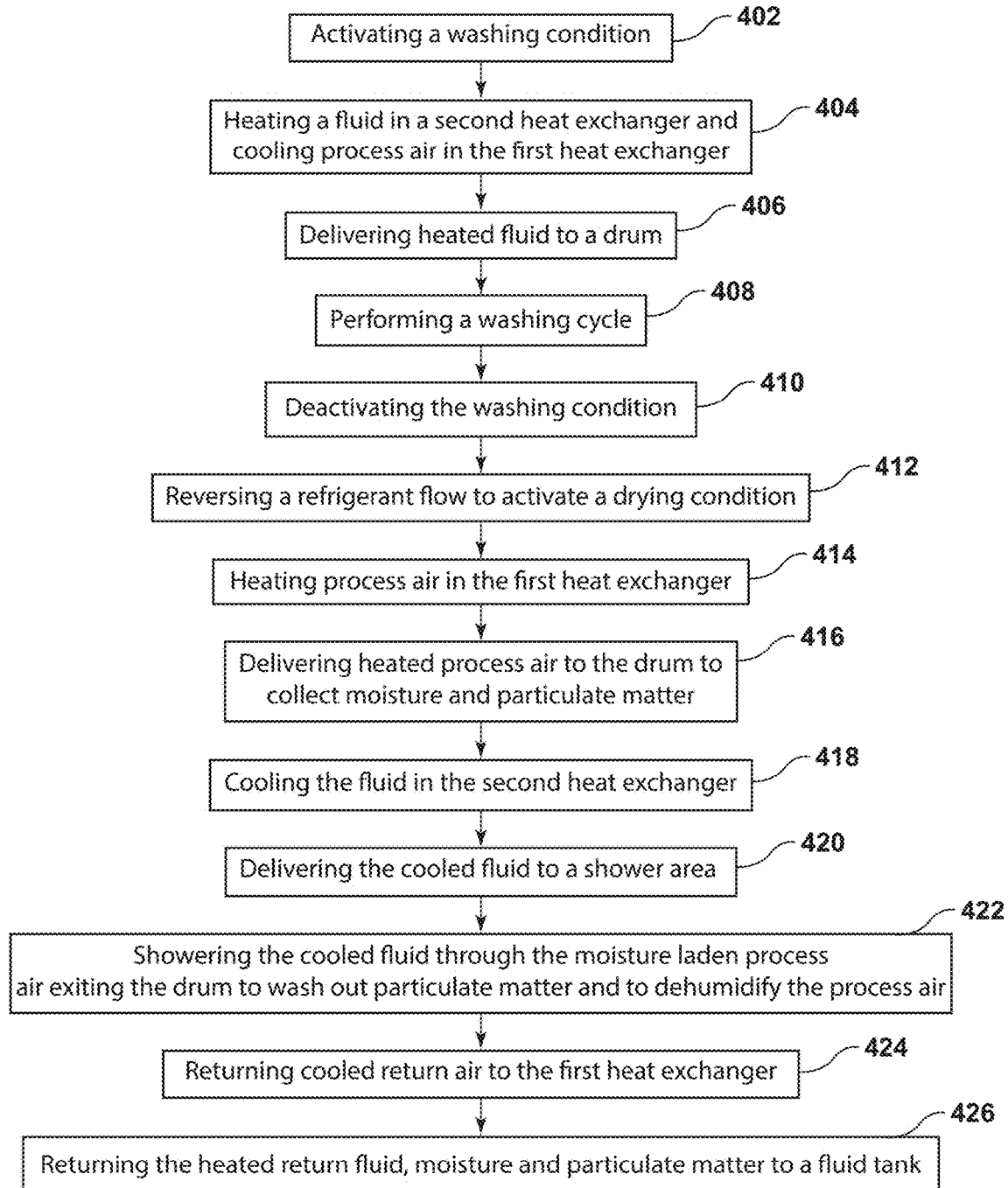


FIG. 9

1

**COMBINATION WASHING/DRYING
LAUNDRY APPLIANCE HAVING A HEAT
PUMP SYSTEM WITH REVERSIBLE
CONDENSING AND EVAPORATING HEAT
EXCHANGERS**

FIELD OF THE DEVICE

The device is in the field of washing and drying appliances, and more specifically, a combination washing and drying laundry appliance having a refrigeration circuit that is reversible for alternating the functions of the heat exchangers of the refrigerant circuit.

SUMMARY

In at least one aspect, a laundry appliance includes a rotating drum for receiving items to be processed. An airflow path selectively directs a flow of process air across a first heat exchanger in a drying condition and a washing condition. The drying condition is defined by the process air being directed through the rotating drum and through a third heat exchanger. The washing condition is defined by the process air being directed away from the third heat exchanger. A fluid path selectively directs fluid through a second heat exchanger in the drying and washing conditions. The drying condition is further defined by the fluid being selectively directed through the third heat exchanger to intersect with the process air. The washing condition is further defined by the fluid being selectively directed to the rotating drum. A reversible refrigerant circuit directs a refrigerant between the first and second heat exchangers, the reversible refrigerant circuit having a flow control valve that further defines the drying and washing conditions of the reversible refrigerant circuit. The drying condition is further defined by the first heat exchanger being a heater for the process air and the second heat exchanger being a cooling module for the fluid. The washing condition is further defined by the first heat exchanger being a cooling module for the process air and the second heat exchanger being a heater for the fluid, wherein the fluid and the process air intersect with one another at the third heat exchanger in the drying condition.

In at least another aspect, an air/water handling system for an appliance includes a rotating drum, an airflow path having a blower for directing process air through the airflow path, a fluid path having a pump for directing a fluid through the fluid path, a first heat exchanger in direct engagement with the airflow path, a second heat exchanger in direct engagement with the fluid path and a reversible refrigerant circuit that delivers a refrigerant through the first and second heat exchangers. The reversible refrigerant circuit selectively and alternatively defines a washing condition wherein the first heat exchanger is an evaporator that cools the process air to define cooled process air, and the second heat exchanger is a condenser that heats the fluid to define a heated fluid that is directed into the rotating drum, and a drying condition wherein the first heat exchanger is the condenser that heats the process air to define heated process air that is directed through the rotating drum and through a third heat exchanger, and the second heat exchanger is the evaporator that cools the fluid to define a cooled fluid that is directed to the third heat exchanger to intersect with the heated process air.

In at least another aspect, a laundry appliance includes a heat pump system having first and second heat exchangers and a reversible refrigerant loop that delivers a refrigerant to the first and second heat exchangers. A control selectively

2

and alternatively operates the heat pump system between washing and drying conditions. The washing condition is defined by the first and second heat exchangers being a cooling module and a heater, respectively. The drying condition is defined by the first and second heat exchangers being a heater and a cooling module, respectively. An airflow path is in direct communication with the first heat exchanger and the control to define the washing and drying conditions within the airflow path. A fluid path is in direct communication with the second heat exchanger and the control to define the washing and drying conditions within the fluid path. The washing condition is defined by the fluid path moving a fluid across the second heat exchanger to define a heated fluid that is directed to a processing chamber. The drying condition is defined by the airflow path directing process air across the first heat exchanger to define heated process air that is directed through the processing chamber and through a third heat exchanger. The drying condition is further defined by the fluid path moving the fluid across the second heat exchanger to define a cooled fluid that is directed to the third heat exchanger to intersect with the heated process air.

These and other features, advantages, and objects of the present device will be further understood and appreciated by those skilled in the art upon studying the following specification, claims, and appended drawings.

BRIEF DESCRIPTION OF THE DRAWINGS

In the drawings:

FIG. 1 is a front elevational view of a laundry appliance incorporating an aspect of the reversible heat pump system;

FIG. 2 is a schematic diagram illustrating an aspect of the reversible heat pump system disposed in a washing condition;

FIG. 3 is a schematic diagram illustrating an aspect of the second heat exchanger of the appliance of FIG. 2;

FIG. 4 is a schematic diagram of the appliance of FIG. 2 showing the heat pump system in a drying condition;

FIG. 5 is a schematic diagram illustrating an aspect of the second heat exchanger of FIG. 4 shown in the drying condition;

FIG. 6 is a schematic diagram illustrating an aspect of the third heat exchanger of the appliance disposed in the drying condition;

FIG. 7 is a schematic diagram illustrating a heat exchange system of the appliance of FIG. 2 in the washing condition;

FIG. 8 is a schematic diagram illustrating a heat exchange mechanism of the appliance of FIG. 4 in the drying condition; and

FIG. 9 is a schematic flow diagram illustrating a method for operating a combination washing and drying laundry appliance utilizing a reversible heat pump system.

DETAILED DESCRIPTION OF EMBODIMENTS

For purposes of description herein the terms “upper,” “lower,” “right,” “left,” “rear,” “front,” “vertical,” “horizontal,” and derivatives thereof shall relate to the device as oriented in FIG. 1. However, it is to be understood that the device may assume various alternative orientations and step sequences, except where expressly specified to the contrary. It is also to be understood that the specific devices and processes illustrated in the attached drawings, and described in the following specification are simply exemplary embodiments of the inventive concepts defined in the appended claims. Hence, specific dimensions and other physical char-

acteristics relating to the embodiments disclosed herein are not to be considered as limiting, unless the claims expressly state otherwise.

As illustrated in FIGS. 1-8, reference numeral 10 generally refers to a reversible heat pump system 10 for use in an appliance 12, such as a combination washing/drying laundry appliance 12. The reversible heat pump system 10 for the laundry appliance 12 can be used for transferring heat energy 14 from one portion of the appliance 12 to another portion of the appliance 12 for the performance of various temperature-related functions. These functions can include heating and/or cooling various materials within the appliance 12 such as process air 16, fluid 18, a refrigerant 20, and other similar thermal exchange materials.

According to the various embodiments, as exemplified in FIGS. 1-6, the laundry appliance 12 can include a rotating drum 22 for receiving items 24 to be processed. Such items 24 can include, but are not limited to, fabric, clothing, other wearable items 24, and other similar things typically cleaned within the laundry appliance 12. An airflow path 26 is disposed within the laundry appliance 12 and selectively directs a flow of process air 16 across a first heat exchanger 28 in a drying condition 30 and a washing condition 32. It is contemplated that the drying condition 30 is defined by the process air 16 being directed through the rotating drum 22 and through a shower area in the form of a third heat exchanger 34. The washing condition 32 of the airflow path 26 is defined by the process air 16 being directed away from the rotating drum 22 and/or the third heat exchanger 34. The laundry appliance 12 can also include a fluid path 36 that selectively directs fluid 18 through a second heat exchanger 38 in the drying and washing conditions 30, 32. Through the fluid path 36, the drying condition 30 is further defined by the fluid 18 being selectively directed through the third heat exchanger 34 to intersect with the process air 16. The washing condition 32 with respect to the fluid path 36 is further defined by the fluid 18 being selectively directed to the rotating drum 22.

Referring again to FIGS. 1-8, to operate the heat exchange functions of the appliance 12, a reversible refrigerant circuit 50 is adapted to direct a refrigerant 20 between the first and second heat exchangers 28, 38. The reversible refrigerant circuit 50 includes a flow control valve 52 that directs the flow of the refrigerant 20 in first and second directions 54, 56, to further define the drying and washing conditions 30, 32, respectively, of the reversible refrigerant circuit 50, as well as the airflow and fluid paths 26, 36. With regard to the reversible refrigerant circuit 50, the drying condition 30 is defined by the first heat exchanger 28 being a heater, such as a condenser 58, for the process air 16 and the second heat exchanger 38 being a cooling module, such as an evaporator 60, for the fluid 18. Conversely, when the reversible refrigerant circuit 50 is reversed by the flow control valve 52, the washing condition 32 is defined by the first heat exchanger 28 being the cooling module, or evaporator 60, for the process air 16 and the second heat exchanger 38 being a heater, or condenser 58, for the fluid 18. It is contemplated that in the drying condition 30, the fluid 18 and the process air 16 intersect with one another at the third heat exchanger 34. In this manner, the moisture condensation and particulate filtration mechanisms 68, 70 can be separated from the first and second heat exchangers 28, 38. It is contemplated that the reversible refrigerant circuit 50 is free of direct contact with the third heat exchanger 34. This configuration serves to limit the amount of particulate matter 62 that adheres to the first and second heat exchangers 28, 38 in the drying condition 30.

Referring again to FIGS. 4-6, when the laundry appliance 12 is in the drying condition 30, the third heat exchanger 34 defines a particulate filtration mechanism 70 and simultaneously defines a moisture condensation mechanism 68. Through these mechanisms, the third heat exchanger 34 is adapted to simultaneously remove particulate matter 62 and condense and remove moisture 72 from the process air 16 as the heated process air 74 is mixed with the cooled fluid 76 within the third heat exchanger 34. According to various embodiments, the particulate filtration mechanism 70 and the moisture condensation mechanism 68 can be defined by a fluid sprayer 78 that is disposed proximate the third heat exchanger 34. The fluid sprayer 78 is adapted to selectively shower or otherwise deliver the cooled fluid 76 from the second heat exchanger 38. In the drying condition 30, the second heat exchanger 38 serves as a cooling module that extracts heat energy 14 from the fluid 18 as the refrigerant 20 changes phases within the second heat exchanger 38. After heat energy 14 is extracted from the fluid 18, the fluid 18 defines the cooled fluid 76 that is delivered to the fluid sprayer 78 of the third heat exchanger 34. The fluid sprayer 78 selectively delivers the cooled fluid 76 to intersect with a heated process air 74 delivered from the first heat exchanger 28.

Referring again to FIGS. 4-6, in the drying condition 30, the first heat exchanger 28 defines a heater, such as a condenser 58, whereby heat energy 14 is radiated or otherwise given off from the refrigerant 20 within the first heat exchanger 28 and delivered to the process air 16 passing through the airflow path 26. Because the airflow path 26 is in direct communication with the first heat exchanger 28, the heat energy 14 radiated from the refrigerant 20 is delivered to the process air 16 to define the heated process air 74. This heated process air 74 is delivered through the rotating drum 22 and then to the third heat exchanger 34. As will be described more fully below, as the heated process air 74 passes through the rotating drum 22, moisture 72 from damp or wet items 24 disposed within the rotating drum 22 can be entrapped within the heated process air 74 to define moisture-laden process air 90. In addition to moisture 72, the moisture-laden process air 90 can also accumulate particulate matter 62 that is captured from the items 24 being processed within the rotating drum 22. This particulate matter 62 is typically in the form of lint, fluff, other fibrous material, various particles, and other similar particulate matter 62 typically seen within laundry drying appliances 12.

Referring again to FIGS. 4-6, as the moisture-laden process air 90 is delivered to the third heat exchanger 34, the cooled fluid 76 is delivered from the fluid sprayer 78 and travels through the moisture-laden process air 90. The combination of the heated moisture-laden process air 90 and the cooled fluid 76 causes an exchange of heat energy 14 from the process air 16 to the fluid 18 that cools and dehumidifies the moisture-laden process air 90. This exchange of heat energy 14 causes a condensation and removal of the moisture within the moisture-laden process air 90, where this precipitated moisture 72 is captured by the cooled fluid 76. The cooled fluid 76 delivered from the fluid sprayer 78 also captures all or substantially all of the particulate matter 62 contained within the process air 16. In this manner, the process air 16 leaving the third heat exchanger 34 defines cooled return air 92, being substantially free of particulate matter 62, that is returned to the first heat exchanger 28 to be reheated for further performance of the various drying functions of the appliance 12. The fluid 18 leaving the third heat exchanger 34 defines a heated return

fluid 94 that contains the captured moisture 72 and captured particulate matter 62 from the moisture-laden process air 90. The heated return fluid 94 is then delivered back toward a fluid tank 96 and/or the second heat exchanger 38. The particulate matter 62 can be removed from the heated return fluid 94, and the fluid 18 is then cooled through the second heat exchanger 38 to be returned to the third heat exchanger 34 for further filtration and condensing of additional moisture-laden process air 90.

Referring now to FIGS. 2 and 3, the washing condition 32 of the appliance 12 is defined by a fluid diverter valve 110 within the fluid path 36 modifying the flow of the fluid 18 to be into the rotating drum 22, rather than the third heat exchanger 34. As discussed above, the washing condition 32 of the appliance 12 is defined by the second heat exchanger 38, which is in communication with the fluid 18 and the fluid path 36, being a heater that is adapted to define heated fluid 112 that is delivered to the rotating drum 22. Accordingly, fluid 18 heated through the reversible heat pump system 10 can be delivered to the rotating drum 22 for adding heated fluid 112 to the combination washing/drying appliance 12. The fluid diverter valve 110 can be in the form of a two-way valve that alternates the flow of the fluid 18 between the third heat exchanger 34 and the rotating drum 22.

Referring again to FIGS. 2 and 3, the washing condition 32 of the appliance 12 is further defined by the first heat exchanger 28 being an evaporator 60 that is adapted to decrease the air temperature of the process air 16 of the airflow path 26 to define cooled process air 118. In the washing condition 32, one of the functions of the first heat exchanger 28, being a cooling module in the washing condition 32, is to remove heat energy 14 from the system for purposes of allowing the condenser 58, in the form of the second heat exchanger 38, to properly heat the fluid 18 for delivery to the rotating drum 22. To perform this function, the airflow path 26 includes an air diverting system 120 in the form of at least one air deflector 122 that blocks the process air 16 from entering at least one of the rotating drum 22 and the third heat exchanger 34. Typically, the process air 16 in the washing condition 32 will be redirected by the air deflectors 122 from entering either of the rotating drum 22 or the third heat exchanger 34. Accordingly, in the washing condition 32, the airflow path 26 defines a generally linear and non-recirculating airflow path 26 that delivers air through the first heat exchanger 28 in the form of an evaporator 60. This process air 16 is then cooled and delivered away from the first heat exchanger 28, typically out of the appliance 12 altogether.

It is contemplated that various aspects of the appliance 12 can include a recirculation of the cooled process air 118 into another portion of the appliance 12. Such cooled process air 118 leaving the evaporator 60 in the washing condition 32 can be used for cooling various portions of the appliance 12. Such cooling functions can include, but are not limited to, cooling a compressor 130 or making fine adjustments to the fluid temperature 132 of the heated fluid 112 leaving the second heat exchanger 38. It is also contemplated that the cooled process air 118 can be delivered to an area outside of the appliance 12 for cooling an area or a fixture proximate the combination washing/drying appliance 12, or other similar cooling functions for a household and/or commercial cooling function.

Referring again to FIGS. 2 and 3, in the washing condition 32, as process air 16 is moved toward the evaporator 60, it is contemplated that a portion of the heated fluid 112 delivered to the drum 22 can be used as a secondary fluid shower 140 for removing particulate matter 62 that may be

contained within the process air 16 as it approaches the first heat exchanger 28 in the form of the evaporator 60. This secondary fluid shower 140 may also heat the process air 16, thereby providing the process air 16 with additional capacity for extracting heat from the evaporator 60. This additional capacity for extracting heat energy 14 from the evaporator 60 can serve to make the reversible heat pump system 10 more efficient during its operation. The secondary fluid shower 140, in addition to potentially increasing the thermal capacity to accept heat energy 14 from the evaporator 60, also removes particulate matter 62 from the process air 16. In this manner, particulate matter 62 can be removed from the process air 16 before reaching the first heat exchanger 28. This particulate matter 62 is thereby removed before the particulate matter 62 can adhere to portions of the evaporator 60. Accordingly, the secondary fluid shower 140 can serve as a secondary particulate filtration mechanism 70 for preventing the accumulation of particulate matter 62 on the first heat exchanger 28 in the washing condition 32.

Referring again to FIGS. 1-8, in order to control the reversible refrigerant circuit 50, the fluid diverter valve 110 and the air diverting system 120, the appliance 12 can include a control 150 in communication with these components. It is contemplated that the control 150 selectively and alternatively defines the washing and drying conditions 32, 30 within each of the reversible refrigerant circuit 50, the fluid path 36 and the airflow path 26. Accordingly, the washing and drying conditions 32, 30 can be simultaneously alternated such that the reversible refrigerant circuit 50, the fluid path 36 and the airflow path 26 are in communication and collectively modified between the washing and drying conditions 32, 30 through operation of the control 150.

Referring again to FIGS. 1-8, according to the various embodiments, the airflow path 26 is adapted to be free of direct engagement with the second heat exchanger 38 at least in the drying condition 30 and typically in both the washing and drying conditions 32, 30. The fluid path 36 of the appliance 12 is adapted to be free of direct engagement with the first heat exchanger 28 in each of the washing and drying conditions 32, 30. Also, the reversible refrigerant circuit 50 is free of engagement with the third heat exchanger 34. In the drying condition 30, it is contemplated that the reversible refrigerant circuit 50 is in indirect thermal communication with the third heat exchanger 34 through operation of the fluid path 36 and airflow path 26, as described above during operation of the drying condition 30.

In the drying condition 30, as exemplified in FIGS. 4-6, it is contemplated that the airflow path 26, through operation of the air deflectors 122, defines a recirculating drying path 160 that recirculates process air 16 from the first heat exchanger 28, through the rotating drum 22 and through the third heat exchanger 34, such that each of these components are positioned along the recirculating drying path 160. Alternatively, in the washing condition 32, the airflow path 26 is modified through the one or more air deflectors 122 to define a non-recirculating cooling flow path 162 through the first heat exchanger 28 that carries the process air 16 away from the rotating drum 22 and also away from the third heat exchanger 34.

Referring again to FIGS. 1-8, an air/water handling system 170 can be disposed within the appliance 12. It is contemplated that the air/water handling system 170 can include the rotating drum 22, and the airflow path 26 that includes a blower 172 for directing process air 16 through the airflow path 26. A fluid path 36 is included, where the fluid path 36 includes a pump 174 for directing a fluid 18 through at least a portion of the fluid path 36. The first heat

exchanger 28 is positioned to be in direct engagement with the airflow path 26. The second heat exchanger 38 is positioned to be in direct engagement with the fluid path 36. The reversible refrigerant circuit 50 serves to deliver a refrigerant 20 through the first and second heat exchangers 28, 38. It is contemplated that the reversible refrigerant circuit 50 selectively and alternatively defines the washing condition 32 where the first heat exchanger 28 is an evaporator 60 that cools the process air 16. As the process air 16 leaves the evaporator 60 of the first heat exchanger 28, this process air 16 defines cooled process air 118. The second heat exchanger 38, in the washing condition 32, defines a condenser 58 that heats the fluid 18 to define heated fluid 112 that is directed into the rotating drum 22. The reversible refrigerant circuit 50 includes a flow control valve 52 that reverses the flow of the refrigerant 20 between the first and second directions 54, 56 to define, alternatively, the washing and drying conditions 32, 30, respectively.

In the drying condition 30 of the reversible refrigerant circuit 50, the first heat exchanger 28 is a condenser 58 that heats the process air 16 to define heated process air 74. This heated process air 74 is directed through the rotating drum 22 and through the third heat exchanger 34. The second heat exchanger 38 in the drying condition 30 is defined as an evaporator 60. In the drying condition 30, the evaporator 60 serves to cool the fluid 18 to define the cooled fluid 76 that is directed to the third heat exchanger 34. This cooled fluid 76 delivered to the third heat exchanger 34 is adapted to intersect with the heated process air 74. The third heat exchanger 34 delivers the cooled fluid 76 to a fluid sprayer 78 that directs the cooled fluid 76 through the heated process air 74, as described above. The cooled fluid 76 serves to decrease the air temperature of the heated process air 74 while also wetting and capturing particulate matter 62 within the heated process air 74. The wet particulate matter 62, being heavier, is allowed to fall from the moisture-laden process air 90 and is captured or wasted away with the heated return fluid 94. In this manner, the intermingling of the cooled fluid 76 with the heated process air 74 defines moisture condensation and particulate filtration mechanisms 68, 70 within the third heat exchanger 34. Simultaneously, the heated process air 74 increases a fluid temperature 132 of the cooled fluid 76. As the heat energy 14 is transferred from the heated process air 74 to the cooled fluid 76, the precipitation of moisture 72 occurs to condense and remove moisture 72 that may be contained within the heated process air 74 as it moves through the third heat exchanger 34.

Referring now to FIGS. 1-9, having described various aspects of the combination washing/drying appliance 12 that utilizes the reversible heat pump system 10, a method 400 is disclosed for operating a combination washing/drying laundry appliance 12. According to the method 400, where items 24, such as fabric or clothing, are disposed in the rotating drum 22 to be washed and dried by the washing and drying laundry appliance 12, the washing condition 32 of the heat pump system 10 is activated (step 402). As discussed above, the washing condition 32 is characterized by the first heat exchanger 28 defining an evaporator 60 that is adapted to be in direct engagement with the airflow path 26. The washing condition 32 of the airflow path 26 is defined by the air diverting system 120 to deliver process air 16 across the first heat exchanger 28 and away from the rotating drum 22. As discussed above, the process air 16 in the washing condition 32 is adapted to allow for the transfer of heat energy 14 from the evaporator 60 to the process air 16 for expulsion away from the evaporator 60. The washing condition 32 is further characterized by the second heat exchanger 38 defining a

condenser 58 coupled to the first heat exchanger 28 via the reversible refrigerant circuit 50. In the washing condition 32, the refrigerant 20 of the reversible refrigerant circuit 50 is adapted to flow in a first direction 54 through operation of the flow control valve 52.

According to the method 400, after the washing condition 32 is activated, a fluid 18 disposed within the fluid path 36 is heated (step 404). This fluid 18 can be delivered to the fluid path 36 via an external fluid source such as a wall spigot. Alternatively, the fluid 18 within the fluid path 36 can be stored fluid 18 from a previous laundry cycle that can be recirculated for use in subsequent laundry cycles. It is contemplated that the second heat exchanger 38, being a condenser 58 in the washing condition 32, heats the fluid 18 to a predetermined temperature.

According to the various embodiments, it is contemplated that the condenser 58 in the washing condition 32 can be adapted to heat the fluid 18 to a certain temperature according to each performance of the washing condition 32. This heated fluid 112 can then be mixed with cool external tap water or cooled and stored water to achieve a particular temperature. It is also contemplated that the fluid 18 can be moved through the condenser 58 at a particular rate, such that a predetermined rate of heating is experienced by the fluid 18 moving through the condenser 58 in order to achieve a predetermined temperature.

By way of example, and not limitation, fluid 18 moving slowly through the condenser 58 may receive greater amounts of heat energy 14 from the condenser 58 and therefore reach a higher predetermined fluid temperature 132. Conversely, fluid 18 moving through the condenser 58 at a faster rate may receive lesser amounts of heat energy 14 and may therefore achieve a lesser or lower fluid temperature 132. In this manner, the operation of the fluid pump 174 can vary the flow rate of the fluid 18 to also vary the fluid temperature 132 of the heated fluid 112.

Referring again to FIGS. 1-9, once the fluid 18 is heated, the heated fluid 112 is delivered to the rotating drum 22 (step 406). The heated fluid 112 enters the rotating drum 22 and soaks the one or more items 24 disposed within the rotating drum 22. It is contemplated that during a particular washing condition 32, the heated fluid 112 can be mixed with various washing fluids 18, such as detergent, fabric softener, bleach, oxi-substances, and other laundry-related products. The heated fluid 112 and various laundry-related products serve to soak the at least one item within the rotating drum 22. After being soaked, various washing conditions 32 are performed with respect to the at least one item within the rotating drum 22 (step 408). As the washing condition 32 is performed, the at least one item becomes a damp item 180 disposed within the rotating drum 22.

It is contemplated that the washing condition 32 can include various washing cycles. These washing cycles can include, but are not limited to, agitation cycles, rinse cycles, spin cycles, steaming cycles, sanitizing cycles, soak cycles, and other similar washing-related laundry cycles. In the case of a steam-washing cycle, the fluid 18 can be moved through the condenser 58 at a particularly slow rate such that at least a portion of the fluid 18 is heated to above the boiling point of water to achieve a gaseous state (i.e., steam). This gaseous form of a portion of the heated fluid 112 can be injected into the rotating drum 22 for the performance of various sanitizing functions of the laundry appliance 12. After the various washing cycles are completed, the washing condition 32 of the heat pump system 10 is deactivated (step 410).

Referring again to FIGS. 1-9, according to the method 400, after the washing condition 32 is complete, the flow of

the refrigerant 20 in the reversible refrigerant cycle is reversed from the first direction 54 to the second direction 56 through operation of the flow control valve 52 (step 412). The flow of refrigerant 20 in the second direction 56 activates the drying condition 30 of the heat pump system 10. As discussed above, the drying condition 30 of the heat pump system 10 is characterized by the first heat exchanger 28 being a condenser 58 that is in direct engagement with the airflow path 26. Additionally, the airflow path 26 defines a recirculating path that delivers process air 16 through the rotating drum 22, the third heat exchanger 34 and the first heat exchanger 28, sequentially. The second heat exchanger 38 in the drying condition 30 defines an evaporator 60 in direct engagement with the fluid path 36, where the fluid path 36 defines a recirculating path that delivers the fluid 18 from the second heat exchanger 38 to the fluid sprayer 78 of the third heat exchanger 34.

According to the method 400, during operation of the drying condition 30, process air 16 is delivered to the first heat exchanger 28 to define heated process air 74 (step 414). This heated process air 74 is then delivered to the at least one damp item 180 within the rotating drum 22. The heated process air 74 mingles with the damp item 180 to capture at least a portion of the moisture 72 and a portion of the particulate matter 62 from the damp item 180 to define moisture-laden process air 90 that is then delivered out of the rotating drum 22. The moisture-laden process air 90 is then delivered to the third heat exchanger 34 (step 416).

Referring again to FIGS. 1-9, simultaneous, or substantially simultaneous to the formation of the heated process air 74, cooled fluid 76 is formed by delivering at least a portion of the fluid 18 through the second heat exchanger 38 in the form of the evaporator 60 (step 418). This cooled fluid 76 is then delivered to the fluid sprayer 78 of the third heat exchanger 34 (step 420). Within the third heat exchanger 34, the cooled fluid 76 is sprayed through the moisture-laden process air 90 as the moisture-laden process air 90 moves through the third heat exchanger 34 (step 422).

According to the various embodiments, as exemplified in FIGS. 1-9, within the third heat exchanger 34, the cooled fluid 76 decreases the air temperature of a moisture-laden process air 90 to condense and precipitate at least a portion of the moisture 72 therefrom and also capture at least a portion of the particulate matter 62. Accordingly, the cooled fluid 76 changes the moisture-laden process air 90 into cooled return air 92 that has a lower amount of moisture 72 and also little, if any, particulate matter 62 contained therein. The moisture-laden process air 90 also serves to increase the temperature of the cooled fluid 76 to define a heated return fluid 94. The heated return fluid 94 contains at least a portion of the moisture 72 and particulate matter 62 from the moisture-laden process air 90 that was included therein.

According to the method 400, after the heat exchange operation within the third heat exchanger 34, the cooled return air 92 is returned through the airflow path 26 back to the first heat exchanger 28 (step 424). In this manner, the cooled return air 92 is returned to the first heat exchanger 28 and is substantially free of particulate matter 62. In this manner, the third heat exchanger 34 serves as a particulate filtration mechanism 70 that removes particulate matter 62 from the process air 16. This particulate matter 62 is then retained within the heated return fluid 94. In this manner, particulate matter 62 does not adhere or substantially adhere to or become entrapped within the first heat exchanger 28 during operation of the drying condition 30. The heated return fluid 94, moisture 72 and particulate matter 62 are returned to a fluid tank 96 (step 426).

According to the various embodiments, as exemplified in FIGS. 1-9, it is contemplated that the heated return fluid 94 and moisture 72 can be recirculated across the second heat exchanger 38 for re-use as cooled fluid 76 for delivery back to the third heat exchanger 34. The fluid tank 96 can include a particulate removal system that entraps and removes particulate matter 62 removed from the moisture-laden process air 90. This entrapped particulate matter 62 can ultimately be expelled from the appliance 12 and through a drain pump and/or drain outlet 190 for removal from the appliance 12. After an appropriate amount of moisture 72 has been removed from the damp item 180 within the rotating drum 22, the drying condition 30 is completed (step 428). The fluid 18, moisture 72 and particulate matter 62 can thereby be delivered to a drain outlet 190 for expulsion from the appliance 12. As discussed above, it is contemplated that, in various embodiments, the fluid 18 and moisture 72 can be recirculated for use in a later washing cycle.

Through the use of the reversible heat pump system 10 used in conjunction with the first, second and third heat exchangers 28, 38, 34, the first, second and third heat exchangers 28, 38, 34 can be used for heating and cooling functions related to the process air 16 and fluid 18. The heat energy 14 transferred through the first and second heat exchangers 28, 38 can then be delivered to various portions of the appliance 12 for performing various filtration, condensation, washing and drying functions of the appliance 12. Through the use of this reversible heat pump system 10, particulate matter 62 is maintained separate from the first and second heat exchangers 28, 38 such that particulate matter 62 does not become entrapped within the coil structures first and second heat exchangers 28, 38. Rather, the particulate matter 62 is removed through the intermingling of process air 16 and fluid 18 within the third heat exchanger 34. While the particulate matter 62 is removed at a location physically separated from the first and second heat exchangers 28, 38, heat energy 14 transferred between the first and second heat exchangers 28, 38 is utilized to operate the third heat exchanger 34. Accordingly, delivery of heat energy 14 through the first, second and third heat exchangers 28, 38, 34 allows for operation of the washing and drying conditions 32, 30 of the appliance 12.

According to the various embodiments, this particulate matter 62 is removed and remains separate from the first and second heat exchangers 28, 38 without the need for a physical filter in the form of a screen, mesh, foam, or other similar blocking-type filter. Without the need for a blocking-type filter, the filterless system described herein can be maintenance free or substantially maintenance free with respect to the removal of particulate matter 62 from the various systems of the appliance 12.

According to the various embodiments, it is contemplated that the reversible refrigerant circuit 50 can be any one of various refrigerant circuits. By way of example, and not limitation, the reversible refrigerant circuit 50 can include a compressor 130, expansion device, refrigerant line with the refrigerant 20 disposed therein, and a flow control valve 52 that serves to reverse the flow of refrigerant 20 through the refrigerant line. The refrigerant 20 contained within the reversible refrigerant circuit 50 can include, but are not limited to, Freon, water, and other similar phase change materials that can be used within various refrigeration and/or heat pump systems 10.

It will be understood by one having ordinary skill in the art that construction of the described device and other components is not limited to any specific material. Other

exemplary embodiments of the device disclosed herein may be formed from a wide variety of materials, unless described otherwise herein.

For purposes of this disclosure, the term “coupled” (in all of its forms, couple, coupling, coupled, etc.) generally means the joining of two components (electrical or mechanical) directly or indirectly to one another. Such joining may be stationary in nature or movable in nature. Such joining may be achieved with the two components (electrical or mechanical) and any additional intermediate members being integrally formed as a single unitary body with one another or with the two components. Such joining may be permanent in nature or may be removable or releasable in nature unless otherwise stated.

It is also important to note that the construction and arrangement of the elements of the device as shown in the exemplary embodiments is illustrative only. Although only a few embodiments of the present innovations have been described in detail in this disclosure, those skilled in the art who review this disclosure will readily appreciate that many modifications are possible (e.g., variations in sizes, dimensions, structures, shapes and proportions of the various elements, values of parameters, mounting arrangements, use of materials, colors, orientations, etc.) without materially departing from the novel teachings and advantages of the subject matter recited. For example, elements shown as integrally formed may be constructed of multiple parts or elements shown as multiple parts may be integrally formed, the operation of the interfaces may be reversed or otherwise varied, the length or width of the structures and/or members or connector or other elements of the system may be varied, the nature or number of adjustment positions provided between the elements may be varied. It should be noted that the elements and/or assemblies of the system may be constructed from any of a wide variety of materials that provide sufficient strength or durability, in any of a wide variety of colors, textures, and combinations. Accordingly, all such modifications are intended to be included within the scope of the present innovations. Other substitutions, modifications, changes, and omissions may be made in the design, operating conditions, and arrangement of the desired and other exemplary embodiments without departing from the spirit of the present innovations.

It will be understood that any described processes or steps within described processes may be combined with other disclosed processes or steps to form structures within the scope of the present device. The exemplary structures and processes disclosed herein are for illustrative purposes and are not to be construed as limiting.

It is also to be understood that variations and modifications can be made on the aforementioned structures and methods without departing from the concepts of the present device, and further it is to be understood that such concepts are intended to be covered by the following claims unless these claims by their language expressly state otherwise.

The above description is considered that of the illustrated embodiments only. Modifications of the device will occur to those skilled in the art and to those who make or use the device. Therefore, it is understood that the embodiments shown in the drawings and described above is merely for illustrative purposes and not intended to limit the scope of the device, which is defined by the following claims as interpreted according to the principles of patent law, including the Doctrine of Equivalents.

What is claimed is:

1. A laundry appliance comprising:
 - a rotating drum for receiving items to be processed;

an airflow path that selectively directs a flow of process air across a first heat exchanger in a drying condition and a washing condition, wherein the drying condition is defined by the process air being directed through the rotating drum and through a third heat exchanger, and the washing condition is defined by the process air being directed away from the third heat exchanger;

a fluid path that selectively directs fluid through a second heat exchanger in the drying and washing conditions, the drying condition further defined by the fluid being selectively directed through the third heat exchanger to intersect with the process air, and the washing condition further defined by the fluid being selectively directed to the rotating drum; and

a reversible refrigerant circuit that directs a refrigerant between the first and second heat exchangers, the reversible refrigerant circuit having a flow control valve that further defines the drying and washing conditions of the reversible refrigerant circuit, the drying condition defined by the first heat exchanger being a heater for the process air and the second heat exchanger being a cooling module for the fluid, the washing condition defined by the first heat exchanger being a cooling module for the process air and the second heat exchanger being a heater for the fluid, wherein the fluid and the process air intersect with one another at the third heat exchanger in the drying condition, wherein the airflow path is free of direct engagement with the second heat exchanger at least in the drying condition, the fluid path is free of direct engagement with the first heat exchanger in each of the washing and drying conditions, and the reversible refrigerant circuit is free of engagement with the third heat exchanger.

2. The laundry appliance of claim 1, wherein the third heat exchanger in the drying condition defines a filtration and moisture condensation mechanism for removing moisture and particulate matter from the process air within the third heat exchanger.

3. The laundry appliance of claim 2, wherein the filtration and moisture condensation mechanism is defined by a fluid sprayer proximate the third heat exchanger, the fluid sprayer selectively delivering cooled fluid from the second heat exchanger to intersect with a heated process air from the first heat exchanger.

4. The laundry appliance of claim 1, further comprising: a control in communication with the reversible refrigerant circuit, wherein the control is also in communication with a fluid diverter valve of the fluid path and an air diverting system of the airflow path to selectively and alternatively define the washing and drying conditions in each of the reversible refrigerant circuit, the fluid path and the airflow path.

5. The laundry appliance of claim 4, wherein the air diverting system is defined by at least one air deflector operable within the airflow path that is operable within the airflow path to define the washing and drying conditions.

6. The laundry appliance of claim 5, wherein the at least one air deflector in the drying condition defines a recirculating drying path with each of the rotating drum, the third heat exchanger and the first heat exchanger being positioned along the recirculating drying path.

7. The laundry appliance of claim 5, wherein the at least one air deflector in the washing condition defines a non-recirculating cooling flow path through the first heat exchanger that carries process air away from the rotating drum.

8. The laundry appliance of claim 1, wherein the reversible refrigerant circuit, the fluid path and the airflow path are in communication to be collectively modified between the washing and drying conditions.

* * * * *