

PROSPECTS FOR MULTI-TeV TWO-BEAM LINEAR COLLIDERS*

Ronald D. Ruth

Stanford Linear Accelerator Center, Stanford, CA, USA

Abstract

Recent work at CERN and SLAC has opened the possibility of the development of concrete designs for electron positron linear colliders that have a center of mass energy substantially above 1 TeV [1,2]. These designs are based on high gradient, normal conducting acceleration with the power provided by an auxiliary beam that is efficiently accelerated in a fully loaded, low frequency linac. This type of power source offers a flexibility to develop linear collider designs that have a wide range of parameters. In particular, the choice of frequency can be made without regard to the availability of high power RF sources, at least up to about 30 GHz. This paper explores possible linear collider designs taking into account limits on acceleration gradient and beam-beam effects. The study shows that electron positron linear colliders have an energy reach far in excess of 1 TeV. In particular we show that an X-band linear collider powered with conventional sources might be upgraded using two-beam techniques to an energy far above 1 TeV. Thus, the linear collider offers a platform for continued exploration at the energy frontier of High Energy Physics.

1 INTRODUCTION

During the past decades High Energy Physics has taken great advantage of various new generations of accelerators as they have moved upwards on the energy frontier. Electron positron circular colliders have gone through several generations and have achieved an increase in energy reach of about a factor of 100. This has been possible because our community has built on each generation and used it as the parent and teacher of the next generation. The culmination of e⁺e⁻ circular collider energy frontier accelerators has been the outstanding success of LEP at CERN. Circular colliders have moved now to the Luminosity/Factory frontier with KEKB and PEP-II to do precision physics.

Proposals for electron-positron linear colliders have at their roots the single parent accelerator, the SLC at SLAC. The next round of proposals reach for a center of mass in the range of ½ to 1 TeV, a factor of five to ten beyond the SLC.

The question that is addressed in this paper is whether or not we can build on this basis to provide an even further increase to multi-TeV linear colliders. If this is true, the electron positron linear collider could provide a platform to move onto precision physics at the multi TeV scale. Before proceeding with the energy issue it is useful to first discuss the luminosity.

2 LUMINOSITY

The largest jump in all approaches to linear colliders is the luminosity. The desired luminosity is four orders of magnitude greater than the SLC luminosity. However, the 1 TeV designs are building on the hard won success of the SLC, experiments at the Final Focus Test Beam and the ultra low emittance obtained in the KEK ATF. This experimental base has discovered a key feature that permeates the approach to obtaining high luminosity. In order to preserve the emittance and achieve the necessary small spots, it is critical that we pay attention to the interaction of the trajectory and emittance or beam size. Experience with the SLC, FFTB and KEK ATF has shown that beam based alignment is critical. To achieve stable beams feedback is also required. Special steering techniques, such as Dispersion Free Steering, which take into account the interaction of the trajectory with the projected beam size, are essential. The critical ingredients are a stable, precise set of instrumentation for beam position and beam size measurements. This data combined with the techniques for trajectory compensation with emittance preservation make the jump in luminosity at the next generation linear collider possible. However, it is important to note that in order to achieve the even higher luminosity at a multi TeV collider, it will be necessary to have experience with the ½ to 1 TeV linear collider.

3 ENERGY

Before discussing acceleration it is useful to recognize that all linear accelerators behave like transformers. Power from the grid (or co-generation plant) is transformed to a high-energy, pulsed, low-current electron/positron beam. Multi TeV linear colliders require high-gradient acceleration. The acceleration gradient sets the length scale, much like the superconducting magnet field set the length scale for the LHC. The power required for high gradient acceleration must be compressed and converted to RF to accelerate the beam. For conventional approaches this is done by the combination of modulators, klystrons, and RF pulse compression systems. Two-Beam RF power generation is envisioned for Multi TeV linear colliders because it provides frequency-independent energy compression. A two-beam power source can provide power at frequencies where there are no other sources. The 'Drive Beam' discussed later in this paper provides the low loss intermediate energy storage similar to the RF compression system for conventional systems.

*Work supported by DOE Contract DE-AC03-76F00515.

4 HIGH GRADIENT ACCELERATION

Historically, there has been hope that higher frequency RF systems can intrinsically support higher gradients. The NLC and CLIC designs have been based on this and on early experimental results that showed high gradients in short structures that required relatively low power to achieve high gradient. However, recent results have shown that although surface field plays a critical role, other aspects of the structure such as group velocity or cell position in the structure also appear to play a significant role. Finally, in structures with a very large number of breakdowns, the RF properties have been affected.

The status of the experimental breakdown studies at NLCTA is discussed in detail in these proceedings [3]. The details of the development of structures for testing and also simulations of breakdown are given in Refs [4-8]. Experimental results are coming in rapidly, but a summary of the situation is as follows:

1. Early short structures at X-Band have reached acceleration gradients of about 120 MV/m. The record is held by a CERN X-band structure 30 cm long.
2. Full-length high group velocity structures 1.8 m long were conditioned up to about 70 MV/m and could run around 50 MV/m but showed phase shifts due to the extensive number of breakdowns.
3. The first half of these long high group velocity structures were damaged significantly and the second half were completely undamaged. These parts of the structure have nearly the same surface field.
4. The second half of the long structure was cut off and fitted with a new short front end and conditioned rapidly up to about 70 MV/m and could run steadily with little damage.
5. Several additional structures with 5% and 3% group velocity have now been tested and all show rapid conditioning above 70 MV/m and stable running near that level.
6. Most breakdowns take place at or near the input couplers for the low group velocity structures.
7. An additional testing program has been started to examine the possibility of using standing wave structures.

For the purposes of this paper we assume that the gradient studies for NLC will be successful. This requires that traveling wave structures run well at about 70 MV/m. It requires that a standing wave structures run well at about 55 MV/m.

There is presently little experience at higher frequency, although tests at CERN suggest that higher gradient may be possible at higher frequency. At X-band experimental results show no fundamental limits up to about 100 MV/m. For the remainder of this paper we assume that after some development a future X-band structure might reach stable running at a loaded gradient of about 94 MV/m. For a standing wave structure this would be the

unloaded gradient as well while a traveling wave structure would have to be conditioned to an acceleration field in excess of 100 MV/m.

If higher gradients are realized (or if extended length is possible), it is interesting to ask whether or not it is possible to use two-beam acceleration to upgrade the energy of an X-Band linear collider. Before addressing this question it is useful to discuss Two Beam acceleration.

5 TWO-BEAM ACCELERATION

The basic concept of two-beam acceleration is rather simple. In Figure 1 you see idea illustrated with example parameters. A high-current beam, tightly bunched at the operating frequency or a sub harmonic, is decelerated by a low-impedance decelerator structure. The resulting output RF is transferred in a waveguide to a high-gradient accelerating structure where it is used to accelerate the low-current, high-energy beam. In the example shown the drive beam is decelerated by 1.5 MeV each meter while the main beam is accelerated by 93 MeV each meter. The combination of decelerating and accelerating structures acts like a transformer moving the energy stored in the drive beam to the main beam. Depending on the final desired energy, the drive beam must be replaced after it loses about 90% of its energy to maintain its stability during deceleration [2].

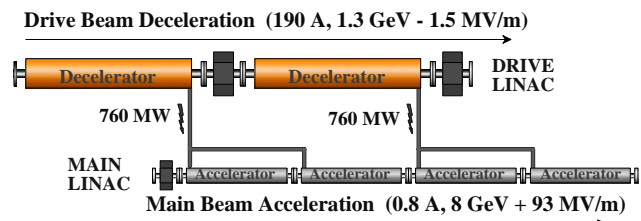


Figure 1: The Basic Concept of Two-Beam Acceleration

The creation of the drive beam is a key problem for two-beam schemes because it must be done efficiently with reliable technology. Recently, a new technique was introduced which uses a low frequency normal conducting linac to accelerate the drive beam. After acceleration the drive beam pulse structure is modified using rings that serve to compress the energy into pulses appropriate for RF production at high frequency. This technique is described in Refs. 1 and 2.

In a previous paper we introduced two new aspects to the drive beam creation process and the concept of a two-beam linear collider [9]. First, the drive beam can be accelerated in multiple passes through the drive beam linac. This recirculation reduces the number of klystrons but increases the pulse length of each. Second, these same power sources are used to power a higher gradient main beam injector accelerator after they have finished accelerating the drive beam. An overall layout that shows a two-beam system with recirculation is shown in Figure 2.

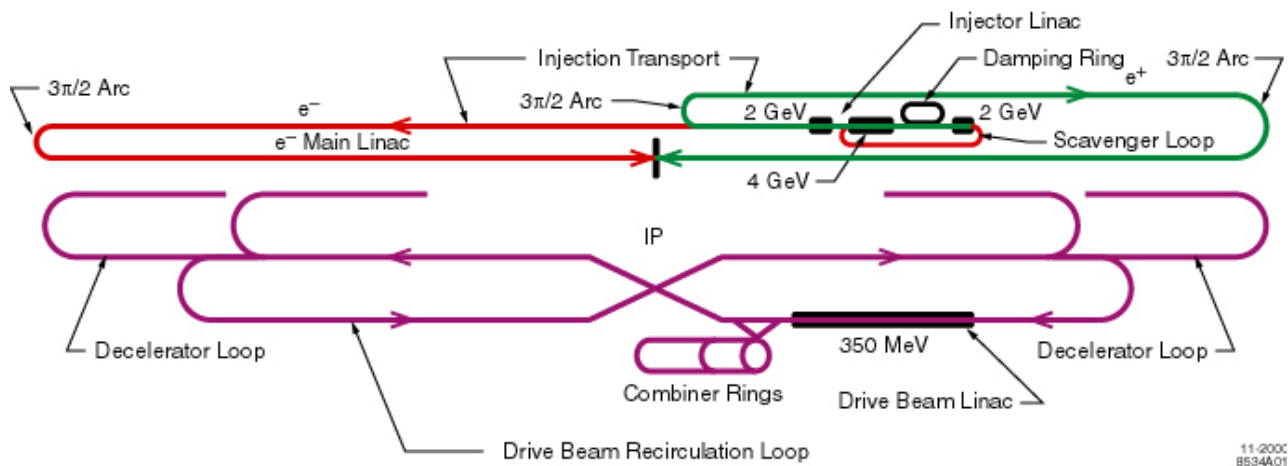


Figure 2: Schematic Layout of a Two-Beam Linear Collider with Recirculation and Central injector. The upper beam lines are for the main beam while the lower ones are for the drive beam. All long beam lines are in the same tunnel. The vertical scale is expanded for clarity. The injector linac sits beside the drive beam linac. View [animation](#) here.

To understand Figure 2 it is useful to trace a complete two-beam cycle as follows (see also [animation](#)):

1. First accelerate a long-pulse drive beam in a fully loaded L-band linac. The drive beam pulse length is twice the length of the high gradient linac.
2. Recirculate the beam to accelerate in four passes trading off the number of klystrons with pulse length.
3. After final acceleration use combiner rings and RF deflection to interleave bunches ($2 \times 4 \times 4 = 16$).
4. This compresses the long pulse beam into six shorter pulses and increases the bunch frequency by 16.
5. Distribute pulses to decelerator. After compression, the pulses are separated by twice the length of the section that they will power.
6. Transfer power to the high gradient accelerator to accelerate the high-energy beam. As in Fig 1 the drive beam decelerates while the main beam is accelerated. After each section the depleted drive beam is dumped while another arrives at the correct time and phase to take over the acceleration.

While the use of the drive beam klystrons to power the injector is interesting for two beam systems built from scratch, it will not be considered for upgrades because the injector is presumed to exist.

6 UPGRADES BEYOND 1 TEV

For the purposes of this exercise we assume that an X-band linear collider with the NLC design is working at 1 TeV. The structures discussed earlier need to run at about 70 MV/m for traveling wave structures and at about 55 MV/m for standing wave structures. The loaded gradient in each case is 55 MV/m and the geographic gradient is about 50 MV/m. These parameters are consistent with present NLC designs. Let us assume that the structures will support a gradient of 94 MV/m loaded in a stable

running configuration. This is not required of the NLC 1 TeV design and would require development beyond the present state of the art at X-band. However, this assumption is not unreasonable considering the experiments showing gradients in excess of 100 MV/m and given the rapid progress of the development of high gradient designs. On the other hand, a similar upgrade could be presented which keeps the NLC gradient but extends the length. This approach will not be presented because of the potential advantage of the evolution of the linear collider energy without substantial new construction.

The upgrade proposed here seeks to use the existing infrastructure and RF power as much as possible while adding a separate two-beam power source to increase the gradient. This hybrid approach seems awkward, but it permits an adiabatic transition to a two-beam linear collider of even higher energy as we discuss below.

The first upgrade uses a two-beam system to supply the power of 2/3 of the structures of the linear collider which redirecting the existing power from the conventional system into one third of the structures. This is illustrated in Figure 3. Table 1 shows the parameters for the linear collider at the higher beam energy. As you can see from this table, the luminosity increases by about a factor of three while the energy increases to 1.7 TeV. The repetition rate has been dropped by a factor of two, so that the factor of three increase in power for RF only results in a 50% increase in the site power required for RF. The charge per bunch has been allowed to increase proportional to the gradient in order to keep the same beam loading to maintain high efficiency. The damping rings for this design have not been upgraded from those for the NLC, and we have assumed that the emittance dilution will be the same for the higher energy linac because of the higher gradient. The beam-beam effects are more severe as expected at higher energy. However, it may be possible to make design trade-offs which yield nearly the same luminosity but with smaller beam-beam effects.

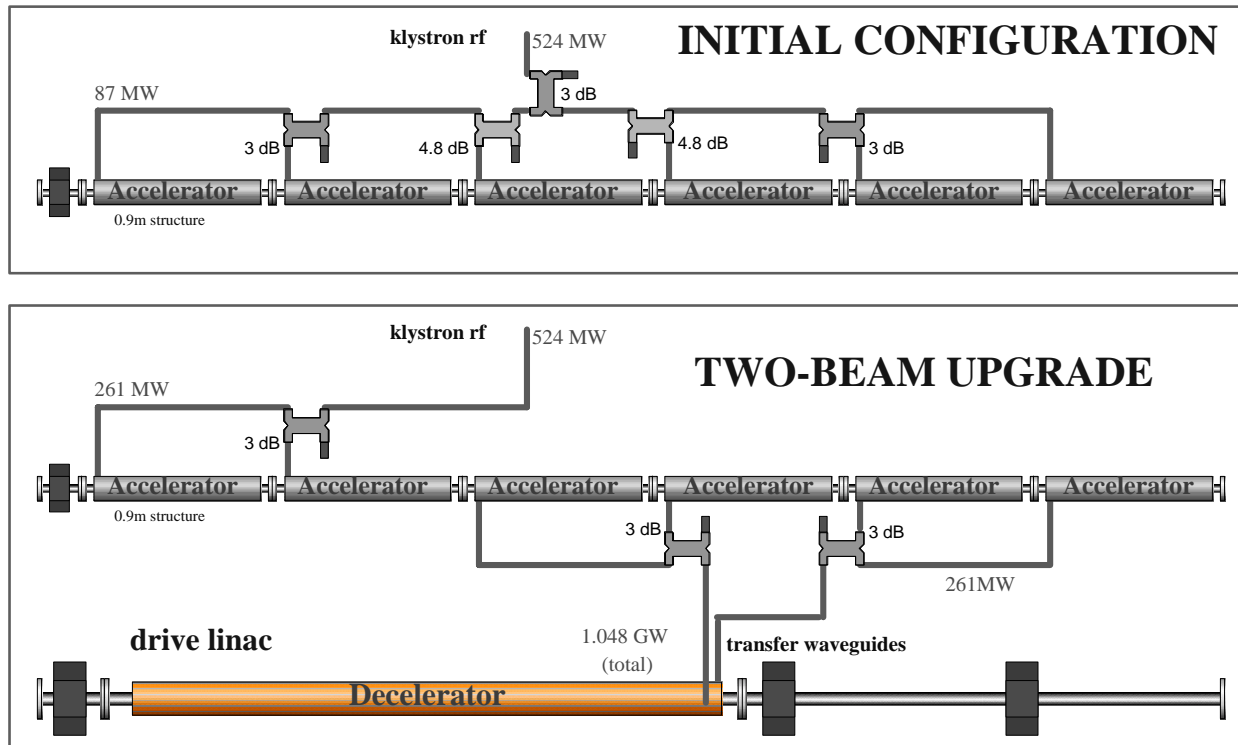


Figure 3: The initial configuration shows nominal parameters for the NLC operating at 1 TeV. For the two-beam upgrade the power from the klystrons is routed into two structures while a new two-beam system is installed to provide the power for the remaining two thirds of the structures.

Table 1: Parameters for NLC and Two-Beam Upgrade

NLC Luminosity Parameters	Upgrade		
	Stage 1	Stage 2	TB-NLC
CMS Energy (GeV)	500	1000	1700
Luminosity (10^{33})	20	34	94
Repetition Rate (Hz)	120	120	60
Bunch Charge (10^{10})	0.75	0.75	1.35
Bunches/RF Pulse	190	190	190
Bunch Separation (ns)	1.4	1.4	1.4
Eff. Gradient (MV/m)	50.2	50.2	78
Injected γ_e / γ_y (10^{-8})	300 / 2	300 / 2	300 / 2
γ_e at IP (10^{-8} m-rad)	360	360	360
γ_y at IP (10^{-8} m-rad)	3.5	3.5	3.5
β_x / β_y at IP (mm)	8 / 0.10	10 / 0.12	15 / 0.12
σ_x / σ_y at IP (nm)	245 / 2.7	190 / 2.1	180 / 1.6
σ_z at IP (um)	110	110	110
Yave	0.11	0.29	1.04
Pinch Enhancement	1.43	1.49	1.6
Beamstrahlung dB (%)	4.7	10.2	31
Photons per e+/e-	1.2	1.3	2.3
Linac Length (km)	6	12	12

6 DRIVE BEAM ACCELERATOR

The Drive Beam Accelerator accelerates a long pulse high current beam in order to store all the energy

necessary to accelerate the main beam. The drive beam parameters for the NLC X-band upgrade are shown in Table 2. The accelerator is powered by an L-band RF system. In this example we have not used recirculation for acceleration, the first half of the drive beam powers one linac while the second half powers the other. Recirculation can be used to decrease the number of drive beam structures and klystrons while increasing the drive beam RF power pulse width.

After acceleration the drive beam is compressed by the combiner ring complex to achieve a total 22 drive beam pulses each with 16 times the current. These are distributed, 11 to each linac, with the appropriate delay to power the main beam. The principle is identical to the animation and figure except that there is no recirculation; the first part of the path forms the delay necessary for the drive beam timing.

7 UPGRADE TO 2.5 TEV (22.8 GHZ)

The upgrade just described seems like a lot of effort to increase the energy. An alternative would be to modify the conventional system to achieve higher power via higher power klystrons or more pulse compression with longer klystron pulses. The primary reason for a two-beam upgrade is that allows the possibility to move to two-beam systems for even higher energy.

To illustrate this idea consider the drive beam parameters in the second column of Table 2 and also the beam parameters in Table 3. The parameters in the second column of Table 2 show the drive beam necessary

for a linear collider with a higher frequency RF system (22.8 GHz) compared side by side with those for the drive beam necessary for the 11.4 GHz upgrade. For this example it is necessary to assume an operating gradient for the 22.8 GHz system, which we have taken to be 140 MV/m. Notice that the RF pulse length necessary for the two systems is a factor of two different. In the second column the drive beam has been created by increasing the drive beam linac length and energy and by adding another combiner ring to achieve a factor of 32 in compression. It is also assumed, of course that the deceleration and acceleration system as shown in Fig. 1 has been replaced by its 22.8 GHz counterpart.

The interesting feature of this system, that is unique to two-beam systems, is that it is mostly unchanged. The drive beam linac is lengthened slightly, the combiner rings are reused and another is added. The entire drive beam distribution system is reused. This frequency flexibility allows one to envision a somewhat adiabatic transition to a two-beam linear collider using the experience at a lower frequency before tackling the more challenging problems at higher frequency.

Table 2: Drive Beam and Accelerator parameters for the 11.4 GHz Upgrade to 1.7 TeV and for the 22.8 GHz two-beam system. The 1.7 TeV parameters include power from the conventional RF system.

CM Energy (TeV)	1.7	2.5
Average Gradient (MeV/m)	78	118
Linac Length (Km)	24	24
Repetition Frequency (Hz)	60	60
Pulse Length (nsec)	310	180
Number of bunches	225	260
Charge per bunch (10^9)	14	6.8
HE Beam Total Energy (KJ)	410	360
Number of Drive Beams	22	22
Rf Pulse Total Energy (KJ)	780	900
Rf Pulse Length (nsec)	450	225
Frequency Multiplication	16	32
Deceleration Section Length (m)	1070	1070
Drive beam Pulse (Microsec)	160	160
Total Drive beam Energy (KJ)	2100	2300
Drive Beam Energy (GeV)	1.4	1.50
Drive Beam Current (A)	10	10.0
Frequency of DBA (MHz)	1428	1428
Length of DBA (m)	230	250
Structure Length (m)	1.7	1.70
Power per Structure (MW)	100	100
Number of 50 MW Klystrons	270	295
Total RF Efficiency (%)	40	40
Wall to beam Efficiency (%)	15	16.0
Wall Plug Power	340	280

Table 3: Parameters for upgrades to the NLC.

Parameters	NLC	TB-NLC	TB-NLC
CMS Energy (GeV)	1000	1700	2500
Luminosity (10^{33})	34	94	99
Repetition Rate (Hz)	120	60	60
Bunch Charge (10^{10})	0.75	1.35	0.684
Bunches/RF Pulse	190	190	260
Bunch Separation (ns)	1.4	1.4	0.7
Eff. Gradient (MV/m)	50.2	78	118
Injected $\gamma e_x / \gamma e_y$ (10^{-8})	300 / 2	300 / 2	300/2
γe_x at IP (10^{-8} m-rad)	360	360	360
γe_y at IP (10^{-8} m-rad)	3.5	3.5	3.5
β_x / β_y at IP (mm)	10 / 0.12	15 / 0.12	6/0.06
σ_x / σ_y at IP (nm)	190 / 2.1	180 / 1.6	94/0.93
σ_z at IP (um)	110	110	50
Yave	0.29	1.04	3.2
Pinch Enhancement	1.49	1.6	1.5
Beamstrahlung dB (%)	10.2	31	33
Photons per e+/e-	1.3	2.3	1.7
Linac Length (km)	12	12	12

8 SUMMARY

In this paper we have discussed prospects for multi TeV linear colliders by giving specific examples of how the NLC might be upgraded in two steps. A two-beam upgrade to 1.7 TeV using 11.4 GHz RF can be designed to permit a further upgrade using 22.8 GHz RF to 2.5 TeV. These examples illustrate that the next generation linear collider can form the foundation for a multi TeV linear collider and can provide a platform for further exploration beyond 1 TeV.

9 REFERENCES

- [1] H.H. Braun, et al., "A New Method of RF Power Generation for Two-Beam Linear Colliders", Proc. Of EPAC98, Stockholm, Sweden, June 1998.
- [2] H.H. Braun, et al., "The CLIC RF Power Source, A Novel Scheme of Two-Beam Acceleration for e^\pm Linear Colliders", CERN 99-06.
- [3] C. Adolphsen et al, ROAA003 in Proc. of PAC2001, Chicago, IL, June 2001, SLAC-PUB-8901.
- [4] R.H. Miller et al, FPAH062 in Proc. of PAC2001, Chicago, IL, June 2001, SLAC-PUB-8897.
- [5] Z. Li et al., FPAH061 in Proc. of PAC2001, Chicago, IL, June 2001, SLAC-PUB-9049.
- [6] R. Jones et al, FPAH058 in Proc. of PAC2001, Chicago, IL, June 2001, SLAC-PUB-8889.
- [7] R. Jones et al, FPAH068 in Proc. of PAC2001, Chicago, IL, June 2001, SLAC-PUB-8886.
- [8] V. Dolgashev et al, FPAH067 in Proc. of PAC2001, Chicago, IL, June 2001, SLAC-PUB-8866.
- [9] J. Irwin, J. Rifkin and R.D. Ruth, "A New Configuration for Two-Beam Linear Colliders", Proc. of the XX Int. Linac Conf., Monterey, CA, Aug. 2000, 782.