

1977

# Connections between equipment and structures subject to seismic loading -- preliminary bibliography, December 1977 PB286054/AS

G.C. Driscoll

U. Yuceoglu

J. W. Tedesco

Follow this and additional works at: <http://preserve.lehigh.edu/engr-civil-environmental-fritz-lab-reports>

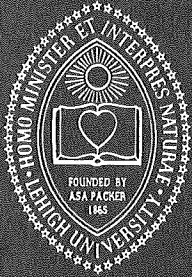
---

## Recommended Citation

Driscoll, G. C.; Yuceoglu, U.; and Tedesco, J. W., "Connections between equipment and structures subject to seismic loading -- preliminary bibliography, December 1977 PB286054/AS" (1977). *Fritz Laboratory Reports*. Paper 495.  
<http://preserve.lehigh.edu/engr-civil-environmental-fritz-lab-reports/495>

This Technical Report is brought to you for free and open access by the Civil and Environmental Engineering at Lehigh Preserve. It has been accepted for inclusion in Fritz Laboratory Reports by an authorized administrator of Lehigh Preserve. For more information, please contact [preserve@lehigh.edu](mailto:preserve@lehigh.edu).

424.2  
**Lehigh  
University**



LEHIGH UNIVERSITY LIBRARIES



3 9151 00942817 4

**CONNECTIONS BETWEEN EQUIPMENT  
AND STRUCTURES SUBJECT TO  
SEISMIC LOADING  
-- PRELIMINARY BIBLIOGRAPHY**

by

**Umur Yuceoglu**

**Joseph W. Tedesco**

**George C. Driscoll**

FRITZ ENGINEERING  
LABORATORY LIBRARY

**LEHIGH/FL/424--2**

**Fritz  
Engineering  
Laboratory**

**Fritz Engineering Laboratory Report No. 424.2**

CONNECTIONS BETWEEN EQUIPMENT AND STRUCTURES

SUBJECT TO SEISMIC LOADING

-- PRELIMINARY BIBLIOGRAPHY

by

Umur Yuceoglu

Joseph W. Tedesco

George C. Driscoll

This material is based upon research supported by the National Science Foundation under Grant No. ENV76-01551. Any opinions, findings, and conclusions or recommendations expressed in this paper are those of the authors and do not necessarily reflect the views of the National Science Foundation.

Department of Civil Engineering

Fritz Engineering Laboratory #13  
Lehigh University  
Bethlehem, Pennsylvania 18015

December 1977

LEHIGH/FL/424--2

Fritz Engineering Laboratory Report No. 424.2

ABSTRACT

Literature on earthquake and dynamic response, analysis, and design approaches for connections between equipment or machinery and structures are covered in this comprehensive bibliographic survey. The equipment or machinery involved includes a wide range of units found in typical industrial installations such as materials processing plants, chemical plants, petroleum refineries, and fossil fuel power plants.

Connections are treated in their role as a component in an overall dynamic system including equipment or machinery, connections, structure, and foundations. The interaction of several components of the dynamic system is identified as the main problem in connection design.

Over 700 reference citations are presented including over 450 references on general analysis and design and over 250 references on equipment and machinery. Subdivisions of the portions on general analysis and design cover damage, codes, damping, details and decision analysis. Among the categories of equipment and machinery are generators, motors, pumps, pressure vessels, piping, tanks, stacks, electrical equipment, furnaces, bins, conveyor systems, mixers, precipitators and cranes.

Findings of the survey are that literature specifically treating the connections of concern is scarce, especially with regard to earthquake problems. Persons seeking design information must interpolate and extrapolate from information gathered from other related areas. Synthesis of the references into a state-of-the-art report will be done in a separate paper.

TABLE OF CONTENTS

	<u>Page</u>
1. INTRODUCTION	1
2. OBJECTIVES	4
3. MAIN PROBLEMS	5
4. SUMMARY AND OUTLOOK	8
5. REFERENCES ON GENERAL ANALYSIS AND DESIGN	9
5.1 Earthquake Damage	9
5.2 Seismic Analysis and Design	12
5.3 Codes, Specifications and Guides	22
5.4 Soil-Foundation-Structure Interaction	29
5.5 Damping Effects, Shock and Vibration Isolation in Structure and Machinery	35
5.6 Design Details	47
5.7 Seismic Design Decision Analysis	50
6. REFERENCES ON EQUIPMENT AND MACHINERY	52
6.1 Turbine-Generators, Motors	52
6.2 Pumps, Fans, Compressors	59
6.3 Pressure Vessels	63
6.4 Piping	64
6.5 Low-Pressure Liquid Storage Tanks	68
6.6 Stacks, Towers and Chimneys	70
6.7 High Voltage Electrical Equipment (Transformers, Switch Gears, etc.)	71
6.8 Light Mechanical and Electrical Equipment	72
6.9 Furnaces and Incinerators	74
6.10 Bins and Hoppers	75
6.11 Conveyor Systems	76
6.12 Mixers and Separators	78
6.13 Precipitators and Dust Collectors	79
6.14 Cranes and Hoists	80
7. ACKNOWLEDGEMENTS	81
8. FIGURES	82

## 1. INTRODUCTION

Earthquake effects on a structure and the equipment or machinery connected to it are very much dependent on earthquake ground motion and on the mechanical and dynamic properties of the structure and equipment and their connecting elements. The most important of these properties are the strength and energy absorbing capacity of the entire load carrying structure and of the connections joining the equipment to the structure.

In order to establish the proper relationships between equipment and the rest of the structure, the so-called systems approach may be used. Then, any structure whether it is an industrial plant, a commercial building, or a public building can be considered in terms of a combination of components or subsystems. These subsystems are (see, for instance, Figs. 1 and 2):

- (1) Soil-Foundation System
- (2) Main Structural System
- (3) Non-Structural System (curtain walls, ceilings, cladding, etc.)
- (4) Equipment or Machinery and their Connecting Systems

The connecting system includes "connections" as a component. In general, connections are made up of fasteners, detail material added to accommodate fasteners or to stiffen the joint, and any parts of a machine or structure which are extended to accommodate fastening. Within the context of this report, connections are also assumed to be composed of machinery or equipment supports, shock absorbing and damping elements

(pads, springs, viscoelastic layers), hanging or suspension systems, mounting platforms, pedestals, etc. (A more precise definition of the connecting system will be introduced in Sec. 3.) This report will be primarily concerned with the literature related to the dynamic response of equipment and connections to earthquakes.

Equipment and machinery for purposes of this report, will include machines used in industrial processes as well as other associated apparatus, equipment, and devices. Any class of equipment or machinery is included if it might be subject to earthquake hazard by virtue of its own size and mass distribution or if it might contribute to the earthquake hazard of a structure housing it.

In the past, the prime objective of earthquake resistant design was to maintain overall integrity and safety of the structure itself during and after an earthquake, without much concern for the response of "non-structural elements" or "equipment and machinery systems" attached to the structure.

This design approach assumes that the non-structural elements will take care of themselves with negligible damage if the load carrying structural system or structural elements survive the earthquake shock and motion. However, more recent investigations and evaluations conducted in the aftermath of recent earthquakes clearly indicate the real extent and magnitude of damage suffered by the non-structural elements and equipment or machinery. For instance, in the 1971 San Fernando earthquake, electrical and mechanical equipment suffered damage which rendered it inoperable, even though many buildings containing such equipment suffered negligible structural damage.

Therefore, the damage incurred by the equipment or machinery and its consequent effect on the safety of the building's occupants and contents and the economic loss due to down production time, repair, and replacements can not be neglected. Furthermore, damage to equipment or machinery which is part of the so-called "life-line" systems (i.e., power plants, communication facilities, hospitals) may result in unacceptable consequences for a modern society.

The literature available on structural connections for equipment or machinery is limited and is scattered among several disciplines and areas and, in some cases, among the design manuals and handbooks of manufacturers and consulting engineers. Therefore, the present authors approached the subject in a three-pronged way:

- (1) an in-depth literature survey
- (2) a direct industry survey through a "questionnaire" sent to the professionals in industry and in consulting engineering firms working in the subject area
- (3) visits and discussions with the professionals in industry and consulting engineering firms.

Currently, the initial phase of the literature survey has been completed and is the subject of this report. The direct industry survey is at the finishing stage and the responses are being sorted out and evaluated. The results will be included in a forthcoming state-of-the-art report.



## 2. OBJECTIVES

The main objectives of the current investigation are:

- (1) to review the state-of-the-art in earthquake resistant design of connections for equipment or machinery
- (2) to consider and describe briefly the general principles and analytical models employed and upon which the current design practice is based
- (3) to review the related codes, specifications, standards and guides
- (4) to define the gaps and research needs for safer and more economical design of connections.

The emphasis here is to be on connections associated with the equipment or machinery in industrial installations. These installations are primarily fossil fuel power plants, petroleum refineries, chemical plants, and materials processing plants. The results would be applicable to other installations which involve at least some facilities similar to those listed in this report. Nuclear power plants, however, are beyond the scope of this report since they are the subject of many other investigations. However, pertinent literature on some nuclear plant equipment of a nature similar to equipment or machinery in other industrial installations will also be taken into account.

The purpose of this report is to present the initial part of the literature survey and study as a preliminary bibliography on the subject (see Sections 5 and 6 of this report). A critical review of the available literature and knowledge gathered from other sources will be presented in the form of a state-of-the-art report and also an intensive review of the

related codes, specifications and standards will be the subject matter of subsequent technical reports. A final bibliographic report which is to include further relevant references is planned.

### 3. MAIN PROBLEMS

Any item of equipment or machinery is usually joined to a main structural system by means of a system of connecting elements. In the current engineering and technical literature there is no common name or definition used for these connecting elements. For the sake of clarity and simplicity, the system of connecting elements will be defined here as the "connections" and will be considered as a part of an overall dynamic system. This overall dynamic system can be considered to be composed of the following physical components:

- (1) Equipment or Machinery System
- (2) Connections
- (3) Connecting Sub-Structure
- (4) Structural Member System

A typical configuration of these dynamic systems is given in Fig. 3.

The problem to be considered in the analysis of the equipment together with the rest of the structure for seismic effects is mainly the "interaction" of several elements in a dynamic environment. The most general problem is the three-dimensional problem of "Foundation-Structure-Equipment Interactions".\* However, the problem stated this way poses analytical and computational difficulties and can only be handled successfully in rare and simple

---

\*Here, the word foundation is meant to include not only the foundation of the structure itself but also the soil and its effects.

cases. Several sub-problems may be defined to simplify the main problem. To a large extent each of these subproblems must consider the interaction of equipment or machinery with:

- (a) foundation or supports,
  - (b) structural elements,
- or
- (c) connections.

The subproblems may be divided further depending on the type of supports such as supporting platform, hanging platform, pedestal, or types of foundation.

In the formulation of the above problems, the types and combinations of the connections used and their configurations have to be taken into account in each individual case. Consequently, any particular design problem encountered in practice eventually has to be reduced into one or more of the above mentioned types on the basis of engineering judgement, 'experience', analytical and numerical difficulties involved, and the physical parameters to be studied.

The above classification of the subproblems is derived from a purely analytical point of view. These and other sub-problems will be considered in great detail in the subsequent state-of-the-art report.

Much of the information associated with the various aspects of seismic analysis and design of connections available in the open engineering and technical literature is scattered among many disciplines. A certain amount of the pertinent literature covers analysis and design in general, whereas other papers cover individual kinds of machinery and equipment. The treatment on connections within this literature may be incidental to the

main problem and is rarely reflected in the titles. Some of the more prominent sources of literature covered in this survey are the Seismological Society of America, the chemical and hydrocarbon process industries, the Nuclear Regulatory Commission, the Power and Structural Divisions of the ASCE, the Pressure Vessel and Piping Division of the ASME, various building code committees, and the various international committees on earthquake engineering.

Over 700 reference citations are included in Sections 5 and 6. Section 5 contains over 450 references on general analysis and design further subdivided into sections on various general aspects of analysis and design. Section 6 contains over 250 references on equipment and machinery broken into fourteen categories which appear in a wide variety of industrial installations. The major subdivisions of both reference lists are enumerated in the table of contents. Where a given reference gives substantial information on two or more of the selected subtopics, duplicate reference listings are provided in each of the subdivisions lists of Sections 5 and 6.

#### 4. SUMMARY AND OUTLOOK

The bulk of literature available on the subject of seismic design of connections for equipment and machinery is unevenly distributed among several major categories. For example, an abundance of information exists on the seismic analysis and design of building structures. However, there is substantially less information available on the seismic response of buildings' contents and of structures other than building structures. These are areas for which more information would be extremely valuable in design practice.

Literature in the field of civil engineering with respect to structural connections is also abundant. However, only a very small percentage of it is associated with earthquake-resistant design; and literature with respect to the design of structural connections for equipment (industrial or otherwise) is almost non-existent in the civil engineering field.

Most of the information on the design of structural connections for industrial equipment, which is not plentiful by any means, exists in the literature of the chemical and hydrocarbon process industries. Unfortunately, any consideration given to seismic loading in the design procedures presented is purely incidental.

Regardless of this lack of information in some crucial areas, the bibliography presented herein will serve as a nucleus around which to organize an appraisal of the state of the art. Moreover, the bibliography will serve as a source of references for individuals confronted with design problems in this area.

## 5. REFERENCES ON GENERAL ANALYSIS AND DESIGN

## 5.1 Earthquake Damage

1. Ambraseys, M. M.  
THE BUYIN-ZARA EARTHQUAKE OF SEPTEMBER 1962: A FIELD REPORT,  
Bulletin of the Seismological Society of America, Vol. 53,  
No. 4, July 1963.
2. American Iron and Steel Institute  
THE AGADIR, MOROCCO EARTHQUAKE, FEBRUARY 29, 1960, AISI, New  
York, 1962.
3. American Iron and Steel Institute  
EARTHQUAKES, AISI, Washington, D. C., 1975.
4. Ayres, J. M. and Sun, T. Y.  
NONSTRUCTURAL DAMAGE, SAN FERNANDO, CALIFORNIA EARTHQUAKE OF  
FEBRUARY 9, 1971, U.S. Department of Commerce, Washington,  
D. C., 1973.
5. Ayres, J. M., Sun, T. Y. and Brown, F. R.  
NONSTRUCTURAL DAMAGE TO BUILDINGS, THE GREAT ALASKA EARTHQUAKE  
OF 1964, National Academy of Sciences, Washington, D. C., 1973.
6. Berg, G. V. and Hanson, R. D.  
ENGINEERING LESSONS TAUGHT BY EARTHQUAKES, Proceedings of the  
Fifth World Conference on Earthquake Engineering, Vol. 1,  
Rome, 1973.
7. Berg, G. V. and Husid, R. L.  
STRUCTURAL EFFECTS OF THE PERU EARTHQUAKE, Bulletin of the  
Seismological Society of America, Vol. 61, No. 3, June 1971.
8. Berg, G. V. and Husid, R. L.  
STRUCTURAL BEHAVIOR IN THE 1970 PERU EARTHQUAKE, Proceedings of  
the Fifth World Conference on Earthquake Engineering, Vol. 1,  
Rome, 1973.
9. Blume, J. A.  
A STRUCTURAL DYNAMIC ANALYSIS OF STEEL PLANT STRUCTURES SUBJECTED  
TO THE MAY 1960 CHILEAN EARTHQUAKES, Bulletin of the Seismolo-  
gical Society of America, Vol. 53, No. 2, February 1963.
10. Blume, J. A. and Scholl, R. E.  
DAMAGE PREDICTION FOR LOW-RISE BUILDINGS, Proceedings of the  
Fifth World Conference on Earthquake Engineering, Vol. 2,  
Rome, 1973.
11. Bolt, B. A., Johnston, R. G., Lefter, J. and Sozen, M. A.  
THE STUDY OF EARTHQUAKE QUESTIONS RELATED TO VETERANS ADMINIS-  
TRATION HOSPITAL FACILITIES, Bulletin of the Seismological  
Society of America, Vol. 65, No. 4, August 1975, pp. 937-949.

12. Duke, C. M.  
EARTHQUAKES AND CITY LIFELINES, Proceedings, Annual Meeting of the Structural Engineers Association of California, 1971.
13. Galli, C. O. and Sanchez, J. R.  
EFFECTS OF THE EARTHQUAKES OF MAY 1960 IN CONCEPCION AND VICINITY, Bulletin of the Seismological Society of America, Vol. 53, No. 6, December 1963.
14. Hara, F.  
A NEW METHOD OF EARTHQUAKE DAMAGE ANALYSIS FOR INDUSTRIAL FACILITIES AND ITS APPLICATION TO THE CASES OF RECENT EARTHQUAKES IN JAPAN, Proceedings, Fifth European Conference on Earthquake Engineering, Vol. 2, Paper No. 133, 14, Ankara, September 22-25, 1975.
15. Hazen, R.  
MANAGUA EARTHQUAKE: SOME LESSONS LEARNED IN DESIGN AND MANAGEMENT, Journal of the American Water Works Association, Vol. 67, No. 6, June 1975.
16. Jennings, P. C. and Housner, G. W.  
THE SAN FERNANDO, CALIFORNIA, EARTHQUAKE OF FEBRUARY 9, 1971, Proceedings of the Fifth World Conference on Earthquake Engineering, Rome, 1973.
17. Konno, T. and Kimura, E.  
EARTHQUAKE EFFECTS ON STEEL TOWER STRUCTURES ATOP BUILDINGS, Proceedings of the Fifth World Conference on Earthquake Engineering, Vol. 1, Rome, 1973.
18. Konno, T. and Kumura, E.  
EARTHQUAKE EFFECTS ON STEEL TOWER STRUCTURES SUPPORTED ON CROSS-BRACED TOWERS, Proceedings of the Fifth World Conference on Earthquake Engineering, Vol. 1, Rome, June 1973.
19. Lashico, R. M. and Monge, J.  
ENGINEERING ASPECTS OF THE JULY 8, 1971 EARTHQUAKE IN CENTRAL CHILE, Proceedings of the Fifth World Conference on Earthquake Engineering, Vol. 1, Rome, 1973.
20. Lew, H. S. Leyendecker, E. V. and Dijkers, R. D.  
ENGINEERING ASPECTS OF THE 1971 SAN FERNANDO EARTHQUAKE, Building Science Series 40, National Bureau of Standards, Washington, D. C., 1971.
21. Madolski, M. E.  
ARCHITECTURAL DAMAGE TO RESIDENTIAL STRUCTURES FROM SEISMIC DISTURBANCES, Bulletin of the Seismological Society of America, Vol. 59, No. 2, April 1969.
22. Schiff, A. J.  
EARTHQUAKE EFFECTS ON ELECTRIC POWER SYSTEMS, Journal of the Power Division, ASCE, Vol. 99, No. PO2, November 1973.

23. Schiff, A. J. and Yas, J. T. P.  
MITIGATING EARTHQUAKE EFFECTS ON ELECTRIC POWER SYSTEMS, Proceedings of the Fifth World Conference on Earthquake Engineering, Vol. 2, Rome, 1973.
24. Scholl, R. E.  
STATISTICAL ANALYSIS OF LOW RISE BUILDING DAMAGE CAUSED BY THE SAN FERNANDO EARTHQUAKE, Bulletin of the Seismological Society of America, Vol. 64, No. 1, February 1974.
25. Snyder, A. I.  
DAMAGE TO MECHANICAL EQUIPMENT AS A RESULT OF FEBRUARY 9, 1971, EARTHQUAKE IN SAN FERNANDO, CALIFORNIA, Seismic Analysis of Pressure Vessel and Piping Components, ASME, 1971.
26. State of California  
EARTHQUAKES IN KERN COUNTY, CALIFORNIA, DURING 1952, Bulletin 171, Department of Natural Resources, Division of Mines, San Francisco, Ca., 1955.
27. Steinbrugge, K. V., Manning, J. H. and Degenkolb, H. J.  
THE PRINCE WILLIAM SOUND, ALASKA, EARTHQUAKE OF 1964 AND AFTERSHOCKS, U.S. Department of Commerce, Washington, D. C., 1967.
28. Structural Engineers Association of Northern California  
1952 EARTHQUAKES IN KERN COUNTY, San Francisco, Ca., 1956.
29. Tanev, P.  
PEACE OF MIND IN EARTHQUAKE COUNTRY, Chronicle Books, San Francisco, 1974.
30. U.S. Department of Commerce  
A STUDY OF EARTHQUAKE LOSSES IN THE SAN FRANCISCO BAY AREA, Washington, D. C., 1972.
31. Wall, J. R., Jr.  
SEISMIC INDUCED ARCHITECTURAL DAMAGE TO MASONRY STRUCTURES AT MERCURY, NEVADA, Bulletin of the Seismological Society of America, Vol. 57, No. 5, October 1967.
32. Warren, G., Knowles, P., Allender, J., Sizemore, J. F. and Carson, D. E., STRUCTURES IN ANCHORAGE, THE GREAT ALASKA EARTHQUAKE OF 1964, National Academy of Sciences, Washington, D. C., 1973.
33. Wyllie, L. A., Jr., Wright, R. N., Sozen, M. A., Degenkolb, H. J., Steinbrugge, K. V. and Kramer, S., EFFECTS ON STRUCTURES OF THE MANAGUA EARTHQUAKE OF DECEMBER 23, 1972, Bulletin of the Seismological Society of America, Vol. 64, No. 4, August 1974.



## 5.2 Seismic Analysis and Design

1. Applied Technology Council  
AN EVALUATION OF A RESPONSE SPECTRUM APPROACH TO SEISMIC DESIGN OF BUILDINGS, National Bureau of Standards, September 1974.
2. Architectural Institute of Japan, Editor  
DESIGN ESSENTIALS IN EARTHQUAKE RESISTANT BUILDINGS, Architectural Institute of Japan, Tokyo, 1970.
3. Arya, A. S., Prakash, S., Srivastava, L. S., Chandra, V. and Chandrasekaran, A. R., EARTHQUAKE ENGINEERING, Sarita Prakashan, India, 1974.
4. Berg, G. V. and DaDeppo, D. A.  
DYNAMIC ANALYSIS OF ELASTO-PLASTIC STRUCTURES, Journal of the Engineering Mechanics Division, ASCE, Vol. 86, No. EM2, April 1960.
5. Bergstrom, R. N., Chu, S. L. and Small, R. J.  
SEISMIC ANALYSIS OF NUCLEAR POWER PLANT STRUCTURES, Journal of the Power Division, ASCE, Vol. 97, No. PO2, March 1971.
6. Biggs, J. M.  
INTRODUCTION TO STRUCTURAL DYNAMICS, McGraw-Hill, Inc., 1964.
7. Biggs, J. M.  
SEISMIC ANALYSIS OF EQUIPMENT MOUNTED ON A MASSIVE STRUCTURE, Seminar on Seismic Design for Nuclear Power Plants, Massachusetts Institute of Technology, Cambridge, Ma., March 1969.
8. Biggs, J. M.  
STRUCTURAL RESPONSE TO SEISMIC INPUT, Seminar on Seismic Design for Nuclear Power Plants, Massachusetts Institute of Technology, Cambridge, Ma., March 1969.
9. Blume, J. A., Newmark, N. M. and Corning, L. H.  
DESIGN OF MULTISTORY REINFORCED CONCRETE BUILDINGS FOR EARTHQUAKE MOTIONS, Portland Cement Association, Chicago, Il., 1961.
10. Bogdanoff, J. L., Goldberg, J. E. and Bernard, M. C.  
RESPONSE OF A SIMPLE STRUCTURE TO A RANDOM EARTHQUAKE-TYPE DISTURBANCE, Bulletin of the Seismological Society of America, Vol. 51, No. 2, April 1961.
11. Castellani, A.  
ON DESIGN CRITERIA FOR EQUIPMENT MOUNTED ON A MASSIVE STRUCTURE, Proceedings of the Fifth World Conference on Earthquake Engineering, Vol. 2, Rome, Italy, July 1973.
12. Chen, C.  
THE DEFINITION OF STATICALLY INDEPENDENT TIME HISTORIES, Journal of the Structural Division, ASCE, Vol. 101, No. ST2, February 1975.

13. Clough, R. W.  
EARTHQUAKE ANALYSIS BY RESPONSE SPECTRUM SUPERPOSITION, Bulletin of the Seismological Society of America, Vol. 52, No. 3, July 1962, pp. 647-660.
14. Clough, R. W. and Penzien, J.  
DYNAMICS OF STRUCTURES, McGraw-Hill, Inc., 1975.
15. Cornell, C. A.  
DESIGN SEISMIC INPUTS, Seminar on Seismic Design for Nuclear Power Plants, Massachusetts Institute of Technology, Cambridge, Ma., March 1969.
16. Decapua, N. J. and Liu, S. C.  
PROTECTION OF COMMUNICATIONS FACILITIES IN EARTHQUAKE AREAS, Proceedings of the International Symposium on Earthquake Structural Engineering, Vol. 1, St. Louis, Mo., August 1976.
17. deEstrada, M.  
TEST METHOD FOR SEISMIC QUALIFICATION OF EQUIPMENT, Journal of the Power Division, ASCE, Vol. 100, No. P01, July 1971.
18. Delal, J. S., Seed, H. B. and Wu, D. L.  
SITE-DEPENDENT SEISMIC RESPONSE SPECTRA FOR SOFT SITES, Journal of the Power Division, ASCE, Vol. 103, No. P01, July 1977.
19. Directorate of Licensing, USAEC  
A STUDY OF VERTICAL AND HORIZONTAL EARTHQUAKE SPECTRA, Washington, D. C., 1973.
20. Dorwick, E. J.  
EARTHQUAKE RESISTANT DESIGN, A Manual for Engineers and Architects, John Wiley and Sons, 1977.
21. Esteva, L.  
SEISMIC RISK AND SEISMIC DESIGN DECISIONS, Seminar on Seismic Design for Nuclear Power Plants, Massachusetts Institute of Technology, Cambridge, Ma., March 1969.
22. Fagel, L. W. and Liu, S. C.  
EARTHQUAKE INTERACTION FOR MULTISTORY BUILDINGS, Journal of the Engineering Mechanics Division, ASCE, Vol. 98, No. EM4, August 1972.
23. Fallgren, R. B., Jennings, P. C., Smith, J. L. and Ostrom, D. K.  
ASEISMIC DESIGN CRITERIA FOR ELECTRICAL FACILITIES, Journal of the Power Division Division, ASCE, Vol. 100, No. P01, July 1974.
24. Fertis, D. G.  
DYNAMICS AND VIBRATION OF STRUCTURES, John Wiley and Sons, Inc., 1973.

25. Fritz, R. J.  
SEISMIC ANALYSIS OF POWER PLANT COMPONENTS BASED ON APPLICATIONAL EXPERIENCE WITH DYNAMIC AND SHOCK ANALYSIS, Seismic Analysis of Pressure Vessel and Piping Components, ASME, 1971.
26. Goldberg, J. E., Bogdanoff, J. L. and Sharpe, D. R.  
THE RESPONSE OF SIMPLE NONLINEAR SYSTEMS TO A RANDOM DISTURBANCE OF THE EARTHQUAKE TYPE, Bulletin of the Seismological Society of America, Vol. 54, No. 1, February 1964.
27. Goodno, B. J. and Gere, J. M.  
EARTHQUAKE BEHAVIOR OF SUSPENDED FLOOR BUILDINGS, Journal of the Structural Division, ASCE, Vol. 102, No. ST5, May 1976.
28. Guha, S. K., Wedpathak, A. V. and Desai, P. J.  
ASEISMIC TESTS ON SOME ELECTRO-MECHANICAL SYSTEMS, Proceedings of the Sixth World Conference on Earthquake Engineering, Vol. 12, New Delhi, India, January 1977.
29. Gupta, A. K. and Chu, S. L.  
DESIGN OF REINFORCED CONCRETE STRUCTURES SUBJECTED TO THREE COMPONENTS OF EARTHQUAKE, Nuclear Engineering and Design, Vol. 36, No. 1, 1976.
30. Gupta, S. P. and Arya, A. S.  
DYNAMIC PROBLEMS OF INDUSTRIAL STRUCTURES IN INDIA AND THEIR SOLUTIONS, Proceedings of the Central American Conference on Earthquake Engineering, Vol. I, El Salvador, C.A., January 1978.
31. Guzman, R. A. and Jennings, P. C.  
DESIGN SPECTRA FOR NUCLEAR POWER PLANTS, Journal of the Power Division, ASCE, Vol. 102, No. PO2, November 1976.
32. Hadjian, A. H.  
EARTHQUAKE FORCES ON EQUIPMENT IN NUCLEAR POWER PLANTS, Journal of the Power Division, ASCE, Vol. 97, No. PO3, July 1971.
33. Hart, G. C. and Ibanez, P.  
EXPERIMENTAL DETERMINATION OF DAMPING IN NUCLEAR POWER PLANT STRUCTURES AND EQUIPMENT, Nuclear Engineering and Design, Vol. 25, No. 1, 1973.
34. Hisada, T., Akino, K., Iwata, T., Kawaguchi, O., Sato, H., Shibata, H., Sonobe, Y. and Tajimi, H., PHILOSOPHY AND PRACTICE OF THE ASEISMIC DESIGN OF NUCLEAR POWER PLANTS - SUMMARY OF THE GUIDELINES IN JAPAN, Nuclear Engineering and Design, Vol. 20, No. 2, 1972.
35. Housner, G. W.  
LIMIT DESIGN OF STRUCTURES TO RESIST EARTHQUAKES, Proceedings of the World Conference on Earthquake Engineering, Berkeley, Ca., 1956.

36. Housner, G. W.  
BEHAVIOR OF STRUCTURES DURING EARTHQUAKES, Journal of the Engineering Mechanics Division, ASCE, Vol. 85, No. EM4, October 1959.
37. Housner, G. W.  
THE BEHAVIOR OF INVERTED PENDULUM STRUCTURES DURING EARTHQUAKES, Bulletin of the Seismological Society of America, Vol. 53, No. 210.2, February 1963.
38. Housner, G. W.  
EARTHQUAKE RESEARCH NEEDS FOR NUCLEAR POWER PLANTS, Journal of the Power Division, ASCE, Vol. 101, No. P01, January 1971.
39. Housner, G. W., Martel, R. R. and Alford, J. L.  
SPECTRUM ANALYSIS OF STRONG-MOTION EARTHQUAKES, Bulletin of the Seismological Society of America, Vol. 43, No. 2, April 1953.
40. Howard, G. E., Ibanez, P. and Smith C. B.  
SEISMIC DESIGN OF NUCLEAR POWER PLANTS - AN ASSESSMENT, Nuclear Engineering and Design, Vol. 38, No. 3, 1976.
41. Hurty, W. C. and Moshe, M. F.  
DYNAMICS OF STRUCTURES, Prentice-Hall, Inc., 1964.
42. Ibanez, P., Vasudevan, R. and Vineberg, E. J.  
A COMPARISON OF EXPERIMENTAL METHODS FOR SEISMIC TESTING OF EQUIPMENT, Nuclear Engineering and Design, Vol. 23, No. 1, 1973.
43. International Atomic Energy Agency  
ASEISMIC DESIGN AND TESTING OF NUCLEAR FACILITIES, Technical Report Series No. 88, Vienna, 1968.
44. Iwan, W. D.  
PREDICTING THE EARTHQUAKE RESPONSE OF RESILIENTLY MOUNTED EQUIPMENT WITH MOTION LIMITING CONSTRAINTS, Proceedings of the Sixth World Conference on Earthquake Engineering, Vol. 12, New Delhi, India, January 1977.
45. Jankov, Z. D. and Reeves, C. F.  
SEISMIC ANALYSIS OF LIGHTWEIGHT ELASTIC SYSTEMS IN NUCLEAR POWER PLANTS, Proceedings of the Fifth World Conference on Earthquake Engineering, Vol. 2, Rome, Italy, July 1973.
46. Jeanpierre, F. and Livolant, M.  
DIRECT CALCULATION OF FLOOR RESPONSE SPECTRA FROM THE FOURIER TRANSFORM OF GROUND MOVEMENT - APPLICATION TO THE SUPERHENIX FAST REACTOR PROJECT, Nuclear Engineering and Design, Vol. 41, No. 1, 1977.
47. Jordan, C. H.  
SEISMIC RESTRAINT OF MECHANICAL AND ELECTRICAL EQUIPMENT IN BUILDINGS, prepared for the ASCE meeting in San Francisco, October 1977.

48. Kircher, C. A. and Vagliente, V. N.  
RECOMMENDATIONS FOR COMBINING NORMAL MODAL SHAPES IN DYNAMIC ANALYSIS, Proceedings of the Central American Conference on Earthquake Engineering, Vol. 1, El Salvador, C.A., January 1978.
49. Lange, D. F.  
SEISMIC DESIGN CRITERIA FOR NUCLEAR POWER PLANTS (SEISMIC METHODS AND PROCEDURES), Seismic Analysis of Pressure Vessel and Piping Components, ASME, 1971.
50. Lee, J. P.  
VERTICAL RESPONSES OF NUCLEAR POWER PLANT STRUCTURES SUBJECT TO SEISMIC GROUND MOTIONS, Proceedings of the Third International Conference on Structural Mechanics in Reactor Technology, Vol. 4, Part K, London, September 1975.
51. Levy, S. and Wilkinson, J. P. D.  
GENERATION OF ARTIFICIAL TIME HISTORIES, RICH IN ALL FREQUENCIES, FROM GIVEN RESPONSE SPECTRA, Nuclear Engineering and Design, Vol. 38, No. 2, 1976.
52. Liu, S. C., Dougherty, M. R. and Neghabat, F.  
OPTIMAL ASEISMIC DESIGN OF BUILDING AND EQUIPMENT, Journal of the Engineering Mechanics Division, ASCE, Vol. 102, No. EM3, June 1976.
53. Liu, S. C. and Fagel, L. W.  
EARTHQUAKE INTERACTION BY FAST FOURIER TRANSFORM, Journal of the Engineering Mechanics Division, ASCE, Vol. 97, No. EM4, August 1971.
54. Liu, S. C., Fagel, L. W. and Dougherty, M. R.  
EARTHQUAKE-INDUCED IN-BUILDING MOTION CRITERIA, Journal of the Structural Division, ASCE, Vol. 103, No. ST1, January 1977.
55. Lomnitz, C. and Rosenbleuth, E., Editors  
SEISMIC RISK AND ENGINEERING DECISIONS, Elsevier Scientific Publishing Co., Amsterdam, 1976.
56. Lu, B. T. D., Fischer, J. A. and Peir, J.  
EFFECTS OF EARTHQUAKE INPUT IN SEISMIC RESPONSES OF NUCLEAR POWER PLANT SITES, Proceedings of the International Symposium on Earthquake Structural Engineering, St. Louis, Mo., August 19-21, 1976.
57. Matthiesen, R. B., Howard, G. and Smith, C. B.  
SEISMIC CONSIDERATIONS IN SITING AND DESIGN OF POWER PLANTS, Nuclear Engineering and Design, Vol. 25, No. 1, 1973.
58. Merchant, H. C. and Hudson, D. E.  
MODE SUPERPOSITION IN MULTI-DEGREE OF FREEDOM SYSTEMS USING EARTHQUAKE RESPONSE SPECTRUM DATA, Bulletin of the Seismological Society of America, Vol. 57, No. 2, April 1962.

59. Merz, K. L.  
EARTHQUAKE DYNAMIC ENVIRONMENT WITHIN BUILDINGS, Proceedings of the International Symposium on Earthquake Structural Engineering, Vol. 2, St. Louis, Mo., August 1976.
60. Merz, K. L.  
EQUIPMENT SYSTEMS IN THE SEISMIC ENVIRONMENT, Proceedings of the Sixth World Conference on Earthquake Engineering, Vol. 12, New Delhi, India, January 1977.
61. Montgomery, J. C. and Hall, W. J.  
SEISMIC DESIGN OF LOW RISE BUILDINGS, Advances in Civil Engineering through Engineering Mechanics, ASCE, N. Y., 1977.
62. Nelson, F. C.  
TECHNIQUES FOR THE DESIGN OF HIGHLY DAMPED STRUCTURES, Proceedings of the Third International Conference on Structural Mechanics in Reactor Technology, Vol. 4, Part K, London, September 1975.
63. Newmark, N. M.  
SEISMIC RESPONSE OF REACTOR FACILITY COMPONENTS, Seismic Analysis of Pressure Vessel and Piping Components, ASME, 1971.
64. Newmark, N. M.  
A METHOD OF COMPUTATION FOR STRUCTURAL DYNAMICS, Pressure Vessels and Piping: Analysis and Design, Vol. 2, ASME, 1972.
65. Newmark, N. M.  
EARTHQUAKE RESPONSE ANALYSIS OF REACTOR STRUCTURES, Nuclear Engineering and Design, Vol. 20, No. 2, 1972, pp. 303-327.
66. Newmark, N. M.  
A RESPONSE SPECTRUM APPROACH FOR INELASTIC SEISMIC DESIGN OF NUCLEAR REACTOR FACILITIES, Proceedings of the Third International Conference on Structural Mechanics in Reactor Technology, Vol. 4, Part K, London, September 1975.
67. Newmark, N. M., Blume, J. and Kapur, K.  
SEISMIC DESIGN SPECTRA FOR NUCLEAR POWER PLANTS, Journal of the Power Division, ASCE, Vol. 99, No. PO2, November 1973.
68. Newmark, N. M. and Hall, W. J.  
SEISMIC DESIGN CRITERIA FOR NUCLEAR REACTOR FACILITIES, Pressure Vessels and Piping: Analysis and Design, Vol. II, ASME, 1972.
69. Newmark, N. M. and Hall, W. J.  
PROCEDURES AND CRITERIA FOR EARTHQUAKE RESISTANT DESIGN, Building Practices for Disaster Mitigation, Building Science Series 45, National Bureau of Standards, February 1973.
70. Newmark, N. M. and Rosenbleuth, E.  
FUNDAMENTALS OF EARTHQUAKE ENGINEERING, Prentice-Hall, Inc. Englewood Cliffs, N. J., 1971.

71. Nikolaenko, N. A. and Burgman, I. N.  
EARTHQUAKE RESISTANCE OF STRUCTURES WITH SUSPENDED MASSES, Proceedings of the International Symposium on Earthquake Structural Engineering, Vol. 2, St. Louis, Mo., August 1976.
72. O'Hara, G. J. and Cunniff, P. F.  
ELEMENTS OF NORMAL MODE THEORY, Pressure Vessels and Piping: Analysis and Design, Vol. 2, ASME, 1972.
73. Parmelee, R. A.  
BUILDING-FOUNDATION INTERACTION EFFECTS, Journal of the Engineering Mechanics Division, ASCE, Vol. 93, No. EM2, April 1967.
74. Perelman, D. S., Parmelee, R. A. and Lee, S. L.  
SEISMIC RESPONSE OF SINGLE STORY INTERACTION SYSTEMS, Journal of the Structural Division, ASCE, Vol. 94, No. ST11, November 1968.
75. Peters, K. A., Schmitz, D. and Wagner, U.  
DETERMINATION OF FLOOR RESPONSE SPECTRA ON THE BASIS OF THE RESPONSE SPECTRUM METHOD, Nuclear Engineering and Design, Vol. 44, No. 2, 1977.
76. Pona, M. and Arnold, A. B.  
SEISMIC DESIGN CRITERIA FOR HYDROELECTRIC PLANT, Journal of the Power Division, ASCE, Vol. 99, No. P02, November 1973.
77. Rizzo, P. C., Shaw, D. E. and Snyder, M. D.  
VERTICAL SEISMIC RESPONSE SPECTRA, Journal of the Power Division, ASCE, Vol. 102, No. P01, January 1976.
78. Roberts, C. W. and Shipway, G. D.  
SEISMIC QUALIFICATION - PHILOSOPHY AND METHODS, Journal of the Power Division, ASCE, Vol. 102, No. P01, January 1976.
79. Rodriguez, M.  
ASEISMIC DESIGN OF SIMPLE PLASTIC STEEL STRUCTURES FOUNDED ON FIRM GROUND, Proceedings of the World Conference on Earthquake Engineering, Berkeley, Ca., 1956.
80. Rosenblueth, E.  
THE SIX COMPONENTS OF EARTHQUAKES, Journal of the Structural Division, ASCE, Vol. 102, No. ST2, February 1976.
81. Sato, H., Suzuki, K., Komazaki, M. and Ohori, M.  
ON A SIMPLE METHOD ESTIMATING THE APPENDED SYSTEM RESPONSE SPECTRUM FROM A STATICALLY SIMULATED SPECTRUM, Proceedings of the Sixth World Conference on Earthquake Engineering, Vol. 12, New Delhi, India, January 1977.
82. Scanlon, R. H.  
FLOOR RESPONSE SPECTRA FOR MULTI-DEGREE-OF-FREEDOM SYSTEMS BY FOURIER TRANSFORM, Proceedings of the Third International Conference on Structural Mechanics in Reactor Technology, Vol. 4, Part K, London, September 1975.

83. Scanlon, R. H. and Sachs, K.  
EARTHQUAKE TIME HISTORIES AND RESPONSE SPECTRA, Journal of the Engineering Mechanics Division, ASCE, Vol. 100, No. EM4, August 1974.
84. Scavuzzo, R. J.  
EFFECT OF TORSIONAL EXCITATION ON EQUIPMENT SEISMIC LOADS, Proceedings of the Third International Conference on Structural Mechanics in Reactor Technology, Vol. 4, Part K, London, 1975.
85. Sharpe, R. L.  
EARTHQUAKE ENGINEERING FOR NUCLEAR POWER PLANTS, Civil Engineering, ASCE, Vol. 39, No. 3, March 1969.
86. Sharpe, R. L.  
SYSTEMS ASPECTS OF SEISMIC DESIGN FOR NUCLEAR POWER PLANTS, Journal of the Power Division, ASCE, Vol. 99, No. P01, May 1973.
87. Sharpe, R. L. and Kost, G.  
Discussion of EARTHQUAKE FORCES IN EQUIPMENT IN NUCLEAR POWER PLANTS, by A. H. Hadjian, Journal of the Power Division, ASCE, Vol. 90, No. P01, June 1972.
88. Sharpe, R. L., Cost, C. and Lord, J.  
BEHAVIOR OF STRUCTURAL SYSTEMS UNDER DYNAMIC LOADS, Building Practices for Disaster Mitigation, Building Science Series 46, National Bureau of Standards, February 1973.
89. Shaw, D. E.  
SEISMIC STRUCTURAL RESPONSE ANALYSIS FOR MULTIPLE SUPPORT EXCITATION, Proceedings of the Third International Conference on Structural Mechanics in Reactor Technology, Vol. 4, Part K, London, September 1975.
90. Shibata, H.  
ON RESPONSE ANALYSIS FOR STRUCTURAL DESIGN AND ITS RELIABILITY, Proceedings of the Third International Conference on Structural Mechanics in Reactor Technology, Vol. 4, Part K, London, September 1975.
91. Shibata, H., Sato, H., Shigeta, T. and Shiga, T.  
ASEISMIC DESIGN OF MACHINE STRUCTURE, Proceedings of the Third World Conference on Earthquake Engineering, Vol. 2, New Zealand, 1965.
92. Shibata, H., Watari, A., Sato, H., Shigeta, T., Shimizu, N., Fugii, S., Iguchi, M., Kiyama, Y. and Okumura, A., DEVELOPMENT OF ASEISMIC DESIGN OF PIPING, VESSELS AND EQUIPMENT IN NUCLEAR FACILITIES, Nuclear Engineering and Design, Vol. 20, No. 2, 1972.
93. Singh, A. K. and Ang, A. H. S.  
STOCHASTIC PREDICTION OF MAXIMUM SEISMIC RESPONSE OF LIGHT SECONDARY SYSTEMS, Nuclear Engineering and Design, Vol. 29, No. 2, 1974.



94. Smith, C. B.  
VIBRATION TESTING AND SEISMIC ANALYSIS OF NUCLEAR POWER PLANTS,  
Nuclear Engineering and Design, Vol. 25, No. 1, 1973.
95. Stoykovich, M.  
CRITERIA FOR SEISMIC ANALYSIS OF NUCLEAR PLANT STRUCTURES AND  
SUBSTRUCTURES, Nuclear Engineering and Design, Vol. 27, No. 1,  
1974.
96. Stoykovich, M.  
DEVELOPMENT AND USE OF SEISMIC INSTRUCTURE RESPONSE SPECTRA IN  
NUCLEAR PLANTS, Proceedings of the Third International Con-  
ference on Structural Mechanics in Reactor Technology, Vol. 4,  
Part K, London, September 1975.
97. Strangenberg, F.  
NONLINEAR DYNAMIC ANALYSIS OF REINFORCED CONCRETE STRUCTURES,  
Nuclear Engineering and Design, Vol. 29, No. 1, 1974.
98. Tanabashi, R.  
STUDIES ON NONLINEAR VIBRATIONS OF STRUCTURES SUBJECTED TO  
DESTRUCTIVE EARTHQUAKES, Proceedings of the World Conference  
on Earthquake Engineering, Berkeley, Ca., 1956.
99. Timoshenko, S, Young, D. H. and Weaver, W., Jr.  
VIBRATION PROBLEMS IN ENGINEERING, John Wiley and Sons, Inc.,  
1974.
100. Tsai, N. C.  
SPECTRUM-COMPATIBLE MOTIONS FOR DESIGN PURPOSES, Journal of the  
Engineering Mechanics Division, ASCE, Vol. 98, No. EM2,  
February 1972.
101. Valathur, M. and Shah, H. H.  
TORSIONAL SEISMIC RESPONSE OF SYMMETRICAL STRUCTURES, Journal of  
the Power Division, ASCE, Vol. 103, No. P01, July 1977.
102. Vanmarcke, E. H.  
A SIMPLE PROCEDURE FOR PREDICTING AMPLIFIED RESPONSE SPECTRA  
AND EQUIPMENT RESPONSE, Proceedings of the Sixth World Con-  
ference on Earthquake Engineering, Vol. 12, New Delhi, India,  
January 1977.
103. Vanmarcke, E. H. and Chakravorty, M. K.  
PROBABILISTIC SEISMIC ANALYSIS OF LIGHT EQUIPMENT WITHIN BUILD-  
INGS, Proceedings of the Fifth World Conference on Earthquake  
Engineering, Vol. 2, Rome, Italy, July 1973.
104. Veletsos, A. S., Newmark, N. M. and Chelapati, C. V.  
DEFORMATION SPECTRA FOR ELASTIC AND ELASTOPLASTIC SYSTEMS  
SUBJECTED TO GROUND SHOCK AND EARTHQUAKE MOTIONS, Proceedings  
of the Third World Conference on Earthquake Engineering, Vol.  
2, New Zealand, 1965.

105. Veletsos, A. S. and Vann, W. P.  
RESPONSE OF GROUND-EXCITED ELASTOPLASTIC SYSTEMS, Journal of the Structural Division, ASCE, Vol. 97, No. ST4, April 1971.
106. Villasor, A. P., Jr.  
SEISMIC RE-EVALUATION OF A NUCLEAR PLANT EQUIPMENT, Proceedings of the Central American Conference on Earthquake Engineering, Vol. I, El Salvador, C.A., January 1978.
107. Walker, G. R.  
EARTHQUAKE RESISTANT DESIGN - THE PULSE METHOD, Proceedings of the Third World Conference on Earthquake Engineering, Vol. 2, New Zealand, 1965.
108. Wang, G. S.  
ANALYSIS OF NUCLEAR REACTOR EQUIPMENT RESPONSE TO EARTHQUAKE FORCES, University of California, Los Angeles, 1970 (Ph.D. Thesis).
109. Werner, S. D.  
ENGINEERING CHARACTERISTICS OF EARTHQUAKE GROUND MOTION, Nuclear Engineering and Design, Vol. 36, No. 3, 1976.
110. Wiegall, R. L., Editor  
EARTHQUAKE ENGINEERING, Prentice-Hall, Inc., Englewood Cliffs, N. J., 1970.
111. Wilson, E. L.  
EARTHQUAKE ANALYSIS OF REACTOR STRUCTURES, Seismic Analysis of Pressure Vessels and Piping Components, ASME, 1971.
112. Wong, J. P. and Aguirre-Ramirez, G.  
EARTHQUAKE RESISTANT DESIGN FOR BUILDINGS, Proceedings of the Central American Conference on Earthquake Engineering, Vol. 1, El Salvador, C.A., January 1978.

## 5.3 Codes, Specifications and Guides

1. American Concrete Institute  
SPECIFICATION FOR THE DESIGN AND CONSTRUCTION OF REINFORCED  
CONCRETE CHIMNEYS, American Concrete Institute, ACI 307-69,  
Detroit, Mi., 1969.
2. American Concrete Institute  
BUILDING CODE REQUIREMENTS FOR REINFORCED CONCRETE, American  
Concrete Institute, ACI-318-71, Detroit, Mi., 1971.
3. American Institute of Steel Construction  
SPECIFICATION FOR THE DESIGN, FABRICATION AND ERECTION OF  
STRUCTURAL STEEL FOR BUILDINGS, American Institute of Steel  
Construction, New York, 1969.
4. American Insurance Association  
NATIONAL BUILDING CODE, New York, 1967.
5. American National Standards Institute  
AMERICAN NATIONAL STANDARD FOR ELEVATORS, DUMBWAITERS, ESCALATORS  
AND MOVING WALKS, American Society of Mechanical Engineers,  
A17.1-1971, New York, 1971.
6. American National Standards Institute  
BUILDING CODE REQUIREMENTS FOR MINIMUM DESIGN LOADS IN BUILDINGS  
AND OTHER STRUCTURES, American National Standards Institute,  
A58.1-1972, New York, 1972.
7. American National Standards Institute  
SPECIFICATION FOR WELDED ALUMINUM-ALLOY FIELD-ERECTED STORAGE  
TANKS, American National Standards Institute, B96.1-1973,  
New York, 1973.
8. American National Standards Institute  
SPECIFICATION FOR THE DESIGN, TESTING, AND UTILIZATION OF  
INDUSTRIAL STEEL STORAGE RACKS, American National Standards  
Institute, MH16.1-1974, New York, 1974.
9. American Petroleum Institute  
RECOMMENDED RULES FOR DESIGN AND CONSTRUCTION OF LARGE, WELDED,  
LOW-PRESSURE STORAGE TANKS, American Petroleum Institute,  
API Standard 620, Washington, D. C., 1977.
10. American Petroleum Institute  
WELDED STEEL TANKS FOR OIL STORAGE, American Petroleum Institute,  
API Standard 650, Washington, D. C., 1977.
11. American Society of Mechanical Engineers  
ASME BOILER AND PRESSURE VESSEL CODE, American Society of Mech-  
anical Engineers, New York, 1968.

12. American Water Works Association  
STANDARD FOR STEEL TANKS - STANDPIPES, RESERVOIRS, AND ELEVATED TANKS - FOR WATER STORAGE, American Water Works Association, AWWA D100-65, New York, 1965.
13. Anderson, A. W., Blume, J. A., Degenkolb, H. J., Hammill, H. B., Knapik, E. M., Marchand, H. L., Powers, H. C., Rinne, J. E., Sedgwick, G. A. and Sjoberg, H. O., LATERAL FORCES OF EARTHQUAKE AND WIND, Transactions, ASCE, Vol. 117, 1952, pp. 716-754.
14. Anonymous  
GUIDE TO ASME PRESSURE VESSEL CODE, Hydrocarbon Processing, Vol. 54, No. 12, December 1975.
15. Anonymous  
RECENT DEVELOPMENTS IN THE ASME PRESSURE VESSEL CODE, Hydrocarbon Processing, Vol. 54, No. 12, December 1975.
16. Association of Iron and Steel Engineers  
SPECIFICATION FOR THE DESIGN AND CONSTRUCTION OF MILL BUILDINGS, Association of Iron and Steel Engineers, AISE Standard No. 13, 1969.
17. Ayers, J. and Sun, T.  
CRITERIA FOR BUILDING SERVICES AND FURNISHINGS, Building Practices for Disaster Mitigation, Building Science Series 46, U.S. Department of Commerce.
18. Berg, G. V.  
HISTORICAL REVIEW OF EARTHQUAKES, DAMAGE, AND BUILDING CODES, Methods of Structural Analysis, Vol. I, American Society of Civil Engineers, New York, 1976.
19. Blume, J. A.  
ELEMENTS OF A DYNAMIC INELASTIC DESIGN CODE, Proceedings of the Fifth World Conference on Earthquake Engineering, Vol. 2, Rome, 1973.
20. Blume, J. A. and Associates  
SUMMARY OF CURRENT SEISMIC DESIGN PRACTICE FOR NUCLEAR REACTOR FACILITIES, National Technical Information Service, TID-25021, 1967.
21. Bockemohle, L. W.  
EARTHQUAKE BEHAVIOR OF COMMERCIAL-INDUSTRIAL BUILDINGS IN THE SAN FERNANDO VALLEY, Proceedings of the Fifth World Conference on Earthquake Engineering, Vol. 1, Rome, Italy, June 1973.
22. Building Officials and Code Administrators International, Inc.  
BOCA BASIC BUILDING CODE, Chicago, Il., 1970.
23. Catlett, R. E.  
SPECIFICATIONS AND THE CORROSION ENGINEER, Chemical Engineering, Vol. 79, No. 17, August 7, 1972.

24. Celebi, M.  
COMPARATIVE STUDY OF THE NEW TURKISH EARTHQUAKE RESISTANT DESIGN CODE, Proceedings of the International Symposium on Earthquake Structural Engineering, Vol. 2, St. Louis, Mo., August 19-21, 1976.
25. Degenkolb, H. J.  
CODES AND ENGINEERING PRACTICES AS RELATED TO CURRENT RESEARCH DEVELOPMENTS, Proceedings of the Fifth World Conference on Earthquake Engineering, Vol. 2, Rome, 1973.
26. Departments of the Army, the Navy, and the Air Force  
SEISMIC DESIGN FOR BUILDINGS, Technical Manual No. 5-809-10, Washington, D. C., 1973.
27. Directorate of Standards, USAEC  
REACTOR SITE CRITERIA, Title 10, Atomic Energy, Code of Federal Regulations, Part 100.
28. Directorate of Standards, USAEC  
SEISMIC AND GEOLOGIC SITING FOR NUCLEAR POWER PLANTS, Title 10, Atomic Energy, Appendix A to Part 100.
29. Directorate of Standards, USAEC  
EARTHQUAKE INSTRUMENTATION FOR FUEL REPROCESSING PLANTS, Regulatory Guide 3.17.
30. Directorate of Standards, USAEC  
INSTRUMENTATION FOR EARTHQUAKES, Regulatory Guide 1.12.
31. Directorate of Standards, USAEC  
NUCLEAR REACTORS AND EARTHQUAKES, Washington, D. C., 1963.
32. Directorate of Standards, USAEC  
ADDITIONAL INFORMATION CONCERNING SEISMIC ANALYSIS OF CLASS 1 PIPING AND EQUIPMENT, H. B. Robinson Unit No. 2, Docket 50261-35, June 1970.
33. Directorate of Standards, USAEC  
SEISMIC DESIGN CLASSIFICATION, Regulatory Guide 1.29, Revision 1, August 1973.
34. Directorate of Standards, USAEC  
DESIGN LIMITS AND LOADING COMBINATIONS FOR SEISMIC CATEGORY I FLUID SYSTEM COMPONENTS, Regulatory Guide 1.48, May 1973.
35. Directorate of Standards, USAEC  
DESIGN RESPONSE SPECTRA FOR SEISMIC DESIGN OF NUCLEAR POWER PLANTS, Regulatory Guide 1.60, Revision 1, 1973.
36. Directorate of Standards, USAEC  
DAMPING VALUES FOR SEISMIC DESIGN OF NUCLEAR POWER PLANTS, Regulatory Guide 1.61, October 1973.

37. Directorate of Standards, USAEC  
SEISMIC REQUIREMENTS FOR DESIGN OF NUCLEAR POWER PLANTS AND TEST FACILITIES, RDT Standard F9-2T, 1974.
38. Directorate of Standards, USAEC  
COMBINATION OF MODES AND SPATIAL COMPONENTS IN NUCLEAR POWER PLANTS, Regulatory Guide 1.92, December 1974.
39. Directorate of Standards, USAEC  
GENERAL SITE STABILITY CRITERIA FOR NUCLEAR POWER STATIONS, Regulatory Guide 4.7, Revision 1, November 1975.
40. Duzinkevich, S. U.  
ON THE PROBLEM OF UNIFICATION OF BASIC REQUIREMENTS FOR THE DESIGN OF EARTHQUAKE RESISTANT STRUCTURES, Proceedings of the Third World Conference on Earthquake Engineering, Vol. 2, New Zealand, 1965.
41. Eichmann, E.  
U.S. STRUCTURAL AND FOUNDATION STANDARDS, Hydrocarbon Processing, Vol. 50, No. 6, June 1971, p. 112.
42. Fenves, S. J.  
FORMAL REPRESENTATION OF DESIGN REQUIREMENTS, Methods of Structural Analysis, Vol. II, American Society of Civil Engineers, New York, 1976.
43. Fenves, S. J. and Wright, R. N.  
THE REPRESENTATION AND USE OF DESIGN SPECIFICATIONS (Hall et al., Editors), Proceedings of Symposium on Structural and Geotechnical Mechanics, Prentice-Hall, January 1977.
44. Flores, R.  
DESIGN PRINCIPLES OF EARTHQUAKE RESISTANT BLAST FURNACES, Proceedings of the Third World Conference on Earthquake Engineering, Vol. 2, New Zealand, 1965.
45. Goldberg, A.  
SEISMIC REQUIREMENTS FOR ARCHITECTURAL, ELECTRICAL, AND MECHANICAL SYSTEMS, ASCE National Convention, Denver, Co., November 3-7, 1975.
46. Goldberg, A. and Sharpe, R. L.  
PROVISIONS FOR SEISMIC DESIGN OF NON-STRUCTURAL BUILDING COMPONENTS AND SYSTEMS, Proceedings of the Sixth World Conference on Earthquake Engineering, Vol. 12, New Delhi, India, January 1977.
47. Gupta, S. P.  
SEISMIC BUILDING CODE PROVISIONS AND SAFETY CRITERIA FOR INDIA, Proceedings of the Central American Conference on Earthquake Engineering, Vol. I, El Salvador, C.A., January 1978.
48. Hall, L.  
SPECIFYING SAFE STORAGE RACKS, Plant Engineering, Vol. 30, No. 9, April 29, 1976.

49. Hisada, T.  
LOADING AND RESPONSE CRITERIA AND CODE REQUIREMENTS, Earthquake Loading and Response, Technical Committee 6, International Conference on Planning and Design of Tall Buildings, Lehigh University, Bethlehem, Pa., August 21-26, 1972; ASCE-IABSE International Conference Preprints, Reports Vol. 1b-6.
50. Institute of Electrical and Electronics Engineers  
IEEE RECOMMENDED PRACTICES FOR SEISMIC QUALIFICATION OF CLASS 1E EQUIPMENT FOR NUCLEAR POWER GENERATING SYSTEMS, IEE Standard 344-1975, New York, 1975.
51. International Association for Earthquake Engineering  
EARTHQUAKE RESISTANT REGULATIONS - A WORLD LIST, Building Research Institute, Tokyo, 1970.
52. International Conference of Building Officials  
UNIFORM BUILDING CODE, Pasadena, Ca., 1976.
53. Kern, R.  
SPECIFICATIONS ARE THE KEY TO SUCCESSFUL PLANT DESIGN, Chemical Engineering, Vol. 84, No. 14, July 4, 1977.
54. Kulwicz, R.  
CODE REQUIREMENTS FOR STORAGE RACKS, Plant Engineering, Vol. 30, No. 12, June 10, 1976.
55. Le Coff, J.  
PRESSURE VESSEL REPAIR - WHAT DOES THE CODE SAY?, Welding Design and Fabrication, Vol. 48, No. 5, May 1975.
56. McGrath, R. V.  
U.S. STANDARDS FOR TANKS AND PRESSURE VESSELS, Hydrocarbon Processing, Vol. 50, No. 6, June 1971.
57. McGrath, R. V.  
IMPROVE YOUR API TANK SPECS, Hydrocarbon Processing, Vol. 52, No. 8, August 1973.
58. Mehta, D. S. and Meyers, B. L.  
APPLICATION OF STRUCTURAL, MECHANICAL AND ELECTRICAL CODES AND STANDARDS IN THE DESIGN OF SAFETY RELATED STRUCTURES, COMPONENTS AND SYSTEMS FOR NUCLEAR POWER PLANTS, Proceedings of the International Symposium on Earthquake Structural Engineering, Vol. 2, St. Louis, Mo., August 19-21, 1976.
59. National Electrical Manufacturers Association  
MULTISTAGE STEAM TURBINES FOR MECHANICAL DRIVE SERVICE, Publication No. SM-21-1970, Washington, D. C., 1970.
60. National Electrical Manufacturers Association  
SINGLE STAGE STEAM TURBINES FOR MECHANICAL DRIVE SERVICE, Publication No. SM-22-1970, Washington, D. C., 1970.

61. National Fire Protection Association  
NATIONAL ELECTRIC CODE 1975, National Fire Protection Association,  
Boston, 1974.
62. Newmark, N. M. and Hall, W.  
PROCEDURES AND CRITERIA FOR EARTHQUAKE RESISTANT DESIGN (Part II),  
Building Practices for Disaster Mitigation, Building Science  
Series 46, U.S. Department of Commerce.
63. Newmark, N. M. and Hall, W. J.  
A RATIONAL APPROACH TO SEISMIC DESIGN STANDARDS FOR STRUCTURES,  
Proceedings of the Fifth World Conference on Earthquake  
Engineering, Vol. 2, Rome, 1973.
64. Novoa, F. M.  
EARTHQUAKE ANALYSIS AND SPECIFICATION OF HIGH VOLTAGE ELECTRICAL  
EQUIPMENT, Proceedings of the Fifth World Conference on Earth-  
quake Engineering, Vol. 1, Rome, Italy, 1973.
65. Palmer, J. R.  
U.S. PRESSURE VESSEL CODES, Hydrocarbon Processing, Vol. 50,  
No. 6, June 1971.
66. Pickel, T. W., Jr.  
EVALUATION OF NUCLEAR SYSTEM REQUIREMENTS FOR ACCOMMODATING  
SEISMIC EFFECTS, Nuclear Engineering and Design, Vol. 20,  
No. 2, 1972.
67. Pinkham, C.  
PROCEDURES AND CRITERIA FOR EARTHQUAKE RESISTANT DESIGN (Part I),  
Building Practices for Disaster Mitigation, Building Science  
Series 46, U.S. Department of Commerce.
68. St. Onge, G. H.  
U.S. ELECTRICAL STANDARDS, Hydrocarbon Processing, Vol. 50,  
No. 6, June 1971.
69. Seismology Committee of the Structural Engineers Association of  
California, RECOMMENDED LATERAL FORCE REQUIREMENTS AND COMMENTARY,  
1967.
70. Sharpe, R. L.  
SEISMIC DESIGN OF NON-STRUCTURAL ELEMENTS, Invited Discussion,  
Technical Committee No. 12: Architectural-Structural Inter-  
action, ASCE-IABSE Conference on Planning and Design of Tall  
Buildings, Lehigh University, August 1972.
71. Sharpe, R. L.  
CIVIL, MECHANICAL, AND ELECTRICAL ASPECTS OF SEISMIC DESIGN OF  
NUCLEAR POWER PLANTS, 1972 Joint Power Generation Conference,  
ASME, IEEE, ASCE, Boston, September 10-14, 1972.
72. Sharpe, R. L. and Gallagher, R. P.  
NEEDED: SEISMIC DESIGN OF MECHANICAL AND ELECTRICAL EQUIPMENT,  
Report for Kaiser Steel, John A. Blume and Associates, 1971.



73. Sharpless, E. C.  
SPECIFYING SPRINGS, Machine Design, Vol. 49, No. 2, January 20, 1977.
74. Tissel, J. R.  
TROIKA FOR EARTHQUAKE-RESISTANT BUILDING DESIGN, ENGINEER - BUILDING CODE - CONTRACTOR, Proceedings of the International Symposium on Earthquake Structural Engineering, Vol. 2, St. Louis, August 19-21, 1976.
75. Vackar, B. K.  
SATISFYING THE CODES, Welding Design and Fabrication, Vol. 50, No. 6, June 1977.
76. Veterans Administration  
EARTHQUAKE-RESISTIVE DESIGN OF NON-STRUCTURAL ELEMENTS OF BUILDINGS, VA Construction Standard CD-55, Washington, D. C., 1973.
77. Veterans Administration  
EARTHQUAKE RESISTANT DESIGN REQUIREMENTS FOR VA HOSPITAL FACILITIES, Handbook H-08-8, Washington, D. C., 1974.
78. Veterans Administration  
POST-EARTHQUAKE EMERGENCY UTILITY SERVICES AND ACCESS FACILITIES, VA Construction Standard CD-54, Washington, D. C., 1975.
79. Wheeler, W. T.  
ENGINEERS OFFER EARTHQUAKE CODE, Engineering News Record, March 19, 1959.
80. Wiggins, John H., Jr.  
THE BALANCED RISK CONCEPT: NEW APPROACH TO EARTHQUAKE BUILDING CODES, Civil Engineering, August 1972.
81. Zsutty, T. C., Shak, H. C., Teran, J. F. and Padilla, L.  
THE PURPOSE AND EFFECTS OF EARTHQUAKE CODES, Proceedings of the Central American Conference on Earthquake Engineering, Vol. 1, El Salvador, C.A., January 1978.

## 5.4 Soil-Structure Interaction

1. Agabein, M. E., Parmelee, R. A. and Lee, S. L.  
A MODEL FOR THE STUDY OF SOIL-STRUCTURE INTERACTION, International Association for Bridge and Structural Engineering, Final Report, New York, September 1968.
2. Barkan, D. D.  
DYNAMICS OF BASES AND FOUNDATIONS, translated from Russian, McGraw-Hill Book Co., New York, 1962.
3. Castellani, A.  
FOUNDATION COMPLIANCE EFFECTS ON EARTHQUAKE RESPONSE SPECTRA, Journal of the Soil Mechanics and Foundation Division, ASCE, Vol. 96, No. SM4, July 1970.
4. Chen, W. F.  
ANALYSIS OF SOIL-STRUCTURE INTERACTION PROBLEMS, Proceedings of the 14th Annual Meeting of the Society of Engineering Sciences, Lehigh University, Bethlehem, Pa., November 1977.
5. Costantino, C. J., Miller, C. A. and Lufrano, L. A.  
SOIL-STRUCTURE INTERACTION PARAMETERS FROM FINITE ELEMENT ANALYSIS, Nuclear Engineering and Design, Vol. 38, No. 2, 1976.
6. Crouse, C. B. and Jennings, P. C.  
SOIL-STRUCTURE INTERACTION DURING THE SAN FERNANDO EARTHQUAKE, Bulletin of the Seismological Society of America, Vol. 65, No. 1, February 1975.
7. DeHerrera, N. M. A.  
A STUDY OF THE LIMITATIONS OF FINITE ELEMENT MODELS AND LUMPED PARAMETER MODELS IN THE ANALYSIS OF THE SOIL-STRUCTURE INTERACTION PROBLEM IN EARTHQUAKES, Proceedings of the Central American Conference on Earthquake Engineering, Vol. 1, El Salvador, C.A., January 1978.
8. Finn, W. D. L.  
SOIL-STRUCTURE INTERACTION DURING EARTHQUAKES, Proceedings of the 14th Annual Meeting of the Society of Engineering Sciences, Lehigh University, Bethlehem, Pa., November 1977.
9. Fleming, J. F. and Screwvala, F. N.  
FOUNDATION SUPERSTRUCTURE INTERACTION UNDER EARTHQUAKE MOTION, Proceedings of the Third World Conference on Earthquake Engineering, Vol. 1, New Zealand, 1965.
10. Gutenberg, B.  
THE EFFECTS OF GROUND ON EARTHQUAKE MOTION, Bulletin of the Seismological Society of America, Vol. 47, No. 3, July 1957.

11. Gutierrez, J. A. and Chopra, A. K.  
EARTHQUAKE ANALYSIS OF NUCLEAR REACTOR BUILDINGS INCLUDING FOUNDATION INTERACTION, Proceedings of the Third International Conference on Structural Mechanics in Reactor Technology, Vol. 2, Part K, London, September 1975.
12. Hadjian, A. H.  
SOIL-STRUCTURE INTERACTION - AN ENGINEERING EVALUATION, Nuclear Engineering and Design, Vol. 38, No. 2, 1976.
13. Hadjian, A. H.  
RESEARCH NEEDS IN SOIL-STRUCTURE INTERACTION, Proceedings of the 14th Annual Meeting of the Society of Engineering Sciences, Lehigh University, Bethlehem, Pa., November 1977.
14. Hadjian, A. H., Howard, G. E. and Smith, C. B.  
A COMPARISON OF EXPERIMENTAL AND THEORETICAL INVESTIGATIONS OF EMBEDMENT ON SEISMIC RESPONSE, Proceedings of the Third International Conference on Structural Mechanics in Reactor Technology, Vol. 2, Part K, London, 1975.
15. Hadjian, A. H., Luco, J. E. and Tsai, M. C.  
SOIL-STRUCTURE INTERACTION: CONTINUUM OR FINITE ELEMENT, Nuclear Engineering and Design, Vol. 31, No. 2, 1974.
16. Hadjian, A. H., Niehoff, D. and Guss, J.  
SIMPLIFIED SOIL-STRUCTURE INTERACTION ANALYSIS WITH STRAIN DEPENDENT SOIL PROPERTIES, Nuclear Engineering and Design, Vol. 31, No. 2, 1974.
17. Hall, J. R., Jr. and Kissenpfenning, J. F.  
SPECIAL TOPICS ON SOIL-STRUCTURE INTERACTION, Nuclear Engineering and Design, Vol. 38, No. 2, 1976.
18. Herrera, I. and Rosenblueth, E.  
RESPONSE SPECTRA ON STRATIFIED SOIL, Proceedings of the Third World Conference on Earthquake Engineering, Vol. 1, New Zealand, 1965.
19. Housner, G. W.  
INTERACTION OF BUILDING AND GROUND DURING EARTHQUAKES, Bulletin of the Seismological Society of America, Vol. 47, 1957.
20. Isenberg, J. and Adham, S. A.  
INTERACTION OF SOIL AND POWER PLANTS IN EARTHQUAKES, Journal of the Power Division, ASCE, Vol. 98, No. P02, October 1972.
21. Jennings, P. C. and Bielak, J.  
DYNAMICS OF BUILDING-SOIL INTERACTION, Bulletin of the Seismological Society of America, Vol. 63, No. 1, February 1973.

22. Lee, A. J. H.  
CASE STUDY OF SOIL-STRUCTURE INTERACTION FOR NUCLEAR POWER PLANTS, Proceedings of the Third International Conference on Structural Mechanics in Reactor Technology, Vol. 2, Part K, London, September 1975.
23. Lee, T. H. and Wesley, D. A.  
SOIL-STRUCTURE INTERACTION OF NUCLEAR REACTOR STRUCTURES CONSIDERING THROUGH SOIL COUPLING BETWEEN ADJACENT STRUCTURES, Nuclear Engineering and Design, Vol. 24, No. 3, 1973.
24. Liu, S. C. and Fagel, L. W.  
EARTHQUAKE INTERACTION BY FAST FOURIER TRANSFORM, Journal of the Engineering Mechanics Division, ASCE, Vol. 97, No. EM4, October 1971.
25. Luco, J. E. and Hadjian, A. H.  
TWO-DIMENSIONAL APPROXIMATIONS TO THE THREE-DIMENSIONAL SOIL-STRUCTURE INTERACTION PROBLEM, Nuclear Engineering and Design, Vol. 31, No. 2, 1974.
26. Lycan, D. L. and Newmark, N. M.  
EFFECT OF STRUCTURE AND FOUNDATION INTERACTIONS, Journal of the Engineering Mechanics Division, ASCE, Vol. 87, No. EM5, October 1961.
27. Lysmer, J. and Richart, F. E.  
DYNAMIC RESPONSE OF FOOTINGS TO VERTICAL LOADING, Journal of Soil Mechanics and Foundation Engineering, ASCE, Vol. 92, No. SM1, January 1966.
28. Meek, J. W.  
EFFECTS OF FOUNDATION TIPPING ON DYNAMIC RESPONSE, Journal of the Structural Division, ASCE, Vol. 101, No. ST7, July 1975.
29. Merritt, R. G. and Housner, G. W.  
EFFECT OF FOUNDATION COMPLIANCE ON EARTHQUAKE STRESSES IN MULTISTORY BUILDINGS, Bulletin of the Seismological Society of America, Vol. 44, No. 4, October 1954.
30. Moore, W. W. and Darragh, R. D.  
SOME CONSIDERATIONS IN THE DESIGN OF FOUNDATIONS FOR EARTHQUAKES, Proceedings of the World Conference on Earthquake Engineering, Berkeley, Ca., June 1956.
31. Parmelee, J.  
BUILDING INTERACTION EFFECTS, Journal of the Engineering Mechanics Division, ASCE, Vol. 93, No. EM2, April 1967.
32. Parmelee, R. A., Perelman, D. S. and Lee, S. L.  
SEISMIC RESPONSE OF MULTIPLE STORY STRUCTURES ON FLEXIBLE FOUNDATION, Bulletin of the Seismological Society of America, Vol. 59, No. 3, June 1969.

33. Parmelee, R. A., Perelman, D. S., Lee, S. L. and Kerr, L. M.  
SEISMIC RESPONSE OF STRUCTURE-FOUNDATION SYSTEMS, Journal of the  
Engineering Mechanics Division, ASCE, Vol. 94, No. EM6,  
December 1968.
34. Parmelee, R. A. and Wronkiewicz, J.  
SEISMIC DESIGN OF SOIL-STRUCTURE INTERACTION SYSTEMS, Journal of  
the Structural Division, ASCE, Vol. 97, No. ST10, October 1971.
35. Raftopoulos, D. D.  
ON THE SOIL-STRUCTURE INTERACTION PROBLEM IN EARTHQUAKE MOTION,  
Proceedings of the 14th Annual Meeting of the Society of  
Engineering Sciences, Lehigh University, Bethlehem, Pa.,  
November 1977.
36. Rainer, J. H.  
STRUCTURE-GROUND INTERACTION IN EARTHQUAKES, Journal of the  
Engineering Mechanics Division, ASCE, Vol. 97, No. EM5,  
October 1971.
37. Richart, F. E.  
FOUNDATION VIBRATIONS, Journal of the Soil Mechanics and Founda-  
tions Division, ASCE, Vol. 92, No. SMI, January 1966.
38. Richart, F. E., Hall, J. R., Jr. and Woods, R. D.  
VIBRATION OF SOILS AND FOUNDATIONS, Prentice-Hall, 1970.
39. Richart, F. E., Jr.  
FOUNDATION VIBRATIONS, Foundation Engineering Handbook, H. F.  
Winterkorn and H. Y. Fang (Editors), Van Nostrand Reinhold  
Co., 1975.
40. Roesset, J. M.  
FUNDAMENTALS OF SOIL AMPLIFICATION, Seminar on Seismic Design for  
Nuclear Power Plants, Massachusetts Institute of Technology,  
Cambridge, Ma., March 1969.
41. Roesset, J. M., Whitman, R. V. and Darby, R.  
MODAL ANALYSIS FOR STRUCTURES WITH FOUNDATION INTERACTION,  
Journal of the Structural Division, ASCE, Vol. 99, No. ST3,  
March 1973.
42. Sarrazin, M., Roesset, J. M. and Whitman, R. V.  
DYNAMIC SOIL STRUCTURE INTERACTION, Journal of the Structural  
Division, ASCE, Vol. 98, No. ST7, July 1972.
43. Scavuzzo, R. J. and Raftopoulos, D. D.  
A REVIEW OF SOIL-STRUCTURE INTERACTION EFFECTS IN THE SEISMIC  
ANALYSIS OF NUCLEAR POWER PLANTS, Nuclear Engineering and  
Design, Vol. 28, No. 3, 1974.

44. Scavuzzo, R. J., Raftopoulos, D. D. and Barley, J. L.  
LATERAL STRUCTURE-FOUNDATION INTERACTION OF STRUCTURES WITH BASE  
MASSES, Bulletin of the Seismological Society of America,  
Vol. 62 , No. 2, 1972.
45. Seed, H. B. and Idriss, I. M.  
SOIL-STRUCTURE INTERACTION OF MASSIVE EMBEDDED STRUCTURES DURING  
EARTHQUAKES, Proceedings of the Fifth World Conference on  
Earthquake Engineering, Rome, Italy, August 1973.
46. Seed, H. B. and Idriss, I. M.  
INFLUENCE OF SOIL CONDITIONS ON GROUND MOTIONS DURING EARTHQUAKES,  
Journal of the Soil Mechanics and Foundations Division, ASCE,  
Vol. 95, No. SM1, January 1969.
47. Singh, H.  
SOIL-STRUCTURE INTERACTION ANALYSIS FOR NUCLEAR POWER PLANTS,  
Proceedings of the 14th Annual Meeting of the Society of  
Engineering Sciences, Lehigh University, Bethlehem, Pa.,  
November 1977.
48. Snyder, M. D., Shaw, D. E. and Hall, J. R., Jr.  
STRUCTURE-SOIL-STRUCTURE INTERACTION OF NUCLEAR STRUCTURES,  
Proceedings of the Third International Conference on Structural  
Mechanics in Reactor Technology, Vol. 4, Part K, London,  
September 1975.
49. Tsai, N. C.  
SPECTRUM-COMPATIBLE MOTIONS FOR DESIGN PURPOSES, Journal of the  
Engineering Mechanics Division, ASCE, Vol. 99, No. EM2, April  
1973.
50. Tsai, N. C.  
MODAL DAMPING FOR SOIL-STRUCTURE INTERACTION, Journal of the  
Engineering Mechanics Division, ASCE, Vol. 100, No. EM2, April  
1974.
51. Tsai, N. C., Niehoff, D., Swatta, M. and Hadjian, A. H.  
THE USE OF FREQUENCY-INDEPENDENT SOIL-STRUCTURE INTERACTION  
PARAMETERS, Nuclear Engineering and Design, Vol. 31, No. 2,  
1974.
52. Veletsos, A. S. and Wei, Y. T.  
LATERAL AND ROCKING VIBRATION OF FOOTINGS, Journal of Soil  
Mechanics and Foundations Division, ASCE, Vol. 97, No. SM9,  
September 1971.
53. Whitman, R. V.  
EVALUATION OF SOIL PROPERTIES FOR SITE EVALUATION AND DYNAMIC  
ANALYSIS OF NUCLEAR POWER PLANTS, Seminar on Seismic Design  
for Nuclear Power Plants, Massachusetts Institute of Tech-  
nology, Cambridge, Ma., March 1969.

54. Whitman, R. V.  
SOIL STRUCTURE INTERACTION, Seminar on Seismic Design for Nuclear Power Plants, Massachusetts Institute of Technology, Cambridge, Ma., March 1969.
55. Whitman, R. V., Protonotarios, J. N. and Martin, R. T.  
CASE STUDY OF DYNAMIC SOIL-STRUCTURE INTERACTION, Journal of the Soil Mechanics and Foundations Division, ASCE, Vol. 99, No. SM11, November 1973.
56. Whitman, R. V. and Richart, F. E.  
DESIGN PROCEDURES OF DYNAMICALLY LOADED FOUNDATIONS, Journal of the Soil Mechanics and Foundation Division, ASCE, Vol. 93, No. SM6, November 1967.

### 5.5 Damping Effects, Shock and Vibration Isolation in Structure and Machinery

1. Afimiwalh, K. A. and Mayne, R. W.  
OPTIMUM DESIGN OF IMPACT ABSORBER, Transactions, ASME, Vol. 24,  
1974.
2. Agabein, M. E.  
THE EFFECT OF VARIOUS DAMPING ASSUMPTIONS ON THE DYNAMIC RESPONSE  
OF STRUCTURES, Bulletin of the International Institute of  
Seismology and Earthquake Engineering, No. 8, 1971, pp. 217-234.
3. Anonymous  
EARTHQUAKE DESIGN OF BUILDINGS: DAMPING, Journal of the Struc-  
tural Division, ASCE, Vol. 101, No. ST1, 1975, pp. 11-30.
4. Barkan, D. D.  
DYNAMICS OF BASES AND FOUNDATIONS, McGraw-Hill Book Company,  
New York, 1962.
5. Barton, M. V., Editor  
SHOCK AND STRUCTURAL RESPONSE, ASME, United Engineering Center,  
New York, 1960.
6. Beranek, L. L., Editor  
NOISE AND VIBRATION CONTROL, McGraw-Hill Book Co., New York,  
1971.
7. Berg, G. V. and Thomaidis, S. S.  
ENERGY ABSORPTION BY STRUCTURES IN EARTHQUAKES, Proceedings of  
the Second World Conference on Earthquake Engineering, Tokyo,  
Japan, 1960.
8. Biggs, J. M.  
INTRODUCTION TO STRUCTURAL DYNAMICS, McGraw-Hill, New York, 1964.
9. Bishop, R. E. D. and Johnson, D. C.  
THE MECHANICS OF VIBRATION, Cambridge University Press, 1960.
10. Blume, J. A.  
RESERVE ENERGY TECHNIQUE FOR THE DESIGN AND RATING OF STRUCTURES  
IN THE INELASTIC RANGE, Proceedings of the Second World Confer-  
ence on Earthquake Engineering, Tokyo, Japan, 1960.
11. Blume, J. A.  
THE MOTION AND DAMPING OF BUILDINGS RELATIVE TO SEISMIC RESPONSE  
SPECTRA, Bulletin of the Seismological Society of America,  
February 1970.
12. Blume, J. A. and Associates, Engineers  
A COMPILATION OF MEASURED DAMPING VALUES OF STRUCTURES AND  
STRUCTURAL ELEMENTS, Report to Westinghouse Electric Corpora-  
tion, February 1970.



13. Brock, J. E.  
A NOTE ON THE DAMPED VIBRATION ABSORBER, Journal of Applied Mechanics, Transactions, ASME, Vol. 68, 1946, p. A284
14. Brusa, L., Ciacci, R., Lusso, C. and Restelli, F.  
A NUMERICAL METHOD OF VIBRATION ANALYSIS OF COMPOSITE STRUCTURES WITH DIFFERENT DAMPING CAPACITIES, Proceedings of the Third International Conference on Structural Mechanics in Reactor Technology, Paper No. K4/5, Vol. 4, Part K, London, England, September 4-5, 1975.
15. Burton, R.  
VIBRATION AND IMPACT, Addison-Wesley Publishing Co., 1958.
16. Burton, R.  
VIBRATION AND IMPACT, Dover Publications, Inc., New York, 1965.
17. Caspe, M. S.  
ISOLATING STRUCTURES FROM EARTHQUAKE GROUND MOTION, Consulting Engineer, April 1970.
18. Ciampi, V.  
APPLICATION OF SPECIAL DAMPING DEVICES FOR REDUCTION OF STRUCTURAL VIBRATIONS CAUSED BY SEISMIC ACTIONS, Journal Genio Civil, Vol. 107, No. 12, December 1969.
19. Cicci, F.  
THE DAMPING OF INTEGRALLY STIFFENED STRUCTURES, Journal of Sound and Vibration, Vol. 17, No. 1, July 1971, pp. 63-76.
20. Clough, R. W. and Penzien, J.  
DYNAMICS OF STRUCTURES, McGraw-Hill, New York, 1975.
21. Coppa, A. P.  
NEW WAYS TO SOFTER SHOCK, Machine Design, Vol. 40, 1968, pp. 130.
22. Crandall, S. H.  
THE ROLE OF DAMPING IN VIBRATION THEORY, Journal of Sound and Vibration, Vol. 11, 1971, pp. 3-18.
23. Crede, C. E.  
DAMPING TEXTILE MILL MOVEMENT BY FRAHM SYSTEM, Transactions, ASME, Vol. 69, 1947, pp. 937-946.
24. Crede, C. E., Editor  
VIBRATION AND SHOCK ISOLATION, John Wiley and Sons, Inc., New York, 1951.
25. Crede, C. E., Editor  
SHOCK AND VIBRATION HANDBOOK, Vols. I, II, III, McGraw-Hill Book Co., New York, 1961.
26. Crede, C. E. and Walsh, J. P.  
THE DESIGN OF VIBRATION-ISOLATING BASES FOR MACHINERY, Transactions, ASME, Journal of Applied Mechanics, Vol. 14, No. 1, 1947, pp. A7-A14 (III, IV).

27. Crockett, J. H. A. and Hammond, R. E. R.  
REDUCTION OF GROUND VIBRATIONS INTO STRUCTURES, Journal of the  
Institute of Civil Engineering, London, 1946-47.
28. Crockett, J. H. A. and Hammond, R. E. R.  
DYNAMIC PRINCIPLES OF MACHINE FOUNDATIONS AND GROUND, Proceedings  
of the Institute of Mechanical Engineers, London, Vol. 160,  
No. 4, 1949, pp. 512-531.
29. Dahlquist, C. A.  
FAMILY OF VISCOELASTIC MATERIALS FOR DIVERSE DAMPING APPLICATIONS,  
Paper No. 7, Vibrations, ASME Fall Meeting, September 9-10, 1971.
30. Danisch, R. and Labes, M.  
ASEISMIC DESIGN OF TURBINE HOUSES OF NUCLEAR POWER PLANTS,  
Proceedings of the Third International Conference on Structural  
Mechanics and Reactor Technology, Paper No. K6/6, London,  
England, September 1-5, 1975.
31. Den Hartog, J. P.  
RECENT DEVELOPMENTS IN DYNAMICS AND VIBRATION, Applied Mechanics  
Reviews, Vol. 4, No. 1, 1951, pp. 2-3.
32. Derham, C. J., Learoyd, S. E. E. and Wooten, L. R.  
BUILDING ON SPRINGS TO RESIST EARTHQUAKES, Proceedings, Fifth  
European Conference on Earthquake Engineering, Vol. 2, Paper  
No. 127, 5, Ankara, September 22-25, 1975.
33. Dowrick, D. J.  
EARTHQUAKE RESISTANT DESIGN, John Wiley and Sons, Interscience  
Publications, New York, 1977.
34. Eastwood, W.  
VIBRATIONS IN FOUNDATIONS, The Structural Engineer, Vol. 31,  
No. 3, pp. 82-98, 1953.
35. Ebner, A. M. and Billington, D. P.  
STEADY STATE VIBRATION OF DAMPED TIMOSHENKO'S BEAMS, Journal of  
the Structural Division, ASCE, Vol. 94, No. ST3, March 1968,  
pp. 737-759.
36. Epstein, H. I., Johnson, G. R. and Cristiano, P.  
Discussion of MODAL DAMPING FOR SOIL-STRUCTURE INTERACTION,  
Journal of the Engineering Mechanics Division, ASCE, Vol. 100,  
No. EM6, December 1974.
37. Fagerstrom, W. B.  
DYNAMIC STIFFNESS AND DAMPING OF MACHINED INTERFACES AND THEIR  
EFFECT ON THE DYNAMIC STIFFNESS OF A STRUCTURE, Ph.D. Thesis,  
University of Wisconsin, 1972.
38. Fintel, M. and Khan, F. R.  
SHOCK-ABSORBING SOFT STORY CONCEPT FOR MULTISTORY EARTHQUAKE  
STRUCTURES, Proceedings, ACI Journal, Vol. 66, No. 5, May 1969,  
pp. 381-390.

39. Foss, K. A.  
COORDINATES WHICH UNCOUPLE THE EQUATIONS OF MOTION OF DAMPED LINEAR SYSTEMS, Transactions, Journal of Applied Mechanics, ASME, Vol. 25, No. 3, 1958, pp. 361-364.
40. Glazyrin, U. S.  
METHODS OF REDUCING DYNAMIC LOADS TRANSMITTED TO A SUPPORTING STRUCTURE, Structural Mechanics and Structural Design, No. 3, 1971, pp. 43-47 (in Russian).
41. Goldsmith, W.  
IMPACT, Arnold Ltd., London, England, 1960.
42. Goodman, L. E.  
A REVIEW OF PROGRESS IN ANALYSIS OF INTERFACIAL SLIP DAMPING, ASME Symposium on Structural Damping, 1959.
43. Grootenhuis, P.  
CONTROL OF VIBRATIONS WITH VISCOELASTIC MATERIALS, Journal of Sound and Vibration, Vol. 11, No. 4, April 1970, pp. 412-433.
44. Hall, J. R. and Kisseupfennig, J. F.  
SPECIAL TOPICS ON SOIL-STRUCTURE INTERACTION, Nuclear Engineering and Design, Vol. 38, 1976, pp. 273-287.
45. Harris, C. M. and Crede, C. E., Editors  
SHOCK AND VIBRATION HANDBOOK, McGraw-Hill Book Co., New York, 1961.
46. Harris, C. M. and Crede, C. E., Editors  
SHOCK AND VIBRATION HANDBOOK, McGraw-Hill Book Co., New York, 1976.
47. Hernalsteen, P. and Leblois, L. C.  
THE USE OF ENERGY ABSORBERS TO PROTECT STRUCTURES AGAINST IMPACT LOADING, Nuclear Engineering and Design, Vol. 37, 1976, pp. 373-406.
48. Hillman, Biddison & Loevenguth, Consulting Engineers  
GUIDELINES FOR SEISMIC RESTRAINTS OF MECHANICAL SYSTEMS, prepared for Sheet Metal Industry Foundation of Los Angeles, Sheet Metal and Air Conditioning Contractors' National Association, Inc., March 1976.
49. Himelblau, H., Jr.  
ANALYTICAL METHODS FOR DESIGNING DYNAMIC VIBRATION ABSORBERS, Machine Design, September 1956, pp. 134-140.
50. Hitchcock, H. C.  
ELECTRICAL EQUIPMENT AND EARTHQUAKES, New Zealand Engineering Journal, Vol. 24, January 1969, pp. 3-14.
51. Hitchings, D. and Dance, S. H.  
RESPONSE OF NUCLEAR STRUCTURAL SYSTEMS TO TRANSIENT AND RANDOM EXCITATION USING BOTH DETERMINISTIC AND PROBABILISTIC METHODS, Nuclear Engineering and Design, Vol. 29, 1974, pp. 311-337.

52. Hudson, D. E.  
EQUIVALENT VISCOUS FRICTION FOR HYSTERETIC SYSTEMS WITH EARTHQUAKE-LIKE EXCITATIONS, Proceedings of the Third World Conference on Earthquake Engineering, Vol. II, New Zealand, 1965, pp. II185-II202.
53. Hurty, W. C. and Rubinstein, M. F.  
DYNAMICS OF STRUCTURES, Prentice-Hall, 1965.
54. Idriss, I. M., Seed, H. E. and Serff, N.  
SEISMIC RESPONSE BY VARIABLE DAMPING FINITE ELEMENTS, Journal of the Geotechnical Engineering Division, ASCE, Vol. 100, No. GT1, January 1974.
55. Inglis, C. E.  
MECHANICAL VIBRATIONS: THEIR CAUSE AND PREVENTION, Journal of the Institute of Civil Engineers, Vol. 22, No. 8, London, 1944, pp. 312-357.
56. Jacobsen, L. S.  
FRICTIONAL EFFECTS IN COMPOSITE STRUCTURES SUBJECTED TO EARTHQUAKE VIBRATIONS, Department of Mechanical Engineering Report, Stanford University, 1959.
57. Jacobsen, L. S.  
DAMPING IN COMPOSITE STRUCTURES, Proceedings of the Second World Conference on Earthquake Engineering, Tokyo, Japan, 1960.
58. Jacquot, R. G. and Foster, J. E.  
OPTIMAL CANTILEVER DYNAMIC VIBRATION ABSORBERS, Transactions, ASME, Engineering for Industry, Vol. 99, No. 1, Series B, February 1977, pp. 138-141.
59. Jennings, P. C.  
EQUIVALENT VISCOUS DAMPING FOR YIELDING STRUCTURES, Journal of the Engineering Mechanical Division, ASCE, Vol. 94, No. EM1, February 1968, pp. 103-116.
60. Johns, D. J., Britton, J. and Stoppard, G.  
ON INCREASING THE STRUCTURAL DAMPING OF A STEEL CHIMNEY, Earthquake Engineering and Structural Dynamics, Vol. 1, No. 1, 1972, pp. 93-100.
61. Johns, K. C. and Kirk, C. L.  
VIBRATION REDUCTION IN TOWER STRUCTURES, Rapport Technique KH-5-74, Department de Genie Civil, Universite de Sherbrooke, Sherbrooke, Quebec, Canada, 1974.
62. Johnson, W.  
IMPACT STRENGTH OF MATERIALS, Arnold Ltd., London, England, 1972.
63. Karnopp, B. H.  
ON TUNED CONTINUOUS SYSTEMS, Proceedings of the Fourth Canadian Congress of Applied Mechanics, Montreal, 1973, pp. 545-546.

64. Katayama, T.  
A REVIEW OF THEORETICAL AND EXPERIMENTAL INVESTIGATION OF DAMPING IN STRUCTURES, UNICIV Report No. 1-4, July 1965.
65. Katsuta, C. and Mashizu, N.  
EARTHQUAKE ISOLATION METHOD OF STRUCTURE BY A HIGH SPEED ELECTRO-HYDRAULIC SERVOMECHANISM, Proceedings of the Third World Conference on Earthquake Engineering, Vol. II, New Zealand, 1965, pp. II.276-II.297.
66. Kelly, J. M., Skinner, R. I. and Heine, A. J.  
MECHANISMS OF ENERGY ABSORPTION IN SPECIAL DEVICES FOR USE IN EARTHQUAKE RESISTANT STRUCTURES, Bulletin of the New Zealand Society of Earthquake Engineering, Vol. 5, No. 3, 1972, pp. 63-68.
67. Kishore, N. N. and Ghosh, A.  
DAMPING CHARACTERISTICS OF ELASTIC-VISCOELASTIC COMPOSITE CURVED BARS AND HELICAL SPRINGS, Journal of Sound and Vibration, Vol. 43, No. 4, December 1975, pp. 621-632.
68. Korniev, B. G. and Rezuikov, L. M.  
CANCELLATION OF SEISMIC INDUCED VIBRATIONS IN TOWER-LIKE BUILDINGS, Structural Mechanics and Design, No. 5 (77), 1971, pp. 1-5 (in Russian).
69. Kukkola, T.  
ENERGY ABSORBERS USED AGAINST IMPACT LOADING, Nuclear Engineering and Design, Vol. 37, 1976, pp. 407-412.
70. Kutta, T. et al.  
A NEW TYPE SHOCK ABSORBER AND ITS EFFECT ON THE RESPONSE OF THE BRIDGE TO THE EARTHQUAKE, Proceedings of the Fifth World Conference on Earthquake Engineering, Vol. 1, Rome, 1973, pp. 1397-1400.
71. Lazan, B. J.  
ENERGY DISSIPATION MECHANISMS IN STRUCTURES, WITH PARTICULAR REFERENCE TO MATERIAL DAMPING, ASME Colloquium on Structural Damping, 1959.
72. Lazan, B. J.  
DAMPING OF MATERIAL AND MEMBERS IN STRUCTURAL MECHANICS, Pergamon Press, Inc., 1968.
73. Lewis, F. M.  
THE EXTENDED THEORY OF THE VISCOUS VIBRATION DAMPER, Transactions, Journal of Applied Mechanics, ASME, Vol. 22, No. 3, pp. 377-382, 1955.
74. Lewis, F. M. and Unholtz,  
A SIMPLIFIED METHOD FOR THE DESIGN OF VIBRATION-ISOLATING SUSPENSIONS, Transactions, ASME, Vol. 69, 1947, pp. 813-820.
75. Lewis, E. M. and Waller, R. A.  
APPLICATION OF MODERN DESIGN TECHNIQUES TO PRACTICAL WIND PROBLEMS, Proceedings of the Eighth Congress of IABSE, New York, September 1968, pp. 1193-1202.

76. Lorenz, H.  
ELASTICITY AND DAMPING EFFECTS OF OSCILLATING BODIES ON SOIL,  
Special Publication No. 156, ASTM, 1953.
77. MacDuff, J. N. and Curreri, J. R.  
VIBRATION CONTROL, McGraw-Hill Book Co., 1958.
78. Mahalingam, S.  
THE RESPONSE OF VIBRATING SYSTEMS WITH COULOMB AND LINEAR DAMPING  
INSERTS, Journal of Sound and Vibration, Vol. 41, No. 3,  
August 1975, pp. 311-320.
79. Mahmoodi, P.  
STRUCTURAL DAMPERS, Journal of the Structural Division, ASCE,  
Vol. 95, 1969, pp. 1661-1672.
80. Major, A.  
VIBRATION ANALYSIS AND DESIGN OF FOUNDATIONS FOR TURBINES AND  
MACHINES, Collet's Holdings, Ltd., London, 1962.
81. Manopov, A. Z. and Pikuleu, N. A.  
OPTIMAL PARAMETERS OF VIBRATION DAMPER SYSTEM FOR HARMONIC  
EXCITATION WITH UNSTABLE FREQUENCY, Stroitel'naya Mekhanika i  
Raschet Sooruzhenii, No. 1, 1975, pp. 33-35 (in Russian).
82. Martz, J. W. and Leist, T.  
APPLICATION OF MODEL TESTING TECHNIQUES TO SOLVE VIBRATION PROB-  
LEMS IN MACHINERY SUPPORTING STRUCTURES, Paper No. 77-DE-16,  
presented at the ASME Design Engineering Conference, May 9-12,  
1977.
83. Mead, D. J.  
THE PRACTICAL PROBLEMS OF ASSESSING DAMPING TREATMENTS, Journal  
of Sound and Vibration, Vol. 1, No. 3, 1961, pp. 270-291.
84. Mercer, C. A. and Rees, P. L.  
AN OPTIMUM SHOCK ISOLATOR, Journal of Sound and Vibration,  
Vol. 18, No. 4, October 1971, pp. 511-520.
85. Mizuno, N. and Tsushima, Y.  
EXPERIMENTAL AND ANALYTICAL STUDIES FOR A BWR NUCLEAR REACTOR  
BUILDING - EVALUATION OF SOIL-STRUCTURE INTERACTION BEHAVIOR,  
Proceedings of the Third International Conference on Structural  
Mechanics in Reactor Technology, Paper No. K3/2, Vol. 4, Part K,  
London, England, September 1-5, 1975.
86. Muto, K. et al.  
MODAL ANALYSIS FOR EQUATION OF MOTION WITH VARIOUS DIFFERENT  
DAMPINGS, Muto Institute of Structural Mechanics, 1970.
87. Myklestad, N. O.  
THE CONCEPT OF COMPLEX DAMPING, Journal of Applied Mechanics,  
ASME, Vol. , No. 19, 1952.
88. Nelson, F. C.  
THE USE OF VISCOELASTIC MATERIAL TO DAMP VIBRATION IN BUILDINGS  
AND LARGE STRUCTURES, AISC Engineering Journal, April 1968,  
pp. 72-76.

89. Nelson, F. C.  
HUMAN AWARENESS OF TRANSIENT FLOOR VIBRATION AND REDUCTION OF THIS AWARENESS BY CONSTRAINED VISCOELASTIC DAMPING LAYERS, Report to the American Institute of Steel Construction, Dyna-tech Report No. 920, 1970.
90. Nelson, F. C.  
TECHNIQUES FOR DESIGNING HIGHLY DAMPED STRUCTURES, Proceedings of the Third International Conference on Structural Mechanics in Reactor Technology, Vol. 4, Part K, Paper K7/10, London, England, September 1-5, 1975.
91. Nelson, F. C. and Grief, R.  
DAMPING IN SHOCK AND VIBRATION COMPUTER PROGRAMS, Shock and Vibration Information Center Monograph, Office of Naval Research, Washington, D. C., 1976.
92. Nelson, F. C. and Grief, R.  
ON THE INCORPORATION OF DAMPING IN LARGE, GENERAL-PURPOSE COMPUTER PROGRAMS, Nuclear Engineering and Design, Vol. 37, 1976, pp. 65-72.
93. Newcomb, W. K.  
PRINCIPLES OF FOUNDATION DESIGN FOR ENGINES AND COMPRESSORS, Transactions, ASME, Vol. 73, No. 3, 1951, pp. 307-318.
94. Newmark, N. M.  
NOTES ON SHOCK ISOLATION CONCEPTS, Symposium of the British Society of Earthquake Engineering, London, 1965.
95. Newmark, N. M.  
NOTES ON SHOCK ISOLATION CONCEPTS IN VIBRATION IN CIVIL ENGINEERING, Butterworths, London, 1966.
96. Norzi, L.  
ON THE DAMPING OF VIBRATIONS, Proceedings of the Eighth Congress of IABSE, New York, September 1968, pp. 1168-1180.
97. Ohchi, Y.  
THE TREATMENT OF DAMPING COEFFICIENT ON THE DYNAMIC PROBLEM, Proceedings of the Eighth Congress of IABSE, New York, September 1968, pp. 1181-1191.
98. O'Kelly, M. E. J.  
NORMAL MODES IN DAMPED SYSTEMS, Dynamics Laboratory Report, California Institute of Technology, Pasadena, Ca., 1961.
99. Pajuhesh, J. and Hadjian, A. H.  
DETERMINATION OF COMPOSITE DAMPING MATRICES, Proceedings of the Fifth World Conference on Earthquake Engineering, Paper No. 14, Rome, 1973.
100. Paulard, M., Trompette, P. and Lalanne, M.  
RESPONSE OF THICK STRUCTURES DAMPED BY VISCOELASTIC MATERIAL WITH APPLICATION TO LAYERED BEAMS AND PLATES, presented at the 45th Shock and Vibration Symposium, Dayton, Oh., October 1974.

101. Pikulev, N. A. and Erdelesvskii, A. N.  
ON THE DESIGN OF A GROUP OF SHOCK ABSORBERS WITH CALCULATIONS,  
Structural Mechanics and Structural Design, No. 5 (77), 1971,  
pp. 5-9 (in Russian).
102. Plunkett, R.  
VIBRATION DAMPING, Applied Mechanics Surveys, Sporton Books,  
Washington, D. C., 1966.
103. Plunkett, R.  
OPTIMUM DAMPING DISTRIBUTION FOR STRUCTURAL VIBRATION, U. S.  
Naval Research Laboratory, Shock and Vibration Bulletin No.  
62, 1972, pp. 57-64.
104. Polentz, L. M.  
LINEAR ENERGY ABSORBERS, Machine Design, March 1959, pp. 116-121.
105. Probst, P. H. and Joyce, J. S.  
THE DEVELOPMENT OF HELICAL-SPRING FOUNDATIONS FOR LARGE STEAM  
TURBINE-GENERATORS, Proceedings of the American Power Confer-  
ence, Chicago, Il., April 19, 1972.
106. Raggett, J. D.  
ESTIMATING DAMPING OF REAL STRUCTURES, ASCE National Conference,  
1974.
107. Raggett, J. D.  
ESTIMATING DAMPING OF REAL STRUCTURES, Journal of the Structural  
Division, ASCE, Vol. 101, No. ST9, September 1975, pp. 1823-1835.
108. Rainer, J. H.  
DAMPING IN DYNAMIC STRUCTURE-FOUNDATION INTERACTION, Canadian  
Geotechnical Journal, Vol. 12, No. 1, February 1975, pp. 13-22.
109. Rea, D., Clough, R. W., Bouwkamp, J. G. and Vogel, U.  
DAMPING CAPACITY OF A MODEL STEEL STRUCTURE, Preprint of the  
Fourth World Conference on Earthquake Engineering, January  
1969, pp. B-2(63-74).
110. Reed, F. E.  
THE USE OF THE CENTRIFUGAL PENDULUM ABSORBER FOR THE REDUCTION  
OF LINEAR VIBRATIONS, Transactions, Journal of Applied Mechan-  
ics, ASME, Vol. 16, No. 2, 1949, pp. 190-194.
111. Reed, W. H. and Duncan, R. L.  
DAMPERS TO SUPPRESS WIND-INDUCED OSCILLATIONS OF TALL FLEXIBLE  
STRUCTURES, Tenth Midwestern Mechanics Conference, Fort Collins,  
Co., August 21-23, 1967.
112. Robinson, W. H. and Greenbank, L. R.  
AN EXTRUSION ENERGY ABSORBER SUITABLE FOR THE PROTECTION OF  
STRUCTURES DURING AN EARTHQUAKE, Earthquake Engineering and  
Structural Dynamics, Vol. 4, 1976, pp. 251-259.



113. Roorda, J.  
ACTIVE DAMPING IN STRUCTURES, Cranfield Report Aero No. 8,  
Cranfield Institute of Technology, Cranfield, Bedford,  
England, July 1971.
114. Rosenblueth, E.  
Discussion of EQUIVALENT VISCOUS FRICTION FOR HYSTERETIC SYSTEMS  
WITH EARTHQUAKE-LIKE EXCITATIONS, Proceedings of the Third  
World Conference on Earthquake Engineering, Vol. II, New  
Zealand, 1965, pp. II.203-II.206.
115. Rosenblueth, E. and Herrera, I.  
ON A KIND OF HYSTERETIC DAMPING, Journal of the Engineering  
Mechanics Division, ASCE, Vol. 90, No. EM4, 1964, pp. 37-48.
116. Ruzicka, J. E.  
FORCED VIBRATIONS IN SYSTEMS WITH ELASTICALLY SUPPORTED DAMPERS,  
Masters Thesis, Massachusetts Institute of Technology, Cam-  
bridge, Ma., 1957.
117. Ruzicka, J. E. and Cavanaugh,  
NEW METHODS FOR VIBRATION ISOLATION, Machine Design, October  
1958, pp. 114-121.
118. Sato, H.  
A STUDY OF ASEISMIC DESIGN OF MACHINE STRUCTURE, Report of IIS,  
Vol. 15, No. 1, University of Tokyo, November 1965.
119. Seed, H. B. and Idriss, I. M.  
SOIL MODULI AND DAMPING FACTORS FOR DYNAMIC RESPONSE ANALYSIS,  
Earthquake Engineering Research Center Report No. EERC 70-10,  
University of California at Berkeley, December 1970.
120. Sharpe, R. L., Kost, G. and Lord, J.  
BEHAVIOR OF STRUCTURAL SYSTEMS UNDER DYNAMIC LOADS, National  
Bureau of Standards, Building Science Series No. 46, Building  
Practices for Disaster Mitigation, February 1973, pp. 352-394.
121. Shibata, H., Sato, H. and Shigeta, T.  
ASEISMIC DESIGN OF MACHINE STRUCTURE, Proceedings of the Third  
World Conference on Earthquake Engineering, Vol. 2, 1964,  
p. II-552.
122. Sisoiev, V. F.  
DYNAMIC SHOCK-ABSORBER WITH SHOCK DAMPING, Structural Mechanics  
and Structural Design, No. 3 (75), 1971, pp. 47-52 (in Russian).
123. Skinner, R. I.  
NATURAL SHOCK TESTS, Energy International, January 1968,  
pp. 24-25.
124. Skinner, R. I., Beck, J. L. and Bycroft, G. N.  
A PRACTICAL SYSTEM FOR ISOLATING STRUCTURES FROM EARTHQUAKE  
ATTACK, International Journal of Earthquake Engineering and  
Structural Dynamics, Vol. 3, No. 3, January-March 1975, pp.  
297-329.

125. Skinner, R. I., Kelly, J. M. and Heine, A. J.  
ENERGY ABSORPTION DEVICES FOR EARTHQUAKE RESISTANT DESIGN, Proceedings of the Fifth World Conference on Earthquake Engineering, Vol. 2, Rome, June 1973, pp. 2924-2933.
126. Skinner, R. I., Kelly, J. M. and Heine, A. J.  
HYSTERETIC DAMPERS FOR EARTHQUAKE-RESISTANT STRUCTURES, International Journal of Earthquake Engineering and Structural Dynamics, Vol. 3, No. 3, January-March 1975, pp. 287-296.
127. Snowdon, J. C.  
VIBRATION AND SHOCK IN DAMPED MECHANICAL SYSTEMS, John Wiley and Sons, New York, 1968.
128. Swamy, R. N.  
DAMPING MECHANISM IN CEMENTITIOUS SYSTEMS, Dynamic Waves in Civil Engineering, Howells, D. A., Haigh, I. P. and Taylor, C. (editors), John Wiley Interscience, London, 1971, pp. 521-542.
129. Sykes, A. O.  
THE EVALUATION OF MOUNTS ISOLATING NON-RIGID MACHINES FROM NON-RIGID FOUNDATIONS, Applied Mechanics Division Conference, ASME Shock and Vibration Instrumentation Papers, June 14-16, 1956, pp. 1-39.
130. Takemori, T., Sotomura, K. and Yamada, M.  
NONLINEAR DYNAMIC RESPONSE OF REACTOR CONTAINMENT, Proceedings of the Third International Conference on Structural Mechanics in Reactor Technology, Vol. 4, Part K, Paper No. K6/5, London, September 1-5, 1975.
131. Thomson, W. T., Calkins, T. and Caravani, P.  
NUMERICAL STUDY OF DAMPING, Earthquake Engineering and Structural Dynamics, Vol. 3, 1974, pp. 97-103.
132. Toriumi, I.  
VIBRATION IN FOUNDATION OF MACHINES, Technology Report, Vol. 5, No. 146, Osaka University, 1955.
133. Tsushima, T. and Jido, J.  
ANALYSIS OF EQUATIONS OF MOTION WITH COMPLEX STIFFNESS MODE SUPERPOSITION METHOD APPLIED TO SYSTEMS WITH MANY DEGREES OF FREEDOM, Nuclear Engineering and Design, Vol. 37, 1976, pp. 47-64.
134. Tsushima, Y. and Jido, J.  
ASEISMIC DESIGN OF STRUCTURES WITH NUCLEAR REACTORS - METHOD OF EARTHQUAKE RESPONSE ANALYSIS FOR COMPOSITE STRUCTURES EVALUATED FOR DAMPING EFFICIENCIES BY MATERIAL AND STRUCTURE TYPE, Proceedings of the First International Conference on Structural Mechanics in Reactor Technology, 1971.
135. Unger, E. E.  
THE STATUS OF ENGINEERING KNOWLEDGE CONCERNING THE DAMPING IN BUILD-UP ENGINEERING STRUCTURES, Journal of Sound and Vibration, Vol. 26, 1973, pp. 141-154.

136. United States Nuclear Regulatory Commission  
DAMPING VALUES FOR SEISMIC DESIGN OF NUCLEAR POWER PLANTS,  
U.S. Nuclear Regulatory Commission, Regulatory Guide No. 1.61,  
October 1973.
137. Waller, R. A.  
BUILDING ON SPRINGS, Nature, August 10, 1966.
138. Wang, W. M.  
FILTER DESIGN FOR VIBRATION ISOLATION BETWEEN MULTI  
STRUCTURES, Journal of Sound and Vibration, Vol. 16, No. 3,  
June 1971, pp. 309-314.
139. Wilson, E. L. and Penzien, J.  
EVALUATION OF ORTHOGONAL DAMPING MATRICES, International  
Journal of Numerical Methods in Engineering, Vol. 4, 1972,  
pp. 5-10.
140. Wintrop, D. A. and Hitchcock, H. C.  
EARTHQUAKE DESIGN OF STRUCTURES WITH BRITTLE MEMBERS AND HEAVY  
ARTIFICIAL DAMPING BY THE METHOD OF DIRECT INTEGRATION,  
Bulletin of the New Zealand Society of Earthquake Engineering,  
Vol. 4, No. 2, 1971, pp. 294-300.
141. Young, D.  
THEORY OF DYNAMIC VIBRATION ABSORBERS FOR BEAMS, Proceedings  
of the First U.S. National Congress of Applied Mechanics,  
ASME, New York, 1952, pp. 91-96.

## 5.6 Design Details

1. Anonymous  
SEISMIC DESIGN FOR BUILDINGS, Chapter 13, Departments of the Army, the Navy and the Air Force, TM 5-809-10/NAVFAC P-355/AFM 88-3, April 1973.
2. Anonymous  
GUIDELINES FOR SEISMIC RESTRAINTS OF MECHANICAL SYSTEMS, Sheet Metal and Air-Conditioning Contractors' National Association, Inc., March 1976.
3. Ayes, J. M. and Sun, T. Y.  
EARTHQUAKE RESISTIVE DESIGN AND CONSTRUCTION FOR MECHANICAL SYSTEMS, LIGHT FIXTURES AND CEILINGS, Unpublished Report submitted to the Los Angeles Unified School District, July 1972.
4. Ayres, J. M. and Sun, T. Y.  
CRITERIA FOR BUILDING SERVICES AND FURNISHINGS, National Bureau of Standards, Building Science Series No. 46, Building Practices for Disaster Mitigation, February 1973, pp. 253-285.
5. Berry, O. R.  
ARCHITECTURAL SEISMIC DETAILING, State-of-the-Art Report No. 3, Technical Committee No. 12, Proceedings of the First International Conference on Tall Buildings, Lehigh University, August 1972.
6. Blackwell, F. N.  
EARTHQUAKE PROTECTION OF MECHANICAL SERVICES, New Zealand Engineering, Vol. 25, No. 10, October 1970, pp. 271-275.
7. Blodgett, O. W.  
DESIGN OF WELDMENTS, J. F. Lincoln Arc Welding Foundation, Cleveland, Oh., 1963.
8. Brownell, L. E. and Young, E. H.  
PROCESS EQUIPMENT DESIGN, John Wiley and Sons, New York, 1959.
9. Crede, C. E. and Walsh, J. P.  
THE DESIGN OF VIBRATION-ISOLATING BASES FOR MACHINERY, Journal of Applied Mechanics, ASME, Vol. 14, No. 1, pp. A7-A14.
10. Danisch, R. and Labes, M.  
SEISMIC DESIGN OF TURBINE HOUSES OF NUCLEAR POWER PLANTS, Proceedings of the Third International Conference on Structural Mechanics in Reactor Technology, Paper No. K6/6, Vol. 4, Part K, London, September 1-5, 1975.
11. Gartner, A. I.  
NOMOGRAMS FOR THE SOLUTION OF ANCHOR BOLT PROBLEMS, Petroleum Refiner, Vol. 30, No. 7, 1951, pp. 101-102.

12. Harris, C. M. and Crede, C. E., Editors  
SHOCK AND VIBRATION HANDBOOK, McGraw-Hill Book Co., New York, 1976.
13. Hernalsteen, P. and Leblois, L. C.  
THE USE OF ENERGY ABSORBERS TO PROTECT THE STRUCTURES AGAINST IMPACT LOADING, Nuclear Engineering and Design, Vol. 37, 1976, pp. 373-406.
14. Hesse, H. C. and Rushton, J. H.  
PROCESS EQUIPMENT DESIGN, D. Van Nostrand Company, New York, 1949.
15. Hillman, Biddison & Loevenguth, Consulting Engineers  
GUIDELINES FOR SEISMIC RESTRAINTS OF MECHANICAL SYSTEMS, Sheet Metal Industry Fund of Los Angeles, Sheet Metal & Air Conditioning Contractors' National Association, Inc., March 1976.
16. Jordan, C. H.  
SEISMIC RESTRAINT OF MECHANICAL AND ELECTRICAL EQUIPMENT IN BUILDINGS, Paper presented at ASCE Meeting, San Francisco, October 1977.
17. Jorgenson, S. M.  
ANCHOR BOLT CALCULATIONS, Petroleum Refiner, Vol. 25, No. 5, 1946, pp. 211-213.
18. Kissenpfennig, J. F., Shaw, P. E. and Snyder, M. D.  
SEISMIC ANALYSIS OF A NUCLEAR CONTAINMENT POLAR CRANE, Proceedings of the Third International Conference on Structural Mechanics in Reactor Technology, Paper No. K6/7, Vol. 4, Part K, London, September 1-5, 1975.
19. Lewis, R. C. and Unholtz, K.  
A SIMPLIFIED METHOD FOR THE DESIGN OF VIBRATION-ISOLATING SUSPENSIONS, Transactions, ASME, Vol. 69, 1947, pp. 813-820.
20. Lorenz, H.  
GRUNDBAU-DYNAMIK, Springer-Verlag, Berlin, 1960.
21. M. W. Kellogg Company  
DESIGN OF PIPING SYSTEMS, Second Edition, John Wiley and Sons, New York, 1956.
22. Major, A.  
VIBRATION ANALYSIS AND DESIGN OF FOUNDATIONS FOR MACHINES AND TURBINES, Collet's Holdings Limited, London, 1962.
23. Newcomb, W. K.  
PRINCIPLES OF FOUNDATION DESIGN FOR ENGINES AND COMPRESSORS, Transactions, ASME, Vol. 73, No. 3, 1951, pp. 307-318.
24. Sharpe, R. L. and Gallagher, R. P.  
NEEDED: SEISMIC DESIGN OF MECHANICAL AND ELECTRICAL EQUIPMENT, Kaiser Steel Company Report, 1972.

25. Summer, W. B.  
OCTAGONAL FOUNDATIONS FOR STACKS AND TOWERS, Petroleum Refiner,  
Vol. 33, No. 7, 1954.
26. Toomath, S. W.  
ARCHITECTURAL DETAILS FOR EARTHQUAKE MOVEMENT, Bulletin of the  
New Zealand Society for Earthquake Engineering, Vol. 1, No. 1,  
1968.
27. Wolosewick, F. E.  
SUPPORTS FOR VERTICAL PRESSURE VESSELS, Part II, Petroleum Refiner,  
Vol. 30, No. 8, 1951, pp. 101; Part III, Petroleum Refiner, Vol.  
30, No. 10, 1951, p. 143; Part IV, Petroleum Refiner, Vol. 30,  
No. 12, 1951, p. 151.
28. Yanev, P. I. and Gonen, B.  
PROTECTION OF ESSENTIAL MECHANICAL EQUIPMENT IN SEISMIC AREAS,  
Fifth European Conference on Earthquake Engineering, Vol. 2,  
Paper No. 126.6, Ankara, September 22-25, 1975.

## 5.7 Seismic Design Decision Analysis

1. Charlwood, R. G., Anderson, D. L. and Chapman, C. B.  
SENSITIVITY ANALYSES OF A SEISMIC RESPONSE EVENT TREE MODEL OF A NUCLEAR PLANT SAFETY SYSTEM, Proceedings of the Third International Conference on Structural Mechanics in Reactor Technology, Vol. 4, Part K, Paper No. K7/11, London, September 1-5, 1975.
2. DeNeufville, R. and Marks, D.  
SYSTEMS PLANNING AND DESIGN: CASE STUDIES IN MODELING, OPTIMIZATION, AND EVALUATION, Prentice-Hall, Englewood Cliffs, NJ, 1974.
3. Duke, C. M. and Moran, D. F.  
GUIDELINES FOR EVALUATION OF LIFELINE EARTHQUAKE ENGINEERING, Proceedings, U. S. National Conference on Earthquake Engineering, Oakland, Ca., June 1975, pp. 367-376.
4. Institute of Electrical and Electronic Engineers  
IEEE RECOMMENDED PRACTICES FOR SEISMIC QUALIFICATION OF CLASS 1E EQUIPMENT FOR NUCLEAR POWER GENERATING STATIONS, IEE Standard 344-1975, United Engineering Center, New York, January 1975.
5. Liu, S. C. and Neghebat, F.  
A COST OPTIMIZATION MODEL FOR SEISMIC DESIGN OF STRUCTURES, Bell System Technical Journal, No. 51 (10), 1972, pp. 2209-2225.
6. Shibata, H.  
THE WAY OF SETTING THE ASEISMIC DESIGN CODE OF OIL REFINERIES AND PETRO CHEMICAL INDUSTRIES, Proceedings, Sixth World Conference on Earthquake Engineering, 1977, pp. 12-78.
7. Siddall, J. N.  
ANALYTICAL DECISION MAKING IN ENGINEERING DESIGN, Prentice-Hall, 1972.
8. Taleb-Agha, G.  
SEISMIC RISK ANALYSIS OF NETWORK--SEISMIC DESIGN DECISION ANALYSIS, Department of Civil Engineering Report No. R-T5-43, Massachusetts Institute of Technology, Cambridge, Ma., 1975.
9. Vanmarcke, E. H. and Diaz-Padilla, J.  
MARKOV DECISION MODELS IN SEISMIC DESIGN, Report R71-20, Department of Civil Engineering, Massachusetts Institute of Technology, Cambridge, Ma., December 1971.
10. Whitman, R. V.  
DAMAGE PROBABILITY MATRICES FOR PROTOTYPE BUILDINGS, Department of Civil Engineering Report No. R73-57, Massachusetts Institute of Technology, Cambridge, Ma., 1973.
11. Whitman, R. V.  
RISK-BASED SEISMIC DESIGN CRITERIA FOR LIFELINES, ASCE Annual National Meeting, Los Angeles, Ca., Preprint No. 2148, 1974.

12. Whitman, R. V. et al.  
SEISMIC DESIGN DECISION ANALYSIS, Transactions, Journal of the Structural Engineering Division, ASCE, Vol. 101, No. ST5, May 1975, pp. 1067-1084.
13. Whitman, R. V., Biggs, J. M., Brennan, J., III, Cornell, C. A., Deufville, R. and Vanmarcke, E. H., SEISMIC DESIGN DECISION ANALYSIS: METHODOLOGY AND PILOT APPLICATION, Department of Civil Engineering Report No. R74-15, Massachusetts Institute of Technology, Cambridge, Ma., 1974.
14. Whitman, R. V. and Cornell, C. A.  
DESIGN (Chapter 9), Seismic Risk and Engineering Decisions, Lomnitz, C. and Rosenblueth, E. (editors), Elsevier Publishing Co., New York, 1976.



## 6. REFERENCES ON EQUIPMENT OR MACHINERY

## 6.1 Turbine-Generators

1. Adams, M. L., Jr.  
AN INTRODUCTION TO ROTOR DYNAMICS, Machine Design, Vol. 44, August 24, 1972, pp. 93-97.
2. Almuti, A. M.  
LARGE FLEXIBLE TURBINE FOUNDATIONS, Proceedings of the ASCE National Structural Engineering Conference, Methods of Structural Analysis, Vol. II, 1976, pp. 707-718.
3. Alplan, I.  
MACHINE FOUNDATIONS AND SOIL RESONANCE, Geotechnique, Vol. 11, 1961.
4. Aneja, I. K.  
DYNAMIC RESPONSE OF SYSTEMS-TURBINE GENERATORS ON VARIOUS FOUNDATIONS, Proceedings of the American Power Conference, Vol. 37, April 21-23, 1975, pp. 528-540.
5. Aneja, I. K.  
SEISMIC RESPONSE OF FLOATING NUCLEAR POWER PLANT EQUIPMENT (TURBINE-GENERATOR ON STEEL FOUNDATION), Proceedings of the Sixth World Conference on Earthquake Engineering, Vol. 8, 1977, pp. 81-86.
6. Aneja, I. K.  
SEISMIC RESPONSE OF CONCRETE FOUNDATION FOR A NUCLEAR TURBINE-GENERATOR UNIT, Proceedings of the Central American Conference on Earthquake Engineering, Vol. I, San Salvador, January 9-12, 1978, pp. 447-452.
7. Barkan, D. D.  
DYNAMICS OF BASES AND FOUNDATIONS, McGraw-Hill Book Company, New York, 1962.
8. Bendixen, I.  
VIBRATIONS OF KNEE-TYPE HORIZONTAL MILLING MACHINES, Transactions, ASME, Vol. 75, 1953, pp. 567-74.
9. Benuska, K. L., Chen, C. and Miller, R. K.  
ANALYTICAL AND EXPERIMENTAL INVESTIGATIONS OF THE MARTINS CREEK LOW TUNED CONCRETE TURBINE PEDESTAL, Paper presented at the Pennsylvania Electrical Association Structures and Hydraulics Committee Winter Meeting, Bethlehem, Pa., February 1975.
10. Bergstrasser, G.  
TURBINEFUNDAMENTE IN STAHLBETON, Beton und Stahlbetonbau, Vol. 56, No. 3, 1961, pp. 63.

11. Bergstrom, R. N., Chu, S. L. and Small, R. J.  
SEISMIC ANALYSIS OF NUCLEAR POWER PLANT STRUCTURES, Journal of the Power Division, ASCE, Vol. 97, No. PO2, March 1971, pp. 367-394.
12. Biggs, J. M.  
SEISMIC ANALYSIS OF EQUIPMENT MOUNTED ON A MASSIVE STRUCTURE, Seminar on Seismic Design for Nuclear Power Plants, Massachusetts Institute of Technology, Cambridge, Ma., March 1969.
13. Biggs, J. M. and Roesset, J. M.  
SEISMIC ANALYSIS OF EQUIPMENT MOUNTED ON A MASSIVE STRUCTURE, Seismic Design of Nuclear Power Plants (R. J. Hansen, Editor), MIT Press, Cambridge, Ma., 1970.
14. Bradley, W. A.  
REALISTIC TOLERANCES FOR ROTORS, Machine Design, Vol. 44, November 30, 1972, pp. 67-71.
15. Crockett, J. H. A. and Hammond, R. E. R.  
NATURAL OSCILLATIONS OF GROUND AND INDUSTRIAL FOUNDATIONS, Proceedings, Second International Conference on Soil Mechanics and Foundation Engineering, Vol. 3, 1948, pp. 88-93.
16. Crockett, J. H. A. and Hammond, R. E. R.  
THE DYNAMIC PRINCIPLES OF MACHINE FOUNDATIONS AND GROUND, Proceedings, Institution of Mechanical Engineers, Vol. 160, No. 4, London, 1949, pp. 512-531.
17. Croneberger, D. K. and Broome, K. R.  
LOW-TUNED FOUNDATIONS FOR LARGE TURBINE-GENERATORS, Power Engineering, June 1973, pp. 34-37.
18. Crook, A. W. and Grantham, F.  
APPROACH TO THE PREDICTION OF VIBRATIONS OF TURBINE GENERATORS ON UNDERTUNED FOUNDATIONS, ASME, Paper No. 67-Vibr-46, 1967.
19. Danisch, R. and Labes, M.  
ASEISMIC DESIGN OF TURBINE HOUSES OF NUCLEAR POWER PLANTS, Proceedings, Third International Conference on Structural Mechanics in Reactor Technology, Paper No. K6/6, London, September 1-5, 1975; Nuclear Engineering and Design, Vol. 38, 1976, pp. 495-501.
20. Dietz, H.  
STEEL PEDESTALS FOR LARGE STEAM TURBINE GENERATORS, MAN Corporation, Gustavsborg, West Germany.
21. Dietz, H. and Lorenz, H.  
STEEL PEDESTALS COMPARED WITH CONCRETE FOUNDATIONS FOR LARGE STEAM TURBINE-GENERATORS, Proceedings, American Power Conference, No. 32, 1970, pp. 390-403.

22. Downs, D. I.  
TURBINE GENERATOR FOUNDATIONS, Paper presented at PCEA Conference, San Francisco, Ca., March 1976.
23. Eastwood, W.  
VIBRATIONS IN FOUNDATIONS, The Structural Engineer, Vol. 31, No. 3, 1953, pp. 82-98.
24. Fitzherbert, W. A. and Barnett, J. H.  
CAUSES OF MOVEMENT IN REINFORCED CONCRETE TURBO-BLOCKS AND DEVELOPMENTS IN TURBO-BLOCK DESIGN AND CONSTRUCTION, Proceedings, Institute of Mechanical Engineers, Vol. 181, No. 22, 1966-67, pp. 589-631.
25. Geiger, I.  
UBER DIE DYNAMISCHEN DRAFTE BEI TURBINFUNDAMENTEN, Beton und Stahlbetinbau, No. 4, 1956, pp. 86-88.
26. General Electric Company  
STEAM-TURBINE GENERATOR FOUNDATIONS, General Electric Company Report, GET-1749C.
27. General Electric Company  
SUGGESTED DESIGN CRITERION FOR TURBINE BUILDING STRUCTURAL ANALYSIS, prepared for the Cleveland Electric Illuminating Co., 1200 M. W. Perry Nuclear Power Plant, Units 1 and 2, 1973.
28. Goyal, S. C. and Singh, A.  
SOIL ENGINEERING ASPECTS OF DESIGN OF MACHINE FOUNDATIONS, Bulletin of the Indian National Society of Soil Mechanics and Foundation Engineering, New Delhi, No. 6, 1960.
29. Gupta, M. K. et al.  
DESIGN OF FOUNDATION FOR GAS COMPRESSOR, Fifth Symposium on Earthquake Engineering, Meerut, U.P., Vol. 1, November 1974, pp. 231-236.
30. Guyan, R. J.  
REDUCTION OF STIFFNESS AND MASS MATRICES, AIAA Journal, Vol. 3, No. 2, February 1965.
31. Hadjian, A. H.  
EARTHQUAKE FORCES ON EQUIPMENT IN NUCLEAR POWER PLANTS, Journal of the Power Division, ASCE, Vol. 97, No. PO3, pp. 649-685.
32. Hadjian, A. H.  
DESIGN CRITERIA FOR TURBINE-GENERATOR PEDESTALS, Journal of the Power Division, ASCE, Vol. 96, No. PO1, January 1970, pp. 1-22.
33. Hadjian, A. H.  
Closure of Discussion on DESIGN CRITERIA FOR TURBINE-GENERATOR PEDESTALS, Journal of the Power Division, ASCE, Vol. 97, No. PO4, December 1971, pp. 873.

34. Hadjian, A. H.  
DESIGN OF PEDESTALS FOR MACHINE UNBALANCE, Paper presented at the ASME-IEEE Joint Power Generation Conference, Boston, September 10-14, 1972.
35. Hadjian, A. H.  
SLENDER COMPOSITE COLUMNS FOR CONCRETE TURBINE-GENERATOR PEDESTALS, Proceedings, American Power Conference, April 21-23, 1975, pp. 550-561.
36. Hadjian, A. H., Niehoff, D. and Guss, J.  
SIMPLIFIED SOIL-STRUCTURE INTERACTION ANALYSIS WITH STRAIN-DEPENDENT SOIL PROPERTIES, Nuclear Engineering and Design 31, 1974, pp. 218-233.
37. Hansen, R. J., Editor  
SEISMIC DESIGN FOR NUCLEAR POWER PLANTS, MIT Press, Cambridge, Ma., 1969.
38. Joyce, J. S., Abolins, A. and Lambrecht, D.  
MAXIMUM CAPABILITY OF TWO- AND FOUR-POLE GENERATORS, Proceedings, American Power Conference, No. 35, 1973, pp. 378-93.
39. Klein, G.  
VIBRATION INVESTIGATION FOR DIFFERENT TYPES OF TURBINE-GENERATOR FOUNDATIONS, Proceedings, International Symposium on Wave Propagation of Dynamic Properties on Earth Materials, Albuquerque, 1967, pp. 655-67.
40. Kollbrunner, C. F.  
STAHLFUNDAMENTE FUR TURBOGRUPPEN, Verlag Leemann, Zurich, 1955.
41. Lee, A. J. H.  
CASE STUDY OF SOIL-STRUCTURE INTERACTION FOR NUCLEAR POWER PLANTS, Proceedings, Third International Conference on Structural Mechanics and Reactor Technology, Paper No. K3/1, London, September 105, 1975.
42. Lorenz, H.  
GRUNDBAU-DYNAMIK, Springer-Verlag, Berlin, 1960.
43. Luco, J. E.  
IMPEDANCE FUNCTIONS FOR A RIGID FOUNDATION ON A LAYERED MEDIUM, Nuclear Engineering and Design, Vol. 31, 1974, pp. 204-17.
44. Major, A.  
VIBRATION ANALYSIS AND DESIGN OF FOUNDATIONS FOR MACHINES AND TURBINES, published by Collet's Holding Limited, London, 1962.
45. Martz, J. W. and Lerst, T.  
APPLICATION OF MODAL TESTING TECHNIQUES TO SOLVE VIBRATION PROBLEMS IN MACHINERY SUPPORTING STRUCTURES, Paper presented at the ASME Design Engineering Conference, No. 77-DE-16, May 9-12, 1977.

46. McFadden, D. P.  
DIGITAL ELECTRO-HYDRAULIC CONTROL IMPROVES TURBINE-GENERATOR UNIT PERFORMANCE, Westinghouse Engineering, Vol. 34, January 1974, pp. 2-9.
47. Morton, P. G.  
ON THE DYNAMICS OF LARGE TURBO-GENERATOR ROTORS, Proceedings, Institute of Mechanical Engineers, Vol. 180, No. 12, 1965-66, pp. 295-329.
48. Newcomb, W. K.  
PRINCIPLES OF FOUNDATION DESIGN FOR ENGINES AND COMPRESSORS, Transactions, ASME, Vol. 73, No. 3, 1951, pp. 307-318.
49. Novak, M.  
THE VIBRATIONS OF MASSIVE FOUNDATIONS ON SOIL, Publications of IABE, Vol. 20, Zurich, 1960.
50. Patterson, B. D.  
TURBINE GENERATOR PEDESTAL DESIGN, Proceedings, American Power Conference, Vol. 37, April 21-23, 1975, pp. 541-549.
51. Pestel, E. and Leckie, F.  
MATRIX METHODS IN ELASTOMECHANICS, McGraw-Hill Book Co.
52. Probst, P. H. and Joyce, J. S.  
THE DEVELOPMENT OF HELICAL-SPRING FOUNDATION FOR LARGE STEAM TURBINE-GENERATORS, Proceedings, American Power Conference, Vol. 34, April 1, 1972, pp. 424-437.
53. Rascon, O. A.  
ANALYSIS OF VIBRATIONS OF TURBOGENERATORS, Memorias, III Congreso Nacional de Ingenieria Sismica, Sociedad Mexicana de Ingenierio Sismica, Mexico City, Vol. 1, Paper No. 7, 1971, pp. 36 (in Spanish).
54. Rausch, E.  
MACHINENGRUNDUNGEN, Taschenbuch Hutte, Vol. III, W. Ernst und Sohn, Berlin, 1955.
55. Rausch, E.  
MASCHINENFUNDAMENTE UND ANDERE DYNAMISCHE BAUAUFGABEN, Third Edition, Vol. III, VDI Verlag, Dusseldorf, 1959.
56. Richart, F. E., Hall, J. R. and Woods, R. D.  
VIBRATION OF SOILS AND FOUNDATIONS, Prentice-Hall, Inc., 1970.
57. Rogers, P.  
FOUNDATION FOR A LARGE TURBOGENERATOR, Journal of the American Concrete Institute, Vol. 23, No. 3, November 1951.
58. Rogers, P.  
Discussion on DESIGN CRITERIA FOR TURBINE-GENERATOR PEDESTALS, Journal of the Power Division, ASCE, Vol. 97, No. P01, January 1971, pp. 236.

59. Salley, J. R. and Peck, R. B.  
TOLERABLE SETTLEMENTS OF STEAM TURBINE-GENERATORS, Journal of the Power Division, ASCE, Vol. 95, No. PO2, October 1969, pp. 227-52.
60. Seed, H. B. and Idriss, I. M.  
SOIL MODULI AND DAMPING FACTORS FOR DYNAMIC RESPONSE ANALYSIS, Earthquake Engineering Research Center Report No. EERC 70-10, University of California, Berkeley, December 1970.
61. Siharan, A. and Roman, J.  
DESIGN OF MACHINE FOUNDATION USING NATURAL FREQUENCY-AREA RELATIONSHIP, Fifth Symposium on Earthquake Engineering, Meerut, U.P., Vol. 1, November 1970, pp. 227-230.
62. Smith, D. M.  
VIBRATIONS IN TURBO-MACHINERY, Proceedings, Institute of Mechanical Engineers, Vol. 180, Part 31, 1965-55, pp. 1-7.
63. Tsai, N. C., Niehoff, D., Swatta, M. and Hadjian, A. H.  
THE USE OF FREQUENCY-INDEPENDENT SOIL-STRUCTURE INTERACTION PARAMETERS, Nuclear Engineering and Design, No. 31, 1974, pp. 168-183.
64. Tschebotarioff, G. F.  
PERFORMANCE RECORDS OF ENGINE FOUNDATIONS, Special Technical Publication, ASTM, No. 156, 1953.
65. Whitman, R. V.  
ANALYSIS OF FOUNDATION VIBRATIONS, Proceedings, Symposium on Vibration in Civil Engineering, organized by the International Association of Earthquake Engineering, 1965, pp. 157-159.
66. Whitman, R. V.  
ANALYSIS OF DYNAMIC SOIL-STRUCTURE INTERACTION FOR NUCLEAR PLANTS, Presented at the ASCE Specialty Conference on Structural Design of Nuclear Power Plant Facilities, Chicago, Il., December 1973.
67. Whitman, R. V. and Richart, F. E.  
DESIGN PROCEDURES OF DYNAMICALLY LOADED FOUNDATIONS, Journal of the Soil Mechanics and Foundation Division, ASCE, Vol. 93, No. SM6, November 1967, pp. 169-193.
68. Wilson, E. L.  
EARTHQUAKE ANALYSIS OF REACTOR STRUCTURES, Symposium on Seismic Analysis of Pressure Vessel and Piping Components, ASME, First National Congress on Pressure Vessels and Piping, San Francisco, Ca., May 1971.
69. Wilson, R. R. and Brebbia, C. A.  
DYNAMIC BEHAVIOR OF STEEL FOUNDATIONS FOR TURBO-ALTERNATORS, Journal of Sound and Vibration, Vol. 18, No. 3, October 1971, pp. 405-416.

70. Woodward-Gardner & Associates, Inc.  
FOUNDATION DESIGN REPORT, Perry Nuclear Power Plant.
71. Wutsdorff, P.  
A CONTRIBUTION TO THE DISCUSSION CONCERNING METHODS OF BALANCING  
FLEXIBLE ROTORS, Brown Boveri Review, No. 61, May 1974, pp.  
228-37.

## 6.2 Pumps, Fans, Compressors

1. Anderson, H. A.  
SPECIFYING PROPORTIONING PUMPS, Plant Engineering, Vol. 30,  
No. 23, November 11, 1976.
2. Brooks, E.  
CHOOSING THE RIGHT VACUUM PUMP, Machine Design, Vol. 49, No. 1,  
January 6, 1977.
3. Brooks, E.  
FORGOTTEN FACTORS IN COMPRESSOR SELECTION, Machine Design,  
Vol. 49, No. 14, June 23, 1977.
4. Chambers, A. A. and Dube, F. R.  
VACUUM PUMPS AND SYSTEMS, Plant Engineering, Vol. 31, No. 12,  
June 9, 1977.
5. Church, A. H.  
CENTRIFUGAL PUMPS AND BLOWERS, John Wiley and Sons, Inc., 1944.
6. Compressed Air and Gas Institute  
COMPRESSED AIR AND GAS HANDBOOK, New York 1961, revised 1966.
7. Cunningham, E. R.  
PUMPS WITHOUT SEALS, Plant Engineering, Vol. 31, No. 16, August  
4, 1977.
8. deKovats, A. and Desmar, G.  
PUMPS, FANS AND COMPRESSORS, Blackie and Son, Ltd., Glasgow, 1950.
9. Glickman, M.  
POSITIVE DISPLACEMENT PUMPS, Chemical Engineering, Vol. 78,  
No. 23, October 11, 1971.
10. Glickman, M.  
VARIABLE DELIVERY HYDRAULIC PUMPS, Plant Engineering, Vol. 30,  
No. 5, March 4, 1976.
11. Hancock, W. P.  
HOW TO CONTROL PUMP VIBRATION, Hydrocarbon Processing, Vol. 53,  
No. 3, March 1973.
12. Harju, J. B.  
UNDERSTANDING RECIPROCATING COMPRESSORS, Plant Engineering,  
Vol. 31, No. 6, March 10, 1977.
13. Hendricks, J. F.  
UNDERSTANDING CENTRIFUGAL AIR COMPRESSORS - PART I, Plant  
Engineering, Vol. 29, No. 23, November 13, 1975.



14. Hendricks, J. F.  
UNDERSTANDING CENTRIFUGAL AIR COMPRESSORS - PART II, Plant Engineering, Vol. 30, No. 2, January 22, 1976.
15. Holland, F. A. and Chapman, F. S.  
PUMPING OF LIQUIDS, Reinhold Publishing Corporation, New York, 1966.
16. Holzhauer, R.  
AIR CONDITIONING AND REFRIGERATION COMPRESSORS, Plant Engineering, Vol. 31, No. 5, March 3, 1977.
17. Institution of Mechanical Engineers  
PUMPS FOR NUCLEAR POWER PLANTS, Mechanical Engineering Publications Limited, London, 1974.
18. Jackson, C.  
HOW TO PREVENT TURBOMACHINERY THRUST FAILURES, Hydrocarbon Processing, Vol. 54, No. 6, June 1975.
19. Jorgensen, R., Editor  
FAN ENGINEERING, Buffalo Forge Co., Buffalo, New York, 1970.
20. Kraemer, K.  
ARE COUPLINGS THE WEAK LINK IN ROTATING MACHINERY SYSTEMS, Hydrocarbon Processing, Vol. 53, No. 2, February 1973.
21. Lazarkiewicz, S. and Trokolanski, A. T.  
IMPELLER PUMPS, Pergamon Press, 1965.
22. Manning, W. R. D. and Labrow, S.  
HIGH PRESSURE ENGINEERING, CRC Press, Cleveland, Oh., 1971.
23. Margus, E.  
PUMP CONSTRUCTION MATERIALS, Plant Engineering, Vol. 30, No. 12, June 10, 1976.
24. Martz, J. W.  
HOW TO TROUBLESHOOT LARGE INDUSTRIAL FANS, Hydrocarbon Processing, Vol. 54, No. 6, June 1975.
25. Moore, J. C.  
ELECTRIC MOTOR DRIVERS FOR CENTRIFUGAL COMPRESSORS, Hydrocarbon Processing, Vol. 54, No. 5, May 1975.
26. Murray, M. G., Jr.  
BETTER PUMP GROUTING, Hydrocarbon Processing, Vol. 53, No. 2, February 1973.
27. Murray, M. G., Jr.  
BETTER PUMP BASEPLATES, Hydrocarbon Processing, Vol. 52, No. 9, September 1973.

28. Perry, R. E.  
MAINTAINING CENTRIFUGAL FANS, Plant Engineering, Vol. 30, No. 12, June 10, 1976.
29. Reynolds, J. A.  
PUMP INSTALLATION AND MAINTENANCE, Chemical Engineering, Vol. 78, No. 23, October 11, 1971.
30. Rishel, J. B.  
MATCHING PUMPS TO SYSTEM REQUIREMENTS, Plant Engineering, Vol. 29, No. 25, December 11, 1975.
31. Rupp, W. E.  
AIR-OPERATED DIAPHRAGM PUMPS, Plant Engineering, Vol. 31, No. 1, January 6, 1977.
32. Stepanoff, A. J.  
TURBOBLOWERS, John Wiley and Sons, 1955.
33. Stephenson, R. L. and Nixon, H. E.  
CENTRIFUGAL COMPRESSOR ENGINEERING, Clarkson Industries, Inc., New York, 1968.
34. Stindt, W. H.  
PUMP SELECTION, Chemical Engineering, Vol. 78, No. 23, October 11, 1971.
35. Thurlow, C., III  
CENTRIFUGAL PUMPS, Chemical Engineering, Vol. 78, No. 23, October 11, 1971.
36. Todd, D. B.  
INVOLVING PERFORMANCE OF CENTRIFUGAL EXTRACTORS, Chemical Engineering, Vol. 79, No. 16, July 24, 1972.
37. Troutman, J. E.  
UNDERSTANDING INDUSTRIAL FIRE PUMPS - PART I, Plant Engineering, Vol. 31, No. 8, April 14, 1977.
38. Troutman, J. E.  
UNDERSTANDING INDUSTRIAL FIRE PUMPS - PART II, Plant Engineering, Vol. 31, No. 9, April 28, 1977.
39. Villasor, A. P., Jr.  
SEISMIC ANALYSIS OF A REACTOR COOLANT PUMP BY THE RESPONSE SPECTRUM METHOD, Nuclear Engineering and Design, Vol. 38, No. 3, 1976.
40. Von Nimitz, W.  
CASE HISTORIES OF SPECIALIZED TURBOMACHINERY PROBLEMS, Hydrocarbon Processing, Vol. 53, No. 4, April 1974.

41. Wallis, R. A.  
AXIAL FLOW FANS: DESIGN AND PRACTICE, Academic Press, New York,  
1961.
42. Wolfe, G.  
FIXED DISPLACEMENT HYDRAULIC PUMPS, Plant Engineering, Vol. 29,  
No. 25, December 11, 1975.

## 6.3 Pressure Vessels

1. Buffington, M. A.  
HOW TO SELECT PACKAGE BOILERS, Chemical Engineering, Vol. 82,  
No. 23, October 27, 1975.
2. Harvey, J. F.  
PRESSURE VESSEL DESIGN: NUCLEAR AND CHEMICAL APPLICATION,  
Van Nostrand, Princeton, New Jersey, 1967.
3. Harvey, J. F.  
THEORY AND DESIGN OF MODERN PRESSURE VESSELS, Van Nostrand  
Reinhold, 1974.
4. Issacs, M.  
PRESSURE RELIEF SYSTEMS, Chemical Engineering, Vol. 78, No. 5,  
February 22, 1971.
6. Megyesy, E. F.  
PRESSURE VESSEL HANDBOOK, Pressure Vessel Handbook Publishing,  
Inc., Tulsa, Ok., 1975.
7. Miller, U. R.  
CALCULATE LOCALIZED STRESSES IN VACUUM VESSELS, Hydrocarbon  
Processing, Vol. 56, No. 4, April 1977.
8. Mohajan, K. K.  
SIZE VESSEL STIFFENERS QUICKLY, Hydrocarbon Processing, Vol. 56,  
No. 4, April 1977.
9. Monroe, M. J. and Dasa, N.  
DYNAMIC EARTHQUAKE ANALYSIS OF A BOTTOM SUPPORTED INDUSTRIAL  
BOILER, Proceedings, International Symposium on Earthquake  
Structural Engineering, Vol. 2, St. Louis, Mo., August 19-21,  
1976.
10. Pechacek, P.  
ADVANCED TECHNOLOGY FOR LARGE THICK-WALLED PRESSURE VESSELS,  
Mechanical Engineering, Vol. 99, No. 5, May 1977.
11. Rees, A. J. R.  
PROBLEMS WITH PRESSURE VESSELS IN SOUR GAS SERVICE, Materials  
Performance, Vol. 16, No. 7, July 1977.

## 6.4 Piping

1. Amin, M. et al.  
EARTHQUAKE RESPONSE OF MULTIPLE CONNECTED LIGHT SECONDARY SYSTEMS BY SPECTRUM METHODS, Symposium on Seismic Analysis of Pressure Vessel and Piping Components (Pai, D. H., editor), ASME Pressure Vessel and Piping Division, New York, 1971, pp. 42-50.
2. Anonymous  
STEAM PIPING SYSTEMS CONNECTED TO TURBINES, General Electric Company Report No. GET-1911D.
3. Anonymous  
SEISMIC ANALYSIS OF PRESSURE VESSEL AND PIPING COMPONENTS, ASME First National Congress on Pressure Vessel and Piping Technology, May 10, 1971.
4. Anonymous  
SEISMIC ANALYSIS OF NUCLEAR POWER PLANT PIPING AND EQUIPMENT, Proceedings, Third International Conference on Structural Mechanics in Reactor Technology Part K, Vol. 4, London, September 1-5, 1975.
5. Baccarini, L., Capretto, M., Casirati, M. and Castoldi, A.  
SEISMIC QUALIFICATION TESTS OF ELECTRIC EQUIPMENT FOR CAORSO NUCLEAR PLANT: COMMENTS ON ADOPTED TEST PROCEDURE AND RESULTS, Proceedings, Third International Conference on Structural Mechanics in Reactor Technology, Part K, Vol. 4, London, September 1-5, 1975.
6. Berkowitz, L.  
SEISMIC ANALYSIS OF PRIMARY PIPING SYSTEMS FOR NUCLEAR GENERATING STATIONS, Pressure Vessels and Piping: Analysis and Design, Vol. 2, ASME, 1972.
7. Biscouti, N., Lazzeri, L. and Strona, P. P.  
PIPE WHIP ANALYSIS FOR NUCLEAR REACTOR APPLICATIONS, Nuclear Engineering and Design, Vol. 37, 1976, pp. 347-360.
8. Charlwood, R. G., Anderson, D. L. and Chapman, C. B.  
SENSITIVITY ANALYSES OF A SEISMIC RESPONSE EVENT TREE MODEL OF A NUCLEAR PLANT SAFETY SYSTEM, Proceedings, Third International Conference on Structural Mechanics in Reactor Technology, Part K, Vol. 4, London, September 1-5, 1975.
9. Chen, C.  
SEISMIC RESISTANT DESIGN OF SAFETY CLASS I STRUCTURES AND EQUIPMENT, Nuclear Engineering and Design, Vol. 30, 1974, pp. 100-110.
10. Dini, D. and Lazzeri, L.  
AN ANALYSIS OF THE DYNAMIC ELASTO-PLASTIC BEHAVIOR OF A PIPE DURING THE PIPE WHIP ACCIDENT, Proceedings, Second International Conference on Structural Mechanics

11. Dini, D. and Lazzeri, L.  
MODELLING TECHNIQUES FOR PIPE WHIP ANALYSIS, Nuclear Engineering and Design, Vol. 37, 1976, pp. 361-372.
12. Fritz, R. J.  
SEISMIC ANALYSIS OF POWER PLANT COMPONENTS BASED ON APPLICATIONAL EXPERIENCE WITH DYNAMIC AND SHOCK ANALYSIS, Symposium on Seismic Analysis of Pressure Vessel and Piping Components (Pai, D. H., editor), ASME Pressure Vessel and Piping Division, New York, 1971, pp. 42-50.
13. Gilbert, N.  
SIMPLIFIED DESIGN CRITERIA FOR EARTHQUAKE ANALYSIS OF PIPING SYSTEMS, Report No. RED-70-1230, The M. W. Kellogg Company, January 1970.
14. Henry, J. R.  
OTHER METHODS, Symposium on Seismic Analysis of Pressure Vessel and Piping Components (Pai, D. H., editor), ASME Pressure Vessel and Piping Division, New York, 1971, pp. 42-50.
15. Hesse, H. C. and Rushton, J. H.  
PROCESS EQUIPMENT DESIGN, D. Van Nostrand Company, New York, 1949.
16. Hisada, T. et al.  
PHILOSOPHY AND PRACTICE OF THE ASEISMIC DESIGN OF NUCLEAR POWER PLANTS - SUMMARY OF GUIDELINES IN JAPAN, Nuclear Engineering and Design, Vol. 20, 1972, pp. 339-370.
17. Housner, G. W.  
BENDING VIBRATIONS OF A PIPE LINE CONTAINING FLOWING FLUID, Transactions, Journal of Applied Mechanics, ASME, Vol. 19, No. 2, 1952, pp. 205-208.
18. Hure, D. and Morysse, M.  
COMPARATIVE METHODS FOR ANALYSIS OF PIPING SYSTEMS SUBJECTED TO SEISMIC MOTION, Nuclear Engineering and Design, Vol. 38, 1976, pp. 511-525.
19. Kukkola, T.  
ENERGY ABSORBERS USED AGAINST IMPACT LOADING, Nuclear Engineering and Design, Vol. 37, 1976, pp. 407-412.
20. Leonard, J. W.  
AN IMPROVED MODAL SYNTHESIS METHOD FOR THE TRANSIENT RESPONSE OF PIPING SYSTEMS, Proceedings, Third International Conference on Structural Mechanics in Reactor Technology, Part K, Vol. 4, London, September 1-5, 1975.
21. Leung, K. E.  
SEISMIC STRESSES OF PIPING SYSTEMS AND EQUIPMENT ON HEAT EXCHANGER SUPPORTING STRUCTURES, Proceedings, Third International Conference on Structural Mechanics in Reactor Technology, Part K, Vol. 4, London, September 1-5, 1975.

22. Lockheed Aircraft Corporation and Holmes & Narver, Inc.  
NUCLEAR REACTORS AND EARTHQUAKE, U.S. Atomic Energy Commission,  
Division of Reactor Development, Report No. TID-7024, August  
1963.
23. Long, R. H., Jr.  
EXPERIMENTAL AND THEORETICAL STUDY OF TRANSVERSE VIBRATION OF A  
TUBE CONTAINING FLOWING FLUID, Transactions, Journal of Applied  
Mechanics, ASME, Vol. 22, No. 1, 1955, pp. 65-68.
24. Miller, C. A., Costantino, C. J.  
FACILITY DESIGN CONSTRAINTS FOR COMBINED SEISMIC AND THERMAL  
LOADING, Proceedings, Third International Conference on Struc-  
tural Mechanics in Reactor Technology, Part K, Vol. 4, London,  
September 1-5, 1975.
25. Mukherjee, S.  
MATRIX OF TRANSMISSION IN STRUCTURAL DYNAMICS, Proceedings,  
Third International Conference on Structural Mechanics and  
Reactor Technology, Part K, Vol. 4, Paper No. K4/4, London,  
September 1-5, 1975.
26. Nelson, F. C.  
TECHNIQUES FOR THE DESIGN OF HIGHLY DAMPED STRUCTURES, Proceedings,  
Third International Conference on Structural Mechanics in  
Reactor Technology, Part K, Vol. 4, London, September 1-5, 1975.
27. Niordson, F. I. N.  
VIBRATIONS OF CYLINDRICAL TUBE CONTAINING FLOWING FLUID,  
Transactions, Royal Institute of Technology, No. 73, 1953.
28. Pickel, T. W.  
EVALUATION OF NUCLEAR SYSTEM REQUIREMENTS FOR ACCOMMODATING  
SEISMIC EFFECTS, Nuclear Engineering and Design, Vol. 20,  
1972, pp. 323-337.
29. Rodabaugh, E. C. and Pickett, A. G.  
SURVEY REPORT ON STRUCTURAL DESIGN OF PIPING SYSTEMS AND COMPO-  
NENTS, U.S. Atomic Energy Commission, Report No. TID-25553,  
December 1970.
30. Scavuzzo, R. J. and Lam, P. C.  
EFFECT OF TORSIONAL EXCITATION ON EQUIPMENT SEISMIC LOADS,  
Proceedings, Third International Conference on Structural  
Mechanics in Reactor Technology, Part K, Vol. 4, London,  
September 1-5, 1975.
31. Shah, H. H. and Chu, S. L.  
SEISMIC ANALYSIS OF UNDERGROUND STRUCTURAL ELEMENTS, Transactions,  
Journal of the Power Division, ASCE, Vol. 100, No. P01, July  
1974, pp. 53-62.

32. Shaw, D. E.  
SEISMIC STRUCTURAL RESPONSE ANALYSIS FOR MULTIPLE SUPPORT EXCITATION, Proceedings, Third International Conference on Structural Mechanics in Reactor Technology, Part K, Vol. 4, London, September 1-5, 1975.
33. Shibata, H. et al.  
RESPONSE ANALYSIS OF A PIPING SYSTEM IN THREE STORY BUILDING ON SHAKING TABLE, Bulletin of Earthquake Resistant Structure Center, No. 5, University of Tokyo, December 1971, pp. 1-15.
34. Shibata, H. et al.  
DEVELOPMENT OF ASEISMIC DESIGN OF PIPING, VESSELS AND EQUIPMENT IN NUCLEAR FACILITIES, Nuclear Engineering and Design, Vol. 20, 1972, pp. 393-427.
35. Singh, A. K. and Ang, A. H. S.  
STOCHASTIC PREDICTION OF MAXIMUM SEISMIC RESPONSE OF LIGHT SECONDARY SYSTEMS, Nuclear Engineering and Design, Vol. 29, 1974, pp. 218-230.
36. Suzuki, K. and Sato, H.  
A STUDY ON THE MULTI-DIMENSIONAL SPECTRAL ANALYSIS FOR RESPONSE OF A PIPING MODEL WITH TWO SEISMIC INPUTS, Proceedings, Third International Conference on Structural Mechanics in Reactor Technology, Part K, Vol. 4, London, September 1-5, 1975.
37. Udoguchi, Y., Akino, K. and Shibata, H.  
ON THE BEHAVIOR OF PRESSURIZED PIPINGS UNDER EXCESSIVE STRESSES CAUSED BY EARTHQUAKE LOADINGS, Proceedings, Third International Conference on Structural Mechanics in Reactor Technology, Part K, Vol. 4, London, September 1-5, 1975.
38. Villasor, A. P., Jr.  
SEISMIC RESPONSE ANALYSIS OF A REACTOR COOLANT PUMP, Proceedings, Third International Conference on Structural Mechanics in Reactor Technology, Part K, Vol. 4, London, September 1-5, 1975.
39. Wright, W. R. and Rodabaugh, E. C.  
A METHOD OF COMPUTING STRESS RANGE AND FATIGUE DAMAGE IN NUCLEAR PIPING SYSTEMS, Nuclear Engineering and Design, Vol. 22, 1972, pp. 318-325.



## 6.5 Low-Pressure Liquid Storage Tanks

1. Boyce, W. H.  
VIBRATION TESTS OF A SIMPLE WATER TOWER, Proceedings, The Fifth World Conference on Earthquake Engineering, Vol. 1, Rome, June 1973.
2. Chandrasekaran, A. R. and Krishna, J.  
WATER TOWERS IN SEISMIC ZONES, Proceedings, The Third World Conference on Earthquake Engineering, Vol. 3, New Zealand, 1965.
3. Chen, P. C. and Barber, R. B.  
SEISMIC DESIGN OF LIQUID STORAGE TANKS TO EARTHQUAKE, Proceedings, The International Symposium on Earthquake Structural Engineering, Vol. 2, St. Louis, Mo., August 19-21, 1976.
4. Constantino, C. J. and Miller, C. A.  
SEISMIC ANALYSIS OF LIQUID SODIUM STORAGE TANKS, Proceedings, The Fifth World Conference on Earthquake Engineering, Vol. 1, Rome, 1973.
5. Dvorak, J. J. and McGrath, R. V.  
BIAXIAL STRESS CRITERIA FOR LARGE LOW-PRESSURE TANKS, Pressure Vessels and Piping: Analysis and Design, Vol. 2, ASME, 1972.
6. Epstein, H. I.  
SEISMIC DESIGN OF LIQUID STORAGE TANKS, Journal of the Structural Division, ASCE, Vol. 102, No. ST9, September 1976.
7. Could, P. L., Sen, S. K., Wang, R. S. C., Suryoutomo, H. and Lowry, R. D., COLUMN SUPPORTED CYLINDRICAL-CONICAL TANKS, Journal of the Structural Division, ASCE, Vol. 102, No. ST2, February 1976.
8. Hillinger, E.  
STEEL WATER TOWERS OF NOVEL DESIGN, Acier-Stahl-Steel, Vol. 38, No. 4, April 1973.
9. Housner, G. W.  
DYNAMIC PRESSURES ON ACCELERATED FLUID CONTAINERS, Bulletin of the Seismological Society of America, Vol. 47, No. 1, January 1957.
10. Housner, G. W.  
THE DYNAMIC BEHAVIOR OF WATER TANKS, Bulletin of the Seismological Society of America, Vol. 53, No. 2, February 1963.
11. Jacobsen, L. S.  
IMPULSIVE HYDRODYNAMICS OF A FLUID INSIDE A CYLINDRICAL TANK AND OF FLUID SURROUNDING A CYLINDRICAL PIER, Bulletin of the Seismological Society of America, Vol. 39, July 1949.
12. Mahajan, K. K.  
A METHOD FOR DESIGNING RECTANGULAR STORAGE TANKS, Chemical Engineering, Vol. 84, March 18, 1977.

13. Mansfield, C. S.  
CONSTRUCTION OF PRECAST-PRESTRESSED CONCRETE STORAGE TANKS, Journal of the American Water Works Association, Vol. 64, No. 5, May 1972.
14. Olander, H. C.  
DESIGN OF CYLINDRICAL CONCRETE WATER TANKS, Journal of the Structural Division, ASCE, Vol. 65, No. ST5, May 1970.
15. Rinne, J. E.  
OIL STORAGE TANKS, The Prince William Sound Earthquake, 1964, and its Aftershocks, Vol. 2, Part A, U.S. Department of Commerce, 1967.
16. Sakurai, A., Kurihara, C. and Iwatate, T.  
ASEISMIC DESIGN EXAMPLES OF PRESTRESSED CONCRETE WATER TANK, Proceedings, International Symposium on Earthquake Structural Engineering, Vol. 2, St. Louis, Mo., August 19-21, 1976.
17. Shaaban, S. H. and Nash, W. A.  
RESPONSE OF AN EMPTY CYLINDRICAL GROUND SUPPORTED LIQUID STORAGE TANK TO BASE EXCITATION, Proceedings, International Symposium on Earthquake Structural Engineering, Vol. 2, St. Louis, Mo., August 19-21, 1976.
18. Shepherd, R.  
THE SEISMIC RESPONSE OF ELEVATED WATER TANKS SUPPORTED ON CROSS-BRACED TOWERS, Proceedings, Fifth World Conference on Earthquake Engineering, Vol. 1, Rome, June 1973.
19. Veletsos, A. S.  
SEISMIC EFFECTS IN FLEXIBLE LIQUID STORAGE TANKS, Proceedings, Fifth World Conference on Earthquake Engineering, Vol. 1, Rome, June 1973.
20. Wang, R. S. C. and Gould, P. L.  
CONTINUOUSLY SUPPORTED CYLINDRICAL-CONICAL TANKS, Journal of the Structural Division, ASCE, Vol. 100, No. ST10, October 1974.
21. Wilby, C. A.  
STRUCTURAL ANALYSIS OF REINFORCED CONCRETE TANKS, Journal of the Structural Division, ASCE, Vol. 103, No. ST5, May 1977.

## 6.6 Stacks, Towers, Chimneys

1. Fowler, T. J. and Williams, D. M.  
DYNAMIC BEHAVIOR OF A REINFORCED CONCRETE SPRAY TOWER, Proceedings, International Symposium on Earthquake Structural Engineering, Vol. 1, St. Louis, Mo., August 19-21, 1976.
2. Isada, N. M.  
DESIGN AND ANALYSIS OF TALL TAPERED REINFORCED CONCRETE CHIMNEYS SUBJECTED TO EARTHQUAKE, Proceedings, World Conference on Earthquake Engineering, Berkeley, Ca., 1956.
3. Karasudhi, P., Tsai, Y. C. and Chau, K. P.  
EARTHQUAKE RESPONSE OF A TALL MULTI-FLUE STACK, Proceedings, International Symposium on Earthquake Structural Engineering, Vol. 2, St. Louis, Mo., August 19-21, 1976.
4. Leva, M.  
TOWER PACKINGS AND PACKED TOWER DESIGN, The United States Stone-ware Company, Akron, Oh., 1953.
5. Mahajan, K. K.  
TALL STACK DESIGN SIMPLIFIED, Hydrocarbon Processing, Vol. 54, No. 9, September 1975.
6. Maugh, L. C. and Rumman, W. S.  
DYNAMIC DESIGN OF REINFORCED CONCRETE CHIMNEYS, Journal of the American Concrete Institute, Vol. 64, September 1967.
7. Pinfold, G. M.  
REINFORCED CONCRETE CHIMNEYS AND TOWERS, Viewpoint Publications, 1975.
8. Rumman, W. S.  
VIBRATIONS OF STEEL LINED CONCRETE CHIMNEYS, Journal of the Structural Division, ASCE, Vol. 89, No. ST5, October 1963.
9. Rumman, W. S.  
EARTHQUAKE FORCES IN REINFORCED CONCRETE CHIMNEYS, Journal of the Structural Division, ASCE, Vol. 93, No. ST6, December 1967.
10. Rumman, W. S. and Maugh, L. C.  
EARTHQUAKE FORCES ACTING ON TALL CONCRETE CHIMNEYS, International Association of Bridge and Structural Engineering, Final Report, New York, September 1968.
11. Wong, P. C., Wang, W., Drenich, R. and Vellozzi, J.  
CRITICAL EXCITATION AND RESPONSE OF FREE STANDING CHIMNEYS, Proceedings, International Symposium on Earthquake Structural Engineering, Vol. 1, St. Louis, Mo., August 19-21, 1976.
12. Zar, M.  
BRITTLE FAILURE OF STEEL STACK, Journal of the Power Division, ASCE, Vol. 100, No. P01, July 1974.

## 6.7 High Voltage Electrical Equipment

1. Agbabian, M. S. and Diemond, C. C.  
AN ASSESSMENT OF THE EARTHQUAKE RESISTANT DESIGN OF ELECTRICAL POWER TRANSMISSION FACILITIES, Proceedings, The Fifth World Conference on Earthquake Engineering, Vol. 1, Rome, June 1973.
2. Guha, S. K., Wedpathak, A. V. and Desai, P. J.  
ASEISMIC TESTS ON SOME ELECTRO-MECHANICAL SYSTEMS, Proceedings, Sixth World Conference on Earthquake Engineering, Vol. 12, New Delhi, January 1977.
3. Hindmarsh, J.  
ELECTRICAL MACHINES AND THEIR APPLICATIONS, Pergamon Press, 1977.
4. Hitchcock, H. C.  
ELECTRICAL EQUIPMENT AND EARTHQUAKES, New Zealand Engineering, Vol. 24, No. 1, January 15, 1969.
5. Ibanez, P., Spencer, R. B. and Smith, C. B.  
FORCED VIBRATION TESTS ON ELECTRICAL DISTRIBUTION EQUIPMENT, Nuclear Engineering and Design, Vol. 25, No. 1, 1973.
6. Merz, K. L., Adham, S. A. and Richter, P. J.  
USE OF NONLINEAR ANALYSIS TO INTERPRET EARTHQUAKE RESPONSE OF PENDULAR SUPPORTED HIGH VOLTAGE ELECTRICAL EQUIPMENT, Proceedings, Fifth World Conference on Earthquake Engineering, Vol. 1, Rome, June 1973.
7. Sisson, W.  
DETERMINING REQUIRED SIZE OF BUCK BOOST TRANSFORMERS, Plant Engineering, Vol. 31, No. 8, April 14, 1977.
8. Syrmakezis, C. A.  
EARTHQUAKE RESISTANT DESIGN OF ELECTRICAL HIGH VOLTAGE TRANSMISSION LINES, Fifth Symposium on Earthquake Engineering, Meerut, U.P., Vol. 1, November 1974, pp. 17-24.
9. Wilhoite, G. M.  
DESIGN OF STEEL TRANSMISSION POLE STRUCTURES, Journal of the Structural Division, ASCE, Vol. 100, No. ST12, December 1974.

## 6.8 Light Mechanical and Electrical Equipment

1. Amin, M., Hall, V. J., Newmark, N. M. and Kassawara, R. P.  
EARTHQUAKE RESPONSE OF MULTIPLY CONNECTED LIGHT SECONDARY SYSTEMS BY SPECTRUM METHODS, Seismic Analysis of Pressure Vessels and Piping Components, ASME, 1971.
2. Anonymous  
DESIGN AND CONSTRUCTION OF CEILING SUSPENSION SYSTEMS, Office of Architecture and Construction, State of California, Sacramento.
3. Anonymous  
RECOMMENDED STANDARDS FOR SEISMIC RESTRAINT OF DIRECT HUNG SUSPENDED CEILING ASSEMBLIES, Ceiling and Interior System Contractors Association.
4. Ayres, J. M., Sun, T. Y. and Brown, F.  
NON-STRUCTURAL DAMAGE DUE TO ALASKA EARTHQUAKE (MECHANICAL EQUIPMENT), Building Systems Design, November-December 1971.
5. Biggs, J. M.  
SEISMIC RESPONSE SPECTRA FOR EQUIPMENT DESIGN IN NUCLEAR POWER PLANTS, Proceedings, First International Conference on Structural Mechanics in Reactor Technology, Berlin, September 1971.
6. Charravorty, M. K. and Vanmarcke, E. H.  
PROBABILISTIC SEISMIC ANALYSIS OF LIGHT EQUIPMENT WITHIN BUILDINGS, Proceedings, Fifth World Conference on Earthquake Engineering, Vol. 2, Rome, June 1973.
7. de Estrada, M.  
TEST METHOD FOR SEISMIC QUALIFICATION OF EQUIPMENT, Journal of the Power Division, ASCE, Vol. 100, No. P01, July 1974, pp. 9-108.
8. Ferguson, W. H., Fischer, E. G. and Colajaco, A. P.  
TEST METHOD TO DEMONSTRATE SEISMIC CAPABILITIES OF EQUIPMENT, Transactions, IEEE Winter Meeting, New York, January 30-February 4, 1974.
9. Jankov, Z. D. and Reeves, C. F.  
SEISMIC ANALYSIS OF LIGHTWEIGHT ELASTIC SYSTEMS IN NUCLEAR POWER PLANTS, Proceedings, Fifth World Conference on Earthquake Engineering, Vol. 2, Rome, June 1973.
10. Jordan, C. H.  
SEISMIC RESTRAINT OF MECHANICAL AND ELECTRICAL EQUIPMENT IN BUILDINGS, Paper presented to American Society of Civil Engineers meeting in San Francisco, October 1977.
11. Kapur, K. K. and Shao, L. C.  
GENERATION OF SEISMIC FLOOR RESPONSE SPECTRA FOR EQUIPMENT DESIGN, Proceedings, Specialty Conference on Structural Design of Nuclear Plant Facilities, ASCE, Chicago, Il., December 17-18, 1973.

12. Kassawara, R. P.  
EARTHQUAKE RESPONSE OF LIGHT MULTIPLE DEGREE OF FREEDOM SECONDARY SYSTEMS BY SPECTRUM TECHNIQUES, University of Illinois at Urbana Ph.D. Thesis, 1970.
13. Tsai, N. C. et al.  
SEISMIC ANALYSES OF STRUCTURE AND EQUIPMENT FOR NUCLEAR POWER PLANTS, Topical Report BC-TOP-4, Bechtel Corporation, San Francisco, Ca., 1971.

## 6.9 Furnaces and Incinerators

1. American Society of Mechanical Engineers  
Proceedings of the 1968 National Incinerator Conference, New York, May 5-8, 1968.
2. American Society of Mechanical Engineers  
Proceedings of the 1970 National Incinerator Conference, Cincinnati, Oh., May 17-20, 1970.
3. Corey, R. C., Editor  
PRINCIPLES AND PRACTICES OF INCINERATION, John Wiley and Sons, Inc., 1969.
4. Flores, R.  
DESIGN PRINCIPLES OF EARTHQUAKE RESISTANT BLAST FURNACES, Proceedings, Third World Conference on Earthquake Engineering, Vol. 3, New Zealand, 1965.
5. Griswald, J.  
FUELS, COMBUSTION AND FURNACES, McGraw-Hill Book Company, Inc., New York, 1946.
6. Trinks, W. and Mawhinney, M. H.  
INDUSTRIAL FURNACES, Volume I, John Wiley and Sons, Inc., New York, 1961.
7. Zegel, W. C.  
DIRECT-FLAME FLUME INCINERATORS, Plant Engineering, Vol. 30, No. 18, September 2, 1976.

## 6.10 Bins and Hoppers

1. Christensen, C. M., Editor  
STORAGE OF CEREAL GRAINS AND THEIR PRODUCTS, American Association  
of Cereal Chemists, St. Paul, Mn., 1954.
2. Johnson, J. R.  
STORAGE BINS FOR BULK SOLIDS, Plant Engineering, Vol. 30, No.  
14, July 8, 1976.
3. Ketchum, M. S.  
THE DESIGN OF WALLS, BINS AND GRAIN ELEVATORS, McGraw-Hill Book  
Company, Inc., New York, 1919.



## 6.11 Conveyor Systems

1. Annett, F. A.  
ELECTRIC ELEVATORS: THEIR DESIGN, CONSTRUCTION, OPERATION, AND MAINTENANCE, McGraw-Hill Book Company, Inc., New York, 1935.
2. Apple, J. M.  
MATERIAL HANDLING SYSTEMS DESIGN, The Ronald Press Co., 1972.
3. Gupta, P. S. and Arya, A. S.  
DYNAMIC PROBLEMS OF INDUSTRIAL STRUCTURES IN INDIA AND THEIR SOLUTION, Proceedings, Central American Conference on Earthquake Engineering, San Salvador, January 9-12, 1978, pp. 297-327.
4. Haynes, D. O.  
MATERIALS HANDLING EQUIPMENT, Chilton Company, 1957.
5. Hudson, W. G.  
CONVEYORS AND RELATED EQUIPMENT, John Wiley and Sons, 1954.
6. Kraus, M. N.  
PNEUMATIC CONVEYING OF BULK MATERIALS, The Ronald Press Co., New York, 1968.
7. Melchior, J.  
OVERHEAD MONORAIL CONVEYORS - Part I, Plant Engineering, Vol. 31, No. 10, May 12, 1977.
8. Melchior, J.  
OVERHEAD MONORAIL CONVEYORS - Part II, Plant Engineering, Vol. 31, No. 12, June 9, 1977.
9. Schultz, G. A.  
CHAIN CONVEYORS AND ELEVATORS, Plant Engineering, Vol. 29, No. 27, 1975.
10. Schultz, G. A.  
CHAIN CONVEYORS FOR UNIT AND PACKAGE HANDLING, Plant Engineering, Vol. 30, No. 3, February 5, 1976.
11. Schultz, G. A.  
OVERHEAD TROLLEY CONVEYORS, Plant Engineering, Vol. 30, No. 4, February 19, 1976.
12. Schultz, G. A.  
SELECTING CHAIN CONVEYORS AND ELEVATORS FOR BULK MATERIALS, Plant Engineering, Vol. 30, No. 8, April 15, 1976.
13. Schultz, G. A.  
SELECTING VIBRATING CONVEYORS, Plant Engineering, Vol. 30, No. 17, August 19, 1976.
14. Schultz, G. A.  
PLANNING AND BUDGETING A PACKAGE CONVEYOR SYSTEM, Plant Engineering, Vol. 30, No. 18, September 2, 1976.

15. Schultz, G. A.  
PLANNING AND BUDGETING A BULK CONVEYOR SYSTEM, Plant Engineering,  
Vol. 30, No. 19, September 16, 1976.
16. Schultz, G. A.  
HANDLING BULK MATERIALS WITH BELT CONVEYORS, Plant Engineering,  
Vol. 31, No. 9, April 28, 1977.
17. Strakosh, G. R.  
VERTICAL TRANSPORTATION: ELEVATORS AND ESCALATORS, John Wiley  
and Sons, Inc., 1967.
18. Stupar, J., Jr.  
OPTIMIZING PNEUMATIC CONVEYORS, Machine Design, Vol. 48, No. 12,  
May 20, 1976.
19. Wirth, S. V.  
SOLVING A CONVEYING PROBLEM, Plant Engineering, Vol. 31, No. 1,  
January 6, 1977.

## 6.12 Mixers and Separators

1. Ambler, C. M.  
CENTRIFUGE SELECTION, Chemical Engineering, Vol. 78, No. 4,  
February 15, 1971.
2. Casto, L. V.  
PRACTICAL TIPS ON DESIGNING TURBINE-MIXER SYSTEMS, Chemical  
Engineering, Vol. 79, No. 1, January 10, 1977.
3. Dahlstrom, D. A. and Cornell, C. F.  
THICKENING AND CLARIFICATION, Chemical Engineering, Vol. 78,  
No. 4, February 15, 1971.
4. Danckwerts, P. V., Editor  
THE HYDROCYCLONE, Pergamon Press, 1965.
5. Penny, W. R.  
RECENT TRENDS IN MIXING EQUIPMENT, Chemical Engineering, Vol.  
78, No. 7, March 22, 1971.
6. Sargent, G. D.  
GAS/SOLID SEPARATIONS, Chemical Engineering, Vol. 78, No. 4,  
February 15, 1971.

## 6.13 Precipitators and Dust Collectors

1. Cowie, D.  
UPGRADING MECHANICAL DUST COLLECTION SYSTEMS, Plant Engineering,  
Vol. 30, No. 17, August 19, 1976.
2. Engelbrecht, H. L.  
ELECTROSTATIC PRECIPITATOR INSPECTION AND MAINTENANCE, Plant  
Engineering, Vol. 30, No. 9, April 29, 1976.
3. Kleissler, E. A. and Leist, W. L.  
SELECTING SECONDARY DUST-HANDLING SYSTEMS, Plant Engineering,  
Vol. 30, No. 15, July 22, 1976.
4. Lyons, M.  
CHOOSING A DUST COLLECTOR CLEANING SYSTEM, Plant Engineering,  
Vol. 30, No. 6, March 18, 1976.
5. Rose, H. E. and Wood, A. J.  
AN INTRODUCTION TO ELECTROSTATIC PRECIPITATION IN THEORY AND  
PRACTICE, Constable and Company, Ltd., London, 1966.
6. Rymarz, T. M.  
UNDERSTANDING PULSE-JET DUST COLLECTORS, Plant Engineering,  
Vol. 31, No. 8, April 14, 1977.
7. Schneider, G. G., Horzella, T. I., Cooper, J. and Striegl, P. J.  
ELECTROSTATIC PRECIPITATORS: HOW THEY ARE USED IN THE C.P.I.,  
Chemical Engineering, Vol. 82, No. 17, August 18, 1975.

## 6.14 Cranes and Hoists

1. Broughton, H. A.  
ELECTRIC WINDERS, E. and F. N. Spon, Ltd., London, 1948.
2. Crane Manufacturers Association of America  
SPECIFICATION FOR ELECTRIC OVERHEAD TRAVELING CRANES, Specification No. 70, Pittsburgh, Pa., 1971.
3. Kogan, J.  
CRANE DESIGN: THEORY AND CALCULATIONS OF RELIABILITY, John Wiley and Sons, Inc., 1976.
4. Maas, G.  
INVESTIGATIONS CONCERNING CRANEWAY GIRDERS, Iron and Steel Engineer, Vol. 49, No. 3, March 1972, pp. 49-58.
5. Snyder, M. D., Shaw, D. E. and Krissenpfenning, J. F.  
SEISMIC ANALYSIS OF A NUCLEAR CONTAINMENT POLAR CRANE, Proceedings, Third International Conference on Structural Mechanics and Reactor Technology, Vol. 4, Part K, Paper No. K6/7, London, September 1-5, 1975.

## 7. ACKNOWLEDGEMENTS

This bibliography was prepared at the Fritz Engineering Laboratory, Lehigh University, as part of a program on "Structural Connections in Industrial Installations Subject to Earthquake". Financial support was provided by the National Science Foundation.

The authors wish to express their thanks for the efforts of Mrs. Christine L. Roysdon and Miss Linda Khatri, reference librarians of the Mart Science and Engineering Library at Lehigh University. Thanks are also extended to Miss Shirley Matlock who typed the report.

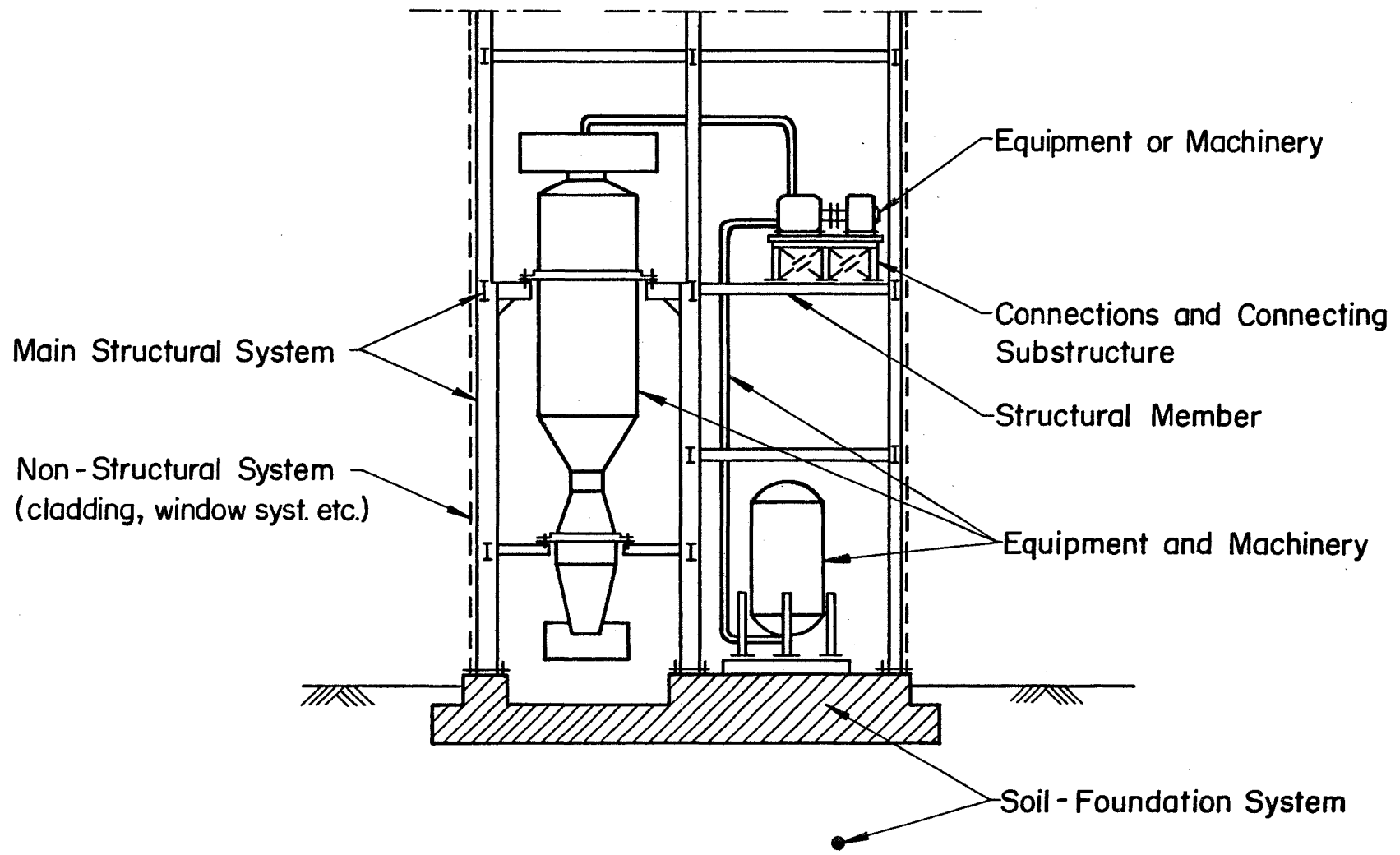


Fig. 1 Industrial Plant and its Physical Components

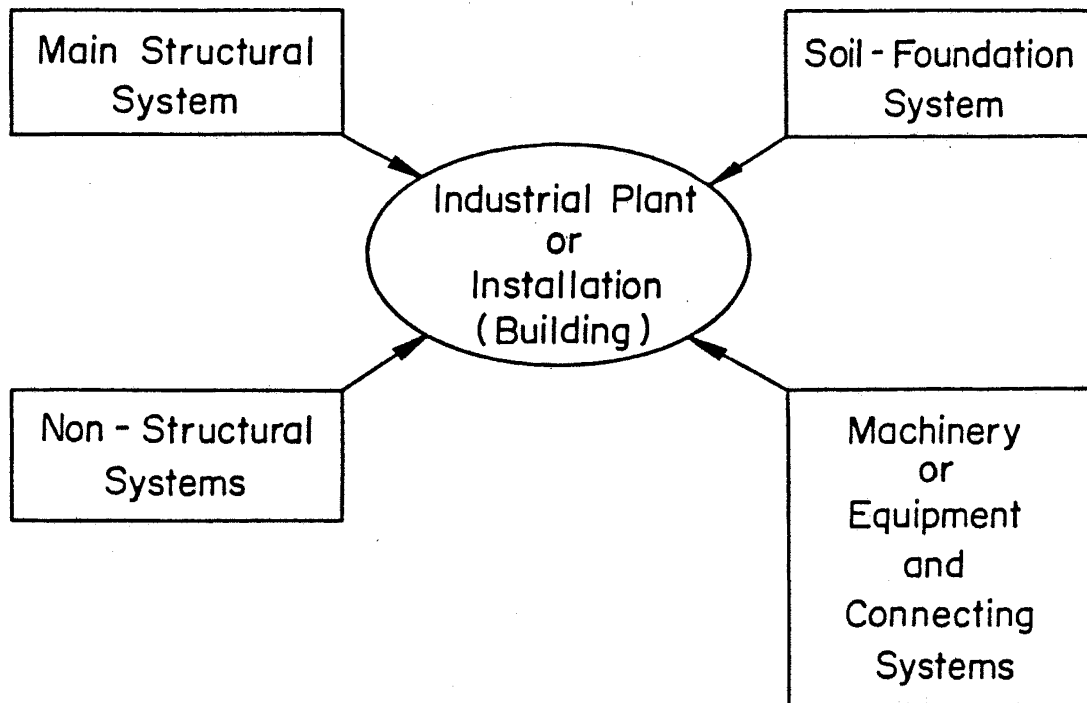


Fig. 2 Systems Representation of an Industrial Plant



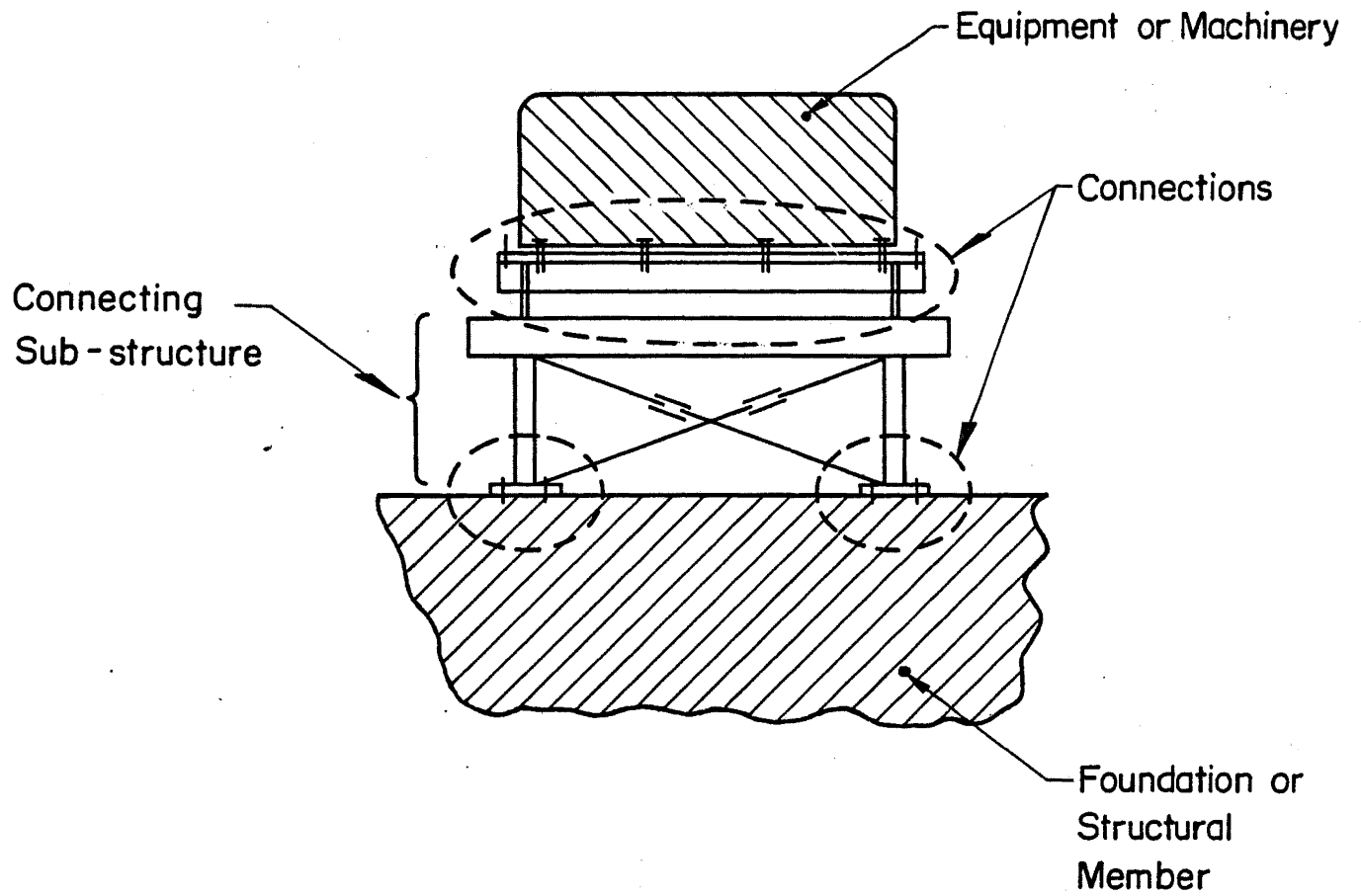


Fig. 3 A Typical Configuration of an Equipment Dynamic System

BIBLIOGRAPHIC DATA EET	1. Report No. LEHIGH/FL/424--2	2.	3. Recipient's Accession No.
Title and Subtitle PRELIMINARY BIBLIOGRAPHY ON CONNECTIONS BETWEEN MACHINERY AND STRUCTURE			5. Report Date December 1977
Author(s) Imur Yuceoglu, Joseph W. Tedesco, George C. Driscoll			6.
Performing Organization Name and Address Fritz Engineering Laboratory Lehigh University Bethlehem, PA 18015			8. Performing Organization Rept. No. LEHIGH/FL/424--2
Sponsoring Organization Name and Address National Science Foundation			10. Project/Task/Work Unit No.
			11. Contract/Grant No. ENV 76-01551
Supplementary Notes			13. Type of Report & Period Covered Interim
			14.
Abstracts			
<p>Literature on earthquake and dynamic response, analysis, and design approaches for connections between equipment or machinery and structures are covered in this comprehensive bibliographic survey. The equipment or machinery involved includes a wide range of units found in typical industrial installations such as materials processing plants, chemical plants, petroleum refineries, and fossil fuel power plants.</p> <p>Connections are treated in their role as a component in an overall dynamic system including equipment or machinery, connections, structure, and foundations.</p> <p>Over 700 reference citations are presented including over 450 references on general analysis and design and over 250 references on equipment and machinery.</p> <p>Findings of the survey are that literature specifically treating the connections of concern is scarce, especially with regard to earthquake problems.</p>			
Key Words and Document Analysis. 17a. Descriptors			
Bibliography; Connections; Dynamic Response; Earthquake Resistant Structures; Earthquakes; Equipment; Industrial Plants; Joints; Machinery			
b. Identifiers/Open-Ended Terms			
c. COSATI Field/Group			
Availability Statement No restriction on distribution. Available from National Technical Information Service, Springfield VA 22151		19. Security Class (This Report) UNCLASSIFIED	21. No. of Pages 84
		20. Security Class (This Page) UNCLASSIFIED	22. Price