

STUPP-07-193

October, 2007

Chiral Symmetry Breaking in Brane Models

NORIO HORIGOME,^{a*} MADOKA NISHIMURA^b and YOSHIAKI TANI^{a†}

^a*Division of Material Science
Graduate School of Science and Engineering
Saitama University, Saitama 338-8570, Japan*

^b*Department of Community Service and Science
Tohoku University of Community Service and Science
Iimoriyama 3-5-1, Sakata 998-8580, Japan*

Abstract

We discuss the chiral symmetry breaking in general intersecting Dq/Dp brane models consisting of N_c Dq -branes and a single Dp -brane with an s -dimensional intersection. There exists a QCD-like theory localized at the intersection and the Dq/Dp model gives a holographic description of it. The rotational symmetry of directions transverse to both of the Dq and Dp -branes can be identified with a chiral symmetry, which is non-Abelian for certain cases. The asymptotic distance between the Dq -branes and the Dp -brane corresponds to a quark mass. By studying the probe Dp -brane dynamics in a Dq -brane background in the near horizon and large N_c limit we find that the chiral symmetry is spontaneously broken and there appear (pseudo-)Nambu-Goldstone bosons. We also discuss the models at finite temperature.

*e-mail: horigome@krishna.th.phy.saitama-u.ac.jp

†e-mail: tanii@phy.saitama-u.ac.jp

1. Introduction

The AdS/CFT correspondence [1, 2, 3] (see [4] for a review) provides a new non-perturbative approach to strongly coupled gauge theories. This duality relates a string theory in $(d+1)$ -dimensional anti de Sitter spacetime (times a compact space) to a d -dimensional conformal field theory. The AdS/CFT correspondence can be extended to the string/gauge duality, which is a generalization to non-conformal and non-supersymmetric theories. The string/gauge duality also provides us with a useful tool for the analysis of low energy behaviors of QCD such as the confinement and the spontaneous chiral symmetry breaking. This approach is often called the holographic QCD [5, 6, 7, 8, 9, 10, 11, 12, 13, 14] (and references therein).

One of the most interesting phenomena of the low energy QCD is the spontaneous breaking of the chiral symmetry. In the holographic approach the chiral symmetry can be realized in two different ways. In this approach one introduces N_c color Dq -branes and N_f flavor Dp -branes. The $U(N_c)$ gauge field on the Dq -branes represents a gluon field of a QCD-like theory. Open strings connecting the Dq -branes and the Dp -branes represent quarks in the fundamental representation of $U(N_c)$. When these brane configurations have directions transverse to both of the Dq and Dp -branes, a rotational symmetry in these directions can be understood as a chiral symmetry of the dual gauge theories in certain cases [7, 8, 9, 10, 11, 12]. One can separate color branes and flavor branes in such directions. The asymptotic distance between these branes is identified with a quark mass. So one can study the spontaneous chiral symmetry breaking starting from a theory with a non-vanishing quark mass and taking the massless limit. So far only the Abelian chiral symmetry $U(1)_V \times U(1)_A$ is considered in this approach.

Alternatively, the chiral symmetry can be realized as a gauge symmetry on the flavor branes. When Dp - \overline{Dp} -brane pairs are used as flavor branes, one can obtain a non-Abelian $U(N_f)_L \times U(N_f)_R$ chiral symmetry [13, 14, 15, 16, 17, 18, 19, 20]. These configurations of physical interest often do not have directions transverse to both of the color and flavor branes. Therefore, it is not obvious how to introduce a quark mass in these models. For work toward an introduction of a quark mass in this type of models and on related issues see refs. [21, 22, 23, 24, 25]. In both of these two approaches, the spontaneous breaking of the chiral symmetry is closely related to the configurations of the probe branes in the background geometry.

The chiral symmetry breaking was also discussed at finite temperature [7, 8, 26,

27, 28, 29, 30, 31] and at finite chemical potential [32, 33, 34, 35, 36, 37]. The temperature T is related to a period δt_E of the S^1 compactified Euclidean time coordinate as $T = 1/\delta t_E$. The chemical potential μ is introduced as a non-vanishing asymptotic value of the time component of the gauge field on the probe brane $A_0 \sim \mu$. One can study a chiral phase transition and obtain a phase diagram of the QCD-like theories.

The purpose of the present paper is to study the chiral symmetry breaking in general intersecting Dq/Dp brane systems consisting of N_c color Dq -branes and a single probe Dp -brane with an s -dimensional intersection. They are holographic duals of QCD-like theories in $(s+1)$ -dimensional spacetime QCD_{s+1} in certain cases. As in refs. [7, 8] these models can have directions transverse to both of the Dq and Dp -branes. A rotational symmetry of these directions can be interpreted as a chiral symmetry in certain cases. This symmetry can be non-Abelian in contrast to the models in refs. [7, 8]. We can separate the Dq -branes and the Dp -brane in these transverse directions and break the rotational symmetry. In the holographic description this deformation makes quarks on the intersection massive and leads to an explicit chiral symmetry breaking. In the near horizon limit and the large N_c limit we can treat the Dq -branes as a background geometry and the Dp -brane as a probe which does not affect this background. We discuss the chiral symmetry breaking by analyzing the Dp -brane dynamics in the Dq -brane background geometry.

The organization of this paper is as follows. In sect. 2 we study the low energy spectrum at an s -dimensional intersection of the Dq/Dp brane system. In general dual theories are defect field theories [38, 39]. We are interested in field theories without defects. There are systems corresponding to QCD-like theories at the intersection. In particular, the D2/D4 model with $s = 1$, the D3/D5 model with $s = 2$ and the D4/D6 model with $s = 3$ correspond to QCD_2 , QCD_3 and QCD_4 , respectively. For certain (q, p, s) the rotational symmetry of the transverse directions can be understood as a chiral symmetry in the QCD-like theories. This chiral symmetry is non-Abelian $SU(2)_L \times SU(2)_R$ for QCD_2 .

In sect. 3 we study the chiral symmetry breaking in the QCD-like theories by using a supergravity analysis. The near horizon limit and the large N_c limit $N_c \gg 1$ allow us to study the probe Dp -brane dynamics in the Dq -brane background. We find that a Dp -brane embedding breaks the rotational symmetry of the transverse directions. This corresponds to a chiral symmetry breaking in the QCD-like theories. The quark mass m_q and the quark condensate $\langle \bar{\psi}\psi \rangle$ can be read from the asymp-

otic behavior of the Dp -brane embedding. There is a non-zero value of the quark condensate $\langle \bar{\psi}\psi \rangle$ even for the massless quark limit. This leads to a spontaneous chiral symmetry breaking in the QCD-like theories.

In sect. 4 we consider fluctuations of the Dp -brane around the vacuum embedding discussed in sect. 3. For $m_q = 0$ there appear $(8 - q - p + s)$ massless scalar bosons, which can be understood as the Nambu-Goldstone (NG) bosons associated with the spontaneous symmetry breaking. For a non-zero but small quark mass there appear pseudo-NG bosons. We show that these pseudo-NG bosons satisfy the Gell-Mann-Oakes-Renner (GMOR) relation [40]. The effective action of the fluctuations is obtained at quartic order.

In sect. 5 we discuss the theories at finite temperature. We study the probe Dp -brane dynamics in the Euclidean Dq background. The Dp -brane embedding breaks the rotational symmetry as in the zero temperature case. Then the chiral symmetry is also broken at finite temperature. We find that the quark condensate vanishes and the chiral symmetry is restored only in the high temperature limit. We also study the models with $s = q$. We conclude in sect. 6.

2. General setup

We consider an intersecting brane system consisting of N_c color Dq -branes and a single probe Dp -brane

$$\begin{array}{ccccccccccccccc}
 & x^0 & \dots & x^s & x^{s+1} & \dots & x^q & x^{q+1} & \dots & x^{q+p-s} & x^{q+p-s+1} & \dots & x^9 \\
 \hline
 N_c Dq & \circ & \dots & \circ & \circ & \dots & \circ & - & \dots & - & - & \dots & - \\
 Dp & \circ & \dots & \circ & - & \dots & - & \circ & \dots & \circ & - & \dots & -
 \end{array} \tag{2.1}$$

with x^q being a coordinate of S^1 . It has an s -dimensional intersection in the directions x^1, \dots, x^s . The configuration (2.1) is a T-dual of $Ds'/D9$ system with $s' = 9 - (q + p - 2s) \geq s$. Following ref. [19] we call it a *transverse intersection* if $s' = s$ ($q + p - s = 9$) and a *non-transverse intersection* if $s' > s$ ($q + p - s < 9$). Non-transverse intersections have directions transverse to both of the Dq -branes and the Dp -brane, while transverse intersections do not.

The configuration (2.1) has the following symmetries. The gauge symmetry of this system is $U(N_c) \times U(1)$. The $U(1)$ gauge symmetry on the Dp -brane is

regarded as a global symmetry (baryon number symmetry) of an $(s+1)$ -dimensional field theory at the intersection. The ten-dimensional Lorentz symmetry $\text{SO}(1, 9)$ is broken to its subgroup by the configuration (2.1). Therefore the global symmetry preserved at the intersection contains

$$\text{SO}(1, s) \times \text{SO}(9 - q - p + s) \times \text{U}(1), \quad (2.2)$$

where $\text{SO}(1, s)$ is the Lorentz symmetry at the intersection and $\text{SO}(9 - q - p + s)$ is the rotational symmetry in the directions $x^{q+p-s+1}, \dots, x^9$.

The spectrum of the theory localized at the intersection is as follows. Massless fields generated by q - q strings (open strings having both ends on the Dq -branes) are a gauge field A_μ ($\mu = 0, 1, \dots, s$), scalar fields Φ^i ($i = s+1, \dots, 9$) and fermionic fields S . Imposing the periodic boundary condition for the bosonic fields and the anti-periodic one for the fermionic fields along the compact x^q direction, the fermions become massive at zero mode and supersymmetry is explicitly broken at low energy. Then the scalars acquire mass at one-loop level. Thus only the gauge field A_μ is massless at low energy. This gives a pure $\text{U}(N_c)$ gauge theory.

To study the lowest modes generated by q - p strings (open strings connecting the Dq -branes and the Dp -brane), we note the zero-point energy in the R sector and the NS sector [41]

$$a^{\text{R}} = 0, \quad a^{\text{NS}} = \frac{\#\text{ND} - 4}{8}, \quad (2.3)$$

where $\#\text{ND} = q + p - 2s = 9 - s'$ is the number of spatial coordinates of open strings which have the Neumann boundary condition for one end and the Dirichlet one for the other end. The lowest modes generated by q - p strings in the NS sector are massive for $\#\text{ND} > 4$ ($\#\text{ND} = 6, 8$), massless for $\#\text{ND} = 4$ and tachyonic for $\#\text{ND} < 4$ ($\#\text{ND} = 0, 2$). We do not consider the tachyonic case $\#\text{ND} < 4$. When $\#\text{ND} \geq 4$, the lowest modes from the NS sector are massive (by loop effects for $\#\text{ND} = 4$) and are decoupled at low energy. There are only massless fermions from the R sector. They belong to representations of the Clifford algebra for the NN and DD directions. These fermions belong to the fundamental representation of $\text{U}(N_c)$ and are called “quarks”.

In general the Dq/Dp configuration (2.1) is dual to a defect field theory [38, 39]. We only consider the case $s+1 = q$, which corresponds to a theory without defects. We are interested in non-transverse intersections satisfying $s' > s$, which implies $s < 9 - \#\text{ND}$. Possible cases are $s = 1, 2, 3, 4$ for $\#\text{ND} = 4$ ($p = q + 2$) and $s = 1,$

		0	1	2	3	4	5	6	7	8	9
color	D2	○	○	○	—	—	—	—	—	—	—
probe	D4	○	○	—	○	○	○	—	—	—	—
color	D3	○	○	○	○	—	—	—	—	—	—
probe	D5	○	○	○	—	○	○	○	—	—	—
color	D4	○	○	○	○	○	—	—	—	—	—
probe	D6	○	○	○	○	—	○	○	○	—	—

Table 1: The $Dq/D(q+2)$ brane configurations with $\#ND = 4$. From top to bottom these are dual to QCD_2 , QCD_3 and QCD_4 , respectively.

2 for $\#ND = 6$ ($p = q + 4$). The configurations with $\#ND = 6$ do not preserve supersymmetry and are most likely unstable. We further restrict ourselves to the cases $s = 1, 2, 3$ since we are especially interested in theories in four and lower dimensions. To summarize, we consider the $Dq/D(q+2)$ configurations for $q = 2, 3, 4$ compactified on x^q shown in Table 1. The effective theory on the intersection at low energy is an $(s+1)$ -dimensional non-supersymmetric $U(N_c)$ gauge theory with quarks in the fundamental representation. We call this theory “ QCD_{s+1} ” for the sake of convenience.

Since these configurations are non-transverse intersections, there are directions transverse to both of the Dq -branes and the Dp -brane. In refs. [7, 8] the rotational symmetry $\text{SO}(9 - q - p + s)$ of such directions is interpreted as a chiral symmetry in the dual gauge theory for certain sets of (q, p, s) . When the Dq -branes and the Dp -brane are separated along these directions, quarks on the intersection become massive and the chiral symmetry is explicitly broken. As we will see in sect. 3, only when $a^{\text{NS}} = 0$ ($\#ND = 4$) and $p - s - 2 > 0$, which are satisfied for the configurations in Table 1, an equation for probe brane embeddings derived from the DBI action has a solution for which the distance between the color branes and the probe brane asymptotically approaches a constant value. This distance is interpreted as a quark mass.

We can explicitly write down the symmetry (2.2) for the configurations in Table 1. In the D2/D4 model, which has a one-dimensional intersection and is dual to QCD_2 , we can identify the $\text{SO}(4)_{6789}$ rotational symmetry in the x^6, x^7, x^8, x^9 directions with an $\text{SU}(2)_L \times \text{SU}(2)_R$ chiral symmetry of quarks. Indeed, the GSO projection in the R sector of open strings requires that the chiralities of $\text{SO}(1, 1)_{01}$ and $\text{SO}(4)_{6789}$ are correlated. Left-handed (right-handed) quarks of $\text{SO}(1, 1)_{01}$ have

the positive (negative) chirality of $SO(4)_{6789}$ and transform as $(\mathbf{2}, \mathbf{1})$ ($(\mathbf{1}, \mathbf{2})$) under $SU(2)_L \times SU(2)_R$. The gauge symmetry $U(1)$ on the probe brane acts on quarks as a baryon number symmetry $U(1)_V$. Therefore the global symmetry (apart from the Lorentz symmetry) of QCD_2 at the intersection is

$$SO(4)_{6789} \times U(1) \sim SU(2)_L \times SU(2)_R \times U(1)_V. \quad (2.4)$$

Thus we can realize a non-Abelian chiral symmetry in a holographic model of this type, although spacetime is two-dimensional.

In the D3/D5 model, which has a two-dimensional intersection and is dual to QCD_3 , we can identify the $SO(3)_{789}$ rotational symmetry in the x^7, x^8, x^9 directions with an $SU(2)$ symmetry of QCD_3 . Then the global symmetry of QCD_3 at the intersection is

$$SO(3)_{789} \times U(1) \sim SU(2) \times U(1). \quad (2.5)$$

Quarks transform as $\mathbf{2}$ under $SU(2)$. Note that there is no chirality in QCD_3 and therefore the symmetry (2.5) is not a chiral symmetry.

Finally, in the D4/D6 model, which has a three-dimensional intersection and is dual to QCD_4 , we can identify the $SO(2)_{89}$ rotational symmetry in the x^8, x^9 directions with an axial $U(1)_A$ symmetry of QCD_4 as discussed in refs. [7, 8]. The global symmetry of QCD_4 at the intersection is

$$SO(2)_{89} \times U(1) \sim U(1)_A \times U(1)_V. \quad (2.6)$$

3. Chiral symmetry breaking from supergravity analysis

The dynamics of a strongly coupled large N_c gauge theory can be analyzed by supergravity. We study the chiral symmetry breaking in this section. The near horizon limit and the large N_c limit $N_c \gg 1$ allow us to treat the Dq -branes as a background geometry and the Dp -brane as a probe which does not affect this background. We will find that the Dp -brane embedding breaks the $SO(9 - q - p + s)$ rotational symmetry in the directions transverse to both of the branes. This can be interpreted as the chiral symmetry breaking in QCD_2 and QCD_4 . We will calculate the quark condensate and find a non-zero value even in the massless quark limit. Although we are most interested in the configurations in Table 1, we will give formulae for the configuration (2.1) with general q, p, s .

3.1 Dq-brane background

The near horizon geometry of S^1 compactified N_c Dq-branes is [42]

$$ds^2 = \left(\frac{U}{R}\right)^{\frac{7-q}{2}} \left(-dt^2 + \sum_{i=1}^{q-1} (dx^i)^2 + f(U)(dx^q)^2\right) + \left(\frac{R}{U}\right)^{\frac{7-q}{2}} \left(\frac{dU^2}{f(U)} + U^2 d\Omega_{8-q}^2\right),$$

$$f(U) = 1 - \left(\frac{U_{KK}}{U}\right)^{7-q}, \quad R^{7-q} = (4\pi)^{\frac{5-q}{2}} \Gamma\left(\frac{7-q}{2}\right) g_s N_c \ell_s^{7-q}, \quad (3.1)$$

where $d\Omega_{8-q}^2$, g_s and ℓ_s are the metric of a unit S^{8-q} , the string coupling and the string length, respectively. x^q is a coordinate of S^1 and its period is denoted as $\delta x^q = 2\pi/M_{KK}$. M_{KK} is a compactification scale. To avoid a conical singularity at $U = U_{KK}$ in the U - x^q plane the period must be related to a constant U_{KK} as

$$\delta x^q = \frac{4\pi R^{\frac{7-q}{2}}}{(7-q) U_{KK}^{\frac{5-q}{2}}}. \quad (3.2)$$

The dilaton field and the Ramond-Ramond (RR) flux are given by

$$e^\phi = g_s \left(\frac{R}{U}\right)^{\frac{(7-q)(3-q)}{4}}, \quad F_{8-q} = \frac{N_c}{V_{8-q}} \epsilon_{8-q}, \quad (3.3)$$

where ϵ_{8-q} and V_{8-q} are the volume form and the volume of a unit S^{8-q} .

The relations between the parameters in the gauge theory and those in the string theory are

$$g_{q+1}^2 = (2\pi)^{q-2} g_s \ell_s^{q-3}, \quad M_{KK} = \frac{7-q}{2} \frac{U_{KK}^{\frac{5-q}{2}}}{(4\pi)^{\frac{5-q}{4}} \Gamma\left(\frac{7-q}{2}\right)^{\frac{1}{2}} (g_s N_c)^{\frac{1}{2}} \ell_s^{\frac{7-q}{2}}}, \quad (3.4)$$

where g_{q+1} is the $(q+1)$ -dimensional gauge coupling. The $(q+1)$ -dimensional 't Hooft coupling is defined as

$$\lambda_{q+1} = \frac{g_{q+1}^2 N_c}{(2\pi)^{q-2}}. \quad (3.5)$$

Note that the supergravity description is valid for [42, 19]

$$1 \ll \lambda_{q+1} \left(\frac{U_{KK}}{\ell_s^2}\right)^{q-3} \ll N_c^{\frac{4}{7-q}}. \quad (3.6)$$

We introduce isotropic coordinates in the directions (U, Ω_{8-q}) to simplify the following analysis. Introducing a new radial coordinate ρ defined by

$$U = \left(\rho^{\frac{7-q}{2}} + \frac{U_{KK}^{7-q}}{4\rho^{\frac{7-q}{2}}} \right)^{\frac{2}{7-q}}, \quad \rho^2 = \sum_{\alpha=q+1}^9 (x^\alpha)^2 \quad (3.7)$$

the metric for the transverse space (U, Ω_{8-q}) in eq. (3.1) can be written as

$$\begin{aligned} \left(\frac{R}{U} \right)^{\frac{7-q}{2}} \left(\frac{dU^2}{f(U)} + U^2 d\Omega_{8-q}^2 \right) &= K(\rho) (d\rho^2 + \rho^2 d\Omega_{8-q}^2) \\ &= K(\rho) \sum_{\alpha=q+1}^9 (dx^\alpha)^2, \end{aligned} \quad (3.8)$$

where

$$K(\rho) = \frac{R^{\frac{7-q}{2}} U^{\frac{q-3}{2}}}{\rho^2}. \quad (3.9)$$

We divide the coordinates x^{q+1}, \dots, x^9 into two parts and introduce spherical coordinates $(\lambda, \Omega_{p-s-1})$ for the $x^{q+1}, \dots, x^{q+p-s}$ directions and $(r, \Omega_{8-q-p+s})$ for the $x^{q+p-s+1}, \dots, x^9$ directions. Then the Dq background becomes

$$\begin{aligned} ds^2 &= \left(\frac{U}{R} \right)^{\frac{7-q}{2}} \left(-dt^2 + \sum_{i=1}^{q-1} (dx^i)^2 + f(U)(dx^q)^2 \right) \\ &\quad + K(\rho) (d\lambda^2 + \lambda^2 d\Omega_{p-s-1}^2 + dr^2 + r^2 d\Omega_{8-q-p+s}^2), \end{aligned} \quad (3.10)$$

where $\rho^2 = \lambda^2 + r^2$. We will wrap the probe Dp-brane around S^{p-s-1} in the next subsection.

3.2 Dp-brane embeddings

We study the dynamics of a Dp-brane in the Dq background. In the limit $N_c \gg 1$ the Dp-brane is introduced into the Dq background as a probe, which does not affect the background geometry. The dynamics of the probe Dp-brane in the background (3.10) is described by the Dirac-Born-Infeld (DBI) action

$$S_{Dp} = -T_p \int d^{p+1}x e^{-\phi} \sqrt{-\det g_{MN}}, \quad (3.11)$$

where g_{MN} ($M, N = 0, 1, \dots, p$) is the induced metric on the world-volume and T_p is the tension of the Dp-brane. For simplicity we have ignored the gauge field on the probe Dp-brane.

We use a physical gauge for Dp-brane world-volume reparametrizations and use the spacetime coordinates x^μ ($\mu = 0, 1, \dots, s$), λ , Ω_{p-s-1} as the world-volume coordinates. Then the configurations of the Dp-brane are determined by x^i ($i = s+1, \dots, q$), r and $\Omega_{8-q-p+s}$ as a function of those world-volume coordinates. We make an ansatz

$$x^{s+1}, \dots, x^q = \text{constant}, \quad r = r(\lambda), \quad \theta^a = \text{constant}, \quad (3.12)$$

where θ^a ($a = 1, 2, \dots, 8 - q - p + s$) are coordinates of $S^{8-q-p+s}$.

With this ansatz, the induced metric on the Dp-brane is

$$ds^2 = \left(\frac{U}{R} \right)^{\frac{7-q}{2}} \eta_{\mu\nu} dx^\mu dx^\nu + K(\rho) [(1 + (r')^2) d\lambda^2 + \lambda^2 d\Omega_{p-s-1}^2], \quad (3.13)$$

where $r' = \frac{dr}{d\lambda}$. Then the DBI action of the Dp-brane becomes

$$S_{Dp} = -\tilde{T}_p V_{p-s-1} \int d^{s+1}x \int d\lambda \rho^\alpha \left(1 + \frac{U_{KK}^{7-q}}{4\rho^{7-q}} \right)^\beta \lambda^{p-s-1} \sqrt{1 + (r')^2}, \quad (3.14)$$

where $\tilde{T}_p \equiv g_s^{-1} T_p R^{-\alpha}$ and V_{p-s-1} is the volume of S^{p-s-1} . The parameters α and β are defined as

$$\alpha = \frac{1}{4}(7-q)(4+2s-q-p), \quad \beta = \frac{1}{2}(4+2s-q-p) + \frac{2(p-s)}{7-q}. \quad (3.15)$$

The action (3.14) leads to the equation of motion for $r(\lambda)$

$$\frac{d}{d\lambda} \left[\rho^\alpha \left(1 + \frac{U_{KK}^{7-q}}{4\rho^{7-q}} \right)^\beta \frac{\lambda^{p-s-1} r'}{\sqrt{1 + (r')^2}} \right] = \frac{\partial}{\partial r} \left[\rho^\alpha \left(1 + \frac{U_{KK}^{7-q}}{4\rho^{7-q}} \right)^\beta \right] \lambda^{p-s-1} \sqrt{1 + (r')^2}. \quad (3.16)$$

As in refs. [7, 8] we are interested in the situation in which the asymptotic distance between the Dq-branes and the Dp-brane is a finite constant r_∞ . This constant is proportional to the quark mass. Therefore we impose the boundary conditions for $\lambda \rightarrow \infty$

$$r(\lambda)|_{\lambda \rightarrow \infty} = r_\infty, \quad r'(\lambda)|_{\lambda \rightarrow \infty} = 0. \quad (3.17)$$

Then, eq.(3.16) can be linearized at large λ as

$$\frac{d}{d\lambda} (\lambda^{\alpha+p-s-1} r') = \alpha \lambda^{\alpha+p-s-3} r, \quad (3.18)$$

and the asymptotic behavior of the solution is

$$r(\lambda) \sim a\lambda^{k_+} + b\lambda^{k_-}, \quad (3.19)$$

where a, b are constants and

$$k_{\pm} = \frac{-(\alpha + p - s - 2) \pm \sqrt{(\alpha + p - s - 2)^2 + 4\alpha}}{2}. \quad (3.20)$$

For the boundary condition (3.17) to be satisfied, we must require $\alpha = 0$ and $p - s - 2 > 0$. The first condition implies that the ground states of the NS sector of q - p strings are massless since $\alpha = -2(7 - q)a^{\text{NS}}$ as seen from eq. (2.3). Then, the asymptotic behavior of $r(\lambda)$ is

$$r(\lambda) \sim r_{\infty} + c\lambda^{-(p-s-2)}, \quad (3.21)$$

where c is a constant. As in ref. [8] the quark condensate $\langle \bar{\psi}\psi \rangle$ can be calculated by differentiating the vacuum energy density derived from the DBI action (3.14) with respect to the quark mass m_q . Thus we obtain the quark mass and the quark condensate in terms of the constants r_{∞} and c as

$$m_q = \frac{r_{\infty}}{2\pi\ell_s^2}, \quad \langle \bar{\psi}\psi \rangle = -2\pi(p - s - 2)\ell_s^2 \tilde{T}_p V_{p-s-1} c. \quad (3.22)$$

We have numerically solved eq. (3.16) for all possible values of q, p, s satisfying $\alpha = 0, p - s - 2 > 0, s \leq 3$. The solutions of the D2/D4 model with $s = 1$ and the D3/D5 model with $s = 2$ are plotted in Fig. 1 for various values of r_{∞} . The variables λ and r in these figures denote dimensionless ones rescaled by appropriate powers of U_{KK} . The leftmost curve in these figures represents $U = U_{KK}$. Its interior $U < U_{KK}$ is not a part of the space that we are considering. All the solutions have similar behaviors to those of the D4/D6 model with $s = 3$, which was studied in ref. [8]. The solutions approach a constant value r_{∞} for $\lambda = \infty$, while they reach a point outside of the curve $U = U_{KK}$ at $\lambda = 0$. The solutions break the rotational symmetry $\text{SO}(9 - q - p + s)$ in the $(r, \Omega_{8-q-p+s})$ space to $\text{SO}(8 - q - p + s)$.

We have also numerically calculated the quark condensate as a function of the quark mass $c = c(r_{\infty})$ for all possible values of q, p, s satisfying $\alpha = 0, p - s - 2 > 0, s \leq 3$. It is plotted in Fig. 2 for the D2/D4 model with $s = 1$ and the D3/D5 model with $s = 2$. The variables r_{∞} and c in these figures denote dimensionless ones rescaled by appropriate powers of U_{KK} . For all cases we find a non-zero quark

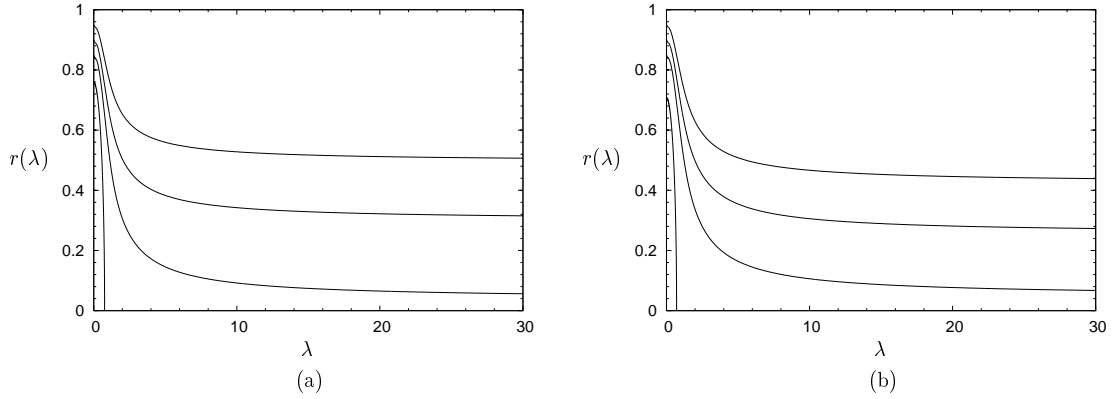


Figure 1: Solutions of eq. (3.16) for various values of r_∞ in (a) the D2/D4 model with $s = 1$ and (b) the D3/D5 model with $s = 2$.

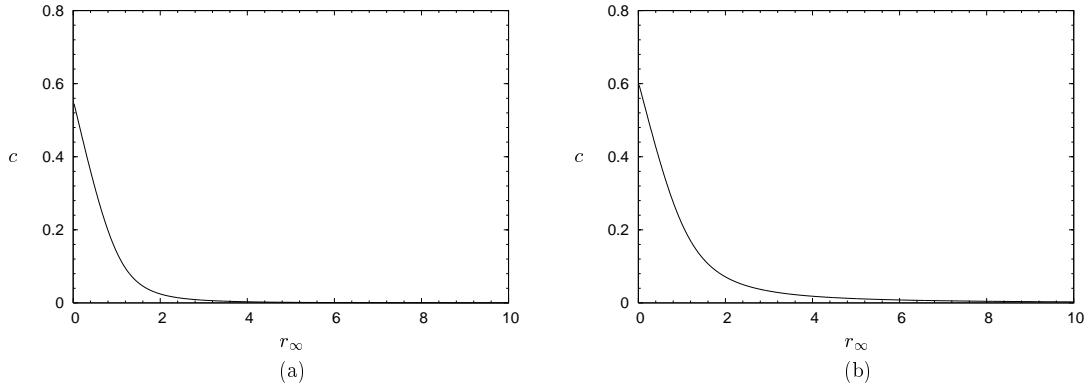


Figure 2: The quark condensate as a function of the quark mass for (a) the D2/D4 model with $s = 1$ and (b) the D3/D5 model with $s = 2$.

condensate for $r_\infty = 0$. This agrees with a field theoretical view point. In QCD we expect that the chiral symmetry is spontaneously broken by the non-zero quark condensate even for $m_q = 0$.

Finally, we write down a pattern of the symmetry breaking explicitly. For the D2/D4 model with $s = 1$ it is

$$\mathrm{SU}(2)_L \times \mathrm{SU}(2)_R \times \mathrm{U}(1)_V \rightarrow \mathrm{SU}(2)_V \times \mathrm{U}(1)_V, \quad (3.23)$$

for the D3/D5 model with $s = 2$

$$\mathrm{SU}(2) \times \mathrm{U}(1) \rightarrow \mathrm{U}(1) \times \mathrm{U}(1), \quad (3.24)$$

and for the D4/D6 model with $s = 3$ [8]

$$U(1)_A \times U(1)_V \rightarrow U(1)_V. \quad (3.25)$$

4. NG bosons as fluctuations of the probe brane

In this section we study fluctuations of the probe brane around the vacuum embedding. In the previous section we have seen that the vacuum embedding breaks $SO(9 - q - p + s)$ rotational symmetry in the $(r, \Omega_{8-q-p+s})$ space to $SO(8 - q - p + s)$. This symmetry breaking corresponds to the chiral symmetry breaking for certain sets of (q, p, s) . Therefore, there should be $(8 - q - p + s)$ Nambu-Goldstone (NG) bosons associated with the symmetry breaking. If quarks are massless these bosons are massless NG bosons. On the other hand, if quarks are massive these are pseudo-NG bosons with a non-vanishing mass. We will show that these pseudo-NG bosons satisfy the Gell-Mann-Oakes-Renner (GMOR) relation for a small quark mass m_q . We will also give the effective action of the fluctuations at quartic order. These results are a generalization of those of the D4/D6 system studied in ref. [8] to the Dq/Dp systems.

4.1 Fluctuations around the vacuum embeddings

We study fluctuation modes around the vacuum Dp -brane embedding

$$x^{s+1}, \dots, x^q = \text{constant}, \quad r = r_{\text{vac}}(\lambda), \quad \theta^a = 0 + \delta\theta^a(x^M), \quad (4.1)$$

where r_{vac} is the vacuum embedding determined numerically in the previous section. For simplicity we concentrate on fluctuations of θ^a . In general, these fluctuations depend on all of the world-volume coordinates x^M of the Dp -brane. We will see that the fluctuations $\delta\theta^a$ are identified with the (pseudo-)NG bosons for the breaking of the rotational symmetry of $S^{8-q-p+s}$ (a subspace of the $(r, \Omega_{8-q-p+s})$ space).

The induced metric on the Dp -brane world-volume is

$$ds^2 = \left(\frac{U}{R}\right)^{\frac{7-q}{2}} \eta_{\mu\nu} dx^\mu dx^\nu + K(\rho) [(1 + (r'_{\text{vac}})^2) d\lambda^2 + \lambda^2 d\Omega_{p-s-1}^2] + K(\rho) r_{\text{vac}}^2 \gamma_{ab} \partial_M \delta\theta^a \partial_N \delta\theta^b dx^M dx^N, \quad (4.2)$$

where $\rho^2 = \lambda^2 + r_{\text{vac}}^2$ and γ_{ab} is the metric of a unit $S^{8-q-p+s}$. Then the DBI action of the Dp -brane (3.11) to quadratic order becomes

$$S_{Dp} = S_{\text{vac}} + S_{\delta\theta}, \quad (4.3)$$

where S_{vac} is the action for the vacuum embedding, i.e., eq. (3.14) for $r = r_{\text{vac}}$, and $S_{\delta\theta}$ is the action for the fluctuations $\delta\theta^a$. After some simple calculations we obtain the action for $\delta\theta^a$

$$S_{\delta\theta} = -\tilde{T}_p \int d^{p+1}x \sqrt{\det \gamma_{\alpha\beta}} \lambda^{p-s-1} \sqrt{1 + (r'_{\text{vac}})^2} \\ \times \left(1 + \frac{U_{KK}^{7-q}}{4\rho_{\text{vac}}^{7-q}}\right)^\beta \frac{K}{2} g^{MN} r_{\text{vac}}^2 \gamma_{ab} \partial_M \delta\theta^a \partial_N \delta\theta^b \quad (4.4)$$

and the equation of motion

$$\left(\frac{7-q}{2}\right)^2 \frac{U_{KK}^{5-q}}{M_{KK}^2} \rho_{\text{vac}}^{-(7-q)} \left(1 + \frac{U_{KK}^{7-q}}{4\rho_{\text{vac}}^{7-q}}\right)^{\beta - \frac{2(5-q)}{7-q}} r_{\text{vac}}^2 \partial_\mu \partial^\mu \delta\theta^a \\ + \frac{1}{\lambda^{p-s-1} \sqrt{1 + (r'_{\text{vac}})^2}} \frac{\partial}{\partial \lambda} \left[\left(1 + \frac{U_{KK}^{7-q}}{4\rho_{\text{vac}}^{7-q}}\right)^\beta \frac{\lambda^{p-s-1} r_{\text{vac}}^2}{\sqrt{1 + (r'_{\text{vac}})^2}} \frac{\partial}{\partial \lambda} \delta\theta^a \right] \\ + \left(1 + \frac{U_{KK}^{7-q}}{4\rho_{\text{vac}}^{7-q}}\right)^\beta \frac{r_{\text{vac}}^2}{\lambda^2} \nabla^2 \delta\theta^a = 0, \quad (4.5)$$

where $\gamma_{\alpha\beta}$ and ∇^2 are the metric and the Laplacian on a unit S^{p-s-1} .

We can write a solution of the equation of motion (4.5) in a form

$$\delta\theta^a = F^a(\lambda) Y(\Omega_{p-s-1}) e^{ik \cdot x}, \quad (4.6)$$

where $Y(\Omega_{p-s-1})$ is the spherical harmonics on S^{p-s-1} . We consider the zero (constant) mode of Y and study only lowest-mass modes for simplicity. Substituting eq. (4.6) into eq. (4.5) we obtain an eigenvalue equation for the $(s+1)$ -dimensional mass $M_\theta^2 = -k^\mu k_\mu$. Although we can solve eq. (4.5) by numerical calculations as in ref. [8], here we are content with asymptotic solutions of a linearized equation of motion for $\lambda \rightarrow \infty$. Taking account of the asymptotic behavior of r_{vac} in eq. (3.21) the first term of eq. (4.5) is sub-leading and the linearized equation for $\lambda \rightarrow \infty$ becomes

$$\frac{\partial}{\partial \lambda} \left(\lambda^{p-s-1} r_{\text{vac}}^2 \frac{\partial}{\partial \lambda} \delta\theta^a \right) = 0. \quad (4.7)$$

Depending on the value r_∞ in eq. (3.21) the general solution is

$$\delta\theta^a \sim \begin{cases} a\lambda^{p-s-2} + b & (r_\infty = 0) \\ a + b\lambda^{-(p-s-2)} & (r_\infty \neq 0), \end{cases} \quad (4.8)$$

where a, b are independent of λ . Since $p-s-2 > 0$, these solutions are normalizable when $a = 0$.

The non-linear equation of motion (4.5) has exact solutions $\delta\theta^a = F^a e^{ik \cdot x}$ ($F^a = \text{constant}$), which have an eigenvalue $M_\theta = 0$. From the above results on the asymptotic behaviors these solutions are normalizable only when $r_\infty = 0$. Since $r_\infty = 0$ means vanishing quark mass $m_q = 0$, the normalizable solutions with $M_\theta = 0$ can be regarded as the NG bosons associated with the spontaneous breaking of the rotational symmetry $\text{SO}(9 - q - p + s)$. When $r_\infty \neq 0$ ($m_q \neq 0$), the quark mass term explicitly breaks the chiral symmetry and we do not expect massless bosons. However, for small quark mass m_q there should exist pseudo-NG bosons with a small mass M_θ , which we consider in the next subsection.

In two dimensions there exists no massless NG boson associated with a spontaneous symmetry breaking [43]. We have seen that there appear massless bosons even in the D2/D4 model with a one-dimensional intersection when quarks are massless. These massless bosons should be an artifact of the large N_c limit and should become massive if we take into account contributions from higher orders in the $1/N_c$ expansion. The situation is similar to the case of the Gross-Neveu model in two dimensions [44], in which massless bosons appear in the large N limit.

4.2 Light pseudo-NG bosons and the GMOR relation

As we have seen above, the embeddings with $r_\infty = 0$ and those with $r_\infty \neq 0$ have different properties. For the $r_\infty = 0$ embeddings the asymptotic distance between D q and D p -branes is zero and the quarks at the intersection are massless. There are $(8 - q - p + s)$ massless scalars $\delta\theta^a$ in the spectrum, which can be identified with the NG bosons associated with the spontaneous symmetry breaking $\text{SO}(9 - q - p + s) \rightarrow \text{SO}(8 - q - p + s)$. We call these NG bosons *pions*. On the other hand, for the $r_\infty \neq 0$ embeddings quarks are massive and the vacuum embedding explicitly breaks the rotational symmetry $\text{SO}(9 - q - p + s)$ even for the asymptotic region $\lambda \rightarrow \infty$. In this case the fluctuations $\delta\theta^a$ are pseudo-NG bosons with a non-vanishing mass M_θ .

We can show the Gell-Mann-Oakes-Renner (GMOR) relation [40]

$$M_\theta^2 = -\frac{m_q \langle \bar{\psi}\psi \rangle}{f_\pi^2}. \quad (4.9)$$

for a small quark mass m_q by using the holographic method [8]. Here, f_π is the pion decay constant. We begin with the $r_\infty = 0$ embedding and make a small change $r_\infty = \delta r_\infty$. This gives a small mass to quarks. As shown in ref. [8] the mass of the pseudo-NG bosons M_θ can be obtained by using a standard perturbation theory in quantum mechanics and is written as

$$M_\theta^2 = (p - s - 2) \frac{\bar{c} \delta r_\infty}{\int d\lambda \bar{\mu}}, \quad (4.10)$$

where \bar{c} is the coefficient in eq. (3.21) and $\bar{\mu}$ is given by

$$\bar{\mu} = \left(\frac{7-q}{2} \right)^2 \frac{U_{KK}^{5-q}}{M_{KK}^2} \bar{\rho}_{\text{vac}}^{-(7-q)} \left(1 + \frac{U_{KK}^{7-q}}{4\bar{\rho}_{\text{vac}}^{7-q}} \right)^{\beta - \frac{2(5-q)}{7-q}} \bar{r}_{\text{vac}}^2 \lambda^{p-s-1} \sqrt{1 + (\bar{r}'_{\text{vac}})^2}. \quad (4.11)$$

Here and in the following, quantities with a bar denote those for the $r_\infty = 0$ embedding. The quantities δr_∞ and \bar{c} are related to the quark mass and the quark condensate as in eq. (3.22). The pion decay constant f_π can be read from the effective action of $\delta\theta^a$. Assuming that $\delta\theta^a$ depend only on the coordinates of the intersection x^μ ($\mu = 0, 1, \dots, s$) and integrating over λ and Ω_{p-s-1} in eq. (4.4) we obtain

$$S_{\delta\theta} = -f_\pi^2 \int d^{s+1}x \frac{1}{2} \gamma_{ab} \partial_\mu \delta\theta^a \partial^\mu \delta\theta^b, \quad (4.12)$$

where f_π is given by

$$f_\pi^2 = \tilde{T}_p V_{p-s-1} \int_0^\infty d\lambda \bar{\mu}. \quad (4.13)$$

Using eqs. (3.22), (4.13) in eq. (4.10), we obtain the GMOR relation (4.9).

4.3 The pion effective action

We can write down the effective action of the pion fields $\delta\theta^a$ at the intersection beyond the quadratic order. We assume that $\delta\theta^a$ depend only on the coordinates of the intersection x^μ ($\mu = 0, 1, \dots, s$). By expanding the DBI action (3.11) for the induced metric (4.2) to quartic order in $\delta\theta^a$ we obtain

$$S_{\delta\theta} = - \int d^{s+1}x \left(\frac{f_\pi^2}{2} \gamma_{ab} \partial_\mu (\delta\theta^a) \partial^\mu (\delta\theta^b) + \frac{h_1}{4} [\gamma_{ab} \partial_\mu (\delta\theta^a) \partial^\mu (\delta\theta^b)]^2 - \frac{h_2}{4} [\gamma_{ab} \partial_\mu (\delta\theta^a) \partial_\nu (\delta\theta^b)] [\gamma_{cd} \partial^\mu (\delta\theta^c) \partial^\nu (\delta\theta^d)] \right), \quad (4.14)$$

where f_π is the pion decay constant (4.13) and the constants h_1, h_2 are given by

$$2h_1 = h_2 = \tilde{T}_p V_{p-s-1} \left(\frac{7-q}{2} \right)^4 \frac{U_{KK}^{2(5-q)}}{M_{KK}^4} \int d\lambda \rho_{\text{vac}}^{-2(7-q)} \\ \times \left(1 + \frac{U_{KK}^{7-q}}{4\rho_{\text{vac}}^{7-q}} \right)^{\beta - \frac{4(5-q)}{7-q}} r_{\text{vac}}^4 \lambda^{p-s-1} \sqrt{1 + (r'_{\text{vac}})^2}. \quad (4.15)$$

The relative coefficients of the quartic terms are different from those assumed in the Skyrme model [45, 46] $h_1 = h_2$. This is in contrast with another approach [13] to the holographic QCD, in which the relation $h_1 = h_2$ of the Skyrme model was obtained.

5. Finite temperature analysis

To study the theory at finite temperature we introduce a periodic Euclidean time coordinate $t_E \equiv it \sim t_E + \delta t_E$. The period of t_E is the inverse temperature $\delta t_E = 1/T$. Then there are two periodic coordinates t_E and x^q . There exist two possible Euclidean geometries which have an appropriate asymptotic behavior. One of them is the Euclidean version of eq. (3.1). The other is the Euclidean version of the non-extremal black D q -brane geometry

$$ds^2 = \left(\frac{U}{R} \right)^{\frac{7-q}{2}} \left(\tilde{f}(U) dt_E^2 + \sum_{i=1}^{q-1} (dx^i)^2 + (dx^q)^2 \right) + \left(\frac{R}{U} \right)^{\frac{7-q}{2}} \left(\frac{dU^2}{\tilde{f}(U)} + U^2 d\Omega_{8-q}^2 \right), \\ \tilde{f}(U) = 1 - \left(\frac{U_T}{U} \right)^{7-q} \quad (5.1)$$

with the dilaton and the RR-flux given in eq. (3.3). To avoid a conical singularity at $U = U_T$ in the U - t_E plane the period δt_E is fixed as

$$\delta t_E = \frac{4\pi R^{\frac{7-q}{2}}}{(7-q) U_T^{\frac{5-q}{2}}}. \quad (5.2)$$

It was shown [47, 8, 27] that the Euclidean version of the background (3.1) is dominant at low temperature, while the background (5.1) is dominant at high temperature by comparing values of the Euclidean supergravity action for these backgrounds. A phase transition occurs at the temperature $T_{\text{deconf}} = M_{KK}/(2\pi)$. This

phase transition corresponds to a confinement/deconfinement transition in the dual gauge theory [47].

We consider the probe brane dynamics in the high temperature phase. The probe brane dynamics in the low temperature phase is essentially the same as at zero temperature. We only consider the models with $\alpha = 0$, $p - s - 2 > 0$, $s \leq 3$ as in the zero temperature phase. With the ansatz (3.12) the induced metric on the Dp -brane in the background (5.1) can be written as

$$ds^2 = \left(\frac{U}{R}\right)^{\frac{7-q}{2}} \left(\tilde{f}(U) dt_E^2 + \sum_{i=1}^s (dx^i)^2 \right) + K(\rho) [(1 + (r')^2) d\lambda^2 + \lambda^2 d\Omega_{p-s-1}^2]. \quad (5.3)$$

Then the DBI action of the probe Dp -brane becomes

$$S_{Dp} = \tilde{T}_p V_{p-s-1} \int d^{s+1}x \int d\lambda \left(1 + \frac{U_T^{7-q}}{4\rho^{7-q}}\right)^{\beta-1} \left(1 - \frac{U_T^{7-q}}{4\rho^{7-q}}\right) \lambda^{p-s-1} \sqrt{1 + (r')^2}, \quad (5.4)$$

which leads to the equation of motion for $r(\lambda)$

$$\begin{aligned} \frac{d}{d\lambda} \left[\left(1 + \frac{U_T^{7-q}}{4\rho^{7-q}}\right)^{\beta-1} \left(1 - \frac{U_T^{7-q}}{4\rho^{7-q}}\right) \frac{\lambda^{p-s-1} r'}{\sqrt{1 + (r')^2}} \right] \\ = \frac{\partial}{\partial r} \left[\left(1 + \frac{U_T^{7-q}}{4\rho^{7-q}}\right)^{\beta-1} \left(1 - \frac{U_T^{7-q}}{4\rho^{7-q}}\right) \right] \lambda^{p-s-1} \sqrt{1 + (r')^2}. \end{aligned} \quad (5.5)$$

The asymptotic behavior of the solution $r(\lambda)$ of eq. (5.5) for large λ is the same as in the zero temperature case (3.21). The parameters r_∞ and c are related to the quark mass m_q and the quark condensate $\langle \bar{\psi}\psi \rangle$ as in eq. (3.22). We have numerically solved eq. (5.5) for all possible values of q , p , s . All the solutions have similar behaviors to those for the D4/D6 model with $s = 3$ discussed in refs. [8, 29, 31]. The solutions for the D2/D4 model with $s = 1$ and the D3/D5 model with $s = 2$ are plotted in Fig. 3 for various values of r_∞ . The variables λ and r in these figures (and Figs. 4, 5, 6 below) denote dimensionless ones rescaled by appropriate powers of U_T . The leftmost curve in these figures represents $U = U_T$.

We have also numerically calculated the quark condensate $c = c(r_\infty)$. Here we are interested in the phase structure of the system when the temperature T is varied for fixed quark mass m_q . The relation between T and r_∞ can be obtained from eqs.

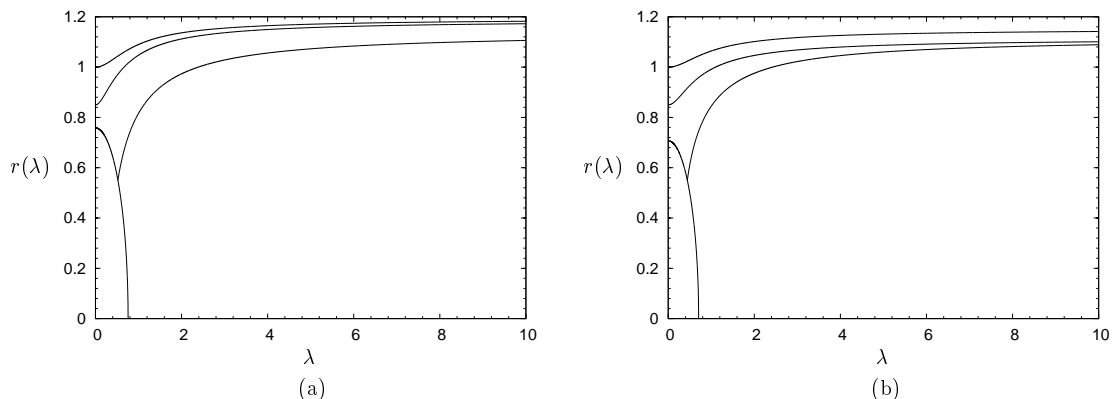


Figure 3: Solutions of eq. (5.5) for various values of r_∞ in (a) the D2/D4 model with $s = 1$ and (b) the D3/D5 model with $s = 2$.

(3.2), (3.4), (5.2) as

$$T = \frac{\bar{M}}{\sqrt{r_\infty^{5-q}}}, \quad \bar{M}^2 = \frac{(7-q)^2 m_q^{5-q} M_{KK}}{4(4\pi)^{\frac{5-q}{2}} \Gamma(\frac{7-q}{2}) g_q^2 N_c}, \quad (5.6)$$

where $g_q = g_{q+1}/\delta x^q$ is the q -dimensional Yang-Mills coupling and r_∞ is the dimensionless variable rescaled by U_T . Using this relation the quark condensate as a function of the temperature is plotted in Fig. 4. Note that the region near $T = 0$ in these figures is not valid since the background (3.1) is dominant at low temperature $T < T_{\text{deconf}}$. All the condensates have similar behaviors to those of the D4/D6 model with $s = 3$ discussed in refs. [8, 29, 31].

As was discussed in refs. [8, 29, 31] there are two types of embeddings. For sufficiently large r_∞ the probe brane does not reach the horizon $U = U_T$. On the other hand, for sufficiently small r_∞ it reaches the horizon $U = U_T$. For an intermediate region of r_∞ more than one embeddings, which can be either type of embeddings, are possible. The physically realized embedding is the one with a minimal energy. Varying the value of r_∞ a phase transition between these two types of embeddings occurs at a certain temperature $T = T_{\text{fund}}$. This phase transition, however, does not affect the chiral symmetry of the quarks in QCD_{s+1} because of the non-zero value of c for all temperature region except for $T \rightarrow \infty$.

The above finite temperature analysis can be applied to another type of brane configurations. Here we consider a non-compact limit $M_{KK} \rightarrow 0$ of the D q /D($q+4$) model with $s = q$ at finite temperature. At zero temperature it is dual to a super-

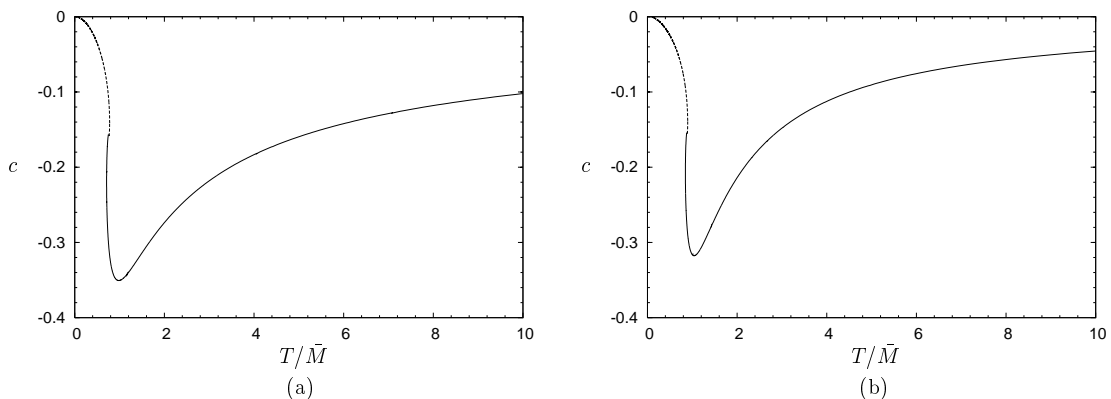


Figure 4: The quark condensate as a function of temperature for (a) the D2/D4 model with $s = 1$, (b) the D3/D5 model with $s = 2$. The solid (dashed) lines represent the contributions from the embeddings which do (not) reach the horizon $U = U_T$.

		0	1	2	3	4	5	6	7	8	9
color	D1	○	○	—	—	—	—	—	—	—	—
probe	D5	○	○	○	○	○	○	—	—	—	—
color	D2	○	○	○	—	—	—	—	—	—	—
probe	D6	○	○	○	○	○	○	○	—	—	—
color	D3	○	○	○	○	—	—	—	—	—	—
probe	D7	○	○	○	○	○	○	○	○	—	—

Table 2: The $Dq/D(q+4)$ brane configurations with $\#ND = 4$.

symmetric gauge theory in $(q+1)$ -dimensions. The case $q = 3$ is the D3/D7 model at finite temperature discussed in refs. [7, 29, 31]. The $Dq/D(q+4)$ configurations for $q = 1, 2, 3$ are shown in Table 2. The rotational symmetry $SO(9-p)$ in the directions transverse to both branes is interpreted as a chiral symmetry for certain cases. In particular, the $SO(4)_{6789}$ rotational symmetry of the D1/D5 model with $s = 1$ is regarded as an $SU(2)_L \times SU(2)_R$ chiral symmetry and the $SO(2)_{89}$ rotational symmetry of the D3/D7 model with $s = 3$ is regarded as an axial $U(1)_A$ symmetry [7].

In the present case there are two possible background geometries. One of them is the Euclidean $AdS_{q+2} \times S^{8-q}$, which is obtained by setting $U_{KK} = 0$ in the Euclidean version of the metric (3.1). The other is the Euclidean version of the Schwarzschild

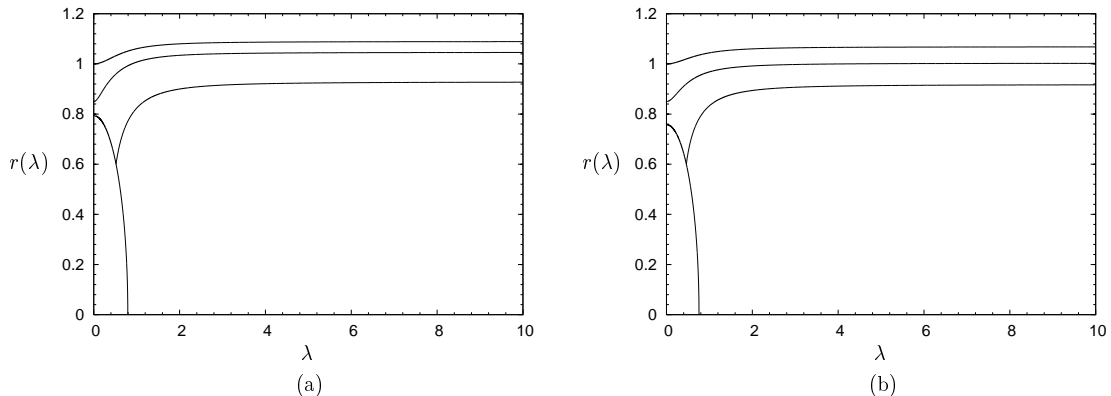


Figure 5: Solutions of eq. (5.5) for various values of r_∞ in (a) the D1/D5 model with $s = 1$ and (b) the D2/D6 model with $s = 2$.

$\text{AdS}_{q+2} \times \text{S}^{8-q}$, which is given by the geometry (5.1) with non-compact x^q . The phase transition occurs between these two backgrounds [47]. The Euclidean $\text{AdS}_{q+2} \times \text{S}^{8-q}$ is dominant at low temperature, while the Euclidean Schwarzschild $\text{AdS}_{q+2} \times \text{S}^{8-q}$ is dominant at high temperature.

We consider the probe $D(q+4)$ -brane dynamics in the high temperature phase. The induced metric and the equation of motion have the same form as (5.3) and (5.5) with $p = q + 4$, $s = q$. The conditions $\alpha = 0$, $p - s - 2 > 0$, $s \leq 3$ require $q = 1, 2, 3$. We have numerically solved eq. (5.5) for these configurations. All the solutions have similar behaviors to those for the D3/D7 model with $s = 3$ [7, 29, 31]. The solutions for the D1/D5 model with $s = 1$ and the D2/D6 model with $s = 2$ are plotted in Fig. 5 for various values of r_∞ . We have also numerically calculated the quark condensate as a function of the temperature. The results are plotted in Fig. 6. All the condensates have similar behaviors to those of the D3/D7 model with $s = 3$ discussed in refs. [7, 29, 31]

Finally we note that a chemical potential for the baryon number can be introduced by considering the $U(1)$ gauge field on the probe Dp -brane [32, 33]. An asymptotically non-vanishing Euclidean time component of the $U(1)$ gauge field can be understood as a chemical potential. It will be possible to discuss the phase diagram in the (μ, T) space by using this chemical potential as in refs. [36, 37].

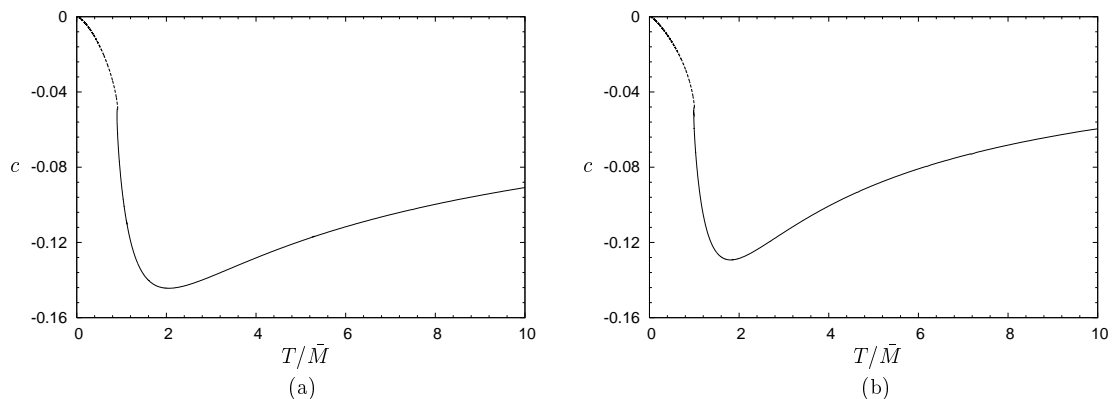


Figure 6: The quark condensate as a function of temperature for (a) the D1/D5 model with $s = 1$, (b) the D2/D6 model with $s = 2$. The solid (dashed) lines represent the contributions from the embeddings which do (not) reach the horizon $U = U_T$.

6. Conclusion

In this paper we discussed the chiral symmetry breaking in the Dq/Dp model with an s -dimensional intersection. There exist QCD-like theories at the intersection for certain cases. We are interested in the models which have directions transverse to both of the Dq and Dp -branes. The rotational symmetry in these directions can be identified with the chiral symmetry in certain cases. For instance, it is a non-Abelian chiral symmetry $SU(2)_L \times SU(2)_R$ in the D2/D4 model with $s = 1$ corresponding to QCD_2 . In these models we studied the dynamics of the probe Dp -brane in the Dq background at zero and at finite temperature.

At zero temperature we found that the rotational symmetry in the transverse directions is broken by a Dp -brane embedding. This corresponds to the chiral symmetry breaking in QCD_{s+1} . We numerically calculated the quark condensate $\langle \bar{\psi}\psi \rangle$ as a function of the quark mass m_q . When $s < q$, we found that there is a non-zero quark condensate even for zero quark mass and therefore the symmetry is spontaneously broken.

We also studied the fluctuations around the vacuum embeddings. In the massless quark limit there appear $(8 - q - p + s)$ massless scalar bosons, which are identified with the NG bosons associated with the spontaneous symmetry breaking. For massive quarks the symmetry is explicitly broken by a quark mass and there ap-

pear massive pseudo-NG bosons. We showed that the pseudo-NG bosons satisfy the GMOR relation for a small quark mass by using the holographic description. We also obtained the effective action of the NG bosons at quartic order. This action is different from the one assumed in the Skyrme model.

At finite temperature we found that the rotational symmetry is broken by the vacuum configuration as in the zero temperature case. This corresponds to the chiral symmetry breaking in QCD_{s+1} . We also found that there is a non-zero quark condensate $\langle \bar{\psi}\psi \rangle$ except for $T \rightarrow \infty$. The quark condensate vanishes and the chiral symmetry is restored only in the high temperature limit. It will be interesting to study the theory at finite chemical potential μ as well as at finite temperature T . Then we will be able to obtain the phase diagram in the (μ, T) space and discuss the chiral phase transition in the Dq/Dp model.

Acknowledgements

The work of N.H. is partly supported by the Sasakawa Scientific Research Grant from The Japan Science Society.

References

- [1] J. Maldacena, The large N limit of superconformal field theories and supergravity, *Adv. Theor. Math. Phys.* **2** (1998) 231 [arXiv:hep-th/9711200].
- [2] S.S. Gubser, I.R. Klebanov and A.M. Polyakov, Gauge theory correlators from non-critical string theory, *Phys. Lett.* **B428** (1998) 105 [arXiv:hep-th/9802109].
- [3] E. Witten, Anti de Sitter space and holography, *Adv. Theor. Math. Phys.* **2** (1998) 253 [arXiv:hep-th/9802150].
- [4] O. Aharony, S.S. Gubser, J. Maldacena, H. Ooguri and Y. Oz, Large N field theories, string theory and gravity, *Phys. Rept.* **323** (2000) 183 [arXiv:hep-th/9905111].

- [5] A. Karch and E. Katz, Adding flavor to AdS/CFT, *JHEP* **0206** (2002) 043 [arXiv:hep-th/0205236].
- [6] T. Sakai and J. Sonnenschein, Probing flavored mesons of confining gauge theories by supergravity, *JHEP* **0309** (2003) 047 [arXiv:hep-th/0305049]
- [7] J. Babington, J. Erdmenger, N.J. Evans, Z. Guralnik and I. Kirsch, Chiral symmetry breaking and pions in non-supersymmetric gauge/gravity duals, *Phys. Rev.* **D69** (2004) 066007 [arXiv:hep-th/0306018].
- [8] M. Kruczenski, D. Mateos, R.C. Myers and D.J. Winters, Towards a holographic dual of large- N_c QCD, *JHEP* **0405** (2004) 041 [arXiv:hep-th/0311270].
- [9] N.J. Evans and J.P. Shock, Chiral dynamics from AdS space, *Phys. Rev.* **D70** (2004) 046002 [arXiv:hep-th/0403279].
- [10] K. Ghoroku and M. Yahiro, Chiral symmetry breaking driven by dilaton, *Phys. Lett.* **B604** (2004) 235 [arXiv:hep-th/0408040].
- [11] D. Bak and H. U. Yee, Separation of spontaneous chiral symmetry breaking and confinement via AdS/CFT correspondence, *Phys. Rev.* **D71** (2005) 046003 [arXiv:hep-th/0412170].
- [12] M.J. Rodriguez and P. Talavera, A 1+1 field theory spectrum from M theory, arXiv:hep-th/0508058.
- [13] T. Sakai and S. Sugimoto, Low energy hadron physics in holographic QCD, *Prog. Theor. Phys.* **113** (2005) 843 [arXiv:hep-th/0412141].
- [14] T. Sakai and S. Sugimoto, More on a holographic dual of QCD, *Prog. Theor. Phys.* **114** (2006) 1083 [arXiv:hep-th/0507073].
- [15] E. Antonyan, J.A. Harvey, S. Jensen and D. Kutasov, NJL and QCD from string theory, arXiv:hep-th/0604017.
- [16] Y.h. Gao, W.s. Xu and D.f. Zeng, NGN, QCD₂ and chiral phase transition from string theory, *JHEP* **0608** (2006) 018 [arXiv:hep-th/0605138].
- [17] E. Antonyan, J.A. Harvey and D. Kutasov, The Gross-Neveu model from string theory, *Nucl. Phys.* **B776** (2007) 93 [arXiv:hep-th/0608149].

- [18] A. Basu and A. Maharana, Generalized Gross-Neveu models and chiral symmetry breaking from string theory, *Phys. Rev.* **D75** (2007) 065005 [arXiv:hep-th/0610087].
- [19] E. Antonyan, J.A. Harvey and D. Kutasov, Chiral symmetry breaking from intersecting D-branes, *Nucl. Phys.* **B784** (2007) 1 [arXiv:hep-th/0608177].
- [20] D. Gepner and S.S. Pal, Chiral symmetry breaking and restoration from holography, arXiv:hep-th/0608229.
- [21] R. Casero, E. Kiritsis and A. Paredes, Chiral symmetry breaking as open string tachyon condensation, *Nucl. Phys.* **B787** (2007) 98 [arXiv:hep-th/0702155].
- [22] K. Hashimoto, T. Hirayama and A. Miwa, Holographic QCD and pion mass, *JHEP* **0706** (2007) 020 [arXiv:hep-th/0703024].
- [23] N. Evans and E. Threlfall, Quark mass in the Sakai-Sugimoto model of chiral symmetry breaking, arXiv:0706.3285 [hep-th].
- [24] O. Bergman, S. Seki and J. Sonnenschein, Quark mass and condensate in HQCD, arXiv:0708.2839 [hep-th].
- [25] A. Dhar and P. Nag, Sakai-Sugimoto model, tachyon condensation and chiral symmetry breaking, arXiv:0708.3233 [hep-th].
- [26] K. Ghoroku, T. Sakaguchi, N. Uekusa and M. Yahiro, Flavor quark at high temperature from a holographic model, *Phys. Rev.* **D71** (2005) 106002 [arXiv:hep-th/0502088].
- [27] O. Aharony, J. Sonnenschein and S. Yankielowicz, A holographic model of deconfinement and chiral symmetry restoration, *Annals Phys.* **322** (2007) 1420 [arXiv:hep-th/0604161].
- [28] A. Parnachev and D.A. Sahakyan, Chiral phase transition from string theory, *Phys. Rev. Lett.* **97** (2006) 111601 [arXiv:hep-th/0604173].
- [29] D. Mateos, R.C. Myers and R.M. Thomson, Holographic phase transitions with fundamental matter, *Phys. Rev. Lett.* **97** (2006) 091601 [arXiv:hep-th/0605046].

- [30] K. Peeters, J. Sonnenschein and M. Zamaklar, Holographic melting and related properties of mesons in a quark gluon plasma, *Phys. Rev.* **D74** (2006) 106008 [arXiv:hep-th/0606195].
- [31] D. Mateos, R.C. Myers and R.M. Thomson, Thermodynamics of the brane, *JHEP* **0705** (2007) 067 [arXiv:hep-th/0701132].
- [32] K.Y. Kim, S.J. Sin and I. Zahed, Dense hadronic matter in holographic QCD, arXiv:hep-th/0608046.
- [33] N. Horigome and Y. Tanii, Holographic chiral phase transition with chemical potential, *JHEP* **0701** (2007) 072 [arXiv:hep-th/0608198].
- [34] A. Parnachev and D.A. Sahakyan, Photoemission with chemical potential from QCD gravity dual, *Nucl. Phys.* **B768** (2007) 177 [arXiv:hep-th/0610247].
- [35] S. Nakamura, Y. Seo, S.J. Sin and K.P. Yogendran, A new phase at finite quark density from AdS/CFT, arXiv:hep-th/0611021.
- [36] S. Kobayashi, D. Mateos, S. Matsuura, R.C. Myers and R.M. Thomson, Holographic phase transitions at finite baryon density, *JHEP* **0702** (2007) 016 [arXiv:hep-th/0611099].
- [37] D. Mateos, S. Matsuura, R.C. Myers and R.M. Thomson, Holographic phase transitions at finite chemical potential, *JHEP* **0711** (2007) 085 [arXiv:0709.1225 [hep-th]].
- [38] O. DeWolfe, D.Z. Freedman and H. Ooguri, Holography and defect conformal field theories, *Phys. Rev.* **D66** (2002) 025009 [arXiv:hep-th/0111135].
- [39] N.R. Constable, J. Erdmenger, Z. Guralnik and I. Kirsch, Intersecting D3-branes and holography, *Phys. Rev.* **D68** (2003) 106007 [arXiv:hep-th/0211222].
- [40] M. Gell-Mann, R.J. Oakes and B. Renner, Behavior of current divergences under $SU(3) \times SU(3)$, *Phys. Rev.* **175** (1968) 2195.
- [41] J. Polchinski, *String Theory. Vol. 2: Superstring Theory and Beyond* (Cambridge Univ. Press, 1998)

- [42] N. Itzhaki, J.M. Maldacena, J. Sonnenschein and S. Yankielowicz, Supergravity and the large N limit of theories with sixteen supercharges, *Phys. Rev.* **D58** (1998) 046004 [arXiv:hep-th/9802042].
- [43] S.R. Coleman, There are no Goldstone bosons in two-dimensions, *Commun. Math. Phys.* **31** (1973) 259.
- [44] D.J. Gross and A. Neveu, Dynamical symmetry breaking in asymptotically free field theories, *Phys. Rev.* **D10** (1974) 3235.
- [45] T.H.R. Skyrme, A nonlinear field theory, *Proc. Roy. Soc. Lond.* **A260** (1961) 127.
- [46] I. Zahed and G.E. Brown, The Skyrme model, *Phys. Rept.* **142** (1986) 1.
- [47] E. Witten, Anti de Sitter space, thermal phase transition, and confinement in gauge theories, *Adv. Theor. Math. Phys.* **2** (1998) 505 [arXiv:hep-th/9803131].