

Sensors **2008**, *8*, 2453-2479

sensors

ISSN 1424-8220

© 2008 by MDPI

www.mdpi.org/sensors

Review

Absorbance Based Light Emitting Diode Optical Sensors and Sensing Devices

Martina O'Toole and Dermot Diamond *

Adaptive Sensors Group, National Centre for Sensor Research, School of Chemical Sciences, Dublin City University, Dublin 9; E-mails: martina.otoole@dcu.ie; dermot.diamond@dcu.ie

* Author to whom correspondence should be addressed.

Received: 11 October 2007 / Accepted: 31 March 2008 / Published: 7 April 2008

Abstract: The ever increasing demand for *in situ* monitoring of health, environment and security has created a need for reliable, miniaturised sensing devices. To achieve this, appropriate analytical devices are required that possess operating characteristics of reliability, low power consumption, low cost, autonomous operation capability and compatibility with wireless communications systems. The use of light emitting diodes (LEDs) as light sources is one strategy, which has been successfully applied in chemical sensing. This paper summarises the development and advancement of LED based chemical sensors and sensing devices in terms of their configuration and application, with the focus on transmittance and reflectance absorptiometric measurements.

Keywords: Light emitting diodes, chemical sensors, microfluidics, optical detectors

1. Introduction

The importance of health, environment and security monitoring has increased dramatically within the past decade. This is in part due to our awareness of the effects and long term consequences of polluting the environment, the need for point of care health monitoring and also the increased possibility of chemical warfare. Typical sampling methods employ manual grab samples that are collected on site and then transported to a laboratory for analysis. These sampling methods can be very costly, time consuming and can compromise the integrity of the sample during sample collection, transport, storage and analysis [1]. Portable, robust, accurate methods of analysis are needed to achieve

monitoring such that the samples can be analysed in the field. These enable results to be available faster, at low cost and they minimise the risk of contamination by eliminating the transport of the samples [2].

The miniaturisation of analytical instruments using microfluidics is one strategy to move this concept forward [3-5]. The possibility of manipulating smaller amounts of sample volume combined with the need for faster response times has placed great demands on the corresponding detection systems [6]. The advancement in LED sources and photodetector technologies provide a solution to these issues as they are compact, low power and low cost detectors for incorporating colorimetric analytical methods into remotely deployable devices [7, 8].

Holonyak *et al.* developed the first LED in 1962 based on GaAsP layers, which emitted red light [9]. Since then LEDs have played a prominent role in optical sensors which has been reflected in the numerous review articles published to date [2, 10-15]. Significant advances in III-V nitride manufacturing processes have resulted in high power commercially available LEDs in the region of 247-1550 nm [16-20].

Figure 1. Examples of the UV-vis spectral range covered by a variety of commercially available LEDs.

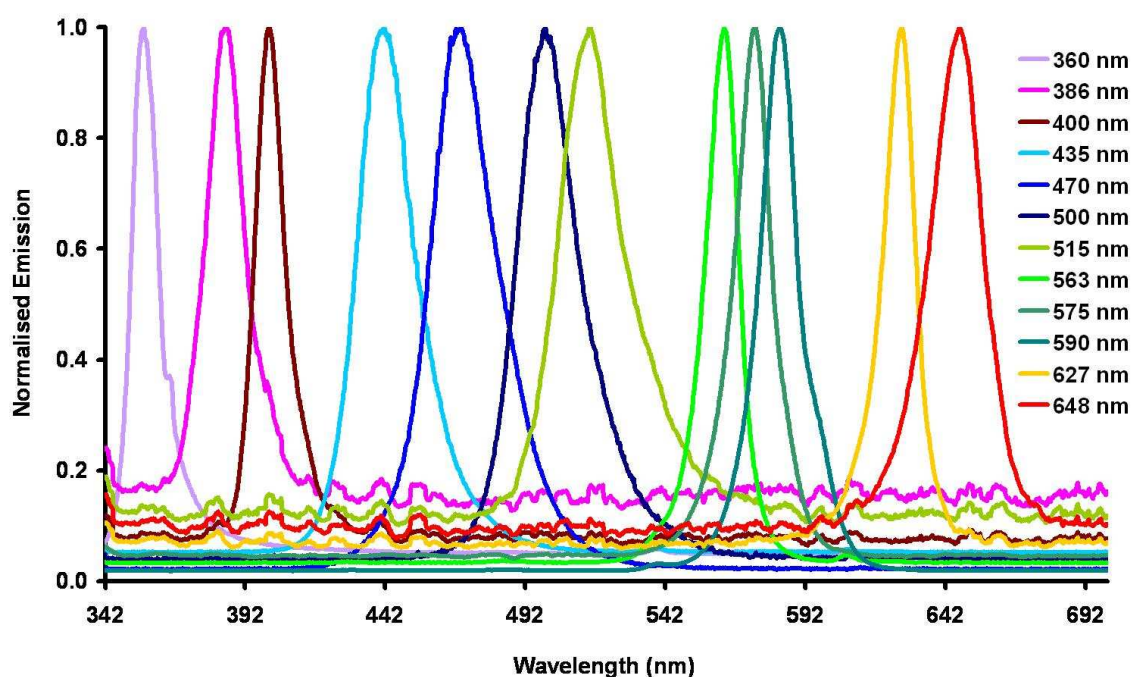


Figure 1 illustrates some of the UV-vis spectral region covered by commercially available light emitting diodes. LEDs were first applied to chemical analysis three decades ago [14]. LEDs offer a number of advantages compared to existing light sources in optoelectronic applications. These include increased lifetime, low cost, reduced power consumption, higher brightness, rugged construction, flexible configuration, enhanced spectral purity, small size, and breadth of spectral range (LEDs in the spectral range ca. 247-1550 nm are commercially available) [15].

The development of LEDs resulted in the appearance of new optical light source instrumentation such as that presented by Flaschka *et al.* (1973) [21], Anfält *et al.* (1978) [22] and Betteridge *et al.*

(1978) [23]. In this paper, we review the design and development of LED based chemical sensors and their applications in health, environment and security monitoring.

2. Detectors commonly employed with LEDs

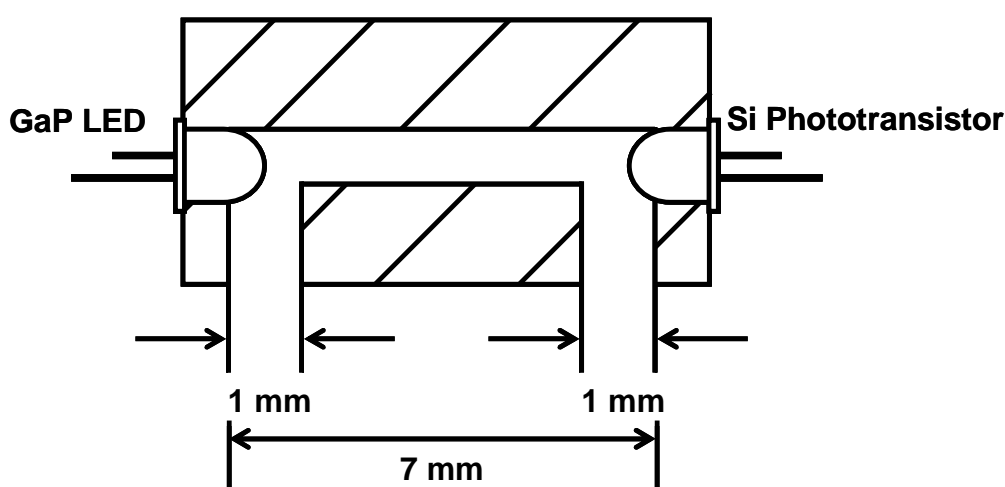
Following the trend of miniaturisation, detectors must provide high sensitivity for small detection volumes (ca. 10 nL-10 pL) and low analyte concentrations [24], in addition they must be affordable, versatile, reliable, accurate and small in size. LEDs have the ability to be coupled (for example, with waveguides or optical fibers [13, 25-28]) to a wide variety of detectors such as, photodiode-arrays (PDA) [3, 5, 29-34], photomultiplier tubes (PMT) [35-41], light dependent resistors (LDR) [42-47], phototransistors (PT) [21, 23, 48-53], photodiodes (PD) [11, 12, 54-73] and LEDs [74-85]. By far, the most common detector used in LED based chemical sensors is the photodiode.

2.1 LEDs coupled with Phototransistors as a detector

The first LED based photometer was proposed by Barnes in 1970 (as stated by Flaschka *et al.* [21]) and the concept of an LED-phototransistor (PT) photometer with a 30 cm pathlength flow through cell was realised in 1973 [11]. The PT provides current gain for the photodiode junction and thus greatly increases sensitivity [21].

Betteridge *et al.* developed the first practical LED based flow through photodetector [23]. The simple photometric detector shown in Figure 2 consisted of a gallium phosphide LED as the light source and a silicon phototransistor as the sensor. Determinations of metal ions at the part per billion levels were achieved using PAR reagent. A R.S.D. of 1.5% was obtained which was further reduced to less than 1% with lower flow rates.

Figure 2. Sectional view of the transducer cell [23]. Reproduced with permission from The Royal Society of Chemistry.



The development of this detector was applied to flow injection analysis (FIA) [86, 87]. Phototransistors typically provide 1.5-2 orders of magnitude greater current output than photodiodes albeit with a higher cost [11, 88]. Disadvantages of phototransistors include their slow response time.

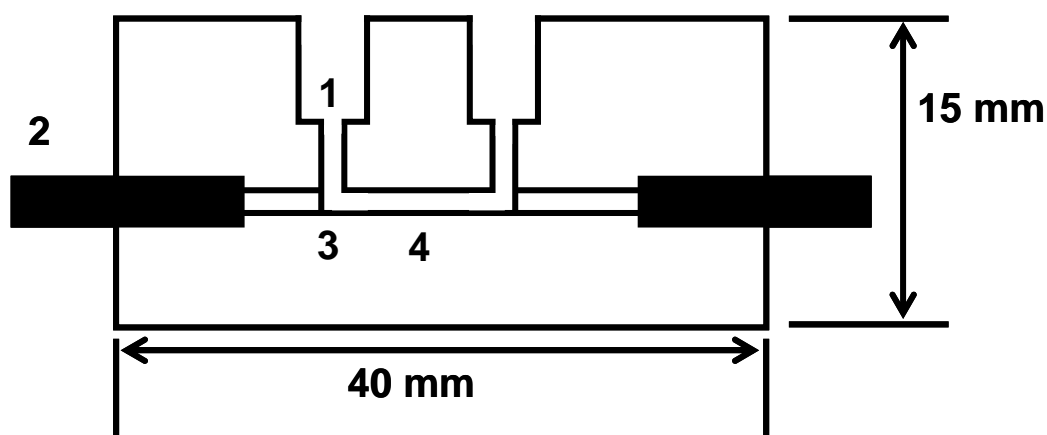
Most phototransistors will have response times measured in tens of microseconds, which is approximately 100 times slower than photodiodes. They also have the disadvantage of having small active areas and high noise levels.

2.2 LEDs coupled with Photodiodes as a detector

Anfält *et al.* reported the first LED coupled with a photodiode in 1976 [22]. They constructed a photometric probe instrument to determine the total alkalinity of seawater. The results obtained were found to be in good agreement with the reported potentiometric method with the added advantage of faster measurements.

To date one of the most commonly used detectors in photometry is the photodiode [24, 58, 61-63, 88-91]. Dasgupta *et al.* have published numerous papers on the variations and applications of this system [11, 12, 24, 64, 65, 67, 68, 88, 92-94].

Figure 3. Cross-sectional view of the transducer cell: (1) inlet/outlet, (2) fibre optic cable, (3) stripped section of the fiber optic cable, (4) optical path [57]. Reproduced with permission from Talanta.



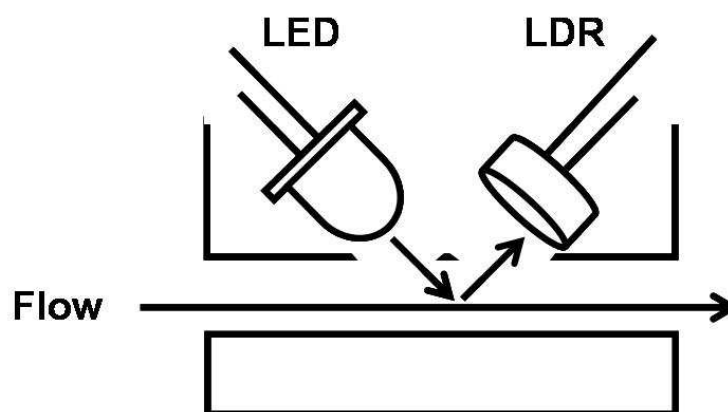
Hauser *et al.* [4, 56-58, 71] have also contributed significantly to the advancement of LEDs as a light source for analytical measurements and were the first to report the use of a blue LED as a spectroscopic source [57] coupled with a photodiode as a detector. The performance of the device was tested for commonly used spectrophotometric-based analytical methods for Cr, Mn, Zn, Fe and Cl and compared with conventional molecular absorption spectroscopy. The transducer was also investigated as a detector in flow-injection analysis. Light was coupled into the flow system using a 1 mm plastic optical fiber, allowing the opto-electronic components to be located remotely from the wet chemical part as shown in Figure 3 [57]

PDs are extremely versatile and have been employed in various configurations, such as flow through detectors in flow injection analysis (FIA) [55, 58, 86], separation systems [35, 40, 54, 95, 96] and probe photometers [22, 97-99]. PDs are popular because of their rapid response and wide linear range, which is typically three and four orders of magnitude better than PTs [10].

2.3 LEDs coupled with Light Dependent Resistors as a detector

Matias *et al.* [42] developed a simple low cost reflectometer for colorimetric diffuse reflectance measurements using a green LED as the light source and an LDR as a detector. The quantitative analysis of nickel, in a catalyst, using dimethylglyoxime as a colorimetric reagent, was used to test the device. An RSD% of ~ 6% was achieved.

Figure 4. Schematic of the proposed reflectance device. The LED and the LDR are placed, in the same plane, at a 45° angle with respect to the reflecting surface and at an angle of 90° with respect to each other. Adapted from [42].



The LED and LDR were positioned in the same plane at 45° with respect to the reflecting surface at an angle of 90° between them (Figure 4). The reflectance was measured for Ni(DMG)₂ precipitate obtained from the nickel solution. A linear range from 0-1.25 × 10⁻³ mol L⁻¹ was achieved. Tubino *et al.* also adopted this configuration for the determination of diclofenac in pharmaceutical preparations [46] and nickel [47].

LDRs while inexpensive and small in size are not commonly employed in optical sensors as they possess disadvantages of slow response times in comparison to photodiodes and they are nonlinear devices. LDRs are more ideally employed for light presence/absence detection than for accurate measurements of light intensity.

2.4 LEDs coupled with photodiode arrays as a detector

LEDs are ideal substitutes for replacing bulky, high power consuming light sources such as tungsten-halogen or deuterium lamps, which are commonly used in conjunction with photodiode array detectors in spectroscopic instrumentation. LED sources can be easily integrated with PDA detectors through fiber optics [3, 5, 29, 31, 33], waveguides [32, 100, 101] and microscope objectives [30, 34, 37].

Simplicity of use and low power consumption make LEDs a much more attractive option than tungsten lamps in microfluidic devices. With the introduction of commercially available ultraviolet (UV) LEDs in ca. 2002, Sequeira *et al.* incorporated a UV (λ_{max} 390 nm) LED as the light source and a photodiode array (Ocean Optics 2000) as the detector into a microfluidic manifold for the detection of

phosphate [3, 5] using the vanadomolybdophosphoric acid method. The UV LED was selected in preference to the tungsten lamp sources typically used due to the larger power consumption, need for filters, and bulkiness of the latter [3]. Sequeira *et al.* achieved a linear range of 0-50 mg L⁻¹ PO₄³⁻ with an R² value of 0.9958 while employing the UV LED as the light source.

The use of a PDA detector in combination with a single LED could be considered superfluous to the general requirements of small, simple, low cost, optical devices. However, there are many advantages that a multiwavelength detector can offer, even when coupled with a single LED source. For example, simultaneous reference measurements can be performed at regions of the spectrum where there is no change in absorbance to reduce effects such as drift, turbidity, baseline noise, changes in refractive index etc. In addition, the signal can be measured over a range of wavelengths where changes in absorbance are occurring. For example, in cases where two absorbing species are at equilibrium, with the equilibrium position affected by the analyte, this often manifests as two regions, one increasing while the other decreases, pivoted around an isosbestic point. For systems like this, measurements at the isosbestic point allow correction for drift, while measurements either side of the isosbestic point enable true analytical events to be validated and distinguished from artifacts. The incorporation of these additional features must always be balanced with the fact that a more complex multiwavelength detector is required along with more sophisticated software. In practice, the solution employed must be fit for purpose, but there is no doubt that the price-performance index is continuously improving, as technologies for producing fluidic manifolds with integrated computational and communications capabilities become more ubiquitous.

Collins *et al.* [30, 34] employed an LED in combination with a PDA as the detection method for a capillary electrophoresis microchip. The colorimetric, metal complexation dye, Arsenazo III, was selected for the detection of uranium (VI). A red LED (λ_{max} 660 nm) was oriented directly above the separation microchannel. Light passing through the microchannel was collected using a microscope objective, and directed through a perpendicularly oriented rectangular slit onto a 35-element PDA. One section of the PDA monitored the sample through the microchannel, while the reference measurement was taken by monitoring the light transmission through the clear glass of the microchip adjacent to the microchannel. Collins *et al.* obtained a rapid separation of UO₂²⁺ and three metal-ion interferences in less than 125 seconds. Similarly, the use of (A) a bi-colour LED coupled with a single photodiode [68], (B) two LEDs coupled with a single photodiode [73], and (C) two LEDs coupled with two photodiodes [67] have been reported. Each of these configurations have disadvantages and associated errors. Devices (A) and (B) are not feasible in fast separations such as that carried out by Collins *et al.* [30] as the two wavelengths are pulsed on/off alternatively. The fastest eluting peak in the separation was approximately 4 seconds, which would not be fully captured if pulsing on/off the LED. While device (C) addresses the issue of monitoring continuously at both the sample wavelength and the reference wavelength, error is introduced by having two separate photodiode detectors, as each detector varies and can be subject to different interferences.

The integration of low power detectors based on LEDs with microfluidic platforms that employ low-power fluidic transport strategies (e.g. using biomimetic approaches [102]) raises the prospect of small, low-cost, autonomous analytical devices that provide spatially distributed real or near real-time data for applications in environmental monitoring or emergency-disaster scenarios [103]. These devices offer many of the advantages of conventional chemo/biosensors such as fast response, with

enhanced reliability through data validation operations (as described above) coupled with the ability to correct for drift and loss of sensitivity through regular calibration. Due to the inherently small dead volumes of microfluidic manifolds (typically nL) and the use of low flow rates (low or sub $\mu\text{L}/\text{min}$), reagent consumption (and therefore waste generation) is typically very small. While these devices are not ideal in that they do require the use of reagents and flow systems, they have the potential to integrate the reliability of laboratory instruments with the fast response of conventional sensors, and increasing evidence of their use can be expected in the coming years [104].

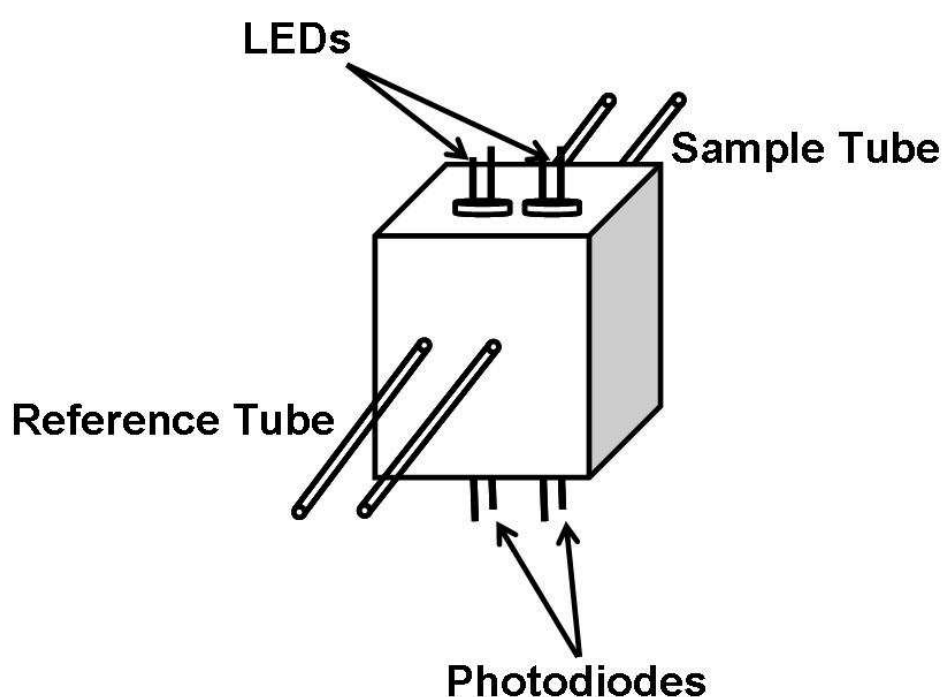
3. Configurations of LED Sensing Devices

3.1 Double Beam LED Optical Sensors

In FIA applications, a difference of refractive index (RI) between the sample and the carrier is common, which can lead to an artefact often referred to as the Schlieren effect [67]. An additional problem with detection in FIA occurs when samples exhibit turbidity. Hooley *et al.* proposed the use of an LED combined with a beam splitter and two photodiodes for the correction of drift from the light source [105]. The use of two LEDs, however, allowing for the correction of colour change, RI or turbidity [67, 68, 73, 106, 107], was first introduced by Worsfold *et al.* [66].

A flow injection manifold based on reagent injection into the sample stream was described for the determination of phosphate in natural waters. A double-beam photometric detector incorporating two LEDs at 660 nm and photodiodes enclosed in a 20 cm^3 box was employed as shown in Figure 5. The response was linear over the range $0\text{--}2000\ \mu\text{g l}^{-1}$ phosphate-phosphorus ($R^2 = 0.9992$) and a limit of detection (σ) of $12\ \mu\text{g l}^{-1}$ phosphorus was achieved.

Figure 5. Schematic of the flow cell housing made of aluminium. Adapted from [66].



The sample was pumped through the reference channel prior to the injection of reagent in order to compensate for physical changes in the sample stream (e.g. colour or turbidity). The method of monitoring two separate channels for compensation can lead to inaccuracies if the reference solution environment is not identical to the sample solution environment, for example the presence of bubbles in one channel or fluctuations in the individual LEDs.

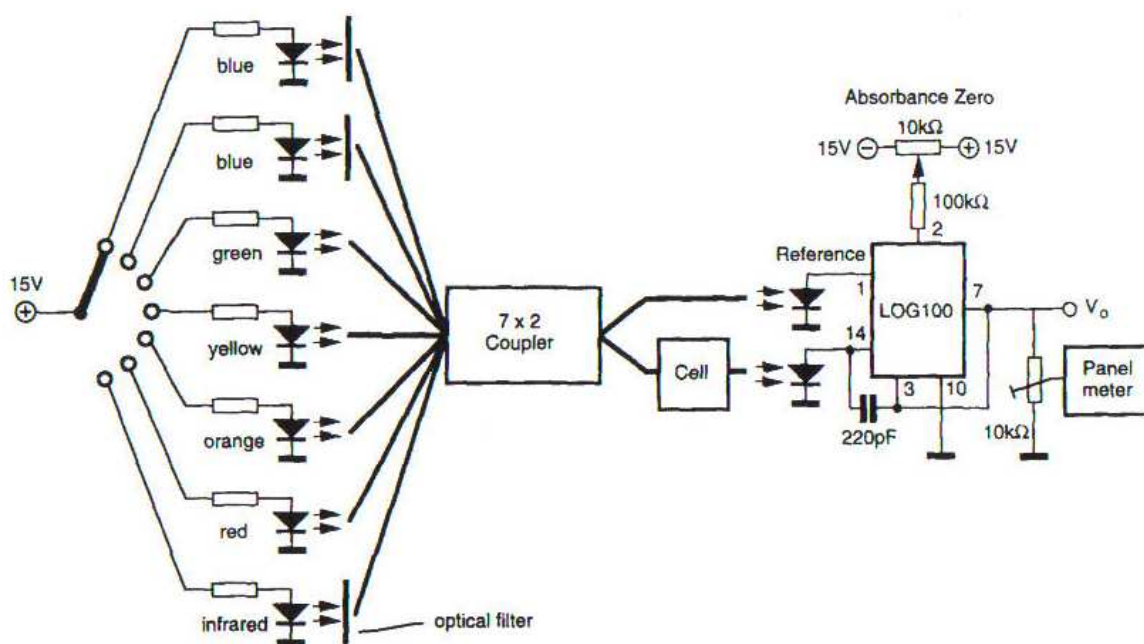
3.2 Multi - LEDs as a light source

A significant number of LED photometers are based on the use of a fixed wavelength for a predetermined application that focuses on a narrow region of the spectrum for absorbance measurements. With these devices, a change of wavelength often has to be effected by physically changing the light source. This limitation is typically caused by the difficulty in coupling light from more than one source into a single detector cell [71].

The use of a multi-LED photometers [71, 72, 108-113] allows a wide range of the electromagnetic spectrum to be covered simultaneously or individually without manually changing the LEDs.

Hauser *et al.* [71] employed a fiber optic coupler to guide the light from up to 7 LEDs into a single measuring cell. This photometer could be configured to detect Al, Cu, NH₃, Cu, Ca, chromium, phosphate and nitrite using colorimetric methods. A coupler was used to merge the light from one of the 7 input channels into 2 output fibers. One was brought to the measuring photodiode and the other was brought to the reference photodiode as shown in Figure 6.

Figure 6. The circuit diagram for the multi-LED photometer [71]. Reproduced with permission from Talanta.



3.3 Bi- / Tri- colour LEDs as a light source

The most popular type of tri-colour LED has a red and a green LED combined in one package with three leads. When both the red and green LEDs are turned on, the LED appears to be yellow.

Figure 7. Schematic of Tri-colour LED.

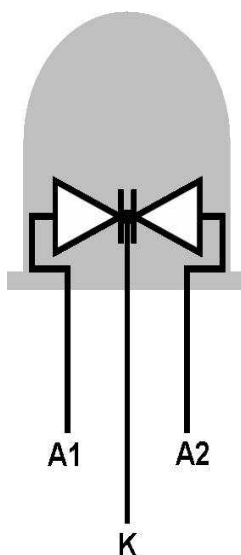


Figure 7 shows the construction of a tri-colour LED. The centre lead (K) is the common cathode for both LED diodes, the outer leads (A1 and A2) are the anodes to the LEDs allowing each one to be lit separately, or both together to give the third colour. The use of bi- / tri- colour LEDs can provide a compact rugged multi-wavelength spectrophotometer source that can facilitate multi-component analysis or detect sample artifacts such as the presence of turbidity [68-70, 114-116].

Huang *et al.* [68] investigated the use of a bi-colour LED as a light source coupled with a photodiode as a detector and calibrated the system using a series of bromothymol blue solutions. A red/green dual wavelength LED with emission maxima at 630 nm and 565 nm were used. The R^2 values of 0.9994 and 0.9999 were achieved respectively with overall R.S.D. values of 0.25% and 0.24% for red and green colours. A red/yellow bi-colour LED coupled with a FIA technique for the determination of 10^{-6} M levels of Co^{2+} was also carried out.

4. LEDs as Light Detectors

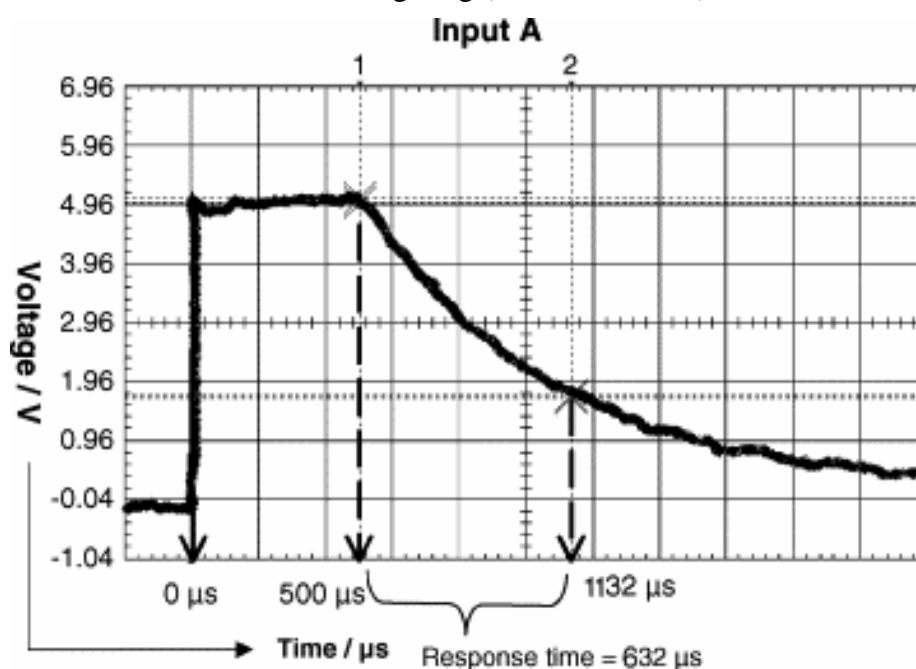
The concept of employing an LED as a light detector was first proposed by Mims III [82, 117]. Using a simple circuit that contained an operational amplifier to measure the photocurrent obtained by a reversed biased LED, the LED sensor was applied to the detection of sunlight.

Berry *et al.* applied the use of LED detectors for pH determination and heavy metal analysis. A tungsten halogen lamp was used as the light source coupled with an array of various coloured LEDs as light detectors [84]. Each LED was assembled with a separate amplifier, however Berry *et al.* determined that the blue LED required a two-stage gain to compensate for its significantly lower sensitivity. Few have adopted the use of LEDs operating as photodiodes due to the lack of sensitivity with regard to the photocurrent generated [12].

The novel use of an LED as both light source and detector for analytical applications has been developed by Lau *et al.* [74, 75]. The emitter LED is forward biased while the detector LED is reverse biased. Instead of measuring the photocurrent directly as performed by Mims III [82] and Berry [84], a simple timer circuit is used to measure the time taken for the photocurrent generated by the emitter LED to discharge the detector LED from 5 V (logic 1) to 1.7 V (logic 0) to give digital output directly without using an A/D converter or operation amplifier. This method achieves excellent sensitivity in comparison to the method of operating an LED as a photodiode (i.e. to measure directly photocurrent) [81]. A typical discharge profile of an LED with an emission λ_{\max} of 610 nm was obtained using a Fluke Scopemeter® (Fluke Corporation, WA, USA). As shown in Figure 8 the LED was charged up to 5 V for 500 μ s before being switched to discharge mode.

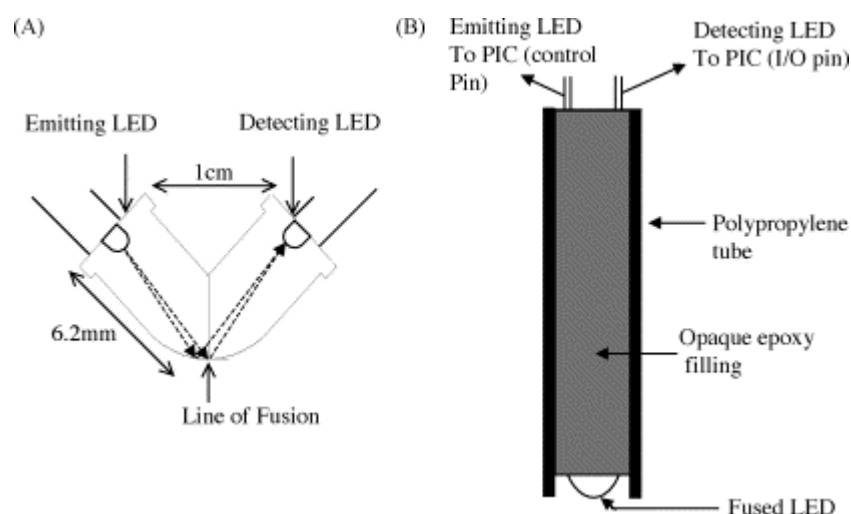
In this example, the time taken for the capacitor voltage to decay from 5 V (logic 1) to a preset voltage of 1.7 V (logic 0) is ca. 632 μ s. In practice, a voltage comparator is used to check whether the actual capacitive voltage is greater than or less than a preset threshold. Comparisons are made at fast time intervals and the number of values for which the voltage is greater than the set value is integrated over a fixed time interval (e.g. 100 μ s). This integrated number will decrease if the light density (and hence the photo-discharge current) increases, and vice-versa.

Figure 8. Typical discharge curve for an LED charged up to 5 V and then discharged to a threshold of 1.7 V under artificial lighting (fluorescent tube).



Lau *et al.* constructed a pair of fused LEDs at a 90° angle with respect to each other to form an optical probe used for colour and colour based pH measurements as shown in Figure 9. The PEDD device was used in reflectance mode and placed directly into the sample of interest. Sensor function is based on the level of light received by the detector diode, which varies with the reflectance of the interface between the device and its environment, or the chemochromic membrane that covers the LEDs [74, 78]. The sensor was successfully applied for colour based pH measurements and also colour detection of dyes.

Figure 9. Schematic of (A) fused-LEDs and (B) cross-section of the optical probe [74]. Reproduced with permission from Talanta.



Lau *et al.* also developed a multi-LED photometer as an alternative reflectance based optical sensor configuration [78]. The sensor employs an array of LEDs as the light sources, which surround the centre detector LED. This approach allowed the analysis of multiple dyes separately and as dye mixtures.

O'Toole *et al.* developed a paired emitter detector-diode (PEDD) flow cell [75, 81, 118] and applied the device as a detector in liquid chromatography [77, 80]. Under optimised conditions the PEDD detector achieved a linear range of 0.9–100 μM and an LOD of 90 nM for Mn–PAR complex. A linear range of 0.2–100 μM and an LOD of 90 nM for Co–PAR complex were achieved. All optical measurements were taken by using both the HPLC variable wavelength detector and the PEDD optical detector for data comparison. The PEDD flow cell could detect lower concentration levels of Co–PAR than that of an expensive, commercially available bench top instrument.

A distinct advantage of using the PEDD optical sensor in comparison with widely used LED-photodiode system is that the LED–LED combination is less expensive in both the cost of components (35 US cents per sensor) and the cost of the signal transduction circuitry [74]. The measuring technique employed by the PEDD device does not require a relatively expensive A/D converter as the output seen by the microprocessor is a direct pulse-duration-modulated signal. Additional advantages to the PEDD device is the size, low power consumption (can operate in microwatts range), can detect low absolute light levels, responds to a broad spectral range (247 to >900 nm) and can achieve good S/N ratio.

5. Applications of LED based chemical sensors

5.1 Health

LED based chemical sensors employed in healthcare are increasingly popular as they can be non-invasive, simple, low cost, fabricated in a variety of configurations and easy to use. They can be

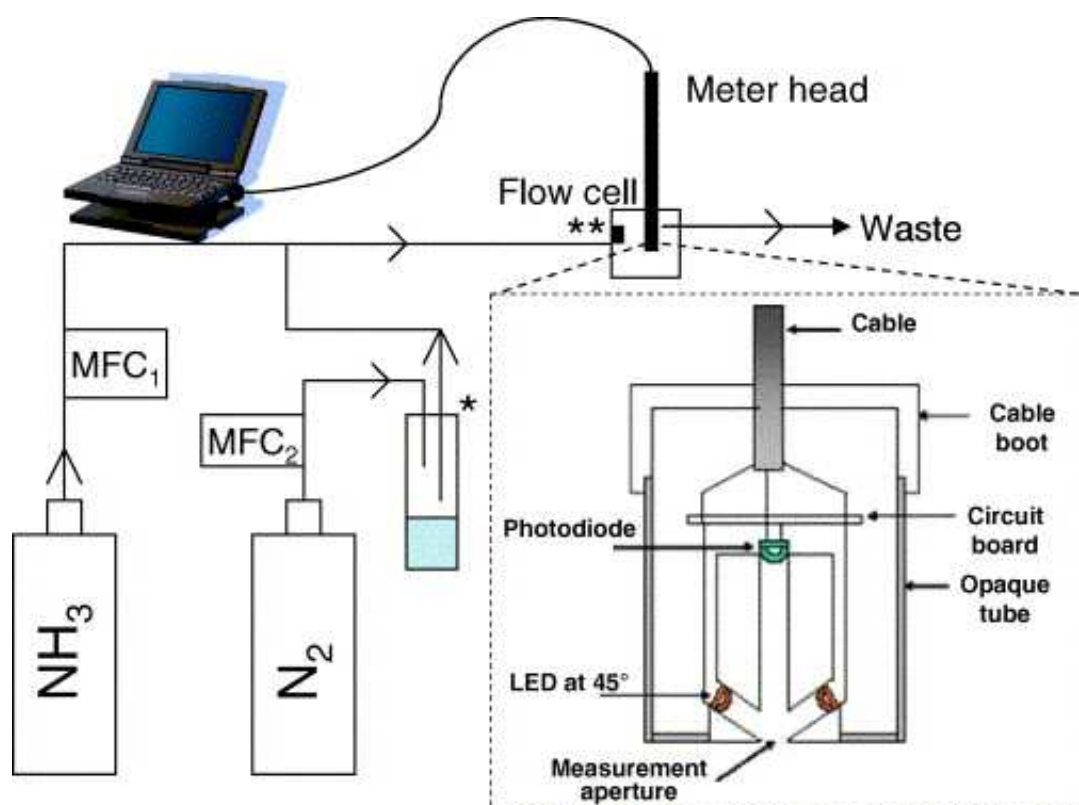
utilised to monitor our environment for sources of health risks, such as inhalation of air pollutants (examples include: particulate matter (PM) [119], pesticides [119] and volatile organic compounds (VOCs) [120]).

Sick building syndrome (SBS) is a health issue of significant importance, in which occupants of a building experience acute health effects, that seem to be related to the time spent in a building but no specific illness or cause can be identified [120]. Toluene is associated with indoor air pollutants which can cause SBS. Kawamura *et al.* developed a sensor which utilises a filter containing iodine pentoxide reagent solution which reacts with toluene gas producing a brown-coloured iodine solution. The iodine is detected by a photodetector which comprises of a light emitting diode (λ_{\max} 460 nm) and a photodiode. The photodetector could detect toluene gas in the air to a concentration of 0.05 ppm, which was below the guideline concentration value of 0.07 ppm stipulated by the WHO.

Due to outbreaks such as foot and mouth disease, chicken flu virus and bovine spongiform encephalopathy (BSE) food safety assurance is of utmost importance. LED based chemical sensors have also been applied to the monitoring of food products [97, 121, 122].

Pacquit *et al.* employed an LED based detector to monitor fish spoilage [97, 123]. The on package sensor contains the pH sensitive bromocresol green, which responds through visible change to basic volatile spoilage compounds such as trimethylamine (TMA), ammonia (NH_3) and dimethylamine (DMA) collectively referred to as Total Volatile Basic Nitrogen (TVB-N).

Figure 10. Schematic of the ammonia calibration system, MFC: mass flow controller; (*) dreschel bottle; (**) gas disperser (colorimeter: Irish patent No S2004/0542 filed on 13 August 2004) [97]. Reproduced with permission from Talanta.



The LED reflectance colorimeter employed two LEDs as the light source and a photodiode as the detector as shown in Figure 10. A linear concentration range of 0-15 ppm was achieved for the sensors response to ammonia gas.

LEDs have long been employed in non-invasive medical diagnosis [124, 125]. In 1990 Ichikawa *et al.* developed an optical system to observe tongue movements in speech production. The easily constructed photodetector consisted of two LEDs and a phototransistor [124]. In 1991 Mitrani *et al.* investigated the use of an LED detector to perform light reflection rheography (LRR), which allows the diagnosis of deep vein thrombosis (DVT) [125].

Teshima *et al.* employed an LED based liquid core waveguide (LCW) absorbance detector for the measurement of gaseous acetone in human breath. Monitoring breath acetone can be useful to follow patients on a prescribed diet regimen as well as to monitor diabetic patients. The detection chemistry was based on the reaction of acetone with alkaline salicylaldehyde to form a coloured product, which absorbs in the blue and can be monitored with GaN based LEDs (λ_{\max} 465 nm) [126].

5.2 Security

The detection of explosives and explosive related illicit materials is an important area for preventing terrorist activities and for monitoring their adverse effects on health [127]. Continuous monitoring of explosives is preferred as it offers rapid warning. Identification and quantification of explosives is of utmost importance in forensics, antiterrorist activities and the detection of mines [127, 128].

2,4,6-trinitrotoluene (TNT) explosive can readily enter groundwater supplies and poses a health risk to humans even at very low concentrations of parts per billion in groundwater. Pamula *et al.* employed a droplet based microfluidic lab-on-a-chip utilising electrowetting for the detection of TNT [129]. The colorimetric reaction between nitroaromatics and a strong base which formed a highly coloured *Jackson-Meisenheimer* complex was detected using an LED-PD system. A linear range of 4-20 $\mu\text{g mL}^{-1}$ for the detection of TNT was achieved using this method.

Lu *et al.* [40] demonstrated a capillary electrophoresis (CE) microchip for the separation and colorimetric detection of three trinitroaromatic explosives (1,3,5-trinitrotoluene (TNT), 1,3,5-trinitrobenzene (TNB) and 2,4,6-trinitrophenyl-*N*-methylnitramine (tetryl)) in seawater. Detection was based on the chemical reaction of bases, such as hydroxide or methoxide ions with trinitroaromatic compounds to form red derivatives, which have a strong absorption band in the region of 500 nm. The sensor employed for the detection of the trinitroaromatic explosives consisted of a green LED (λ_{\max} 505 nm) as the light source and a miniature, red-shifted photomultiplier tube as the detector. By coupling the microchip separation with solid phase extraction (SPE) LODs of 0.34, 0.25 and 0.19 $\mu\text{g L}^{-1}$ were achieved for TNT, TNB and tetryl respectively.

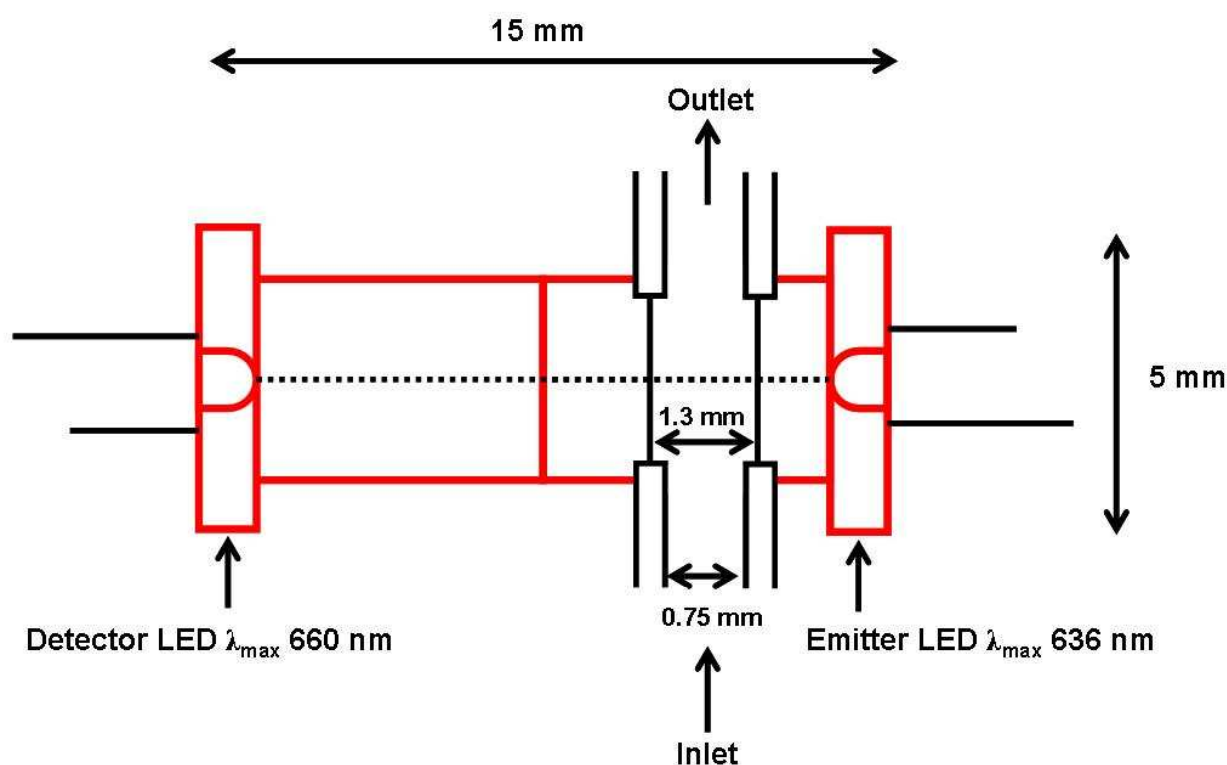
Biological warfare agents require rapid and very sensitive virus detection and identification, if a biosensor is to provide protection [130]. LEDs have allowed the development of highly sensitive, portable instruments such as that designed by Higgins *et al.* [131]. The handheld advanced nucleic acid analyser (HANAA), which utilised two LEDs, successfully detected DNA extracted from colonies of *B. anthracis*, cultured from spores obtained from mail rooms contaminated during the anthrax bioterror event in Washington, DC area in 2001.

5.3 Environment

LEDs have been employed in a wide variety of chemical sensors for environmental monitoring, due to their many advantageous characteristics, as previously mentioned. Common analytes of interest for these LED based chemical sensors are nitrate/nitrite, ammonia, phosphorus, cations/metals and anions (Table 1). Worsfold *et al.* have successfully employed LED based chemical sensors for *in situ* monitoring of a variety of analytes with particular focus on phosphate [10, 66, 132-134] and nitrate/nitrite/ammonia [55, 134-137].

O'Toole *et al.* applied a paired emitter-detector diode (PEDD) to the detection of phosphate using the malachite green spectrophotometric method [81]. A red LED (λ_{\max} at 636 nm) was used as the emitter as the emission spectrum of the LED efficiently overlapped with the absorbance spectra of phosphate malachite green complex. A red LED (λ_{\max} at 660 nm) was employed as the detector. Under optimised conditions the PEDD detector obtained a linear range of 0.02–2 μM PO_4 and an LOD of 2 nM PO_4 . A low cost LED-photodiode detector was investigated to compare its performance with that of the PEDD. A linear range of 2–10 μM PO_4 and a significantly higher LOD of 2 μM PO_4 was determined using this comparative LED-photodiode detector.

Figure 11. A schematic of the integrated PEDD flow analysis device used for colorimetric detection.



6. Conclusions

From this review, it is clear that LED based chemical sensors and sensing devices have a broad range of applicability within the areas of health, security and environment. Even though it might appear that LED based chemical sensors have reached a plateau with regard to their novelty and use

this is not the case. LED based chemical sensors have not yet been used and exploited to anything like their full capacity. In addition to the advantages mentioned previously, LEDs are increasingly available in smaller packages (e.g. surface mount), lower cost, high efficiency, and availability at increasingly lower wavelengths (now available down to 210 nm). This latter characteristic is important for opening up analytical applications in spectral regions that currently require the use of deuterium lamps, such as the direct detection of many organic species.

These continuing improvements will in turn facilitate the development of portable, autonomous, low-cost analytical devices and optical sensors that will open up new applications, for example, in environmental monitoring, where, for the first time, it will become feasible to consider the dense deployment of large numbers of sensors to monitor a wide variety of important analytical targets over a large spatial area. Clearly LEDs will continue to be an increasingly important building block for future analytical devices and optical sensors.

Acknowledgements

The Authors wish to thank Science Foundation Ireland SFI for grant support under the Adaptive Information Cluster Award (SFI 03/IN3/1361).

Table 1. Examples of LED based chemical sensors applications for environmental monitoring. LED = light emitting diode, PD = photodiode, PT = phototransistor, PMT = photomultiplier tube, PDA = photodiode array.

Analyte	Chemical Basis for Detection	Detection Sensor	LOD	Reference
Phosphorus				
Total phosphorus	Ascorbic acid reduction of phosphomolybdate	LED (λ_{\max} 880 nm)-PD	$\leq 10 \mu\text{g L}^{-1}$	[65]
Total phosphorus	Phosphomolybdenum blue	LED (λ_{\max} 635 nm)-PD	0.15 mg P L^{-1}	[138]
Dissolved reactive phosphorus	Molybdophosphate blue	LED (Red)-PD	$0.1 \mu\text{g P L}^{-1}$	[60]
Filterable reactive phosphate	Phosphomolybdenum blue	LED (λ_{\max} 650 nm)-PD	$0.15 \mu\text{M}$	[132]
Reactive phosphate	Ascorbic acid reduction of phosphomolybdate	LED (λ_{\max} 660 nm)-PD	$12 \mu\text{g L}^{-1} \text{ P}$	[66]
Reactive phosphate	Phosphomolybdenum blue	LED (λ_{\max} 652 nm)-PD	$3 \mu\text{g L}^{-1} \text{ P}$	[133]
Orthophosphate	Phosphomolybdenum blue	LED (λ_{\max} 700 nm)-PD	$0.7 \text{ ppb } (\text{PO}_4^{3-})$	[89]
Orthophosphate	Yellow vanamolybdophosphoric acid	LED (λ_{\max} 390 nm)-PDA	$5 \text{ ppm } (\text{PO}_4^{3-})$	[3]
Phosphate	Molybdenum blue	LED (λ_{\max} 820 nm)-PT	$0.5 \text{ mg L}^{-1} (\text{P})$	[56]
Orthophosphate	Malachite Green Reaction	LED (λ_{\max} 621 nm)- LED (λ_{\max} 660 nm)	$2 \text{ nM } (\text{PO}_4^{3-})$	[81]
Nitrate				
NO_3^-	Griess reaction	LED (λ_{\max} 560 nm)-PD	$15 \mu\text{g L}^{-1}$	[116]
NO_3^-	Griess reaction	LED (λ_{\max} 526 nm)-PDA	$0.51 \mu\text{M } (\text{NO}_3^-)$	[31]
NO_3^-	Griess reaction	LED (λ_{\max} 565 nm)-PD	$24 \mu\text{g L}^{-1} (\text{NO}_3\text{-N})$	[55]

NO ₃ ⁻	Griess reaction	LED (λ_{\max} 540 nm)-PT	30 $\mu\text{g L}^{-1}$ (NO ₃ ⁻)	[50]
NO ₃ ⁻	Griess reaction	LED (λ_{\max} 540 nm)-PD	2.8 $\mu\text{g L}^{-1}$ (N)	[135]
Nitrite				
NO ₂ ⁻	Griess reaction	LED (λ_{\max} 560 nm)-PD	5 $\mu\text{g L}^{-1}$	[116]
NO ₂ ⁻	Griess reaction	LED (λ_{\max} 526 nm)-PDA	0.2 μM	[29]
NO ₂ ⁻	Griess reaction	LED (λ_{\max} 525 nm)-PD	4 μM	[58]
NO ₂ ⁻	Griess reaction	LED (λ_{\max} 540 nm)-PT	18 $\mu\text{g L}^{-1}$ (NO ₂ ⁻)	[50]
NO _x	Griess reaction	LED (λ_{\max} 540 nm)-PD	1.4 $\mu\text{g L}^{-1}$ (N)	[136]
Ammonia				
NH ₄ ⁺	Indophenol blue reaction	LED (λ_{\max} 660 nm)-PD	25 $\mu\text{g L}^{-1}$	[116]
NH ₄ ⁺	Reaction with (NaOH, cresol red and thymol blue)	LED (λ_{\max} 605 nm)-PT	0.5 mg L ⁻¹ (N)	[56]
NH ₄ ⁺	Bromocresol green	LED (λ_{\max} 590 nm)-PD		[97]
Metals/Cations				
Cd (II) and Pb(II)	Malachite green-iodide method	LED (λ_{\max} 621 nm)-LED (λ_{\max} 621 nm)	5 ng mL ⁻¹ (Cd ²⁺) 20 ng mL ⁻¹ (Pb ²⁺)	[79]
Uranium	AIII metal complexes	LED (λ_{\max} 660 nm)-PDA	383 ppb (UO ₂ ²⁺)	[30]
Co (II) and Mn (II)	PAR complexes	LED (λ_{\max} 540 nm)-PMT	450 ppb (Co ²⁺) 1.3 ppm (Mn ²⁺)	[30]
Al and Zn	Xylenol orange	LED (λ_{\max} 563 nm)-PD	0.2 $\mu\text{g L}^{-1}$ (Al) 0.2 $\mu\text{g L}^{-1}$ (Zn)	[59]
Fe (II)	Phenanthroline in ammonium acetate	LED (λ_{\max} 525 nm)-PD	33 μM	[58]
Cr	Oxidation to dichromate with periodate	LED (λ_{\max} 460 nm)-PD	6 ppm	[57]
Mn	Formaldehyde method	LED (λ_{\max} 460 nm)-PD	0.2 ppm	[57]
Zn	PAR complex	LED (λ_{\max} 460 nm)-PD	0.02 ppm	[57]
Fe	Phenanthroline method	LED (λ_{\max} 460 nm)-PD	0.4 ppm	[57]
Cu, Pb, Zn, Ni, Co, Cd,	PAR complexes	LED (λ_{\max} 550 nm)-PD	320, 47, 79, 230, 5.4,	[54]

Fe and Mn			10, 24 and 33 ng mL ⁻¹	
Cd, Pb, Co and Ni	5-Br-PAPS	LED (λ_{\max} 570 nm)-PMT	6, 1.8, 0.15 and 0.48 $\mu\text{g L}^{-1}$	[41]
Co, V, Ni, Cu, Fe, Mn and Cd	PAR complexes	LED (λ_{\max} 540 nm)-PMT	0.47, 0.97, 0.40, 0.41, 1, 1.15, 0.54 ppm	[35]
Co and Cd	PAR complexes	LED (λ_{\max} 565 nm)-PT	0.6 ppb (Co)	[86]
Ba, Ca, Mg, Ni and Cu	EDTA metal complexes	LED (λ_{\max} 460 nm)-PMT	11.9, 5.5, 8.3, 3.7 and 6.6 μM	[36]
As (III) and As (V)	Arsenomolybdate method	LED (λ_{\max} 565 nm)-PD	4 $\mu\text{g L}^{-1}$ As(t)	[139]
V	PAR	LED (λ_{\max} 568 nm)-Waters Quanta 4000 capillary electrophoresis system	19 ppb	[140]
Ni	Hexamine complex	LED (λ_{\max} 950 nm)-PD		[141]
Fe (II)	Ferrozine method	LED (λ_{\max} 565 nm)-PD	0.1 μM	[142]
Mn and Co	PAR	LED (λ_{\max} 500 nm)- LED (λ_{\max} 621 nm)	90 nM Mn and Co	[77]
Anions				
Cl ⁻ , NO ₃ ⁻ , SO ₄ ²⁻ , F ⁻ , PO ₄ ³⁻	Chromate-diethanolamine background electrolyte	LED (λ_{\max} 379.5 nm)-Waters CIA	5, 9, 14, 3 and 5 $\mu\text{g L}^{-1}$	[95]
Cl ⁻	Thiocyanate method	LED (λ_{\max} 525 nm)-PD	158 μM	[58]
Cl ⁻	Thiocyanate method	LED (λ_{\max} 460 nm)-PD	0.2 ppm	[57]
Lactate, butyrate, salicylate, propionate, acetate, phosphate, formate and citrate	EDTA anion complexes	LED (λ_{\max} 460 nm)-PMT	13.7, 12.1, 14.5, 4.7, 4.7, 12.8, 14.6 and 7.6 μM	[36]

References

1. Ho, C.K.; Robinson, A.; Miller, D.R.; Davis, M.J. Overview of sensors and needs for environmental monitoring. *Sensors* **2005**, *5*, 4-37.
2. Marle, L.; Greenway, G.M. Microfluidic devices for environmental monitoring. *Trends in Analytical Chemistry* **2005**, *24*, 795-802.
3. Sequeira, M.; Bowden, M.; Minogue, E.; Diamond, D. Towards autonomous environmental monitoring systems. *Talanta* **2002**, *56*, 355-363.
4. Schawarz, M.A.; Hauser, P.C. Recent developments in detection methods for microfabricated analytical devices. *Lab on a chip* **2001**, *1*, 1-6.
5. Bowden, M.; Diamond, D. The determination of phosphorus in a microfluidic manifold demonstrating long-term reagent lifetime and chemical stability utilising a colorimetric method. *Sensors and Actuators B: Chemical* **2003**, *90*, 170-174.
6. Gotz, S.; Karst, U. Recent developments in optical detection methods for microchip separations. *Analytical Bioanalytical Chemistry* **2007**, *387*, 183-192.
7. Sequeira, M.; Diamond, D.; Daridon, A.; Lichtenberg, J.; Verpoorte, S.; Rooij, N.F.D. Progress in the realisation of an autonomous environmental monitoring device for ammonia. *Trends in Analytical Chemistry* **2002**, *21*, 816-827.
8. Diamond, D. Internet-Scale Sensing. *Analytical Chemistry* **2004**, *76*, 279A-286A.
9. Holonyak Jr., N.; Bevaqua, S.F. Coherent (visible) light emission from Ga(As_{1-x}P_x) junctions. *Applied Physics Letters* **1962**, *1*, 82-83.
10. Trojanowicz, M.; Worsfold, P.J.; Clinch, J.R. Solid-state photometric detectors for flow injection analysis. *Trends in Analytical Chemistry* **1988**, *7*, 301-305.
11. Liu, H.; Dasgupta, P.K.; Zheng, H.J. High performance optical absorbance detectors based on low noise switched integrators. *Talanta* **1993**, *40*, 1331-1338.
12. Dasgupta, P.K.; Bellamy, H.S.; Liu, H.; Lopez, J.L.; Loree, E.L.; Morris, K.; Petersen, K.; Mir, K.A. Light emitting diode based flow-through optical absorption detectors. *Talanta* **1993**, *40*, 53-74.
13. Taib, M.N.; Narayanaswamy, R. Solid-state Instruments for Optical Fibre Chemical Sensors. *The Analyst* **1995**, *120*, 1617-1625.
14. Dasgupta, P.K.; Eom, I.-Y.; Morris, K.J.; Li, J. Light emitting diode-based detectors: Absorbance, fluorescence and spectroelectrochemical measurements in a planar flow-through cell. *Analytica Chimica Acta* **2003**, *500*, 337-364.
15. Kovac, J.; Peternai, L.; Lengyel, O. Advanced light emitting diodes structures for optoelectronic applications. *Thin Solid Films* **2003**, *433*, 22-26.
16. Zukauskas, A.; Shur, M.S.; Gaska, R. *Introduction to Solid-State Lighting*: John Wiley & Sons, Inc., 2002.
17. Taniyasu, Y.; Kasu, M.; Makimoto, T. An aluminium nitride light-emitting diode with a wavelength of 210 nanometres. *Nature* **2006**, *441*, 325-328.
18. Kuo, J.S.; Kuyper, C.L.; Allen, P.B.; Fiorini, G.S.; Chiu, D.T. High-power blue/UV light-emitting diodes as excitation sources for sensitive detection. *Electrophoresis* **2004**, *25*, 3796-3804.

19. <http://www.roithner-laser.com/>.
20. <http://www.s-et.com/>.
21. Flaschka, H.; McKeithan, C.; Barnes, R. Light emitting diodes and phototransistors in photometric modules. *Analytical Letters* **1973**, *6*, 585-594.
22. Anfalt, T.; Graneli, A.; Strandberg, M. Probe photometer based on optoelectronic components for the determination of total alkalinity in seawater. *Analytical Chemistry* **1976**, *48*, 357-360.
23. Betteridge, D.; Dagless, E.L.; Fields, B.; Graves, N.F. A highly sensitive flow-through phototransducer for unsegmented continuous-flow analysis demonstrating high-speed spectrophotometry at the parts per 10⁹ level and a new method of refractometric determinations. *The Analyst* **1978**, *103*, 897-908.
24. Boring, C.B.; Dasgupta, P.K. An affordable high-performance optical absorbance detector for capillary systems. *Analytica Chimica Acta* **1997**, *342*, 123-132.
25. Dasgupta, P.K.; Genfa, Z.; Poruthoor, S.K.; Caldwell, S.; Dong, S.; Liu, S.-Y. High-Sensitivity Gas Sensors Based on Gas-Permeable Liquid Core Waveguides and Long-Path Absorbance Detection. *Analytical Chemistry* **1998**, *70*, 4661-4669.
26. Toda, K.; Yoshioka, K.-I.; Ohira, S.-I.; Li, J.; Dasgupta, P.K. Trace Gas Measurement with an Integrated Porous Tube Collector/Long-Path Absorbance Detector. *Analytical Chemistry* **2003**, *75*, 4050-4056.
27. Galanis, S.; Dasgupta, P.K. Measurement of parts per million levels of potassium hydroxide in polyether polyol streams. *Analytica Chimica Acta* **2001**, *429*, 101-110.
28. Samanta, G.; Boring, C.B.; Dasgupta, P.K. Continuous Automated Measurement of Hexavalent Chromium in Airborne Particulate Matter. *Analytical Chemistry* **2001**, *73*, 2034-2040.
29. Greenway, G.M.; Haswell, S.J.; Petsul, P.H. Characterisation of a micro-total analytical system for the determination of nitrite with spectrophotometric detection. *Analytica Chimica Acta* **1999**, *387*, 1-10.
30. Collins, G.E.; Lu, Q. Radionuclide and metal ion detection on a capillary electrophoresis microchip using LED absorbance detection. *Sensors and Actuators B: Chemical* **2001**, *76*, 244-249.
31. Petsul, P.H.; Greenway, G.M.; Haswell, S.J. The development of an on-chip micro-flow injection analysis of nitrate with a cadmium reductor. *Analytica Chimica Acta* **2001**, *428*, 155-161.
32. White, B.J.; Harmon, H.J. Optical solid-state detection of organophosphates using organophosphorus hydrolase. *Biosensors and Bioelectronics* **2005**, *20*, 1977-1983.
33. Ferrer, L.; de Armas, G.; Miro, M.; Estela, J.M.; Cerda, V. A multisyringe flow injection method for the automated determination of sulfide in waters using a miniaturised optical fiber spectrophotometer. *Talanta* **2004**, *64*, 1119-1126.
34. Collins, G.E.; Lu, Q. Microfabricated capillary electrophoresis sensor for uranium (VI). *Analytica Chimica Acta* **2001**, *436*, 181-189.
35. Lu, Q.; Collins, G.E. Microchip separations of transition metal ions via LED absorbance detection of their PAR complexes. *The Analyst* **2001**, *126*, 429-432.

36. Chen, S.-J.; Chen, M.-J.; Chang, H.-T. Light-emitting diode-based indirect fluorescence detection for simultaneous determination of anions and cations in capillary electrophoresis. *Journal of Chromatography A* **2003**, *1017*, 215-224.
37. Collins, G.E.; Lu, Q.; Pereira, N.; Wu, P. Long pathlength, three-dimensional absorbance microchip. *Talanta* **2007**, *72*, 301-304.
38. Schmidt, W. A high performance micro-dual-wavelength-spectrophotometer (MDWS). *Journal of biochemical and biophysical methods* **2004**, *58*, 15-24.
39. Zhang, T.; Fang, Q.; Wang, S.-L.; Qin, L.-F.; Wang, P.; Wu, Z.-Y.; Fang, Z.-L. Enhancement of signal-to-noise level by synchronized dual wavelength modulation for light emitting diode fluorimetry in a liquid-core-waveguide microfluidic capillary electrophoresis system. *Talanta* **2005**, *68*, 19-24.
40. Lu, Q.; Collins, G.E.; Smith, M.; Wang, J. Sensitive capillary electrophoresis microchip determination of trinitroaromatic explosives in nonaqueous electrolyte following solid phase extraction. *Analytica Chimica Acta* **2002**, *469*, 253-260.
41. Deng, G.; Collins, G.E. Nonaqueous based microchip separation of toxic metal ions using 2-(5-bromo-2-pyridylazo)-5-(N-propyl-N-sulfopropylamino)phenol. *Journal of Chromatography A* **2003**, *989*, 311-316.
42. Matias, F.A.A.; Vila, M.M.D.C.; Tubino, M. A simple device for quantitative colorimetric diffuse reflectance measurements. *Sensors and Actuators B: Chemical* **2003**, *88*, 60-66.
43. Sombatsompop, N.; Intawong, N.-S.; Intawong, N.-T. Design and construction of photoconductive light pressure sensor for highly viscous fluids. *Sensors and Actuators A: Physical* **2002**, *102*, 76-82.
44. Schrodle, S.; Buchner, R.; Kunz, W. Automated apparatus for the rapid determination of liquid-liquid and solid-liquid phase transitions. *Fluid Phase Equilibria* **2004**, *216*, 175-182.
45. Lau, K.-T.; Shepherd, R.; Diamond, D.; Diamond, D. Solid State pH Sensor Based on Light Emitting Diodes (LED) As Detector Platform. *Sensors* **2006**, *6*, 848-859.
46. Tubino, M.; de Souza, R.L. Determination of diclofenac in pharmaceutical preparations by diffuse reflectance photometry. *Talanta* **2006**, *68*, 776-780.
47. Tubino, M.; Queiroz, C.A.R. Flow injection visible diffuse reflectance quantitative analysis of nickel. *Analytica Chimica Acta* **2006**, *In Press*.
48. Johnson, K.S.; Beehler, C.L.; Sakamoto-Arnold, C.M. A submersible flow analysis system. *Analytica Chimica Acta* **1986**, *179*, 245-257.
49. Betteridge, D.; Cheng, W.C.; Dagless, E.L.; David, P.; Goad, T.B.; Deans, D.R.; Newton, D.A.; Pierce, T.B. An automated viscometer based on high-precision flow injection analysis. *The Analyst* **1983**, *108*, 1-16.
50. Feres, M.A.; Reis, B.F. A downsized flow set up based on multicommutation for the sequential photometric determination of iron(II)/iron(III) and nitrite/nitrate in surface water. *Talanta* **2005**, *68*, 422-428.
51. Tan, A.; Huang, J.; Geng, L.; Xu, J.; Zhao, X. A multi-channel photometric detector for multi-component analysis in flow injection analysis. *Journal of Automatic Chemistry* **1994**, *16*, 71-73.
52. Trojanowicz, M.; Augustyniak, W.; Hulanicki, A. Photometric flow-injection measurements with flow-cell employing light emitting diodes. *Microchimica Acta* **1984**, *83*, 17-25.

53. Santos, S.R.B.D.; Araujo, M.C.U.D.; Barbosa, R.A. An automated FIA system to determine alcoholic grade in beverages based on Schlieren effect measurements using an LED-photocolorimeter. *The Analyst* **2002**, *127*, 324-327.
54. Schmidt, G.J.; W. Scott, R.P. Simple and sensitive ion chromatograph for trace metal determination. *The Analyst* **1984**, *109*, 997-1002.
55. Clinch, J.R.; Worsfold, P.J.; Casey, H. An automated spectrophotometric field monitor for water quality parameters: Determination of nitrate. *Analytica Chimica Acta* **1987**, *200*, 523-531.
56. Hauser, P.C.; Tan, S.S.; Cardwell, T.J.; Cattrall, R.W.; Hamilton, I.C. Versatile manifold for the simultaneous determination of ions in flow injection analysis. *The Analyst* **1988**, *113*, 1551-1555.
57. Hauser, P.C.; Chiang, D.W.L. A photometric detector based on a blue light-emitting diode. *Talanta* **1993**, *40*, 1193-1200.
58. Rainelli, A.; Stratz, R.; Schweizer, K.; Hauser, P.C. Miniature flow-injection analysis manifold created by micromilling. *Talanta* **2003**, *61*, 659-665.
59. Trojanowicz, M.; Szpunar-Lobinska, J. Simultaneous flow-injection determination of aluminium and zinc using LED photometric detection. *Analytica Chimica Acta* **1990**, *230*, 125-130.
60. Freeman, P.R.; McKelvie, I.D.; Hart, B.T.; Cardwell, T.J. Flow-injection technique for the determination of low levels of phosphorus in natural waters. *Analytica Chimica Acta* **1990**, *234*, 409-416.
61. Chediak, J.A.; Luo, Z.; Seo, J.; Cheung, N.; Lee, L.P.; Sands, T.D. Heterogeneous integration of CdS filters with GaN LEDs for fluorescence detection microsystems. *Sensors and Actuators A: Physical* **2004**, *111*, 1-7.
62. Yamada, A.; Sakuraba, M.; Murota, J. Integration of Si p-i-n diodes for light emitter and detector with optical waveguides. *Materials Science in Semiconductor Processing* **2005**, *8*, 435-438.
63. Park, J.M.; Shon, O.J.; Hong, H.-G.; Kim, J.S.; Kim, Y.; Lim, H.B. Development of a microchip metal ion sensor using dinitro-azocalix[4]azacrown. *Microchemical Journal* **2005**, *80*, 139-144.
64. Sonne, K.; Dasgupta, P.K. Simultaneous photometric flow-injection determination of sulfide, polysulfide, sulfite, thiosulfate, and sulfate. *Analytical Chemistry* **1991**, *63*, 427-432.
65. Dong, S.; Dasgupta, P.K. Automated determination of total phosphorus in aqueous samples. *Talanta* **1991**, *38*, 133-137.
66. Worsfold, P.J.; Clinch, J.R.; Casey, H. Spectrophotometric field monitor for water quality parameters: The Determination of Phosphate. *Analytica Chimica Acta* **1987**, *197*, 43-50.
67. Liu, H.; Dasgupta, P.K. Dual-wavelength photometry with light emitting diodes. Compensation of refractive index and turbidity effects in flow-injection analysis. *Analytica Chimica Acta* **1994**, *289*, 347-353.
68. Huang, J.; Liu, H.; Tan, A.; Xu, J.; Zhao, X. A dual-wavelength light-emitting diode based detector for flow-injection analysis process analysers. *Talanta* **1992**, *39*, 589-592.
69. Gros, N. Spectrometer with microreaction chamber and tri-colour light emitting diode as a light source. *Talanta* **2004**, *62*, 143-150.
70. Gros, N. A new type of a spectrometric microtitration set up. *Talanta* **2005**, *65*, 907-912.
71. Hauser, P.C.; Rupasinghe, T.W.T.; Cates, N.E. A multi-wavelength photometer based on light-emitting diodes. *Talanta* **1995**, *42*, 605-612.

72. Fonseca, A.; Raimundo, J.; Ivo M. A multichannel photometer based on an array of light emitting diodes for use in multivariate calibration. *Analytica Chimica Acta* **2004**, *522*, 223-229.
73. Suzuki, A.; Kondoh, J.; Matsui, Y.; Shiokawa, S.; Suzuki, K. Development of novel optical waveguide surface plasmon resonance (SPR) sensor with dual light emitting diodes. *Sensors and Actuators B: Chemical* **2005**, *106*, 383-387.
74. Lau, K.T.; Baldwin, S.; Shepherd, R.L.; Dietz, P.H.; Yerzunis, W.S.; Diamond, D. Novel fused-LEDs devices as optical sensors for colorimetric analysis. *Talanta* **2004**, *63*, 167-173.
75. O'Toole, M.; Lau, K.-T.; Diamond, D. Photometric detection in flow analysis systems using integrated PEDDs. *Talanta* **2005**, *66*, 1340-1344.
76. Lau, K.-T.; Baldwin, S.; O'Toole, M.; Shepherd, R.; Yerazunis, W.J.; Izuo, S.; Ueyama, S.; Diamond, D. A low-cost optical sensing device based on paired emitter-detector light emitting diodes. *Analytica Chimica Acta* **2006**, *557*, 111-116.
77. O'Toole, M.; Lau, K.-T.; Schazmann, B.; Shepherd, R.; Nesterenko, P.N.; Paull, B.; Diamond, D. Novel Integrated Paired Emitter Detector Diode as a Miniaturized Photometric Detector in HPLC. *The Analyst* **2006**, *131*, 938-943.
78. Lau, K.-T.; Yerazunis, W.S.; Shepherd, R.L.; Diamond, D. Quantitative colorimetric analysis of dye mixtures using an optical photometer based on LED array. *Sensors and Actuators B: Chemical* **2006**, *114*, 819-825.
79. Lau, K.T.; McHugh, E.; Baldwin, S.; Diamond, D. Paired emitter-detector light emitting diodes for the measurement of lead(II) and cadmium(II). *Analytica Chimica Acta* **2006**, *569*, 221-226.
80. Barron, L.; Nesterenko, P.N.; Diamond, D.; O'Toole, M.; Lau, K.-T.; Paull, B. Low pressure ion chromatography with a low cost paired emitter-detector diode based detector for the determination of alkaline earth metals in water samples. *Analytica Chimica Acta* **2006**, *577*, 32-37.
81. O'Toole, M.; Lau, K.-T.; Shepherd, R.; Slater, C.; Diamond, D. Determination of Phosphate using a Highly Sensitive Paired Emitter-Detector Diode Photometric Detector. *Analytica Chimica Acta* **2007**, *597*, 290-294.
82. Mims III, F.M. Sun photometer with light emitting diode as spectrally selective detectors. *Applied Optics* **1992**, *31*, 6965-6967.
83. Acharya, Y.B.; Jayaraman, A.; Ramachandran, S.; Subbaraya, B.H. Compact light-emitting-diode sun photometer for atmospheric optical depth measurements. *Applied Optics* **1995**, *34*, 1209-1214.
84. Berry, R.J.; Harris, J.E.; Williams, R.R. Light-Emitting Diodes as Sensors for Colorimetric Analyses. *Applied Spectroscopy* **1997**, *51*, 1521-1524.
85. Eiichi, M.; Shin, I.; Tsutomu, A. Using a light-emitting diode as a high-speed, wavelength selective photodetector. *Review of Scientific Instruments* **1998**, *69*, 3751-3754.
86. Betteridge, D. Flow Injection Analysis. *Analytical Chemistry* **1978**, *50*, 832A-846A.
87. Betteridge, D.; Sly, T.J.; Wade, A.P.; Porter, D.G. Versatile automatic development system for flow injection analysis. *Analytical Chemistry* **1986**, *58*, 2258-2265.
88. Jambunathan, S.; Dasgupta, P.K.; Wolcott, D.K.; Marshall, G.D.; Olson, D.C. Optical fiber coupled light emitting diode based absorbance detector with a reflective flow cell. *Talanta* **1999**, *50*, 481-490.

89. Daykin, R.N.C.; Haswell, S.J. Development of a micro flow injection manifold for the determination of orthophosphate. *Analytica Chimica Acta* **1995**, *313*, 155-159.
90. Carroll, M.K.; Conboy, M.; Murfin, A.; Tyson, J.F. Solid-state microprocessor-controlled detector for doublet peak measurements in flow-injection analysis. *Analytica Chimica Acta* **1994**, *295*, 143-149.
91. Johns, C.; Macka, M.; Haddad, P.R. Design and performance of a light-emitting diode detector compatible with a commercial capillary electrophoresis instrument. *Electrophoresis* **2004**, *25*, 3145-3152.
92. Liu, S.; Dasgupta, P.K. Liquid Droplet. A Renewable Gas Sampling Interface. *Analytical Chemistry* **1995**, *67*, 2042-2049.
93. Cardoso, A.A.; Dasgupta, P.K. Analytical Chemistry in a Liquid Film/Droplet. *Analytical Chemistry* **1995**, *67*, 2562-2566.
94. Liu, H.; Dasgupta, P.K. A Renewable Liquid Droplet as a Sampler and a Windowless Optical Cell. Automated Sensor for Gaseous Chlorine. *Analytical Chemistry* **1995**, *67*, 4221-4228.
95. King, M.; Paull, B.; Haddad, P.R.; Macka, M. Performance of a simple UV LED light source in the capillary electrophoresis of inorganic anions with indirect detection using a chromate background electrolyte. *The Analyst* **2002**, *127*, 1564-1567.
96. Kuban, P.; Guchardi, R.; Hauser, P.C. Trace-metal analysis with separation methods. *Trends in Analytical Chemistry* **2005**, *24*, 192-198.
97. Pacquit, A.; Lau, K.T.; McLaughlin, H.; Frisby, J.; Quilty, B.; Diamond, D. Development of a volatile amine sensor for the monitoring of fish spoliage. *Talanta* **2006**, *69*, 515-520.
98. Artur, D.; Wojciech, W.; Janusz, M.; Ryszard, S.R.; Zbigniew, B. Fiber optic probe for monitoring of drinking water, presented at Chemical, Biochemical and Environmental Fiber Sensors IX, Munich, 1997.
99. Dybko, A.; Wroblewski, W.; Rozniecka, E.; Pozniakb, K.; Maciejewski, J.; Romaniuk, R.; Brzozka, Z. Assessment of water quality based on multiparameter fiber optic probe. *Sensors and Actuators B: Chemical* **1998**, *51*, 208-213.
100. Smardzewski, R.R. Multi-element optical waveguide sensor: General concept and design. *Talanta* **1988**, *35*, 95-101.
101. Li, Q.; Morris, K.J.; Dasgupta, P.K.; Raimundo, I.M.; Temkin, H. Portable flow-injection analyzer with liquid-core waveguide based fluorescence, luminescence, and long path length absorbance detector. *Analytica Chimica Acta* **2003**, *479*, 151-165.
102. Ramirez-Garcia, S.; Diamond, D. Biomimetic, low power pumps based on soft actuators. *Sensors and Actuators A* **2007**, *135*, 229-235.
103. Ramirez-Garcia, S.; Diamond, D. Internet-scale Sensing: Are Biomimetic Approaches the Answer? *Journal of Intelligent Material Systems and Structures* **2007**, *18*, 159-164.
104. Diamond, D.; Lau, K.T.; Brady, S.; Cleary, J. Integration of analytical measurements and wireless communications—Current issues and future strategies. *Talanta* **2007**, *In Press*, *Corrected Proof*.
105. Hooley, D.J.; Dessy, R.E. Continuous flow kinetic techniques in flow injection analysis. *Analytical Chemistry* **1983**, *55*, 313-320.

106. Zagatto, E.A.G.; Arruda, M.A.Z.; Jacintho, A.O.; Mattos, I.L. Compensation of the schlieren effect in flow-injection analysis by using dual-wavelength spectrophotometry. *Analytica Chimica Acta* **1990**, *234*, 153-160.
107. Eom, I.-Y.; Dasgupta, P.K. Frequency-selective absorbance detection: Refractive index and turbidity compensation with dual-wavelength measurement. *Talanta* **2006**, *69*, 906-913.
108. Beach, J.M. A LED light calibration source for dual-wavelength microscopy. *Cell Calcium* **1997**, *21*, 63-68.
109. Schnable, J.G.; Grochowski, P.J.; Wilhelm, L.; Harding, C.; Kiefer, M.; Orr, R.S. Portable LED-array VIS-NIR spectrophotometer/nephelometer. *Field Analytical Chemistry and Technology* **1998**, *2*, 21-28.
110. Suzuki, Y.; Hori, H.; Iwatsuki, M.; Yamane, T. A four-wavelength channel absorbance detector with a light emitting diode-fiber optics assembly for simplifying the flow-injection analysis system. *Analytical Sciences* **2003**, *19*, 1025-1028.
111. Cantrell, K.M.; Ingle, J.D. The SLIM Spectrometer. *Analytical Chemistry* **2003**, *75*, 27-35.
112. Zude, M.; Birlouez-Aragon, I.; Paschold, P.-J.; Rutledge, D.N. Non-invasive spectrophotometric sensing of carrot quality from harvest to consumption. *Postharvest Biology and Technology* **2007**, *In Press, Corrected Proof*.
113. Fonseca, A.; Raimundo Jr, I.M. A simple method for water discrimination based on an light emitting diode (LED) photometer. *Analytica Chimica Acta* **2007**, *596*, 66-72.
114. Gros, N.A novel type of tri-colour light-emitting-diode-based spectrometric detector for low-budget flow-injection analysis. *Sensors* **2007**, *7*, 166-184.
115. Yang, P.K.; Chen, J.C.; Chuang, Y.H. Improvement on reflective color measurement using a tri-color LED by multi-point calibration. *Optics Communications* **2007**, *272*, 320-324.
116. Rocha, F.R.P.; Reis, B.F. A flow system exploiting multicommutation for speciation of inorganic nitrogen in waters. *Analytica Chimica Acta* **2000**, *409*, 227-235.
117. Mims III, F.M. How to monitor ultraviolet radiation from the sun. *Scientific American* **1990**, *263*, 106-109.
118. Riley, M.R.; Jordan, K.A.; Cox, M.L. Development of a cell-based sensing device to evaluate toxicity of inhaled materials. *Biochemical Engineering journal* **2004**, *19*, 95-99.
119. Kawamura, K.; Vestergaard, M.d.; Ishiyama, M.; Nagatani, N.; Hashiba, T.; Tamiya, E. Development of a novel hand-held toluene gas sensor: Possible use in the prevention and control of sick building syndrome. *Measurement* **2006**, *39*, 490-496.
120. Smiddy, M.; Papkovskaia, N.; Papkovsky, D.B.; Kerry, J.P. Use of oxygen sensors for the non-destructive measurement of the oxygen content in modified atmosphere and vacuum packs of cooked chicken patties; impact of oxygen content on lipid oxidation. *Food Research International* **2002**, *35*, 577-584.
121. Firstenberg-Eden, R.; Shelef, L.A. A new rapid automated method for the detection of *Listeria* from environmental swabs and sponges. *International Journal of Food Microbiology* **2000**, *56*, 231-237.
122. Pacquit, A.; Frisby, J.; Diamond, D.; Lau, K.T.; Farrell, A.; Quilty, B.; Diamond, D. Development of a smart packaging for the monitoring of fish spoilage. *Food Chemistry* **2007**, *102*, 466-470.

123. Ichikawa, T.; Horiuchi, M.; Ichiba, H.; Matsumoto, N. Trial production and application of an optical system for measuring the movements of organs composed of soft tissue. *The Journal of Prosthetic Dentistry* **1990**, *64*, 227-231.
124. Mitrani, A.A.; Gonzalez, M.L.; O'Connell, M.T.; Guerra, J.; Harwood, R.B.; Gardner, L.B. Detection of clinically suspected deep vein thrombosis using light reflection rheography. *The American Journal of Surgery* **1991**, *161*, 646-650.
125. Teshima, N.; Li, J.; Toda, K.; Dasgupta, P.K. Determination of acetone in breath. *Analytica Chimica Acta* **2005**, *535*, 189-199.
126. Singh, S. Sensors-An effective approach for the detection of explosives. *Journal of Hazardous Materials* **2007**, *In Press*.
127. Lee, R.S.; Aldis, D.F.; Garrett, D.W.; Lai, F.S. Improved diagnostics for determination of minimum explosive concentration, ignition energy and ignition temperature of dusts. *Powder Technology* **1982**, *31*, 51-62.
128. Pamula, V.K.; Svinivasan, V.; Chakrapani, H.; Fair, R.B.; Toone, E.J. A droplet-based lab-on-a-chip for coloflometric detection of nitroaromatic explosives, presented at Micro Electro Mechanical Systems, 2005. , 2005.
129. Koch, S.; Wolf, H.; Danapel, C.; Feller, K.A. Optical flow-cell multichannel immunosensor for the detection of biological warfare agents. *Biosensors and Bioelectronics* **2000**, *14*, 779-784.
130. Higgins, J.A.; Nasarabadi, S.; Karns, J.S.; Shelton, D.R.; Cooper, M.; Gbakima, A.; Koopman, R.P. A handheld real time thermal cyler for bacterial pathogen detection. *Biosensors and Bioelectronics* **2003**, *18*, 115-1123.
131. Lyddy-Meaney, A.J.; Ellis, P.S.; Worsfold, P.J.; Butler, E.C.V.; McKelvie, I.D. A compact flow injection analysis system for surface mapping of phosphate in marine waters. *Talanta* **2002**, *58*, 1043-1053.
132. Ellis, P.S.; Lyddy-Meaney, A.J.; Worsfold, P.J.; McKelvie, I.D. Multi-reflection photometric flow cell for use in flow injection analysis of estuarine waters. *Analytica Chimica Acta* **2003**, *499*, 81-89.
133. Blundell, N.J.; Worsfold, P.J.; Casey, H.; Smith, S. The design and performance of a portable, automated flow injection monitor for the in-situ analysis of nutrients in natural waters. *Environmental International* **1995**, *21*, 205-209.
134. Gardolinski, P.C.F.C.; David, A.R.J.; Worsfold, P.J. Miniature flow injection analyser for laboratory, shipboard and in situ monitoring of nitrate in estuarine and coastal waters. *Talanta* **2002**, *58*, 1015-1027.
135. David, A.R.J.; McCormack, T.; Morris, A.W.; Worsfold, P.J. A submersible flow injection-based sensor for the determination of total oxidised nitrogen in coastal waters. *Analytica Chimica Acta* **1998**, *361*, 63-72.
136. Andrew, K.N.; Worsfold, P.J.; Comber, M. On-line flow injection monitoring of ammonia in industrial liquid effluents. *Analytica Chimica Acta* **1995**, *314*, 33-43.
137. Benson, R.L.; McKelvie, I.D.; Hart, B.T.; Truong, Y.B.; Hamilton, I.C. Determination of total phosphorus in waters and wastewaters by on-line UV/thermal induced digestion and flow injection analysis. *Analytica Chimica Acta* **1996**, *326*, 29-39.

138. Dasgupta, P.K.; Huang, H.; Zhang, G.; Cobb, G.P. Photometric measurement of trace As(III) and As(V) in drinking water. *Talanta* **2002**, *58*, 153-164.
139. Vachirapatama, N.; Macka, M.; Haddad, P.R. Separation and determination of vanadium in fertiliser by capillary electrophoresis with light-emitting diode detector. *Analytical Bioanalytical Chemistry* **2002**, *374*, 1082-1085.
140. Hauser, P.C.; Rupasinghe, T.W.T.; Lucas, C.C.; McClure, A. Process monitor for an ammoniacal nickel solution employing an infrared light-emitting diode and a log-ratio amplifier. *The Analyst* **1995**, *120*, 2635-2638.
141. Chapin, T.P.; Jannasch, H.W.; Johnson, K.S. In situ osmotic analyzer for the year-long continuous determination of Fe in hydrothermal systems. *Analytica Chimica Acta* **2002**, *463*, 265-274.