



US008323182B2

(12) **United States Patent**  
**Manohara et al.**

(10) **Patent No.:** **US 8,323,182 B2**  
(45) **Date of Patent:** **Dec. 4, 2012**

(54) **ENDOSCOPE AND SYSTEM AND METHOD OF OPERATION THEREOF**

(76) Inventors: **Harish M. Manohara**, Arcadia, CA (US); **Anna Liao**, Montrose, CA (US); **Youngsam Bae**, Gardena, CA (US); **Hrayr Karnig Shahinian**, Beverly Hills, CA (US)

5,984,939	A *	11/1999	Yoon .....	606/170
6,050,939	A *	4/2000	Pak Wai .....	600/248
6,916,286	B2 *	7/2005	Kazakevich .....	600/173
7,553,277	B2 *	6/2009	Hoefig et al. ....	600/173
7,621,869	B2 *	11/2009	Ratnakar .....	600/173
2002/0049367	A1 *	4/2002	Irion et al. ....	600/173
2006/0247495	A1 *	11/2006	Bacher et al. ....	600/106
2007/0249932	A1	10/2007	Shahinian	

**OTHER PUBLICATIONS**

(\*) Notice: Subject to any disclaimer, the term of this patent is extended or adjusted under 35 U.S.C. 154(b) by 979 days.

P. Breedveld and M. Wentink, "Eye—hand coordination in laparoscopy—an overview of experiments and supporting aids," *Min Invas Ther & Allied Technol* 2001: 155-162, 10(3).

Keijirou Itakura, et al., "A 1-mm 50 k-Pixel IT CCD Image Sensor for Miniature Camera System," *IEEE Transactions on Electron Devices*, Jan. 2000, 65-70, vol. 47, No. 1.

Jacques Duparré, et al., "Thin compound-eye camera," *Applied Optics*, May 20, 2005, 2949-2956, vol. 44, No. 15.

Jun Tanida, et al., "Color imaging with an integrated compound imaging system," *Optics Express*, Sep. 8, 2003, 2019-2117, vol. 11, No. 18.

Jun Tanida, et al., "Thin observation module by bound optics (TOMBO): concept and experimental verification," *Applied Optics*, Apr. 10, 2001, 1806-1813, vol. 40, No. 11.

(21) Appl. No.: **12/338,984**

(22) Filed: **Dec. 18, 2008**

(65) **Prior Publication Data**  
US 2009/0187072 A1 Jul. 23, 2009

**Related U.S. Application Data**

(60) Provisional application No. 61/008,033, filed on Dec. 18, 2007, provisional application No. 61/127,496, filed on May 14, 2008.

(51) **Int. Cl.**  
**A61B 1/06** (2006.01)  
**A61B 1/04** (2006.01)  
**A61B 1/00** (2006.01)

*Primary Examiner* — Linda C Dvorak  
*Assistant Examiner* — Alireza Nia  
(74) *Attorney, Agent, or Firm* — Thorne & Halajian, LLP

(52) **U.S. Cl.** ..... **600/173; 600/131; 600/149; 600/166; 600/111**

(58) **Field of Classification Search** ..... **600/105, 600/137, 173, 174, 189, 111, 129, 130, 139, 600/141, 142, 149, 164, 166, 170, 171, 175–176**  
See application file for complete search history.

(57) **ABSTRACT**

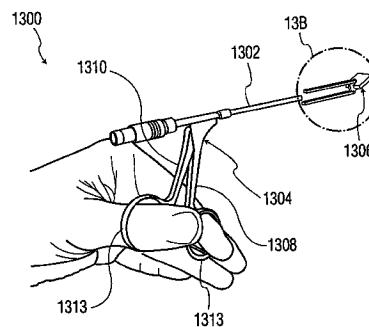
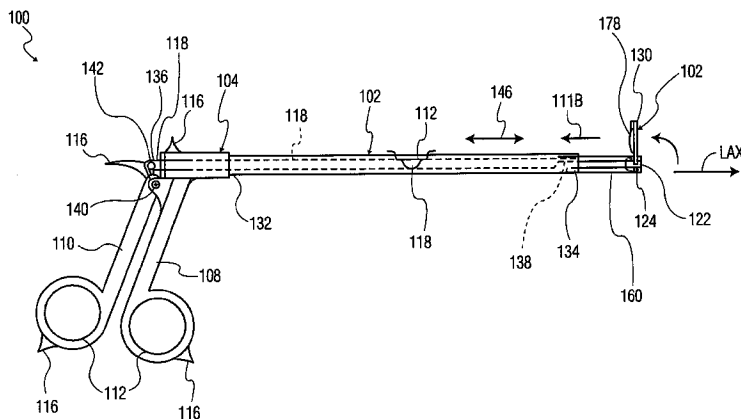
An endoscope including a rigid section having opposed first and second ends and an opening situated between the first and second ends, the rigid section defining a longitudinal axis; a handle portion coupled to a first end of the rigid section and having first and second scissor-type handles suitable for grasping by a user; and a base part situated at the second end of the rigid section and coupled to the first handle of the scissor-type handles such that displacement of the first handle causes a rotation of the base part.

(56) **References Cited**

**U.S. PATENT DOCUMENTS**

3,870,037	A *	3/1975	Cadariu et al. ....	600/189
5,827,323	A *	10/1998	Klieman et al. ....	606/205

**20 Claims, 23 Drawing Sheets**



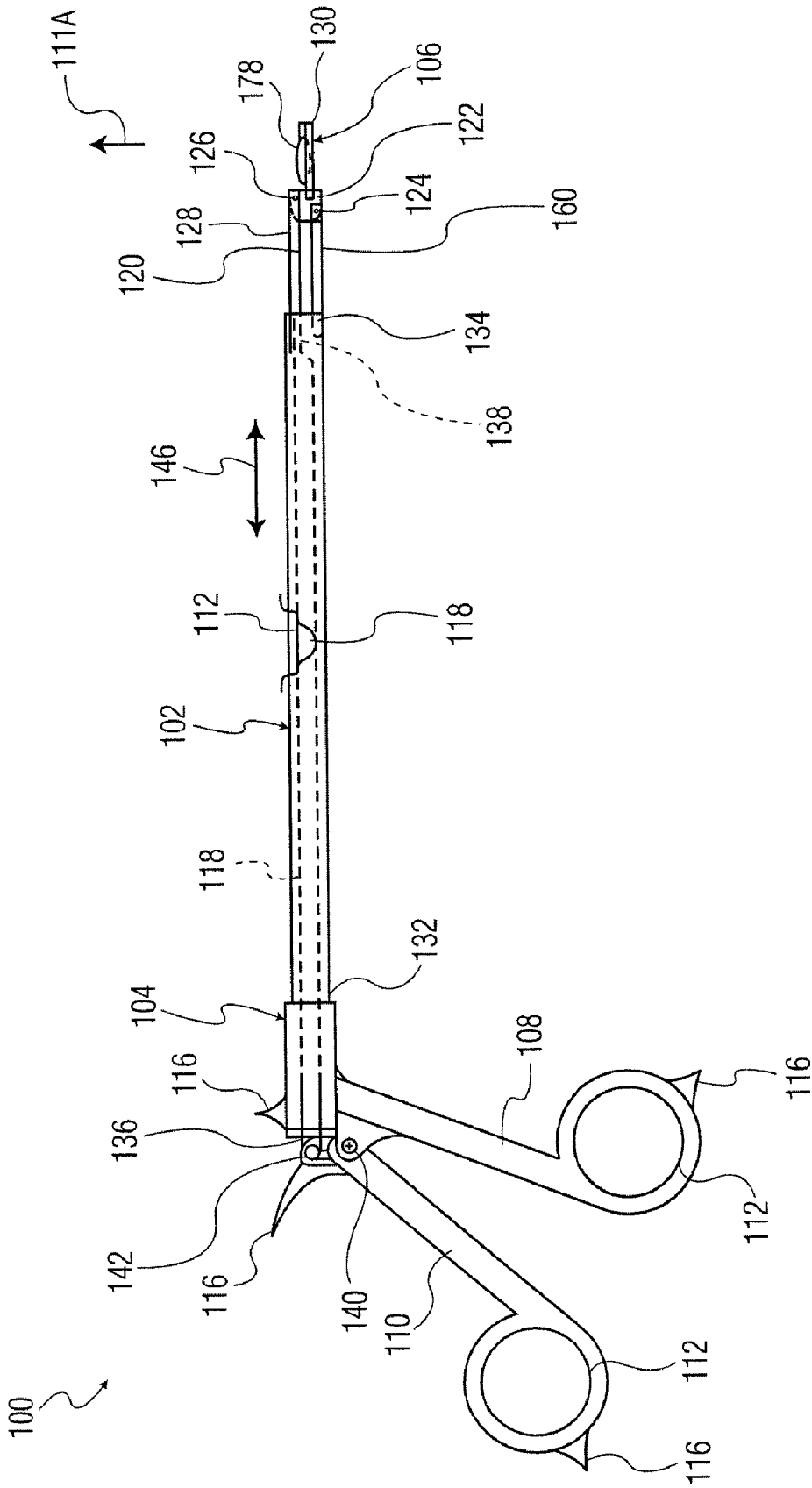


FIG. 1A

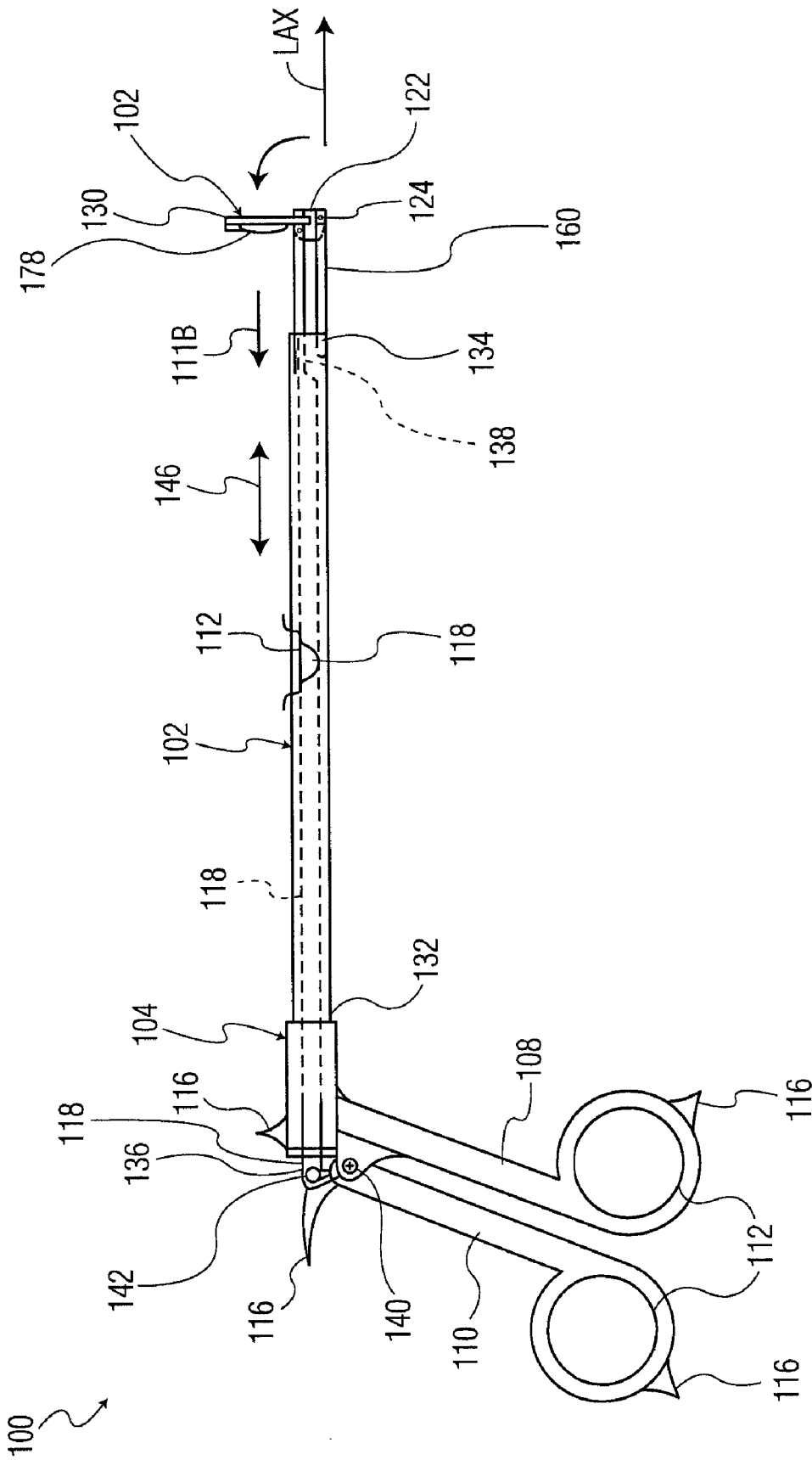


FIG. 1B

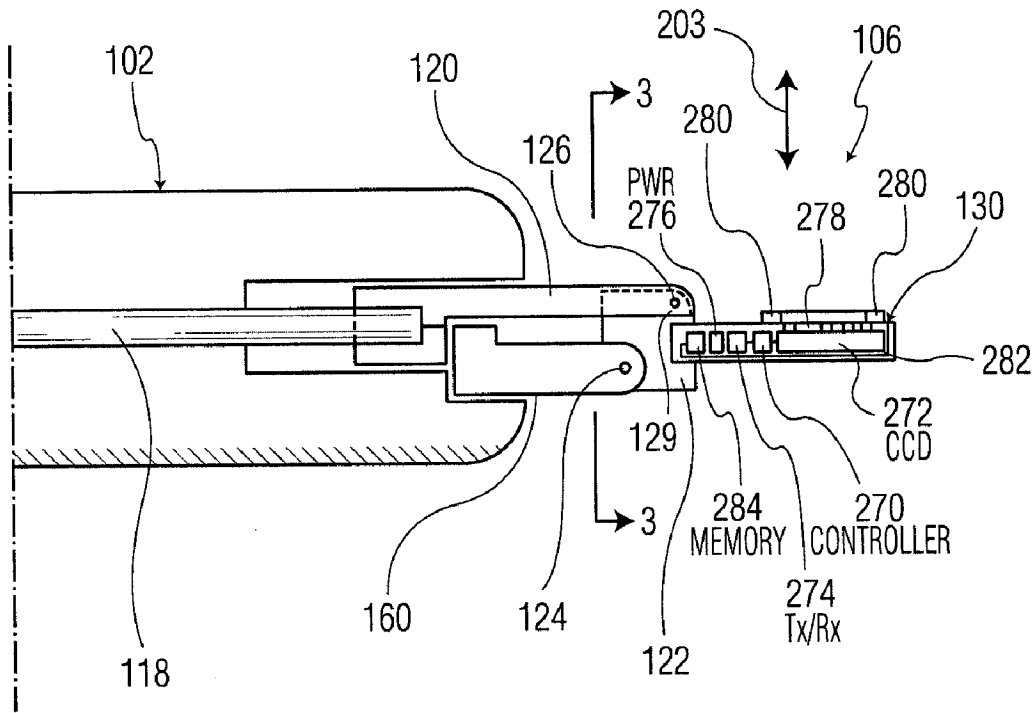


FIG. 2

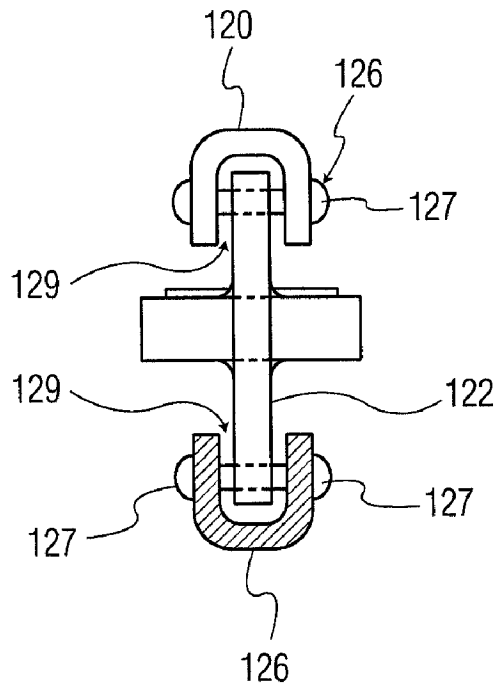


FIG. 3

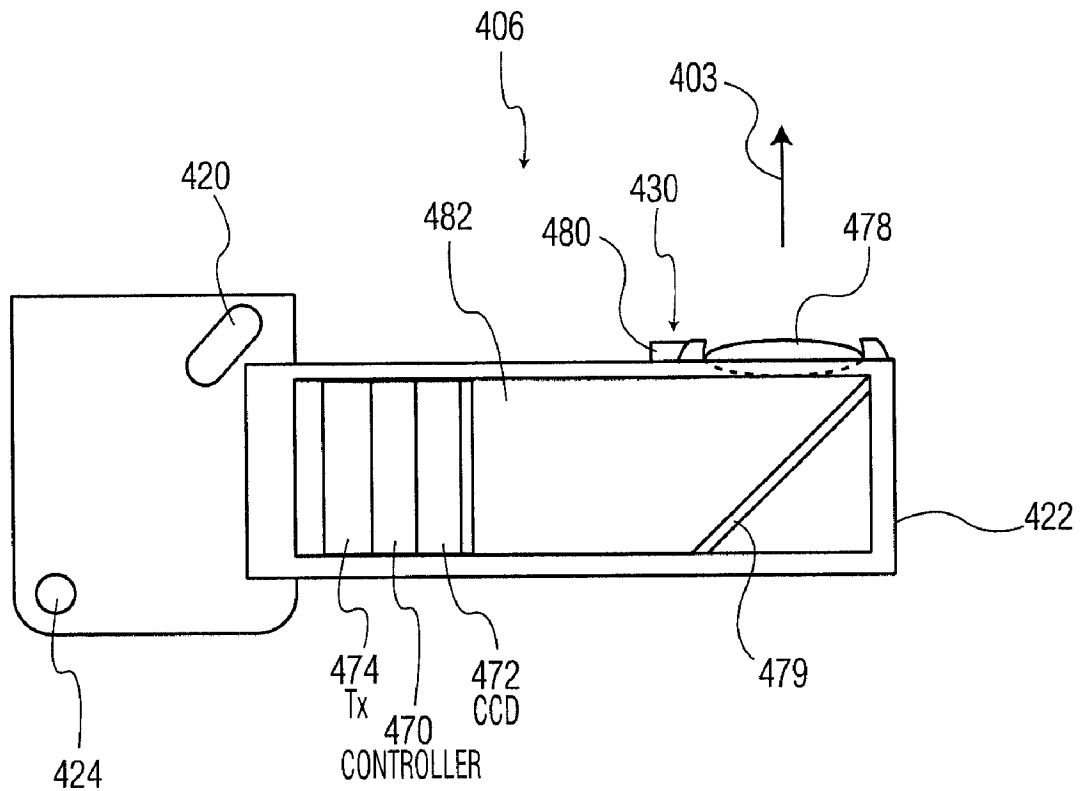


FIG. 4A

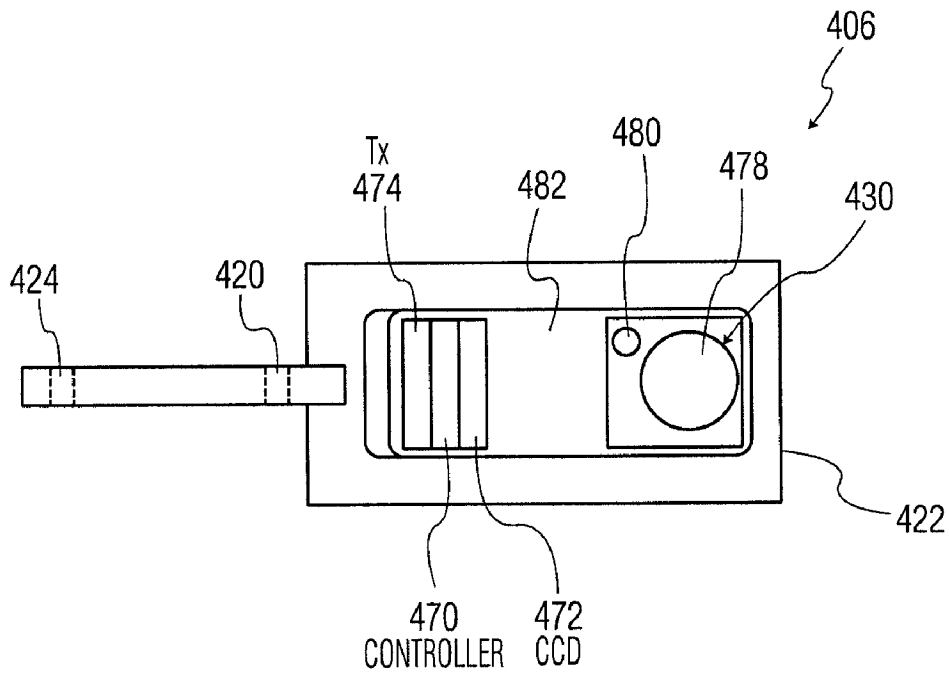


FIG. 4B

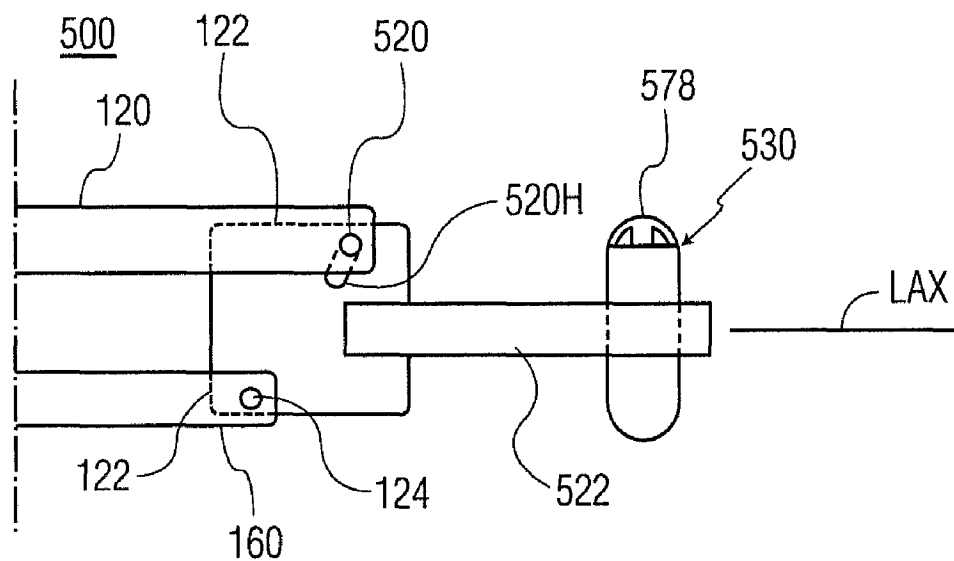


FIG. 5A

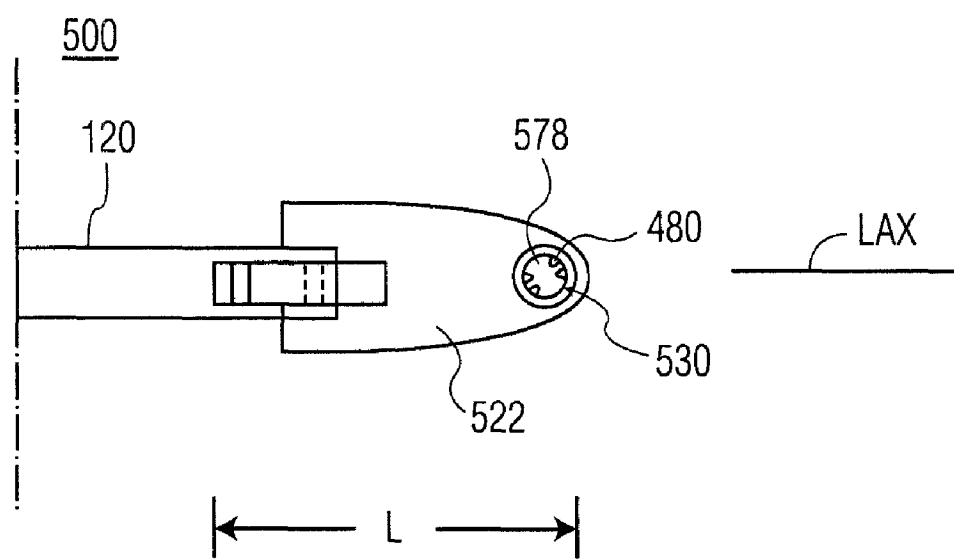


FIG. 5B

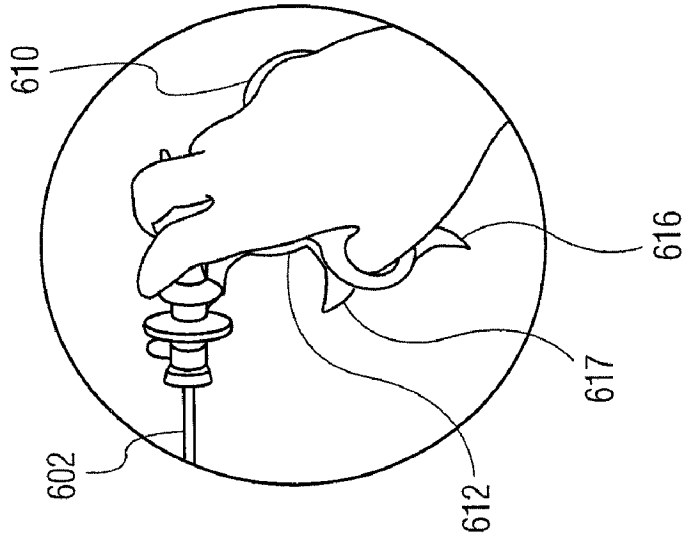


FIG. 6C

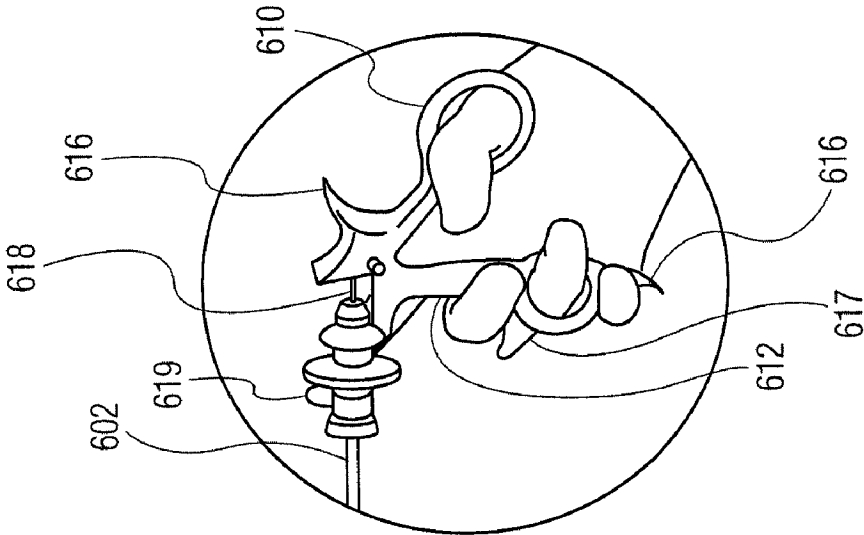


FIG. 6B

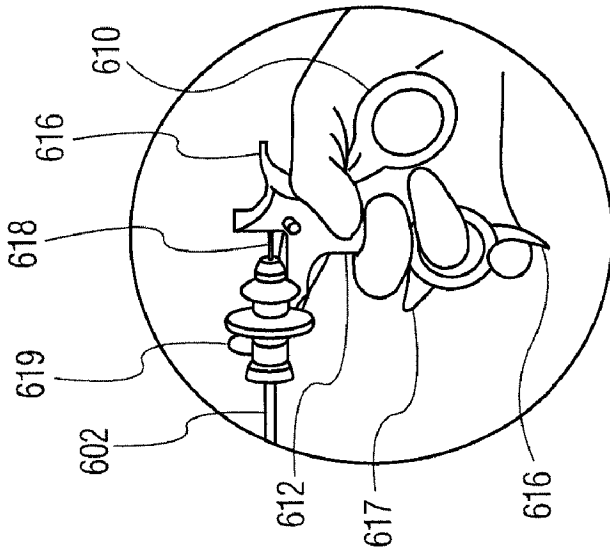


FIG. 6A

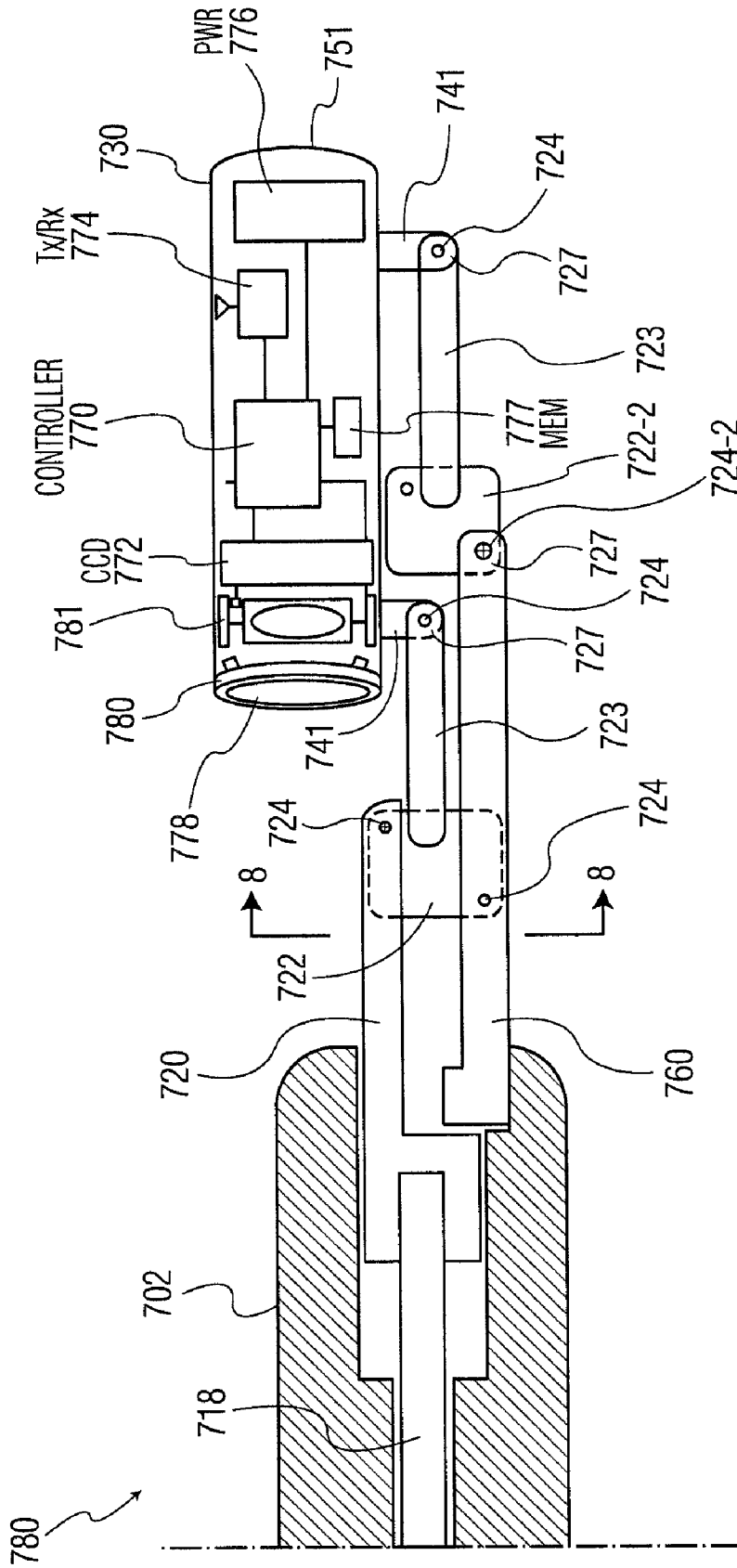


FIG. 7A



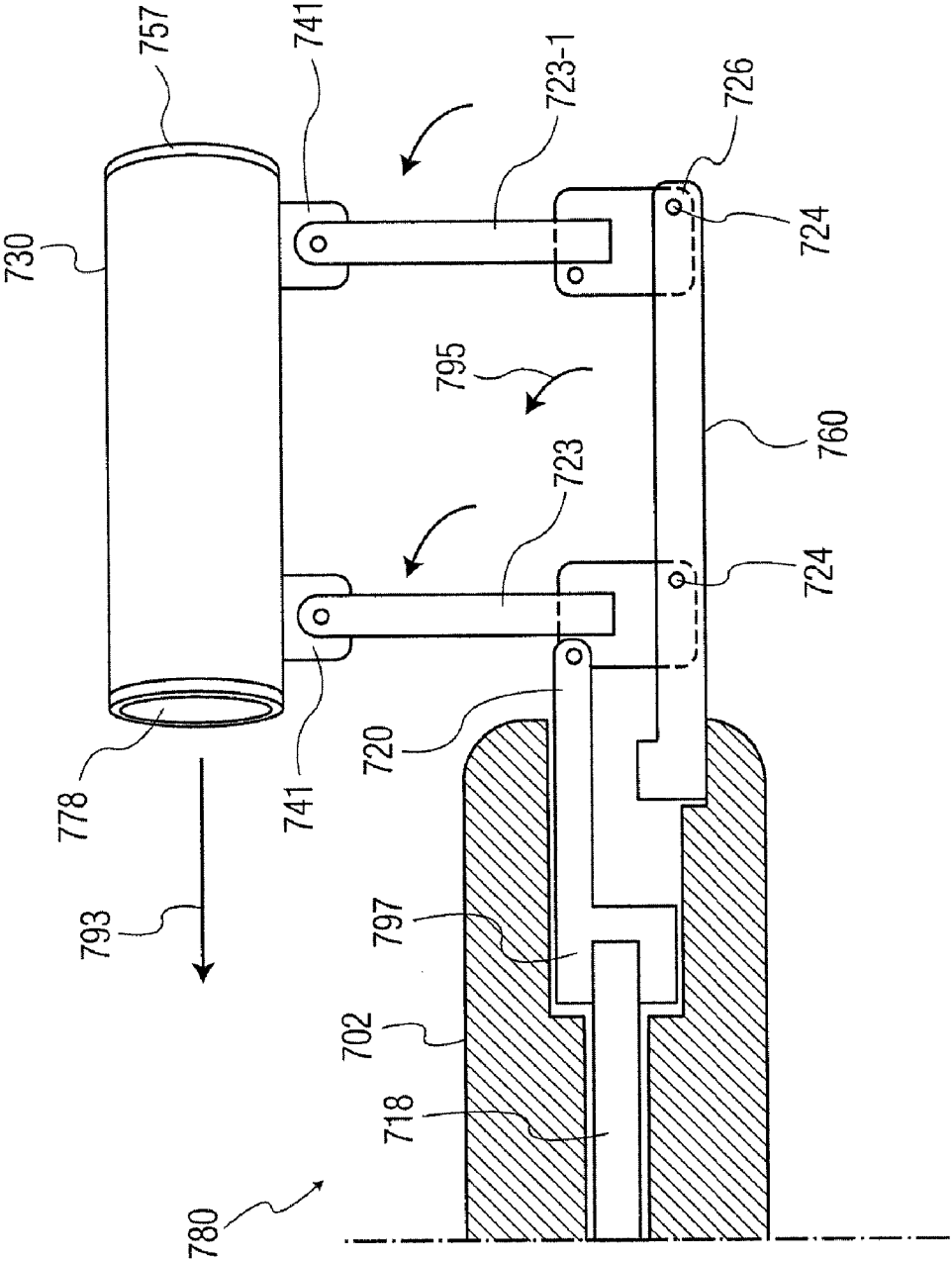


FIG. 7B

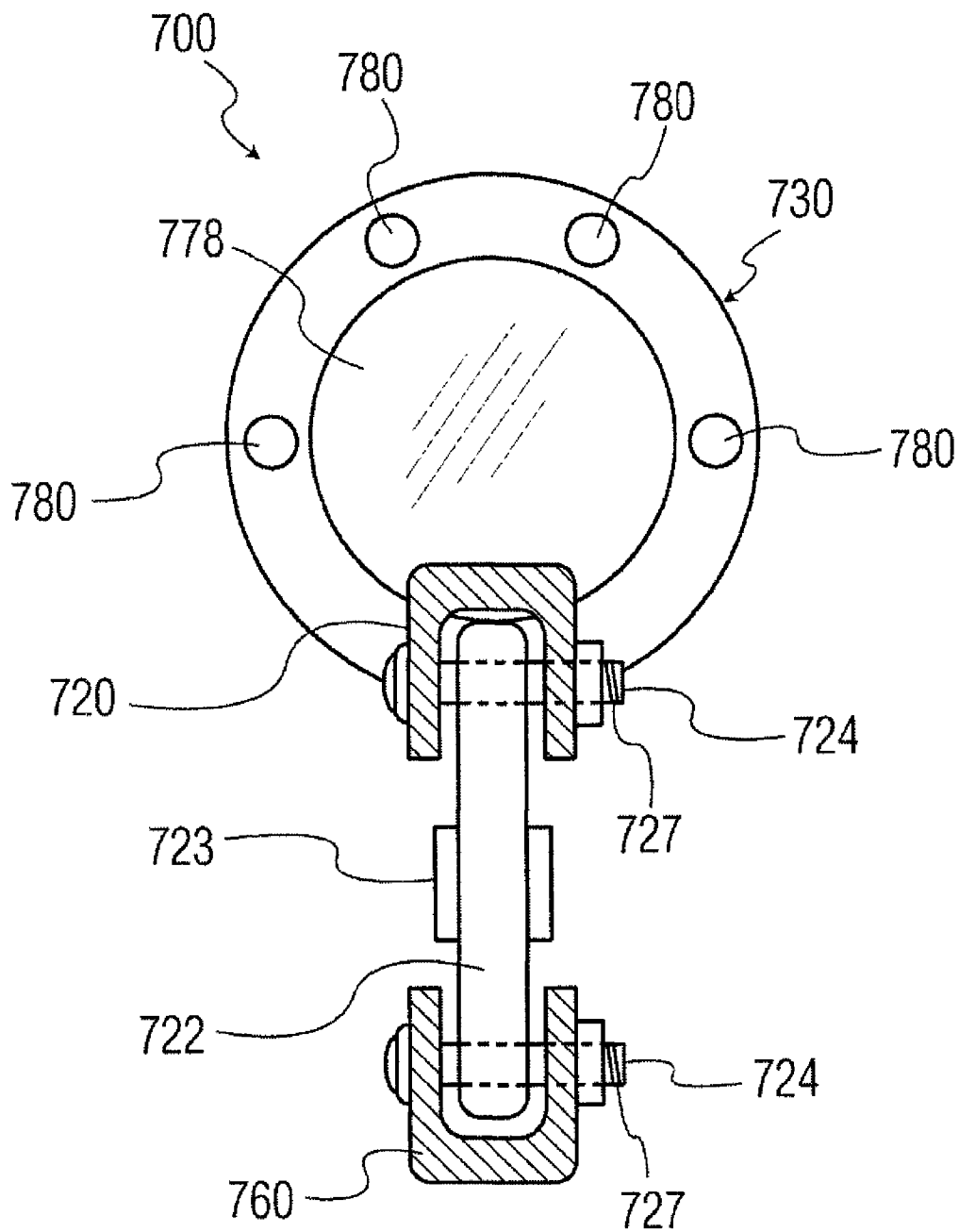


FIG. 8

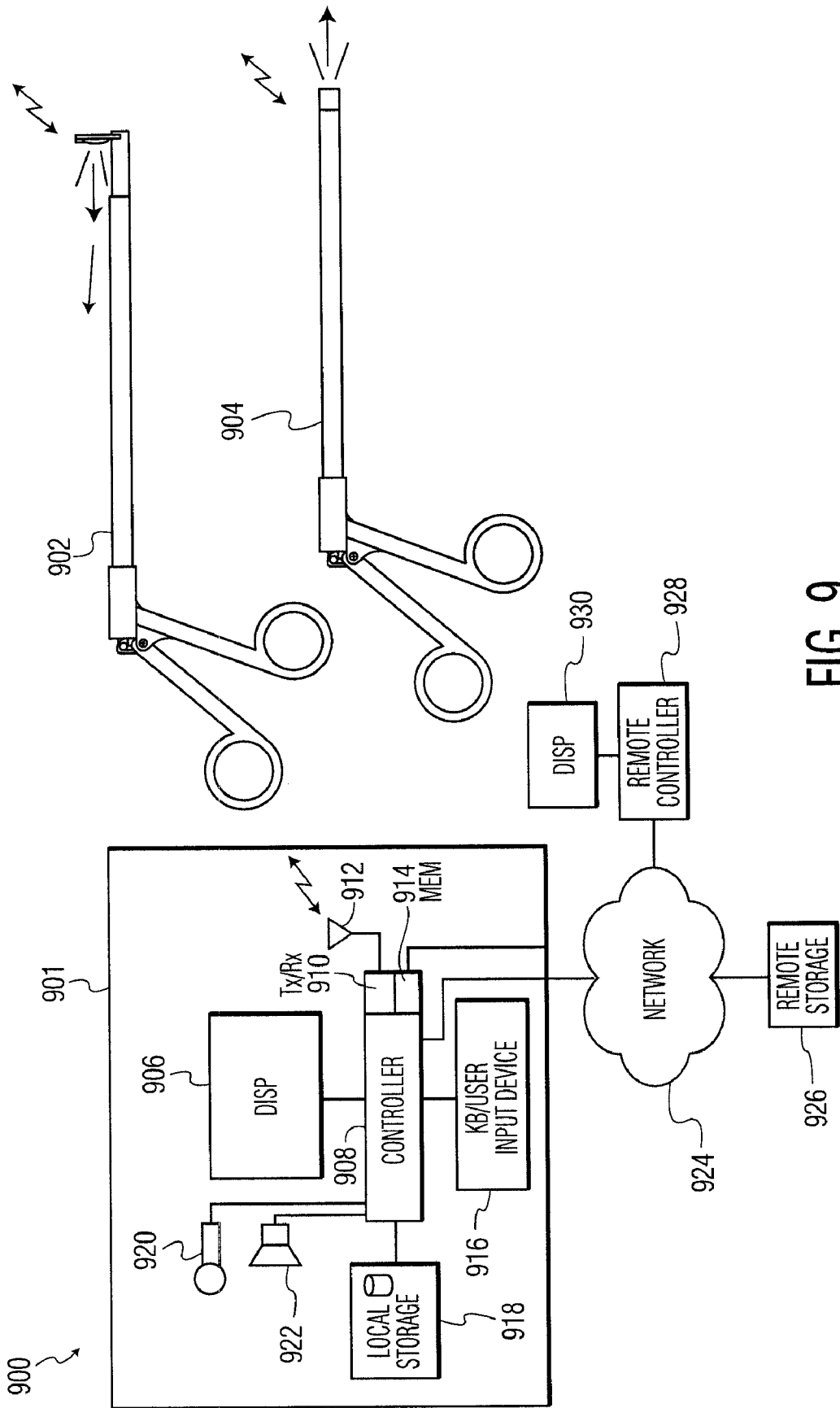


FIG. 9

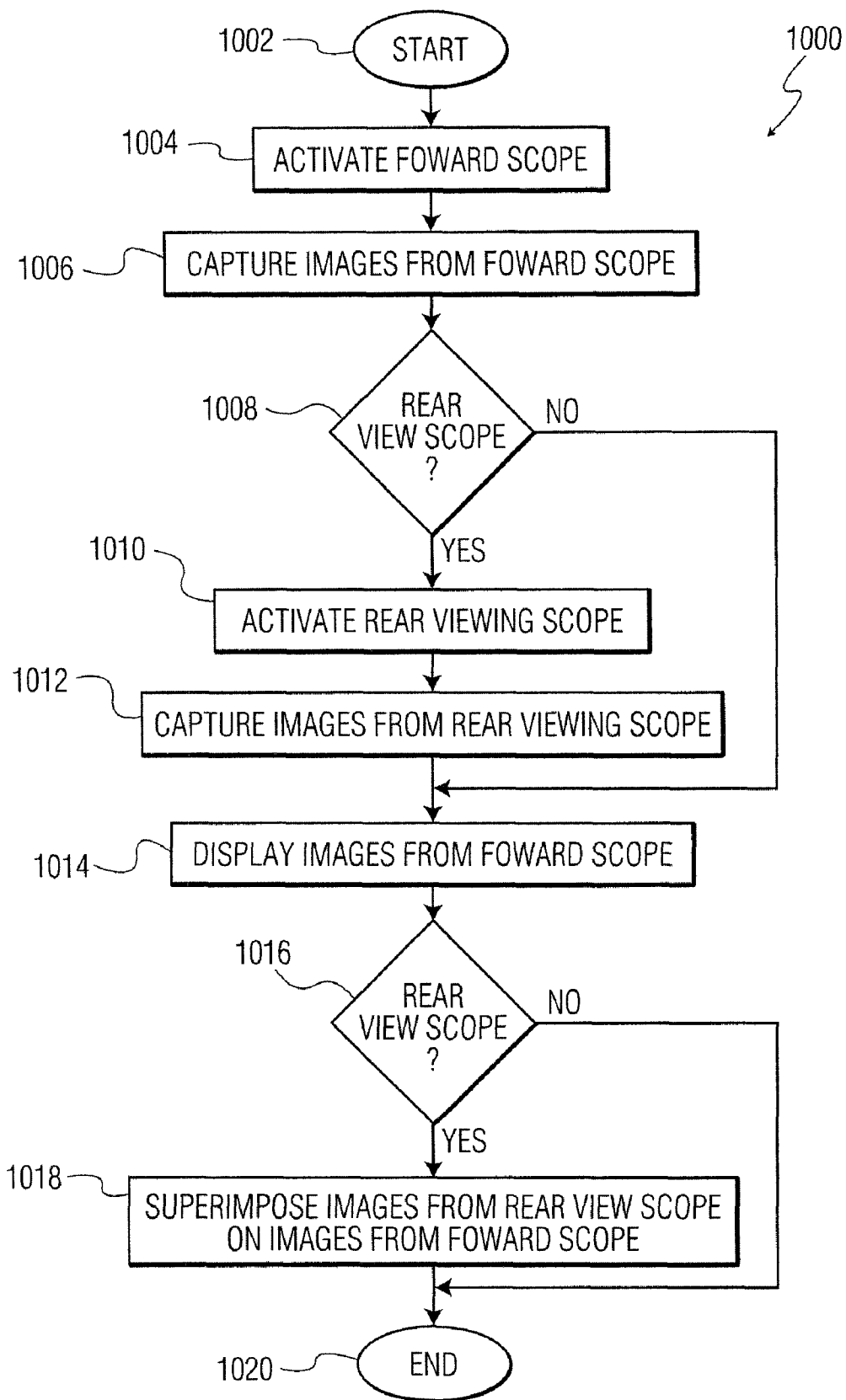


FIG. 10

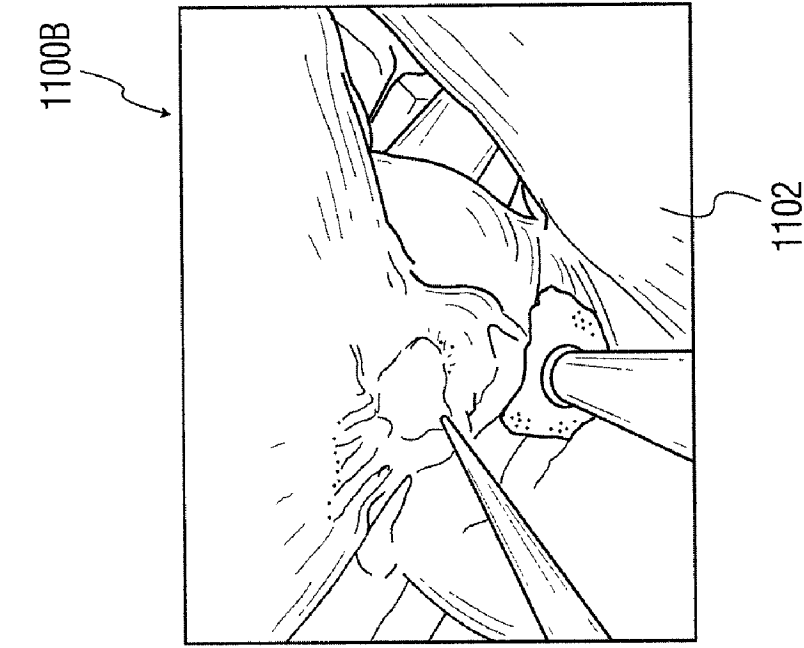


FIG. 110B

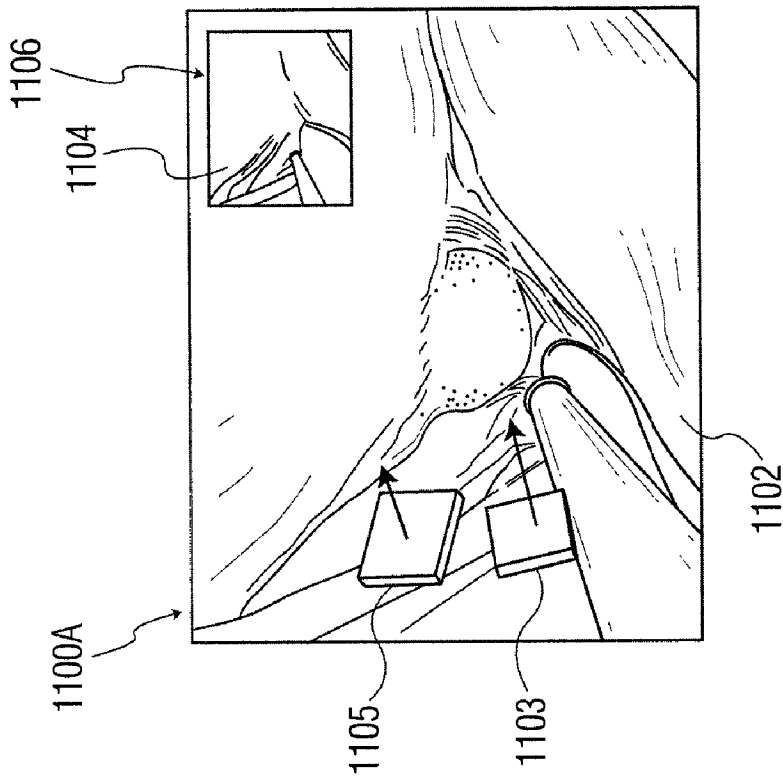


FIG. 11A

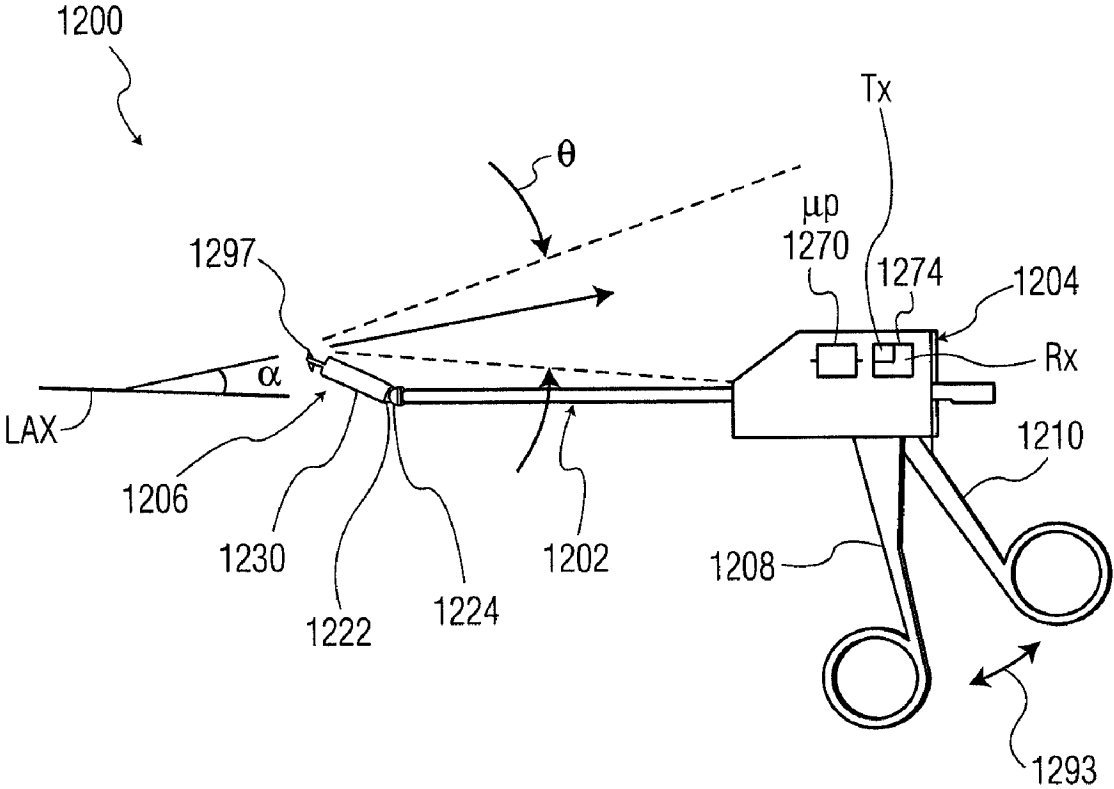


FIG. 12A

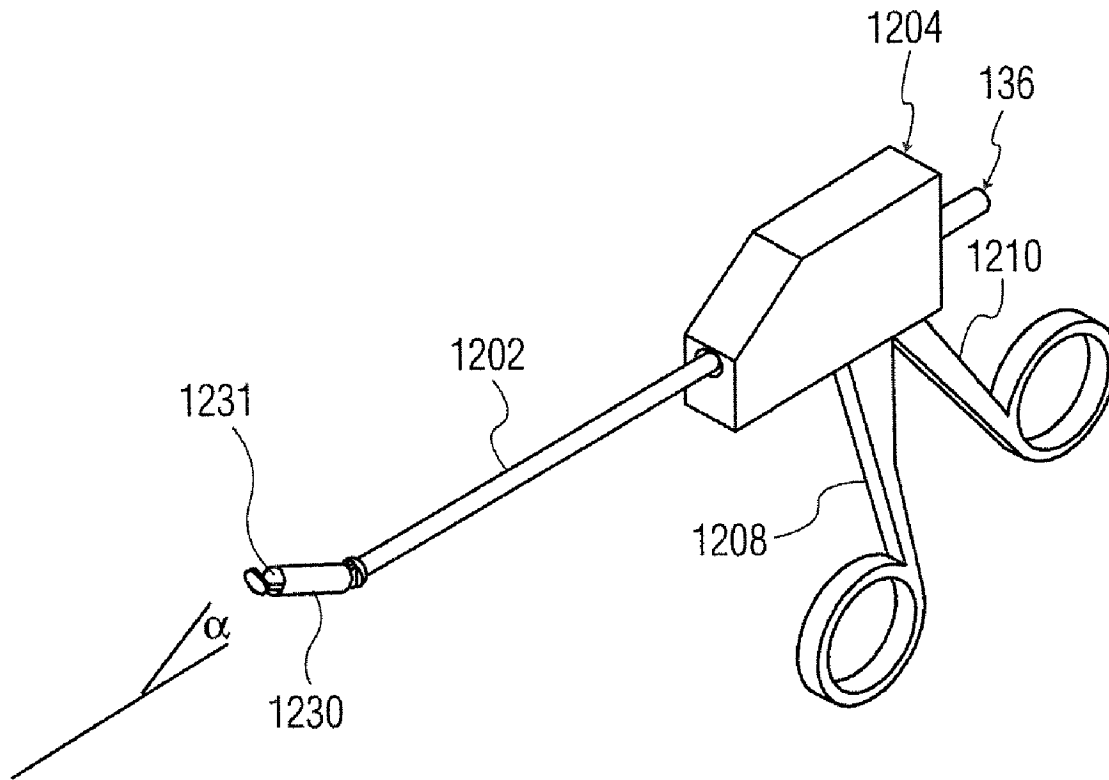


FIG. 12B

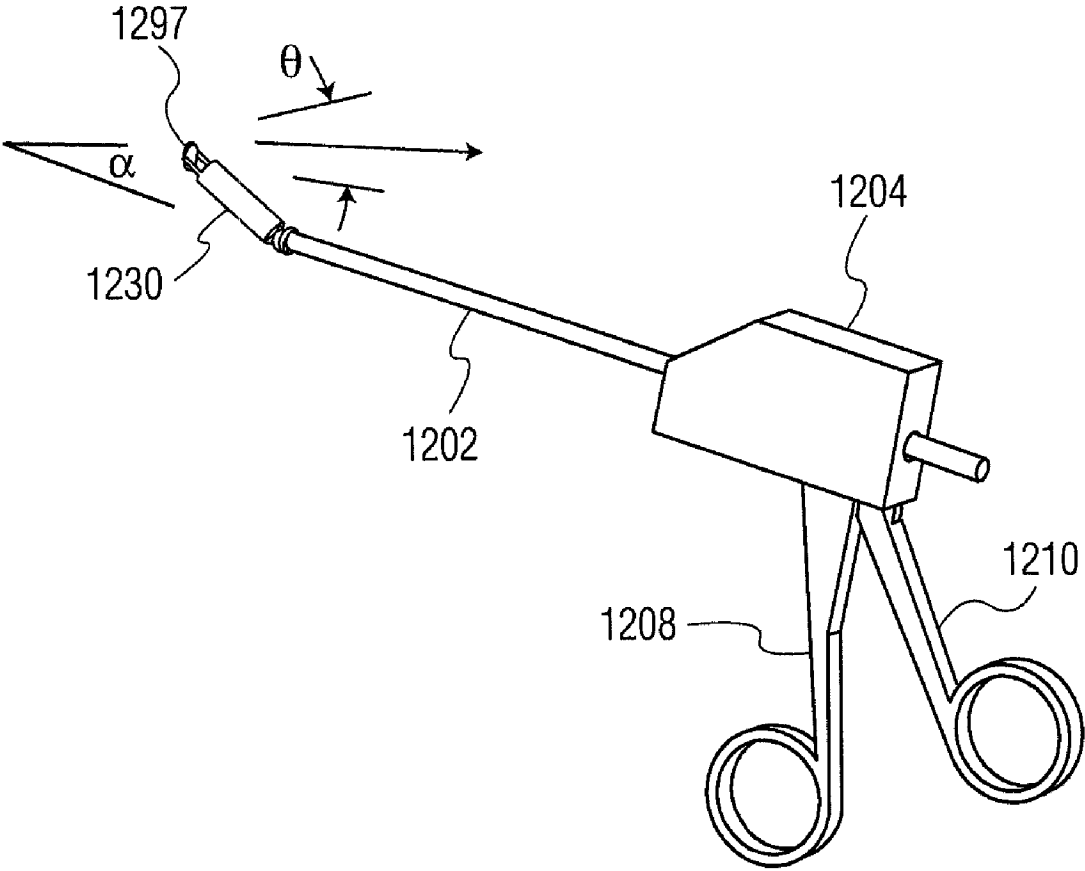


FIG. 12C



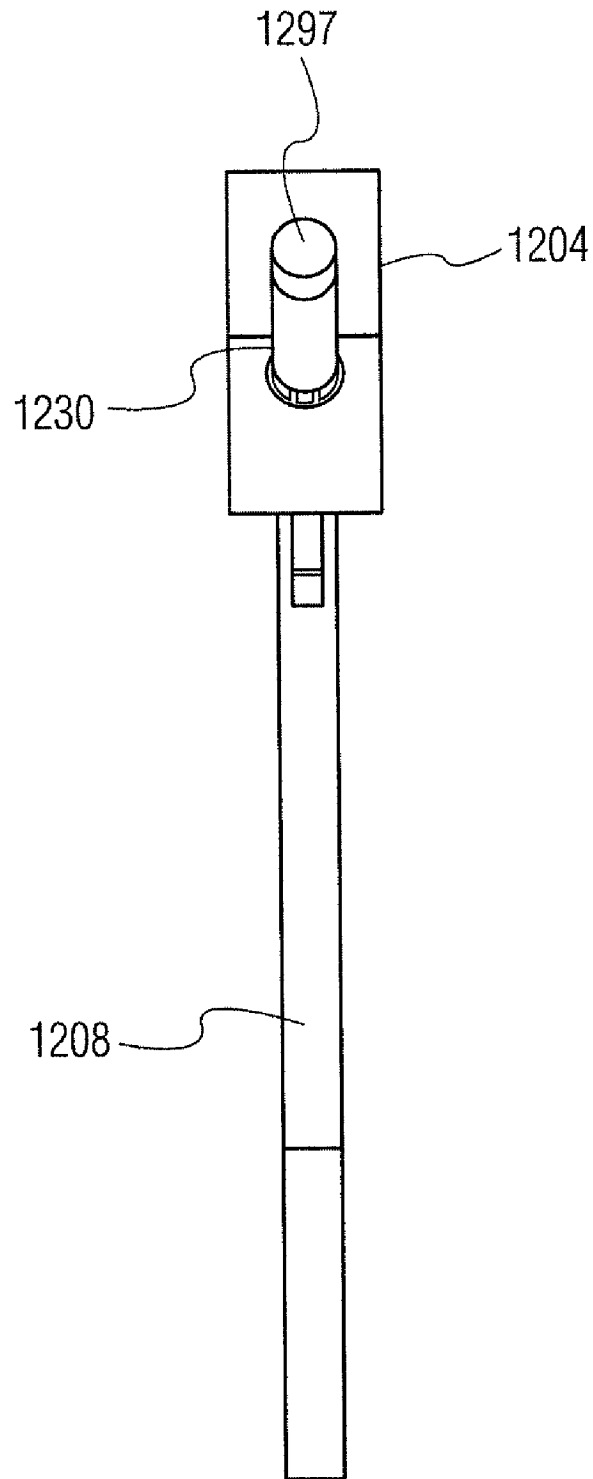


FIG. 12D

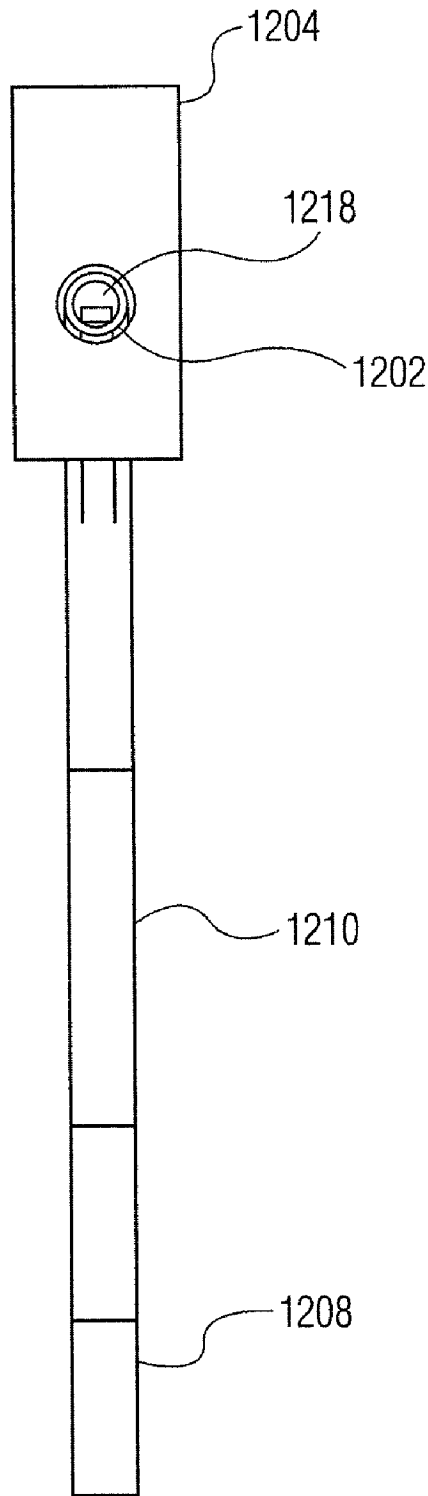


FIG. 12E

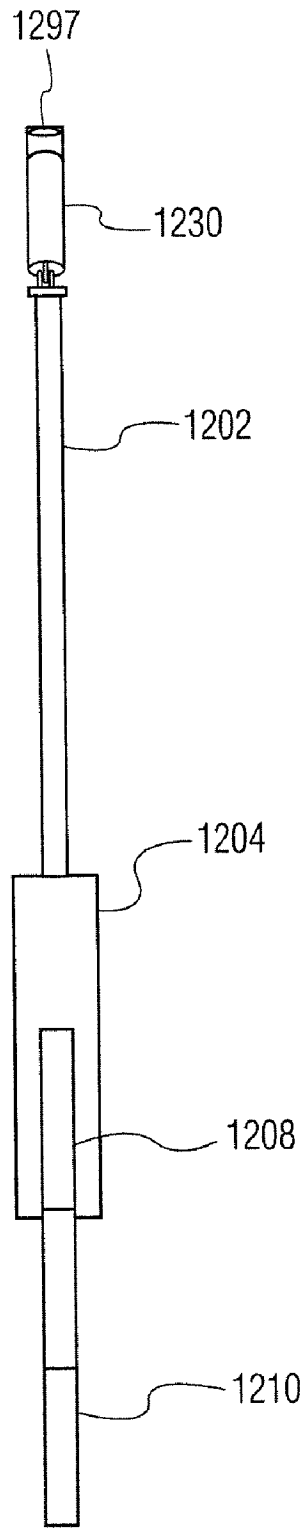


FIG. 12F

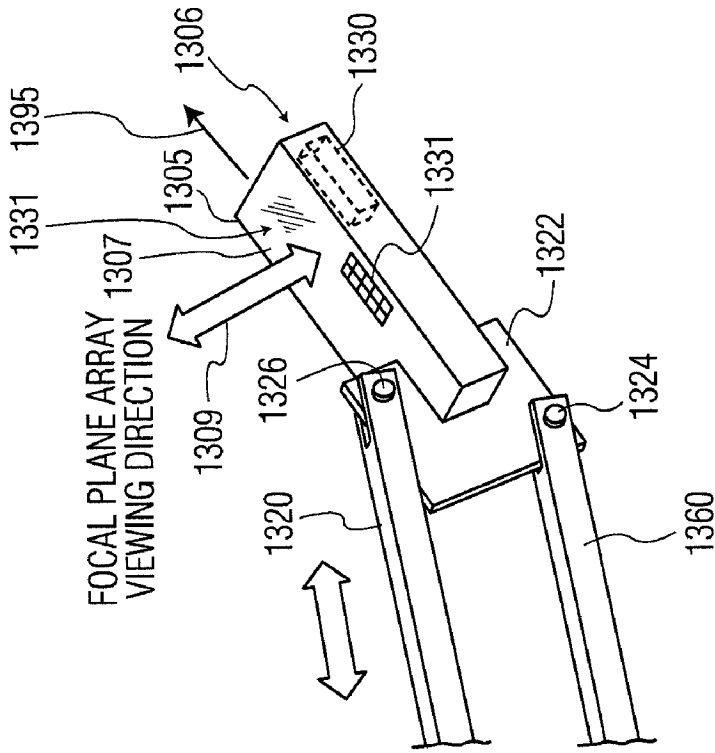


FIG. 13B

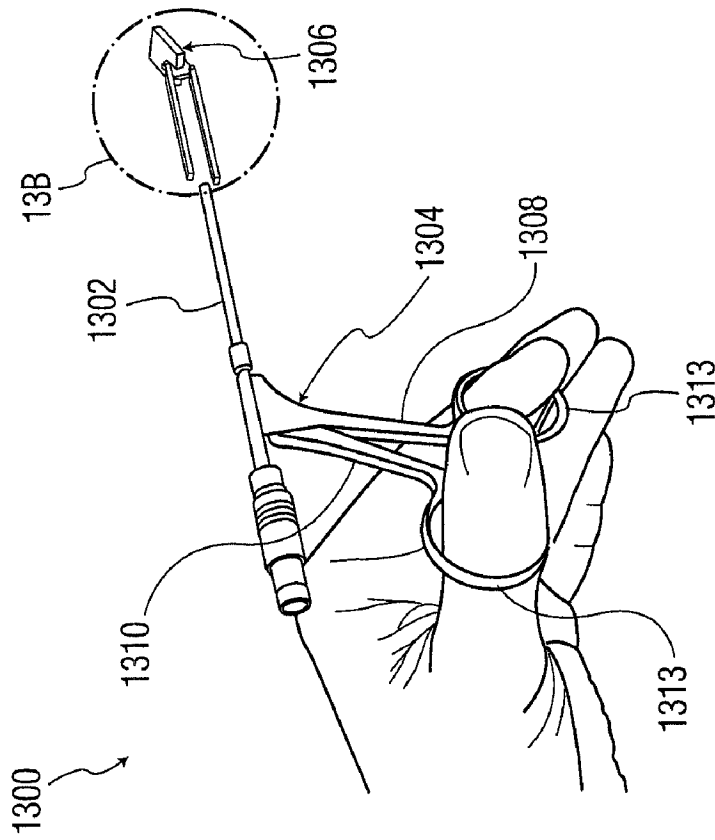


FIG. 13A

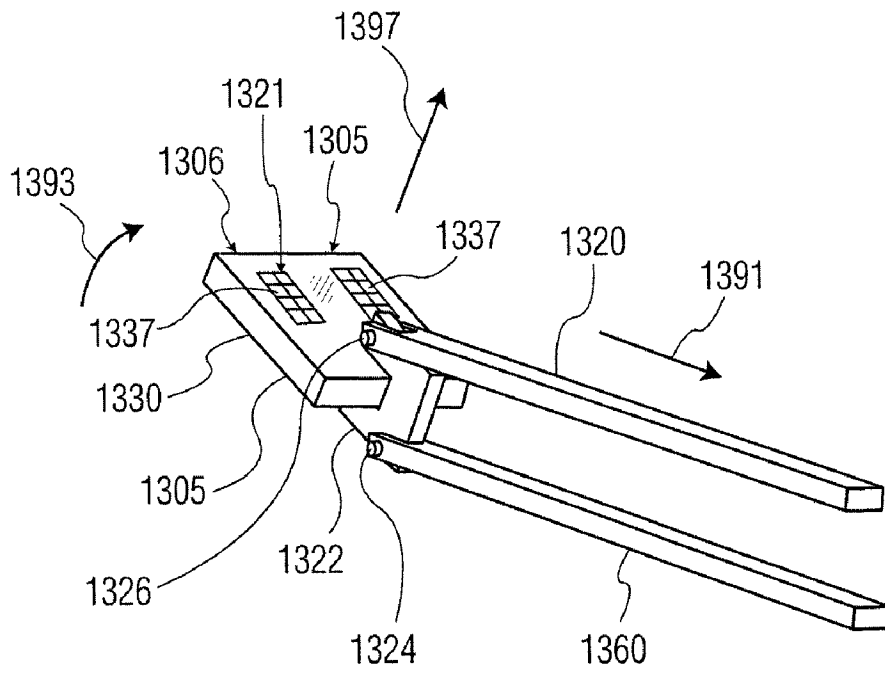


FIG. 13C

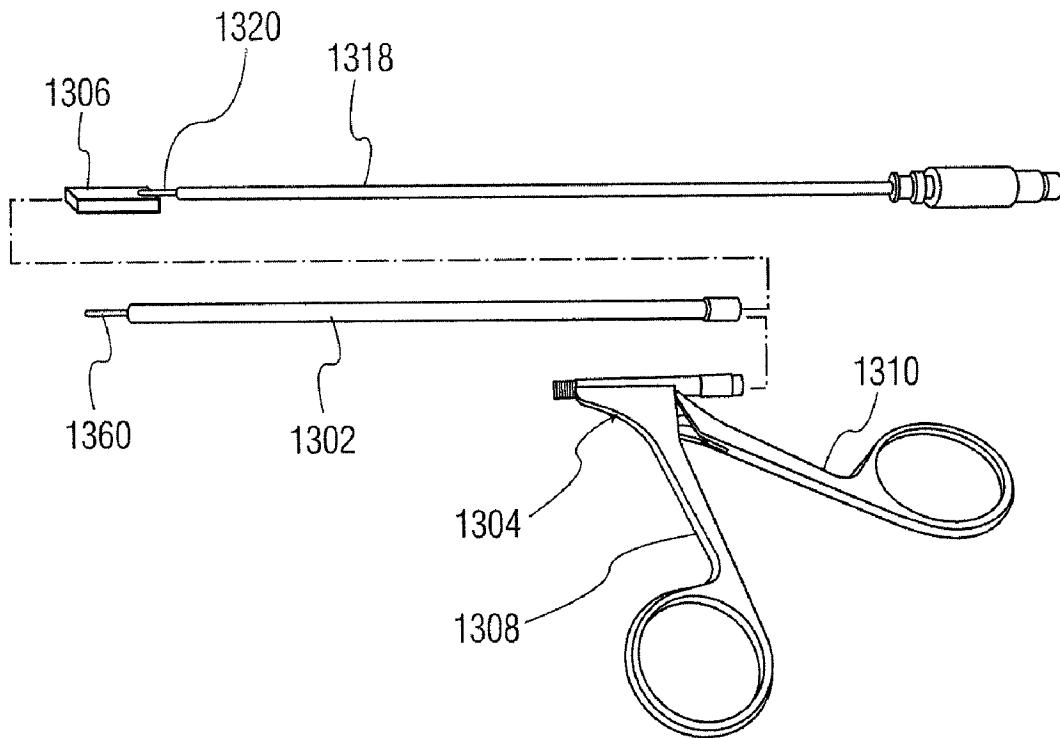


FIG. 13D

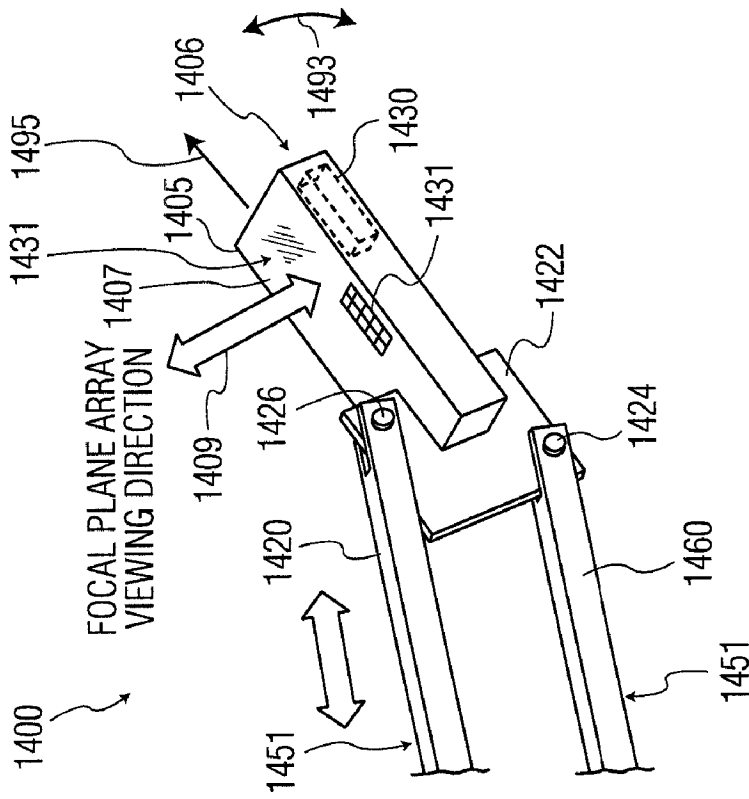


FIG. 14B

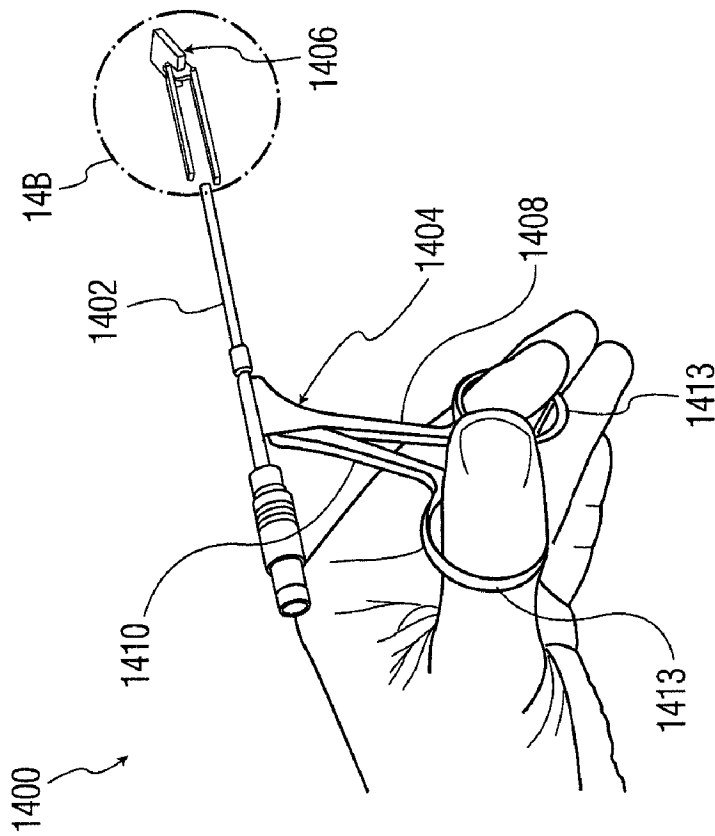


FIG. 14A

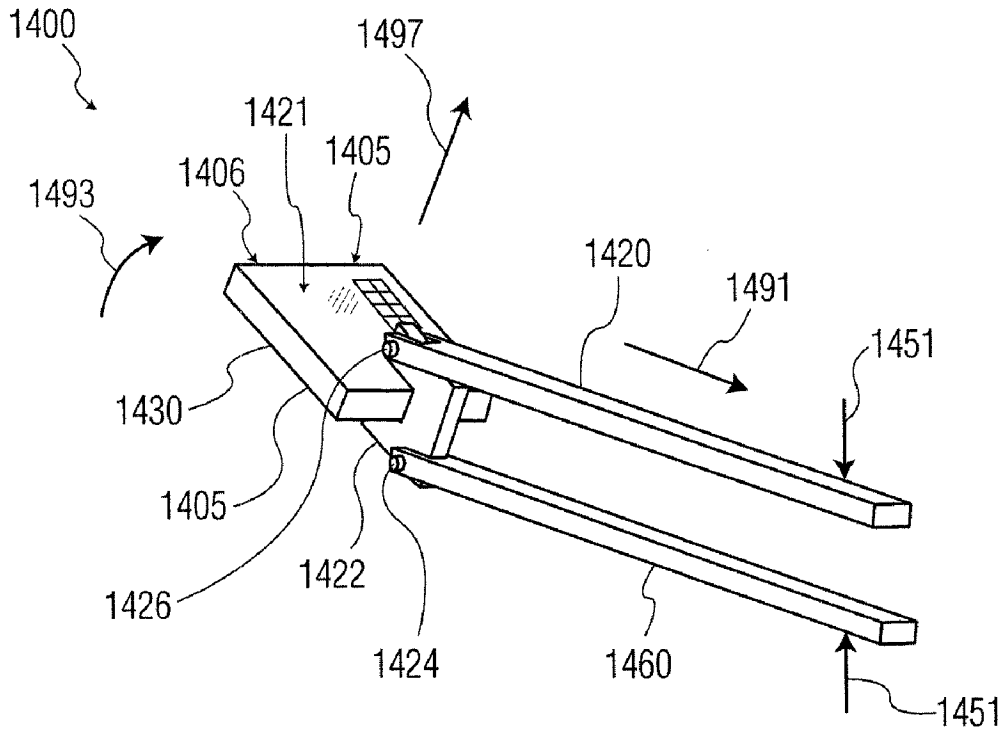


FIG. 14C

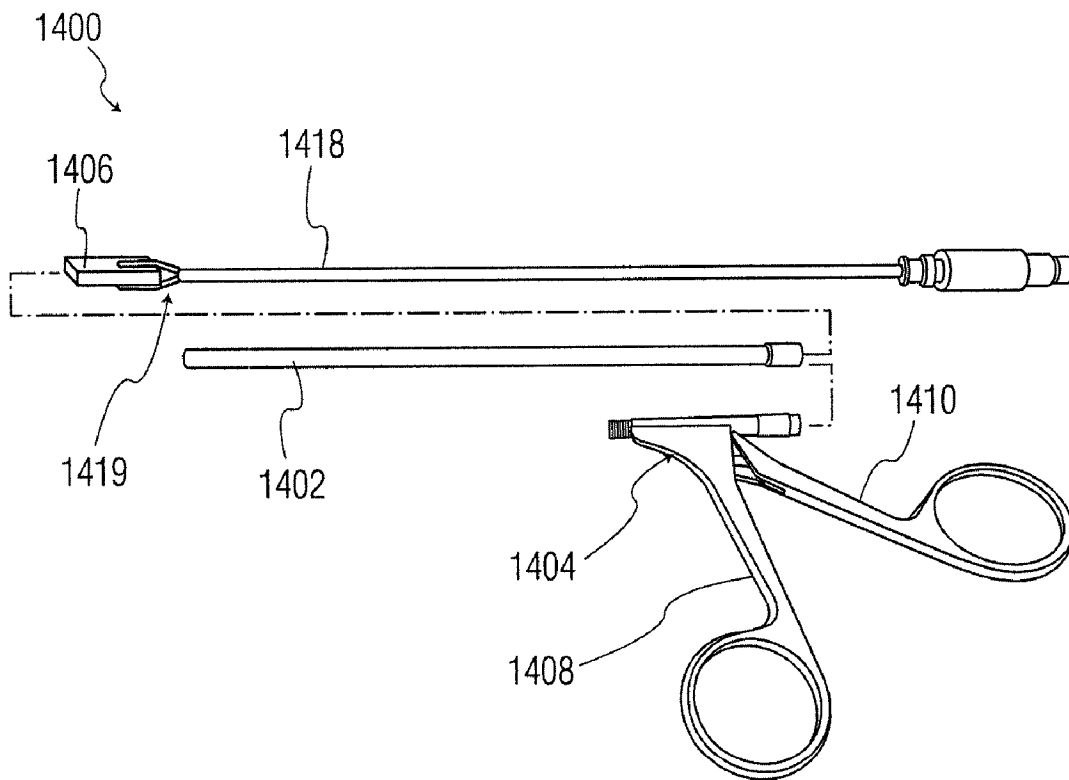


FIG. 14D

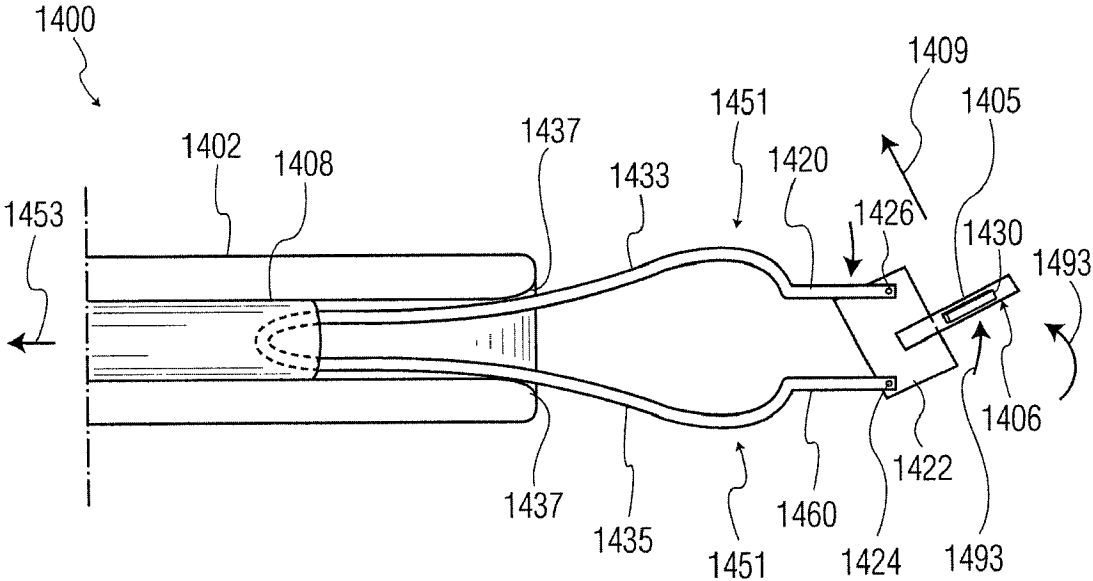


FIG. 14E

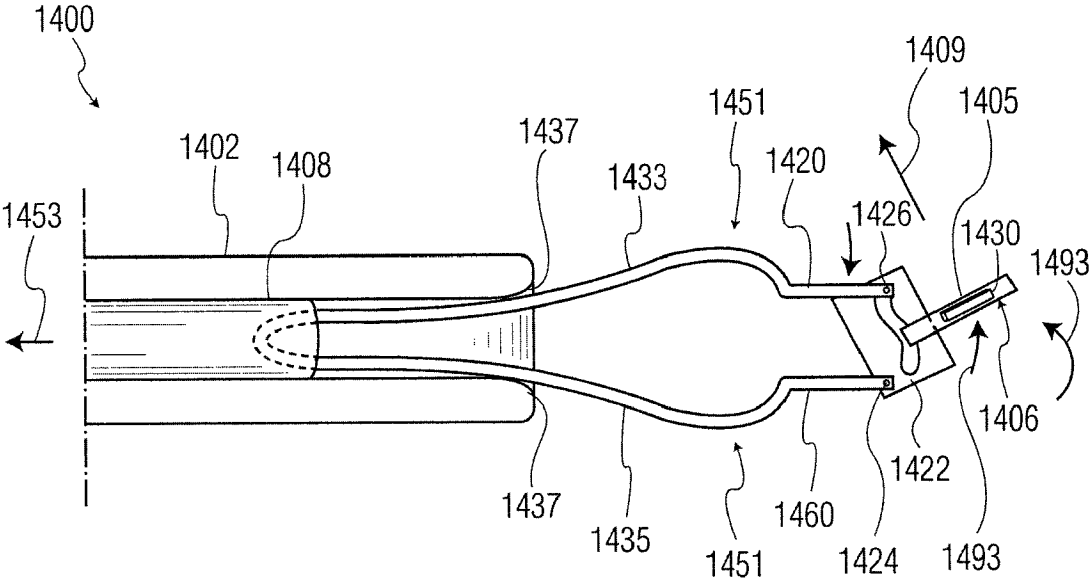


FIG. 14F



## ENDOSCOPE AND SYSTEM AND METHOD OF OPERATION THEREOF

This application claims the benefits of U.S. Provisional Patent Application Ser. No. 61/008,033 filed Dec. 18, 2007, and U.S. Provisional Patent Application Ser. No. 61/127,496 filed May 14, 2008, which are both incorporated herein by reference in their entireties.

The invention described herein was made in the performance of work under a NASA contract, and is subject to the provisions of Public Law 96-517 (35 USC 202) in which the Contractor has elected to retain title.

The present system relates generally to medical imaging systems and, more particularly, to an endoscopic viewing system having an adjustable viewing angle which can provide a rear view, and a method of operation thereof.

Minimally invasive procedures can include surgical and other procedures, which are typically less invasive than traditional open procedures such as, for example, open surgery. A typical minimally invasive surgical (MIS) procedure usually involves the manipulation of one or more endoscopic devices that can be inserted through an opening or incision and an endoscope or the like to observe a surgical area (or field).

During minimally invasive endoscopic (e.g., laparoscopic) surgical procedures, surgeons typically utilize endoscopes to view a surgical field and thereby acquire a clear view of anatomical structures in the surgical field. As minimally invasive surgery is typically performed through a small opening or incision, surgeons cannot view the surgical field directly but must rely instead upon an endoscope to provide an image of a surgical field. As the small opening or incision through which the endoscope passes is typically about the size of a dime, the range of operation of the endoscope within a surgical field is typically limited. Further, as most endoscopes typically provide a forward line-of-sight image, a surgeon may have to rely upon a compromised view of a surgical field during a minimally invasive surgical procedure.

With respect to endoscopes, these devices typically fall into two types: a fixed (or rigid) type and a flexible type. The fixed type typically includes a fixed body portion and the flexible type includes a flexible body portion.

With regard to the typical fixed-type endoscope, the viewing portion (which is used to obtain real-time images) on this endoscope only provides a forward view as opposed to a rearview (e.g., a view towards a handle side of the endoscope). Thus, the typical fixed-type endoscope can only provide a forward view of an operating field. Accordingly, in order to obtain a rear view of a surgical field it may be necessary to insert another endoscope into another incision. However, making another incision may not always be possible and may also have a detrimental effect on a patient and on a surgical procedure being performed.

Further, with regard to a flexible-type endoscope, although this endoscope can be manipulated to move a viewing portion, it is difficult to determine where the viewing portion is located and a direction in which the viewing portion is pointing. Accordingly, it is difficult to determine a viewing orientation of a flexible-type endoscope and, thus, difficult to determine a spatial orientation with respect to a surgical field. Accordingly, flexible-type endoscopes may not be suitable for viewing a surgical field during surgery.

Accordingly, there is a need for an endoscope that can provide a rear view of a surgical field.

One object of the present systems, methods, apparatuses, and devices (hereinafter system unless context indicates otherwise) is to overcome the disadvantages of conventional

systems and devices. According to one illustrative embodiment, a medical imaging system may include an endoscope including: a rigid section having opposed first and second ends and an opening situated between the first and second ends, the rigid section defining a longitudinal axis; a handle portion coupled to a first end of the rigid section and having first and second scissor-type handles suitable for grasping by a user; and a base part having an image capturing device, the base part situated at the second end of the rigid section and coupled to the first handle of the scissor-type handles such that a displacement of the one of the scissor-type handles relative to the other of the scissor-type handles causes a change in a viewing direction of image capturing device.

The base part may further include a reflective optical element. Further, the endoscope may include a biasing member which biases at least one of the first and second scissor-type handles relative to the other of the first and second scissor-type handles. The endoscope may further include a rigid shaft located in the opening and operatively coupling the first handle of the scissor-type handles and the base part. The shaft may telescope within the opening and/or maintain a fixed shape when the shaft telescopes within the opening. Further, when the first handle may be located in a first region of travel, the viewing direction is may be along the longitudinal axis and in a direction which may be towards the first end of rigid section. The endoscope may also include a brake to lock the base part in a fixed position. The image capturing device may include at least one of a charge coupled device (CCD) and complementary metal oxide semiconductor (CMOS) device. The endoscope may also include one or more reflective optical elements coupled to the base so as to reflect an image. The image capturing device may also include an image capturing device which may be suitable for providing two and/or three dimensional image information. Thus, for example, a stereoscopic imaging system may be provided. Further, the image capturing device may include two or more image capturing devices which may be situated apart from each other so as to provide suitable three dimensional images.

According to another aspect of the present system, there is disclosed a method for operating an endoscope including a rigid section defining a longitudinal axis and having first and second scissor-type handles suitable for grasping by a user coupled thereto, the method may include the acts of: capturing images from an image capturing device hingedly coupled to the rigid section, the image capturing device capturing the images in a first field of view; and changing the position of the camera relative to the rigid section so as to change the viewing direction of the camera to a further viewing direction by displacing the first scissor-type handle relative to the second scissor-type handle.

The method may also include an act of biasing the first scissor-type handle relative to the second scissor-type handle using a biasing member. The further viewing direction of the image capturing device may correspond with a rear-viewing direction.

The method may further include the act of operatively coupling the first scissor-type and the camera via a rigid shaft located in the opening of the rigid section.

The method may also include the act of locking the base part in a fixed position relative to the rigid section using a brake, and/or transmitting the captured images using a transmitter.

The method may further include the act of adjusting a position of a reflective optical element so as to adjust a rearward image viewing direction of the image capturing device.

According to a further aspect of the present system, there is disclosed an endoscopic imaging system including: an endo-

scope including: a rigid section having opposed first and second ends and an opening situated between the first and second ends, the rigid section defining a longitudinal axis, first and second scissor-type handles suitable for grasping by a user and located adjacent to a first end of the rigid section; and an image capturing device camera situated at a second end of the rigid section and coupled to the first scissor-type handle such that displacement of the first handle causes a change in a viewing direction of the image capturing device.

The endoscopic imaging system may also include a transmitter which transmits images captured by the image capturing device. Further, the endoscopic imaging system may include a receiver which receives the images captured by the image capturing device.

The endoscopic imaging system may also include a display which displays the images received by the receiver. This display may include a two or a three dimensional display. The endoscopic imaging system may further include one or more controllers which receive the images from the receiver and display the images captured by the image capturing device on the display. The endoscopic imaging system may also include a further endoscope, wherein the one or more controllers superimpose the images from the endoscope upon images from the further endoscope. Moreover, the one or more controllers determine whether the endoscope is a rear imaging endoscope and/or display an image from the endoscope as a picture in picture (PIP) image.

According to yet a further aspect of the present application, there is disclosed an endoscope including: a rigid section having opposed first and second ends and an opening situated between the first and second ends, the rigid section defining a longitudinal axis; a shaft having bifurcated ends and situated within the opening; and a base part located at the bifurcated ends, wherein a displacement of the bifurcated ends towards one another causes a rotation of the base part. The endoscope may further include one or more of an image capture device which can capture an image and a reflective element. The image capture device may include a charge coupled device (CCD) or complimentary metal oxide semiconductor (CMOS) array which may capture video images. Further, the image capture device may capture 2D and/or 3D images. Further, the rotation of the base part causes a change in a viewing direction of the image capture device. The endoscope may further include first and second scissor-type handles suitable for grasping by a user. According to the present system, at least one of the first and second scissor-type handles may be coupled to the shaft.

Further, according to the present system, there is disclosed a rigid endoscope having a rigid body portion and which may include one or more of a reflective optical component, a lighting source, and an image-capture device (e.g., a camera, a CMOS array, a CCD array, etc.), for providing a view of an operating area which may hereinafter be referred to as a surgical field. The endoscope may include a transmitter which can transmit image information obtained via the camera using a wired or wireless link. A receiver may receive the image information and send the image information to a central processing unit. The central processing unit may process the received image information as well as other image information (e.g., from another endoscope) and may output corresponding images on a display. The transmitter may include a wired electrical or optical (e.g., fiber optic) link for transmitting image information for display on a display. The transmitter may be located at a portion of the endoscope such that it does not interfere with anatomical features. Further, the size and shape of those portions of the endoscope which must pass through an opening (e.g., an incision, a natural orifice, etc.)

should be such that the endoscope may pass through the opening with ease. Accordingly, in one embodiment, the diameter of a shaft or body portion of the endoscope may be less than, or equal to, about four millimeters. The endoscope may include a focal plane array which is located at a distal portion of the endoscope. This distal end portion may be rotated from about 0 through 90 degrees with respect to a longitudinal axis of an elongated portion (which may also be referred to as a shaft, body, main portion, etc.) of the endoscope. A mechanism for causing the rotation of the distal end portion may include a scissor-type handgrip such as is used in a conventional endo-scissor. By utilizing common features, the time required to train a user to operate an endoscope according to the present system may be reduced. Further, the time required to switch endoscopes, e.g., from one endoscope to another, as is often done during surgery, can be reduced. Further, by conveniently providing a rear view image of an operating field, the quality of service provided by a professional such as, for example, a surgeon, may be enhanced. Further, one or more parts or components of the present system may be suitable for various sterilization methods such as, for example, an autoclave sterilization method, if desired.

Further areas of applicability of the present system will become apparent from the detailed description provided hereinafter. It should be understood that the detailed description and specific examples, while indicating exemplary embodiments of the systems are intended for purposes of illustration only and are not intended to limit the scope of the invention.

These and other features, aspects, and advantages of the apparatus, systems and methods of the present invention will become better understood from the following description, appended claims, and accompanying drawing where:

FIG. 1A is a partial cutaway side view of an embodiment of the endoscope according to the present system;

FIG. 1B is another a partial cutaway side view of the endoscope shown in FIG. 1A;

FIG. 2 is a detailed cross sectional view of the endoscope shown in FIGS. 1A-1B;

FIG. 3 is a view of the endoscope taken along lines 3-3 of FIG. 2;

FIG. 4A is a side view of a distal portion of the endoscope according to another embodiment of the present system;

FIG. 4B is a top view of the distal portion shown in FIG. 4A;

FIG. 5A is a side view of a distal portion of an endoscope according to another embodiment of the present system;

FIG. 5B is a top view of the endoscope shown in FIG. 5A;

FIGS. 6A-6C are side views of an endoscope according to an alternative embodiment of the present system.

FIG. 7A is a side view of a distal portion of an endoscope according to another embodiment of the present system;

FIG. 7B is a side view of the endoscope shown in FIG. 7A in an open position;

FIG. 8 is a cross sectional view of the endoscope shown in FIG. 7A taken along lines 8-8;

FIG. 9 is a schematic view of an endoscopic imaging system according to an embodiment of the present system;

FIG. 10 is a flow chart of a process performed according to an embodiment of the present system;

FIG. 11A is a screen shot of an image display according to the present system; and

FIG. 11B is a screen shot of an image display according to the present system.

FIG. 12A is a side view of another endoscope according to another embodiment of the present system;

FIG. 12B is an isometric view of the endoscope shown in FIG. 12A;

FIG. 12C is another isometric view of the endoscope shown in FIG. 12A;

FIG. 12D is a front view of the endoscope shown in FIG. 12A;

FIG. 12E is a back view of the endoscope shown in FIG. 12A;

FIG. 12F is a bottom view of the endoscope shown in FIG. 12A;

FIG. 13A is a perspective view of an endoscope according to another embodiment of the present system;

FIG. 13B-13C each illustrate a detailed view of a distal end of the endoscope shown in FIG. 13A;

FIG. 13D is an exploded view of a distal end of the endoscope shown in FIG. 13A;

FIG. 14A is a perspective view of an endoscope according to another embodiment of the present system;

FIGS. 14B-14C each illustrate a detailed view of a distal end of the endoscope shown in FIG. 14A;

FIG. 14D is a partially exploded view of a distal end of the endoscope shown in FIG. 14A;

FIG. 14E is a detailed partial cutaway view of an end portion of the endoscope shown in FIG. 14A; and

FIG. 14F is a detailed partial cutaway view of an end portion of an alternative embodiment of the endoscope shown in FIGS. 14A-14E.

The following description of certain exemplary embodiments is merely exemplary in nature and is in no way intended to limit the invention or its applications or uses. In the following detailed description of embodiments of the present systems and methods, reference is made to the accompanying drawings which form a part hereof, and in which are shown by way of illustration specific embodiments in which the described systems and methods may be practiced. These embodiments are described in sufficient detail to enable those skilled in the art to practice the presently disclosed systems and methods, and it is to be understood that other embodiments may be utilized and that structural and logical changes may be made without departing from the spirit and scope of the present system.

The following detailed description is therefore not to be taken in a limiting sense, and the scope of the present system is defined only by the appended claims. The leading digit(s) of the reference numbers in the figures herein typically correspond to the figure number. Moreover, for the purpose of clarity, detailed descriptions of certain features will not be discussed when they would be apparent to those with skill in the art so as not to obscure the description of the present system.

In one embodiment, there is provided system, apparatus, device, and/or method for systematically viewing a surgical field which may include an organ using a rear viewing endoscope so as to standardize endoscopy procedures which may reduce surgical time. Accordingly, medical costs and operating time may be reduced, and quality of care may be enhanced,

A side view of an embodiment of the endoscope according to the present system is shown in FIG. 1A. An endoscope 100 according to the present system may include one or more of an elongated section (or barrel section) 102, a handle portion 104, and a distal portion 106.

The handle portion 104 may include first and second grip portions 108 and 110, respectively, each of which may be suitable for grasping by a user and which may include one or more grip openings 113 suitable for receiving a user's fingers. Extension parts 116 may be included to aid in gripping the first and/or second grip portions 108 and 110, respectively.

The first and second grip portions 108 and 110, respectively, may be operatively coupled (hereinafter, for the sake of clarity, coupled or attached) to each other using, for example, a hinge 140. The hinge 140 may include one or more pins, threaded rods, flexible elements, or other suitable elements as are known in the art. For example, the hinge 140 may include a simple joint or may include a compound joint. The compound joint may include a plurality of pivoting arms, pins, flexible elements, or other suitable elements as is known in the art. The first and second grip portions 108 and 110, respectively, may be biased relative to each other using a suitable biasing means such as, for example, a spring, etc., that may be coupled to one or more of the first and second grip portions 108 and 110, respectively. Thus, the first and second grip portions 108 and 110, respectively, may be biased in a predetermined position. For example, as shown FIG. 1A, the first and second grip portions 108 and 110, respectively, may be biased away from each other.

The second grip portion 110 may include proximal and distal ends 141 and 142, respectively. The proximal end 141 of the second grip portion 108 may include the grip opening 113 and the distal end 142 may include a driving part 142.

The elongated section 102 may include proximal and distal portions 132 and 134, respectively and a channel such as an opening 112 which extends along a longitudinal length thereof. The opening 112 of the elongated section 102 may be shaped and sized so as to receive a shaft 118. The shaft 118 may have one or more ends such as first and second ends 136 and 138, respectively. The shaft 118 may include an extension portion 120 which may be coupled to a distal portion 138 of the shaft 118. The extension portion 120 may include an adjusting mechanism for adjusting its position relative to the distal portion 138 of shaft 118.

The handle portion 104 may be coupled to the elongated section 102 such that the handle portion 104 or parts thereof, such as, for example, the first grip portion 108, remain stationary with respect to the elongated section 102 during use. The shaft 118 may be coupled at its first end 136 to the driving part 142 of the second grip portion 110 such that movement of the second grip portion 110 relative to the first grip portion 108, causes a transverse displacement of the shaft 118 as indicated by arrow 146.

The elongated section 102 may also include a fixing member 160. The fixing member 160 may be coupled to the distal portion 134 of the elongated section 102. The fixing member may be coupled to the distal portion 134 using any suitable method (e.g., a threaded fastener, a friction fit, a cam, etc.). The fixing member 160 may include an adjustment mechanism (e.g., a threaded screw such as a turnbuckle, etc.) to adjust the position of the fixing member 160 relative to the elongated section 102 or may adjust the length of the fixing member 160. For example, that the fixing member 160 may include a threaded end that may engage a corresponding thread in the elongated section 102 so as to adjust the location of the fixing member 160 relative to the elongated section 102. In yet other embodiments, the adjusting mechanism may include a threaded mechanism such as, for example, a collar which may adjust the location of the fixing member 160 relative to the elongated section 102.

The endoscope 100 may also include a locking mechanism to lock one or more of the first and second grip portions 108, 110, respectively, in position relative to the other. The locking mechanism may also lock the shaft 118 relative to the elongated section 102. Suitable locking mechanisms may include, for example, cam, friction, and/or pawl based locking mechanisms.

The distal portion **106** may include one or more of a base **122** and an image acquisition device **130**. The base **122** may be coupled to one or more of the fixing member **160** and the extension portion **120** using any suitable method such that the base **122**, or parts thereof, may rotate relative to the extension portion **120** and/or the fixing member **160**. Accordingly, the base **122** may be coupled to the fixing member **160** using, for example, at hinged such as, a pivot **124** and may be coupled to the extension portion **120** at a pivot **126**. Pivots **124** and/or **126** may include a fastener such as a pin or other suitable fixing members. In other embodiments, it is envisioned that the fastener may include a pin, a rivet (or other deformable connector), a screw, a bolt (or other threaded connector), a pin, a flexible member (e.g., a polymer or spring), etc.

The image acquisition device **130** may include any suitable device for capturing video and/or still images and/or transmitting these captured images. Accordingly, the image acquisition device may, include for example, one or more of a controller, a CCD array, one or more optical elements, a power source, a transmitter. The one or more optical elements may include lenses, prisms, mirrors, etc. In one embodiment, it is envisioned that the image acquisition device may include, for example, a focal plane array such as a thin observation module by bound optics (TOMBO) imaging system as is known in the art. In yet other embodiments, it is envisioned that the image acquisition device may include an encapsulated real-time wireless imaging apparatus. In yet other embodiments, it is envisioned that the image acquisition device may include, for example, a digital imaging camera such as, for example, a CCD array. However, regardless of the type of image acquisition device that is used, the device should be configured and arranged such that the images corresponding with a rear view (e.g., corresponding with a rearward field of view) of a surgical field may be obtained when, for example, one or more of the first and second grip portions **108** and **110**, are situated in a predetermined region relative to each other. The image acquisition device **130** may be white balanced when desired.

Although a wireless image acquisition device is described, it is also envisioned that the image acquisition device may include a wired wireless transmission system which may transmit acquired images using an electrical connection and/or a fiber-optic link.

Another side view of the endoscope shown in FIG. 1A is shown in FIG. 1B. The second grip portion **110** is shown in a depressed position. When the second grip portion **110** is depressed, a displacement force may be transmitted to the base **122** via the shaft **118**. Accordingly, this displacement force (e.g., as indicated by arrow **147**) may cause the rotation of the base **122** about pivot **124** so as to change a viewing direction of the image acquisition device **130** as illustrated by arrow **111B** (c.f., arrow **111A** as shown in FIG. 1).

A detailed cross sectional view of the endoscope shown in FIGS. 1A-1B is shown in FIG. 2. The distal portion **106** may include an opening defining at least part of a cavity **282** for the image acquisition device **130** or parts thereof. The image acquisition device **130** may include, for example, one or more of a controller **270**, a charge-coupled device (CCD) **272**, a transmitter/receiver (Tx/Rx) **274**, a power source **276**, a memory **284**, one or more light sources **280**, and one or more lenses **278**. Although the controller **270**, the charge-coupled device (CCD) **272**, the transmitter/receiver (Tx/Rx) **274**, the power source **276**, the memory **284**, the one or more light sources **280**, and the one or more lenses **278** are shown located in the distal portion **106**, one or more of these components may be mounted elsewhere in the endoscope **100** according to the present system. Further other type of detec-

tors may be used alone or in combination with the CCD **272**, such as CMOS (complementary metal oxide semiconductor) image sensors.

The controller **270** may control the overall operation of the image acquisition device **130**. The controller **270** may also process commands received from an external control station, etc.

The CCD **272** may include an array of CCDs and may acquire an image via the one or more lenses **278**. The CCD **272** may transmit the acquired image to the controller **270**. The controller **270** may then process the received image information and send the processed image information to the Tx/Rx **274**.

The Tx/Rx **274** may receive the image information from the controller and upconvert this information and/or transmit this information. The Tx/Rx **274** may transmit the image information using any suitable transmission method. For example, the Tx/Rx **274** may wirelessly via an antenna. The Tx/Rx **274** may also include a receiver (Rx) for receiving signals from, for example, a control station and send this information to the controller **270** for further processing.

The memory **284** may store information (e.g., image information (corresponding with captured images), operating programs or code, etc.) under the control of the controller **270**. The memory **284** may include for example, one or more of a random access memory (RAM), a read only memory (ROM), a flash memory, etc.

The one or more light sources **280** may be driven by the controller **270** and may provide a light of a suitable wavelength. Thus, the one or more of the light sources **280** may include light sources such as, for example, light emitting diodes (LEDs), and may optionally provide light at different wavelengths from each other. Accordingly, pathological abnormalities may be more readily detected by, for example, the system or a user, when subject to light having a first predetermined wavelength (or wavelengths). This light may then be used to conveniently detect (e.g., by the system or a user) abnormalities such as, for example, cancerous cells. Further, the LEDs may output white light for general lighting and imaging. Accordingly, the controller **270** may control one or more of the light sources to output one or more types of light, as desired.

The power source **276** may include any source capable of providing power to the image acquisition device. For example, the optional light source **280** may include one or more batteries, capacitors, inductors (e.g., capable of generating a charge from a magnetic field in which the endoscope of the present system is located), etc. However, in other embodiments, it is envisioned an external power source may be used.

In alternative embodiments, it is envisioned that the controller **270** may also control one or more focusing devices to focus the one or more lenses either automatically or under the control of a user. Further, a user may select a type of light and transmit a corresponding command (e.g., via a control unit) to the controller **270**.

A view of the endoscope taken along lines 3-3 of FIG. 2 is shown in FIG. 3. The base **122** may be attached to either or both of the fixing member **160** and the extension portion **120** using, for example, pins **127** which are placed through corresponding holes in the base **122**, the fixing member **160**, and the extension portion **120**. One or more openings **129** may be shaped and sized (e.g., oversize, oblong, etc.) such that undesirable flexing of the base **122**, the extension portion **120**, and/or the fixing member **160** may be reduced or entirely prevented when the base **122** is rotated relative to the fixing member **160**.

A side view of a distal portion of the endoscope according to another embodiment of the present system is shown in FIG. 4A. Distal portion 406 may include an image acquisition device 430 which may be enclosed in at least part of a cavity 482 within a base 422. The image acquisition device 430 may include one or more of a CCD 472, a controller 470, a transmitter (TX) 474, one or more optical elements, a memory, a light source 480, and a power source. The CCD 472 may have an imaging plane which is parallel to the viewing direction as shown by arrow 403. The one or more optical elements may include, for example, a lens (or lens array) 478 and/or a prism (or mirror) 479. The one or more optical elements may be situated apart from the CCD 472 so as to attain a proper focal length. The light source 480 may be controlled by the controller 470 and may include one or more LEDs.

A top view of the distal portion shown in FIG. 4A is shown in FIG. 4B. Only a single lens 478 and light source 480 are shown. However, a plurality of lenses and/or light sources may be used, if desired. Either or both of the pivot holes 420 and 424 may be oblong, etc., such that the fixing member 160 and/or the extension portion 120 may move in relation to the base 422 and, thus, reduce or prevent undue flexing during rotation of the base part 422.

A side view of a distal portion of an endoscope according to another embodiment of the present system is shown in FIG. 5A. An endoscope 500 includes a base 522 which may be configured to hold an image acquisition device 530 in a desired position as shown. The base 522 may be hingedly attached to the fixing member 160 at, for example, pivot 124 and is attached to the extension portion 120 at pivot 520 using fixation devices such as, for example, pins, screws, rivets, etc., which be coupled to corresponding openings in the base part 522, the fixing member 160, and/or the extension portion 120. One or more of the openings in the base 522 may have an oblong shape such as 520H so that the undue flexing of the extension portion 120 and/or the fixing member 160 may be reduced or entirely prevented. Further, it is also envisioned that one or more of the openings in the base (e.g., 520) may have a cam profile which may aid rotation of the base during operation. However, it is also envisioned that the extension portion 120 and/or the fixing member 160 may flex and/or be displaced in, for example, a direction that is transverse to the longitudinal axis (LAX) of the endoscope 500. The image acquisition device 530 may include, a common off-the-shelf capsule endoscope such as is known in the art. Further, the image acquisition device 530 may include one or more light sources such as LEDs 580 for providing a source of light during use. The base may include a mounting part for mounting the image acquisition part 530 thereto.

A top view of the endoscope shown in FIG. 5A is shown in FIG. 5B. The image acquisition device 530 may be held in place in the base 522 using any suitable means. For example, a friction fit, a collar, adhesives, etc., which may be compatible with the image acquisition device 530 may be used. A length L of the base 522 should be sized such that a proper view may be acquired by the image acquisition device 530 during use.

Side views of an endoscope according to an alternative embodiment of the present system is shown in FIGS. 6A-6C. An endoscope 600 may include handles which are configured for receiving a user's hand. A first grip portion 612 may be fastened to an elongated section 602. A second grip portion 610 may be pivotably coupled to the first grip portion 612 and a shaft 618 situated within the elongated section 602. Extensions 616 are situated for grasping by a user. A lever 617 operates to perform a desired function such as, for example, lock the first and second grip portions 608 and 610, respec-

tively, in a desired position relative to each other. A lever 619 operates to provide a couple such as, for example, an electrical couple, an optical couple, etc., to an external device.

FIG. 7A is a side view of a distal portion of an endoscope according to another embodiment of the present system. An endoscope 780 is shown in a closed configuration suitable for insertion through an opening such as an incision. The endoscope includes an elongated assembly 702, a shaft 718 and an extension portion 720, which may be similar to the like parts of the endoscope shown in FIG. 1. A fixing member 760 may be attached to the elongated assembly 702 using any suitable method and may be attached to base parts 722 and 722-1 using any suitable fastening method. For example, a suitable fastening method may include a screw, rivet, and/or pin 727 which may be inserted within corresponding openings of the base parts (722 and 722-1) and/or the fixing member 760. The base parts 722 and 722-1 may include arms 723 and 723-1. An image acquisition device 730 may be attached to the base parts 722 and 722-1 using any suitable fastener. For example, the image acquisition device 730 may be attached to the arms 722 and 722-1 using a fastener such as a pin, a screw, a rivet, etc., at pivots 724 or an adhesive. Further, it is also envisioned that the fastener may be formed integrally with, for example, the arms 722 and 722-1, or the image acquisition device. In yet other embodiments, it is envisioned that the fastener may be formed from a flexible element such as a polymer with suitable characteristics.

The extension portion 720 may be coupled to one or more of the base parts 722 or 722-1 using any suitable method such that a force (e.g., from the shaft 718) may be transmitted from the extension portion 720 to a corresponding base part 722 or 722-1. For example, the extension portion 720 may be attached to the base part 722 using a pin 727 or the like. It is also envisioned that at least part of an attaching member may be formed integrally with, for example, the image acquisition device, the base parts 722 and 722-1, the extension portion 720, and/or the fixing member 760.

The image acquisition device 730 may include, for example, a body 751 defining at least a part of a cavity for containing operational components. The body 751 may include one or more mounting flanges such as, for example flanges 741 for coupling the body 751 to the arms 723 and 723-1. The operational components may include one or more of a controller 770, a CCD 772, a magnification assembly 781, one or more LEDs 780, one or more optical elements such as, for example, lens 778, a transmitter/receiver Tx/Rx 774, a power source 776, and a memory 777. The magnification assembly 781 may also be used to zoom in/out as desired. Further, focusing system may be provided. This system may be fixed, user adjustable, and/or automatic. Further, the controller may also provide a digital-type zoom.

The controller 770 may control the overall operation of the image acquisition device 730.

The one or more of the one or more LEDs 780 may be operated directly from the power source or may be controlled by the controller 770. Further, one or more of the one or more LEDs 780 may output a wavelength of light that is different from a wavelength of another LED such that two different lighting modes may be output under the control of, for example, the controller 770. The lighting modes may correspond with lighting modes which may output one or more wavelengths or spectrums which may be better able to, for example, detect abnormalities. For example, one lighting mode may correspond with an imaging optical mode, while another optical mode may correspond with a Narrow Band Imaging (NIB™) optical mode as is known in the art.

## 11

The magnification assembly **781** may operate under the control of the controller **770** and may include one or more optical elements such as lenses that may be adjusted so as to increase/decrease magnification of an image to be captured. The user may transmit commands to the system to set a desired amount of magnification.

The memory **777** may store operating code, image information, and/or other data under the control of the controller **770**.

The power source **776** may include any suitable power source such as, for example, an inductive power source, a capacitor, a battery, etc. The power source may also receive power from an outside source using, for example, an electrical connection.

The Tx/Rx **774** may include a wired and/or a wireless transmitter which can transmit information which may include image information from the controller **770** and/or receive information such as, for example, operating instructions from an outside source.

Although not shown, the arms **723** and **723-1** may be shaped and sized such that they may be attached to the body portion of the image acquisition device **130** at any location on the body portion **751**. Further, the image acquisition device **730** may, for example, include a conventional medical imaging capsule and/or may be compatible with high definition imaging (HD) systems. Further, an attachment such as, for example, a cradle may be used to attach an imaging capsule to the arms **723** and **723-1**.

A side view of the endoscope shown in FIG. 7A in an open position is shown in FIG. 7B. The image acquisition device **730** is shown in an elevated rear viewing position. A biasing means may be used to return the image acquisition device **730** to a seated position as is shown in FIG. 7A. To elevate the image acquisition device **730**, a user may depress the second grip portion **110** towards the first grip portion **108** which may displace the shaft **718** as illustrated by arrow **797**. The shaft **718** then rotates the base part **722** about pivot **724**. As the base part **722** is rotated, the arm **723** raises the image acquisition device **730**. The arms **723** and **723-1** may be shaped and sized such that a desired viewing direction may be obtained. For example, assuming that the base parts **722** and **722-1** as well as arms **723** and **723-1** have similar shapes and sizes, then as the image acquisition device **730** is raised, it will maintain a parallel rear direction of view as illustrated by arrow **763**. Likewise, by changing the size of the base parts **722** and **722-1** and/or the arms **723** and **723-1**, a non-parallel direction of view may be obtained at different extensions of the image acquisition device **730**.

A cross sectional view of the endoscope shown in FIG. 7A taken along lines **8-8** is shown in FIG. 8. The one or more LEDs **780** may be situated about the lens **778**.

A schematic view of an endoscopic imaging system according to an embodiment of the present system is shown in FIG. 9. An endoscope system **900** may include one or more of a rear imaging endoscope **902**, a front imaging endoscope **904**, a control unit **901**, a controller **908**, a display **906**, user input device **916**, a transmitter/receiver (Tx/Rx) **910**, an antenna **912**, a memory **914**, a local storage device **918**, a speaker **922**, a microphone **920**, a network **924**, a remote display **930**, a remote controller **928**, and a remote storage **926**.

The control unit **901** may include the controller **908** and may control the overall operation of the endoscope system **900**. The controller **908** may include one or more controllers which may be located at one or more locations. The controller **908** may receive image information such as, for example, live video and/or still image information (image information)

## 12

from image capture devices of one or more endoscopes such as, for example, endoscopes **902** and/or **904**. The image information may be transmitted from a corresponding endoscope using a wired and/or wireless transmission scheme. Any suitable wireless transmission scheme may be used. The transmitted wireless image information may be received by the antenna **912** and then transferred to the Tx/Rx **910**. The Tx/Rx **910** may then optionally downconvert the received image information and transmit this information to the controller **908**. The controller **908** may then further process the received image information and display this information on the display **906**. The controller **908** may also process the received image information and transmit corresponding information to one or more storage devices such as, for example, storage **918** and/or **926**.

The user input device **916** may include, for example, a keyboard, a touch screen, a track ball, a mouse, a pointer, or other suitable devices.

The speaker **922** may output audible sound under the control of the controller **908**. The controller **906** may also employ a text-to-speech (TTS) and/or speech-to-text (STT) processing to convert corresponding text or speech to a desired format.

The microphone **920** may receive audible inputs from the user and transmit this information to the controller **908** for further processing.

The controller may use a text-to-speech and/or a speech-to-text application to perform an appropriate conversion to, for example, generate speech and/or text information that may be processed by the system. For example, a user may input an audible command such as, "lights on," which may be processed and result in the controller **908** transmitting a command to a lighting source of an endoscope such as, endoscope **902**. Each endoscope **902** may have an identification (ID) that may be used to identify a command transmitted to an appropriate endoscope (e.g., **902**, **904**). Further, different transmission/reception frequencies may be used by each endoscope to distinguish endoscopes.

An optional Coder/Decoder (CODEC) may operatively interface the speaker **922** and/or microphone **920** to the controller **908**.

The memory **914** may include for example, a random access memory (RAM), a read only memory (ROM), a flash memory, an optical memory, or other suitable memory device. The memory **914** may store operating programs and/or data generated by the controller **908**.

The storage **918** may include a storage device such as, for example, a hard disc, an optical disc, a storage area network (SAN), etc. The storage **918** may operate under the control of the controller **908** and may store information such as, for example image information and associated information from the controller **908** for later use. The associated information may include, for example, one or more of user information, patient information, time information, date information, identification (ID) information, hospital information, annotations, notes, user preference information, report information (e.g., generated patient reports), etc. The storage **926** may also store programs and/or image information and associated information and provide this information to the controller **908**.

The display **906** may include one or more suitable displays such as, for example, liquid crystal displays (LCDs), etc.

The controller **908** may communicate with other devices such as, for example, the controller **928** and/or storage device **926**, which may be located at one or more remote locations, via the network **924** accessible via, for example, the network **924**.

## 13

The network **924** may include for example, a local area network (LAN), a wide area network (WAN), a proprietary network, a system bus, in intranet, the Internet, etc. The controller **908** may communicate with the network **924** using any suitable transmission scheme.

The controller **928** may input user information via, for example, the user input device **928** and/or may output information via the display **930**, the speaker **922**, etc.

The storage **926** may receive information such as image information and associated information from the controller **908** and may store this information for later use. The associated information may include, for example, one or more of user information, patient information, time information, date information, identification (ID) information, hospital information, annotations, notes, etc. The storage **926** may also store programs and/or provide stored information to the controller **908**.

The controller **908** may receive user inputs via one or more user input devices such as, for example, keyboard (KB) **916**, the microphone **920**, etc.

The remote controller **928** and/or display **930** may include similar functionality as the controller **908** and display **906**, respectively. The controller **928** may interface with user input devices so as to receive user inputs at one or more locations.

A process for capturing images according to the present system will now be described. A flow chart of a process performed according to an embodiment of the present system is shown in FIG. **10**. A process **1000** may be controlled by one more computers communicating directly and/or over a network and may include one or more of the following steps, acts or operations. Further, one or more of these steps, acts, or operations may be combined and/or separated into sub-steps, sub-acts, or sub-operations, if desired.

In act **1002**, a process for acquiring imaging information is activated. Thereafter, the process continues to act **1004**.

In act **1004**, the process may activate an optional frontal imaging device such as, for example, a front viewing or main endoscope. The process may then continue to act **1006**.

In act **1006**, the process may capture images such as, for example, still and/or video images from the main endoscope (e.g., in real time). The process may then continue to act **1008**.

In act **1008**, the process may determine whether a rear-viewing endoscope is present. This decision may be based upon, for example, whether the rear-viewing endoscope is selected by a user, is present, is activated, or is otherwise to be used for obtaining images during a routine). If the process determines that rear-viewing endoscope is present, the process continues to act **1010**. However, if it is determined that a rear-viewing endoscope is not present, the process continues to act **1014**.

In act **1010**, the rear viewing endoscope may be activated. For example, a camera of the rear-viewing endoscope may be activated so as to conserve system resources. This act may also wait for a user's input so as to conserve system resources such as, for example, battery power. The process then may continue to act **1012**.

In act **1012**, the process captures images such as, for example, still and/or video images in, for example, real time, from the rear-viewing endoscope. The process may then continue to act **1014**.

In act **1014**, the process may display the image from the main endoscope. The process may then continue to act **1016**.

In act **1016**, the process may determine whether it is receiving images from the rear-viewing endoscope. If the process determines that it is receiving images from the rear-viewing endoscope, the process may continue to act **1018**. However, if it is determined that the process is not receiving images

## 14

from the rear-viewing endoscope, the process may continue to act **1020**. Alternatively, act **1016** may use a determination that is similar to the determination in act **1008**. For example, the process may determine whether a rear-viewing endoscope is present (e.g., is to be used, is present, is selected by a user, etc.). If the process determines that rear-viewing endoscope is present, the process may then continue to act **1018**. However, if it is determined that a rear-viewing endoscope is not present, the process may continue to act **1020**.

In act **1018**, the process may display the image images from the rear-viewing endoscope adjacent to, or upon (e.g., by superposition), images from the main endoscope. For example, the process may use a picture-in-picture (PIP) mode to display the images from the rear-viewing endoscope in a portion of the screen which displays the image from the main endoscope. The process may also present the user with an option to reverse, move, and/or resize the images. Further, identification information may be displayed to identify the image so that the user can readily identify the image with a corresponding endoscope. If a touch screen is used, the process may receive a user's input via the display and can for example, drag images (e.g., the PIP image) to a new location, reverse the main image (primary image) and the PIP image by, for example, double clicking the main image or the PIP image. Further, the system may also recognize voice commands such as, for example, "reverse images" which may be processed by the system and result in the reversal of the main image and the PIP image. Further, the system may recognize commands such as, for example, a magnification command, a mode change command (e.g., one lighting mode to another), a picture record command, a picture replay command (e.g., corresponding to a past time e.g., "replay two minutes ago"). Further, the system may recognize a user's request to remove the PIP either temporarily or permanently. Accordingly, a surgeon may easily review past information, change screens, magnification, lighting, etc., during surgery.

In act **1020** the process may end.

However it is also envisioned that two or more screens may be used for display images from corresponding endoscopes, as desired.

A screen shot of an image display according to the present system is shown in FIG. **11A**. Screen shot **1100A** may include, for example, an image **1102** such as, a still or a video image, from a first scope (e.g. a main scope). An image such as, a still or video image, from a secondary (e.g., rear-viewing endoscope) may be displayed as a PIP **1104**. The system may reverse primary (e.g., image **1102**) and the secondary (image **1104**) images upon the request of a user. An identifier such as a highlighted frame **1106** (e.g., a blue highlighted frame) may be used to identify the image from the secondary endoscope. For example, an image from a rear-viewing (or secondary) endoscope may be highlighted using a first color (e.g., a blue frame **1106**) and/or an image from a forward-viewing (or main) endoscope may be identified using a highlight of a different color. The image acquisition devices according to the present system may include a stereoscopic viewing system that may display captured images (e.g., video images) in stereovision. The system may also determine an orientation of the image acquisition device of the rear-viewing endoscope and display this information (e.g., by superposition) as illustrated by the flat planes **1103**, **1105** and corresponding arrows which may illustrate an image plane of a rear viewing endoscope within the primary image **1102** for a user's convenience.

A screen shot of an image display according to the present system is shown in FIG. **11B**. Screen shot **1100B** illustrates an image in which an endoscope is inserted at an angle to remove

## 15

a meningioma attached behind a tumor. In particular, FIGS. 11A and 11B illustrate an endoscopic resection of a Meningioma brain tumor and its gradual dissection of the optic nerves where, in addition to a surgical tool (e.g., for dissection), a rear-viewing endoscope according to the present system may be inserted to provide various views, e.g., a rear view, of the tumor.

A side view of another endoscope according to another embodiment of the present system is shown in FIG. 12A. An endoscope 1200 may include one or more of an elongated section 1202, a handle portion 1204, and a distal portion 1206.

The elongated section 1202 includes may be coupled to the distal portion 1206 at one side and may be coupled to the handle portion 1204 at another side. The elongated section may have an opening through which a shaft 1218 passes.

The handle portion 1204 may include one or more of first and second scissor-type handles 1208 and 1210, respectively. The first scissor-type handle 1208 may be coupled in a fixed position relative to the handle portion 1204 while the second scissor-type handle 1210 may be coupled in a movable position relative to the handle portion 1204. Accordingly, the second scissor-type handle 1210 may move towards and/or away from the first scissor-type handle 1208 as illustrated by arrow 1293. The handle portion 1204 may include one or more of a controller 1270, a transmitter receiver (Tx/Rx) 1274, a memory, and a user input device for inputting a user's command. The controller 1270 may control the overall operation of an image acquisition device 1230. The Tx/Rx 1274 may transmit image information from the controller via a wired and/or wireless link.

The distal portion 1206 may include a base 1222 and an image acquisition device 1230 coupled thereto. The base 1222 may be coupled to the elongated section 1202 via a hinge 1224. The base 1222 may be coupled to the second scissor-type handle 1210 via the shaft 1218 such that displacement of the second scissor-type handle 1210 displaces the base 1222 and therefore the image acquisition device 1230 relative to a longitudinal axis (LAX) of the endoscope 1200.

The image acquisition device 1230 may include one or more of optical elements (e.g., lenses, reflectors, prisms, mirrors, etc.), magnification devices, and a CCD. The CCD may transmit image information to the controller 1270. The optical elements may include a distal optical element 1297 which may include for example, a reflector such as, a mirror which may be used to adjust at least part of an imaging direction of the image acquisition device 1230. By adjusting the angle of the image acquisition device 1230 relative to the LAX and adjusting an angular position of the distal optical element 1297 relative to a longitudinal axis of the image acquisition device (LX), an imaging direction with respect to the LAX may be adjusted. The image acquisition device 1230 may also have field of view  $\theta$  as shown.

An isometric view of the endoscope shown in FIG. 12A is shown in FIG. 12B. A lens 1231 is shown mounted to the image acquisition device 1230.

Another isometric view of the endoscope shown in FIG. 12A is shown in FIG. 12C.

A front view of the endoscope shown in FIG. 12A is shown in FIG. 12D.

A rear view of the endoscope shown in FIG. 12A is shown in FIG. 12E. The shaft 1218 is shown in the elongated section 1202. The shaft may be coupled to the second scissor-type handle 1210 using any suitable method. A biasing member may return the second scissor-type handle 1210 to a default position. In other embodiments, it is envisioned that the sec-

## 16

ond scissor-type handle 1210 may be coupled in a fixed position relative to the handle portion 1204 while the first scissor-type handle 1208 may be coupled in a movable position relative to the handle portion 1204.

A bottom view of the endoscope shown in FIG. 12A is shown in FIG. 12F. The handle portion 1204 may be removable from the elongated section 1202.

A perspective view of an endoscope according to another embodiment of the present system is shown in FIG. 13A and FIG. 13B is a detailed view of a distal end of the endoscope shown in FIG. 13A.

With reference to FIG. 13A and FIG. 13B, an endoscope 1300 according to the present embodiment may include one or more of an elongated section (or barrel section) 1302, a handle portion 1304, and a distal portion 1306.

The handle portion 1304 may include first and second grip portions 1308 and 1310, respectively, each of which may be suitable for grasping by a user and which may include one or more grip openings 1313 suitable for receiving a user's fingers. The grip portions 1308 and 1310 may be hingedly or slidably located relative to each other.

The elongated section 1302 may be removably attached to the handle portion 1304 and may include an opening such as a channel which may include a shaft 1318. The shaft 1318 may be coupled to the second grip portion 1310 using any suitable mechanism. For example a hinge, friction, latch, cam, or other mechanism may be used to couple the shaft 1318 to the second grip portion 1310.

The distal section 1306 may include one or more of a first element 1320, a second element 1360, and an end part 1305.

The end part 1305 may include a base portion 1322. Further, the end part 1305 may include one or more image acquisition devices 1330. The one or more image acquisition devices 1330 may capture images one or more viewing directions as illustrated by arrow 1309. The image acquisition device 1330 may include one or more of a focal plane array, a CCD, a memory, a controller, a power supply, and a transmitter/receiver Tx/Rx. The image acquisition device may also include more than one image capture devices such as two or more focal plane arrays 1337, which can capture, for example, stereoscopic (e.g., 3D) images. As image acquisition devices are described elsewhere in this document, and for the sake of clarity, a further description thereof will not be given. However, in other embodiments, it is envisioned that one or more of the memory, the controller, the power supply, and the transmitter/receiver Tx/Rx may be mounted elsewhere. For example, in one embodiment, the Tx/Rx may be located in a handle portion. The end part 1305 may include one or more optically reflective surfaces, or parts thereof, so as to reflect images. For example surface 1331 may include an optically reflective part which can reflect images in those portions which do not optically cover a focal plane array. It is also envisioned that in another embodiment, a further image acquisition device 1330-1 may be mounted within the end part 1305 such that images in another viewing direction as illustrated by arrow 1395 may be captured. Thus, depending upon available space, a user may obtain images in a desired direction. Further, a switchable optical element (e.g., a mirror, prism, etc.) may be included so as to direct images from a desired view to the CCD. Thus, a single CCD array may be used to capture images from two or more views. However, in other it is also envisioned that each image acquisition device may capture images independently of the other.

The first element 1320 may be coupled to the shaft 1318 at a first end and may be coupled to the base portion 1322 at a second end. The second extension element 1360 may be coupled to the elongated section 1302 at a first end and may be



coupled to the base portion **1322** and a second end. Any suitable method may be used to couple the first and second extension elements **1320** and **1360**, respectively, to the base portion **1322**. For example, hinged joints **1324** and **1326** may be used. The hinged joints **1324** and **1326** may include, for example, pins, rivets, threaded members, flexible elements, etc.

A detailed view of a distal end of the endoscope shown in FIG. **13A** is shown in FIG. **13C**. In operation, displacement of the second grip portion **1310** towards the first grip portion **1308** may cause a displacement of the shaft **1318** within the elongated section **1302**. The displacement of the shaft **1318** may cause the first extension element **1320**, which is coupled to the shaft **1318**, to move a corresponding amount as illustrated by arrow **1391**. However, as the second extension element **1360**, which is coupled to the handle portion **1304** via the elongated shaft **1302**, remains stationary or moves only slightly, the movement of the first extension element **1320** may then cause the base **1322** to rotate about one or more of joints **1324** and **1326**. Accordingly, the base **1322** may rotate as illustrated by arrow **1393**. Thus, an image viewing direction as illustrated by arrow **1397** may change according to deflection of one of the first or second grip portions **1308** and **1310**, respectively, relative to the other of the grip portions **1308** and **1310**, respectively.

A partially exploded view of a distal end of the endoscope shown in FIG. **13A** is shown in FIG. **13D**. The endoscope **1300** may be disassembled for cleaning, servicing, etc. Thus, connection portions for releasably connecting individual components of the endoscope together may be included.

A perspective view of an endoscope according to another embodiment of the present system is shown in FIG. **14A**. Further, FIGS. **14B-14C** each illustrate a detailed view of a distal end of the endoscope shown in FIG. **14A**; FIG. **14D** is a partially exploded view of a distal end of the endoscope shown in FIG. **14A**; and FIG. **14E** is a detailed partial cutaway view of an end portion of the endoscope shown in FIG. **14A**.

With reference to FIGS. **14A-14E**, an endoscope **1400** according to the present embodiment may include one or more of an elongated section (or barrel section) **1402**, a handle portion **1404**, and a distal portion **1406**.

The handle portion **1404** may include first and second grip portions **1408** and **1410**, respectively, each of which may be suitable for grasping by a user and which may include one or more grip openings **1413** suitable for receiving a user's fingers. The grip portions **1408** and **1410** may be hinged or slidably located relative to each other.

The elongated section **1402** may be removably attached to the handle portion **1404** and may include an opening such as a channel which may include a shaft **1418**. The shaft **1418** may be coupled to the second grip portion **1410** using any suitable mechanism. For example a hinge, friction, latch, cam, or other mechanism may be used to couple the shaft **1418** to the second grip portion **1410**.

The distal section **1406** may include one or more of a first element **1420**, a second element **1460**, and an end part **1405**.

The end part **1405** may include a base portion **1422**. Further, the end part **1405** may include one or more image acquisition devices **1430**. The one or more image acquisition devices **1430** may capture images one or more viewing directions as illustrated by arrow **1409**. The image acquisition device **1430** may include one or more of a focal plane array, a CCD, a memory, a controller, a power supply, and a transmitter/receiver Tx/Rx. As image acquisition devices are described elsewhere in this document, for the sake of clarity, a further description thereof will not be given. However, in other embodiments, it is envisioned that one or more of the

memory, the controller, the power supply, and the transmitter/receiver Tx/Rx may be mounted elsewhere. For example, in one embodiment, the Tx/Rx may be located in a handle portion. The end part **1405** may include one or more optically reflective surfaces, or parts thereof, so as to reflect images. For example surface **1431** may include an optically reflective part which can reflect images in those portions which do not optically cover a focal plane array. It is also envisioned that in another embodiment, a further image acquisition device **1430-1** may be mounted within the end part **1405** such that images in another viewing direction as illustrated by arrow **1495** may be captured. Thus, depending upon available space, a user may obtain images in a desired direction. Further, a switchable optical element (e.g., a mirror, prism, etc.) may be included so as to direct images from a desired view to the CCD. Thus, a single CCD array may be used to capture images from two or more views. However, in other it is also envisioned that each image acquisition device may capture images independently of the other.

The shaft **1418** may include a distal end which may include a first element **1420** and a second element **1460**. Each of the first and second elements **1420** and **1422**, respectively, may be shaped and/or formed using a material that may provide a biasing force so as to return one or more of the first element **1420** and the second element **1460** to a predetermined position after they are deflected towards each other as illustrated by arrows **1451**. However, it is also envisioned that separate biasing member (e.g., a spring) may be used to supply a biasing force to return the first and second elements **1420** and **1460**, respectively, to a predetermined position (or range). Each of the first and second elements **1420** and **1422**, respectively, may be formed integrally with, or separately from, each other. Each of the of the first and second elements **1420** and **1422**, respectively, may be shaped and sized so as to form at least part of a cam area **1433** and **1435** which may engage a corresponding cam area **1437** at an end of the elongated section **1402**. Accordingly, when the shaft **118** is withdrawn into the elongated section **1402** (as illustrated by arrow **1453**), engagement of the cam **1437** with the cam areas **1433** and **1435** which may exert a force which deflects the distal ends of the first and second elements **1420** and **1422**, respectively, towards each other, as illustrated by arrows **1451**. Further, the cams may have any suitable profile. Any suitable method may be used to couple the first and second elements **1420** and **1460**, respectively, to the shaft **1418**.

With reference to FIG. **14C**, deflection of the second grip portion **1410** towards the first grip portion **1408**, may displace the shaft **1418** within the elongated section **1402** as illustrated by arrow **1453**. This displacement may cause the engagement of the cam **1437** with the cam areas **1433** and **1435** which may exert a force which deflects the distal ends of the first and second elements **1420** and **1422**, respectively, towards each other, as illustrated by arrows **1451**. The deflection of the distal ends of the first and second elements **1420** and **1422**, respectively, towards each other may then cause the base **1422** to rotate about one or more of joints **1424** and **1426**. Accordingly, the base **1422** may rotate as illustrated by arrow **1493**. Thus, an image viewing direction, as illustrated by arrow **1409**, may change according to deflection of one of the first or second grip portions **1408** and **1410**, respectively, relative to the other of the grip portions **1408** and **1410**, respectively.

With reference to FIG. **14D**, the endoscope **1400** may be disassembled for cleaning, servicing, etc. Thus, connection portions for releasably connecting individual components of the endoscope together may be included.

With reference to FIG. 14E, the base portion 1422 is shown slightly rotated and may rotate about 90 degrees (or other amounts) such that the one or more image acquisition devices 1430 may capture images one or more viewing directions as illustrated by arrow 1409. However, it is also envisioned that an image may be reflected off of the surface 1431 and viewed by a user or captured by another endoscope.

A detailed partial cutaway view of an end portion of an alternative embodiment of the endoscope shown in FIGS. 14A-14E is shown in FIG. 14F. The endoscope is essentially similar to the endoscope shown in FIGS. 14A-14E and, for the sake of simplicity, like numerals are used. However, one or more of the joints 1424 and 1426 may include a cam and as fastening device (e.g., a pin, a screw, etc.) in the joint 1426 may act as a follower which engages the cam. For example, a cam may be formed in the shape of an opening 1523 in the base portion 1422. Accordingly, deflection of the distal ends of the first and second elements 1420 and 1422, respectively, towards each other may then cause the base 1422 to rotate (as illustrated by arrow 1493). Thus, an image viewing direction, as illustrated by arrow 1497, may change according to deflection of one of the first or second grip portions 1408 and 1410, respectively, relative to the other of the grip portions 1408 and 1410, respectively. The cam may have any suitable profile which may provide for a given amount of rotation for a given deflection of the first and/or second elements, 1420 and 1422, respectively.

Although, exemplary embodiments shown in one or more of the figures illustrate a fixed first grip portion and a movable second grip portion, it is envisioned that in other embodiments either of these portions may be fixed and/or moveable. Further, one or more of the grip portions may be coupled to the shaft such that deflection of a grip portion in a first direction may cause the shaft to deflect in the same or in an opposite direction. Moreover, linkages may be used to control an amount of deflection of the viewing direction and/or the shaft in relation to a deflection of one of the grip portions.

Further, in other alternative embodiments, the endoscope of the present system may include an encoder for providing information relating to an amount of deflection of the distal portion relative to an absolute point (e.g., the elongated section). This information may be displayed using mechanical means and/or a display such as, for example, a liquid crystal display (LCD). Moreover, an image stabilization system, as is known in the art, may be used to stabilize images (either mechanically and/or electronically) which are received from the endoscopes according to the present system.

With regard to lighting modes, various lighting modes that may be employed by the present system to provide desired lighting characteristics. For example, in one lighting mode, lighting sufficient for providing a view to a surgeon may be provided. However, other lighting modes may correspond with lighting modes which may output one or more wavelengths or spectrums which may be better able to, for example, detect abnormalities. Accordingly, in one embodiment of the present system, a lighting mode may output one or more wavelengths or spectrums which may be better able to detect the presence of, for example, cancerous cells, as is known in the art. According to yet another embodiment of the present system, another lighting mode may output light in accordance with a Narrow Band Imaging™ (NBI) routine, which is known in the art and can provide images with enhanced clarity. According to a further object of the present system, one or more image processing applications may be provided to process image information of a surgical field and determine the presence of certain abnormalities such as, for example, cancerous cells.

The present system may be used in various surgical routines which may include, for example, Natural Orifice Transluminal Endoscopic Surgery (NOTES) and/or single incision surgery which may be referred to as Laparo-Endoscopic Single Site (LESS) surgery.

The present system may also be retrofitted upon conventional endoscopes and/or may incorporate the use of an off-the-shelf capsule-type imaging system.

Further, to provide images with depth perception such as, for example, stereoscopic and/or 3D images, where each image acquisition device (or the like) according to the preset system may include stereoscopic image capture devices and/or two or more image capturing devices for capturing stereoscopic and/or 3D images, such as disclosed by, for example, U.S. Patent Application No. 2007/0249932 A1, entitled Remote Manipulator with Eyeballs, the contents of which are incorporated herein by reference. Thus, two or more cameras, optical elements such as, mirrors, prisms, imaging arrays (e.g., CCD and/or CMOS arrays), etc. may be included to capture images. Further, the present system may process two or three dimensional images and/or display these images using a suitable display, such as, for example, a two or three dimensional display.

The endoscope of the present system is ideal for performing minimally invasive endoscopic procedures such as, for example, neurosurgery, brain surgery, abdominal surgery, etc. In addition, the present systems, devices and methods may be used in any application requiring entry through (small) openings while minimally disturbing the surrounding environment.

Thus, according to the present systems and devices, an accurate, convenient, low-cost, upgradeable, reliable, and standardized endoscopic imaging system is provided.

Although the present system has been described with reference to an endoscopic imaging system, it is also envisioned that the present system can be extended to other imaging systems such as a laparoscopic endoscope. Accordingly, the present system may be used to capture and/or record image information related to endoscopic imaging applications. Further, the present system may also include a program which may be used with conventional imaging systems so that they may provide features and advantages of the present system.

Certain additional advantages and features of this invention may be apparent to those skilled in the art upon studying the disclosure, or may be experienced by persons employing the novel system and method of the present invention, chief of which is that a more reliable image acquisition system and method of operation thereof is provided. Another advantage of the present systems and devices is that conventional medical image systems can be easily upgraded to incorporate the features and advantages of the present systems and devices.

Of course, it is to be appreciated that any one of the above embodiments or processes may be combined with one or more other embodiments and/or processes or be separated and/or performed amongst separate devices or device portions in accordance with the present systems, devices and methods.

Finally, the above-discussion is intended to be merely illustrative of the present system and should not be construed as limiting the appended claims to any particular embodiment or group of embodiments. Thus, while the present system has been described in particular detail with reference to exemplary embodiments, it should also be appreciated that numerous modifications and alternative embodiments may be devised by those having ordinary skill in the art without departing from the broader and intended spirit and scope of the present system as set forth in the claims that follow.

Accordingly, the specification and drawings are to be regarded in an illustrative manner and are not intended to limit the scope of the appended claims.

In interpreting the appended claims, it should be understood that:

a) the word “comprising” does not exclude the presence of elements or acts other than those listed in a given claim;

b) the word “a” or “an” preceding an element does not exclude the presence of a plurality of such elements;

c) any reference signs in the claims do not limit their scope;

d) several “means” may be represented by the same item or by the same hardware- or software-implemented structure or function;

e) any of the disclosed elements may be comprised of hardware portions (e.g., including discrete and integrated electronic circuitry), software portions (e.g., computer programs), and any combination thereof;

f) hardware portions may be comprised of one or both of analog and digital portions;

g) any of the disclosed devices or portions thereof may be combined or separated into further portions unless specifically stated otherwise;

h) no specific sequence of acts or steps is intended to be required unless specifically indicated; and

i) the term “plurality of” an element includes two or more of the claimed element, and does not imply any particular range or number of elements; that is, a plurality of elements may be as few as two elements, and may include an immeasurable number of elements.

What is claimed is:

1. An endoscope comprising:

a rigid section having opposed first and second ends and an opening situated between the first and second ends, the rigid section defining a longitudinal axis;

a handle portion coupled to a first end of the rigid section and having first and second scissor-type handles suitable for grasping by a user;

a base part having an image capturing device, a first pivot portion and a second pivot portion, the base part situated at the second end of the rigid section and coupled to the first handle of the scissor-type handles such that a displacement of a one of the scissor-type handles relative to another of the scissor-type handles causes a change in a viewing direction of image capturing device;

a rigid shaft located in the opening and operatively coupling the first handle of the scissor-type handles and the base part, the rigid shaft including an extension portion being rigidly coupled to the rigid shaft and pivotably coupled to the base part at the first pivot portion of the base part; and

a fixing member having an adjustable position relative to the rigid section, the fixing member being rigidly coupled to the rigid section and pivotably coupled to the base part at the second pivot portion of the base part,

wherein the image capturing device provides a front view when pointed in a front direction, and wherein when the first handle is moved to a first region of travel, the base part is rotated so that the image capturing device provides a rear view which is opposite to the front view.

2. The endoscope of claim 1, wherein the base part further comprises a reflective optical element configured to reflect images from portions of an object of interest which are not in a field of view of the image capturing device.

3. The endoscope of claim 1, further comprising a biasing member which biases at least one of the first and second scissor-type handles relative to the other of the first and second scissor-type handles.

4. The endoscope of claim 1, wherein the shaft telescopes within the opening and maintains a fixed shape when the shaft telescopes within the opening.

5. The endoscope of claim 1, further comprising a brake to lock the base part in a fixed position.

6. The endoscope of claim 1, wherein the image capturing device comprises at least one of a charge coupled device (CCD) and complementary metal oxide semiconductor (CMOS) device.

7. The endoscope of claim 1, further comprising reflective optical element coupled to the base for reflecting images from portions of an object of interest which are not in a field of view of the image capturing device.

8. The endoscope of claim 1, wherein the fixing member includes a threaded screw for adjusting the position of the fixing member.

9. The endoscope of claim 1, wherein the base part is configured to provide the rear view in response to a 90° rotation of the base part.

10. The endoscope of claim 1, wherein the base part is configured to cooperate with the extension portion and the fixing member to provide the rear view in response to a 90° rotation of the base part.

11. The endoscope of claim 1, wherein the viewing direction of the image capturing device is perpendicular to the longitudinal axis when the image capturing device is aligned with the longitudinal axis.

12. The endoscope of claim 1, wherein the viewing direction of the image capturing device is perpendicular to the longitudinal axis when the base part is aligned with the longitudinal axis so that rotation of the base part by 90° provides the rear view.

13. The endoscope of claim 1, wherein the image capturing device comprises two focal plane arrays for providing stereoscopic images.

14. The endoscope of claim 1, wherein the base part further includes a further image capturing device for providing stereoscopic images captured by the image capturing device and the further image capturing device.

15. The endoscope of claim 1, wherein the image capturing device includes a single plane array for capturing images from two viewing directions for providing stereoscopic images when pointed in a first direction.

16. The endoscope of claim 1, wherein the image capturing device is located on a first side of the base part for providing a first view in a first viewing direction when the base is aligned with the longitudinal axis, and wherein the base part further includes a further image capturing device located on a second side of the base part for providing a second view in a second viewing direction when the base is aligned with the longitudinal axis, the second viewing direction being different from the first viewing direction.

17. The endoscope of claim 16, wherein the second viewing direction is perpendicular to the first viewing direction.

18. The endoscope of claim 2, wherein the reflective optical element is configured to reflect images from portions of the object of interest located behind the image capturing device for providing the rear view when the image capturing device is pointed in the front direction.

19. The endoscope of claim 7, wherein the reflective optical element is configured to reflect images from portions of the object of interest located behind the image capturing device for providing the rear view when the image capturing device is pointed in the front direction.

20. An endoscope comprising:

a rigid section having opposed first and second ends and an opening situated between the first and second ends, the rigid section defining a longitudinal axis;

23

a handle portion coupled to a first end of the rigid section and having first and second scissor-type handles; and  
a base part having an image capturing device, a first pivot portion and a second pivot portion, the base part being situated at the second end of the rigid section and coupled to a first handle of the scissor-type handles such that a movement of a one of the scissor-type handles relative to another of the scissor-type handles causes a change in a viewing direction of image capturing device;  
a rigid shaft located in the opening and operatively coupling the first handle of the scissor-type handles and the base part, the rigid shaft including an extension portion being rigidly coupled to the rigid shaft and pivotably coupled to the base part at the first pivot portion of the base part; and

24

a fixing member having an adjustable position relative to the rigid section, the fixing member being rigidly coupled to the rigid section and pivotably coupled to the base part at the second pivot portion of the base part, wherein the image capturing device provides a front view when pointed in a front direction, and wherein when a one handle of the first and second scissor-type handles is moved, the base part is rotated so that the image capturing device provides a rear view which is opposite to the front view, and wherein the image capturing device includes a single plane array for capturing images from two viewing directions for providing stereoscopic images when pointed in a first direction.

\* \* \* \* \*