



US008230672B2

(12) **United States Patent**  
**Mungas et al.**

(10) **Patent No.:** **US 8,230,672 B2**  
(45) **Date of Patent:** **Jul. 31, 2012**

(54) **SPARK-INTEGRATED PROPELLANT  
INJECTOR HEAD WITH FLASHBACK  
BARRIER**

(75) Inventors: **Gregory Stuart Mungas**, Broomfield,  
CO (US); **David James Fisher**,  
Broomfield, CO (US); **Christopher  
Mungas**, Broomfield, CO (US)

(73) Assignee: **Firestar Engineering, LLC**,  
Broomfield, CO (US)

(\* ) Notice: Subject to any disclaimer, the term of this  
patent is extended or adjusted under 35  
U.S.C. 154(b) by 1167 days.

1,103,503 A	7/1914	Goddard	
1,586,195 A	5/1926	Hall	
2,609,281 A	9/1952	Smith	
3,243,272 A	3/1966	Schmitz	
3,512,556 A	5/1970	McKhann	
3,719,046 A *	3/1973	Sutherland et al.	60/206
3,779,714 A	12/1973	Nadkarni et al.	
4,045,159 A *	8/1977	Nishi et al.	431/328
4,398,527 A	8/1983	Rynbrandt	
4,446,351 A	5/1984	Kawaguchi et al.	
4,458,595 A	7/1984	Gerrish, Jr. et al.	
4,703,620 A	11/1987	Niino et al.	
4,707,184 A	11/1987	Hashiguchi et al.	
4,736,676 A	4/1988	Taylor	
4,963,490 A	10/1990	Churchouse et al.	
5,203,296 A	4/1993	Hart	
5,305,726 A	4/1994	Scharman et al.	

(Continued)

(21) Appl. No.: **11/950,174**

(22) Filed: **Dec. 4, 2007**

(65) **Prior Publication Data**

US 2008/0173020 A1 Jul. 24, 2008

**Related U.S. Application Data**

(60) Provisional application No. 60/868,523, filed on Dec.  
4, 2006.

(51) **Int. Cl.**  
**F16P 3/02** (2006.01)  
**F16P 1/02** (2006.01)  
**F02C 7/266** (2006.01)

(52) **U.S. Cl.** ..... **60/39.11; 60/39.827**

(58) **Field of Classification Search** ..... **60/257,**  
**60/258, 39.827, 39.83, 206, 39.11, 260**  
See application file for complete search history.

(56) **References Cited**

U.S. PATENT DOCUMENTS

1,061,847 A 5/1913 Ionides, Jr.  
1,102,653 A 7/1914 Goddard

FOREIGN PATENT DOCUMENTS

EP 1500880 A2 1/2005  
(Continued)

OTHER PUBLICATIONS

"aRocket", an amateur rocketry discussion forum on <http://exrocktry.net/mailman/listinfo/rocket>, Dec. 31, 2009.

(Continued)

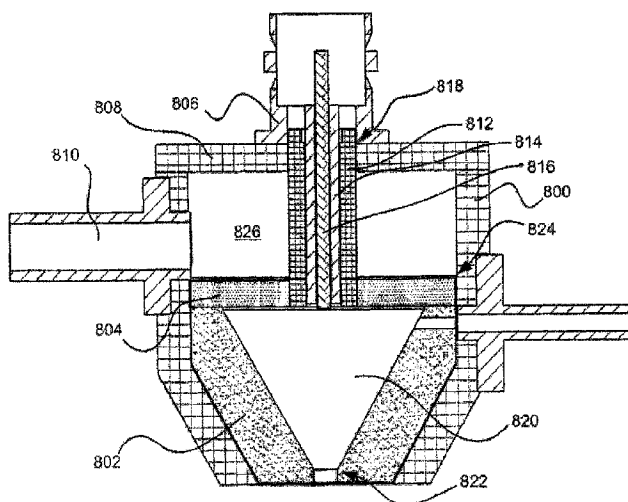
*Primary Examiner* — Phutthiwat Wongwian

(74) *Attorney, Agent, or Firm* — HoltzerIPLaw, PC

(57) **ABSTRACT**

High performance propellants flow through specialized mechanical hardware that allows for effective and safe thermal decomposition and/or combustion of the propellants. By integrating a sintered metal component between a propellant feed source and the combustion chamber, an effective and reliable fuel injector head may be implemented. Additionally the fuel injector head design integrates a spark ignition mechanism that withstands extremely hot running conditions without noticeable spark mechanism degradation.

**26 Claims, 7 Drawing Sheets**



U.S. PATENT DOCUMENTS

5,466,313	A	11/1995	Brede et al.	
5,477,613	A	12/1995	Bales et al.	
5,608,179	A	3/1997	Voecks et al.	
5,738,061	A	4/1998	Kawamura	
5,768,885	A	6/1998	Johnson et al.	
5,855,827	A	1/1999	Bussing et al.	
6,047,541	A	4/2000	Hampsten	
6,151,887	A	11/2000	Haidn et al.	
6,179,608	B1	1/2001	Kraemer et al.	
6,336,318	B1*	1/2002	Falce et al.	60/202
6,606,851	B1	8/2003	Hardy, Jr. et al.	
6,779,335	B2	8/2004	Herdy, Jr.	
6,799,417	B2	10/2004	Hewitt	
6,834,504	B2*	12/2004	Griffin et al.	60/737
6,895,743	B1	5/2005	NcElheran et al.	
6,896,512	B2	5/2005	Rattner et al.	
6,915,834	B2	7/2005	Knott et al.	
6,931,832	B2	8/2005	Berg et al.	
6,984,273	B1	1/2006	Martin et al.	
7,017,329	B2*	3/2006	Farhangi et al.	60/39.11
7,056,114	B2	6/2006	Brooker	
7,124,574	B2	10/2006	Horn et al.	
7,241,137	B2*	7/2007	Leinemann et al.	431/346
7,370,469	B2	5/2008	Watkins	
7,377,948	B2	5/2008	Faris	
7,418,814	B1	9/2008	Greene	
7,451,751	B2	11/2008	Atherley	
7,475,561	B2	1/2009	Smolko et al.	
7,585,381	B1	9/2009	Zubrin	
2004/0055277	A1	3/2004	Kline et al.	
2004/0081783	A1*	4/2004	Prince	428/36.9
2004/0253624	A1*	12/2004	Smith et al.	435/6
2006/0121080	A1	6/2006	Lye et al.	
2007/0169461	A1	7/2007	Koerner	
2008/0173020	A1	7/2008	Mungas et al.	
2008/0209872	A1	9/2008	Samaras et al.	
2009/0071434	A1	3/2009	MacMillan et al.	
2009/0120060	A1*	5/2009	Coste	60/257
2009/0126514	A1*	5/2009	Burroughs et al.	73/863.22
2009/0133788	A1	5/2009	Mungas et al.	
2009/0260363	A1	10/2009	Moriarty	
2009/0266049	A1*	10/2009	Mittendorf	60/204

FOREIGN PATENT DOCUMENTS

GB	1029894	5/1996
WO	0151433 A1	7/2001
WO	03028069 A2	4/2003
WO	2004089564 A1	10/2004
WO	2005037467 A2	4/2005
WO	2007052084 A1	5/2007

OTHER PUBLICATIONS

Balasubramanyam, M.S. et al., "Catalytic Ignition of Nitrous Oxide with Propane/Propylene Mixtures for Rocket Motors," 41st AIAA/ASME/SAE/ASEE Joint Propulsion Conference & Exhibit, Jul. 10-13, 2005, Tucson, AZ, AIAA Paper No. AIAA 205-3919, pp. 1-8.

Boysan, M.E. et al., "Comparison of Different Aspect Ratio Cooling Channel Designs for a Liquid Propellant Rocket Engine," Recent Advances in Space Technologies, 2007, RAST '07, 3rd International Conference, pp. 225-230.

Burkhardt, W.M. et al., Abstract—"Formed platelets for low cost regeneratively cooled rocket combustion chambers," AIAA, SAE, ASME, and ASEE, Joint Propulsion Conference and Exhibit, 28th, Nashville, TN, Jul. 6-8, 1992, SAO/NASA ADS Physics Abstract Service, <http://adsabs.harvard.edu/abs/1992jpnrt.confRT...B>, 2 pages.

Dong (Keun) Kim et al., "Characterization/Modeling of Wire Screen Insulation for Deep-Water Pipes," Proceedings of the 2006 AIAA/ASME Joint Heat Transfer Conference, Jun. 5-8, 2006, San Francisco, CA, AIAA Paper No. AIAA-2006-3135, pp. 1-11.

Haack, David P. et al., "Novel Lightweight Metal Foam Heat Exchangers," [http://fuelcellmarkets.com/content/images/articles/white\\_paper1.pdf](http://fuelcellmarkets.com/content/images/articles/white_paper1.pdf), downloaded Jan. 11, 2011, 7 pages.

International Searching Authority, U.S. Patent and Trademark Office; International Search Report for PCT/US2007/086410; dated Oct. 1, 2008, 2 pages.

International Searching Authority, U.S. Patent and Trademark Office; International Search Report for PCT/US2008/083039; dated Mar. 24, 2009, 2 pages.

International Searching Authority, U.S. Patent and Trademark Office; International Search Report for PCT/US2009/067219, dated Aug. 6, 2010, 3 pages.

International Searching Authority, U.S. Patent and Trademark Office; International Search Report for PCT/US2010/041234, dated Sep. 3, 2010, 2 pages.

International Searching Authority, U.S. Patent and Trademark Office; International Search Report for PCT/US2010/041249, dated Sep. 7, 2010, 2 pages.

International Searching Authority, U.S. Patent and Trademark Office; International Search Report for PCT/US2010/041255, dated Sep. 14, 2010, 2 pages.

International Searching Authority, U.S. Patent and Trademark Office; International Search Report for PCT/US2010/041259, dated Nov. 23, 2010, 3 pages.

International Searching Authority, U.S. Patent and Trademark Office; Written Opinion for PCT/US2007/086410; dated Oct. 1, 2008, 7 pages.

International Searching Authority, U.S. Patent and Trademark Office; Written Opinion for PCT/US2008/083039; dated Mar. 24, 2009, 6 pages.

International Searching Authority, U.S. Patent and Trademark Office; Written Opinion for PCT/US2009/067219, dated Aug. 6, 2010, 5 pages.

International Searching Authority, U.S. Patent and Trademark Office; Written Opinion for PCT/US2010/041234, dated Sep. 3, 2010, 5 pages.

International Searching Authority, U.S. Patent and Trademark Office; Written Opinion for PCT/US2010/041249, dated Sep. 7, 2010, 9 pages.

International Searching Authority, U.S. Patent and Trademark Office; Written Opinion for PCT/US2010/041255, dated Sep. 14, 2010, 6 pages.

International Searching Authority, U.S. Patent and Trademark Office; Written Opinion for PCT/US2010/041259, dated Nov. 23, 2010, 6 pages.

Kolb et al. "Micro-structured reactors for gas phase reactions," Chemical Engineering Journal (2004), vol. 98, pp. 1-38.

Mahjoob, Shadi et al., "A Synthesis of Fluid and Thermal Transport Models for Metal Foam Heat Exchangers," International Journal of Heat and Mass Transfer 51 (2008), pp. 3701-3711.

Marchi, Carlos Henrique et al., "Numerical Solutions of Flows in Rocket Engines with Regenerative Cooling," published in Numerical Heat Transfer, Part A: Applications, vol. 45, Issue 7, Apr. 2004, pp. 699-717.

Naraghi, M.H. et al., Dual Regenerative Cooling Circuits for Liquid Rocket Engines (Preprint), 42nd AIAA/ASME/SAE/ASEE Joint Propulsion Conference & Exhibit, Jul. 9-12, 2006, Sacramento, CA, 18 pages.

Raffray, A.R. et al., "MERLOT: A Model for Flow and Heat Transfer through Porous Media for High Heat Flux Applications," Fusion Division, Center for Energy Research, University of California, San Diego, La Jolla, CA, Nov. 2001, 32 pages.

Raffray, A.R. et al., "Modeling Flow and Heat Transfer Through Porous Media for High Heat Flux Applications," University of California Energy Institute, Berkeley, CA, Oct. 2002, 19 pages.

Wikipedia, "Nitrous Oxide," [http://en.wikipedia.org/wiki/Nitrous\\_oxide](http://en.wikipedia.org/wiki/Nitrous_oxide), retrieved Mar. 16, 2010.

Wikipedia, "Rocket engine," [http://en.wikipedia.org/wiki/Rocket\\_engine](http://en.wikipedia.org/wiki/Rocket_engine), retrieved Jul. 21, 2009, 21 pages.

Wood et al., "Porous burners for lean-burn applications," Progress in Energy and Combustion Science (2008), vol. 34, pp. 667-684.

Yuan, K. et al., "Enhancement of Thrust Chambers Cooling with Porous Metal Inserts," 41st AIAA/ASME/SAE/ASEE Joint Propulsion Conference & Exhibit, Jul. 10-13, 2005, Tucson, AZ, 14 pages.

Mungas, G. et al., "NOFB Monopropulsion System for Lunar Ascent Vehicle Utilizing Plug Nozzle Ascent Engine," The Johns Hopkins University, Chemical Propulsion Information Analysis Center, 2008.

International Searching Authority, International Search Report for PCT/US2011/031137, dated Jun. 20, 2011, 2 pages.

# US 8,230,672 B2

Page 3

---

International Searching Authority, Written Opinion for PCT/  
US2011/031137, dated Jun. 20, 2011, 6 pages.  
International Searching Authority, International Search Report, PCT/  
US2011/021917, dated Mar. 14, 2011, 2 pages.

International Searching Authority, Written Opinion, PCT/US2011/  
021917, dated Mar. 14, 2011, 7 pages.

\* cited by examiner

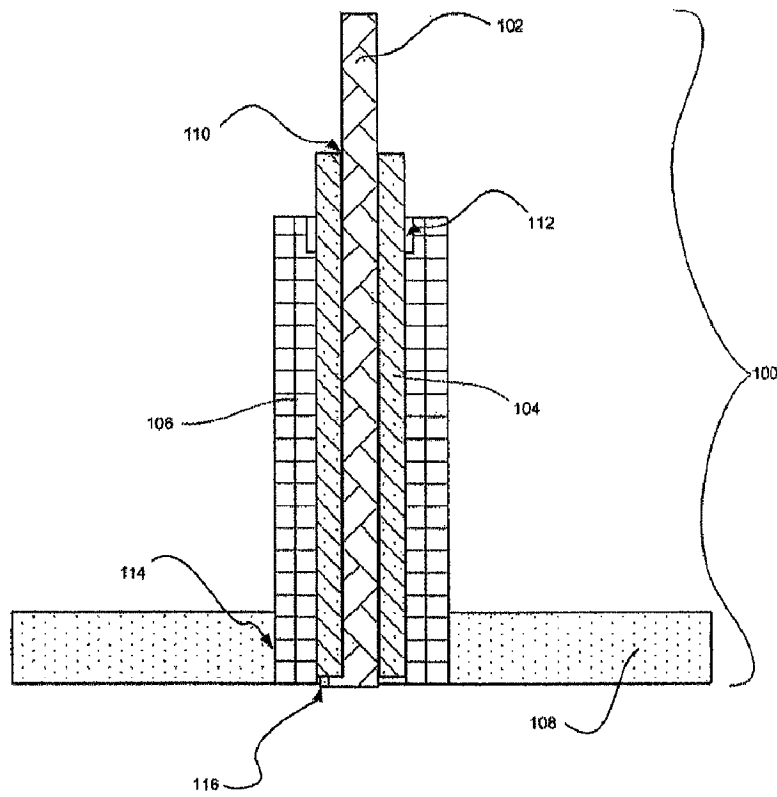


FIG. 1

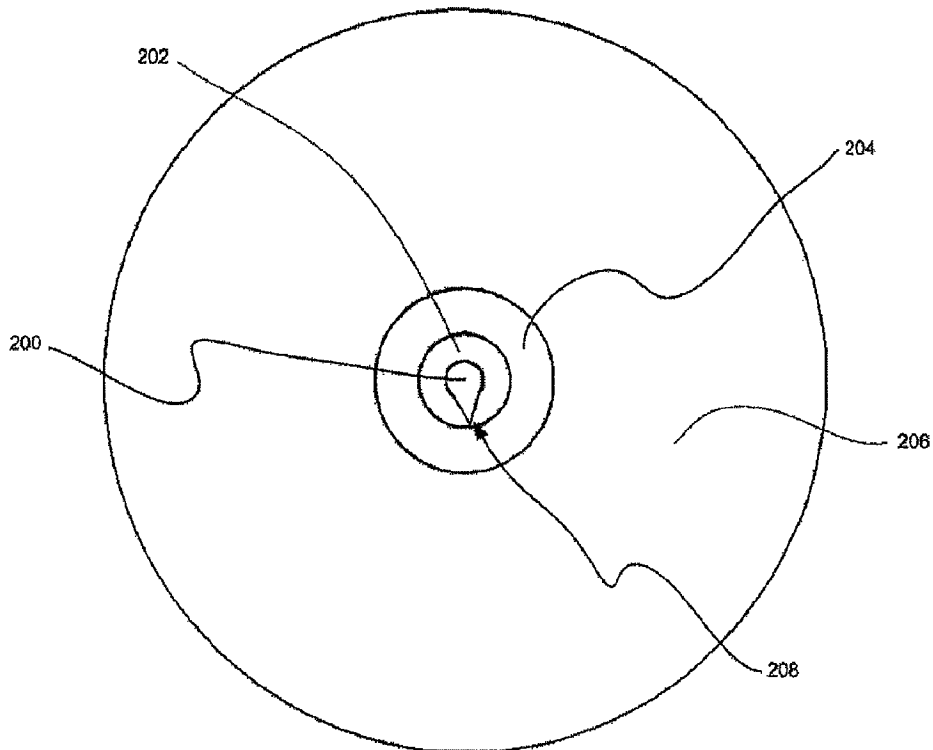


FIG. 2

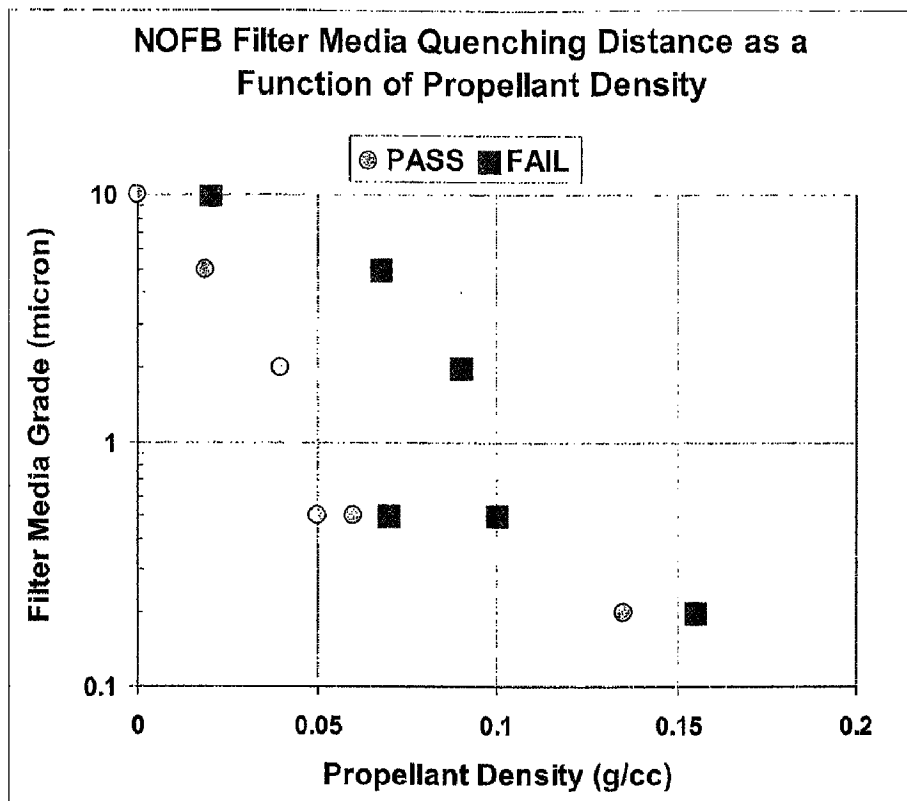


FIG. 3

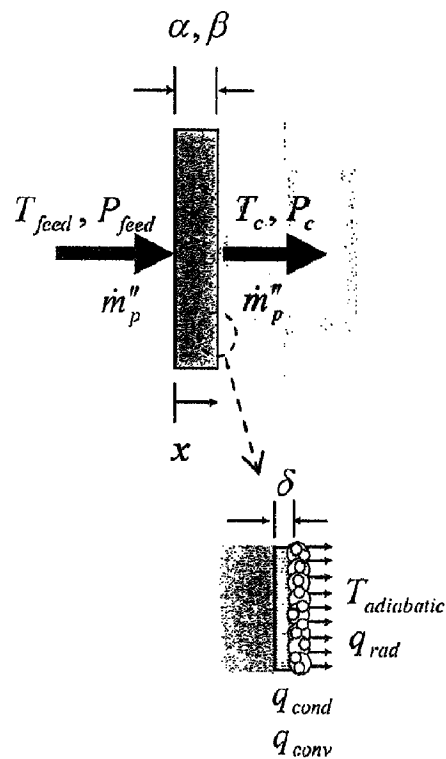


FIG. 4

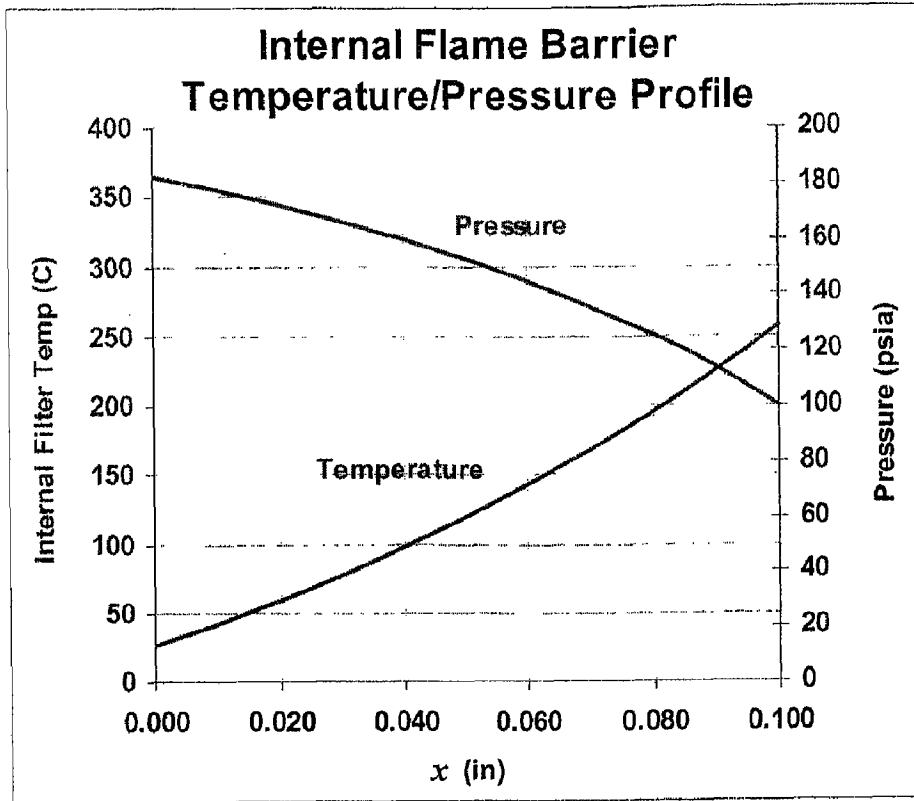


FIG. 5

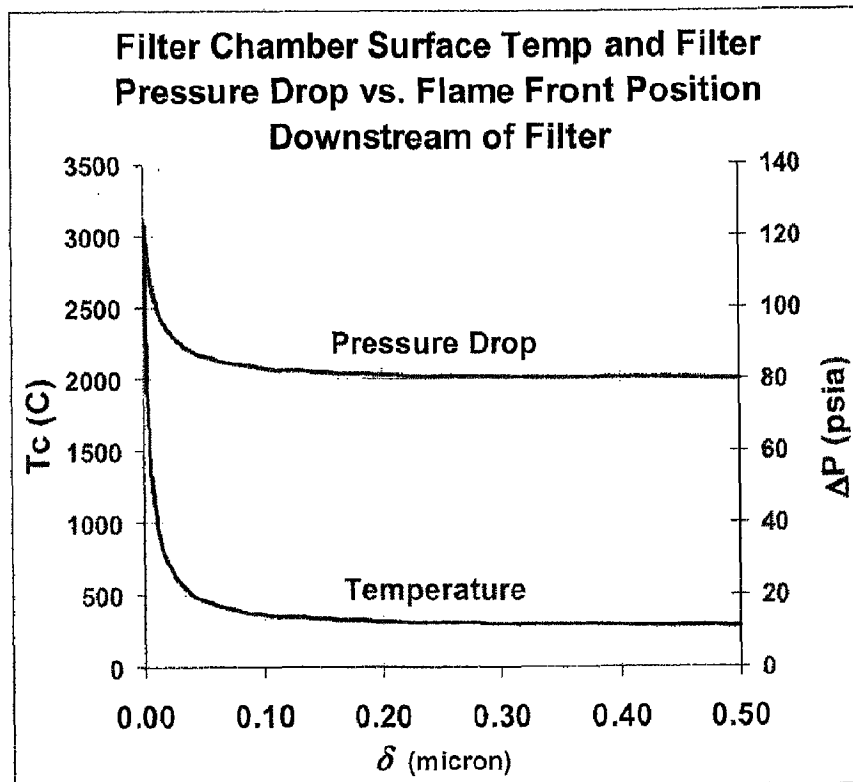


FIG. 6

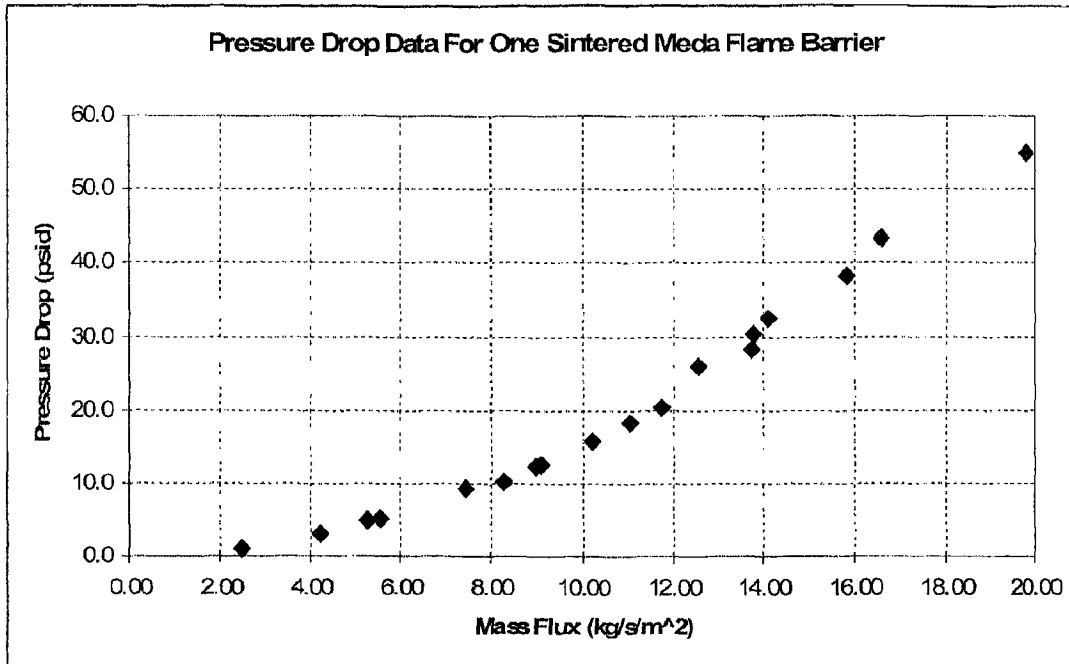


FIG. 7

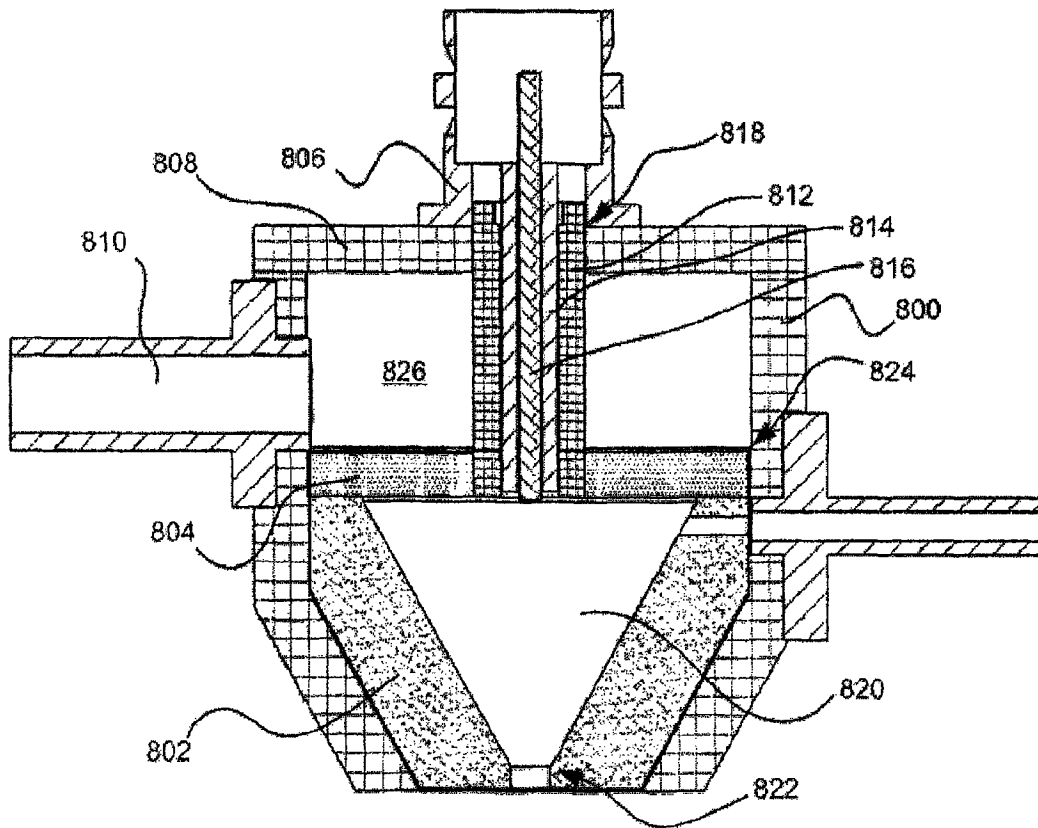


FIG. 8

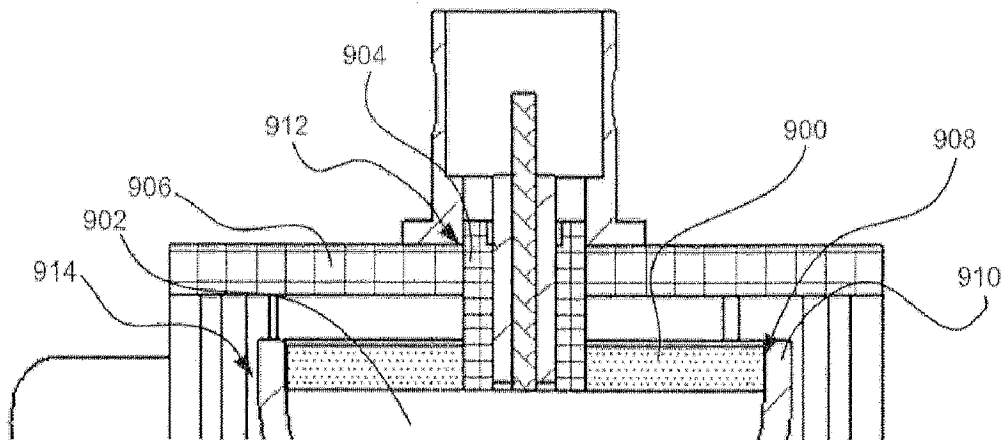


FIG. 9

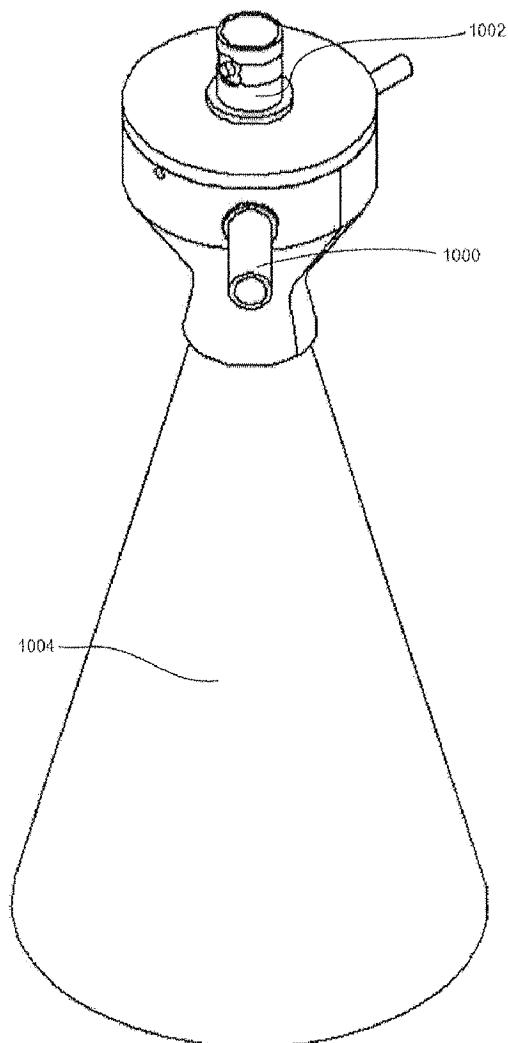


FIG. 10



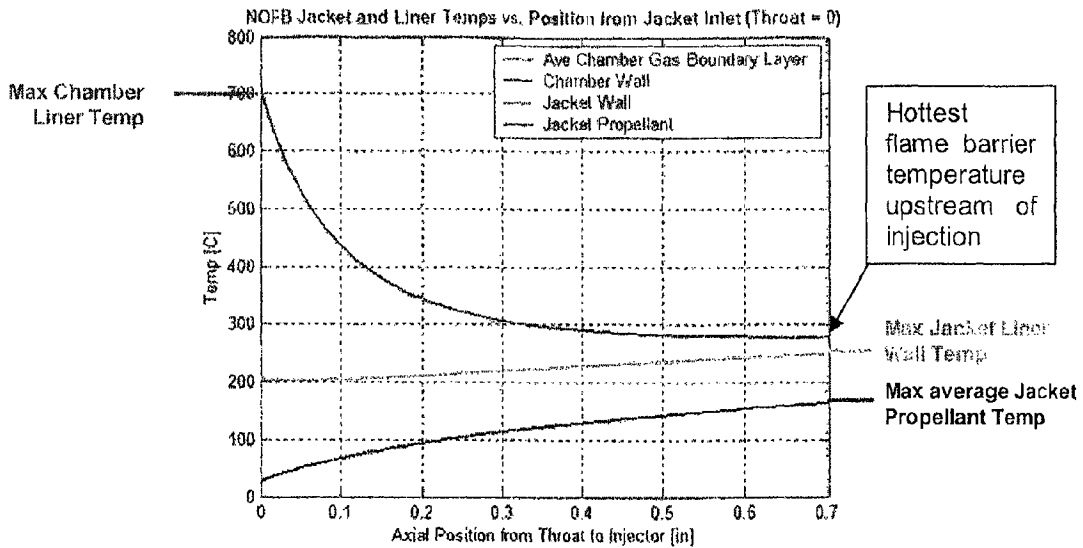


FIG. 11

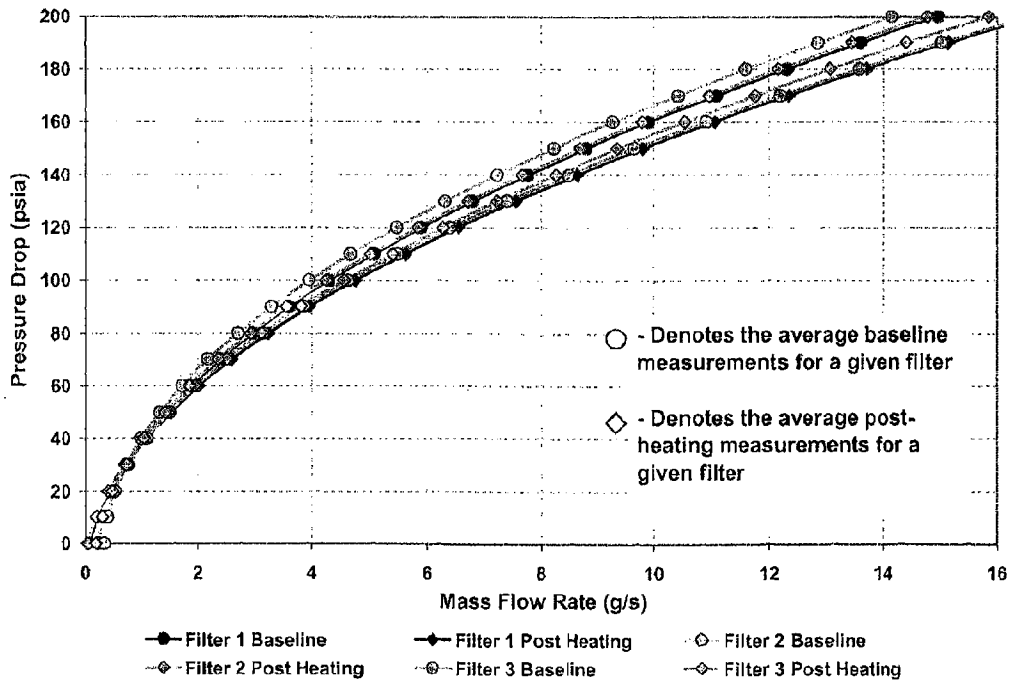


FIG. 12

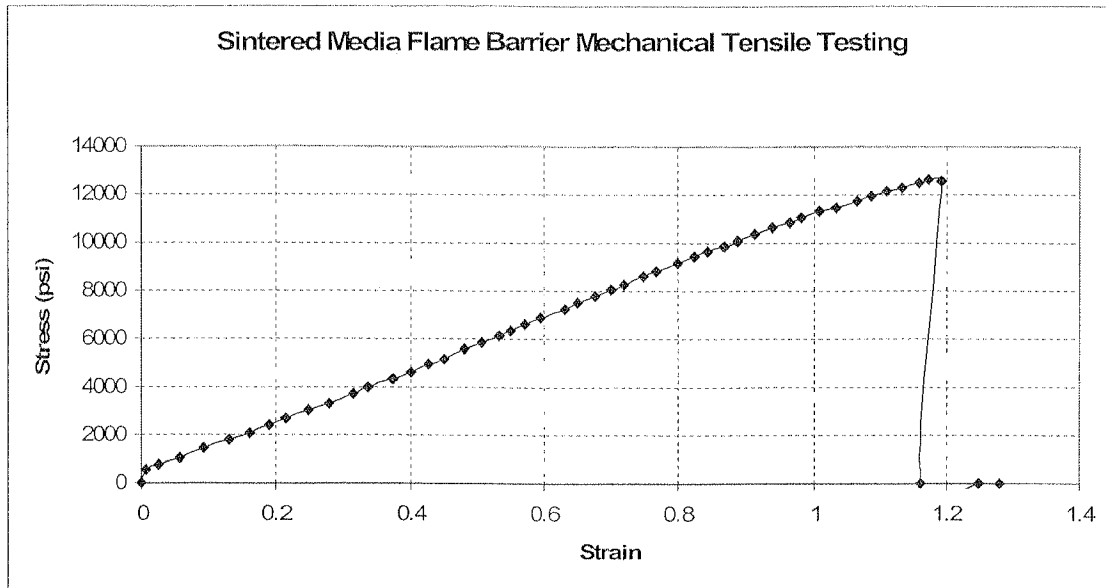


FIG. 13

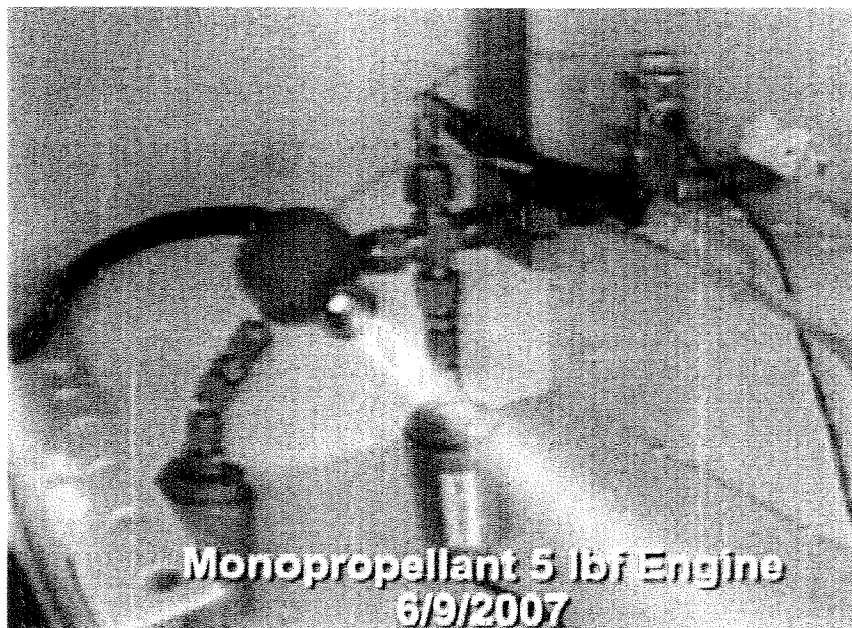


FIG. 14

1

## SPARK-INTEGRATED PROPELLANT INJECTOR HEAD WITH FLASHBACK BARRIER

This application claims priority to "Injector Head", Ser. 5  
No. 60/868,523, filed Dec. 4, 2006.

Statement Regarding Federally Sponsored Research or  
Development: This invention was supported in part by sub-  
contract number 1265181 from the California Institute of  
Technology Jet Propulsion Laboratory/NASA. The U.S. 10  
Government may have certain rights in the invention.

### BACKGROUND

Liquid fueled rockets have better specific impulse ( $I_{sp}$ ) 15  
than solid rockets and are capable of being throttled, shut  
down and restarted. The primary performance advantage of  
liquid propellants is the oxidizer. The art of chemical rocket  
propulsion makes use of controlled release of chemically  
reacted or un-reacted fluids to achieve thrust in a desired 20  
direction. The thrust acts to change a body's linear or angular  
momentum. There are multiple methods for using liquid prop-  
pellants to achieve thrust.

A monopropellant is a single fluid that serves as both a fuel  
and an oxidizer. Upon ignition of a monopropellant, a chemi- 25  
cal reaction will occur yielding a mixture of hot gases. The  
ignition of a monopropellant can be induced with use of an  
appropriate catalyst, introduction of a high energy spark, or  
raising a localized volume beyond the reaction's activation  
energy. Monopropellant ignition causes an exothermic 30  
chemical reaction whereby the monopropellant is converted  
into hot exhaust products. A common example of a monoprop-  
pellant is hydrazine, often used in spacecraft attitude control  
jets. Another example is HAN (hydroxyl ammonium nitrate).  
Another form of propellant is a bipropellant, which consists 35  
of two substances: a fuel and an oxidizer. Bipropellants are  
commonly used in liquid-propellant rocket engines. There are  
many examples of bipropellants, including RP-1 (a kerosene-  
containing mixture) and liquid oxygen (used in the Atlas  
rocket family) and liquid hydrogen and liquid oxygen (used in 40  
the Space Shuttle).

Chemically reacting monopropellants and pre-mixed  
bipropellants liberate chemical energy through thermal  
decomposition and/or combustion. This chemical energy  
release is initiated by a mechanism deposited within the combu- 45  
stion chamber (i.e., the chamber where a majority of  
chemical energy release occurs). Commonly, the initiation  
mechanism is incorporated in the vicinity of a combustion  
chamber's fuel injector head. The design and manufacture of  
a fuel injector head used in a combustion chamber is impor- 50  
tant to achieve effective and safe operation of the rocket  
thruster. If the design is not correct, flame can propagate back  
past the fuel injector head and into the propellant storage tank  
(known as flashback) causing a catastrophic system failure  
(i.e., an explosion). 55

### SUMMARY

Implementations described and claimed herein address the  
foregoing issues with a fuel injector head that incorporates 60  
specific design criteria that allows it to be used effectively  
with monopropellants or mixed bipropellants. The fuel injec-  
tor head provides thorough mixing of propellant fuel and  
oxidizers prior to injection into a combustion chamber. Fur-  
thermore, the fuel injector head provides a flame barrier to 65  
prevent flames or combustion waves from back-propagating  
into the propellant feed system including sustained combus-

2

tion processes. In addition, the fuel injector head provides a  
novel configuration that integrates a regenerative fluid-cooled  
spark igniter into the rocket thruster assembly so as to protect  
the spark igniter (i.e., the electrode) from degradation due to  
the high temperatures from propellant combustion in the  
combustion chamber. The unique and novel fuel injector head  
design disclosed herein provides a substantial improvement  
in the art of rocket thrust technology, allowing use of a wide  
array of propellants for rocket propulsion. Moreover, similar  
to fuel injector heads and propellants that have found appli-  
cation in other gas generation, combustion processing, and  
power generation applications, the present technology may  
be utilized in these types of applications as well.

Certain implementations of the technology provide a com-  
bustion system comprising: a housing defining a cooling  
chamber and a combustion chamber separated by a flame  
barrier, wherein the cooling chamber is disposed around an  
electrode assembly, the flame barrier comprises fluid paths  
with a diameter of less than about 10 microns, and the elec-  
trode assembly comprises an interface sheath encompassing  
an insulating tube which encompasses an electrode; and a fuel  
inlet tube is disposed through the housing into the cooling  
chamber.

In yet other implementations, a combustion system is pro-  
vided comprising: a housing defining a chamber having distal  
and proximal ends; the housing defining a cooling chamber at  
the proximal end, a combustion chamber at the distal end and  
a flame barrier between the cooling chamber and the combus-  
tion chamber; an electrode assembly disposed through the  
proximal end of the housing through the cooling chamber and  
through the flame barrier terminating at a surface of the flame  
barrier adjacent the combustion chamber, wherein the elec-  
trode assembly comprises an electrode disposed within an  
insulating tube, and wherein the insulating tube is disposed 35  
within an interface sheath; and a fuel inlet tube disposed  
through a side of the housing into the cooling chamber.

In some aspects of these implementations, the combustion  
system comprises a flash barrier having fluid paths having a  
diameter of less than about 10 microns, or less than about 7  
microns, or less than about 5 microns, or less than about 1  
micron, or less than about 0.5 micron, or less than about 0.2  
micron, or less than about 0.1 micron. In yet other aspects,  
such as those associated with atmospheric and low pressure  
applications, the flame barrier comprises fluid paths having a  
diameter of less than about 2 cm, or less than about 1.5 cm,  
or less than about 1 cm, or less than about 0.5 cm, or less than  
about 0.25 cm, or less than about 0.1 cm.

In yet other aspects, a combustion system is provided,  
wherein the interface sheath and the flame barrier comprise  
materials having similar coefficients of thermal expansion. In  
some aspects, the combustion system is provided wherein the  
interface sheath and the flame barrier comprise stainless steel  
alloys, pure nickel, nickel alloys, niobium, rhenium, molyb-  
denum, tungsten, tantalum, tantalum alloys, sintered ceramic  
or laminate structures. In other aspects, the combustion  
chamber comprises an ablative or high temperature liner adja-  
cent the housing, and in some aspects, the combustion cham-  
ber defines a throat constriction at the distal end of the hous-  
ing. 60

In certain aspects of the combustion system, the electrode  
comprises a tip, single point, double point, triple point, qua-  
druple point, star or split configuration. Also in some aspects,  
the combustion system further comprises a seal between the  
flash barrier, the cooling chamber and the housing. In aspects  
of the combustion system, the cooling chamber receives fuel  
via the inlet tube. 65

Yet other implementations of the technology provide a method for preventing flashback between a combustion chamber and a feed propellant and for providing regenerative cooling of an electrode assembly comprising: providing a propellant inlet into a cooling chamber, wherein the cooling chamber circumscribes the electrode assembly; providing a micro-fluidic flame barrier to separate the cooling chamber and a combustion chamber, wherein the micro-fluidic flame barrier comprises fluid paths having a diameter of about 5 microns or less; and running feed propellant through the fuel inlet, into the cooling chamber and through the flame barrier.

In some aspects of this implementation, the flame barrier comprises fluid paths having a diameter of about 10 microns or less, or about 7 microns or less, or about 5 microns or less, or about 2 microns or less, or about 1 micron or less, or about 0.5 micron or less, or about 0.2 micron or less or about 0.1 micron or less. In yet other aspects, such as those associated with atmospheric and low pressure applications, the flame barrier comprises fluid paths having a diameter of less than about 1 cm.

This Summary is provided to introduce a selection of concepts in a simplified form that are further described below in the Detailed Description. This Summary is not intended to identify key or essential features of the claimed subject matter, nor is it intended to be used to limit the scope of the claimed subject matter.

#### BRIEF DESCRIPTIONS OF THE DRAWINGS

FIG. 1 is a longitudinal cross sectional view of a fuel injector head according to the claimed invention.

FIG. 2 is a cross sectional view of the fuel injector head as seen from inside a combustion chamber.

FIG. 3 illustrates the effective quenching distance for one exemplary combustible  $N_2O$  and fuel gas mixture versus the mixed propellant density. In this case quenching distance is estimated experimentally from the media grade particle size above which the filter will not pass.

FIG. 4 is an illustration of geometry and parameters useful for understanding thermal distribution in a flame barrier and pressure drop across a flame barrier.  $T_{adiabatic}$  is the flame temperature;  $q_{rad}$ ,  $q_{cond}$ ,  $q_{conv}$  are the radiative, conductive, and convective heat fluxes respectively

FIG. 5 is an illustration of internal flame barrier temperature and pressure drop through an exemplary porous media flame barrier exposed to a chamber heating surface heat flux.

FIG. 6 is an illustration of analysis conducted to determine sensitivity of propellant pressure drop across the flame barrier and flame barrier combustion chamber face temperature as a function of flame-front position from the flame barrier face.

FIG. 7 is an illustration of experimental measurements of flame barrier pressure drop versus propellant mass flux.

FIG. 8 is a longitudinal cross sectional view of the disclosed fuel injector head integrated into a prototype rocket thruster with a high temperature liner.

FIG. 9 is a cross sectional view of the disclosed fuel injector head integrated into a sophisticated regeneratively-cooled rocket thruster.

FIG. 10 is an isometric view of a regeneratively-cooled rocket thruster that utilizes the disclosed fuel injector head.

FIG. 11 is an illustration of exemplary thermal analysis predicting the propellant preheat temperatures that a regeneratively-cooled rocket thruster's fuel injector head may encounter.

FIG. 12 is an illustration of pressure drop versus propellant mass flow rates before and after a filter has been subjected to oven heating at three different temperatures of 500° C., 750° C., and 1000° C.

FIG. 13 is experimental tensile testing data of one sintered media flame barrier.

FIG. 14 is an illustration of the fuel injector head integrated into a monopropellant rocket engine application undergoing testing and verification.

#### DETAILED DESCRIPTION

Implementations described and claimed herein address the foregoing issues with a fuel injector head that incorporates specific design criteria that allows it to be used effectively with monopropellants or pre-mixed bipropellants. In addition, the fuel injector head provides a novel configuration that integrates a regenerative fluid-cooled spark igniter into the chemical reactor so as to protect the spark igniter (i.e., the electrode) from degradation due to the high temperatures from combustion in the combustion chamber. The unique and novel fuel injector head design disclosed herein provides a substantial improvement in the art of rocket propulsion allowing for use of a wide array of propellants, including those that combust at very high temperatures. Similar to fuel injector head and propellants that have found application in other working fluid production and power generation applications, the present technology may be utilized in these types of applications as well.

Before the present devices and methods are described, it is to be understood that the invention is not limited to the particular devices or methodologies described, as such, devices and methods may, of course, vary. It is also to be understood that the terminology used herein is for the purpose of describing particular embodiments only, and is not intended to limit the scope of the present invention; the scope should be limited only by the appended claims.

It should be noted that as used herein and in the appended claims, the singular forms "a," "an," and "the" include plural referents unless the context clearly dictates otherwise. Thus, for example, reference to "a structure" refers to one structure or more than one structure, and reference to a method of manufacturing includes reference to equivalent steps and methods known to those skilled in the art, and so forth.

Unless defined otherwise, all technical and scientific terms used herein have the same meaning as commonly understood by one of ordinary skill in the art to which this invention belongs. All publications mentioned are incorporated herein by reference for the purpose of describing and disclosing devices, formulations and methodologies that are described in the publication and that may be used in connection with the claimed invention, including U.S. Ser. No. 60/868,523, filed Dec. 4, 2006 entitled "Injector Head", and U.S. Ser. No. 60/986,991, filed Nov. 9, 2007 entitled "Nitrous Oxide Fuel Blend Monopropellant."

Where a range of values is provided, it is understood that each intervening value, between the upper and lower limit of that range and any other stated or intervening value in that stated range is encompassed within the invention. The upper and lower limits of these smaller ranges may independently be included in the smaller ranges and are also encompassed within the invention, subject to any specifically excluded limit in the stated range. Where the stated range includes one or both of the limits, ranges excluding either or both of those included limits are also included in the invention.

In the following description, numerous specific details are set forth to provide a more thorough understanding of the

present invention. However, it will be apparent to one of skill in the art that the present invention may be practiced without one or more of these specific details. In other instances, well-known features and procedures well known to those skilled in the art have not been described in order to avoid obscuring the invention.

The art of chemical rocket propulsion makes use of controlled release of chemically reacted or un-reacted fluids to achieve thrust in a desired direction. The thrust acts to change a body's (i.e., the rocket's) linear or angular momentum. Similar to fuel injector heads and propellants that have found application in other working fluid production and power generation applications, the claimed invention may be utilized in many alternative types of applications as well, including gas generation for inflation systems and inflatable deployments, in systems used to convert thermal energy in hot exhaust gases to mechanical and electrical power, and in high energy storage media for projectiles, munitions, and explosives. Examples where the claimed technology could be applied specifically include earth-orbiting spacecraft and missile propulsion systems; launch vehicle upper stage propulsion systems and booster stages; deep space probe propulsion and power systems; deep space spacecraft ascent and earth return stages; precision-controlled spacecraft station-keeping propulsion systems; human-rated reaction control propulsion systems; spacecraft lander descent propulsion, power, and pneumatic systems for excavation, spacecraft pneumatic science sample acquisition and handling systems; micro-spacecraft high performance propulsion systems; military divert and kill interceptors; high altitude aircraft engines, aircraft backup power systems; remote low temperature power systems (e.g., arctic power generators); combustion powered terrestrial tools including high temperature welding and cutting torches as well as reloadable charges for drive mechanisms (e.g., nail guns, anchor bolt guns), and the like. Moreover, there are many derivative applications related to using combustion stored energy and the delivery systems therefor.

In the case of many terrestrial combustion power applications (e.g., gas and diesel engines), the oxidizer is commonly atmospheric air which consists of oxygen that is highly reactive in the combustion reaction and relatively inert gases such as nitrogen. Bipropellants are either injected as separate fluids into a chemical reaction chamber or mixed immediately prior to injection (e.g., in carbureated or fuel-injected piston combustion engines).

FIG. 1 is a cross sectional view of various components of a fuel injector head **100** according to the claimed invention. Such a fuel injector head would be a component of a rocket thruster assembly. Electrode **102**, when sufficiently charged, induces a dielectric breakdown of uncombusted combustion fluids (propellant components). A tip **116** of electrode **102** is seen as well. The significance of tip **116** is discussed in detail infra. Surrounding the electrode **102**, is a high temperature dielectric insulating tube **104**. The function of the dielectric insulating tube **104** is to create a dielectric barrier between the electrode **102** and an interface sheath **106**, necessary to control the location where a spark propagates between electrode **102** and the interface sheath **106**. The combination of the electrode **102**, dielectric barrier **104**, interface sheath **106**, electrical connector (not shown) and power supply (also not shown) comprises the spark ignition assembly. In addition, the interface sheath **106** aids in joining the electrode to a sintered and/or micro-fluidic flame barrier **108**. Additionally, the interface sheath **106** shields the high voltage spark propagated from the electrode from inducing electromagnetic interference in other components of the rocket thruster. Gas tight interfaces **110** and **112** are created between the electrode

**102** and the dielectric insulating tube **104** as well as between the dielectric insulating tube **104** and the interface sheath **106**. A preferred implementation utilizes a brazed seal at gas tight interfaces **110** and **112**; however, in some cases, a bonded interface may be used instead. The sintered and/or micro-fluidic flame barrier **109** comprises micro-fluidic passages to provide a fluid-permeable barrier between the combustion chamber and incoming combustion reactants. A junction **114** between the interface sheath **106** and the sintered and/or micro-fluidic flame barrier **108** may utilize an interference fit, a welded joint, a brazed joint, or a bonded joint depending on the materials employed, the nominal operating conditions, and the chemical reaction (propellant type) for which the fuel injector head is intended. Note the electrode **102**, dielectric barrier **104**, and interface sheath **106** (the "electrode assembly") of the spark ignition assembly is shown in an exemplary concentric configuration to the injector flame barrier **4**. This exemplary concentric configuration is not necessarily required to be able to perform any of the functions described or claimed herein, as other configurations may be employed equally effectively.

Materials effective for use for the dielectric insulating tube **104** typically are high-temperature dielectric insulating ceramics. In some prototypes that have been tested, alumina was used, but other insulator materials also appropriate for the dielectric insulating tube include but are not limited to boron nitride, magnesium oxide, titanium nitride, titanium oxide, and beryllia. An additional consideration in the selection of materials for the dielectric insulating tube **104** is the thermal conductivity of the tube. Tubes with higher thermal conductivity aid in transferring heat from the electrode to the feed propellant keeping the electrode cooler (as discussed in detail, infra). Cooler electrodes tend to have longer service lives.

The interface sheath **106** serves in part to help cancel electromagnetic interference (EMI) generated by the spark ignition assembly and to mate with the sintered and/or micro-fluidic flame barrier **108**. High power, pulsed, or high frequency sources can generate electromagnetic noise that can interfere with nearby electronics. Because electrical spark ignition often requires a high power, pulsed or high frequency current, minimizing the resultant EMI noise generated from this source from other electrical components may be desirable. Here, if the signal and return are constrained to a concentric electrically conductive geometry (e.g., the configuration of the electrode **102**, the dielectric insulating tube **104**, and the interface sheath **106** as shown in FIGS. 1 and 2), the electromagnetic noise that would be generated in the vicinity of the injector head can be significantly reduced. In general, the power supply for generating the high voltage pulses and the high voltage line connecting the power supply to the electrode **102** will also have their own similar EMI mitigation measures incorporated into their designs. Additionally, the material from which the interface sheath **106** is made must typically have a coefficient of thermal expansion (CTE) that is similar to the material of the sintered and/or micro-fluidic flame barrier **108**.

Stresses at joint **114** induced by heating conditions commonly encountered in combustion applications may cause joint failure. Alternatively or in addition, if an interference fit is made with a sintered or micro-fluidic flame barrier comprising a material with a dissimilar CTE, a small gap may form at joint **114**. A joint failure and/or release at **114** may lead to flame propagation around the sintered and/or micro-fluidic flame barrier causing the fuel injector head to fail in its intended purpose of preventing flame back-propagation back up the propellant feed system line to the propellant storage

reservoir. This type of failure is commonly known as flashback and is described in more detail below. For this reason, the material used for the interface sheath **106** preferably either is the same as the sintered and/or micro-fluidic flame barrier **108**, or, alternatively, the CTEs of the different materials used for these two components is closely matched based on the anticipated temperatures that the components will have to endure. For fuel injector heads of the claimed invention, a nickel **200** interface sheath **106** was used. Other materials that may be employed for the interface sheath **106** and the sintered and/or micro-fluidic flame barrier **108** may include, but are not limited to, various stainless steel alloys, pure nickel, various nickel alloys, niobium, rhenium, molybdenum, tungsten, tantalum, and alloys thereof. For the particular assembly shown, 5 micron media grade nickel **200** was utilized. Other fuel injector heads used with different propellants in different applications can utilize different materials. In some implementations, the flash barrier comprises fluid paths having a diameter of less than about 10 microns, or less than about 7 microns, or less than about 5 microns, or less than about 1 micron, or less than about 0.5 micron, or less than about 0.2 micron, or less than about 0.1 micron. In yet other aspects, such as those associated with atmospheric and low pressure applications, the flame barrier comprises fluid paths having a diameter of less than about 2 cm, or less than about 1.5 cm, or less than about 1 cm, or less than about 0.5 cm, or less than about 0.25 cm, or less than about 0.1 cm.

FIG. 2 is a cross sectional view of the fuel injector head as seen from the combustion chamber, showing spark geometry and exemplary spark assembly placement. The electrode tip geometry and the material selection of the electrode **200** are important features. A sharp tip **208** is created on the electrode **200** on the combustion chamber side of the electrode **200**, which serves to concentrate an electromagnetic field at tip **208** (tip **208** may also be seen in a different perspective in FIG. 1 at **116**). Concentrated electromagnetic fields allow for generation of a voltage breakdown necessary for generating a spark. An arcing spark, if sufficiently energetic, will ignite a combustible fluid. The gap of the arc is commonly set to allow both minimum voltages to be applied in order to generate a spark and provide sufficient spark gap energy to initiate the combustion process. Every gas mixture has a different voltage breakdown curve (breakdown voltage versus variable,  $pd = \text{mixture\_pressure} * \text{gap\_distance}$ ) that is dependent on combustible gas pressure, gap distance, and gap geometry. Therefore, gap distances and applied voltages to the electrode may vary depending on the combustible gas mixture and electrode tip geometry. In general, a wide array of electrode tip geometries (e.g., single point, double point, triple point, quadruple point, star pattern, split electrode, etc.), in addition to the exemplary tip geometry shown in FIG. 2, will produce electric fields necessary for generating a spark in a combustible mixture that is capable of initiating an exothermic combustion process. Also seen in cross section in FIG. 2 are the dielectric insulating tube **202**, the interface sheath **204**, and the sintered and/or micro-fluidic flame barrier **206**.

The sintered and/or micro-fluidic flame barrier (seen in FIG. 1 at **108**) is designed to prevent flames and/or initial combustion (deflagration and/or detonation) waves from reaching the uncombusted propellant in a propellant feed system. Typically during ignition, combustions waves are generated that must be prevented from interacting with the uncombusted propellant in the propellant feed system which could cause a flashback. For relatively steady-state flow applications (i.e., rocket engine), after ignition, a relatively steady-state flame-front will form and reside downstream of

the flame barrier (FIG. 4). In other processes (e.g., a piston engine) the flame-front may momentarily interact with the flame barrier at each combustion cycle in which case the flame barrier also acts as a thermal reservoir to absorb combustion thermal energy during this short duration interaction and dissipates the thermal energy into the next cycle's uncombusted inlet propellant during injection.

A very important parameter for designing the flame barrier **108** is the quenching distance of a monopropellant. This is the smallest flowpath dimension through which a flashback flame can propagate. In actual practice this dimension (here, approximately the diameter of a micro-fluidic flowpath) is affected by additional parameters such as tortuosity (curviness of flow path) and to a lesser extent the temperature of the solid containing the flowpath. Some propellants have flame quenching distances on the order of microns. Smaller flowpath sizes will quench a flame and, in general, prevent flashback. However, secondary ignition by heat transfer through a solid that is in contact with the unreacted monopropellant must also be ultimately considered (flame barrier thermal analysis is described below).

FIG. 3 illustrates exemplary experimental data of sintered metal pore sizes sufficient for quenching a nitrous oxide and fuel bipropellant that has been mixed at propellant densities associated with 100-1000 psia combustible gases and liquid/gas mixtures. At lower propellant densities such as combustible gas mixtures operating at atmospheric pressure, the quenching distance increases significantly (>mm). The quenching distance is a function of the propellant density in the pores, which in turn is dependent on the liquid/gas being used, pressure, and inlet temperature. As pore sizes decrease in a flame barrier design, the pressure drop across the filter element will, in general, increase such that arbitrarily small pore sizes are not necessarily feasible (pressure drop analysis is described in more detail below). In the experiment from which this data is derived, a 10 foot $\times$ 3/4 in stainless steel line was loaded with premixed propellant with the sintered metal flame barrier on one end. The line was intentionally detonated. A combustible solid on the opposite side of the flame barrier was monitored to determine if a back-propagation through the flame barrier had occurred.

FIG. 4 illustrates flame barrier, flame-front, and propellant fluid parameters and geometry useful for understanding how quasi-steady-state combustion thermal interactions effect propellant pressure drop and internal flame barrier temperatures.  $\alpha$  and  $\beta$  are viscosity and inertia flow coefficients, respectively, that are correlated with the flame barrier filter pore size and micro-fluidic fluid geometry and tortuosity.

During operation, the sintered media and/or micro-fluidic media flame barrier **108** (also seen at **804** of FIG. 8 and **900** of FIG. 9) cause(s) a fluid pressure drop. This pressure drop needs to be considered in the design of an upstream pressurant system. In general, the pressure drop mechanism in the fuel injector head also helps to filter out pressure oscillations associated with combustion instabilities in a combustion and/or chemical reaction chamber (**820, 902**) that could ultimately lead to catastrophic chamber failure. The fuel injector head is designed to accommodate a specific flow rate of propellant, differential pressure, and combustion chamber operating pressure. In general, the flow rate of propellant and operating pressure are commonly specified for a particular application. For example, by combining the mass flow of propellant and desired combustion chamber operating pressure with knowledge of the combustion chemistry and rocket nozzle design, it is possible to determine the output thrust a rocket engine will produce. In such a scenario, for a desired rocket engine thrust and nominal operating chamber pressure, the sintered media

and/or micro-fluidic flame barrier (108, 804, 900) would be designed to provide a desired differential pressure drop for the prescribed mass flow rate of propellant. In combination with an upstream feed system pressurant design, this differential pressure drop would ensure that the desired combustion chamber pressure is achieved and/or maintained during operation. To adjust the differential pressure drop, the flame barrier thickness and cross-sectional area to the mass flow can be varied.

The pressure drop gradient ( $\vec{\nabla}P$  is pressure drop per unit length that fluid traverses through injector medium) across the injector/flame barrier is related to the rate of propellant mass flux that passes through the flame barrier ( $\vec{m}''_p$  is the propellant mass flow rate per unit surface area), the fluid density of fluid traveling through the flame barrier ( $\rho$ ), the propellant's dynamic viscosity ( $\mu$ ), and typically flame barrier fluid-interaction parameters,  $\alpha$  and  $\beta$ . An exemplary mathematical expression that relates all of these injectorhead and propellant fluid parameters is:

$$\nabla P = -\frac{\vec{m}''_p}{\rho} \left( \frac{\mu}{\alpha} + \frac{\dot{m}''_p}{\beta} \right)$$

In practice, particularly for two-phase (combination liquid and gas) flows, this relationship can be more complicated such that actual experimental measurements of pressure drop through the flame barrier versus mass flow rate under similar operating conditions as would be encountered in real application is a better technique for ultimately deriving flame barrier specifications. It is worth noting that since pressure drop is dependent on fluid density and temperature, and dynamic viscosity is dependent on temperature, combustion processes will, in general, influence the pressure drop through the flame barrier.

FIG. 5 illustrates an exemplary analysis (based on the pressure drop theory of diffusive flow as described above) of propellant temperature and pressure as propellant traverses through a porous media flame barrier with a radiative and convective heat flux on the combustion chamber face of the flame barrier.

FIG. 6 illustrates the sensitivity of propellant fluid pressure drop across the flame barrier and surface temperature (chamber-side) of the flame barrier as a function of the location of the flame-front. In this case, an exemplary propellant with an adiabatic flame temperature ( $T_{adiabatic}$  is the maximum combustion temperature of a combusted propellant) of 3177° C. is analyzed using heat transport and thermophysical properties of the uncombusted and combusted exemplary propellant.

FIG. 7 illustrates an example measurement of experimental pressure drop across a fuel injector head flame barrier. As a preliminary step in the injector head design process, it is often advantageous to define the flow characteristics of a flame barrier. The experiment that generated the data shown in FIG. 7 utilized a number of pressure transducers (electrical sensors used to measure fluid pressure) and mass flow measurements to determine both propellant mass flow rate and the pressure drop across a flame barrier. Mass flow rate is converted into a normalized mass flux by dividing the mass flow rate by the cross-sectional area of the exposed flame barrier. The resultant curve generated from this data can be used to size the cross-sectional area of a flame barrier for a given mass flow rate and desired differential pressure drop across the flame barrier, or alternatively can be used to estimate pressure drop for a given flame-barrier design for example.

Typical manufacturing methods for producing small fluid paths in a machined device (e.g., drilling, punching, etc.) for the most part are incapable of or are uneconomical for producing a viable fuel injector head to address the small required quenching distances. However, porous components, such as may be created by sintering pre-sorted media, can effectively create flow paths as small as 0.1 micron and smaller. In one implementation, sintered metal is produced by means of a powdered metallurgy process. The process involves mixing metal powder of a specific grain size with lubricants or additional alloys. After the mixture is complete, the mixed powder is compressed (e.g., an exemplary range of pressures is between about 30,000 lbs. and about 60,000 lbs or more per square inch) by machine to form a "compact", where typical compacting pressures are between 25 and 50 tons per square inch. Each compact is then "sintered" or heated in a furnace (e.g., to a temperature lower than the melting point of the base metal) for an extended period of time to be bonded metallurgically. In one implementation, the sintered metal contains micro-fluidic passages that are relatively consistent in composition, providing flow paths as small as 0.1 micron or less.

One fuel injector head prototype tested utilized a sintered metal filter as the flame barrier between the combustion chamber and the propellant inlet. However, other porous materials having micro-fluidic passages may be used in alternative designs including sintered ceramic filters and laminate structures. The fuel injector head design shown in FIG. 1 and described herein facilitates two major functions, namely, creation of a flame proof barrier and integration of a propellant spark-ignition mechanism. In the case of bipropellants or propellants with multiple constituents, however, the diffusive barrier can also provide a means for mixing propellant constituents very thoroughly prior to injection into a combustion or chemical reaction chamber by utilizing a highly tortuous network of micro-fluidic passages.

In general, the combustion process generates very high temperatures. The geometries shown in FIG. 8 and FIG. 9 help mitigate electrode heating by utilizing the incoming combustible propellant as a regenerative (i.e., where thermal energy is not lost) coolant. Nevertheless, radiative, conductive, and convective heating of the electrode in a high temperature combustion chamber commonly results in temperatures that are higher than many conventional metals' operating limits. Furthermore, electrode life is generally longer with higher temperature electrode materials when exposed to high temperature chemical reaction and combustion processes. Thus, in some implementations, higher temperature electrode materials are used such as but not limited to refractory metals including tungsten, molybdenum, niobium, tantalum, rhenium, and alloys thereof. Niobium has been used effectively in numerous prototype fuel injector head prototypes and was used in the prototypes tested such as shown in FIG. 11. Niobium possesses a number of favorable attributes including a close CTE match with exemplary alumina electrical insulators which helps prevent tensile stresses (common failure mechanism in ceramics) from being generated in the interface sheath (seen at 104 in FIG. 1) under high temperature thermal loading, resistance to thermal shock, high ductility and high strength. The ductility is particularly attractive for fabrication processes that utilize cold working as a fundamental fabrication procedure. In one implementation, manufacturing comprised three primary steps. First, the end of a Niobium rod was flattened by mechanically deforming the tip. Second, the tip was bent to achieve a 90° bend. Finally, the excess material was removed to create a part dimensionally and geometrically similar to that shown in

## 11

FIGS. 1 and 2. Alternative methods of manufacturing include machining (traditional or (electrical discharge machining), mechanical forming, sinter pressing, molding, casting, punching, welding (by electrode, e-beam or laser), or a combination thereof.

FIG. 8 is a longitudinal cross sectional view of a ceramic-lined rocket thruster to demonstrate an exemplary configuration of the fuel injector head as a component of the rocket thruster. In this implementation, combustor reactants enter through a propellant inlet tube 810, enter a cooling chamber 826, travel through the sintered and/or micro-fluidic flame barrier 804, ignite within the combustion chamber 820, travel through an ablative liner 802, and exit through the thrust throat constriction 822. Between the propellant inlet tube 810 and the sintered and/or micro-fluidic flame barrier 804, the un-reacted propellant flows into a cooling chamber 826 that provides cooling to the fuel injector head (the combination of components comprising electrode 816, dielectric insulating tube 814, interface sheath 812, and sintered and/or micro-fluidic flame barrier 804 as described in the detailed description of FIGS. 1 and 2). Recall that a seal is created 824 at the junction of the sintered and/or micro-fluidic flame barrier 804 with the thruster case 800. Seal 824 can be created by welding, brazing, bonding, or mechanical interference. An additional seal 818 is created at the junction of the thruster body cap 808 to the interface sheath 812. Depending on application and material choice, seal 818 can be made by a braze joint, weld joint, mechanical interference fit, or bonded joint. However, as discussed previously, the use of proper seals is imperative in proper fuel injector head function in many implementations. Improper integration of the fuel injector head assembly into a rocket thruster (e.g., improper fit or faulty seals) can pose a substantial safety risk. Prototypes built and used tested successfully have utilized a combination press/brazed flame barrier outer seal 824, and a brazed interface shield/thruster body cap seal 818. Note also in this cross sectional view are the dielectric insulating tube 814 and the electrode 816. A BNC (Bayonet Neil-Concelman)-type electrical connector 806 is an exemplary common electrical connector that may be used to interface a high voltage line to the electrode 816 and facilitate current delivery from and current return to a high voltage power supply.

Another feature of the fuel injector head of the claimed invention is the integration of an actively cooled spark ignition mechanism. Some of the particular monopropellants for which the integrated fuel injector head was created combust at an extremely hot temperature (around 3200° C.). Therefore, placing conventional sparking mechanisms (i.e., electrodes) in the combustion chamber would result in melting of nearly any electrode material. However, because the electrode and surrounding dielectric insulating tube and interface sheath are cooled (e.g., by incoming fluid delivered by the propellant inlet tube 810 and cooling chamber 826 of FIG. 8), very hot exothermic combustion reactions may be sustained without degrading the sparking mechanism.

FIG. 9 is a cross sectional view of a regenerative cooled rocket thruster truncated slightly below the combustion chamber to demonstrate additional features. In this implementation, the combustion reactants encounter the fuel injector head via an annular regenerative cooling pathway 914 which cools the combustion chamber, flame-barrier joint 25, and the electrode assembly portion of the spark ignition assembly. The combustion reactants then pass through the sintered and/or micro-fluidic flame barrier 900, and are ignited within the combustion chamber 902. The fuel injector head assembly is configured as outlined in the detailed descriptions of FIG. 1 and FIG. 2. The sintered and/or micro-

## 12

fluidic flame barrier 900 is sealed 908 directly to the combustion chamber walls 910. Depending on application and material choice, seal 908 can be made by braze joint, weld joint, mechanical interference fit, or bonded joint. An additional seal 912 is created at the junction of the interface sheath 904 and the thruster body cap 906. Depending on the application of the fuel injector head and material choice, seal 912 can be made by braze joint, weld joint, mechanical interference fit, or bonded joint. One implementation used in testing prototypes of fuel injector heads of the claimed invention successfully employed a mechanical interference for the outer flame barrier seal 908, and a brazed interference sheath/thruster body seal 912.

FIG. 10 illustrates an isometric view of a regenerative cooled rocket thruster. Combustion reactants enter through the propellant inlet tube 1000, pass through the fuel injector head as described in FIGS. 1 and 8, are ignited via a spark pulse delivered to the BNC connector 1002, and exit through an exit cone 1004. Other possible configurations for the combustion chamber include, but are not limited to, refractory metal combustion chambers, regeneratively cooled chambers, ceramic chambers, or any combination thereof.

For purposes of helping define the temperature extremes that a flame barrier and its bonded joints must endure, FIG. 11 illustrates exemplary thermal analysis of the regeneratively cooled engine (FIGS. 9 and 10). In this case, the temperature of the uncombusted propellant is analyzed from the injection into a combustion chamber cooling jacket to the point where the flame barrier is attached to the combustion liner wall 908. An engine with a high temperature liner (FIG. 8) has a flame barrier temperature that has been previously analyzed in FIG. 5. The maximum filter temperature of the regeneratively cooled engine is approximately the sum of the max jacket preheated propellant temperature shown in FIG. 11 and the maximum temperature modeled in FIG. 5. In the exemplary analysis for the regeneratively cooled engine concept, the maximum flame barrier temperature would, therefore, be <600° C. for a flame-front that resides >1 micron from the flame barrier chamber surface.

Propellant injector head design must consider many factors, such as, but not limited to, flame quenching distances, pressure drop variation due to propellant heating in the flame barrier, mechanical loading on a hot porous structure (e.g., pressure loads on the heated injector face), loss of mechanical strength due to heating, possible sintering of micro-fluidic passageways and pores where the propellant injection speeds into the chamber are low enough to allow the flamefront to stabilize too close to the flame barrier surface (see FIG. 4 and FIG. 6). Furthermore, fuel injector head design must also factor in the material selection and fabrication steps necessary for providing high temperature reliable bonds at the locations described infra. To verify that high temperature bonding processes would not significantly alter or cause a sintered and/or micro-fluidic flame barrier to fail, a series of experiments were performed on sintered metal filters with various pore sizes.

FIG. 12 illustrates experimental data of sintered metal filters exposed to oven heating to temperatures that may be encountered in actual operation or during high temperature bonding processes. In this experiment a sintered metal filter's pressure drop versus mass flow rate was measured before and after a filter had been heated to determine if there was any significant changes in the micro-fluidic structure based on global pressure drop estimate properties. Oven heating temperatures cases of 500° C., 750° C. and 1000° C. were tested. As can be seen, very little permanent changes occurred to the filter. Furthermore, these temperatures are significantly



13

higher than the internal filter temperatures estimated previously using the theoretical analysis (described above) for the specific case where the flame-front can be controlled to be >1 micron from the flame-barrier surface.

In some combustion or chemical reaction chamber scenarios, chamber pressures can potentially be quite high (e.g., 100's to >1000 psia). Furthermore, high mass flow rates and pulsed combustor operation can cause large pressure gradients to exist across an injector head. If the injector head does not have sufficient mechanical strength, the porous structure may open under tensile loading and a subsequent failure resulting in a flashback can occur. For this reason it is important to ensure that the worst-case pressure loading in operation can not cause an injector head mechanical failure. A flame barrier's resistance to pressure loading can be estimated by measuring the tensile stresses that filter materials can endure prior to failure and modulus of elasticity of the material (measure of deflection of material under an applied load).

FIG. 13 demonstrates tensile test data for a sintered metal flame barrier. The sintered metal, in this case nickel 200, failed at ~12500 psi. Compared to the published base metal's tensile strength of 67000 psi, a lower tensile strength of roughly 5.4 times is observed. This lower tensile strength of the sintered metal must be accommodated with greater flame barrier thickness than would normally be required with a pure metal such as nickel 200. The slope of this curve is the modulus of elasticity.

FIG. 14 illustrates the use of the designs shown in FIGS. 9 and 10 in an actual monopropellant engine. Long duration pulses were run to verify that there is no variation in the flame barrier pressure drop characteristics as the result of exposure to high combustion chamber temperatures and pressures. Forensic analysis of the engine fuel injector head after testing by machining the engine down into a cross-sectional view as shown in FIG. 9 indicated no observable thermal alteration of the flame barrier or spark ignition mechanism.

The present specification provides a complete description of compositions of matter, methodologies, systems and/or structures and uses in example implementations of the presently-described technology. Although various implementations of this technology have been described above with a certain degree of particularity, or with reference to one or more individual implementations, those skilled in the art could make numerous alterations to the disclosed implementations without departing from the spirit or scope of the technology hereof. Since many implementations can be made without departing from the spirit and scope of the presently described technology, the appropriate scope resides in the claims. Other implementations are therefore contemplated. Furthermore, it should be understood that any operations may be performed in any order, unless explicitly claimed otherwise or a specific order is inherently necessitated by the claim language. It is intended that all matter contained in the above description and shown in the accompanying drawings shall be interpreted as illustrative only of particular implementations and are not limiting to the embodiments shown. Changes in detail or structure may be made without departing from the basic elements of the present technology as defined in the following claims. In the claims of any corresponding utility application, unless the term "means" is used, none of the features or elements recited therein should be construed as means-plus-function limitations pursuant to 35 U.S.C. §112, ¶6.

14

What is claimed is:

1. A combustion system comprising:

a housing defining a cooling chamber and a combustion chamber separated by a flame barrier, wherein the cooling chamber is disposed around an electrode assembly, and the flame barrier comprises fluid paths with a diameter of less than about 10 microns that are configured to prevent combustion from propagating through the flame barrier, the electrode assembly comprises an interface sheath encompassing an insulating tube which encompasses an electrode; and

a fuel inlet tube is disposed through the housing into the cooling chamber.

2. The combustion system of claim 1, wherein the electrode assembly is part of a spark ignition assembly that further comprises an electrical connector and a power supply.

3. The combustion system of claim 1, wherein the combustion chamber comprises an ablative liner adjacent the housing.

4. The combustion system of claim 1, wherein the combustion chamber defines proximal and distal ends, wherein the flame barrier is at the proximal and a throat constriction is at the distal end.

5. The combustion system of claim 1, wherein the fluid paths have a diameter of less than about 0.5 micron.

6. The combustion system of claim 1, wherein the electrode comprises a tip, single point, double point, triple point, quadruple point, star or split configuration.

7. The combustion system of claim 1, further comprising a seal between the flash barrier, the cooling chamber and the housing.

8. The combustion system of claim 1, wherein the cooling chamber receives fuel via the inlet tube.

9. The combustion system of claim 1, wherein the cooling chamber is adapted to cool the electrode assembly.

10. A combustion system comprising:

a housing defining a chamber having distal and proximal ends; the housing defining a cooling chamber at the proximal end, a combustion chamber at the distal end and a flame barrier between the cooling chamber and the combustion chamber, wherein the flame barrier is fluid-permeable and comprises fluid paths configured to prevent combustion from propagating through the flame barrier;

an electrode assembly disposed through the proximal end of the housing through the cooling chamber and through the flame barrier terminating at a surface of the flame barrier adjacent the combustion chamber, wherein the electrode assembly comprises an electrode disposed within an insulating tube, and wherein the insulating tube is disposed within an interface sheath; and

a fuel inlet tube disposed through a side of the housing into the cooling chamber, wherein the fluid paths have a diameter of less than about 1 micron.

11. The combustion system of claim 10, wherein the fluid paths have a diameter of less than about 0.5 microns.

12. The combustion system of claim 10, wherein the fluid paths have a diameter of less than about 0.2 microns.

13. The combustion system of claim 10, wherein the fluid paths have a diameter of less than about 1 cm.

14. The combustion system of claim 10, wherein the interface sheath and the flame barrier comprise materials having similar coefficients of thermal expansion.

15. The combustion system of claim 10, wherein the interface sheath and the flame barrier each comprise one or more of stainless steel alloy, pure nickel, nickel alloys, niobium, rhenium, molybdenum, tungsten, tantalum, tantalum alloys, sintered ceramic or laminate structures.

15

16. The combustion system of claim 10, wherein the combustion chamber comprises an ablative or high temperature liner adjacent the housing.

17. The combustion system of claim 10, wherein the combustion chamber defines a throat constriction at the distal end of the housing.

18. The combustion system of claim 10, wherein the electrode comprises a tip, single point, double point, triple point, quadruple point, star or split configuration.

19. The combustion system of claim 10, further comprising a seal between the flash barrier, the cooling chamber and the housing.

20. The combustion system of claim 10, wherein the cooling chamber receives fuel via the inlet tube.

21. The combustion system of claim 10, wherein the cooling chamber is adapted to cool the electrode assembly.

22. A method of preventing flashback between a combustion chamber and a feed propellant and for providing regenerative cooling of an electrode assembly comprising:

16

providing a propellant inlet into the cooling chamber, wherein a cooling Chamber circumscribes the electrode assembly;

providing a micro-fluidic flame barrier configured to prevent combustion from propagating through the flame barrier to separate the cooling chamber and a combustion chamber, wherein the micro-fluidic flame barrier comprises paths having a diameter of about 5 microns or less, and

running feed propellant through the fuel inlet, into the cooling chamber and through the flame barrier.

23. The method of claim 22, wherein the flame barrier comprises fluid paths having a diameter of about 2 microns or less.

24. The method of claim 22, wherein the fluid paths have a diameter of about 1 microns or less.

25. The method of claim 22, wherein the fluid paths have a diameter of about 0.5 microns or less.

26. The method of claim 22, wherein the fluid paths have a diameter of about 0.2 microns or less.

\* \* \* \* \*