



US007905946B1

(12) **United States Patent**
Weislogel et al.

(10) **Patent No.:** **US 7,905,946 B1**
(45) **Date of Patent:** **Mar. 15, 2011**

(54) **SYSTEMS AND METHODS FOR
SEPARATING A MULTIPHASE FLUID**

(75) Inventors: **Mark M. Weislogel**, Tigard, OR (US);
Evan A. Thomas, Boulder, CO (US);
John C. Graf, Seabrook, TX (US)

(73) Assignee: **The United States of America as
represented by the Administrator of
the National Aeronautics and Space
Administration**, Washington, DC (US)

(*) Notice: Subject to any disclaimer, the term of this
patent is extended or adjusted under 35
U.S.C. 154(b) by 324 days.

(21) Appl. No.: **12/190,364**

(22) Filed: **Aug. 12, 2008**

(51) **Int. Cl.**
B01D 45/00 (2006.01)

(52) **U.S. Cl.** **95/272**; 55/447; 55/461; 55/465;
55/529; 55/428; 55/429; 55/DIG. 14; 95/271;
95/261; 96/208; 96/209; 96/216

(58) **Field of Classification Search** 96/208,
96/209, 216; 95/272, 271, 261; 55/447,
55/461-465, 529, 459, 428, 429, DIG. 14
See application file for complete search history.

(56) **References Cited**

U.S. PATENT DOCUMENTS

2,193,460	A *	3/1940	Lavigne	95/269
2,713,920	A *	7/1955	Phyl	96/56
2,998,100	A *	8/1961	Pike	55/458
3,077,714	A *	2/1963	McLivaine	96/311
3,528,217	A *	9/1970	Garrett	62/86
3,589,313	A *	6/1971	Smith et al.	110/222
3,972,808	A *	8/1976	Manley	209/133

3,992,177	A *	11/1976	Welteroth	55/288
4,430,100	A *	2/1984	Cardo	55/344
5,004,552	A *	4/1991	Al-Yazdi	210/789
5,248,421	A *	9/1993	Robertson	210/512.1
5,378,354	A *	1/1995	Poor	210/188
6,080,217	A *	6/2000	Gobl et al.	55/283
6,364,940	B1	4/2002	Prueter et al.	
6,569,323	B1 *	5/2003	Pribytkov	210/181
6,925,680	B2 *	8/2005	Oh	15/350
RE39,292	E	9/2006	Latos et al.	
7,125,711	B2	10/2006	Pugia et al.	
7,314,559	B2	1/2008	Hopper	
7,341,663	B2	3/2008	Offeman et al.	
7,473,289	B2 *	1/2009	Oh et al.	55/318
7,547,351	B2 *	6/2009	Oh et al.	95/271
7,556,662	B2 *	7/2009	Lee et al.	55/345
7,594,944	B2 *	9/2009	Oh	55/345
7,637,973	B2 *	12/2009	Oh et al.	55/337
7,662,199	B2 *	2/2010	Wellens et al.	55/337
7,678,166	B2 *	3/2010	Yoo et al.	55/345
7,736,422	B2 *	6/2010	Osborne	95/271

(Continued)

FOREIGN PATENT DOCUMENTS

JP 60137412 A * 7/1985

Primary Examiner — Jason M Greene

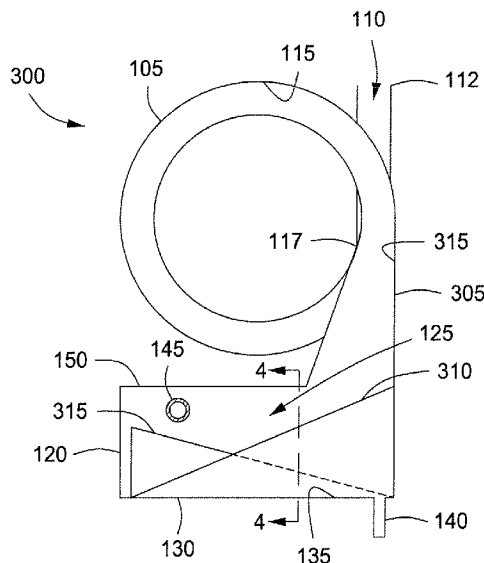
Assistant Examiner — Dung Bui

(74) *Attorney, Agent, or Firm* — Theodore U. Ro

(57) **ABSTRACT**

Apparatus and methods for separating a fluid are provided. The apparatus can include a separator and a collector having an internal volume defined at least in part by one or more surfaces narrowing toward a bottom portion of the volume. The separator can include an exit port oriented toward the bottom portion of the volume. The internal volume can receive a fluid expelled from the separator into a flow path in the collector and the flow path can include at least two directional transitions within the collector.

28 Claims, 4 Drawing Sheets



US 7,905,946 B1

Page 2

U.S. PATENT DOCUMENTS									
2002/0144600	A1	10/2002	TeGrotenhuis et al.	2005/0150827	A1 *	7/2005	Hopper	210/512.1
2002/0194993	A1 *	12/2002	Gen	2007/0079580	A1 *	4/2007	Oh	55/345
2004/0099614	A1 *	5/2004	Lehmann et al.	2007/0199284	A1 *	8/2007	Yoo et al.	55/345
2005/0000800	A1	1/2005	Speranza et al.						

* cited by examiner

FIG. 1

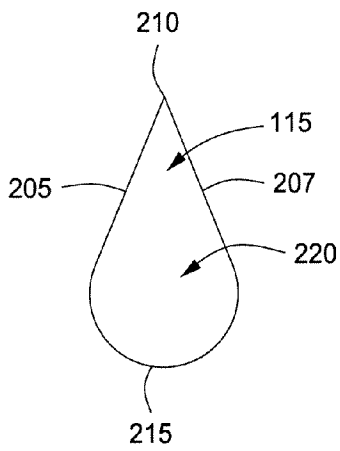
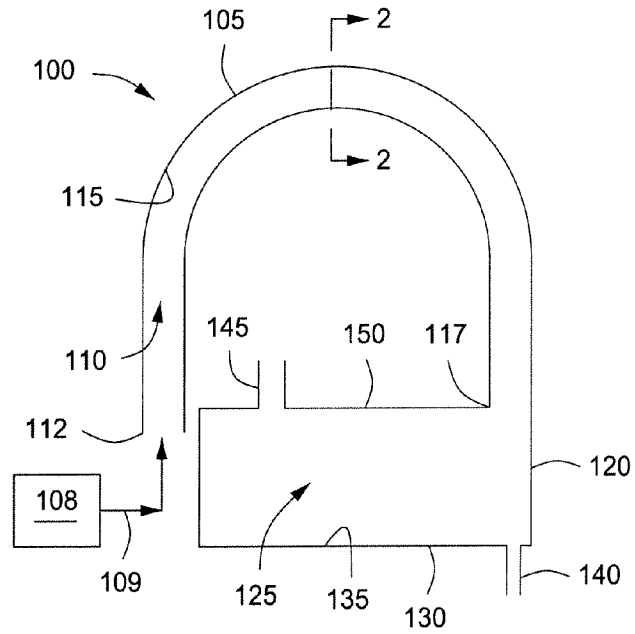
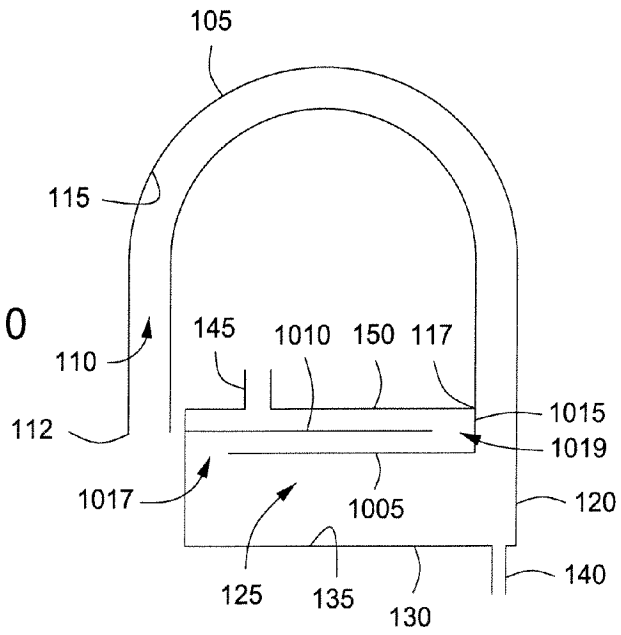
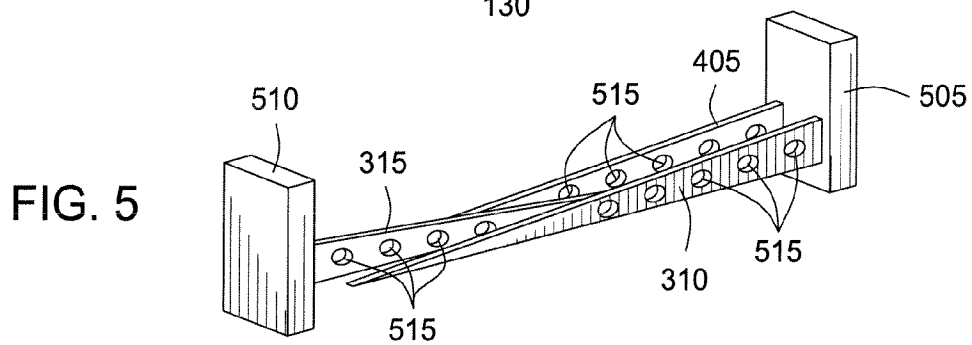
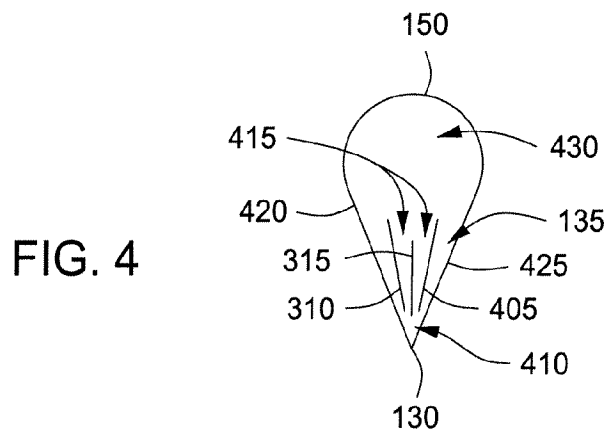
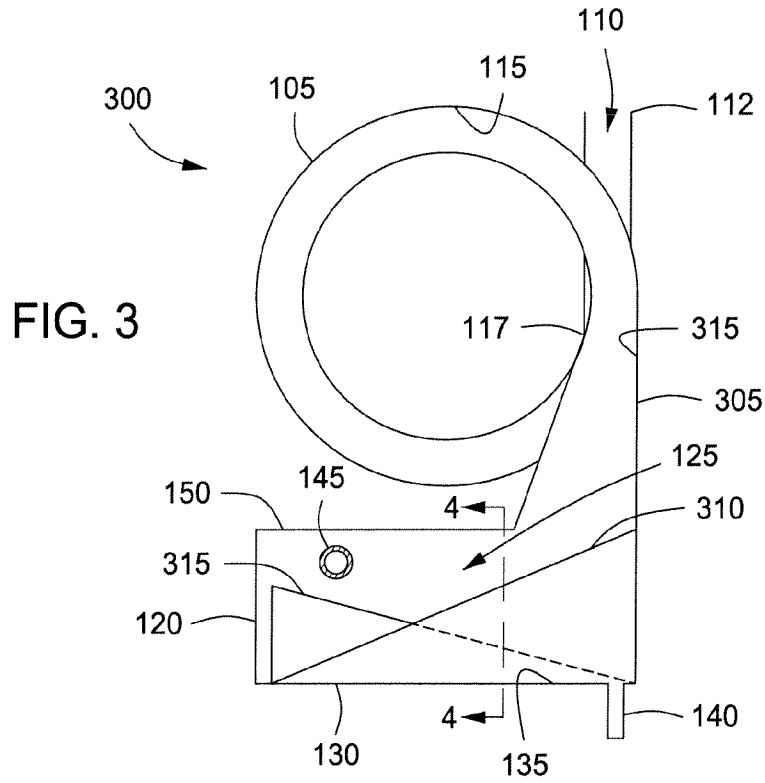


FIG. 2

FIG. 10





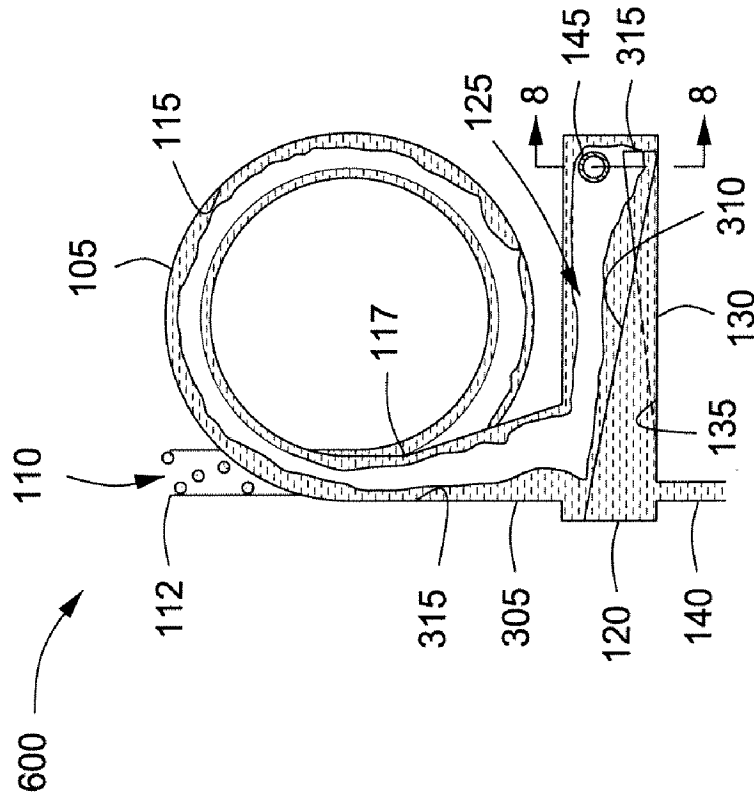


FIG. 6

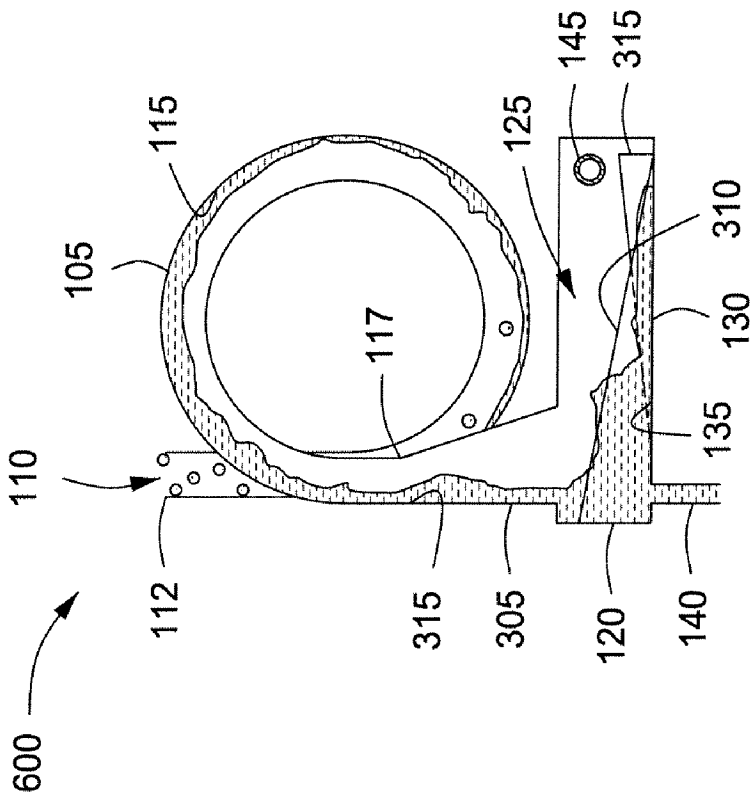


FIG. 7

FIG. 8

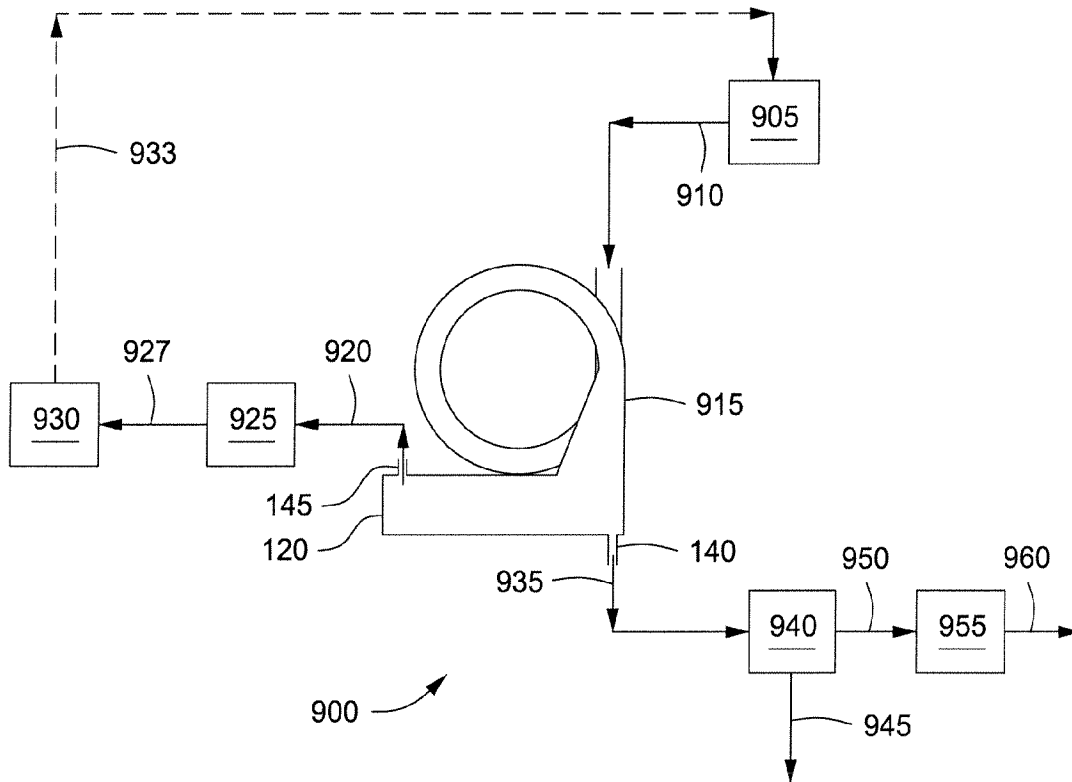
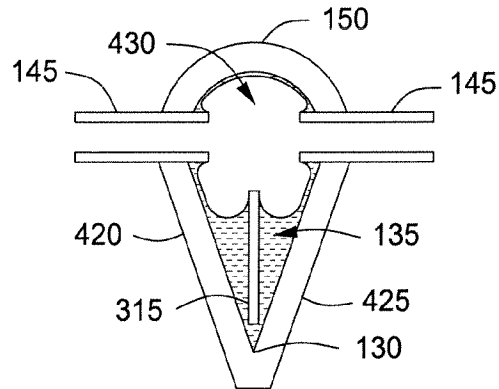


FIG. 9

SYSTEMS AND METHODS FOR SEPARATING A MULTIPHASE FLUID

ORIGIN OF THE INVENTION

The invention described herein was made in the performance of work under a NASA contract and is subject to the provisions of Section 305 of the National Aeronautics and Space Act of 1958, Public Law 85-568 (72 Stat. 435; 42 U.S.C. 2457).

BACKGROUND OF THE INVENTION

1. Field of the Invention

Embodiments of the present invention generally relate to apparatus and methods for the separation of a multiphase fluid. More particularly, embodiments of the present invention relate to apparatus and methods for the separation of gas and variably wetting liquids in a fluid flow.

2. Description of the Related Art

Typical fluid separators use gravity for natural separation of multiphase fluids. However, separating multiphase fluids in microgravity environments or where the multiphase fluid has variable wetting conditions is a complex process because rather than buoyancy effects controlling, surface tension and wetting forces dominate. The separation of variable wetting multi-phase fluids in microgravity require many engineering challenges that must be overcome if one is to successfully separate liquids from gases. Conventional systems for separating liquid from gas in a fluid in microgravity environments have used, among others, rotary separation, capillary separation, and absorbent separation techniques.

The current techniques for separating multi-phase fluids in microgravity require frequent maintenance; are prone to system failure due to precipitate and particulate contamination, biofouling, and slug flow; require large amounts of electrical power; and have wetted moving parts with close tolerances. An additional shortcoming of the current separation techniques based upon capillary separation is that only liquids with favorable wetting properties, e.g. generally perfectly wetting liquids having a contact angle $\theta \approx 0^\circ$, can successfully be separated from a multiphase fluid containing, for example liquid and gas. Typical multiphase fluids contain liquids having varying wetting properties which cannot be separated using current capillary based systems. Examples of such liquids can be water, e.g. perspiration, cabin condensation, and water produced from fuel cells, urine, and other liquids.

There is a need, therefore, for a new apparatus and methods for separating liquid and gas in a fluid where the liquid has variable wetting properties having improved system reliability, reduced power consumption, and reduced system weight.

SUMMARY OF THE INVENTION

The following presents a general summary of several aspects of the disclosure in order to provide a basic understanding of at least some aspects of the disclosure. This summary is not an extensive overview of the disclosure. It is not intended to identify key or critical elements of the disclosure or to delineate the scope of the claims. The following summary merely presents some concepts of the disclosure in a general form as a prelude to the more detailed description that follows.

Apparatus and methods for separating a fluid are provided. An apparatus for separating a fluid can include a separator and a collector having an internal volume defined at least in part by one or more surfaces narrowing toward a bottom portion of

the volume and the separator can include an exit port oriented toward the bottom portion of the volume.

Another apparatus for separating a fluid can include a separator and a collector having an internal volume that receives a fluid expelled from the separator into a flow path in the collector, the flow path having at least two directional transitions within the collector.

A method for separating a fluid can include introducing the fluid to a separator, at least partially separating the fluid into a gas and a liquid by flowing the fluid through the separator and expelling the separated fluid from the separator into a collector. The liquid can be manipulated within the collector at least in part by at least one of a momentum of the liquid, a capillary force, and a motive force of the gas.

Another aspect disclosed is a system for separating a fluid that includes a fluid introduction device, a multi-phase separator that includes a separator in fluid communication with the fluid introduction device and a collector having an internal volume defined at least in part by one or more surfaces narrowing toward a bottom portion of the volume. The separator can include an exit port oriented toward the internal volume. A gas collection system can be in fluid communication with a collector gas outlet and a liquid collection system can be in fluid communication with a collector liquid outlet.

BRIEF DESCRIPTION OF THE DRAWINGS

For a detailed understanding of the present disclosure, reference should be made to the following detailed description of the several non-limiting embodiments, taken in conjunction with the accompanying drawings, in which like elements have been given like numerals and wherein:

FIG. 1 depicts a schematic of an illustrative multi-phase separator according to one or more embodiments described;

FIG. 2 depicts an illustrative cross-sectional view of a passage 110 depicted in FIG. 1 along line 2-2, according to one or more embodiments described;

FIG. 3 depicts another schematic of an illustrative multi-phase separator according to one or more embodiments described;

FIG. 4 depicts an illustrative cross-sectional view depicted in FIG. 3 along line 4-4 according to one or more embodiments described;

FIG. 5 depicts an isometric view of opposing vanes according to one or more embodiments described;

FIG. 6 depicts an operational view of an illustrative multi-phase separator according to one or more embodiments described;

FIG. 7 depicts another operational view of an illustrative multi-phase separator according to one or more embodiments described;

FIG. 8 depicts an illustrative cross-sectional view depicted in FIG. 7 along line 8-8 according to one or more embodiments described;

FIG. 9 depicts a schematic of an illustrative multi-phase separation system according to one or more embodiments described; and

FIG. 10 depicts a schematic of an illustrative multi-phase separator according to one or more embodiments described.

DETAILED DESCRIPTION

FIG. 1 depicts a schematic of an illustrative multi-phase separator 100 according to one or more embodiments. In one or more embodiments, the multi-phase separator ("MPS") 100 can include, but is not limited to a separator 105 and a collector 120. In one or more embodiments, the separator 105

can include a passage **110** and one or more first grooves **115**. In one or more embodiments, at least a portion of the passage **110** can be curved. The one or more first grooves **115** can be disposed about an outer diameter or outer edge of the passage **110** relative to a central axis of the passage **110**. Similarly, at least a portion of the passage **110** can be straight, for example at a first end **112** of the passage **110** as illustrated in FIG. 1. In one or more embodiments, the passage **110** can be straight, curved, or can include one or more straight sections in combination with one or more curved sections. The collector **120** can include an internal volume **125**. The internal volume **125** can be defined at least in part by one or more surfaces that narrow or converge toward a bottom portion **130** of the internal volume **125**. The one or more surfaces narrowing toward the bottom portion **130** can form one or more second grooves **135** along at least a portion of the bottom portion **130** of the internal volume **125**. The collector **120** can include one or more collector exit ports. For example, the collector **120** can include at least one first collector exit port shown in this example as a lower collector exit port **140** and at least one second collector exit port shown in this example as an upper collector exit port **145**. As used herein, the terms “top,” “bottom,” “upper,” “lower,” “side,” “left,” “right,” and other like terms refer to relative positions to one another and are not intended to denote a particular spatial orientation.

The passage **110** can provide a flow path from the first end **112** to a second end having a separator exit port **117**. The first end **112** can be in fluid communication with an external fluid introduction device **108** via line **109**. The fluid introduction device **108** can be any suitable system, device, or combination of systems and/or devices that can provide a multiphase mixture of one or more gases and one or more liquids requiring separation into a gas and a liquid. For example, the fluid introduction device **108** can be a waste management device. Other devices that can provide a fluid requiring separation can include, but are not limited to, fuel cells, fuel tanks, space vehicles, aircraft, for example cabin air to be dehumidified, and the like.

The separator exit port **117** can be in fluid communication with the internal volume **125** within the collector **120**. In one or more embodiments, at least a portion of the length of the passage **110** can be a path curved about an axis such that the passage **110** includes a curved portion, for example along a radius of a helix. For simplicity and ease of description, embodiments of the path of the passage **110** will be further described in the context of a circular curve. However, the passage **110** can follow a linear path, a non-linear path or a combination of linear and non-linear paths. In addition to the circular and helical paths, other examples of non-linear paths may include an oval path, an elliptical path, a parabolic path, a spiral path, or any other suitable non-linear path. In other embodiments, the passage **110** can follow a planar or non-planar path, for example the curve as shown or a non-planar path, for example a helical path.

The curved portion of the passage **110** provides a flow path where heavier fluids can centrifugally flow along the outer perimeter of the passage **110** within the one or more first grooves **115**. In addition to or in lieu of the centrifugal flow along the curved portion of the passage **110**, capillary action can provide a motive force for heavier fluids. In addition to or in lieu of the centrifugal flow and/or the capillary action a flowing gas can provide a motive force for heavier fluids. Lighter fluids can flow along the inner perimeter of the passage **110** or in the case of a straight passage **110** along the side opposite the one or more first grooves **115**. In one or more embodiments, the passage **110** can include a turn of about 90° or more about a central axis. For example, as shown in FIG. 1,

the passage **110** includes a turn of about 180° about a central axis. Depending on the particular MPS **100** design parameters, the passage can include any suitable turning degree or number of turns. In one or more embodiments, the passage **110** can include a 360° turn about the central axis or more, in the case of a helically or spirally directed passage **110**. For example, the passage **110** can include about a 450° turn, about a 540° turn, about a 630° turn, about a 720° turn, or more. The passage **110** can include, for example, a turn about the central axis ranging from a low of about 0.25 turns, about 0.5 turns, or about 1 turn to a high of about 2 turns, about 4 turns, or about 6 turns or more.

The inner diameter of the curved portion of the passage **110** can be any suitable diameter, which can be determined based upon the particular design parameters for the MPS **100**. For example, the passage **110** can curve about a 7 cm inner diameter (“ID”) coil or circle, about a 25 cm ID coil, about a 50 cm ID coil, about a 75 cm ID coil, or more. Further, in at least one embodiment, the passage can include a first section and a second section, where the first section includes a first cross-sectional area, and where the second section expands from the first cross-sectional area to a second cross-sectional area.

The first collector exit port **140** and the second collector exit port **145** can have any suitable cross-sectional shape and area. For example, the first and second collector exit ports **140**, **145** can be circular, polygonal, or can include straight and curved sides. The cross-sectional area of the first and second collector exit ports **140**, **145** can be the same or different. For example, the first collector exit port **140** can have a smaller cross-sectional area than the second collector exit port **145**. Additionally, for example, the cross-sectional area of the first and second collector exit ports **140**, **145** can range from a low of about 1 mm², about 3 mm², or about 5 mm² to a high of about 10 cm², about 100 cm², or about 1,000 cm².

FIG. 2 depicts an illustrative cross-sectional view of a passage **110** depicted in FIG. 1 along line 2-2, according to one or more embodiments. As shown, the first groove **115** can be defined by two sides or surfaces **205**, **207** of the passage **110** that can intersect to form a corner **210**. For simplicity and ease of description, embodiments of the cross-section of the passage **110** will be further described in the context of a cross-section that includes an intersection of two flat sides, however, any other suitable cross-section can be included in the passage **110**. Other cross-sections can include, but are not limited to a parabola which can be defined at least in part by two sides curving together, a flat bottom which can be defined at least in part by two sides narrowing toward a flat surface, any other intersection of two or more surfaces, and the like. The passage **110** can also include one or more surfaces narrowing toward a bottom portion of the groove **115**.

In one or more embodiments, the angle between the two sides **205**, **207** can be any suitable angle. In one or more embodiments, the angle between the two sides **205**, **207** can range from a low of about 5°, about 10°, about 15°, or about 20° to a high of about 50°, about 65°, about 75°, or about 90°. For example, the angle between the two sides **205**, **207** can be about 30°, about 35°, about 40°, or about 45°. In one or more embodiments, the angle between the two sides **205**, **207** can vary along the passage **110**. The angle between the two sides **205**, **207** can continuously increase, continuously decrease, stepwise increase, stepwise decrease, switch from increasing to decreasing or from decreasing to increasing, or any combination thereof.

In one or more embodiments, the sides **205**, **207** can be joined together above the corner **210** by any suitably configured side **215**. For example, the side **215** can be curved, straight, multiple sided, that is two or more straight sides, two

or more curved sides, at least one straight side and at least one curved side, or any other combination. The side 215 can connect sides 205, 207 to provide the passage 110 having the one or more first grooves 115 disposed toward the corner 210 and an upper portion of the passage volume 220 disposed toward side 215. The sides 205, 207 can extend from the corner 210 the same length or the sides 205, 207 can extend from the corner 210 with different lengths. The cross-section of the passage 110 can be a substantially triangular-shaped region defined by the corner 210 and the sides 205, 207 connected to a side 215 that is curved. In at least one specific embodiment, as illustrated in FIG. 2, the cross-section of the passage 110 can have an "ice cream cone" shaped cross-section, where the first groove 115 can be referred to as the "cone" and the upper portion of the passage volume 220 can be referred to as the "ice cream" of an "ice cream cone." In one or more embodiments, the corner 210 can face outwardly from the central axis about which the passage 110 can be curved to provide the centrifugal flow path along the first groove 115.

Referring to FIGS. 1 and 2, any one or more sides 205, 207, 215 and any other surface, can be coated with one or more materials. In one or more embodiments, the side 215 and the one or more upper collector exit ports 145 can be coated with one or more hydrophobic materials and the sides 205, 207 and the one or more lower collector exit ports 140 can be coated with one or more hydrophilic materials. In one or more embodiments, the side 215 and the one or more upper collector exit ports 145 can be coated with one or more hydrophilic materials and the sides 205, 207 and the one or more lower collector exit ports lower 140 can be coated with one or more hydrophobic materials. In one or more embodiments, the side 215 and/or the sides 205, 207 and collector exit ports 140, 145 can be coated with one or more antifouling agents, corrosion inhibitors, oxidation inhibitors, other surface modifying coatings, or any combination thereof depending upon the MPS 100 system requirements.

Referring again to FIG. 1, the separator exit port 117 of the passage 110 can be oriented toward the bottom portion 130 of the internal volume 125 at any suitable angle. In one or more embodiments, the separator exit port 117 can be directed at an angle ranging from about 10° to about 170°, about 30° to about 150°, about 50° to about 130°, or from about 70° to about 110°. For example, the separator exit port 117 can be directed perpendicularly, that is 90°, toward the second groove 135 disposed along the bottom portion 130 of the collector 120.

In one or more embodiments, a cross-section of the collector 120 may be substantially as discussed and described above with reference to the "ice cream cone" shaped cross-section of the passage 110. The second groove 135 disposed in the bottom portion 130 can be the same or similar to the first groove 115 disposed within the passage 110. The bottom portion 130 of the collector 120 can be linear, as shown, or non-linear. In one or more embodiments, the cross-sectional area of the collector 120 can be larger in area than the cross-sectional area of the passage 110. For example, the cross-sectional area of the collector 120 can be about 3X or more, about 4X or more, about 5X or more, about 6X or more, about 7X or more, or about 8X or more than the cross-sectional area X of the passage 110.

In one or more embodiments, the second groove or "cone" 135 can include any suitable volume. The volume of the second groove 135 can be defined by the cross-sectional area of the second groove 135 times the length of the groove within the collector 120. For example, the volume of the second

groove 135 can be about 0.5 liters ("L") or more, about 1 L or more, about 3 L or more, about 5 L or more, or about 7 L or more.

The first collector exit port 140 can be disposed about the bottom portion 130 of the collector 120 and the second collector exit port 145 can be disposed about an upper side 150 of the collector 120. The first collector exit port 140 can be at least partially disposed about the lower portion of the collector 120. Further, the first collector exit port 140 can be positioned along the length of the collector section 120 at any position. For example, the first collector exit port 140 can be positioned below the separator exit port 117 from the passage 110. In an embodiment, the second collector exit port 145 can be disposed through the upper side 150 (see FIG. 8). The second collector exit port 145 can be disposed toward the opposite end of the collector 120 than the separator exit port 117 is disposed. In one or more embodiments, the second collector exit port 145 can be flush or even with the side 215. In one or more embodiments, the second collector exit port 145 can extend at least partially into the internal volume 125 of the collector 120 to provide an exit port that is not flush or even with the side 215.

In one or more embodiments, each component of the MPS 100 can be made from any suitable material or combination of suitable materials. Suitable materials for the MPS 100 can include, but are not limited to polymers, metals, carbon fiber, resins, glasses, and the like. For example, suitable metals can include, but are not limited to titanium, zirconium, cobalt, nickel, silver, copper, palladium, gold, platinum, chromium, aluminum, stainless steel, or combinations or alloys thereof. Suitable polymers can include, but are not limited to, acrylics, polyethylenes, polypropylenes, polyurethanes, polytetrafluoroethylenes, polyvinylchlorides, polycarbonates, other thermoplastic resins or engineering resins, and the like.

In at least one specific embodiment, the separator 105 and the collector 120 can be made from two or more materials. In at least one specific embodiment the separator 105 and the collector 120 can be made from different materials. For example the side 215 can be made from a different material than the sides 205, 207 to provide different properties, for example corrosion resistance, surface energy interaction with different fluids, reduced susceptibility to bio-fouling, and the like.

FIG. 3 depicts another schematic of an illustrative multi-phase separator 300 according to one or more embodiments. The MPS 300 can include the separator 105, the collector 120, and the passage 110, which may be substantially as discussed and described above with reference to FIGS. 1 and 2. In one or more embodiments, the MPS 300 can further include a diffuser 305. The non-limiting embodiment shown in FIG. 3 further includes one or more vanes (two are shown) 310, 315 disposed in the collector 120. The diffuser 305 can be disposed between the separator exit port 117 of the passage 110 and the collector 120. The vanes 310, 315 can be at least partially disposed within the second groove 135 of the collector 120. In at least one specific embodiment, one or more vanes can be disposed along at least a portion of the length of the one or more first grooves 115 of the passage 110.

With continued reference to FIG. 3, the diffuser 305 can have an expanding cross-section from the passage 110 toward the collector 120. For example, the diffuser 305 can expand in cross-sectional area from the separator exit port 117 of the passage 110 to the collector 120. In one or more embodiments, the cross-section of the diffuser 305 can be the same as or different than the cross-section of the passage 110 discussed and described above in reference to FIG. 2. The diffuser 305 can include a third groove 315 that can be substan-

tially the same as the one or more first and second grooves **115**, **135** discussed and described above with reference to FIG. **2** and below with reference to FIG. **4**. For example, the third groove **315** can include one or more vanes or the third groove **315** can be free of any vanes. As an example, the cross-sectional area of the diffuser **305** at the collector **120** can be about 2X, about 3X, about 4X, about 5X, about 6X, or about 7X or more than the cross-sectional area X at the separator exit port **117**.

With continued reference to FIG. **3**, in one or more embodiments, the one or more vanes **310**, **315** can be of any suitable shape and can be disposed about at least a portion of the second groove **135**. As specifically illustrated in FIGS. **3** and **5**, in one or more embodiments, the vanes can be a thin triangular plate or sheet disposed within the second groove **135**. In one or more embodiments, the vanes can be any polygonal shape, for example a simple polygon, a complex polygon, a convex polygon, a concave polygon, a regular polygon, an irregular polygon, parallelogram, non-parallelogram, or any combination thereof. In one or more embodiments, the vanes can be any non-polygonal shape, for example a circle, an ellipse, oval, or other shapes having one or more curves. In one or more embodiments, the vanes can include one or more straight sides and one or more curved sides.

FIG. **4** depicts an illustrative cross-sectional view depicted in FIG. **3** along line **4-4**, according to one or more embodiments. As shown, the second groove **135** can be defined by two sides or walls **420**, **425** that can intersect to form a corner along the bottom portion **130**. For simplicity and ease of description, embodiments of the cross-section of the collector **120** will be further described in the context of a cross-section that includes an intersection of two flat sides, however, any other suitable cross-section can be included in the collector **120**. Other cross-sections can include, but are not limited to a parabola which can be defined at least in part by two sides curving together, a flat bottom which can be defined at least in part by two sides narrowing toward a flat surface, any other intersection of two or more surfaces, and the like.

In one or more embodiments, the angle between the two sides **420**, **425** can be any suitable angle. In one or more embodiments, the angle between the two sides **420**, **425** can range from a low of about 5°, about 10°, about 15°, or about 20° to a high of about 50°, about 65°, about 75°, or about 90°. For example, the angle between the two sides **420**, **425** can be about 30°, about 35°, about 40°, or about 45°. In one or more embodiments, the angle between the two sides **420**, **425** can vary along the collector **120**. The angle between the two sides **420**, **425** can continuously increase, continuously decrease, stepwise increase, stepwise decrease, switch from increasing to decreasing or from decreasing to increasing, or any combination thereof.

In one or more embodiments, the sides **420**, **425** can be joined together above the bottom portion **130** by any suitably configured upper side **150**. For example, the upper side **150** can be curved, straight, multiple sided, that is two or more straight sides, two or more curved sides, at least one straight side and at least one curved side, or any other combination. The upper side **150** can connect sides **420**, **425** to provide the enclosed a collector having the one or more second grooves **135** disposed toward the bottom portion **130** and a flow path or upper volume **430** disposed toward the upper side **150**. The sides **420**, **425** can extend from the bottom portion **130** the same distance or the sides **420**, **425** can extend from the bottom portion **130** with different lengths. The cross-section of the collector **120** can be a substantially triangular-shaped region defined by the bottom portion **130** and the sides **420**,

425 connected to an upper side **150** that is curved. In at least one specific embodiment, as illustrated in FIG. **4**, the cross-section of the collector **120** can have an “ice cream cone” shaped cross-section, where the one or more second grooves **135** can be referred to as the “cone” and the upper volume **430** of the collector can be referred to as the “ice cream” of an “ice cream cone.”

Any one or more sides **420**, **425**, **150** can be coated with one or more materials. In one or more embodiments, the upper side **150** and the one or more second collector exit ports **145** can be coated with one or more hydrophobic materials and the sides **420**, **425** and the one or more first collector exit ports **140** can be coated with one or more hydrophilic materials. In one or more embodiments, the upper side **150** and the one or more second collector exit ports **145** can be coated with one or more hydrophilic materials and the sides **420**, **425** and the one or more first collector exit ports **140** can be coated with one or more hydrophobic materials. In one or more embodiments, the upper side **150** and/or the sides **420**, **425** and collector exit ports **140**, **145** can be coated with one or more antifouling agents, corrosion inhibitors, oxidation inhibitors, other surface modifying coatings, or any combination thereof depending upon the MPS **300** system requirements.

As shown in FIG. **4**, the one or more vanes (three are shown **310**, **315**, **405**) disposed within the second groove **135** can be positioned such that there can be a space **410** beneath the vanes **310**, **315**, **405**. There can be a space **415** between the vanes **310**, **315**, **405** and the sides **420**, **425**. The vanes **310**, **315**, **405** can be attached to one or both ends of the collector **120** to provide the space **410**. The spaces **410** and **415** can permit a fluid, not shown, to flow in the second groove **135** below and/or between the one or more vanes **310**, **315**, **405**. In at least one specific embodiment, the first groove **115** of the passage **110** and/or the third groove **315** of the diffuser **305** can include one or more vanes. As shown in FIG. **4**, the second groove **135** and an upper volume **430** of the collector **120** together provide the internal volume **125** of the collector **120**, shown in FIG. **3**.

Referring to FIGS. **1** and **3**, in one or more embodiments, the one or more second collector exit ports **145** can be disposed on the collector **120** such that a flow path through the collector **120** requires at least one change in direction (at least one directional transition), for example one 90° turn from the separator exit port **117**, for a fluid to exit the MPS. In one or more embodiments, the one or more second collector exit ports **145** can be disposed on the collector **120** such that a flow path through the collector **120** has at least two directional transitions for a fluid to exit the MPS. In one or more embodiments, the one or more collector exit ports **145** can be disposed on the upper side **150**, such that two changes in direction or two directional transitions, for example two 90° turns from the separator exit port **117**, are required for a fluid to exit the MPS **100**. Additional changes in direction for a fluid exiting the separator exit port **117** can be accomplished by installing one or more plates along a portion of the upper volume **220**, such that a fluid introduced to the collector **120** via separator exit port **117** is required to “zig zag” through a one or more turns before exiting the one or more second collector exit ports **145**.

FIG. **10** depicts a schematic of an illustrative multi-phase separator according to one or more embodiments. The example of FIG. **10** illustrates that adding one or more plates to a collector volume can increase the number of directional transitions for fluid flowing in the collector volume. As shown in FIG. **10**, a first plate **1005** and a second plate **1010** are disposed about a portion of the length of the collector **120**. The first plate **1005** extends from a passage extension wall

1015 connected to the separator exit port **117** of the passage **110** toward the left side of the collector **120**. A first space **1017** can be provided between the left wall of the collector **120** and the left end of the first plate **1005** to allow for the passage of a fluid. In one or more embodiments, the second plate **1010** can be disposed above the first plate **1005**, such that a passage can be provided between the first plate **1005** and the second plate **1010**. The second plate **1010** can extend from left side of the collector toward the passage extension wall **1015**, with a second space **1019** provided between the second plate **1010** and the passage extension wall **1015** to allow for the passage of a fluid. Additionally, the second plate **1010** can be disposed within the collector **120** below the upper side **150**, such that a passage can be provided between the second plate **1010** and the upper side **150**. The addition of the two plates **1005**, **1010** provide a flow path that requires six directional transitions for a fluid to exit the collector **120** via the one or more second collector exit ports **145**. While FIG. **10** illustrates two plates **1005**, **1010**, other embodiments may include fewer or more plates than are shown without departing from the scope of the disclosure. In one or more embodiments, a single plate can be disposed within the collector **120** to provide a flow path requiring four or more directional transitions for a fluid to exit the collector **120** via the one or more second collector exit ports **145**. In one or more embodiments, or three or more plates can be disposed within the collector **120** to provide a flow path requiring eight or more directional transitions for a fluid to exit the collector **120** via the one or more second collector exit ports **145**.

In one or more embodiments, the first and second plates **1005**, **1010**, and the passage extension wall **1015** can be made from any suitable material or combination of suitable materials. Suitable materials can include, but are not limited to polymers, metals, carbon fiber, resins, glasses, and the like. For example, suitable metals can include, but are not limited to titanium, zirconium, cobalt, nickel, silver, copper, palladium, gold, platinum, chromium, aluminum, stainless steel, or combinations or alloys thereof. Suitable polymers can include, but are not limited to, acrylics, polyethylenes, polypropylenes, polyurethanes, polytetrafluoroethylenes, polyvinylchlorides, polycarbonates, other thermoplastic resins or engineering resins, and the like.

In one or more embodiments, the first and second plates **1005**, **1010**, and the passage extension wall **1015** can be coated with one or more materials. Suitable coating materials can include, but are not limited to, one or more antifouling agents, corrosion inhibitors, oxidation inhibitors, hydrophilic materials, hydrophobic materials, other surface modifying coatings, or any combination thereof depending upon the MPS system requirements.

FIG. **5** depicts an isometric view of opposing vanes **315** and **310**, **405** according to one or more embodiments. The one or more vanes **310**, **315**, **405** can be secured to collector ends **505**, **510**. The non-limiting example of FIG. **5** shows two vanes **310**, **405** attached to the collector end **505** and a third vane **315** attached to the collector end **510** to provide opposing vanes. The collector ends **505**, **510** can provide the side or end walls of the collector **120** (see FIGS. **1**, **3** and **10**). In one or more embodiments, the one or more vanes **310**, **315**, **405** can be secured to the collector ends **505**, **510** by any suitable method, for example friction fit, welding, adhesives, screws, clamps, rivets, and the like. In one or more embodiments, the one or more vanes **310**, **315**, **405** and the collector ends **505**, **510** can be integrally cast, machined, or otherwise formed as an integral unit. In one or more embodiments, the collector ends **505**, **510** can have one or more grooves similar to the first

groove **115** and/or the second groove **135** discussed and described above with reference to FIGS. **1-4**.

In one or more embodiments, the vanes can include one or more apertures **515** disposed through the vanes. The apertures **515** can provide a flow path for a fluid between the vanes **310**, **315**, **405**, increase the coalescence of a liquid, and/or facilitate removal of a liquid via the one or more first collector exit ports **140** (see FIGS. **1**, **3** and **10**). In one or more embodiments, the apertures **515** may be provided in addition to or in lieu of the space **410** (FIG. **4**) beneath the one or more vanes **310**, **315**, **405**. In one or more embodiments, if two or more vanes are disposed within the collector **120** one vane or multiple vanes can include one or more apertures **515**. The one or more apertures **515** can be disposed along a portion of or the entire length of the associated vane. The apertures **515** can be any shape, such as polygonal, non-polygonal as shown or a combination thereof. In one or more embodiments, the cross-sectional area of the apertures **515** can range from a low of about 1 mm^2 , about 3 mm^2 , or about 5 mm^2 to a high of about 1 cm^2 or more, about 5 cm^2 or more, or about 10 cm^2 or more.

Referring to FIGS. **3**, **4**, and **5** the one or more vanes **310**, **315**, **405** can vary in height and density. As an example and as illustrated in FIG. **5**, the two vanes **310**, **405** can decrease in height as the vanes project toward the left side of the collector **120**. The opposing vane **315** can decrease in height as the vane projects toward the right side of the collector **120**. In one or more embodiments, the vanes **310**, **315**, **405** can be disposed within the second groove **135** only or the vanes can extend into the upper section toward the upper side **150** of the internal volume **125** above the second groove **135**. The vanes **310**, **315**, **405** can be made from any suitable material, which can include, but is not limited to the material the MPS can be made from, which is discussed and described above. One or more surface modifiers can be coated on the vane or vanes **310**, **315**, **405** that can include, but are not limited to one or more antifouling agents, corrosion inhibitors, oxidation inhibitors, and other surface modifying coatings depending upon the MPS system requirements.

FIG. **6** depicts an operational view of an illustrative multiphase separator **600** according to one or more embodiments. The MPS **600** can be similar to the multi-phases separators discussed and described above with reference to FIGS. **1-5**. A multiphase fluid can be introduced via the first end **112** to the passage **110** and the liquid phase of the fluid can be recovered via the one or more first collector exit ports **140** and the gas phase of the fluid can be recovered via the one or more second collector exit ports **145**. In other words, the one or more first collector exit ports **140** may be capable of liquid transfer and the one or more second collector exit ports **145** may be capable of gas transfer. In one or more embodiments, the MPS **600** can separate a multiphase fluid into its liquid component via the one or more first collector exit ports **140** and its gas component via the one or more second collector exit ports **145** in a micro gravity environment ($<0.1 \text{ g}$), a partial gravity environment ($0.1 < 1 \text{ g}$), or a gravity environment ($\geq 1 \text{ g}$).

The fluid can include a gas and a liquid; a gas and a liquid having solids dissolved in the liquid; a gas, liquid having solids dissolved in the liquid, and solids mixture; a gas, liquid, and solid mixture, or any combination thereof. The liquid can be any liquid, for example water, fuel, urine, humidity condensate, space suit liquid, respiration, perspiration, shower water, shaving water, and other waste water to name a few. The liquid can be introduced to the MPS **600** using a carrier gas, for example oxygen, nitrogen, argon, helium, carbon dioxide, air such, as cabin air, or any combination thereof. The carrier gas can be pressurized or non-pressurized that is at environmental pressure. A carrier gas that includes, for

example, cabin air can be on a spacecraft, a space station, a space vehicle/rover, a satellite, a missile, a telescope, a probe, or other structures deployed in space.

The motive force for introducing the fluid to the MPS 600 can be provided by or include one or more motive force devices 925, as illustrated in FIG. 9, positioned downstream and in fluid communication with at least one of the one or more second collector exit ports 145. Referring to FIGS. 6 and 9, the use of one or more motive force devices 925 can decrease the pressure within the MPS 600 relative to the outside environment, thereby pulling or drawing the multiphase fluid into the passage 110. In at least one specific embodiment, the motive force can be provided by or be included in a fluid introduction device 905 positioned upstream of the first end 112, which can increase the pressure within the MPS 600 relative to the outside environment by pushing or urging a multiphase fluid into the passage 110. Motive force devices 925 can include, but are not limited to, fans, pumps, pistons, non-pressurized or low pressurized containers, space vacuum, and the like.

With continued reference to FIG. 6, the fluid can be introduced to the MPS 600 at a gas-to-liquid (G:L) ratio of from about 0:1 to about 1000:1, or from about 25:1 to about 500:1, or from about 50:1 to about 200:1. For example, the fluid can be introduced to the MPS 600 at a gas-to-liquid ratio of about 75:1, about 100:1, about 150:1, or about 175:1. In one or more embodiments, the fluid can be introduced to the MPS 600 at a liquid-to-gas ratio (L:G) of from about 0:1 to about 1000:1, or from about 25:1 to about 500:1, or from about 50:1 to about 200:1. In one or more embodiments, the gas can be introduced to the MPS 600 at a rate ranging from a low of about 0 liters per minute (“L/min”), about 10 L/min, or about 20 L/min to a high of about 40 L/min, about 60 L/min, or about 80 L/min. In one or more embodiments, the liquid can be introduced to the MPS 600 at a rate ranging from a low of about 10 L/min, about 0.3 L/min, or about 0.5 L/min to a high of about 1 L/min, about 4 L/min, or about 8 L/min. In one or more embodiments, the gas and liquid can be introduced at a steady rate or a variable rate. In one or more embodiments, the gas can be introduced at a steady rate and the liquid can be introduced at a variable rate. In one or more embodiments, the gas can be introduced at a variable rate and the liquid can be introduced at a steady rate.

If only a gas or only a liquid is introduced to the MPS, the MPS would then function as either a gas or liquid transfer device that can direct the gas or the liquid. For example, a liquid without a gas can be introduced and transported in the MPS using capillary and/or inertial forces and stored within the collector 120 and/or recovered via the first collector exit port 140 without substantial motive force provided by gas.

The MPS 600 can separate a liquid from a gas in a fluid for liquids that exhibit known, unknown, and/or variable wetting properties. The liquid can be wetting (contact angle 90°), partially wetting (contact angles from $0^\circ < \theta < 90^\circ$), non-wetting (contact angle $\theta > 90^\circ$), variably wetting (contact angle hysteresis), or combinations thereof.

The multiphase fluid introduced via the first end 112 to the passage 110 may be at least partially separated in the separator 105 by flowing through a centrifugal flow path provided by a curved portion of the passage 110. In an embodiment, where the corner 210 of the first groove 115 faces outwardly in relation to the central axis about which the passage 110 is curved, the curved portion of the passage 110 can provide an effective centrifugal acceleration, such that liquid drops in the fluid can be directed toward the first groove 115 while gas can be directed toward the passage volume 220 (see FIGS. 1, 2, 3 and 10). The first groove 115 can provide a guide for the liquid

such that a “guided rivulet flow” of liquid can be formed within the first groove and can flow along the passage 110 toward the collector 120. The first groove 115 can passively drive or move the liquid due to capillary forces. When a liquid is introduced to the first groove 115, the pressure drop across the fluid surface can drive the fluid along the passage 110 toward the collector 120. The gas flowing through the passage volume 220 can provide further motive force for urging the liquid along the first groove 115 in the “guided rivulet flow.”

Depending on the wetting properties of the liquid in the fluid, the liquid can tend to adhere when impacting a dry surface in the passage 110, coalesce when impacting previously adhered liquid surfaces, or both. By directing the liquid to the first groove 115, in the absence of adequate capillary pumping due to poor wetting, the liquid can be driven downstream by the gas flow to the collector 120. In zero gravity or micro-gravity environments liquid drops will not always coalesce and instead can rebound off other liquid drops. Therefore, the length of the passage 110 and the number of turns or coils of the passage 110 can be designed such that the residence time and the centrifugal acceleration can be sufficient to coalesce the liquid and direct the liquid into the first groove 115. In one or more embodiments, the passage 110 can have a sufficient length in order to direct the liquid toward the first groove 115 prior to exiting the passage 110.

Once the liquid is directed into and contained in the first groove 115, the liquid can travel down the passage 110 via capillary forces and without the need for the centrifugal forces. Therefore, if a particular situation, such as space requirements or vehicle design, requires the separator 105 to be in one location and the collector 120 in another, the liquid can be directed into the first groove 115 of the passage 110, which can then straighten into a linear path or semi-linear path. The liquid may then flow toward the collector 120 positioned some distance away from the separator. The capillary forces and/or the motive force of the gas moving through the passage 110 can drive the liquid along the groove 115 toward the collector 120.

The fluid or the at least partially separated liquid and gas can be introduced from the separator exit port 117 into the collector 120 (see FIG. 1) or the liquid and gas can be introduced to the diffuser 305 (see FIGS. 3 and 6). The diffuser 305 can continue the guided rivulet flow of the liquid, while reducing the velocity of the gas. The expanding cross-section of the diffuser 305 can reduce the velocity of the gas without increasing or only minimally increasing the resistance of the liquid to continue to flow toward and ultimately into the collector 120.

The flowing gas along the passage 110 can urge the liquid toward and into the second groove 135 disposed along the bottom portion 130 of the collector 120. In addition to the flowing gas or in the absence of flowing gas the liquid’s inertia can direct the liquid toward and into the second groove 135 of the collector 120. The forces provided by the flowing gas can improve the penetration of the liquid into the second groove 135 and/or into the vanes 310, 315.

Once the liquid exits the passage via the separator exit port 117 or the diffuser 305 and is urged or driven into the second groove 135 the liquid can be contained within the second groove 135 while the gas can exit the one or more second collector exit ports 145. The addition of the one or more vanes 310, 315, 405 can improve the retention of the liquid within the collector 120. For poorly wetting liquids the groove 135 and/or the vanes 310, 315 can serve as a capillary device by holding and containing the liquid in a single piece or mass. Varying the density, e.g. size, shape, number, thickness, and angles of the one or more vanes 310, 315 can provide

increased liquid drop adhesion on the vane walls, liquid drop coalescence with previously adhered drops if already present, and capillary forces in the collector **120**. The geometry of the one or more vanes **310**, **315**, for example decreasing interior vane angles in the direction of flow can provide a passive method for removing trapped gas out of the liquid as it moves downstream. Furthermore, the one or more vanes **310**, **315** can provide a capillary pumping mechanism for moving liquids toward the one or more first exits ports **140**.

The change in direction of the flow path or the one or more directional transitions for the gas within the collector **120** can be favorable for the gas to follow and unfavorable for the liquid to follow due to the liquid's greater mass/inertia. Two 90° turns are shown in FIGS. **1**, **3**, **6**, **7**, and **9** and six 90° turns are shown in FIG. **10**. The one or more directional transitions to the flow path within the collector **120** are unfavorable for a liquid to follow and therefore, can reduce or eliminate the ability of the liquid to exit the collector **120** with the gas via the one or more second collector exit ports **145**.

The one or more first collector exit ports **140** can be closed during fluid introduction and separation, open, or cycled between open and closed, thereby storing liquid when closed and removing liquid when open. As such, liquid collected or as it is being collected in the collector **120** can be removed at a steady rate or a variable rate. The removal of the liquid can be maintained such that all the liquid is not removed from the collector **120** while the separated gas is flowing through the MPS **600**, which can prevent or reduce removal of gas along with the liquid.

In one or more embodiments, coating the sides of the first and second grooves **115**, **135** and/or the one or more vanes **310**, **315**, **405** with one or more coatings exhibiting certain characteristics can improve the separation of the fluid. For example, coating the side **215** with a hydrophobic material and the sides **205**, **207** with a hydrophilic material can further induce separation because the liquid will be further attracted toward the hydrophilic material. In another example, coating the sides **205**, **207**, **215** and the vanes **310**, **315**, **405** for example, with an antifouling agent can reduce the build up of a bio-film that can form over time when separating, for example, cabin air and urine.

In one or more embodiments, the materials of the MPS **600** can also influence how the liquid flows through the MPS **600**. For example, the surfaces within the MPS **600** can be made from or include hydrophobic and/or hydrophilic materials to improve fluid separation. Surface roughness and other small scale imperfections on/in the surfaces of, for example the diffuser **305**, can cause pinning effects, which can cause the liquid to form globules and thereby restrict the liquid's ability to flow into the collector **120**. In one or more embodiments, an MPS according to the present disclosure can be constructed using materials that have reduced surface imperfections, which can reduce or eliminate pinning effects on a liquid flowing in the MPS. In at least one particular embodiment, the surfaces within the MPS **600** can be made from titanium, which has a good corrosion resistance and favorable wetting characteristics for liquids including urine. Titanium can also be polished to a smooth surface, which can reduce pinning effects. For example, titanium can be polished to a smooth surface having a surface roughness of less than about 5 microns, less than about 1 micron, less than about 0.5 microns, or less than about 0.2 microns.

FIG. **6** illustrates an MPS **600** separating a fluid mixture of gas and a liquid having a wetting angle ranging from about 50° to about 90°. As shown, the fluid enters the MPS **600** via the inlet port **112** as a two phase mixture of one or more gases and one or more liquids. As the mixture flows through the

passage **110** the liquid becomes entrained in the first groove **115** and flows along the passage **110** in a "guided rivulet flow". The varying vane density, for example the height of the vanes **310**, **315** can vary along the liquid flow path to provide a favorable capillary pressure gradient for poorly wetting liquids, greater stability for liquids trapped within the second groove **135**/vanes **310**, **315**, and a passive mechanism to force entrained gas bubbles out of the liquid and into the gas flowing in the upper area of the internal volume **125** toward the one or more second collector exit ports **145**. The motive gas forces and the capillary forces can improve containment of the liquid within the second groove **135**.

FIG. **7** depicts another operational view of an illustrative multi-phase separator (MPS **700**), according to one or more embodiments. In one or more embodiments, the MPS **700** can be the same as or similar to the multi-phase separators discussed and described above with reference to FIGS. **1-6**. As shown, FIG. **7** illustrates an MPS **700** for separating a mixture of a gas and a highly wetting liquid having a wetting angle of less than about 45°. For highly wetting liquids coalescence can be inhibited as the liquid tends to skip, roll, or slide across the liquid films, particularly in the presence of surface contamination. As such, highly wetting liquids tend to lead to liquid thin films on nearly all, if not all interior surfaces. These liquid thin films can be driven toward the one or more second collector exit ports **145** due to the gas flow. The one or more second collector exit ports **145** can be designed in a manner that can reduce or prevent liquid exiting with the gas. For example, the one or more second collector exit ports **145** can be designed to pin the advancing thin films in a manner that urges the liquid into recirculation within the collector **120** rather than being removed with the gas through the one or more second collector exit ports **145**.

In one or more embodiments, the one or more second collector exit ports **145** can be disposed on the collector **120** such that a portion of the one or more second collector exit ports **145** extend into the internal volume **125** of the collector **120**. FIG. **8** depicts an illustrative cross-sectional view depicted in FIG. **7** along line **8-8** according to one or more embodiments. As shown, the liquid films can flow to the edge or interface of the one or more second collector exit ports **145** that can extend into the internal volume **125** of the collector **120** to pin the liquid. More liquid can be urged to this interface whereupon the liquid can form a significant capillary connection with the liquid contained within the second groove **135** and as shown vane **315**, which can then move the liquid away from the second collector exit ports **145** and into the second groove **135** with the contained liquid. Provided the second groove **135** is not saturated with liquid and continuous gas flow is maintained the highly wetting liquid can continue to re-circulate near the one or more second collector exit ports **145** rather than being carried out along with the exiting gas.

FIG. **9** depicts a schematic of an illustrative multi-phase separation system **900** according to one or more embodiments. The MPS system **900** can include a fluid introduction device **905**, a MPS **915**, a motive force device **925**, a separated gas collection system **930**, a liquid collection system **940** and a liquid purification system **955**. The MPS **915** can be substantially as the multi-phase separators discussed and described above with reference to FIGS. **1-8** and **10**.

The fluid introduction device **905** can be any suitable system, device, or combination of systems and/or devices that can provide a multiphase mixture of one or more gases and one or more liquids requiring separation into a gas and a liquid. For example, the fluid introduction device **905** can be a waste management device. Other devices that can provide a fluid requiring separation can include, but are not limited to,

fuel cells, fuel tanks, space vehicles, aircraft, for example cabin air to be dehumidified, and the like. In one non-limiting embodiment, a gas, such as cabin air in a spacecraft or aircraft and a liquid such as urine from the fluid introduction device **905** can be introduced via line **910** to the MPS **915**. The MPS **915** can separate the cabin air (i.e. gas) from the urine (i.e. liquid) to provide separated air via gas line **920** and separated liquid via liquid line **935**, as discussed and described above with reference to FIGS. **1-8**.

In one or more embodiments, the separated air via air line **920** can flow through or otherwise past the optional motive force device **925** to the separated gas collection system **930**. The motive force device **925** can include any system, device, or combination of systems and/or devices suitable for introducing a motive force to the MPS **915**. The motive force device **925** can include, but is not limited to, fans, pumps, pistons, non-pressurized or low pressurized containers, space vacuum, and the like, as discussed and described above with reference to FIG. **6**. Should the motive force device **925** be eliminated, the separated gas can be introduced via line **920** directly to the separated gas collection system **930**.

In one or more embodiments, the separated air can be introduced to the separated gas collection system **925**, which can include a filter to remove at least a portion of any undesirable vapors. Undesirable vapors can include any organic, inorganic, and/or bio-inorganic compounds, for example ammonia that are separated from the fluid via the one or more second collector exit ports **145**. The filter can be or include any suitable type of filter or filtering media, such as activated carbon, molecular sieves, and the like. In one or more embodiments, the air can be recycled to the fluid introduction device **905** via line **933**, thereby recycling the air through the cabin back to the first end **112** of the passage **110**.

In one or more embodiments, the liquid recovered via liquid line **935** can be introduced to the liquid collection system **940**. The liquid collection system **940** can include any system, device, or combination of systems and/or devices suitable for containing and/or processing the separated liquid. In one or more embodiments, the liquid collection system **940** can be a holding tank or any other device suitable for storing liquids. In one or more embodiments, the liquid can be vented via line **945** outside the structure and into the environment, for example space if the MPS system **900** is placed aboard a space vehicle or satellite. In one or more embodiments, the liquid can be stored in the liquid collection system **940** for a permanent or temporary time. The liquid stored in the liquid collection system **940** can be discarded or further treated as desired.

In one or more embodiments, the liquid can be introduced via purification inlet line **950** to the liquid purification system **955**. The liquid purification system **955** can include any system, device, or combination of systems and/or devices suitable for purifying a waste liquid, including urine, perspiration, respiration, shower water, shaving water, or combinations thereof. The liquid purification system **955** can include, but is not limited to one or more physical systems, chemical systems, or combinations thereof, both of which are well known in the art. In one particular embodiment the liquid can be distilled to remove at least a portion of any volatile components and to help prevent microbial growth. Filtration, temperature sterilization, biological absorption, ultraviolet light, photocatalytic oxidation, and/or any other suitable technique to purify a liquid can be used. Purified liquid via purification outlet line **960** can be recovered from the liquid purification system **955**.

The present disclosure is to be taken as illustrative rather than as limiting the scope or nature of the claims below.

Numerous modifications and variations will become apparent to those skilled in the art after studying the disclosure, including use of equivalent functional and/or structural substitutes for elements described herein, use of equivalent functional couplings for couplings described herein, and/or use of equivalent functional actions for actions described herein. Such insubstantial variations are to be considered within the scope of the claims below.

Given the above disclosure of general concepts and specific embodiments, the scope of protection is defined by the claims appended hereto. The issued claims are not to be taken as limiting Applicants' right to claim disclosed, but not yet literally claimed subject matter by way of one or more further applications including those filed pursuant to the laws of the United States and/or international treaty.

Certain embodiments and features have been described using a set of numerical upper limits and a set of numerical lower limits. It should be appreciated that ranges from any lower limit to any upper limit are contemplated unless otherwise indicated. Certain lower limits, upper limits and ranges appear in one or more claims below. All numerical values are "about" or "approximately" the indicated value, and take into account experimental error and variations that would be expected by a person having ordinary skill in the art.

What is claimed is:

1. An apparatus for separating a fluid, comprising:
 - a separator; and
 - a collector having an internal volume defined at least in part by one or more surfaces narrowing toward a bottom portion of the internal volume, wherein the separator includes a separator exit port oriented toward the bottom portion of the internal volume, wherein the collector includes at least one collector exit port, and wherein the at least one collector exit port comprises a first collector exit port and a second collector exit port, the first collector exit port being a liquid exit port and the second collector exit port being a gas exit port.
2. An apparatus for separating a fluid, comprising:
 - a separator;
 - a collector having an internal volume defined at least in part by one or more surfaces narrowing toward a bottom portion of the internal volume, wherein the separator includes a separator exit port oriented toward the bottom portion of the internal volume; and
 - at least one vane disposed within the internal volume.
3. The apparatus of claim 2, wherein the at least one vane comprises one or more apertures disposed therethrough.
4. The apparatus of claim 2, wherein a hydrophobic, a hydrophilic, an antifouling agent, a corrosion inhibitor, an oxidation inhibitor, or combinations thereof are at least partially disposed on the surface of at least one of the passage, the collector, and the vane.
5. The apparatus of claim 2, wherein the separator comprises a passage that follows a non-linear path or a combination of linear and non-linear paths, and wherein at least a portion of the non-linear path or the combination of linear and non-linear paths is helically curved, spirally curved, or both.
6. The apparatus of claim 2, wherein the separator comprises a passage that follows a linear path, a non-linear path or a combination of linear and non-linear paths, and wherein the passage includes a first section and a second section, wherein the first section comprises a first cross-sectional area, and wherein the second section expands from the first cross-sectional area to a second cross-sectional area.
7. The apparatus of claim 2, wherein the bottom portion of the internal volume includes one or more of a corner, a curved surface and a flat surface.

17

8. An apparatus for separating a fluid, comprising:
 a separator; and
 a collector having an internal volume that receives a fluid
 expelled from the separator into a flow path in the col-
 lector, the flow path having at least two directional tran- 5
 sitions within the collector.

9. The apparatus of claim 8, wherein the collector includes
 one or more plates disposed in the internal volume, the one or
 more plates providing at least a one of the at least two direc- 10
 tional transitions.

10. The apparatus of claim 8, wherein the collector
 includes a first collector exit port and a second collector exit
 port, the first collector exit port and the second collector exit
 port being disposed to provide at least a one of the at least two
 directional transitions. 15

11. The apparatus of claim 8, further comprising at least
 one vane disposed within the internal volume.

12. The apparatus of claim 11, wherein the at least one vane
 comprises one or more apertures disposed therethrough.

13. The apparatus of claim 8, wherein the separator has a 20
 passage that includes a first section and a second section,
 wherein the first section comprises a first cross-sectional area,
 and wherein the second section expands from the first cross-
 sectional area to a second cross-sectional area.

14. The apparatus of claim 8, wherein the internal volume 25
 comprises a bottom portion, the bottom portion including one
 or more of a corner, a curved surface and a flat surface.

15. A method for separating a fluid comprising:
 introducing the fluid to a separator;
 at least partially separating the fluid into a gas and a liquid 30
 by flowing the fluid through the separator; and
 expelling the separated fluid from the separator into a col-
 lector,

wherein the liquid is manipulated within the collector at least
 in part by at least one of a momentum of the liquid, a capillary 35
 force, and a motive force of the gas.

16. The method of claim 15, wherein the separator com-
 prises a passage that follows a linear path, a non-linear path or
 a combination of linear and non-linear paths.

17. The method of claim 15, further comprising further 40
 separating the gas from the fluid by changing a flow path
 direction at least twice.

18. The method of claim 15, further comprising removing
 the liquid from the collector through a first collector exit port.

18

19. The method of claim 15, wherein a gas to liquid ratio
 ranges from about 1:1 to about 500:1.

20. A system for separating a fluid comprising:
 a fluid introduction device;

a multi-phase separator comprising:

a separator in fluid communication with the fluid intro-
 duction device; and

a collector having an internal volume defined at least in
 part by one or more surfaces narrowing toward a
 bottom portion of the internal volume, wherein the
 separator includes a separator exit port oriented
 toward the bottom portion of the internal volume;

a gas collection system in fluid communication with a
 collector gas outlet; and

a liquid collection system in fluid communication with a
 collector liquid outlet.

21. The system of claim 20, wherein a motive force device
 is disposed between at least one of the collector gas outlet and
 the gas collection system, the fluid introduction device and
 the separator, and the gas collection system and the fluid
 introduction device.

22. The system of claim 20, further comprising a liquid
 purification system in fluid communication with the liquid
 collection system.

23. The system of claim 20, further comprising at least one
 vane disposed within the internal volume.

24. The system of claim 20, wherein the separator com-
 prises a passage that includes a groove.

25. The system of claim 24, wherein the passage includes
 a first section and a second section, wherein the first section
 comprises a first cross-sectional area, and wherein the second
 section expands from the first cross-sectional area to a second
 cross-sectional area.

26. The system of claim 20, wherein the separator com-
 prises a passage that follows a linear path, a non-linear path or
 a combination of linear and non-linear paths.

27. The system of claim 20, wherein the separator com-
 prises a passage that follows a path that is at least partially
 helically curved, spirally curved, or both.

28. The system of claim 20, wherein the bottom portion of
 the internal volume includes one or more of a corner, a curved
 surface and a flat surface.

* * * * *