

the necessary FRF.20 negotiations messages can be generated to control the connecting router, not only to turn on IP header compression but also to adjust the compression parameters. The FRF.20 negotiation (or control) message is com-

posed in the FRF.20 adapter by interpreting the incoming router request message. Many of the fields are simply transcribed from request to response while the control field indicating response and type are modified.

This work was done by Sam P. Nguyen, Jackson Pang, Loren P. Clare, and Michael K. Cheng of Caltech for NASA's Jet Propulsion Laboratory. Further information is contained in a TSP (see page 1). NPO-47052

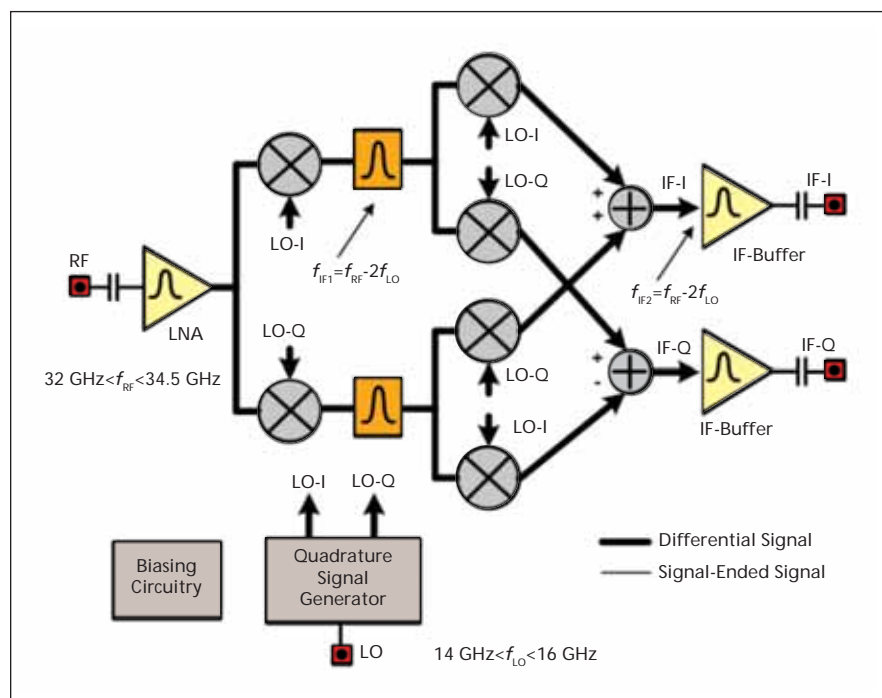
Ka-Band SiGe Receiver Front-End MMIC for Transponder Applications

New architecture improves the quality of the down-converted IF quadrature signals.

NASA's Jet Propulsion Laboratory, Pasadena, California

A fully integrated, front-end Ka-band monolithic microwave integrated circuit (MMIC) was developed that houses an LNA (low noise amplifier) stage, a down-conversion stage, and output buffer amplifiers. The MMIC design employs a two-step quadrature down-conversion architecture, illustrated in the figure, which results in improved quality of the down-converted IF quadrature signals. This is due to the improved sensitivity of this architecture to amplitude and phase mismatches in the quadrature down-conversion process. Current sharing results in reduced power consumption, while 3D-coupled inductors reduce the chip area. Improved noise figure is expected over previous SiGe-based, front-end designs.

This is the first SiGe-based receiver front-end that is capable of finding use in multiple transponder instrument programs. The design uses the latest IBM8HP SiGe process, thereby allowing for improved MMIC performance in the mm-wave regime. Improved performance is expected in terms of power consumption, quality of down-converted signals, and receiver noise figure over SiGe-based designs published by the Air



Ka-Band SiGe-Based Receiver front-end MMIC architecture.

Force Research Laboratory (AFRL) and the Army Research Lab (ARL).

This work was done by Jaikrishna Venkatesan and Narayan R. Mysoor of Caltech and

Hossein Hashemi and Firooz Aflatouni of the University of Southern California for NASA's Jet Propulsion Laboratory. Further information is contained in a TSP (see page 1). NPO-42708

Robust Optimization Design Algorithm for High-Frequency TWTs

A TWT amplifier design algorithm has applications in remote sensing, biomedical imaging, and detection of explosives and toxic biochemical agents.

John H. Glenn Research Center, Cleveland, Ohio

Traveling-wave tubes (TWTs), such as the Ka-band (26-GHz) model recently developed for the Lunar Reconnaissance Orbiter, are essential as communication amplifiers in spacecraft for virtually all near- and deep-space mis-

sions. This innovation is a computational design algorithm that, for the first time, optimizes the efficiency and output power of a TWT while taking into account the effects of dimensional tolerance variations.

Because they are primary power consumers and power generation is very expensive in space, much effort has been exerted over the last 30 years to increase the power efficiency of TWTs. However, at frequencies higher than about 60