



US007646249B2

(12) **United States Patent**
Hajimiri et al.

(10) **Patent No.:** **US 7,646,249 B2**
(45) **Date of Patent:** **Jan. 12, 2010**

(54) **CROSS-DIFFERENTIAL AMPLIFIER**

(75) Inventors: **Seyed-Ali Hajimiri**, Pasadena, CA (US);
Scott D. Kee, Dana Point, CA (US);
Ichiro Aoki, San Clemente, CA (US)

(73) Assignee: **California Institute of Technology**,
Pasadena, CA (US)

(*) Notice: Subject to any disclaimer, the term of this patent is extended or adjusted under 35 U.S.C. 154(b) by 0 days.

(21) Appl. No.: **12/075,194**

(22) Filed: **Mar. 10, 2008**

(65) **Prior Publication Data**

US 2008/0211584 A1 Sep. 4, 2008

Related U.S. Application Data

(63) Continuation of application No. 11/638,639, filed on Dec. 12, 2006, now Pat. No. 7,342,457, which is a continuation of application No. 11/208,833, filed on Aug. 22, 2005, now Pat. No. 7,157,975, and a continuation of application No. 10/385,777, filed on Mar. 11, 2003, now abandoned.

(60) Provisional application No. 60/363,423, filed on Mar. 11, 2002.

(51) **Int. Cl.**
H03F 3/04 (2006.01)

(52) **U.S. Cl.** **330/297; 330/146**

(58) **Field of Classification Search** **330/297,**
330/146, 51, 296, 285, 298

See application file for complete search history.

(56) **References Cited**

U.S. PATENT DOCUMENTS

3,098,200 A 7/1963 Jensen
3,157,839 A 11/1964 Brown

3,430,157 A 2/1969 Wood
3,449,685 A 6/1969 Holmes
3,652,947 A 3/1972 Hollingsworth
3,703,685 A 11/1972 Simopoulos et al.
3,919,656 A 11/1975 Sokal et al.
3,919,660 A 11/1975 Beurrier
3,967,161 A 6/1976 Lichtblau

(Continued)

FOREIGN PATENT DOCUMENTS

DE 12 76 764 B 9/1968

(Continued)

OTHER PUBLICATIONS

Search Report for PCT/US01/31813 dated Jun. 17, 2003, 9 pgs.

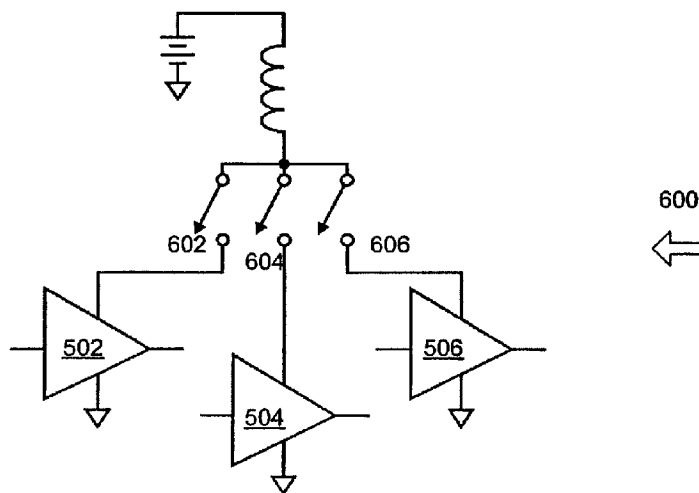
(Continued)

Primary Examiner—Henry K Choe
(74) *Attorney, Agent, or Firm*—Jackson Walker L.L.P.;
Christopher J. Rourk

(57) **ABSTRACT**

A cross-differential amplifier is provided. The cross-differential amplifier includes an inductor connected to a direct current power source at a first terminal. A first and second switch, such as transistors, are connected to the inductor at a second terminal. A first and second amplifier are connected at their supply terminals to the first and second switch. The first and second switches are operated to commutate the inductor between the amplifiers so as to provide an amplified signal while limiting the ripple voltage on the inductor and thus limiting the maximum voltage imposed across the amplifiers and switches.

11 Claims, 7 Drawing Sheets



U.S. PATENT DOCUMENTS

4,117,415 A 9/1978 Hoover
 4,165,493 A 8/1979 Harrington
 4,181,889 A 1/1980 Davis et al.
 4,283,685 A 8/1981 MacMaster et al.
 4,305,043 A 12/1981 Ho et al.
 4,607,323 A 8/1986 Sokal et al.
 4,706,038 A 11/1987 Navidi et al.
 4,717,884 A 1/1988 Mitzlaff
 4,772,856 A 9/1988 Nojima et al.
 4,916,410 A 4/1990 Littlefield
 4,994,755 A 2/1991 Titus et al.
 4,994,760 A 2/1991 Roehrs
 5,060,298 A 10/1991 Waugh et al.
 5,066,925 A 11/1991 Freitag
 5,130,664 A 7/1992 Pavlic et al.
 5,146,178 A 9/1992 Nojima et al.
 5,208,725 A 5/1993 Akcasu
 5,223,800 A 6/1993 Karsten, Jr. et al.
 5,327,337 A 7/1994 Cripe
 5,389,890 A 2/1995 Burrage
 5,477,370 A 12/1995 Little et al.
 5,479,134 A 12/1995 Nishioka et al.
 5,483,197 A * 1/1996 Nishioka et al. 330/273
 5,525,871 A 6/1996 Bray et al.
 5,600,575 A 2/1997 Anticole
 5,612,647 A 3/1997 Malec
 5,698,469 A 12/1997 Mohwinkel et al.
 5,742,205 A 4/1998 Cowen et al.
 5,749,051 A 5/1998 Dent
 5,781,071 A 7/1998 Kusunoki
 5,793,253 A 8/1998 Kumar et al.
 5,825,248 A 10/1998 Ozawa
 5,872,481 A 2/1999 Sevic et al.
 5,920,240 A 7/1999 Alexanian et al.
 5,926,068 A 7/1999 Harr
 5,939,766 A 8/1999 Stolmeijer et al.
 5,973,557 A 10/1999 Miyaji et al.
 6,008,703 A 12/1999 Perrott et al.
 6,011,438 A 1/2000 Kakuta et al.
 6,020,787 A 2/2000 Kim et al.
 6,057,571 A 5/2000 Miller et al.
 6,107,885 A 8/2000 Miguelez et al.
 6,114,911 A 9/2000 Iwai et al.
 6,121,842 A 9/2000 Adlerstein et al.
 6,121,843 A 9/2000 Vampola et al.
 6,137,354 A 10/2000 Dacus et al.
 6,160,455 A 12/2000 French et al.
 6,203,516 B1 3/2001 Kepley
 6,211,728 B1 * 4/2001 Chen et al. 330/10
 6,211,747 B1 4/2001 Trichet et al.
 6,229,718 B1 5/2001 Nilssen
 6,232,841 B1 5/2001 Bartlett et al.
 6,252,455 B1 6/2001 Kurby et al.
 6,320,913 B1 11/2001 Nakayama
 6,351,185 B1 2/2002 Amrany et al.
 6,369,651 B1 4/2002 Dent
 6,383,858 B1 5/2002 Gupta et al.
 6,385,033 B1 5/2002 Javanifard et al.
 6,400,227 B1 6/2002 Goldfarb et al.
 6,408,168 B1 6/2002 Sessink
 6,417,535 B1 7/2002 Johnson et al.
 6,424,227 B1 7/2002 El-Sharawy
 6,430,403 B1 8/2002 Kossor
 6,445,248 B1 9/2002 Gilbert
 6,448,847 B1 9/2002 Paul et al.
 6,498,534 B1 12/2002 Kim et al.
 6,509,722 B2 1/2003 Lopata
 6,549,112 B1 4/2003 Gallina et al.
 6,556,089 B2 4/2003 Wood
 6,577,219 B2 6/2003 Visser
 6,707,367 B2 3/2004 Casteneda et al.

6,717,998 B2 4/2004 Adachi et al.
 6,724,255 B2 4/2004 Kee et al.
 6,756,849 B2 6/2004 Dupuis et al.
 6,762,645 B1 7/2004 Grant
 6,784,732 B2 8/2004 Hajimiri et al.
 6,798,305 B2 9/2004 Aikawa et al.
 6,809,586 B1 * 10/2004 Hobboosh et al. 330/10
 6,812,771 B1 11/2004 Behel et al.
 6,815,910 B2 11/2004 Suzuki
 6,816,012 B2 11/2004 Aoki et al.
 6,825,726 B2 11/2004 French et al.
 6,856,199 B2 2/2005 Komijani et al.
 6,909,882 B2 6/2005 Hayashi et al.
 6,917,245 B2 7/2005 Dupuis et al.
 6,940,355 B2 9/2005 Hajimiri et al.
 6,982,605 B2 1/2006 Mondal et al.
 6,999,747 B2 2/2006 Su
 7,058,374 B2 6/2006 Levesque et al.
 7,062,237 B2 6/2006 Brandt
 7,092,692 B2 8/2006 Tan et al.
 7,095,819 B2 8/2006 Bellaouar et al.
 7,129,784 B2 10/2006 Bhatti et al.
 7,224,237 B2 5/2007 Hirano et al.
 7,272,375 B2 9/2007 Tuttle et al.
 7,274,253 B2 9/2007 Pan
 7,276,966 B1 10/2007 Tham et al.
 7,330,072 B2 2/2008 Brandt
 2002/0042256 A1 4/2002 Baldwin et al.
 2002/0125945 A1 9/2002 Taylor
 2002/0135422 A1 9/2002 Aoki et al.
 2002/0173337 A1 11/2002 Hajimiri et al.
 2003/0003952 A1 1/2003 Kim
 2003/0021367 A1 1/2003 Smith
 2003/0045263 A1 3/2003 Wakayama et al.
 2003/0130006 A1 7/2003 Reynolds
 2003/0169113 A1 9/2003 Komijani et al.
 2003/0184369 A1 10/2003 Aoki et al.
 2004/0081256 A1 4/2004 Shi et al.
 2004/0178852 A1 9/2004 Neunaber
 2005/0064840 A1 3/2005 Heydari et al.
 2005/0070325 A1 3/2005 Bellaouar et al.
 2005/0107043 A1 5/2005 Avasarala et al.
 2005/0212791 A1 9/2005 Tsuchi
 2006/0066396 A1 3/2006 Brandt
 2006/0068734 A1 3/2006 Toyoda et al.
 2006/0103457 A1 5/2006 Kumar et al.
 2007/0170989 A1 7/2007 Pan

FOREIGN PATENT DOCUMENTS

EP 0 379 202 A2 7/1990
 EP 0 430 707 A2 6/1991
 EP 0 458 071 A1 11/1991
 EP 0 556 398 A1 8/1993
 EP 0 643 494 A1 3/1995
 EP 0 961 412 A1 1/1999
 EP 1 345 375 A2 9/2003
 FR 1 413 073 A 10/1965
 GB 2 126 816 A1 3/1984
 JP 06-224605 8/1994
 JP 2917949 7/1998
 JP 2001-44862 2/2001
 WO WO 97/02654 1/1997
 WO WO 97/22177 6/1997
 WO WO 01/06644 1/2001
 WO WO01/56171 8/2001
 WO WO 2005/098880 10/2005

OTHER PUBLICATIONS

Robertson et al., "Solid State Power Amplifier Using Impedance-Transforming Branch-Line Couplers for L-Band Satellite Systems," Proceedings of the 23rd European Microwave Conference, Madrid, Sep. 6-9, 1993, Proceedings of the European Microwave Conference,

- Turnbridge Wells, Reed Exhibition Company, GB, Sep. 6, 1993, pp. 448-450, XP00629961, ISBN: 0-946821-23-2 Figures 1, 3.
- Long et al., "The Modeling, Characterization and Design of Monolithic Inductors for Silicon RF IC's," *IEEE Journal of Solid-State Circuits*, vol. 32, No. 3, pp. 357-369, Mar. 1997.
- Portilla et al., "High Power-Added Efficiency MMIC Amplifier for 2.4 GHz Wireless Communications," *IEEE Journal of Solid State Circuits*, vol. 34, No. 1, Jan. 1999.
- King-Chun Tsai et al., "A 1.9-GHz, 1-W CMOS Class-E Power Amplifier for Wireless Communications," *IEEE Journal of Solid State Circuits*, vol. 34, No. 7, pp. 962-970, Jul. 1999.
- Simbürger et al., "A Monolithic Transformer Coupled 5-W Silicon Power Amplifier with 59% PAE at 0.9 GHz," *IEEE Journal of Solid-State Circuits*, vol. 34, No. 12, pp. 1881-1892, Dec. 1999.
- Simbürger et al., "A Monolithic 2.5 V, 1 W Silicon Bipolar Power Amplifier With 55% PAE at 1.9 GHz," *IEEE MTT-S Digest*, pp. 853-856, 2000.
- Yoo et al., "A Common-Gate Switched, 0.9W Class-E Power Amplifier with 41% PAE in 0.25 μm CMOS," *Integrated Systems Laboratory (IIS), Swiss Federal Institute of Technology (ETH), Zurich Switzerland, 2000 Symposium on VLSI Circuits Digest of Technical Papers*, pp. 56 & 57, 2000.
- PCT International Search Report for PCT/US06/20297, mailed Oct. 11, 2008, 3 pgs.
- Long, "Monolithic Transformers for Silicon RF IC Design," *IEEE Journal of Solid-State Circuits*, vol. 35, No. 9, pp. 1368-1382, Sep. 2000.
- Tan et al., "A 900 MHz Fully-Integrated SOI Power Amplifier for Single-Chip Wireless Transceiver Applications," *IEEE Journal of Solid-State Circuits*, vol. 35, No. 10, pp. 1481-1486, Oct. 2000.
- Gupta et al., "Design and Optimization of CMOS RF Power Amplifiers," *IEEE Journal of Solid-State Circuits*, vol. 36, No. 2, pp. 166-175, Feb. 2001.
- Aoki et al., "A 2-4-GHz, 2.2-W, 2-V Fully-Integrated CMOS Circular-Geometry Active-Transformer Power Amplifier," Submitted to CICC-IEEE Custom Integrated Circuits Conference, San Diego, May 6-9, 2001, Department of Electrical Engineering, California Institute of Technology, Pasadena, CA 91125, USA May 6-9, 2001.
- Kee et al., "7-MHz, 1.1-kW Demonstration of the New $E/F_{2,odd}$ Switching Amplifier Class," Department of Electrical Engineering, California Institute of Technology, Pasadena, CA 92115, 2001.
- Translation of Japanese Office Action (Notice of Reasons for Refusal) mailed Dec. 11, 2007 (4 pgs.).
- Search Report for PCT/US03/07157 dated Mar. 29, 2004, 4 pgs.
- Aoki et al., "Distributed Active Transformer—A new Power-Combination and Impedance-Transformation Technique," *IEEE Transactions on Microwave Theory and Techniques*, vol. 50, No. 1, pp. 316-331, Jan. 2002.
- PCT International Search Report in PCT/US03/07140 (a related application) mailed Jul. 10, 2003, 7 pgs.
- "Advances in Solid-State Power Supplies for RF Heating," *Electronics & Wireless World*, Reed Business Publishing, Sutton, Surrey, GB, vol. 94, No. 1632, Oct. 1, 1988, pp. 1013-1015, 22 (XP000001939).
- Watanabe et al., "Analysis on a PWM Power Conversion Amplifier with IGBT Macro Model to Generate Gradient Magnetic Fields in MRI Systems," *Power Electronics and Drive Systems, 1999, PEDS '99, Proceedings of the IEEE 1999 International Conference on Hong Kong*, Jul. 27-29, 1999, Piscataway, NJ, USA, IEEE, US, pp. 127-132 (XP010352078).
- Patent Abstracts of Japan, vol. 2002, No. 03, Apr. 3, 2002 & JP 2001 308649 A (Sharp Corp), Nov. 2, 2001, abstract.
- Patent Abstracts of Japan, vol. 1995, No. 03, Apr. 28, 1995 & JP 06 334446 A (Mori Shinsaku), Dec. 2, 1994, abstract.
- Patent Abstracts of Japan, vol. 1999, No. 02, Feb. 26, 1999 & JP 10 308639 A (Sony Corp), Nov. 17, 1998, abstract.
- Asbeck, P., "Device and Circuit Approaches for Next-Generation Wireless Communications," *Technical Feature*, reviewed by Microwave Journal Editorial Board, Feb. 1999, 7 pgs.
- Iwadare et al., "Even Harmonic Resonant Class E Tuned Power Amplifier Without RF Choke," *Electronics and Communications in Japan*, Part 1, vol. 79, No. 1, Jan. 1995.
- Radisic et al., "Novel Architectures for High-Efficiency Amplifiers for Wireless Applications," *IEEE Transactions on Microwave Theory and Techniques*, vol. 46, No. 11, Nov. 1998, pp. 1901-1909.
- Roufougaran, "A 900 MHz RF Power Amplifier in 1 μm CMOS for a Spread-Spectrum Communication Transceiver," (A thesis submitted in partial satisfaction of the requirements for the degree Master of Science in Electrical Engineering) The University of California, Los Angeles, CA, Aug. 1995, 14 pgs.
- Trask, "Class-F Amplifier Loading Networks: A Unified Design Approach," ATG Design Services, P.O. Box 25240, Tempe, Arizona 85285-5240, Jun. 1999, pp. 1-4.
- <http://www.ece.ucsb.edu/rad/classe.html>, RF Circuit Design at UC Santa Barbara: Jul. 16, 1999 (Revised Dec. 10, 1999), pp. 1-2.
- Wei et al., "Analysis and Experimental Waveform Study on Inverse Class Class-F Mode of Microwave Power Fets," Alpha Industries, Inc., Woburn, MA, 2000 *IEEE MTT-S Digest*, Jun. 2000, p. 525-528.
- Inoue et al., "High-Efficiency 0.1 cc Power Amplifier Module for 900 MHz Personal Digital Cellular Telephones," *IEICE Trans. Electron*, vol. E82-C, No. 11, Nov. 1999, p. 1906-1912.
- Inoue et al., Analysis of Class-F and Inverse Class-F Amplifiers, High Frequency and Optical Semiconductor Division, Mitsubishi Electric Corporation, Japan, 2000 *IEEE MTT-S Digest*, Jun. 2000, pp. 775-778.
- Raab, "Class-E, Class-C, and Class-F Power Amplifiers Based upon a Finite Number of Harmonics," *IEEE Transactions on Microwave Theory and Techniques*, vol. 49, No. 8, Aug. 2001, pp. 1462-1468.
- PCT International Search Report and Written Opinion, PCT/US2004/035794, mailed Mar. 10, 2005, 11 pgs.
- PCT International Search Report and Written Opinion, PCT/US2005/003519, mailed Jun. 9, 2005, 12 pgs.
- Itoh et al., "Even Harmonic Type Direct Conversion Receiver ICs for Mobile Handsets: Design Challenges and Solutions," 1999 IEEE Radio Frequency Integrated Circuits Symposium, Jul. 1999, pp. 53-56.
- Matinpour et al., "A Low-Power Direct Conversion Receiver Module for C-Band Wireless Applications," 2001 IEEE Radio Frequency Integrated Circuits Symposium, Aug. 2001, pp. 263-266.
- Tokumitsu et al., "A Low-Voltage, High-Power T/R Switch MMIC Using LC Resonators," *IEEE Transactions on Microwave Theory and Techniques*, vol. 43, No. 4, May 1995.
- Kuhn et al., "A Resonant Switch for LNA Protection in Watt-Level CMOS Transceivers," *IEEE Transactions on Microwave Theory and Techniques*, vol. 53, No. 9, Sep. 2005.
- PCT International Search Report and Written Opinion for PCT/US08/69623 mailed Mar. 20, 2009, 17 pgs.
- PCT International Search Report and Written Opinion for PCT/US08/69615, mailed Nov. 5, 2008, 16 pgs.
- PCT International Search Report and Written Opinion for PCT/US07/19472, mailed Mar. 26, 2008, 12 pgs.
- PCT International Search Report and Written Opinion for PCT/US07/19473, mailed Mar. 26, 2008, 12 pgs.
- PCT International Search Report and Written Opinion for PCT/US09/31108, mailed Jul. 10, 2009, 8 pgs.

* cited by examiner

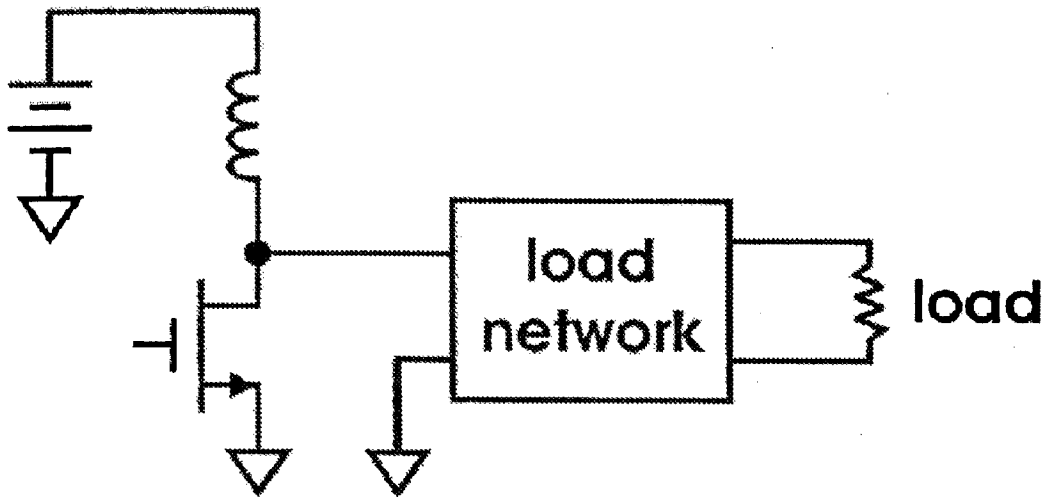


FIGURE 1

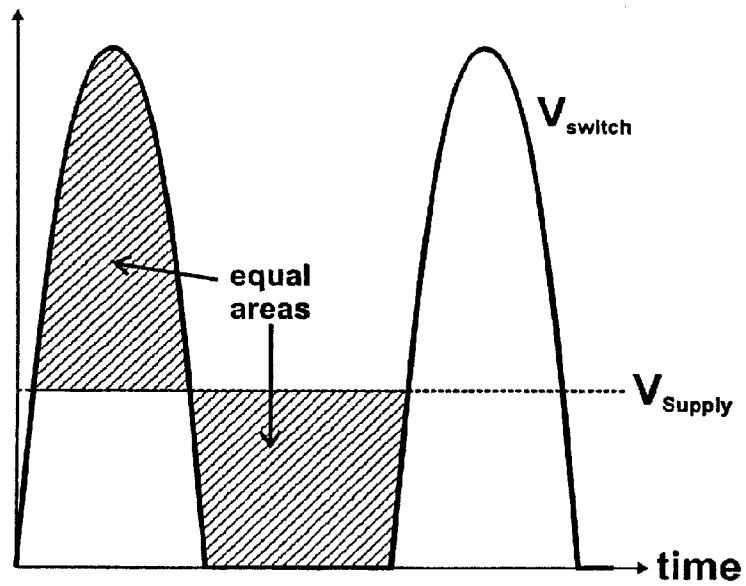


FIGURE 2

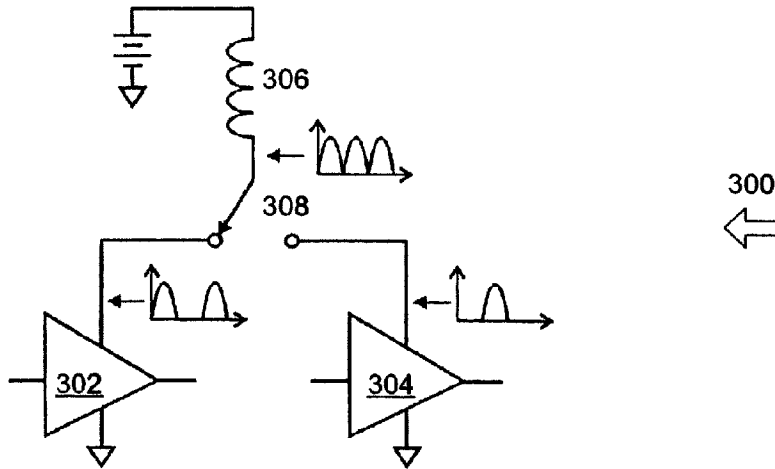


FIGURE 3

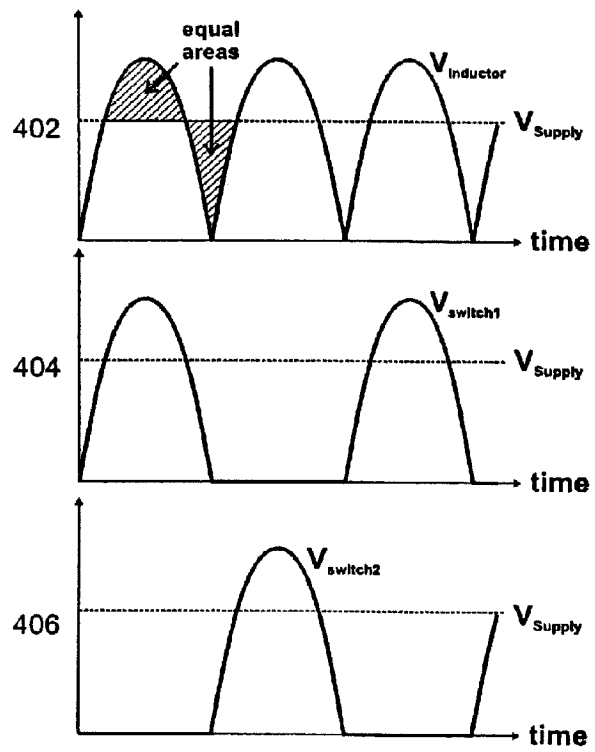


FIGURE 4

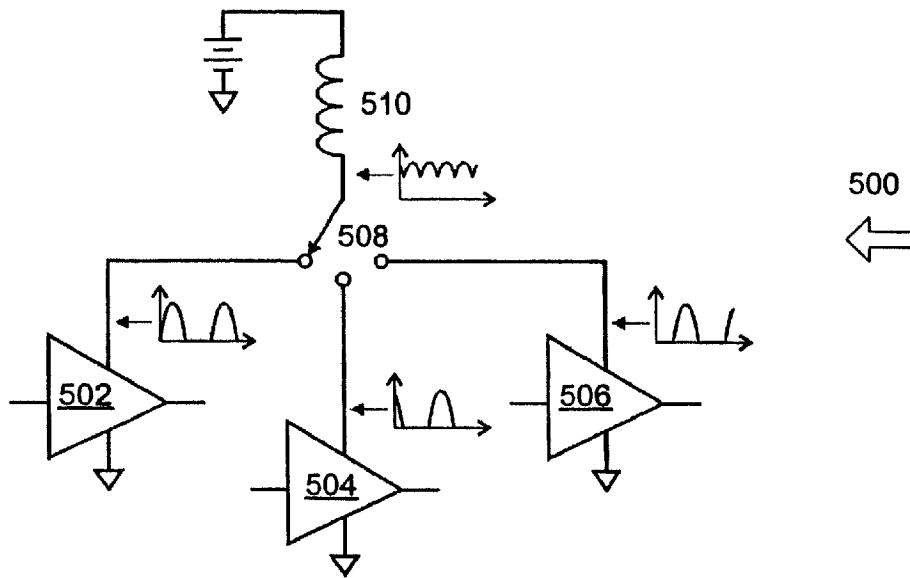


FIGURE 5

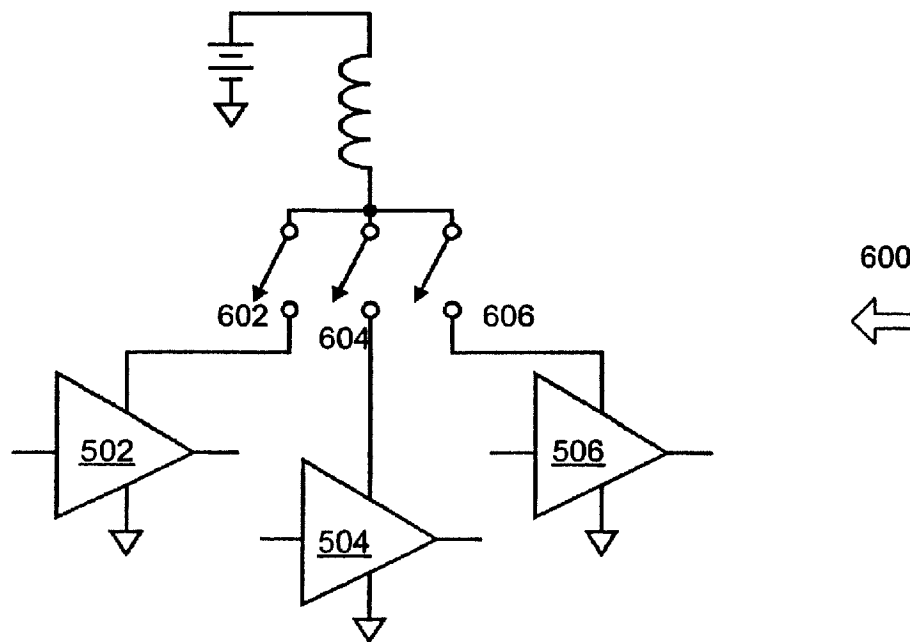
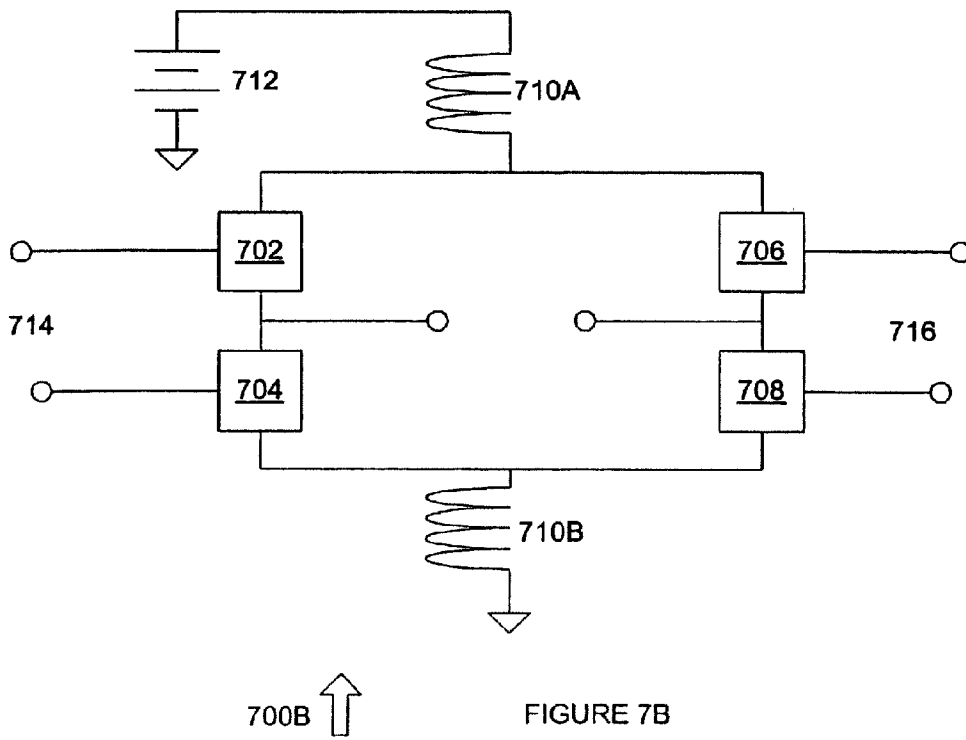
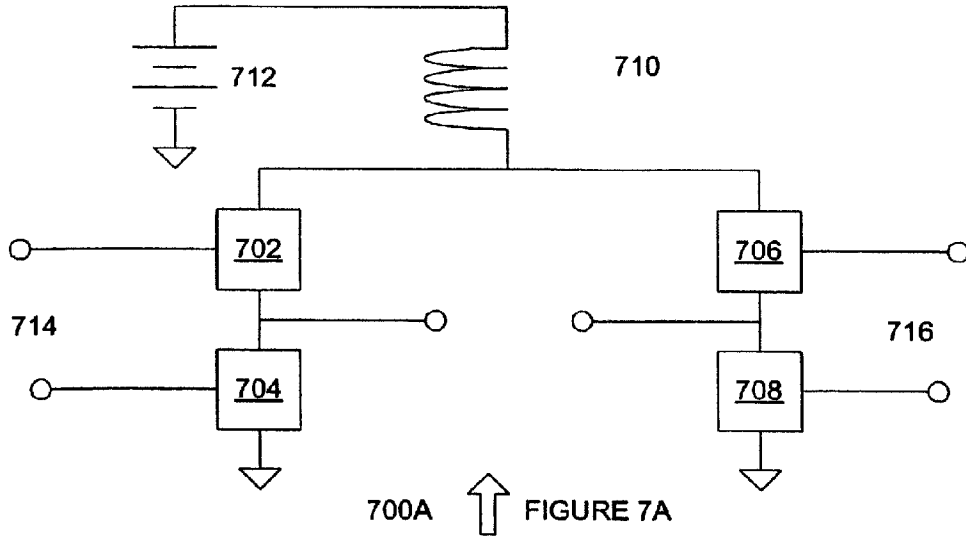
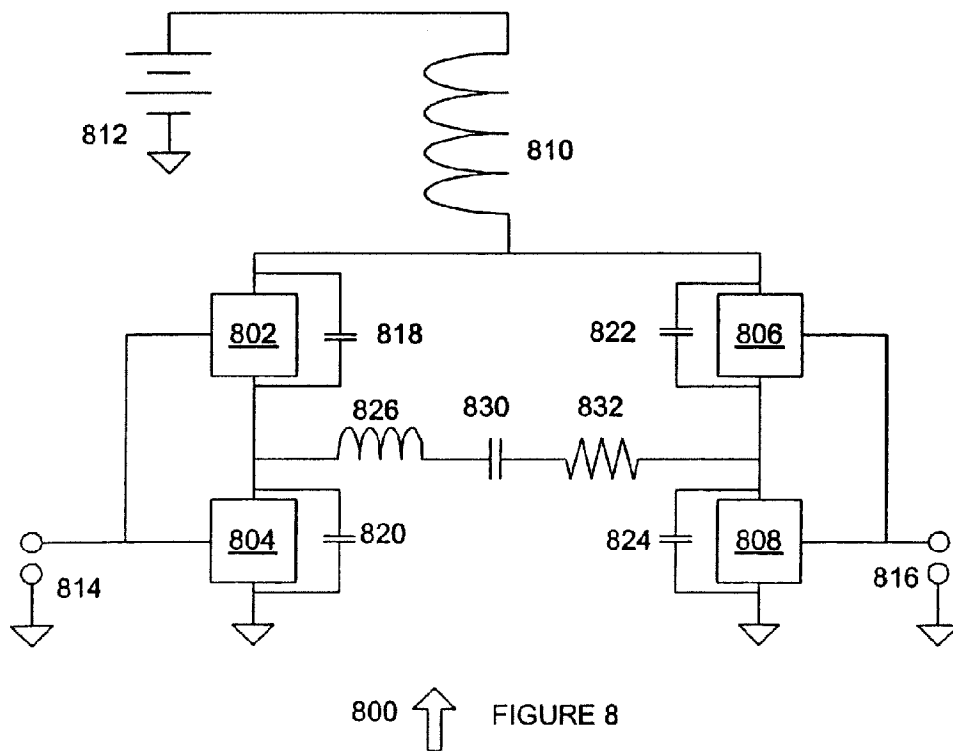
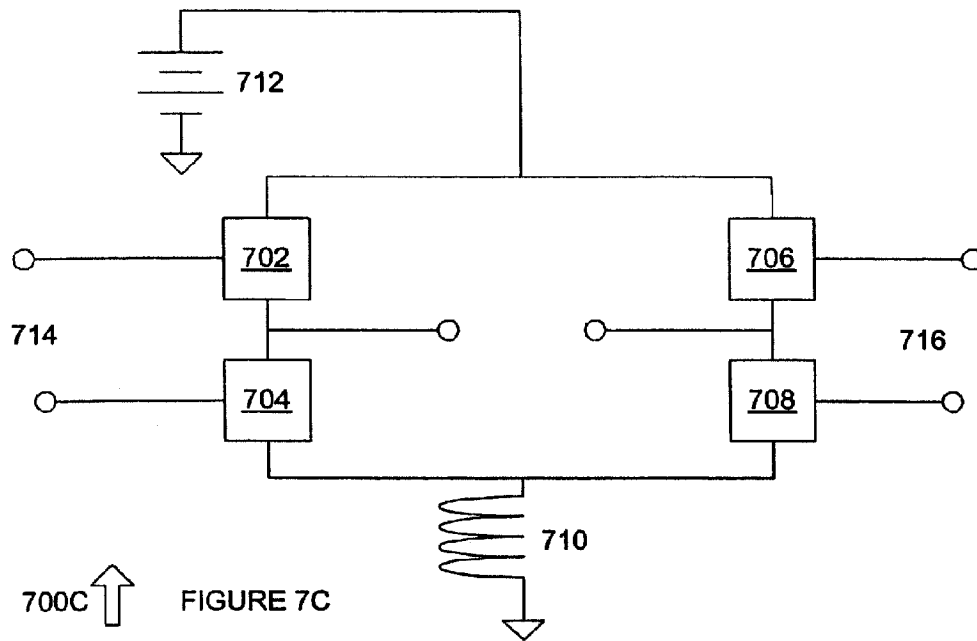
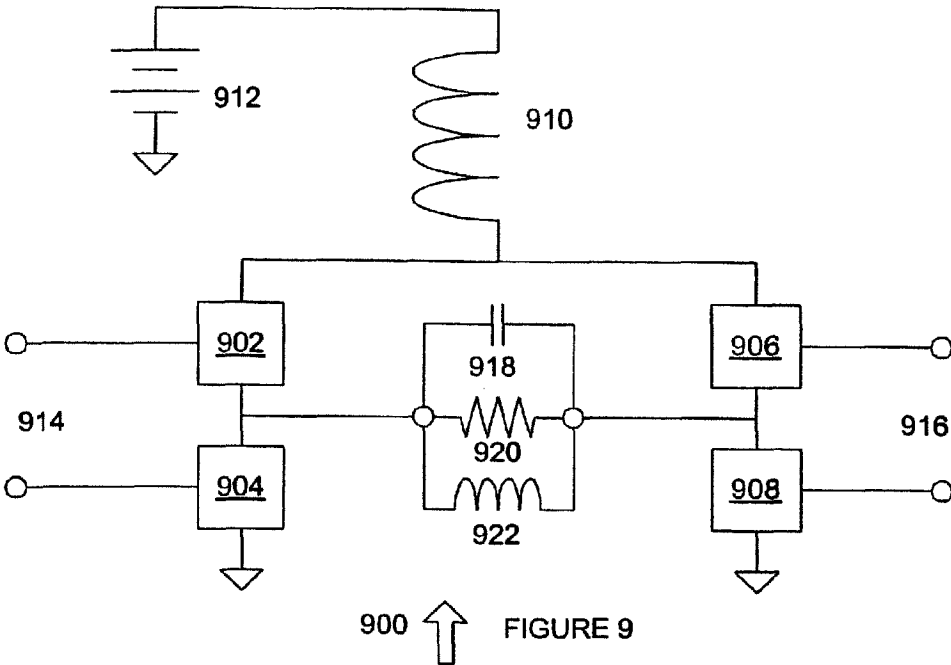


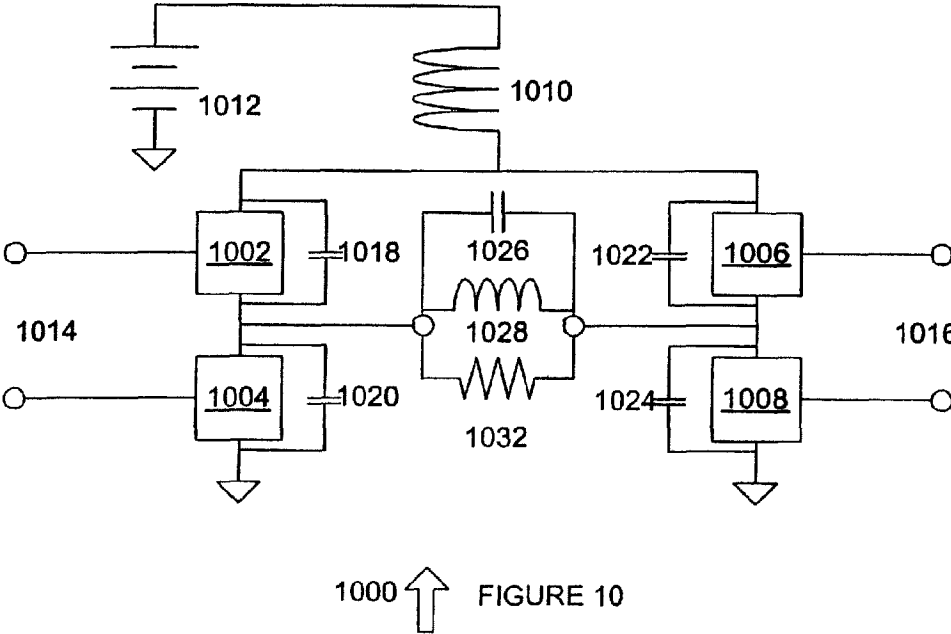
FIGURE 6







900 ↑ FIGURE 9



1000 ↑ FIGURE 10

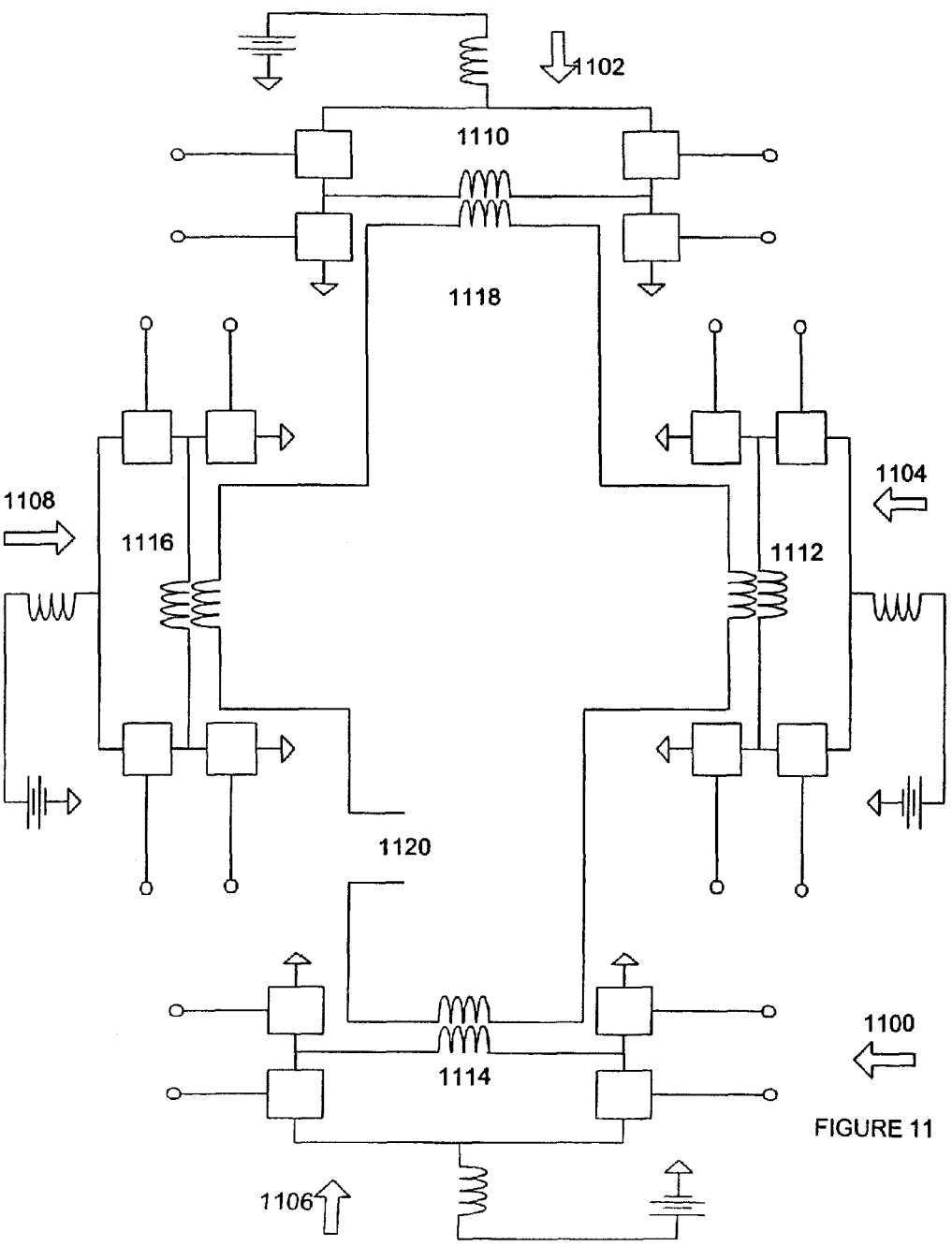


FIGURE 11

CROSS-DIFFERENTIAL AMPLIFIER

CROSS-REFERENCE TO RELATED APPLICATIONS

This application is a continuation application of U.S. application Ser. No. 11/638,639, "Cross-Differential Amplifier," filed Dec. 12, 2006 now U.S. Pat. No. 7,342,457 which is a continuation application of U.S. application Ser. No. 11/208,833, "Cross-Differential Amplifier," filed Aug. 22, 2005 now U.S. Pat. No. 7,157,975 which is related to U.S. application Ser. No. 09/974,447, "Class E/F Switching Power Amplifiers," filed Oct. 9, 2001. This application is also a continuation application of U.S. application Ser. No. 10/385,777, file Mar. 11, 2003, and claims priority to provisional U.S. Application No. 60/363,423, filed Mar. 11, 2002, each of which are expressly incorporated by reference herein for all purposes.

The U.S. Government has certain rights to this invention pursuant to Grant No. DAAG55-97-1-0254 awarded by the Army and Grant No. NPO 30176 awarded by NASA.

FIELD OF THE INVENTION

The present invention pertains to the field of amplifiers. More specifically, the invention relates to a cross-differential amplifier that can operate at higher supply voltages.

BACKGROUND OF THE INVENTION

High efficiency saturated amplifiers and switching power amplifiers are known in the art. One drawback with the use of such amplifiers is the high peak voltages relative to the dc supply that the active devices must withstand in these modes of operation. In order to improve the gain, switching speed, and on-resistance of transistors, the breakdown voltage of the device is usually reduced. This tradeoff is exhibited by all modern semiconductor device technologies, including but not limited to field-effect transistors (FET), bipolar junction transistors (BJT), heterojunction bipolar transistor (HBT), high electron mobility transistors (HEMT), metal-semiconductor field-effect transistors (MESFET), metal-oxide semiconductor field effect transistors (MOSFET), and junction field-effect transistors (JFET). The effect is also independent of the semiconductor material system from which the devices are constructed, including but not limited to gallium arsenide (GaAs), indium phosphide (InP), silicon-germanium (SiGe), and silicon (Si) processes such as silicon bipolar (Si BJT), complementary metal oxide field effect transistor (CMOS) processes, and silicon-on-insulator (SOI) technologies.

In high efficiency switching amplifiers, such a reduction in breakdown voltage can be problematic. Unlike many applications in which the maximum voltage seen by any device is typically limited to the dc voltage of the power source, high efficiency switching amplifiers such as class E, class F, class inverse-F, current-mode class D and class E/F can require that the peak voltage seen by the devices be several times the dc supply. Class F, for instance, can require a peak voltage at least twice the supply voltage, whereas class E can require the device to withstand over 3.5 times the supply voltage without breaking down.

This high peak voltage relative to the dc power supply voltage applied results from the use of an inductor to connect the active device to the dc supply voltage. FIG. 1 is a diagram of a generalized circuit topology typically used in saturated and switching amplifiers such as class E, class F, and class E/F. The active device is connected to the dc supply through the inductor. Since the dc (or average) voltage drop across any inductor at steady state can be zero, the voltage waveform can have an average voltage equal to the supply voltage. This corresponds to a limitation on the waveform that the average

area above the supply voltage and the area below it must be the same. This can be seen in FIG. 2, depicting typical waveforms for a representative switching amplifier, with equal areas above and below the supply voltage shaded.

As can be seen in FIG. 2, the active device spends a significant portion of its time in a low voltage state. This is so that the active device can conduct the bulk of its current during this time, thereby reducing the power dissipation in the device, resulting in high efficiency. Unfortunately, this results in a very large area below the supply voltage, necessitating an equally large area above it. Thus the voltage during the times when the switch is not low can be significantly greater than the supply voltage, usually by a factor of two to four.

In a typical CMOS process, for instance, the device breakdown can be less than 6 V whereas the supply voltage is in many cases 3.3 V or higher. With a 3.3 V supply, the class E amplifier can produce waveforms with peak voltage greater than 11V, almost twice that which a CMOS device with 6V breakdown can tolerate. Thus in this application, the supply voltage can be changed, a more expensive high-voltage process can be used, or a less efficient type of power amplifier with a lower peak voltage can be employed. If the supply voltage cannot be changed, such as if it is coming from a battery or if other circuits on the same supply cannot change their supply voltage, the high peak to supply ratio of the traditional switching amplifiers thus forces a sacrifice in either cost or performance.

SUMMARY OF THE INVENTION

In accordance with the present invention, a cross-differential amplifier is provided that overcomes known problems with existing amplifiers.

In particular, a cross-differential amplifier is provided that allows devices with low breakdown voltage such as high-frequency transistors or integrated circuit transistors to be used with higher supply voltages.

In accordance with an exemplary embodiment of the present invention, a cross-differential amplifier is provided. The cross-differential amplifier includes an inductor connected to a dc power source at a first terminal. A first and second switching device, such as transistors, are connected to the inductor at a second terminal. A first and second amplifier are connected to the first and second switching devices at their supply points. The first and second switch are configured to connect the two amplifiers to the inductor in an alternating fashion so that each amplifier receives current and that the average voltage on the second terminal of the inductor is greater than the average voltage of one of the amplifiers at its supply point.

The present invention provides many important technical advantages. One important technical advantage of the present invention is an amplifier that can be used in high efficiency switching modes, such as in classes E, inverse F, E/F_{xx}, current-mode class D, and other suitable classes, while operating from higher supply voltages while using lower breakdown voltage devices.

Those skilled in the art will appreciate the advantages and superior features of the invention together with other important aspects thereof on reading the detailed description that follows in conjunction with the drawings.

BRIEF DESCRIPTION OF THE SEVERAL VIEWS OF THE DRAWINGS

FIG. 1 is a diagram of a typical saturated or switching amplifier using an inductor for the supply connection;

FIG. 2 is a diagram of typical saturated or switching amplifier waveforms, showing the equal areas above and below the supply voltage due to the inductive supply connection;

3

FIG. 3 is a diagram of a cross differential amplifier in accordance with an exemplary embodiment of the present invention;

FIG. 4 is a diagram of voltage waveforms in accordance with an exemplary embodiment of the present invention;

FIG. 5 is a diagram of a cross differential amplifier with three commutated amplifiers in accordance with an exemplary embodiment of the present invention;

FIG. 6 is a diagram of a cross differential amplifier with several two terminal switches used to implement the n-way commutation switch in accordance with an exemplary embodiment of the invention;

FIGS. 7A through 7C are diagrams of cross differential amplifiers in accordance with exemplary embodiments of the present invention;

FIG. 8 is a diagram of a cross differential amplifier which can be operated in class E mode in accordance with an exemplary embodiment of the present invention;

FIG. 9 is a diagram of a cross differential amplifier which can be operated in class inverse F, current-mode class D, or class E/Fxx modes in accordance with an exemplary embodiment of the present invention;

FIG. 10 is a diagram of a cross differential amplifier with intrinsic capacitances and which can be operated in class inverse F, current-mode class D, or class E/Fxx modes in accordance with an exemplary embodiment of the present invention;

FIG. 11 is a diagram of a distributed active transformer in accordance with an exemplary embodiment of the present invention.

DETAILED DESCRIPTION OF THE INVENTION

In the description that follows like parts are marked throughout the specification and drawings with the same reference numerals, respectively. The drawing figures are not necessarily to scale and certain features can be shown in somewhat generalized or schematic form in the interest of clarity and conciseness.

FIG. 3 is a diagram of a cross differential amplifier 300 in accordance with an exemplary embodiment of the present invention. Cross differential amplifier 300 can include two amplifying sections 302 and 304, which share common supply inductor 306 through two-way switch 308. Amplifying sections 302 and 304 are driven with different phases relative to one another so that their peak voltages occur at different times. By commutating supply inductor 306 between amplifying sections 302 and 304, the average voltage at the terminal of supply inductor 306 is greater than the average voltage of the individual amplifying sections 302 and 304.

For instance, in one exemplary implementation, the two amplifying sections 302 and 304 are driven in a complementary fashion, with supply inductor 306 connection switched so as to keep the amplifying section 302 or 304 which has a high voltage connected to supply inductor 306. In one exemplary embodiment, this operation produces the waveforms 402 through 406 of FIG. 4. Since supply inductor 306 is not exposed to the low voltage of the amplifying section 302 and 304 cycles in this exemplary embodiment, the area below the dc supply voltage on the inductor voltage waveform 402 is significantly reduced. This allows the area above the dc supply to be reduced, reducing significantly the peak voltage. If the amplifying sections 302 and 304 are switching amplifiers so that the voltage in the conducting cycle of each amplifying section is nearly zero, the cross differential technique can result in a factor of two decrease in the peak voltage.

FIG. 5 is a diagram of three-way cross-differential amplifier 500 in accordance with an exemplary embodiment of the present invention. By using more than two amplifiers, each with different phase, the inductor can be commutated

4

between the three amplifying sections 502 through 506 to even further reduce the peak voltages on the amplifying sections 502 through 506. For instance, in one exemplary embodiment three amplifying sections 502 through 506 can be used, with 120 degrees of phase separation between any two amplifying sections. This operation results in the peak voltages for the several amplifying sections 502 through 506 occurring at three different points in the cycle so that switch 508 can commutate inductor 510 to a voltage relatively close to the peak device voltage throughout the cycle.

This technique can be extended to utilize a suitable number "n" of desired amplifiers, by using an n-way switch connecting inductor 510 to "n" amplifiers with various operating phases. By using larger numbers of amplifiers, the peak voltage can be made to approach the dc power supply voltage.

FIG. 6 is a diagram of an exemplary embodiment of cross differential amplifier 600 wherein switch 508 has been implemented as "n" two terminal switches 602 through 606. This topology allows switch 508 to be implemented by conventional two terminal switches 602 through 606, such as transistors.

FIG. 7A is a diagram of a cross differential amplifier 700A in accordance with an exemplary embodiment of the present invention. In this exemplary embodiment, devices 702 and 706 are used as switches to commutate inductor 710 between devices 704 and 708, which operate as amplifiers. The nodes where devices 702 and 706 connect to devices 704 and 708 can be used as outputs, and can drive a differential load, independent single-ended loads, or other suitable loads. Devices 702 and 706 can be operated in a complementary fashion so as to connect inductor 710 to devices 704 and 708 in an alternating fashion, so as to reduce the peak voltage on devices 704 and 708 by reducing the time that the voltage on the commutating terminal of inductor 710 is significantly lower than the supply voltage.

Device 702, device 704, device 706 and device 708 can be Si transistors, SiGe transistors, GaAs transistors, CMOS transistors, CMOS SOI transistors, HBT transistors, LDMOS transistors, HEMT transistors, MESFET transistors or other suitable switches or three terminal devices having a control terminal (including but not limited to a gate or base), and two conducting terminals (including but not limited to an emitter and collector or a drain and source). In one exemplary embodiment, device 704 and device 708 can be current sources having controllable current magnitude, can be switches or devices operated as switches, or can be other suitable devices. Device 702 and device 706 can be switches, devices operated as switches, or other suitable devices.

Cross differential amplifier 700A can also be operated so that device 704 and device 708 are used as the commutating switches while using device 702 and device 706 as the amplifying devices. In this mode, device 704 and device 708 alternately force device 702 and device 706 to support the voltage at the second terminal of inductor 710, allowing a reduction of peak voltage on device 702 and device 706 for the same dc supply voltage.

Cross differential amplifier 700A can also be used so that all four devices are switching, so that each pair of switching amplification devices acts as a commutator for the other, or in other suitable manners.

FIG. 7C is a diagram of a cross differential amplifier 700C where inductor 710 has been placed at the ground side of the circuit and the supply voltage is connected directly to device 702 and device 706. Cross differential amplifier 700C can behave substantially like cross differential amplifier 700A in regards to its behavior. In cross differential amplifier 700C, device 704 and device 708 can be used as switches to connect device 702 and device 706 between supply 712 and inductor 710, resulting in the same peak voltage reduction effect on device 702 and device 706. In this case, the inductor is con-

nected to ground, so that the effect is achieved by connecting devices **702** and **706** to the inductor **710** in such a way as to reduce the time that the inductor sees voltages significantly higher than ground. For instance, in one exemplary embodiment, devices **704** and **708** can be operated to commutate inductor **710** between devices **702** and **706** so as to keep the inductor connected throughout the cycle to the amplifying device which has the most negative voltage at its output terminal

Cross-differential amplifier **700C** can also be operated so that device **702** and device **706** are used as commutating switches, while using devices **704** and **708** as amplifying devices. In this mode, devices **702** and **706** alternately force the amplifying devices to support the voltage difference between the power supply voltage and the commutating point of inductor **710**, allowing a reduction of the peak voltage on devices **704** and **708**.

Cross-differential amplifier **700C** can also be used so that all four devices are switching so that each pair amplifying switches commutates the current for the other, or in other suitable manners.

FIG. **7B** is a diagram of cross differential amplifier **700B** in accordance with an exemplary embodiment of the present invention. Cross differential amplifier **700B** includes inductor **710A** connected to device **702** and device **706**, and inductor **710B** connected to device **704** and device **708**. Since these inductors are connected in series with each other and with the dc power supply **712**, this implementation also operates substantially the same as cross differential amplifier **700A**. By using devices **702** and **706** as switches to commutate inductors **710A** and **710B** between devices **704** and **708**, which are used as amplifying devices, the voltage ripple on inductors **710A** and **710B** can be reduced, which also reduces the peak voltage seen on device **702** and **706** and devices **704** and **708** for a given dc supply voltage.

Cross-differential amplifier **700B** can also be operated so that device **704** and device **708** are used as commutating switches, while using devices **702** and **706** as amplifying devices. In this mode, devices **704** and **708** alternately force the amplifying devices to support the voltage difference between the supply inductors **710A** and **710B**, allowing a reduction of the peak voltage on devices **702** and **706**.

Cross-differential amplifier **700B** can also be used so that all four devices are switching so that each pair of amplifying switches commutates the current for the other, or in other suitable manners.

In operation, the load network and bias points for the amplifiers of cross differential amplifiers **700A**, **700B** and **700C** can be selected so as to allow operation in class A, class A/B, class B, class C, class E, inverse F, and class E/Fxx (signifying any class of switching amplifier operation belonging to the family of switching amplifiers E/F). An example of class E/F amplifiers is provided by U.S. application Ser. No. 09/974,557, "Class E/F Switching Power Amplifiers," filed Oct. 9, 2001, and which is hereby incorporated by reference for all purposes. Cross differential amplifiers **700A** through **700C** can be used where switching amplifier tunings are used since all four devices can be made to simultaneously operate in the high efficiency class E, inverse F, current-mode class D, and class E/Fxx modes.

FIG. **8** is a diagram of a cross differential amplifier **800** which can be operated in class-E mode in accordance with an exemplary embodiment of the present invention. Cross differential amplifier **800** includes device **802**, device **804**, device **806**, and device **808**, which can be operated as switches, or other suitable devices. Device **802** and device **808** can be operated as a first set in opposition to the phase of device **806** and device **804**, such that current is driven through inductor **836**, capacitor **830**, and resistor **832** in a first direction through device **802** and device **808**, and then in a second

direction through device **806** and device **804**. Inductor **826**, capacitor **830**, and resistor **832** can be sized to resonate at the operating frequency, and to supply a suitable impedance at the operating frequency so as to compensate for capacitor **818**, capacitor **820**, capacitor **822**, and capacitor **824**, which can be the internal capacitances of devices **802** through **808**, respectively, or other suitable capacitances, so as to allow cross differential amplifier **800** to operate in the class-E mode of operation. In one exemplary embodiment, capacitors **818** through **824** can be the intrinsic capacitance of devices **802** through **808**, respectively, can be capacitances between devices **802** through **808** and external components or features, can be a suitable combination of such capacitances, or can include other suitable capacitors or capacitance. In another exemplary embodiment, resistor **832** can be a resistive load to be driven, the resistive component of a reactive load to be driven, an antenna, the input of an amplifier or other circuit, or other suitable loads or combinations of loads.

Using this technique, inductor **810** which is used for class E operation does not have a large voltage across it for long periods of time since it does not connect directly to ground as is the case in conventional class E amplifiers. In this manner, the peak voltage at the node shared by device **802**, device **806**, and inductor **810** is less than the peak voltage of the equivalent node of a conventional class-E switching differential amplifier such as one that uses independent inductors to connect each of the amplifying devices to the supply, or of the equivalent node of a conventional class-E switching amplifier. By selecting appropriate values for inductor **826**, capacitor **830**, resistor **832**, and capacitors **818** through **824**, each device **802** through **808** can be switched at a time when the voltage is at or close to zero, so as to minimize the turn-on switching losses due to capacitances **818** through **824** (equal to $\frac{1}{2}CV^2f_0$), and which results in undesirable power losses and heating. Cross differential amplifier **800** can also be used in the configurations shown in FIGS. **7B** and **7C**, with supply inductors in other suitable locations. Additionally, the load network can consist of the series RLC network depicted in FIG. **8**, or other suitable single ended or differential loads meeting the class-E tunings conditions for each amplifying device.

FIG. **9** is a diagram of a cross differential amplifier **900** which can be operated in current-mode class D, class inverse F or class E/Fxx modes of operation in accordance with an exemplary embodiment of the present invention. Cross differential amplifier **900** includes device **902**, device **904**, device **906** and device **908**, each of which can be operated as switches or other suitable devices, and inductor **910** and supply voltage **912**. Device **902** and device **908** operate in phase with each other and opposite to the phase of device **906** and device **904**, such that in the first state of operation, current flows through inductor **910** and device **902** across a load formed by capacitor **918**, resistor **920**, and inductor **922**, and through device **908**. Likewise, in the second state of operation, current flows through inductor **910** and device **906** through the load formed by capacitor **918**, resistor **920**, and inductor **922** connected in parallel, and through device **904**. Inductor **922**, capacitor **918**, and resistor **920** are selected to provide suitable tuning for current-mode class D, class inverse F or class E/Fxx modes of operation. In one exemplary embodiment, resistor **920** can be a resistive load to be driven, the resistive component of a reactive load to be driven, an antenna, the input of an amplifier or other circuit, or other suitable loads or combinations of loads.

Using this technique, the supply inductor **910** which can be used for current-mode class D, inverse-F and E/Fxx operation can avoid having large voltage across it for periods of time since it is not connected directly to ground for large portions of the cycle as is the case in conventional current-mode class D, inverse-F and E/F, amplifiers. This configuration allows

the peak voltage of the node shared by the inductor **910** and devices **902** and **906** to be less than the peak voltage of the equivalent node of a conventional class inverse F or class E/F_{xx} switching differential amplifier using two inductors to connect the two devices to the voltage source, each one individually, or the equivalent node of a conventional class inverse F, current-mode class D, or class E/F_{xx} switching amplifier. Cross differential amplifier **900** can also be used in the configurations shown in FIGS. 7B and 7C, with supply inductors in other suitable locations. Additionally, the load network used can be a suitable single-ended or differential network which results in current-mode class D, inverse-F or E/F_{xx} operation.

FIG. 10 is a diagram of cross differential amplifier **1000** with intrinsic capacitances which can be operated in class E/F_{xx} mode in accordance with an exemplary embodiment of the present invention.

Cross differential amplifier **1000** includes device **1002**, device **1004**, device **1006**, and device **1008**, which can be operated as switches, current sources, or other suitable devices. Devices **1002** and **1006** are connected to inductor **1010**. Device **1002** and device **1008** operate in phase with each other and opposite to the phase of device **1006** and device **1004**, such that current flows in the first state of operation through inductor **1010** and device **1002** across the load formed by inductor **1028**, capacitor **1026**, and resistance **1032** through device **1008**. In the second state of operation, current flows through inductor **1010** and device **1006** and then across the load formed by capacitor **1026**, inductor **1028**, and resistance **1032** through device **1004**. Inductor **1028** and capacitor **1026** are selected to resonate at the operating frequency, and to compensate for capacitors **1018** through capacitor **1024** so as to provide class inverse F mode or class E/F_{xx} mode of operation. Capacitors **1018** through **1024** can be the intrinsic or parasitic capacitance of the devices, external capacitances, or other capacitances. Likewise, other intrinsic or parasitic capacitances of cross differential amplifier **1000** can be compensated for. In one exemplary embodiment, resistor **1032** can be a resistive load to be driven, the resistive component of a reactive load to be driven, an antenna, the input of an amplifier or other circuit, or other suitable loads or combinations of loads.

Using this technique, inductor **1010** which can be used for E/F_{xx} operation can avoid having large voltage across it for large periods of time since it is not connected directly to ground for large portions of the cycle, as is the case in conventional inverse-F and E/F_{xx} amplifiers. This configuration allows the peak voltage of the node shared by the inductor **1010** and devices **1002** and **1006** to be less than the peak voltage of the equivalent node of a conventional switching differential amplifier, such as one using two separate inductors to connect the two devices individually to the voltage source, or the equivalent node of a conventional switching amplifier. Cross differential amplifier **1000** can also be used in the configurations shown in FIGS. 7B and 7C, with supply inductors in other suitable locations. Additionally, the load network used can be any suitable single-ended or differential network which results in E/F_{xx} operation.

FIG. 11 is a diagram of a distributed active transformer **1100** in accordance with an exemplary embodiment of the present invention. Distributed active transformer **1100** includes cross differential amplifiers **1102**, **1104**, **1106** and **1108**, which are connected to provide primary winding segments **1110**, **1112**, **1114**, and **1116**. Secondary winding **1118** includes output **1120**, and is magnetically connected to the primary winding sections **1110** through **1116**. The current through each primary winding section is controlled by the corresponding cross differential amplifier, such that a distributed transformer architecture is provided that uses cross dif-

ferential amplifiers as primary winding sections. Although four cross differential amplifiers are shown in this implementation, any suitable number of amplifying devices can be combined in the distributed active transformer. The various cross differential amplifiers can also be used in the configurations shown in FIGS. 7B and 7C, with inductors in other suitable locations.

Although exemplary embodiments of the system and method of the present invention has been described in detail herein, those skilled in the art will also recognize that various substitutions and modifications can be made to the systems and methods without departing from the scope and spirit of the appended claims.

What is claimed is:

1. A device for amplifying a signal amplifier comprising: an inductor connected to a power source at a first terminal; two or more amplifiers for providing power to a load connected to an output; and two or more switches, each connected between one of the amplifiers and the inductor for commutating the inductor between the two or more amplifiers, wherein the two or more amplifiers are for providing power to the load in a first mode of operation and are for commutating the inductor between the two or more switches in a second mode of operation, and the two or more switches are for commutating the inductor between the two or more amplifiers in the first mode of operation and are for providing power the load in the second mode of operation.
2. The device of claim 1 further comprising a class inverse F load coupled to the output.
3. The device of claim 1 comprising a class D load coupled to the output.
4. The device of claim 1 comprising a class E/F_{xx} load coupled to the output.
5. The device of claim 1 comprising a class E/F_{odd} load coupled to the output.
6. The device of claim 1 comprising a class E load coupled to the output.
7. The device of claim 1 comprising a class E/F_{xx} load coupled to the output.
8. A method for operating an amplifier comprising: operating a first device and a second device to amplify an input signal to generate an output; operating a third device and a fourth device to commutate an inductor between the first device and the second device; operating the first device and the second device to generate the output in a first mode of operation; operating the third device and the fourth device to commutate the inductor between the first device and the second device in the first mode of operation; operating the first device and the second device to commutate the inductor between the third device and the fourth device in a second mode of operation; and operating the third device and the fourth device to generate the output in the second mode of operation.
9. The method of claim 8 comprising operating the amplifier at a radio frequency of operation.
10. The method of claim 8 comprising operating the third device and the fourth device as switches.
11. The method of claim 8 comprising operating the third device and the fourth device as switches in an alternating manner to reduce a voltage ripple on an inductor.