



US006081234A

United States Patent [19]

[11] **Patent Number:** **6,081,234**

Huang et al.

[45] **Date of Patent:** ***Jun. 27, 2000**

[54]	BEAM SCANNING REFLECTARRAY ANTENNA WITH CIRCULAR POLARIZATION	4,804,899	2/1989	Wurdack	343/757
		5,283,590	2/1994	Wong	343/757

OTHER PUBLICATIONS

[75] Inventors: **John Huang**, Arcadia; **Ronald J. Pogorzelski**, Santa Barbara, both of Calif.

Huang and Pogorzelski, Microstrip Reflectarray with Elements Having Variable Rotation Angles, *Jet Propulsion Laboratory*, Preprint, pp. 23–26.

[73] Assignee: **California Institute of Technology**, Pasadena, Calif.

Huan and Pogorzelski, Microstrip Reflectarray with Elements Having Variable Rotation Angles, *Jet Propulsion Laboratory*, Preprint, pp. 1–22.

[*] Notice: This patent issued on a continued prosecution application filed under 37 CFR 1.53(d), and is subject to the twenty year patent term provisions of 35 U.S.C. 154(a)(2).

H. Richard Phelan, Spiraphase—a New, Low Cost, Lightweight Phased Array, *Microwave Journal International Edition*, pp. 41–44, Dec. 1976.

H. Richard Phelan, Spiraphase reflectarray—for Multitarget Radar, *Microwave Journal International Edition*, 20(7):67, Jul. 1977.

[21] Appl. No.: **08/891,631**

Raab and Sikora, A Unique New Antenna technology for Small (and Large) Satellites, *Malibu research Associates*, Preprint, pp. 1–7.

[22] Filed: **Jul. 11, 1997**

Primary Examiner—Don Wong

Assistant Examiner—James Clinger

Attorney, Agent, or Firm—Fish & Richardson P.C.

Related U.S. Application Data

[60] Provisional application No. 60/022,743, Jul. 24, 1996.

[51] **Int. Cl.**⁷ **H01Q 19/06**

[57] **ABSTRACT**

[52] **U.S. Cl.** **343/700 MS; 343/754; 343/757; 343/821**

A novel means of scanning a circularly polarized reflectarray antenna. The reflectarray is an array of metallic elements arranged on a surface designed to compensate for the various path lengths of the optical rays from an illuminating feed to the reflecting surface and then to the antenna aperture. With appropriate design, the phase in the aperture can be made to vary linearly in any desired direction and also to produce a radiated beam normal to the constant phase surface. In the case of circular polarization, this path length compensation can be accomplished by rotation of the individual elements.

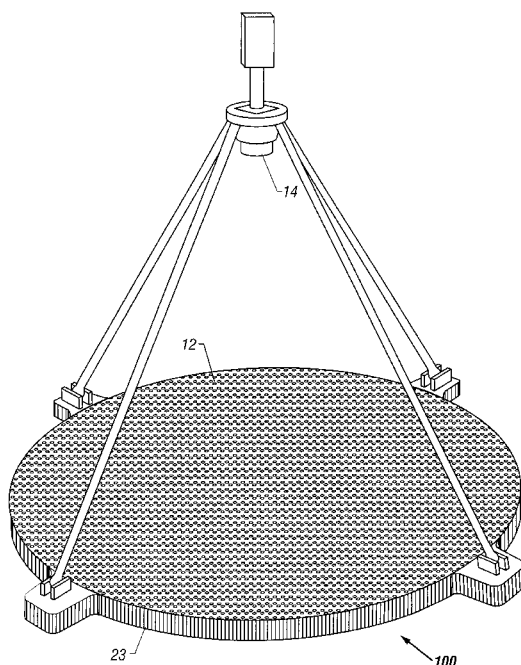
[58] **Field of Search** **343/700 MS, 757, 343/758, 759, 761, 763, 766, 895, 909**

[56] **References Cited**

U.S. PATENT DOCUMENTS

2,977,594	3/1961	Marston et al.	343/756
3,906,514	9/1975	Phelan	343/895
3,925,784	12/1975	Phelan	343/754
4,115,776	9/1978	Roeder et al.	343/118
4,656,484	4/1987	Brown et al.	343/761
4,684,952	8/1987	Munson et al.	343/700

24 Claims, 5 Drawing Sheets



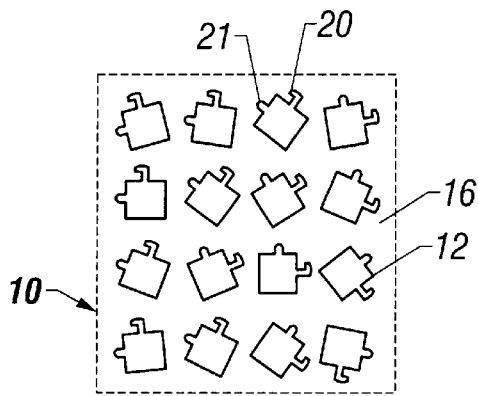


FIG. 1B

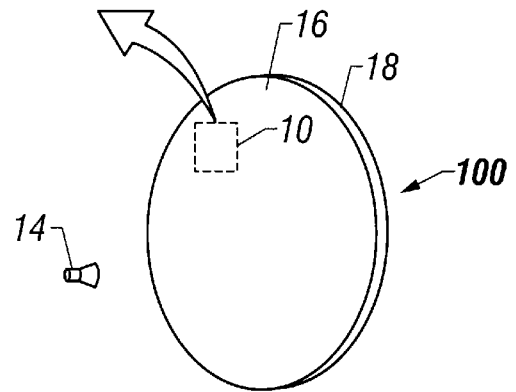


FIG. 1A

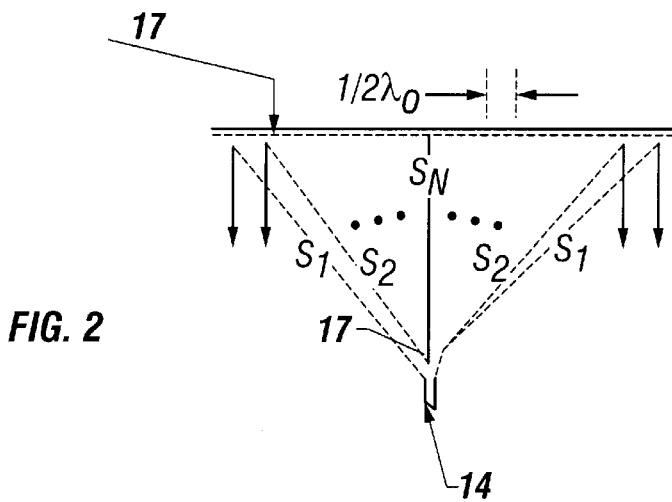


FIG. 2

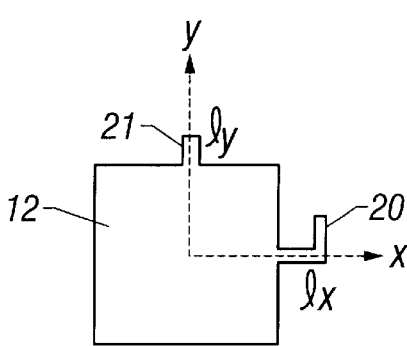


FIG. 3A

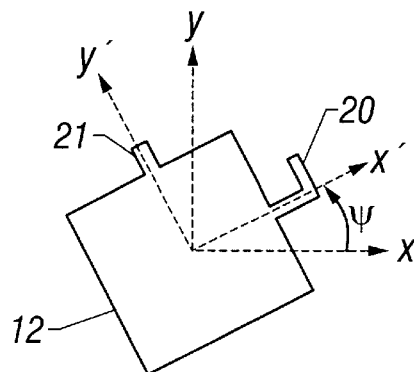


FIG. 3B

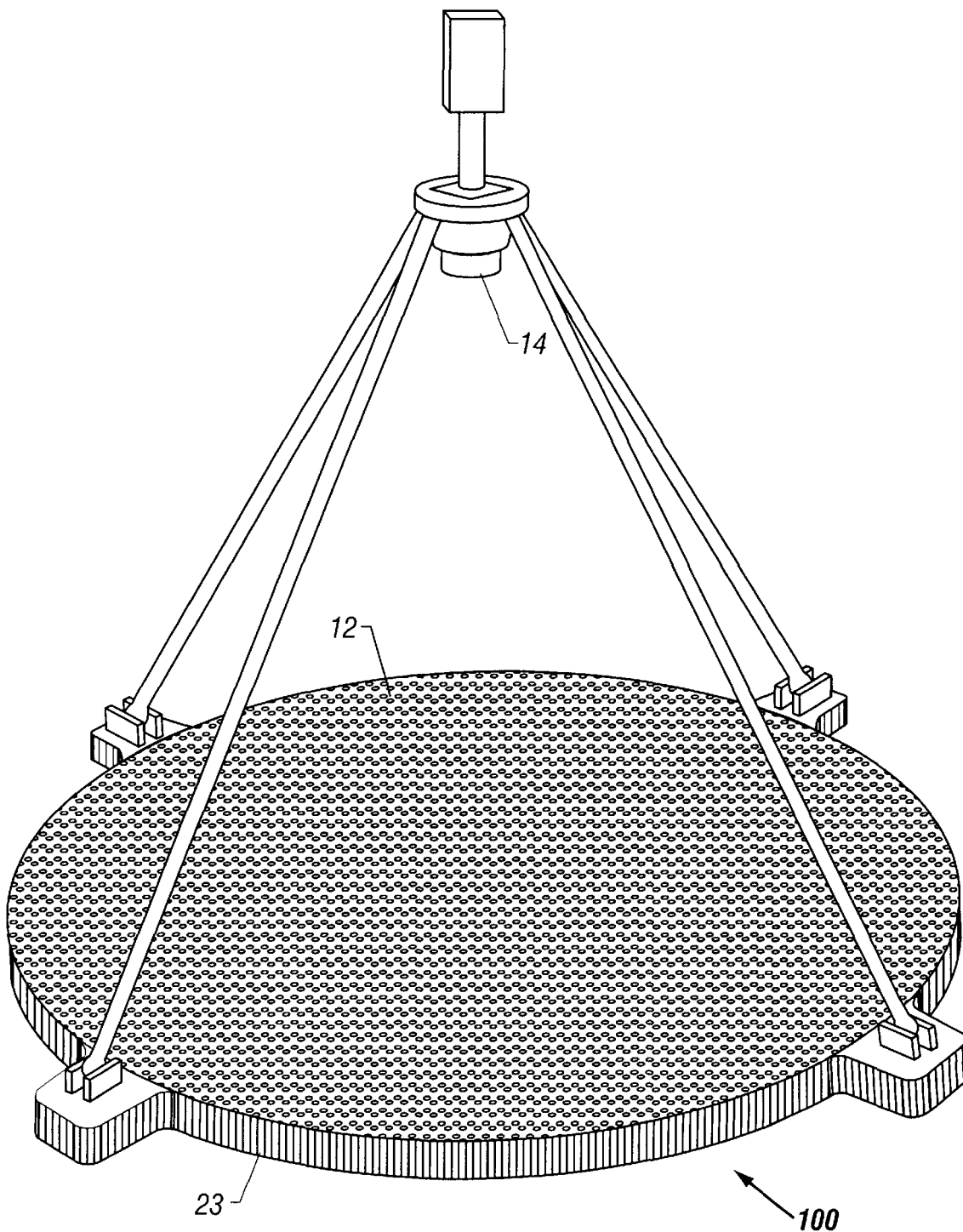


FIG. 4A

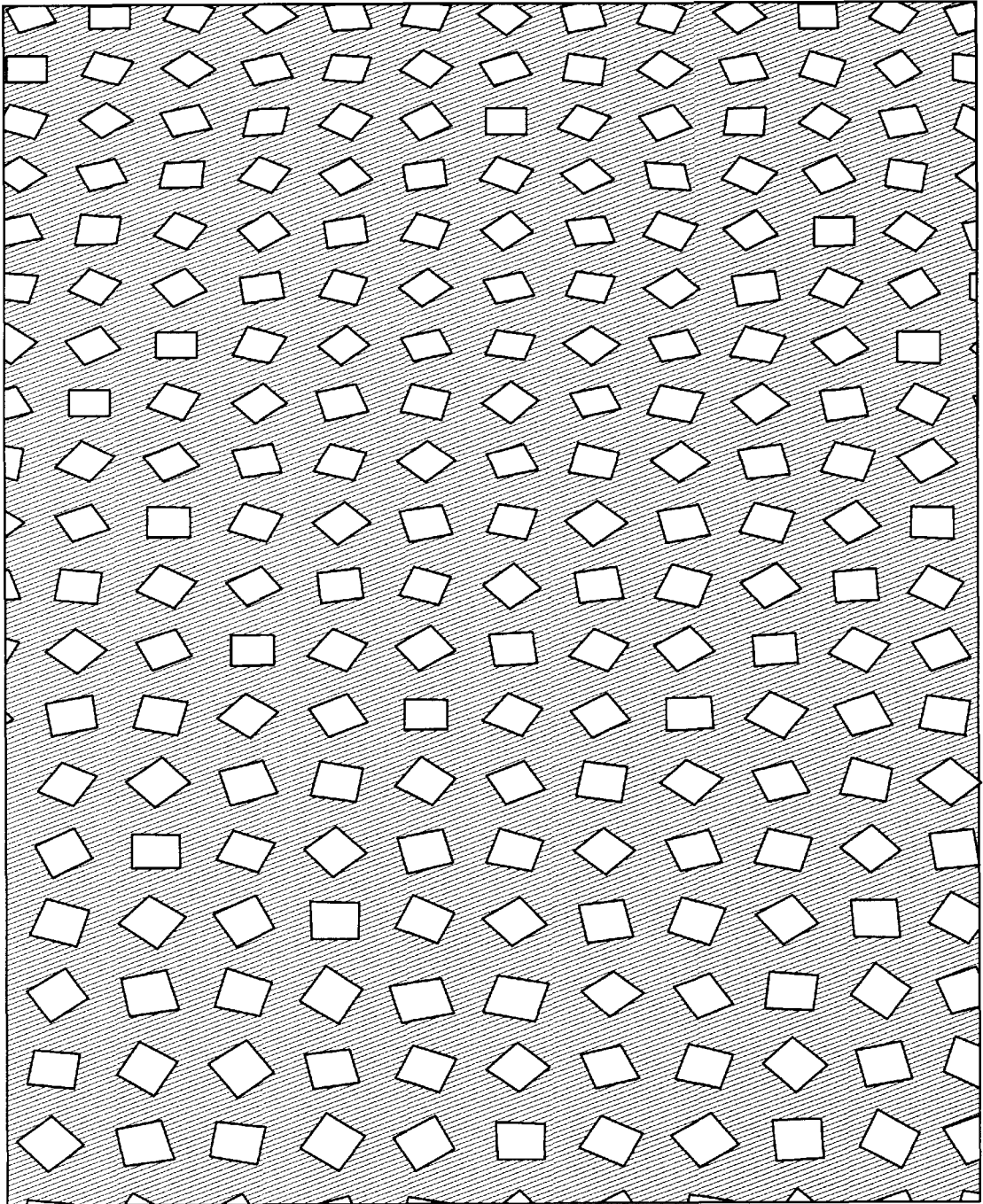
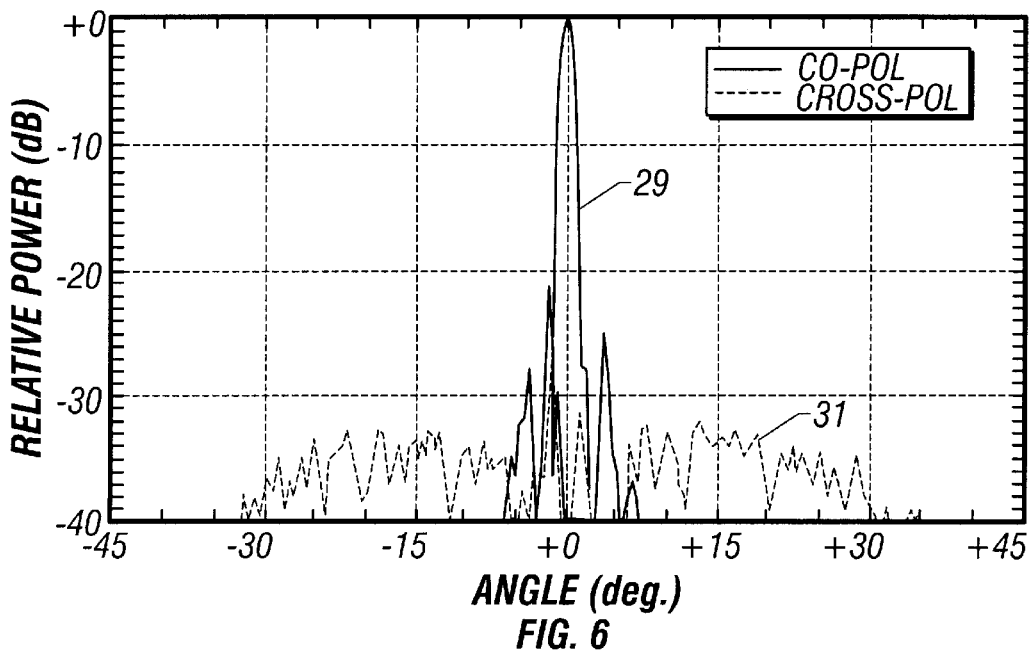
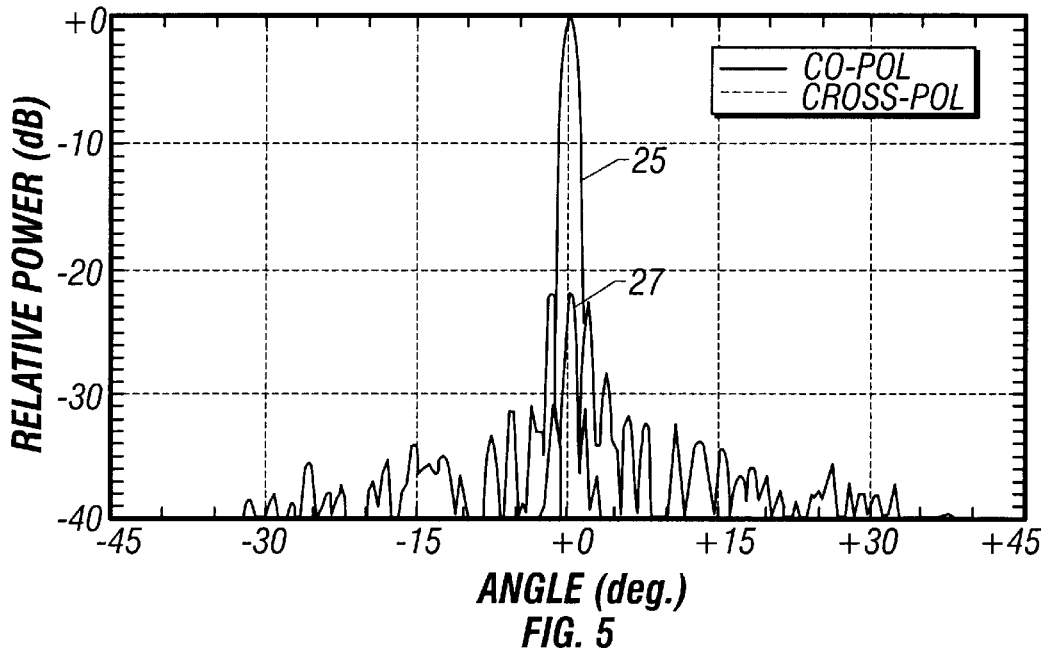


FIG. 4B



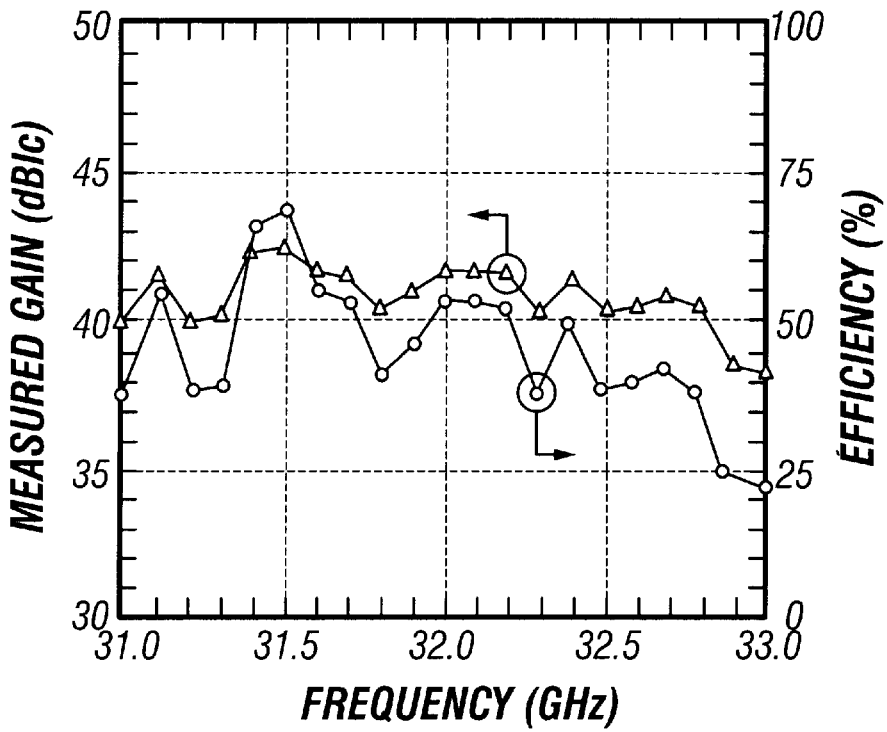


FIG. 7

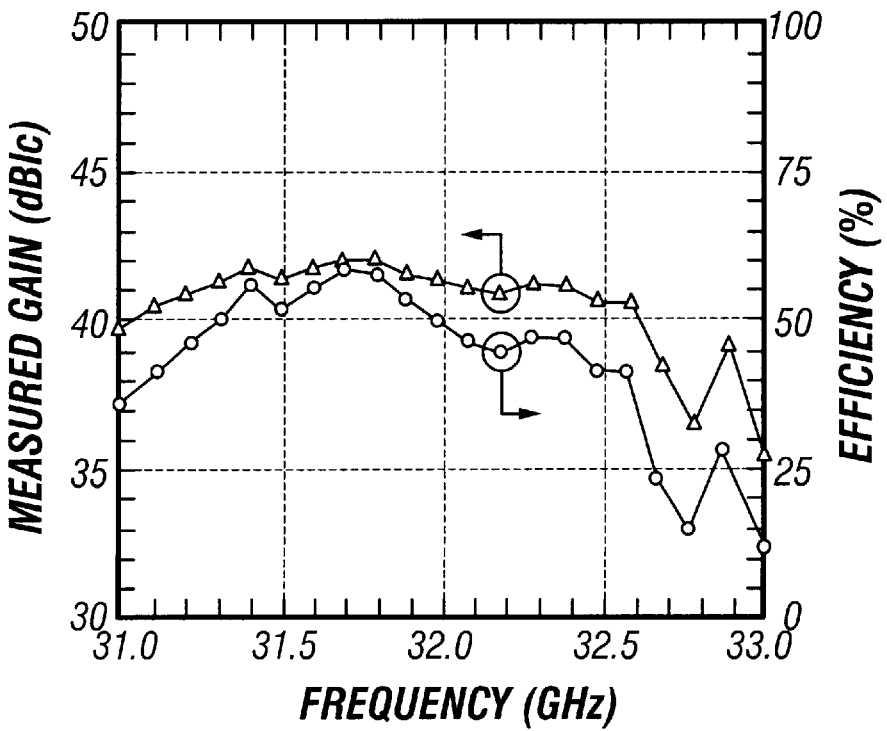


FIG. 8