



US006411263B1

(12) **United States Patent**
Neilson

(10) **Patent No.:** **US 6,411,263 B1**
(45) **Date of Patent:** **Jun. 25, 2002**

(54) **MULTI-MODE HORN**
(75) Inventor: **Jeffrey M. Neilson**, Redwood City, CA (US)

3,530,481 A 9/1970 Tanaka et al.
4,122,446 A 10/1978 Hansen
4,878,059 A * 10/1989 Yukl 343/753

(73) Assignee: **Calabazas Creek Research, Inc.**, Redwood City, CA (US)
(*) Notice: Subject to any disclaimer, the term of this patent is extended or adjusted under 35 U.S.C. 154(b) by 0 days.

OTHER PUBLICATIONS

Spurious Mode Generation in Non Uniform Waveguide, L. Solymar, IRE Transactions on Microwave Theory and Techniques, 1959, pp. 379.

* cited by examiner

Primary Examiner—Michael C. Wimer
(74) *Attorney, Agent, or Firm*—Jay A. Chesavage

(21) Appl. No.: **09/675,449**
(22) Filed: **Sep. 28, 2000**
(51) **Int. Cl.**⁷ **H01Q 13/00**
(52) **U.S. Cl.** **343/786**
(58) **Field of Search** 343/786, 753; H01Q 3/00

(57) **ABSTRACT**

A horn has an input aperture and an output aperture, and comprises a conductive inner surface formed by rotating a curve about a central axis. The curve comprises a first arc having an input aperture end and a transition end, and a second arc having a transition end and an output aperture end. When rotated about the central axis, the first arc input aperture end forms an input aperture, and the second arc output aperture end forms an output aperture. The curve is then optimized to provide a mode conversion which maximizes the power transfer of input energy to the Gaussian mode at the output aperture.

(56) **References Cited**
U.S. PATENT DOCUMENTS
RE23,051 E * 11/1948 Carter 343/786
3,413,641 A 11/1968 Turrin
3,413,642 A 11/1968 Cook
3,482,252 A 12/1969 Nagelberg

24 Claims, 3 Drawing Sheets

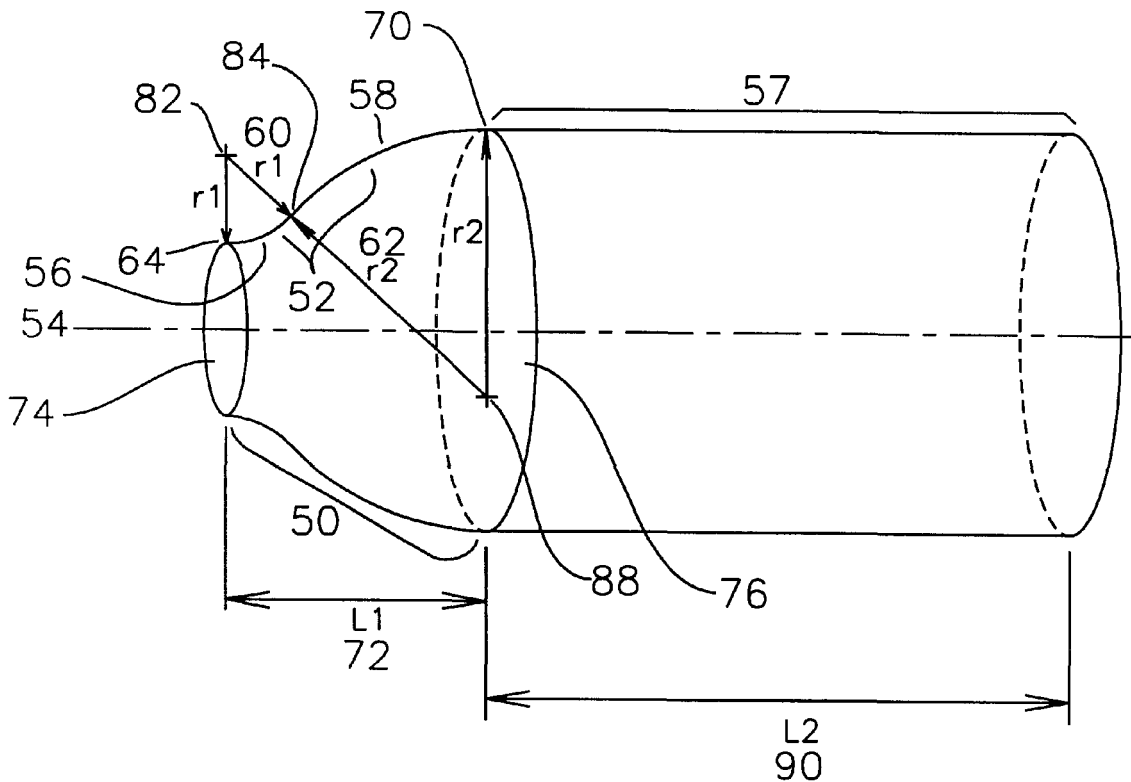


Figure 1
Prior Art

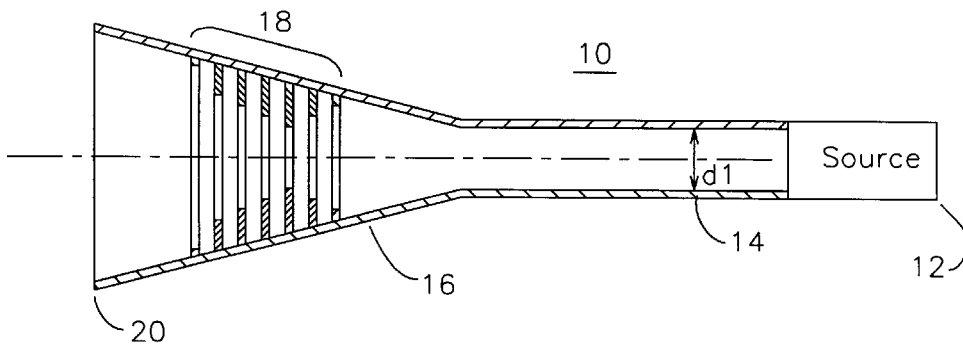


Figure 2b
Prior Art

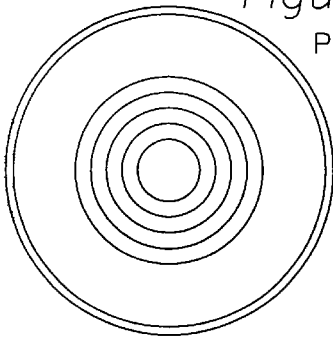


Figure 2a
Prior Art

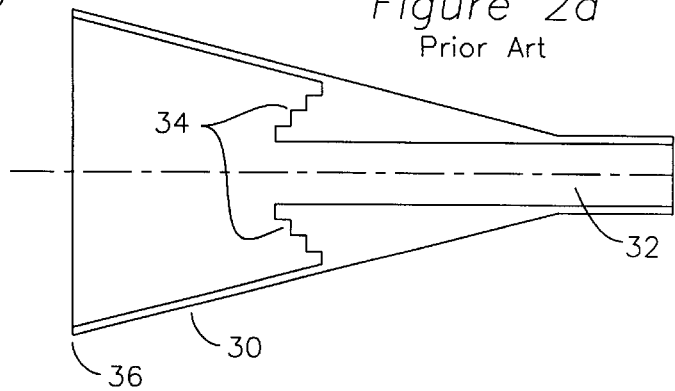


Figure 3b
Prior Art

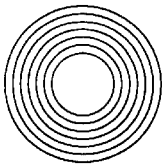


Figure 3a
Prior Art

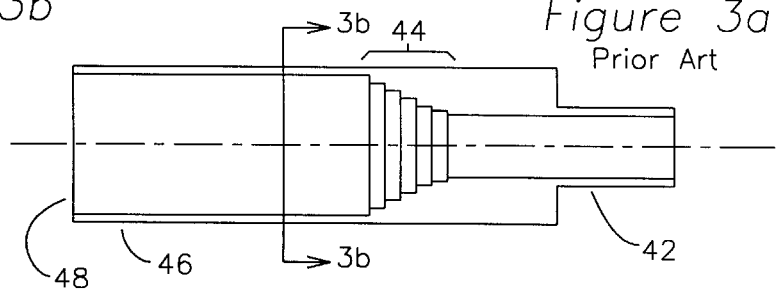


Figure 4

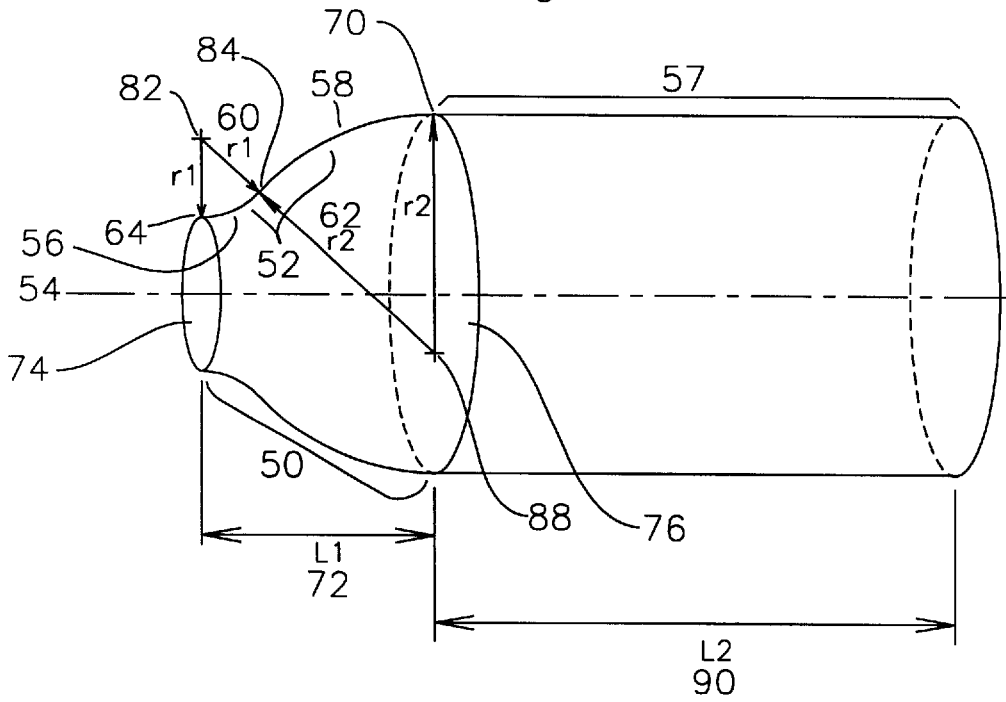


Figure 5a

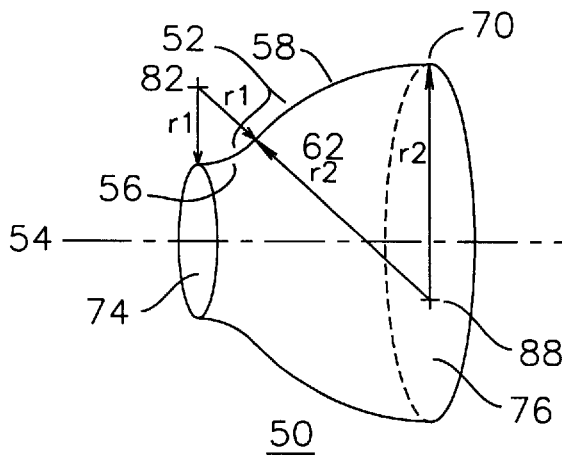


Figure 5b

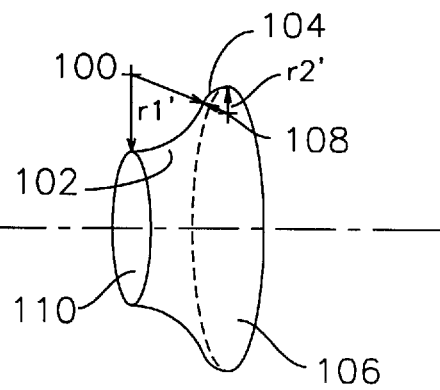


Figure 6a

$$\text{Power Ratio} = \frac{\text{TM}_{11}}{\text{TE}_{11}}$$

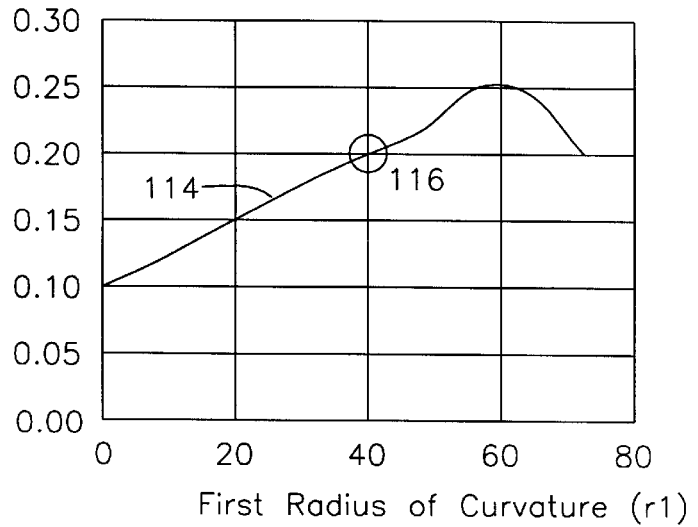
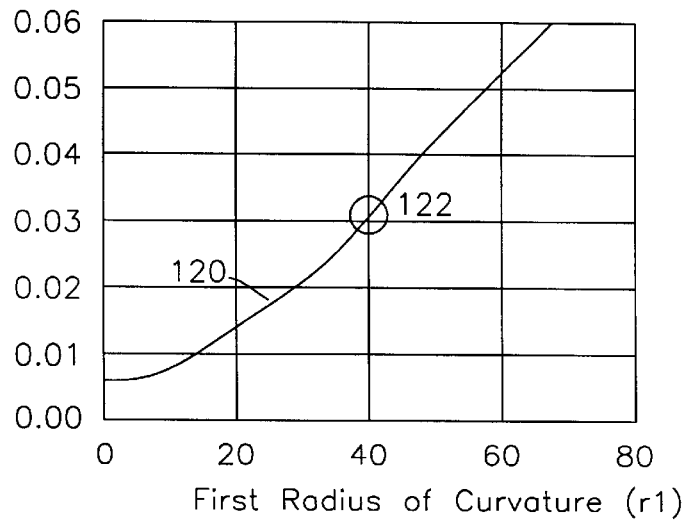


Figure 6b

$$\text{Fractional Power Ratio} = \frac{\text{Power in Spurious Modes}}{\text{Total Power}}$$



MULTI-MODE HORN

The U.S. Government has a paid-up license in this invention and the right in limited circumstances to require the patent owner to license others on reasonable terms as provided for by the terms of NASA Grant No. NAS3-00079 awarded by NASA.

FIELD OF THE INVENTION

This invention relates to an apparatus and method for a dual multi-mode horn for Gaussian mode generation. The development of millimeter and sub-millimeter wave sources requires a structure for coupling these waves in a directional manner from a waveguide to the surrounding environment, commonly accomplished using a class of structures known as dual-mode horns. The function of a dual-mode horn is to provide mode conversion from the TE₁₁ mode inside the waveguide to a Gaussian radiation pattern at the exit aperture of the horn. The larger the Gaussian radiation pattern at the output of the horn, the narrower the beamwidth in the far field, as is known using the methods of Fourier optics. According to the methods of Fourier optics, the production of a narrow beamwidth is related inversely to the size of the radiating aperture, and truncation of the radiation pattern at the extents of the aperture produce sidelobes, which subtract from the power in the main lobe, and broaden the far field beamwidth. For transmission of millimeter and sub-millimeter RF power, the Gaussian radiation pattern is preferred since it propagates through space without change in its transverse profile.

BACKGROUND OF THE INVENTION

In prior art systems, the proposition of developing a horn structure for producing a broad radiation aperture has been handled several different ways.

U.S. Pat. No. 3,413,641 by Turrin comprises a first circular waveguide coupled to a conical section, and followed by a circular output waveguide.

FIG. 1 shows U.S. Pat. No. 3,413,642 by Cook, where a horn **10** is driven by a source **12**, and higher modes waves are suppressed in waveguide **14**, which is followed by conical section **16**, which includes a plurality of irises **18** which perform modal conversion, thereby reducing the wall currents in the output aperture **20**. The irises **18** are circularly symmetric rings having a spacing which is less than a wavelength.

U.S. Pat. No. 3,482,252 by Nagelberg comprises a circular input waveguide followed by a step change in radius to a second waveguide, which is followed by a conical taper leading to an output aperture. The step change in radius produces mode conversion, thereby reducing the wall currents of the second waveguide.

FIGS. **2a** and **2b** show U.S. Pat. No. 3,530,481 by Tanaka, and comprises a horn **30** fed by a waveguide **32** which presents a series of counter-propagating step discontinuities **34** followed by a conical tapered guide **30** having an exit aperture **36**. FIGS. **3a** and **3b** show the similar structure of U.S. Pat. No. 4,122,446 by Hansen where a horn **40** has an input waveguide **42**, a series of co-propagating step discontinuities **44**, an output waveguide **46**, and an output aperture **48**. The step discontinuities **44** provide for the creation of higher order modes which combine to produce lower wall currents in output waveguide **46**, thereby producing a narrow far field beam width.

For microwave wavelengths in the X band region of 10 Ghz, a wavelength in free air is about 3 cm, so the prior art

step and iris structures would have periodicity on the order of 0.3 cm, which is straightforward to fabricate using current machining technology. When the frequency of propagation is in the region of 600 Ghz, the corresponding wavelength in free air is 0.5 mm, and producing the step structures on the order of 50 microns as shown in the prior art becomes very difficult, since the material finish has roughness which exceeds the required step function value. A new horn structure is needed which has the advantages of the prior art horn structures, but has a physical size which is compatible with current materials fabrication practice.

SUMMARY OF THE INVENTION

A circularly symmetric horn having a central axis of symmetry has an input aperture and an output aperture. The horn is formed by rotating a first arc having an input aperture end, a transition end, the first arc also having a first radius of curvature. A second arc has a transition end and an output aperture end and a second radius of curvature. The transition end of the second arc is connected to the transition end of the first arc. When the two arcs are rotated about the central axis, they form a surface having an input aperture and an output aperture. The two arcs are separated by a distance roughly equal to the beat period of the TE₁₁ and TM₁₁ modes. Typically, the first arc is concave from the perspective of the central axis, and the second arc is convex from the perspective of the central axis.

OBJECTS OF THE INVENTION

A first object of the invention is a radiating mode converting horn having reduced wall currents at the output aperture.

A second object of the invention is a horn which produces a Gaussian radiation pattern.

A third object of the invention is a horn which has a Gaussian coupling factor in excess of 0.95.

A fourth object of the invention is a horn which produces less than 0.05% of its output power in spurious modes.

DESCRIPTION OF THE DRAWINGS

FIG. 1 shows a prior art horn with a plurality of irises for the introduction and mixing of modes.

FIGS. **2a** and **2b** show a prior art horn having counter-propagating step discontinuities.

FIGS. **3a** and **3b** show a prior art horn having co-propagating step discontinuities.

FIG. **4** shows a mode converting horn.

FIGS. **5a** and **5b** show the radius of curvature for two embodiments of a mode converting horn.

FIG. **6a** show the graph of power transfer as a function of first radius of curvature for the horn of FIG. **4**.

FIG. **6b** shows the graph of spurious mode power as a fraction of the total power for the horn of FIG. **4**.

DETAILED DESCRIPTION OF THE INVENTION

FIG. **4** shows the horn of the present invention, and comprises a mode converting horn **50** coupled to a section **57** which adjusts the central fields of the TE₁₁ and TM₁₁ modes to be in phase at the output aperture. A horn **50** is formed by rotating a curve **52** about a central axis **54**. The curve **52** is formed by a first arc **56** having a first radius of curvature **r1 60** about a first center **82** and a second arc **58** having a second radius of curvature **r2 62** about a second

center **88**. First curve **56** has an input aperture end **64** and a transition end **84**, and second curve **58** has a transition end **84** and an output aperture end **70**. When curve **52** is rotated about central axis **54**, input aperture end **64** forms a circular input aperture **74**, and output aperture end **70** forms an output aperture **76** suitable for radiation into free space after the TE11 and TM11 modes are phased properly. The slope of input aperture end **64** of first arc **56** is parallel to the central axis **54**, and the slope of output aperture end **70** of second curve **58** is parallel to the central axis **54**. The horn has a horn length **72**, which may be followed by a phase adjusting length **L2 90**, and the inner surface of the horn and phase adjustment section is formed from an electrically conductive material such as copper, aluminum, or another material such as gold may be formed over the base material through a plating process, as is well known to one skilled in the art.

FIG. **5** shows two embodiments of the present horn. FIG. **5a** shows the curve **52** formed by first curve **56** and second curve **58**. In this example, the first arc **56** is convex with respect to the central axis **54**, and second arc **58** is concave with respect to the central axis **54**. Furthermore, the center **88** of the second arc **58** is found below the central axis **54**, and may reside in any location below curve **58**. Since the slope of the output aperture end **70** of second curve **58** should be parallel to the central axis **54**, the center **88** of second arc **58** will be located within the plane formed by the output aperture **76**. Similarly, the center **82** of the first arc **56** will be located on the plane formed by the input aperture **74**. In this manner, the tangent of the input aperture end and the tangent of the output aperture end of the horn will be parallel to the central axis **54**.

FIG. **5b** shows a similar horn produced by rotating a curve formed by first arc **102** and second arc **104**. In this example, the center **100** of first arc **102** is located on a plane formed by the input aperture **110**, and the center **108** of second arc **104** is located in the plane formed by the output aperture **106**, but the center **108** of second arc **104** is located between the central axis **54** and the output aperture end of second arc **104**. In this manner, the center of the first arc will be found on the plane of the input aperture, and the center of the second arc will be found in the plane of the output aperture, and the center of the second arc may be found anywhere which produces a concave arc with respect to the central axis.

It is desired that the horn of FIG. **4** convert the incoming TE11 wave into higher order waves (TM11, TE12, . . .) at input aperture **74** through mode conversion with the majority of the power in the TE11 and TM11 modes. It is further desired that the superposition of modes reduce the wall current at the output aperture **76** to a minimum. The inter-related variable parameters of FIG. **4** are the length **72**, the first radius **60**, the second radius **62**, the input aperture **74** diameter, and the output aperture **76** diameter. In practice, it is often desired to identify fixed parameters, and to choose a shape using the remaining parameters. In a typical application, the diameter of the input aperture **74** is matched to the waveguide feeding the horn, and the output aperture **76** is governed by the desired beamwidth at a given distance, as is known to one skilled in the art of Fourier transform radiation patterns. It is further desired to maximize the Gaussian coupling factor, which is a measure of the energy within the desired Gaussian profile, and generally it is desired to minimize wall currents at the aperture which result in the production of side radiation lobes. In this manner, the remaining variables modified by the designer of the horn **50** are the first radius of curvature **60** and the length

72. Using the method developed by Solymar (L.Solymar, "Spurious Mode Generation in Nonuniform Waveguide", IRE Trans. MTT, 1959, pg379-383) to calculate the mode content at the output aperture, the fractional coupling to a Gaussian is given by the following equation:

$$\sum_N A_n \int \vec{E}_{00}(r, \phi) \cdot \vec{E}_N(r, \phi) ds$$

Where **E00** and **En** are the fundamental Gaussian beam mode and waveguide mode functions respectively, and **An** is the waveguide mode amplitude.

An initial choice is made for the horn length, which may be on the order of the beat period between TE11 and TM11. The final choice for the horn length is governed by a the desired power ratio (~0.2 for Gaussian mode, ~0.4 for minimum sidelobe radiation), with low spurious modes having a total power of under 3% of the total output power. For an initially chosen overall horn length, a minimum length can be found by optimizing the power ratio with the spurious modes, and in the previous example, a length of 20 mm produced the desired power ratio and spurious output power. Shorter lengths produce the proper power ratio but the spurious mode content is excessive. Longer lengths reduce the spurious mode content for a desired power ratio. The final length of 20 mm was the smallest length in which the power ratio was ~0.2 and the spurious mode content (<3%). FIG. **6a** shows the effect of varying the first radius of curvature on the ratio of TM11 to TE11, referred to as power ratio, shown as curve **114**. The power ratio produces a value which is related to the Gaussian coupling factor, a measurement of how closely the radiation pattern matches the desired Gaussian curve. FIG. **6b** shows the effect of varying the first radius of curvature on the ratio of power in undesired high order modes to the total power, referred to as fractional power ratio, and shown as the curve **120**. Initially, the first radius of curvature **60** is selected based on the power ratio. A power ratio of 0.4 results in minimum field at the aperture wall and a Gaussian coupling factor of 0.96, while a power transfer ratio of 0.2, results in a higher Gaussian coupling factor of 0.98 and wall currents at the aperture, resulting in the production of sidelobes. In FIG. **6a**, the power ratio is shown at point **116** to produce a value of 0.2, which is in the design range, and spurious fractional power ratio of 3% at point **122** of curve **120** of FIG. **6b**. Continuing to a higher first radius of curvature would produce a slightly higher power ratio, but it can be seen from curve **120** of FIG. **6b** that this would produce sharply higher levels of power in undesired high order modes, which come at the expense of efficiency, since these modes represent wasted energy. It can be seen that the first radius of curvature of 40 mm produces an reasonable tradeoff between Gaussian beam shape and minimal high order mode energy loss.

It is possible to further optimize the shape produced by the resultant parameters of the above illustration where length **L2 72=20 mm** and the first radius of curvature=**40 mm**. This shape may be curve fit to a cubic spline and subjected to numerical optimization by changing parameters via Newton's method wherein additional improvements in power transfer ratio occur. Since the starting value of Gaussian power transfer ratio is quite high at about 0.95, only a small additional incremental improvement is produced by this additional effort compared to the initial efficiency of the structure described herein.

It is clear to one skilled in the art that the example provided herein is to show the design methodology of the

present invention, and is not intended to suggest that the horn must be designed in the particular manner shown. For example, the interrelated design parameters of input aperture diameter, output aperture diameter, length, first radius of curvature and second radius of curvature are all interrelated, and the order in which the parameters were chosen were for example only, and not intended to limit the scope of the invention. It is clear to one skilled in the art that modeling a short period sine wave with a physical length equal to the electrical beat period of the TE₁₁ and TM₁₁ in a given dielectric by using two arcs having different radii of curvature may be accomplished using many different shapes, including a sine wave having a nonlinear correction factor, and the like. The use of two interconnected arcs having two independent radii of curvature is shown by example only.

I claim:

1. A multi-mode horn carrying transverse electric (TE) and transverse magnetic (TM) waves and having an input aperture and an output aperture, said horn comprising:

an electrically conductive inner surface formed by rotating a curve about a central axis, said curve comprising a first arc having a first radius of curvature and a second arc having a second radius of curvature, said first arc having an input aperture end and a transition end, said second arc having a transition end and an output aperture end, said first arc input aperture end forming said input aperture, said first arc transition end connected to said second arc transition end, and said second arc transition end forming said output aperture.

2. The horn of claim 1 wherein said first arc input aperture end has a slope which is parallel to said central axis, and said second arc output aperture end has a slope which is parallel to said central axis.

3. The horn of claim 1 or claim 2 wherein said first arc is convex with respect to said central axis.

4. The horn of claim 1 or claim 2 wherein said second arc is concave with respect to said central axis.

5. The horn of claim 1 or claim 2 wherein said horn produces a Gaussian power coupling greater than 0.95.

6. The horn of claim 1 or claim 2 wherein said horn produces a spurious power ratio of less than 0.05.

7. The horn of claim 1 or claim 2 wherein said horn includes a phase adjustment section having a diameter equal to said output aperture, said phase adjustment section coupled to said horn output aperture.

8. The horn of claim 1 wherein said horn receives electro-magnetic waves.

9. The horn of claim 1 wherein said horn transmits electromagnetic waves.

10. A horn for carrying transverse electric (TE) and transverse magnetic (TM) waves, said horn having an electrically conductive inner surface, said inner surface formed by rotating a curve about a central axis, said curve comprising:

a first arc which is convex with respect to said central axis, said arc having an input aperture end and a transition end;

a second arc which is concave with respect to said central axis, said arc having a transition end and an output aperture end, said second arc transition end intersecting said first arc transition end;

said horn having an input aperture formed by said curve first arc input aperture end rotated about said central axis;

said horn having an output aperture formed by said curve second arc output aperture end rotated about said central axis.

11. The horn of claim 10 wherein said first arc radius and said second arc radius are chosen to produce a Gaussian transfer ratio in excess of 0.05.

12. The horn of claim 10 wherein said first arc radius and said second arc radius are chosen to produce a spurious mode output less than 0.05.

13. The horn of claim 10 wherein said length is chosen to produce a Gaussian transfer ratio in excess of 0.95.

14. The horn of claim 10 wherein said horn includes a phase adjustment section having a diameter equal to said output aperture, said phase adjustment section coupled to said horn output aperture.

15. The horn of claim 10 wherein said horn receives electro-magnetic waves.

16. The horn of claim 10 wherein said horn transmits electro-magnetic waves.

17. A process for selecting the parameters of a horn, said horn formed by rotating a curve about a central axis, said curve formed from a first arc having a first radius of curvature, a second arc having a second radius of curvature, said horn having a length, said parameters comprising any two of said parameters said length, said first radius of curvature, and said second radius of curvature, said process comprising the steps:

forming a Gaussian transfer ratio by comparing the output power to the power in a Gaussian emission, and evaluating said Gaussian transfer ratio while varying said parameters;

forming a spurious mode ratio by comparing the power in undesired modes to the total emitted power, and evaluating said spurious mode ratio while varying said parameters;

choosing said length to be a minimum value which produces said power ratio in excess of 0.2 while minimizing said spurious output ratio;

varying said first radius of curvature while optimizing said Gaussian transfer ratio and minimizing said spurious modes, and holding said length constant.

18. The method of claim 17 wherein said curve is further optimized to produce a maximum said Gaussian transfer ratio using numerical optimization such as provided by Newton's method.

19. The method of claim 17 wherein said curve is further optimized to produce a minimum said spurious mode output using the numerical optimization such as provided by Newton's method.

20. The method of claim 17 wherein said horn has an input aperture formed by rotating said first arc about said central axis, and said input aperture is fixed during said method.

21. The method of claim 17 wherein said horn has an output aperture formed by rotating said second arc about said central axis, and said output aperture is fixed during said method.

22. The horn of claim 17 wherein said horn includes a phase adjustment length having a diameter equal to said output aperture, said phase adjustment length coupled to said horn output aperture.

23. The horn of claim 17 wherein said horn receives electro-magnetic waves.

24. The horn of claim 17 wherein said horn transmits electro-magnetic waves.