



US006271526B1

(12) **United States Patent**
Cwik et al.

(10) **Patent No.:** **US 6,271,526 B1**
(45) **Date of Patent:** **Aug. 7, 2001**

(54) **EFFICIENT RADIATION COUPLING TO QUANTUM-WELL RADIATION-SENSING ARRAY VIA EVANESCENT WAVES**

(75) Inventors: **Thomas Cwik**, Altadena; **Cavour Yeh**, Los Angeles, both of CA (US)

(73) Assignee: **California Institute of Technology**, Pasadena, CA (US)

(*) Notice: Subject to any disclaimer, the term of this patent is extended or adjusted under 35 U.S.C. 154(b) by 0 days.

(21) Appl. No.: **09/418,451**

(22) Filed: **Oct. 15, 1999**

Related U.S. Application Data

(60) Provisional application No. 60/151,812, filed on Aug. 30, 1999, and provisional application No. 60/104,434, filed on Oct. 15, 1998.

(51) **Int. Cl.**⁷ **H01L 29/15**
(52) **U.S. Cl.** **250/371**
(58) **Field of Search** 250/371

(56) **References Cited**

U.S. PATENT DOCUMENTS

Re. 35,215 * 4/1996 Waarts et al. 372/108
4,856,017 * 8/1989 Ungar 372/96

5,170,402 12/1992 Ogita et al. .
5,265,107 * 11/1993 Delfyett, Jr. 372/11
5,351,127 * 9/1994 King et al. 356/445
5,642,375 * 6/1997 King et al. 372/97
5,644,584 * 7/1997 Nam et al. 372/20
5,973,727 * 10/1999 McGrew et al. 348/41
6,088,377 * 7/2000 Matsuda 372/50

OTHER PUBLICATIONS

IEEE Transactions On Microway Theory and Techniques, vol. MTT-16, No. 12, pp. 1048-1054, Dec. 1968, R. Shubert and J. H. Harris, "Optical Surface Waves On Thin Films And Their Application To Integrated Data Processors".
Applied Optics, vol. 10, pp. 12-30, Nov. 1971, P. K. Tien, "Light Waves In Thin Films and Integrated Optics".
IEEE Transactions On Antennas and Propogation, vol. 40, No. 12, pp. 1496-1504, Dec. 1992, Tom Cwik, "Coupling Finite Element and Integral Equation Solutions Using Decoupled Boundary Meshes".

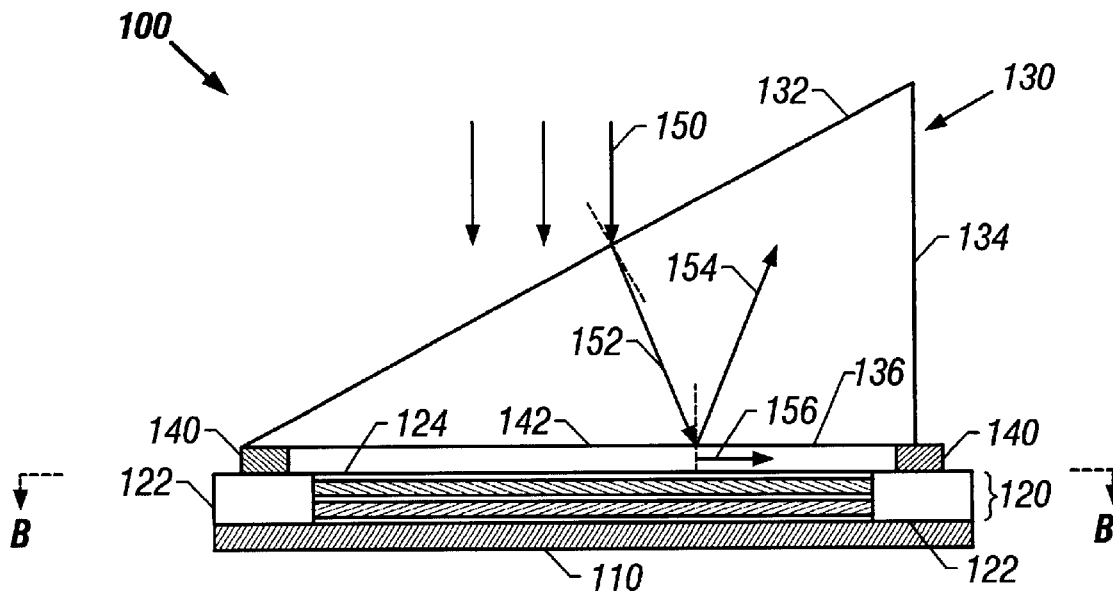
* cited by examiner

Primary Examiner—Constantine Hannaher
Assistant Examiner—Otilia Gabor
(74) *Attorney, Agent, or Firm*—Fish & Richardson P.C.

(57) **ABSTRACT**

Devices and techniques for using a prism to couple IR radiation to a quantum-well sensor with a polarization substantially perpendicular to the quantum-well layers.

19 Claims, 5 Drawing Sheets



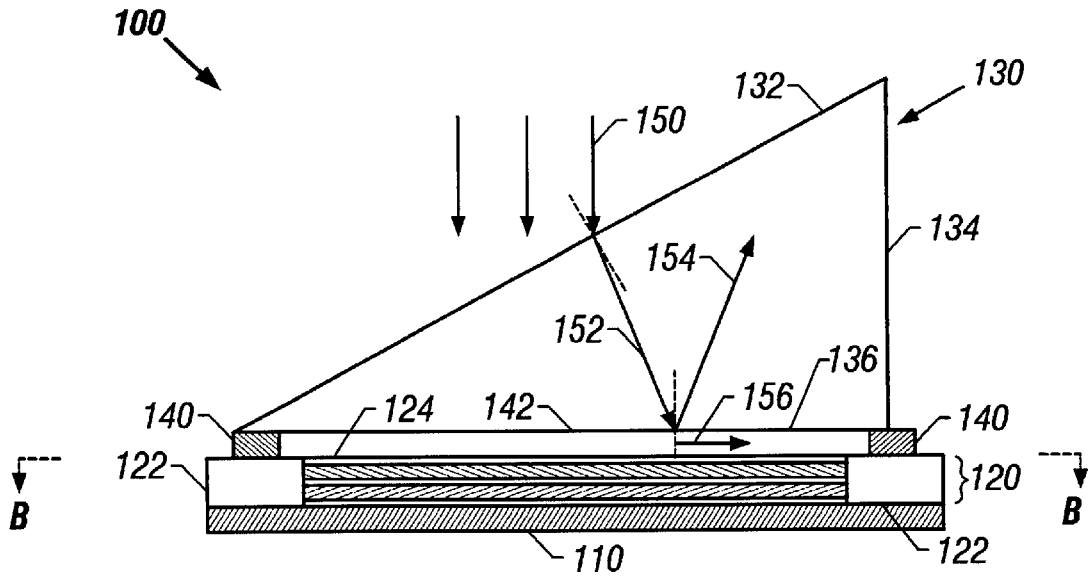


FIG. 1A

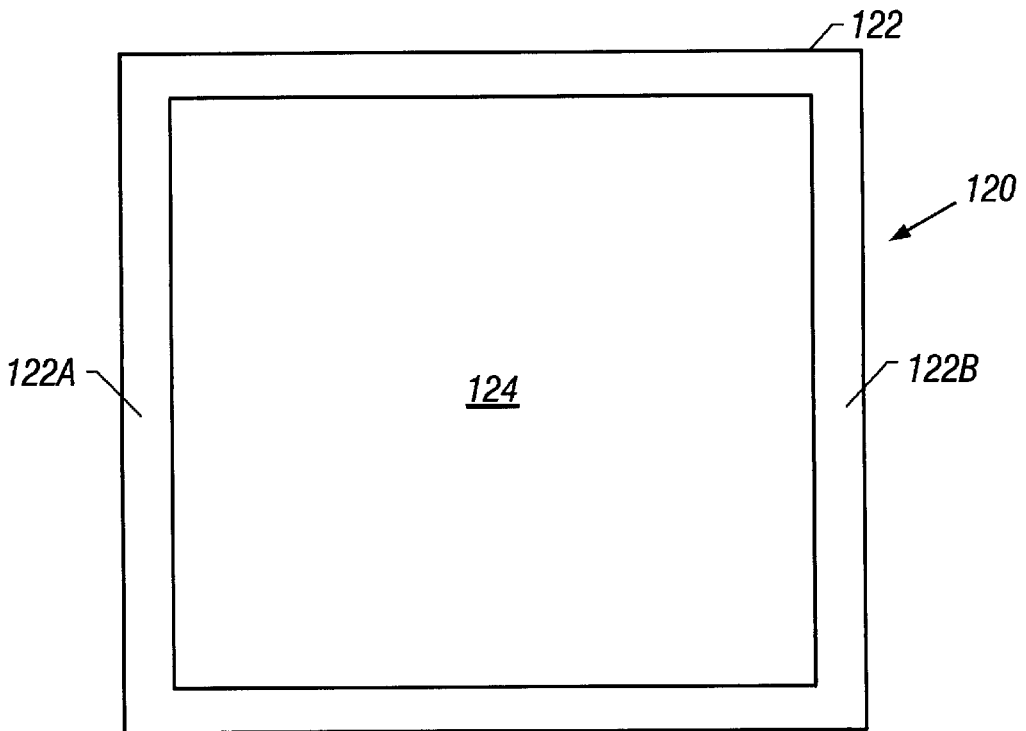


FIG. 1B

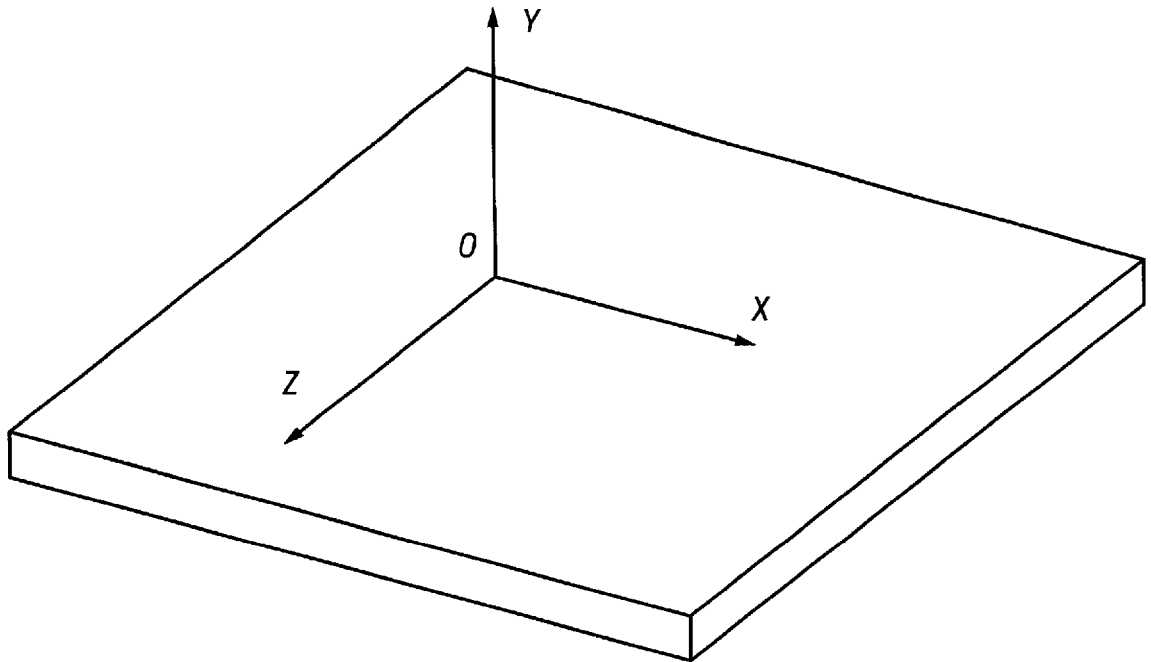


FIG. 2

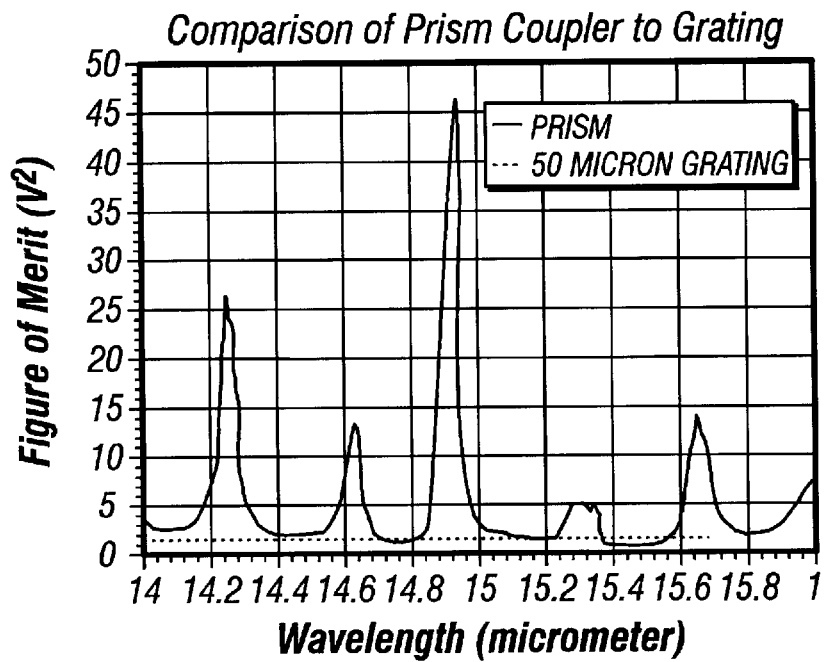
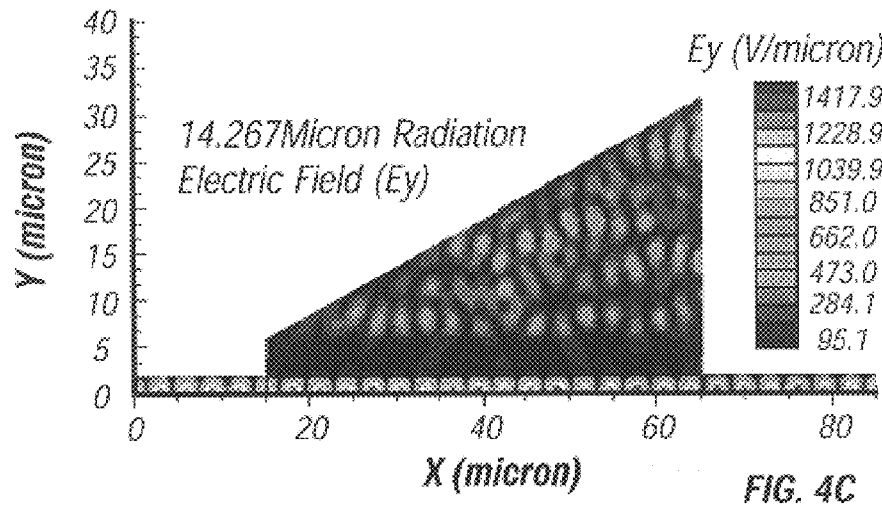
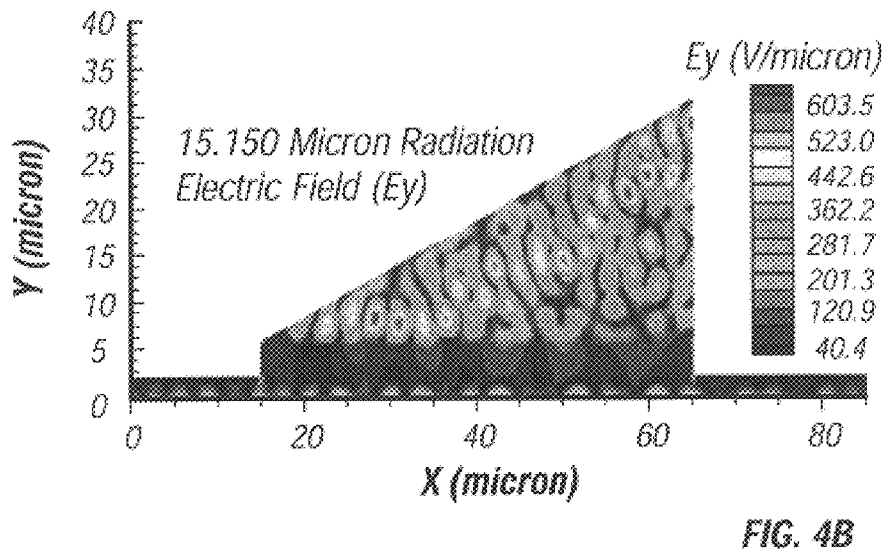
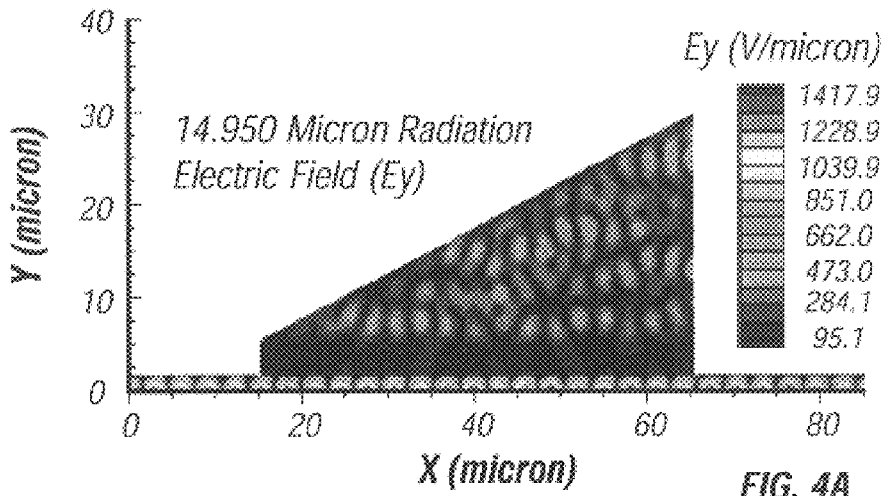


FIG. 3



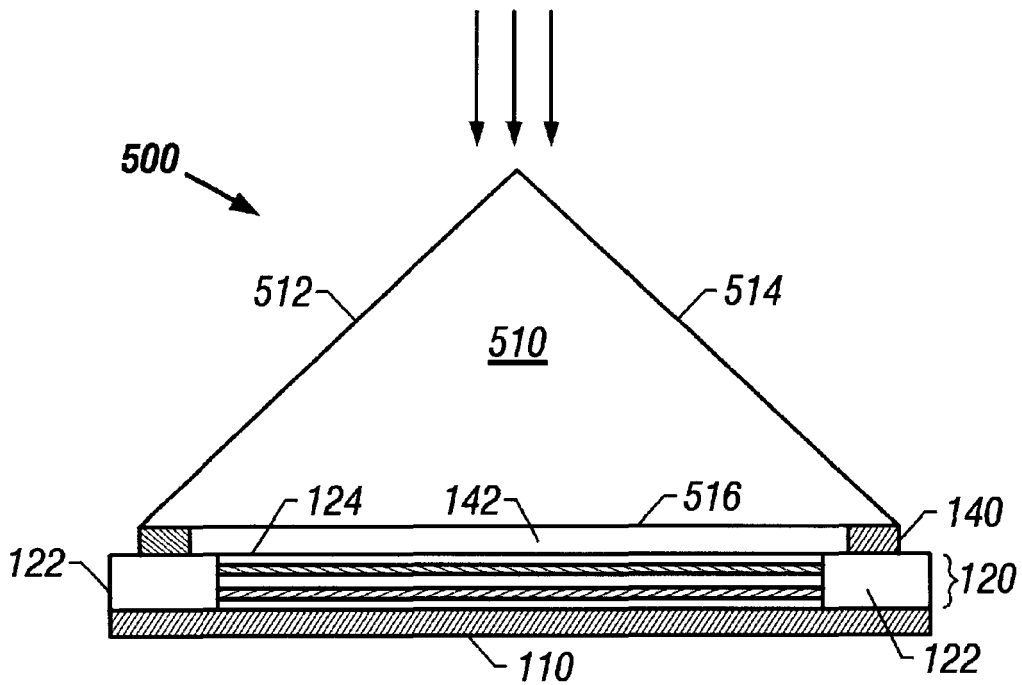


FIG. 5

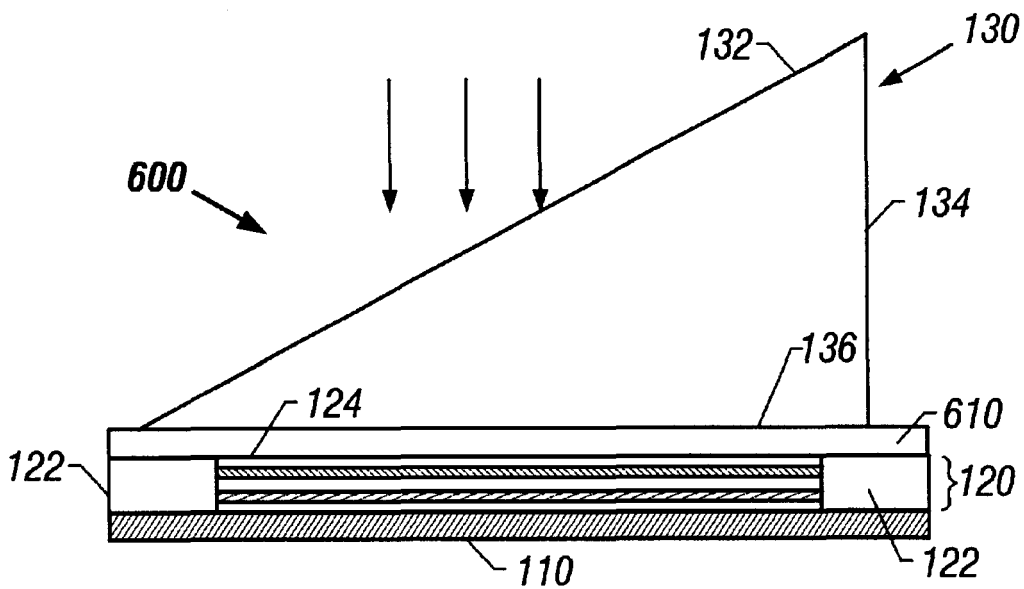


FIG. 6

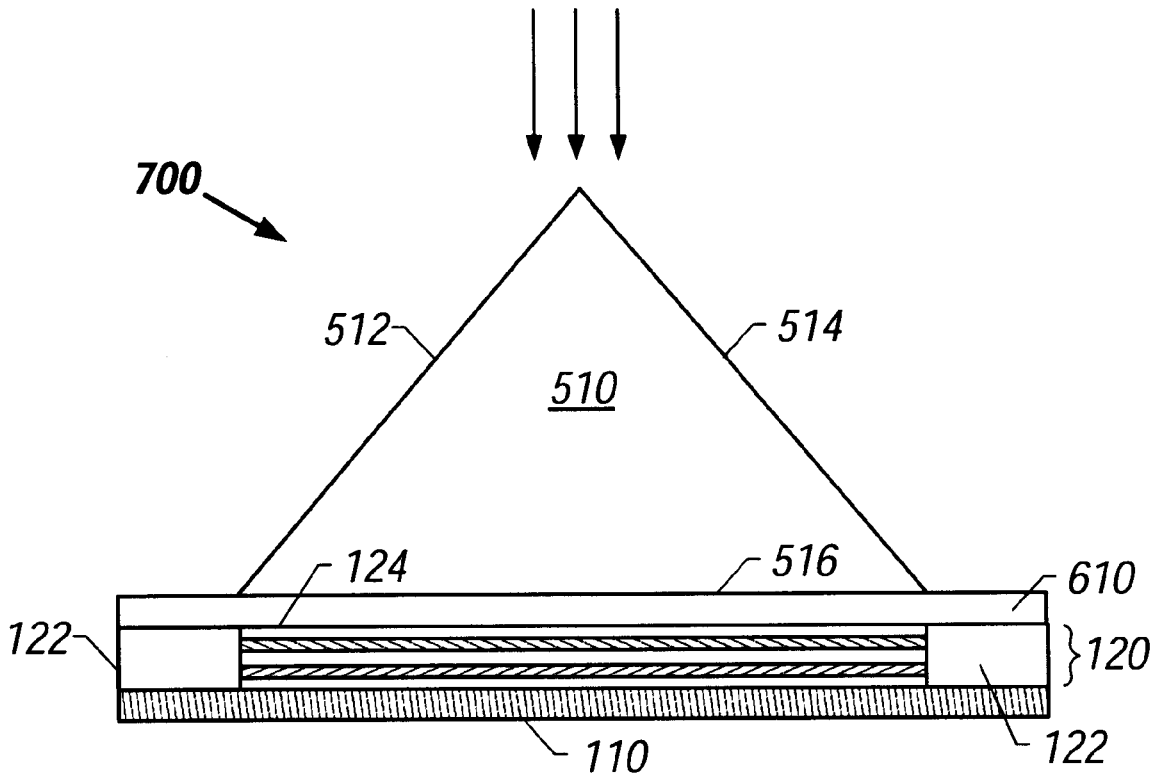


FIG. 7

EFFICIENT RADIATION COUPLING TO QUANTUM-WELL RADIATION-SENSING ARRAY VIA EVANESCENT WAVES

This application claims the benefit of U.S. Provisional Application Nos. 60/104,434, filed on Oct. 15, 1998, and 60/151,812, filed on Aug. 30, 1999.

ORIGIN

The devices and techniques described herein were made in the performance of work under a NASA contract, and is subject to the provisions of Public Law 96-517 (35 U.S.C. §202) in which the Contractor has elected to retain title.

BACKGROUND

This specification relates to devices and techniques of coupling radiation energy to a light sensing array, and more particularly, to radiation coupling to a quantum-well infrared sensing array via evanescent waves.

Quantum-well semiconductor devices can be designed to respond to radiation energy to produce charge indicative of the amount of received radiation. The radiation-induced charge can then be converted into an electrical signal (e.g., a voltage or current) to be processed by signal processing circuitry. Many quantum-well devices use an intraband transition between a ground state and an excited state in the same band (i.e., a conduction band or a valence band) of the quantum-well structure to detect infrared ("IR") radiation. The compositions of lattice-matched semiconductor materials of the quantum well layers can be adjusted to cover a wide range of wavelengths for infrared detection and sensing. In comparison with other radiation detectors, quantum-well structures can achieve a high quantum efficiency, a low dark current, compact size and other advantages. Infrared quantum-well sensing arrays may be used for various applications, including night vision, navigation, flight control, environmental monitoring.

A quantum well infrared sensor only responds to incident radiation with a polarization that is perpendicular to the plane of the quantum well layers. This is because only this polarization can induce an intraband transition at a desired infrared wavelength. Hence, the direction of the electric field of the received radiation must be parallel to the growth direction of the quantum well layers. One direct approach for light coupling is to orient the quantum well infrared photodetector at an angle to the incident infrared radiation (e.g., forty-five degree). The incident electric field will have a component along the growth direction of the quantum well layers to produce absorption of photons. Any additional scattering can enhance this absorption.

For applications based on imaging at focal plane arrays, the photodetector array is often oriented perpendicular to the scene to be imaged. Since the electric vector is essentially parallel to the quantum well layers in this arrangement, the quantum well layers absorb little or no light. One way to provide proper coupling is to use a random surface to scatter the incident radiation into the correct polarization for absorption. Alternatively, grating couplers with one or two-dimensional periodic profiles can be used to convert normally-incident radiation to waves propagating parallel to the quantum well layers.

SUMMARY

The present disclosure includes techniques and devices that couple radiation to quantum-well sensors via evanescent

waves so that the polarization of the coupled energy is substantially perpendicular to the quantum-well layers. Efficient IR coupling can be achieved in various applications.

One embodiment of a semiconductor device includes substrate, a quantum-well sensing region in the substrate, a non-sensing region in the substrate, and a prism engaged to the substrate. The sensing region has a quantum-well structure of alternating semiconductor layers parallel to the substrate to absorb radiation at or near a resonance wavelength. The non-sensing region at least partially encloses the sensing region to form a resonant optical cavity whose optic axis is parallel to said substrate.

The prism includes a flat surface and a slanted surface that forms an angle with the flat surface. The flat surface is substantially parallel to and spaced from the substrate by an air gap less than one wavelength of the radiation to permit evanescent coupling to the sensing region. The angle of the slanted surface is configured to couple radiation to the flat surface at an incident angle that is equal to or greater than a critical incident angle so that a total internal reflection occurs at the flat surface.

This configuration produces an evanescent wave that propagates along the flat surface. When the beam incident to the flat surface includes a polarization in the incident plane, the evanescent wave has a polarization perpendicular to the flat surface and hence the quantum well layers. Under this condition, the radiation energy in the evanescent wave can be absorbed by the quantum-well layers.

The resonance peak of the optical cavity may substantially overlap with said resonance wavelength of said sensing region in order to efficiently absorb the radiation. The air gap between the prism and the substrate may be filled with a dielectric material which has an index of refraction less than that of the prism.

These and other aspects and associated advantages will become more apparent in light of the detailed description, the accompanying drawings, and the appended claims.

BRIEF DESCRIPTION OF THE DRAWINGS

FIGS. 1A and 1B show a prism-coupled quantum-well IR sensor according to one embodiment of the present disclosure.

FIG. 2 shows a Cartesian coordinate system used for calculating the electric field that is perpendicular to the quantum well sensor as a function of position.

FIG. 3 shows calculated total power of the polarization that is perpendicular to the quantum-well layers over a given area of the quantum well sensing area for both an implementation of FIG. 1A and a grating-coupled quantum-well IR sensor.

FIGS. 4A, 4B, and 4C show spatial distribution of the electric field perpendicular to the quantum layers in a device based on the embodiment in FIG. 1A.

FIGS. 5, 6, and 7 show alternative embodiments of a prism-coupled quantum-well IR sensor.

DETAILED DESCRIPTION

A radiation beam traveling in a first medium towards an interface with a second medium may generally undergo both reflection where a portion of the incident energy is reflected back to the first medium and refraction where a portion of the incident energy is refracted into a refracted wave in the second medium. A special effect occurs when (1) the index of refraction of the first medium, n_1 , is greater than that of the second medium, n_2 , and (2) the incident angle is equal

to or greater than the critical incident angle $\theta_c = \sin^{-1}(n_2/n_1)$. Under these conditions, the refracted wave is an evanescent wave that propagates along the interface and decays exponentially within the second medium. Hence, in the absence of other energy coupling mechanisms, the incident energy does not propagate into the second medium and therefore is “totally” reflected back into the first medium. For this reason, the above effect is often referred to as “total internal reflection.”

The reflection would not be “total” under the above conditions, if an additional energy coupling mechanism can be implemented to extract the energy from the evanescent wave at the interface. The present disclosure includes techniques and devices to purposefully direct the incident IR energy to satisfy the total reflection conditions so that quantum-well IR sensors near the interface can be used to absorb the energy in the evanescent wave to detect the incident radiation. This is possible because the polarization of the evanescent wave is perpendicular to the interface. Hence, the quantum-well IR sensors can be oriented to have their quantum layers substantially parallel to the interface to satisfy the requirement for absorption. A radiation-coupling prism can be implemented to provide the interface so that quantum-well IR sensor array can be used in the focal plane of an imaging system. This prism coupling mechanism not only offers an alternative technology to coupling techniques that use a scattering random surface or a diffraction grating but also provides significant advantages over previous coupling techniques in coupling efficiency and other aspects of quantum-well IR sensor arrays.

FIGS. 1A and 1B show one embodiment of a prism-coupled quantum-well IR sensing device **100**. This device **100** represents a single sensor and may also represent one sensing pixel of a monolithic array of sensing pixels formed on a substrate. A semiconductor substrate **120** is processed to include at least two separate regions: a non-sensing region **122** and a quantum-well IR sensor region **124**. The quantum-well IR sensor region **124** includes alternating active and barrier semiconductor layers to absorb IR radiation at or near a selected resonance IR wavelength. Examples of such quantum-well structures include, among others, $\text{Al}_x\text{Ga}_{1-x}\text{As}$ (barrier)/ GaAs (active layer) and $\text{Ga}_x\text{In}_{1-x}\text{P}$ (barrier)/ InP (active layer). The quantum-well layers in the region **124** are parallel to the outer surfaces of the substrate **120**. A metallic layer **110** is formed in contact with one side of the substrate **120** to serve as an electrode which provides a desired electrical bias to the quantum-well region **124**. Another electrode (not shown) is formed on the opposite side of the quantum-well region **124** and is set at a different electrical potential from that of the metallic layer **110**.

The non-sensing region **122** is designed to at least in part enclose the region **124** and hence form a resonant optical cavity. In an array sensor where the region **124** represents one of many sensing pixels, the non-sensing region **122** also serves to isolate adjacent sensing pixels. Two subregions **122A** and **122B** of the region **122** may be located in opposite sides of the region **124** so that the optic axis of the cavity is along the quantum-well layers. Since the material compositions of the regions **122** and **124** are different, their indices of refractions are also different so as to cause optical reflection at an interface between the regions **122** and **124**. Such optical reflection creates optical feedback in the quantum well region **124** to form resonant cavity modes.

A prism **130** is positioned over the quantum-well region **124** to receive an incident beam and is designed to provide evanescent coupling to the quantum-well region **124** when an incident beam is generally incident at a direction sub-

stantially perpendicular to the substrate **120**. The prism **130** includes a slanted surface **132** that receives the incident radiation, a surface **134** that is substantially perpendicular to the substrate **120**, and a bottom flat surface **136** that is adjacent to the quantum-well region **124** for evanescently coupling incident energy. A spacer **140**, which may be made of a dielectric material such as a semiconductor compound, is formed over the substrate **120** to support the prism **130** so that the prism surface **136** is spaced from the quantum-well region **124** by an air gap **142** less than one wavelength of the incident energy. Since the index of the prism **130** is greater than that of the air, an evanescent refracted wave **156** can be generated to propagate along the surface **136** when an incident beam **152** directed from the slanted surface **132** has an incidence angle at the surface **136** that is greater than the critical angle θ_c .

The angle between the slanted surface **132** and the surface **136** is designed to allow a generally-normal incident beam **150** to be refracted at the surface **132** to produce the above refracted wave **152**. Although a portion of the beam **152** is reflected back to the prism **130** by the surface **136**, it is the energy refracted into an evanescent wave **156** that is to be detected by the quantum-well region **124**. When the refracted beam **152** is at least partially polarized within the incident plane defined by its propagation direction and the normal direction of the surface **136**, at least a portion of the evanescent wave **156** is polarized perpendicular to the surface **136** and hence can be absorbed by the quantum-well region **124**. Depending the polarization state of the incident radiation, the relative orientation between a polarization of the incident beam **150** and a direction of the prism **130** may be adjusted, or a polarizing element (e.g., a polarization rotator) may be used, to increase or maximize the portion of light that is polarized in the incident plane. This increases the absorption efficiency by the quantum-well region **124**.

Hence, the prism **130** is specifically designed to convert, through the evanescent field, a portion of the incident polarization that is parallel to the quantum-well layers into a polarization that is perpendicular to the quantum-well layers. Therefore, the radiation energy coupled into the quantum-well region **124** has the desired polarization to allow efficient absorption in the quantum well layers.

A number of device parameters can affect the efficiency of such polarization conversion. These parameters include the angle of prism **130** between surfaces **132** and **136**, the indices of the prism **130**, the air gap **142**, and the quantum-well region **124**, and thickness of the air gap **142**, and the length of the coupling region. For example, to design the device **100** for sensing IR radiation at or near a selected wavelength, the optical resonance cavity formed by the region **122** may be designed to have a resonance peak at that selected wavelength with a desired linewidth. Effects of these and other parameters may be analyzed by numerically solving Maxwell equations. See, e.g., Thomas Cwik, “Coupling Finite Element and Integral Equation Solutions Using Decoupled Boundary Meshes,” IEEE Transactions on Antennas and Propagation, 40, 1496–1504 (1992).

FIG. 2 shows a Cartesian system that is used for this numerical analysis, where x and z axes are in the side of the quantum-well region **124** that is in contact with the metallic layer **110**, and the y axis is perpendicular to the substrate **120** and is directed from the quantum-well region **124** to the prism **130**. The electric field $E_y(x, y, z)$ at any location can be calculated as a function of the above and other device parameters. Then the device parameters are adjusted to achieve a desired level of $E_y(x, y, z)$ in the quantum-well region **124** for efficient sensing applications.

One way to evaluate a design of the device **100** is to determine the sum of the intensity associated with $E_y(x, y, z)$ in the quantum-well region **124**. Hence, a figure of merit, F , may be defined as:

$$F(\lambda) = \iiint |E_y(x, y, z, \lambda)|^2 dx dy dz,$$

where λ is the wavelength of radiation, and the integration is over the volume of the quantum-well region **124**. Device parameters are selected so that F is above a desired value for a particular application.

TABLE 1

Index of Prism 130	3.1 (GaAs)
Index of Air Gap 142	1.0 (Air)
Index of Quantum Well 124	3.1 (GaAs)
Length of the Prism 130	50 μm
Thickness of Air Gap 142	3.75 μm
Thickness of Quantum Well 124	1.875 μm
Angle of Prism	27.34°

FIG. 3 shows the figure of merit of one implementation of the device **100** as a function of the incident wavelength. The parameters are listed in TABLE 1. As the incident wavelength changes from about 14 μm to about 16 μm , the figure of merit undergoes a periodic change due to the resonant cavity modes formed by the region **122**. The figure of merit reaches a maximum value when the parameters overlap a strong intraband transition with a resonance cavity mode, e.g., the mode at 14.95 μm . The numerical analysis suggests that, unlike a conventional optical cavity, the resonant modes of the cavity formed by the region **122** have a dependence on not only the structure of regions **122** and **124** but also on the angle of the prism **130** and the thickness values of the air gap **142** and the quantum-well region **124**. Hence, the position of the highest peak can be adjusted to a desired position by selecting a desired combination of device parameters.

As a comparison, FIG. 3 also shows the figure of merit for a quantum-well IR device using a 50- μm grating for coupling. The grating has 10 periods. The active quantum-well region is a rectangle of 50 μm by 3.75 μm . The coupling efficiency of the grating is many times smaller than that of the evanescent coupling by a properly designed prism coupler.

FIGS. 4A, 4B, and 4C further show the spatial distribution of the $E_y(x, y, z, \lambda)$ inside the quantum-well region **124** and the prism **130** at three different incident wavelengths (14.950 μm , 15.150 μm , and 14.267 μm) for the device **100** according to Table 1. When the incident radiation is at 14.950 μm , according to FIG. 3, the figure of merit is at a maximum indicating that most of the incident parallel polarized field has been transformed to vertically polarized field inside the quantum well layer. Hence, as expected, FIG. 4A shows concentration of high magnitude E_y field inside the quantum well layer. When the incident radiation is at 15.150 μm , according to FIG. 3, the figure of merit is at a minimum indicating that only a limited amount of the incident parallel polarized field has been transformed to vertically polarized field inside the quantum well layer. Hence, only low magnitude E_y is shown inside the quantum well layer, while higher magnitude E_y is found inside the prism. FIG. 4C shows the E_y field for the incident radiation at 14.267 μm , another resonant peak in the figure of merit in FIG. 3, which indicates good absorption by the quantum well layer. These results indicate the importance of selecting proper device parameters for a device **100** in order to achieve an optimal performance at or near an wavelength of interest.

FIG. 5 shows an alternative embodiment **500** where the wedge-shaped prism **130** of FIG. 1A is replaced by a pyramid-shaped prism **510**. The pyramid-shaped prism **510** has two slanted surfaces **512** and **514** that refract light rays in the prism **510** so that the incident angles of refracted rays at the bottom flat surface **516** are equal to or greater than the critical angle. This design reduces the height of the prism and hence makes the device more compact.

The air gap **142** may also be replaced by a dielectric spacer layer which has an index less than that of the prism. FIGS. 6 and 7 show such devices for two different types of prisms, where a dielectric layer **610** is used as a spacer between the prism (**510** or **130**) and the quantum-well region **124**. The dielectric layer **610** may be any suitable dielectric material that can be deposited over the substrate **120** and has an index of refraction less than that of the prism **510** or **130**. For example, the semiconductor material for the substrate **120** can be used to form the layer **610**.

It is also desirable to form the prism **130** or **510** from a semiconductor material so that all elements in the above devices can be integrated monolithically by a sequence of wafer processing operations. This can simplify the device fabrication, reduce the cost, and facilitates integration with other devices such as signal processing circuits.

Although only a few embodiments are described, various modifications and enhancements may be made without departing from the following claims.

What is claimed is:

1. A semiconductor device, comprising:

a semiconductor substrate having a sensing region that has a quantum-well structure of alternating semiconductor layers parallel to said substrate to absorb radiation at or near a resonance wavelength, and a non-sensing region that at least partially encloses said sensing region to form a resonant optical cavity whose optic axis is parallel to said substrate; and

a prism engaged to said substrate over said sensing region, said prism having a flat surface substantially parallel to and spaced from said substrate by an air gap less than one wavelength of the radiation to permit evanescent coupling to said sensing region, and a slanted surface forming a desired angle with respect to said flat surface to couple radiation to said flat surface at an incident angle that is equal to or greater than a critical incident angle that would cause a total internal reflection at said flat surface,

wherein a resonance peak of said optical cavity substantially overlaps with said resonance wavelength of said sensing region.

2. A device as in claim 1, further comprising a dielectric layer formed in said air gap between said substrate and said flat surface of said prism, said dielectric layer having an index of refraction less than an index of refraction of said prism.

3. A device as in claim 2, wherein said dielectric layer includes a semiconductor material.

4. A device as in claim 1, wherein said prism is a right-angled prism.

5. A device as in claim 1, wherein said prism has a second slanted surface that forms an angle with respect to said flat surface to couple radiation to said flat surface at an incident angle that is equal to or greater than said critical incident angle.

6. A device as in claim 5, wherein said slanted surface and said second slanted surface intercepts with each other.

7. A semiconductor device, comprising:

a substrate formed of a semiconductor material and having a first surface and a second surface opposing said first surface;

7

- a quantum-well sensing region in said substrate, having alternating semiconductor layers of two different compositions that are substantially parallel to said first and second surfaces and absorb radiation at or near a resonance wavelength that is polarized perpendicular to said semiconductor layers; 5
- a non-sensing region in said substrate, having an index of refraction different from an index of refraction of said sensing region, to at least partially enclose said sensing region to form a resonant optical cavity whose optic axis is parallel to said semiconductor layers; 10
- a conductive layer formed over said second surface to supply an electrical potential to said sensing region;
- a dielectric layer formed over said first surface with a thickness less than one wavelength of the radiation; and 15
- a prism engaged to said substrate over said sensing region and comprising:
 - a flat surface in contact with said dielectric layer, and
 - a slanted surface forming a desired angle with respect to said flat surface to couple radiation to said flat surface at an incident angle equal to or greater than a critical angle for a total internal reflection to cause an evanescent wave to propagate parallel to said first surface in said sensing region. 20
- 8. A device in claim 7, wherein said prism, said dielectric layer, and said sensing region are configured in a way that a resonance peak of said optical cavity substantially overlaps with said resonance wavelength of said sensing region.
- 9. A device as in claim 7, wherein said dielectric layer includes an air gap. 30
- 10. A device as in claim 7, wherein said dielectric layer includes a semiconductor compound.
- 11. A device as in claim 7, wherein said prism is a right-angled prism. 35
- 12. A device as in claim 7, wherein said prism has a second slanted surface that forms an angle with respect to said flat surface to couple radiation to said flat surface at an incident angle that is equal to or greater than said critical incident angle. 40
- 13. A device as in claim 12, wherein said slanted surface and said second slanted surface intercepts with each other.
- 14. A method for detecting radiation by using a semiconductor quantum-well sensor, comprising: 45
 - projecting a beam of radiation towards a quantum-well sensor in a direction substantially perpendicular to quantum-well layers;

8

- using a first surface of a prism to receive the beam and a second surface of the prism to receive the beam from the first surface at an incident angle equal to or greater than a critical angle for a total internal reflection so as to produce an evanescent wave propagating along said second surface, wherein the beam is at least partially polarized in an incident plane that is defined by the direction of the beam and a normal direction of the second surface; and
- placing the quantum-well sensor near said second surface by a distance less than one wavelength of the radiation to couple radiation energy of the evanescent wave into the quantum-well sensor so that at least a portion of the evanescent wave in the quantum-well sensor is polarized perpendicular to the quantum-well layers.
- 15. A method as in claim 14, further comprising:
 - placing a dielectric layer between the quantum-well sensor and the second surface of the prism,
 - wherein the dielectric layer has an index of refraction less than an index of refraction of the prism.
- 16. A method as in claim 14, further comprising:
 - at least partially enclosing the quantum-well sensor with a semiconductor material that has a different index of refraction so as to form a resonance optical cavity that has an optic axis parallel to the quantum-well layers; and
 - making a resonant cavity mode of the optical cavity overlap with an absorption wavelength of the quantum-well sensor to increase an efficiency of absorption.
- 17. A method as in claim 16, wherein the overlap is achieved by adjusting at least one of the following: a configuration of the prism, the distance between the prism and the quantum-well sensor, a configuration of the quantum-well sensor, and the optical cavity.
- 18. A method as in claim 16, wherein the prism includes a third surface that is angled with respect to the second surface to couple radiation to the second surface.
- 19. A method as in claim 14, further comprising adjusting a relative orientation between a polarization of the beam incident to the prism and a direction of the prism to increase an amount of light that can be absorbed by the quantum-well sensor. 45

* * * * *