



US007039207B1

Handwritten: MYL 31707-1

(12) **United States Patent**
Elrod et al.

(10) **Patent No.:** US 7,039,207 B1
(45) **Date of Patent:** May 2, 2006

(54) **ENTERTAINMENT AND PACIFICATION SYSTEM FOR CAR SEAT**

(75) Inventors: **Susan Vinz Elrod**, Huntsville, AL (US); **Richard W. Dabney**, Tanner, AL (US)

(73) Assignee: **The United States of America as represented by the Administrator of the National Aeronautics and Space Administration**, Washington, DC (US)

(*) Notice: Subject to any disclaimer, the term of this patent is extended or adjusted under 35 U.S.C. 154(b) by 645 days.

(21) Appl. No.: **10/392,488**

(22) Filed: **Mar. 18, 2003**

(51) **Int. Cl.**
H04R 5/02 (2006.01)

(52) **U.S. Cl.** **381/301**; 381/301; 381/86; 297/217.4; 297/217.3

(58) **Field of Classification Search** 381/86, 381/301; 297/217.1, 217.3, 217.4
See application file for complete search history.

(56) **References Cited**

U.S. PATENT DOCUMENTS

4,979,777 A * 12/1990 Takada 297/250.1

5,398,992 A	3/1995	Daniels	
5,482,352 A *	1/1996	Leal et al.	297/217.4
5,490,711 A	2/1996	Pollock	
5,624,156 A *	4/1997	Leal et al.	297/217.4
5,775,771 A	7/1998	La Cour et al.	
5,838,808 A	11/1998	Prosser	

* cited by examiner

Primary Examiner—Huyen Le

Assistant Examiner—Justin Michalski

(74) *Attorney, Agent, or Firm*—James J. McGroary; Peter J. Van Bergen

(57) **ABSTRACT**

An entertainment and pacification system for use with a child car seat has speakers mounted in the child car seat with a plurality of audio sources and an anti-noise audio system coupled to the child car seat. A controllable switching system provides for, at any given time, the selective activation of i) one of the audio sources such that the audio signal generated thereby is coupled to one or more of the speakers, and ii) the anti-noise audio system such that an ambient-noise-canceling audio signal generated thereby is coupled to one or more of the speakers. The controllable switching system can receive commands generated at one of first controls located at the child car seat and second controls located remotely with respect to the child car seat with commands generated by the second controls overriding commands generated by the first controls.

18 Claims, 4 Drawing Sheets

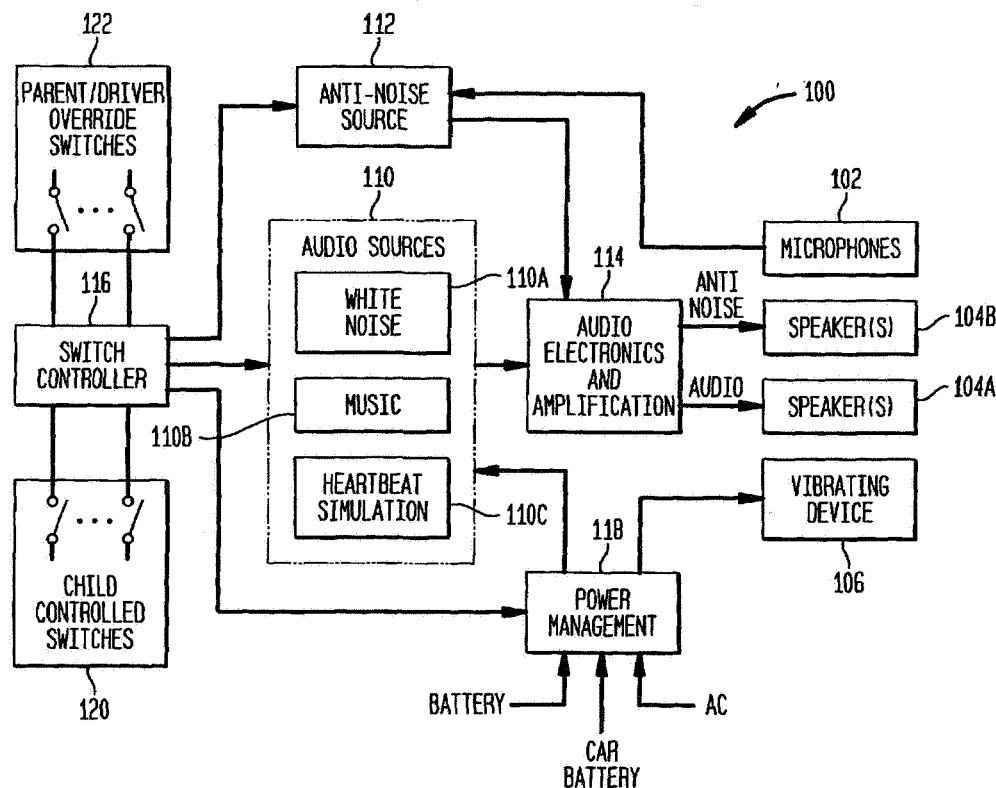


FIG. 1

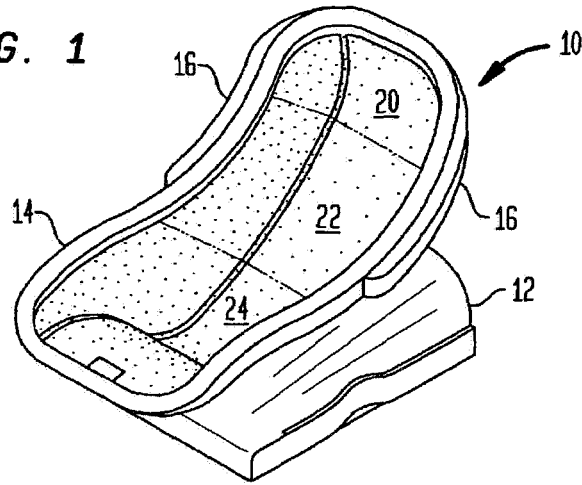


FIG. 2

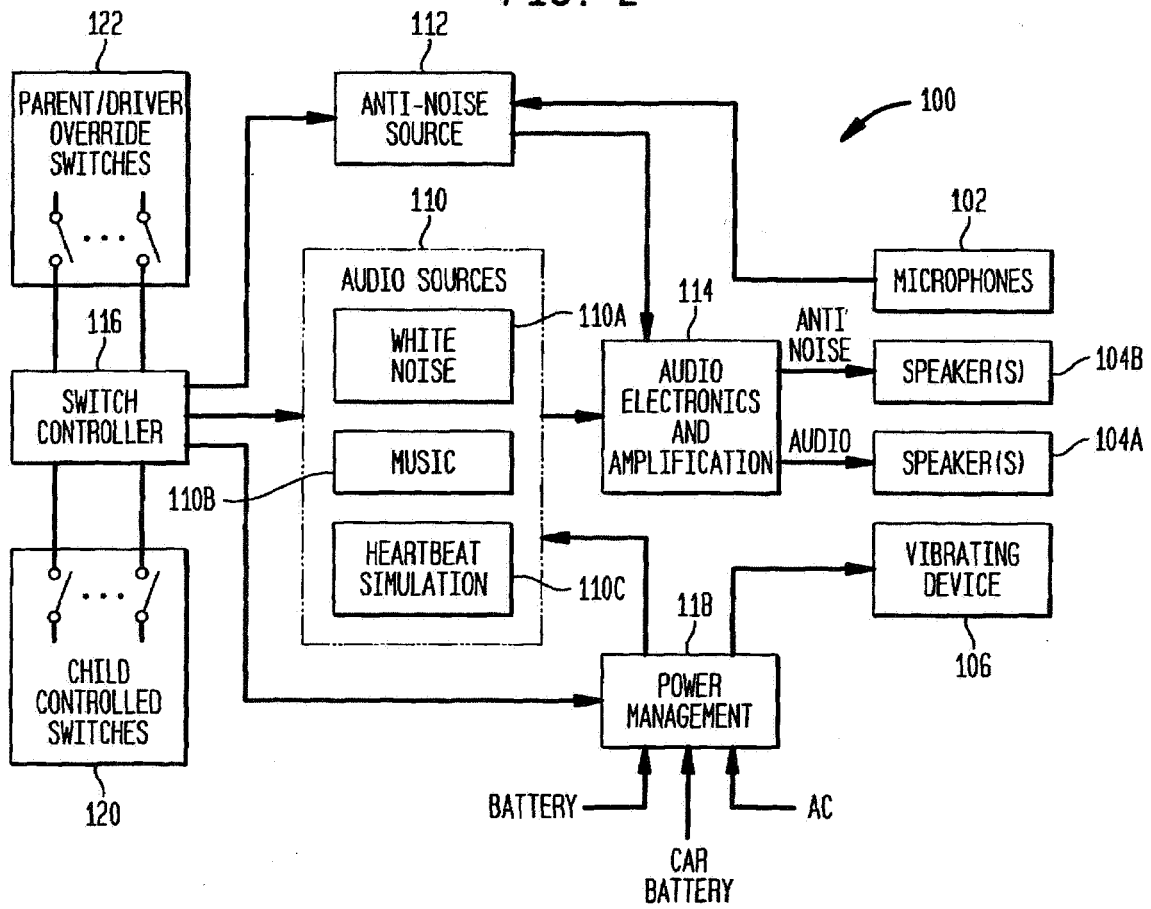


FIG. 3

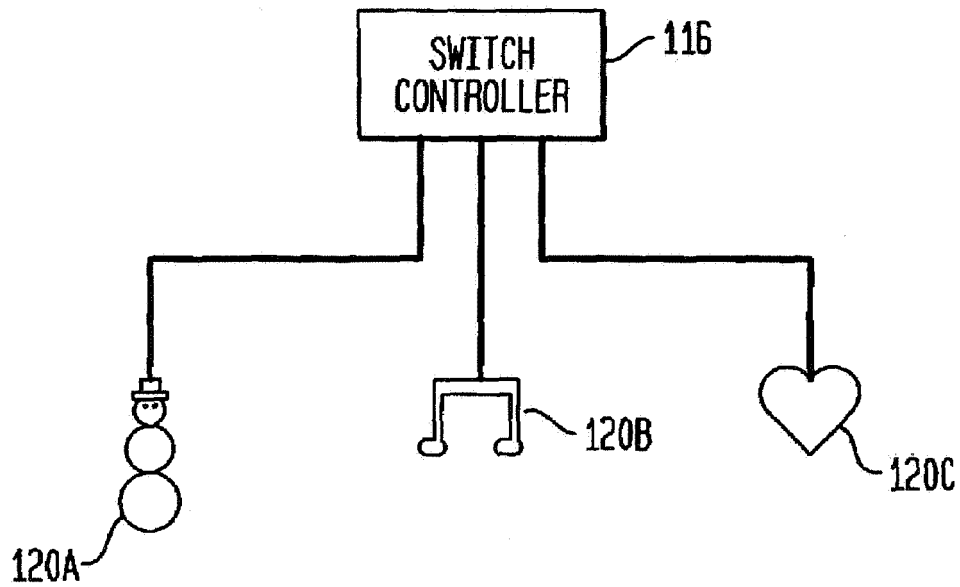


FIG. 4

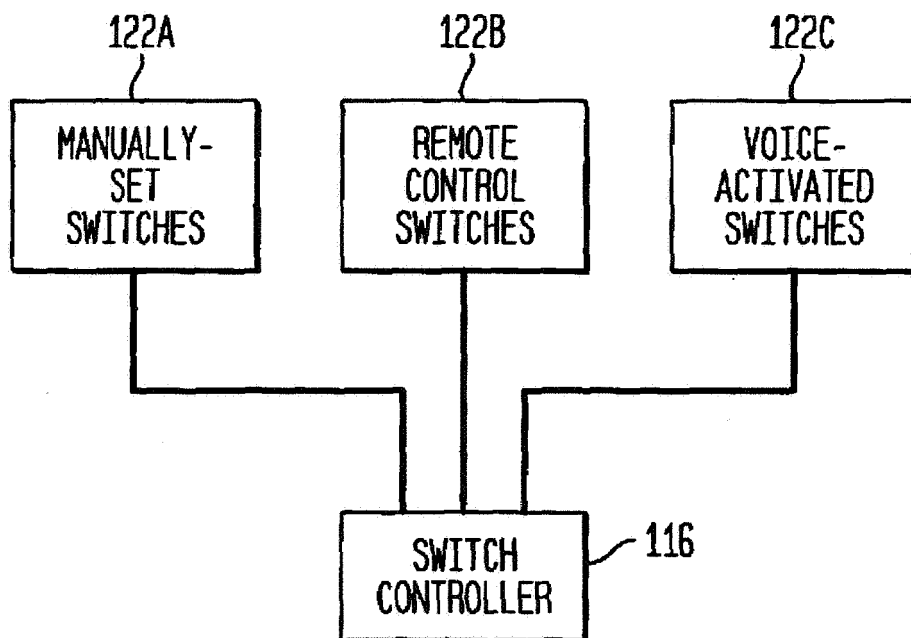


FIG. 5

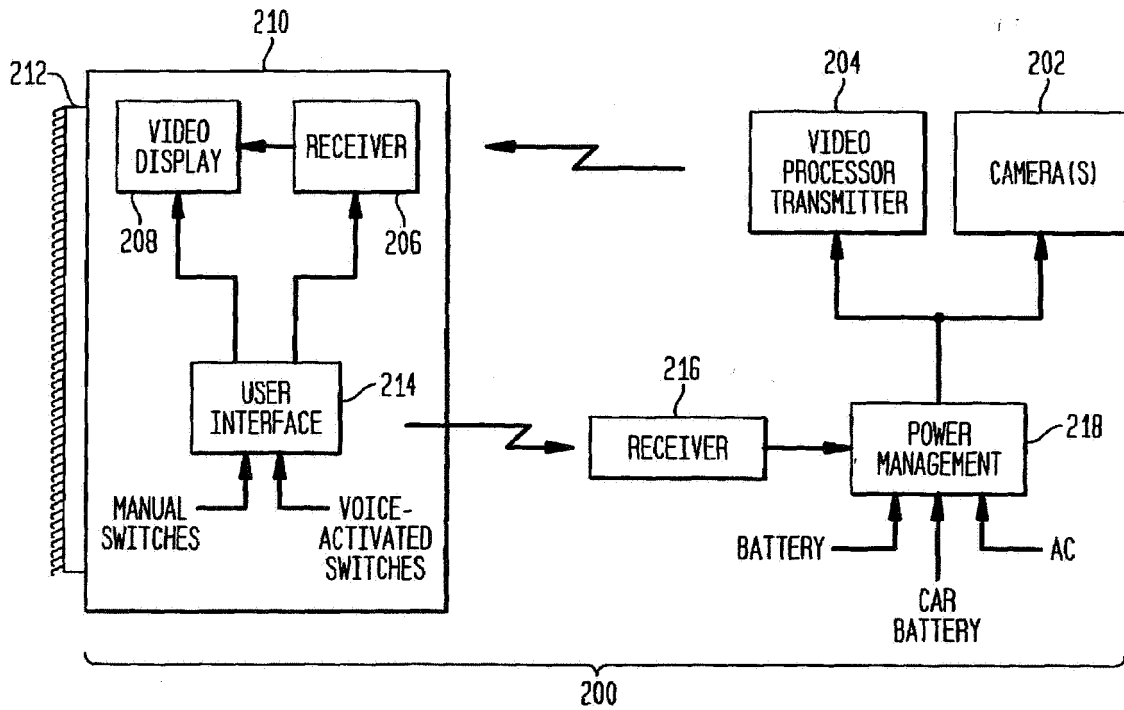
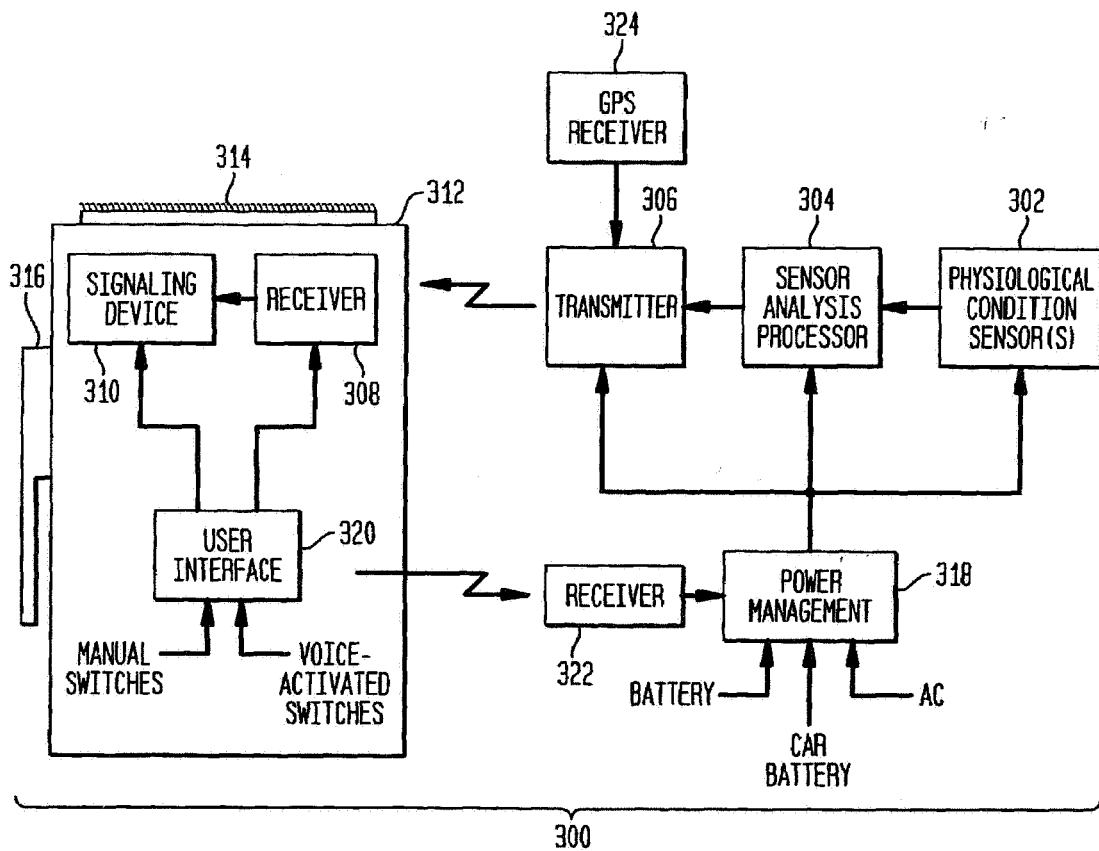


FIG. 6



1

ENTERTAINMENT AND PACIFICATION SYSTEM FOR CAR SEAT

ORIGIN OF THE INVENTION

The invention was made by employees of the United States Government and may be manufactured and used by or for the Government for governmental purposes without the payment of any royalties.

BACKGROUND OF THE INVENTION

1. Field of the Invention

This invention relates to systems for entertaining a child while in a car seat. More specifically, the invention is a system that can entertain and pacify an infant or child sitting in a car seat.

2. Description of the Related Art

Parents today lead increasingly complex and demanding lives. For example, in two parent families, both parents frequently work for a variety of reasons ranging from the need to keep up with cost-of-living increases to the need for both parents to feel fulfilled on a business/professional level. The complexities and demands increase dramatically for single parents whose numbers have increased significantly over the last twenty years. However, along with managing business lives, all parents must also maintain a family life for their children. As a result of all of the above, infants and young children today spend a lot of time being driven around in the family vehicle. Whether it is going to and from daycare, running errands, or just the parent's desire to have their child with them, children today can spend several hours a week in a car.

Parents want to be sure their children are comfortable and safe while traveling. Further, there are laws mandating the use of child safety seats in vehicles. Thus, a variety of infant car seats currently on the market are designed to reduce the risk of injury in the event of a collision with another vehicle. However, most of these have little or no features for keeping the baby creatively occupied or otherwise pacified while providing healthy mental stimulation. Without entertainment, stimulation and/or pacification, infants and children tend to cry or get fussy when strapped in their car seat. Parents/drivers can become distracted by a child's excessive crying or fussy behavior. As with any distraction, the potential result is a traffic accident.

SUMMARY OF THE INVENTION

Accordingly, it is an object of the present invention to provide an entertainment and pacification system for use with a car seat.

Another object of the present invention is to provide a system that insulates a child in a car seat from annoying ambient noise while simultaneously providing sounds that the child enjoys.

Other objects and advantages of the present invention will become more obvious hereinafter in the specification and drawings.

In accordance with the present invention, an entertainment and pacification system for use with a child car seat includes a plurality of audio sources and an anti-noise audio system coupled to the child car seat. When activated, the anti-noise audio system detects ambient noise in the vicinity of a headrest area of the child car seat and generates a canceling audio signal that is identical in magnitude and out-of-phase with respect to the detected ambient noise.

2

Audio speakers are also mounted in the child car seat. A controllable switching system provides for, at any given time, the selective activation of i) one of the audio sources such that the audio signal generated thereby is coupled to one or more of the audio speakers, and ii) the anti-noise audio system such that the canceling audio signal generated thereby is coupled to one or more of the audio speakers. The controllable switching system can receive commands generated at one of first controls located at the child car seat and second controls located remotely with respect to the child car seat. Commands generated by the second controls take priority over commands generated by the first controls.

BRIEF DESCRIPTION OF THE DRAWING(S)

Other objects, features and advantages of the present invention will become apparent upon reference to the following description of the preferred embodiments and to the drawings, wherein corresponding reference characters indicate corresponding parts throughout the several views of the drawings and wherein:

FIG. 1 is a perspective view of a conventional child car seat;

FIG. 2 is a schematic view of an entertainment and pacification system of the present invention that is to be used with a child car seat;

FIG. 3 depicts squeezable toy switches that can be used by the child in the car seat to control the audio sources in the entertainment and pacification system;

FIG. 4 is a schematic view of possible types of parent/driver override switches that can be used in the present invention;

FIG. 5 is a schematic view of a video monitoring system that can be used to monitor a child in the car seat; and

FIG. 6 is a schematic view of a health monitoring system that can be used to monitor a child in the car seat.

DESCRIPTION OF THE PREFERRED EMBODIMENT(S)

Referring now to the drawings, and more particularly to FIG. 1, a conventional child car seat is shown and referenced generally by numeral 10. Car seat 10 is representative of a well known car seat design having a base 12 that is typically attached to a vehicle's seat by means of a vehicle seat belt (not shown). A removable seat 14 is locked/unlocked to base 12 with the locking and unlocking operation typically controlled by means of a pull down handle 16 shown in its upright (locked) position. Handle 16 is pivoted over seat 14 to unlock same from base 12 and serve as a carrying handle for seat 14. Car seat 10 is generally used for newborns and children up to about 2 years old depending on their size and weight. Car seat 10 is designed to face rearward in a vehicle for very young children and forward when they are a little older.

It is to be understood that the present invention is in no way limited by the design of car seat 10 and that the present invention can be incorporated into any type of car seat (e.g., one piece, two piece as just described, etc.). However, since parental concerns about a child's welfare are most heightened when the child is very young (i.e., 0 to 2 years old), and since the very young child can be uncontrollably loud or fussy when they are uncomfortable, the description of the present invention will be referenced to car seat 10.

Referring additionally now to FIG. 2, an entertainment and pacification (E/P) system that it is to be used with car seat 10 is shown and referenced generally by numeral 100.

E/P system **100** includes components that must be mounted in/on seat **14**, components that can be mounted on or coupled to either of seat **14** or base **12**, and components that must be located remotely with respect to car seat **10**. Such mounting and location will be described in detail below.

With respect to components mounted in/on seat **14**, one or more microphones **102** are fitted in/on seat **14** near the seat's headrest area designated by area **20** in FIG. 1. For reasons that will be explained further below, at least two audio speakers **104A** and **104B** are fitted into or on headrest area **20**. The particular placement of microphone(s) **102** and speakers **104A** and **104B** in headrest area **20** is not a limitation of the present invention. An electro-mechanical vibrating device **106** can optionally be provided and coupled to either back area **22** or seat area **24** (FIG. 1) of seat **14**. When activated, vibrating device **106** introduces vibrational waves into seat **14** thereby making seat **14** vibrate in a massaging or soothing fashion. Such massage may pacify the child in seat **14**. Again, the particular placement of such vibrating device **106** is not a limitation of the present invention. Also mounted on seat **14** are a plurality of child-controlled switches **120** which will be explained further below.

Mounted to either base **12** or seat **14** are the components for controlling speakers **104A/104B** and vibrating device **106**, and for receiving/using the outputs generated by microphone(s) **102**. The components mounted in base **12** (or mounted to seat **14**) include a plurality of audio sources **110**, an anti-noise source **112**, an audio electronics and amplification module **114**, a switch controller **116**, and a power management module **118**. The advantage of mounting these components on seat **14** is that E/P system **100** can be utilized even when seat **14** is not mounted to base **12**. The disadvantage is the weight that these components add to seat **14**. Thus, if weight is a concern, it may be desirable to mount some or all of these components in base **12**. However, this requires the use of connectors that would allow the coupling of these components to microphone(s) **102**, speakers **104A/104B** and vibrating device **106**. Such connectors would ideally be automatically coupled upon the locking of seat **14** to base **12**.

Audio sources **110** can include, for example, a white noise generator **110A**, a music generator **110B** and a human heartbeat simulation generator **110C**. Each of these types of audio sources are well known in the art and can be realized in a variety of ways. For example, music generator **110B** can be any one of a variety of digital type devices to include an MP3 player, a CD player, etc. White noise generator **110A** can be used to generate a white noise signal having a spectral frequency distribution that is tuned/filtered to produce an audio output that is calming to the child in seat **14**. Human heartbeat simulation generator **110C** produces an audio signal that, when amplified, produced an audio output simulating a human heartbeat.

When activated, the audio signal produced by each of these sources can be filtered and amplified as needed by audio electronics and amplification module **114** before being supplied to at least one of speakers **104A**. At any given time, only one of audio sources **110** is activated by switch controller **116** with the generated audio signal being reproduced at speakers **104A**. Power for the selected one of audio sources **110** is supplied by power management module **118** which will be described later below.

Anti-noise source **112** is an active ambient noise suppression system that uses the output of microphone(s) **102** (i.e., the ambient noise detected in headrest area **20**) to generate a (canceling) audio signal that is equal in magnitude but

opposite in phase to the detected ambient noise. Such anti-noise suppression systems are well known in the art of broadcasting and airline pilot headsets. The anti-noise or canceling audio signal is filtered/amplified at module **114** before being reproduced at one or more of speakers **104B**. Thus, at any given time, speakers **104A** are dedicated to one of audio sources **110** while speakers **104B** are dedicated to anti-noise source **112**. Alternatively, the canceling audio signal (from source **112**) can be blended with the audio signal (from a selected source **110**) and fed to any or all of speakers **104A** and **104B**. In either case, the selected one of audio sources **110** is played in an environment (i.e., headrest area **20**) that is free from outside ambient noise which can distract and/or overstimulate the child in seat **14**. Note that since it is desired to cancel outside ambient noise (e.g., car noise, road noise, traffic noise, passenger conversation noise, etc.) while maintaining the audio produced by one of audio sources **110**, microphone(s) **102** mounted in headrest area **20** may be directionally focused to detect ambient noise without detecting that generated by the selected one of audio sources **110**.

As previously mentioned, switch controller **116** is used to select which of audio sources **110** is activated, whether or not anti-noise source **112** is activated and, if included, whether or not vibrating device **106** is activated. Switch inputs can be provided the child in seat **14** by means of a plurality of manually-operated switches **120**. For example, in the illustrated example, switches controlling audio sources **110** can be realized by squeezable bulb switches **120A**, **120B** and **120C** that are in the shape of toy figures as illustrated in FIG. 3. Specifically, switch **120A** in the shape of a snowman is used to activate white noise generator **110**, switch **120B** in the shape of a musical note is used to activate music generator **110B**, and switch **120C** in the shape of a heart is used to activate human heartbeat simulation generator **110C**. Additional toy switches would be provided for anti-noise source **112** and vibrating device **106**.

Since some very young children may either not have the dexterity to work switches **120** or may become frustrated at not being able to get what they want, a second set of parent/driver controlled override switches **122** are also coupled to switch controller **116**. Selection made at override switches **122** will take priority over any selections made by the child using switches **120**. Switches **122** would typically be located remotely with respect to child car seat **10**. Preferably, switches **122** are positioned such that a driver can make selections while driving.

Override switches **122** allow the parent/driver to select the particular one of audio sources **110** that keeps the child satisfied. Additionally or alternatively, override switches **122** allow the parent/driver to activate/deactivate anti-noise source **112** as needed and/or activate/deactivate vibrating device **106** as needed. As shown in FIG. 4, switches **122** could be manually-set switches **122A** that are beyond the child's reach, remote control (e.g., an infrared or RF remote) switches **122B** or voice-activated switches **122C**. If either remote control switches **122B** or voice-activated switches **122C** are wireless-based, a wireless receiver **124** is coupled to switch controller **116**.

Power management module **118** supplies power to components of E/P system **100** that are mounted on/in car seat **10**. Such power can come "locally" from an onboard battery, or can come from a remotely located source such as the vehicle's battery (via the vehicle's cigarette lighter) or a standard 120 VAC source if E/P system **100** is to be used in a house or other building. Accordingly, power management module **118** typically includes means for receiving an out-

side power source (e.g., ports) and monitoring the particular source of power and converting/filtering/amplifying it to satisfy the requirements of the components of E/P system 100. Such power management controllers are well known in the art.

In operation, with a child in seat 14, the child can select one of audio sources 110, and the independent activation/deactivation of each of anti-noise source 112 and vibrating device 106. Provided the child is content with his/her choices, the parent/driver need not use override switches 122. However if the child is dissatisfied or unable to make selections, the parent/driver makes override selections using switches 122.

In addition to or as an alternative to E/P system 100, car seat 10 can be equipped with a video monitoring system 200 illustrated schematically in FIG. 5. Video monitoring system 200 includes components mounted in/on car seat 10 as well as components located remotely with respect to car seat 10. Mounted in or on seat 14 are one or more miniature video cameras 202 that can be mounted in headrest area 20 and/or on pull down handle 16 (FIG. 1). One or more of camera(s) 202 can be an infrared camera thereby allowing their use in low light or dark conditions without visible illumination which might disturb the child and/or distract the driver. If necessary, an infrared illuminator (not shown) can be included to insure satisfactory illumination regardless of ambient lighting conditions without disturbing the occupant of the car seat.

When activated, the video signal generated by camera(s) 202 is processed and transmitted wirelessly by means of a video processor/transmitter 204. Power for camera(s) 202 and processor/transmitter 204 can be supplied by a power management module 218 which is identical in concept to power management module 118. Accordingly, module 218 will not be discussed further herein.

Components located remotely with respect to car seat 10 include a wireless receiver 206 and a video display 208. Receiver 206 detects the transmitted video signals and presents same to video display 208 (e.g., an LCD or other lightweight display). Preferably, receiver 206 and video display 208 are encased in a portable housing 210 which can be easily placed/mounted in the front seat area of the vehicle in which car seat 10 is installed. For example, housing 210 could simply have a hook-and-loop fastening strip 212 coupled thereto for mating with a complementary strip (not shown) positioned where desired in the vehicle. The portable nature of housing 210 and its components allows system 200 to function in venues other than a vehicle when seat 14 is removed therefrom.

Activation and control of camera(s) 202, transmitter 204, receiver 206 and video display 208 can be provided by a user interface 214 which can be incorporated into housing 210. User interface 214 can include remote control features that issue wireless remote control signals to a receiver 216 at car seat 10 which can instruct power management module 218 to power the appropriate components. Such control signals are provided by the parent/driver using manually-generated switches and/or voice-activated switches supported by user interface 214.

In addition to, or as an alternative to E/P system 100 and/or video monitoring system 200, car seat 10 can be equipped with a health monitoring system 300 which is illustrated schematically in FIG. 6. As with the above-described features, health monitoring system 300 includes components in/on car seat 10 as well as components located remotely with respect to car seat 10. More specifically, mounted in or on seat 14 are one or more physiological

condition sensor(s) 302, a sensor analysis processor 304, a transmitter 306 and a power management module 318 which is identical in concept to power management module 118. With respect to sensor(s) 302, their particular mounting location depends on the type of sensor(s) and the condition being monitored. For example, in terms of a child's respiratory rate and heart rate, sensor(s) 302 could be one or more microphones located in the upper portion of back area 22 illustrated in FIG. 1. That is, such microphones would function much like a doctor's stethoscope pick-up head. Sensor(s) 302 could also include sensor(s) for measuring body temperature such as an infrared thermometer or pyrometer mounted, preferably, in headrest area 20 since such sensors need to access exposed skin, i.e., the child's face.

Sensor(s) 302 provide their sensed outputs to sensor analysis processor 304 where the sensed signals are compared with either known normal/abnormal levels or ranges thereof. For example, processor 304 might be programmed with acceptable/unacceptable thresholds or ranges for respiratory rates, heart rates and body temperatures. Note that these thresholds could be set to standard levels or specific levels if a child had special needs or concerns.

The results of the comparisons made by a processor 304 would be used to generate a status signal which could be an actual reading, an "OK" or "not OK" status, or simply generate an alarm type of status signal only when a "not OK" condition exists. The status signals are passed to wireless transmitter 306 which transmits same over the air waves. Power for each of sensor(s) 302 (if needed), processor 304 and transmitter 306 can be supplied by power management module 318.

Components located remotely with respect to car seat 10 include a wireless receiver 308 and a signaling device 310. Receiver 308 detects the transmitted status signals and presents same to signaling device 310 which produces one or more outputs that can be easily monitored by the parent/driver. Accordingly, such outputs can be audible, visual or tactile in nature (e.g., vibration). Preferably, receiver 308 and signaling device 310 are encased in a portable housing 312 which can either be placed/mounted in the vehicle or worn on the parent/driver's clothing. For example, housing 312 can have a hook-and-loop fastening strip 314 coupled thereto and/or a belt clip 316 coupled thereto. The portable nature of housing 312 and its components allows system 300 to function in venues other than a vehicle when seat 14 is removed therefrom.

Activation and control of sensor(s) 302, processor 304, transmitter 306, receiver 308 and signaling device 310 can be provided by a user interface 320 which can be incorporated into housing 312. User interface 320 can include remote control features that issue wireless remote control signals to a receiver 322 at car seat 10 which can then pass such instructions to power management module 318 to power the appropriate components. Such control signals are provided by the parent/driver using manually-operated switches and/or voice activated switches.

Health monitoring system 300 can also include a tracking feature to allow the whereabouts of seat 14 to be monitored. Such tracking could be provided by GPS position signals received at a GPS receiver 324 mounted to seat 14. The GPS position signals could be passed to transmitter 306 for transmission over the airwaves.

The advantages of the present invention are numerous. A child in a car seat can now be entertained, pacified, monitored visually and/or monitored in terms of biological vital signs. All of the features can be controlled/monitored by the

7

parent/driver without ever having to turn around and look into the back seat of the vehicle. Thus, the present invention provides a new level of vehicle safety for everyone on the road.

Although the invention has been described relative to a specific embodiment thereof, there are numerous variations and modifications that will be readily apparent to those skilled in the art in light of the above teachings. It is therefore to be understood that, within the scope of the appended claims, the invention may be practiced other than as specifically described.

The invention claimed is:

1. An entertainment and pacification system for use with a child car seat, comprising:

a plurality of audio sources coupled to a child car seat, each of said plurality of audio sources generating an audio signal when activated;

an anti-noise audio system coupled to the child car seat for, when activated, detecting ambient noise in the vicinity of a headrest area of the child car seat and generating a canceling audio signal that is identical in magnitude and out-of-phase with respect to said ambient noise;

a plurality of audio speakers mounted in the child car seat; controllable switching means coupled to said plurality of audio sources, said anti-noise audio system and said plurality of audio speakers for, at any given time, selectively controlling activation of i) one of said plurality of audio sources wherein said audio signal generated thereby is coupled to at least one of said plurality of audio speakers, and ii) said anti-noise audio system wherein said canceling audio signal generated thereby is coupled to at least one of said plurality of audio speakers; and

said switching means controlling said activation by commands generated at one of first controls located at the child car seat and second controls located remotely with respect to the child car seat, said switching means including means for discriminating between said commands generated by said first controls and said commands generated by said second controls wherein said commands generated by said second controls override commands generated by said first controls.

2. An entertainment and pacification system as in claim 1 wherein said plurality of audio sources include a white noise generating source, a music generating source and a simulated human heartbeat generating source.

3. An entertainment and pacification system as in claim 2 wherein said music generating source comprises a digital audio source.

4. An entertainment and pacification system as in claim 1 wherein said anti-noise audio system includes at least one microphone mounted in the headrest area of the child car seat.

5. An entertainment and pacification system as in claim 1 wherein said first controls are coupled to the child car seat.

6. An entertainment and pacification system as in claim 5 wherein said first controls are incorporated into a plurality of squeezable toy figures wherein squeezing any one of said plurality of squeezable toy figures generates one of said commands.

7. An entertainment and pacification system as in claim 1 further comprising:

a vibrator coupled to the child car seat for introducing vibrational waves therein when activated; and

8

said first controls and said second controls of said controllable switching means coupled to said vibrator for, at any given time, selectively controlling activation thereof.

8. An entertainment and pacification system as in claim 1 further comprising power management means for supplying power to said plurality of audio sources and said anti-noise audio system, said power management means including a rechargeable battery as a local source of said power and at least one port for receiving said power from a remote source.

9. An entertainment and pacification system as in claim 1 wherein said second controls are incorporated into a wireless transmitter.

10. An entertainment and pacification system as in claim 9 wherein said wireless transmitter is voice activated.

11. An entertainment and pacification system for use with a child car seat, comprising:

a plurality of audio sources coupled to a child car seat, each of said plurality of audio sources generating an audio signal when activated, said plurality of audio sources including a white noise generating source, a music generating source and a simulated human heartbeat generating source;

an anti-noise audio system coupled to the child car seat for, when activated, detecting ambient noise in the vicinity of a headrest area of the child car seat and generating a canceling audio signal that is identical in magnitude and out-of-phase with respect to said ambient noise;

a plurality of audio speakers mounted in the child car seat; controllable switching means coupled to said plurality of audio sources, said anti-noise audio system and said plurality of audio speakers for, at any given time, selectively controlling activation of i) one of said plurality of audio sources wherein said audio signal generated thereby is coupled to at least one of said plurality of audio speakers, and ii) said anti-noise audio system wherein said canceling audio signal generated thereby is coupled to at least one of said plurality of audio speakers;

said switching means controlling said activation by commands generated at one of first controls located at the child car seat and second controls located remotely with respect to the child car seat, said switching means including means for discriminating between said commands generated by said first controls and said commands generated by said second controls wherein said commands generated by said second controls override commands generated by said first controls; and

power management means coupled to said switching means for supplying power to said plurality of audio sources and said anti-noise audio system, said power management means including a rechargeable battery as a local source of said power and at least one port for receiving said power from a remote source.

12. An entertainment and pacification system as in claim 11 wherein said music generating source comprises a digital audio source.

13. An entertainment and pacification system as in claim 11 wherein said anti-noise audio system includes at least one microphone mounted in the headrest area of the child car seat.

14. An entertainment and pacification system as in claim 11 wherein said first controls are coupled to the child car seat.

15. An entertainment and pacification system as in claim 14 wherein said first controls are incorporated into a plu-

9

ality of squeezable toy figures wherein squeezing any one of said plurality of squeezable toy figures generates one of said commands.

16. An entertainment and pacification system as in claim **11** further comprising:

a vibrator coupled to the child car seat for introducing vibrational waves therein when activated; and said first controls and said second controls of said switching means coupled to said vibrator for, at any given time, selectively controlling activation thereof.

10

17. An entertainment and pacification system as in claim **11** wherein said second controls are incorporated into a wireless transmitter.

18. An entertainment and pacification system as in claim **17** wherein said wireless transmitter is voice activated.

* * * * *