

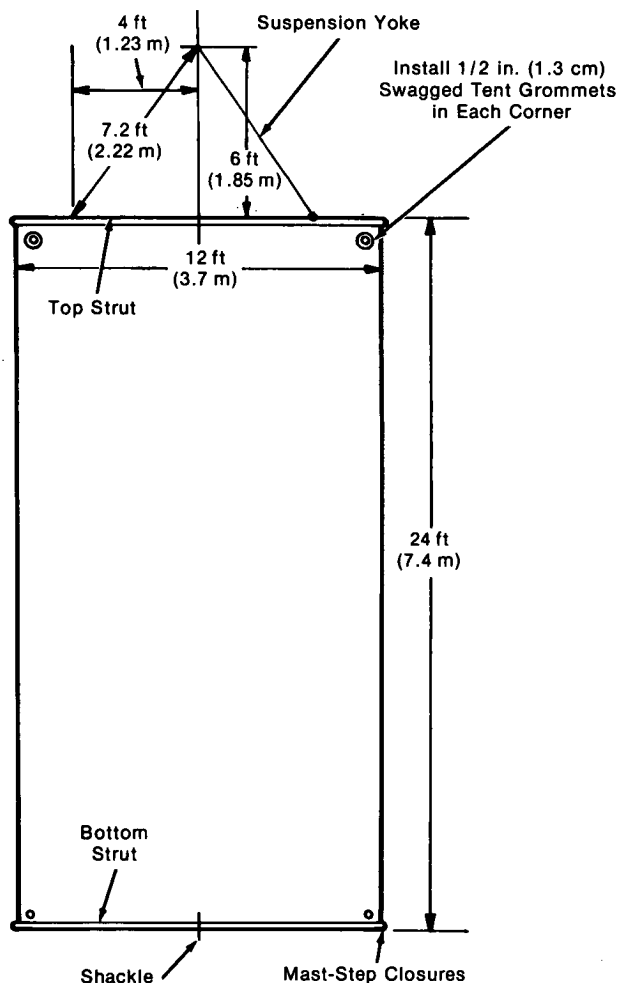
# NASA TECH BRIEF

## Marshall Space Flight Center



NASA Tech Briefs announce new technology derived from the U.S. space program. They are issued to encourage commercial application. Tech Briefs are available on a subscription basis from the National Technical Information Service, Springfield, Virginia 22151. Requests for individual copies or questions relating to the Tech Brief program may be directed to the Technology Utilization Office, NASA, Code KT, Washington, D.C. 20546.

### Simple and Effective Method To Lock Buoy Position to Ocean Currents



Note: Ballast weights are installed inside bottom strut and are contained with mast-step closures.

Window-Shade Drogue

#### The problem:

Drogues are used with drifting buoys to keep them moving with the current at a speed as close to that of the current as possible. In the past, conical sea anchors, parachutes, or crossed vanes have been used as drogues. The anchors and vanes are difficult to store, and parachutes are prone to fouling.

#### The solution:

A window-shade drogue has been developed with a drag coefficient of 1.93 compared to a maximum of 1.52 for previous drogues. It is remarkably simple to construct, use, and store.

#### How it's done:

The window-shade drogue is a rectangular piece of plastic sheet with horizontal support bars at the top and bottom. As shown in the figure, it is similar to a retractable window shade. A shade area of 288 ft<sup>2</sup> (26.5 m<sup>2</sup>) has been found to be suitable for many applications.

The drogue is attached to the buoy by a yoke. Ballast weights can be fitted into the hollow bottom strut. Besides being more effective than previous devices, this yoke can be easily stored by rolling it up (as with a window shade), and its simple design should make it less expensive.

The drogue could be used with buoys to monitor river flow and ocean currents at varying depths. It might also be used to orient fishing nets with current and as safety equipment on small boats.

(continued overleaf)

**Note:**

Requests for further information may be directed to:

Technology Utilization Officer  
Marshall Space Flight Center  
Code AT01  
Marshall Space Flight Center, Alabama 35812  
Reference: B75-10095

**Patent status:**

Inquiries concerning rights for the commercial use of this invention should be addressed to:

Patent Counsel  
Marshall Space Flight Center  
Code CC01  
Marshall Space Flight Center, Alabama 35812

Source: W. A. Vachon and J. M. Dahlen of  
Charles Stark Draper Laboratory, Inc.  
under contract to  
Marshall Space Flight Center  
(MFS-23140)

Categories: 06 (Mechanics)  
05 (Life Sciences)  
08 (Fabrication Technology)