

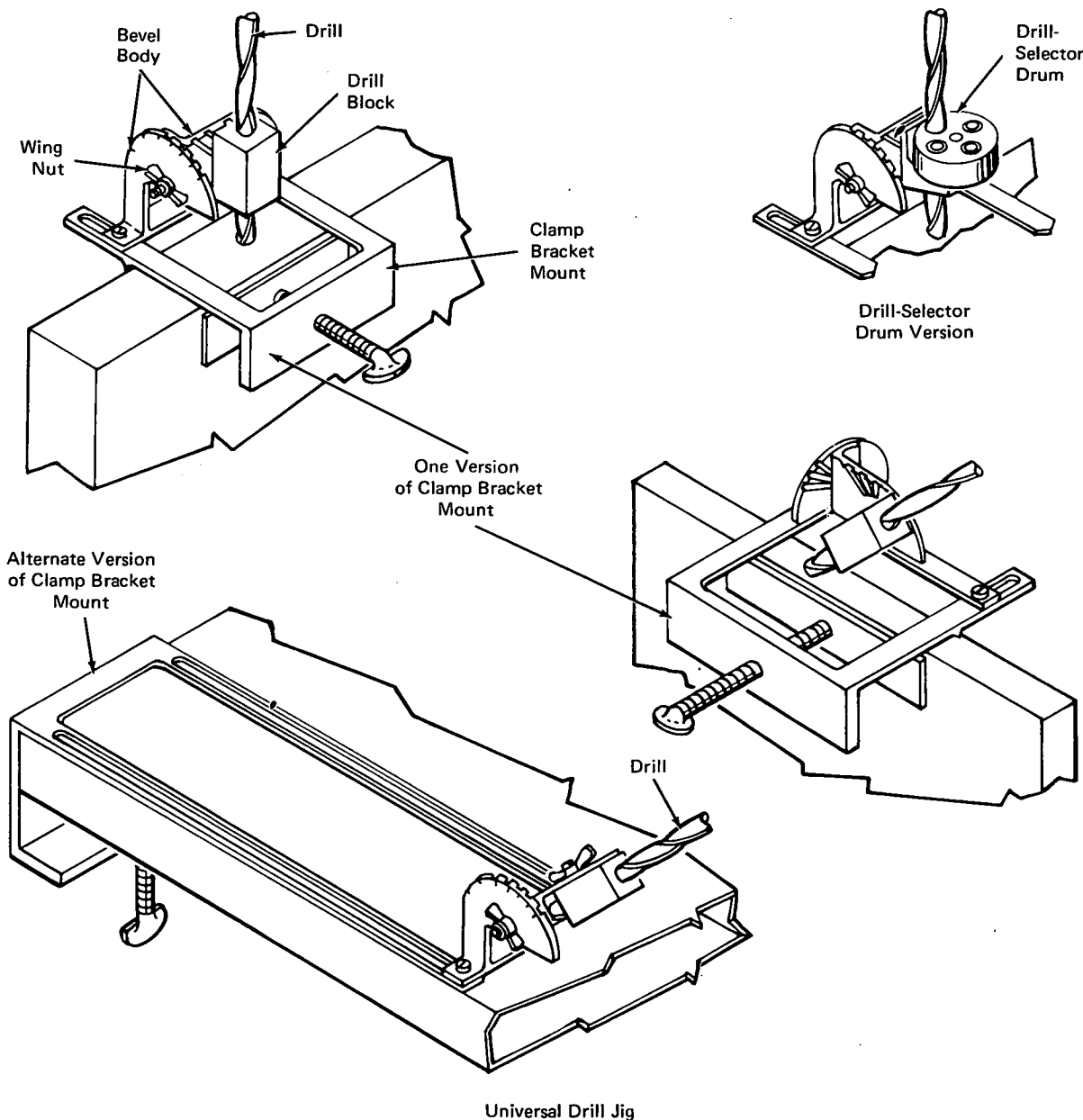
# NASA TECH BRIEF

## Marshall Space Flight Center



NASA Tech Briefs announce new technology derived from the U.S. space program. They are issued to encourage commercial application. Tech Briefs are available on a subscription basis from the National Technical Information Service, Springfield, Virginia 22151. Requests for individual copies or questions relating to the Tech Brief program may be directed to the Technology Utilization Office, NASA, Code KT, Washington, D.C. 20546.

### Universal Drill Jig



Universal Drill Jig

(continued overleaf)

**The problem:**

Drilling of holes at different angles to the flat plane often requires expensive tools such as a radial arm drill press.

**The solution:**

An inexpensive jig can steadily guide the drill at selected angles to the flat plane from any direction.

**How it's done:**

The jig shown in the figure uses two mutually perpendicular bevel bodies designed to set the drill bit at  $15^\circ$  intervals from  $90^\circ$  to  $45^\circ$  to the flat plane. Each bevel body has grooves to correspond to  $15^\circ$  interval settings. A drill block used for guiding the drill bit has a spline on one side to engage the groove on the bevel body at a selected angle. Angles are set by loosening wing nuts on either or both bodies, tilting the drill block to the desired angle until the spline engages the groove, and tightening the nuts. The drill bit is then inserted through the drill block and guided at the selected angle.

To hold the entire assembly steady, several types of clamp bracket mounts are available for supporting the bevel bodies (see figure). In addition, another type of drill block may be used, to guide the different sizes of drill bits, by simply selecting a proper hole on the drill-selector drum.

**Notes:**

1. The jig can be designed for angle settings other than those described.
2. Requests for further information may be directed to:  
Technology Utilization Officer  
Marshall Space Flight Center  
Code A&PS-TU  
Marshall Space Flight Center, Alabama 35812  
Reference: B73-10324

**Patent status:**

Inquiries concerning rights for the commercial use of this invention should be addressed to:

Patent Counsel  
Marshall Space Flight Center  
Code A&PS-PAT  
Marshall Space Flight Center, Alabama 35812

Source: E. J. Stringer of  
Rockwell International Corp.  
under contract to  
Marshall Space Flight Center  
(MFS-24464)