

NASA TECH BRIEF

Marshall Space Flight Center



NASA Tech Briefs announce new technology derived from the U.S. space program. They are issued to encourage commercial application. Tech Briefs are available on a subscription basis from the National Technical Information Service, Springfield, Virginia 22151. Requests for individual copies or questions relating to the Tech Brief program may be directed to the Technology Utilization Office, NASA, Code KT, Washington, D.C. 20546.

Portable Light Detection System For the Blind

A portable light detection system has been developed for use by the blind. There are several ways in which a blind person might find such a device helpful. It can be used to detect the "ready" light on an automatic cooking device (such as a coffee pot), to tell if lights are on for visitors, or to tell whether it is daylight or dark outside.

The device is actuated much like a flashlight. It is operated by a button switch and indicates the presence of light by an audible buzzer. The circuit is shown in the accompanying diagram.

The circuitry is housed in a durable plastic case and is quite simple and trouble free. When light impinges on the photo cell, the transistor is activated. This energizes the buzzer which sounds to indicate the presence of light.

The 100 kilohm variable resistor can be adjusted to make the device sensitive enough to detect a cooking light or coarse enough to distinguish between day and night. In addition, the entire device is small enough to be held in the hand and carried in a shirt or pants pocket.

Note:

No further documentation is available. Specific questions, however, may be directed to:

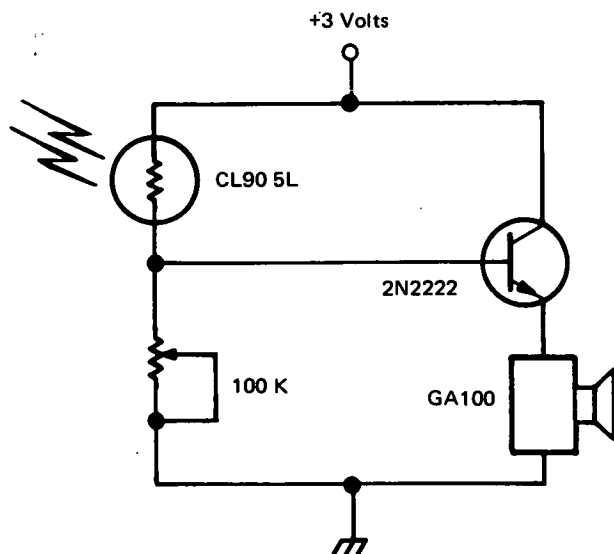
Technology Utilization Officer
Marshall Space Flight Center
Code A&PS-TU
Marshall Space Flight Center, Alabama 35812
Reference: B73-10099

Patent status:

Inquiries concerning rights for the commercial use of this invention should be addressed to:

Patent Counsel
Marshall Space Flight Center
Code A&PS-PAT
Marshall Space Flight Center, Alabama 35812

Source: R. L. Wilber and
B. L. Carpenter of
Southwest Research Institute
under contract to
Marshall Space Flight Center
(MFS-22403)



Circuit For Light Detector