

September 1969

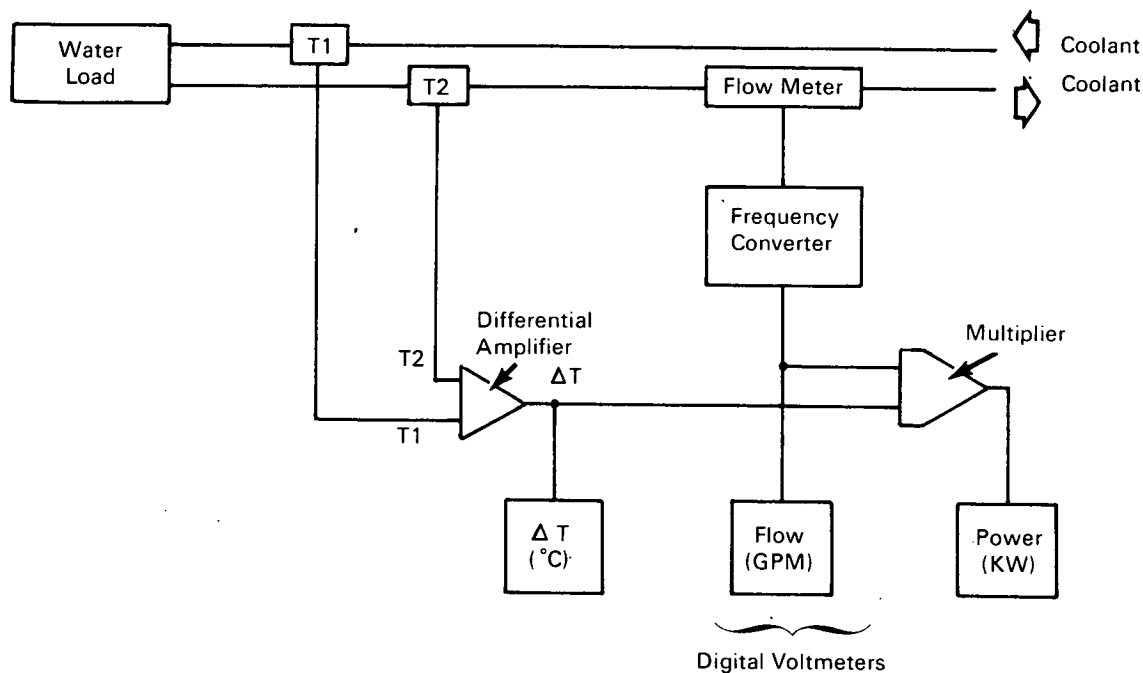
Brief 69-10384

NASA TECH BRIEF



NASA Tech Briefs are issued to summarize specific innovations derived from the U.S. space program, to encourage their commercial application. Copies are available to the public at 15 cents each from the Clearinghouse for Federal Scientific and Technical Information, Springfield, Virginia 22151..

Automatic Calorimetry System Monitors RF Power



An automatic calorimetry system has been designed to monitor the average power dissipated in a high-power (450 kw) rf transmitter. A coolant (e.g., water) circulating in a jacket surrounding the transmitter circuitry absorbs the heat equivalent of the rf power. The system employs sensors to measure the change in temperature and the flow rate of the coolant and a multiplier to compute, in accordance with a standard formula, the power dissipated in the rf load (represented by an equivalent water load in the block diagram).

Temperature sensors T1 and T2 are connected in the coolant input and output lines, respectively, near the water load. The differential amplifier accepts the

analog voltage inputs from the temperature sensors and provides a voltage output proportional to the temperature difference, which is displayed on a digital voltmeter. The coolant flow rate measured by a turbine flowmeter connected in the coolant line is converted to a proportional voltage by the frequency converter. This voltage is displayed as coolant flow in gallons per minute on a second digital voltmeter. The multiplier receives the voltage outputs and provides an analog voltage proportional to the product of the temperature difference, ΔT , and flow rate, F . A third digital voltmeter displays the output of the multiplier in kilowatts of average power dissipation, P . The relationship of these quantities is given by the

(continued overleaf)

expression $\Delta T = \frac{P}{264kF}$, where k is a constant dependent on the coolant used (k=1 for water).

The frequency converter using integrated circuitry was specially developed to replace an expensive, bulky commercial unit.

Note:

No further documentation is available. Inquiries may be directed to:

Technology Utilization Officer
NASA Pasadena Office
4800 Oak Grove Drive
Pasadena, California 91103
Reference: B69-10384

Patent status:

This invention is owned by NASA, and a patent application has been filed. Royalty-free, non-exclusive licenses for its commercial use will be granted by NASA. Inquiries concerning license rights should be made to NASA, Code GP, Washington, D. C. 20546.

Source: B. W. Harness and E. C. Heiberger of
Jet Propulsion Laboratory
under contract to
NASA Pasadena Office
(NPO-11033)