

July 1969

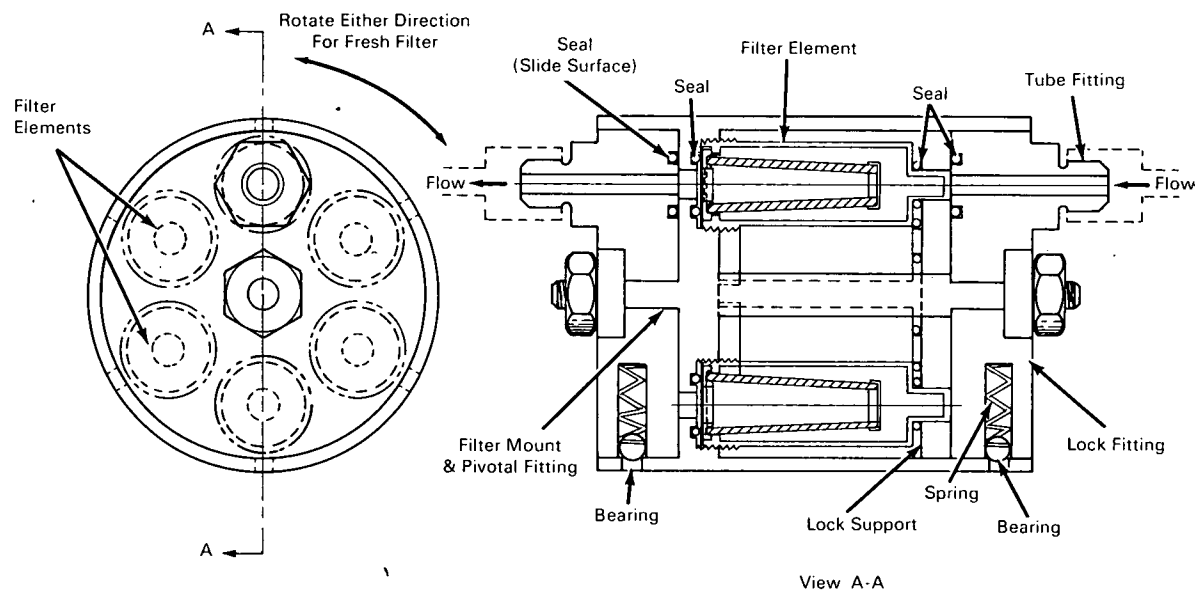
Brief 69-10245

NASA TECH BRIEF



NASA Tech Briefs are issued to summarize specific innovations derived from the U.S. space program, to encourage their commercial application. Copies are available to the public at 15 cents each from the Clearinghouse for Federal Scientific and Technical Information, Springfield, Virginia 22151.

Replacement of Fluid-Filter Elements Without Interruption of Flow



A novel Gatling-type filter assembly, preloaded with several filter elements (six in the device shown), enables filter replacement without actual breaking into the operative fluid system.

The filter assembly is a unit composed of six separate filters with six index positions. When a filter element becomes plugged or contaminated, the unit inner subassembly is rotated 60 degrees (remotely or manually), thus positioning a new, clean filter in the line.

The device was developed primarily for continuous filtration of liquid wastes in spacecraft, but can be adapted for use in other gas- or liquid-filtration systems, particularly those in areas of limited accessibility.

Notes:

- Documentation is available from:
Clearinghouse for Federal Scientific
and Technical Information
Springfield, Virginia 22151
Price \$3.00
Reference: TSP69-10245

Patent status:

Inquiries about obtaining rights for the commercial use of this invention may be made to NASA, Code GP, Washington, D.C. 20546.

Source: R. A. Kotler and J. B. Ward of
North American Rockwell Corporation
under contract to
Manned Spacecraft Center
(MSC-15499)
Category 05