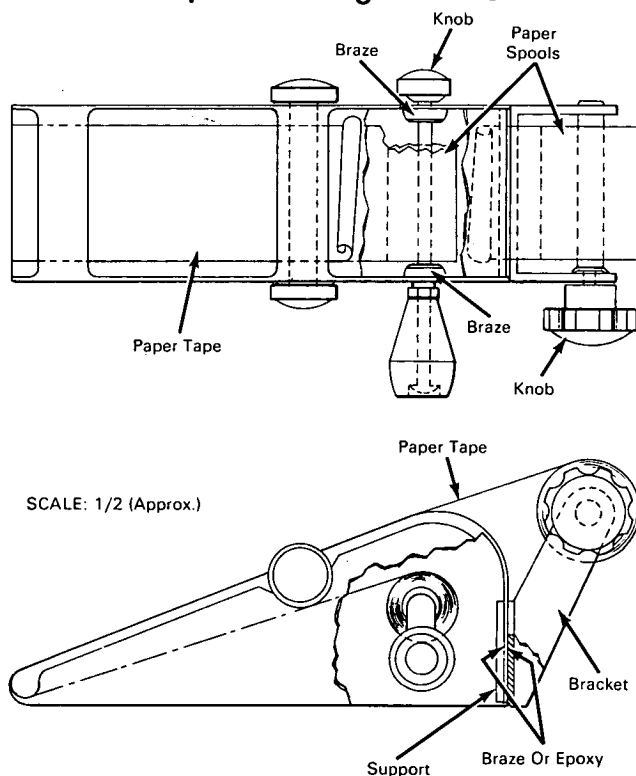


# NASA TECH BRIEF



NASA Tech Briefs are issued to summarize specific innovations derived from the U.S. space program, to encourage their commercial application. Copies are available to the public at 15 cents each from the Clearinghouse for Federal Scientific and Technical Information, Springfield, Virginia 22151.

## Tape Reading Fixture



### The problem:

To provide an efficient and orderly method of handling rolled paper tapes for proofreading. The tapes are normally hand rolled during this operation which is a slow and tedious process, and often damages or soils the tapes as they accumulate on a desk or floor.

### The solution:

A commercially available roller type desk pad, modified to accept Flex-O-Writer or similar tapes and

roll them in either direction, greatly improves the proofreading efficiency of the operator. In addition to the improved efficiency of operation, this fixture considerably reduces the chance of damaging or soiling the tapes through repeated handling.

### How it's done:

A standard roller type desk scratch pad is modified as shown in the figure for the operation. The details and dimensions of the hardware are not critical and

(continued overleaf)

can be revised to suit individual applications and requirements.

The holder is modified by the addition of a bracket to hold a tape spool, knobs for turning the spools, and slotted paper guides. This particular fixture will accept tape up to 3-3/8 inches in width.

In operation, the tape may be placed on either tape spool, threaded on the holder as shown, and rolled onto the other tape spool. This gives an orderly flow of tape over the inclined surface of the fixture in clear view of the operator. The rollers used permit the tape to be rolled in either direction.

If tapes are used in which a particular length of tape indicates a page, a mechanical counter can be incorporated which would denote page numbers as the tape is rolled. Another possible extension would be the incorporation of a magnifier, under which the tape would pass, to provide the operator with an enlarged view of a particular section of tape.

**Notes:**

1. Any rolled tape is acceptable, particularly that used in adding machines.
2. This information may be of interest to persons involved with office records and bookkeeping and to users of punched tape equipment.
3. Documentation for the innovation is available from:

Clearinghouse for Federal Scientific  
and Technical Information  
Springfield, Virginia 22151  
Price \$3.00  
Reference: TSP69-10008

**Patent status:**

No patent action is contemplated by NASA.

Source: Chrysler Corporation, Space Division  
under contract to  
Marshall Space Flight Center  
(MFS-14146)