

November 1968

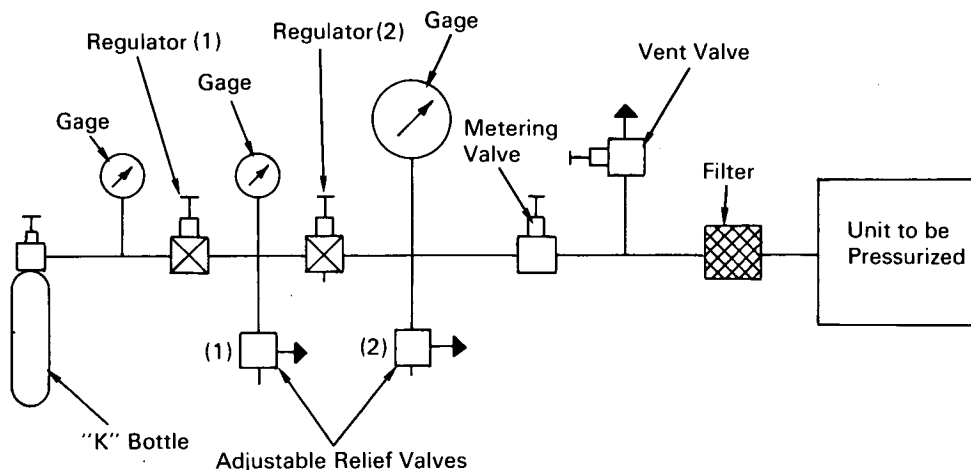
Brief 68-10401

# NASA TECH BRIEF



NASA Tech Briefs are issued to summarize specific innovations derived from the U.S. space program, to encourage their commercial application. Copies are available to the public at 15 cents each from the Clearinghouse for Federal Scientific and Technical Information, Springfield, Virginia 22151.

## Compact Monitoring and Control Console for Pressurized Gas Bottles



Note: Schematic Shows Assembly for Low-Pressure Range (0-60 psig). Relief Valve (1) and Regulator (2) are Omitted for High Pressures (60-2000 psig)

A compact monitoring and control console has been designed for dispensing gas over a range of pressures from conventional compressed-gas cylinders ("K" bottles). The console is easily mounted on any "K" bottle and uses only two fittings for connecting a bottle to a unit to be pressurized. It incorporates in a single assembly the necessary gages, control and relief valves, pressure regulators, and filters for a portable pressurization system that can be used in welding and other operations requiring a controlled gas supply.

### Note:

No additional documentation is available. Questions may be referred to:

Technology Utilization Officer  
Marshall Space Flight Center  
Huntsville, Alabama 35812  
Reference: B68-10401

### Patent status:

No patent action is contemplated by NASA.

Source: B. Freeman and C. A. Pilichi  
of North American Rockwell Corporation  
under contract to  
Marshall Space Flight Center  
(MFS-14874)

Category 05