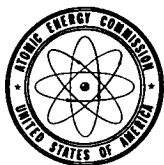


August 1967

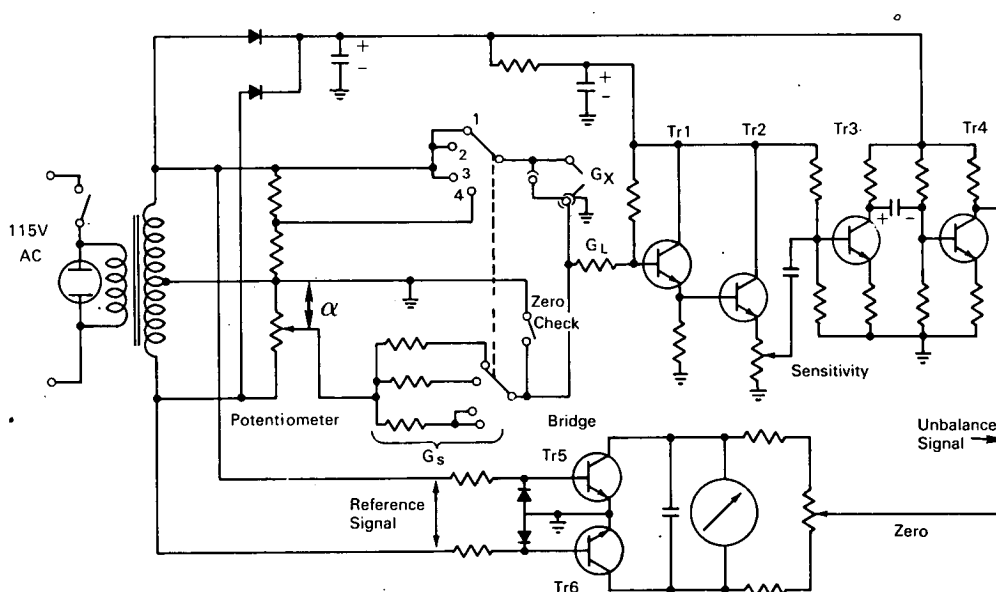


# AEC-NASA TECH BRIEF



AEC-NASA Tech Briefs describe innovations resulting from the research and development program of the U.S. AEC or from AEC-NASA interagency efforts. They are issued to encourage commercial application. Tech Briefs are published by NASA and may be purchased, at 15 cents each, from the Clearinghouse for Federal Scientific and Technical Information, Springfield, Virginia 22151.

## Sensitive Bridge Circuit Measures Conductance of Low-Conductivity Electrolyte Solutions



### The problem:

To develop a circuit that permits sensitive and accurate conductance measurements of low-conductivity electrolyte solutions. The deflection of the null indicator near the point of balance must depend linearly on the resistance or conductance to be measured in order to facilitate conductometric titrations. The measured conductance must not depend appreciably on the reactive component (lead capacities etc.) of the system to be measured.

### The solution:

A compact bridge circuit that uses a 25-ohm potentiometer to achieve a null-point sensitivity of  $10^{-4}$  or less, and an accuracy of approximately 0.2% when

the tangent of the phase angle between the unbalance and reference voltages is zero. The bridge utilizes a phase sensitive detector to obtain a linear deflection of the null indicator relative to the measured conductance and, within certain limits, a negligible influence of the phase angle  $\phi$  on the point of balance. A phase angle with  $\tan \phi = 0.15$  causes an error of only 0.8%. The bridge circuit is operated from a 115 volt, 60 Hz source and provides four conductance measurement ranges: 0 to  $1 \mu\text{mho}$ , 0 to  $10 \mu\text{mho}$ , 0 to  $100 \mu\text{mho}$ , and 0 to  $1 \text{mho}$ .

### How it's done:

The bridge is balanced by a 25-ohm potentiometer that forms part of a variable ratio arm. The approximate balance condition is obtained for the  $\mu\text{mho}$

(continued overleaf)

meter ranges when  $G_x = \alpha G_s$  ( $G_x = 10\alpha G_s$  for the mmho range), where  $G_x$  and  $G_s$  are the unknown and known conductances respectively, and  $\alpha$  is the fraction of the total potentiometer resistance between the sliding contact and the grounded end of the slidewire.

The unbalance voltage is amplified, substantially free of phase shift, by transistor amplifier network Tr 1-Tr 4, and applied to the phase sensitive detector Tr 5, Tr 6. The phase sensitive detector acts as a reference voltage operated switch, producing a square-wave function reference signal. The unbalance signal is therefore multiplied by the square-wave function, presented as a dc component of the product, and indicated on the microammeter. The meter deflection is proportional to the product of the absolute value of the unbalance voltage, and the cosine of the phase angle between the unbalance and reference voltages.

**Notes:**

1. The bridge circuit performance was tested by connecting a 1 megohm resistor to the unknown conductance terminals, paralleled by a variable air dielectric capacitor. The bridge was then balanced in the 0- to 1- $\mu$ mho range for various settings of the capacitor.

2. Additional details are contained in *Review of Scientific Instruments* 37, p. 671-672, May 1966.
3. Inquiries concerning this innovation may be directed to:

Office of Industrial Cooperation  
Argonne National Laboratory  
9700 South Cass Avenue  
Argonne, Illinois 60439  
Reference: B67-10294

Source: K. Schmidt  
Chemistry Division  
(ARG-147)

**Patent status:**

Inquiries about obtaining rights for commercial use of this innovation may be made to:

Mr. George H. Lee, Chief  
Chicago Patent Group  
U.S. Atomic Energy Commission  
Chicago Operations Office  
9800 South Case Avenue  
Argonne, Illinois 60439