

July 1967

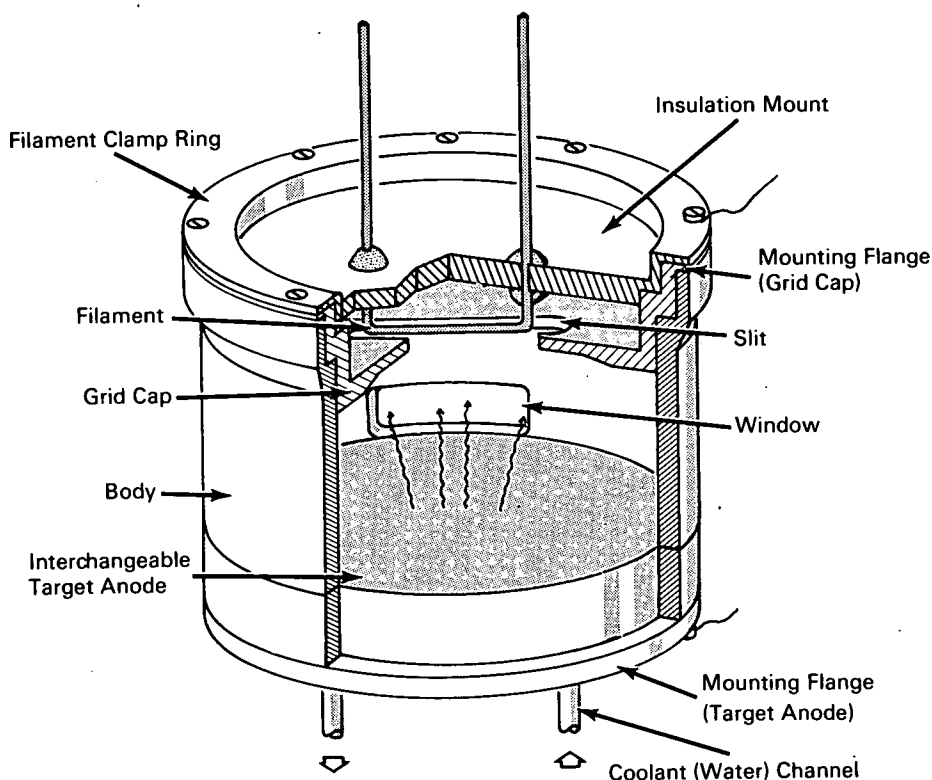
Brief 67-10218

NASA TECH BRIEF



NASA Tech Briefs are issued to summarize specific innovations derived from the U.S. space program, to encourage their commercial application. Copies are available to the public at 15 cents each from the Clearinghouse for Federal Scientific and Technical Information, Springfield, Virginia 22151.

X-Ray Source Uses Interchangeable Target Anodes to Vary X-Ray Wavelength



The problem:

To design a compact laboratory X-ray tube that will be capable of generating X-rays of various wavelengths.

The solution:

An X-ray tube in which the target anode can be easily interchanged to obtain X-rays of the desired wavelength.

How it's done:

The body of the tube is made of boron nitride, which serves both as an electrical insulator and a heat sink. The window, which provides an exit for the X-rays, is located in the side of the body at the end adjacent to the target anode. The grid cap, made of electrically conductive material, is mounted on the opposite (flared) end of the body. A slit is provided in

(continued overleaf)

the grid cap for the filament, which is rigidly supported from the insulation mount. This mount is clamped against the grid cap by the filament clamp ring. Electron emission from the filament, which penetrates the slit by approximately 0.030 inch, is focused by adjusting the voltage applied to the grid cap. The interchangeable target anodes are flanged metal disks having a channel for circulation of coolant water. The wavelength of the X-rays produced by the tube depends on the metal (aluminum, copper, etc.) from which the anode is made.

Notes:

1. The X-ray source must be operated in a vacuum.
2. Inquiries concerning this innovation may be directed to:

Technology Utilization Officer
NASA Pasadena Office
4800 Oak Grove Drive
Pasadena, California 91103
Reference: B67-10218

Patent status:

No patent action is contemplated by NASA.

Source: Rex A. Shields
(NPO-10036)