

September 1966

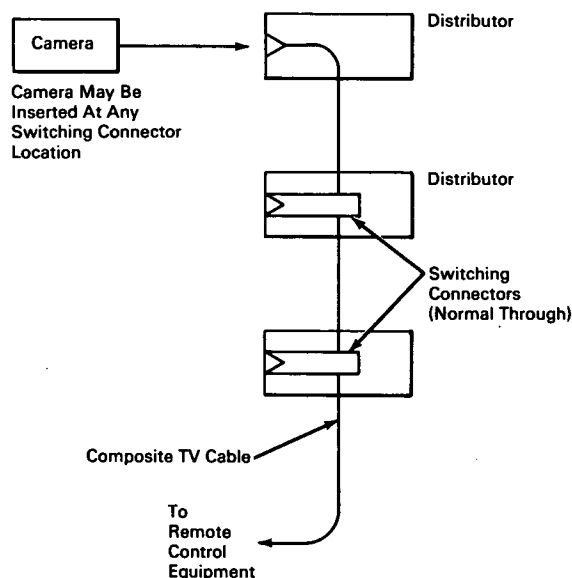
Brief 66-10391

# NASA TECH BRIEF



NASA Tech Briefs are issued to summarize specific innovations derived from the U. S. space program and to encourage their commercial application. Copies are available to the public from the Clearinghouse for Federal Scientific and Technical Information, Springfield, Virginia 22151.

## Junction Connectors Permit Strategic Placement of Television Cameras



### The problem:

In closed circuit television systems, it is frequently desirable to move a camera from place to place in order to record a sequence of events or various activities of a complex operation. Past practices have involved the costly and time consuming practice of patching into the cable run at the desired locations.

### The solution:

A system in which the cable run is equipped with a series of switching junction connectors at strategic locations.

### How it's done:

The cable run circuit provides a series of multi-conductor connectors for coaxial cable and camera-control leads. A camera may be inserted at any one

of these "stations". The cable circuit provides a normal through path for camera signals as well as control signals for the camera employed. Camera connector insertion at the "station" breaks the normal through path and connects the camera to the remote control equipment.

### Notes:

1. Crimp-type contacts for mating connections reduce installation time and require a lesser level of technician skill than do soldered and potted connections.
2. Switching connectors at predetermined locations permit an entire television camera chain, including pan and tilt functions, to be plugged in wherever needed along the composite cable with minimum effort.

(continued overleaf)

3. Inquiries concerning this invention may be directed to:

Technology Utilization Officer  
John F. Kennedy Space Center  
Kennedy Space Center, Florida 32899  
Reference: B66-10391

**Patent status:**

Inquiries about obtaining rights for the commercial use of this invention may be made to NASA, Code GP, Washington, D.C. 20546.

Source: Albert Kempson, Jr.  
(KSC-66-22)