

June 1966

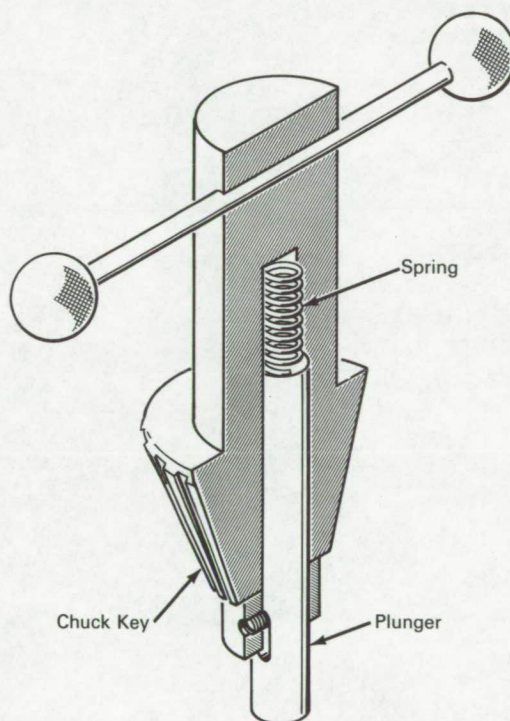
Brief 66-10243

NASA TECH BRIEF



NASA Tech Briefs are issued to summarize specific innovations derived from the U. S. space program and to encourage their commercial application. Copies are available to the public from the Clearinghouse for Federal Scientific and Technical Information, Springfield, Virginia 22151.

Lathe Chuck Key Incorporates Safety Feature



The problem:

To design a lathe chuck key that cannot inadvertently be left in the chuck when the lathe is started. A key retained in a chuck would fly out on startup of the lathe and present a potential hazard to personnel and equipment in the shop area.

The solution:

A chuck key incorporating a spring loaded plunger

that automatically ejects the key from the chuck when hand pressure is released.

How it's done:

The spring loaded plunger is positioned in a hole drilled through a central portion of the key. To insert the key in the chuck, sufficient hand pressure must be exerted to overcome the spring load, and depress the plunger into the hole. When the pressure is released

(continued overleaf)

after the chuck is tightened, the plunger will eject the key from the chuck.

Note:

Inquiries concerning this innovation may be directed to:

Technology Utilization Officer
Manned Spacecraft Center
Houston, Texas, 77058
Reference: B66-10243

Patent status:

No patent action is contemplated by NASA.

Source: G. L. Christman
of North American Aviation, Inc.
under contract to
Manned Spacecraft Center
(MSC-506)