

May 1966

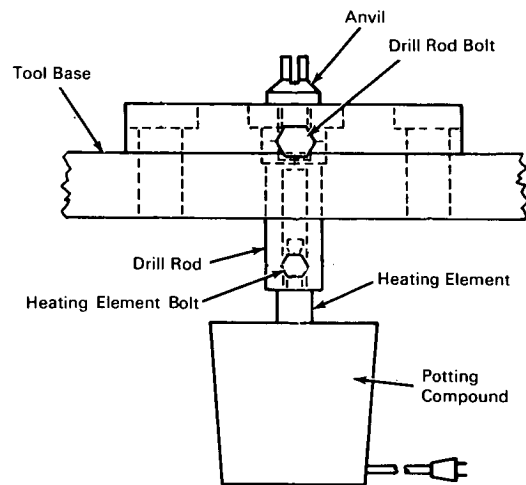
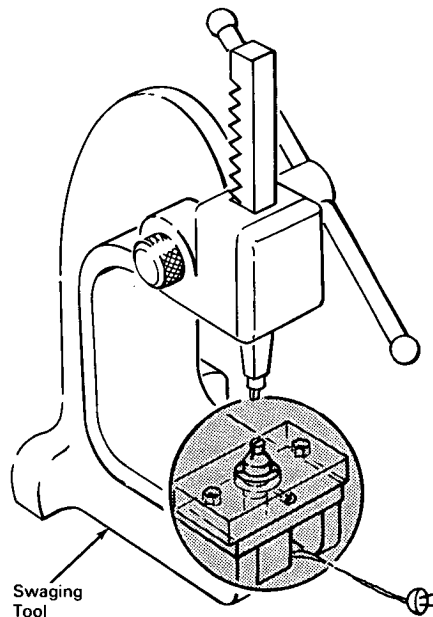
Brief 66-10206

NASA TECH BRIEF



NASA Tech Briefs are issued to summarize specific innovations derived from the U. S. space program and to encourage their commercial application. Copies are available to the public from the Clearinghouse for Federal Scientific and Technical Information, Springfield, Virginia 22151.

Low Power Heating Element Provides Thermal Control During Swaging Operations



The problem:

To supply heat to materials during swaging operations. Cold swaging of electrical terminals often results in cracking.

The solution:

The use of a low power, cylindrical heating element in a swaging anvil assembly to heat the material being worked on. The increased ductility of heated material results in crack-free deformation.

How it's done:

A standard swaging tool is modified by attachment of a heating device in its base. The heating device keeps the swaging anvil in intimate contact with a drill rod that holds a low power heating element. The heating element portion below the drill rod is encased in potting compound.

Power supplied to the heating element by a regulated source causes heat from the element to be conducted to the anvil through the drill rod. Items being swaged are thus heated by the anvil.

Notes:

1. This heating technique eliminates cracking of electric terminals being swaged, saves time, and enables the terminals to be installed correctly.
2. The heater from a soldering iron may be used as the heating element.
3. Inquiries concerning this invention may be directed to:

Technology Utilization Officer
Marshall Space Flight Center
Huntsville, Alabama, 35812
Reference: B66-10206

(continued overleaf)

Patent Status:

Inquiries about obtaining rights for the commercial use of this invention may be made to NASA, Code GP, Washington, D.C., 20546.

Source: James W. Crowell
of Chrysler Corporation, Space Division
under contract to
Marshall Space Flight Center
(M-FS-457)